


# ROME-4 PLANAR SVT-R

	DATE	EC NO.	PART NO.
REL	DEC/07/04	J79495	39T0167
			DEVELOPMENT NO.
			Q/M
			1 /88

VER 0.91  
DEC/07/2004

- |                                      |   |
|--------------------------------------|---|
| 1. TITLE PAGE                        | 45. CDC CONNECTOR                       |
| 2. EC HISTORY                        | 46. CARDBUS CONTROLLER(1/2)             |
| 3. CPU(1/3)                          | 47. CARDBUS CONTROLLER(2/2)             |
| 4. CPU(2/3)                          | 48. CARDBUS/EXC SLOT                    |
| 5. CPU(3/3)                          | 49. CARDBUS/EXC PWR CTRL                |
| 6. ITP CON/LARGE PTH HOLE/EMI FINGER | 50. < BLANK PAGE >                      |
| 7. VCCCPUCORE DECOUPLING             | 51. GBE BCM5751M(1/2)                   |
| 8. ALVISO(1/7) : HOST I/F            | 52. GBE BCM5751M(2/2)                   |
| 9. ALVISO(2/7) : DDR2-A              | 53. GBE MAGNETICS                       |
| 10. ALVISO(3/7) : DDR2-B             | 54. RJ11/RJ45 CONNECTOR                 |
| 11. ALVISO(4/7) : PEG/DMI            | 55. MINI PCI SLOT                       |
| 12. ALVISO(5/7) : GRAPHICS           | 56. PCI BUS SWITCH                      |
| 13. ALVISO(6/7) : VCC/GND            | 57. DOCKING CONNECTOR                   |
| 14. ALVISO(7/7) : VCC/GND(NTCF)      | 58. H8S/2161B                           |
| 15. DDR2 SODIMM-A                    | 59. KEYBOARD CONNECTOR                  |
| 16. DDR2 SODIMM-B                    | 60. TOUCH PAD CONNECTOR                 |
| 17. DDR2 TERMINATION                 | 61. MISC G/A (PMH6)                     |
| 18. DDR2 DECOUPLING                  | 62. IO KEEPER(SUPER I/O, TPM, RFTD)     |
| 19. CLOCK GEN(CK410M)                | 63. PARALLEL INTERFACE                  |
| 20. ATI M24(1/6) : PEG I/F           | 64. SERIAL INTERFACE                    |
| 21. ATI M24(2/6) : LVDS/CRT/TV/TMDS  | 65. IR MODULE                           |
| 22. ATI M24(3/6) : CLK/GPIO          | 66. THERMAL SENSOR                      |
| 23. ATI M24(4/6) : ANALOG POWER      | 67. I2CBUS/SMBUS                        |
| 24. ATI M24(5/6) : VCC               | 68. FAN CONTROL                         |
| 25. ATI M24(6/6) : GND               | 69. G-SENSOR                            |
| 26. LCD CONNECTOR                    | 70. EMC DECOUPLING                      |
| 27. EXT CRT INTERFACE                | 71. RGB SWITCH                          |
| 28. TV_OUT                           | 72. DC-IN AND CHARGER (ADP3806)         |
| 29. ICH6-M(1/4) : DMI/PCI/LPC/AC97   | 73. CHARGE SELECTOR                     |
| 30. ICH6-M(2/4) : ATA/USB/PM         | 74. BATTERY INPUT                       |
| 31. ICH6-M(3/4) : PCI EXPRESS        | 75. BATTERY MONITOR                     |
| 32. ICH6-M(4/4) : VCC/GND            | 76. POWER SEQUENCE                      |
| 33. FWH,RTC BATTERY                  | 77. DC-DC VCC3M/VCC5M (MAX1901ETJ)      |
| 34. SATA BRIDGE/HDD CONN             | 78. DC-DC VCCCPUCORE (ADP3205)          |
| 35. BAY I/F CONN                     | 79. DC-DC VCORE INPUT CAP               |
| 36. USB POWER/CONN                   | 80. DC-DC VCC1R8M (MAX1993ETG)          |
| 37. AUDIO AD1981B                    | 81. DC-DC VCC1R5M/VCC1R05B (MAX1540ETJ) |
| 38. AUDIO MISC                       | 82. DC-DC VCCVIDEOCORE (MAX1993ETG)     |
| 39. AUDIO INT MIC                    | 83. DC-DC VCC2R5M/VCC0R9B               |
| 40. AUDIO HP & EXT MIC CONN          | 84. TSURUMAI-2                          |
| 41. AUDIO EXT MIC AMP                | 85. LOAD SW 1 (VIDEO)                   |
| 42. AUDIO SPEAKER                    | 86. LOAD SW 2 (AUX)                     |
| 43. AUDIO HDP AMP AN12943A(1/2)      | 87. LOAD SW 3 (B,UBAY)                  |
| 44. AUDIO HDP AMP AN12943A(2/2)      | 88. MAX POWER CTRL                      |

39T0167

DESIGNER	Y.I	DEC/07/04	PART NO.	39T0167	
CHECKED	Y.Y	DEC/07/04			
APPROVED	T.S	DEC/07/04	TITLE ROME-4 SVT-R(V0.91)		
CLASS	T.S	DEC/07/04	TITLE PAGE		
THIS DOCUMENT IS THE PROPERTY OF IBM ITS USE IS AUTHORIZED ONLY FOR RESPONDING TO A REQUEST FOR QUOTATION OR FOR THE PERFORMANCE OF WORK FOR IBM. ALL QUESTIONS MUST BE REFERRED TO THE IBM PURCHASING DEPARTMENT.				IBM CONFIDENTIAL	

# EC HISTORY

	DATE	EC NO.	PART NO.
REL	DEC/07/04	J79495	39T0167
			DEVELOPMENT NO.
			Q/M
			2 /88

## PRE-DV

PRE-DV GERBER RELEASED 12/17/2003

VER.0.32 01/07/2004 RM4\_SDV\_EC\_126 AND CHANGE R130 TO 150.

## SDV

VER.0.33 01/07/2004 RM4\_SDV\_EC\_127  
 VER.0.34 01/16/2004 RM4\_SDV\_EC\_128/129/130/131  
 VER.0.35 01/20/2004 RM4\_SDV\_EC\_133/135  
 VER.0.36 01/23/2004 RM4\_SDV\_EC\_137  
 VER.0.37 01/27/2004 RM4\_SDV\_EC\_138 TO 141  
 VER.0.38 02/03/2004 RM4\_SDV\_EC\_142--148  
 VER.0.39 02/04/2004 RM4\_SDV\_EC\_149/150/151/152  
 VER.0.40 02/06/2004 RM4\_SDV\_EC\_153/154/155/156/157  
 VER.0.41 02/12/2004 RM4\_SDV\_EC\_158/159/160/161/162  
 VER.0.42 02/16/2004 RM4\_SDV\_EC\_163

SDV GERBER RELEASED 02/17/2004

VER.0.43 02/18/2004 RM4\_SDV\_EC\_164/165/166

## SIV

VER.0.44 03/26/2004 RM4\_SIV\_EC\_001/002  
 VER.0.45 04/01/2004 RM4\_SIV\_EC\_003 TO 008 AND 012  
 VER.0.46 04/05/2004 RM4\_SIV\_EC\_09/10/14/19/20/21/22/23/24  
 VER.0.47 04/07/2004 CORRECT R872 TO NO-ASMRM AND J31 CRT CONN WIRING.  
 VER.0.48 04/08/2004 RM4\_SIV\_EC\_027/28/30/31/34/35  
 VER.0.49 04/11/2004 RM4\_SIV\_EC\_35 CORRECTION (R41->ASM) AND  
 AND ADD EZJ1V270GA X7 (ESD REASON).

SIV GERBER RELEASED 04/13/2004

VER.0.50 04/16/2004 RM4\_SIV\_EC\_32/33/36/37/38  
 AND CORRECT C1000 TO SYMBOL WITH POLARITY.  
 VER.0.51 04/20/2004 CORRECT R417 TO 0 , R522 TO 2M.  
 VER.0.52 04/21/2004 RM4\_SIV\_EC\_39/40/41  
 VER.0.53 04/22/2004 RM4\_SIV\_EC\_42/43  
 VER.0.54 04/23/2004 RM4\_SIV\_EC\_44

## PRE-SIT

VER.0.55 05/18/2004 RM4\_SIT\_EC\_01/02/03/04  
 VER.0.56 05/21/2004 RM4\_SIT\_EC\_05/07/09/13/14/15  
 VER.0.57 05/25/2004 RM4\_SIT\_EC\_16/17/18  
 VER.0.58 05/26/2004 RM4\_SIT\_EC\_ LINKUP/ACTIVITY CHNAGE  
 VER.0.59 06/01/2004 RM4\_SIT\_EC\_19  
 VER.0.60 06/02/2004 RM4\_SIT\_EC\_20/21/23/24/25  
 VER.0.61 06/03/2004 RM4\_SIT\_EC\_26  
 VER.0.62 06/04/2004 RM4\_SIT\_EC\_27/28/29  
 VER.0.63 06/07/2004 RM4\_SIT\_EC\_23/27 CORRECTION/30  
 VER.0.64 06/11/2004 RM4\_SIT\_EC\_32

PRE-SIT GERBER RELEASED ON 06/16/2004

VER.0.65 06/21/2004 RM4\_SIT\_EC\_34  
 VER.0.66 06/30/2004 RM4\_SIT\_EC\_35 (R919 -> NO-ASM, R920->ASM)

## PRE-SIT (CONTINUE)

VER.0.67 07/07/2004 RM4\_SIT\_EC\_36 CHNAGED 12 PARTS  
 VER.0.68 07/20/2004 RM4\_SIT\_EC\_37/38/39/40

## SIT

VER.0.69 07/28/2004 RM4\_SITA\_EC\_02/03/06  
 VER.0.70 07/29/2004 RM4\_SITA\_EC\_07/08  
 VER.0.71 08/03/2004 RM4\_SITA\_EC\_09/10/11  
 VER.0.72 08/06/2004 RM4\_SITA\_EC\_12/13/14/15  
 VER.0.73 08/16/2004 RM4\_SITA\_EC\_16/17/18  
 VER.0.74 08/17/2004 RM4\_SITA\_EC\_19/20/21/22  
 VER.0.75 08/18/2004 RM4\_SITA\_EC\_23  
 VER.0.76 08/20/2004 RM4\_SITA\_EC\_26  
 VER.0.77 08/23/2004 RM4\_SITA\_EC\_27

SIT GERBER RELEASED 08/24/2004.

VER.0.78 08/30/2004 P51 TABLE CORRECTION  
 VER.0.79 09/01/2004 RM4\_SITA\_EC\_28  
 VER.0.80 09/10/2004 RM4\_SITA\_EC\_29/30

## SIT-R

VER.0.81 10/05/2004 RM4\_SITR\_EC\_01/02  
 VER.0.82 10/08/2004 RM4\_SITR\_EC\_03/04  
 VER.0.83 10/19/2004 RM4\_SITR\_EC\_05/06  
 VER.0.84 10/22/2004 RM4\_SITR\_EC\_07/08/10/11  
 VER.0.85 10/25/2004 RM4\_SITR\_EC\_12  
 SIT-R GERBER WAS RELEASED 10/28/2004.  
 VER.0.86 10/29/2004 RM4\_SITR\_EC\_13  
 VER.0.87 11/04/2004 RM4\_SITR\_EC\_15  
 VER.0.88 11/08/2004 RM4\_SITR\_EC\_16/17

## SVT

VER.0.89 11/09/2004 RM4\_SVT\_EC\_01/02/03

SVT GERBER WAS RELEASED 11/12/2004.

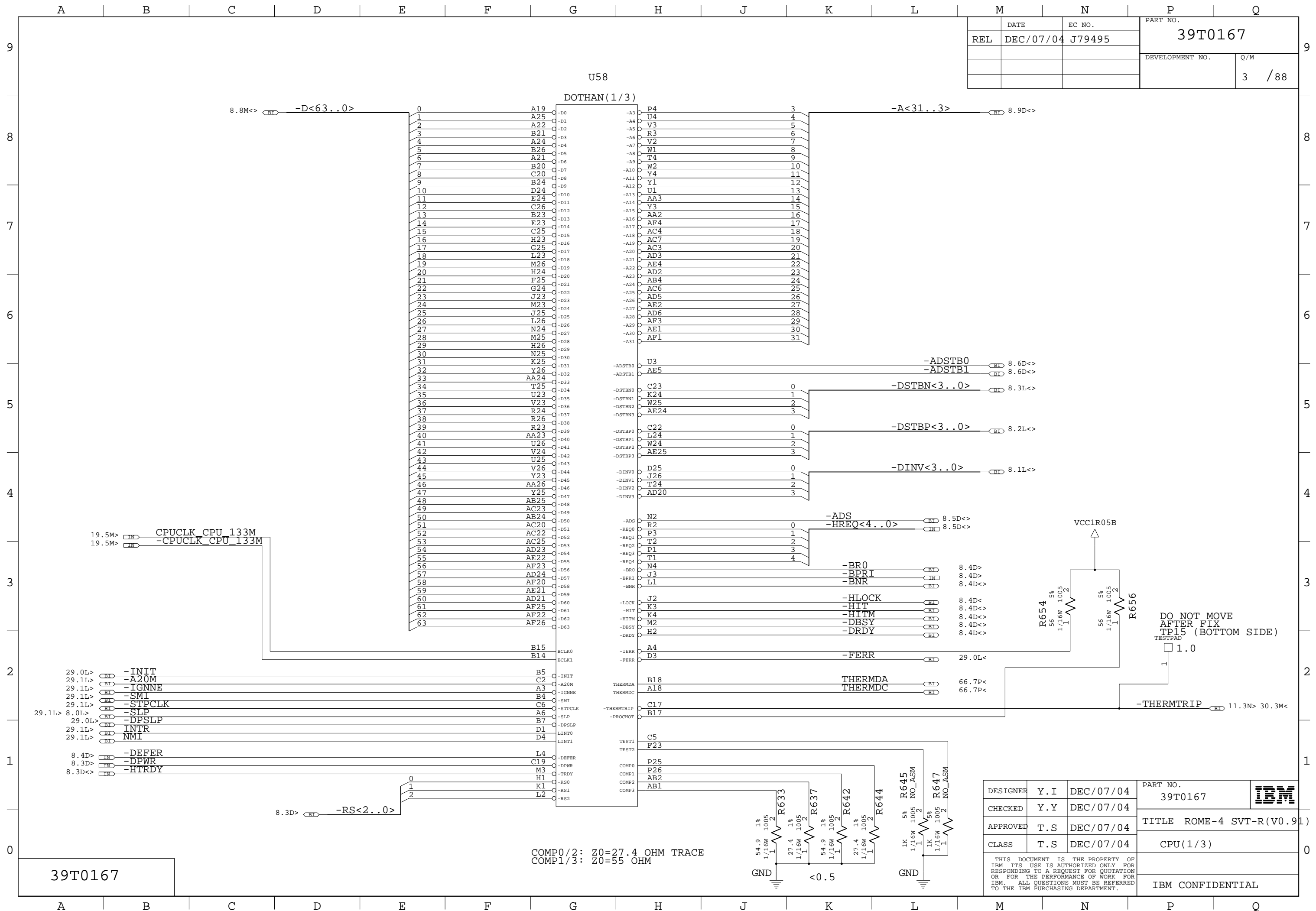
VER.0.90 11/15/2004 RM4\_SVT\_EC\_04/05  
 VER.0.90 11/17/2004 ASSIGNED DWG PN=39T0120.

## SVT-R

VER.0.91 11/26/2004 RM4\_SVTR\_EC\_01/02.  
 SVT-R GERBER WAS RELEASED 11/30/2004.  
 VER.0.91 12/07/2004 ASSIGNED DWG PN=39T0167.

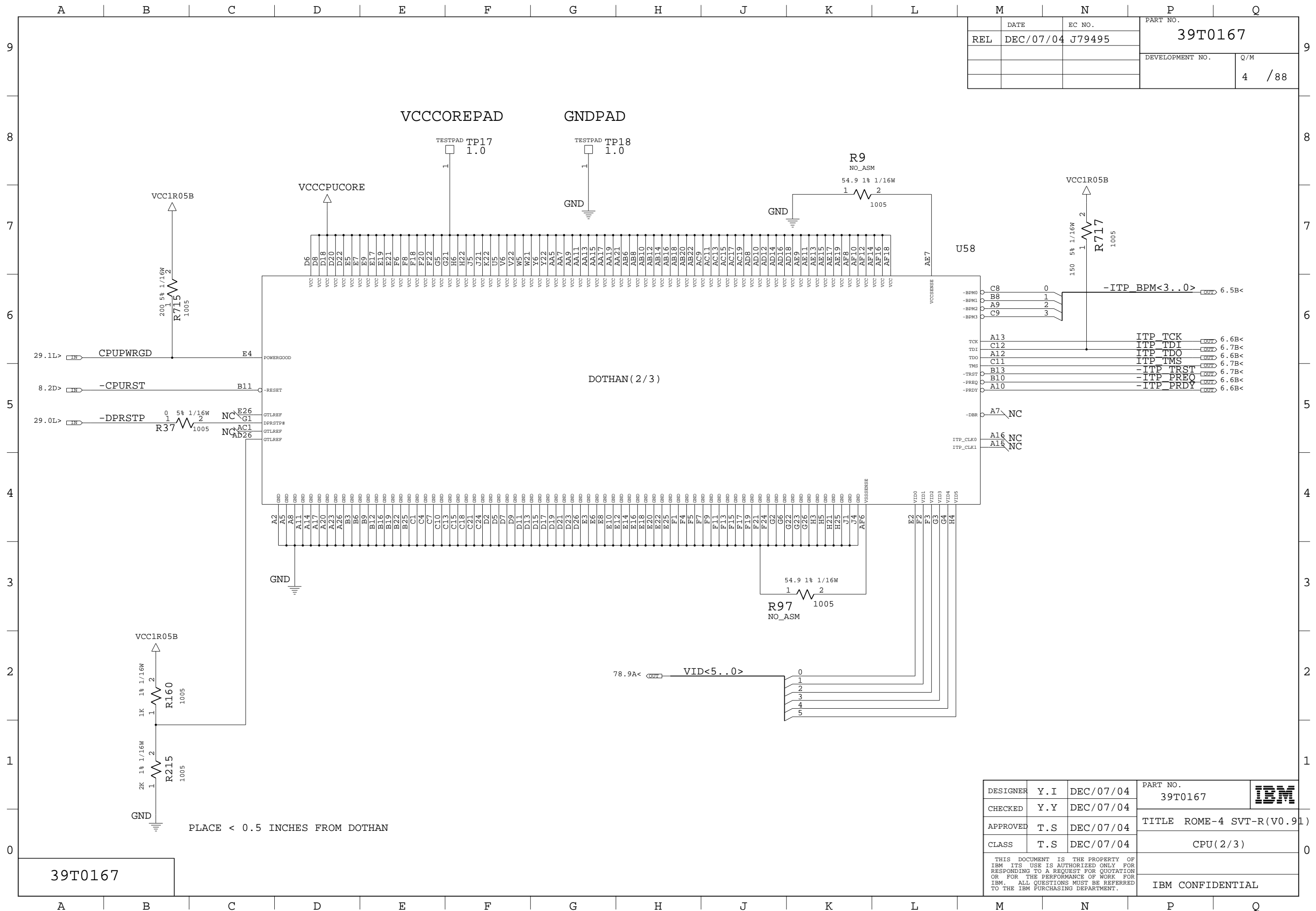
39T0167

DESIGNER	Y.I	DEC/07/04	PART NO.	<b>IBM</b>
CHECKED	Y.Y	DEC/07/04	39T0167	
APPROVED	T.S	DEC/07/04	TITLE ROME-4 SVT-R(V0.91)	
CLASS	T.S	DEC/07/04	HISTORY	
THIS DOCUMENT IS THE PROPERTY OF IBM ITS USE IS AUTHORIZED ONLY FOR RESPONDING TO A REQUEST FOR QUOTATION OR FOR THE PERFORMANCE OF WORK FOR IBM. ALL QUESTIONS MUST BE REFERRED TO THE IBM PURCHASING DEPARTMENT.				IBM CONFIDENTIAL



39T0167

DESIGNER	Y.I	DEC/07/04	PART NO.	39T0167	<b>IBM</b>
CHECKED	Y.Y	DEC/07/04	TITLE		
APPROVED	T.S	DEC/07/04	CLASS	CPU(1/3)	
THIS DOCUMENT IS THE PROPERTY OF IBM. ITS USE IS AUTHORIZED ONLY FOR RESPONDING TO A REQUEST FOR QUOTATION OR FOR THE PERFORMANCE OF WORK FOR IBM. ALL QUESTIONS MUST BE REFERRED TO THE IBM PURCHASING DEPARTMENT.				IBM CONFIDENTIAL	



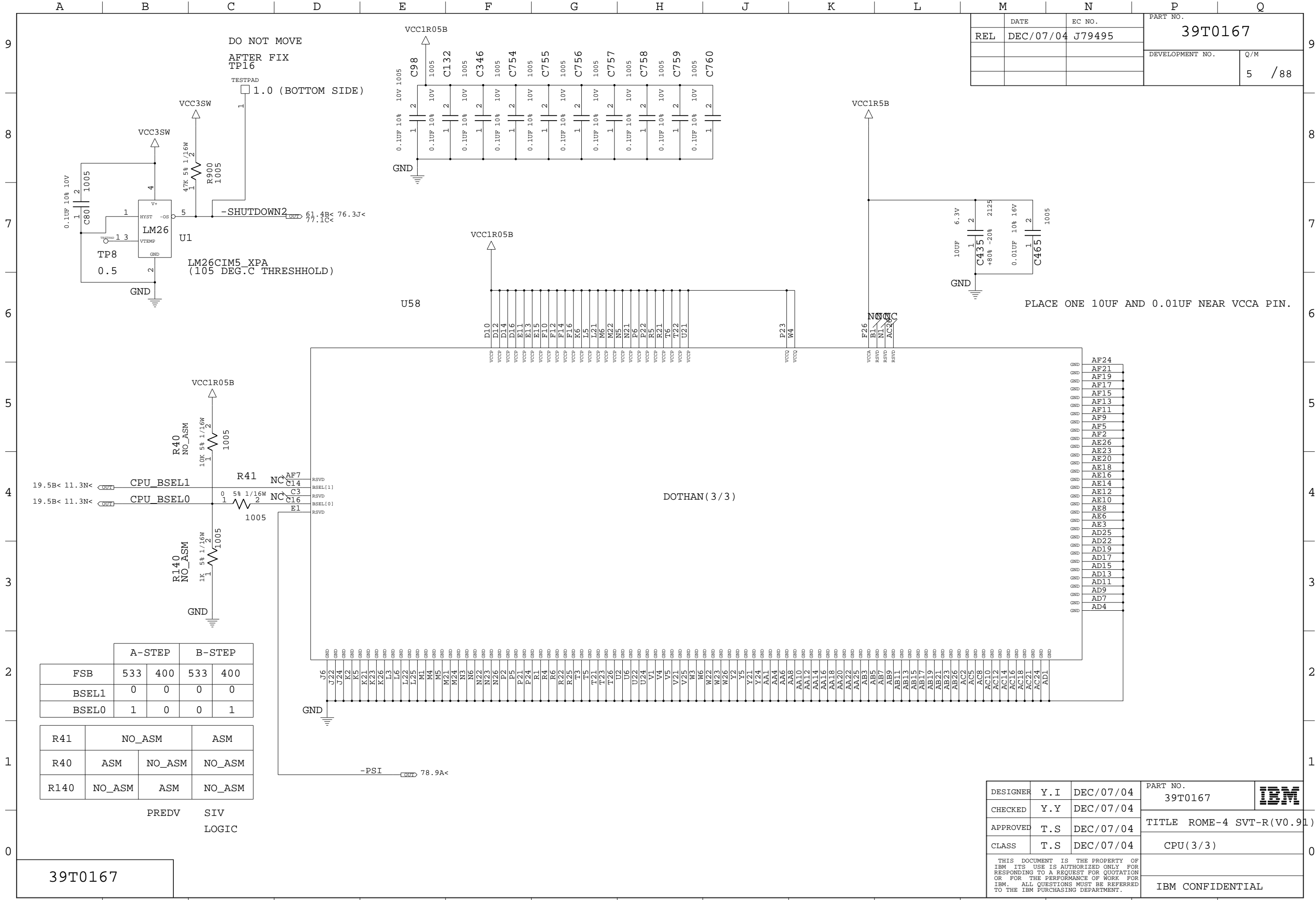
DATE	EC NO.	PART NO.	
REL DEC/07/04	J79495	39T0167	
		DEVELOPMENT NO.	Q/M
			4 / 88

DESIGNER	Y. I	DEC/07/04	PART NO.	39T0167	
CHECKED	Y. Y	DEC/07/04			
APPROVED	T. S	DEC/07/04	TITLE ROME-4 SVT-R (V0.91)		
CLASS	T. S	DEC/07/04	CPU (2/3)		
THIS DOCUMENT IS THE PROPERTY OF IBM. ITS USE IS AUTHORIZED ONLY FOR RESPONDING TO A REQUEST FOR QUOTATION OR FOR THE PERFORMANCE OF WORK FOR IBM. ALL QUESTIONS MUST BE REFERRED TO THE IBM PURCHASING DEPARTMENT.					IBM CONFIDENTIAL

39T0167

PLACE < 0.5 INCHES FROM DOETHAN

REL	DATE DEC/07/04	EC NO. J79495	PART NO. 39T0167
			DEVELOPMENT NO. Q/M 5 / 88



	A-STEP		B-STEP	
FSB	533	400	533	400
BSEL1	0	0	0	0
BSEL0	1	0	0	1

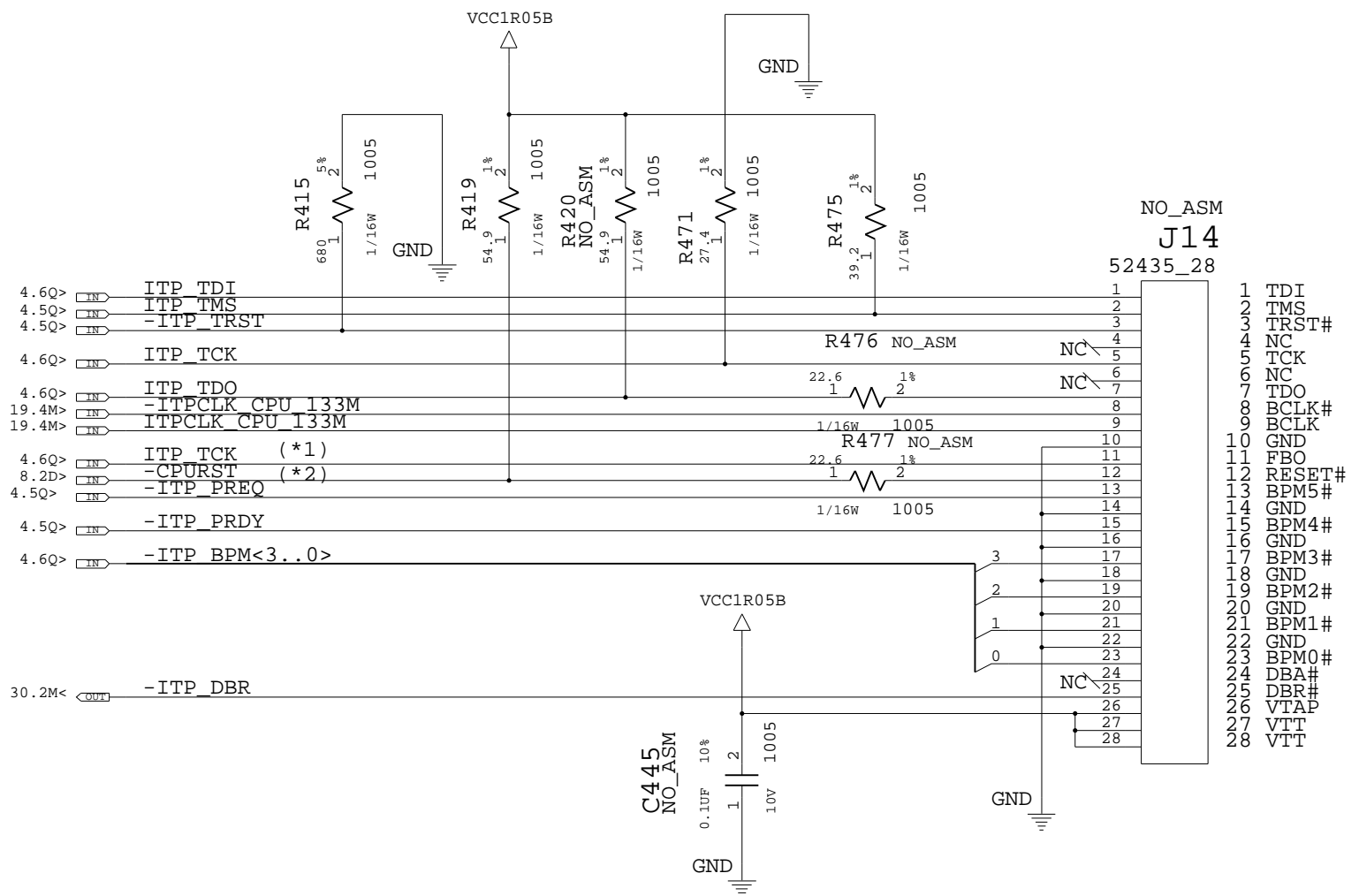
R41	NO_ASM		ASM
R40	ASM	NO_ASM	NO_ASM
R140	NO_ASM	ASM	NO_ASM

PREDV SIV  
LOGIC

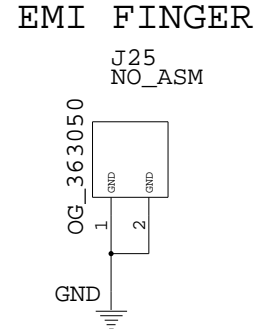
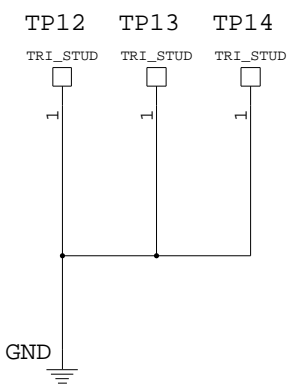
39T0167

DESIGNER	Y.I	DEC/07/04	PART NO.	39T0167	IBM
CHECKED	Y.Y	DEC/07/04			
APPROVED	T.S	DEC/07/04	TITLE ROME-4 SVT-R(V0.91)		
CLASS	T.S	DEC/07/04	CPU(3/3)		
THIS DOCUMENT IS THE PROPERTY OF IBM. ITS USE IS AUTHORIZED ONLY FOR RESPONDING TO A REQUEST FOR QUOTATION OR FOR THE PERFORMANCE OF WORK FOR IBM. ALL QUESTIONS MUST BE REFERRED TO THE IBM PURCHASING DEPARTMENT.				IBM CONFIDENTIAL	

	DATE	EC NO.	PART NO.	
REL	DEC/07/04	J79495	39T0167	
			DEVELOPMENT NO.	Q/M
			6	/88



LARGE PTH HOLE

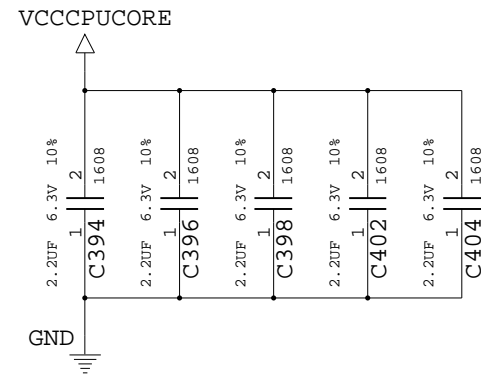
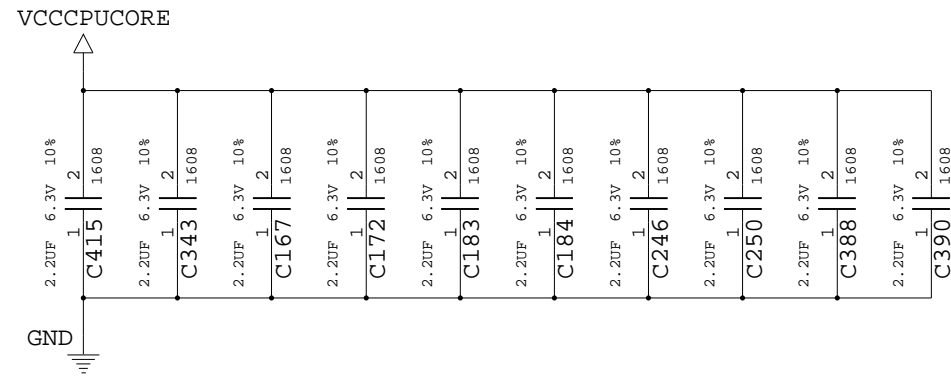


(\*1) TCK SIGNAL IS BRANCHED AT DOTHAN PIN  
 (\*2) -CPURST SIGNAL IS BRANCHED AT ALVISO PIN

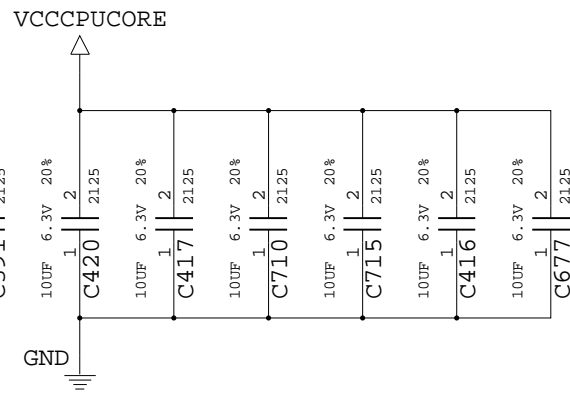
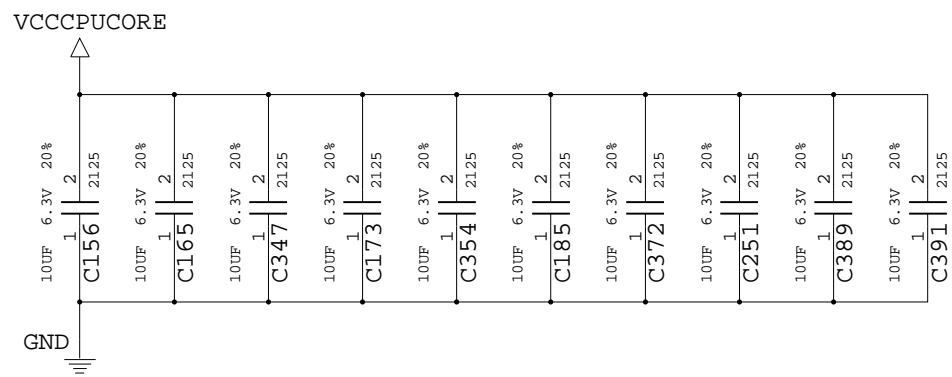
39T0167

DESIGNER	Y.I	DEC/07/04	PART NO.	39T0167	<b>IBM</b>
CHECKED	Y.Y	DEC/07/04			
APPROVED	T.S	DEC/07/04	TITLE ROME-4 SVT-R(V0.91)		
CLASS	T.S	DEC/07/04	ITP CONN/LARGE PTH HOLE		
THIS DOCUMENT IS THE PROPERTY OF IBM ITS USE IS AUTHORIZED ONLY FOR RESPONDING TO A REQUEST FOR QUOTATION OR FOR THE PERFORMANCE OF WORK FOR IBM. ALL QUESTIONS MUST BE REFERRED TO THE IBM PURCHASING DEPARTMENT.				EMI FINGER	
				IBM CONFIDENTIAL	

	DATE	EC NO.	PART NO.	
REL	DEC/07/04	J79495	39T0167	
			DEVELOPMENT NO.	Q/M
				7 / 88



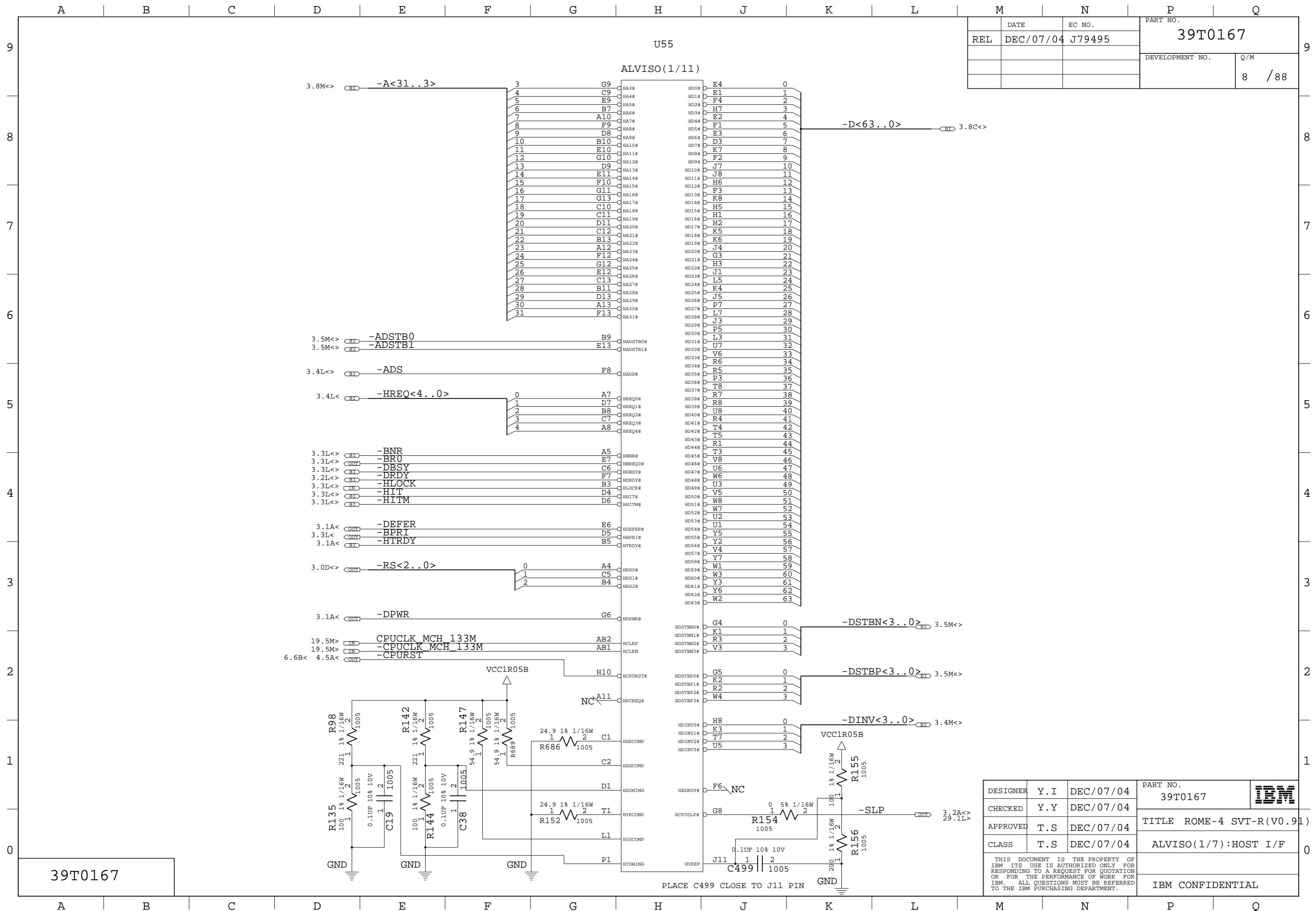
2.2UF X5R 1608 1/16W X15PCS



10UF X5R 2125 1/16W X16PCS

39T0167

DESIGNER	Y.I	DEC/07/04	PART NO.	IBM
CHECKED	Y.Y	DEC/07/04	39T0167	
APPROVED	T.S	DEC/07/04	TITLE ROME-4 SVT-R(V0.91)	
CLASS	T.S	DEC/07/04	VCCCPUCORE DECOUPLING	
THIS DOCUMENT IS THE PROPERTY OF IBM ITS USE IS AUTHORIZED ONLY FOR RESPONDING TO A REQUEST FOR QUOTATION OR FOR THE PERFORMANCE OF WORK FOR IBM. ALL QUESTIONS MUST BE REFERRED TO THE IBM PURCHASING DEPARTMENT.				IBM CONFIDENTIAL

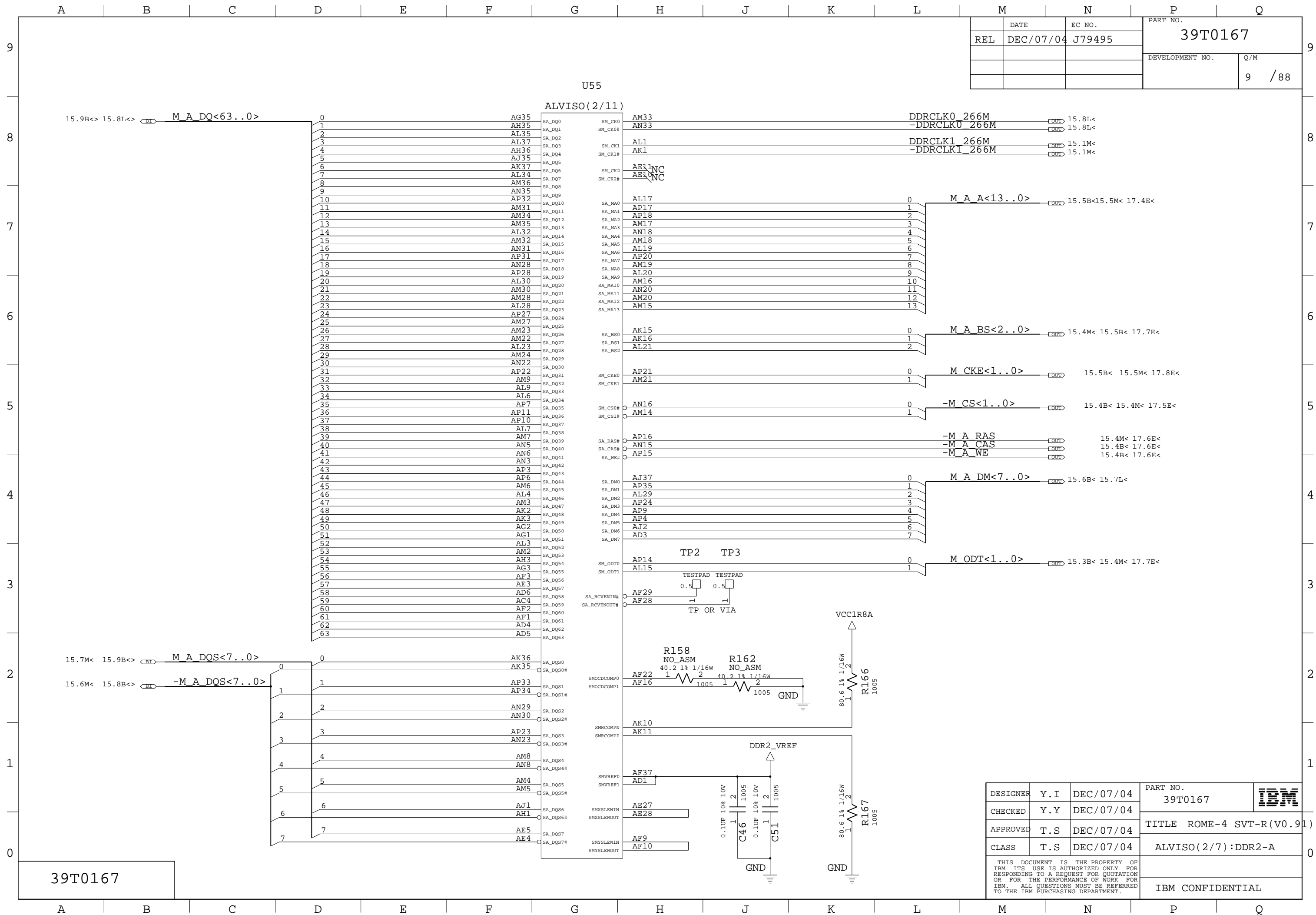


REL	DATE	EC NO.	PART NO.
	DEC/07/04	J79495	39T0167
			DEVELOPMENT NO.
			Q/M
			8 / 88

DESIGNER	Y.I	DEC/07/04	PART NO.	IBM
CHECKED	Y.Y	DEC/07/04	39T0167	
APPROVED	T.S	DEC/07/04	TITLE	ROME-4 SVT-R(V0.91)
CLASS	T.S	DEC/07/04		ALVISO(1/7):HOST I/F
THIS DOCUMENT IS THE PROPERTY OF IBM ITS USE IS AUTHORIZED ONLY FOR RESPONDING TO A REQUEST FOR QUOTATION OR FOR THE PERFORMANCE OF WORK FOR IBM. ALL QUESTIONS MUST BE REFERRED TO THE IBM PURCHASING DEPARTMENT.				IBM CONFIDENTIAL

39T0167

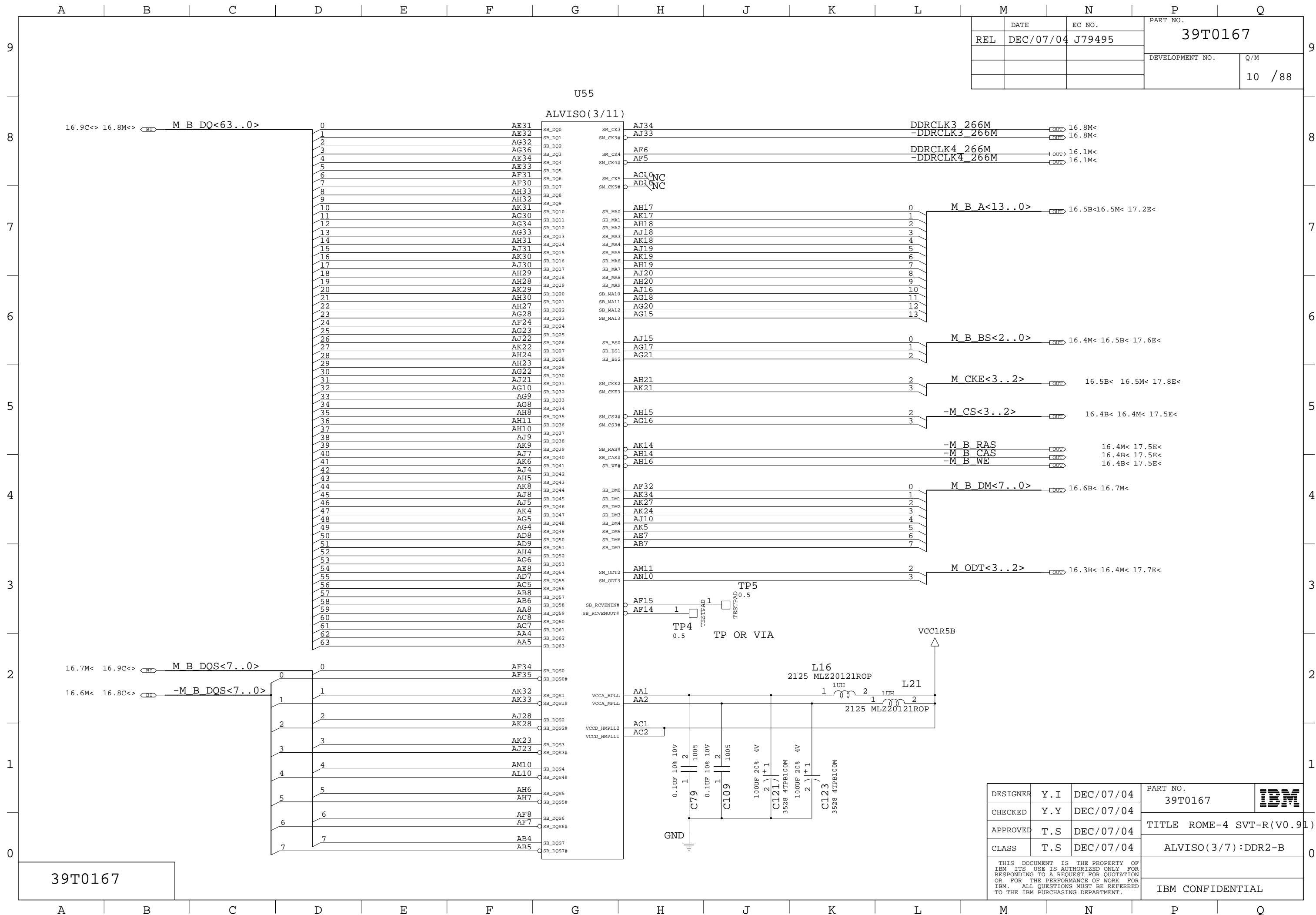




DATE	DEC/07/04	EC NO.	J79495	PART NO.	39T0167
REL				DEVELOPMENT NO.	9 / 88

39T0167

DESIGNER	Y.I	DEC/07/04	PART NO.	39T0167	IBM
CHECKED	Y.Y	DEC/07/04	TITLE ROME-4 SVT-R(V0.91)		
APPROVED	T.S	DEC/07/04	ALVISO(2/7):DDR2-A		
CLASS	T.S	DEC/07/04	THIS DOCUMENT IS THE PROPERTY OF IBM ITS USE IS AUTHORIZED ONLY FOR RESPONDING TO A REQUEST FOR QUOTATION OR FOR THE PERFORMANCE OF WORK FOR IBM. ALL QUESTIONS MUST BE REFERRED TO THE IBM PURCHASING DEPARTMENT.		IBM CONFIDENTIAL



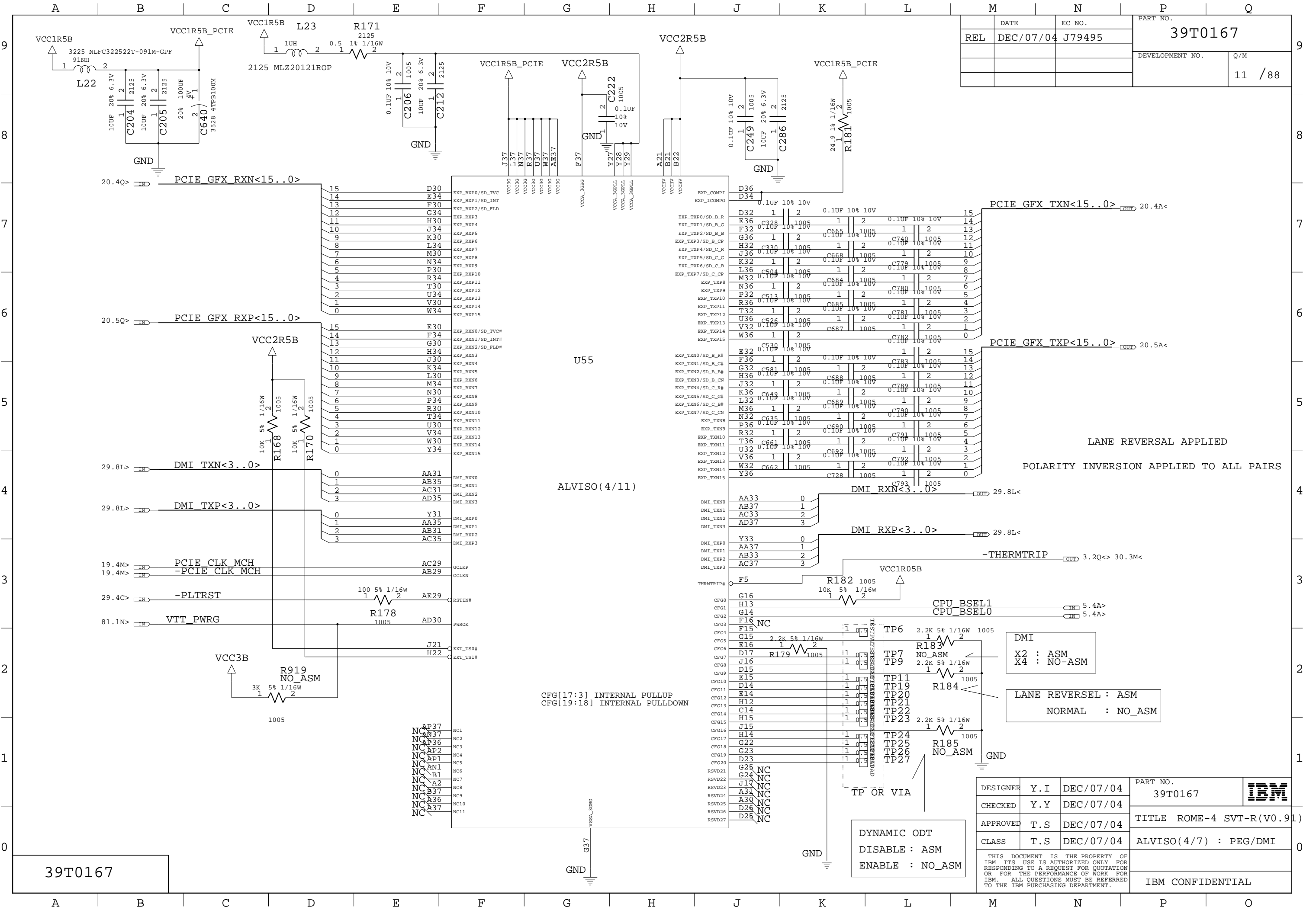
DATE	DEC/07/04	EC NO.	J79495	PART NO.	39T0167
REL				DEVELOPMENT NO.	Q/M
					10 / 88

U55  
ALVISO(3/11)

DESIGNER	Y.I	DEC/07/04	PART NO.	39T0167	<b>IBM</b>
CHECKED	Y.Y	DEC/07/04			
APPROVED	T.S	DEC/07/04	TITLE ROME-4 SVT-R(V0.91)		
CLASS	T.S	DEC/07/04	ALVISO(3/7):DDR2-B		
THIS DOCUMENT IS THE PROPERTY OF IBM. ITS USE IS AUTHORIZED ONLY FOR RESPONDING TO A REQUEST FOR QUOTATION OR FOR THE PERFORMANCE OF WORK FOR IBM. ALL QUESTIONS MUST BE REFERRED TO THE IBM PURCHASING DEPARTMENT.					IBM CONFIDENTIAL

39T0167

DATE	DEC/07/04	EC NO.	J79495	PART NO.	39T0167
REL				DEVELOPMENT NO.	11 / 88



PCIE GFX RXN<15..0> **OUT** 20.4A<

PCIE GFX TXP<15..0> **OUT** 20.5A<

DMI RXN<3..0> **OUT** 29.8L<

DMI RXP<3..0> **OUT** 29.8L<

-THERMTRIP **OUT** 3.2Q< 30.3M<

CPU\_BSEL1 **IN** 5.4A>

CPU\_BSEL0 **IN** 5.4A>

DMI  
X2 : ASM  
X4 : NO-ASM

LANE REVERSEL : ASM  
NORMAL : NO\_ASM

DESIGNER	Y.I	DEC/07/04	PART NO.	39T0167	<b>IBM</b>
CHECKED	Y.Y	DEC/07/04	TITLE	ROME-4 SVT-R(V0.91)	
APPROVED	T.S	DEC/07/04	CLASS	ALVISO(4/7) : PEG/DMI	

THIS DOCUMENT IS THE PROPERTY OF IBM ITS USE IS AUTHORIZED ONLY FOR RESPONDING TO A REQUEST FOR QUOTATION OR FOR THE PERFORMANCE OF WORK FOR IBM. ALL QUESTIONS MUST BE REFERRED TO THE IBM PURCHASING DEPARTMENT.

IBM CONFIDENTIAL

39T0167

DYNAMIC ODT  
DISABLE : ASM  
ENABLE : NO\_ASM

CFG[17:3] INTERNAL PULLUP  
CFG[19:18] INTERNAL PULLDOWN

LANE REVERSAL APPLIED  
POLARITY INVERSION APPLIED TO ALL PAIRS

ALVISO(4/11)

U55

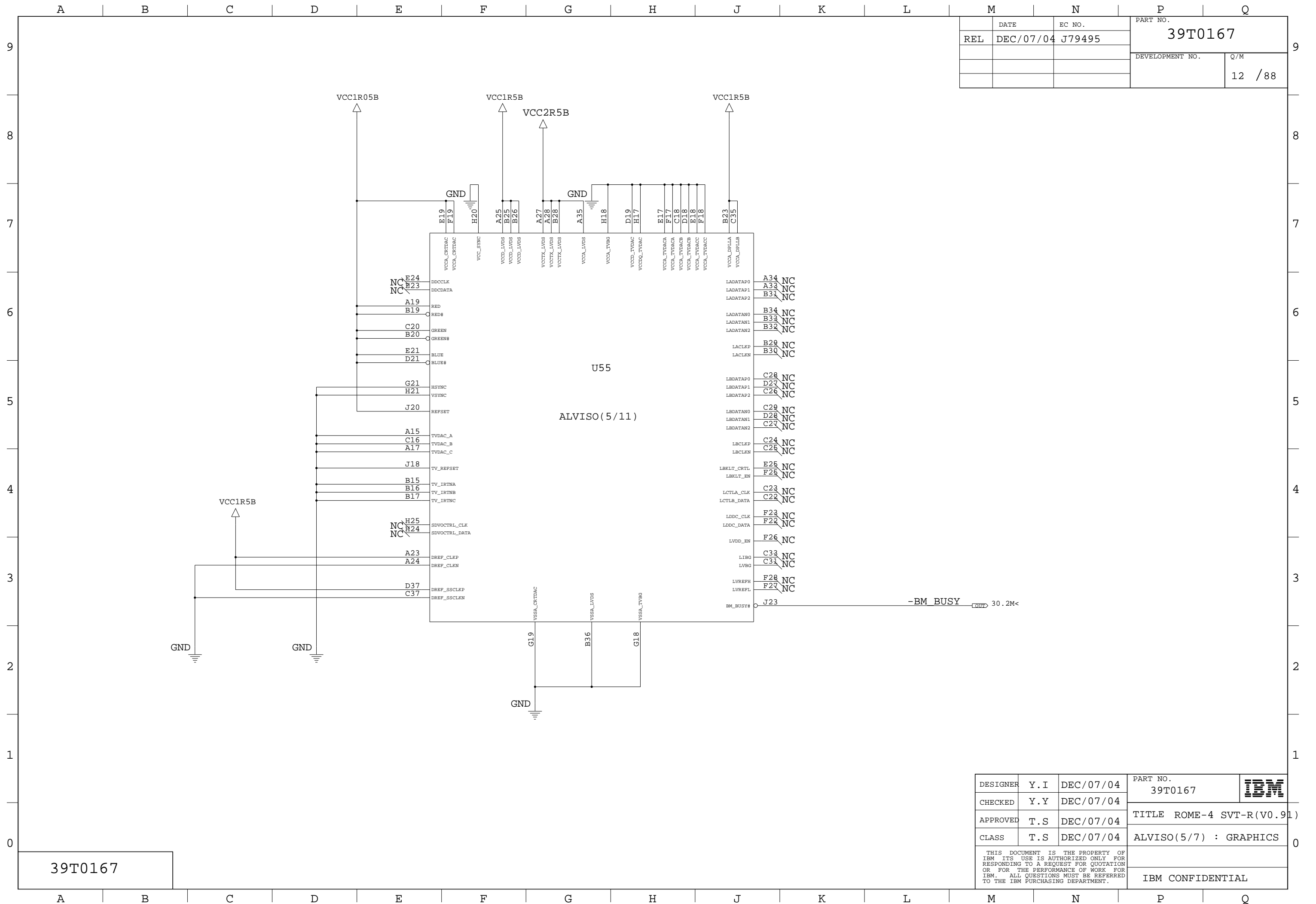
TP OR VIA

GND

G37 VSSA\_30BG

AP37 NC1  
AN37 NC2  
AP36 NC3  
AP2 NC4  
AP1 NC5  
AN1 NC6  
B1 NC7  
A2 NC8  
B37 NC9  
A36 NC10  
A37 NC11

EXP_RXP0/SD_TVC	D30	1	2	0.1UF 10% 10V	15
EXP_RXP1/SD_INT	E34	1	2	0.1UF 10% 10V	14
EXP_RXP2/SD_FLD	F30	1	2	0.1UF 10% 10V	13
EXP_RXP3	H30	1	2	0.1UF 10% 10V	11
EXP_RXP4	J34	1	2	0.1UF 10% 10V	10
EXP_RXP5	K30	1	2	0.1UF 10% 10V	9
EXP_RXP6	L34	1	2	0.1UF 10% 10V	8
EXP_RXP7	M30	1	2	0.1UF 10% 10V	7
EXP_RXP8	N34	1	2	0.1UF 10% 10V	6
EXP_RXP9	P30	1	2	0.1UF 10% 10V	5
EXP_RXP10	R34	1	2	0.1UF 10% 10V	4
EXP_RXP11	T30	1	2	0.1UF 10% 10V	3
EXP_RXP12	U34	1	2	0.1UF 10% 10V	2
EXP_RXP13	V30	1	2	0.1UF 10% 10V	1
EXP_RXP14	W34	1	2	0.1UF 10% 10V	0
EXP_RXP15	Y34	1	2	0.1UF 10% 10V	0
EXP_RXN0/SD_TVC#	E30	1	2	0.1UF 10% 10V	15
EXP_RXN1/SD_INT#	F34	1	2	0.1UF 10% 10V	14
EXP_RXN2/SD_FLD#	G30	1	2	0.1UF 10% 10V	13
EXP_RXN3	H34	1	2	0.1UF 10% 10V	11
EXP_RXN4	J30	1	2	0.1UF 10% 10V	10
EXP_RXN5	K34	1	2	0.1UF 10% 10V	9
EXP_RXN6	L30	1	2	0.1UF 10% 10V	8
EXP_RXN7	M34	1	2	0.1UF 10% 10V	7
EXP_RXN8	N30	1	2	0.1UF 10% 10V	6
EXP_RXN9	P34	1	2	0.1UF 10% 10V	5
EXP_RXN10	R30	1	2	0.1UF 10% 10V	4
EXP_RXN11	T34	1	2	0.1UF 10% 10V	3
EXP_RXN12	U30	1	2	0.1UF 10% 10V	2
EXP_RXN13	V34	1	2	0.1UF 10% 10V	1
EXP_RXN14	W30	1	2	0.1UF 10% 10V	0
EXP_RXN15	Y34	1	2	0.1UF 10% 10V	0
EXP_TXN0/SD_B_R#	E32	1	2	0.1UF 10% 10V	15
EXP_TXN1/SD_B_G#	F36	1	2	0.1UF 10% 10V	14
EXP_TXN2/SD_B_B#	G32	1	2	0.1UF 10% 10V	13
EXP_TXN3/SD_B_CN	H36	1	2	0.1UF 10% 10V	12
EXP_TXN4/SD_C_R#	J32	1	2	0.1UF 10% 10V	11
EXP_TXN5/SD_C_G#	K36	1	2	0.1UF 10% 10V	10
EXP_TXN6/SD_C_B#	L32	1	2	0.1UF 10% 10V	9
EXP_TXN7/SD_C_CN	M36	1	2	0.1UF 10% 10V	8
EXP_TXN8	N32	1	2	0.1UF 10% 10V	7
EXP_TXN9	P36	1	2	0.1UF 10% 10V	6
EXP_TXN10	R32	1	2	0.1UF 10% 10V	5
EXP_TXN11	T36	1	2	0.1UF 10% 10V	4
EXP_TXN12	U32	1	2	0.1UF 10% 10V	3
EXP_TXN13	V36	1	2	0.1UF 10% 10V	2
EXP_TXN14	W32	1	2	0.1UF 10% 10V	1
EXP_TXN15	Y36	1	2	0.1UF 10% 10V	0
EXP_COMP1	D36	1	2	0.1UF 10% 10V	15
EXP_ICOMP0	D34	1	2	0.1UF 10% 10V	14
EXP_TXP0/SD_B_R	E36	1	2	0.1UF 10% 10V	13
EXP_TXP1/SD_B_G	F32	1	2	0.1UF 10% 10V	12
EXP_TXP2/SD_B_B	G36	1	2	0.1UF 10% 10V	11
EXP_TXP3/SD_B_CP	H32	1	2	0.1UF 10% 10V	10
EXP_TXP4/SD_C_R	J36	1	2	0.1UF 10% 10V	9
EXP_TXP5/SD_C_G	K32	1	2	0.1UF 10% 10V	8
EXP_TXP6/SD_C_B	L36	1	2	0.1UF 10% 10V	7
EXP_TXP7/SD_C_CP	M32	1	2	0.1UF 10% 10V	6
EXP_TXP8	N36	1	2	0.1UF 10% 10V	5
EXP_TXP9	P32	1	2	0.1UF 10% 10V	4
EXP_TXP10	R36	1	2	0.1UF 10% 10V	3
EXP_TXP11	T32	1	2	0.1UF 10% 10V	2
EXP_TXP12	U36	1	2	0.1UF 10% 10V	1
EXP_TXP13	V32	1	2	0.1UF 10% 10V	0
EXP_TXP14	W36	1	2	0.1UF 10% 10V	0
EXP_TXP15	Y36	1	2	0.1UF 10% 10V	0
DMI_TXN0	AA33	0			
DMI_TXN1	AB37	1			
DMI_TXN2	AC33	2			
DMI_TXN3	AD37	3			
DMI_RXP0	Y33	0			
DMI_RXP1	AA37	1			
DMI_RXP2	AB33	2			
DMI_RXP3	AC37	3			
CFG0	G16	1			
CFG1	H13	1			
CFG2	G14	1			
CFG3	F16	1			
CFG4	G15	1			
CFG5	E16	1			
CFG6	D17	1			
CFG7	J16	1			
CFG8	D15	1			
CFG9	E15	1			
CFG10	D14	1			
CFG11	E14	1			
CFG12	H12	1			
CFG13	C14	1			
CFG14	H15	1			
CFG15	J15	1			
CFG16	H14	1			
CFG17	G22	1			
CFG18	G23	1			
CFG19	D23	1			
CFG20	D23	1			
RSVD21	G25	NC			
RSVD22	G24	NC			
RSVD23	J17	NC			
RSVD24	A31	NC			
RSVD25	A30	NC			
RSVD26	D26	NC			
RSVD27	D25	NC			

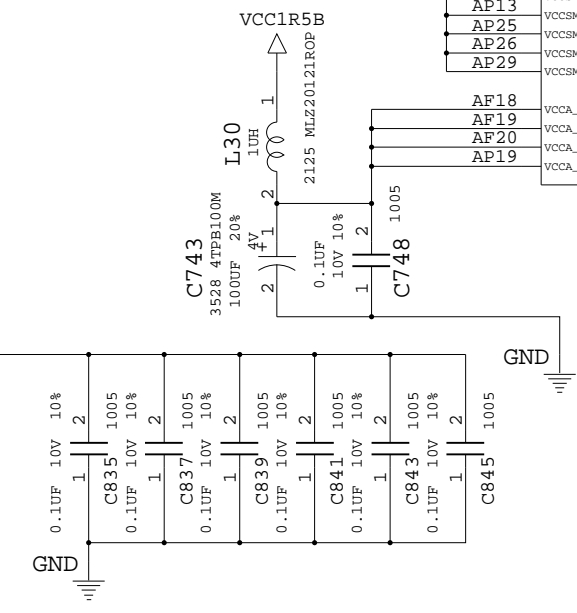
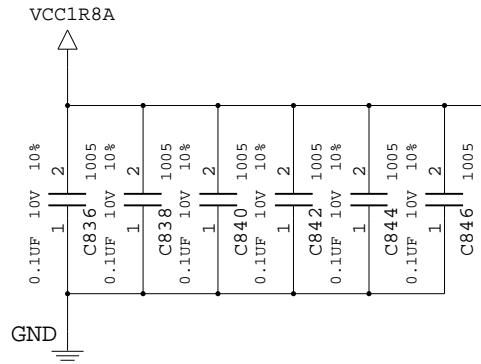
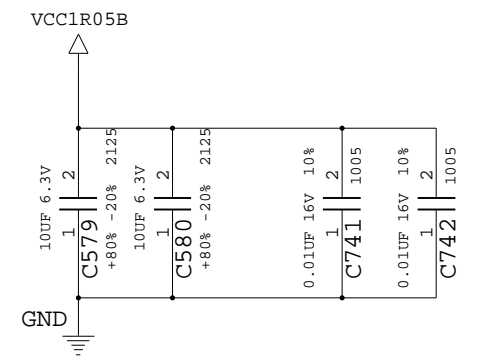
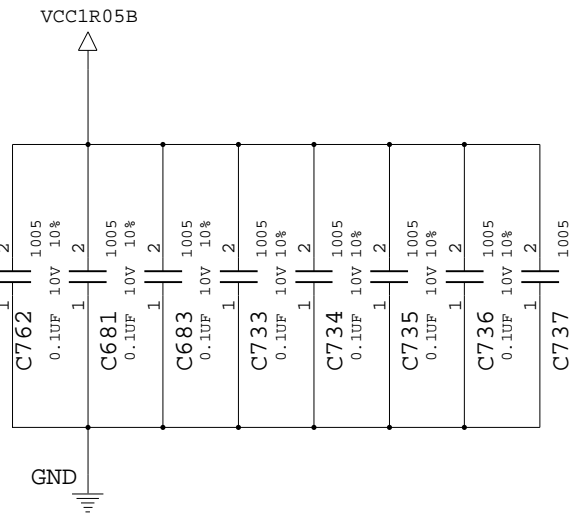
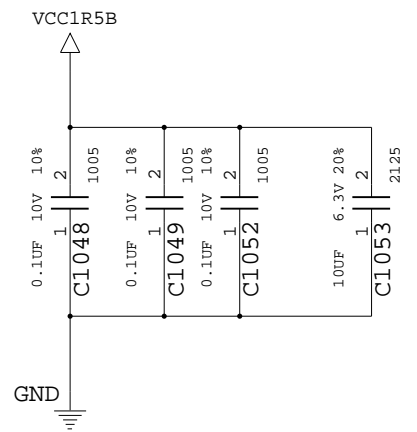
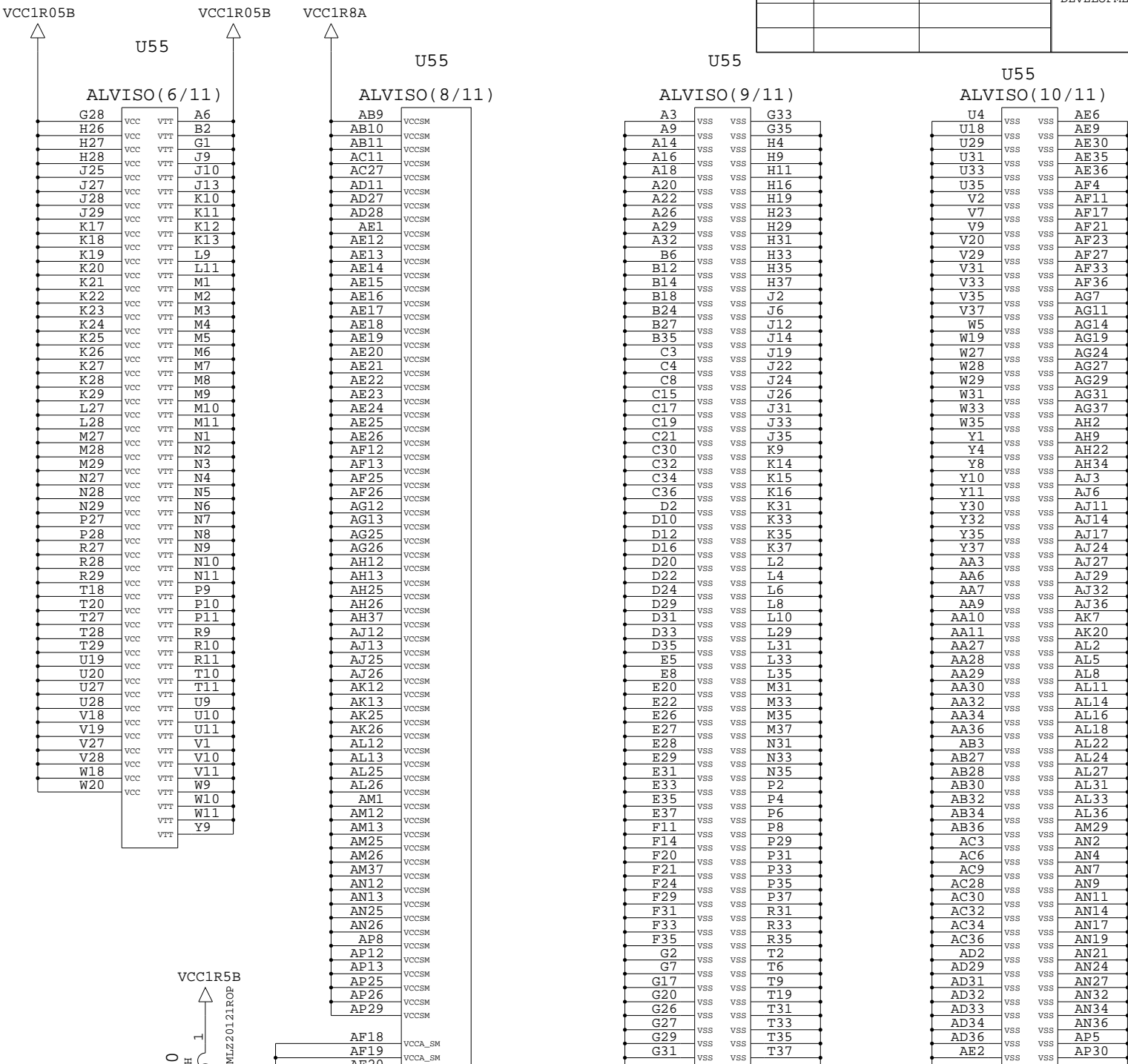


	DATE	EC NO.	PART NO.
REL	DEC/07/04	J79495	39T0167
			DEVELOPMENT NO.
			Q/M
			12 / 88

39T0167

DESIGNER	Y. I	DEC/07/04	PART NO.	39T0167	
CHECKED	Y. Y	DEC/07/04			
APPROVED	T. S	DEC/07/04	TITLE ROME-4 SVT-R(V0.91)		
CLASS	T. S	DEC/07/04	ALVISO(5/7) : GRAPHICS		
THIS DOCUMENT IS THE PROPERTY OF IBM ITS USE IS AUTHORIZED ONLY FOR RESPONDING TO A REQUEST FOR QUOTATION OR FOR THE PERFORMANCE OF WORK FOR IBM. ALL QUESTIONS MUST BE REFERRED TO THE IBM PURCHASING DEPARTMENT.				IBM CONFIDENTIAL	

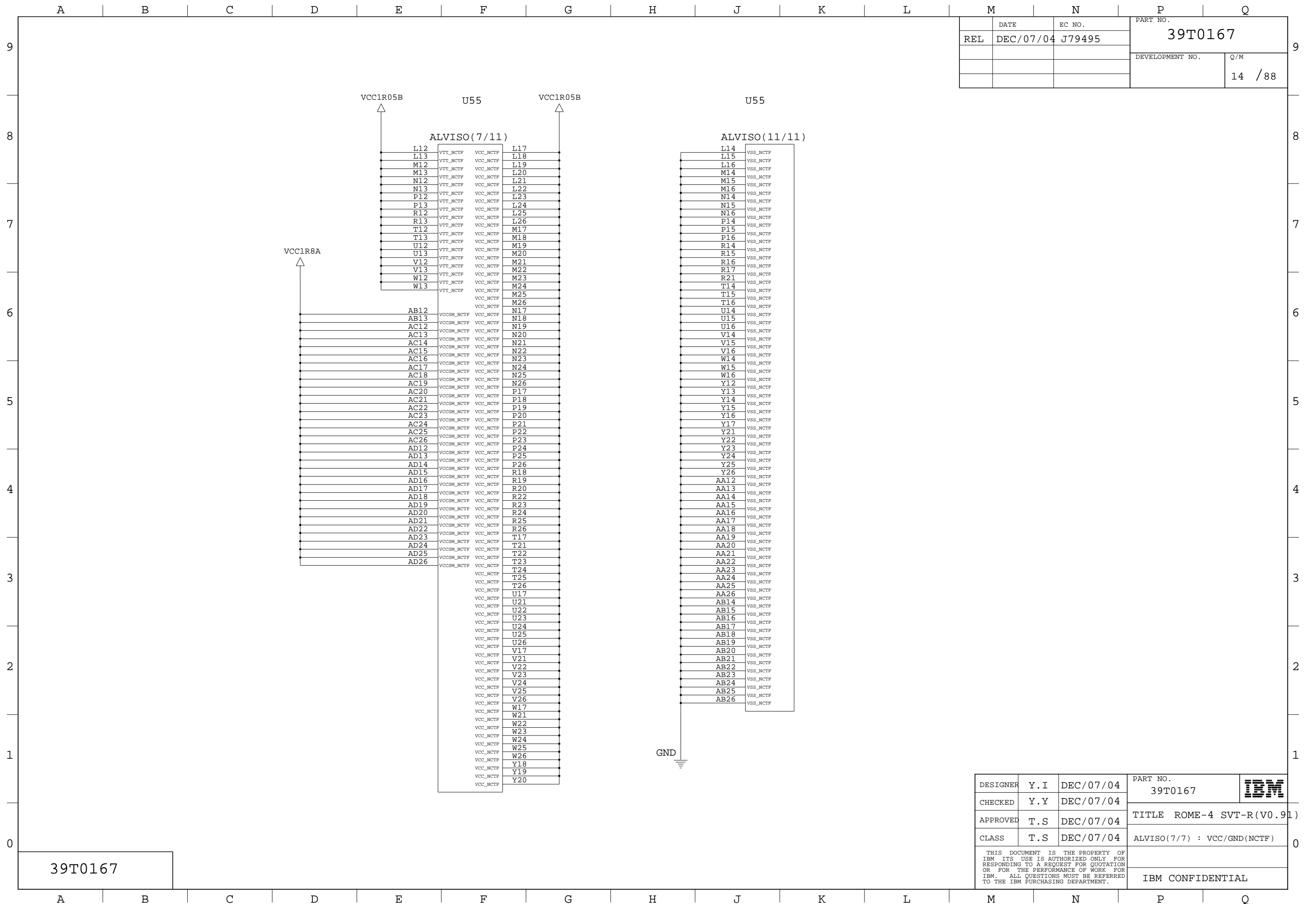
REL	DATE DEC/07/04	EC NO. J79495	PART NO. 39T0167
			DEVELOPMENT NO. 13 / 88
			Q/M



PLACE NEAR VCCGA AND VCCHA.

39T0167

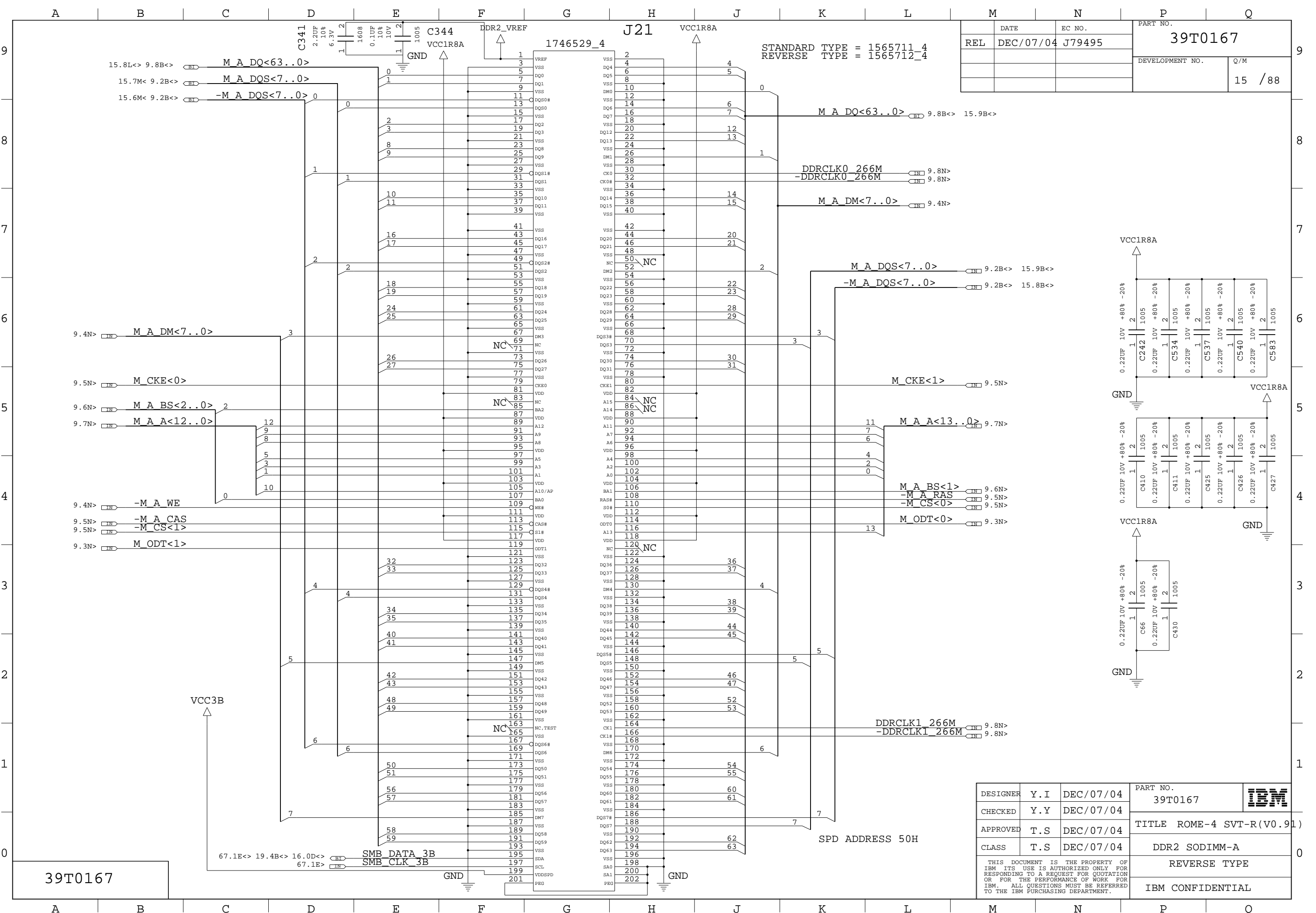
DESIGNER	Y.I	DEC/07/04	PART NO. 39T0167	
CHECKED	Y.Y	DEC/07/04	TITLE ROME-4 SVT-R(V0.91)	
APPROVED	T.S	DEC/07/04	CLASS T.S	ALVISO(6/7) : VCC/GND
THIS DOCUMENT IS THE PROPERTY OF IBM. ITS USE IS AUTHORIZED ONLY FOR RESPONDING TO A REQUEST FOR QUOTATION OR FOR THE PERFORMANCE OF WORK FOR IBM. ALL QUESTIONS MUST BE REFERRED TO THE IBM PURCHASING DEPARTMENT.				IBM CONFIDENTIAL



	DATE	EC NO.	PART NO.	
REL	DEC/07/04	J79495	39T0167	
			DEVELOPMENT NO.	Q/M
				14 / 88

DESIGNER	Y. I	DEC/07/04	PART NO.	<b>IBM</b>
CHECKED	Y. Y	DEC/07/04	39T0167	
APPROVED	T. S	DEC/07/04	TITLE ROME-4 SVT-R(V0.91)	
CLASS	T. S	DEC/07/04	ALVISO(7/7) : VCC/GND(NCTF)	
THIS DOCUMENT IS THE PROPERTY OF IBM ITS USE IS AUTHORIZED ONLY FOR RESPONDING TO A REQUEST FOR QUOTATION OR FOR THE PERFORMANCE OF WORK FOR IBM. ALL QUESTIONS MUST BE REFERRED TO THE IBM PURCHASING DEPARTMENT.				IBM CONFIDENTIAL

39T0167

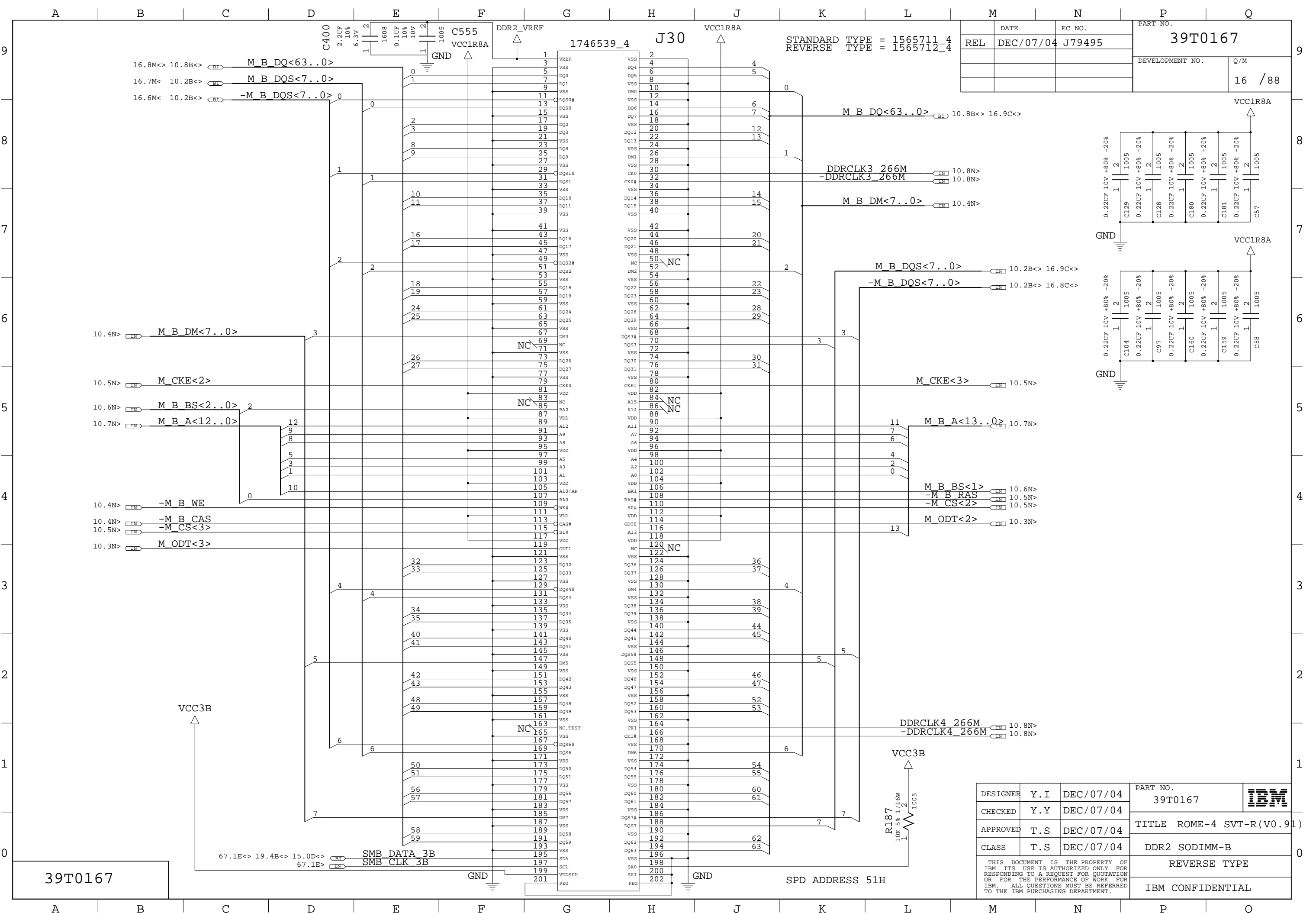


DATE	DEC/07/04	EC NO.	J79495	PART NO.	39T0167
REL				DEVELOPMENT NO.	15 / 88
				Q/M	

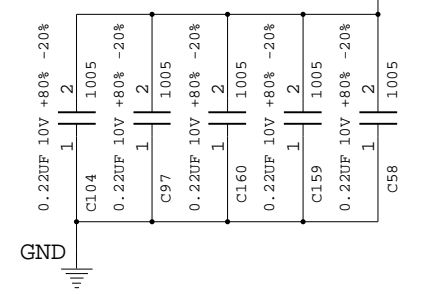
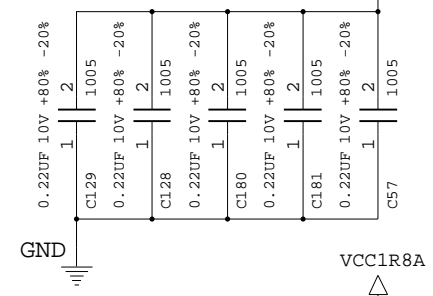
STANDARD TYPE = 1565711\_4  
REVERSE TYPE = 1565712\_4

DESIGNER	Y.I	DEC/07/04	PART NO.	39T0167	<b>IBM</b>
CHECKED	Y.Y	DEC/07/04			
APPROVED	T.S	DEC/07/04	TITLE ROME-4 SVT-R(V0.91)		
CLASS	T.S	DEC/07/04	DDR2 SODIMM-A		
THIS DOCUMENT IS THE PROPERTY OF IBM ITS USE IS AUTHORIZED ONLY FOR RESPONDING TO A REQUEST FOR QUOTATION OR FOR THE PERFORMANCE OF WORK FOR IBM. ALL QUESTIONS MUST BE REFERRED TO THE IBM PURCHASING DEPARTMENT.					REVERSE TYPE
					IBM CONFIDENTIAL

39T0167



DATE	DEC/07/04	EC NO.	J79495	PART NO.	39T0167
REL				DEVELOPMENT NO.	16 / 88



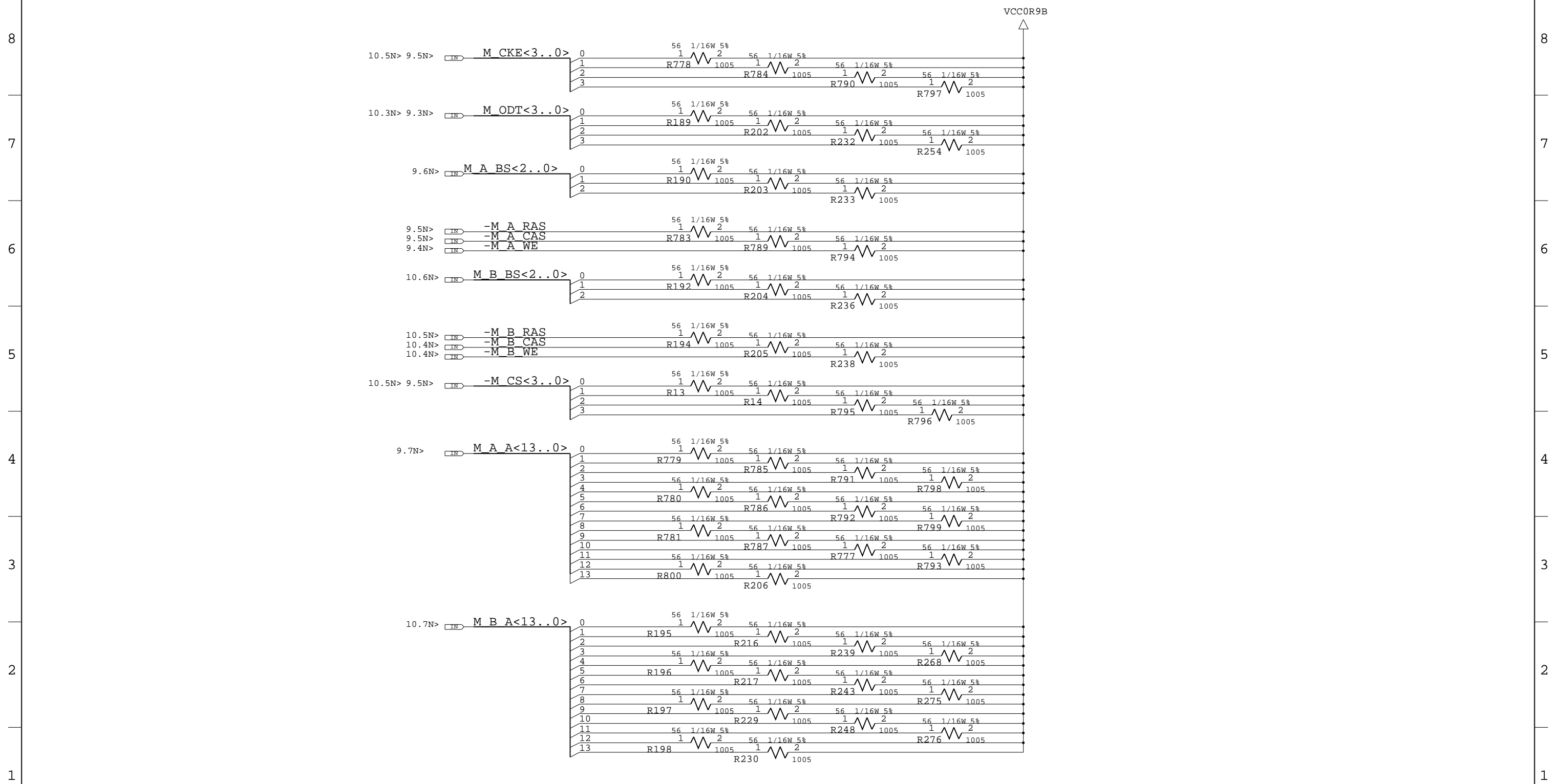
DESIGNER	Y.I	DEC/07/04	PART NO.	39T0167	
CHECKED	Y.Y	DEC/07/04	TITLE ROME-4 SVT-R(V0.91)		
APPROVED	T.S	DEC/07/04	DDR2 SODIMM-B		
CLASS	T.S	DEC/07/04	REVERSE TYPE		
THIS DOCUMENT IS THE PROPERTY OF IBM. ITS USE IS AUTHORIZED ONLY FOR RESPONDING TO A REQUEST FOR QUOTATION OR FOR THE PERFORMANCE OF WORK FOR IBM. ALL QUESTIONS MUST BE REFERRED TO THE IBM PURCHASING DEPARTMENT.					IBM CONFIDENTIAL

39T0167

SPD ADDRESS 51H

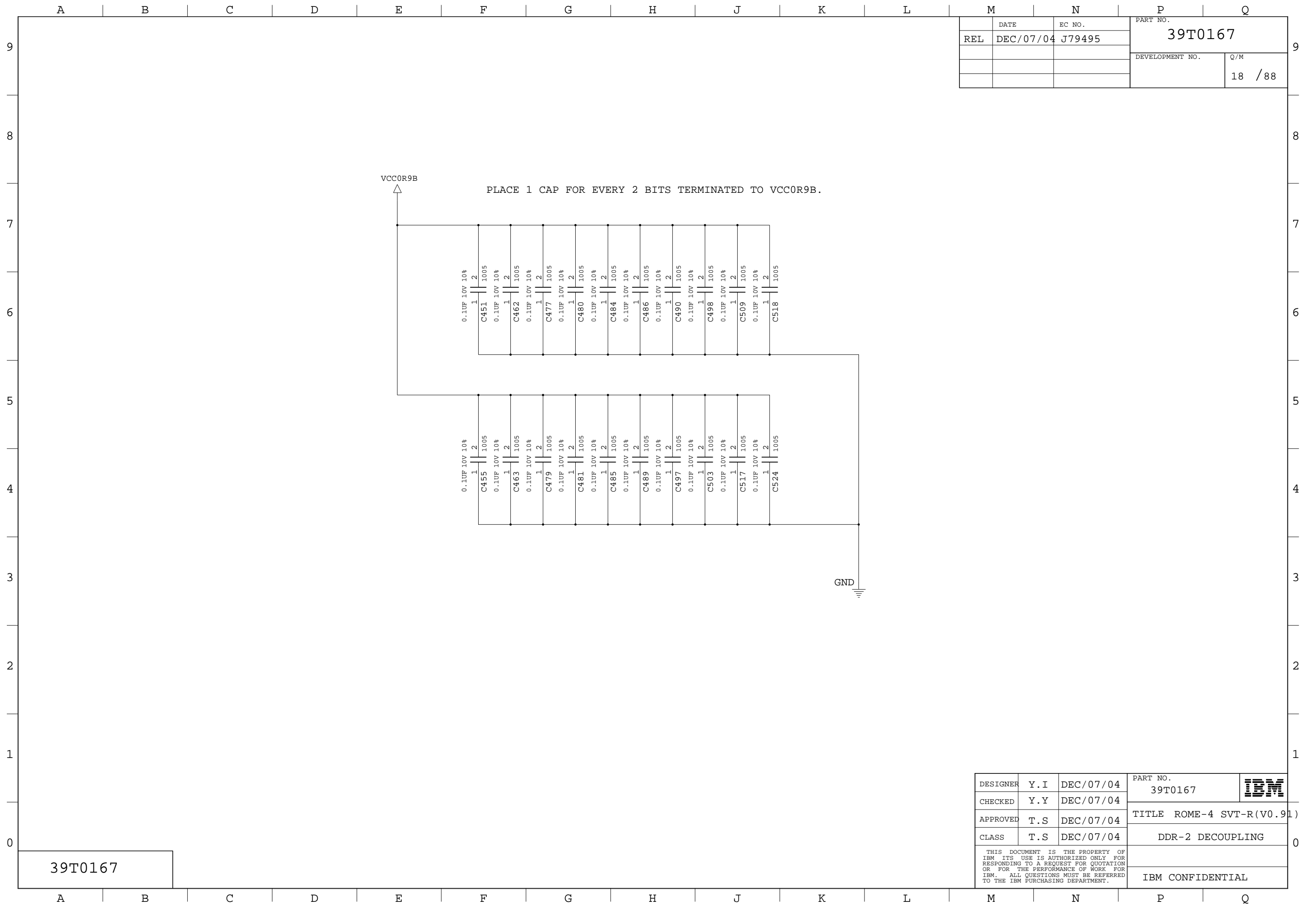


													DATE	EC NO.	PART NO.	
													REL	DEC/07/04	J79495	39T0167
															DEVELOPMENT NO.	Q/M
																17 / 88



39T0167

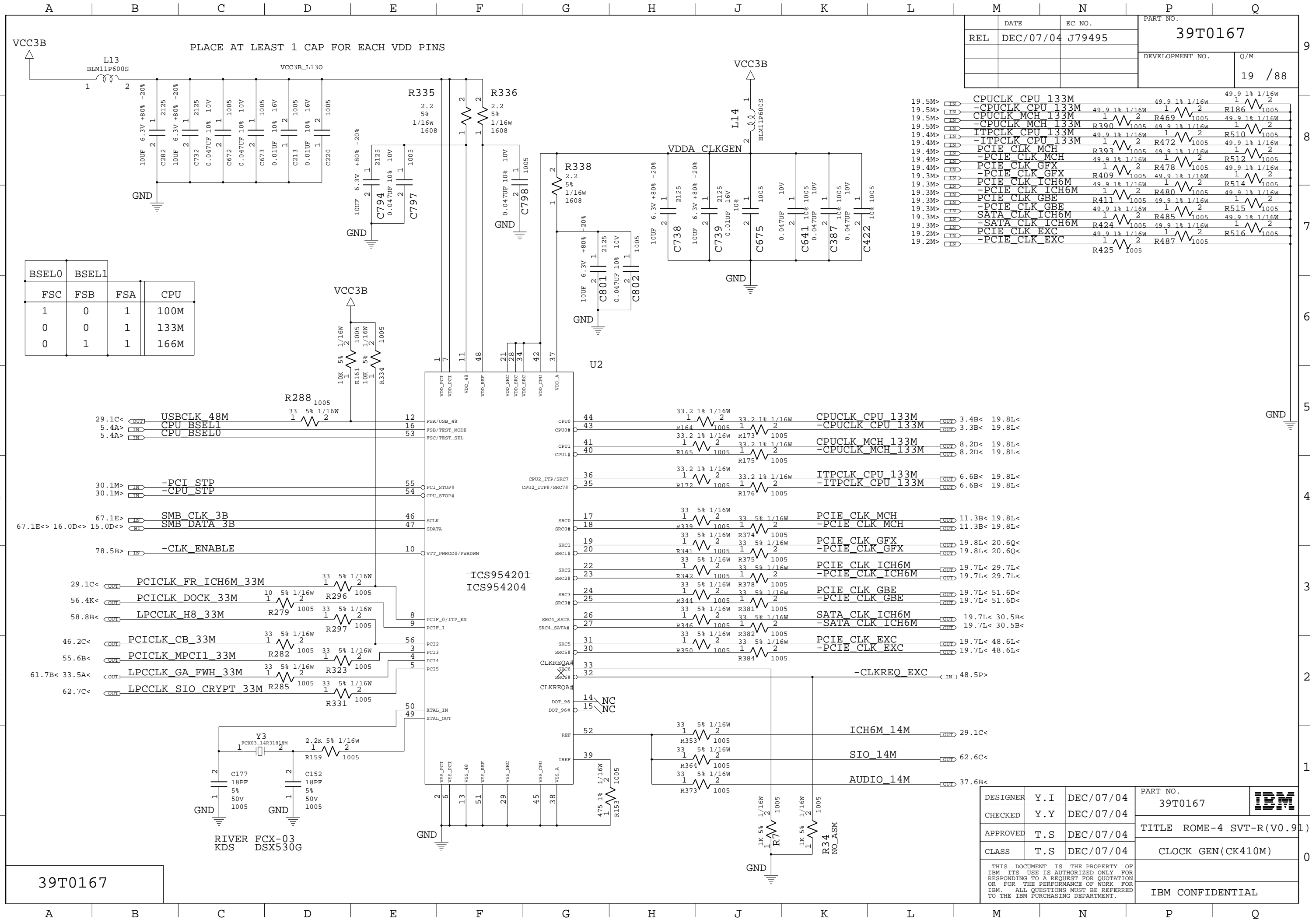
DESIGNER	Y.I	DEC/07/04	PART NO.	<b>IBM</b>
CHECKED	Y.Y	DEC/07/04	39T0167	
APPROVED	T.S	DEC/07/04	TITLE ROME-4 SVT-R(V0.91)	
CLASS	T.S	DEC/07/04	DDR-2 TERMINATION	
THIS DOCUMENT IS THE PROPERTY OF IBM ITS USE IS AUTHORIZED ONLY FOR RESPONDING TO A REQUEST FOR QUOTATION OR FOR THE PERFORMANCE OF WORK FOR IBM. ALL QUESTIONS MUST BE REFERRED TO THE IBM PURCHASING DEPARTMENT.				IBM CONFIDENTIAL



	DATE	EC NO.	PART NO.	
REL	DEC/07/04	J79495	39T0167	
			DEVELOPMENT NO.	Q/M
				18 /88

39T0167

DESIGNER	Y. I	DEC/07/04	PART NO.	IBM
CHECKED	Y. Y	DEC/07/04	39T0167	
APPROVED	T. S	DEC/07/04	TITLE ROME-4 SVT-R (V0.91)	
CLASS	T. S	DEC/07/04	DDR-2 DECOUPLING	
THIS DOCUMENT IS THE PROPERTY OF IBM. ITS USE IS AUTHORIZED ONLY FOR RESPONDING TO A REQUEST FOR QUOTATION OR FOR THE PERFORMANCE OF WORK FOR IBM. ALL QUESTIONS MUST BE REFERRED TO THE IBM PURCHASING DEPARTMENT.				IBM CONFIDENTIAL



PLACE AT LEAST 1 CAP FOR EACH VDD PINS

BSEL0	BSEL1	FSC	FSB	FSA	CPU
1	0	1			100M
0	0	1			133M
0	1	1			166M

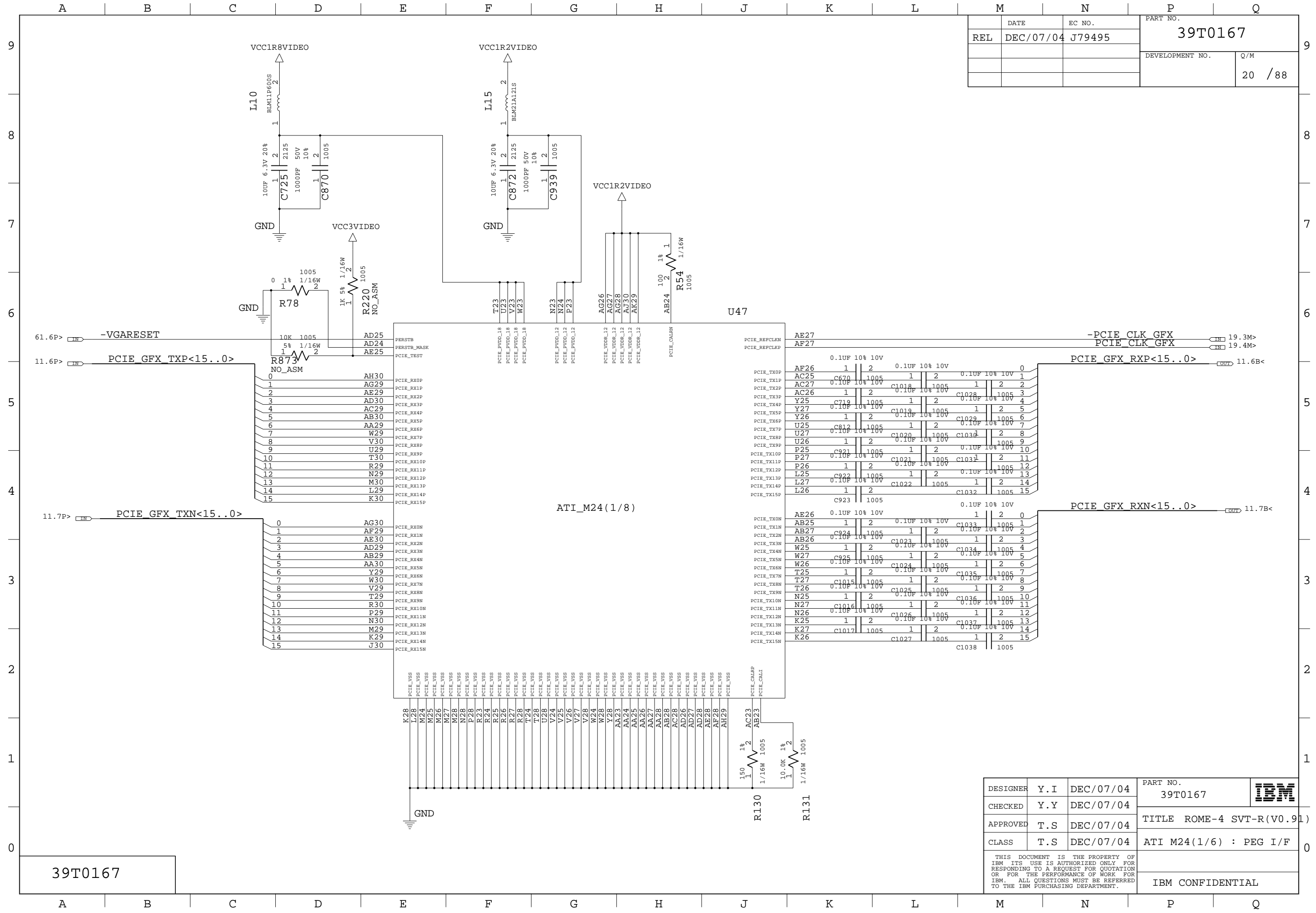
REL	DATE	EC NO.	PART NO.
	DEC/07/04	J79495	39T0167
			DEVELOPMENT NO.
			Q/M
			19 / 88

Signal	Value	Resistor	Value	Resistor
19.5M>	49.9 1% 1/16W	1	49.9 1% 1/16W	1
19.5M>	49.9 1% 1/16W	2	49.9 1% 1/16W	2
19.5M>	49.9 1% 1/16W	1	49.9 1% 1/16W	1
19.5M>	49.9 1% 1/16W	2	49.9 1% 1/16W	2
19.5M>	49.9 1% 1/16W	1	49.9 1% 1/16W	1
19.5M>	49.9 1% 1/16W	2	49.9 1% 1/16W	2
19.4M>	49.9 1% 1/16W	1	49.9 1% 1/16W	1
19.4M>	49.9 1% 1/16W	2	49.9 1% 1/16W	2
19.4M>	49.9 1% 1/16W	1	49.9 1% 1/16W	1
19.4M>	49.9 1% 1/16W	2	49.9 1% 1/16W	2
19.4M>	49.9 1% 1/16W	1	49.9 1% 1/16W	1
19.4M>	49.9 1% 1/16W	2	49.9 1% 1/16W	2
19.3M>	49.9 1% 1/16W	1	49.9 1% 1/16W	1
19.3M>	49.9 1% 1/16W	2	49.9 1% 1/16W	2
19.3M>	49.9 1% 1/16W	1	49.9 1% 1/16W	1
19.3M>	49.9 1% 1/16W	2	49.9 1% 1/16W	2
19.3M>	49.9 1% 1/16W	1	49.9 1% 1/16W	1
19.3M>	49.9 1% 1/16W	2	49.9 1% 1/16W	2
19.3M>	49.9 1% 1/16W	1	49.9 1% 1/16W	1
19.3M>	49.9 1% 1/16W	2	49.9 1% 1/16W	2
19.2M>	49.9 1% 1/16W	1	49.9 1% 1/16W	1
19.2M>	49.9 1% 1/16W	2	49.9 1% 1/16W	2
19.2M>	49.9 1% 1/16W	1	49.9 1% 1/16W	1
19.2M>	49.9 1% 1/16W	2	49.9 1% 1/16W	2

39T0167

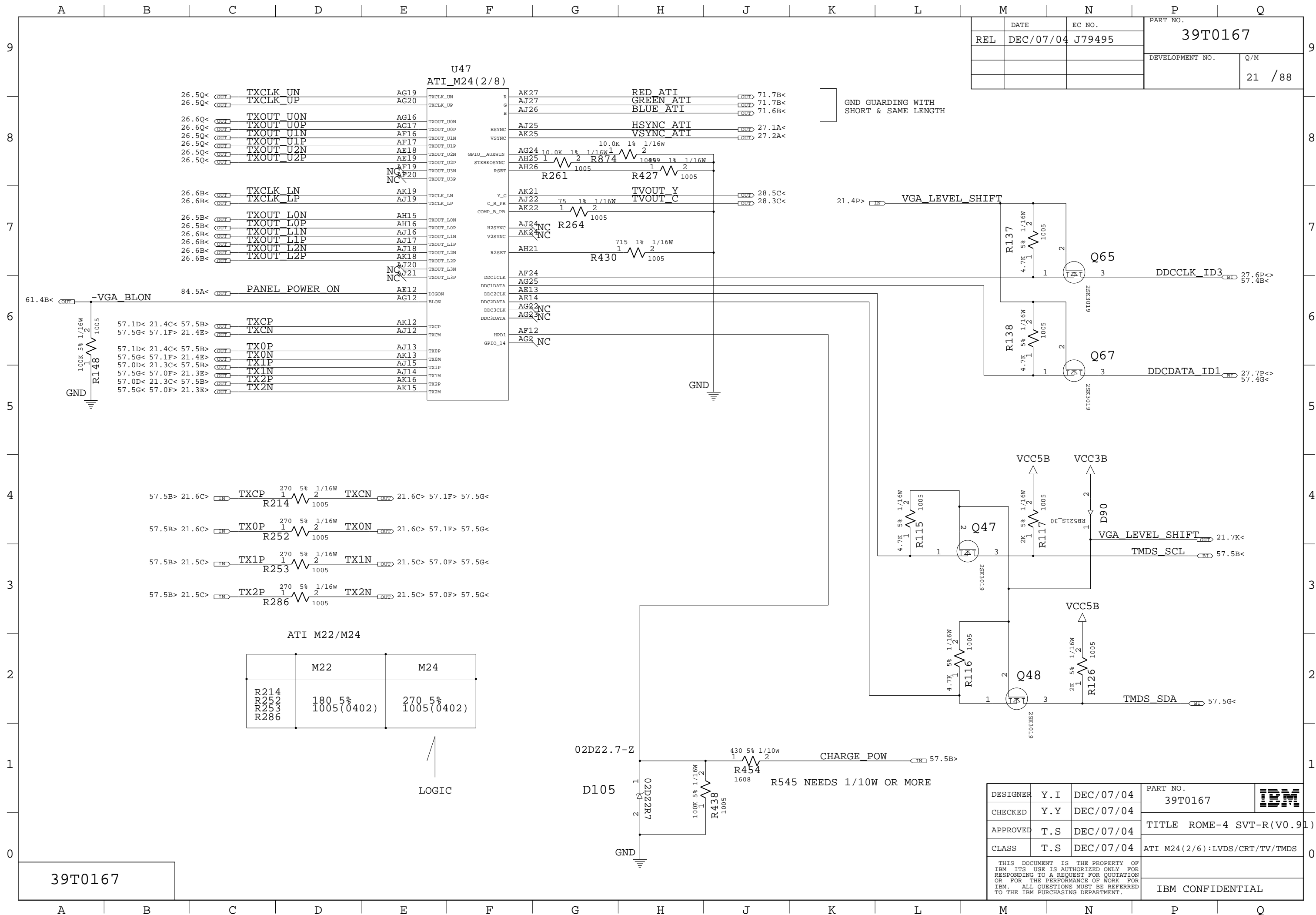
DESIGNER	Y.I	DEC/07/04	PART NO.	IBM
CHECKED	Y.Y	DEC/07/04	39T0167	
APPROVED	T.S	DEC/07/04	TITLE ROME-4 SVT-R(V0.91)	
CLASS	T.S	DEC/07/04	CLOCK GEN(CK410M)	
THIS DOCUMENT IS THE PROPERTY OF IBM ITS USE IS AUTHORIZED ONLY FOR RESPONDING TO A REQUEST FOR QUOTATION OR FOR THE PERFORMANCE OF WORK FOR IBM. ALL QUESTIONS MUST BE REFERRED TO THE IBM PURCHASING DEPARTMENT.				IBM CONFIDENTIAL

REL	DATE	EC NO.	PART NO.
	DEC/07/04	J79495	39T0167
			DEVELOPMENT NO.
			Q/M
			20 / 88



39T0167

DESIGNER	Y.I	DEC/07/04	PART NO.	IBM
CHECKED	Y.Y	DEC/07/04	39T0167	
APPROVED	T.S	DEC/07/04	TITLE	ROME-4 SVT-R(V0.91)
CLASS	T.S	DEC/07/04	ATI M24(1/6) : PEG I/F	
THIS DOCUMENT IS THE PROPERTY OF IBM. ITS USE IS AUTHORIZED ONLY FOR RESPONDING TO A REQUEST FOR QUOTATION OR FOR THE PERFORMANCE OF WORK FOR IBM. ALL QUESTIONS MUST BE REFERRED TO THE IBM PURCHASING DEPARTMENT.				IBM CONFIDENTIAL



DATE	DEC/07/04	EC NO.	J79495	PART NO.	39T0167
REL				DEVELOPMENT NO.	21 / 88
				Q/M	

GND GUARDING WITH SHORT & SAME LENGTH

VGA LEVEL SHIFT

Q65

Q67

VCC5B

VCC3B

VGA LEVEL SHIFT

VCC5B

Q47

Q48

D90

02DZ2.7-Z

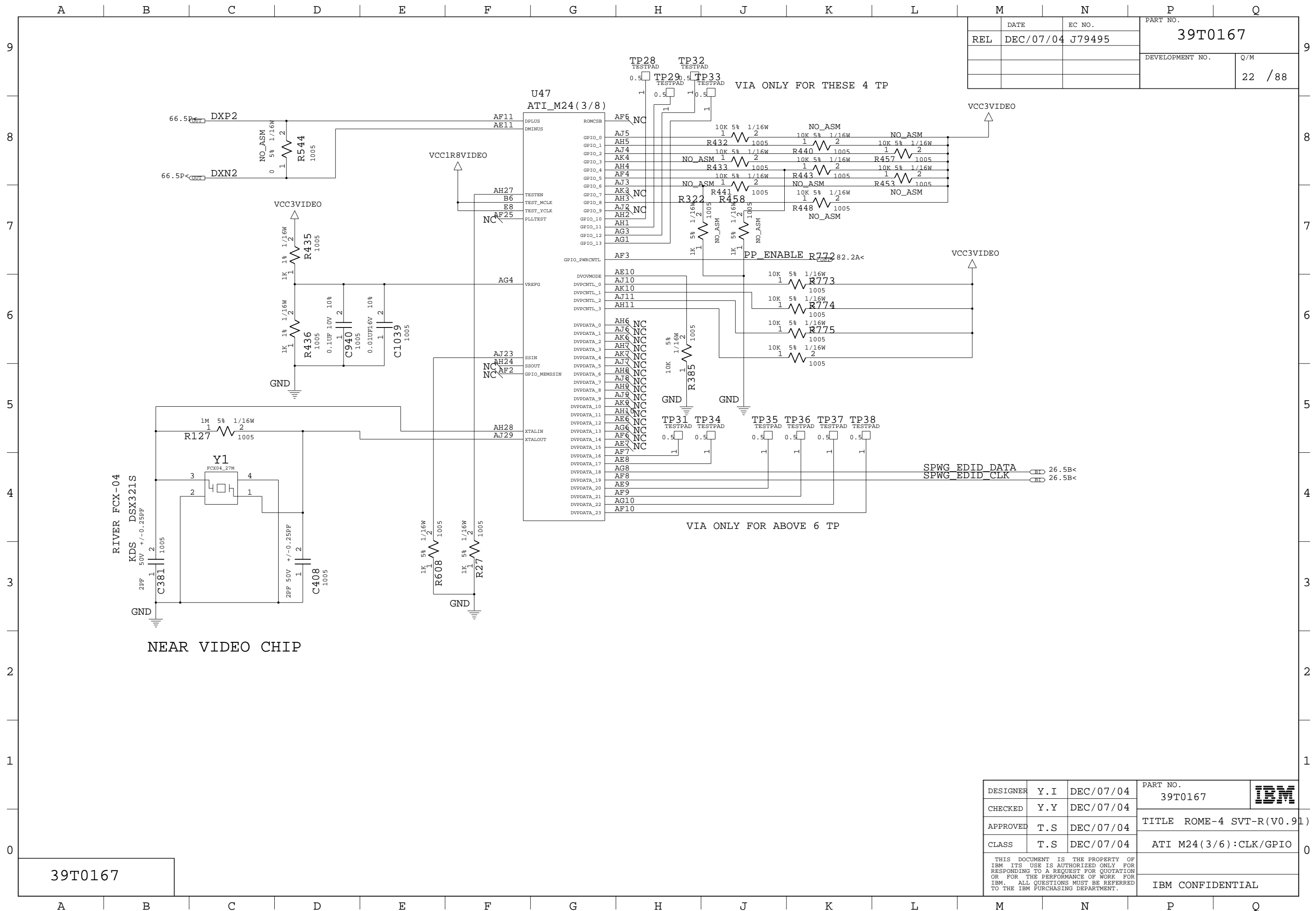
D105

CHARGE POW

R545 NEEDS 1/10W OR MORE

39T0167

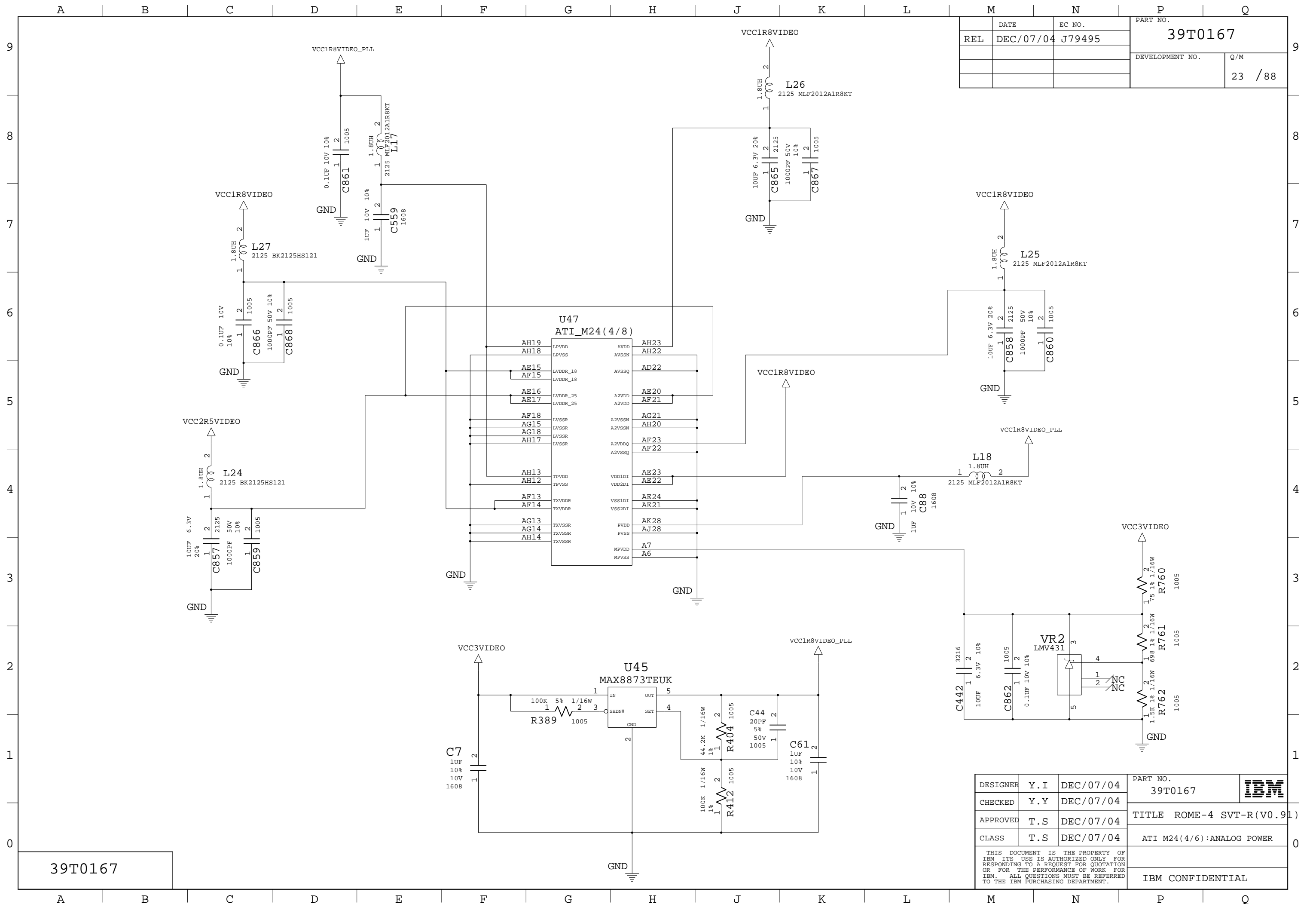
IBM CONFIDENTIAL



DATE	EC NO.	PART NO.
REL DEC/07/04	J79495	39T0167
DEVELOPMENT NO.		Q/M
		22 / 88

DESIGNER	Y.I	DEC/07/04	PART NO.	39T0167	
CHECKED	Y.Y	DEC/07/04			
APPROVED	T.S	DEC/07/04	TITLE ROME-4 SVT-R(V0.91)		
CLASS	T.S	DEC/07/04	ATI M24(3/6):CLK/GPIO		
THIS DOCUMENT IS THE PROPERTY OF IBM. ITS USE IS AUTHORIZED ONLY FOR RESPONDING TO A REQUEST FOR QUOTATION OR FOR THE PERFORMANCE OF WORK FOR IBM. ALL QUESTIONS MUST BE REFERRED TO THE IBM PURCHASING DEPARTMENT.				IBM CONFIDENTIAL	

39T0167

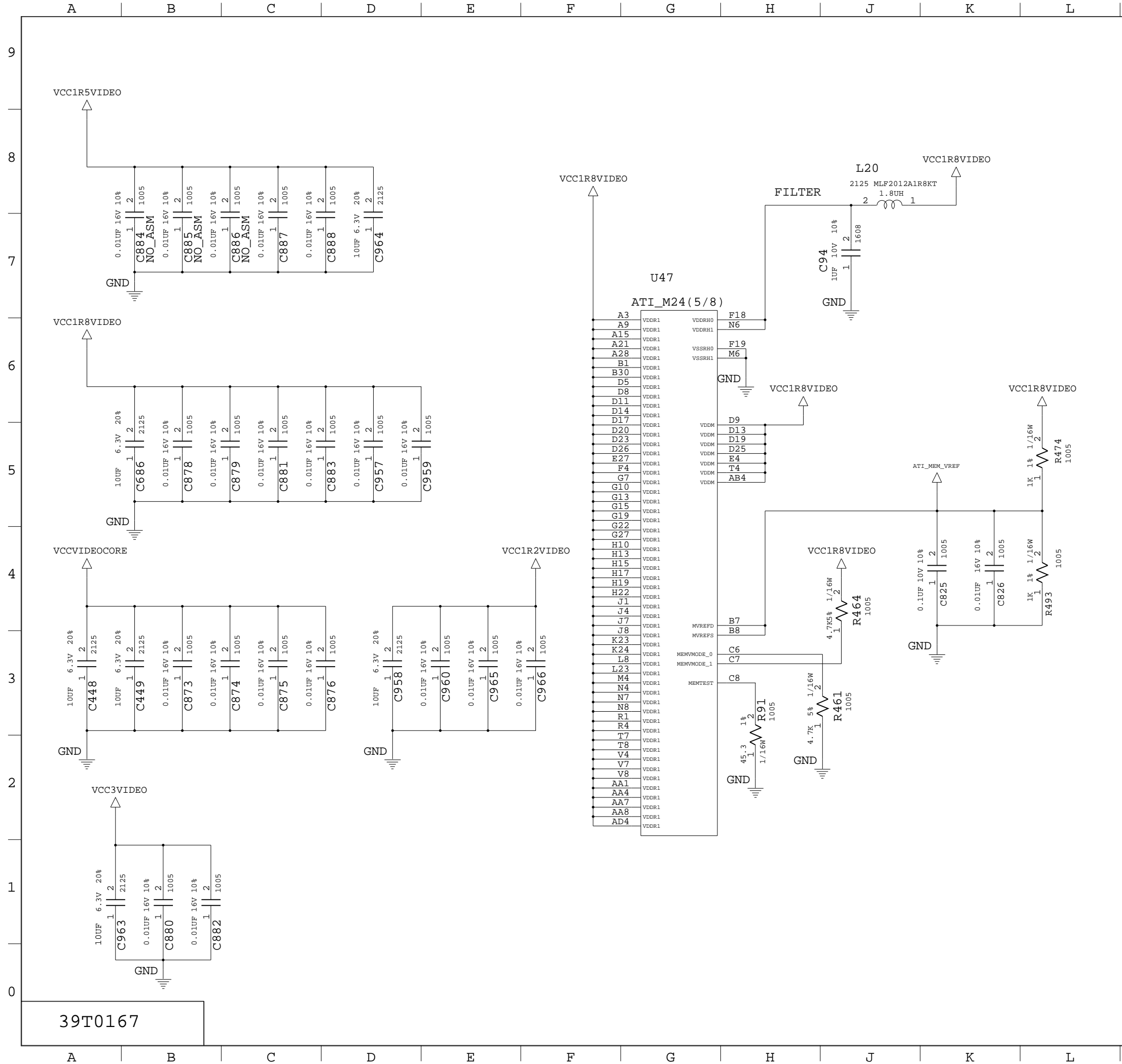


REL	DATE	EC NO.	PART NO.
	DEC/07/04	J79495	39T0167
			DEVELOPMENT NO.
			Q/M
			23 / 88

39T0167

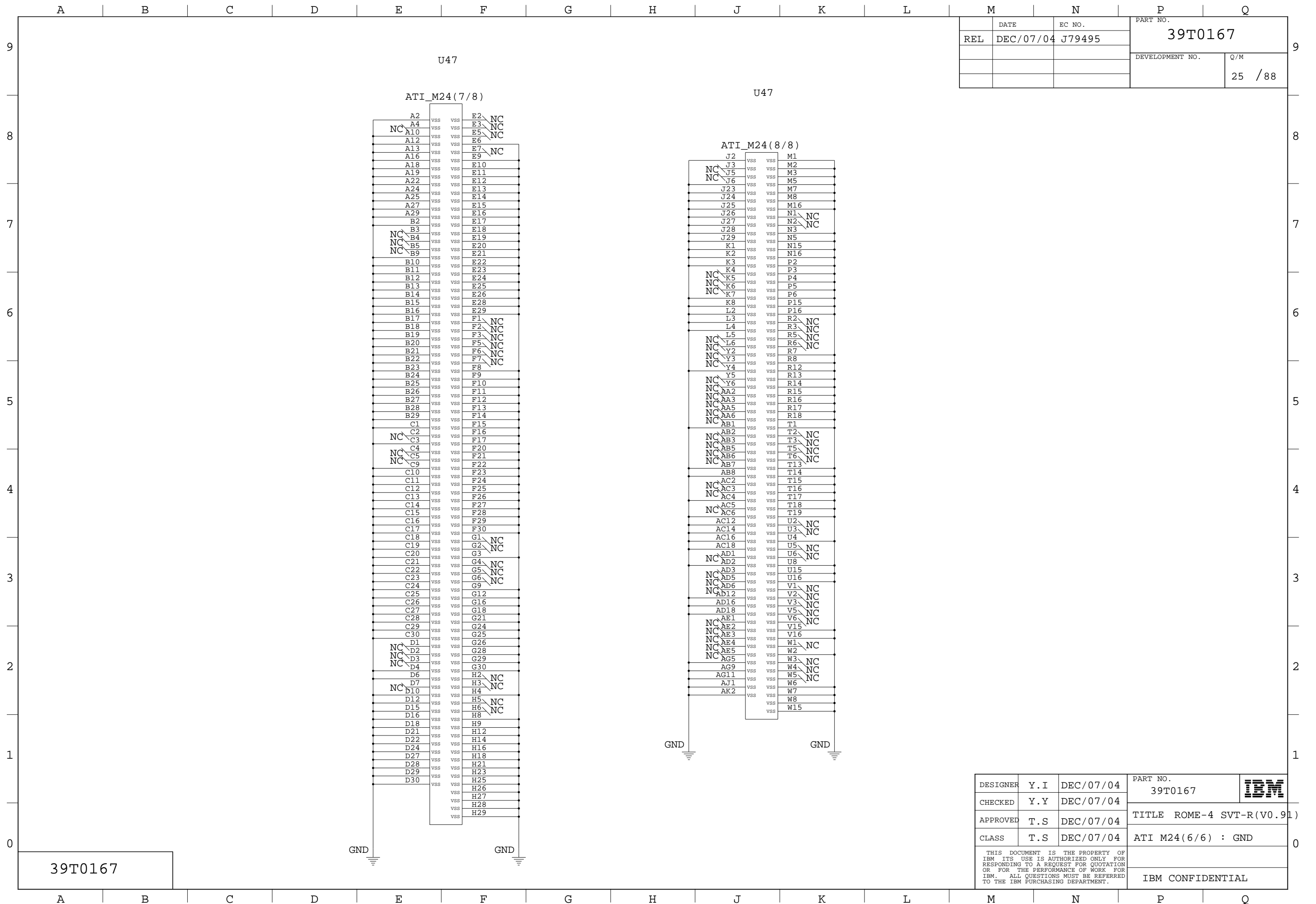
DESIGNER	Y. I	DEC/07/04	PART NO.	39T0167	IBM
CHECKED	Y. Y	DEC/07/04			
APPROVED	T. S	DEC/07/04	TITLE	ROME-4 SVT-R (V0.91)	
CLASS	T. S	DEC/07/04		ATI M24(4/6):ANALOG POWER	
THIS DOCUMENT IS THE PROPERTY OF IBM. ITS USE IS AUTHORIZED ONLY FOR RESPONDING TO A REQUEST FOR QUOTATION OR FOR THE PERFORMANCE OF WORK FOR IBM. ALL QUESTIONS MUST BE REFERRED TO THE IBM PURCHASING DEPARTMENT.				IBM CONFIDENTIAL	

	DATE	EC NO.	PART NO.
REL	DEC/07/04	J79495	39T0167
			DEVELOPMENT NO.
			Q/M
			24 / 88



DESIGNER	Y.I	DEC/07/04	PART NO.	39T0167	IBM
CHECKED	Y.Y	DEC/07/04			
APPROVED	T.S	DEC/07/04	TITLE ROME-4 SVT-R(V0.91)		
CLASS	T.S	DEC/07/04	ATI M24(5/6) : VCC		
THIS DOCUMENT IS THE PROPERTY OF IBM ITS USE IS AUTHORIZED ONLY FOR RESPONDING TO A REQUEST FOR QUOTATION OR FOR THE PERFORMANCE OF WORK FOR IBM. ALL QUESTIONS MUST BE REFERRED TO THE IBM PURCHASING DEPARTMENT.				IBM CONFIDENTIAL	

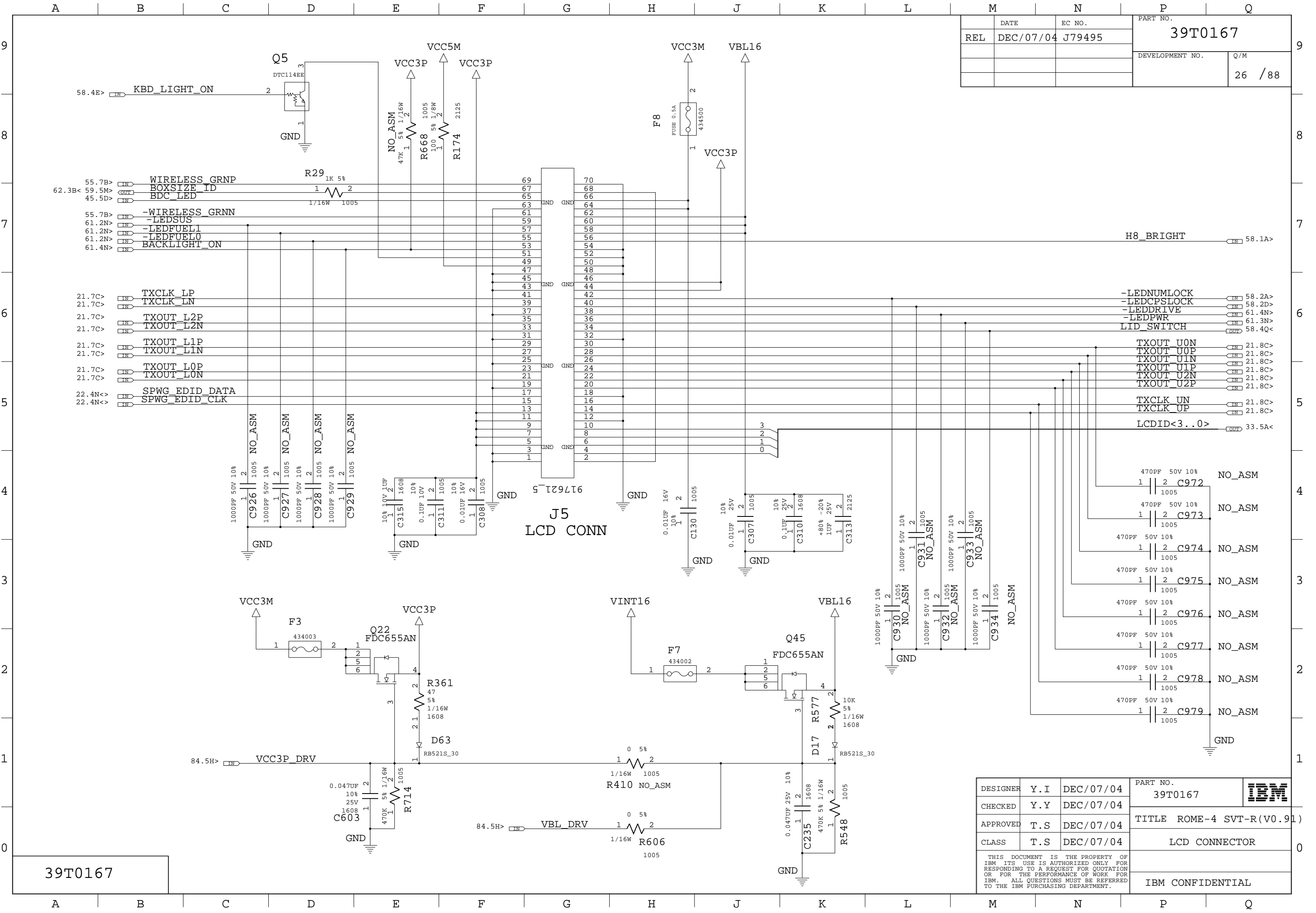




	DATE	EC NO.	PART NO.	
REL	DEC/07/04	J79495	39T0167	
			DEVELOPMENT NO.	Q/M
				25 / 88

39T0167

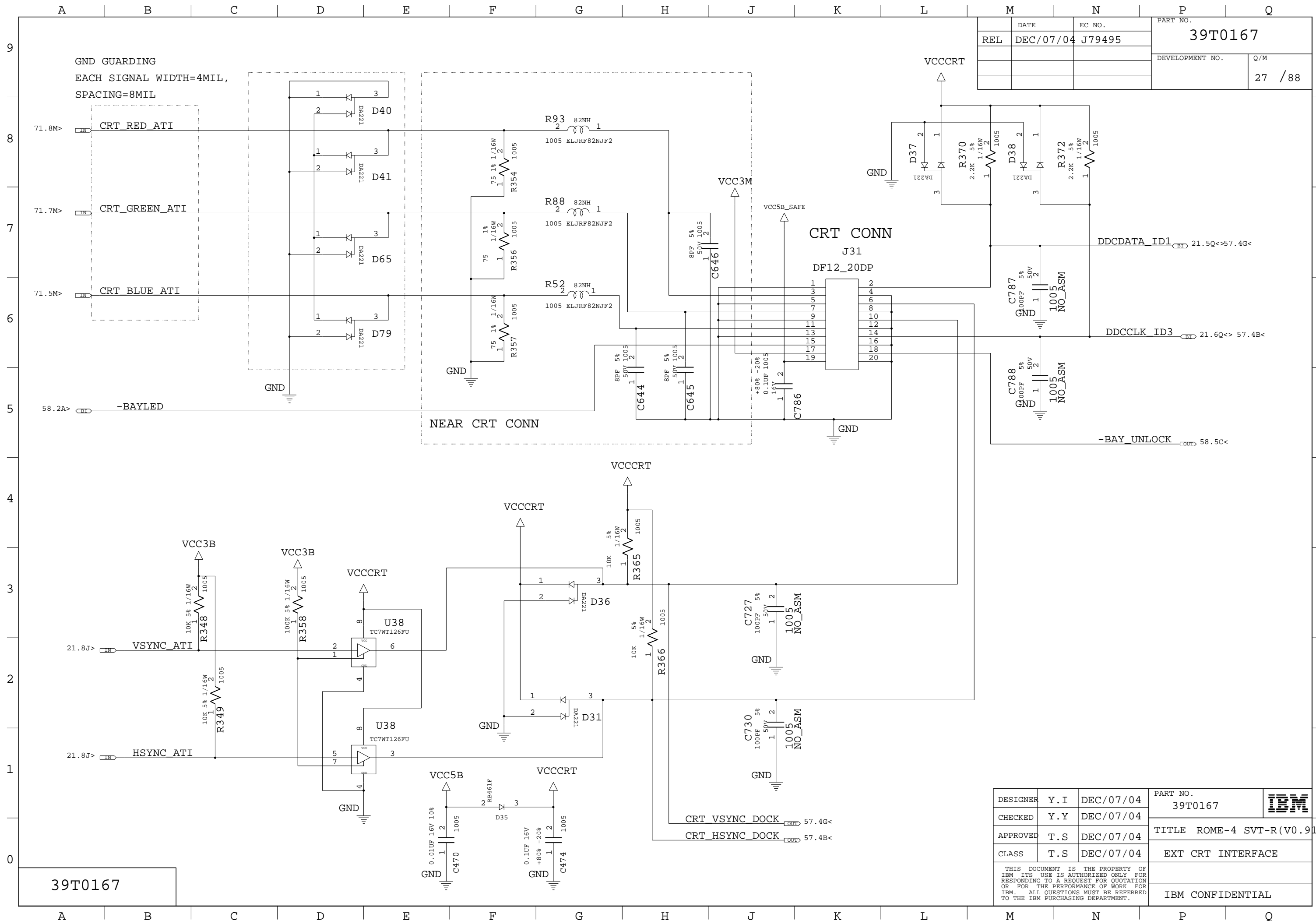
DESIGNER	Y. I	DEC/07/04	PART NO.	39T0167	<b>IBM</b>
CHECKED	Y. Y	DEC/07/04			
APPROVED	T. S	DEC/07/04	TITLE ROME-4 SVT-R (V0.91)		
CLASS	T. S	DEC/07/04	ATI M24 (6/6) : GND		
THIS DOCUMENT IS THE PROPERTY OF IBM. ITS USE IS AUTHORIZED ONLY FOR RESPONDING TO A REQUEST FOR QUOTATION OR FOR THE PERFORMANCE OF WORK FOR IBM. ALL QUESTIONS MUST BE REFERRED TO THE IBM PURCHASING DEPARTMENT.				IBM CONFIDENTIAL	



REL	DATE	EC NO.	PART NO.
	DEC/07/04	J79495	39T0167
			DEVELOPMENT NO.
			Q/M
			26 / 88

39T0167

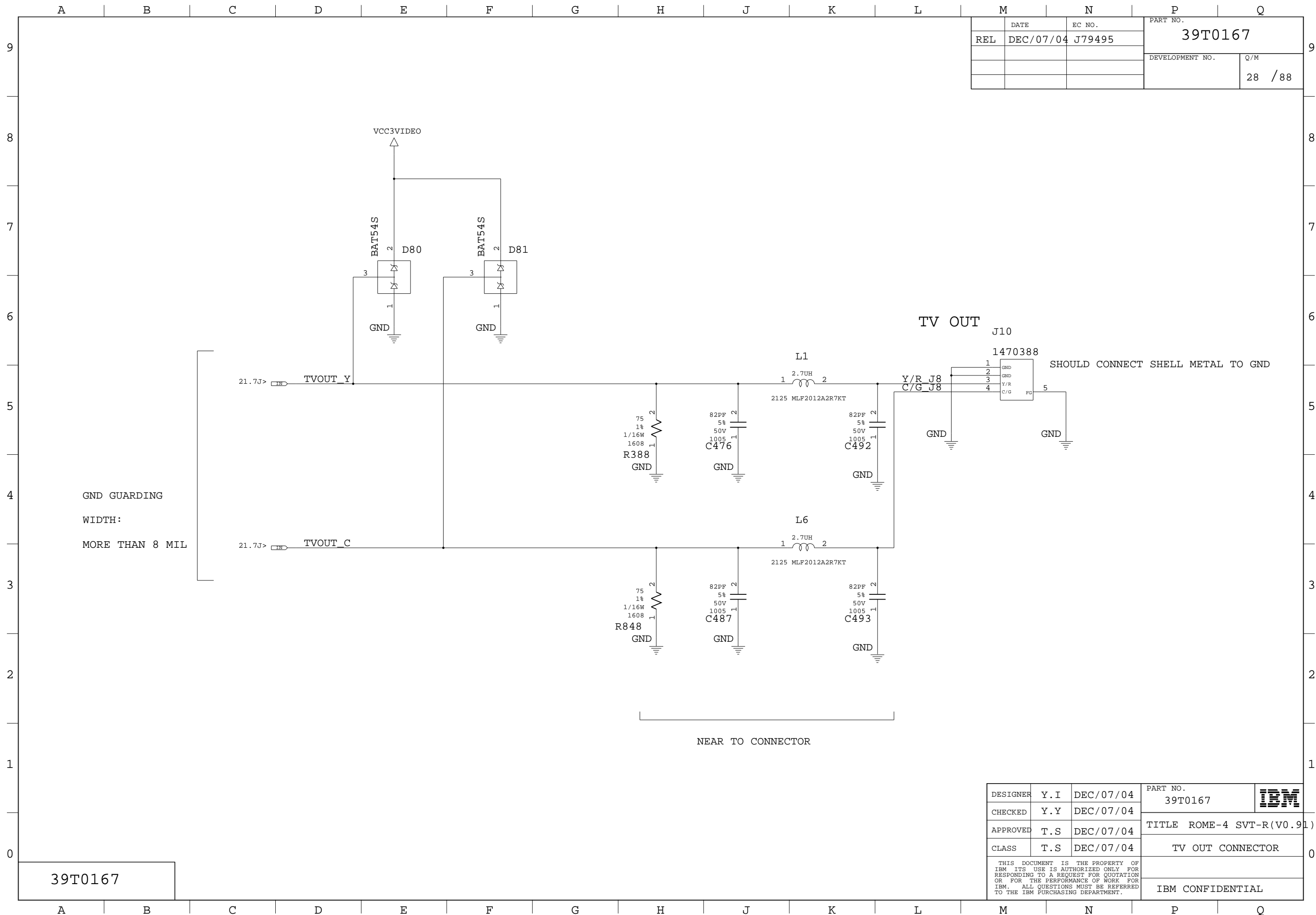
DESIGNER	Y.I	DEC/07/04	PART NO.	39T0167	IBM
CHECKED	Y.Y	DEC/07/04			
APPROVED	T.S	DEC/07/04	TITLE ROME-4 SVT-R(V0.91)		
CLASS	T.S	DEC/07/04	LCD CONNECTOR		
THIS DOCUMENT IS THE PROPERTY OF IBM. ITS USE IS AUTHORIZED ONLY FOR RESPONDING TO A REQUEST FOR QUOTATION OR FOR THE PERFORMANCE OF WORK FOR IBM. ALL QUESTIONS MUST BE REFERRED TO THE IBM PURCHASING DEPARTMENT.					IBM CONFIDENTIAL



DATE	EC NO.	PART NO.
REL DEC/07/04	J79495	39T0167
DEVELOPMENT NO.		Q/M
		27 / 88

39T0167

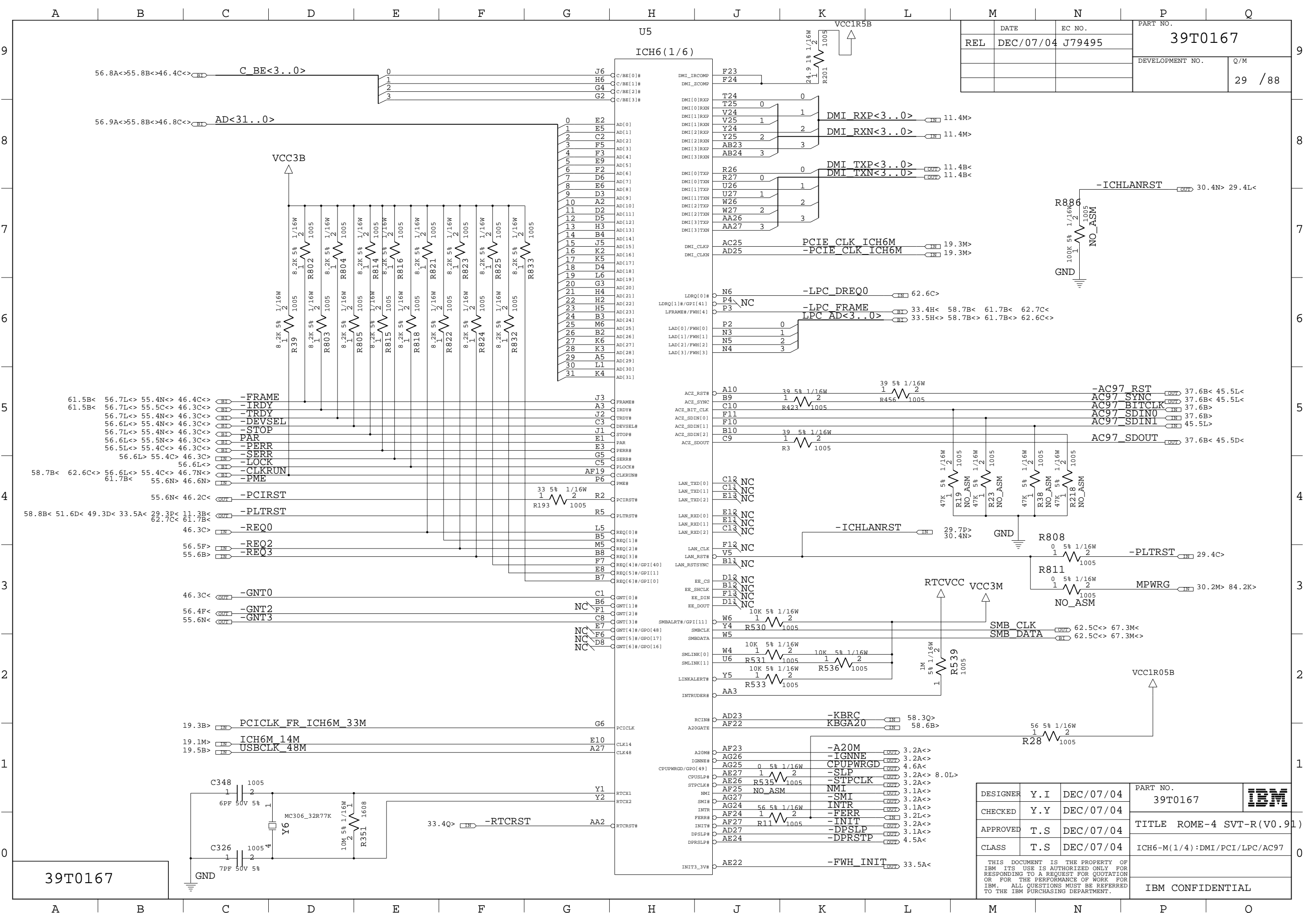
DESIGNER	Y.I	DEC/07/04	PART NO.	39T0167	IBM
CHECKED	Y.Y	DEC/07/04			
APPROVED	T.S	DEC/07/04	TITLE ROME-4 SVT-R(V0.91)		
CLASS	T.S	DEC/07/04	EXT CRT INTERFACE		
THIS DOCUMENT IS THE PROPERTY OF IBM. ITS USE IS AUTHORIZED ONLY FOR RESPONDING TO A REQUEST FOR QUOTATION OR FOR THE PERFORMANCE OF WORK FOR IBM. ALL QUESTIONS MUST BE REFERRED TO THE IBM PURCHASING DEPARTMENT.					IBM CONFIDENTIAL



	DATE	EC NO.	PART NO.	
REL	DEC/07/04	J79495	39T0167	
			DEVELOPMENT NO.	Q/M
				28 / 88

39T0167

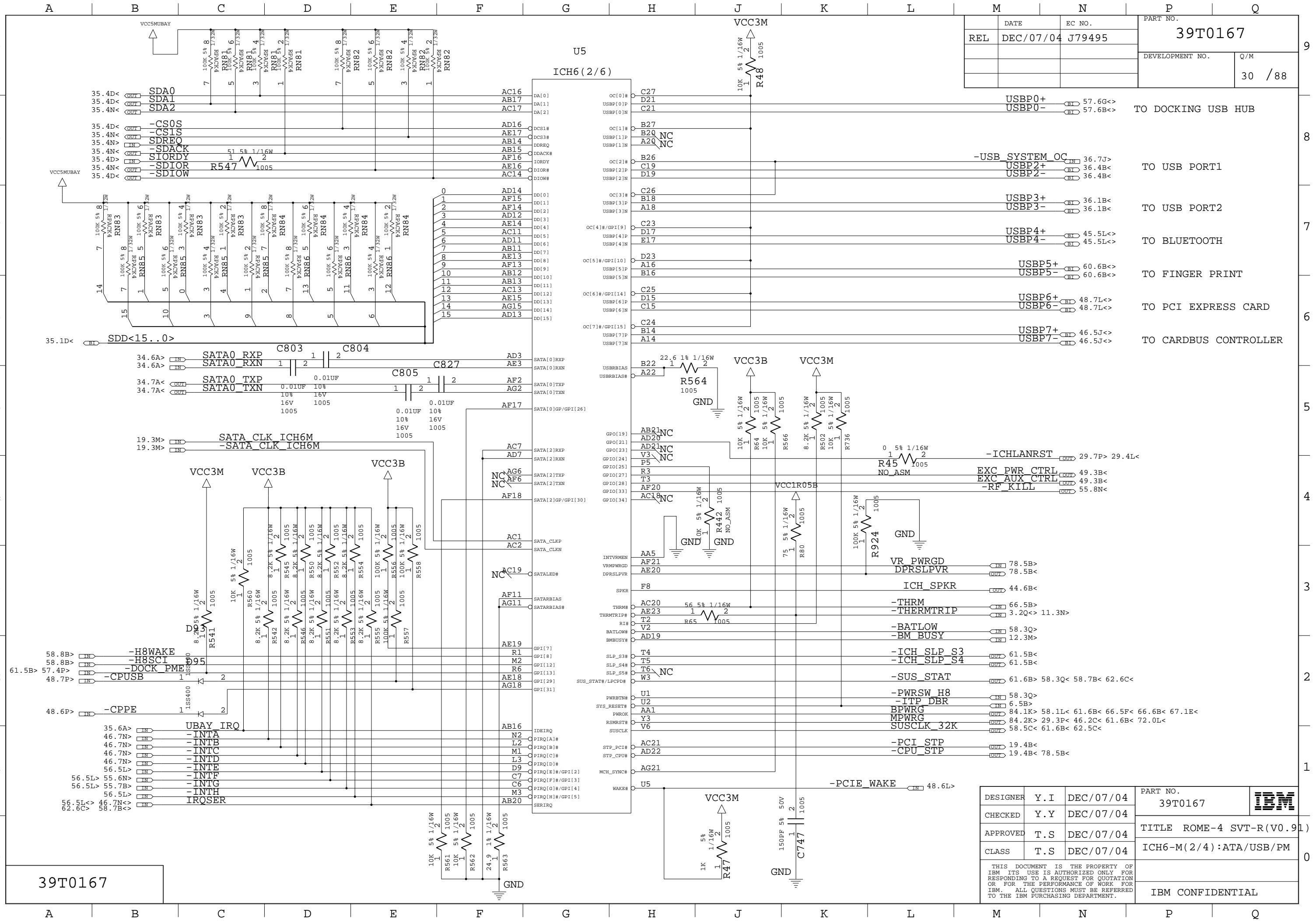
DESIGNER	Y.I	DEC/07/04	PART NO.	39T0167	<b>IBM</b>
CHECKED	Y.Y	DEC/07/04			
APPROVED	T.S	DEC/07/04	TITLE ROME-4 SVT-R(V0.91)		
CLASS	T.S	DEC/07/04	TV OUT CONNECTOR		
THIS DOCUMENT IS THE PROPERTY OF IBM ITS USE IS AUTHORIZED ONLY FOR RESPONDING TO A REQUEST FOR QUOTATION OR FOR THE PERFORMANCE OF WORK FOR IBM. ALL QUESTIONS MUST BE REFERRED TO THE IBM PURCHASING DEPARTMENT.				IBM CONFIDENTIAL	



REL	DATE	EC NO.	PART NO.
	DEC/07/04	J79495	39T0167
			DEVELOPMENT NO.
			Q/M
			29 / 88

DESIGNER	Y.I	DEC/07/04	PART NO.	39T0167	IBM
CHECKED	Y.Y	DEC/07/04			
APPROVED	T.S	DEC/07/04	TITLE	ROME-4 SVT-R (V0.91)	
CLASS	T.S	DEC/07/04	ICH6-M(1/4) : DMI/PCI/LPC/AC97		
THIS DOCUMENT IS THE PROPERTY OF IBM. ITS USE IS AUTHORIZED ONLY FOR RESPONDING TO A REQUEST FOR QUOTATION OR FOR THE PERFORMANCE OF WORK FOR IBM. ALL QUESTIONS MUST BE REFERRED TO THE IBM PURCHASING DEPARTMENT.				IBM CONFIDENTIAL	

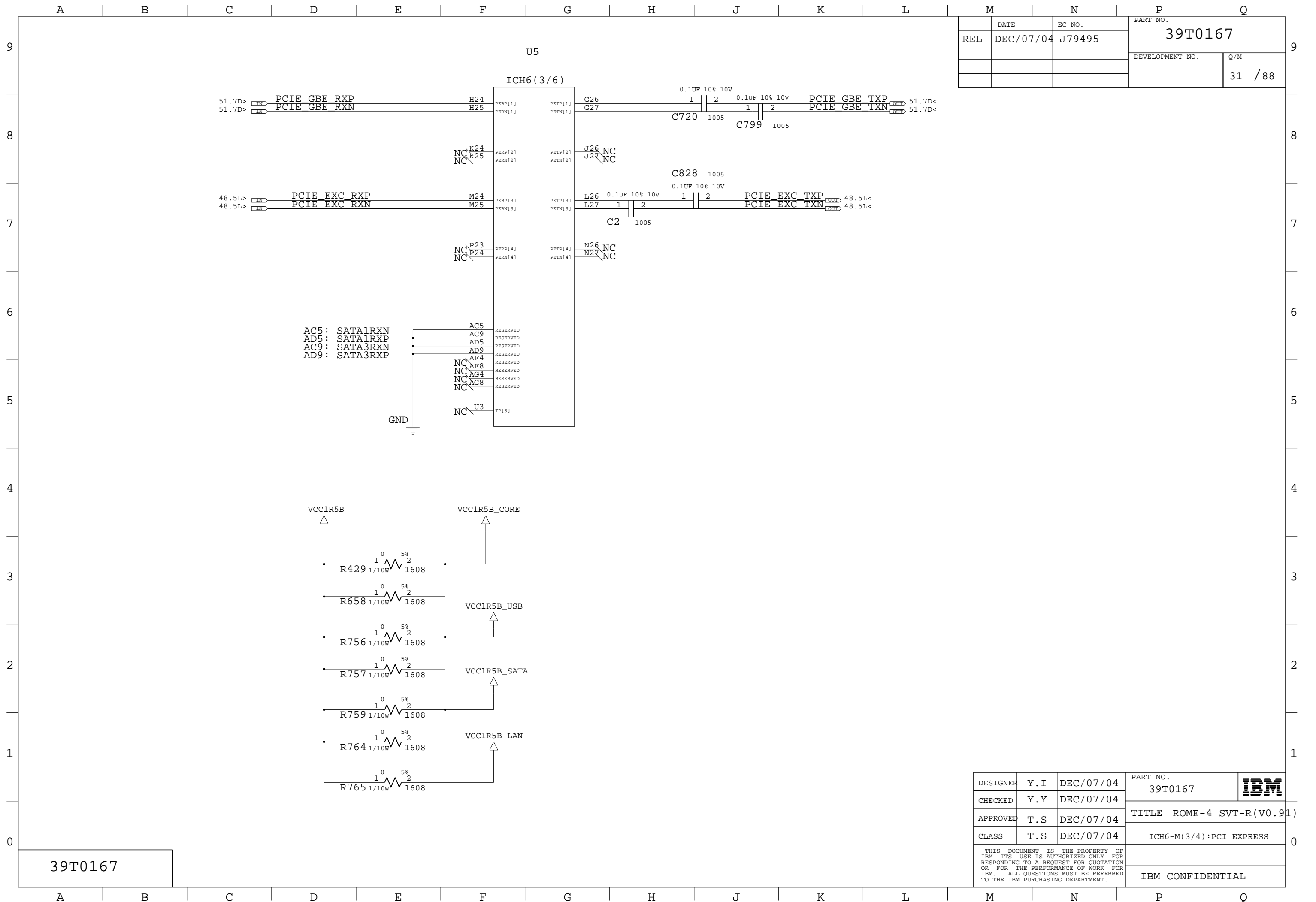
39T0167



REL	DATE	EC NO.	PART NO.
	DEC/07/04	J79495	39T0167
			DEVELOPMENT NO.
			Q/M
			30 / 88

39T0167

DESIGNER	Y.I	DEC/07/04	PART NO.	39T0167	IBM
CHECKED	Y.Y	DEC/07/04			
APPROVED	T.S	DEC/07/04	TITLE ROME-4 SVT-R(V0.91)		
CLASS	T.S	DEC/07/04	ICH6-M(2/4):ATA/USB/PM		
THIS DOCUMENT IS THE PROPERTY OF IBM ITS USE IS AUTHORIZED ONLY FOR RESPONDING TO A REQUEST FOR QUOTATION OR FOR THE PERFORMANCE OF WORK FOR IBM. ALL QUESTIONS MUST BE REFERRED TO THE IBM PURCHASING DEPARTMENT.					IBM CONFIDENTIAL

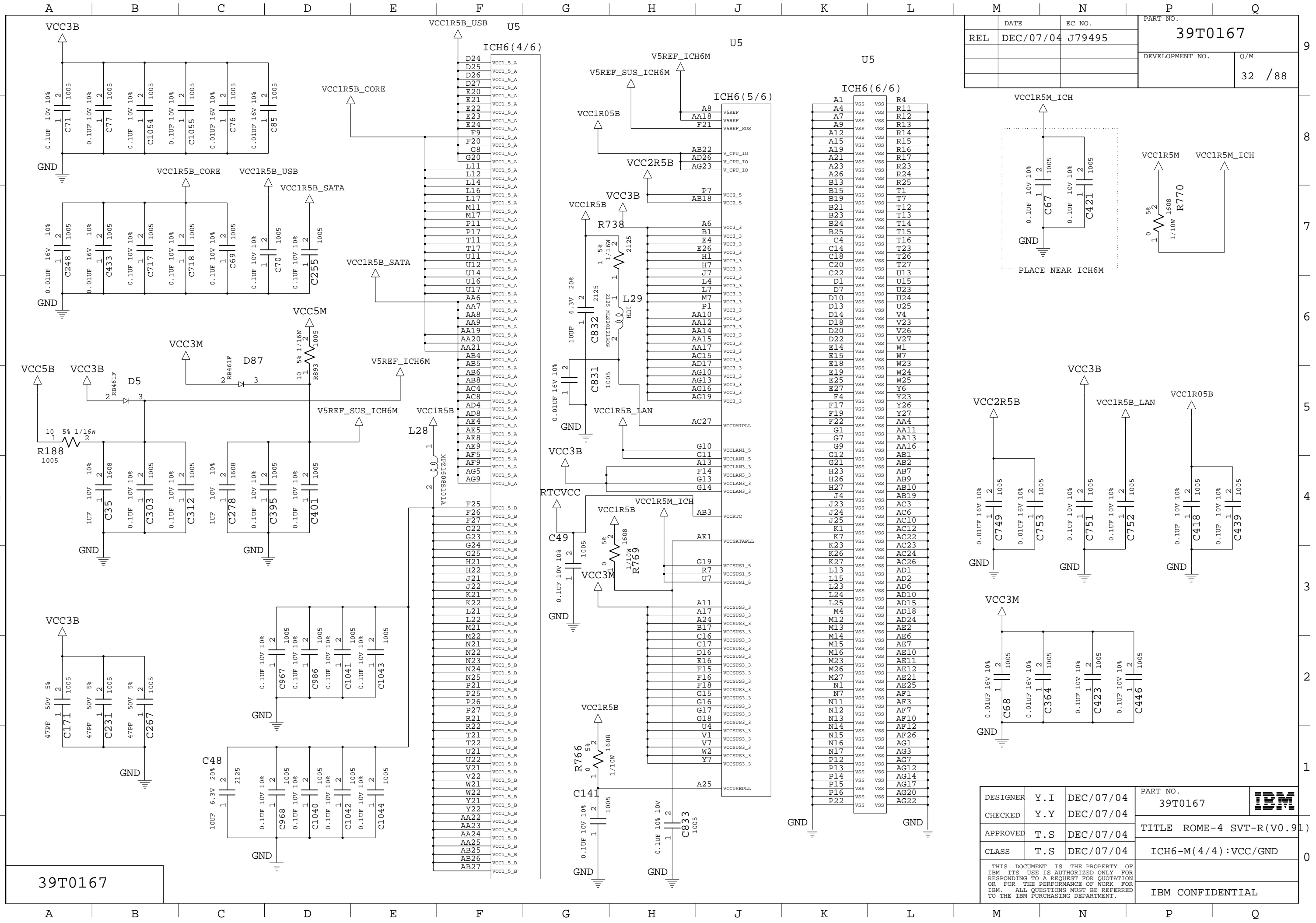


	DATE	EC NO.	PART NO.	
REL	DEC/07/04	J79495	39T0167	
			DEVELOPMENT NO.	Q/M
				31 / 88

AC5: SATA1RXN  
 AD5: SATA1RXP  
 AC9: SATA3RXN  
 AD9: SATA3RXP  
 NC  
 NC  
 NC  
 NC  
 NC  
 NC  
 U3

DESIGNER	Y. I	DEC/07/04	PART NO.	39T0167	
CHECKED	Y. Y	DEC/07/04			
APPROVED	T. S	DEC/07/04	TITLE ROME-4 SVT-R (V0.91)		
CLASS	T. S	DEC/07/04	ICH6-M(3/4):PCI EXPRESS		
THIS DOCUMENT IS THE PROPERTY OF IBM. ITS USE IS AUTHORIZED ONLY FOR RESPONDING TO A REQUEST FOR QUOTATION OR FOR THE PERFORMANCE OF WORK FOR IBM. ALL QUESTIONS MUST BE REFERRED TO THE IBM PURCHASING DEPARTMENT.				IBM CONFIDENTIAL	

39T0167

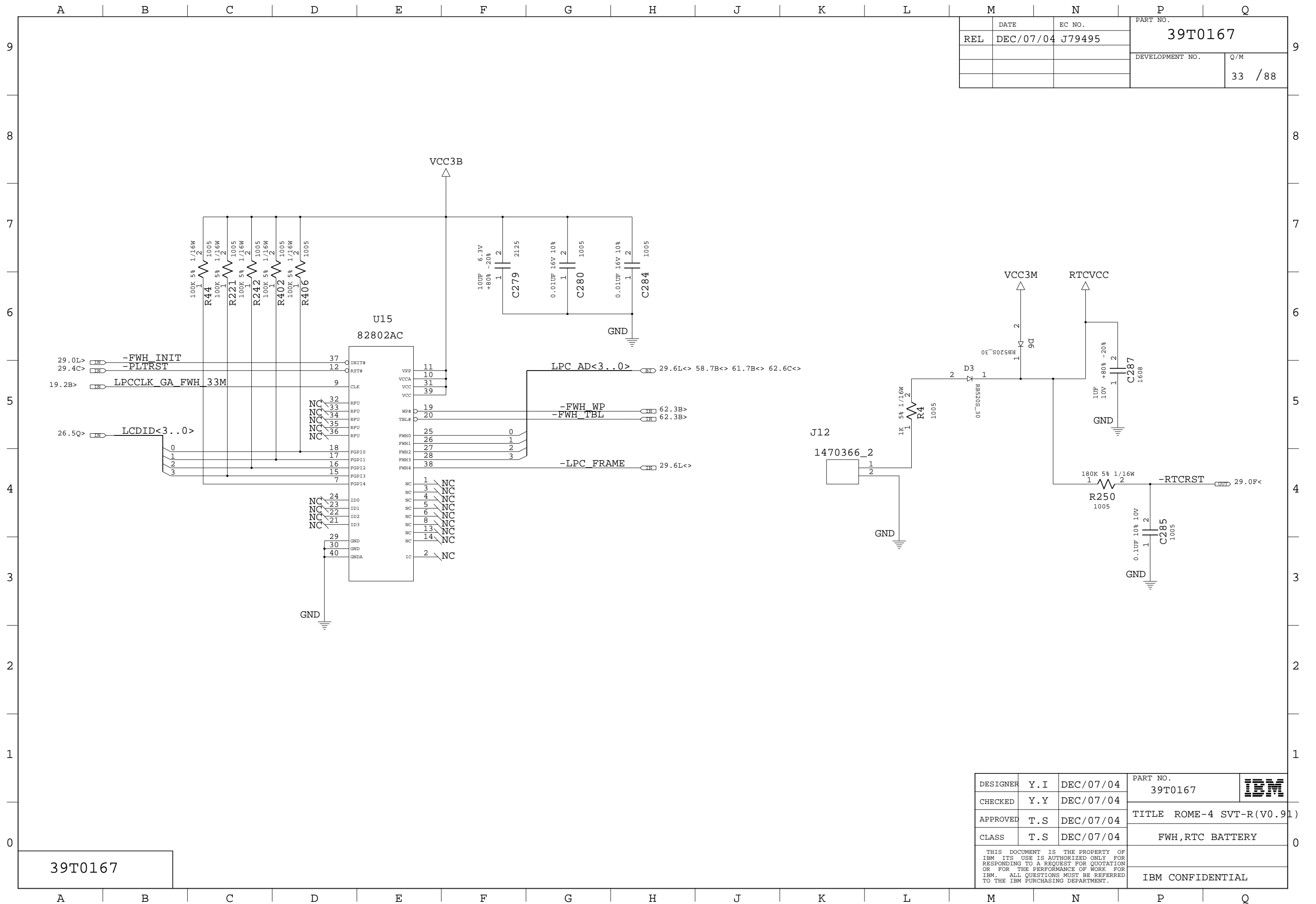


REL	DATE	EC NO.	PART NO.
	DEC/07/04	J79495	39T0167
			DEVELOPMENT NO.
			Q/M
			32 / 88

DESIGNER	Y. I	DEC/07/04	PART NO.	39T0167	IBM
CHECKED	Y. Y	DEC/07/04	TITLE		
APPROVED	T. S	DEC/07/04	CLASS	ICH6-M(4/4):VCC/GND	
THIS DOCUMENT IS THE PROPERTY OF IBM ITS USE IS AUTHORIZED ONLY FOR RESPONDING TO A REQUEST FOR QUOTATION OR FOR THE PERFORMANCE OF WORK FOR IBM. ALL QUESTIONS MUST BE REFERRED TO THE IBM PURCHASING DEPARTMENT.					IBM CONFIDENTIAL

39T0167



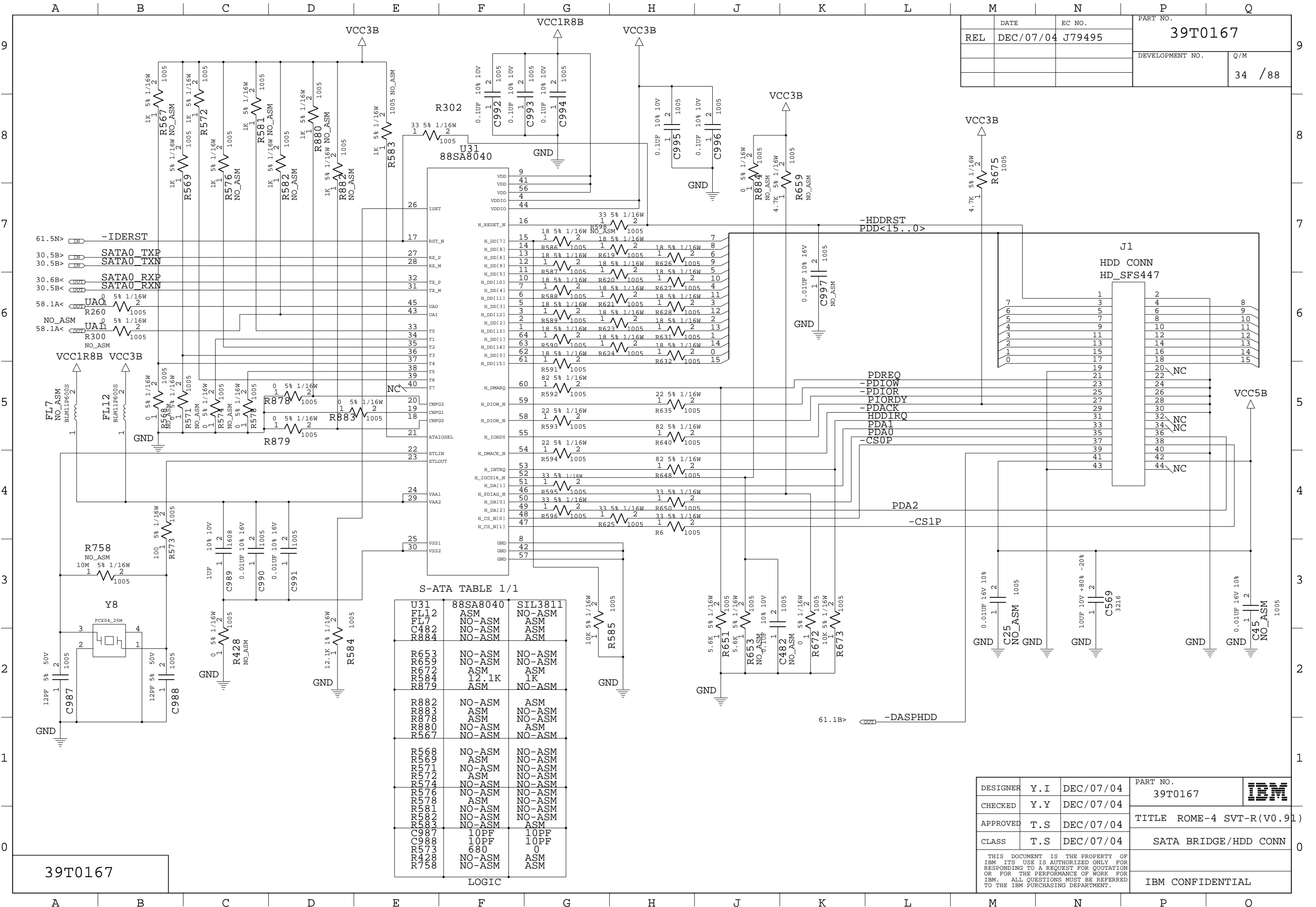


	DATE	EC NO.	PART NO.	
REL	DEC/07/04	J79495	39T0167	
			DEVELOPMENT NO.	Q/M
				33 / 88

39T0167

DESIGNER	Y. I	DEC/07/04	PART NO.	39T0167	
CHECKED	Y. Y	DEC/07/04			
APPROVED	T. S	DEC/07/04	TITLE ROME-4 SVT-R(V0.91)		
CLASS	T. S	DEC/07/04	FWH, RTC BATTERY		
THIS DOCUMENT IS THE PROPERTY OF IBM ITS USE IS AUTHORIZED ONLY FOR RESPONDING TO A REQUEST FOR QUOTATION OR FOR THE PERFORMANCE OF WORK FOR IBM. ALL QUESTIONS MUST BE REFERRED TO THE IBM PURCHASING DEPARTMENT.				IBM CONFIDENTIAL	

REL	DATE	EC NO.	PART NO.
	DEC/07/04	J79495	39T0167
			DEVELOPMENT NO.
			Q/M
			34 / 88



S-ATA TABLE 1/1

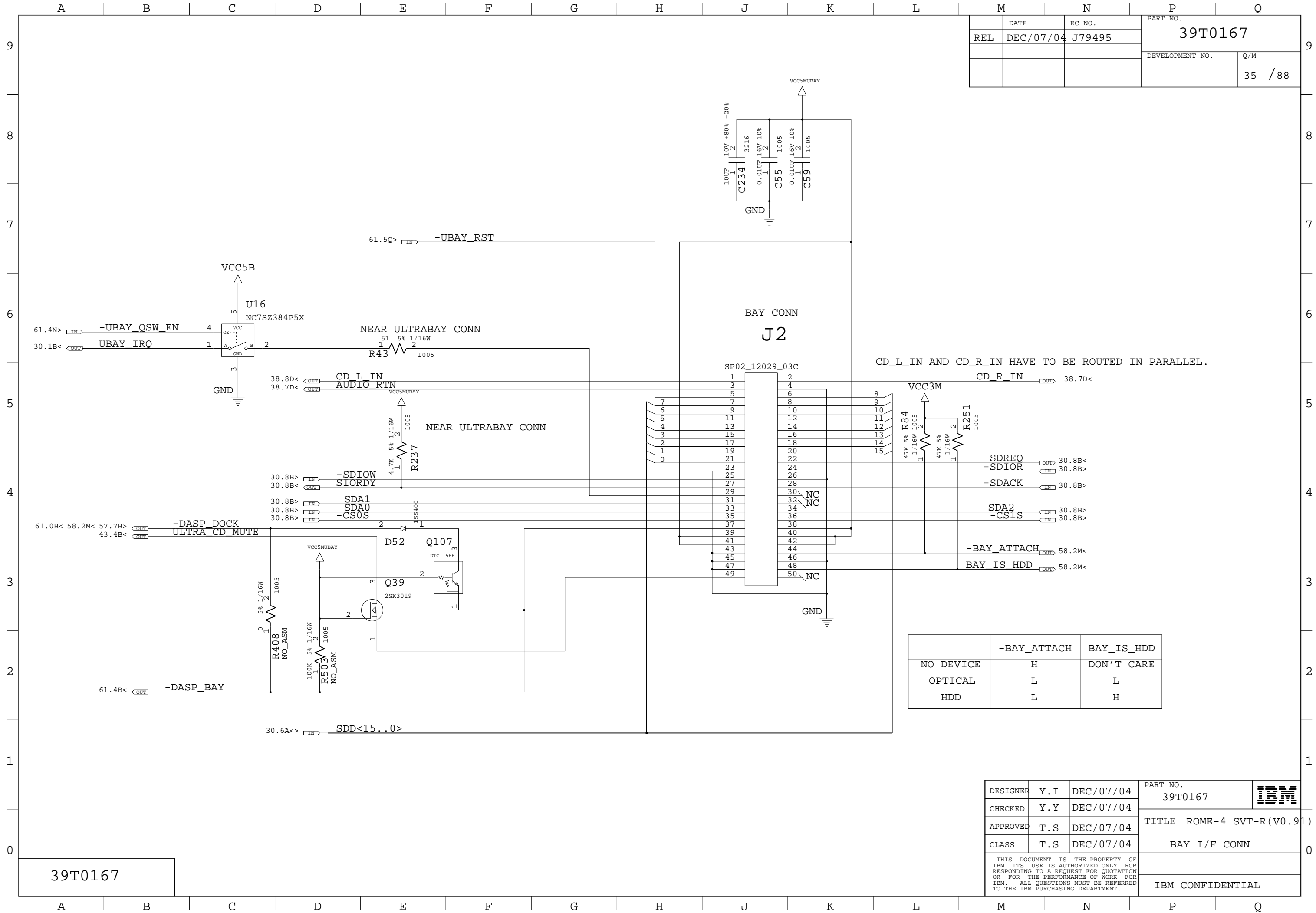
U31	88SA8040	SIL3811
FL12	ASM	NO-ASM
FL7	NO-ASM	ASM
C482	NO-ASM	ASM
R884	NO-ASM	ASM
R653	NO-ASM	NO-ASM
R651	NO-ASM	NO-ASM
R652	NO-ASM	NO-ASM
R653	NO-ASM	NO-ASM
R654	NO-ASM	NO-ASM
R655	NO-ASM	NO-ASM
R656	NO-ASM	NO-ASM
R657	NO-ASM	NO-ASM
R658	NO-ASM	NO-ASM
R659	NO-ASM	NO-ASM
R660	NO-ASM	NO-ASM
R661	NO-ASM	NO-ASM
R662	NO-ASM	NO-ASM
R663	NO-ASM	NO-ASM
R664	NO-ASM	NO-ASM
R665	NO-ASM	NO-ASM
R666	NO-ASM	NO-ASM
R667	NO-ASM	NO-ASM
R668	NO-ASM	NO-ASM
R669	NO-ASM	NO-ASM
R670	NO-ASM	NO-ASM
R671	NO-ASM	NO-ASM
R672	NO-ASM	NO-ASM
R673	NO-ASM	NO-ASM
R674	NO-ASM	NO-ASM
R675	NO-ASM	NO-ASM
R676	NO-ASM	NO-ASM
R677	NO-ASM	NO-ASM
R678	NO-ASM	NO-ASM
R679	NO-ASM	NO-ASM
R680	NO-ASM	NO-ASM
R681	NO-ASM	NO-ASM
R682	NO-ASM	NO-ASM
R683	NO-ASM	NO-ASM
R684	NO-ASM	NO-ASM
R685	NO-ASM	NO-ASM
R686	NO-ASM	NO-ASM
R687	NO-ASM	NO-ASM
R688	NO-ASM	NO-ASM
R689	NO-ASM	NO-ASM
R690	NO-ASM	NO-ASM
R691	NO-ASM	NO-ASM
R692	NO-ASM	NO-ASM
R693	NO-ASM	NO-ASM
R694	NO-ASM	NO-ASM
R695	NO-ASM	NO-ASM
R696	NO-ASM	NO-ASM
R697	NO-ASM	NO-ASM
R698	NO-ASM	NO-ASM
R699	NO-ASM	NO-ASM
R700	NO-ASM	NO-ASM
R701	NO-ASM	NO-ASM
R702	NO-ASM	NO-ASM
R703	NO-ASM	NO-ASM
R704	NO-ASM	NO-ASM
R705	NO-ASM	NO-ASM
R706	NO-ASM	NO-ASM
R707	NO-ASM	NO-ASM
R708	NO-ASM	NO-ASM
R709	NO-ASM	NO-ASM
R710	NO-ASM	NO-ASM
R711	NO-ASM	NO-ASM
R712	NO-ASM	NO-ASM
R713	NO-ASM	NO-ASM
R714	NO-ASM	NO-ASM
R715	NO-ASM	NO-ASM
R716	NO-ASM	NO-ASM
R717	NO-ASM	NO-ASM
R718	NO-ASM	NO-ASM
R719	NO-ASM	NO-ASM
R720	NO-ASM	NO-ASM
R721	NO-ASM	NO-ASM
R722	NO-ASM	NO-ASM
R723	NO-ASM	NO-ASM
R724	NO-ASM	NO-ASM
R725	NO-ASM	NO-ASM
R726	NO-ASM	NO-ASM
R727	NO-ASM	NO-ASM
R728	NO-ASM	NO-ASM
R729	NO-ASM	NO-ASM
R730	NO-ASM	NO-ASM
R731	NO-ASM	NO-ASM
R732	NO-ASM	NO-ASM
R733	NO-ASM	NO-ASM
R734	NO-ASM	NO-ASM
R735	NO-ASM	NO-ASM
R736	NO-ASM	NO-ASM
R737	NO-ASM	NO-ASM
R738	NO-ASM	NO-ASM
R739	NO-ASM	NO-ASM
R740	NO-ASM	NO-ASM
R741	NO-ASM	NO-ASM
R742	NO-ASM	NO-ASM
R743	NO-ASM	NO-ASM
R744	NO-ASM	NO-ASM
R745	NO-ASM	NO-ASM
R746	NO-ASM	NO-ASM
R747	NO-ASM	NO-ASM
R748	NO-ASM	NO-ASM
R749	NO-ASM	NO-ASM
R750	NO-ASM	NO-ASM
R751	NO-ASM	NO-ASM
R752	NO-ASM	NO-ASM
R753	NO-ASM	NO-ASM
R754	NO-ASM	NO-ASM
R755	NO-ASM	NO-ASM
R756	NO-ASM	NO-ASM
R757	NO-ASM	NO-ASM
R758	NO-ASM	NO-ASM

LOGIC

39T0167

DESIGNER	Y.I	DEC/07/04	PART NO.	39T0167	IBM
CHECKED	Y.Y	DEC/07/04			
APPROVED	T.S	DEC/07/04	TITLE ROME-4 SVT-R(V0.91)		
CLASS	T.S	DEC/07/04	SATA BRIDGE/HDD CONN		
THIS DOCUMENT IS THE PROPERTY OF IBM. ITS USE IS AUTHORIZED ONLY FOR RESPONDING TO A REQUEST FOR QUOTATION OR FOR THE PERFORMANCE OF WORK FOR IBM. ALL QUESTIONS MUST BE REFERRED TO THE IBM PURCHASING DEPARTMENT.					IBM CONFIDENTIAL

DATE	DEC/07/04	EC NO.	J79495	PART NO.	39T0167
REL				DEVELOPMENT NO.	Q/M
					35 / 88



CD\_L\_IN AND CD\_R\_IN HAVE TO BE ROUTED IN PARALLEL.

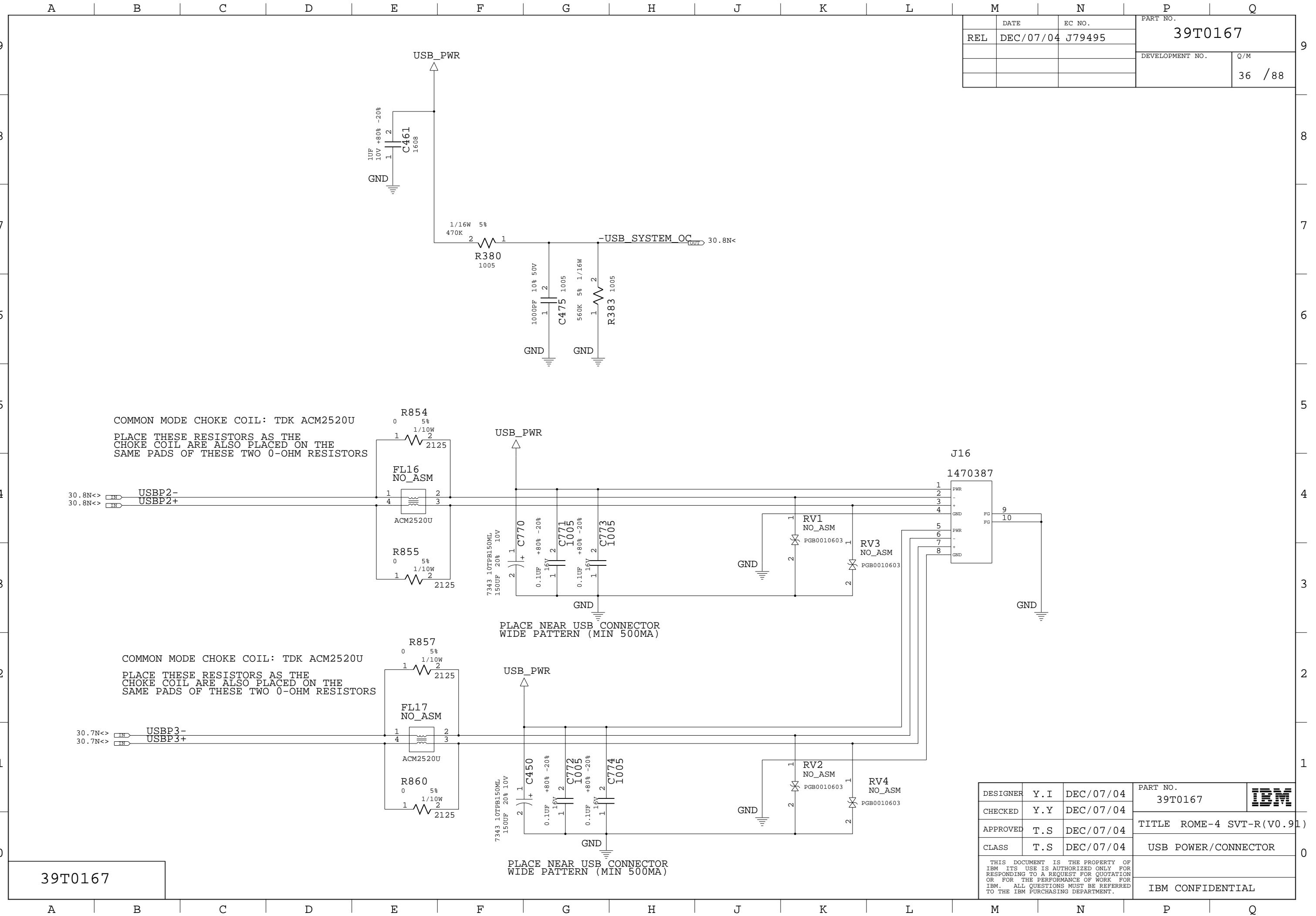
	-BAY_ATTACH	BAY_IS_HDD
NO DEVICE	H	DON'T CARE
OPTICAL	L	L
HDD	L	H

39T0167

DESIGNER	Y.I	DEC/07/04	PART NO.	39T0167	
CHECKED	Y.Y	DEC/07/04	TITLE ROME-4 SVT-R(V0.91)		
APPROVED	T.S	DEC/07/04	BAY I/F CONN		
CLASS	T.S	DEC/07/04	IBM CONFIDENTIAL		

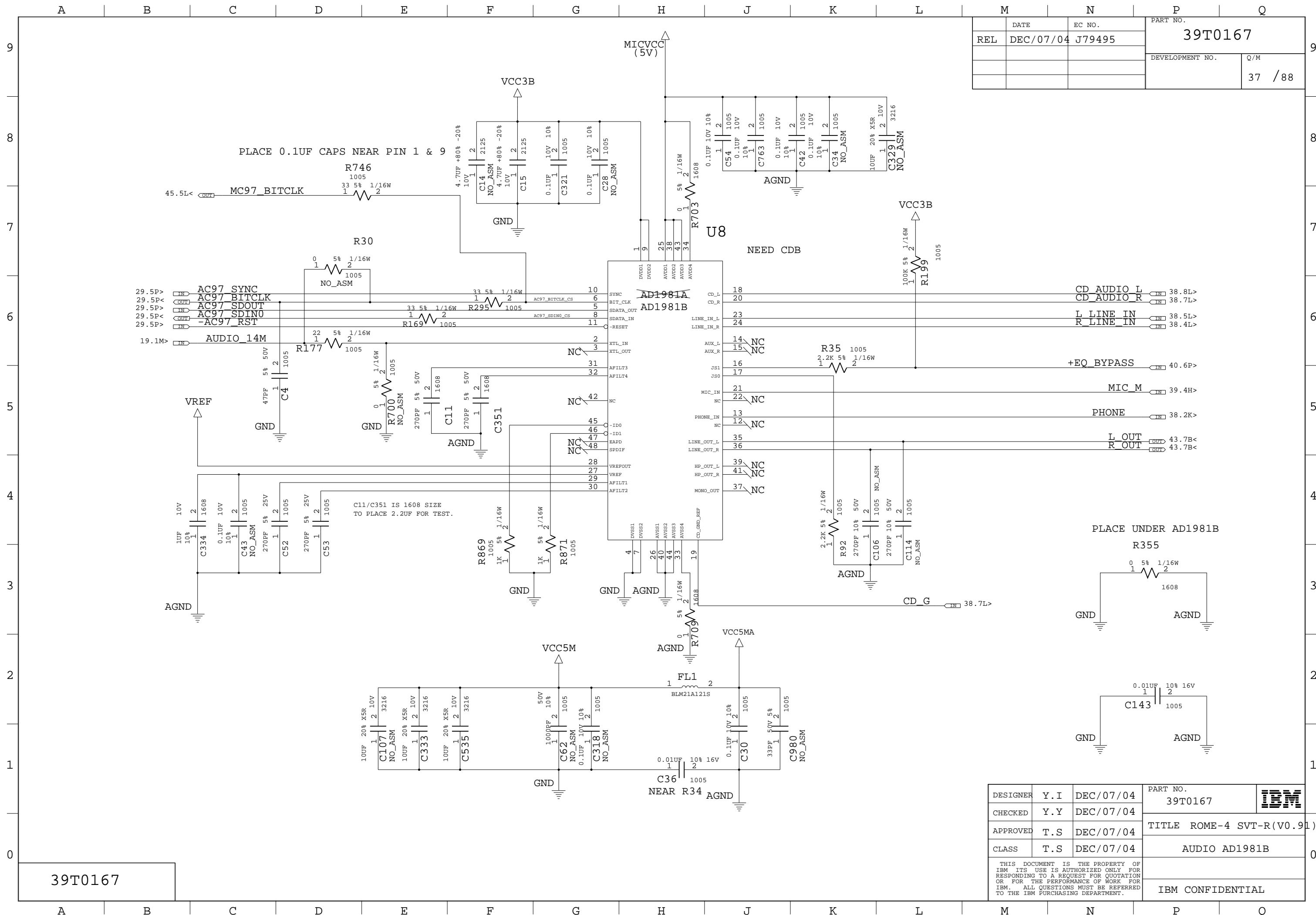
THIS DOCUMENT IS THE PROPERTY OF IBM. ITS USE IS AUTHORIZED ONLY FOR RESPONDING TO A REQUEST FOR QUOTATION OR FOR THE PERFORMANCE OF WORK FOR IBM. ALL QUESTIONS MUST BE REFERRED TO THE IBM PURCHASING DEPARTMENT.

REL	DATE DEC/07/04	EC NO. J79495	PART NO. 39T0167
			DEVELOPMENT NO. Q/M 36 / 88



39T0167

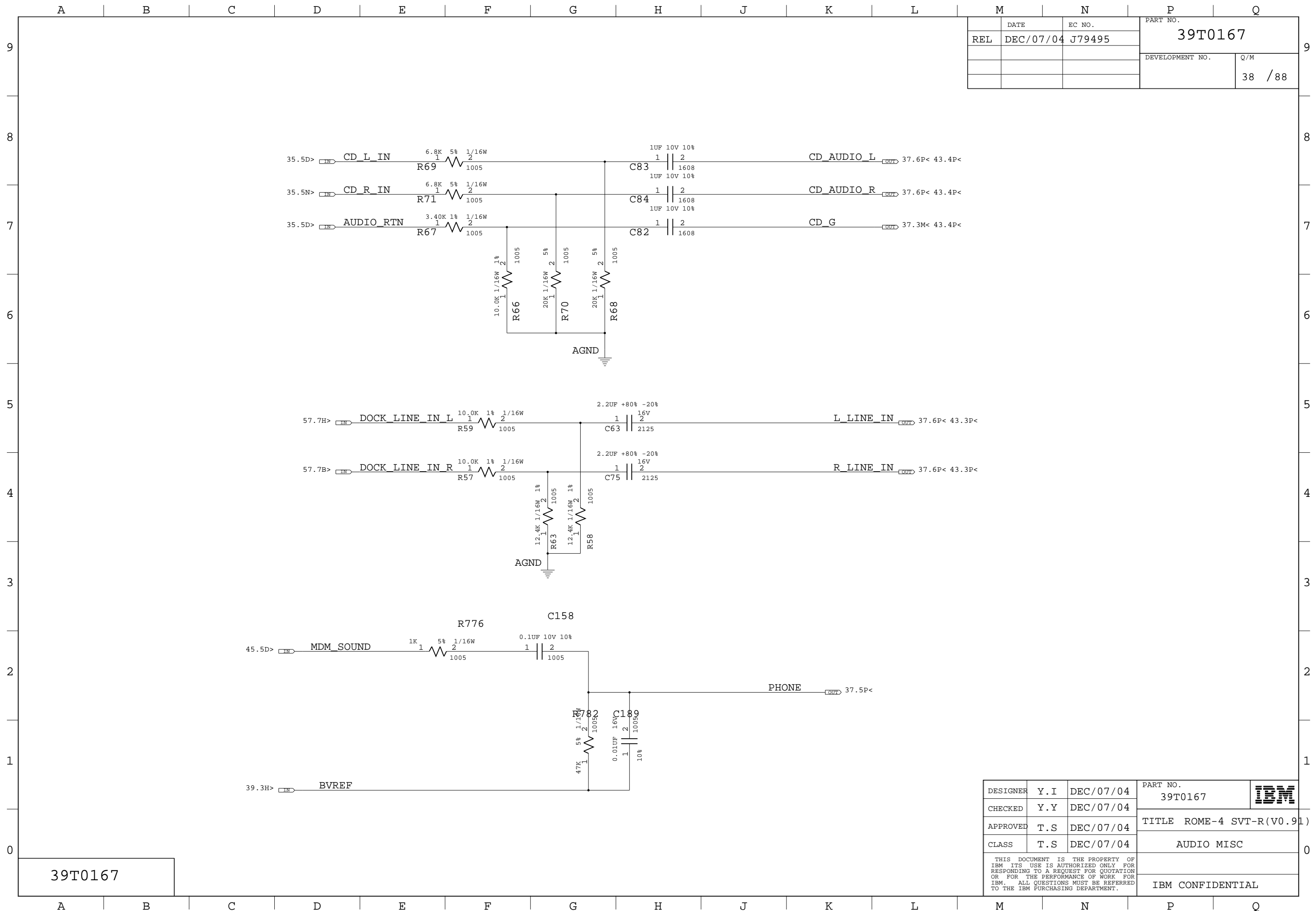
DESIGNER	Y.I	DEC/07/04	PART NO. 39T0167	
CHECKED	Y.Y	DEC/07/04	TITLE ROME-4 SVT-R(V0.91)	
APPROVED	T.S	DEC/07/04	CLASS	USB POWER/CONNECTOR
CLASS	T.S	DEC/07/04	THIS DOCUMENT IS THE PROPERTY OF IBM ITS USE IS AUTHORIZED ONLY FOR RESPONDING TO A REQUEST FOR QUOTATION OR FOR THE PERFORMANCE OF WORK FOR IBM. ALL QUESTIONS MUST BE REFERRED TO THE IBM PURCHASING DEPARTMENT.	
				IBM CONFIDENTIAL



DATE	EC NO.	PART NO.
REL DEC/07/04	J79495	39T0167
		DEVELOPMENT NO.
		Q/M
		37 / 88

39T0167

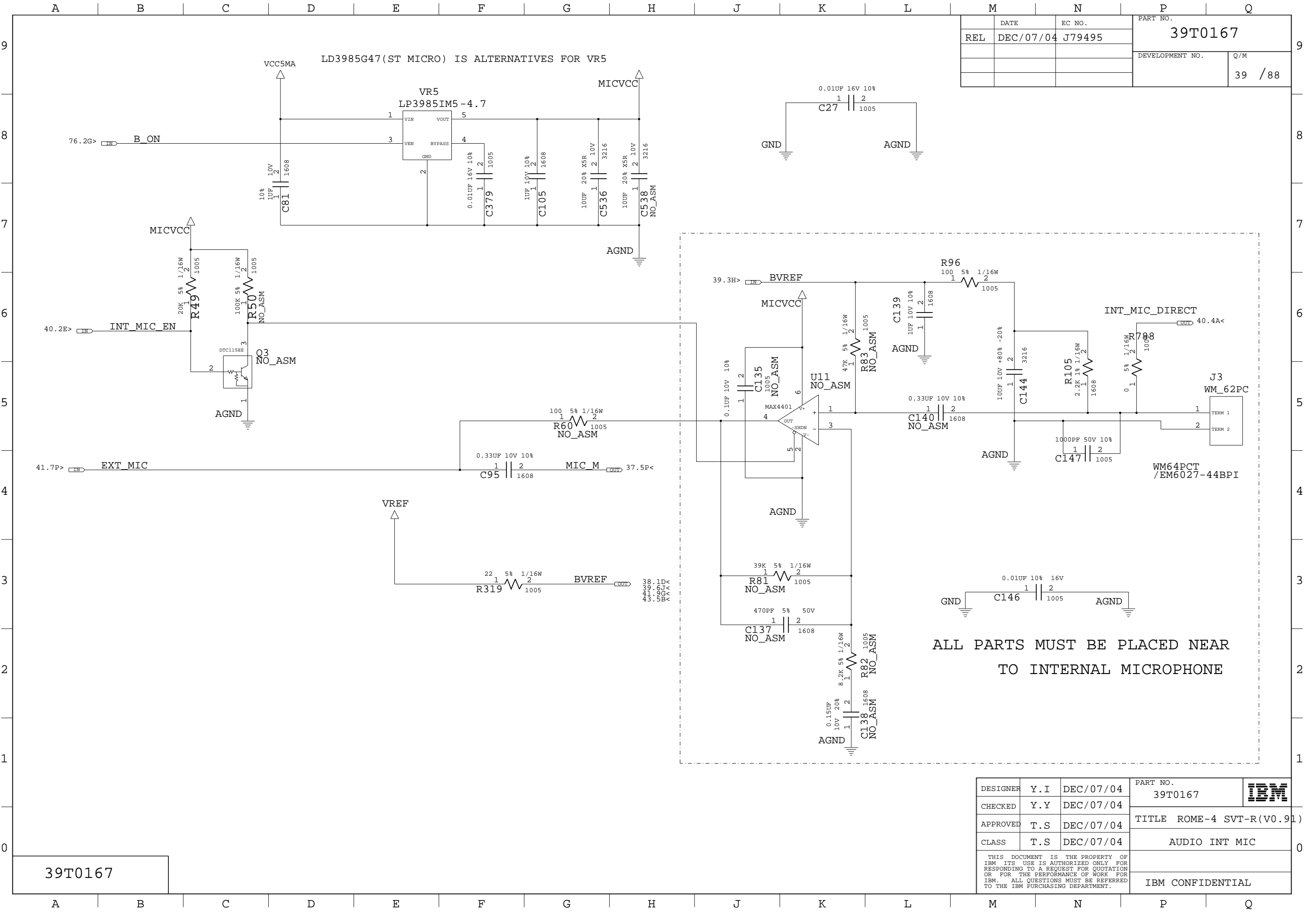
DESIGNER	Y.I	DEC/07/04	PART NO.	39T0167	IBM
CHECKED	Y.Y	DEC/07/04			
APPROVED	T.S	DEC/07/04	TITLE ROME-4 SVT-R(V0.91)		
CLASS	T.S	DEC/07/04	AUDIO AD1981B		
THIS DOCUMENT IS THE PROPERTY OF IBM ITS USE IS AUTHORIZED ONLY FOR RESPONDING TO A REQUEST FOR QUOTATION OR FOR THE PERFORMANCE OF WORK FOR IBM. ALL QUESTIONS MUST BE REFERRED TO THE IBM PURCHASING DEPARTMENT.				IBM CONFIDENTIAL	



	DATE	EC NO.	PART NO.	
REL	DEC/07/04	J79495	39T0167	
			DEVELOPMENT NO.	Q/M
				38 / 88

39T0167

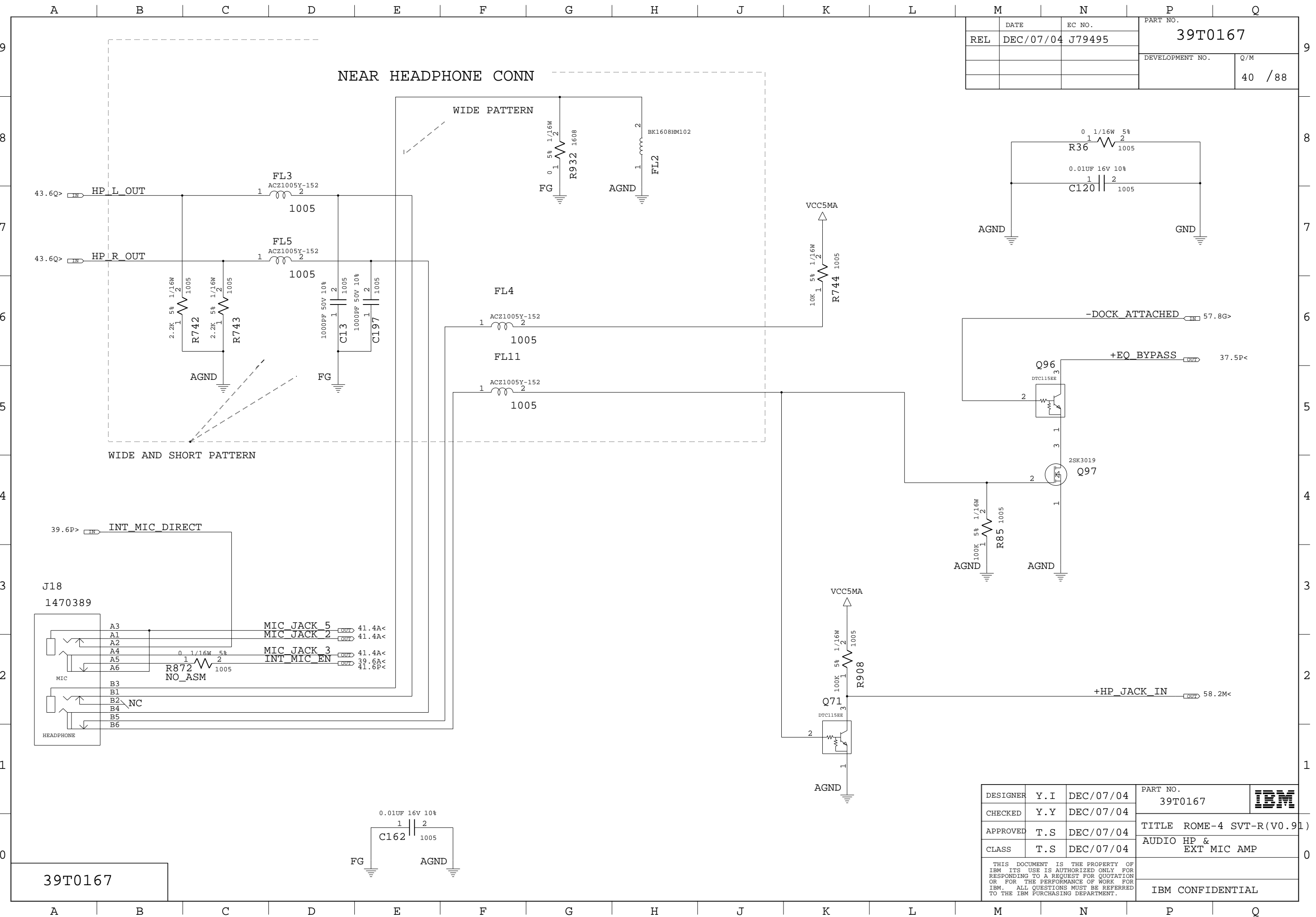
DESIGNER	Y. I	DEC/07/04	PART NO.	IBM
CHECKED	Y. Y	DEC/07/04	39T0167	
APPROVED	T. S	DEC/07/04	TITLE ROME-4 SVT-R(V0.91)	
CLASS	T. S	DEC/07/04	AUDIO MISC	
THIS DOCUMENT IS THE PROPERTY OF IBM ITS USE IS AUTHORIZED ONLY FOR RESPONDING TO A REQUEST FOR QUOTATION OR FOR THE PERFORMANCE OF WORK FOR IBM. ALL QUESTIONS MUST BE REFERRED TO THE IBM PURCHASING DEPARTMENT.				IBM CONFIDENTIAL



DATE	DEC/07/04	EC NO.	J79495	PART NO.	39T0167
REL				DEVELOPMENT NO.	Q/M
					39 / 88

DESIGNER	Y.I	DEC/07/04	PART NO.	39T0167	IBM
CHECKED	Y.Y	DEC/07/04			
APPROVED	T.S	DEC/07/04	TITLE ROME-4 SVT-R(V0.91)		
CLASS	T.S	DEC/07/04	AUDIO INT MIC		
THIS DOCUMENT IS THE PROPERTY OF IBM ITS USE IS AUTHORIZED ONLY FOR RESPONDING TO A REQUEST FOR QUOTATION OR FOR THE PERFORMANCE OF WORK FOR IBM. ALL QUESTIONS MUST BE REFERRED TO THE IBM PURCHASING DEPARTMENT.				IBM CONFIDENTIAL	

39T0167

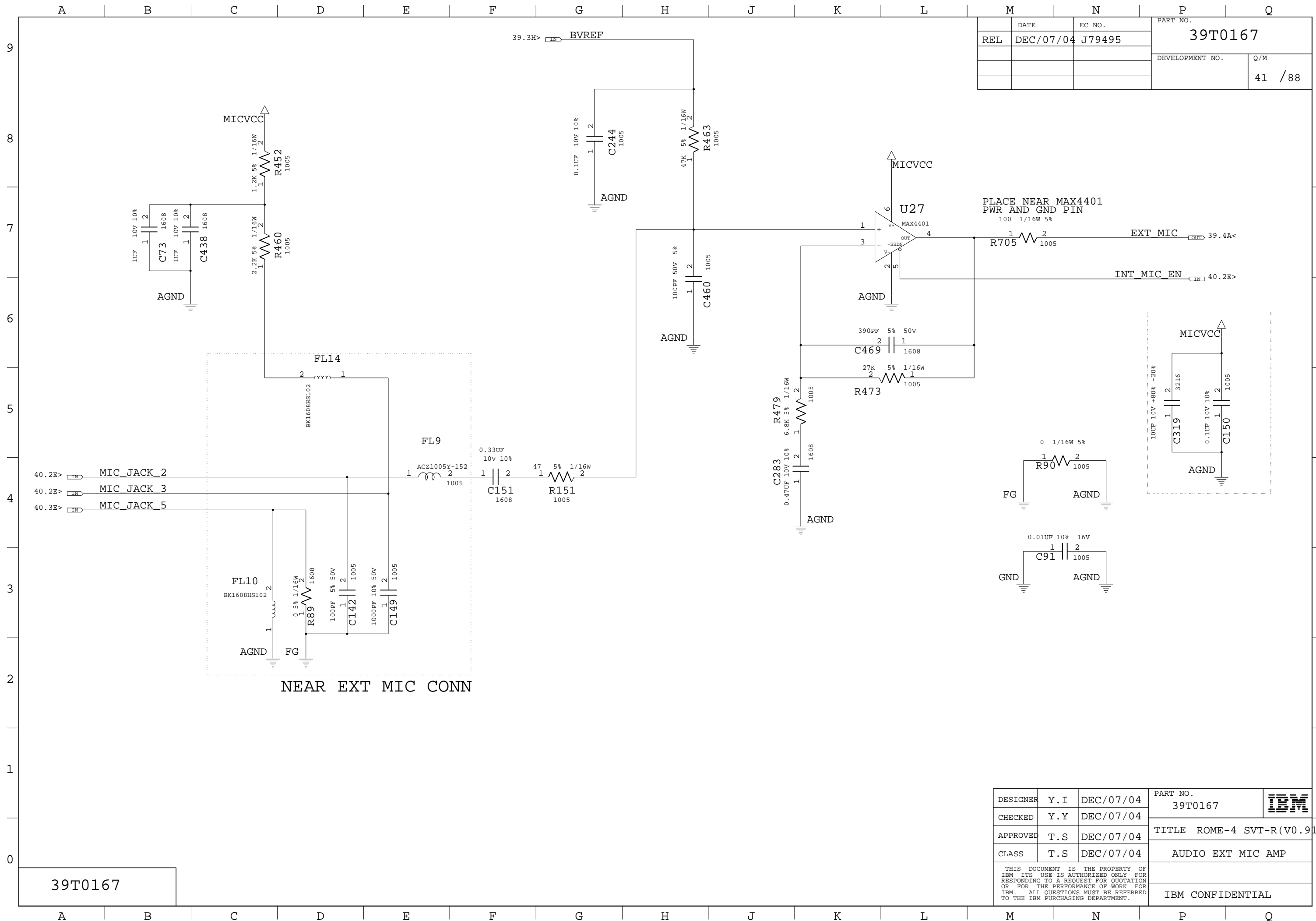


DATE	EC NO.	PART NO.	
REL DEC/07/04	J79495	39T0167	
		DEVELOPMENT NO.	Q/M
			40 / 88

39T0167

DESIGNER	Y.I	DEC/07/04	PART NO.	39T0167	IBM
CHECKED	Y.Y	DEC/07/04			
APPROVED	T.S	DEC/07/04	TITLE ROME-4 SVT-R (V0.91)		
CLASS	T.S	DEC/07/04	AUDIO HP & EXT MIC AMP		
THIS DOCUMENT IS THE PROPERTY OF IBM. ITS USE IS AUTHORIZED ONLY FOR RESPONDING TO A REQUEST FOR QUOTATION OR FOR THE PERFORMANCE OF WORK FOR IBM. ALL QUESTIONS MUST BE REFERRED TO THE IBM PURCHASING DEPARTMENT.				IBM CONFIDENTIAL	





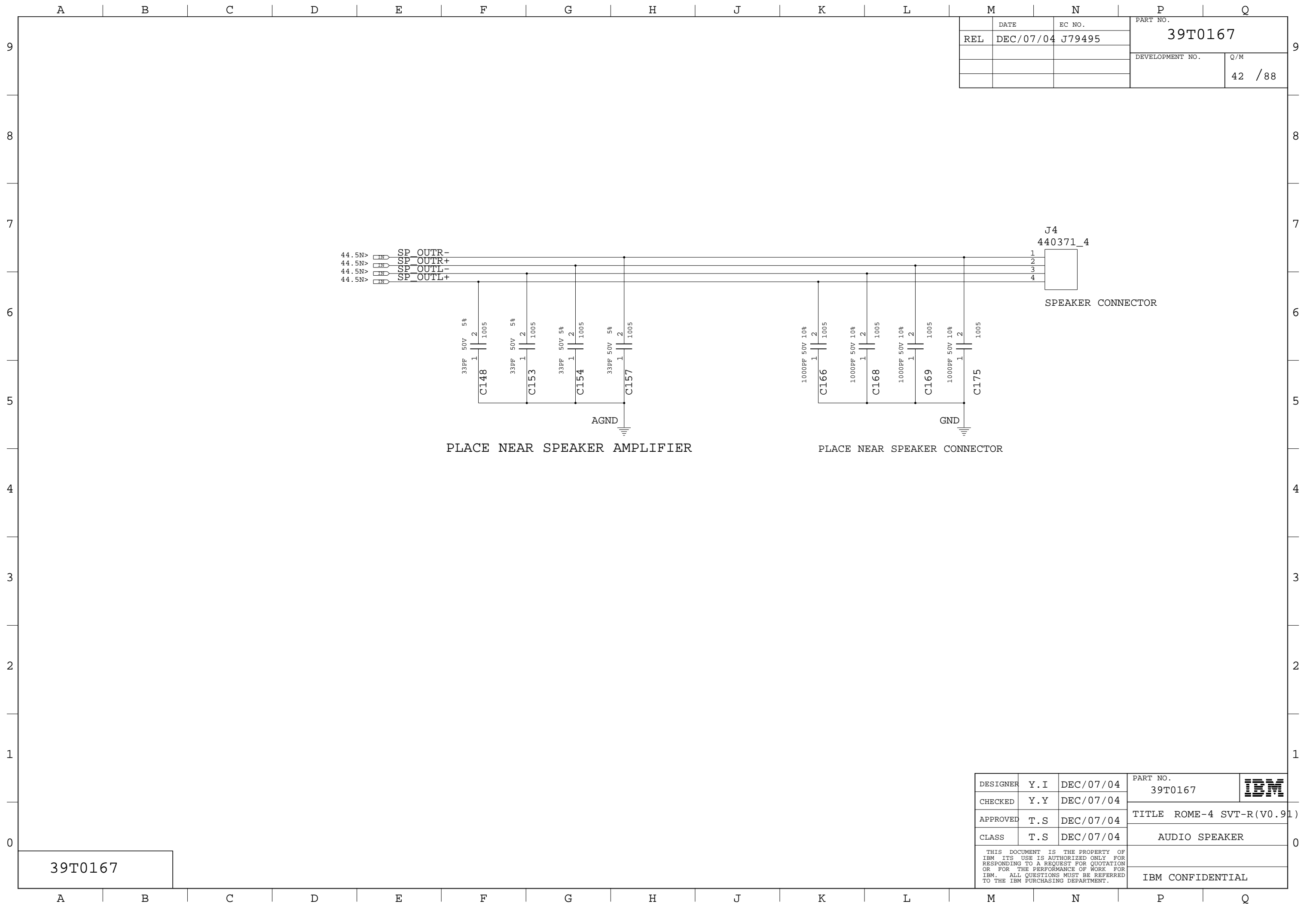
REL	DATE	EC NO.	PART NO.
	DEC/07/04	J79495	39T0167
			DEVELOPMENT NO.
			Q/M
			41 / 88

PLACE NEAR MAX4401  
PWR AND GND PIN  
100 1/16W 5%

NEAR EXT MIC CONN

39T0167

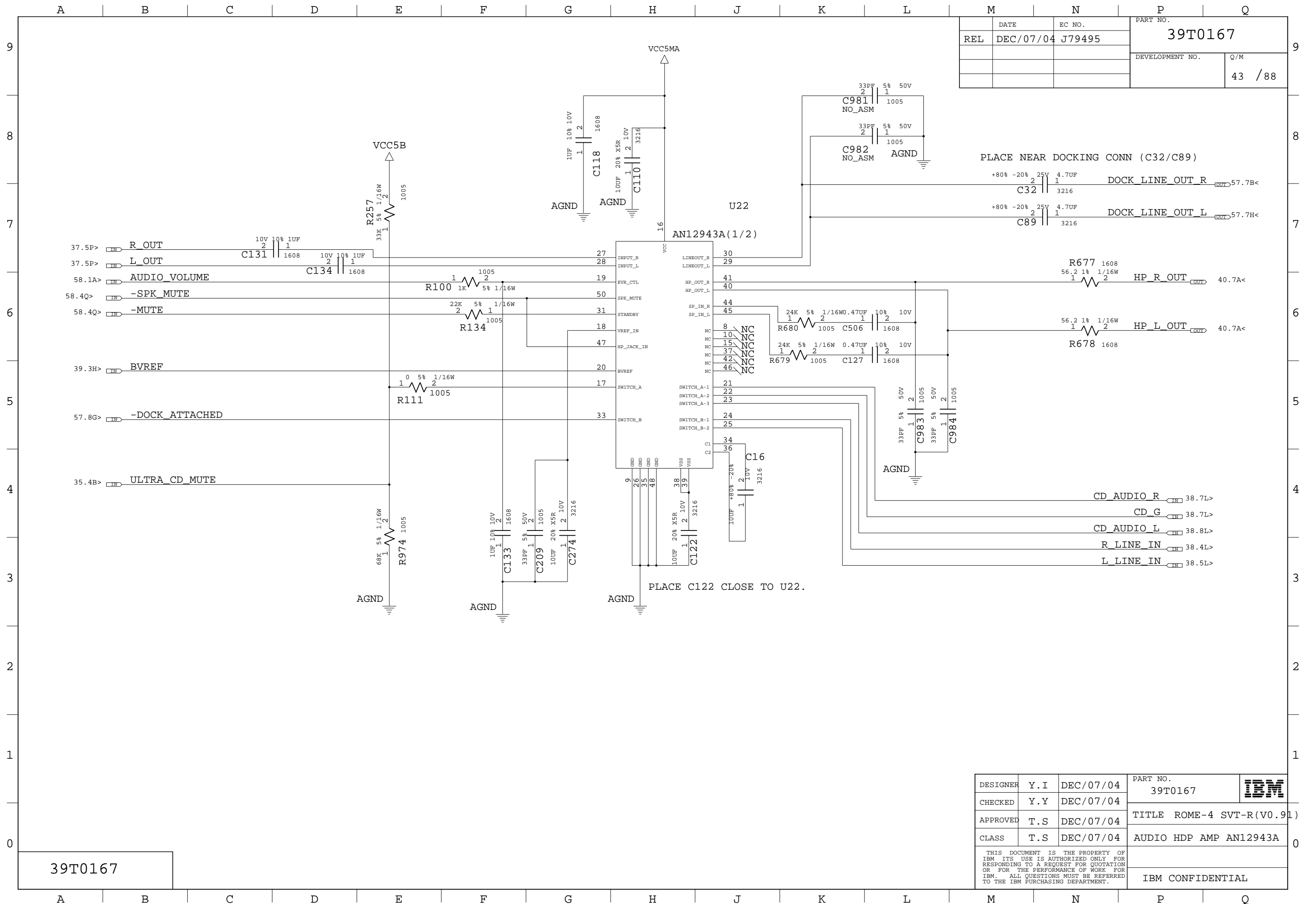
DESIGNER	Y.I	DEC/07/04	PART NO.	IBM
CHECKED	Y.Y	DEC/07/04	39T0167	
APPROVED	T.S	DEC/07/04	TITLE ROME-4 SVT-R(V0.91)	
CLASS	T.S	DEC/07/04	AUDIO EXT MIC AMP	
THIS DOCUMENT IS THE PROPERTY OF IBM ITS USE IS AUTHORIZED ONLY FOR RESPONDING TO A REQUEST FOR QUOTATION OR FOR THE PERFORMANCE OF WORK FOR IBM. ALL QUESTIONS MUST BE REFERRED TO THE IBM PURCHASING DEPARTMENT.				IBM CONFIDENTIAL



	DATE	EC NO.	PART NO.	
REL	DEC/07/04	J79495	39T0167	
			DEVELOPMENT NO.	Q/M
				42 / 88

39T0167

DESIGNER	Y. I	DEC/07/04	PART NO.	39T0167	<b>IBM</b>
CHECKED	Y. Y	DEC/07/04			
APPROVED	T. S	DEC/07/04	TITLE ROME-4 SVT-R(V0.91)		
CLASS	T. S	DEC/07/04	AUDIO SPEAKER		
THIS DOCUMENT IS THE PROPERTY OF IBM ITS USE IS AUTHORIZED ONLY FOR RESPONDING TO A REQUEST FOR QUOTATION OR FOR THE PERFORMANCE OF WORK FOR IBM. ALL QUESTIONS MUST BE REFERRED TO THE IBM PURCHASING DEPARTMENT.				IBM CONFIDENTIAL	



REL	DATE	DEC/07/04	EX NO.	J79495	PART NO.	39T0167	
					DEVELOPMENT NO.	Q/M	43 / 88

PLACE NEAR DOCKING CONN (C32/C89)

+80% -20% 25V 4.7UF DOCK\_LINE\_OUT\_R (OUT) 57.7B<

+80% -20% 25V 4.7UF DOCK\_LINE\_OUT\_L (OUT) 57.7H<

HP\_R\_OUT (OUT) 40.7A<

HP\_L\_OUT (OUT) 40.7A<

CD\_AUDIO\_R (IN) 38.7L>

CD\_G (IN) 38.7L>

CD\_AUDIO\_L (IN) 38.8L>

R\_LINE\_IN (IN) 38.4L>

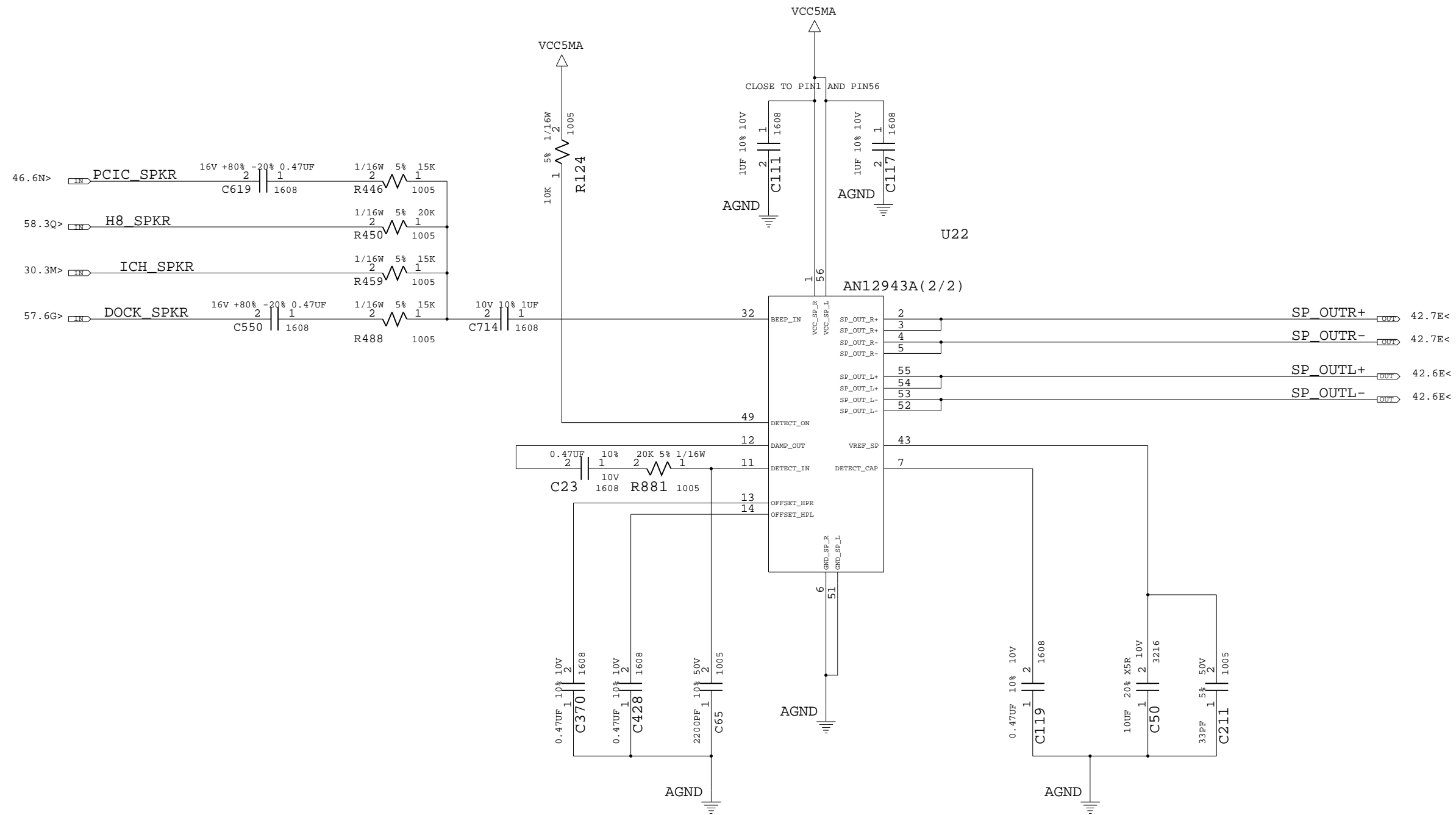
L\_LINE\_IN (IN) 38.5L>

PLACE C122 CLOSE TO U22.

39T0167

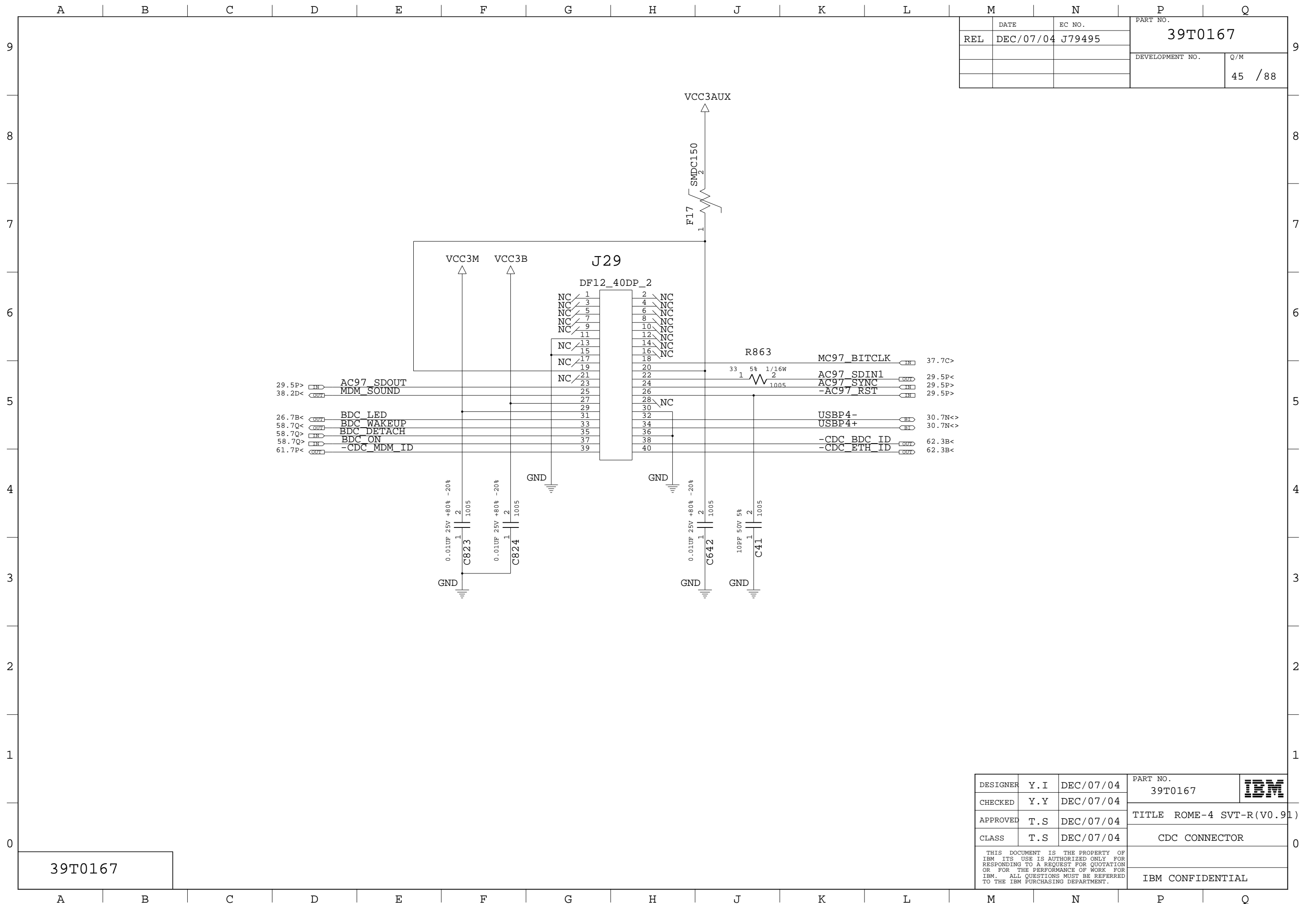
DESIGNER	Y.I	DEC/07/04	PART NO.	39T0167	
CHECKED	Y.Y	DEC/07/04	TITLE	ROME-4 SVT-R(V0.91)	
APPROVED	T.S	DEC/07/04	CLASS	AUDIO HDP AMP AN12943A	
THIS DOCUMENT IS THE PROPERTY OF IBM ITS USE IS AUTHORIZED ONLY FOR RESPONDING TO A REQUEST FOR QUOTATION OR FOR THE PERFORMANCE OF WORK FOR IBM. ALL QUESTIONS MUST BE REFERRED TO THE IBM PURCHASING DEPARTMENT.					IBM CONFIDENTIAL

	DATE	EC NO.	PART NO.	
REL	DEC/07/04	J79495	39T0167	
			DEVELOPMENT NO.	Q/M
				44 / 88



39T0167

DESIGNER	Y.I	DEC/07/04	PART NO.	39T0167	<b>IBM</b>
CHECKED	Y.Y	DEC/07/04			
APPROVED	T.S	DEC/07/04	TITLE ROME-4 SVT-R(V0.91)		
CLASS	T.S	DEC/07/04	AUDIO HDP AMP AN12943A		
THIS DOCUMENT IS THE PROPERTY OF IBM ITS USE IS AUTHORIZED ONLY FOR RESPONDING TO A REQUEST FOR QUOTATION OR FOR THE PERFORMANCE OF WORK FOR IBM. ALL QUESTIONS MUST BE REFERRED TO THE IBM PURCHASING DEPARTMENT.				IBM CONFIDENTIAL	



REL	DATE DEC/07/04	EC NO. J79495	PART NO. 39T0167
			DEVELOPMENT NO. Q/M 45 / 88

39T0167

DESIGNER	Y. I	DEC/07/04	PART NO. 39T0167	<b>IBM</b>
CHECKED	Y. Y	DEC/07/04	TITLE ROME-4 SVT-R(V0.91)	
APPROVED	T. S	DEC/07/04	CLASS CDC CONNECTOR	
CLASS	T. S	DEC/07/04	THIS DOCUMENT IS THE PROPERTY OF IBM ITS USE IS AUTHORIZED ONLY FOR RESPONDING TO A REQUEST FOR QUOTATION OR FOR THE PERFORMANCE OF WORK FOR IBM. ALL QUESTIONS MUST BE REFERRED TO THE IBM PURCHASING DEPARTMENT.	
				IBM CONFIDENTIAL

DATE	DEC/07/04	EC NO.	J79495	PART NO.	39T0167
REL				DEVELOPMENT NO.	46 / 88
				Q/M	

56.9A<> 55.8B<> 29.8C<> AD<31..0>

TABLE 1394 1/1

	N-1394	Y-1394
U20	NO-ASM	ASM
FL6	NO-ASM	ASM
C943	NO-ASM	ASM
C945	NO-ASM	ASM
R399	NO-ASM	ASM
C942	NO-ASM	ASM
R944	NO-ASM	ASM
C256	NO-ASM	ASM
R946	NO-ASM	ASM
R947	NO-ASM	ASM
R949	NO-ASM	ASM
R950	NO-ASM	ASM
C949	NO-ASM	ASM
R948	NO-ASM	ASM
C946	NO-ASM	ASM
C951	NO-ASM	ASM
J20	NO-ASM	ASM
C944	NO-ASM	ASM
R945	NO-ASM	ASM
Y7	NO-ASM	ASM
C947	NO-ASM	ASM
C948	NO-ASM	ASM

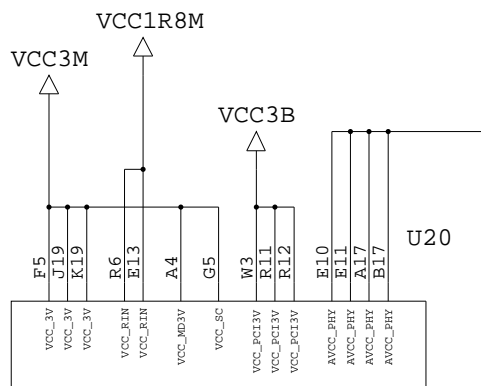
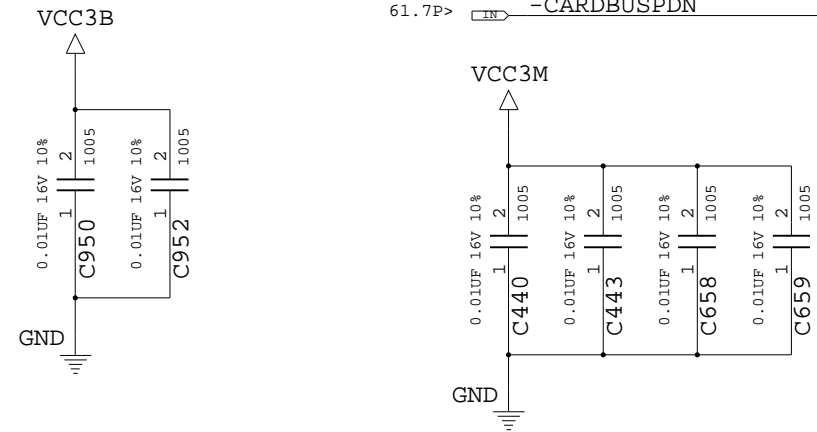
PAGE 62

R948 NO-ASM ASM  
LOGIC

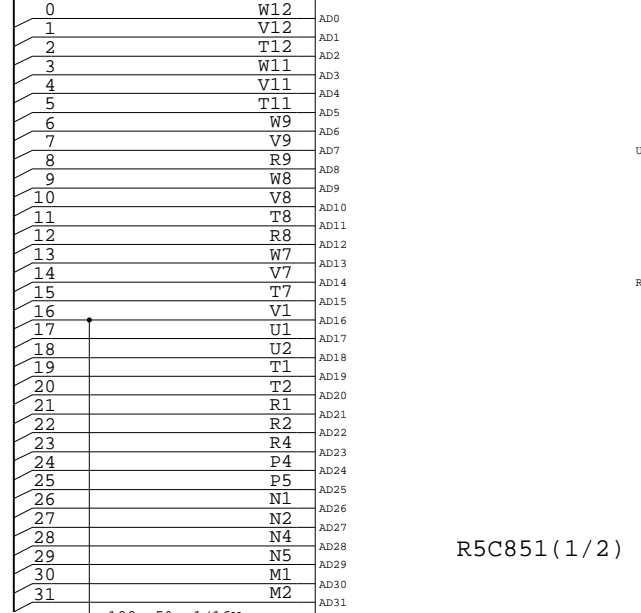
56.8A<> 55.8B<> 29.9C<> C BE<3..0>

61.5B< 56.7L<> 55.4N<> 29.5C<> -FRAME V3 FRAME#  
61.5B< 56.7L<> 55.5C<> 29.5C<> -IRDY V4 IRDY#  
56.7L<> 55.4N<> 29.5C<> -TRDY W4 TRDY#  
56.6L<> 55.4N<> 29.5C<> -DEVSEL T5 DEVSEL#  
56.7L<> 55.4N<> 29.5C<> -STOP V5 STOP#  
56.6L<> 55.5N<> 29.5C<> -PAR V6 PAR  
56.5L<> 55.4C<> 29.5C<> -PERR W5 PERR#  
29.4C< 56.6L> 55.4C> -SERR T6 SERR#

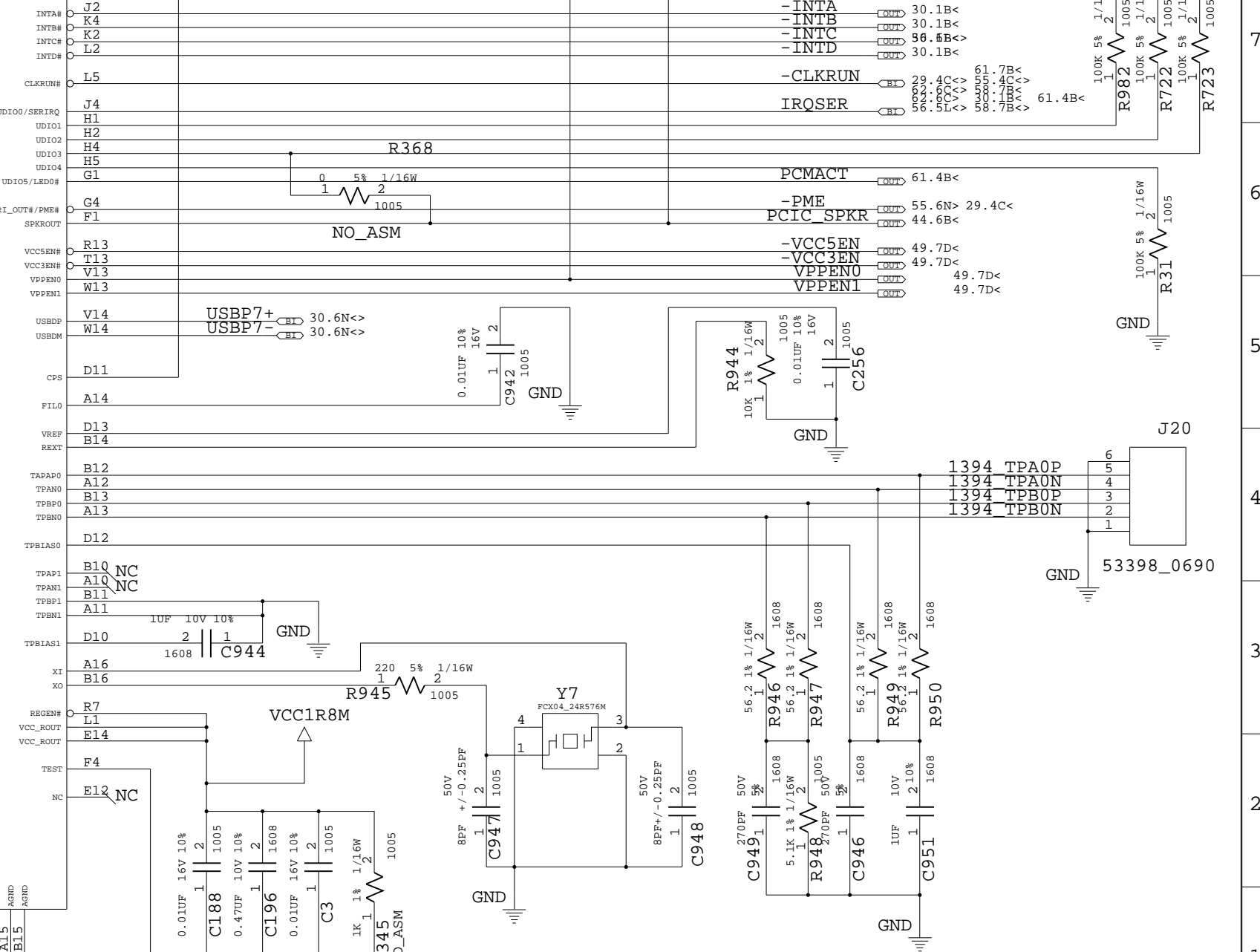
29.4C< -REQ# M4 REQ#  
29.3C> -GNT# M5 GNT#  
19.2B> PCICLK CB 33M K1 PCICLK  
29.4C> -PCIRST L4 PCIRST#  
84.2K> 30.2M> MPWRG G2 GBRST#  
61.7P> -CARDBUSPDN F2 HNSPND#



U20



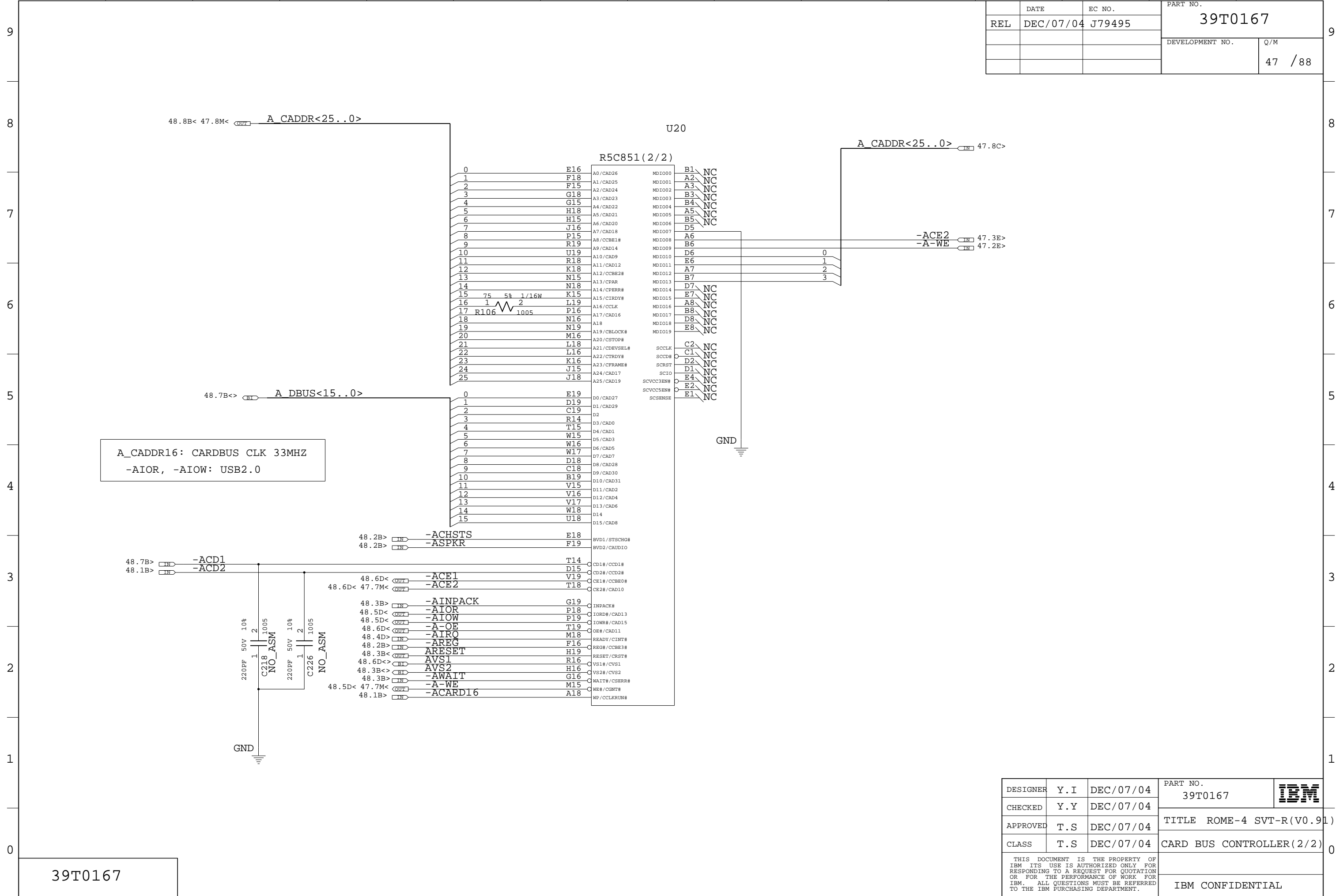
R5C851 (1/2)



DESIGNER	Y.I	DEC/07/04	PART NO.	39T0167	
CHECKED	Y.Y	DEC/07/04	TITLE	ROME-4 SVT-R(V0.91)	
APPROVED	T.S	DEC/07/04	CLASS	CARD BUS CONTROLLER(1/2)	
CLASS	T.S	DEC/07/04			
THIS DOCUMENT IS THE PROPERTY OF IBM ITS USE IS AUTHORIZED ONLY FOR RESPONDING TO A REQUEST FOR QUOTATION OR FOR THE PERFORMANCE OF WORK FOR IBM. ALL QUESTIONS MUST BE REFERRED TO THE IBM PURCHASING DEPARTMENT.					IBM CONFIDENTIAL

39T0167

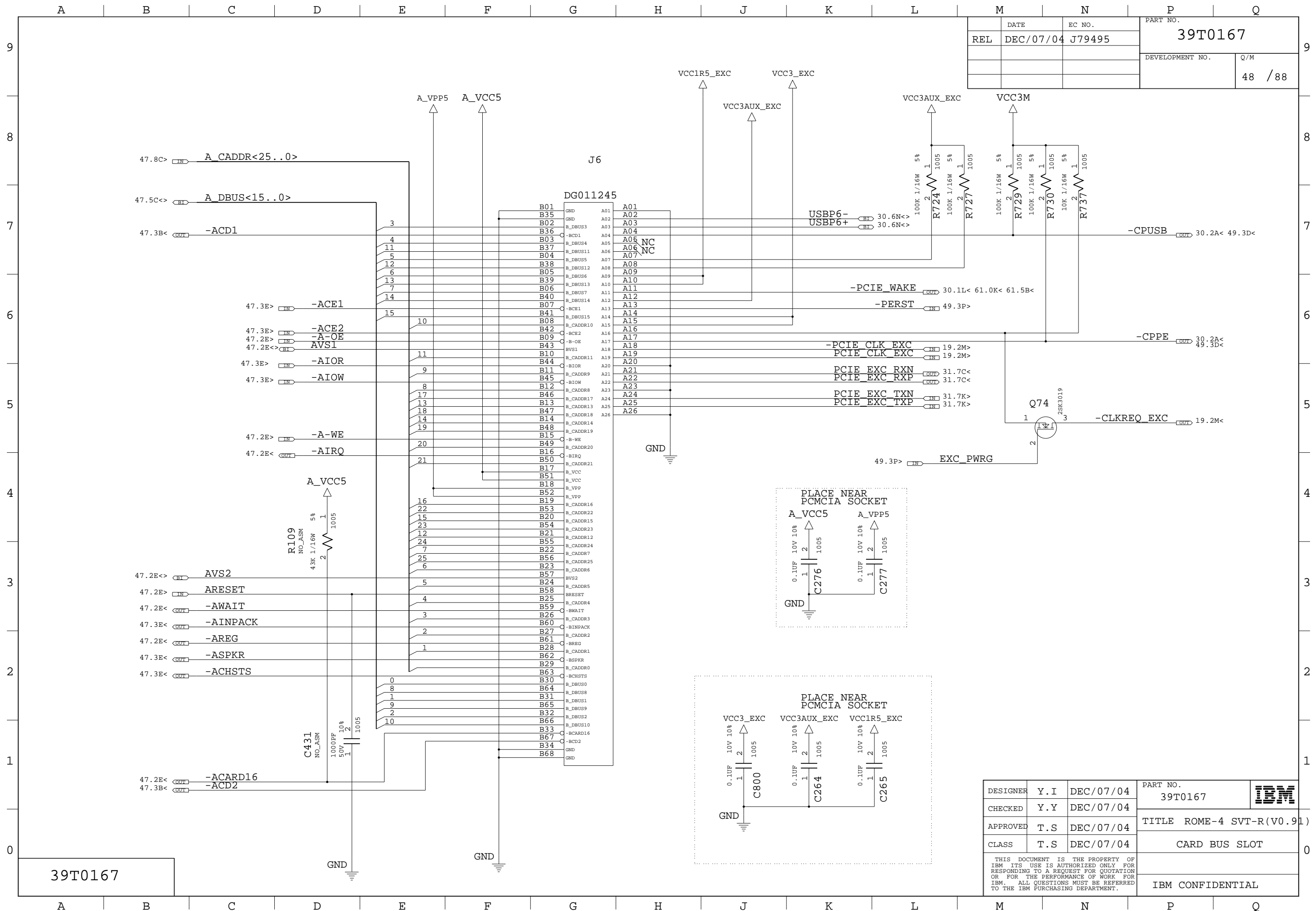
REL	DATE DEC/07/04	EC NO. J79495	PART NO. 39T0167
			DEVELOPMENT NO. 47 / 88
			Q/M



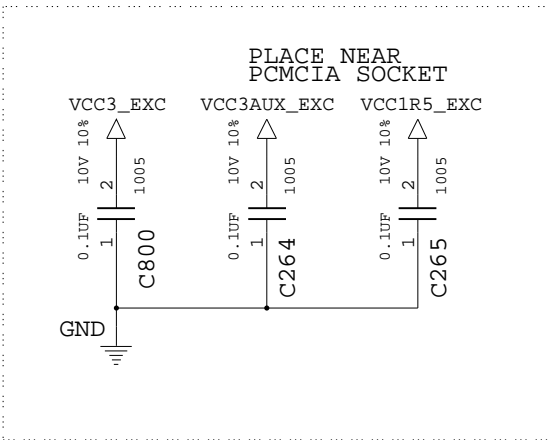
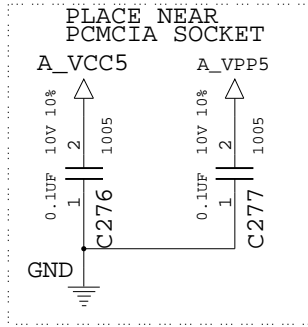
A\_CADDR16: CARDBUS CLK 33MHZ  
-AIOR, -AIOW: USB2.0

39T0167

DESIGNER	Y.I	DEC/07/04	PART NO. 39T0167	<b>IBM</b>
CHECKED	Y.Y	DEC/07/04		
APPROVED	T.S	DEC/07/04	TITLE ROME-4 SVT-R(V0.91)	
CLASS	T.S	DEC/07/04	CARD BUS CONTROLLER(2/2)	
THIS DOCUMENT IS THE PROPERTY OF IBM ITS USE IS AUTHORIZED ONLY FOR RESPONDING TO A REQUEST FOR QUOTATION OR FOR THE PERFORMANCE OF WORK FOR IBM. ALL QUESTIONS MUST BE REFERRED TO THE IBM PURCHASING DEPARTMENT.				IBM CONFIDENTIAL



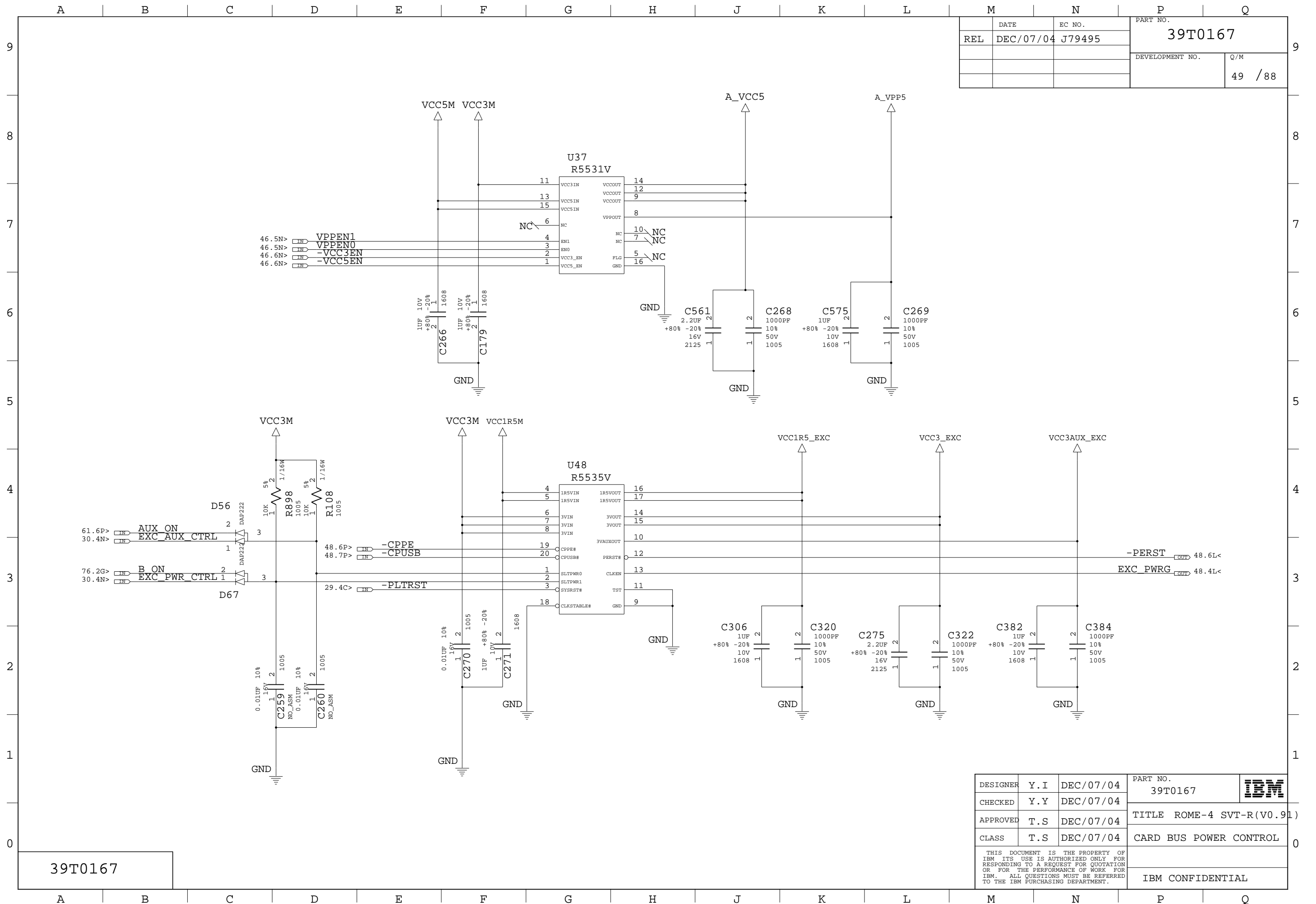
DATE	EC NO.	PART NO.
REL DEC/07/04	J79495	39T0167
DEVELOPMENT NO.		Q/M
		48 / 88



DESIGNER	Y.I	DEC/07/04	PART NO.	39T0167	<b>IBM</b>
CHECKED	Y.Y	DEC/07/04			
APPROVED	T.S	DEC/07/04	TITLE ROME-4 SVT-R(V0.91)		
CLASS	T.S	DEC/07/04	CARD BUS SLOT		
THIS DOCUMENT IS THE PROPERTY OF IBM. ITS USE IS AUTHORIZED ONLY FOR RESPONDING TO A REQUEST FOR QUOTATION OR FOR THE PERFORMANCE OF WORK FOR IBM. ALL QUESTIONS MUST BE REFERRED TO THE IBM PURCHASING DEPARTMENT.				IBM CONFIDENTIAL	

39T0167





	DATE	EC NO.	PART NO.	
REL	DEC/07/04	J79495	39T0167	
			DEVELOPMENT NO.	Q/M
				49 / 88

39T0167

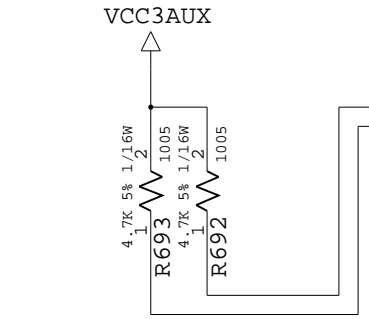
DESIGNER	Y.I	DEC/07/04	PART NO.	39T0167	
CHECKED	Y.Y	DEC/07/04			
APPROVED	T.S	DEC/07/04	TITLE ROME-4 SVT-R(V0.91)		
CLASS	T.S	DEC/07/04	CARD BUS POWER CONTROL		
THIS DOCUMENT IS THE PROPERTY OF IBM. ITS USE IS AUTHORIZED ONLY FOR RESPONDING TO A REQUEST FOR QUOTATION OR FOR THE PERFORMANCE OF WORK FOR IBM. ALL QUESTIONS MUST BE REFERRED TO THE IBM PURCHASING DEPARTMENT.				IBM CONFIDENTIAL	



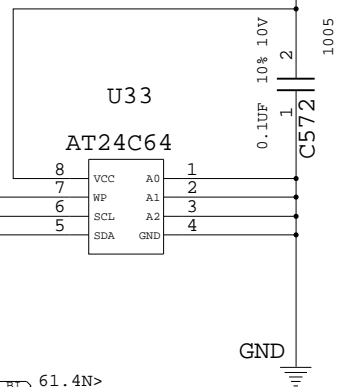
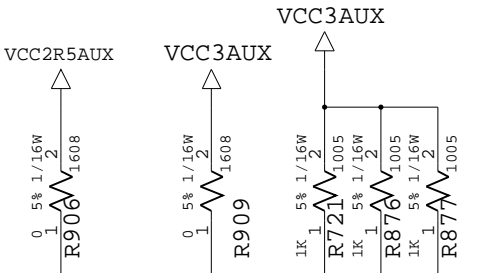
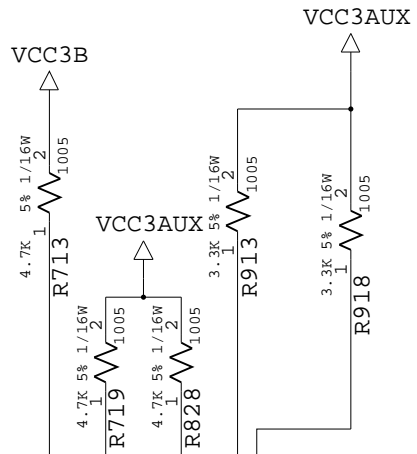
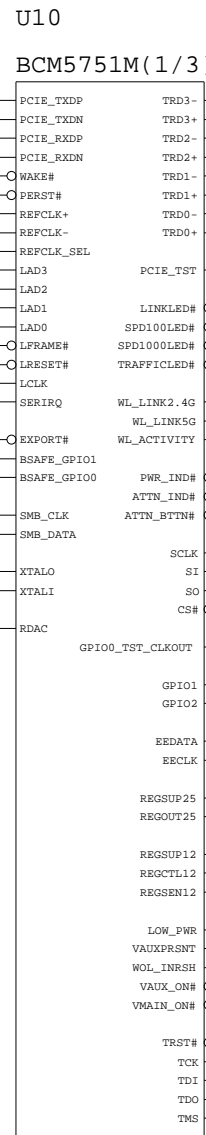
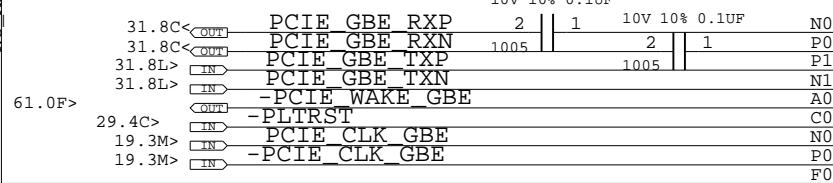
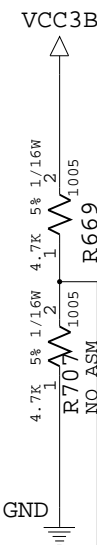
REL	DATE	EC NO.	PART NO.
	DEC/07/04	J79495	39T0167
			DEVELOPMENT NO.
			Q/M
			51 / 88

BCM5751M	B0/B1
R16	NO_ASM
R45	NO_ASM
R345	NO_ASM
R347	NO_ASM
R681	NO_ASM
R682	NO_ASM
R683	NO_ASM
R684	NO_ASM

BCM5751M	A1/B0
R713	ASM

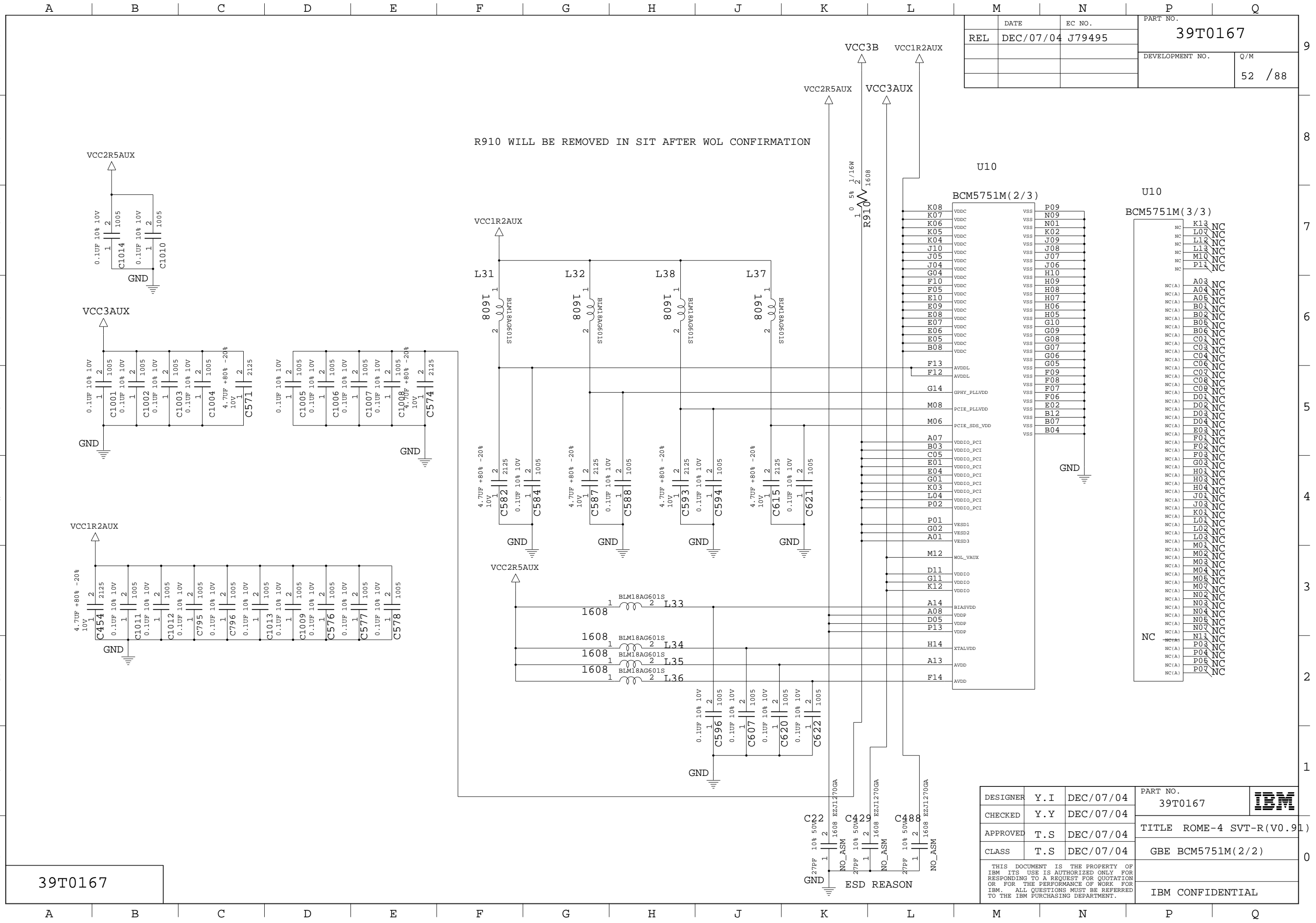


CRYSTAL LOAD CAP VALUES WILL VARY WITH PAD SIZE AND STACKUP ADJUST CRYSTAL DISCRETE LOADING CAPS TO PROVIDE 25.000MHZ(+/- 50PPM) AT THE SILICON XTAL 2PIN



DESIGNER	Y.I	DEC/07/04	PART NO.	39T0167	IBM
CHECKED	Y.Y	DEC/07/04			
APPROVED	T.S	DEC/07/04	TITLE ROME-4 SVT-R(V0.91)		
CLASS	T.S	DEC/07/04	GBE BCM5751M(1/2)		
THIS DOCUMENT IS THE PROPERTY OF IBM. ITS USE IS AUTHORIZED ONLY FOR RESPONDING TO A REQUEST FOR QUOTATION OR FOR THE PERFORMANCE OF WORK FOR IBM. ALL QUESTIONS MUST BE REFERRED TO THE IBM PURCHASING DEPARTMENT.					IBM CONFIDENTIAL

39T0167



DATE	DEC/07/04	EC NO.	J79495	PART NO.	39T0167	
REL				DEVELOPMENT NO.	Q/M	
					52 / 88	

U10 BCM5751M(2/3)

K08	VDDC	P09	VSS
K07	VDDC	N09	VSS
K06	VDDC	N01	VSS
K05	VDDC	K02	VSS
K04	VDDC	J09	VSS
J10	VDDC	J08	VSS
J05	VDDC	J07	VSS
J04	VDDC	J06	VSS
G04	VDDC	H10	VSS
F10	VDDC	H09	VSS
F05	VDDC	H08	VSS
E10	VDDC	H07	VSS
E09	VDDC	H06	VSS
E08	VDDC	H05	VSS
E07	VDDC	G10	VSS
E06	VDDC	G09	VSS
E05	VDDC	G08	VSS
B08	VDDC	G07	VSS
	VDDC	G06	VSS
	VDDC	G05	VSS
F13	AVDDL	F09	VSS
F12	AVDDL	F08	VSS
	AVDDL	F07	VSS
G14	PHY_PLLVDD	F06	VSS
	PHY_PLLVDD	E02	VSS
M08	PCIE_PLLVDD	B12	VSS
M06	PCIE_SDS_VDD	B07	VSS
	PCIE_SDS_VDD	B04	VSS
A07	VDDIO_PCI	F01	VSS
B03	VDDIO_PCI	F02	VSS
C05	VDDIO_PCI	F03	VSS
E01	VDDIO_PCI	G03	VSS
E04	VDDIO_PCI	H01	VSS
G01	VDDIO_PCI	H03	VSS
K03	VDDIO_PCI	H04	VSS
L04	VDDIO_PCI	J01	VSS
P02	VDDIO_PCI	J03	VSS
	VDDIO_PCI	K01	VSS
P01	VESD1	L01	VSS
G02	VESD2	L02	VSS
A01	VESD3	L03	VSS
	VESD3	M01	VSS
M12	WOL_VAUX	M02	VSS
	WOL_VAUX	M03	VSS
D11	VDDIO	M04	VSS
G11	VDDIO	M05	VSS
K12	VDDIO	M07	VSS
	VDDIO	M02	VSS
	VDDIO	M03	VSS
A14	BIASVDD	N03	VSS
A08	VDDP	N04	VSS
D05	VDDP	N05	VSS
P13	VDDP	N07	VSS
	VDDP	N07	VSS
H14	XTALVDD	N11	VSS
A13	AVDD	P03	VSS
F14	AVDD	P04	VSS
	AVDD	P05	VSS
	AVDD	P07	VSS

U10 BCM5751M(3/3)

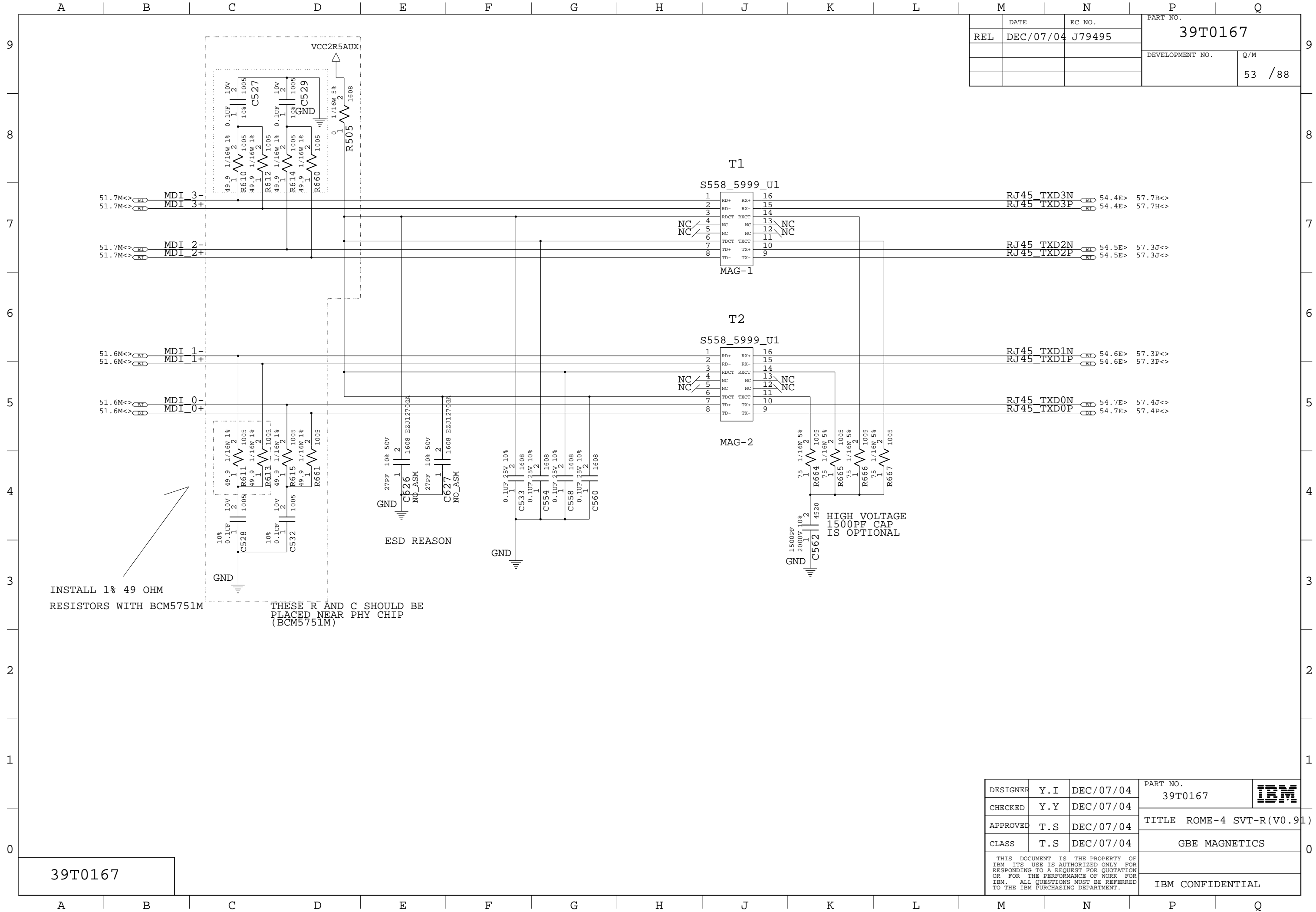
K13	NC
L07	NC
L12	NC
L13	NC
M10	NC
P11	NC
A03	NC
A04	NC
A05	NC
B01	NC
B02	NC
B05	NC
B06	NC
C01	NC
C03	NC
C04	NC
C06	NC
C07	NC
C08	NC
C09	NC
D01	NC
D02	NC
D03	NC
D04	NC
E03	NC
F01	NC
F02	NC
F03	NC
G03	NC
H01	NC
H03	NC
H04	NC
J01	NC
J03	NC
K01	NC
L01	NC
L02	NC
L03	NC
M01	NC
M02	NC
M03	NC
M04	NC
M05	NC
M07	NC
N02	NC
N03	NC
N04	NC
N05	NC
N07	NC
N11	NC
P03	NC
P04	NC
P05	NC
P07	NC

DESIGNER	Y.I	DEC/07/04	PART NO.	39T0167	
CHECKED	Y.Y	DEC/07/04	TITLE ROME-4 SVT-R(V0.91)		
APPROVED	T.S	DEC/07/04	GBE BCM5751M(2/2)		
CLASS	T.S	DEC/07/04	IBM CONFIDENTIAL		

39T0167

ESD REASON

	DATE	EC NO.	PART NO.
REL	DEC/07/04	J79495	39T0167
			DEVELOPMENT NO.
			Q/M
			53 / 88



INSTALL 1% 49 OHM  
RESISTORS WITH BCM5751M

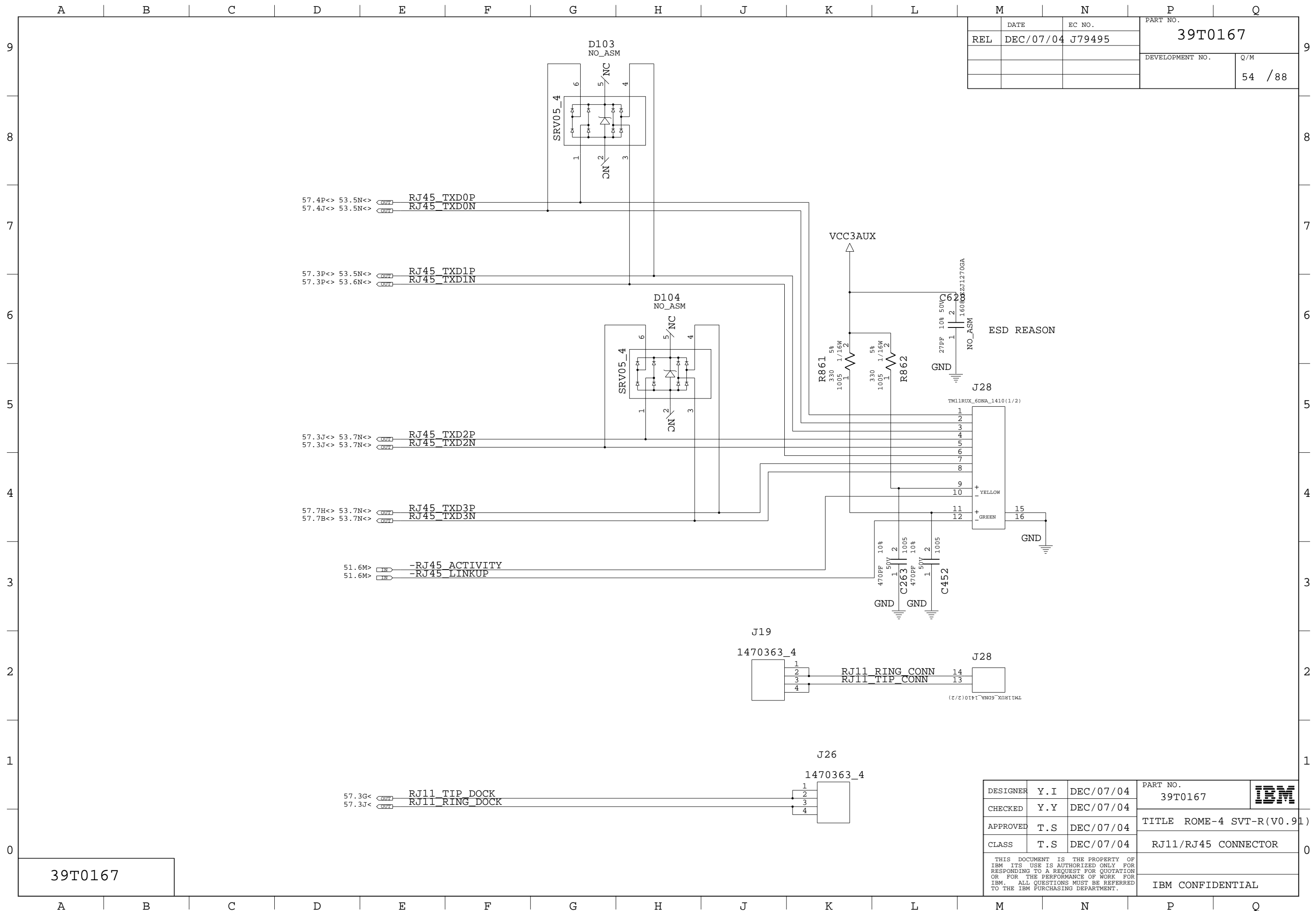
THESE R AND C SHOULD BE  
PLACED NEAR PHY CHIP  
(BCM5751M)

ESD REASON

HIGH VOLTAGE  
1500PF CAP  
IS OPTIONAL

39T0167

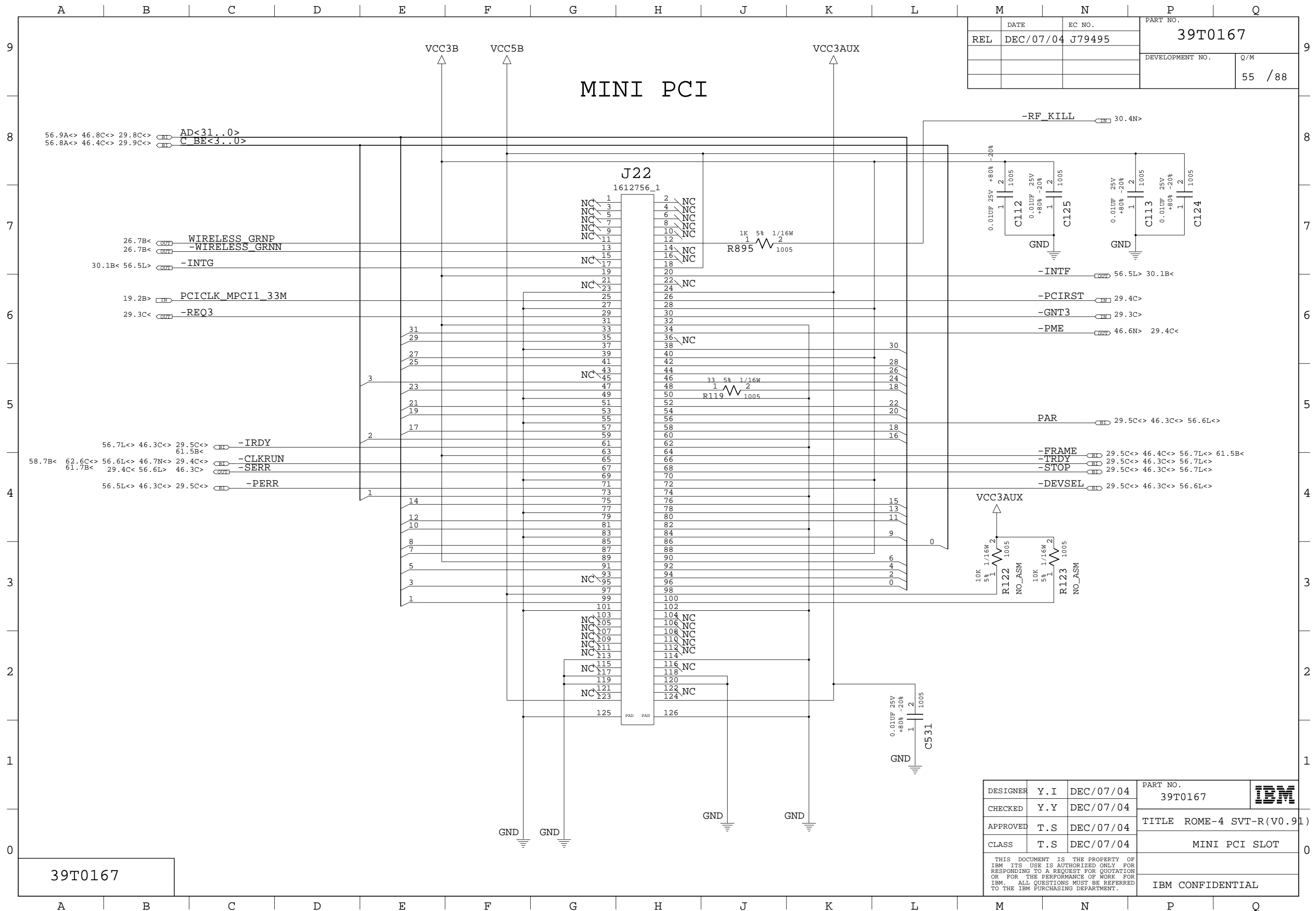
DESIGNER	Y. I	DEC/07/04	PART NO.	IBM
CHECKED	Y. Y	DEC/07/04	39T0167	
APPROVED	T. S	DEC/07/04	TITLE ROME-4 SVT-R (V0.91)	
CLASS	T. S	DEC/07/04	GBE MAGNETICS	
THIS DOCUMENT IS THE PROPERTY OF IBM ITS USE IS AUTHORIZED ONLY FOR RESPONDING TO A REQUEST FOR QUOTATION OR FOR THE PERFORMANCE OF WORK FOR IBM. ALL QUESTIONS MUST BE REFERRED TO THE IBM PURCHASING DEPARTMENT.				IBM CONFIDENTIAL



DATE	EC NO.	PART NO.
REL DEC/07/04	J79495	39T0167
DEVELOPMENT NO.		Q/M
54 / 88		

DESIGNER	Y.I	DEC/07/04	PART NO.	39T0167	<b>IBM</b>
CHECKED	Y.Y	DEC/07/04			
APPROVED	T.S	DEC/07/04	TITLE ROME-4 SVT-R(V0.91)		
CLASS	T.S	DEC/07/04	RJ11/RJ45 CONNECTOR		
THIS DOCUMENT IS THE PROPERTY OF IBM. ITS USE IS AUTHORIZED ONLY FOR RESPONDING TO A REQUEST FOR QUOTATION OR FOR THE PERFORMANCE OF WORK FOR IBM. ALL QUESTIONS MUST BE REFERRED TO THE IBM PURCHASING DEPARTMENT.				IBM CONFIDENTIAL	

39T0167

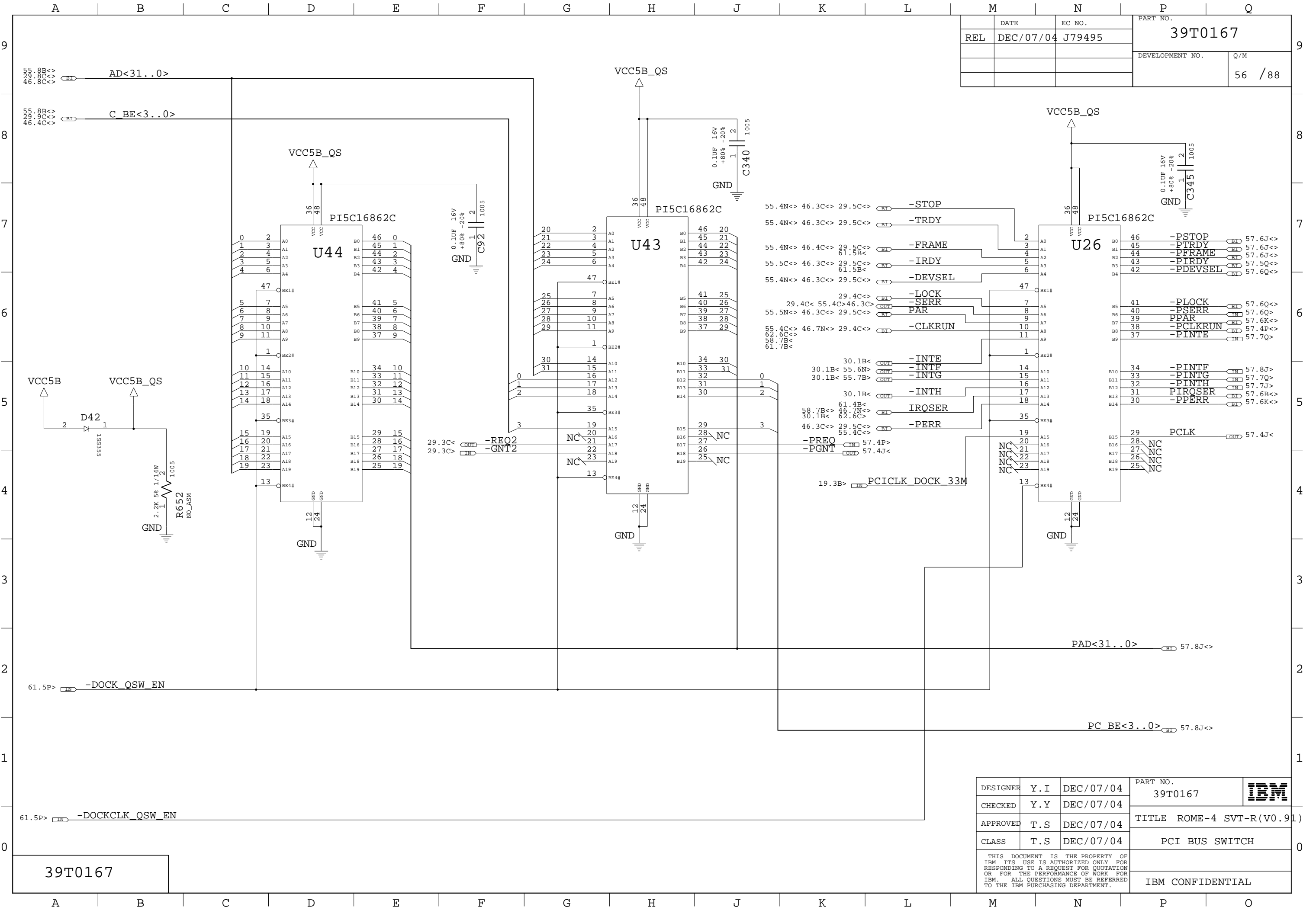


DATE	DEC/07/04	EC NO.	J79495	PART NO.	39T0167
REL				DEVELOPMENT NO.	Q/M
					55 / 88

DESIGNER	Y.I	DEC/07/04	PART NO.	39T0167	<b>IBM</b>
CHECKED	Y.Y	DEC/07/04	TITLE ROME-4 SVT-R (V0.91)		
APPROVED	T.S	DEC/07/04	MINI PCI SLOT		
CLASS	T.S	DEC/07/04	THIS DOCUMENT IS THE PROPERTY OF IBM. ITS USE IS AUTHORIZED ONLY FOR RESPONDING TO A REQUEST FOR QUOTATION OR FOR THE PERFORMANCE OF WORK FOR IBM. ALL QUESTIONS MUST BE REFERRED TO THE IBM PURCHASING DEPARTMENT.		IBM CONFIDENTIAL

39T0167

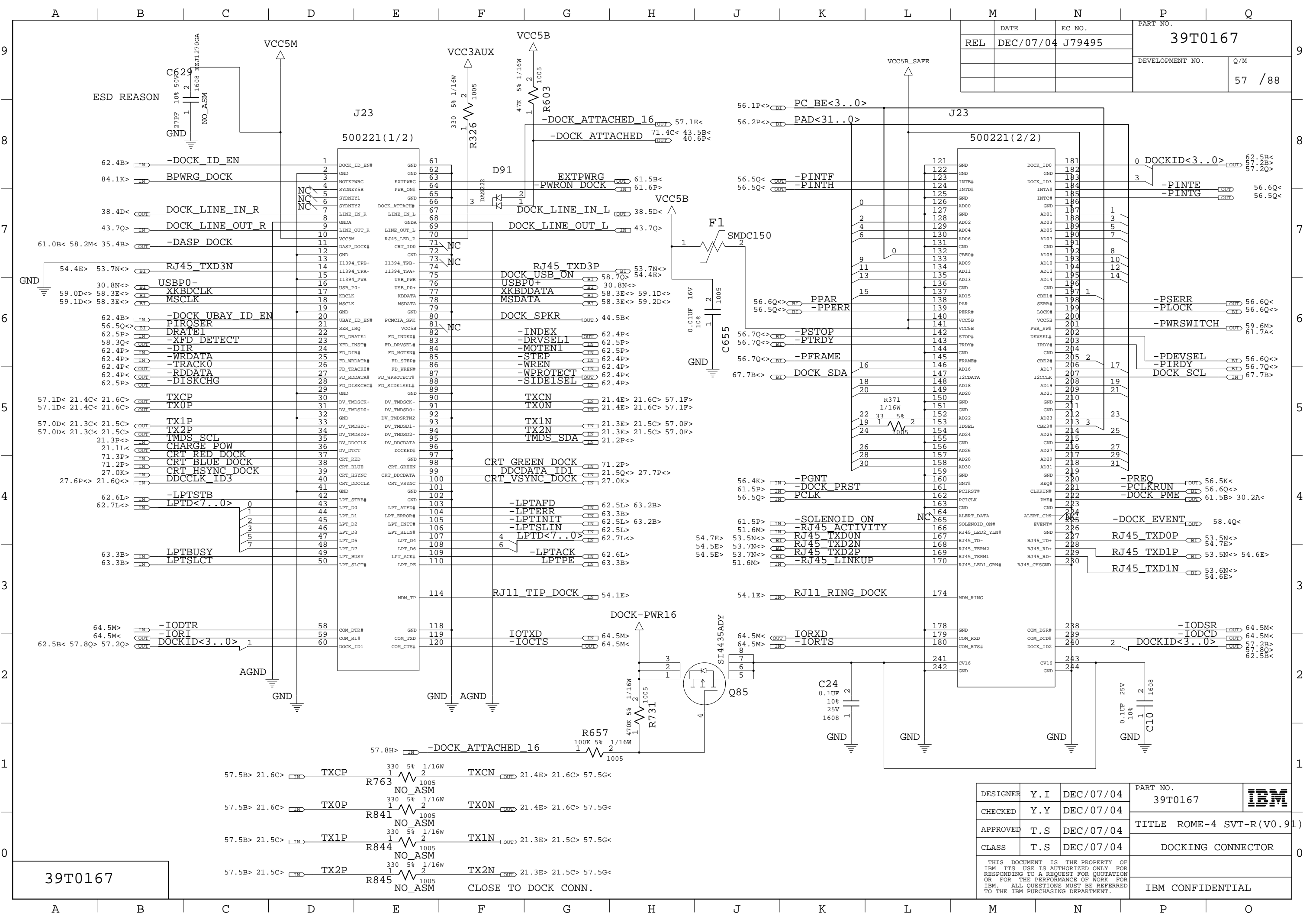
DATE	EC NO.	PART NO.
REL DEC/07/04	J79495	39T0167
DEVELOPMENT NO.		Q/M
		56 / 88



DESIGNER	Y.I	DEC/07/04	PART NO.	39T0167	<b>IBM</b>
CHECKED	Y.Y	DEC/07/04			
APPROVED	T.S	DEC/07/04	TITLE ROME-4 SVT-R(V0.91)		
CLASS	T.S	DEC/07/04	PCI BUS SWITCH		
THIS DOCUMENT IS THE PROPERTY OF IBM ITS USE IS AUTHORIZED ONLY FOR RESPONDING TO A REQUEST FOR QUOTATION OR FOR THE PERFORMANCE OF WORK FOR IBM. ALL QUESTIONS MUST BE REFERRED TO THE IBM PURCHASING DEPARTMENT.				IBM CONFIDENTIAL	

39T0167





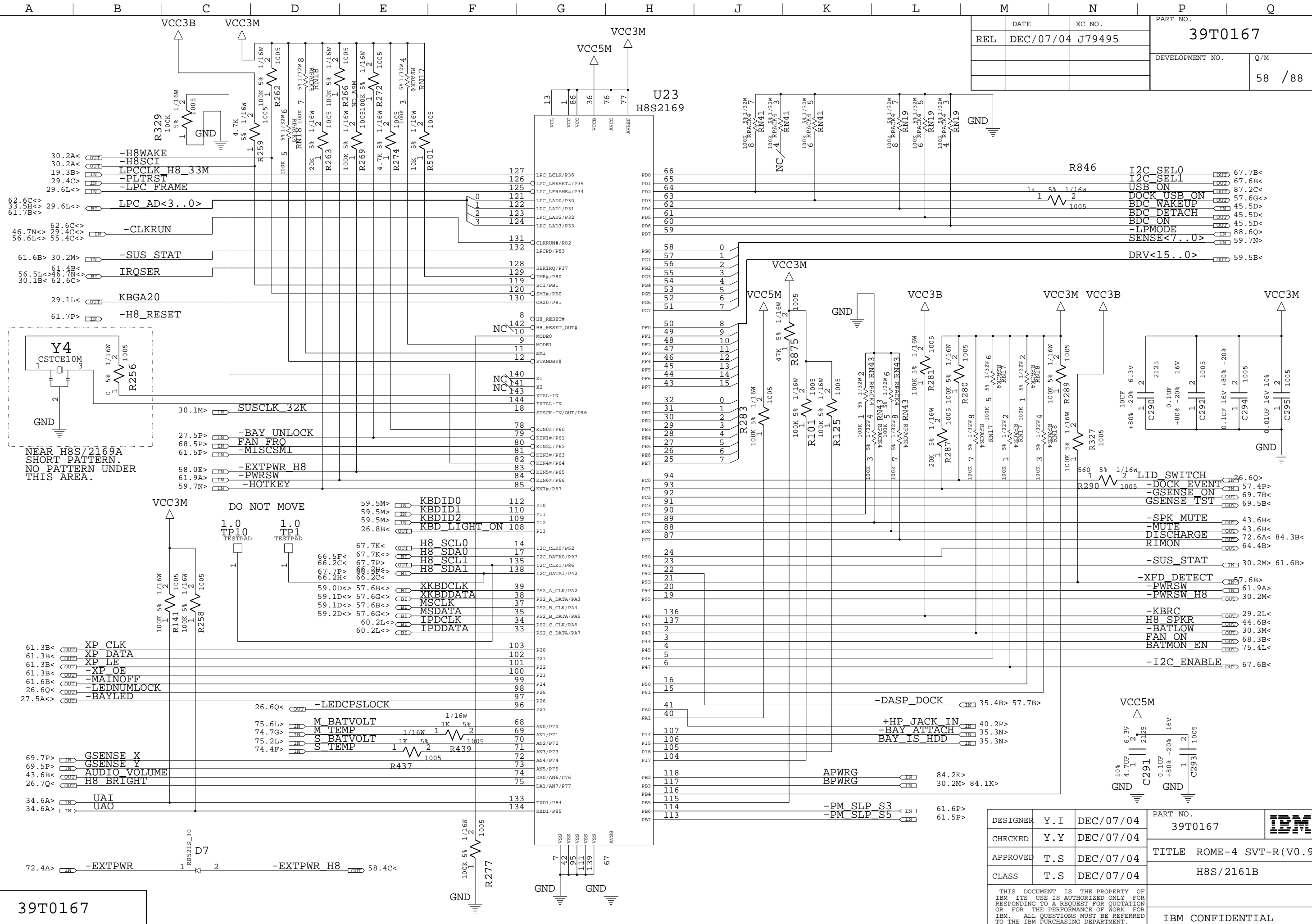
REL	DATE	EC NO.	PART NO.
	DEC/07/04	J79495	39T0167
			DEVELOPMENT NO.
			Q/M
			57 / 88

DESIGNER	Y.I	DEC/07/04	PART NO.	39T0167	IBM
CHECKED	Y.Y	DEC/07/04			
APPROVED	T.S	DEC/07/04	TITLE ROME-4 SVT-R(V0.91)		
CLASS	T.S	DEC/07/04	DOCKING CONNECTOR		
THIS DOCUMENT IS THE PROPERTY OF IBM ITS USE IS AUTHORIZED ONLY FOR RESPONDING TO A REQUEST FOR QUOTATION OR FOR THE PERFORMANCE OF WORK FOR IBM. ALL QUESTIONS MUST BE REFERRED TO THE IBM PURCHASING DEPARTMENT.					IBM CONFIDENTIAL

39T0167

CLOSE TO DOCK CONN.

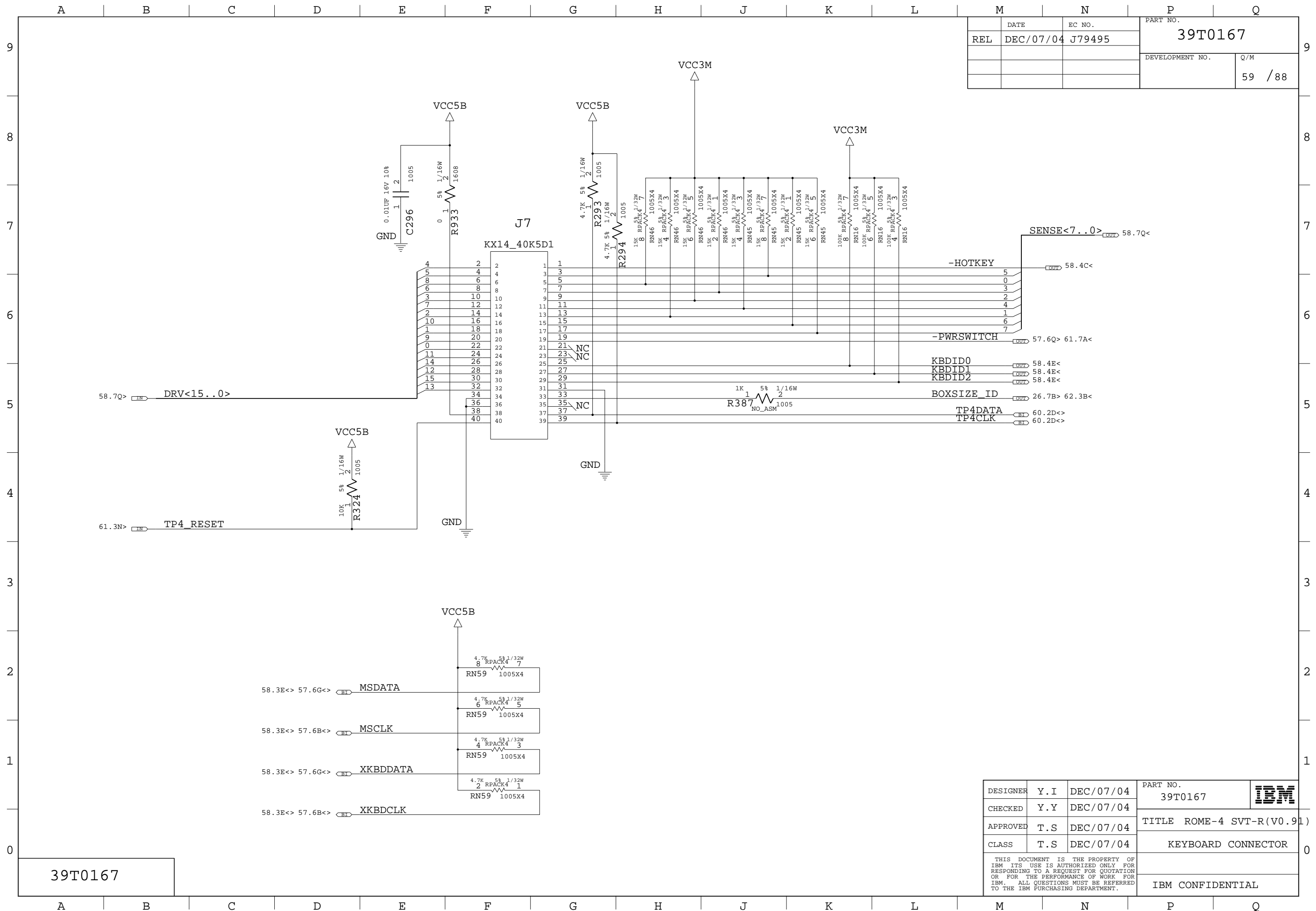
REL	DATE	EC NO.	PART NO.
	DEC/07/04	J79495	39T0167
			DEVELOPMENT NO.
			Q/M
			58 / 88



NEAR H8S/2169A  
SHORT PATTERN.  
NO PATTERN UNDER  
THIS AREA.

39T0167

DESIGNER	Y.I	DEC/07/04	PART NO.	39T0167	
CHECKED	Y.Y	DEC/07/04	TITLE		
APPROVED	T.S	DEC/07/04		H8S/2161B	
CLASS	T.S	DEC/07/04			
THIS DOCUMENT IS THE PROPERTY OF IBM ITS USE IS AUTHORIZED ONLY FOR RESPONDING TO A REQUEST FOR QUOTATION OR FOR THE PERFORMANCE OF WORK FOR IBM. ALL QUESTIONS MUST BE REFERRED TO THE IBM PURCHASING DEPARTMENT.					IBM CONFIDENTIAL

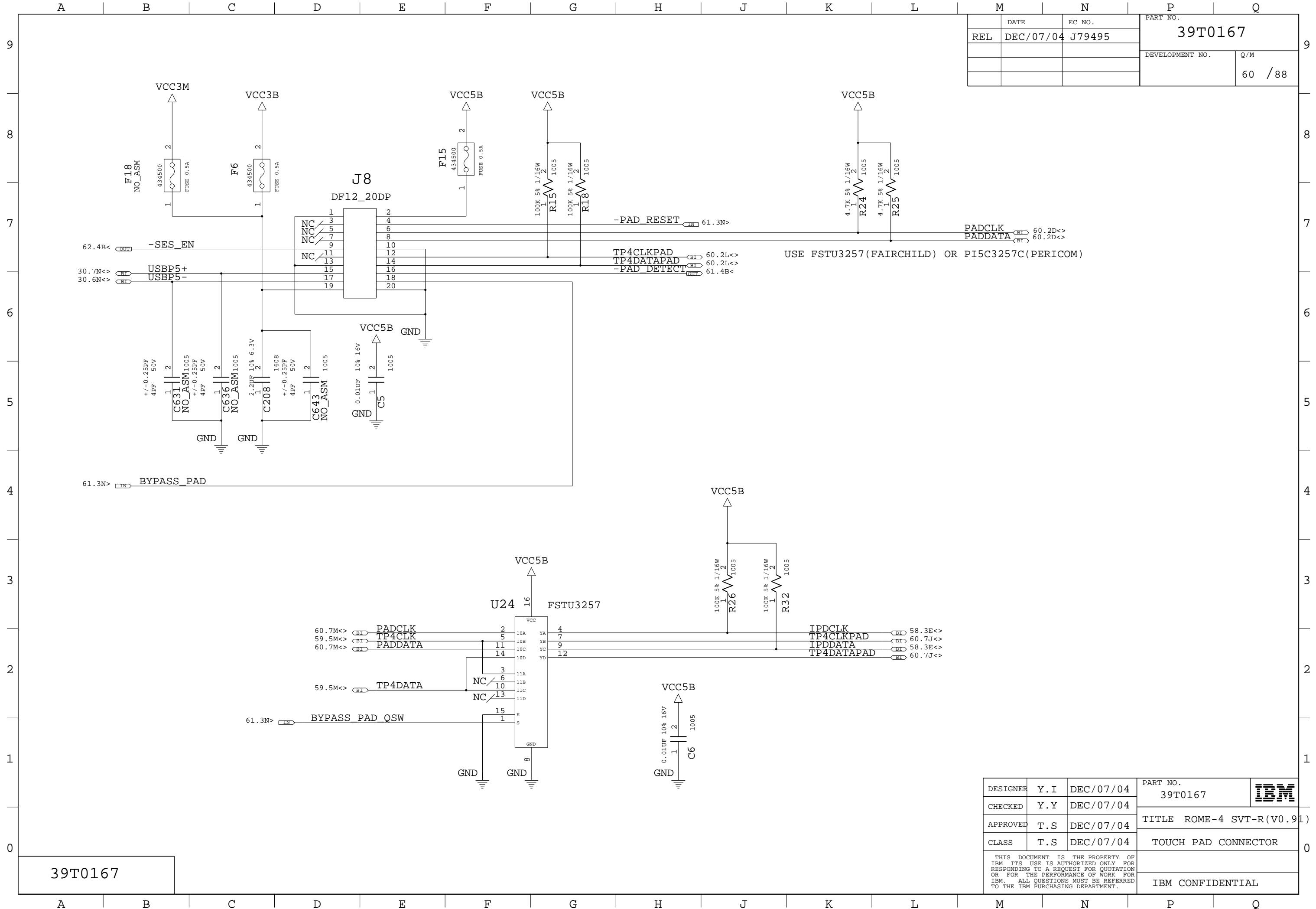


REL	DATE	EC NO.	PART NO.
	DEC/07/04	J79495	39T0167
			DEVELOPMENT NO.
			Q/M
			59 / 88

DESIGNER	Y.I	DEC/07/04	PART NO.	39T0167	
CHECKED	Y.Y	DEC/07/04			
APPROVED	T.S	DEC/07/04	TITLE ROME-4 SVT-R(V0.91)		
CLASS	T.S	DEC/07/04	KEYBOARD CONNECTOR		
THIS DOCUMENT IS THE PROPERTY OF IBM. ITS USE IS AUTHORIZED ONLY FOR RESPONDING TO A REQUEST FOR QUOTATION OR FOR THE PERFORMANCE OF WORK FOR IBM. ALL QUESTIONS MUST BE REFERRED TO THE IBM PURCHASING DEPARTMENT.				IBM CONFIDENTIAL	

39T0167

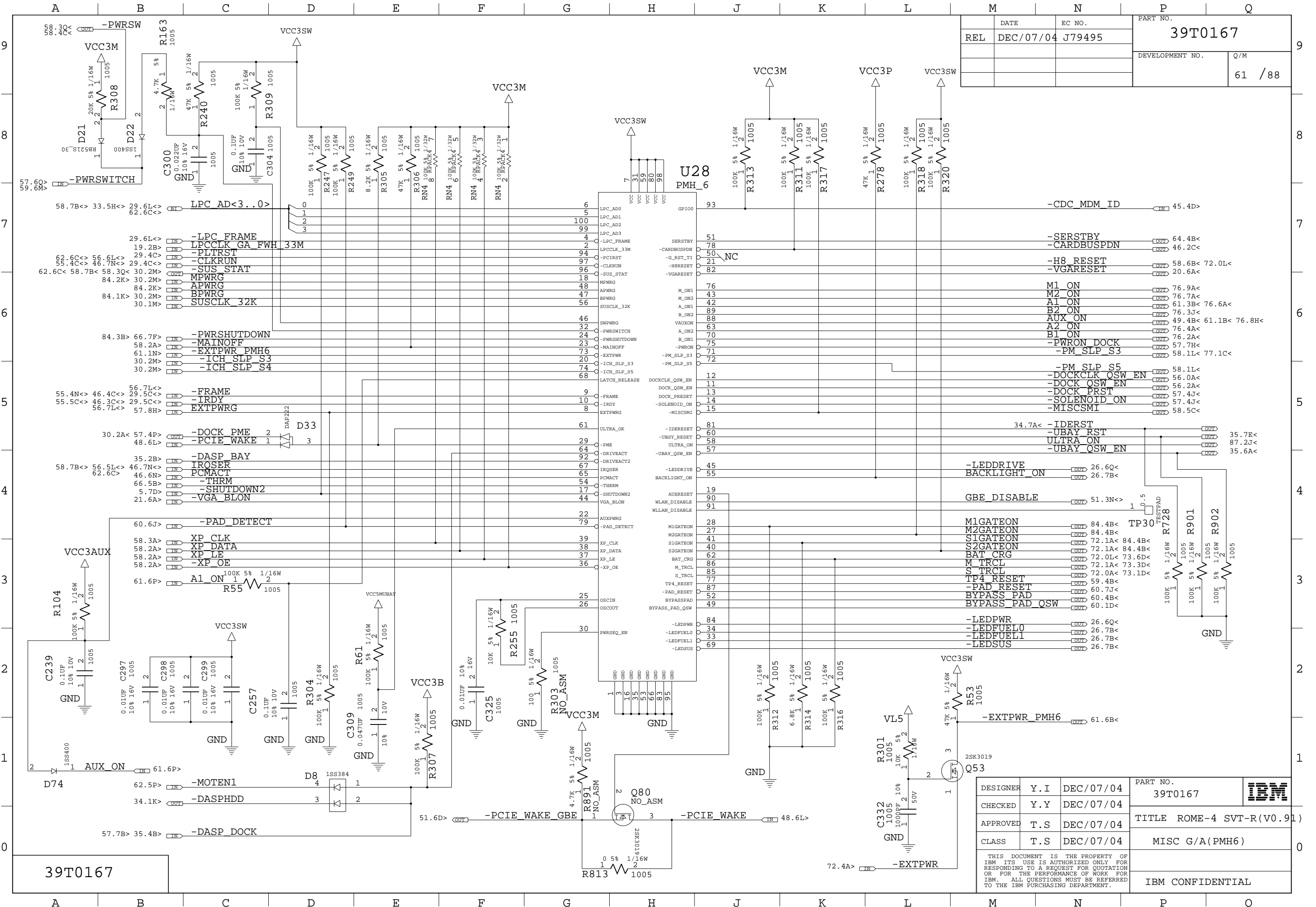
	DATE	EC NO.	PART NO.
REL	DEC/07/04	J79495	39T0167
			DEVELOPMENT NO.
			Q/M
			60 / 88



39T0167

DESIGNER	Y.I	DEC/07/04	PART NO.	IBM
CHECKED	Y.Y	DEC/07/04	39T0167	
APPROVED	T.S	DEC/07/04	TITLE ROME-4 SVT-R (V0.91)	
CLASS	T.S	DEC/07/04	TOUCH PAD CONNECTOR	
THIS DOCUMENT IS THE PROPERTY OF IBM ITS USE IS AUTHORIZED ONLY FOR RESPONDING TO A REQUEST FOR QUOTATION OR FOR THE PERFORMANCE OF WORK FOR IBM. ALL QUESTIONS MUST BE REFERRED TO THE IBM PURCHASING DEPARTMENT.				IBM CONFIDENTIAL

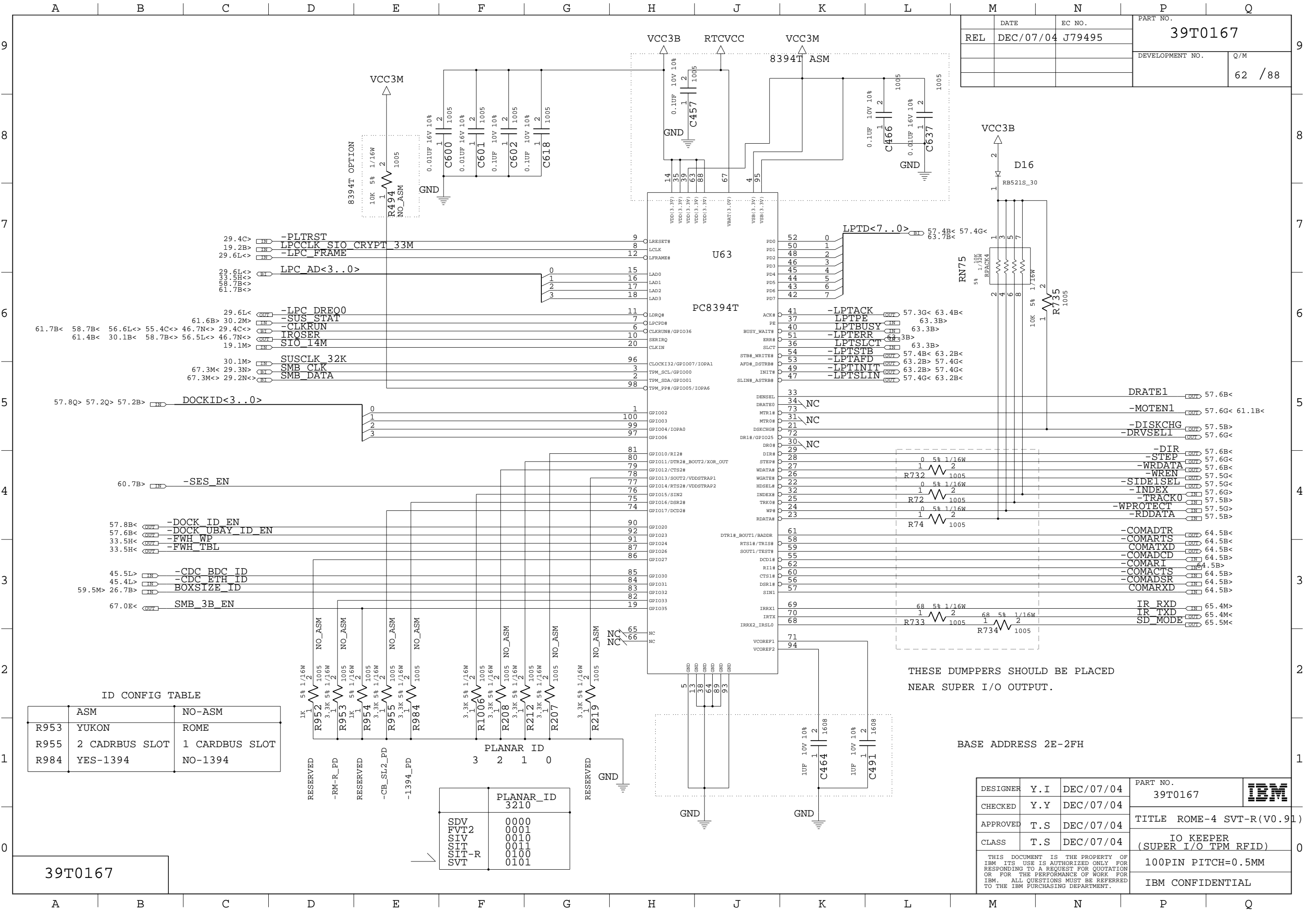
DATE	EC NO.	PART NO.
REL DEC/07/04	J79495	39T0167
DEVELOPMENT NO.		Q/M
		61 / 88



39T0167

DESIGNER	Y.I	DEC/07/04	PART NO.	39T0167	
CHECKED	Y.Y	DEC/07/04			
APPROVED	T.S	DEC/07/04	TITLE ROME-4 SVT-R(V0.91)		
CLASS	T.S	DEC/07/04	MISC G/A(PM6)		
THIS DOCUMENT IS THE PROPERTY OF IBM ITS USE IS AUTHORIZED ONLY FOR RESPONDING TO A REQUEST FOR QUOTATION OR FOR THE PERFORMANCE OF WORK FOR IBM. ALL QUESTIONS MUST BE REFERRED TO THE IBM PURCHASING DEPARTMENT.					IBM CONFIDENTIAL

DATE	EC NO.	PART NO.
REL DEC/07/04	J79495	39T0167
DEVELOPMENT NO.		Q/M
		62 / 88



ID CONFIG TABLE

	ASM	NO-ASM
R953	YUKON	ROME
R955	2 CADDRBUS SLOT	1 CARDBUS SLOT
R984	YES-1394	NO-1394

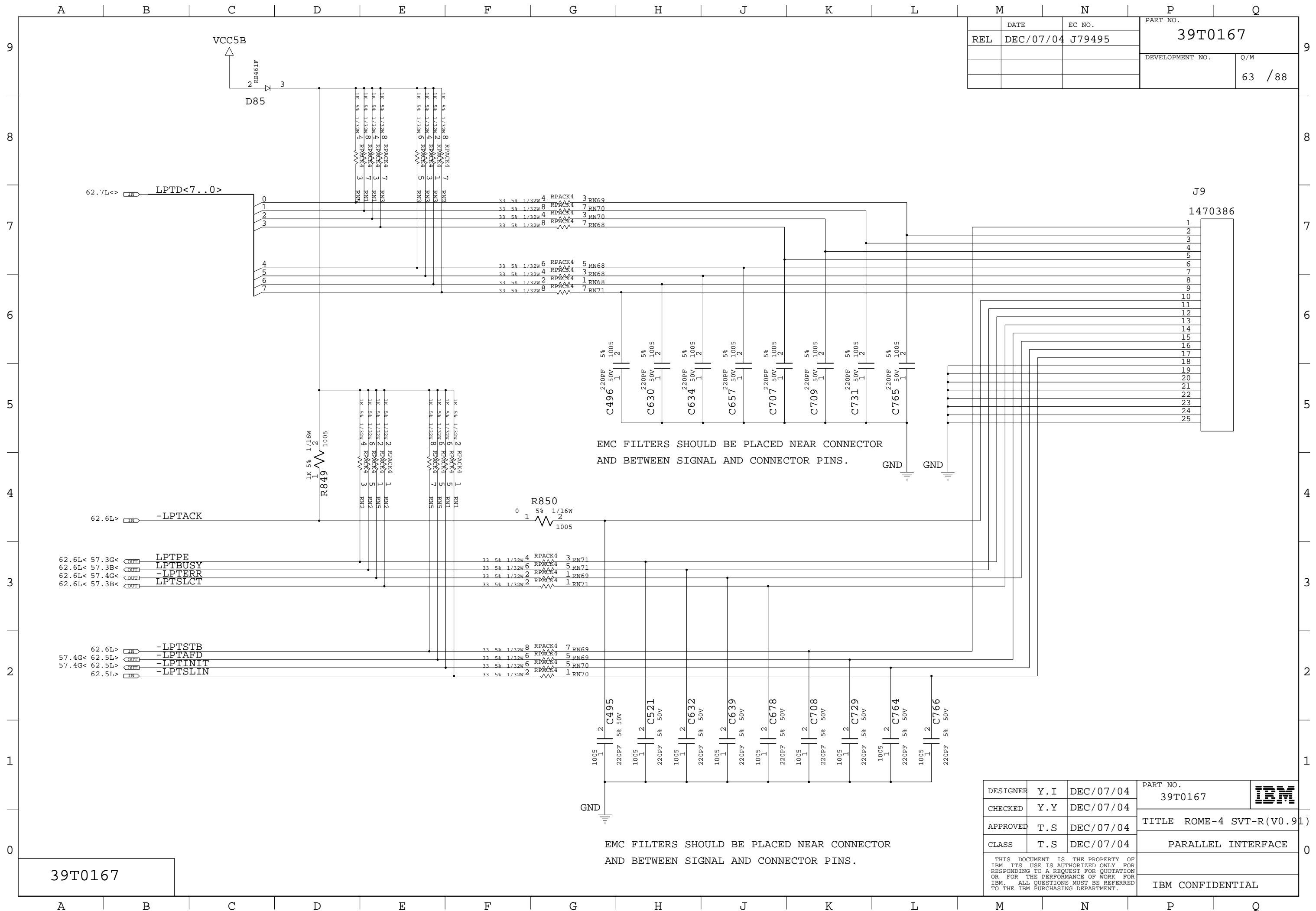
PLANAR ID	PLANAR_ID
3	0000
2	0001
1	0010
0	0011
	0100
	0101

THESE DUMPPERS SHOULD BE PLACED NEAR SUPER I/O OUTPUT.

BASE ADDRESS 2E-2FH

39T0167

DESIGNER	Y.I	DEC/07/04	PART NO.	39T0167	<b>IBM</b>
CHECKED	Y.Y	DEC/07/04			
APPROVED	T.S	DEC/07/04	TITLE ROME-4 SVT-R(V0.91)		
CLASS	T.S	DEC/07/04	IO KEEPER (SUPER I/O TPM RFID)		
THIS DOCUMENT IS THE PROPERTY OF IBM ITS USE IS AUTHORIZED ONLY FOR RESPONDING TO A REQUEST FOR QUOTATION OR FOR THE PERFORMANCE OF WORK FOR IBM. ALL QUESTIONS MUST BE REFERRED TO THE IBM PURCHASING DEPARTMENT.					100PIN PITCH=0.5MM
					IBM CONFIDENTIAL



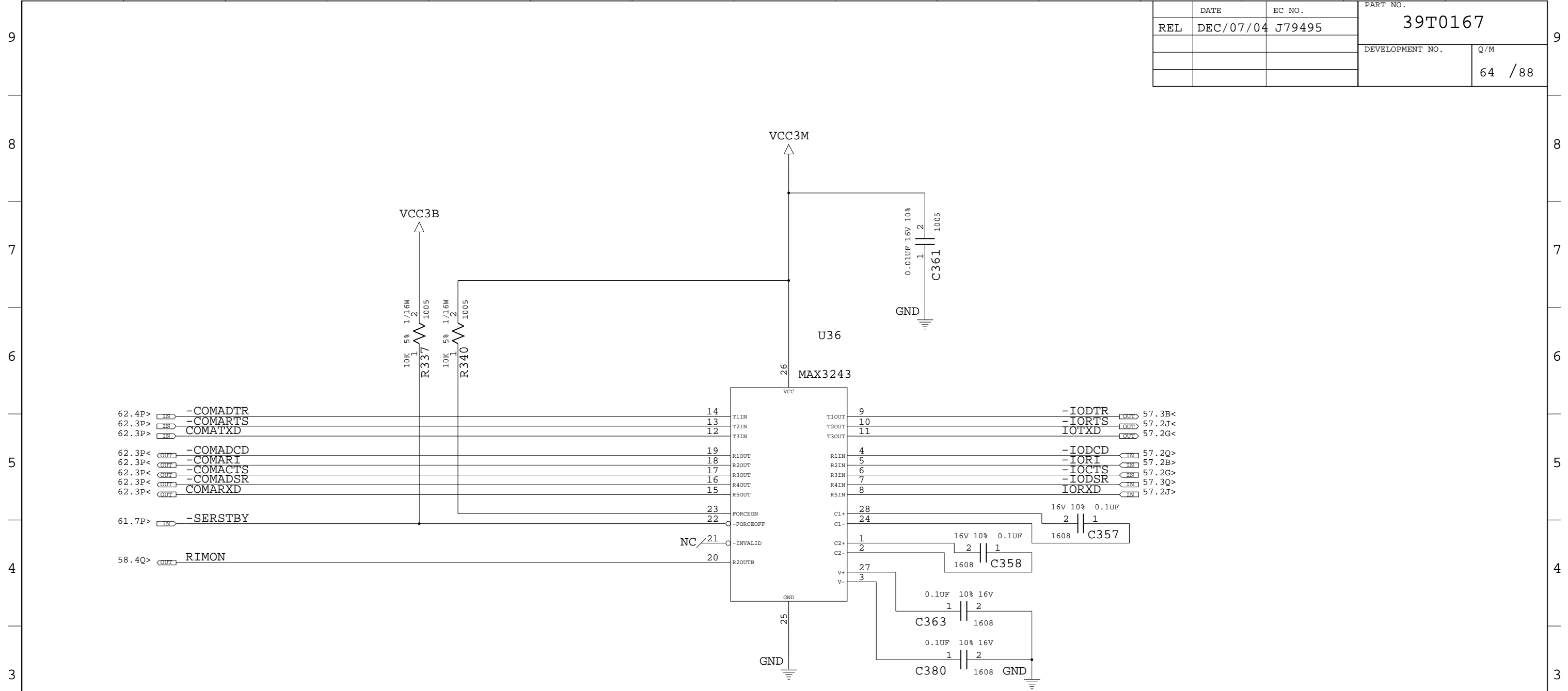
REL	DATE DEC/07/04	EC NO. J79495	PART NO. 39T0167
			DEVELOPMENT NO. Q/M 63 / 88

39T0167

DESIGNER	Y. I	DEC/07/04	PART NO. 39T0167	
CHECKED	Y. Y	DEC/07/04	TITLE ROME-4 SVT-R (V0.91)	
APPROVED	T. S	DEC/07/04	PARALLEL INTERFACE	
CLASS	T. S	DEC/07/04	IBM CONFIDENTIAL	

EMC FILTERS SHOULD BE PLACED NEAR CONNECTOR AND BETWEEN SIGNAL AND CONNECTOR PINS.

REL	DATE DEC/07/04	EC NO. J79495	PART NO. 39T0167
			DEVELOPMENT NO. Q/M 64 /88



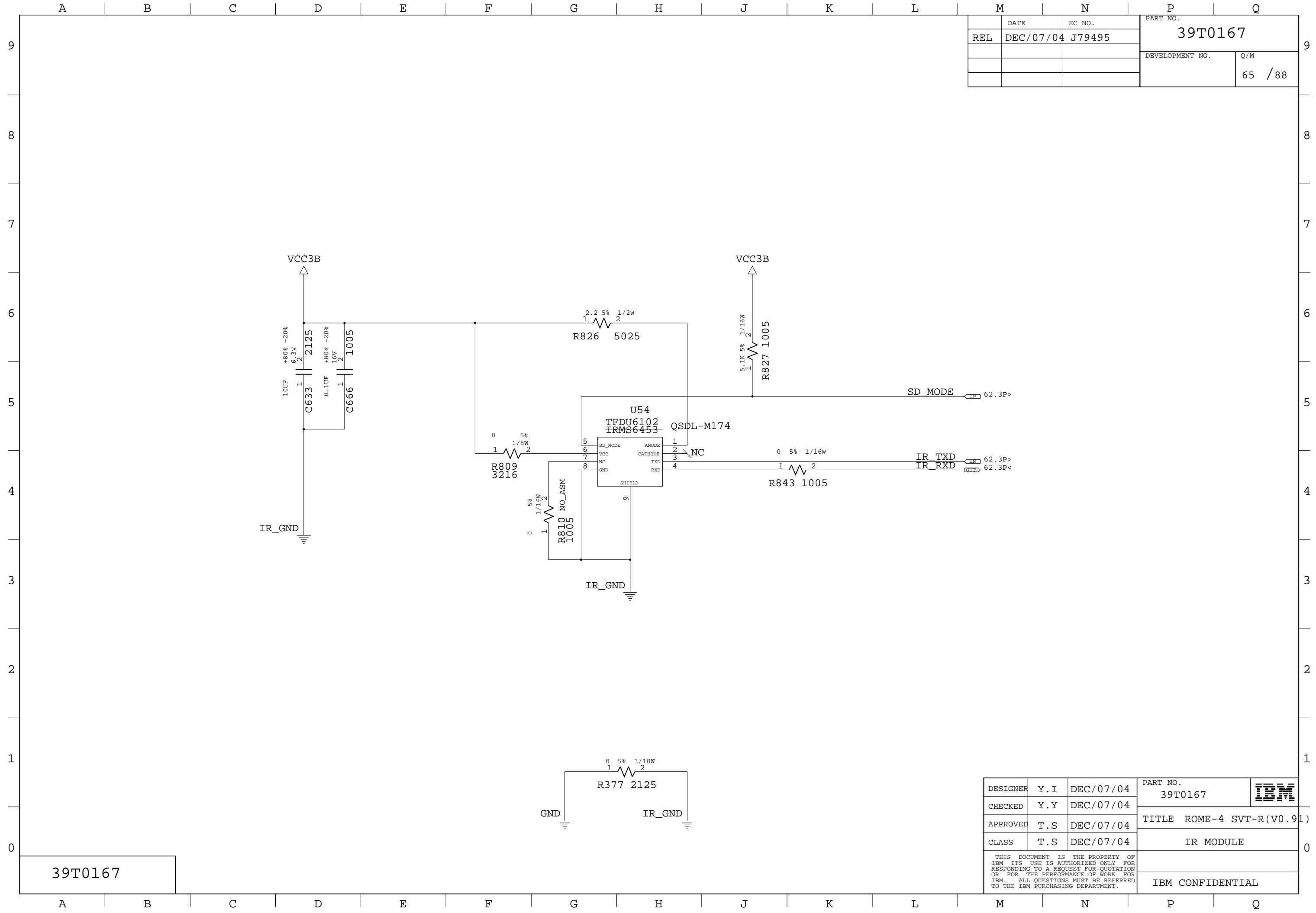
R1IN/R2IN/R3IN/R5IN HAVE INTERNAL PULLDOWN(5K OHM).  
 DO NOT WIRE SIGNALS UNDER PINS (1/2/3/24/25/26/27/28)  
 CHARGE PUMP CAPACITOR SHOULD BE PLACED NEAR PINS(1/2/3/24/27/28)  
 ADD GND SHILED UNDER CHARGE PUMP CIRCUIT TO  
 PROTECT POWER LINE NOISE  
 CAPACITORS FOR CHARGE PUMP SHOULD BE USED TYPE B AND LOW ESR TYPE.

	NORMAL MODE	POWER DOWN MODE	AUTO POWER DOWN MODE
FORCEON	HIGH	DO NOT CARE	LOW
FOCEOFF	HIGH	LOW	HIGH

39T0167

DESIGNER	Y.I	DEC/07/04	PART NO. 39T0167	<b>IBM</b>
CHECKED	Y.Y	DEC/07/04		
APPROVED	T.S	DEC/07/04	TITLE ROME-4 SVT-R(V0.91)	
CLASS	T.S	DEC/07/04	SERIAL INTERFACE	
THIS DOCUMENT IS THE PROPERTY OF IBM ITS USE IS AUTHORIZED ONLY FOR RESPONDING TO A REQUEST FOR QUOTATION OR FOR THE PERFORMANCE OF WORK FOR IBM. ALL QUESTIONS MUST BE REFERRED TO THE IBM PURCHASING DEPARTMENT.				IBM CONFIDENTIAL



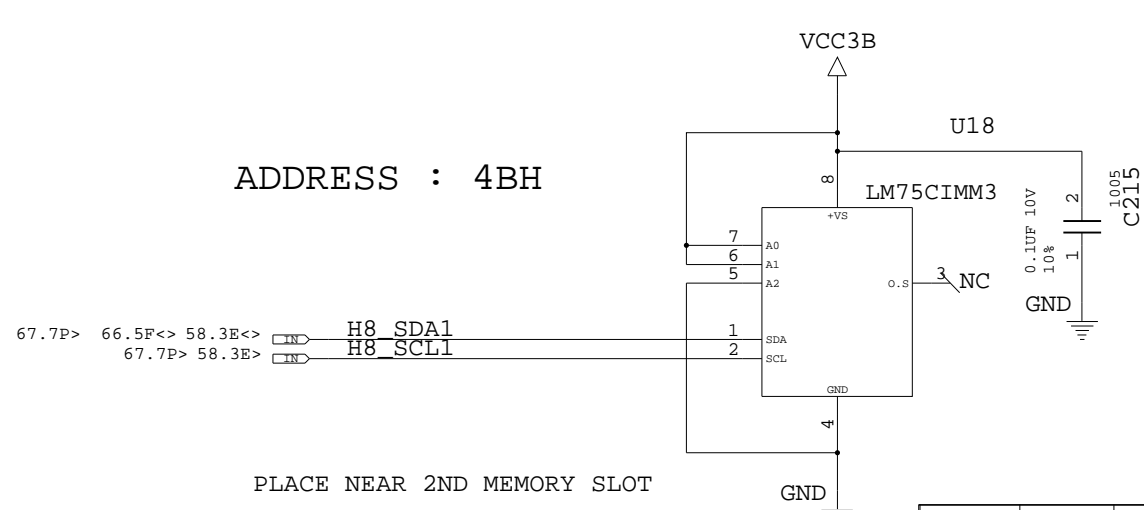
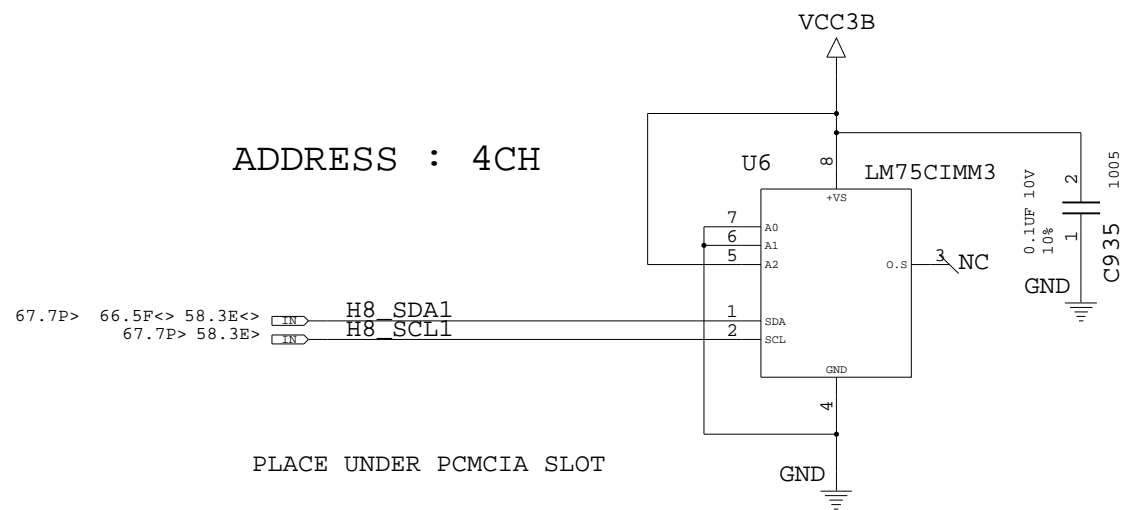
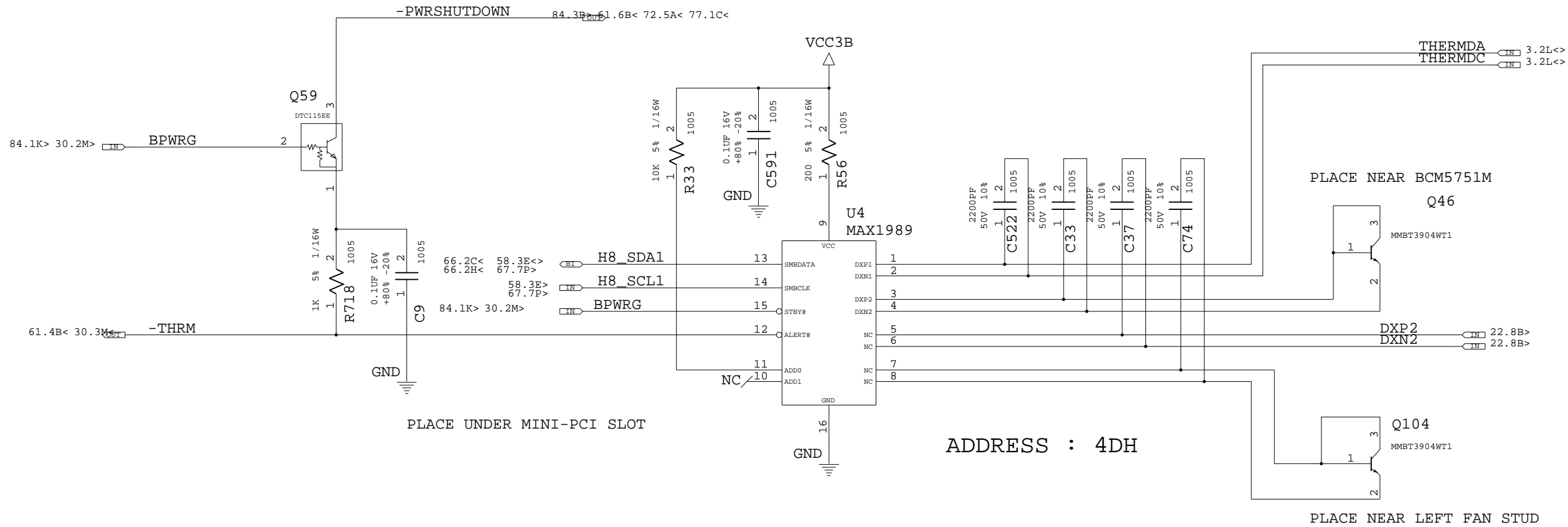


	DATE	EC NO.	PART NO.	
REL	DEC/07/04	J79495	39T0167	
			DEVELOPMENT NO.	Q/M
				65 / 88

39T0167

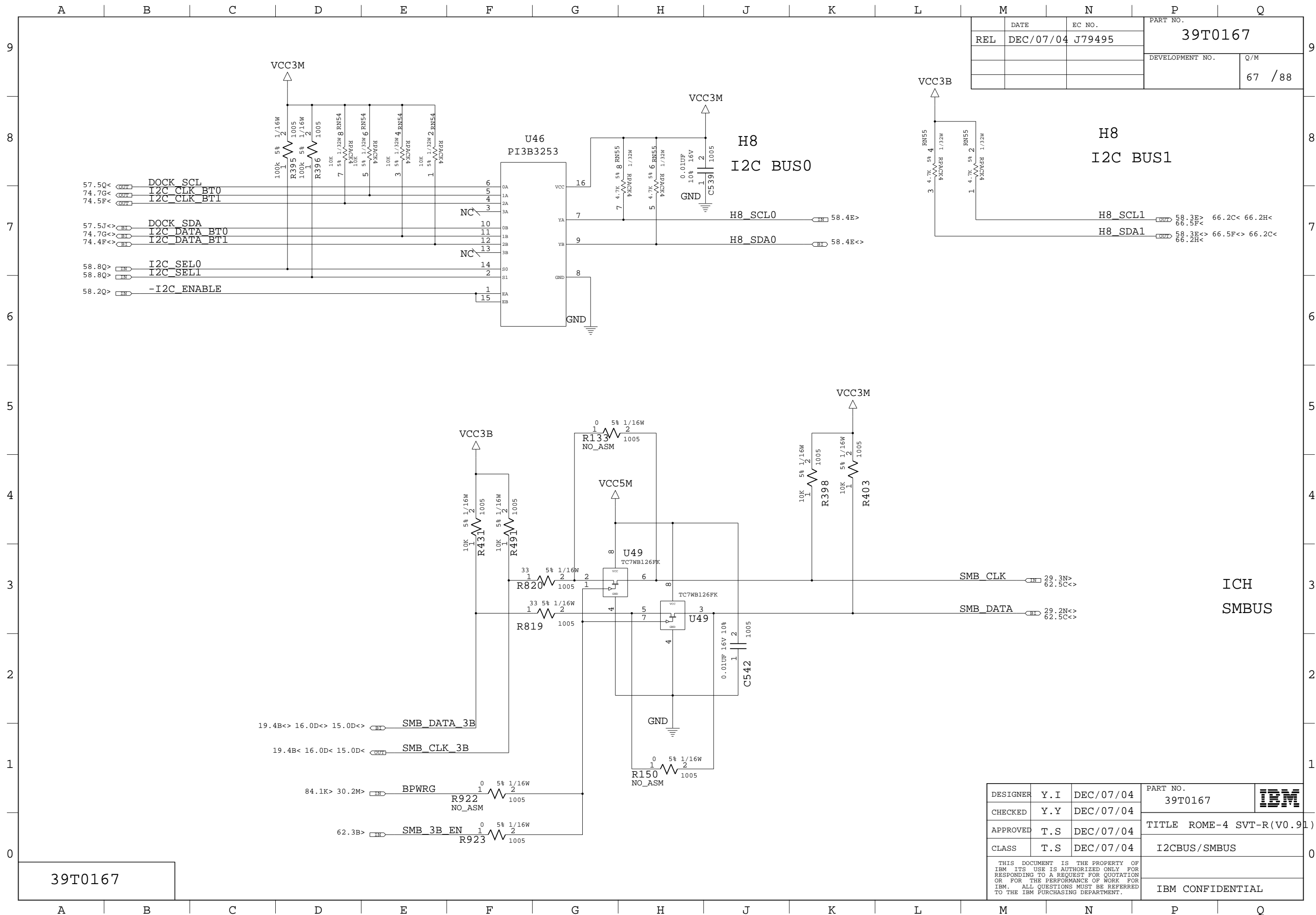
DESIGNER	Y. I	DEC/07/04	PART NO.	39T0167	<b>IBM</b>
CHECKED	Y. Y	DEC/07/04			
APPROVED	T. S	DEC/07/04	TITLE ROME-4 SVT-R(V0.91)		
CLASS	T. S	DEC/07/04	IR MODULE		
THIS DOCUMENT IS THE PROPERTY OF IBM. ITS USE IS AUTHORIZED ONLY FOR RESPONDING TO A REQUEST FOR QUOTATION OR FOR THE PERFORMANCE OF WORK FOR IBM. ALL QUESTIONS MUST BE REFERRED TO THE IBM PURCHASING DEPARTMENT.				IBM CONFIDENTIAL	

DATE	EC NO.	PART NO.
REL DEC/07/04	J79495	39T0167
DEVELOPMENT NO.		Q/M
		66 / 88



39T0167

DESIGNER	Y.I	DEC/07/04	PART NO.	39T0167	IBM
CHECKED	Y.Y	DEC/07/04			
APPROVED	T.S	DEC/07/04	TITLE ROME-4 SVT-R(V0.91)		
CLASS	T.S	DEC/07/04	THERMAL SENSOR		
THIS DOCUMENT IS THE PROPERTY OF IBM. ITS USE IS AUTHORIZED ONLY FOR RESPONDING TO A REQUEST FOR QUOTATION OR FOR THE PERFORMANCE OF WORK FOR IBM. ALL QUESTIONS MUST BE REFERRED TO THE IBM PURCHASING DEPARTMENT.				IBM CONFIDENTIAL	

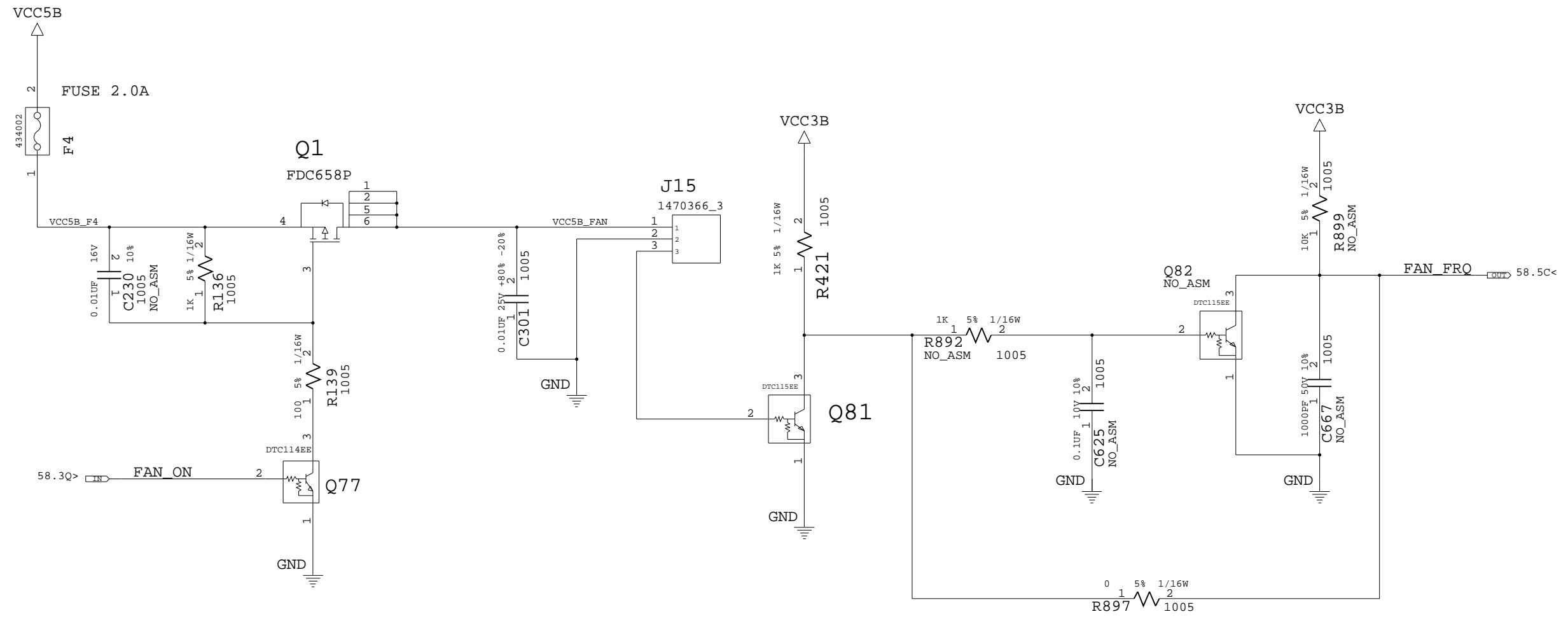


	DATE	EC NO.	PART NO.	
REL	DEC/07/04	J79495	39T0167	
			DEVELOPMENT NO.	Q/M
				67 / 88

39T0167

DESIGNER	Y.I	DEC/07/04	PART NO.	39T0167	
CHECKED	Y.Y	DEC/07/04			
APPROVED	T.S	DEC/07/04	TITLE ROME-4 SVT-R(V0.91)		
CLASS	T.S	DEC/07/04	I2CBUS/SMBUS		
THIS DOCUMENT IS THE PROPERTY OF IBM ITS USE IS AUTHORIZED ONLY FOR RESPONDING TO A REQUEST FOR QUOTATION OR FOR THE PERFORMANCE OF WORK FOR IBM. ALL QUESTIONS MUST BE REFERRED TO THE IBM PURCHASING DEPARTMENT.				IBM CONFIDENTIAL	

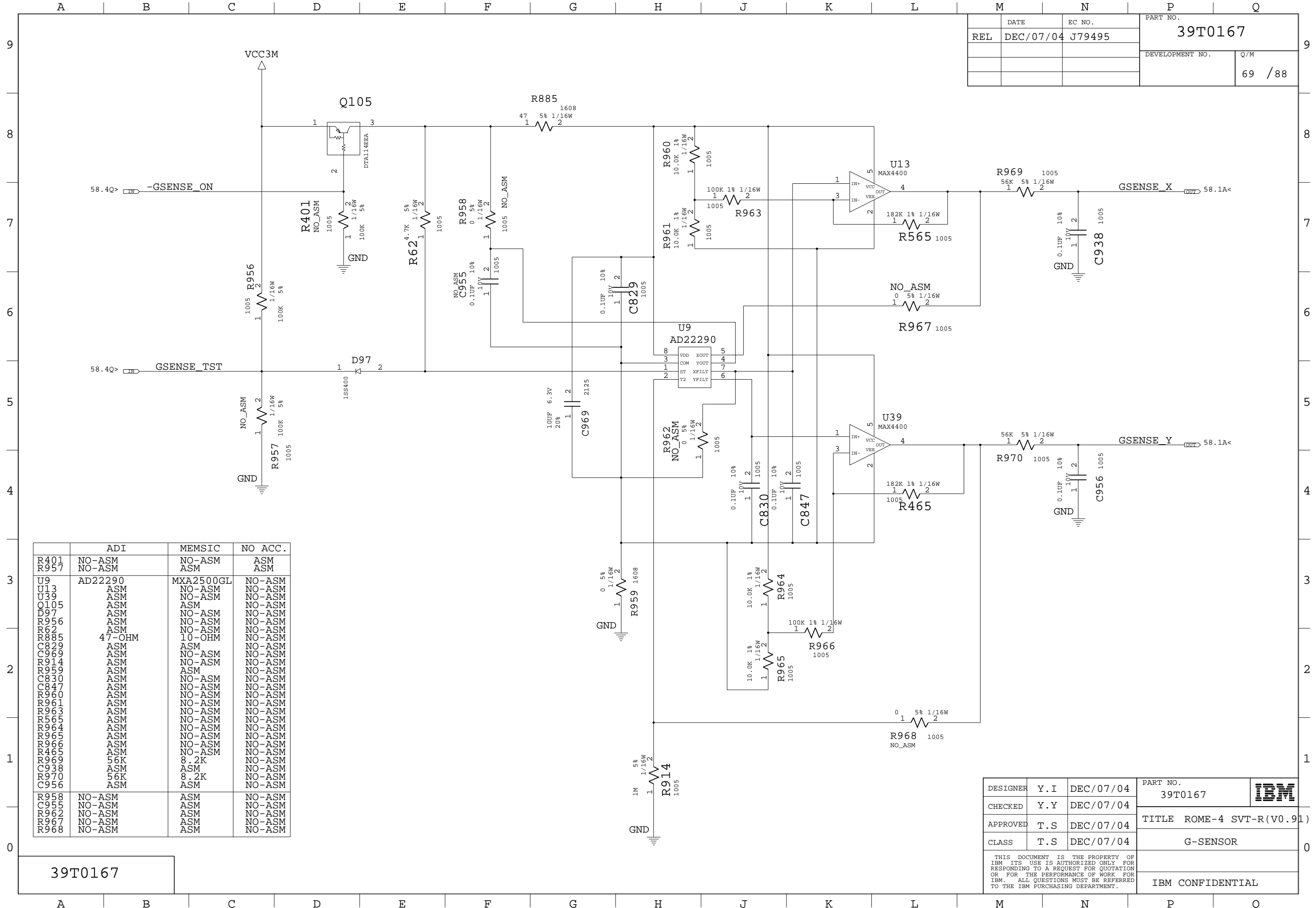
DATE	DEC/07/04	EC NO.	J79495	PART NO.	39T0167	
REL				DEVELOPMENT NO.	Q/M	68 / 88



39T0167

DESIGNER	Y.I	DEC/07/04	PART NO.	39T0167	
CHECKED	Y.Y	DEC/07/04			
APPROVED	T.S	DEC/07/04	TITLE ROME-4 SVT-R(V0.91)		
CLASS	T.S	DEC/07/04	FAN CONNECTOR		
THIS DOCUMENT IS THE PROPERTY OF IBM ITS USE IS AUTHORIZED ONLY FOR RESPONDING TO A REQUEST FOR QUOTATION OR FOR THE PERFORMANCE OF WORK FOR IBM. ALL QUESTIONS MUST BE REFERRED TO THE IBM PURCHASING DEPARTMENT.				IBM CONFIDENTIAL	

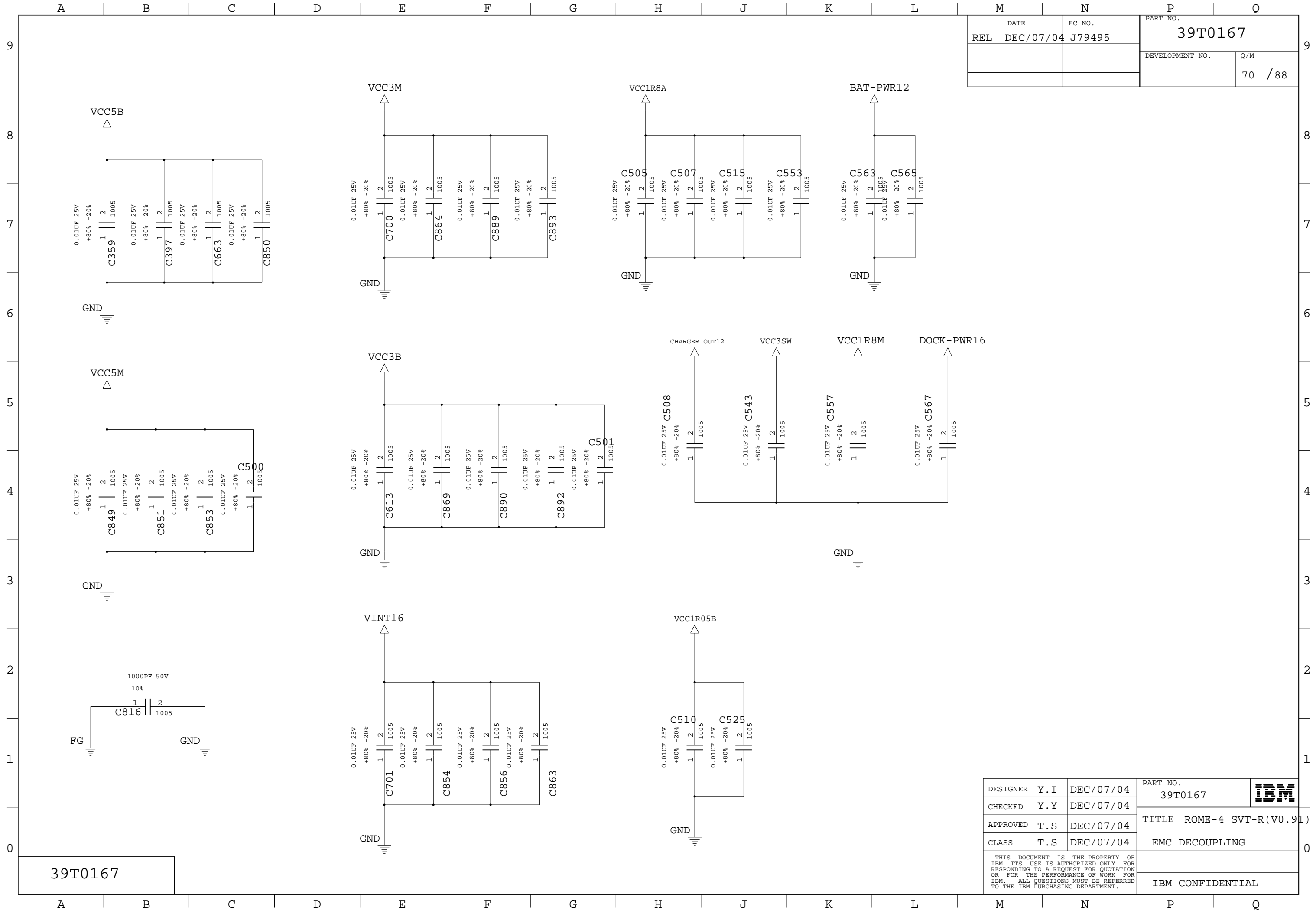
DATE	EC NO.	PART NO.
REL DEC/07/04	J79495	39T0167
		DEVELOPMENT NO. Q/M
		69 / 88



	ADI	MEMSIC	NO ACC.
R401	NO-ASM	NO-ASM	ASM
R957	NO-ASM	ASM	ASM
U9	AD22290	MXA2500GL	NO-ASM
U13	ASM	NO-ASM	NO-ASM
U39	ASM	NO-ASM	NO-ASM
Q105	ASM	ASM	NO-ASM
D97	ASM	NO-ASM	NO-ASM
R956	ASM	NO-ASM	NO-ASM
R885	ASM	NO-ASM	NO-ASM
R961	47-OHM	10-OHM	NO-ASM
C829	ASM	ASM	NO-ASM
C969	ASM	NO-ASM	NO-ASM
C830	ASM	NO-ASM	NO-ASM
C847	ASM	NO-ASM	NO-ASM
R965	ASM	NO-ASM	NO-ASM
R966	ASM	NO-ASM	NO-ASM
R967	ASM	NO-ASM	NO-ASM
R968	ASM	NO-ASM	NO-ASM
R969	ASM	NO-ASM	NO-ASM
R970	ASM	NO-ASM	NO-ASM
R914	ASM	NO-ASM	NO-ASM
R958	NO-ASM	ASM	NO-ASM
C955	NO-ASM	ASM	NO-ASM
R957	NO-ASM	ASM	NO-ASM
R967	NO-ASM	ASM	NO-ASM
R968	NO-ASM	ASM	NO-ASM

39T0167

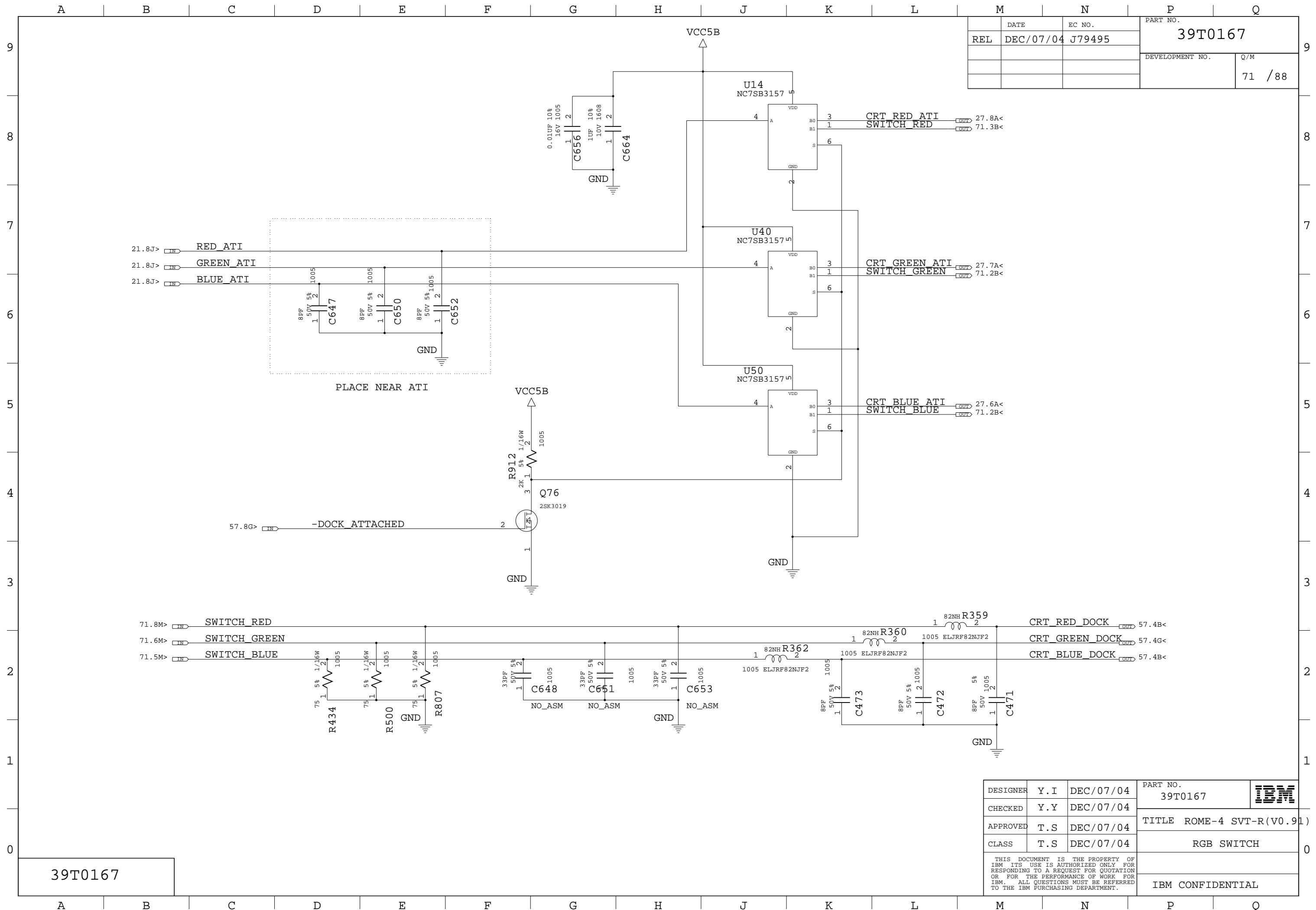
DESIGNER	Y.I	DEC/07/04	PART NO.	39T0167	IBM
CHECKED	Y.Y	DEC/07/04			
APPROVED	T.S	DEC/07/04	TITLE ROME-4 SVT-R(V0.91)		
CLASS	T.S	DEC/07/04	G-SENSOR		
THIS DOCUMENT IS THE PROPERTY OF IBM. ITS USE IS AUTHORIZED ONLY FOR RESPONDING TO A REQUEST FOR QUOTATION OR FOR THE PERFORMANCE OF WORK FOR IBM. ALL QUESTIONS MUST BE REFERRED TO THE IBM PURCHASING DEPARTMENT.					IBM CONFIDENTIAL



	DATE	EC NO.	PART NO.	
REL	DEC/07/04	J79495	39T0167	
			DEVELOPMENT NO.	Q/M
				70 / 88

39T0167

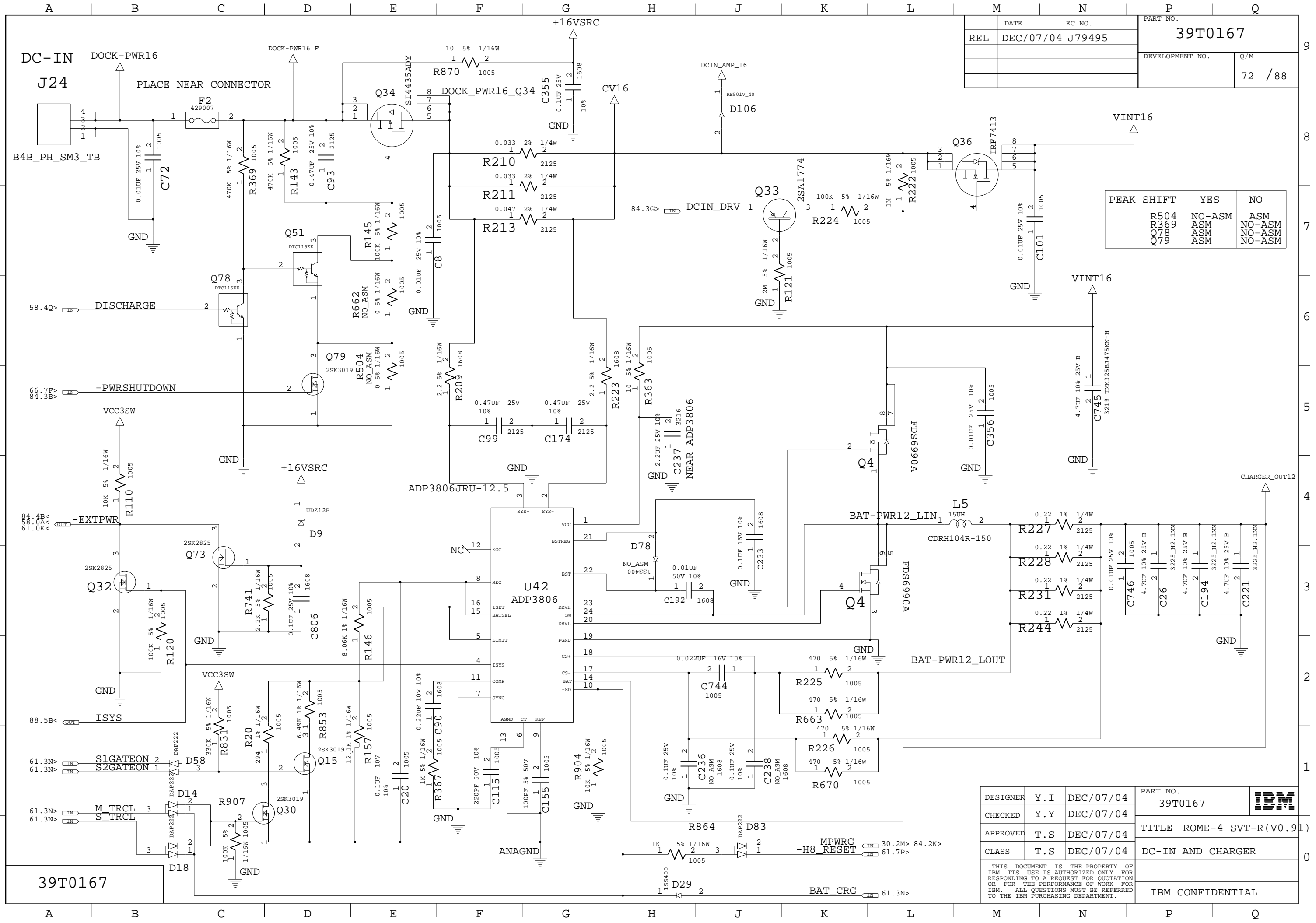
DESIGNER	Y. I	DEC/07/04	PART NO.	39T0167	
CHECKED	Y. Y	DEC/07/04			
APPROVED	T. S	DEC/07/04	TITLE ROME-4 SVT-R (V0.91)		
CLASS	T. S	DEC/07/04	EMC DECOUPLING		
THIS DOCUMENT IS THE PROPERTY OF IBM. ITS USE IS AUTHORIZED ONLY FOR RESPONDING TO A REQUEST FOR QUOTATION OR FOR THE PERFORMANCE OF WORK FOR IBM. ALL QUESTIONS MUST BE REFERRED TO THE IBM PURCHASING DEPARTMENT.				IBM CONFIDENTIAL	



	DATE	EC NO.	PART NO.
REL	DEC/07/04	J79495	39T0167
			DEVELOPMENT NO.
			Q/M
			71 / 88

39T0167

DESIGNER	Y. I	DEC/07/04	PART NO.	39T0167	
CHECKED	Y. Y	DEC/07/04			
APPROVED	T. S	DEC/07/04	TITLE ROME-4 SVT-R(V0.91)		
CLASS	T. S	DEC/07/04	RGB SWITCH		
THIS DOCUMENT IS THE PROPERTY OF IBM ITS USE IS AUTHORIZED ONLY FOR RESPONDING TO A REQUEST FOR QUOTATION OR FOR THE PERFORMANCE OF WORK FOR IBM. ALL QUESTIONS MUST BE REFERRED TO THE IBM PURCHASING DEPARTMENT.				IBM CONFIDENTIAL	



DATE	DEC/07/04	EC NO.	J79495	PART NO.	39T0167
REL				DEVELOPMENT NO.	72 / 88

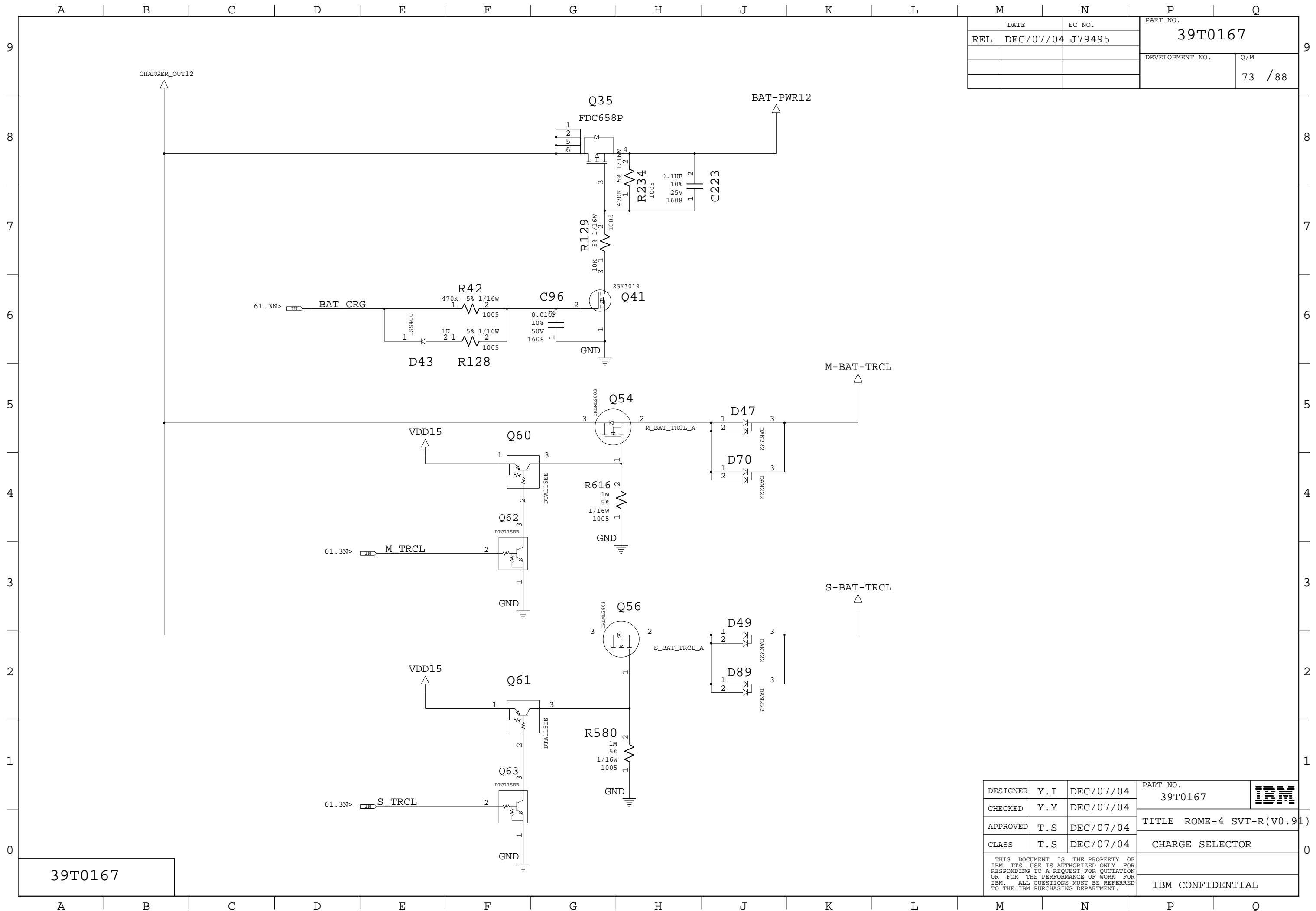
PEAK SHIFT	YES	NO
R504	NO-ASM	ASM
R369	ASM	NO-ASM
Q78	ASM	NO-ASM
Q79	ASM	NO-ASM

DESIGNER	Y.I	DEC/07/04	PART NO.	39T0167	
CHECKED	Y.Y	DEC/07/04	TITLE ROME-4 SVT-R (V0.91)		
APPROVED	T.S	DEC/07/04	DC-IN AND CHARGER		
CLASS	T.S	DEC/07/04	IBM CONFIDENTIAL		

THIS DOCUMENT IS THE PROPERTY OF IBM. ITS USE IS AUTHORIZED ONLY FOR RESPONDING TO A REQUEST FOR QUOTATION OR FOR THE PERFORMANCE OF WORK FOR IBM. ALL QUESTIONS MUST BE REFERRED TO THE IBM PURCHASING DEPARTMENT.

39T0167

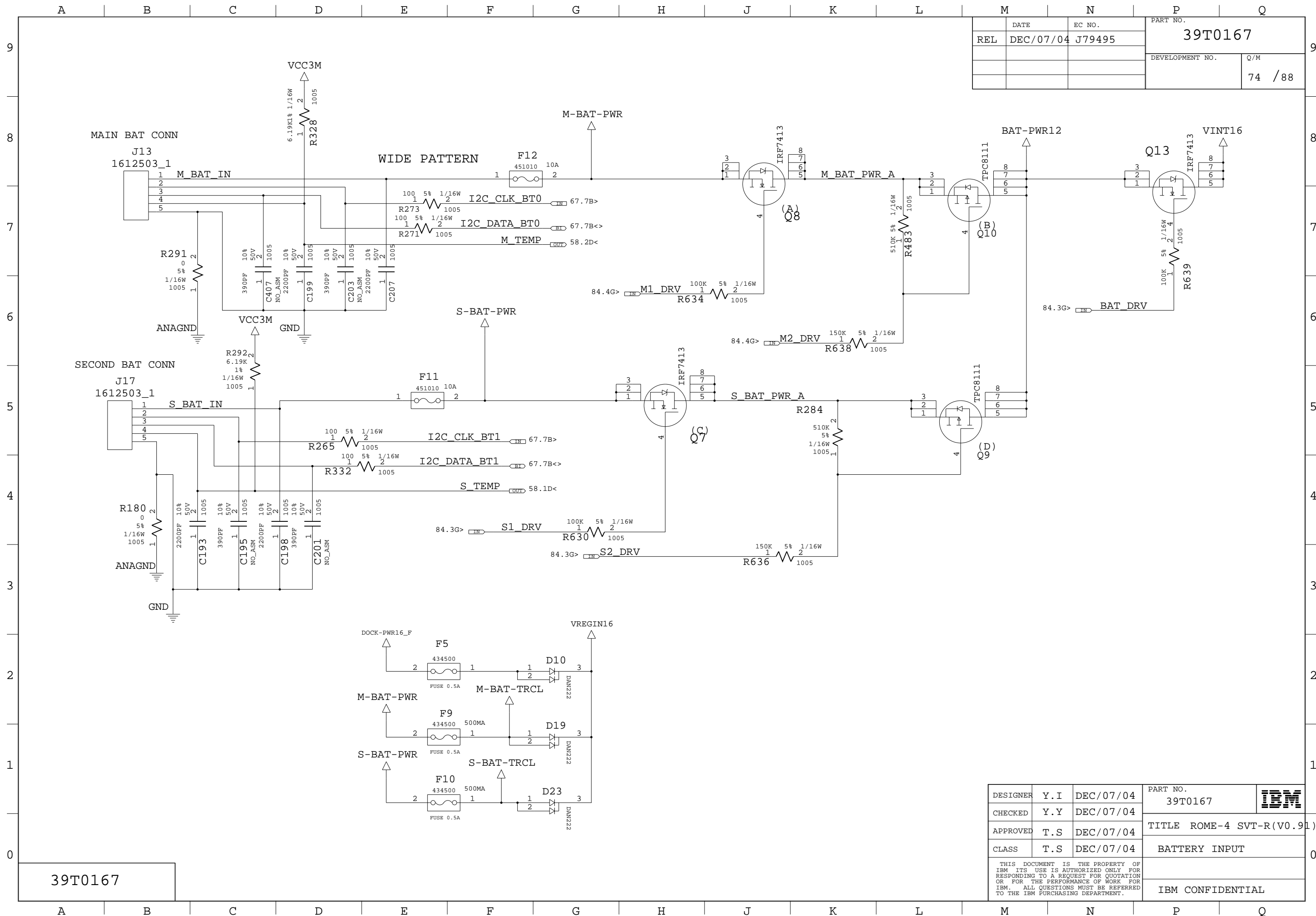




	DATE	EC NO.	PART NO.
REL	DEC/07/04	J79495	39T0167
			DEVELOPMENT NO.
			Q/M
			73 / 88

39T0167

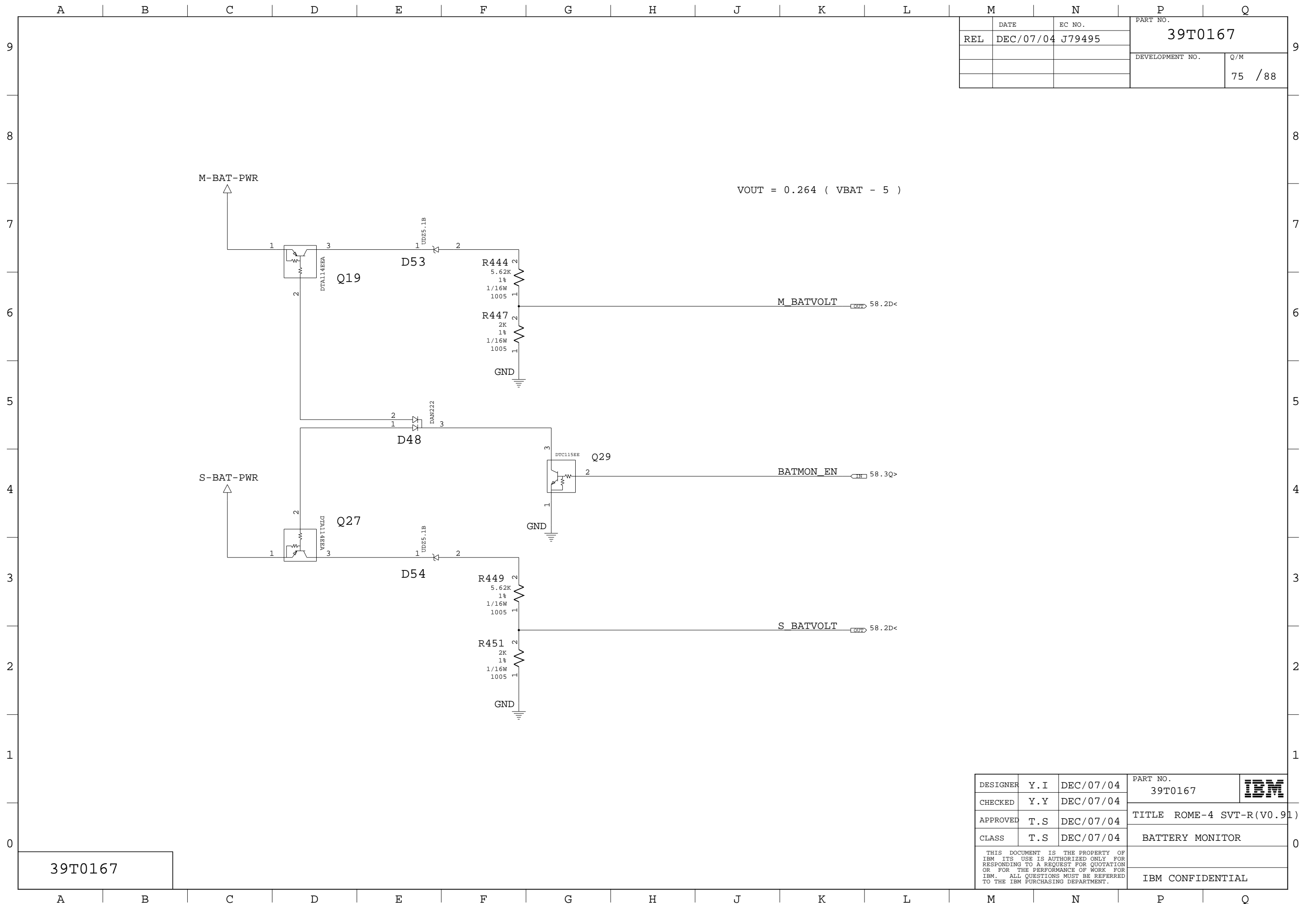
DESIGNER	Y. I	DEC/07/04	PART NO.	39T0167	IBM
CHECKED	Y. Y	DEC/07/04			
APPROVED	T. S	DEC/07/04	TITLE ROME-4 SVT-R (V0.91)		
CLASS	T. S	DEC/07/04	CHARGE SELECTOR		
THIS DOCUMENT IS THE PROPERTY OF IBM. ITS USE IS AUTHORIZED ONLY FOR RESPONDING TO A REQUEST FOR QUOTATION OR FOR THE PERFORMANCE OF WORK FOR IBM. ALL QUESTIONS MUST BE REFERRED TO THE IBM PURCHASING DEPARTMENT.				IBM CONFIDENTIAL	



DATE	DEC/07/04	EC NO.	J79495	PART NO.	39T0167
REL		DEVELOPMENT NO.		Q/M	74 / 88

39T0167

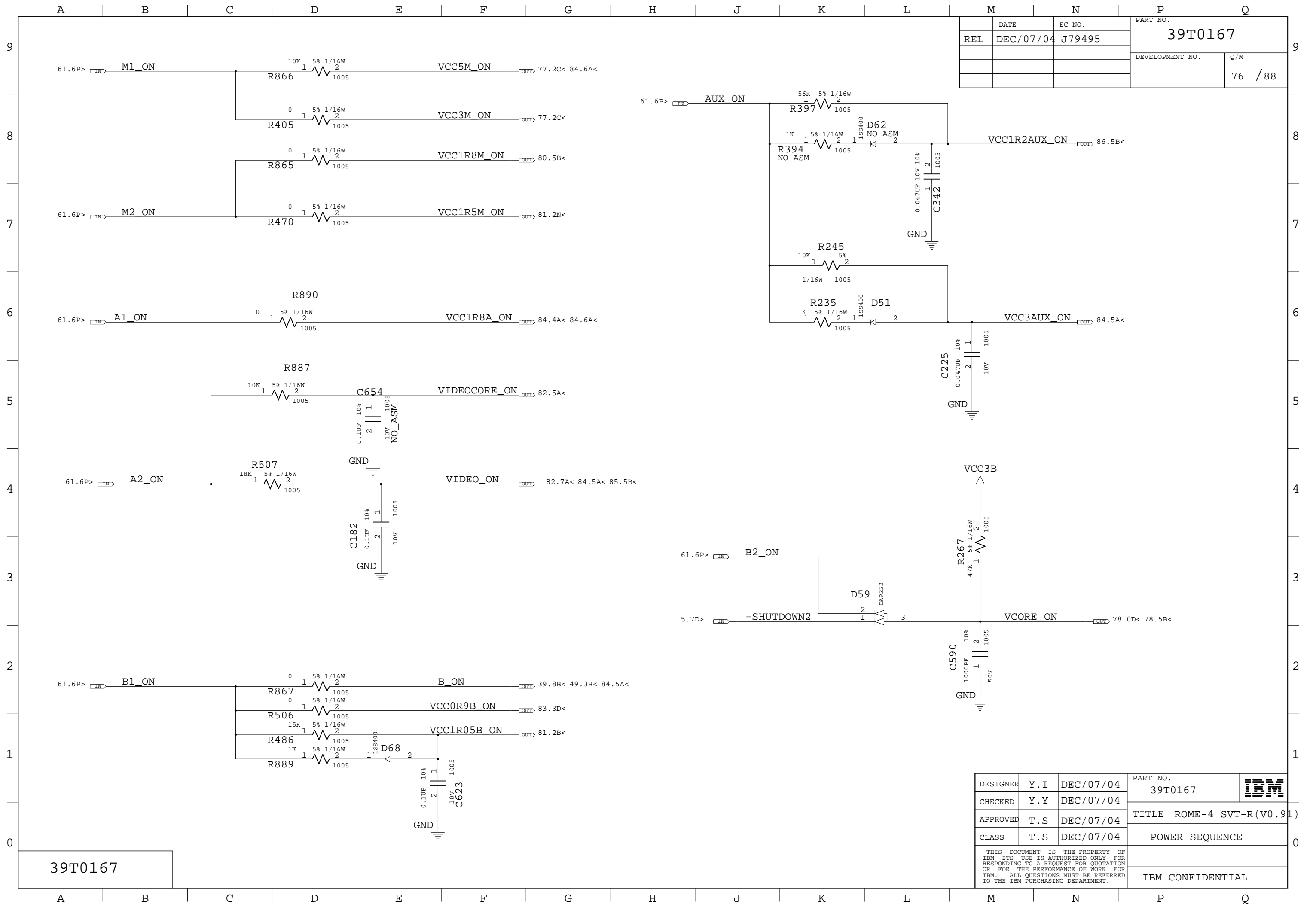
DESIGNER	Y.I	DEC/07/04	PART NO.	39T0167	
CHECKED	Y.Y	DEC/07/04	TITLE	ROME-4 SVT-R(V0.91)	
APPROVED	T.S	DEC/07/04	CLASS	BATTERY INPUT	
THIS DOCUMENT IS THE PROPERTY OF IBM ITS USE IS AUTHORIZED ONLY FOR RESPONDING TO A REQUEST FOR QUOTATION OR FOR THE PERFORMANCE OF WORK FOR IBM. ALL QUESTIONS MUST BE REFERRED TO THE IBM PURCHASING DEPARTMENT.					IBM CONFIDENTIAL



	DATE	EC NO.	PART NO.	
REL	DEC/07/04	J79495	39T0167	
			DEVELOPMENT NO.	Q/M
				75 /88

39T0167

DESIGNER	Y. I	DEC/07/04	PART NO.	39T0167	<b>IBM</b>
CHECKED	Y. Y	DEC/07/04			
APPROVED	T. S	DEC/07/04	TITLE ROME-4 SVT-R (V0.91)		
CLASS	T. S	DEC/07/04	BATTERY MONITOR		
THIS DOCUMENT IS THE PROPERTY OF IBM ITS USE IS AUTHORIZED ONLY FOR RESPONDING TO A REQUEST FOR QUOTATION OR FOR THE PERFORMANCE OF WORK FOR IBM. ALL QUESTIONS MUST BE REFERRED TO THE IBM PURCHASING DEPARTMENT.				IBM CONFIDENTIAL	

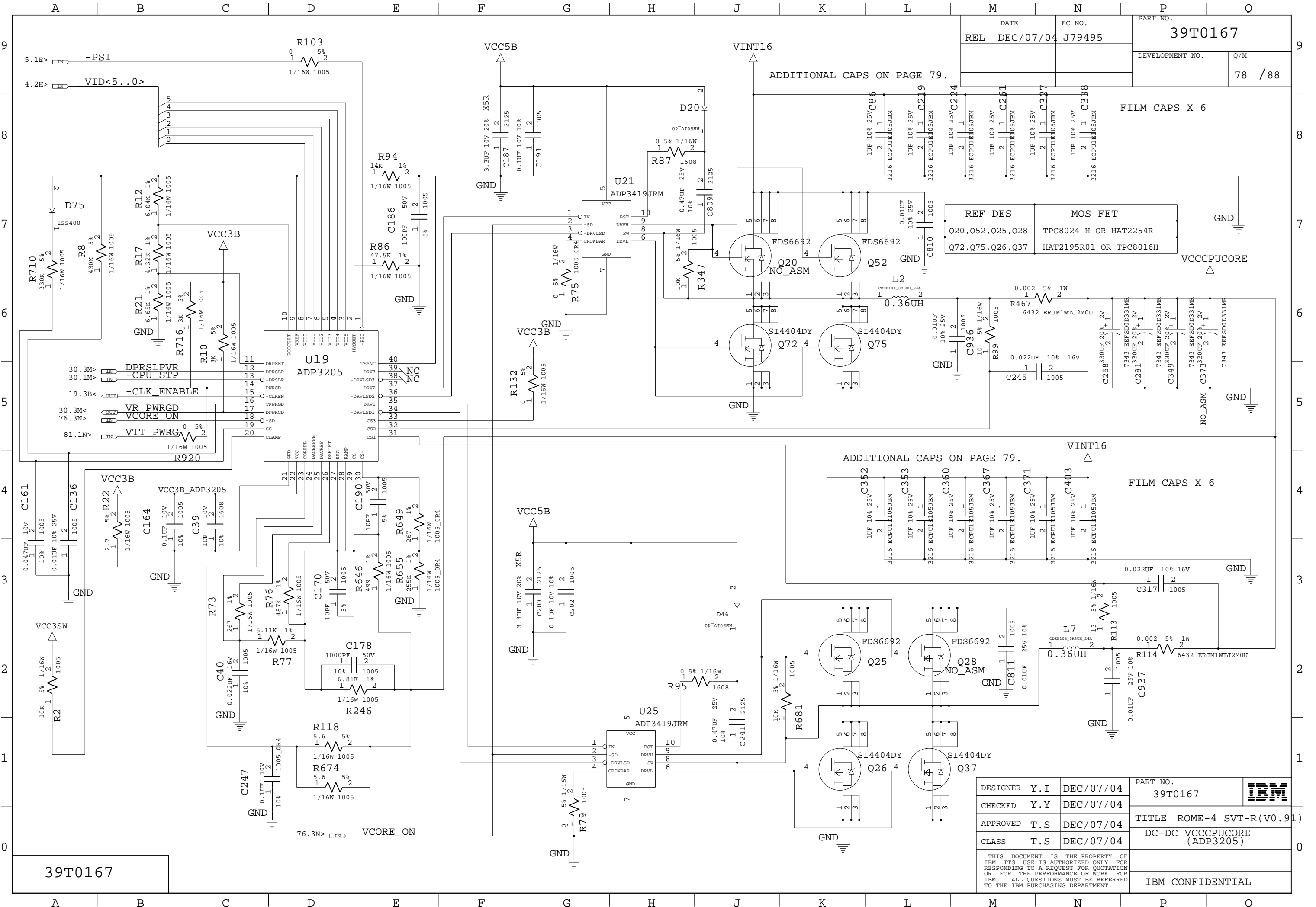


DATE	EC NO.	PART NO.
REL DEC/07/04	J79495	39T0167
DEVELOPMENT NO.		Q/M
		76 / 88

39T0167

DESIGNER	Y.I	DEC/07/04	PART NO.	39T0167	IBM
CHECKED	Y.Y	DEC/07/04			
APPROVED	T.S	DEC/07/04	TITLE ROME-4 SVT-R(V0.91)		
CLASS	T.S	DEC/07/04	POWER SEQUENCE		
THIS DOCUMENT IS THE PROPERTY OF IBM. ITS USE IS AUTHORIZED ONLY FOR RESPONDING TO A REQUEST FOR QUOTATION OR FOR THE PERFORMANCE OF WORK FOR IBM. ALL QUESTIONS MUST BE REFERRED TO THE IBM PURCHASING DEPARTMENT.				IBM CONFIDENTIAL	





REL	DATE	EC NO.	PART NO.
	DEC/07/04	J79495	39T0167
			DEVELOPMENT NO.
			Q/M
			78 / 88

ADDITIONAL CAPS ON PAGE 79.

REF DES	MOS FET
Q20, Q52, Q25, Q28	TPC8024-H OR HAT2254R
Q72, Q75, Q26, Q37	HAT2195R01 OR TPC8016H

FILM CAPS X 6

ADDITIONAL CAPS ON PAGE 79.

REF DES	MOS FET
Q20, Q52, Q25, Q28	TPC8024-H OR HAT2254R
Q72, Q75, Q26, Q37	HAT2195R01 OR TPC8016H

FILM CAPS X 6

ADDITIONAL CAPS ON PAGE 79.

REF DES	MOS FET
Q20, Q52, Q25, Q28	TPC8024-H OR HAT2254R
Q72, Q75, Q26, Q37	HAT2195R01 OR TPC8016H

FILM CAPS X 6

DESIGNER	Y.I	DEC/07/04	PART NO.
CHECKED	Y.Y	DEC/07/04	39T0167
APPROVED	T.S	DEC/07/04	TITLE ROME-4 SVT-R(V0.91)
CLASS	T.S	DEC/07/04	DC-DC VCCCPUCORE (ADP3205)

THIS DOCUMENT IS THE PROPERTY OF IBM. ITS USE IS AUTHORIZED ONLY FOR RESPONDING TO A REQUEST FOR QUOTATION OR FOR THE PERFORMANCE OF WORK FOR IBM. ALL QUESTIONS MUST BE REFERRED TO THE IBM PURCHASING DEPARTMENT.

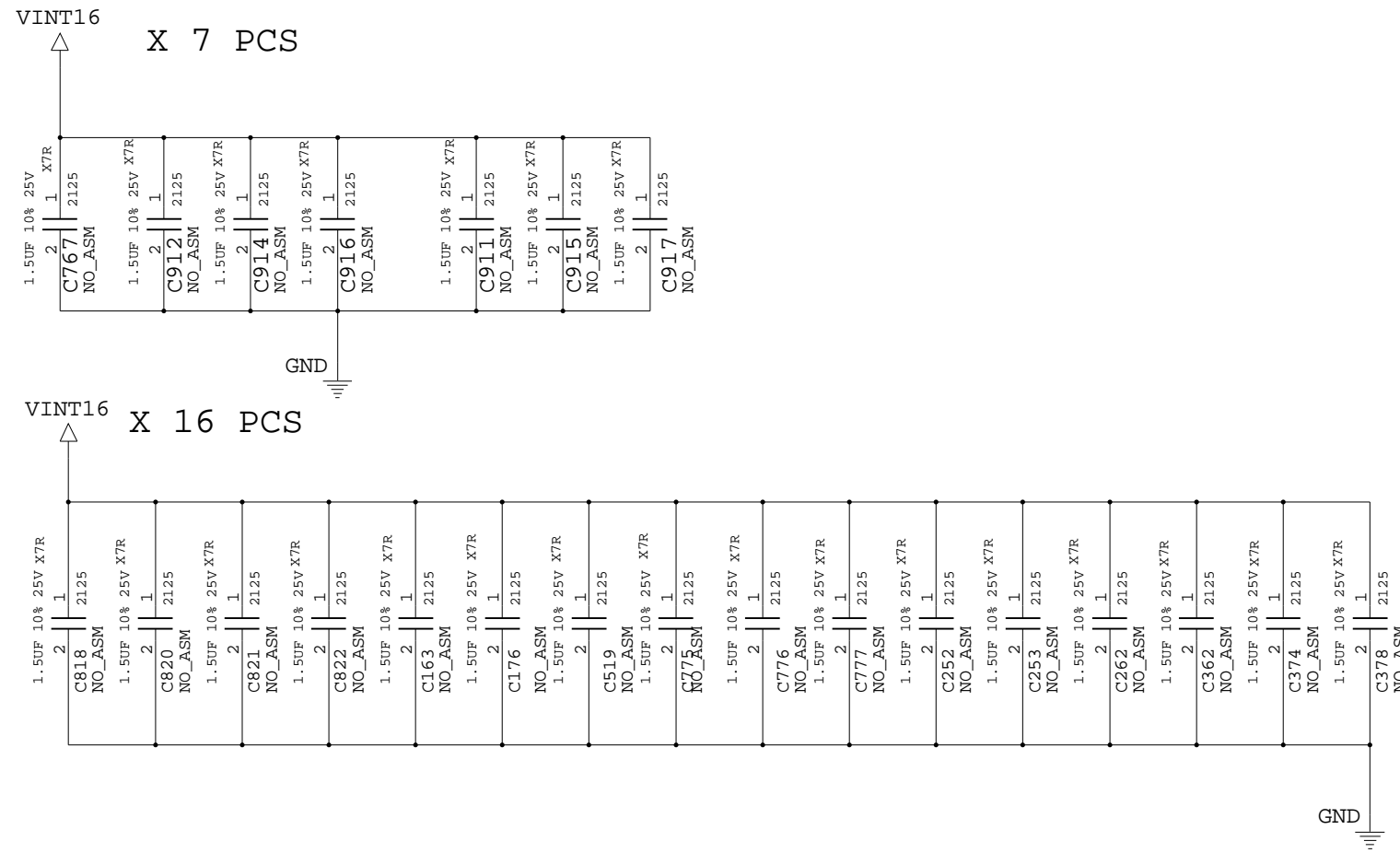
IBM CONFIDENTIAL

39T0167

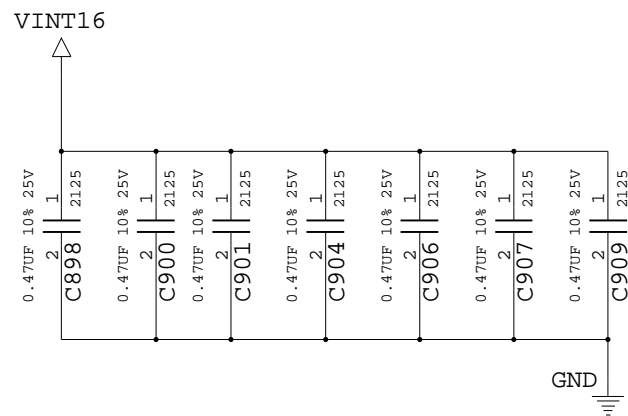


	DATE	EC NO.	PART NO.	
REL	DEC/07/04	J79495	39T0167	
			DEVELOPMENT NO.	Q/M
				79 /88

FOLLOWING 23 PCS OF 1.5UF ARE NO-ASM FOR VCCCPUCORE.

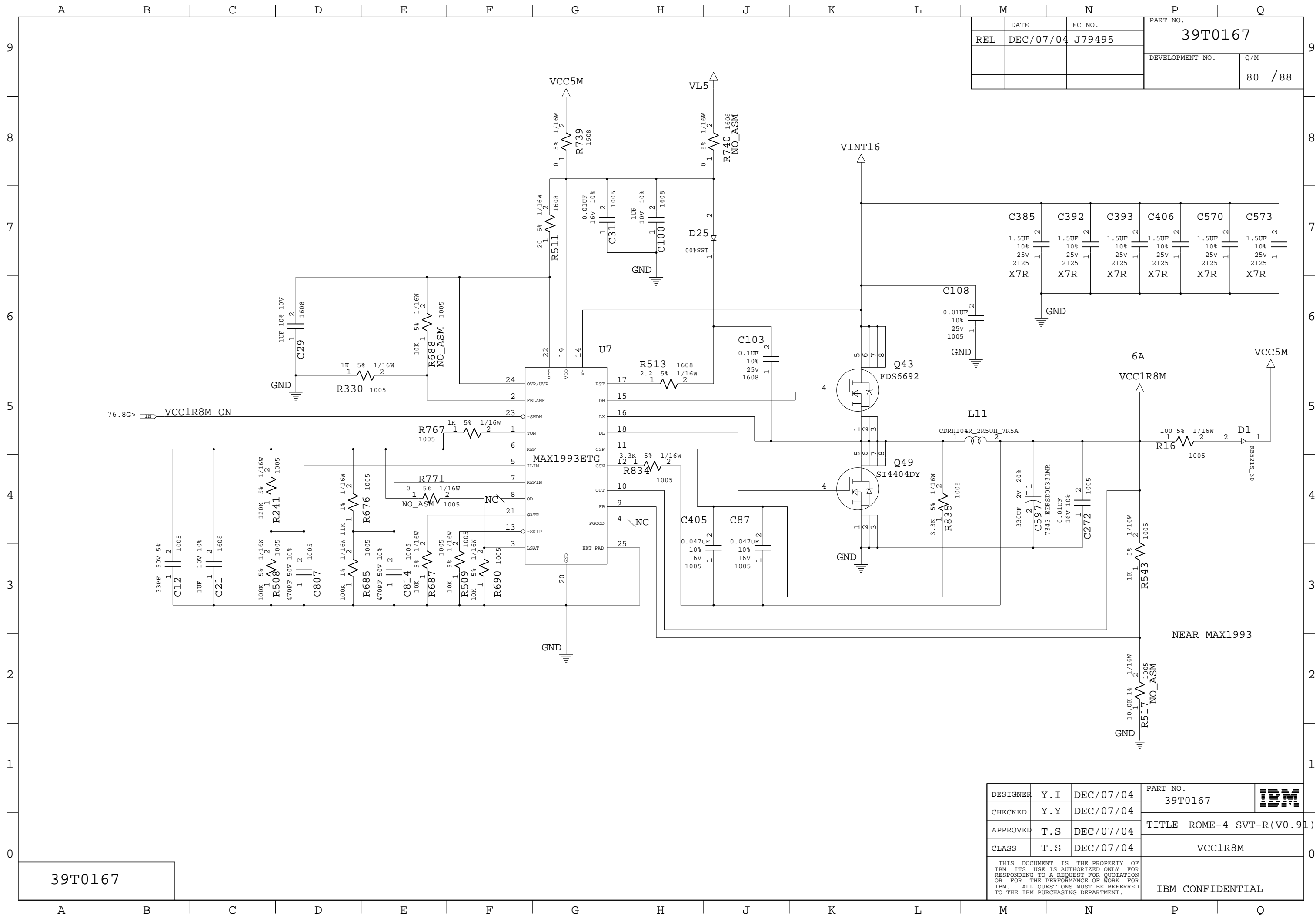


FOLLOWING 7 PCS OF 0.47UF AREA ASM FOR VCCCPUCORE TO REDUCE EMI.



39T0167

DESIGNER	Y.I	DEC/07/04	PART NO.	IBM
CHECKED	Y.Y	DEC/07/04	39T0167	
APPROVED	T.S	DEC/07/04	TITLE ROME-4 SVT-R(V0.91)	
CLASS	T.S	DEC/07/04	DC-DC VCORE INPUT CAP	
THIS DOCUMENT IS THE PROPERTY OF IBM ITS USE IS AUTHORIZED ONLY FOR RESPONDING TO A REQUEST FOR QUOTATION OR FOR THE PERFORMANCE OF WORK FOR IBM. ALL QUESTIONS MUST BE REFERRED TO THE IBM PURCHASING DEPARTMENT.				IBM CONFIDENTIAL



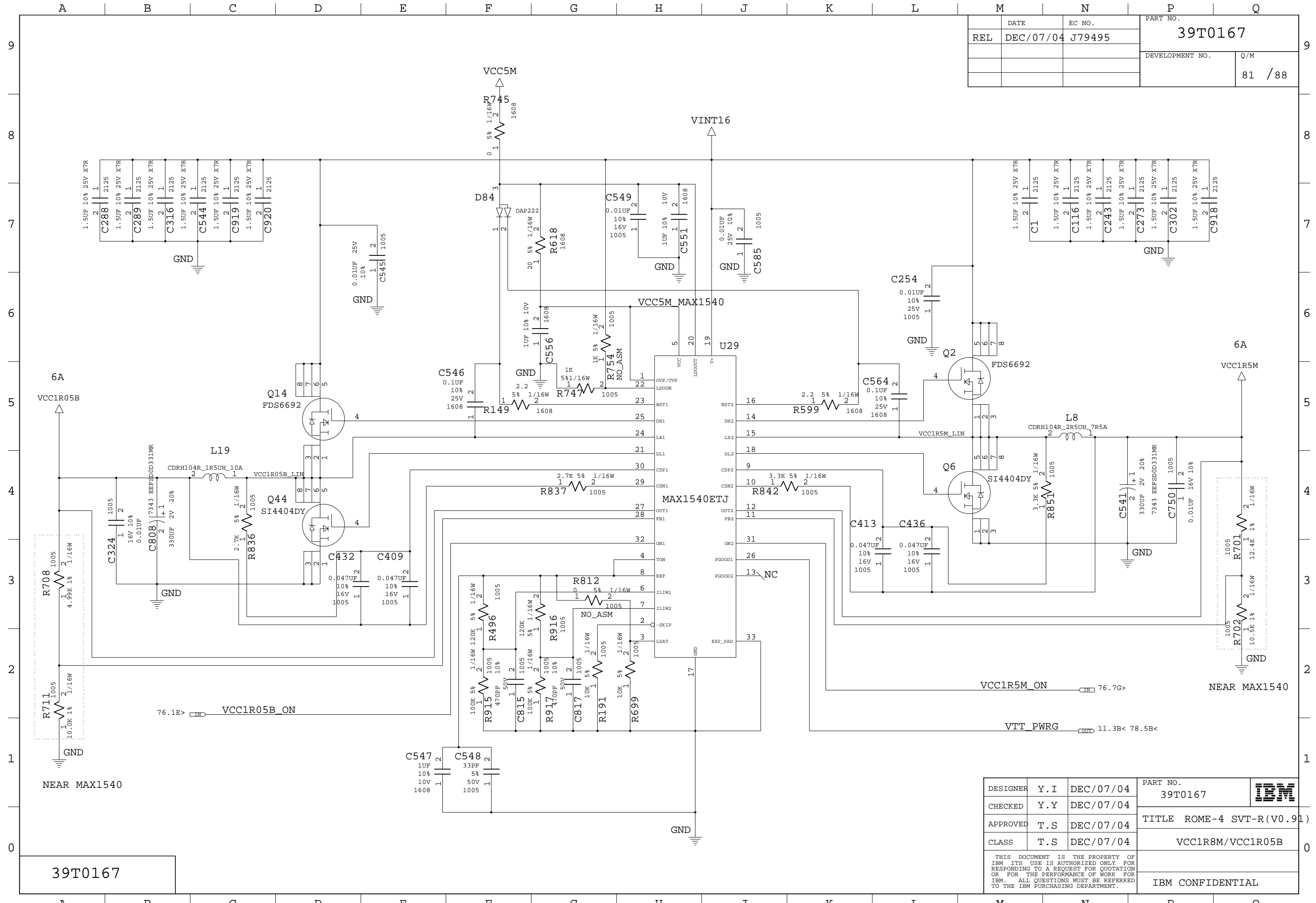
	DATE	EC NO.	PART NO.
REL	DEC/07/04	J79495	39T0167
			DEVELOPMENT NO.
			Q/M
			80 / 88

39T0167

DESIGNER	Y.I	DEC/07/04	PART NO.	39T0167	
CHECKED	Y.Y	DEC/07/04			
APPROVED	T.S	DEC/07/04	TITLE ROME-4 SVT-R(V0.91)		
CLASS	T.S	DEC/07/04	VCC1R8M		
THIS DOCUMENT IS THE PROPERTY OF IBM ITS USE IS AUTHORIZED ONLY FOR RESPONDING TO A REQUEST FOR QUOTATION OR FOR THE PERFORMANCE OF WORK FOR IBM. ALL QUESTIONS MUST BE REFERRED TO THE IBM PURCHASING DEPARTMENT.				IBM CONFIDENTIAL	



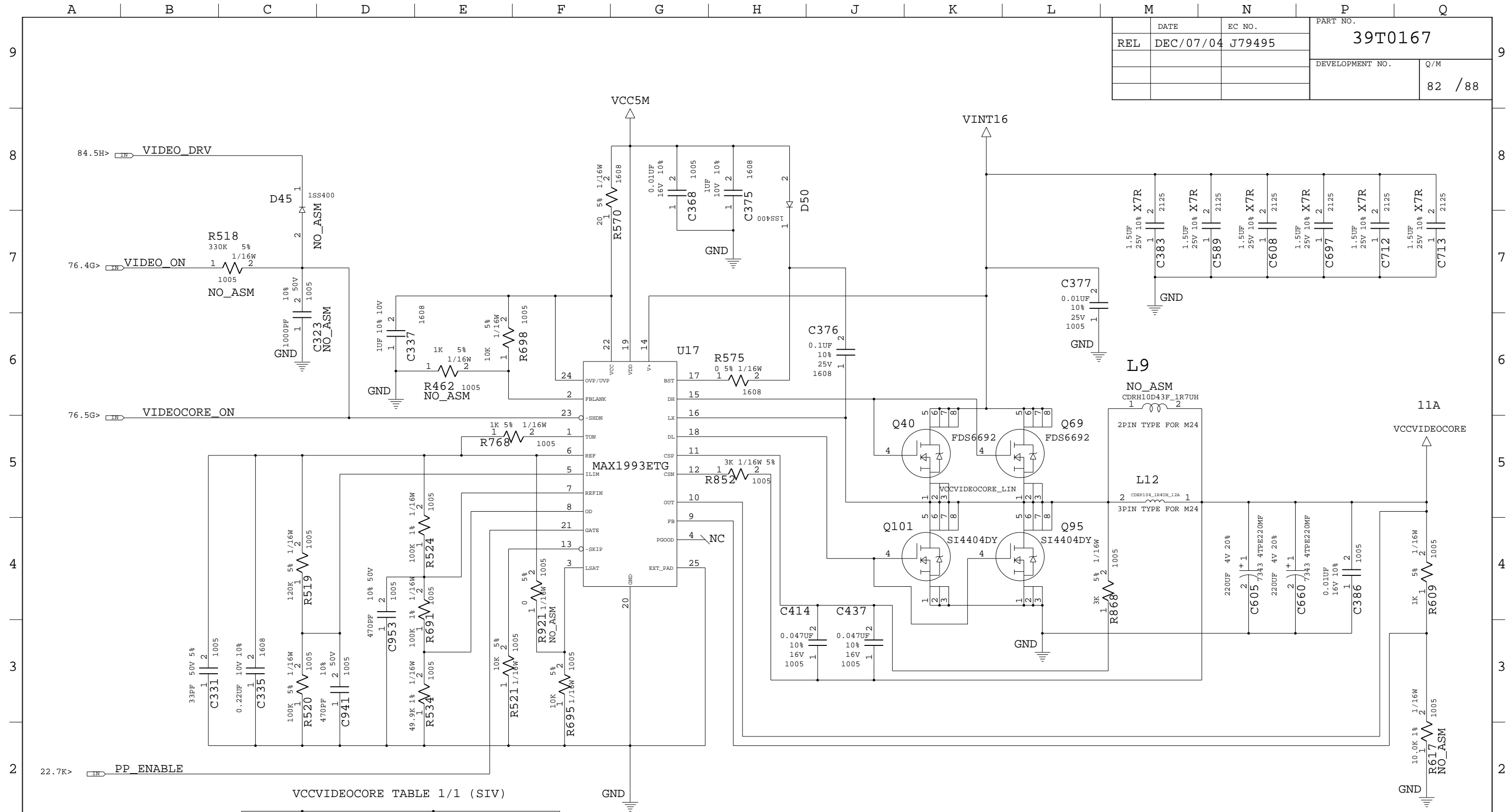
DATE	DEC/07/04	EC NO.	J79495	PART NO.	39T0167
REL				DEVELOPMENT NO.	81 / 88



39T0167

DESIGNER	Y.I	DEC/07/04	PART NO.	39T0167	
CHECKED	Y.Y	DEC/07/04	TITLE	ROME-4 SVT-R(V0.91)	
APPROVED	T.S	DEC/07/04		VCC1R8M/VCC1R05B	
CLASS	T.S	DEC/07/04			
THIS DOCUMENT IS THE PROPERTY OF IBM ITS USE IS AUTHORIZED ONLY FOR RESPONDING TO A REQUEST FOR QUOTATION OR FOR THE PERFORMANCE OF WORK FOR IBM. ALL QUESTIONS MUST BE REFERRED TO THE IBM PURCHASING DEPARTMENT.					IBM CONFIDENTIAL

DATE	EC NO.	PART NO.
REL DEC/07/04	J79495	39T0167
		DEVELOPMENT NO.
		Q/M
		82 / 88



VCCVIDEOCORE TABLE 1/1 (SIV)

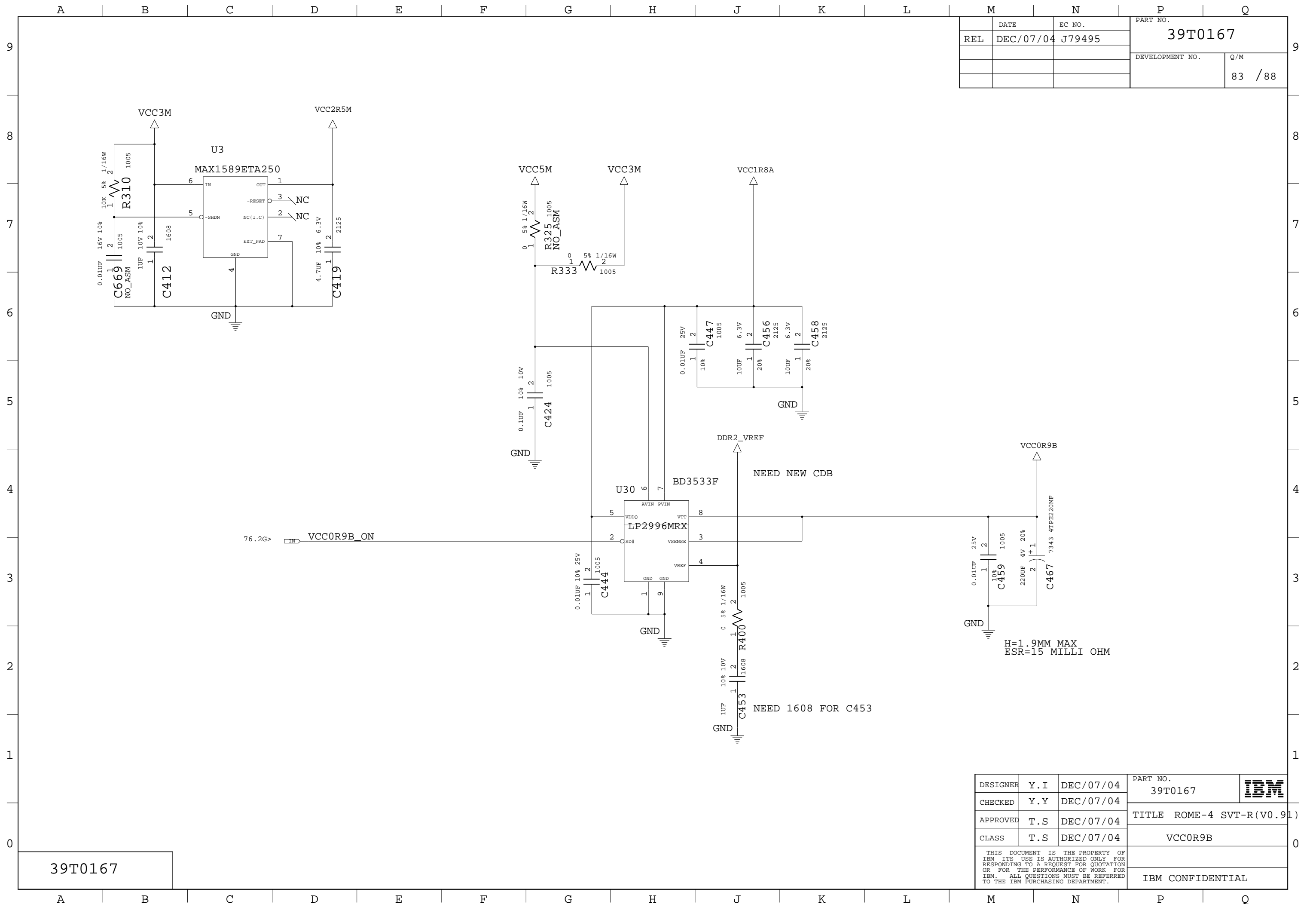
	M22 A12 (1.15V)	M24 A22 (1.2V)
R534	35.7K 1%	49.9K 1%

LOGIC

NEAR MAX1993

39T0167

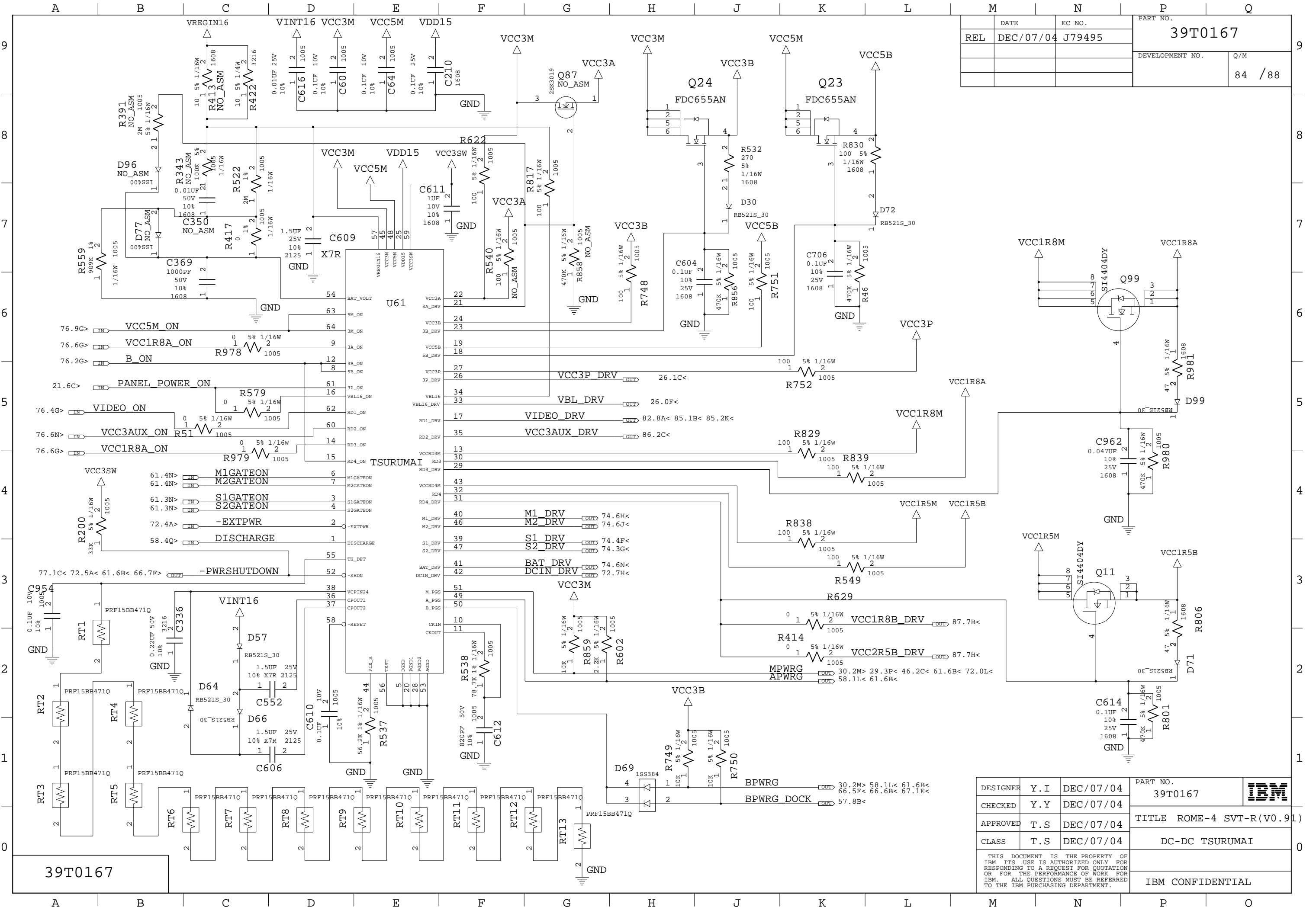
DESIGNER	Y.I	DEC/07/04	PART NO.	39T0167	
CHECKED	Y.Y	DEC/07/04			
APPROVED	T.S	DEC/07/04	TITLE	ROME-4 SVT-R (V0.91)	
CLASS	T.S	DEC/07/04		VCCVIDEO	
THIS DOCUMENT IS THE PROPERTY OF IBM. ITS USE IS AUTHORIZED ONLY FOR RESPONDING TO A REQUEST FOR QUOTATION OR FOR THE PERFORMANCE OF WORK FOR IBM. ALL QUESTIONS MUST BE REFERRED TO THE IBM PURCHASING DEPARTMENT.				IBM CONFIDENTIAL	



	DATE	EC NO.	PART NO.	
REL	DEC/07/04	J79495	39T0167	
			DEVELOPMENT NO.	Q/M
				83 / 88

39T0167

DESIGNER	Y. I	DEC/07/04	PART NO.	39T0167	
CHECKED	Y. Y	DEC/07/04			
APPROVED	T. S	DEC/07/04	TITLE ROME-4 SVT-R (V0.91)		
CLASS	T. S	DEC/07/04	VCC0R9B		
THIS DOCUMENT IS THE PROPERTY OF IBM. ITS USE IS AUTHORIZED ONLY FOR RESPONDING TO A REQUEST FOR QUOTATION OR FOR THE PERFORMANCE OF WORK FOR IBM. ALL QUESTIONS MUST BE REFERRED TO THE IBM PURCHASING DEPARTMENT.				IBM CONFIDENTIAL	

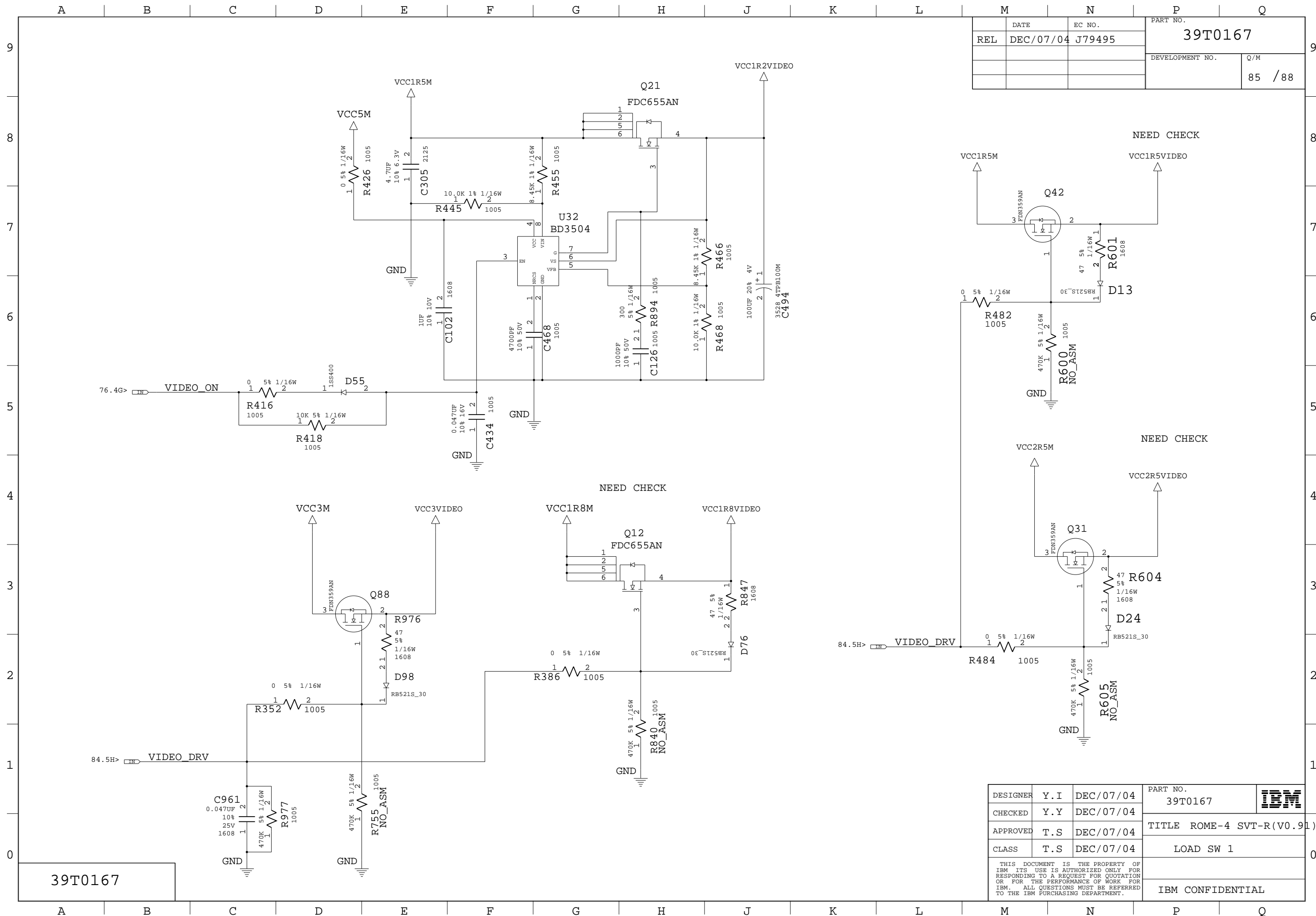


DATE	EC NO.	PART NO.
REL DEC/07/04	J79495	39T0167
DEVELOPMENT NO.		Q/M
		84 / 88

39T0167

DESIGNER	Y.I	DEC/07/04	PART NO.	39T0167	
CHECKED	Y.Y	DEC/07/04	TITLE ROME-4 SVT-R (V0.91)		
APPROVED	T.S	DEC/07/04	DC-DC TSURUMAI		
CLASS	T.S	DEC/07/04	IBM CONFIDENTIAL		

THIS DOCUMENT IS THE PROPERTY OF IBM. ITS USE IS AUTHORIZED ONLY FOR RESPONDING TO A REQUEST FOR QUOTATION OR FOR THE PERFORMANCE OF WORK FOR IBM. ALL QUESTIONS MUST BE REFERRED TO THE IBM PURCHASING DEPARTMENT.



DATE	DEC/07/04	EC NO.	J79495	PART NO.	39T0167
REL				DEVELOPMENT NO.	Q/M
					85 / 88

39T0167

DESIGNER	Y.I	DEC/07/04	PART NO.	39T0167	IBM
CHECKED	Y.Y	DEC/07/04			
APPROVED	T.S	DEC/07/04	TITLE		ROME-4 SVT-R(V0.91)
CLASS	T.S	DEC/07/04	LOAD SW		1
THIS DOCUMENT IS THE PROPERTY OF IBM. ITS USE IS AUTHORIZED ONLY FOR RESPONDING TO A REQUEST FOR QUOTATION OR FOR THE PERFORMANCE OF WORK FOR IBM. ALL QUESTIONS MUST BE REFERRED TO THE IBM PURCHASING DEPARTMENT.					IBM CONFIDENTIAL

A B C D E F G H J K L M N P Q

	DATE	EC NO.	PART NO.
REL	DEC/07/04	J79495	39T0167
			DEVELOPMENT NO.
			Q/M
			86 / 88

9

8

7

6

5

4

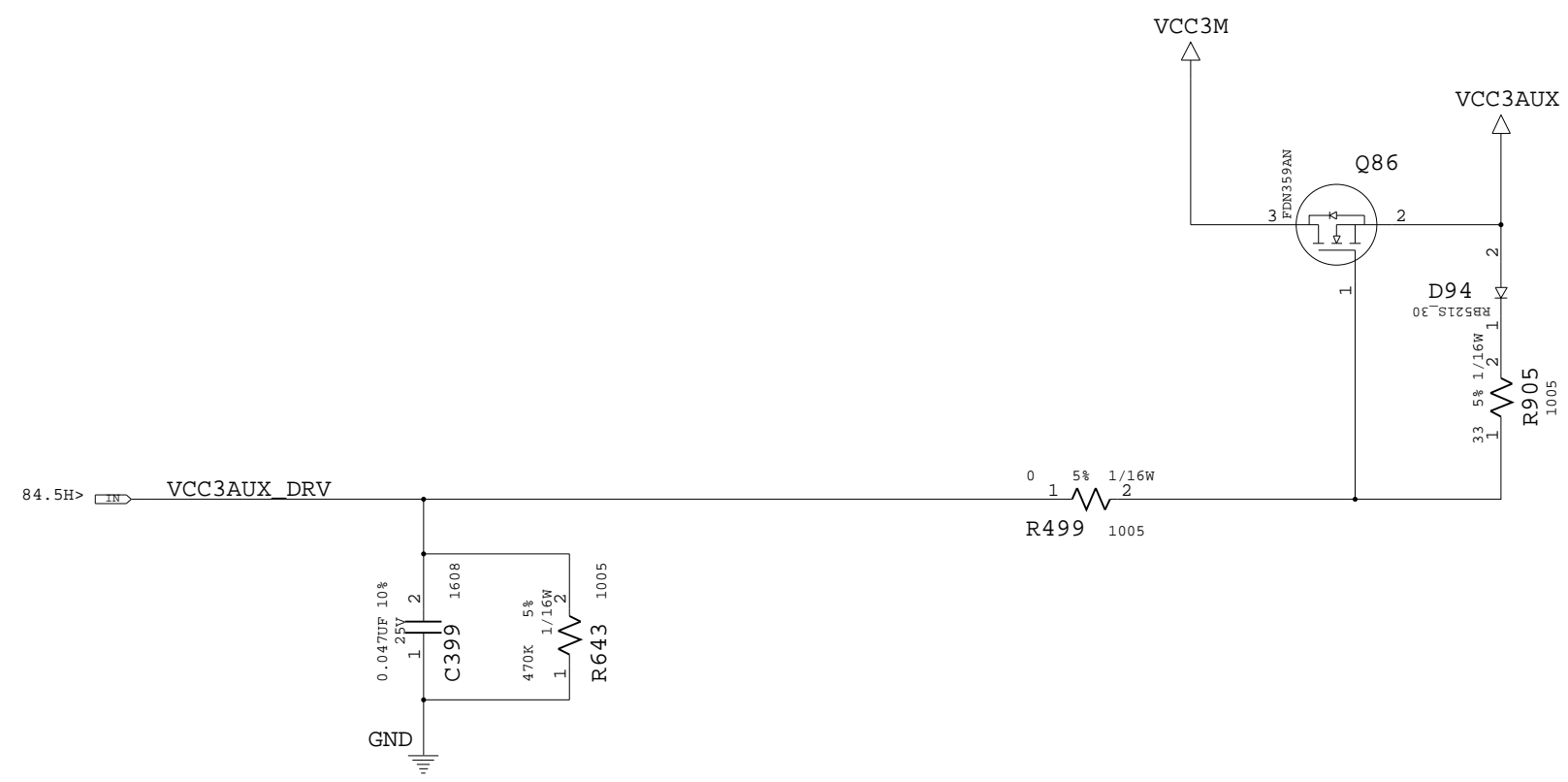
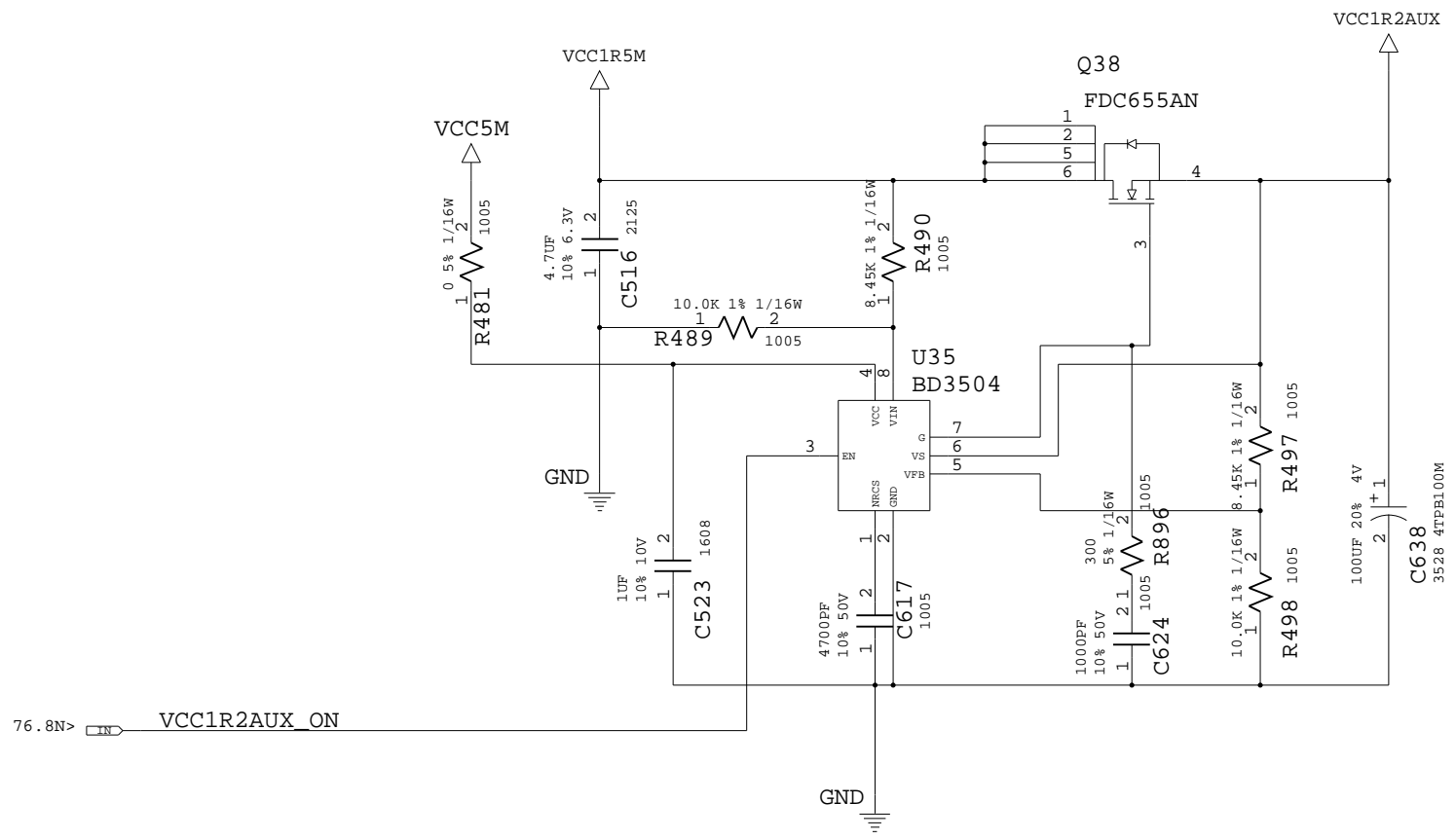
3

2

1

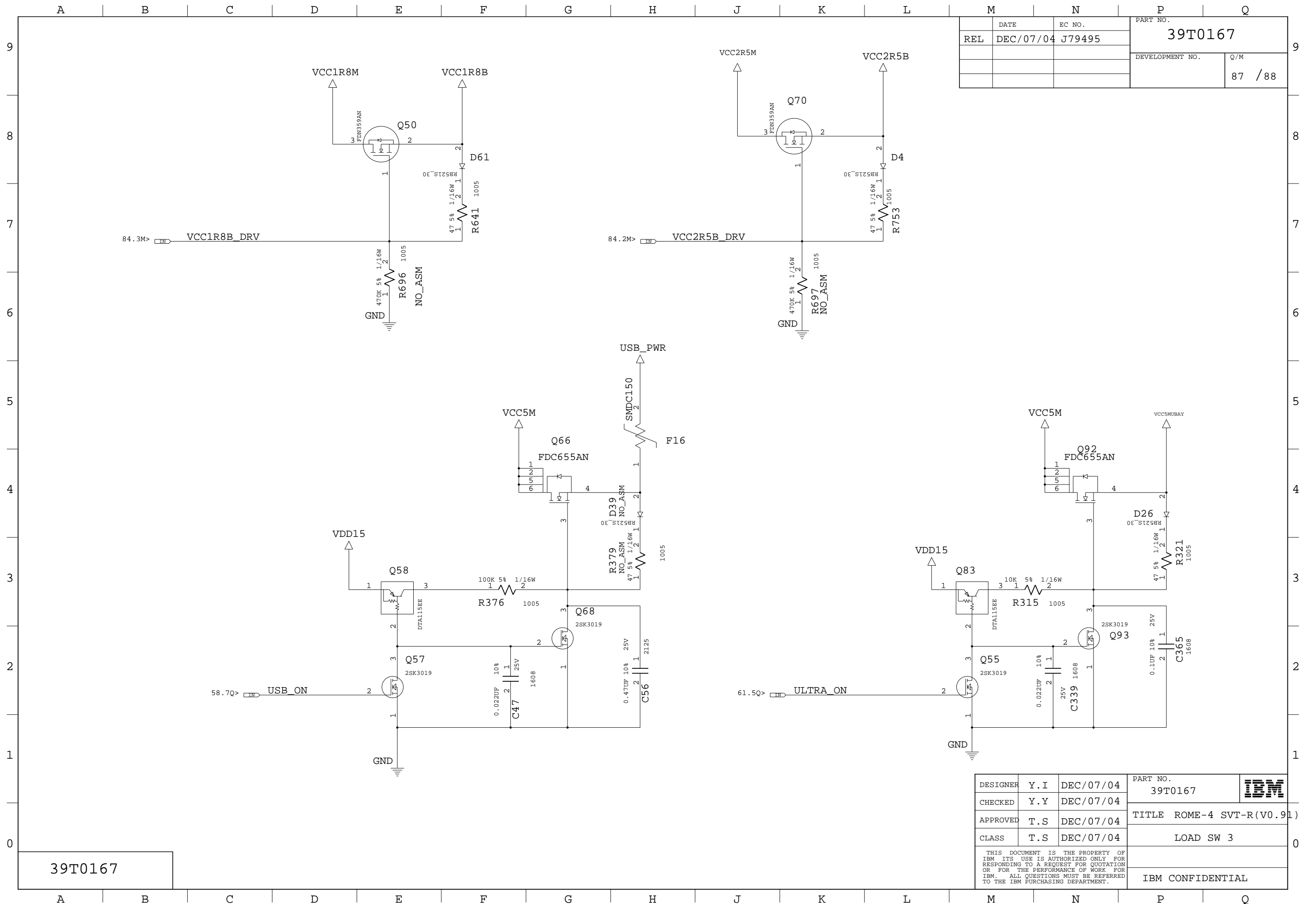
0

A B C D E F G H J K L M N P Q



39T0167

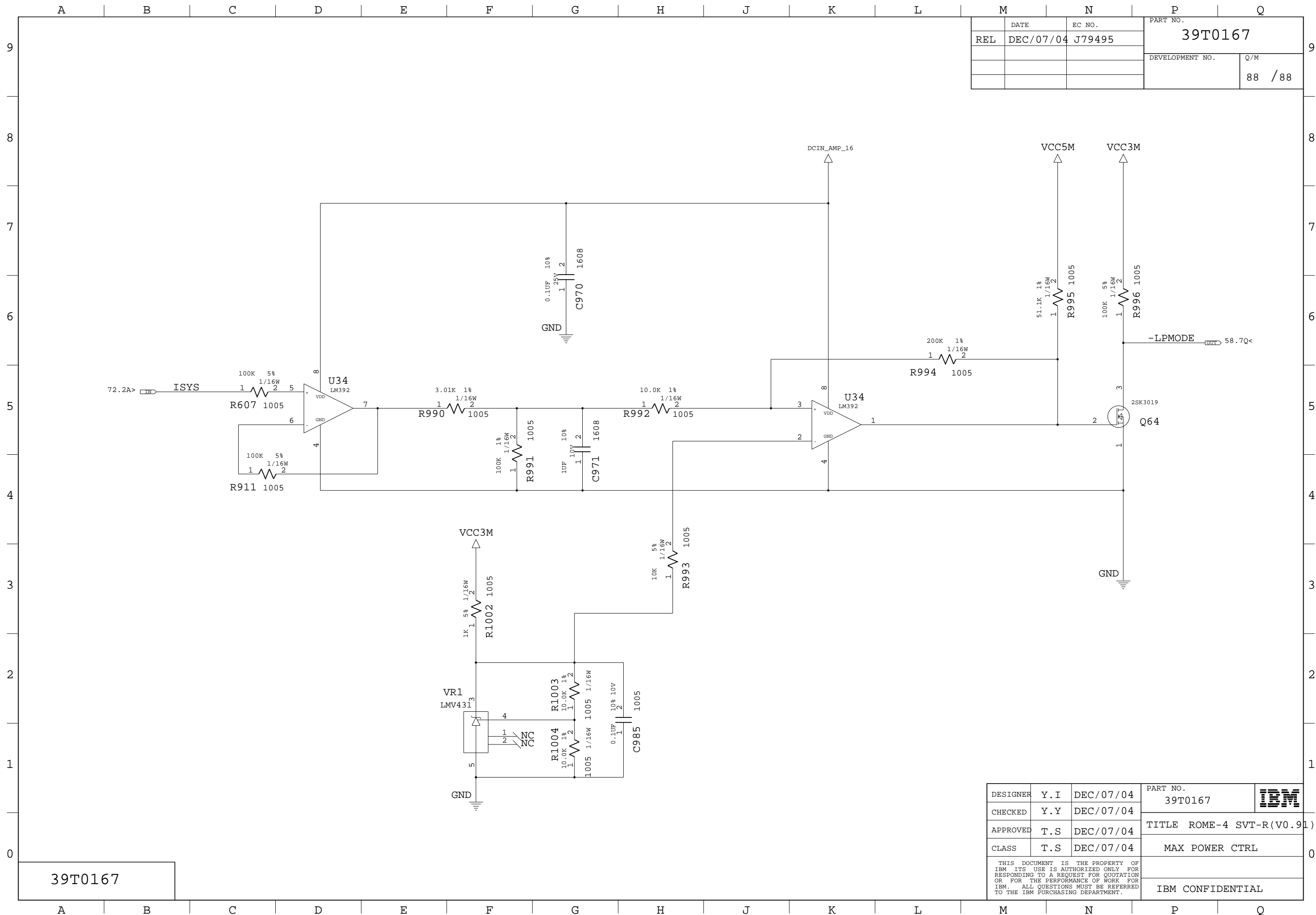
DESIGNER	Y. I	DEC/07/04	PART NO.	39T0167	IBM
CHECKED	Y. Y	DEC/07/04			
APPROVED	T. S	DEC/07/04	TITLE ROME-4 SVT-R (V0.91)		
CLASS	T. S	DEC/07/04	LOAD SW 2		
THIS DOCUMENT IS THE PROPERTY OF IBM. ITS USE IS AUTHORIZED ONLY FOR RESPONDING TO A REQUEST FOR QUOTATION OR FOR THE PERFORMANCE OF WORK FOR IBM. ALL QUESTIONS MUST BE REFERRED TO THE IBM PURCHASING DEPARTMENT.				IBM CONFIDENTIAL	



	DATE	EC NO.	PART NO.
REL	DEC/07/04	J79495	39T0167
			DEVELOPMENT NO.
			Q/M
			87 / 88

39T0167

DESIGNER	Y. I	DEC/07/04	PART NO.	39T0167	IBM
CHECKED	Y. Y	DEC/07/04			
APPROVED	T. S	DEC/07/04	TITLE ROME-4 SVT-R(V0.91)		
CLASS	T. S	DEC/07/04	LOAD SW 3		
THIS DOCUMENT IS THE PROPERTY OF IBM. ITS USE IS AUTHORIZED ONLY FOR RESPONDING TO A REQUEST FOR QUOTATION OR FOR THE PERFORMANCE OF WORK FOR IBM. ALL QUESTIONS MUST BE REFERRED TO THE IBM PURCHASING DEPARTMENT.				IBM CONFIDENTIAL	



	DATE	EC NO.	PART NO.	
REL	DEC/07/04	J79495	39T0167	
			DEVELOPMENT NO.	Q/M
				88 / 88

39T0167

DESIGNER	Y. I	DEC/07/04	PART NO.	39T0167	
CHECKED	Y. Y	DEC/07/04			
APPROVED	T. S	DEC/07/04	TITLE ROME-4 SVT-R(V0.91)		
CLASS	T. S	DEC/07/04	MAX POWER CTRL		
THIS DOCUMENT IS THE PROPERTY OF IBM. ITS USE IS AUTHORIZED ONLY FOR RESPONDING TO A REQUEST FOR QUOTATION OR FOR THE PERFORMANCE OF WORK FOR IBM. ALL QUESTIONS MUST BE REFERRED TO THE IBM PURCHASING DEPARTMENT.				IBM CONFIDENTIAL	