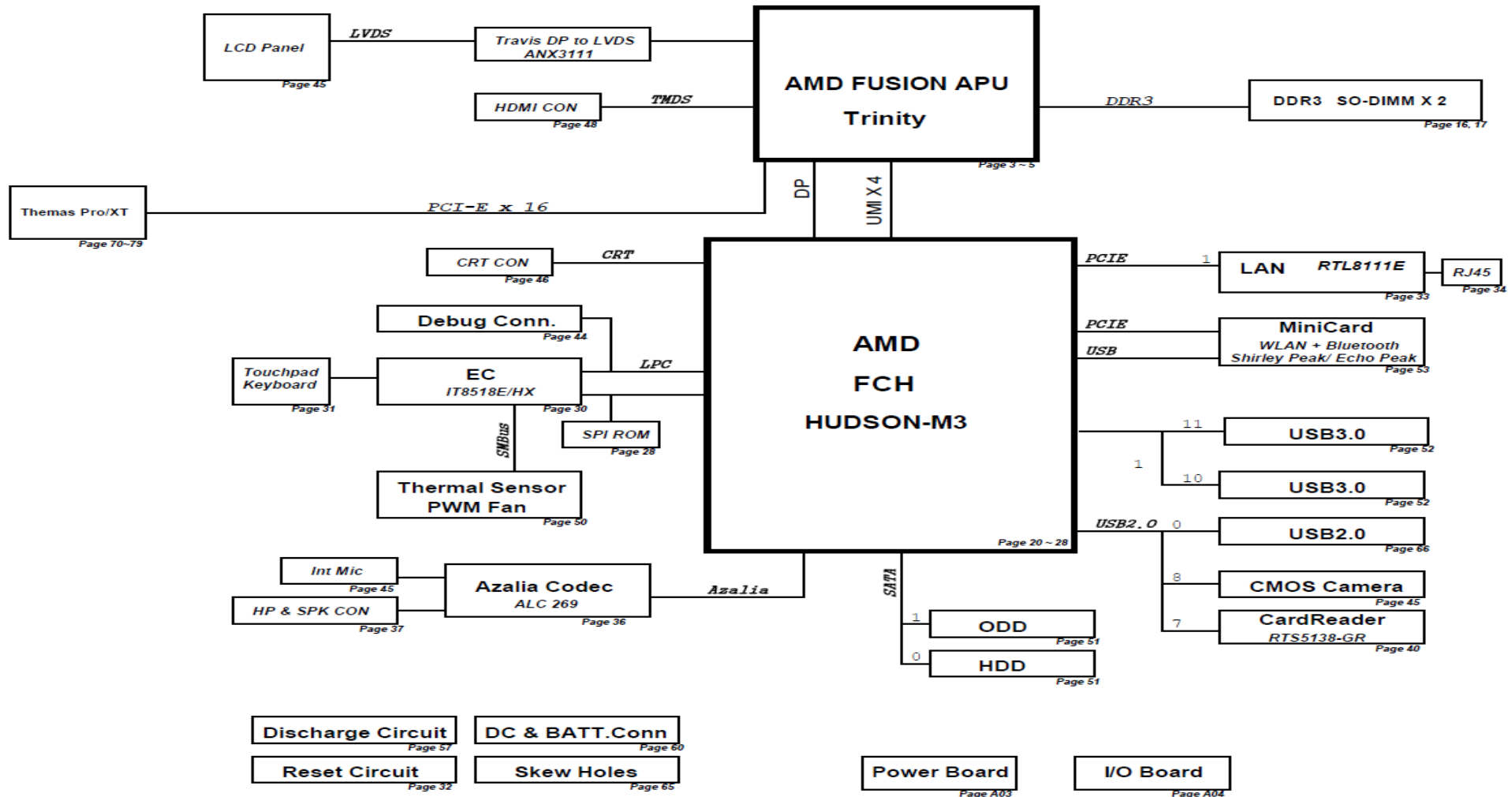


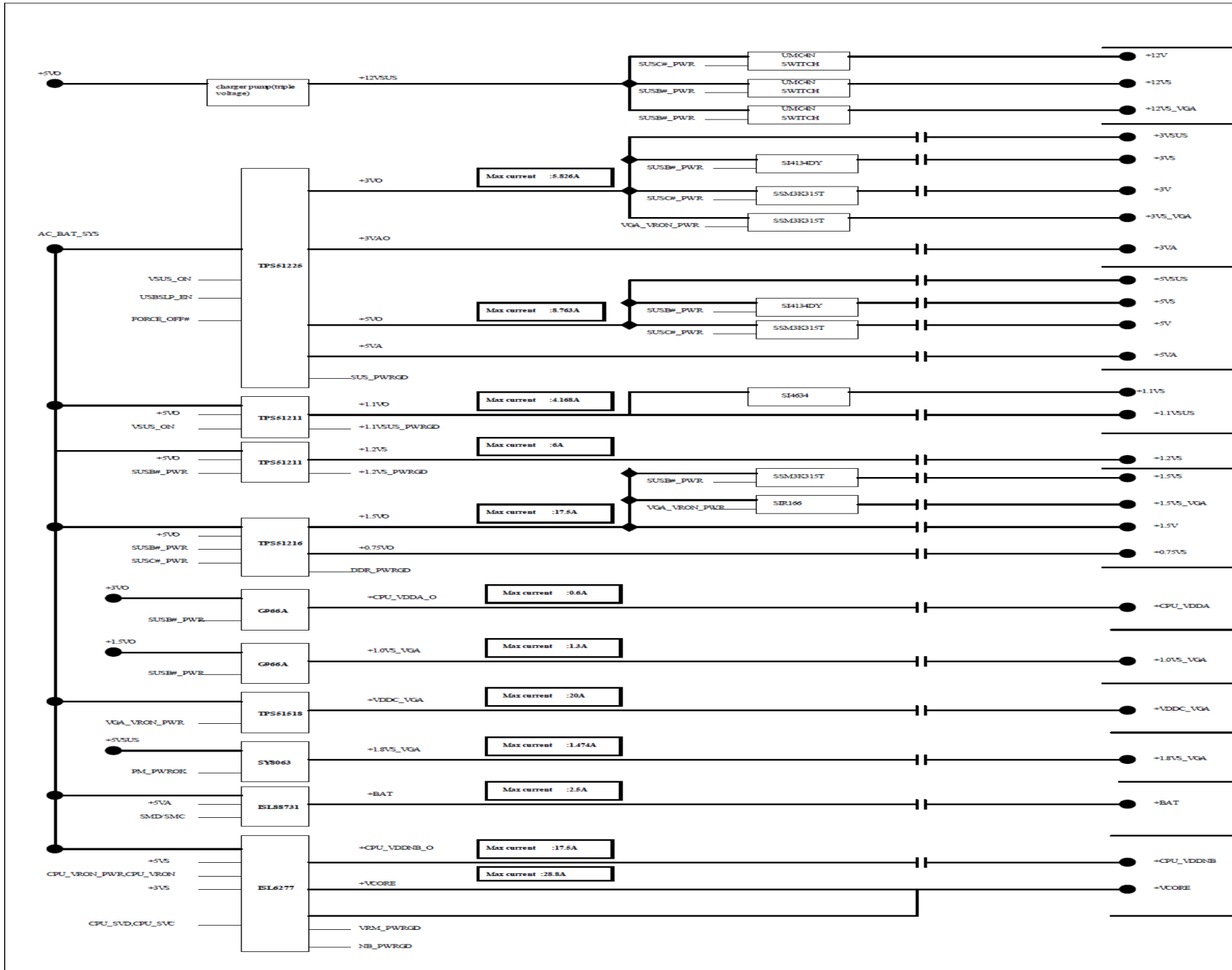
# K55DE Repair Guide

## K55DE AMD Comal Platform Rev. 1.1

### BLOCK DIAGRAM

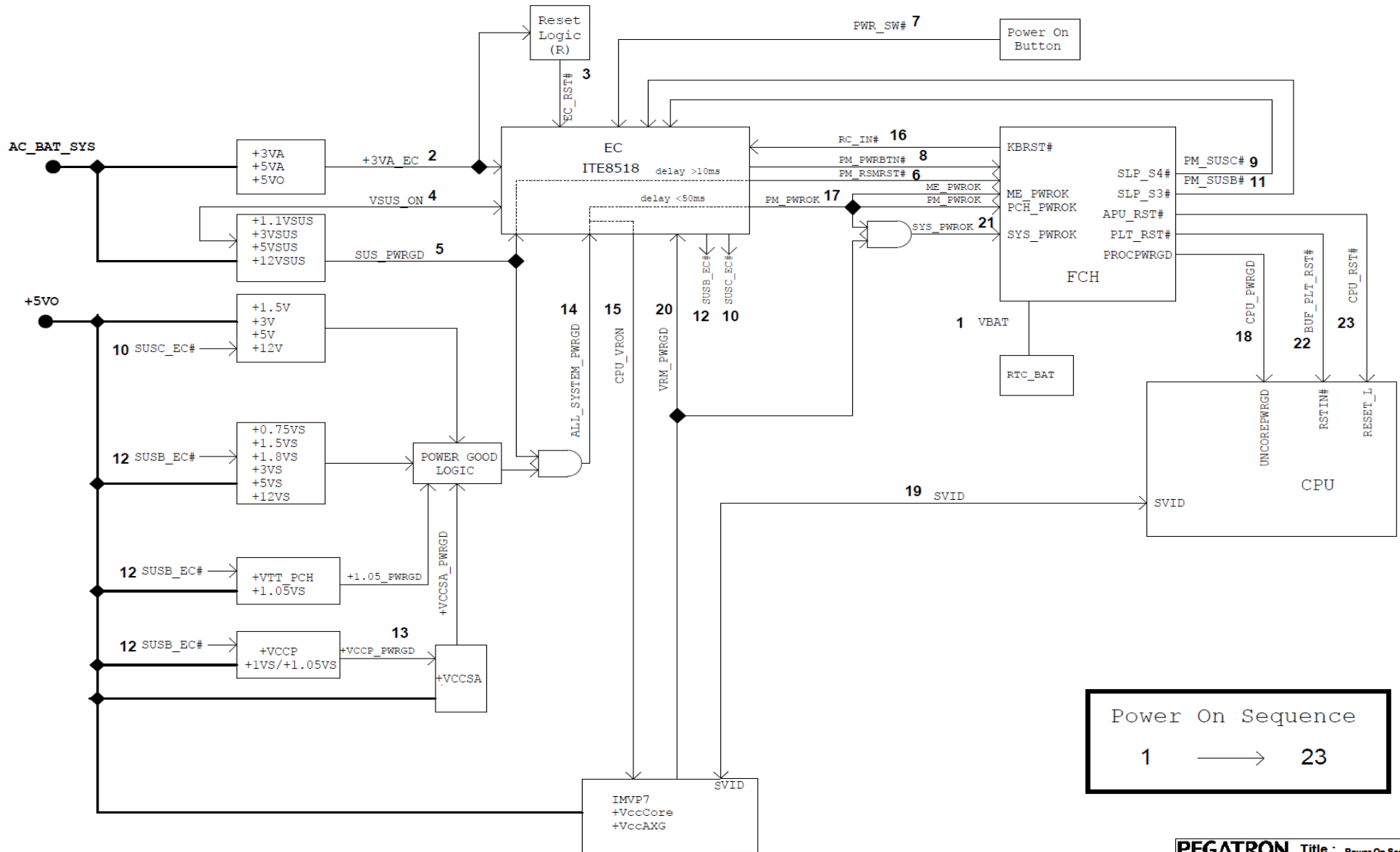


# POWER FLOW



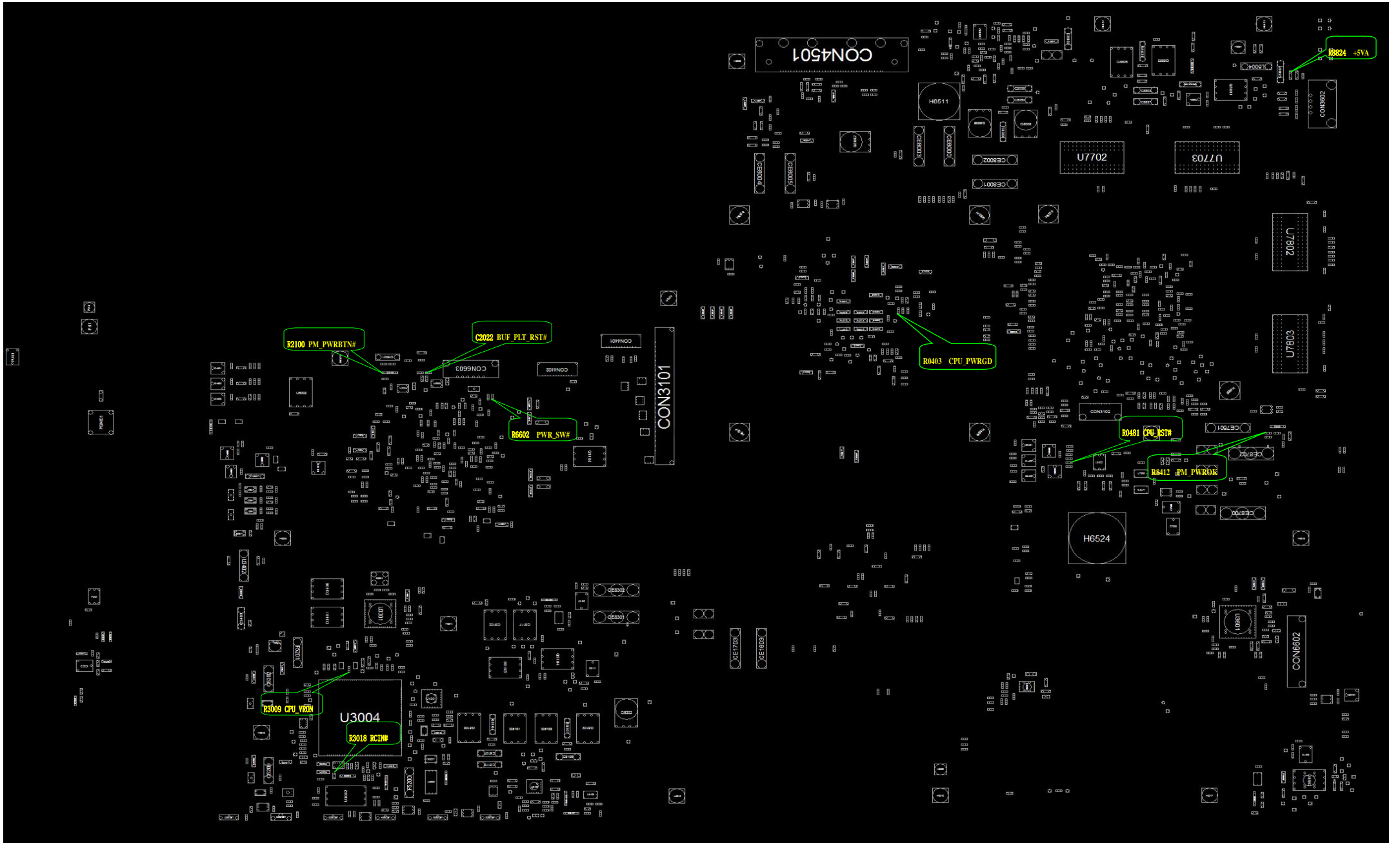
# POWER ON SEQUENCE

K55 power On Sequence Diagram G3-S0 R0.1

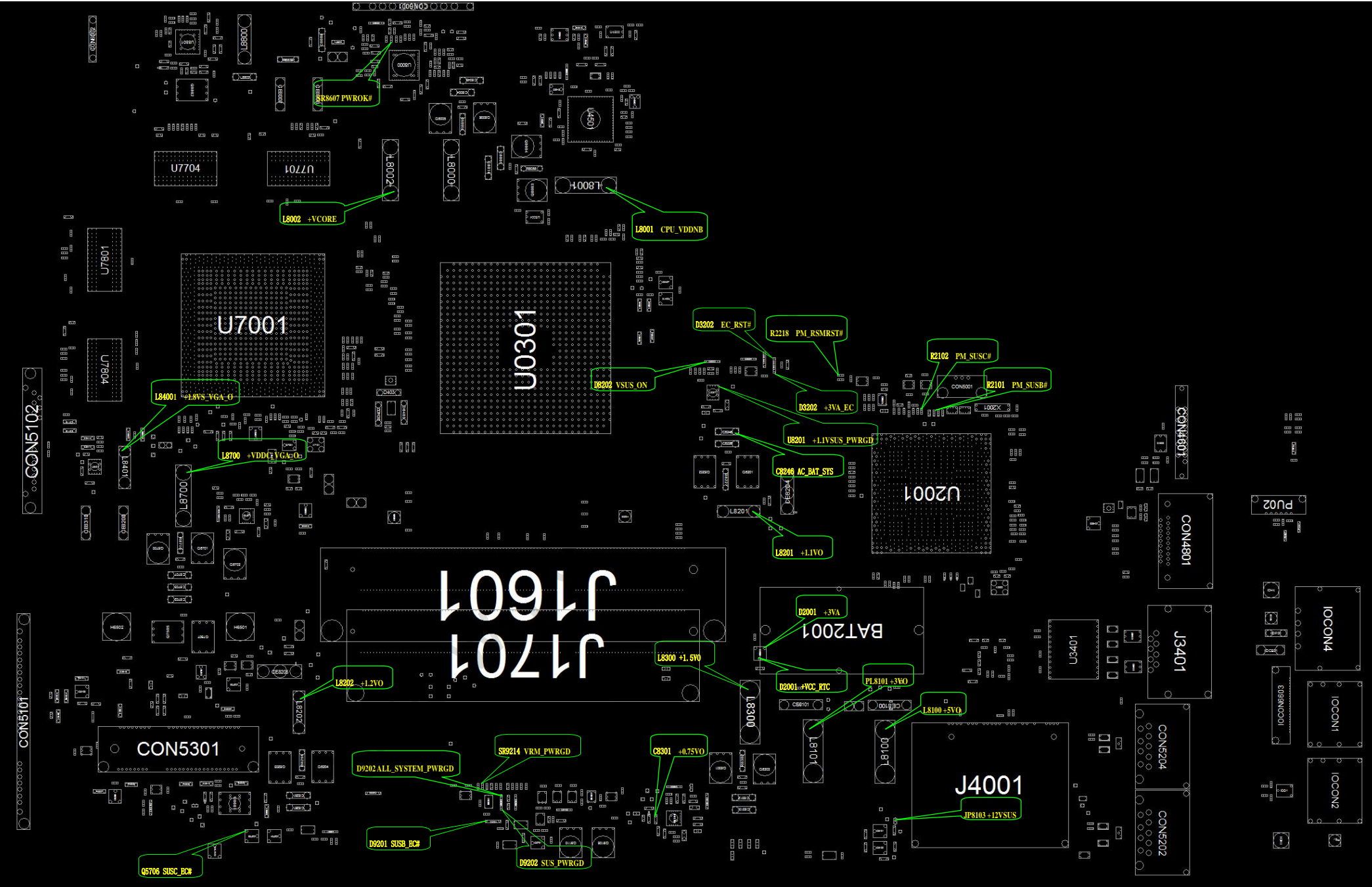


Power On Sequence  
1 → 23

# Voltage & Signal Measure Point TOP



# Voltage & Signal Measure Point Bottom



[www.s-manuals.com](http://www.s-manuals.com)