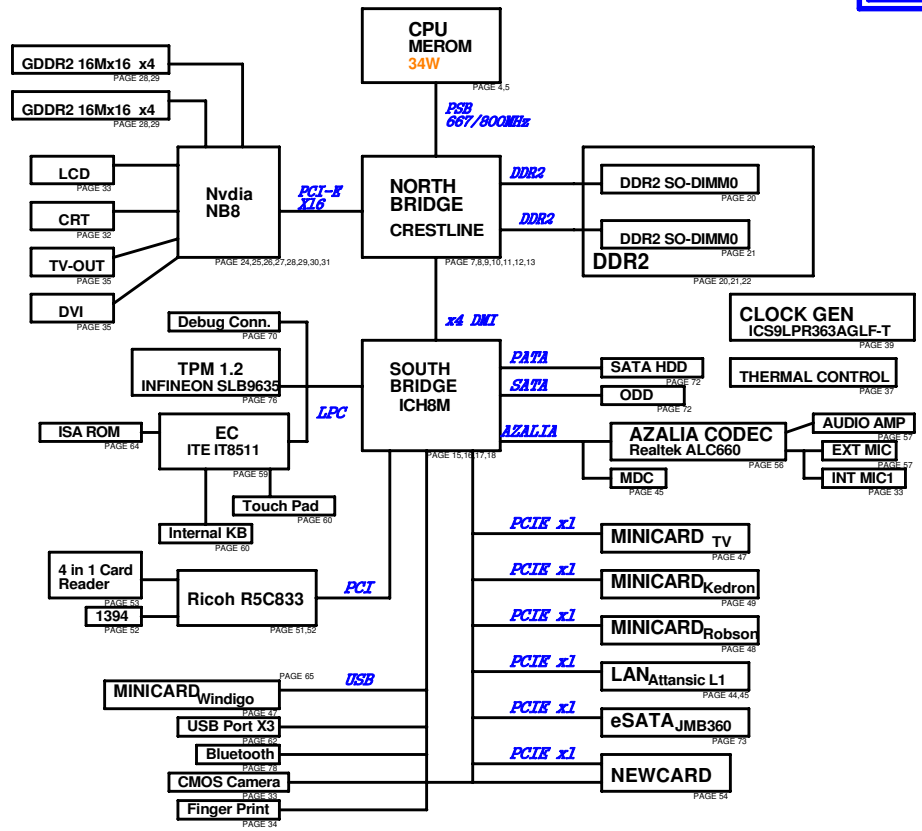


01	Block Diagram	61	*
02	System Setting	62	USB CONN
03	*	63	*
04	04_CPU-Merom(HOST)	64	ISA ROM
05	05_CPU-Merom(PWR)	65	*
06	*	66	LED
07	07_CRESTRINE(HOST)	67	*
08	08_CRESTRINE(DMI & CFG)	68	DC & BAT IN
09	09_CRESTRINE(GRAPHIC)	69	*
10	10_CRESTRINE(DDR2)	70	Debug CONN.
11	11_CRESTRINE(PWR)	71	*
12	12_CRESTRINE(PWR2)	72	SATA-HDD & ODD
13	13_CRESTRINE(GND)	73	eSATA
14	*	74	SREW HOLE
15	15_SB-ICH8M(1)	75	*
16	16_SB-ICH8M(2)	76	TPM
17	17_SB-ICH8M(3)	77	SPRING_PAD
18	18_SB-ICH8M(PWR)	78	BT
19	*	79	POWER SEQUENCE
20	20_DDR2 SO-DIMM0	80	POWER_VCORE
21	21_DDR2 SO-DIMM1	81	POWER_SYSTEM
22	22_DDR2 TERMINATION	82	POWER_IO_1.5VS & 1.05VS
23	*	83	POWER_IO_DDR & VTT
24	G86M(1)-PCIE	84	POWER_IO_+3VAO & +2.5VS
25	G86M(2)-Memory IF	85	POWER_VGA_CORE & +1.25VS
26	G86M(3)-FBA_VRAM_A	86	POWER_+VCCFGX (Empty)
27	G86M(4)-FBA_VRAM_C	87	POWER_SHUTDOWN# (Empty)
28	G86M(5)-GND&Decoupling	88	POWER_CHARGER
29	G86M(6)-LVDS&VGA&TV	89	POWER_PIC(Empty)
30	G86(7)-MI0BD&GPIO	90	POWER_DETECT
31	G86(8)-SSC	91	POWER_LOAD SWITCH
32	CRT	92	POWER_FLOWCHART
33	LVDS & INVERTER CONNECTOR	93	POWER_PROTECT
34	FINGER PRINT	94	POWER_SIGNAL
35	TV OUT CONN & DVI	95	History
36	*		
37	THEIR SENSOR & FAN		
38	*		
39	CLOCK GEN-ICS9LPR363AGLF-T		
40	*		
41	Power on & Reset Freq.		
42	DISCHARGE		
43	*		
44	LAN-L1		
45	MDC & RJ45+11		
46	*		
47	MINI CARD-TV/Windigo		
48	MINI CARD-Robson		
49	MINI CARD-Kedron		
50	*		
51	CARD1394-R5C833(1)		
52	CARD1394-R5C833(2)		
53	4 in 1 CARD READER		
54	NEWCARD		
55	*		
56	CODEC-ALC660		
57	AUDIO AMP & JCAK		
58	*		
59	IT8511TE		
60	Touch Pad & KB		



**EC\_IT8511TE SETTING**

Pin	Pin Name	Signal Name	Type
32	PWM0/GPA0	/	
33	PWM1/GPA1	FAN_PWM	O
36	PWM2/GPA2	/	
37	PWM3/GPA3	/	
38	PWM4/GPA4	CHG_LED_UP#	O
39	PWM5/GPA5	PWR_LED_UP#	O
40	PWM6/GPA6	/	
43	PWM7/GPA7	LCD_BACKOFF#	O
153	RXD/GPB0	NUM_LED	O
154	TXD/GPB1	CAP_LED	O
162	GPB2	SCRL_LED	O
163	SMCLK0/GPB3	SMB0_CLK	IO
164	SMDA0/GPB4	SMB0_DAT	IO
5	GA20/GPB5	A20GATE	O
6	KBRST#GPB6	RC_IN#	O
165	GPB7	THRO_CPU	O
47	CLKOUT/GPC0	DJ_SW#	O
169	SMCLK1/GPC1	SMB1_CLK	IO
170	SMDA1/GPC2	SMB1_DAT	IO
171	GPC3	/	
172	TMR0/WUI2/GPC4	ACIN_OC#	I
175	GPC5	OP_SD#	O
176	TMR1/WUI3/GPC6	BAT1_IN_OC#	I
1	CK32KOUT/GPC7	/	
26	R1#WUI0/GPD0	SUSB#	I
29	R12#WUI1/GPD1	SUSC#	I
30	LPCRST#WUI4/GPD2	BUF_PLT_RST#	I
31	ECSC#GPD3	EXT_SCI#	O
41	GPD4	RF_ON_SW#	I
42	GINT/GPD5	PM_SLP_M#	I
62	TACH0/GPD6	FAN0_TACH	I
63	TACH1/GPD7	COLOREN#	O
87	ADC4/GPE0	BT#	I
88	ADC5/GPE1	INTERNET#	I
89	ADC6/GPE2	MARATHON#	I
90	ADC7/GPE3	DISTP#	I
2	PWR5W/GPE4	PWR_SW#	I
44	WUI5/GPE5	/	
24	LPCPD#WUI6/GPE6	/	
25	CLKRUN#WUI7/GPE7	PM_CLKRUN#	O
110	PS2CLK0/GPF0	/	
111	PS2DAT0/GPF1	/	
114	PS2CLK1/GPF2	/	IO
115	PS2DAT1/GPF3	/	IO
116	PS2CLK2/GPF4	TP_CLK	I
117	PS2DAT2/GPF5	TP_DAT	I
118	PS2CLK3/GPF6	/	
119	PS2DAT3/GPF7	INSTANT_ON#	I
113	FA16/GPG0	FA16	O
112	FA17/GPG1	FA17	O
104	FA18/GPG2	FA18	O
103	FA19/GPG3	FA19	O
3	FA20/GPG4	LIDSW#	I
4	FA21/GPG5	/	
27	LPC80HL/GPG6	PMTHERM#	O
28	LPC80HL/GPG7	AC_APR_UC#	I

Pin	Pin Name	Signal Name	Type
8	GPL0	PM_S4_STATE#	I
11	GPL1	/	
12	GPL2	/	
20	GPL3	/	
21	GPL4	/	
48	GPH0	VSUS_ON	I
54	GPH1	SUS_PWRGD	O
55	GPH2	VRM_PWRGD	O
69	GPH3	PM_PWRBT#	O
70	GPH4	SUSC_EC#	O
75	GPH5	/	
76	GPH6	CPU_VRON	O
105	GPH7	PM_RSMRST#	O
148	GP10	PM_PWR0K	O
149	GP11	ALL_SYSTEM_PWRGD	I

Pin	Pin Name	Signal Name	Type
152	GP2	/	
155	GP3	CHG_EN#	O
168	GP5	EC_CLK_EN	O
174	GP6	BAT_LEARN	O
85	KSO16/GPM2	/	
106	GP5	3G_ON#	O
107	GP6	/	
108	GP7	SUSB_EC#	I
97	GP4	CPPE#_EC	I
98	GP5	PS_SHDN#	O

PCI Device	IDSEL#	REQ/GNT#	Interrupts
CARD READER	AD17	0	A
1394	AD17	0	B

PCIe Device	Bus	PCIe Device	Bus
LAN	PE(T/R)(p/n)1	Robson	PE(T/R)(p/n)4
Kedron	PE(T/R)(p/n)2	NEWCARD	PE(T/R)(p/n)5
eSATA	PE(T/R)(p/n)3	GLAN	PE(T/R)(p/n)6

SM-Bus Device	SM-Bus Address
Clock Generator	1101001x ( D2 )
SO-DIMM 0	1010000x ( A0 )
SO-DIMM 1	1010001x ( A2 )
CPU Thermal Sensor(MAX6657)	0100110x ( 4C )
VGA Thermal Sensor(MAX6649)	0100110x ( 4C )

**ICH8-M GPIO SETTING**

Pin	Pin Name	Signal Name	Type
AG12	GPIO0/BM_BUSY#	PM_BMBUSY#	I
AJ8	GPIO1/TACH1	BT_DET#	I
F8	GPIO2/PIRQE#	PCI_INTE#	I
G11	GPIO3/PIRQF#	PCI_INTF#	I
F12	GPIO4/PIRQG#	PCI_INTG#	I
B3	GPIO5/PIRQH#	PCI_INTH#	I
AJ9	GPIO6/TACH2	BIOS_REC	IO
AH9	GPIO7/TACH3	WLAN_LED_EN	I
AE16	GPIO8	EXT_SM#	I
AG19	GPIO9/WOL_EN	GPIO9	I
AJ24	GPIO10/CLGPIO1	/	
AG22	GPIO11/SMBALERT#	SMB_ALERT#	I
AC19	GPIO12	KBC_SCI#	I
AH21	GPIO13/GLAN_DOCK#	/	
AF22	GPIO14/CLGPIO2	/	
AE20	GPIO15/STP_PCH#	STP_PCH#	IO
AJ14	GPIO16/DPRSLPVR	PM_DPRSLPVR	O
AG8	GPIO17/TACH0	WLAN_ON#	O
AH12	GPIO18	/	
AJ10	GPIO19/SATA1GP	GPO19	O
AE11	GPIO20	BTLED_ON	O
AJ12	GPIO21/SATA0GP	CPU_Select	I
AG10	GPIO22/SCLOCK	/	
E6	GPIO23/LDRQ1#	LPC_DRQ#1	IO
AJ27	GPIO24/CLGPIO0	/	
AG18	GPIO25/STP_CPU#	STP_CPU#	O
AH27	GPIO26/S4_STATE#	PM_S4_STATE#	O
AH25	GPIO27/ORT_STATE0	BT_ON#	O
AD16	GPIO28/ORT_STATE1	CB_SD#	O
AG17	GPIO29/OC#5	USB_OC#5	I
AD12	GPIO30/OC#6	NEWCARD_OC#	I
AJ18	GPIO31/OC#7	USB_OC#7	I
AH11	GPIO32/CLKRUN#	PM_CLKRUN#	O
AE10	GPIO33/AZ_DOCK_EN#	/	
AG14	GPIO34/AZ_DOCK_RST#	/	
AG13	GPIO35/SATACLKREQ#	GPO35	O
AF11	GPIO36/SATA2GP	GPO36	O
AG11	GPIO37/SATA3GP	PCB_ID0	I
AF9	GPIO38/SLOAD	PCB_ID1	I
AJ11	GPIO39/SDATAOUT0	PCB_ID2	I
AD10	GPIO48/SDATAOUT1	/	
AG29	GPIO49/CPU_PWRGD	H_PWRGD	O

Pin	Pin Name	Signal Name	Type
AG16	GPIO40/OC#1	USB_CON_OC01#	I
AG15	GPIO41/OC#2	USB_CON_OC2#	I
AE15	GPIO42/OC#3	USB_CON_OC3#	I
AF15	GPIO43/OC#4	USB_CON_OC4#	I
E18	GPIO50/REQ1#	PCL_REQ#1	I
C18	GPIO51/GNT1#	PCL_GNT#1	I
B19	GPIO52/REQ2#	PCL_REQ#2	I
F18	GPIO53/GNT2#	PCL_GNT#2	I
A11	GPIO54/REQ3#	PCL_REQ#3	I
C10	GPIO55/GNT3#	PCL_GNT#3	I

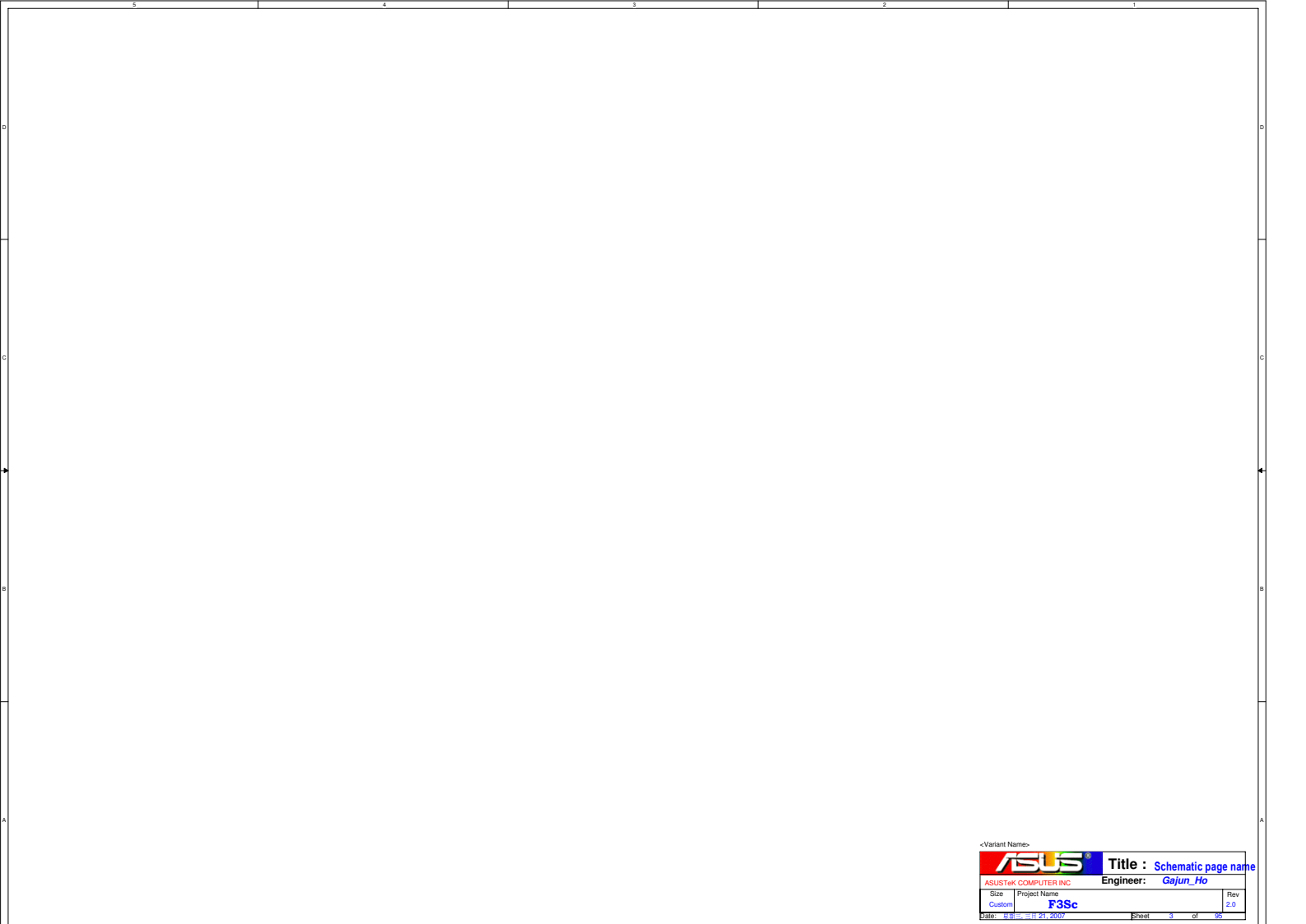
**ICS9LPR363AGLF-T SETTING**

Pins	Pin Name	Device
3	PCICLK1	TPMPCI
4	PCICLK2	CardBus R5C833
5	SELPCIE_X0_LCD#PCICLK3	EC IT8511E
8	ITP_EN/PCICLK_F0	ICH8
15	DOTC_96MHzL	MiniCard
14	DOTC_96MHzL	MiniCard
12	FSLA/USB_48MHz	ICH8
19	PCIE_T_L1	MCH
20	PCIE_C_L1	MCH
36	PCIE_T_L5	NB8P
35	PCIE_C_L5	NB8P
39	PCIE_T_L6	MiniCard(Rob)
38	PCIE_C_L6	MiniCard(Rob)
22	PCIE_T_L2	ICH8
23	PCIE_C_L2	ICH8
24	PCIE_T_L3	MiniCard
25	PCIE_C_L3	MiniCard
26	SATACLK_T_L	ICH8
27	SATACLK_C_L	ICH8
44	CPUITPT_L2 / PCIeT_L8	LAN
43	CPUITPC_L2 / PCIeC_L8	LAN
14	27FIX/LCD_SSCGT/PCIET_L0	M66M
15	DOTC_96MHzL	M66M
41	PEREQ1# / PCIeT_L7	ESATA
40	PEREQ2# / PCIeC_L7	ESATA
32	PEREQ3#	NewCard
33	PEREQ4#	MiniCard
30	PCIET_L4	NewCard
31	PCIET_L4	NewCard
49	CPUT_L1F	MCH
48	CPUC_L1F	MCH
52	CPUT_L0	CPU
51	CPUC_L0	CPU
57	X2	14.318MHz
58	X1	14.318MHz
60	REF0	ICH8
61	REF1/PSL7/TEST_SEL	X


**ASUS** **ASUSTek Computer INC. NBT** **Engineer: Gajun\_Ho**

Size: Custom Project Name: **F3sc** Rev: 2.0

Date: 11/21/2007 Sheet: 2 of 95

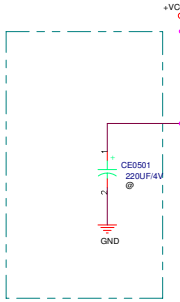


<Variant Name>

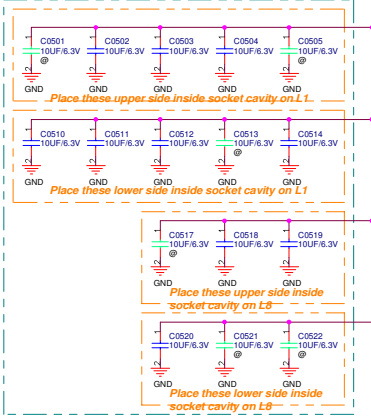
		<b>Title :</b> Schematic page name
ASUSTeK COMPUTER INC		<b>Engineer:</b> Gajun_Ho
Size Custom	Project Name <b>F3Sc</b>	Rev 2.0
Date: 2007.08.21		Sheet 3 of 95



**CPU + VCORE Bulk-Decoupling Capacitors**

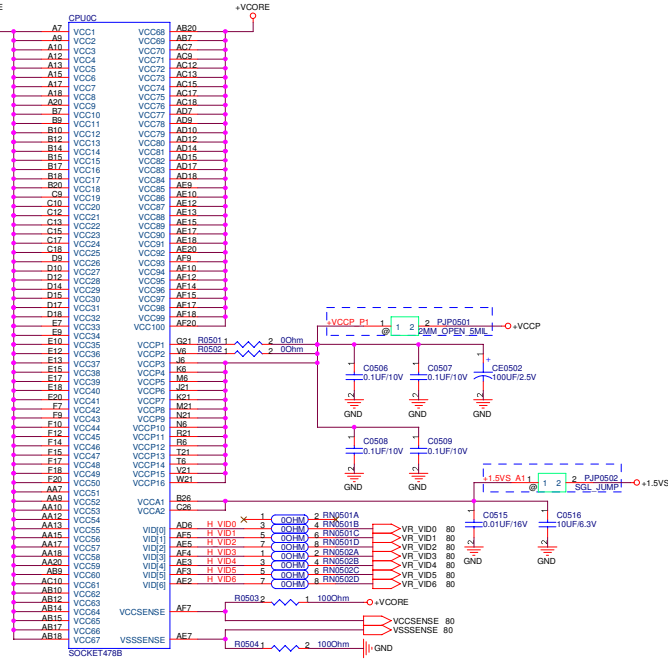


**CPU + VCORE Mid-Frequency Capacitors**



**+VCORE Mid-Frequency Capacitor**  
 Intel: 22uF \*32  
 F3S: 10uF \*16

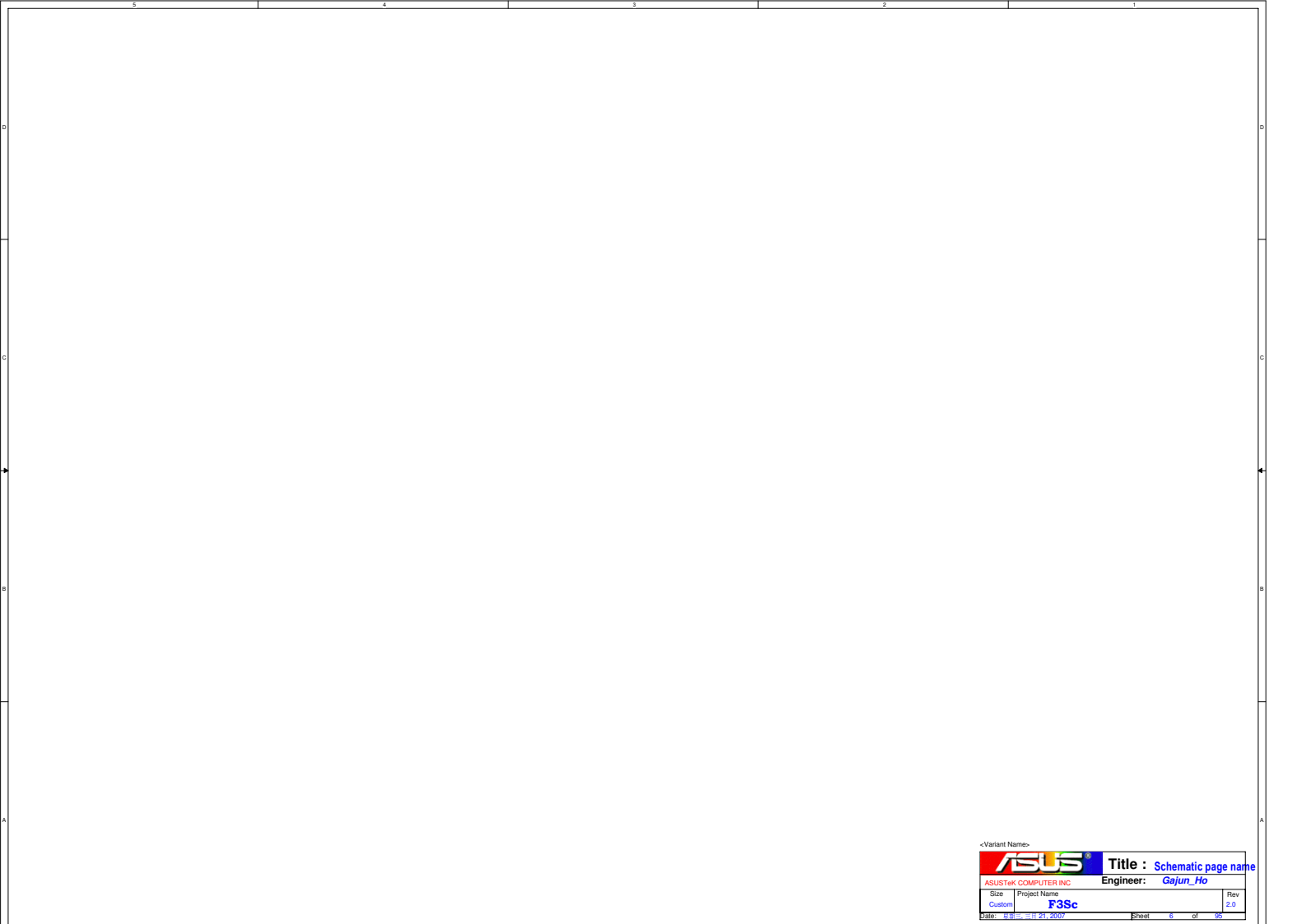
**+VCCP Decoupling Capacitor**  
 Intel: 270uF \*1, 0.1uF \*6  
 F3S: 100uF \*1, 0.1uF \*4




CPU00		
A4	VSS1	PS
A8	VSS2	PS2
A11	VSS3	PS3
A14	VSS4	PS4
A16	VSS5	PS5
A19	VSS6	PS6
A23	VSS7	PS7
A27	VSS8	PS8
B6	VSS9	T4
B8	VSS10	T2
B11	VSS11	T2B
B13	VSS12	LD
B16	VSS13	LD2
B19	VSS14	LD3
B21	VSS15	LD4
B24	VSS16	LD5
B27	VSS17	LD6
C5	VSS18	V2
C8	VSS19	V22
C11	VSS20	V25
C14	VSS21	W1
C16	VSS22	W4
C18	VSS23	W3
C2	VSS24	W6
C25	VSS25	W2
C27	VSS26	W5
C29	VSS27	W7
D1	VSS28	Y21
D4	VSS29	Y24
D8	VSS30	AA2
D11	VSS31	AA5
D13	VSS32	AA8
D16	VSS33	AA11
D19	VSS34	AA14
D23	VSS35	AA16
D26	VSS36	AA19
E3	VSS37	AA25
E6	VSS38	AA28
E8	VSS39	AB1
E11	VSS40	AB4
E14	VSS41	AB8
E16	VSS42	AB11
E19	VSS43	AB16
E21	VSS44	AB19
E24	VSS45	AB23
E5	VSS46	AB26
E8	VSS47	AC6
F1	VSS48	AC11
F13	VSS49	AC14
F16	VSS50	AC19
F2	VSS51	AC21
F25	VSS52	AC24
G4	VSS53	AC27
G1	VSS54	AD5
G23	VSS55	AD6
G26	VSS56	AD8
H3	VSS57	AD9
H6	VSS58	AD11
H21	VSS59	AD13
H24	VSS60	AD16
J2	VSS61	AD19
J5	VSS62	AD25
J22	VSS63	AE1
J25	VSS64	AE4
K1	VSS65	AE8
K4	VSS66	AE11
K23	VSS67	AE14
K26	VSS68	AE19
L3	VSS69	AE16
L6	VSS70	AE19
L21	VSS71	AE22
M2	VSS72	AE26
M2	VSS73	AE26
M5	VSS74	AE6
M22	VSS75	AE8
M25	VSS76	AE11
N1	VSS77	AE13
N4	VSS78	AE16
N2	VSS79	AE19
N28	VSS80	AE21
P3	VSS81	AE5
	VSS163	AE25

<Variant Name>

<b>ASUS</b>		<b>Title : CPU-Merom(PWR)</b>
ASUSTeK COMPUTER INC. N61	Engineer: <b>Gajun_Ho</b>	
Size	Project Name	Rev
Custom	<b>F3Sc</b>	2.0
Date: 2007.01.21	Sheet	5 of 95



<Variant Name>

		<b>Title :</b> Schematic page name
ASUSTeK COMPUTER INC		<b>Engineer:</b> Gajun_Ho
Size	Project Name	Rev
Custom	<b>F3Sc</b>	2.0
Date: 2007.08.21		Sheet 6 of 95

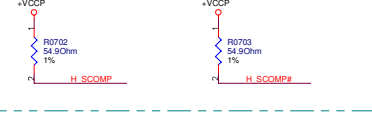
**RCOMP**

For Calibrating the FSB IO Buffer



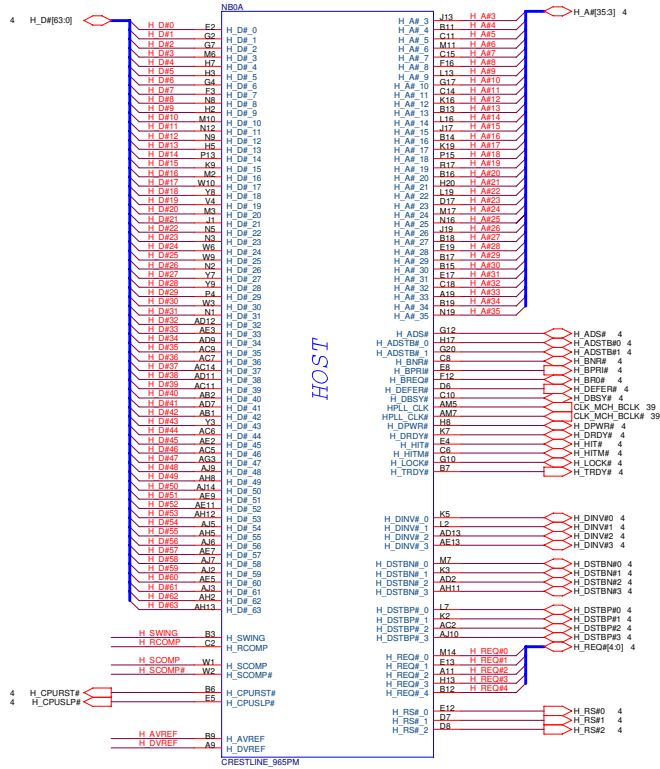
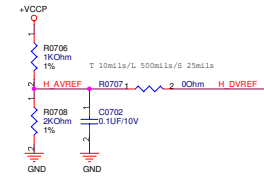
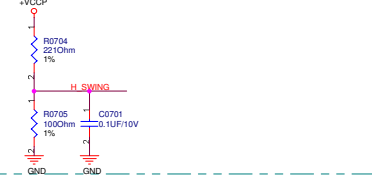
**SCOMP**

For Slew Rate Compensation on the FSB



**Voltage Swing**

For Providing a Reference Voltage to The FSB RCOMP circuits



<Variant Name>

**ASUS** Title : NB-965PM(HOST) Engineer: Gajun\_Ho

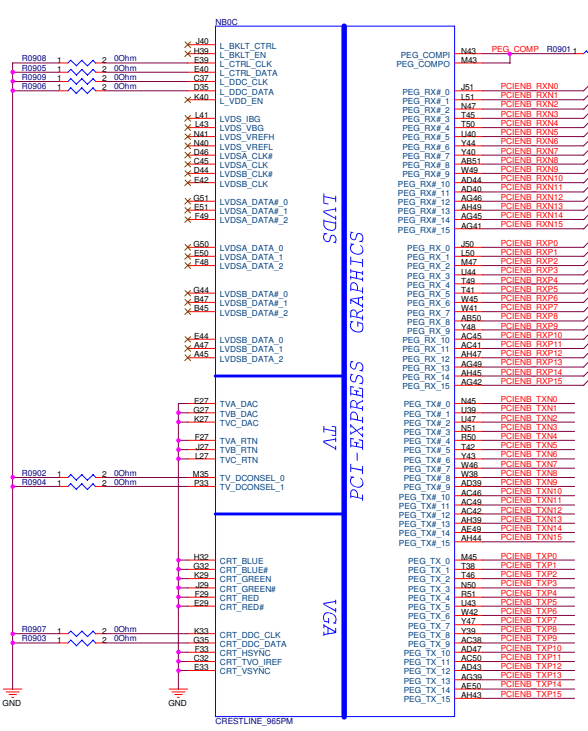
ASUSTeK COMPUTER INC. NB1

Size Project Name F3Sc Rev 2.0

Custom Date: 11/21/2007 Sheet 7 of 95







<Variant Names>

**ASUS** Title : NB\_965PM(GRAPHIC)

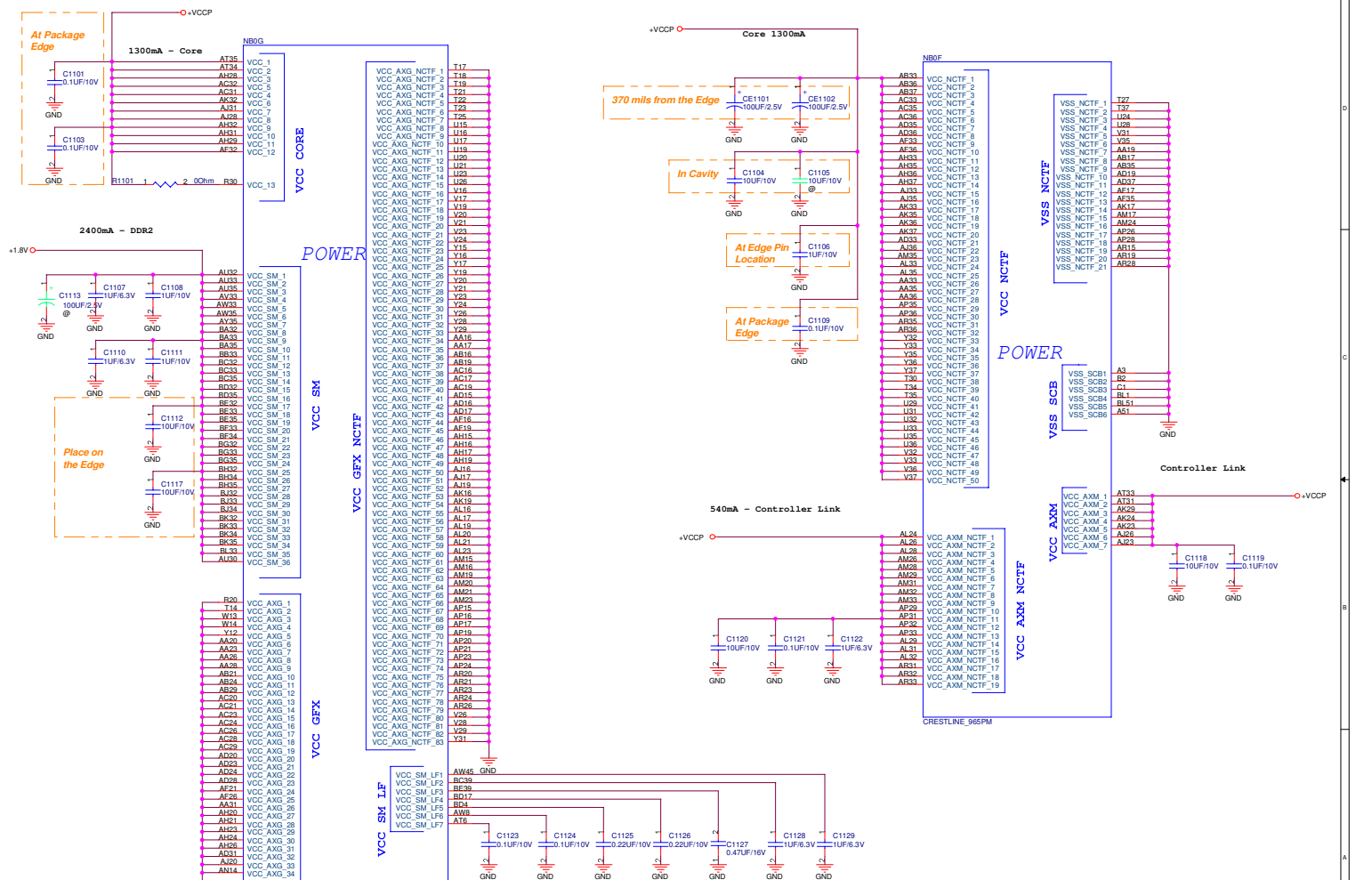
ASUSTeK COMPUTER INC. NB1 Engineer: Gajun\_Ho

Size Project Name

Custom F3Sc

Date: 2007.01.21.2007 Sheet 8 of 95





<Variant Name>

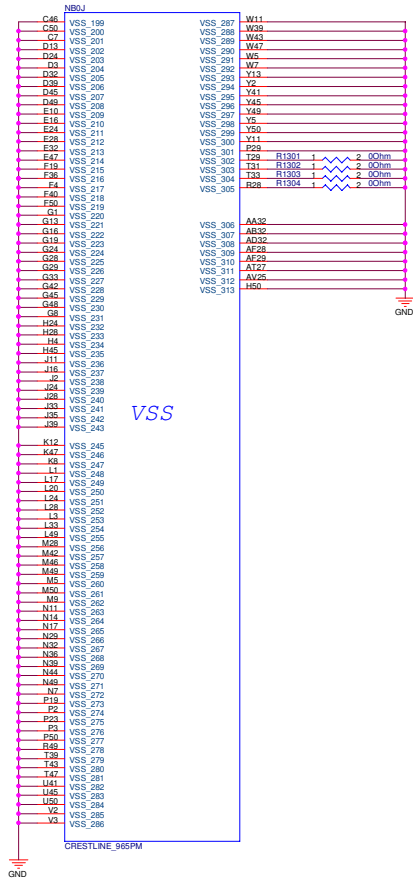
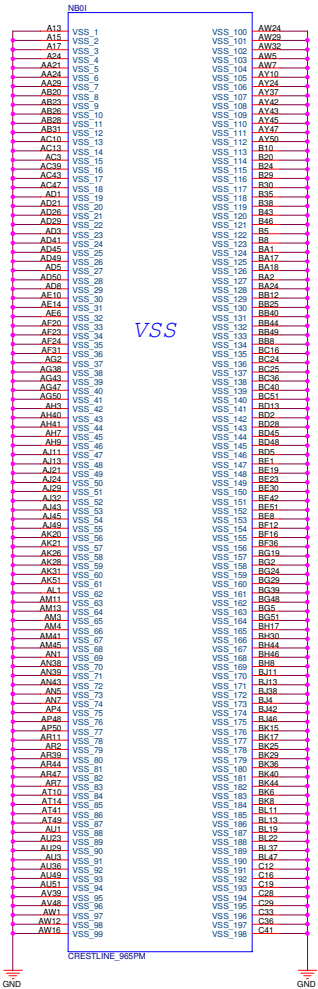
**ASUS** Title : CRESTLINE(PWR)

ASUSTeK COMPUTER INC. NBI Engineer: Gajun Ho

Size	Project Name	Rev
Custom	F3Sc	2.0

Date: 11/01/2007 Sheet 11 of 85



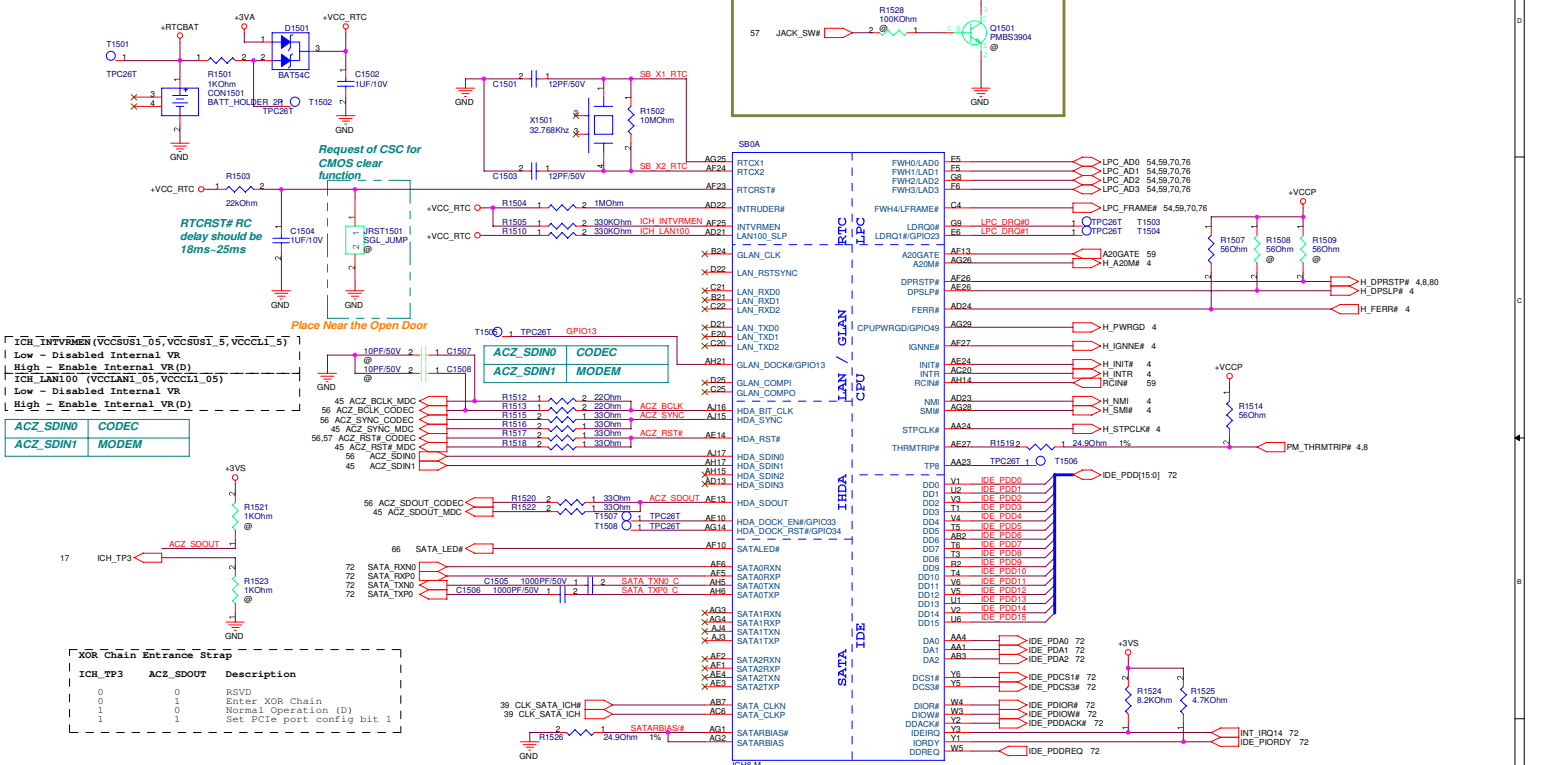
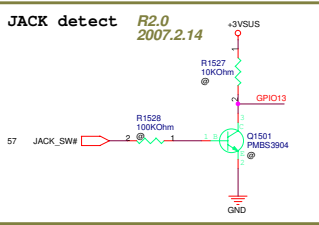


<Variant Name>

**ASUS** Title : CRESTLINE(GND)  
 ASUSTeK COMPUTER INC. NB1 Engineer: Gajun\_Ho

Size	Project Name	Rev
Custom	F3Sc	2.0
Date: 2007.01.21	Sheet	19 of 95





Request of CSC for CMOS clear function.

RTCST# RC delay should be 18ms-25ms

Place Near the Open Door

ICH\_INTVRMEN (VCCSUS1\_05, VCCSDSI\_5, VCCCLI\_5)

Low - Disabled Internal VR

High - Enable Internal VR(D)

ICH\_LAN100 (VCCLAN1\_05, VCCCL1\_05)

Low - Disabled Internal VR

High - Enable Internal VR(D)

ACZ_SDI0	CODEC
ACZ_SDI1	MODEM

XOR Chain Entrance Strap

ICH_TP3	ACZ_SDOUT	Description
0	0	RSVD
0	1	Enter XOR Chain
1	0	Normal Operation (D)
1	1	Set PCIe port config bit 1

<Variant Name>

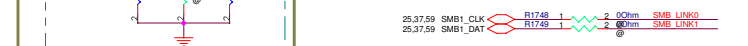
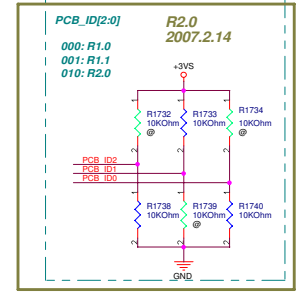
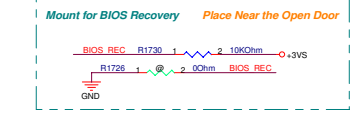
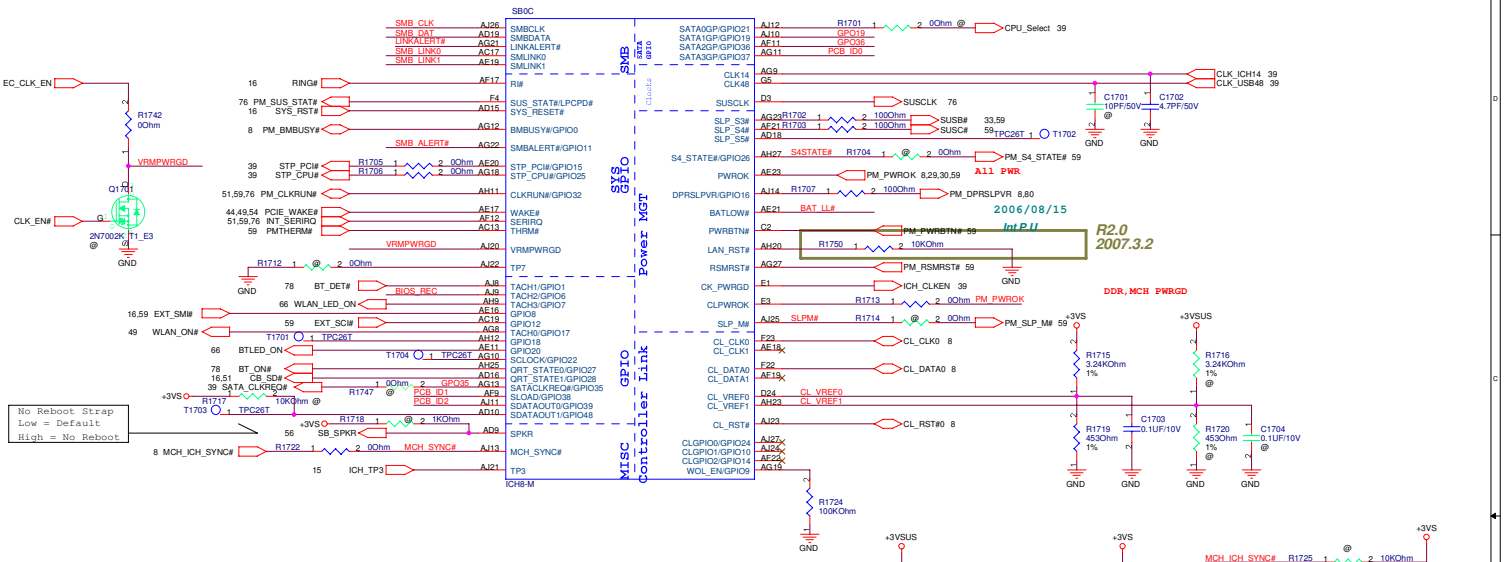
**ASUS** Title : SB-ICH8M(1)

ASUSTeK COMPUTER INC. NB1 Engineer: Gajun\_Ho

Size	Project Name	Rev
Custom	F3sc	2.0
Date: 2007.01.21.2007	Sheet	15 of 95



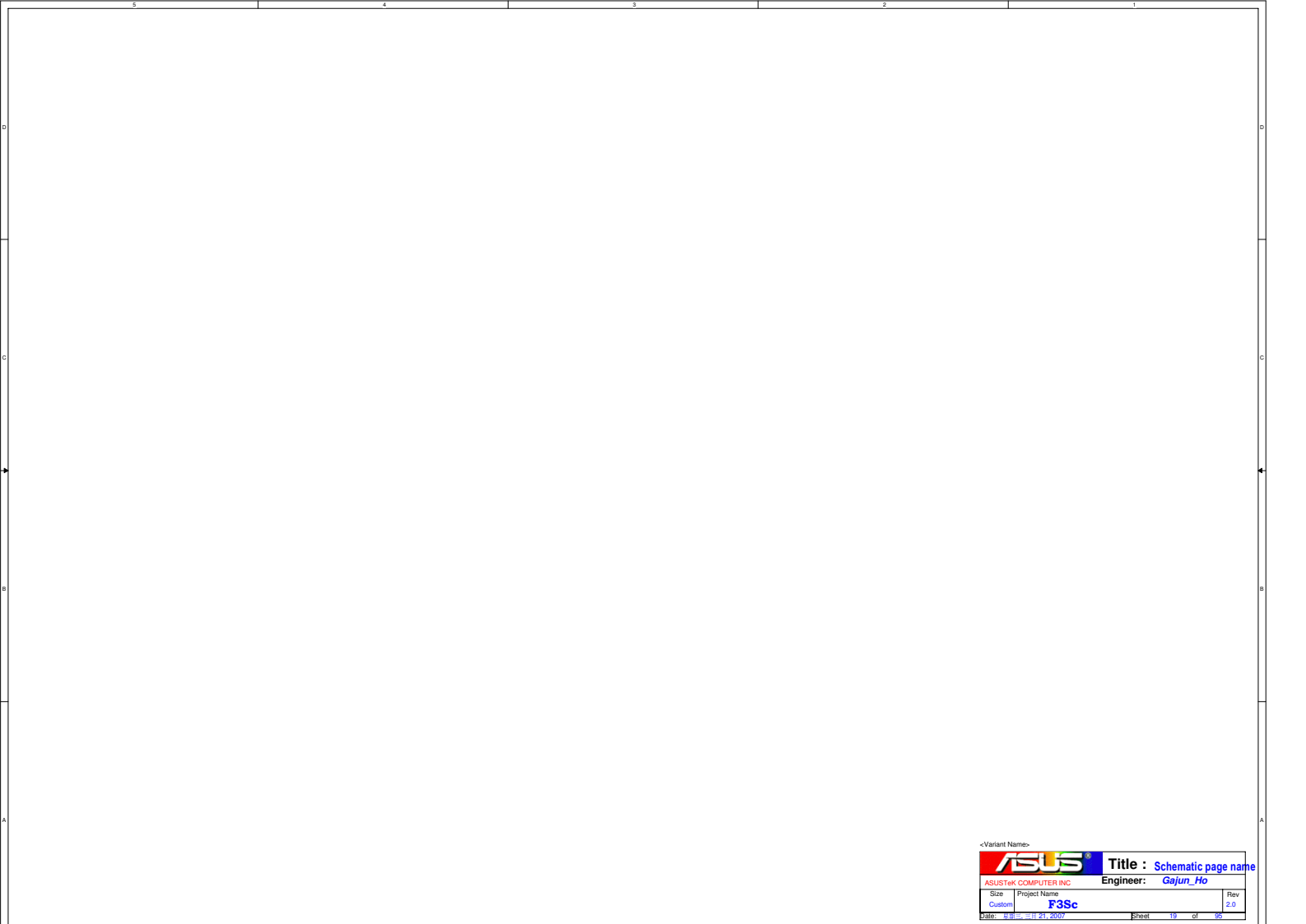





<Variant Names>

		<b>Title : SB-ICH8M(3)</b>	
		ASUSTeK COMPUTER INC. NBI1	Engineer: <b>Gajun_Ho</b>
Size: Custom	Project Name: <b>F3Sc</b>	Date: 11/11/2007	Sheet: 17 of 95





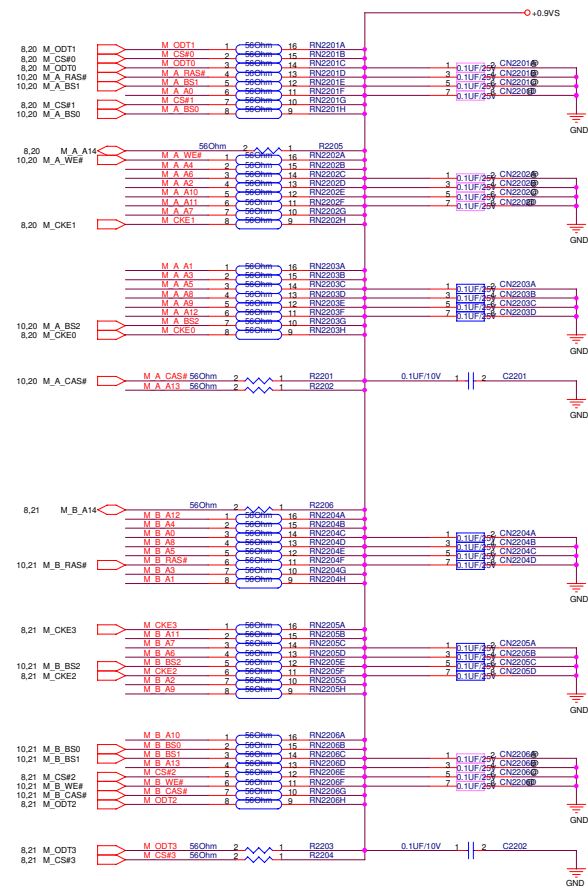
<Variant Name>

		<b>Title :</b> Schematic page name
ASUSTeK COMPUTER INC		<b>Engineer:</b> Gajun_Ho
Size Custom	Project Name <b>F3Sc</b>	Rev 2.0
Date: 2007.08.21		Sheet 19 of 95

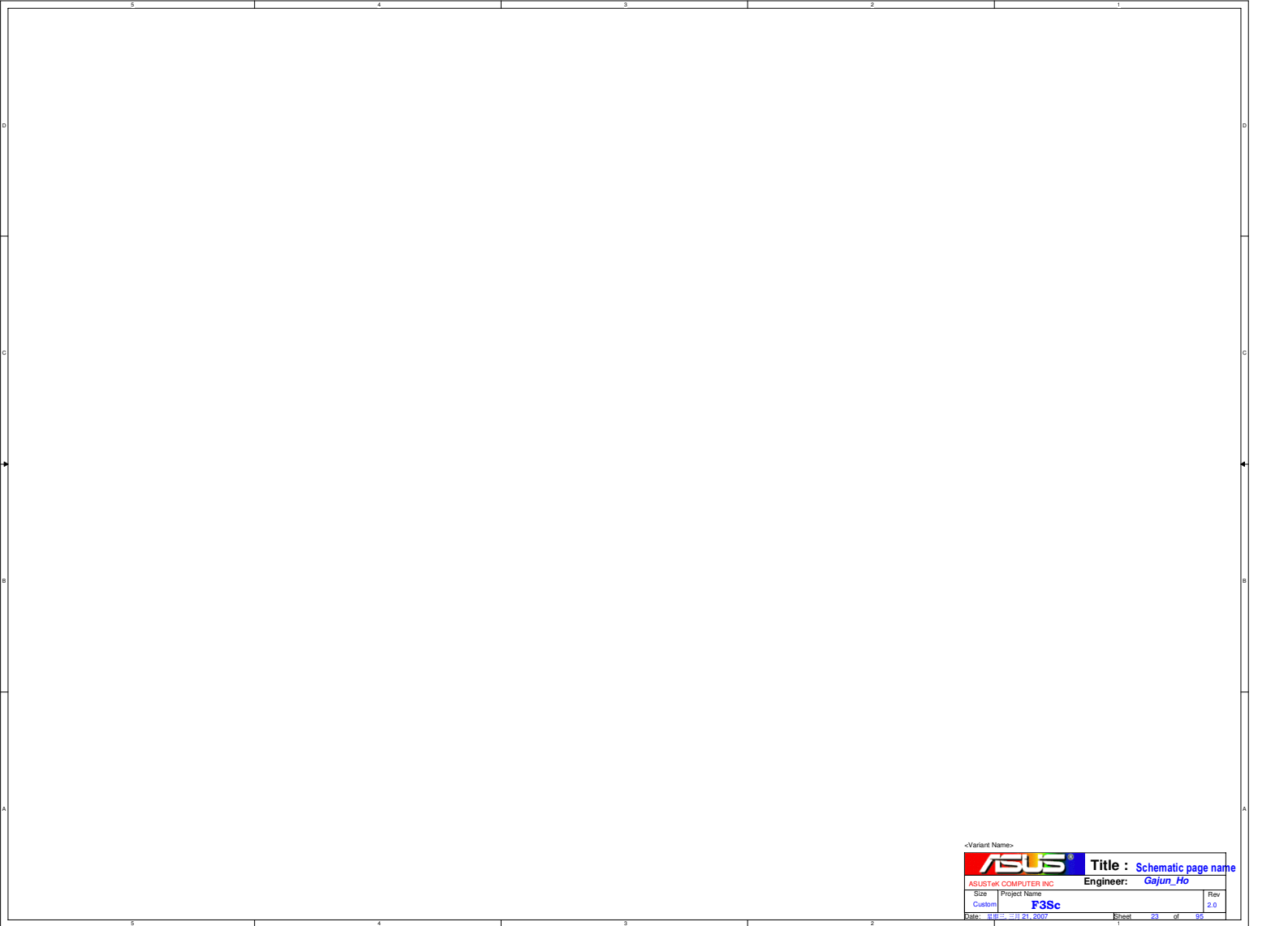





10.20 M\_A\_A13[0]  
10.21 M\_B\_A13[0]



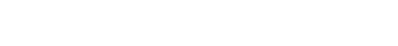
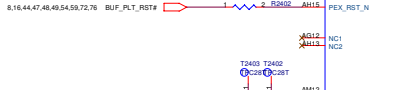
<Variant Name>  
**ASUS** Title : DDR2 TERMINATION  
ASUSTeK COMPUTER INC. NB1 Engineer: Gajun\_Ho  
Size Project Name  
Custom F3Sc Rev 2.0  
Date: 11/21/2007 Sheet 22 of 95



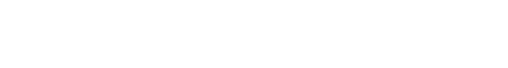
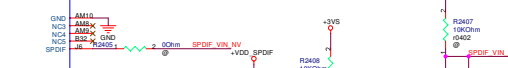
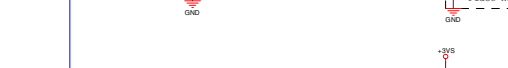
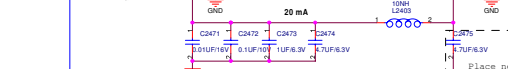
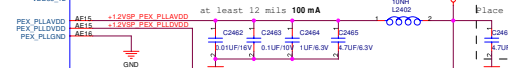
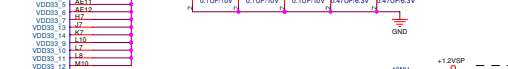
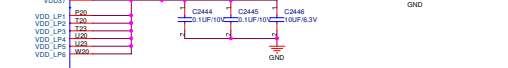
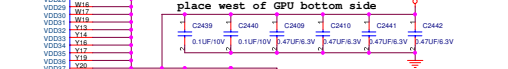
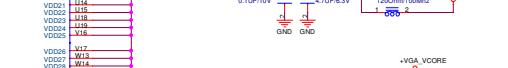
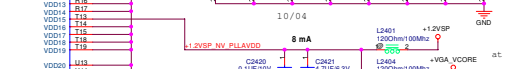
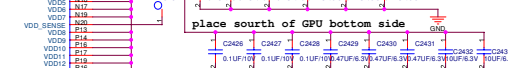
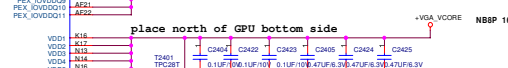
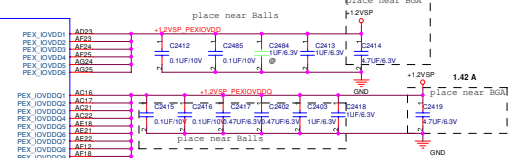
-Variant Name-

		Title : Schematic page name	
ASUSTek COMPUTER INC.		Engineer: Gajun.Ho	
Size	Project Name	Rev	
Custom	F3Sc	2.0	
Date: 09/21/2007		Sheet	23 of 85

- 9 PCIe0\_RXPD0\_1S1
- 9 PCIe0\_RXPD0\_1S1
- 9 PCIe0\_RXPD0\_1S1
- 9 PCIe0\_RXPD0\_1S1



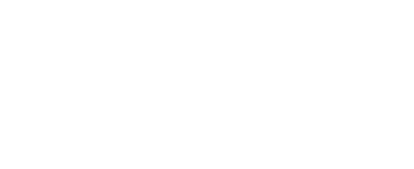
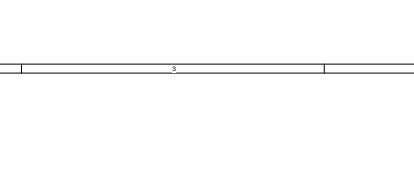
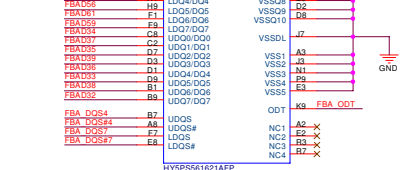
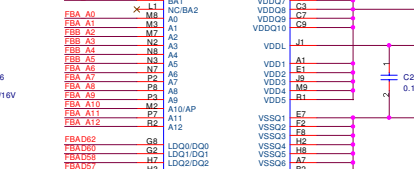
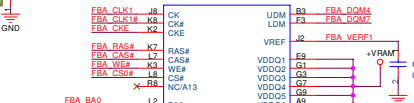
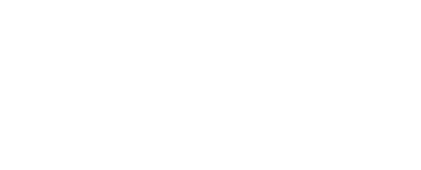
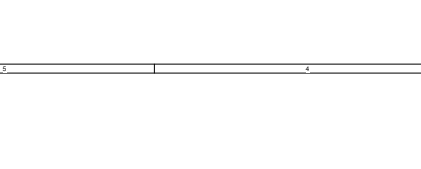
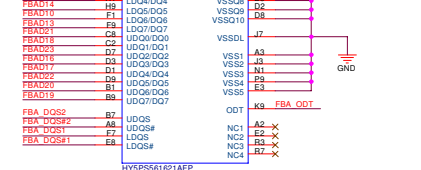
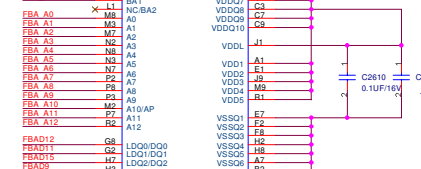
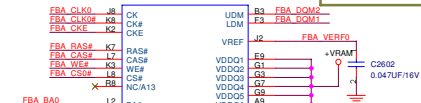
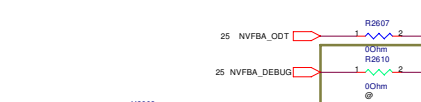
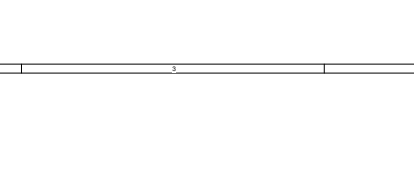
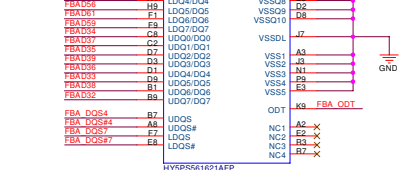
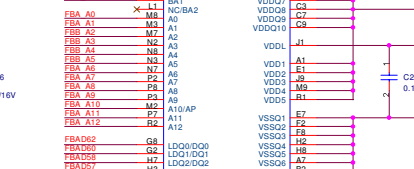
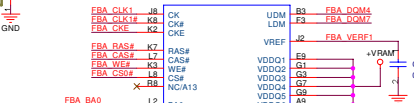
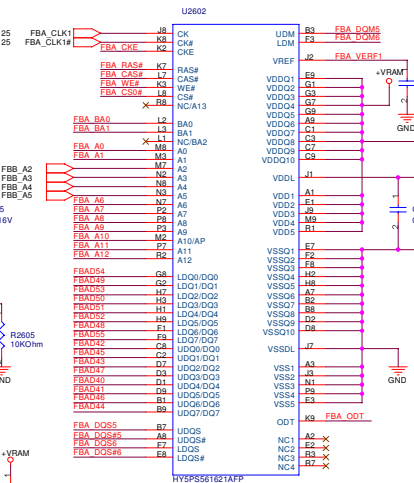
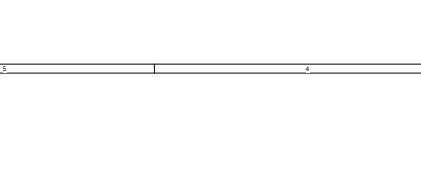
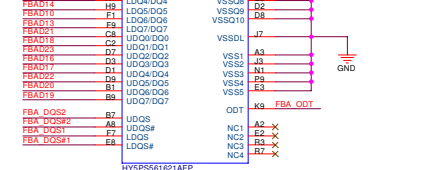
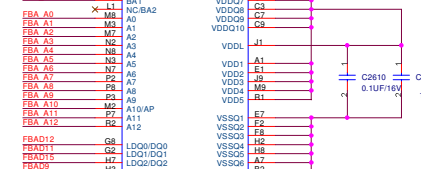
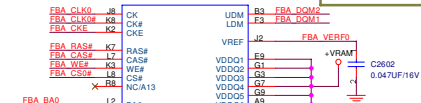
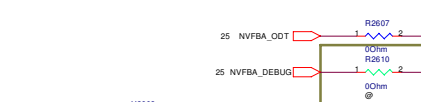
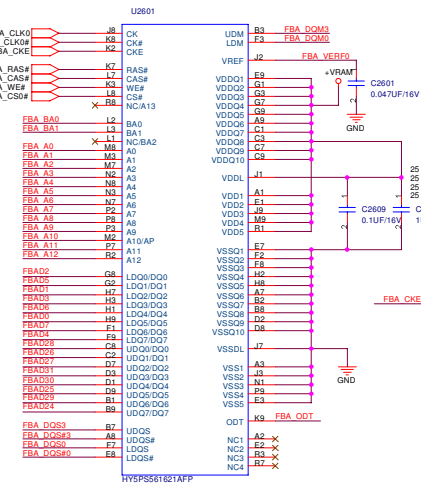
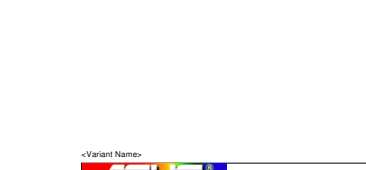
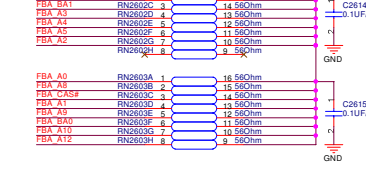
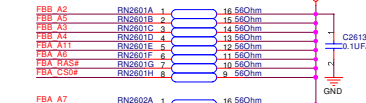
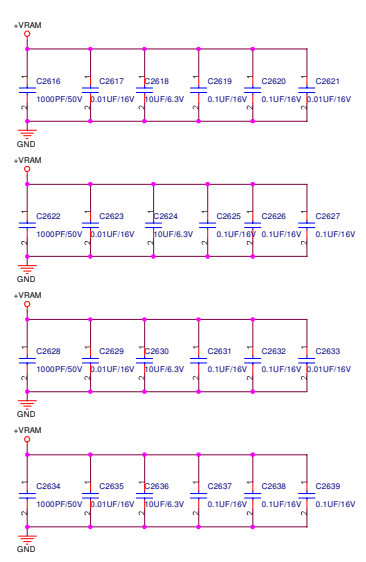
at least 80 mils



**ASUS** Title: G86M(1)\_PCI-E  
 ASUSTAR COMPUTER INC. Project Name: Engineer: Gajun\_Ho  
 Rev: 2.0  
 F3Sc  
 Date: 08/04/2007 Sheet: 21 of 26







ASUS Title : G86M(3)-FBA\_VRAM\_A

ASUSTek COMPUTER INC Engineer : Gajun\_Ho

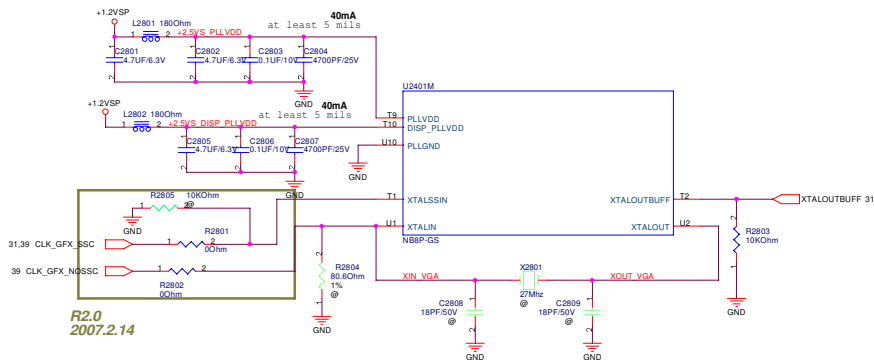
Size Project Name P3Sc Rev 2.0

Date: 11/11/2007 Sheet 26 of 35



U24010

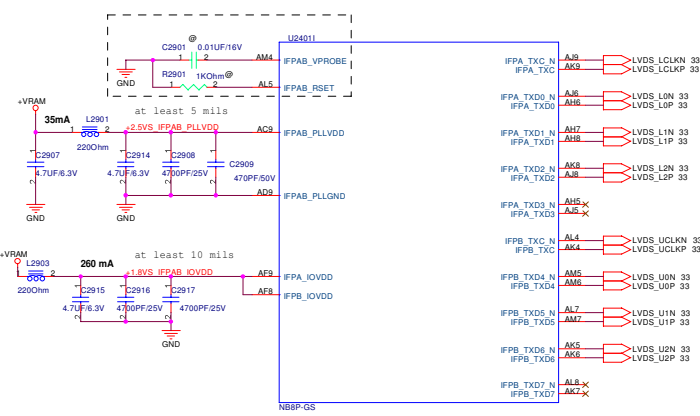
AA12	GND1	K10
AA2	GND2	K23
AA21	GND3	K29
AB27	GND4	L4
AB2	GND5	L27
AC10	GND6	L42
AC23	GND7	LM12
AC29	GND8	M2
AC4	GND9	M21
AD16	GND10	M31
AD17	GND11	M18
AD2	GND12	N2
AD31	GND13	N4
AE17	GND14	P15
AE7	GND15	P15
AF11	GND16	P27
AF28	GND17	P8
AF29	GND18	R14
AF29	GND19	R19
AF29	GND20	R14
AF4	GND21	R15
AF7	GND22	R16
AG10	GND23	R19
AG11	GND24	R2
AG14	GND25	R20
AG15	GND26	R16
AG19	GND27	R17
AG22	GND28	T24
AG29	GND29	T2
AG31	GND30	T29
AG8	GND31	T4
AH24	GND32	U16
AH10	GND33	U17
AH3	GND34	U24
AH6	GND35	U29
AH7	GND36	U8
AI21	GND37	V14
AI26	GND38	V14
AI26	GND39	V15
AI29	GND40	V16
A14	GND41	V19
A7	GND42	V2
AK2	GND43	V23
AK28	GND44	V31
AK31	GND45	W15
AL11	GND46	W18
AL14	GND47	W27
AL19	GND48	W8
AL22	GND49	V15
AL3	GND50	V18
AL8	GND51	V29
AL9	GND52	V14
AM13	GND53	
AM16	GND54	
AM17	GND55	
AM20	GND56	
AM23	GND57	
AM28	GND58	
AM29	GND59	
AM29	GND60	
B12	GND61	
B15	GND62	
B18	GND63	
B21	GND64	
B27	GND65	
B3	GND66	
B30	GND67	
B6	GND68	
B6	GND69	
C2	GND70	
C21	GND71	
D10	GND72	
D13	GND73	
D16	GND74	
D20	GND75	
D17	GND76	
D20	GND77	
D23	GND78	
D26	GND79	
D29	GND80	
D4	GND81	
D7	GND82	
F11	GND83	
F14	GND84	
F19	GND85	
F2	GND86	
F22	GND87	
F25	GND88	
F31	GND89	
F8	GND90	
G28	GND91	
G29	GND92	
G4	GND93	
G7	GND94	
H27	GND95	
H6	GND96	
J16	GND97	
J2	GND98	
J2	GND99	
J31	GND100	



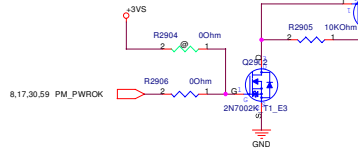
R2.0  
2007.2.14

TYPE	R2801	R2802	X2801, C2873, C2874
CLK_GFX_NOSSC		mount	
CLK_GFX_SSC	mount		
Crystal			mount

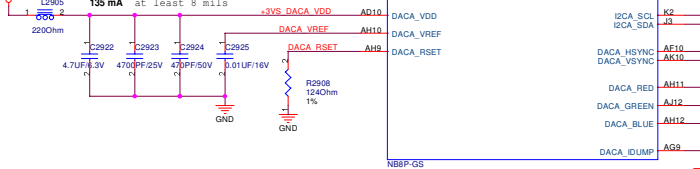
# LVDS



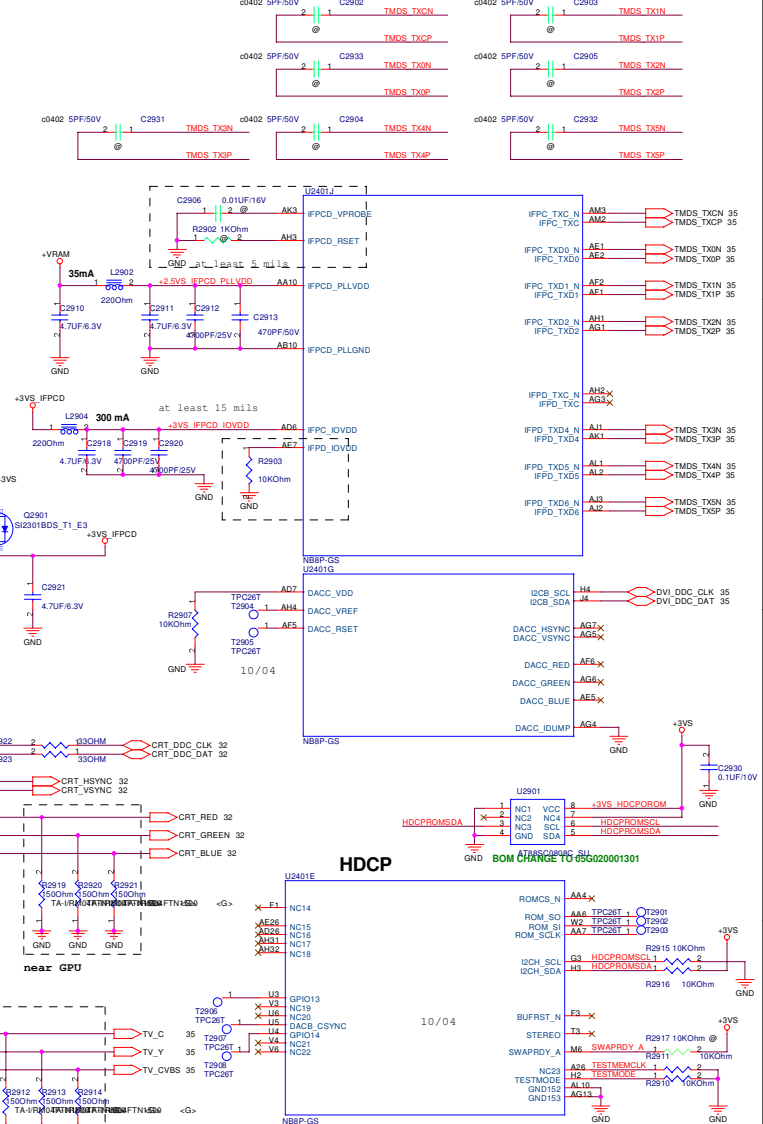
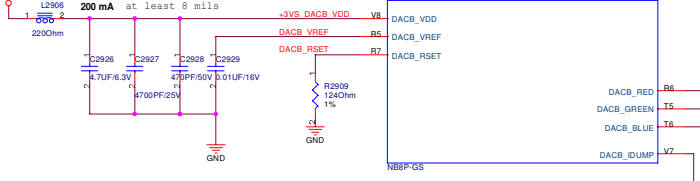
# Add BackDrive

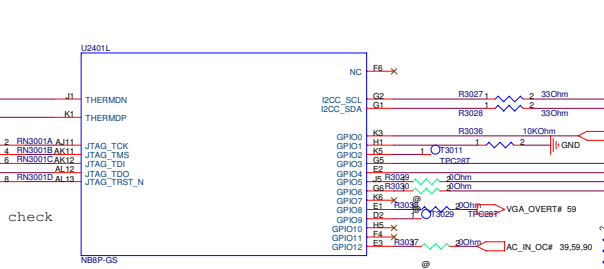
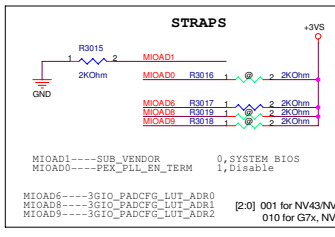
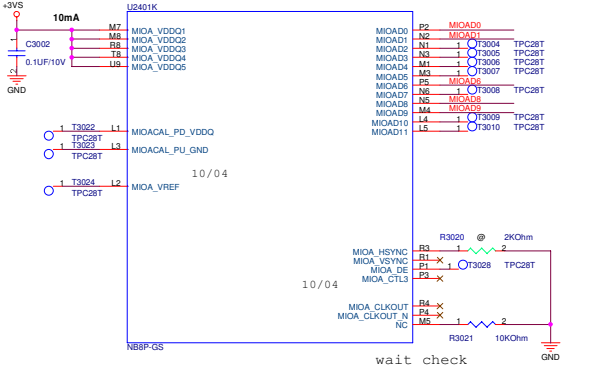
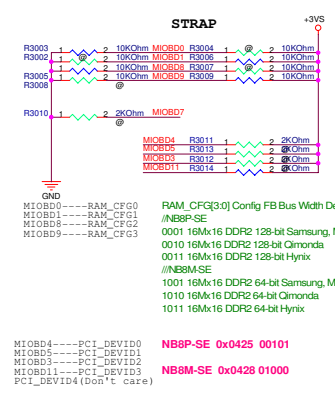
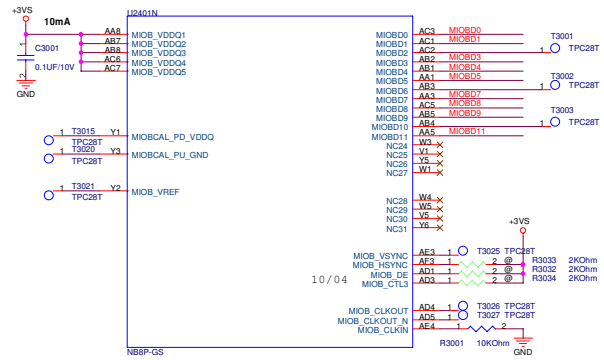


# VGA

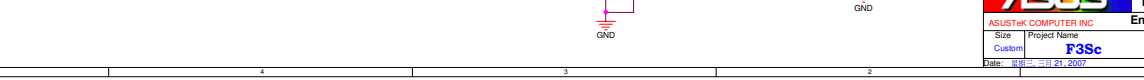


# TV





GPU VID1 (GP106)	GPU VID0 (GP105)	NVDD	PowerMizer
0	0	1.2V	Max Performance
0	1	1.1V	Balanced Mode
1	0	1.0V	Max Saving

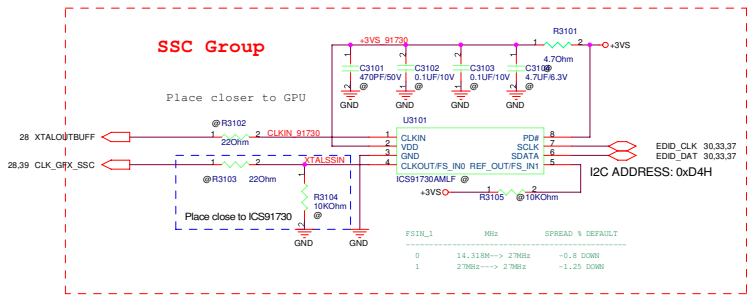


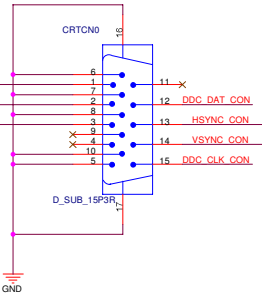
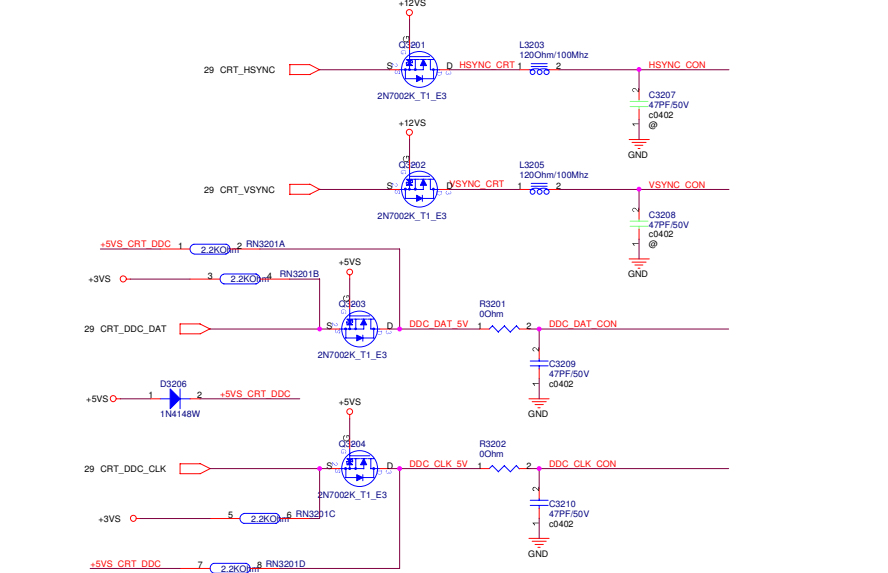
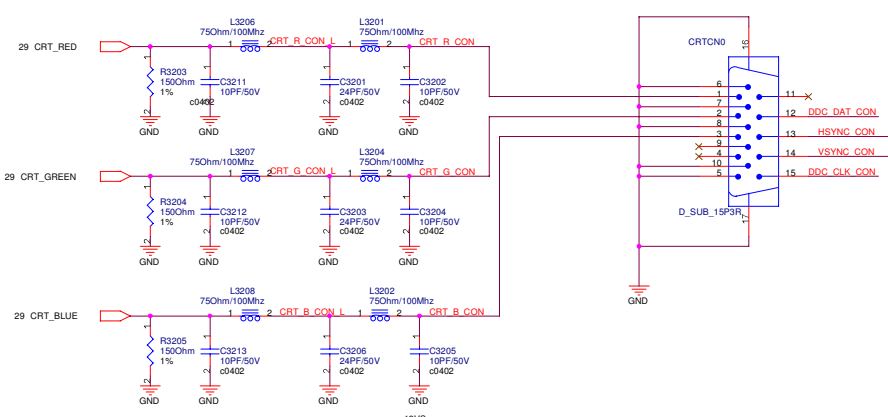
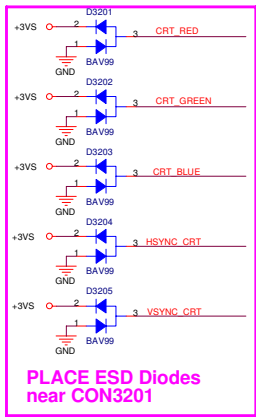
- GPIO0, 1 -- Hot Plug Detect (For DVI)
- GPIO2 -- Panel backlight brightness (PWM)
- GPIO3 -- Panel power enable
- GPIO4 -- Panel backlight ON/OFF
- GPIO5 -- GPU VID0
- GPIO6 -- GPU VID1
- GPIO7 -- GPU VID2 or MEM VID
- GPIO8 -- Thermal diode ALERT
- GPIO9 -- Fan control
- GPIO11 -- HDTV enable

**ASUS** Title: G86M(7), MIOBD&GPIO  
ASUSTEK COMPUTER INC. Engineer: Gajun\_Ho

Size	Project Name	Rev
Custom	F3Sc	2.0

Date: 2007-01-21 2007 Sheet 30 of 35

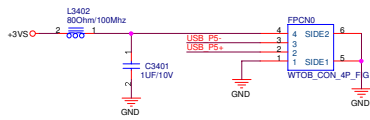
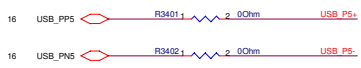




<b>ASUS</b>		<b>Title : CRT</b>	
ASUSTeK COMPUTER INC		Engineer: Gajun_Ho	
Size	Project Name		Rev
Custom	<b>F3Sc</b>		2.0
Date: 2007-08-21	Sheet 32	of 95	





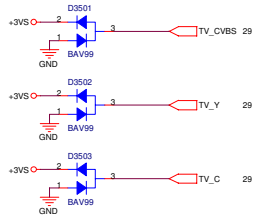


<Variant Name>

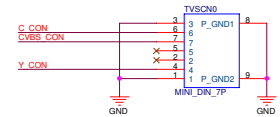
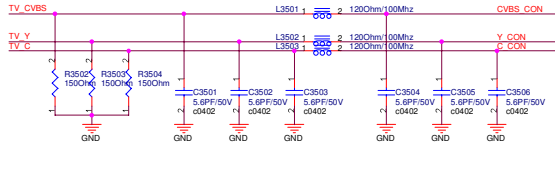
**ASUS** Title : FINGER PRINT  
 ASUSTeK COMPUTER INC. Engineer: Jack Chen

Size	Project Name	Rev
Custom	F3Sc	2.0
Date: 2007.08.21	Sheet 34	of 35

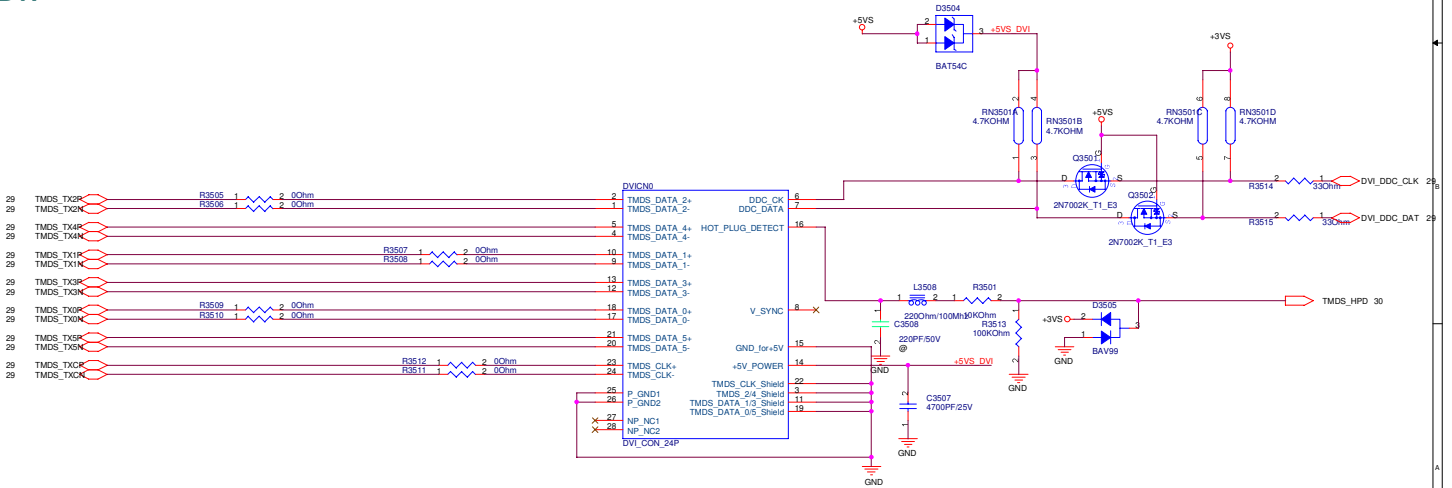
# TV OUT



PLACE ESD Diodes near TV port

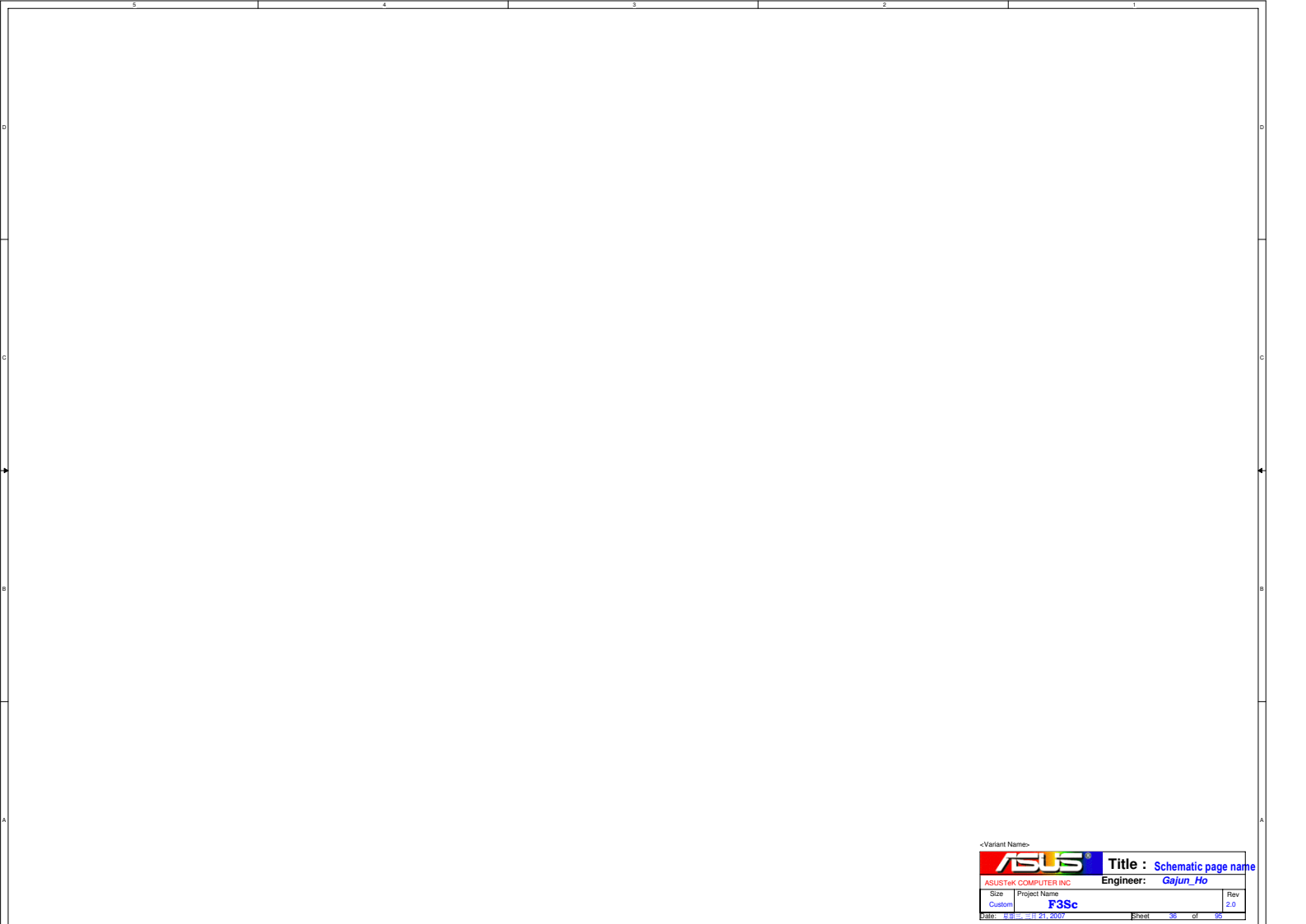


# DVI




<Variant Name>

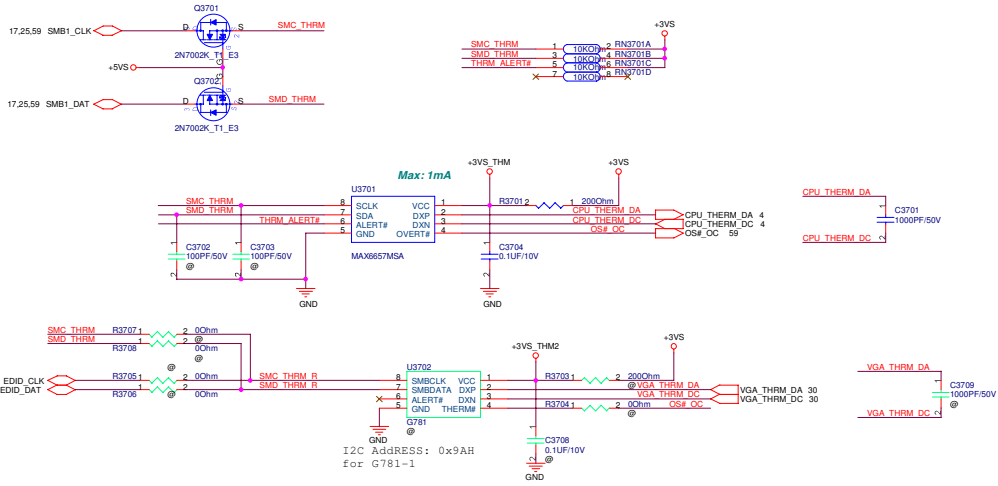
**ASUS** Title : TV OUT & DVI CON.  
 ASUSTeK COMPUTER INC. Engineer: Gajun\_Ho  
 Size Project Name  
 Custom F3Sc  
 Date: 11/21/2007 Sheet 35 of 35



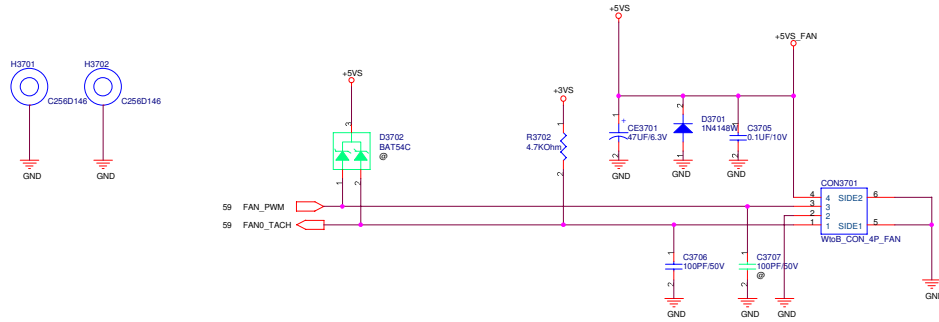
<Variant Name>

		<b>Title :</b> Schematic page name
ASUSTeK COMPUTER INC		<b>Engineer:</b> Gajun_Ho
Size Custom	Project Name <b>F3Sc</b>	Rev 2.0
Date: 2007.08.21		Sheet 36 of 95

# Thermal Sensor

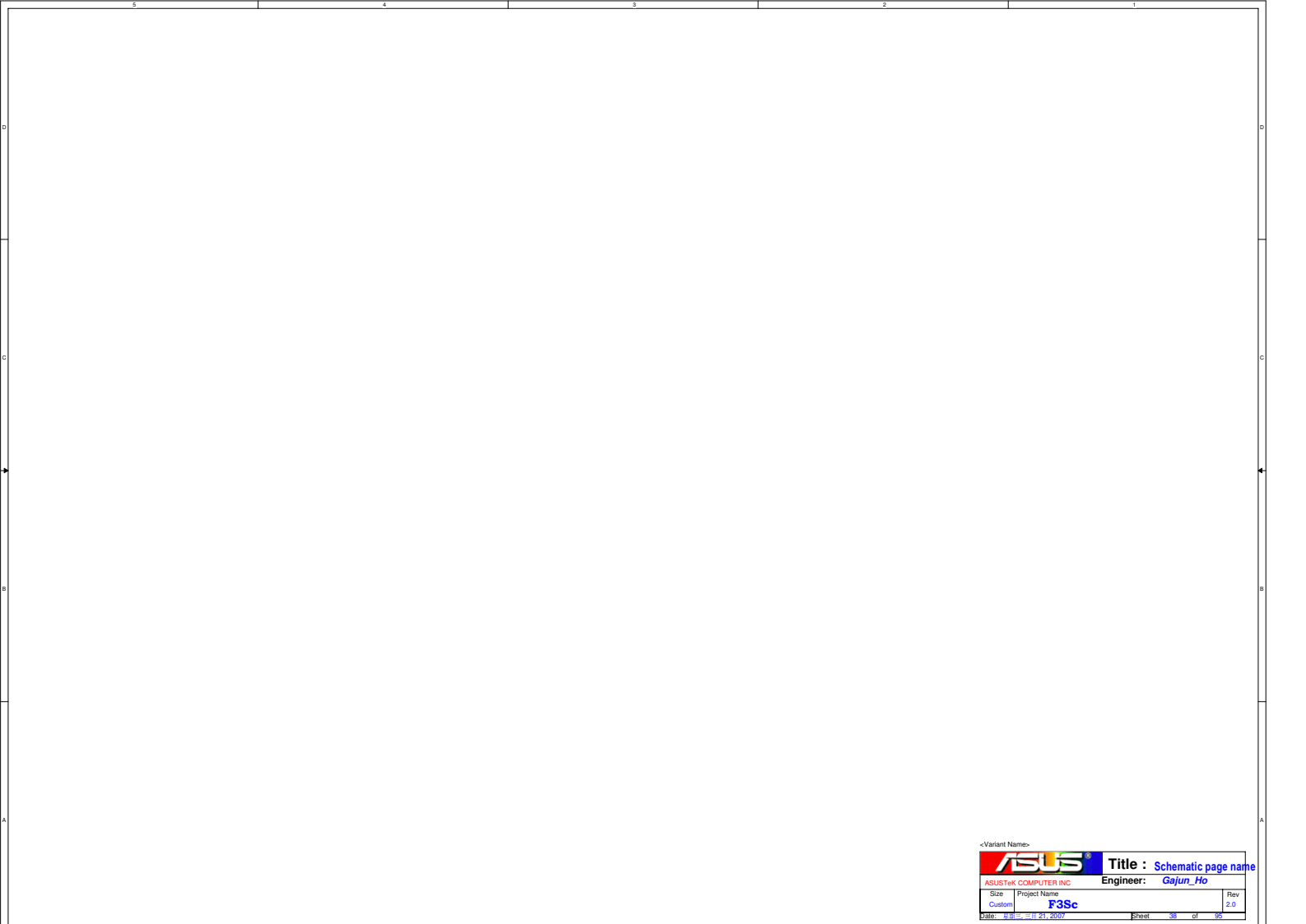


# DC FAN Control




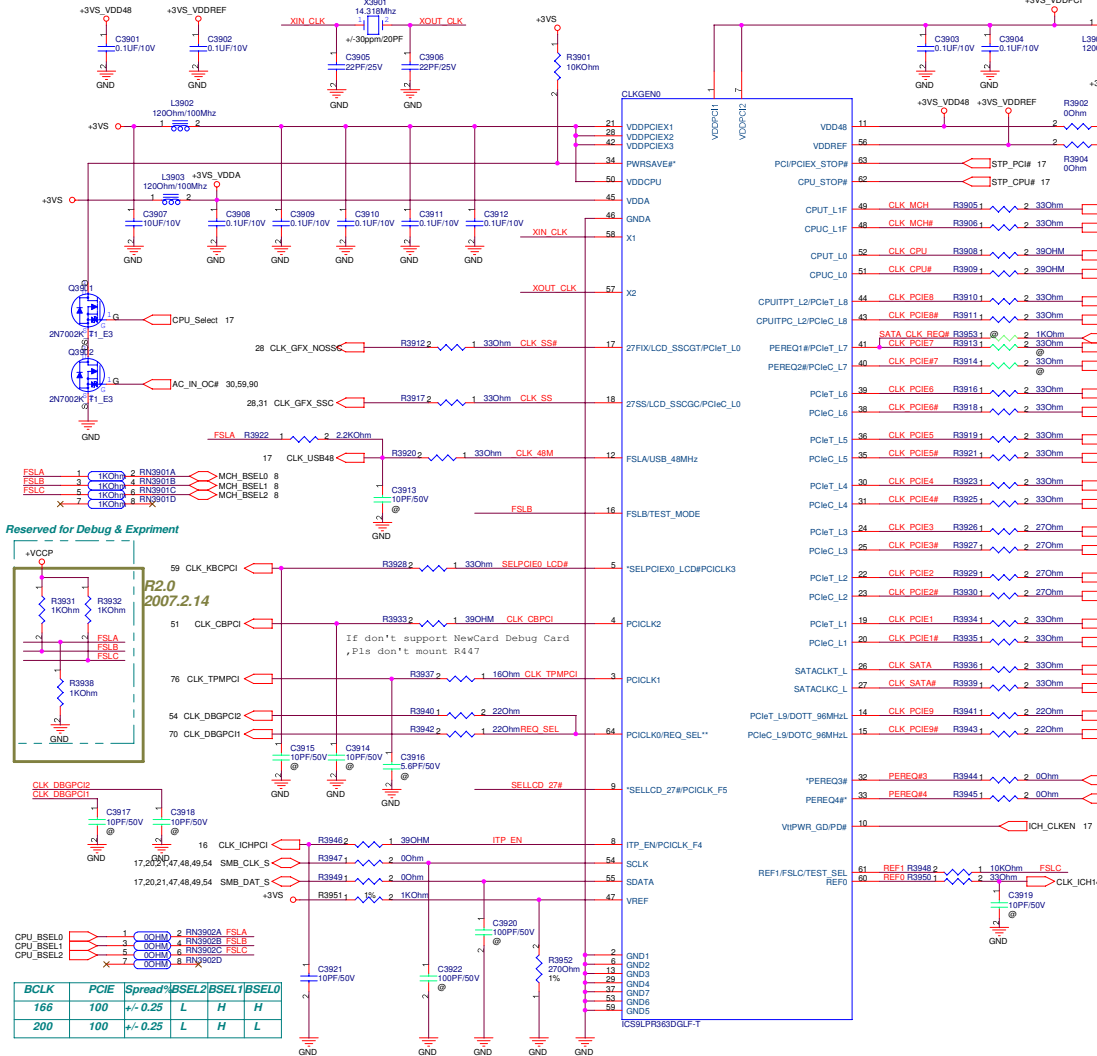
<Variant Name>

<b>ASUS</b>		<b>Title : THER SENSOR &amp; FAN</b>	
ASUSTeK COMPUTER INC. NB1		Engineer: <i>Gajun_Ho</i>	
Size	Project Name		Rev
Custom	<b>F3Sc</b>		2.0
Date: 2007.01.21		Sheet	37 of 95

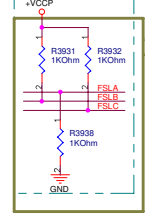


<Variant Name>

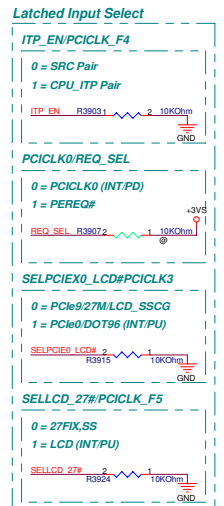
		<b>Title :</b> Schematic page name
ASUSTeK COMPUTER INC		<b>Engineer:</b> Gajun_Ho
Size Custom	Project Name <b>F3Sc</b>	Rev 2.0
Date: 2007.08.21		Sheet 39 of 95



**Reserved for Debug & Experiment**



BCLK	PCIE	Spread%	BSEL2	BSEL1	BSEL0
166	100	+/- 0.25	L	H	H
200	100	+/- 0.25	L	H	L



**Latch Select Table**

Pin5	Pin9	Pin14/15	Pin17/18
SELPCIE_X0_LCD#	SELLCD_27# = 0	PCIE_X0	27FIXSS
PCIE3 = 0 (low)	SELLCD_27# = 1	PCIE_X0	LCD
SELPCIE_X0_LCD#	x	DOT96	PCIE_X0
PCIE3 = 1 (high)	x	DOT96	PCIE_X0

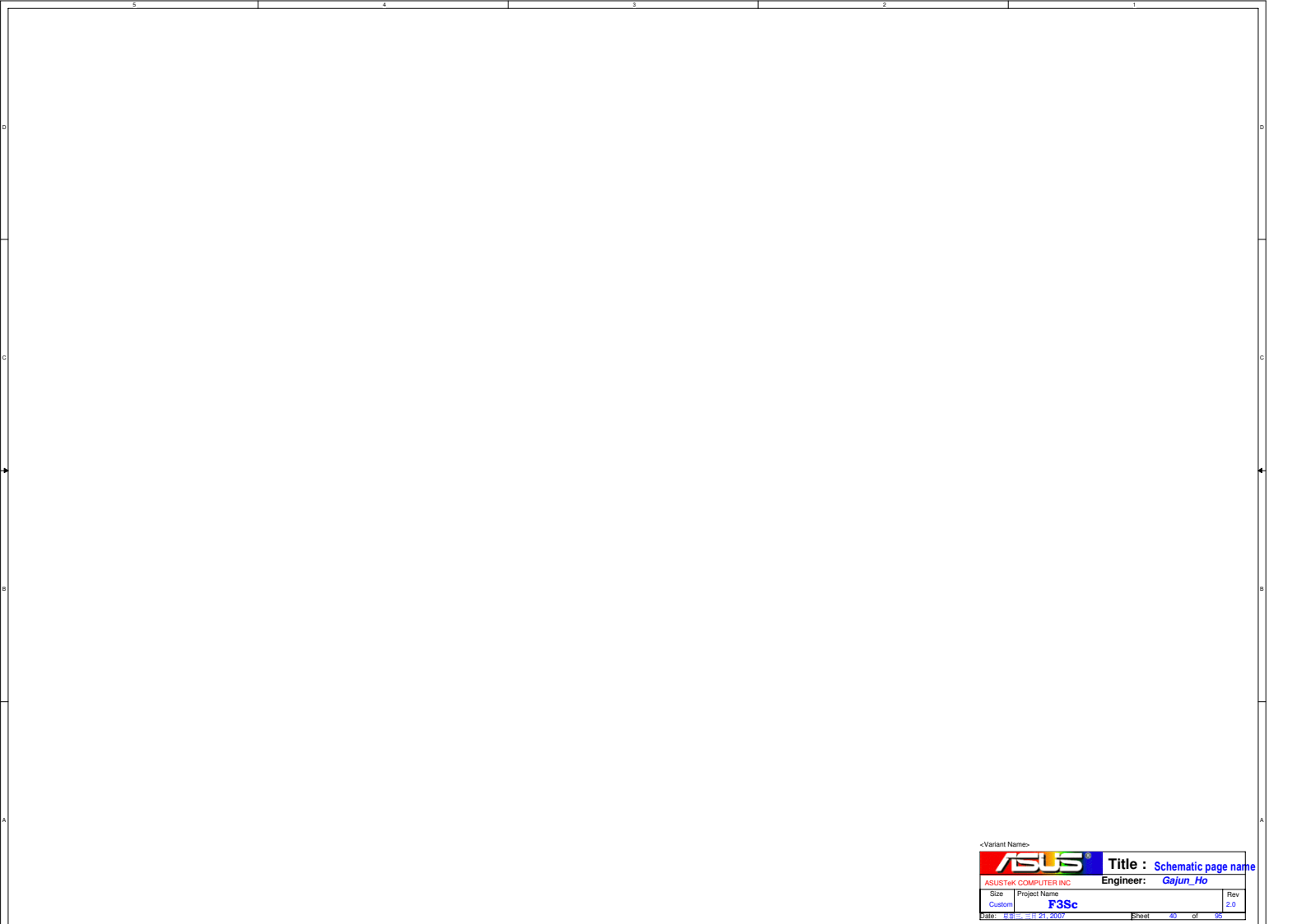
ASUS  
ASUSTeK COMPUTER INC. NCI

**Title :** CLOCK GEN-IC99LPR363


**Engineer:** Gajun\_Ho

Size: Custom  
Project Name: F3Sc  
Rev: 2.0

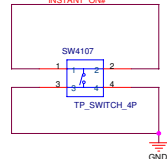
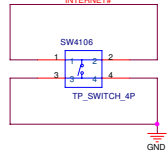
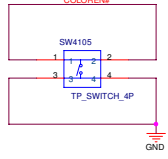
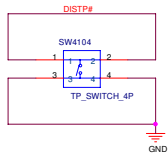
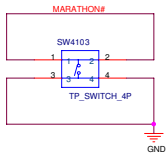
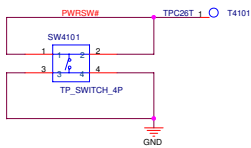
Date: 11/01/2007 Sheet: 38 of 85



<Variant Name>

		<b>Title :</b> Schematic page name
ASUSTeK COMPUTER INC		<b>Engineer:</b> Gajun_Ho
Size Custom	Project Name <b>F3Sc</b>	Rev 2.0
Date: 2007.08.21		Sheet 40 of 95

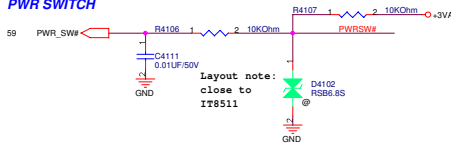




**R1.1 2006.12.8**

**For Switch**

**PWR SWITCH**



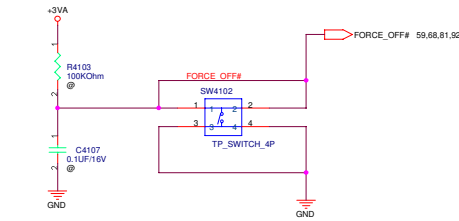
**LID SWITCH**



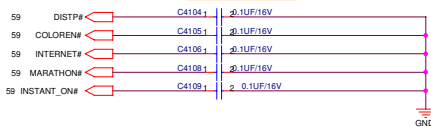
**RF ON SWITCH**



**SHUT\_DOWN#**

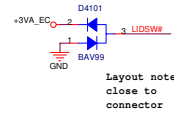


**R1.1 2006.12.8**



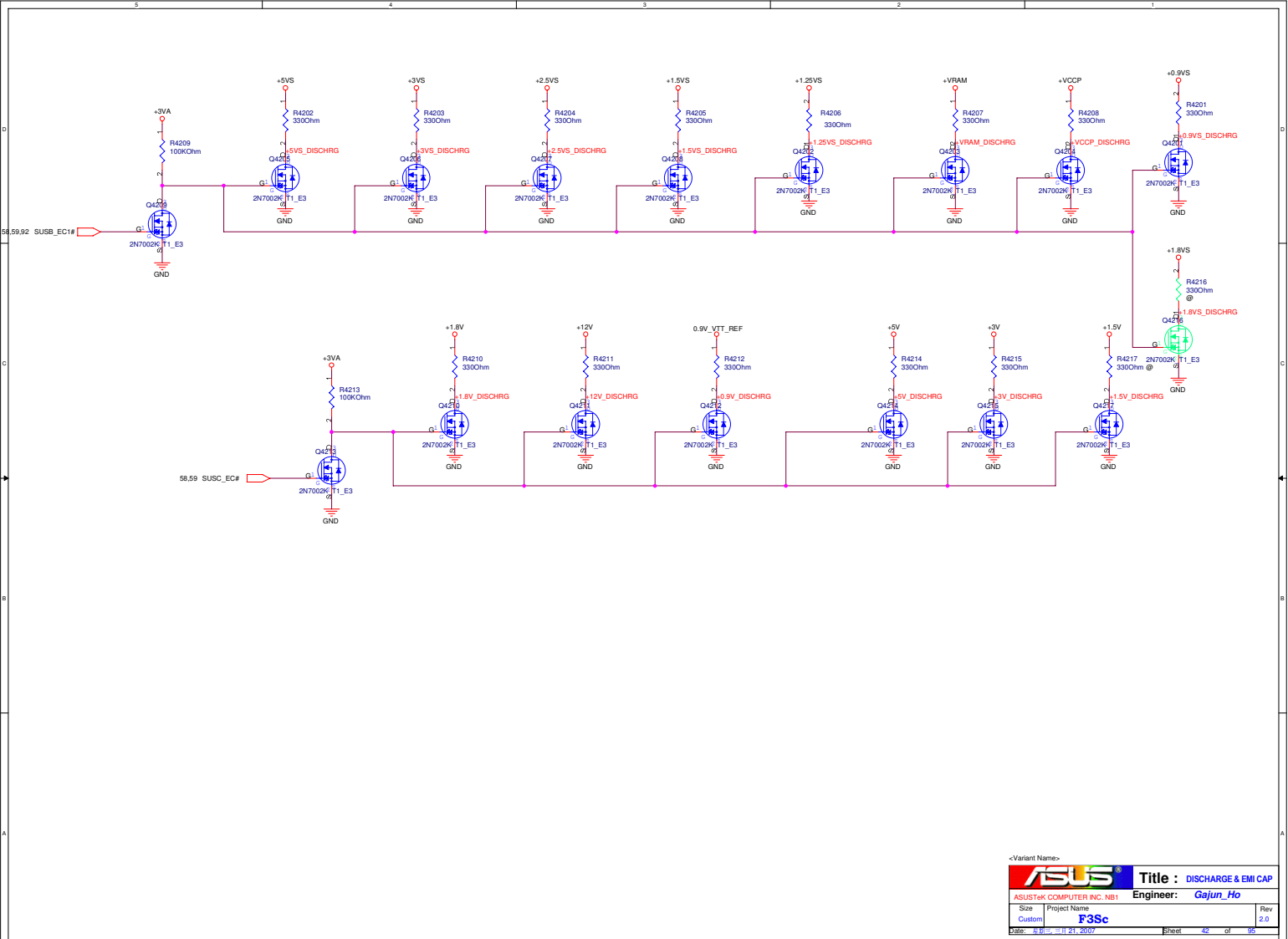
**Note:**

This LID\_EC# is a signal from inverter board, it is easy to cause high voltage damage when plugging inverter board connector to M/B with AC present. It needed to add bidirectional diode to protect this pin.



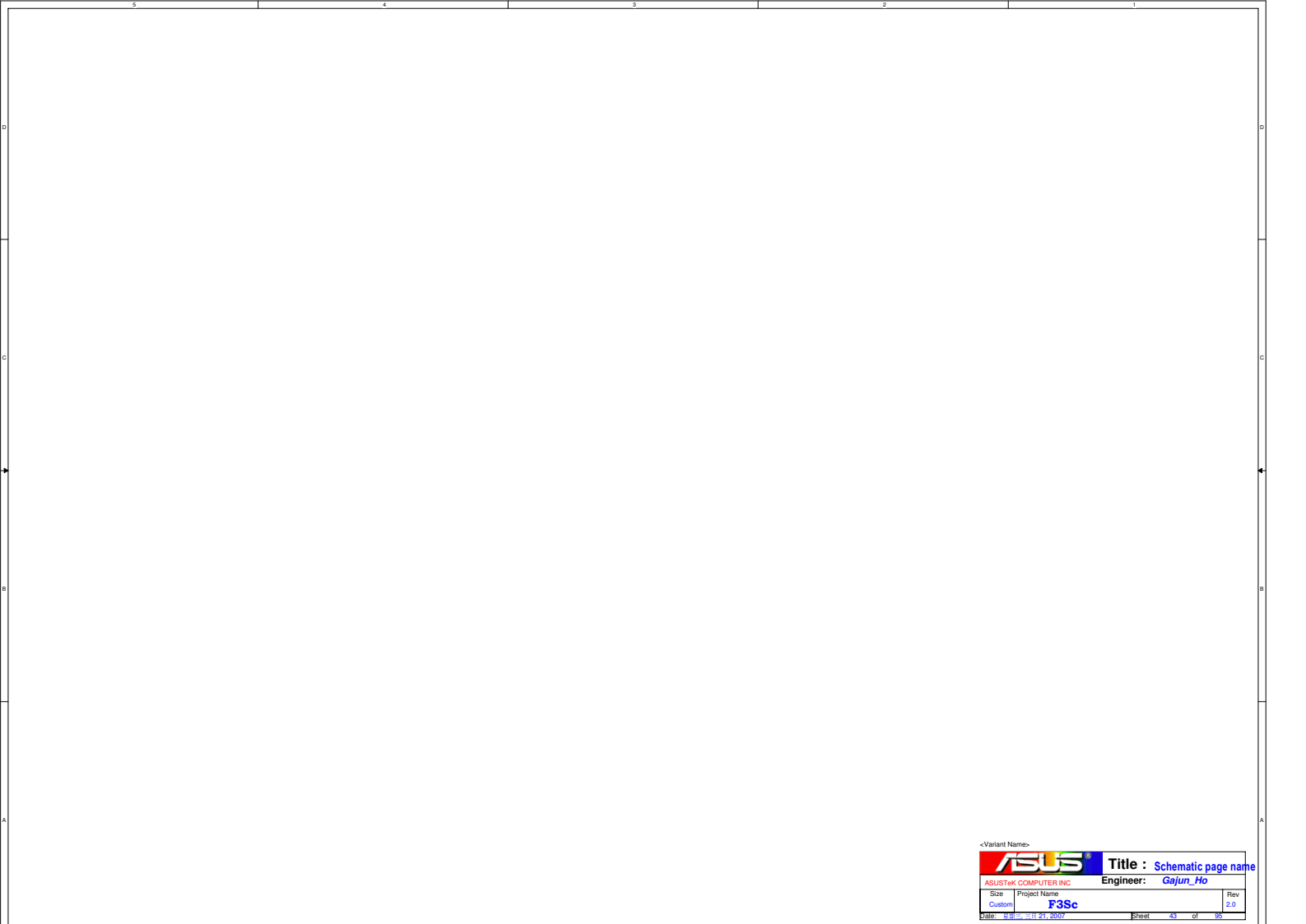
<Variant Names>

<b>ASUS</b>		<b>Title :Power on &amp; Res Freq</b>	
ASUSTeK COMPUTER INC.		Engineer: <b>Gajun_Ho</b>	
Size: Custom	Project Name: <b>F3Sc</b>	Rev: 2.0	
Date: 2007.11.21	Sheet: 41	of	95




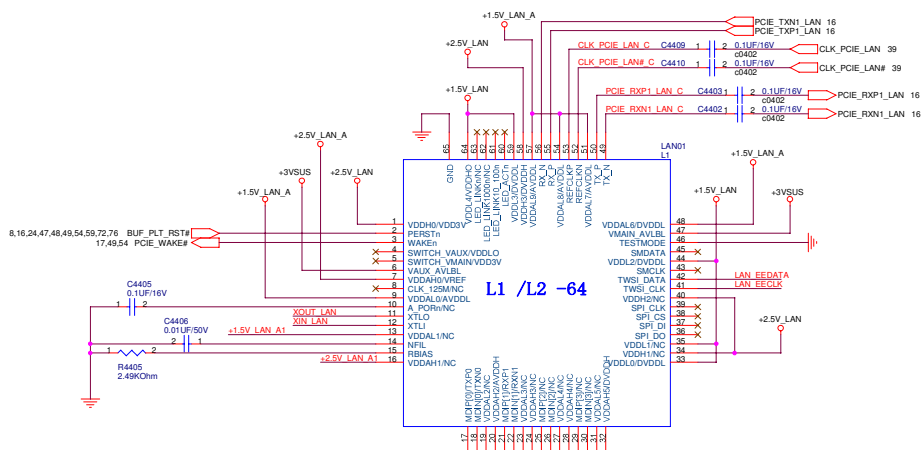
<Variant Name>

<b>ASUS</b>		<b>Title :</b> DISCHARGE & EMI CAP
ASUSTeK COMPUTER INC. NB1		<b>Engineer:</b> Gajun_Ho
Size Custom	Project Name <b>F3Sc</b>	Rev 2.0
Date: 2007.01.21	Sheet: 42	of 95

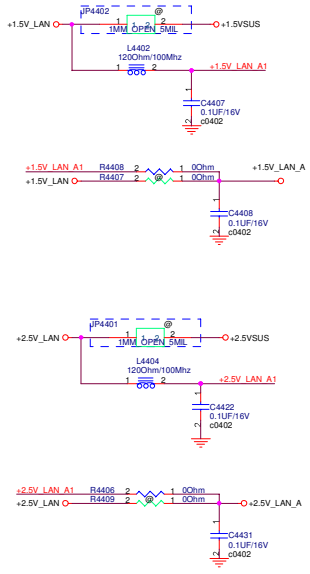
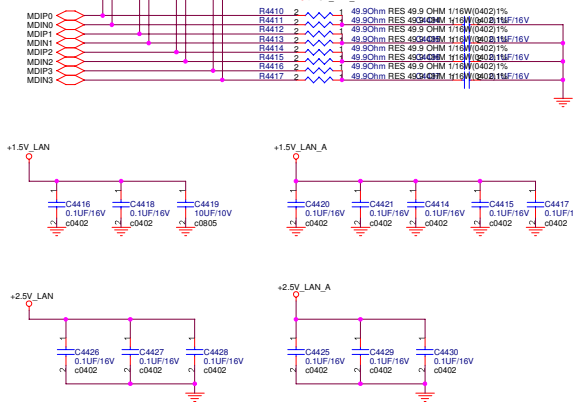
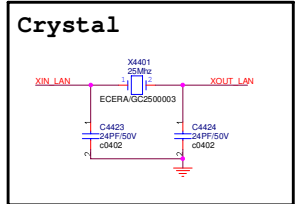
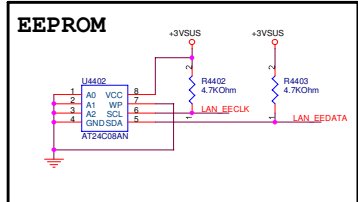


<Variant Name>

		<b>Title :</b> Schematic page name
ASUSTeK COMPUTER INC.		<b>Engineer:</b> Gajun_Ho
Size Custom	Project Name <b>F3Sc</b>	Rev 2.0
Date: 2007.08.21		Sheet 49 of 95



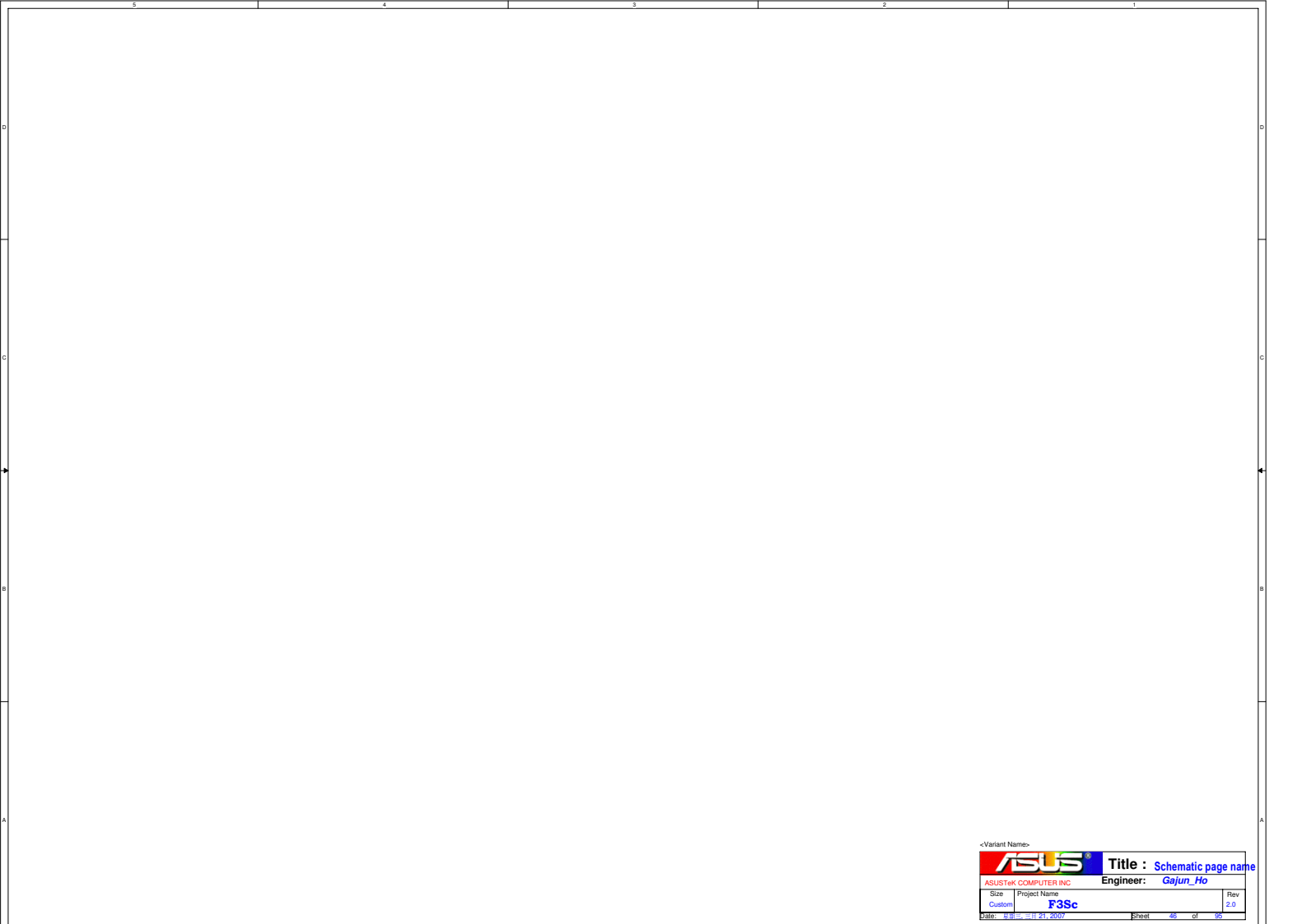
L1 / L2 - 64




<Variant Name>

<b>ASUS</b>		<b>Title : LAN-L1</b>
ASUSTeK COMPUTER INC. NB1	Engineer: <b>Gajun_Ho</b>	
Size	Project Name	Rev
Custom	<b>F3Sc</b>	2.0
Date: 2007.01.21.2007	Sheet	44 of 95





<Variant Name>

		<b>Title :</b> Schematic page name
ASUSTeK COMPUTER INC		<b>Engineer:</b> Gajun_Ho
Size Custom	Project Name <b>F3Sc</b>	Rev 2.0
Date: 2007.08.21		Sheet 46 of 95

- 1. TV
- 2. Windigo
- 3. Robson

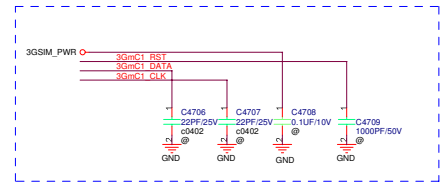
+3.003V~+3.597V  
Max= 750 mA  
預留給 tv

Windigo  
+3.003V~+3.597V  
Max= 2750 mA  
Max=3.1W

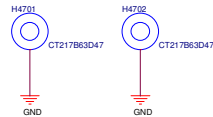
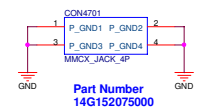
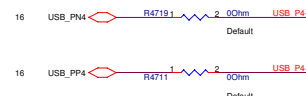
+1.425V~+1.575V  
Max= 400 mA

Reserved R to +3VSUS for  
Wake on WLAN function!  
+3.003V~+3.597V  
Max= 250 mA

Put it the middle the board



TV Conn.



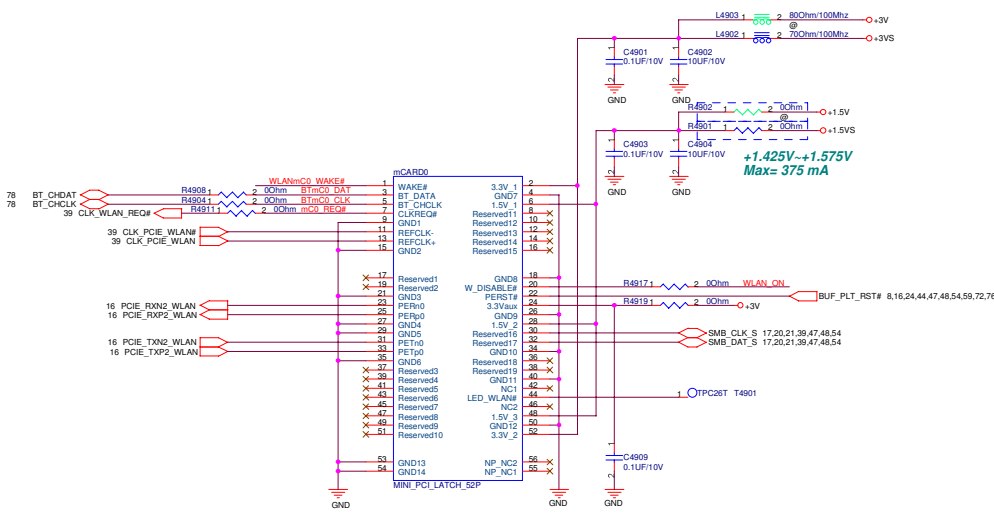
Change H4701, H4702 "13G021043011" from BOM file.

-Variant Name-

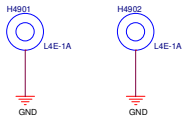
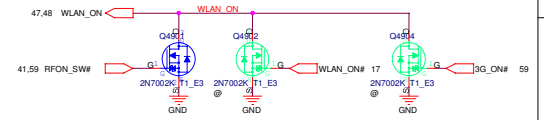
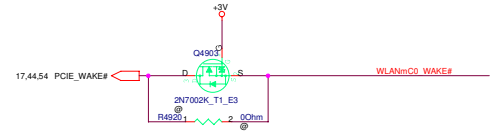
<b>ASUS</b>		<b>Title</b> MINI CARD-TV/Windigo	
ASUSTek COMPUTER INC. NEI		Engineer: Gajun_Ho	
Size	Project Name	Date	Rev
Custom	F3Sc	08/21/2007	2.0
Date		Sheet	of
		47	55





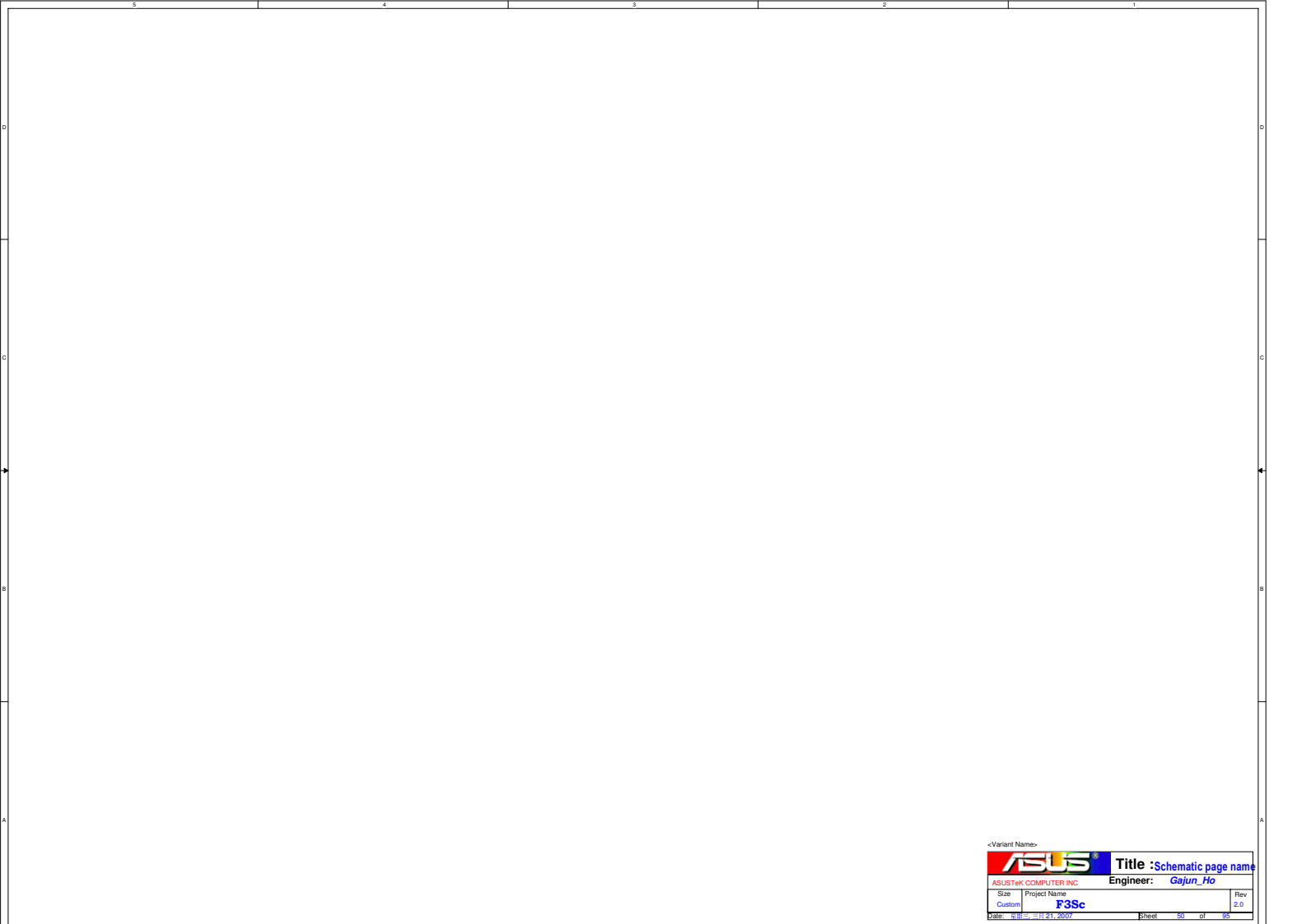


The left side depends on TV connect to put the board




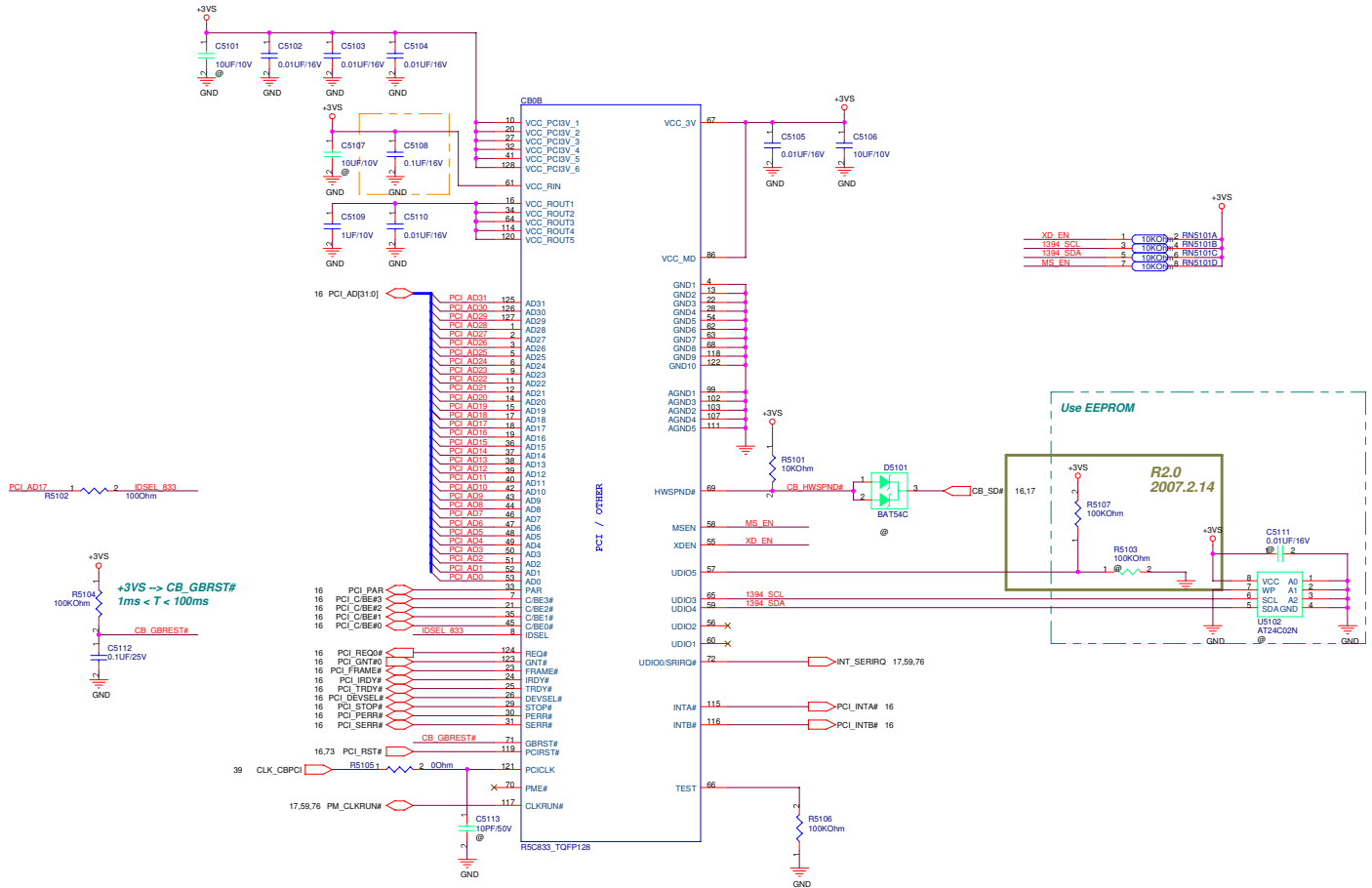
<Variant Name>

<b>ASUS</b>		<b>Title : MINI CARD-Kedron</b>	
ASUSTeK COMPUTER INC. NB1		Engineer: <u>Gajun_Ho</u>	
Size	Project Name		Rev
Custom	F3Sc		2.0
Date: 2007.01.21.2007		Sheet	49 of 95



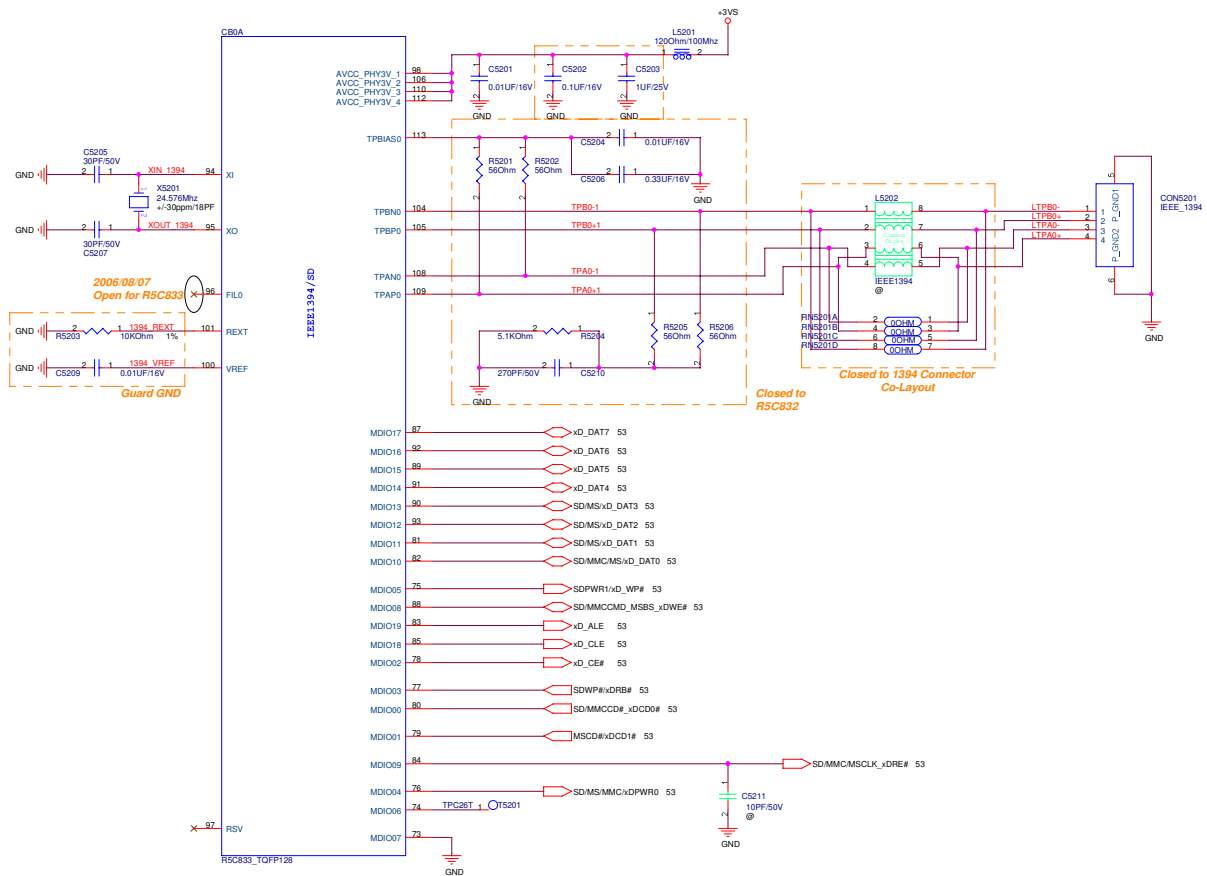
<Variant Name>

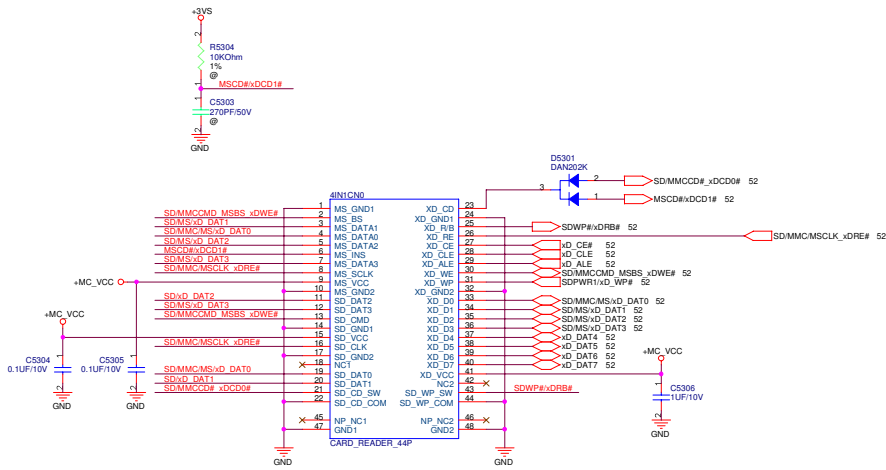
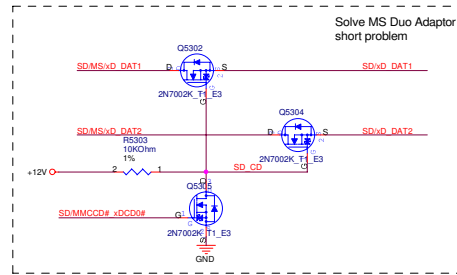
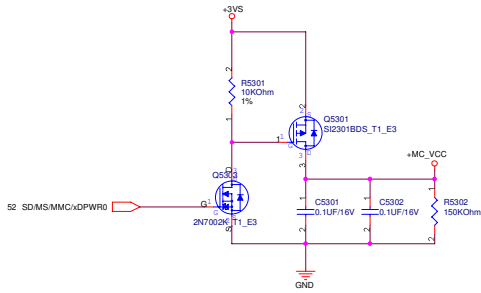
		Title :Schematic page name	
ASUSTeK COMPUTER INC.		Engineer: <i>Gajun_Ho</i>	
Size	Project Name		Rev
Custom	<b>F3Sc</b>		2.0
Date: 11/21/2007		Sheet 50	of 59



<Variant Names>

<b>ASUS</b>		<b>Title :CARD1394-R5C833(1)</b>	
ASUSTeK COMPUTER INC. NB1		Engineer: <b>Gajun_Ho</b>	
Size	Project Name	Rev	
Custom	<b>F3Sc</b>	2.0	
Date: 2007.01.21.2007	Sheet	51	of 95

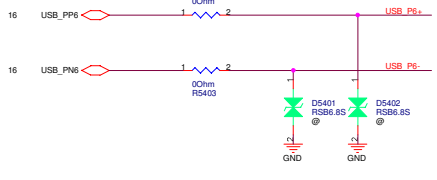
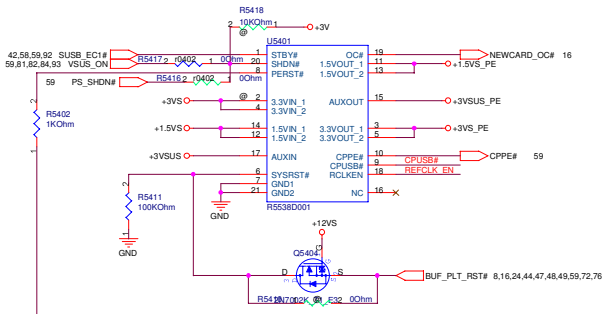




<Variant Name>

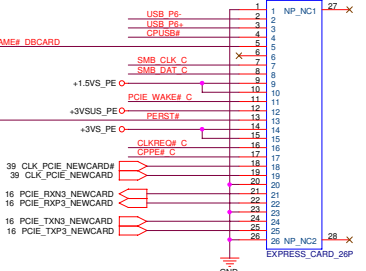
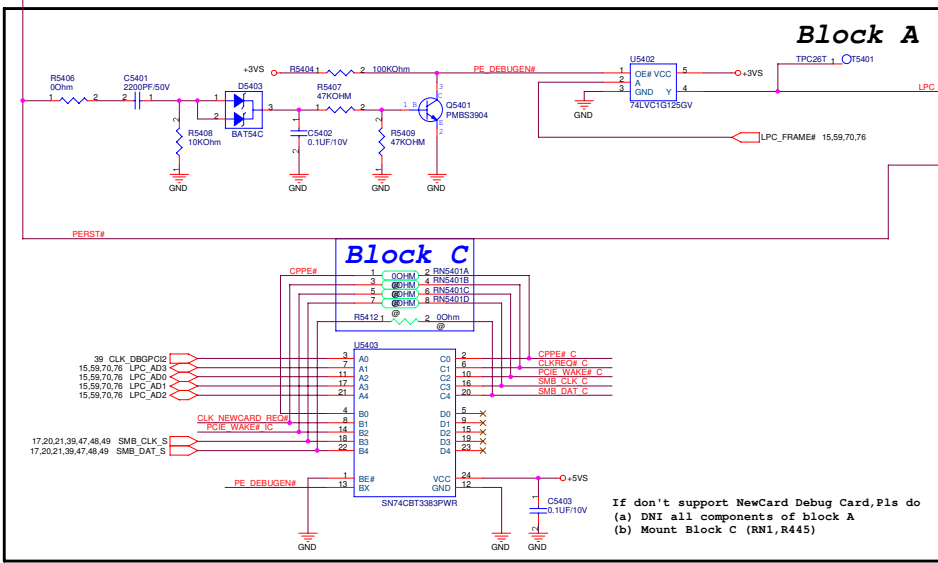
**ASUS** Title 4 in 1 CARD READER  
ASUSTeK COMPUTER INC. Engineer: Gajun\_Ho

Size	Project Name	Rev
Custom	F3Sc	2.0
Date: 11/11/2007	Sheet: 50	of 95



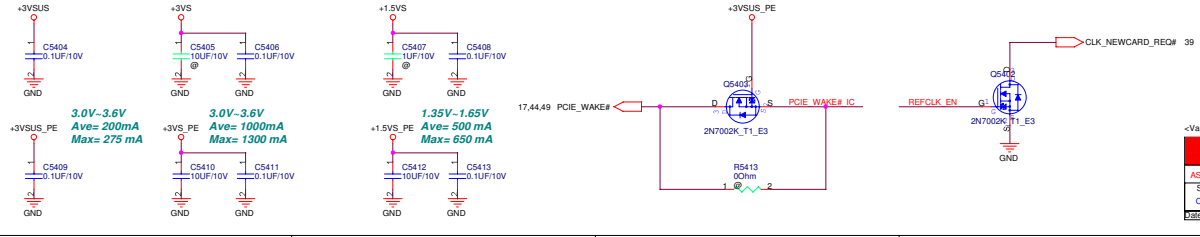
!! ExpressCard Standard 1.0:  
Change Pin7 from RESERVED to SMBCLK  
Change Pin8 from SMBCLK to SMBDATA  
Change Pin9 from SMBDATA to +1.5V

NewCard Header



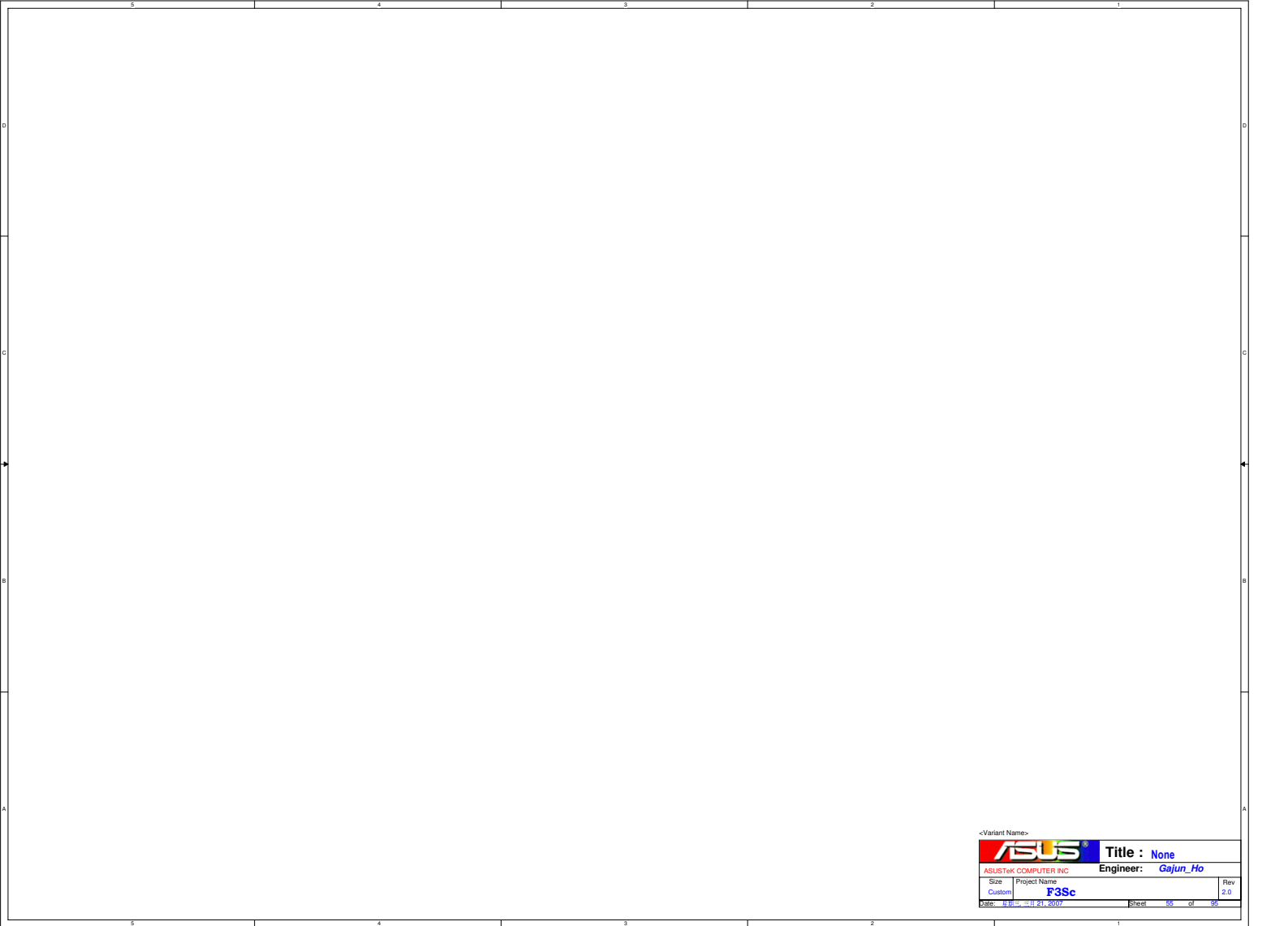
NewCard Ejecter

If don't support NewCard Debug Card, P1s do  
(a) DNI all components of block A  
(b) Mount Block C (RN1, R445)




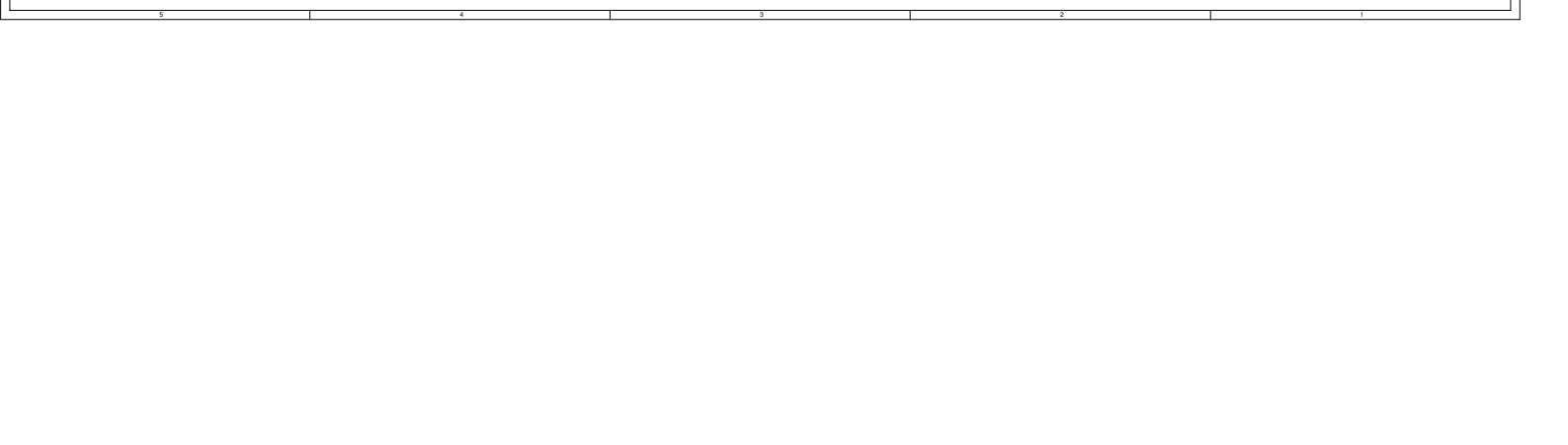
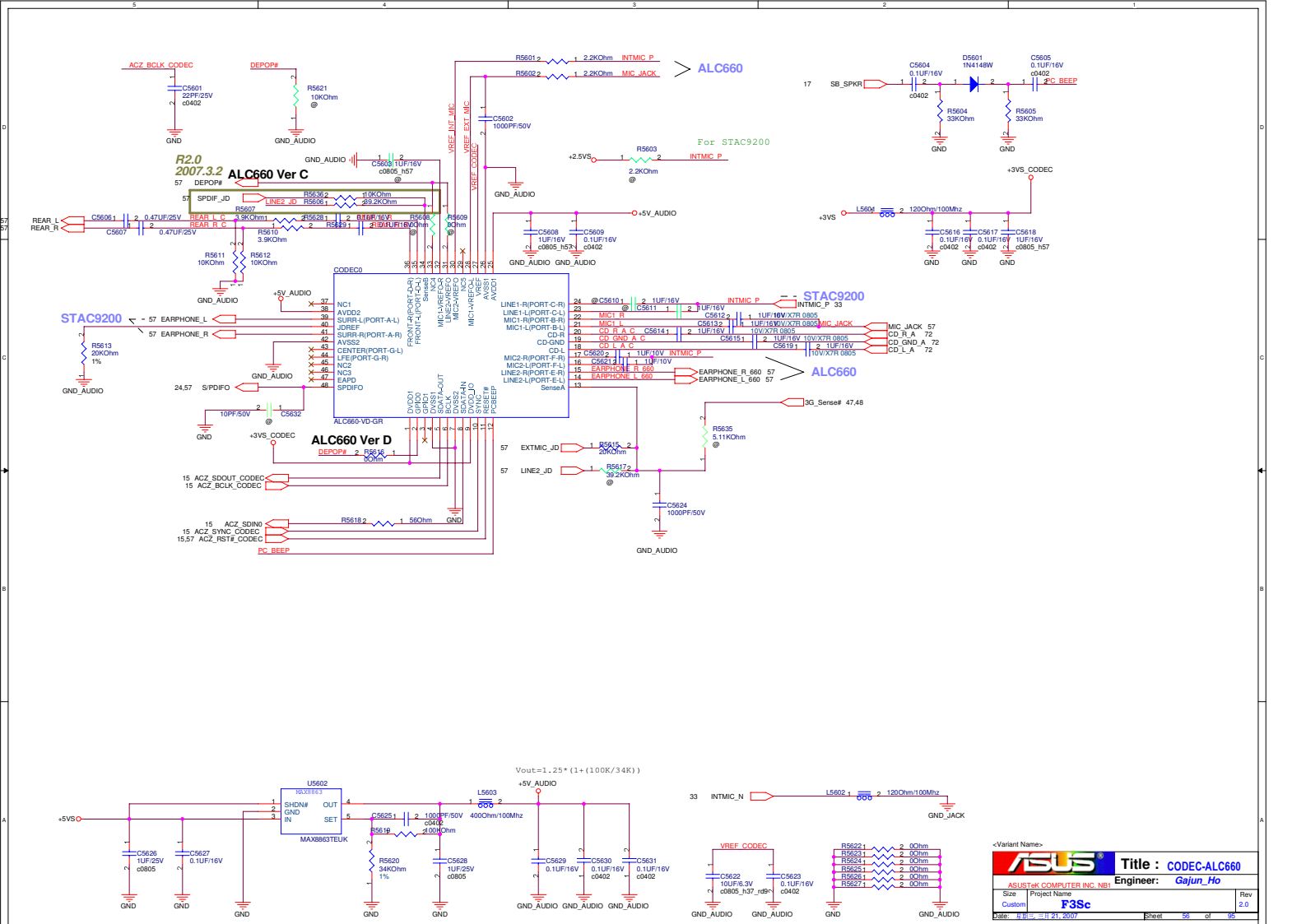
<Variant Name>

<b>ASUS</b>		<b>Title : NEWCARD</b>	
ASUSTeK COMPUTER INC. NB1		Engineer: <b>Gajun_Ho</b>	
Size	Project Name	Rev	
Custom	F3Sc	2.0	
Date: 2007.11.21	Sheet	54	of 95



<Variant Name>

		<b>Title :</b> None
ASUSTeK COMPUTER INC		<b>Engineer:</b> Gajun_Ho
Size	Project Name	Rev
Custom	<b>F3Sc</b>	2.0
Date: 2007.01.21		Sheet 55 of 95

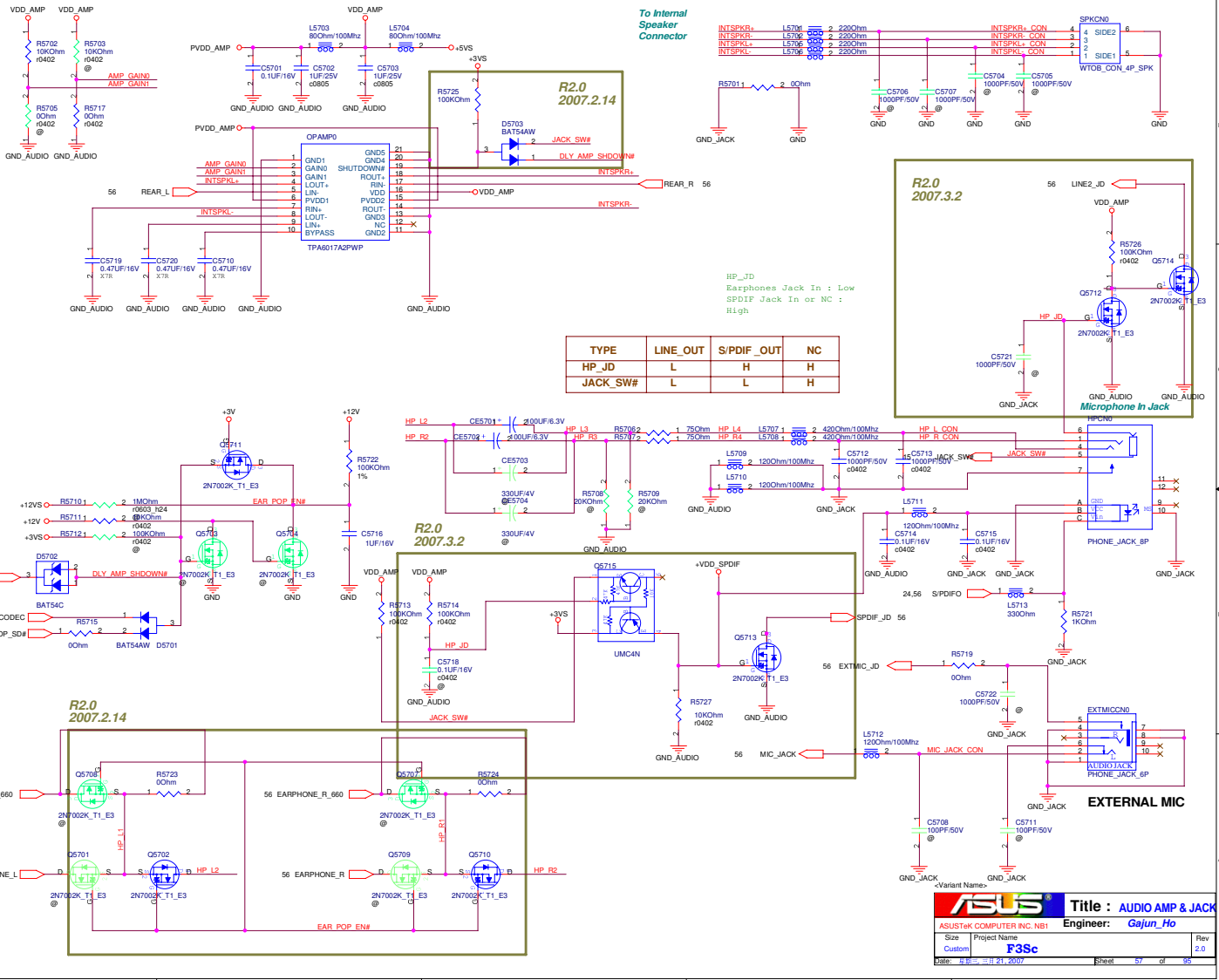


<Variant Name>

**ASUS** Title : CODEC-ALC660  
 ASUSTeK COMPUTER INC. NBI Engineer: Gajun\_Ho  
 Custom Project Name: F3Sc Rev: 2.0  
 Date: 11/21/2007 Sheet: 56 of 95

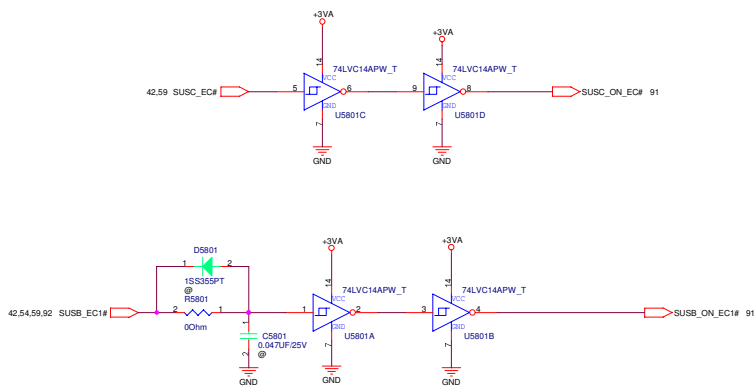


1->6 V/V  
0->NORMAL



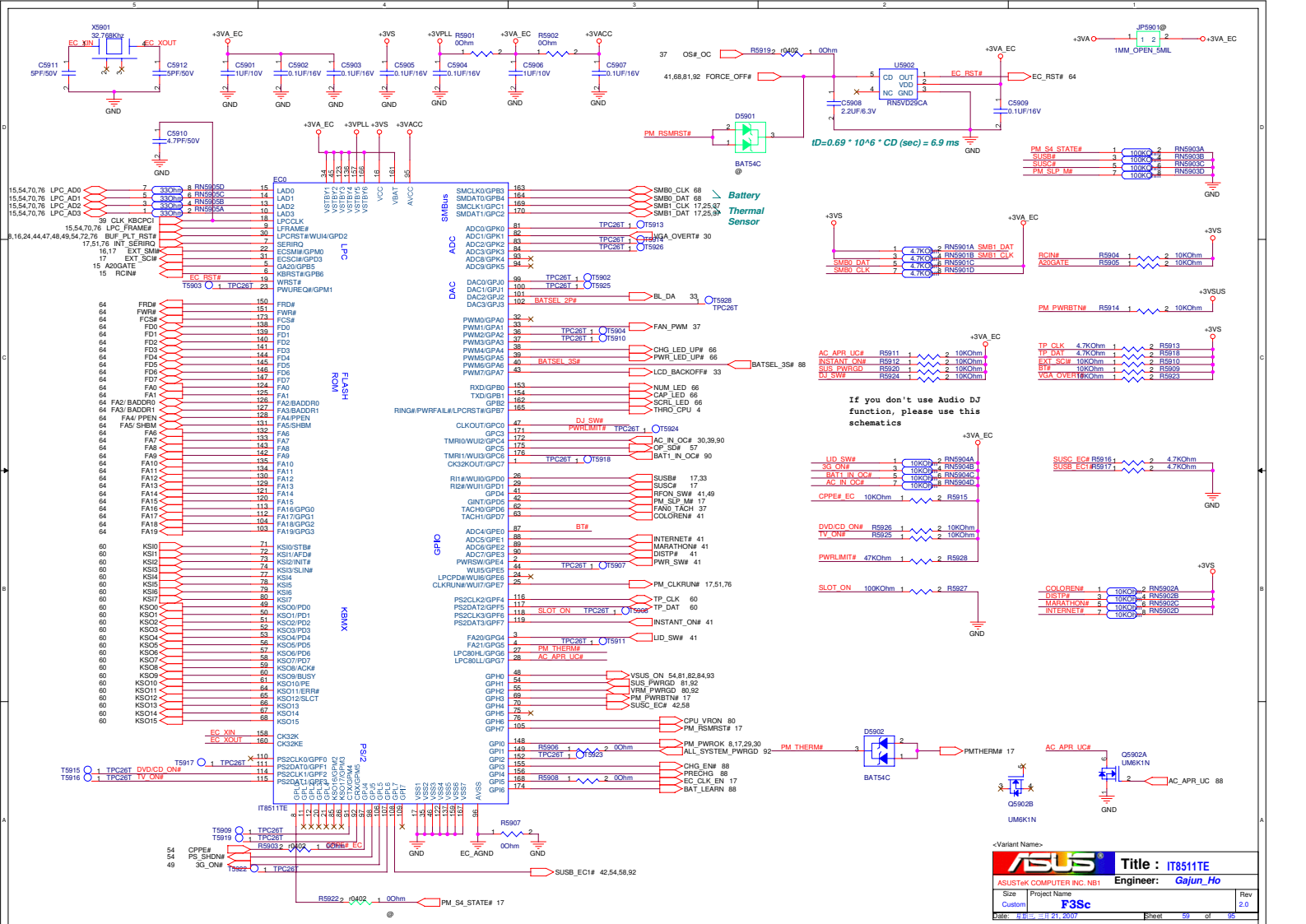
TYPE	LINE_OUT	S/PDIF_OUT	NC
HP_JD	L	H	H
JACK_SW#	L	L	H

ASUSTeK COMPUTER INC. NB1  
**ASUS** Title : AUDIO AMP & JACK  
 Engineer: Gajun\_Ho  
 Size Custom Project Name F3Sc  
 Date: 11/21/2007 Sheet 67 of 85



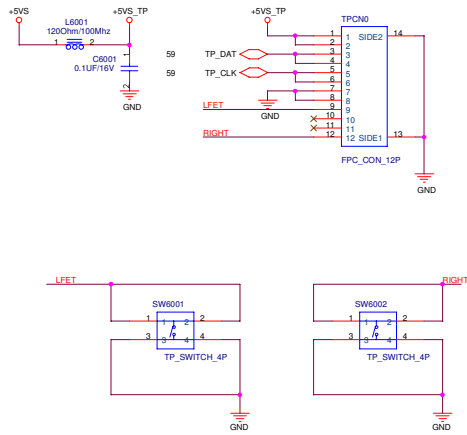
<Variant Name>

<b>ASUS</b>		<b>Title</b> Sequence Control Logic	
ASUSTeK COMPUTER INC.		Engineer: <i>Gajun_Ho</i>	
Size	Project Name	Rev	
Custom	<b>F3Sc</b>	2.0	
Date: 2007.01.21		Sheet	59 of 94

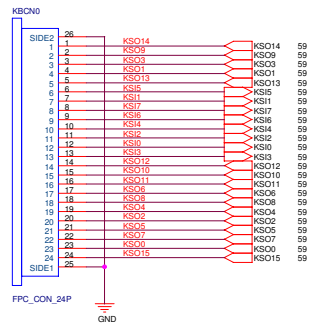


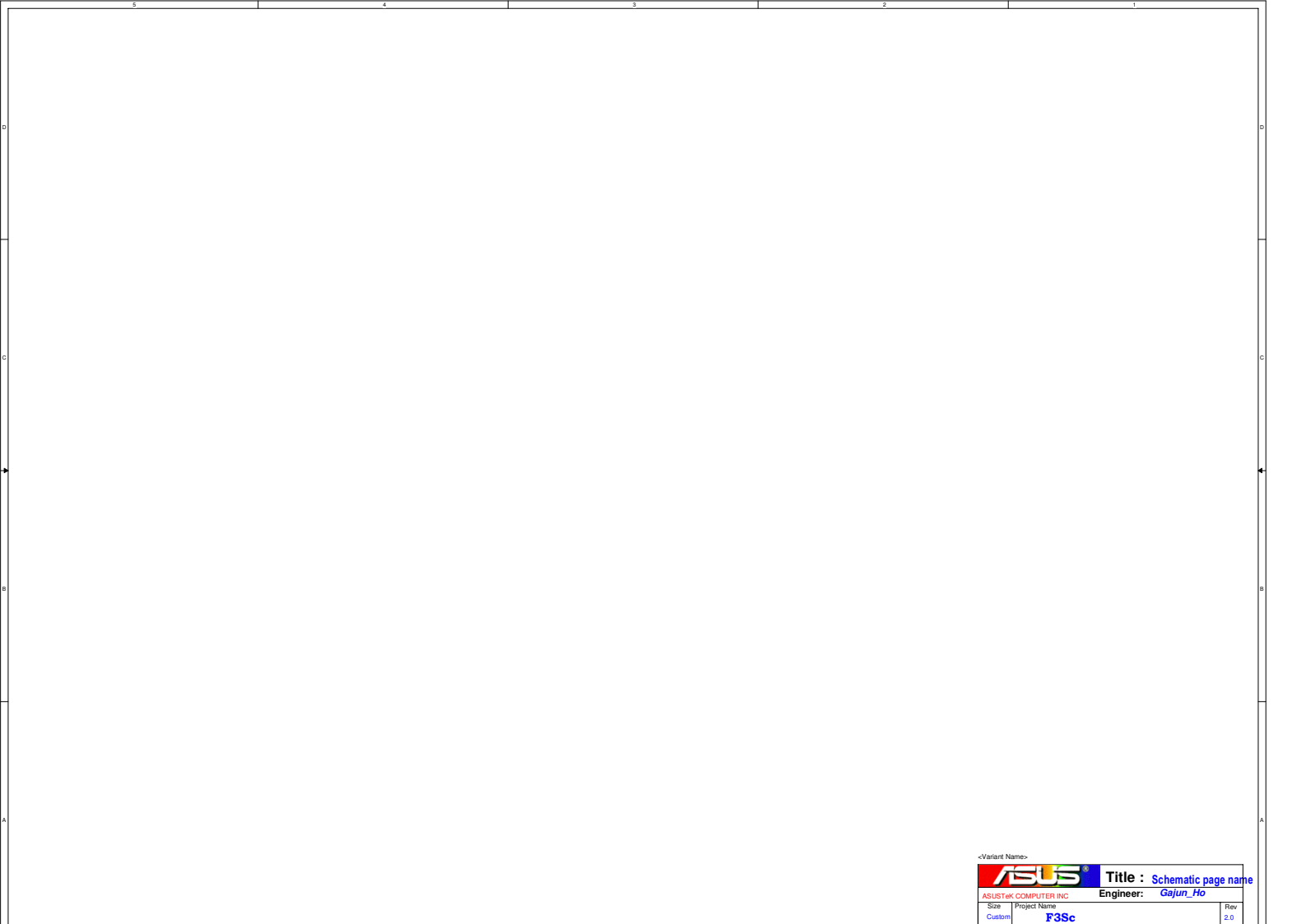
ASUS Title : IT8511TE  
 ASUSTeK COMPUTER INC. NB1 Engineer: Gajun\_Ho  
 Project Name: F3sc  
 Size: Custom  
 Date: 2007.11.21  
 Sheet: 59 of 95

For Touch-Pad




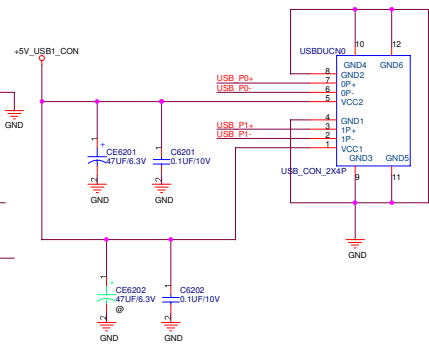
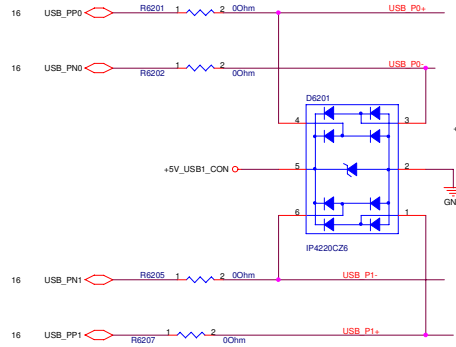
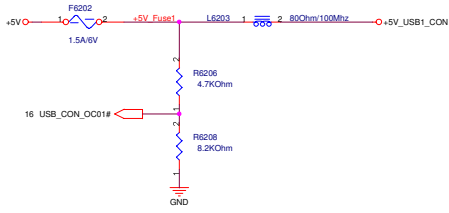
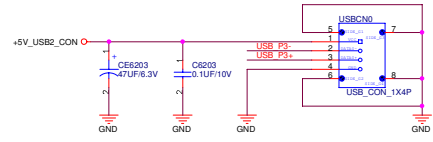
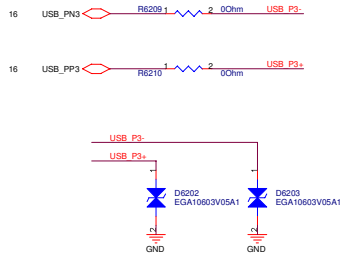
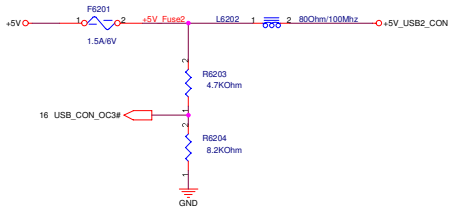
For Keyboard(24Pin) Non KID





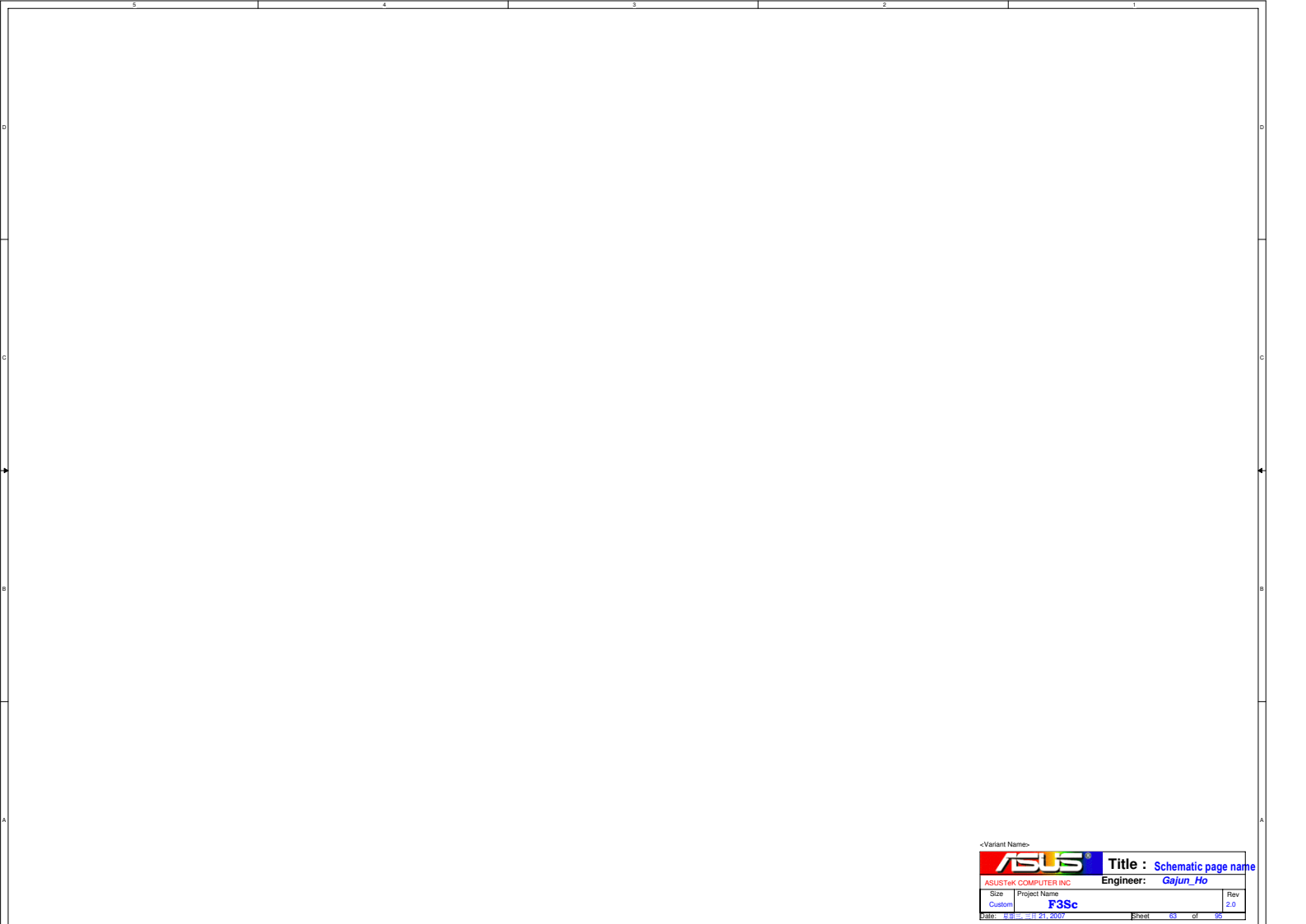
-Variant Name-

		Title : Schematic page name	
ASUSTeK COMPUTER INC.		Engineer: Gajun_Ho	
Size	Project Name	Rev	
Custom	F3Sc	2.0	
Date: 09/21/2007	Sheet		81 of 85




<Variant Name>

<b>ASUS</b>		<b>Title : USB CONN</b>	
ASUSTeK COMPUTER INC		Engineer: <i>Gajun_Ho</i>	
Size	Project Name		Rev
Custom	<b>F3sc</b>		2.0
Date: 2007.01.21		Sheet	62 of 95

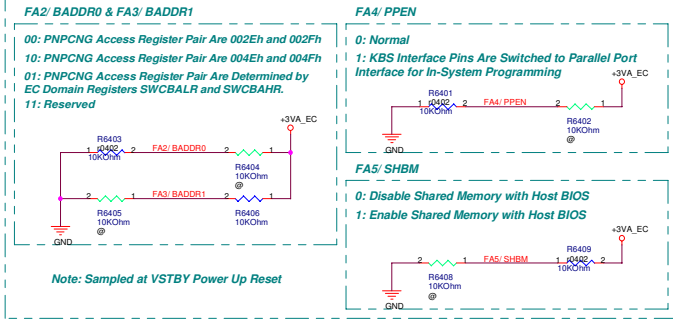


<Variant Name>

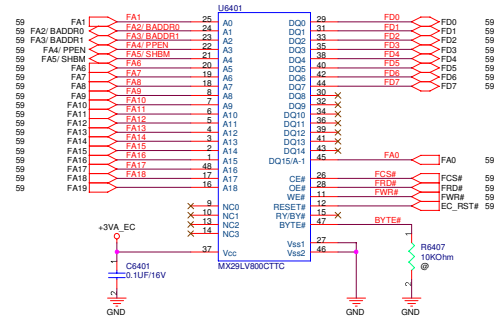
		<b>Title :</b> Schematic page name
ASUSTeK COMPUTER INC		<b>Engineer:</b> Gajun_Ho
Size	Project Name	Rev
Custom	<b>F3Sc</b>	2.0
Date: 2007.08.21		Sheet 69 of 95

# ISA ROM

## EC Hardware Strapping



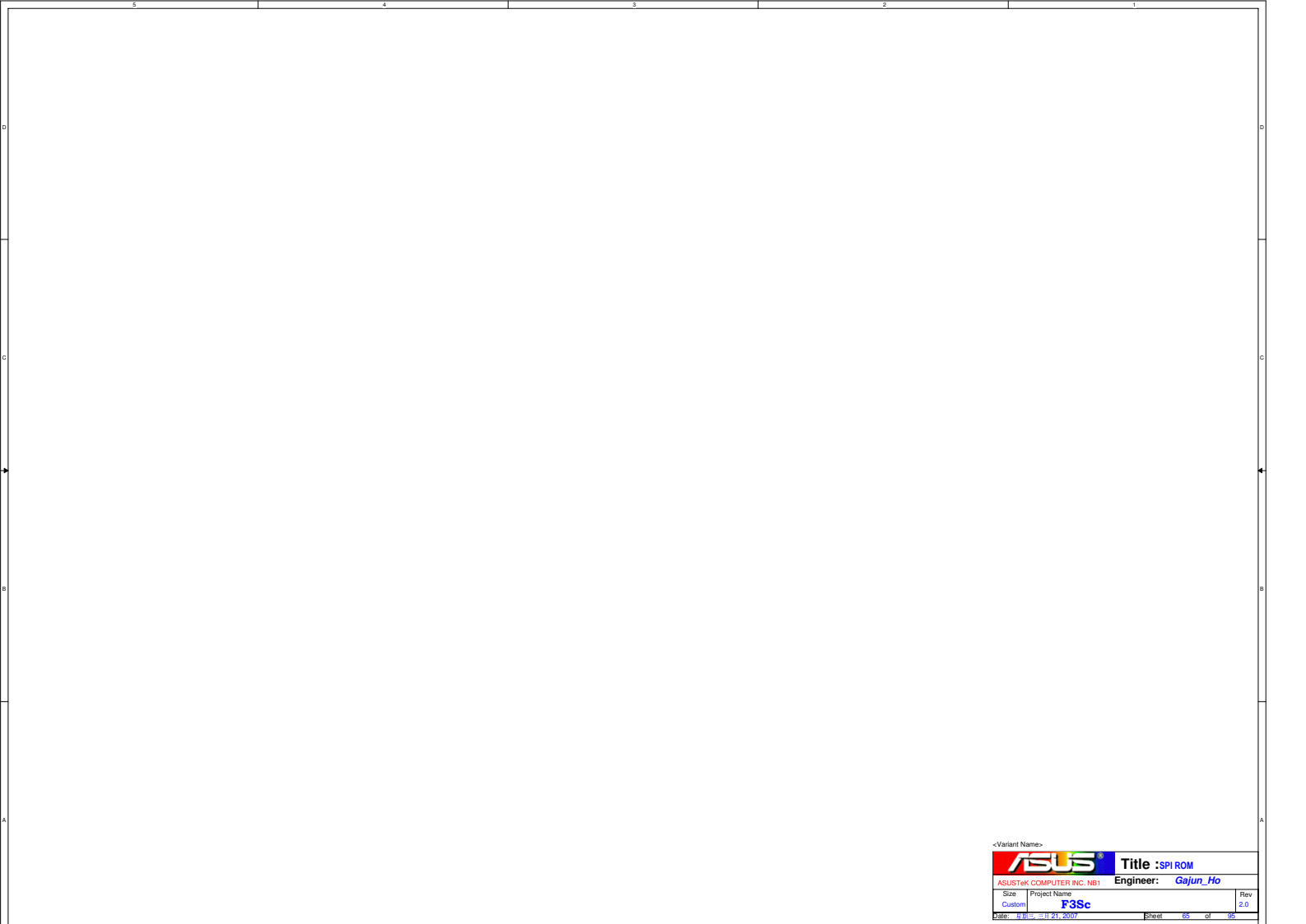
## 8M TSOP




<Variant Names>

<b>ASUS</b>		<b>Title :ISA ROM</b>
ASUSTeK COMPUTER INC. NB1		Engineer: <b>Gajun_Ho</b>
Size: Custom	Project Name: <b>F3Sc</b>	Rev: 2.0
Date: 11/21/2007	Sheet: 64	of 95



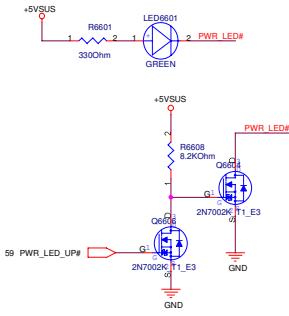


<Variant Name>

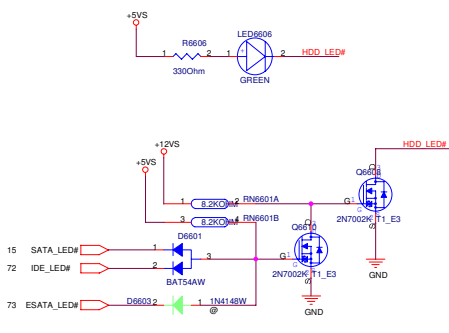
		<b>Title :SPI ROM</b>
ASUSTeK COMPUTER INC. NB1		<b>Engineer: Gajun_Ho</b>
Size Custom	Project Name <b>F3Sc</b>	Rev 2.0
Date: 2007.01.21		Sheet 65 of 95

# For LED

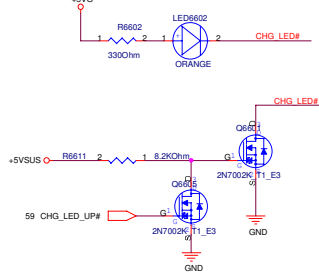
## For POWER LED



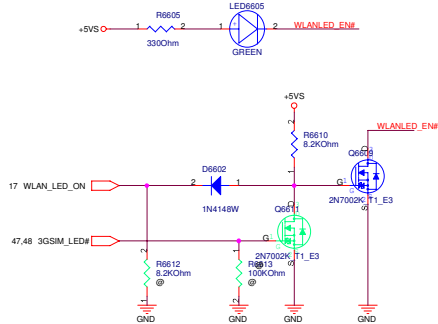
## For SATA/IDE LED



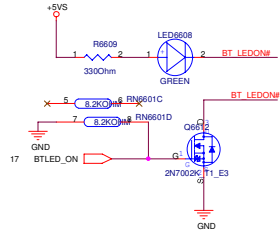
## For BATTERY LED



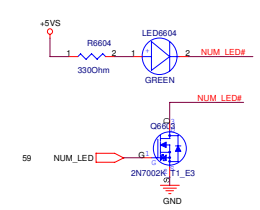
## For WireLess LED



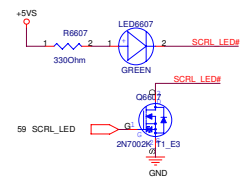
## For BT LED



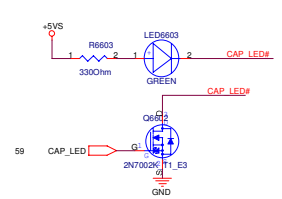
## for Num Lock



## for Scroll Lock

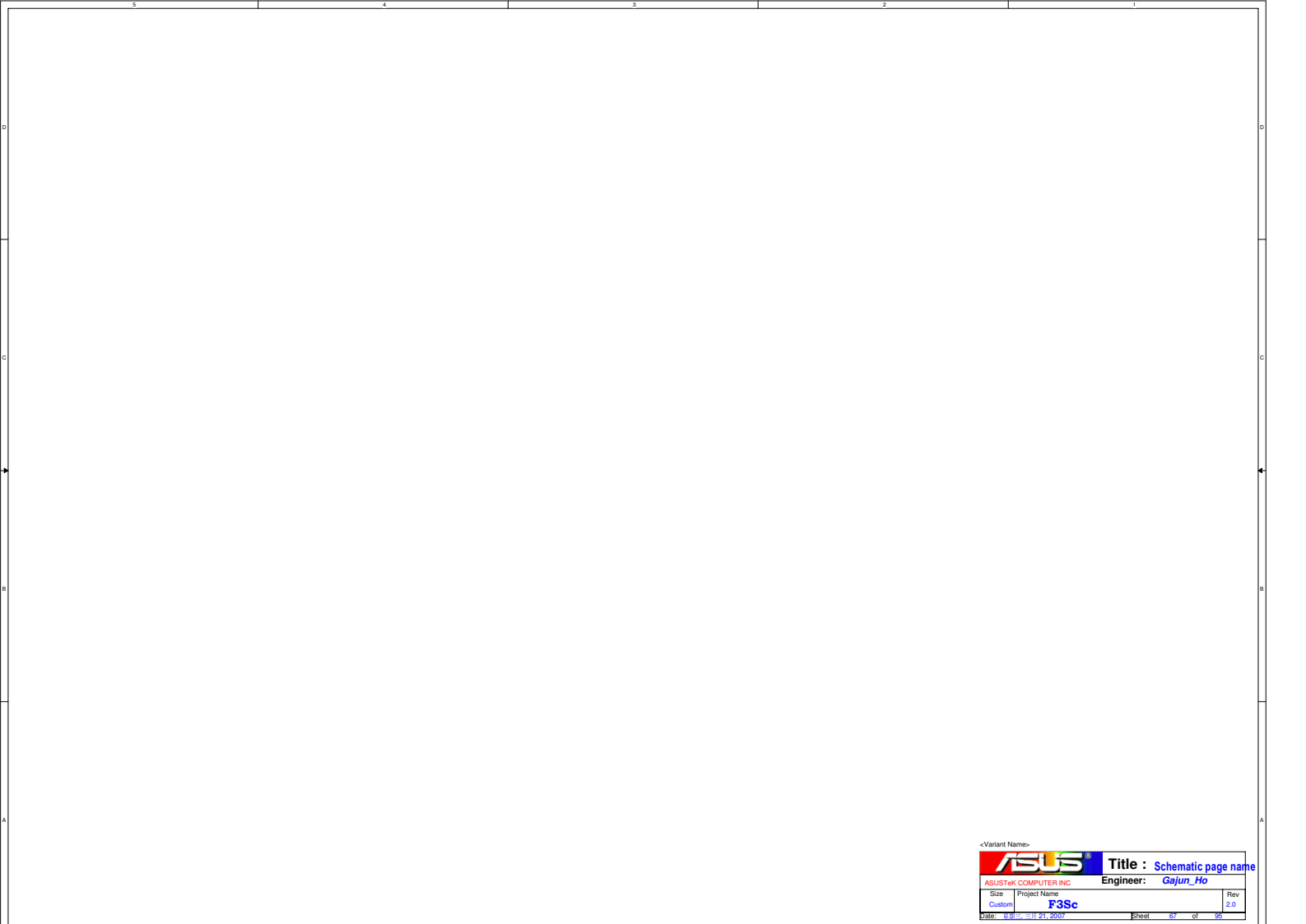


## for Cap. Lock




<Variant Name>

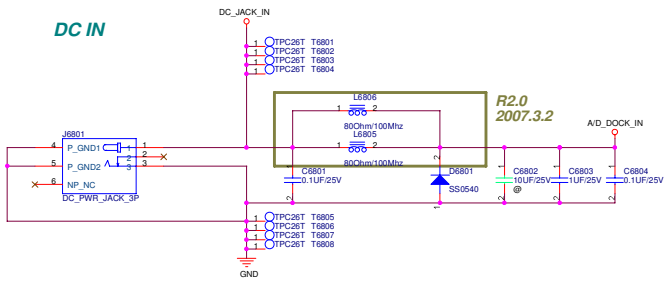
<b>ASUS</b>		<b>Title : LED</b>
ASUSTeK COMPUTER INC		Engineer: <i>Gajun_Ho</i>
Size Custom	Project Name <b>F3Sc</b>	Rev 2.0
Date: 2007.01.21	Sheet: 66	of 95



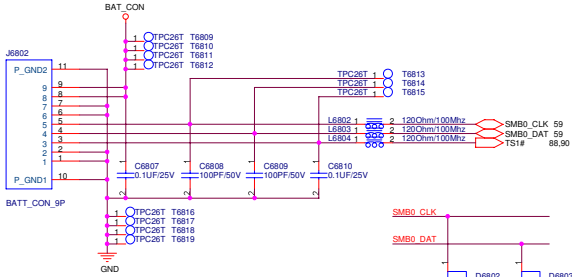
<Variant Name>

		<b>Title :</b> Schematic page name	
ASUSTeK COMPUTER INC		<b>Engineer:</b> Gajun_Ho	
Size	Project Name	Rev	
Custom	<b>F3Sc</b>	2.0	
Date: 2007.08.21		Sheet	67 of 95

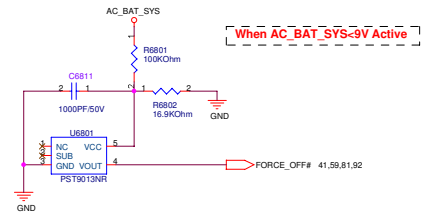
**DC IN**



**BAT IN**

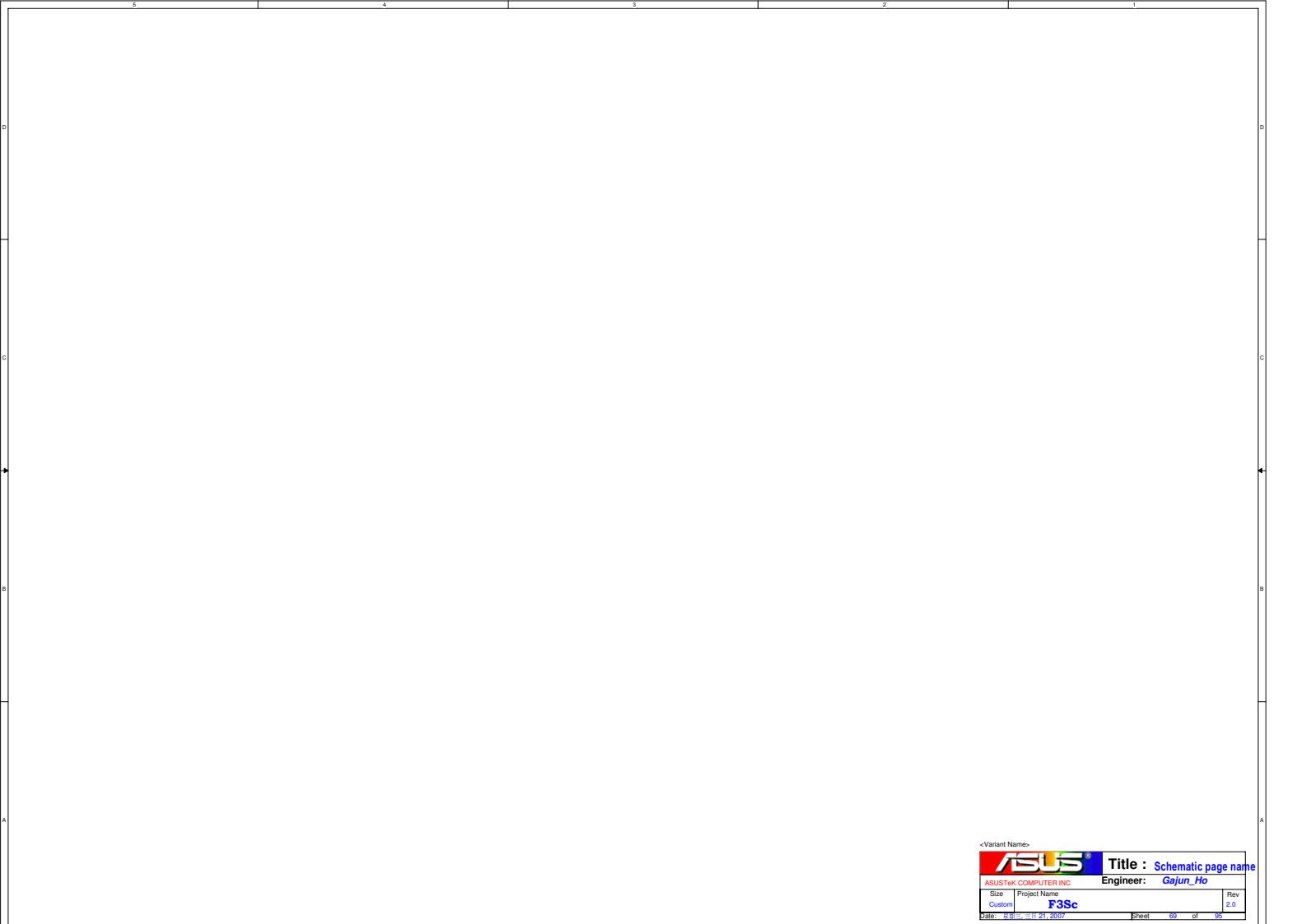


**Without Battery & Pull out Adapter**




<Variant Name>

<b>ASUS</b>		<b>Title : DC &amp; BAT IN</b>	
ASUSTeK COMPUTER INC. NB1		Engineer: <b>Gajun_Ho</b>	
Size	Project Name		Rev
Custom	<b>F3Sc</b>		2.0
Date: 2007.03.21		Sheet	69 of 95

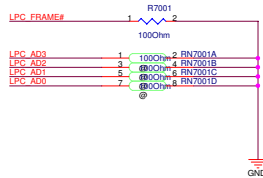
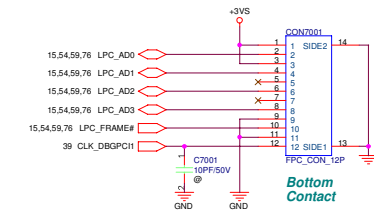


<Variant Name>

		<b>Title :</b> Schematic page name
ASUSTeK COMPUTER INC		<b>Engineer:</b> Gajun_Ho
Size Custom	Project Name <b>F3Sc</b>	Rev 2.0
Date: 2007.01.21		Sheet 69 of 95

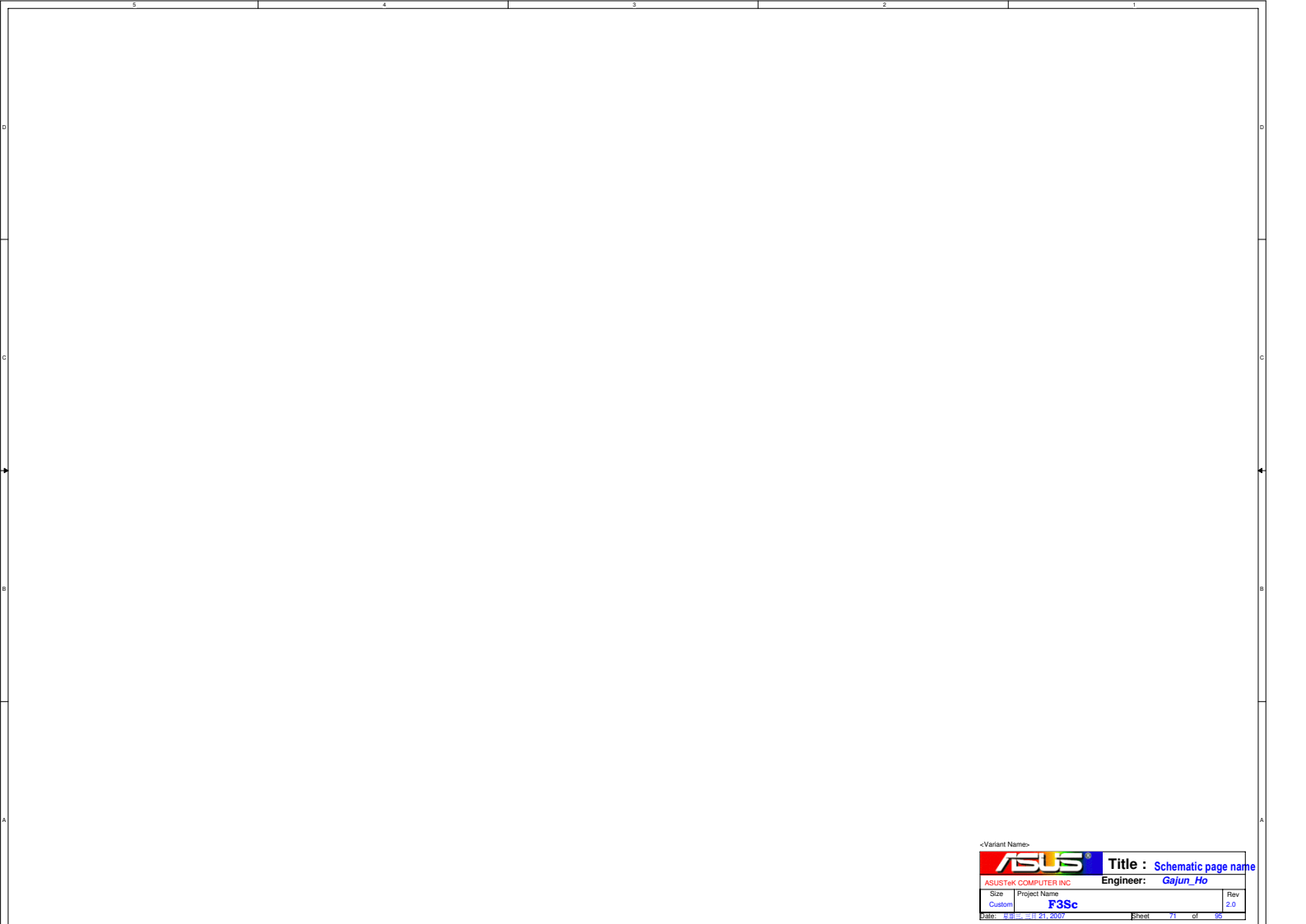
**For Debug**

**If support NewCard Debug Card,  
Pls don't mount all components.**




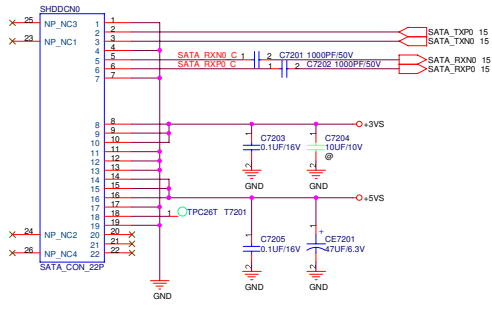
<Variant Name>

<b>ASUS</b>		<b>Title : Debug CONN.</b>
ASUSTeK COMPUTER INC.		Engineer: <i>Gajun_Ho</i>
Size	Project Name	Rev
Custom	<b>F3Sc</b>	2.0
Date: 2007.01.21	Sheet: 70	of 95



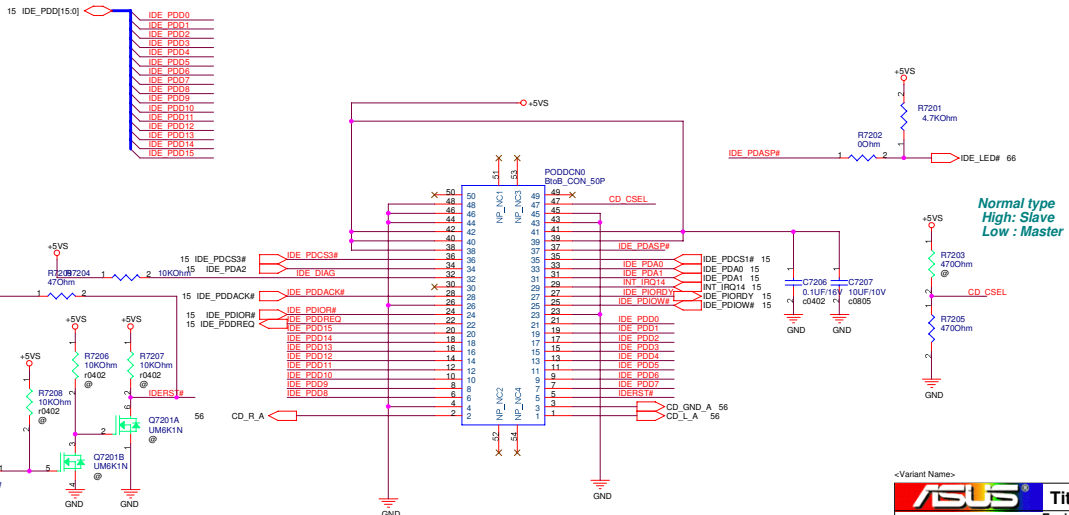
<Variant Name>

		<b>Title :</b> Schematic page name
ASUSTeK COMPUTER INC		<b>Engineer:</b> Gajun_Ho
Size Custom	Project Name <b>F3Sc</b>	Rev 2.0
Date: 2007.08.21		Sheet 71 of 95



# SATA HDD

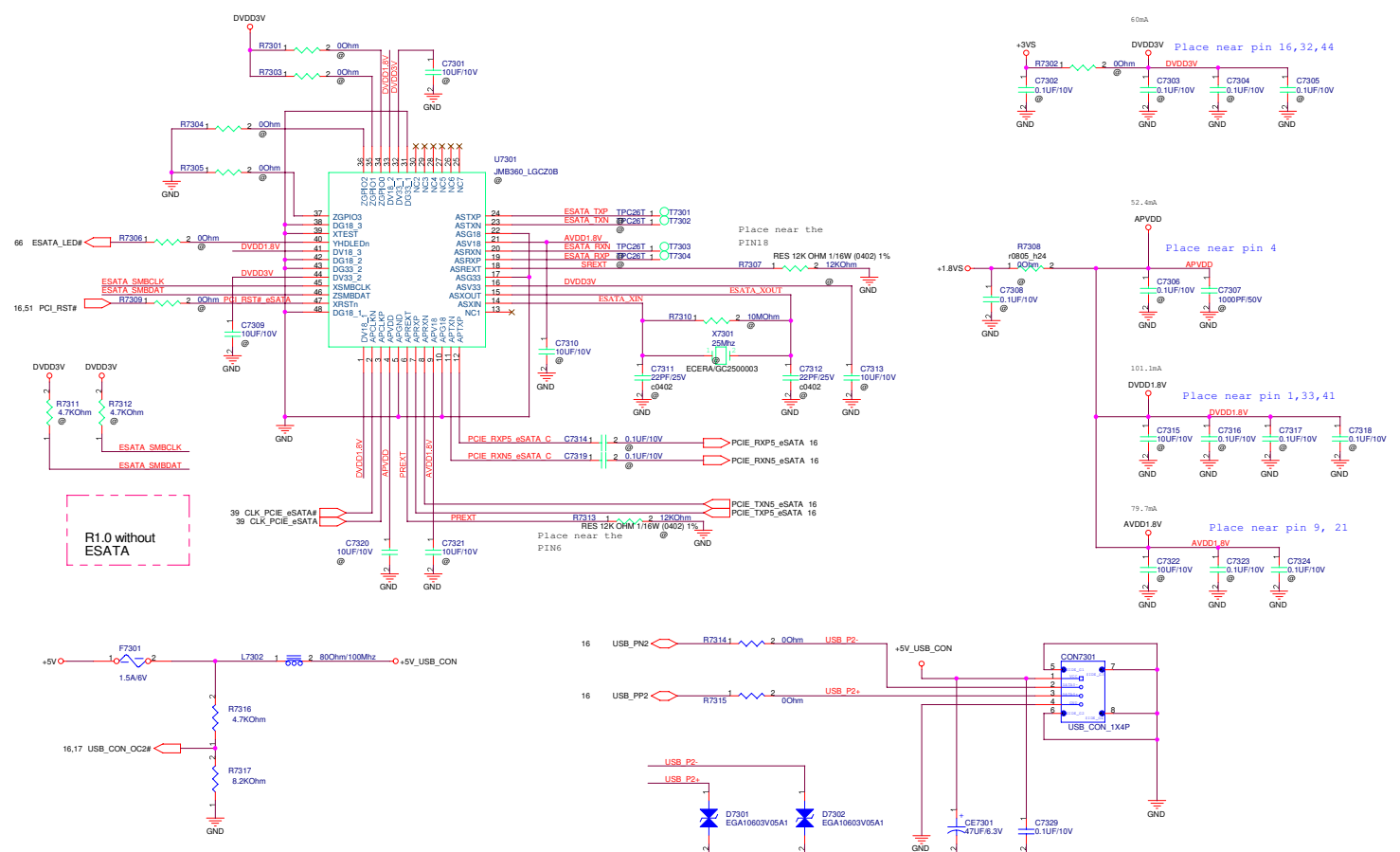
## ODD



<Variant Name>

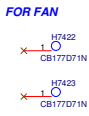
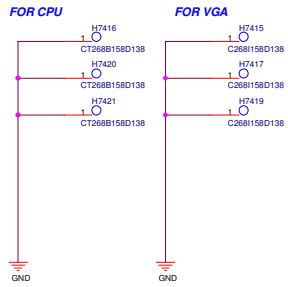
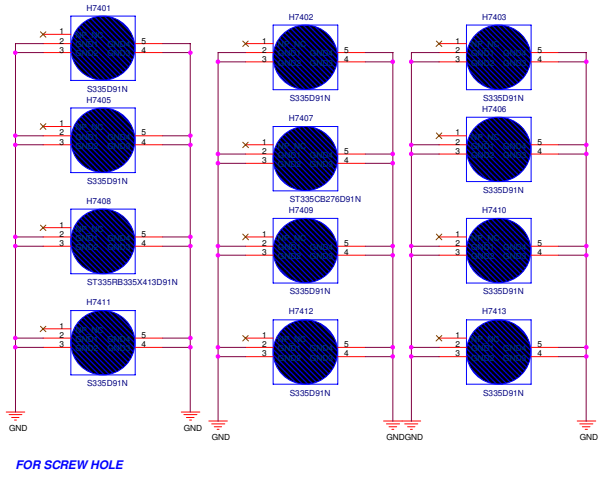
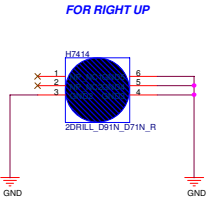
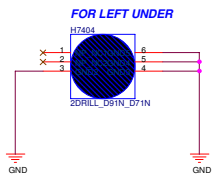
**ASUS** Title : SATA-HDD & ODD  
 ASUSTeK COMPUTER INC. NB1 Engineer: Gajun\_Ho  
 Size Project Name Rev  
 Custom F3Sc 2.0  
 Date: 11/21/2007 Sheet 72 of 95





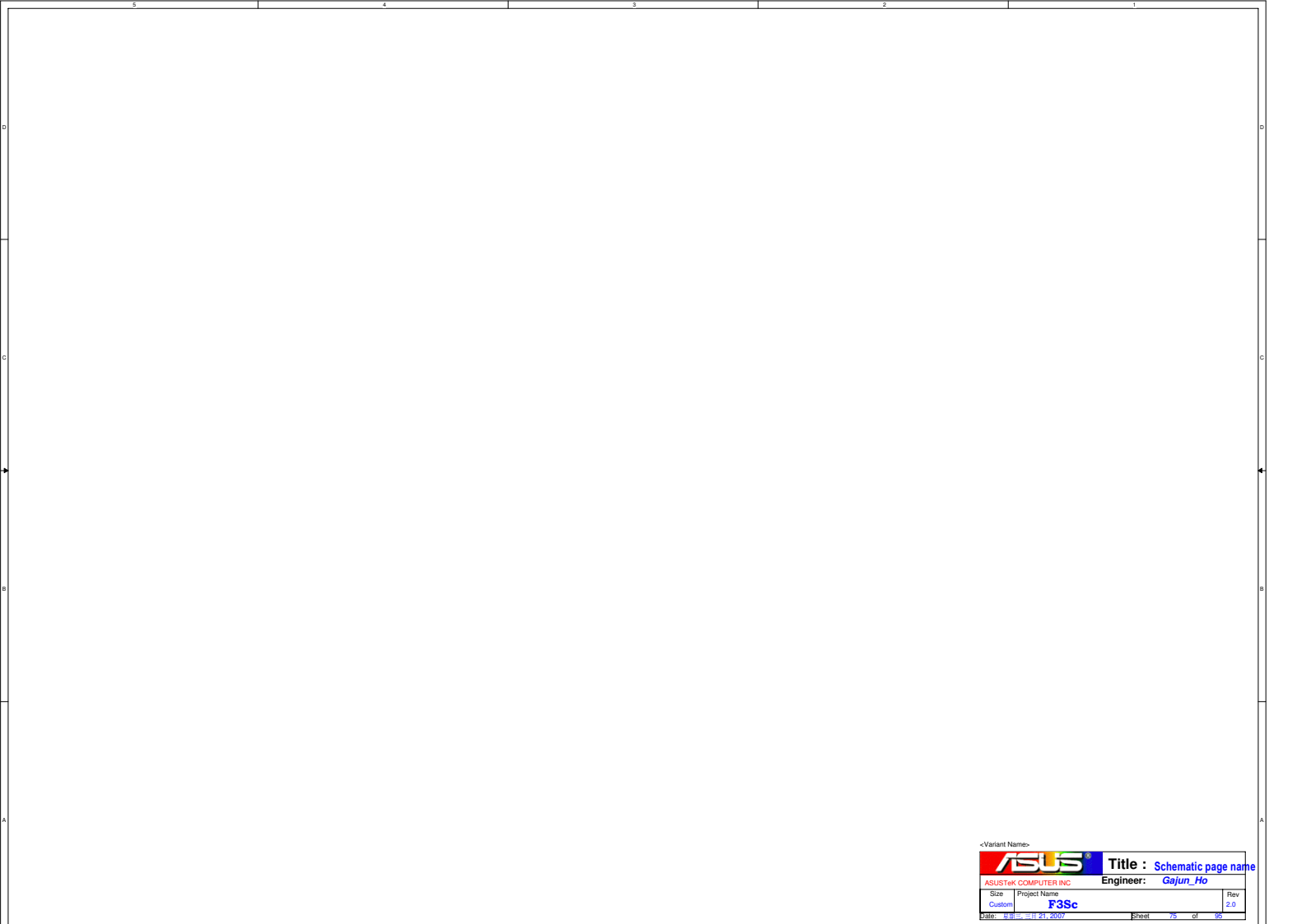
<Variant Name>

**ASUS** Title : eSATA & USB  
 ASUSTeK COMPUTER INC. NB1 Engineer: Gajun\_Ho  
 Size: Custom Project Name: F3Sc Rev: 2.0  
 Date: 11/11/2007 Sheet: 79 of 95




<Variant Name>

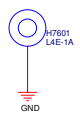
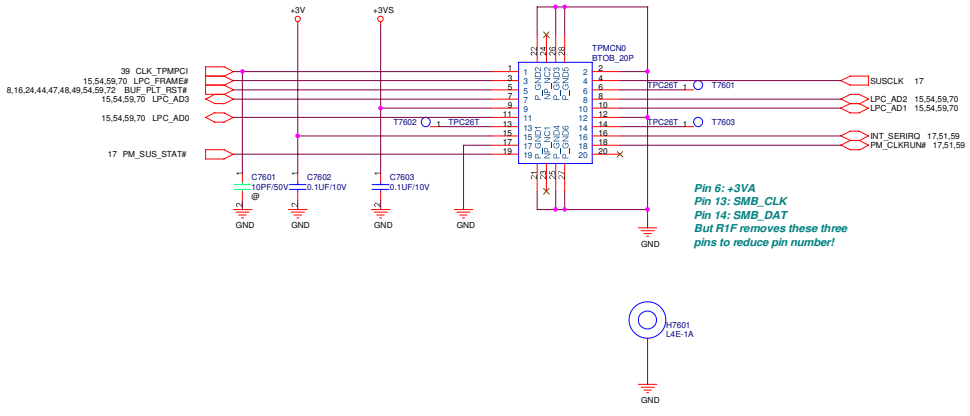
<b>ASUS</b>		<b>Title : SREW HOLE</b>
ASUSTeK COMPUTER INC.		Engineer: <i>Gajun_Ho</i>
Size Custom	Project Name <b>F3Sc</b>	Rev 2.0
Date: 2007.01.21.2007	Sheet 74	of 95



<Variant Name>

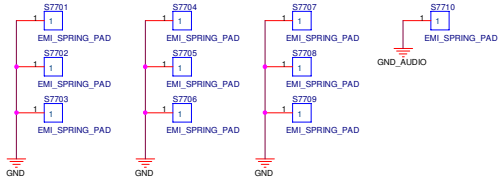
		<b>Title :</b> Schematic page name	
ASUSTeK COMPUTER INC		<b>Engineer:</b> Gajun_Ho	
Size	Project Name	Rev	
Custom	<b>F3Sc</b>	2.0	
Date: 2007.08.21		Sheet	78 of 95

For TPM Module



<Variant Name>

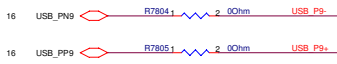
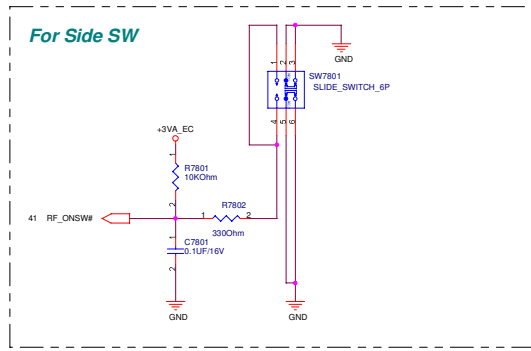
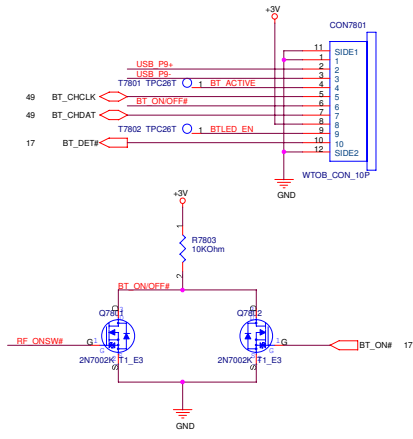
<b>ASUS</b>		<b>Title : TPM</b>
ASUSTeK COMPUTER INC.		Engineer: <b>Gajun_Ho</b>
Size: Custom	Project Name: <b>F3Sc</b>	Rev: 2.0
Date: 2007.01.21	Sheet: 76	of 95



<Variant Name>

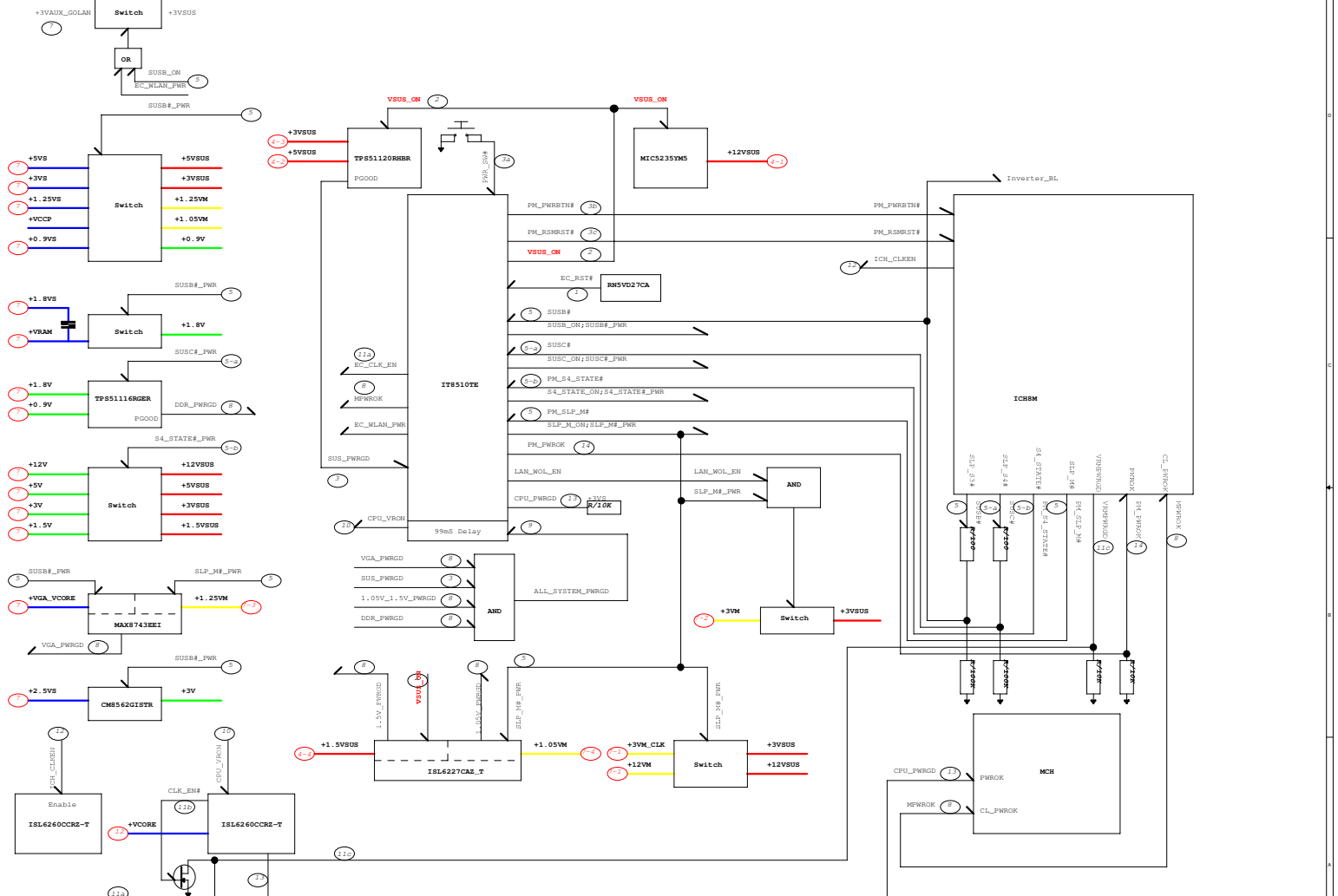
		<b>Title :</b> SPRING_PAD
ASUSTeK COMPUTER INC.		<b>Engineer:</b> Gajun_Ho
Size Custom	Project Name <b>F3Sc</b>	Rev 2.0
Date: 2007.01.21	Sheet: 77	of 95

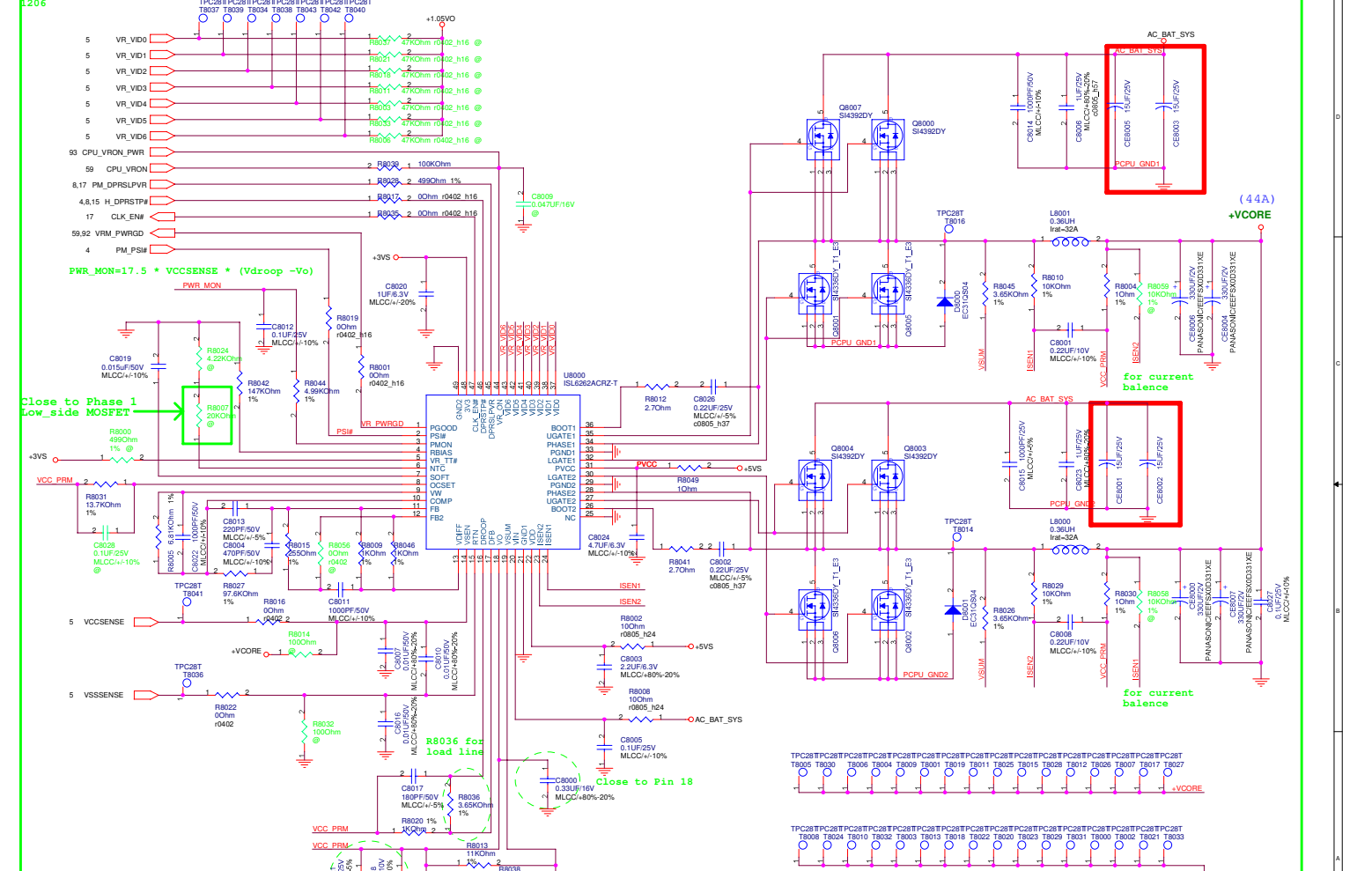
**For Bluetooth**



<Variant Name>

<b>ASUS</b>		<b>Title : Blue Tooth</b>	
ASUSTeK COMPUTER INC.		Engineer: <u>Gajun_Ho</u>	
Size	Project Name		Rev
Custom	<b>F3Sc</b>		2.0
Date: 2007.01.21		Sheet	78 of 95





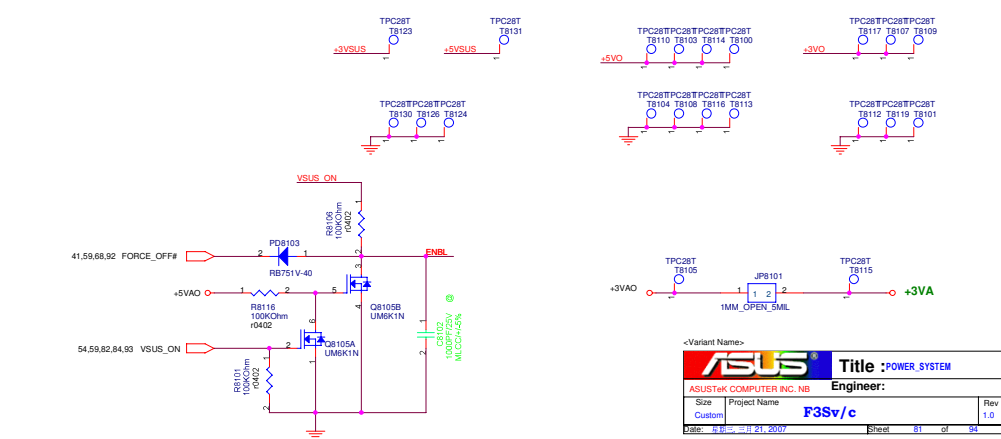
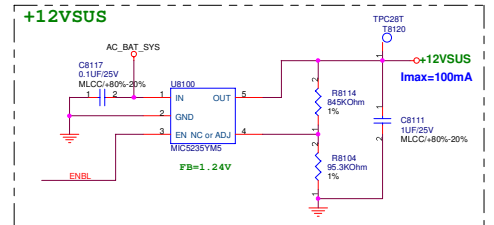
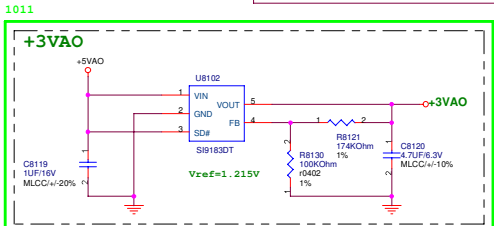
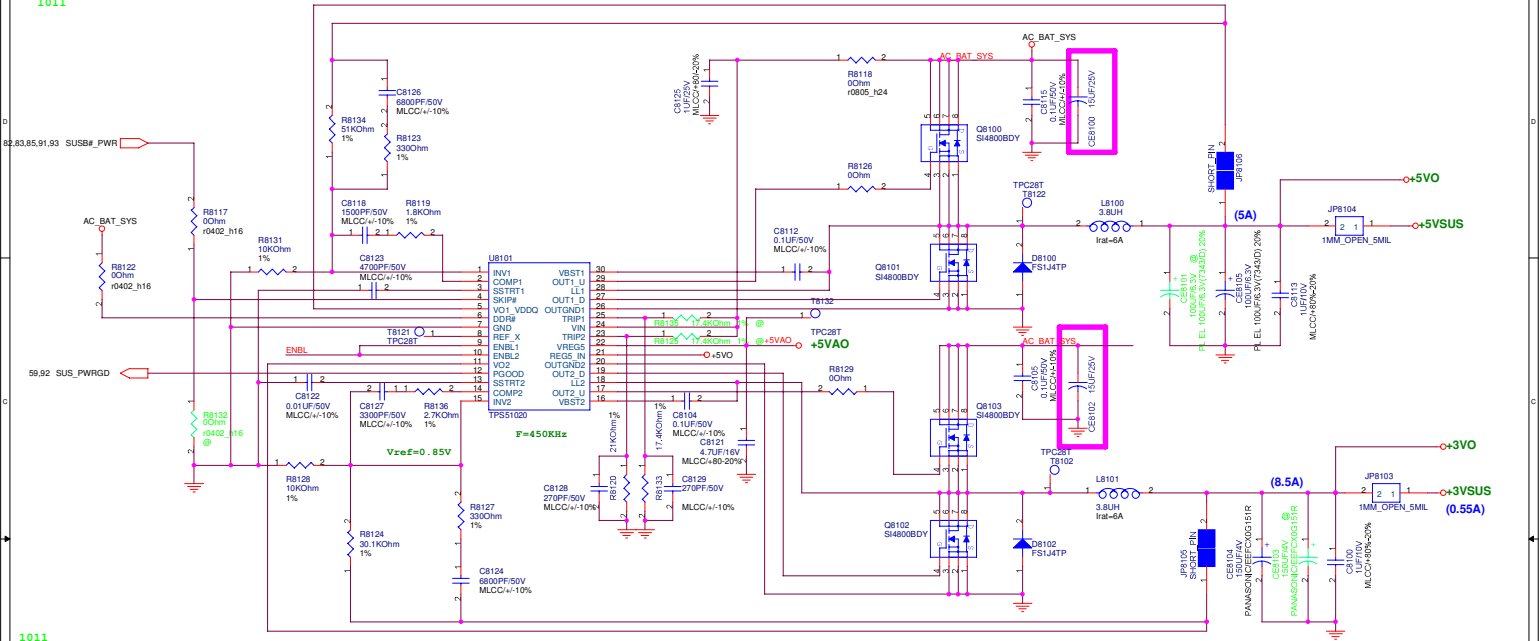
ASUS Title : POWER\_VCORE

ASUSTeK COMPUTER INC. NB Engineer: Amos\_Yu

Size	Project Name	Rev
Custom	ROSA	1.0

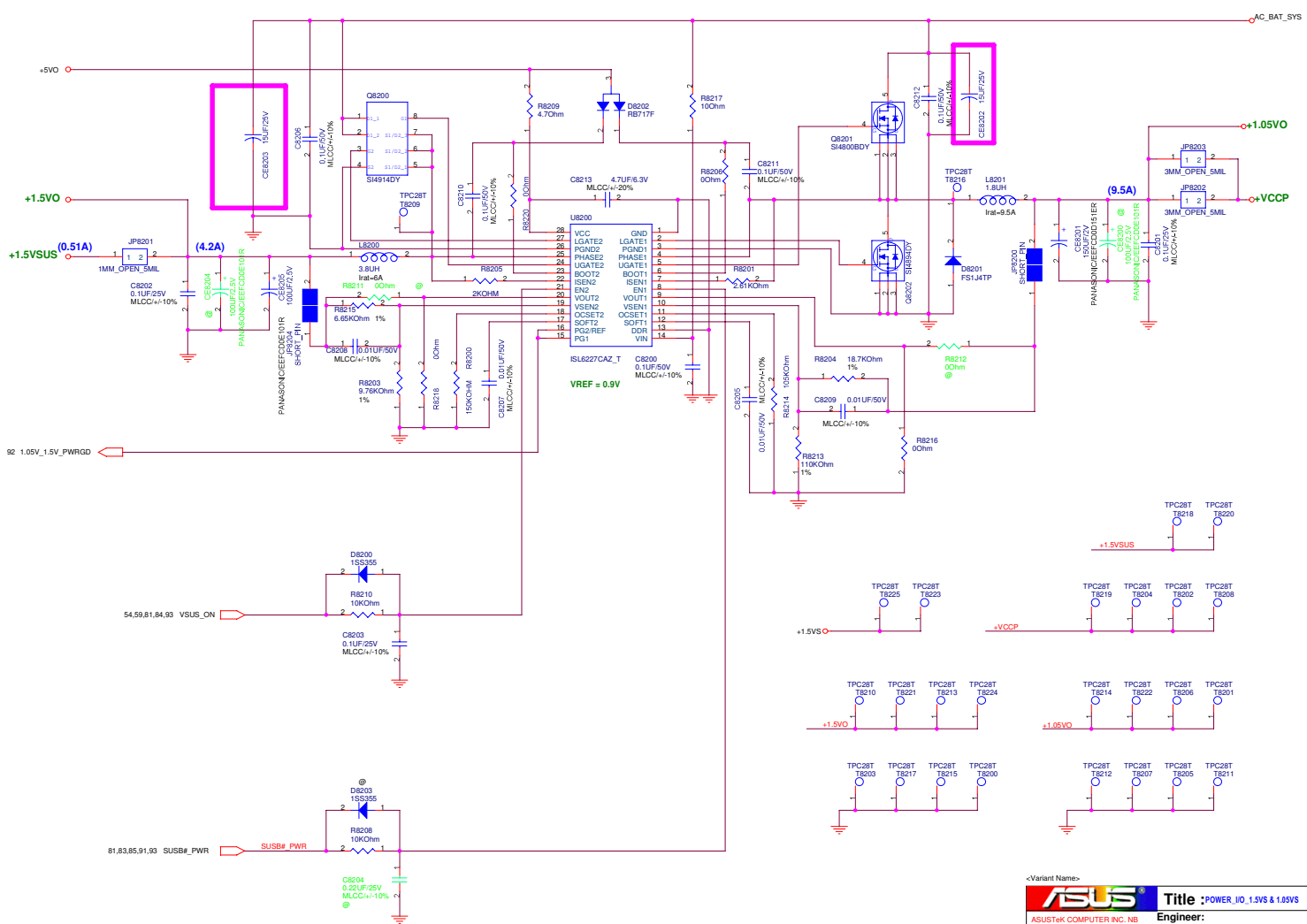
Date: 2007.01.21.2007 Sheet: 80 of 94





<Variant Name>

<b>ASUS</b>		<b>Title :POWER_SYSTEM</b>	
ASUSTeK COMPUTER INC. NB		Engineer:	
Size	Project Name	F3Sv/c	
Custom		Rev 1.0	
Date: 2007.01.21.2007	Sheet	BT	of 94

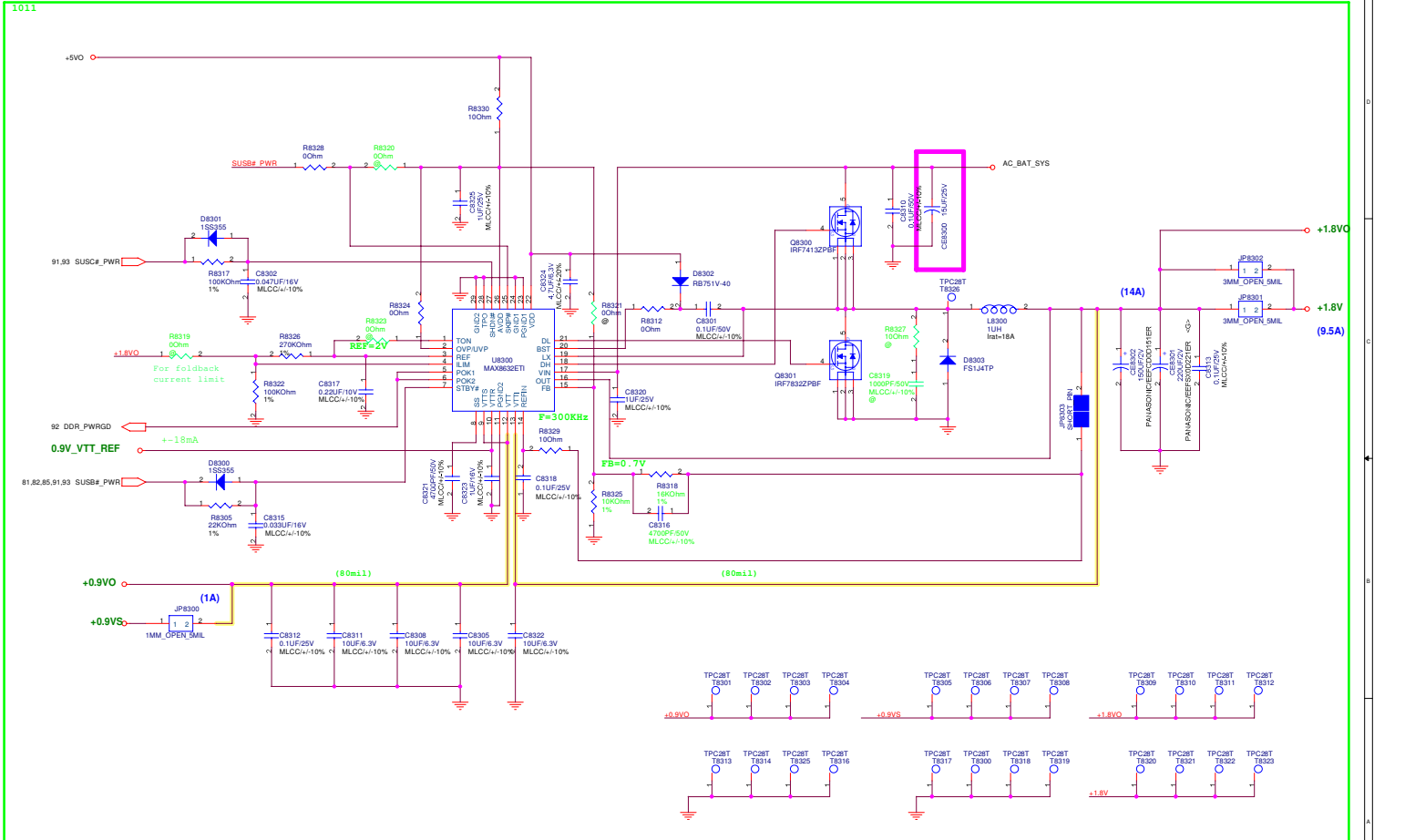


<Variant Name>

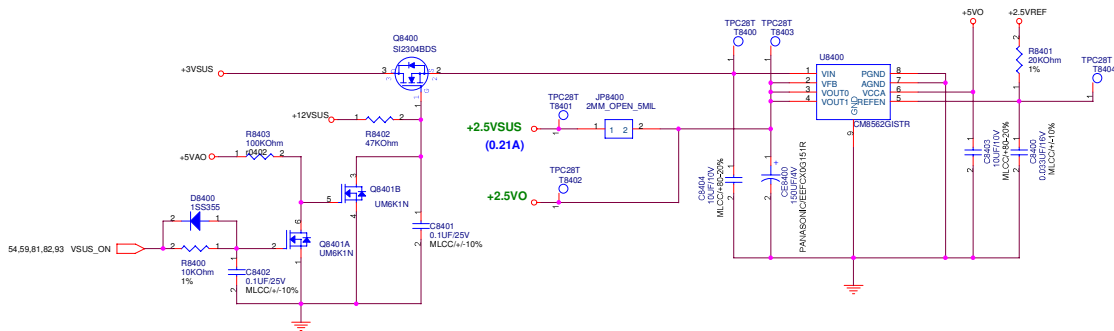
**ASUS** Title :POWER\_I/O\_1.5VS & 1.05VS

ASUSTeK COMPUTER INC. NB Engineer:

Size	Project Name	Rev
Custom	F3Sv/c	1.0
Date: 2007.01.21	Sheet	82 of 94

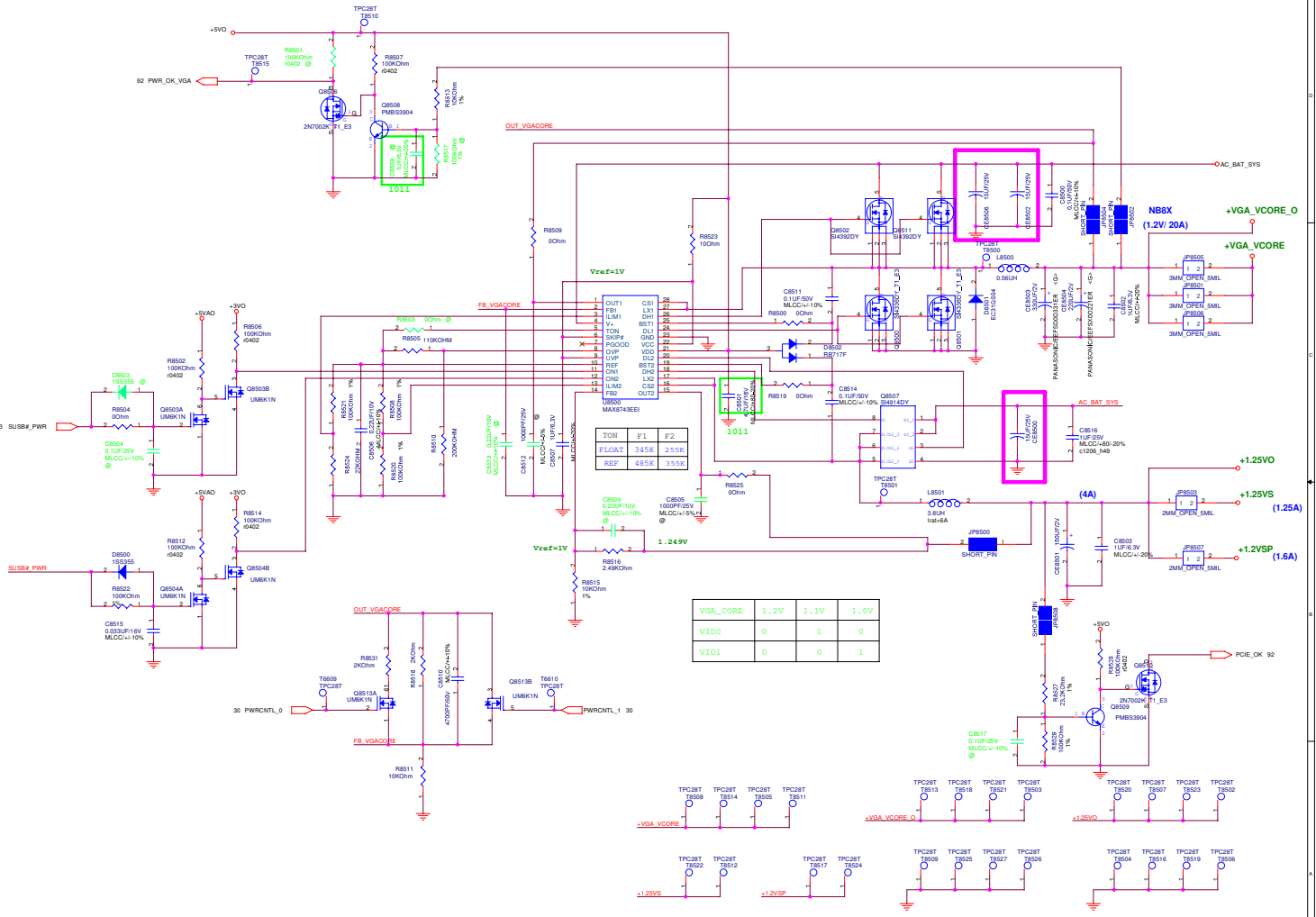


**+2.5VS**




<Variant Name>

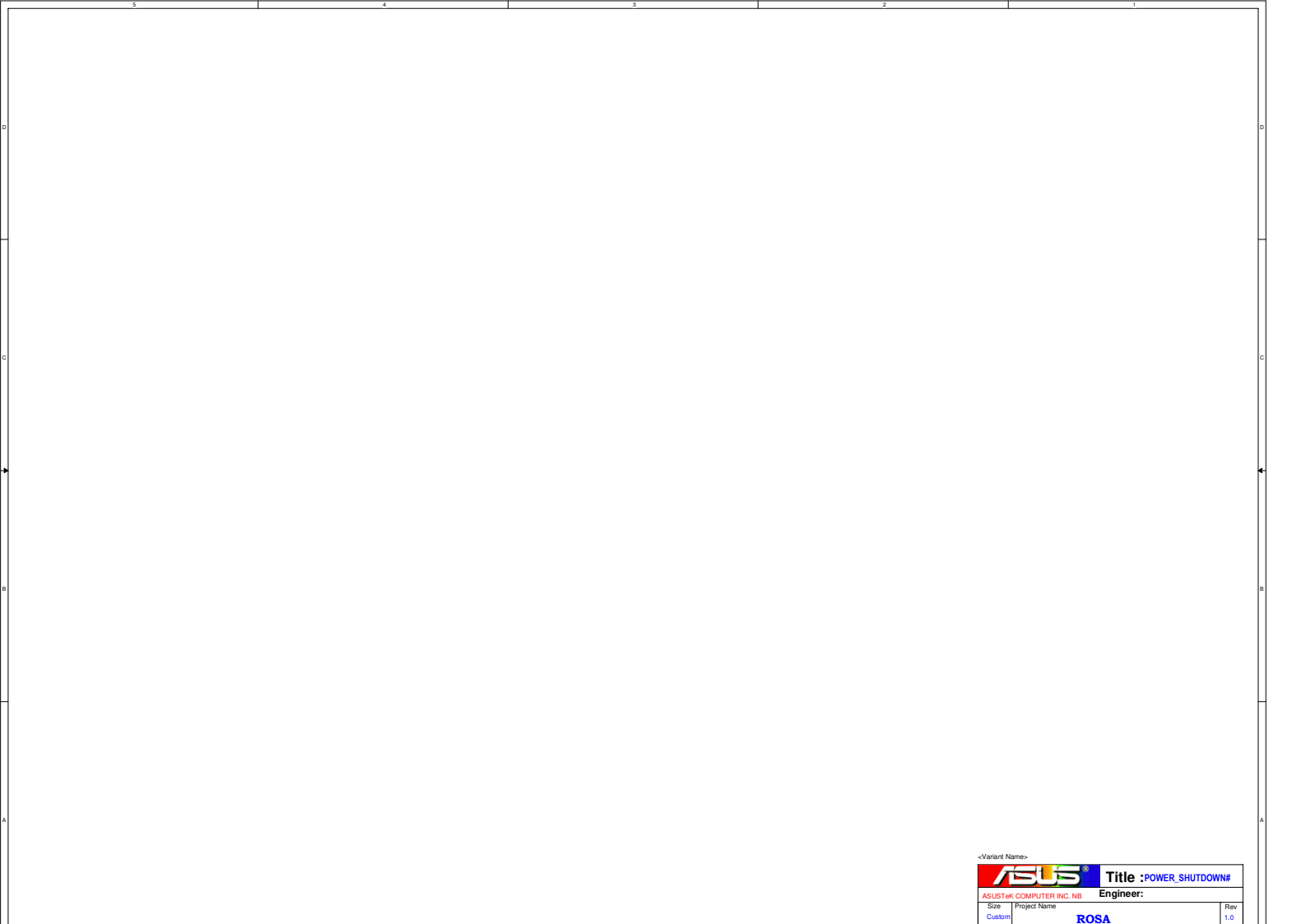
<b>ASUS</b>		<b>Title :POWER_IO_+2.5VS</b>	
ASUSTeK COMPUTER INC. NB		Engineer:	
Size	Project Name		Rev
Custom	<b>F3Sv/c</b>		1.0
Date: 2007.01.21		Sheet 84	of 94






<Variant Name>

		Title : <b>N/A</b>	
ASUSTeK COMPUTER INC. NB		Engineer:	
Size	Project Name		Rev
B		<b>ROSA</b>	1.0
Date:	# 01 - - - # 21, 2007	Sheet	86 of 94



-Variant Name-

		<b>Title :POWER_SHUTDOWN#</b>	
ASUSTek COMPUTER INC. NB		<b>Engineer:</b>	
Size	Project Name		Rev
Custom		<b>ROSA</b>	1.0
Date:	09/21/2007	Sheet	87 of 84

POWER PATH & BAT\_LEARN

● AC\_IN Threshold 2.048Vmax AD\_DOCK\_IN > 17.44V active

1011

AS5287 (max327) = 0x05VResense/ADMP1[VCTLSVREF] Resense/ADMP1/1000m  
 VCTLS=2.534V  
 => 1000m\*2.534  
 => Constant Power = 13.45 = 85.5W  
 => 85.5W/200V=0.4275A

Charge Current Ichg = 10.75V/Resense/CHG[VCTLS3.6V] Resense/CHG/1000m  
 VCTLS=3.6V  
 => Ichg = 2.5A  
 VCTLS=3.68V => Ichg = 1.4A

Vbat = Cell 1 [Vbat-(VCTL-1.5V)/9.52]  
 VCTL = 3.58V  
 => Vbat = 4.2V

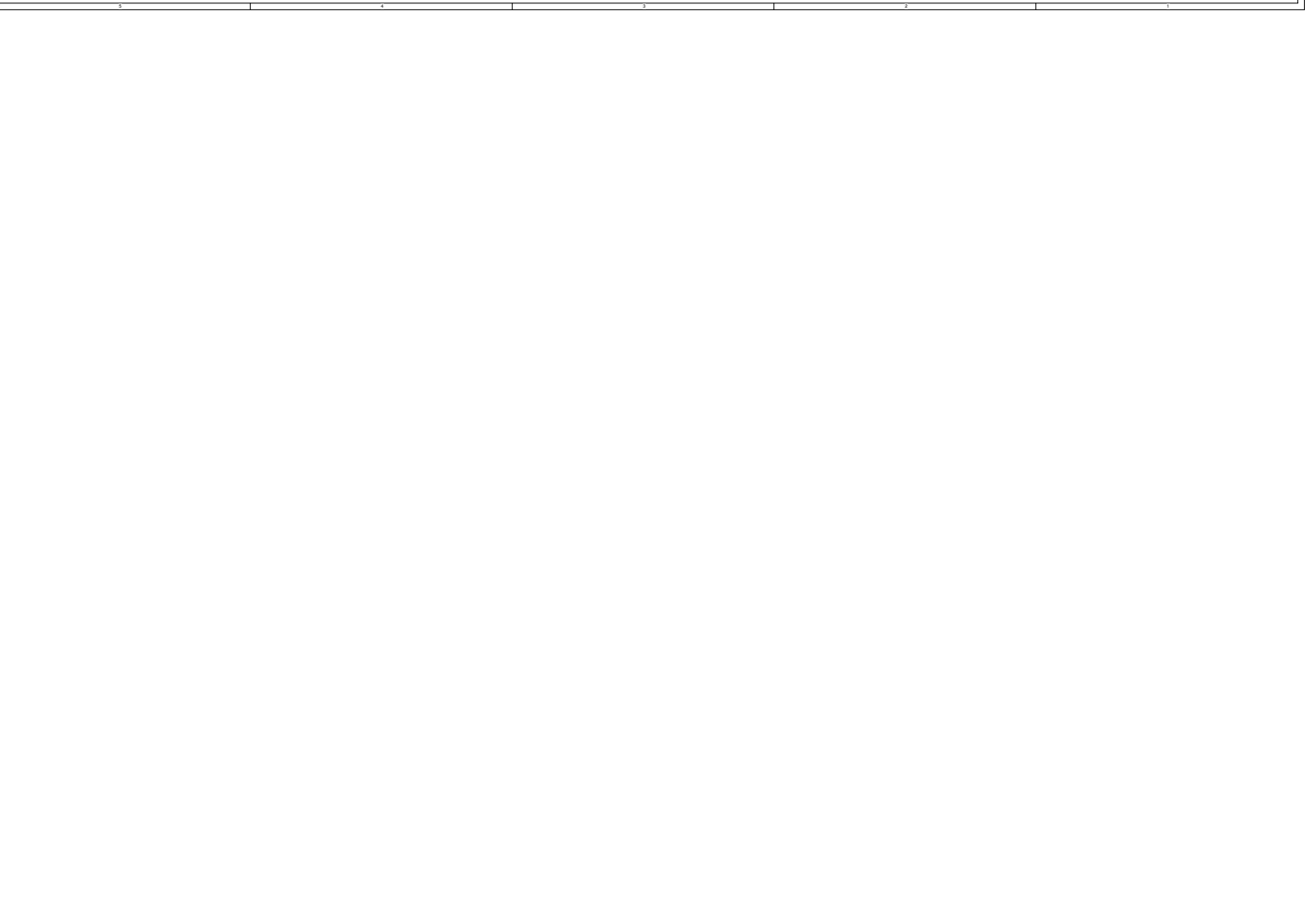
Mode pin: Vmode > 2.8V (pin to LDO pin) => 4 Cells  
 2.0 < Vmode < 1.8V (Booting) => 3 Cells  
 0.8 < Vmode (pin to DCIN) => Learning mode

VCTL=0.8V or DCIN = 7V => Charger Disable

Precharge current=150mA

45: Mount R8808 only  
 35/45: Unmount all components  
 35/45: Unmount R8808, and mount others

ASUS		Title: POWER CHARGER
ASUSTEK COMPUTERS INC. NE		Engineer:
Srs	Project Name	Rev
C	F35v/c	1.0
Doc. No.:	11031-0007	EScan 88 of 84



1221

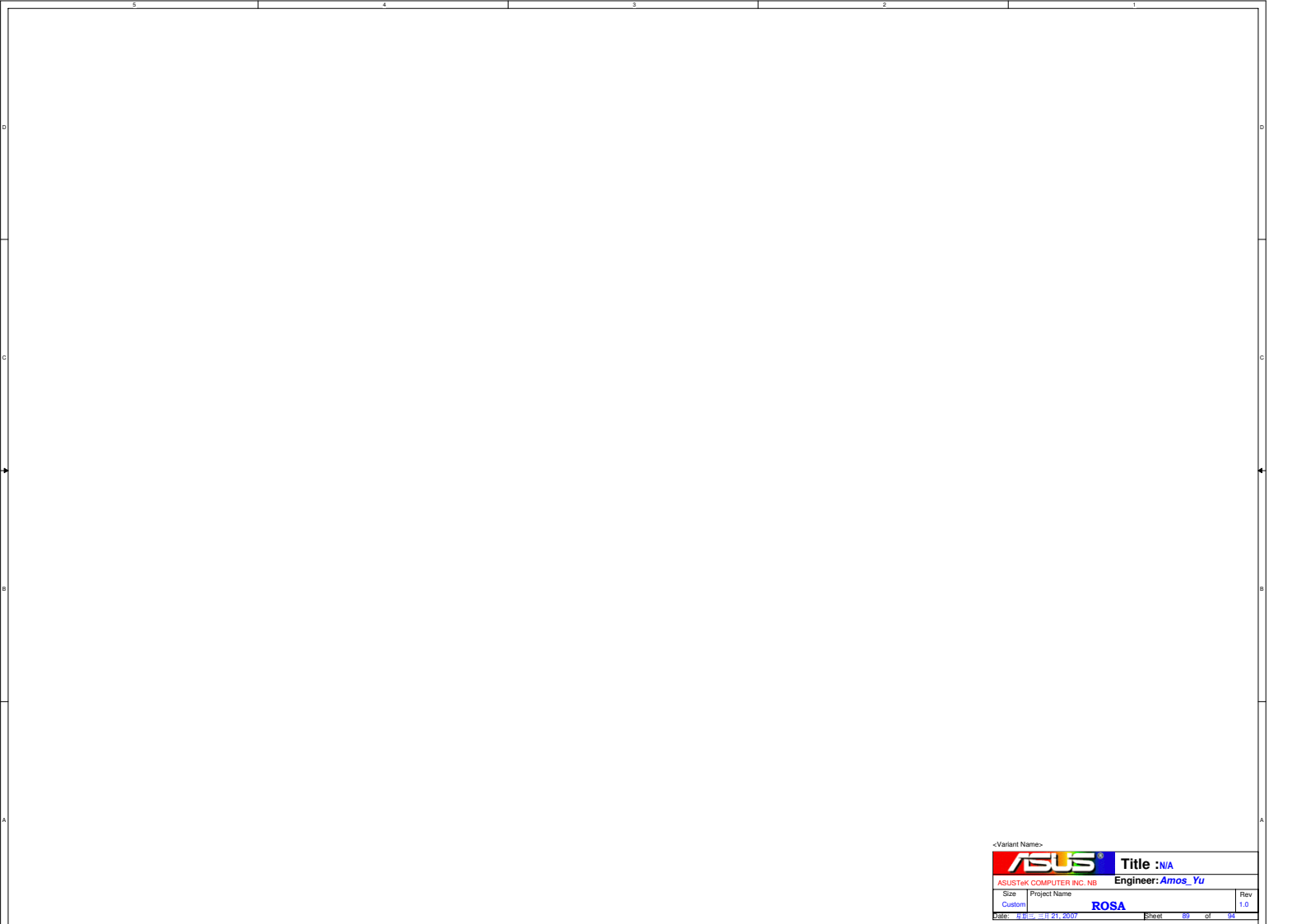
AC\_BAT\_SYS - JP8805 SHORT PIN 2 - AC\_BAT\_SYS\_INV

AC\_BAT\_SYS\_INV to inverter connect,  
 Power trace = 80mil(1mm),  
 Put JP8805 close to Q8800


1221

45: Mount R8808 only  
 35/45: Unmount all components  
 35/45: Unmount R8808, and mount others

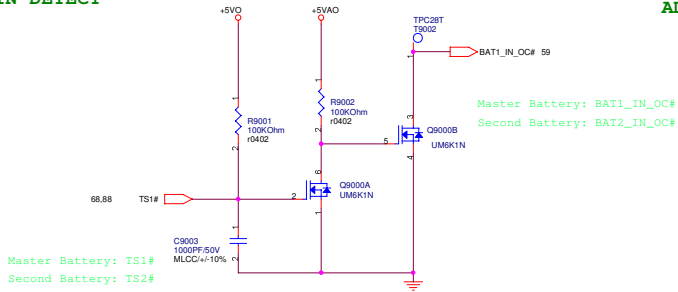




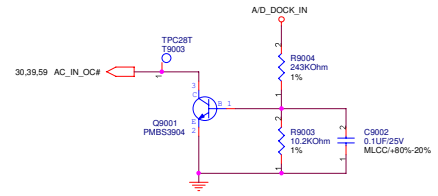
<Variant Name>

		<b>Title :N/A</b>
ASUSTeK COMPUTER INC. NB		Engineer: <u>Amos_Yu</u>
Size	Project Name	Rev
Custom	<b>ROSA</b>	1.0
Date: 2007-08-21	Sheet	89 of 94

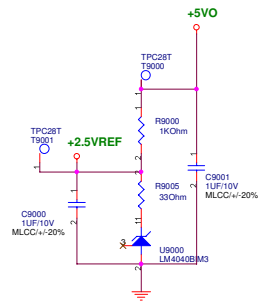
### BATTERY IN DETECT



### ADAPTER IN DETECT

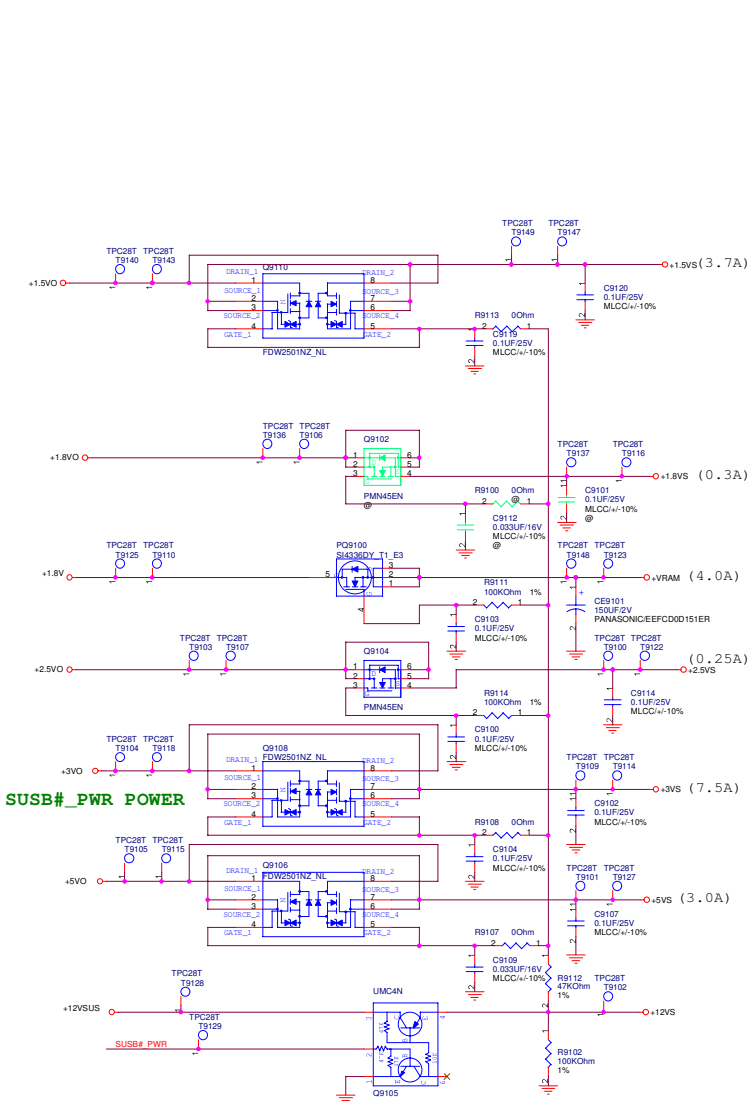


### +2.5VREF

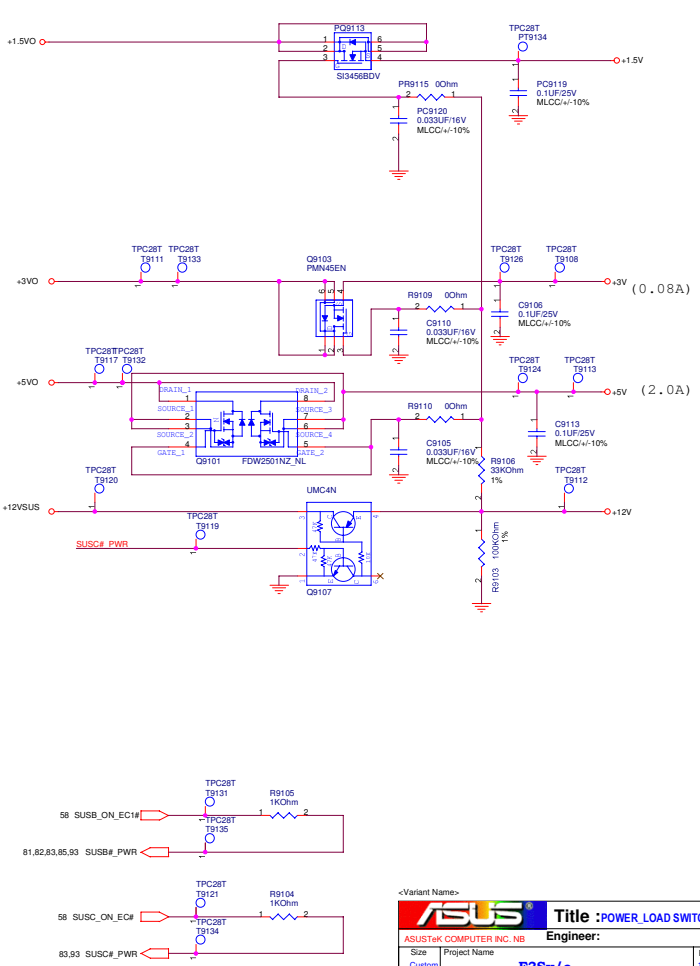


<Variant Name>

<b>ASUS</b>		<b>Title :POWER_DETECT</b>	
ASUSTeK COMPUTER INC. NB		Engineer:	
Size	Project Name		Rev
Custom	<b>F3Sv/c</b>		1.0
Date: 2007.01.21.2007		Sheet	90 of 94



**SUSC#\_PWR POWER**



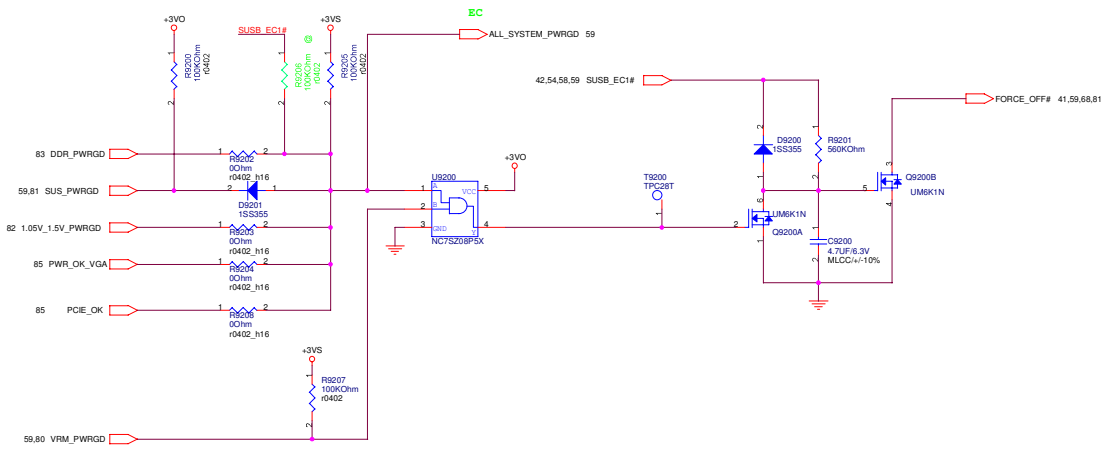
<Variant Name>

**ASUS** Title :POWER\_LOAD\_SWITCH

ASUSTeK COMPUTER INC. NB Engineer:

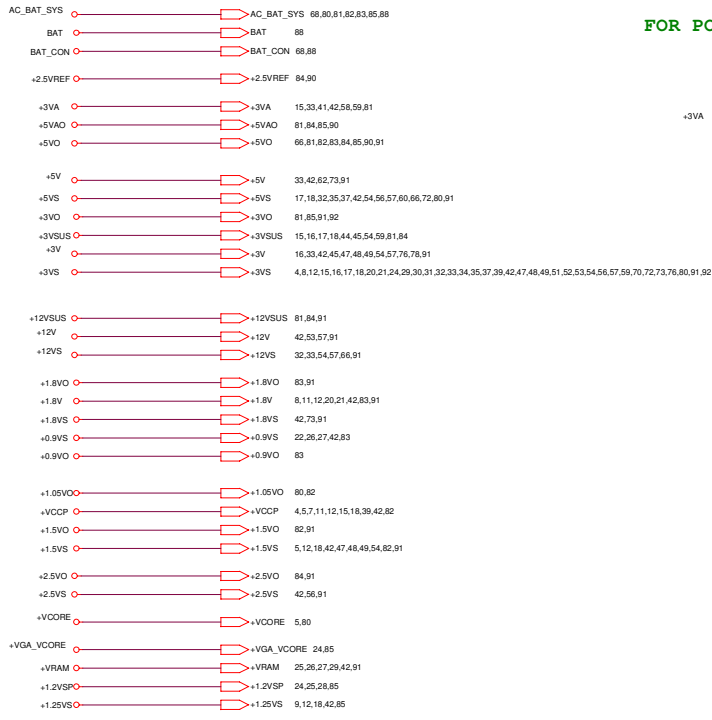
Size	Project Name	Rev
Custom		1.0
Date: 11/21/2007	F3Sv/c	Sheet 81 of 94

**POWER GOOD DETECTOR**

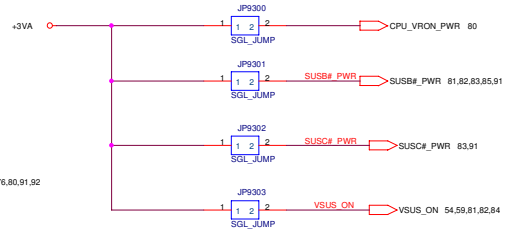


<Variant Name>

<b>ASUS</b>		<b>Title :POWER_PROTECT</b>	
ASUSTeK COMPUTER INC. NB		Engineer:	
Size	Project Name		Rev
Custom	<b>F3Sv/c</b>		1.0
Date: 2007.01.21.2007	Sheet	69	of 94

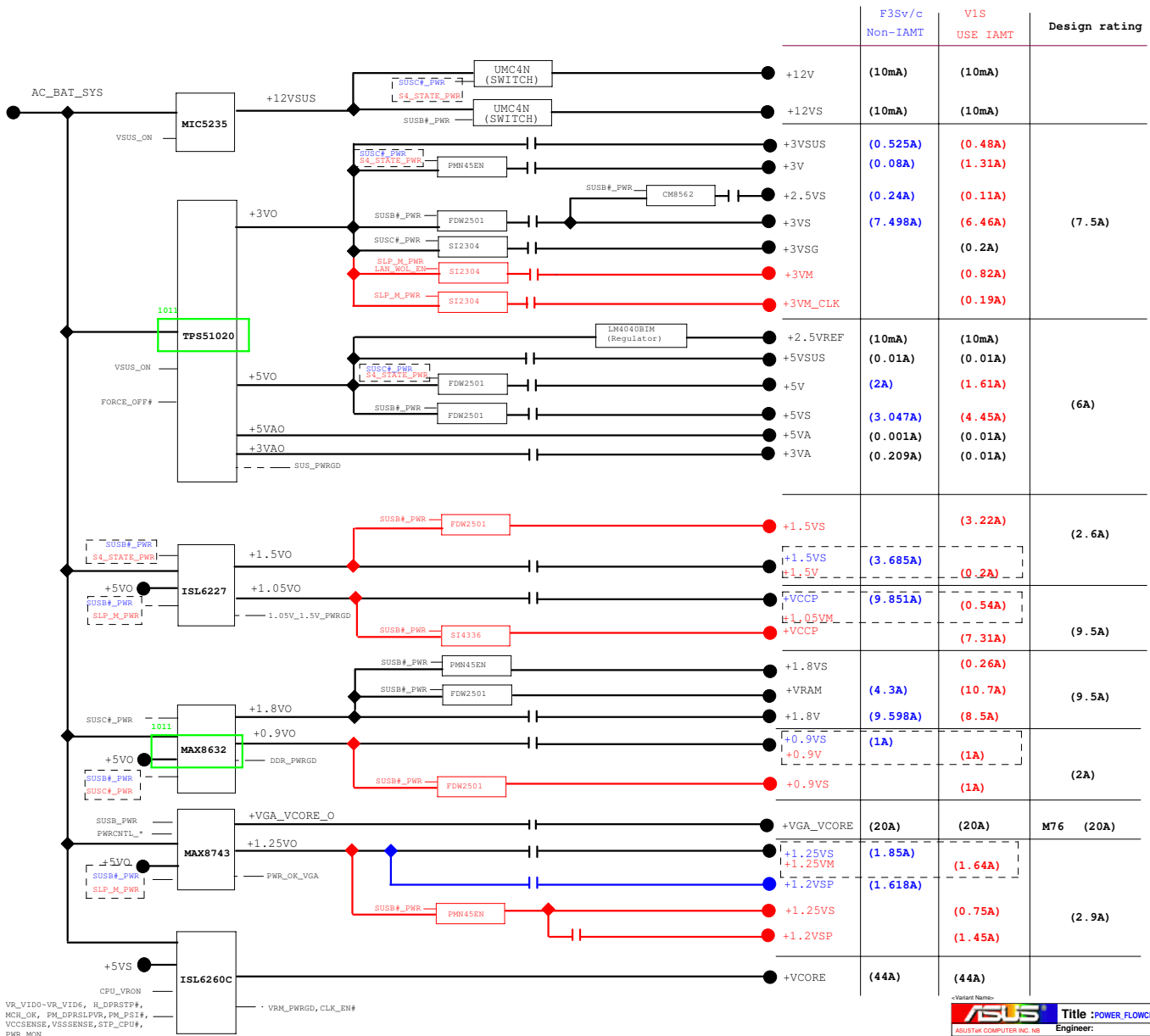


**FOR POWER TEST**



<Variant Name>

<b>ASUS</b>		<b>Title :POWER SIGNAL</b>	
ASUSTeK COMPUTER INC. NB		Engineer:	
Size	Project Name		Rev
Custom	<b>F3Sv/c</b>		1.0
Date: 2007.01.21		Sheet	89 of 94



	F3Sv/c Non-IAMT	V1S USE IAMT	Design rating
+12V	(10mA)	(10mA)	
+12VS	(10mA)	(10mA)	
+3VSUS	(0.525A)	(0.48A)	(7.5A)
+3V	(0.08A)	(1.31A)	
+2.5VS	(0.24A)	(0.11A)	
+3VSG	(7.498A)	(6.46A)	
+3V		(0.2A)	
+3VM		(0.82A)	(0.19A)
+3VM_CLK			
+2.5VREF	(10mA)	(10mA)	(6A)
+5VSUS	(0.01A)	(0.01A)	
+5V	(2A)	(1.61A)	
+5VAO	(3.047A)	(4.45A)	
+5VA	(0.001A)	(0.01A)	
+3VA	(0.209A)	(0.01A)	
+1.5V		(3.22A)	(2.6A)
+1.5V	(3.685A)	(0.2A)	(9.5A)
+VCCP	(9.851A)	(0.54A)	
+1.05V		(7.31A)	
+1.05V_PWRGD			
+1.8V		(0.26A)	(9.5A)
+VRAM	(4.3A)	(10.7A)	
+1.8V	(9.598A)	(8.5A)	
+0.9V	(1A)	(1A)	(2A)
+0.9V		(1A)	
+0.9V		(1A)	
+VGA_VCORE_O	(20A)	(20A)	M76 (20A)
+1.25V	(1.85A)	(1.64A)	(2.9A)
+1.25VM	(1.618A)		
+1.25V		(0.75A)	
+1.25VSP		(1.45A)	
+VCORE	(44A)	(44A)	


VR\_VID0-VR\_VID6, H\_DPRSTP#, MCH\_OR, PM\_DPRSLPVR, PM\_PSI#, VCCSENSE, VSSSENSE, STP\_CPU#, PWR\_MON

ASUS  
**Title : POWER FLOWCHART**  
 ASUSTEK COMPUTER INC. NB  
 Project Name  
 Engineer:  
 F3Sv/c  
 Rev 1.0  
 Date: 11-21-2007 Sheet 01 of 04

Rev	Date	Description
1.0	2006/10/	1. Initial release.
1.1	2006/12/28	1. Initial release.

Rev	Date	Description
-----	------	-------------

<Variant Name>

		<b>Title : History</b>	
ASUSTeK COMPUTER INC		Engineer: <i>Jack Chen</i>	
Size Custom	Project Name <b>F3Sv</b>	Rev 1.0	
Date: 01/01/2007		Sheet 05 of 05	

[www.s-manuals.com](http://www.s-manuals.com)