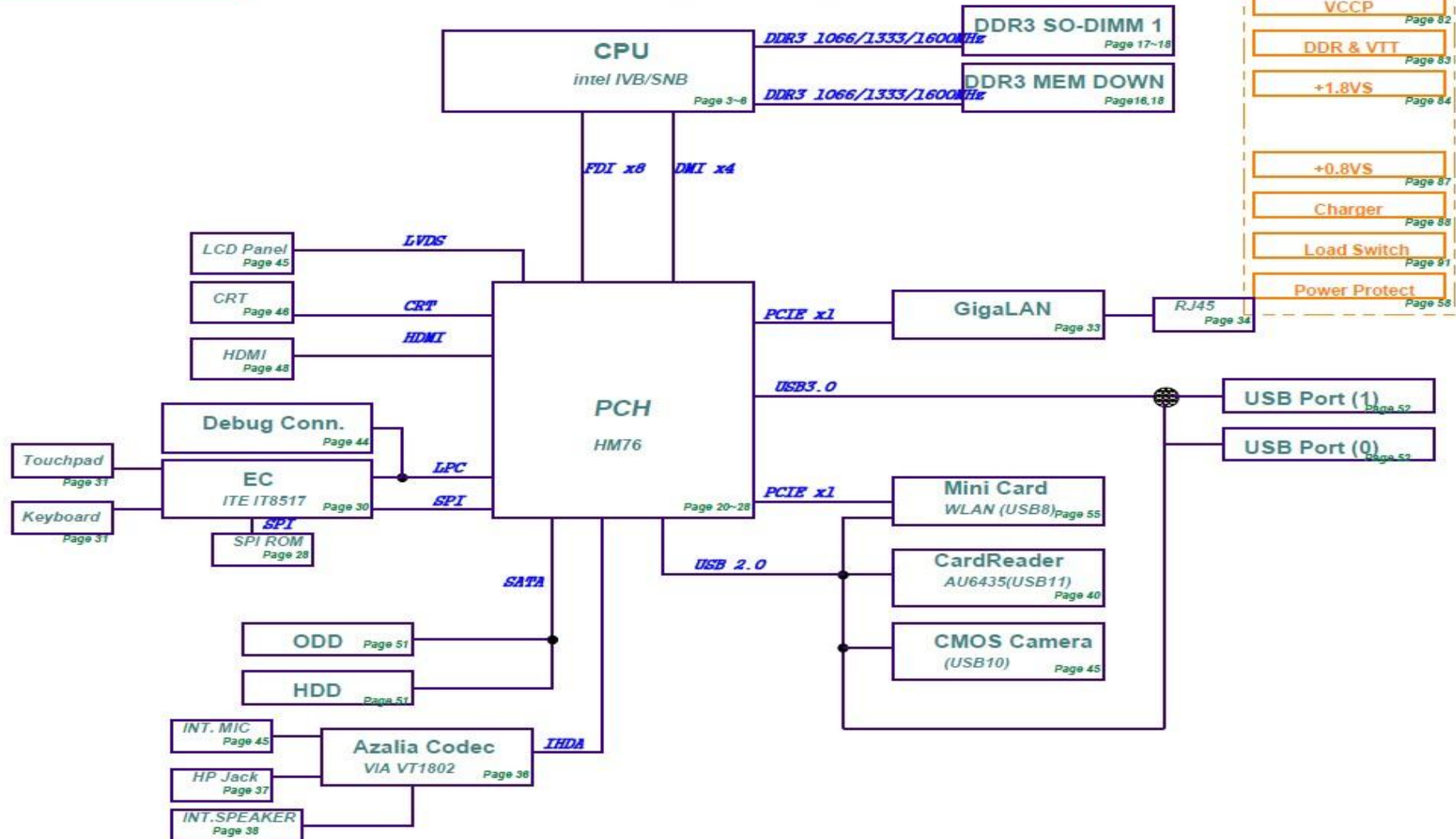


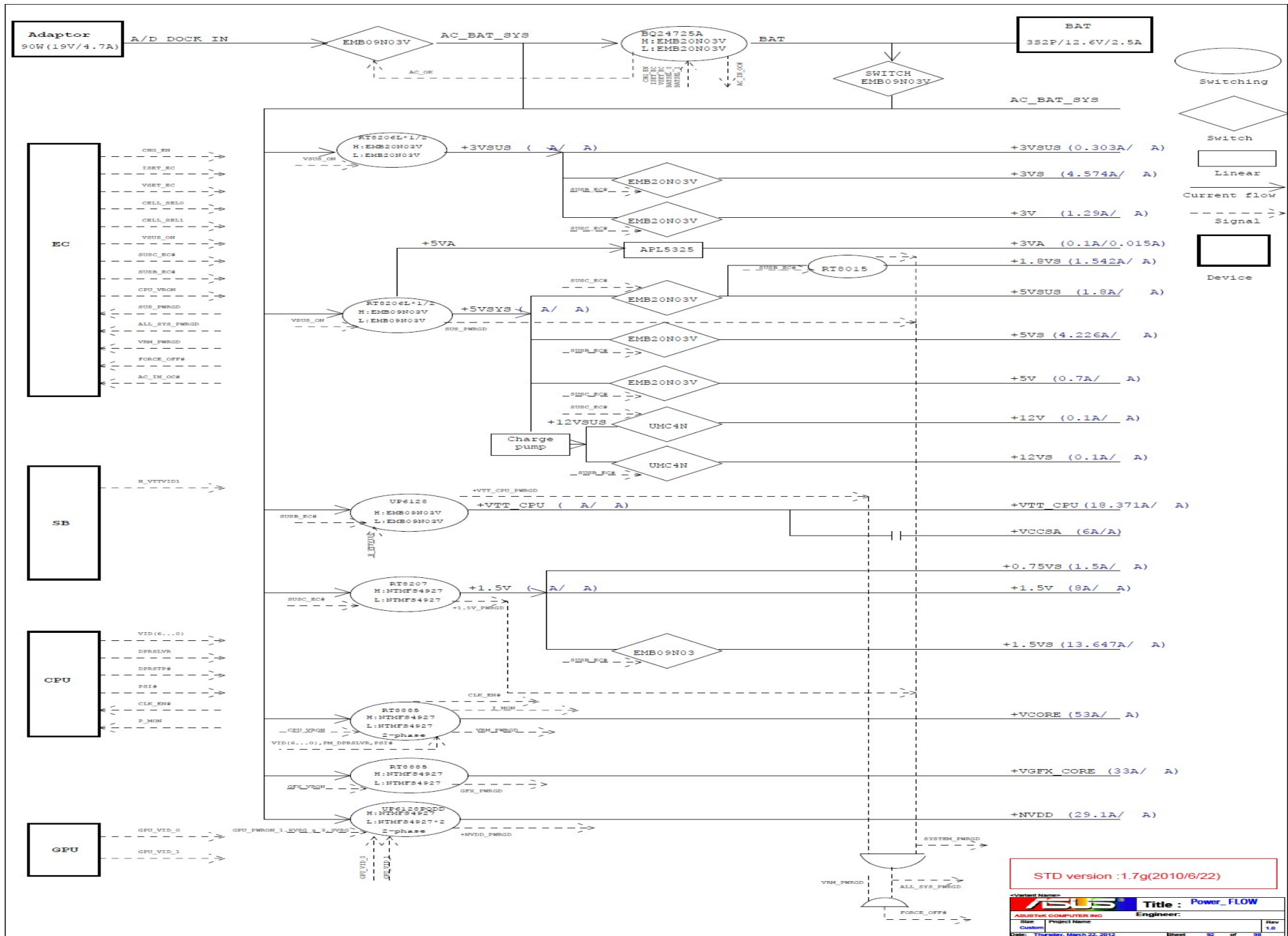
# X55C Repair Guide

## BLOCK DIAGRAM

## X55C DUAL-CORE SCHEMATIC R2.0

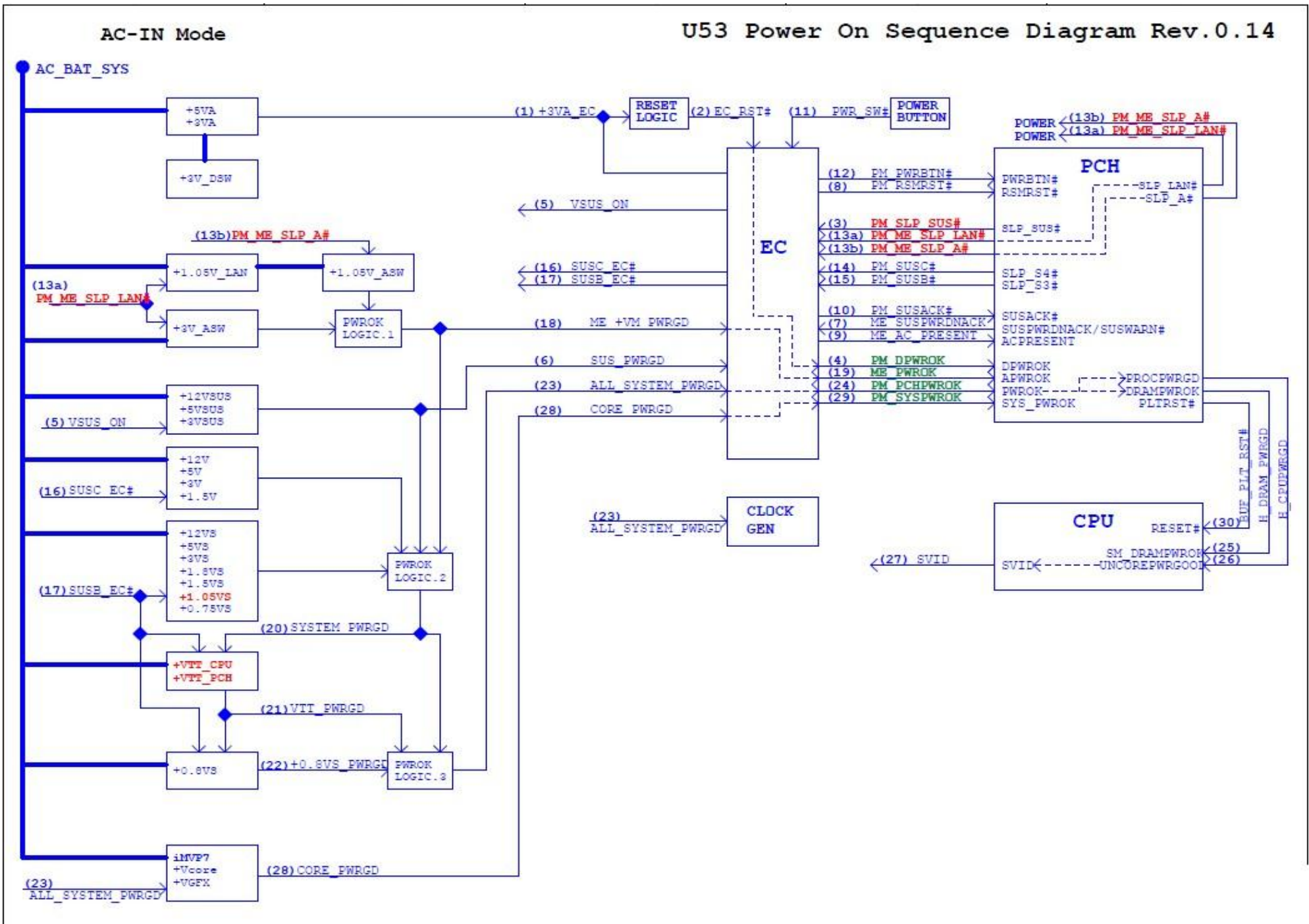


# POWER FLOW

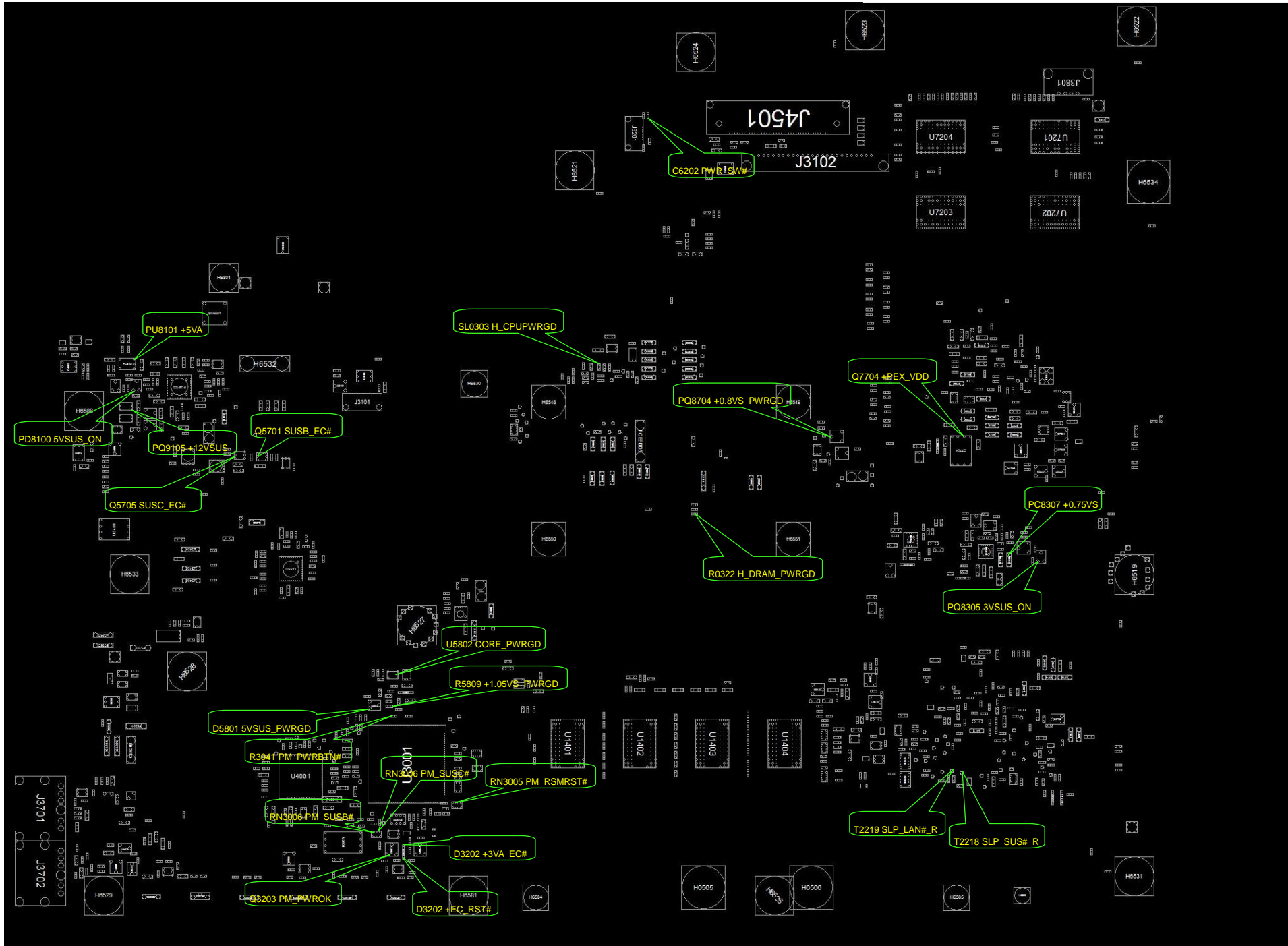


# POWER ON SEQUENCE

U53 Power On Sequence Diagram Rev.0.14



# Voltage & Signal Measure Point TOP



# Voltage & Signal Measure Point Bottom

