

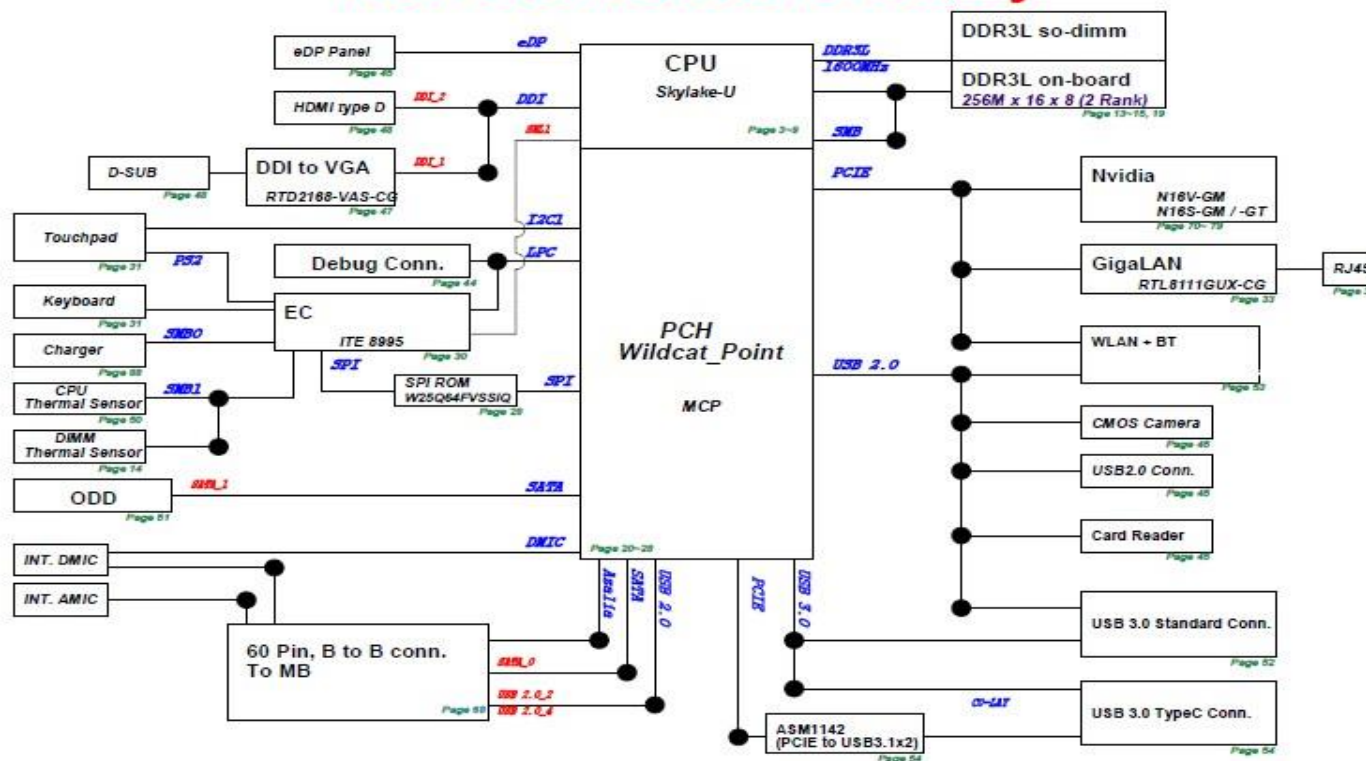
X556UJ Repair Guide

X556 SCHEMATIC Revision 1.0

(UA : UMA)
 (UJ : DGPU = Nvidia N16V-GM)
 (UF : DGPU = Nvidia N16S-GM)
 (UB : DGPU = Nvidia N16S-GT)

Non Connected Standby

BLOCK DIAGRAM



Power

- +VCCGT
+VCCCORE
+VCCSA
Page 90 & 91
- +1.0VSUS / +1.8VSUS
Page 92
- +VCCPRIM_CORE
Page 94
- +1.35V / +0.675VS
Page 95
- +3VADSW+5VSUS
Page 97
- Load Switch
Page 98
- Charger
Page 99
- +NVDD
Page 91

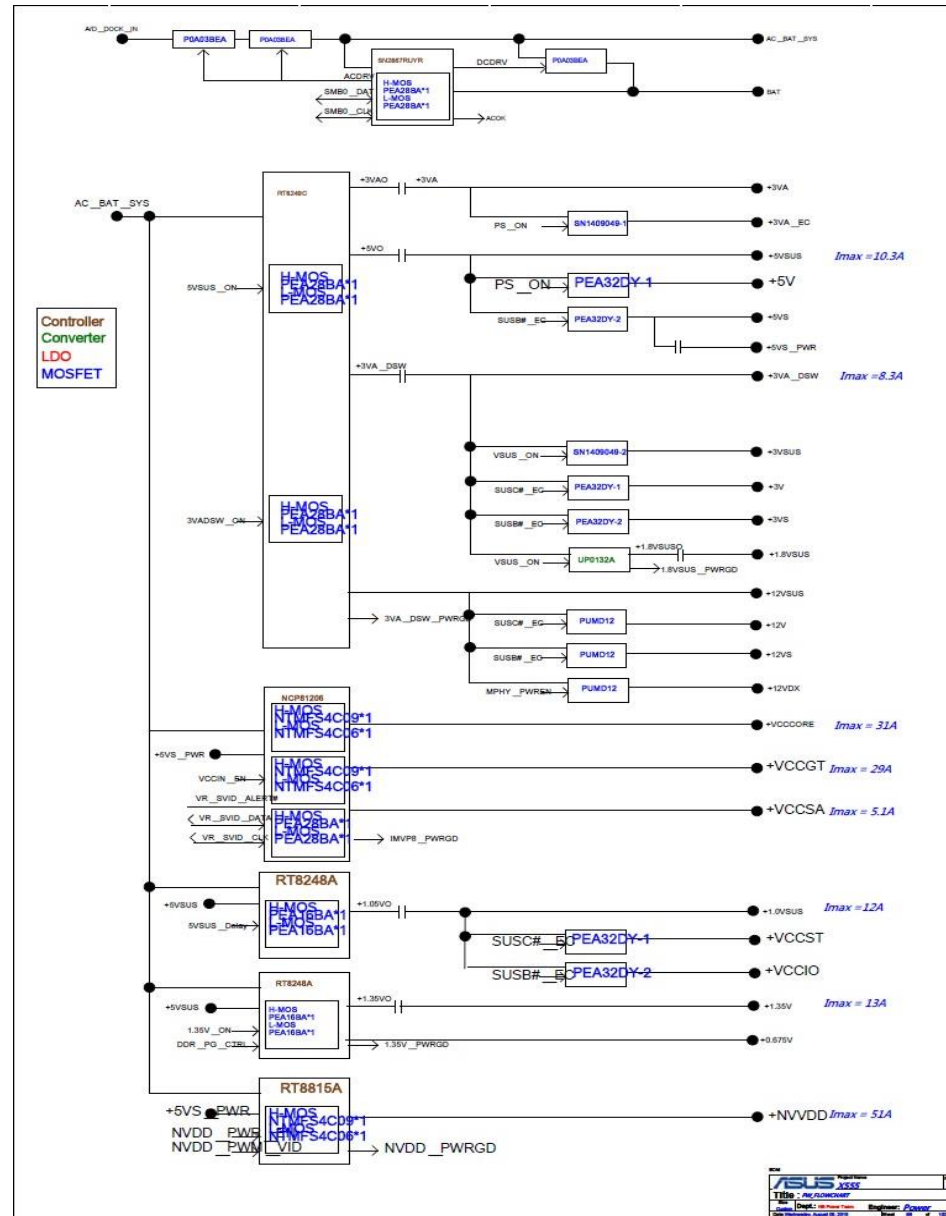
HDD BD.

- 60 Pin, B to B conn. To MB
- HDD conn **ASML_0**
- 30 Pin FPC Conn. To MB

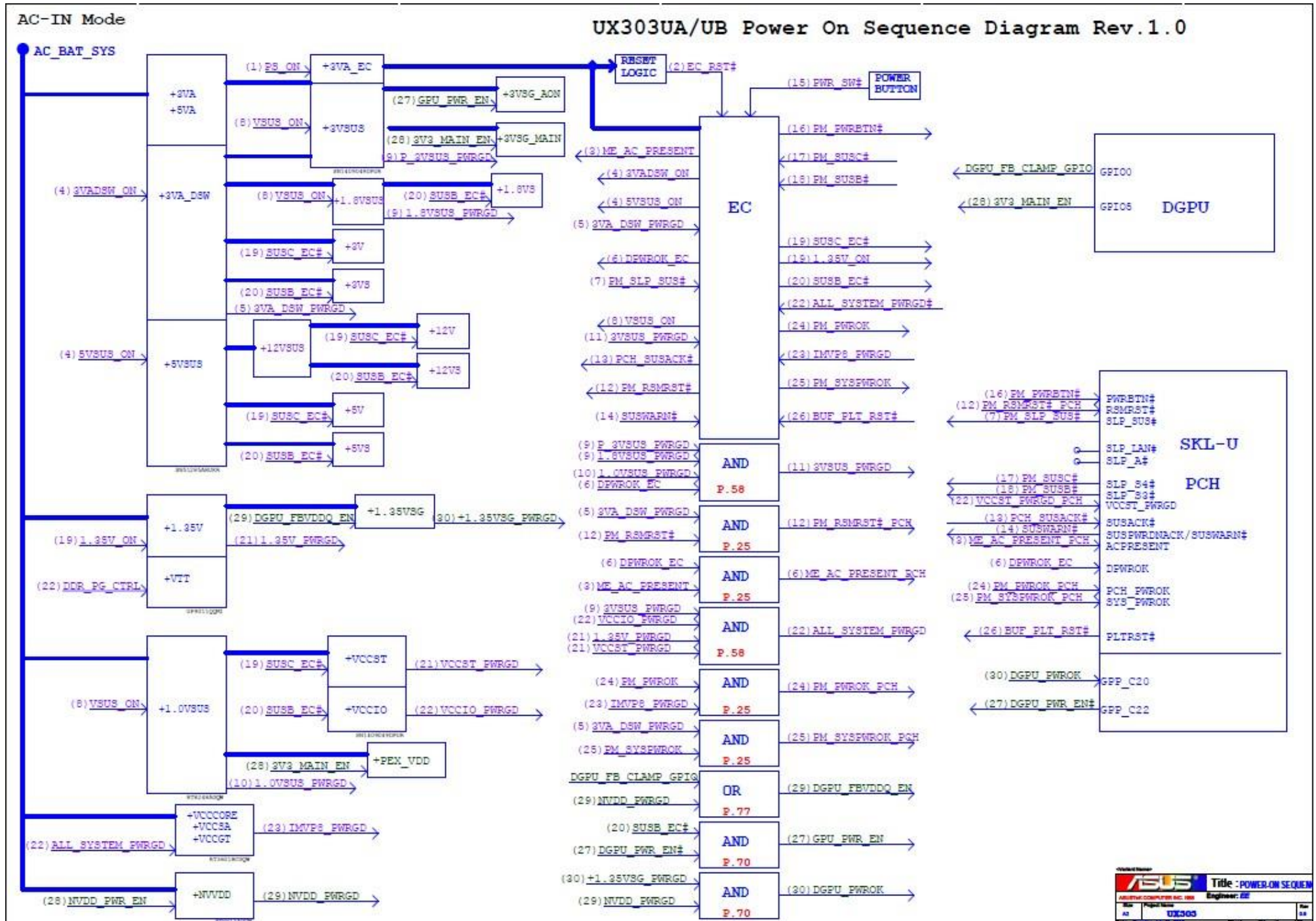
IO BD.

- 30 Pin FPC Conn. To MB
- Audio Jack
- CardReader

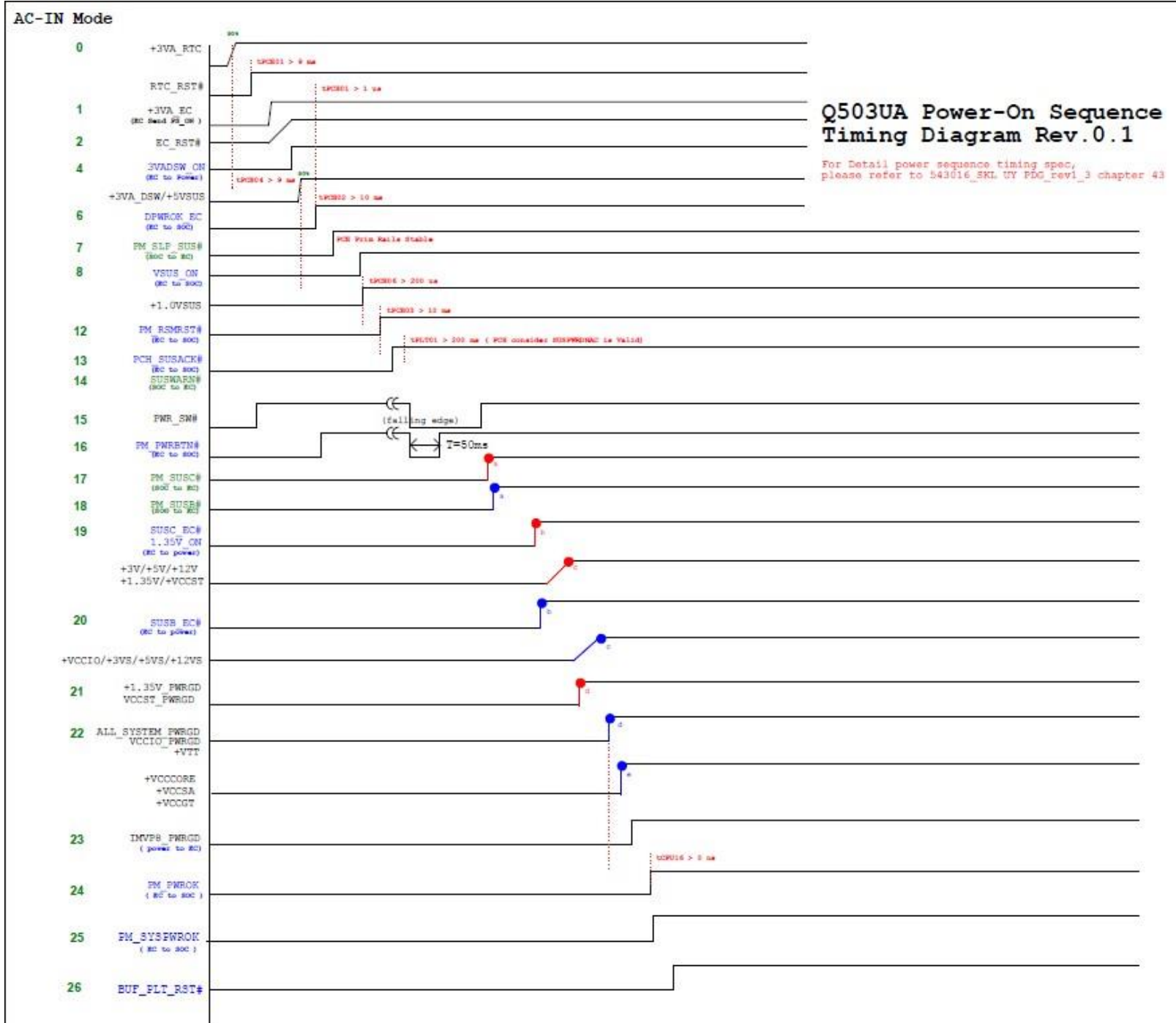
POWER FLOW



POWER ON SEQUENCE



AC POWER ON SEQUENCE



Signal Measure Point-Bottom

