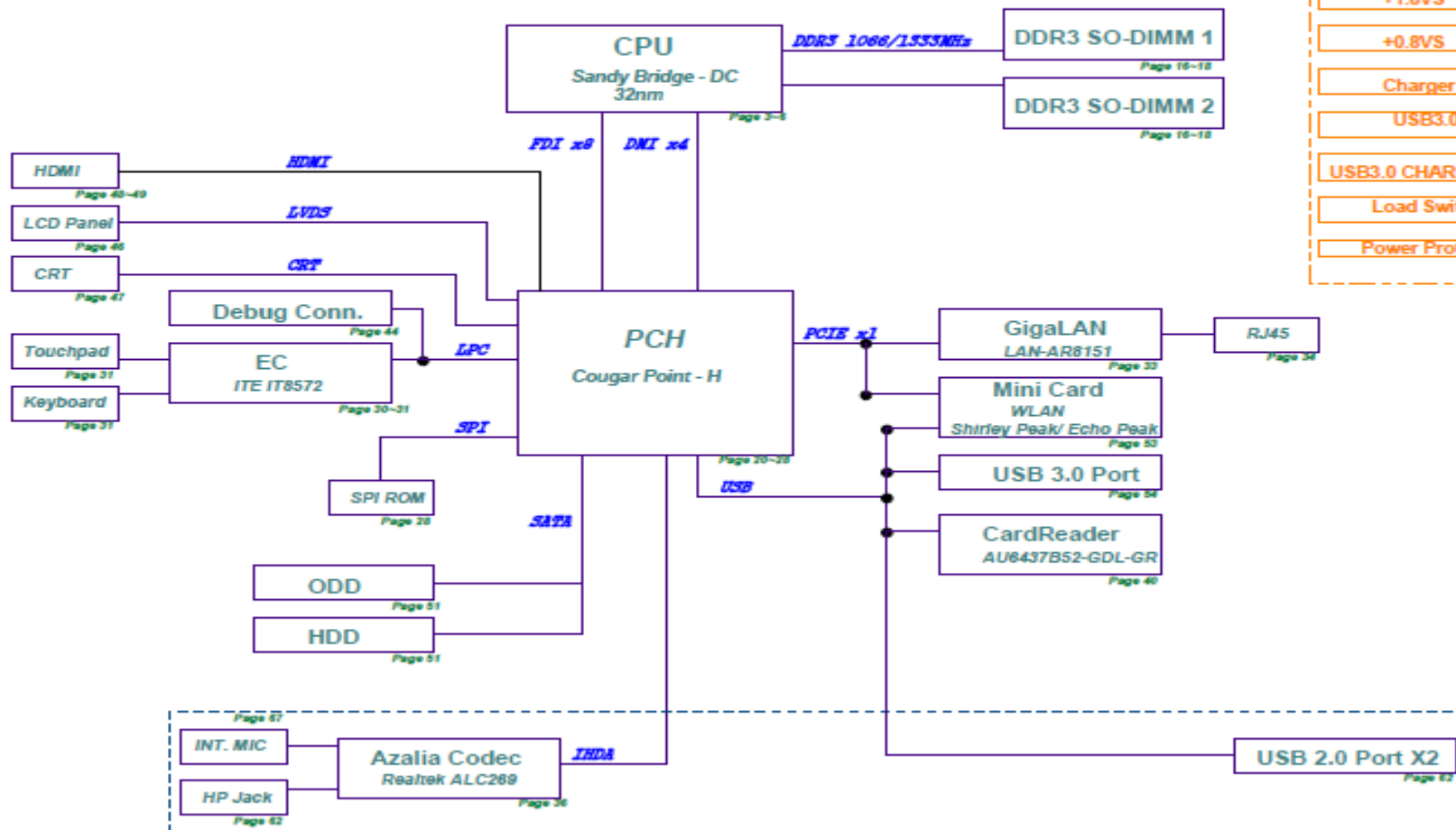


U56E Repair Guide

BLOCK DIAGRAM

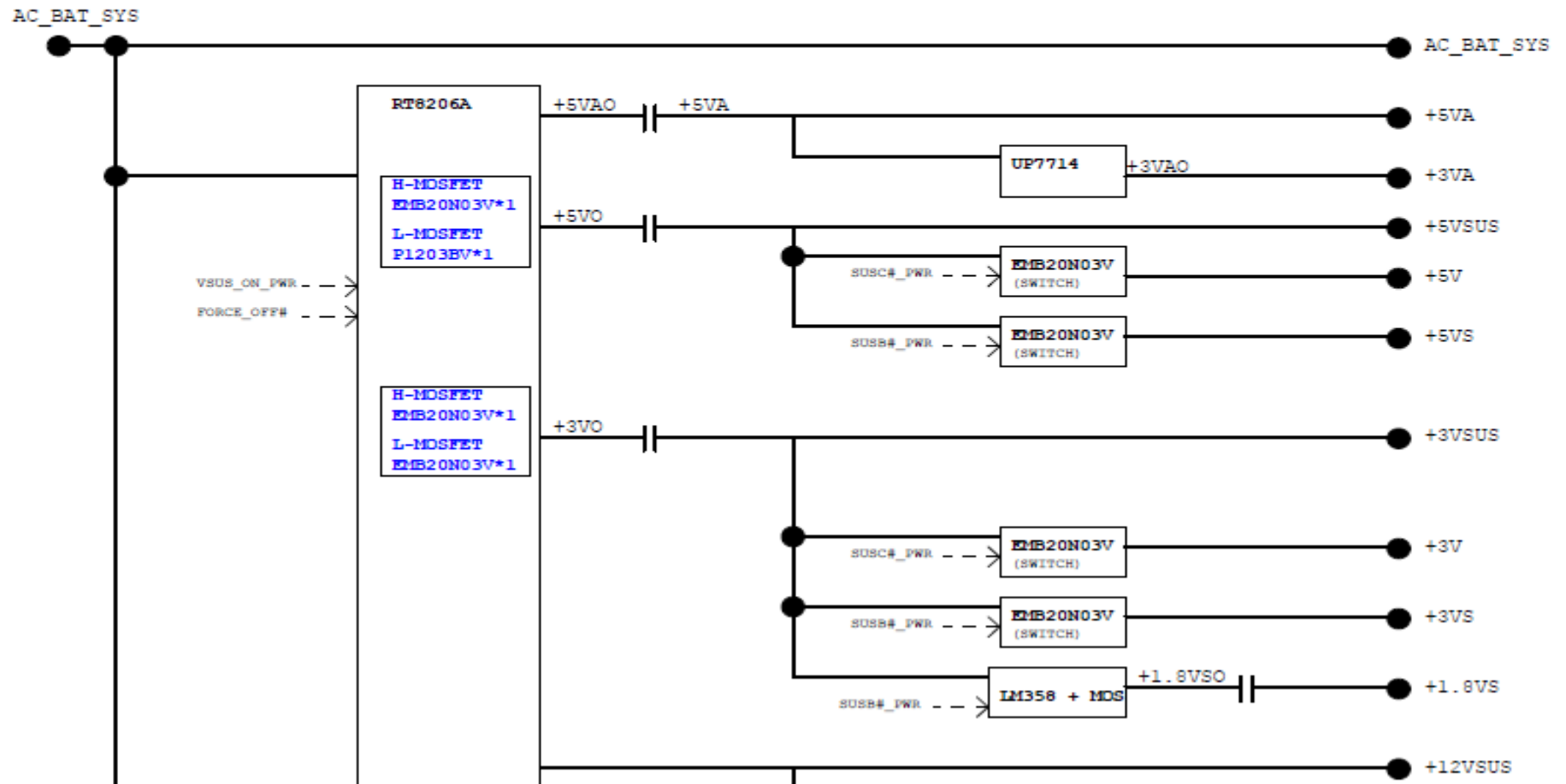
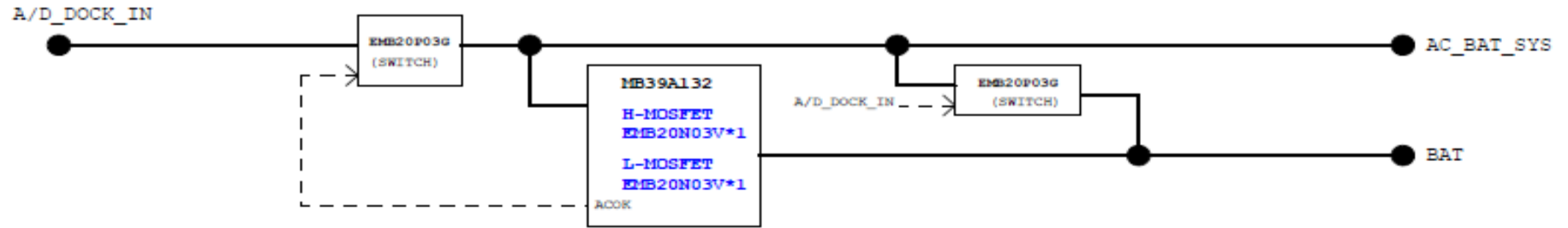
U56E SCHEMATIC Revision 0.9

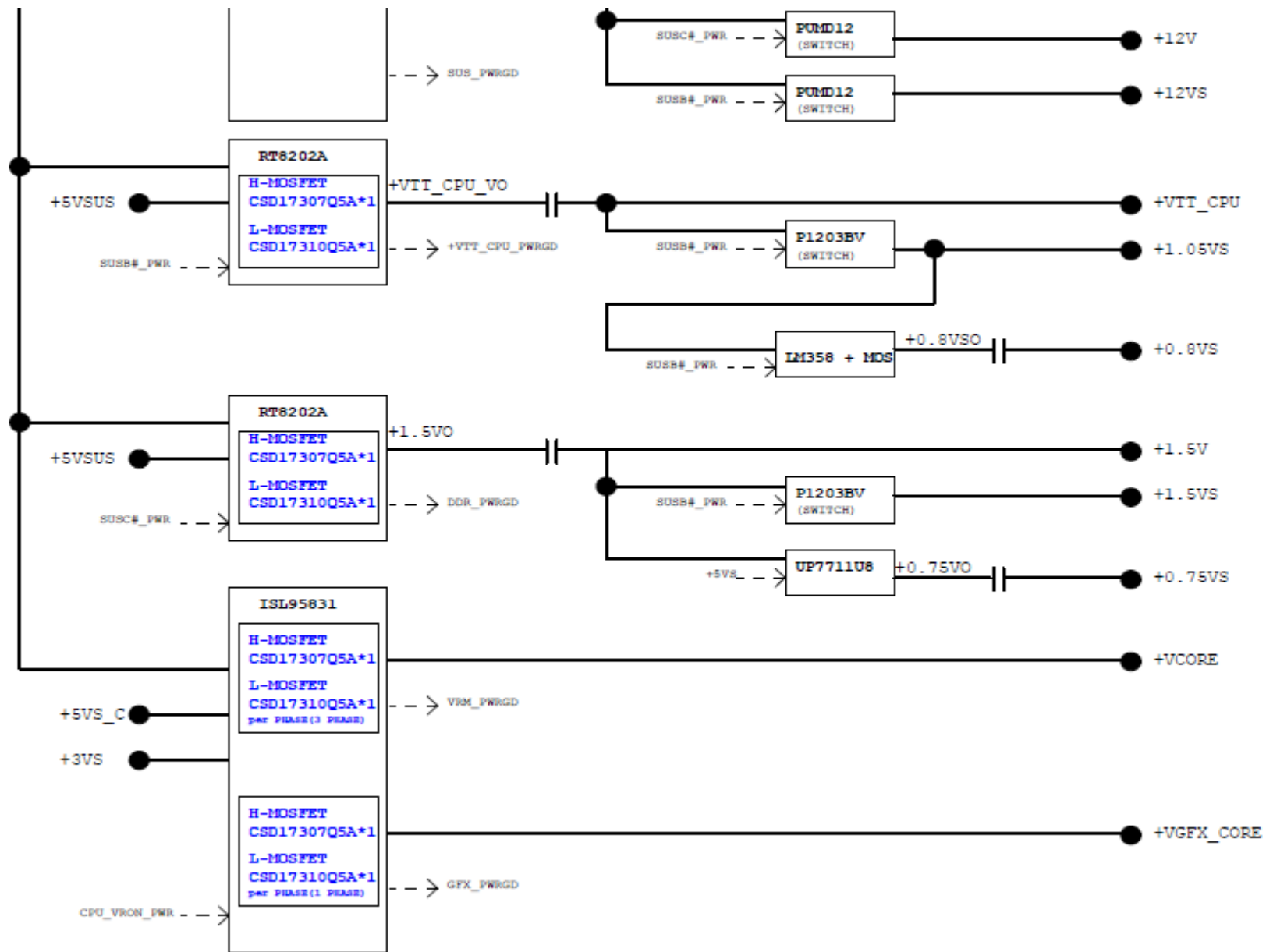


Power
VCORE & VGFX
System
VCCP
DDR & VTT
+1.8VS
+0.8VS
Charger
USB3.0
USB3.0 CHARGER
Load Switch
Power Protect



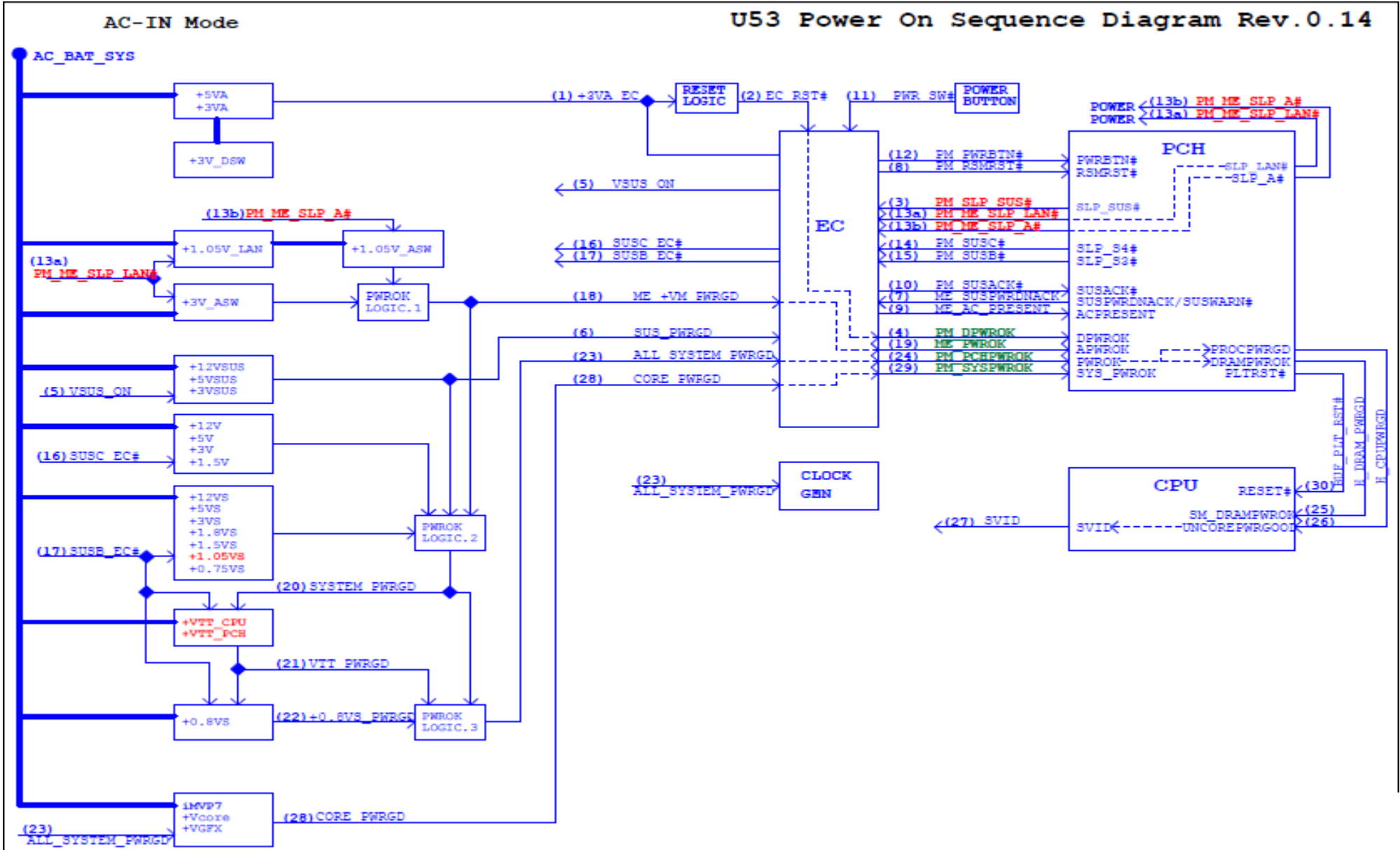
POWER FLOW





POWER ON SEQUENCE

U53 Power On Sequence Diagram Rev.0.14



Voltage & Signal Measure Point TOP



Voltage & Signal Measure Point Bottom

