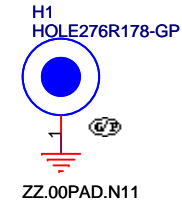
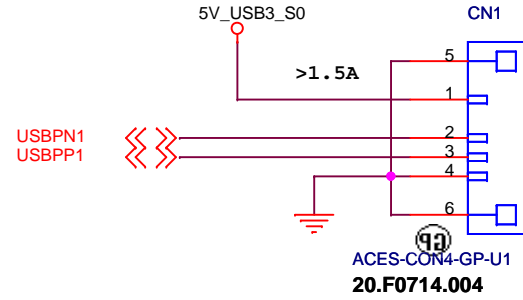


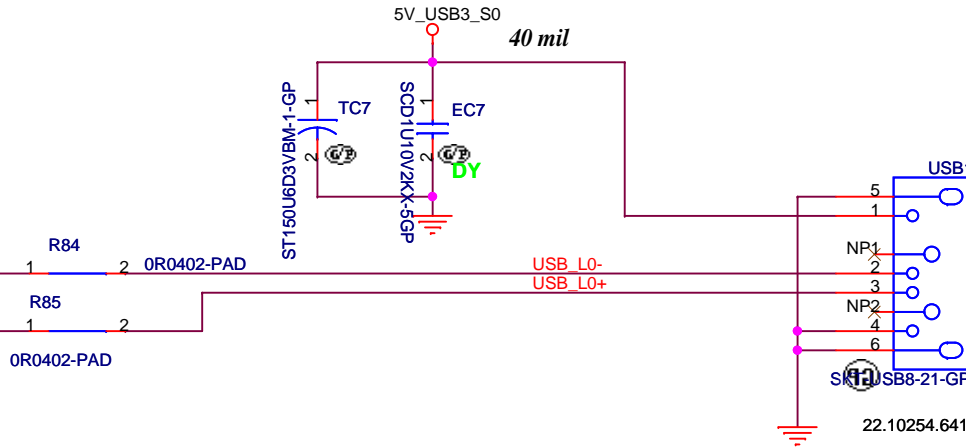
USB BOARD



SA-0820

USBPN1

USBPP1



緯創資通 Wistron Corporation
 21F,88,Sec.1,Hsin Tai Wu Rd.,Hsichih,
 Taipei Hsien 221, Taiwan, R.O.C

Title		
01 USB Conn		
Size	Document Number	Rev
A4	LA46 USB BD	1
Date:	Friday, December 24, 2010	Sheet 1 of 1