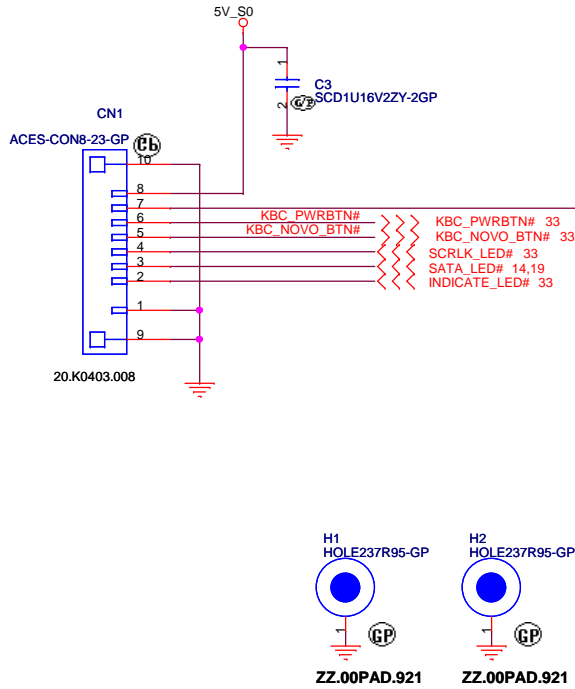


Power Button BOARD

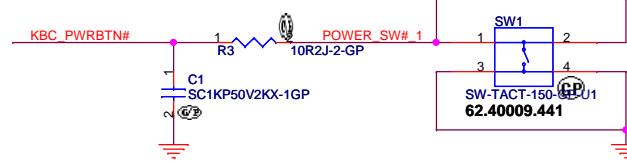
09718-1-0114

Project Code: 91.4GV01.001

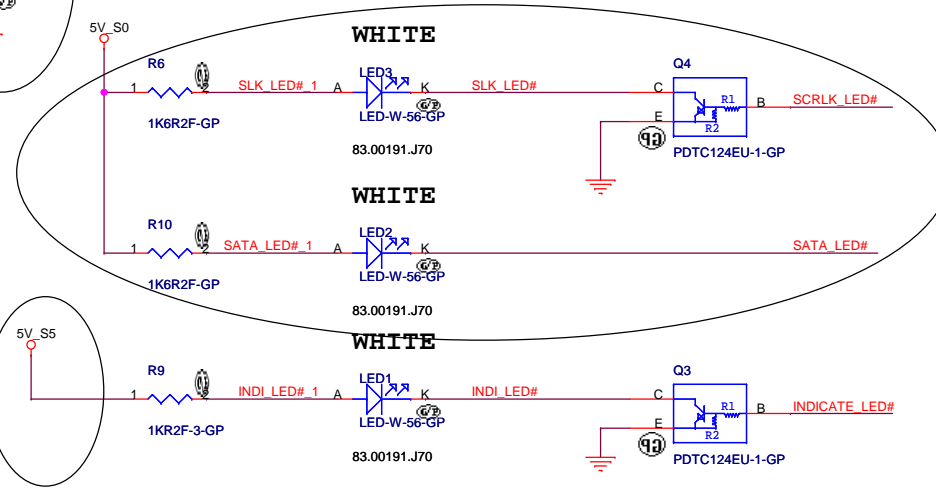
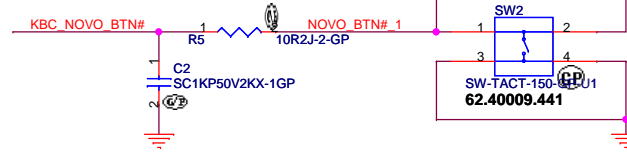
CONN. to MB



Power Button



Novo Button



<Variant Name>

緯創資通 Wistron Corporation
21F, 88, Sec.1, Hsin Tai WJ Rd., Hsichih,
Taipei Hsien 221, Taiwan, R.O.C.

Title 01 Power Button Board		
Size B	Document Number LA46 PWR BD	Rev 1
Date: Tuesday, January 04, 2011	Sheet 1 of 1	