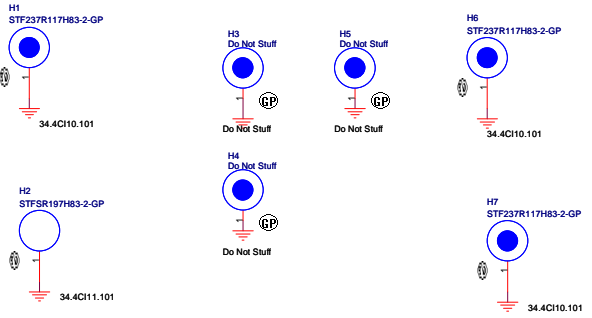
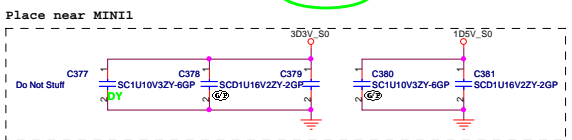
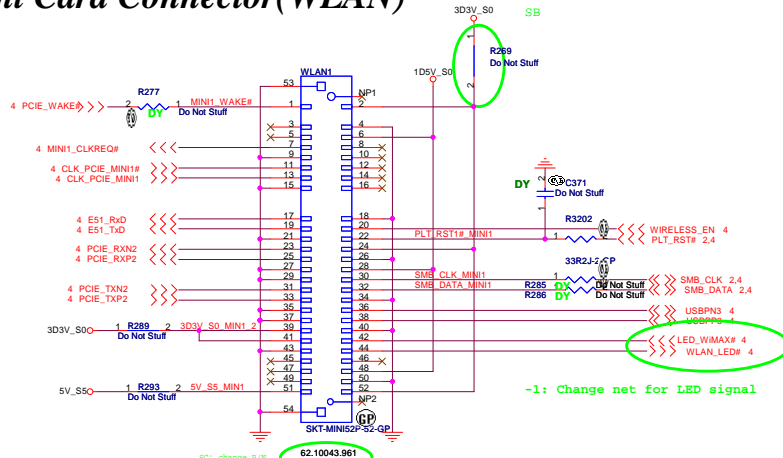
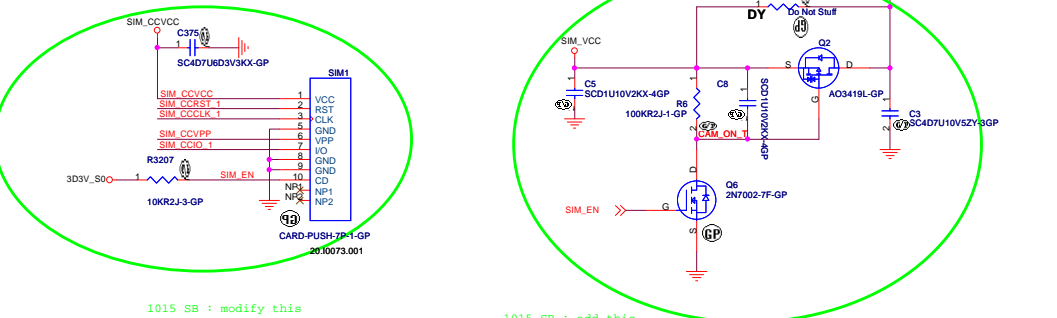
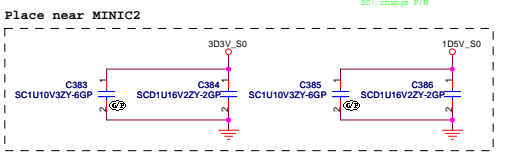
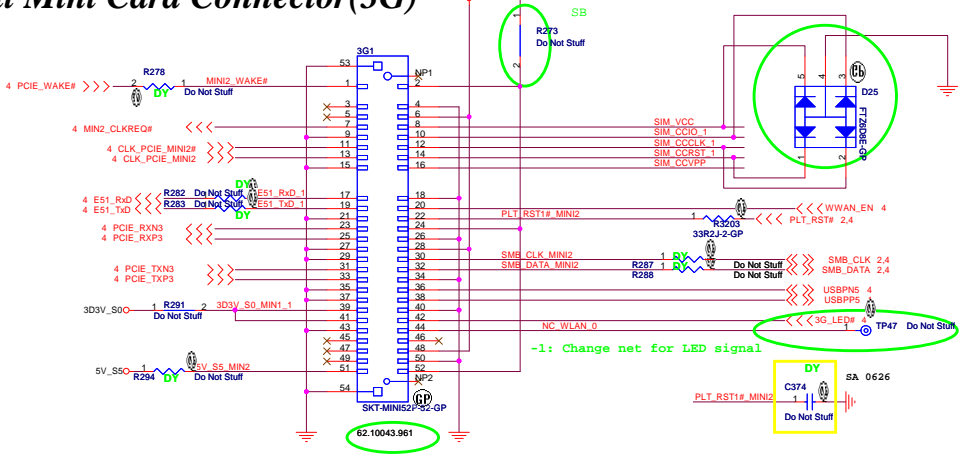


# Half Mini Card Connector(WLAN)



# Full Mini Card Connector(3G)

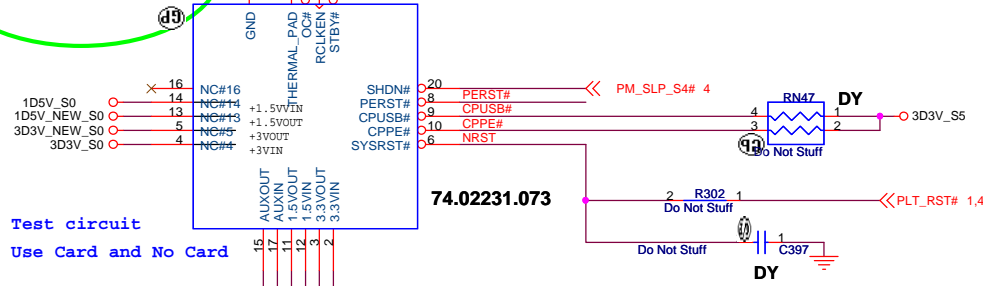


BOM1

緯創資通 Wistron Corporation	
21F, 88, Sec. 1, Hsin Tai Wu Rd., Hsichih, Taipei Hsin 221, Taiwan, R.O.C.	
Title	01 MINI CARD 1&2
Size	Document Number
Customer	LA46 IO BD
Date	Munday, January 11, 2010
Sheet	1 of 4

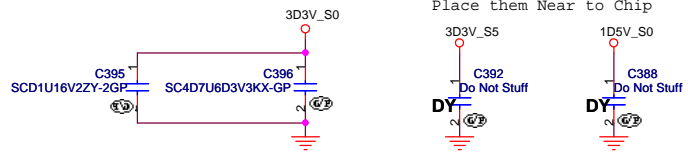
# NEWCARD Connector

1st : 74.83351.073  
 2nd : 74.00577.C73  
 3rd : 74.02231.073



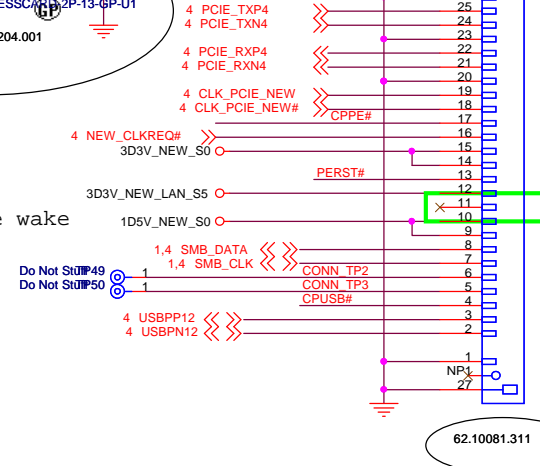
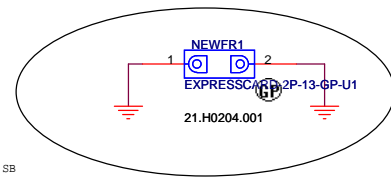
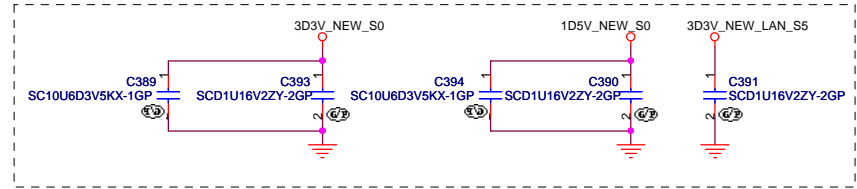
Test circuit  
 Use Card and No Card

+1.5V\_CARD Max. 650mA, Average 500mA.  
 +3.3V\_CARD Max. 1300mA, Average 1000mA  
 +3.3V\_CARDAUX Max. 275mA



Place them Near to Chip

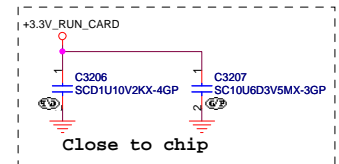
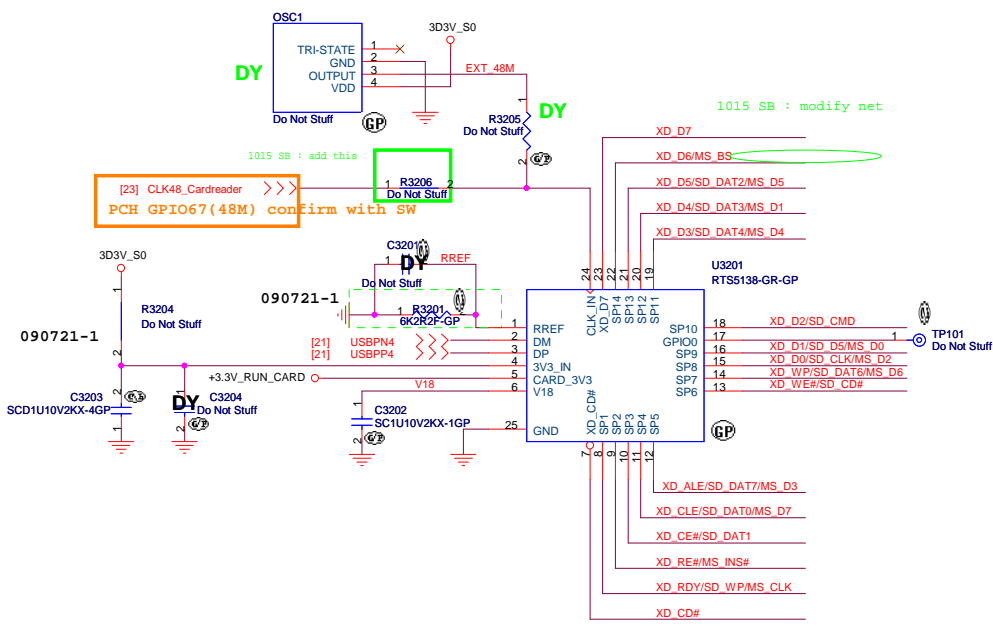
Place them Near to Connector



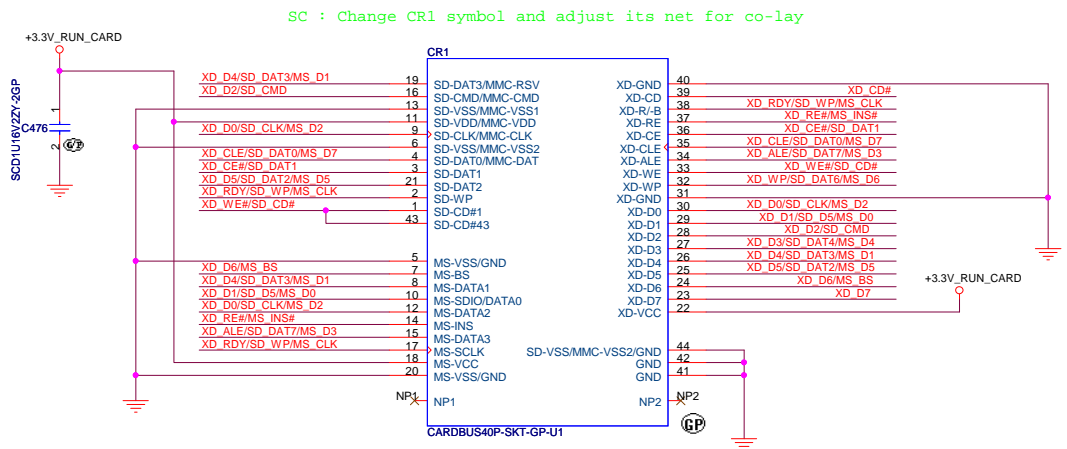
62.10081.311

BOM1

<b>緯創資通</b>		<b>Wistron Corporation</b>	
21F,88,Sec.1,Hsin Tai Wu Rd.,Hsichih, Taipei Hsien 221, Taiwan, R.O.C			
Title			
<b>02 NEW CARD</b>			
Size	Document Number		Rev
Custom	<b>LA46 IO BD</b>		SC
Date:	Monday, January 11, 2010	Sheet	2 of 4



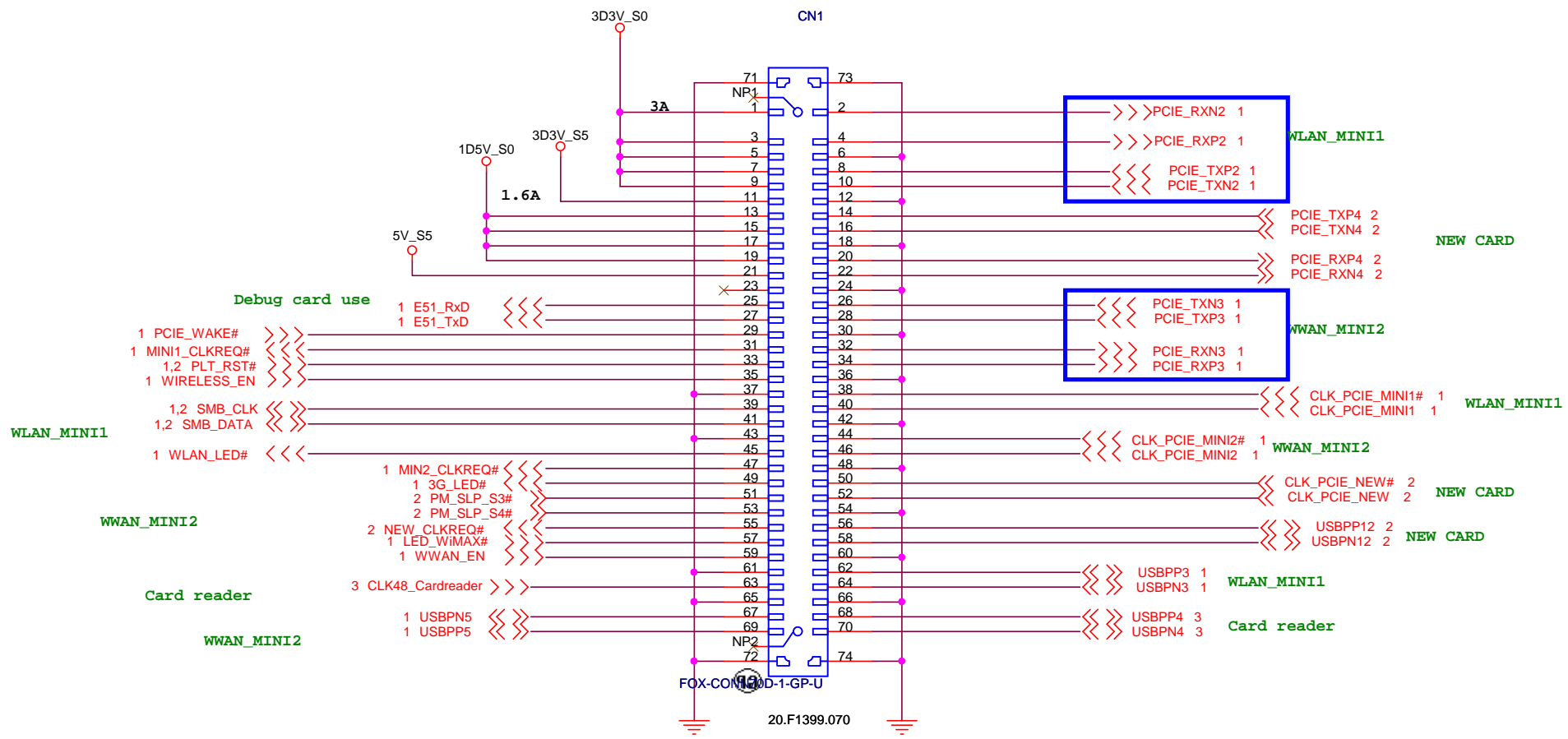
+3.3V\_RUN\_CARD trace = 40mil



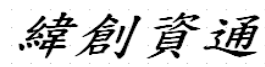
20.10087.011

BOM1

		<b>Wistron Corporation</b> 21F,88,Sec.1,Hsin Tai Wu Rd.,Hsichih, Taipei Hsien 221, Taiwan, R.O.C	
<b>03 Cardreader RTS5138</b>			
Document Number <b>LA46 IO BD</b>			
Date: Monday, January 11, 2010		Sheet 3 of 4	



BOM1

 <b>Wistron Corporation</b> 21F,88,Sec.1,Hsin Tai Wu Rd.,Hsichih, Taipei Hsien 221, Taiwan, R.O.C	
Title	
<b>04 IO CONN</b>	
Size	Document Number
A4	<b>LA46 IO BD</b>
Date:	Monday, January 11, 2010
Sheet	4 of 4
Rev	SC