

CRT BOARD

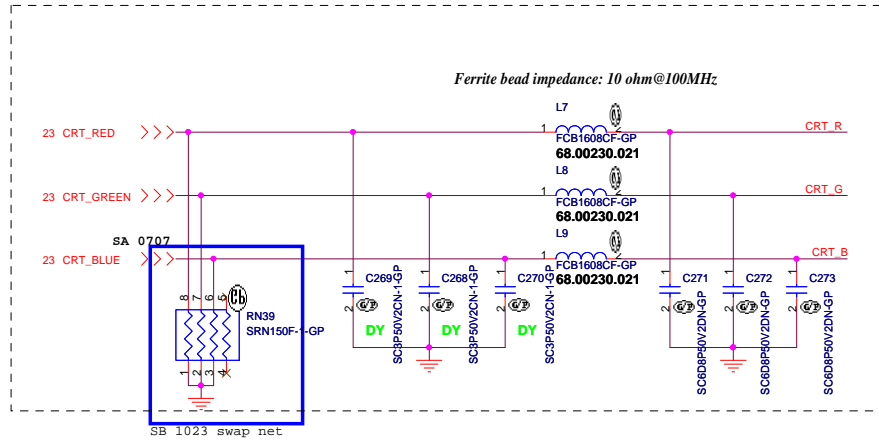
09715-1-0112

Project Code: 91.4GV01.001

CRT I/F & CONNECTOR

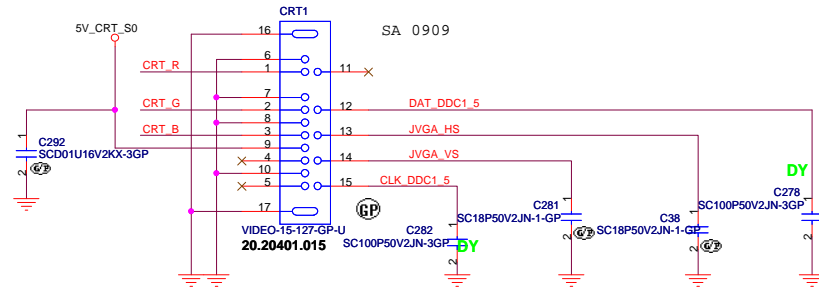
Layout Note:

Place these resistors close to the CRT-out connector

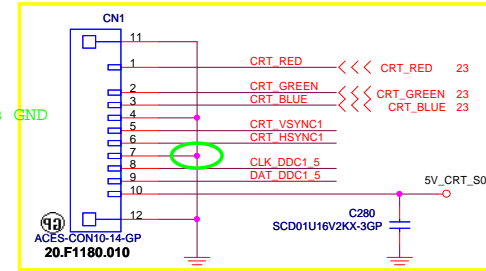


Layout Note:

* Must be a ground return path between this ground and the ground on the VGA connector.
Pi-filter & 150 Ohm pull-down resistors should be as close as to CRT CONN. RGB will hit 75 Ohm first, pi-filter, then CRT CONN.

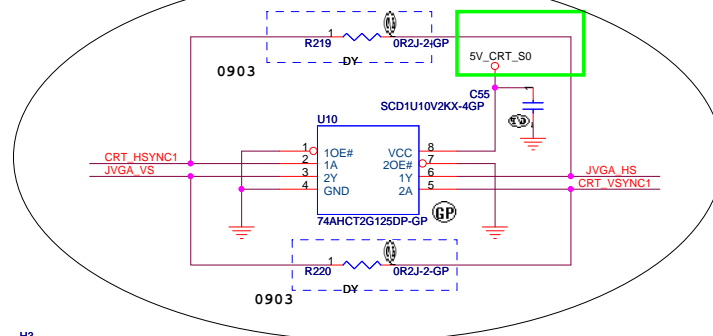


SB : pin 7 define as GND



Hsync & Vsync level shift

1015 SB : change net name



SB: NO different for UMA and DIS BD

Wistron Corporation 21F, 88, Sec. 1, Hsin Tai Wu Rd., Hsichih, Taipei Hsien 221, Taiwan, R.O.C	
Title	
01 CRT Conn	
Size	Document Number
A3	LA46 CRT BD
Date:	Tuesday, January 12, 2010
Sheet	1 of 1
Rev	1