

DATE	EC NO.	PART NO.
20061220	L11403	42W7622
		DEVELOPMENT NO.
		Q/M
		1 / 97

# MLB-1 NV EXT SVT LOGIC SCHEMATICS

VER 2.27  
JANUARY/31/2007

- |                                      |                                      |
|--------------------------------------|--------------------------------------|
| 1. TITLE PAGE                        | 47. CDC CONNECTOR                    |
| 2. EC HISTORY                        | 48. CARDBUS CONTROLLER(1/2)          |
| 3. CPU(1/3)                          | 49. CARDBUS CONTROLLER(2/2)          |
| 4. CPU(2/3)                          | 50. CARDBUS/EXC SLOT                 |
| 5. CPU(3/3)                          | 51. CARDBUS/EXC PWR CTRL             |
| 6. ITP CON/LARGE PTH HOLE/EMI FINGER | 52. GBE LAN SW                       |
| 7. CRESTLINE(1/7) : HOST I/F         | 53. GBE NINEVEH(1/2)                 |
| 8. CRESTLINE(2/7) : DDR2-A           | 54. BLANK PAGE                       |
| 9. CRESTLINE(3/7) : DDR2-B           | 55. GBE MAGNETICS                    |
| 10. CRESTLINE(4/7) : PEG/DMI         | 56. RJ11/RJ45 CONNECTOR              |
| 11. CRESTLINE(5/7) : GRAPHICS        | 57. MINI PCI SLOT                    |
| 12. CRESTLINE(6/7) : VCC             | 58. EEPROM/FLASH/SHARED              |
| 13. CRESTLINE(7/7) : GND             | 59. DOCKING CONNECTOR                |
| 14. POWER FOR CRESTLINE              | 60. H8S/2116B (1/2)                  |
| 15. DDR2 SODIMM-A                    | 61. H8S/2116B (2/2)                  |
| 16. DDR2 SODIMM-B                    | 62. KEYBOARD CONNECTOR               |
| 17. DDR2 TERMINATION                 | 63. TOUCH PAD CONNECTOR              |
| 18. DDR2 DECOUPLING                  | 64. MISC G/A (PMH7)                  |
| 19. CLOCK GEN(ICS954309)             | 65. SUPER I/O (PC87385)              |
| 20. NV NB8M-GS : PEG I/F             | 66. WIRELESS DISABLE SW              |
| 21. NV NB8M-GS : LVDS/CRT/TV/TMDS    | 67. LEGACY IO INTERFACE              |
| 22. NV NB8M-GS : CLK/GPIO            | 68. BLANK PAGE                       |
| 23. NV NB8M-GS : ANALOG POWER        | 69. THERMAL SENSOR                   |
| 24. NV NB8M-GS : VCC                 | 70. I2CBUS/SMBUS                     |
| 25. NV NB8M-GS : GND                 | 71. FAN CONTROL                      |
| 26. DYNAMIC MEMORY TERMINATION       | 72. G-SENSOR                         |
| 27. VRAM FOR ATI M6X CHANNEL-A       | 73. EMC DECOUPLING                   |
| 28. LCD CONNECTOR                    | 74. RGB SWITCH                       |
| 29. EXT CRT INTERFACE                | 75. DC-IN                            |
| 30. PATA I/F PU                      | 76. BATTERY CHARGER (MAX8765)        |
| 31. ICH8-M(1/4) : DMI/PCI/LPC/AC97   | 77. CHARGE SELECTOR                  |
| 32. ICH8-M(2/4) : ATA/USB/PM         | 78. BATTERY INPUT                    |
| 33. ICH8-M(3/4) : PCI EXPRESS        | 79. BATTERY MONITOR                  |
| 34. ICH8-M(4/4) : VCC/GND            | 80. POWER SEQUENCE                   |
| 35. FWH,RTC BATTERY                  | 81. DC-DC VCC3M/VCC5M (MAX8774)      |
| 36. SATA HDD CONN                    | 82. DC-DC VCCCPUCORE (ADP3207)       |
| 37. BAY I/F CONN                     | 83. VCCCPUCORE DECOUPLING            |
| 38. USB POWER/CONN                   | 84. DC-DC VCC1R05M                   |
| 39. AUDIO AD1981HD                   | 85. DC-DC VCCGFXCORE(MAX1993)        |
| 40. AUDIO MISC                       | 86. DC-DC VCC1R8M/VCC0R9A (MAX8632)  |
| 41. AUDIO INT MIC                    | 87. DC-DC VCC1R05B/VCC1R5M (MAX1540) |
| 42. AUDIO HP & EXT MIC CONN          | 88. DC-DC VCC1R25AMT (VT322)         |
| 43. AUDIO EXT MIC AMP                | 89. LOAD SW AMT                      |
| 44. AUDIO SPEAKER                    | 90. PWRG                             |
| 45. AUDIO HDP AMP MAX9789A(1/2)      | 91. RINKAI-1                         |
| 46. AUDIO HDP AMP MISC(2/2)          | 92. LOAD SW VIDEO                    |
|                                      | 93. LOAD SW AUX1,AUX2                |
|                                      | 94. LOAD SW B&UBAY                   |
|                                      | 95. MAX POWER CTRL                   |
|                                      | 96. POWER MOMITOR                    |
|                                      | 97. PTH FOR SCREW HOLES              |

DESIGNER	K.Y	06/01/06	PART NO.	42W7622
CHECKED	Y.I	06/01/06	TITLE	MLB-1 SVT
APPROVED	T.S	06/01/06	TITLE	PAGE
CLASS	T.S	06/01/06	LENOVO CONFIDENTIAL	

THIS DOCUMENT IS THE PROPERTY OF LENOVO/ITS USE IS AUTHORIZED ONLY FOR RESPONDING TO A REQUEST FOR QUOTATION OR FOR THE PERFORMANCE OF WORK FOR LENOVO/ALL QUESTIONS MUST BE REFERRED TO THE LENOVO PURCHASING DEPARTMENT.

# EC HISTORY

DATE	EC NO.	PART NO.
20061220	L11403	42W7622
		DEVELOPMENT NO.
		Q/M
		2 / 97

## SDV (BASE LOGIC DAV3 SDV VER.1.16)

VER.0.01	06/05/2006	APPLIED	DAV3_SDV 081
VER.0.01	06/05/2006	APPLIED	MLB_SDV 001
VER.0.02	06/07/2006	APPLIED	DAV3_FVT 005,006,009
VER.0.03	06/05/2006	APPLIED	DAV3_SDV 084,085
VER.0.03	06/05/2006	APPLIED	DAV3_FVT 013
VER.0.04	06/14/2006	APPLIED	DAV3_SDV 086
VER.0.04	06/14/2006	APPLIED	DAV3_FVT 018,015,014,011
VER.0.05	06/15/2006	APPLIED	DAV3_FVT 028
VER.0.06	06/16/2006	APPLIED	DAV3_SDV 003,036,035,032
VER.0.07	06/19/2006	APPLIED	DAV3_FVT 038,039
VER.0.08	06/20/2006	APPLIED	DAV3_FVT 040,039,020,003
VER.0.09	06/21/2006	APPLIED	DAV3_FVT 039,038,036,006,041
VER.0.10	06/21/2006	APPLIED	DAV3_SDV 007
VER.0.11	06/23/2006	APPLIED	DAV3_SDV 011-009
VER.0.12	06/24/2006	APPLIED	DAV3_FVT 051-047,045
VER.0.13	06/26/2006	APPLIED	DAV3_SDV 012
VER.0.14	06/27/2006	APPLIED	DAV3_FVT 054-57&SIV 01(EXCEPT 053)
VER.0.15	06/28/2006	APPLIED	DAV3_FVT 053,054-57&SIV 01
VER.0.16	07/01/2006	APPLIED	DAV3_SDV013-014&FVT063
VER.0.17	07/04/2006	APPLIED	DAV3_SDV015-016
VER.0.18	07/05/2006	APPLIED	DAV3_SDV017-018&SIV005,007
VER.0.19	07/07/2006	APPLIED	DAV3_FVT069&SIV011
VER.0.20	07/11/2006	APPLIED	DAV3_SDV019,021,20-2&SIV012-013,020
VER.0.21	07/13/2006	APPLIED	DAV3_SDV022-025&SIV024
VER.0.22	07/21/2006	APPLIED	DAV3_SIV028,032,034&FVT075,080,083-084 SDV027-029,031

## DV6 (BASE LOGIC MLB-1 EXT SDV VER.1.09)

VER.2.00	11/16/2006	APPLIED	MLB1_SIT_034-044,46)
VER.2.00	11/16/2006	APPLIED	DAV3_SIT_071-074,079,082,088,089,091,096)
VER.2.01	11/20/2006	APPLIED	MLB1_SIT_45,47)
VER.2.01	11/20/2006	APPLIED	DAV3_SIT_104,110-112)
VER.2.02	11/22/2006	APPLIED	MLB1_SIT_45(51)
VER.2.02	11/22/2006	APPLIED	DAV3_SIT_115,116,119-121)
VER.2.03	12/05/2006	APPLIED	DAV3_SIT_058,069,083-85,90,100)
VER.2.03	12/12/2006	APPLIED	MLB1_SIT_053,052,058,78,80)
VER.2.04	12/13/2006	APPLIED	MLB1_SIT_062,066,067,073,074,076,077)
VER.2.04	12/13/2006	APPLIED	DAV3_SIT_102,103,106,107,122,123,126)
VER.2.04	12/13/2006	APPLIED	DAV3_SIT_127,131,132,141,143,135)
VER.2.04	12/13/2006	APPLIED	DAV3_NV_071,080)
VER.2.05	12/25/2006	APPLIED	MLB1_SIT_EC034,035,036,037,039,040,045,052,054
VER.2.05	12/15/2006	APPLIED	EC055,057,063,061,060,059,064,065,066
VER.2.05	12/15/2006	APPLIED	DAV3_NV_EC083,085,086
VER.2.05	12/15/2006	APPLIED	DAV3_SIT_EC145,148,153,159
VER.2.05	12/15/2006	APPLIED	MLB1_SIT_EC069,070,071,072,074,075,082,083
VER.2.06	12/18/2006	APPLIED	DAV3_SIT_EC086,105,108,133
VER.2.07	12/20/2006	APPLIED	DAV3_NV_EC087,157,160,162,168
VER.2.07	12/20/2006	APPLIED	MLB1_SIT_EC091,095,102,103
VER.2.08	12/21/2006	APPLIED	DAV3_SIT_EC170
VER.2.08	12/21/2006	APPLIED	MLB1_SIT_EC113,114,115
VER.2.08	12/21/2006	APPLIED	DAV3_SIT_EC141
VER.2.09	12/22/2006	APPLIED	DAV3_SIT_EC172
VER.2.09	12/22/2006	APPLIED	MLB1_SIT_EC116
VER.2.10	12/25/2006	APPLIED	DAV3_SIT_EC173
VER.2.10	12/25/2006	APPLIED	MLB1_SIT_EC121
VER.2.11	12/28/2006	APPLIED	MDAV3_SIT_EC177 MLB1_SIT_EC132,133
VER.2.12	01/12/2007	APPLIED	EC OF GBE POWER FOR ITEG SVT
VER.2.12	01/12/2007	APPLIED	MALIBU-1_PN_EC1226
VER.2.12	01/12/2007	APPLIED	H2W_P52
VER.2.12	01/12/2007	APPLIED	EC TRANSACTION 0111

## SIV (BASE LOGIC MLB-1 EXT SDV VER.0.22)

VER.1.00	08/25/2006	APPLIED	DAV3_SIV0140,017,026,031,038-040,042-045,047,051-052)
VER.1.00	08/25/2006	APPLIED	DAV3_SIV054-055,057,060-061,063-065,067-076)
VER.1.00	08/25/2006	APPLIED	DAV3_SIV078-084,086,094-095,097-098,100)
VER.1.00	08/25/2006	APPLIED	DAV3_SIV103-104,108-109,113,114,117,119-124)
VER.1.00	08/25/2006	APPLIED	MLB1_SIV001,006,009
VER.1.01	08/25/2006	APPLIED	DAV3_SIV016,089,090,096,099,101,115,118,127-130,133)
VER.1.01	08/25/2006	APPLIED	MLB1_SIV002-005,007,008,010,011,013,017,018)
VER.1.02	09/04/2006	APPLIED	MLB1_SIV026,048,056,058,059,116,126,132,134,135-137)
VER.1.02	09/04/2006	APPLIED	MLB1_SIV007,012,014-016,019-041,043-046)
VER.1.03	09/07/2006	APPLIED	MLB1_SIV047-057)
VER.1.04	09/12/2006	APPLIED	DAV3_SIV138,139,141)
VER.1.04	09/12/2006	APPLIED	MLB1_SIV058,059)
VER.1.05	09/13/2006	APPLIED	DAV3_SIV143,145,146)
VER.1.05	09/13/2006	APPLIED	MLB1_SIV060)
VER.1.06	09/15/2006	APPLIED	MLB1_SIV063,065-068)

## SIT (BASE LOGIC MLB-1 EXT DV6 VER.2.12)

VER.2.13	01/15/2007	APPLIED	ACPRESENT
VER.2.13	01/15/2007	APPLIED	BD3551_P52_070112
VER.2.14	01/16/2007	APPLIED	_42W7622SIT0115_P25_20070116
VER.2.14	01/16/2007	APPLIED	GFXCORE CAP 20070116.GIF
VER.2.16	01/17/2007	APPLIED	MLB1_SIT_EC151 20070117
VER.2.16	01/17/2007	APPLIED	DAV3_SIT_EC182 20070117
VER.2.16	01/17/2007	APPLIED	DAV3_SIT_EC180 20070117
VER.2.17	01/17/2007	APPLIED	DAV3_SVT_EC009 20070117
VER.2.18	01/18/2007	APPLIED	MLB1_SIT_EC153 20070118
VER.2.20	01/19/2007	APPLIED	MLB1_SIT_EC155,156 20070119

## SIV NV (BASE LOGIC MLB-1 EXT SDV VER.1.06)

VER.1.00	10/11/2006	APPLIED	MLB1_NV_002-006)
VER.1.00	10/11/2006	APPLIED	DAV3_NV_001,003-009,010-012,015-020,023,030,031,35)
VER.1.01	10/12/2006	APPLIED	MLB1_NV_001)
VER.1.01	10/12/2006	APPLIED	DAV3_NV_013,034,036,039,040)
VER.1.01	10/12/2006	APPLIED	DAV3_SIT_008,009,012,014,015,017,020-022)
VER.1.01	10/12/2006	APPLIED	DAV3_SIT_025-027,030,032,034,036)
VER.1.02	10/13/2006	APPLIED	MLB1_SIT_013,011)
VER.1.02	10/13/2006	APPLIED	DAV3_NV_041)
VER.1.03	10/14/2006	APPLIED	MLB1_NV_007-010)
VER.1.03	10/14/2006	APPLIED	DAV3_SIT_004)
VER.1.03	10/14/2006	APPLIED	MLB1_SIT_015)
VER.1.04	10/17/2006	APPLIED	MLB1_NV_011-014)
VER.1.04	10/17/2006	APPLIED	DAV3_NV_042-044)
VER.1.05	10/19/2006	APPLIED	MLB1_NV_016,017,019)
VER.1.05	10/19/2006	APPLIED	MLB1_SIT_016,017,019,020)
VER.1.05	10/19/2006	APPLIED	DAV3_NV_049,052)
VER.1.05	10/19/2006	APPLIED	DAV3_SIT_040,041)
VER.1.06	10/24/2006	APPLIED	DAV3_NV_037)
VER.1.06	10/24/2006	APPLIED	DAV3_SIT_038)
VER.1.06	10/24/2006	APPLIED	MLB1_NV_020-022)
VER.1.07	10/25/2006	APPLIED	MLB1_SIT_001,006,014,018,021,025)
VER.1.08	10/26/2006	APPLIED	DAV3_NV_051)
VER.1.08	10/26/2006	APPLIED	MLB1_NV_015,018)
VER.1.09	10/31/2006	APPLIED	MLB1_SIT_029,030)
VER.1.09	10/31/2006	APPLIED	MLB1_NV_024-026)
VER.1.09	10/31/2006	APPLIED	DAV3_SIT_042,047,061)
VER.1.09	10/31/2006	APPLIED	DAV3_NV_067)

## SVT (BASE LOGIC MLB-1 EXT SIT VER.2.20)

VER.2.21	01/27/2007	APPLIED	DAV3_SIT_EC184 20070127
VER.2.21	01/27/2007	APPLIED	DAV3_NV_EC098 20070127
VER.2.21	01/27/2007	APPLIED	DAV3_NV_EC099 20070127
VER.2.21	01/27/2007	APPLIED	DAV3_NV_EC100 20070127
VER.2.21	01/27/2007	APPLIED	DAV3_SVT_EC025 20070127
VER.2.21	01/27/2007	APPLIED	DAV3_SVT_EC027 20070127
VER.2.21	01/27/2007	APPLIED	DAV3_SVT_EC028 20070127
VER.2.21	01/27/2007	APPLIED	DAV3_SVT_EC029 20070127
VER.2.21	01/27/2007	APPLIED	MLB1_SVT_EC006 20070127
VER.2.21	01/27/2007	APPLIED	MLB1_SVT_EC009 20070127
VER.2.22	01/29/2007	APPLIED	DAV3_SVT_EC030 20070129
VER.2.25	01/30/2007	APPLIED	MLB1_SVT_EC013 20070130
VER.2.25	01/30/2007	APPLIED	MLB1_SVT_EC014 20070130
VER.2.25	01/30/2007	APPLIED	MLB1_SVT_EC004,014 20070130
VER.2.25	01/30/2007	APPLIED	DAV3_SVT_EC014,023,030 20070130
VER.2.25	01/30/2007	APPLIED	DAV3_NV_EC098 20070130
VER.2.26	01/30/2007	APPLIED	DAV3_SVT_EC035 20070130

VER.2.27 01/31/2007 APPLIED MLB1\_SVT\_EC018  
 VER.2.27 01/31/2007 APPLIED MLB1\_SVT\_EC021

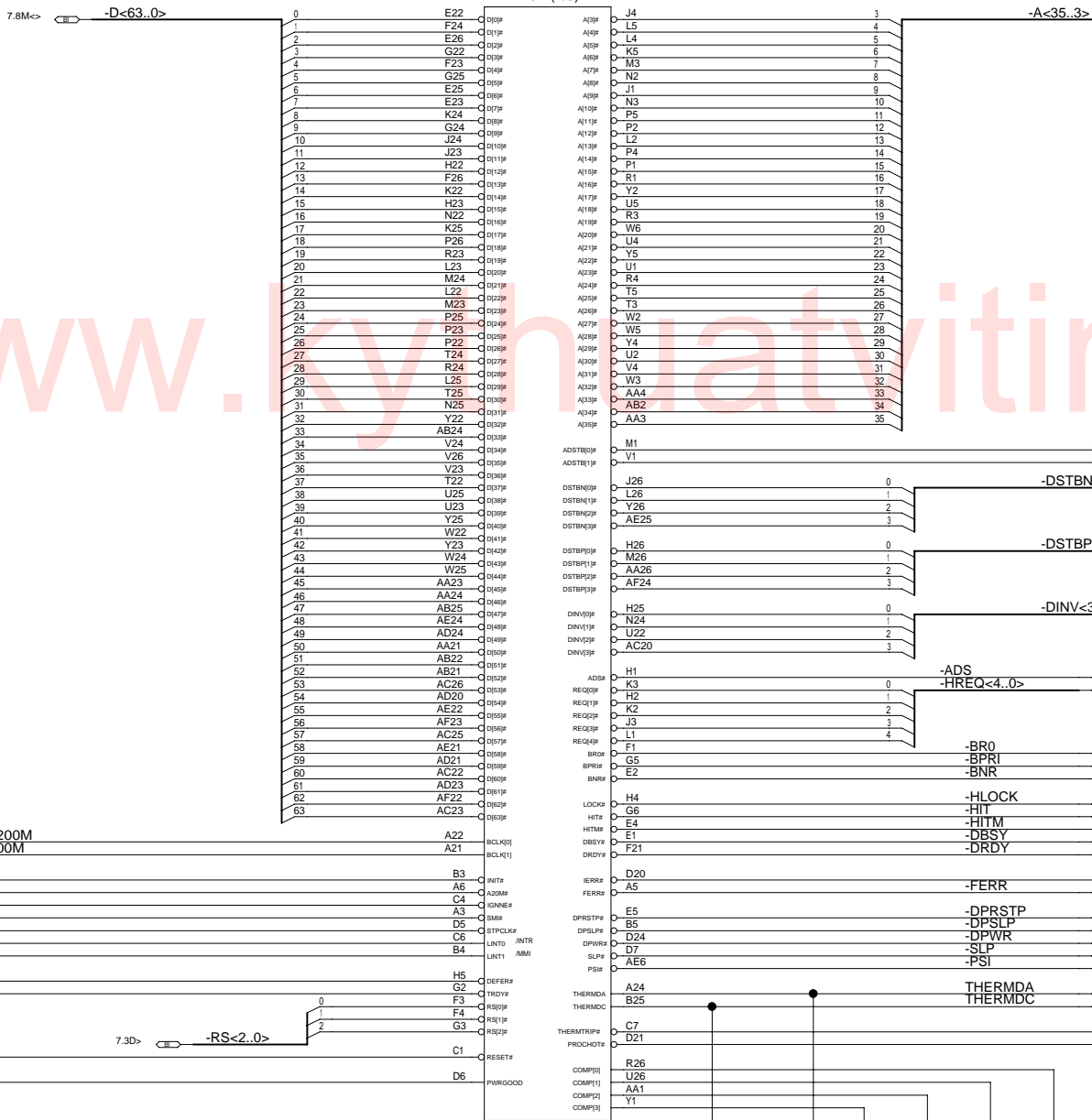
DESIGNER	K.Y	06/01/06	PART NO.	42W7622
CHECKED	Y.I	06/01/06	TITLE	MLB-1 SVT
APPROVED	T.S	06/01/06	HISTORY	
CLASS	T.S	06/01/06		

THIS DOCUMENT IS THE PROPERTY OF LENOVO/ITS USE IS AUTHORIZED ONLY FOR RESPONDING TO A REQUEST FOR QUOTATION OR FOR THE PERFORMANCE OF WORK FOR LENOVO/ALL QUESTIONS MUST BE REFERRED TO THE LENOVO PURCHASING DEPARTMENT.

LENOVO CONFIDENTIAL

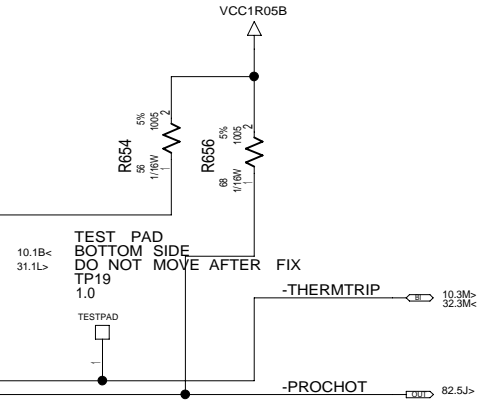
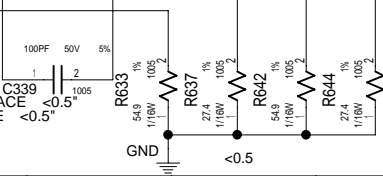
DATE	EC NO.	PART NO.	
20061220	L11403	42W7622	
		DEVELOPMENT NO.	Q/M
			3 / 97

U58  
MEROM(1/3)



PLACE NEAR CPU

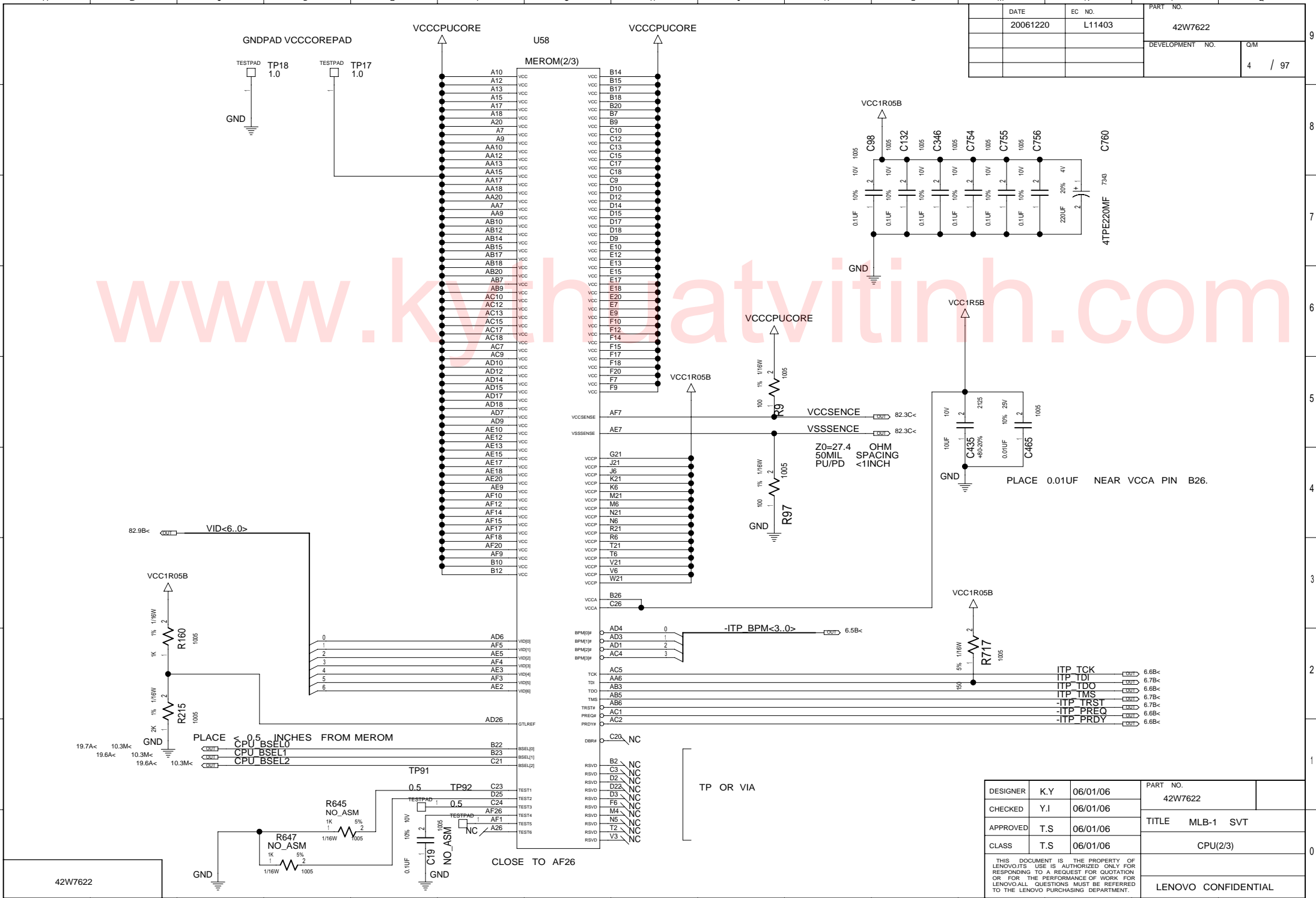
COMP0/2: Z0=27.4 OHM TRACE <0.5  
COMP1/3: Z0=55 OHM TRACE <0.5



DESIGNER	K.Y	06/01/06	PART NO.	
CHECKED	Y.I	06/01/06	42W7622	
APPROVED	T.S	06/01/06	TITLE	MLB-1 SVT
CLASS	T.S	06/01/06	CPU(1/3)	
<small>THIS DOCUMENT IS THE PROPERTY OF LENOVO. ITS USE IS AUTHORIZED ONLY FOR RESPONDING TO A REQUEST FOR QUOTATION OR FOR THE PERFORMANCE OF WORK FOR LENOVO. ALL QUESTIONS MUST BE REFERRED TO THE LENOVO PURCHASING DEPARTMENT.</small>				LENOVO CONFIDENTIAL

A B C D E F G H J K L M N P Q

DATE	EC NO.	PART NO.
20061220	L11403	42W7622
DEVELOPMENT NO.		Q/M
		4 / 97

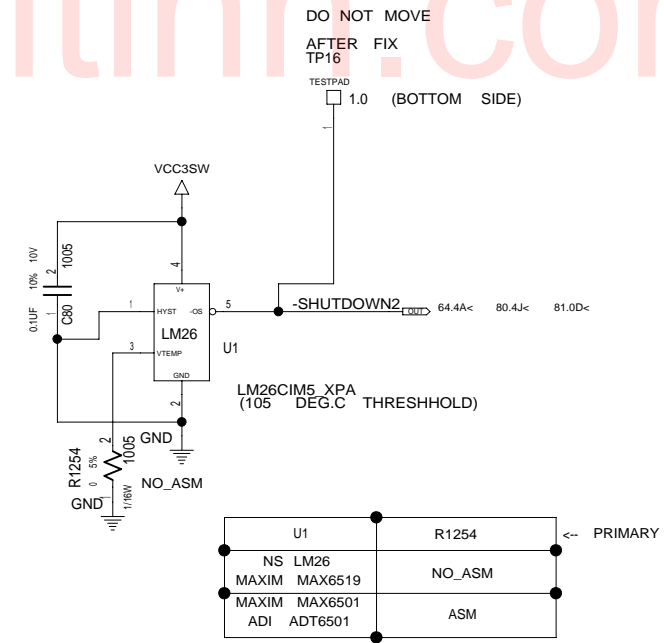
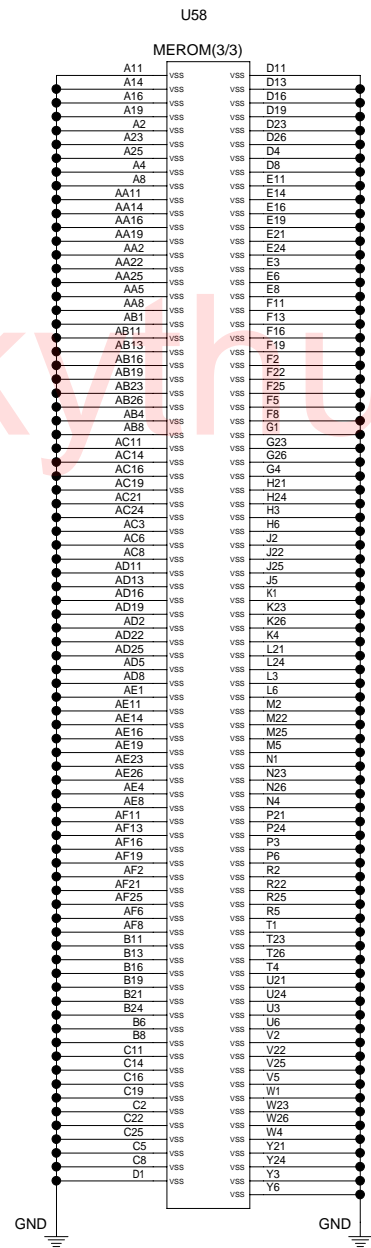


DESIGNER	K.Y	06/01/06	PART NO.	42W7622
CHECKED	Y.I	06/01/06	TITLE	MLB-1 SVT
APPROVED	T.S	06/01/06	CPU(2/3)	
CLASS	T.S	06/01/06	LENOVO CONFIDENTIAL	

THIS DOCUMENT IS THE PROPERTY OF LENOVO/ITS USE IS AUTHORIZED ONLY FOR RESPONDING TO A REQUEST FOR QUOTATION OR FOR THE PERFORMANCE OF WORK FOR LENOVO/ALL QUESTIONS MUST BE REFERRED TO THE LENOVO PURCHASING DEPARTMENT.

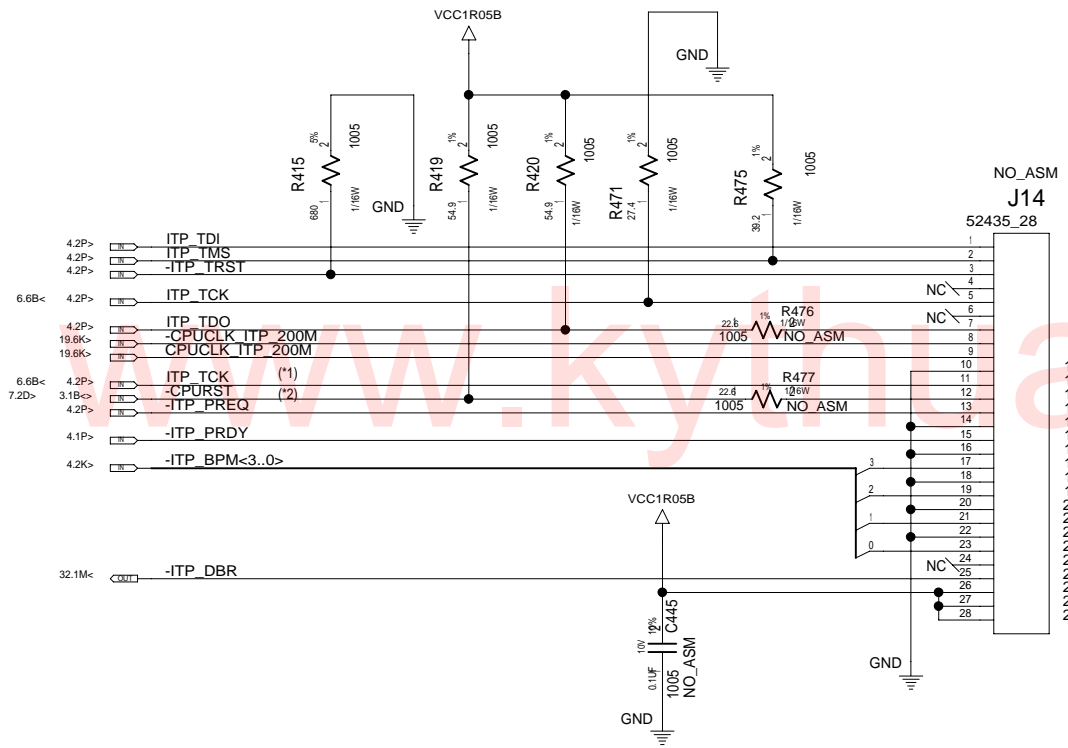
A B C D E F G H J K L M N P Q

DATE	EC NO.	PART NO.	
20061220	L11403	42W7622	
		DEVELOPMENT NO.	Q/M
			5 / 97



DESIGNER	K.Y	06/01/06	PART NO.	42W7622
CHECKED	Y.I	06/01/06	TITLE	MLB-1 SVT
APPROVED	T.S	06/01/06	CLASS	CPU(3/3)
CLASS	T.S	06/01/06	THIS DOCUMENT IS THE PROPERTY OF LENOVO/ITS USE IS AUTHORIZED ONLY FOR RESPONDING TO A REQUEST FOR QUOTATION OR FOR THE PERFORMANCE OF WORK FOR LENOVO/ALL QUESTIONS MUST BE REFERRED TO THE LENOVO PURCHASING DEPARTMENT.	
				LENOVO CONFIDENTIAL

DATE	EC NO.	PART NO.
20061220	L11403	42W7622
DEVELOPMENT NO.		Q/M
		6 / 97



- 1 TDI
- 2 TMS
- 3 TRST#
- 4 NC
- 5 TCK
- 6 NC
- 7 TDO
- 8 BCLK#
- 9 BCLK
- 10 GND
- 11 FBO
- 12 RESET#
- 13 BPM5#
- 14 GND
- 15 BPM4#
- 16 GND
- 17 BPM3#
- 18 GND
- 19 BPM2#
- 20 GND
- 21 BPM1#
- 22 GND
- 23 BPM0#
- 24 DBA#
- 25 DBR#
- 26 VTAP
- 27 VTT
- 28 VTT

REF DES	FOR ITP700FLEX	FOR ITP--XDP
J14	NO_ASM ---> ASM	NO_ASM ---> ASM
C445	ASM ---> ASM	ASM ---> ASM
R717	ASM(NO CHANGE)	ASM ---> 51 5% ASM
R476	ASM ---> ASM	ASM ---> ASM
R477	ASM ---> ASM	ASM ---> 1K 5% ASM
R415	ASM(NO CHANGE)	ASM(NO CHANGE)
R419	ASM(NO CHANGE)	ASM ---> NO_ASM
R420	ASM(NO CHANGE)	ASM(NO CHANGE)
R471	ASM(NO CHANGE)	ASM ---> 51 5% ASM
R475	ASM(NO CHANGE)	ASM ---> 51 5% ASM

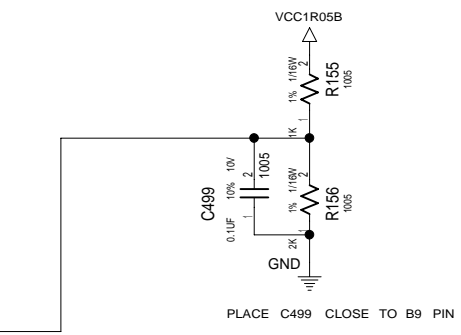
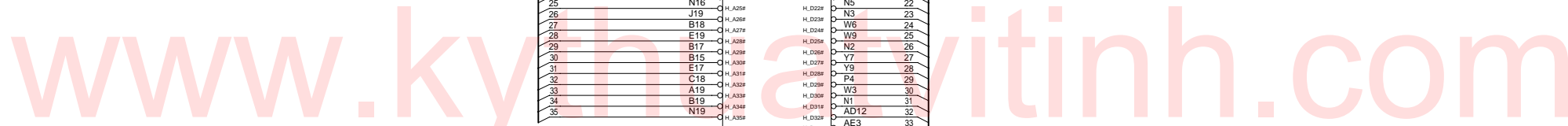
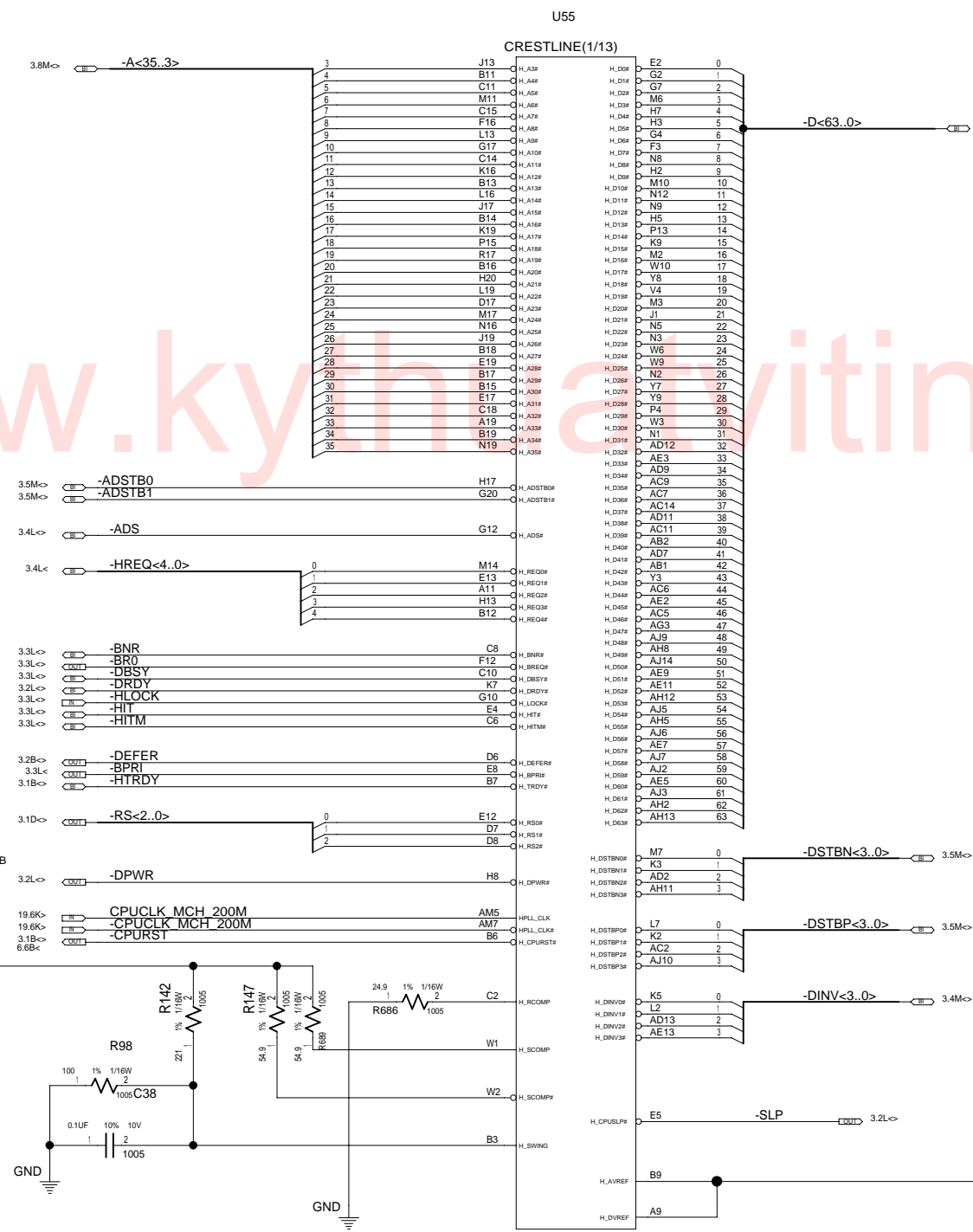
NOTE: C445,R476 AND R477 "ASM" BEFORE SIT, "NO\_ASM" FROM SIT.

- (\*1) TCK SIGNAL IS BRANCHED AT YONAH PIN
- (\*2) -CPURST SIGNAL IS BRANCHED AT CRESTLINE PIN

DESIGNER	K.Y	06/01/06	PART NO.	42W7622
CHECKED	Y.I	06/01/06	TITLE MLB-1 SVT	
APPROVED	T.S	06/01/06	ITP CONN/LARGE PTH HOLE	
CLASS	T.S	06/01/06	EMI FINGER	
THIS DOCUMENT IS THE PROPERTY OF LENOVO.ITS USE IS AUTHORIZED ONLY FOR RESPONDING TO A REQUEST FOR QUOTATION OR FOR THE PERFORMANCE OF WORK FOR LENOVO.ALL QUESTIONS MUST BE REFERRED TO THE LENOVO PURCHASING DEPARTMENT.				
LENOVO CONFIDENTIAL				



DATE	20061220	EC NO.	L11403	PART NO.	42W7622
DEVELOPMENT NO.				G/M	
				7 / 97	



DESIGNER	K.Y	06/01/06	PART NO.	42W7622
CHECKED	Y.I	06/01/06	TITLE MLB-1 SVT	
APPROVED	T.S	06/01/06	CRESTLINE(1/7):HOST I/F	
CLASS	T.S	06/01/06	LENOVO CONFIDENTIAL	

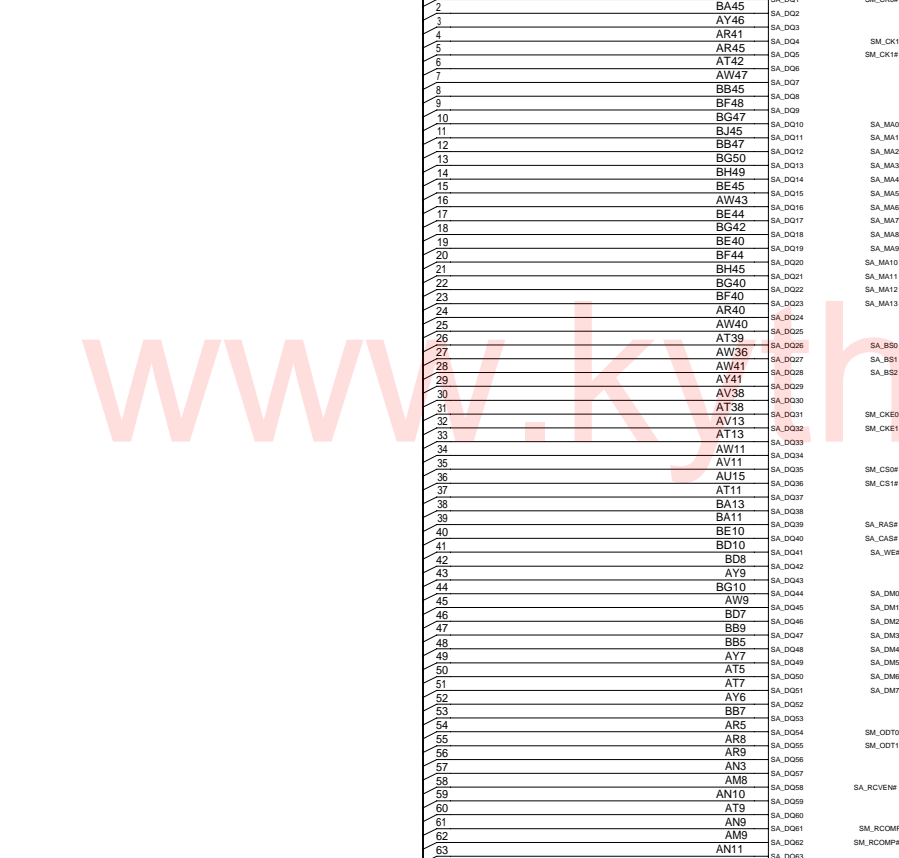
THIS DOCUMENT IS THE PROPERTY OF LENOVO/ITS USE IS AUTHORIZED ONLY FOR RESPONDING TO A REQUEST FOR QUOTATION OR FOR THE PERFORMANCE OF WORK FOR LENOVO.ALL QUESTIONS MUST BE REFERRED TO THE LENOVO PURCHASING DEPARTMENT.

DATE	EC NO.	PART NO.
20061220	L11403	42W7622
DEVELOPMENT NO.		Q/M
		8 / 97

U55

CRESTLINE(2/13)

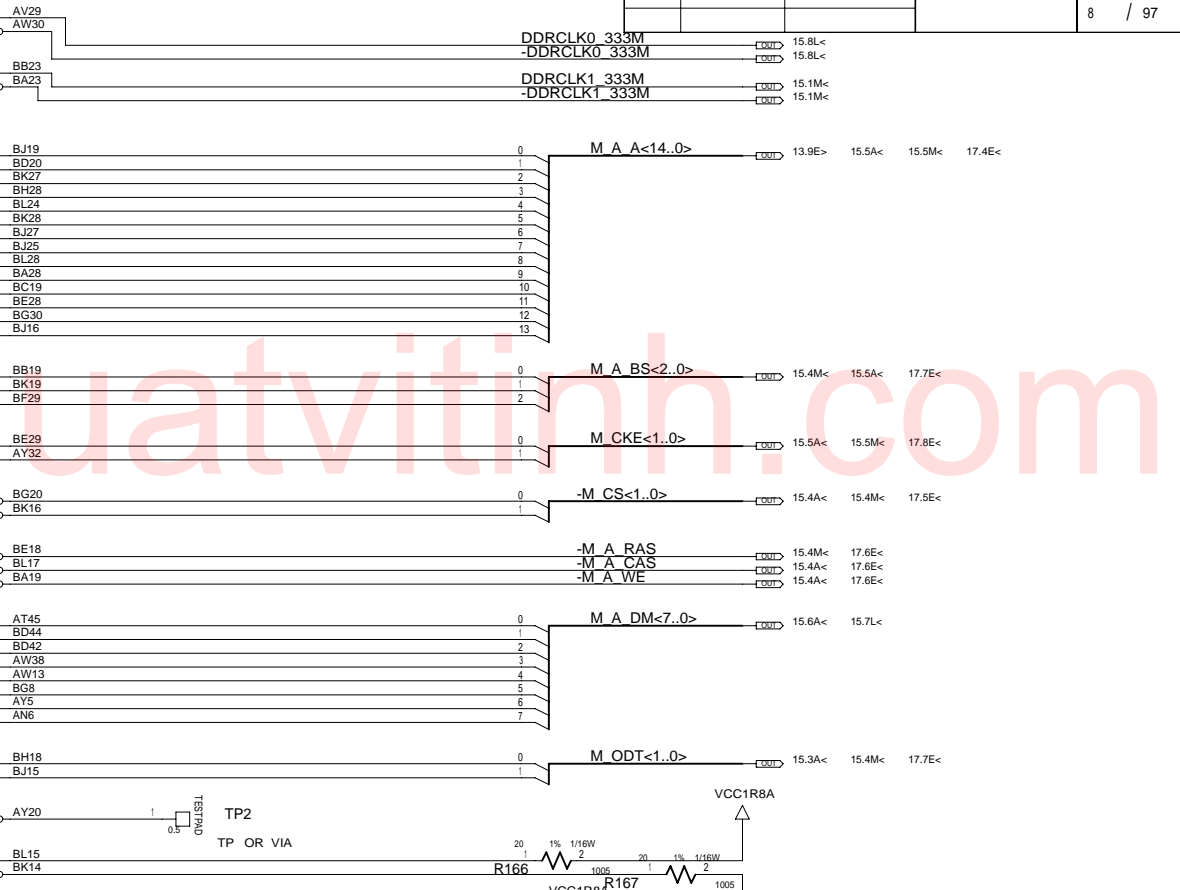
15.9B<> 15.8L<> M A DQ<63..0>



15.7M< 15.9B<> M A DQS<7..0>

15.6M< 15.8B<> -M A DQS<7..0>

42W7622



DESIGNER	K.Y	06/01/06	PART NO.	42W7622
CHECKED	Y.I	06/01/06	TITLE	MLB-1 SVT
APPROVED	T.S	06/01/06	CRESTLINE(2/7):DDR2-A	
CLASS	T.S	06/01/06	LENOVO CONFIDENTIAL	

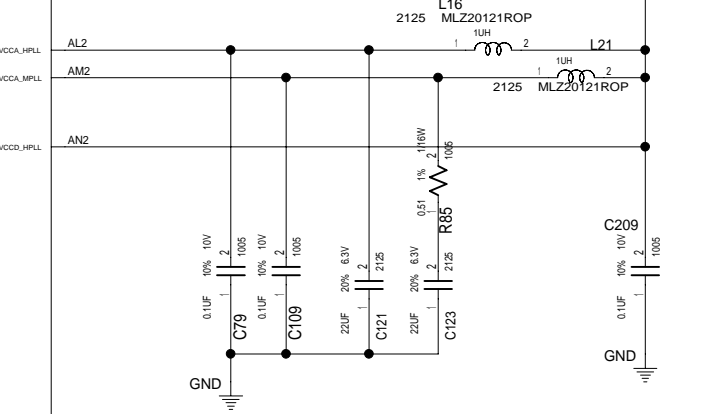
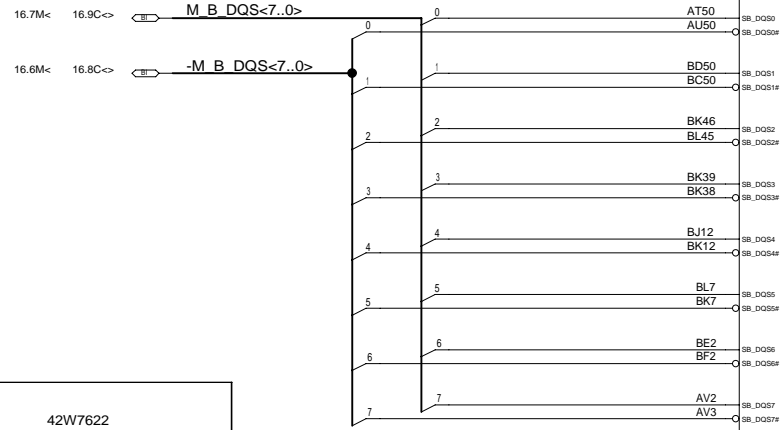
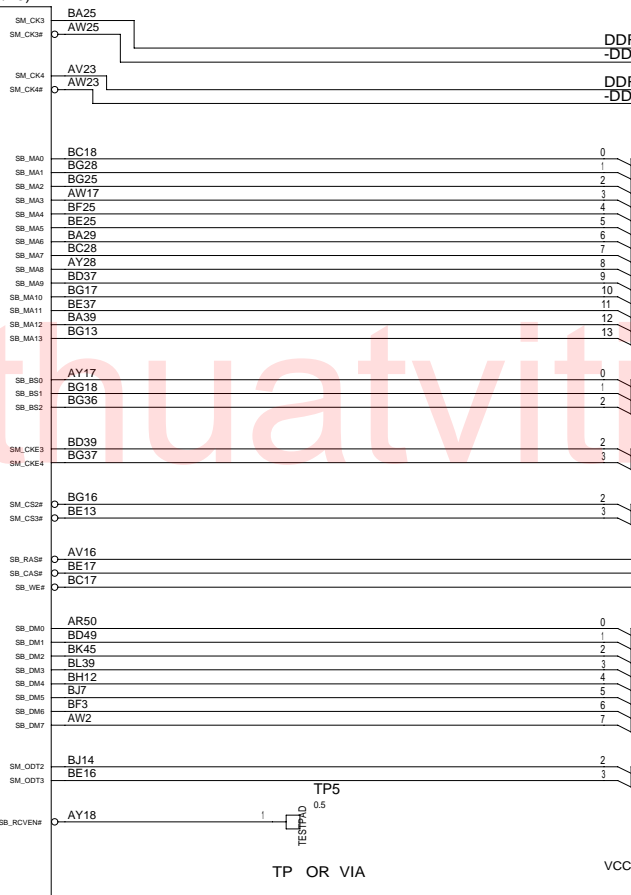
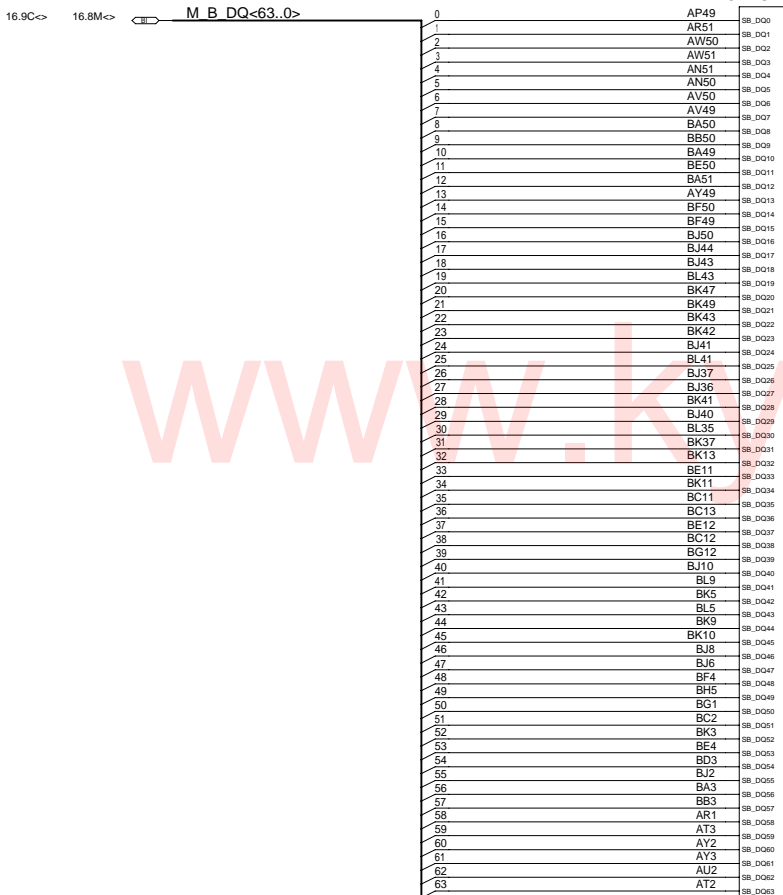
THIS DOCUMENT IS THE PROPERTY OF  
LENOVO. ITS USE IS AUTHORIZED ONLY FOR  
RESPONDING TO A REQUEST FOR QUOTATION  
OR FOR THE PERFORMANCE OF WORK FOR  
LENOVO. ALL QUESTIONS MUST BE REFERRED  
TO THE LENOVO PURCHASING DEPARTMENT.



DATE	EC NO.	PART NO.	
20061220	L11403	42W7622	
		DEVELOPMENT NO.	Q/M
			9 / 97

U55

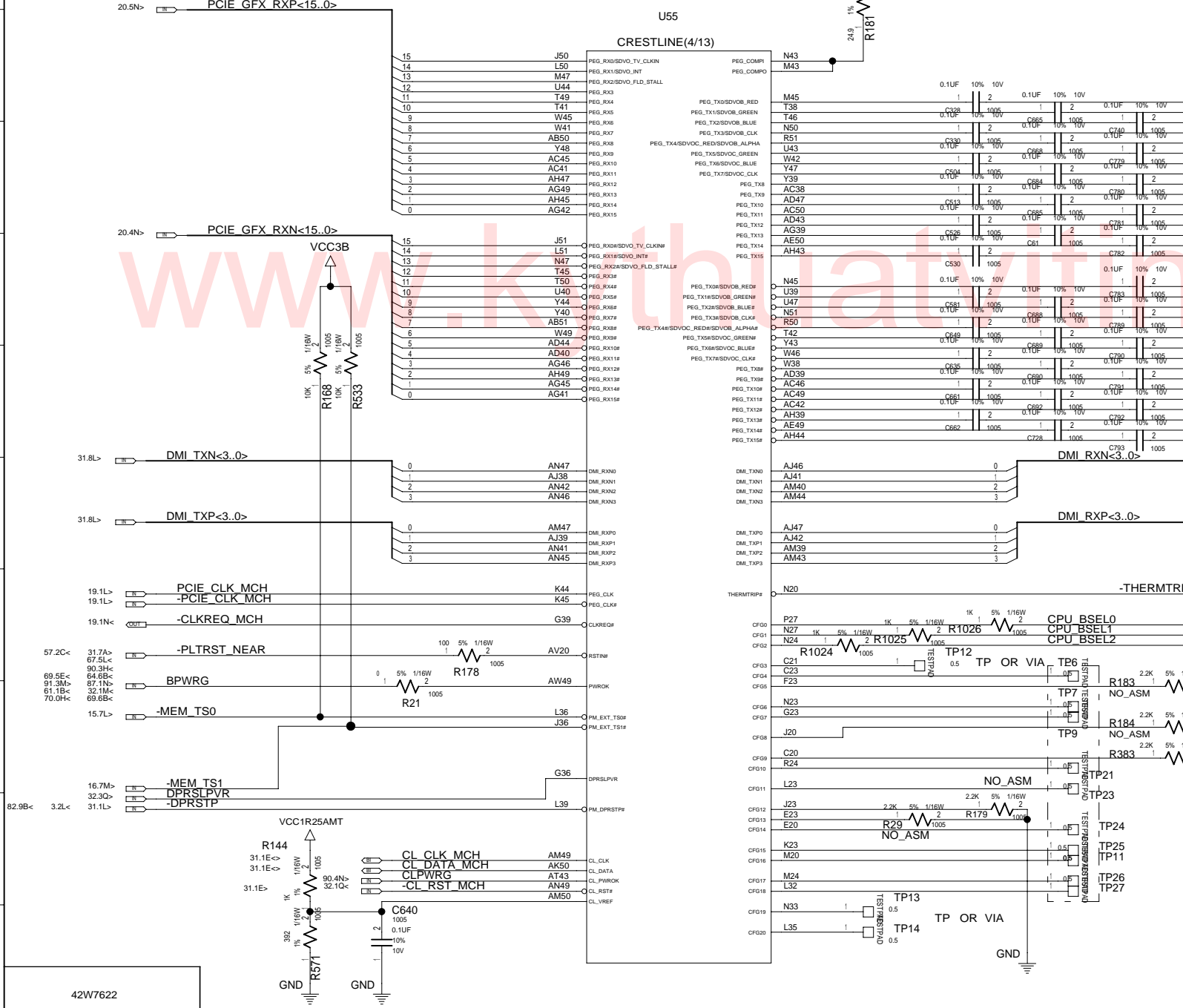
CRESTLINE(3/13)



DESIGNER	K.Y	06/01/06	PART NO.	42W7622
CHECKED	Y.I	06/01/06	TITLE	MLB-1 SVT
APPROVED	T.S	06/01/06	CLASS	CRESTLINE(3/7):DDR2-B
CLASS	T.S	06/01/06	LENOVO CONFIDENTIAL	

THIS DOCUMENT IS THE PROPERTY OF LENOVO. ITS USE IS AUTHORIZED ONLY FOR RESPONDING TO A REQUEST FOR QUOTATION OR FOR THE PERFORMANCE OF WORK FOR LENOVO. ALL QUESTIONS MUST BE REFERRED TO THE LENOVO PURCHASING DEPARTMENT.

DATE	EC NO.	PART NO.
20061220	L11403	42W7622
DEVELOPMENT NO.		Q/M
		10 / 97



PCIE GFX TXP<15..0> 20.5B<

PCIE GFX TXN<15..0> 20.4B<

PCIE GFX RXP<15..0> 20.5N>

PCIE GFX RXN<15..0> 20.4N>

DMI RXN<3..0> 31.9L<

DMI RXP<3..0> 31.9L<

DMI TXN1 31.8L>

DMI TXP1 31.8L>

DMI TXN2 19.1L>

DMI TXP2 19.1L>

DMI TXN3 19.1N<

DMI TXP3 57.2C<

DMI TXN4 69.5E<

DMI TXP4 61.3M>

DMI TXN5 70.0H<

DMI TXP5 15.7L>

DMI TXN6 16.7M>

DMI TXP6 32.3Q>

DMI TXN7 31.1L>

DMI TXP7 32.2L<

DMI TXN8 31.1E<

DMI TXP8 31.1E<

DMI TXN9 31.1E<

DMI TXP9 31.1E<

DMI TXN10 31.1E<

DMI TXP10 31.1E<

DMI TXN11 31.1E<

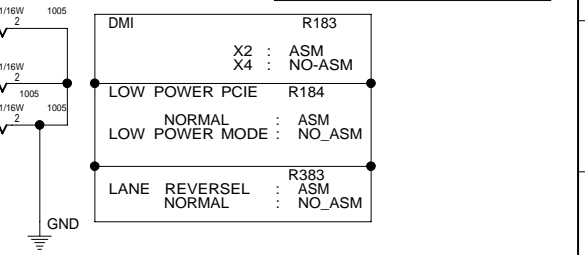
DMI TXP11 31.1E<

LANE REVERSAL APPLIED  
POLARITY INVERSION APPLIED TO ALL PAIRS

HOST BUS CLK SELECT TABLE

	BSEL2	BSEL1	BSEL0
533M	0	0	1
667M	0	1	1
800M	0	1	0

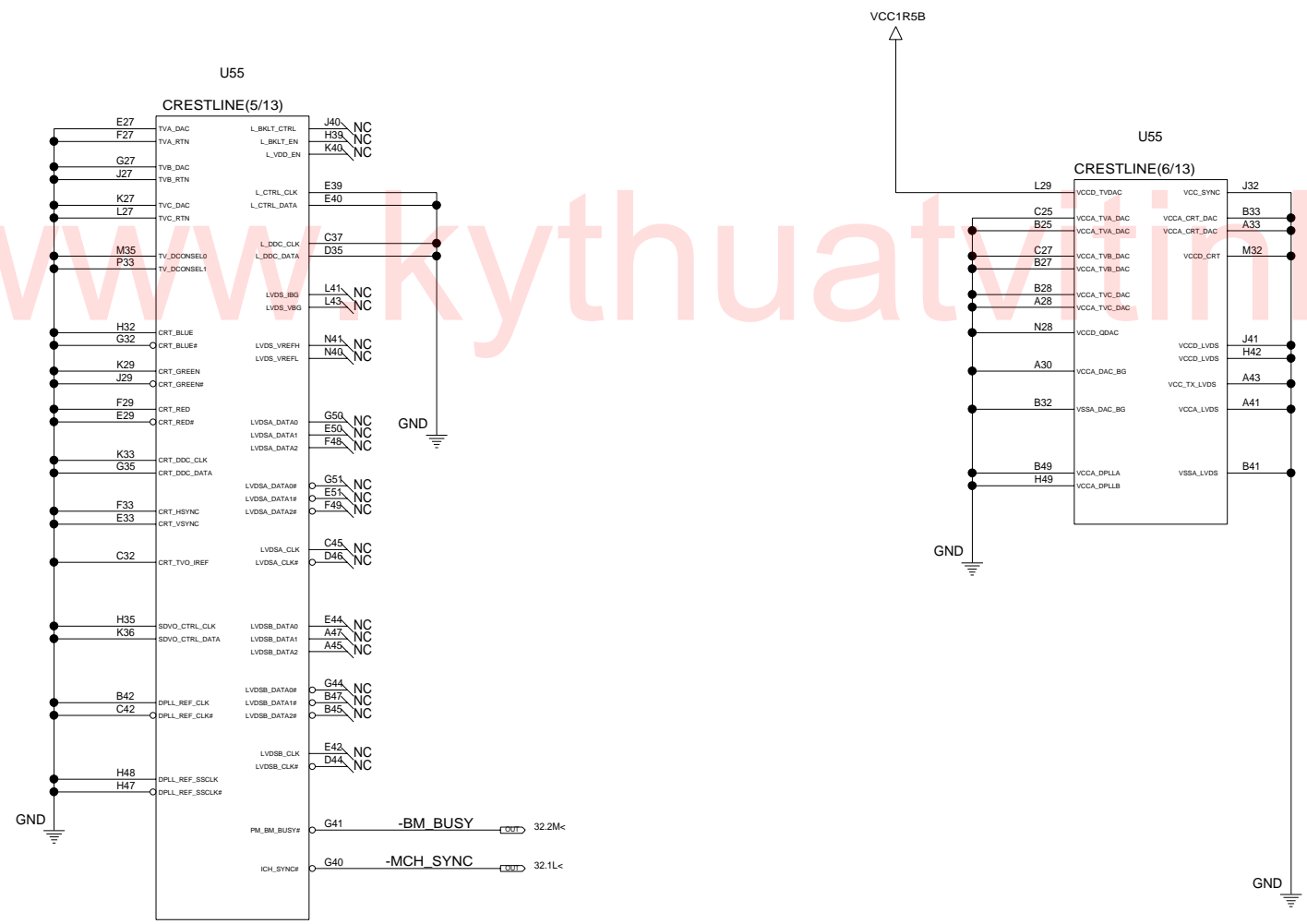
CFG[17:3] INTERNAL PULLDOWN  
CFG[20:18] INTERNAL PULLDOWN



DESIGNER	K.Y	06/01/06	PART NO.	42W7622
CHECKED	Y.I	06/01/06	TITLE	MLB-1 SVT
APPROVED	T.S	06/01/06	CRESTLINE(4/7)	PEG/DMI
CLASS	T.S	06/01/06	LENOVO CONFIDENTIAL	

THIS DOCUMENT IS THE PROPERTY OF LENOVO. IT IS AUTHORIZED ONLY FOR RESPONDING TO A REQUEST FOR QUOTATION OR FOR THE PERFORMANCE OF WORK FOR LENOVO. ALL QUESTIONS MUST BE REFERRED TO THE LENOVO PURCHASING DEPARTMENT.

DATE	EC NO.	PART NO.	
20061220	L11403	42W7622	
		DEVELOPMENT NO.	Q/M
			11 / 97



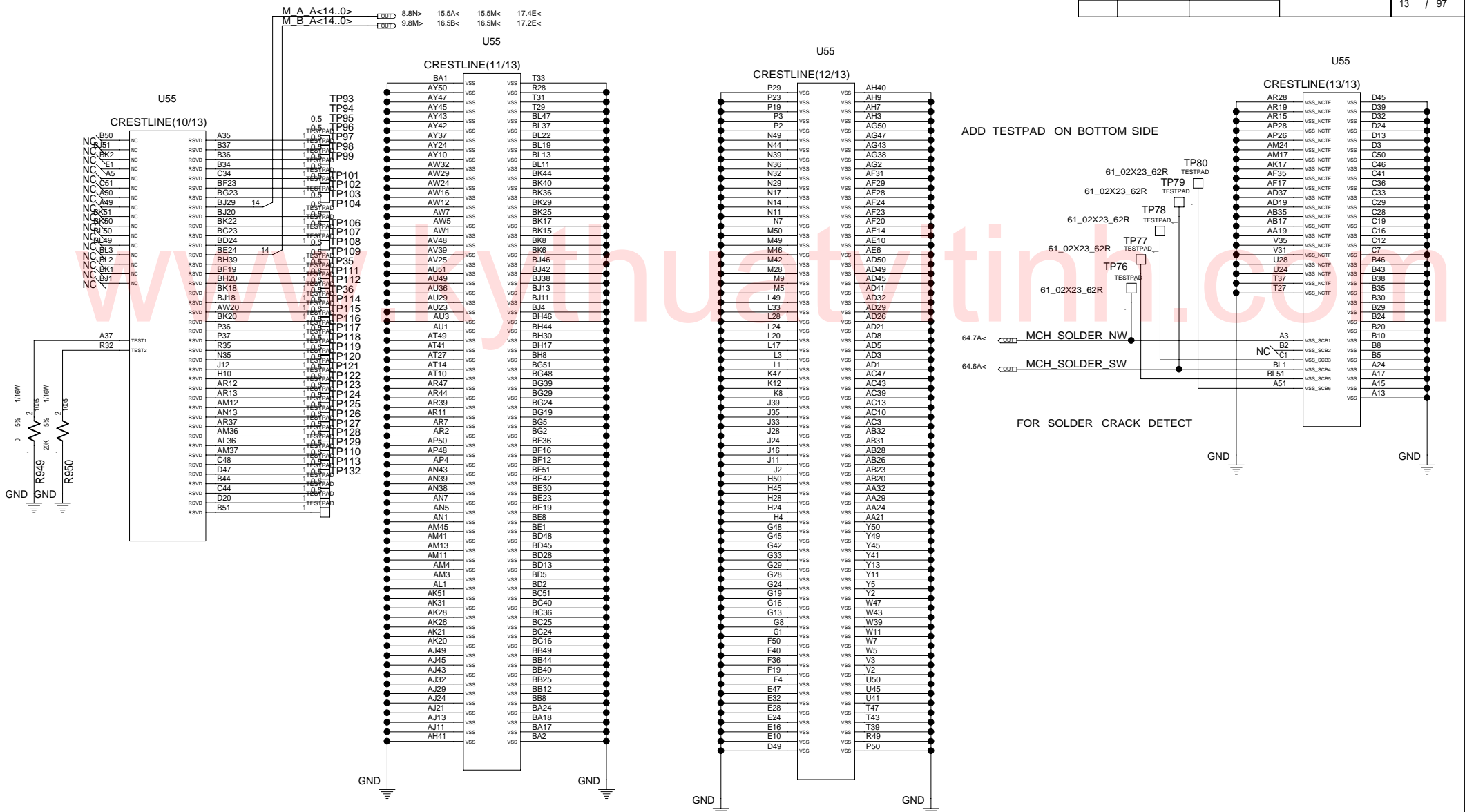
DESIGNER	K.Y	06/01/06	PART NO.	42W7622
CHECKED	Y.I	06/01/06	TITLE MLB-1 SVT	
APPROVED	T.S	06/01/06	CRESTLINE(5/7):GRAPHICS	
CLASS	T.S	06/01/06	LENOVO CONFIDENTIAL	

THIS DOCUMENT IS THE PROPERTY OF LENOVO/ITS USE IS AUTHORIZED ONLY FOR RESPONDING TO A REQUEST FOR QUOTATION OR FOR THE PERFORMANCE OF WORK FOR LENOVO/ALL QUESTIONS MUST BE REFERRED TO THE LENOVO PURCHASING DEPARTMENT.



DATE	EC NO.	PART NO.
20061220	L11403	42W7622
DEVELOPMENT NO.		Q/M
		13 / 97

NOTE:M\_A\_A14 AND M\_B\_A14 SHOULD BE TREATED SAME AS OTHER MEMORY ADDRESS LINES

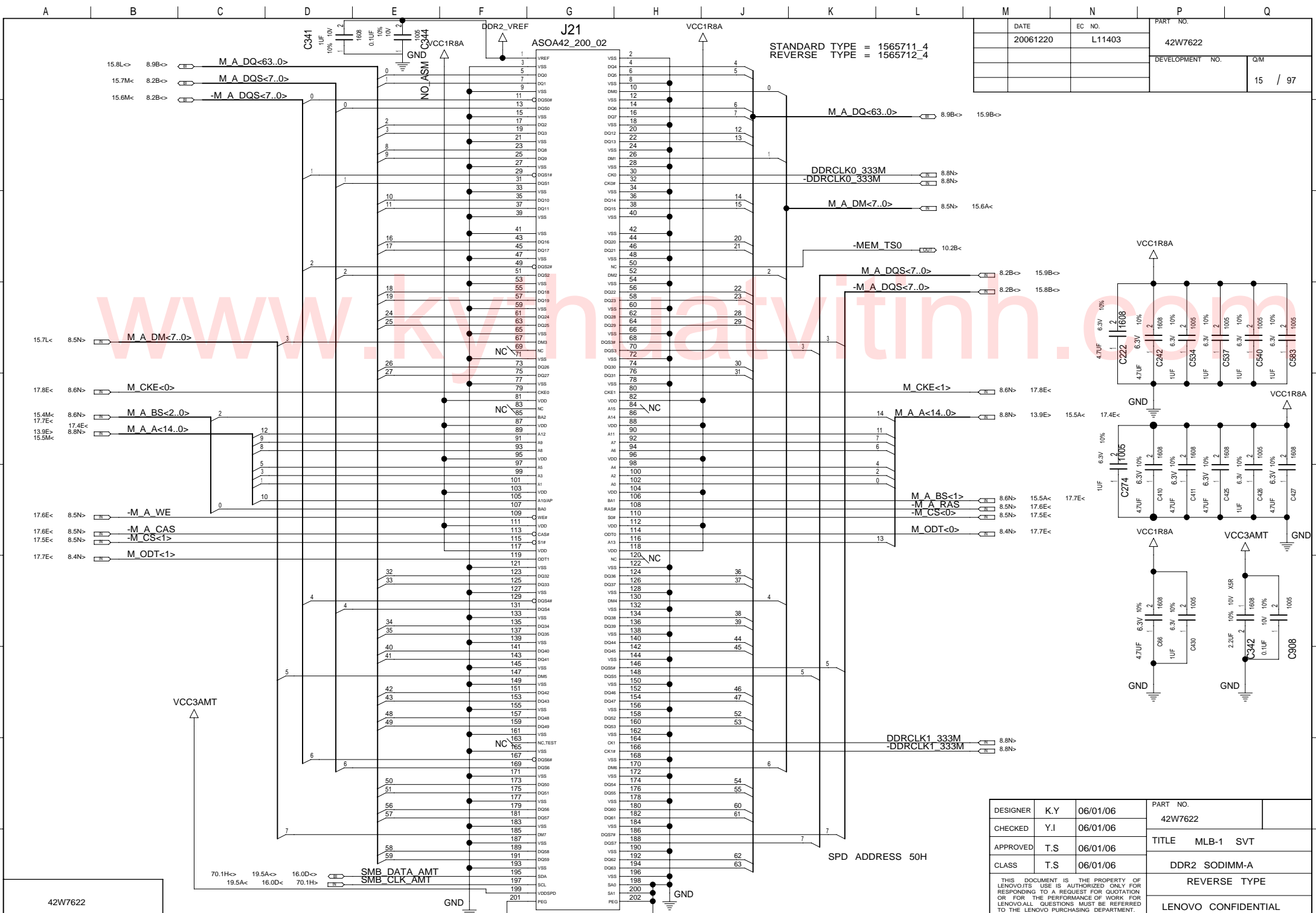


ADD TESTPAD ON BOTTOM SIDE

FOR SOLDER CRACK DETECT

DESIGNER	K.Y	06/01/06	PART NO.	42W7622
CHECKED	Y.I	06/01/06	TITLE	MLB-1 SVT
APPROVED	T.S	06/01/06	CALISTOGA(77):VCC/GND(NCTF)	
CLASS	T.S	06/01/06	LENOVO CONFIDENTIAL	



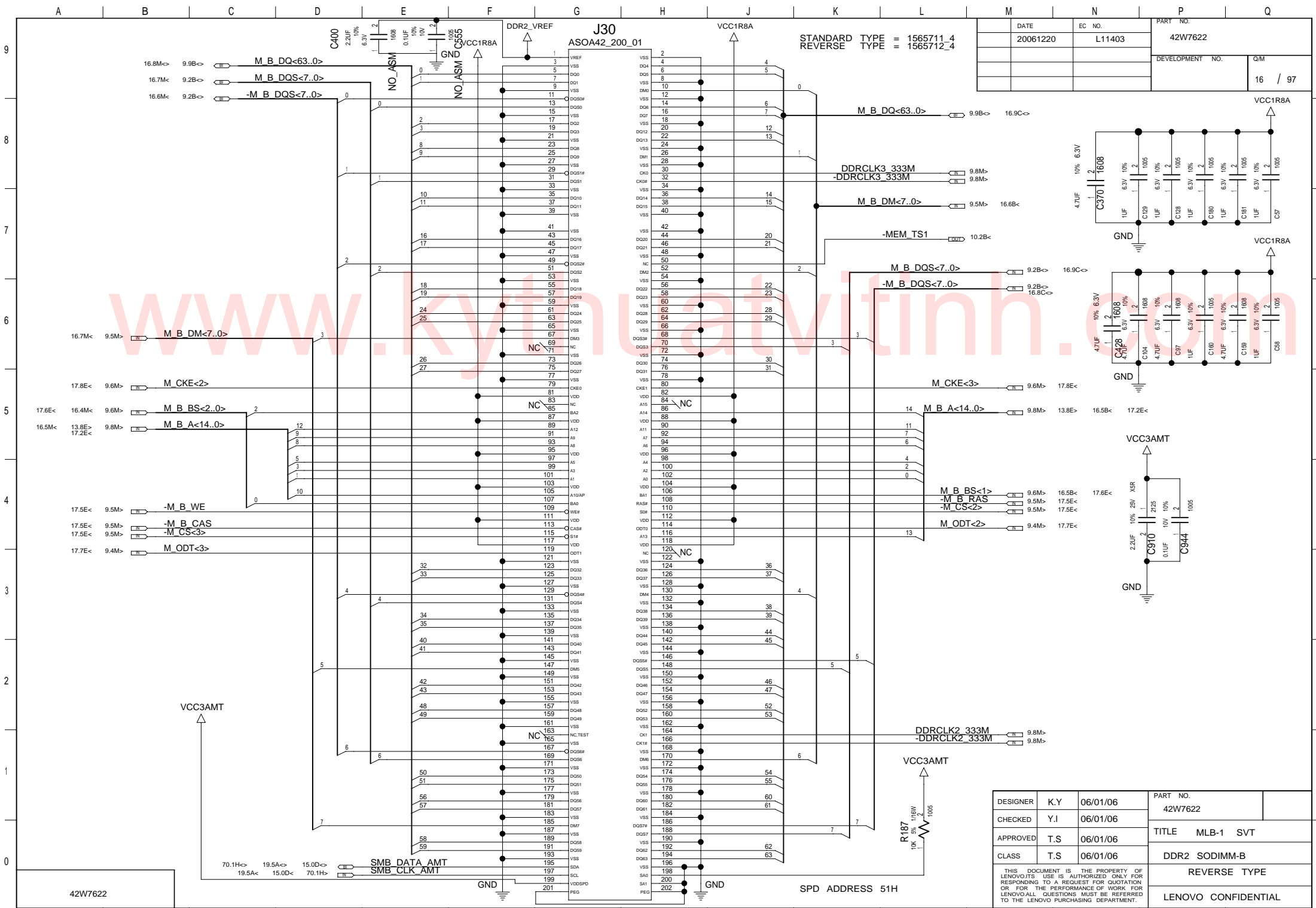


DATE	EC NO.	PART NO.
20061220	L11403	42W7622
DEVELOPMENT NO.		Q/M
		15 / 97

DESIGNER	K.Y	06/01/06	PART NO.	42W7622
CHECKED	Y.I	06/01/06	TITLE	MLB-1 SVT
APPROVED	T.S	06/01/06	CLASS	DDR2 SODIMM-A
CLASS	T.S	06/01/06	REVERSE TYPE	
LENOVO CONFIDENTIAL				

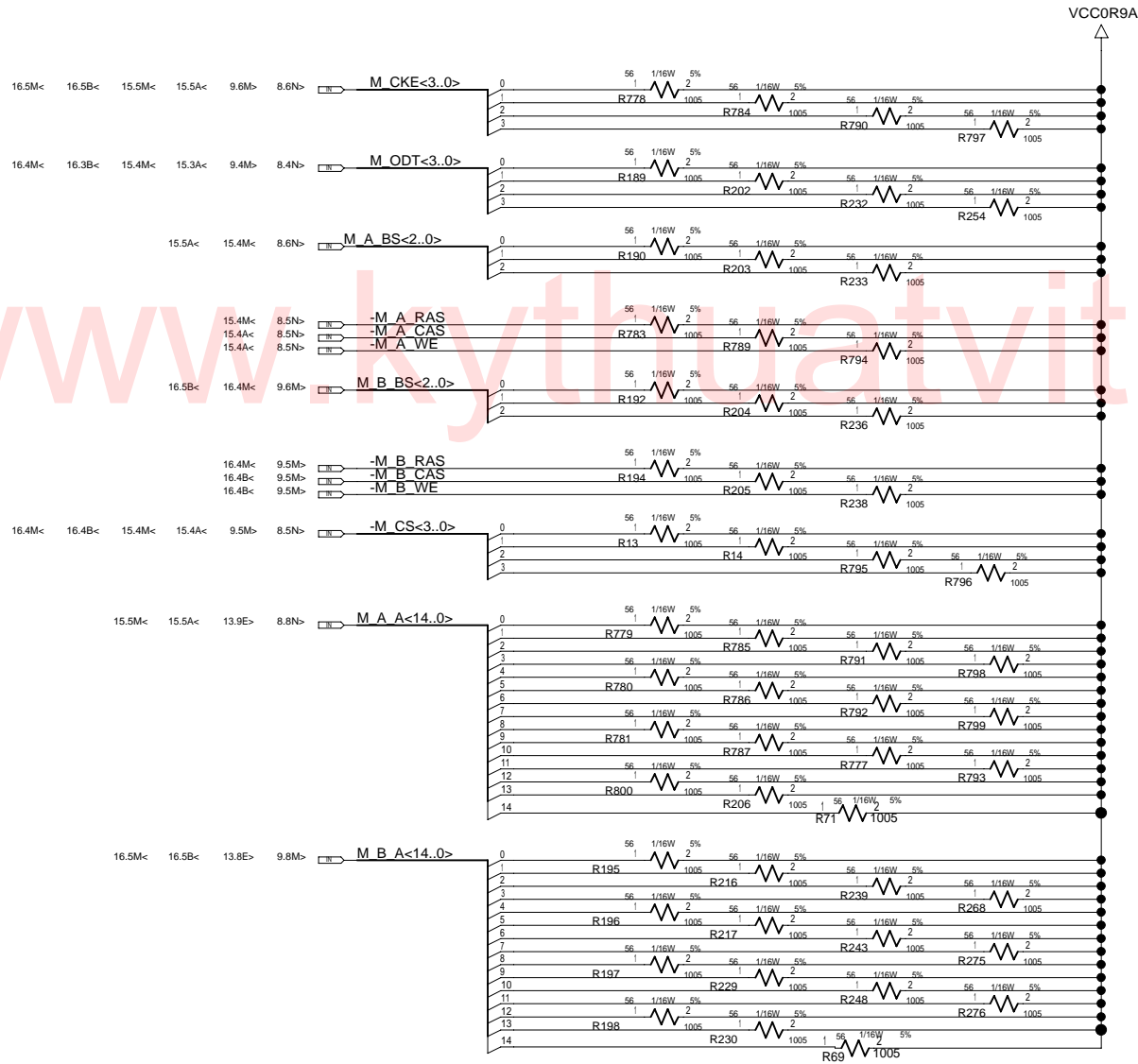
THIS DOCUMENT IS THE PROPERTY OF LENOVO. ITS USE IS AUTHORIZED ONLY FOR RESPONDING TO A REQUEST FOR QUOTATION OR FOR THE PERFORMANCE OF WORK FOR LENOVO. ALL QUESTIONS MUST BE REFERRED TO THE LENOVO PURCHASING DEPARTMENT.





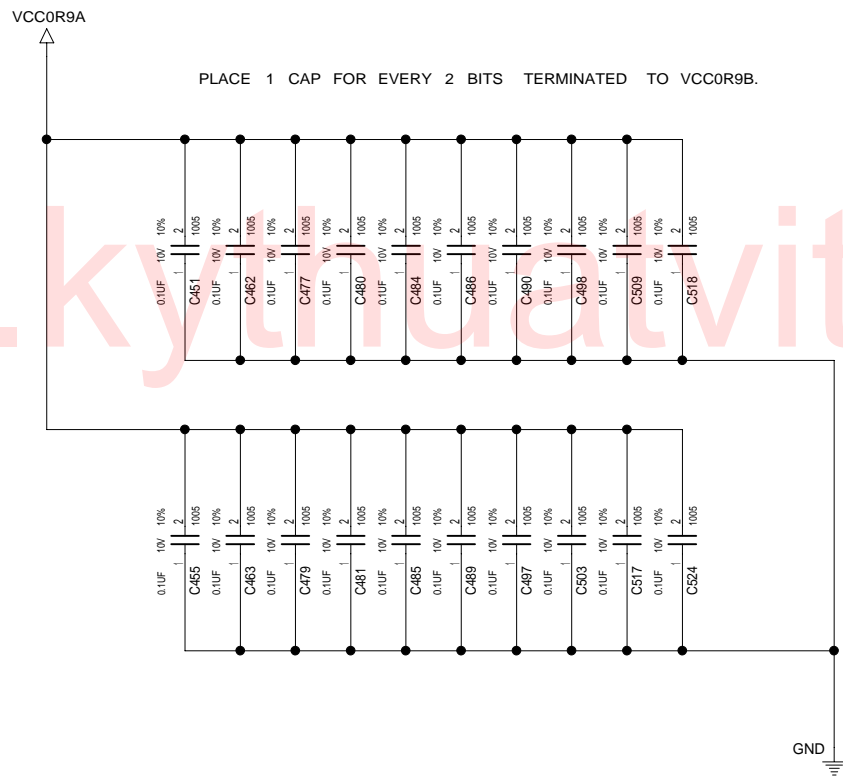
DESIGNER	K.Y	06/01/06	PART NO.	42W7622
CHECKED	Y.I	06/01/06	TITLE	MLB-1 SVT
APPROVED	T.S	06/01/06	CLASS	DDR2 SODIMM-B
CLASS	T.S	06/01/06	REVERSE TYPE	
THIS DOCUMENT IS THE PROPERTY OF LENOVO/ITS USE IS AUTHORIZED ONLY FOR RESPONDING TO A REQUEST FOR QUOTATION OR FOR THE PERFORMANCE OF WORK FOR LENOVO/ALL QUESTIONS MUST BE REFERRED TO THE LENOVO PURCHASING DEPARTMENT.				
LENOVO CONFIDENTIAL				

DATE	EC NO.	PART NO.	
20061220	L11403	42W7622	
		DEVELOPMENT NO.	Q/M
			17 / 97



DESIGNER	K.Y	06/01/06	PART NO.	42W7622
CHECKED	Y.I	06/01/06	TITLE MLB-1 SVT	
APPROVED	T.S	06/01/06		
CLASS	T.S	06/01/06	DDR-2 TERMINATION	
<small>THIS DOCUMENT IS THE PROPERTY OF LENOVO/ITS USE IS AUTHORIZED ONLY FOR RESPONDING TO A REQUEST FOR QUOTATION OR FOR THE PERFORMANCE OF WORK FOR LENOVO. ALL QUESTIONS MUST BE REFERRED TO THE LENOVO PURCHASING DEPARTMENT.</small>				LENOVO CONFIDENTIAL

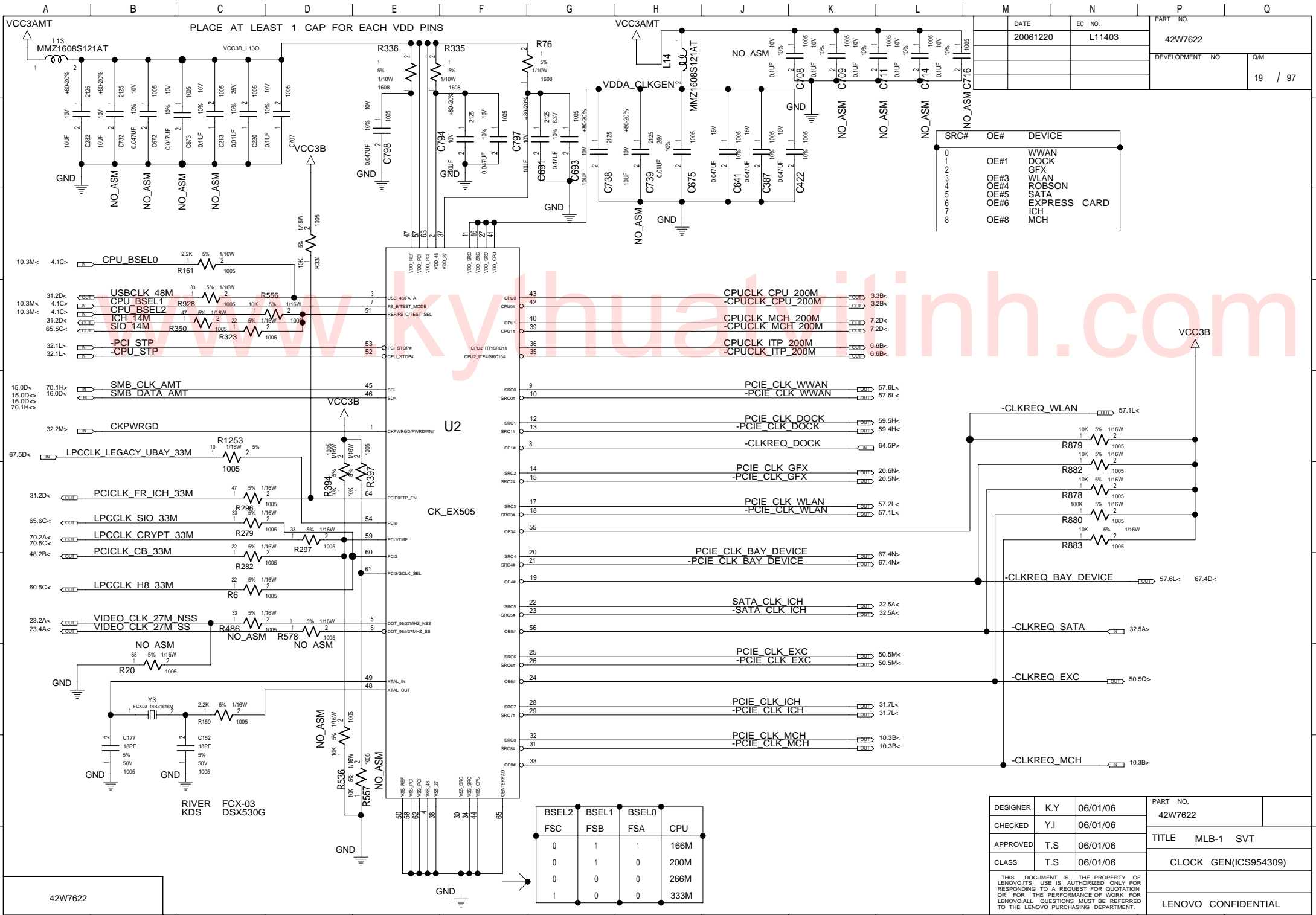
DATE		EC NO.		PART NO.	
20061220		L11403		42W7622	
DEVELOPMENT NO.				Q/M	
				18 / 97	



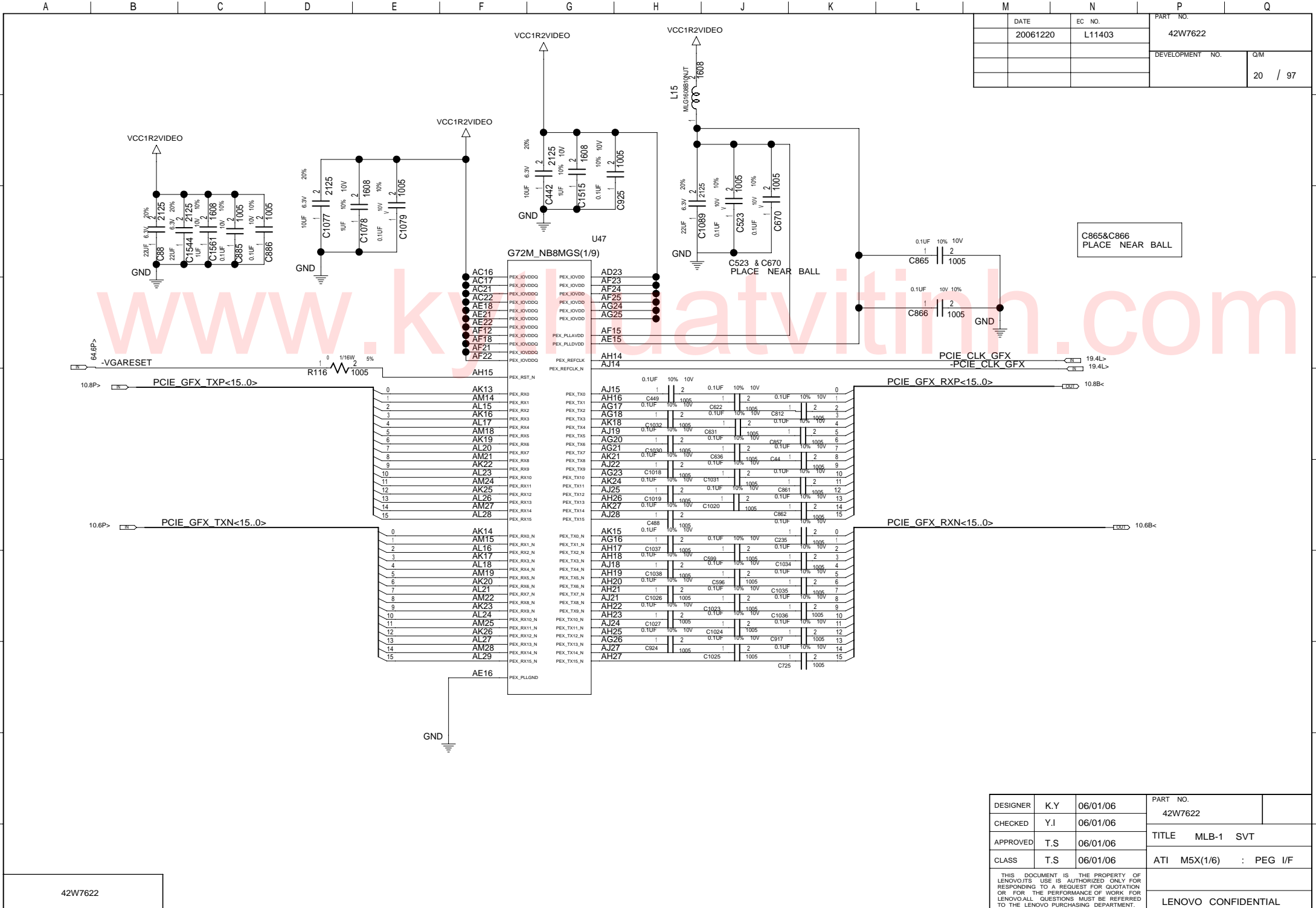
www.kyungdata.vitinh.com

42W7622

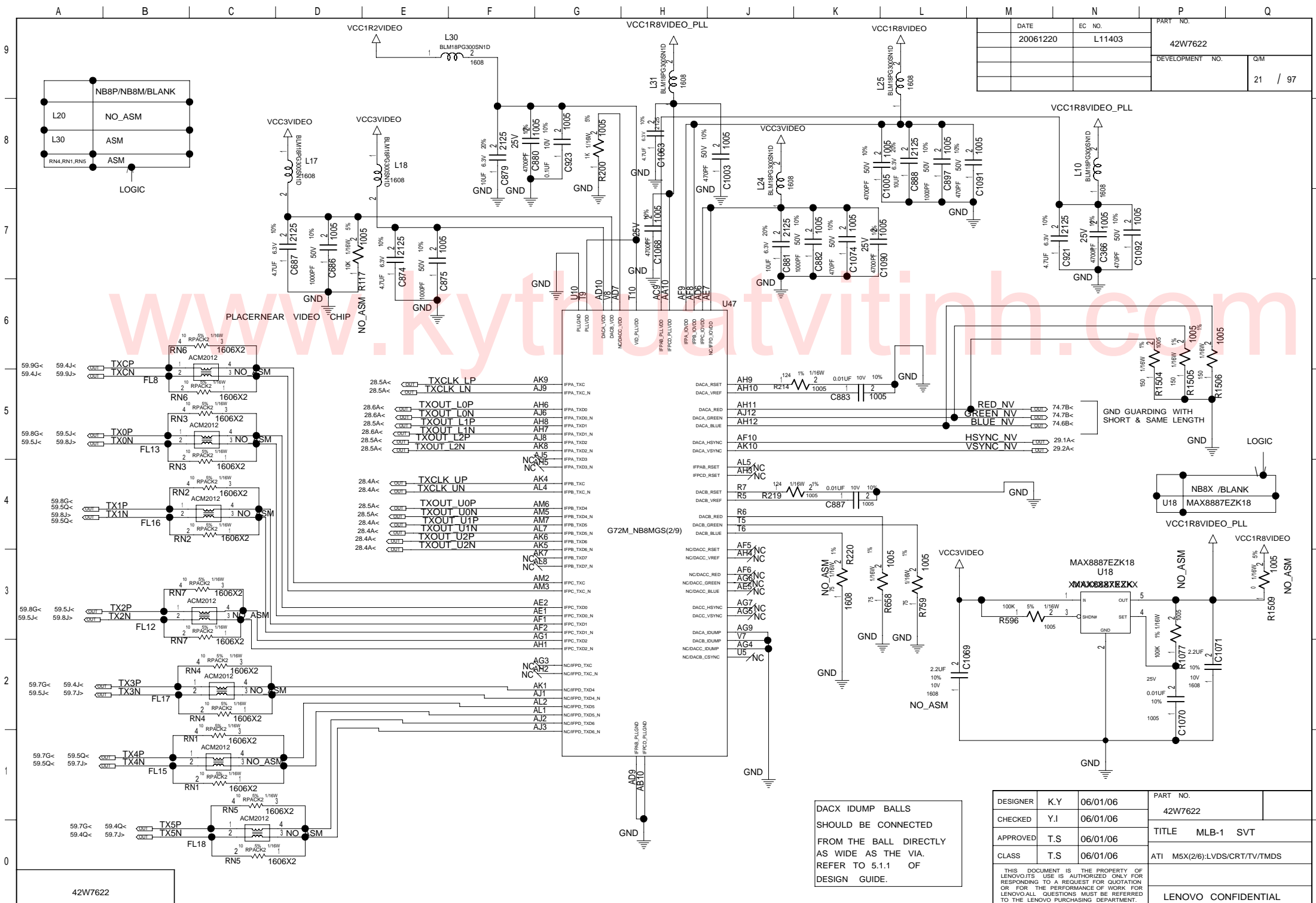
DESIGNER	K.Y	06/01/06	PART NO.	42W7622
CHECKED	Y.I	06/01/06	TITLE	MLB-1 SVT
APPROVED	T.S	06/01/06	DDR-2 DECOUPLING	
CLASS	T.S	06/01/06	LENOVO CONFIDENTIAL	
<small>THIS DOCUMENT IS THE PROPERTY OF LENOVO/TS. USE IS AUTHORIZED ONLY FOR RESPONDING TO A REQUEST FOR QUOTATION OR FOR THE PERFORMANCE OF WORK FOR LENOVO. ALL QUESTIONS MUST BE REFERRED TO THE LENOVO PURCHASING DEPARTMENT.</small>				



DATE	EC NO.	PART NO.
20061220	L11403	42W7622
DEVELOPMENT NO.		Q/M
		20 / 97



DESIGNER	K.Y	06/01/06	PART NO.	42W7622
CHECKED	Y.I	06/01/06	TITLE	MLB-1 SVT
APPROVED	T.S	06/01/06	CLASS	ATI M5X(1/6) : PEG I/F
THIS DOCUMENT IS THE PROPERTY OF LENOVO/ITS USE IS AUTHORIZED ONLY FOR RESPONDING TO A REQUEST FOR QUOTATION OR FOR THE PERFORMANCE OF WORK FOR LENOVO/ALL QUESTIONS MUST BE REFERRED TO THE LENOVO PURCHASING DEPARTMENT.				LENOVO CONFIDENTIAL

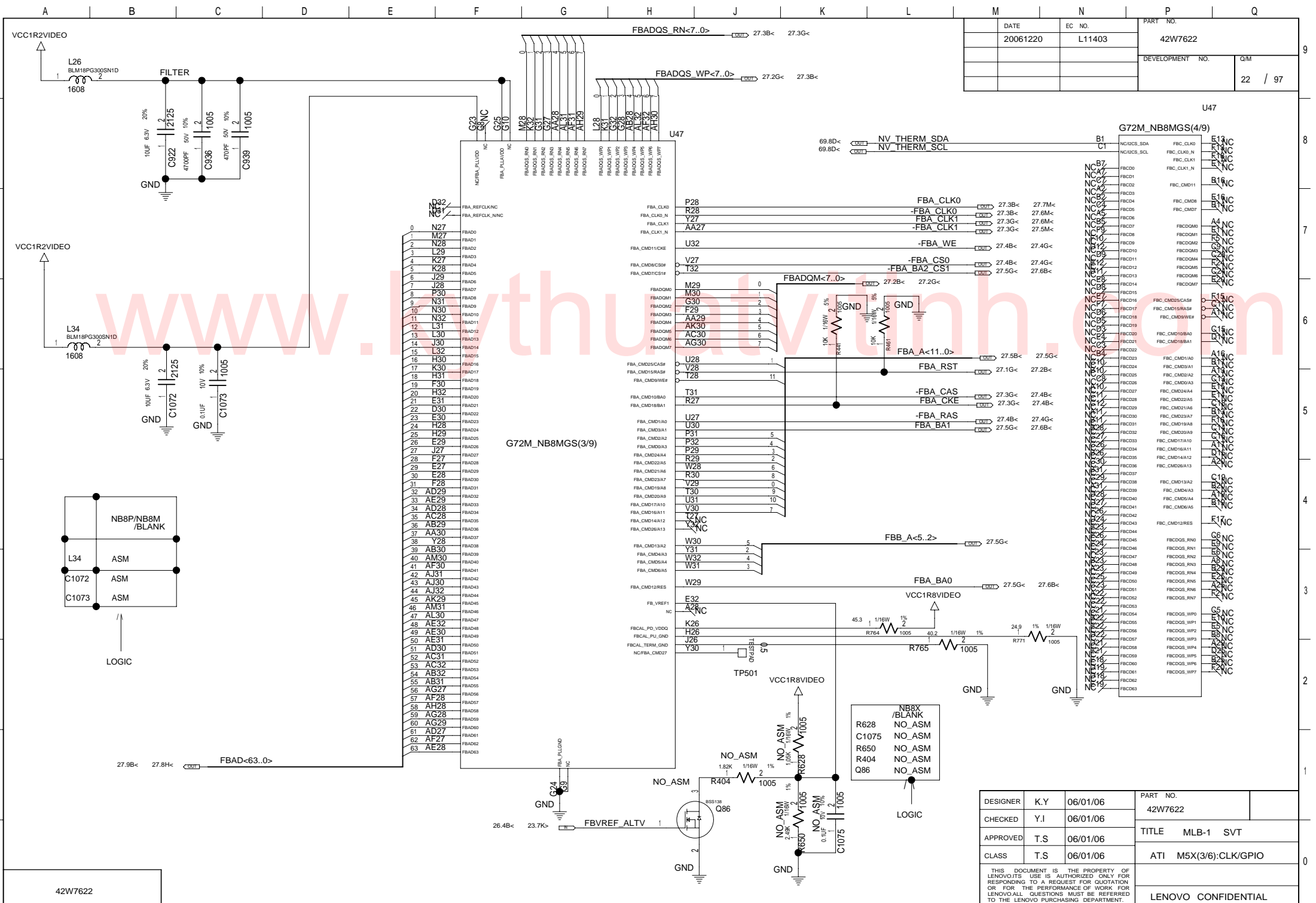


DATE	20061220	EC NO.	L11403	PART NO.	42W7622
DEVELOPMENT NO.				Q/M	21 / 97

DESIGNER	K.Y	06/01/06	PART NO.	42W7622
CHECKED	Y.I	06/01/06	TITLE	MLB-1 SVT
APPROVED	T.S	06/01/06	ATI M5X(2/6):LVDS/CRT/TV/TMDS	
CLASS	T.S	06/01/06	LENOVO CONFIDENTIAL	

THIS DOCUMENT IS THE PROPERTY OF LENOVO/ITS USE IS AUTHORIZED ONLY FOR RESPONDING TO A REQUEST FOR QUOTATION OR FOR THE PERFORMANCE OF WORK FOR LENOVO/ALL QUESTIONS MUST BE REFERRED TO THE LENOVO PURCHASING DEPARTMENT.

DACX IDUMP BALLS SHOULD BE CONNECTED FROM THE BALL DIRECTLY AS WIDE AS THE VIA. REFER TO 5.1.1 OF DESIGN GUIDE.

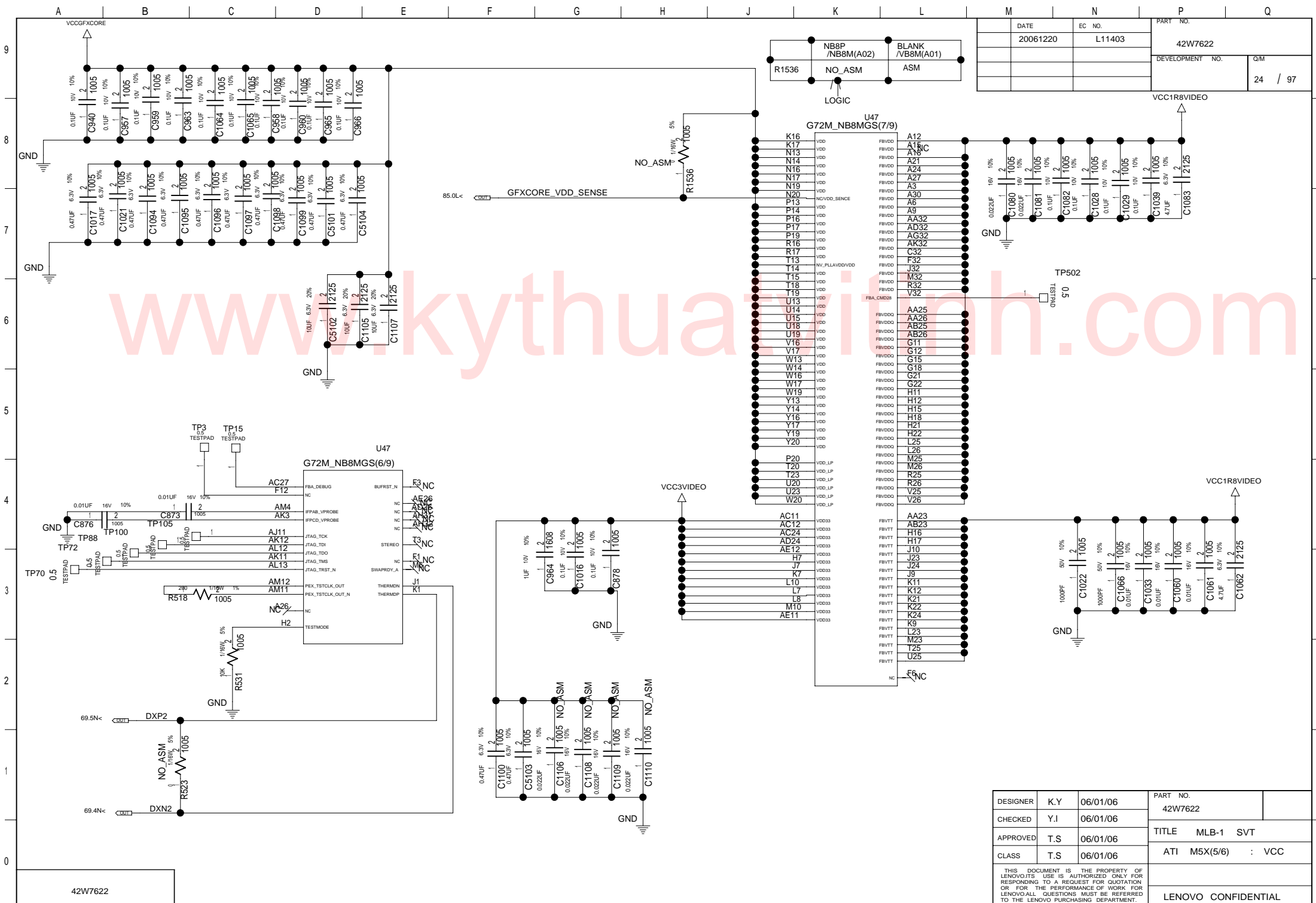


DATE	EC NO.	PART NO.
20061220	L11403	42W7622
DEVELOPMENT NO.		Q/M
		22 / 97

DESIGNER	K.Y	06/01/06	PART NO.
CHECKED	Y.I	06/01/06	42W7622
APPROVED	T.S	06/01/06	TITLE
CLASS	T.S	06/01/06	ATI M5X(3/6):CLK/GPIO
THIS DOCUMENT IS THE PROPERTY OF LENOVO/ITS USE IS AUTHORIZED ONLY FOR RESPONDING TO A REQUEST FOR QUOTATION OR FOR THE PERFORMANCE OF WORK FOR LENOVO/ALL QUESTIONS MUST BE REFERRED TO THE LENOVO PURCHASING DEPARTMENT.			LENOVO CONFIDENTIAL







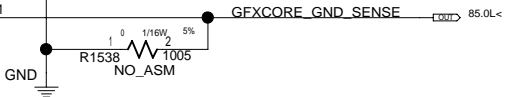
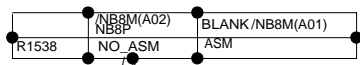
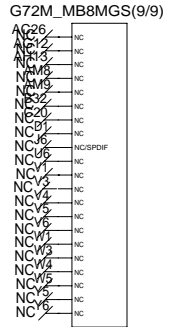
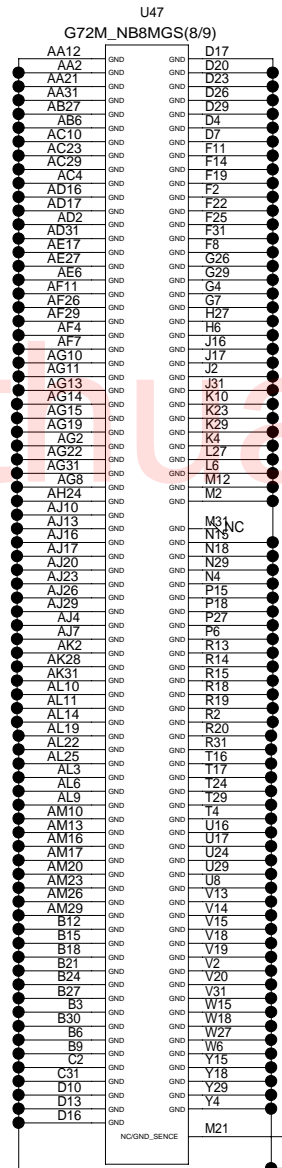
DATE	EC NO.	PART NO.
20061220	L11403	42W7622
DEVELOPMENT NO.		Q/M
		24 / 97

DESIGNER	K.Y	06/01/06	PART NO.	42W7622
CHECKED	Y.I	06/01/06	TITLE MLB-1 SVT	
APPROVED	T.S	06/01/06	ATI M5X(5/6) : VCC	
CLASS	T.S	06/01/06	LENOVO CONFIDENTIAL	

THIS DOCUMENT IS THE PROPERTY OF LENOVO/ITS USE IS AUTHORIZED ONLY FOR RESPONDING TO A REQUEST FOR QUOTATION OR FOR THE PERFORMANCE OF WORK FOR LENOVO/ALL QUESTIONS MUST BE REFERRED TO THE LENOVO PURCHASING DEPARTMENT.

A B C D E F G H J K L M N P Q

DATE	EC NO.	PART NO.	
20061220	L11403	42W7622	
		DEVELOPMENT NO.	Q/M
			25 / 97

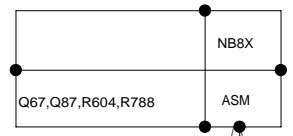


www.kytdatvith.com

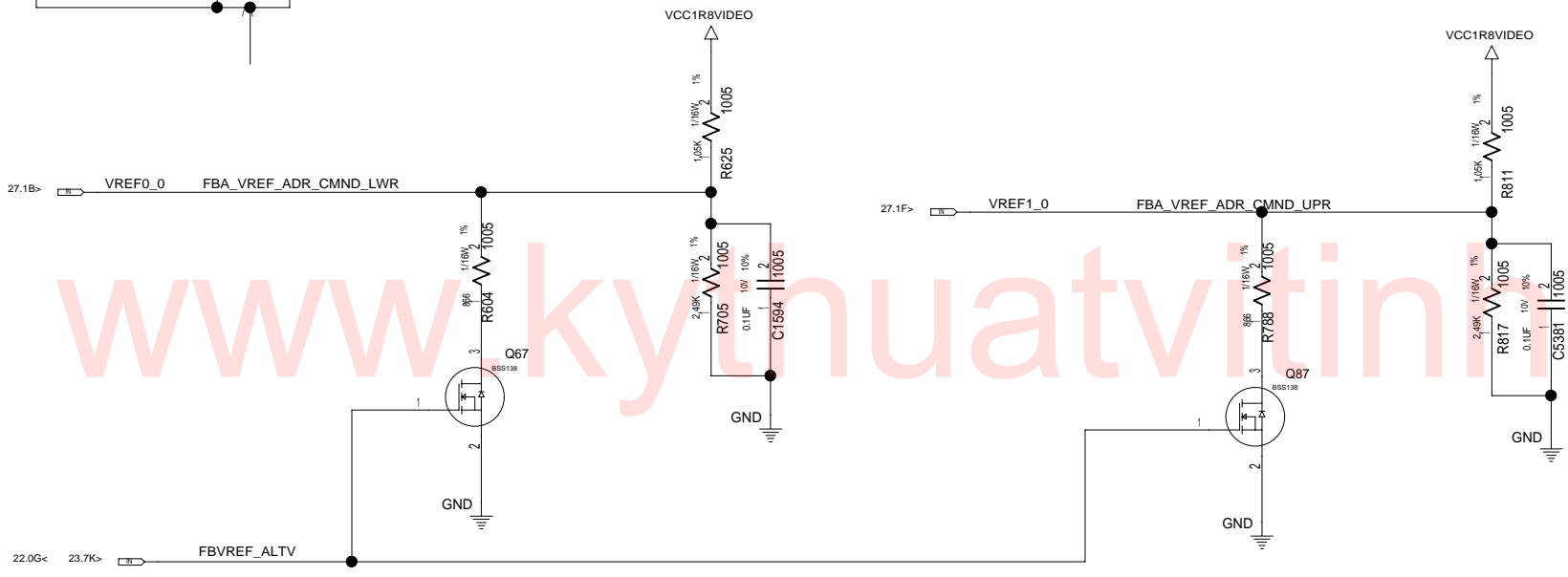
DESIGNER	K.Y	06/01/06	PART NO.	42W7622
CHECKED	Y.I	06/01/06	TITLE	MLB-1 SVT
APPROVED	T.S	06/01/06	CLASS	ATI M5X(6/6) : GND
THIS DOCUMENT IS THE PROPERTY OF LENOVO. ITS USE IS AUTHORIZED ONLY FOR RESPONDING TO A REQUEST FOR QUOTATION OR FOR THE PERFORMANCE OF WORK FOR LENOVO. ALL QUESTIONS MUST BE REFERRED TO THE LENOVO PURCHASING DEPARTMENT.				LENOVO CONFIDENTIAL

A B C D E F G H J K L M N P Q

DATE	EC NO.	PART NO.	
20061220	L11403	42W7622	
		DEVELOPMENT NO.	Q/M
			26 / 97



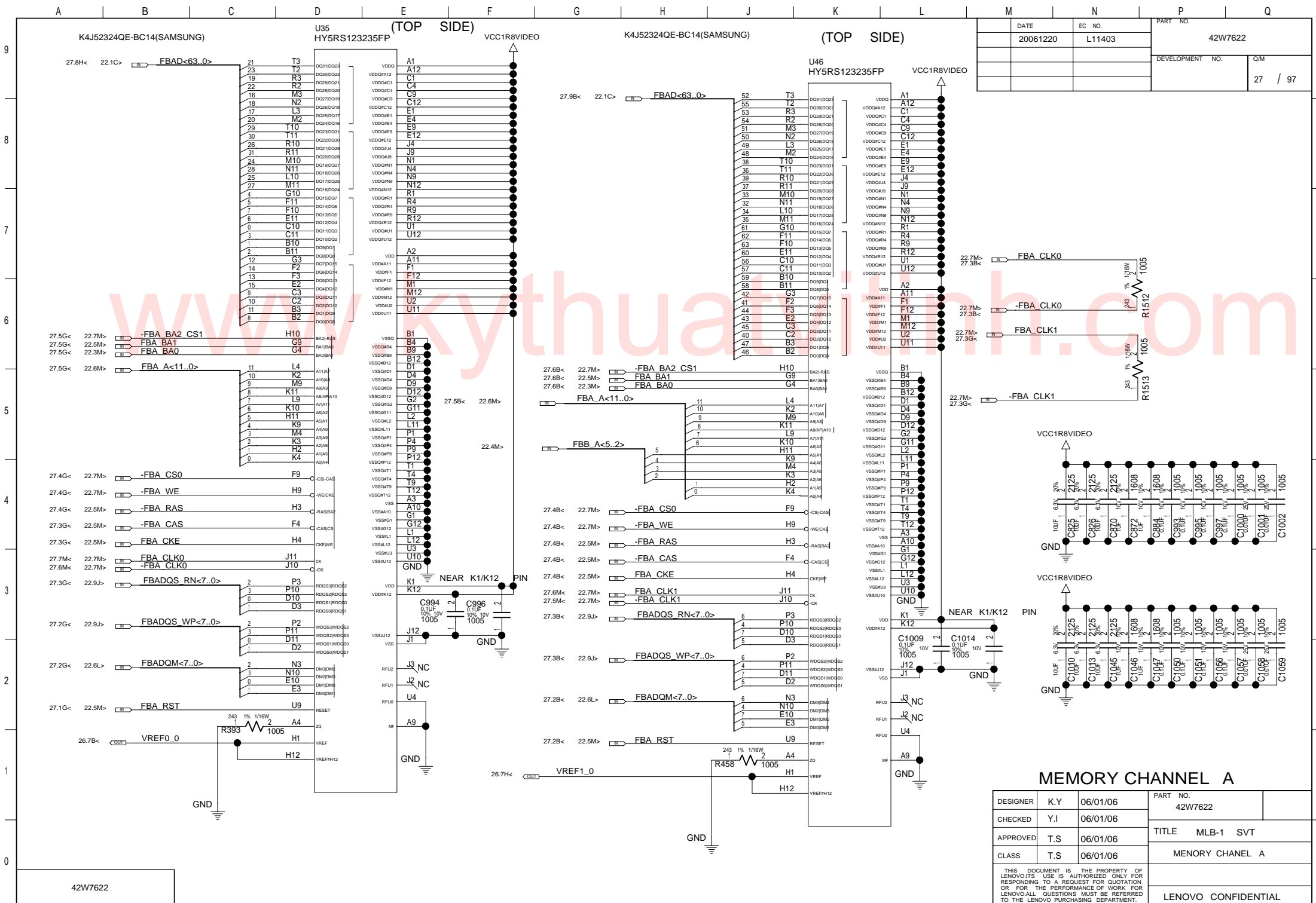
PLEASE COMPONENTS CLOSE TO THE RESPECTIVE PINS ON THE MEMORU



www.kylnuatviti.com

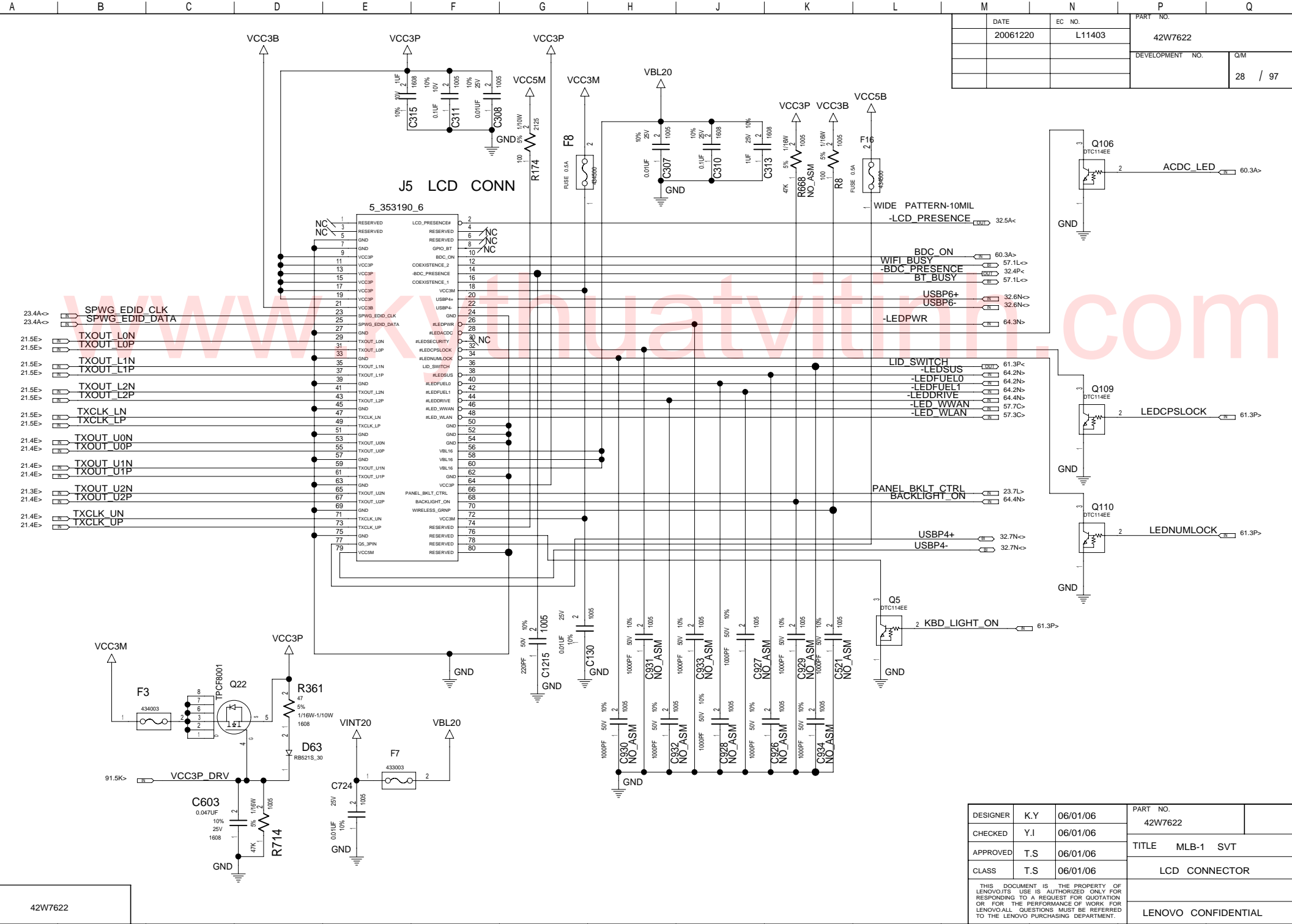
42W7622

DESIGNER	K.Y	06/01/06	PART NO.	42W7622
CHECKED	Y.I	06/01/06	TITLE MLB-1 SVT	
APPROVED	T.S	06/01/06		
CLASS	T.S	06/01/06		
<small>THIS DOCUMENT IS THE PROPERTY OF LENOVO/ITS USE IS AUTHORIZED ONLY FOR RESPONDING TO A REQUEST FOR QUOTATION OR FOR THE PERFORMANCE OF WORK FOR LENOVO/ALL QUESTIONS MUST BE REFERRED TO THE LENOVO PURCHASING DEPARTMENT.</small>				
LENOVO CONFIDENTIAL				



DATE	EC NO.	PART NO.
20061220	L11403	42W7622
DEVELOPMENT NO.		Q/M
		27 / 97

DESIGNER			PART NO.		
K.Y			42W7622		
CHECKED			TITLE		
Y.I			MLB-1 SVT		
APPROVED			MEMORY CHANEL A		
T.S			LENOVO CONFIDENTIAL		
<p>THIS DOCUMENT IS THE PROPERTY OF LENOVO. ITS USE IS AUTHORIZED ONLY FOR RESPONDING TO A REQUEST FOR QUOTATION OR FOR THE PERFORMANCE OF WORK FOR LENOVO. ALL QUESTIONS MUST BE REFERRED TO THE LENOVO PURCHASING DEPARTMENT.</p>					

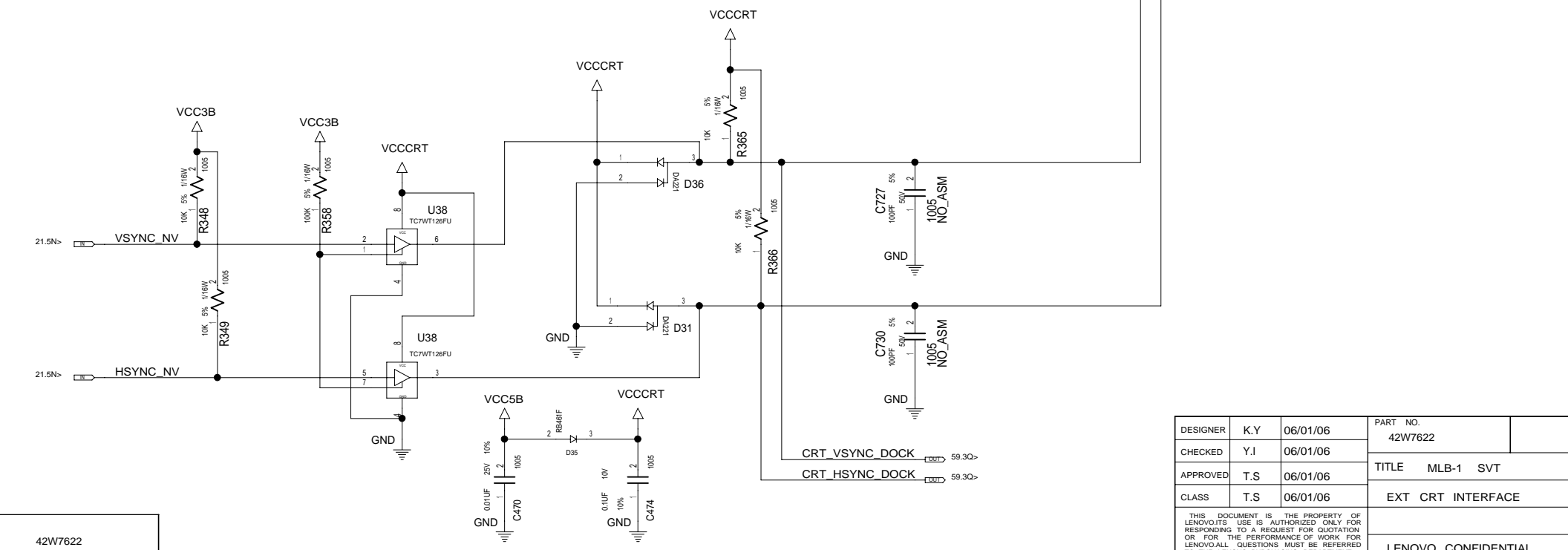
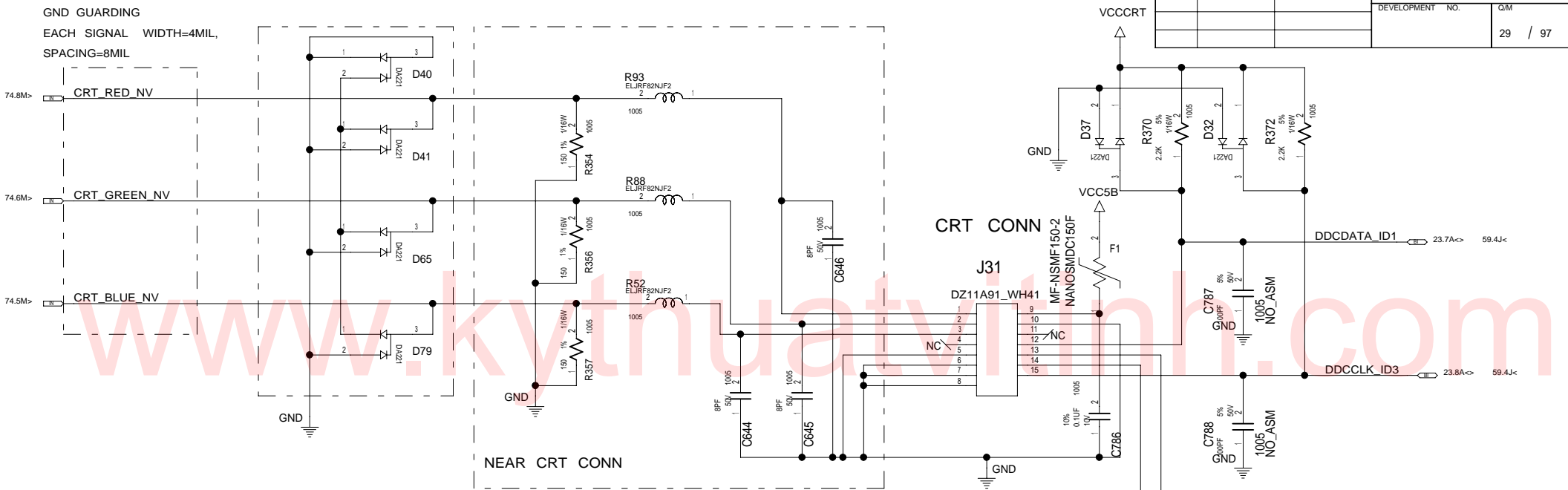


DATE	EC NO.	PART NO.
20061220	L11403	42W7622
		DEVELOPMENT NO.
		Q/M
		28 / 97

DESIGNER	K.Y	06/01/06	PART NO.	42W7622
CHECKED	Y.I	06/01/06	TITLE	MLB-1 SVT
APPROVED	T.S	06/01/06	CLASS	LCD CONNECTOR
CLASS	T.S	06/01/06	THIS DOCUMENT IS THE PROPERTY OF LENOVO'S. USE IS AUTHORIZED ONLY FOR RESPONDING TO A REQUEST FOR QUOTATION OR FOR THE PERFORMANCE OF WORK FOR LENOVO. ALL QUESTIONS MUST BE REFERRED TO THE LENOVO PURCHASING DEPARTMENT.	
				LENOVO CONFIDENTIAL

A B C D E F G H J K L M N P Q

DATE	20061220	EC NO.	L11403	PART NO.	42W7622
				DEVELOPMENT NO.	GM
				29	97

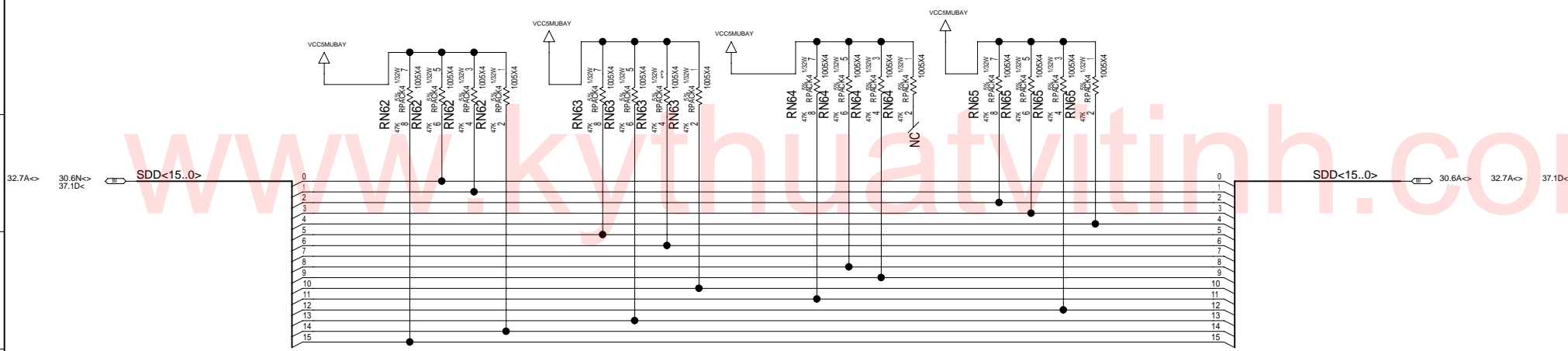


DESIGNER	K.Y	06/01/06	PART NO.	42W7622
CHECKED	Y.I	06/01/06		
APPROVED	T.S	06/01/06	TITLE MLB-1 SVT	
CLASS	T.S	06/01/06	EXT CRT INTERFACE	
THIS DOCUMENT IS THE PROPERTY OF LENOVO. ITS USE IS AUTHORIZED ONLY FOR RESPONDING TO A REQUEST FOR QUOTATION OR FOR THE PERFORMANCE OF WORK FOR LENOVO. ALL QUESTIONS MUST BE REFERRED TO THE LENOVO PURCHASING DEPARTMENT.				
LENOVO CONFIDENTIAL				

A B C D E F G H J K L M N P Q

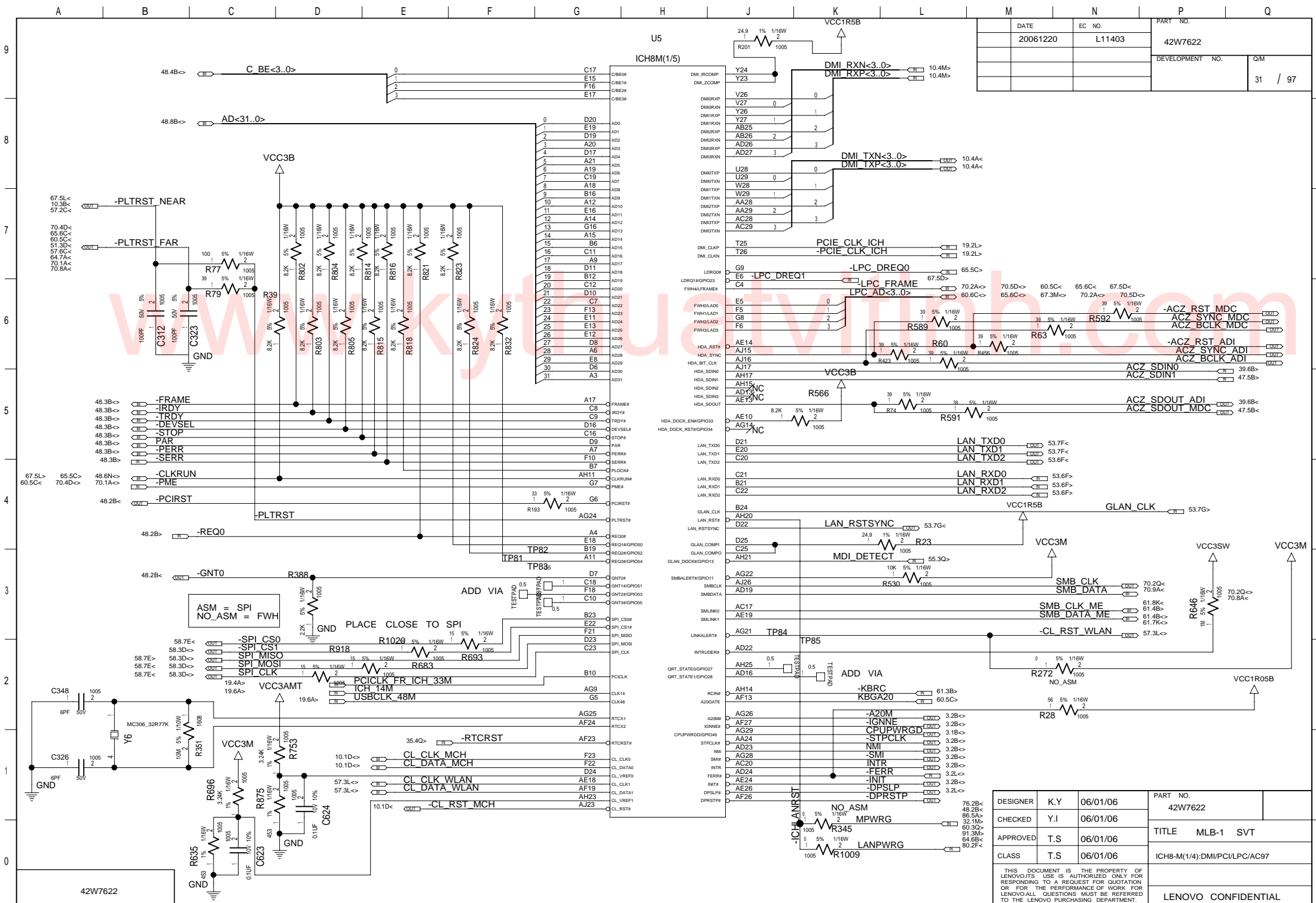


DATE		EC NO.		PART NO.	
20061220		L11403		42W7622	
DEVELOPMENT NO.				Q/M	
				30 / 97	



42W7622

DESIGNER	K.Y	06/01/06	PART NO.	42W7622
CHECKED	Y.I	06/01/06	TITLE MLB-1 SVT	
APPROVED	T.S	06/01/06	PATA I/F PU	
CLASS	T.S	06/01/06	LENOVO CONFIDENTIAL	
<small>THIS DOCUMENT IS THE PROPERTY OF LENOVO/ITS USE IS AUTHORIZED ONLY FOR RESPONDING TO A REQUEST FOR QUOTATION OR FOR THE PERFORMANCE OF WORK FOR LENOVO/ALL QUESTIONS MUST BE REFERRED TO THE LENOVO PURCHASING DEPARTMENT.</small>				



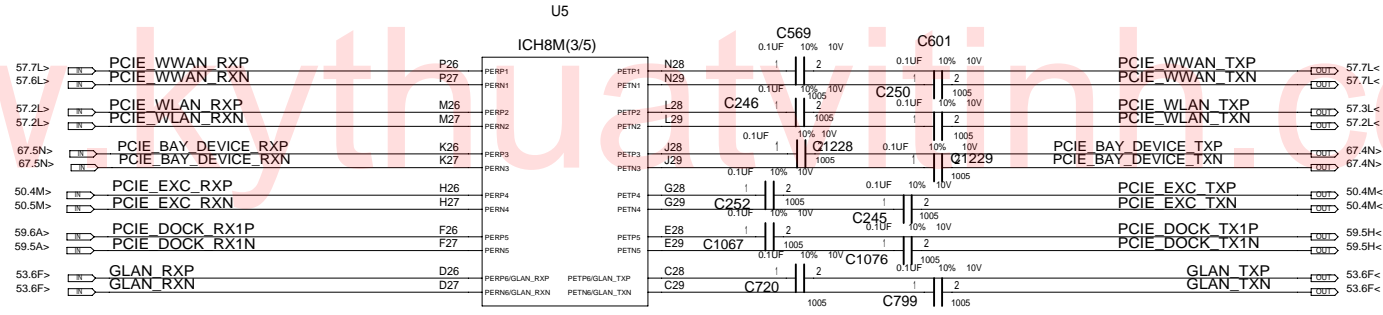
DATE	EC NO.	PART NO.
20061220	L11403	42W7622
DEVELOPMENT NO.		Q/M
		31 / 97

DESIGNER	K.Y	06/01/06	PART NO.	42W7622
CHECKED	Y.I	06/01/06	TITLE	MLB-1 SVT
APPROVED	T.S	06/01/06	ICH8-M(1/4):DMI/PCI/LPC/AC97	
CLASS	T.S	06/01/06	LENOVO CONFIDENTIAL	

THIS DOCUMENT IS THE PROPERTY OF LENOVO. IT IS AUTHORIZED ONLY FOR RESPONDING TO A REQUEST FOR QUOTATION OR FOR THE PERFORMANCE OF WORK FOR LENOVO. ALL QUESTIONS MUST BE REFERRED TO THE LENOVO PURCHASING DEPARTMENT.



DATE		EC NO.		PART NO.	
20061220		L11403		42W7622	
DEVELOPMENT NO.				Q/M	
				33 / 97	



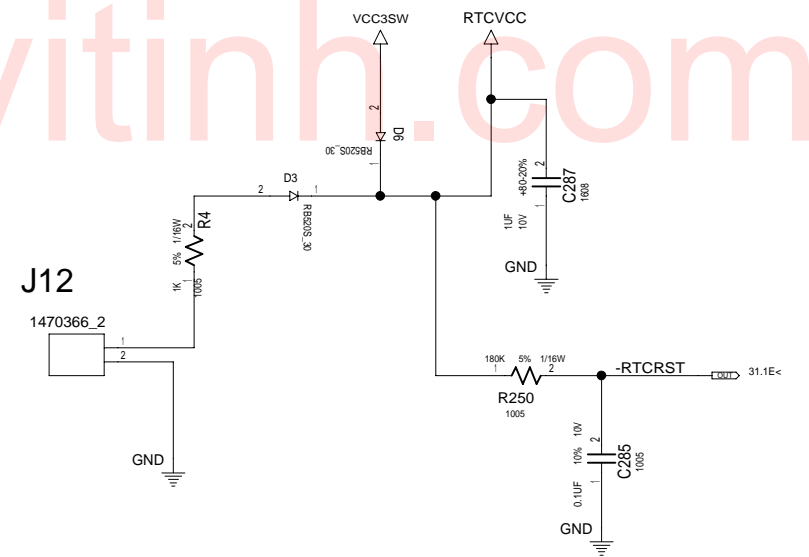
42W7622

DESIGNER	K.Y	06/01/06	PART NO.	
CHECKED	Y.I	06/01/06	42W7622	
APPROVED	T.S	06/01/06	TITLE MLB-1 SVT	
CLASS	T.S	06/01/06	ICH8-M(3/4):PCI	EXPRESS
THIS DOCUMENT IS THE PROPERTY OF LENOVO/ITS USE IS AUTHORIZED ONLY FOR RESPONDING TO A REQUEST FOR QUOTATION OR FOR THE PERFORMANCE OF WORK FOR LENOVO/ALL QUESTIONS MUST BE REFERRED TO THE LENOVO PURCHASING DEPARTMENT.				
LENOVO CONFIDENTIAL				



DATE	EC NO.	PART NO.	
20061220	L11403	42W7622	
		DEVELOPMENT NO.	Q/M
			35 / 97

www.kythuativinh.com

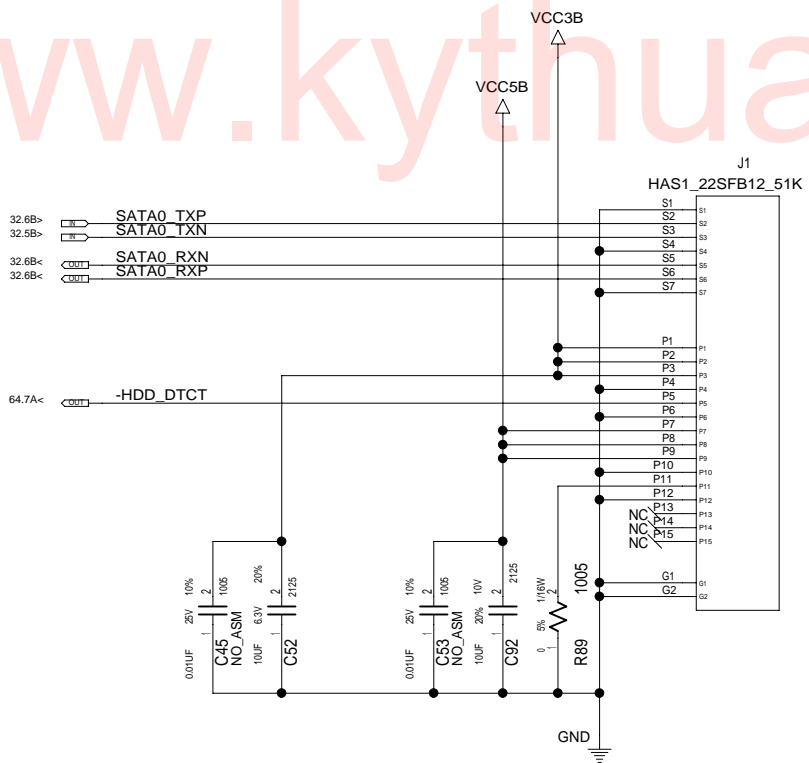


42W7622

DESIGNER	K.Y	06/01/06	PART NO.	42W7622
CHECKED	Y.I	06/01/06	TITLE MLB-1 SVT	
APPROVED	T.S	06/01/06	FWH,RTC BATTERY	
CLASS	T.S	06/01/06	LENOVO CONFIDENTIAL	
<small>THIS DOCUMENT IS THE PROPERTY OF LENOVO/ITS USE IS AUTHORIZED ONLY FOR RESPONDING TO A REQUEST FOR QUOTATION OR FOR THE PERFORMANCE OF WORK FOR LENOVO/ALL QUESTIONS MUST BE REFERRED TO THE LENOVO PURCHASING DEPARTMENT.</small>				

DATE		EC NO.		PART NO.	
20061220		L11403		42W7622	
DEVELOPMENT NO.				Q/M	
				36 / 97	

www.kythuatvithinh.com

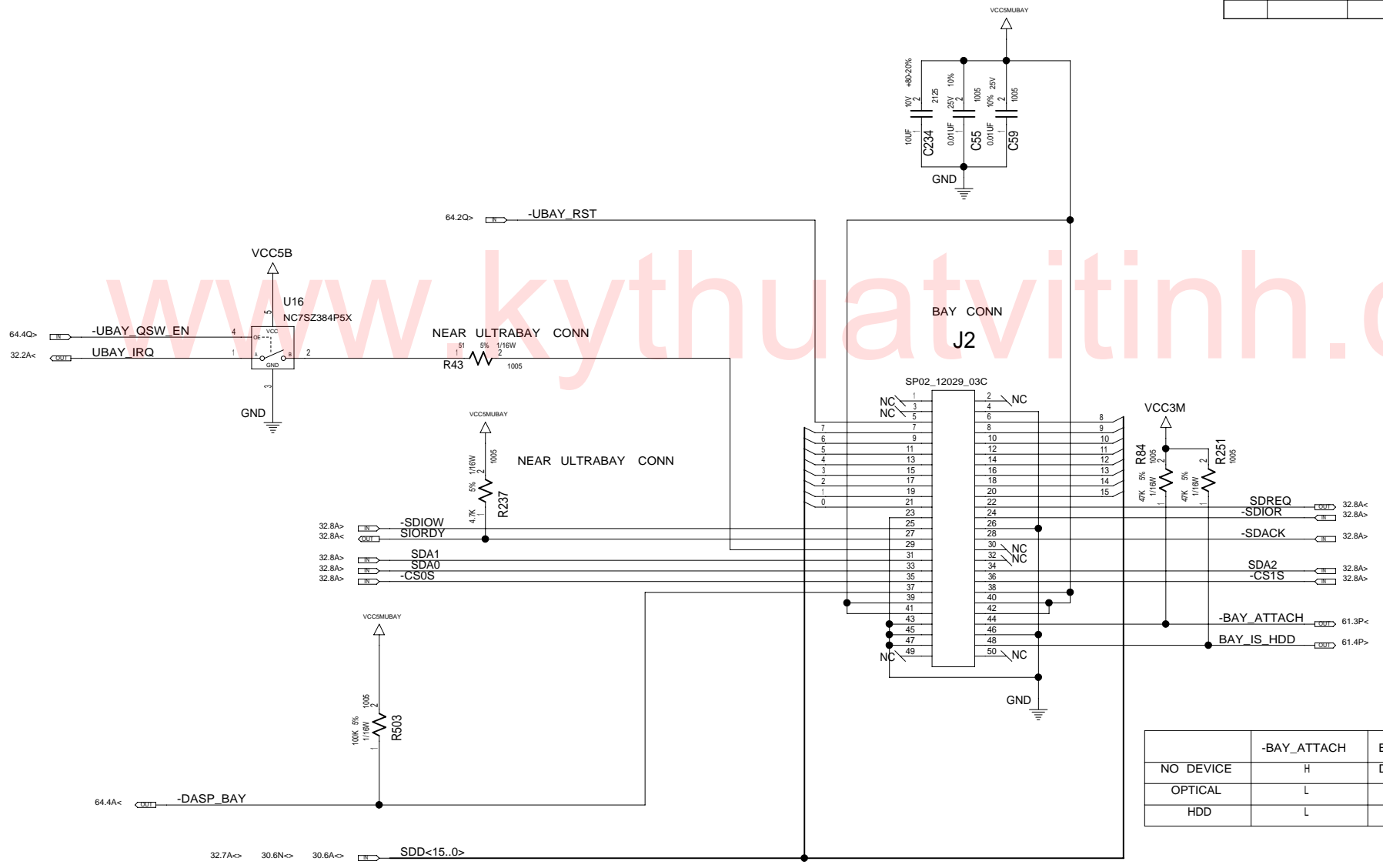


42W7622

DESIGNER	K.Y	06/01/06	PART NO.	42W7622
CHECKED	Y.I	06/01/06	TITLE MLB-1 SVT	
APPROVED	T.S	06/01/06	SATA HDD CONN	
CLASS	T.S	06/01/06	LENOVO CONFIDENTIAL	
<small>THIS DOCUMENT IS THE PROPERTY OF LENOVO/ITS USE IS AUTHORIZED ONLY FOR RESPONDING TO A REQUEST FOR QUOTATION OR FOR THE PERFORMANCE OF WORK FOR LENOVO/ALL QUESTIONS MUST BE REFERRED TO THE LENOVO PURCHASING DEPARTMENT.</small>				



DATE	EC NO.	PART NO.	
20061220	L11403	42W7622	
		DEVELOPMENT NO.	Q/M
			37 / 97



	-BAY_ATTACH	BAY_IS_HDD
NO DEVICE	H	DON'T CARE
OPTICAL	L	L
HDD	L	H

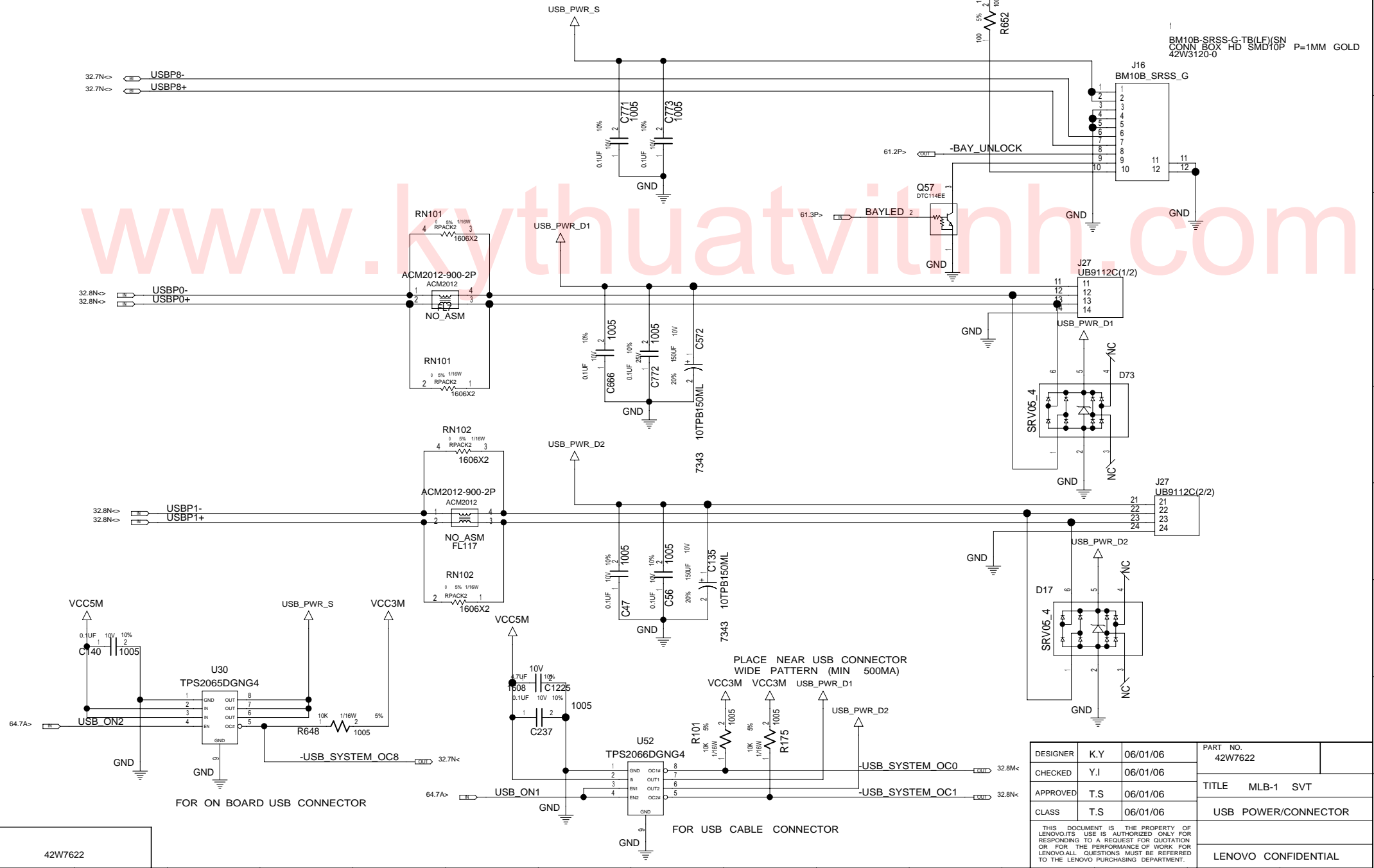
DESIGNER	K.Y	06/01/06	PART NO.	42W7622
CHECKED	Y.I	06/01/06	TITLE MLB-1 SVT	
APPROVED	T.S	06/01/06	BAY I/F CONN	
CLASS	T.S	06/01/06	LENOVO CONFIDENTIAL	
<small>THIS DOCUMENT IS THE PROPERTY OF LENOVO/ITS USE IS AUTHORIZED ONLY FOR RESPONDING TO A REQUEST FOR QUOTATION OR FOR THE PERFORMANCE OF WORK FOR LENOVO. ALL QUESTIONS MUST BE REFERRED TO THE LENOVO PURCHASING DEPARTMENT.</small>				

42W7622

A B C D E F G H J K L M N P Q

DATE	EC NO.	PART NO.
20061220	L11403	42W7622
DEVELOPMENT NO.		Q/M
		38 / 97

BM10B-SRSS-G-TB(LF)(SN)  
CONN BOX HD SMD10P P=1MM GOLD  
42W3120-0



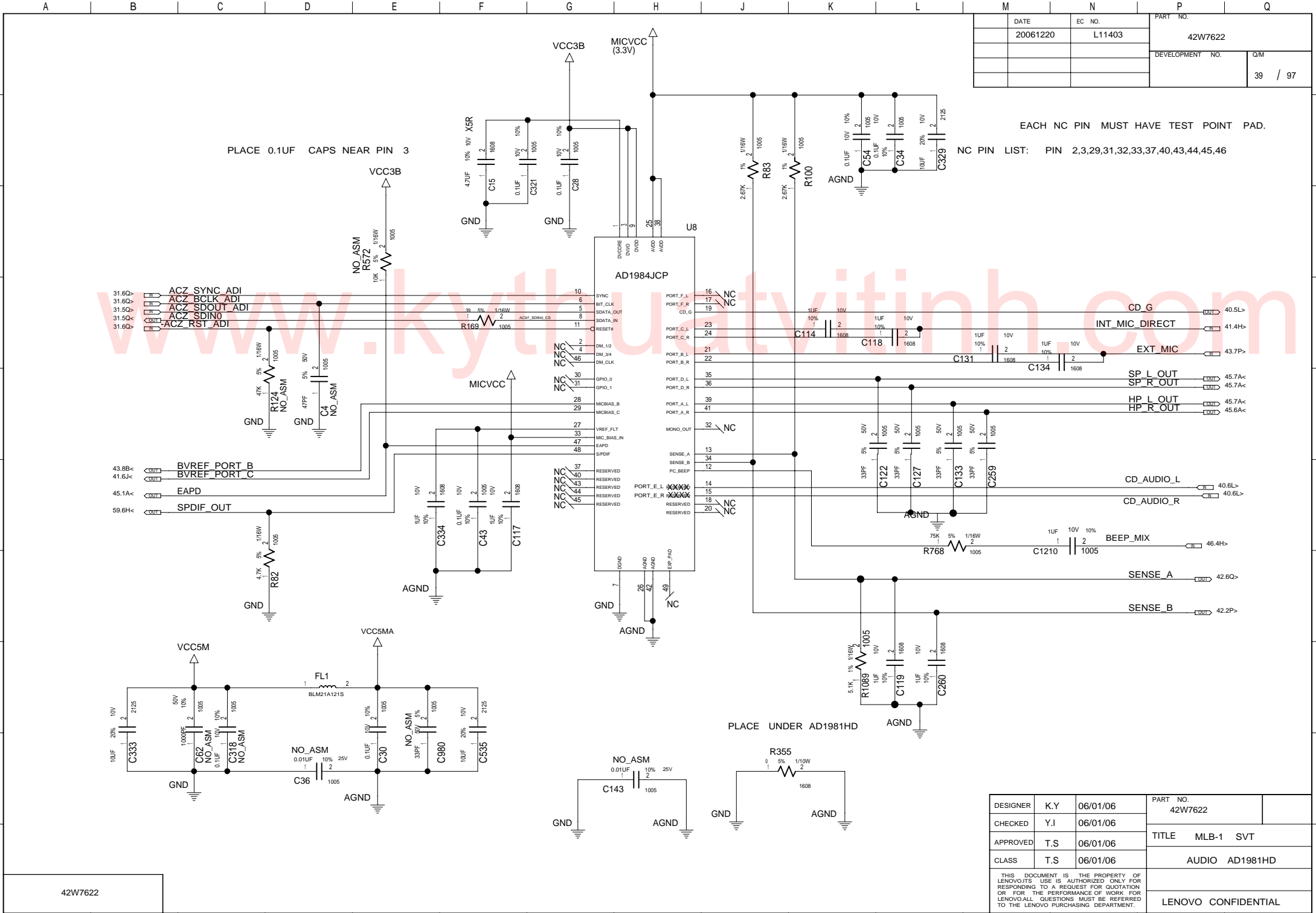
FOR ON BOARD USB CONNECTOR

FOR USB CABLE CONNECTOR

DESIGNER	K.Y	06/01/06	PART NO.	42W7622
CHECKED	Y.I	06/01/06		
APPROVED	T.S	06/01/06	TITLE MLB-1 SVT	
CLASS	T.S	06/01/06	USB POWER/CONNECTOR	
THIS DOCUMENT IS THE PROPERTY OF LENOVO/ITS USE IS AUTHORIZED ONLY FOR RESPONDING TO A REQUEST FOR QUOTATION OR FOR THE PERFORMANCE OF WORK FOR LENOVO/ALL QUESTIONS MUST BE REFERRED TO THE LENOVO PURCHASING DEPARTMENT.				
LENOVO CONFIDENTIAL				

A B C D E F G H J K L M N P Q

DATE	EC NO.	PART NO.
20061220	L11403	42W7622
DEVELOPMENT NO.		Q/M
		39 / 97



PLACE 0.1UF CAPS NEAR PIN 3

EACH NC PIN MUST HAVE TEST POINT PAD.

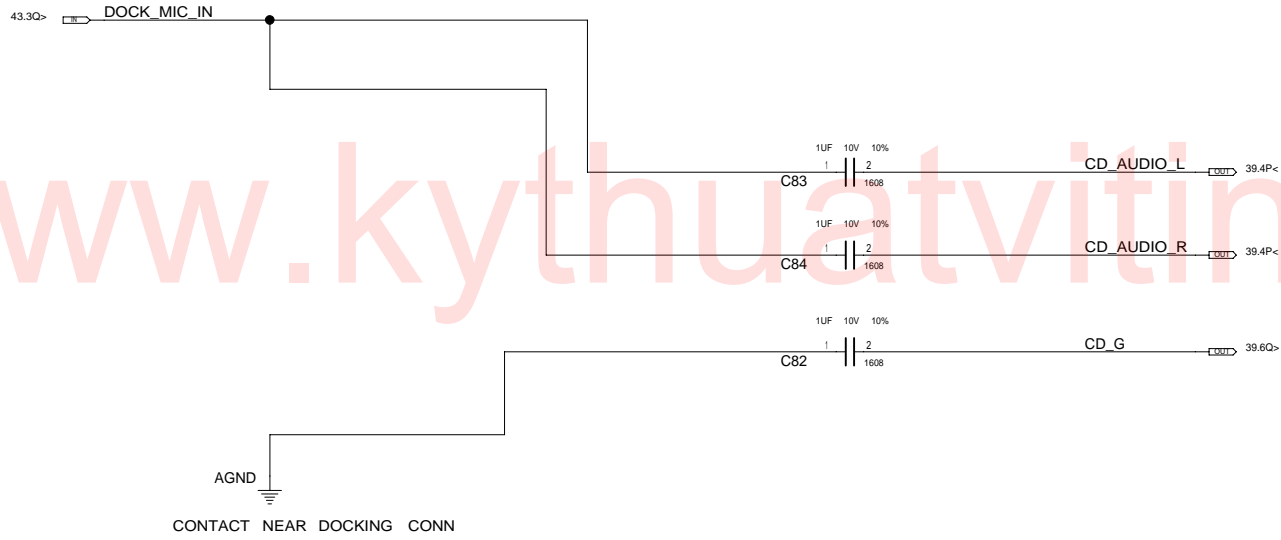
NC PIN LIST: PIN 2,3,29,31,32,33,37,40,43,44,45,46

PLACE UNDER AD1981HD

DESIGNER	K.Y	06/01/06	PART NO.	42W7622
CHECKED	Y.I	06/01/06	TITLE MLB-1 SVT	
APPROVED	T.S	06/01/06	AUDIO AD1981HD	
CLASS	T.S	06/01/06	LENOVO CONFIDENTIAL	

THIS DOCUMENT IS THE PROPERTY OF LENOVO/ITS USE IS AUTHORIZED ONLY FOR RESPONDING TO A REQUEST FOR QUOTATION OR FOR THE PERFORMANCE OF WORK FOR LENOVO. ALL QUESTIONS MUST BE REFERRED TO THE LENOVO PURCHASING DEPARTMENT.

DATE	EC NO.	PART NO.	
20061220	L11403	42W7622	
		DEVELOPMENT NO.	Q/M
			40 / 97

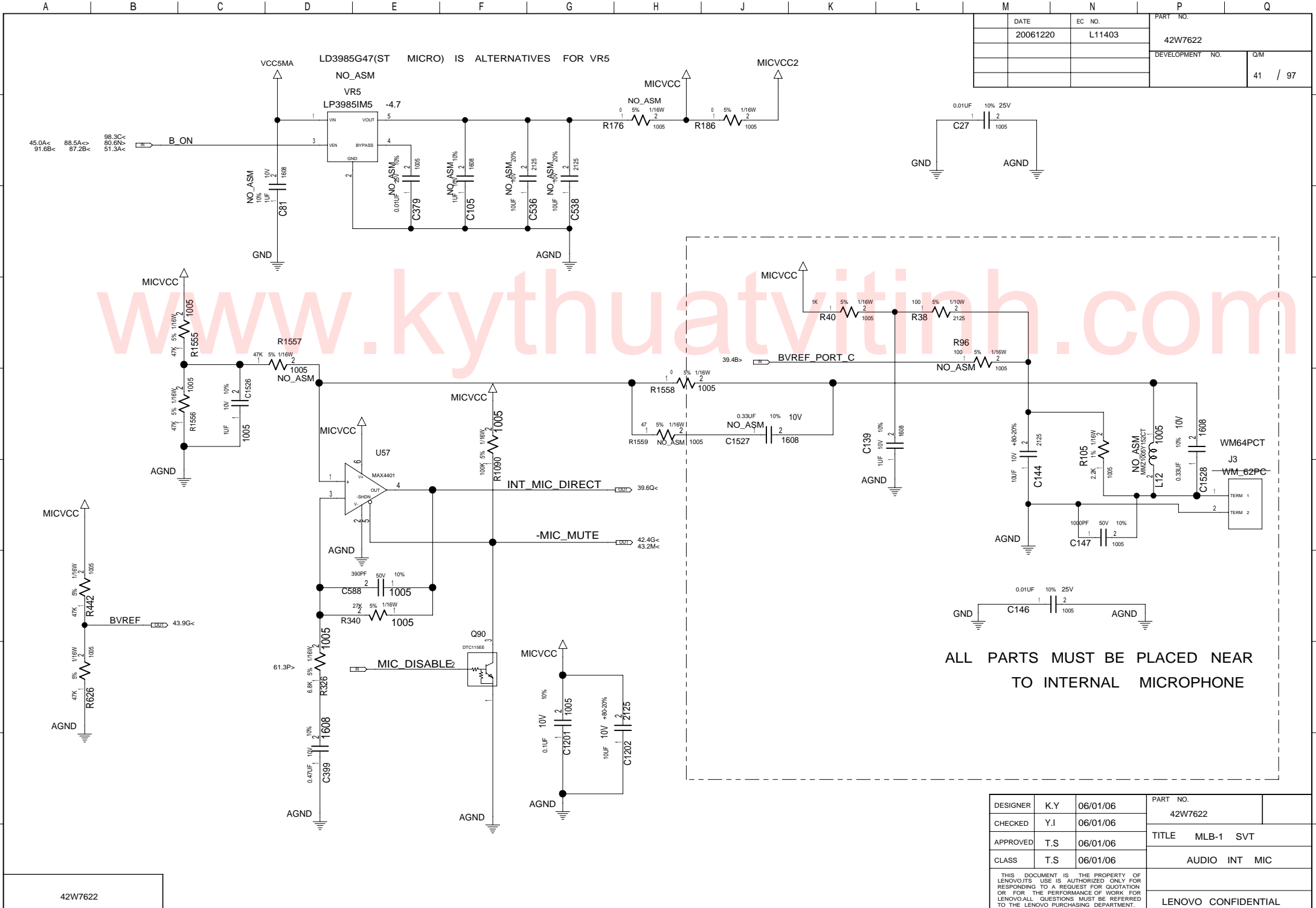


www.kythuatvithinh.com

42W7622

DESIGNER	K.Y	06/01/06	PART NO.	42W7622
CHECKED	Y.I	06/01/06	TITLE MLB-1 SVT	
APPROVED	T.S	06/01/06		
CLASS	T.S	06/01/06	AUDIO MISC	
<small>THIS DOCUMENT IS THE PROPERTY OF LENOVO/ITS USE IS AUTHORIZED ONLY FOR RESPONDING TO A REQUEST FOR QUOTATION OR FOR THE PERFORMANCE OF WORK FOR LENOVO/ALL QUESTIONS MUST BE REFERRED TO THE LENOVO PURCHASING DEPARTMENT.</small>				
LENOVO CONFIDENTIAL				

DATE	EC NO.	PART NO.
20061220	L11403	42W7622
DEVELOPMENT NO.		Q/M
		41 / 97

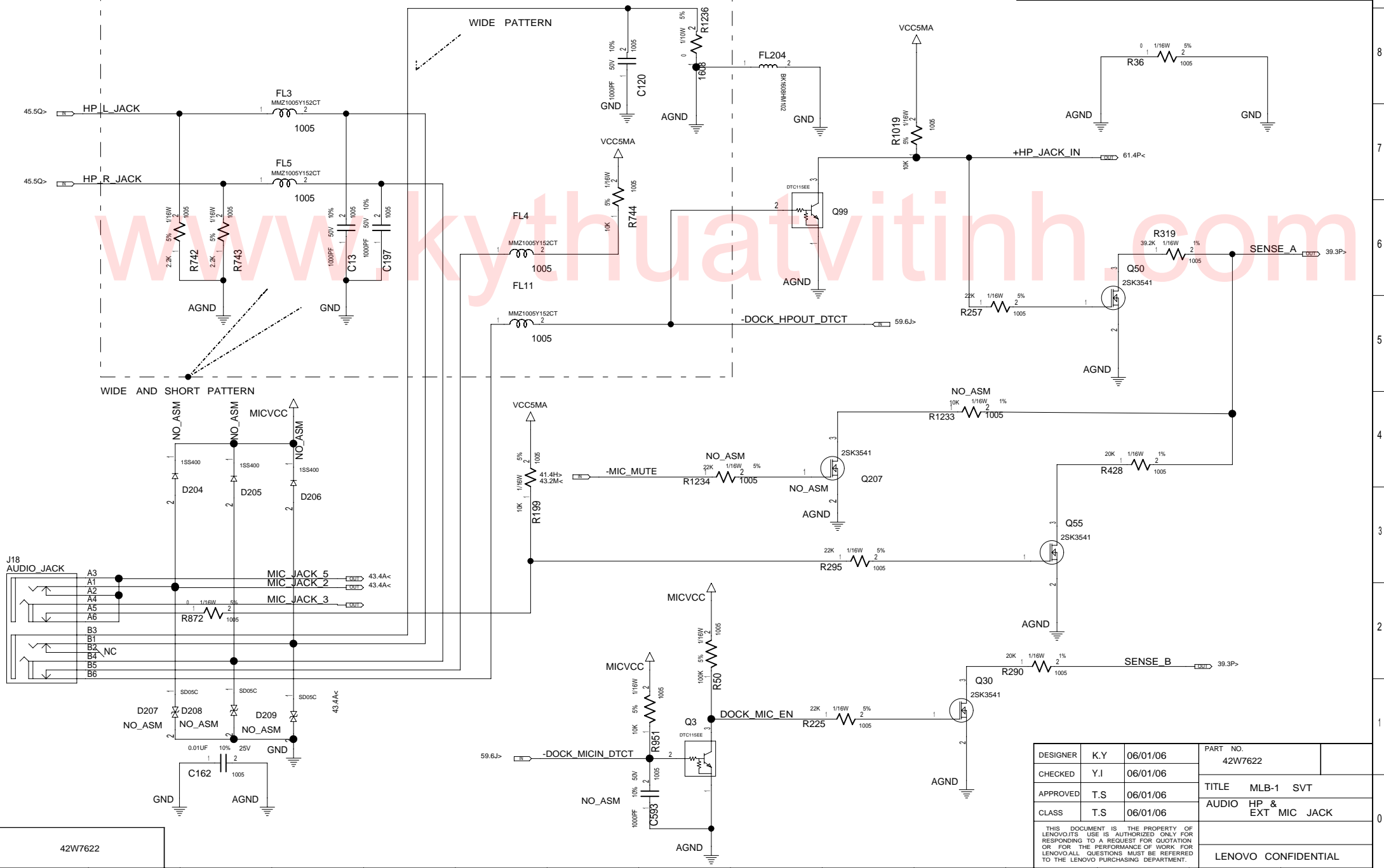


ALL PARTS MUST BE PLACED NEAR TO INTERNAL MICROPHONE

DESIGNER	K.Y	06/01/06	PART NO.	42W7622
CHECKED	Y.I	06/01/06	TITLE	MLB-1 SVT
APPROVED	T.S	06/01/06	CLASS	AUDIO INT MIC
CLASS	T.S	06/01/06	THIS DOCUMENT IS THE PROPERTY OF LENOVO/ITS USE IS AUTHORIZED ONLY FOR RESPONDING TO A REQUEST FOR QUOTATION OR FOR THE PERFORMANCE OF WORK FOR LENOVO. ALL QUESTIONS MUST BE REFERRED TO THE LENOVO PURCHASING DEPARTMENT.	
LENOVO CONFIDENTIAL				

DATE	EC NO.	PART NO.
20061220	L11403	42W7622
		DEVELOPMENT NO.
		42 / 97

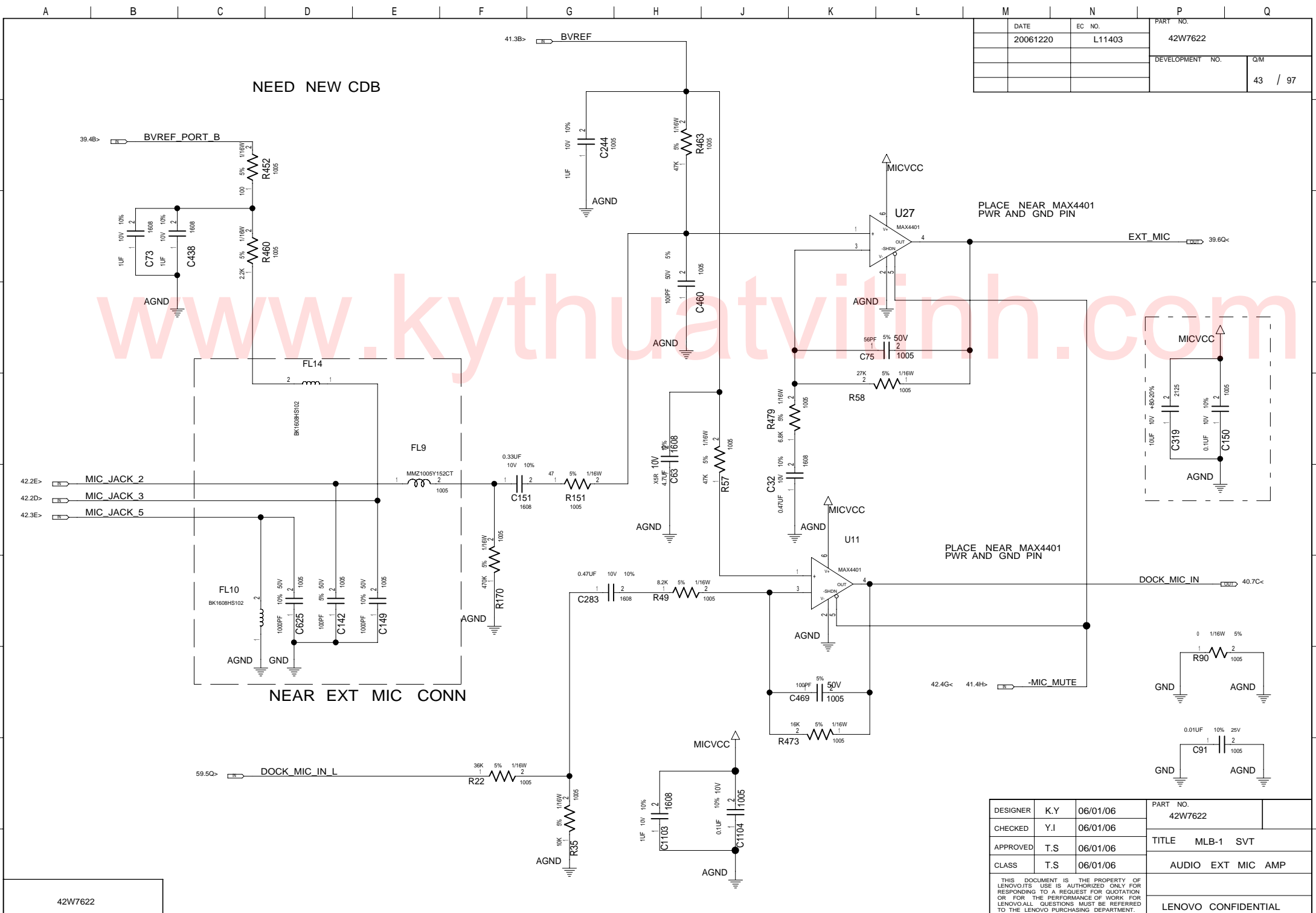
### NEAR HEADPHONE CONN



42W7622

DESIGNER	K.Y	06/01/06	PART NO.	42W7622
CHECKED	Y.I	06/01/06	TITLE	MLB-1 SVT
APPROVED	T.S	06/01/06	AUDIO HP &	EXT MIC JACK
CLASS	T.S	06/01/06	LENOVO CONFIDENTIAL	

THIS DOCUMENT IS THE PROPERTY OF LENOVO/ITS USE IS AUTHORIZED ONLY FOR RESPONDING TO A REQUEST FOR QUOTATION OR FOR THE PERFORMANCE OF WORK FOR LENOVO/ALL QUESTIONS MUST BE REFERRED TO THE LENOVO PURCHASING DEPARTMENT.



DATE	EC NO.	PART NO.
20061220	L11403	42W7622
DEVELOPMENT NO.		Q/M
		43 / 97

PLACE NEAR MAX4401 PWR AND GND PIN

PLACE NEAR MAX4401 PWR AND GND PIN

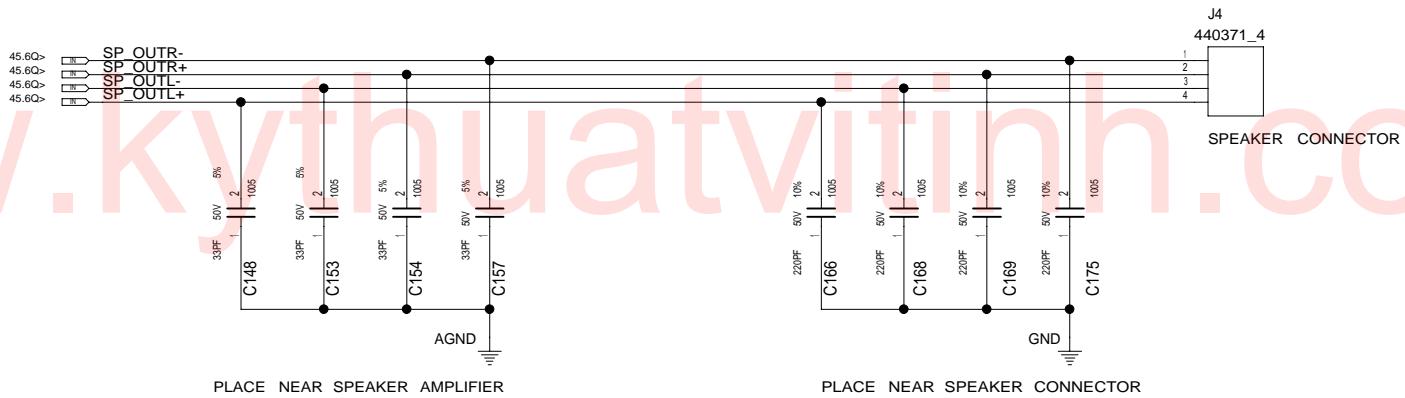
NEED NEW CDB

NEAR EXT MIC CONN

DESIGNER	K.Y	06/01/06	PART NO.	42W7622
CHECKED	Y.I	06/01/06		
APPROVED	T.S	06/01/06	TITLE MLB-1 SVT	
CLASS	T.S	06/01/06	AUDIO EXT MIC AMP	
THIS DOCUMENT IS THE PROPERTY OF LENOVO/ITS USE IS AUTHORIZED ONLY FOR RESPONDING TO A REQUEST FOR QUOTATION OR FOR THE PERFORMANCE OF WORK FOR LENOVO/ALL QUESTIONS MUST BE REFERRED TO THE LENOVO PURCHASING DEPARTMENT.				
LENOVO CONFIDENTIAL				



DATE		EC NO.		PART NO.	
20061220		L11403		42W7622	
DEVELOPMENT NO.				Q/M	
				44 / 97	



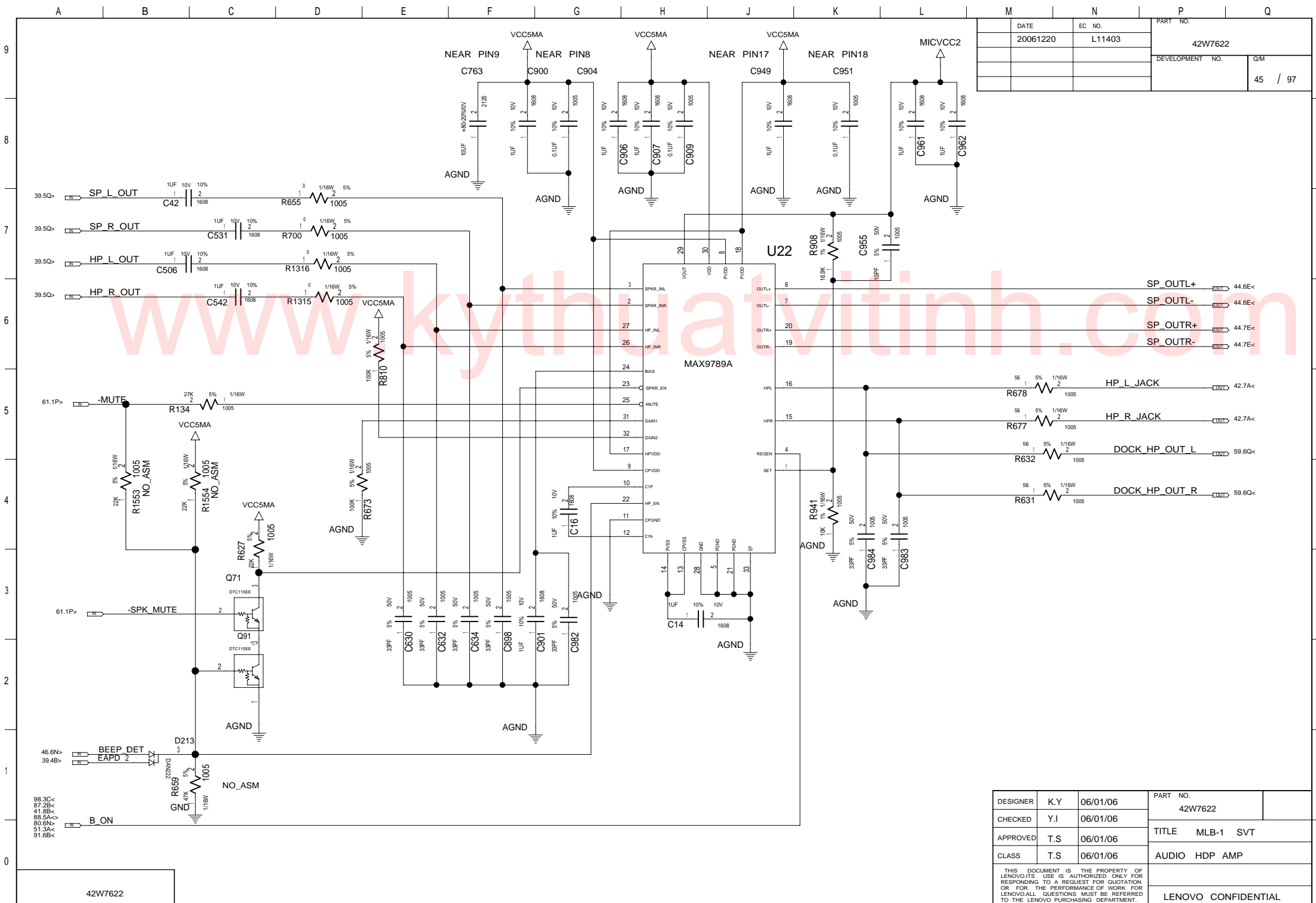
PLACE NEAR SPEAKER AMPLIFIER

PLACE NEAR SPEAKER CONNECTOR

42W7622

DESIGNER	K.Y	06/01/06	PART NO.	42W7622
CHECKED	Y.I	06/01/06	TITLE MLB-1 SVT	
APPROVED	T.S	06/01/06	AUDIO SPEAKER	
CLASS	T.S	06/01/06	LENOVO CONFIDENTIAL	

THIS DOCUMENT IS THE PROPERTY OF LENOVO. ITS USE IS AUTHORIZED ONLY FOR RESPONDING TO A REQUEST FOR QUOTATION OR FOR THE PERFORMANCE OF WORK FOR LENOVO. ALL QUESTIONS MUST BE REFERRED TO THE LENOVO PURCHASING DEPARTMENT.

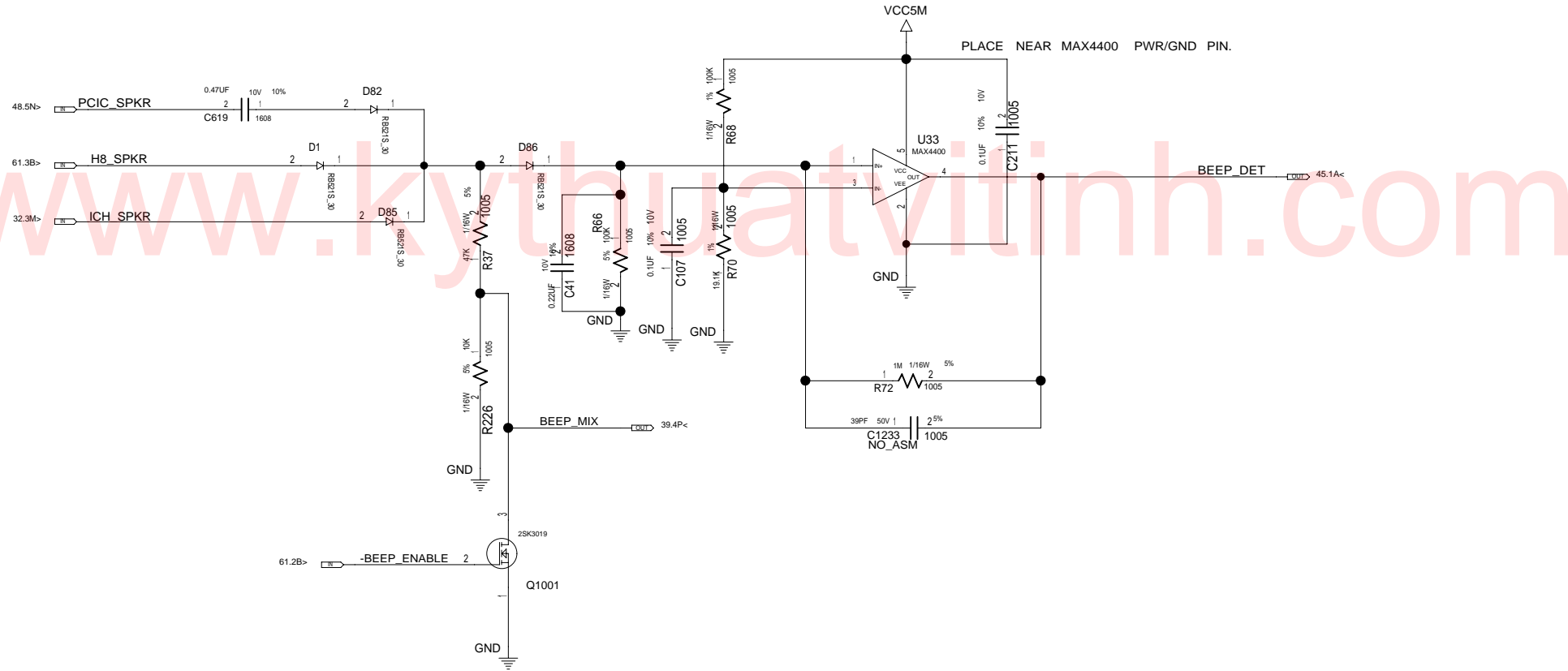


DATE	EC NO.	PART NO.
20061220	L11403	42W7622
DEVELOPMENT NO.		Q/M
		45 / 97

DESIGNER	K.Y	06/01/06	PART NO.	42W7622
CHECKED	Y.I	06/01/06	TITLE	MLB-1 SVT
APPROVED	T.S	06/01/06	CLASS	AUDIO HDP AMP
<small>THIS DOCUMENT IS THE PROPERTY OF LENOVO/ITS USE IS AUTHORIZED ONLY FOR RESPONDING TO A REQUEST FOR QUOTATION OR FOR THE PERFORMANCE OF WORK FOR LENOVO/ALL QUESTIONS MUST BE REFERRED TO THE LENOVO PURCHASING DEPARTMENT.</small>				LENOVO CONFIDENTIAL

42W7622

DATE	EC NO.	PART NO.	
20061220	L11403	42W7622	
		DEVELOPMENT NO.	Q/M
			46 / 97

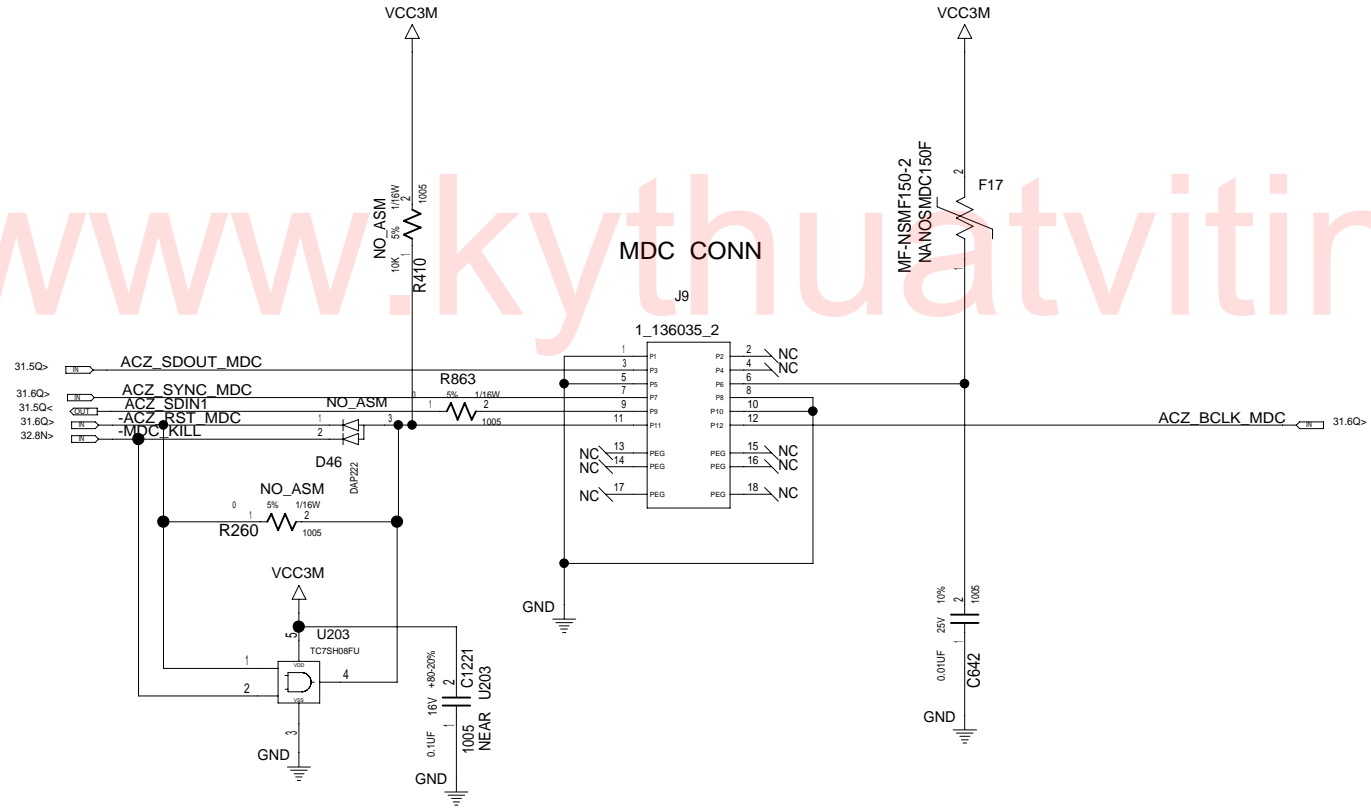


42W7622

DESIGNER	K.Y	06/01/06	PART NO.	42W7622
CHECKED	Y.I	06/01/06	TITLE	MLB-1 SVT
APPROVED	T.S	06/01/06	CLASS	AUDIO HDP AMP MISC
CLASS	T.S	06/01/06	LENOVO CONFIDENTIAL	

THIS DOCUMENT IS THE PROPERTY OF LENOVO/ITS USE IS AUTHORIZED ONLY FOR RESPONDING TO A REQUEST FOR QUOTATION OR FOR THE PERFORMANCE OF WORK FOR LENOVO. ALL QUESTIONS MUST BE REFERRED TO THE LENOVO PURCHASING DEPARTMENT.

DATE	EC NO.	PART NO.	
20061220	L11403	42W7622	
		DEVELOPMENT NO.	Q/M
			47 / 97



www.kythuathuatvithinh.com

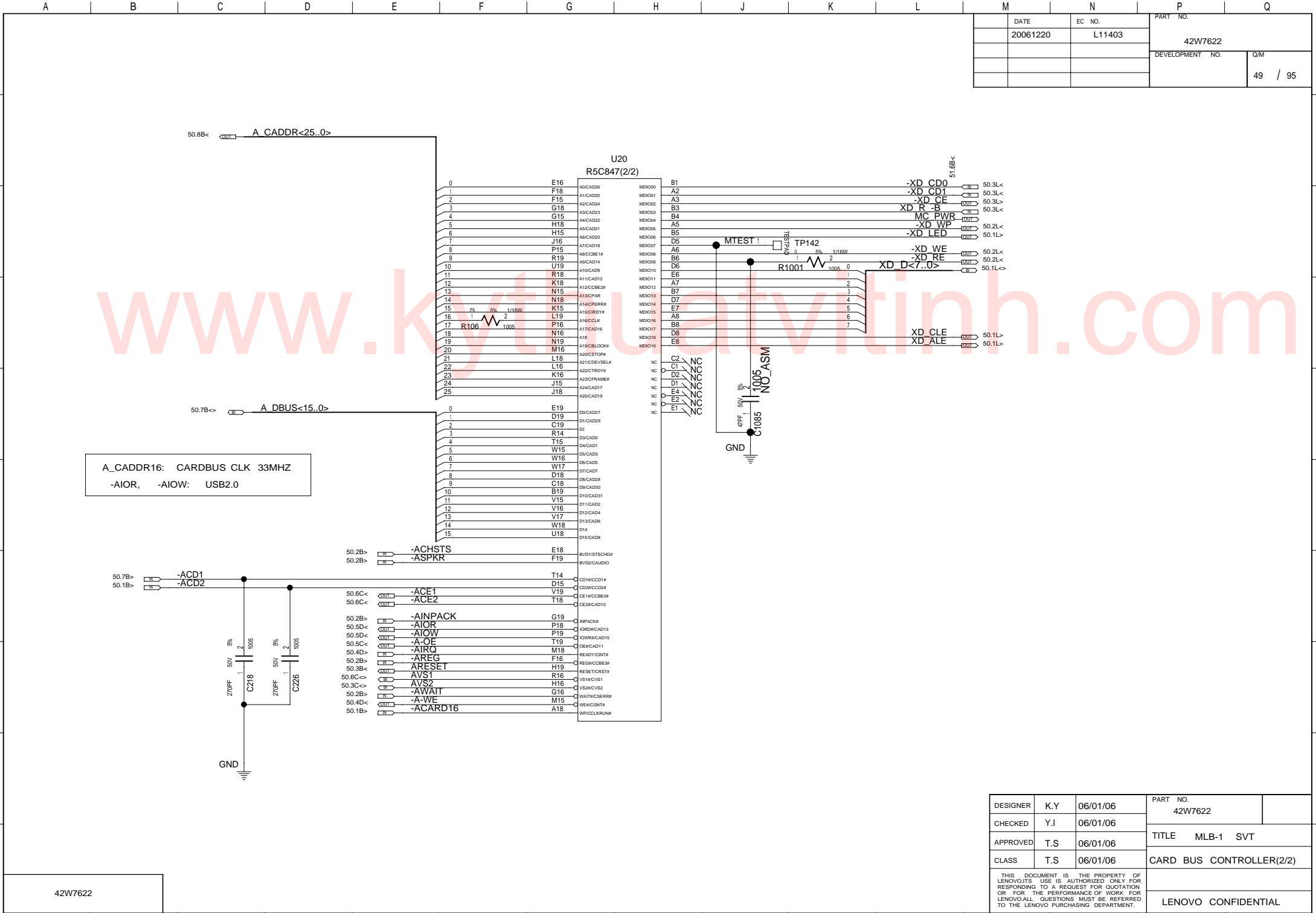
42W7622

DESIGNER	K.Y	06/01/06	PART NO.	42W7622
CHECKED	Y.I	06/01/06	TITLE MLB-1 SVT	
APPROVED	T.S	06/01/06	MDC 1.5 CONNECTOR	
CLASS	T.S	06/01/06	LENOVO CONFIDENTIAL	
<small>THIS DOCUMENT IS THE PROPERTY OF LENOVO/ITS USE IS AUTHORIZED ONLY FOR RESPONDING TO A REQUEST FOR QUOTATION OR FOR THE PERFORMANCE OF WORK FOR LENOVO/ALL QUESTIONS MUST BE REFERRED TO THE LENOVO PURCHASING DEPARTMENT.</small>				



DATE	EC NO.	PART NO.	
20061220	L11403	42W7622	
		DEVELOPMENT NO.	Q/M
			49 / 95

www.kytluatvitiinh.com



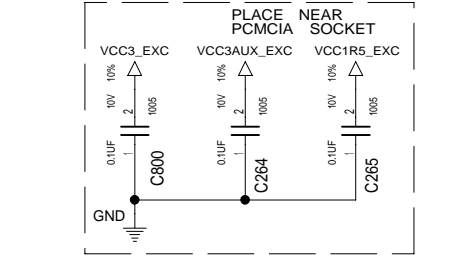
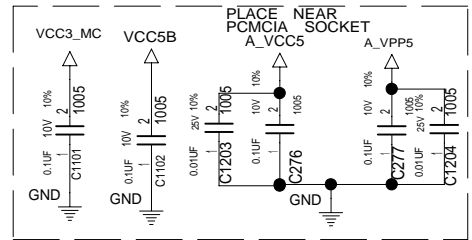
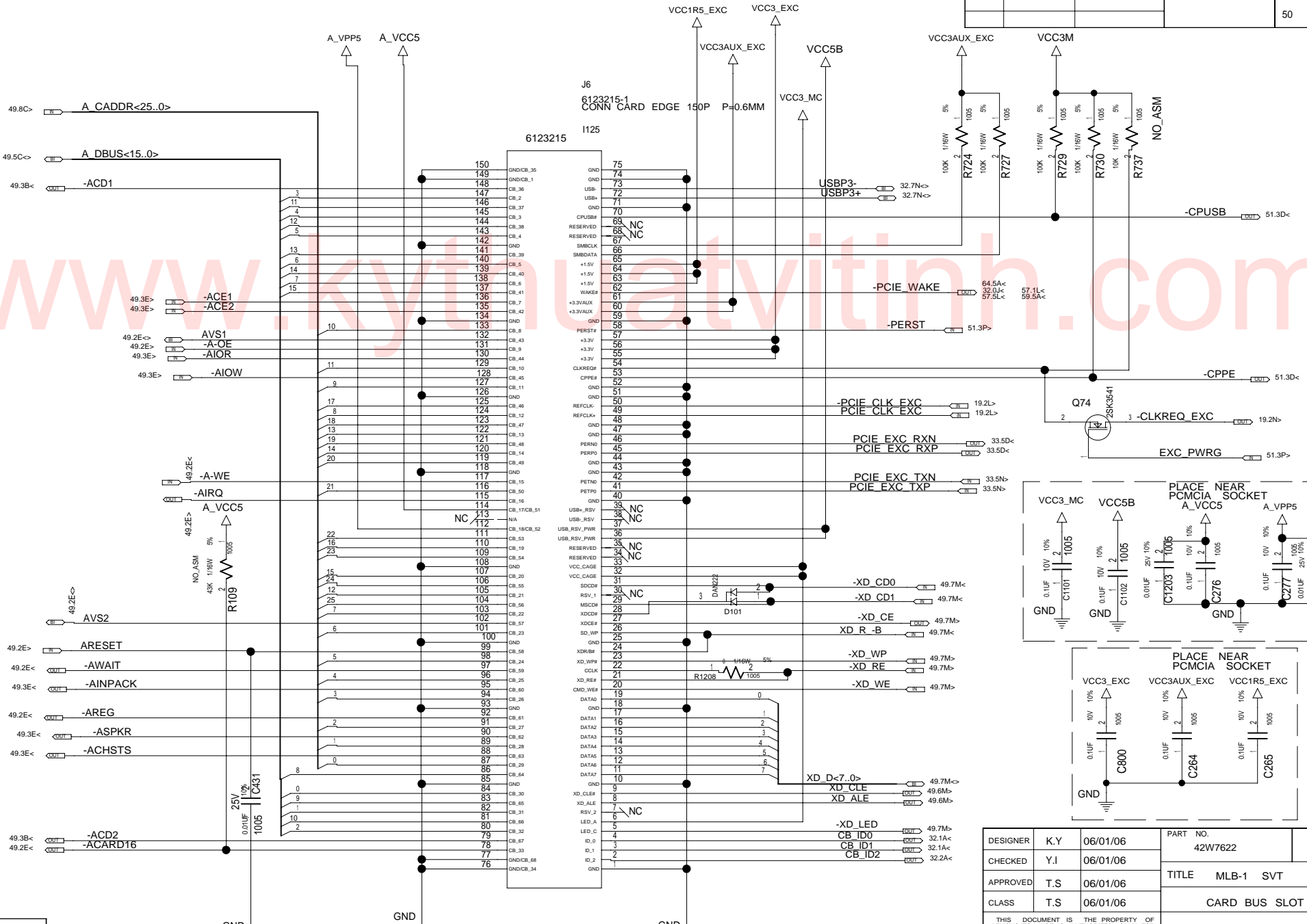
A\_CADDR16: CARDBUS CLK 33MHZ  
-AIOR, -AIOW: USB2.0

DESIGNER	K.Y	06/01/06	PART NO.	42W7622
CHECKED	Y.I	06/01/06	TITLE MLB-1 SVT	
APPROVED	T.S	06/01/06	CARD BUS CONTROLLER(2/2)	
CLASS	T.S	06/01/06	LENOVO CONFIDENTIAL	

THIS DOCUMENT IS THE PROPERTY OF LENOVO. ITS USE IS AUTHORIZED ONLY FOR RESPONDING TO A REQUEST FOR QUOTATION OR FOR THE PERFORMANCE OF WORK FOR LENOVO. ALL QUESTIONS MUST BE REFERRED TO THE LENOVO PURCHASING DEPARTMENT.

A B C D E F G H J K L M N P Q

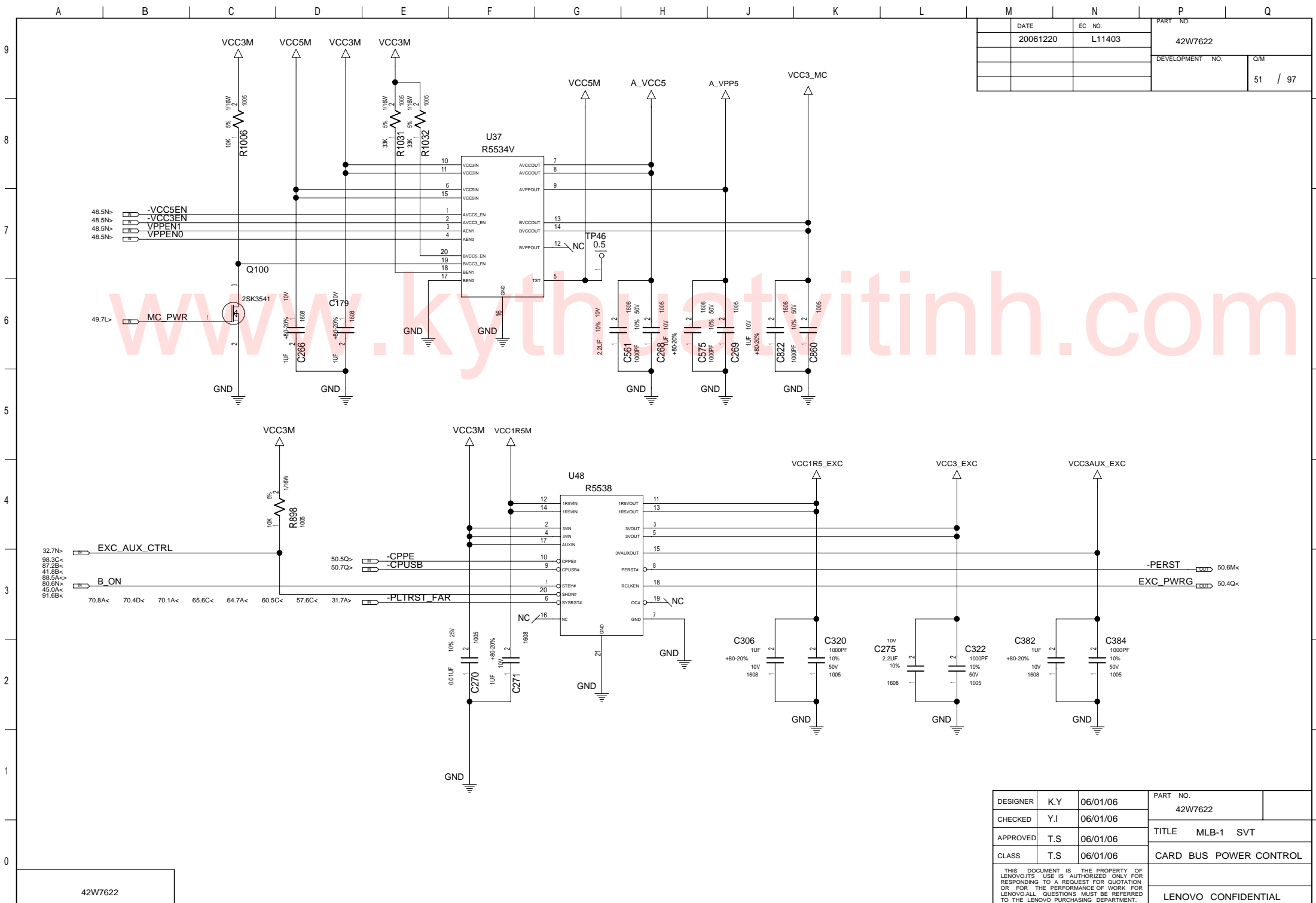
DATE	EC NO.	PART NO.
20061220	L11403	42W7622
DEVELOPMENT NO.		Q/M
		50 / 97



DESIGNER	K.Y	06/01/06	PART NO.	42W7622
CHECKED	Y.I	06/01/06	TITLE	
APPROVED	T.S	06/01/06	MLB-1 SVT	
CLASS	T.S	06/01/06	CARD BUS SLOT	
THIS DOCUMENT IS THE PROPERTY OF LENOVO/ITS USE IS AUTHORIZED ONLY FOR RESPONDING TO A REQUEST FOR QUOTATION OR FOR THE PERFORMANCE OF WORK FOR LENOVO. ALL QUESTIONS MUST BE REFERRED TO THE LENOVO PURCHASING DEPARTMENT.				
LENOVO CONFIDENTIAL				

A B C D E F G H J K L M N P Q





DATE	EC NO.	PART NO.	
20061220	L11403	42W7622	
		DEVELOPMENT NO.	Q/M
			51 / 97

42W7622

DESIGNER	K.Y	06/01/06	PART NO.	42W7622
CHECKED	Y.I	06/01/06	TITLE MLB-1 SVT	
APPROVED	T.S	06/01/06	CARD BUS POWER CONTROL	
CLASS	T.S	06/01/06	LENOVO CONFIDENTIAL	

THIS DOCUMENT IS THE PROPERTY OF LENOVO.ITS USE IS AUTHORIZED ONLY FOR RESPONDING TO A REQUEST FOR QUOTATION OR FOR THE PERFORMANCE OF WORK FOR LENOVO.ALL QUESTIONS MUST BE REFERRED TO THE LENOVO PURCHASING DEPARTMENT.





A B C D E F G H J K L M N P Q

DATE	EC NO.	PART NO.	
20061220	L11403	42W7622	
		DEVELOPMENT NO.	Q/M
			54 / 97

www.kythuatvitinh.com

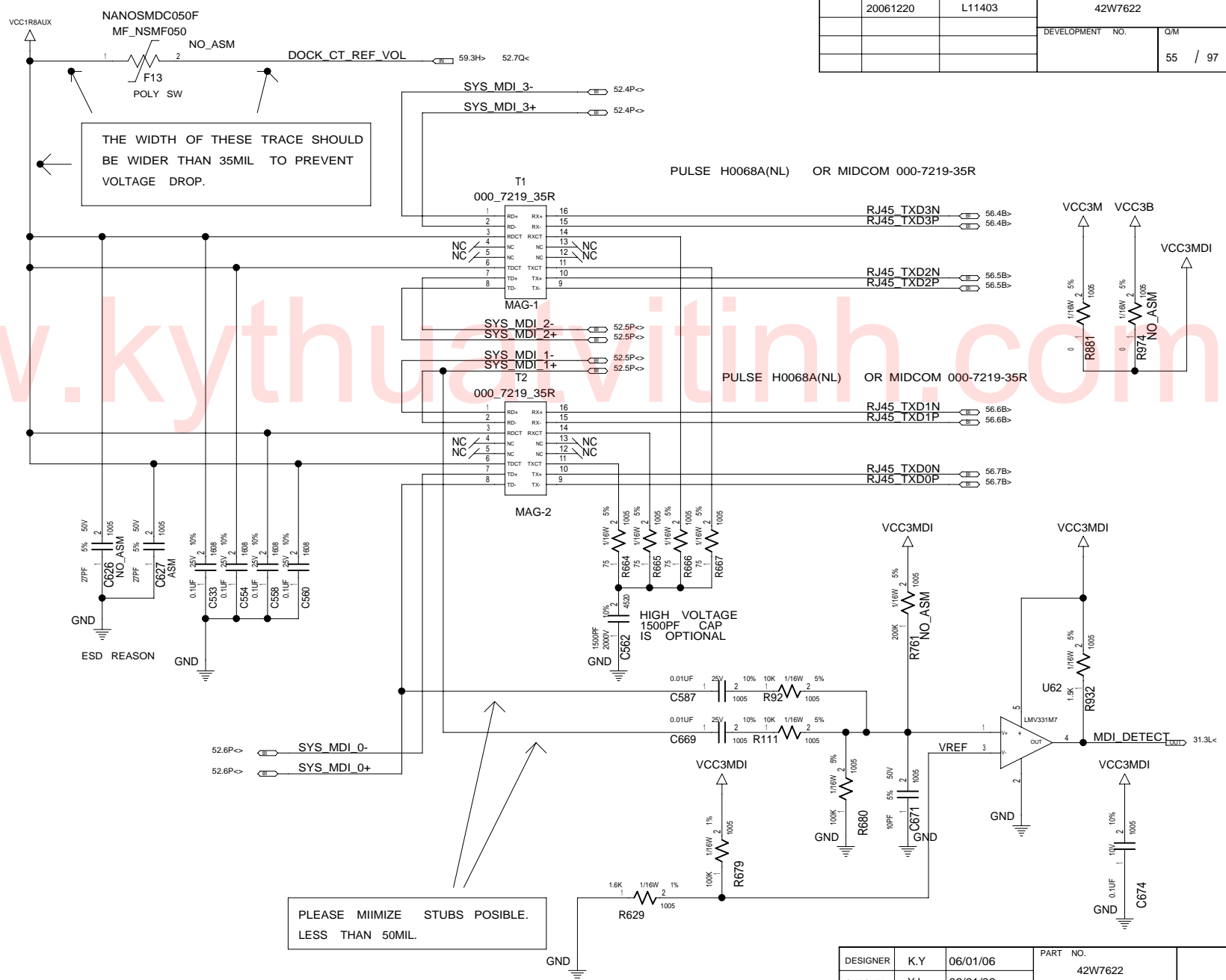
BLANK PAGE

42W7622

DESIGNER	K.Y	06/01/06	PART NO.	42W7622
CHECKED	Y.I	06/01/06	TITLE MLB-1 SVT	
APPROVED	T.S	06/01/06	BLANK PAGE	
CLASS	T.S	06/01/06	LENOVO CONFIDENTIAL	
<small>THIS DOCUMENT IS THE PROPERTY OF LENOVO/ITS USE IS AUTHORIZED ONLY FOR RESPONDING TO A REQUEST FOR QUOTATION OR FOR THE PERFORMANCE OF WORK FOR LENOVO/ALL QUESTIONS MUST BE REFERRED TO THE LENOVO PURCHASING DEPARTMENT.</small>				

A B C D E F G H J K L M N P Q

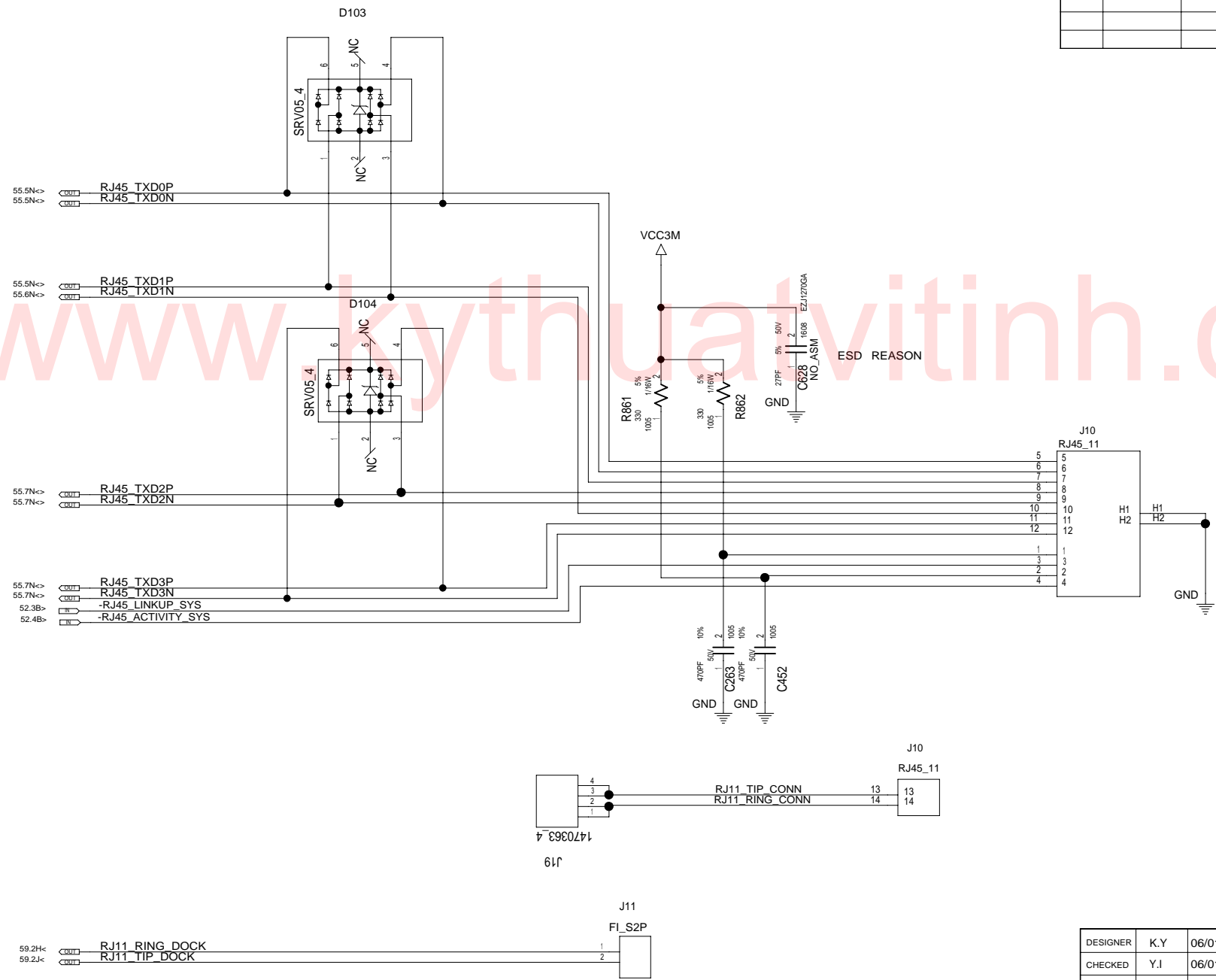
DATE	EC NO.	PART NO.
20061220	L11403	42W7622
DEVELOPMENT NO.		Q/M
		55 / 97



DESIGNER	K.Y	06/01/06	PART NO.	42W7622
CHECKED	Y.I	06/01/06	TITLE	MLB-1 SVT
APPROVED	T.S	06/01/06	GBE MAGNETICS	
CLASS	T.S	06/01/06	LENOVO CONFIDENTIAL	

THIS DOCUMENT IS THE PROPERTY OF LENOVO/ITS USE IS AUTHORIZED ONLY FOR RESPONDING TO A REQUEST FOR QUOTATION OR FOR THE PERFORMANCE OF WORK FOR LENOVO. ALL QUESTIONS MUST BE REFERRED TO THE LENOVO PURCHASING DEPARTMENT.

DATE	EC NO.	PART NO.	
20061220	L11403	42W7622	
		DEVELOPMENT NO.	Q/M
			56 / 97



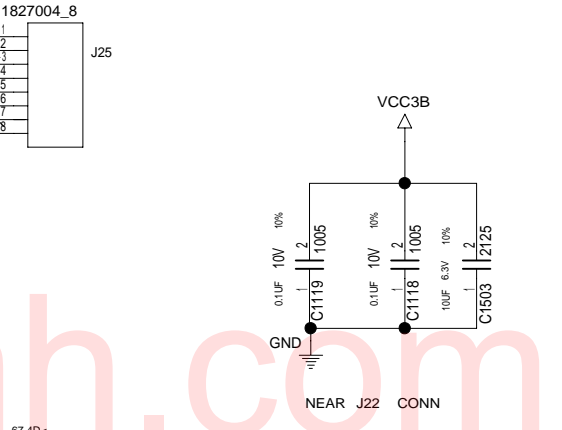
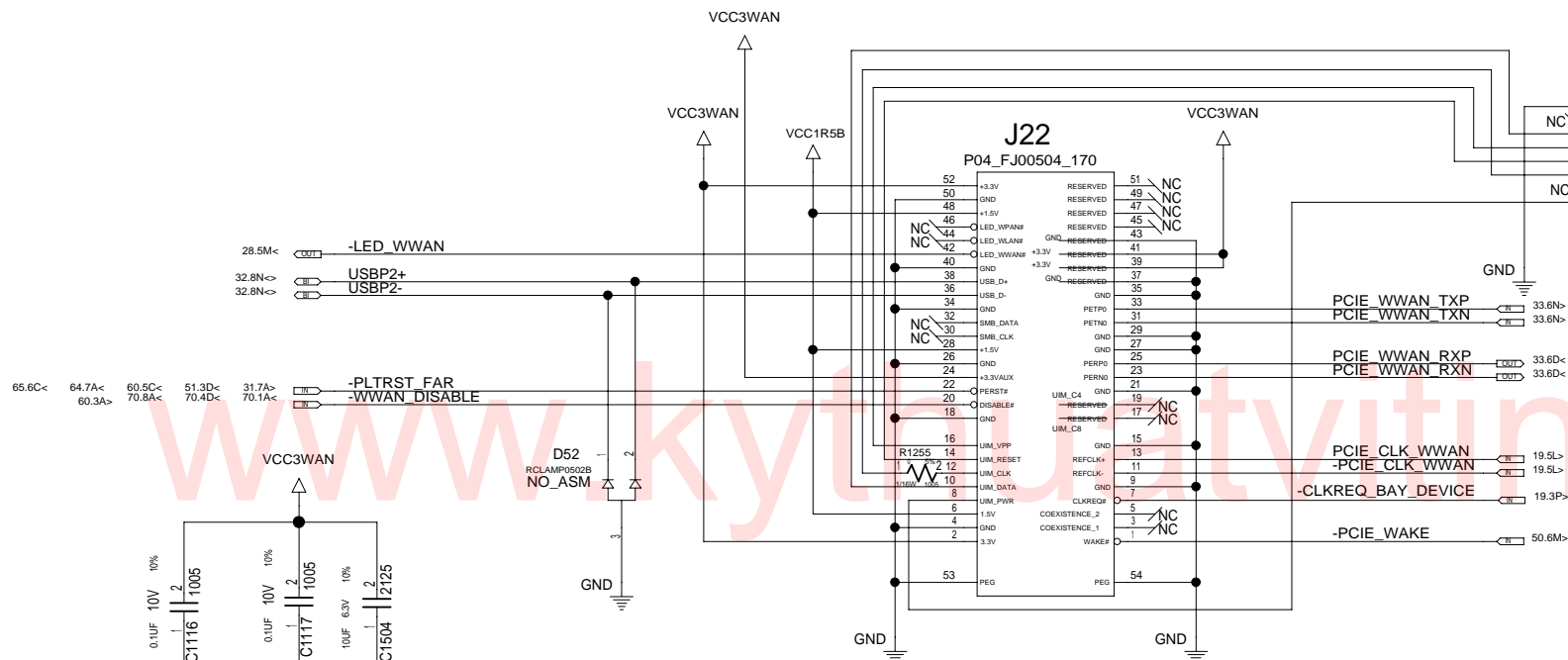
42W7622

DESIGNER	K.Y	06/01/06	PART NO.	42W7622
CHECKED	Y.I	06/01/06	TITLE MLB-1 SVT	
APPROVED	T.S	06/01/06	RJ11/RJ45 CONNECTOR	
CLASS	T.S	06/01/06	LENOVO CONFIDENTIAL	

THIS DOCUMENT IS THE PROPERTY OF LENOVO/ITS USE IS AUTHORIZED ONLY FOR RESPONDING TO A REQUEST FOR QUOTATION OR FOR THE PERFORMANCE OF WORK FOR LENOVO/ALL QUESTIONS MUST BE REFERRED TO THE LENOVO PURCHASING DEPARTMENT.

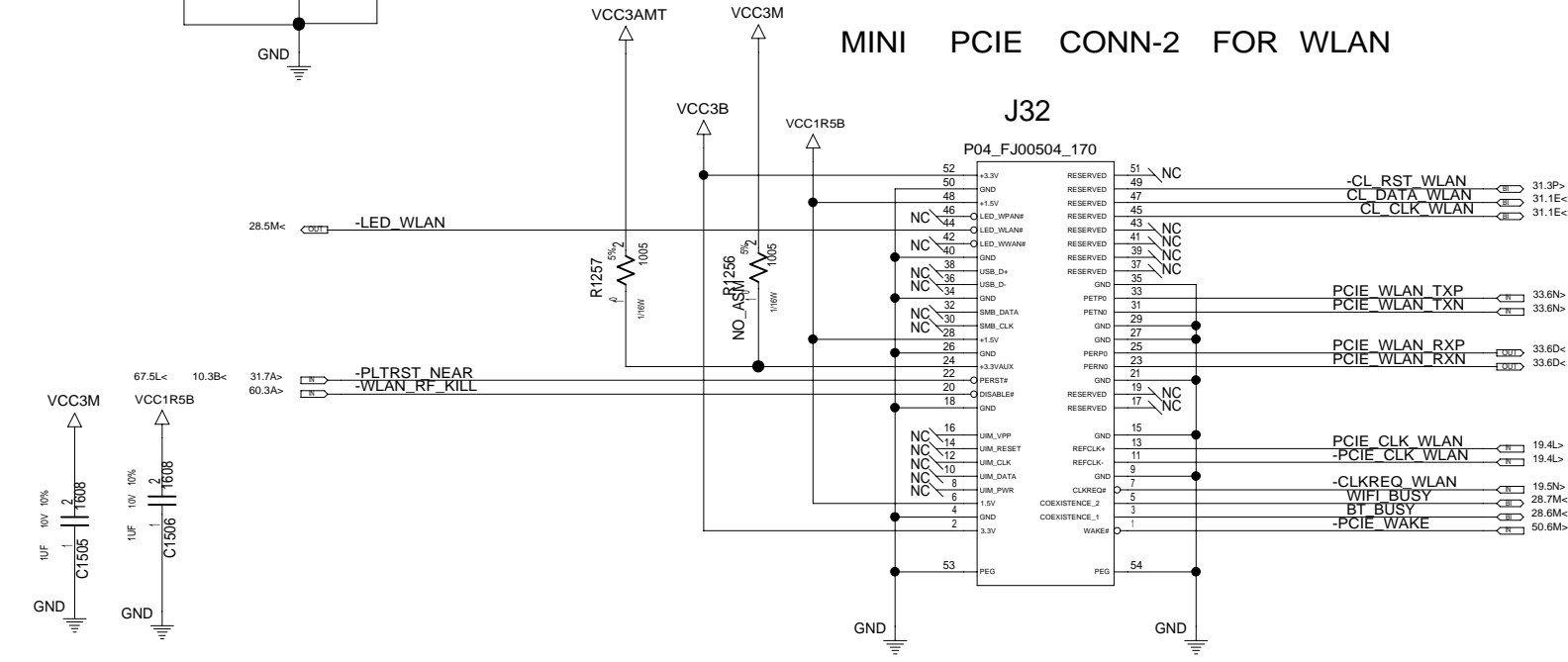
### MINI PCIE CONN-1 FOR WWAN

DATE	EC NO.	PART NO.
20061220	L11403	42W7622
DEVELOPMENT NO.		Q/M
		57 / 97



J22	W/WWAN	W/O_WWAN
J25	ASM	NO_ASM
J25	ASM	NO_ASM

LOGIC

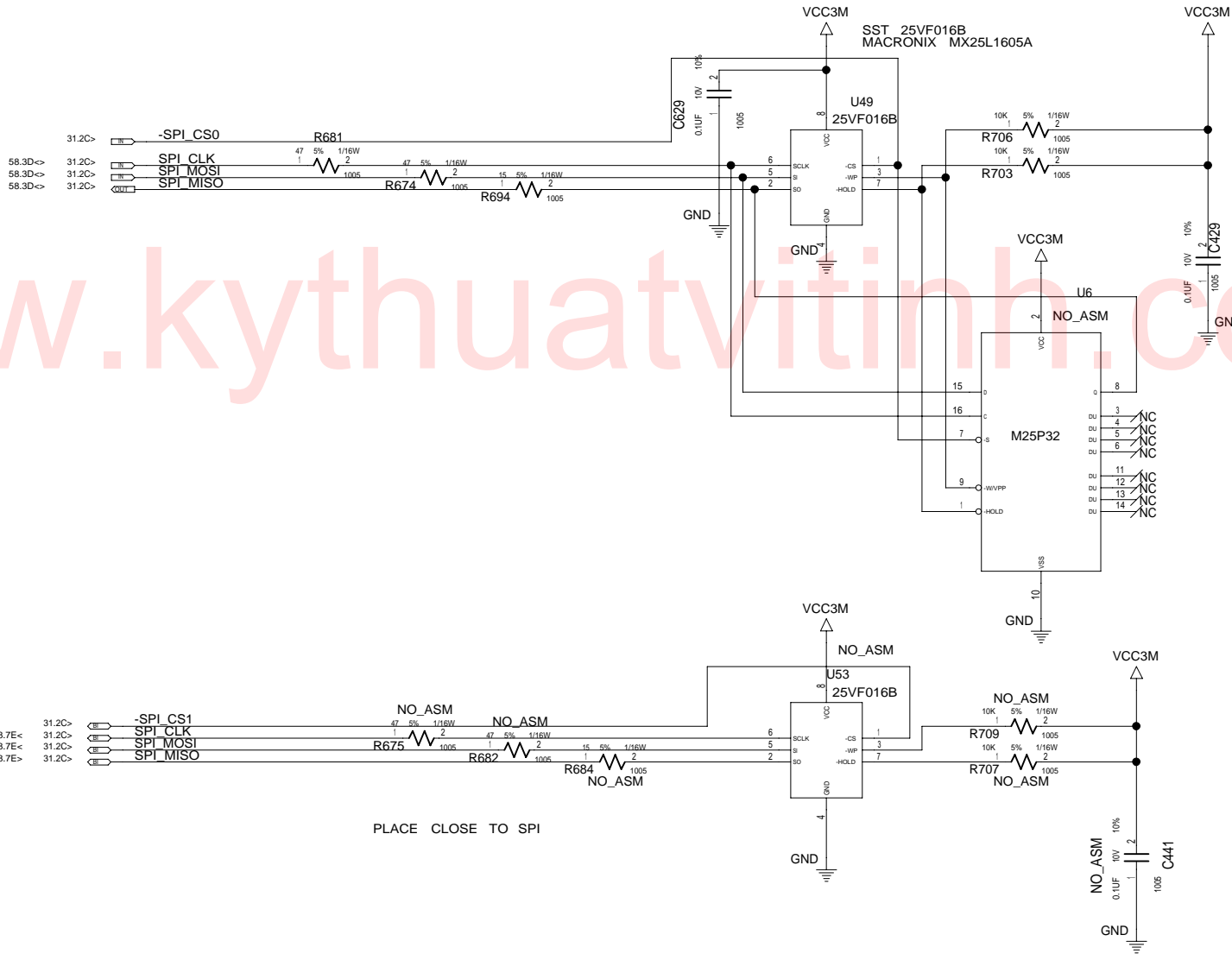


DESIGNER	K.Y	06/01/06	PART NO.	42W7622
CHECKED	Y.I	06/01/06	TITLE MLB-1 SVT	
APPROVED	T.S	06/01/06	MINI PCIE SLOT	
CLASS	T.S	06/01/06	LENOVO CONFIDENTIAL	

THIS DOCUMENT IS THE PROPERTY OF LENOVO. ITS USE IS AUTHORIZED ONLY FOR RESPONDING TO A REQUEST FOR QUOTATION OR FOR THE PERFORMANCE OF WORK FOR LENOVO. ALL QUESTIONS MUST BE REFERRED TO THE LENOVO PURCHASING DEPARTMENT.

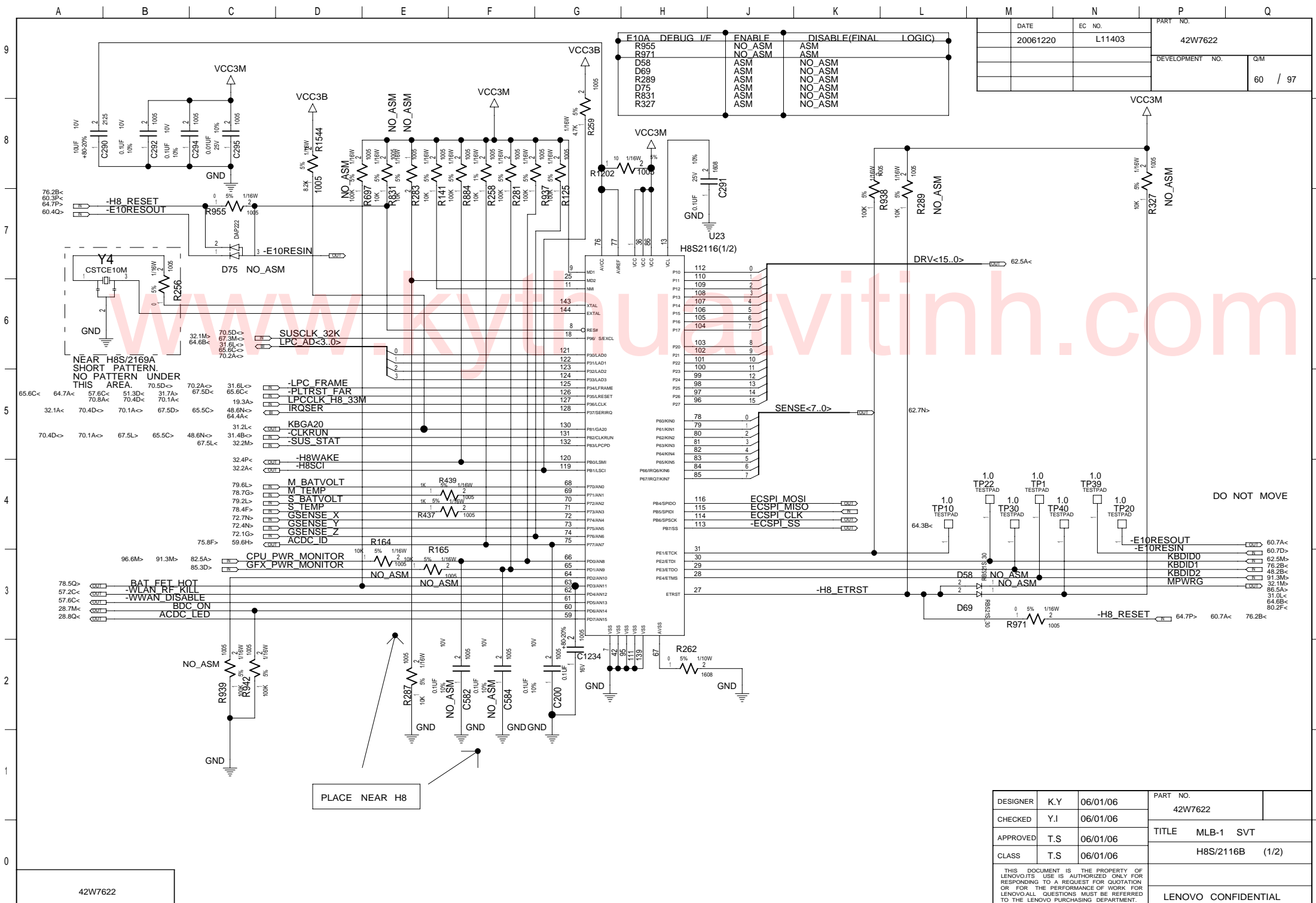


DATE	EC NO.	PART NO.	
20061220	L11403	42W7622	
		DEVELOPMENT NO.	Q/M
			58 / 97



DESIGNER	K.Y	06/01/06	PART NO.	42W7622
CHECKED	Y.I	06/01/06	TITLE	MLB-1 SVT
APPROVED	T.S	06/01/06	CLASS	EEPROM/FLASH/SHARED
CLASS	T.S	06/01/06	THIS DOCUMENT IS THE PROPERTY OF LENOVO/ITS USE IS AUTHORIZED ONLY FOR RESPONDING TO A REQUEST FOR QUOTATION OR FOR THE PERFORMANCE OF WORK FOR LENOVO/ALL QUESTIONS MUST BE REFERRED TO THE LENOVO PURCHASING DEPARTMENT.	
LENOVO CONFIDENTIAL				





DATE	EC NO.	PART NO.
20061220	L11403	42W7622
DEVELOPMENT NO.		Q/M
		60 / 97

NEAR H8S/2169A  
SHORT PATTERN.  
NO PATTERN UNDER  
THIS AREA.

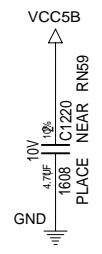
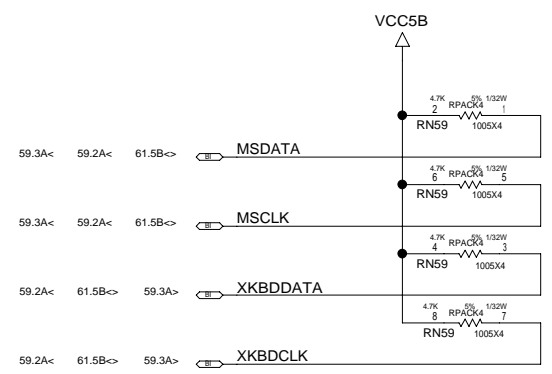
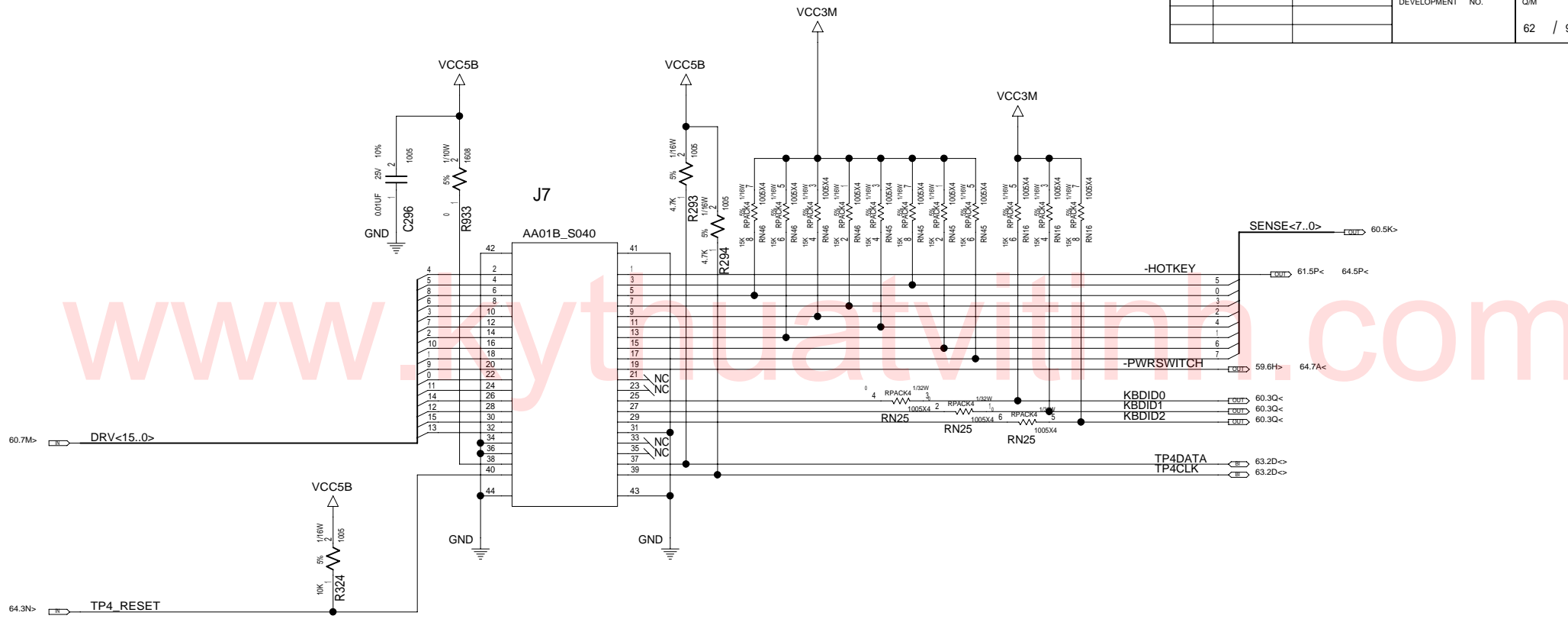
PLACE NEAR H8

DESIGNER	K.Y	06/01/06	PART NO.	42W7622
CHECKED	Y.I	06/01/06	TITLE	MLB-1 SVT
APPROVED	T.S	06/01/06	H8S/2116B (1/2)	
CLASS	T.S	06/01/06	LENOVO CONFIDENTIAL	

THIS DOCUMENT IS THE PROPERTY OF  
LENOVO.ITS USE IS AUTHORIZED ONLY FOR  
RESPONDING TO A REQUEST FOR QUOTATION  
OR FOR THE PERFORMANCE OF WORK FOR  
LENOVO.ALL QUESTIONS MUST BE REFERRED  
TO THE LENOVO PURCHASING DEPARTMENT.



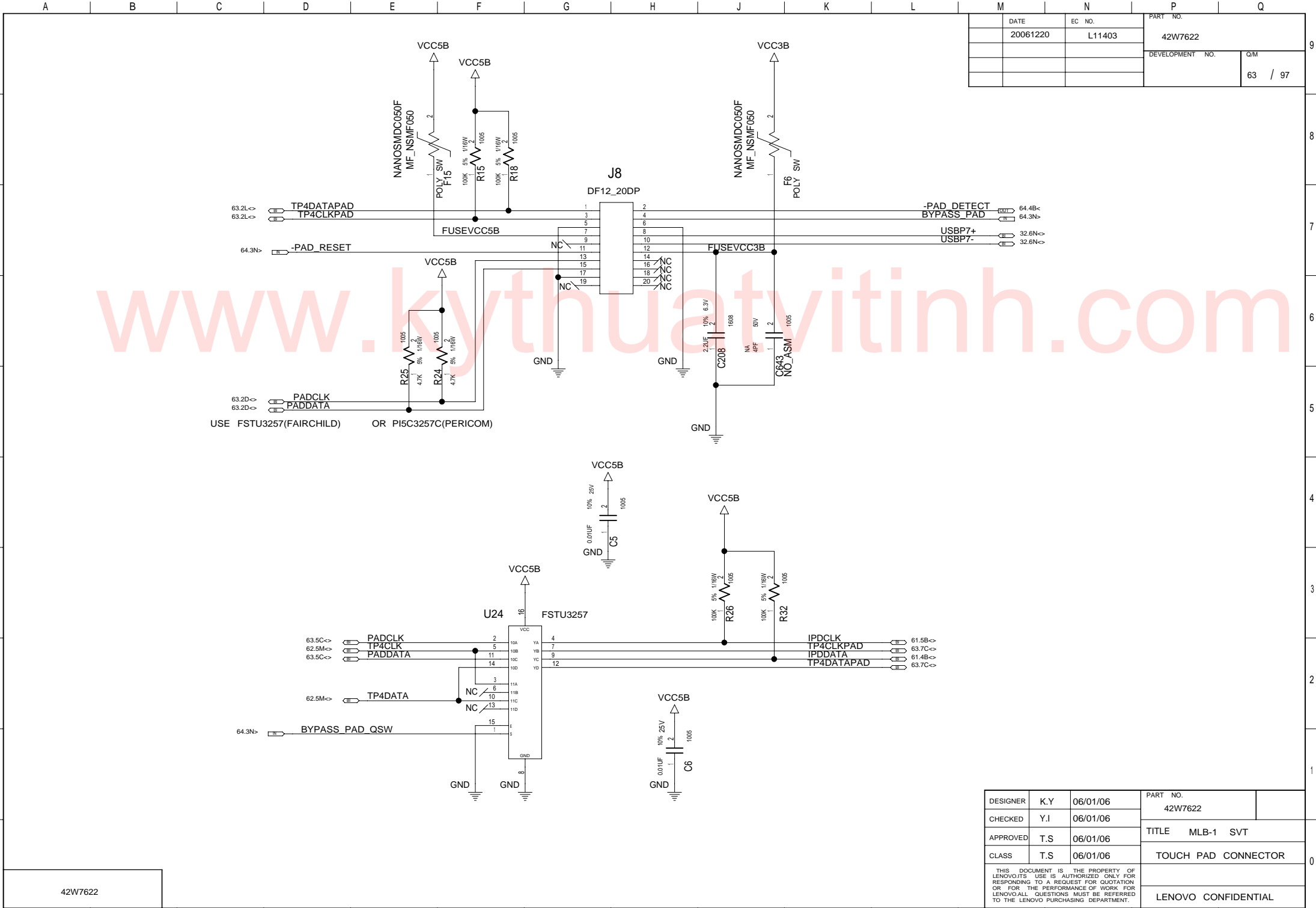
DATE	EC NO.	PART NO.
20061220	L11403	42W7622
DEVELOPMENT NO.		Q/M
		62 / 97



DESIGNER	K.Y	06/01/06	PART NO.	42W7622
CHECKED	Y.I	06/01/06	TITLE	MLB-1 SVT
APPROVED	T.S	06/01/06	KEYBOARD CONNECTOR	
CLASS	T.S	06/01/06	LENOVO CONFIDENTIAL	

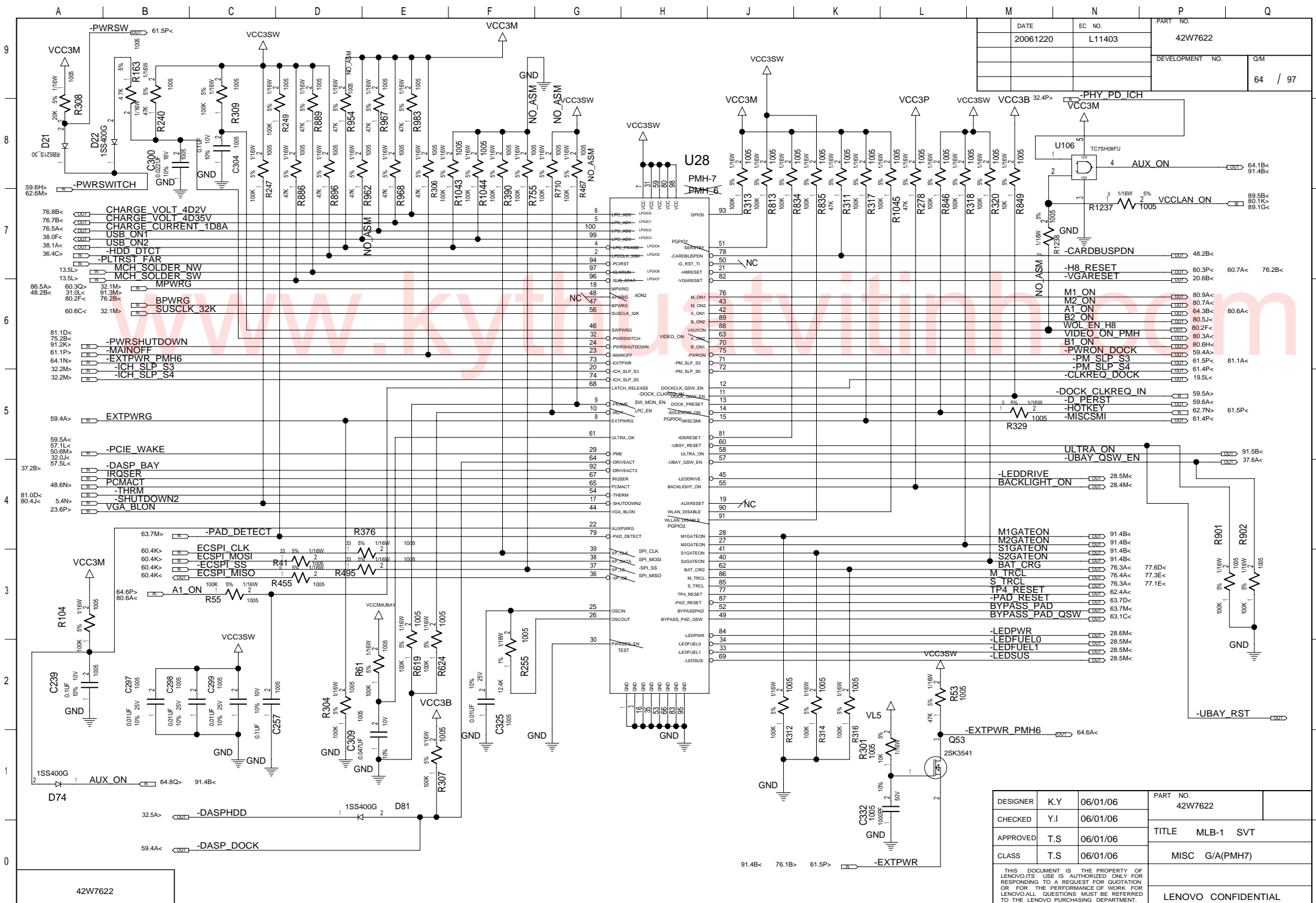
THIS DOCUMENT IS THE PROPERTY OF LENOVO/ITS USE IS AUTHORIZED ONLY FOR RESPONDING TO A REQUEST FOR QUOTATION OR FOR THE PERFORMANCE OF WORK FOR LENOVO/ALL QUESTIONS MUST BE REFERRED TO THE LENOVO PURCHASING DEPARTMENT.

DATE	EC NO.	PART NO.
20061220	L11403	42W7622
		DEVELOPMENT NO.
		Q/M
		63 / 97



DESIGNER	K.Y	06/01/06	PART NO.	42W7622
CHECKED	Y.I	06/01/06	TITLE	MLB-1 SVT
APPROVED	T.S	06/01/06	CLASS	TOUCH PAD CONNECTOR
CLASS	T.S	06/01/06	THIS DOCUMENT IS THE PROPERTY OF LENOVO/ITS USE IS AUTHORIZED ONLY FOR RESPONDING TO A REQUEST FOR QUOTATION OR FOR THE PERFORMANCE OF WORK FOR LENOVO/ALL QUESTIONS MUST BE REFERRED TO THE LENOVO PURCHASING DEPARTMENT.	
LENOVO CONFIDENTIAL				

42W7622



DATE	EC NO.	PART NO.
20061220	L11403	42W7622
DEVELOPMENT NO.		Q/M
		64 / 97

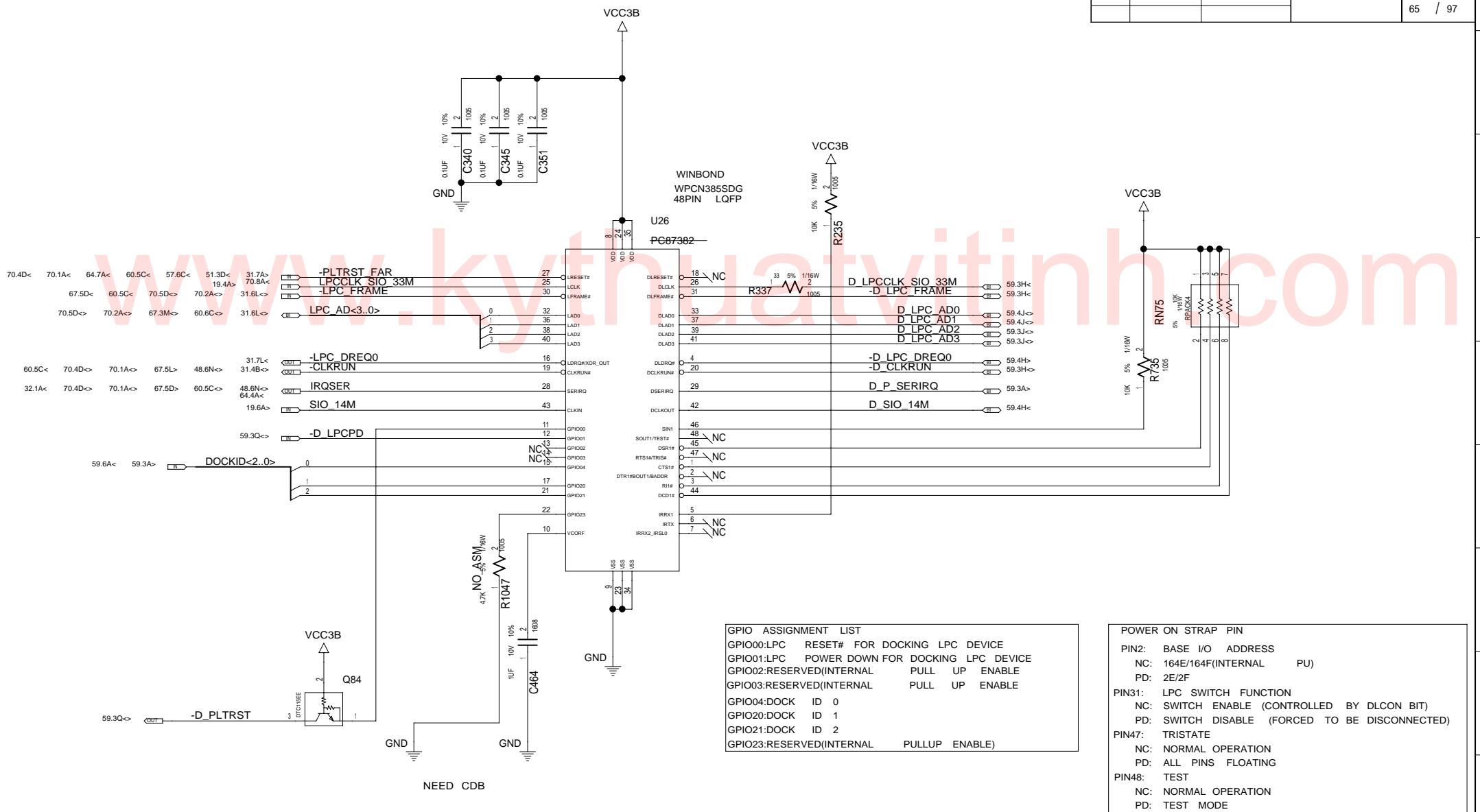
DESIGNER	K.Y	06/01/06	PART NO.	42W7622
CHECKED	Y.I	06/01/06	TITLE	
APPROVED	T.S	06/01/06		
CLASS	T.S	06/01/06	MISC	G/(PMH7)

THIS DOCUMENT IS THE PROPERTY OF LENOVO/ITS USE IS AUTHORIZED ONLY FOR RESPONDING TO A REQUEST FOR QUOTATION OR FOR THE PERFORMANCE OF WORK FOR LENOVO. ALL QUESTIONS MUST BE REFERRED TO THE LENOVO PURCHASING DEPARTMENT.

LENOVO CONFIDENTIAL



DATE	EC NO.	PART NO.	
20061220	L11403	42W7622	
		DEVELOPMENT NO.	Q/M
			65 / 97



**GPIO ASSIGNMENT LIST**

GPIO00:	LPC RESET#	FOR DOCKING LPC DEVICE
GPIO01:	LPC POWER DOWN	FOR DOCKING LPC DEVICE
GPIO02:	RESERVED (INTERNAL)	PULL UP ENABLE
GPIO03:	RESERVED (INTERNAL)	PULL UP ENABLE
GPIO04:	DOCK ID 0	
GPIO20:	DOCK ID 1	
GPIO21:	DOCK ID 2	
GPIO23:	RESERVED (INTERNAL)	PULLUP ENABLE

**POWER ON STRAP PIN**

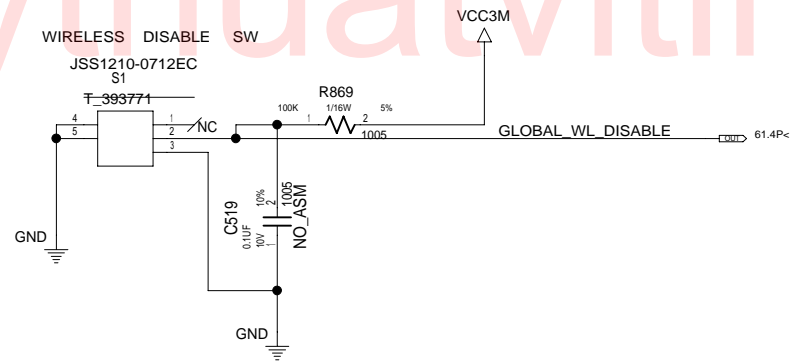
PIN2:	BASE I/O ADDRESS
NC:	164E/164F (INTERNAL PU)
PD:	2E/2F
PIN31:	LPC SWITCH FUNCTION
NC:	SWITCH ENABLE (CONTROLLED BY DLCON BIT)
PD:	SWITCH DISABLE (FORCED TO BE DISCONNECTED)
PIN47:	TRISTATE
NC:	NORMAL OPERATION
PD:	ALL PINS FLOATING
PIN48:	TEST
NC:	NORMAL OPERATION
PD:	TEST MODE

42W7622

DESIGNER	K.Y	06/01/06	PART NO.	42W7622
CHECKED	Y.I	06/01/06	TITLE	MLB-1 SVT
APPROVED	T.S	06/01/06		SUPER I/O
CLASS	T.S	06/01/06		48PIN PITCH=0.5MM
THIS DOCUMENT IS THE PROPERTY OF LENOVO. ITS USE IS AUTHORIZED ONLY FOR RESPONDING TO A REQUEST FOR QUOTATION OR FOR THE PERFORMANCE OF WORK FOR LENOVO. ALL QUESTIONS MUST BE REFERRED TO THE LENOVO PURCHASING DEPARTMENT.				LENOVO CONFIDENTIAL

DATE		EC NO.		PART NO.	
20061220		L11403		42W7622	
DEVELOPMENT NO.				Q/M	
				66 / 97	

www.kythuatvithinh.com

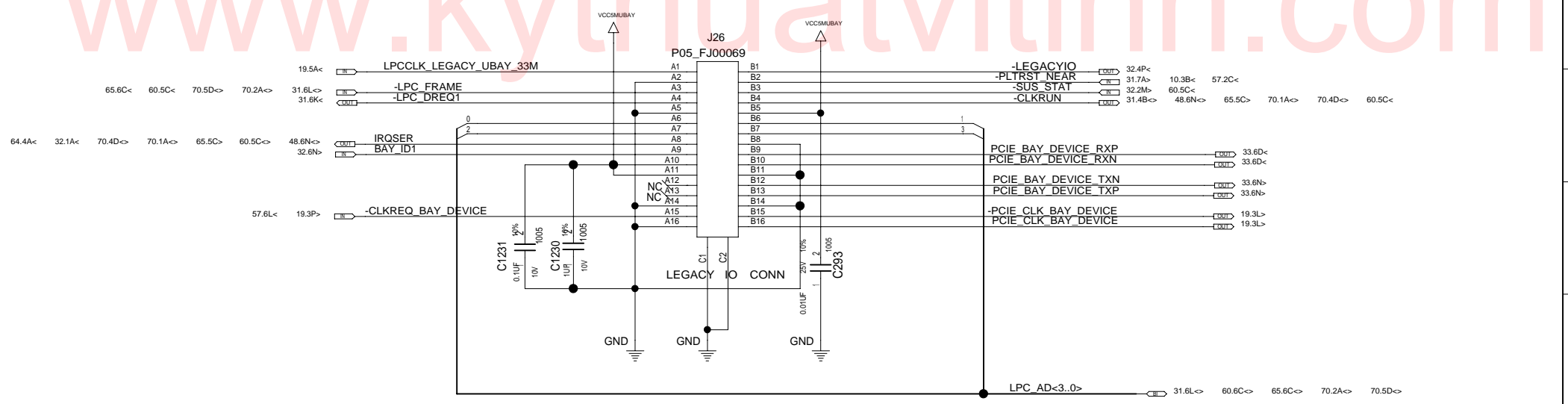


42W7622

DESIGNER	K.Y	06/01/06	PART NO.	
CHECKED	Y.I	06/01/06	42W7622	
APPROVED	T.S	06/01/06	TITLE	MLB-1 SVT
CLASS	T.S	06/01/06	WIRELESS DISABLE SW	
THIS DOCUMENT IS THE PROPERTY OF LENOVO/ITS USE IS AUTHORIZED ONLY FOR RESPONDING TO A REQUEST FOR QUOTATION OR FOR THE PERFORMANCE OF WORK FOR LENOVO/ALL QUESTIONS MUST BE REFERRED TO THE LENOVO PURCHASING DEPARTMENT.				
LENOVO CONFIDENTIAL				

DATE	EC NO.	PART NO.	
20061220	L11403	42W7622	
		DEVELOPMENT NO.	Q/M
			67 / 97

www.kythuatvithinh.com



42W7622

DESIGNER	K.Y	06/01/06	PART NO.	42W7622
CHECKED	Y.I	06/01/06	TITLE	MLB-1 SVT
APPROVED	T.S	06/01/06	SERIAL	INTERFACE
CLASS	T.S	06/01/06	LENOVO CONFIDENTIAL	

THIS DOCUMENT IS THE PROPERTY OF LENOVO/ITS USE IS AUTHORIZED ONLY FOR RESPONDING TO A REQUEST FOR QUOTATION OR FOR THE PERFORMANCE OF WORK FOR LENOVO/ALL QUESTIONS MUST BE REFERRED TO THE LENOVO PURCHASING DEPARTMENT.

A B C D E F G H J K L M N P Q

DATE	EC NO.	PART NO.	
20061220	L11403	42W7622	
		DEVELOPMENT NO.	Q/M
			68 / 97

www.kythuatvithinh.com

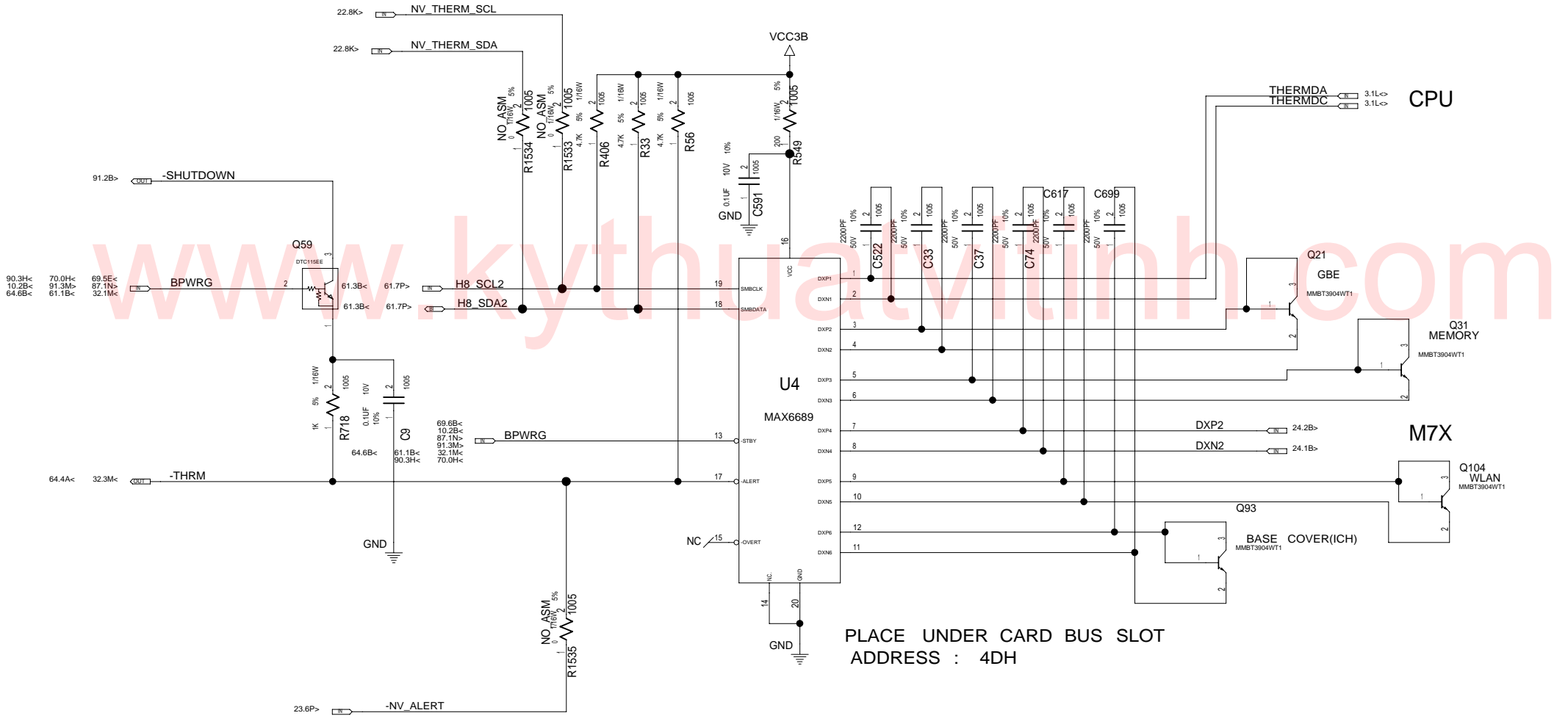
**BLANK PAGE**

42W7622

DESIGNER	K.Y	06/01/06	PART NO.	42W7622
CHECKED	Y.I	06/01/06	TITLE MLB-1 SVT	
APPROVED	T.S	06/01/06	BLANK PAGE	
CLASS	T.S	06/01/06	LENOVO CONFIDENTIAL	
<small>THIS DOCUMENT IS THE PROPERTY OF LENOVO/ITS USE IS AUTHORIZED ONLY FOR RESPONDING TO A REQUEST FOR QUOTATION OR FOR THE PERFORMANCE OF WORK FOR LENOVO/ALL QUESTIONS MUST BE REFERRED TO THE LENOVO PURCHASING DEPARTMENT.</small>				

A B C D E F G H J K L M N P Q

DATE	EC NO.	PART NO.	
20061220	L11403	42W7622	
		DEVELOPMENT NO.	Q/M
			69 / 97



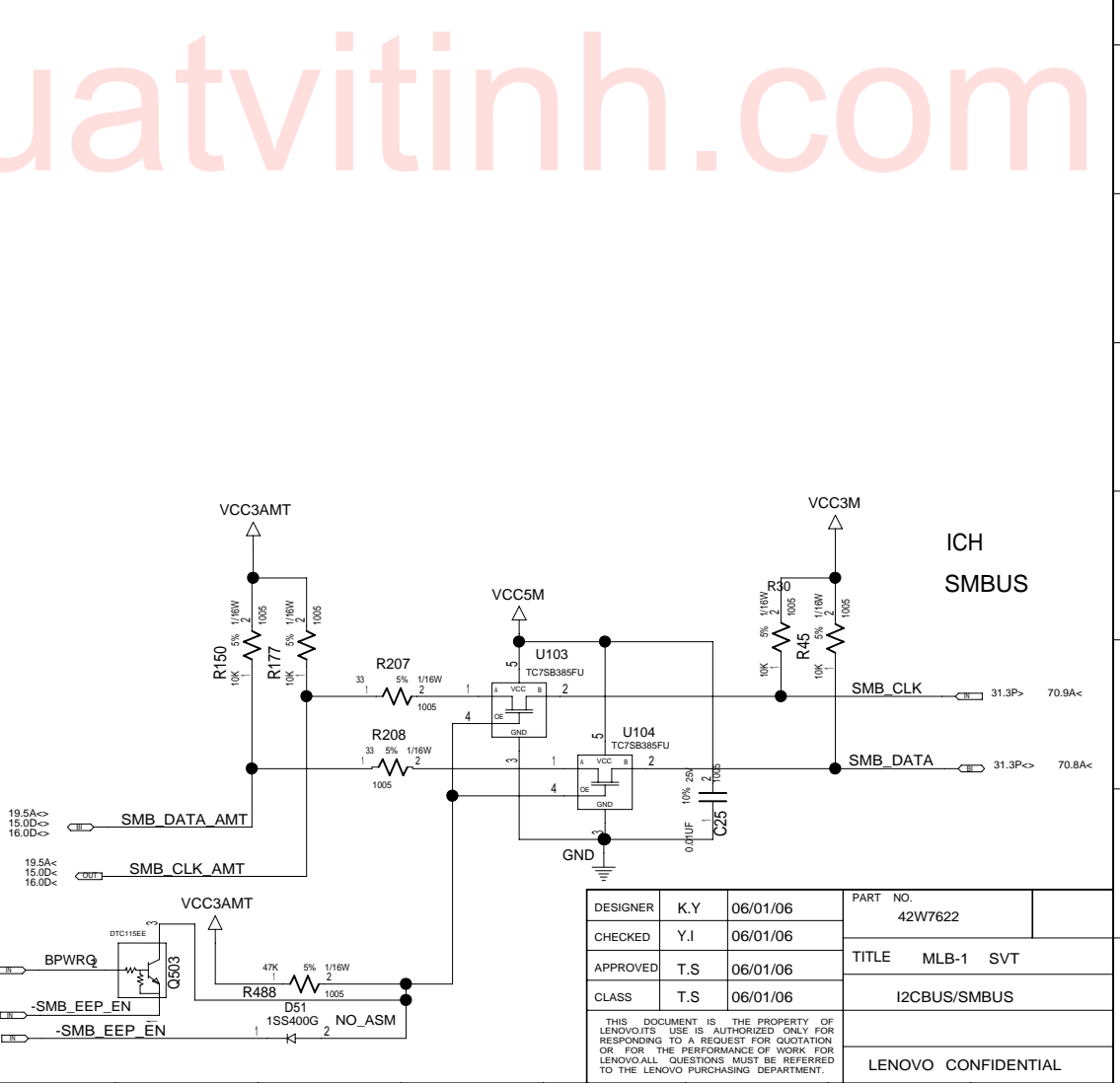
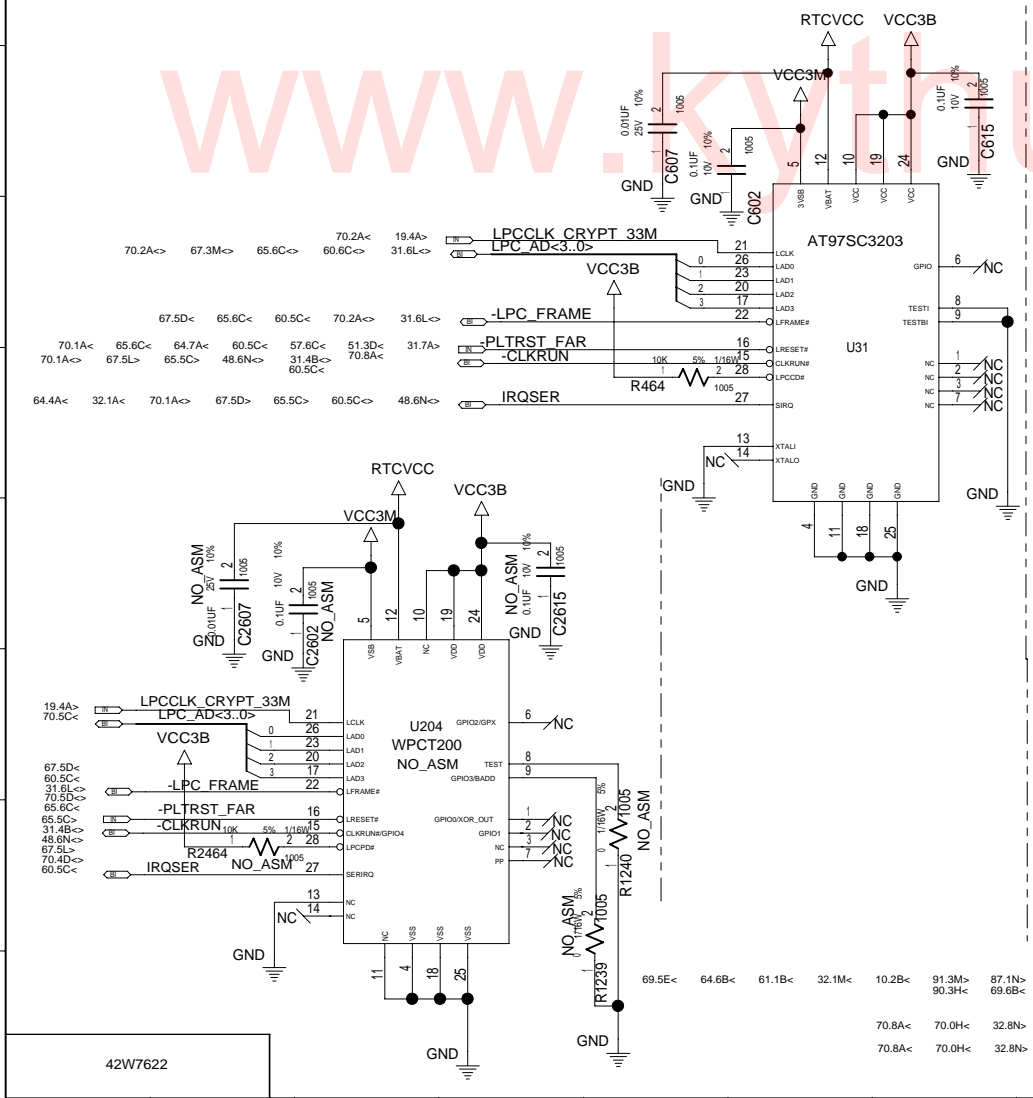
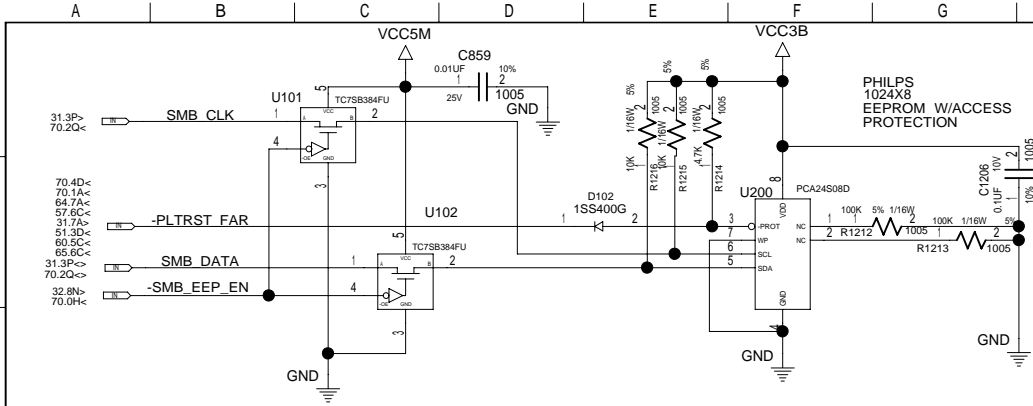
PLACE UNDER CARD BUS SLOT  
ADDRESS : 4DH

42W7622

DESIGNER	K.Y	06/01/06	PART NO.	42W7622
CHECKED	Y.I	06/01/06	TITLE MLB-1 SVT	
APPROVED	T.S	06/01/06	THERMAL SENSOR	
CLASS	T.S	06/01/06	LENOVO CONFIDENTIAL	

THIS DOCUMENT IS THE PROPERTY OF LENOVO. ITS USE IS AUTHORIZED ONLY FOR RESPONDING TO A REQUEST FOR QUOTATION OR FOR THE PERFORMANCE OF WORK FOR LENOVO. ALL QUESTIONS MUST BE REFERRED TO THE LENOVO PURCHASING DEPARTMENT.

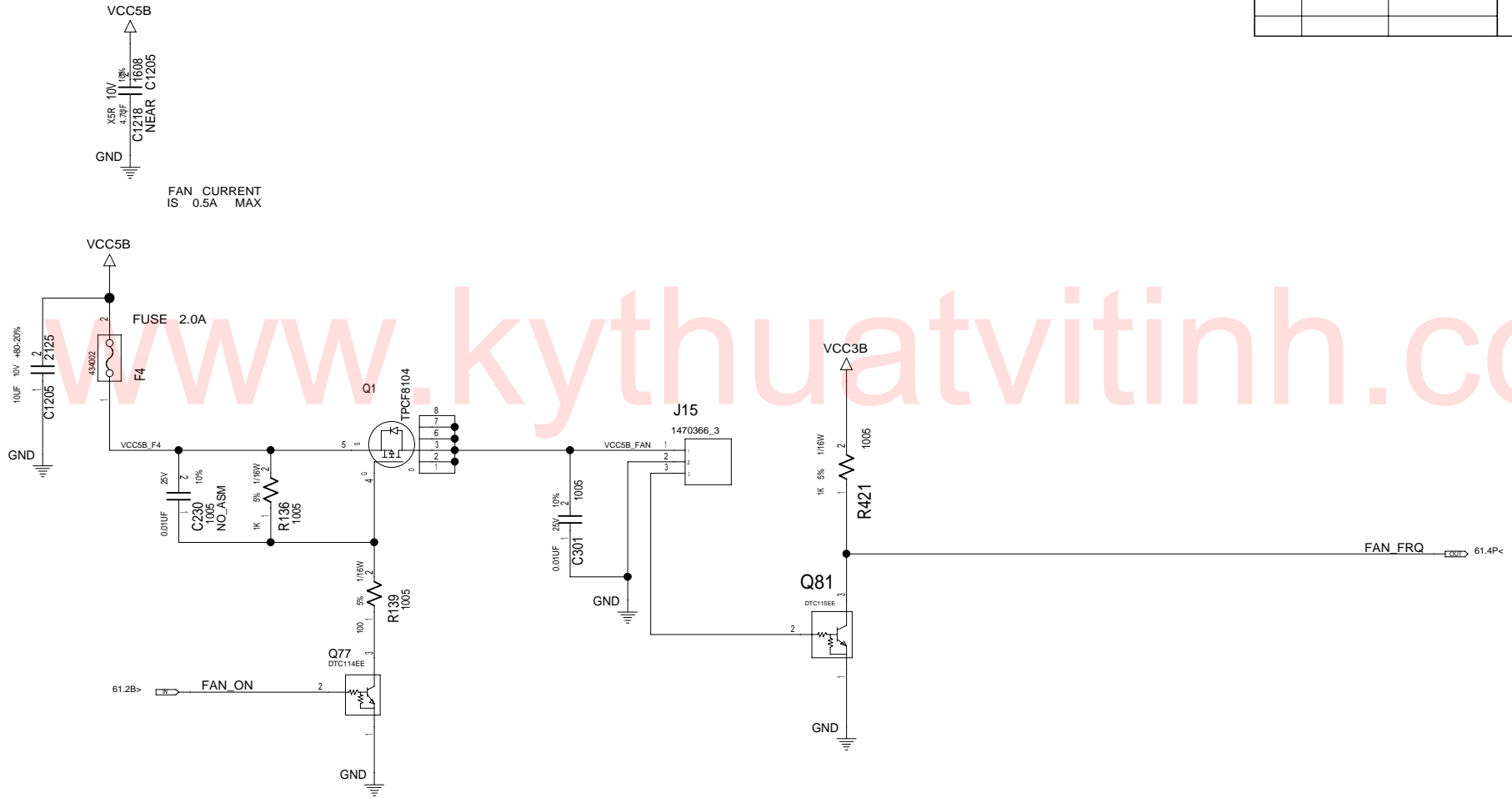
DATE	EC NO.	PART NO.
20061220	L11403	42W7622
DEVELOPMENT NO.		Q/M
		70 / 97



DESIGNER	K.Y	06/01/06	PART NO.	42W7622
CHECKED	Y.I	06/01/06	TITLE	MLB-1 SVT
APPROVED	T.S	06/01/06	I2CBUS/SMBUS	
CLASS	T.S	06/01/06	LENOVO CONFIDENTIAL	

THIS DOCUMENT IS THE PROPERTY OF LENOVO/ITS USE IS AUTHORIZED ONLY FOR RESPONDING TO A REQUEST FOR QUOTATION OR FOR THE PERFORMANCE OF WORK FOR LENOVO/ALL QUESTIONS MUST BE REFERRED TO THE LENOVO PURCHASING DEPARTMENT.

DATE	EC NO.	PART NO.	
20061220	L11403	42W7622	
		DEVELOPMENT NO.	Q/M
			71 / 97

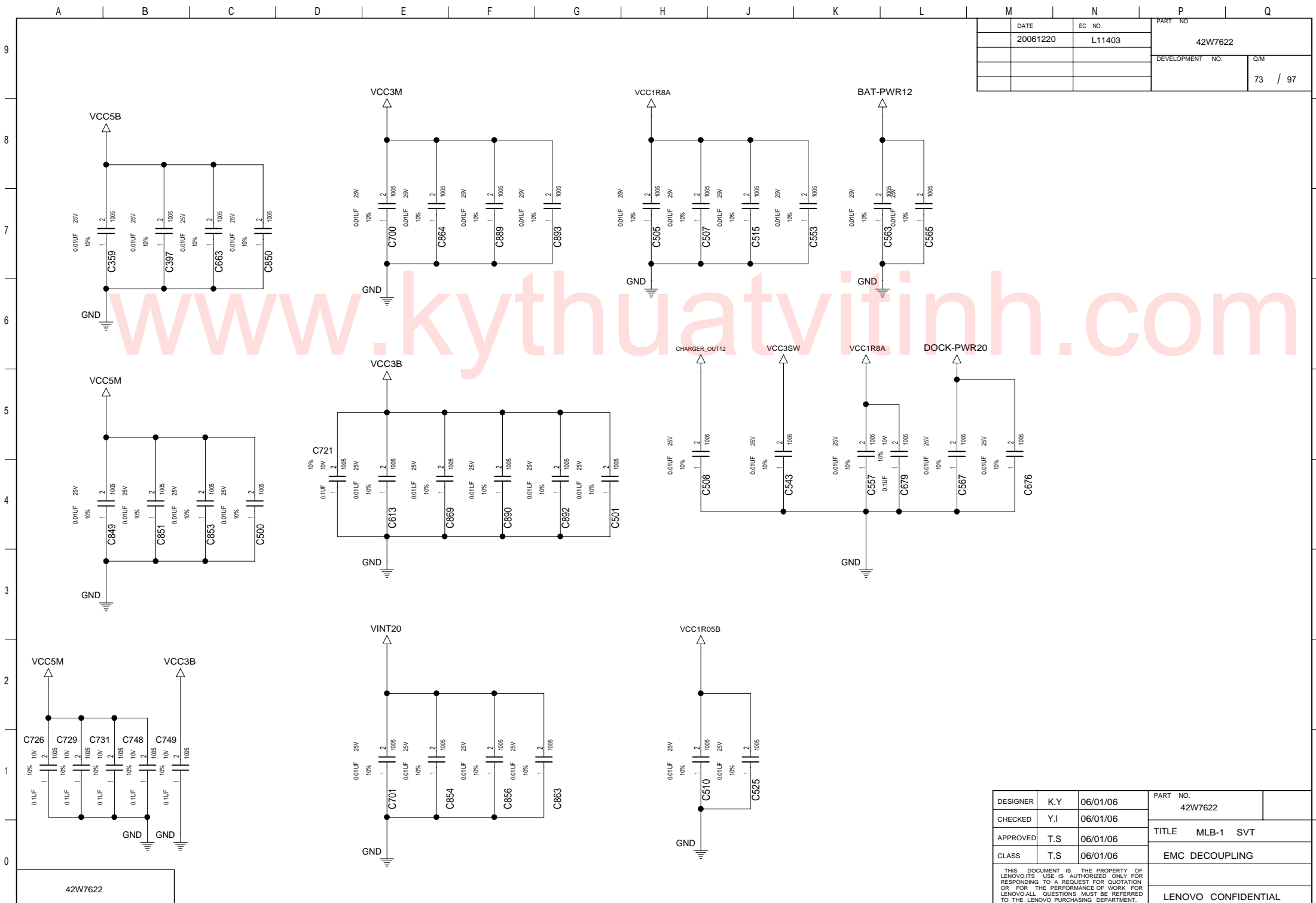


42W7622

DESIGNER	K.Y	06/01/06	PART NO.	42W7622
CHECKED	Y.I	06/01/06	TITLE	MLB-1 SVT
APPROVED	T.S	06/01/06	CLASS	FAN CONNECTOR
CLASS	T.S	06/01/06	THIS DOCUMENT IS THE PROPERTY OF LENOVO. ITS USE IS AUTHORIZED ONLY FOR RESPONDING TO A REQUEST FOR QUOTATION OR FOR THE PERFORMANCE OF WORK FOR LENOVO. ALL QUESTIONS MUST BE REFERRED TO THE LENOVO PURCHASING DEPARTMENT.	
LENOVO CONFIDENTIAL				





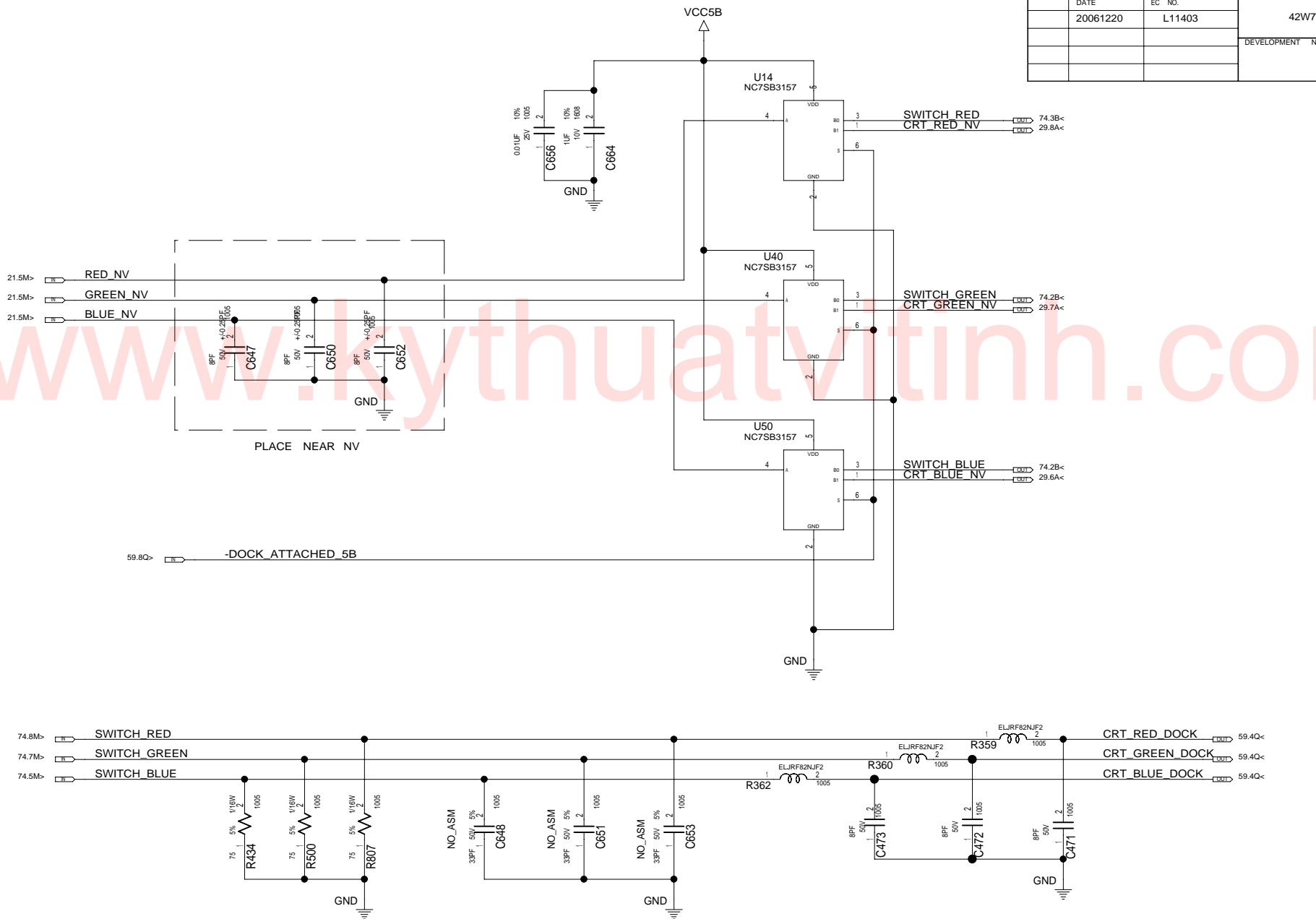


DATE	EC NO.	PART NO.	
20061220	L11403	42W7622	
		DEVELOPMENT NO.	Q/M
			73 / 97

42W7622

DESIGNER	K.Y	06/01/06	PART NO.	42W7622
CHECKED	Y.I	06/01/06	TITLE	MLB-1 SVT
APPROVED	T.S	06/01/06	CLASS	EMC DECOUPLING
CLASS	T.S	06/01/06	THIS DOCUMENT IS THE PROPERTY OF LENOVO/ITS USE IS AUTHORIZED ONLY FOR RESPONDING TO A REQUEST FOR QUOTATION OR FOR THE PERFORMANCE OF WORK FOR LENOVO/ALL QUESTIONS MUST BE REFERRED TO THE LENOVO PURCHASING DEPARTMENT.	
LENOVO CONFIDENTIAL				

DATE		EC NO.		PART NO.	
20061220		L11403		42W7622	
DEVELOPMENT NO.				Q/M	
				74 / 97	

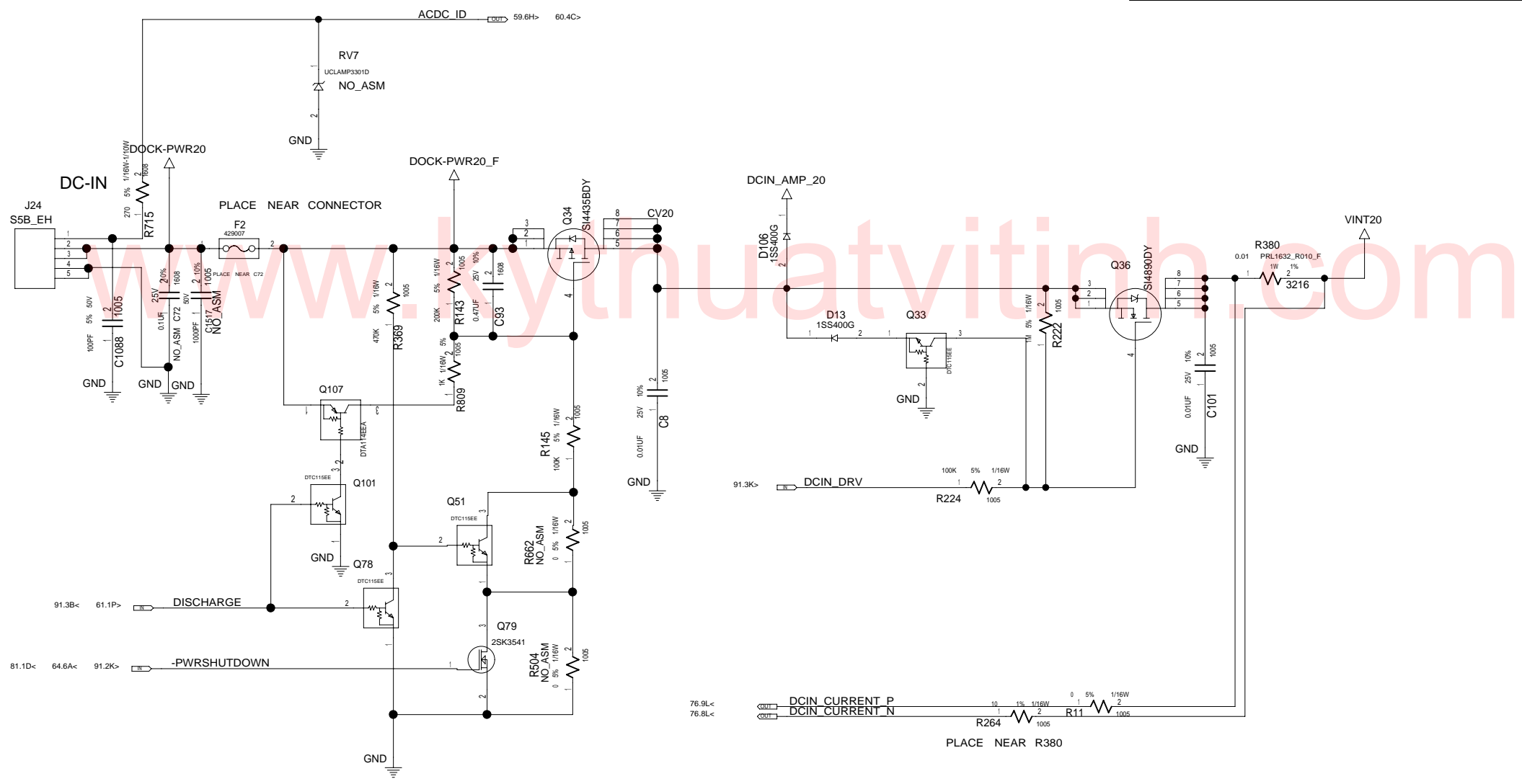


DESIGNER	K.Y	06/01/06	PART NO.	42W7622
CHECKED	Y.I	06/01/06	TITLE MLB-1 SVT	
APPROVED	T.S	06/01/06	RGB SWITCH	
CLASS	T.S	06/01/06	LENOVO CONFIDENTIAL	

THIS DOCUMENT IS THE PROPERTY OF LENOVO/ITS USE IS AUTHORIZED ONLY FOR RESPONDING TO A REQUEST FOR QUOTATION OR FOR THE PERFORMANCE OF WORK FOR LENOVO. ALL QUESTIONS MUST BE REFERRED TO THE LENOVO PURCHASING DEPARTMENT.

42W7622

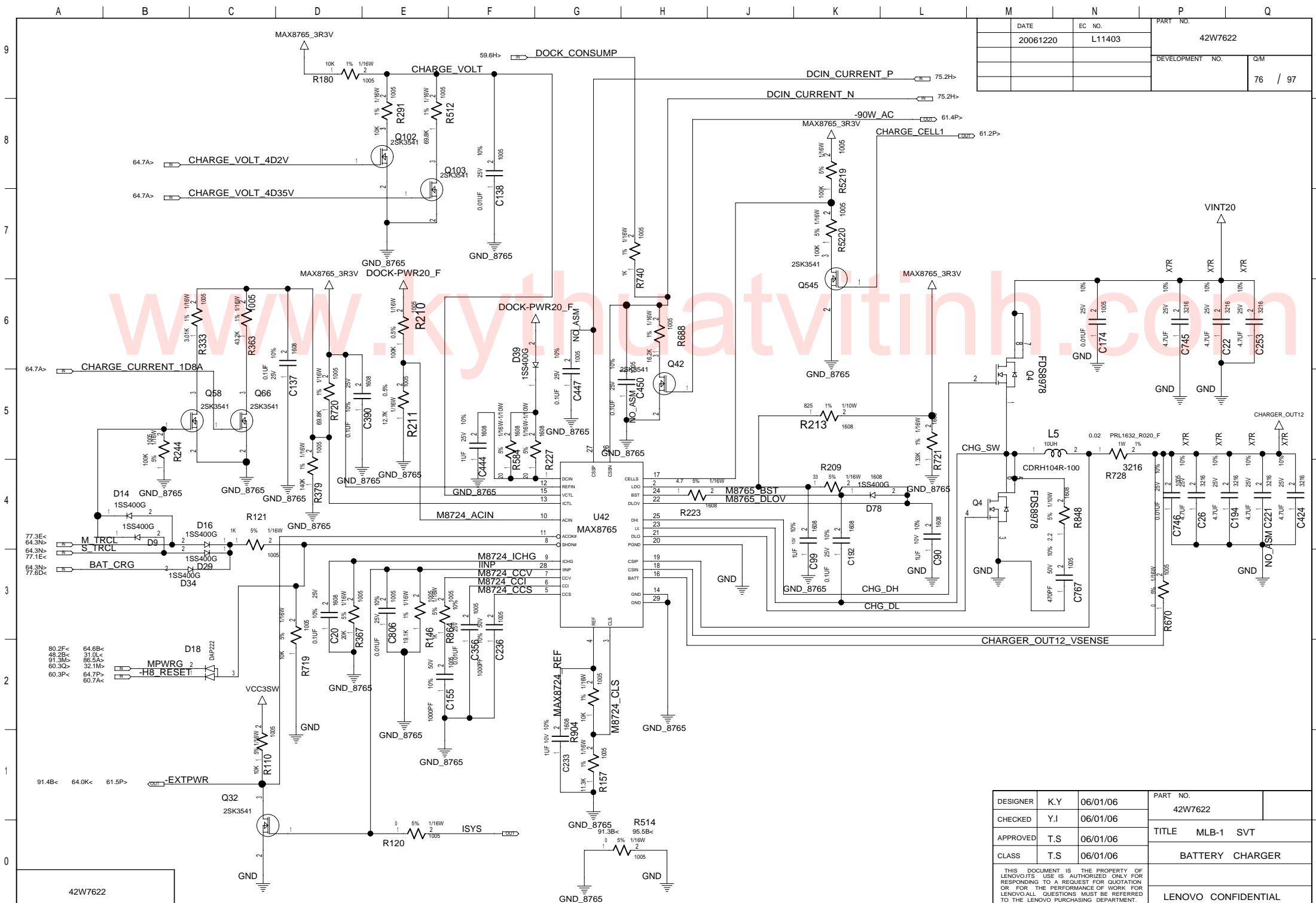
DATE	EC NO.	PART NO.	
20061220	L11403	42W7622	
		DEVELOPMENT NO.	Q/M
			75 / 97



PEAK SHIFT	YES	NO
R662	NO-ASM	ASM
R369	ASM	NO-ASM
Q78	ASM	NO-ASM
Q51	ASM	NO-ASM

42W7622

DESIGNER	K.Y	06/01/06	PART NO.	42W7622
CHECKED	Y.I	06/01/06	TITLE	MLB-1 SVT
APPROVED	T.S	06/01/06	CLASS	DC-IN
THIS DOCUMENT IS THE PROPERTY OF LENOVO/ITS USE IS AUTHORIZED ONLY FOR RESPONDING TO A REQUEST FOR QUOTATION OR FOR THE PERFORMANCE OF WORK FOR LENOVO/ALL QUESTIONS MUST BE REFERRED TO THE LENOVO PURCHASING DEPARTMENT.				LENOVO CONFIDENTIAL

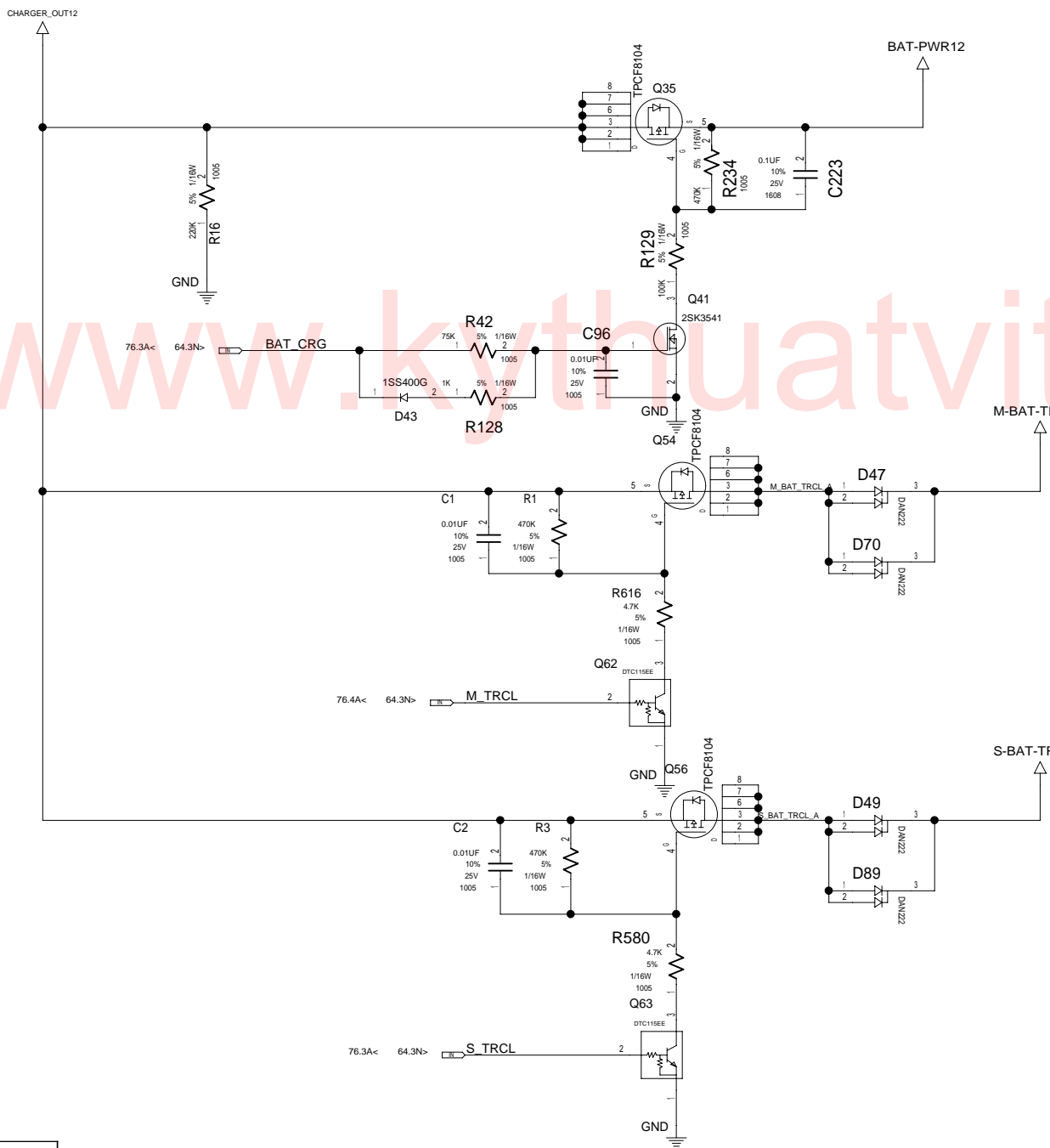


DATE	EC NO.	PART NO.
20061220	L11403	42W7622
DEVELOPMENT NO.		Q/M
		76 / 97

42W7622

DESIGNER	K.Y	06/01/06	PART NO.	42W7622
CHECKED	Y.I	06/01/06	TITLE	MLB-1 SVT
APPROVED	T.S	06/01/06	CLASS	BATTERY CHARGER
THIS DOCUMENT IS THE PROPERTY OF LENOVO'S. USE IS AUTHORIZED ONLY FOR RESPONDING TO A REQUEST FOR QUOTATION OR FOR THE PERFORMANCE OF WORK FOR LENOVO. ALL QUESTIONS MUST BE REFERRED TO THE LENOVO PURCHASING DEPARTMENT.				LENOVO CONFIDENTIAL

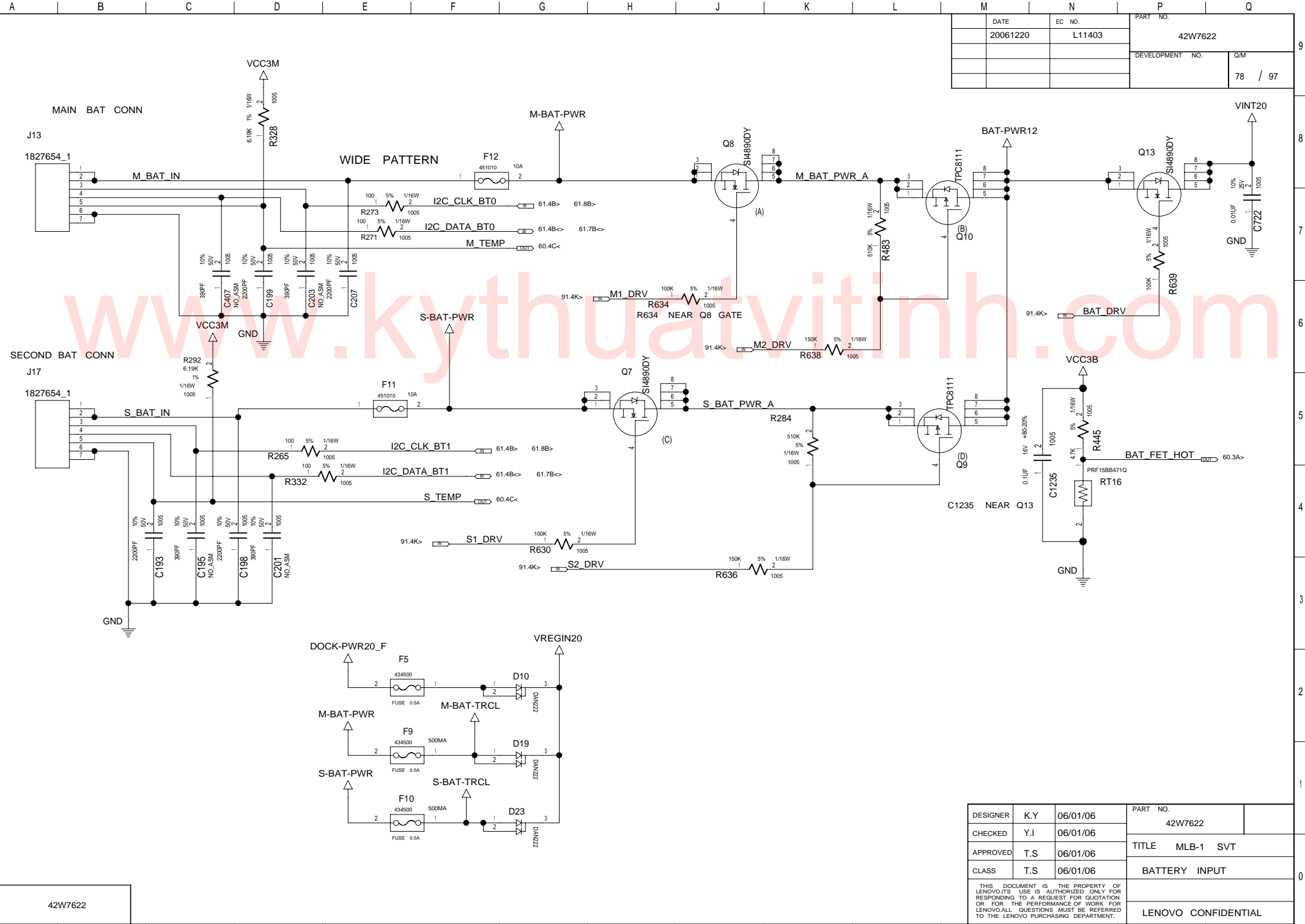
DATE	EC NO.	PART NO.	
20061220	L11403	42W7622	
		DEVELOPMENT NO.	Q/M
			77 / 97



42W7622

DESIGNER	K.Y	06/01/06	PART NO.	42W7622
CHECKED	Y.I	06/01/06	TITLE MLB-1 SVT	
APPROVED	T.S	06/01/06	CHARGE SELECTOR	
CLASS	T.S	06/01/06	LENOVO CONFIDENTIAL	
<small>THIS DOCUMENT IS THE PROPERTY OF LENOVO/ITS USE IS AUTHORIZED ONLY FOR RESPONDING TO A REQUEST FOR QUOTATION OR FOR THE PERFORMANCE OF WORK FOR LENOVO/ALL QUESTIONS MUST BE REFERRED TO THE LENOVO PURCHASING DEPARTMENT.</small>				

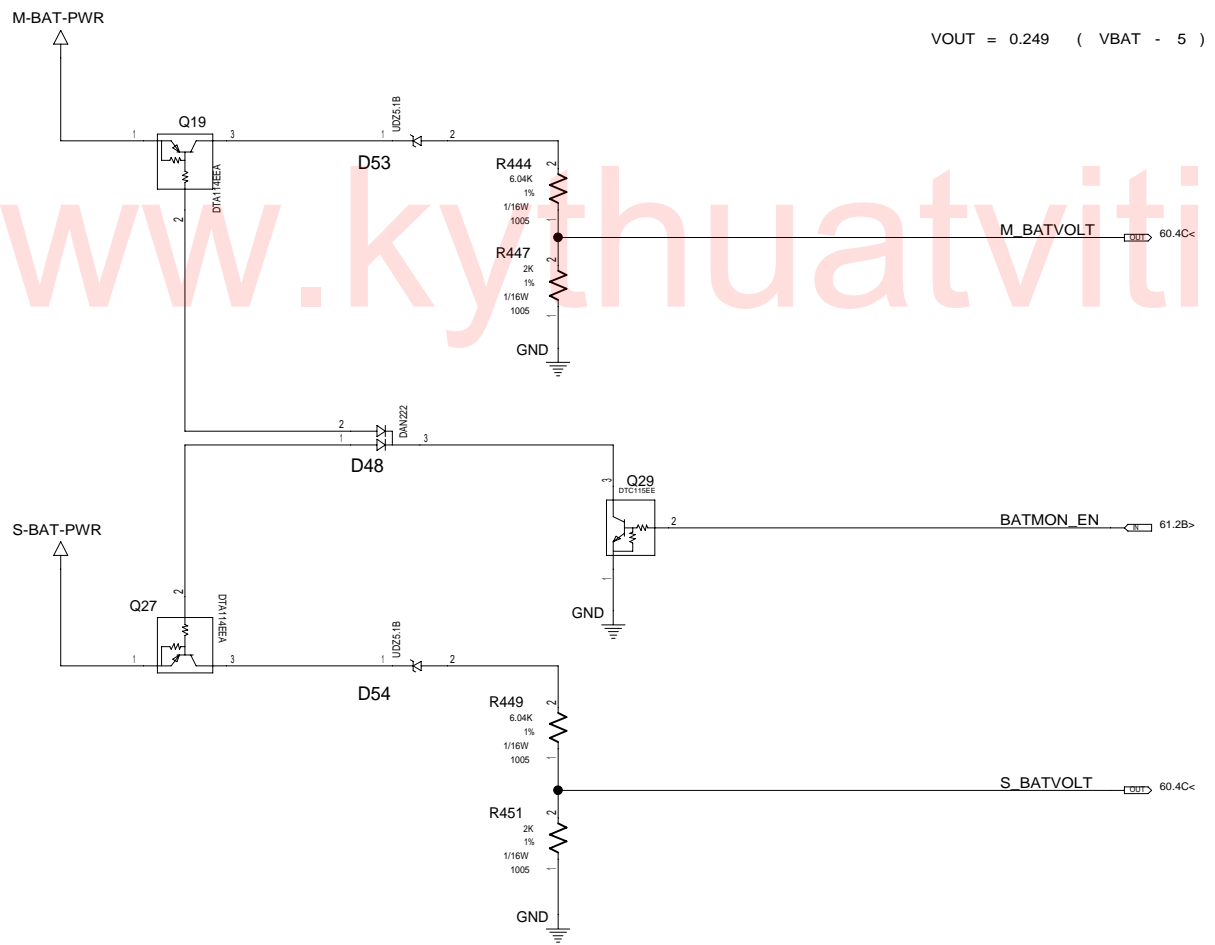
DATE	EC NO.	PART NO.
20061220	L11403	42W7622
DEVELOPMENT NO.		Q/M
		78 / 97



DESIGNER	K.Y	06/01/06	PART NO.	42W7622
CHECKED	Y.I	06/01/06	TITLE	MLB-1 SVT
APPROVED	T.S	06/01/06	BATTERY INPUT	
CLASS	T.S	06/01/06	LENOVO CONFIDENTIAL	

THIS DOCUMENT IS THE PROPERTY OF LENOVO. ITS USE IS AUTHORIZED ONLY FOR RESPONDING TO A REQUEST FOR QUOTATION OR FOR THE PERFORMANCE OF WORK FOR LENOVO. ALL QUESTIONS MUST BE REFERRED TO THE LENOVO PURCHASING DEPARTMENT.

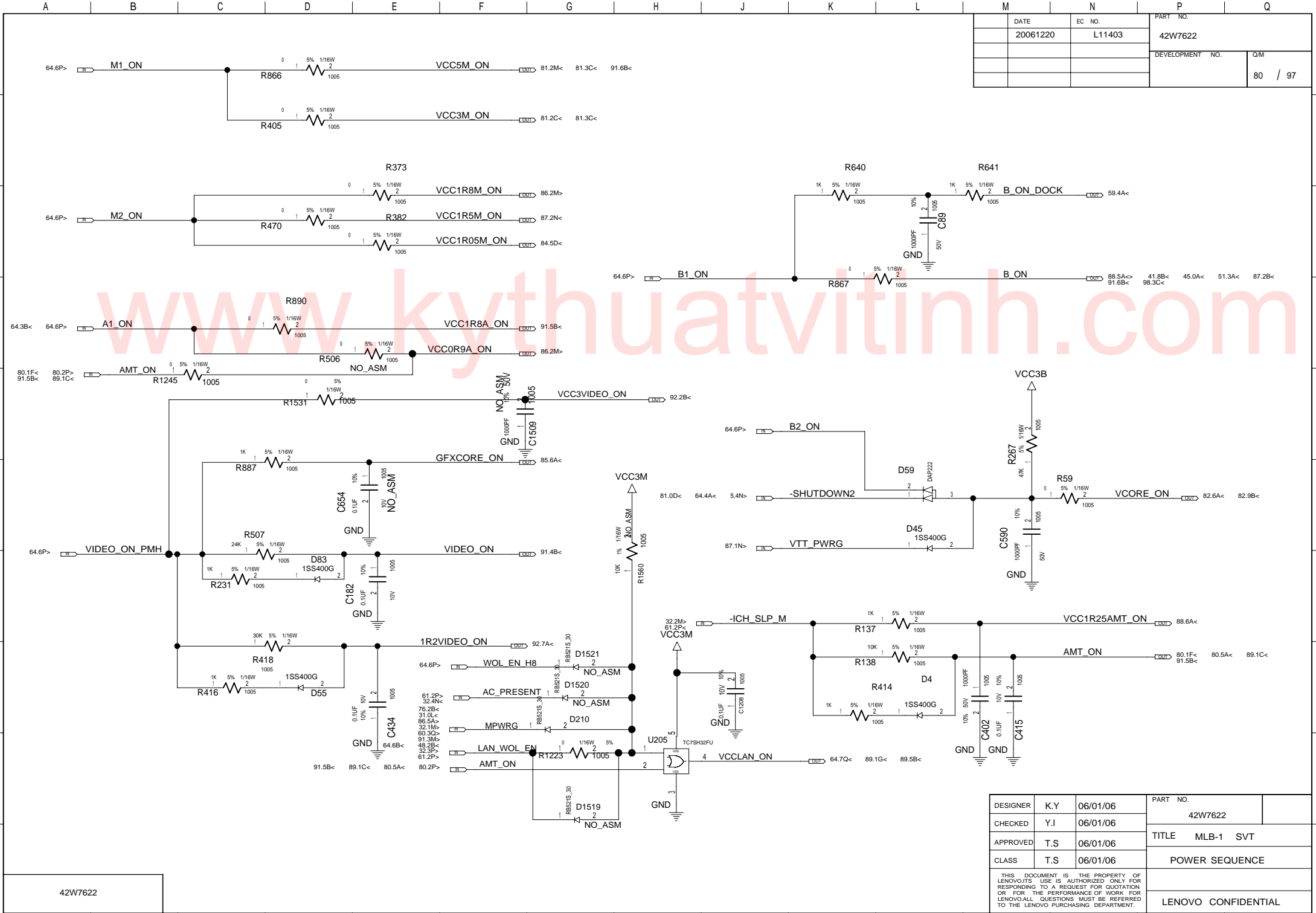
DATE	EC NO.	PART NO.	
20061220	L11403	42W7622	
		DEVELOPMENT NO.	Q/M
			79 / 97



DESIGNER	K.Y	06/01/06	PART NO.	42W7622
CHECKED	Y.I	06/01/06	TITLE MLB-1 SVT	
APPROVED	T.S	06/01/06	BATTERY MONITOR	
CLASS	T.S	06/01/06	LENOVO CONFIDENTIAL	

THIS DOCUMENT IS THE PROPERTY OF LENOVO/TS. USE IS AUTHORIZED ONLY FOR RESPONDING TO A REQUEST FOR QUOTATION OR FOR THE PERFORMANCE OF WORK FOR LENOVO. ALL QUESTIONS MUST BE REFERRED TO THE LENOVO PURCHASING DEPARTMENT.

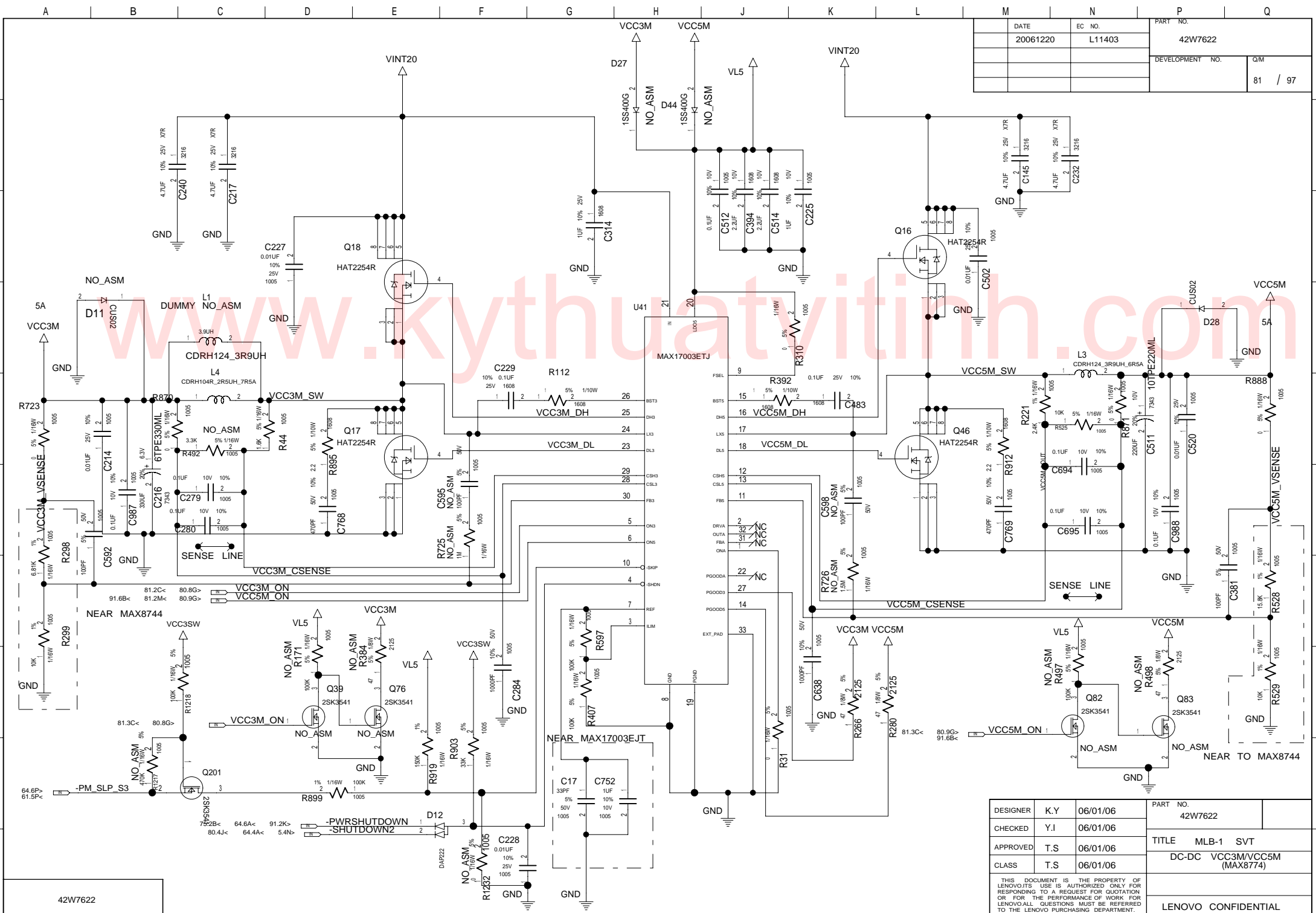
DATE	EC NO.	PART NO.
20061220	L11403	42W7622
		DEVELOPMENT NO.
		80 / 97



DESIGNER	K.Y	06/01/06	PART NO.	42W7622
CHECKED	Y.I	06/01/06	TITLE	MLB-1 SVT
APPROVED	T.S	06/01/06	POWER SEQUENCE	
CLASS	T.S	06/01/06	LENOVO CONFIDENTIAL	

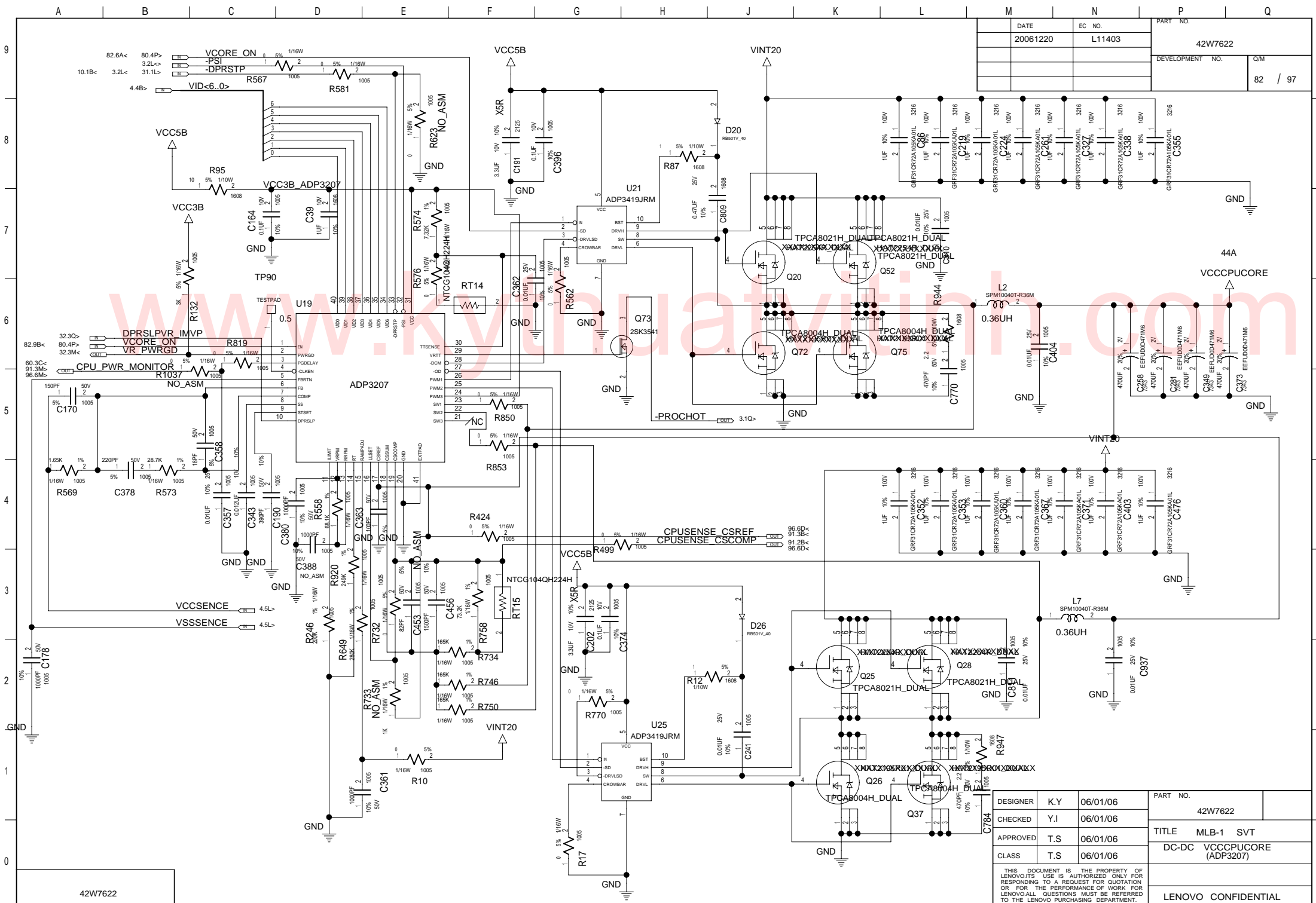
THIS DOCUMENT IS THE PROPERTY OF LENOVO/ITS USE IS AUTHORIZED ONLY FOR RESPONDING TO A REQUEST FOR QUOTATION OR FOR THE PERFORMANCE OF WORK FOR LENOVO. ALL QUESTIONS MUST BE REFERRED TO THE LENOVO PURCHASING DEPARTMENT.





DATE	EC NO.	PART NO.
20061220	L11403	42W7622
DEVELOPMENT NO.		Q/M
		81 / 97

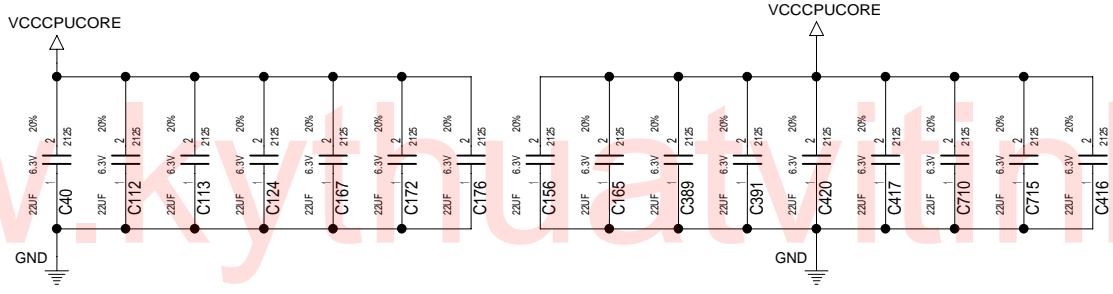
DESIGNER	K.Y	06/01/06	PART NO.	42W7622
CHECKED	Y.I	06/01/06	TITLE	
APPROVED	T.S	06/01/06	DC-DC VCC3M/VCC5M (MAX8774)	
CLASS	T.S	06/01/06	LENOVO CONFIDENTIAL	
THIS DOCUMENT IS THE PROPERTY OF LENOVO. ITS USE IS AUTHORIZED ONLY FOR RESPONDING TO A REQUEST FOR QUOTATION OR FOR THE PERFORMANCE OF WORK FOR LENOVO. ALL QUESTIONS MUST BE REFERRED TO THE LENOVO PURCHASING DEPARTMENT.				



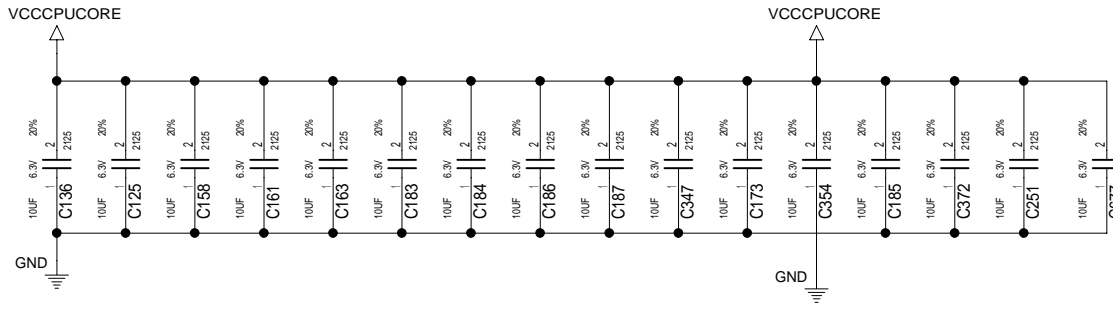
DATE	EC NO.	PART NO.
20061220	L11403	42W7622
DEVELOPMENT NO.		Q/M
		82 / 97

DESIGNER	K.Y	06/01/06	PART NO.	42W7622
CHECKED	Y.I	06/01/06	TITLE	MLB-1 SVT
APPROVED	T.S	06/01/06	DC-DC	VCCPCUCORE
CLASS	T.S	06/01/06	(ADP3207)	
THIS DOCUMENT IS THE PROPERTY OF LENOVO. ITS USE IS AUTHORIZED ONLY FOR RESPONDING TO A REQUEST FOR QUOTATION OR FOR THE PERFORMANCE OF WORK FOR LENOVO. ALL QUESTIONS MUST BE REFERRED TO THE LENOVO PURCHASING DEPARTMENT.				LENOVO CONFIDENTIAL

DATE	EC NO.	PART NO.	
20061220	L11403	42W7622	
		DEVELOPMENT NO.	Q/M
			83 / 97



22UF 6.3V X5R 2125 1/16W X 16PCS

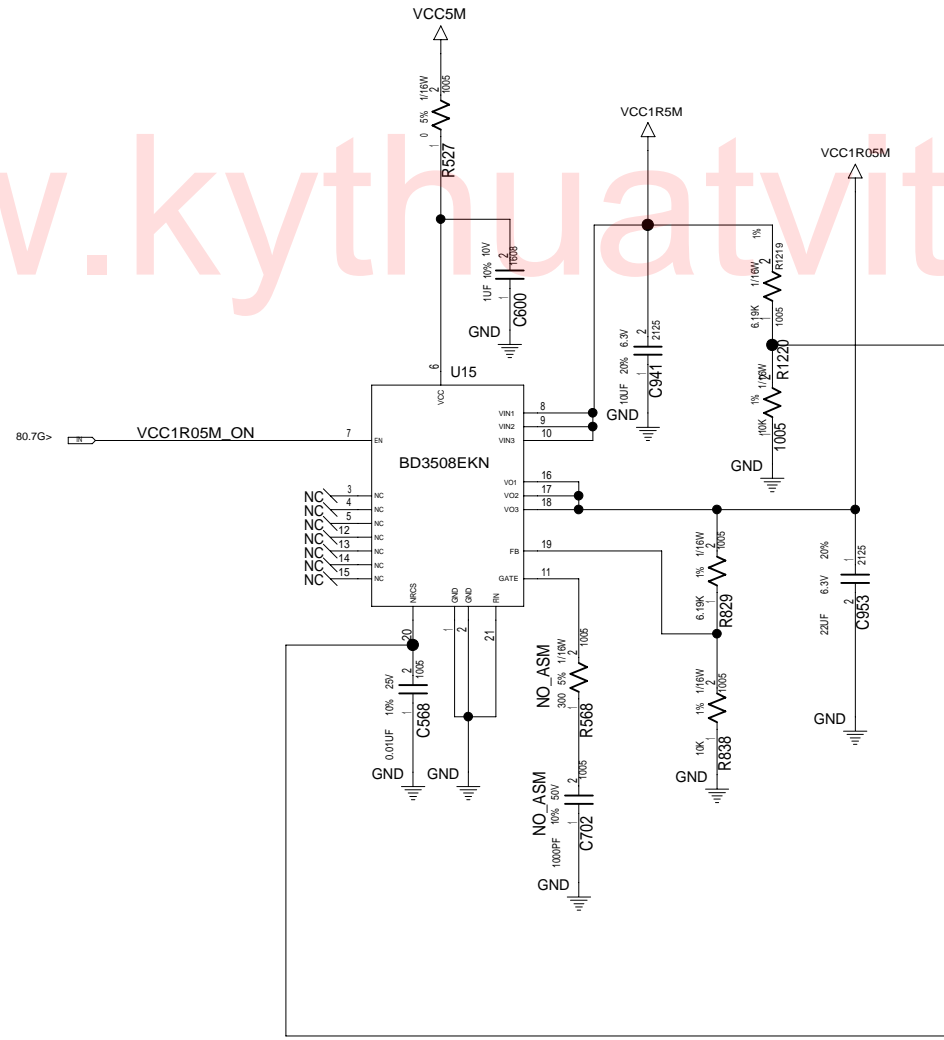


10UF 6.3V X5R 2125 1/16W X 16PCS

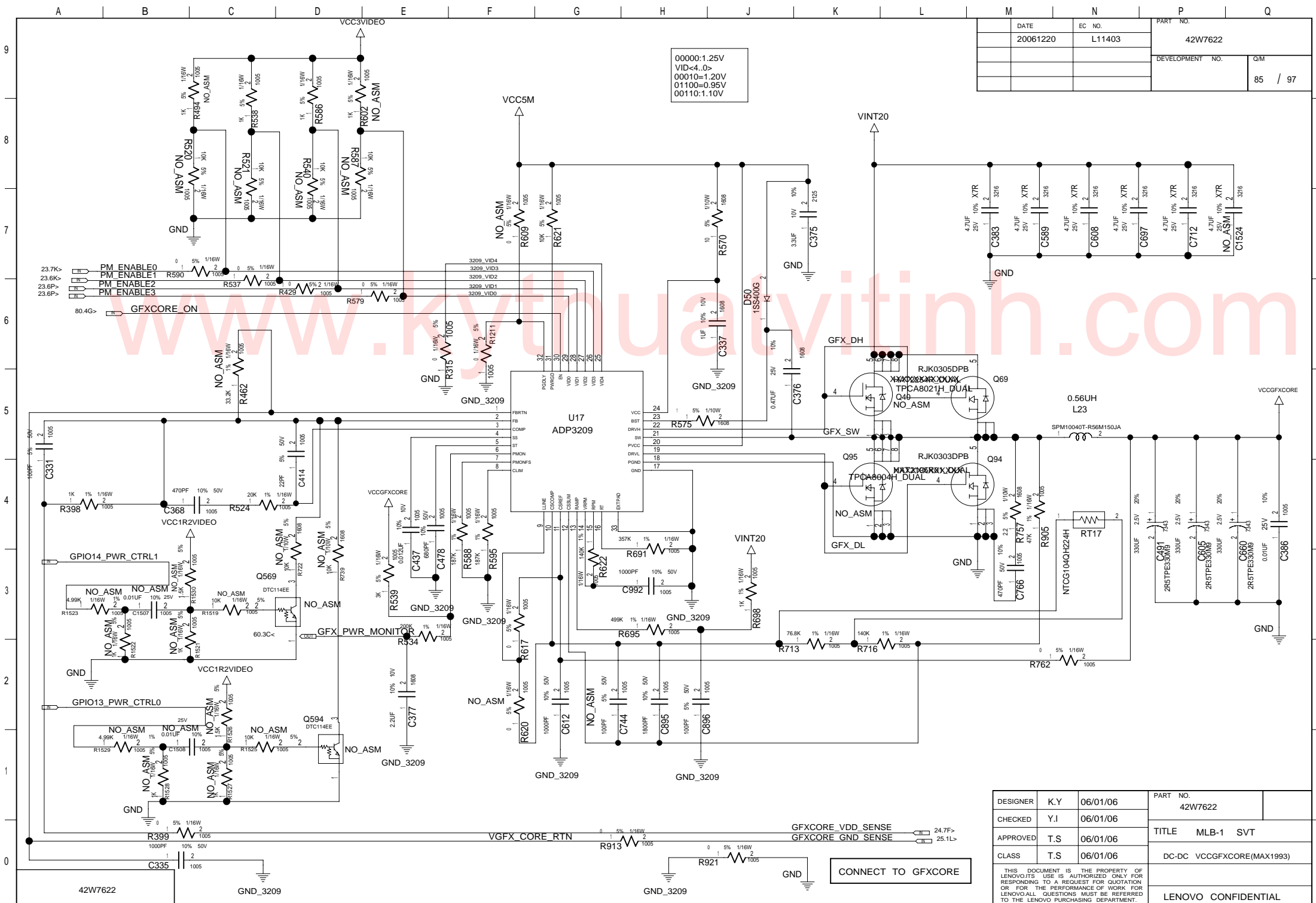
DESIGNER	K.Y	06/01/06	PART NO.	
CHECKED	Y.I	06/01/06	42W7622	
APPROVED	T.S	06/01/06	TITLE	MLB-1 SVT
CLASS	T.S	06/01/06	VCCCPUCORE DECOUPLING	
<small>THIS DOCUMENT IS THE PROPERTY OF LENOVO/ITS USE IS AUTHORIZED ONLY FOR RESPONDING TO A REQUEST FOR QUOTATION OR FOR THE PERFORMANCE OF WORK FOR LENOVO/ALL QUESTIONS MUST BE REFERRED TO THE LENOVO PURCHASING DEPARTMENT.</small>				LENOVO CONFIDENTIAL

42W7622

DATE	EC NO.	PART NO.	
20061220	L11403	42W7622	
		DEVELOPMENT NO.	Q/M
			84 / 97

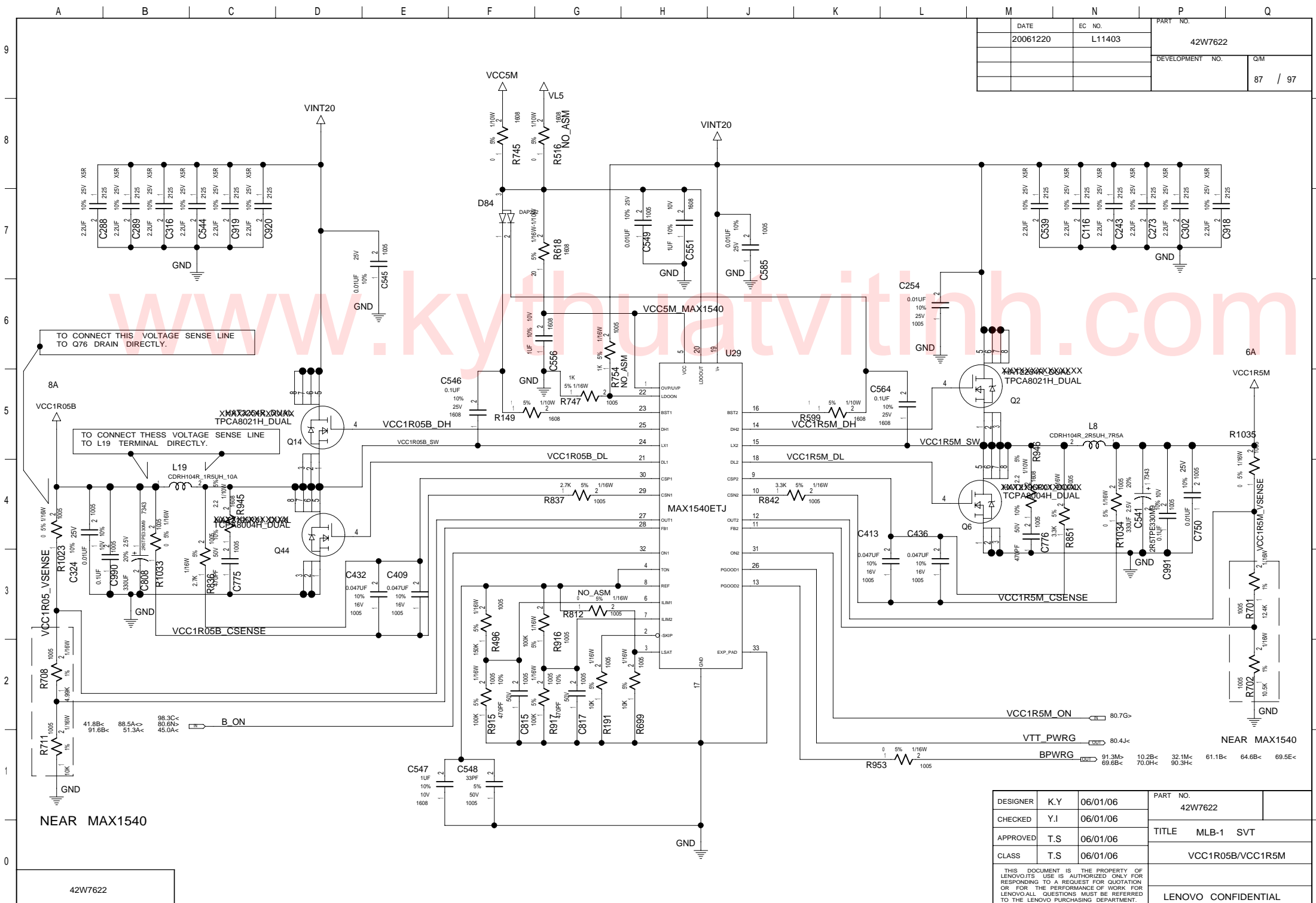


DESIGNER	K.Y	06/01/06	PART NO.	42W7622
CHECKED	Y.I	06/01/06	TITLE	MLB-1 SVT
APPROVED	T.S	06/01/06	CLASS	DC-DC VCC1R05M
<small>THIS DOCUMENT IS THE PROPERTY OF LENOVO/ITS USE IS AUTHORIZED ONLY FOR RESPONDING TO A REQUEST FOR QUOTATION OR FOR THE PERFORMANCE OF WORK FOR LENOVO/ALL QUESTIONS MUST BE REFERRED TO THE LENOVO PURCHASING DEPARTMENT.</small>				LENOVO CONFIDENTIAL



DESIGNER	K.Y	06/01/06	PART NO.	42W7622
CHECKED	Y.I	06/01/06		
APPROVED	T.S	06/01/06	TITLE MLB-1 SVT	
CLASS	T.S	06/01/06	DC-DC VCCFXCORE(MAX1993)	
THIS DOCUMENT IS THE PROPERTY OF LENOVO/ITS USE IS AUTHORIZED ONLY FOR RESPONDING TO A REQUEST FOR QUOTATION OR FOR THE PERFORMANCE OF WORK FOR LENOVO.ALL QUESTIONS MUST BE REFERRED TO THE LENOVO PURCHASING DEPARTMENT.				
LENOVO CONFIDENTIAL				





DATE	EC NO.	PART NO.
20061220	L11403	42W7622
		DEVELOPMENT NO.
		87 / 97

TO CONNECT THIS VOLTAGE SENSE LINE TO Q76 DRAIN DIRECTLY.

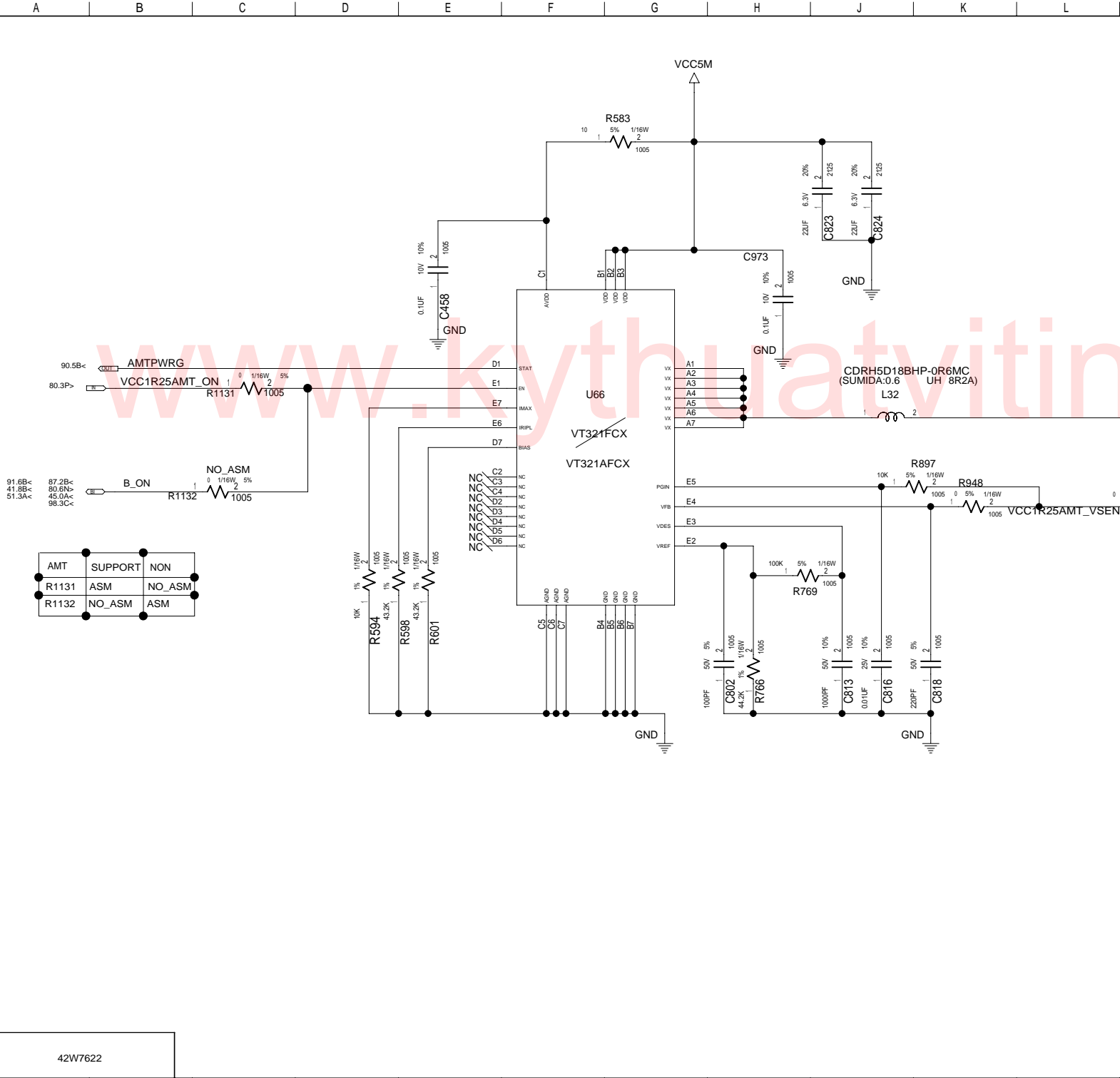
TO CONNECT THERS VOLTAGE SENSE LINE TO L19 TERMINAL DIRECTLY.

DESIGNER	K.Y	06/01/06	PART NO.	42W7622
CHECKED	Y.I	06/01/06	TITLE	MLB-1 SVT
APPROVED	T.S	06/01/06		VCC1R05B/VCC1R5M
CLASS	T.S	06/01/06		

THIS DOCUMENT IS THE PROPERTY OF LENOVO/ITS USE IS AUTHORIZED ONLY FOR RESPONDING TO A REQUEST FOR QUOTATION OR FOR THE PERFORMANCE OF WORK FOR LENOVO. ALL QUESTIONS MUST BE REFERRED TO THE LENOVO PURCHASING DEPARTMENT.

LENOVO CONFIDENTIAL

DATE	EC NO.	PART NO.	
20061220	L11403	42W7622	
		DEVELOPMENT NO.	Q/M
			88 / 97

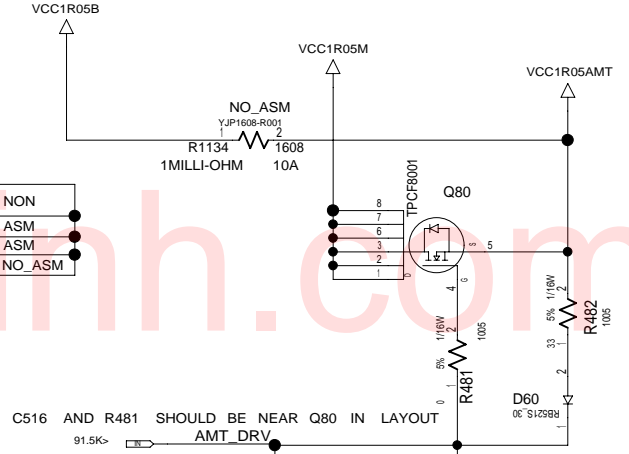
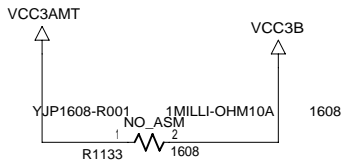
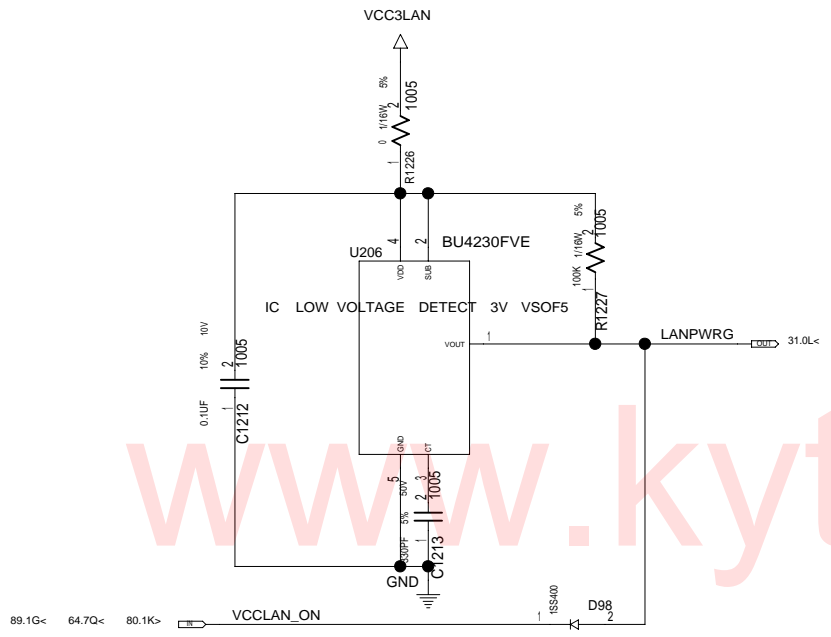


DESIGNER	K.Y	06/01/06	PART NO.	42W7622
CHECKED	Y.I	06/01/06	TITLE	MLB-1 SVT
APPROVED	T.S	06/01/06	CLASS	DC-DC VCC1R25AMT
CLASS	T.S	06/01/06	LENOVO CONFIDENTIAL	

THIS DOCUMENT IS THE PROPERTY OF LENOVO. ITS USE IS AUTHORIZED ONLY FOR RESPONDING TO A REQUEST FOR QUOTATION OR FOR THE PERFORMANCE OF WORK FOR LENOVO. ALL QUESTIONS MUST BE REFERRED TO THE LENOVO PURCHASING DEPARTMENT.

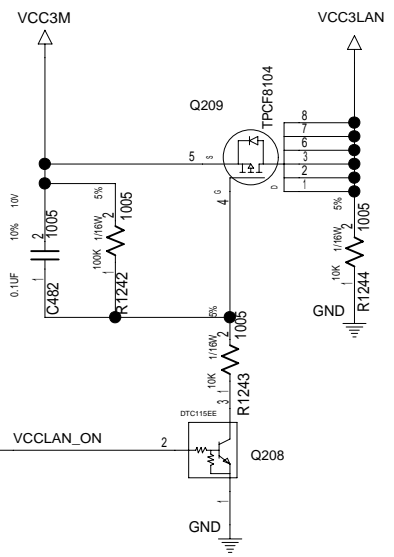
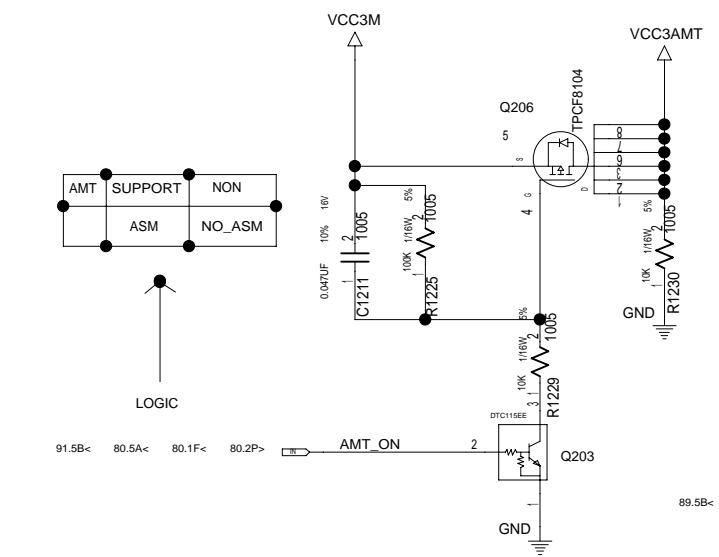


DATE	EC NO.	PART NO.
20061220	L11403	42W7622
DEVELOPMENT NO.		Q/M
		89 / 97



AMT	SUPPORT	NON
R1133	NO_ASM	ASM
R1134	NO_ASM	ASM
THE_OTHER	ASM	NO_ASM

C516 AND R481 SHOULD BE NEAR Q80 IN LAYOUT



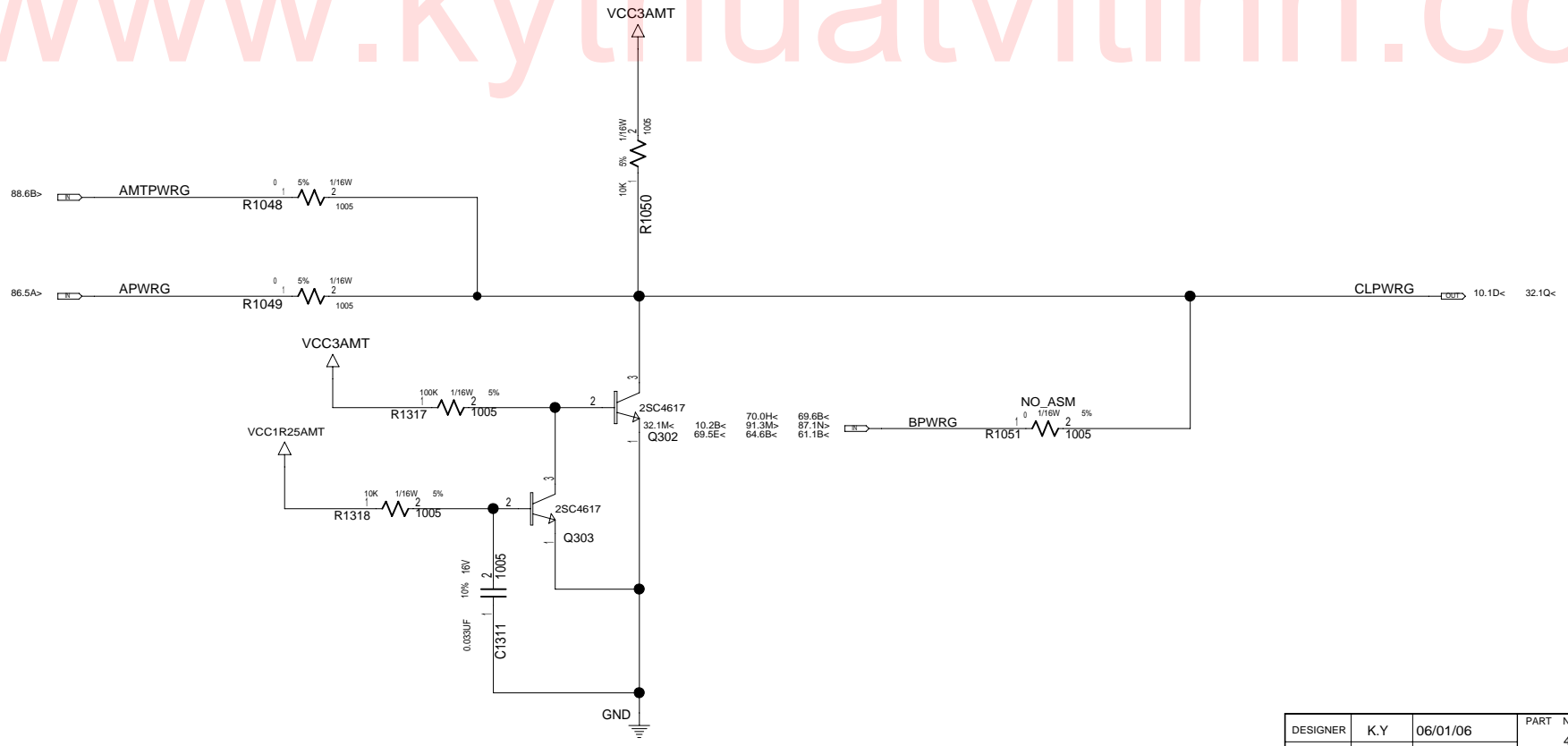
DESIGNER	K.Y	06/01/06	PART NO.	42W7622
CHECKED	Y.I	06/01/06	TITLE	MLB-1 SVT
APPROVED	T.S	06/01/06	LOAD SW AMT	
CLASS	T.S	06/01/06	LENOVO CONFIDENTIAL	

THIS DOCUMENT IS THE PROPERTY OF LENOVO/ITS USE IS AUTHORIZED ONLY FOR RESPONDING TO A REQUEST FOR QUOTATION OR FOR THE PERFORMANCE OF WORK FOR LENOVO/ALL QUESTIONS MUST BE REFERRED TO THE LENOVO PURCHASING DEPARTMENT.

DATE	EC NO.	PART NO.	
20061220	L11403	42W7622	
		DEVELOPMENT NO.	Q/M
			90 / 97

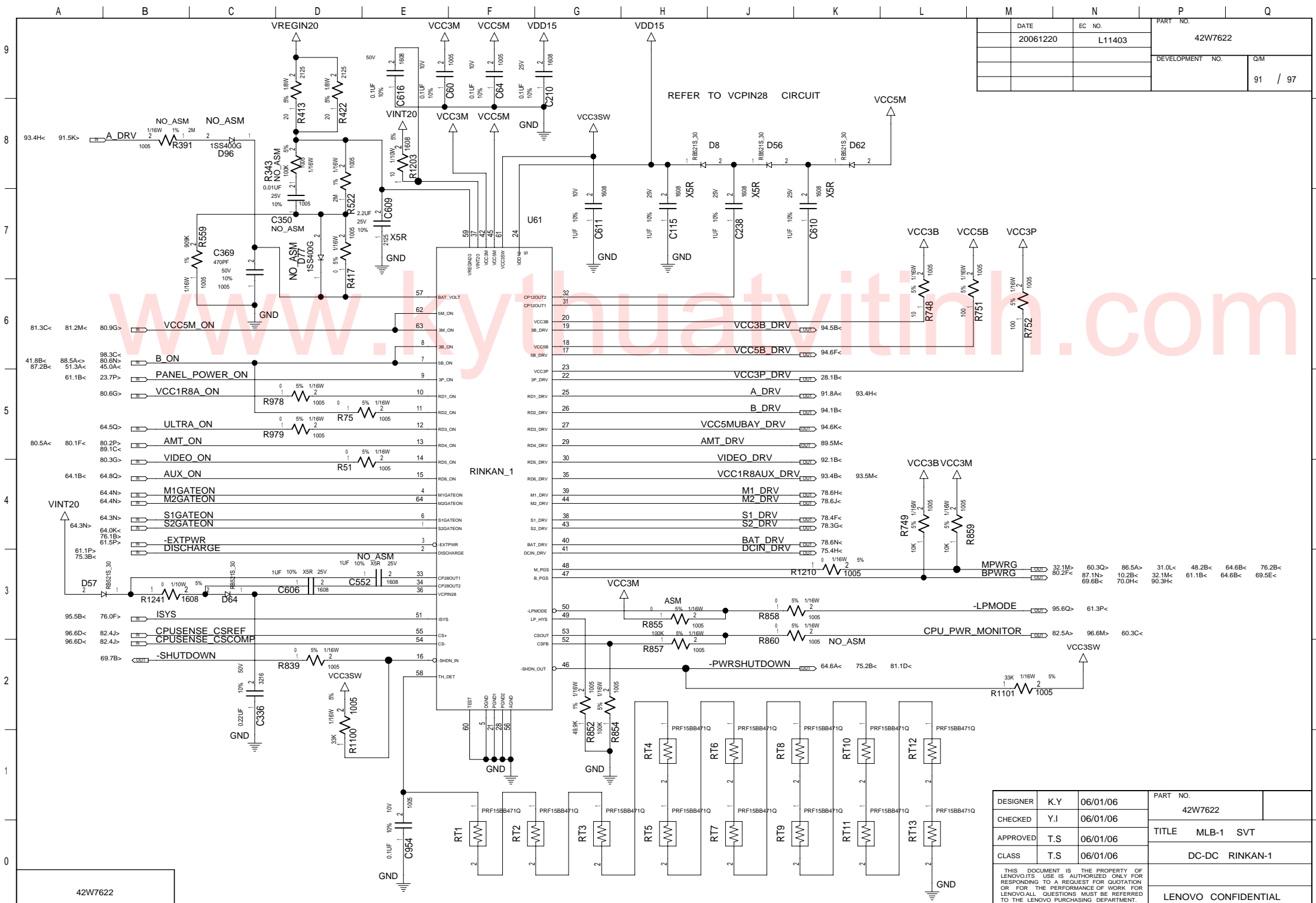
	AMT	NON-AMT
R1051	NO_ASM	ASM
OTHERS	ASM	NO_ASM

www.kythuatvithinh.com



DESIGNER	K.Y	06/01/06	PART NO.	42W7622
CHECKED	Y.I	06/01/06	TITLE MLB-1 SVT	
APPROVED	T.S	06/01/06	PWRG	
CLASS	T.S	06/01/06	LENOVO CONFIDENTIAL	

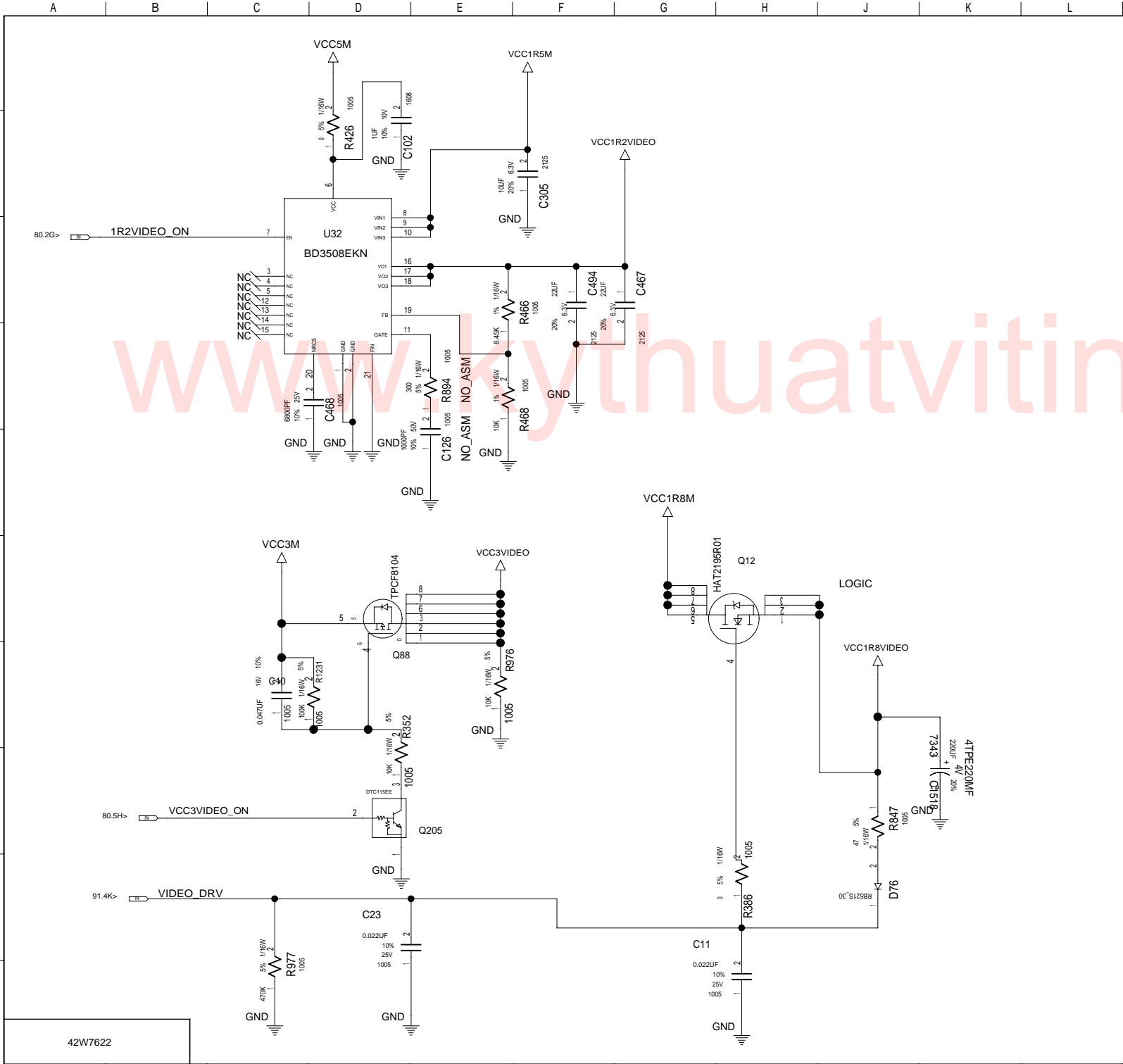
THIS DOCUMENT IS THE PROPERTY OF LENOVO/ITS USE IS AUTHORIZED ONLY FOR RESPONDING TO A REQUEST FOR QUOTATION OR FOR THE PERFORMANCE OF WORK FOR LENOVO. ALL QUESTIONS MUST BE REFERRED TO THE LENOVO PURCHASING DEPARTMENT.



DATE	EC NO.	PART NO.	
20061220	L11403	42W7622	
		DEVELOPMENT NO.	Q/M
			91 / 97

DESIGNER	K.Y	06/01/06	PART NO.	42W7622
CHECKED	Y.I	06/01/06	TITLE	MLB-1 SVT
APPROVED	T.S	06/01/06		
CLASS	T.S	06/01/06		
THIS DOCUMENT IS THE PROPERTY OF LENOVO/ITS USE IS AUTHORIZED ONLY FOR RESPONDING TO A REQUEST FOR QUOTATION OR FOR THE PERFORMANCE OF WORK FOR LENOVO/ALL QUESTIONS MUST BE REFERRED TO THE LENOVO PURCHASING DEPARTMENT.				DC-DC RINKAN-1
				LENOVO CONFIDENTIAL

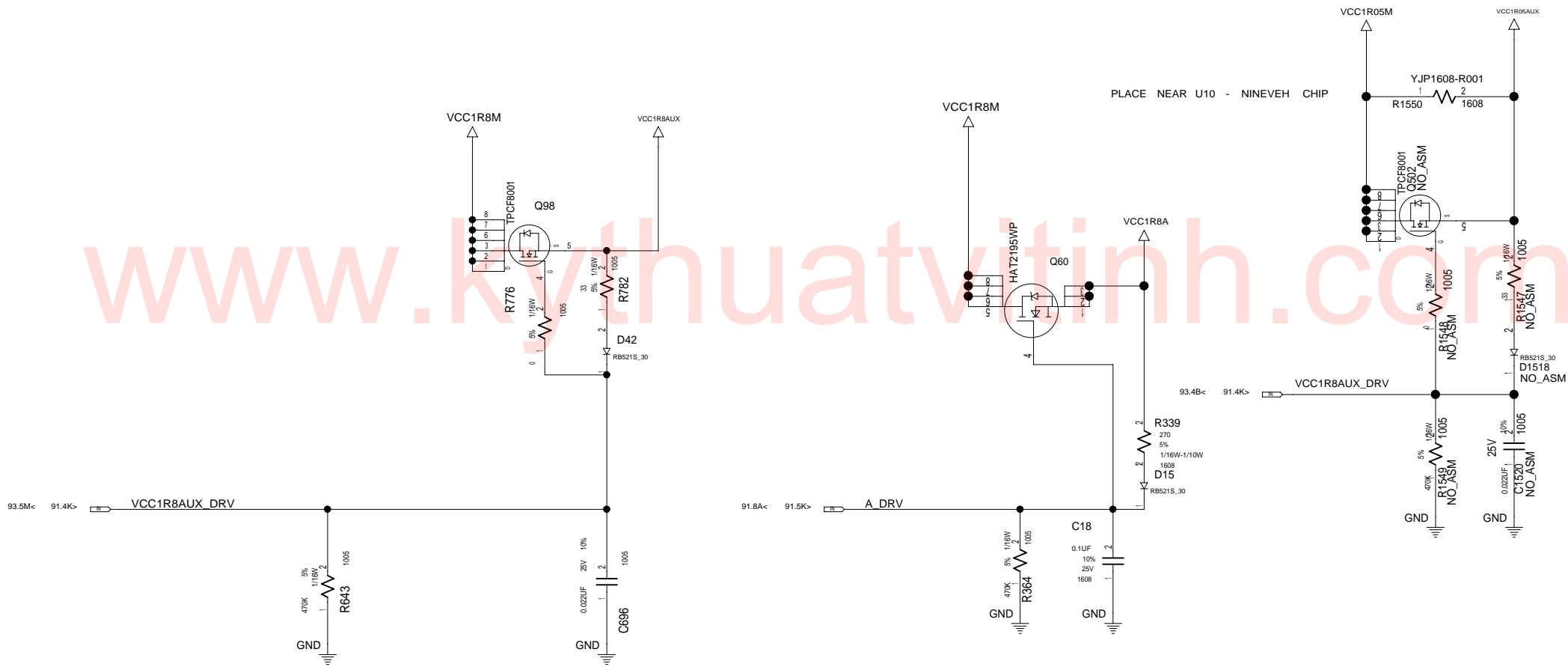
DATE	EC NO.	PART NO.	
20061220	L11403	42W7622	
		DEVELOPMENT NO.	Q/M
			92 / 97



DESIGNER	K.Y	06/01/06	PART NO.	42W7622
CHECKED	Y.I	06/01/06	TITLE MLB-1 SVT	
APPROVED	T.S	06/01/06	LOAD SW VIDEO	
CLASS	T.S	06/01/06	LENOVO CONFIDENTIAL	

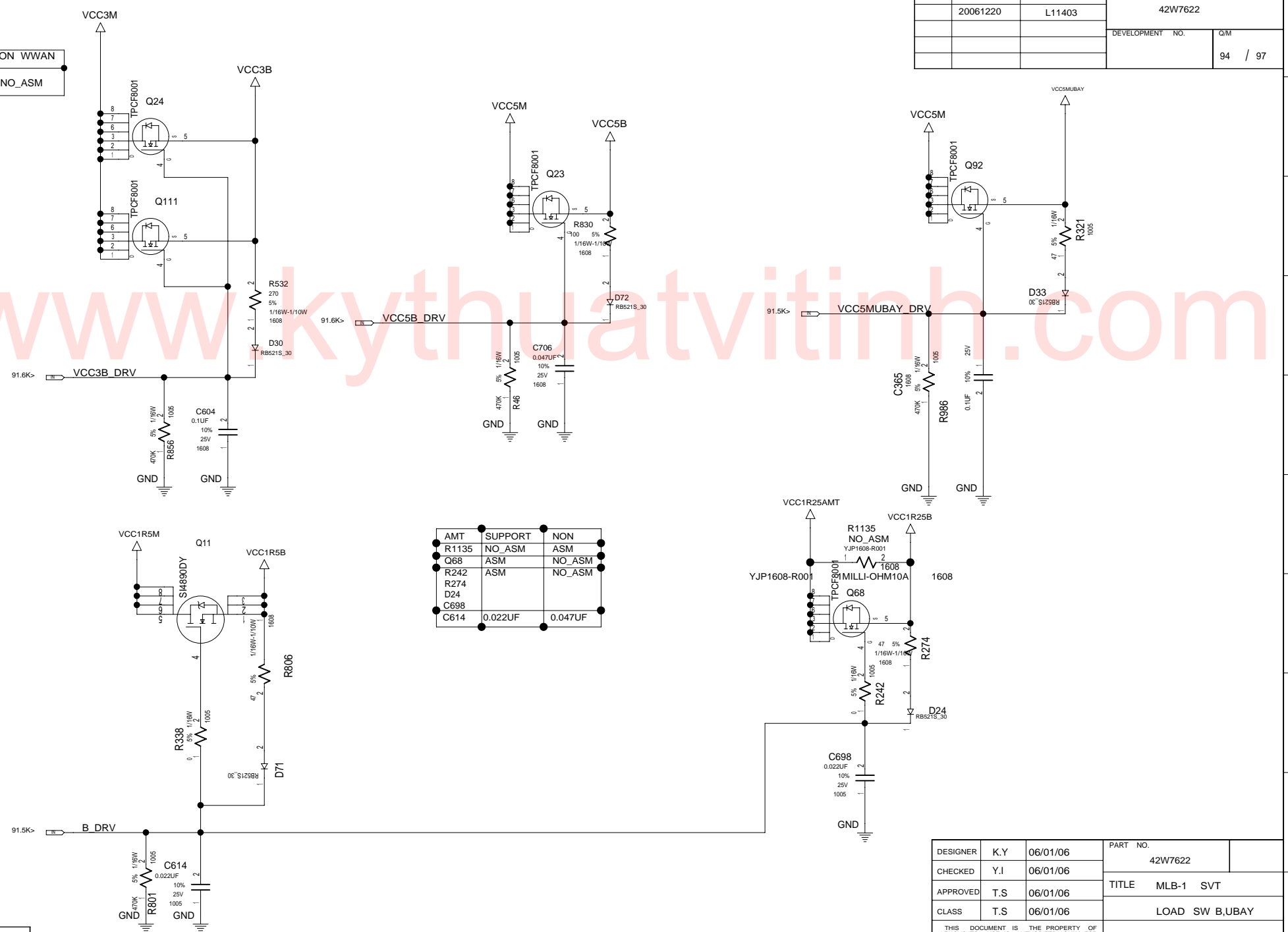
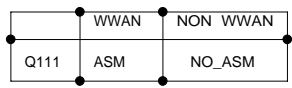
THIS DOCUMENT IS THE PROPERTY OF LENOVO/ITS USE IS AUTHORIZED ONLY FOR RESPONDING TO A REQUEST FOR QUOTATION OR FOR THE PERFORMANCE OF WORK FOR LENOVO. ALL QUESTIONS MUST BE REFERRED TO THE LENOVO PURCHASING DEPARTMENT.

DATE	EC NO.	PART NO.	
20061220	L11403	42W7622	
		DEVELOPMENT NO.	Q/M
			93 / 97



DESIGNER	K.Y	06/01/06	PART NO.	42W7622
CHECKED	Y.I	06/01/06	TITLE	MLB-1 SVT
APPROVED	T.S	06/01/06	CLASS	LOAD SW FOR AUX2
CLASS	T.S	06/01/06	THIS DOCUMENT IS THE PROPERTY OF LENOVO. ITS USE IS AUTHORIZED ONLY FOR RESPONDING TO A REQUEST FOR QUOTATION OR FOR THE PERFORMANCE OF WORK FOR LENOVO. ALL QUESTIONS MUST BE REFERRED TO THE LENOVO PURCHASING DEPARTMENT.	
LENOVO CONFIDENTIAL				

DATE	EC NO.	PART NO.	
20061220	L11403	42W7622	
		DEVELOPMENT NO.	Q/M
			94 / 97

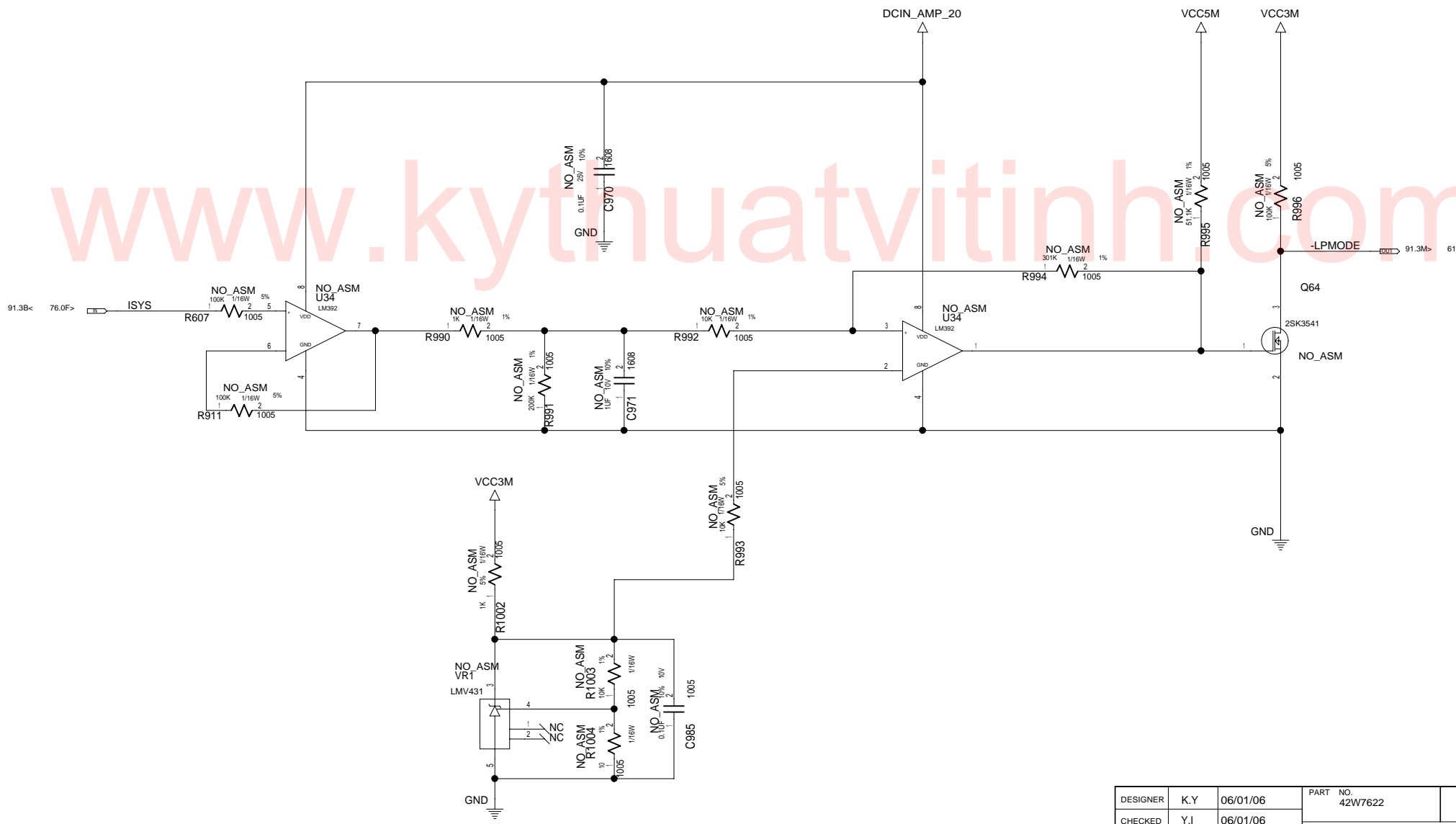


AMT	SUPPORT	NON
R1135	NO_ASM	ASM
Q68	ASM	NO_ASM
R242	ASM	NO_ASM
D24		
C698		
C614	0.022UF	0.047UF

42W7622

DESIGNER	K.Y	06/01/06	PART NO.	42W7622
CHECKED	Y.I	06/01/06	TITLE	MLB-1 SVT
APPROVED	T.S	06/01/06		LOAD SW BUBAY
CLASS	T.S	06/01/06		
THIS DOCUMENT IS THE PROPERTY OF LENOVO/ITS USE IS AUTHORIZED ONLY FOR RESPONDING TO A REQUEST FOR QUOTATION OR FOR THE PERFORMANCE OF WORK FOR LENOVO. ALL QUESTIONS MUST BE REFERRED TO THE LENOVO PURCHASING DEPARTMENT.				
LENOVO CONFIDENTIAL				

DATE	EC NO.	PART NO.	
20061220	L11403	42W7622	
		DEVELOPMENT NO.	Q/M
			95 / 97

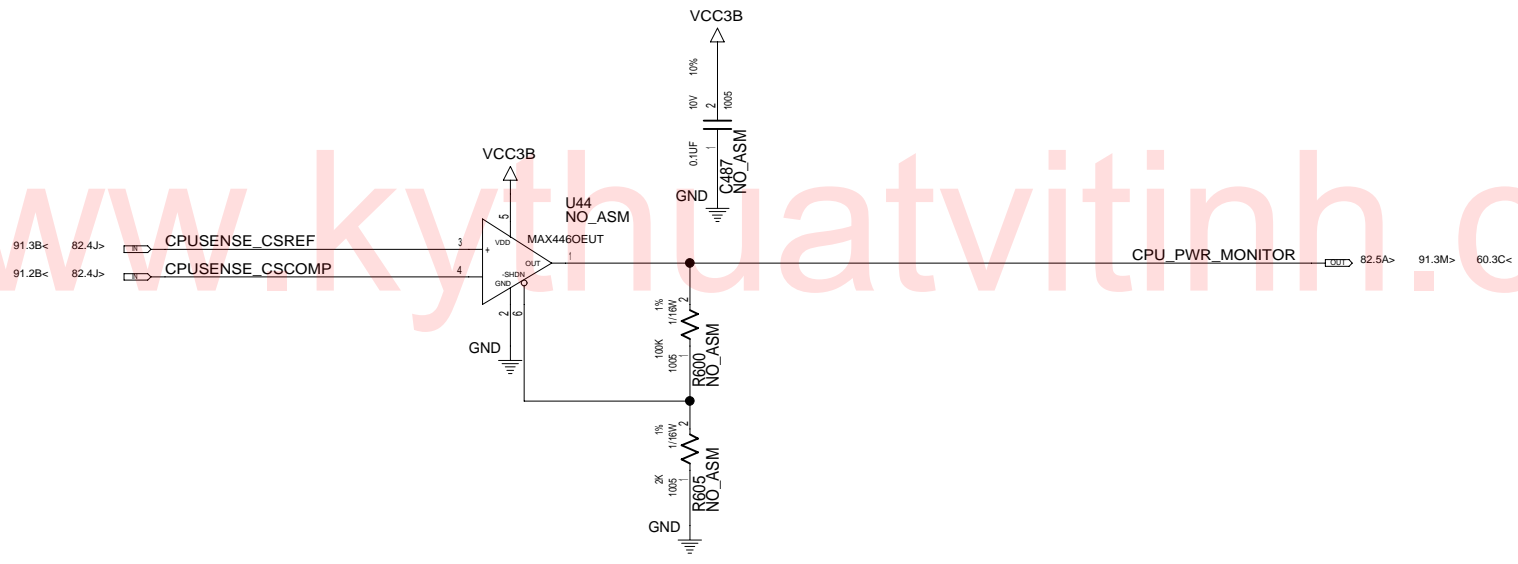


42W7622

DESIGNER	K.Y	06/01/06	PART NO.	42W7622
CHECKED	Y.I	06/01/06	TITLE MLB-1 SVT	
APPROVED	T.S	06/01/06	MAX POWER CTRL	
CLASS	T.S	06/01/06	LENOVO CONFIDENTIAL	

THIS DOCUMENT IS THE PROPERTY OF LENOVO/ITS USE IS AUTHORIZED ONLY FOR RESPONDING TO A REQUEST FOR QUOTATION OR FOR THE PERFORMANCE OF WORK FOR LENOVO/ALL QUESTIONS MUST BE REFERRED TO THE LENOVO PURCHASING DEPARTMENT.

DATE	EC NO.	PART NO.	
20061220	L11403	42W7622	
		DEVELOPMENT NO.	Q/M
			96 / 97



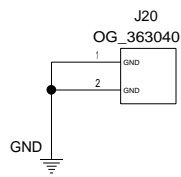
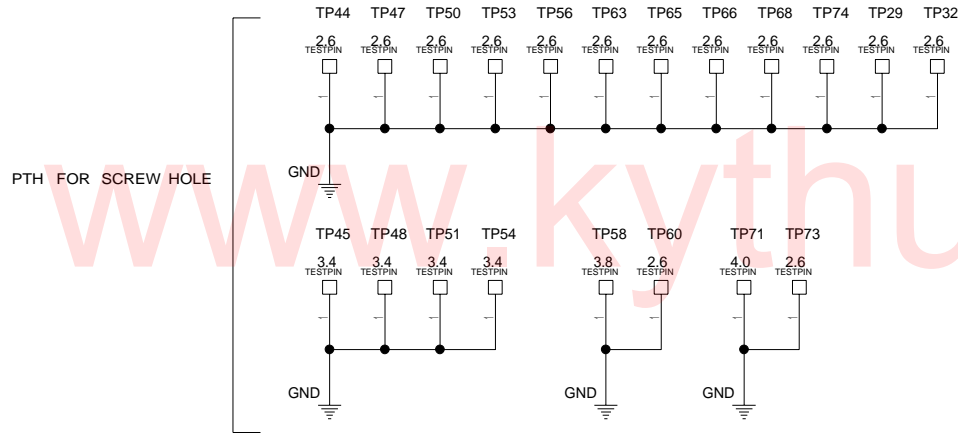
DESIGNER	K.Y	06/01/06	PART NO.	42W7622
CHECKED	Y.I	06/01/06	TITLE MLB-1 SVT	
APPROVED	T.S	06/01/06	POWER MONITOR	
CLASS	T.S	06/01/06	LENOVO CONFIDENTIAL	

THIS DOCUMENT IS THE PROPERTY OF LENOVO/ITS USE IS AUTHORIZED ONLY FOR RESPONDING TO A REQUEST FOR QUOTATION OR FOR THE PERFORMANCE OF WORK FOR LENOVO/ALL QUESTIONS MUST BE REFERRED TO THE LENOVO PURCHASING DEPARTMENT.

42W7622



DATE	EC NO.	PART NO.	
20061220	L11403	42W7622	
		DEVELOPMENT NO.	Q/M
			97 / 97



DESIGNER	K.Y	06/01/06	PART NO.	42W7622
CHECKED	Y.I	06/01/06	TITLE MLB-1 SVT	
APPROVED	T.S	06/01/06	PTH FOR SCREW HOLES	
CLASS	T.S	06/01/06	LENOVO CONFIDENTIAL	

THIS DOCUMENT IS THE PROPERTY OF LENOVO/TS. USE IS AUTHORIZED ONLY FOR RESPONDING TO A REQUEST FOR QUOTATION OR FOR THE PERFORMANCE OF WORK FOR LENOVO. ALL QUESTIONS MUST BE REFERRED TO THE LENOVO PURCHASING DEPARTMENT.

