


MAGI-7 (SVT) LOGIC SCHEMATICS

	DATE	EC NO.	PART NO.
REL	12/01/05	G33456	41W0926
			DEVELOPMENT NO.
			Q/M
			1 / 92

VER 5.09b
DEC/01/2005

- | | |
|---|--|
| <ol style="list-style-type: none"> 1. TITLE PAGE 2. EC HISTORY 3. CPU(1/3) 4. CPU(2/3) 5. CPU(3/3) 6. ITP CON/LARGE PTH HOLE/EMI FINGER 7. VCCCPUCORE DECOUPLING 8. CALISTOGA(1/7) : HOST I/F 9. CALISTOGA(2/7) : DDR2-A 10. CALISTOGA(3/7) : DDR2-B 11. CALISTOGA(4/7) : PEG/DMI 12. CALISTOGA(5/7) : GRAPHICS 13. CALISTOGA(6/7) : VCC 14. CALISTOGA(7/7) : GND 15. DDR2 SODIMM-A 16. DDR2 SODIMM-B 17. DDR2 TERMINATION 18. DDR2 DECOUPLING 19. CLOCK GEN(ICS954309) 20. ATI M5X(1/6) : PEG I/F 21. ATI M5X(2/6) : LVDS/CRT/TV/TMDS 22. ATI M5X(3/6) : CLK/GPIO 23. ATI M5X(4/6) : ANALOG POWER 24. ATI M5X(5/6) : VCC 25. ATI M5X(6/6) : GND 26. LCD CONNECTOR 27. EXT CRT INTERFACE 28. PATA I/F PU 29. ICH7-M(1/4) : DMI/PCI/LPC/AC97 30. ICH7-M(2/4) : ATA/USB/PM 31. ICH7-M(3/4) : PCI EXPRESS 32. ICH7-M(4/4) : VCC/GND 33. FWH,RTC BATTERY 34. SATA HDD CONN 35. BAY I/F CONN 36. USB POWER/CONN 37. AUDIO AD1981HD 38. AUDIO MISC 39. AUDIO INT MIC 40. AUDIO HP & EXT MIC CONN 41. AUDIO EXT MIC AMP 42. AUDIO SPEAKER 43. AUDIO HDP AMP MAX9750(1/2) 44. AUDIO HDP AMP MISC(2/2) | <ol style="list-style-type: none"> 45. CDC CONNECTOR 46. CARDBUS CONTROLLER(1/2) 47. CARDBUS CONTROLLER(2/2) 48. CARDBUS/EXC SLOT 49. CARDBUS/EXC PWR CTRL 50. GBE LAN SW 51. GBE VIDALIA(1/2) 52. GBE VIDALIA(2/2) 53. GBE MAGNETICS 54. RJ11/RJ45 CONNECTOR 55. MINI PCI SLOT 56. EEPROM/FLASH/SHARED 57. DOCKING CONNECTOR 58. H8S/2116B (1/2) 59. H8S/2116B (2/2) 60. KEYBOARD CONNECTOR 61. TOUCH PAD CONNECTOR 62. MISC G/A (PMH7) 63. SUPER I/O (PC87382) 64. WIRELESS DISABLE SW 65. LEGACY IO INTERFACE 66. IR MODULE 67. THERMAL SENSOR 68. I2CBUS/SMBUS 69. FAN CONTROL 70. G-SENSOR 71. EMC DECOUPLING 72. RGB SWITCH 73. DC-IN 74. BATTERY CHARGER (MAX8765) 75. CHARGE SELECTOR 76. BATTERY INPUT 77. BATTERY MONITOR 78. POWER SEQUENCE 79. DC-DC VCC3M/VCC5M (MAX1901ETJ) 80. DC-DC VCCCPUCORE (ADP3207) 81. DC-DC VCORE INPUT CAP 82. DC-DC VCC1R8A/VCC0R9B (MAX8632) 83. DC-DC VCC1R5M/VCC1R05B (MAX1540ETJ) 84. DC-DC VCCVIDEOCORE (MAX1993ETG) 85. DC-DC VCC2R5M (BD3508) 86. TSURUMAI-2 87. LOAD SW 1 (VIDEO) 88. LOAD SW 2 (AUX) 89. LOAD SW 3 (B,UBAY) 90. MAX POWER CTRL 91. POWER MOMITOR 92. PTH FOR SCREW HOLES |
|---|--|

41W0926

DESIGNER	K.Y	12/01/05	PART NO.	41W0926	
CHECKED	Y.I	12/01/05	TITLE		
APPROVED	T.S	12/01/05	TITLE PAGE	<small>THIS DOCUMENT IS THE PROPERTY OF IBM. ITS USE IS AUTHORIZED ONLY FOR RESPONDING TO A REQUEST FOR QUOTATION OR FOR THE PERFORMANCE OF WORK FOR IBM. ALL QUESTIONS MUST BE REFERRED TO THE IBM PURCHASING DEPARTMENT.</small>	
CLASS	T.S	12/01/05	LENOVO CONFIDENTIAL		

EC HISTORY

	DATE	EC NO.	PART NO.
REL	12/01/05	G33456	41W0926
			DEVELOPMENT NO.
			Q/M
			2 /92

SIV (BASE LOGIC DAVINCI SDV VER.0.46)

VER.1.00 05/17/2005 APPLIED DAV_SIV_001-031,033-034,037,046
 VER.1.01 05/18/2005 APPLIED DAV_SIV_038_-042,047
 VER.1.02 05/19/2005 APPLIED DAV_SIV_048-053
 VER.1.03 05/20/2005 APPLIED DAV_SIV_054-058,060
 VER.1.04 05/24/2005 APPLIED DAV_SIV_062-065
 VER.1.05 05/26/2005 APPLIED DAV_SIV_069-071
 VER.1.06 05/31/2005 APPLIED DAV_SIV_072-075,077-079
 VER.1.07 06/02/2005 APPLIED DAV_SIV_080-082
 VER.1.08 06/03/2005 APPLIED DAV_SIV_083-085
 VER.1.09 06/07/2005 APPLIED DAV_SIV_086-087
 VER.1.10 06/08/2005 APPLIED DAV_SIV_088-091
 VER.1.11 06/10/2005 APPLIED DAV_SIV_095-097
 VER.1.12 06/15/2005 APPLIED DAV_SIV_099
 VER.1.13 06/16/2005 APPLIED DAV_SIV_100-102,104

MAGI-6 (BASE LOGIC MAGI-5 VER.3.10)

VER.4.00 10/18/2005 APPLIED DAV_SITR-001-010
 VER.4.01 10/19/2005 APPLIED DAV_SITR-011-025
 VER.4.02 10/21/2005 APPLIED DAV_SITR-026-034 (035 N/A)
 VER.4.03 10/24/2005 APPLIED DAV_SITR-036-044
 VER.4.04 10/25/2005 APPLIED DAV_SITR-045-052
 VER.4.05 10/26/2005 APPLIED DAV_SITR-053-057
 VER.4.06 10/27/2005 APPLIED DAV_SITR-058-060
 VER.4.07 10/31/2005 APPLIED DAV_SITR-061
 VER.4.08 11/01/2005 APPLIED DAV_SITR-062
 VER.4.09 11/02/2005 APPLIED DAV_SITR-063-065
 VER.4.10 11/04/2005 APPLIED DAV_SITR-066

MAGI-4 (BASE LOGIC MAGI-3 VER.1.13)

VER.2.00 07/05/2005 APPLIED DAV_P4_001-033 (EXCEPT 005,017,026)
 VER.2.01 07/06/2005 APPLIED DAV_P4_034-041(EXCEPT 036,037)
 VER.2.02 07/13/2005 APPLIED DAV_P4_042-057,026,037
 VER.2.03 07/14/2005 APPLIED DAV_P4_058-069
 VER.2.04 07/21/2005 APPLIED DAV_P4_070-086
 VER.2.05 07/22/2005 APPLIED DAV_P4_087-089 AND SCHEMATICS REVIEW.
 VER.2.06 07/26/2005 APPLIED DAV_P4_091-099
 VER.2.07 07/27/2005 APPLIED DAV_P4_100 AND SCHEMATICS REVIEW 2.
 VER.2.08 07/28/2005 APPLIED DAV_P4_101-104
 VER.2.09 08/02/2005 APPLIED SCHEMATICS REVIEW 3.
 VER.2.10 08/04/2005 APPLIED DAV_P4_105-117
 VER.2.11 08/12/2005 APPLIED DAV_P4_118-122
 VER.2.12 08/22/2005 APPLIED DAV_P4_123

MAGI-7 (BASE LOGIC MAGI-6 VER.4.10)

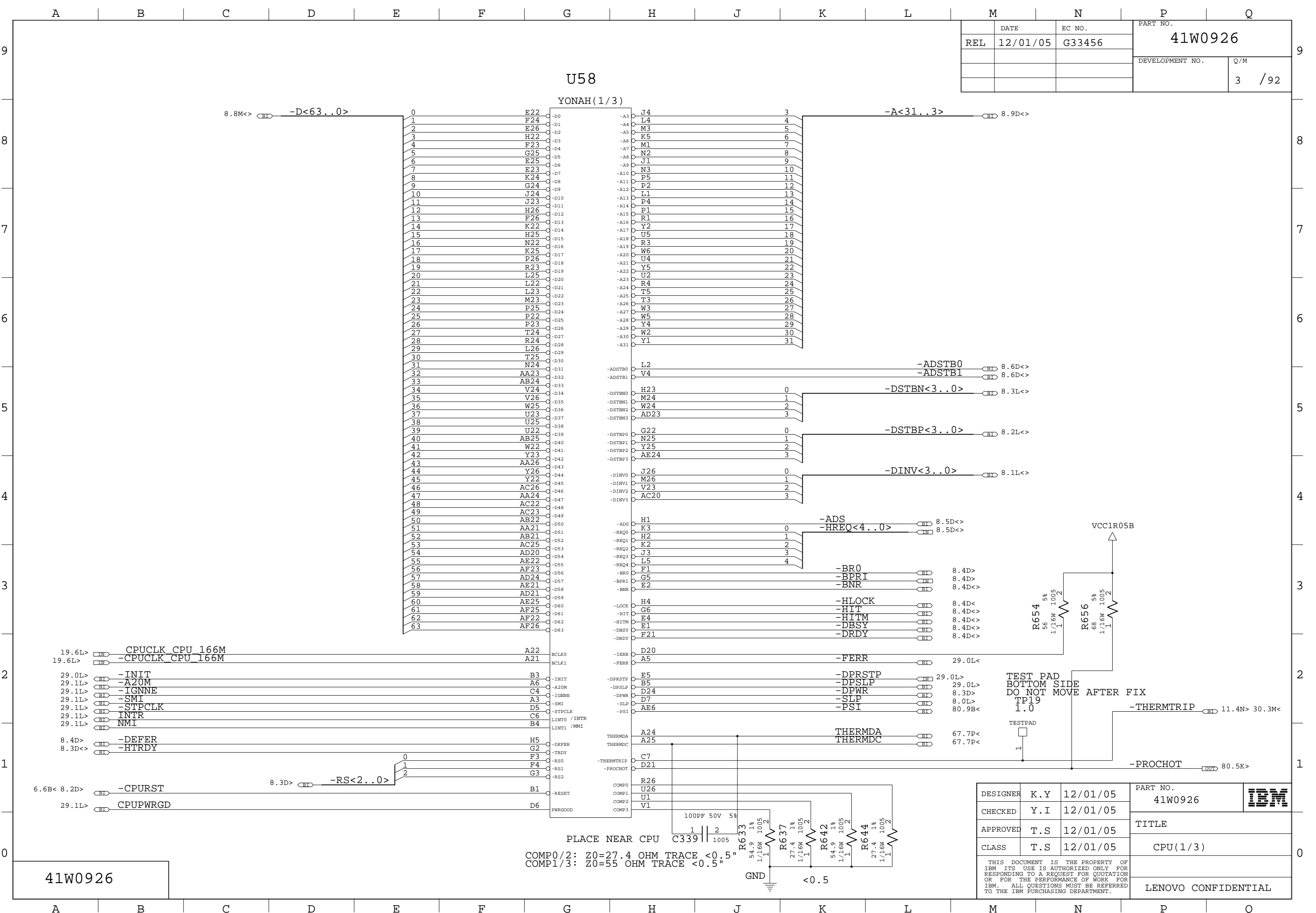
VER.5.00 11/04/2005 APPLIED DAV_SVT-004
 VER.5.01 11/10/2005 APPLIED DAV_SVT-005-006,007,008
 VER.5.02 11/11/2005 APPLIED DAV_SVT-009,010
 VER.5.03 11/14/2005 APPLIED DAV_SVT-011-015
 VER.5.04 11/15/2005 APPLIED DAV_SVT-016-019
 VER.5.05 11/16/2005 APPLIED DAV_SVT-020
 VER.5.06 11/25/2005 APPLIED DAV_SVT-021-023
 VER.5.07 11/29/2005 APPLIED DAV_SVT-024
 VER.5.08 11/30/2005 APPLIED DAV_SVT-025-026
 VER.5.09 12/01/2005 APPLIED DAV_SVT-027

MAGI-5 (BASE LOGIC MAGI-4 VER.2.12)

VER.3.00 08/23/2005 APPLIED DAV_SIT_001_007
 VER.3.01 08/26/2005 APPLIED DAV_SIT_008-022
 VER.3.02 08/30/2005 APPLIED DAV_SIT_023-039
 VER.3.03 09/01/2005 APPLIED DAV_SIT_040-048
 VER.3.04 09/02/2005 APPLIED DAV_SIT_049-052
 VER.3.05 09/06/2005 APPLIED DAV_SIT_053-057
 VER.3.06 09/07/2005 APPLIED DAV_SIT_058-061
 VER.3.07 09/12/2005 APPLIED DAV_SIT_062
 VER.3.08 09/15/2005 APPLIED DAV_SIT_063-068
 VER.3.09 09/21/2005 APPLIED DAV_SIT_069,072
 VER.3.10 09/22/2005 APPLIED DAV_SIT_073,075

41W0926

DESIGNER	K.Y	12/01/05	PART NO.	41W0926	IBM
CHECKED	Y.I	12/01/05			
APPROVED	T.S	12/01/05	TITLE		
CLASS	T.S	12/01/05	HISTORY		
THIS DOCUMENT IS THE PROPERTY OF IBM ITS USE IS AUTHORIZED ONLY FOR RESPONDING TO A REQUEST FOR QUOTATION OR FOR THE PERFORMANCE OF WORK FOR IBM. ALL QUESTIONS MUST BE REFERRED TO THE IBM PURCHASING DEPARTMENT.				LENOVO CONFIDENTIAL	



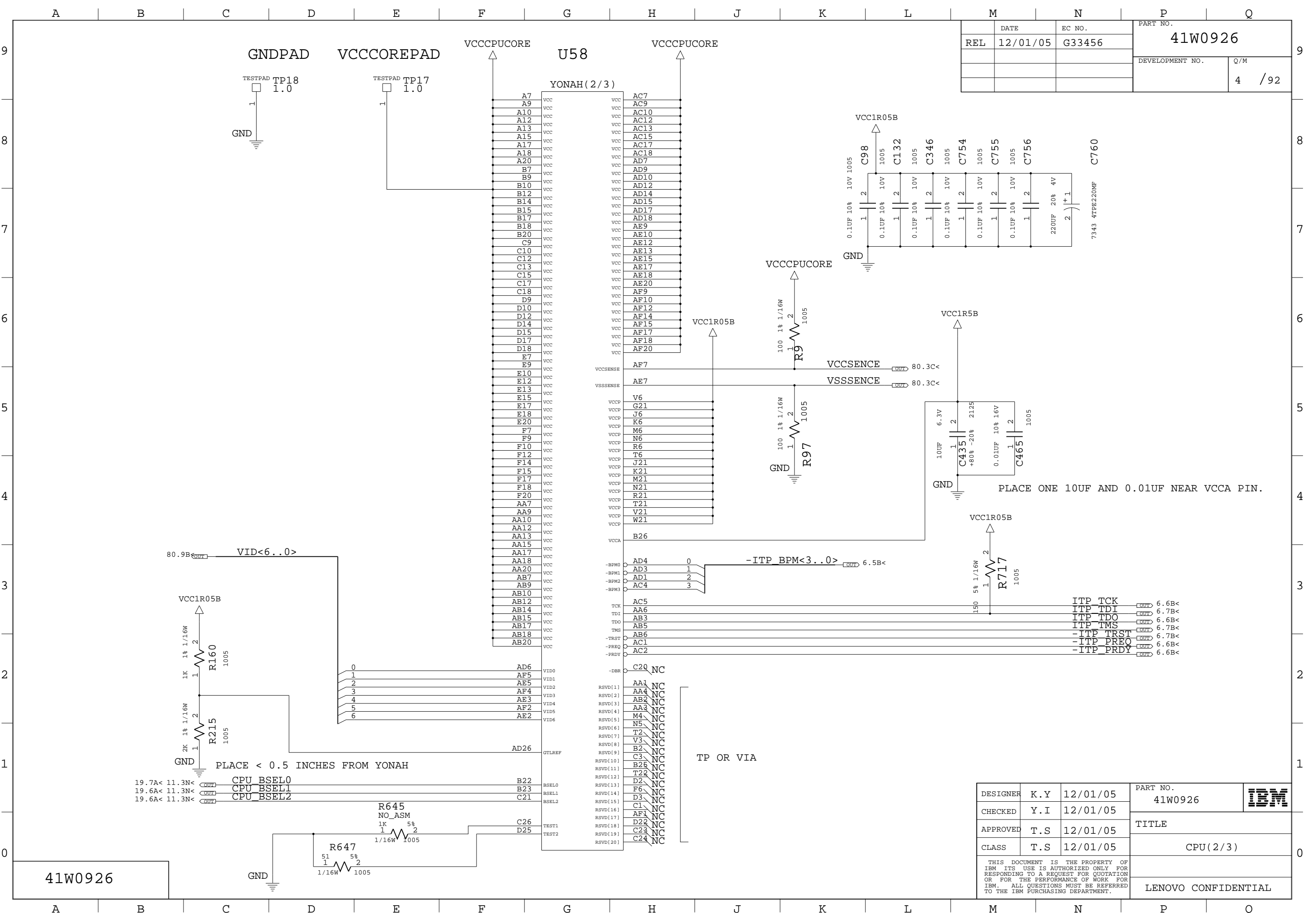
REL	DATE	EC NO.	PART NO.
	12/01/05	G33456	41W0926
			DEVELOPMENT NO.
			3 / 92

U58
YONAH (1/3)

- 19.6L> CPUCLK CPU 166M
- 19.6L> -CPUCLK CPU 166M
- 29.0L> -INIT
- 29.1L> -A20M
- 29.1L> -IGNNE
- 29.1L> -SMI
- 29.1L> -STPCLK
- 29.1L> INTR
- 29.1L> NMI
- 8.4D> -DEFER
- 8.3D< -HTRDY
- 6.6B< 8.2D> -CPURST
- 29.1L> CPUPWRGD

PLACE NEAR CPU C339
 COMP0/2: Z0=27.4 OHM TRACE <0.5"
 COMP1/3: Z0=55 OHM TRACE <0.5"

DESIGNER	K.Y	12/01/05	PART NO.	41W0926	IBM
CHECKED	Y.I	12/01/05	TITLE		
APPROVED	T.S	12/01/05	CLASS	CPU(1/3)	
THIS DOCUMENT IS THE PROPERTY OF IBM ITS USE IS AUTHORIZED ONLY FOR RESPONDING TO A REQUEST FOR QUOTATION OR FOR THE PERFORMANCE OF WORK FOR IBM. ALL QUESTIONS MUST BE REFERRED TO THE IBM PURCHASING DEPARTMENT.				LENOVO CONFIDENTIAL	



REL	DATE	EC NO.	PART NO.	
	12/01/05	G33456	41W0926	
			DEVELOPMENT NO.	Q/M
			4	/92

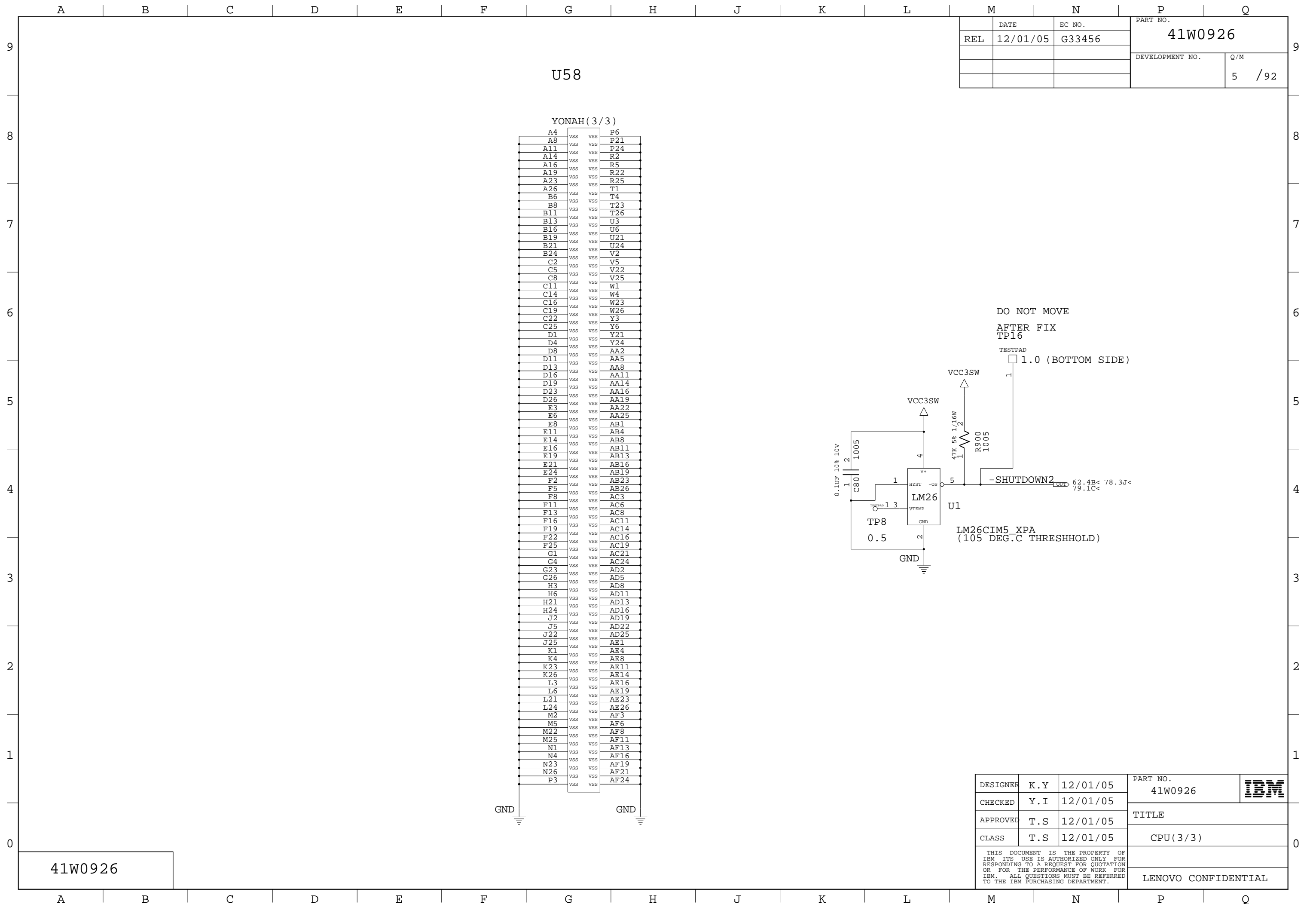
19.7A< 11.3N<
 19.6A< 11.3N<
 19.6A< 11.3N<

PLACE < 0.5 INCHES FROM YONAH

DESIGNER	K.Y	12/01/05	PART NO.	41W0926	IBM
CHECKED	Y.I	12/01/05	TITLE		
APPROVED	T.S	12/01/05	CPU(2/3)		
CLASS	T.S	12/01/05	LENOVO CONFIDENTIAL		

THIS DOCUMENT IS THE PROPERTY OF IBM ITS USE IS AUTHORIZED ONLY FOR RESPONDING TO A REQUEST FOR QUOTATION OR FOR THE PERFORMANCE OF WORK FOR IBM. ALL QUESTIONS MUST BE REFERRED TO THE IBM PURCHASING DEPARTMENT.

41W0926

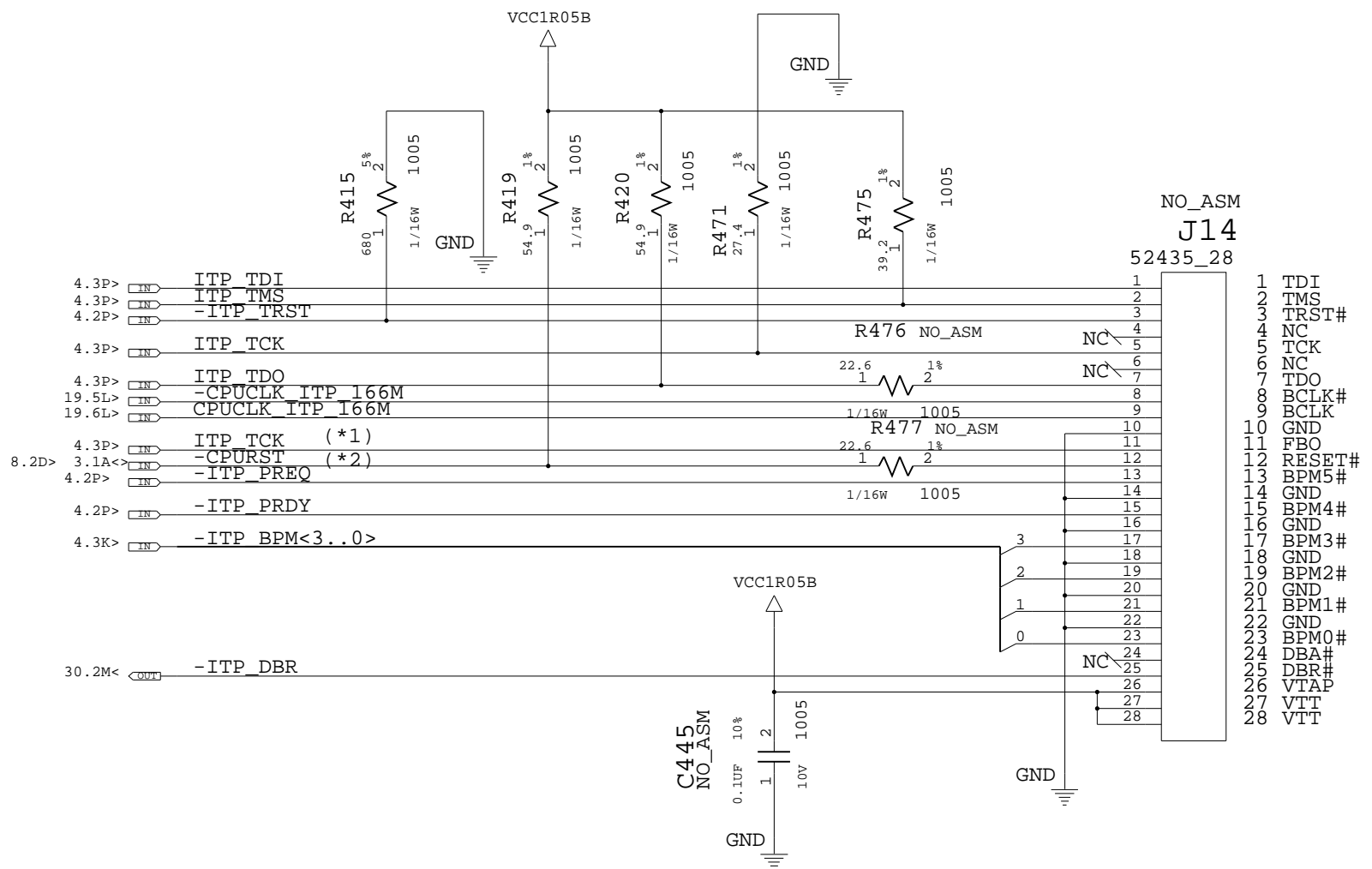


REL	DATE 12/01/05	EC NO. G33456	PART NO. 41W0926
			DEVELOPMENT NO. 5 /92

41W0926

DESIGNER	K.Y	12/01/05	PART NO. 41W0926	IBM
CHECKED	Y.I	12/01/05	TITLE	
APPROVED	T.S	12/01/05	CLASS	
CLASS	T.S	12/01/05	CPU(3/3)	
THIS DOCUMENT IS THE PROPERTY OF IBM ITS USE IS AUTHORIZED ONLY FOR RESPONDING TO A REQUEST FOR QUOTATION OR FOR THE PERFORMANCE OF WORK FOR IBM. ALL QUESTIONS MUST BE REFERRED TO THE IBM PURCHASING DEPARTMENT.				LENOVO CONFIDENTIAL

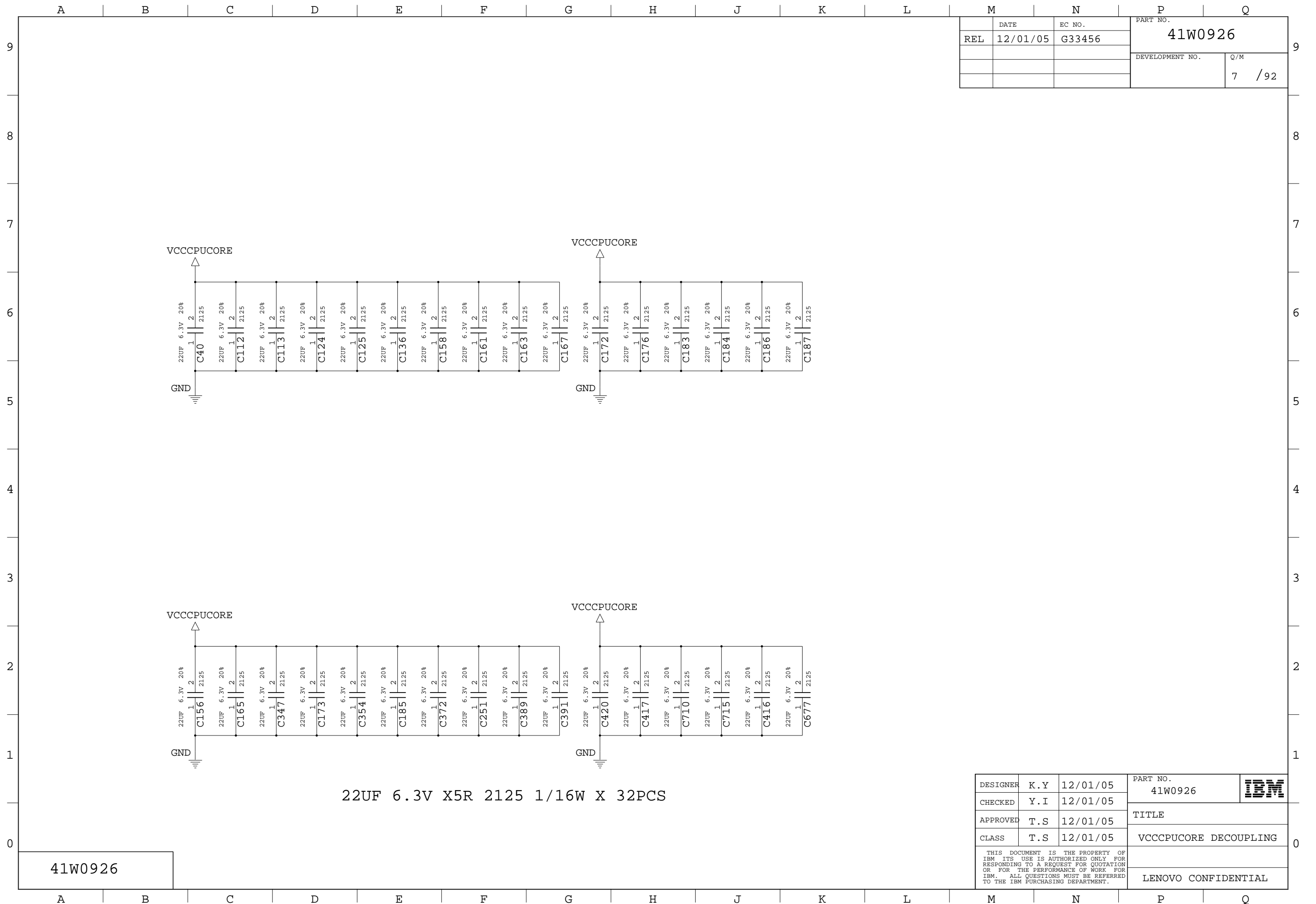
	DATE	EC NO.	PART NO.	
REL	12/01/05	G33456	41W0926	
			DEVELOPMENT NO.	Q/M
			6	/92



(*1) TCK SIGNAL IS BRANCHED AT YONAH PIN
 (*2) -CPURST SIGNAL IS BRANCHED AT CALISTOGA PIN

41W0926

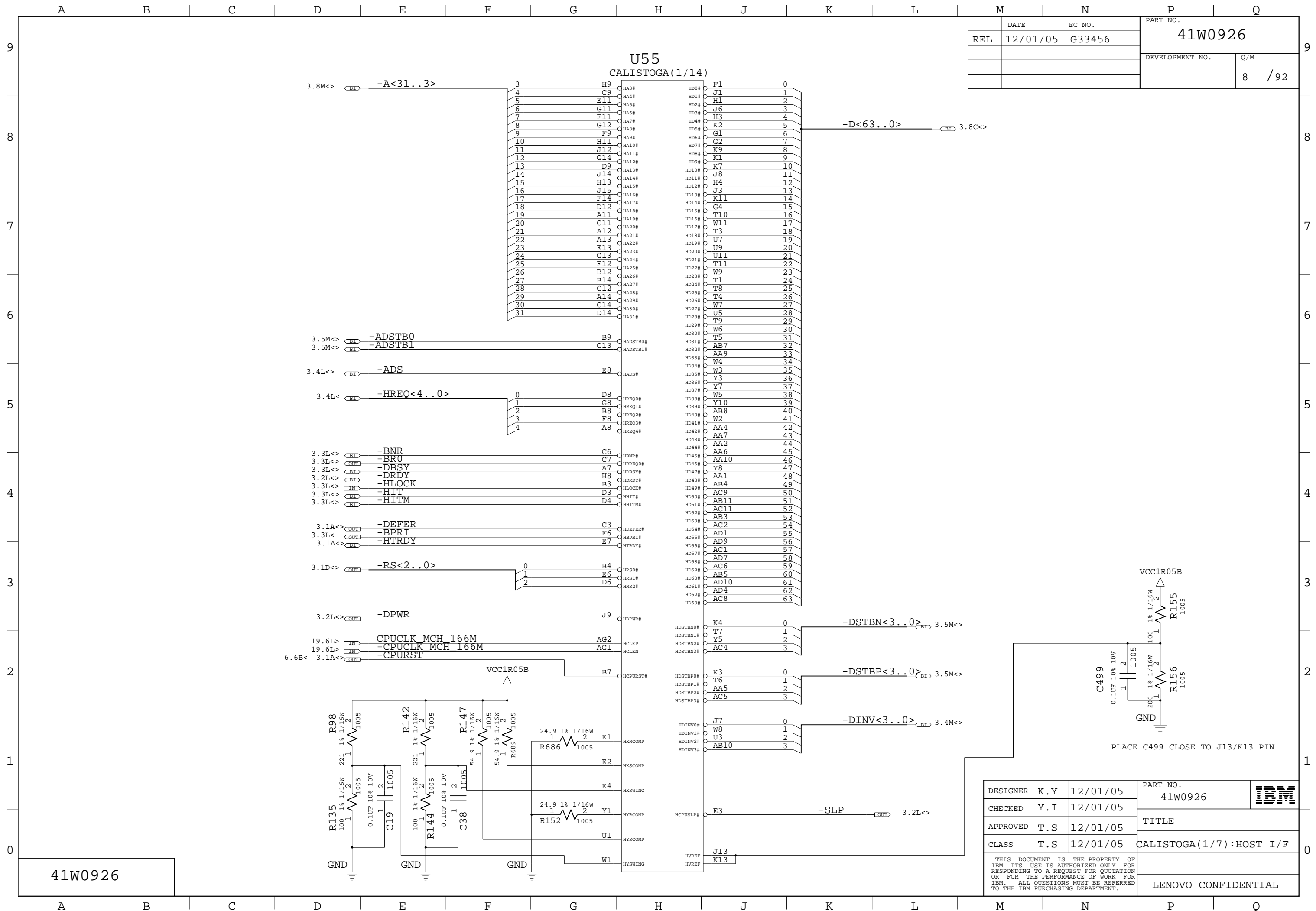
DESIGNER	K.Y	12/01/05	PART NO.	41W0926	IBM
CHECKED	Y.I	12/01/05			
APPROVED	T.S	12/01/05	TITLE		
CLASS	T.S	12/01/05	ITP CONN/LARGE PTH HOLE		
THIS DOCUMENT IS THE PROPERTY OF IBM ITS USE IS AUTHORIZED ONLY FOR RESPONDING TO A REQUEST FOR QUOTATION OR FOR THE PERFORMANCE OF WORK FOR IBM. ALL QUESTIONS MUST BE REFERRED TO THE IBM PURCHASING DEPARTMENT.			EMI FINGER		
			LENOVO CONFIDENTIAL		



	DATE	EC NO.	PART NO.	
REL	12/01/05	G33456	41W0926	
			DEVELOPMENT NO.	Q/M
				7 /92

41W0926

DESIGNER	K.Y	12/01/05	PART NO.	41W0926	
CHECKED	Y.I	12/01/05	TITLE		
APPROVED	T.S	12/01/05	VCCCPUCORE DECOUPLING		
CLASS	T.S	12/01/05	LENOVO CONFIDENTIAL		
<small>THIS DOCUMENT IS THE PROPERTY OF IBM. ITS USE IS AUTHORIZED ONLY FOR RESPONDING TO A REQUEST FOR QUOTATION OR FOR THE PERFORMANCE OF WORK FOR IBM. ALL QUESTIONS MUST BE REFERRED TO THE IBM PURCHASING DEPARTMENT.</small>					



DATE	EC NO.	PART NO.	
REL 12/01/05	G33456	41W0926	
		DEVELOPMENT NO.	Q/M
			8 / 92

U55
CALISTOGA(1/14)

41W0926

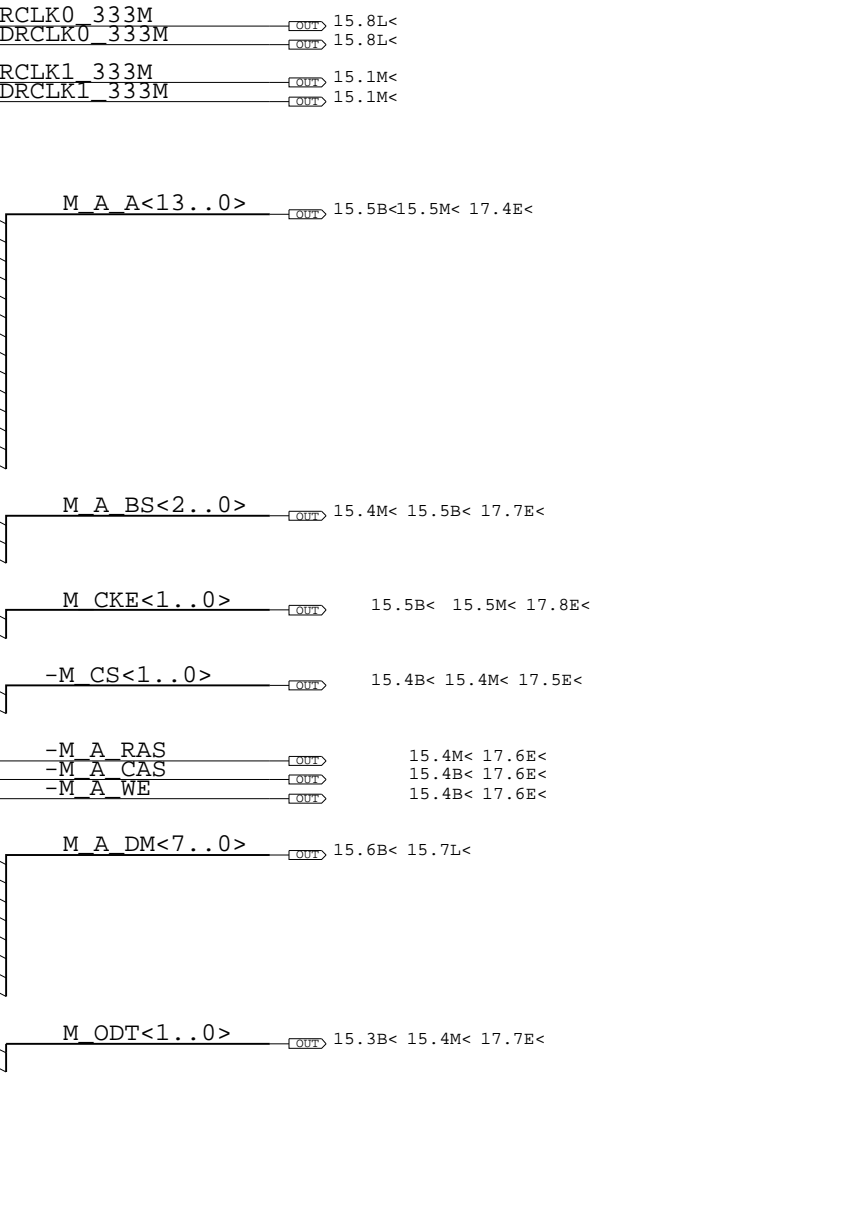
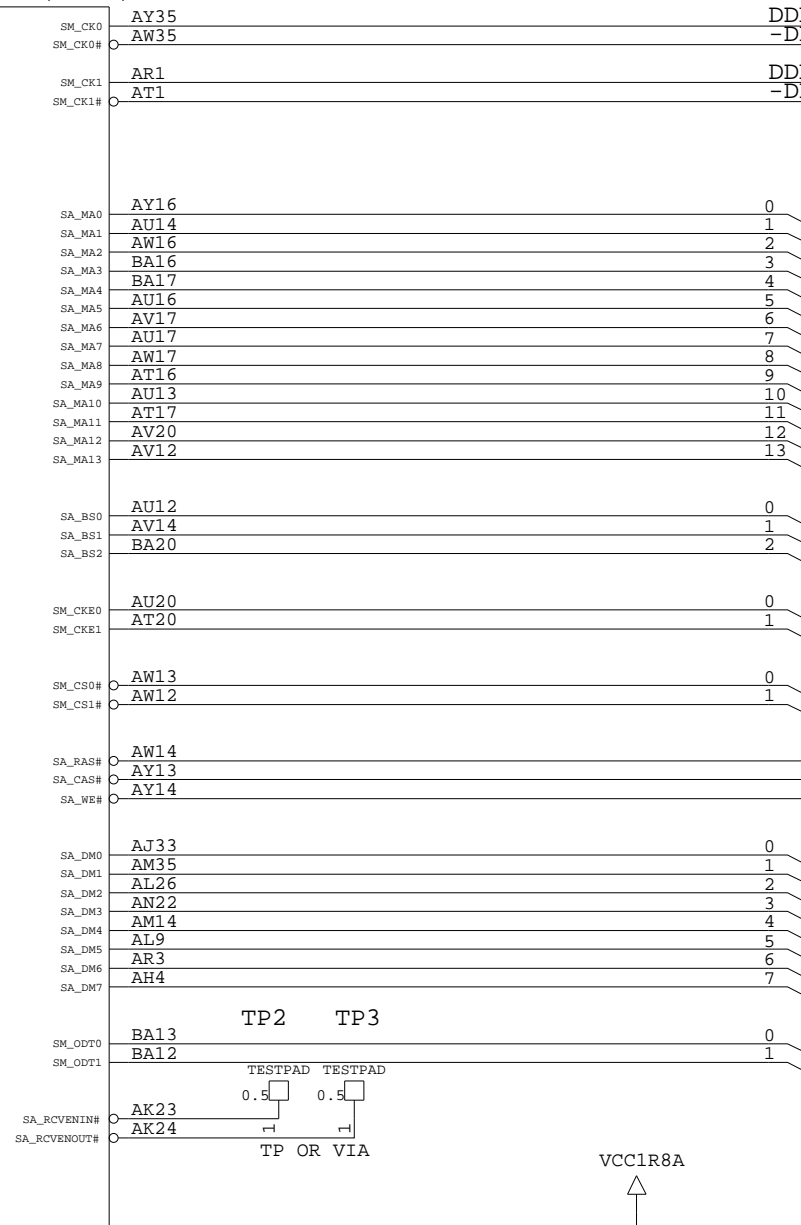
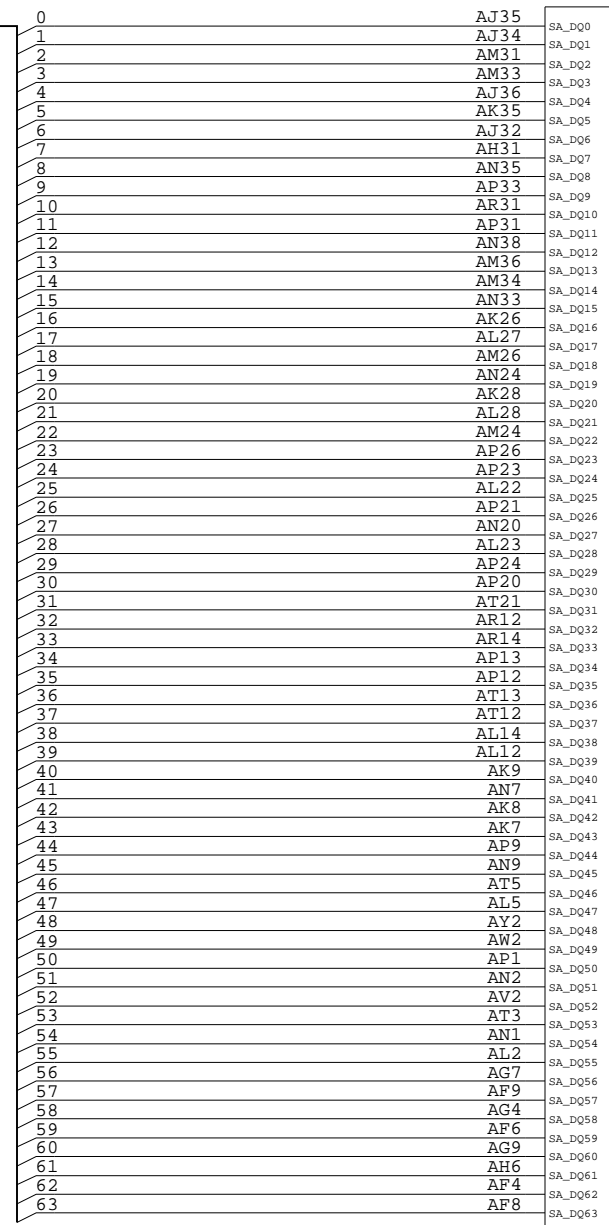
DESIGNER	K.Y	12/01/05	PART NO.	41W0926	IBM
CHECKED	Y.I	12/01/05			
APPROVED	T.S	12/01/05	TITLE		
CLASS	T.S	12/01/05	CALISTOGA(1/7):HOST I/F		
THIS DOCUMENT IS THE PROPERTY OF IBM ITS USE IS AUTHORIZED ONLY FOR RESPONDING TO A REQUEST FOR QUOTATION OR FOR THE PERFORMANCE OF WORK FOR IBM. ALL QUESTIONS MUST BE REFERRED TO THE IBM PURCHASING DEPARTMENT.					LENOVO CONFIDENTIAL

DATE	REL	EC NO.	PART NO.
12/01/05		G33456	41W0926
DEVELOPMENT NO.			Q/M
			9 / 92

U55

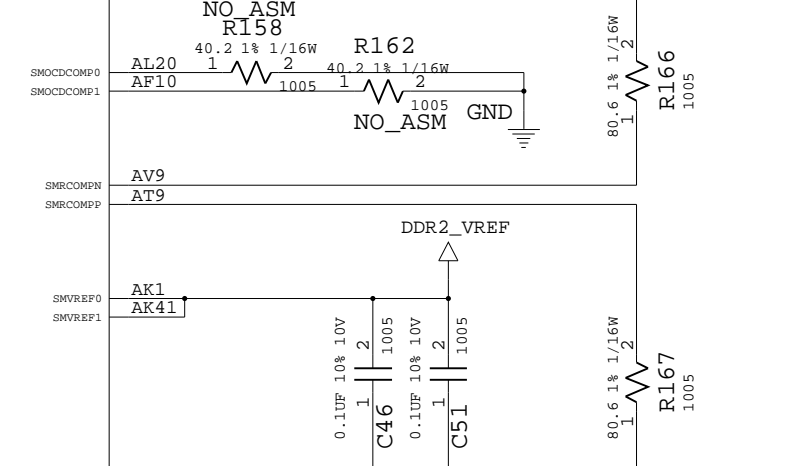
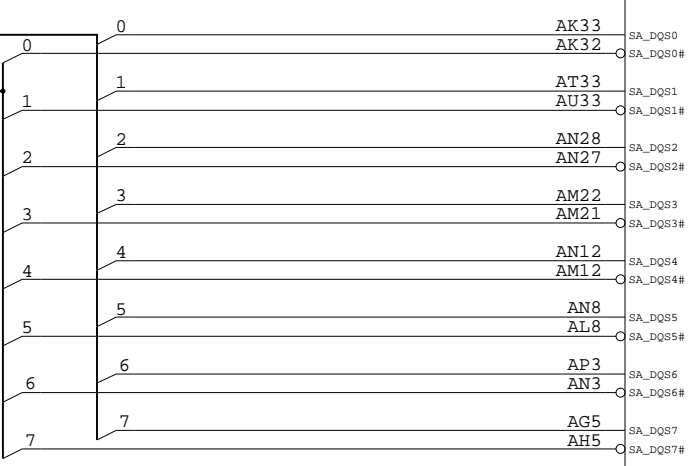
CALISTOGA (2/14)

15.9B<> 15.8L<> M_A DQ<63..0>



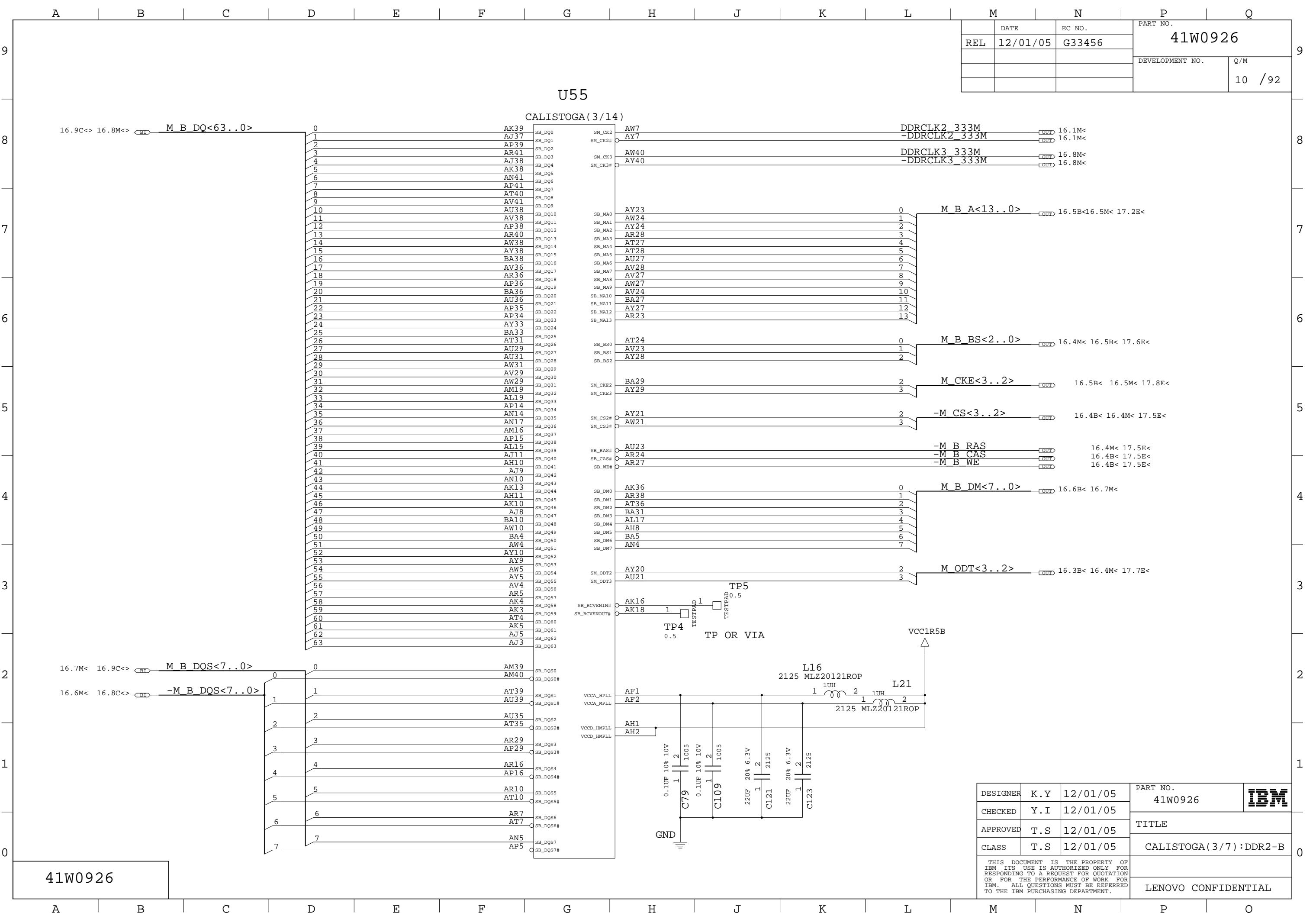
15.7M< 15.9B<> M_A DQS<7..0>

15.6M< 15.8B<> -M_A DQS<7..0>



41W0926

DESIGNER	K.Y	12/01/05	PART NO.	41W0926	IBM
CHECKED	Y.I	12/01/05			
APPROVED	T.S	12/01/05	TITLE		
CLASS	T.S	12/01/05	CALISTOGA (2/7) : DDR2-A		
THIS DOCUMENT IS THE PROPERTY OF IBM ITS USE IS AUTHORIZED ONLY FOR RESPONDING TO A REQUEST FOR QUOTATION OR FOR THE PERFORMANCE OF WORK FOR IBM. ALL QUESTIONS MUST BE REFERRED TO THE IBM PURCHASING DEPARTMENT.					LENOVO CONFIDENTIAL



DATE	12/01/05	EC NO.	G33456	PART NO.	41W0926
REL				DEVELOPMENT NO.	10 /92
				Q/M	

U55

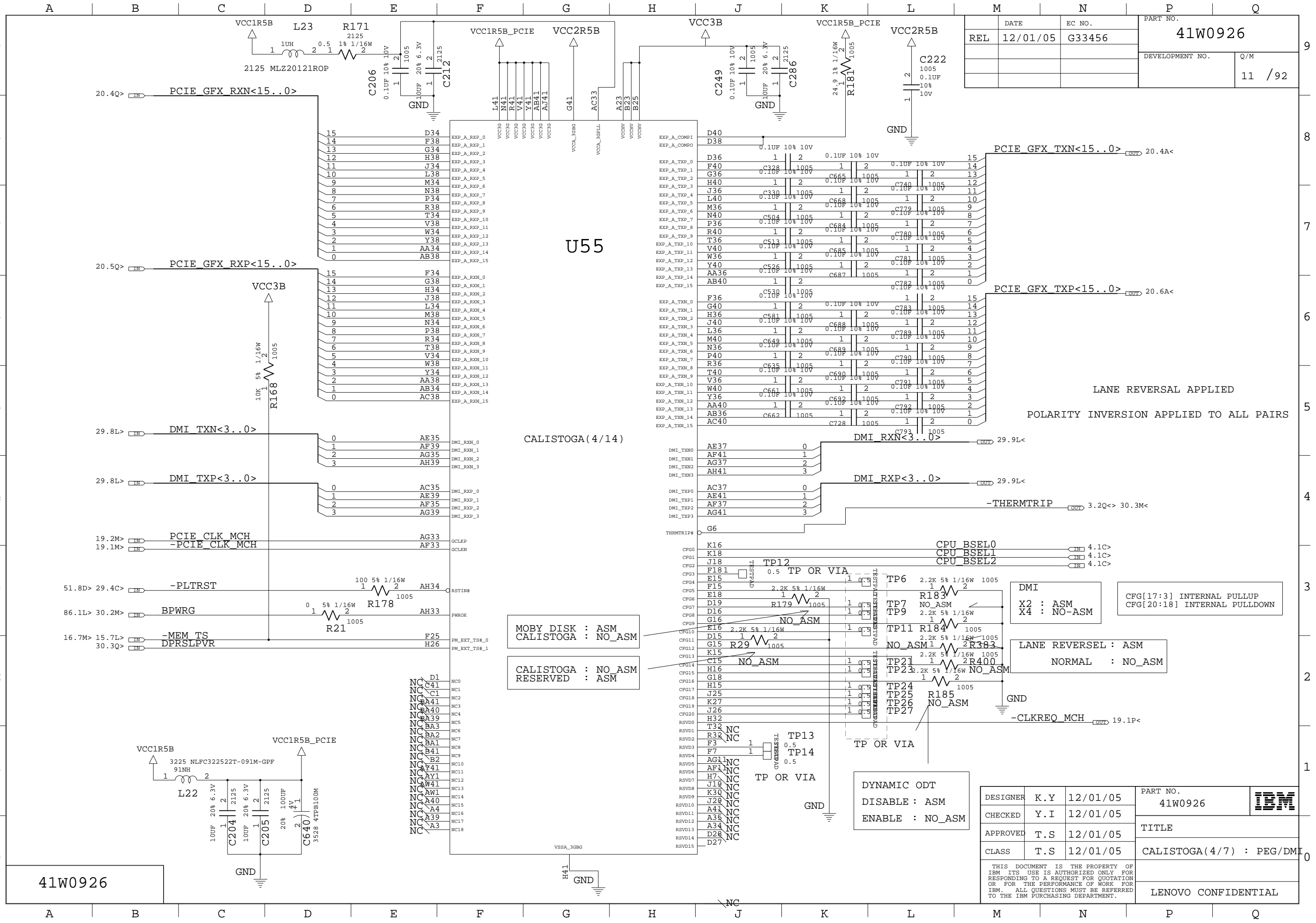
CALISTOGA (3/14)

0	AK39	SB_DQ0	SM_CK2	AW7	DDRCLK2_333M	16.1M<
1	AJ37	SB_DQ1	SM_CK2#	AY7	-DDRCLK2_333M	16.1M<
2	AP39	SB_DQ2				
3	AR41	SB_DQ3	SM_CK3	AW40	DDRCLK3_333M	16.8M<
4	AJ38	SB_DQ4	SM_CK3#	AY40	-DDRCLK3_333M	16.8M<
5	AK38	SB_DQ5				
6	AN41	SB_DQ6				
7	AP41	SB_DQ7				
8	AT40	SB_DQ8				
9	AV41	SB_DQ9				
10	AU38	SB_DQ10	SB_MA0	AY23	0	M_B A<13..0>
11	AV38	SB_DQ11	SB_MA1	AW24	1	16.5B<16.5M< 17.2E<
12	AP38	SB_DQ12	SB_MA2	AY24	2	
13	AR40	SB_DQ13	SB_MA3	AR28	3	
14	AW38	SB_DQ14	SB_MA4	AT27	4	
15	AY38	SB_DQ15	SB_MA5	AT28	5	
16	BA38	SB_DQ16	SB_MA6	AU27	6	
17	AV36	SB_DQ17	SB_MA7	AV28	7	
18	AR36	SB_DQ18	SB_MA8	AV27	8	
19	AP36	SB_DQ19	SB_MA9	AW27	9	
20	BA36	SB_DQ20	SB_MA10	AV24	10	
21	AU36	SB_DQ21	SB_MA11	BA27	11	
22	AP35	SB_DQ22	SB_MA12	AY27	12	
23	AP34	SB_DQ23	SB_MA13	AR23	13	
24	AY33	SB_DQ24				
25	BA33	SB_DQ25				
26	AT31	SB_DQ26	SB_BS0	AT24	0	M_B BS<2..0>
27	AU29	SB_DQ27	SB_BS1	AV23	1	16.4M< 16.5B< 17.6E<
28	AU31	SB_DQ28	SB_BS2	AY28	2	
29	AW31	SB_DQ29				
30	AV29	SB_DQ30				
31	AW29	SB_DQ31	SM_CKE2	BA29	2	M_CKE<3..2>
32	AM19	SB_DQ32	SM_CKE3	AY29	3	16.5B< 16.5M< 17.8E<
33	AL19	SB_DQ33				
34	AP14	SB_DQ34				
35	AN14	SB_DQ35	SM_CS2#	AY21	2	-M_CS<3..2>
36	AN17	SB_DQ36	SM_CS3#	AW21	3	16.4B< 16.4M< 17.5E<
37	AM16	SB_DQ37				
38	AP15	SB_DQ38				
39	AL15	SB_DQ39	SB_RAS#	AU23		-M_B RAS
40	AJ11	SB_DQ40	SB_CAS#	AR24		16.4M< 17.5E<
41	AH10	SB_DQ41	SB_WE#	AR27		-M_B CAS
42	AJ9	SB_DQ42				16.4B< 17.5E<
43	AN10	SB_DQ43				-M_B WE
44	AK13	SB_DQ44	SB_DM0	AK36	0	M_B DM<7..0>
45	AH11	SB_DQ45	SB_DM1	AR38	1	16.6B< 16.7M<
46	AK10	SB_DQ46	SB_DM2	AT36	2	
47	AJ8	SB_DQ47	SB_DM3	BA31	3	
48	BA10	SB_DQ48	SB_DM4	AL17	4	
49	AW10	SB_DQ49	SB_DM5	AH8	5	
50	BA4	SB_DQ50	SB_DM6	BA5	6	
51	AW4	SB_DQ51	SB_DM7	AN4	7	
52	AY10	SB_DQ52				
53	AY9	SB_DQ53	SM_ODT2	AY20	2	M_ODT<3..2>
54	AW5	SB_DQ54	SM_ODT3	AU21	3	16.3B< 16.4M< 17.7E<
55	AY5	SB_DQ55				
56	AV4	SB_DQ56				
57	AR5	SB_DQ57	SB_RCVENIN#	AK16		
58	AK4	SB_DQ58	SB_RCVENOUT#	AK18		
59	AK3	SB_DQ59				
60	AT4	SB_DQ60				
61	AK5	SB_DQ61				
62	AJ5	SB_DQ62				
63	AJ3	SB_DQ63				

41W0926

DESIGNER	K.Y	12/01/05	PART NO.	41W0926	IBM
CHECKED	Y.I	12/01/05	TITLE		
APPROVED	T.S	12/01/05	CLASS	CALISTOGA (3/7) :DDR2-B	
THIS DOCUMENT IS THE PROPERTY OF IBM ITS USE IS AUTHORIZED ONLY FOR RESPONDING TO A REQUEST FOR QUOTATION OR FOR THE PERFORMANCE OF WORK FOR IBM. ALL QUESTIONS MUST BE REFERRED TO THE IBM PURCHASING DEPARTMENT.					LENOVO CONFIDENTIAL

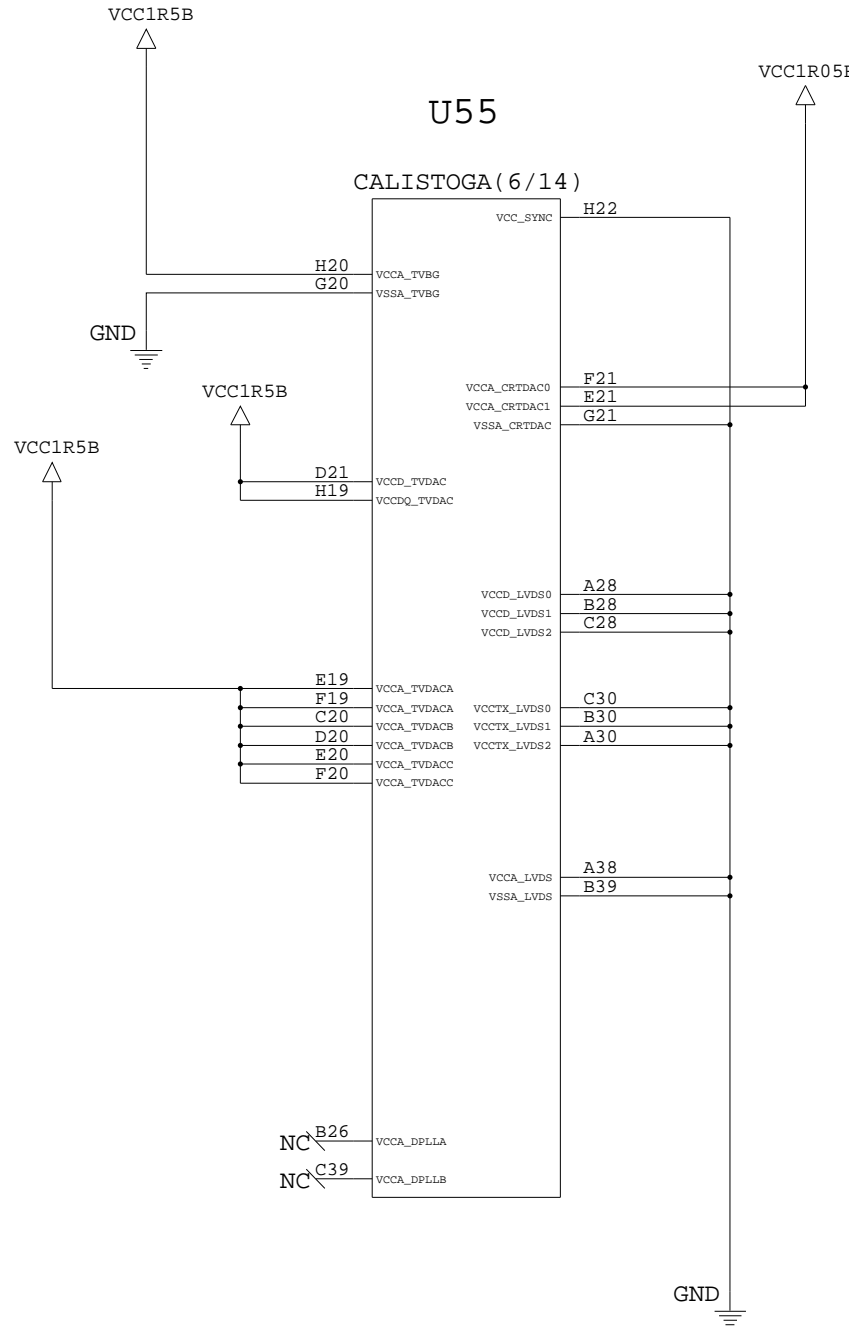
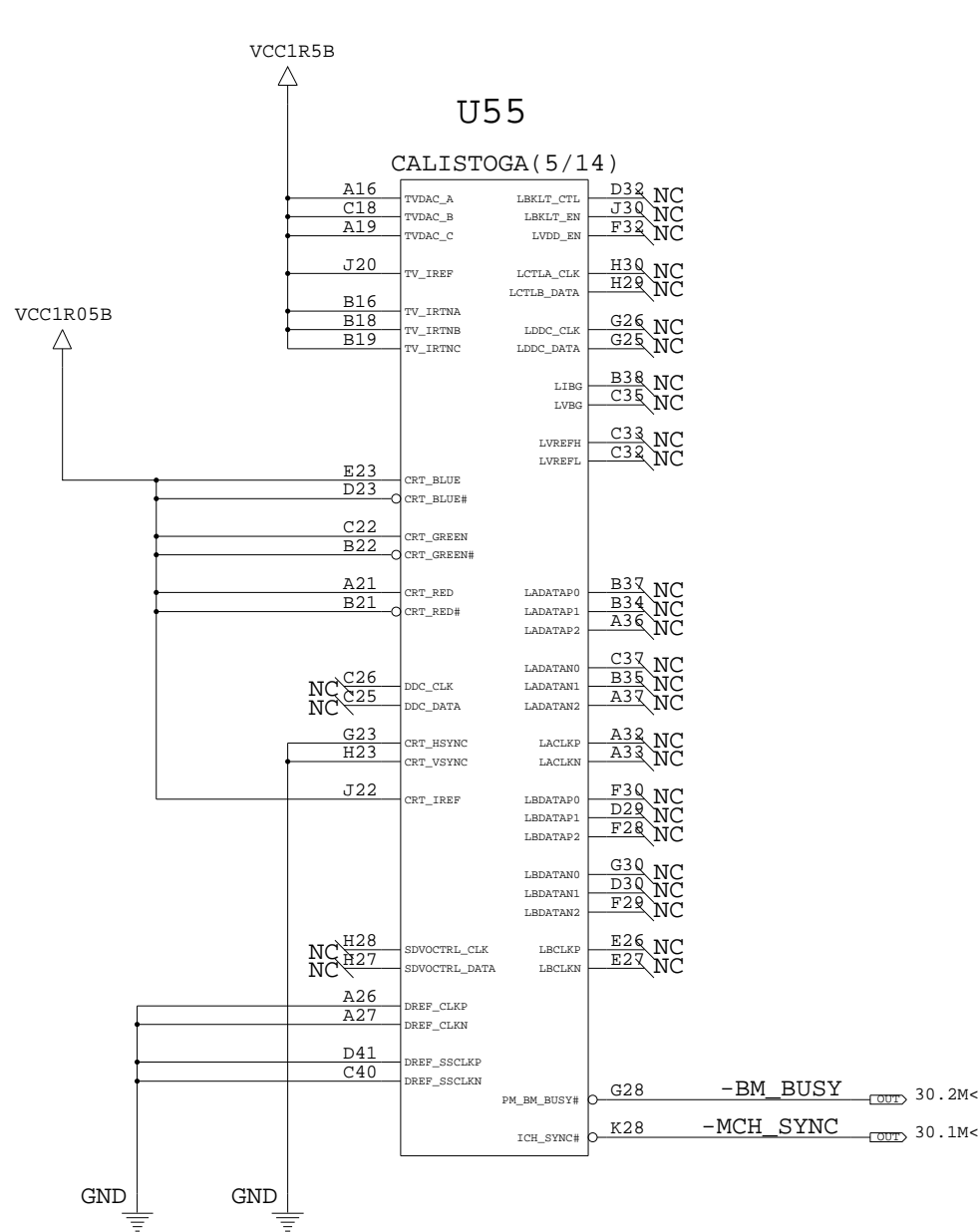
REL	DATE	EC NO.	PART NO.
	12/01/05	G33456	41W0926
			DEVELOPMENT NO.
			Q/M
			11 / 92



41W0926

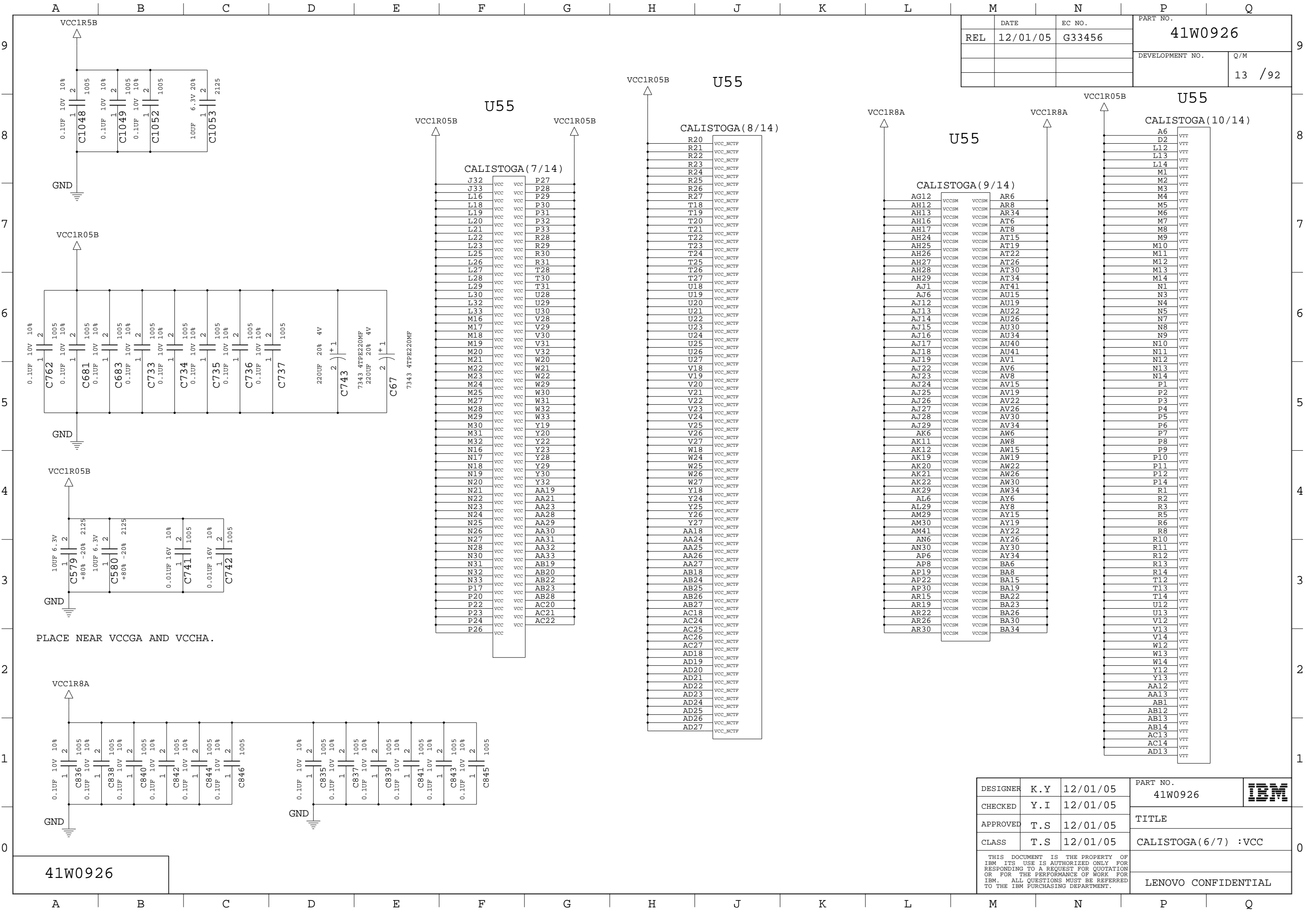
DESIGNER	K.Y	12/01/05	PART NO.	41W0926	IBM
CHECKED	Y.I	12/01/05			
APPROVED	T.S	12/01/05	TITLE		
CLASS	T.S	12/01/05	CALISTOGA(4/7) : PEG/DMI		
THIS DOCUMENT IS THE PROPERTY OF IBM ITS USE IS AUTHORIZED ONLY FOR RESPONDING TO A REQUEST FOR QUOTATION OR FOR THE PERFORMANCE OF WORK FOR IBM. ALL QUESTIONS MUST BE REFERRED TO THE IBM PURCHASING DEPARTMENT.					LENOVO CONFIDENTIAL

REL	DATE 12/01/05	EC NO. G33456	PART NO. 41W0926
			DEVELOPMENT NO. Q/M 12 /92



41W0926

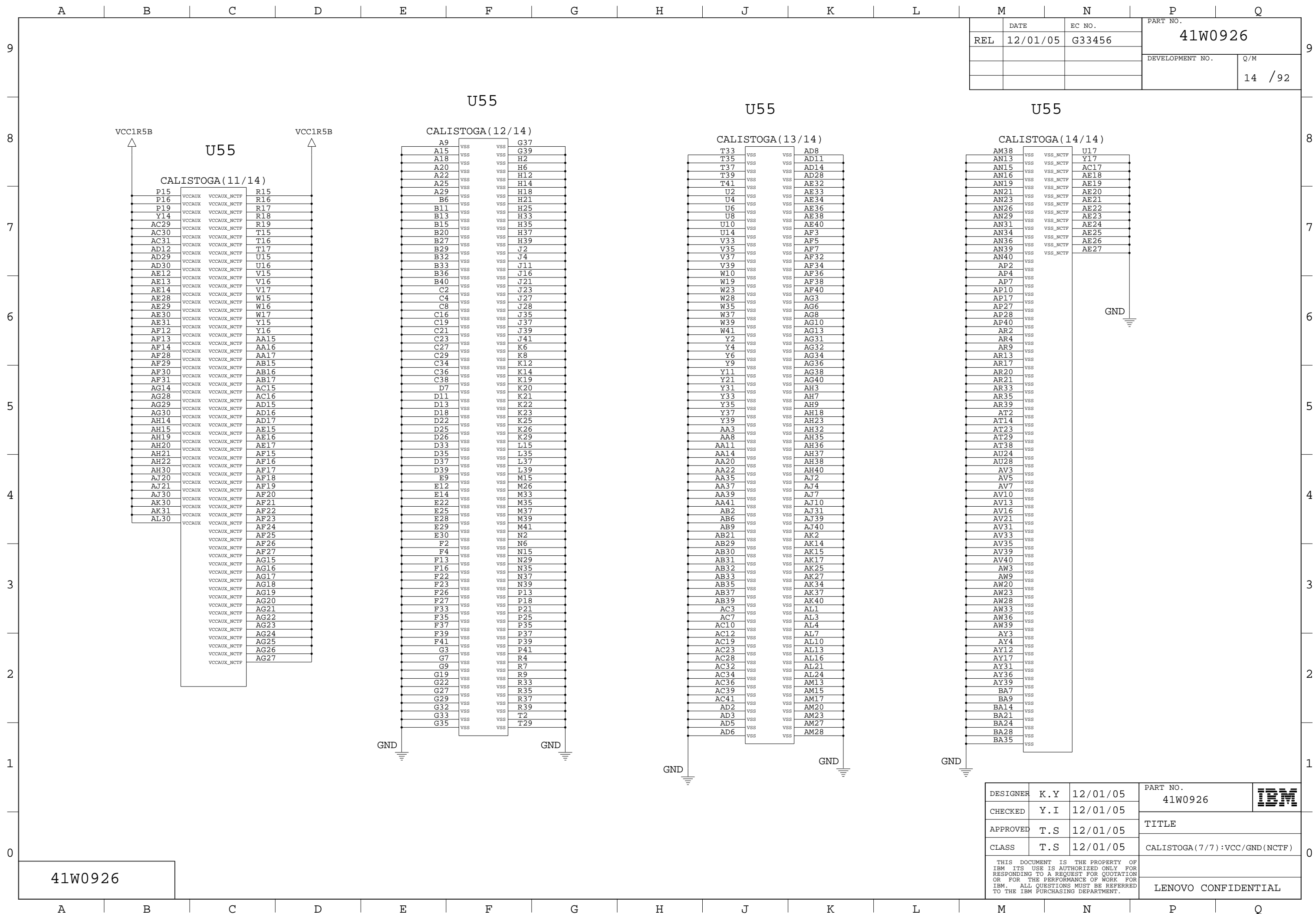
DESIGNER	K. Y	12/01/05	PART NO. 41W0926	
CHECKED	Y. I	12/01/05		
APPROVED	T. S	12/01/05	TITLE	
CLASS	T. S	12/01/05	CALISTOGA (5/7) : GRAPHICS	
THIS DOCUMENT IS THE PROPERTY OF IBM ITS USE IS AUTHORIZED ONLY FOR RESPONDING TO A REQUEST FOR QUOTATION OR FOR THE PERFORMANCE OF WORK FOR IBM. ALL QUESTIONS MUST BE REFERRED TO THE IBM PURCHASING DEPARTMENT.				L
LENOVO CONFIDENTIAL				



	DATE	EC NO.	PART NO.
REL	12/01/05	G33456	41W0926
			DEVELOPMENT NO.
			13 / 92

DESIGNER	K.Y	12/01/05	PART NO.	41W0926	
CHECKED	Y.I	12/01/05	TITLE		
APPROVED	T.S	12/01/05	CALISTOGA(6/7) :VCC		
CLASS	T.S	12/01/05	LENOVO CONFIDENTIAL		

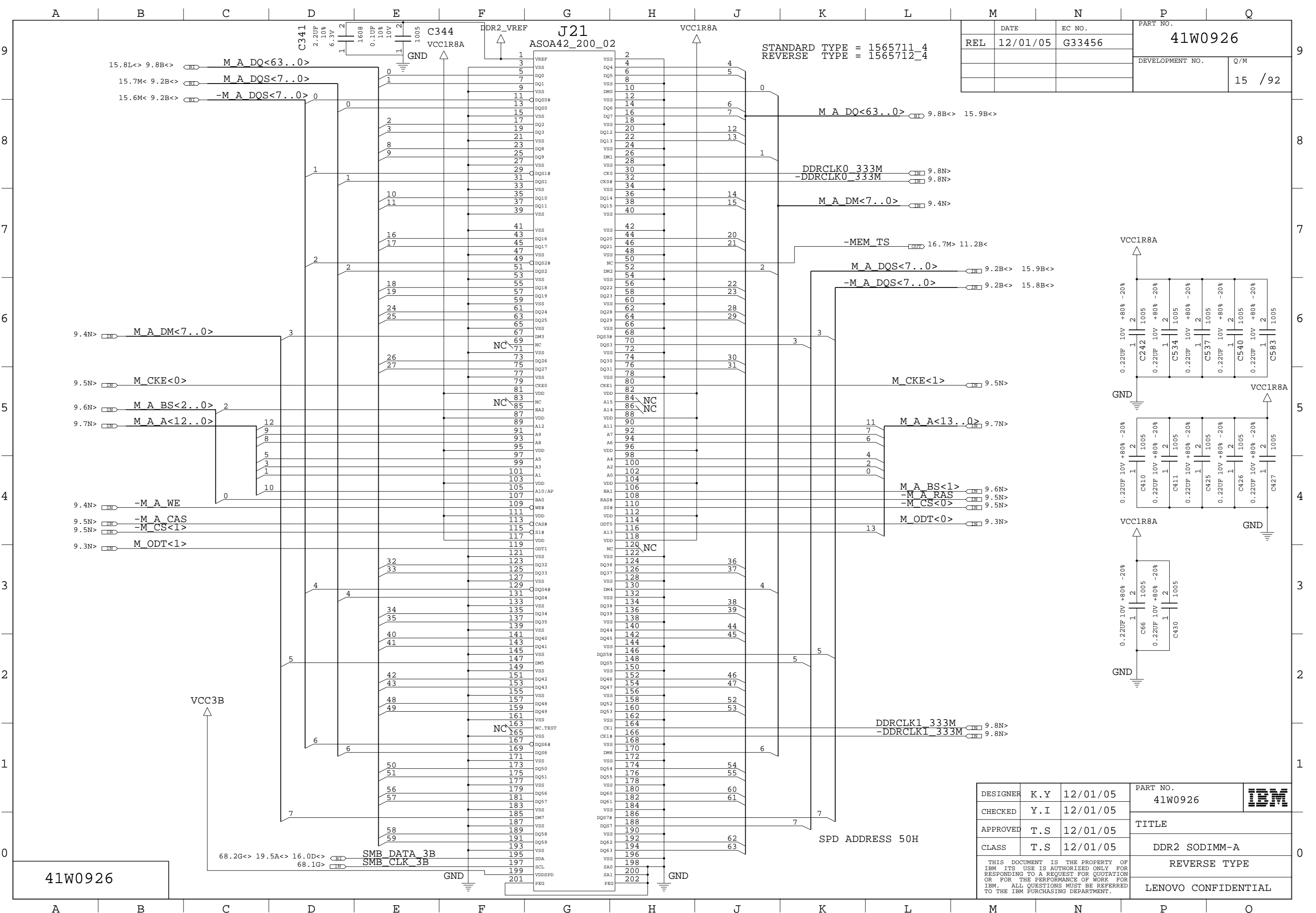
THIS DOCUMENT IS THE PROPERTY OF IBM. ITS USE IS AUTHORIZED ONLY FOR RESPONDING TO A REQUEST FOR QUOTATION OR FOR THE PERFORMANCE OF WORK FOR IBM. ALL QUESTIONS MUST BE REFERRED TO THE IBM PURCHASING DEPARTMENT.



	DATE	EC NO.	PART NO.	
REL	12/01/05	G33456	41W0926	
			DEVELOPMENT NO.	Q/M
				14 /92

41W0926

DESIGNER	K. Y	12/01/05	PART NO.	41W0926	IBM
CHECKED	Y. I	12/01/05	TITLE		
APPROVED	T. S	12/01/05	CALISTOGA (7/7) : VCC/GND (NCTF)		
CLASS	T. S	12/01/05	THIS DOCUMENT IS THE PROPERTY OF IBM ITS USE IS AUTHORIZED ONLY FOR RESPONDING TO A REQUEST FOR QUOTATION OR FOR THE PERFORMANCE OF WORK FOR IBM. ALL QUESTIONS MUST BE REFERRED TO THE IBM PURCHASING DEPARTMENT.		
				LENOVO CONFIDENTIAL	



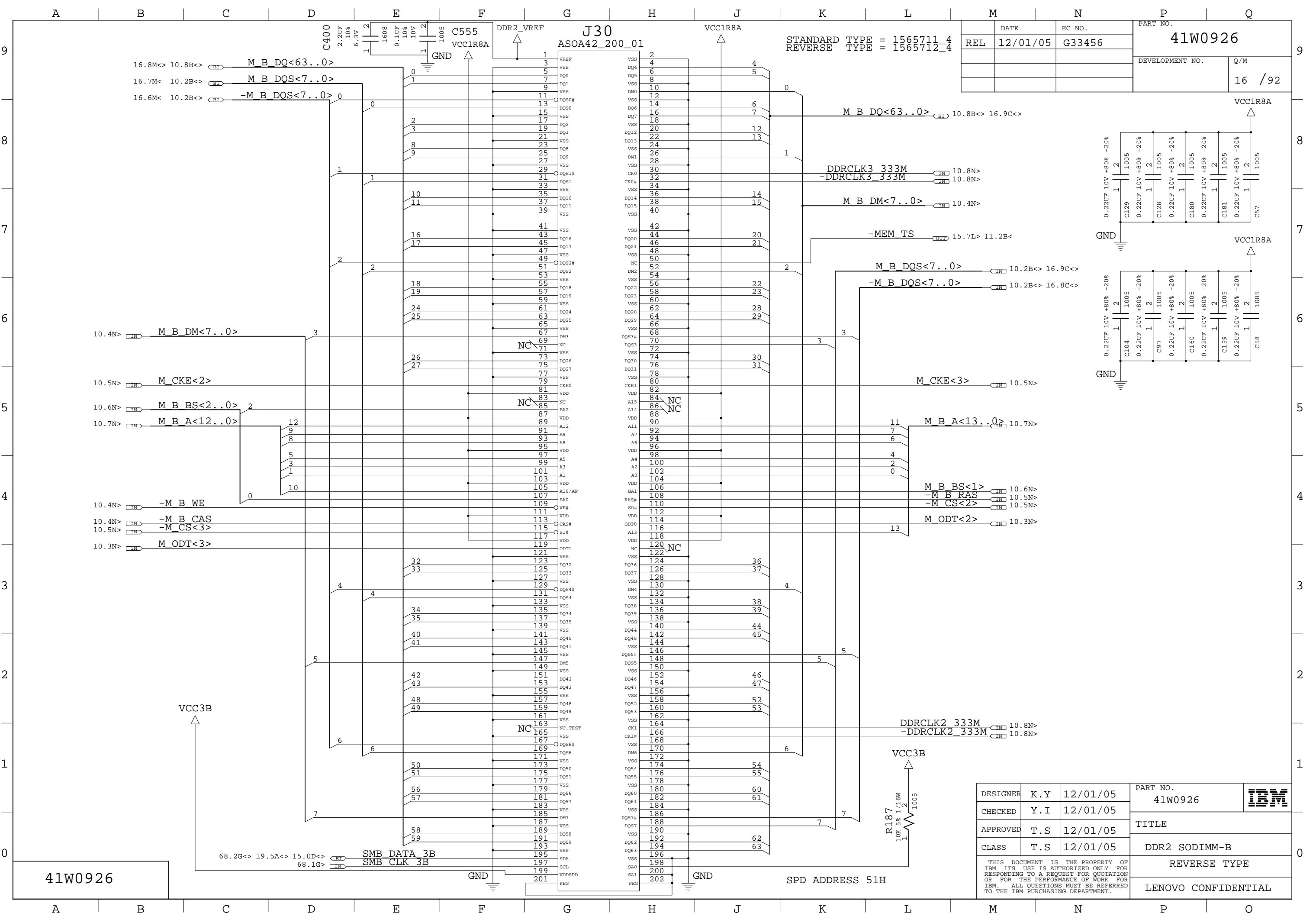
DATE	12/01/05	EC NO.	G33456	PART NO.	41W0926
REL				DEVELOPMENT NO.	15 / 92
				Q/M	

STANDARD TYPE = 1565711_4
 REVERSE TYPE = 1565712_4

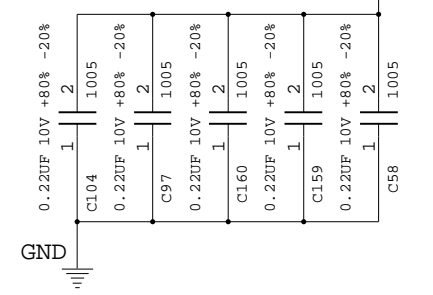
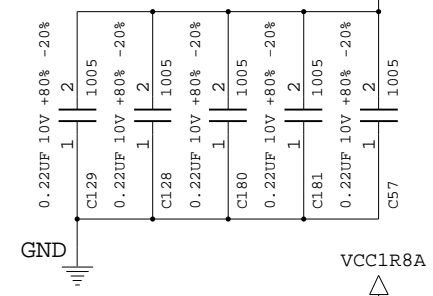
DESIGNER	K.Y	12/01/05	PART NO.	41W0926	
CHECKED	Y.I	12/01/05			
APPROVED	T.S	12/01/05	TITLE		
CLASS	T.S	12/01/05	DDR2 SODIMM-A		
THIS DOCUMENT IS THE PROPERTY OF IBM ITS USE IS AUTHORIZED ONLY FOR RESPONDING TO A REQUEST FOR QUOTATION OR FOR THE PERFORMANCE OF WORK FOR IBM. ALL QUESTIONS MUST BE REFERRED TO THE IBM PURCHASING DEPARTMENT.					REVERSE TYPE
					LENOVO CONFIDENTIAL

41W0926

SPD ADDRESS 50H



REL	DATE	EC NO.	PART NO.
	12/01/05	G33456	41W0926
			DEVELOPMENT NO.
			Q/M
			16 / 92



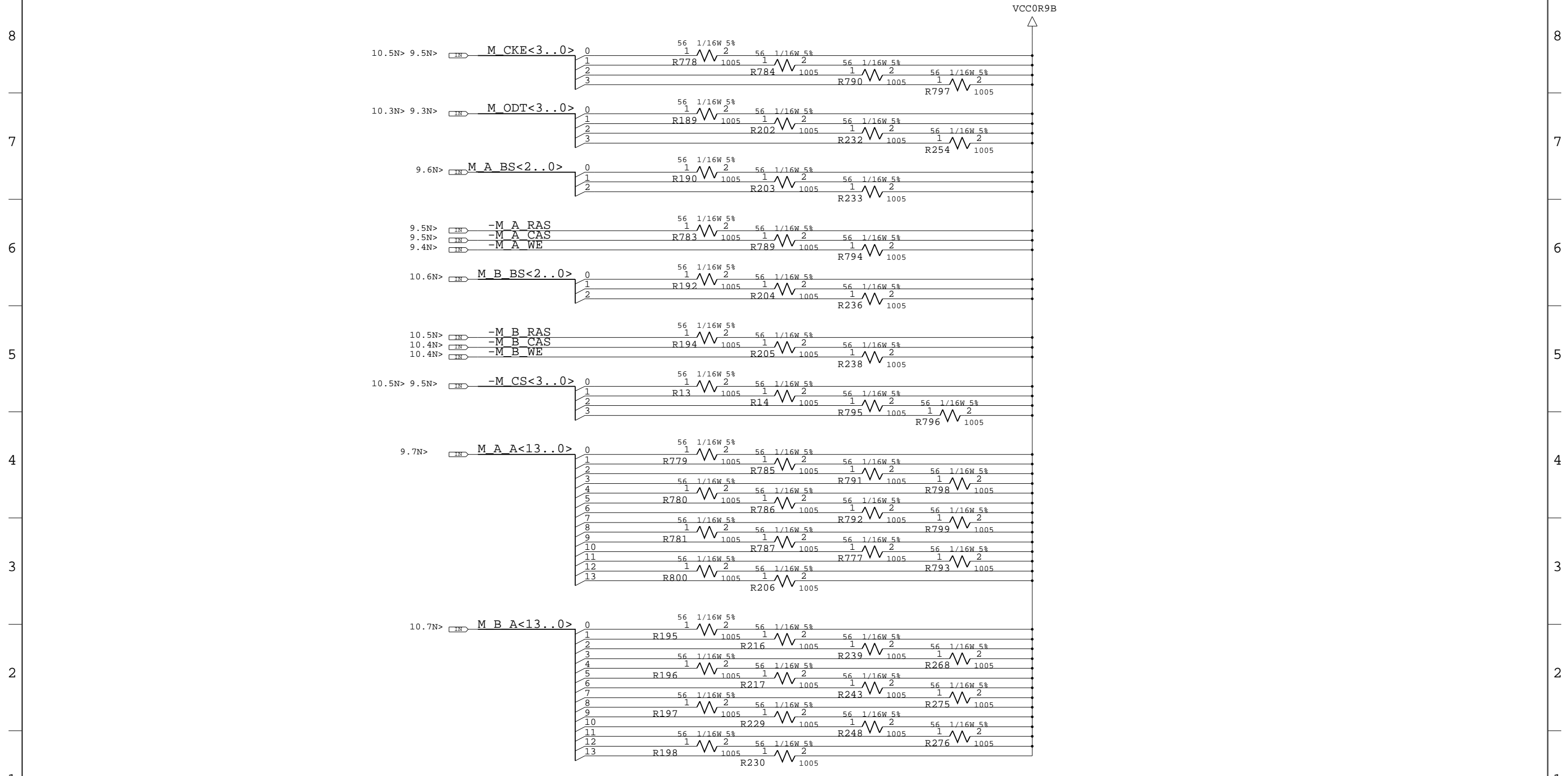
DESIGNER	K.Y	12/01/05	PART NO.	41W0926	
CHECKED	Y.I	12/01/05			
APPROVED	T.S	12/01/05	TITLE		
CLASS	T.S	12/01/05	DDR2 SODIMM-B		
THIS DOCUMENT IS THE PROPERTY OF IBM ITS USE IS AUTHORIZED ONLY FOR RESPONDING TO A REQUEST FOR QUOTATION OR FOR THE PERFORMANCE OF WORK FOR IBM. ALL QUESTIONS MUST BE REFERRED TO THE IBM PURCHASING DEPARTMENT.				REVERSE TYPE	
				LENOVO CONFIDENTIAL	

41W0926

A B C D E F G H J K L M N P Q

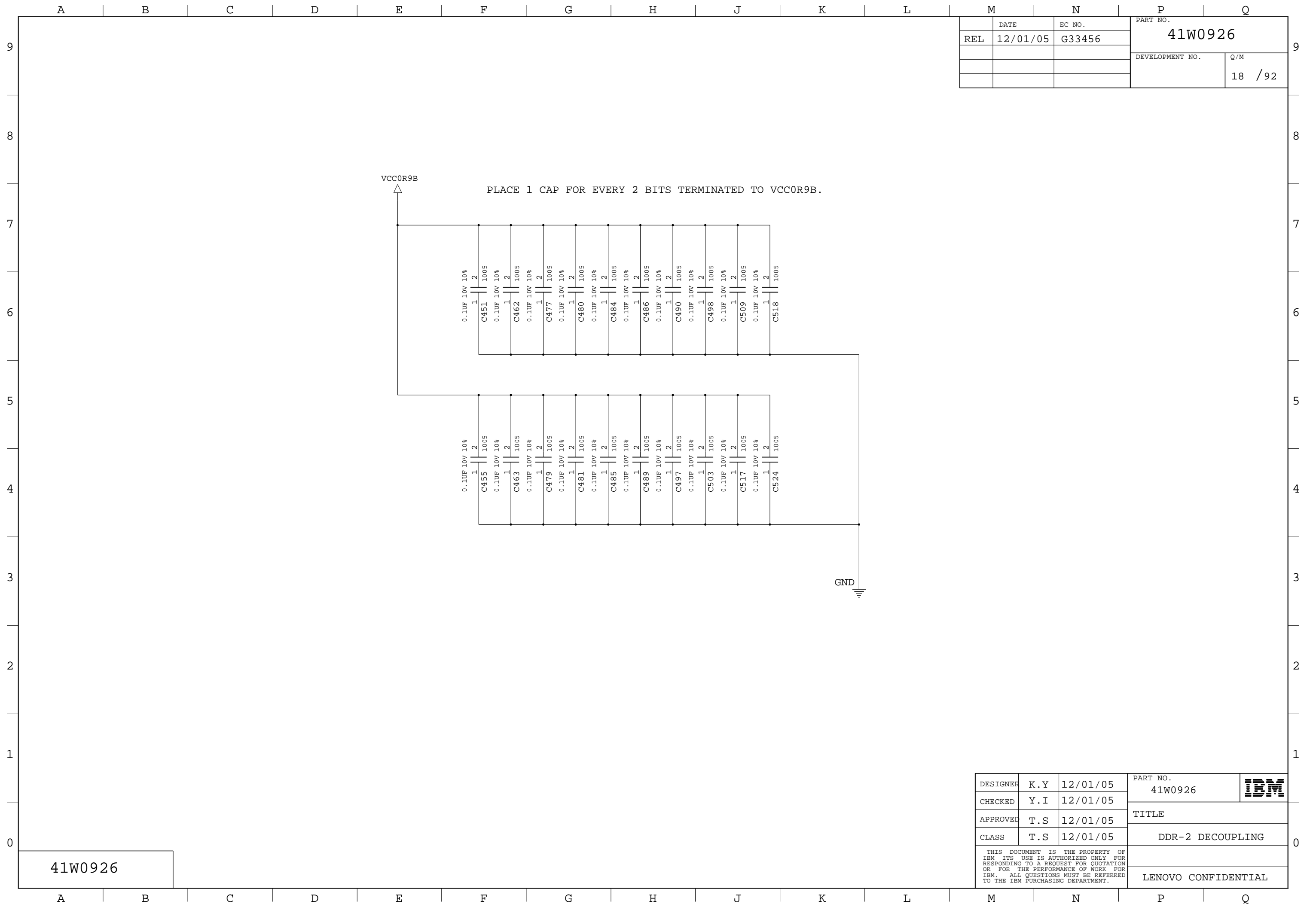
9 8 7 6 5 4 3 2 1 0

		DATE	EC NO.	PART NO.	
REL	12/01/05	G33456	41W0926		
			DEVELOPMENT NO.	Q/M	
				17 /92	



41W0926

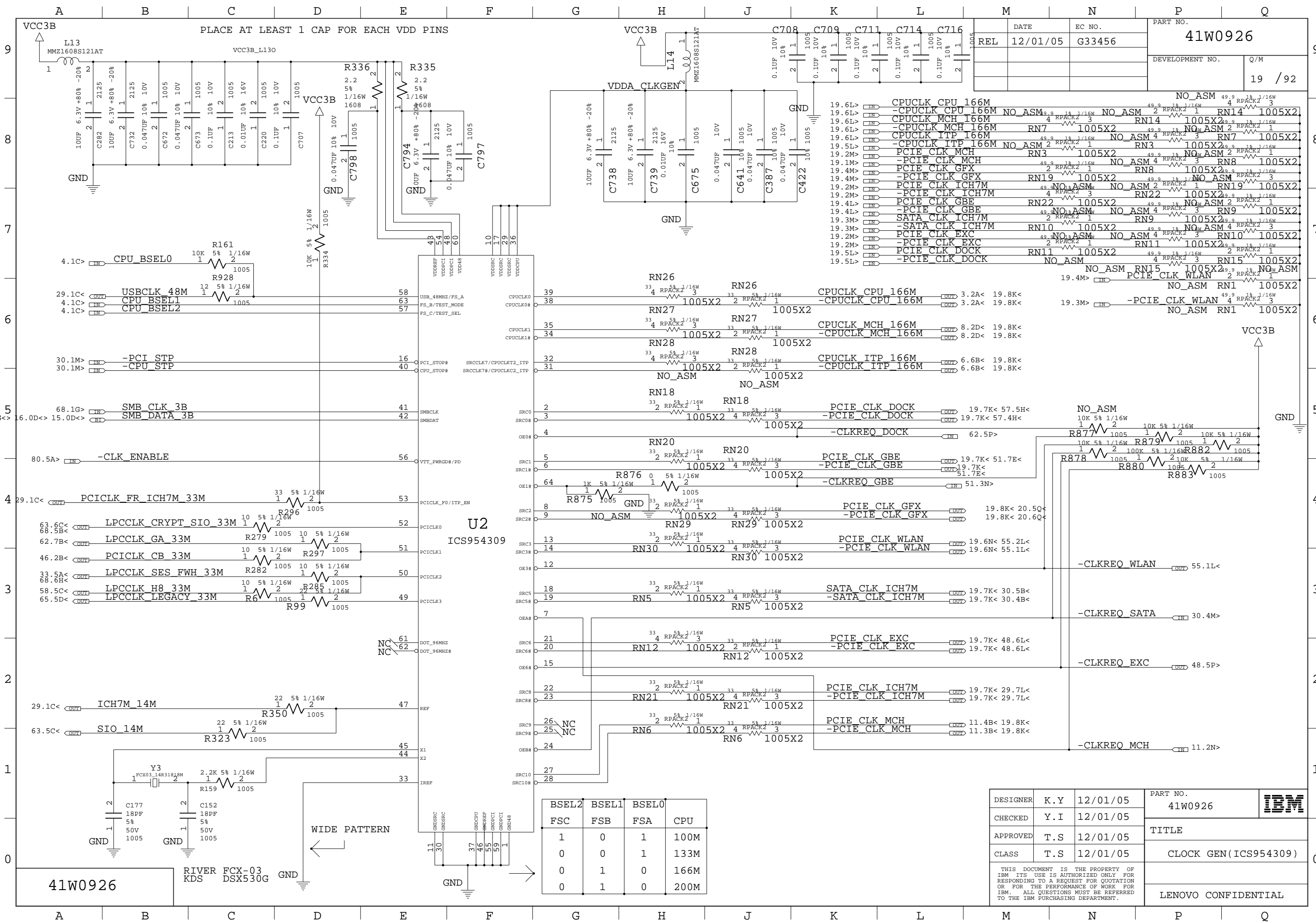
DESIGNER	K.Y	12/01/05	PART NO.	41W0926	
CHECKED	Y.I	12/01/05			
APPROVED	T.S	12/01/05	TITLE		
CLASS	T.S	12/01/05	DDR-2 TERMINATION		
THIS DOCUMENT IS THE PROPERTY OF IBM. ITS USE IS AUTHORIZED ONLY FOR RESPONDING TO A REQUEST FOR QUOTATION OR FOR THE PERFORMANCE OF WORK FOR IBM. ALL QUESTIONS MUST BE REFERRED TO THE IBM PURCHASING DEPARTMENT.				LENOVO CONFIDENTIAL	



	DATE	EC NO.	PART NO.	
REL	12/01/05	G33456	41W0926	
			DEVELOPMENT NO.	Q/M
				18 /92

41W0926

DESIGNER	K.Y	12/01/05	PART NO.	41W0926	
CHECKED	Y.I	12/01/05	TITLE		
APPROVED	T.S	12/01/05	DDR-2 DECOUPLING		
CLASS	T.S	12/01/05	LENOVO CONFIDENTIAL		
<small>THIS DOCUMENT IS THE PROPERTY OF IBM ITS USE IS AUTHORIZED ONLY FOR RESPONDING TO A REQUEST FOR QUOTATION OR FOR THE PERFORMANCE OF WORK FOR IBM. ALL QUESTIONS MUST BE REFERRED TO THE IBM PURCHASING DEPARTMENT.</small>					



REL	DATE	EC NO.	PART NO.
	12/01/05	G33456	41W0926
			DEVELOPMENT NO.
			Q/M
			19 / 92

DESIGNER	K.Y	12/01/05	PART NO.	41W0926	IBM
CHECKED	Y.I	12/01/05	TITLE		
APPROVED	T.S	12/01/05	TITLE		
CLASS	T.S	12/01/05	CLOCK GEN(ICS954309)		
THIS DOCUMENT IS THE PROPERTY OF IBM. ITS USE IS AUTHORIZED ONLY FOR RESPONDING TO A REQUEST FOR QUOTATION OR FOR THE PERFORMANCE OF WORK FOR IBM. ALL QUESTIONS MUST BE REFERRED TO THE IBM PURCHASING DEPARTMENT.					
LENOVO CONFIDENTIAL					

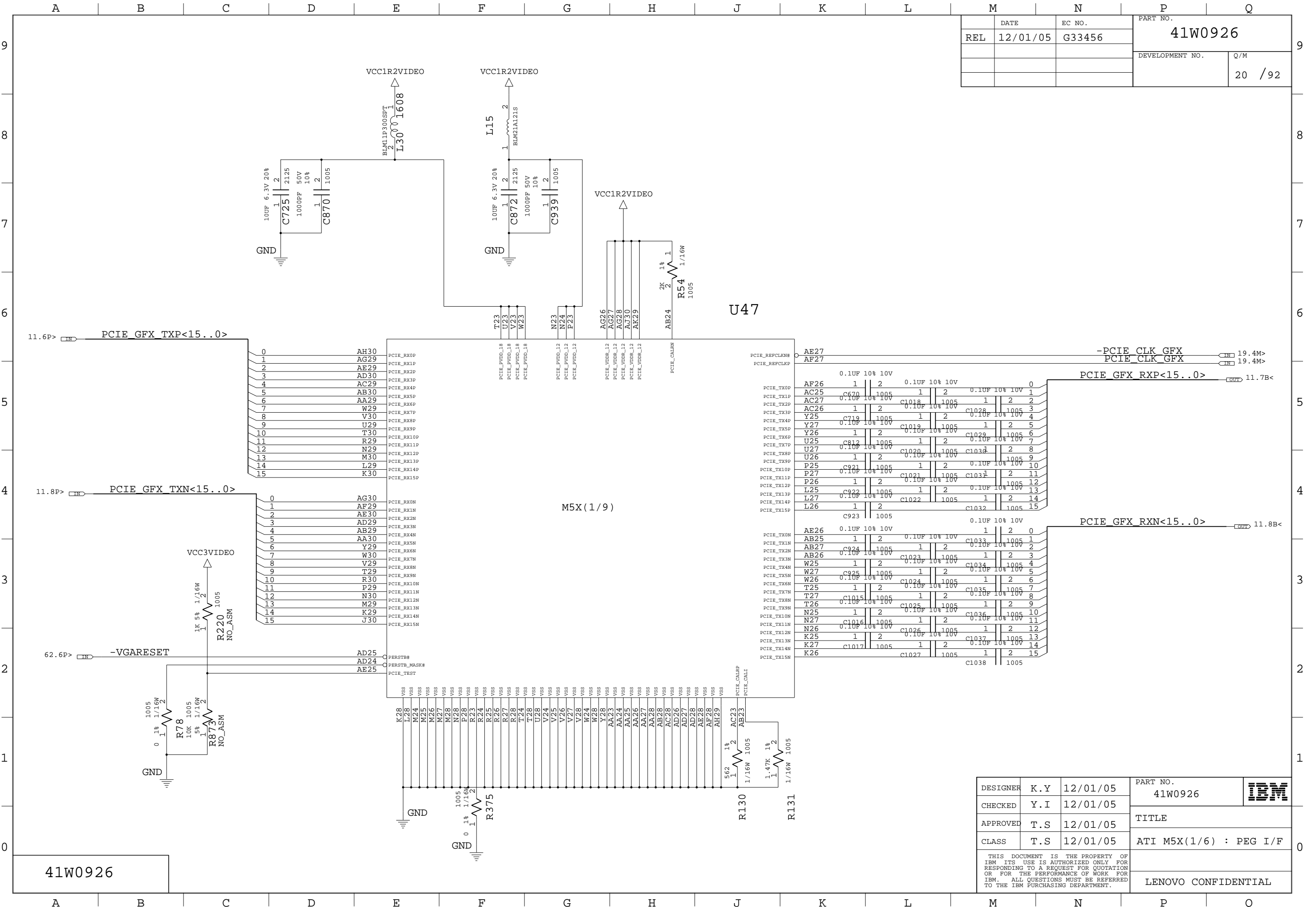
BSEL2	BSEL1	BSEL0	FSC	FSB	FSA	CPU
1	0	1	1	0	0	100M
0	0	1	0	0	0	133M
0	1	0	0	1	0	166M
0	1	0	0	0	0	200M

41W0926

RIVER FCX-03
KDS DSX530G

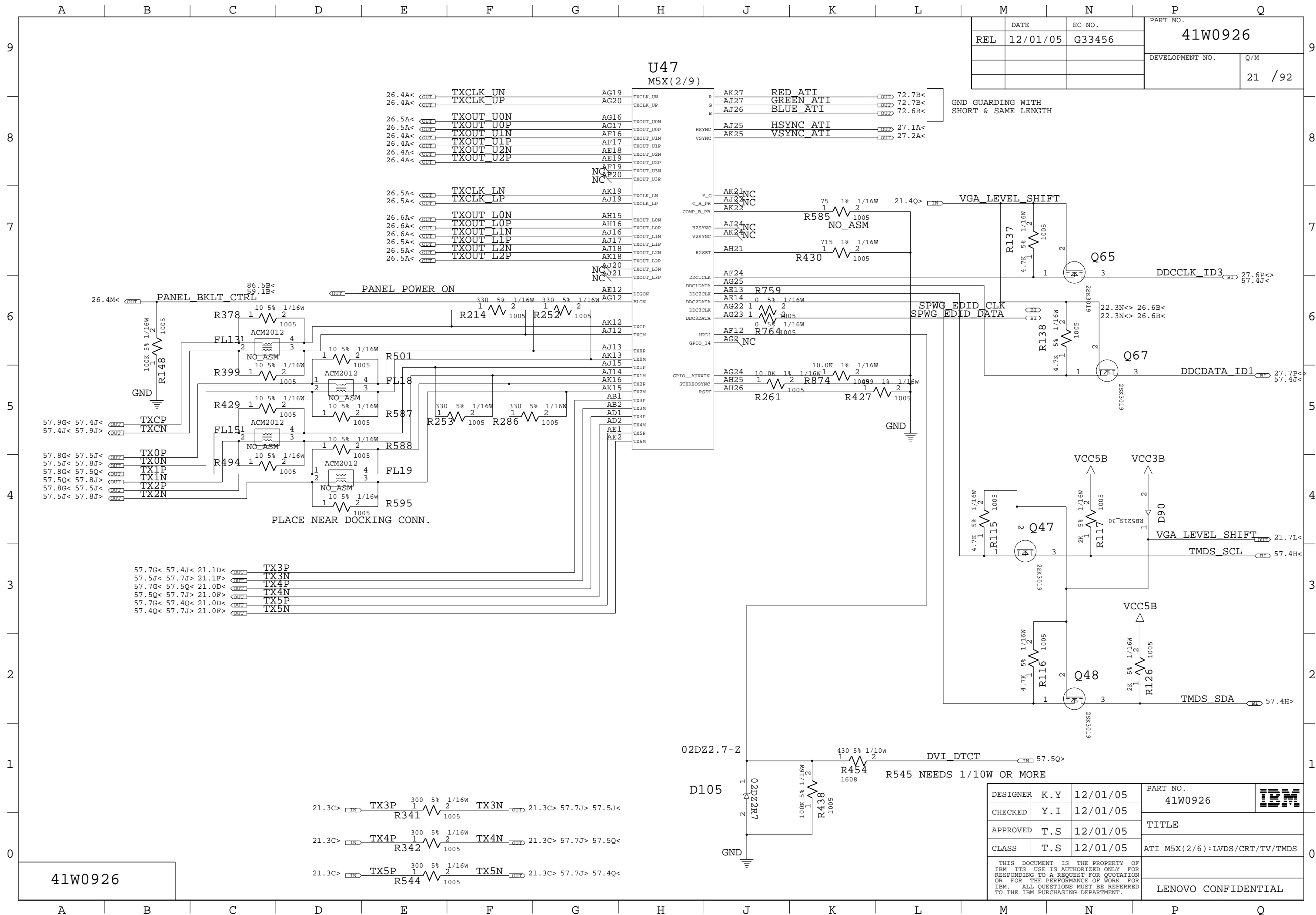
WIDE PATTERN

REL	DATE	EC NO.	PART NO.
	12/01/05	G33456	41W0926
			DEVELOPMENT NO.
			Q/M
			20 /92



41W0926

DESIGNER	K.Y	12/01/05	PART NO.	41W0926	IBM
CHECKED	Y.I	12/01/05			
APPROVED	T.S	12/01/05	TITLE		
CLASS	T.S	12/01/05	ATI M5X(1/6) : PEG I/F		
THIS DOCUMENT IS THE PROPERTY OF IBM ITS USE IS AUTHORIZED ONLY FOR RESPONDING TO A REQUEST FOR QUOTATION OR FOR THE PERFORMANCE OF WORK FOR IBM. ALL QUESTIONS MUST BE REFERRED TO THE IBM PURCHASING DEPARTMENT.				LENOVO CONFIDENTIAL	



DATE	EC NO.	PART NO.	
REL 12/01/05	G33456	41W0926	
		DEVELOPMENT NO.	Q/M
			21 /92

U47
M5X(2/9)

GND GUARDING WITH SHORT & SAME LENGTH

PANEL POWER ON

PLACE NEAR DOCKING CONN.

VGA LEVEL SHIFT

SPWG EDID CLK
SPWG EDID DATA

VGA LEVEL SHIFT

DVI DTCT

R545 NEEDS 1/10W OR MORE

41W0926

DESIGNER	K.Y	12/01/05	PART NO.	41W0926	
CHECKED	Y.I	12/01/05			
APPROVED	T.S	12/01/05	TITLE		
CLASS	T.S	12/01/05	ATI M5X(2/6):LVDS/CRT/TV/TMDS		
THIS DOCUMENT IS THE PROPERTY OF IBM ITS USE IS AUTHORIZED ONLY FOR RESPONDING TO A REQUEST FOR QUOTATION OR FOR THE PERFORMANCE OF WORK FOR IBM. ALL QUESTIONS MUST BE REFERRED TO THE IBM PURCHASING DEPARTMENT.					LENOVO CONFIDENTIAL

DATE	EC NO.	PART NO.
REL 12/01/05	G33456	41W0926
DEVELOPMENT NO.		Q/M
		22 /92

REF DES	CRYSTAL	OSC
C381	ASM	NO_ASM
C408	ASM	NO_ASM
C596	NO_ASM	ASM
R127	ASM	NO_ASM
R469	NO_ASM	ASM
R472	NO_ASM	ASM
R489	NO_ASM	ASM
Y1	ASM	NO_ASM
Y2	NO_ASM	ASM

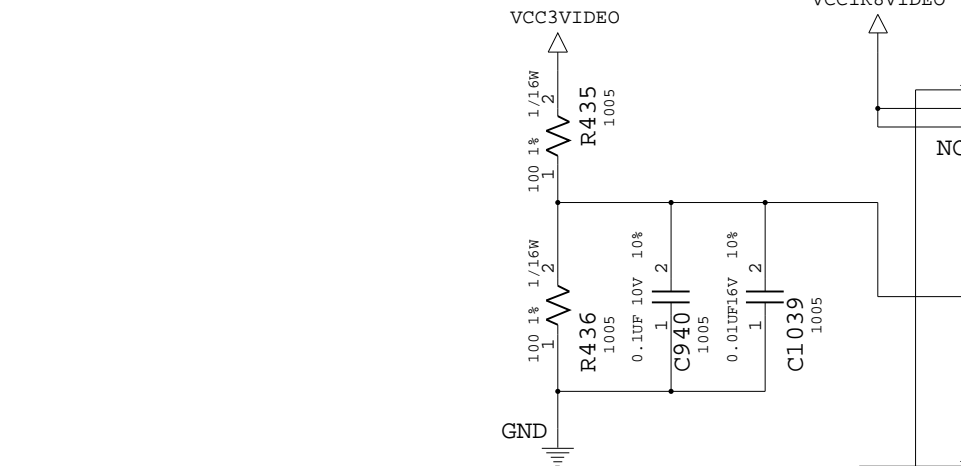
LOGIC

67.5P< DXP2
67.5P< DXN2

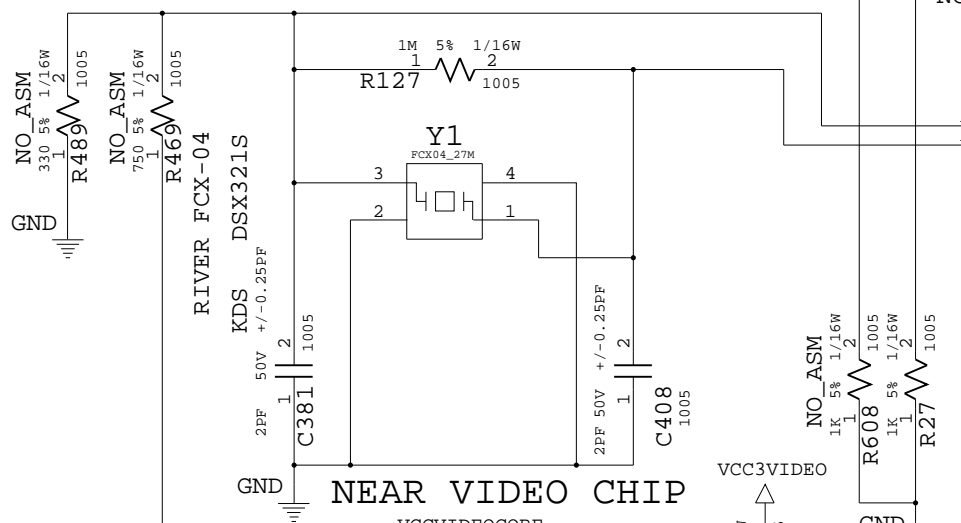
U47
M5X(3/9)

VIA ONLY FOR THESE 4 TP

VCC3VIDEO



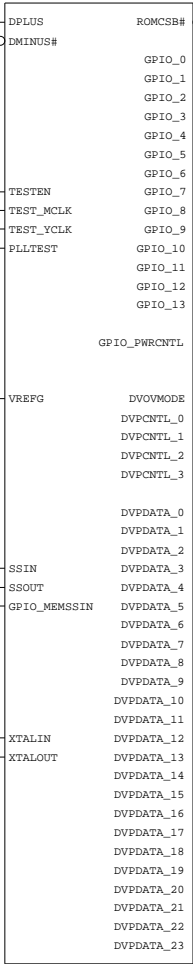
25.3L< GENERICD



KDS DSO321SR
DSO321LR
EPSON SG-8002CE

DSO321SR

NEAR VIDEO CHIP



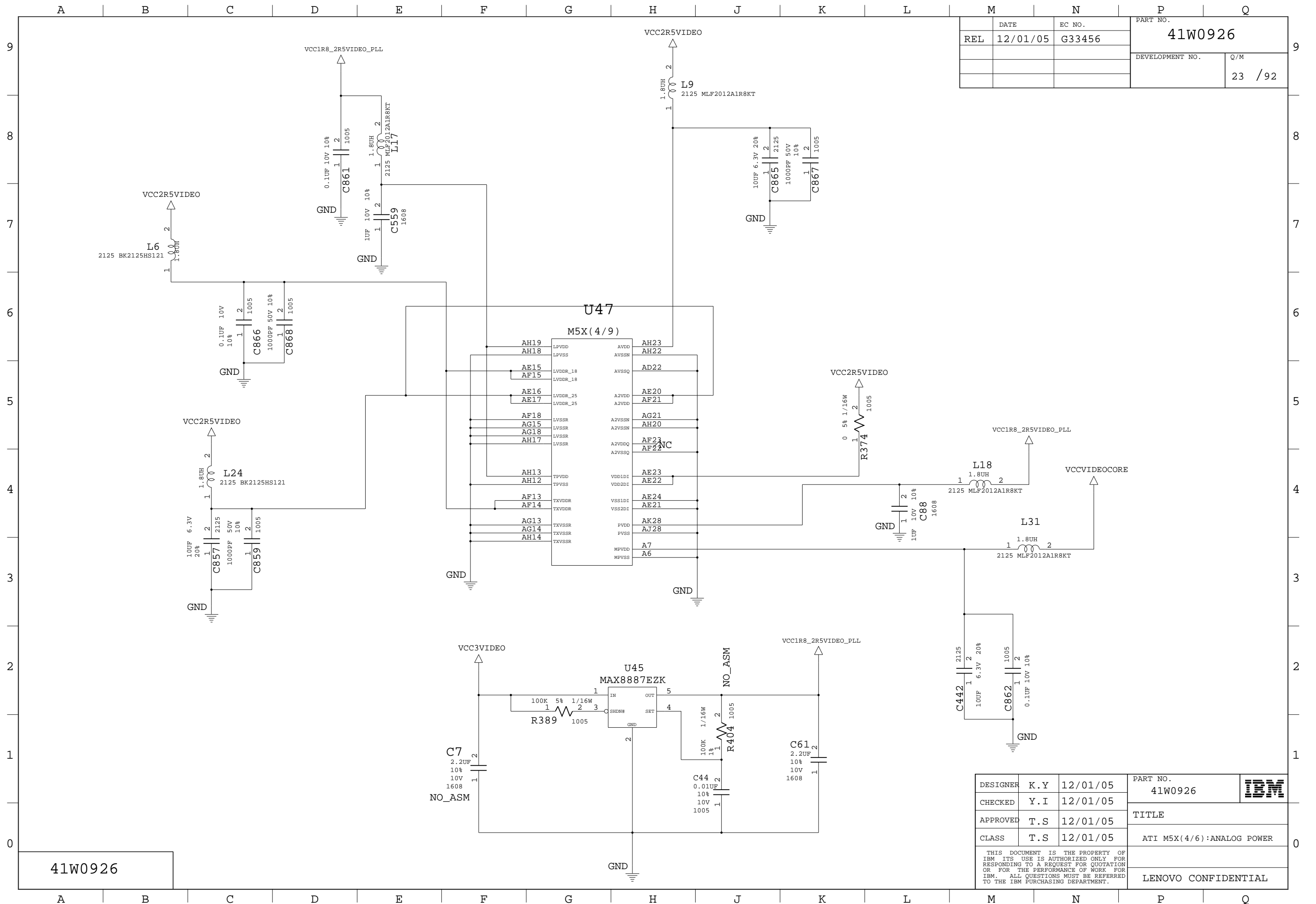
VIA ONLY FOR ABOVE 6 TP

M52	M54	M56-256
R353	NO_ASM	NO_ASM
	NO_ASM	ASM

LOGIC

41W0926

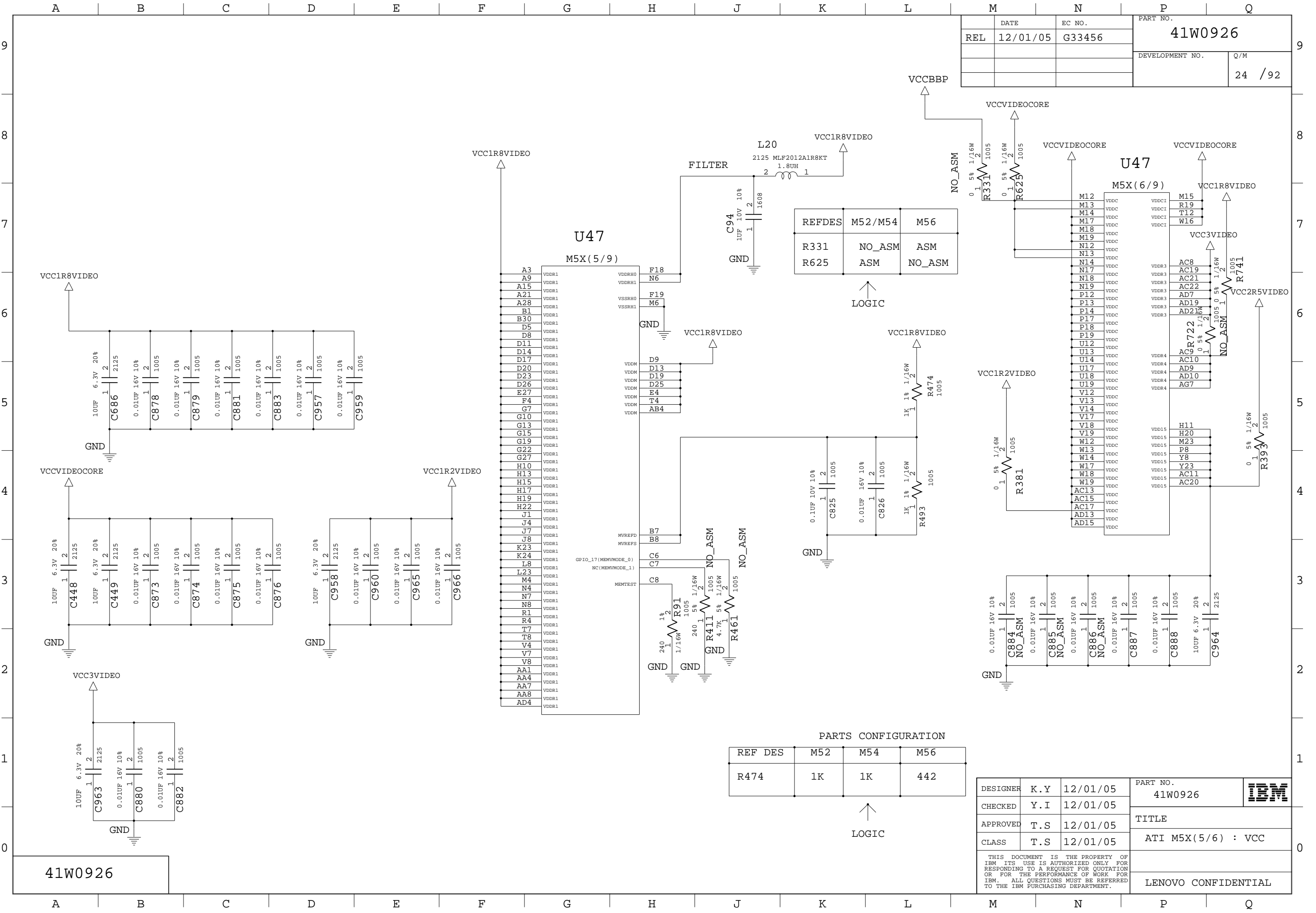
DESIGNER	K.Y	12/01/05	PART NO.	41W0926	IBM
CHECKED	Y.I	12/01/05			
APPROVED	T.S	12/01/05	TITLE		
CLASS	T.S	12/01/05	ATI M5X(3/6):CLK/GPIO		
THIS DOCUMENT IS THE PROPERTY OF IBM ITS USE IS AUTHORIZED ONLY FOR RESPONDING TO A REQUEST FOR QUOTATION OR FOR THE PERFORMANCE OF WORK FOR IBM. ALL QUESTIONS MUST BE REFERRED TO THE IBM PURCHASING DEPARTMENT.					L
LENOVO CONFIDENTIAL					



	DATE	EC NO.	PART NO.	
REL	12/01/05	G33456	41W0926	
			DEVELOPMENT NO.	Q/M
				23 / 92

41W0926

DESIGNER	K.Y	12/01/05	PART NO.	41W0926	IBM
CHECKED	Y.I	12/01/05			
APPROVED	T.S	12/01/05	TITLE		
CLASS	T.S	12/01/05	ATI M5X(4/6):ANALOG POWER		
THIS DOCUMENT IS THE PROPERTY OF IBM ITS USE IS AUTHORIZED ONLY FOR RESPONDING TO A REQUEST FOR QUOTATION OR FOR THE PERFORMANCE OF WORK FOR IBM. ALL QUESTIONS MUST BE REFERRED TO THE IBM PURCHASING DEPARTMENT.					LENOVO CONFIDENTIAL



REL	DATE	EC NO.	PART NO.
	12/01/05	G33456	41W0926
			DEVELOPMENT NO.
			Q/M
			24 / 92

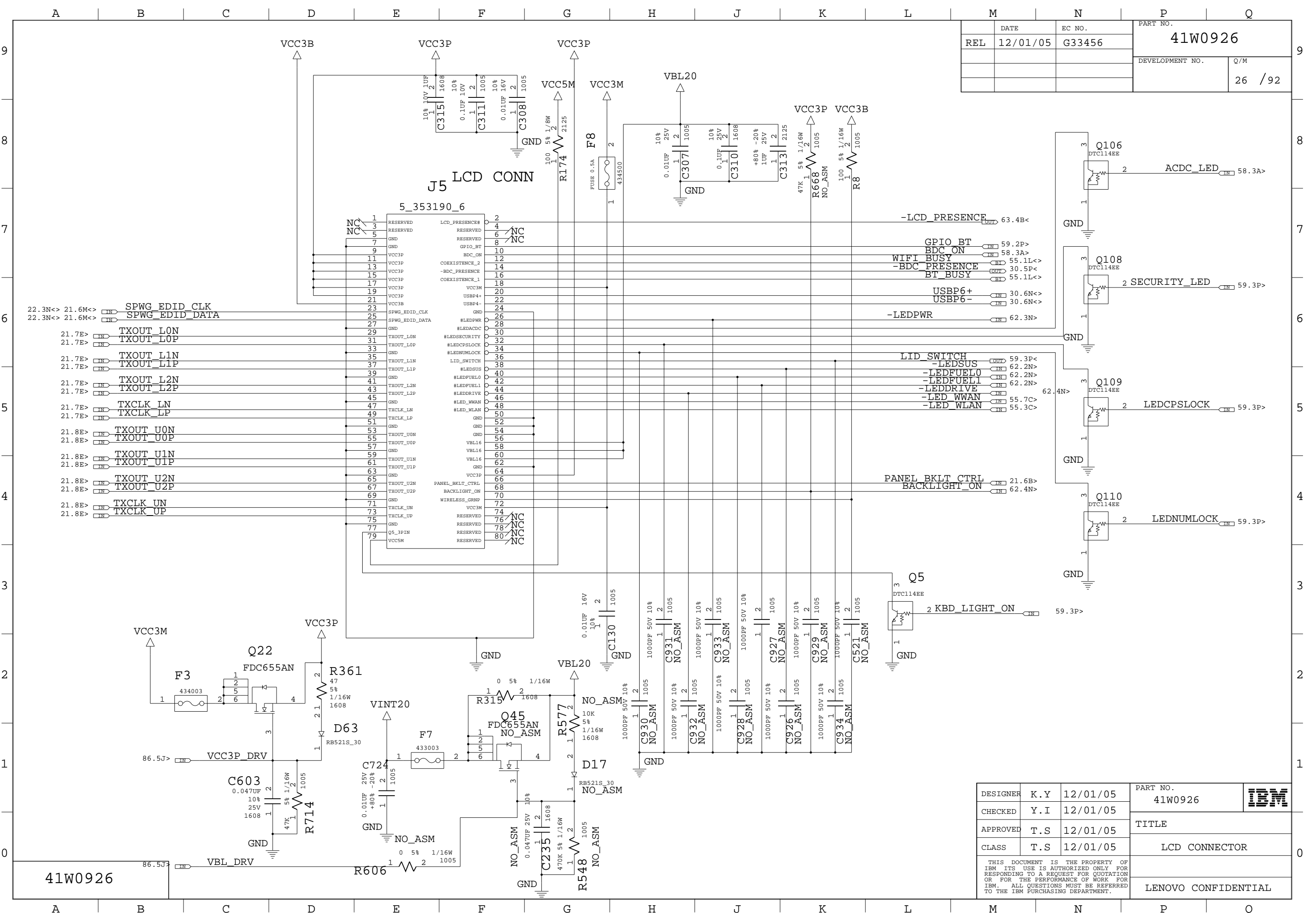
REFDES	M52/M54	M56
R331	NO_ASM	ASM
R625	ASM	NO_ASM

PARTS CONFIGURATION

REF DES	M52	M54	M56
R474	1K	1K	442

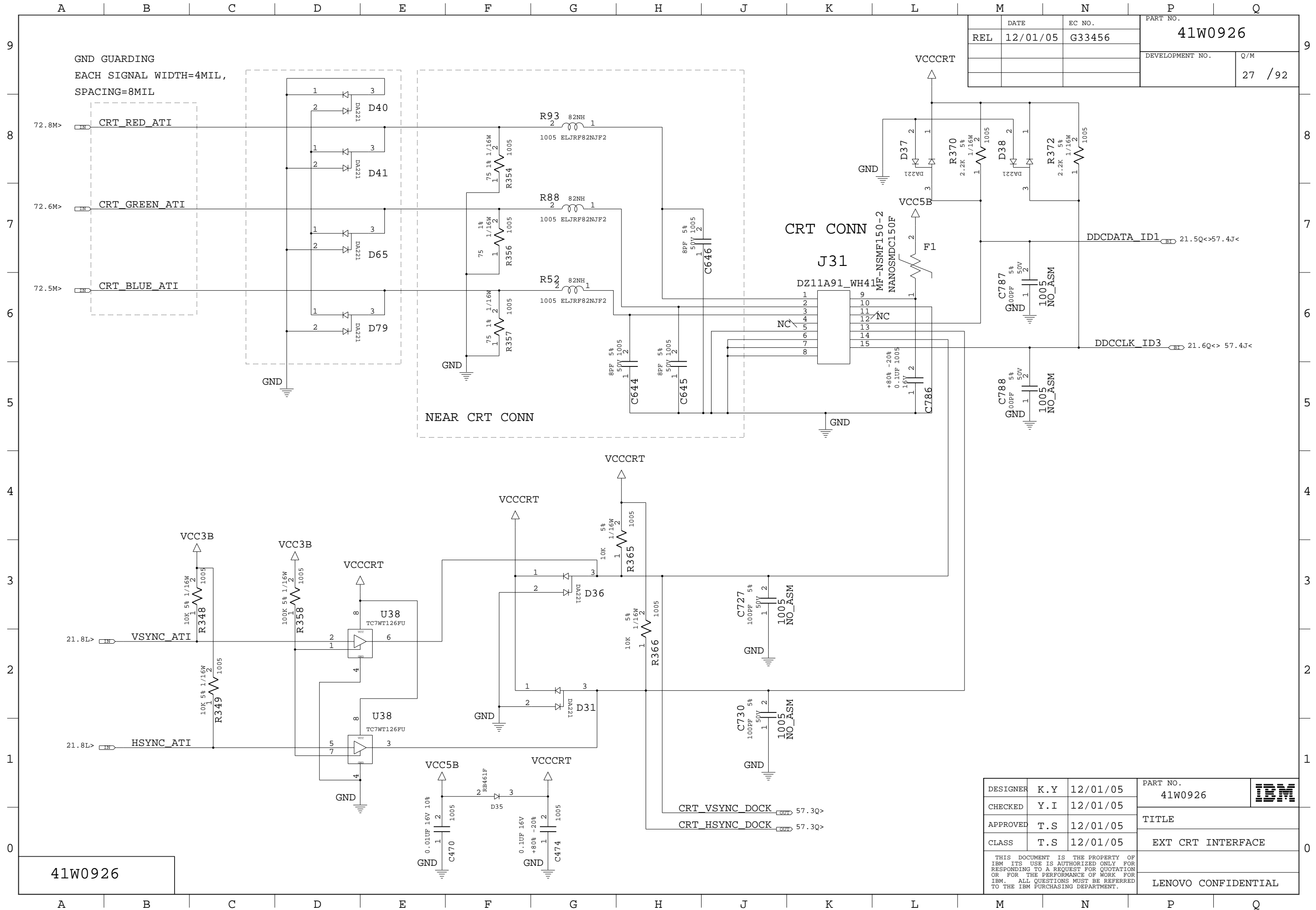
DESIGNER	K.Y	12/01/05	PART NO.	41W0926	
CHECKED	Y.I	12/01/05			
APPROVED	T.S	12/01/05	TITLE		
CLASS	T.S	12/01/05	ATI M5X(5/6) : VCC		
THIS DOCUMENT IS THE PROPERTY OF IBM. ITS USE IS AUTHORIZED ONLY FOR RESPONDING TO A REQUEST FOR QUOTATION OR FOR THE PERFORMANCE OF WORK FOR IBM. ALL QUESTIONS MUST BE REFERRED TO THE IBM PURCHASING DEPARTMENT.					LENOVO CONFIDENTIAL

41W0926



REL	DATE	EC NO.	PART NO.
	12/01/05	G33456	41W0926
			DEVELOPMENT NO.
			Q/M
			26 / 92

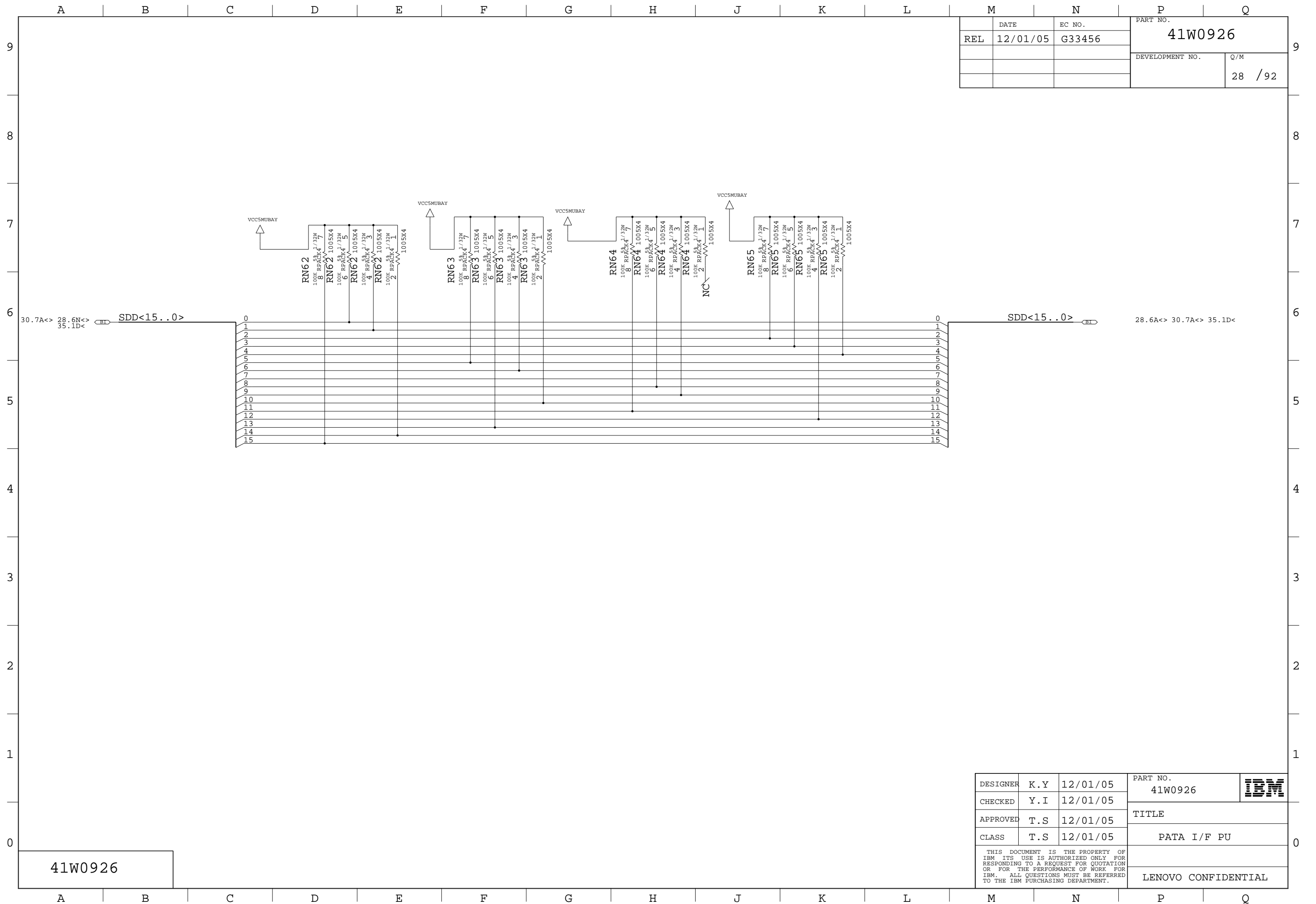
DESIGNER	K.Y	12/01/05	PART NO.	41W0926	IBM
CHECKED	Y.I	12/01/05			
APPROVED	T.S	12/01/05	TITLE		
CLASS	T.S	12/01/05	LCD CONNECTOR		
THIS DOCUMENT IS THE PROPERTY OF IBM. ITS USE IS AUTHORIZED ONLY FOR RESPONDING TO A REQUEST FOR QUOTATION OR FOR THE PERFORMANCE OF WORK FOR IBM. ALL QUESTIONS MUST BE REFERRED TO THE IBM PURCHASING DEPARTMENT.					
LENOVO CONFIDENTIAL					



DATE	REL	EC NO.	PART NO.
12/01/05		G33456	41W0926
DEVELOPMENT NO.			Q/M
			27 /92

41W0926

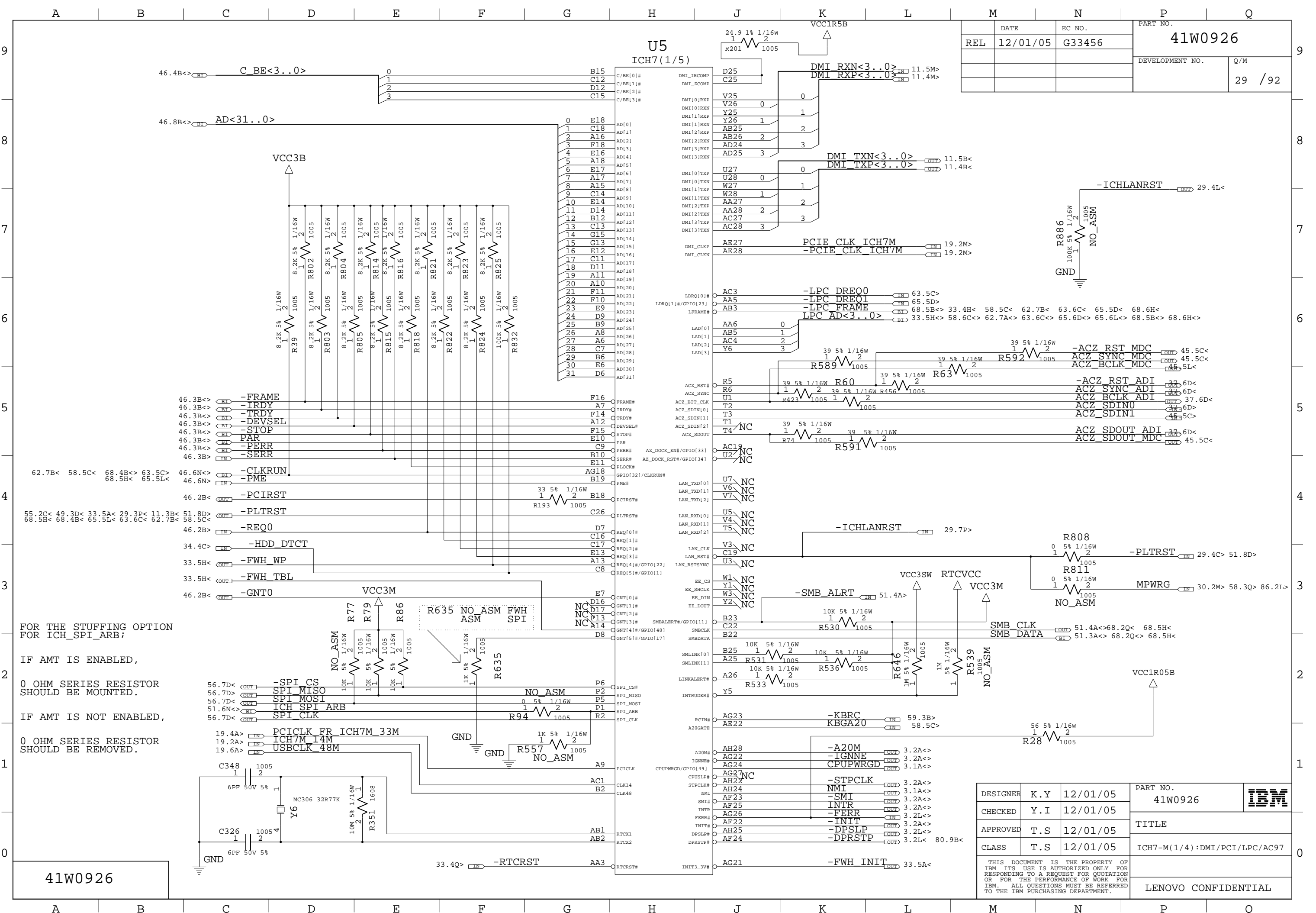
DESIGNER	K.Y	12/01/05	PART NO.	41W0926	IBM
CHECKED	Y.I	12/01/05			
APPROVED	T.S	12/01/05	TITLE		
CLASS	T.S	12/01/05	EXT CRT INTERFACE		
THIS DOCUMENT IS THE PROPERTY OF IBM ITS USE IS AUTHORIZED ONLY FOR RESPONDING TO A REQUEST FOR QUOTATION OR FOR THE PERFORMANCE OF WORK FOR IBM. ALL QUESTIONS MUST BE REFERRED TO THE IBM PURCHASING DEPARTMENT.					LENOVO CONFIDENTIAL



	DATE	EC NO.	PART NO.	
REL	12/01/05	G33456	41W0926	
			DEVELOPMENT NO.	Q/M
				28 /92

41W0926

DESIGNER	K.Y	12/01/05	PART NO.	41W0926	
CHECKED	Y.I	12/01/05	TITLE		
APPROVED	T.S	12/01/05	PATA I/F PU		
CLASS	T.S	12/01/05	LENVO CONFIDENTIAL		
<small>THIS DOCUMENT IS THE PROPERTY OF IBM ITS USE IS AUTHORIZED ONLY FOR RESPONDING TO A REQUEST FOR QUOTATION OR FOR THE PERFORMANCE OF WORK FOR IBM. ALL QUESTIONS MUST BE REFERRED TO THE IBM PURCHASING DEPARTMENT.</small>					



REL	DATE	EC NO.	PART NO.
	12/01/05	G33456	41W0926
			DEVELOPMENT NO.
			Q/M
			29 / 92

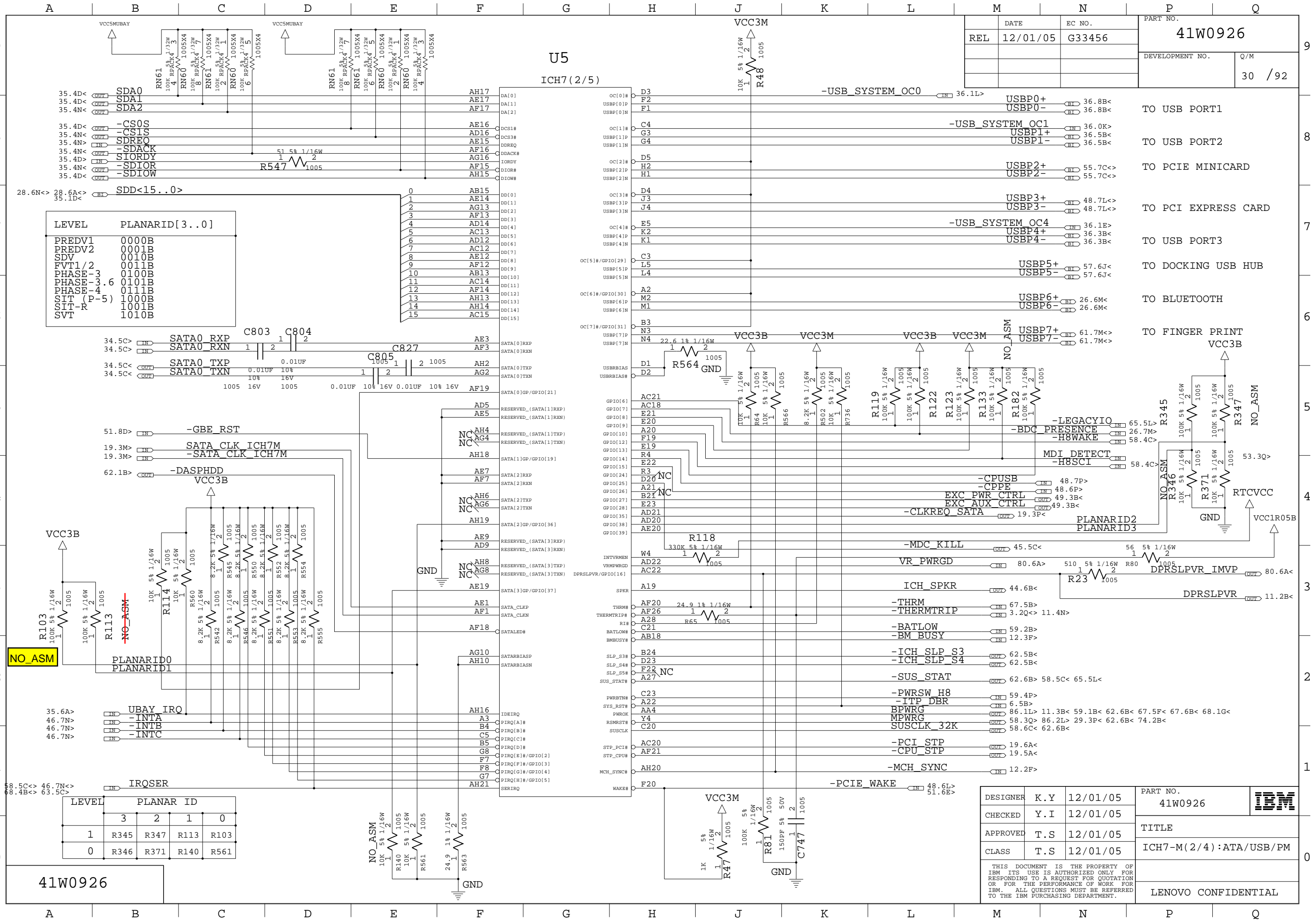
FOR THE STUFFING OPTION FOR ICH_SPI_ARB;

IF AMT IS ENABLED,
0 OHM SERIES RESISTOR SHOULD BE MOUNTED.

IF AMT IS NOT ENABLED,
0 OHM SERIES RESISTOR SHOULD BE REMOVED.

DESIGNER	K.Y	12/01/05	PART NO.	41W0926	IBM
CHECKED	Y.I	12/01/05			
APPROVED	T.S	12/01/05	TITLE		
CLASS	T.S	12/01/05	ICH7-M(1/4):DMI/PCI/LPC/AC97		
THIS DOCUMENT IS THE PROPERTY OF IBM ITS USE IS AUTHORIZED ONLY FOR RESPONDING TO A REQUEST FOR QUOTATION OR FOR THE PERFORMANCE OF WORK FOR IBM. ALL QUESTIONS MUST BE REFERRED TO THE IBM PURCHASING DEPARTMENT.					LENOVO CONFIDENTIAL

41W0926



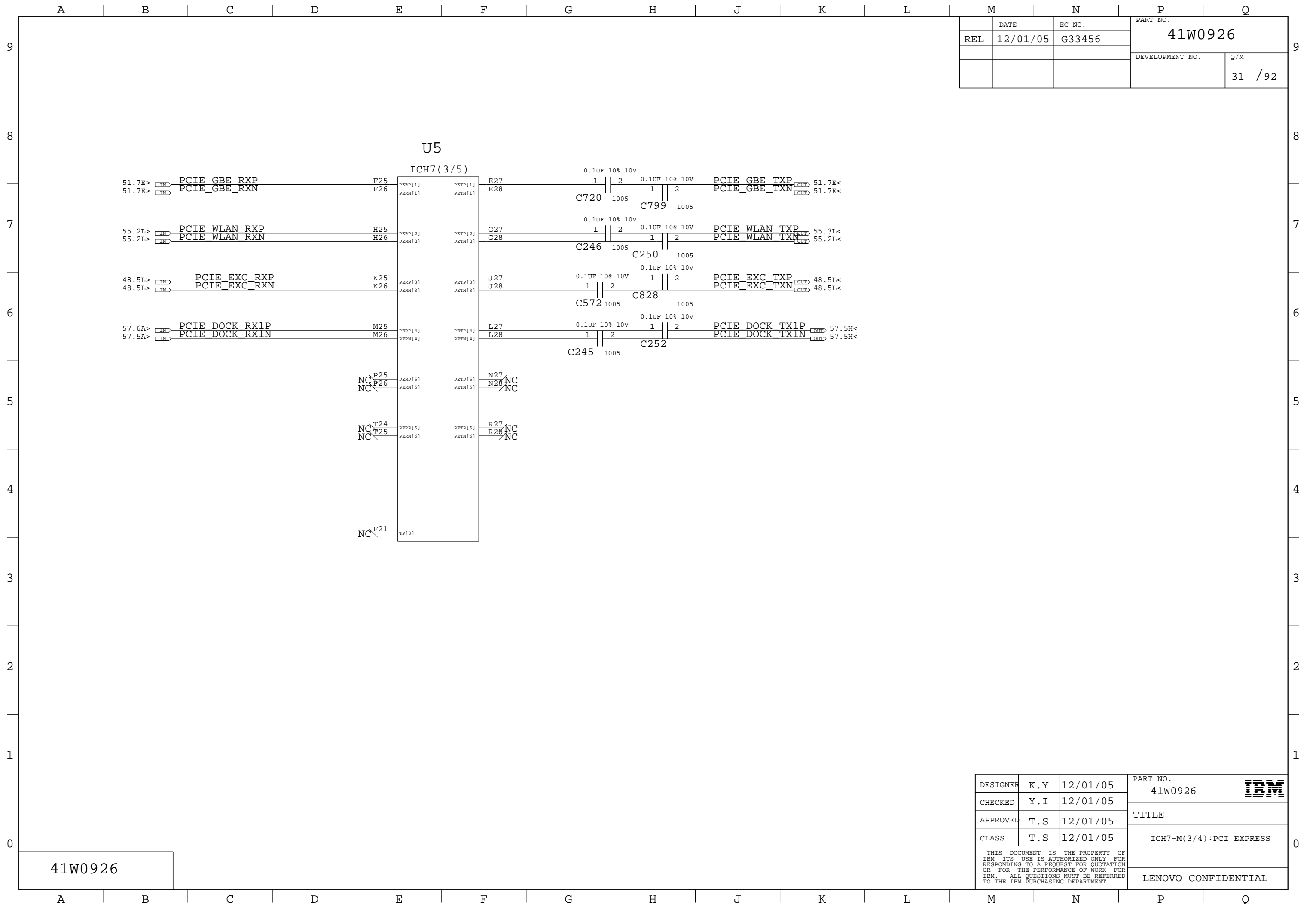
REL	DATE	EC NO.	PART NO.
	12/01/05	G33456	41W0926
			DEVELOPMENT NO.
			Q/M
			30 / 92

LEVEL	PLANAR ID[3..0]
PREDV1	0000B
PREDV2	0001B
SDV	0010B
FVT1/2	0011B
PHASE-3	0100B
PHASE-3.6	0101B
PHASE-4	0111B
SIT (P-5)	1000B
SIT-R	1001B
SVT	1010B

LEVEL	PLANAR ID
3	R345 R347 R113 R103
2	R346 R371 R140 R561
1	R345 R347 R113 R103
0	R346 R371 R140 R561

DESIGNER	K.Y	12/01/05	PART NO.	41W0926	
CHECKED	Y.I	12/01/05			
APPROVED	T.S	12/01/05	TITLE		
CLASS	T.S	12/01/05	ICH7-M(2/4):ATA/USB/PM		
THIS DOCUMENT IS THE PROPERTY OF IBM ITS USE IS AUTHORIZED ONLY FOR RESPONDING TO A REQUEST FOR QUOTATION OR FOR THE PERFORMANCE OF WORK FOR IBM. ALL QUESTIONS MUST BE REFERRED TO THE IBM PURCHASING DEPARTMENT.					LENOVO CONFIDENTIAL

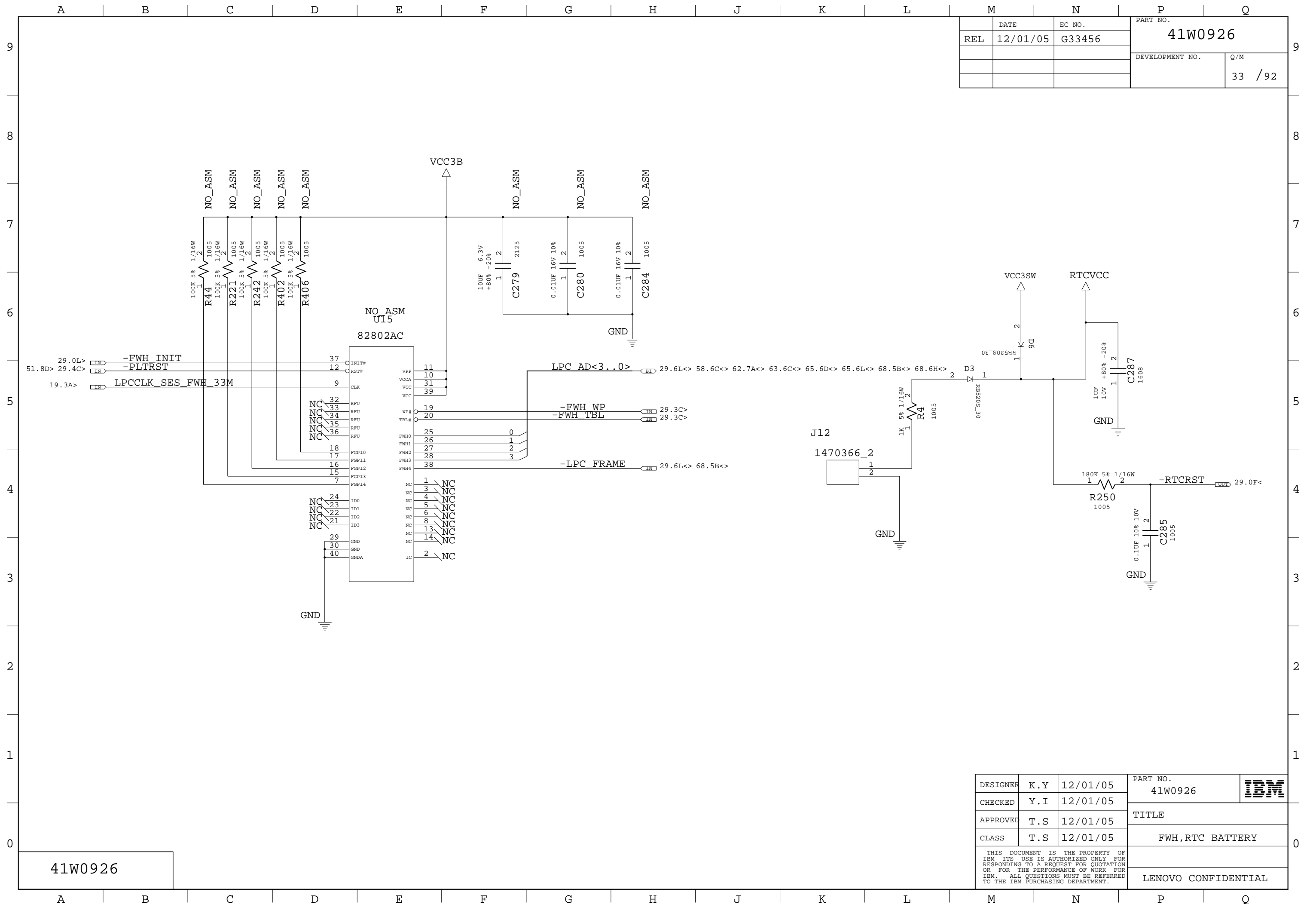
41W0926



	DATE	EC NO.	PART NO.	
REL	12/01/05	G33456	41W0926	
			DEVELOPMENT NO.	Q/M
				31 /92

41W0926

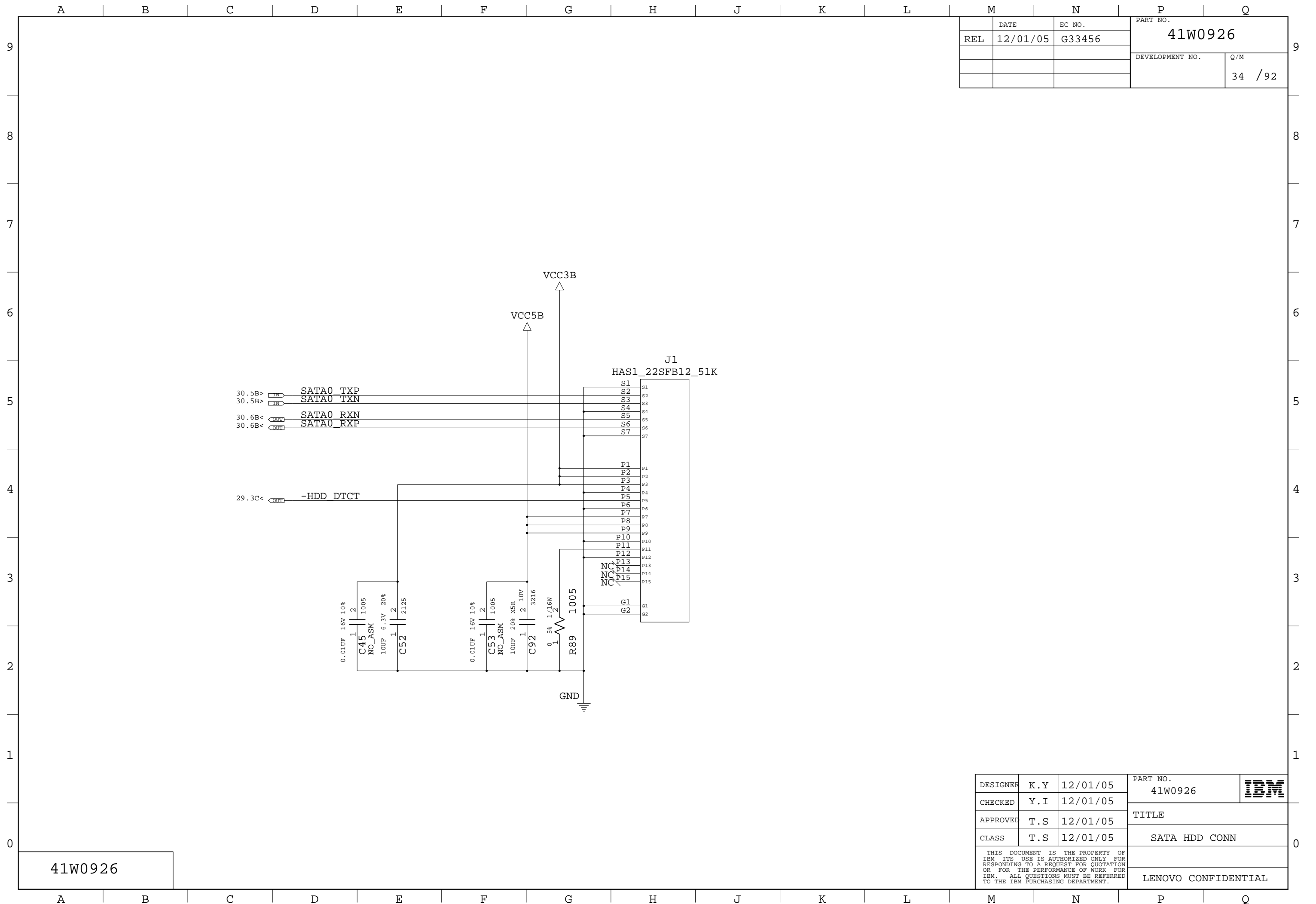
DESIGNER	K.Y	12/01/05	PART NO.	41W0926	IBM
CHECKED	Y.I	12/01/05	TITLE		
APPROVED	T.S	12/01/05	ICH7-M(3/4):PCI EXPRESS		
CLASS	T.S	12/01/05	LENOVO CONFIDENTIAL		
THIS DOCUMENT IS THE PROPERTY OF IBM ITS USE IS AUTHORIZED ONLY FOR RESPONDING TO A REQUEST FOR QUOTATION OR FOR THE PERFORMANCE OF WORK FOR IBM. ALL QUESTIONS MUST BE REFERRED TO THE IBM PURCHASING DEPARTMENT.					



	DATE	EC NO.	PART NO.	
REL	12/01/05	G33456	41W0926	
			DEVELOPMENT NO.	Q/M
				33 / 92

41W0926

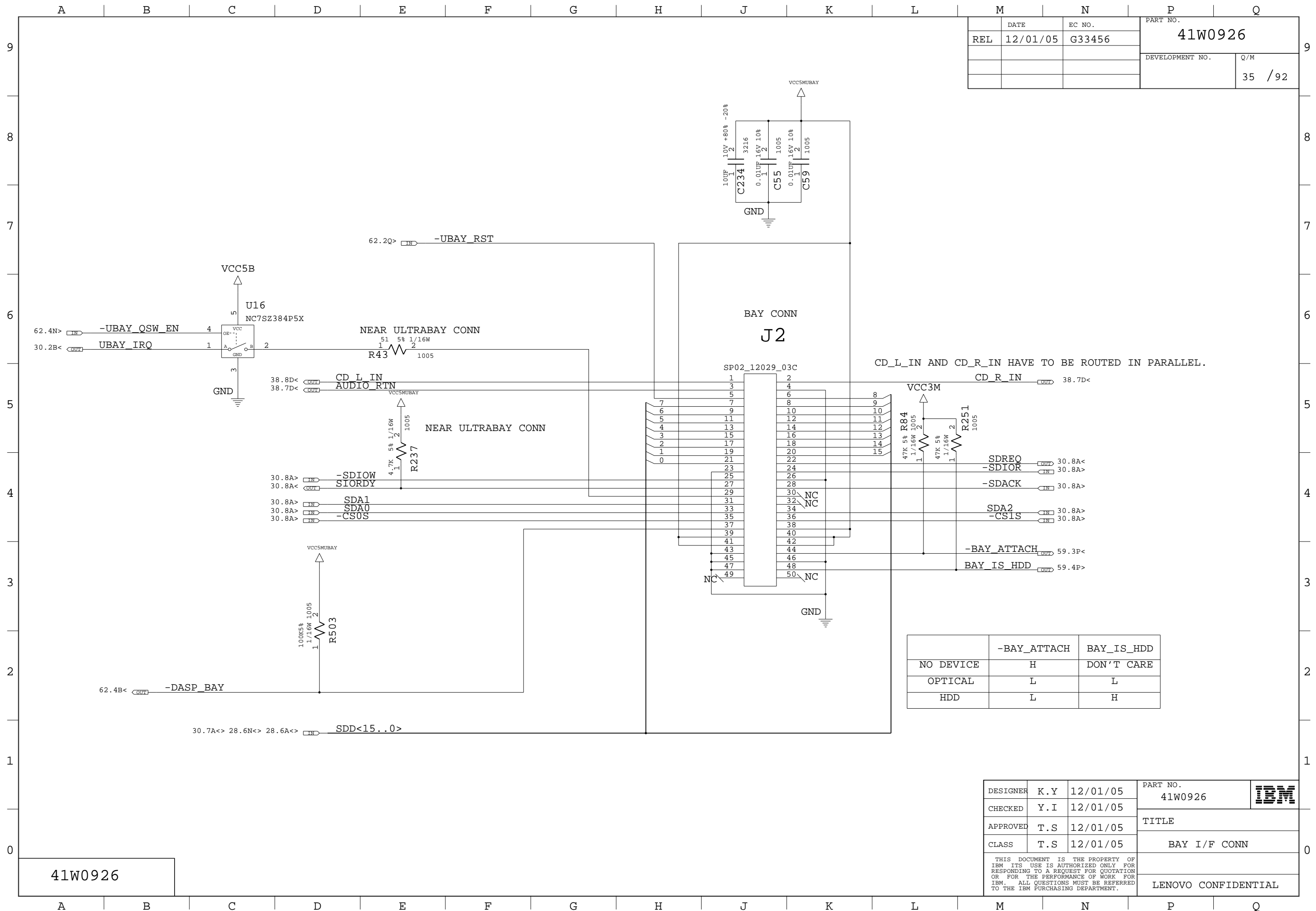
DESIGNER	K.Y	12/01/05	PART NO.	41W0926	
CHECKED	Y.I	12/01/05	TITLE		
APPROVED	T.S	12/01/05	FWH, RTC BATTERY		
CLASS	T.S	12/01/05	LENOVO CONFIDENTIAL		
<small>THIS DOCUMENT IS THE PROPERTY OF IBM ITS USE IS AUTHORIZED ONLY FOR RESPONDING TO A REQUEST FOR QUOTATION OR FOR THE PERFORMANCE OF WORK FOR IBM. ALL QUESTIONS MUST BE REFERRED TO THE IBM PURCHASING DEPARTMENT.</small>					



	DATE	EC NO.	PART NO.	
REL	12/01/05	G33456	41W0926	
			DEVELOPMENT NO.	Q/M
				34 / 92

41W0926

DESIGNER	K.Y	12/01/05	PART NO.	41W0926	
CHECKED	Y.I	12/01/05			
APPROVED	T.S	12/01/05	TITLE		
CLASS	T.S	12/01/05	SATA HDD CONN		
THIS DOCUMENT IS THE PROPERTY OF IBM ITS USE IS AUTHORIZED ONLY FOR RESPONDING TO A REQUEST FOR QUOTATION OR FOR THE PERFORMANCE OF WORK FOR IBM. ALL QUESTIONS MUST BE REFERRED TO THE IBM PURCHASING DEPARTMENT.					LENOVO CONFIDENTIAL

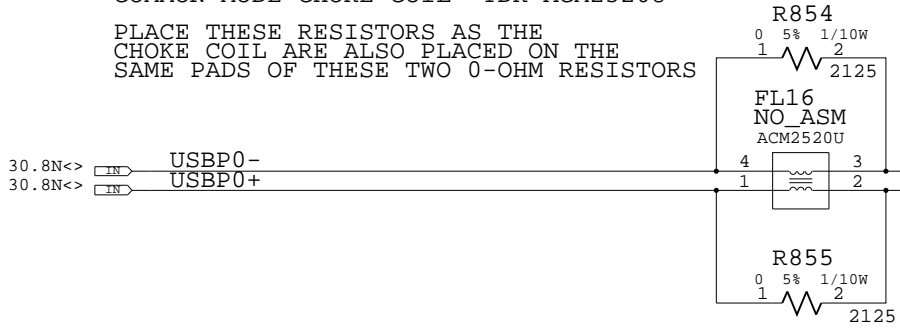


41W0926

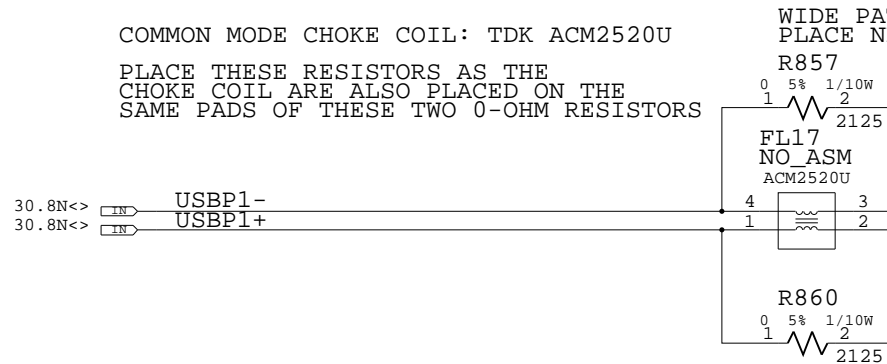
DESIGNER	K.Y	12/01/05	PART NO.	41W0926	IBM
CHECKED	Y.I	12/01/05	TITLE		
APPROVED	T.S	12/01/05	BAY I/F CONN		LENOVO CONFIDENTIAL
CLASS	T.S	12/01/05	THIS DOCUMENT IS THE PROPERTY OF IBM ITS USE IS AUTHORIZED ONLY FOR RESPONDING TO A REQUEST FOR QUOTATION OR FOR THE PERFORMANCE OF WORK FOR IBM. ALL QUESTIONS MUST BE REFERRED TO THE IBM PURCHASING DEPARTMENT.		

REL	DATE	EC NO.	PART NO.
	12/01/05	G33456	41W0926
			DEVELOPMENT NO.
			Q/M
			36 / 92

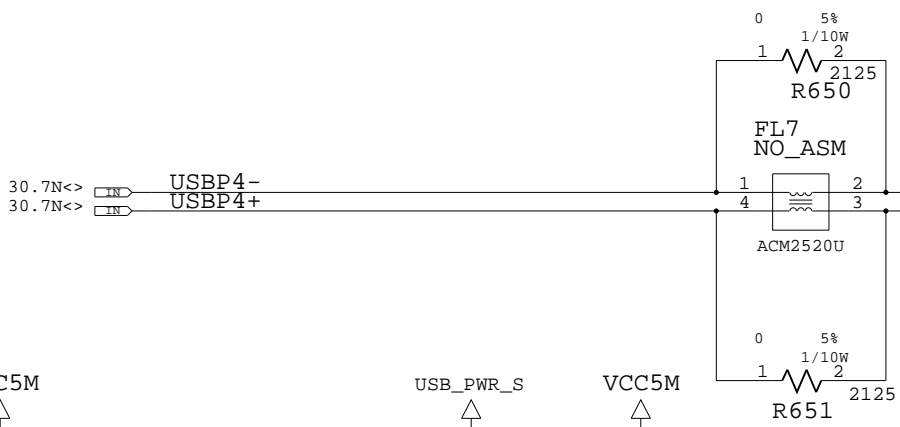
COMMON MODE CHOKE COIL: TDK ACM2520U
 PLACE THESE RESISTORS AS THE
 CHOKE COIL ARE ALSO PLACED ON THE
 SAME PADS OF THESE TWO 0-OHM RESISTORS



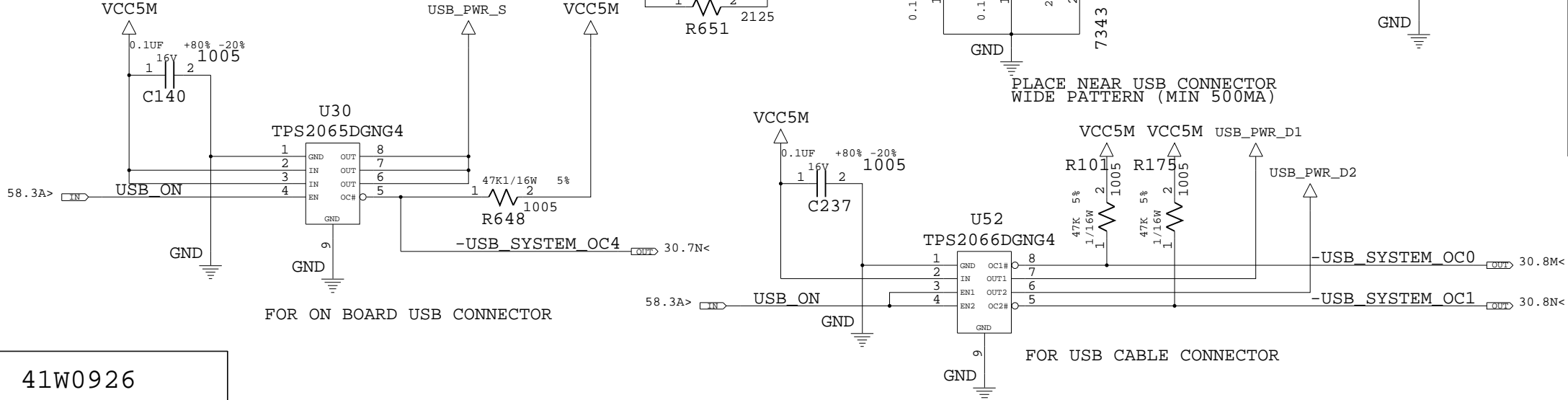
COMMON MODE CHOKE COIL: TDK ACM2520U
 PLACE THESE RESISTORS AS THE
 CHOKE COIL ARE ALSO PLACED ON THE
 SAME PADS OF THESE TWO 0-OHM RESISTORS



PLACE NEAR USB CONNECTOR
 WIDE PATTERN (MIN 500MA)

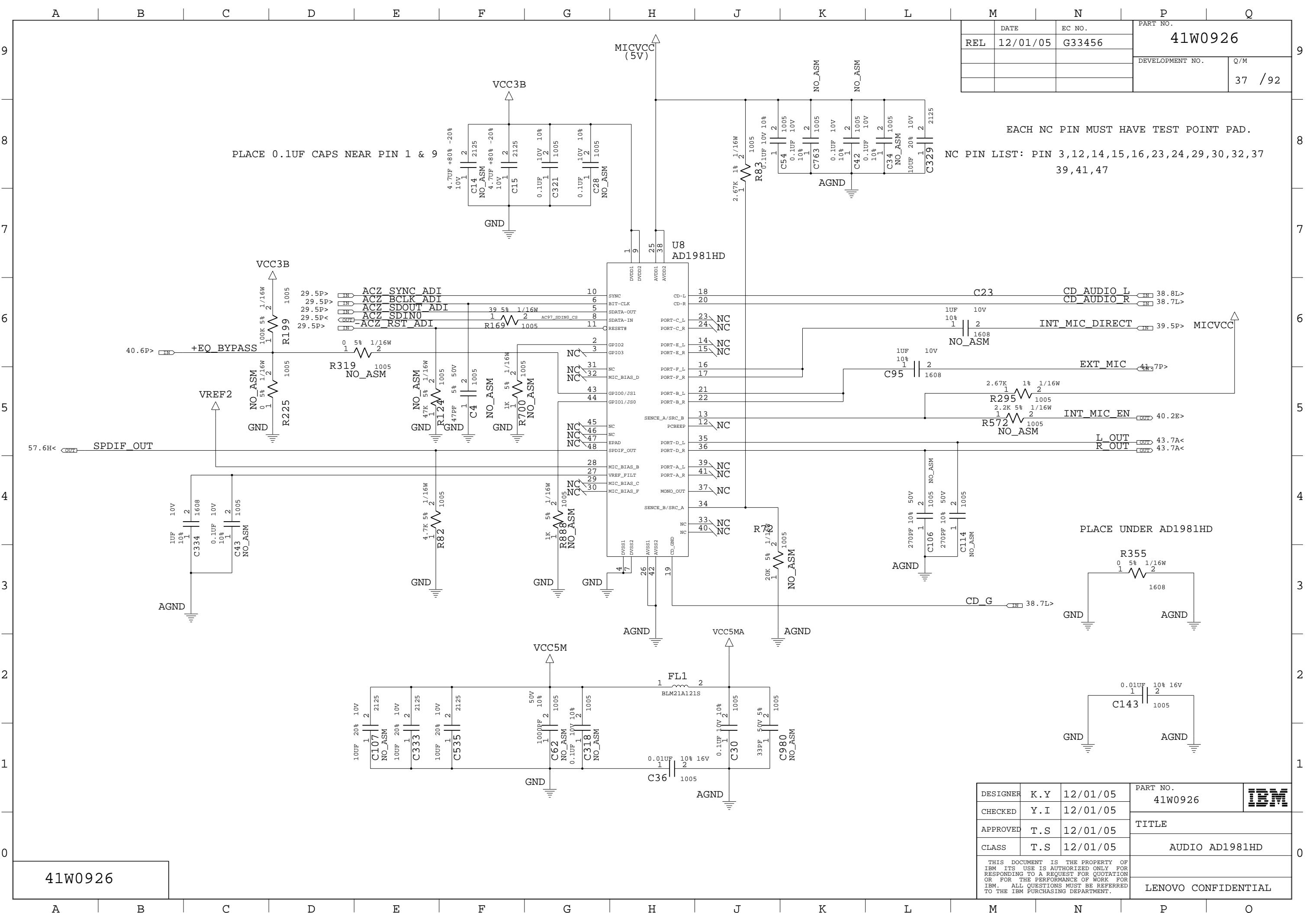


PLACE NEAR USB CONNECTOR
 WIDE PATTERN (MIN 500MA)



DESIGNER	K.Y	12/01/05	PART NO.	41W0926	IBM
CHECKED	Y.I	12/01/05			
APPROVED	T.S	12/01/05	TITLE		
CLASS	T.S	12/01/05	USB POWER/CONNECTOR		
THIS DOCUMENT IS THE PROPERTY OF IBM ITS USE IS AUTHORIZED ONLY FOR RESPONDING TO A REQUEST FOR QUOTATION OR FOR THE PERFORMANCE OF WORK FOR IBM. ALL QUESTIONS MUST BE REFERRED TO THE IBM PURCHASING DEPARTMENT.				LENOVO CONFIDENTIAL	

41W0926



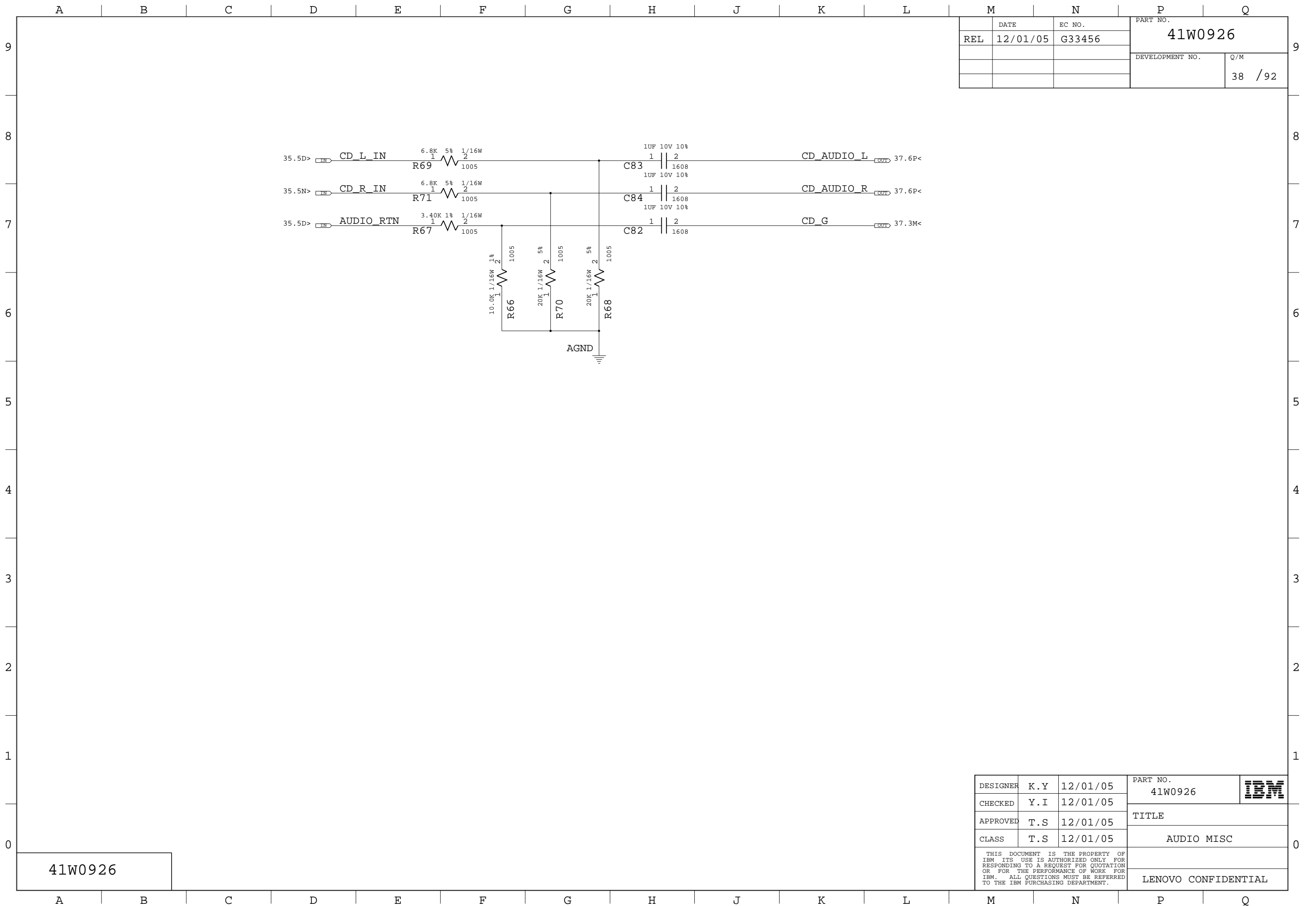
DATE	12/01/05	EC NO.	G33456	PART NO.	41W0926
REL				DEVELOPMENT NO.	37 / 92

EACH NC PIN MUST HAVE TEST POINT PAD.
 NC PIN LIST: PIN 3,12,14,15,16,23,24,29,30,32,37,39,41,47

41W0926

DESIGNER	K.Y	12/01/05	PART NO.	41W0926	IBM
CHECKED	Y.I	12/01/05	TITLE		
APPROVED	T.S	12/01/05	AUDIO AD1981HD		
CLASS	T.S	12/01/05	LENOVO CONFIDENTIAL		

THIS DOCUMENT IS THE PROPERTY OF IBM ITS USE IS AUTHORIZED ONLY FOR RESPONDING TO A REQUEST FOR QUOTATION OR FOR THE PERFORMANCE OF WORK FOR IBM. ALL QUESTIONS MUST BE REFERRED TO THE IBM PURCHASING DEPARTMENT.

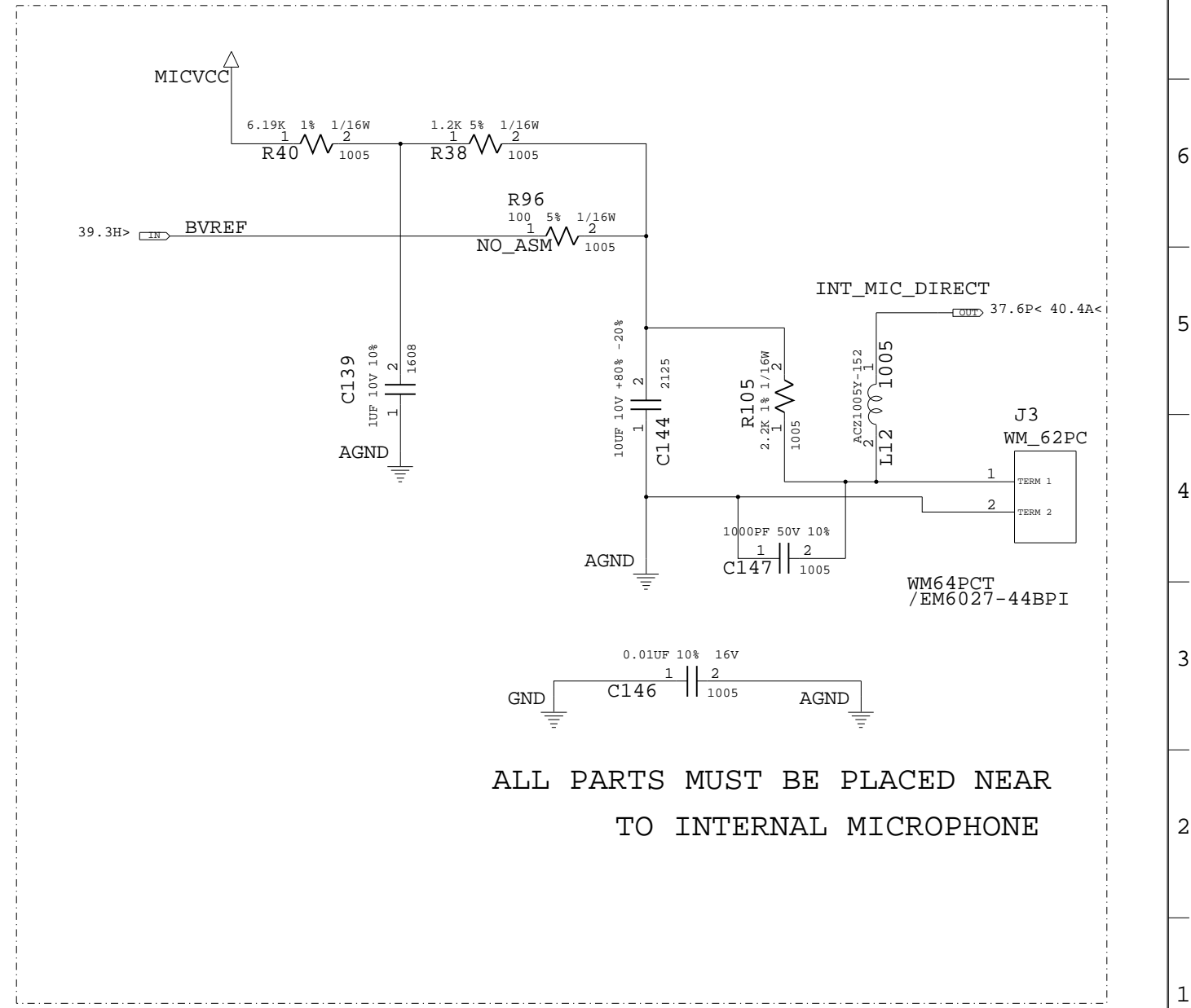
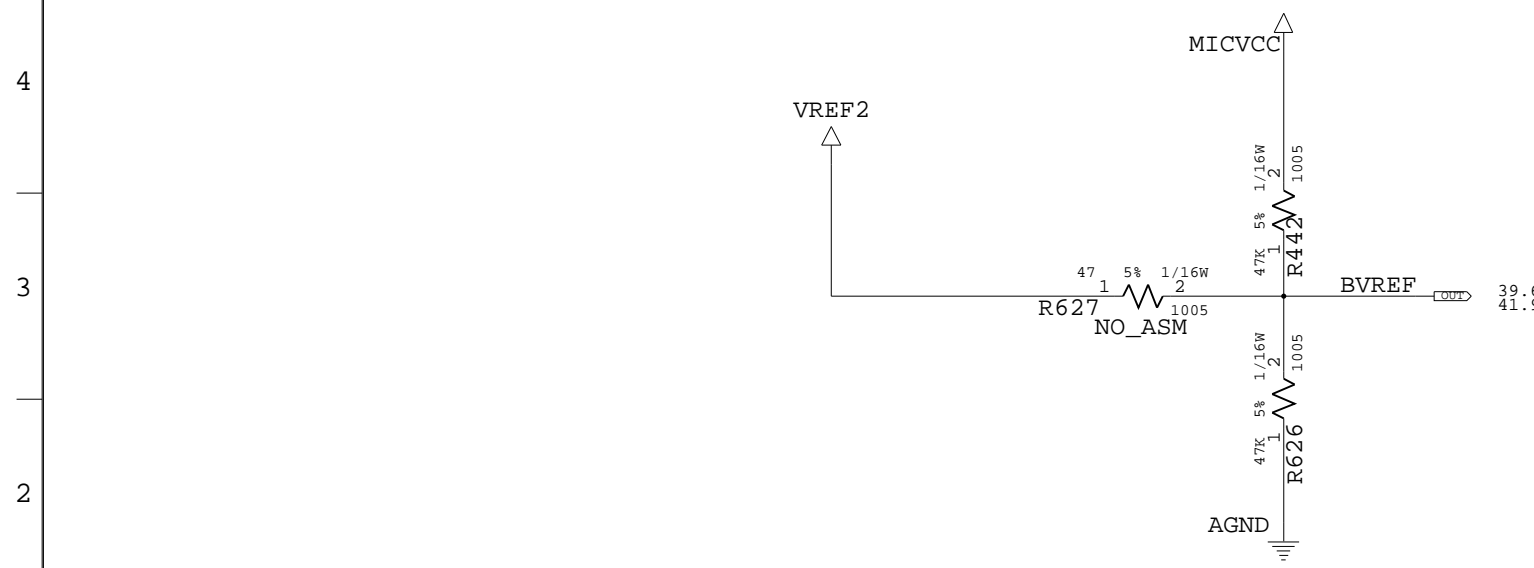
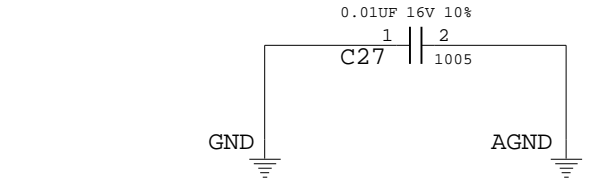
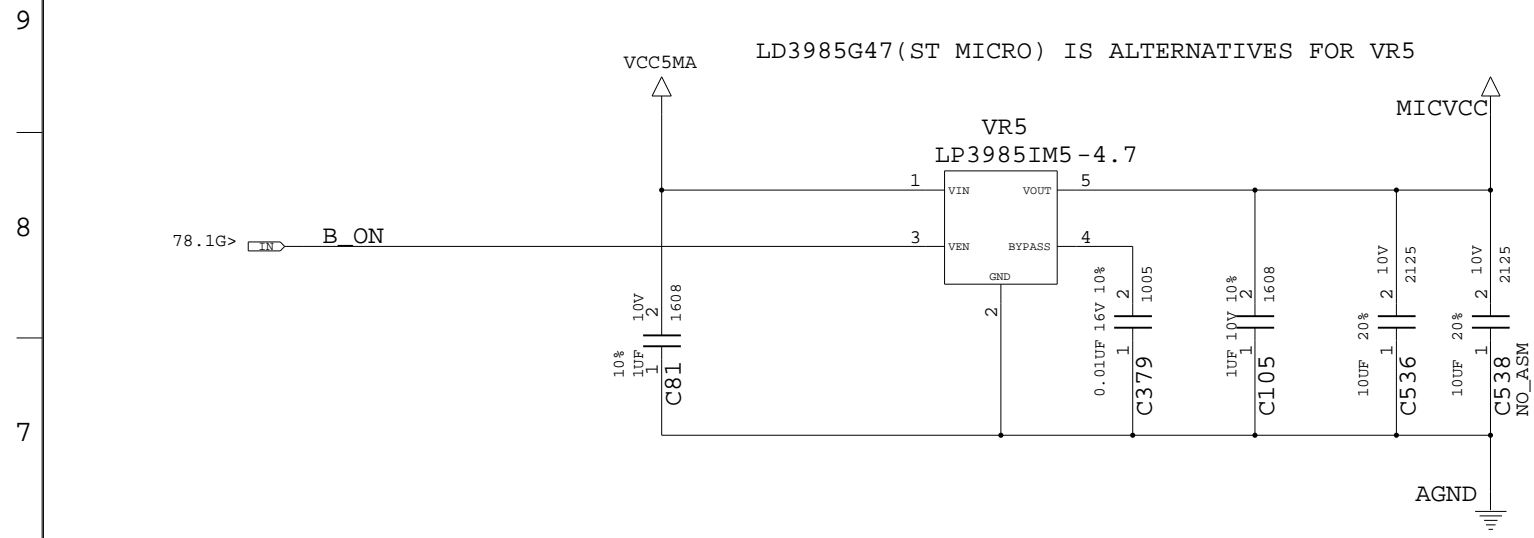


	DATE	EC NO.	PART NO.	
REL	12/01/05	G33456	41W0926	
			DEVELOPMENT NO.	Q/M
				38 /92

41W0926

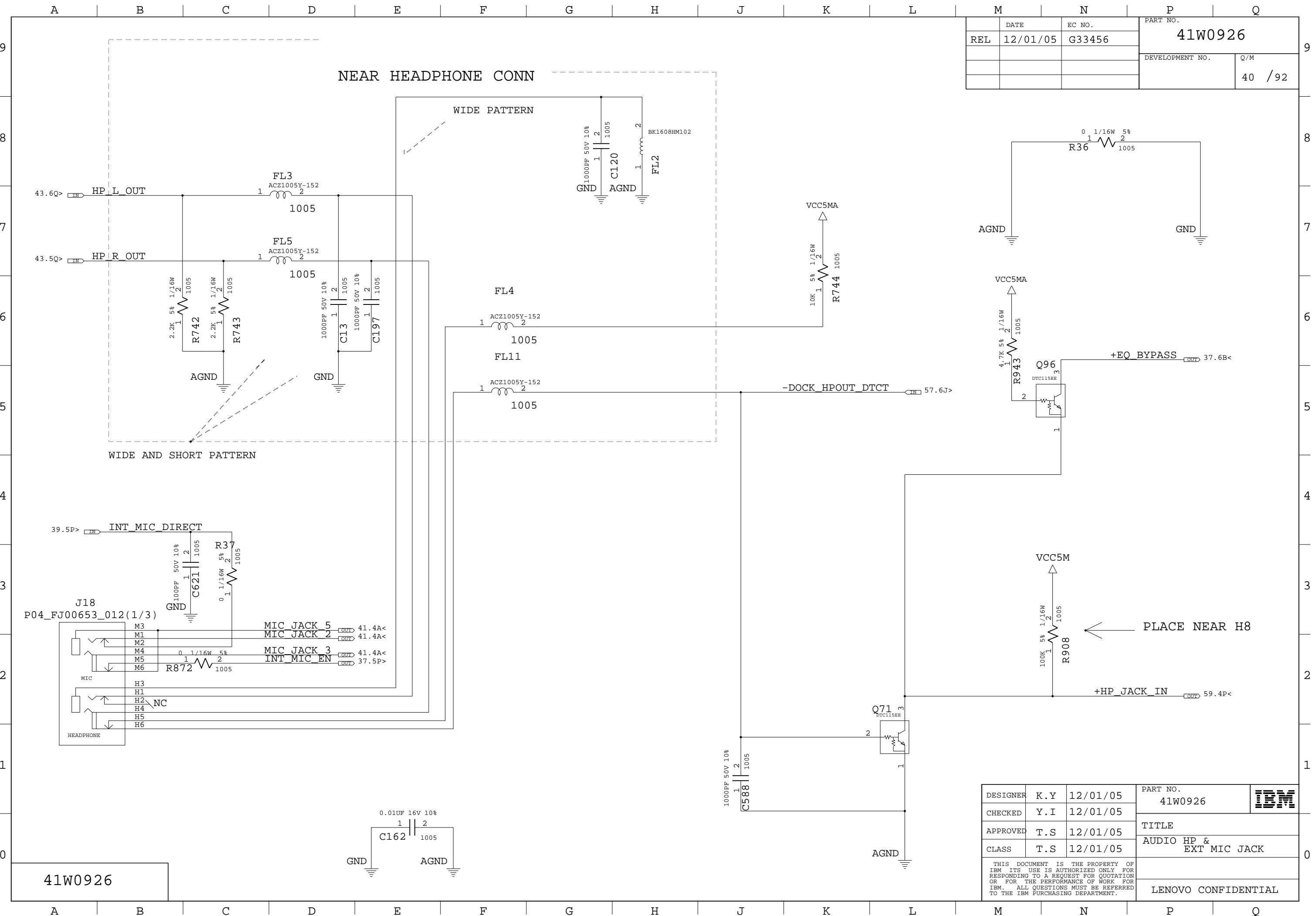
DESIGNER	K.Y	12/01/05	PART NO.	41W0926	IBM
CHECKED	Y.I	12/01/05			
APPROVED	T.S	12/01/05	TITLE		
CLASS	T.S	12/01/05	AUDIO MISC		
THIS DOCUMENT IS THE PROPERTY OF IBM ITS USE IS AUTHORIZED ONLY FOR RESPONDING TO A REQUEST FOR QUOTATION OR FOR THE PERFORMANCE OF WORK FOR IBM. ALL QUESTIONS MUST BE REFERRED TO THE IBM PURCHASING DEPARTMENT.				LENOVO CONFIDENTIAL	

	DATE	EC NO.	PART NO.	
REL	12/01/05	G33456	41W0926	
			DEVELOPMENT NO.	Q/M
				39 / 92



41W0926

DESIGNER	K.Y	12/01/05	PART NO.	41W0926	
CHECKED	Y.I	12/01/05			
APPROVED	T.S	12/01/05	TITLE		
CLASS	T.S	12/01/05	AUDIO INT MIC		
THIS DOCUMENT IS THE PROPERTY OF IBM ITS USE IS AUTHORIZED ONLY FOR RESPONDING TO A REQUEST FOR QUOTATION OR FOR THE PERFORMANCE OF WORK FOR IBM. ALL QUESTIONS MUST BE REFERRED TO THE IBM PURCHASING DEPARTMENT.				LENOVO CONFIDENTIAL	

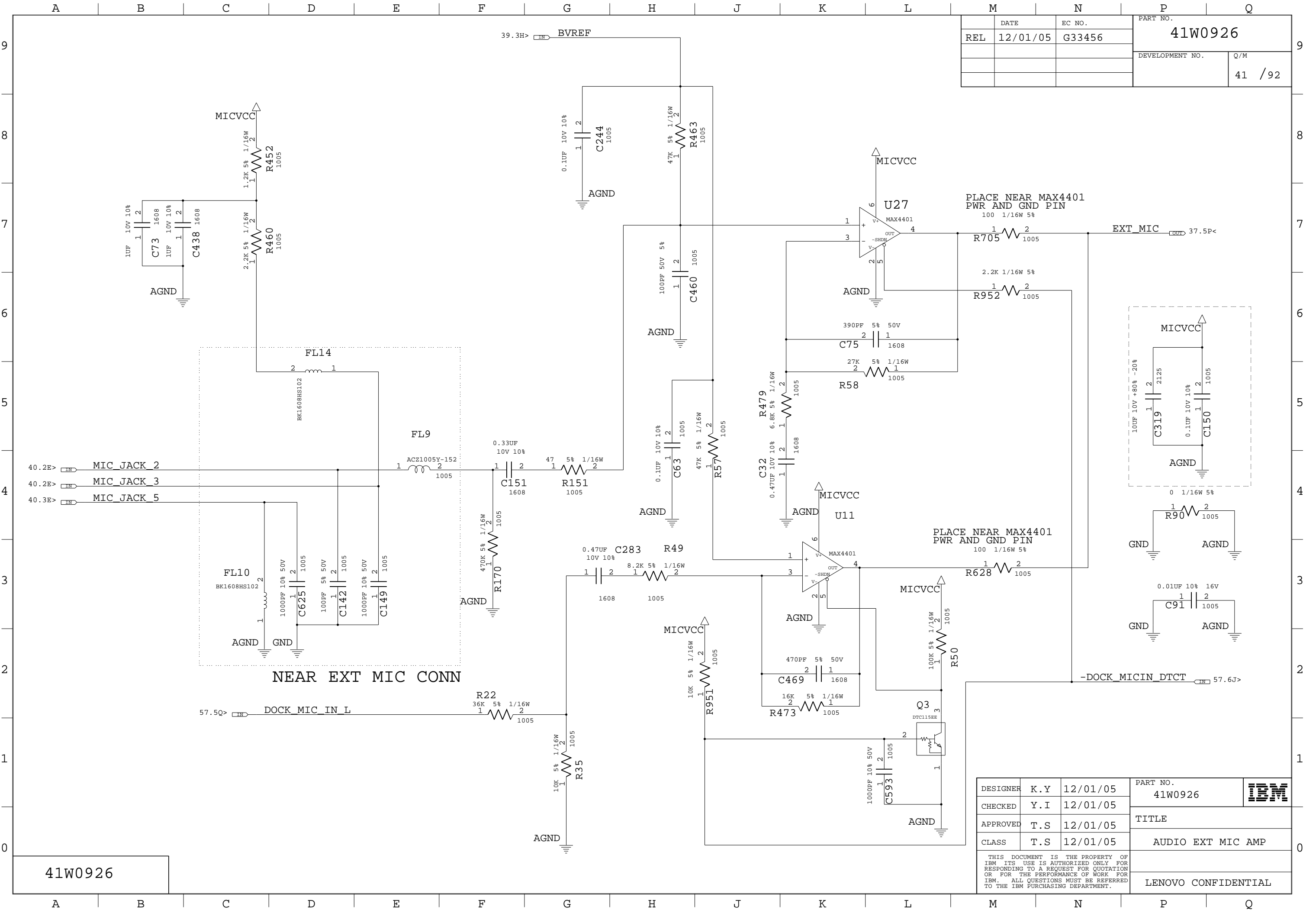


REL	DATE	EC NO.	PART NO.	
	12/01/05	G33456	41W0926	
			DEVELOPMENT NO.	Q/M
				40 / 92

DESIGNER	K.Y	12/01/05	PART NO.	41W0926	IBM
CHECKED	Y.I	12/01/05	TITLE		
APPROVED	T.S	12/01/05	AUDIO HP & EXT MIC JACK		
CLASS	T.S	12/01/05	LENVO CONFIDENTIAL		

THIS DOCUMENT IS THE PROPERTY OF IBM. ITS USE IS AUTHORIZED ONLY FOR RESPONDING TO A REQUEST FOR QUOTATION OR FOR THE PERFORMANCE OF WORK FOR IBM. ALL QUESTIONS MUST BE REFERRED TO THE IBM PURCHASING DEPARTMENT.

41W0926



REL	DATE	EC NO.	PART NO.
	12/01/05	G33456	41W0926
			DEVELOPMENT NO.
			Q/M
			41 / 92

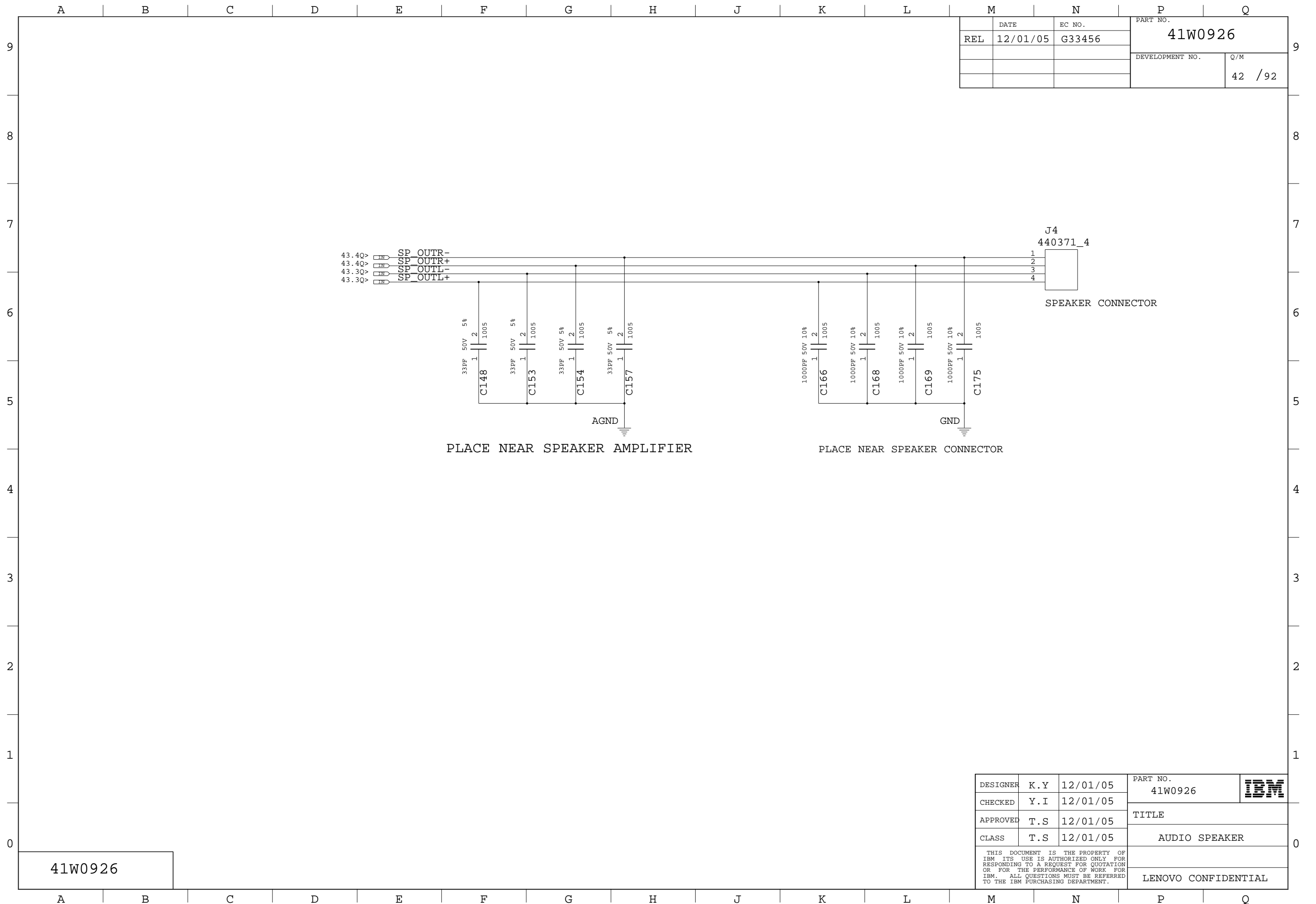
PLACE NEAR MAX4401
PWR AND GND PIN
100 1/16W 5%

PLACE NEAR MAX4401
PWR AND GND PIN
100 1/16W 5%

NEAR EXT MIC CONN

DESIGNER	K.Y	12/01/05	PART NO.	41W0926	IBM
CHECKED	Y.I	12/01/05			
APPROVED	T.S	12/01/05	TITLE		
CLASS	T.S	12/01/05	AUDIO EXT MIC AMP		
THIS DOCUMENT IS THE PROPERTY OF IBM ITS USE IS AUTHORIZED ONLY FOR RESPONDING TO A REQUEST FOR QUOTATION OR FOR THE PERFORMANCE OF WORK FOR IBM. ALL QUESTIONS MUST BE REFERRED TO THE IBM PURCHASING DEPARTMENT.					LENOVO CONFIDENTIAL

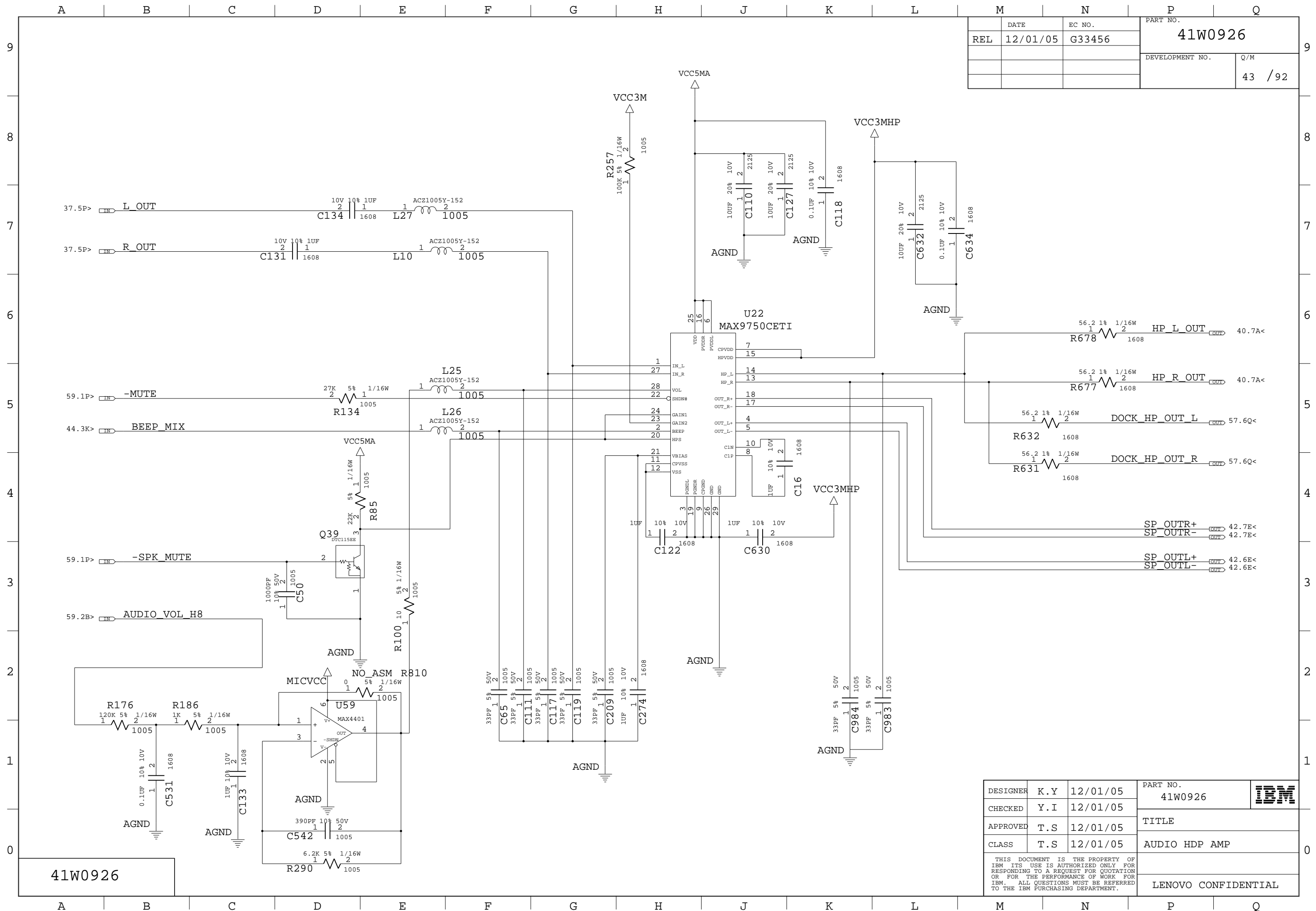
41W0926



	DATE	EC NO.	PART NO.	
REL	12/01/05	G33456	41W0926	
			DEVELOPMENT NO.	Q/M
				42 / 92

41W0926

DESIGNER	K.Y	12/01/05	PART NO.	41W0926	IBM
CHECKED	Y.I	12/01/05			
APPROVED	T.S	12/01/05	TITLE		
CLASS	T.S	12/01/05	AUDIO SPEAKER		
THIS DOCUMENT IS THE PROPERTY OF IBM ITS USE IS AUTHORIZED ONLY FOR RESPONDING TO A REQUEST FOR QUOTATION OR FOR THE PERFORMANCE OF WORK FOR IBM. ALL QUESTIONS MUST BE REFERRED TO THE IBM PURCHASING DEPARTMENT.				LENOVO CONFIDENTIAL	

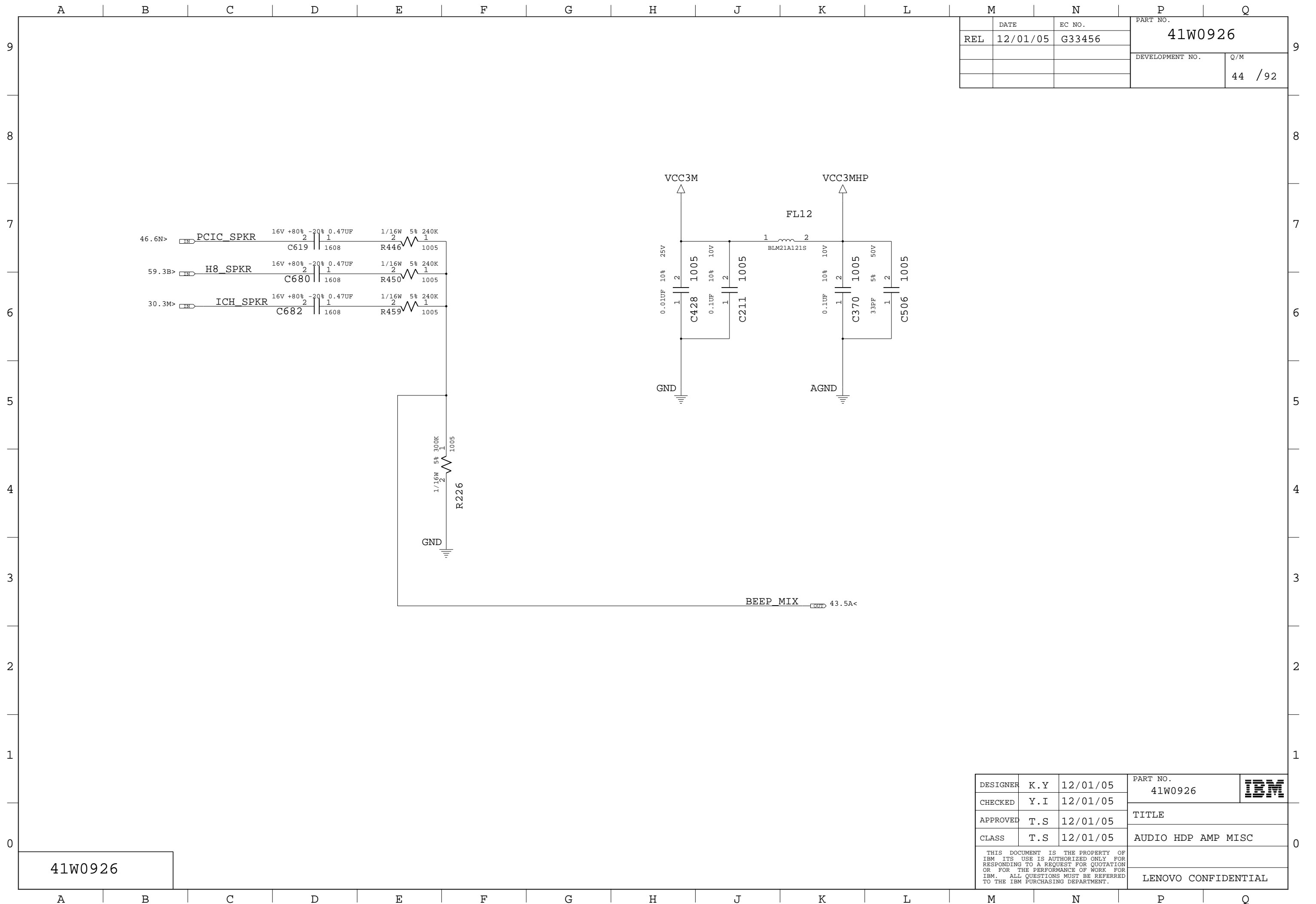


	DATE	EC NO.	PART NO.	
REL	12/01/05	G33456	41W0926	
			DEVELOPMENT NO.	Q/M
				43 / 92

41W0926

DESIGNER	K.Y	12/01/05	PART NO.	41W0926	
CHECKED	Y.I	12/01/05	TITLE		
APPROVED	T.S	12/01/05	AUDIO HDP AMP		
CLASS	T.S	12/01/05	LENOVO CONFIDENTIAL		

THIS DOCUMENT IS THE PROPERTY OF IBM ITS USE IS AUTHORIZED ONLY FOR RESPONDING TO A REQUEST FOR QUOTATION OR FOR THE PERFORMANCE OF WORK FOR IBM. ALL QUESTIONS MUST BE REFERRED TO THE IBM PURCHASING DEPARTMENT.

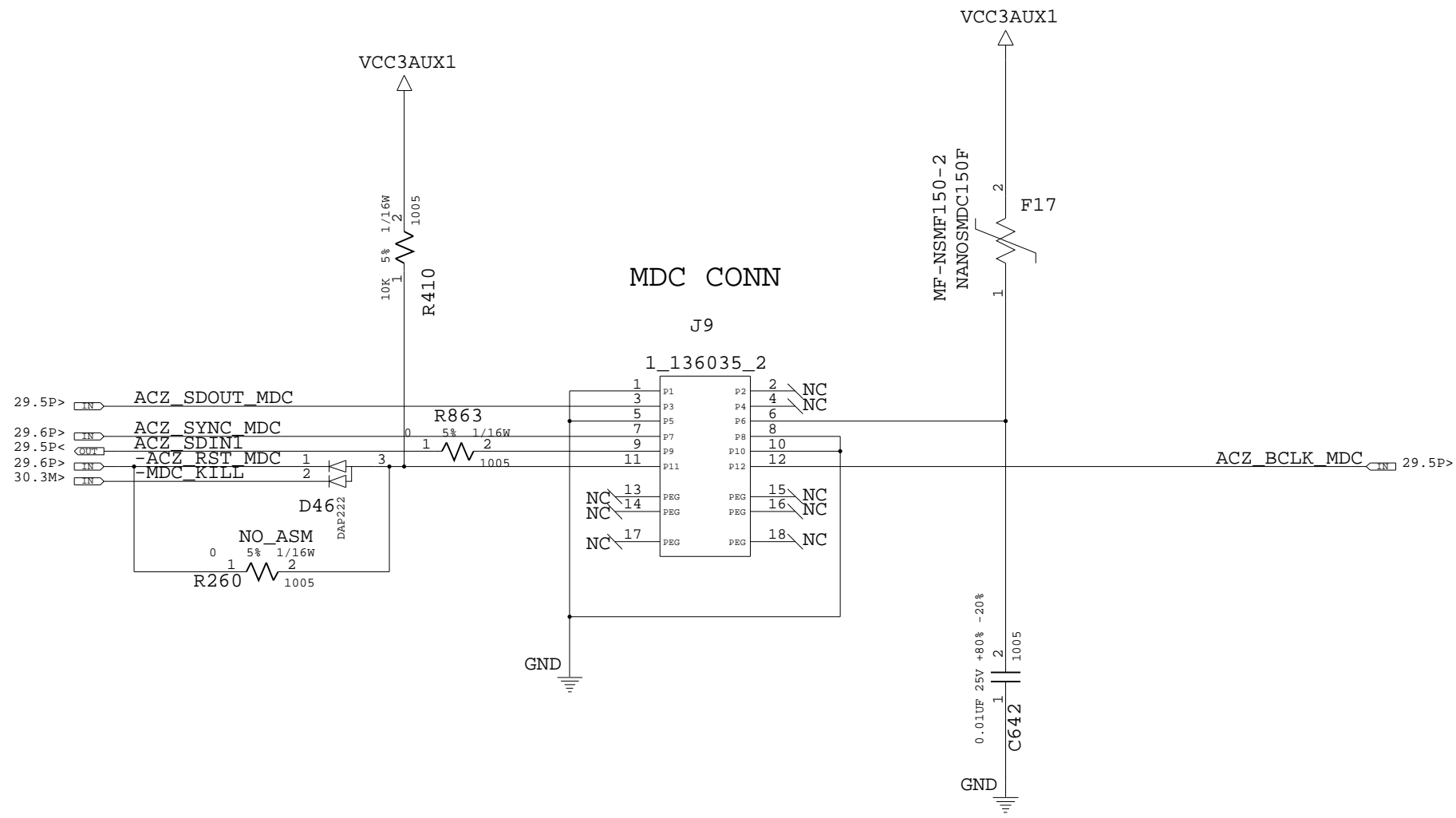


	DATE	EC NO.	PART NO.	
REL	12/01/05	G33456	41W0926	
			DEVELOPMENT NO.	Q/M
				44 / 92

41W0926

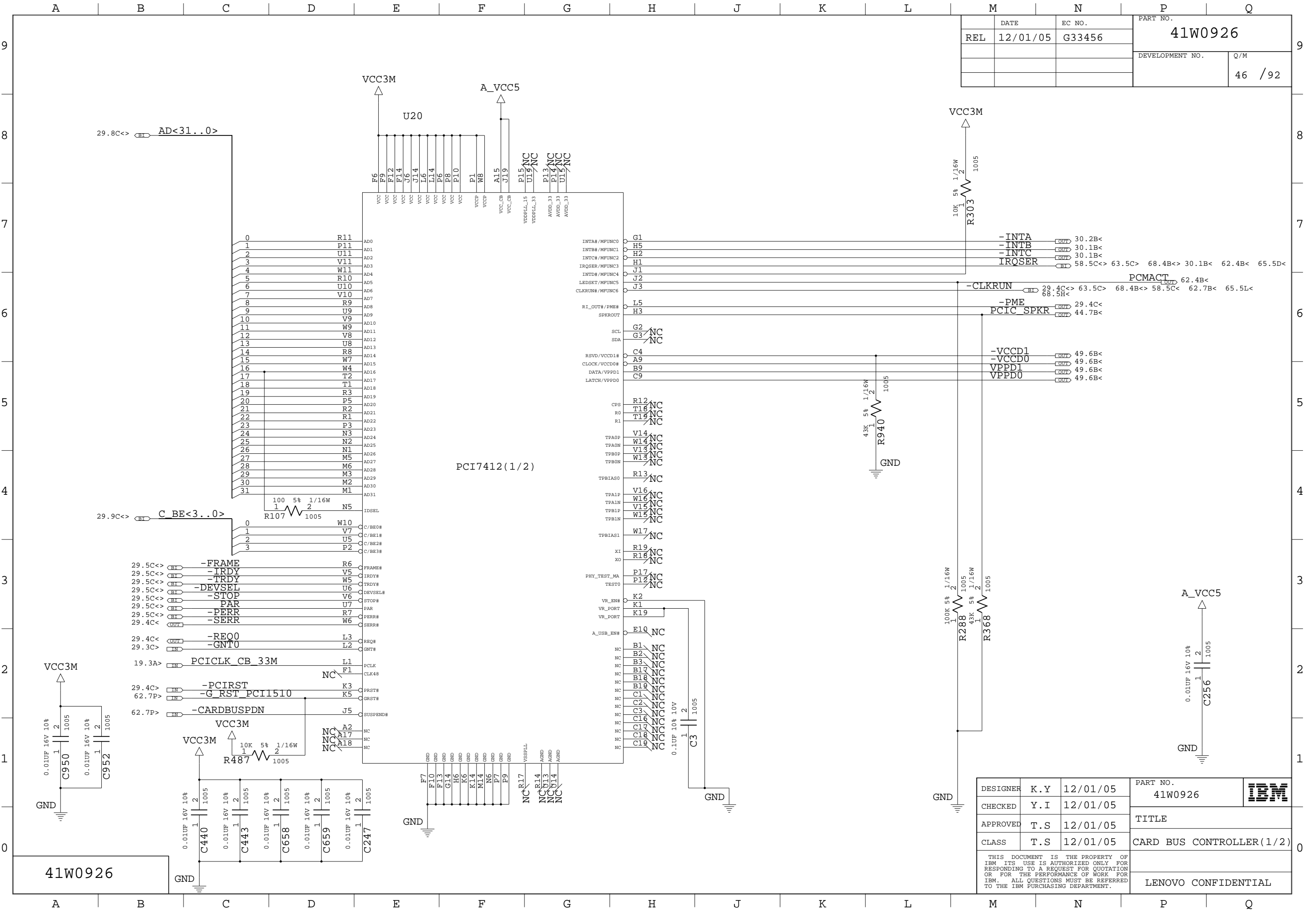
DESIGNER	K.Y	12/01/05	PART NO.	41W0926	IBM
CHECKED	Y.I	12/01/05	TITLE		
APPROVED	T.S	12/01/05	AUDIO HDP AMP MISC		
CLASS	T.S	12/01/05	LENOVO CONFIDENTIAL		
<small>THIS DOCUMENT IS THE PROPERTY OF IBM ITS USE IS AUTHORIZED ONLY FOR RESPONDING TO A REQUEST FOR QUOTATION OR FOR THE PERFORMANCE OF WORK FOR IBM. ALL QUESTIONS MUST BE REFERRED TO THE IBM PURCHASING DEPARTMENT.</small>					

	DATE	EC NO.	PART NO.	
REL	12/01/05	G33456	41W0926	
			DEVELOPMENT NO.	Q/M
				45 / 92



41W0926

DESIGNER	K.Y	12/01/05	PART NO.	41W0926	IBM
CHECKED	Y.I	12/01/05	TITLE		
APPROVED	T.S	12/01/05	MDC 1.5 CONNECTOR		
CLASS	T.S	12/01/05	LENOVO CONFIDENTIAL		
<small>THIS DOCUMENT IS THE PROPERTY OF IBM ITS USE IS AUTHORIZED ONLY FOR RESPONDING TO A REQUEST FOR QUOTATION OR FOR THE PERFORMANCE OF WORK FOR IBM. ALL QUESTIONS MUST BE REFERRED TO THE IBM PURCHASING DEPARTMENT.</small>					

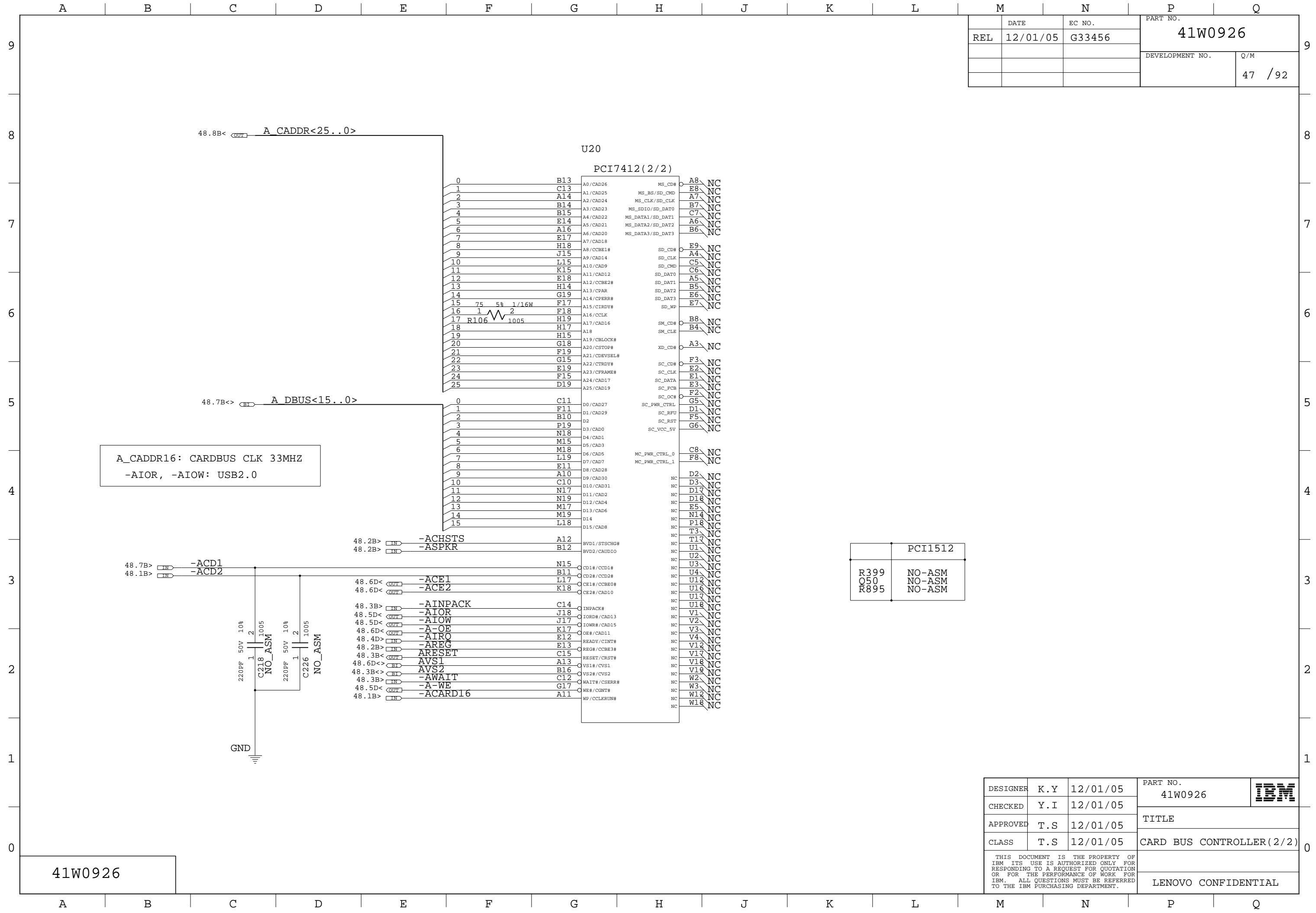


DATE	REL	EC NO.	PART NO.	
12/01/05		G33456	41W0926	
DEVELOPMENT NO.			Q/M	
			46 / 92	

41W0926

DESIGNER	K.Y	12/01/05	PART NO.	41W0926	
CHECKED	Y.I	12/01/05			
APPROVED	T.S	12/01/05	TITLE		
CLASS	T.S	12/01/05	CARD BUS CONTROLLER(1/2)		
THIS DOCUMENT IS THE PROPERTY OF IBM. ITS USE IS AUTHORIZED ONLY FOR RESPONDING TO A REQUEST FOR QUOTATION OR FOR THE PERFORMANCE OF WORK FOR IBM. ALL QUESTIONS MUST BE REFERRED TO THE IBM PURCHASING DEPARTMENT.					LENOVO CONFIDENTIAL

	DATE	EC NO.	PART NO.	
REL	12/01/05	G33456	41W0926	
			DEVELOPMENT NO.	Q/M
				47 / 92

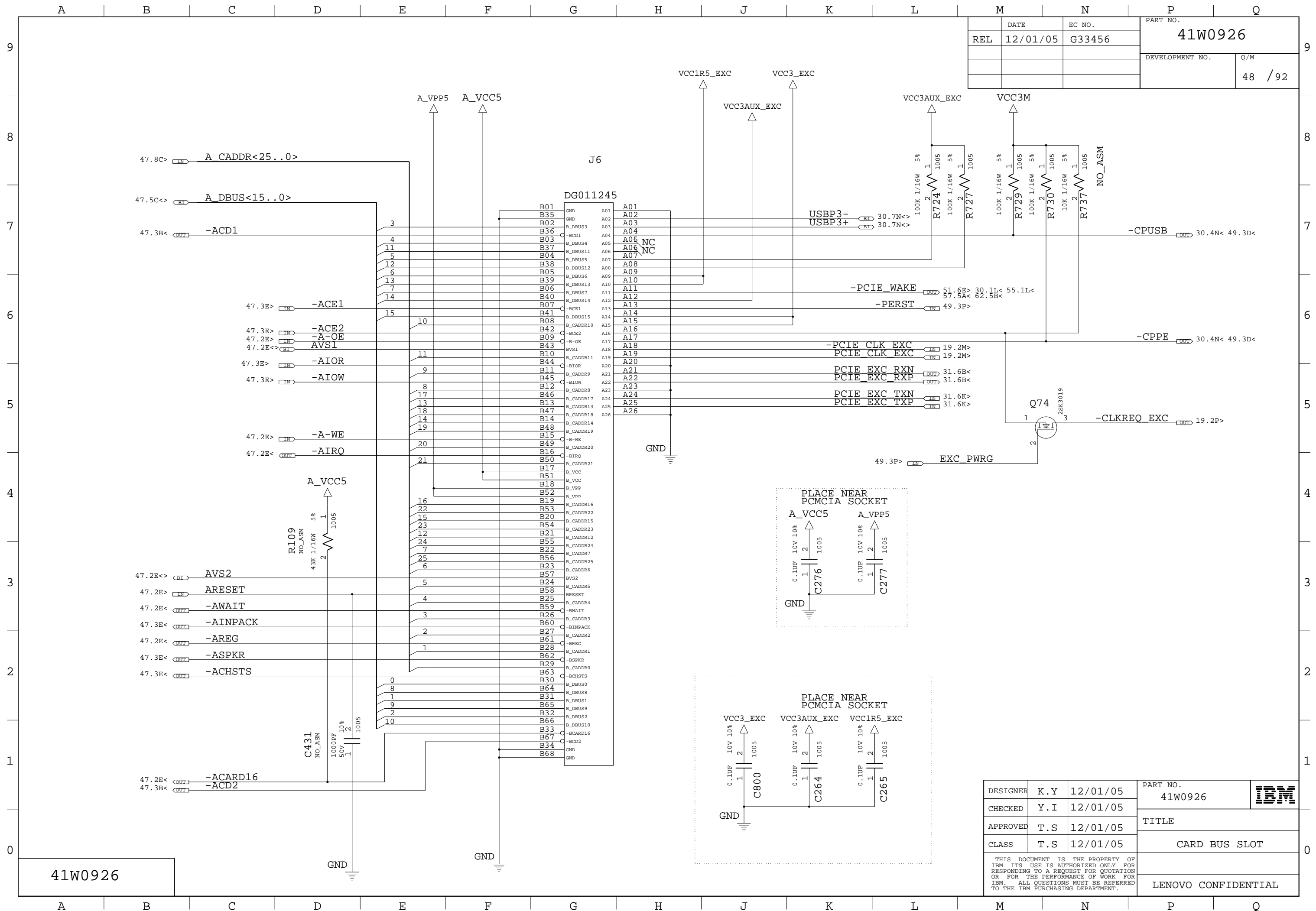


A_CADDR16: CARDBUS CLK 33MHZ
-AIOR, -AIOW: USB2.0

	PCI1512
R399	NO-ASM
Q50	NO-ASM
R895	NO-ASM

41W0926

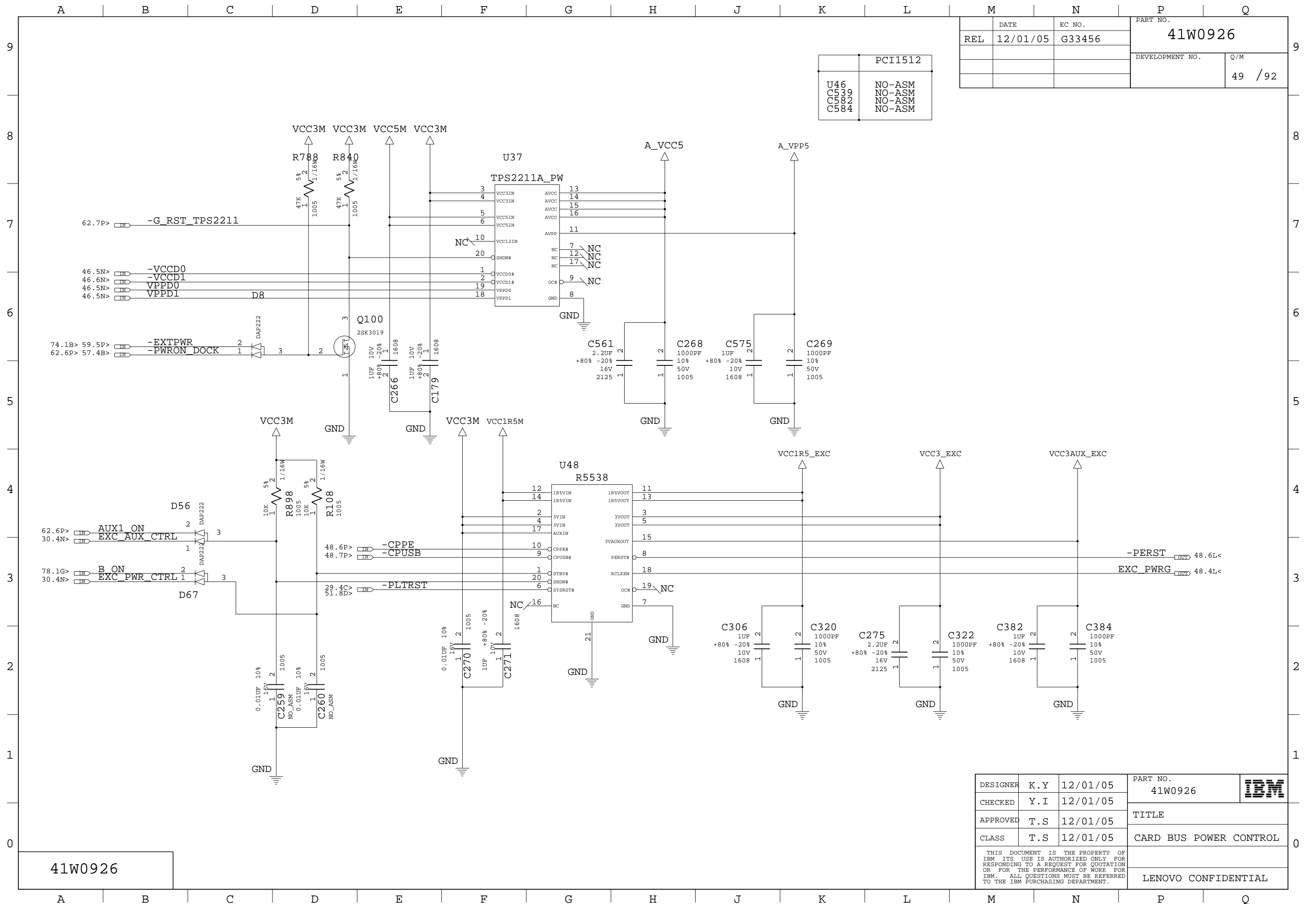
DESIGNER	K.Y	12/01/05	PART NO.	41W0926	IBM
CHECKED	Y.I	12/01/05			
APPROVED	T.S	12/01/05	TITLE		
CLASS	T.S	12/01/05	CARD BUS CONTROLLER(2/2)		
THIS DOCUMENT IS THE PROPERTY OF IBM ITS USE IS AUTHORIZED ONLY FOR RESPONDING TO A REQUEST FOR QUOTATION OR FOR THE PERFORMANCE OF WORK FOR IBM. ALL QUESTIONS MUST BE REFERRED TO THE IBM PURCHASING DEPARTMENT.					LENOVO CONFIDENTIAL



REL	DATE	EC NO.	PART NO.
	12/01/05	G33456	41W0926
			DEVELOPMENT NO.
			Q/M
			48 / 92

41W0926

DESIGNER	K.Y	12/01/05	PART NO.	41W0926	IBM
CHECKED	Y.I	12/01/05			
APPROVED	T.S	12/01/05	TITLE		
CLASS	T.S	12/01/05	CARD BUS SLOT		
THIS DOCUMENT IS THE PROPERTY OF IBM. ITS USE IS AUTHORIZED ONLY FOR RESPONDING TO A REQUEST FOR QUOTATION OR FOR THE PERFORMANCE OF WORK FOR IBM. ALL QUESTIONS MUST BE REFERRED TO THE IBM PURCHASING DEPARTMENT.					LENOVO CONFIDENTIAL

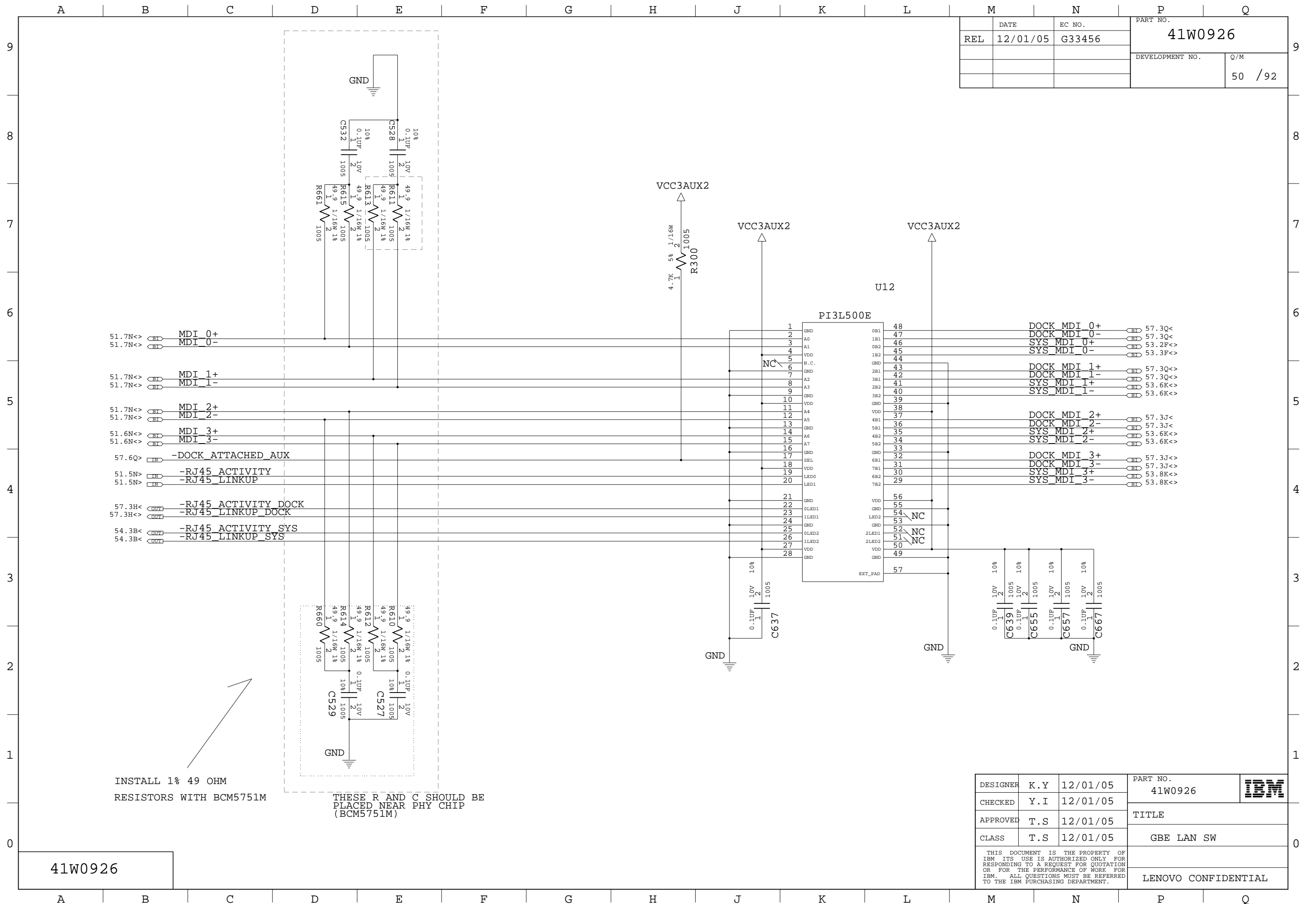


PCI1512	
U46	NO-ASM
C563	NO-ASM
C582	NO-ASM
C584	NO-ASM

DATE	12/01/05	EC NO.	G33456	PART NO.	41W0926
REL				DEVELOPMENT NO.	49 / 92
				Q/M	

41W0926

DESIGNER	K.Y	12/01/05	PART NO.	41W0926	IBM
CHECKED	Y.I	12/01/05			
APPROVED	T.S	12/01/05	TITLE		
CLASS	T.S	12/01/05	CARD BUS POWER CONTROL		
THIS DOCUMENT IS THE PROPERTY OF IBM ITS USE IS AUTHORIZED ONLY FOR RESPONDING TO A REQUEST FOR QUOTATION OR FOR THE PERFORMANCE OF WORK FOR IBM. ALL QUESTIONS MUST BE REFERRED TO THE IBM PURCHASING DEPARTMENT.					LENOVO CONFIDENTIAL



REL	DATE	EC NO.	PART NO.	
	12/01/05	G33456	41W0926	
			DEVELOPMENT NO.	Q/M
				50 / 92

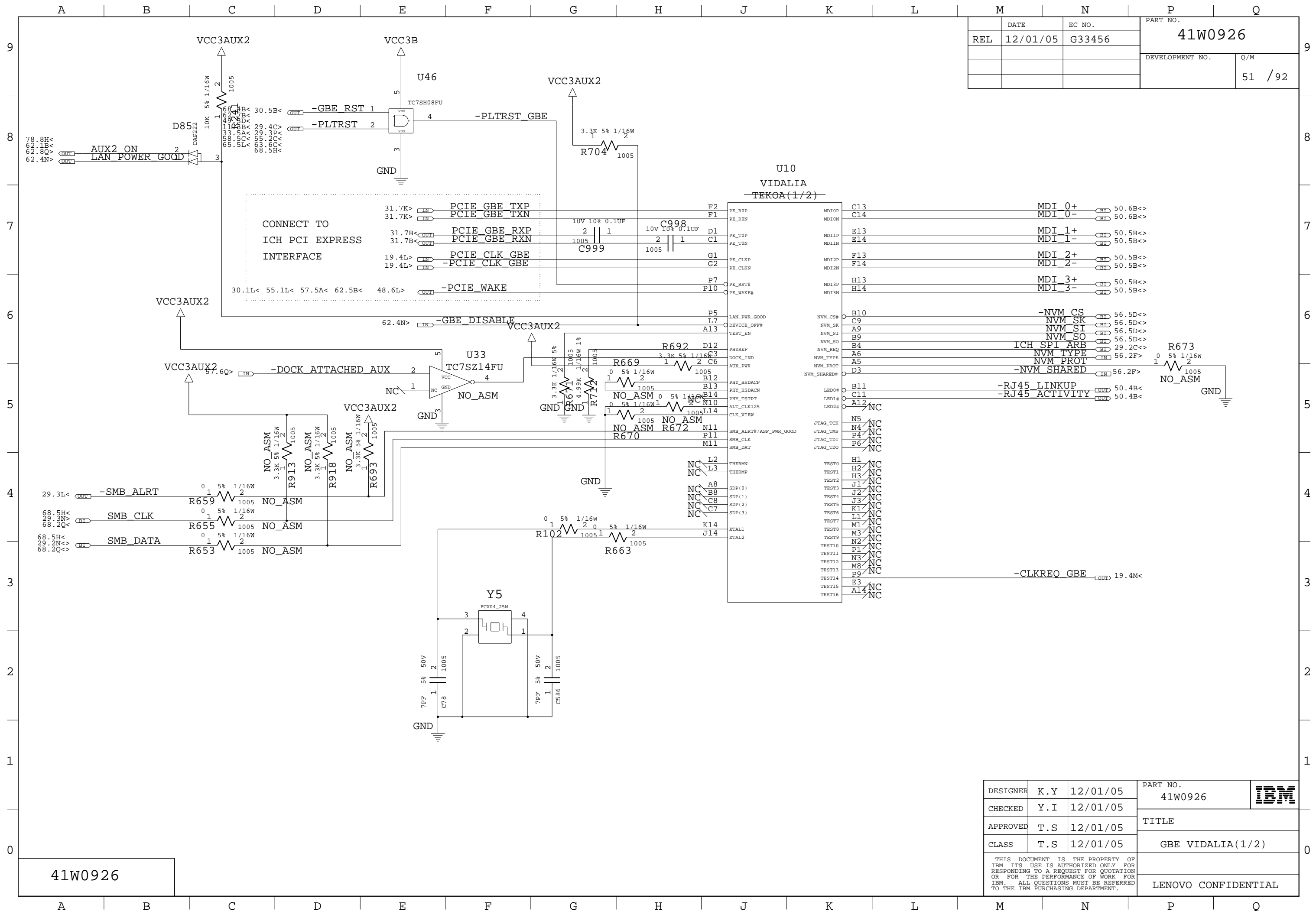
INSTALL 1% 49 OHM
RESISTORS WITH BCM5751M

THESE R AND C SHOULD BE
PLACED NEAR PHY CHIP
(BCM5751M)

DESIGNER	K.Y	12/01/05	PART NO.	41W0926	
CHECKED	Y.I	12/01/05	TITLE		
APPROVED	T.S	12/01/05	GBE LAN SW		
CLASS	T.S	12/01/05	LENOVO CONFIDENTIAL		

THIS DOCUMENT IS THE PROPERTY OF IBM ITS USE IS AUTHORIZED ONLY FOR RESPONDING TO A REQUEST FOR QUOTATION OR FOR THE PERFORMANCE OF WORK FOR IBM. ALL QUESTIONS MUST BE REFERRED TO THE IBM PURCHASING DEPARTMENT.

41W0926



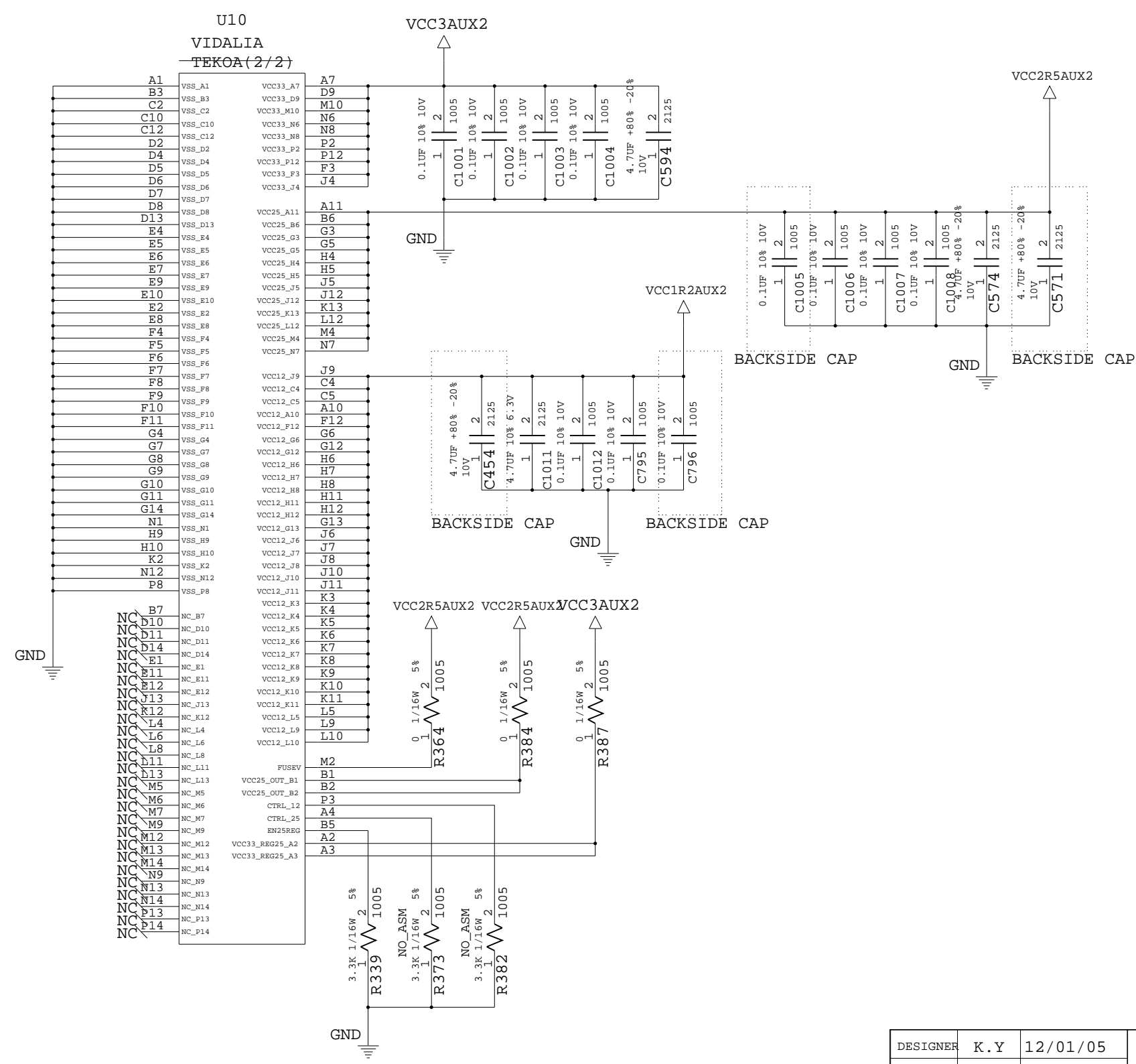
	DATE	EC NO.	PART NO.	
REL	12/01/05	G33456	41W0926	
			DEVELOPMENT NO.	Q/M
				51 / 92

DESIGNER	K.Y	12/01/05	PART NO.	41W0926	IBM
CHECKED	Y.I	12/01/05			
APPROVED	T.S	12/01/05	TITLE		
CLASS	T.S	12/01/05	GBE VIDALIA(1/2)		
THIS DOCUMENT IS THE PROPERTY OF IBM ITS USE IS AUTHORIZED ONLY FOR RESPONDING TO A REQUEST FOR QUOTATION OR FOR THE PERFORMANCE OF WORK FOR IBM. ALL QUESTIONS MUST BE REFERRED TO THE IBM PURCHASING DEPARTMENT.					LENOVO CONFIDENTIAL

41W0926

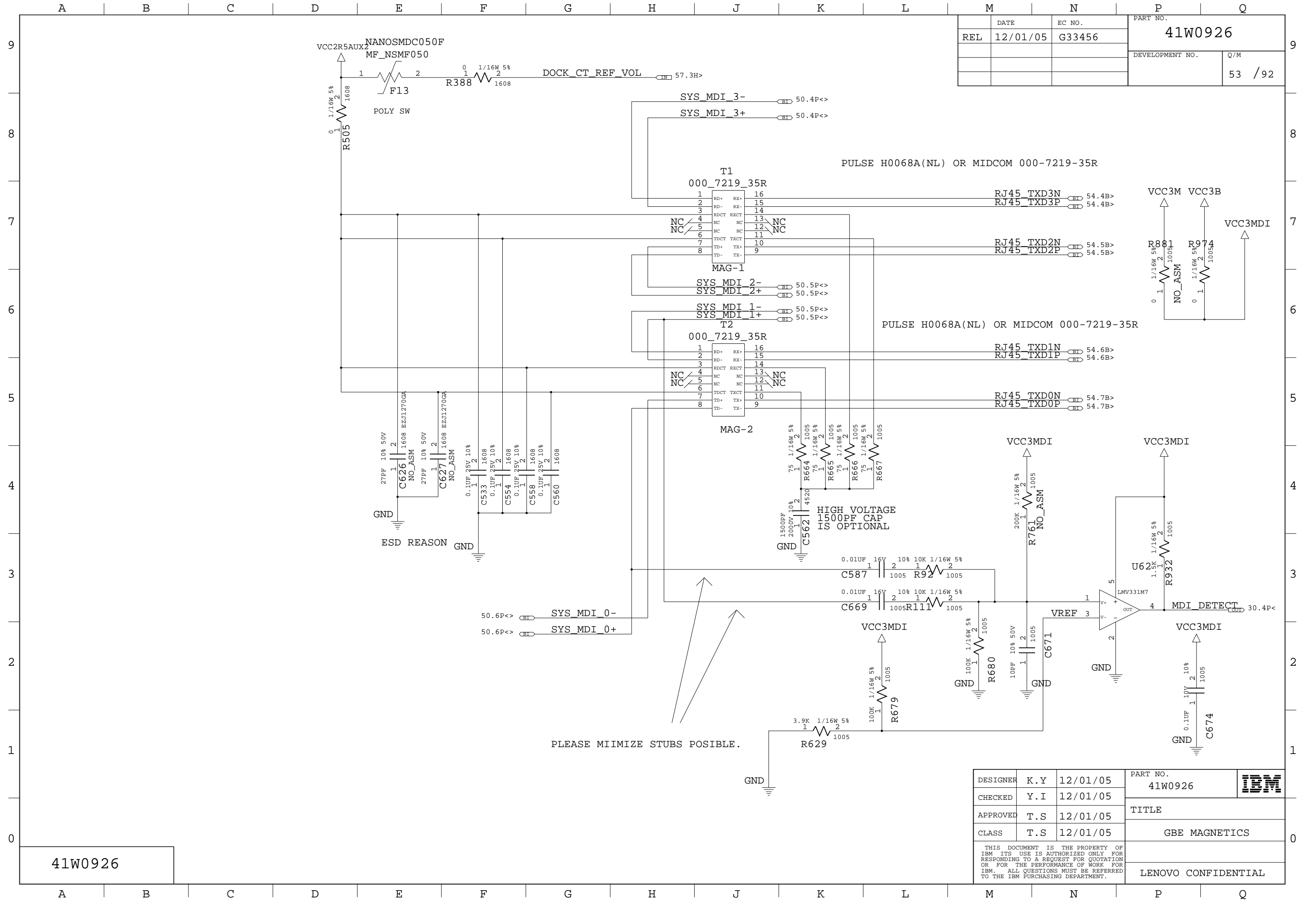
REL	DATE 12/01/05	EC NO. G33456	PART NO. 41W0926
			DEVELOPMENT NO. Q/M 52 /92

VCC3.3 SUPPLY NOTE:
 IF ALERTING OR WOL IS SUPPORTED, VCC3AUX MUST BE SOURCED FROM EITHER PCI_AUX 3.3V OR THE PLANAR 3.3V STBY. OTHERWISE VCC3.3 CAN BE SOURCED FROM A NON-STANDBY 3.3V POWER RAIL.



41W0926

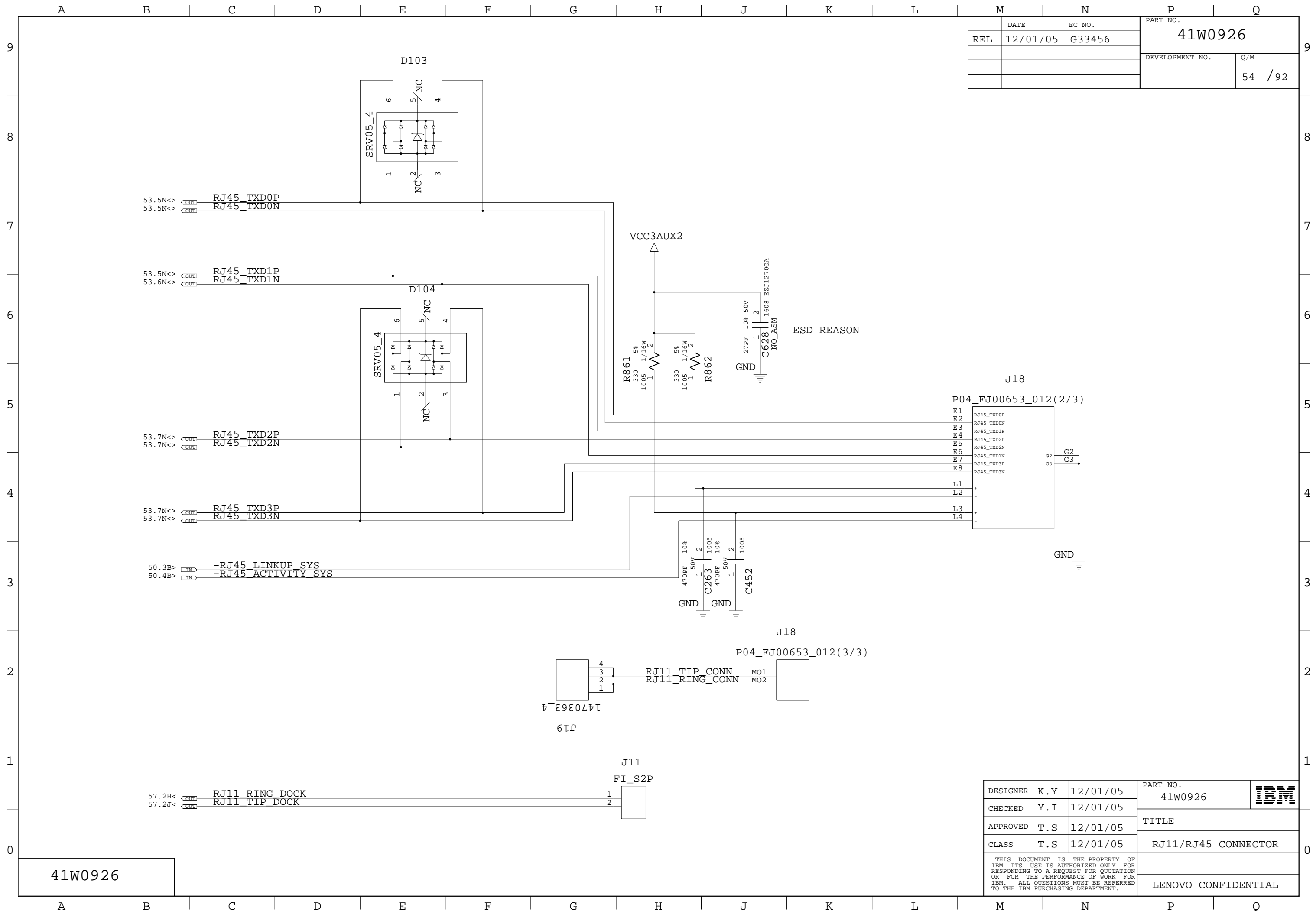
DESIGNER	K.Y	12/01/05	PART NO. 41W0926	IBM
CHECKED	Y.I	12/01/05		
APPROVED	T.S	12/01/05	TITLE	
CLASS	T.S	12/01/05	GBE VIDALIA(2/2)	
THIS DOCUMENT IS THE PROPERTY OF IBM ITS USE IS AUTHORIZED ONLY FOR RESPONDING TO A REQUEST FOR QUOTATION OR FOR THE PERFORMANCE OF WORK FOR IBM. ALL QUESTIONS MUST BE REFERRED TO THE IBM PURCHASING DEPARTMENT.				LENOVO CONFIDENTIAL



REL	DATE	EC NO.	PART NO.
	12/01/05	G33456	41W0926
			DEVELOPMENT NO.
			Q/M
			53 / 92

41W0926

DESIGNER	K.Y	12/01/05	PART NO.	41W0926	IBM
CHECKED	Y.I	12/01/05			
APPROVED	T.S	12/01/05	TITLE		
CLASS	T.S	12/01/05	GBE MAGNETICS		
THIS DOCUMENT IS THE PROPERTY OF IBM ITS USE IS AUTHORIZED ONLY FOR RESPONDING TO A REQUEST FOR QUOTATION OR FOR THE PERFORMANCE OF WORK FOR IBM. ALL QUESTIONS MUST BE REFERRED TO THE IBM PURCHASING DEPARTMENT.					LENOVO CONFIDENTIAL



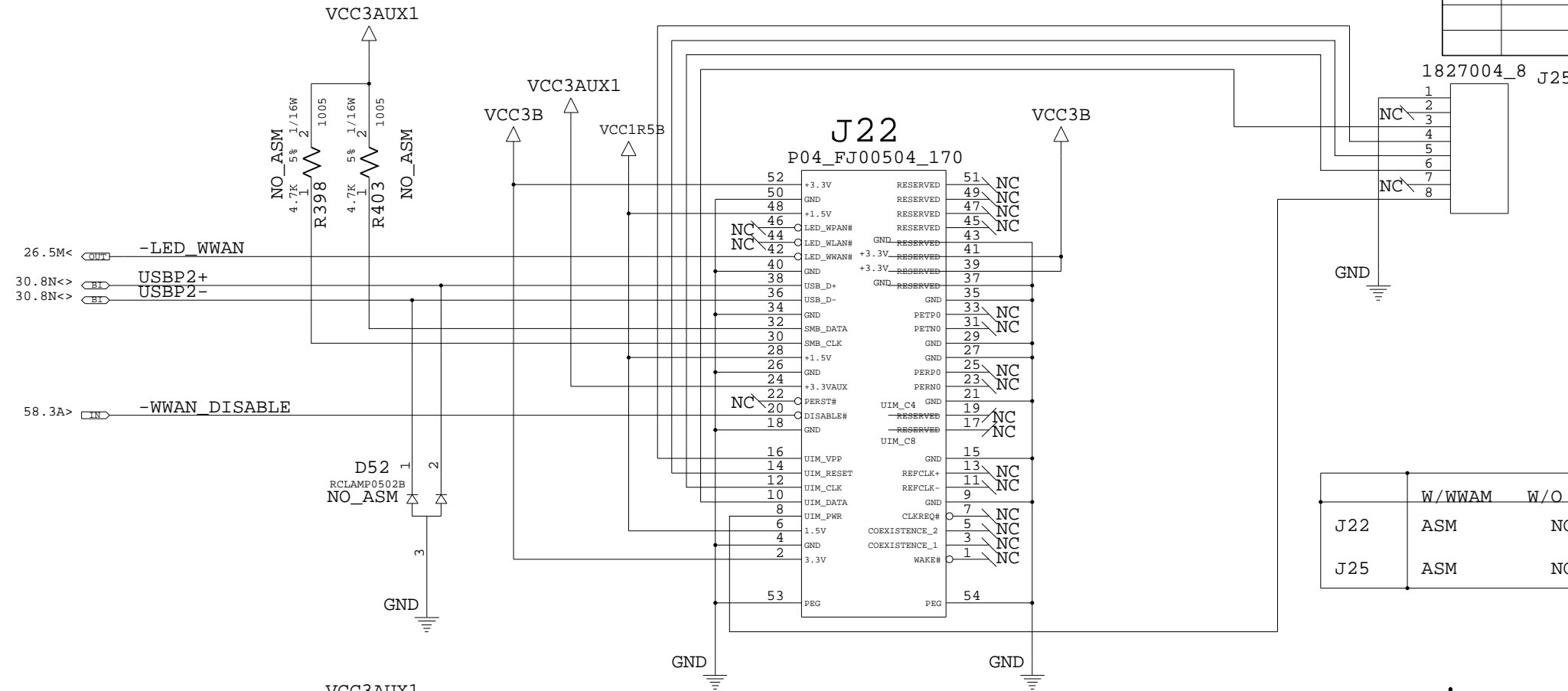
	DATE	EC NO.	PART NO.	
REL	12/01/05	G33456	41W0926	
			DEVELOPMENT NO.	Q/M
			54	/92

41W0926

DESIGNER	K.Y	12/01/05	PART NO.	41W0926	
CHECKED	Y.I	12/01/05	TITLE		
APPROVED	T.S	12/01/05	RJ11/RJ45 CONNECTOR		
CLASS	T.S	12/01/05	LENOVO CONFIDENTIAL		
<small>THIS DOCUMENT IS THE PROPERTY OF IBM. ITS USE IS AUTHORIZED ONLY FOR RESPONDING TO A REQUEST FOR QUOTATION OR FOR THE PERFORMANCE OF WORK FOR IBM. ALL QUESTIONS MUST BE REFERRED TO THE IBM PURCHASING DEPARTMENT.</small>					

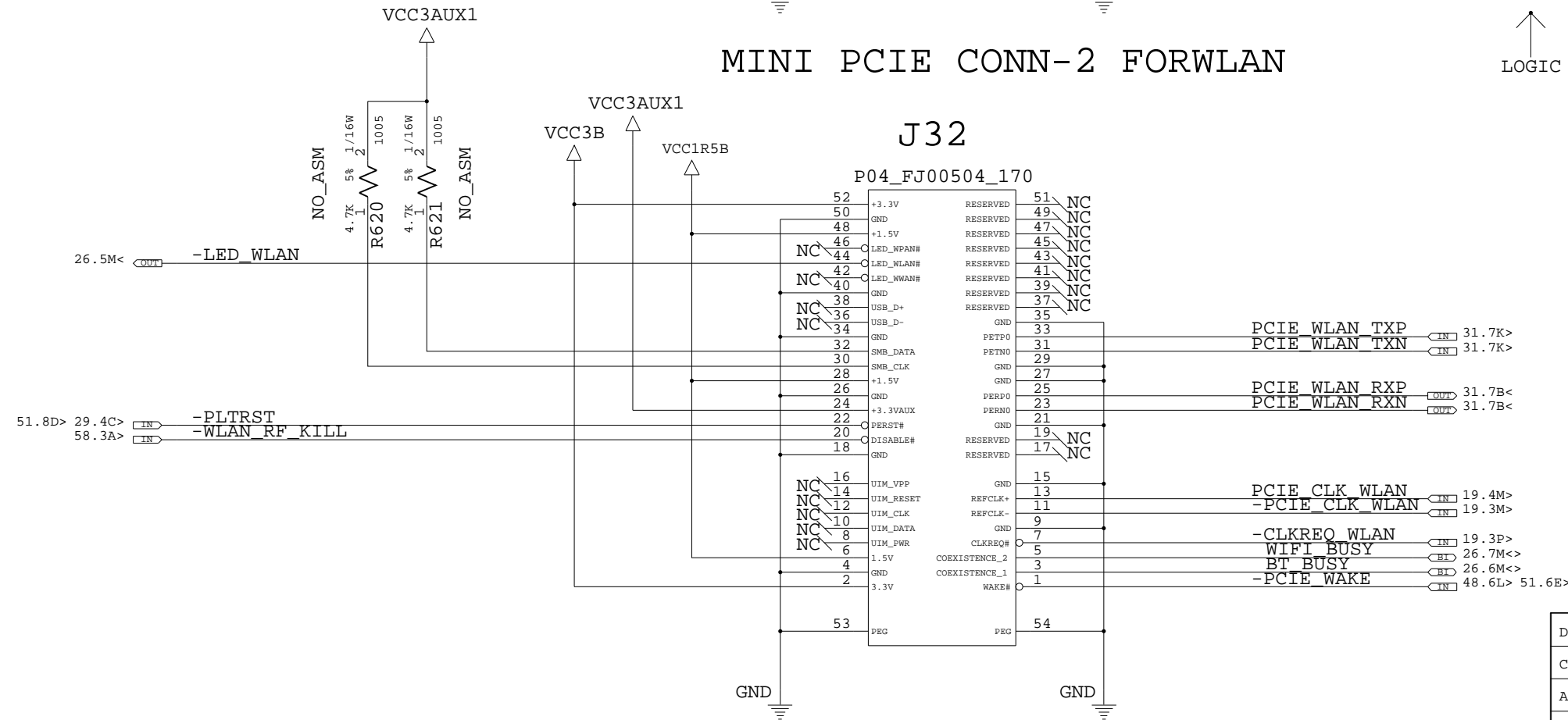
MINI PCIE CONN-1 FOR WWAN/WLAN

DATE	12/01/05	EC NO.	G33456	PART NO.	41W0926
REL				DEVELOPMENT NO.	55 / 92
				Q/M	



	W/WWAM	W/O WWAM
J22	ASM	NO_ASM
J25	ASM	NO_ASM

MINI PCIE CONN-2 FOR WLAN

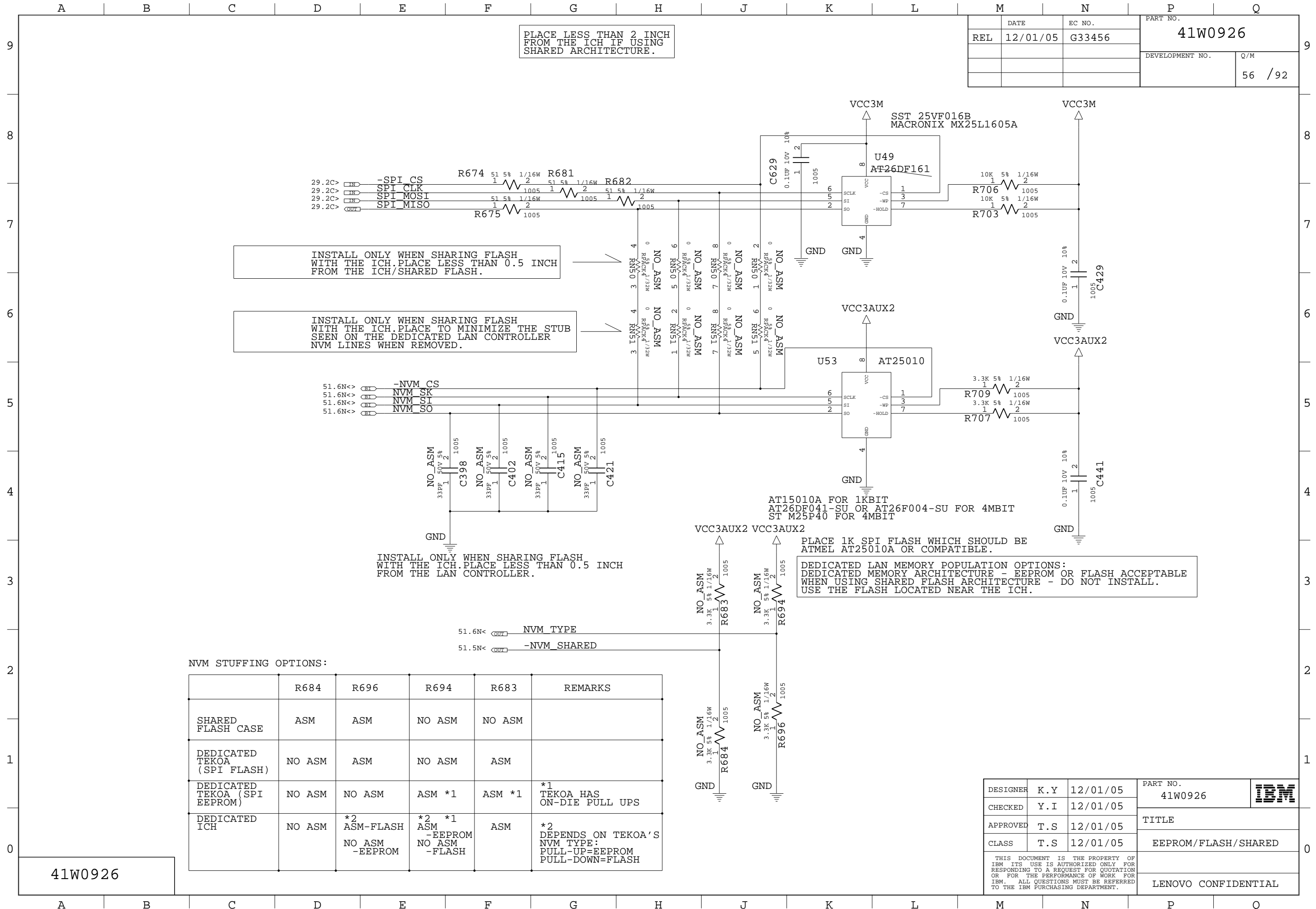


LOGIC

41W0926

DESIGNER	K.Y	12/01/05	PART NO.	41W0926	
CHECKED	Y.I	12/01/05	TITLE		
APPROVED	T.S	12/01/05	MINI PCIE SLOT		
CLASS	T.S	12/01/05	LENOVO CONFIDENTIAL		

THIS DOCUMENT IS THE PROPERTY OF IBM ITS USE IS AUTHORIZED ONLY FOR RESPONDING TO A REQUEST FOR QUOTATION OR FOR THE PERFORMANCE OF WORK FOR IBM. ALL QUESTIONS MUST BE REFERRED TO THE IBM PURCHASING DEPARTMENT.



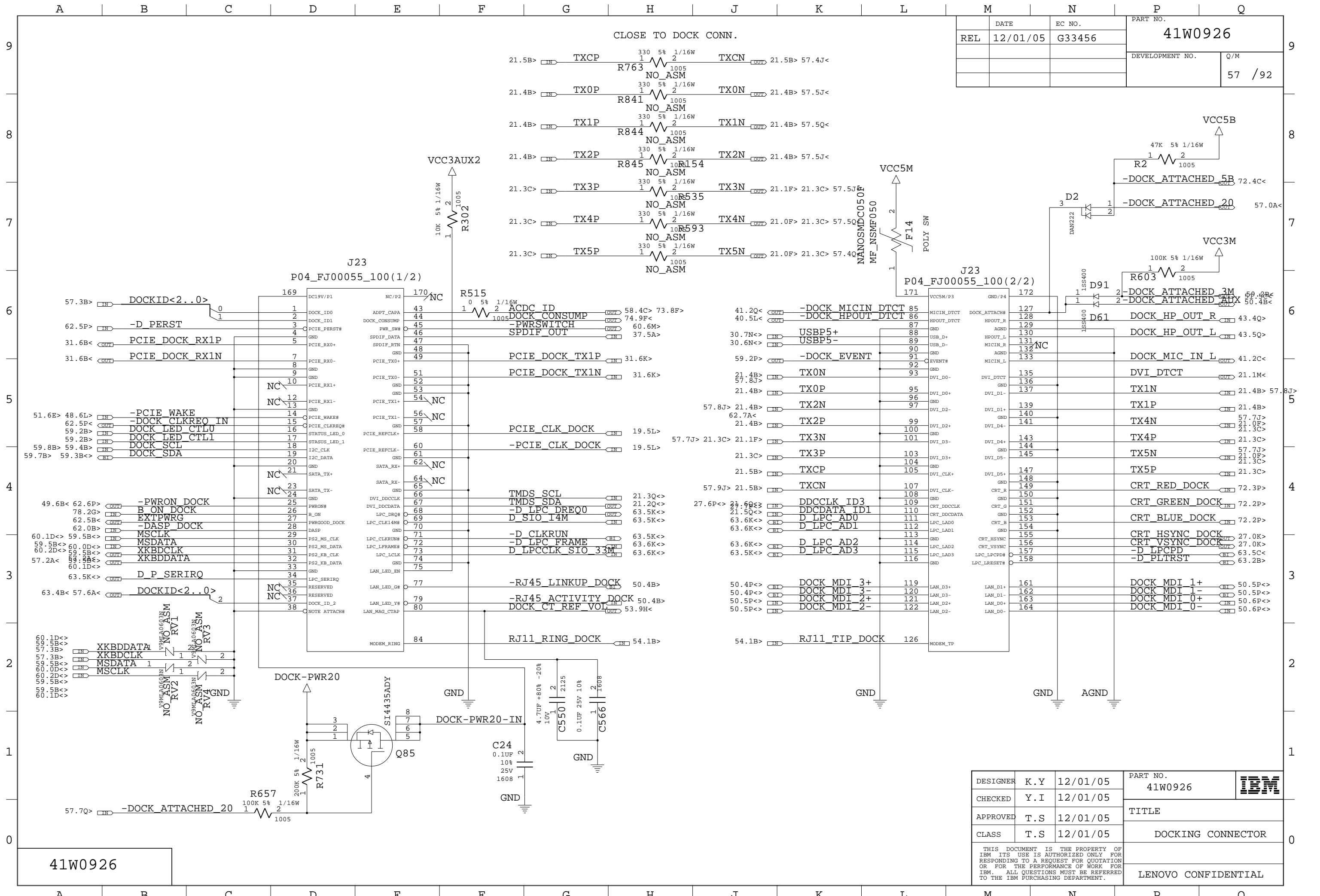
REL	DATE	EC NO.	PART NO.
	12/01/05	G33456	41W0926
			DEVELOPMENT NO.
			Q/M
			56 / 92

NVM STUFFING OPTIONS:

	R684	R696	R694	R683	REMARKS
SHARED FLASH CASE	ASM	ASM	NO ASM	NO ASM	
DEDICATED TEKOA (SPI FLASH)	NO ASM	ASM	NO ASM	ASM	
DEDICATED TEKOA (SPI EEPROM)	NO ASM	NO ASM	ASM *1	ASM *1	*1 TEKOA HAS ON-DIE PULL UPS
DEDICATED ICH	NO ASM	*2 ASM-FLASH NO ASM -EEPROM	*2 *1 ASM -EEPROM NO ASM -FLASH	ASM	*2 DEPENDS ON TEKOA'S NVM TYPE: PULL-UP=EEPROM PULL-DOWN=FLASH

41W0926

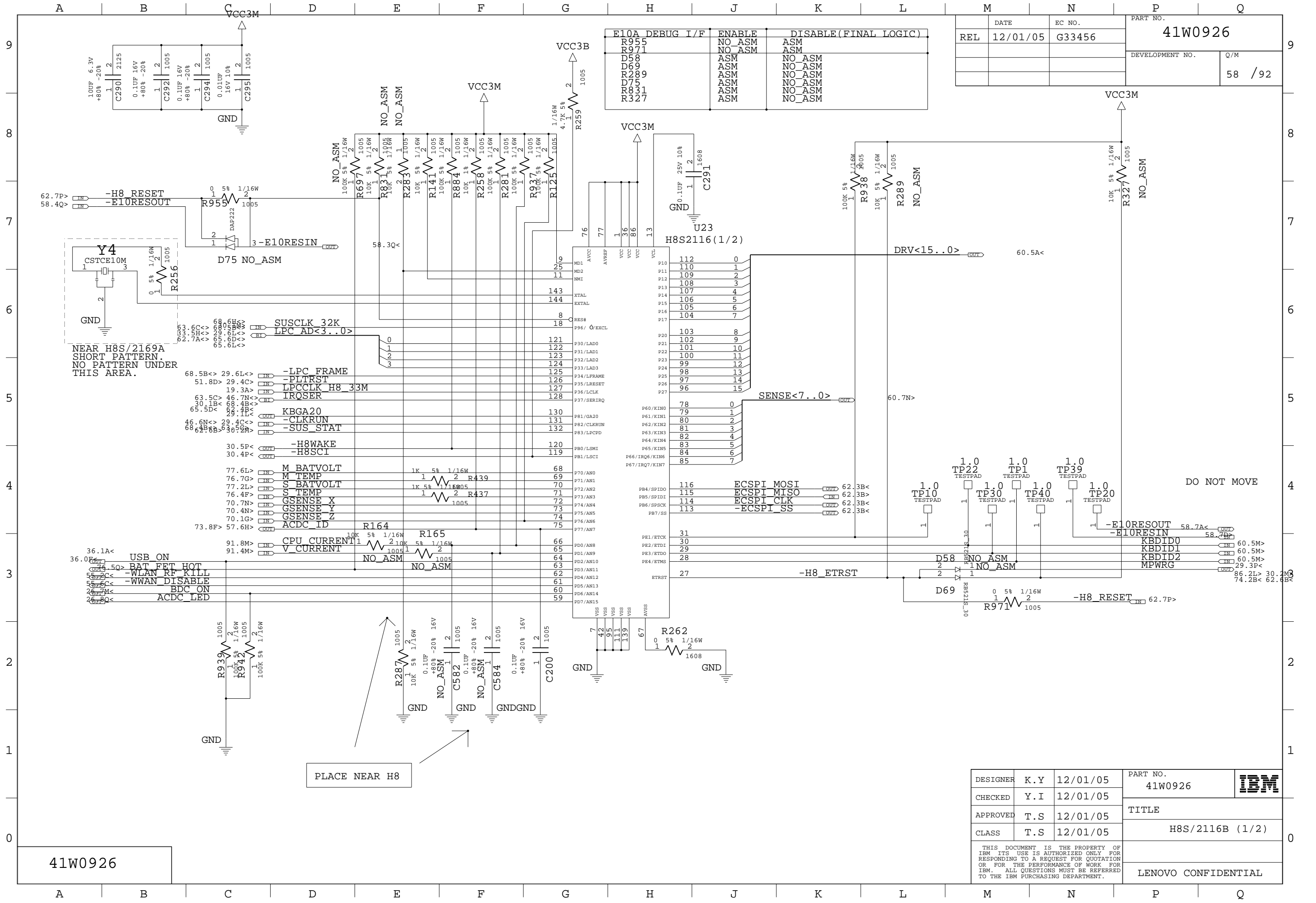
DESIGNER	K.Y	12/01/05	PART NO.	41W0926	IBM
CHECKED	Y.I	12/01/05			
APPROVED	T.S	12/01/05	TITLE		
CLASS	T.S	12/01/05	EEPROM/FLASH/SHARED		
THIS DOCUMENT IS THE PROPERTY OF IBM ITS USE IS AUTHORIZED ONLY FOR RESPONDING TO A REQUEST FOR QUOTATION OR FOR THE PERFORMANCE OF WORK FOR IBM. ALL QUESTIONS MUST BE REFERRED TO THE IBM PURCHASING DEPARTMENT.					LENOVO CONFIDENTIAL



REL	DATE	EC NO.	PART NO.	
	12/01/05	G33456	41W0926	
			DEVELOPMENT NO.	Q/M
				57 / 92

DESIGNER	K.Y	12/01/05	PART NO.	41W0926	
CHECKED	Y.I	12/01/05			
APPROVED	T.S	12/01/05	TITLE		
CLASS	T.S	12/01/05	DOCKING CONNECTOR		
THIS DOCUMENT IS THE PROPERTY OF IBM. ITS USE IS AUTHORIZED ONLY FOR RESPONDING TO A REQUEST FOR QUOTATION OR FOR THE PERFORMANCE OF WORK FOR IBM. ALL QUESTIONS MUST BE REFERRED TO THE IBM PURCHASING DEPARTMENT.					LENOVO CONFIDENTIAL

41W0926



E10A DEBUG I/F	ENABLE	DISABLE(FINAL LOGIC)
R955	NO_ASM	ASM
R971	NO_ASM	ASM
D58	ASM	NO_ASM
D69	ASM	NO_ASM
R259	ASM	NO_ASM
R327	ASM	NO_ASM

DATE	EC NO.	PART NO.
REL 12/01/05	G33456	41W0926
DEVELOPMENT NO.		Q/M
		58 / 92

NEAR H8S/2169A
SHORT PATTERN.
NO PATTERN UNDER
THIS AREA.

PLACE NEAR H8

41W0926

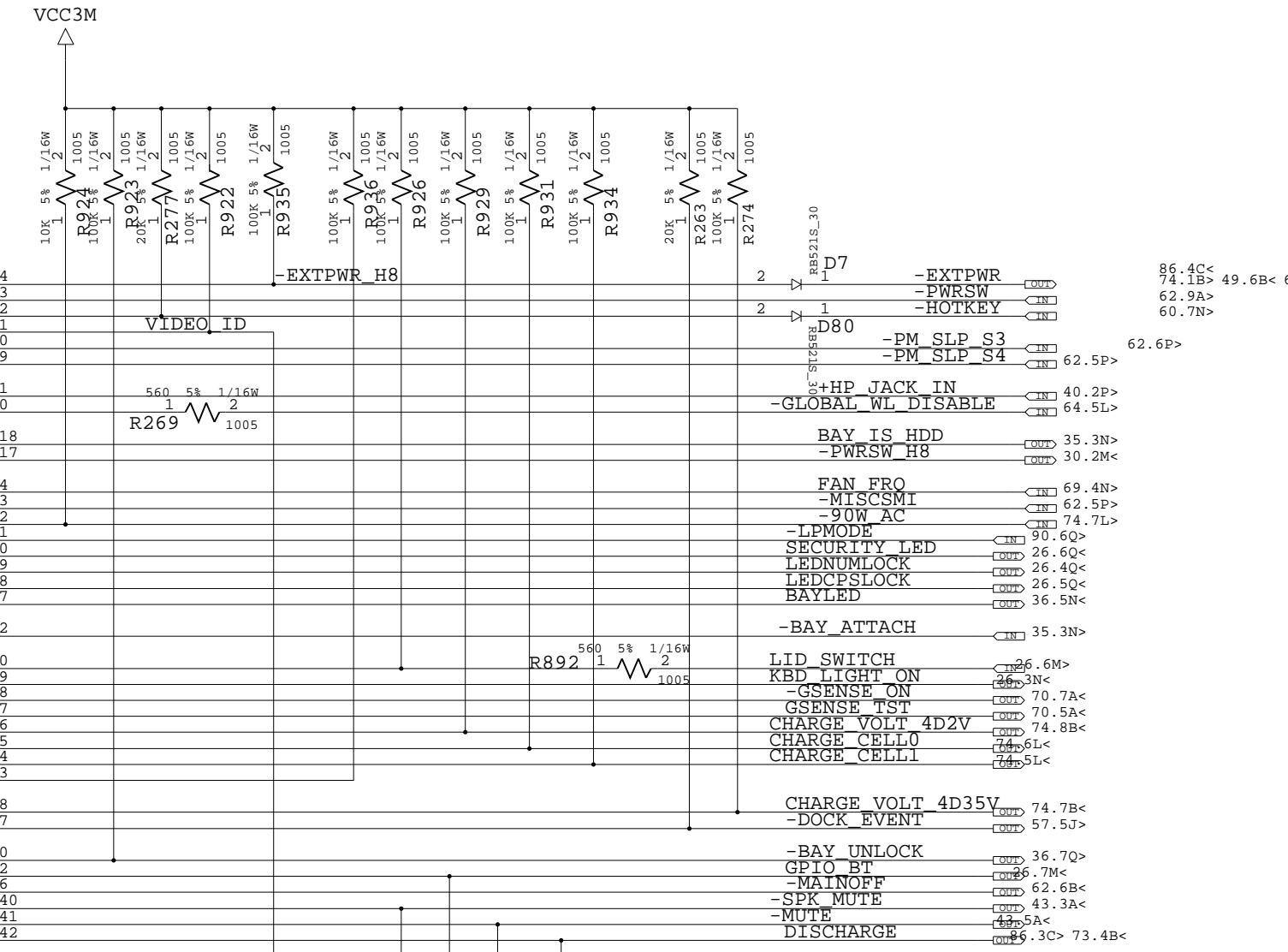
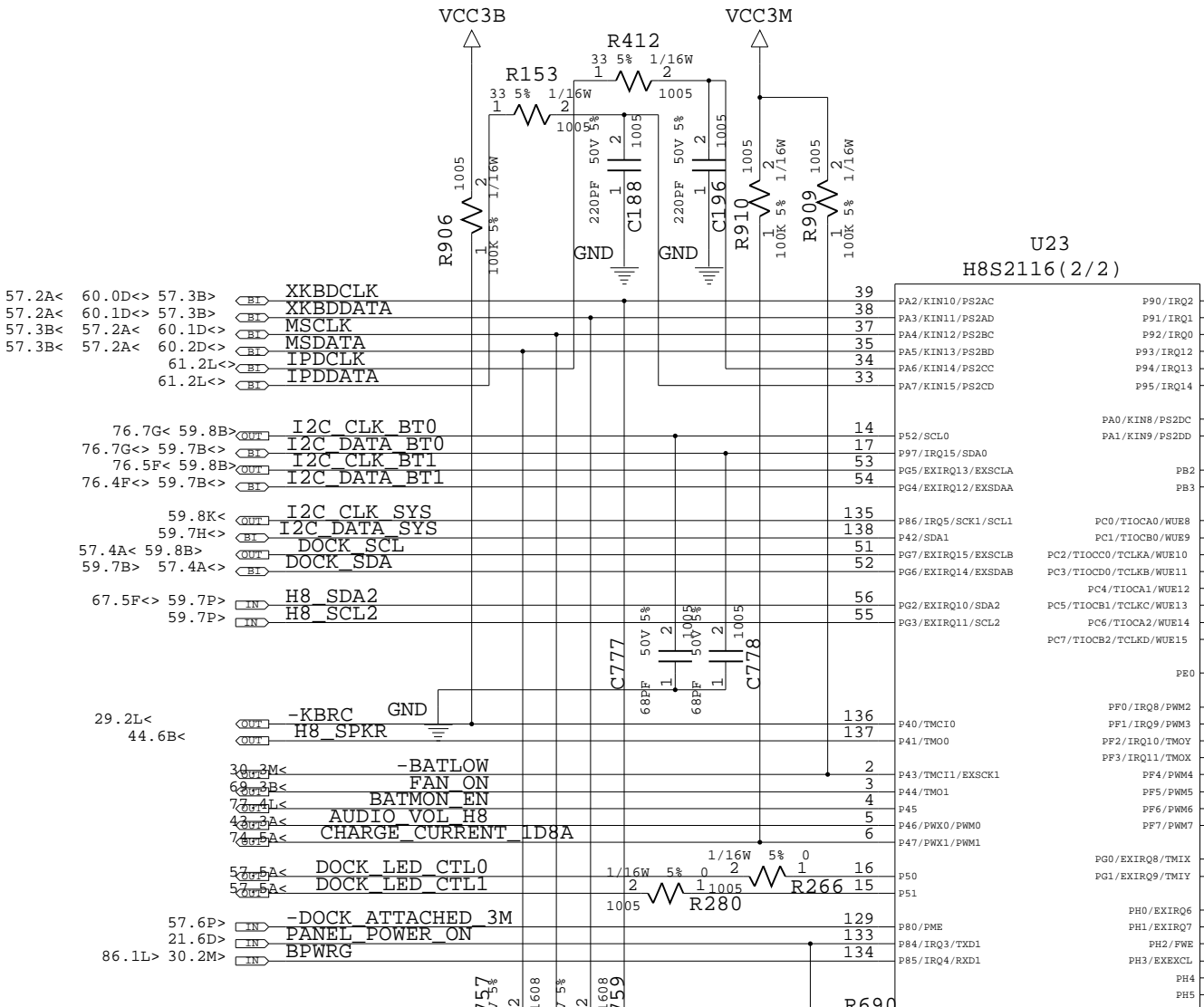
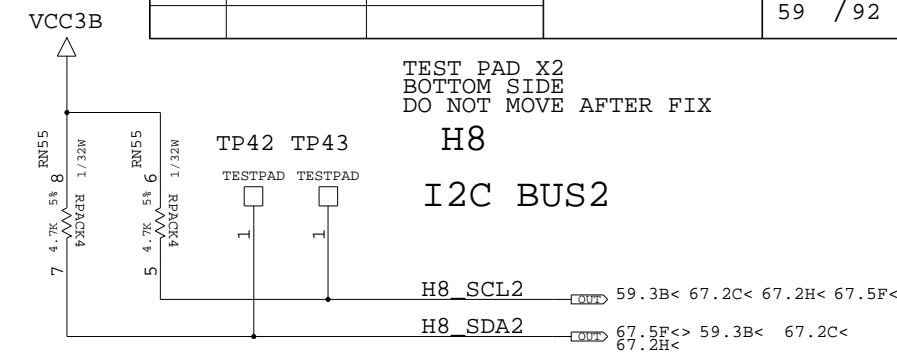
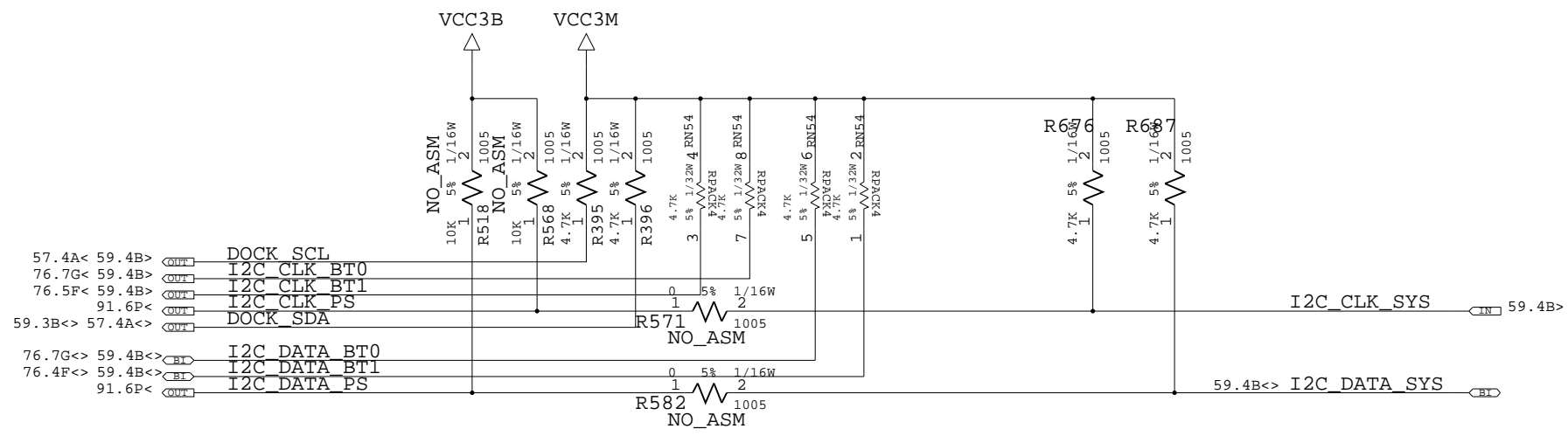
DESIGNER	K.Y	12/01/05	PART NO.	41W0926	
CHECKED	Y.I	12/01/05	TITLE		
APPROVED	T.S	12/01/05	H8S/2116B (1/2)		
CLASS	T.S	12/01/05	LENOVO CONFIDENTIAL		

THIS DOCUMENT IS THE PROPERTY OF IBM. ITS USE IS AUTHORIZED ONLY FOR RESPONDING TO A REQUEST FOR QUOTATION OR FOR THE PERFORMANCE OF WORK FOR IBM. ALL QUESTIONS MUST BE REFERRED TO THE IBM PURCHASING DEPARTMENT.

REL	DATE	EC NO.	PART NO.	
	12/01/05	G33456	41W0926	
			DEVELOPMENT NO.	Q/M
				59 /92

TEST PAD X2
BOTTOM SIDE
DO NOT MOVE AFTER FIX

H8
I2C BUS2

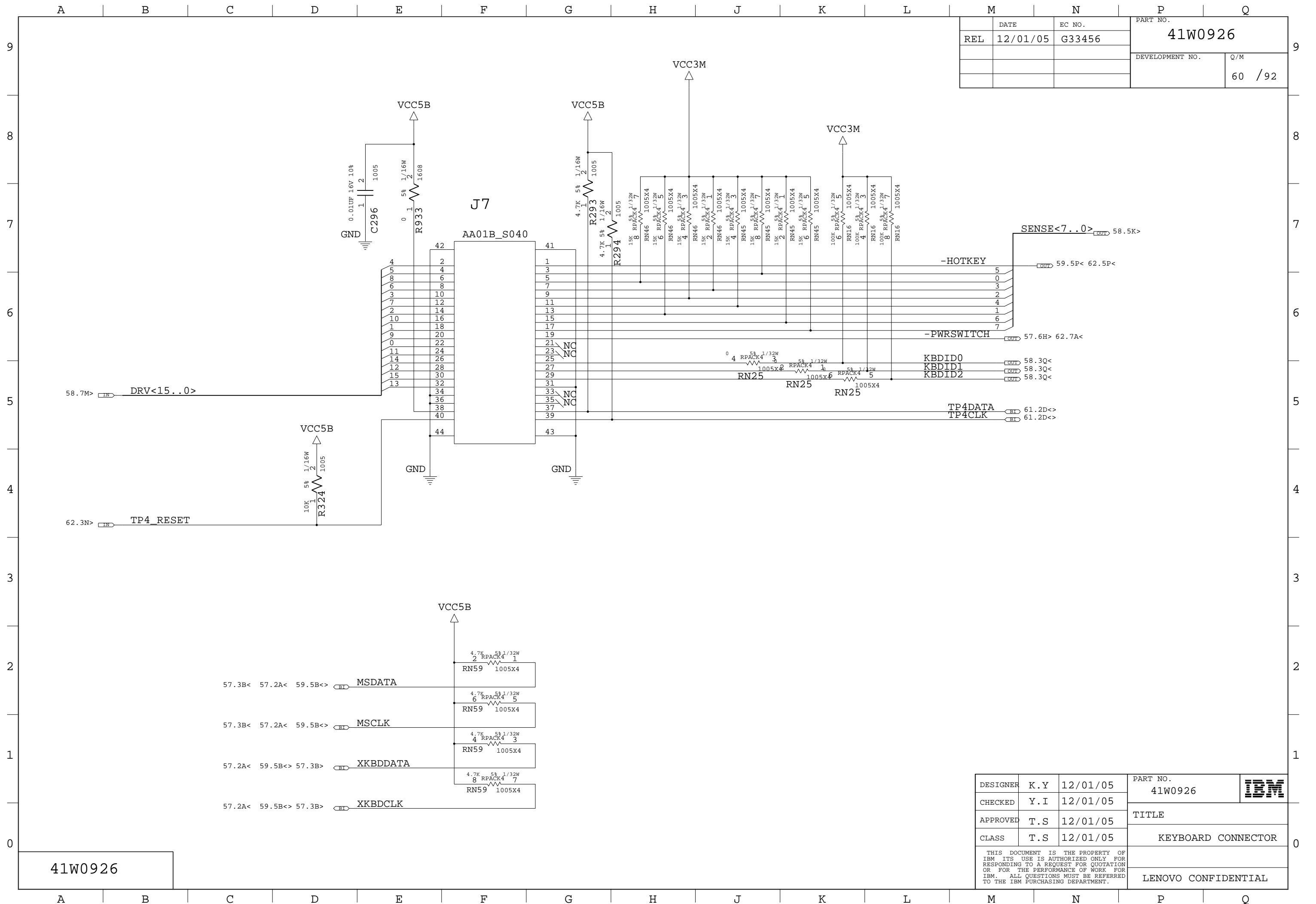


GFX	EXT.	INT.
R922	ASN	NO_ASM
R925	NO_ASM	ASM

41W0926

DESIGNER	K.Y	12/01/05	PART NO.	41W0926	
CHECKED	Y.I	12/01/05	TITLE		
APPROVED	T.S	12/01/05	H8S/2116B (2/2)		
CLASS	T.S	12/01/05	LENOVO CONFIDENTIAL		

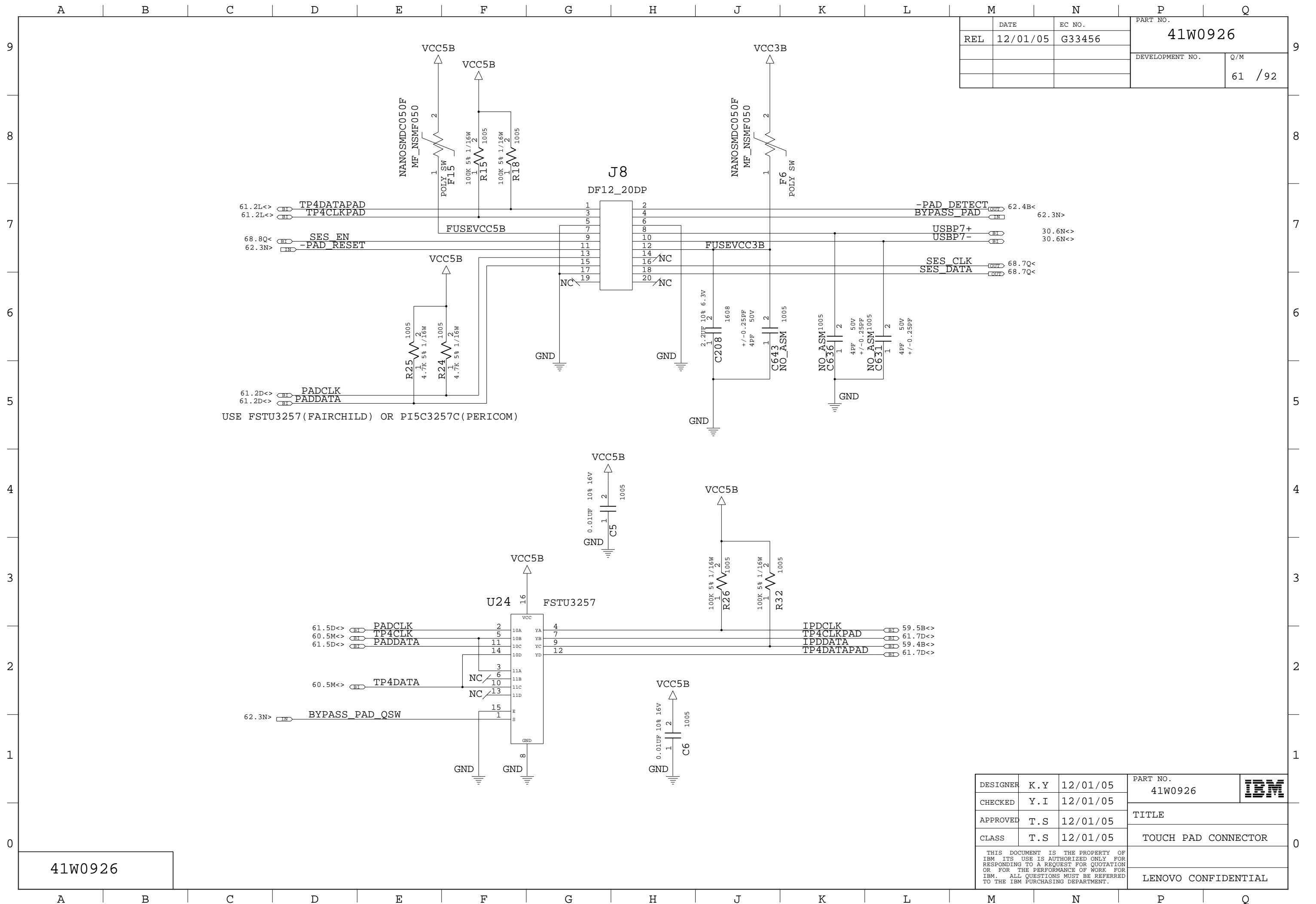
THIS DOCUMENT IS THE PROPERTY OF IBM ITS USE IS AUTHORIZED ONLY FOR RESPONDING TO A REQUEST FOR QUOTATION OR FOR THE PERFORMANCE OF WORK FOR IBM. ALL QUESTIONS MUST BE REFERRED TO THE IBM PURCHASING DEPARTMENT.



	DATE	EC NO.	PART NO.	
REL	12/01/05	G33456	41W0926	
			DEVELOPMENT NO.	Q/M
				60 / 92

41W0926

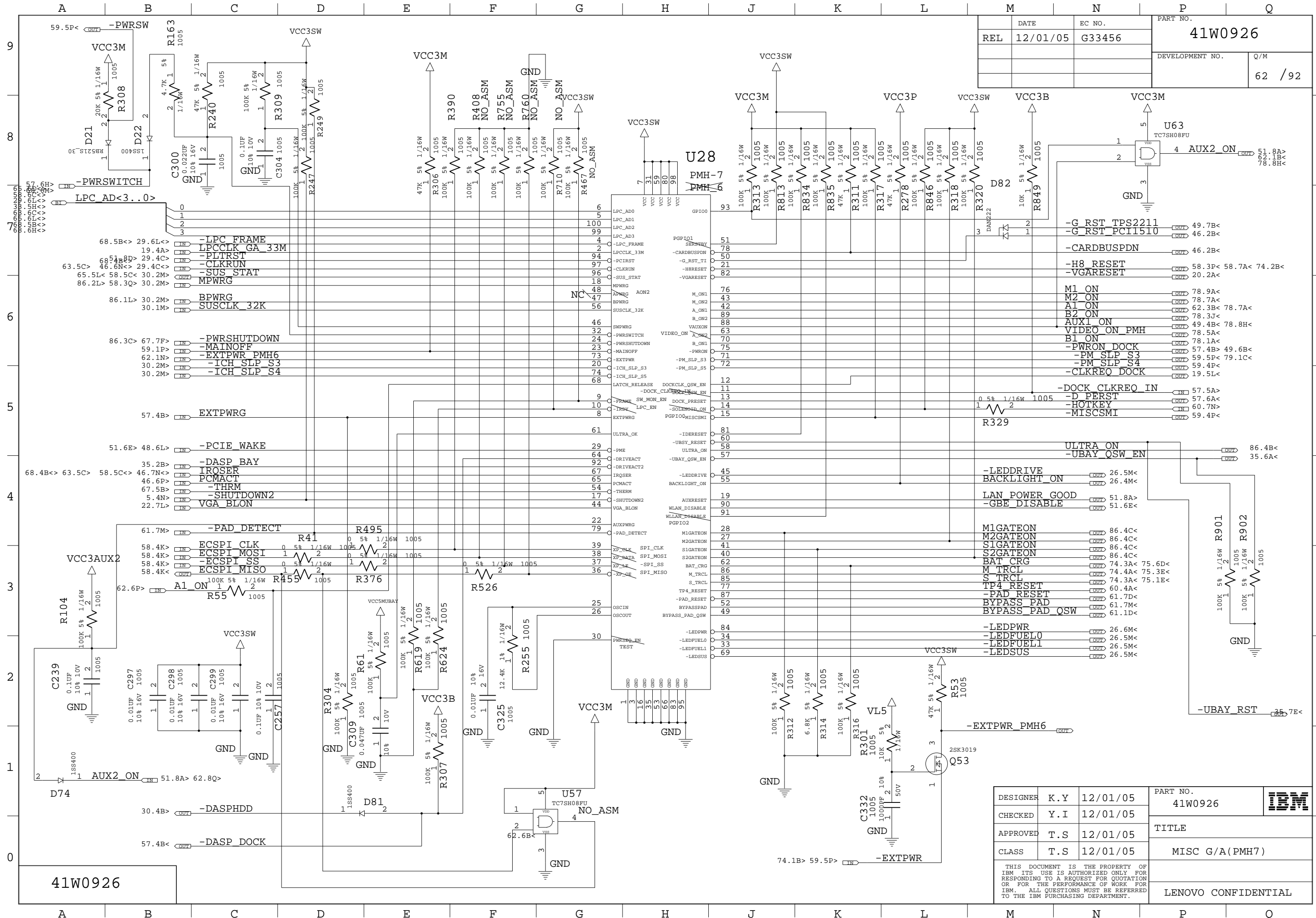
DESIGNER	K.Y	12/01/05	PART NO.	41W0926	
CHECKED	Y.I	12/01/05			
APPROVED	T.S	12/01/05	TITLE		
CLASS	T.S	12/01/05	KEYBOARD CONNECTOR		
THIS DOCUMENT IS THE PROPERTY OF IBM. ITS USE IS AUTHORIZED ONLY FOR RESPONDING TO A REQUEST FOR QUOTATION OR FOR THE PERFORMANCE OF WORK FOR IBM. ALL QUESTIONS MUST BE REFERRED TO THE IBM PURCHASING DEPARTMENT.					LENOVO CONFIDENTIAL



	DATE	EC NO.	PART NO.	
REL	12/01/05	G33456	41W0926	
			DEVELOPMENT NO.	Q/M
				61 / 92

41W0926

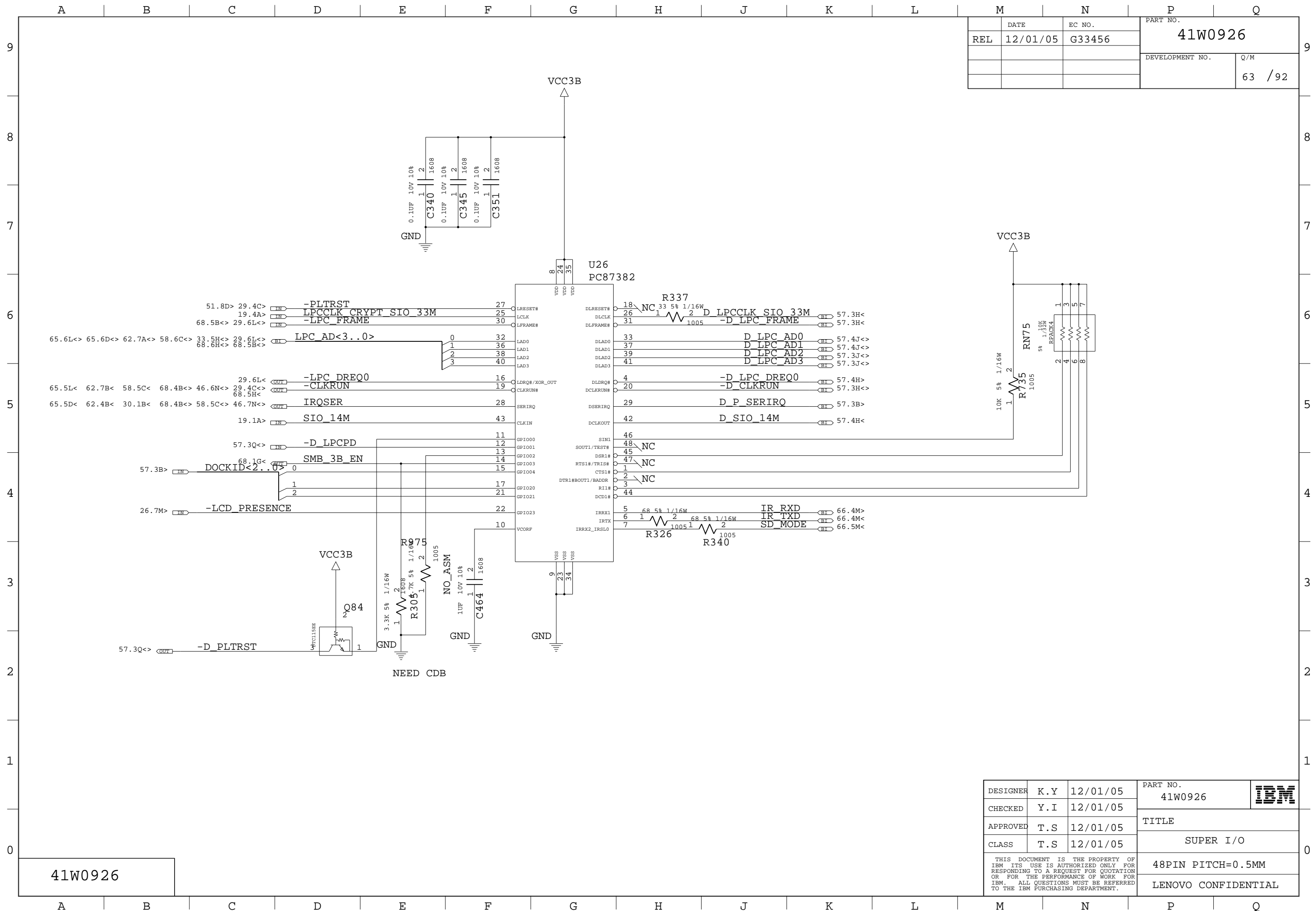
DESIGNER	K.Y	12/01/05	PART NO.	41W0926	
CHECKED	Y.I	12/01/05			
APPROVED	T.S	12/01/05	TITLE		
CLASS	T.S	12/01/05	TOUCH PAD CONNECTOR		
THIS DOCUMENT IS THE PROPERTY OF IBM. ITS USE IS AUTHORIZED ONLY FOR RESPONDING TO A REQUEST FOR QUOTATION OR FOR THE PERFORMANCE OF WORK FOR IBM. ALL QUESTIONS MUST BE REFERRED TO THE IBM PURCHASING DEPARTMENT.					LENOVO CONFIDENTIAL



REL	DATE	EC NO.	PART NO.
	12/01/05	G33456	41W0926
			DEVELOPMENT NO.
			Q/M
			62 / 92

DESIGNER	K.Y	12/01/05	PART NO.	41W0926	
CHECKED	Y.I	12/01/05			
APPROVED	T.S	12/01/05	TITLE		
CLASS	T.S	12/01/05	MISC G/A (PMH7)		
THIS DOCUMENT IS THE PROPERTY OF IBM ITS USE IS AUTHORIZED ONLY FOR RESPONDING TO A REQUEST FOR QUOTATION OR FOR THE PERFORMANCE OF WORK FOR IBM. ALL QUESTIONS MUST BE REFERRED TO THE IBM PURCHASING DEPARTMENT.					LENOVO CONFIDENTIAL

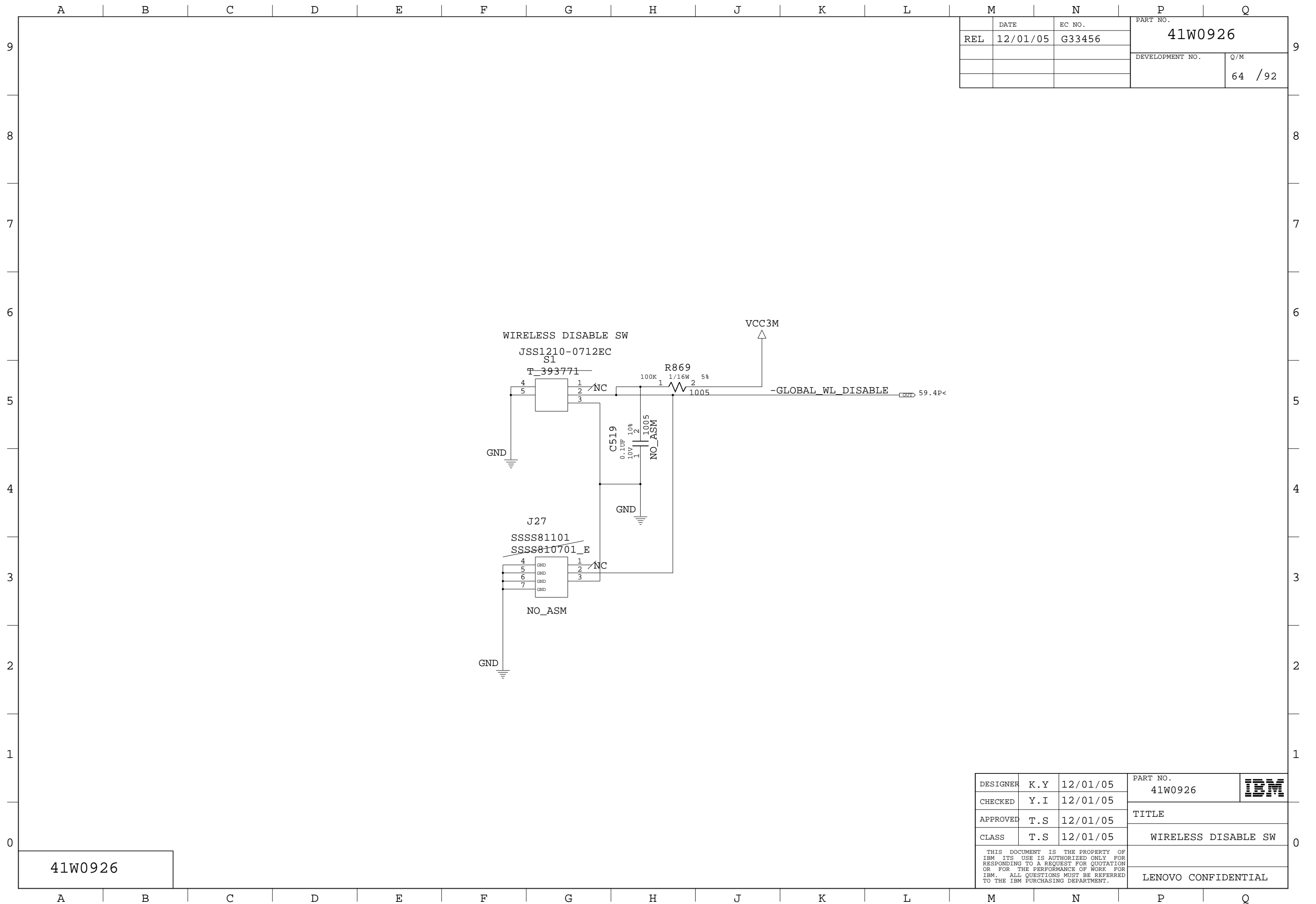
41W0926



	DATE	EC NO.	PART NO.	
REL	12/01/05	G33456	41W0926	
			DEVELOPMENT NO.	Q/M
				63 / 92

41W0926

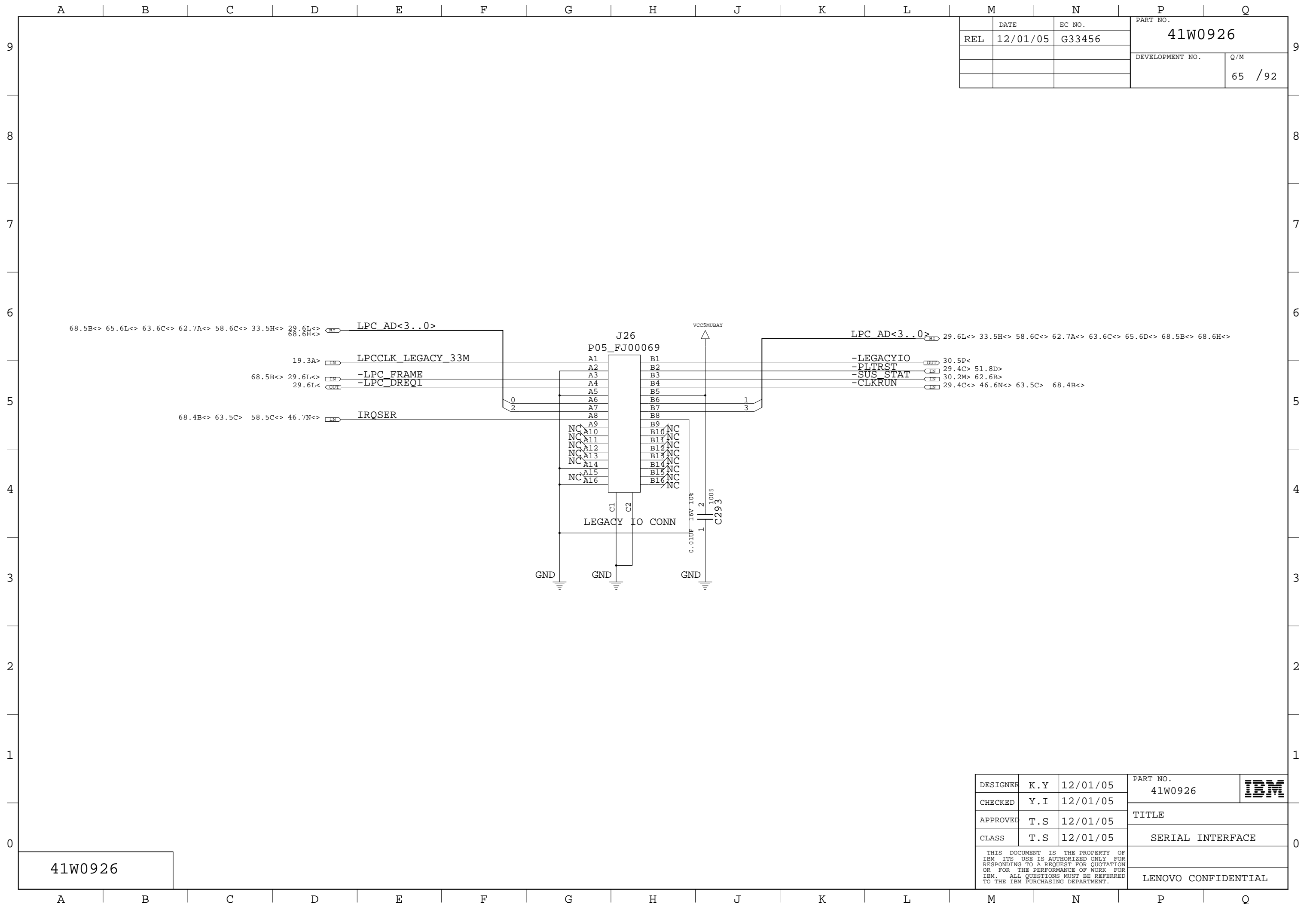
DESIGNER	K.Y	12/01/05	PART NO.	41W0926	IBM
CHECKED	Y.I	12/01/05			
APPROVED	T.S	12/01/05	TITLE		
CLASS	T.S	12/01/05	SUPER I/O		
THIS DOCUMENT IS THE PROPERTY OF IBM ITS USE IS AUTHORIZED ONLY FOR RESPONDING TO A REQUEST FOR QUOTATION OR FOR THE PERFORMANCE OF WORK FOR IBM. ALL QUESTIONS MUST BE REFERRED TO THE IBM PURCHASING DEPARTMENT.				48PIN PITCH=0.5MM	
				LENOVO CONFIDENTIAL	



	DATE	EC NO.	PART NO.	
REL	12/01/05	G33456	41W0926	
			DEVELOPMENT NO.	Q/M
				64 /92

41W0926

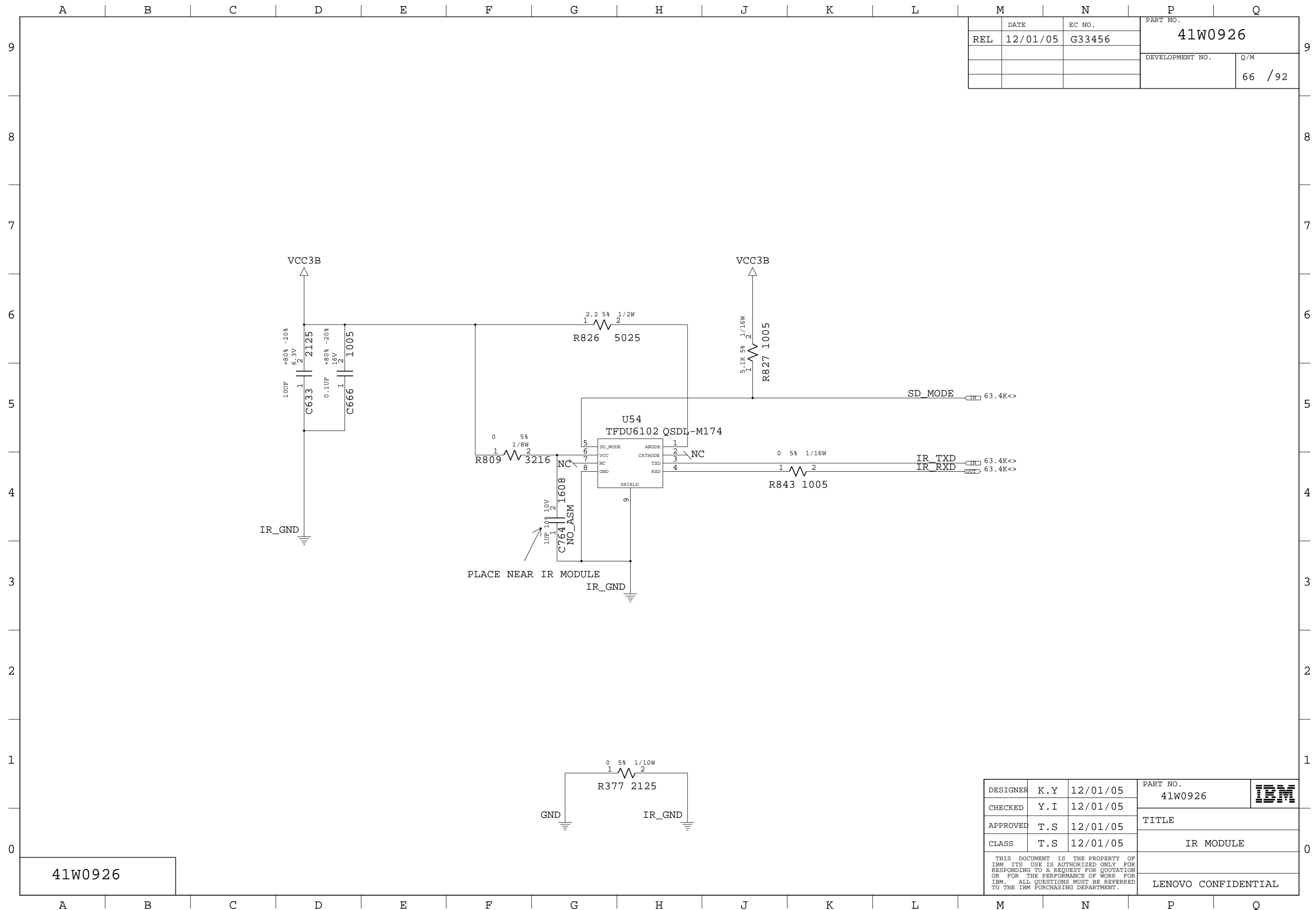
DESIGNER	K.Y	12/01/05	PART NO.	41W0926	IBM
CHECKED	Y.I	12/01/05			
APPROVED	T.S	12/01/05	TITLE		
CLASS	T.S	12/01/05	WIRELESS DISABLE SW		
THIS DOCUMENT IS THE PROPERTY OF IBM ITS USE IS AUTHORIZED ONLY FOR RESPONDING TO A REQUEST FOR QUOTATION OR FOR THE PERFORMANCE OF WORK FOR IBM. ALL QUESTIONS MUST BE REFERRED TO THE IBM PURCHASING DEPARTMENT.				LENOVO CONFIDENTIAL	



	DATE	EC NO.	PART NO.	
REL	12/01/05	G33456	41W0926	
			DEVELOPMENT NO.	Q/M
				65 /92

41W0926

DESIGNER	K.Y	12/01/05	PART NO.	41W0926	
CHECKED	Y.I	12/01/05			
APPROVED	T.S	12/01/05	TITLE		
CLASS	T.S	12/01/05	SERIAL INTERFACE		
THIS DOCUMENT IS THE PROPERTY OF IBM. ITS USE IS AUTHORIZED ONLY FOR RESPONDING TO A REQUEST FOR QUOTATION OR FOR THE PERFORMANCE OF WORK FOR IBM. ALL QUESTIONS MUST BE REFERRED TO THE IBM PURCHASING DEPARTMENT.					LENOVO CONFIDENTIAL



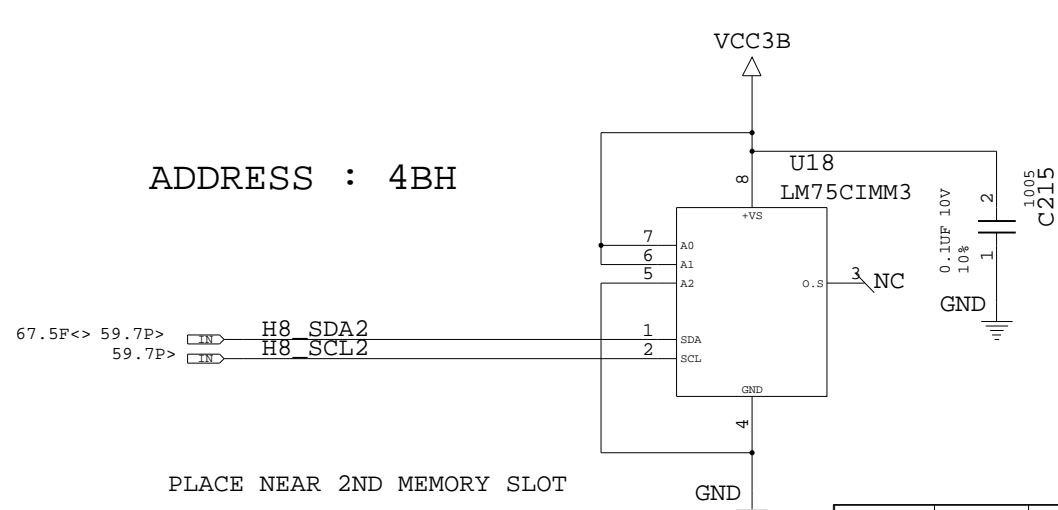
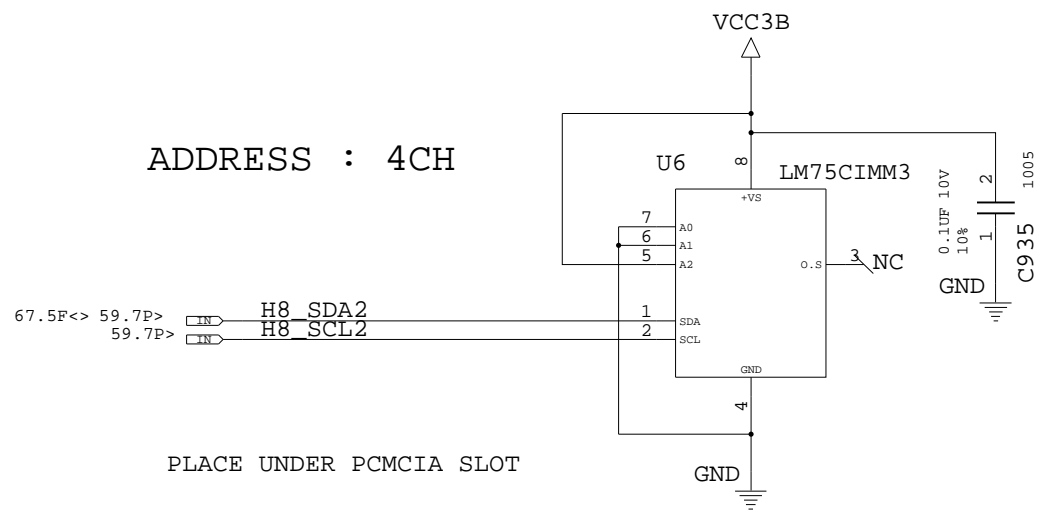
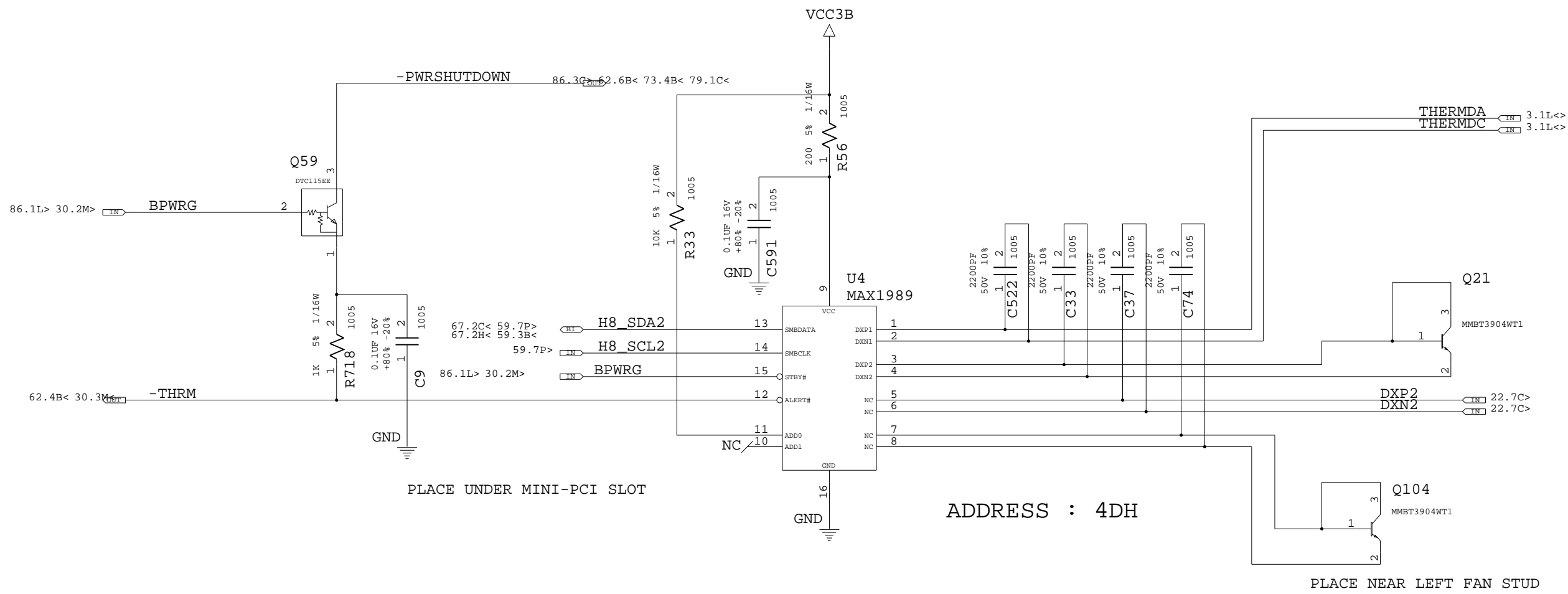
	DATE	EC NO.	PART NO.	
REL	12/01/05	G33456	41W0926	
			DEVELOPMENT NO.	Q/M
				66 /92

41W0926

DESIGNER	K.Y	12/01/05	PART NO.	41W0926	IBM
CHECKED	Y.I	12/01/05			
APPROVED	T.S	12/01/05	TITLE		
CLASS	T.S	12/01/05	IR MODULE		
THIS DOCUMENT IS THE PROPERTY OF IBM ITS USE IS AUTHORIZED ONLY FOR RESPONDING TO A REQUEST FOR QUOTATION OR FOR THE PERFORMANCE OF WORK FOR IBM. ALL QUESTIONS MUST BE REFERRED TO THE IBM PURCHASING DEPARTMENT.					L
					L

LENOVO CONFIDENTIAL

REL	DATE	EC NO.	PART NO.	
	12/01/05	G33456	41W0926	
			DEVELOPMENT NO.	Q/M
				67 / 92

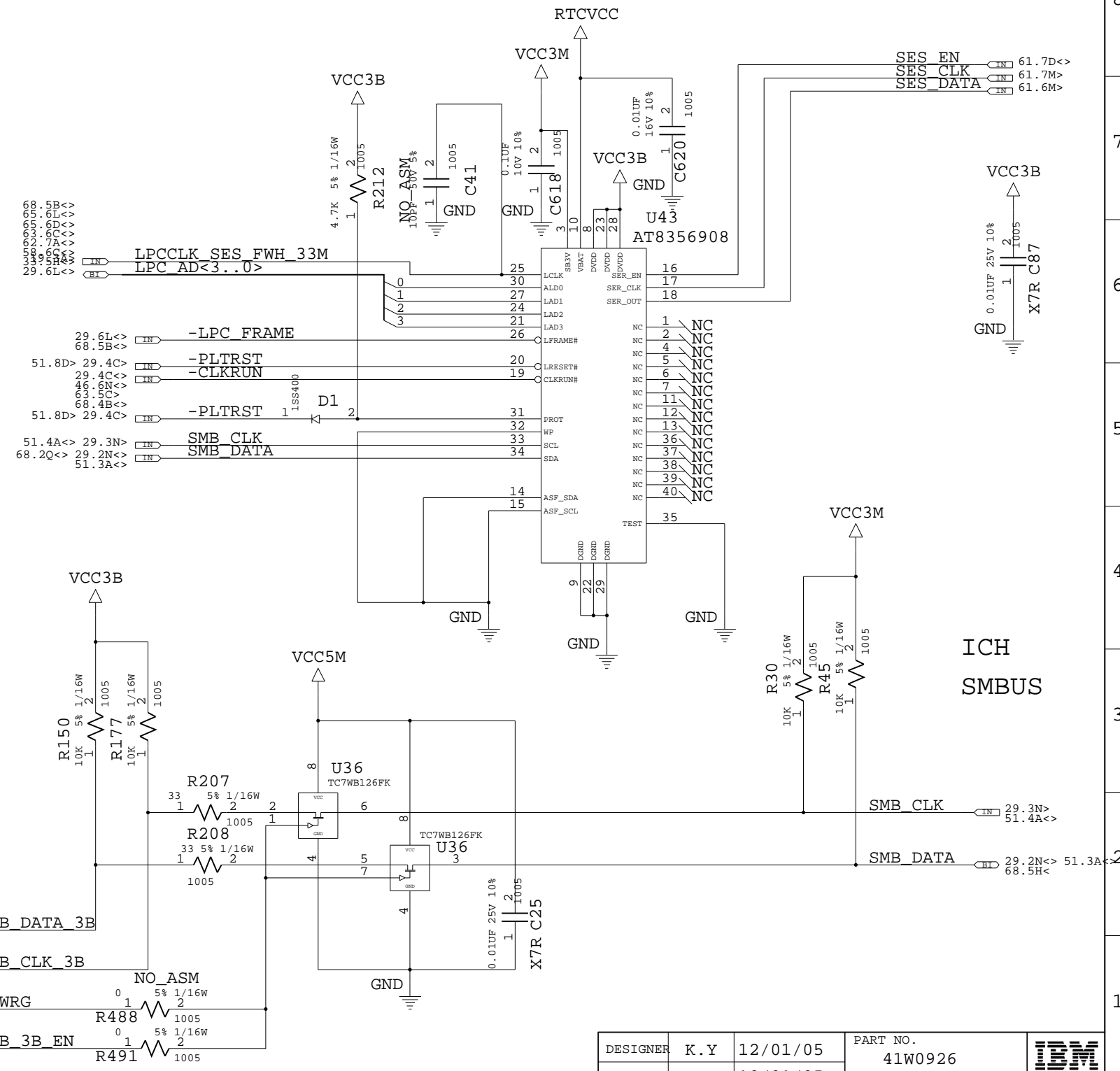
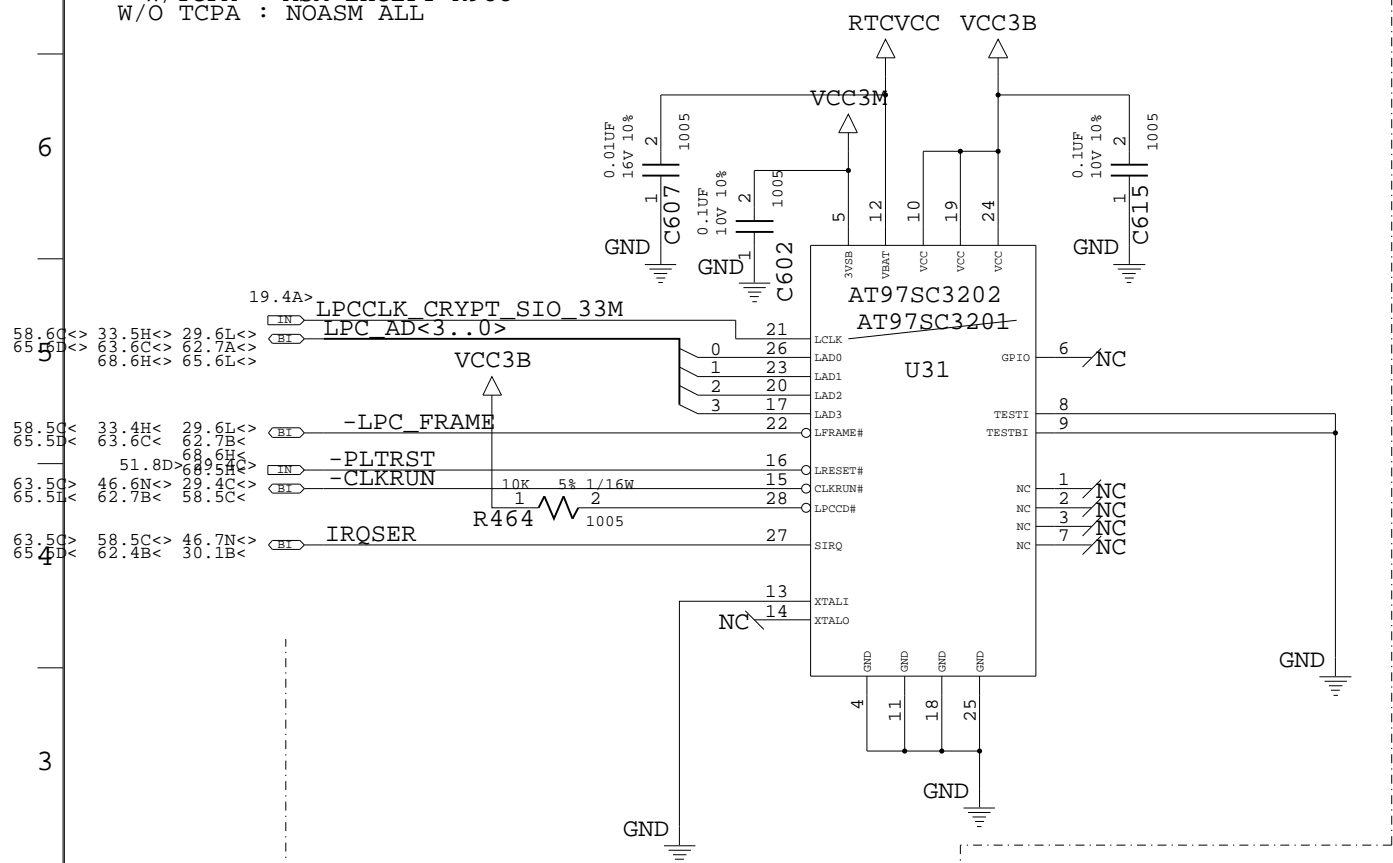


41W0926

DESIGNER	K.Y	12/01/05	PART NO.	41W0926	IBM
CHECKED	Y.I	12/01/05			
APPROVED	T.S	12/01/05	TITLE		
CLASS	T.S	12/01/05	THERMAL SENSOR		
THIS DOCUMENT IS THE PROPERTY OF IBM. ITS USE IS AUTHORIZED ONLY FOR RESPONDING TO A REQUEST FOR QUOTATION OR FOR THE PERFORMANCE OF WORK FOR IBM. ALL QUESTIONS MUST BE REFERRED TO THE IBM PURCHASING DEPARTMENT.					LENOVO CONFIDENTIAL

REL	DATE	EC NO.	PART NO.	
	12/01/05	G33456	41W0926	
			DEVELOPMENT NO.	Q/M
				68 / 92

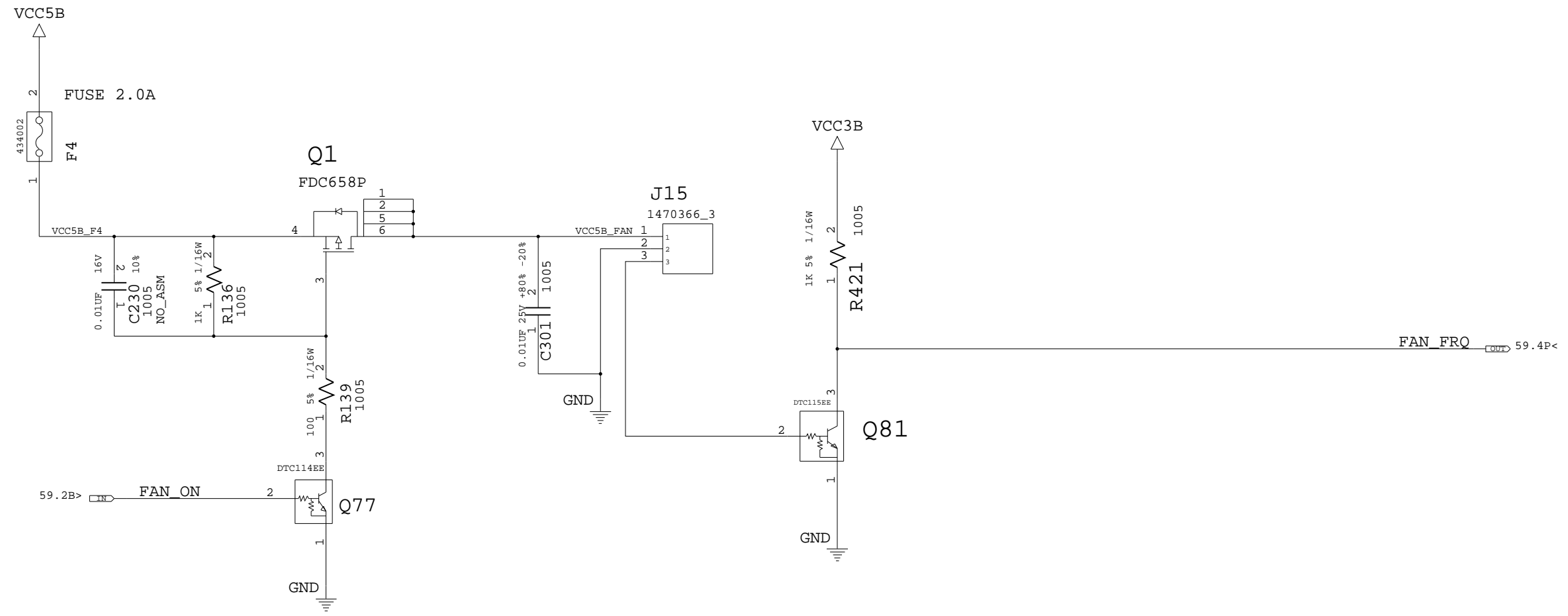
W/TCPA : ASM EXCEPT R988
W/O TPCA : NOASM ALL



41W0926

DESIGNER	K.Y	12/01/05	PART NO.	41W0926	
CHECKED	Y.I	12/01/05			
APPROVED	T.S	12/01/05	TITLE		
CLASS	T.S	12/01/05	I2CBUS/SMBUS		
THIS DOCUMENT IS THE PROPERTY OF IBM ITS USE IS AUTHORIZED ONLY FOR RESPONDING TO A REQUEST FOR QUOTATION OR FOR THE PERFORMANCE OF WORK FOR IBM. ALL QUESTIONS MUST BE REFERRED TO THE IBM PURCHASING DEPARTMENT.					LENOVO CONFIDENTIAL

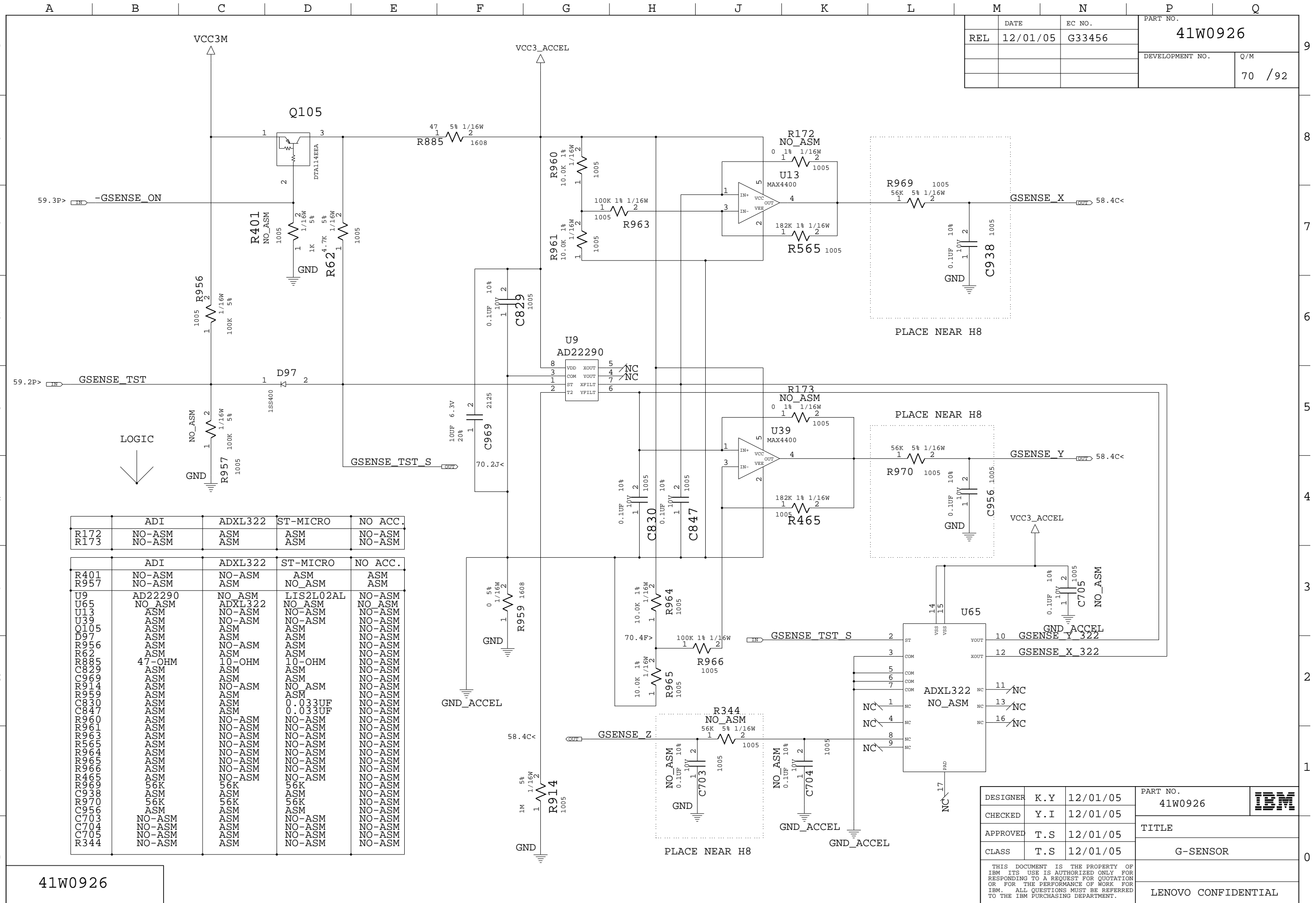
	DATE	EC NO.	PART NO.	
REL	12/01/05	G33456	41W0926	
			DEVELOPMENT NO.	Q/M
				69 /92



41W0926

DESIGNER	K.Y	12/01/05	PART NO.	41W0926	IBM
CHECKED	Y.I	12/01/05			
APPROVED	T.S	12/01/05	TITLE		
CLASS	T.S	12/01/05	FAN CONNECTOR		
THIS DOCUMENT IS THE PROPERTY OF IBM ITS USE IS AUTHORIZED ONLY FOR RESPONDING TO A REQUEST FOR QUOTATION OR FOR THE PERFORMANCE OF WORK FOR IBM. ALL QUESTIONS MUST BE REFERRED TO THE IBM PURCHASING DEPARTMENT.				LENOVO CONFIDENTIAL	

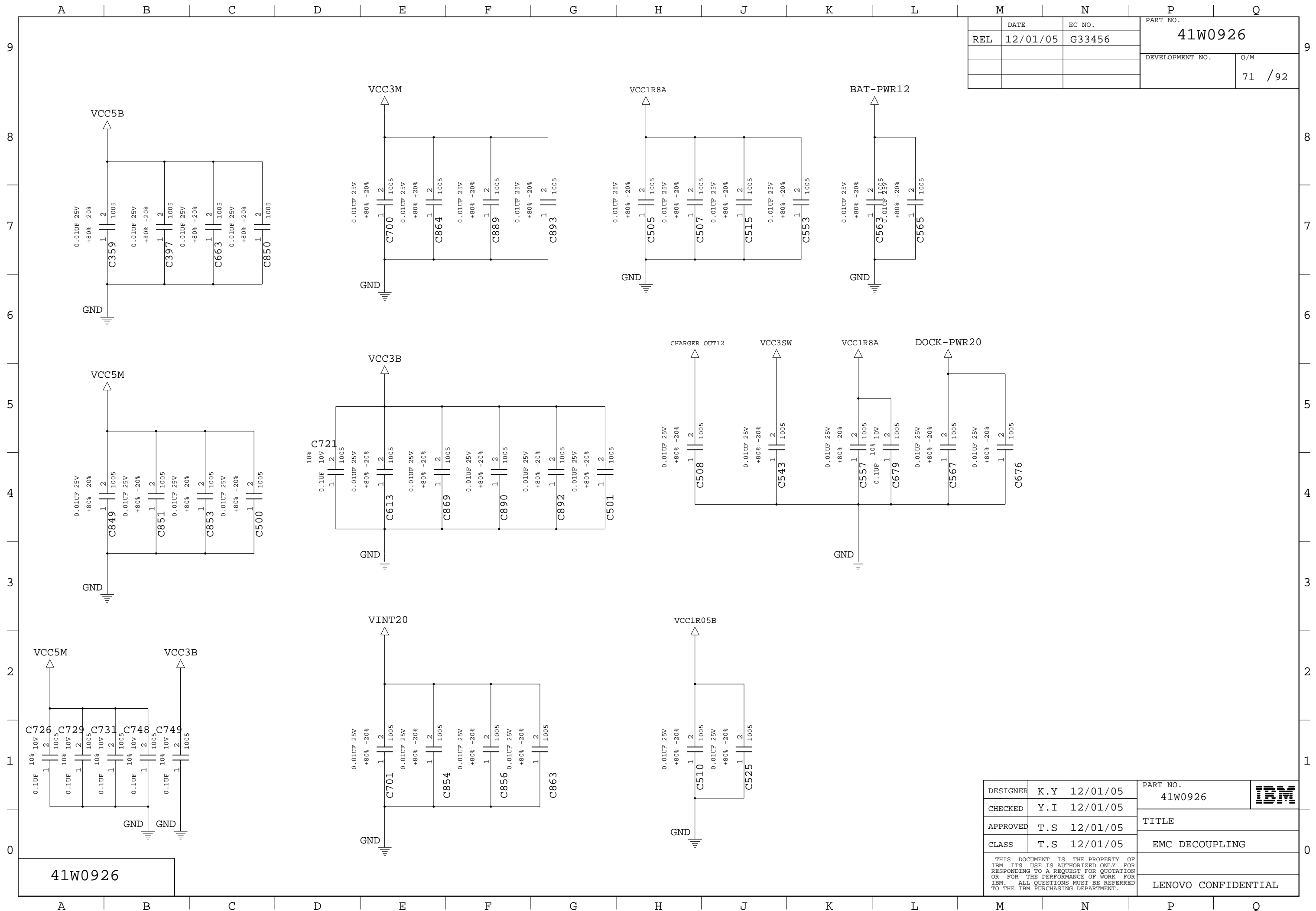
DATE	REL	EC NO.	PART NO.
12/01/05	12/01/05	G33456	41W0926
DEVELOPMENT NO.		Q/M	
		70 / 92	



	ADI	ADXL322	ST-MICRO	NO ACC.
R172	NO-ASM	ASM	ASM	NO-ASM
R173	NO-ASM	ASM	ASM	NO-ASM
R401	NO-ASM	NO-ASM	ASM	ASM
R957	NO-ASM	NO-ASM	NO-ASM	ASM
U9	AD22290	NO ASM	LIS2L02AL	NO-ASM
U65	NO ASM	ADXL322	NO ASM	NO ASM
U13	ASM	NO-ASM	NO-ASM	NO-ASM
U39	ASM	NO-ASM	NO-ASM	NO-ASM
Q105	ASM	ASM	ASM	NO-ASM
D97	ASM	ASM	ASM	NO-ASM
R956	ASM	NO-ASM	ASM	NO-ASM
R62	ASM	ASM	ASM	NO-ASM
R885	47-OHM	10-OHM	10-OHM	NO-ASM
C829	ASM	ASM	ASM	NO-ASM
C969	ASM	ASM	ASM	NO-ASM
R914	ASM	NO-ASM	NO-ASM	NO-ASM
R959	ASM	ASM	ASM	NO-ASM
C830	ASM	ASM	0.033UF	NO-ASM
C847	ASM	ASM	0.033UF	NO-ASM
R960	ASM	NO-ASM	NO-ASM	NO-ASM
R961	ASM	NO-ASM	NO-ASM	NO-ASM
R963	ASM	NO-ASM	NO-ASM	NO-ASM
R965	ASM	NO-ASM	NO-ASM	NO-ASM
R966	ASM	NO-ASM	NO-ASM	NO-ASM
R465	ASM	NO-ASM	NO-ASM	NO-ASM
R969	56K	56K	56K	NO-ASM
C938	ASM	ASM	ASM	NO-ASM
R970	56K	56K	56K	NO-ASM
C956	ASM	ASM	ASM	NO-ASM
C703	NO-ASM	ASM	NO-ASM	NO-ASM
C704	NO-ASM	ASM	NO-ASM	NO-ASM
C705	NO-ASM	ASM	NO-ASM	NO-ASM
R344	NO-ASM	ASM	NO-ASM	NO-ASM

41W0926

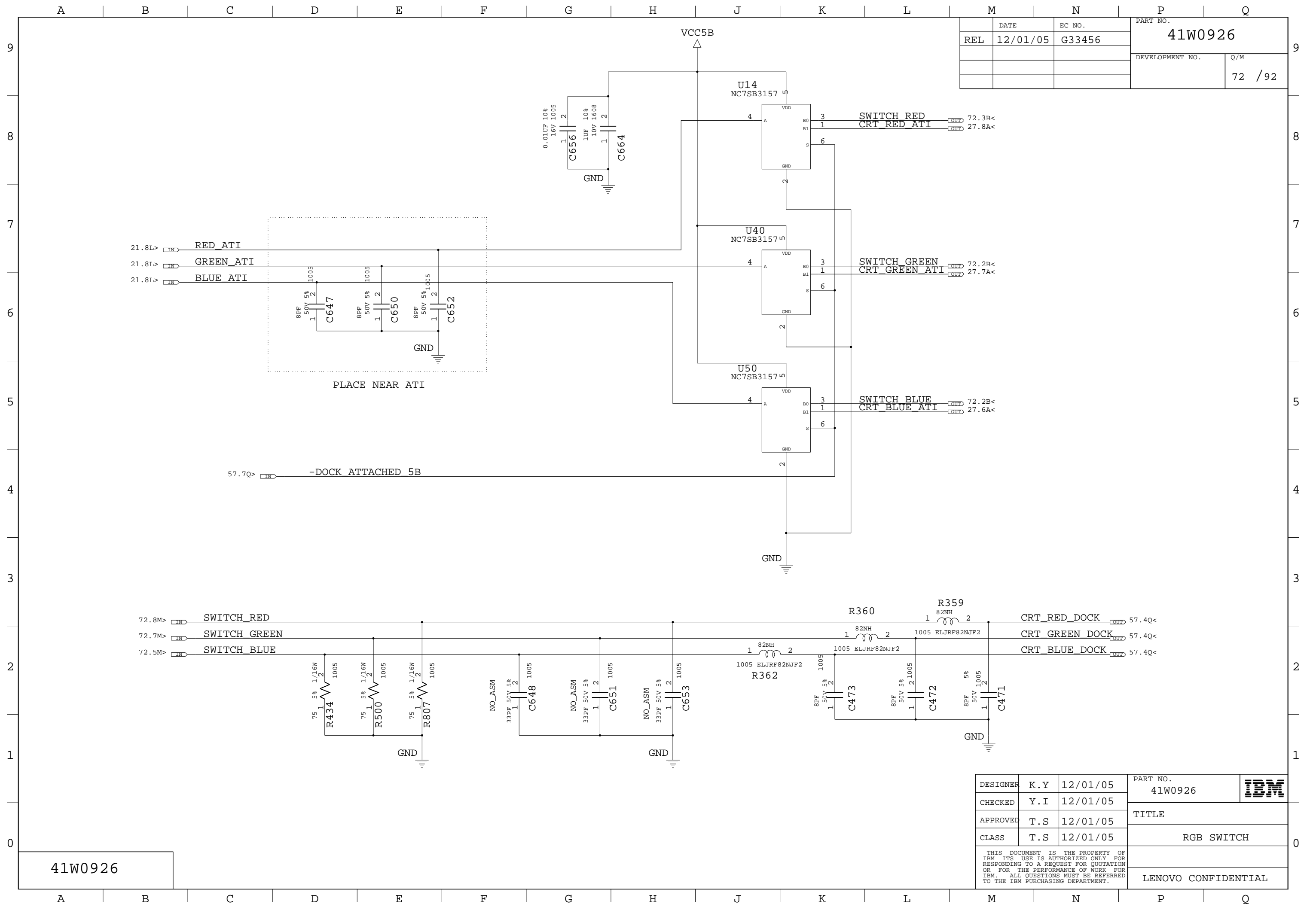
DESIGNER	K.Y	12/01/05	PART NO.	41W0926	IBM
CHECKED	Y.I	12/01/05			
APPROVED	T.S	12/01/05	TITLE		
CLASS	T.S	12/01/05	G-SENSOR		
THIS DOCUMENT IS THE PROPERTY OF IBM ITS USE IS AUTHORIZED ONLY FOR RESPONDING TO A REQUEST FOR QUOTATION OR FOR THE PERFORMANCE OF WORK FOR IBM. ALL QUESTIONS MUST BE REFERRED TO THE IBM PURCHASING DEPARTMENT.					LENOVO CONFIDENTIAL



	DATE	EC NO.	PART NO.	
REL	12/01/05	G33456	41W0926	
			DEVELOPMENT NO.	Q/M
				71 / 92

41W0926

DESIGNER	K.Y	12/01/05	PART NO.	41W0926	
CHECKED	Y.I	12/01/05			
APPROVED	T.S	12/01/05	TITLE		
CLASS	T.S	12/01/05	EMC DECOUPLING		
THIS DOCUMENT IS THE PROPERTY OF IBM. ITS USE IS AUTHORIZED ONLY FOR RESPONDING TO A REQUEST FOR QUOTATION OR FOR THE PERFORMANCE OF WORK FOR IBM. ALL QUESTIONS MUST BE REFERRED TO THE IBM PURCHASING DEPARTMENT.				LENOVO CONFIDENTIAL	

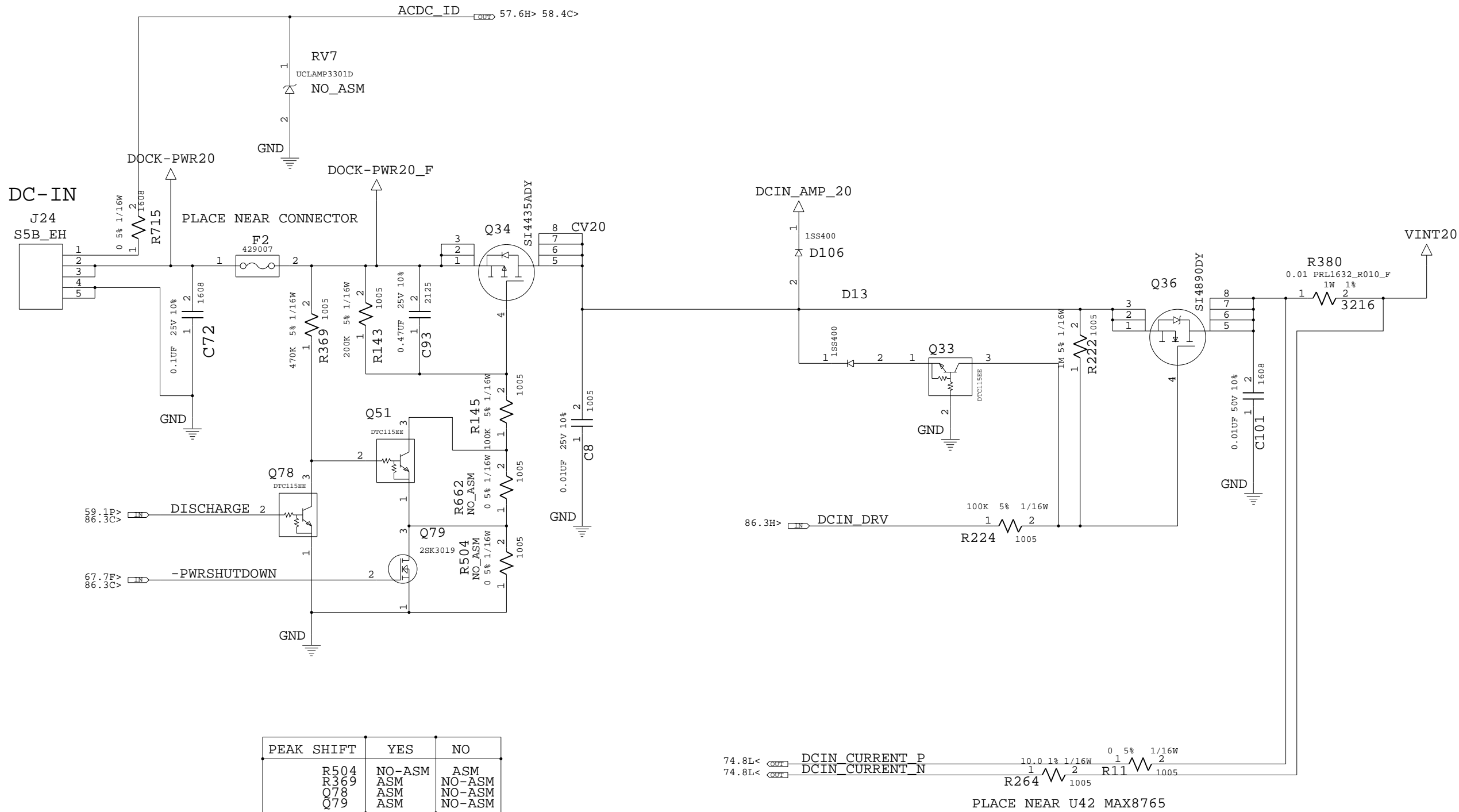


	DATE	EC NO.	PART NO.	
REL	12/01/05	G33456	41W0926	
			DEVELOPMENT NO.	Q/M
				72 / 92

41W0926

DESIGNER	K.Y	12/01/05	PART NO.	41W0926	
CHECKED	Y.I	12/01/05			
APPROVED	T.S	12/01/05	TITLE		
CLASS	T.S	12/01/05	RGB SWITCH		
THIS DOCUMENT IS THE PROPERTY OF IBM ITS USE IS AUTHORIZED ONLY FOR RESPONDING TO A REQUEST FOR QUOTATION OR FOR THE PERFORMANCE OF WORK FOR IBM. ALL QUESTIONS MUST BE REFERRED TO THE IBM PURCHASING DEPARTMENT.					LENOVO CONFIDENTIAL

	DATE	EC NO.	PART NO.	
REL	12/01/05	G33456	41W0926	
			DEVELOPMENT NO.	Q/M
				73 / 92

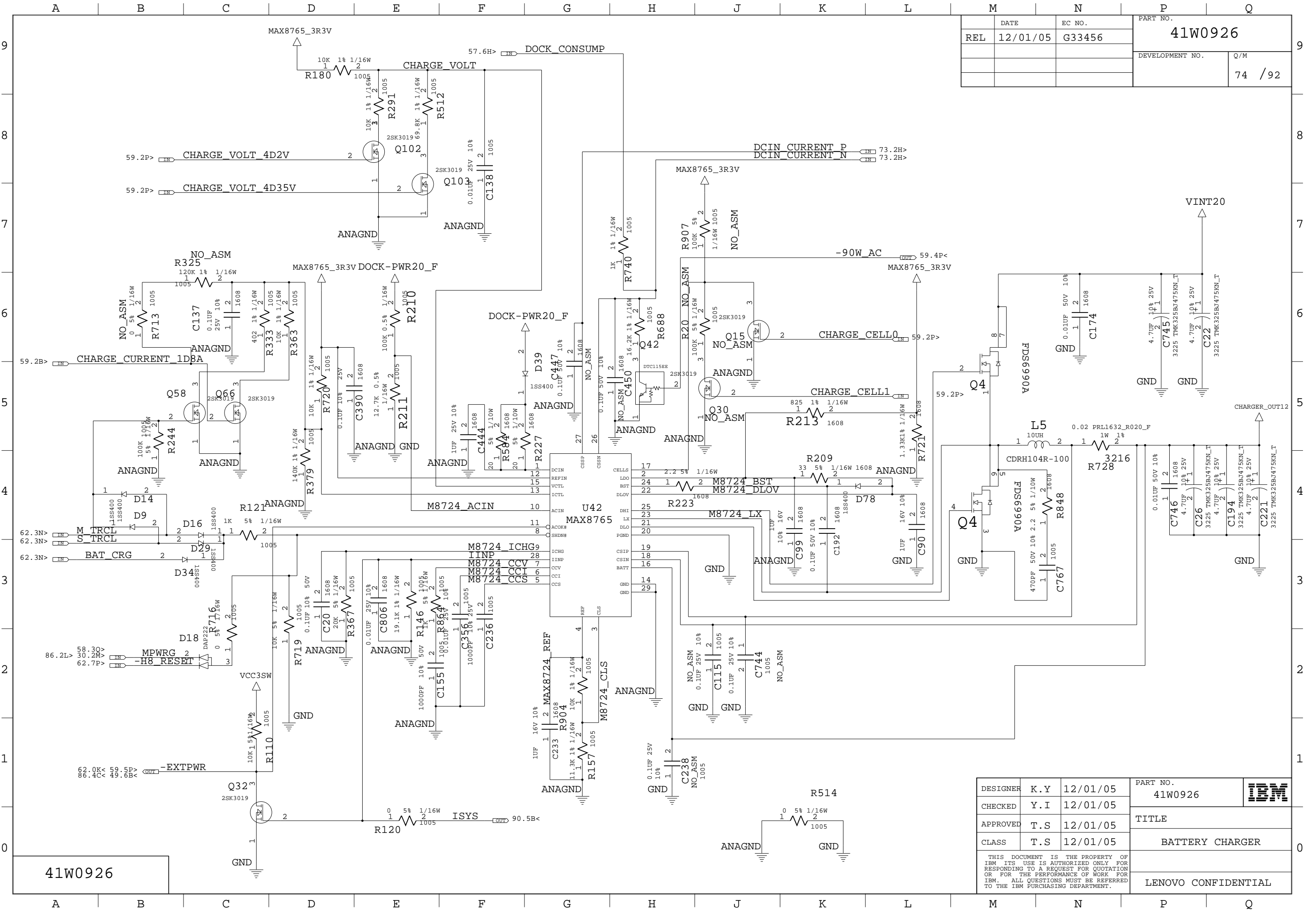


PEAK SHIFT	YES	NO
R504	NO-ASM	ASM
R369	ASM	NO-ASM
Q78	ASM	NO-ASM
Q79	ASM	NO-ASM

74.8L< DCIN CURRENT P
74.8L< DCIN CURRENT N
R264 10.0 1% 1/16W
R11 0.5% 1/16W
PLACE NEAR U42 MAX8765

41W0926

DESIGNER	K.Y	12/01/05	PART NO.	41W0926	
CHECKED	Y.I	12/01/05			
APPROVED	T.S	12/01/05	TITLE		
CLASS	T.S	12/01/05	DC-IN		
THIS DOCUMENT IS THE PROPERTY OF IBM ITS USE IS AUTHORIZED ONLY FOR RESPONDING TO A REQUEST FOR QUOTATION OR FOR THE PERFORMANCE OF WORK FOR IBM. ALL QUESTIONS MUST BE REFERRED TO THE IBM PURCHASING DEPARTMENT.					LENOVO CONFIDENTIAL



DATE	12/01/05	EC NO.	G33456	PART NO.	41W0926
REL				DEVELOPMENT NO.	74 / 92
				Q/M	

41W0926

DESIGNER	K.Y	12/01/05	PART NO.	41W0926	
CHECKED	Y.I	12/01/05	TITLE		
APPROVED	T.S	12/01/05	BATTERY CHARGER		
CLASS	T.S	12/01/05	LENOVO CONFIDENTIAL		

THIS DOCUMENT IS THE PROPERTY OF IBM ITS USE IS AUTHORIZED ONLY FOR RESPONDING TO A REQUEST FOR QUOTATION OR FOR THE PERFORMANCE OF WORK FOR IBM. ALL QUESTIONS MUST BE REFERRED TO THE IBM PURCHASING DEPARTMENT.

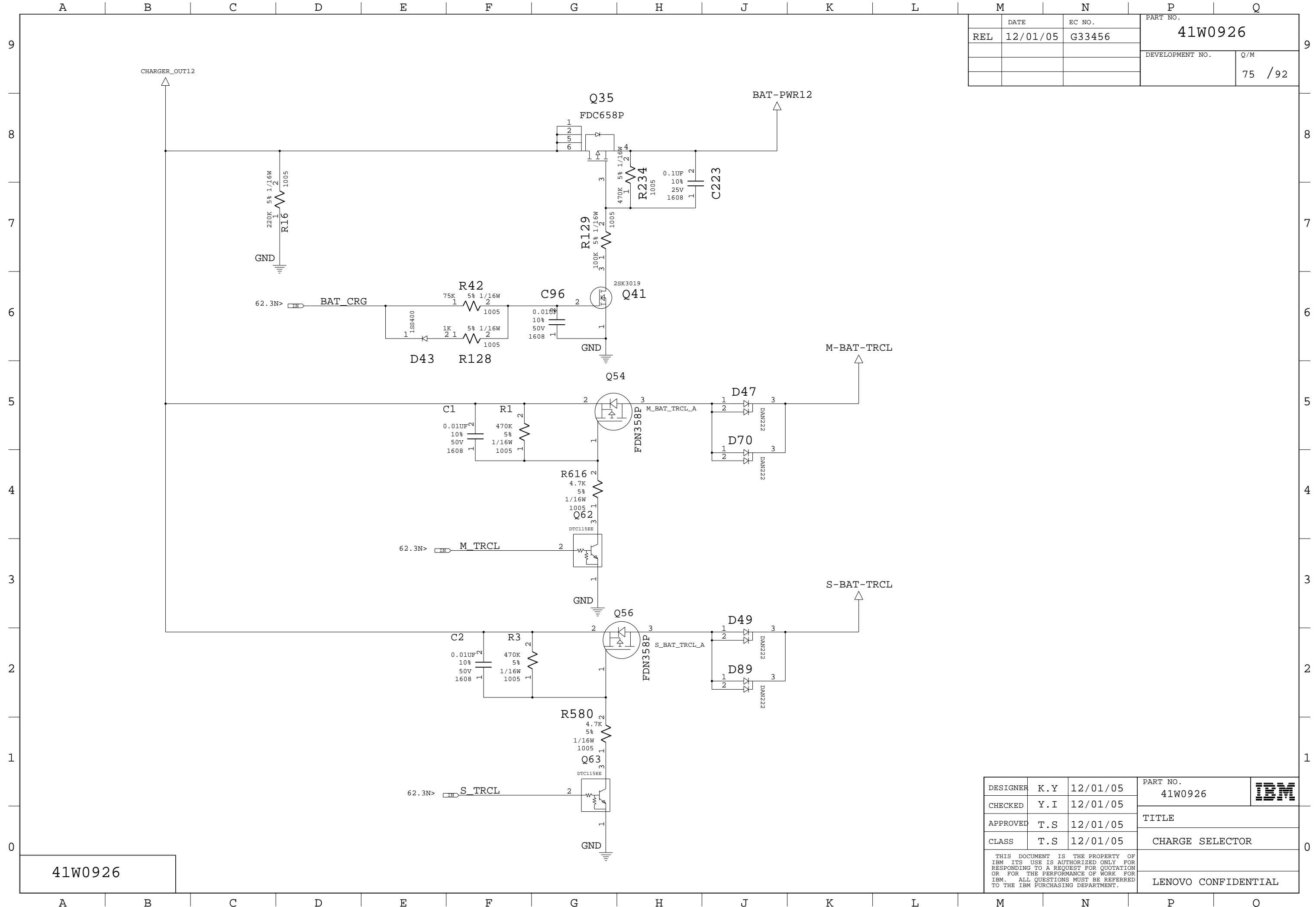
	DATE	EC NO.	PART NO.	
REL	12/01/05	G33456	41W0926	
			DEVELOPMENT NO.	Q/M
				75 / 92

CHARGER_OUT12

BAT-PWR12

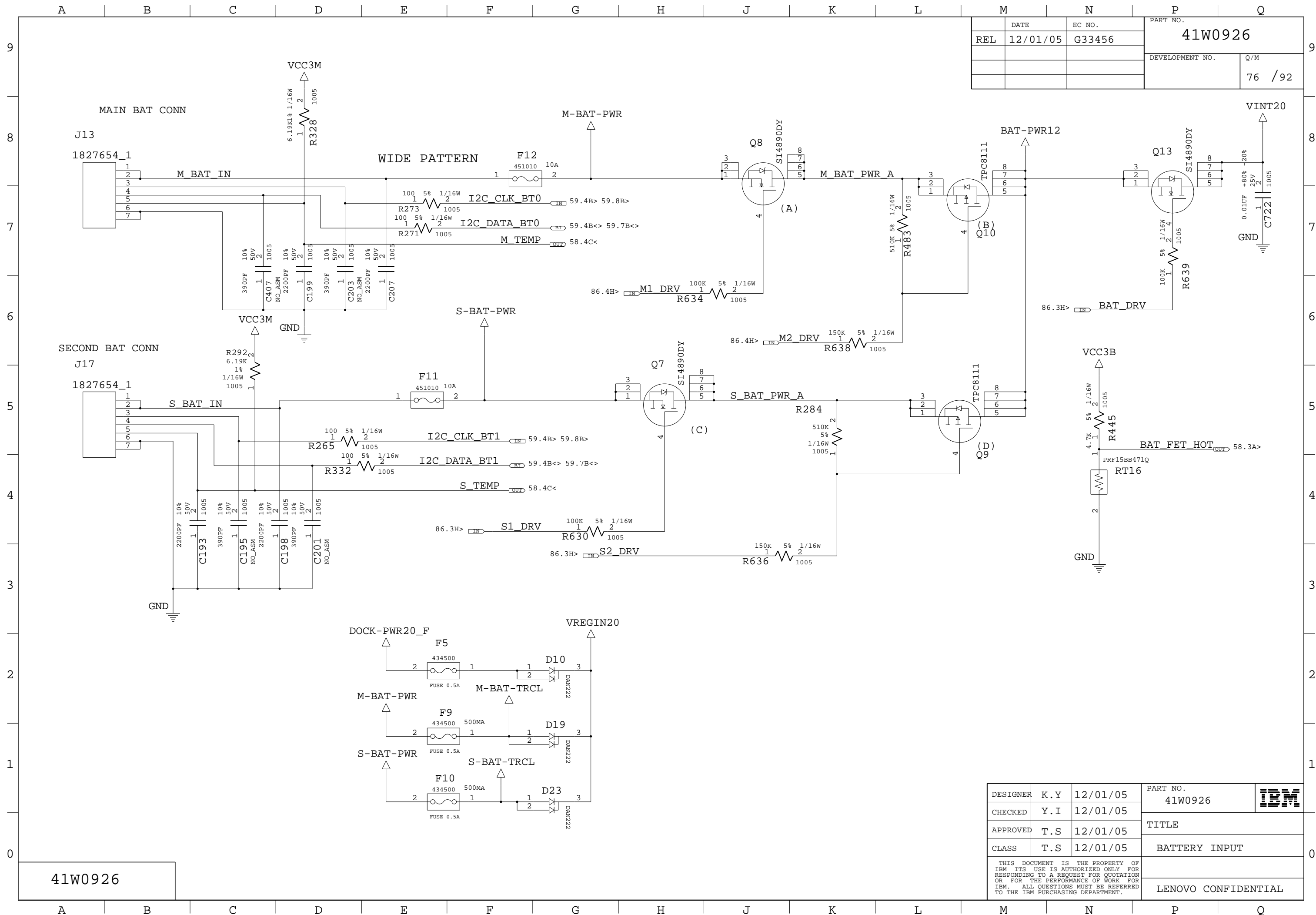
M-BAT-TRCL

S-BAT-TRCL



41W0926

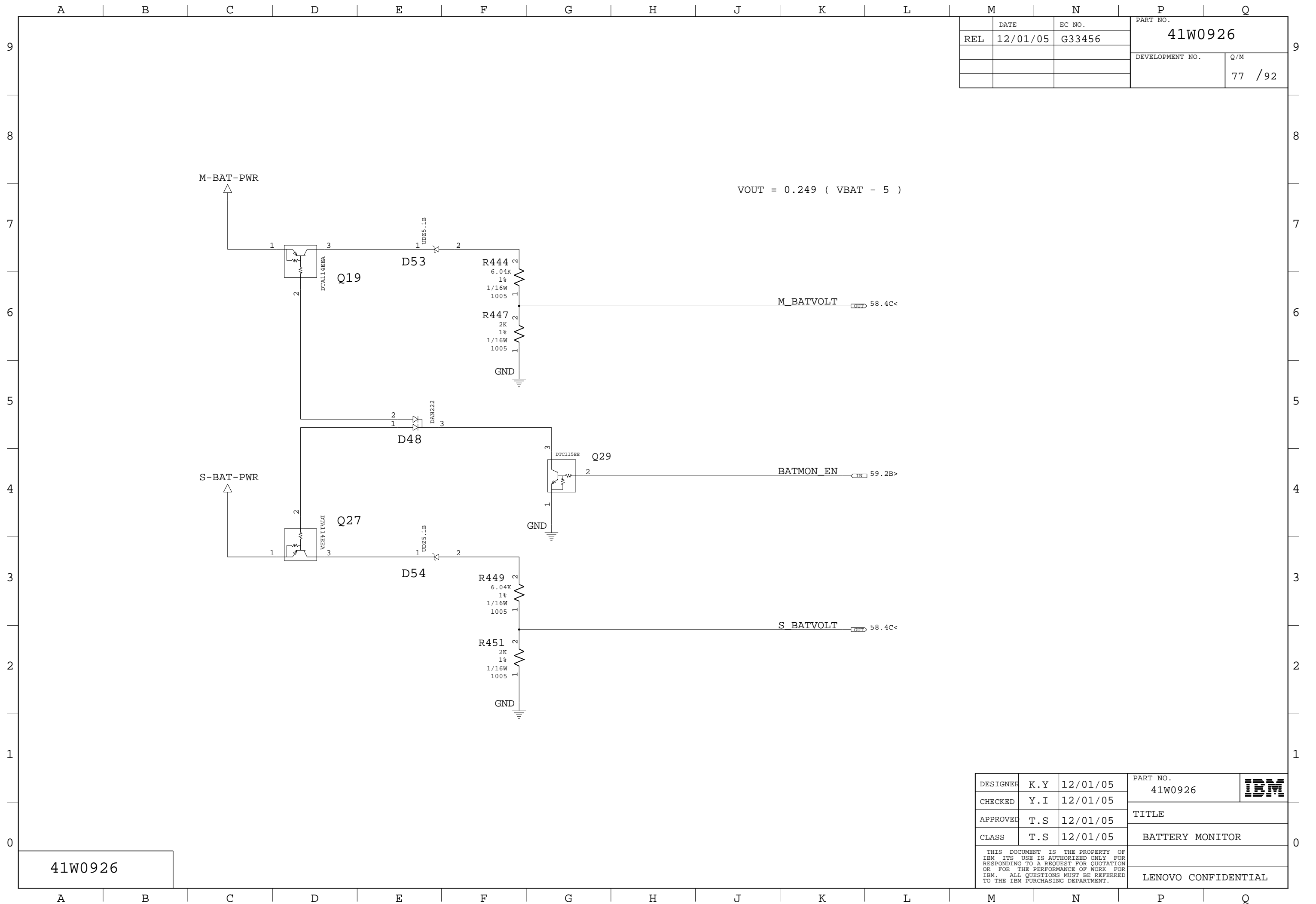
DESIGNER	K.Y	12/01/05	PART NO.	41W0926	
CHECKED	Y.I	12/01/05			
APPROVED	T.S	12/01/05	TITLE		
CLASS	T.S	12/01/05	CHARGE SELECTOR		
THIS DOCUMENT IS THE PROPERTY OF IBM. ITS USE IS AUTHORIZED ONLY FOR RESPONDING TO A REQUEST FOR QUOTATION OR FOR THE PERFORMANCE OF WORK FOR IBM. ALL QUESTIONS MUST BE REFERRED TO THE IBM PURCHASING DEPARTMENT.					LENOVO CONFIDENTIAL



REL	DATE	EC NO.	PART NO.
	12/01/05	G33456	41W0926
			DEVELOPMENT NO.
			Q/M
			76 / 92

DESIGNER	K.Y	12/01/05	PART NO.	41W0926	IBM
CHECKED	Y.I	12/01/05	TITLE		
APPROVED	T.S	12/01/05	BATTERY INPUT		
CLASS	T.S	12/01/05			
THIS DOCUMENT IS THE PROPERTY OF IBM. ITS USE IS AUTHORIZED ONLY FOR RESPONDING TO A REQUEST FOR QUOTATION OR FOR THE PERFORMANCE OF WORK FOR IBM. ALL QUESTIONS MUST BE REFERRED TO THE IBM PURCHASING DEPARTMENT.				LENOVO CONFIDENTIAL	

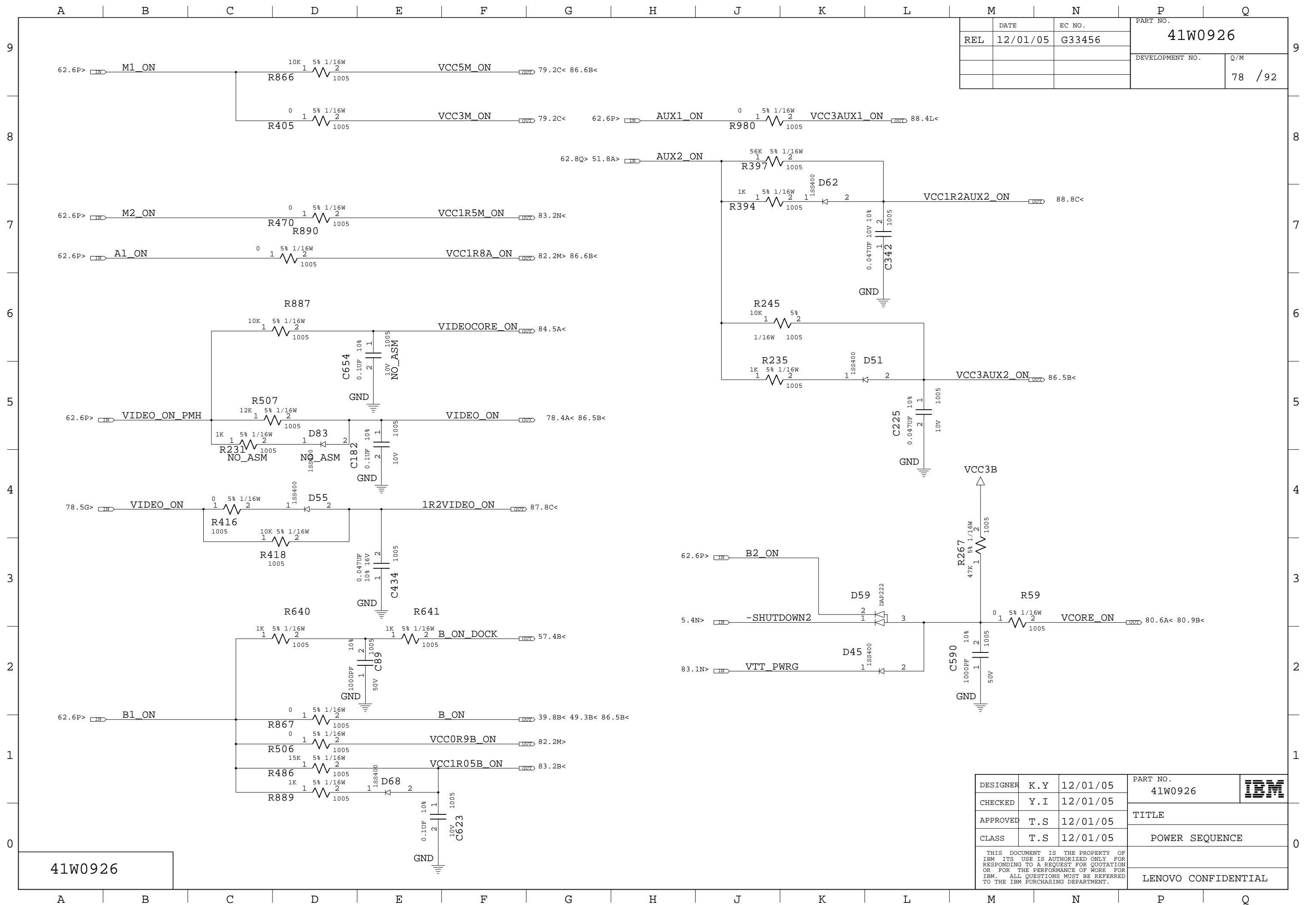
41W0926



	DATE	EC NO.	PART NO.	
REL	12/01/05	G33456	41W0926	
			DEVELOPMENT NO.	Q/M
				77 /92

41W0926

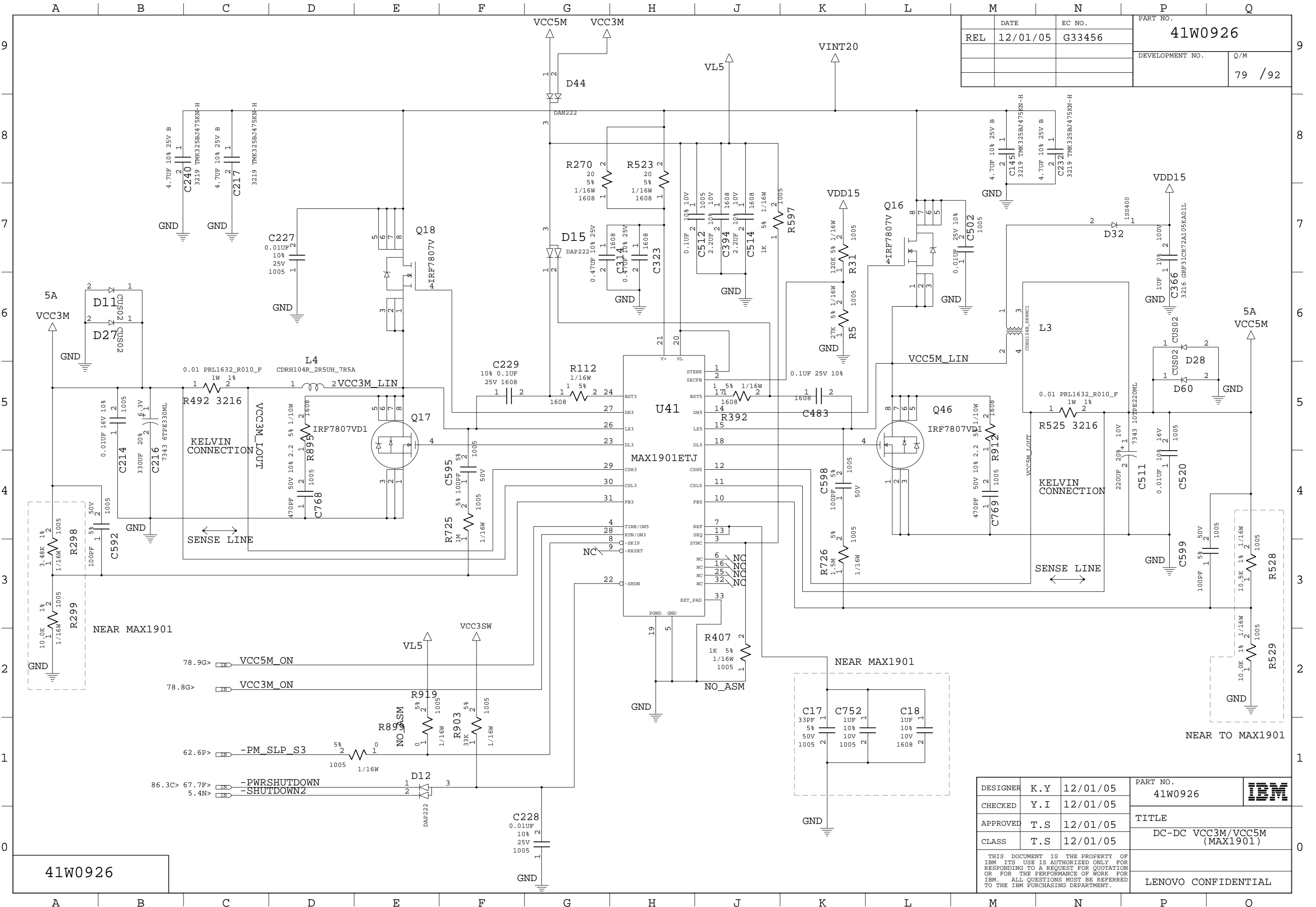
DESIGNER	K.Y	12/01/05	PART NO.	41W0926	IBM
CHECKED	Y.I	12/01/05			
APPROVED	T.S	12/01/05	TITLE		
CLASS	T.S	12/01/05	BATTERY MONITOR		
THIS DOCUMENT IS THE PROPERTY OF IBM ITS USE IS AUTHORIZED ONLY FOR RESPONDING TO A REQUEST FOR QUOTATION OR FOR THE PERFORMANCE OF WORK FOR IBM. ALL QUESTIONS MUST BE REFERRED TO THE IBM PURCHASING DEPARTMENT.					LENOVO CONFIDENTIAL



	DATE	EC NO.	PART NO.	
REL	12/01/05	G33456	41W0926	
			DEVELOPMENT NO.	Q/M
				78 / 92

41W0926

DESIGNER	K.Y	12/01/05	PART NO.	41W0926	IBM
CHECKED	Y.I	12/01/05	TITLE		
APPROVED	T.S	12/01/05	POWER SEQUENCE		
CLASS	T.S	12/01/05	LENOVO CONFIDENTIAL		
THIS DOCUMENT IS THE PROPERTY OF IBM ITS USE IS AUTHORIZED ONLY FOR RESPONDING TO A REQUEST FOR QUOTATION OR FOR THE PERFORMANCE OF WORK FOR IBM. ALL QUESTIONS MUST BE REFERRED TO THE IBM PURCHASING DEPARTMENT.					

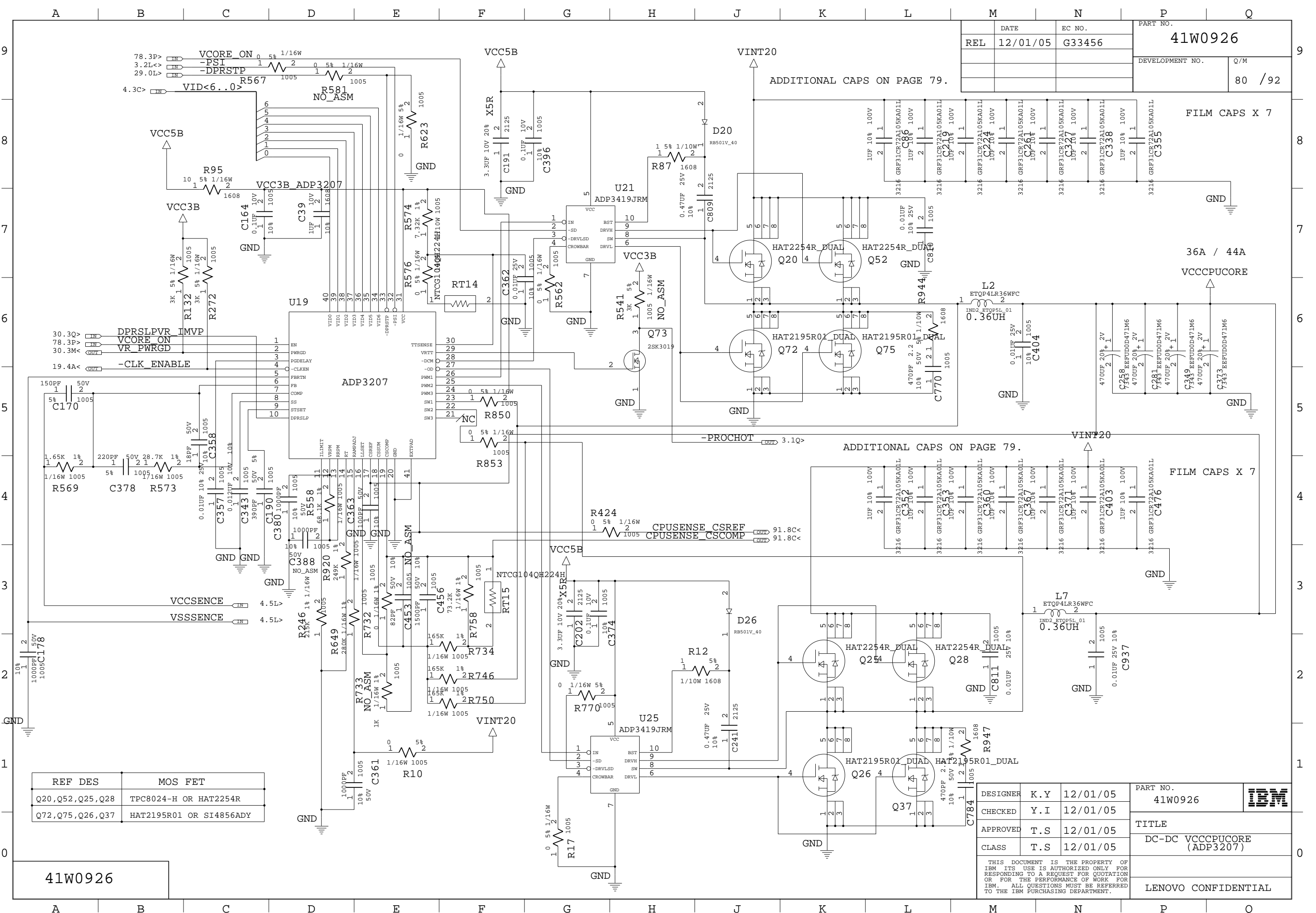


REL	DATE	EC NO.	PART NO.
	12/01/05	G33456	41W0926
			DEVELOPMENT NO.
			Q/M
			79 / 92

41W0926

DESIGNER	K.Y	12/01/05	PART NO.	41W0926	
CHECKED	Y.I	12/01/05			
APPROVED	T.S	12/01/05	TITLE	DC-DC VCC3M/VCC5M (MAX1901)	
CLASS	T.S	12/01/05		LENOVO CONFIDENTIAL	

THIS DOCUMENT IS THE PROPERTY OF IBM. ITS USE IS AUTHORIZED ONLY FOR RESPONDING TO A REQUEST FOR QUOTATION OR FOR THE PERFORMANCE OF WORK FOR IBM. ALL QUESTIONS MUST BE REFERRED TO THE IBM PURCHASING DEPARTMENT.

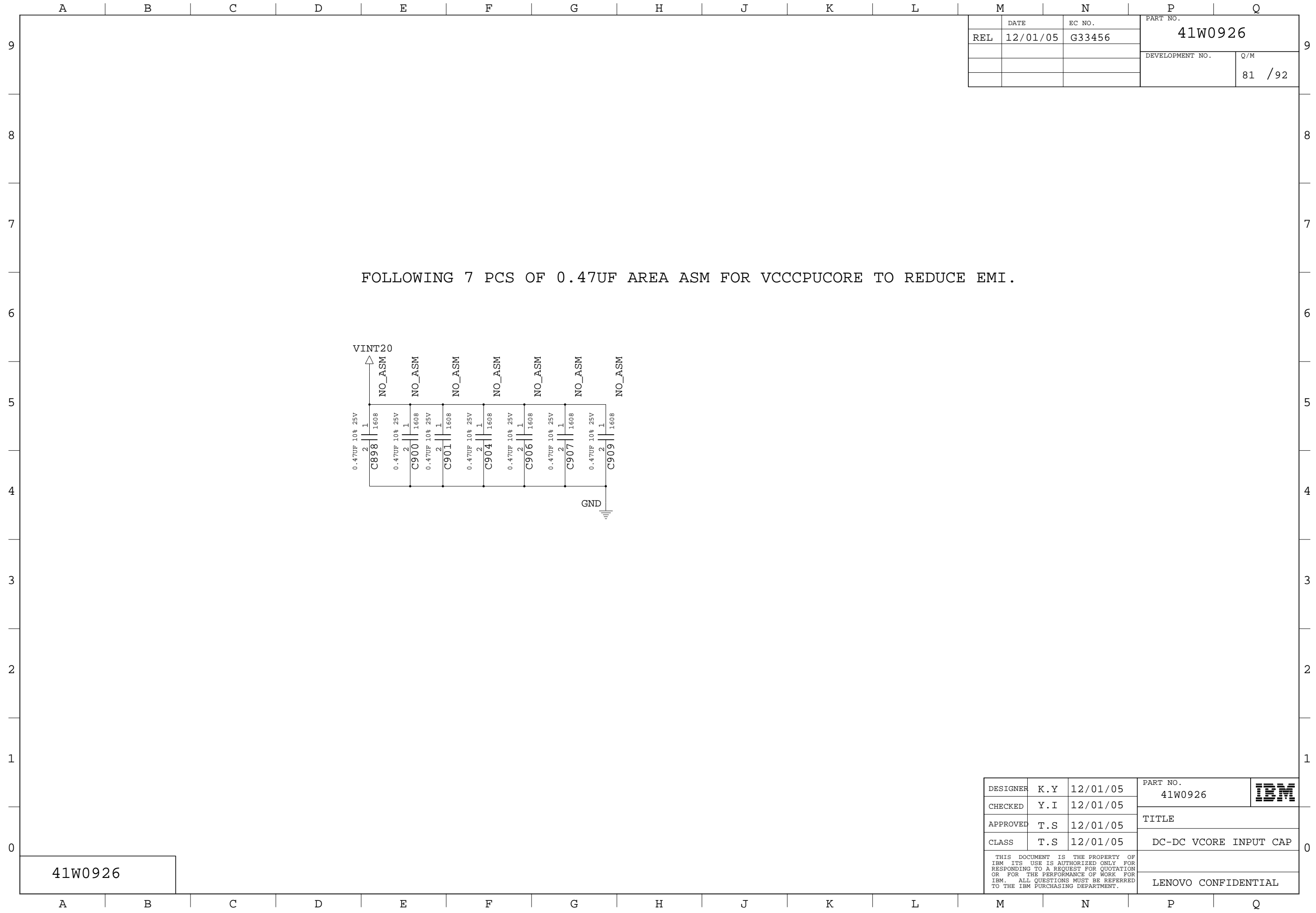


REL	DATE	EC NO.	PART NO.
	12/01/05	G33456	41W0926
			DEVELOPMENT NO.
			Q/M
			80 / 92

REF DES	MOS FET
Q20, Q52, Q25, Q28	TPC8024-H OR HAT2254R
Q72, Q75, Q26, Q37	HAT2195R01 OR SI4856ADY

41W0926

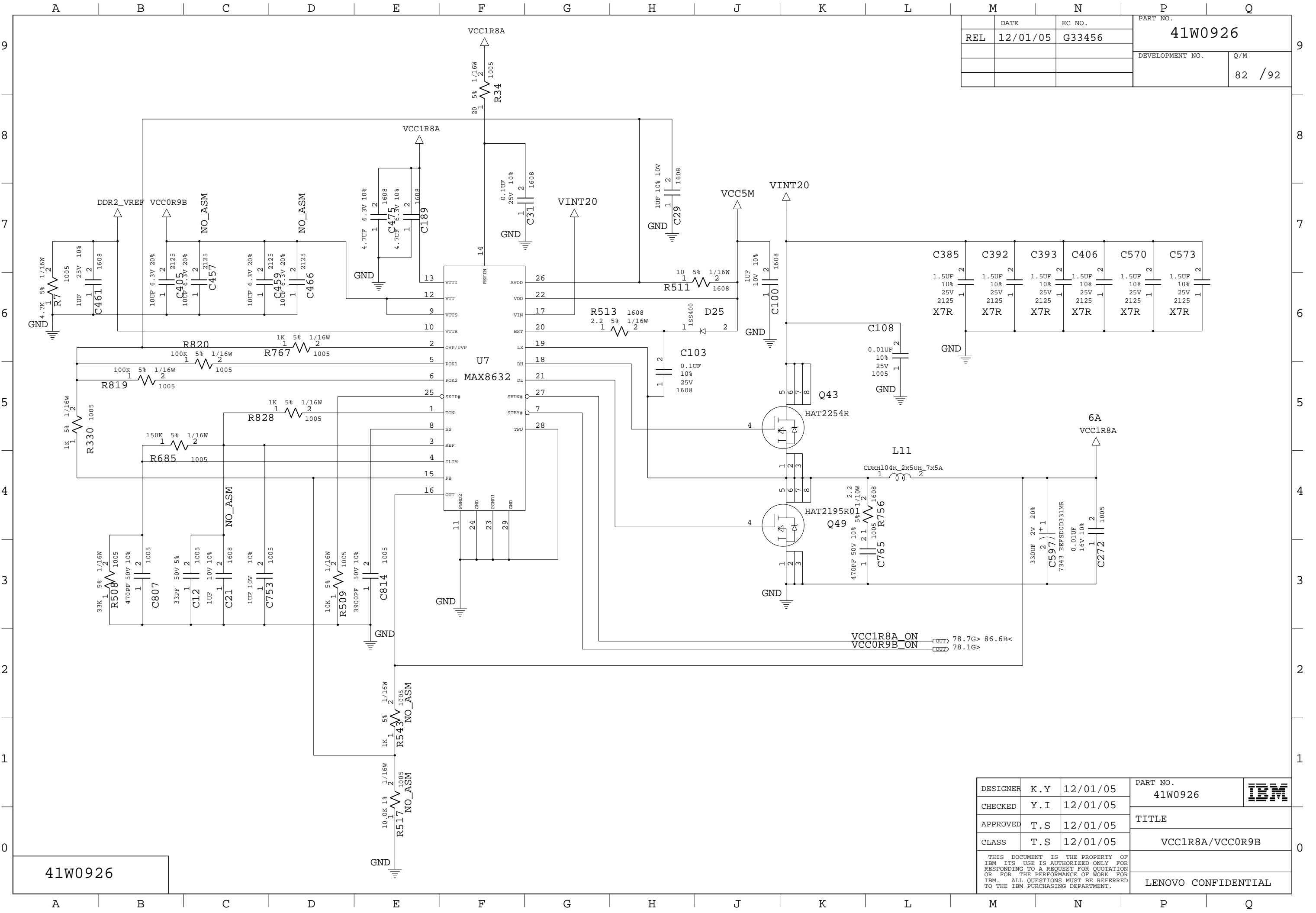
DESIGNER	K.Y	12/01/05	PART NO.	41W0926	
CHECKED	Y.I	12/01/05			
APPROVED	T.S	12/01/05	TITLE		DC-DC VCCCPUCORE (ADP3207)
CLASS	T.S	12/01/05			
THIS DOCUMENT IS THE PROPERTY OF IBM. ITS USE IS AUTHORIZED ONLY FOR RESPONDING TO A REQUEST FOR QUOTATION OR FOR THE PERFORMANCE OF WORK FOR IBM. ALL QUESTIONS MUST BE REFERRED TO THE IBM PURCHASING DEPARTMENT.					LENOVO CONFIDENTIAL



	DATE	EC NO.	PART NO.	
REL	12/01/05	G33456	41W0926	
			DEVELOPMENT NO.	Q/M
				81 /92

41W0926

DESIGNER	K.Y	12/01/05	PART NO.	41W0926	IBM
CHECKED	Y.I	12/01/05			
APPROVED	T.S	12/01/05	TITLE		
CLASS	T.S	12/01/05	DC-DC VCORE INPUT CAP		
<small>THIS DOCUMENT IS THE PROPERTY OF IBM ITS USE IS AUTHORIZED ONLY FOR RESPONDING TO A REQUEST FOR QUOTATION OR FOR THE PERFORMANCE OF WORK FOR IBM. ALL QUESTIONS MUST BE REFERRED TO THE IBM PURCHASING DEPARTMENT.</small>				LENOVO CONFIDENTIAL	



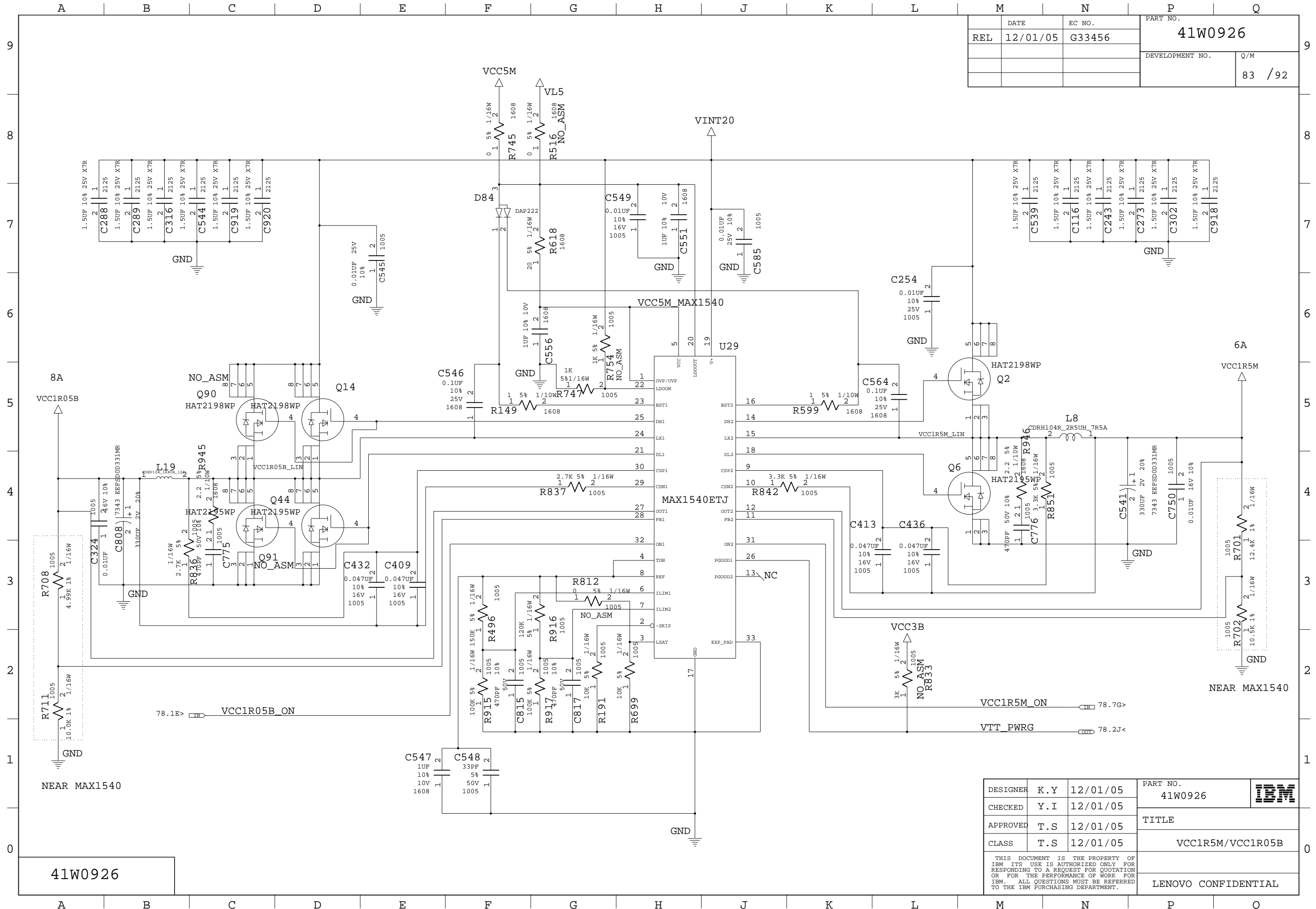
REL	DATE	EC NO.	PART NO.	
	12/01/05	G33456	41W0926	
			DEVELOPMENT NO.	Q/M
				82 / 92

41W0926

DESIGNER	K.Y	12/01/05	PART NO.	41W0926	
CHECKED	Y.I	12/01/05	TITLE		
APPROVED	T.S	12/01/05	VCC1R8A/VCC0R9B		
CLASS	T.S	12/01/05	LENovo CONFIDENTIAL		

THIS DOCUMENT IS THE PROPERTY OF IBM ITS USE IS AUTHORIZED ONLY FOR RESPONDING TO A REQUEST FOR QUOTATION OR FOR THE PERFORMANCE OF WORK FOR IBM. ALL QUESTIONS MUST BE REFERRED TO THE IBM PURCHASING DEPARTMENT.

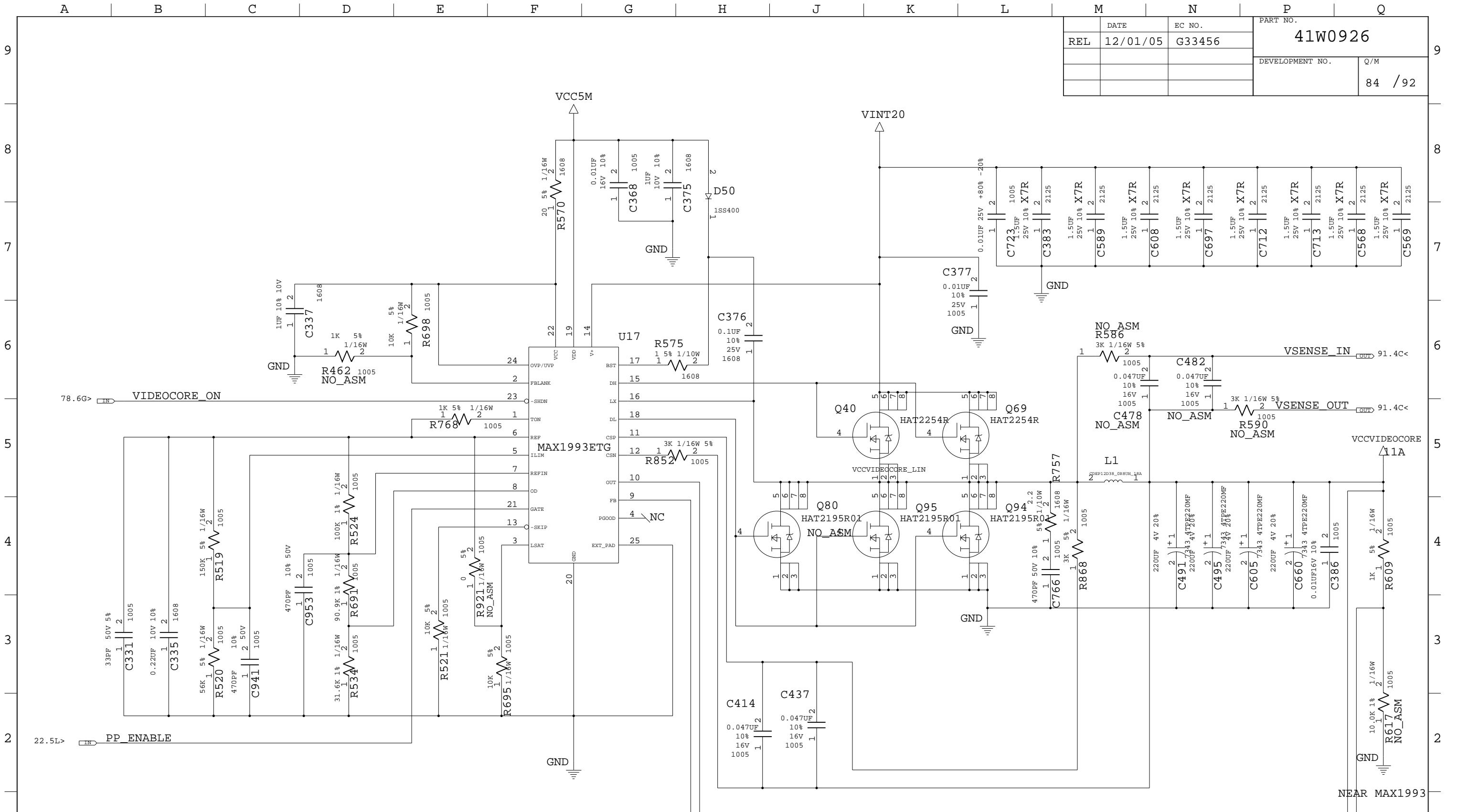
DATE	12/01/05	EC NO.	G33456	PART NO.	41W0926
REL				DEVELOPMENT NO.	83 / 92



41W0926

DESIGNER	K.Y	12/01/05	PART NO.	41W0926	
CHECKED	Y.I	12/01/05			
APPROVED	T.S	12/01/05	TITLE		
CLASS	T.S	12/01/05	VCC1R5M/VCC1R05B		
THIS DOCUMENT IS THE PROPERTY OF IBM ITS USE IS AUTHORIZED ONLY FOR RESPONDING TO A REQUEST FOR QUOTATION OR FOR THE PERFORMANCE OF WORK FOR IBM. ALL QUESTIONS MUST BE REFERRED TO THE IBM PURCHASING DEPARTMENT.				LENOVO CONFIDENTIAL	

REL	DATE	EC NO.	PART NO.
	12/01/05	G33456	41W0926
			DEVELOPMENT NO.
			Q/M
			84 / 92



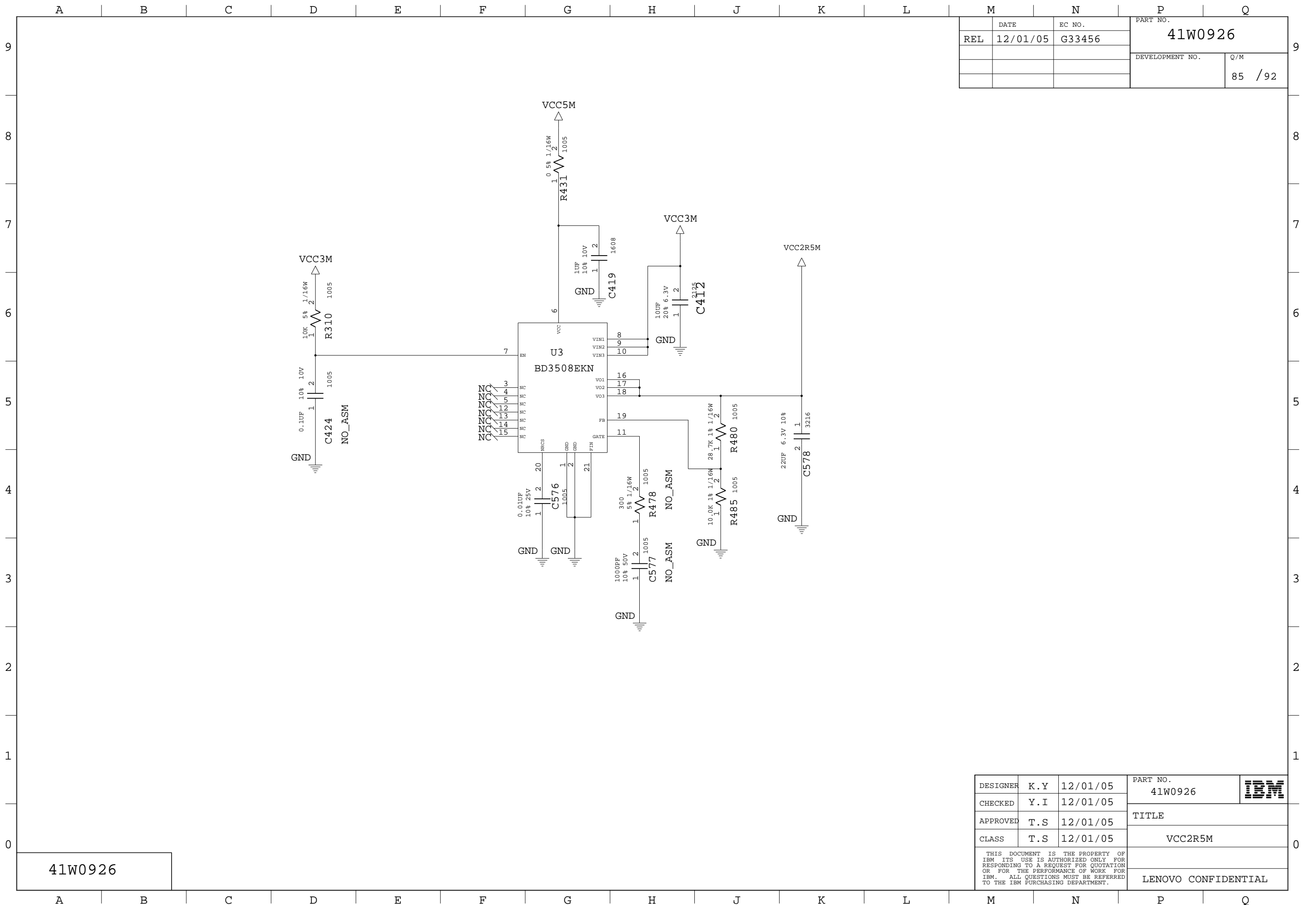
VCCVIDEOCORE TABLE 1/1

	M52	M54	M56
R524	100K	100K	100K
R691	90.9K	90.9K	90.9K
R534	9.09K	9.09K	20.5K

LOGIC

41W0926

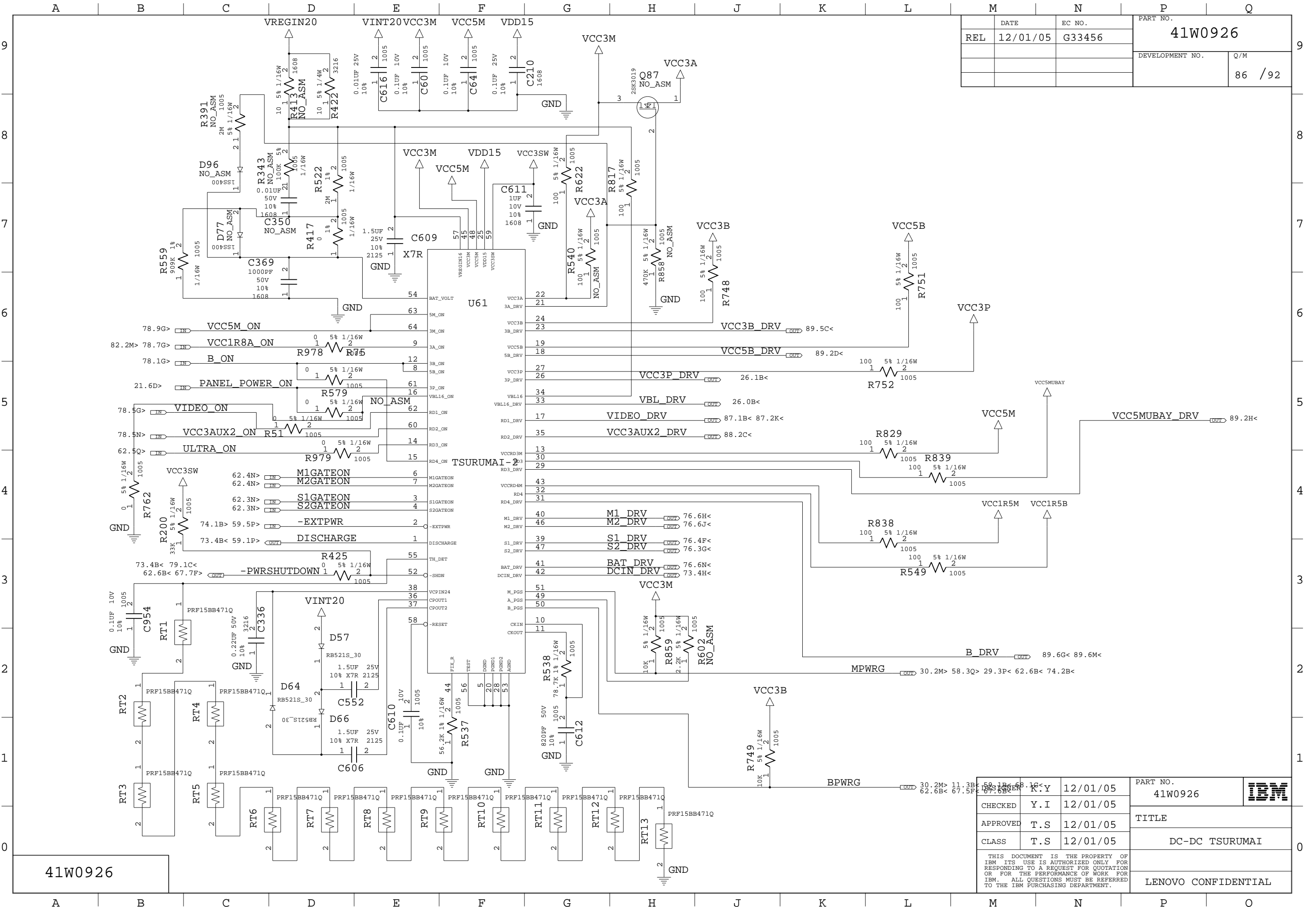
DESIGNER	K.Y	12/01/05	PART NO.	41W0926	
CHECKED	Y.I	12/01/05			
APPROVED	T.S	12/01/05	TITLE		
CLASS	T.S	12/01/05	VCCVIDEO		
THIS DOCUMENT IS THE PROPERTY OF IBM ITS USE IS AUTHORIZED ONLY FOR RESPONDING TO A REQUEST FOR QUOTATION OR FOR THE PERFORMANCE OF WORK FOR IBM. ALL QUESTIONS MUST BE REFERRED TO THE IBM PURCHASING DEPARTMENT.					LENOVO CONFIDENTIAL



	DATE	EC NO.	PART NO.	
REL	12/01/05	G33456	41W0926	
			DEVELOPMENT NO.	Q/M
				85 / 92

41W0926

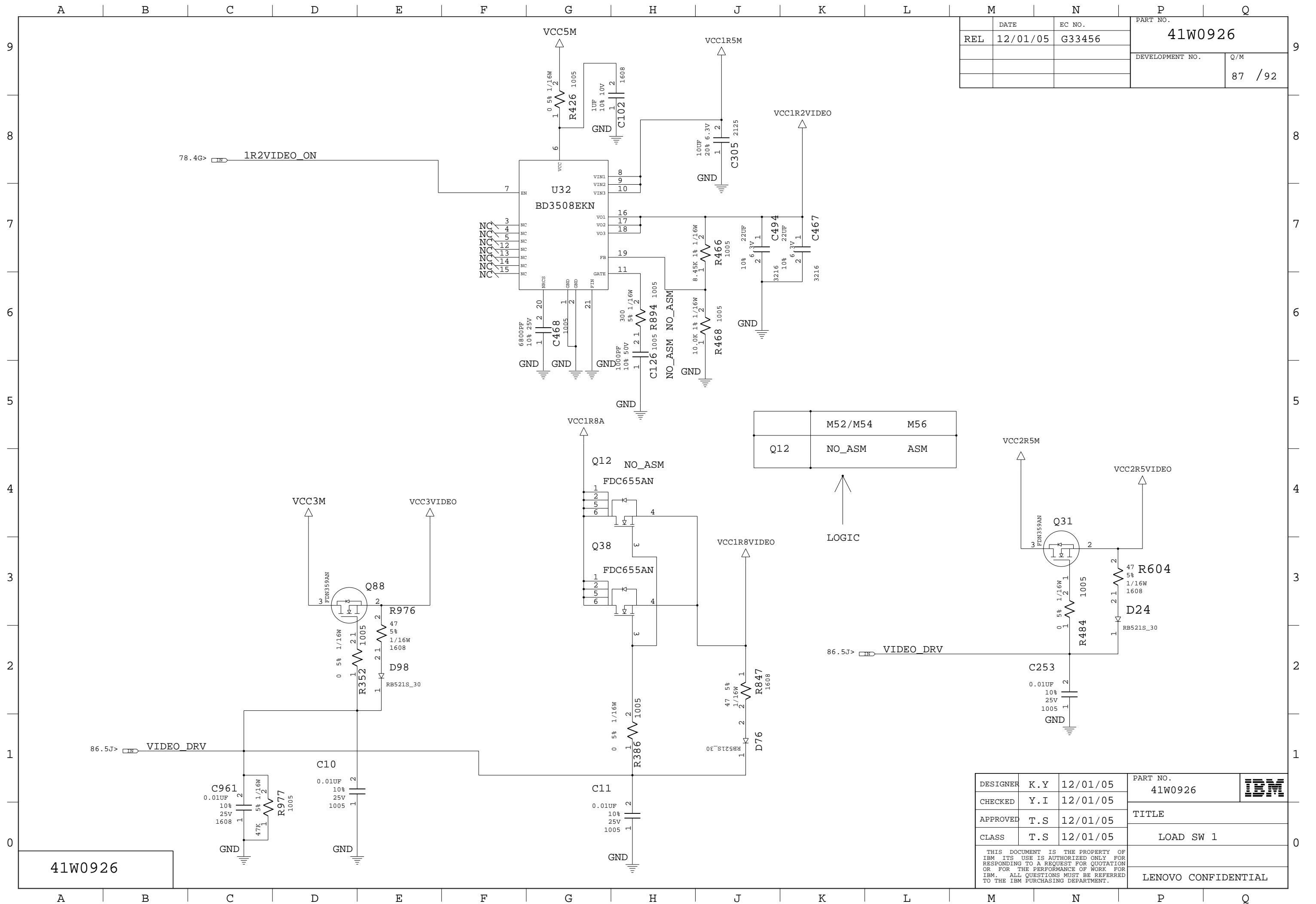
DESIGNER	K.Y	12/01/05	PART NO.	41W0926	
CHECKED	Y.I	12/01/05	TITLE		
APPROVED	T.S	12/01/05	VCC2R5M		
CLASS	T.S	12/01/05	LENOVO CONFIDENTIAL		
<small>THIS DOCUMENT IS THE PROPERTY OF IBM ITS USE IS AUTHORIZED ONLY FOR RESPONDING TO A REQUEST FOR QUOTATION OR FOR THE PERFORMANCE OF WORK FOR IBM. ALL QUESTIONS MUST BE REFERRED TO THE IBM PURCHASING DEPARTMENT.</small>					

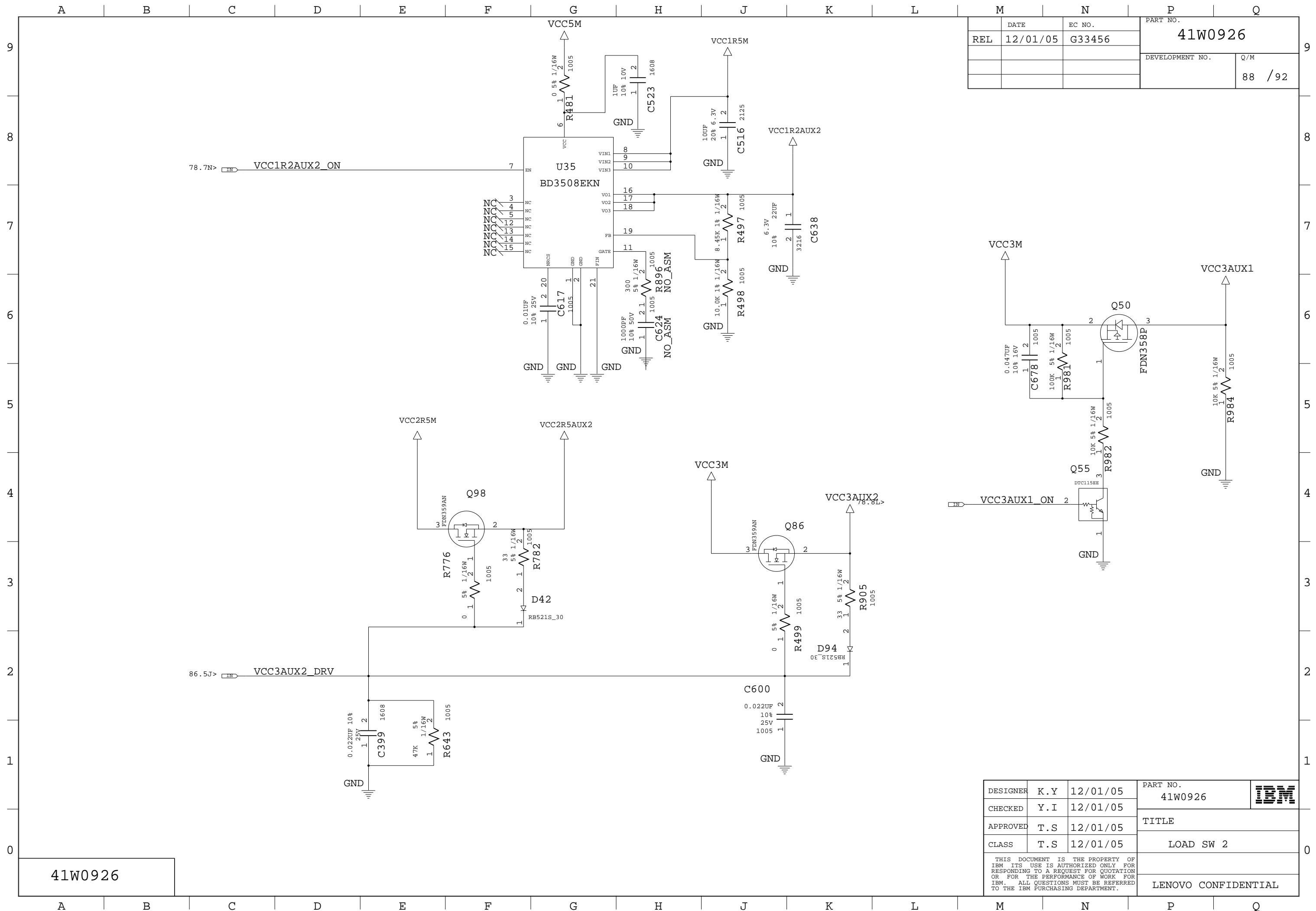


REL	DATE	EC NO.	PART NO.
	12/01/05	G33456	41W0926
			DEVELOPMENT NO.
			Q/M
			86 / 92

41W0926

CHECKED	Y.I	12/01/05	PART NO.	41W0926	IBM
APPROVED	T.S	12/01/05	TITLE		
CLASS	T.S	12/01/05	DC-DC TSURUMAI		
THIS DOCUMENT IS THE PROPERTY OF IBM ITS USE IS AUTHORIZED ONLY FOR RESPONDING TO A REQUEST FOR QUOTATION OR FOR THE PERFORMANCE OF WORK FOR IBM. ALL QUESTIONS MUST BE REFERRED TO THE IBM PURCHASING DEPARTMENT.				LENOVO CONFIDENTIAL	

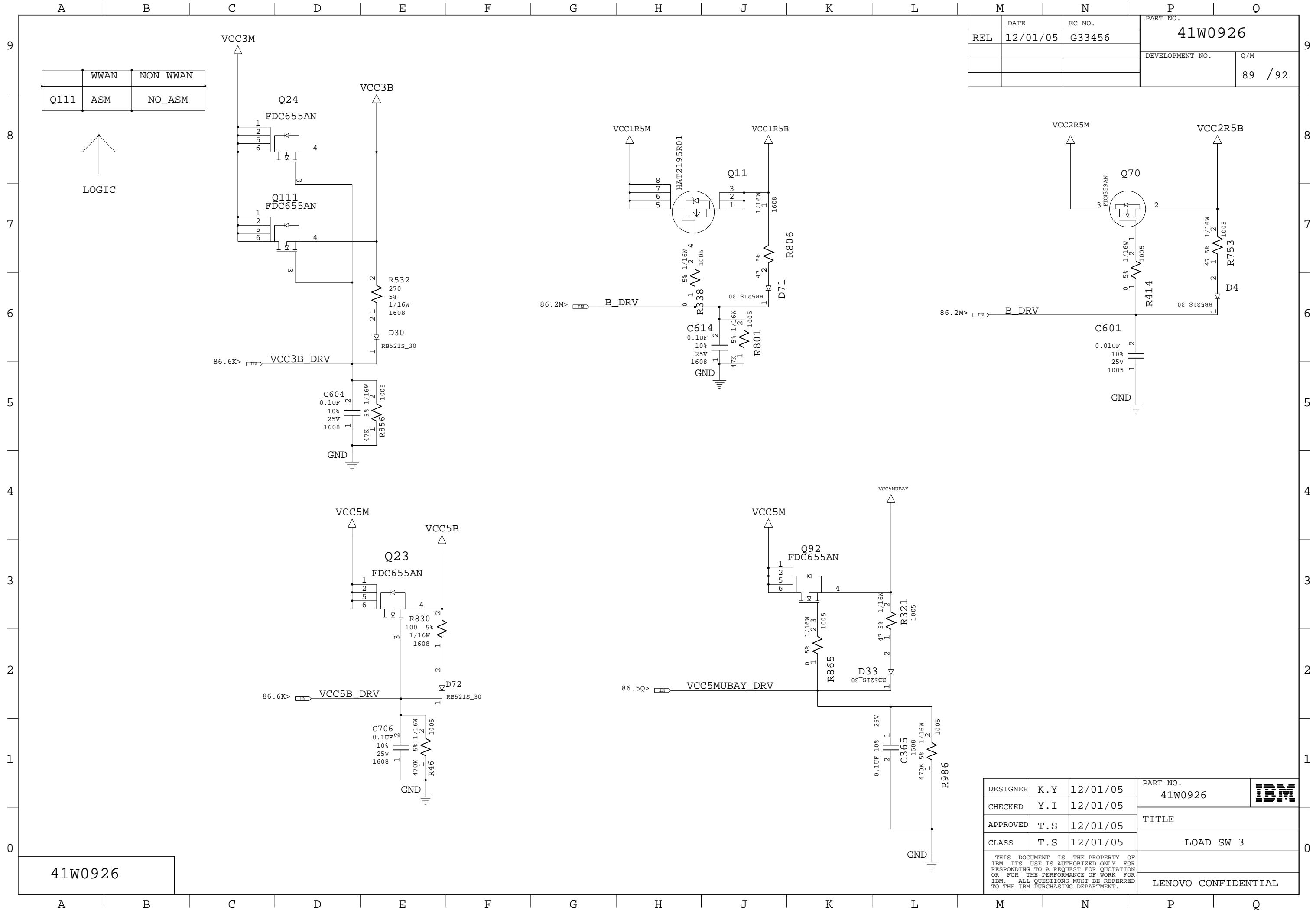




	DATE	EC NO.	PART NO.	
REL	12/01/05	G33456	41W0926	
			DEVELOPMENT NO.	Q/M
				88 / 92

41W0926

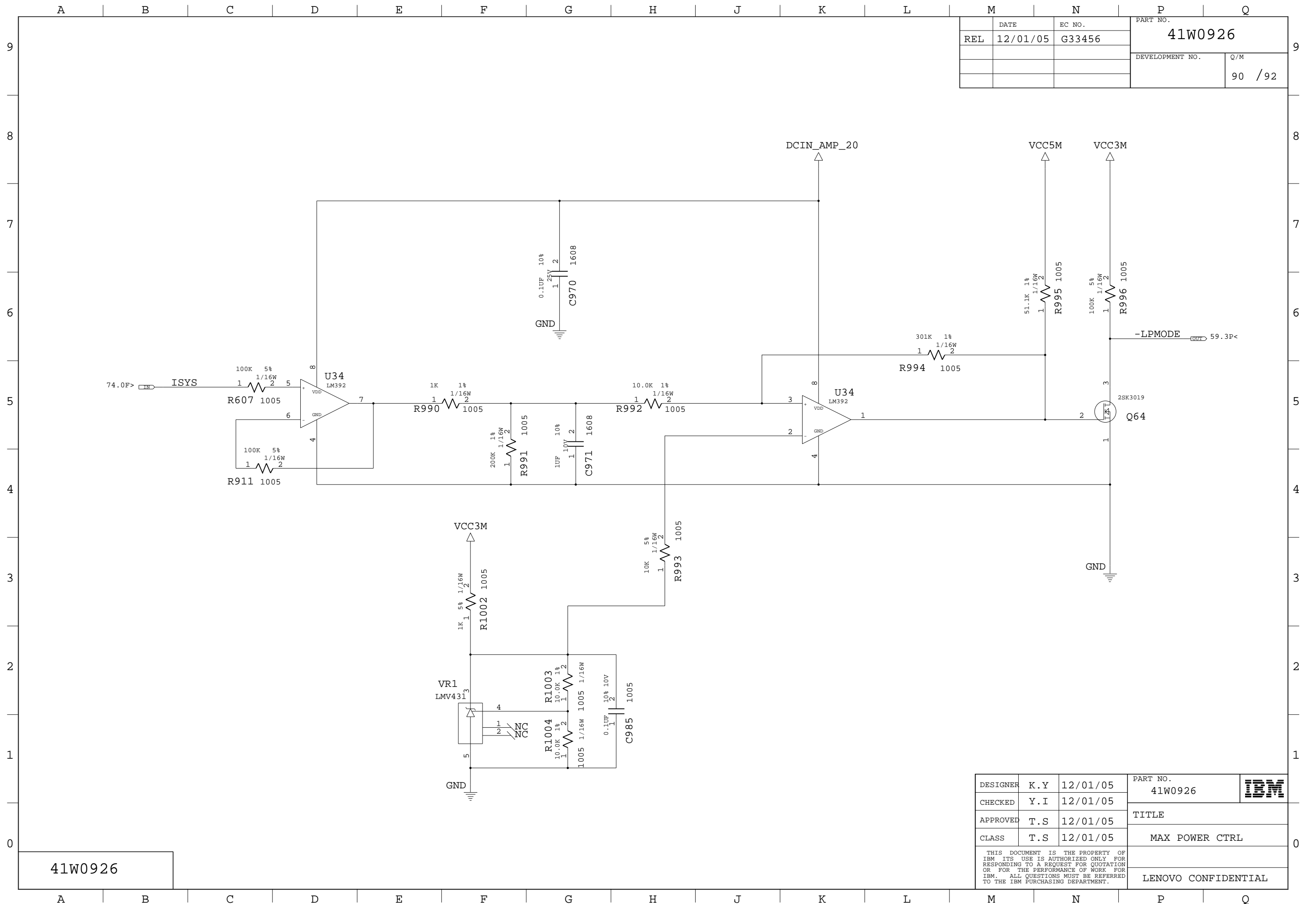
DESIGNER	K.Y	12/01/05	PART NO.	41W0926	IBM
CHECKED	Y.I	12/01/05			
APPROVED	T.S	12/01/05	TITLE		
CLASS	T.S	12/01/05	LOAD SW 2		
THIS DOCUMENT IS THE PROPERTY OF IBM ITS USE IS AUTHORIZED ONLY FOR RESPONDING TO A REQUEST FOR QUOTATION OR FOR THE PERFORMANCE OF WORK FOR IBM. ALL QUESTIONS MUST BE REFERRED TO THE IBM PURCHASING DEPARTMENT.					LENOVO CONFIDENTIAL



REL	DATE	EC NO.	PART NO.	
	12/01/05	G33456	41W0926	
			DEVELOPMENT NO.	Q/M
				89 / 92

41W0926

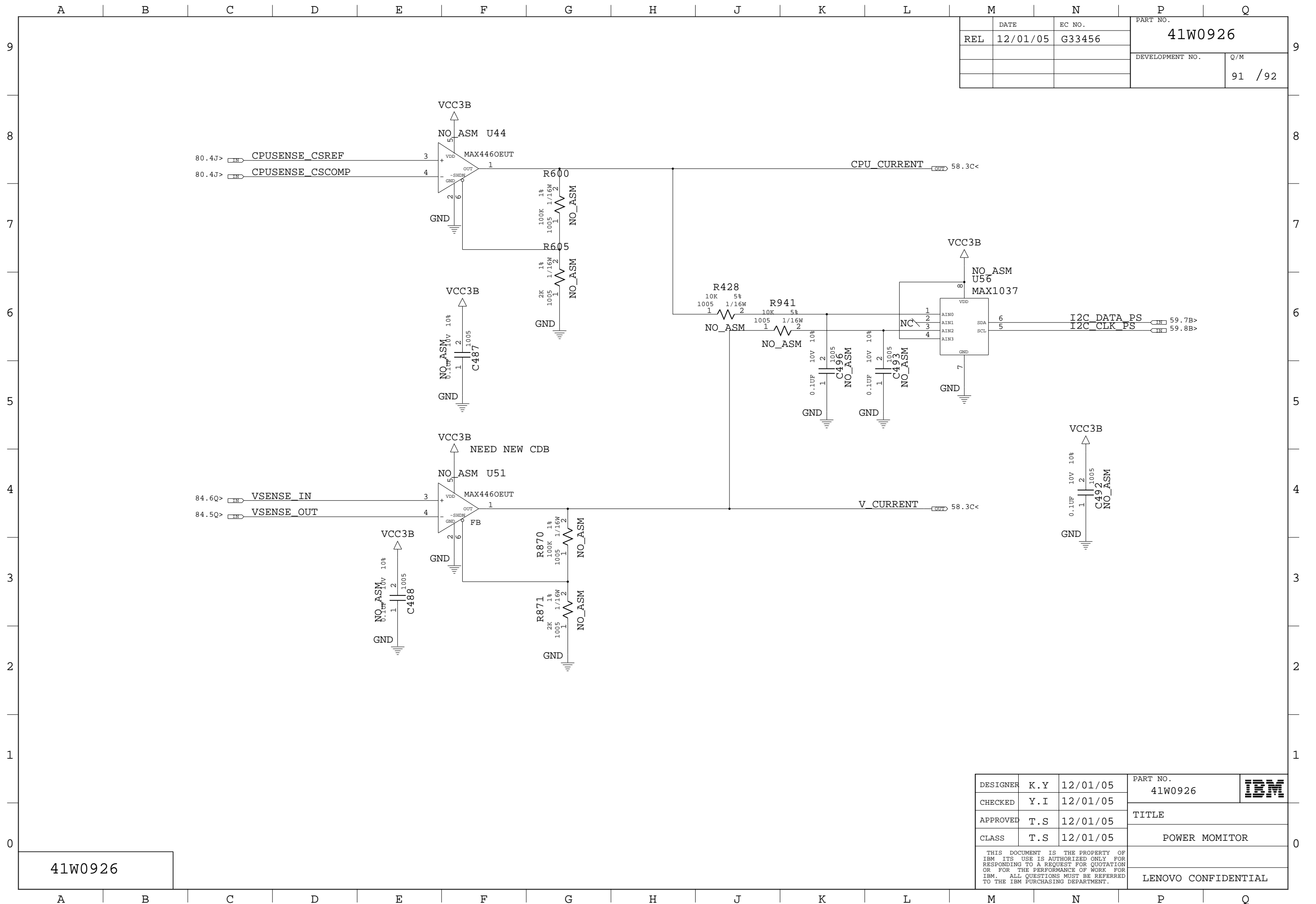
DESIGNER	K.Y	12/01/05	PART NO.	41W0926	IBM
CHECKED	Y.I	12/01/05	TITLE		
APPROVED	T.S	12/01/05	LOAD SW 3		
CLASS	T.S	12/01/05	LENVO CONFIDENTIAL		
THIS DOCUMENT IS THE PROPERTY OF IBM ITS USE IS AUTHORIZED ONLY FOR RESPONDING TO A REQUEST FOR QUOTATION OR FOR THE PERFORMANCE OF WORK FOR IBM. ALL QUESTIONS MUST BE REFERRED TO THE IBM PURCHASING DEPARTMENT.					



REL	DATE	EC NO.	PART NO.	
	12/01/05	G33456	41W0926	
			DEVELOPMENT NO.	Q/M
				90 / 92

41W0926

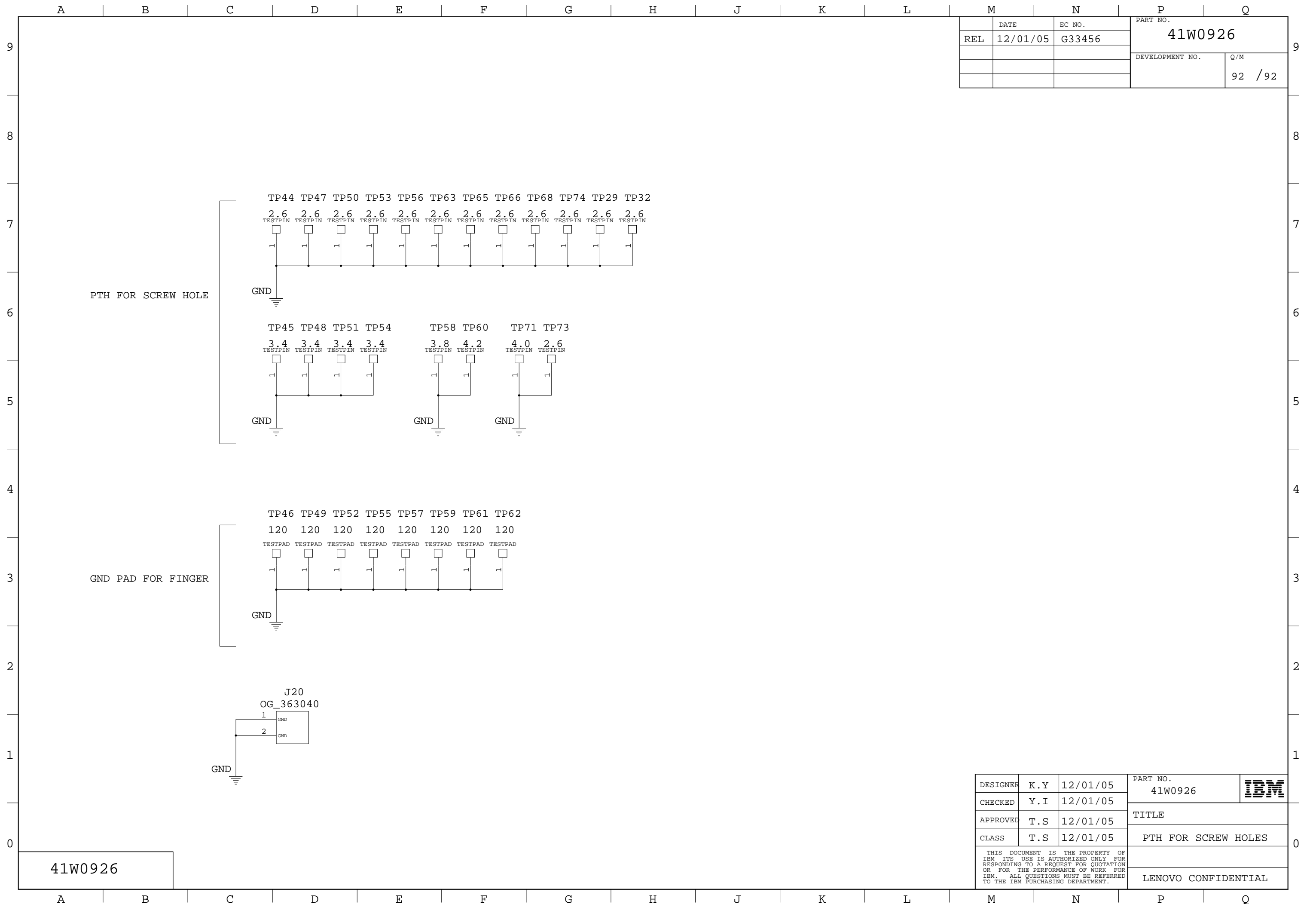
DESIGNER	K.Y	12/01/05	PART NO.	41W0926	IBM
CHECKED	Y.I	12/01/05	TITLE		
APPROVED	T.S	12/01/05	MAX POWER CTRL		
CLASS	T.S	12/01/05	LENVO CONFIDENTIAL		
THIS DOCUMENT IS THE PROPERTY OF IBM ITS USE IS AUTHORIZED ONLY FOR RESPONDING TO A REQUEST FOR QUOTATION OR FOR THE PERFORMANCE OF WORK FOR IBM. ALL QUESTIONS MUST BE REFERRED TO THE IBM PURCHASING DEPARTMENT.					



REL	DATE	EC NO.	PART NO.	
	12/01/05	G33456	41W0926	
			DEVELOPMENT NO.	Q/M
				91 / 92

41W0926

DESIGNER	K.Y	12/01/05	PART NO.	41W0926	
CHECKED	Y.I	12/01/05			
APPROVED	T.S	12/01/05	TITLE		
CLASS	T.S	12/01/05	POWER MOMITOR		
THIS DOCUMENT IS THE PROPERTY OF IBM ITS USE IS AUTHORIZED ONLY FOR RESPONDING TO A REQUEST FOR QUOTATION OR FOR THE PERFORMANCE OF WORK FOR IBM. ALL QUESTIONS MUST BE REFERRED TO THE IBM PURCHASING DEPARTMENT.					LENOVO CONFIDENTIAL



	DATE	EC NO.	PART NO.	
REL	12/01/05	G33456	41W0926	
			DEVELOPMENT NO.	Q/M
				92 /92

41W0926

DESIGNER	K.Y	12/01/05	PART NO.	41W0926	IBM
CHECKED	Y.I	12/01/05			
APPROVED	T.S	12/01/05	TITLE		
CLASS	T.S	12/01/05	PTH FOR SCREW HOLES		
THIS DOCUMENT IS THE PROPERTY OF IBM ITS USE IS AUTHORIZED ONLY FOR RESPONDING TO A REQUEST FOR QUOTATION OR FOR THE PERFORMANCE OF WORK FOR IBM. ALL QUESTIONS MUST BE REFERRED TO THE IBM PURCHASING DEPARTMENT.				LENOVO CONFIDENTIAL	