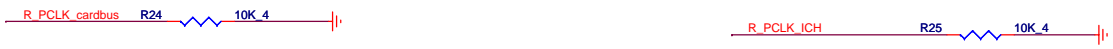


Free Running when iAMT mode



FSC	FSB	FSA	CPU	SRC	PCI	REF	USB	DOT	Spread %
* 0	0	0	266.66	100	33.33	14.318	48	96	0.5 Down
0	0	1	133.33	100	33.33	14.318	48	96	0.5 Down
0	1	0	200.00	100	33.33	14.318	48	96	0.5 Down
0	1	1	<b>166.66</b>	100	33.33	14.318	48	96	0.5 Down
1	0	0	333.33	100	33.33	14.318	48	96	0.5 Down
1	0	1	100.00	100	33.33	14.318	48	96	0.5 Down
1	1	0	400.00	100	33.33	14.318	48	96	0.5 Down
1	1	1							RESERVED

27 Select	PIN 20/21	PIN 24/25
PIN13		
* 0	DOT_96 / DOT_96#	LCDCLK / LCDCLK#
1	SRC_0 / SRC_0#	27M / 27M_SS

ITP_EN (PIN14)	PIN53/54
* 0	SRC8 / SRC8#
1	ITP / ITP#

Byte0 Bit4: iAMT Enable/Disable Control

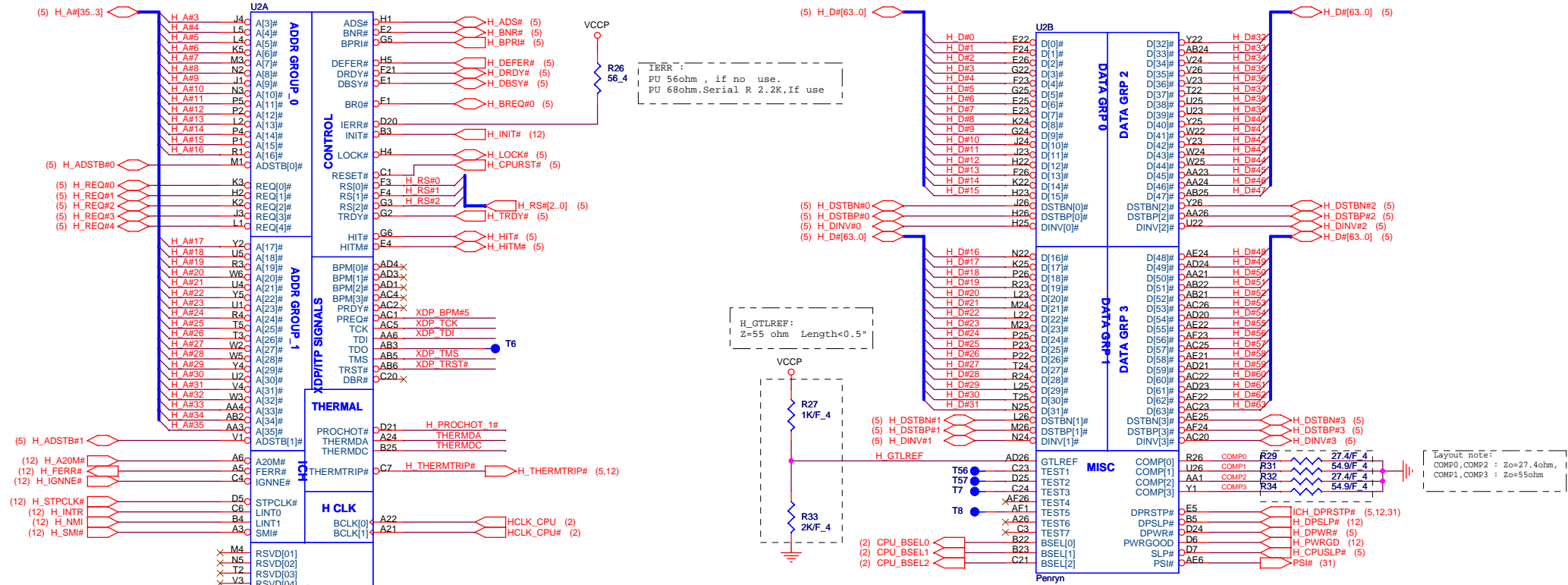
**QUANTA COMPUTER**

Title: **CLOCK GENERATOR**

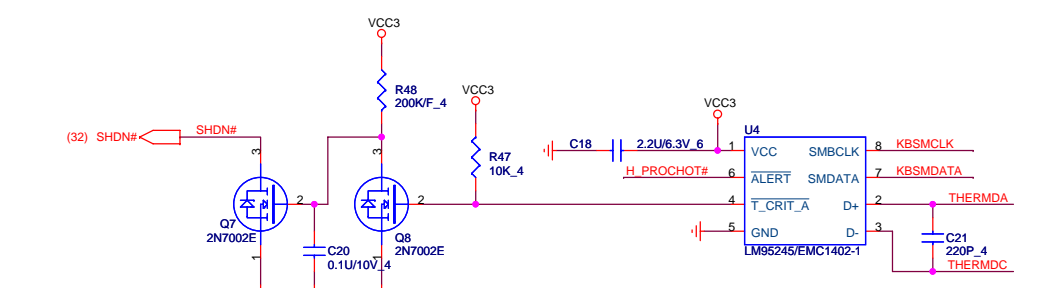
Size: Document Number **TW1 Main Board** Rev **3E**

Date: Monday, April 28, 2008 Sheet 2 of 36

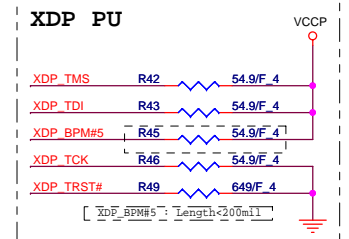
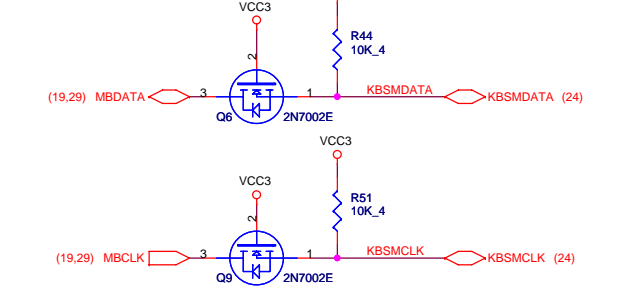
1. Level 1 Environment-related Substances should NEVER be Used.  
 2. Purchase ink, paint, wire rods, and Molding resins only from the business Partners that Sony approves as Green Partners.



### Thermal Sensor



### Thermal I2C



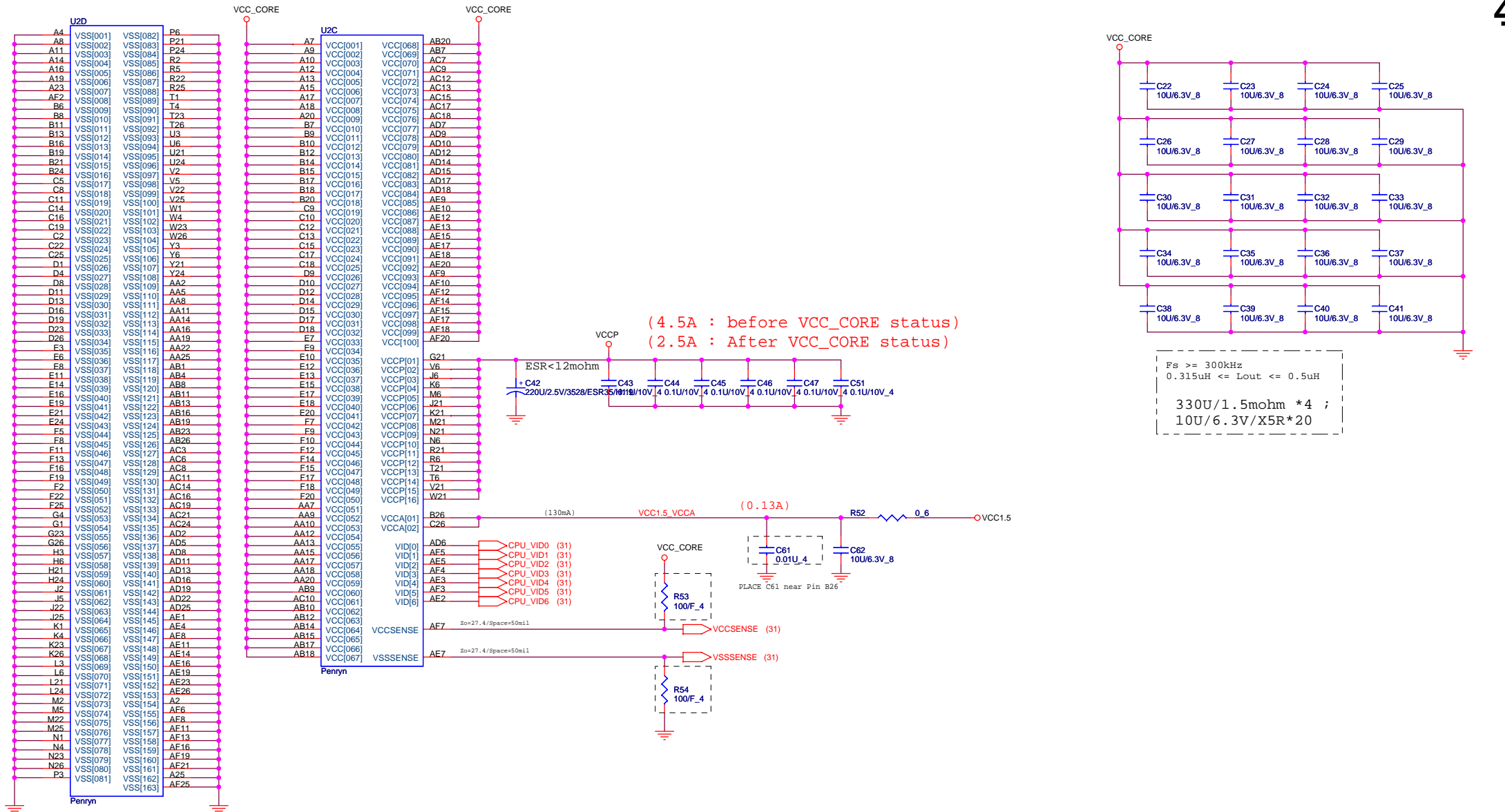
**QUANTA COMPUTER**

Title: **Pennyn CPU1 of 2**

Size: Document Number: **TW1 Main Board** Rev: 3D

Date: Monday, April 07, 2008 Sheet: 3 of 36

1. Level 1 Environment-related Substances should NEVER be Used.  
 2. Purchase ink, paint, wire rods, and Molding resins only from the business Partners that Sony approves as Green Partners.



**QUANTA COMPUTER**

Title: Penryn CPU 2 of 2

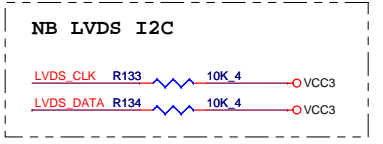
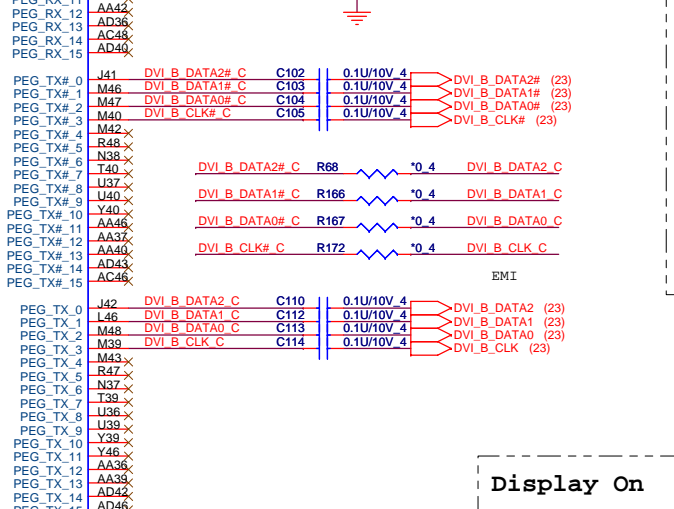
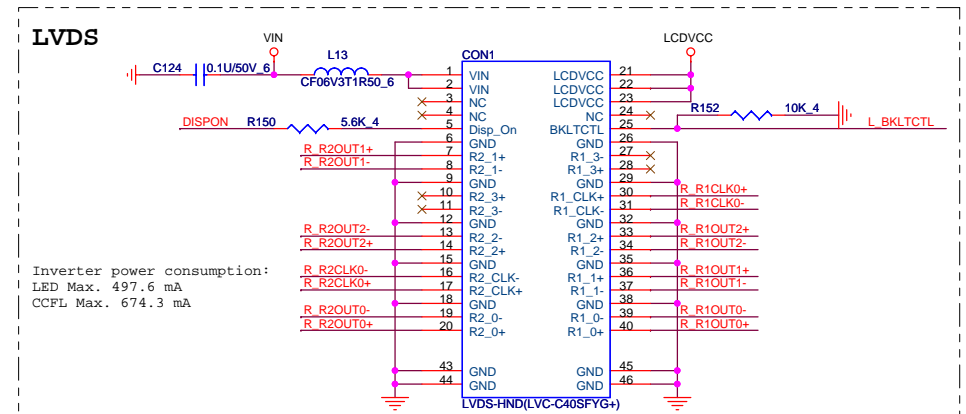
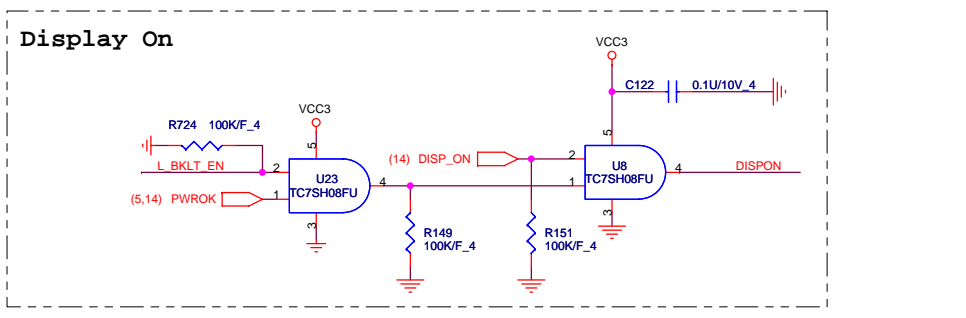
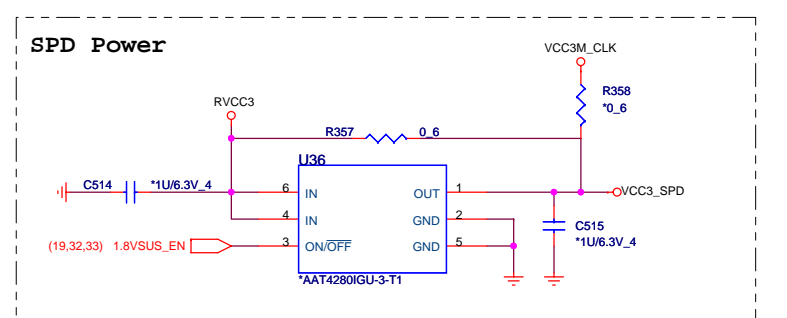
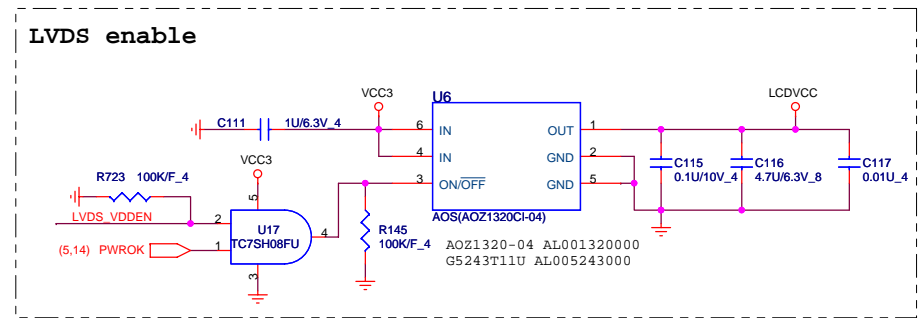
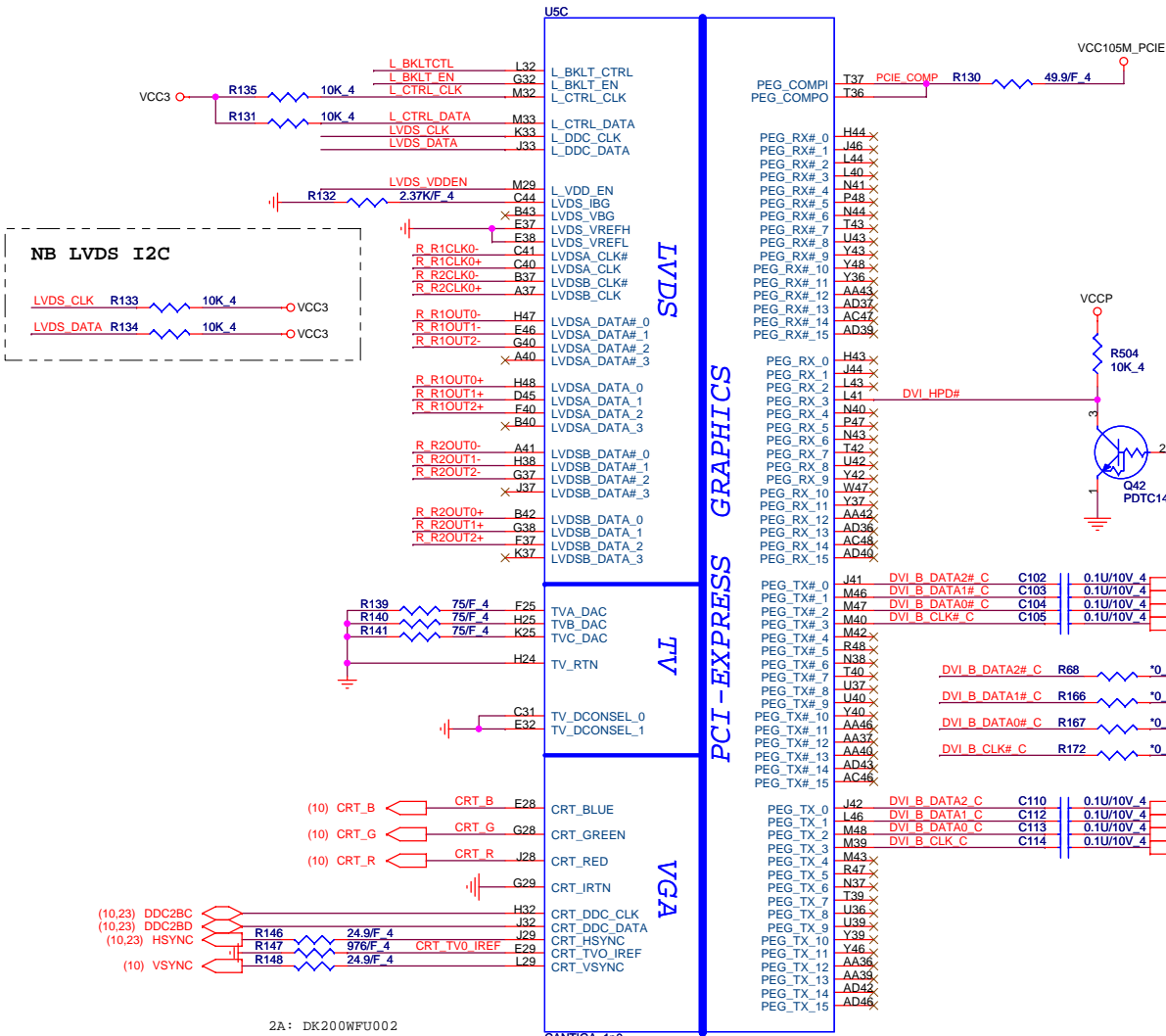
Size	Document Number	Rev
	TW1 Main Board	3D

Date: Monday, April 07, 2008 Sheet 4 of 36

1.Level 1 Environment-related Substances should NEVER be Used.  
2.Purchase ink, paint, wire rods, and Molding resins only from the business Partners that Sony approves as Green Partners.







Inverter power consumption:  
LED Max. 497.6 mA  
CCFL Max. 674.3 mA

1. Level 1 Environment-related Substances should NEVER be Used.  
2. Purchase ink, paint, wire rods, and Molding resins only from the business Partners that Sony approves as Green Partners.

**QUANTA COMPUTER**

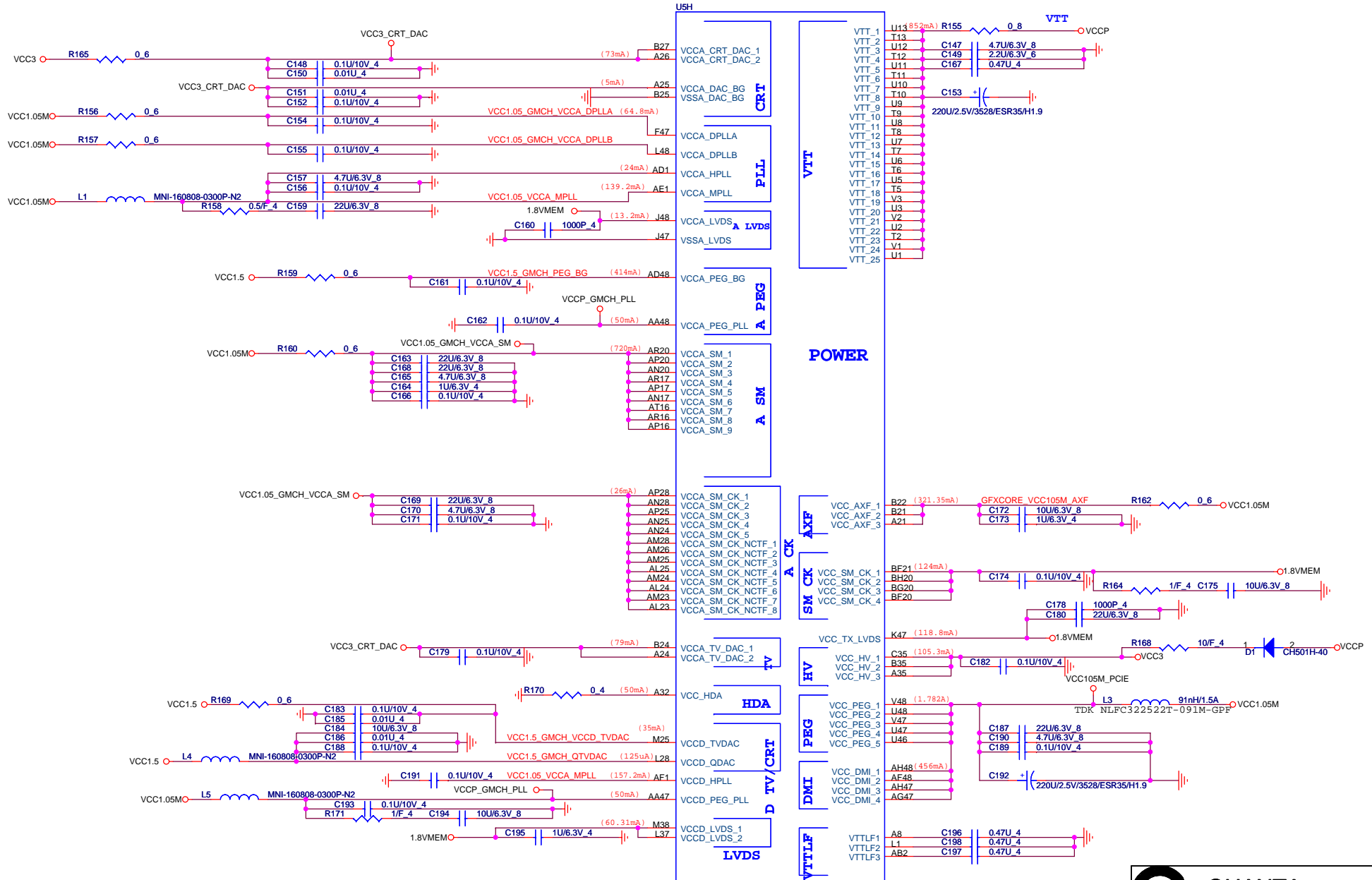
Title: **GMCH DMI VEDIO 3 of 5**

Size: **TW1 Main Board**

Date: **Monday, April 28, 2008** Sheet **7** of **36**







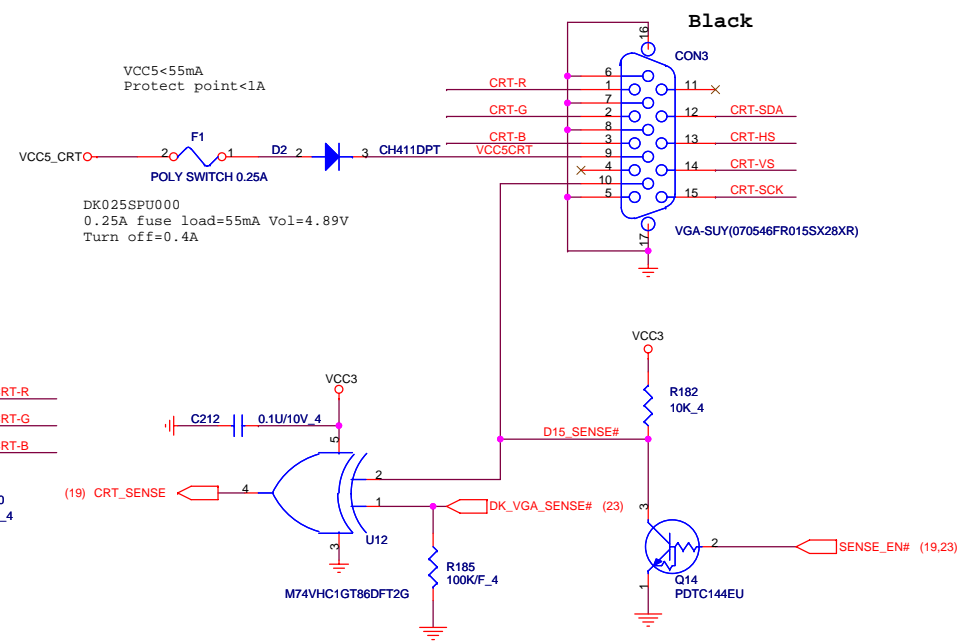
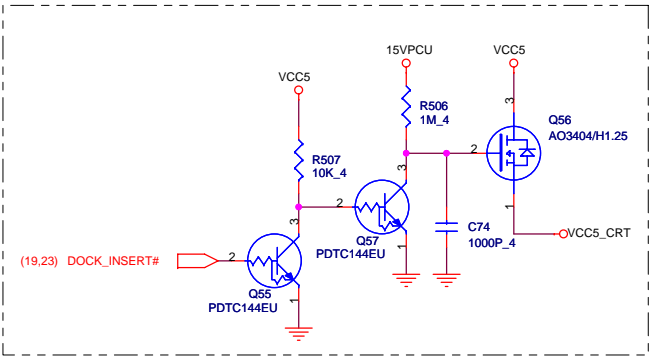
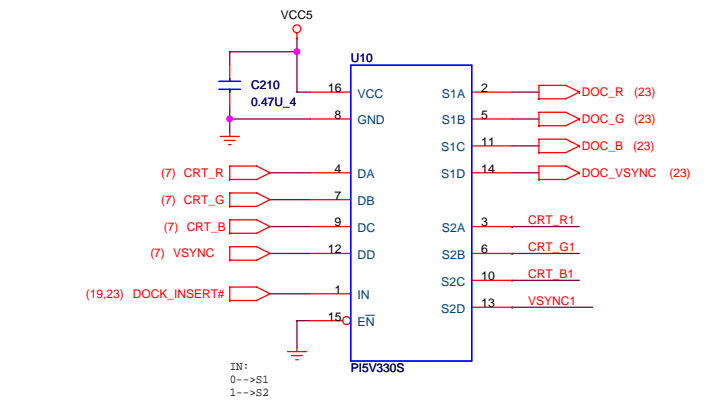
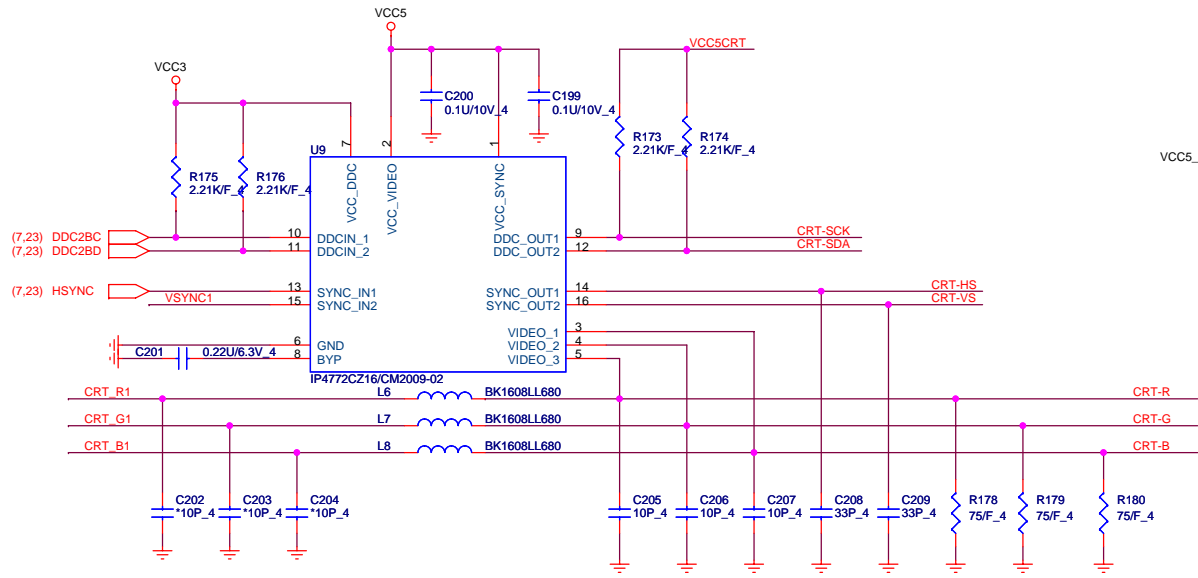
CANTIGA\_1p0

**QUANTA COMPUTER**

Title: **GMCH Power 5 of 5**

Size	Document Number	Rev
	<b>TW1 Main Board</b>	3E
Date:	Monday, April 28, 2008	Sheet 9 of 36

1. Level 1 Environment-related Substances should NEVER be Used.  
 2. Purchase ink, paint, wire rods, and Molding resins only from the business Partners that Sony approves as Green Partners.



	SENSE_EN#	DK_VGA_SENSE#	D15_SENSE#	Docking_Insert#	CRT_SENSE
<b>Without Docking</b>					
MB CRT no Plug	L	L	H	H	L
MB CRT Plug in	L	L	H => L	H	L => H
MB CRT plug out	L	L	L => H	H	H => L
<b>With Docking</b>					
All no Plug	L	L	H	L	L
MB CRT Plug in	L	L	H => L	L	L => H
MB CRT plug out	L	L	L => H	L	H => L
DOCK DVI Plug in	L	H => L	H	L	H => L
DOCK DVI Plug out	L	L => H	H	L	L => H
DOCK CRT Plug	L	H => L	H	L	H => L
DOCK CRT/DVI Plug	L	L => H	H	L	L => H

[EC Behavior]  
 CRT\_SENSE: H=>L or L=>H detect which one is inserting  
 Docking\_Insert#: H=>L detect which one is inserting  
 [CRT SW]  
 When Docking\_Insert# is low switching RGB to Docking CRT  
 [SENSE\_EN#]  
 Input for CRT pin10, EC assert to high when CRT insert[NEO Request]

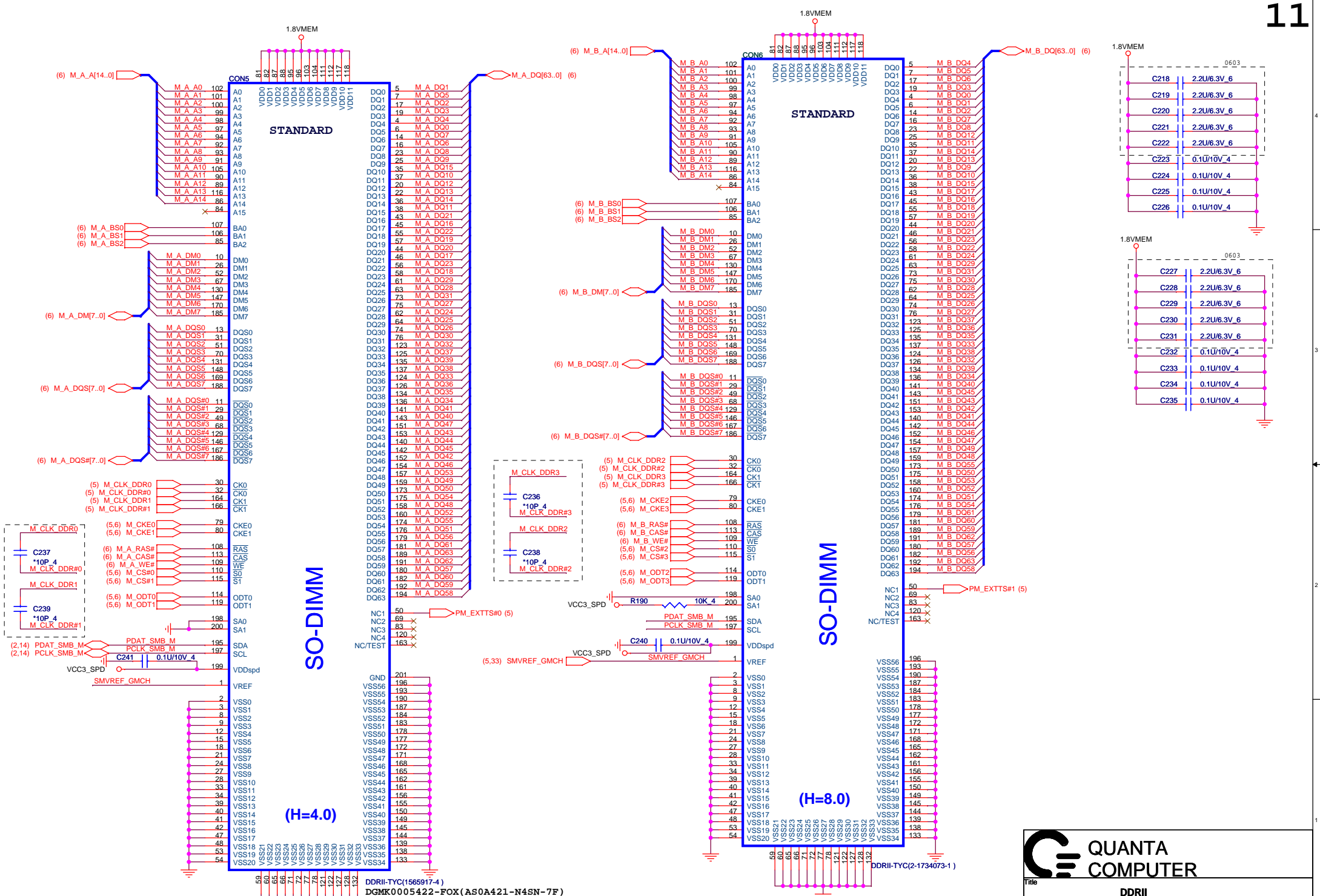
**QUANTA COMPUTER**

Title: **CRT**

Size: Document Number **TW1 Main Board** Rev: 3E

Date: Monday, April 28, 2008 Sheet 10 of 36

1.Level 1 Environment-related Substances should NEVER be Used.  
 2.Purchase ink, paint, wire rods, and Molding resins only from the business Partners that Sony approves as Green Partners.



**QUANTA COMPUTER**

Title: **DDRII**

Size: **DA0TW1MB8A0**

Document Number: **DA0TW1MB8A0**

Date: **Monday, April 28, 2008**

Sheet: **11** of **36**

Rev: **3E**

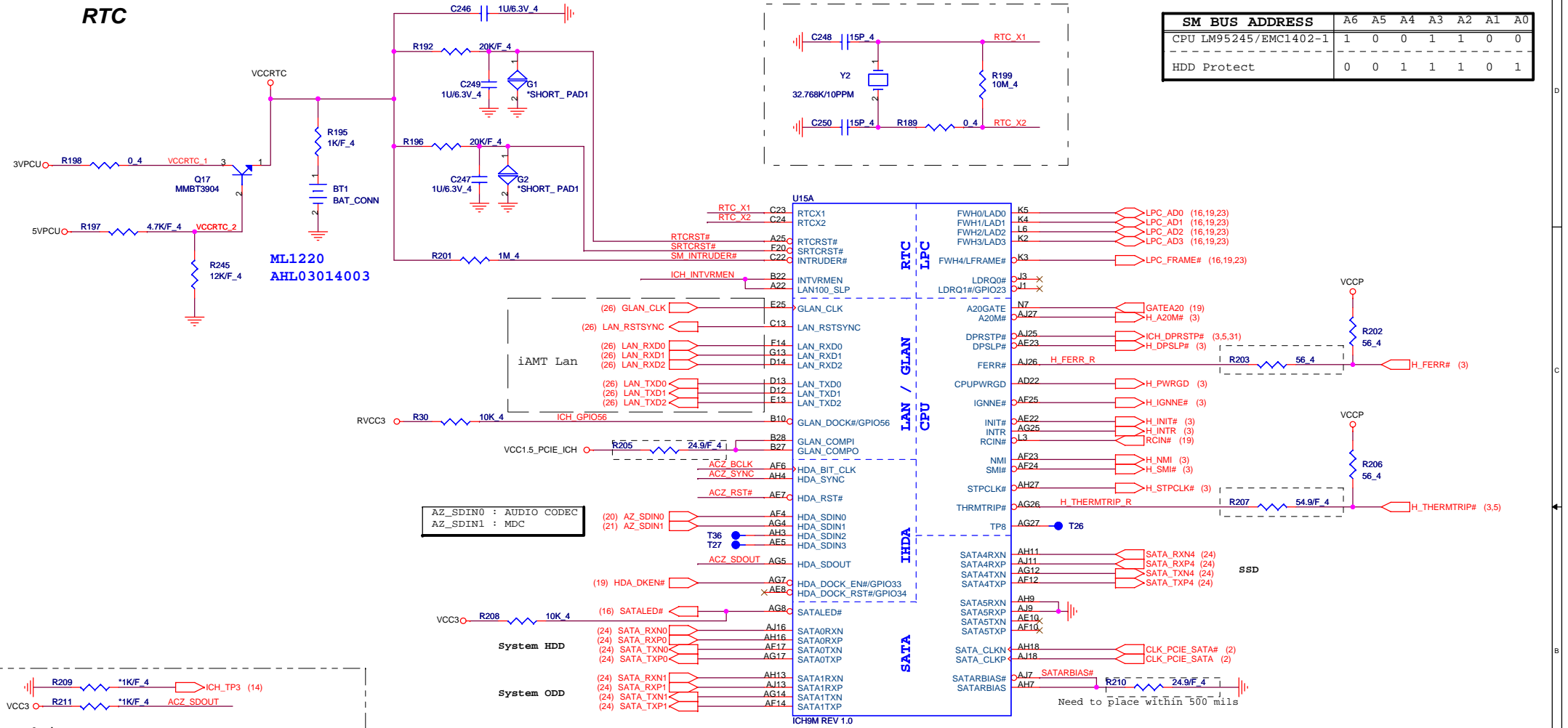
1.Level 1 Environment-related Substances should NEVER be Used.  
 2.Purchase Ink, paint, wire rods, and Molding resins only from the business Partners that Sony approves as Green Partners.

GMK0005945-FOX (AS0A421-N8SN-7F)

G2 Short-PAD:  
Short : Clear ME RTC registers  
Open : Keep ME RTC registers

RTC

SM BUS ADDRESS	A6	A5	A4	A3	A2	A1	A0
CPU LM95245/EMC1402-1	1	0	0	1	1	0	0
HDD Protect	0	0	1	1	1	0	1



ML1220  
AHL03014003

AZ\_SDIN0 : AUDIO CODEC  
AZ\_SDIN1 : MDC

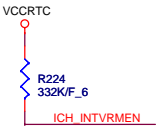
System HDD  
System ODD

**XOR Chain Entrance Strap**

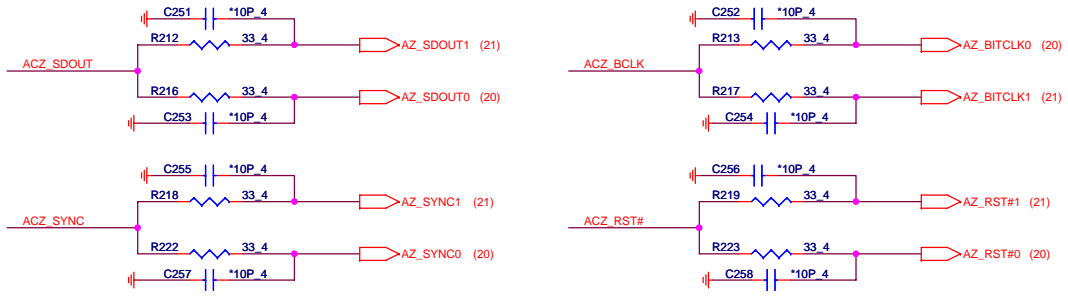
ICH_TP3	ACZ_SDOUT	Description
0	0	RSVD
0	1	Enter XOR Chain
1	0	* Normal operation
1	1	Set PCIE port config bit 1

Internal VRM Enable for Vccsus1\_05,  
Vccsus1\_5, VccCL1\_5, vccLAN1\_05, vccCL1\_05)

	INTVRMEN
Enable (default)	1
Disable	0



HD to Audio Codec / Modem



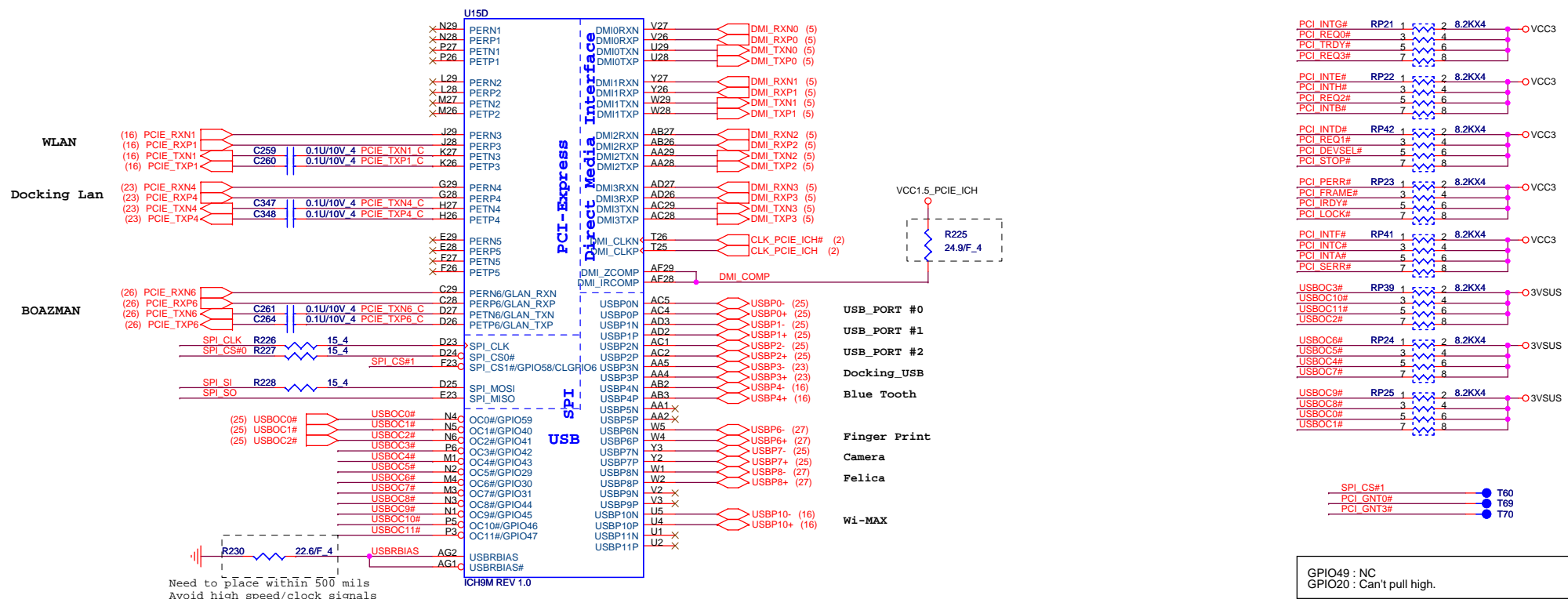
1.Level 1 Environment-related Substances should NEVER be Used.  
2.Purchase Ink, paint, wire rods, and Molding resins only from the business Partners that Sony approves as Green Partners.

**QUANTA COMPUTER**

Title: ICH9-M HOST1 of 4

Size: Document Number TW1 Main Board Rev 3E

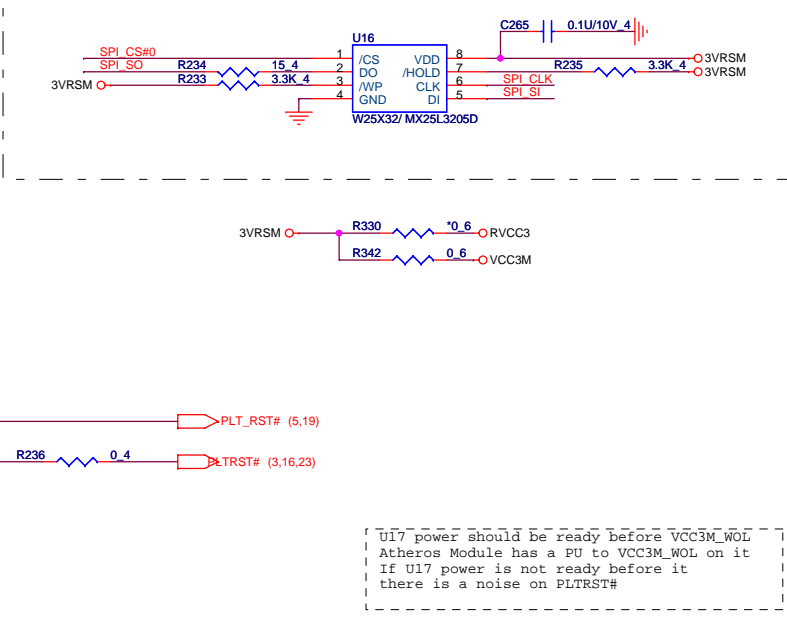
Date: Monday, April 28, 2008 Sheet 12 of 36



Need to place within 500 mils  
 Avoid high speed/clock signals

GPIO49 : NC  
 GPIO20 : Can't pull high.

**AMT BIOS**



U17 power should be ready before VCC3M\_WOL  
 Atheros Module has a PU to VCC3M\_WOL on it  
 If U17 power is not ready before it  
 there is a noise on PLTRST#

**A16 SWAP Override strap**

PCI_GNT#3	Low = A16 swap override enabled High = Default
-----------	---

**ICH9 Boot BIOS select**

PCI_GNT#0	SPI_CS#1	Boot BIOS Location
0	1	SPI
1	0	PCI
1	1	LPC (Default)

**PCI bus info.**

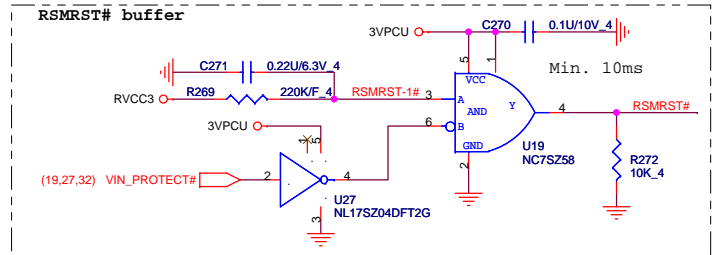
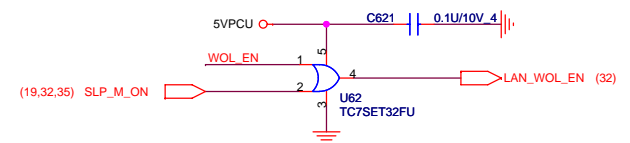
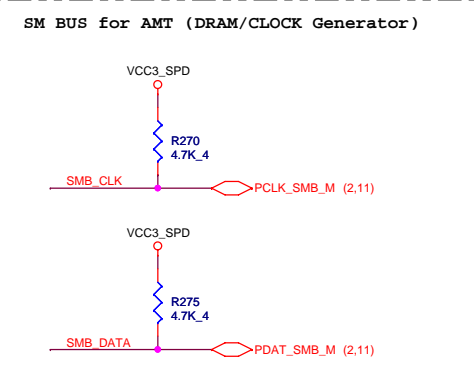
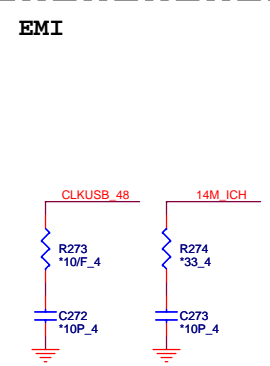
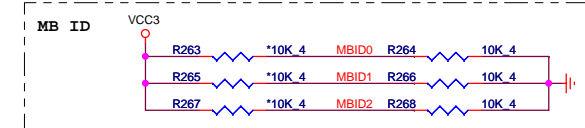
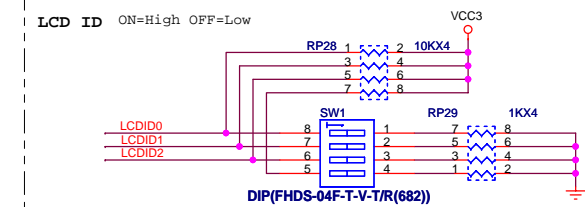
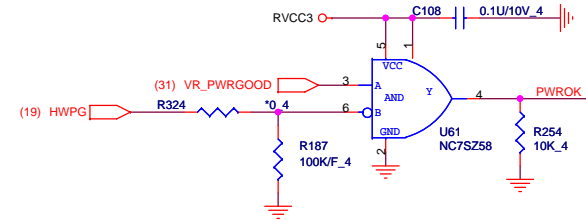
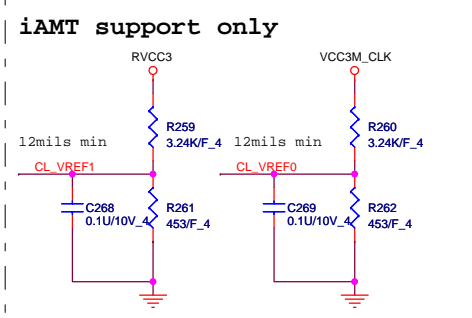
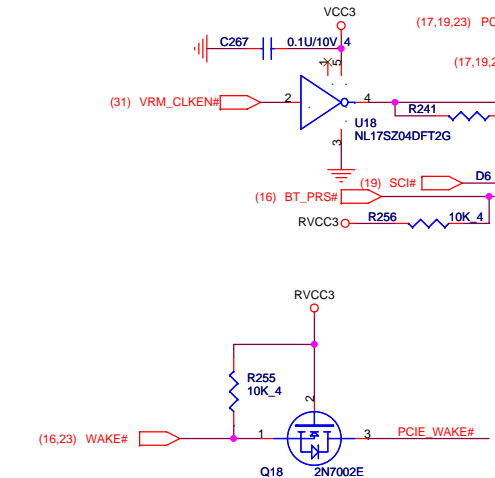
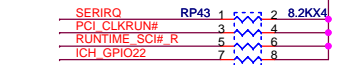
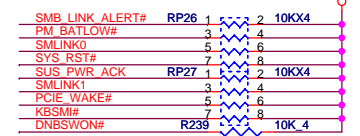
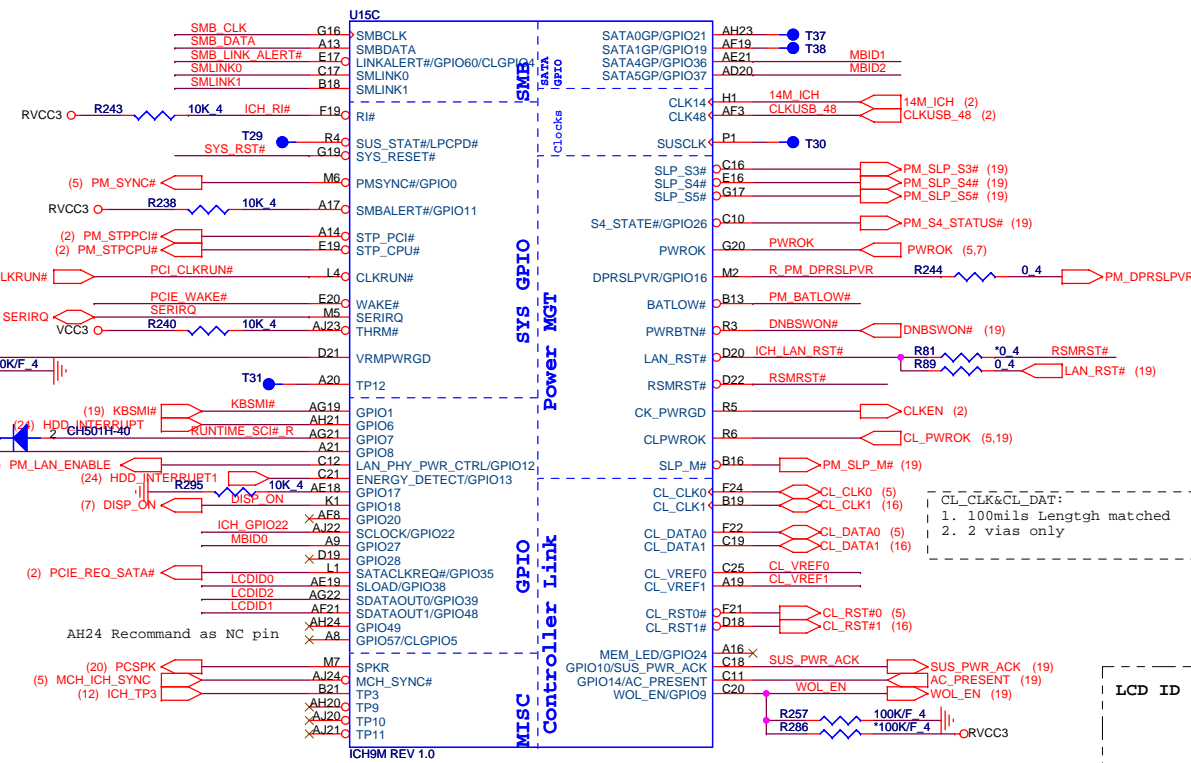
PCI DEVICE	IDSEL#	REQ# / GNT#	Interrupts
R5C847	AD23	REQ0# / GNT0#	PIRQ E/F/G

IRQ	Description
PIRQA	USB UHCI Controller #1,USB UHCI Controller #4
PIRQB	Audio; Modem ; SMBus
PIRQC	USB UHCI Controller #3:SATA/IDE Native Mode
PIRQD	USB UHCI Controller #2
PIRQE	INT LAN; option for SCI,TCO,HPET #0,1,2 ; R5C847
PIRQF	option for SCI,TCO,HPET #0,1,2 ; R5C847
PIRQG	option for SCI,TCO,HPET #0,1,2 ; R5C847
PIRQH	USB EHCI Controller ; option for SCI,TCO,HPET #0,1,2



Title		ICH9-M PCIE 2 of 4	
Size	Document Number	Rev 3E	
TW1 Main Board			
Date:	Monday, April 28, 2008	Sheet	13 of 36

1. This part should not contain any substances which are specified in SS-00259-1  
 2. Purchase ink, paint, wire rods and molding resins only from the business partners that Sony approves as Green Partners.



**QUANTA COMPUTER**

Title: **ICH9-M GPIO 3 of 4**

Size: Document Number: **TW1 Main Board** Rev: 3E

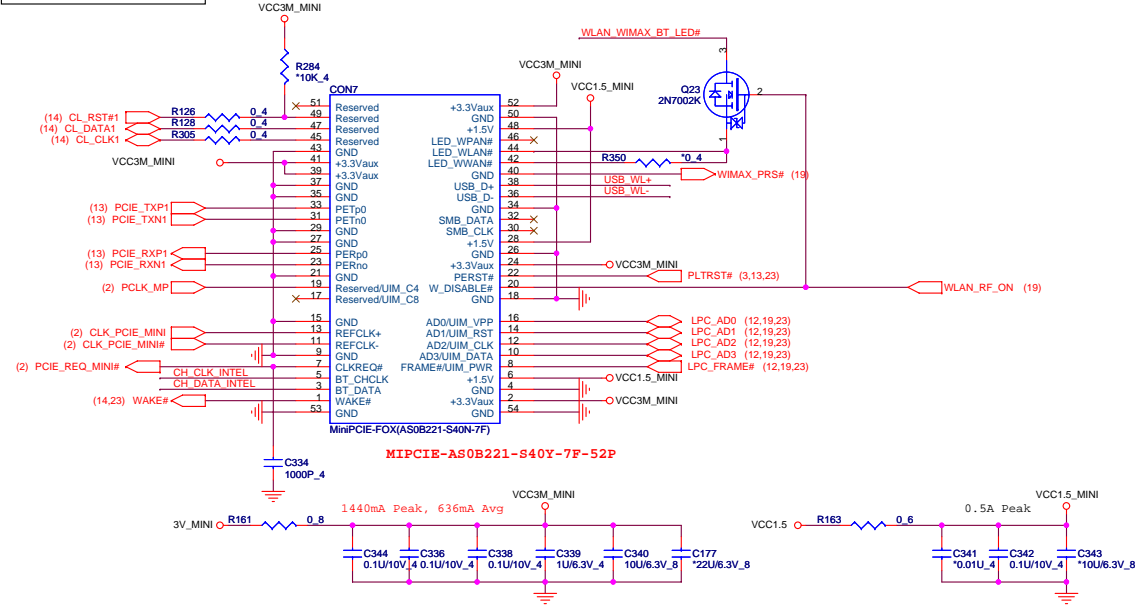
Date: Monday, April 28, 2008 Sheet: 14 of 36

1. Level 1 Environment-related Substances should NEVER be Used.  
 2. Purchase ink, paint, wire rods, and Molding resins only from the business Partners that Sony approves as Green Partners.

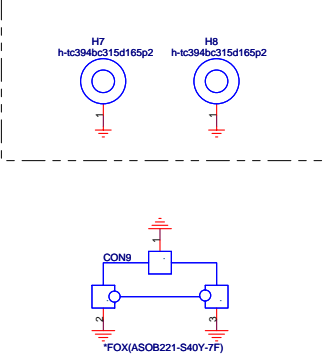


# Mini PCI-E Card FOR WL

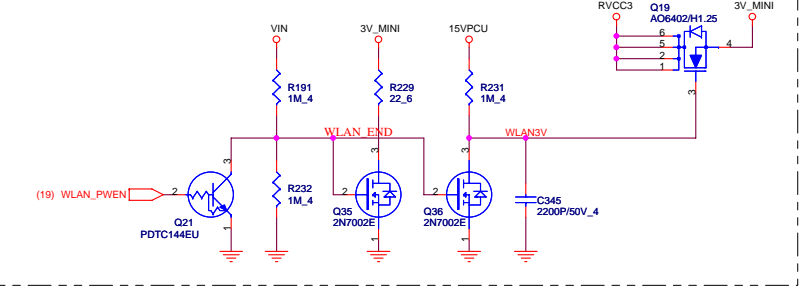
WLAN\_RF\_ON!  
Low : disable the radio.  
High : Enable the radio.



## Screw For Half-MiniCard



## Mini-PCIE Power



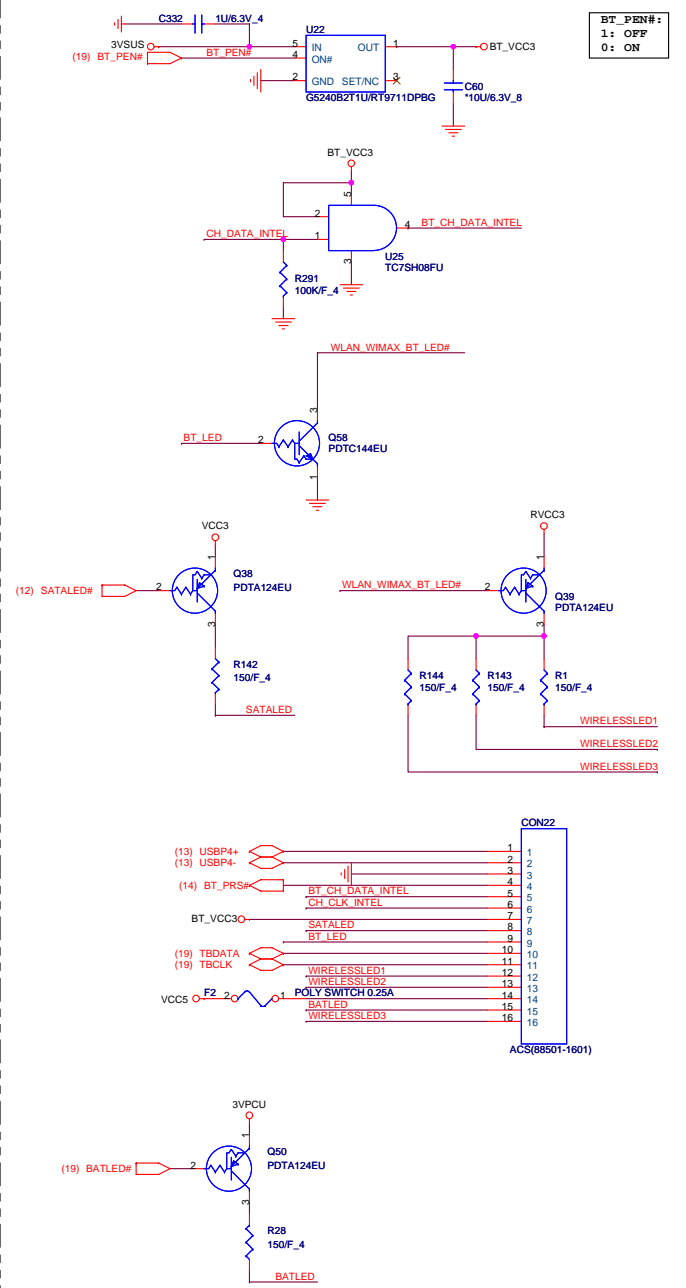
## WLAN Power Control Table

1:High  
0:Low

	DC mode			AC mode		
	Atheros WLAN module(HB63)	Intel Shirley_Pea	Intel Echo_Pea	Atheros WLAN module(HB63)	Intel Shirley_Pea	Intel Echo_Pea
S0	1	1	1	S0/M0	1	1
S3	0	1	1	S3	M1	1
S4	0	0	0	S4/S5	Moff	1
S5	0	0	0		M1	1
					Moff	0

# TP & BT

BT\_PEN#:  
1: OFF  
0: ON



**QUANTA COMPUTER**

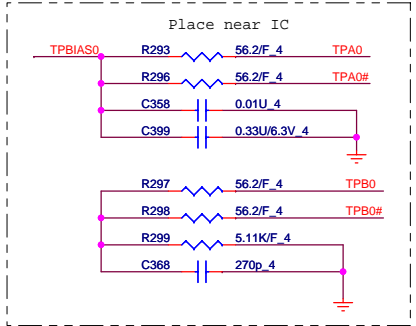
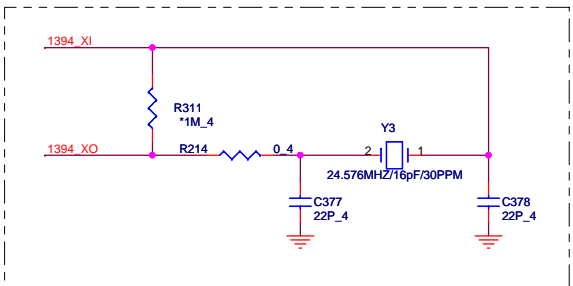
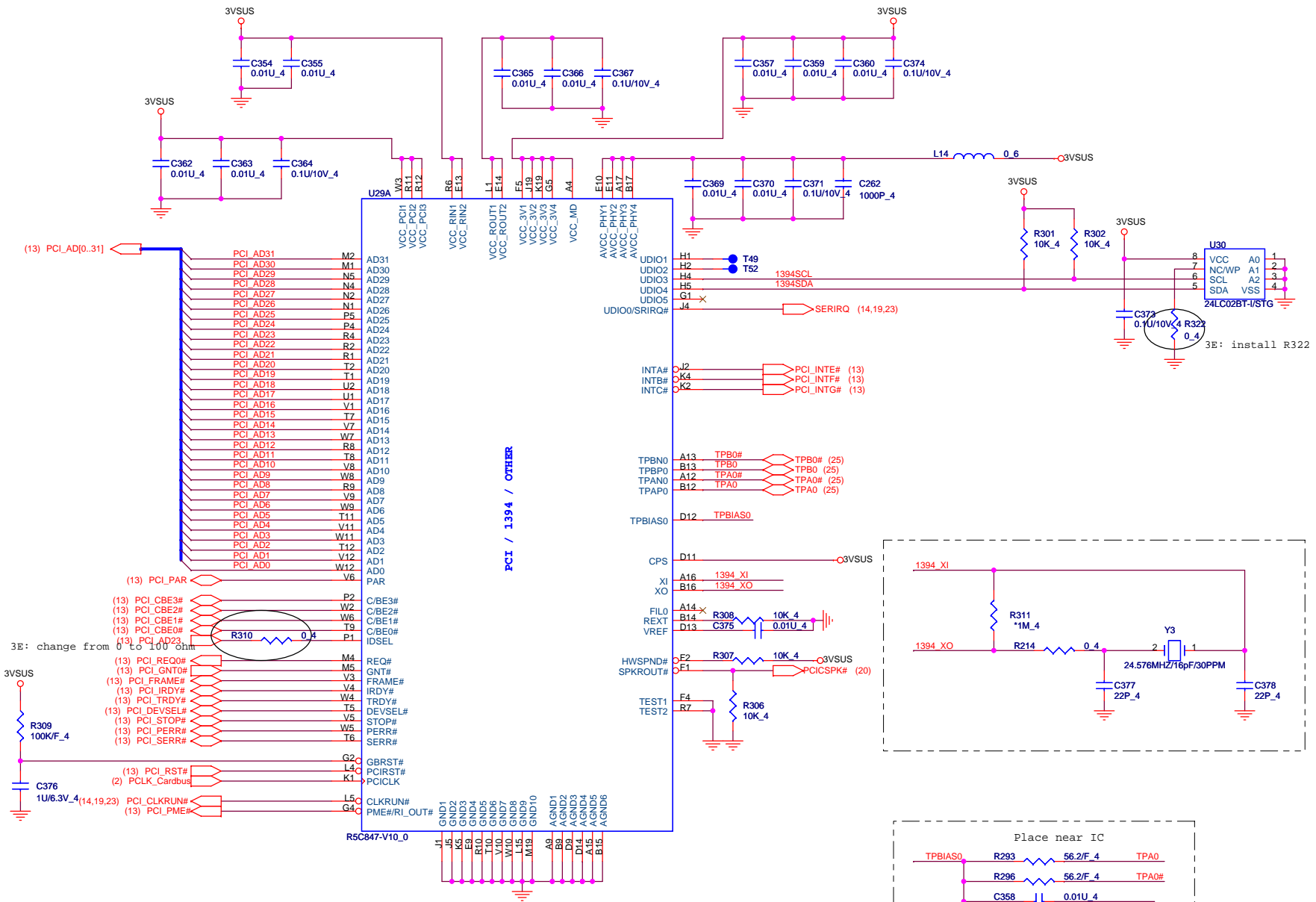
Title: **WLAN/TP/BT**

Size: Document Number **TW1 Main Board** Rev 3E

Date: Monday, April 28, 2008 Sheet 16 of 36

1. Level 1 Environment-related Substances Should NEVER be Used.  
2. Purchase Ink, paint, wire rods, and Molding resins only from the business Partners that Sony approves as Green Partners.





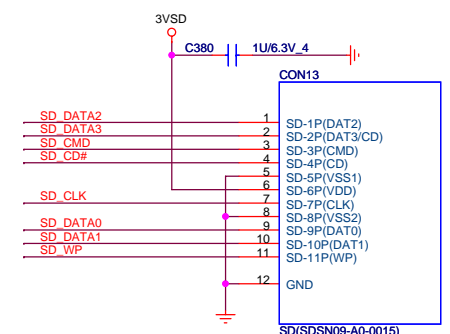
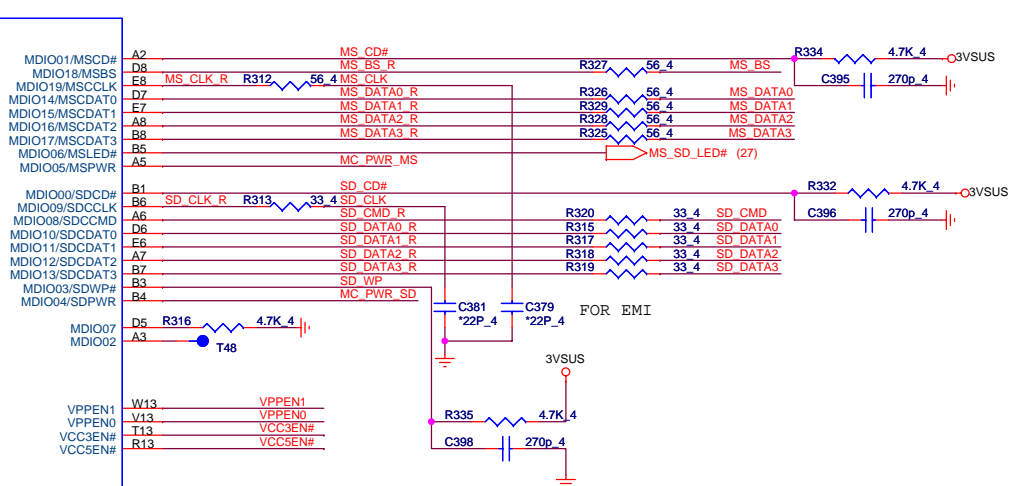
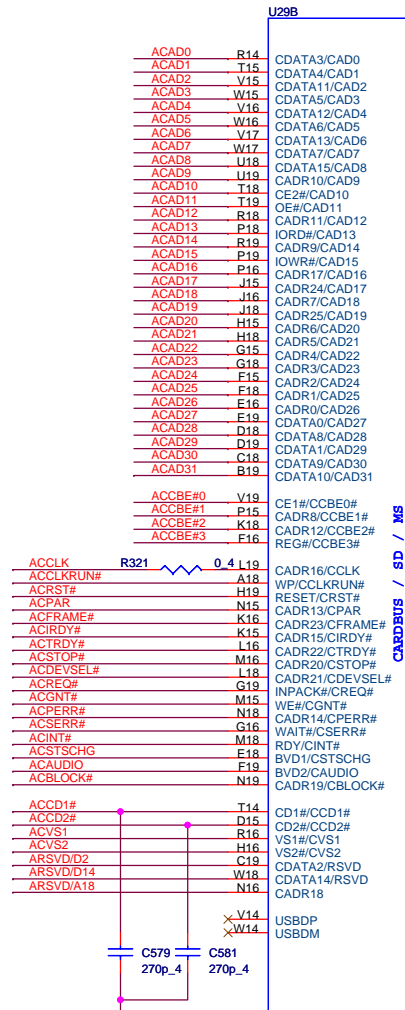
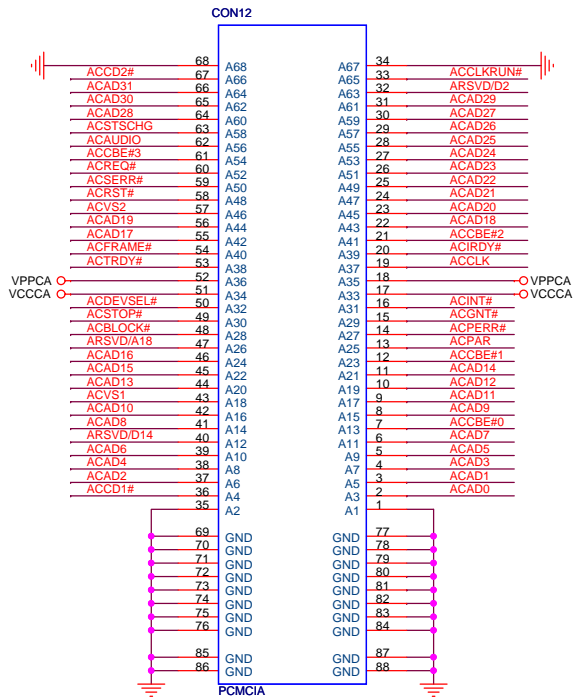
**QUANTA COMPUTER**

Title: **R5C847**

Size: Document Number **DA0TW1MB8A0** Rev 3E

Date: Monday, April 28, 2008 Sheet 17 of 36

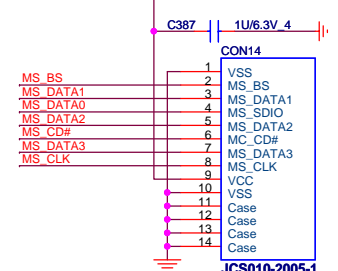
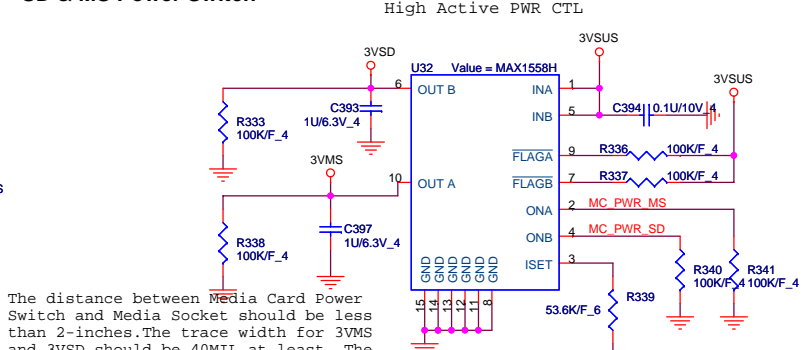
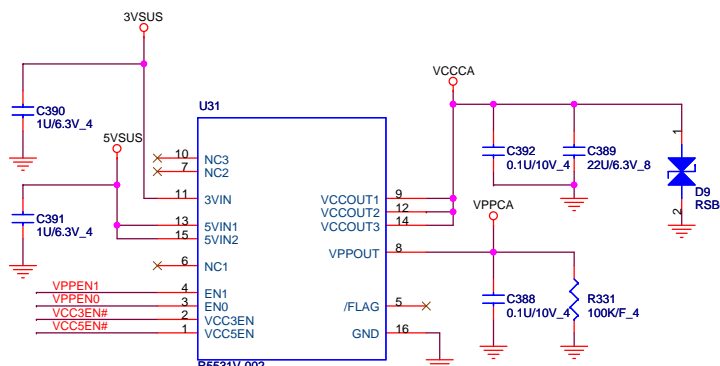
1. This part should not contain any substances which are specified in SS-00259-1  
 2. Purchase ink, paint, wire rods and molding resins only from the business partners that Sony approves as Green Partners.



## CARDBUS POWER SWITCH

## SD & MS Power Switch

## MS/SD: High Active PWR CTL



The distance between Media Card Power Switch and Media Socket should be less than 2-inches. The trace width for 3VMS and 3VSD should be 40MIL at least. The GND trace for Media Card Socket should be 40MIL at least.

**QUANTA  
COMPUTER**

Title: **PCMCIA Card**

Size: **DA0TW1MB8A0**

Document Number: **DA0TW1MB8A0**

Date: **Monday, April 28, 2008**

Sheet: **18** of **36**

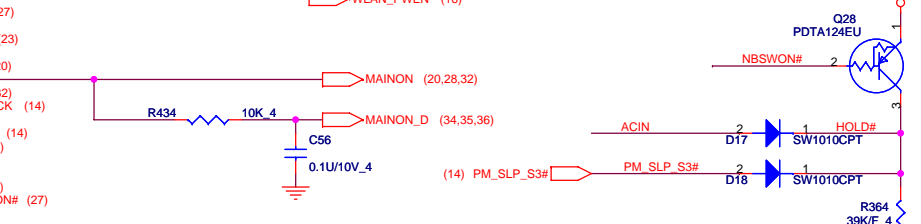
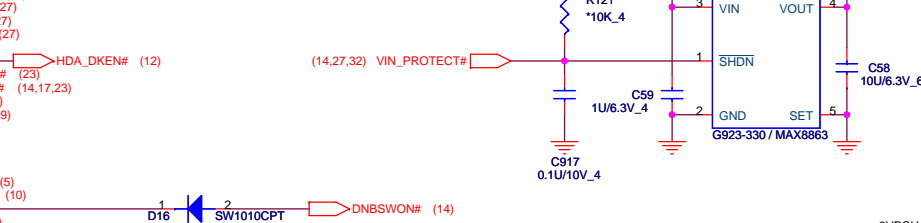
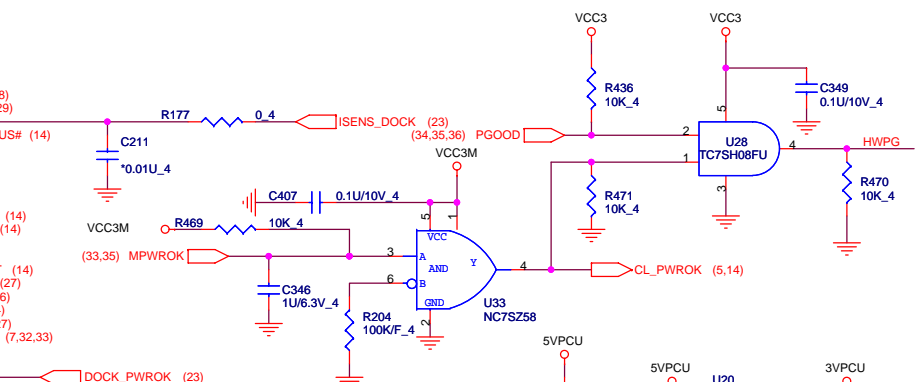
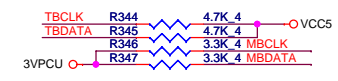
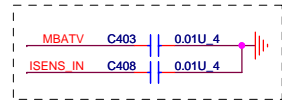
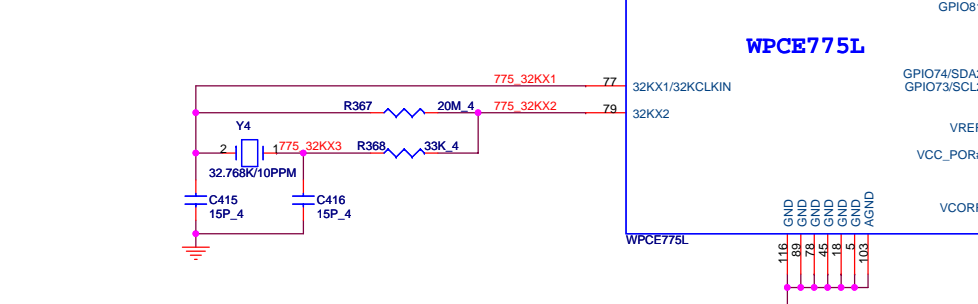
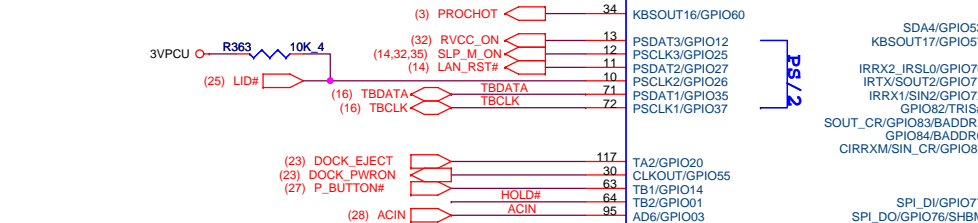
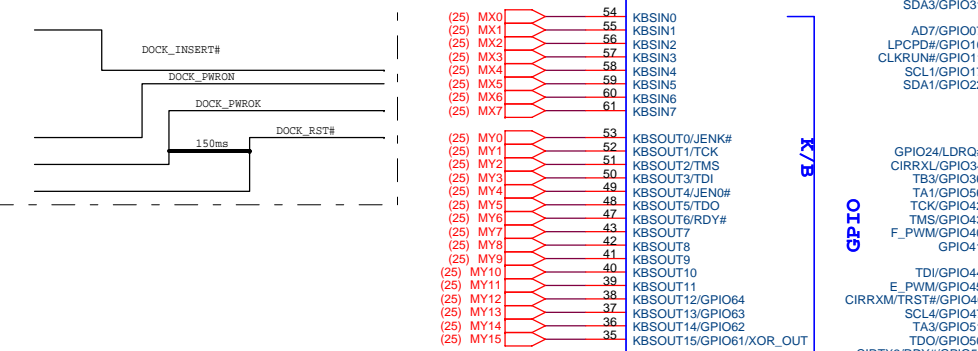
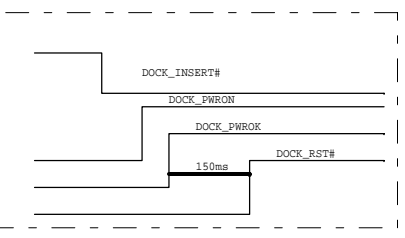
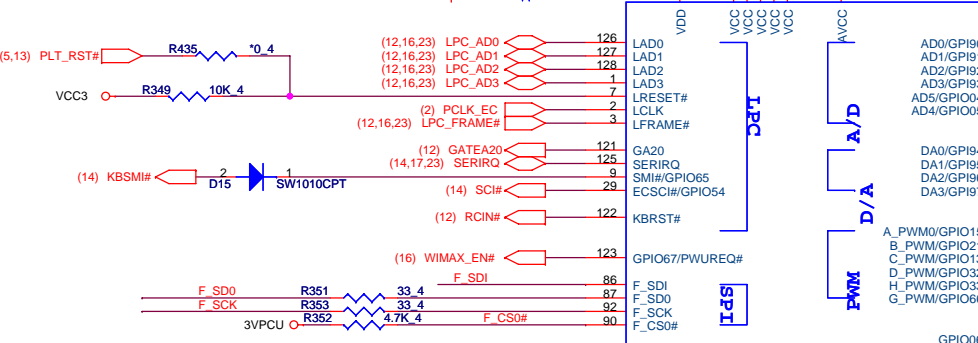
Rev: **3E**

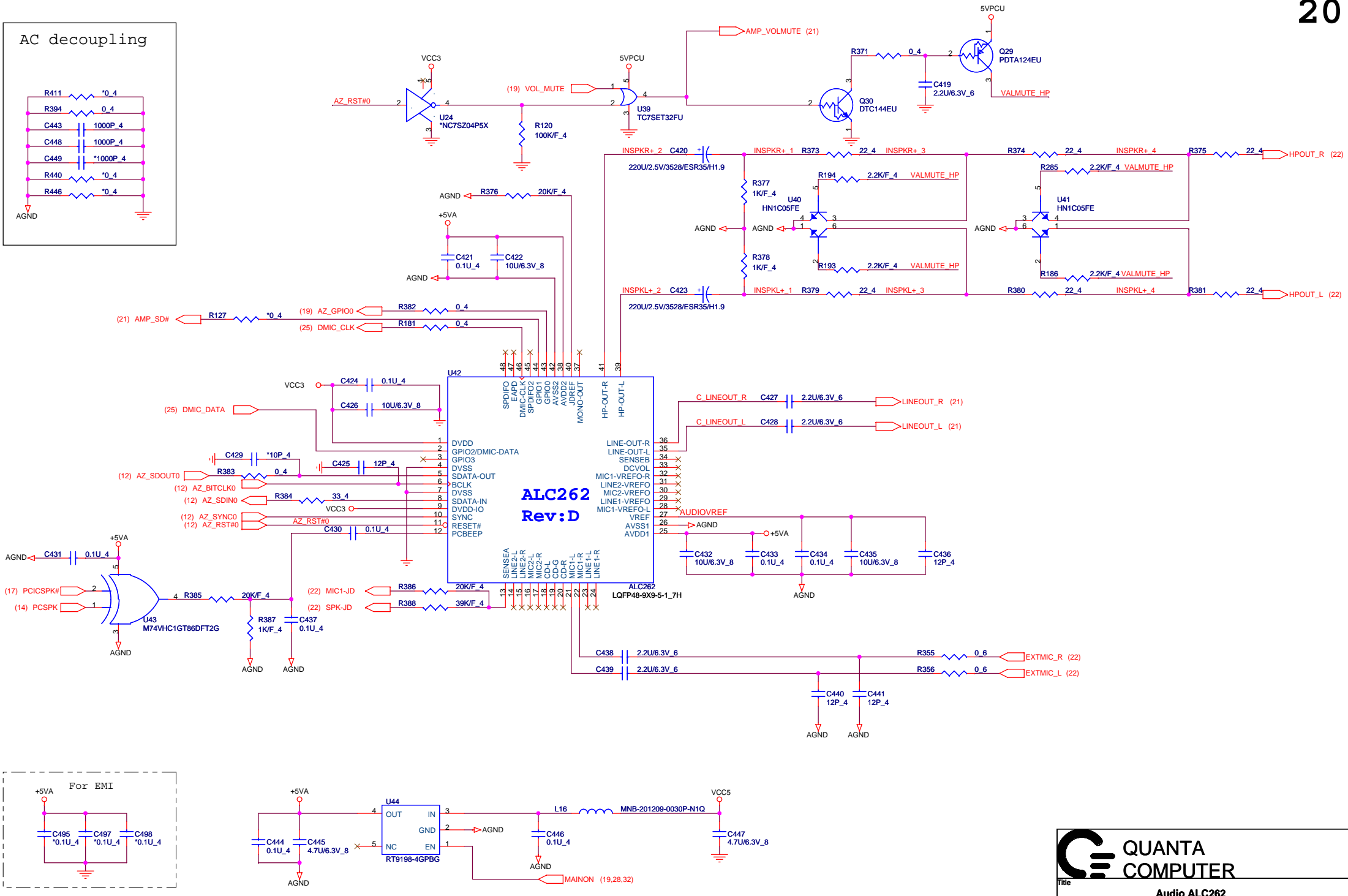
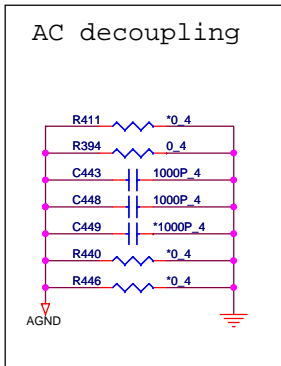
1. This part should not contain any substances which are specified in SS-00259-1  
 2. Purchase ink, paint, wire rods and molding resins only from the business partners that Sony approves as Green Partners.

I/O Address		
BADDR1-0	Index	Data
1 0	2E	2F
1 1	4E	4F
0 0	(HCFGBAH, HCFGBAL) / (HCFGBAH, HCFGBAL)+1	
0 1	XOR_TREE TEST	

SHBM: SHBM(If = 0 Enable share host BIOS memory)

DOCK\_RST# : BADDR0  
T7: BADDR1





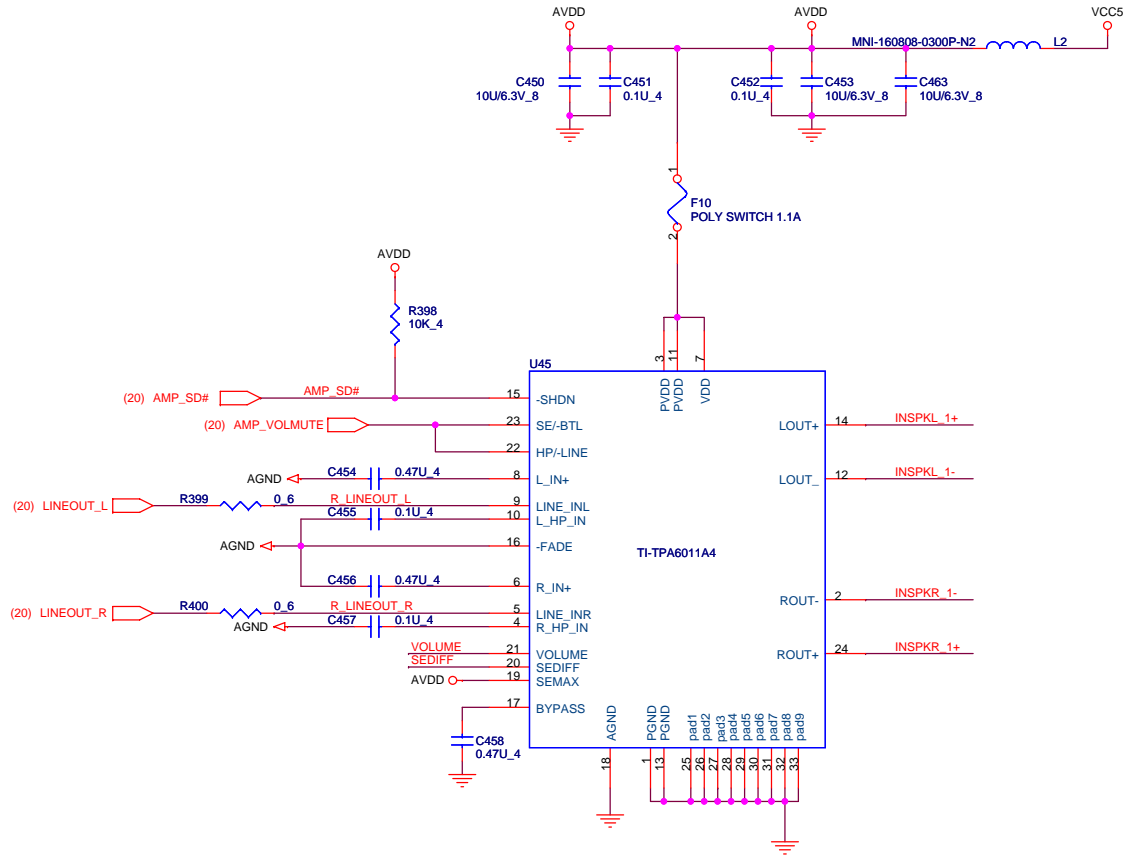
1.Level 1 Environment-related Substances should NEVER be Used.  
 2.Purchase ink, paint, wire rods, and Molding resins only from the business Partners that Sony approves as Green Partners.

**QUANTA COMPUTER**

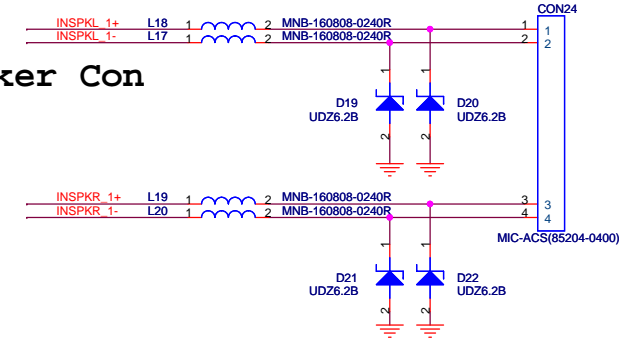
Title: **Audio ALC262**

Size	Document Number	Rev
	<b>TW1 Main Board</b>	<b>3E</b>
Date:	Monday, April 28, 2008	Sheet 20 of 36

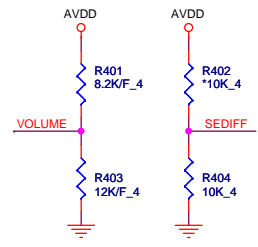
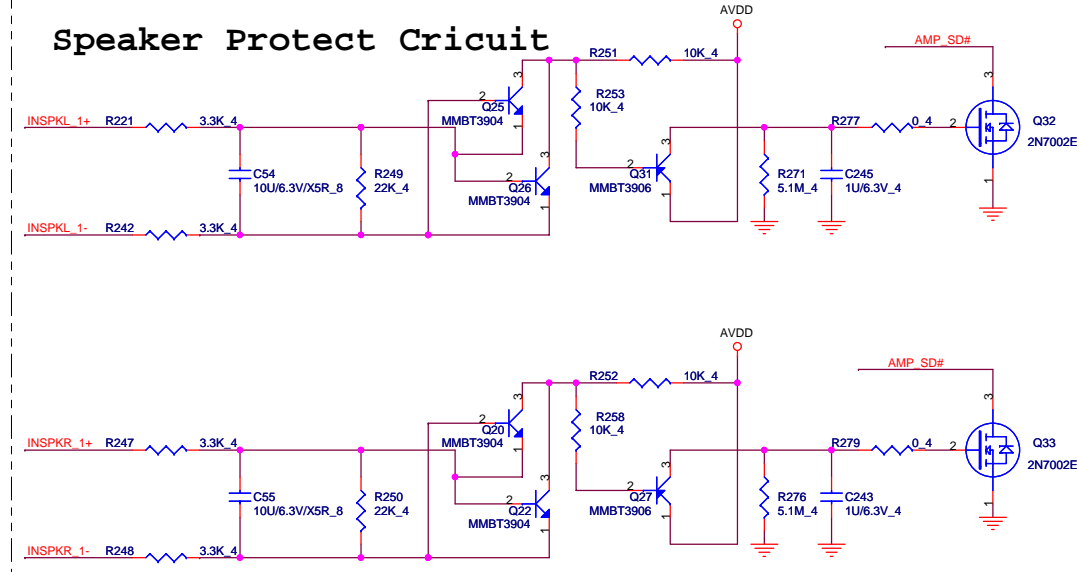
# Audio amplifier



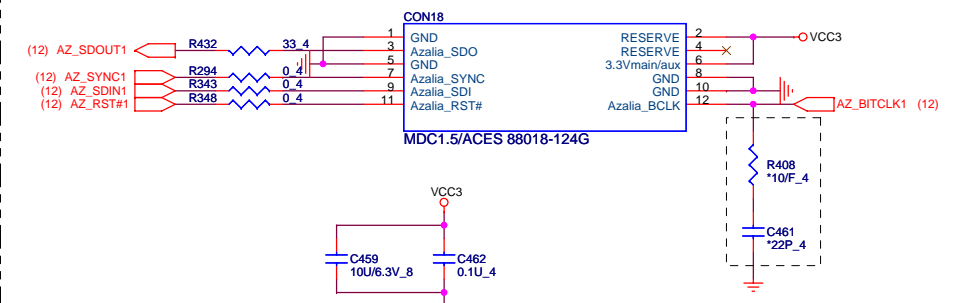
## Speaker Con



## Speaker Protect Circuit



## MDC V1.5



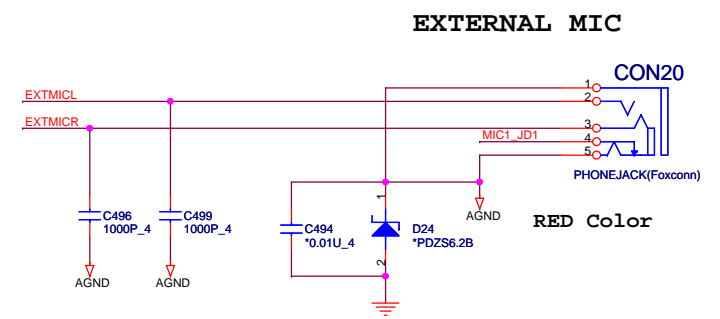
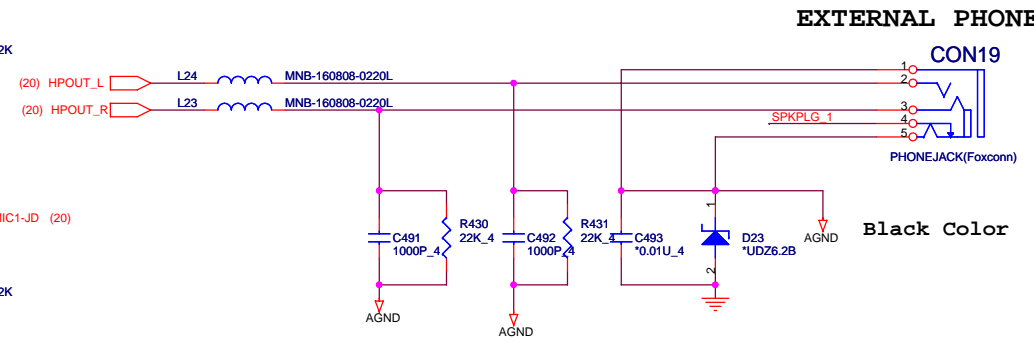
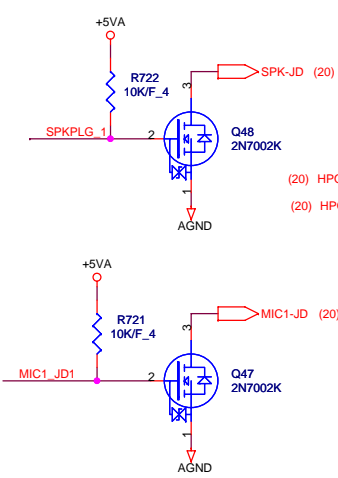
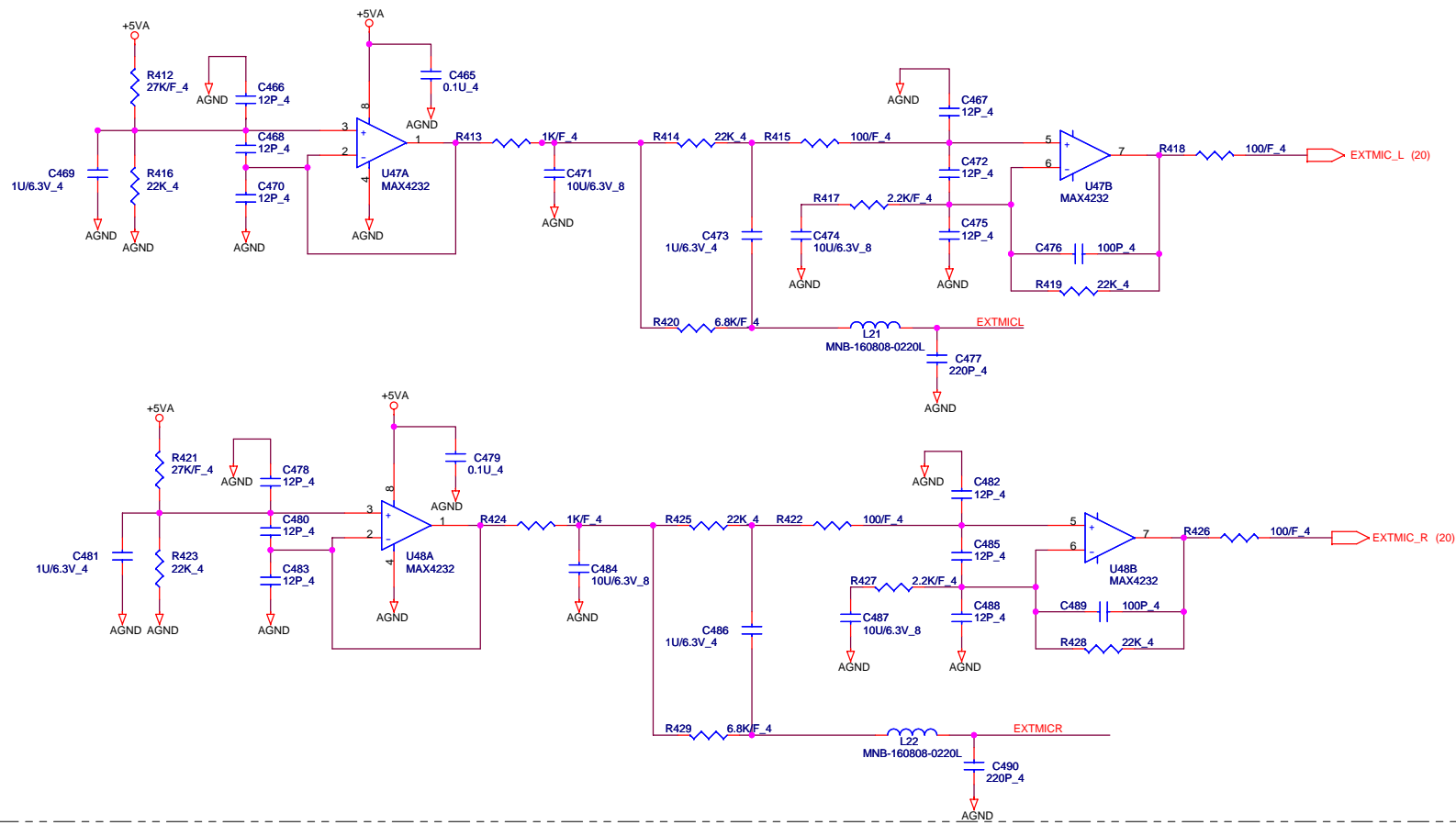
**QUANTA COMPUTER**

Title: **Audio AMP & Int. Speaker**

Size: Document Number: **TW1 Main Board** Rev: **3E**

Date: Monday, April 28, 2008 Sheet 21 of 36

1.Level 1 Environment-related Substances should NEVER be Used.  
 2.Purchase ink, paint, wire rods, and Molding resins only from the business Partners that Sony approves as Green Partners.

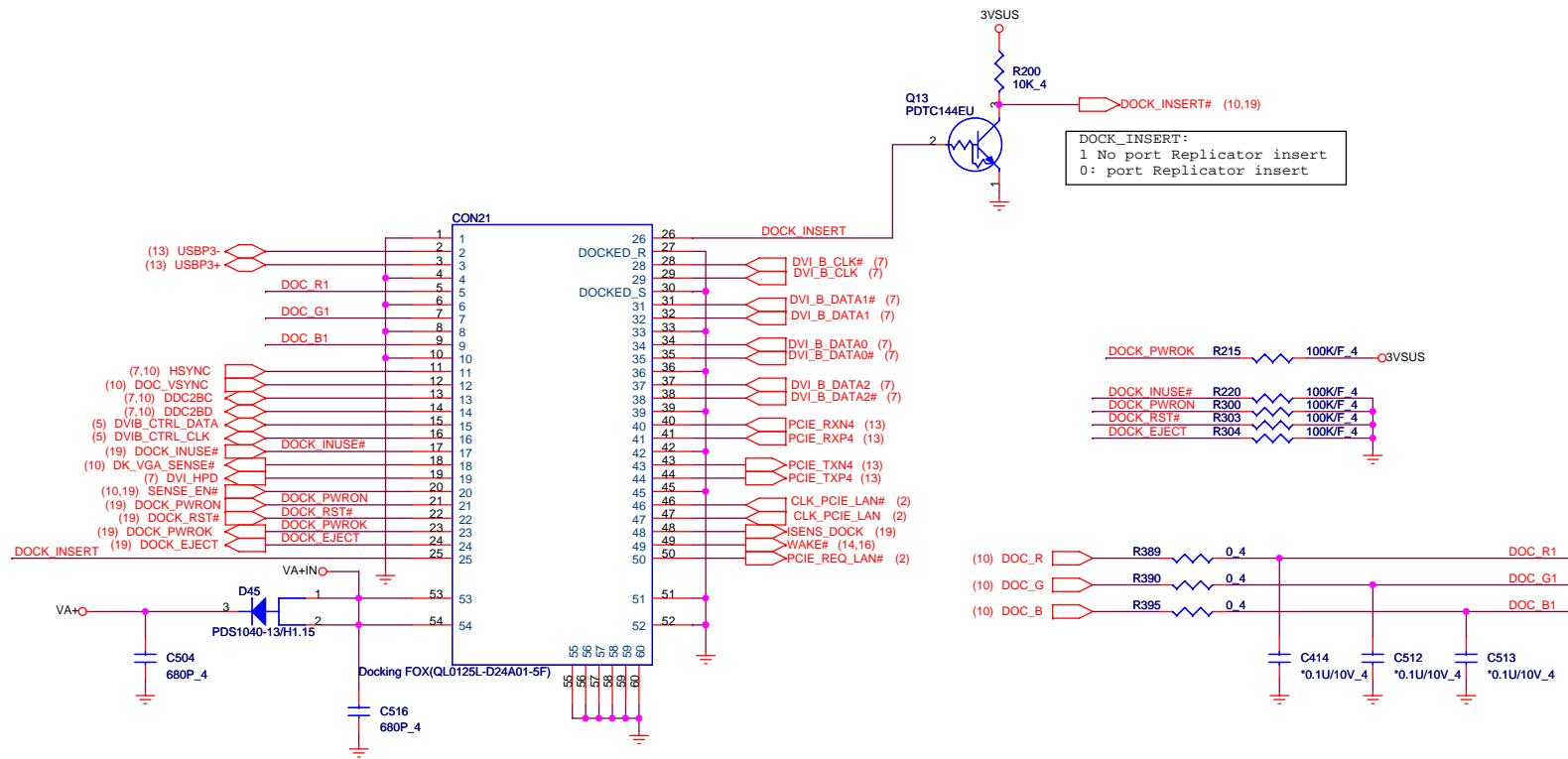


**QUANTA COMPUTER**

Title: **Phone /MIC Jack**

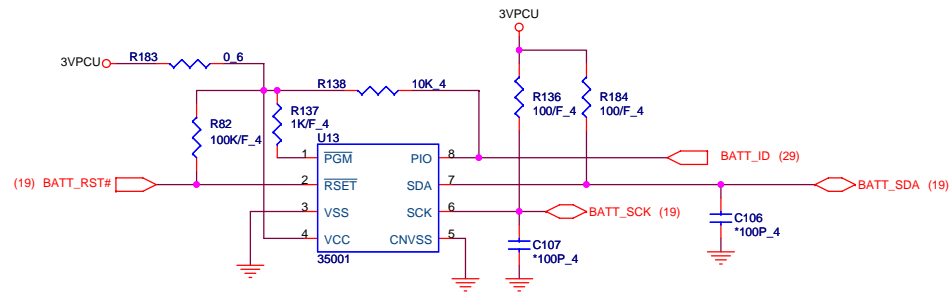
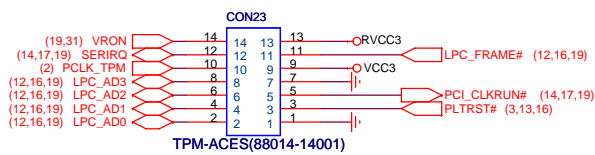
Size	Document Number	Rev
	<b>TW1 Main Board</b>	3E
Date:	Monday, April 28, 2008	Sheet 22 of 36

1.Level 1 Environment-related Substances should NEVER be Used.  
 2.Purchase ink, paint, wire rods, and Molding resins only from the business Partners that Sony approves as Green Partners.



TPM

35001



**QUANTA COMPUTER**

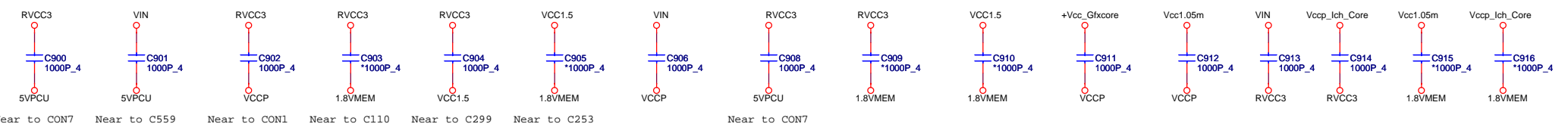
Title: **Docking/TPM/35001**

Size: Document Number **TW1 Main Board** Rev **3E**

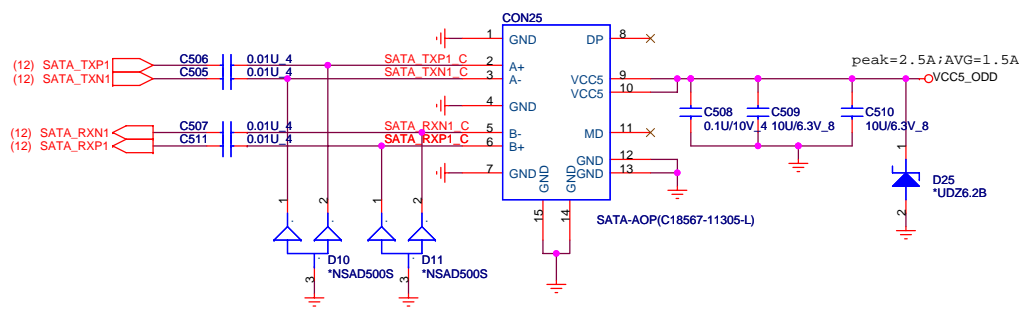
Date: Monday, April 28, 2008 Sheet 23 of 36

1. Level 1 Environment-related Substances Should NEVER be used.  
 2. Purchase ink, paint, wire rods, and Molding resins only from the business Partners that Sony approves as Green Partners.

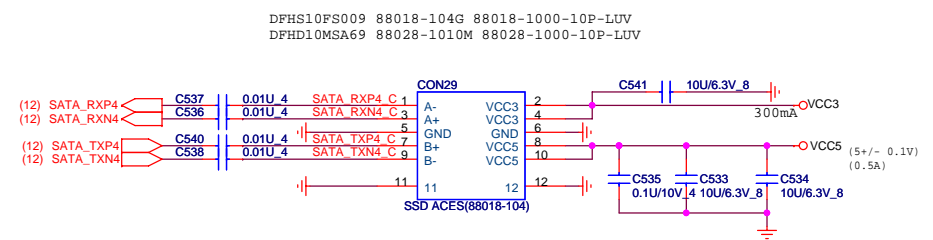
# Decoupling Cap



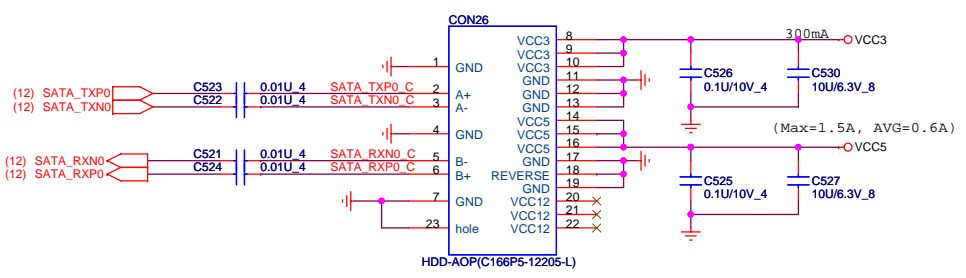
# ODD CONNECTOR



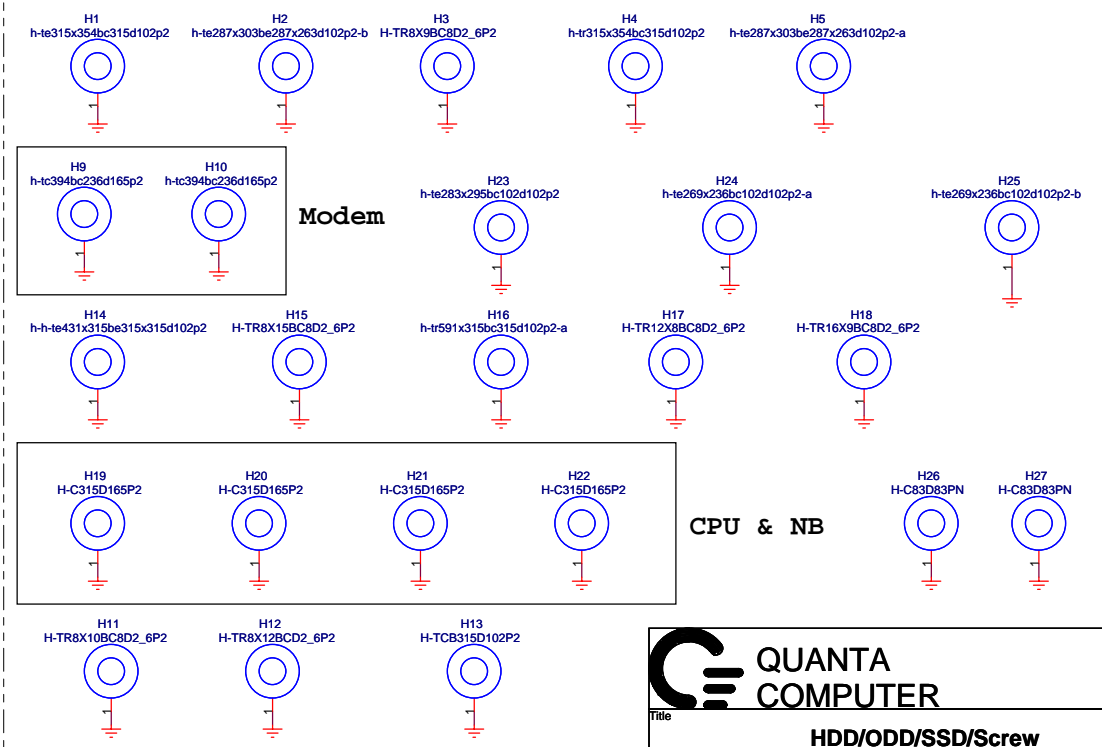
# SSD



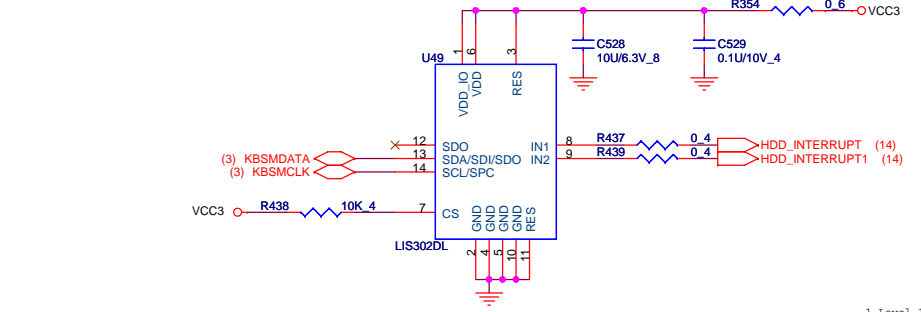
# HDD CONNECTOR



# Screw



# HDD PROTECT



1.Level 1 Environment-related Substances Should NEVER be Used.  
2.Purchase ink, paint, wire rods, and Welding resins only from the business Partners that Sony approves as Green Partners.

**QUANTA COMPUTER**

Title **HDD/ODD/SSD/Screw**

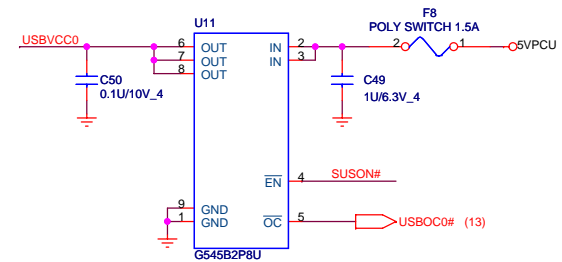
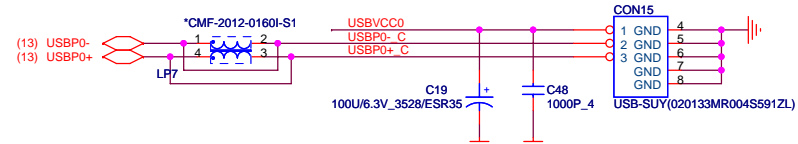
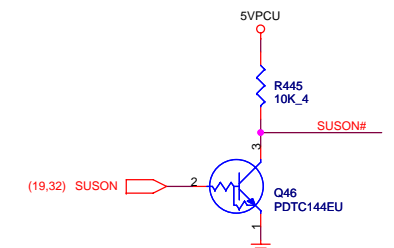
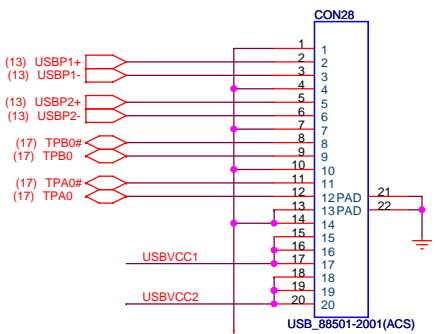
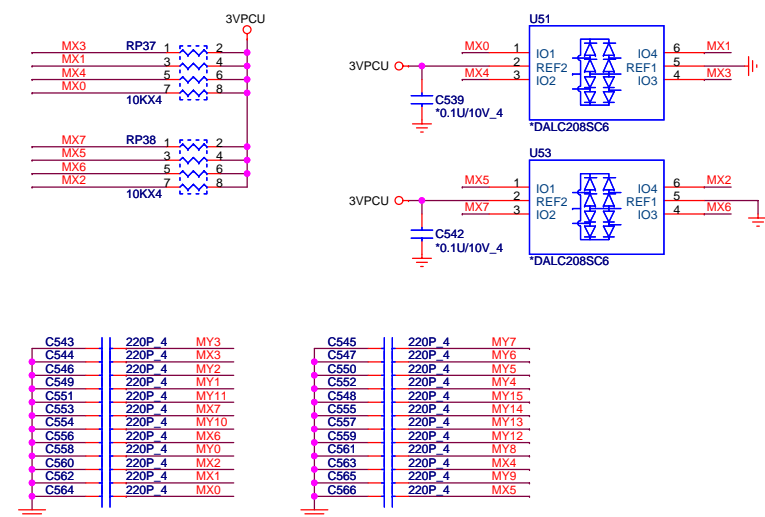
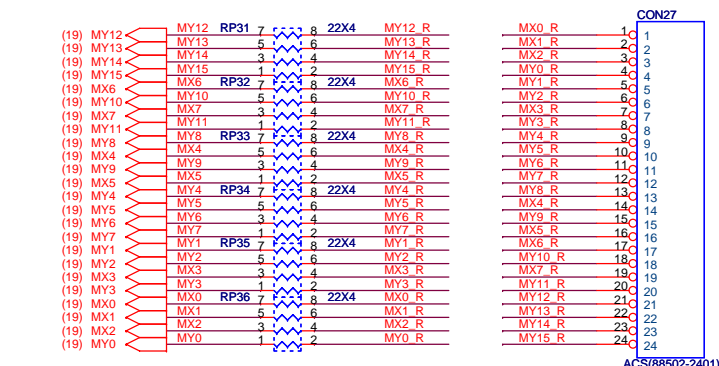
Size Document Number **TW1 Main Board** Rev 3E

Date: Monday, April 28, 2008 Sheet 24 of 36

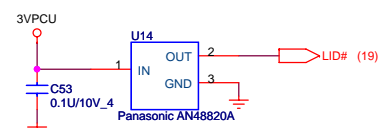
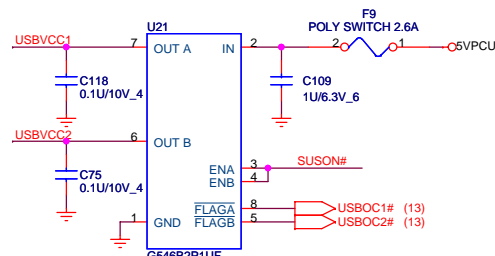


# KEYBOARD

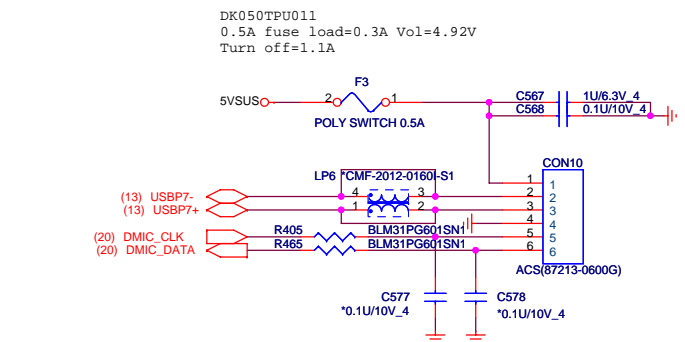
# USB



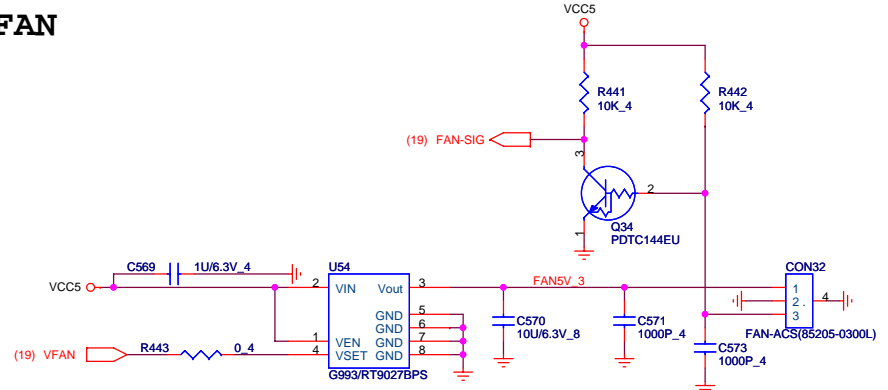
# LID Switch



# Camera & DMIC



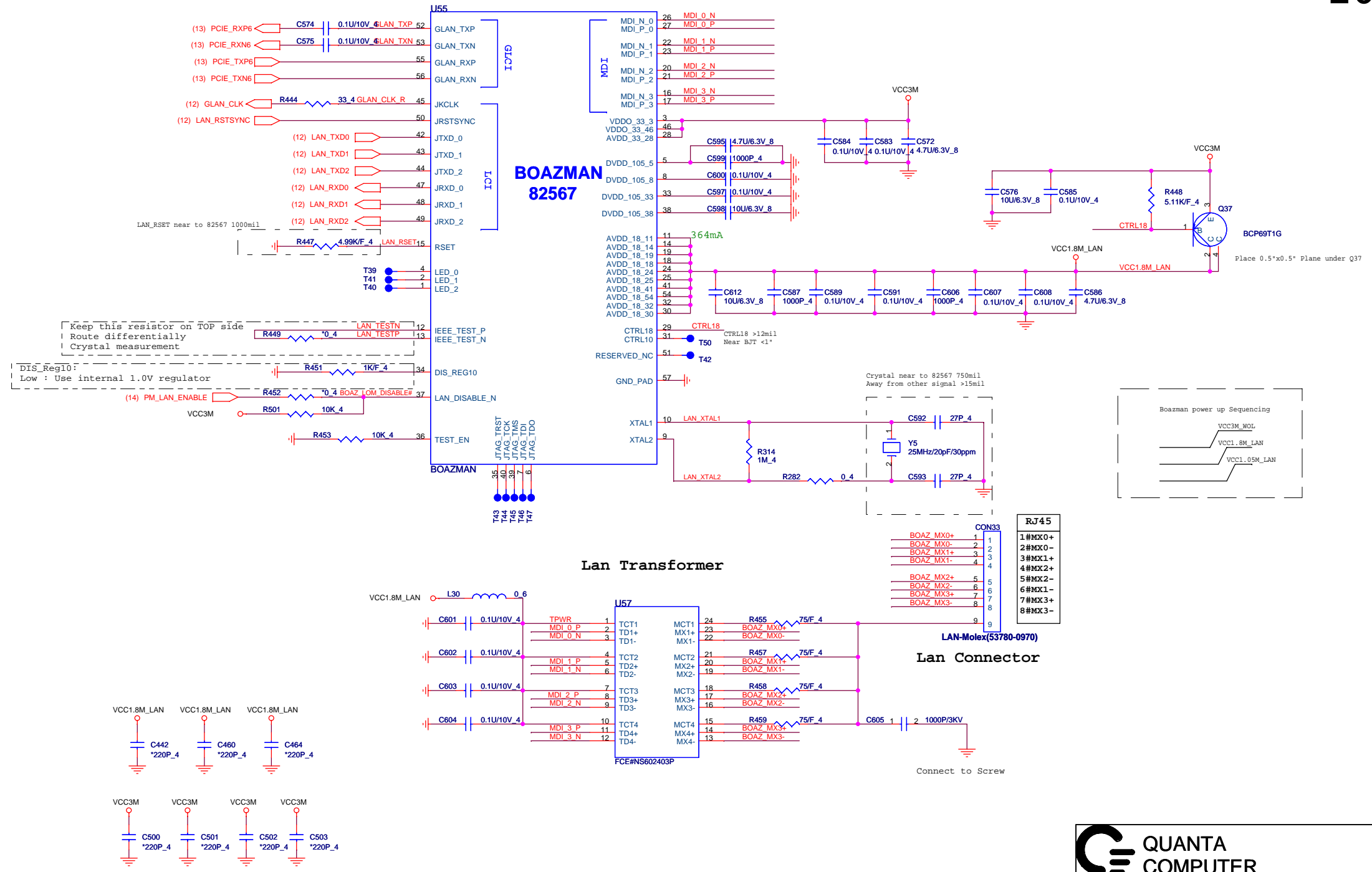
# FAN



**QUANTA  
COMPUTER**

Title		
<b>KB/USB/FAN/LID SW/Camera</b>		
Size	Document Number	Rev
	<b>TW1 Main Board</b>	3E
Date: Monday, April 28, 2008		
Sheet	25	of 36

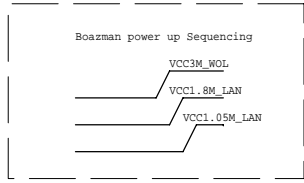
1. Level 1 Environment-related Substances should NEVER be Used.  
 2. Purchase ink, paint, wire rods, and Molding resins only from the business Partners that Sony approves as Green Partners.



Keep this resistor on TOP side  
Route differentially  
Crystal measurement

DIS\_Reg10:  
Low : Use internal 1.0V regulator

Crystal near to 82567 750mil  
Away from other signal >15mil



RJ45	
1#MX0+	1
2#MX0-	2
3#MX1+	3
4#MX2+	4
5#MX2-	5
6#MX1-	6
7#MX3+	7
8#MX3-	8
	9

1.Level 1 Environment-related Substances should NEVER be Used.  
2.Purchase ink, paint, wire rods, and Molding resins only from the business Partners that Sony approves as Green Partners.

**QUANTA COMPUTER**

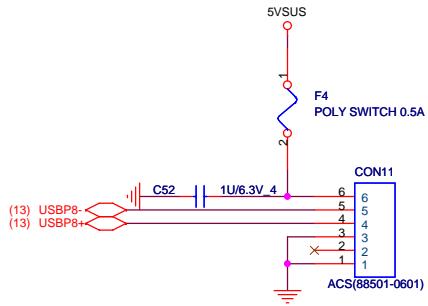
Title: **Intel LAN BOAZ**

Size: Document Number: **TW1 Main Board** Rev: 3E

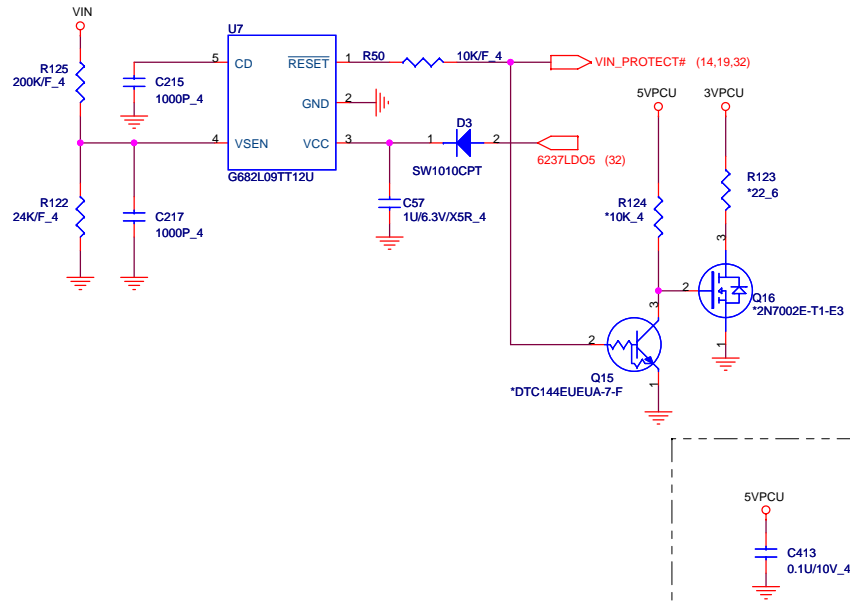
Date: Monday, April 28, 2008 Sheet: 26 of 36

# Felica

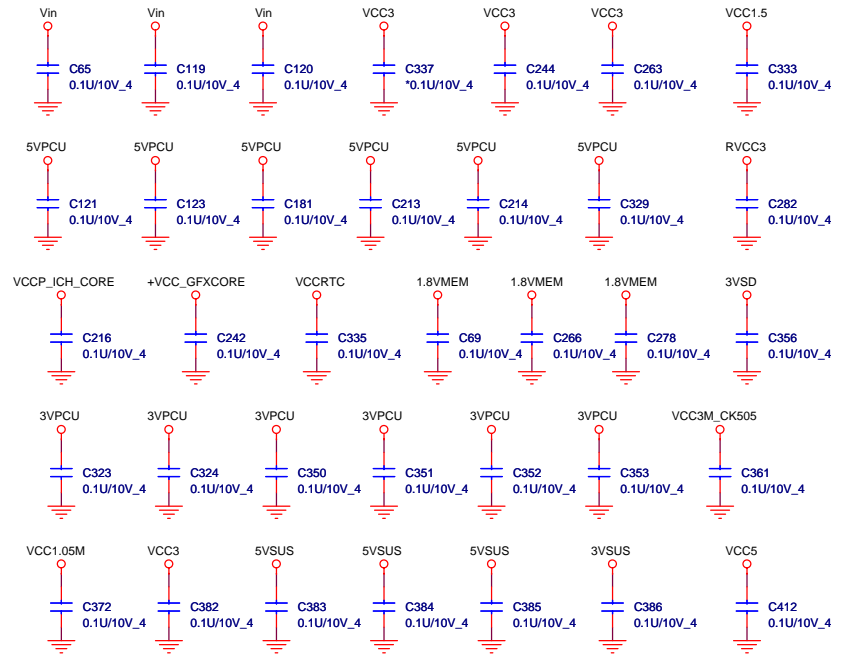
DK050TPU011  
0.5A fuse=0.3A Vol=4.92V  
Turn off=1.1A



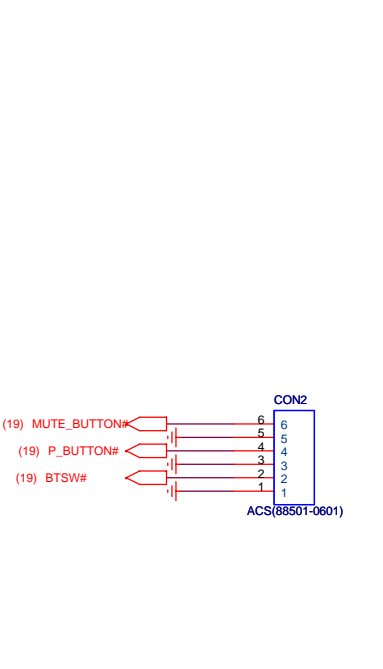
# Reset Cricuit



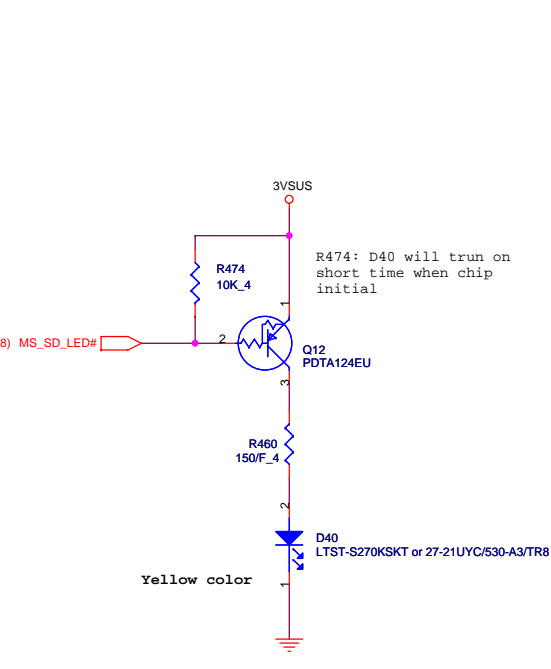
# EMI Caps



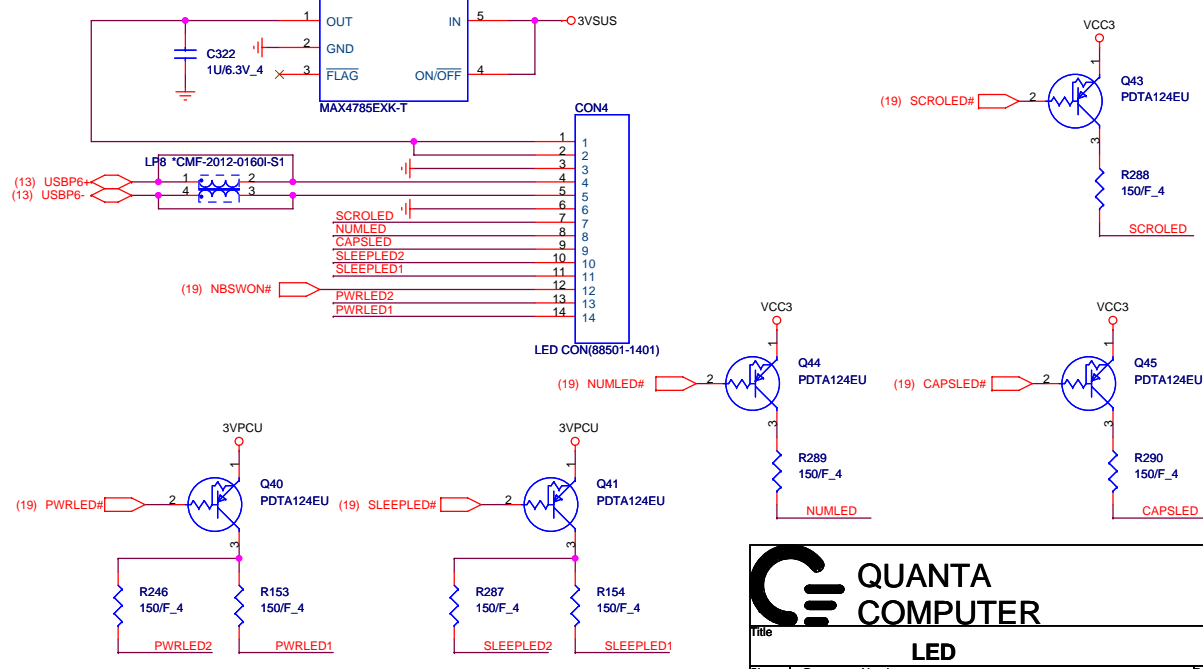
# Buttom BOARD



# LED



# LED BOARD



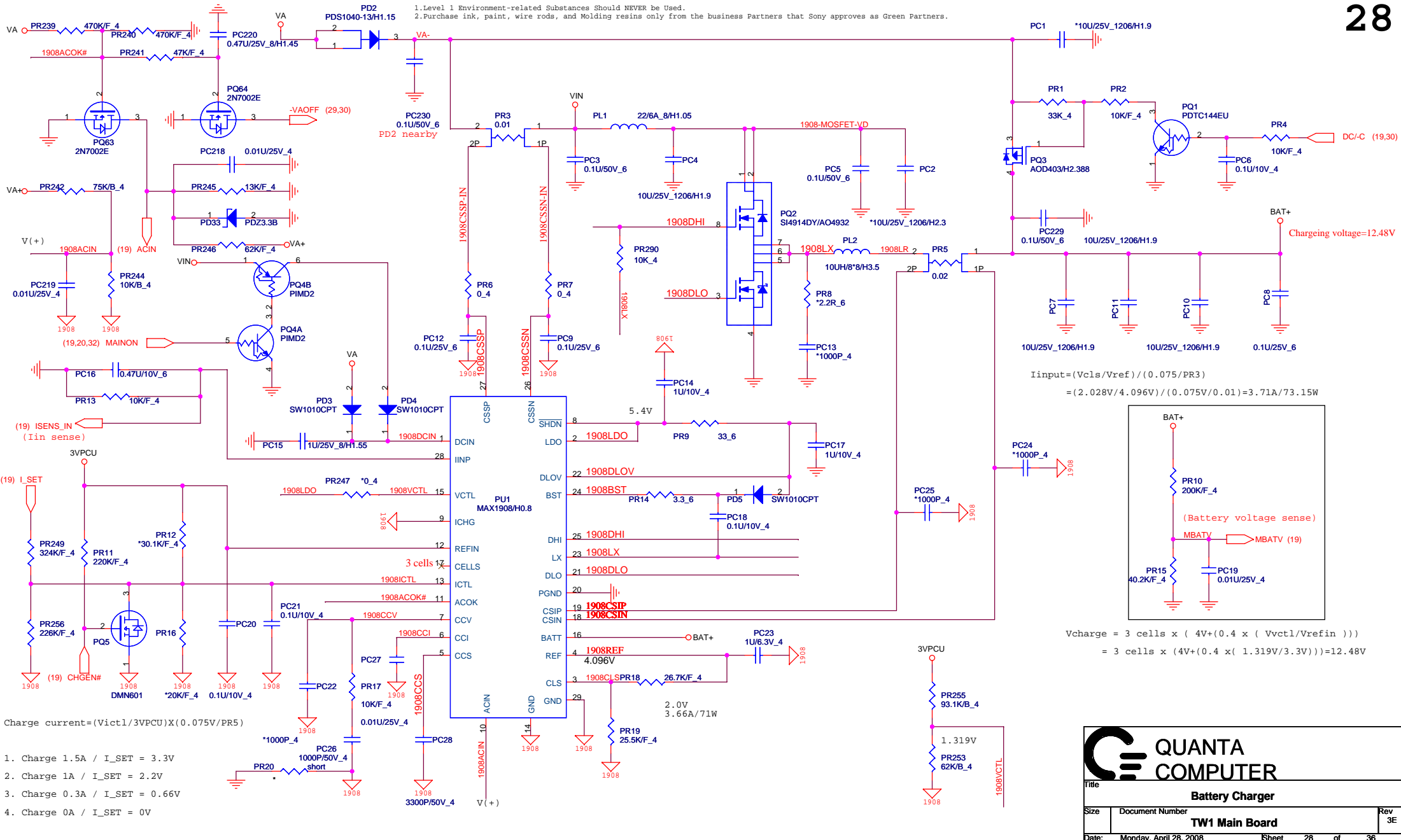
1. This part should not contain any substances which are specified in SS-00259-1  
2. Purchase ink, paint, wire rods and molding resins only from the business partners that Sony approves as Green Partners.

**QUANTA COMPUTER**

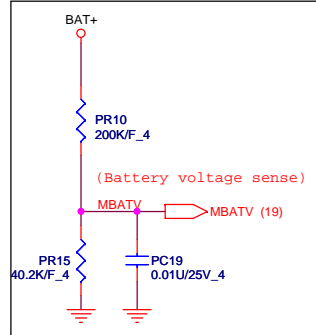
Title: **LED**

Size	Document Number	Rev
	<b>TW1 Main Board</b>	<b>3E</b>
Date:	Monday, April 28, 2008	Sheet 27 of 36

1.Level 1 Environment-related Substances Should NEVER be Used.  
 2.Purchase ink, paint, wire rods, and Molding resins only from the business Partners that Sony approves as Green Partners.



$$I_{input} = (V_{cls} / V_{ref}) / (0.075 / PR3) = (2.028V / 4.096V) / (0.075V / 0.01) = 3.71A / 73.15W$$



$$V_{charge} = 3 \text{ cells} \times (4V + (0.4 \times (V_{vctl} / V_{refin}))) = 3 \text{ cells} \times (4V + (0.4 \times (1.319V / 3.3V))) = 12.48V$$

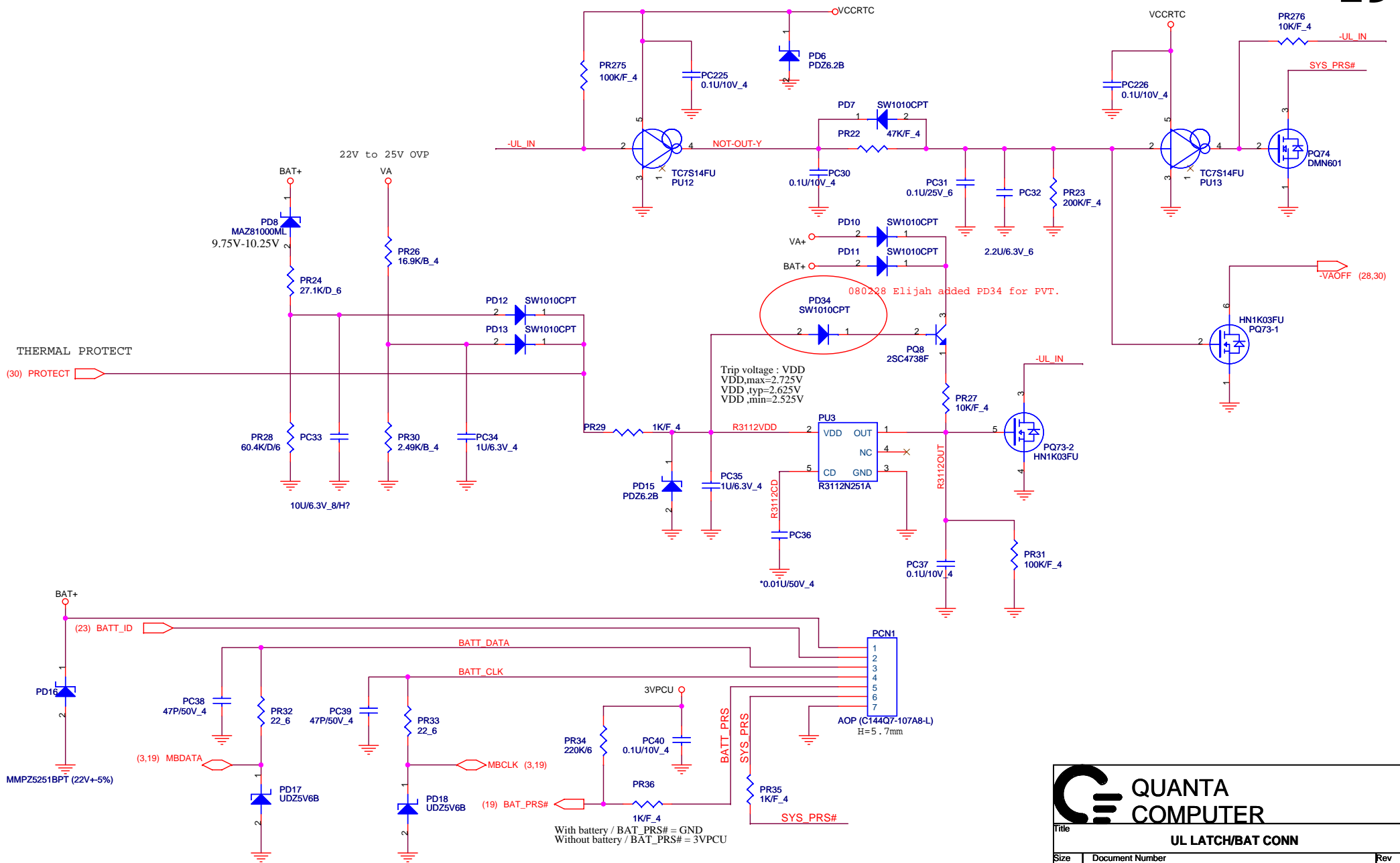
- Charge current =  $(V_{ictl} / 3V_{PCU}) \times (0.075V / PR5)$
1. Charge 1.5A /  $I_{SET} = 3.3V$
  2. Charge 1A /  $I_{SET} = 2.2V$
  3. Charge 0.3A /  $I_{SET} = 0.66V$
  4. Charge 0A /  $I_{SET} = 0V$

**QUANTA COMPUTER**

Title: **Battery Charger**

Size	Document Number	Rev
	<b>TW1 Main Board</b>	3E

Date: Monday, April 28, 2008 Sheet 28 of 36



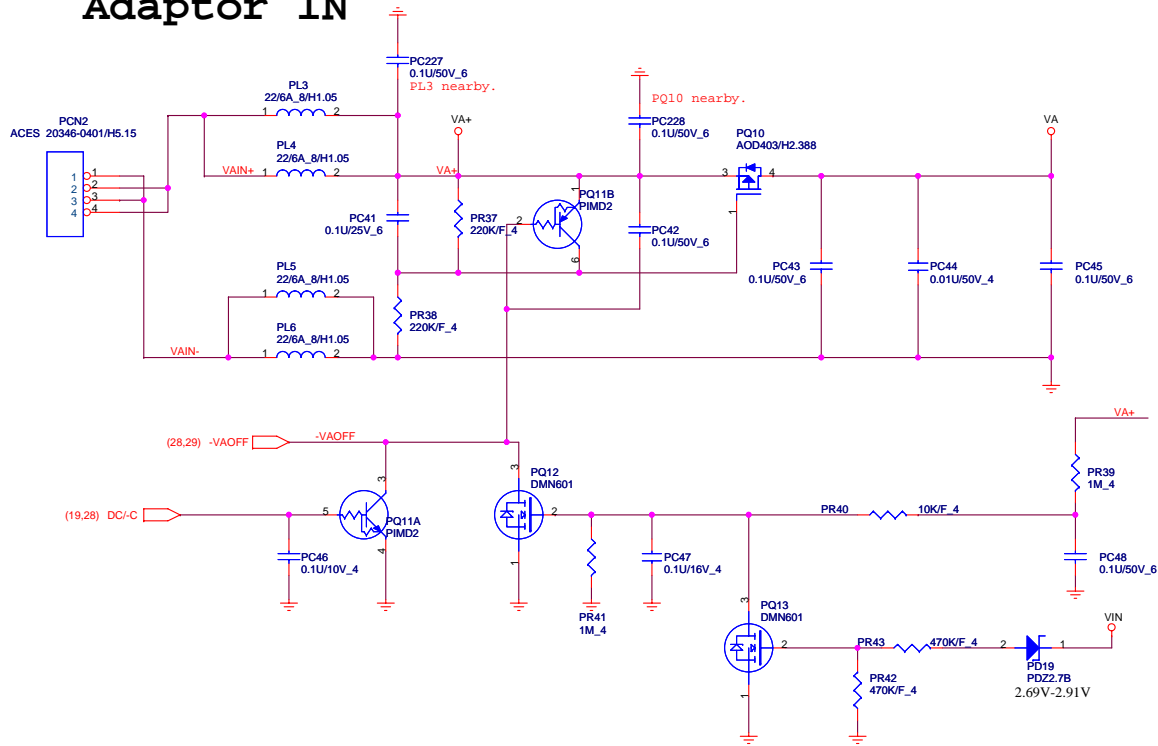
**QUANTA COMPUTER**

Title: **UL LATCH/BAT CONN**

Size	Document Number	Rev
	<b>TW1 Main Board</b>	3E

Date: Monday, April 28, 2008 Sheet 29 of 36

1.Level 1 Environment-related Substances Should NEVER be Used.  
 2.Purchase ink, paint, wire rods, and Molding resins only from the business Partners that Sony approves as Green Partners.



1.Level 1 Environment-related Substances Should NEVER be Used.  
 2.Purchase ink, paint, wire rods, and Molding resins only from the business Partners that Sony approves as Green Partners.

Title <b>Adaptor in</b>		
Size	Document Number	Rev
	<b>TW1 Main Board</b>	<b>3E</b>
Date:	Monday, April 28, 2008	Sheet 30 of 36

VCC\_CORE

15uF/25V/6.8\*6.8  
85-105 degree/1.65A  
-55-85 Degree/2.2A

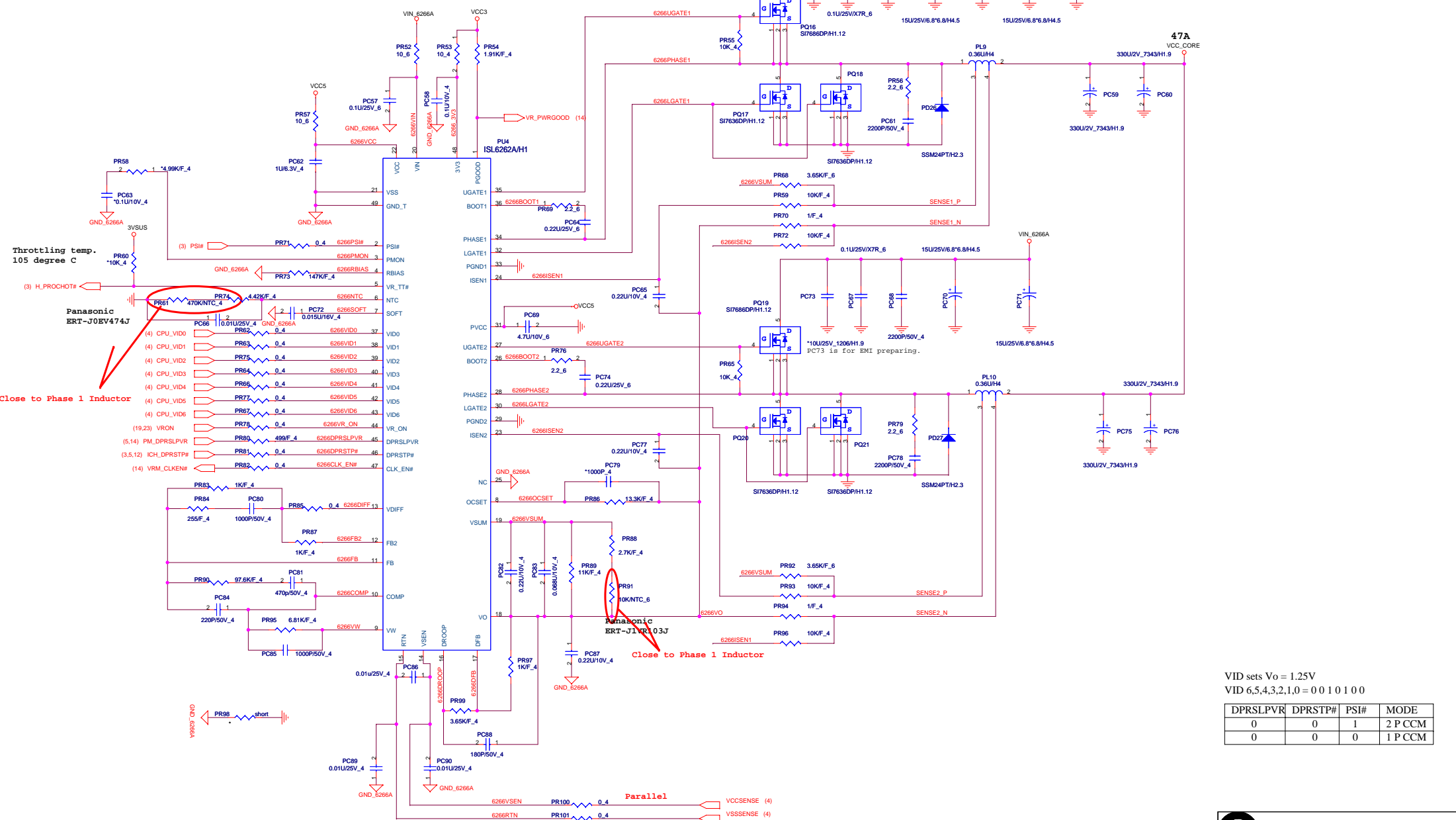
470uF/25V/10.5\*10.5  
105 degree/0.85A

10uF/25V\_1206  
Irms is about 3A.

Max Irms is about 7.35A to 9.73A.

PC49 is for EMI preparing.

080311 Elijah deleted PD25 & PG26 for PVT.



Throttling temp.  
105 degree C

Close to Phase 1 Inductor

Close to Phase 1 Inductor

VID sets Vo = 1.25V  
VID 6,5,4,3,2,1,0 = 0 0 1 0 1 0 0

DPRSLPVR	DPRSTP#	PSI#	MODE
0	0	1	2 P CCM
0	0	0	1 P CCM

**QUANTA COMPUTER**

File: CPU CORE

Size: Document Number: TW1 Main Board Rev: 3E

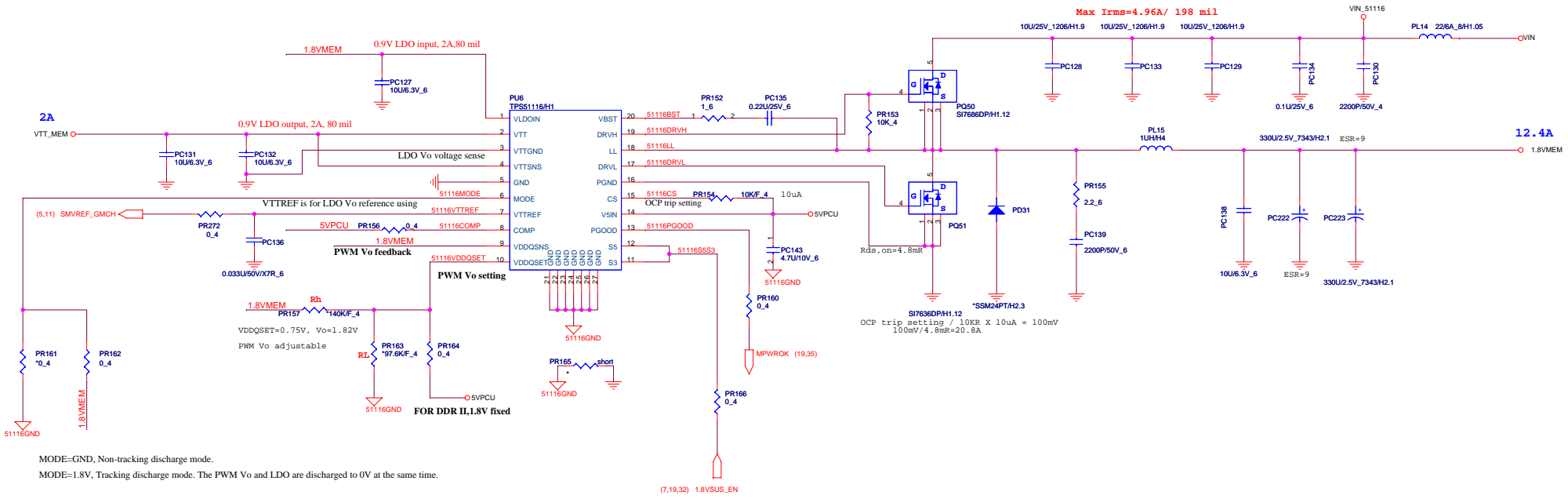
Date: Monday, April 26, 2008 1 Sheet 31 of 36

1.Level 1 Environment-related Substances Should NEVER be Used.  
2.Purchase ink, paint, wire rods, and Molding resins only from the business Partners that Sony approves as Green Partners.





# 1.8VSUS & VTT\_MEM



MODE=GND, Non-tracking discharge mode.  
 MODE=1.8V, Tracking discharge mode. The PWM Vo and LDO are discharged to 0V at the same time.

- Current sense method: Rds,on
- D-CAP mode is quick PWM (set by connecting COMP to 5V).

VTT = VTTREF = VDDQSNS/2 = 0.9V

STATE	S3	S5	1.8VSUS	VTTREF	VTT
S0	1	1	on	on	on
S3	0	1	on	on	off
S4/S5	0	0	off	off	off

MODE	DISCHARGE MODE
+5V	No discharge
+1.8V	Tracking discharge
GND	Non-tracking discharge

VDDQSET	VDDQ(V)	VTTREF & VTT	NOTE
GND	2.5 fixed	VDDQSNS/2	DDR
5V	1.8 fixed	VDDQSNS/2	DDR2
FB-Resistor	Adjustable	VDDQSNS/2	1.5V<VDDQ<3V

**QUANTA COMPUTER**

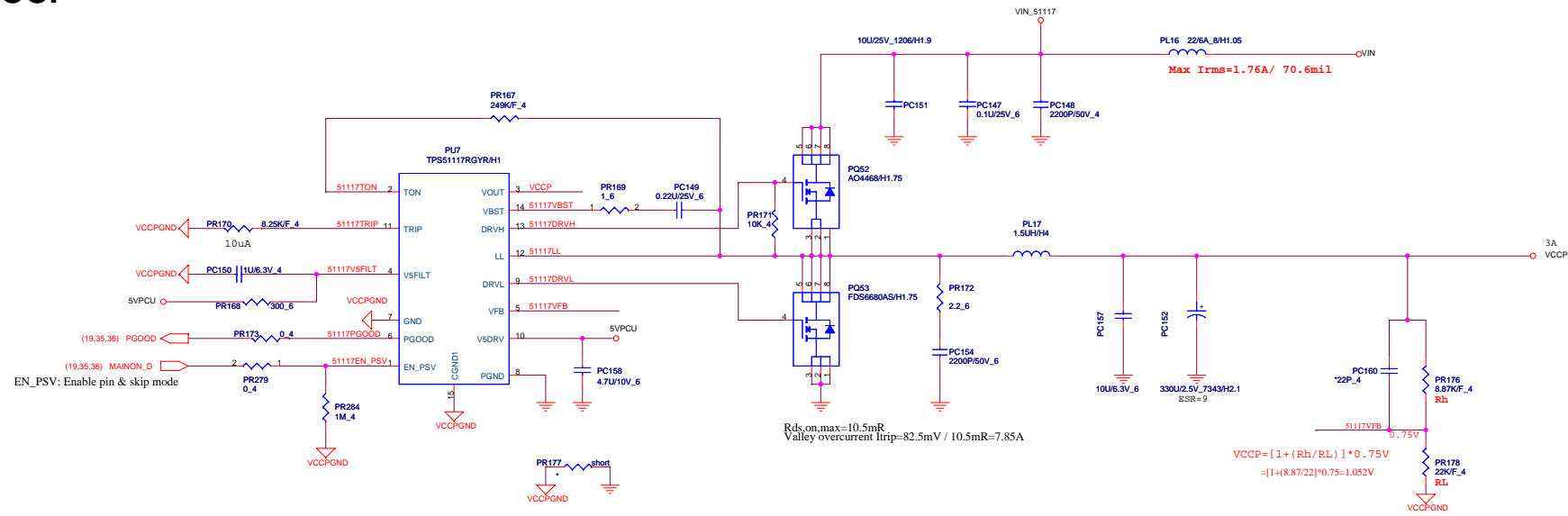
File: **1.8VSUS/VTT\_MEM**

Size: Document Number **TW1 Main Board** Rev: 3E

Date: Monday, April 26, 2008 Sheet: 33 of 36

1. Level 1 Environment-related Substances Should NEVER be Used.  
 2. Purchase ink, paint, wire rods, and Molding resins only from the business Partners that Sony approves as Green Partners.

VCCP



$R_{ds,on,max}=10.5mR$   
 Valley overcurrent  $I_{trip}=82.5mV / 10.5mR=7.85A$

$$VCCP = [1 + (R_h/RL)] * 0.75V$$

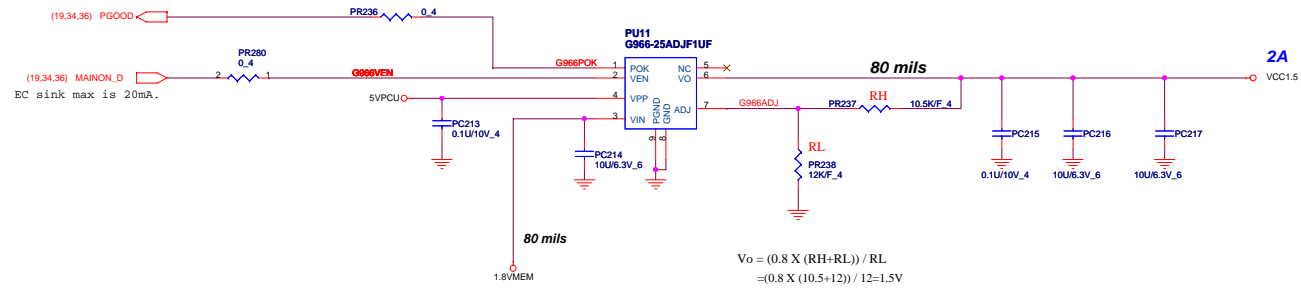
$$= [1 + (8.87/22)] * 0.75 = 1.052V$$

1.  $R_{TON}=200KR$ ,  $F_s$  is about 330KHz by the spec table
2.  $TON = 0.21\mu s / Vin=19.4V$ ;  $0.374\mu s / Vin=9V$  by the spec equation
3. TRIP (the trip level of the valley overcurrent):  $V_{trip}(mV)=R_{trip}(KR) * 10\mu A=10KR * 10\mu A=100mV$
4. VSFLT: the VCC of the TPS51117
5. VOUT: Output voltage monitor & output discharge.
6. VFB:  $V_o$  feedback input.
7. VSDRV: the driving power of the low side MOSFET

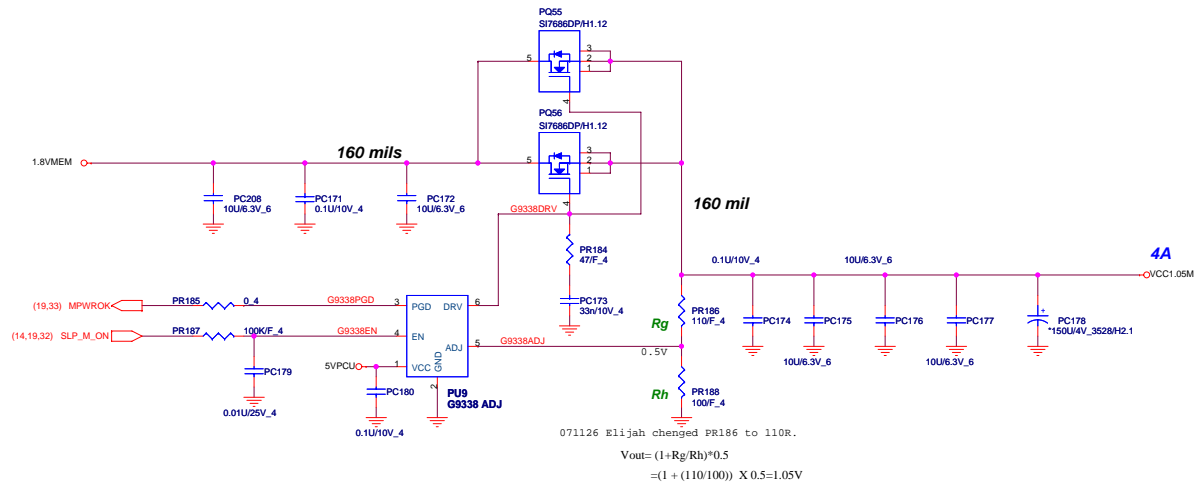
QUANTA COMPUTER		
Title: iAMT/VCCP/VCC_GFXCORE		
Size:	Document Number:	Rev: 3E
TW1 Main Board		
Date: Monday, April 26, 2008	Sheet: 34	of: 36

1. Level 1 Environment-related Substances Should NEVER be Used.  
 2. Purchase ink, paint, wire rods, and Molding resins only from the business Partners that Sony approves as Green Partners.

### VCC1.5



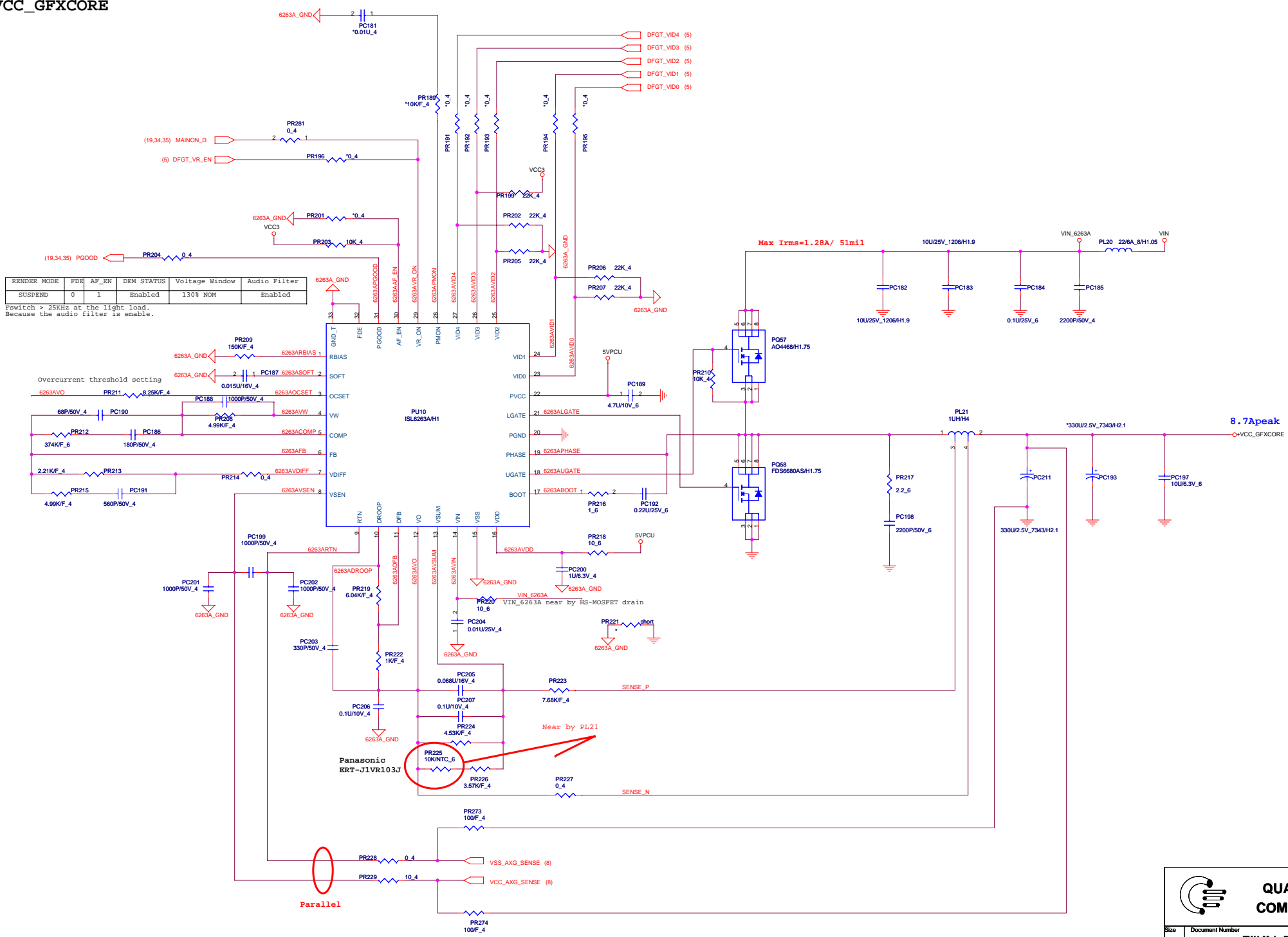
### VCC1.05M



1. Level 1 Environment-related Substances Should NEVER be Used.  
 2. Purchase ink, paint, wire rods, and Molding resins only from the business Partners that Sony approves as Green Partners.

RENDER MODE	FDB	AF_EN	DEM STATUS	Voltage Window	Audio Filter
SUSPEND	0	1	Enabled	130% NOM	Enabled

Fswitch > 25KHz at the light load.  
Because the audio filter is enable.



**QUANTA  
COMPUTER**

Size	Document Number	Rev
<b>TW1 Main Board</b>		<b>3E</b>
Date: Monday, April 26, 2008 Sheet 36 of 36		

1.Level 1 Environment-related Substances should NEVER be Used.  
2.Purchase Ink, paint, wire rods, and Molding resins only from the business Partners that Sony approves as Green Partners.