

SONY CONFIDENTIAL

REVISIONS			
ZONE	LTR	DESCRIPTION	DATE

IRX-5040 SCHEMATICS

MAIN SYSTEM BOARD MBX-187

FOR FOXCONN

REV. 1.300

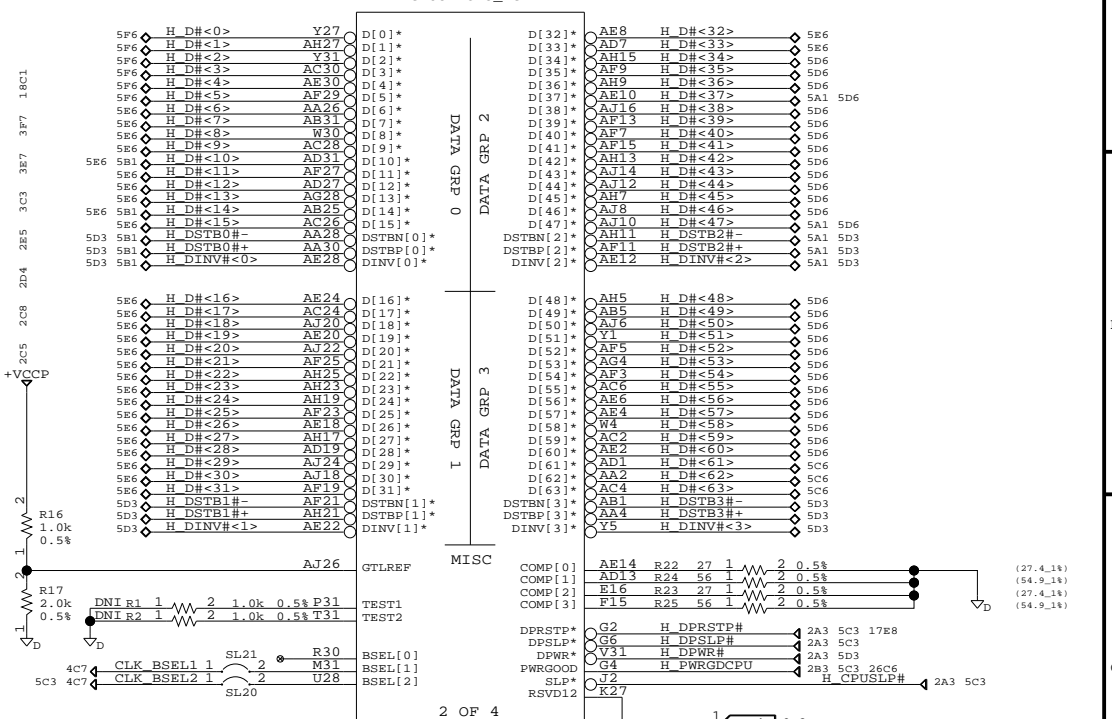
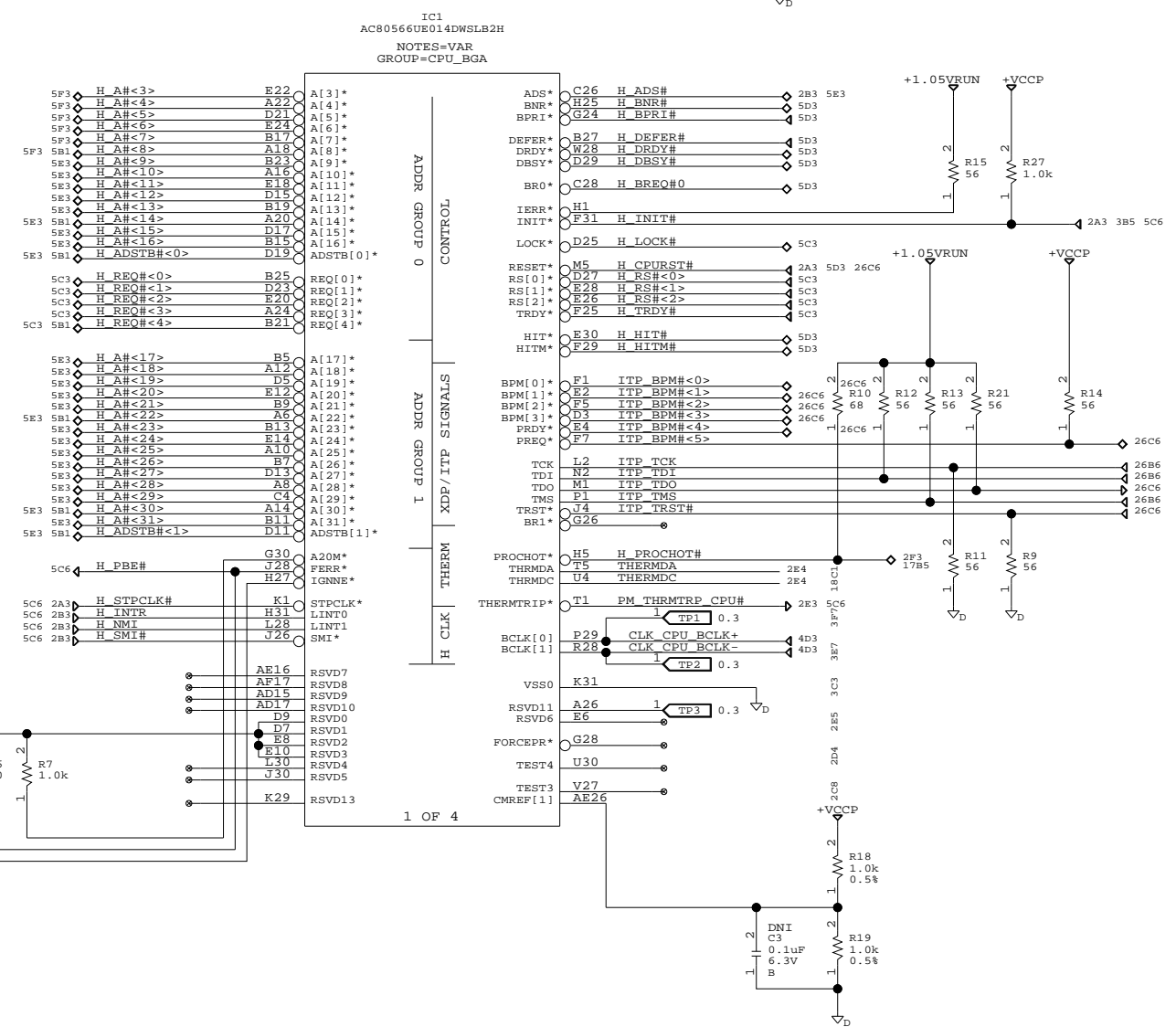
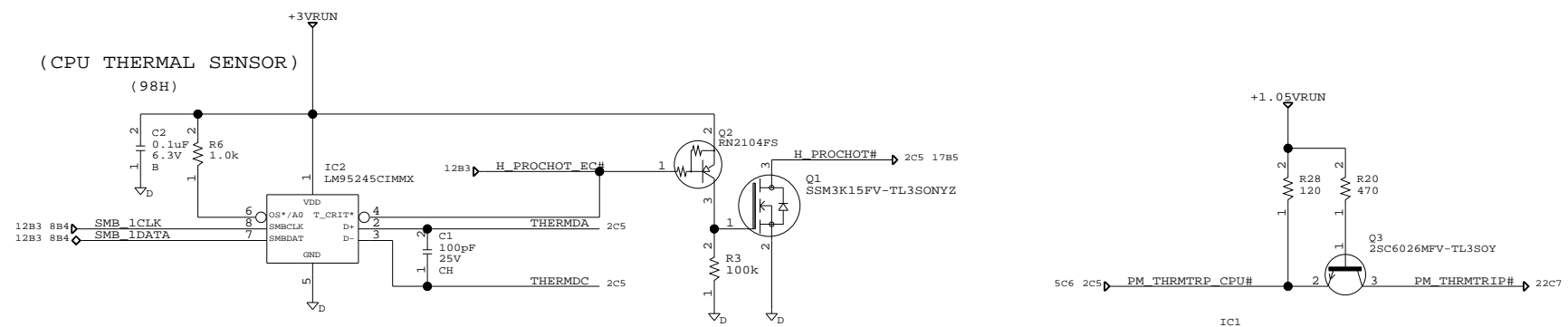
TABLE OF CONTENTS

BLOCK	PAGE	REF. NO.	DESCRIPTIONS
TITLE	1	-	INDEX (THIS PAGE)
○ 1 CPU	2 (CPU-1) 3 (CPU-2)	1 - 99 100 - 199	CPU (1/2) CPU (2/2)
○ 2 CLKGEN	4 (CLKGEN)	200 - 299	CLOCK GENERATOR
○ 3 SCH	5 (SCH-1) 6 (SCH-2) 7 (SCH-3) 8 (SCH-4) 9 (SCH-5) 10 (SCH-6)	300 - - 399 400 - - 499 500 - 599 600 - 699	SCH (1/6) SCH (2/6) SCH (3/6) SCH (4/6) SCH (5/6) SCH (6/6)
○ 4 MEMORY	11 (MEMORY)	700 - 799	DDR2 MEMORY
○ 5 LPC	12 (LPC)	800 - 899	LPC
○ 6 IF	13 (IF-1) 14 (IF-2) 15 (IF-3) 16 (IF-4)	1000 - 1099 1100 - 1199 1200 - 1299 1300 - 1399	LCD BACKLIGHT CTRL & LCD IF IDE (HDD) CNX-422 & SWX-298 IF IFX-522 IF
○ 7 POWER	17 (POWER-1) 18 (POWER-2) 19 (POWER-3) 20 (POWER-4) 21 (POWER-5) 22 (POWER-6) 23 (POWER-7) 24 (POWER-8) 25 (POWER-9)	1500 - 1599 1600 - 1699 1700 - 1799 1800 - 1899 1900 - 1999 2000 - 2099 2100 - 2199 2200 - 2299 2300 - 2399	+VCPUCORE +1.8VSUS/+2.5VVRUN/+1.05VVRUN/+1.5VVRUN +3VALW/+5VALW LOAD SW TIMING SEQUENCER UL2 CIRCUIT BATTERY CHARGER +VDC_IN UL CIRCUIT
○ 8 DEBUG	26 (DEBUG)	2900 - 2999	DEBUG/POWER-CHECK/XDP CN
○ 9 VARIANCE	27 (VARIANCE)	-	VARIANCE

SONY CORPORATION VAIO BUSINESS DIVISION	DRAWING: MBX-187 INDEX		
	LAST_MODIFIED=Sat May 9 17:03:02 2009		
THIS DOCUMENT CONTAINS INFORMATION PROPRIETARY TO SONY CORPORATION (SONY). USE OR DISCLOSURE WITHOUT THE WRITTEN PERMISSION OF AN OFFICER OF SONY IS EXPRESSLY FORBIDDEN. COPYRIGHT (C) SONY CORPORATION 2009	SIZE	DESIGNER	PART NO.
	C	-	187843613
	QTY	REV.	
	1	1.300	
			SHEET 1 OF 27

SONY CONFIDENTIAL

REVISIONS				
ZONE	LTR	DESCRIPTION	DATE	APPR.



26C6 5C3 2C1	H_PNRGDCPU	TP5	0.3
5E3 2E5	H_ADS#	TP6	0.3
5C6 2C8	H_INTR	TP7	0.3
5C6 2C8	H_NMI	TP8	0.3
5C6 2C8	H_SMT#	TP9	0.3
5C6 2C8	H_STPCLK#	TP10	0.3
5C6 2C8	H_INTR	TP11	0.3
5C6 2C8	H_CPURST#	TP12	0.3
5C3 2C1	H_DPSLP#	TP13	0.3
17E8 5C3 2C1	H_DPWR#	TP14	0.3
5D3 2C1	H_CPURST#	TP15	0.3
26C6 5D3 2D5	H_CPURST#	TP16	0.3
5C3 2C1	H_CPUSLP#	TP17	0.3

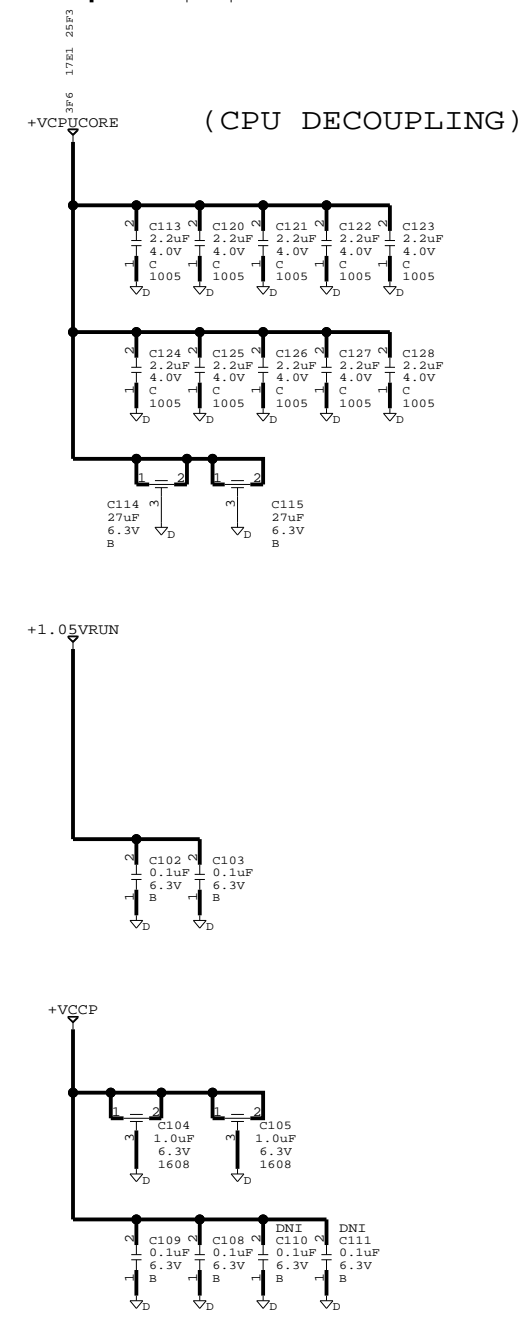
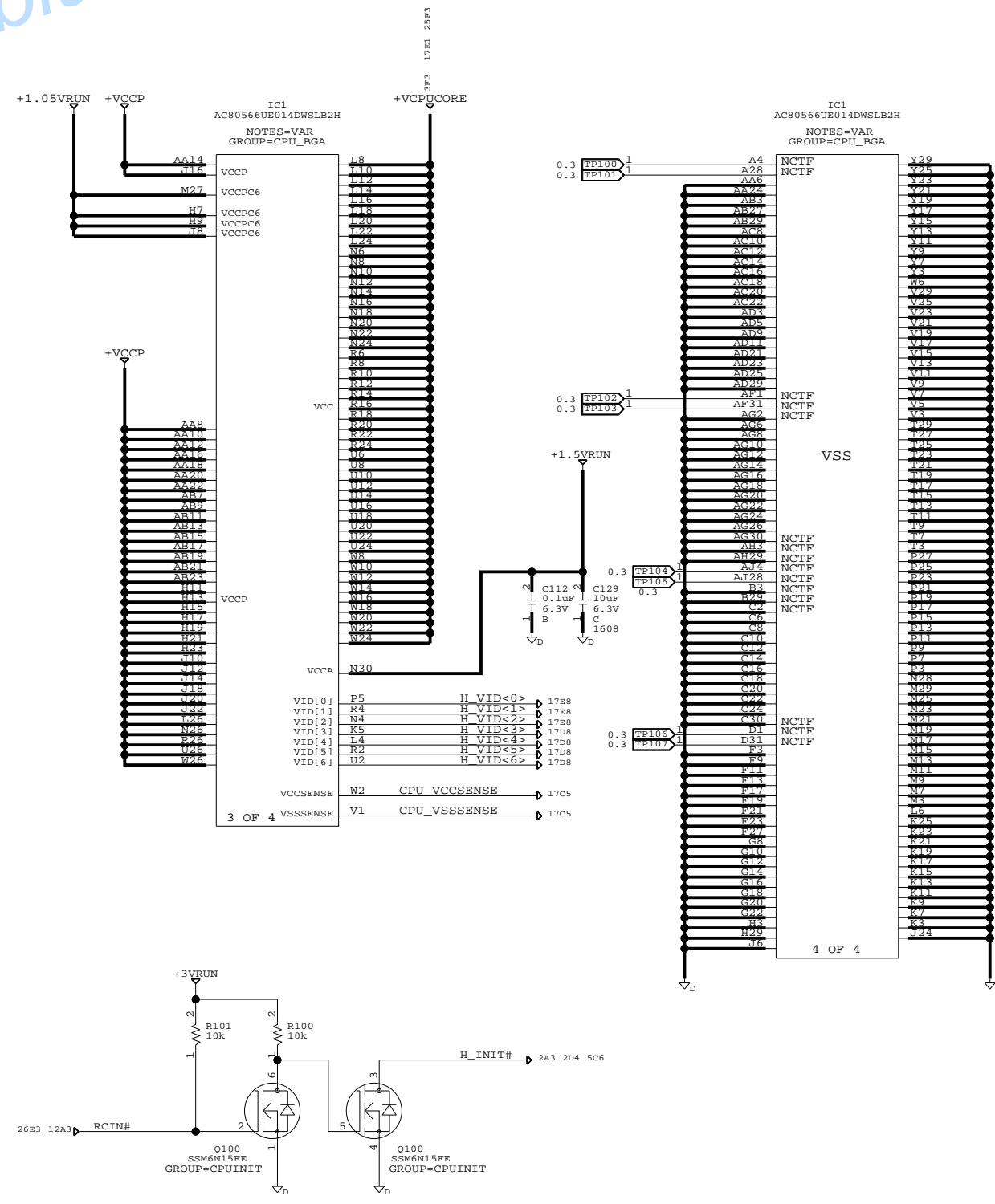
(REF: 1- 99)

SONY CORPORATION VAIO BUSINESS DIVISION		DRAWING: MBX-187 CPU (1/2)	
LAST_MODIFIED=Sat May 9 17:09:41 2009			
QTY	1	REV.	-
DESIGNER	-	PART NO.	-
SIZE	C	DESIGNER	-
THIS DOCUMENT CONTAINS INFORMATION PROPRIETARY TO SONY CORPORATION (SONY). USE OR DISCLOSURE WITHOUT THE WRITTEN PERMISSION OF AN OFFICER OF SONY IS EXPRESSLY FORBIDDEN. COPYRIGHT (C) SONY CORPORATION 2009			(CPU-1) SHEET 2 OF 27

www.laptopblue.com

SONY CONFIDENTIAL

REVISIONS				
ZONE	LTR	DESCRIPTION	DATE	APPR.



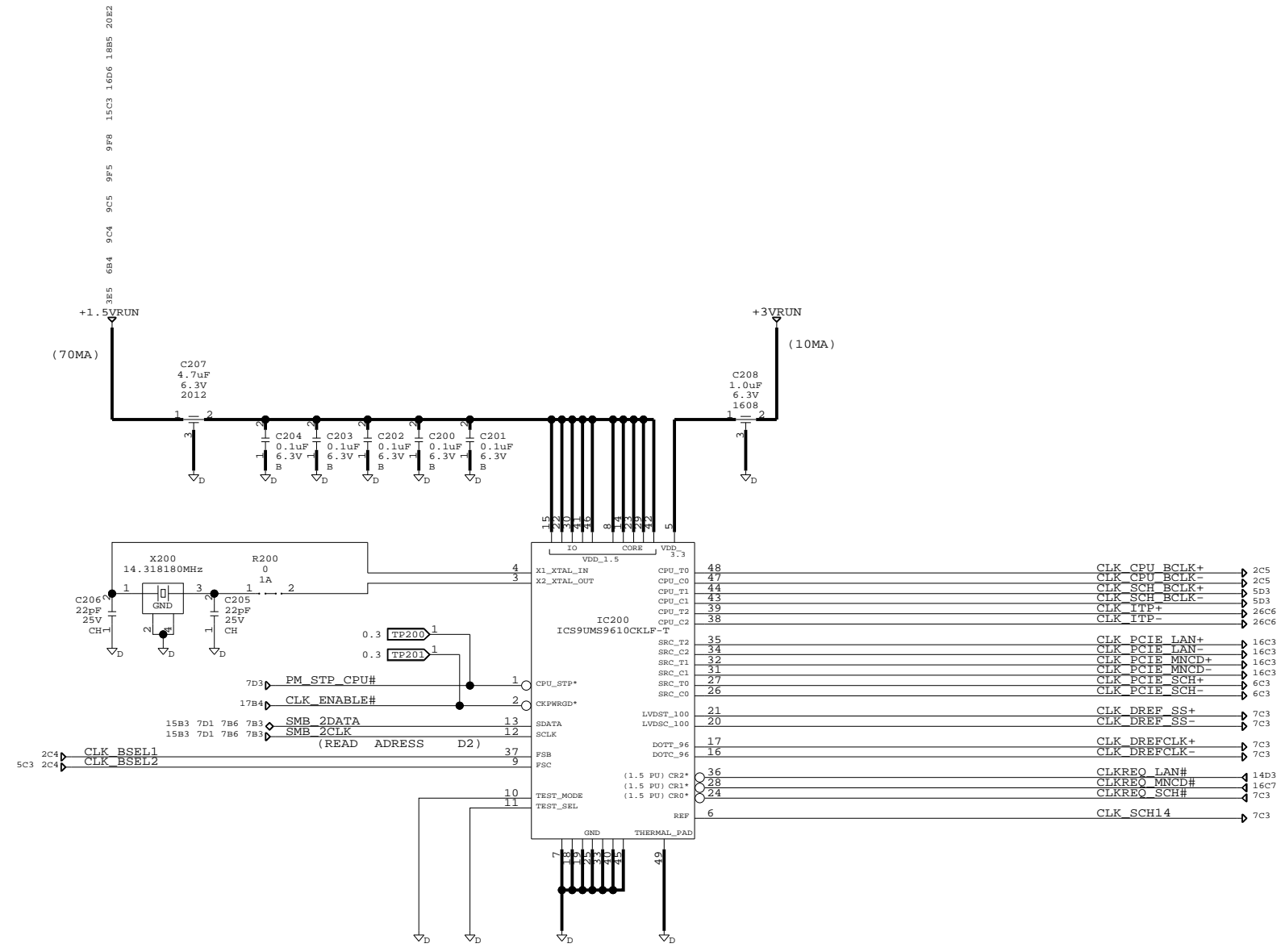
(REF: 100- 199)

SONY CORPORATION VAIO BUSINESS DIVISION		DRAWING: MBX-187 CPU (2/2)	
LAST_MODIFIED=Sat May 9 17:09:41 2009			
QTY	1	REV.	PART NO.
DESIGNER	C		
THIS DOCUMENT CONTAINS INFORMATION PROPRIETARY TO SONY CORPORATION (SONY). USE OR DISCLOSURE WITHOUT THE WRITTEN PERMISSION OF AN OFFICER OF SONY IS EXPRESSLY FORBIDDEN. COPYRIGHT (C) SONY CORPORATION 2009			(CPU-2) SHEET 3 OF 27

www.laptopblue.com

SONY CONFIDENTIAL

REVISIONS				
ZONE	LTR	DESCRIPTION	DATE	APPR.



BSEL2	BSEL1	CPUCLK
0	0	133M
1	0	100M
0	1	166M

PORT	SIGNAME	DEVICE
CPUCLK0	CPU_BCLK+/-	CPU
CPUCLK1	SCH_BCLK+/-	SCH
CPUCLK2	ITP+/-	ITP
DOT_96MHZ	DREFCLK+/-	SCH
LCDCCLK	DREF_SS+/-	SCH
SRCCLK0	CLK_PCIE_SCH+/-	SCH
SRCCLK1	CLK_PCIE_MNCD+/-	MINICARD
SRCCLK2	CLK_PCIE_LAN+/-	LAN
REFOUT	SCH14	SCH

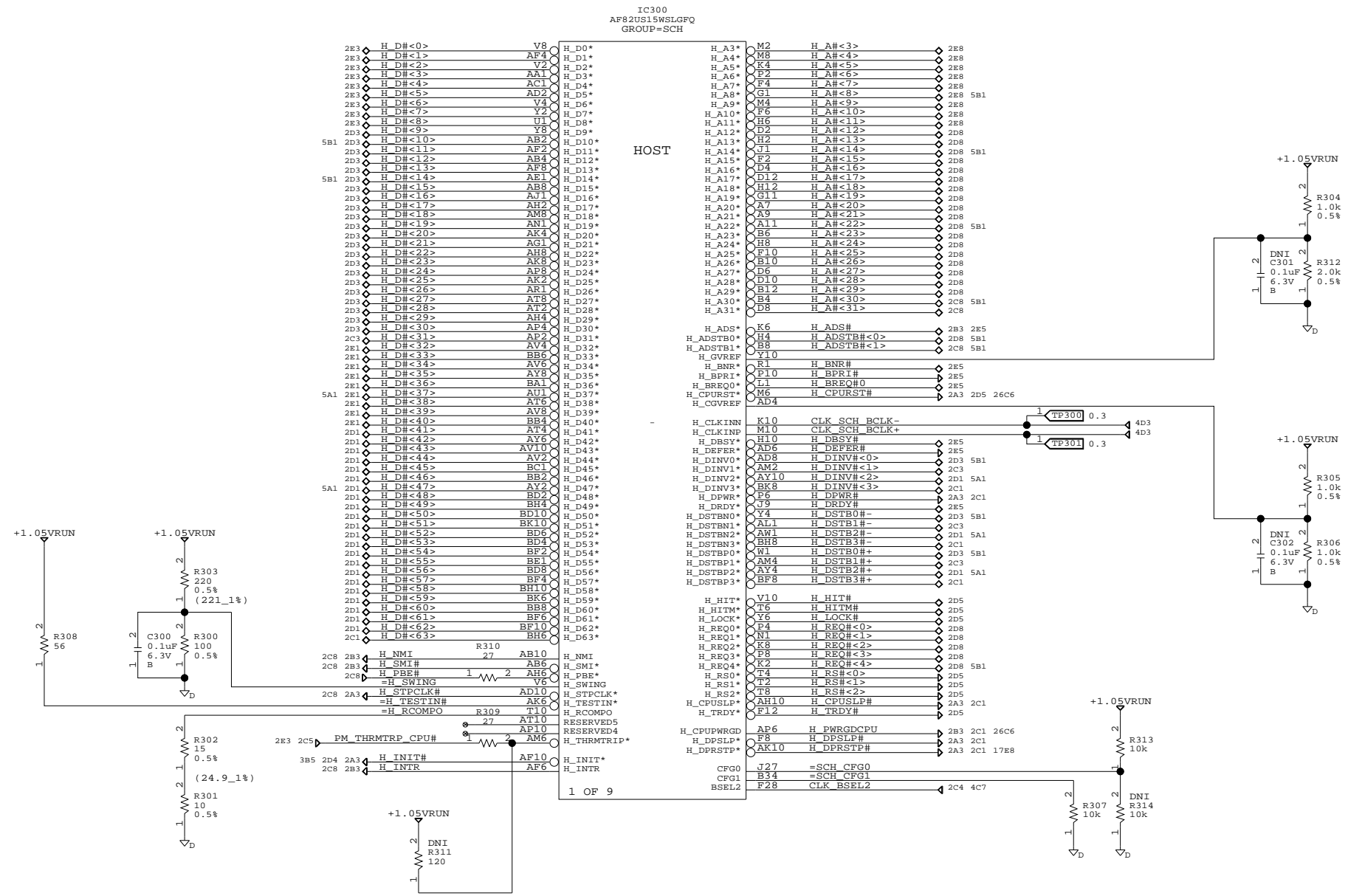
(REF: 200- 299)

SONY CORPORATION VAIO BUSINESS DIVISION		DRAWING: MBX-187 CLOCK GENERATOR	
LAST_MODIFIED=Sat May 9 17:09:42 2009			
SIZE	QTY 1	REV.	PART NO.
C	-	-	-
THIS DOCUMENT CONTAINS INFORMATION PROPRIETARY TO SONY CORPORATION (SONY). USE OR DISCLOSURE WITHOUT THE WRITTEN PERMISSION OF AN OFFICER OF SONY IS EXPRESSLY FORBIDDEN. COPYRIGHT (C) SONY CORPORATION 2009			(CLKGEN-1) SHEET 4 OF 27

www.laptopblue.com

SONY CONFIDENTIAL

REVISIONS				
ZONE	LTR	DESCRIPTION	DATE	APPR.



5E3	2D8	H_ADSTBH<0>	1	TP304	0.3
5F3	2E8	H_A#<8>	1	TP303	0.3
5E3	2D8	H_A#<14>	1	TP307	0.3
5C3	2D8	H_REQ#<4>	1	TP305	0.3
5E3	2C8	H_ADSTBH<1>	1	TP306	0.3
5E3	2D8	H_A#<22>	1	TP307	0.3
5E3	2C8	H_A#<30>	1	TP308	0.3
5D3	2D3	H_DSTB0#-	1	TP309	0.3
5D3	2D3	H_DSTB0#+	1	TP310	0.3
5D3	2D3	H_DINV#<0>	1	TP311	0.3
5E6	2D3	H_DH<10>	1	TP312	0.3
5E6	2D3	H_DH<14>	1	TP313	0.3
5D3	2D1	H_DSTB2#-	1	TP314	0.3
5D3	2D1	H_DSTB2#+	1	TP315	0.3
5D3	2D1	H_DINV#<2>	1	TP316	0.3
5D6	2E1	H_DH<37>	1	TP317	0.3
5D6	2D1	H_DH<47>	1	TP318	0.3

(REF: 300-)

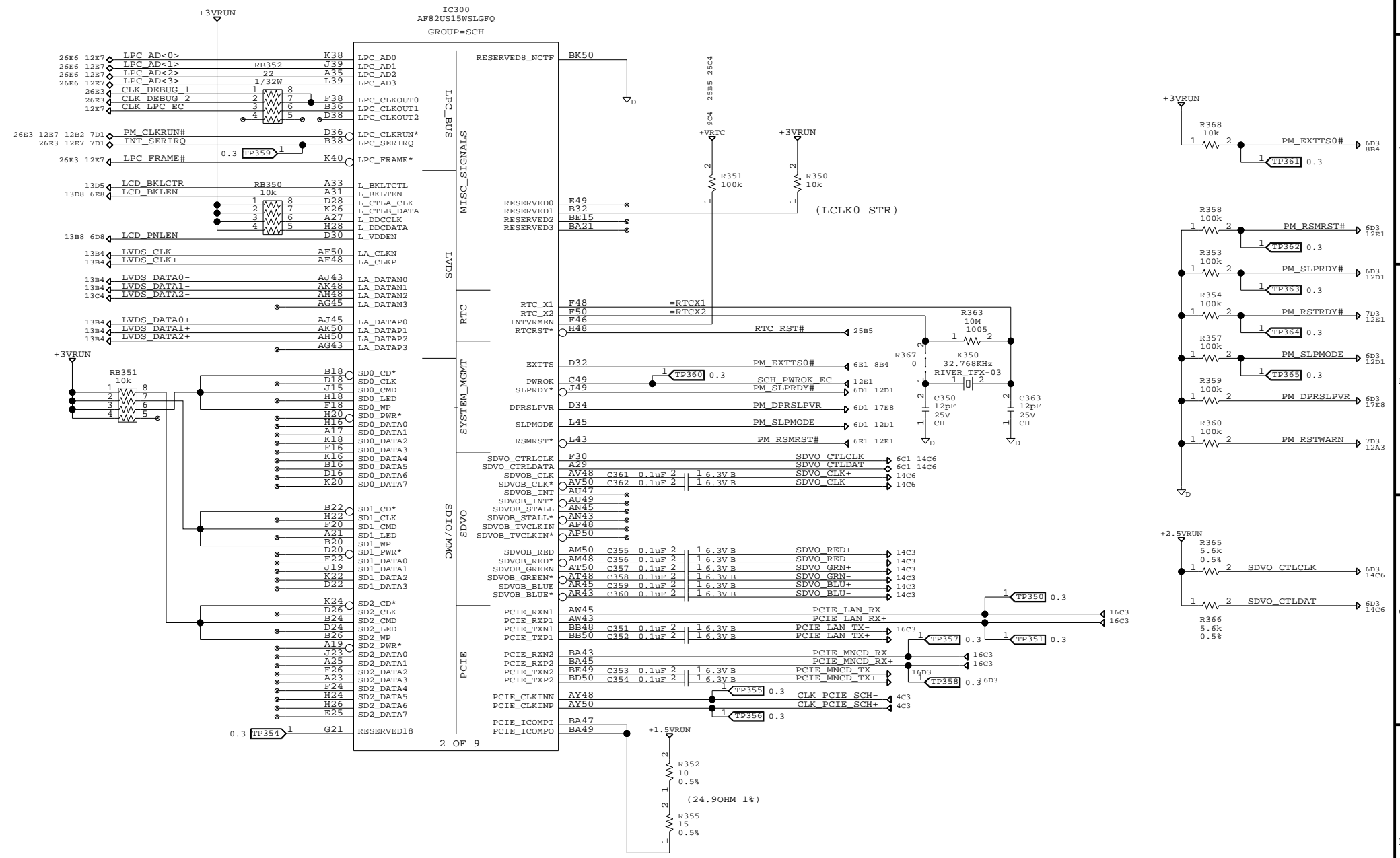
SONY CORPORATION VAIO BUSINESS DIVISION		DRAWING: MBX-187 SCH (1/6)	
LAST_MODIFIED=Sat May 9 17:09:42 2009			
QTY	1	REV.	PART NO.
SIZE	C	DESIGNER	(SCH-1) SHEET 5 OF 27

THIS DOCUMENT CONTAINS INFORMATION PROPRIETARY TO SONY CORPORATION (SONY). USE OR DISCLOSURE WITHOUT THE WRITTEN PERMISSION OF AN OFFICER OF SONY IS EXPRESSLY FORBIDDEN.
COPYRIGHT (C) SONY CORPORATION 2009

www.laptopblue.com

SONY CONFIDENTIAL

REVISIONS				
ZONE	LTR	DESCRIPTION	DATE	APPR.



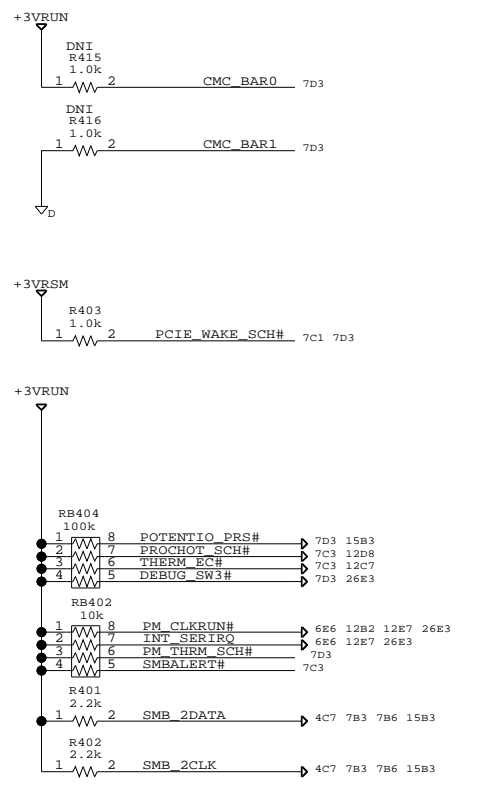
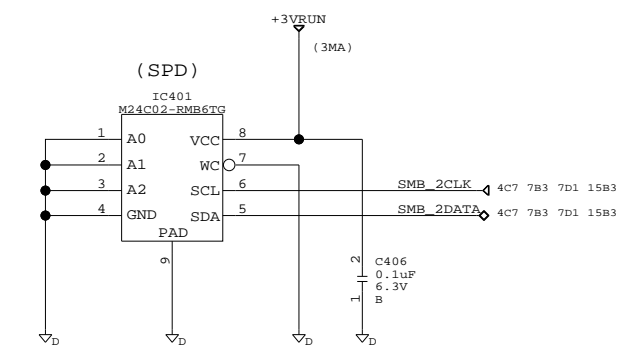
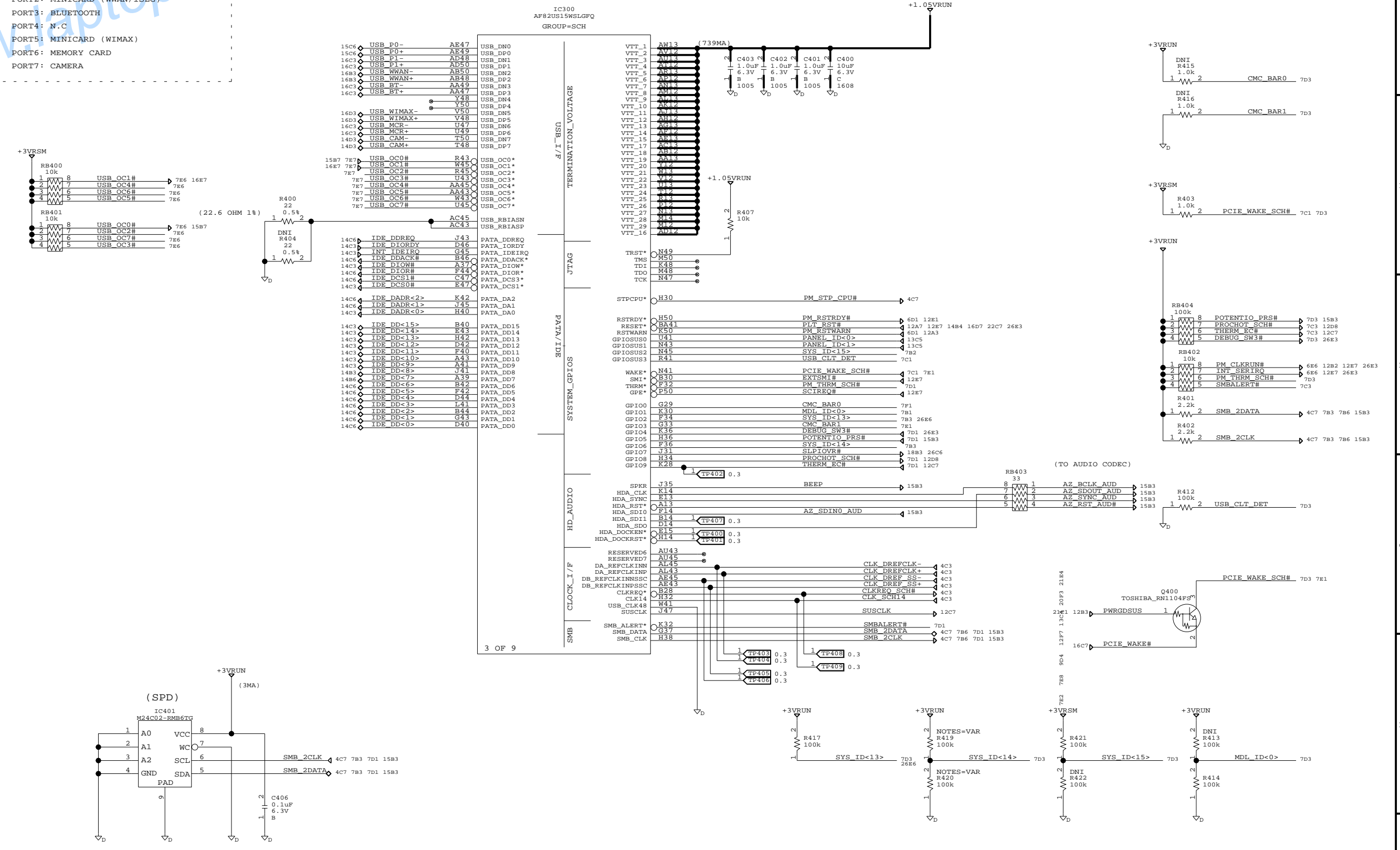
(REF: - 399)

SONY CORPORATION VAIO BUSINESS DIVISION		DRAWING: MBX-187 SCH (2/6)	
LAST_MODIFIED=Sat May 9 17:09:42 2009			
QTY	1	REV.	-
SIZE	C	DESIGNER	-
THIS DOCUMENT CONTAINS INFORMATION PROPRIETARY TO SONY CORPORATION (SONY). USE OR DISCLOSURE WITHOUT THE WRITTEN PERMISSION OF AN OFFICER OF SONY IS EXPRESSLY FORBIDDEN. COPYRIGHT (C) SONY CORPORATION 2009			(SCH-2) SHEET 6 OF 27

SONY CONFIDENTIAL

REVISIONS				
ZONE	LTR	DESCRIPTION	DATE	APPR.

USB PORT ASSIGNMENT
 PORT0: MAIN UNIT CN (L)
 PORT1: MAIN UNIT CN (R)
 PORT2: MINICARD (WWAN/1SEG)
 PORT3: BLUETOOTH
 PORT4: N.C
 PORT5: MINICARD (WIMAX)
 PORT6: MEMORY CARD
 PORT7: CAMERA



SONY CORPORATION VAIO BUSINESS DIVISION		DRAWING: MBX-187 SCH (3/6)	
(REF: 400-)			
THIS DOCUMENT CONTAINS INFORMATION PROPRIETARY TO SONY CORPORATION (SONY). USE OR DISCLOSURE WITHOUT THE WRITTEN PERMISSION OF AN OFFICER OF SONY IS EXPRESSLY FORBIDDEN. COPYRIGHT (C) SONY CORPORATION 2009			
SIZE C	DESIGNER	QTY 1	REV. PART NO.
		LAST_MODIFIED=Sat May 9 17:09:42 2009	
		SHEET 7 OF 27 (SCH-3)	

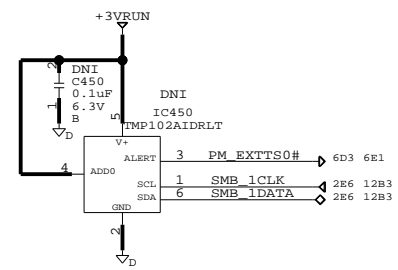
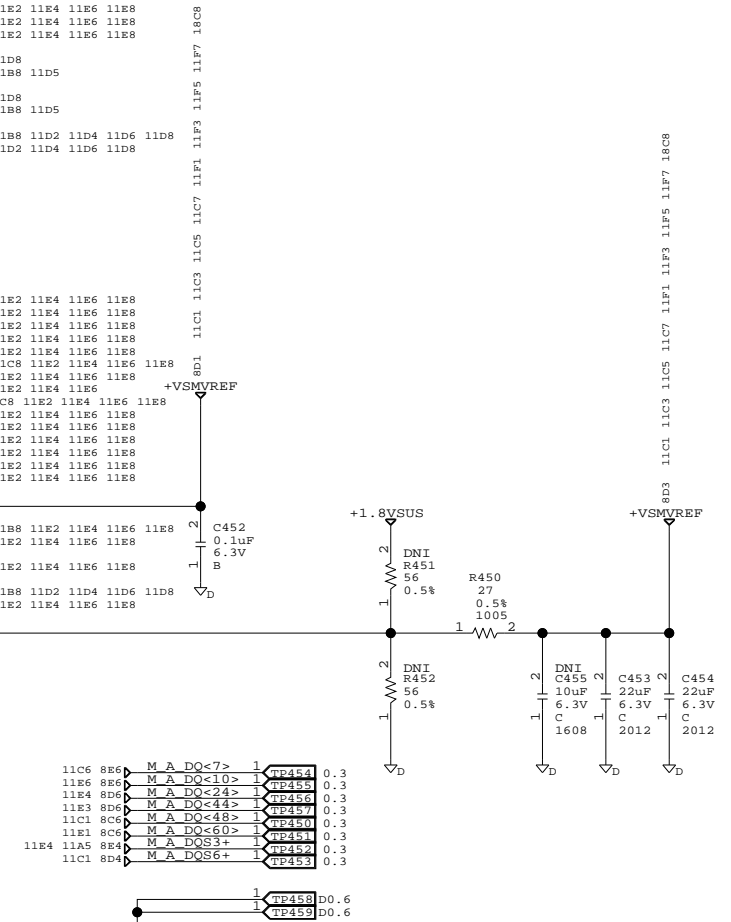
www.laptopblue.com

SONY CONFIDENTIAL

REVISIONS				
ZONE	LTR	DESCRIPTION	DATE	APPR.

IC300
AF82US15WSLGFQ
GROUP=SCH

11C6	M A DO<0>	BG49	SM_DQ0	SM_BS0	BC27	M A BS<0>	11B2 11B4 11B6 11B8 11E2 11E4 11E6 11E8
11C6	M A DO<1>	BG47	SM_DQ1	SM_BS1	BE25	M A BS<1>	11B2 11B4 11B6 11B8 11E2 11E4 11E6 11E8
11C6	M A DO<2>	BE45	SM_DQ2	SM_BS2	BA35	M A BS<2>	11B2 11B4 11B6 11B8 11E2 11E4 11E6 11E8
11C6	M A DO<3>	BC43	SM_DQ3				
11C6	M A DO<4>	BE47	SM_DQ4	SM_CK0	BG45	M CLK0+	11D2 11D4 11D6 11D7 11D8
11C6	M A DO<5>	BC47	SM_DQ5	SM_CK1	BE11	M CLK1+	11A6 11B2 11B4 11B6 11B8 11D5
11C6	M A DO<6>	BC45	SM_DQ6				
11C6	M A DO<7>	BK44	SM_DQ7	SM_CK0*	BG45	M CLK0-	11D2 11D4 11D6 11D7 11D8
11E6	M A DO<8>	BK42	SM_DQ8	SM_CK1*	BG11	M CLK1-	11A6 11B2 11B4 11B6 11B8 11D5
11E6	M A DO<9>	BK41	SM_DQ9				
11E6	M A DO<10>	BK40	SM_DQ10	SM_CKE0	BE39	M CKE0	11A6 11B2 11B4 11B6 11B8 11D2 11D4 11D6 11D8
11E6	M A DO<11>	BC41	SM_DQ11	SM_CKE1	BE37	M CKE1	11B2 11B4 11B6 11B8 11D2 11D4 11D6 11D8
11E6	M A DO<12>	BG43	SM_DQ12				
11E6	M A DO<13>	BK43	SM_DQ13				
11E6	M A DO<14>	BJ39	SM_DQ14	SM_DQS0	BJ47	M A DQS0+	11C6
11E6	M A DO<15>	BG39	SM_DQ15	SM_DQS1	BJ41	M A DQS1+	11A5 11E6
11C5	M A DO<16>	BC39	SM_DQ16	SM_DQS2	BC37	M A DQS2+	11C5
11C5	M A DO<17>	BK38	SM_DQ17	SM_DQS3	BK32	M A DQS3+	8C3 11A5 11E4
11C5	M A DO<18>	BG37	SM_DQ18	SM_DQS4	BG27	M A DQS4+	11C3
11C5	M A DO<19>	BK36	SM_DQ19	SM_DQS5	BE23	M A DQS5+	11A5 11E3
11C5	M A DO<20>	BJ37	SM_DQ20	SM_DQS6	BK18	M A DQS6+	8C3 11C1
11C5	M A DO<21>	BG35	SM_DQ21	SM_DQS7	BG13	M A DQS7+	11A5 11E1
11C5	M A DO<22>	BJ35	SM_DQ22				
11C5	M A DO<23>	BC35	SM_DQ23	SM_MAO	BJ27	M A A<0>	11C2 11C4 11C6 11C8 11E2 11E4 11E6 11E8
11E4	M A DO<24>	BK34	SM_DQ24	SM_MA1	BA19	M A A<1>	11C2 11C4 11C6 11C8 11E2 11E4 11E6 11E8
11E4	M A DO<25>	BG31	SM_DQ25	SM_MA2	BA27	M A A<2>	11C2 11C4 11C6 11C8 11E2 11E4 11E6 11E8
11E4	M A DO<26>	BG33	SM_DQ26	SM_MA3	BA25	M A A<3>	11C2 11C4 11C6 11C8 11E2 11E4 11E6 11E8
11E4	M A DO<27>	BK30	SM_DQ27	SM_MA4	BE29	M A A<4>	11C2 11C4 11C6 11C8 11E2 11E4 11E6 11E8
11E4	M A DO<28>	BC33	SM_DQ28	SM_MA5	BC23	M A A<5>	11A6 11C2 11C4 11C6 11C8 11E2 11E4 11E6 11E8
11E4	M A DO<29>	BJ33	SM_DQ29	SM_MA6	BE31	M A A<6>	11C2 11C4 11C6 11C8 11E2 11E4 11E6 11E8
11E4	M A DO<30>	BJ31	SM_DQ30	SM_MA7	BA31	M A A<7>	11C2 11C4 11C6 11C8 11E2 11E4 11E6 11E8
11E4	M A DO<31>	BC31	SM_DQ31	SM_MA8	BA33	M A A<8>	11E8 11C2 11C4 11C6 11C8 11E2 11E4 11E6 11E8
11C3	M A DO<32>	BJ29	SM_DQ32	SM_MA9	BA29	M A A<9>	11C2 11C4 11C6 11C8 11E2 11E4 11E6 11E8
11C3	M A DO<33>	BK29	SM_DQ33	SM_MA10	BE17	M A A<10>	11C2 11C4 11C6 11C8 11E2 11E4 11E6 11E8
11C3	M A DO<34>	BK28	SM_DQ34	SM_MA11	BE35	M A A<11>	11C2 11C4 11C6 11C8 11E2 11E4 11E6 11E8
11C3	M A DO<35>	BC29	SM_DQ35	SM_MA12	BE33	M A A<12>	11C2 11C4 11C6 11C8 11E2 11E4 11E6 11E8
11C3	M A DO<36>	BE27	SM_DQ36	SM_MA13	BE19	M A A<13>	11C2 11C4 11C6 11C8 11E2 11E4 11E6 11E8
11C3	M A DO<37>	BK26	SM_DQ37	SM_MA14	BA37	M A A<14>	11C2 11C4 11C6 11C8 11E2 11E4 11E6 11E8
11C3	M A DO<38>	BG25	SM_DQ38				
11C3	M A DO<39>	BJ25	SM_DQ39	SM_VREF	BE43		
11E3	M A DO<40>	BC25	SM_DQ40				
11E3	M A DO<41>	BG23	SM_DQ41	SM_RAS*	BE21	M A RAS#	11A6 11B2 11B4 11B6 11B8 11E2 11E4 11E6 11E8
11E3	M A DO<42>	BK22	SM_DQ42	SM_CAS*	BA13	M A CAS#	11B2 11B4 11B6 11B8 11E2 11E4 11E6 11E8
11E3	M A DO<43>	BJ21	SM_DQ43	SM_WE*	BA17	M A WE#	11B2 11B4 11B6 11B8 11E2 11E4 11E6 11E8
11E3	M A DO<44>	BK24	SM_DQ44				
11E3	M A DO<45>	BJ23	SM_DQ45	SM_CS0*	BA23	M CS#0	11A6 11B2 11B4 11B6 11B8 11D2 11D4 11D6 11D8
11E3	M A DO<46>	BG21	SM_DQ46	SM_CS1*	BA15	M CS#1	11B2 11B4 11B6 11B8 11E2 11E4 11E6 11E8
11E3	M A DO<47>	BC21	SM_DQ47				
11C1	M A DO<48>	BK20	SM_DQ48	SM_RCMP0	BE13		
11C1	M A DO<49>	BJ19	SM_DQ49	SM_RCVENIN	BA39	=A RCVENIN#	1 SL450
11C1	M A DO<50>	BG17	SM_DQ50	SM_RCVENOUT	BE41	=A RCVENOUT#	1 2
11C1	M A DO<51>	BJ17	SM_DQ51				
11C1	M A DO<52>	BG19	SM_DQ52				
11C1	M A DO<53>	BC19	SM_DQ53				
11C1	M A DO<54>	BC17	SM_DQ54				
11C1	M A DO<55>	BK16	SM_DQ55				
11E1	M A DO<56>	BG15	SM_DQ56				
11E1	M A DO<57>	BC15	SM_DQ57				
11E1	M A DO<58>	BJ13	SM_DQ58				
11E1	M A DO<59>	BK12	SM_DQ59				
11E1	M A DO<60>	BK14	SM_DQ60				
11E1	M A DO<61>	BJ15	SM_DQ61				
11E1	M A DO<62>	BC13	SM_DQ62				
11E1	M A DO<63>	BC11	SM_DQ63				



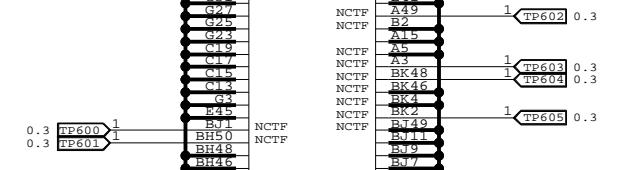
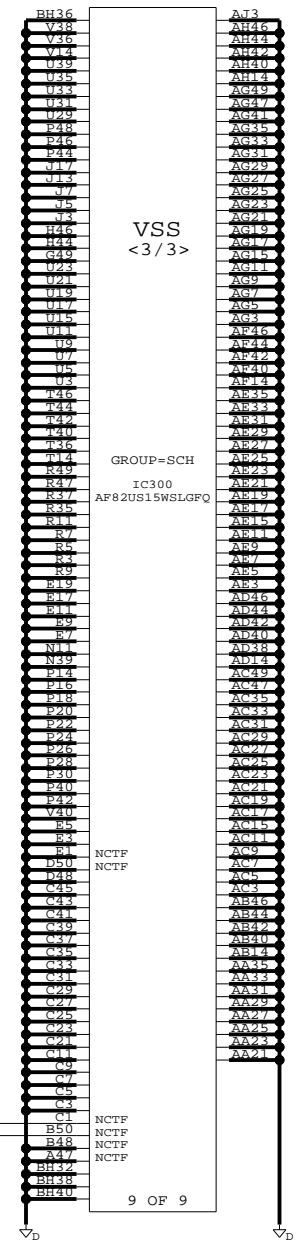
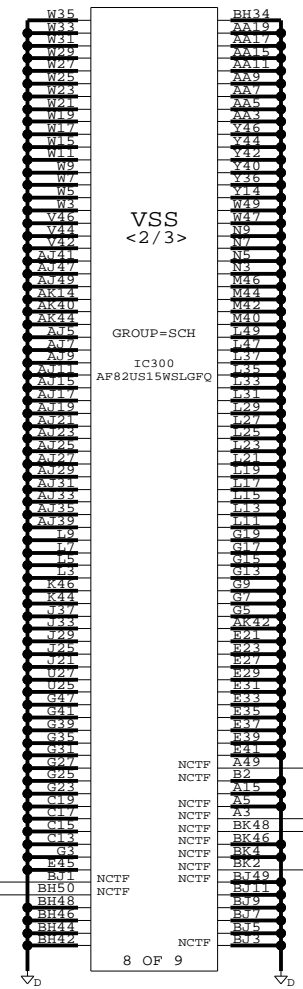
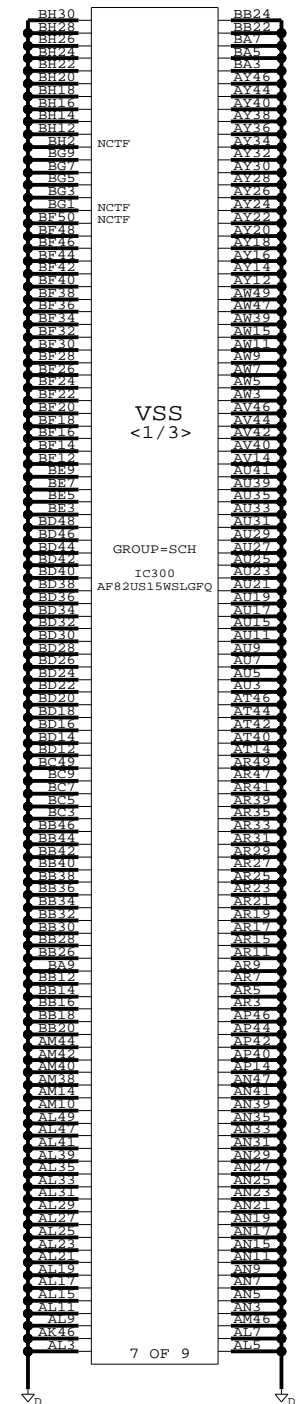
(REF: - 499)

SONY CORPORATION VAIO BUSINESS DIVISION		DRAWING: MBX-187 SCH (4/6)	
LAST_MODIFIED=Sat May 9 17:09:42 2009			
QTY	1	REV.	-
DESIGNER	-	PART NO.	-
SIZE	C	DESIGNER	-
THIS DOCUMENT CONTAINS INFORMATION PROPRIETARY TO SONY CORPORATION (SONY). USE OR DISCLOSURE WITHOUT THE WRITTEN PERMISSION OF AN OFFICER OF SONY IS EXPRESSLY FORBIDDEN. COPYRIGHT (C) SONY CORPORATION 2009			(SCH-4) SHEET 8 OF 27

www.laptopblue.com

SONY CONFIDENTIAL

REVISIONS				
ZONE	LTR	DESCRIPTION	DATE	APPR.

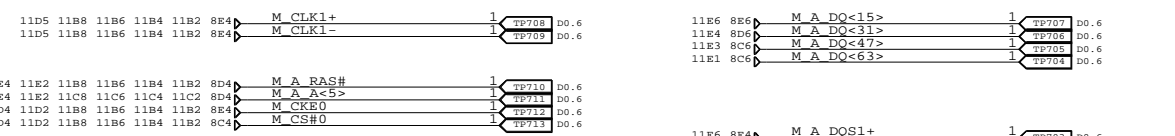
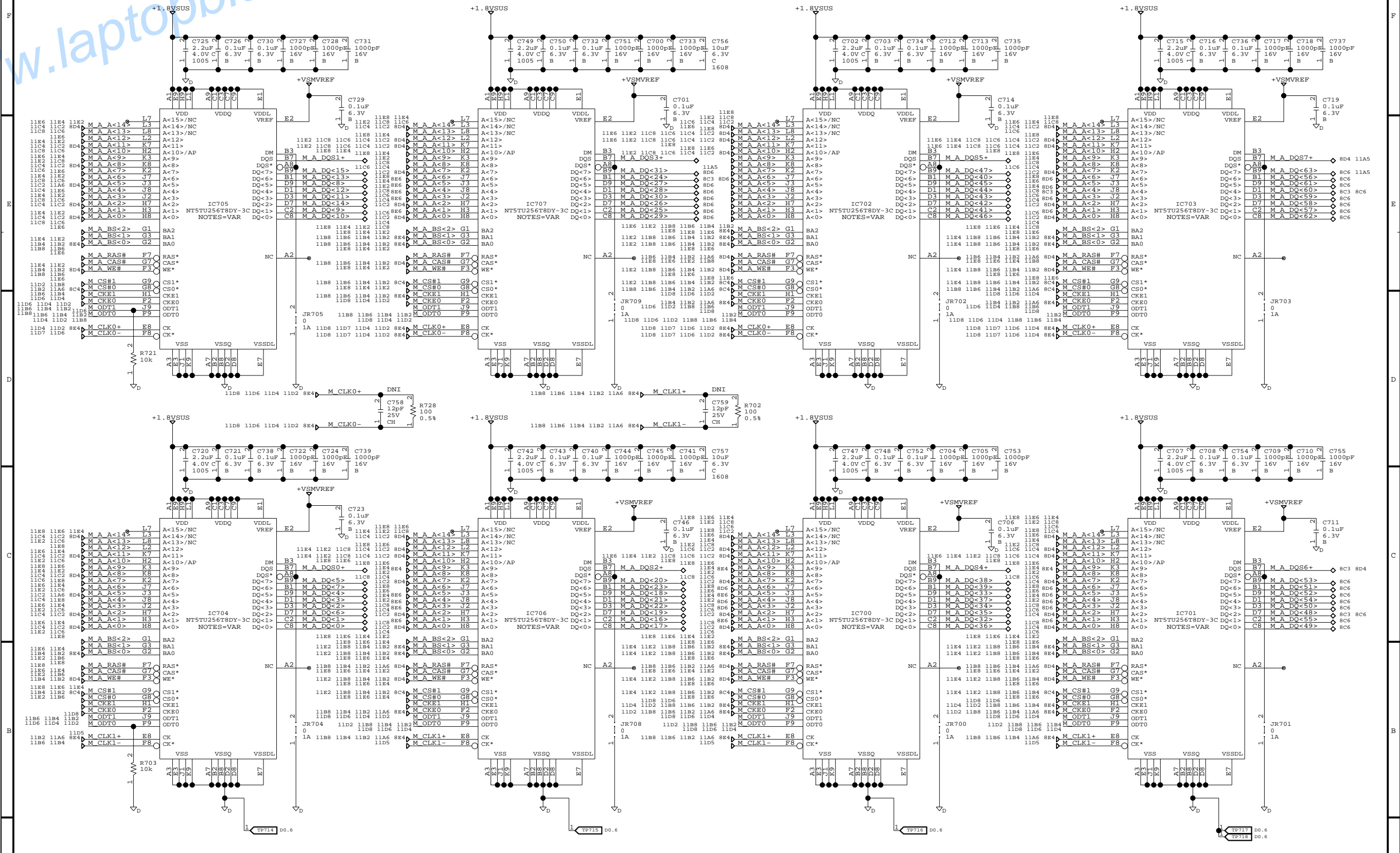


(REF: 600- 699)

SONY CORPORATION VAIO BUSINESS DIVISION		DRAWING: MBX-187 SCH (6/6)	
THIS DOCUMENT CONTAINS INFORMATION PROPRIETARY TO SONY CORPORATION (SONY). USE OR DISCLOSURE WITHOUT THE WRITTEN PERMISSION OF AN OFFICER OF SONY IS EXPRESSLY FORBIDDEN. COPYRIGHT (C) SONY CORPORATION 2009		LAST_MODIFIED=Sat May 9 17:09:43 2009	PART NO.
SIZE C	DESIGNER	QTY 1	REV.
		SHEET 10 OF 27 (SCH-6)	

SONY CONFIDENTIAL

REVISIONS				
ZONE	LTR	DESCRIPTION	DATE	APPR.



SONY CORPORATION
VAIO BUSINESS DIVISION

DRAWING: MBX-187
DDR2 MEMORY

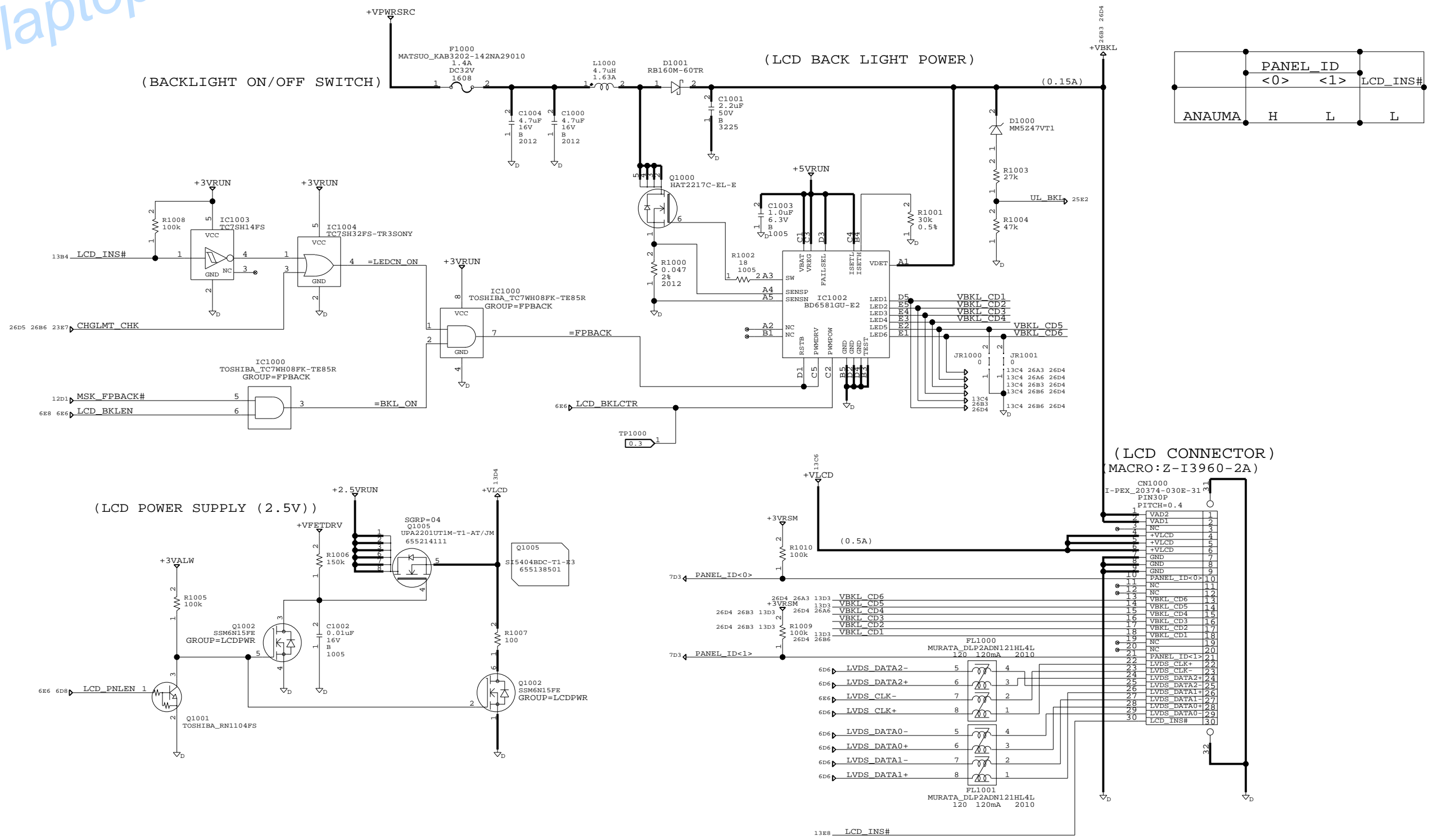
THIS DOCUMENT CONTAINS INFORMATION PROPRIETARY TO SONY CORPORATION (SONY). USE OR DISCLOSURE WITHOUT THE WRITTEN PERMISSION OF AN OFFICER OF SONY IS EXPRESSLY FORBIDDEN.
COPYRIGHT (C) SONY CORPORATION 2009

LAST_MODIFIED=Sat May 9 17:09:43 2009	REV.	PART NO.
QTY 1		
DESIGNER		

(REF: 700- 799)

SONY CONFIDENTIAL

REVISIONS				
ZONE	LTR	DESCRIPTION	DATE	APPR.



PANEL_ID	<0>	<1>	LCD_INS#
ANAUMA	H	L	L

(LCD CONNECTOR)
(MACRO: Z-I3960-2A)

1	VAD2	1
2	VAD1	2
3	NC	3
4	+VLCD	4
5	+VLCD	5
6	+VLCD	6
7	GND	7
8	GND	8
9	GND	9
10	PANEL_ID<0>	10
11	NC	11
12	NC	12
13	VBKL_CD6	13
14	VBKL_CD5	14
15	VBKL_CD4	15
16	VBKL_CD3	16
17	VBKL_CD2	17
18	VBKL_CD1	18
19	NC	19
20	NC	20
21	PANEL_ID<1>	21
22	LVDS_CLK+	22
23	LVDS_CLK-	23
24	LVDS_DATA2+	24
25	LVDS_DATA2-	25
26	LVDS_DATA1+	26
27	LVDS_DATA1-	27
28	LVDS_DATA0+	28
29	LVDS_DATA0-	29
30	LCD_INS#	30

(REF: 1000- 1099)

SONY CORPORATION
VAIO BUSINESS DIVISION

DRAWING: MBX-187
LCD BACKLIGHT CTRL & LCD IF
LAST_MODIFIED=Sat May 9 17:09:44 2009

THIS DOCUMENT CONTAINS INFORMATION PROPRIETARY TO SONY CORPORATION (SONY). USE OR DISCLOSURE WITHOUT THE WRITTEN PERMISSION OF AN OFFICER OF SONY IS EXPRESSLY FORBIDDEN.
COPYRIGHT (C) SONY CORPORATION 2009

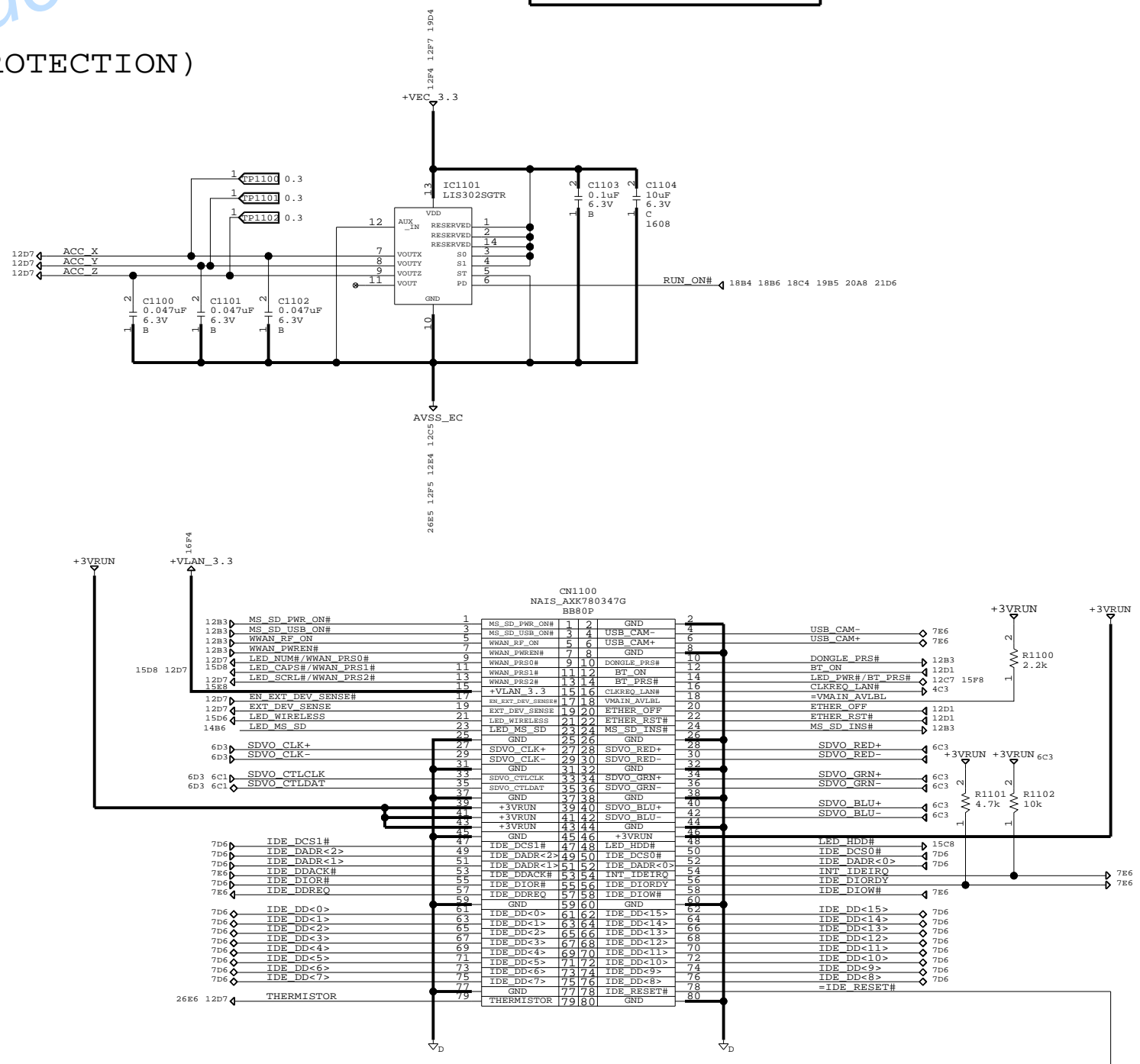
QTY	1	REV.		PART NO.	
SIZE	C	DESIGNER			(IF-1) SHEET 13 OF 27

www.laptopblue.com

SONY CONFIDENTIAL

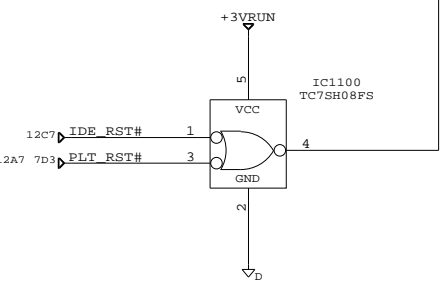
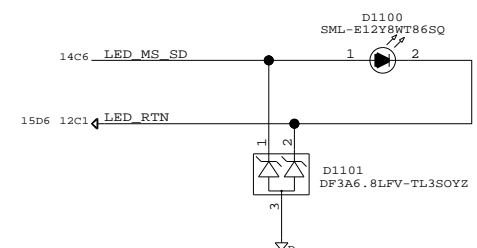
REVISIONS				
ZONE	LTR	DESCRIPTION	DATE	APPR.

(HDD PROTECTION)



<+3VRUN> HDD/SSD : 0.6A
 VGA : 0.5A

 TTL : 1.1A < 1.2A (0.3 X 4P)



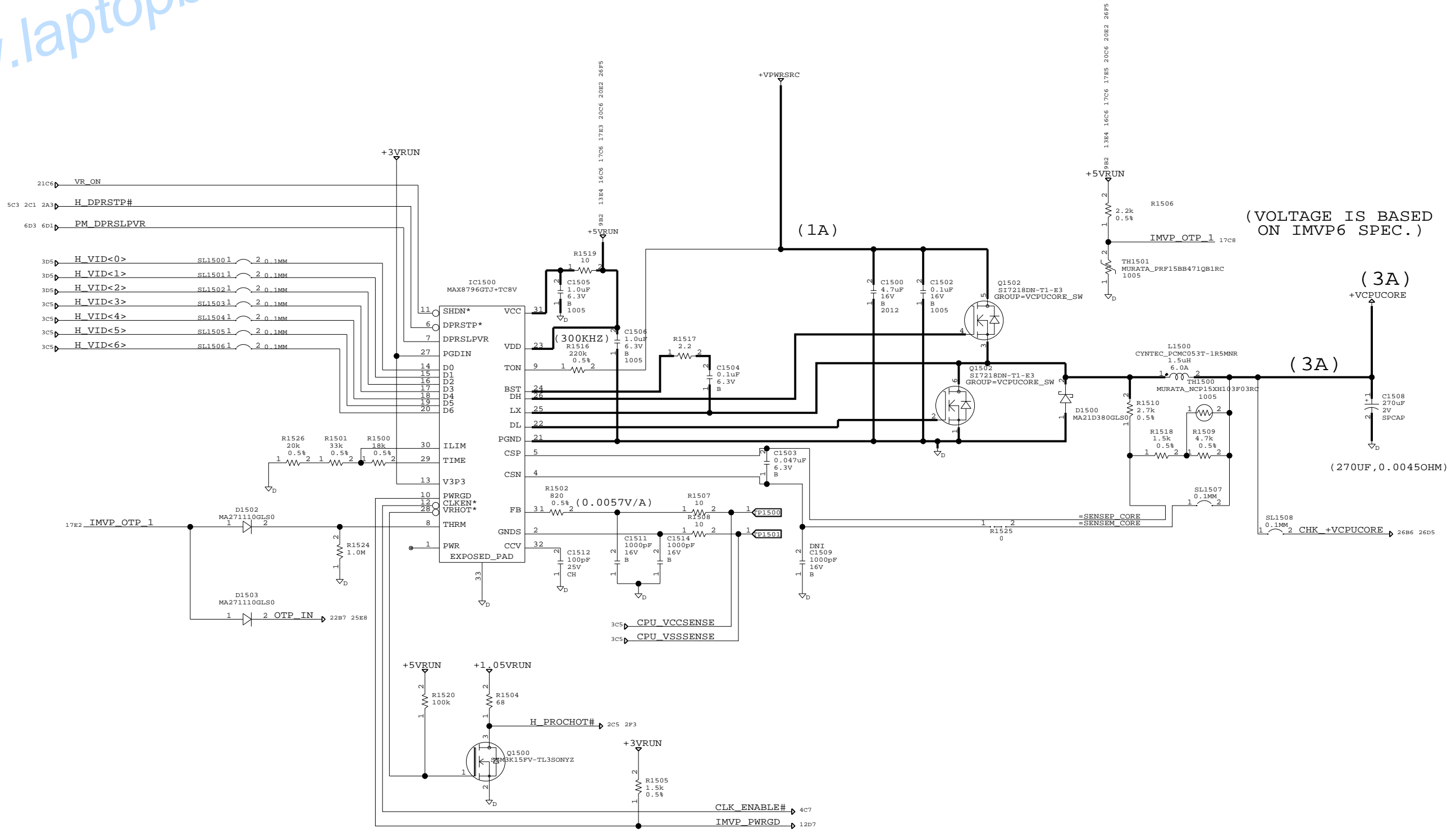
HDD : 3V 545MA
 (REF: 1100- 1199)

SONY CORPORATION VAIO BUSINESS DIVISION		DRAWING: MBX-187 IDE (HDD)	
LAST_MODIFIED=Sat May 9 17:09:44 2009			
QTY	1	REV.	-
DESIGNER	-	PART NO.	-
SIZE	C	DESIGNER	-
THIS DOCUMENT CONTAINS INFORMATION PROPRIETARY TO SONY CORPORATION (SONY). USE OR DISCLOSURE WITHOUT THE WRITTEN PERMISSION OF AN OFFICER OF SONY IS EXPRESSLY FORBIDDEN. COPYRIGHT (C) SONY CORPORATION 2009			(IF-2) SHEET 14 OF 27

www.laptopblue.com

SONY CONFIDENTIAL

REVISIONS				
ZONE	LTR	DESCRIPTION	DATE	APPR.



(VOLTAGE IS BASED ON IMVP6 SPEC.)

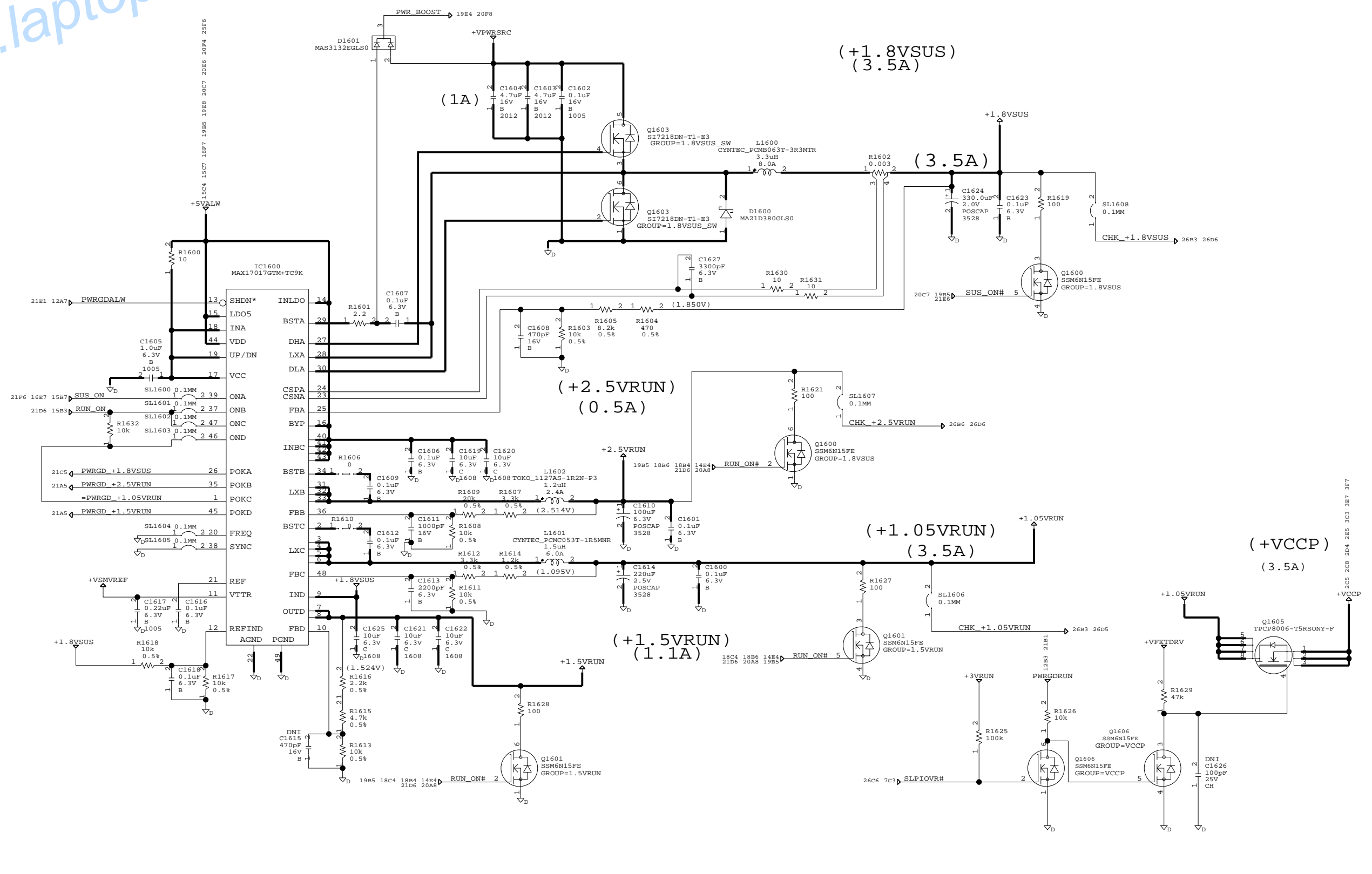
(270UF, 0.0045OHM)

(REF: 1500- 1599)

SONY CORPORATION VAIO BUSINESS DIVISION		DRAWING: MBX-187 +VCPUCORE	
LAST_MODIFIED=Sat May 9 17:09:45 2009			
QTY	1	REV.	PART NO.
SIZE	C	DESIGNER	(POWER-1) SHEET 17 OF 27

SONY CONFIDENTIAL

REVISIONS				
ZONE	LTR	DESCRIPTION	DATE	APPR.

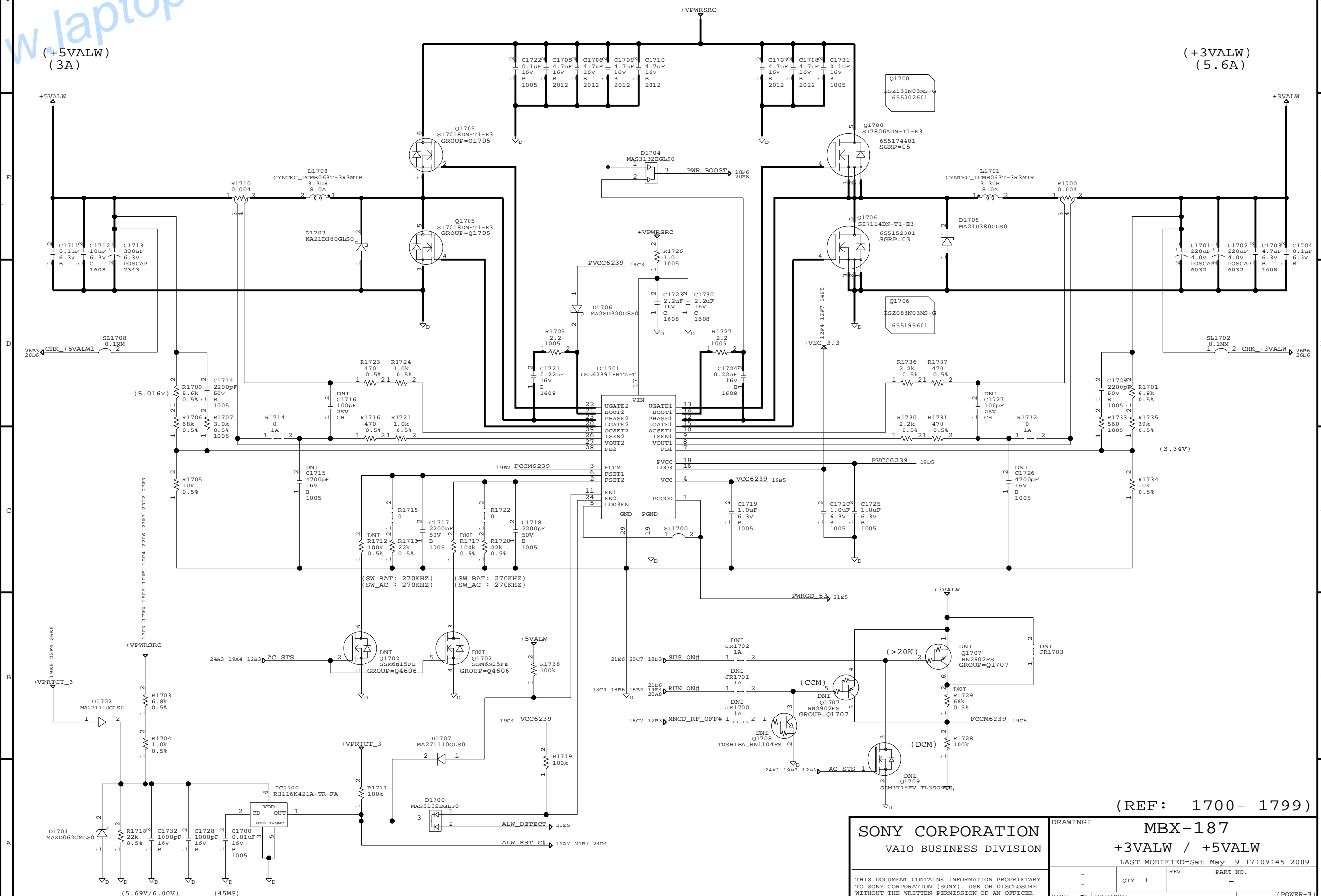


(REF: 1600- 1699)

SONY CORPORATION VAIO BUSINESS DIVISION		DRAWING: MBX-187	
		+1.8VSUS/+2.5VRUN/+1.05VRUN/+1.5VRUN	
		LAST_MODIFIED=Sat May 9 17:09:45 2009	
THIS DOCUMENT CONTAINS INFORMATION PROPRIETARY TO SONY CORPORATION (SONY). USE OR DISCLOSURE WITHOUT THE WRITTEN PERMISSION OF AN OFFICER OF SONY IS EXPRESSLY FORBIDDEN. COPYRIGHT (C) SONY CORPORATION 2009	QTY 1	REV.	PART NO.
SIZE C	DESIGNER		(POWER-2) SHEET 18 OF 27

SONY CONFIDENTIAL

REVISIONS				
ZONE	LTR	DESCRIPTION	DATE	APPR.



(REF: 1700- 1799)

SONY CORPORATION
VAIO BUSINESS DIVISION

DRAWING: **MBX-187**
+3VALW / +5VALW

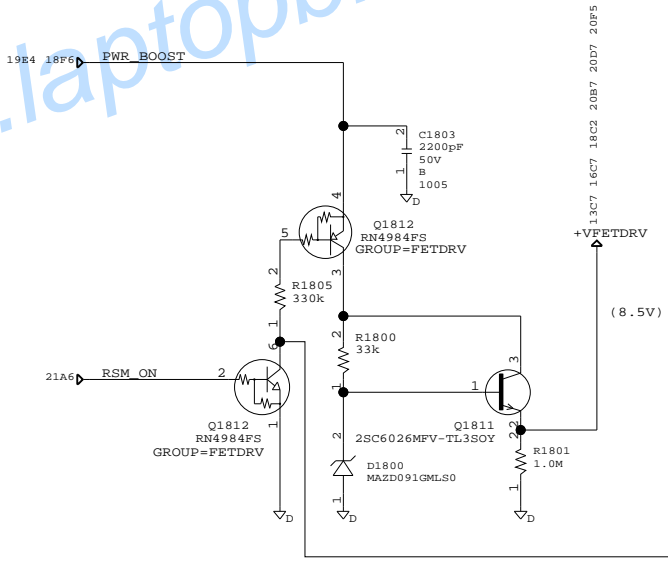
THIS DOCUMENT CONTAINS INFORMATION PROPRIETARY TO SONY CORPORATION (SONY). USE OR DISCLOSURE WITHOUT THE WRITTEN PERMISSION OF AN OFFICER OF SONY IS EXPRESSLY FORBIDDEN.
COPYRIGHT (C) SONY CORPORATION 2009

LAST_MODIFIED=Sat May 9 17:09:45 2009	REV.	PART NO.
QTY 1		
DESIGNER		(POWER-3)
		SHEET 19 OF 27

SONY CONFIDENTIAL

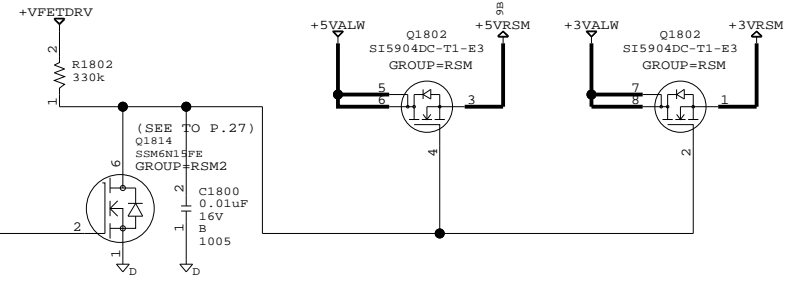
REVISIONS				
ZONE	LTR	DESCRIPTION	DATE	APPR.

(+VFETDRV)



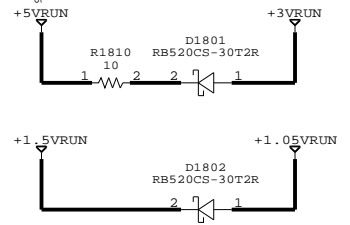
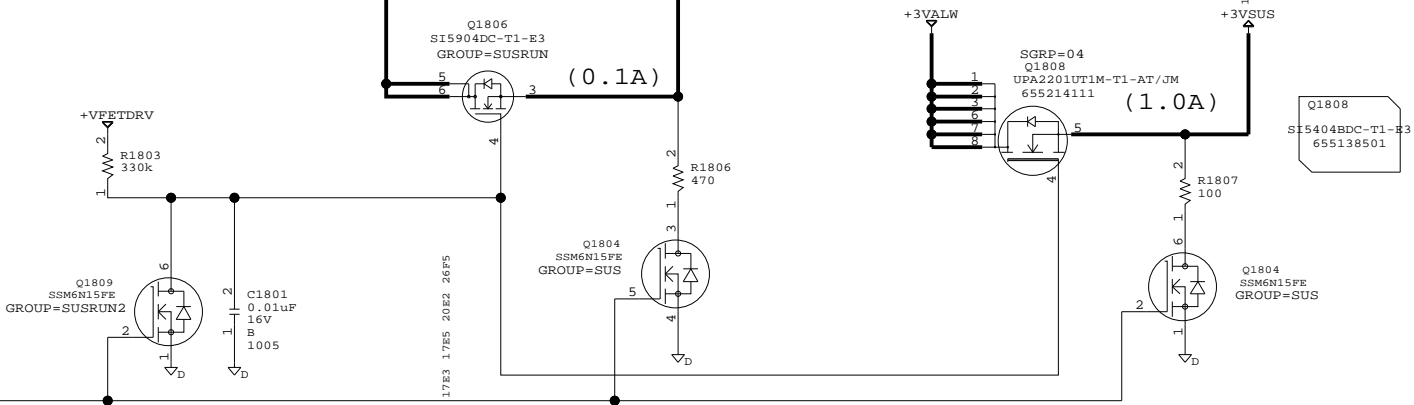
(+5VRSM) (0.1A)

(+3VRSM) (0.1A)



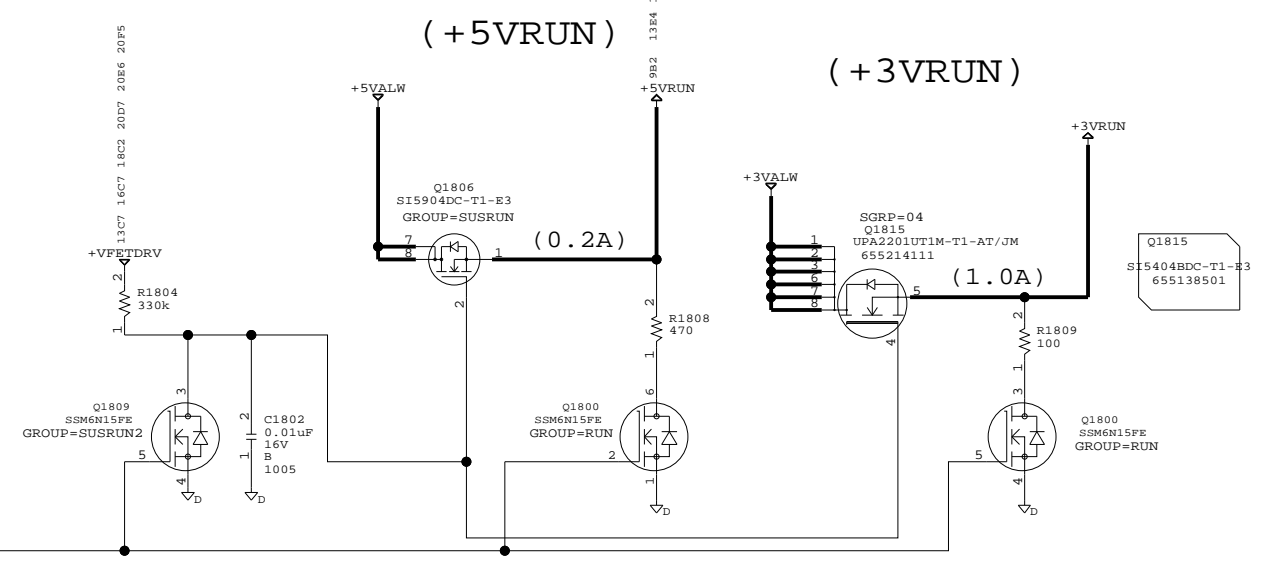
(+5VSUS) (0.1A)

(+3VSUS) (1.0A)



(+5VRUN) (0.2A)

(+3VRUN) (1.0A)

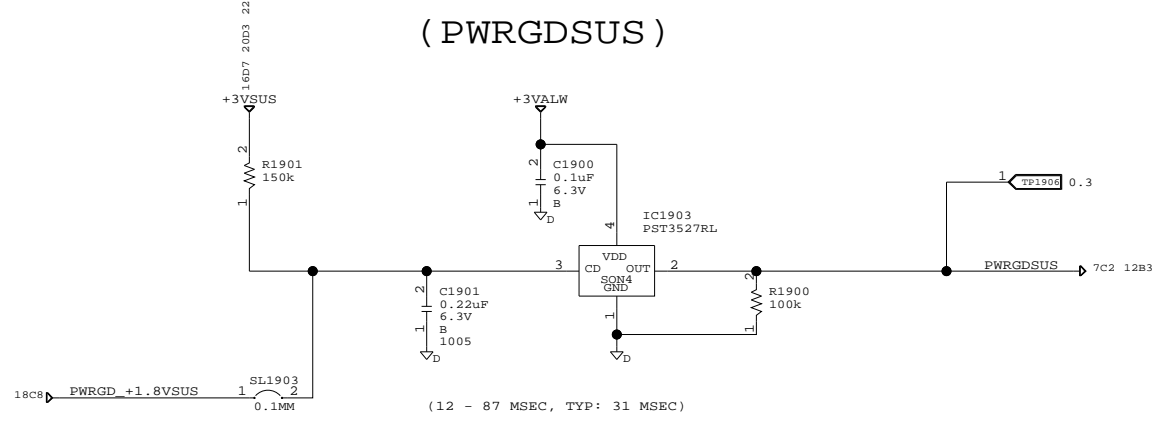
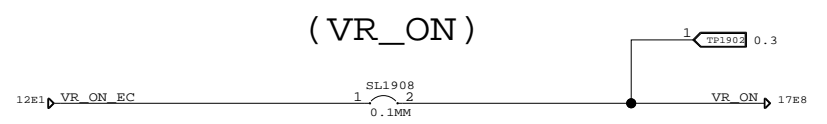
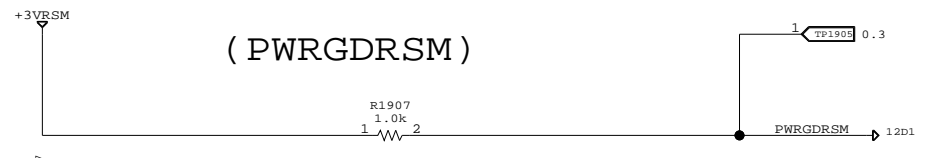
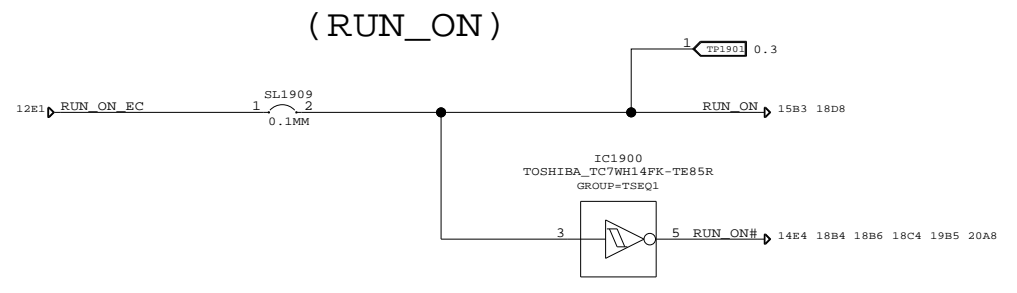
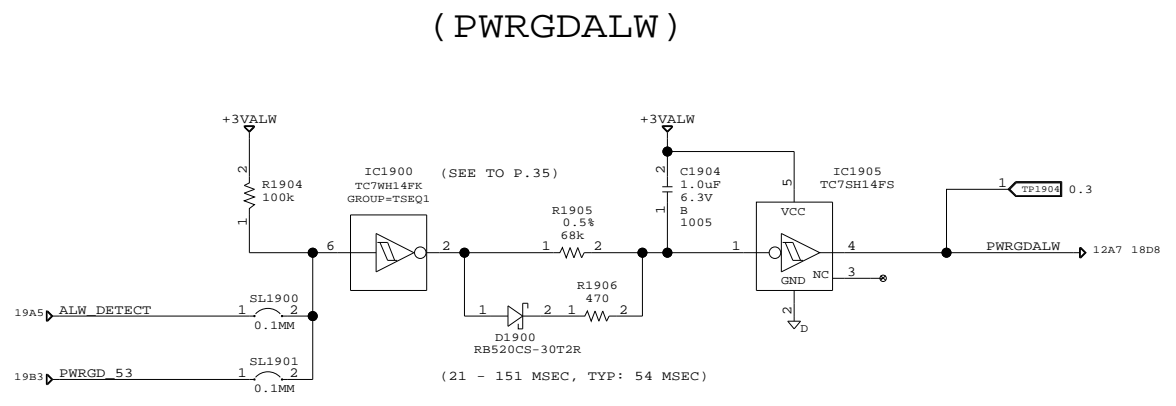
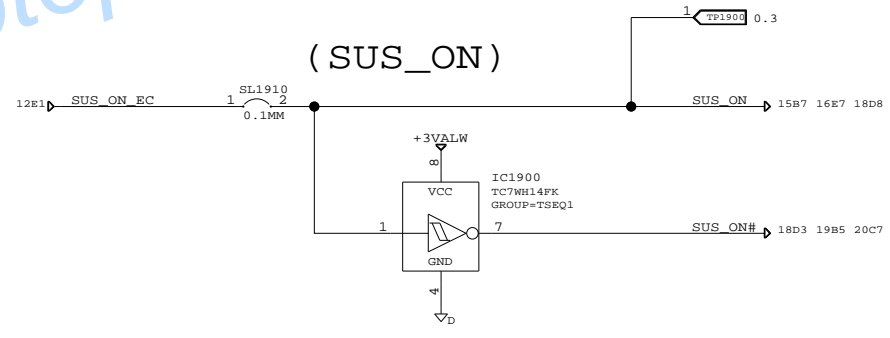


(REF: 1800- 1899)

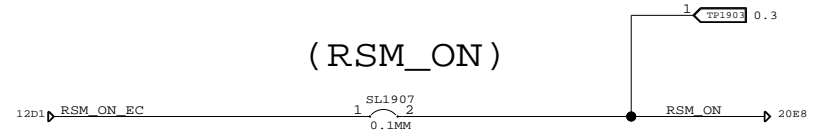
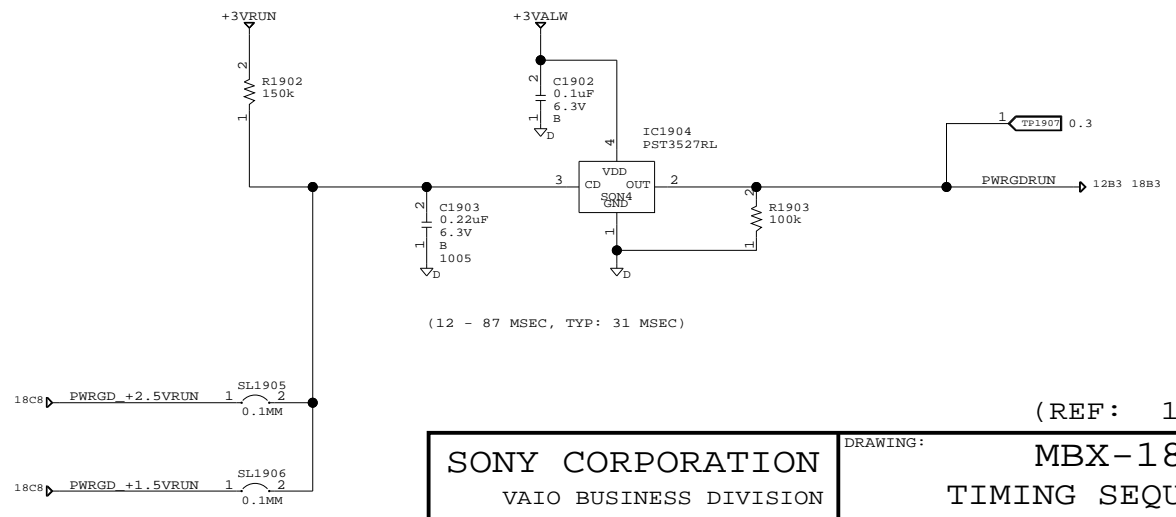
SONY CORPORATION VAIO BUSINESS DIVISION		DRAWING: MBX-187 LOAD SW	
LAST_MODIFIED=Sat May 9 17:09:45 2009			
QTY	1	REV.	PART NO.
DESIGNER	C		
THIS DOCUMENT CONTAINS INFORMATION PROPRIETARY TO SONY CORPORATION (SONY). USE OR DISCLOSURE WITHOUT THE WRITTEN PERMISSION OF AN OFFICER OF SONY IS EXPRESSLY FORBIDDEN. COPYRIGHT (C) SONY CORPORATION 2009			(POWER-4) SHEET 20 OF 27

SONY CONFIDENTIAL

REVISIONS				
ZONE	LTR	DESCRIPTION	DATE	APPR.



(PWRGDRUN)

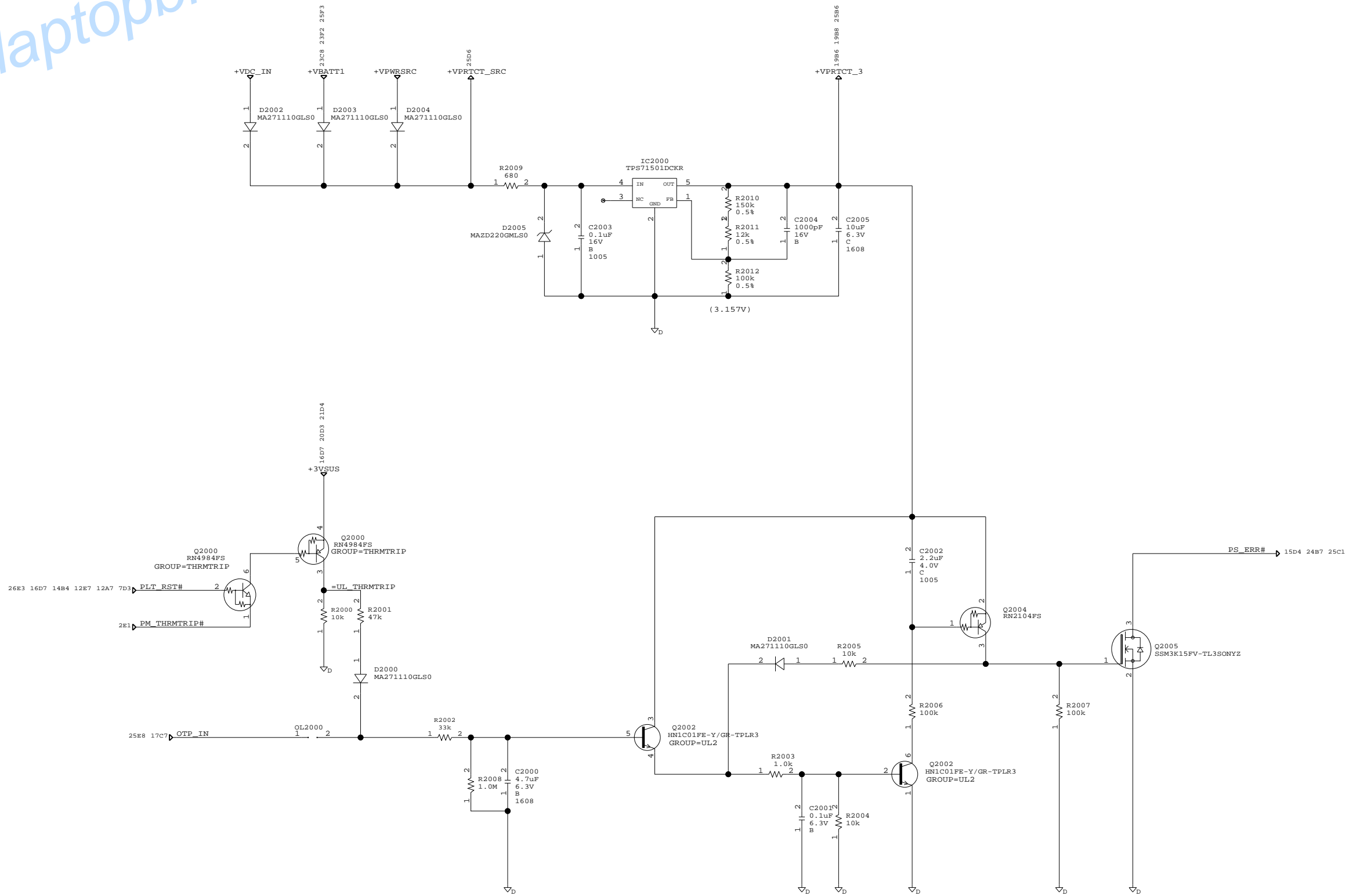


(REF: 1900- 1999)

SONY CORPORATION VAIO BUSINESS DIVISION		DRAWING: MBX-187 TIMING SEQUENCER	
LAST_MODIFIED=Sat May 9 17:09:46 2009			
QTY	1	REV.	-
DESIGNER	-	PART NO.	-
SIZE	C	DESIGNER	-
THIS DOCUMENT CONTAINS INFORMATION PROPRIETARY TO SONY CORPORATION (SONY). USE OR DISCLOSURE WITHOUT THE WRITTEN PERMISSION OF AN OFFICER OF SONY IS EXPRESSLY FORBIDDEN. COPYRIGHT (C) SONY CORPORATION 2009			(POWER-5) SHEET 21 OF 27

SONY CONFIDENTIAL

REVISIONS				
ZONE	LTR	DESCRIPTION	DATE	APPR.



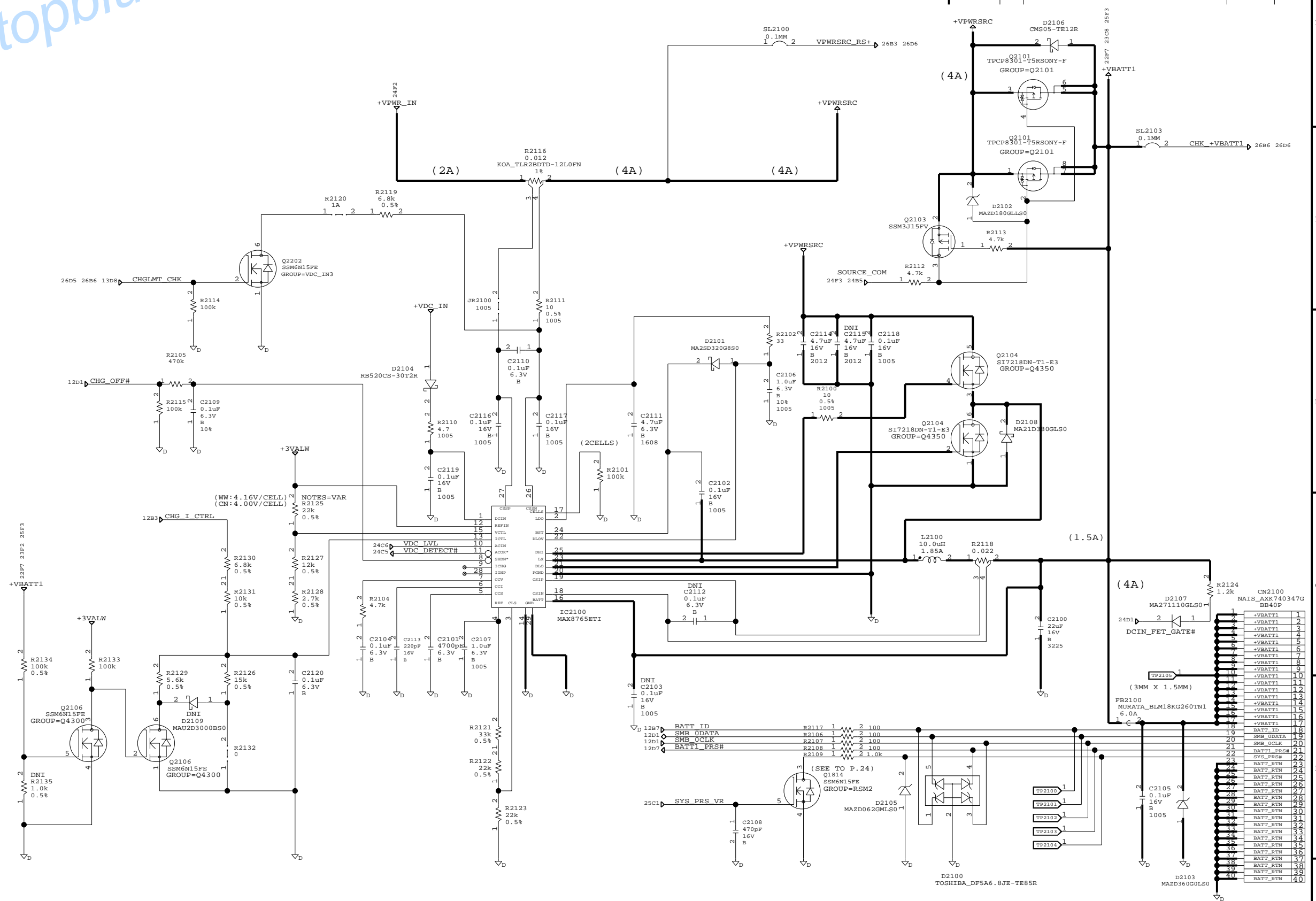
(REF: 2000- 2099)

SONY CORPORATION VAIO BUSINESS DIVISION		DRAWING: MBX-187 UL2 CIRCUIT	
THIS DOCUMENT CONTAINS INFORMATION PROPRIETARY TO SONY CORPORATION (SONY). USE OR DISCLOSURE WITHOUT THE WRITTEN PERMISSION OF AN OFFICER OF SONY IS EXPRESSLY FORBIDDEN. COPYRIGHT (C) SONY CORPORATION 2009		LAST_MODIFIED=Sat May 9 17:09:46 2009	PART NO. -
QTY 1	REV. -	DESIGNER -	SHEET 22 OF 27 (POWER-6)

www.laptopblue.com

SONY CONFIDENTIAL

REVISIONS				
ZONE	LTR	DESCRIPTION	DATE	APPR.



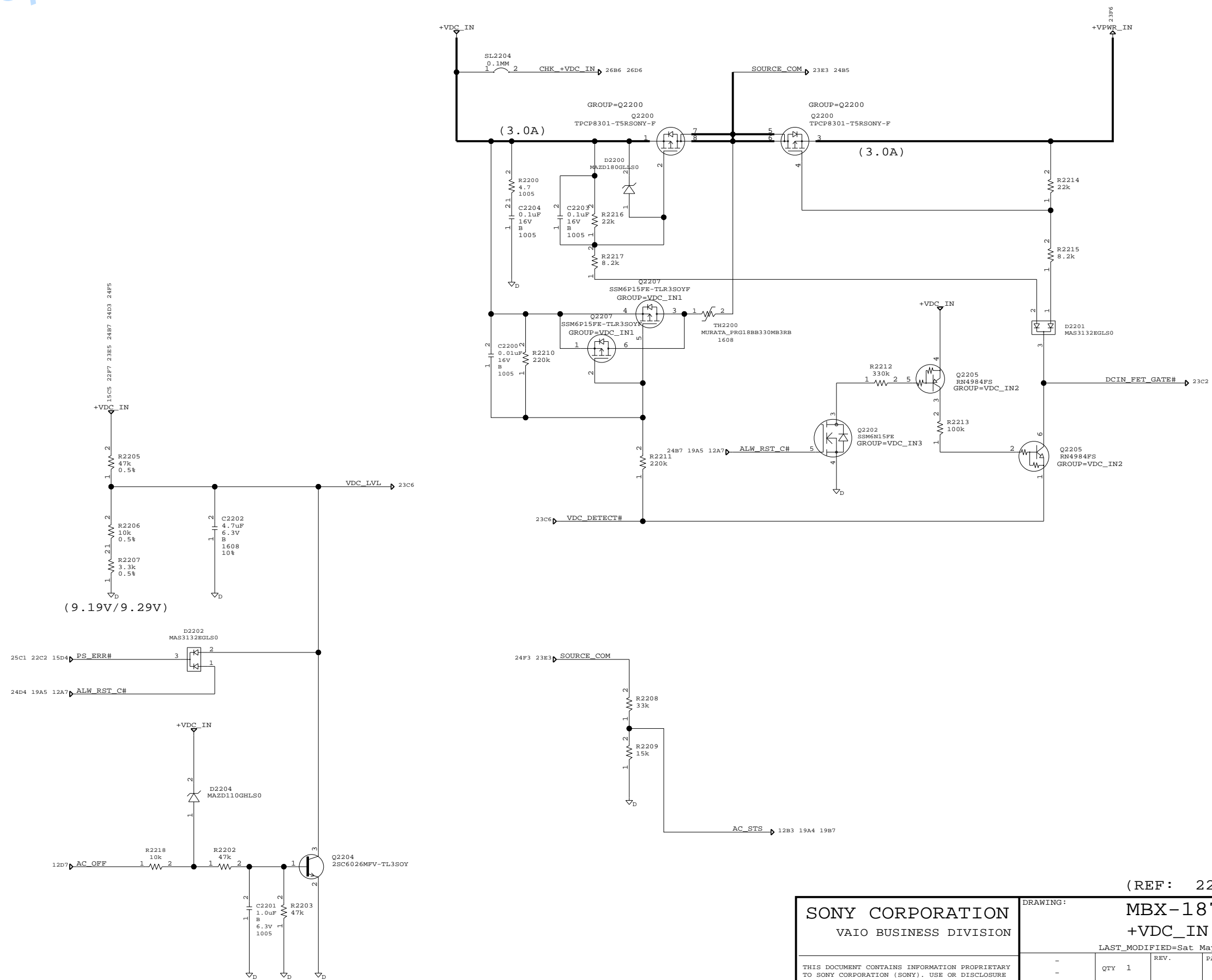
(REF: 2100- 2199)

SONY CORPORATION VAIO BUSINESS DIVISION		DRAWING: MBX-187 BATTERY CHARGER	
LAST_MODIFIED=Sat May 9 17:09:46 2009			
QTY	1	REV.	PART NO.
DESIGNER	C		
THIS DOCUMENT CONTAINS INFORMATION PROPRIETARY TO SONY CORPORATION (SONY). USE OR DISCLOSURE WITHOUT THE WRITTEN PERMISSION OF AN OFFICER OF SONY IS EXPRESSLY FORBIDDEN. COPYRIGHT (C) SONY CORPORATION 2009			(POWER-7) SHEET 23 OF 27

www.laptopblue.com

SONY CONFIDENTIAL

REVISIONS				
ZONE	LTR	DESCRIPTION	DATE	APPR.



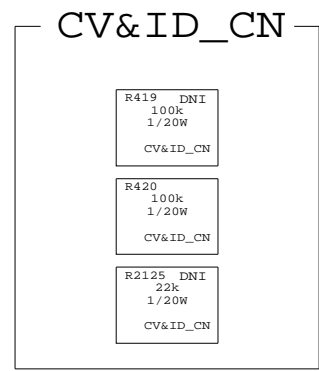
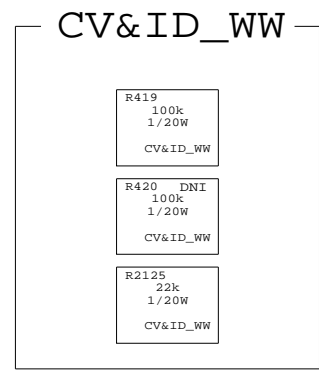
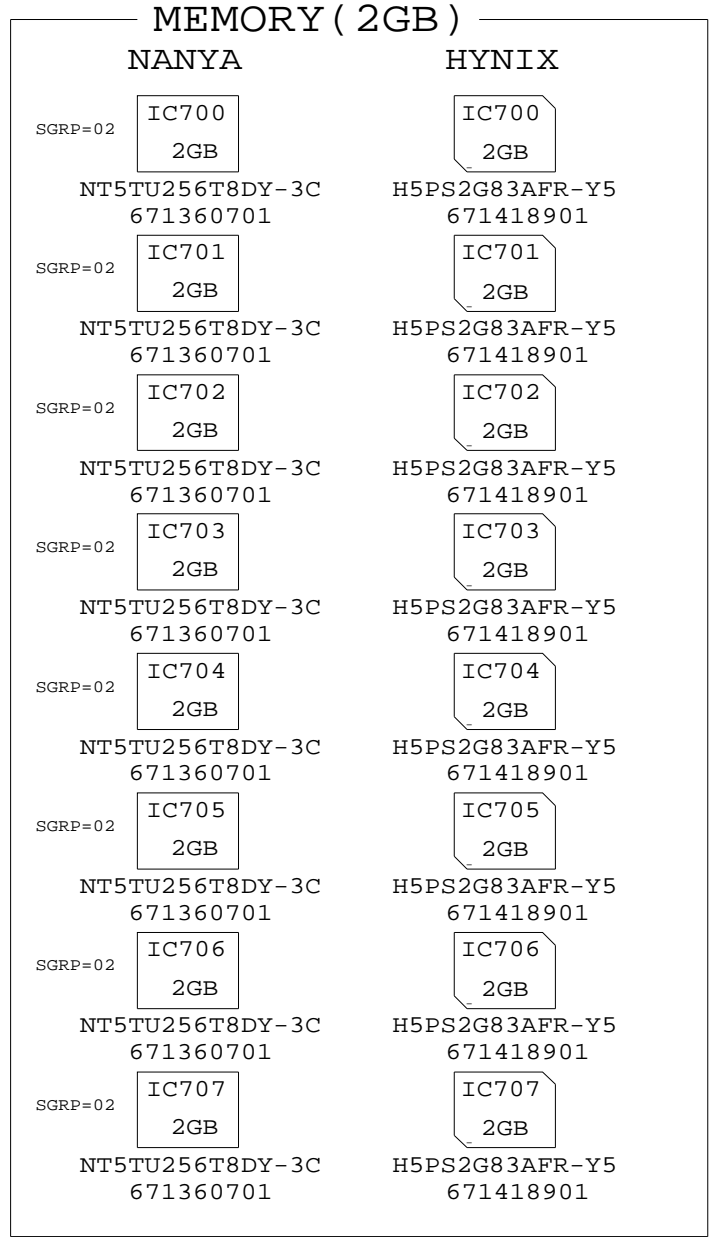
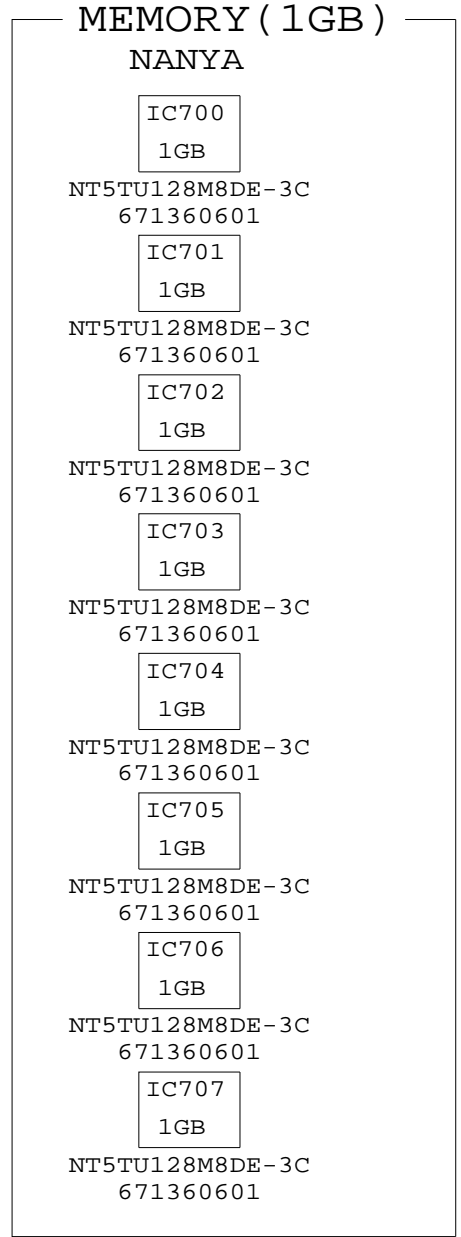
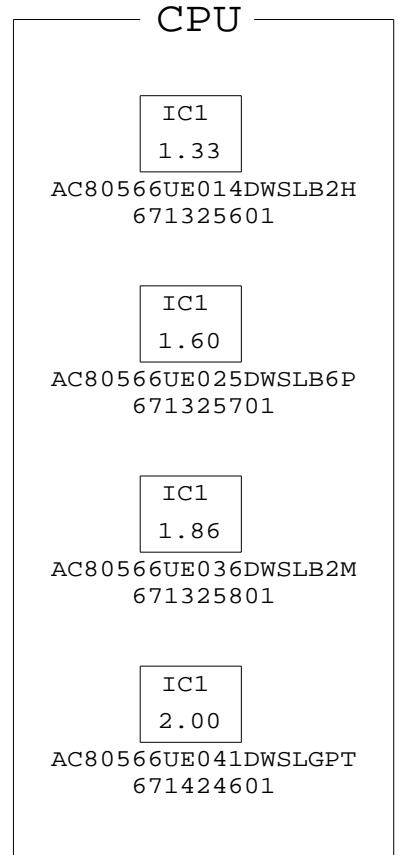
(REF: 2200- 2299)

SONY CORPORATION VAIO BUSINESS DIVISION		DRAWING: MBX-187 +VDC_IN	
LAST_MODIFIED=Sat May 9 17:09:46 2009			
QTY	1	REV.	-
DESIGNER	-	PART NO.	-
SIZE	C	DESIGNER	-
THIS DOCUMENT CONTAINS INFORMATION PROPRIETARY TO SONY CORPORATION (SONY). USE OR DISCLOSURE WITHOUT THE WRITTEN PERMISSION OF AN OFFICER OF SONY IS EXPRESSLY FORBIDDEN. COPYRIGHT (C) SONY CORPORATION 2009			(POWER-8) SHEET 24 OF 27

www.laptopblue.com

SONY CONFIDENTIAL

REVISIONS				
ZONE	LTR	DESCRIPTION	DATE	APPR.



SONY CORPORATION
VAIO BUSINESS DIVISION

THIS DOCUMENT CONTAINS INFORMATION PROPRIETARY TO SONY CORPORATION (SONY). USE OR DISCLOSURE WITHOUT THE WRITTEN PERMISSION OF AN OFFICER OF SONY IS EXPRESSLY FORBIDDEN.
COPYRIGHT (C) SONY CORPORATION 2009

DRAWING: MBX-187		PART NO. -	
VARIANCE		LAST_MODIFIED=Sat May 9 17:05:11 2009	
SIZE C	DESIGNER -	REV. -	QTY 1
		(VARIANCE) SHEET 27 OF 27	

Title: Basenet Report
 Design: mbx187
 Date: May 9 17:09:55 2009

Base nets and synonyms for pwb_lib.MBX187(@pwb_lib.mbx187(sch_1))
 Base Signal Synonyms Location([Zone][dir])

+1.05VRUN	+1.05VRUN - @pwb_lib.MBX187	2D5 2E5 2F2 3D3 3F7 5C3 5C6 5D2 5D7 5D7 5E2 7E4 7F3 9F1 17C6 18C2 18C3 20E1 25F6 26D4
+1.5VRUN	+1.5VRUN - @pwb_lib.MBX187	3E5 4E7 6B4 9C4 9C5 9F5 9F8 15C3 16D6 18B5 20E2 8D2 9F4 11D2 11D4 11D6 11D8 11F2 11F4 11F6 11F8 16D6 18C6 18C8 18E3 25E6
+1.8VSUS	+1.8VSUS - @pwb_lib.MBX187	6C1 13C6 16C6 18D5 25F7 12A6 12A7 12B1 12B1 12B8 12C2 12C4 12C6 12C7 12D1 12F2 12F2 12F4 12F4 12F6 12F6 12F6 12F7 13C7 15D6 15F7 16D4 16D5 19C3 19E1 20C5 20D4 20F3 21B3 21D3 21F3 21F4 21F7 23C7 23D6 25F4 26F5
+2.5VRUN	+2.5VRUN - @pwb_lib.MBX187	7B2 7E2 7E8 9D4 12F7 13C4 13C4 20F3 21E4
+3VALW	+3VALW - @pwb_lib.MBX187	2F5 3C7 4E5 6D6 6E1 6E3 6F6 7B2 7B3 7B4 7B7 7E2 7F2 8B5 9D4 9D5 12F2 12F3 12F3 12F6 12F7 13E6 13E7 13E7 14B3 14C3 14C3 14D3 14D3 14D7 15C4 15D6 15D7 17B5 17E6 18B3 20C4 20E1 21B4 26D5 26F3 26F4 16D7 20D3 21D4 22D7 15C4 15C7 16F7 18E7 19B5 19E8 20C7 20E6 20F4 25F6 9B2 20F4 9B2 13E4 16C6 17C6 17E3 17E5 20C6 20E2 26F5 16D6 20E5 22F7 23C8 23F2 25F3 13F2 26B3 26D4 2C5 2C8 2D4 2D4 2E5 3C3 3E7 3F7 18C1 3F3 3F6 17E1 25F3 15C5 22F7 23E5 24B7 24D3 24D7 24F5 12F4 12F7 14F5 19D4 13C7 16C7 18C2 20B7 20D7 20E6 20F5 14D6 16F4 13C6 13D4 19B6 19B8 22F4 25B6 22F6 25D6 13F6 17F4 18F6 19B8 19E5 19F4 22F6 23E3 23F2 23F3 23F6 24F2 6E4 9C4 25B5 25C4 8D1 8D3 11C1 11C3 11C5 11C7 11F1 11F3 11F5 11F7 18C8 12E8 8C4 8C4 13D6 12A6 12A6 12A6 12A6 12D2 13D5 26C5 26C5 5C6 5C6 5C6 14B4 13E6 18C8 6D4 6D4 5C4 5C4 17C3 17C3 26C5 22C6 15B6 14D4 12E8
+3VRSM	+3VRSM - @pwb_lib.MBX187	7B2 7E2 7E8 9D4 12F7 13C4 13C4 20F3 21E4
+3VRUN	+3VRUN - @pwb_lib.MBX187	2F5 3C7 4E5 6D6 6E1 6E3 6F6 7B2 7B3 7B4 7B7 7E2 7F2 8B5 9D4 9D5 12F2 12F3 12F3 12F6 12F7 13E6 13E7 13E7 14B3 14C3 14C3 14D3 14D3 14D7 15C4 15D6 15D7 17B5 17E6 18B3 20C4 20E1 21B4 26D5 26F3 26F4 16D7 20D3 21D4 22D7 15C4 15C7 16F7 18E7 19B5 19E8 20C7 20E6 20F4 25F6 9B2 20F4 9B2 13E4 16C6 17C6 17E3 17E5 20C6 20E2 26F5 16D6 20E5 22F7 23C8 23F2 25F3 13F2 26B3 26D4 2C5 2C8 2D4 2D4 2E5 3C3 3E7 3F7 18C1 3F3 3F6 17E1 25F3 15C5 22F7 23E5 24B7 24D3 24D7 24F5 12F4 12F7 14F5 19D4 13C7 16C7 18C2 20B7 20D7 20E6 20F5 14D6 16F4 13C6 13D4 19B6 19B8 22F4 25B6 22F6 25D6 13F6 17F4 18F6 19B8 19E5 19F4 22F6 23E3 23F2 23F3 23F6 24F2 6E4 9C4 25B5 25C4 8D1 8D3 11C1 11C3 11C5 11C7 11F1 11F3 11F5 11F7 18C8 12E8 8C4 8C4 13D6 12A6 12A6 12A6 12A6 12D2 13D5 26C5 26C5 5C6 5C6 5C6 14B4 13E6 18C8 6D4 6D4 5C4 5C4 17C3 17C3 26C5 22C6 15B6 14D4 12E8
+3VSUS	+3VSUS - @pwb_lib.MBX187	7B2 7E2 7E8 9D4 12F7 13C4 13C4 20F3 21E4
+5VALW	+5VALW - @pwb_lib.MBX187	2F5 3C7 4E5 6D6 6E1 6E3 6F6 7B2 7B3 7B4 7B7 7E2 7F2 8B5 9D4 9D5 12F2 12F3 12F3 12F6 12F7 13E6 13E7 13E7 14B3 14C3 14C3 14D3 14D3 14D7 15C4 15D6 15D7 17B5 17E6 18B3 20C4 20E1 21B4 26D5 26F3 26F4 16D7 20D3 21D4 22D7 15C4 15C7 16F7 18E7 19B5 19E8 20C7 20E6 20F4 25F6 9B2 20F4 9B2 13E4 16C6 17C6 17E3 17E5 20C6 20E2 26F5 16D6 20E5 22F7 23C8 23F2 25F3 13F2 26B3 26D4 2C5 2C8 2D4 2D4 2E5 3C3 3E7 3F7 18C1 3F3 3F6 17E1 25F3 15C5 22F7 23E5 24B7 24D3 24D7 24F5 12F4 12F7 14F5 19D4 13C7 16C7 18C2 20B7 20D7 20E6 20F5 14D6 16F4 13C6 13D4 19B6 19B8 22F4 25B6 22F6 25D6 13F6 17F4 18F6 19B8 19E5 19F4 22F6 23E3 23F2 23F3 23F6 24F2 6E4 9C4 25B5 25C4 8D1 8D3 11C1 11C3 11C5 11C7 11F1 11F3 11F5 11F7 18C8 12E8 8C4 8C4 13D6 12A6 12A6 12A6 12A6 12D2 13D5 26C5 26C5 5C6 5C6 5C6 14B4 13E6 18C8 6D4 6D4 5C4 5C4 17C3 17C3 26C5 22C6 15B6 14D4 12E8
+5VRSM	+5VRSM - @pwb_lib.MBX187	7B2 7E2 7E8 9D4 12F7 13C4 13C4 20F3 21E4
+5VRUN	+5VRUN - @pwb_lib.MBX187	2F5 3C7 4E5 6D6 6E1 6E3 6F6 7B2 7B3 7B4 7B7 7E2 7F2 8B5 9D4 9D5 12F2 12F3 12F3 12F6 12F7 13E6 13E7 13E7 14B3 14C3 14C3 14D3 14D3 14D7 15C4 15D6 15D7 17B5 17E6 18B3 20C4 20E1 21B4 26D5 26F3 26F4 16D7 20D3 21D4 22D7 15C4 15C7 16F7 18E7 19B5 19E8 20C7 20E6 20F4 25F6 9B2 20F4 9B2 13E4 16C6 17C6 17E3 17E5 20C6 20E2 26F5 16D6 20E5 22F7 23C8 23F2 25F3 13F2 26B3 26D4 2C5 2C8 2D4 2D4 2E5 3C3 3E7 3F7 18C1 3F3 3F6 17E1 25F3 15C5 22F7 23E5 24B7 24D3 24D7 24F5 12F4 12F7 14F5 19D4 13C7 16C7 18C2 20B7 20D7 20E6 20F5 14D6 16F4 13C6 13D4 19B6 19B8 22F4 25B6 22F6 25D6 13F6 17F4 18F6 19B8 19E5 19F4 22F6 23E3 23F2 23F3 23F6 24F2 6E4 9C4 25B5 25C4 8D1 8D3 11C1 11C3 11C5 11C7 11F1 11F3 11F5 11F7 18C8 12E8 8C4 8C4 13D6 12A6 12A6 12A6 12A6 12D2 13D5 26C5 26C5 5C6 5C6 5C6 14B4 13E6 18C8 6D4 6D4 5C4 5C4 17C3 17C3 26C5 22C6 15B6 14D4 12E8
+VBATT1	+VBATT1 - @pwb_lib.MBX187	7B2 7E2 7E8 9D4 12F7 13C4 13C4 20F3 21E4
+VBKL	+VBKL - @pwb_lib.MBX187	2F5 3C7 4E5 6D6 6E1 6E3 6F6 7B2 7B3 7B4 7B7 7E2 7F2 8B5 9D4 9D5 12F2 12F3 12F3 12F6 12F7 13E6 13E7 13E7 14B3 14C3 14C3 14D3 14D3 14D7 15C4 15D6 15D7 17B5 17E6 18B3 20C4 20E1 21B4 26D5 26F3 26F4 16D7 20D3 21D4 22D7 15C4 15C7 16F7 18E7 19B5 19E8 20C7 20E6 20F4 25F6 9B2 20F4 9B2 13E4 16C6 17C6 17E3 17E5 20C6 20E2 26F5 16D6 20E5 22F7 23C8 23F2 25F3 13F2 26B3 26D4 2C5 2C8 2D4 2D4 2E5 3C3 3E7 3F7 18C1 3F3 3F6 17E1 25F3 15C5 22F7 23E5 24B7 24D3 24D7 24F5 12F4 12F7 14F5 19D4 13C7 16C7 18C2 20B7 20D7 20E6 20F5 14D6 16F4 13C6 13D4 19B6 19B8 22F4 25B6 22F6 25D6 13F6 17F4 18F6 19B8 19E5 19F4 22F6 23E3 23F2 23F3 23F6 24F2 6E4 9C4 25B5 25C4 8D1 8D3 11C1 11C3 11C5 11C7 11F1 11F3 11F5 11F7 18C8 12E8 8C4 8C4 13D6 12A6 12A6 12A6 12A6 12D2 13D5 26C5 26C5 5C6 5C6 5C6 14B4 13E6 18C8 6D4 6D4 5C4 5C4 17C3 17C3 26C5 22C6 15B6 14D4 12E8
+VCCP	+VCCP - @pwb_lib.MBX187	7B2 7E2 7E8 9D4 12F7 13C4 13C4 20F3 21E4
+VCPUCORE	+VCPUCORE - @pwb_lib.MBX187	7B2 7E2 7E8 9D4 12F7 13C4 13C4 20F3 21E4
+VDC_IN	+VDC_IN - @pwb_lib.MBX187	7B2 7E2 7E8 9D4 12F7 13C4 13C4 20F3 21E4
+VEC_3.3	+VEC_3.3 - @pwb_lib.MBX187	7B2 7E2 7E8 9D4 12F7 13C4 13C4 20F3 21E4
+VFETDRV	+VFETDRV - @pwb_lib.MBX187	7B2 7E2 7E8 9D4 12F7 13C4 13C4 20F3 21E4
+VLAN_3.3	+VLAN_3.3 - @pwb_lib.MBX187	7B2 7E2 7E8 9D4 12F7 13C4 13C4 20F3 21E4
+VLCD	+VLCD - @pwb_lib.MBX187	7B2 7E2 7E8 9D4 12F7 13C4 13C4 20F3 21E4
+VPRTCT_3	+VPRTCT_3 - @pwb_lib.MBX187	7B2 7E2 7E8 9D4 12F7 13C4 13C4 20F3 21E4
+VPRTCT_SRC	+VPRTCT_SRC - @pwb_lib.MBX187	7B2 7E2 7E8 9D4 12F7 13C4 13C4 20F3 21E4
+VPWRSRC	+VPWRSRC - @pwb_lib.MBX187	7B2 7E2 7E8 9D4 12F7 13C4 13C4 20F3 21E4
+VPWR_IN	+VPWR_IN - @pwb_lib.MBX187	7B2 7E2 7E8 9D4 12F7 13C4 13C4 20F3 21E4
+VRTC	+VRTC - @pwb_lib.MBX187	7B2 7E2 7E8 9D4 12F7 13C4 13C4 20F3 21E4
+VSMVREF	+VSMVREF - @pwb_lib.MBX187	7B2 7E2 7E8 9D4 12F7 13C4 13C4 20F3 21E4
=A20GATE	=A20GATE - @pwb_lib.MBX187	7B2 7E2 7E8 9D4 12F7 13C4 13C4 20F3 21E4
=A_RCVENIN#	=A_RCVENIN# - @pwb_lib.MBX187	7B2 7E2 7E8 9D4 12F7 13C4 13C4 20F3 21E4
=A_RCVENOUT#	=A_RCVENOUT# - @pwb_lib.MBX187	7B2 7E2 7E8 9D4 12F7 13C4 13C4 20F3 21E4
=BKL_ON	=BKL_ON - @pwb_lib.MBX187	7B2 7E2 7E8 9D4 12F7 13C4 13C4 20F3 21E4
=ETCK	=ETCK - @pwb_lib.MBX187	7B2 7E2 7E8 9D4 12F7 13C4 13C4 20F3 21E4
=ETDI	=ETDI - @pwb_lib.MBX187	7B2 7E2 7E8 9D4 12F7 13C4 13C4 20F3 21E4
=ETDO	=ETDO - @pwb_lib.MBX187	7B2 7E2 7E8 9D4 12F7 13C4 13C4 20F3 21E4
=ETMS	=ETMS - @pwb_lib.MBX187	7B2 7E2 7E8 9D4 12F7 13C4 13C4 20F3 21E4
=FAN_PWM	=FAN_PWM - @pwb_lib.MBX187	7B2 7E2 7E8 9D4 12F7 13C4 13C4 20F3 21E4
=FPBACK	=FPBACK - @pwb_lib.MBX187	7B2 7E2 7E8 9D4 12F7 13C4 13C4 20F3 21E4
=H_CPURST_XDP#	=H_CPURST_XDP# - @pwb_lib.MBX187	7B2 7E2 7E8 9D4 12F7 13C4 13C4 20F3 21E4
=H_PWRGDCPU_XDP	=H_PWRGDCPU_XDP - @pwb_lib.MBX187	7B2 7E2 7E8 9D4 12F7 13C4 13C4 20F3 21E4
=H_RCOMPO	=H_RCOMPO - @pwb_lib.MBX187	7B2 7E2 7E8 9D4 12F7 13C4 13C4 20F3 21E4
=H_SWING	=H_SWING - @pwb_lib.MBX187	7B2 7E2 7E8 9D4 12F7 13C4 13C4 20F3 21E4
=H_TESTIN#	=H_TESTIN# - @pwb_lib.MBX187	7B2 7E2 7E8 9D4 12F7 13C4 13C4 20F3 21E4
=IDE_RESET#	=IDE_RESET# - @pwb_lib.MBX187	7B2 7E2 7E8 9D4 12F7 13C4 13C4 20F3 21E4
=LEDCN_ON	=LEDCN_ON - @pwb_lib.MBX187	7B2 7E2 7E8 9D4 12F7 13C4 13C4 20F3 21E4
=PWRGD_+1.05VRUN	=PWRGD_+1.05VRUN - @pwb_lib.MBX187	7B2 7E2 7E8 9D4 12F7 13C4 13C4 20F3 21E4
=RTCX1	=RTCX1 - @pwb_lib.MBX187	7B2 7E2 7E8 9D4 12F7 13C4 13C4 20F3 21E4
=RTCX2	=RTCX2 - @pwb_lib.MBX187	7B2 7E2 7E8 9D4 12F7 13C4 13C4 20F3 21E4
=SCH_CFG0	=SCH_CFG0 - @pwb_lib.MBX187	7B2 7E2 7E8 9D4 12F7 13C4 13C4 20F3 21E4
=SCH_CFG1	=SCH_CFG1 - @pwb_lib.MBX187	7B2 7E2 7E8 9D4 12F7 13C4 13C4 20F3 21E4
=SENSEM_CORE	=SENSEM_CORE - @pwb_lib.MBX187	7B2 7E2 7E8 9D4 12F7 13C4 13C4 20F3 21E4
=SENSEP_CORE	=SENSEP_CORE - @pwb_lib.MBX187	7B2 7E2 7E8 9D4 12F7 13C4 13C4 20F3 21E4
=SLPIOVR_XDP#	=SLPIOVR_XDP# - @pwb_lib.MBX187	7B2 7E2 7E8 9D4 12F7 13C4 13C4 20F3 21E4
=UL_THRMTRIP	=UL_THRMTRIP - @pwb_lib.MBX187	7B2 7E2 7E8 9D4 12F7 13C4 13C4 20F3 21E4
=USB_P0_5V	=USB_P0_5V - @pwb_lib.MBX187	7B2 7E2 7E8 9D4 12F7 13C4 13C4 20F3 21E4
=VMAIN_AVLBL	=VMAIN_AVLBL - @pwb_lib.MBX187	7B2 7E2 7E8 9D4 12F7 13C4 13C4 20F3 21E4
=WAKEREQ#	=WAKEREQ# - @pwb_lib.MBX187	7B2 7E2 7E8 9D4 12F7 13C4 13C4 20F3 21E4

ACC_X	ACC_X - @pwb_lib.MBX187	12D7 14E7
ACC_Y	ACC_Y - @pwb_lib.MBX187	12D7 14E7
ACC_Z	ACC_Z - @pwb_lib.MBX187	12D7 14E7
AC_OFF	AC_OFF - @pwb_lib.MBX187	12D7 24A7
AC_STS	AC_STS - @pwb_lib.MBX187	12B3 19A4 19B7 24A3
ALW_DETECT	ALW_DETECT - @pwb_lib.MBX187	19A5 21E5
ALW_RST_C#	ALW_RST_C# - @pwb_lib.MBX187	12A7 19A5 24B7 24D4
AVSS_EC	AVSS_EC - @pwb_lib.MBX187	12C5 12E4 12F5 14E5 26E5
AZ_BCLK_AUD	AZ_BCLK_AUD - @pwb_lib.MBX187	7C2 15B3
AZ_RST_AUD#	AZ_RST_AUD# - @pwb_lib.MBX187	7C2 15B3
AZ_SDINO_AUD	AZ_SDINO_AUD - @pwb_lib.MBX187	7C3 15B3
AZ_SDOUT_AUD	AZ_SDOUT_AUD - @pwb_lib.MBX187	7C2 15B3
AZ_SYNC_AUD	AZ_SYNC_AUD - @pwb_lib.MBX187	7C2 15B3
BATT1_PR#	BATT1_PR# - @pwb_lib.MBX187	12D7 23B4
BATT_ID	BATT_ID - @pwb_lib.MBX187	12B7 23B4
BATT_RST#	BATT_RST# - @pwb_lib.MBX187	12A3 12B8
BATT_SCK	BATT_SCK - @pwb_lib.MBX187	12A3 12A7
BATT_SDA	BATT_SDA - @pwb_lib.MBX187	12A3 12B7
BEEP	BEEP - @pwb_lib.MBX187	7C3 15B3
BOOT_MODE#	BOOT_MODE# - @pwb_lib.MBX187	12C1 26E6
BT_ON	BT_ON - @pwb_lib.MBX187	12D1 14D3
CAM_PWR_EN	CAM_PWR_EN - @pwb_lib.MBX187	12C7 16B6
CHGLMT_CHK	CHGLMT_CHK - @pwb_lib.MBX187	13D8 23E7 26B6 26D5
CHG_I_CTRL	CHG_I_CTRL - @pwb_lib.MBX187	12B3 23C7
CHG_OFF#	CHG_OFF# - @pwb_lib.MBX187	12D1 23D7
CHK_+1.05VRUN	CHK_+1.05VRUN - @pwb_lib.MBX187	18C2 26B3 26D5
CHK_+1.8VSUS	CHK_+1.8VSUS - @pwb_lib.MBX187	18E2 26B3 26D6
CHK_+2.5VRUN	CHK_+2.5VRUN - @pwb_lib.MBX187	18D3 26B6 26D6
CHK_+3VALW	CHK_+3VALW - @pwb_lib.MBX187	19D1 26B6 26D6
CHK_+5VALW	CHK_+5VALW - @pwb_lib.MBX187	19D8 26B3 26D6
CHK_+VBACKUP	CHK_+VBACKUP - @pwb_lib.MBX187	25A7 26B3 26D5
CHK_+VBATT1	CHK_+VBATT1 - @pwb_lib.MBX187	23E1 26B6 26D6
CHK_+VCPUCORE	CHK_+VCPUCORE - @pwb_lib.MBX187	17C1 26B6 26D5
CHK_+VDC_IN	CHK_+VDC_IN - @pwb_lib.MBX187	24F4 26B6 26D6
CLKREQ_LAN#	CLKREQ_LAN# - @pwb_lib.MBX187	4C3 14D3
CLKREQ_MNCD#	CLKREQ_MNCD# - @pwb_lib.MBX187	4C3 16C7
CLKREQ_SCH#	CLKREQ_SCH# - @pwb_lib.MBX187	4C3 7C3
CLK_BSEL1	CLK_BSEL1 - @pwb_lib.MBX187	2C4 4C7
CLK_BSEL2	CLK_BSEL2 - @pwb_lib.MBX187	2C4 4C7 5C3
CLK_CPU_BCLK+	CLK_CPU_BCLK+ - @pwb_lib.MBX187	2C5 4D3
CLK_CPU_BCLK-	CLK_CPU_BCLK- - @pwb_lib.MBX187	2C5 4D3
CLK_DEBUG_1	CLK_DEBUG_1 - @pwb_lib.MBX187	6E6 26E3
CLK_DEBUG_2	CLK_DEBUG_2 - @pwb_lib.MBX187	6E6 26E3
CLK_DREFCLK+	CLK_DREFCLK+ - @pwb_lib.MBX187	4C3 7C3
CLK_DREFCLK-	CLK_DREFCLK- - @pwb_lib.MBX187	4C3 7C3
CLK_DREF_SS+	CLK_DREF_SS+ - @pwb_lib.MBX187	4C3 7C3
CLK_DREF_SS-	CLK_DREF_SS- - @pwb_lib.MBX187	4C3 7C3
CLK_ENABLE#	CLK_ENABLE# - @pwb_lib.MBX187	4C7 17B4
CLK_IPT+	CLK_IPT+ - @pwb_lib.MBX187	4D3 26C6
CLK_IPT-	CLK_IPT- - @pwb_lib.MBX187	4D3 26C6
CLK_LPC_EC	CLK_LPC_EC - @pwb_lib.MBX187	6E6 12E7
CLK_PCIE_LAN+	CLK_PCIE_LAN+ - @pwb_lib.MBX187	4C3 16C3
CLK_PCIE_LAN-	CLK_PCIE_LAN- - @pwb_lib.MBX187	4C3 16C3
CLK_PCIE_MNCD+	CLK_PCIE_MNCD+ - @pwb_lib.MBX187	4C3 16C3
CLK_PCIE_MNCD-	CLK_PCIE_MNCD- - @pwb_lib.MBX187	4C3 16C3
CLK_PCIE_SCH+	CLK_PCIE_SCH+ - @pwb_lib.MBX187	4C3 6C3
CLK_PCIE_SCH-	CLK_PCIE_SCH- - @pwb_lib.MBX187	4C3 6C3
CLK_SCH14	CLK_SCH14 - @pwb_lib.MBX187</	

		8		7		6		5		4		3		2		1		
														REVISIONS				
														ZONE	LTR	DESCRIPTION	DATE	APPR.
H_A#<18>	H_A#<18> - @pwb_lib.MBX187	2D8	5E3	H_DPRSTP#	H_DPRSTP# - @pwb_lib.MBX187	2A3	2C1	5C3	17E8									
H_A#<19>	H_A#<19> - @pwb_lib.MBX187	2D8	5E3	H_DPSLP#	H_DPSLP# - @pwb_lib.MBX187	2A3	2C1	5C3										
H_A#<20>	H_A#<20> - @pwb_lib.MBX187	2D8	5E3	H_DPWR#	H_DPWR# - @pwb_lib.MBX187	2A3	2C1	5D3										
H_A#<21>	H_A#<21> - @pwb_lib.MBX187	2D8	5E3	H_DRDY#	H_DRDY# - @pwb_lib.MBX187	2E5	5D3											
H_A#<22>	H_A#<22> - @pwb_lib.MBX187	2D8	5B1	H_DSTB0#	H_DSTB0# - @pwb_lib.MBX187	2D3	5B1	5D3										
H_A#<23>	H_A#<23> - @pwb_lib.MBX187	2D8	5E3	H_DSTB0#	H_DSTB0# - @pwb_lib.MBX187	2D3	5B1	5D3										
H_A#<24>	H_A#<24> - @pwb_lib.MBX187	2D8	5E3	H_DSTB1#	H_DSTB1# - @pwb_lib.MBX187	2C3	5D3											
H_A#<25>	H_A#<25> - @pwb_lib.MBX187	2D8	5E3	H_DSTB1#	H_DSTB1# - @pwb_lib.MBX187	2C3	5D3											
H_A#<26>	H_A#<26> - @pwb_lib.MBX187	2D8	5E3	H_DSTB2#	H_DSTB2# - @pwb_lib.MBX187	2D1	5A1	5D3										
H_A#<27>	H_A#<27> - @pwb_lib.MBX187	2D8	5E3	H_DSTB2#	H_DSTB2# - @pwb_lib.MBX187	2D1	5A1	5D3										
H_A#<28>	H_A#<28> - @pwb_lib.MBX187	2D8	5E3	H_DSTB3#	H_DSTB3# - @pwb_lib.MBX187	2C1	5D3											
H_A#<29>	H_A#<29> - @pwb_lib.MBX187	2D8	5E3	H_DSTB3#	H_DSTB3# - @pwb_lib.MBX187	2C1	5D3											
H_A#<30>	H_A#<30> - @pwb_lib.MBX187	2C8	5B1	H_HIT#	H_HIT# - @pwb_lib.MBX187	2D5	5D3											
H_A#<31>	H_A#<31> - @pwb_lib.MBX187	2C8	5E3	H_HITM#	H_HITM# - @pwb_lib.MBX187	2D5	5D3											
H_ADS#	H_ADS# - @pwb_lib.MBX187	2B3	2E5	H_INIT#	H_INIT# - @pwb_lib.MBX187	2A3	2D4	3B5	5C6									
H_ADSTB#<0>	H_ADSTB#<0> - @pwb_lib.MBX187	2D8	5B1	H_INTR	H_INTR - @pwb_lib.MBX187	2B3	2C8	5C6										
H_ADSTB#<1>	H_ADSTB#<1> - @pwb_lib.MBX187	2C8	5B1	H_LOCK#	H_LOCK# - @pwb_lib.MBX187	2D5	5C3											
H_BNR#	H_BNR# - @pwb_lib.MBX187	2E5	5D3	H_LMI	H_LMI - @pwb_lib.MBX187	2B3	2C8	5C6										
H_BPRI#	H_BPRI# - @pwb_lib.MBX187	2E5	5D3	H_PBE#	H_PBE# - @pwb_lib.MBX187	2C8	5C6											
H_BREQ#0	H_BREQ#0 - @pwb_lib.MBX187	2E5	5D3	H_PROCHOT#	H_PROCHOT# - @pwb_lib.MBX187	2C5	2F3	17B5										
H_CPURST#	H_CPURST# - @pwb_lib.MBX187	2A3	2D5	H_PROCHOT_EC#	H_PROCHOT_EC# - @pwb_lib.MBX187	2F5	12B3											
H_CPUSLP#	H_CPUSLP# - @pwb_lib.MBX187	2A3	2C1	H_PWRGDCPU	H_PWRGDCPU - @pwb_lib.MBX187	2B3	2C1	5C3	26C6									
H_D#<0>	H_D#<0> - @pwb_lib.MBX187	2E3	5F6	H_REQ#<0>	H_REQ#<0> - @pwb_lib.MBX187	2D8	5C3											
H_D#<1>	H_D#<1> - @pwb_lib.MBX187	2E3	5F6	H_REQ#<1>	H_REQ#<1> - @pwb_lib.MBX187	2D8	5C3											
H_D#<2>	H_D#<2> - @pwb_lib.MBX187	2E3	5F6	H_REQ#<2>	H_REQ#<2> - @pwb_lib.MBX187	2D8	5C3											
H_D#<3>	H_D#<3> - @pwb_lib.MBX187	2E3	5F6	H_REQ#<3>	H_REQ#<3> - @pwb_lib.MBX187	2D8	5C3											
H_D#<4>	H_D#<4> - @pwb_lib.MBX187	2E3	5F6	H_REQ#<4>	H_REQ#<4> - @pwb_lib.MBX187	2D8	5B1	5C3										
H_D#<5>	H_D#<5> - @pwb_lib.MBX187	2E3	5F6	H_RS#<0>	H_RS#<0> - @pwb_lib.MBX187	2D5	5C3											
H_D#<6>	H_D#<6> - @pwb_lib.MBX187	2E3	5E6	H_RS#<1>	H_RS#<1> - @pwb_lib.MBX187	2D5	5C3											
H_D#<7>	H_D#<7> - @pwb_lib.MBX187	2E3	5E6	H_RS#<2>	H_RS#<2> - @pwb_lib.MBX187	2D5	5C3											
H_D#<8>	H_D#<8> - @pwb_lib.MBX187	2E3	5E6	H_SMI#	H_SMI# - @pwb_lib.MBX187	2B3	2C8	5C6										
H_D#<9>	H_D#<9> - @pwb_lib.MBX187	2D3	5E6	H_STPCLK#	H_STPCLK# - @pwb_lib.MBX187	2A3	2C8	5C6										
H_D#<10>	H_D#<10> - @pwb_lib.MBX187	2D3	5B1	H_TRDY#	H_TRDY# - @pwb_lib.MBX187	2D5	5C3											
H_D#<11>	H_D#<11> - @pwb_lib.MBX187	2D3	5E6	H_VID#<0>	H_VID#<0> - @pwb_lib.MBX187	3D5	17E8											
H_D#<12>	H_D#<12> - @pwb_lib.MBX187	2D3	5E6	H_VID#<1>	H_VID#<1> - @pwb_lib.MBX187	3D5	17E8											
H_D#<13>	H_D#<13> - @pwb_lib.MBX187	2D3	5E6	H_VID#<2>	H_VID#<2> - @pwb_lib.MBX187	3D5	17E8											
H_D#<14>	H_D#<14> - @pwb_lib.MBX187	2D3	5B1	H_VID#<3>	H_VID#<3> - @pwb_lib.MBX187	3C5	17D8											
H_D#<15>	H_D#<15> - @pwb_lib.MBX187	2D3	5E6	H_VID#<4>	H_VID#<4> - @pwb_lib.MBX187	3C5	17D8											
H_D#<16>	H_D#<16> - @pwb_lib.MBX187	2D3	5E6	H_VID#<5>	H_VID#<5> - @pwb_lib.MBX187	3C5	17D8											
H_D#<17>	H_D#<17> - @pwb_lib.MBX187	2D3	5E6	H_VID#<6>	H_VID#<6> - @pwb_lib.MBX187	3C5	17D8											
H_D#<18>	H_D#<18> - @pwb_lib.MBX187	2D3	5E6	IDE_DADR#<0>	IDE_DADR#<0> - @pwb_lib.MBX187	7D6	14C3											
H_D#<19>	H_D#<19> - @pwb_lib.MBX187	2D3	5E6	IDE_DADR#<1>	IDE_DADR#<1> - @pwb_lib.MBX187	7D6	14C6											
H_D#<20>	H_D#<20> - @pwb_lib.MBX187	2D3	5E6	IDE_DADR#<2>	IDE_DADR#<2> - @pwb_lib.MBX187	7D6	14C6											
H_D#<21>	H_D#<21> - @pwb_lib.MBX187	2D3	5E6	IDE_DCS0#	IDE_DCS0# - @pwb_lib.MBX187	7D6	14C3											
H_D#<22>	H_D#<22> - @pwb_lib.MBX187	2D3	5E6	IDE_DCS1#	IDE_DCS1# - @pwb_lib.MBX187	7D6	14C6											
H_D#<23>	H_D#<23> - @pwb_lib.MBX187	2D3	5E6	IDE_DD#<0>	IDE_DD#<0> - @pwb_lib.MBX187	7D6	14C6											
H_D#<24>	H_D#<24> - @pwb_lib.MBX187	2D3	5E6	IDE_DD#<1>	IDE_DD#<1> - @pwb_lib.MBX187	7D6	14C6											
H_D#<25>	H_D#<25> - @pwb_lib.MBX187	2D3	5E6	IDE_DD#<2>	IDE_DD#<2> - @pwb_lib.MBX187	7D6	14C6											
H_D#<26>	H_D#<26> - @pwb_lib.MBX187	2D3	5E6	IDE_DD#<3>	IDE_DD#<3> - @pwb_lib.MBX187	7D6	14C6											
H_D#<27>	H_D#<27> - @pwb_lib.MBX187	2D3	5E6	IDE_DD#<4>	IDE_DD#<4> - @pwb_lib.MBX187	7D6	14C6											
H_D#<28>	H_D#<28> - @pwb_lib.MBX187	2D3	5E6	IDE_DD#<5>	IDE_DD#<5> - @pwb_lib.MBX187	7D6	14C6											
H_D#<29>	H_D#<29> - @pwb_lib.MBX187	2D3	5E6	IDE_DD#<6>	IDE_DD#<6> - @pwb_lib.MBX187	7D6	14C6											
H_D#<30>	H_D#<30> - @pwb_lib.MBX187	2D3	5E6	IDE_DD#<7>	IDE_DD#<7> - @pwb_lib.MBX187	7D6	14B6											
H_D#<31>	H_D#<31> - @pwb_lib.MBX187	2C3	5E6	IDE_DD#<8>	IDE_DD#<8> - @pwb_lib.MBX187	7D6	14B3											
H_D#<32>	H_D#<32> - @pwb_lib.MBX187	2E1	5E6	IDE_DD#<9>	IDE_DD#<9> - @pwb_lib.MBX187	7D6	14C3											
H_D#<33>	H_D#<33> - @pwb_lib.MBX187	2E1	5E6	IDE_DD#<10>	IDE_DD#<10> - @pwb_lib.MBX187	7D6	14C3											
H_D#<34>	H_D#<34> - @pwb_lib.MBX187	2E1	5D6	IDE_DD#<11>	IDE_DD#<11> - @pwb_lib.MBX187	7D6	14C3											
H_D#<35>	H_D#<35> - @pwb_lib.MBX187	2E1	5D6	IDE_DD#<12>	IDE_DD#<12> - @pwb_lib.MBX187	7D6	14C3											
H_D#<36>	H_D#<36> - @pwb_lib.MBX187	2E1	5D6	IDE_DD#<13>	IDE_DD#<13> - @pwb_lib.MBX187	7D6	14C3											
H_D#<37>	H_D#<37> - @pwb_lib.MBX187	2E1	5A1	IDE_DD#<14>	IDE_DD#<14> - @pwb_lib.MBX187	7D6	14C3											
H_D#<38>	H_D#<38> - @pwb_lib.MBX187	2E1	5D6	IDE_DD#<15>	IDE_DD#<15> - @pwb_lib.MBX187	7D6	14C3											
H_D#<39>	H_D#<39> - @pwb_lib.MBX187	2E1	5D6	IDE_DDACK#	IDE_DDACK# - @pwb_lib.MBX187	7E6	14C6											
H_D#<40>	H_D#<40> - @pwb_lib.MBX187	2E1	5D6	IDE_DDRQ#	IDE_DDRQ# - @pwb_lib.MBX187	7E6	14C6											
H_D#<41>	H_D#<41> - @pwb_lib.MBX187	2D1	5D6	IDE_DIOR#	IDE_DIOR# - @pwb_lib.MBX187	7D6	14C6											
H_D#<42>	H_D#<42> - @pwb_lib.MBX187	2D1	5D6	IDE_DIORDY	IDE_DIORDY - @pwb_lib.MBX187	7E6	14C3											
H_D#<43>	H_D#<43> - @pwb_lib.MBX187	2D1	5D6	IDE_DIOW#	IDE_DIOW# - @pwb_lib.MBX187	7E6	14C3											
H_D#<44>	H_D#<44> - @pwb_lib.MBX187	2D1	5D6	IDE_RST#	IDE_RST# - @pwb_lib.MBX187	12C7	14B4											
H_D#<45>	H_D#<45> - @pwb_lib.MBX187	2D1	5D6	IMVP_OTP_1	IMVP_OTP_1 - @pwb_lib.MBX187	17C8	17E2											
H_D#<46>	H_D#<46> - @pwb_lib.MBX187	2D1	5D6	IMVP_PWRGD	IMVP_PWRGD - @pwb_lib.MBX187	12D7	17B4											
H_D#<47>	H_D#<47> - @pwb_lib.MBX187	2D1	5A1	INT_IDEIRQ	INT_IDEIRQ - @pwb_lib.MBX187	7E6	14C3											
H_D#<48>	H_D#<48> - @pwb_lib.MBX187																	

												1				
												REVISIONS				
												ZONE	LTR	DESCRIPTION	DATE	APPR.
M_CLK1+	M_CLK1+ - @pwb_lib.MBX187	8E4 11A6 11B2 11B4 11B6		SUS_ON	SUS_ON - @pwb_lib.MBX187	15B7 16E7 18D8 21F6										
M_CLK1-	M_CLK1- - @pwb_lib.MBX187	11B8 11D5		SUS_ON#	SUS_ON# - @pwb_lib.MBX187	18D3 19B5 20C7 21E6										
M_CS#0	M_CS#0 - @pwb_lib.MBX187	8E4 11A6 11B2 11B4 11B6		SUS_ON_EC	SUS_ON_EC - @pwb_lib.MBX187	12E1 21F8										
M_CS#1	M_CS#1 - @pwb_lib.MBX187	11B8 11D2 11D4 11D6 11D8		SW_LID#	SW_LID# - @pwb_lib.MBX187	12D7 15D4										
M_ODT0	M_ODT0 - @pwb_lib.MBX187	8C4 11B2 11B4 11B6 11B8		SW_PWR#	SW_PWR# - @pwb_lib.MBX187	12D7 15D4 26B3 26D5										
M_ODT1	M_ODT1 - @pwb_lib.MBX187	11E2 11E4 11E6 11E8		SW_RADIO_DIS	SW_RADIO_DIS - @pwb_lib.MBX187	12A6 15D4										
OTP_IN	OTP_IN - @pwb_lib.MBX187	11B2 11B4 11B6 11B8 11D2		SW_SP0#	SW_SP0# - @pwb_lib.MBX187	12D1 15D4										
PANEL_ID<0>	PANEL_ID<0> - @pwb_lib.MBX187	11D4 11D6 11D8		SW_SP1#	SW_SP1# - @pwb_lib.MBX187	12D1 15D6										
PANEL_ID<1>	PANEL_ID<1> - @pwb_lib.MBX187	11B2 11B4 11B6 11B8 11D2		SYS_ID<13>	SYS_ID<13> - @pwb_lib.MBX187	7B3 7D3 26E6										
PCIE_LAN_RX+	PCIE_LAN_RX+ - @pwb_lib.MBX187	11D4 11D6 11D8		SYS_ID<14>	SYS_ID<14> - @pwb_lib.MBX187	7B3 7D3										
PCIE_LAN_RX-	PCIE_LAN_RX- - @pwb_lib.MBX187	11B2 11B4 11B6 11B8 11D2		SYS_ID<15>	SYS_ID<15> - @pwb_lib.MBX187	7B2 7D3										
PCIE_LAN_TX+	PCIE_LAN_TX+ - @pwb_lib.MBX187	11D4 11D6 11D8		SYS_PRS_VR	SYS_PRS_VR - @pwb_lib.MBX187	23B4 25C1										
PCIE_LAN_TX-	PCIE_LAN_TX- - @pwb_lib.MBX187	17C7 22B7 25E8		THERMDA	THERMDA - @pwb_lib.MBX187	2C5 2E4										
PCIE_MNCD_RX+	PCIE_MNCD_RX+ - @pwb_lib.MBX187	7D3 13C5		THERMDC	THERMDC - @pwb_lib.MBX187	2C5 2E4										
PCIE_MNCD_RX-	PCIE_MNCD_RX- - @pwb_lib.MBX187	6C2 16C3		THERMISTOR	THERMISTOR - @pwb_lib.MBX187	12D7 14B6 26E6										
PCIE_MNCD_TX+	PCIE_MNCD_TX+ - @pwb_lib.MBX187	6C2 16C3		THERM_EC#	THERM_EC# - @pwb_lib.MBX187	7C3 7D1 12C7										
PCIE_MNCD_TX-	PCIE_MNCD_TX- - @pwb_lib.MBX187	6C2 16C3		UL_BKL	UL_BKL - @pwb_lib.MBX187	13E3 25E2										
PCIE_WAKE#	PCIE_WAKE# - @pwb_lib.MBX187	6C3 16C3		UL_CHK	UL_CHK - @pwb_lib.MBX187	25E8 26B3 26D5										
PCIE_WAKE_SCH#	PCIE_WAKE_SCH# - @pwb_lib.MBX187	6C3 16C3		UL_IN#	UL_IN# - @pwb_lib.MBX187	25C4 25D5										
PLT_RST#	PLT_RST# - @pwb_lib.MBX187	6C2 16C3		USB_BT+	USB_BT+ - @pwb_lib.MBX187	7E6 16C3										
		6C2 16C3		USB_BT-	USB_BT- - @pwb_lib.MBX187	7E6 16C3										
		6C3 16D3		USB_CAM+	USB_CAM+ - @pwb_lib.MBX187	7E6 14D3										
		6C3 16D3		USB_CAM-	USB_CAM- - @pwb_lib.MBX187	7E6 14D3										
		7B2 16C7		USB_CLT_DET	USB_CLT_DET - @pwb_lib.MBX187	7C1 7D3										
		7C1 7D3 7E1		USB_MCR+	USB_MCR+ - @pwb_lib.MBX187	7E6 16C3										
		7D3 12A7 12E7 14B4 16D7		USB_MCR-	USB_MCR- - @pwb_lib.MBX187	7E6 16C3										
		22C7 26E3		USB_OC0#	USB_OC0# - @pwb_lib.MBX187	7E6 7E7 15B7										
		12A8 12D1		USB_OC1#	USB_OC1# - @pwb_lib.MBX187	7E6 7E7 16E7										
		6E6 7D1 12B2 12E7 26E3		USB_OC2#	USB_OC2# - @pwb_lib.MBX187	7E6 7E7										
		6D1 6D3 17E8		USB_OC3#	USB_OC3# - @pwb_lib.MBX187	7E6 7E7										
		6D3 6E1 8B4		USB_OC4#	USB_OC4# - @pwb_lib.MBX187	7E6 7E7										
		6D3 6E1 12E1		USB_OC5#	USB_OC5# - @pwb_lib.MBX187	7E6 7E7										
		6D1 7D3 12E1		USB_OC6#	USB_OC6# - @pwb_lib.MBX187	7E6 7E7										
		6D1 7D3 12A3		USB_OC7#	USB_OC7# - @pwb_lib.MBX187	7E6 7E7										
		6D1 6D3 12D1		USB_P0+	USB_P0+ - @pwb_lib.MBX187	7F6 15C6										
		6D1 6D3 12D1		USB_P0-	USB_P0- - @pwb_lib.MBX187	7F6 15C6										
		4C7 7D3		USB_P1+	USB_P1+ - @pwb_lib.MBX187	7F6 16C3										
		2E1 22C7		USB_P1-	USB_P1- - @pwb_lib.MBX187	7F6 16C3										
		2C5 2E3 5C6		USB_P1_5V	USB_P1_5V - @pwb_lib.MBX187	16D7 16E6										
		7D1 7D3		USB_WIMAX+	USB_WIMAX+ - @pwb_lib.MBX187	7E6 16D3										
		12D1 15B3		USB_WIMAX-	USB_WIMAX- - @pwb_lib.MBX187	7E6 16D3										
		7D1 7D3 15B3		USB_WWAN+	USB_WWAN+ - @pwb_lib.MBX187	7F6 16B3										
		7C3 7D1 12D8		USB_WWAN-	USB_WWAN- - @pwb_lib.MBX187	7F6 16B3										
		15D4 22C2 24B7 25C1		VBACKUP_RS	VBACKUP_RS - @pwb_lib.MBX187	25A7 26B6 26D5										
		19C3 19D5		VBKL_CD1	VBKL_CD1 - @pwb_lib.MBX187	13C4 13D3 26B6 26D4										
		12A7 18D8 21E1		VBKL_CD2	VBKL_CD2 - @pwb_lib.MBX187	13C4 13D3 26B3 26D4										
		12D1 21D1		VBKL_CD3	VBKL_CD3 - @pwb_lib.MBX187	13C4 13D3 26B6 26D4										
		12B3 18B3 21B1		VBKL_CD4	VBKL_CD4 - @pwb_lib.MBX187	13C4 13D3 26B3 26D4										
		7C2 12B3 21C1		VBKL_CD5	VBKL_CD5 - @pwb_lib.MBX187	13C4 13D3 26A6 26D4										
		18C8 21A5		VBKL_CD6	VBKL_CD6 - @pwb_lib.MBX187	13C4 13D3 26A3 26D4										
		18C8 21C5		VCC6239	VCC6239 - @pwb_lib.MBX187	19B5 19C4										
		18C8 21A5		VDC_DETECT#	VDC_DETECT# - @pwb_lib.MBX187	23C6 24C5										
		19B3 21E5		VDC_LVL	VDC_LVL - @pwb_lib.MBX187	23C6 24C6										
		12D7 26D4		VPD_CLK	VPD_CLK - @pwb_lib.MBX187	16C3 16E5										
		18F6 19E4 20F8		VPD_DATA	VPD_DATA - @pwb_lib.MBX187	16C3 16E5										
		3B7 12A3 26E3		VPWRSRC_RS+	VPWRSRC_RS+ - @pwb_lib.MBX187	23F3 26B3 26D6										
		20E8 21A6		VR_ON	VR_ON - @pwb_lib.MBX187	17E8 21C6										
		12D1 21A8		VR_ON_EC	VR_ON_EC - @pwb_lib.MBX187	12E1 21C8										
		6D3 25B5		WWAN_PWREN#	WWAN_PWREN# - @pwb_lib.MBX187	12B3 14D6										
		15B3 18D8 21D6		WWAN_RF_ON	WWAN_RF_ON - @pwb_lib.MBX187	12B3 14D6										
		14E4 18B4 18B6 18C4 19B5														
		20A8 21D6														
		12E1 21D8														
		6D3 12E1														
		7D3 12E7														
		6C3 14C3														
		6C3 14C3														
		6D3 14C6														
		6D3 14C6														
		6C1 6D3 14C6														
		6C1 6D3 14C6														
		6C3 14C3														
		6C3 14C3														
		6C3 14C3														
		6C3 14C3														
		7C3 18B3 26C6														
		7C3 7D1														
		12D1 23B4														
		12D1 23B4														
		2E6 8B4 12B3														
		2E6 8B4 12B3														
		4C7 7B3 7B6 7D1 15B3														
		4C7 7B3 7B6 7D1 15B3														
		23E3 24B5 24F3														
		12C7 12D7														
		12C8 12D7														
		12C8 12D7														
		12B7 12D7														
		12D1 15B3														
		12D1 15D6														
		12D1 15D4														
		7C3 12C7														

SONY CORPORATION			
-			
-	-	REV. 1	PART NO. -
-	-</		

Title: Cref Part Report
 Design: mbx187
 Date: May 9 17:09:55 2009

C1	C_0603	mbx187[2E5]
C2	C_0603	mbx187[2F6]
C3	C_0603	mbx187[2B5]
C102	C_0603	mbx187[3D2]
C103	C_0603	mbx187[3D2]
C104	3TERMINAL_C_1608	mbx187[3C2]
C105	3TERMINAL_C_1608	mbx187[3C2]
C108	C_0603	mbx187[3B2]
C109	C_0603	mbx187[3B2]
C110	C_0603	mbx187[3B2]
C111	C_0603	mbx187[3B2]
C112	C_0603	mbx187[3D5]
C113	C_1005	mbx187[3E2]
C114	3TERMINAL_C_3216	mbx187[3E2]
C115	3TERMINAL_C_3216	mbx187[3E2]
C120	C_1005	mbx187[3E2]
C121	C_1005	mbx187[3E2]
C122	C_1005	mbx187[3E2]
C123	C_1005	mbx187[3E2]
C124	C_1005	mbx187[3E2]
C125	C_1005	mbx187[3E2]
C126	C_1005	mbx187[3E2]
C127	C_1005	mbx187[3E2]
C128	C_1005	mbx187[3E2]
C129	C_1608	mbx187[3D5]
C200	C_0603	mbx187[4D6]
C201	C_0603	mbx187[4D6]
C202	C_0603	mbx187[4D6]
C203	C_0603	mbx187[4D6]
C204	C_0603	mbx187[4D7]
C205	C_0603	mbx187[4D7]
C206	C_0603	mbx187[4D7]
C207	3TERMINAL_C_2012	mbx187[4D7]
C208	3TERMINAL_C_1608	mbx187[4D5]
C300	C_0603	mbx187[5C7]
C301	C_0603	mbx187[5E2]
C302	C_0603	mbx187[5D2]
C350	C_0603	mbx187[6D3]
C351	C_0603	mbx187[6C4]
C352	C_0603	mbx187[6C4]
C353	C_0603	mbx187[6C4]
C354	C_0603	mbx187[6C4]
C355	C_0603	mbx187[6C4]
C356	C_0603	mbx187[6C4]
C357	C_0603	mbx187[6C4]
C358	C_0603	mbx187[6C4]
C359	C_0603	mbx187[6C4]
C360	C_0603	mbx187[6C4]
C361	C_0603	mbx187[6D4]
C362	C_0603	mbx187[6D4]
C363	C_0603	mbx187[6D2]
C400	C_1608	mbx187[7F4]
C401	C_1005	mbx187[7F4]
C402	C_1005	mbx187[7F4]
C403	C_1005	mbx187[7F4]
C406	C_0603	mbx187[7B7]
C450	C_0603	mbx187[8B5]
C452	C_0603	mbx187[8D3]
C453	C_2012	mbx187[8C2]
C454	C_2012	mbx187[8C1]
C455	C_1608	mbx187[8C2]
C500	C_1005	mbx187[9E7]
C502	C_1005	mbx187[9E7]
C503	C_1005	mbx187[9E7]
C506	C_1005	mbx187[9E6]
C508	C_1005	mbx187[9D6]
C509	C_0603	mbx187[9D6]
C510	3TERMINAL_C_2012	mbx187[9F4]
C511	3TERMINAL_C_2012	mbx187[9F4]
C514	C_0603	mbx187[9E1]
C515	C_0603	mbx187[9E1]
C516	C_0603	mbx187[9E1]
C517	3TERMINAL_C_2012	mbx187[9F1]
C518	3TERMINAL_C_3216	mbx187[9F1]
C520	C_0603	mbx187[9D4]
C521	C_1005	mbx187[9D3]
C522	C_1005	mbx187[9D3]
C523	C_1005	mbx187[9D4]
C528	C_0603	mbx187[9B4]
C530	C_1005	mbx187[9B4]
C531	C_0603	mbx187[9B4]
C532	C_0603	mbx187[9C4]
C533	C_0603	mbx187[9A4]
C534	C_1005	mbx187[9C4]
C535	C_1608	mbx187[9B4]
C536	C_1005	mbx187[9D4]
C537	C_1005	mbx187[9D4]

C540	C_1005	mbx187[9C4]
C541	C_0603	mbx187[9B2]
C542	C_0603	mbx187[9B2]
C543	C_0603	mbx187[9E7]
C700	C_0603	mbx187[11F5]
C701	C_0603	mbx187[11E5]
C702	C_1005	mbx187[11F4]
C703	C_0603	mbx187[11F4]
C704	C_0603	mbx187[11D3]
C705	C_0603	mbx187[11D3]
C706	C_0603	mbx187[11C3]
C707	C_1005	mbx187[11D2]
C708	C_0603	mbx187[11D2]
C709	C_0603	mbx187[11D1]
C710	C_0603	mbx187[11D1]
C711	C_0603	mbx187[11C1]
C712	C_0603	mbx187[11F3]
C713	C_0603	mbx187[11F3]
C714	C_0603	mbx187[11E3]
C715	C_1005	mbx187[11F2]
C716	C_0603	mbx187[11F2]
C717	C_0603	mbx187[11F1]
C718	C_0603	mbx187[11F1]
C719	C_0603	mbx187[11E1]
C720	C_1005	mbx187[11D7]
C721	C_0603	mbx187[11D7]
C722	C_0603	mbx187[11D7]
C723	C_0603	mbx187[11C7]
C724	C_0603	mbx187[11D7]
C725	C_1005	mbx187[11F7]
C726	C_0603	mbx187[11F7]
C727	C_0603	mbx187[11F7]
C728	C_0603	mbx187[11F7]
C729	C_0603	mbx187[11E7]
C730	C_0603	mbx187[11F7]
C731	C_0603	mbx187[11F7]
C732	C_0603	mbx187[11F5]
C733	C_0603	mbx187[11F5]
C734	C_0603	mbx187[11F3]
C735	C_0603	mbx187[11F3]
C736	C_0603	mbx187[11F1]
C737	C_0603	mbx187[11F1]
C738	C_0603	mbx187[11D7]
C739	C_0603	mbx187[11D7]
C740	C_0603	mbx187[11D5]
C741	C_0603	mbx187[11D5]
C742	C_1005	mbx187[11D6]
C743	C_0603	mbx187[11D5]
C744	C_0603	mbx187[11D5]
C745	C_0603	mbx187[11D5]
C746	C_0603	mbx187[11C5]
C747	C_1005	mbx187[11D4]
C748	C_0603	mbx187[11D4]
C749	C_1005	mbx187[11F6]
C750	C_0603	mbx187[11F5]
C751	C_0603	mbx187[11F5]
C752	C_0603	mbx187[11D3]
C753	C_0603	mbx187[11D3]
C754	C_0603	mbx187[11D1]
C755	C_0603	mbx187[11D1]
C756	C_1608	mbx187[11F4]
C757	C_1608	mbx187[11D4]
C758	C_0603	mbx187[11D6]
C759	C_0603	mbx187[11D4]
C800	C_0603	mbx187[12E5]
C801	C_0603	mbx187[12C7]
C802	C_0603	mbx187[12E4]
C803	C_1005	mbx187[12F5]
C804	C_0603	mbx187[12F5]
C805	C_0603	mbx187[12F5]
C806	C_0603	mbx187[12F6]
C807	C_0603	mbx187[12C7]
C1000	C_2012	mbx187[13E5]
C1001	C_3225	mbx187[13E4]
C1002	C_1005	mbx187[13C7]
C1003	C_1005	mbx187[13E4]
C1004	C_2012	mbx187[13E6]
C1100	C_0603	mbx187[14E7]
C1101	C_0603	mbx187[14E6]
C1102	C_0603	mbx187[14E6]
C1103	C_0603	mbx187[14E5]
C1104	C_1608	mbx187[14E5]
C1200	C_1005	mbx187[15B7]
C1300	C_0603	mbx187[16E4]
C1301	C_1005	mbx187[16E7]
C1500	C_2012	mbx187[17E4]
C1502	C_1005	mbx187[17E3]
C1503	C_0603	mbx187[17D4]
C1504	C_0603	mbx187[17D5]
C1505	C_1005	mbx187[17E5]
C1506	C_1005	mbx187[17D5]
C1508	CE_7343	mbx187[17D1]

REVISIONS				
ZONE	LTR	DESCRIPTION	DATE	APPR.

SONY CORPORATION

THIS DOCUMENT CONTAINS INFORMATION PROPRIETARY TO SONY CORPORATION (SONY). USE OR DISCLOSURE WITHOUT THE WRITTEN PERMISSION OF AN OFFICER OF SONY IS EXPRESSLY FORBIDDEN.
 COPYRIGHT (C) SONY CORPORATION 2009

SIZE	DESIGNER	QTY	REV.	PART NO.
C	-	1	-	-

REVISIONS

ZONE	LTR	DESCRIPTION	DATE	APPR.
------	-----	-------------	------	-------

IC300	POULSBO_CSP1249	mbx187[6D5]
IC300	POULSBO_CSP1249	mbx187[7D5]
IC300	POULSBO_CSP1249	mbx187[8D5]
IC300	POULSBO_CSP1249	mbx187[9E7 9D2]
IC300	POULSBO_CSP1249	mbx187[10D2 10D7 10D4]
IC401	NM24C02M8_SON9	mbx187[7B7]
IC450	TMP10X_ES6	mbx187[8B5]
IC700	DDR2_SDRAM2GX8_CSP63	mbx187[11C4]
IC701	DDR2_SDRAM2GX8_CSP63	mbx187[11C2]
IC702	DDR2_SDRAM2GX8_CSP63	mbx187[11E4]
IC703	DDR2_SDRAM2GX8_CSP63	mbx187[11E2]
IC704	DDR2_SDRAM2GX8_CSP63	mbx187[11C7]
IC705	DDR2_SDRAM2GX8_CSP63	mbx187[11E7]
IC706	DDR2_SDRAM2GX8_CSP63	mbx187[11C5]
IC707	DDR2_SDRAM2GX8_CSP63	mbx187[11E5]
IC800	H8S2112_LGA145	mbx187[12B5 12D5]
IC801	7408_FSV	mbx187[12A7]
IC802	S_NOTICE_SON8	mbx187[12B7]
IC803	SST25VF080_SON9	mbx187[12C7]
IC805	7408_FSV	mbx187[12A6]
IC1000	7408_SSOP8	mbx187[13D6 13D7]
IC1002	BD6581_CSP24	mbx187[13D4]
IC1003	7414_FSV	mbx187[13E7]
IC1004	7432_FSV	mbx187[13E7]
IC1100	7408_FSV	mbx187[14B3]
IC1101	LIS302_QFN14	mbx187[14E5]
IC1200	RT9702_SOT23-5	mbx187[15B7]
IC1300	24C08_SON9	mbx187[16E3]
IC1301	RT9702_SOT23-5	mbx187[16E7]
IC1500	MAX8796_7_QFN33	mbx187[17D6]
IC1600	MAX17017_QFN49	mbx187[18C7]
IC1700	R3116_SON5	mbx187[19A7]
IC1701	ISL6239_QFN29A	mbx187[19C5]
IC1900	7414_SSOP8	mbx187[21D6 21E7 21E4]
IC1903	PST3XXX_SON4	mbx187[21C3]
IC1904	PST3XXX_SON4	mbx187[21B3]
IC1905	7414_FSV	mbx187[21E2]
IC2000	TPS715XX_SC88A	mbx187[22E5]
IC2100	MAX8765_QFN29	mbx187[23C5]
IC2300	7414_SSOP8	mbx187[25B2 25B4 25B3]
IC2303	R3116_SON5	mbx187[25D6]
JR700	CONDUCTOR_0603	mbx187[11B3]
JR701	CONDUCTOR_0603	mbx187[11B1]
JR702	CONDUCTOR_0603	mbx187[11D3]
JR703	CONDUCTOR_0603	mbx187[11D1]
JR704	CONDUCTOR_0603	mbx187[11B7]
JR705	CONDUCTOR_0603	mbx187[11D7]
JR708	CONDUCTOR_0603	mbx187[11B5]
JR709	CONDUCTOR_0603	mbx187[11D5]
JR800	CONDUCTOR_0603	mbx187[12C3]
JR1000	CONDUCTOR_0603	mbx187[13D3]
JR1001	CONDUCTOR_0603	mbx187[13D3]
JR1700	CONDUCTOR_0603	mbx187[19B4]
JR1701	CONDUCTOR_0603	mbx187[19B4]
JR1702	CONDUCTOR_0603	mbx187[19B4]
JR1703	CONDUCTOR_0603	mbx187[19B2]
JR2100	CONDUCTOR_1005	mbx187[23D5]
L1000	LP_50H28	mbx187[13F5]
L1500	LP_49H30	mbx187[17D2]
L1600	LP_70H30	mbx187[18E4]
L1601	LP_49H30	mbx187[18C5]
L1602	LP_37H18	mbx187[18C5]
L1700	LP_70H30	mbx187[19E7]
L1701	LP_70H30	mbx187[19E3]
L2100	LP_60H30	mbx187[23C3]
OL2000	OPENLAND_SMD	mbx187[22B7]
Q1	M_FET_NCH_E_3P_VMT3G	mbx187[2E4]
	SD	
Q2	DTR-PNP-RBE_FSM3BEC	mbx187[2F4]
Q3	TR-NPN_VMT3BEC	mbx187[2E2]
Q100	2M_FET_NCH_E_6P_ES6	mbx187[3B6 3B6]
Q400	DTR-NPN-RBE_FSM3BEC	mbx187[7C2]
Q800	DTR-PNP-RBE_FSM3BEC	mbx187[12C2]
Q801	M_FET_NCH_E_3P_VMT3G	mbx187[12C2]
	SD	
Q1000	M_FET_NCH_E_6P_CMFFA	mbx187[13E5]
	K6	
Q1001	DTR-NPN-RBE_FSM3BEC	mbx187[13B7]
Q1002	2M_FET_NCH_E_6P_ES6	mbx187[13C7 13B6]
Q1005	M_FET_NCH_E_8P_2916-	mbx187[13C6]
	8	
Q1200	DTR-PNP-RBE_FSM3BEC	mbx187[15C7]
Q1201	2M_FET_PCH_E_6P_ES6	mbx187[15D7 15D7]
Q1203	2M_FET_PCH_E_6P_ES6	mbx187[15E7 15E7]
Q1205	2M_FET_PCH_E_6P_ES6	mbx187[15F7 15E7]
Q1500	M_FET_NCH_E_3P_VMT3G	mbx187[17B6]
	SD	
Q1502	2M_FET_NCH_E_6P_SON6	mbx187[17D3 17D3]
Q1600	2M_FET_NCH_E_6P_ES6	mbx187[18D4 18D3]
Q1601	2M_FET_NCH_E_6P_ES6	mbx187[18B5 18C4]
Q1603	2M_FET_NCH_E_6P_SON6	mbx187[18E5 18E5]
Q1605	M_FET_NCH_E_8P_2924-	mbx187[18B1]

Q1606	8	2M_FET_NCH_E_6P_ES6	mbx187[18B3 18B2]
Q1700		M_FET_NCH_E_5P_SON5	mbx187[19E3]
Q1702		2M_FET_NCH_E_6P_ES6	mbx187[19B6 19B6]
Q1705		2M_FET_NCH_E_6P_SON6	mbx187[19E6 19E6]
Q1706		M_FET_NCH_E_5P_SON5	mbx187[19E3]
Q1707		DTR-PNP-RBE_FS6	mbx187[19B3 19B3]
Q1708		DTR-NPN-RBE_FSM3BEC	mbx187[19B4]
Q1709		M_FET_NCH_E_3P_VMT3G	mbx187[19A3]
		SD	
Q1800		2M_FET_NCH_E_6P_ES6	mbx187[20B6 20B5]
Q1802		2M_FET_NCH_E_8P_SON8	mbx187[20F4 20F3]
Q1804		2M_FET_NCH_E_6P_ES6	mbx187[20D4 20D5]
Q1806		2M_FET_NCH_E_8P_SON8	mbx187[20B6 20D6]
Q1808		M_FET_NCH_E_8P_2916-	mbx187[20D4]
		8	
Q1809		2M_FET_NCH_E_6P_ES6	mbx187[20D7 20B7]
Q1811		TR-NPN_VMT3BEC	mbx187[20E7]
Q1812		DTR-NPN-PNP-RBE_FS6	mbx187[20E7 20E7]
Q1814		2M_FET_NCH_E_6P_ES6	mbx187[20E5]
Q1814		2M_FET_NCH_E_6P_ES6	mbx187[23B3]
Q1815		M_FET_NCH_E_8P_2916-	mbx187[20B5]
		8	
Q2000		DTR-NPN-PNP-RBE_FS6	mbx187[22C7 22C7]
Q2002		TR-NPN_ES6	mbx187[22B5 22B4]
Q2004		DTR-PNP-RBE_FSM3BEC	mbx187[22C3]
Q2005		M_FET_NCH_E_3P_VMT3G	mbx187[22C2]
		SD	
Q2101		2M_FET_PCH_E_8P_SON8	mbx187[23F2 23E2]
Q2103		M_FET_PCH_E_3P_VMT3G	mbx187[23E3]
		SD	
Q2104		2M_FET_NCH_E_6P_SON6	mbx187[23D2 23D2]
Q2106		2M_FET_NCH_E_6P_ES6	mbx187[23B7 23B7]
Q2200		2M_FET_PCH_E_8P_SON8	mbx187[24E4 24E3]
Q2202		2M_FET_NCH_E_6P_ES6	mbx187[23E6]
Q2202		2M_FET_NCH_E_6P_ES6	mbx187[24D3]
Q2204		TR-NPN_VMT3BEC	mbx187[24A6]
Q2205		DTR-NPN-PNP-RBE_FS6	mbx187[24D2 24D3]
Q2207		2M_FET_PCH_E_6P_ES6	mbx187[24D4 24D4]
Q2300		2M_FET_NCH_E_6P_ES6	mbx187[25B2 25D5]
Q2302		TR-NPN_VMT3BEC	mbx187[25D6]
R1		R_0603	mbx187[2C3]
R2		R_0603	mbx187[2C3]
R3		R_0603	mbx187[2E4]
R6		R_0603	mbx187[2F6]
R7		R_0603	mbx187[2C8]
R8		R_0603	mbx187[2C8]
R9		R_0603	mbx187[2C5]
R10		R_0603	mbx187[2D5]
R11		R_0603	mbx187[2C5]
R12		R_0603	mbx187[2D5]
R13		R_0603	mbx187[2D5]
R14		R_0603	mbx187[2D4]
R15		R_0603	mbx187[2E5]
R16		R_0603	mbx187[2C4]
R17		R_0603	mbx187[2C4]
R18		R_0603	mbx187[2B5]
R19		R_0603	mbx187[2B5]
R20		R_0603	mbx187[2E2]
R21		R_0603	mbx187[2D5]
R22		R_0603	mbx187[2C2]
R23		R_0603	mbx187[2C2]
R24		R_0603	mbx187[2C2]
R25		R_0603	mbx187[2C2]
R26		R_0603	mbx187[2C8]
R27		R_0603	mbx187[2E5]
R28		R_0603	mbx187[2E2]
R100		R_0603	mbx187[3B6]
R101		R_0603	mbx187[3B7]
R200		CONDUCTOR_0603	mbx187[4D7]
R300		R_0603	mbx187[5C7]
R301		R_0603	mbx187[5C7]
R302		R_0603	mbx187[5C7]
R303		R_0603	mbx187[5D7]
R304		R_0603	mbx187[5E2]
R305		R_0603	mbx187[5D2]
R306		R_0603	mbx187[5D2]
R307		R_0603	mbx187[5C3]
R308		R_0603	mbx187[5C7]
R309		R_0603	mbx187[5C5]
R310		R_0603	mbx187[5C5]
R311		R_0603	mbx187[5C6]
R312		R_0603	mbx187[5E2]
R313		R_0603	mbx187[5C3]
R314		R_0603	mbx187[5C3]
R350		R_0603	mbx187[6E3]
R351		R_0603	mbx187[6E4]
R352		R_0603	mbx187[6B4]
R353		R_0603	mbx187[6D1]
R354		R_0603	mbx187[6D1]
R355		R_0603	mbx187[6B4]
R357		R_0603	mbx187[6D1]

SONY CORPORATION

THIS DOCUMENT CONTAINS INFORMATION PROPRIETARY TO SONY CORPORATION (SONY). USE OR DISCLOSURE WITHOUT THE WRITTEN PERMISSION OF AN OFFICER OF SONY IS EXPRESSLY FORBIDDEN.

SIZE **C** DESIGNER - REV. - PART NO. - QTY 1 SHEET 34 OF <TOTAL DESIGN SHEETS>

www.PhotoVue.com

TP102 TESTPAD_- mbx187[3E5]
 TP103 TESTPAD_- mbx187[3E5]
 TP104 TESTPAD_- mbx187[3D5]
 TP105 TESTPAD_- mbx187[3D5]
 TP106 TESTPAD_- mbx187[3C5]
 TP107 TESTPAD_- mbx187[3C5]
 TP200 TESTPAD_- mbx187[4C6]
 TP201 TESTPAD_- mbx187[4C6]
 TP300 TESTPAD_- mbx187[5D3]
 TP301 TESTPAD_- mbx187[5D3]
 TP302 TESTPAD_- mbx187[5B1]
 TP303 TESTPAD_- mbx187[5B1]
 TP304 TESTPAD_- mbx187[5B1]
 TP305 TESTPAD_- mbx187[5B1]
 TP306 TESTPAD_- mbx187[5B1]
 TP307 TESTPAD_- mbx187[5B1]
 TP308 TESTPAD_- mbx187[5B1]
 TP309 TESTPAD_- mbx187[5B1]
 TP310 TESTPAD_- mbx187[5B1]
 TP311 TESTPAD_- mbx187[5B1]
 TP312 TESTPAD_- mbx187[5B1]
 TP313 TESTPAD_- mbx187[5B1]
 TP314 TESTPAD_- mbx187[5A1]
 TP315 TESTPAD_- mbx187[5A1]
 TP316 TESTPAD_- mbx187[5A1]
 TP317 TESTPAD_- mbx187[5A1]
 TP318 TESTPAD_- mbx187[5A1]
 TP350 TESTPAD_- mbx187[6C2]
 TP351 TESTPAD_- mbx187[6C2]
 TP354 TESTPAD_- mbx187[6B5]
 TP355 TESTPAD_- mbx187[6C3]
 TP356 TESTPAD_- mbx187[6C3]
 TP357 TESTPAD_- mbx187[6C3]
 TP358 TESTPAD_- mbx187[6C3]
 TP359 TESTPAD_- mbx187[6E5]
 TP360 TESTPAD_- mbx187[6D4]
 TP361 TESTPAD_- mbx187[6E1]
 TP362 TESTPAD_- mbx187[6E1]
 TP363 TESTPAD_- mbx187[6D1]
 TP364 TESTPAD_- mbx187[6D1]
 TP365 TESTPAD_- mbx187[6D1]
 TP400 TESTPAD_- mbx187[7C4]
 TP401 TESTPAD_- mbx187[7C4]
 TP402 TESTPAD_- mbx187[7C4]
 TP403 TESTPAD_- mbx187[7B4]
 TP404 TESTPAD_- mbx187[7B4]
 TP405 TESTPAD_- mbx187[7B4]
 TP406 TESTPAD_- mbx187[7B4]
 TP407 TESTPAD_- mbx187[7C4]
 TP408 TESTPAD_- mbx187[7B4]
 TP409 TESTPAD_- mbx187[7B4]
 TP450 TESTPAD_- mbx187[8C3]
 TP451 TESTPAD_- mbx187[8C3]
 TP452 TESTPAD_- mbx187[8C3]
 TP453 TESTPAD_- mbx187[8C3]
 TP454 TESTPAD_- mbx187[8C3]
 TP455 TESTPAD_- mbx187[8C3]
 TP456 TESTPAD_- mbx187[8C3]
 TP457 TESTPAD_- mbx187[8C3]
 TP458 TESTPAD_- mbx187[8C3]
 TP459 TESTPAD_- mbx187[8C3]
 TP600 TESTPAD_- mbx187[10C5]
 TP601 TESTPAD_- mbx187[10C5]
 TP602 TESTPAD_- mbx187[10C4]
 TP603 TESTPAD_- mbx187[10C4]
 TP604 TESTPAD_- mbx187[10C4]
 TP605 TESTPAD_- mbx187[10C4]
 TP606 TESTPAD_- mbx187[10B3]
 TP607 TESTPAD_- mbx187[10B3]
 TP700 TESTPAD_- mbx187[11A4]
 TP701 TESTPAD_- mbx187[11A4]
 TP702 TESTPAD_- mbx187[11A4]
 TP703 TESTPAD_- mbx187[11A4]
 TP704 TESTPAD_- mbx187[11A4]
 TP705 TESTPAD_- mbx187[11A4]
 TP706 TESTPAD_- mbx187[11A4]
 TP707 TESTPAD_- mbx187[11A4]
 TP708 TESTPAD_- mbx187[11A6]
 TP709 TESTPAD_- mbx187[11A6]
 TP710 TESTPAD_- mbx187[11A6]
 TP711 TESTPAD_- mbx187[11A6]
 TP712 TESTPAD_- mbx187[11A6]
 TP713 TESTPAD_- mbx187[11A6]
 TP714 TESTPAD_- mbx187[11A7]
 TP715 TESTPAD_- mbx187[11A5]
 TP716 TESTPAD_- mbx187[11A3]
 TP717 TESTPAD_- mbx187[11A1]
 TP718 TESTPAD_- mbx187[11A1]
 TP800 TESTPAD_- mbx187[12E5]
 TP801 TESTPAD_- mbx187[12C6]
 TP802 TESTPAD_- mbx187[12A6]
 TP803 TESTPAD_- mbx187[12A6]

TP804 TESTPAD_- mbx187[12A6]
 TP805 TESTPAD_- mbx187[12A6]
 TP807 TESTPAD_- mbx187[12A7]
 TP808 TESTPAD_- mbx187[12B3]
 TP810 TESTPAD_- mbx187[12E8]
 TP811 TESTPAD_- mbx187[12E8]
 TP812 TESTPAD_- mbx187[12D8]
 TP813 TESTPAD_- mbx187[12A3]
 TP1000 TESTPAD_- mbx187[13D5]
 TP1100 TESTPAD_- mbx187[14F6]
 TP1101 TESTPAD_- mbx187[14E6]
 TP1102 TESTPAD_- mbx187[14E6]
 TP1200 TESTPAD_- mbx187[15C6]
 TP1201 TESTPAD_- mbx187[15C6]
 TP1202 TESTPAD_- mbx187[15B6]
 TP1300 TESTPAD_- mbx187[16C3]
 TP1301 TESTPAD_- mbx187[16C3]
 TP1500 TESTPAD_- mbx187[17C4]
 TP1501 TESTPAD_- mbx187[17C4]
 TP1900 TESTPAD_- mbx187[21F6]
 TP1901 TESTPAD_- mbx187[21D6]
 TP1902 TESTPAD_- mbx187[21C6]
 TP1903 TESTPAD_- mbx187[21B6]
 TP1904 TESTPAD_- mbx187[21F2]
 TP1905 TESTPAD_- mbx187[21E2]
 TP1906 TESTPAD_- mbx187[21D2]
 TP1907 TESTPAD_- mbx187[21B2]
 TP2100 TESTPAD_- mbx187[23B2]
 TP2101 TESTPAD_- mbx187[23B2]
 TP2102 TESTPAD_- mbx187[23B2]
 TP2103 TESTPAD_- mbx187[23B2]
 TP2104 TESTPAD_- mbx187[23B2]
 TP2105 TESTPAD_- mbx187[23B1]
 TP2900 TESTPAD_- mbx187[26D5]
 TP2901 TESTPAD_- mbx187[26D5]
 TP2902 TESTPAD_- mbx187[26D5]
 TP2903 TESTPAD_- mbx187[26D5]
 TP2904 TESTPAD_- mbx187[26D5]
 TP2905 TESTPAD_- mbx187[26D5]
 TP2906 TESTPAD_- mbx187[26D5]
 TP2908 TESTPAD_- mbx187[26D4]
 TP2909 TESTPAD_- mbx187[26D4]
 TP2910 TESTPAD_- mbx187[26D4]
 TP2911 TESTPAD_- mbx187[26D4]
 TP2912 TESTPAD_- mbx187[26D4]
 TP2913 TESTPAD_- mbx187[26D4]
 TP2914 TESTPAD_- mbx187[26D4]
 TP2915 TESTPAD_- mbx187[26D4]
 TP2917 TESTPAD_- mbx187[26D3]
 TP2918 TESTPAD_- mbx187[26D3]
 TP2919 TESTPAD_- mbx187[26D3]
 TP2920 TESTPAD_- mbx187[26D3]
 TP2921 TESTPAD_- mbx187[26D3]
 TP2922 TESTPAD_- mbx187[26D3]
 TP2923 TESTPAD_- mbx187[26D3]
 TP2924 TESTPAD_- mbx187[26D3]
 X200 XTAL_3225+2 mbx187[4D7]
 X350 XTAL_2012 mbx187[6D2]
 X800 XTAL3P_SMD mbx187[12C3]

REVISIONS				
ZONE	LTR	DESCRIPTION	DATE	APPR.

SONY CORPORATION		-	
THIS DOCUMENT CONTAINS INFORMATION PROPRIETARY TO SONY CORPORATION (SONY). USE OR DISCLOSURE WITHOUT THE WRITTEN PERMISSION OF AN OFFICER OF SONY IS EXPRESSLY FORBIDDEN. COPYRIGHT (C) SONY CORPORATION 2009		QTY 1	REV. -
SIZE C	DESIGNER -	PART NO. -	
		SHEET 37 OF <TOTAL DESIGN SHEETS>	