

SONY PROPRIETARY INFORMATION

SONY CONFIDENTIAL

REVISIONS			
ZONE	LTR	DESCRIPTION	DATE

# IRX-3400 SCHEMATICS

## MBX-147

### FOR MP

## REV. 1.154

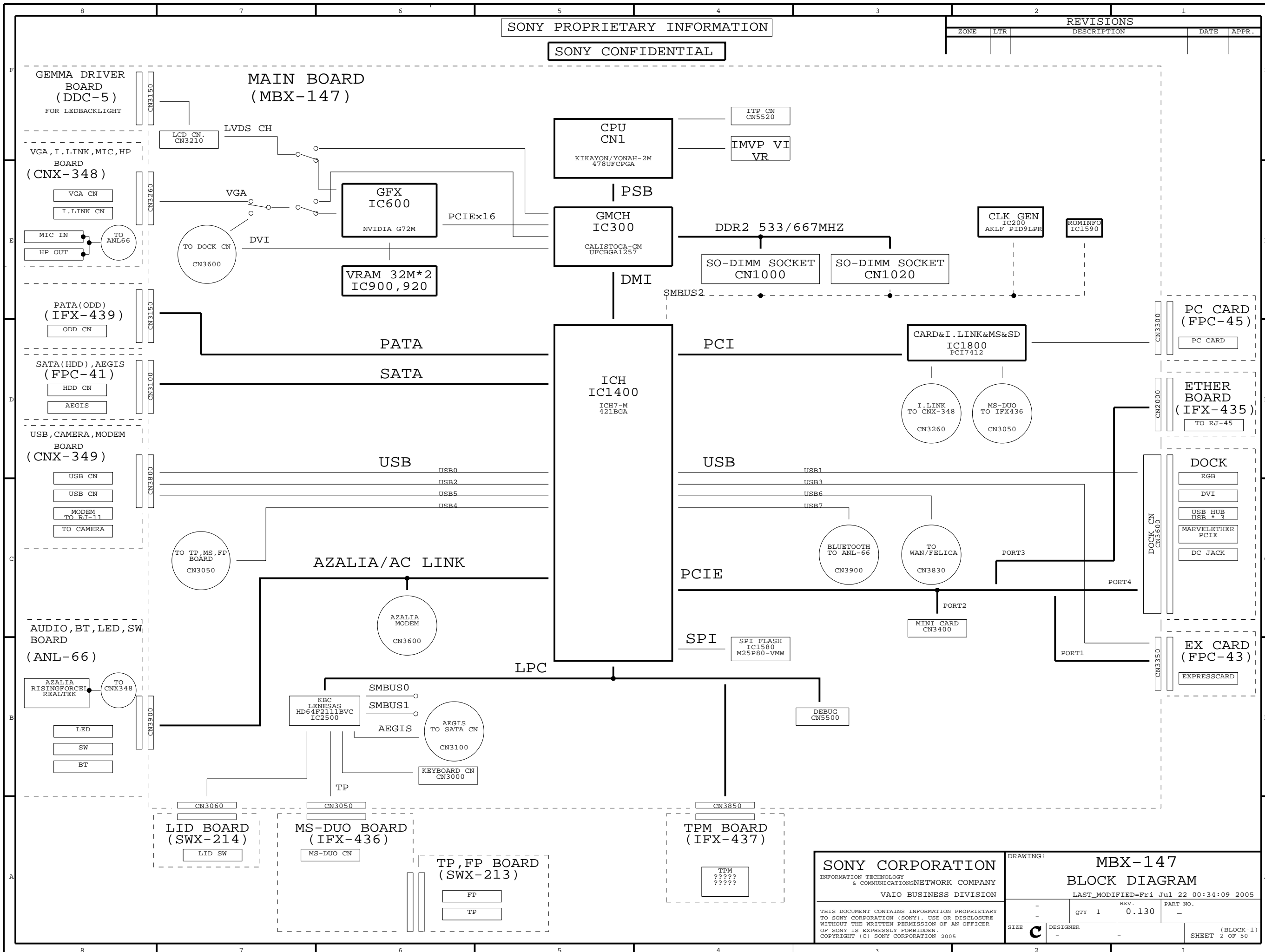
TABLE OF CONTENTS

BLOCK	PAGE	REF. NO.	DESCRIPTIONS
TITLE	1	-	INDEX (THIS PAGE)
○ 1 BLOCK	2	-	BLOCK DIAGRAM
	3	-	POWER SUPPLY DIAGRAM
○ 2 REVISION	4	-	REVISION HISTORY (1/2)
	5	-	REVISION HISTORY (2/2)
○ 3 CPU	6 (CPU-1)	0 - 99	CPU (1/2)
	7 (CPU-2)	100 - 199	CPU (2/2)
○ 4 CLKGEN	8 (CLK GEN-1)	200 - 299	CLOCK GENERATOR
○ 5 GMCH	9 (GMCH-1)	300 -	GMCH (1/5)
	10 (GMCH-2)	- 399	GMCH (2/5)
	11 (GMCH-3)	400 -	GMCH (3/5)
	12 (GMCH-4)	- 499	GMCH (4/5)
	13 (GMCH-5)	500 - 599	GMCH (5/5)
○ 6 GFX	14 (GFX-1)	600 - 659	GFX (1/5)
	15 (GFX-2)	660 - 699	GFX (2/5)
	16 (GFX-3)	700 - 799	GFX (3/5)
	17 (GFX-4)	800 - 899	GFX (4/5)
	18 (GFX-5)	900 - 999	GFX (5/5)
○ 7 MEMORY	19 (MEMORY-1)	1000 -	DDR2 MEMORY (1/2)
	20 (MEMORY-2)	- 1299	DDR2 MEMORY (2/2)
○ 8 ICH	21 (ICH-1)	1400 - 1499	ICH7-M (1/3)
	22 (ICH-2)	1500 - 1599	ICH7-M (2/3)
	23 (ICH-3)	1600 - 1699	ICH7-M (3/3)
○ 9 COMBO	24 (COMBO-1)	1800 -	I.LINK & MS-DUO & PCCARD(1/2)
	25 (COMBO-2)	- 1999	I.LINK & MS-DUO & PCCARD(2/2)
○ 10 LAN	26 (LAN-1)	2000 - 2199	GIGABIT/FAST ETHERNET
○ 11 LPC	27 (LPC-1)	2500 - 2599	EC/KBC
○ 12 CN	28 (CN-1)	3000 - 3099	KEYBOARD & TP,ETC & LID
	29 (CN-2)	3100 - 3199	IDE CN ( SATA,AEGIS / PATA )
	30 (CN-3)	3200 - 3259	LCD CTRL & CN
	31 (CN-4)	3260 - 3299	VGA & I.LINK
	32 (CN-5)	3300 - 3399	PC CARD & EXPRESS CARD
	33 (CN-6)	3400 - 3499	MINI CARD (WIRELESS-LAN)
	34 (CN-7)	3600 - 3699	DOCK CN
	35 (CN-8)	3800 - 3899	USB,CAMERA,MODEM & WAN & TPM
	36 (CN-9)	3900 - 3999	SW & LED & AUDIO
○ 13 POWER	37 (POWER-1)	4000 - 4099	+VCPUCORE
	38 (POWER-2)	5100 - 5199	+VGFXCORE / +VGFXMEM
	39 (POWER-3)	4100 - 4199	+1.5VSUS / +1.05VSUS
	40 (POWER-4)	4200 - 4299	+1.8VSUS / +VDDRVTT
	41 (POWER-5)	4300 - 4399	+1.2VSUS / +2.5VSUS
	42 (POWER-6)	4400 - 4499	+3VALW / +5VALW
	43 (POWER-7)	4500 - 4599	LOAD SW
	44 (POWER-8)	4600 - 4699	TIMING SEQUENCER
	45 (POWER-9)	4700 - 4799	POWER LIMITER
	46 (POWER-10)	4800 - 4899	BATTERY CHARGER
	47 (POWER-11)	4900 - 4999	DC_IN
	48 (POWER-12)	5000 - 5099	PROTECTION (UL CIRCUIT)
○ 14 DEBUG	49 (DEBUG-1)	5500 - 5599	DEBUG / POWER-CHECK / ITP CN
○ 15 VARIANCE	50 (VARIANCE-1)		VARIANCE

REVISIONS

STUDY	:	0.010	2005/	6/09
		0.020	2005/	6/10
		0.030	2005/	6/14
		0.040	2005/	6/20
		0.050	2005/	6/27
EVT	:	0.100	2005/	7/01
		0.110	2005/	7/11
		0.120	2005/	7/14
		0.130	2005/	7/25
		0.140	2005/	8/01
		0.150	2005/	8/03
		0.160	2005/	8/05
		0.170	2005/	8/08
		0.180	2005/	8/09
		0.190	2005/	8/10
		0.1A0	2005/	8/11
		0.1B0	2005/	8/16
		0.1B1	2005/	8/19
		0.1B2	2005/	8/22
		0.1B3	2005/	8/25
		0.1B4	2005/	8/30
DVT	:	0.200	2005/	9/17
		0.210	2005/	9/26
		0.220	2005/	9/29
		0.230	2005/	9/30
		0.240	2005/	10/2
		0.241	2005/	10/2
		0.242	2005/	10/11
		0.243	2005/	10/18
		0.244	2005/	10/18.2
		0.245	2005/	10/20
		0.245	2005/	10/20
DVT2	:	0.300	2005/	10/24
		0.310	2005/	10/26
PVT	:	1.100	2005/	11/08
		1.110	2005/	11/10
		1.111	2005/	11/15
		1.120	2005/	11/17
		1.130	2005/	11/19
		1.140	2005/	11/19.2
		1.150	2005/	11/21
		1.151	2005/	11/28
		1.152	2005/	11/30
		1.153	2005/	12/12
MP	:	1.154	2006/	01/16

SONY CORPORATION		DRAWING: MBX-147	
INFORMATION TECHNOLOGY & COMMUNICATIONS NETWORK COMPANY		INDEX	
VAIO BUSINESS DIVISION		LAST_MODIFIED=Mon Jan 16 20:39:24 2006	
172719611	REV. 1.154	QTY 1/5	PART NO. 186977311
2S-260			
SIZE C	DESIGNER		SHEET 1 OF 50
THIS DOCUMENT CONTAINS INFORMATION PROPRIETARY TO SONY CORPORATION (SONY). USE OR DISCLOSURE WITHOUT THE WRITTEN PERMISSION OF AN OFFICER OF SONY IS EXPRESSLY FORBIDDEN. COPYRIGHT (C) SONY CORPORATION 2005			



SONY PROPRIETARY INFORMATION

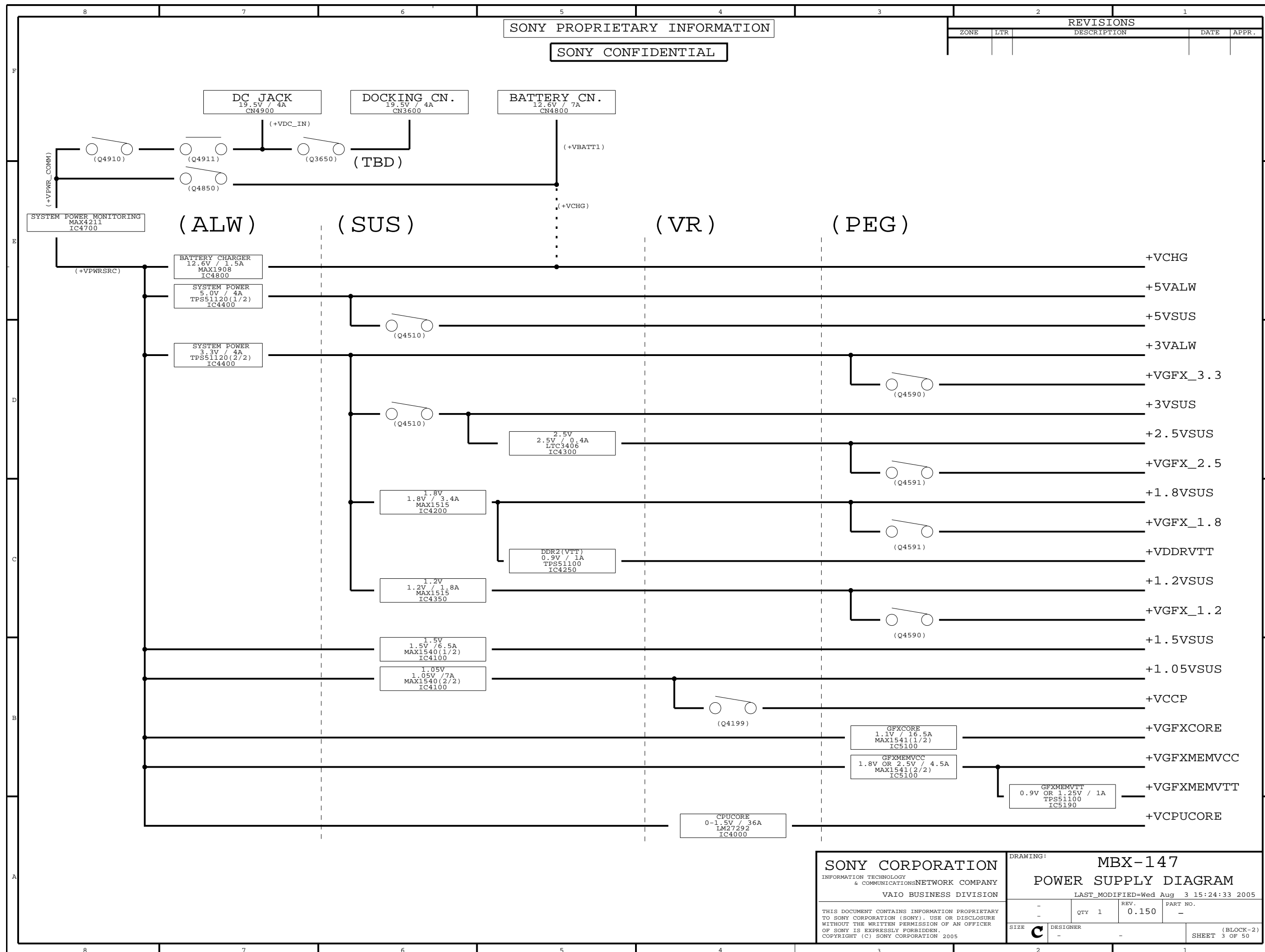
SONY CONFIDENTIAL

REVISIONS				
ZONE	LTR	DESCRIPTION	DATE	APPR.

**SONY CORPORATION**  
 INFORMATION TECHNOLOGY & COMMUNICATIONS NETWORK COMPANY  
 VAIO BUSINESS DIVISION

THIS DOCUMENT CONTAINS INFORMATION PROPRIETARY TO SONY CORPORATION (SONY). USE OR DISCLOSURE WITHOUT THE WRITTEN PERMISSION OF AN OFFICER OF SONY IS EXPRESSLY FORBIDDEN.  
 COPYRIGHT (C) SONY CORPORATION 2005

DRAWING:		MBX-147	
BLOCK DIAGRAM		LAST_MODIFIED=Fri Jul 22 00:34:09 2005	
SIZE	C	QTY	1
DESIGNER	-	REV.	0.130
		PART NO.	-
			(BLOCK-1)
			SHEET 2 OF 50



SONY PROPRIETARY INFORMATION

SONY CONFIDENTIAL

REVISIONS

ZONE	LTR	DESCRIPTION	DATE	APPR.

SONY CORPORATION  
INFORMATION TECHNOLOGY  
& COMMUNICATIONS NETWORK COMPANY  
VAIO BUSINESS DIVISION

THIS DOCUMENT CONTAINS INFORMATION PROPRIETARY TO SONY CORPORATION (SONY). USE OR DISCLOSURE WITHOUT THE WRITTEN PERMISSION OF AN OFFICER OF SONY IS EXPRESSLY FORBIDDEN.  
COPYRIGHT (C) SONY CORPORATION 2005

DRAWING: MBX-147  
POWER SUPPLY DIAGRAM  
LAST\_MODIFIED=Wed Aug 3 15:24:33 2005

SIZE	DESIGNER	QTY	REV.	PART NO.
C		1	0.150	

(BLOCK-2)  
SHEET 3 OF 50



SONY PROPRIETARY INFORMATION

SONY CONFIDENTIAL

REVISIONS			
ZONE	LTR	DESCRIPTION	DATE

(DVT2)

(REV. 0.245 -> 0.300)

P.14 ADD PARTS : IC620, JR620, R621  
 P.37 ADD PARTS : C4051  
 P.38 CHG PARTS : R5170, 5177  
 CHG NET : R5170.1 VCC\_IC510->PEG\_PWR\_ON

(REV. 0.300 -> 0.310)

P.14 ADD PARTS : R622, JR621, 622, 640, 641, IC640, C646  
 P.16 ADD PARTS : IC751, R756  
 P.27 ADD NET : IC2500.55 PEG\_RST\_EC#  
 P.38 CHG PARTS : R5170, 5177  
 CHG NET : R5170.1

(PVT)

(REV. 0.310 -> 1.100)

P.14 ADD PARTS : Q610  
 P.18 DEL PARTS : R980, 981, 983, 984  
 P.35 CHG NOTES : MT->DNI Q3810, 3811, R3812, 3813, C3810, F3811  
 CHG NOTES : DNI->MT F3810  
 P.38 DEL PARTS : IC5190, C5190-5195  
 CHG NET : R5196.2 CHK +VGFXXMEMVTT->CHK +VGFXXMEMVCC  
 P.49 CHG NOTES : MT->DNI R5521, 5522, 5524, 5527, C5520, 5521, CN5520  
 CHG NET : CN5510.11 CHK +VGFXXMEMVTT->CHK +VGFXXMEMVCC

(REV. 1.100 -> 1.110)

P.37 CHG PARTS&REF : JR4016->SL4016

(REV. 1.110 -> 1.111)

P.24 CHG PARTS : R1851, C1860-1863

(REV. 1.111 -> 1.120)

P.14 CHG PARTS : R608, 609 56K  
 P.33 CHG LIB : CN3400, CN3401 -> CN3400  
 P.39 CHG PARTS : R4131->SL4129, R4151->SL4159  
 : SL4170->R4170, SL4171->R4171  
 P.44 CHG NET : IC4660.6 NC->DGND  
 P.46 CHG PARTS : D4852  
 ADD PARTS : D4851, 4853  
 P.47 CHG PARTS : R4910, C4910

(REV. 1.120 -> 1.130)

P.45 ADD PARTS : R4724, 4733-4735, C4730, 4731, IC4710

(REV. 1.130 -> 1.140)

P.14 CHG NET : Q610.2 PEG\_PWR\_ON -> +VGF3.3  
 P.17 ADD PARTS : Q881, R881

(REV. 1.140 -> 1.150)

P.32 CHG REP&PARTS : JR3350, 3351->R3370, 3371

(REV. 1.150 -> 1.151)

P.8 CHG NOTES : R205 DNI->MT

(REV. 1.151 -> 1.152)

P.15 CHG PARTS : C665  
 P.17 CHG PARTS : C832, 853  
 P.18 CHG PARTS : C905-907, C925-927  
 P.22 CHG PARTS : C1500, 1501  
 P.36 CHG PARTS : R3913, 3914, 3918, 3919, 3923  
 P.47 CHG PARTS&NOTES : C4900, 4901 DNI->MT, R4962

(REV. 1.152 -> 1.153)

P.39 CHG PARTS : L4140 -11 -> -21  
 P.42 CHG PARTS : R4414, 4424

(MP)

(REV. 1.153 -> 1.154)

P.7 CHG PARTS : C112, 113, 120-125 220PF  
 P.15 CHG PARTS : C664 1000PF  
 P.17 CHG PARTS : C832, 842, 853 1000PF, C831, 841, 843, 851 180PF  
 P.18 CHG PARTS : C903, 904, 907, 922, 924, 927 1000PF  
 : C905, 906, 908, 923, 926, 928 1000PF  
 P.42 CHG NOTES : R4442 MT->DNI  
 P.43 CHG PARTS : R4553, 4554 00HM  
 P.46 CHG PARTS : R4800

SONY CORPORATION  
 INFORMATION TECHNOLOGY  
 & COMMUNICATIONS NETWORK COMPANY  
 VAIO BUSINESS DIVISION

DRAWING: MBX-147  
 REVISION HISTORY (2/2)  
 LAST\_MODIFIED=Mon Jan 16 17:52:56 2006

THIS DOCUMENT CONTAINS INFORMATION PROPRIETARY TO SONY CORPORATION (SONY). USE OR DISCLOSURE WITHOUT THE WRITTEN PERMISSION OF AN OFFICER OF SONY IS EXPRESSLY FORBIDDEN.  
 COPYRIGHT (C) SONY CORPORATION 2005

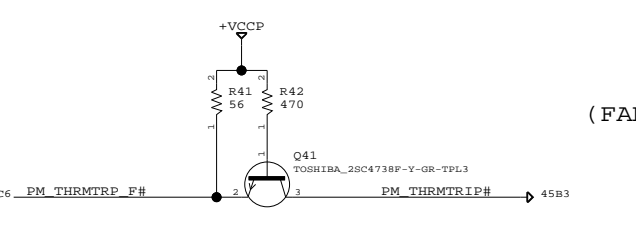
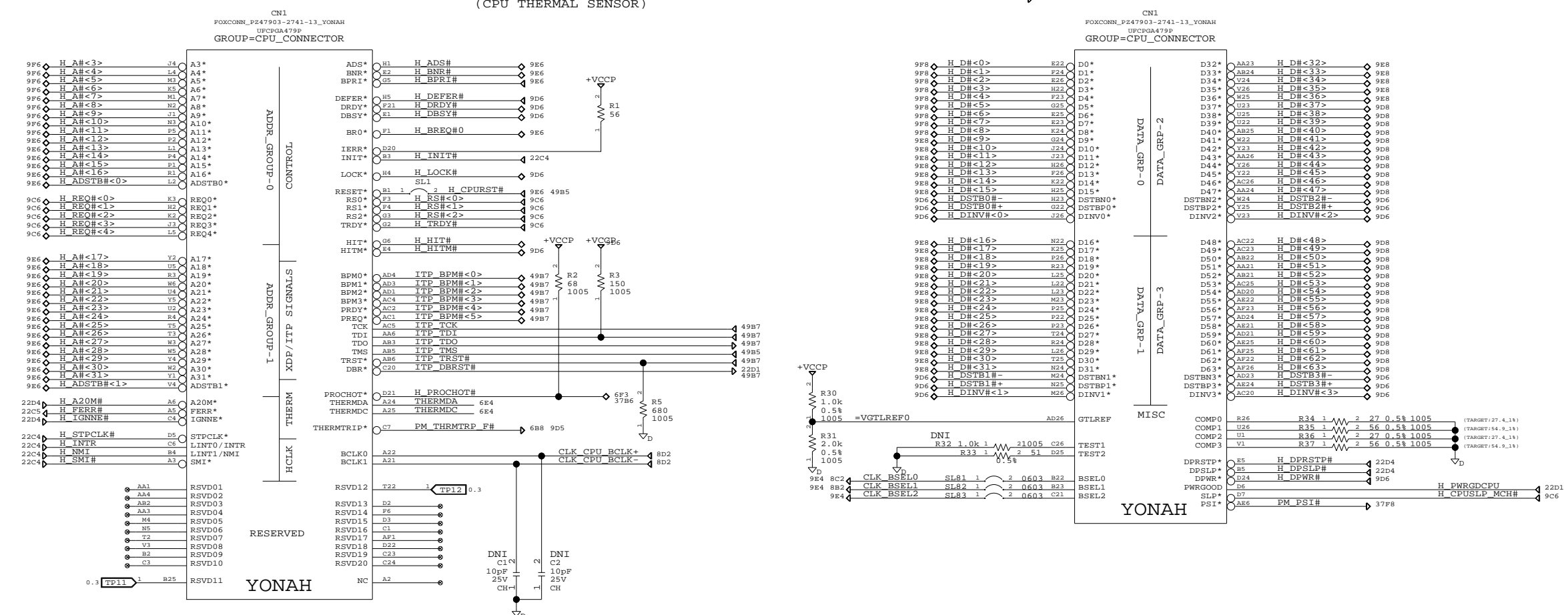
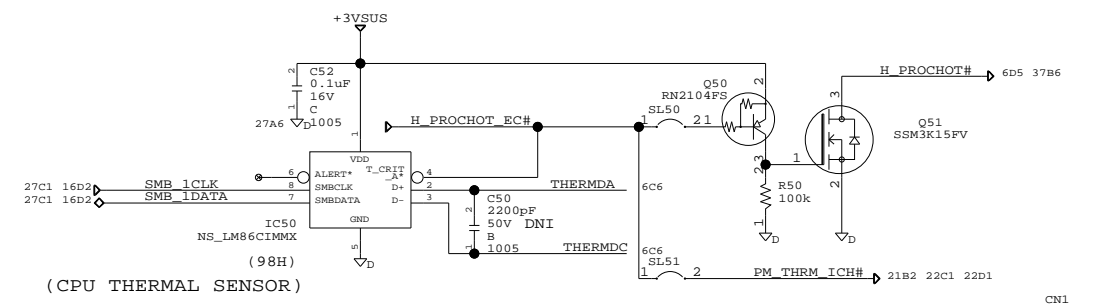
REV.	QTY	DESIGNER	PART NO.
1.154	1	-	-

SIZE C SHEET 5 OF 50 (REVISION-2)

SONY PROPRIETARY INFORMATION

SONY CONFIDENTIAL

REVISIONS				
ZONE	LTR	DESCRIPTION	DATE	APPR.



**SONY CORPORATION**  
INFORMATION TECHNOLOGY & COMMUNICATIONS NETWORK COMPANY  
VAIO BUSINESS DIVISION

THIS DOCUMENT CONTAINS INFORMATION PROPRIETARY TO SONY CORPORATION (SONY). USE OR DISCLOSURE WITHOUT THE WRITTEN PERMISSION OF AN OFFICER OF SONY IS EXPRESSLY FORBIDDEN.  
COPYRIGHT (C) SONY CORPORATION 2005

DRAWING: **MBX-147 CPU (1/2)**

LAST\_MODIFIED=Mon Jan 16 20:46:47 2006

QTY 1	REV. 0.210	PART NO. -
SIZE <b>C</b>	DESIGNER -	SHEET 6 OF 50

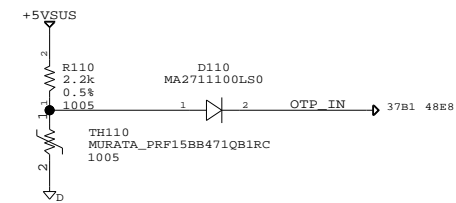
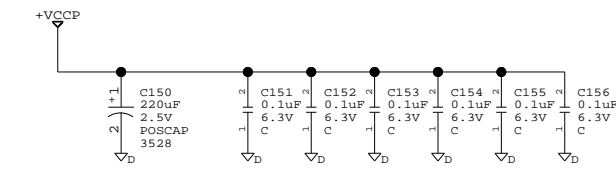
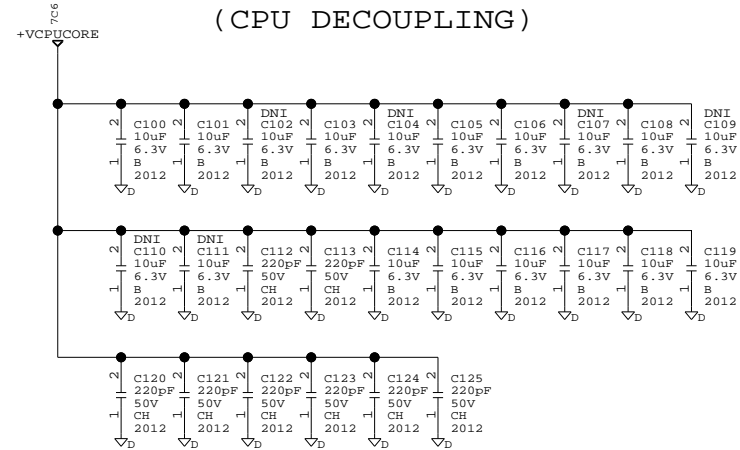
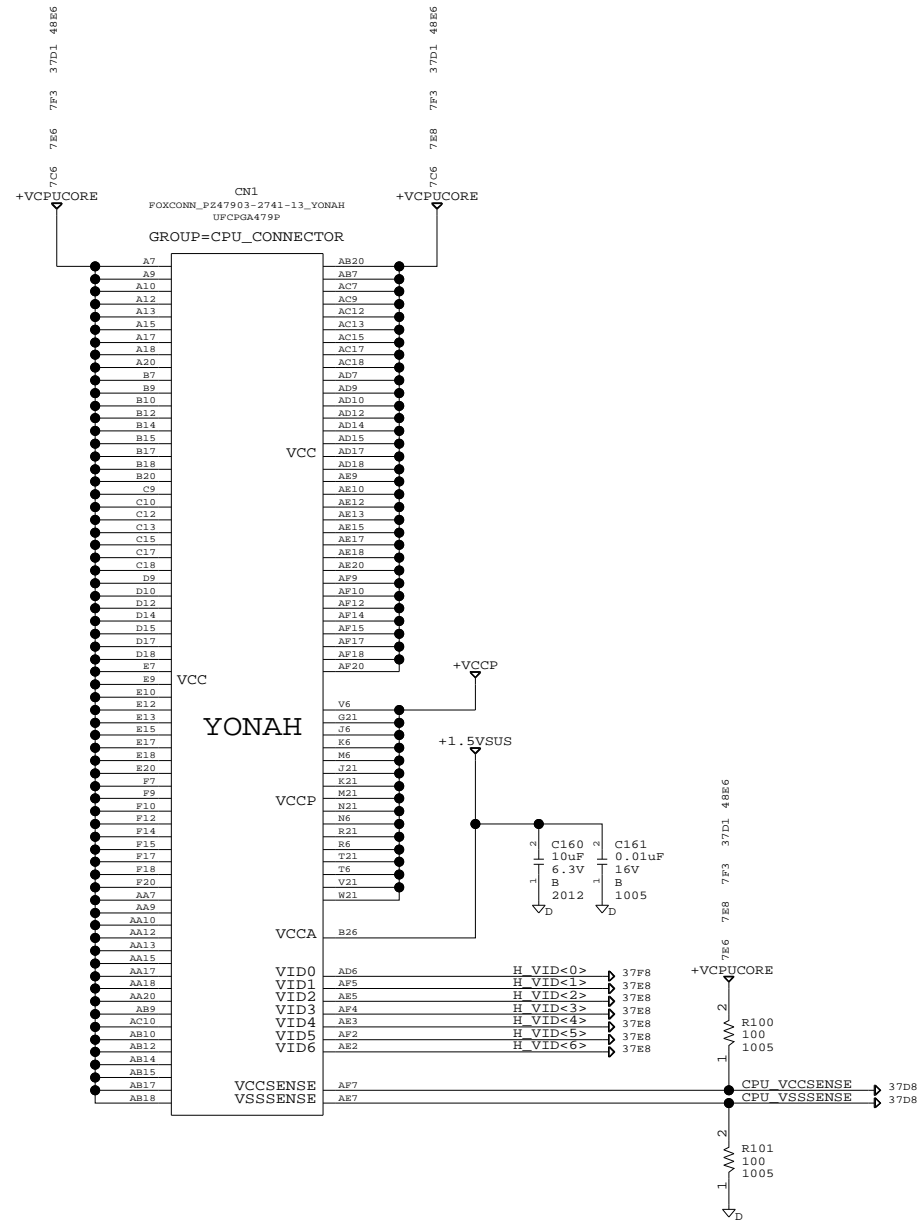
(CPU-1)

(REF: 0- 100)

SONY PROPRIETARY INFORMATION

SONY CONFIDENTIAL

REVISIONS				
ZONE	LTR	DESCRIPTION	DATE	APPR.



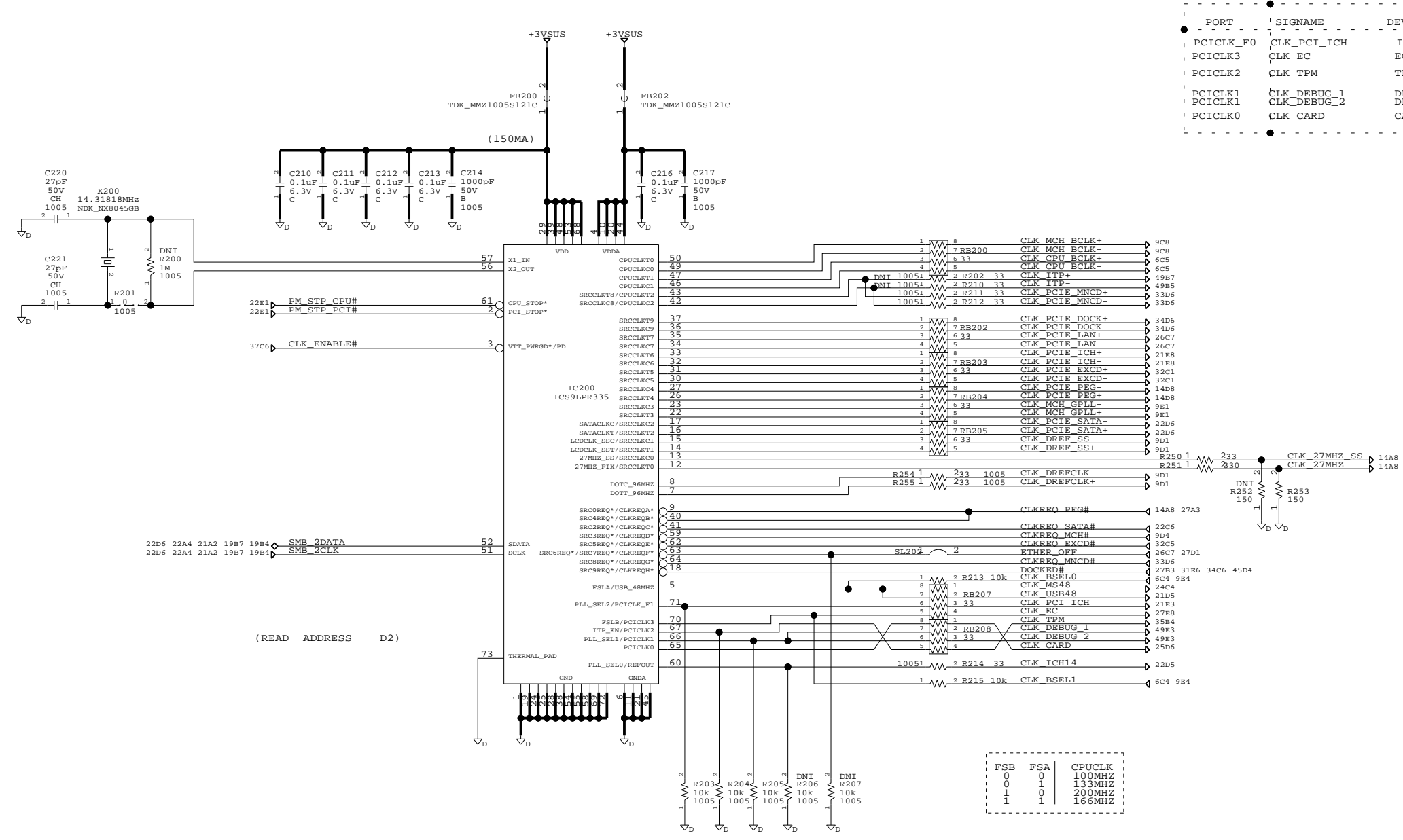
(REF: 100- 199)

<b>SONY CORPORATION</b> INFORMATION TECHNOLOGY & COMMUNICATIONS NETWORK COMPANY VAIO BUSINESS DIVISION		DRAWING: <b>MBX-147</b> <b>CPU (2/2)</b> LAST_MODIFIED=Mon Jan 16 20:46:49 2006	
THIS DOCUMENT CONTAINS INFORMATION PROPRIETARY TO SONY CORPORATION (SONY). USE OR DISCLOSURE WITHOUT THE WRITTEN PERMISSION OF AN OFFICER OF SONY IS EXPRESSLY FORBIDDEN. COPYRIGHT (C) SONY CORPORATION 2005		QTY 1 REV. 1.154 PART NO. -	PART NO. - SHEET 7 OF 50 (CPU-2)

SONY PROPRIETARY INFORMATION

SONY CONFIDENTIAL

REVISIONS				
ZONE	LTR	DESCRIPTION	DATE	APPR.



PORT	SIGNAME	DEVICE
PCICLK_F0	CLK_PCI_ICH	ICH
PCICLK3	CLK_EC	EC
PCICLK2	CLK_TPM	TPM
PCICLK1	CLK_DEBUG_1	DEBUG
PCICLK1	CLK_DEBUG_2	DEBUG
PCICLK0	CLK_CARD	CARD

(READ ADDRESS D2)

(REF: 200- 299)

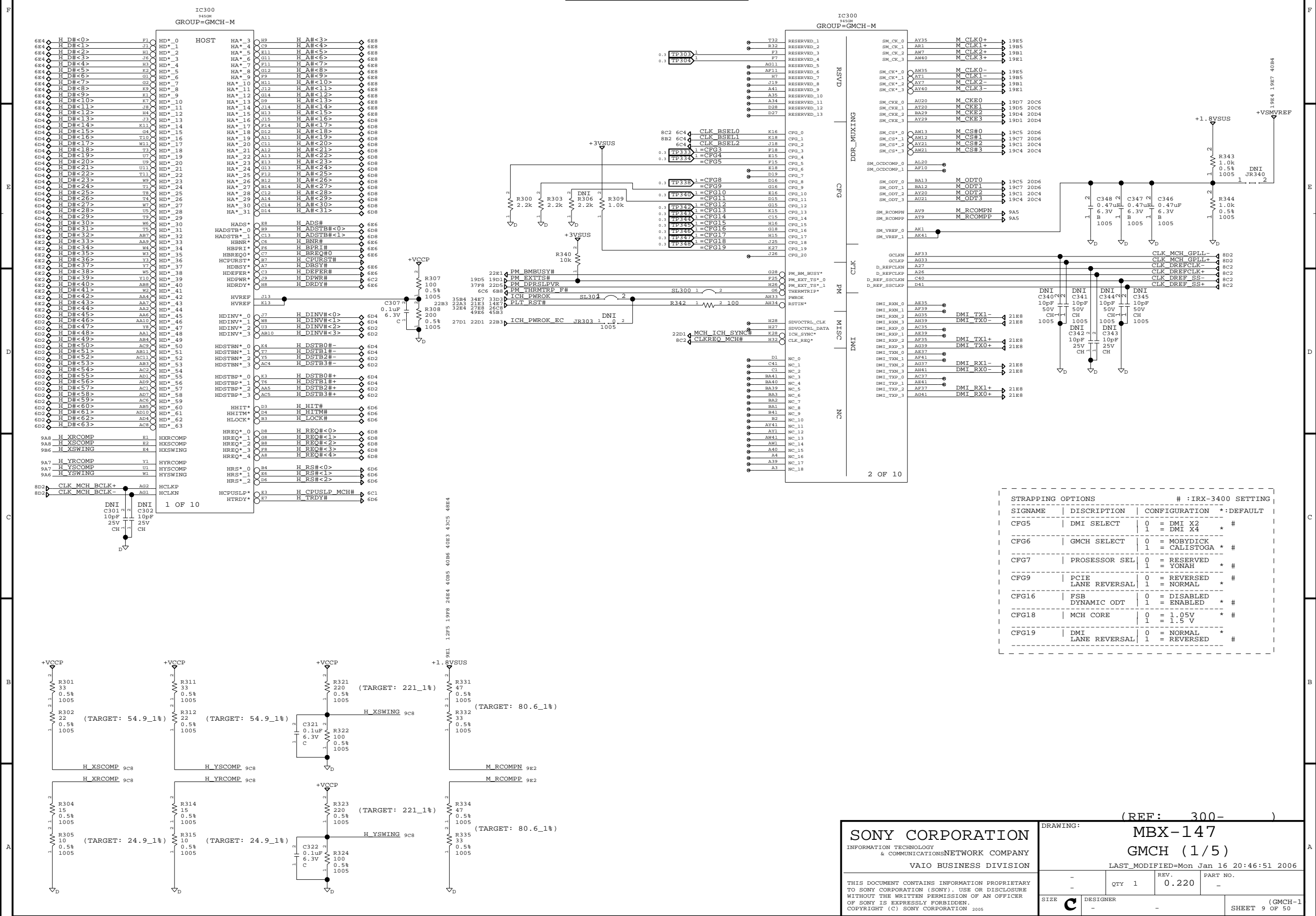
<b>SONY CORPORATION</b> INFORMATION TECHNOLOGY & COMMUNICATIONS NETWORK COMPANY VAIO BUSINESS DIVISION		DRAWING: <b>MBX-147</b> <b>CLOCK GENERATOR</b> LAST_MODIFIED=Mon Jan 16 20:46:50 2006	
THIS DOCUMENT CONTAINS INFORMATION PROPRIETARY TO SONY CORPORATION (SONY). USE OR DISCLOSURE WITHOUT THE WRITTEN PERMISSION OF AN OFFICER OF SONY IS EXPRESSLY FORBIDDEN. COPYRIGHT (C) SONY CORPORATION 2005		QTY 1 REV. 1.151	PART NO. - (CLKGEN-1) SHEET 8 OF 50



SONY PROPRIETARY INFORMATION

SONY CONFIDENTIAL

REVISIONS			
ZONE	LTR	DESCRIPTION	DATE



STRAPPING OPTIONS				# : IRIX-3400 SETTING	
SIGNAME	DISCRIPTION	CONFIGURATION	*: DEFAULT		
CFG5	DMI SELECT	0 = DMI X2 1 = DMI X4	*	#	
CFG6	GMCH SELECT	0 = MOBYDICK 1 = CALISTOGA	*	#	
CFG7	PROSESSOR SEL	0 = RESERVED 1 = YONAH	*	#	
CFG9	PCIE LANE REVERSAL	0 = REVERSED 1 = NORMAL	*	#	
CFG16	FSB DYNAMIC ODT	0 = DISABLED 1 = ENABLED	*	#	
CFG18	MCH CORE	0 = 1.05V 1 = 1.5V	*	#	
CFG19	DMI LANE REVERSAL	0 = NORMAL 1 = REVERSED	*	#	

**SONY CORPORATION**  
INFORMATION TECHNOLOGY & COMMUNICATIONS NETWORK COMPANY  
VAIO BUSINESS DIVISION

(REF: 300- )

**MBX-147**  
**GMCH (1/5)**

LAST\_MODIFIED=Mon Jan 16 20:46:51 2006

QTY	1	REV.	0.220	PART NO.	
DESIGNER					

THIS DOCUMENT CONTAINS INFORMATION PROPRIETARY TO SONY CORPORATION (SONY). USE OR DISCLOSURE WITHOUT THE WRITTEN PERMISSION OF AN OFFICER OF SONY IS EXPRESSLY FORBIDDEN.  
COPYRIGHT (C) SONY CORPORATION 2005

SIZE **C** SHEET 9 of 50 (GMCH-1)

SONY PROPRIETARY INFORMATION

SONY CONFIDENTIAL

REVISIONS

Table with columns: ZONE, LTR, DESCRIPTION, DATE, APPR.

IC300 945GM GROUP=GMCH-M

IC300 945GM GROUP=GMCH-M

Pin list for IC300 945GM GROUP=GMCH-M, columns: Pin No., Pin Name, Pin Name, Pin No., Pin Name, Pin No.

Pin list for IC300 945GM GROUP=GMCH-M, columns: Pin No., Pin Name, Pin Name, Pin No., Pin Name, Pin No.

DDR SYSTEM MEMORY-A

DDR SYSTEM MEMORY-B

(NEED TWO VIAS)

(NEED TWO VIAS)

4 OF 10

5 OF 10

Table with pin numbers and names for memory A: 1985 10D5 M A DQS7+, 1985 10C5 M A DQS7-, 1985 10B7 M A DQ<63>

Table with pin number and name for memory B: 1984 10B4 M B DQ<0>

(REF: - 399)

SONY CORPORATION INFORMATION TECHNOLOGY & COMMUNICATIONS NETWORK COMPANY VAIO BUSINESS DIVISION

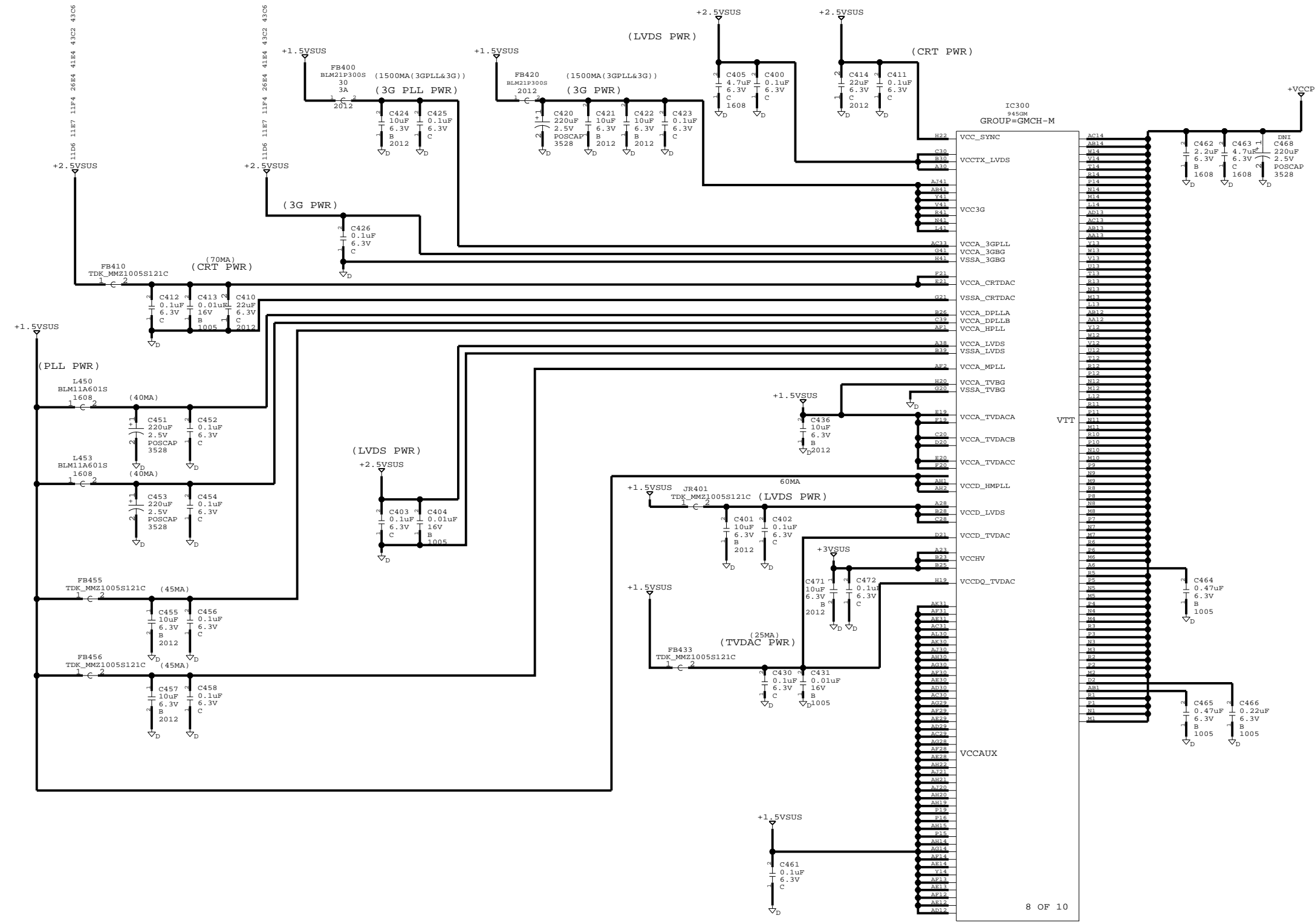
Form with fields: DRAWING: MBX-147 GMCH (2/5), LAST\_MODIFIED=Mon Jan 16 20:46:53 2006, QTY 1, REV. 0.160, PART NO. -, SIZE C, DESIGNER, SHEET 10 OF 50

THIS DOCUMENT CONTAINS INFORMATION PROPRIETARY TO SONY CORPORATION (SONY). USE OR DISCLOSURE WITHOUT THE WRITTEN PERMISSION OF AN OFFICER OF SONY IS EXPRESSLY FORBIDDEN. COPYRIGHT (C) SONY CORPORATION 2005

SONY PROPRIETARY INFORMATION

SONY CONFIDENTIAL

REVISIONS				
ZONE	LTR	DESCRIPTION	DATE	APPR.



8 OF 10

**SONY CORPORATION**  
 INFORMATION TECHNOLOGY & COMMUNICATIONS NETWORK COMPANY  
 VAIO BUSINESS DIVISION

THIS DOCUMENT CONTAINS INFORMATION PROPRIETARY TO SONY CORPORATION (SONY). USE OR DISCLOSURE WITHOUT THE WRITTEN PERMISSION OF AN OFFICER OF SONY IS EXPRESSLY FORBIDDEN.  
 COPYRIGHT (C) SONY CORPORATION 2005

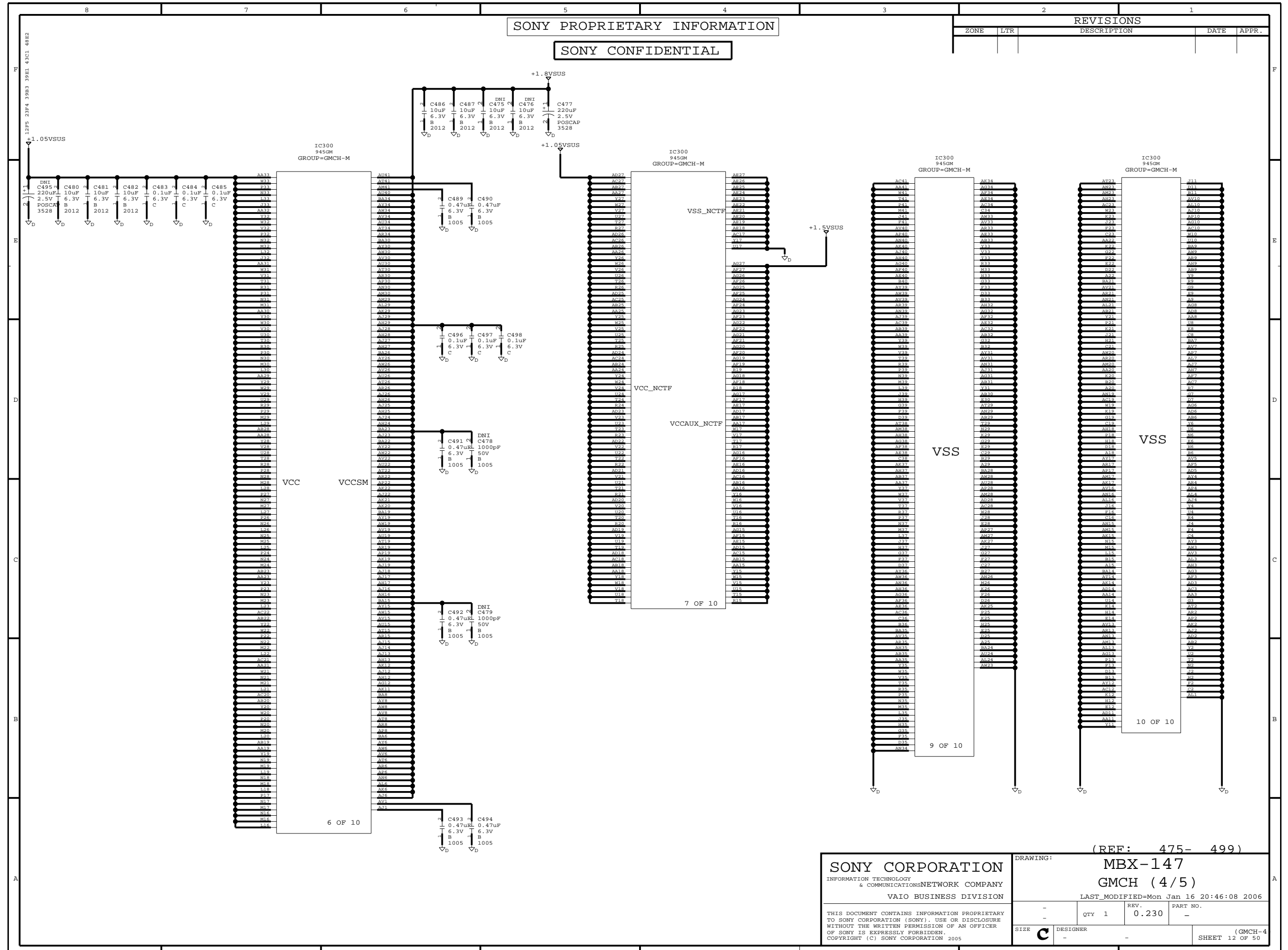
DRAWING: MBX-147		REV. 0.242		PART NO. -	
GMCH (3/5)		LAST_MODIFIED=Mon Jan 16 20:46:06 2006		QTY 1	
SIZE C	DESIGNER			SHEET 11 OF 50	

(REF: 400- )

SONY PROPRIETARY INFORMATION

SONY CONFIDENTIAL

REVISIONS				
ZONE	LTR	DESCRIPTION	DATE	APPR.



(REF: 475- 499)

**SONY CORPORATION**  
 INFORMATION TECHNOLOGY & COMMUNICATIONS NETWORK COMPANY  
 VAIO BUSINESS DIVISION

DRAWING: **MBX-147**  
**GMCH (4/5)**  
 LAST\_MODIFIED=Mon Jan 16 20:46:08 2006

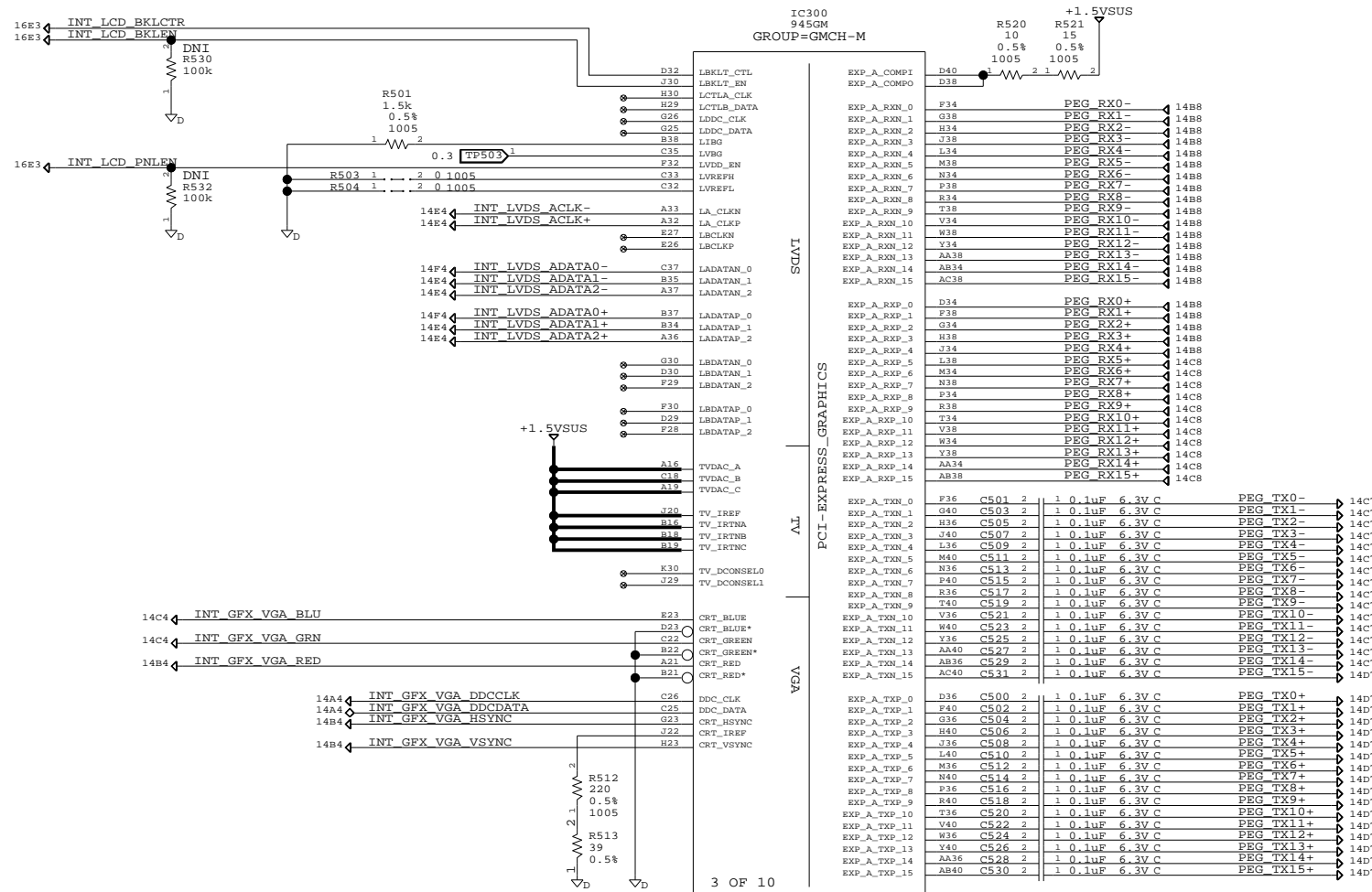
QTY	1	REV.	0.230	PART NO.	-
SIZE	C	DESIGNER	-	(GMCH-4 SHEET 12 OF 50)	

THIS DOCUMENT CONTAINS INFORMATION PROPRIETARY TO SONY CORPORATION (SONY). USE OR DISCLOSURE WITHOUT THE WRITTEN PERMISSION OF AN OFFICER OF SONY IS EXPRESSLY FORBIDDEN.  
 COPYRIGHT (C) SONY CORPORATION 2005

SONY PROPRIETARY INFORMATION

SONY CONFIDENTIAL

REVISIONS				
ZONE	LTR	DESCRIPTION	DATE	APPR.



(REF: 500- 599)

**SONY CORPORATION**  
 INFORMATION TECHNOLOGY & COMMUNICATIONS NETWORK COMPANY  
 VAIO BUSINESS DIVISION

DRAWING: **MBX-147**  
**GMCH (5/5)**  
 LAST\_MODIFIED=Mon Jan 16 20:46:09 2006

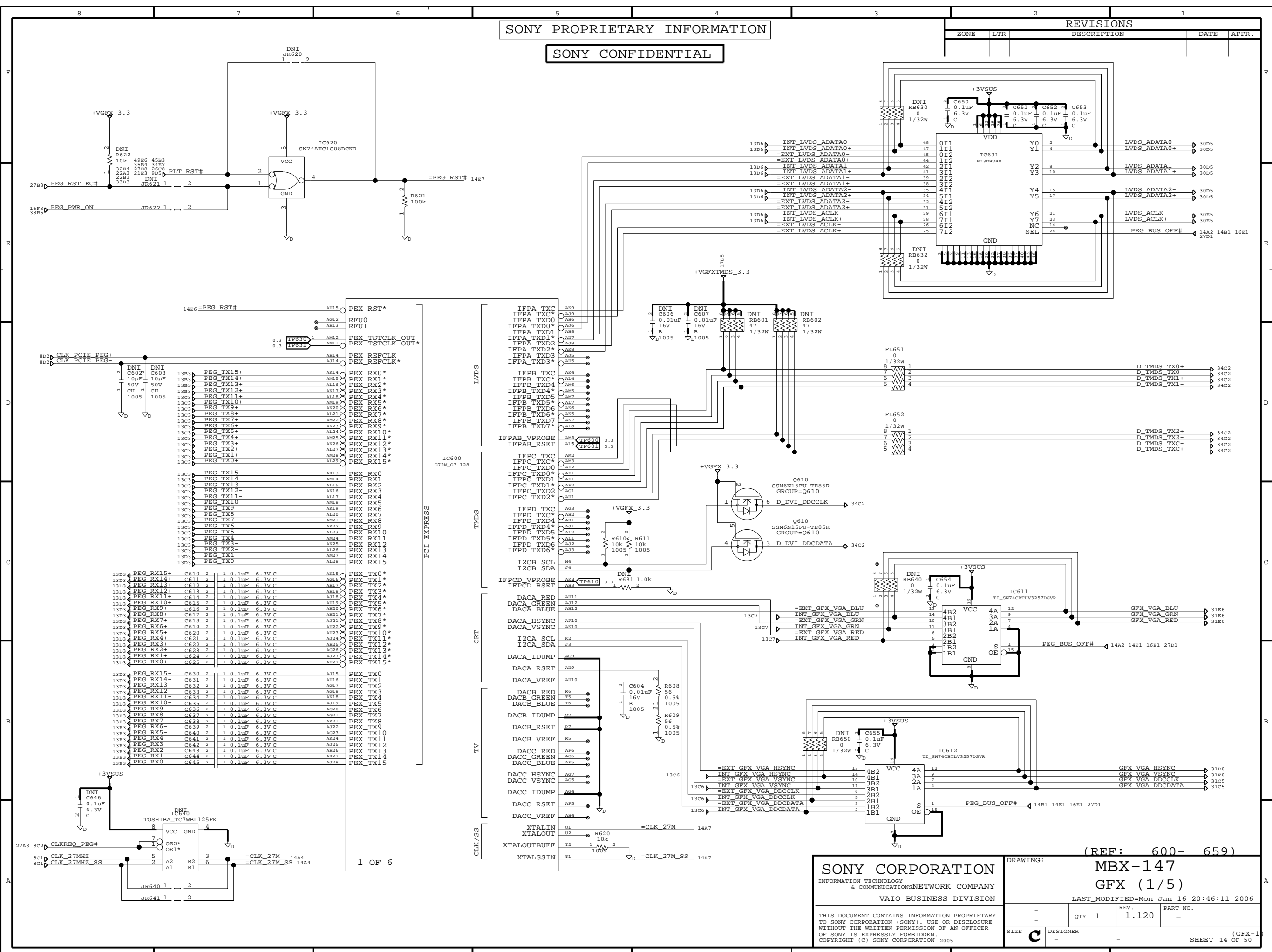
THIS DOCUMENT CONTAINS INFORMATION PROPRIETARY TO SONY CORPORATION (SONY). USE OR DISCLOSURE WITHOUT THE WRITTEN PERMISSION OF AN OFFICER OF SONY IS EXPRESSLY FORBIDDEN.  
 COPYRIGHT (C) SONY CORPORATION 2005

QTY	1	REV.	0.220	PART NO.	-
SIZE	C	DESIGNER	-	(GMCH-5 SHEET 13 OF 50)	

SONY PROPRIETARY INFORMATION

SONY CONFIDENTIAL

REVISIONS		DATE	APPR.
ZONE	LTR	DESCRIPTION	



**SONY CORPORATION**  
 INFORMATION TECHNOLOGY & COMMUNICATIONS NETWORK COMPANY  
 VAIO BUSINESS DIVISION

THIS DOCUMENT CONTAINS INFORMATION PROPRIETARY TO SONY CORPORATION (SONY). USE OR DISCLOSURE WITHOUT THE WRITTEN PERMISSION OF AN OFFICER OF SONY IS EXPRESSLY FORBIDDEN.  
 COPYRIGHT (C) SONY CORPORATION 2005

DRAWING: **MBX-147**  
**GFX (1/5)**

(REF: 600- 659)

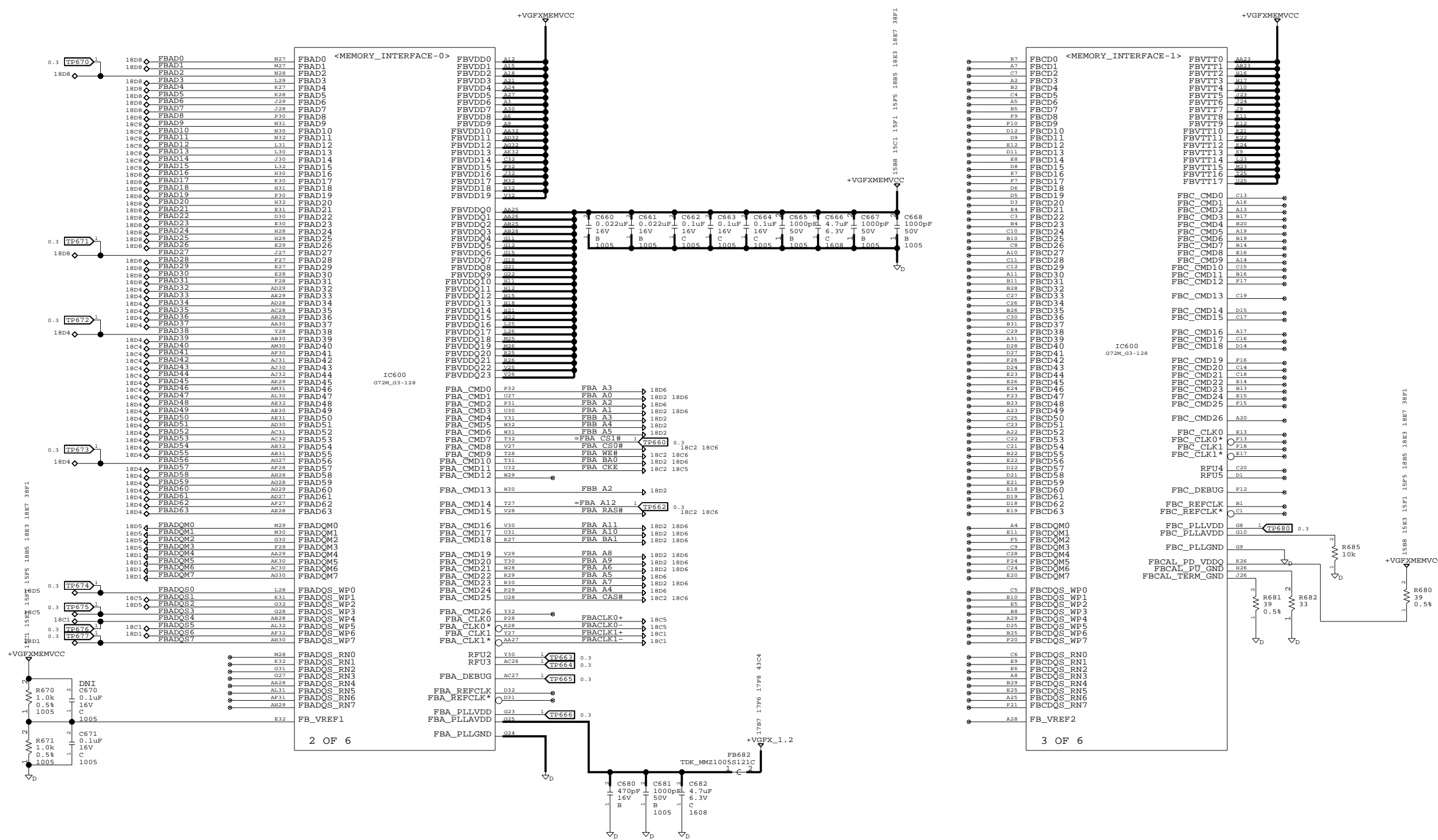
LAST\_MODIFIED=Mon Jan 16 20:46:11 2006

QTY	1	REV.	1.120	PART NO.	-
SIZE	C	DESIGNER	-	SHEET 14 OF 50	

SONY PROPRIETARY INFORMATION

SONY CONFIDENTIAL

REVISIONS				
ZONE	LTR	DESCRIPTION	DATE	APPR.



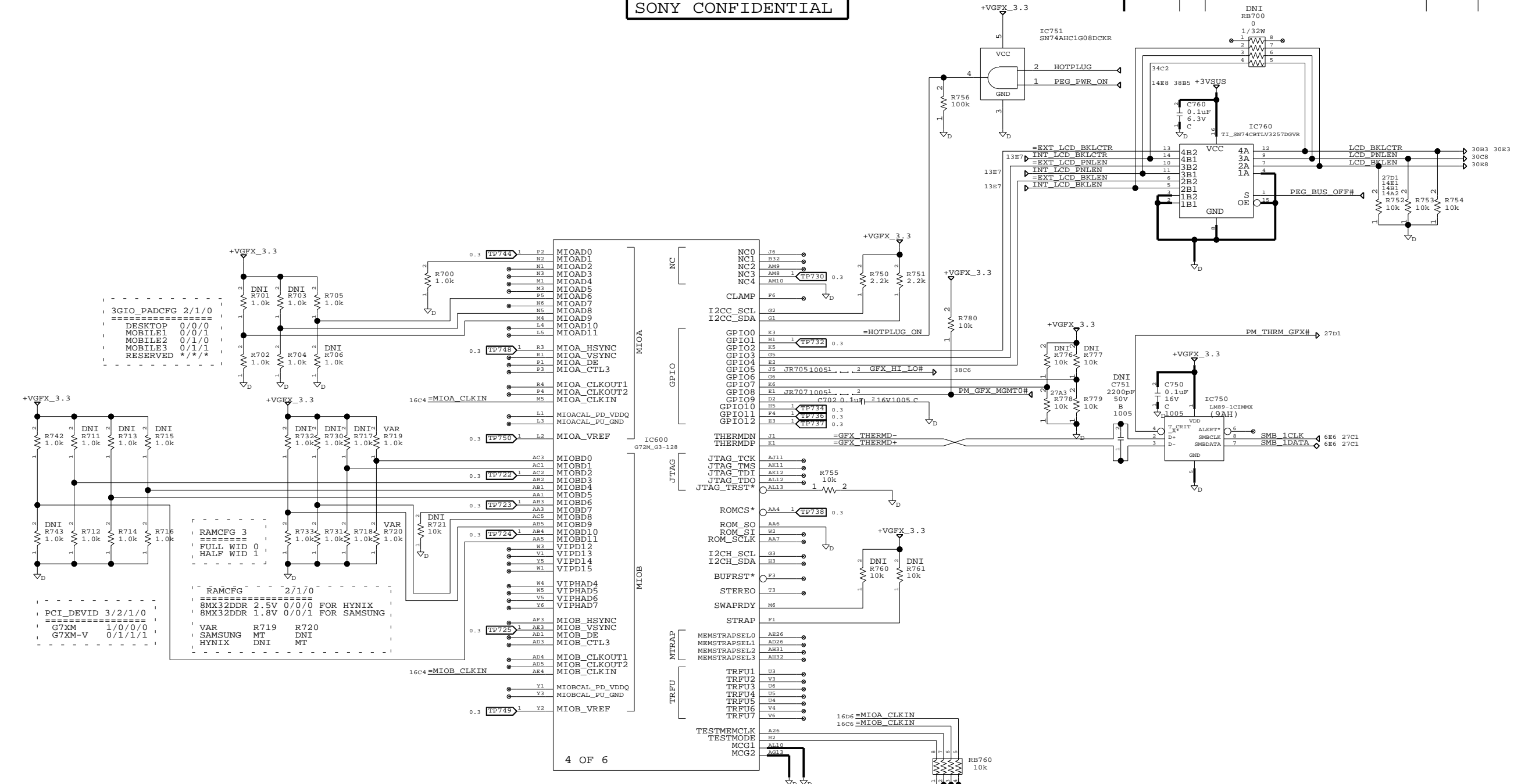
(REF: 660- 699)

<b>SONY CORPORATION</b> INFORMATION TECHNOLOGY & COMMUNICATIONS NETWORK COMPANY VAIO BUSINESS DIVISION		DRAWING: <b>MBX-147</b> <b>GFX (2/5)</b> LAST_MODIFIED=Mon Jan 16 20:46:12 2006	
THIS DOCUMENT CONTAINS INFORMATION PROPRIETARY TO SONY CORPORATION (SONY). USE OR DISCLOSURE WITHOUT THE WRITTEN PERMISSION OF AN OFFICER OF SONY IS EXPRESSLY FORBIDDEN. COPYRIGHT (C) SONY CORPORATION 2005		QTY 1 REV. 1.154 PART NO. -	PART NO. - (GFX-2) SHEET 15 OF 50

SONY PROPRIETARY INFORMATION

SONY CONFIDENTIAL

REVISIONS				
ZONE	LTR	DESCRIPTION	DATE	APPR.



```

3GIO_PADCFG 2/1/0
=====
DESKTOP 0/0/0
MOBILE1 0/0/1
MOBILE2 0/1/0
MOBILE3 0/1/1
RESERVED */*/

```

```

RAMCFG 3
=====
FULL WID 0
HALF WID 1

```

```

PCI_DEVID 3/2/1/0
=====
G7XM 1/0/0/0
G7XM-V 0/1/1/1

```

```

RAMCFG 2/1/0
=====
8MX32DDR 2.5V 0/0/0 FOR HYNIX
8MX32DDR 1.8V 0/0/1 FOR SAMSUNG

```

```

VAR R719 R720
SAMSUNG MT DNI
HYNIX DNI MT

```

SONY CORPORATION  
INFORMATION TECHNOLOGY & COMMUNICATIONS NETWORK COMPANY  
VAIO BUSINESS DIVISION

DRAWING: MBX-147  
GFX (3/5)  
LAST\_MODIFIED=Mon Jan 16 20:46:13 2006

THIS DOCUMENT CONTAINS INFORMATION PROPRIETARY TO SONY CORPORATION (SONY). USE OR DISCLOSURE WITHOUT THE WRITTEN PERMISSION OF AN OFFICER OF SONY IS EXPRESSLY FORBIDDEN.  
COPYRIGHT (C) SONY CORPORATION 2005

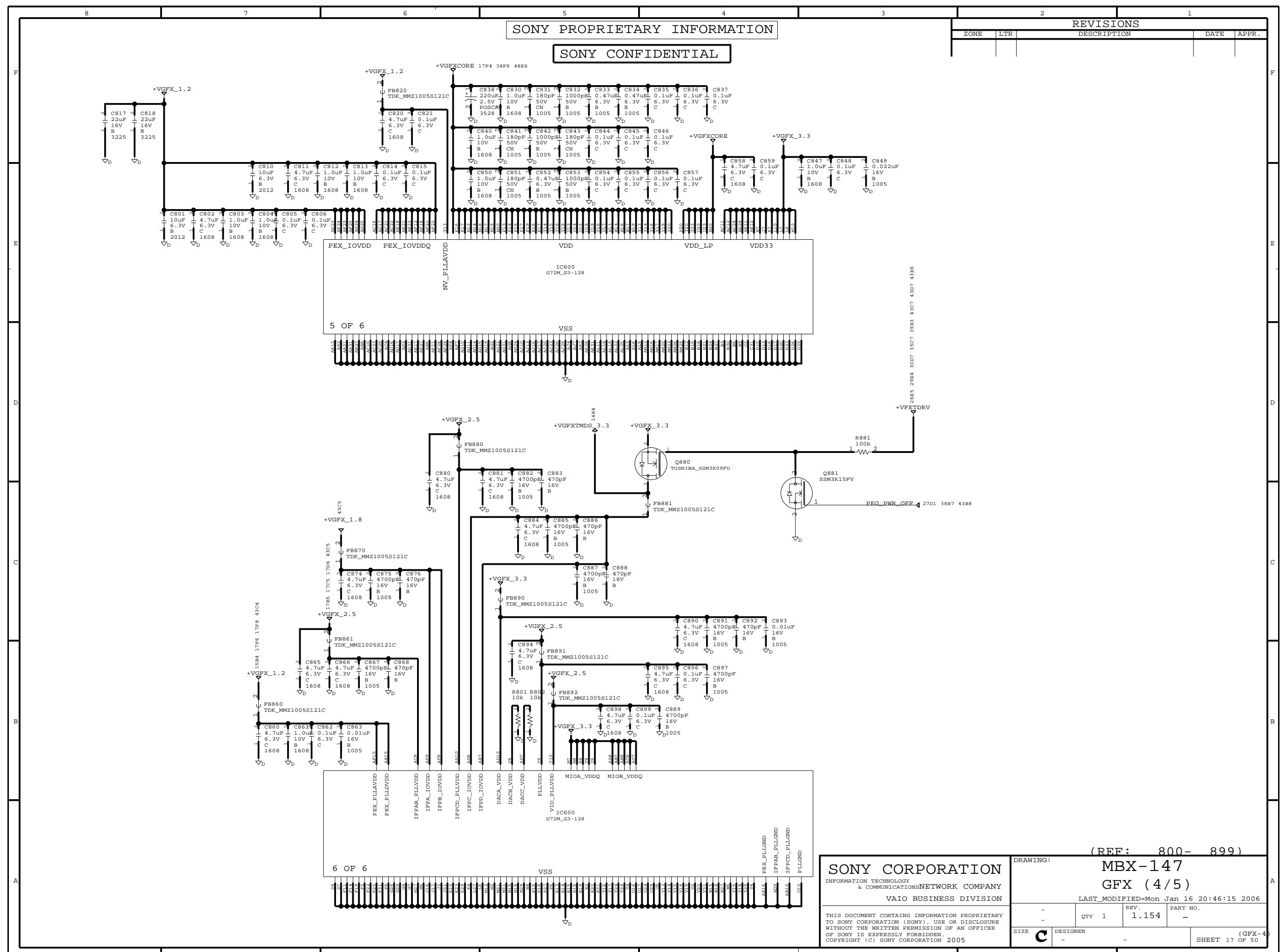
QTY	1	REV.	0.310	PART NO.	-
SIZE	C	DESIGNER	-	(GFX-3) SHEET 16 OF 50	

(REF: 700- 799)



REVISIONS				
ZONE	LTR	DESCRIPTION	DATE	APPR.

SONY PROPRIETARY INFORMATION  
SONY CONFIDENTIAL



**SONY CORPORATION**  
INFORMATION TECHNOLOGY  
& COMMUNICATIONS NETWORK COMPANY  
VAIO BUSINESS DIVISION

(REF: 800- 899)

**MBX-147**  
**GFX (4/5)**

LAST\_MODIFIED=Mon Jan 16 20:46:15 2006

QTY	REV.	PART NO.
1	1.154	-
DESIGNER	SHEET 17 OF 50	

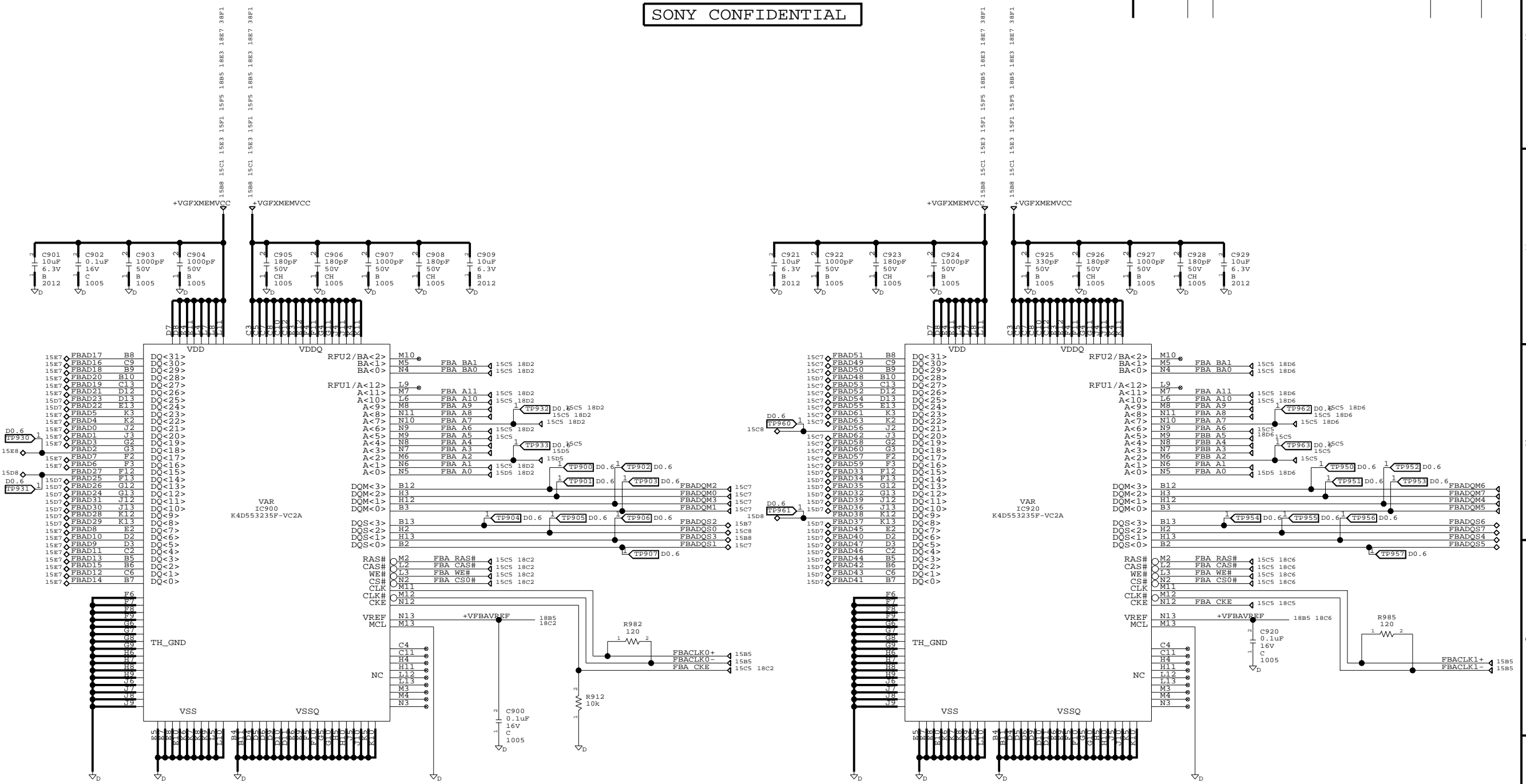
THIS DOCUMENT CONTAINS INFORMATION PROPRIETARY TO SONY CORPORATION (SONY). USE OR DISCLOSURE WITHOUT THE WRITTEN PERMISSION OF AN OFFICER OF SONY IS EXPRESSLY FORBIDDEN.  
COPYRIGHT (C) SONY CORPORATION 2005

SONY PROPRIETARY INFORMATION

SONY CONFIDENTIAL

REVISIONS

ZONE	LTR	DESCRIPTION	DATE	APPR.



(PLACE THESE NEAR MEMORY)

(REF: 900- 999)

**SONY CORPORATION**  
 INFORMATION TECHNOLOGY & COMMUNICATIONS NETWORK COMPANY  
 VAIO BUSINESS DIVISION

DRAWING: **MBX-147**  
**GFX (5/5)**  
 LAST\_MODIFIED=Mon Jan 16 20:46:16 2006

THIS DOCUMENT CONTAINS INFORMATION PROPRIETARY TO SONY CORPORATION (SONY). USE OR DISCLOSURE WITHOUT THE WRITTEN PERMISSION OF AN OFFICER OF SONY IS EXPRESSLY FORBIDDEN.  
 COPYRIGHT (C) SONY CORPORATION 2005

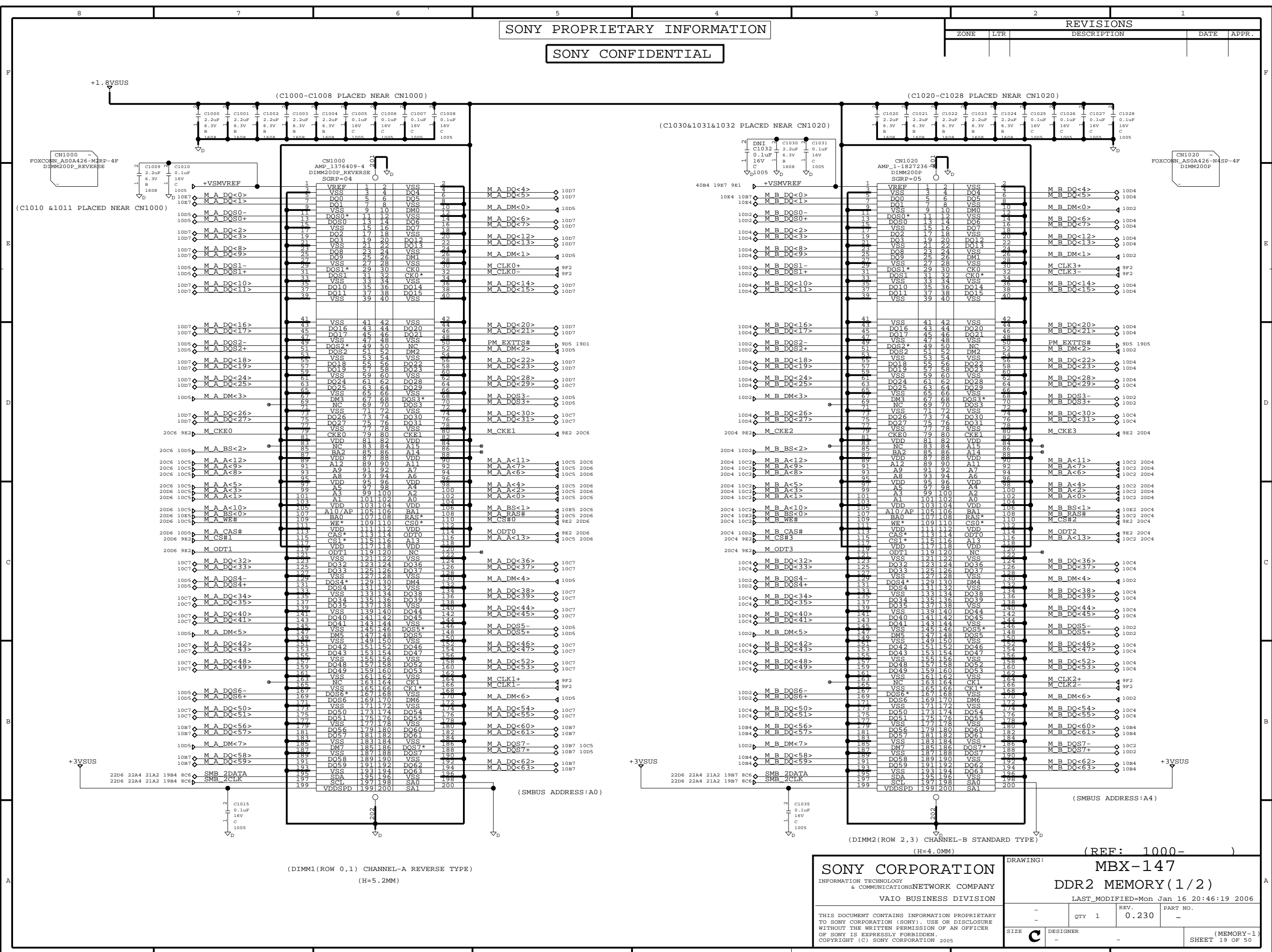
SIZE	DESIGNER	QTY	REV.	PART NO.
C	-	1	1.154	-

(GFX-5)  
SHEET 18 OF 50

SONY PROPRIETARY INFORMATION

SONY CONFIDENTIAL

REVISIONS				
ZONE	LTR	DESCRIPTION	DATE	APPR.



(DIMM1 (ROW 0,1) CHANNEL-A REVERSE TYPE)  
(H=5.2MM)

(DIMM2 (ROW 2,3) CHANNEL-B STANDARD TYPE)  
(H=4.0MM)

(REF: 1000-)

**SONY CORPORATION**  
INFORMATION TECHNOLOGY & COMMUNICATIONS NETWORK COMPANY  
VAIO BUSINESS DIVISION

**MBX-147**  
**DDR2 MEMORY (1/2)**

LAST MODIFIED=Mon Jan 16 20:46:19 2006

THIS DOCUMENT CONTAINS INFORMATION PROPRIETARY TO SONY CORPORATION (SONY). USE OR DISCLOSURE WITHOUT THE WRITTEN PERMISSION OF AN OFFICER OF SONY IS EXPRESSLY FORBIDDEN.  
COPYRIGHT (C) SONY CORPORATION 2005

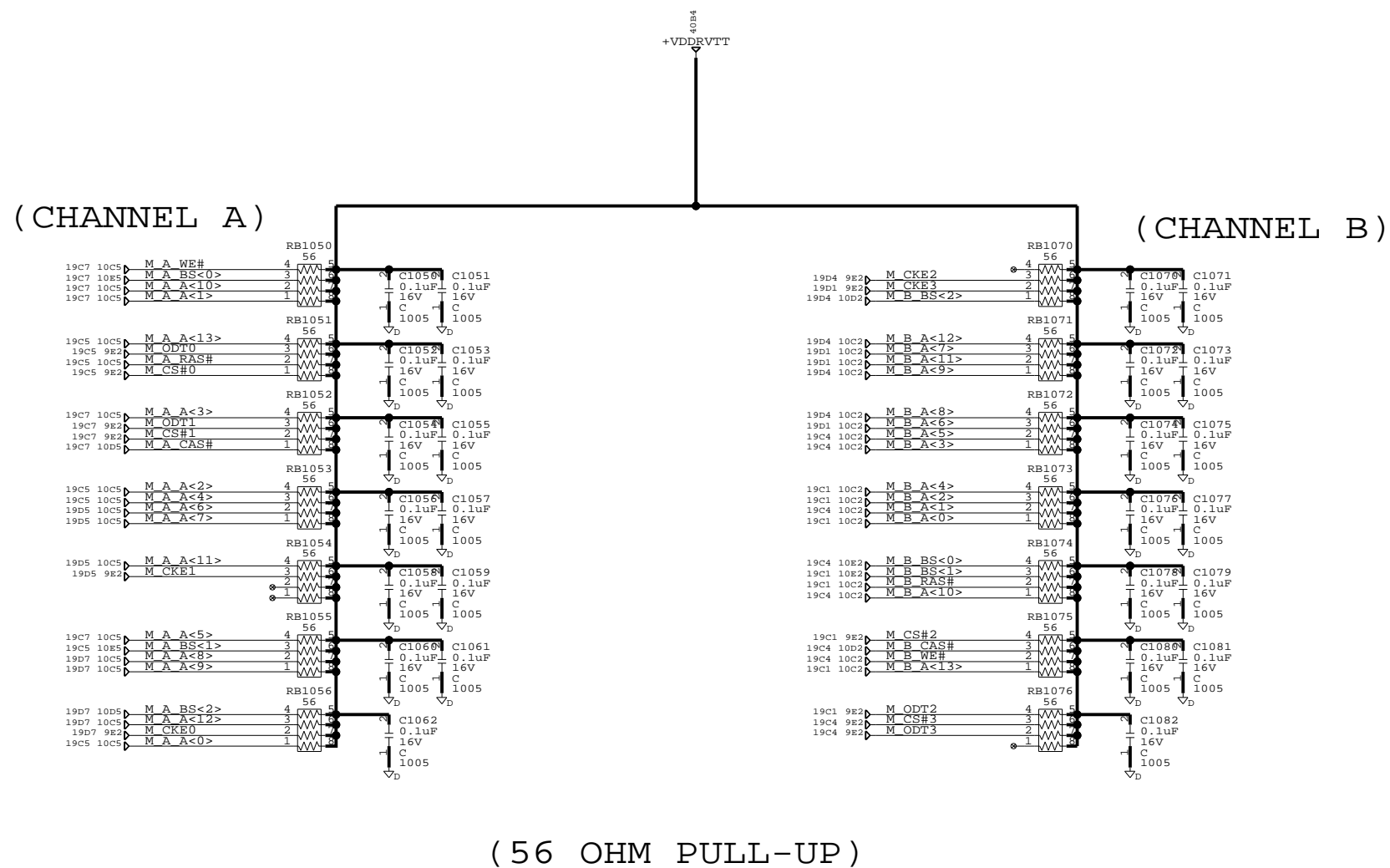
QTY	REV.	PART NO.
1	0.230	-

SIZE **C** DESIGNER - SHEET (MEMORY-1) 19 OF 50

SONY PROPRIETARY INFORMATION

SONY CONFIDENTIAL

REVISIONS				
ZONE	LTR	DESCRIPTION	DATE	APPR.



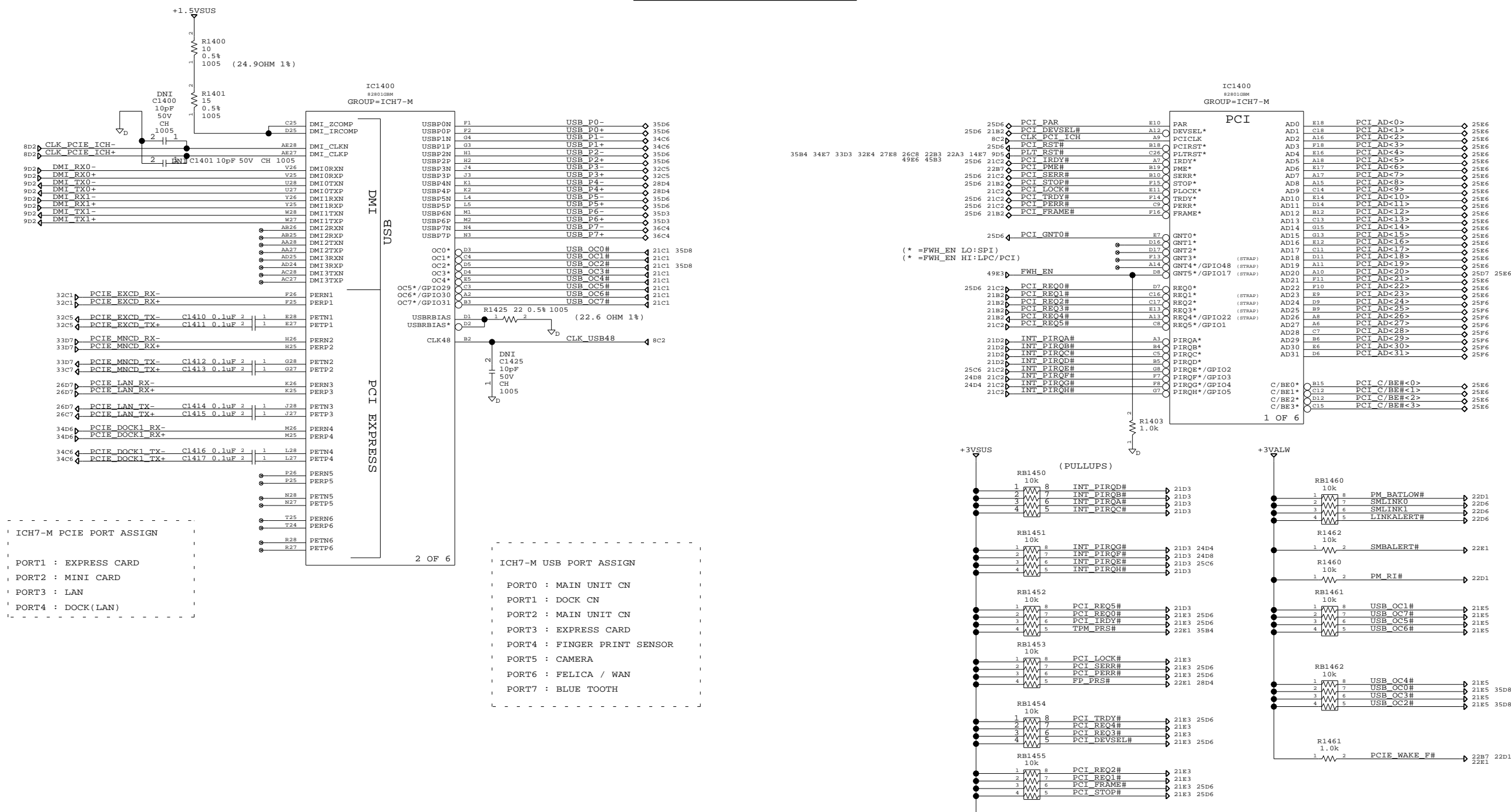
(REF: - 1299)

<b>SONY CORPORATION</b> INFORMATION TECHNOLOGY & COMMUNICATIONS NETWORK COMPANY VAIO BUSINESS DIVISION		DRAWING: <b>MBX-147</b> <b>DDR2 MEMORY (2/2)</b> LAST_MODIFIED=Mon Jan 16 20:46:20 2006	
THIS DOCUMENT CONTAINS INFORMATION PROPRIETARY TO SONY CORPORATION (SONY). USE OR DISCLOSURE WITHOUT THE WRITTEN PERMISSION OF AN OFFICER OF SONY IS EXPRESSLY FORBIDDEN. COPYRIGHT (C) SONY CORPORATION 2005		QTY 1	REV. 0.100
SIZE <b>C</b>	DESIGNER	PART NO.	(MEMORY-2) SHEET 20 OF 50

SONY PROPRIETARY INFORMATION

SONY CONFIDENTIAL

REVISIONS				
ZONE	LTR	DESCRIPTION	DATE	APPR.



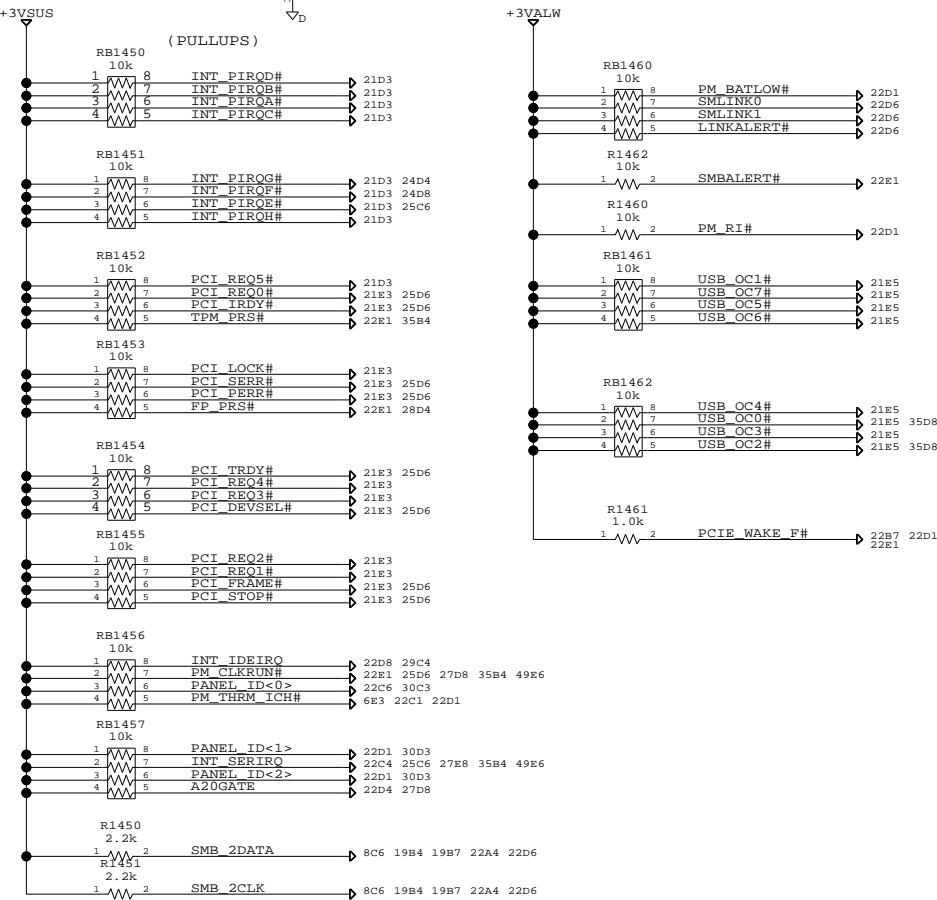
ICH7-M PCIE PORT ASSIGN

PORT1 : EXPRESS CARD  
 PORT2 : MINI CARD  
 PORT3 : LAN  
 PORT4 : DOCK(LAN)

ICH7-M USB PORT ASSIGN

PORT0 : MAIN UNIT CN  
 PORT1 : DOCK CN  
 PORT2 : MAIN UNIT CN  
 PORT3 : EXPRESS CARD  
 PORT4 : FINGER PRINT SENSOR  
 PORT5 : CAMERA  
 PORT6 : FELICA / WAN  
 PORT7 : BLUE TOOTH

REQ/GNT	BUS NO	DEV.NO	AD<XX>	PIRQ	
CARD A	0	8	4	20	E
I.LINK	-	8	4	20	G
MEMORY STICK	-	8	4	20	F
INT LAN	-	8	8	-	E
DRAM CONT	-	0	0	-	-
PEG BRIDGE	-	0	1	-	-
INT GFX	-	0	2	-	-
AZALIA	-	0	27	-	D
USB UHCI1	-	0	29	-	B
USB UHCI2	-	0	29	-	D
USB UHCI3	-	0	29	-	F
USB UHCI4	-	0	29	-	B
USB EHCI	-	0	29	-	H



(REF: 1400- 1499)

**SONY CORPORATION**  
 INFORMATION TECHNOLOGY & COMMUNICATIONS NETWORK COMPANY  
 VAIO BUSINESS DIVISION

**DRAWING: MBX-147**  
**ICH7-M(1/3)**

LAST\_MODIFIED=Mon Jan 16 20:46:21 2006

QTY	1	REV.	0.200	PART NO.	-
SIZE	C	DESIGNER	-	SHEET	21 OF 50

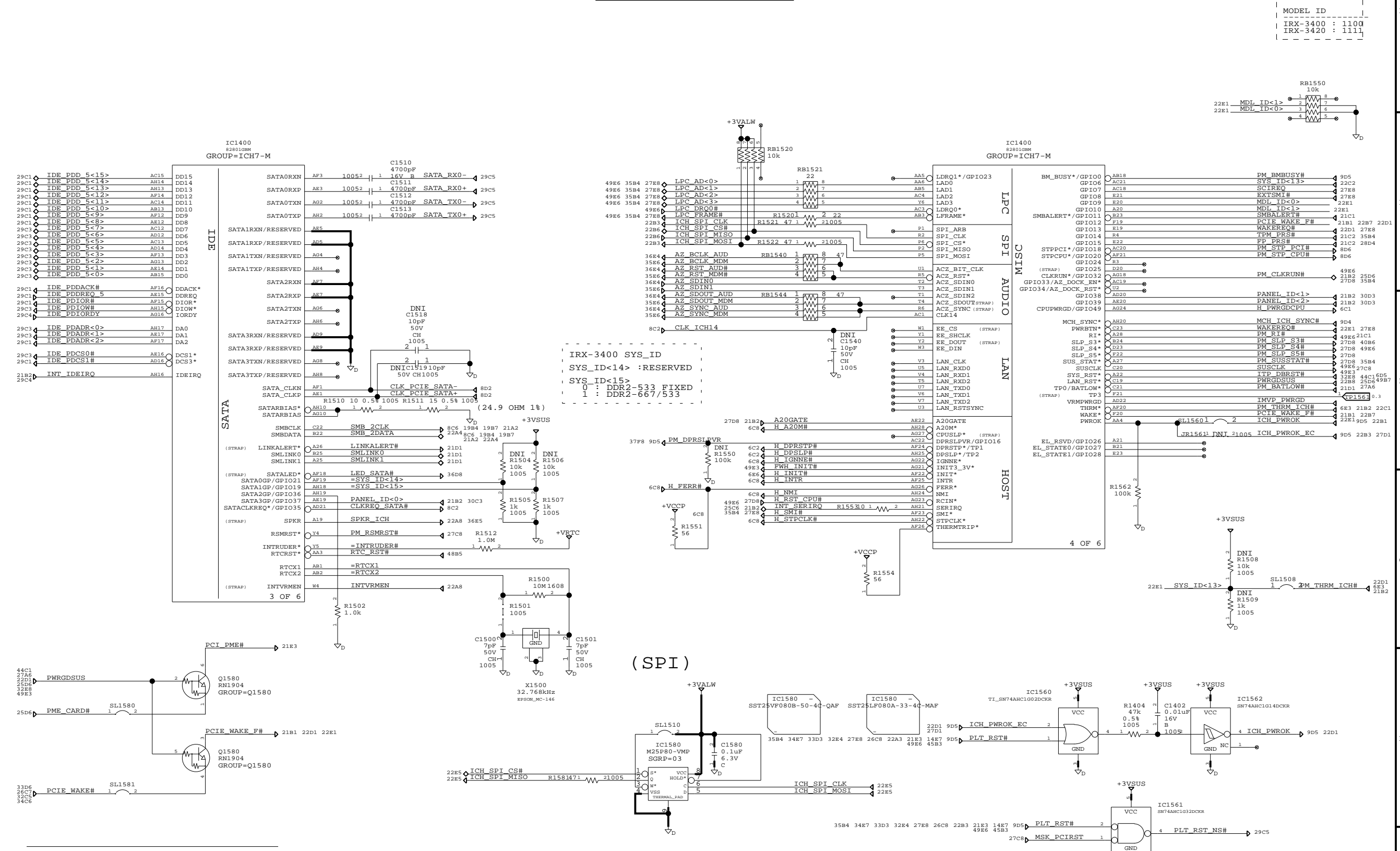
THIS DOCUMENT CONTAINS INFORMATION PROPRIETARY TO SONY CORPORATION (SONY). USE OR DISCLOSURE WITHOUT THE WRITTEN PERMISSION OF AN OFFICER OF SONY IS EXPRESSLY FORBIDDEN.  
 COPYRIGHT (C) SONY CORPORATION 2005

SONY PROPRIETARY INFORMATION

SONY CONFIDENTIAL

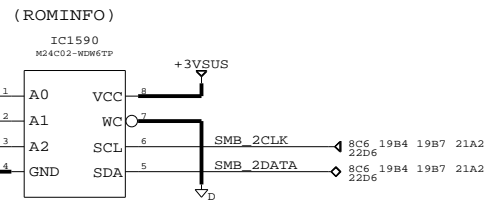
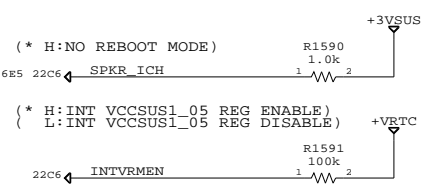
REVISIONS				
ZONE	LTR	DESCRIPTION	DATE	APPR.

MODEL ID  
 IRX-3400 : 1100  
 IRX-3420 : 1111



IRX-3400 SYS\_ID  
 SYS\_ID<14> : RESERVED  
 SYS\_ID<15>  
 0 : DDR2-533 FIXED  
 1 : DDR2-667/533

(STRAPPING OPTION)  
 (TP3=H(INT-PU) ACZ\_SDOUT=L(INT-PD) ACZ\_SYNC=L(INT-PD) : 4PORT OF X1 PCIE)



SONY CORPORATION  
 INFORMATION TECHNOLOGY & COMMUNICATIONS NETWORK COMPANY  
 VAIO BUSINESS DIVISION

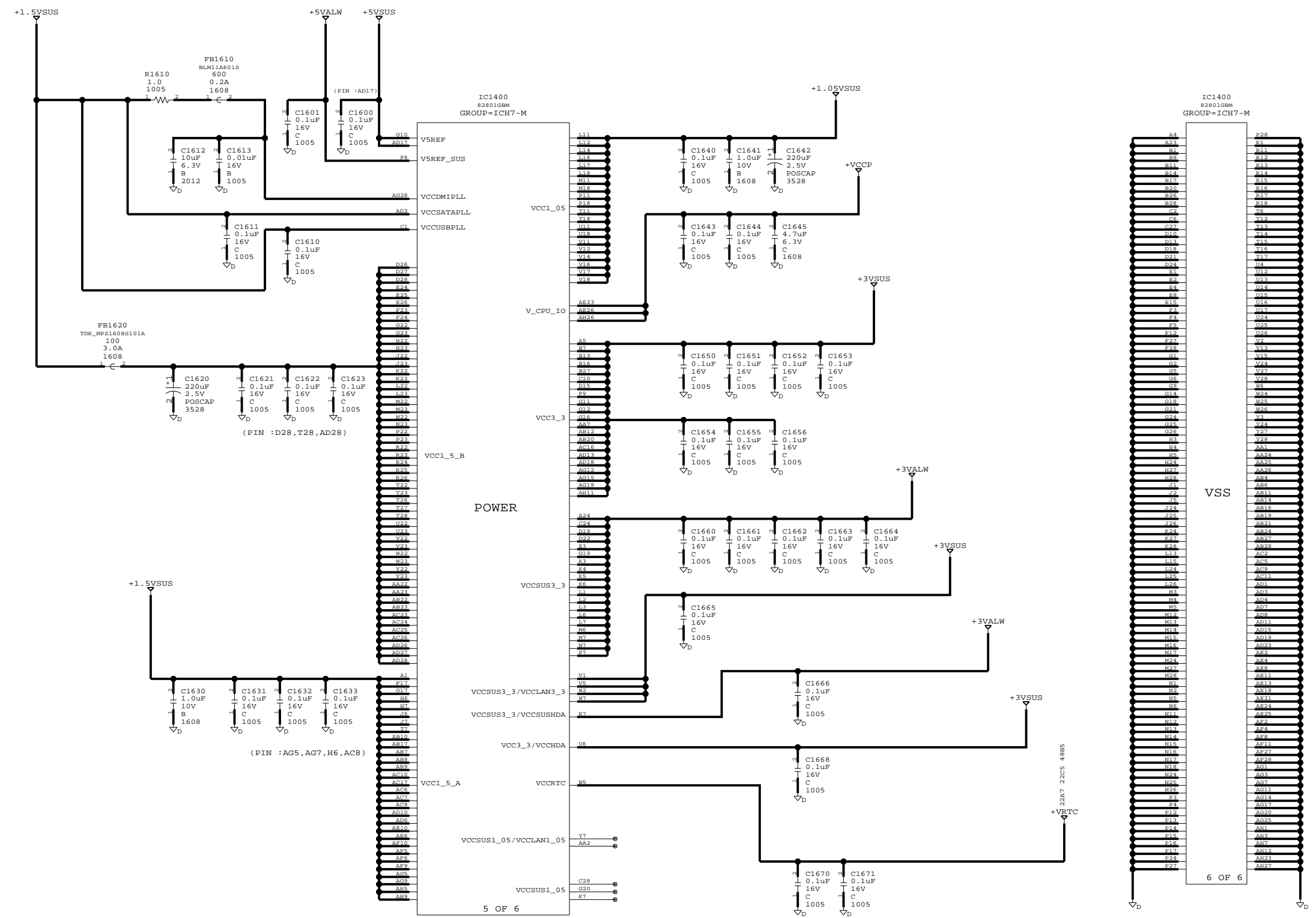
DRAWING: MBX-147  
 ICH7-M(2/3)  
 LAST\_MODIFIED=Mon Jan 16 20:46:22 2006

THIS DOCUMENT CONTAINS INFORMATION PROPRIETARY TO SONY CORPORATION (SONY). USE OR DISCLOSURE WITHOUT THE WRITTEN PERMISSION OF AN OFFICER OF SONY IS EXPRESSLY FORBIDDEN. COPYRIGHT (C) SONY CORPORATION 2005	QTY 1	REV. 0.240	PART NO.
SIZE C	DESIGNER		(ICH-2) SHEET 22 OF 50

SONY PROPRIETARY INFORMATION

SONY CONFIDENTIAL

REVISIONS				
ZONE	LTR	DESCRIPTION	DATE	APPR.



**SONY CORPORATION**  
 INFORMATION TECHNOLOGY  
 & COMMUNICATIONS NETWORK COMPANY  
 VAIO BUSINESS DIVISION

THIS DOCUMENT CONTAINS INFORMATION PROPRIETARY TO SONY CORPORATION (SONY). USE OR DISCLOSURE WITHOUT THE WRITTEN PERMISSION OF AN OFFICER OF SONY IS EXPRESSLY FORBIDDEN.  
 COPYRIGHT (C) SONY CORPORATION 2005

(REF: 1600- 1699)

DRAWING: **MBX-147**  
**ICH7-M(3/3)**

LAST\_MODIFIED=Mon Jan 16 20:46:24 2006

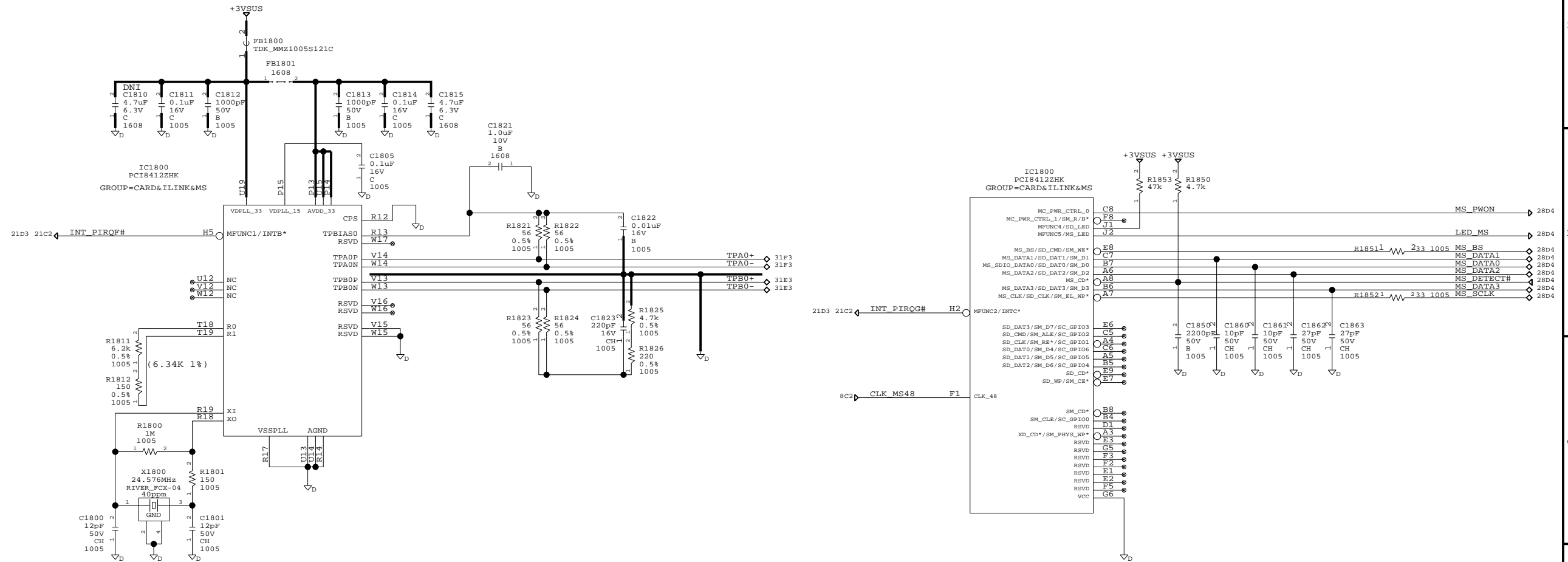
QTY	REV.	PART NO.
1	0.210	-

SIZE **C** DESIGNER - SHEET 23 OF 50 (ICH-3)

SONY PROPRIETARY INFORMATION

SONY CONFIDENTIAL

REVISIONS				
ZONE	LTR	DESCRIPTION	DATE	APPR.



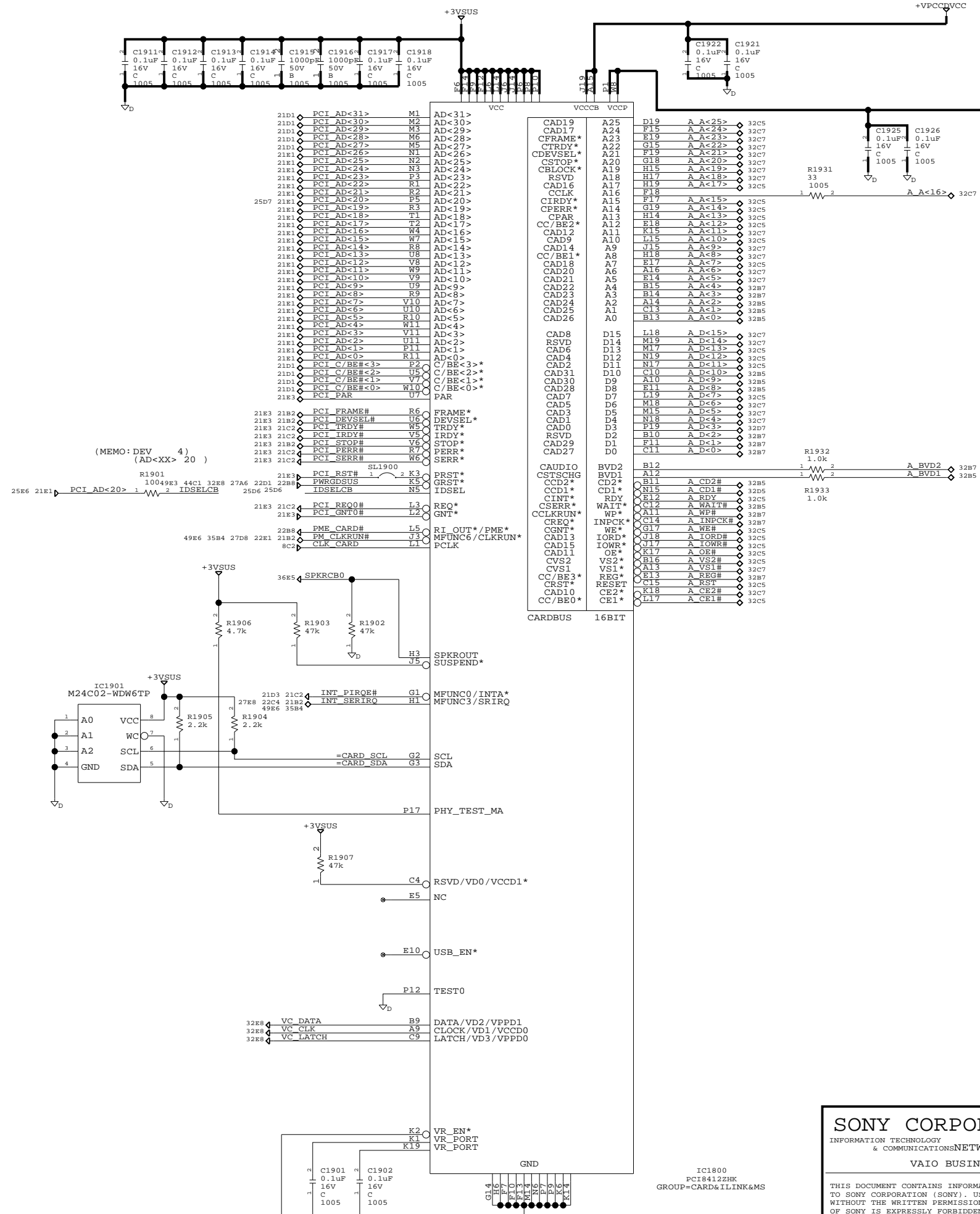
<b>SONY CORPORATION</b> INFORMATION TECHNOLOGY & COMMUNICATIONS NETWORK COMPANY VAIO BUSINESS DIVISION		DRAWING: (REF: 1800- ) <b>MBX-147</b>		
		I.LINK & MS-DUO & PCCARD(1/2)		
THIS DOCUMENT CONTAINS INFORMATION PROPRIETARY TO SONY CORPORATION (SONY). USE OR DISCLOSURE WITHOUT THE WRITTEN PERMISSION OF AN OFFICER OF SONY IS EXPRESSLY FORBIDDEN. COPYRIGHT (C) SONY CORPORATION 2005		LAST_MODIFIED=Mon Jan 16 20:46:25 2006	REV. 1.111	PART NO. -
SIZE <b>C</b>	DESIGNER -	QTY 1	(COMBO-1, SHEET 24 OF 50)	



REVISIONS				
ZONE	LTR	DESCRIPTION	DATE	APPR.

SONY PROPRIETARY INFORMATION

SONY CONFIDENTIAL



(MEMO: DEV (AD<XX> 20 )

- 21D1 PCI AD<31> M1 AD<31>
- 21D1 PCI AD<30> M2 AD<30>
- 21D1 PCI AD<29> M3 AD<29>
- 21D1 PCI AD<28> M4 AD<28>
- 21D1 PCI AD<27> M5 AD<27>
- 21E1 PCI AD<26> N1 AD<26>
- 21E1 PCI AD<25> N2 AD<25>
- 21E1 PCI AD<24> N3 AD<24>
- 21E1 PCI AD<23> P3 AD<23>
- 21E1 PCI AD<22> R1 AD<22>
- 21E1 PCI AD<21> R2 AD<21>
- 21E1 PCI AD<20> R4 AD<20>
- 25D7 PCI AD<19> R3 AD<19>
- 21E1 PCI AD<18> T1 AD<18>
- 21E1 PCI AD<17> T2 AD<17>
- 21E1 PCI AD<16> W4 AD<16>
- 21E1 PCI AD<15> W7 AD<15>
- 21E1 PCI AD<14> R8 AD<14>
- 21E1 PCI AD<13> V8 AD<13>
- 21E1 PCI AD<12> W9 AD<12>
- 21E1 PCI AD<11> V9 AD<11>
- 21E1 PCI AD<10> U9 AD<10>
- 21E1 PCI AD<9> U9 AD<9>
- 21E1 PCI AD<8> R9 AD<8>
- 21E1 PCI AD<7> V10 AD<7>
- 21E1 PCI AD<6> U10 AD<6>
- 21E1 PCI AD<5> R10 AD<5>
- 21E1 PCI AD<4> W11 AD<4>
- 21E1 PCI AD<3> V11 AD<3>
- 21E1 PCI AD<2> U11 AD<2>
- 21E1 PCI AD<1> P11 AD<1>
- 21E1 PCI AD<0> R11 AD<0>
- 21D1 PCI C/BE#<3> P2 C/BE<3>\*
- 21D1 PCI C/BE#<2> U5 C/BE<2>\*
- 21D1 PCI C/BE#<1> V7 C/BE<1>\*
- 21D1 PCI C/BE#<0> W10 C/BE<0>\*
- 21E3 PCI PAR U7 PAR
- 21E3 21B2 PCI FRAME# R6 FRAME#
- 21E3 21B2 PCI DEVSEL# U6 DEVSEL#
- 21E3 21C2 PCI TRDY# W5 TRDY#
- 21E3 21C2 PCI IRDY# V5 IRDY#
- 21E3 21B2 PCI STOE# R6 STOE#
- 21E3 21C2 PCI PERR# R7 PERR#
- 21E3 21C2 PCI SERR# W6 SERR#
- 21E3 PCI RSTH SL1900 1 2 K3 PRST\*
- 21E3 PWRGDSUS 44C1 32E8 27A6 22D1 22B8 R5 GRST\*
- 25E6 21E1 PCI AD<20> 1 2 IDSELCB 25D6 25D6 N5 IDSEL
- 21E3 21C2 PCI REQ# L3 REQ\*
- 21E3 PCI GNT# L3 GNT\*
- 22B8 PME CARD# L5 RI\_OUT\*/PME\*
- 21E3 21B2 PM\_CLKRUN# R16 MFUNC6/CLKRUN\*
- 8C2 CLK CARD L1 FCLK
- 36E5 SPKRCB0 SPKROUT
- R1906 4.7k
- R1903 47k
- R1902 47k
- IC1901 M24C02-WD6T
- R1905 2.2k
- R1904 2.2k
- R1907 47k
- R1901 10049E3 44C1 32E8 27A6 22D1 22B8 25E6 21E1
- 21D3 21C2 INT PIROE# G1 MFUNC0/INTA\*
- 21B2 22C4 21B2 INT SERIRO H1 MFUNC3/SRIRO
- R1904 49E6 35B4
- =CARD\_SCL G2 SCL
- =CARD\_SDA G3 SDA
- P17 PHY\_TEST\_MA
- +3VSUS
- R1907 47k
- C4 RSVVD/VD0/VCCD1\*
- E5 NC
- E10 USB\_EN\*
- P12 TEST0
- 32E8 VC DATA B9 DATA/VD2/VPPD1
- 32E8 VC CLK A9 CLOCK/VD1/VCCD0
- 32E8 VC LATCH C9 LATCH/VD3/VPPD0
- K2 VR\_EN\*
- K1 VR\_PORT
- K19 VR\_PORT
- GND
- IC1800 PC18412ZH GROUP=CARD&I.LINK&MS
- A25 A A<25> 32C5
- A24 A A<24> 32C7
- F19 A A<23> 32C7
- A22 A A<22> 32C7
- F19 A A<21> 32C7
- A20 A A<20> 32C7
- H15 A A<19> 32C7
- H17 A A<18> 32C7
- H19 A A<17> 32C5
- F18 A A<16> 32C7
- F17 A A<15> 32C5
- G19 A A<14> 32C5
- H14 A A<13> 32C5
- E18 A A<12> 32C5
- K15 A A<11> 32C7
- L15 A A<10> 32C5
- J15 A A<9> 32C7
- A8 A A<8> 32C7
- E17 A A<7> 32C7
- A6 A A<6> 32C7
- E14 A A<5> 32C7
- B15 A A<4> 32B7
- B14 A A<3> 32B7
- A4 A A<2> 32B5
- A1 A A<1> 32B5
- A0 B13 A A<0> 32B5
- D15 L18 A D<15> 32C7
- M19 A D<14> 32C7
- M17 A D<13> 32C5
- N19 A D<12> 32C5
- D11 N17 A D<11> 32C5
- C10 A D<10> 32B5
- A10 A D<9> 32B5
- E11 A D<8> 32B5
- L19 A D<7> 32C5
- M8 A D<6> 32C7
- M5 A D<5> 32C7
- N18 A D<4> 32D7
- P19 A D<3> 32B7
- B10 A D<2> 32B7
- F11 A D<1> 32B7
- C11 A D<0> 32B7
- B12 A B12 32B5
- B11 A CD2# 32B5
- N15 A CD1# 32B5
- E12 A RDY 32C5
- C12 A WAIT# 32B5
- A11 A WP# 32B7
- C14 A INPCK# 32B7
- G17 A WE# 32C5
- J18 A JORD# 32C5
- J17 A IOWR# 32C5
- K17 A OE# 32C5
- B16 A VS2# 32C5
- A13 A VS1# 32C7
- E13 A REG# 32B7
- C15 A RST 32C5
- K18 A CE2# 32C7
- L17 A CE1# 32C5

**SONY CORPORATION**  
 INFORMATION TECHNOLOGY & COMMUNICATIONS NETWORK COMPANY  
 VAIO BUSINESS DIVISION

THIS DOCUMENT CONTAINS INFORMATION PROPRIETARY TO SONY CORPORATION (SONY). USE OR DISCLOSURE WITHOUT THE WRITTEN PERMISSION OF AN OFFICER OF SONY IS EXPRESSLY FORBIDDEN.  
 COPYRIGHT (C) SONY CORPORATION 2005

(REF: - 1999)

DRAWING: **MBX-147**

I.LINK & MS-DUO & PCCARD(2/2)

LAST\_MODIFIED=Mon Jan 16 20:46:26 2006

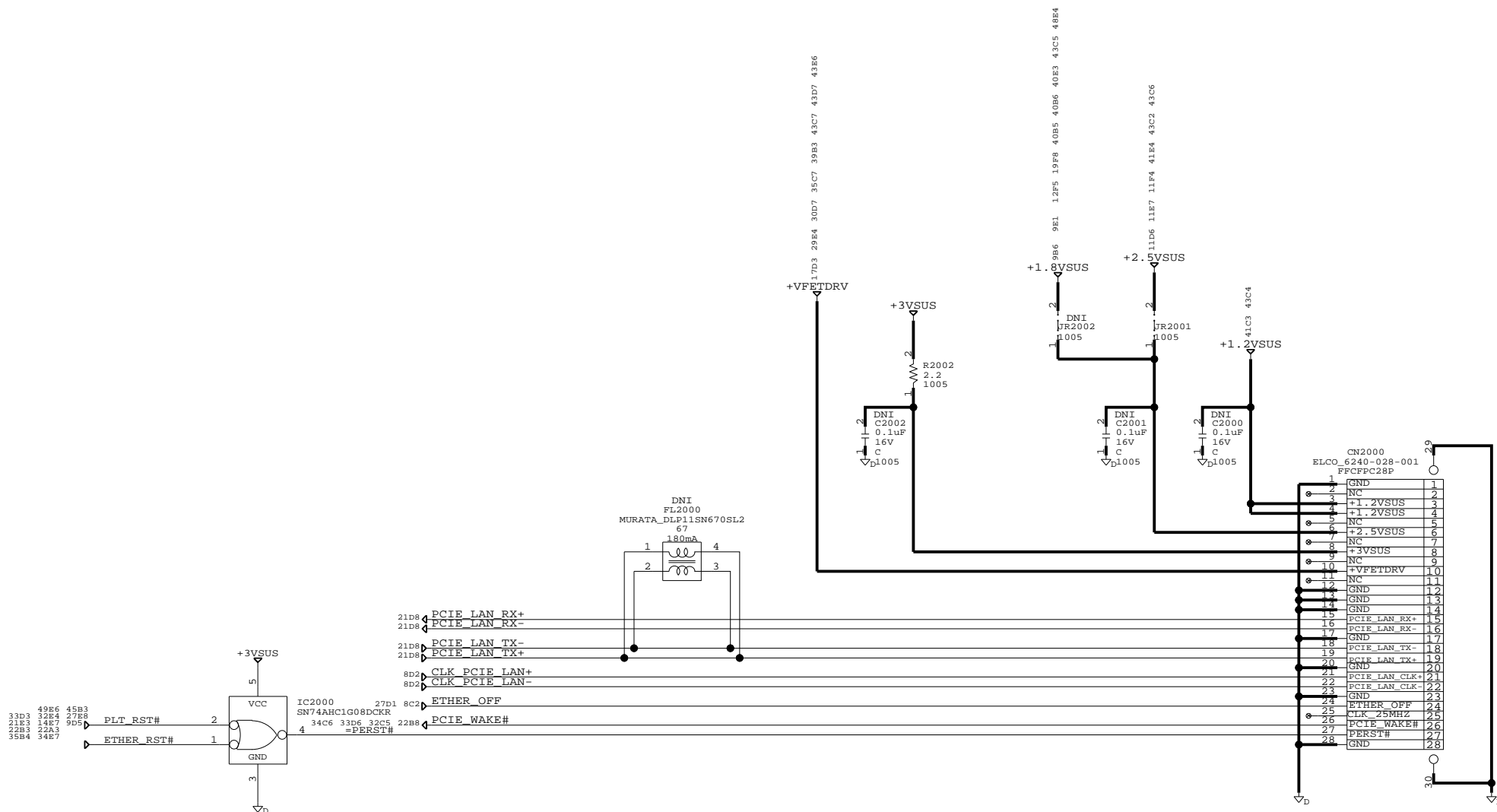
SIZE	C	DESIGNER	-
QTY	1	REV.	0.230
PART NO.	-	REV.	-

(COMBO-2) SHEET 25 OF 50

SONY PROPRIETARY INFORMATION

SONY CONFIDENTIAL

REVISIONS				
ZONE	LTR	DESCRIPTION	DATE	APPR.



(REF: 2000- 2199)

**SONY CORPORATION**  
 INFORMATION TECHNOLOGY  
 & COMMUNICATIONS NETWORK COMPANY  
 VAIO BUSINESS DIVISION

DRAWING: **MBX-147**  
**GIGABIT / FAST ETHERNET**  
 LAST\_MODIFIED=Mon Jan 16 20:46:26 2006

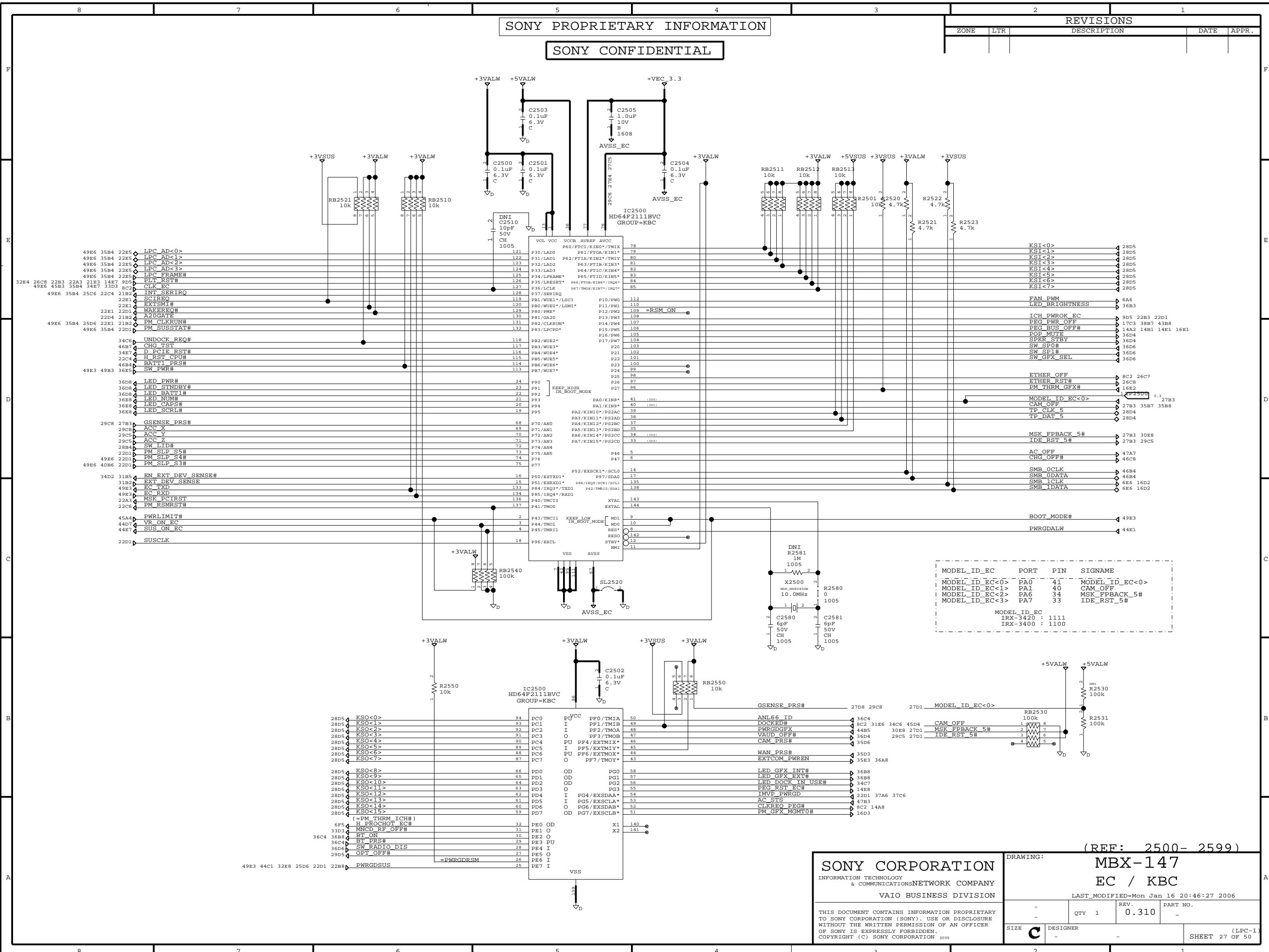
THIS DOCUMENT CONTAINS INFORMATION PROPRIETARY TO SONY CORPORATION (SONY). USE OR DISCLOSURE WITHOUT THE WRITTEN PERMISSION OF AN OFFICER OF SONY IS EXPRESSLY FORBIDDEN.  
 COPYRIGHT (C) SONY CORPORATION 2005

QTY	1	REV.	0.1B3	PART NO.	-
SIZE	<b>C</b>	DESIGNER	-	(LAN-1) SHEET 26 OF 50	

SONY PROPRIETARY INFORMATION

SONY CONFIDENTIAL

REVISIONS				
ZONE	LTR	DESCRIPTION	DATE	APPR.



MODEL_ID_EC	PORT	PIN	SIGNAME
MODEL_ID_EC<0>	PA0	41	MODEL_ID_EC<0>
MODEL_ID_EC<1>	PA1	40	CAM_OFF
MODEL_ID_EC<2>	PA6	34	MSK_FPBK_5#
MODEL_ID_EC<3>	PA7	33	IDE_RST_5#

MODEL\_ID\_EC  
IRX-3420 : 1111  
IRX-3400 : 1100

**SONY CORPORATION**  
INFORMATION TECHNOLOGY  
& COMMUNICATIONS NETWORK COMPANY  
VAIO BUSINESS DIVISION

DRAWING: **MBX-147**  
**EC / KBC**  
LAST\_MODIFIED=Mon Jan 16 20:46:27 2006

THIS DOCUMENT CONTAINS INFORMATION PROPRIETARY TO SONY CORPORATION (SONY). USE OR DISCLOSURE WITHOUT THE WRITTEN PERMISSION OF AN OFFICER OF SONY IS EXPRESSLY FORBIDDEN.  
COPYRIGHT (C) SONY CORPORATION 2005

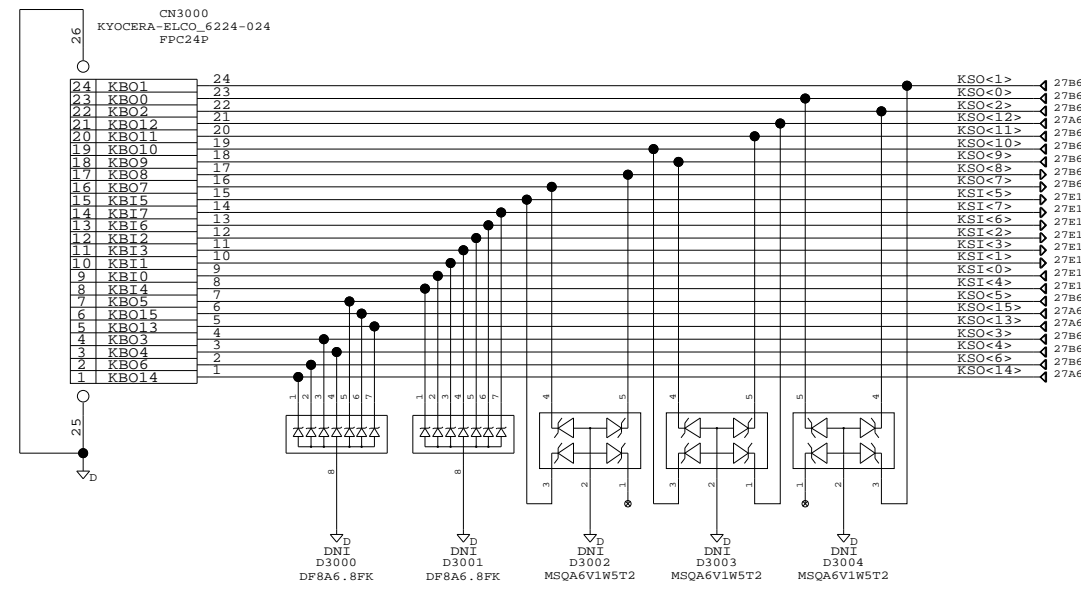
QTY	1	REV.	0.310	PART NO.	-
SIZE	C	DESIGNER	-	(LPC-1) SHEET 27 OF 50	

SONY PROPRIETARY INFORMATION

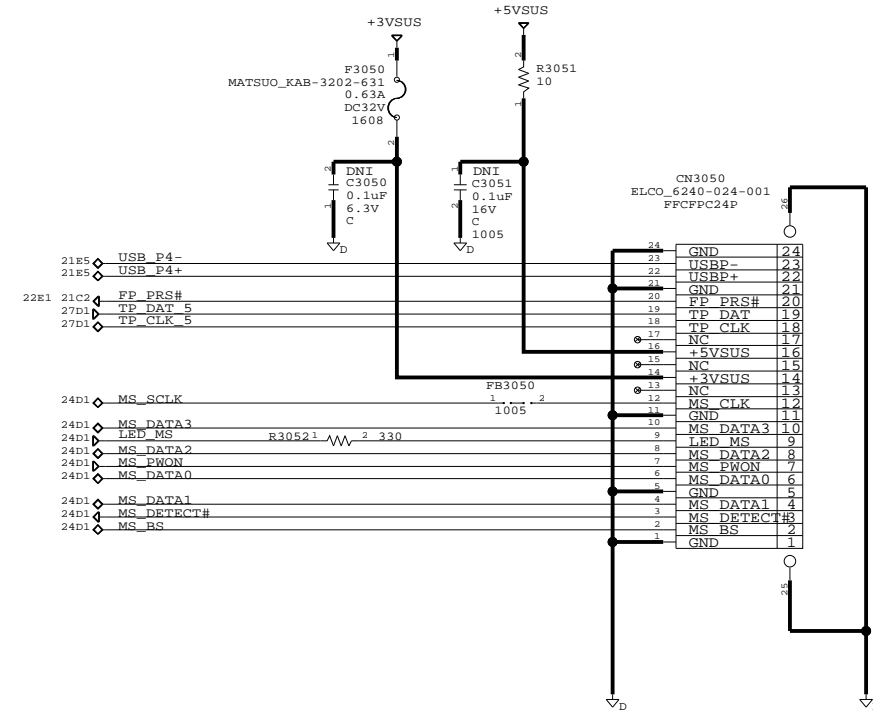
SONY CONFIDENTIAL

REVISIONS				
ZONE	LTR	DESCRIPTION	DATE	APPR.

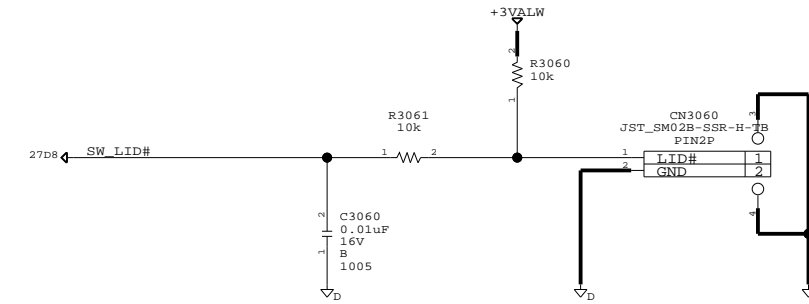
(KEYBOARD)



(TP, FP, MS-DUO)  
(TO SWX-213)



(LID)  
(TO SWX-214)



(REF: 3000- 3099)

<b>SONY CORPORATION</b> INFORMATION TECHNOLOGY & COMMUNICATIONS NETWORK COMPANY VAIO BUSINESS DIVISION		DRAWING: <b>MBX-147</b> <b>KEYBOARD &amp; TP, ETC &amp; LID</b> LAST_MODIFIED=Mon Jan 16 20:46:28 2006	
THIS DOCUMENT CONTAINS INFORMATION PROPRIETARY TO SONY CORPORATION (SONY). USE OR DISCLOSURE WITHOUT THE WRITTEN PERMISSION OF AN OFFICER OF SONY IS EXPRESSLY FORBIDDEN. COPYRIGHT (C) SONY CORPORATION 2005		QTY 1 REV. 0.210 PART NO. -	DESIGNER - SHEET 28 OF 50 (CN-1)

SONY PROPRIETARY INFORMATION

SONY CONFIDENTIAL

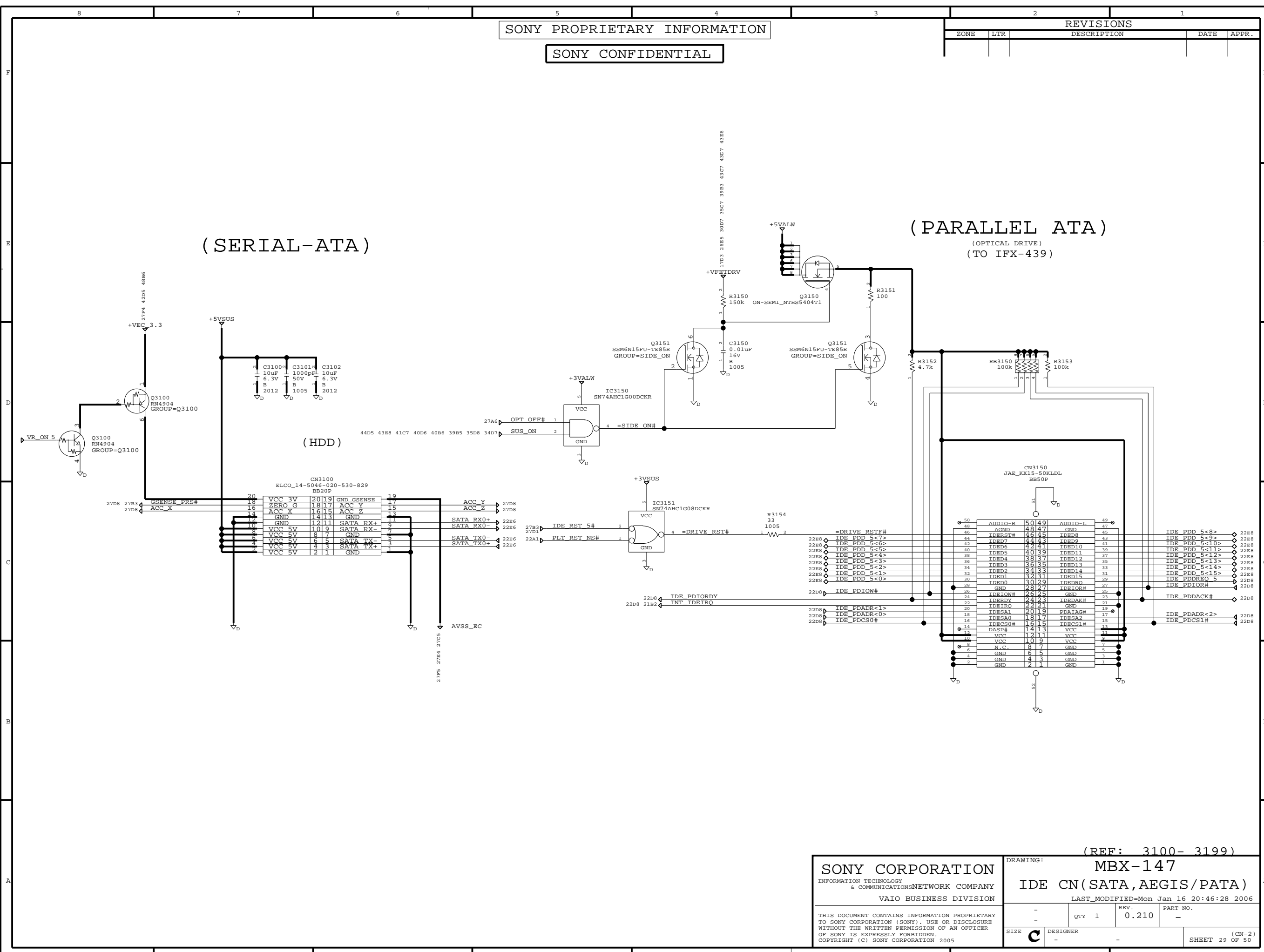
REVISIONS

ZONE	LTR	DESCRIPTION	DATE	APPR.

(SERIAL-ATA)

(PARALLEL ATA)

(OPTICAL DRIVE)  
(TO IFX-439)



(REF: 3100- 3199)

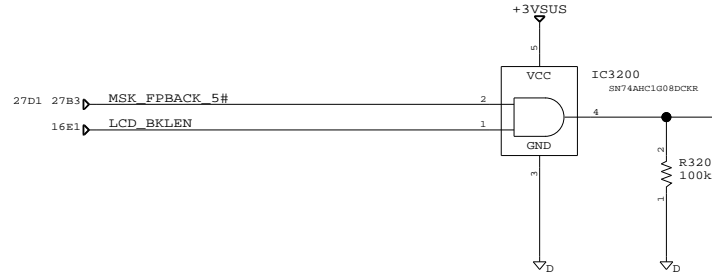
<b>SONY CORPORATION</b> <small>INFORMATION TECHNOLOGY &amp; COMMUNICATIONS NETWORK COMPANY</small> <b>VAIO BUSINESS DIVISION</b>		DRAWING: <b>MBX-147</b> <b>IDE CN(SATA, AEGIS/PATA)</b>	
<small>THIS DOCUMENT CONTAINS INFORMATION PROPRIETARY TO SONY CORPORATION (SONY). USE OR DISCLOSURE WITHOUT THE WRITTEN PERMISSION OF AN OFFICER OF SONY IS EXPRESSLY FORBIDDEN.          COPYRIGHT (C) SONY CORPORATION 2005</small>		LAST_MODIFIED=Mon Jan 16 20:46:28 2006 QTY 1 REV. 0.210 SIZE <b>C</b>	PART NO. - DESIGNER - SHEET 29 OF 50 (CN-2)

SONY PROPRIETARY INFORMATION

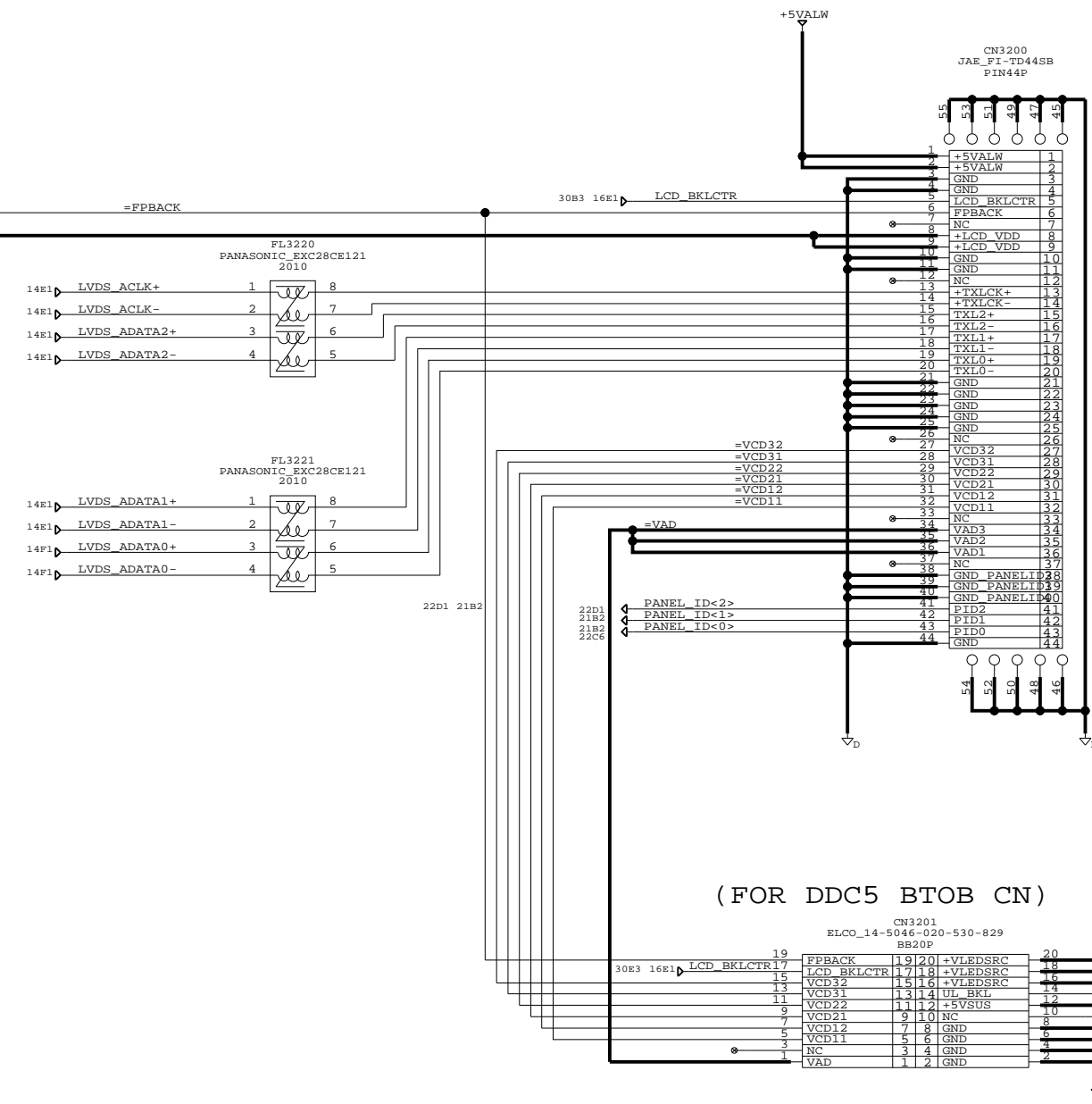
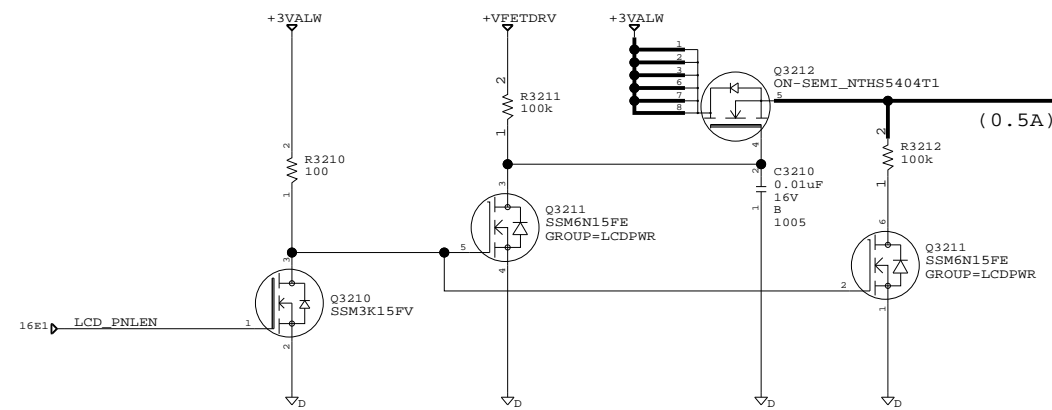
SONY CONFIDENTIAL

REVISIONS				
ZONE	LTR	DESCRIPTION	DATE	APPR.

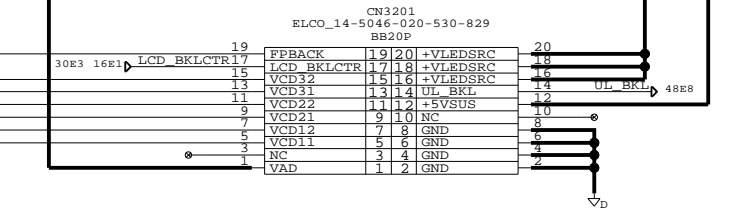
(BACKLIGHT ON/OFF SWITCH)



(LCD POWER SUPPLY (3.3V))



(FOR DDC5 BTOB CN)



(REF: 3200- )

<b>SONY CORPORATION</b> INFORMATION TECHNOLOGY & COMMUNICATIONS NETWORK COMPANY VAIO BUSINESS DIVISION		DRAWING: <b>MBX-147</b> <b>LCD CTRL</b>	
THIS DOCUMENT CONTAINS INFORMATION PROPRIETARY TO SONY CORPORATION (SONY). USE OR DISCLOSURE WITHOUT THE WRITTEN PERMISSION OF AN OFFICER OF SONY IS EXPRESSLY FORBIDDEN. COPYRIGHT (C) SONY CORPORATION 2005		LAST_MODIFIED=Mon Jan 16 20:46:29 2006 QTY 1 REV. 0.245 PART NO. - DESIGNER - SIZE C	
		SHEET 30 OF 50 (CN-3)	

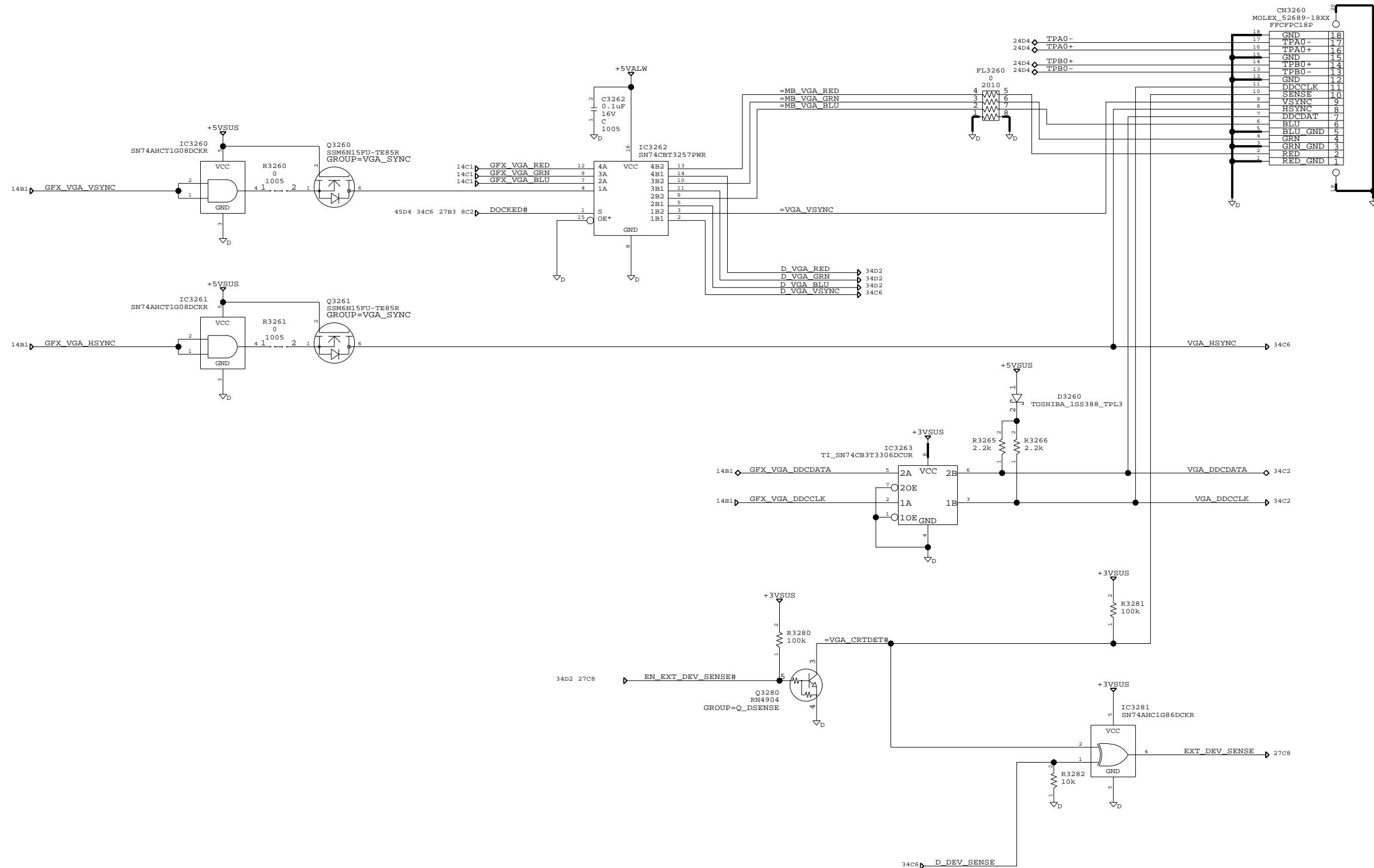
SONY PROPRIETARY INFORMATION

SONY CONFIDENTIAL

REVISIONS

ZONE	LTR	DESCRIPTION	DATE	APPR.

(VGA, I.LINK)  
(TO CNX-348)



(REF: - 3299)

**SONY CORPORATION**  
 INFORMATION TECHNOLOGY  
 & COMMUNICATIONS NETWORK COMPANY  
 VAIO BUSINESS DIVISION

DRAWING: **MBX-147**  
**VGA & I.LINK**  
 LAST\_MODIFIED=Mon Jan 16 20:46:30 2006

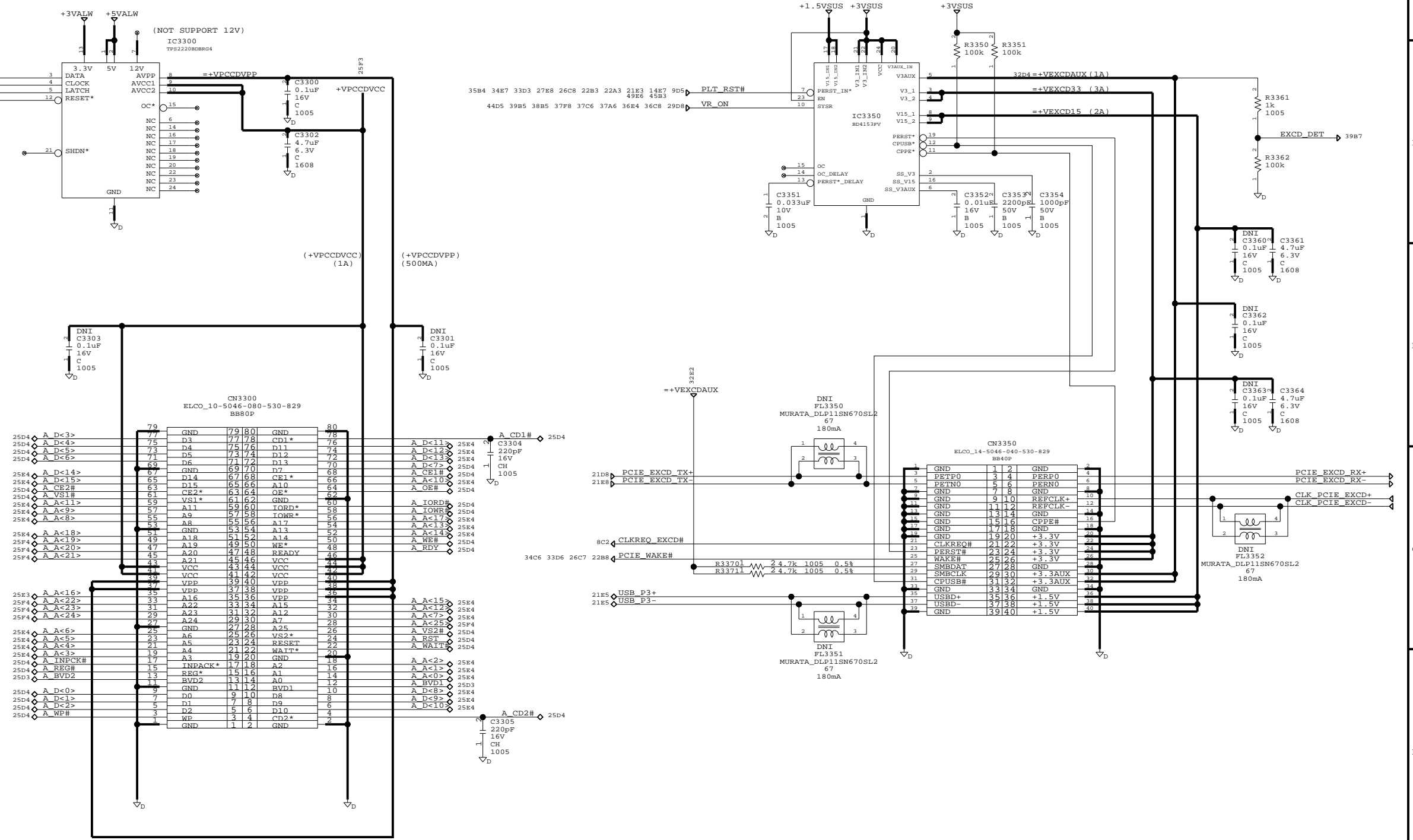
THIS DOCUMENT CONTAINS INFORMATION PROPRIETARY TO SONY CORPORATION (SONY). USE OR DISCLOSURE WITHOUT THE WRITTEN PERMISSION OF AN OFFICER OF SONY IS EXPRESSLY FORBIDDEN.  
 COPYRIGHT (C) SONY CORPORATION 2005

QTY	1	REV.	0.230	PART NO.	-
SIZE	C	DESIGNER	-	(CN-4) SHEET 31 OF 50	

SONY PROPRIETARY INFORMATION

SONY CONFIDENTIAL

REVISIONS				
ZONE	LTR	DESCRIPTION	DATE	APPR.



(REF: 3300- 3399)

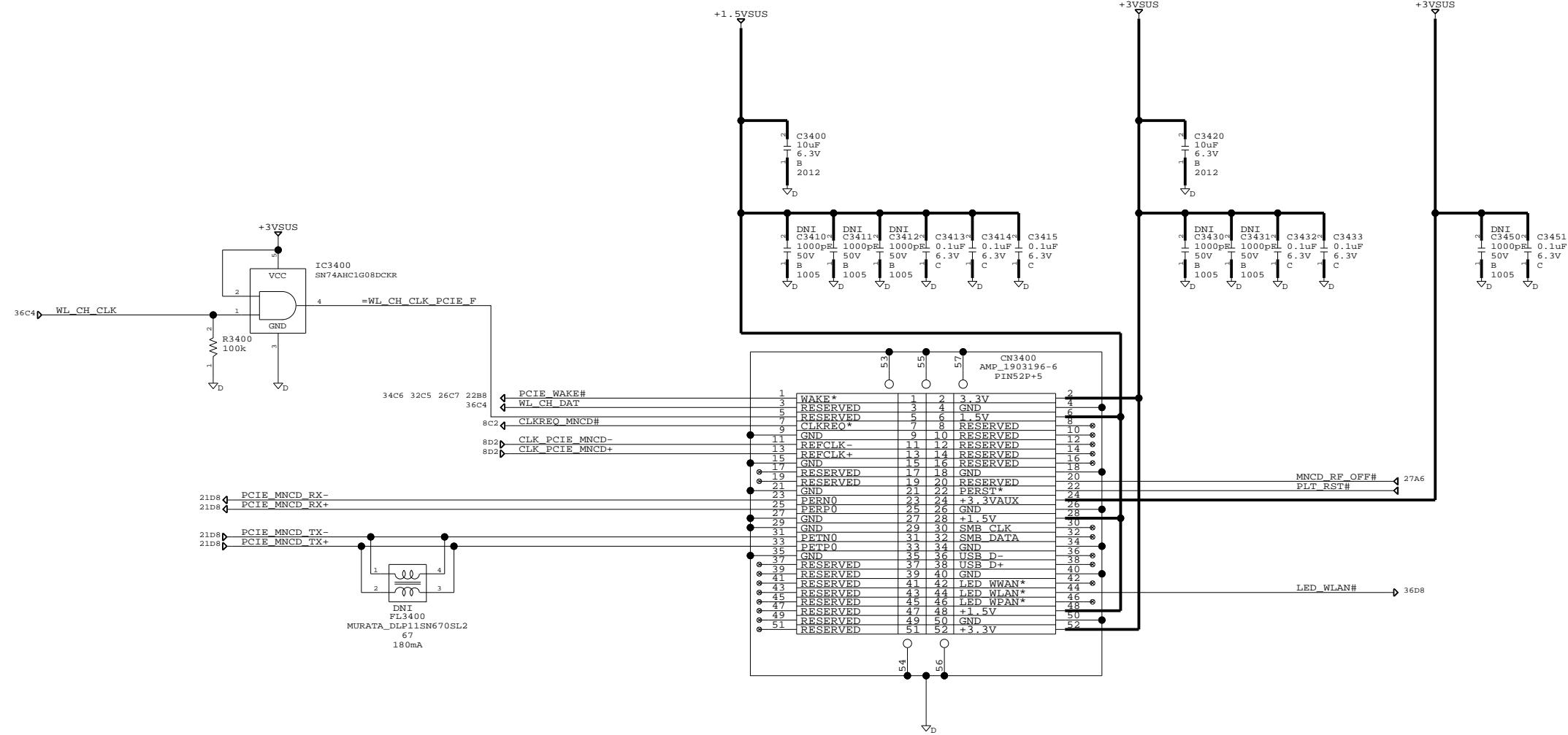
<p><b>SONY CORPORATION</b> INFORMATION TECHNOLOGY &amp; COMMUNICATIONS NETWORK COMPANY VAIO BUSINESS DIVISION</p>		<p>DRAWING: <b>MBX-147</b> <b>PCCARD &amp; EXPRESSCARD</b></p>	
<p>THIS DOCUMENT CONTAINS INFORMATION PROPRIETARY TO SONY CORPORATION (SONY). USE OR DISCLOSURE WITHOUT THE WRITTEN PERMISSION OF AN OFFICER OF SONY IS EXPRESSLY FORBIDDEN. COPYRIGHT (C) SONY CORPORATION 2005</p>		<p>LAST_MODIFIED=Mon Jan 16 20:46:31 2006</p>	
SIZE	DESIGNER	QTY	REV.
C	-	1	1.150
PART NO.		SHEET 32 OF 50	
-		(CN-5)	



SONY PROPRIETARY INFORMATION

SONY CONFIDENTIAL

REVISIONS				
ZONE	LTR	DESCRIPTION	DATE	APPR.



(REF: 3400- 3499)

**SONY CORPORATION**  
 INFORMATION TECHNOLOGY  
 & COMMUNICATIONS NETWORK COMPANY  
 VAIO BUSINESS DIVISION

DRAWING: **MBX-147**  
**MINI CARD (WIRELESS-LAN)**  
 LAST\_MODIFIED=Mon Jan 16 20:46:31 2006

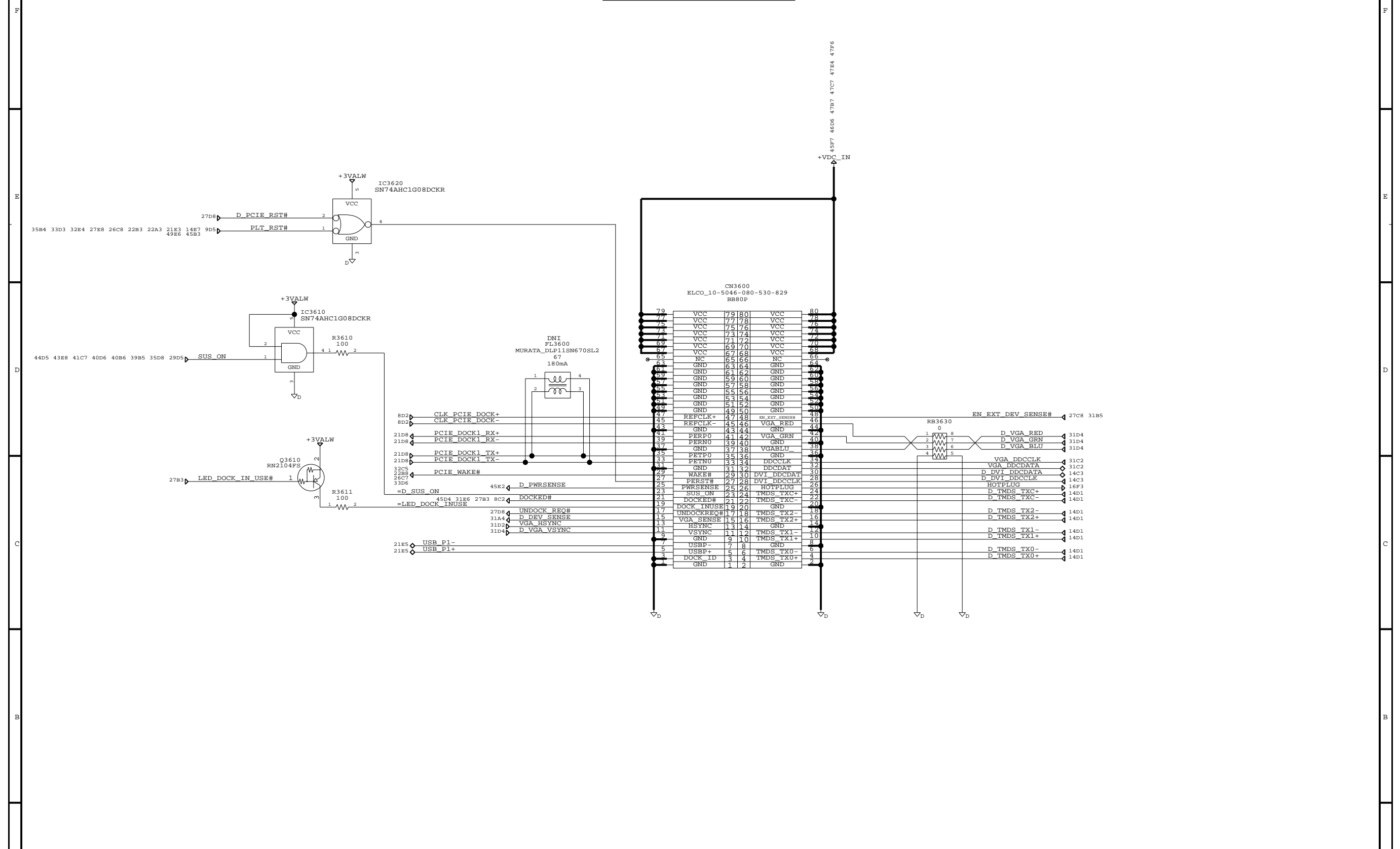
THIS DOCUMENT CONTAINS INFORMATION PROPRIETARY TO SONY CORPORATION (SONY). USE OR DISCLOSURE WITHOUT THE WRITTEN PERMISSION OF AN OFFICER OF SONY IS EXPRESSLY FORBIDDEN.  
 COPYRIGHT (C) SONY CORPORATION 2005

QTY	1	REV.	1.120	PART NO.	-
SIZE	<b>C</b>	DESIGNER	-	(CN-6) SHEET 33 OF 50	

SONY PROPRIETARY INFORMATION

SONY CONFIDENTIAL

REVISIONS				
ZONE	LTR	DESCRIPTION	DATE	APPR.



(REF: 3600- 3699)

<b>SONY CORPORATION</b> <small>INFORMATION TECHNOLOGY &amp; COMMUNICATIONS NETWORK COMPANY</small> <b>VAIO BUSINESS DIVISION</b>		DRAWING: <b>MBX-147</b> <b>DOCK CN</b> <small>LAST_MODIFIED=Mon Jan 16 20:46:32 2006</small>	
<small>THIS DOCUMENT CONTAINS INFORMATION PROPRIETARY TO SONY CORPORATION (SONY). USE OR DISCLOSURE WITHOUT THE WRITTEN PERMISSION OF AN OFFICER OF SONY IS EXPRESSLY FORBIDDEN.          COPYRIGHT (C) SONY CORPORATION 2005</small>		QTY 1 REV. 0.241	PART NO. -
SIZE <b>C</b>	DESIGNER -	SHEET 34 OF 50 (CN-7)	

SONY PROPRIETARY INFORMATION

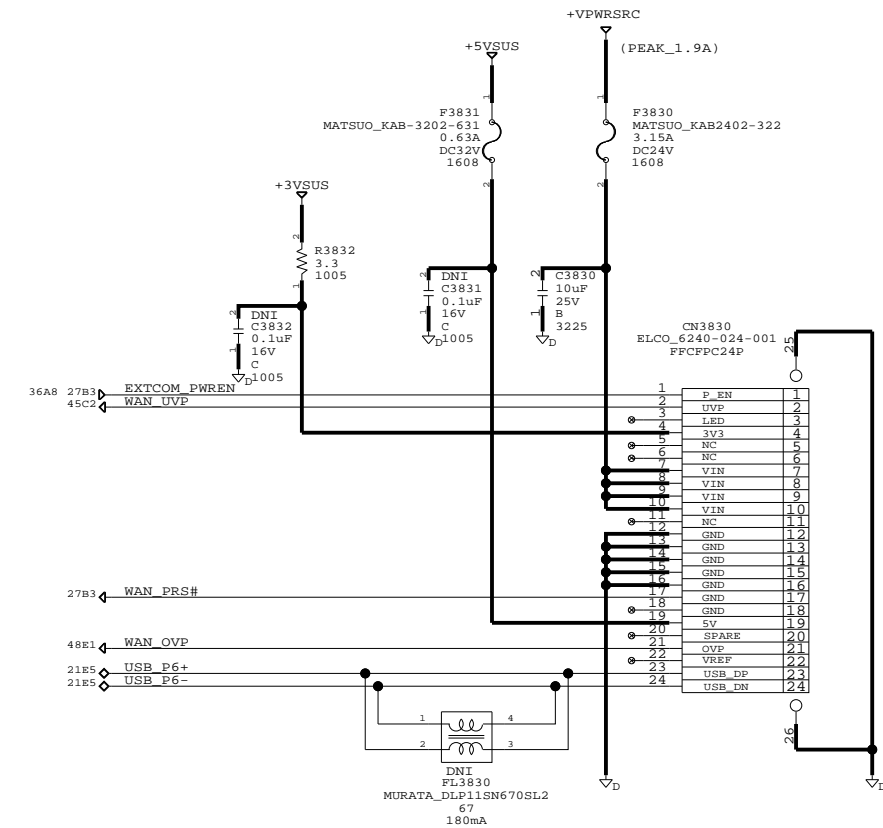
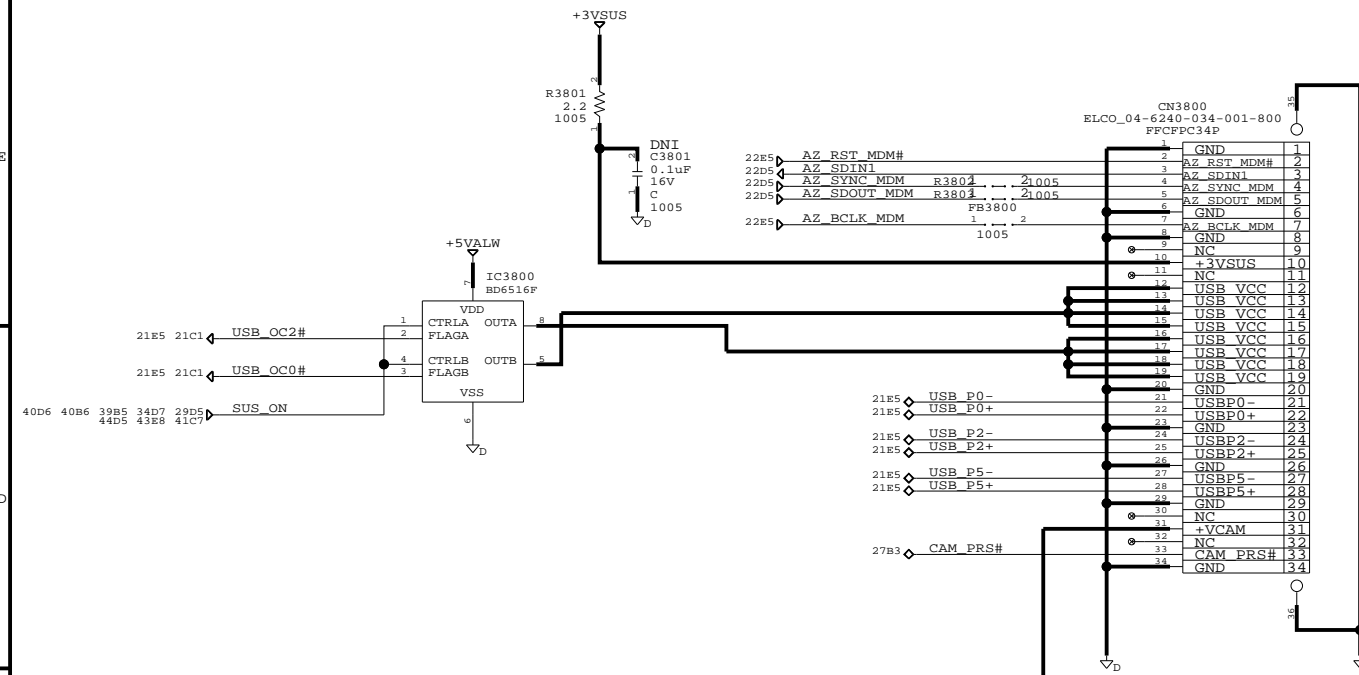
SONY CONFIDENTIAL

REVISIONS

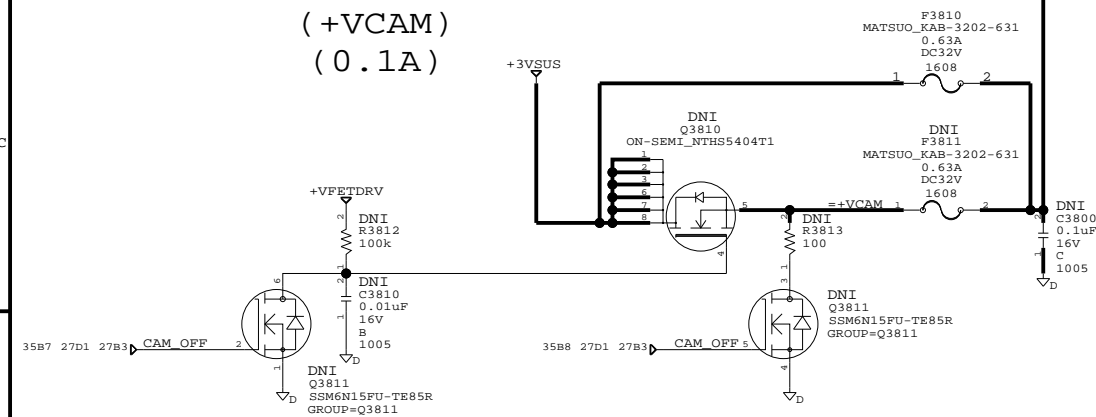
ZONE	LTR	DESCRIPTION	DATE	APPR.

(WAN, FELICA)

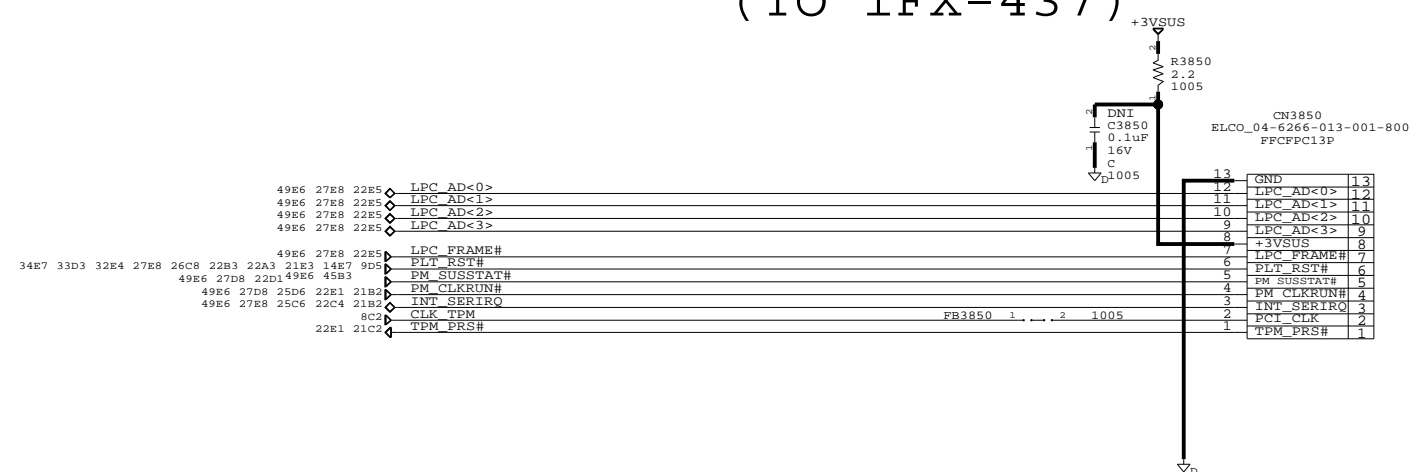
(USB, CAMERA, MODEM)  
(TO CNX-349)



(+VCAM)  
(0.1A)



(TPM)  
(TO IFX-437)



(REF: 3800- 3899)

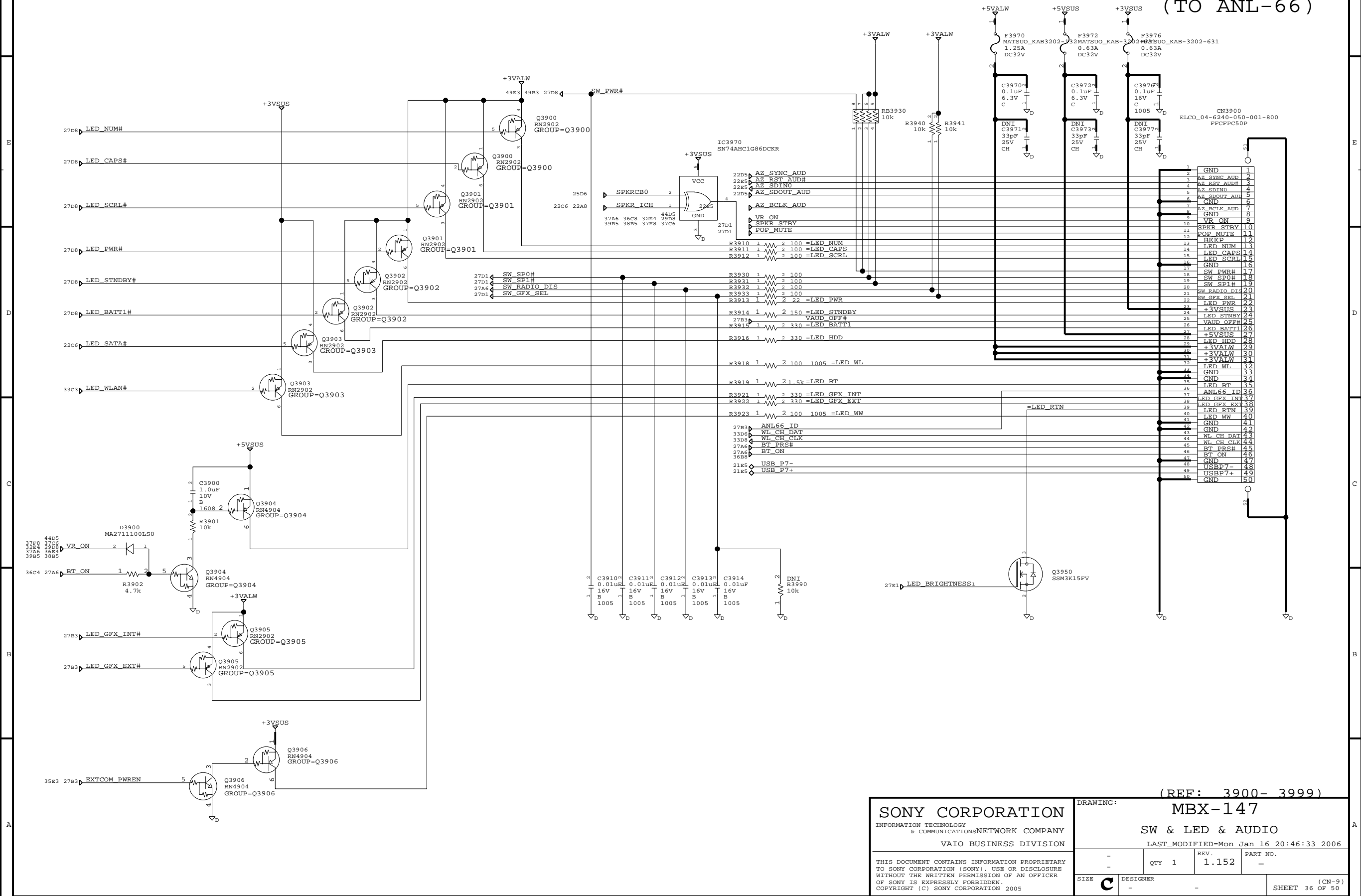
<b>SONY CORPORATION</b> INFORMATION TECHNOLOGY & COMMUNICATIONS NETWORK COMPANY VAIO BUSINESS DIVISION		DRAWING: <b>MBX-147</b> <b>USB, CAMERA, MODEM &amp; WAN &amp; TPM</b> LAST_MODIFIED=Mon Jan 16 20:46:33 2006	
THIS DOCUMENT CONTAINS INFORMATION PROPRIETARY TO SONY CORPORATION (SONY). USE OR DISCLOSURE WITHOUT THE WRITTEN PERMISSION OF AN OFFICER OF SONY IS EXPRESSLY FORBIDDEN. COPYRIGHT (C) SONY CORPORATION 2005		QTY 1 REV. 1.100 PART NO. - DESIGNER - SIZE <b>C</b>	(CN-8) SHEET 35 OF 50

SONY PROPRIETARY INFORMATION

SONY CONFIDENTIAL

REVISIONS				
ZONE	LTR	DESCRIPTION	DATE	APPR.

(TO ANL-66)



**SONY CORPORATION**  
 INFORMATION TECHNOLOGY & COMMUNICATIONS NETWORK COMPANY  
 VAIO BUSINESS DIVISION

THIS DOCUMENT CONTAINS INFORMATION PROPRIETARY TO SONY CORPORATION (SONY). USE OR DISCLOSURE WITHOUT THE WRITTEN PERMISSION OF AN OFFICER OF SONY IS EXPRESSLY FORBIDDEN.  
 COPYRIGHT (C) SONY CORPORATION 2005

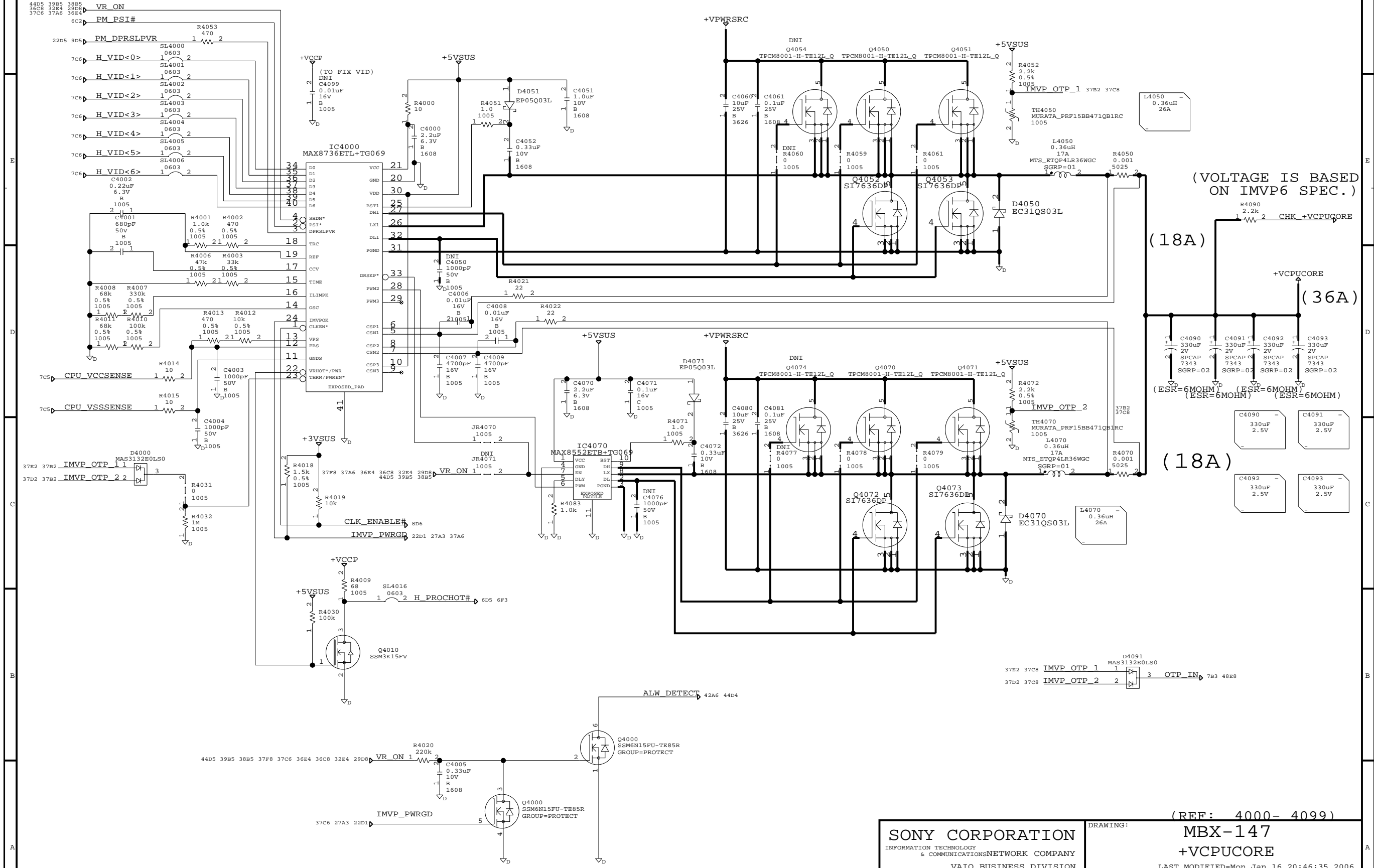
DRAWING: MBX-147		REV. 1.152		PART NO. -	
SW & LED & AUDIO		LAST_MODIFIED=Mon Jan 16 20:46:33 2006		SHEET 36 OF 50	
SIZE	DESIGNER	QTY	REV.	PART NO.	
C	-	1	1.152	-	

(REF: 3900- 3999)

SONY PROPRIETARY INFORMATION

SONY CONFIDENTIAL

REVISIONS				
ZONE	LTR	DESCRIPTION	DATE	APPR.



(VOLTAGE IS BASED ON IMVP6 SPEC.)

(18A)

(36A)

(ESR=6MOHM) (ESR=6MOHM) (ESR=6MOHM) (ESR=6MOHM)

(18A)

**SONY CORPORATION**  
 INFORMATION TECHNOLOGY & COMMUNICATIONS NETWORK COMPANY  
 VAIO BUSINESS DIVISION

DRAWING: **MBX-147**  
**+VCPUCORE**  
 LAST\_MODIFIED=Mon Jan 16 20:46:35 2006

THIS DOCUMENT CONTAINS INFORMATION PROPRIETARY TO SONY CORPORATION (SONY). USE OR DISCLOSURE WITHOUT THE WRITTEN PERMISSION OF AN OFFICER OF SONY IS EXPRESSLY FORBIDDEN.  
 COPYRIGHT (C) SONY CORPORATION 2005

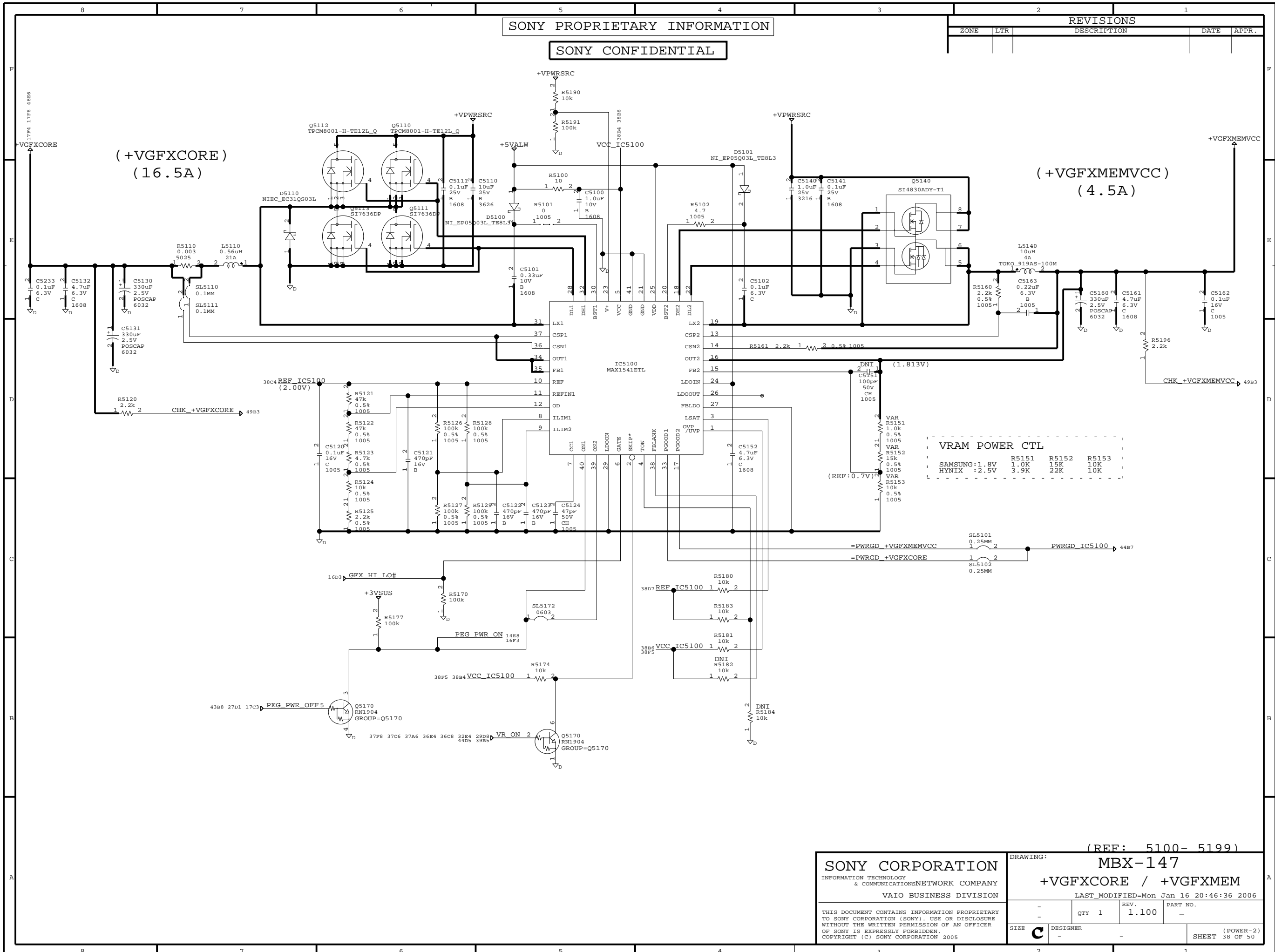
QTY	1	REV.	1.100	PART NO.	-
SIZE	C	DESIGNER	-	(POWER-1) SHEET 37 OF 50	

(REF: 4000- 4099)

SONY PROPRIETARY INFORMATION

SONY CONFIDENTIAL

REVISIONS				
ZONE	LTR	DESCRIPTION	DATE	APPR.



VRAM POWER CTL

SAMSUNG: 1.8V	R5151 1.0K	R5152 15K	R5153 10K
HYNIX : 2.5V	VAR 3.9K	VAR 22K	VAR 10K

(REF: 5100- 5199)

SONY CORPORATION		DRAWING: MBX-147	
INFORMATION TECHNOLOGY & COMMUNICATIONS NETWORK COMPANY		+VGFXCORE / +VGFXMEM	
VAIO BUSINESS DIVISION		LAST_MODIFIED=Mon Jan 16 20:46:36 2006	
THIS DOCUMENT CONTAINS INFORMATION PROPRIETARY TO SONY CORPORATION (SONY). USE OR DISCLOSURE WITHOUT THE WRITTEN PERMISSION OF AN OFFICER OF SONY IS EXPRESSLY FORBIDDEN. COPYRIGHT (C) SONY CORPORATION 2005		QTY 1	REV. 1.100
SIZE C	DESIGNER	PART NO.	(POWER-2) SHEET 38 OF 50

SONY PROPRIETARY INFORMATION

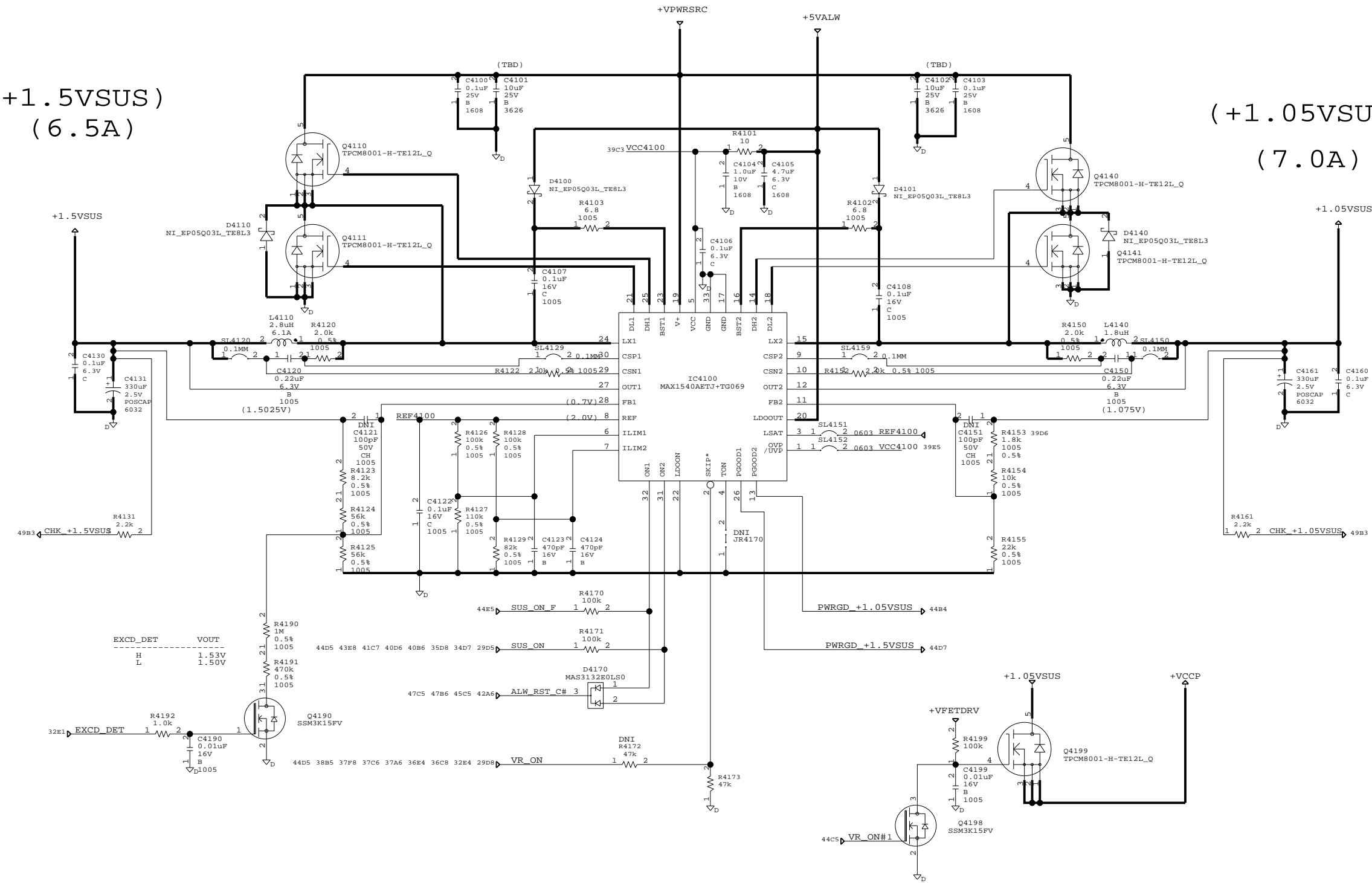
SONY CONFIDENTIAL

REVISIONS

ZONE	LTR	DESCRIPTION	DATE	APPR.

(+1.5VSUS)  
(6.5A)

(+1.05VSUS)  
(7.0A)



(REF: 4100- 4199)

<b>SONY CORPORATION</b> INFORMATION TECHNOLOGY & COMMUNICATIONS NETWORK COMPANY VAIO BUSINESS DIVISION		DRAWING: MBX-147	
		+1.5VSUS / +1.05VSUS	
THIS DOCUMENT CONTAINS INFORMATION PROPRIETARY TO SONY CORPORATION (SONY). USE OR DISCLOSURE WITHOUT THE WRITTEN PERMISSION OF AN OFFICER OF SONY IS EXPRESSLY FORBIDDEN. COPYRIGHT (C) SONY CORPORATION 2005		LAST_MODIFIED: Mon Jan 16 20:46:37 2006	PART NO. -
QTY 1	REV. 1.120	DESIGNER -	DESIGNER -
SIZE C	DESIGNER -	(POWER-3) SHEET 39 OF 50	

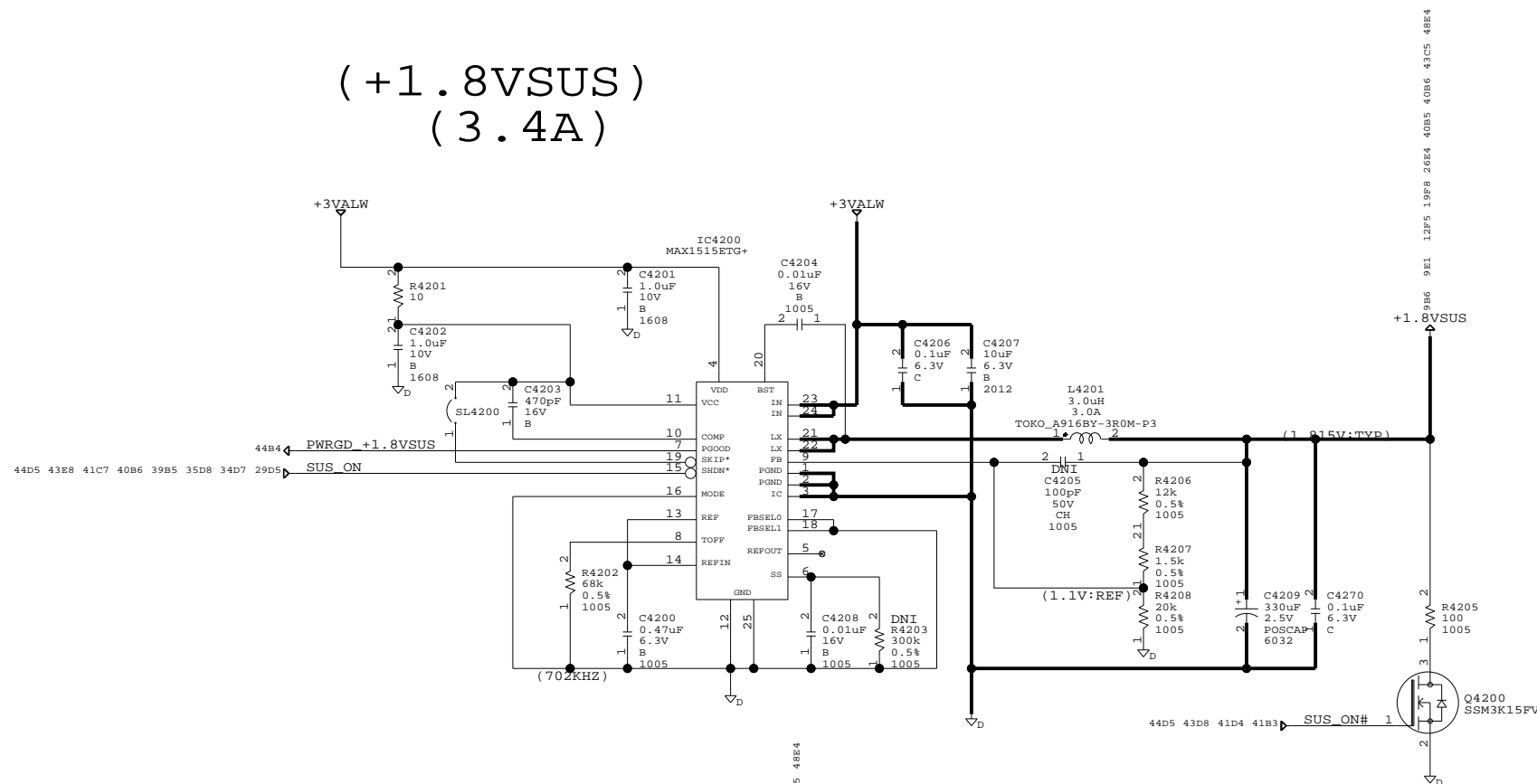
SONY PROPRIETARY INFORMATION

SONY CONFIDENTIAL

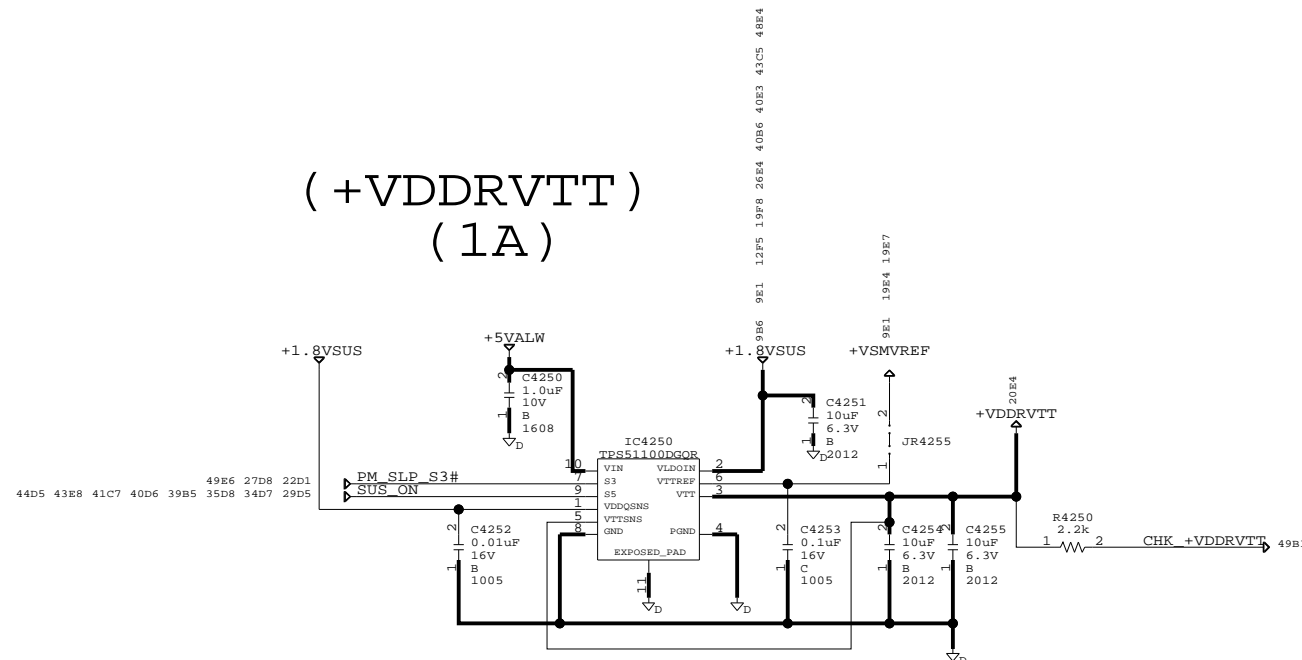
REVISIONS

ZONE	LTR	DESCRIPTION	DATE	APPR.

(+1.8VSUS)  
(3.4A)



(+VDDRVTT)  
(1A)



(REF: 4200- 4299)

**SONY CORPORATION**  
 INFORMATION TECHNOLOGY  
 & COMMUNICATIONS NETWORK COMPANY  
 VAIO BUSINESS DIVISION

THIS DOCUMENT CONTAINS INFORMATION PROPRIETARY TO SONY CORPORATION (SONY). USE OR DISCLOSURE WITHOUT THE WRITTEN PERMISSION OF AN OFFICER OF SONY IS EXPRESSLY FORBIDDEN.  
 COPYRIGHT (C) SONY CORPORATION 2005

DRAWING: MBX-147		LAST_MODIFIED=Mon Jan 16 20:46:38 2006	
+1.8VSUS / +VDDRVTT		REV. 0.230	PART NO. -
SIZE C	DESIGNER -	QTY 1	(POWER-4) SHEET 40 OF 50

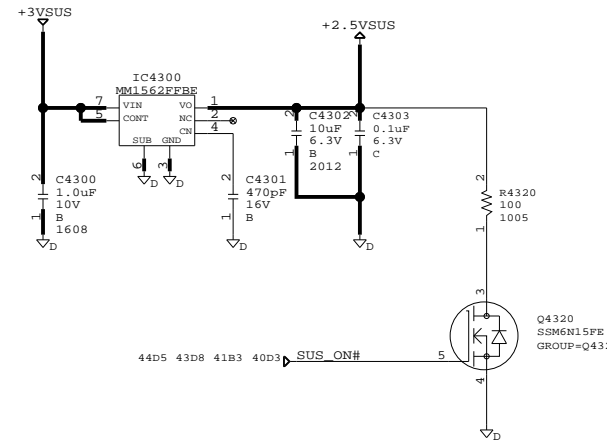


SONY PROPRIETARY INFORMATION

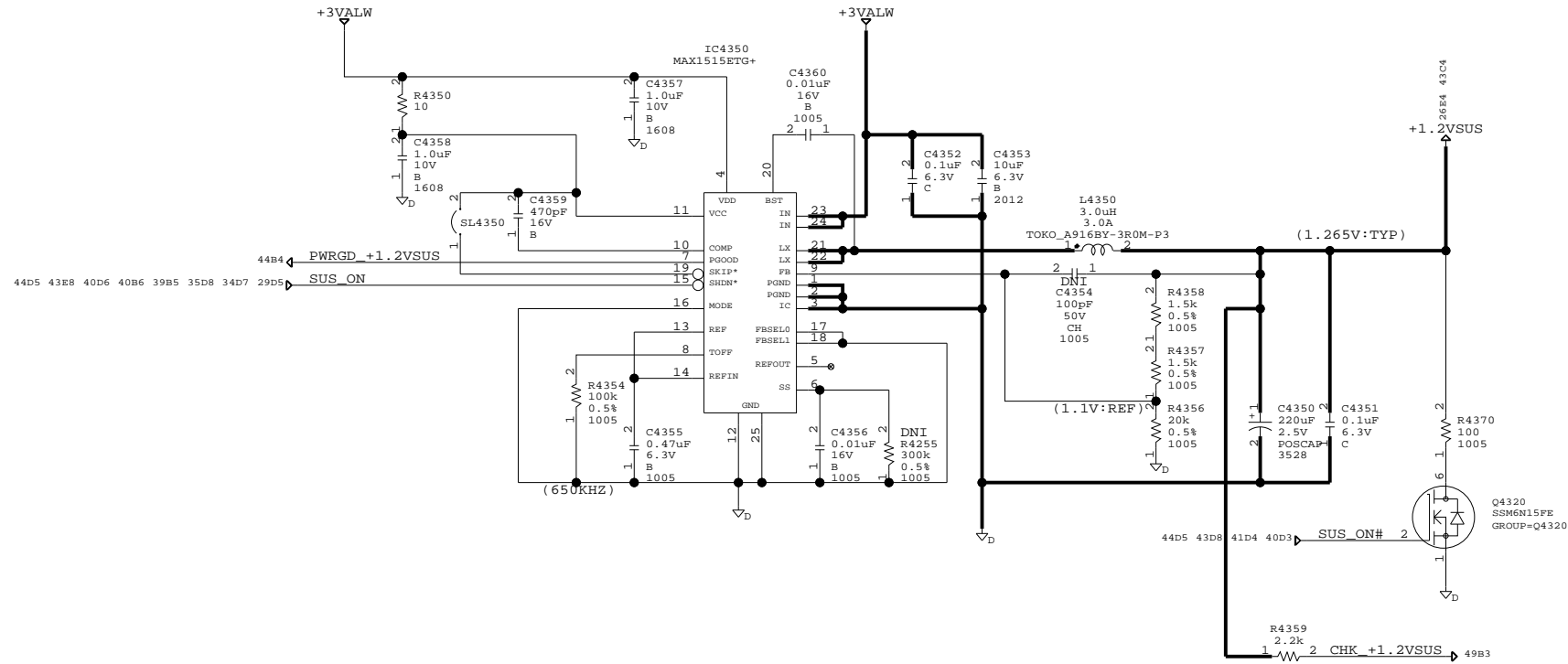
SONY CONFIDENTIAL

REVISIONS				
ZONE	LTR	DESCRIPTION	DATE	APPR.

(+2.5VSUS)  
(0.4A)



(+1.2VSUS)  
(1.8A)



(REF: 4300- 4399)

**SONY CORPORATION**  
 INFORMATION TECHNOLOGY  
 & COMMUNICATIONS NETWORK COMPANY  
 VAIO BUSINESS DIVISION

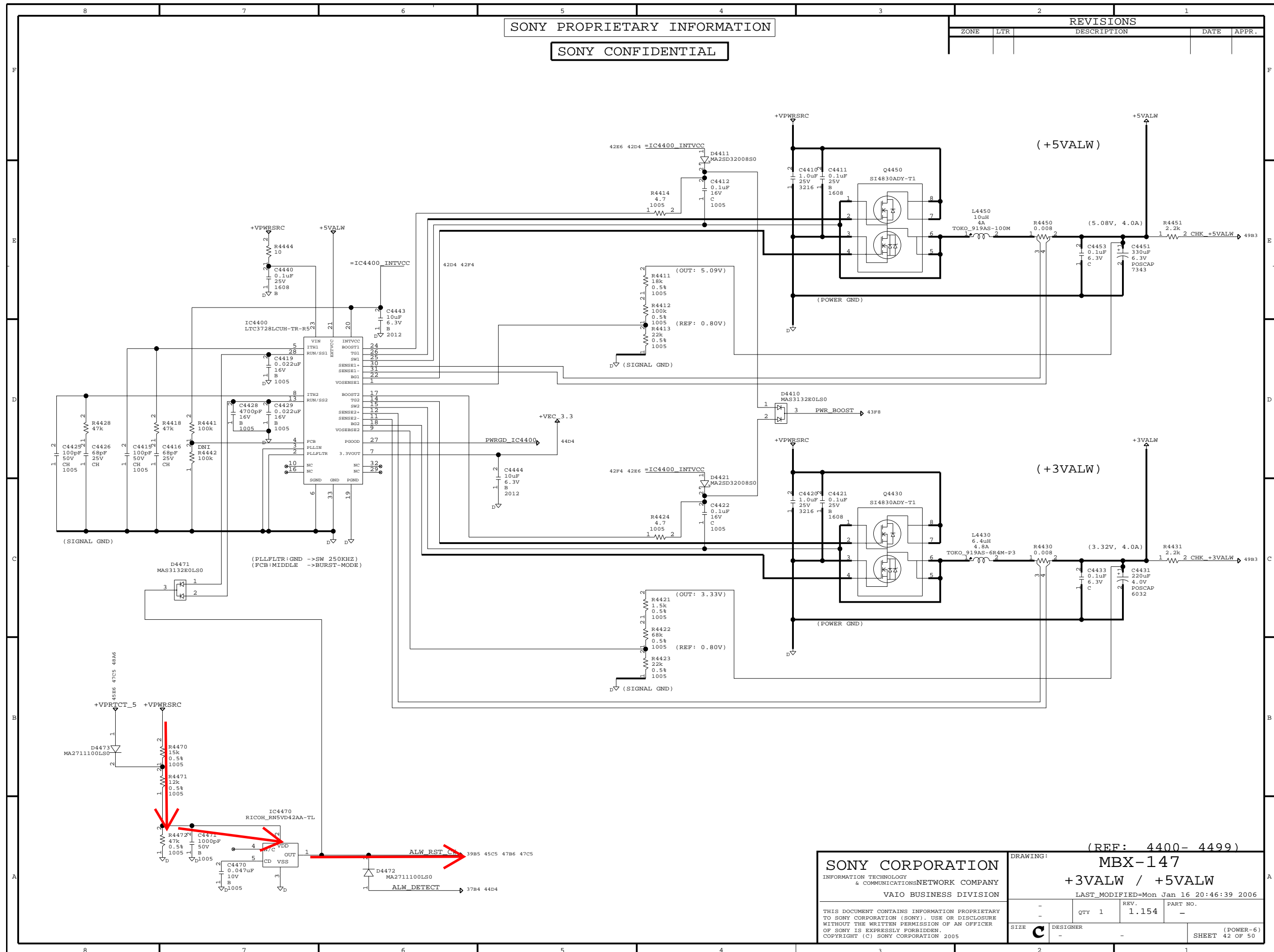
THIS DOCUMENT CONTAINS INFORMATION PROPRIETARY TO SONY CORPORATION (SONY). USE OR DISCLOSURE WITHOUT THE WRITTEN PERMISSION OF AN OFFICER OF SONY IS EXPRESSLY FORBIDDEN.  
 COPYRIGHT (C) SONY CORPORATION 2005

DRAWING: MBX-147		REV. 0.243		PART NO. -	
+1.2VSUS/+2.5VSUS		LAST_MODIFIED=Mon Jan 16 20:46:38 2006		SHEET 41 OF 50	
SIZE	C	DESIGNER	-	(POWER-5)	

SONY PROPRIETARY INFORMATION

SONY CONFIDENTIAL

REVISIONS				
ZONE	LTR	DESCRIPTION	DATE	APPR.



**SONY CORPORATION**  
 INFORMATION TECHNOLOGY & COMMUNICATIONS NETWORK COMPANY  
 VAIO BUSINESS DIVISION

THIS DOCUMENT CONTAINS INFORMATION PROPRIETARY TO SONY CORPORATION (SONY). USE OR DISCLOSURE WITHOUT THE WRITTEN PERMISSION OF AN OFFICER OF SONY IS EXPRESSLY FORBIDDEN.  
 COPYRIGHT (C) SONY CORPORATION 2005

DRAWING:		MBX-147	
		+3VALW / +5VALW	
LAST_MODIFIED=Mon Jan 16 20:46:39 2006			
QTY	REV.	PART NO.	
1	1.154	-	
SIZE	DESIGNER		(POWER-6)
C	-		SHEET 42 OF 50

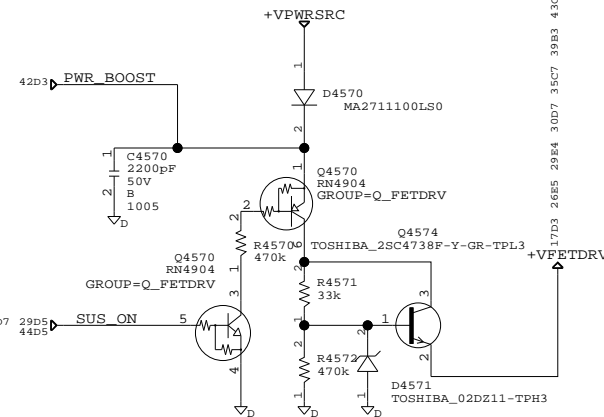
(REF: 4400- 4499)

SONY PROPRIETARY INFORMATION

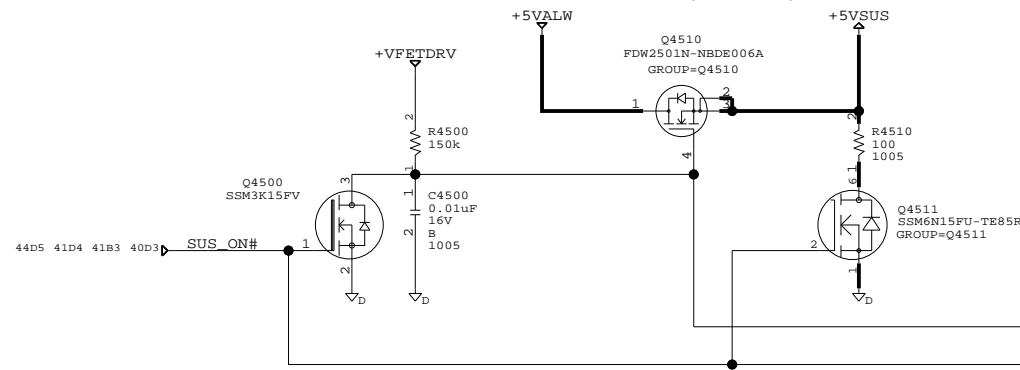
SONY CONFIDENTIAL

REVISIONS				
ZONE	LTR	DESCRIPTION	DATE	APPR.

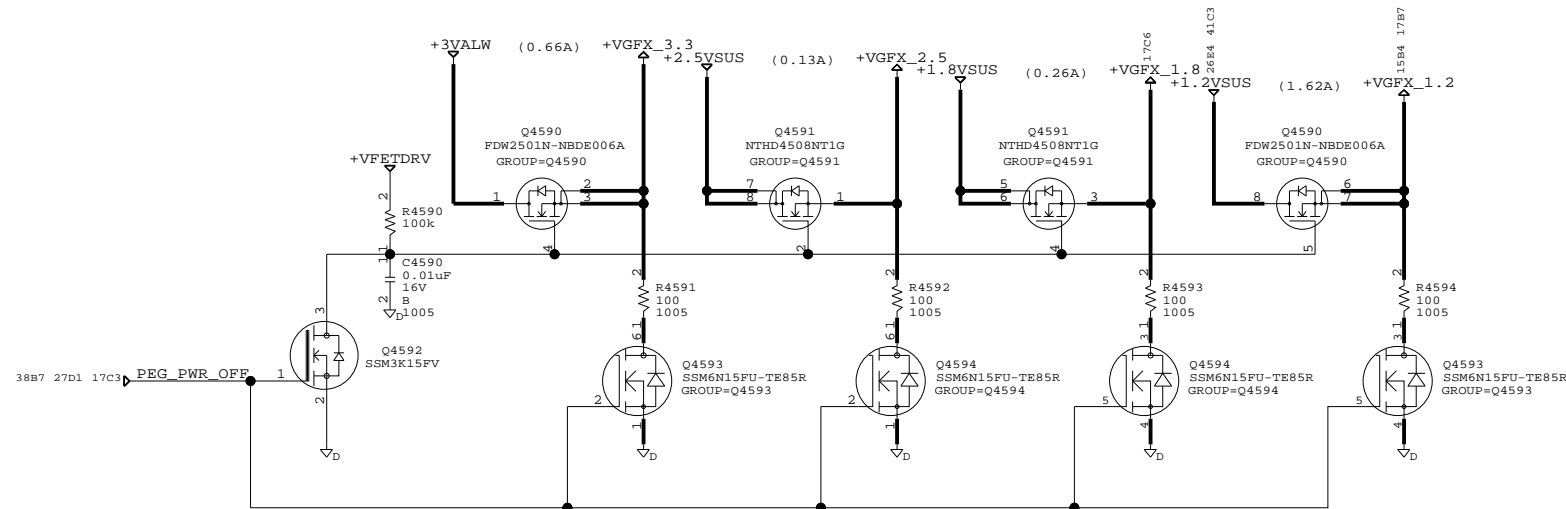
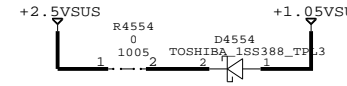
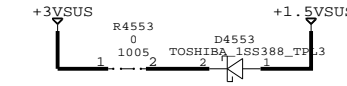
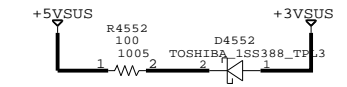
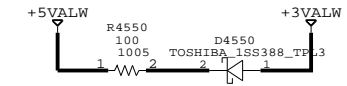
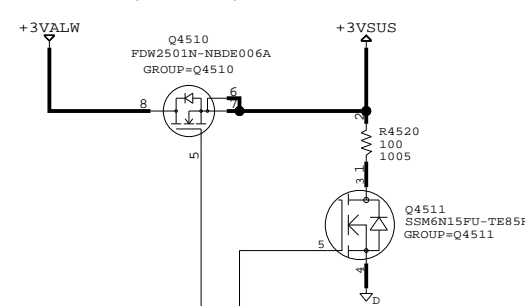
(+VFETDRV)



(+5VSUS)  
(1.1A)



(+3VSUS)  
(1.1A)



SONY CORPORATION INFORMATION TECHNOLOGY & COMMUNICATIONS NETWORK COMPANY VAIO BUSINESS DIVISION		DRAWING: MBX-147 LOAD SW LAST_MODIFIED=Mon Jan 16 20:46:40 2006	
THIS DOCUMENT CONTAINS INFORMATION PROPRIETARY TO SONY CORPORATION (SONY). USE OR DISCLOSURE WITHOUT THE WRITTEN PERMISSION OF AN OFFICER OF SONY IS EXPRESSLY FORBIDDEN. COPYRIGHT (C) SONY CORPORATION 2005		QTY 1 REV. 1.154	PART NO. - SHEET 43 OF 50

(REF: 4500- 4599)

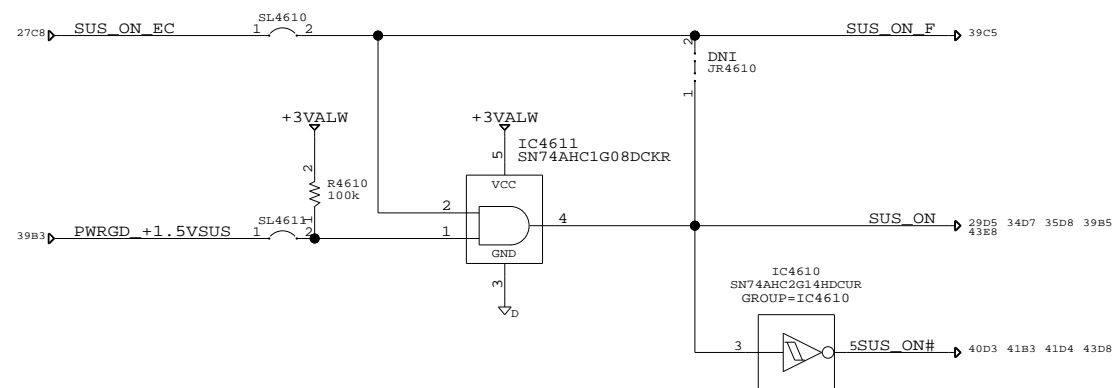
SIZE C DESIGNER (POWER-7)

SONY PROPRIETARY INFORMATION

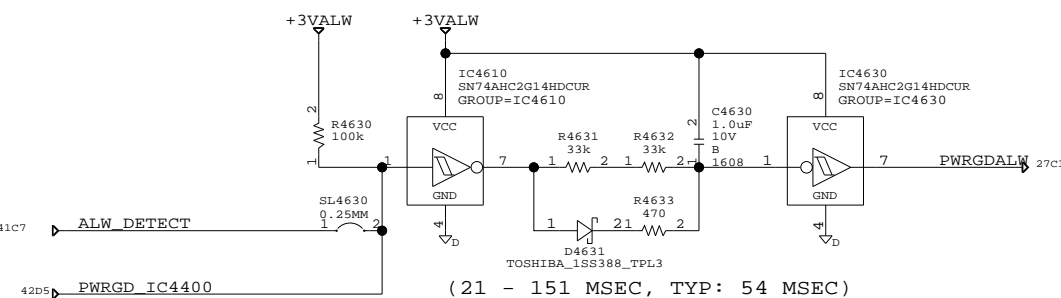
SONY CONFIDENTIAL

REVISIONS				
ZONE	LTR	DESCRIPTION	DATE	APPR.

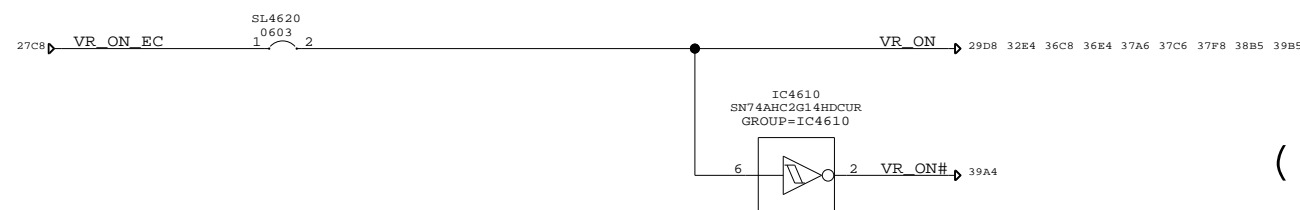
( SUS\_ON )



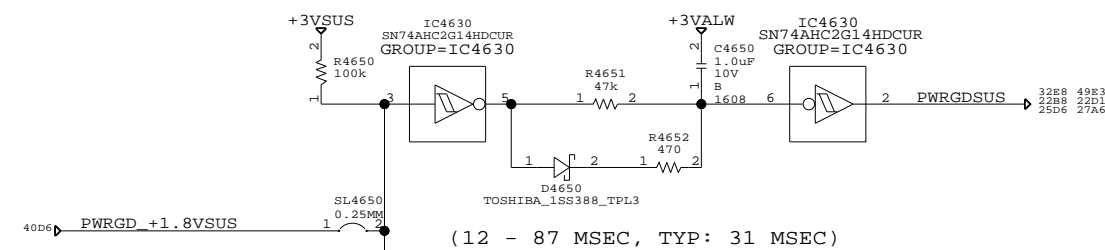
( PWRGDALW )



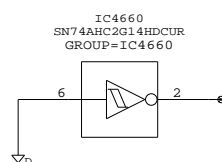
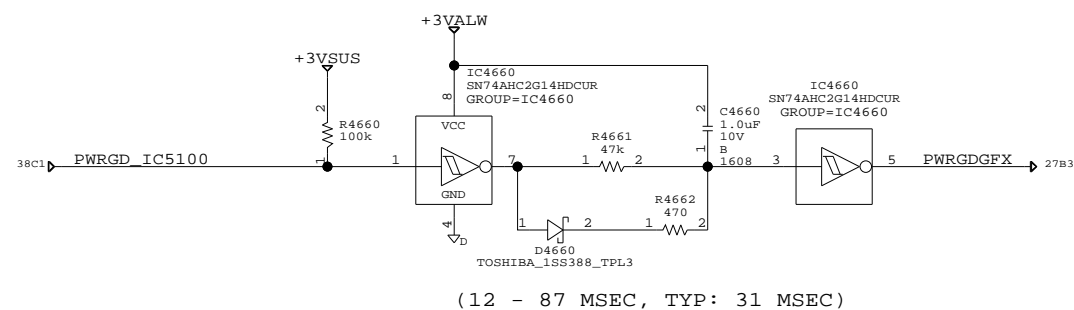
( VR\_ON )



( PWRGDSUS )



( PWRGDGF'X )



(REF: 4600- 4699)

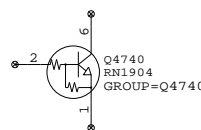
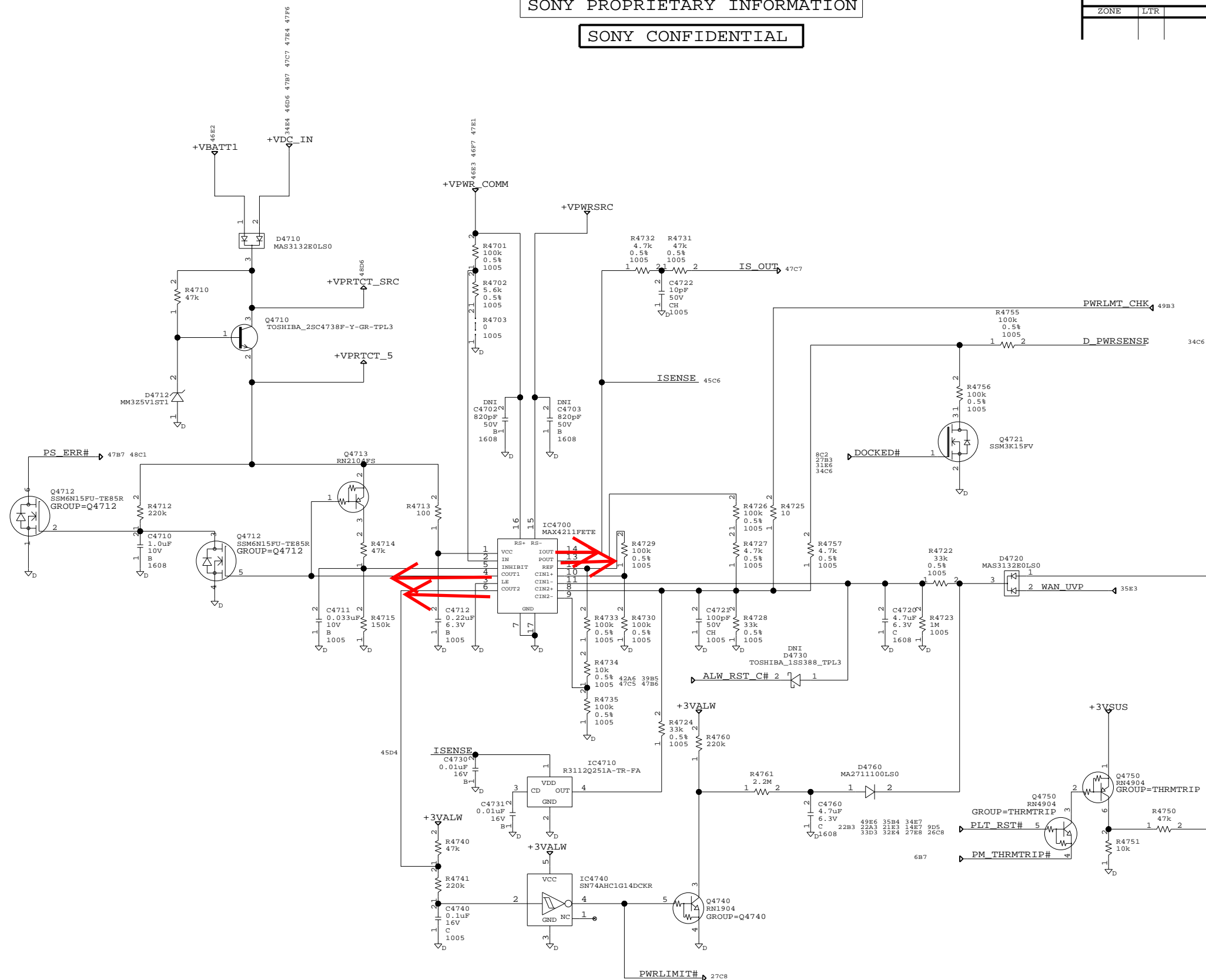
<b>SONY CORPORATION</b> INFORMATION TECHNOLOGY & COMMUNICATIONS NETWORK COMPANY VAIO BUSINESS DIVISION		DRAWING: <b>MBX-147</b> <b>TIMING SEQUENCER</b> LAST_MODIFIED=Mon Jan 16 20:46:41 2006	
THIS DOCUMENT CONTAINS INFORMATION PROPRIETARY TO SONY CORPORATION (SONY). USE OR DISCLOSURE WITHOUT THE WRITTEN PERMISSION OF AN OFFICER OF SONY IS EXPRESSLY FORBIDDEN. COPYRIGHT (C) SONY CORPORATION 2005		QTY 1 REV. 1.120	PART NO. -
SIZE <b>C</b>	DESIGNER -	SHEET 44 OF 50 (POWER-8)	

SONY PROPRIETARY INFORMATION

SONY CONFIDENTIAL

REVISIONS

ZONE	LTR	DESCRIPTION	DATE	APPR.



**SONY CORPORATION**  
 INFORMATION TECHNOLOGY & COMMUNICATIONS NETWORK COMPANY  
 VAIO BUSINESS DIVISION

THIS DOCUMENT CONTAINS INFORMATION PROPRIETARY TO SONY CORPORATION (SONY). USE OR DISCLOSURE WITHOUT THE WRITTEN PERMISSION OF AN OFFICER OF SONY IS EXPRESSLY FORBIDDEN.  
 COPYRIGHT (C) SONY CORPORATION 2005

DRAWING:		MBX-147	
POWER LIMITER		LAST_MODIFIED=Mon Jan 16 20:46:41 2006	
QTY	REV.	PART NO.	
1	1.130	-	
DESIGNER			

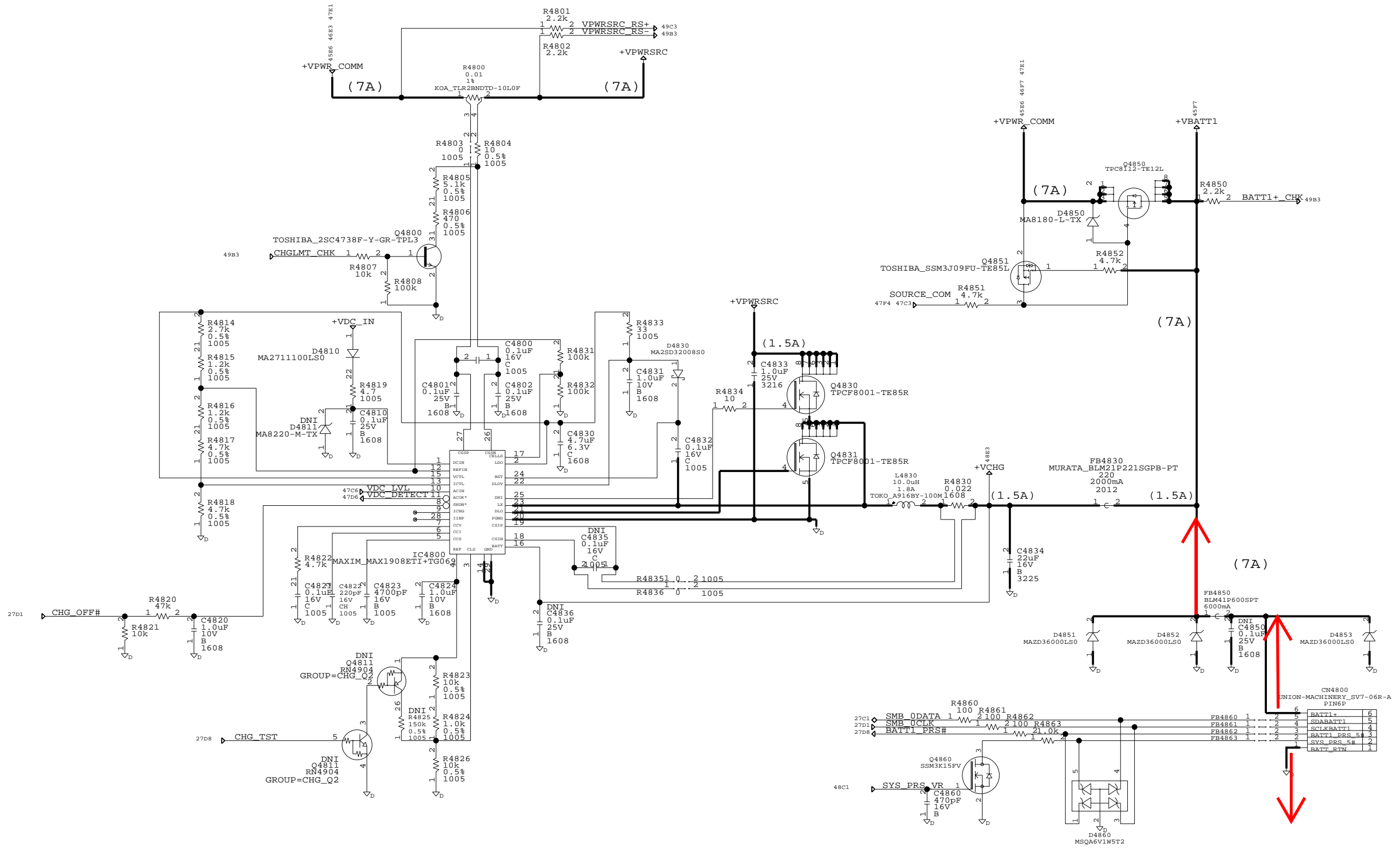
(REF: 4700- 4799)

SONY PROPRIETARY INFORMATION

SONY CONFIDENTIAL

REVISIONS

ZONE	LTR	DESCRIPTION	DATE	APPR.



(REF: 4800- 4899)

**SONY CORPORATION**  
 INFORMATION TECHNOLOGY & COMMUNICATIONS NETWORK COMPANY  
 VAIO BUSINESS DIVISION

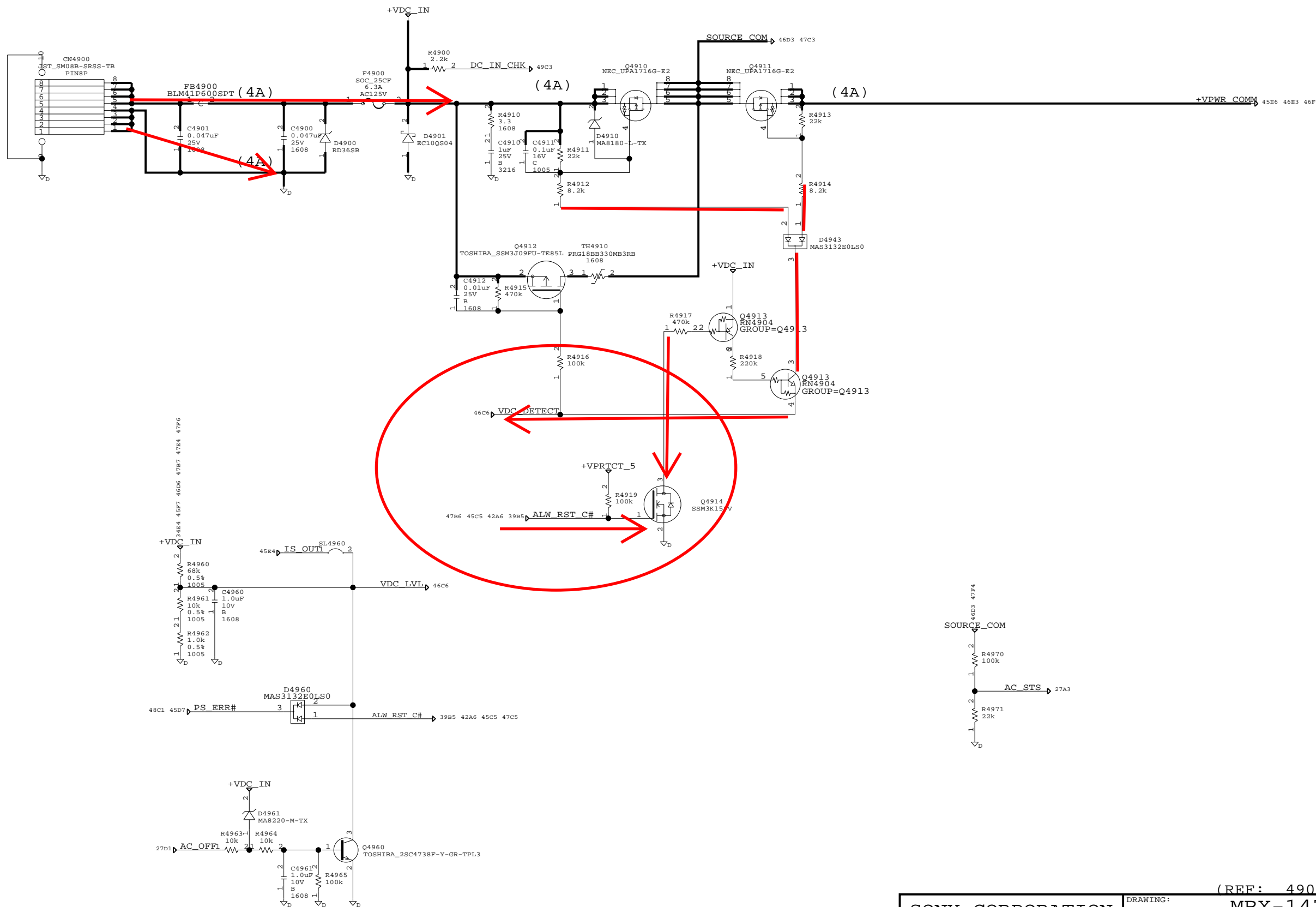
THIS DOCUMENT CONTAINS INFORMATION PROPRIETARY TO SONY CORPORATION (SONY). USE OR DISCLOSURE WITHOUT THE WRITTEN PERMISSION OF AN OFFICER OF SONY IS EXPRESSLY FORBIDDEN.  
 COPYRIGHT (C) SONY CORPORATION 2005

DRAWING:		MBX-147	
BATTERY CHARGER		LAST_MODIFIED=Mon Jan 16 20:46:43 2006	
QTY	REV.	PART NO.	
1	1.154	-	
DESIGNER			
C			(POWER-10 SHEET 46 OF 50)

SONY PROPRIETARY INFORMATION

SONY CONFIDENTIAL

REVISIONS				
ZONE	LTR	DESCRIPTION	DATE	APPR.



<b>SONY CORPORATION</b> INFORMATION TECHNOLOGY & COMMUNICATIONS NETWORK COMPANY VAIO BUSINESS DIVISION		DRAWING: <b>MBX-147</b> <b>DC_IN</b> LAST_MODIFIED=Mon Jan 16 20:46:43 2006	
THIS DOCUMENT CONTAINS INFORMATION PROPRIETARY TO SONY CORPORATION (SONY). USE OR DISCLOSURE WITHOUT THE WRITTEN PERMISSION OF AN OFFICER OF SONY IS EXPRESSLY FORBIDDEN. COPYRIGHT (C) SONY CORPORATION 2005		QTY 1 REV. 1.152	PART NO. - (POWER-11) SHEET 47 OF 50

(REF: 4900- 4999)

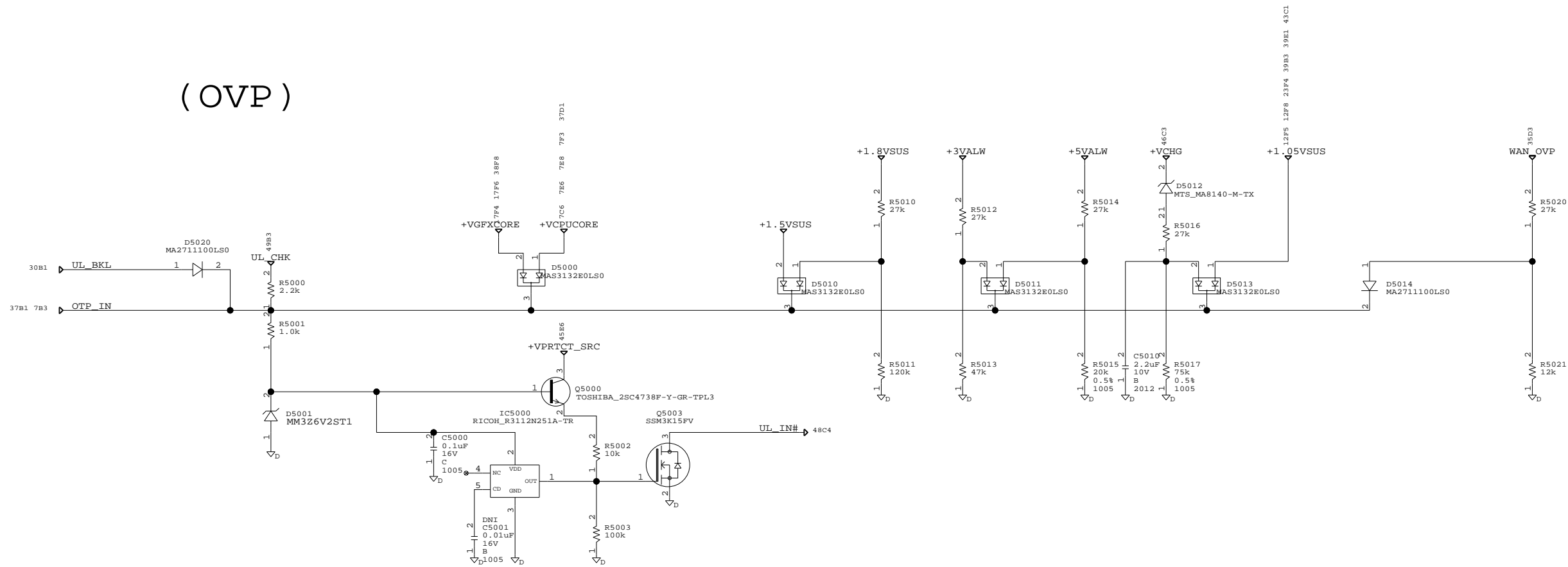
SONY PROPRIETARY INFORMATION

SONY CONFIDENTIAL

REVISIONS

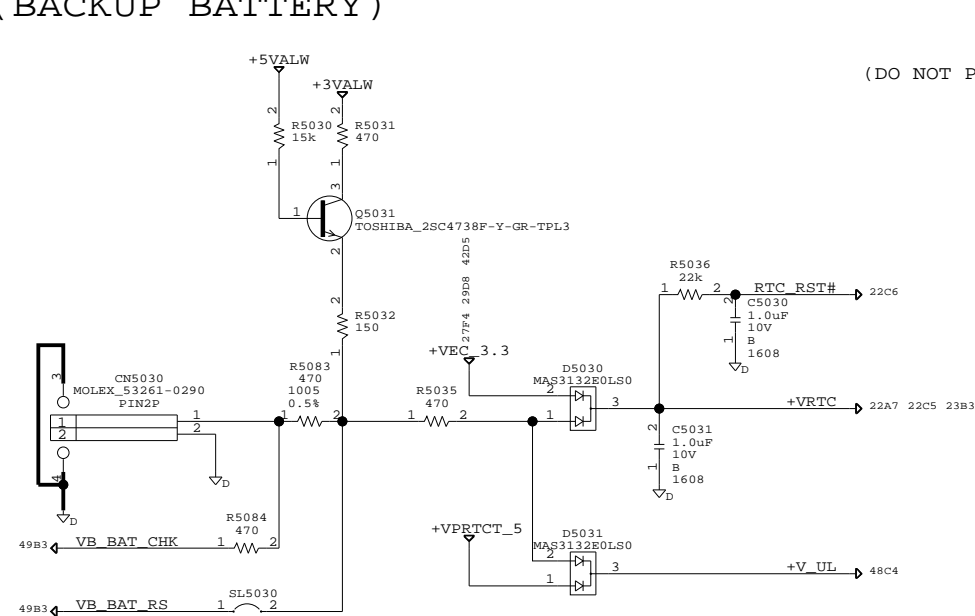
ZONE	LTR	DESCRIPTION	DATE	APPR.

(OVP)

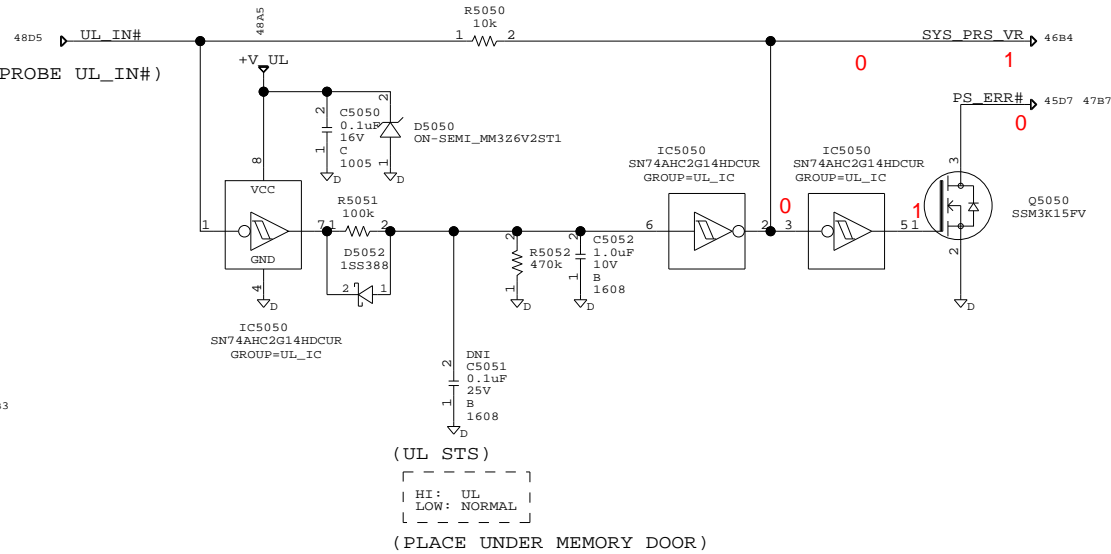


(UL CIRCUIT)

(BACKUP BATTERY)



(DO NOT PROBE UL\_IN#)



(UL STS)  
 [ HI: UL ]  
 [ LOW: NORMAL ]  
 (PLACE UNDER MEMORY DOOR)

**SONY CORPORATION**  
 INFORMATION TECHNOLOGY & COMMUNICATIONS NETWORK COMPANY  
 VAIO BUSINESS DIVISION

THIS DOCUMENT CONTAINS INFORMATION PROPRIETARY TO SONY CORPORATION (SONY). USE OR DISCLOSURE WITHOUT THE WRITTEN PERMISSION OF AN OFFICER OF SONY IS EXPRESSLY FORBIDDEN.  
 COPYRIGHT (C) SONY CORPORATION 2005

(REF: 5000- 5099)

DRAWING: MBX-147		PROTECTION(UL CIRCUIT)	
LAST_MODIFIED=Mon Jan 16 20:46:44 2006			
QTY	REV.	PART NO.	
1	0.220	-	
SIZE	DESIGNER	SHEET 48 OF 50	
C	-	(POWER-12)	



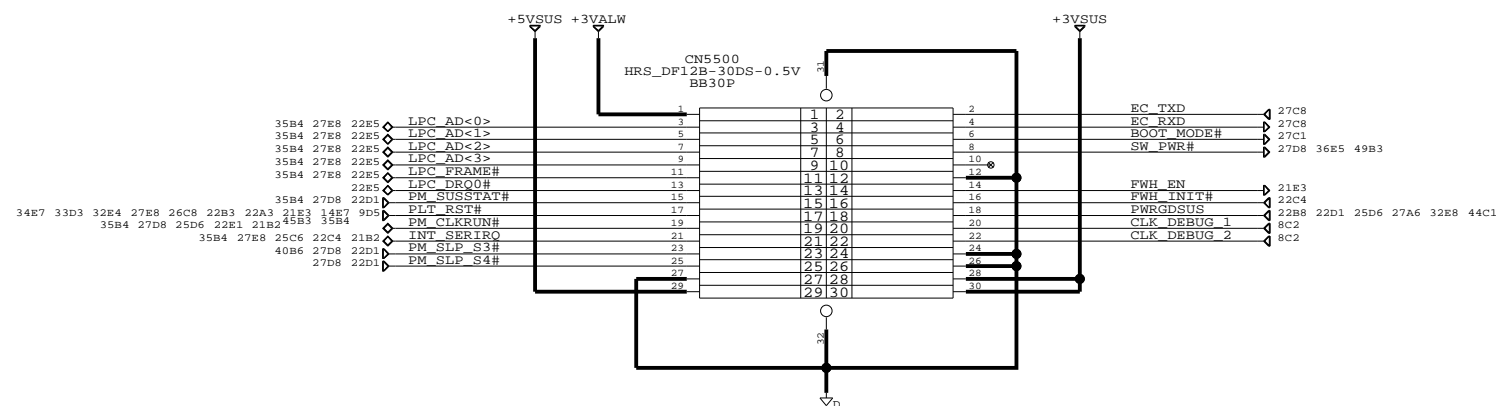
SONY PROPRIETARY INFORMATION

SONY CONFIDENTIAL

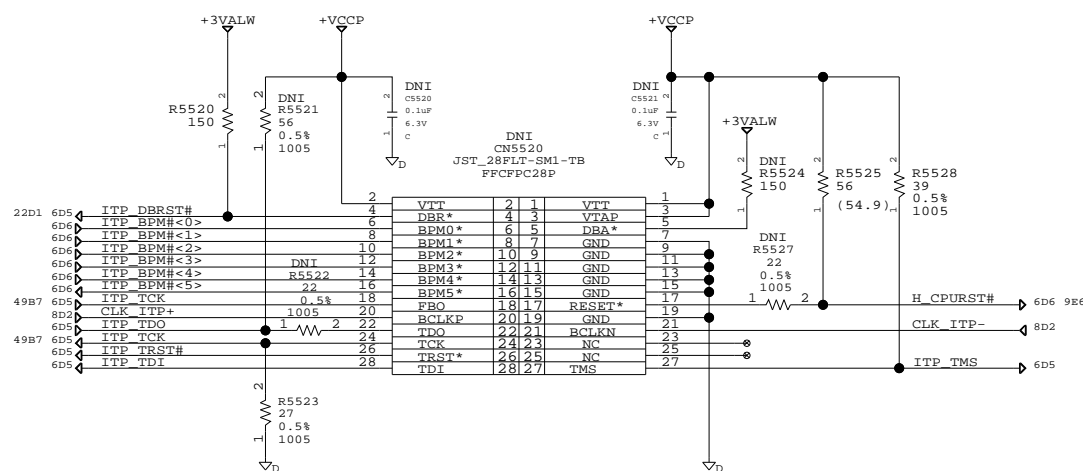
REVISIONS

ZONE	LTR	DESCRIPTION	DATE	APPR.

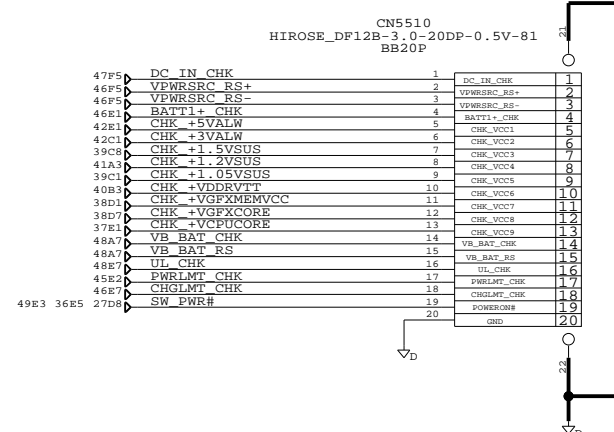
(DEBUG CONNECTOR)



(ITP CONNECTOR)



(POWER CHECK CONNECTOR)



(REF: 5500- 5599)

**SONY CORPORATION**  
 INFORMATION TECHNOLOGY & COMMUNICATIONS NETWORK COMPANY  
 VAIO BUSINESS DIVISION

DRAWING: **MBX-147**  
 DEBUG / POWER-CHECK / ITP CN  
 LAST\_MODIFIED=Mon Jan 16 20:46:45 2006

THIS DOCUMENT CONTAINS INFORMATION PROPRIETARY TO SONY CORPORATION (SONY). USE OR DISCLOSURE WITHOUT THE WRITTEN PERMISSION OF AN OFFICER OF SONY IS EXPRESSLY FORBIDDEN.  
 COPYRIGHT (C) SONY CORPORATION 2005

REV.	QTY	REV.	PART NO.
1.100	1	1.100	-

SIZE **C** DESIGNER SHEET (DEBUG-1) SHEET 49 OF 50

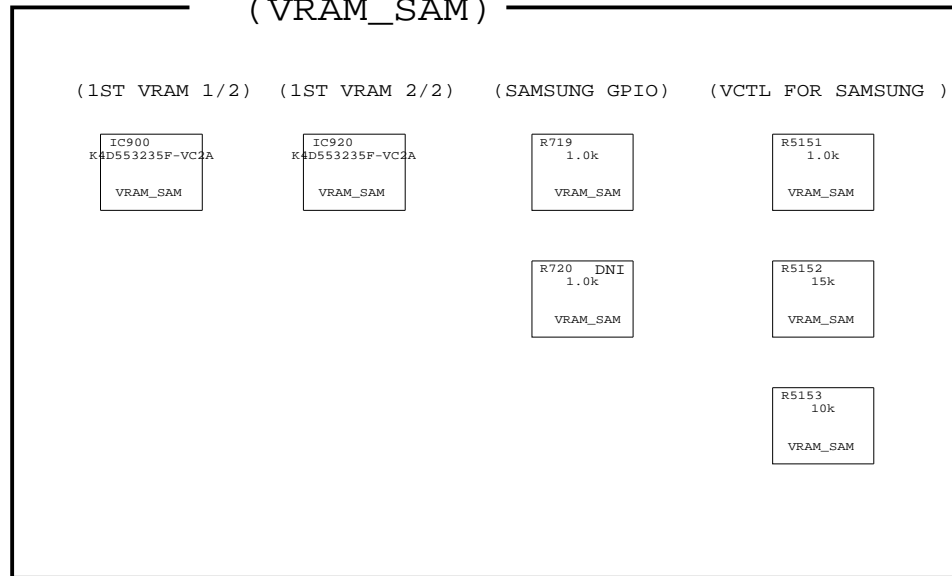
SONY PROPRIETARY INFORMATION

SONY CONFIDENTIAL

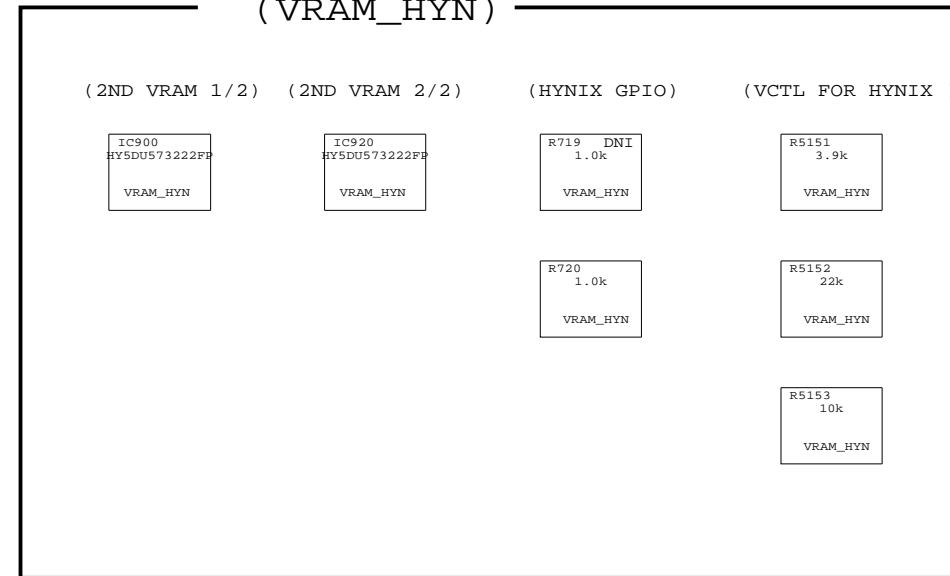
REVISIONS

ZONE	LTR	DESCRIPTION	DATE	APPR.

( VRAM\_SAM )



( VRAM\_HYN )



SONY CORPORATION  
 INFORMATION TECHNOLOGY & COMMUNICATIONS NETWORK COMPANY  
 VAIO BUSINESS DIVISION

DRAWING: MBX-147		VARIANCE	
LAST_MODIFIED=Thu Oct 6 12:44:38 2005			
QTY	REV.	PART NO.	
1	0.240	-	
SIZE	DESIGNER	(VARIANCE-1)	
C	-	SHEET 50 OF 50	

THIS DOCUMENT CONTAINS INFORMATION PROPRIETARY TO SONY CORPORATION (SONY). USE OR DISCLOSURE WITHOUT THE WRITTEN PERMISSION OF AN OFFICER OF SONY IS EXPRESSLY FORBIDDEN.  
 COPYRIGHT (C) SONY CORPORATION 2005

Title: Basenet Report  
Design: mbx147  
Date: Jan 16 20:49:06 2006

Base nets and synonyms for pwb\_lib.MBX147(@pwb\_lib.mbx147(sch\_1))  
Base Signal Synonyms Location([Zone][dir])

Table with 3 columns: Base Signal, Synonyms, Location. Lists various signals like +1.2VSUS, +1.05VSUS, +1.5VSUS, +1.8VSUS, +2.5VSUS, +3VALW, +3VSUS, +5VALW, +5VSUS, +VBATT1, +VCCP, +VCHG, +VCPUCORE, +VDC\_IN, +VDDRVT, +VEC\_3.3, +VFBAVREF, +VFETDRV, +VGFXCORE, +VGFXMVCC, +VGFXTMDS\_3.3, +VGF1.2, +VGF1.8, +VGF2.5, +VGF3.3, +VPCCDVCC, +VPRCT5, +VPRCT\_SRC, +VPWRSRC, +VPWR\_COMM, +VRTC, +VSMVREF, +V\_UL, +=VCAM, +=VEXCD15, +=VEXCD33, +=VEXCDAUX, +=VPCCDVPP.

Table with 3 columns: Signal Name, Synonyms, Location. Lists various signals like =A\_RCVENIN#, =A\_RCVENOUT#, =B\_RCVENIN#, =B\_RCVENOUT#, =CARD\_SCL, =CARD\_SDA, =CFG3, =CFG4, =CFG5, =CFG8, =CFG9, =CFG10, =CFG11, =CFG12, =CFG13, =CFG14, =CFG15, =CFG16, =CFG17, =CFG18, =CFG19, =CLK\_27M, =CLK\_27M\_SS, =DRIVE\_RST#, =DRIVE\_RSTF#, =D\_SUS\_ON, =EXT\_GFX\_VGA\_BLU, =EXT\_GFX\_VGA\_DDCCLK, =EXT\_GFX\_VGA\_DDCDATA, =EXT\_GFX\_VGA\_GRN, =EXT\_GFX\_VGA\_HSYNC, =EXT\_GFX\_VGA\_RED, =EXT\_GFX\_VGA\_VSYNC, =EXT\_LCD\_BKLCCTR, =EXT\_LCD\_BKLEN, =EXT\_LCD\_PNLEN, =EXT\_LVDS\_ACLK+, =EXT\_LVDS\_ACLK-, =EXT\_LVDS\_ADATA0+, =EXT\_LVDS\_ADATA0-, =EXT\_LVDS\_ADATA1+, =EXT\_LVDS\_ADATA1-, =EXT\_LVDS\_ADATA2+, =EXT\_LVDS\_ADATA2-, =FBA A12, =FBA CS1#, =FPBACK, =GFX\_THERMD+, =GFX\_THERMD-, =HOTPLUG\_ON, =IC4400\_INTVCC, =INTRUDER#, =LED\_BATT1, =LED\_BT, =LED\_CAPS, =LED\_DOCK\_INUSE, =LED\_GFX\_EXT, =LED\_GFX\_INT, =LED\_HDD, =LED\_NUM, =LED\_PWR, =LED\_RTIN, =LED\_SCRL, =LED\_STNDBY, =LED\_WL, =LED\_WW, =MB\_VGA\_BLU, =MB\_VGA\_GRN, =MB\_VGA\_RED, =MIOA\_CLKIN, =MIOB\_CLKIN, =PEG\_RST#, =PERST#, =PWRGRDSM, =PWRGD+, =PWRGD+, =RSM\_ON, =RTCX1, =RTCX2, =SIDE\_ON#, =SYS\_ID<14>, =SYS\_ID<15>, =VAD, =VCD11, =VCD12, =VCD21, =VCD22.

REVISIONS

Table with 5 columns: ZONE, LTR, DESCRIPTION, DATE, APPR.

SONY CORPORATION  
NETWORK COMPANY

THIS DOCUMENT CONTAINS INFORMATION PROPRIETARY TO SONY CORPORATION (SONY). USE OR DISCLOSURE WITHOUT THE WRITTEN PERMISSION OF AN OFFICER OF SONY IS EXPRESSLY FORBIDDEN.  
COPYRIGHT (C) SONY CORPORATION 2005

Table with 4 columns: QTY, REV., PART NO., SHEET. Values: QTY 1, REV. -, PART NO. -, SHEET 51 OF 51.

Main table with columns 1-8 containing component part numbers, descriptions, and values. Includes sub-tables for 'REVISIONS' and 'SONY CORPORATION NETWORK COMPANY'.

REVISIONS

Table with columns: ZONE, LTR, DESCRIPTION, DATE, APPR.

SONY CORPORATION

NETWORK COMPANY

THIS DOCUMENT CONTAINS INFORMATION PROPRIETARY TO SONY CORPORATION (SONY). USE OR DISCLOSURE WITHOUT THE WRITTEN PERMISSION OF AN OFFICER OF SONY IS EXPRESSLY FORBIDDEN. QTY 1 REV. PART NO. DESIGNER SHEET 52 OF <TOTAL DESIGN SHEETS>



REVISIONS

Table with columns: ZONE, LTR, DESCRIPTION, DATE, APPR.

Main revision table with multiple columns for part numbers (e.g., H\_D#<20>), descriptions (e.g., @pwb\_lib.MBX147), and part numbers (e.g., 6D4 9E8). Includes a sub-table for H\_XRCOMP and H\_XSCOMP parts.

SONY CORPORATION NETWORK COMPANY logo and document information including: QTY 1, REV., PART NO., DESIGNER, SHEET 54 OF TOTAL DESIGN SHEETS, and copyright notice for Sony Corporation 2005.







Table with 8 columns (1-8) and multiple rows. Column 1 is the header for the main data, containing revision details. Columns 2-8 contain item descriptions, part numbers, and change details for various components like PCI\_LOCK#, PCI\_PAR, PEG\_RX0+, etc.

REVISIONS table with columns: ZONE, LTR, DESCRIPTION, DATE, APPR.

SONY CORPORATION NETWORK COMPANY

THIS DOCUMENT CONTAINS INFORMATION PROPRIETARY TO SONY CORPORATION (SONY). USE OR DISCLOSURE WITHOUT THE WRITTEN PERMISSION OF AN OFFICER OF SONY IS EXPRESSLY FORBIDDEN. COPYRIGHT (C) SONY CORPORATION 2005

Table with columns: SIZE, DESIGNER, QTY, REV., PART NO., SHEET 57 OF <TOTAL DESIGN SHEETS>

USB_P2+	USB_P2+ - @pwb_lib.MBX147	21E5	35D6
USB_P2-	USB_P2- - @pwb_lib.MBX147	21E5	35D6
USB_P3+	USB_P3+ - @pwb_lib.MBX147	21E5	32C5
USB_P3-	USB_P3- - @pwb_lib.MBX147	21E5	32C5
USB_P4+	USB_P4+ - @pwb_lib.MBX147	21E5	28D4
USB_P4-	USB_P4- - @pwb_lib.MBX147	21E5	28D4
USB_P5+	USB_P5+ - @pwb_lib.MBX147	21E5	35D6
USB_P5-	USB_P5- - @pwb_lib.MBX147	21E5	35D6
USB_P6+	USB_P6+ - @pwb_lib.MBX147	21E5	35D3
USB_P6-	USB_P6- - @pwb_lib.MBX147	21E5	35D3
USB_P7+	USB_P7+ - @pwb_lib.MBX147	21E5	36C4
USB_P7-	USB_P7- - @pwb_lib.MBX147	21E5	36C4
VAUD_OFF#	VAUD_OFF# - @pwb_lib.MBX147	27B3	36D4
VB_BAT_CHK	VB_BAT_CHK - @pwb_lib.MBX147	48A7	49B3
VB_BAT_RS	VB_BAT_RS - @pwb_lib.MBX147	48A7	49B3
VCC4100	VCC4100 - @pwb_lib.MBX147	39C3	39E5
VCC_IC5100	VCC_IC5100 - @pwb_lib.MBX147	38B4	38B6 38F5
VC_CLK	VC_CLK - @pwb_lib.MBX147	25A6	32E8
VC_DATA	VC_DATA - @pwb_lib.MBX147	25B6	32E8
VC_LATCH	VC_LATCH - @pwb_lib.MBX147	25A6	32E8
VDC_DETECT	VDC_DETECT - @pwb_lib.MBX147	46C6	47D6
VDC_LVL	VDC_LVL - @pwb_lib.MBX147	46C6	47C6
VGA_DDCCLK	VGA_DDCCLK - @pwb_lib.MBX147	31C2	34C2
VGA_DDCDATA	VGA_DDCDATA - @pwb_lib.MBX147	31C2	34C2
VGA_HSYNC	VGA_HSYNC - @pwb_lib.MBX147	31D2	34C6
VPWRSRC_RS+	VPWRSRC_RS+ - @pwb_lib.MBX147	46F5	49C3
VPWRSRC_RS-	VPWRSRC_RS- - @pwb_lib.MBX147	46F5	49B3
VR_ON	VR_ON - @pwb_lib.MBX147	29D8	32E4 36C8 36E4 37A6
VR_ON#	VR_ON# - @pwb_lib.MBX147	37C6	37F8 38B5 39B5 44D5
VR_ON_EC	VR_ON_EC - @pwb_lib.MBX147	39A4	44C5
WAKEREQ#	WAKEREQ# - @pwb_lib.MBX147	27C8	44D7
WAN_OVP	WAN_OVP - @pwb_lib.MBX147	22D1	22E1 27E8
WAN_PRS#	WAN_PRS# - @pwb_lib.MBX147	35D3	48E1
WAN_UVP	WAN_UVP - @pwb_lib.MBX147	27B3	35D3
WL_CH_CLK	WL_CH_CLK - @pwb_lib.MBX147	35E3	45C2
WL_CH_DAT	WL_CH_DAT - @pwb_lib.MBX147	33D8	36C4
		33D6	36C4

REVISIONS				
ZONE	LTR	DESCRIPTION	DATE	APPR.

SONY CORPORATION		-	
NETWORK COMPANY		-	
THIS DOCUMENT CONTAINS INFORMATION PROPRIETARY TO SONY CORPORATION (SONY). USE OR DISCLOSURE WITHOUT THE WRITTEN PERMISSION OF AN OFFICER OF SONY IS EXPRESSLY FORBIDDEN. COPYRIGHT (C) SONY CORPORATION 2005	SIZE <b>C</b>	DESIGNER -	QTY 1 REV. - PART NO. -
		SHEET 58 OF <TOTAL DESIGN SHEETS>	

Title: Cref Part Report  
 Design: mbx147  
 Date: Jan 16 20:49:06 2006

- C1 C\_0603 mbx147[ 6C6 ]
- C2 C\_0603 mbx147[ 6C5 ]
- C50 C\_1005 mbx147[ 6E5 ]
- C52 C\_1005 mbx147[ 6F5 ]
- C60 C\_2012 mbx147[ 6B6 ]
- C100 C\_2012 mbx147[ 7E3 ]
- C101 C\_2012 mbx147[ 7E3 ]
- C102 C\_2012 mbx147[ 7E3 ]
- C103 C\_2012 mbx147[ 7E2 ]
- C104 C\_2012 mbx147[ 7E2 ]
- C105 C\_2012 mbx147[ 7E2 ]
- C106 C\_2012 mbx147[ 7E2 ]
- C107 C\_2012 mbx147[ 7E2 ]
- C108 C\_2012 mbx147[ 7E1 ]
- C109 C\_2012 mbx147[ 7E1 ]
- C110 C\_2012 mbx147[ 7E3 ]
- C111 C\_2012 mbx147[ 7E3 ]
- C112 C\_2012 mbx147[ 7E3 ]
- C113 C\_2012 mbx147[ 7E2 ]
- C114 C\_2012 mbx147[ 7E2 ]
- C115 C\_2012 mbx147[ 7E2 ]
- C116 C\_2012 mbx147[ 7E2 ]
- C117 C\_2012 mbx147[ 7E2 ]
- C118 C\_2012 mbx147[ 7E1 ]
- C119 C\_2012 mbx147[ 7E1 ]
- C120 C\_2012 mbx147[ 7E3 ]
- C121 C\_2012 mbx147[ 7E3 ]
- C122 C\_2012 mbx147[ 7E3 ]
- C123 C\_2012 mbx147[ 7E2 ]
- C124 C\_2012 mbx147[ 7E2 ]
- C125 C\_2012 mbx147[ 7E2 ]
- C150 CE\_3528 mbx147[ 7C3 ]
- C151 C\_0603 mbx147[ 7C3 ]
- C152 C\_0603 mbx147[ 7C2 ]
- C153 C\_0603 mbx147[ 7C2 ]
- C154 C\_0603 mbx147[ 7C2 ]
- C155 C\_0603 mbx147[ 7C2 ]
- C156 C\_0603 mbx147[ 7C2 ]
- C160 C\_2012 mbx147[ 7C6 ]
- C161 C\_1005 mbx147[ 7C6 ]
- C210 C\_0603 mbx147[ 8E6 ]
- C211 C\_0603 mbx147[ 8E6 ]
- C212 C\_0603 mbx147[ 8E6 ]
- C213 C\_0603 mbx147[ 8E6 ]
- C214 C\_1005 mbx147[ 8E5 ]
- C216 C\_0603 mbx147[ 8E5 ]
- C217 C\_1005 mbx147[ 8E4 ]
- C220 C\_1005 mbx147[ 8D7 ]
- C221 C\_1005 mbx147[ 8D7 ]
- C301 C\_0603 mbx147[ 9C8 ]
- C302 C\_0603 mbx147[ 9C8 ]
- C307 C\_0603 mbx147[ 9D6 ]
- C321 C\_0603 mbx147[ 9B7 ]
- C322 C\_0603 mbx147[ 9A7 ]
- C340 C\_1005 mbx147[ 9D2 ]
- C341 C\_1005 mbx147[ 9D2 ]
- C342 C\_0603 mbx147[ 9D2 ]
- C343 C\_0603 mbx147[ 9D2 ]
- C344 C\_1005 mbx147[ 9D2 ]
- C345 C\_1005 mbx147[ 9D2 ]
- C346 C\_1005 mbx147[ 9E1 ]
- C347 C\_1005 mbx147[ 9E2 ]
- C348 C\_1005 mbx147[ 9E2 ]
- C400 C\_0603 mbx147[ 11F4 ]
- C401 C\_2012 mbx147[ 11C4 ]
- C402 C\_0603 mbx147[ 11C4 ]
- C403 C\_0603 mbx147[ 11D6 ]
- C404 C\_1005 mbx147[ 11D6 ]
- C405 C\_1608 mbx147[ 11F4 ]
- C410 C\_2012 mbx147[ 11E7 ]
- C411 C\_0603 mbx147[ 11F4 ]
- C412 C\_0603 mbx147[ 11E7 ]
- C413 C\_1005 mbx147[ 11E7 ]
- C414 C\_2012 mbx147[ 11F4 ]
- C420 CE\_3528 mbx147[ 11E5 ]
- C421 C\_2012 mbx147[ 11E5 ]
- C422 C\_2012 mbx147[ 11E5 ]
- C423 C\_0603 mbx147[ 11E5 ]
- C424 C\_2012 mbx147[ 11E6 ]
- C425 C\_0603 mbx147[ 11E6 ]
- C426 C\_0603 mbx147[ 11E6 ]
- C430 C\_0603 mbx147[ 11C4 ]
- C431 C\_1005 mbx147[ 11C4 ]
- C436 C\_2012 mbx147[ 11D4 ]
- C451 CE\_3528 mbx147[ 11D7 ]
- C452 C\_0603 mbx147[ 11D7 ]
- C453 CE\_3528 mbx147[ 11D7 ]

- C454 C\_0603 mbx147[ 11D7 ]
- C455 C\_2012 mbx147[ 11C7 ]
- C456 C\_0603 mbx147[ 11C7 ]
- C457 C\_2012 mbx147[ 11C7 ]
- C458 C\_0603 mbx147[ 11C7 ]
- C461 C\_0603 mbx147[ 11B4 ]
- C462 C\_1608 mbx147[ 11E2 ]
- C463 C\_1608 mbx147[ 11E2 ]
- C464 C\_1005 mbx147[ 11C2 ]
- C465 C\_1005 mbx147[ 11C2 ]
- C466 C\_1005 mbx147[ 11C2 ]
- C468 CE\_3528 mbx147[ 11E2 ]
- C471 C\_2012 mbx147[ 11C4 ]
- C472 C\_0603 mbx147[ 11C4 ]
- C475 C\_2012 mbx147[ 12F6 ]
- C476 C\_2012 mbx147[ 12F5 ]
- C477 CE\_3528 mbx147[ 12F5 ]
- C478 C\_1005 mbx147[ 12D6 ]
- C479 C\_1005 mbx147[ 12C6 ]
- C480 C\_2012 mbx147[ 12E8 ]
- C481 C\_2012 mbx147[ 12E8 ]
- C482 C\_2012 mbx147[ 12E8 ]
- C483 C\_0603 mbx147[ 12E8 ]
- C484 C\_0603 mbx147[ 12E7 ]
- C485 C\_0603 mbx147[ 12E7 ]
- C486 C\_2012 mbx147[ 12F6 ]
- C487 C\_2012 mbx147[ 12F6 ]
- C489 C\_1005 mbx147[ 12E6 ]
- C490 C\_1005 mbx147[ 12E6 ]
- C491 C\_1005 mbx147[ 12D6 ]
- C492 C\_1005 mbx147[ 12C6 ]
- C493 C\_1005 mbx147[ 12A6 ]
- C494 C\_1005 mbx147[ 12A6 ]
- C495 CE\_3528 mbx147[ 12E8 ]
- C496 C\_0603 mbx147[ 12D6 ]
- C497 C\_0603 mbx147[ 12D6 ]
- C498 C\_0603 mbx147[ 12D5 ]
- C500 C\_0603 mbx147[ 13C4 ]
- C501 C\_0603 mbx147[ 13D4 ]
- C502 C\_0603 mbx147[ 13C4 ]
- C503 C\_0603 mbx147[ 13D4 ]
- C504 C\_0603 mbx147[ 13C4 ]
- C505 C\_0603 mbx147[ 13C4 ]
- C506 C\_0603 mbx147[ 13C4 ]
- C507 C\_0603 mbx147[ 13C4 ]
- C508 C\_0603 mbx147[ 13C4 ]
- C509 C\_0603 mbx147[ 13C4 ]
- C510 C\_0603 mbx147[ 13C4 ]
- C511 C\_0603 mbx147[ 13C4 ]
- C512 C\_0603 mbx147[ 13C4 ]
- C513 C\_0603 mbx147[ 13C4 ]
- C514 C\_0603 mbx147[ 13C4 ]
- C515 C\_0603 mbx147[ 13C4 ]
- C516 C\_0603 mbx147[ 13C4 ]
- C517 C\_0603 mbx147[ 13C4 ]
- C518 C\_0603 mbx147[ 13C4 ]
- C519 C\_0603 mbx147[ 13C4 ]
- C520 C\_0603 mbx147[ 13C4 ]
- C521 C\_0603 mbx147[ 13C4 ]
- C522 C\_0603 mbx147[ 13C4 ]
- C523 C\_0603 mbx147[ 13C4 ]
- C524 C\_0603 mbx147[ 13B4 ]
- C525 C\_0603 mbx147[ 13C4 ]
- C526 C\_0603 mbx147[ 13B4 ]
- C527 C\_0603 mbx147[ 13C4 ]
- C528 C\_0603 mbx147[ 13B4 ]
- C529 C\_0603 mbx147[ 13C4 ]
- C530 C\_0603 mbx147[ 13B4 ]
- C531 C\_0603 mbx147[ 13C4 ]
- C602 C\_1005 mbx147[ 14D8 ]
- C603 C\_1005 mbx147[ 14D8 ]
- C604 C\_1005 mbx147[ 14B5 ]
- C606 C\_1005 mbx147[ 14D4 ]
- C607 C\_1005 mbx147[ 14D4 ]
- C610 C\_0603 mbx147[ 14C7 ]
- C611 C\_0603 mbx147[ 14C7 ]
- C612 C\_0603 mbx147[ 14C7 ]
- C613 C\_0603 mbx147[ 14C7 ]
- C614 C\_0603 mbx147[ 14C7 ]
- C615 C\_0603 mbx147[ 14C7 ]
- C616 C\_0603 mbx147[ 14C7 ]
- C617 C\_0603 mbx147[ 14C7 ]
- C618 C\_0603 mbx147[ 14C7 ]
- C619 C\_0603 mbx147[ 14C7 ]
- C620 C\_0603 mbx147[ 14C7 ]
- C621 C\_0603 mbx147[ 14B7 ]
- C622 C\_0603 mbx147[ 14B7 ]
- C623 C\_0603 mbx147[ 14B7 ]
- C624 C\_0603 mbx147[ 14B7 ]
- C625 C\_0603 mbx147[ 14B7 ]
- C630 C\_0603 mbx147[ 14B7 ]
- C631 C\_0603 mbx147[ 14B7 ]

REVISIONS				
ZONE	LTR	DESCRIPTION	DATE	APPR.

<b>SONY CORPORATION</b>		-
NETWORK COMPANY		-
THIS DOCUMENT CONTAINS INFORMATION PROPRIETARY TO SONY CORPORATION (SONY). USE OR DISCLOSURE WITHOUT THE WRITTEN PERMISSION OF AN OFFICER OF SONY IS EXPRESSLY FORBIDDEN. COPYRIGHT (C) SONY CORPORATION 2005	QTY 1	REV. -
SIZE <b>C</b>	DESIGNER -	PART NO. -
SHEET 59 OF <TOTAL DESIGN SHEETS>		















																		1																																																																																																																																																																																																																																																																																					
																					REVISIONS																																																																																																																																																																																																																																																																																		
																					ZONE			LTR			DESCRIPTION			DATE			APPR.																																																																																																																																																																																																																																																																						
R2530	R_0603	mbx147[ 27B2 ]	R4071	R_1005	mbx147[ 37C5 ]	R4072	R_1005	mbx147[ 37D3 ]	R4077	CONDUCTOR_1005	mbx147[ 37C4 ]	R4078	CONDUCTOR_1005	mbx147[ 37C4 ]	R4079	CONDUCTOR_1005	mbx147[ 37C3 ]	R4083	R_0603	mbx147[ 37C5 ]	R4090	R_0603	mbx147[ 37E1 ]	R4101	R_0603	mbx147[ 39E4 ]	R4102	R_1005	mbx147[ 39D4 ]	R4103	R_1005	mbx147[ 39D5 ]	R4120	R_1005	mbx147[ 39D6 ]	R4122	R_1005	mbx147[ 39D5 ]	R4123	R_1005	mbx147[ 39C6 ]	R4124	R_1005	mbx147[ 39C6 ]	R4125	R_1005	mbx147[ 39C6 ]	R4126	R_1005	mbx147[ 39C6 ]	R4127	R_1005	mbx147[ 39C6 ]	R4128	R_1005	mbx147[ 39C5 ]	R4129	R_1005	mbx147[ 39C5 ]	R4131	R_0603	mbx147[ 39C7 ]	R4150	R_1005	mbx147[ 39D3 ]	R4152	R_1005	mbx147[ 39D4 ]	R4153	R_1005	mbx147[ 39C3 ]	R4154	R_1005	mbx147[ 39C3 ]	R4155	R_1005	mbx147[ 39C3 ]	R4161	R_0603	mbx147[ 39C2 ]	R4170	R_0603	mbx147[ 39C5 ]	R4171	R_0603	mbx147[ 39B5 ]	R4172	R_0603	mbx147[ 39B5 ]	R4173	R_0603	mbx147[ 39B4 ]	R4190	R_1005	mbx147[ 39B7 ]	R4191	R_1005	mbx147[ 39B7 ]	R4192	R_0603	mbx147[ 39B7 ]	R4199	R_0603	mbx147[ 39B3 ]	R4201	R_0603	mbx147[ 40E6 ]	R4202	R_1005	mbx147[ 40D5 ]	R4203	R_1005	mbx147[ 40D4 ]	R4205	R_1005	mbx147[ 40D3 ]	R4206	R_1005	mbx147[ 40D4 ]	R4207	R_1005	mbx147[ 40D4 ]	R4208	R_1005	mbx147[ 40D4 ]	R4250	R_0603	mbx147[ 40B4 ]	R4255	R_1005	mbx147[ 41B5 ]	R4320	R_1005	mbx147[ 41E4 ]	R4350	R_0603	mbx147[ 41C6 ]	R4354	R_1005	mbx147[ 41B6 ]	R4356	R_1005	mbx147[ 41B4 ]	R4357	R_1005	mbx147[ 41B4 ]	R4358	R_1005	mbx147[ 41C4 ]	R4359	R_0603	mbx147[ 41A3 ]	R4370	R_1005	mbx147[ 41B3 ]	R4411	R_1005	mbx147[ 42E4 ]	R4412	R_1005	mbx147[ 42E4 ]	R4413	R_1005	mbx147[ 42D4 ]	R4414	R_1005	mbx147[ 42E4 ]	R4418	R_0603	mbx147[ 42D8 ]	R4421	R_1005	mbx147[ 42C4 ]	R4422	R_1005	mbx147[ 42B4 ]	R4423	R_1005	mbx147[ 42B4 ]	R4424	R_1005	mbx147[ 42C4 ]	R4428	R_0603	mbx147[ 42D8 ]	R4430	R4P_SMD	mbx147[ 42C2 ]	R4431	R_0603	mbx147[ 42C1 ]	R4441	R_0603	mbx147[ 42D7 ]	R4442	R_0603	mbx147[ 42D7 ]	R4444	R_0603	mbx147[ 42E7 ]	R4450	R4P_SMD	mbx147[ 42E2 ]	R4451	R_0603	mbx147[ 42E1 ]	R4470	R_1005	mbx147[ 42B8 ]	R4471	R_1005	mbx147[ 42B8 ]	R4472	R_1005	mbx147[ 42A8 ]	R4500	R_0603	mbx147[ 43D7 ]	R4510	R_1005	mbx147[ 43D6 ]	R4520	R_1005	mbx147[ 43D4 ]	R4550	R_1005	mbx147[ 43E2 ]	R4552	R_1005	mbx147[ 43D2 ]	R4553	CONDUCTOR_1005	mbx147[ 43D2 ]	R4554	CONDUCTOR_1005	mbx147[ 43C2 ]	R4570	R_0603	mbx147[ 43E7 ]	R4571	R_0603	mbx147[ 43E7 ]	R4572	R_0603	mbx147[ 43E7 ]	R4590	R_0603	mbx147[ 43B7 ]	R4591	R_1005	mbx147[ 43B6 ]	R4592	R_1005	mbx147[ 43B5 ]	R4593	R_1005	mbx147[ 43B5 ]	R4594	R_1005	mbx147[ 43B4 ]	R4610	R_0603	mbx147[ 44E7 ]	R4630	R_0603	mbx147[ 44E3 ]	R4631	R_0603	mbx147[ 44E2 ]	R4632	R_0603	mbx147[ 44E2 ]	R4633	R_0603	mbx147[ 44D2 ]	R4650	R_0603	mbx147[ 44C3 ]	SONY CORPORATION NETWORK COMPANY												-	-	QTY 1	REV.	PART NO.
THIS DOCUMENT CONTAINS INFORMATION PROPRIETARY TO SONY CORPORATION (SONY). USE OR DISCLOSURE WITHOUT THE WRITTEN PERMISSION OF AN OFFICER OF SONY IS EXPRESSLY FORBIDDEN.												SIZE	C	DESIGNER	-	-	-	SHEET 66 OF <TOTAL DESIGN SHEETS>																																																																																																																																																																																																																																																																																					
COPYRIGHT (C) SONY CORPORATION 2005																																																																																																																																																																																																																																																																																																							



