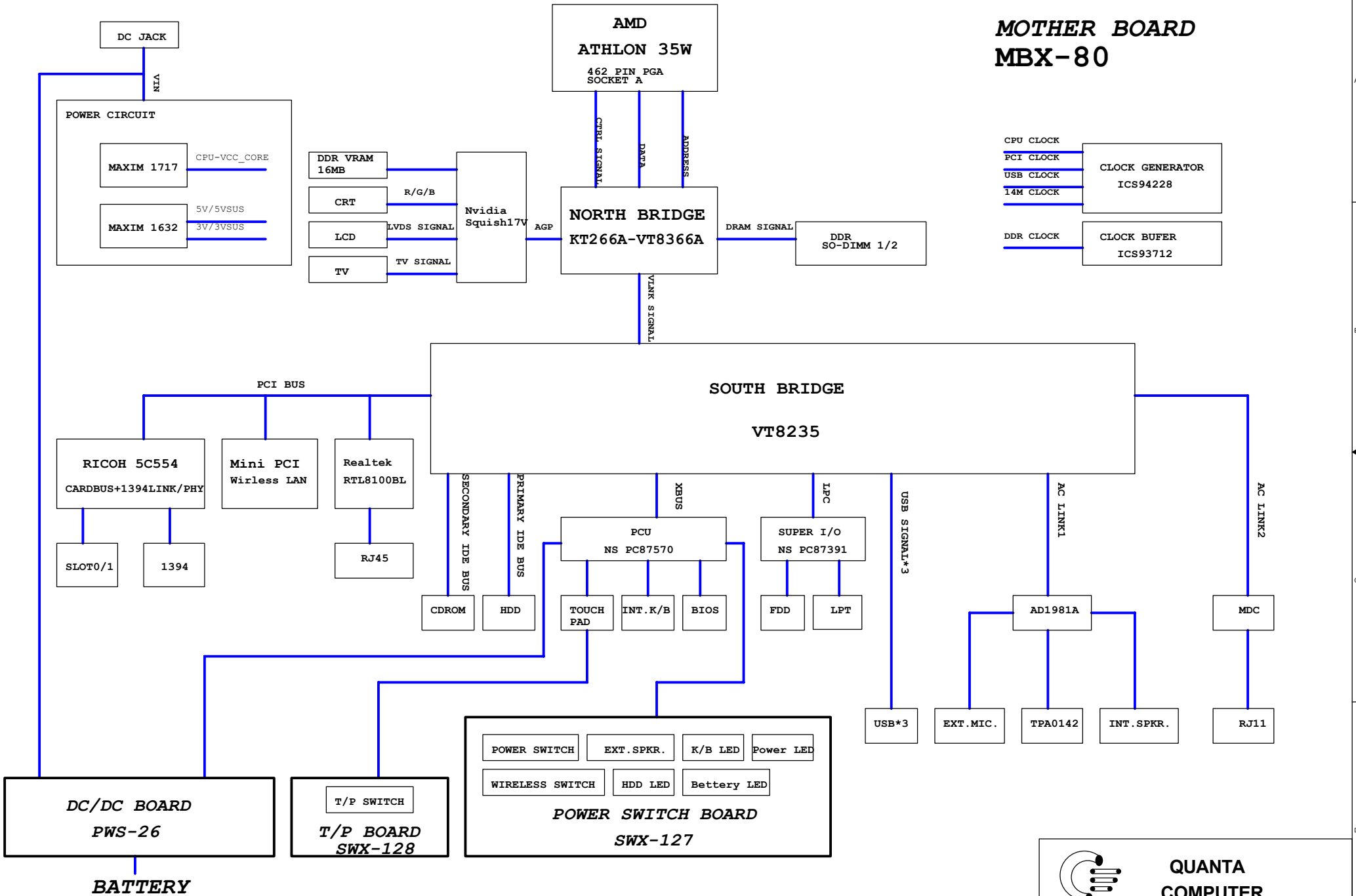
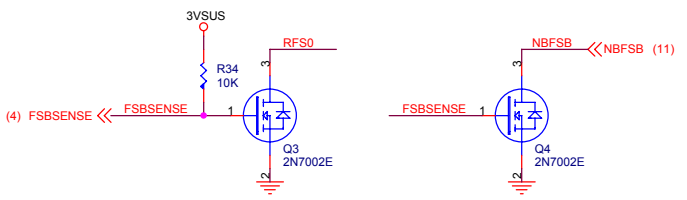
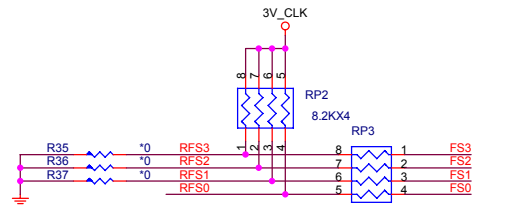
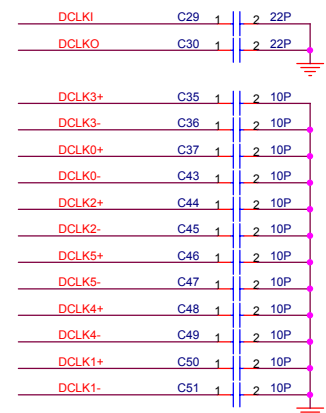
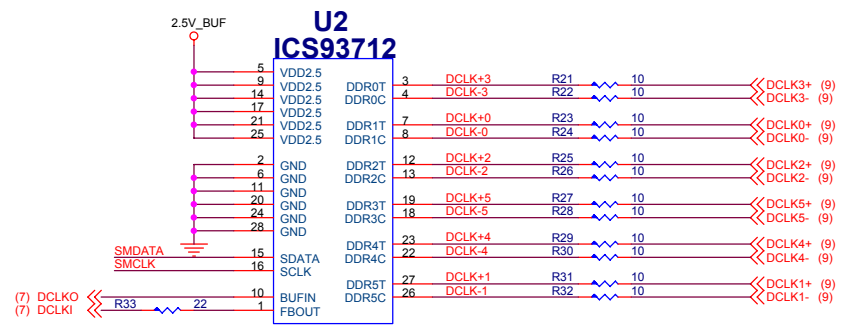
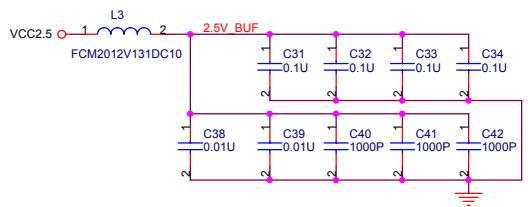
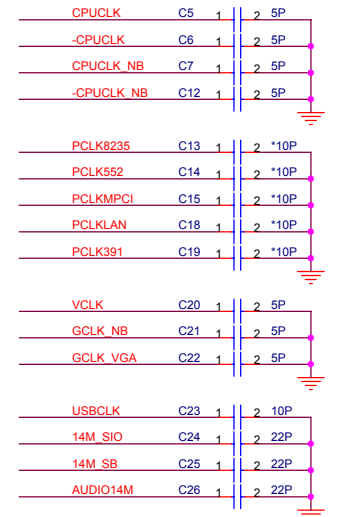
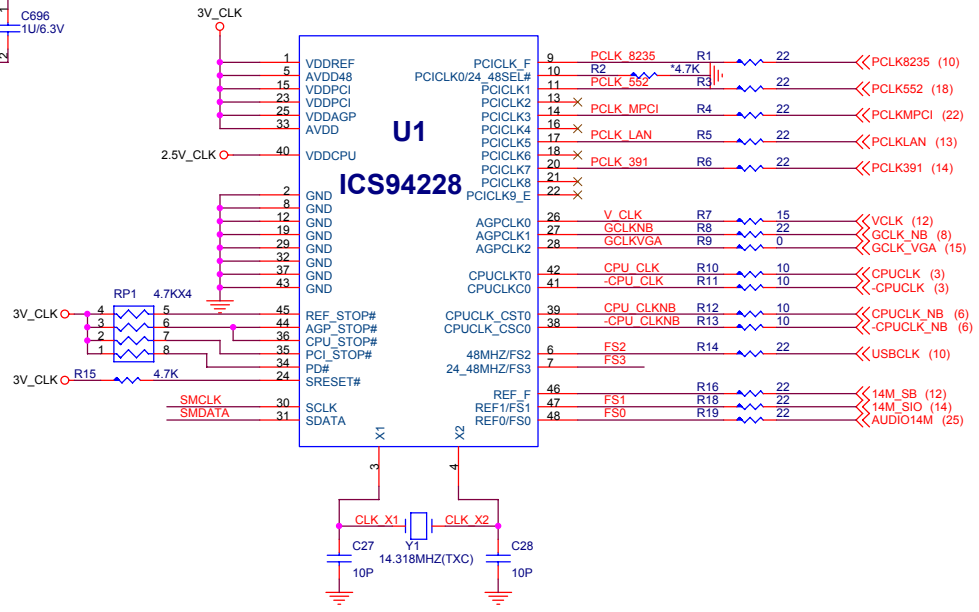
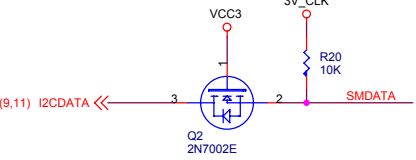
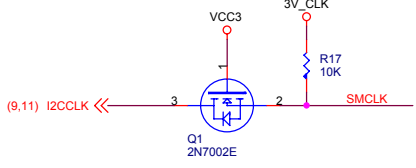
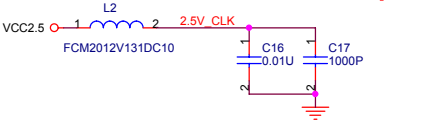
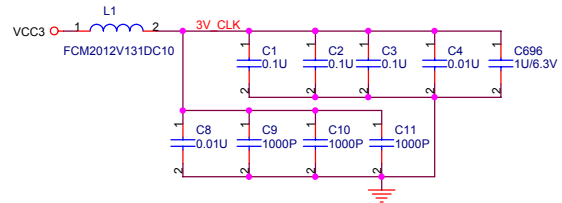


MOTHER BOARD MBX-80



**QUANTA
COMPUTER**

Size	Document Number NE5 Main Board	Rev 2A
Date:	星期四, 九月 05, 2002	Sheet 1 of 31



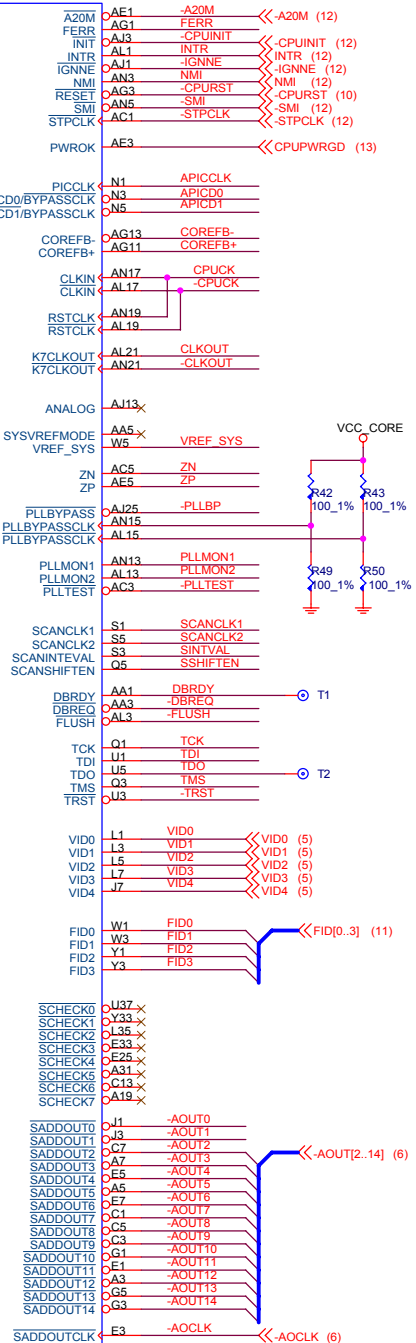
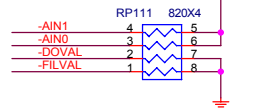
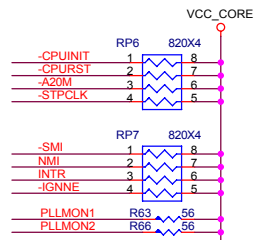
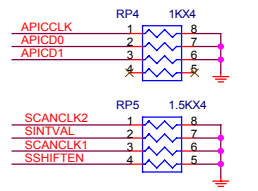
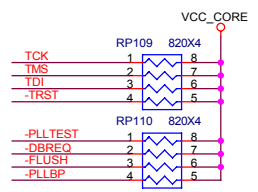
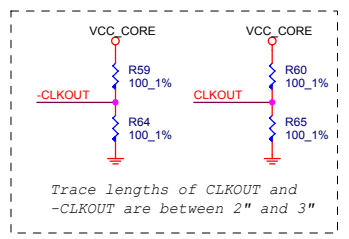
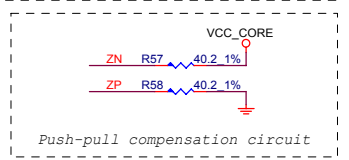
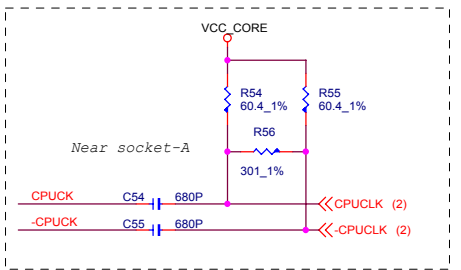
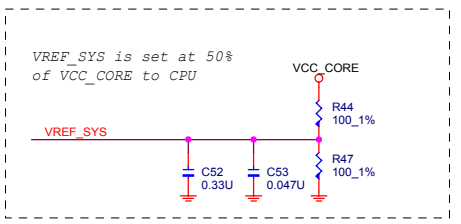
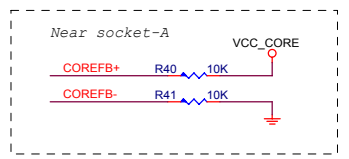
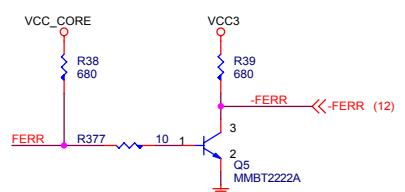
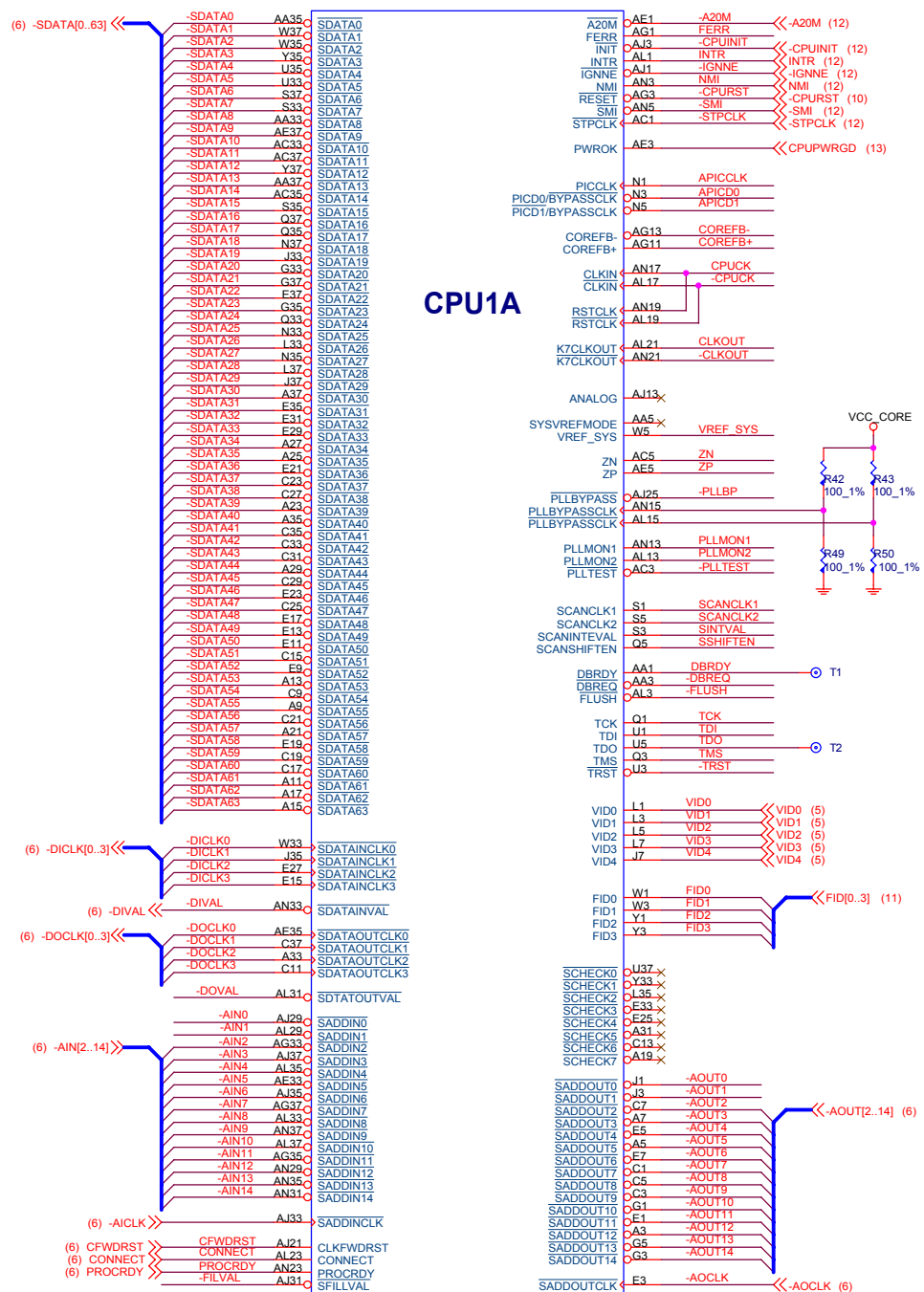
Place close to CLK gen and series terminator

FSBSENSE=LOW : FSB--133MHz
FSBSENSE=HIGH : FSB--100MHz

QUANTA COMPUTER

Size Document Number NE5 Main Board Rev 2A

Date: 2002.11.11 Sheet 2 of 31

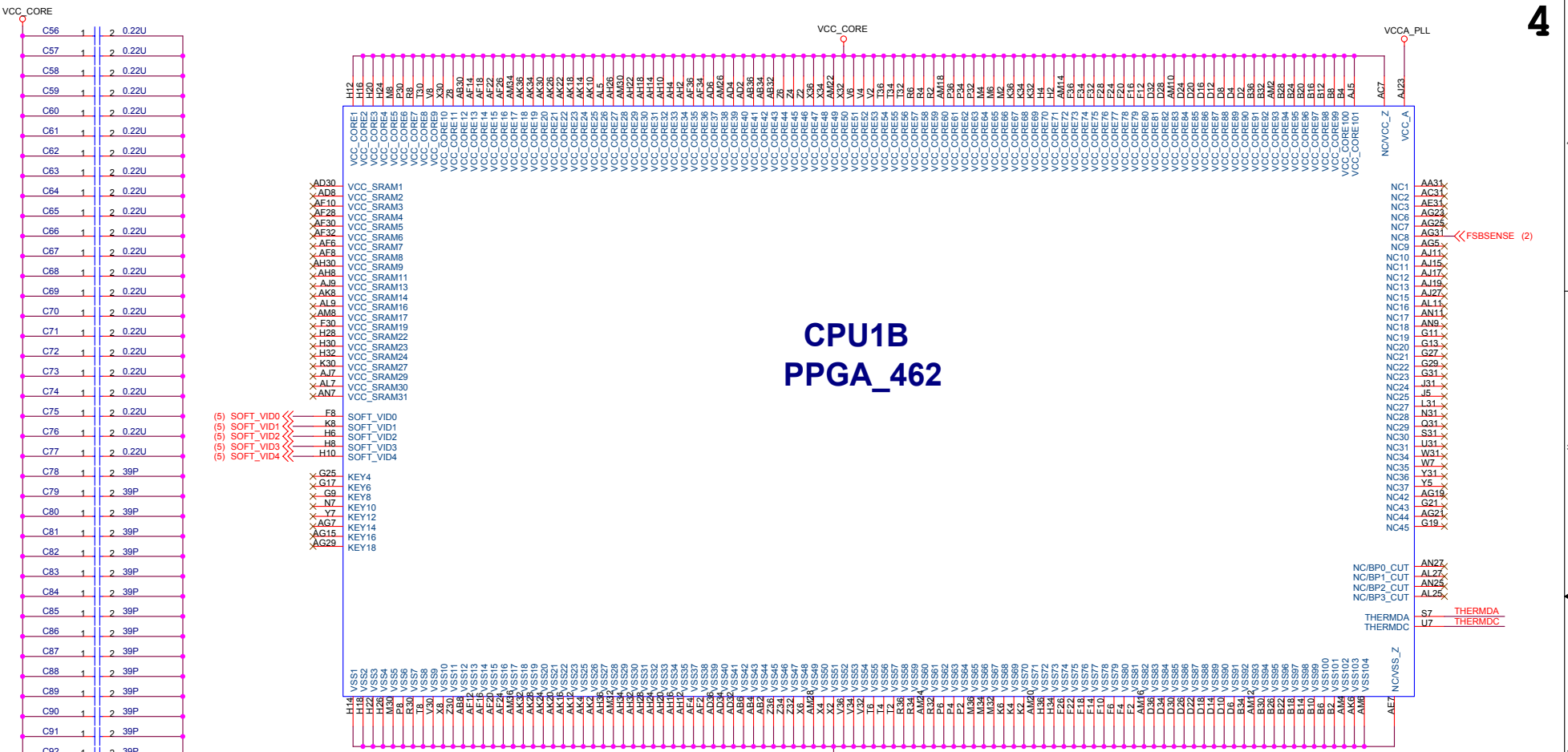


QUANTA COMPUTER

Size: Document Number
NE5 Main Board
Rev: 1A

Date: 星期二, 十一月 11, 2002 Sheet 3 of 31

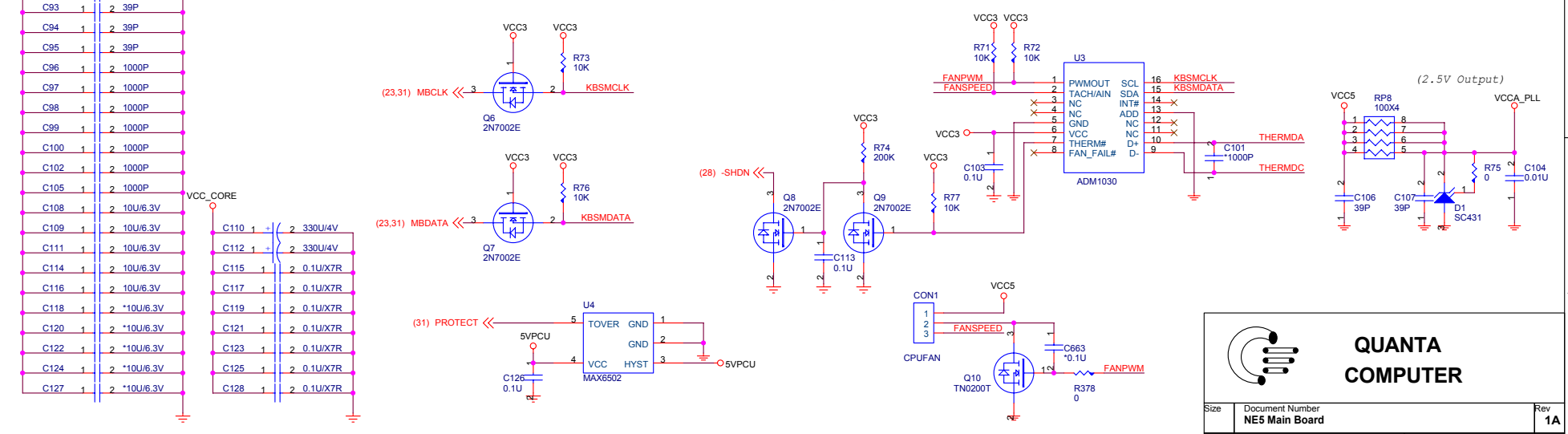
CPU1B PPGA_462



- AD30 VCC_SRAM1
- AD8 VCC_SRAM2
- AE10 VCC_SRAM3
- AF28 VCC_SRAM4
- AF30 VCC_SRAM5
- AF32 VCC_SRAM6
- AF6 VCC_SRAM7
- AF8 VCC_SRAM8
- AH30 VCC_SRAM9
- AH8 VCC_SRAM11
- AJ9 VCC_SRAM13
- AK8 VCC_SRAM14
- AL9 VCC_SRAM16
- AM8 VCC_SRAM17
- F30 VCC_SRAM19
- H28 VCC_SRAM22
- H30 VCC_SRAM23
- H32 VCC_SRAM24
- K30 VCC_SRAM27
- AL7 VCC_SRAM29
- AN7 VCC_SRAM30
- AN7 VCC_SRAM31

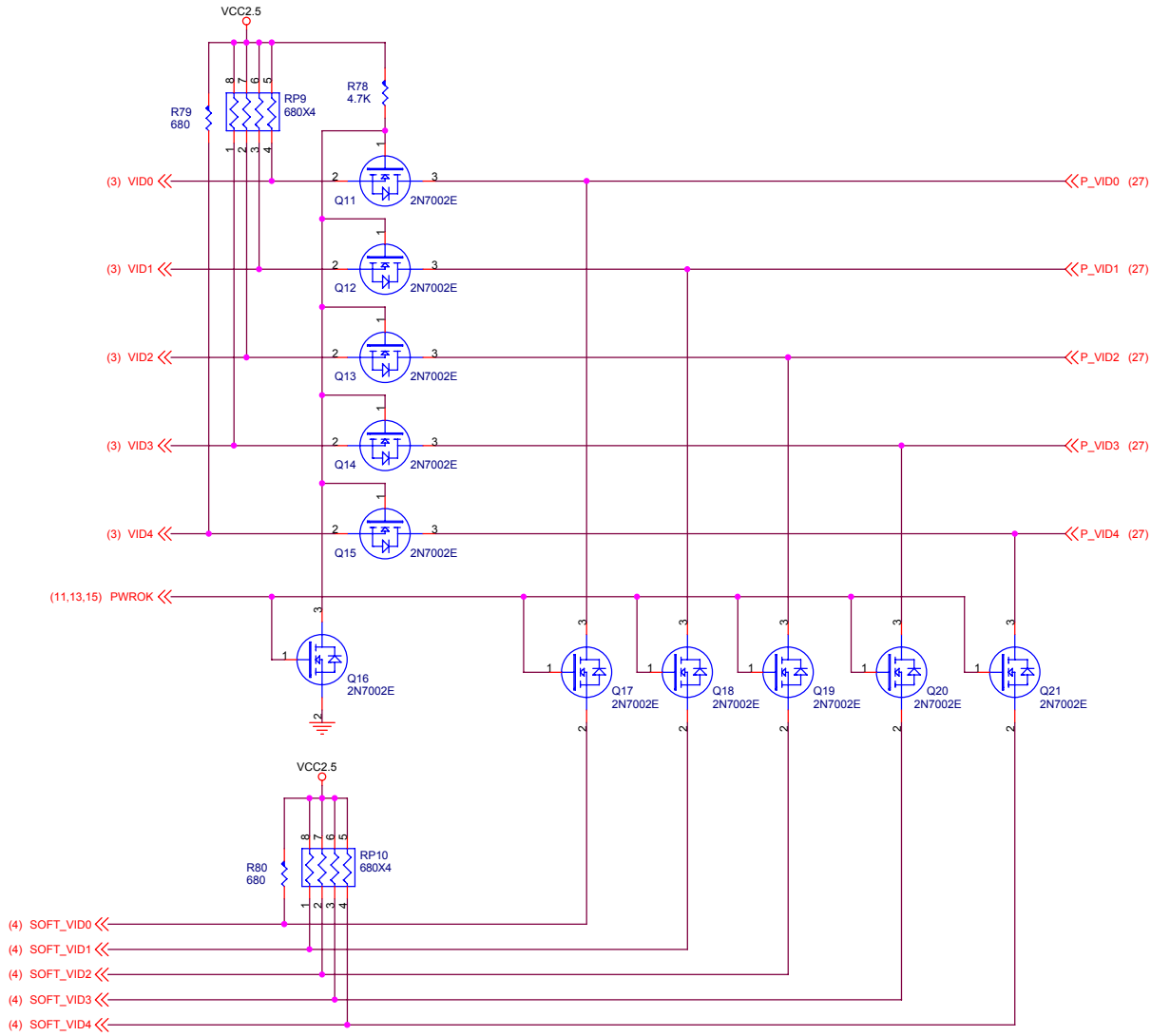
- (5) SOFT_VID0 << F8 SOFT_VID0
- (5) SOFT_VID1 << K8 SOFT_VID1
- (5) SOFT_VID2 << H6 SOFT_VID2
- (5) SOFT_VID3 << H8 SOFT_VID3
- (5) SOFT_VID4 << H10 SOFT_VID4

- G25 KEY4
- G17 KEY6
- G9 KEY8
- N7 KEY10
- Y7 KEY12
- AG7 KEY14
- AG15 KEY16
- AG29 KEY18



**QUANTA
COMPUTER**

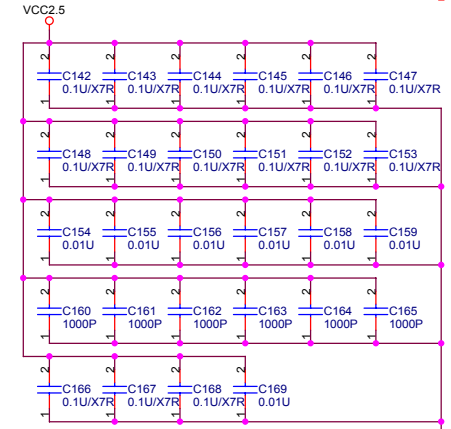
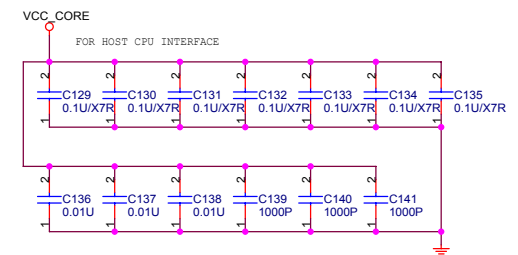
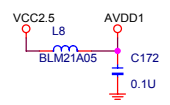
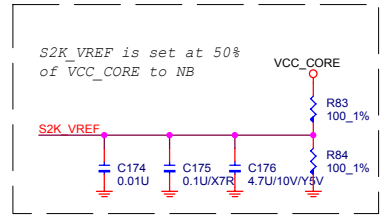
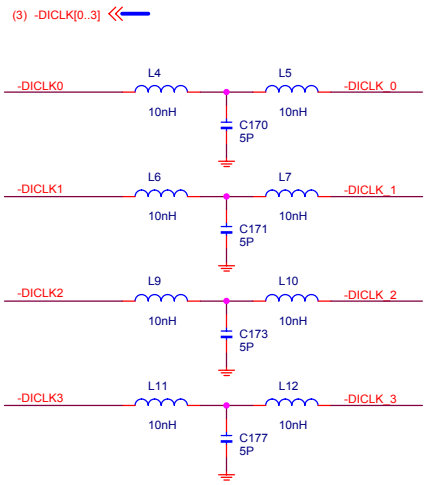
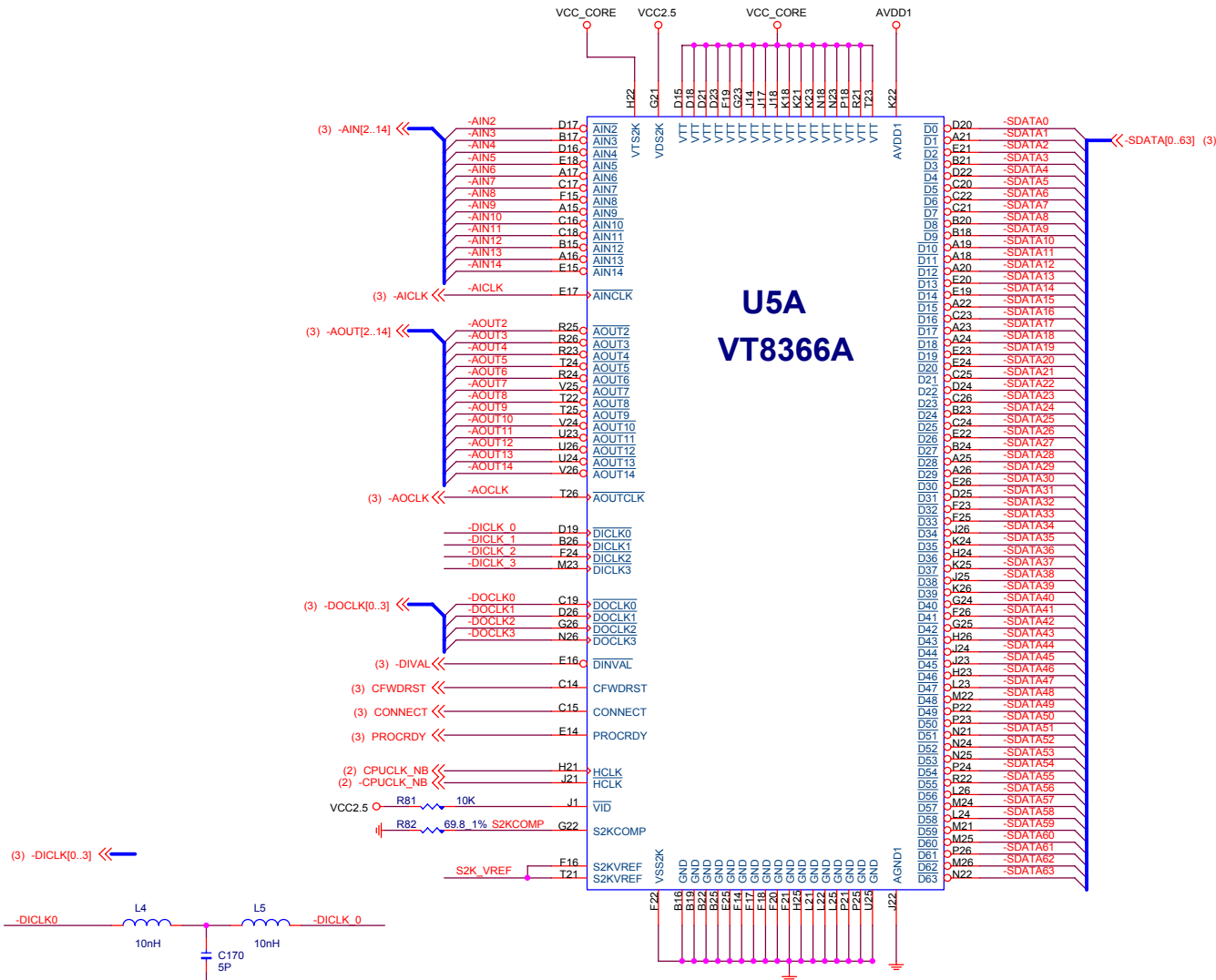
Size	Document Number	Rev
	NE5 Main Board	1A
Date:	星期一, 十一月 11, 2002	Sheet 4 of 31




VID[4..0]	Voltage
0 0 0 0 0	2.00V
0 0 0 0 1	1.95V
0 0 0 1 0	1.90V
0 0 0 1 1	1.85V
0 0 1 0 0	1.80V
0 0 1 0 1	1.75V
0 0 1 1 0	1.70V
0 0 1 1 1	1.65V
0 1 0 0 0	1.60V
0 1 0 0 1	1.55V
0 1 0 1 0	1.50V
0 1 0 1 1	1.45V
0 1 1 0 0	1.40V
0 1 1 0 1	1.35V
0 1 1 1 0	1.30V
0 1 1 1 1	Shutdown
1 0 0 0 0	1.275V
1 0 0 0 1	1.250V
1 0 0 1 0	1.225V
1 0 0 1 1	1.200V
1 0 1 0 0	1.175V
1 0 1 0 1	1.150V
1 0 1 1 0	1.125V
1 0 1 1 1	1.100V
1 1 0 0 0	1.075V
1 1 0 0 1	1.050V
1 1 0 1 0	1.025V
1 1 0 1 1	1.000V
1 1 1 0 0	0.975V
1 1 1 0 1	0.950V
1 1 1 1 0	0.925V
1 1 1 1 1	Shutdown



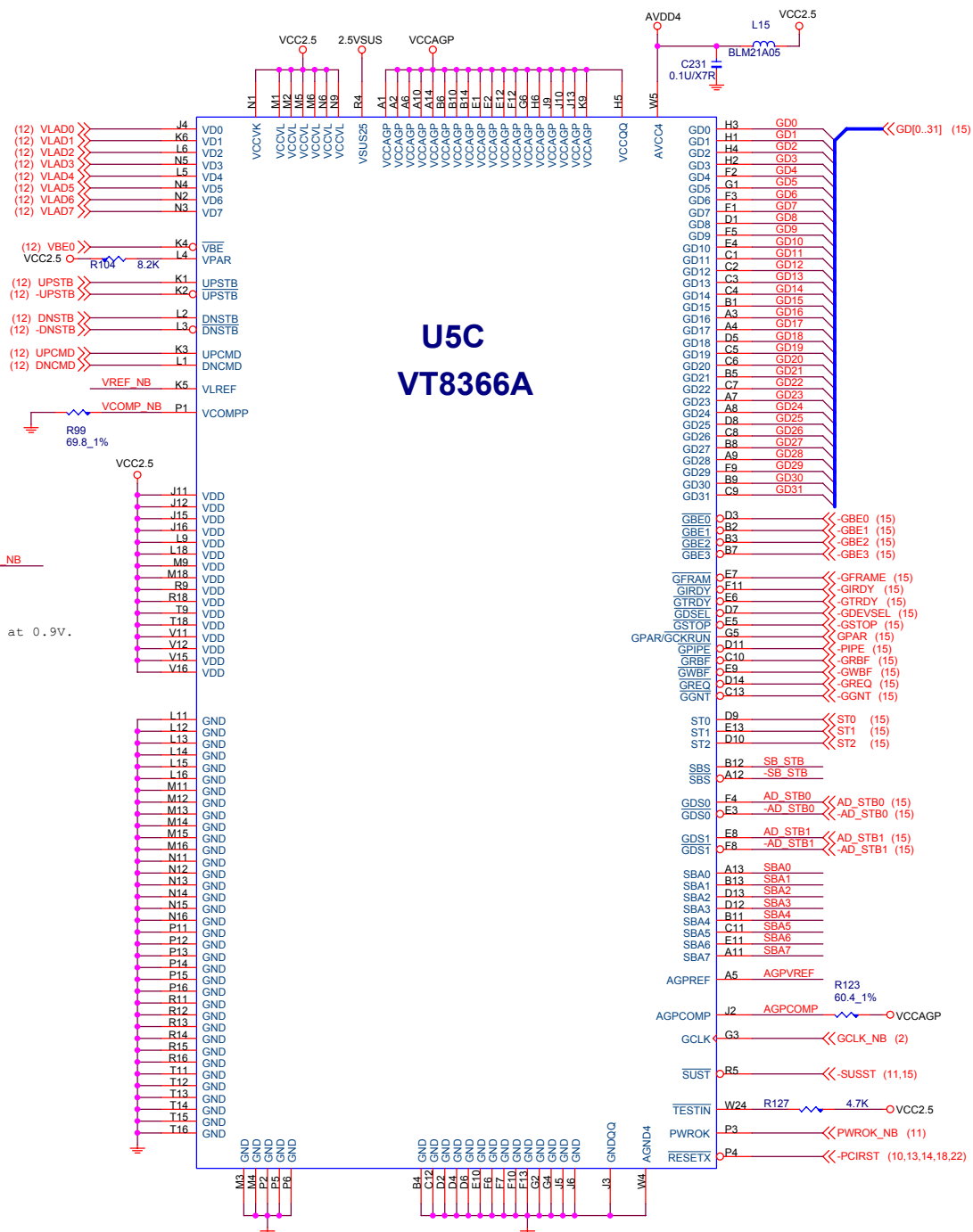
**QUANTA
COMPUTER**



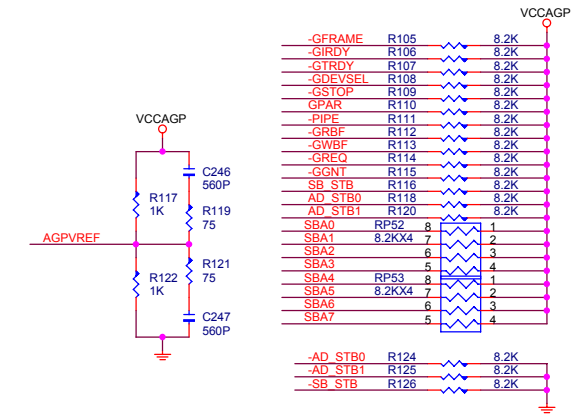
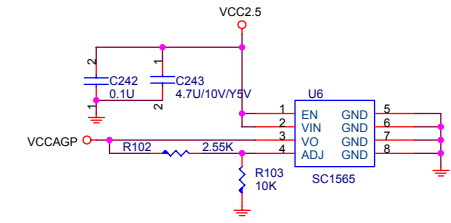
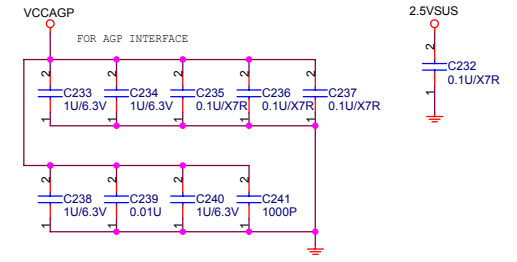


**QUANTA
COMPUTER**

Size	Document Number NE5 Main Board	Rev 1A
Date:	星期二, 十二月 11, 2002	Sheet 6 of 31

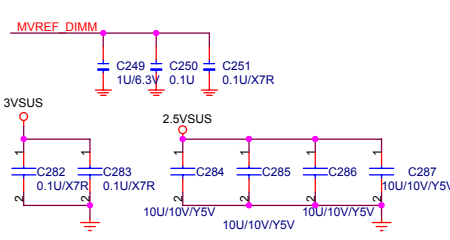
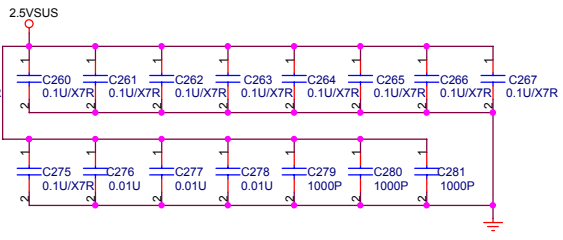
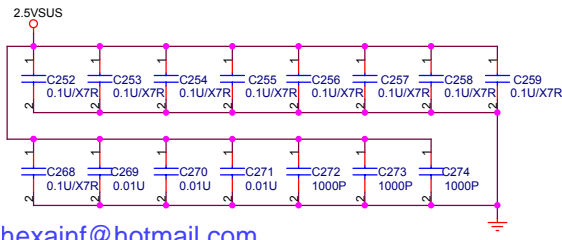
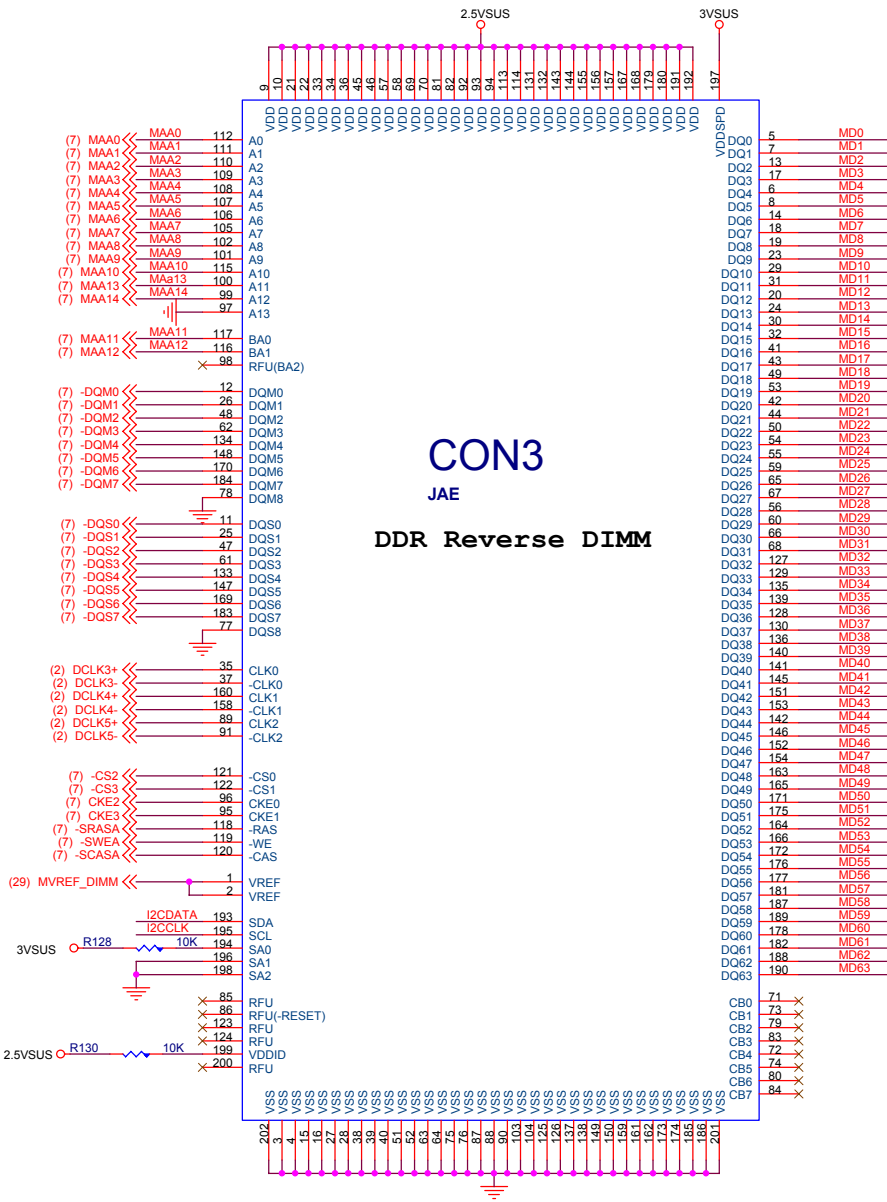
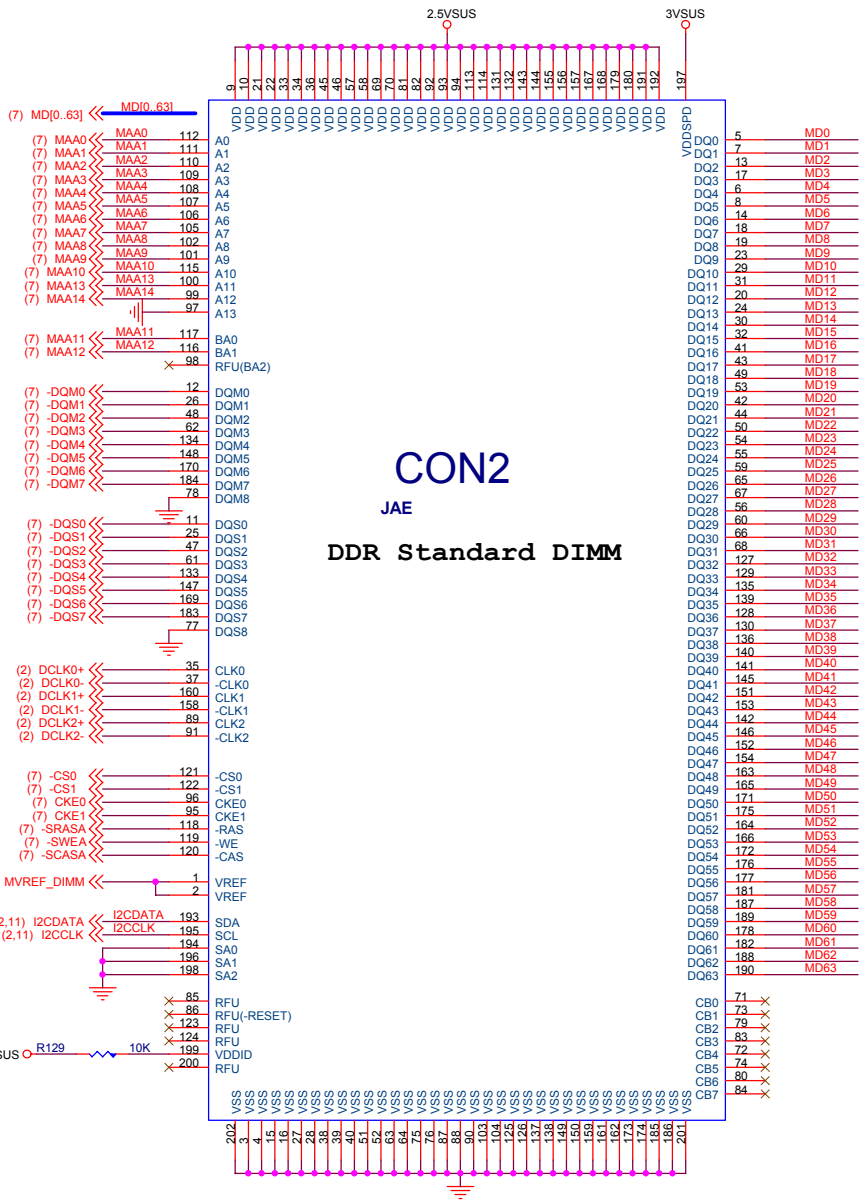


**U5C
VT8366A**



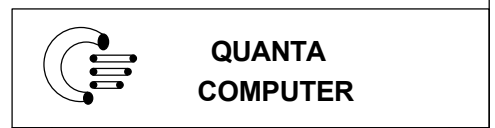
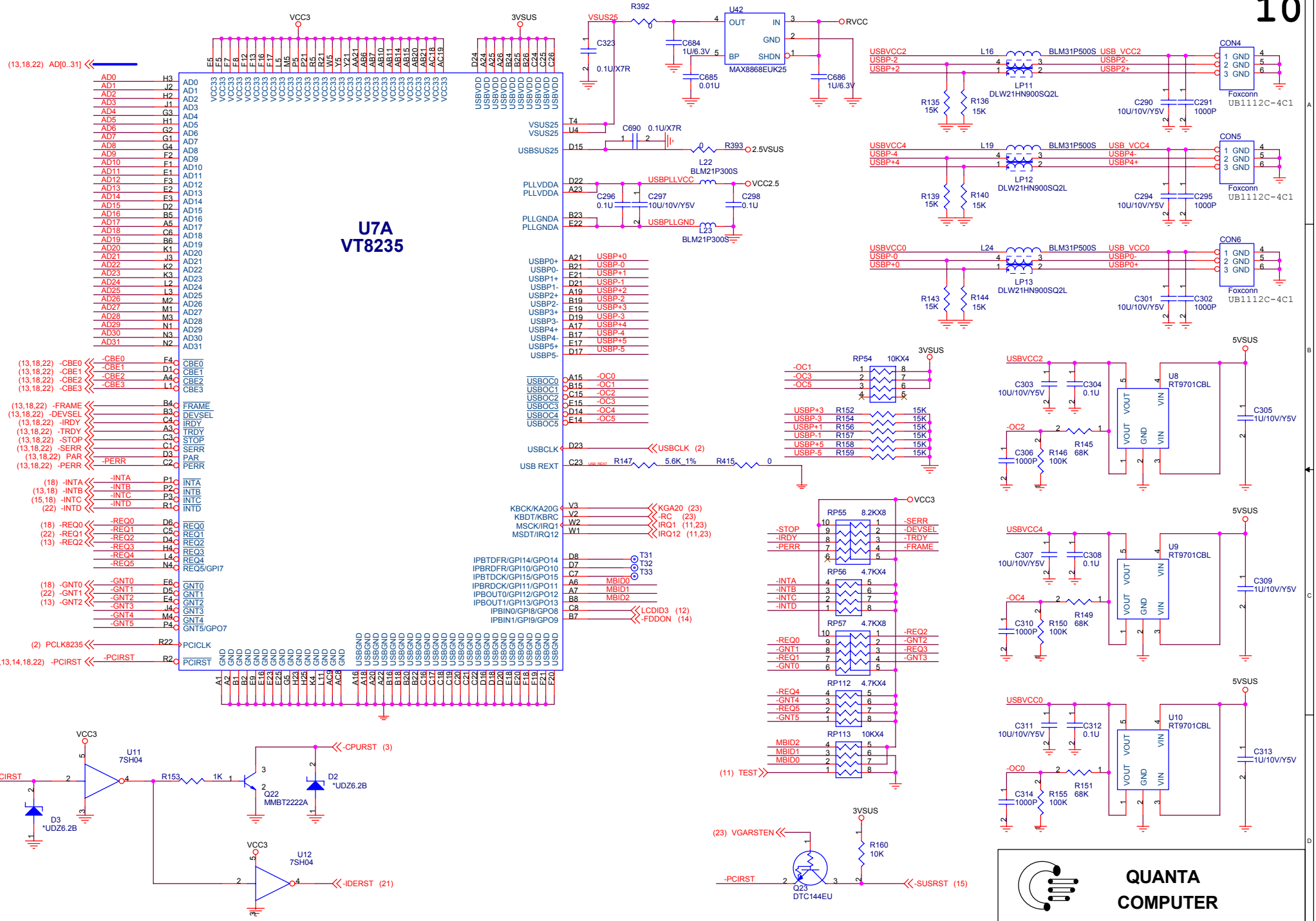
**QUANTA
COMPUTER**

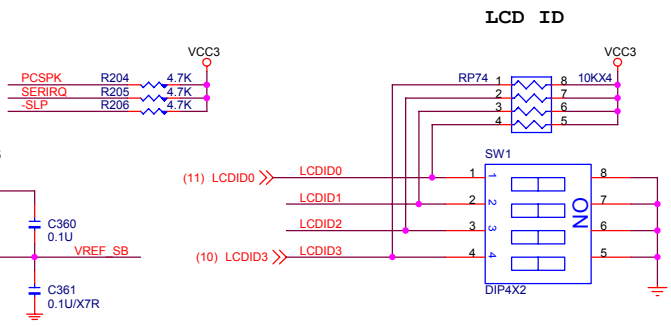
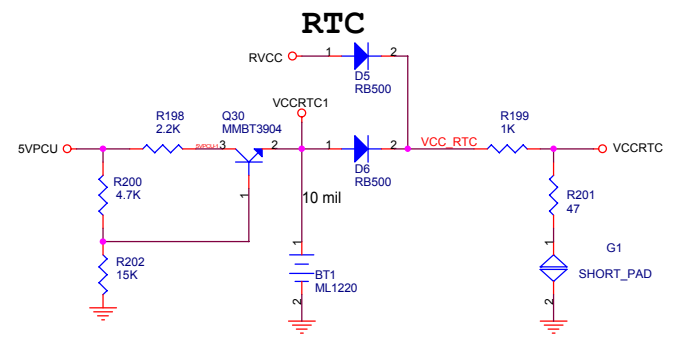
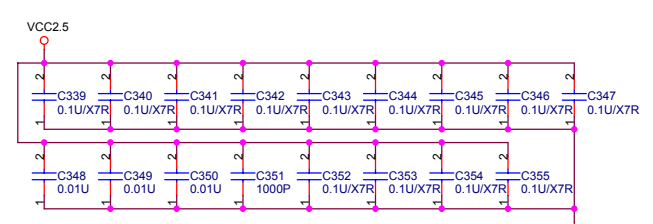
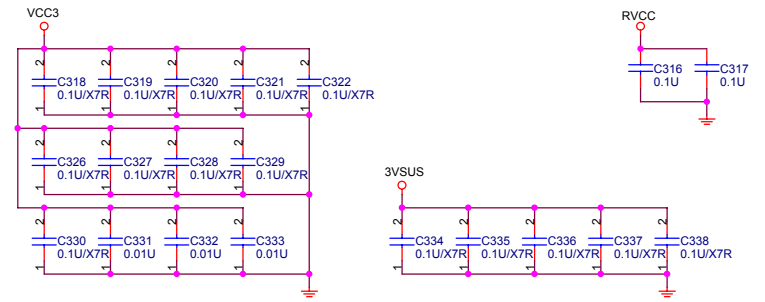
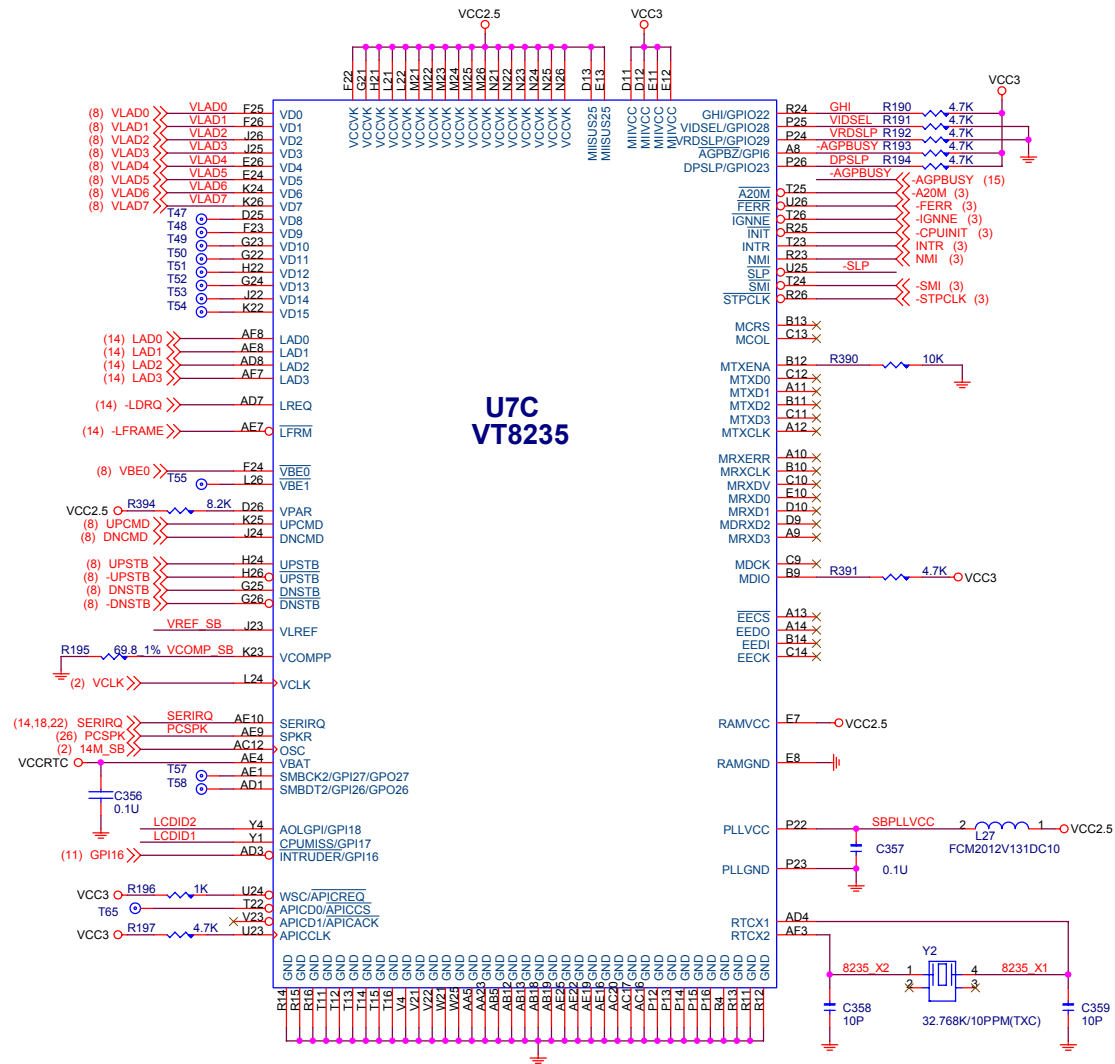
Size	Document Number NE5 Main Board	Rev 2A
Date:	日期: 十一月 11, 2002	Sheet 8 of 31



**QUANTA
COMPUTER**

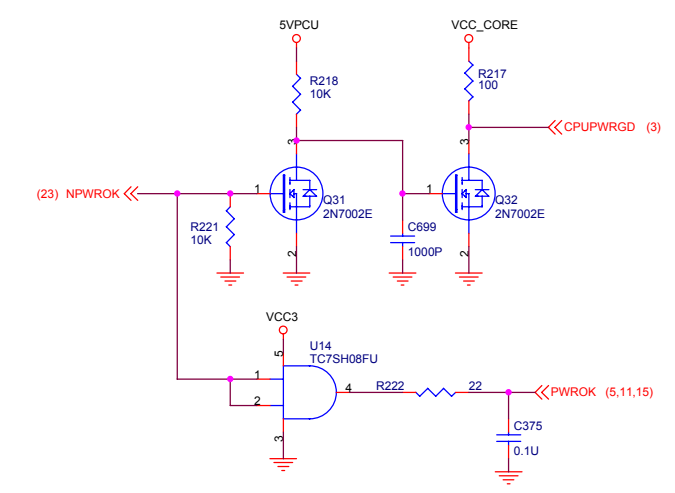
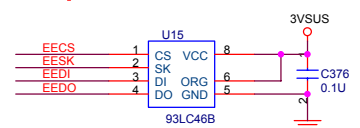
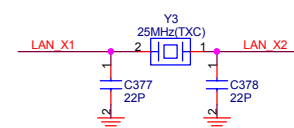
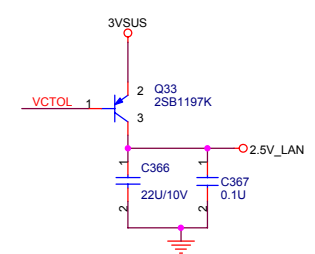
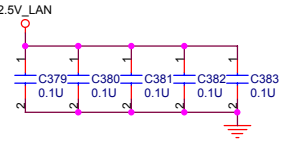
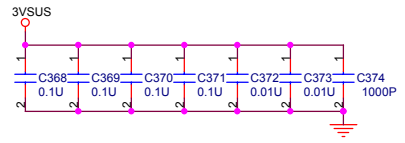
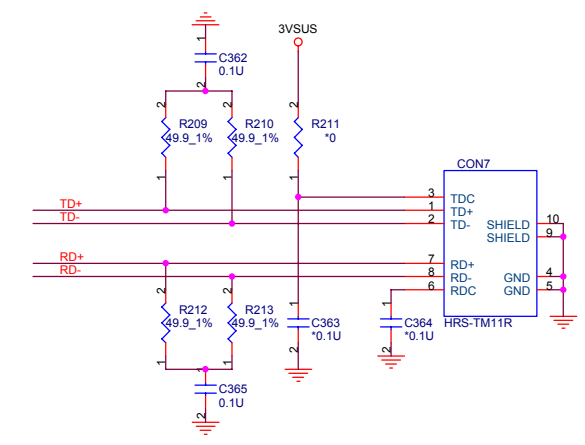
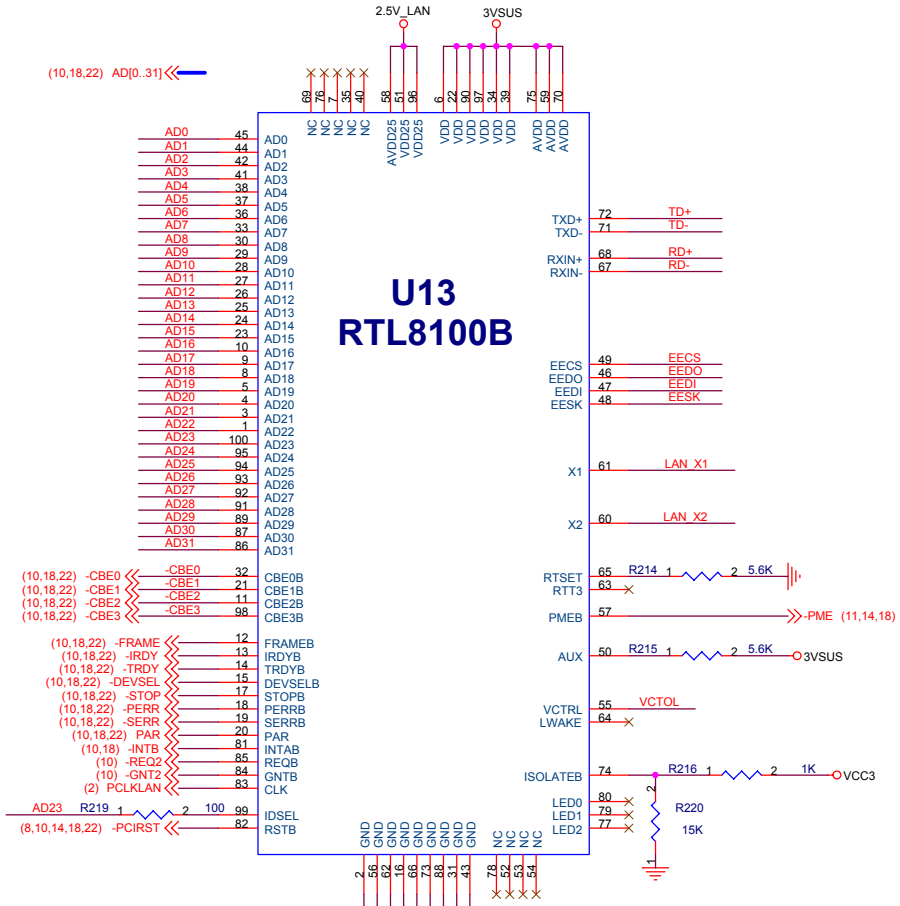
Size	Document Number	Rev
	NE5 Main Board	2A
Date:	日期: 十一月 11, 2002	Sheet 9 of 31





QUANTA COMPUTER

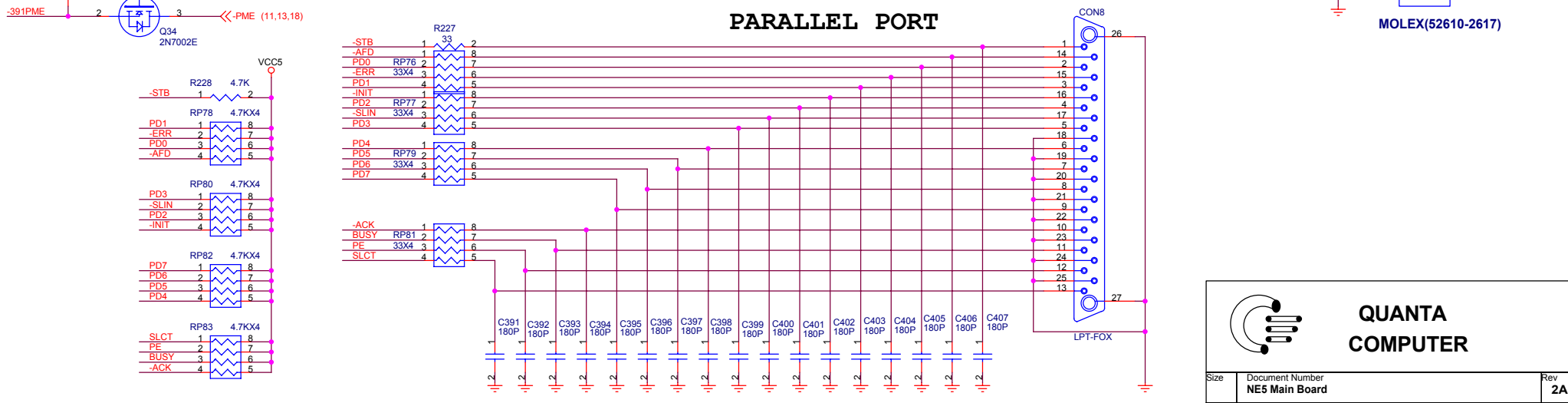
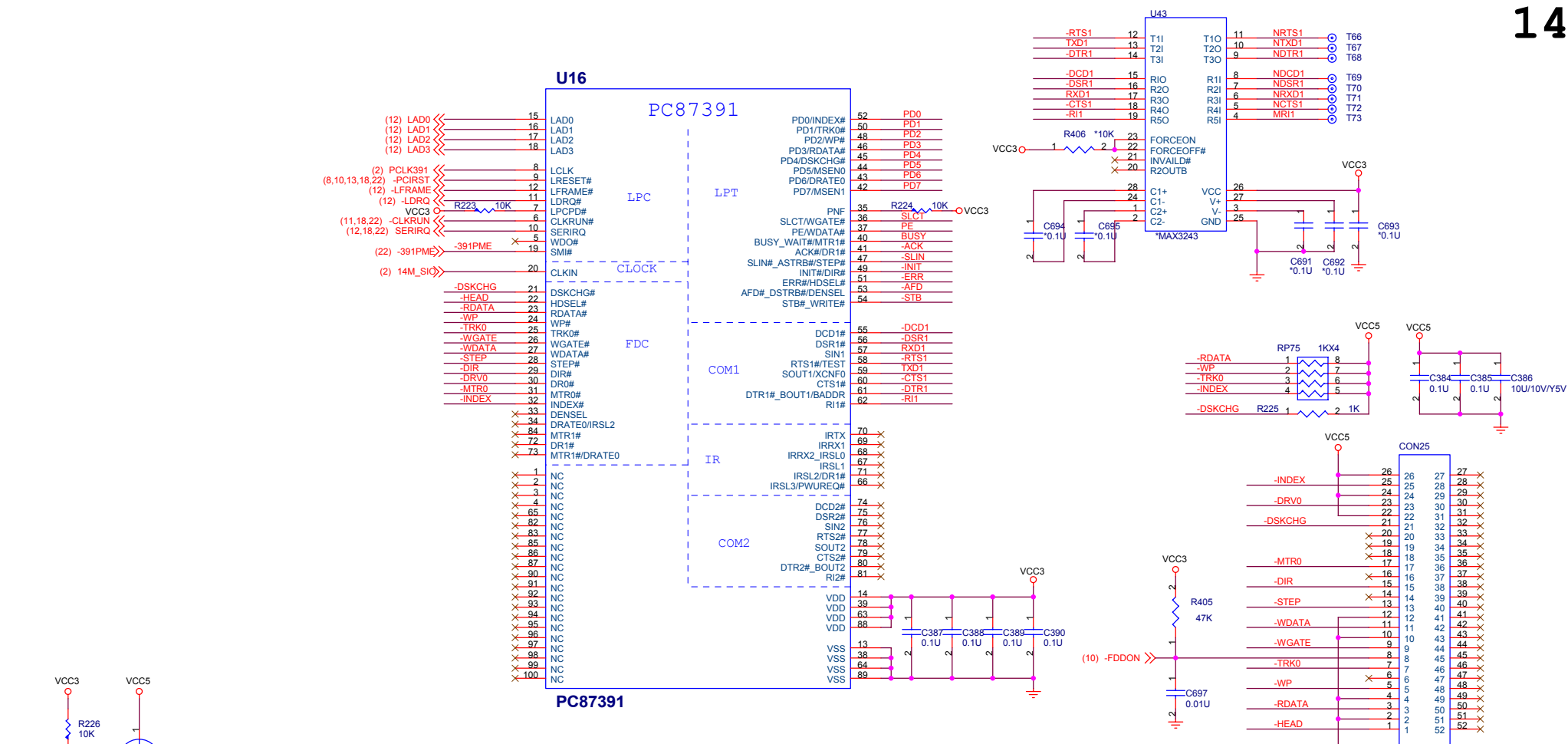
Size	Document Number	Rev
	NE5 Main Board	2A
Date:	日期: 十一月 11, 2002	Sheet 12 of 31




QUANTA COMPUTER

Size: Document Number: NE5 Main Board, Rev: 3A

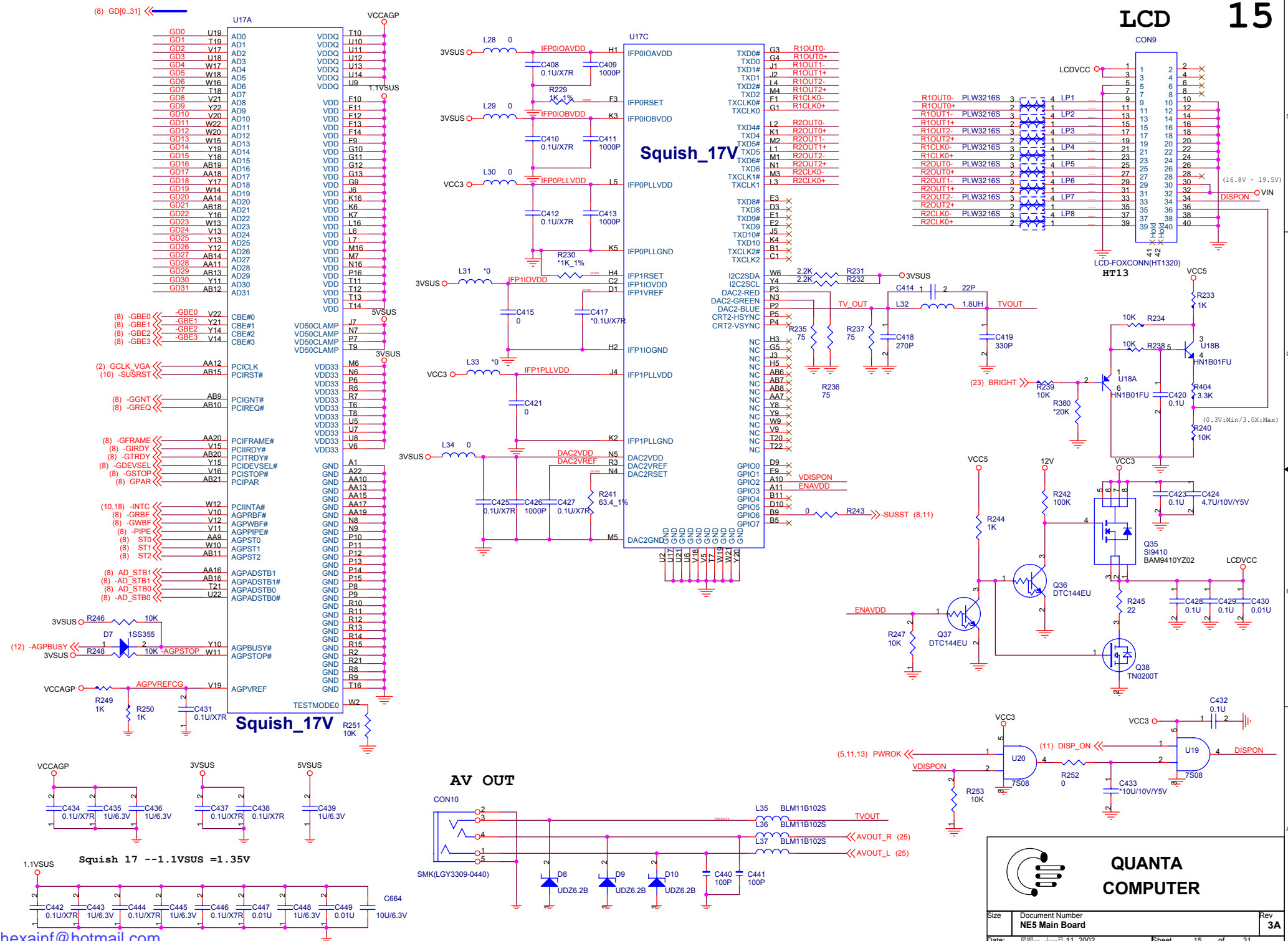
Date: 2002年11月11日, Sheet: 13 of 31






**QUANTA
COMPUTER**

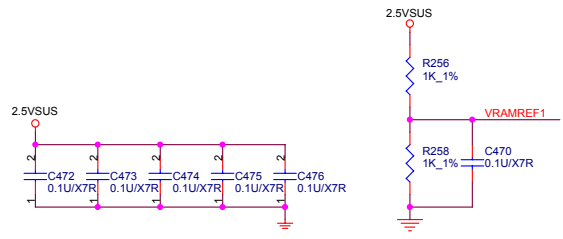
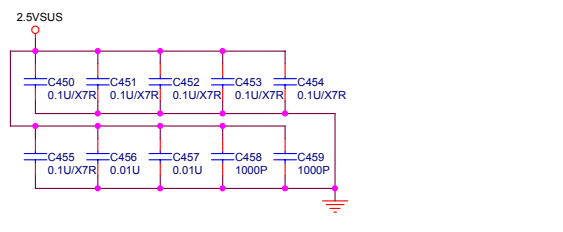
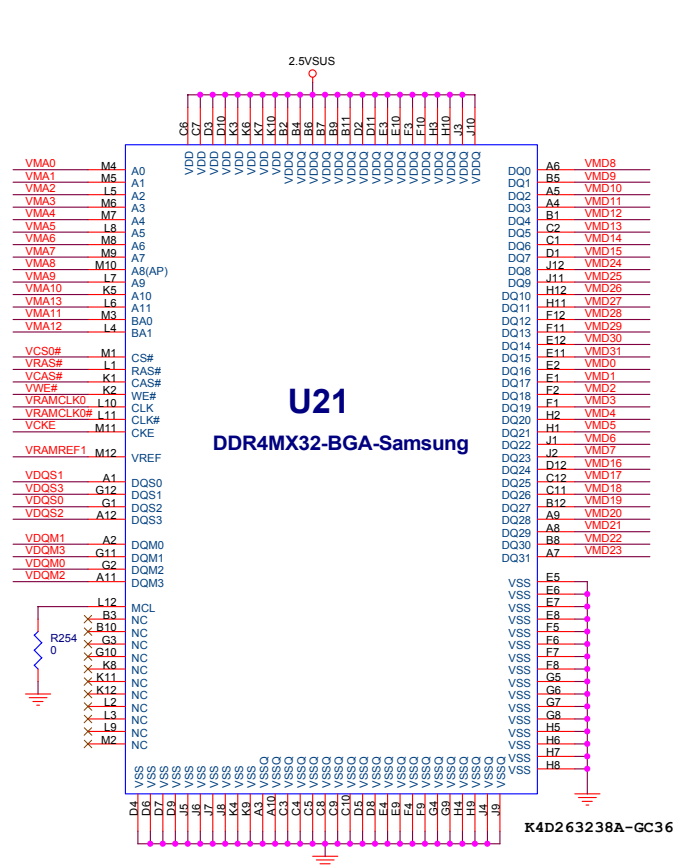
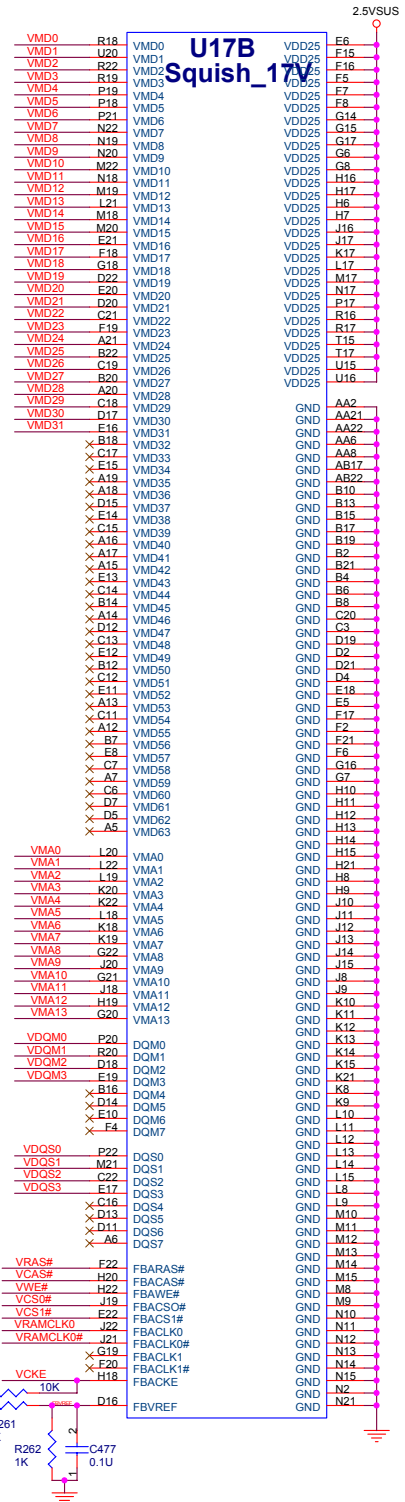
Size	Document Number	Rev
	NE5 Main Board	2A
Date:	日期: 十一月 11, 2002	Sheet 14 of 31





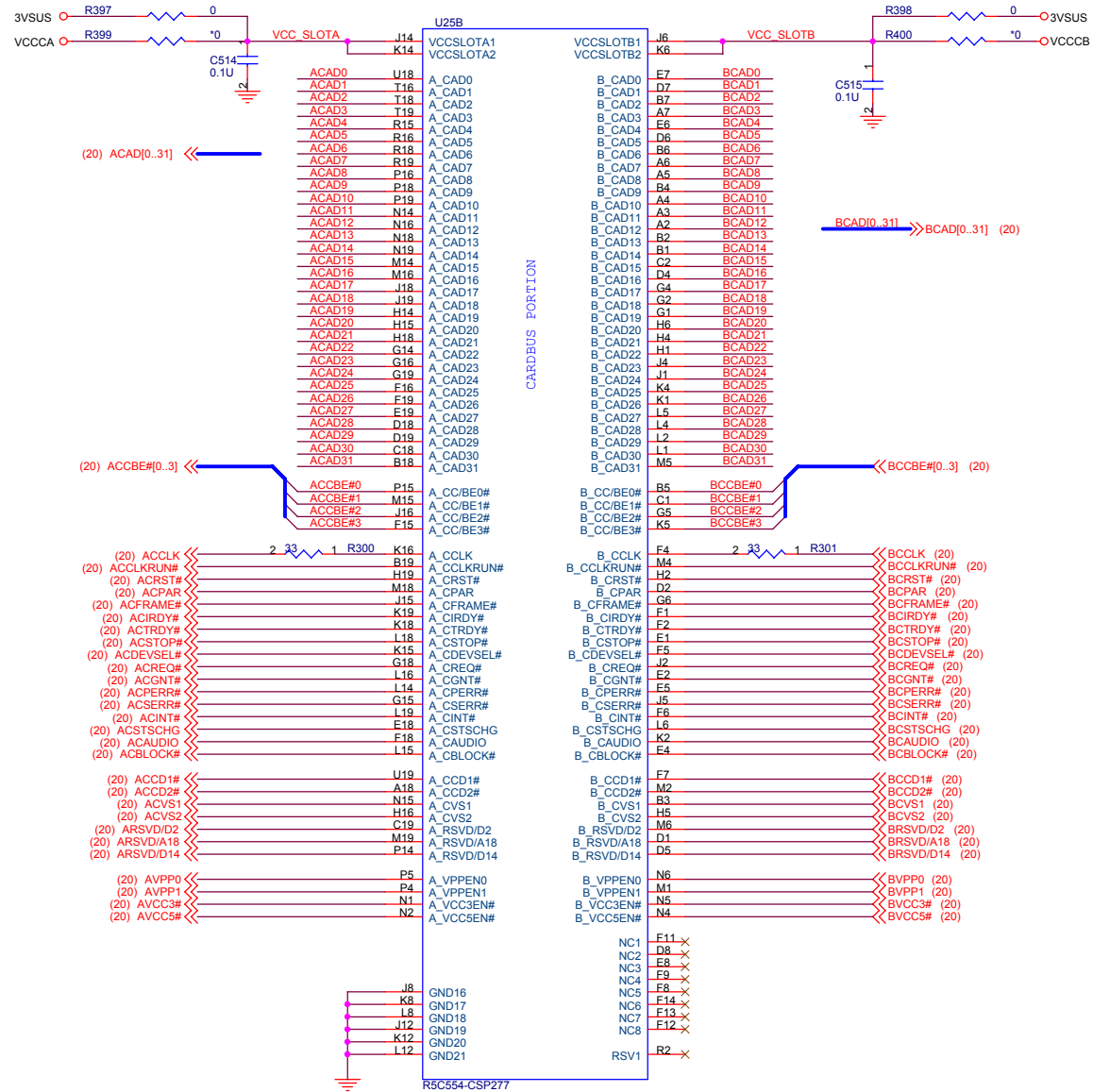
**QUANTA
COMPUTER**

Size	Document Number	Rev
	NE5 Main Board	3A
Date:	日期: 十一月 11, 2002	Sheet 15 of 31



QUANTA COMPUTER

Size	Document Number	Rev
	NE5 Main Board	2A
Date:	星期二, 十月 22, 2002	Sheet 16 of 31

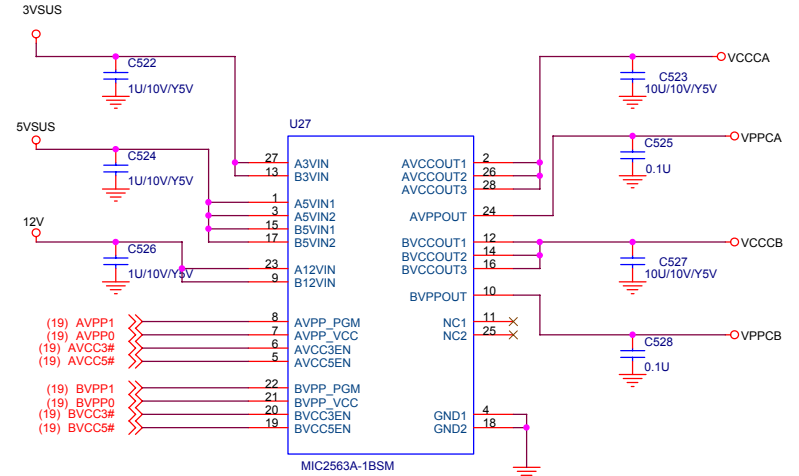
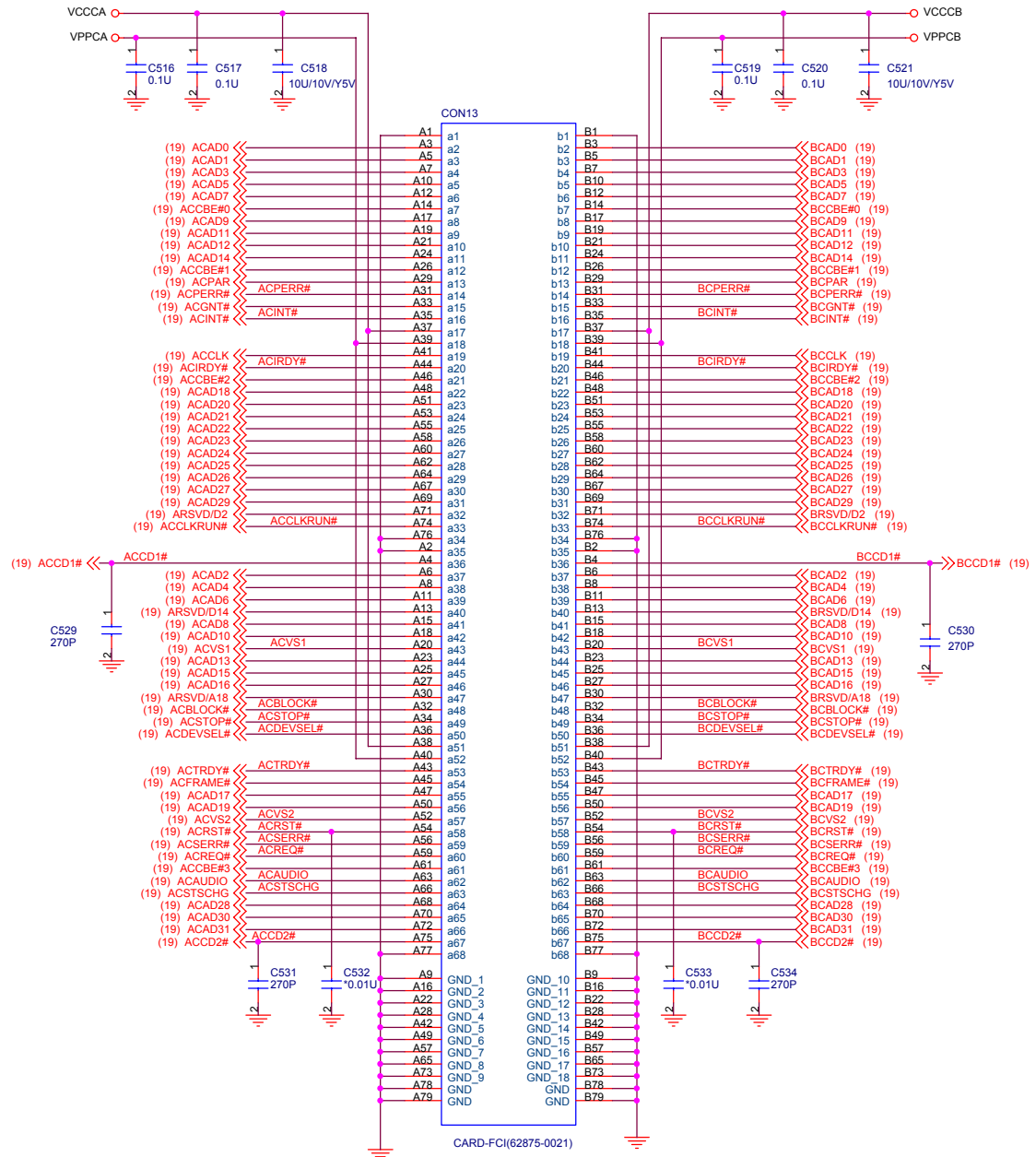



**QUANTA
COMPUTER**

Size Document Number Rev
NE5 Main Board 1A

Date: 2002年11月11日 Sheet 19 of 31

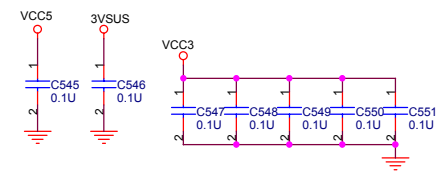
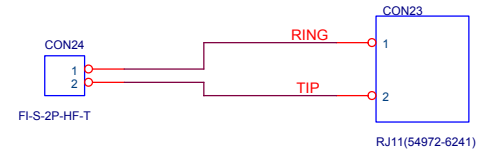
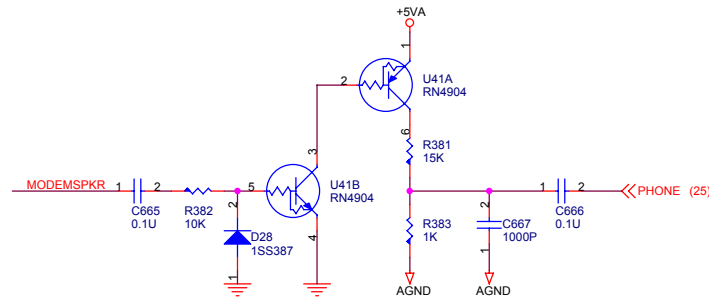
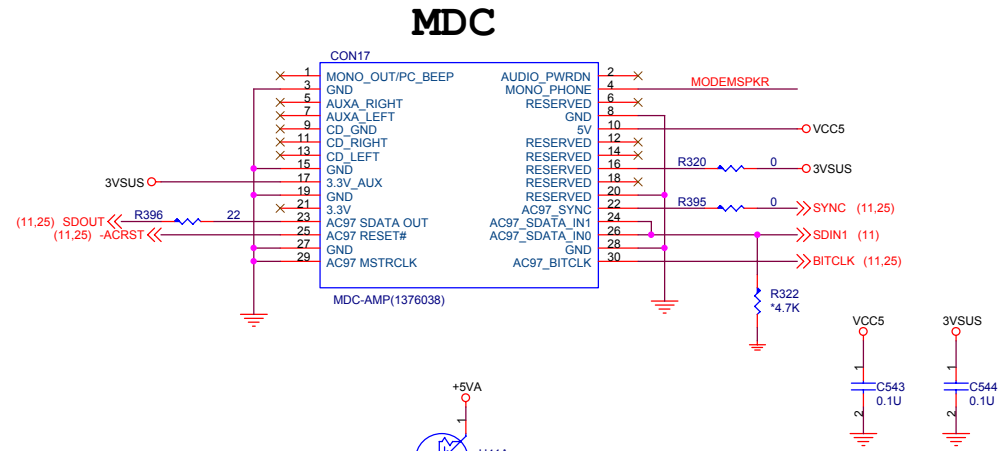
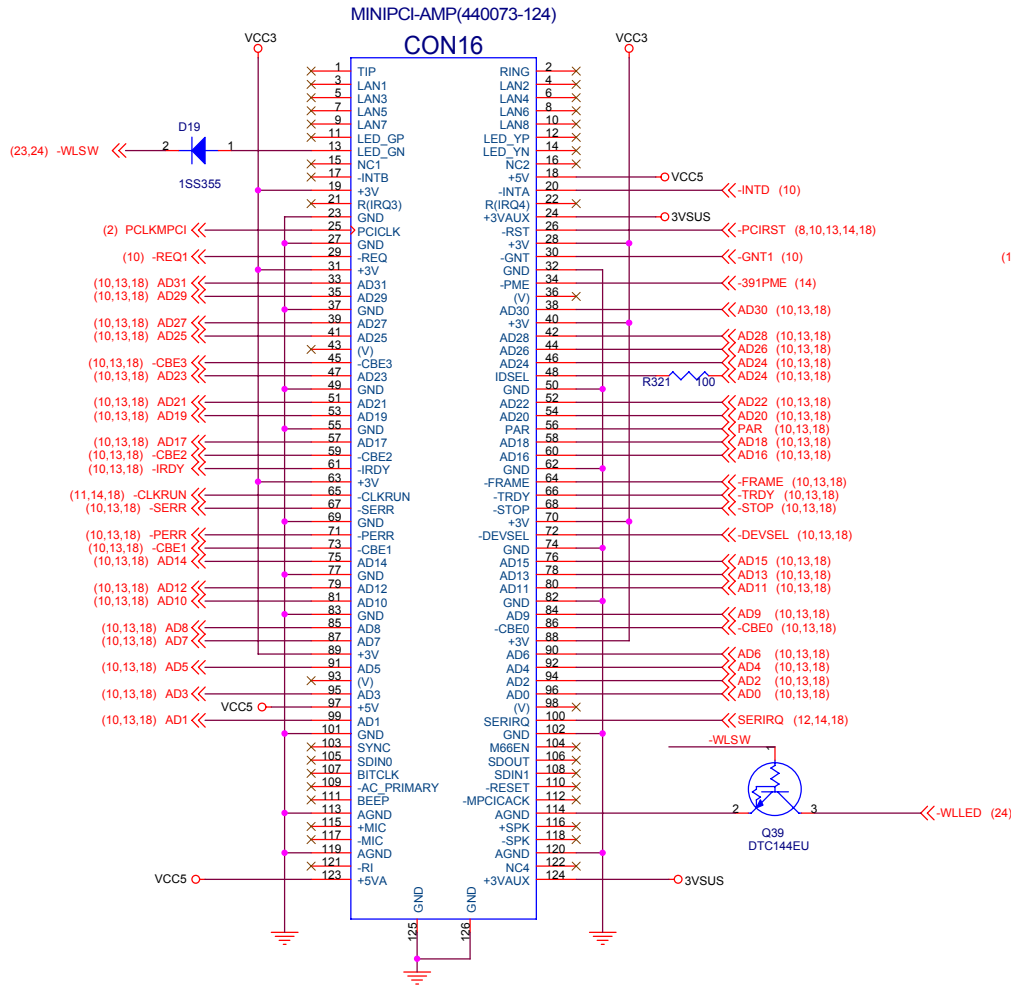
(19) ACAD[0..31] <<





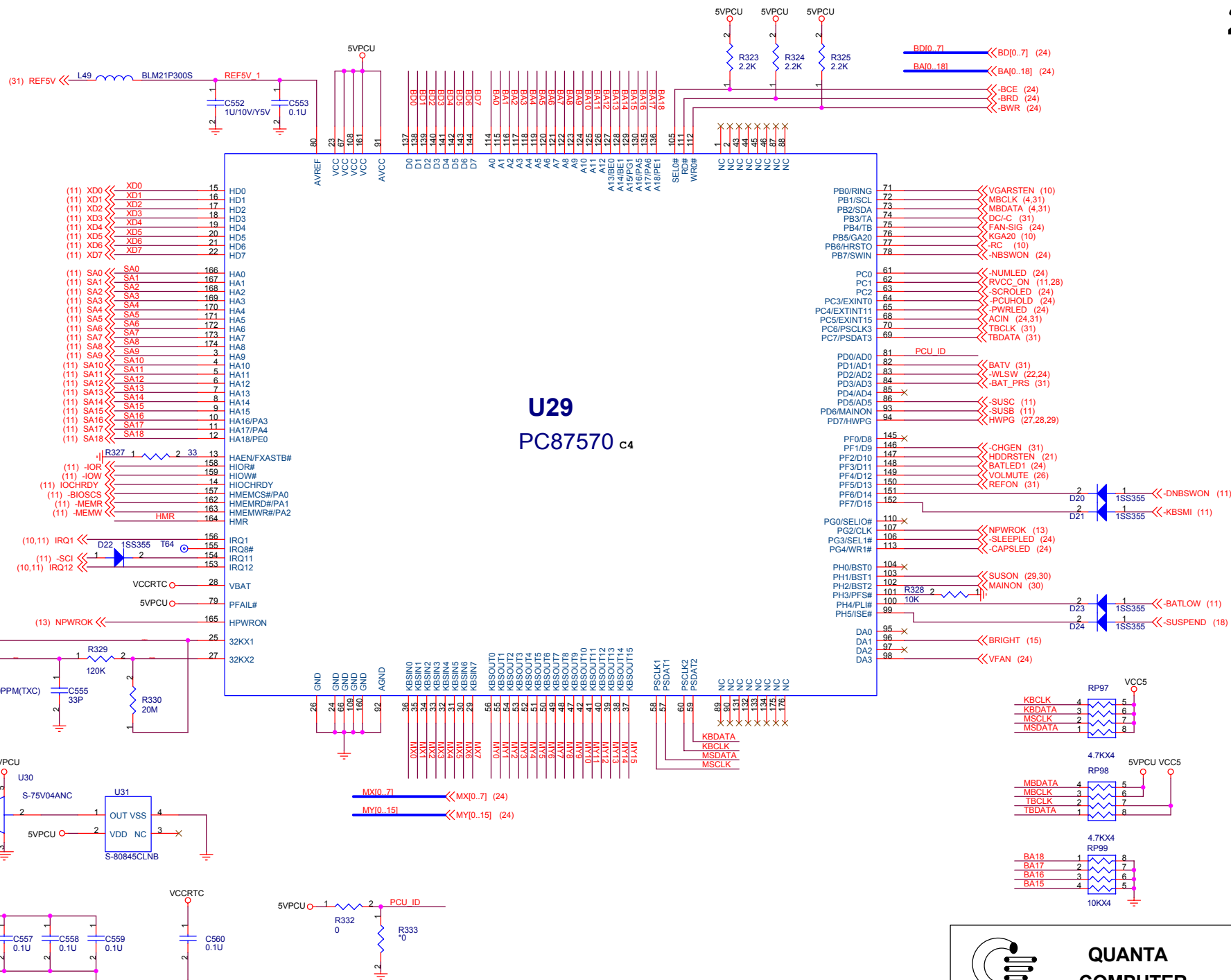
**QUANTA
COMPUTER**


Size	Document Number	Rev
Date:	NE5 Main Board	1A
Date: 2011.11.11	Sheet 20 of 31	5



**QUANTA
COMPUTER**

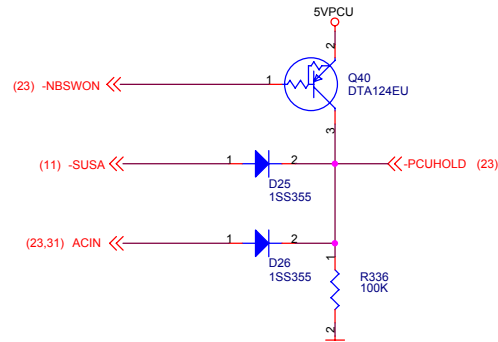
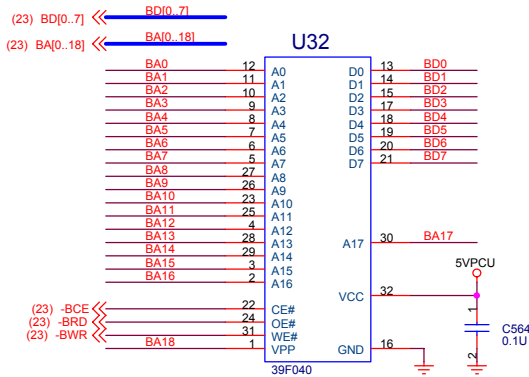
Size	Document Number	Rev
	NE5 Main Board	2A
Date:	日期: 十一月 11, 2002	Sheet 22 of 31



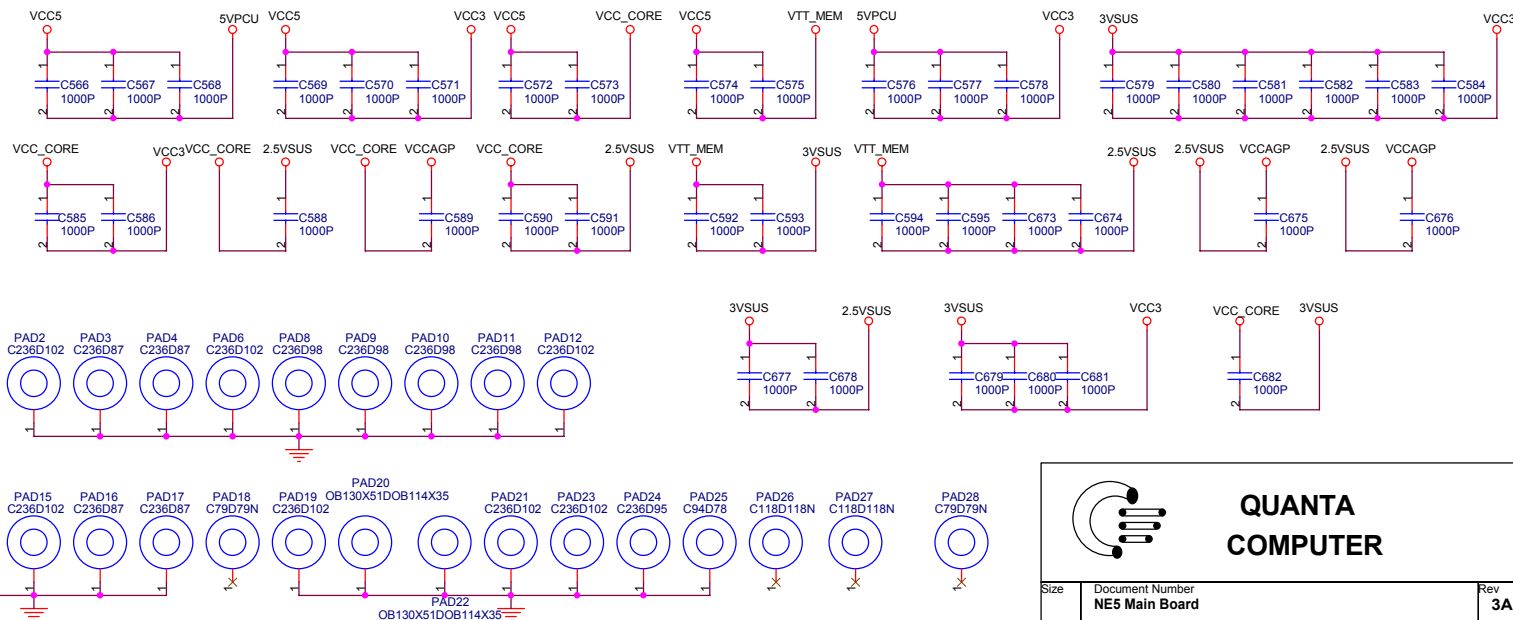
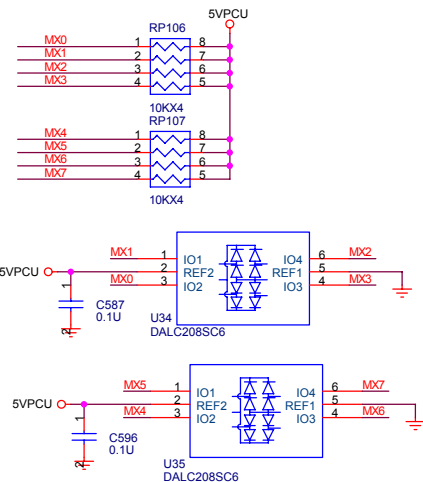
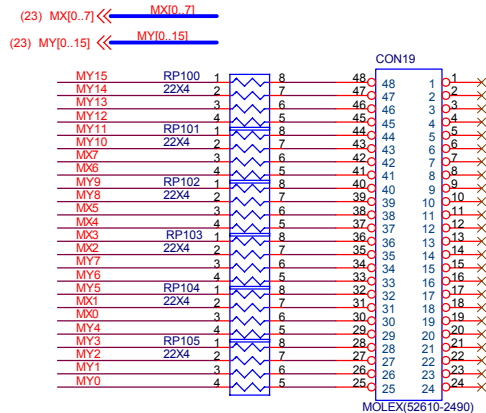
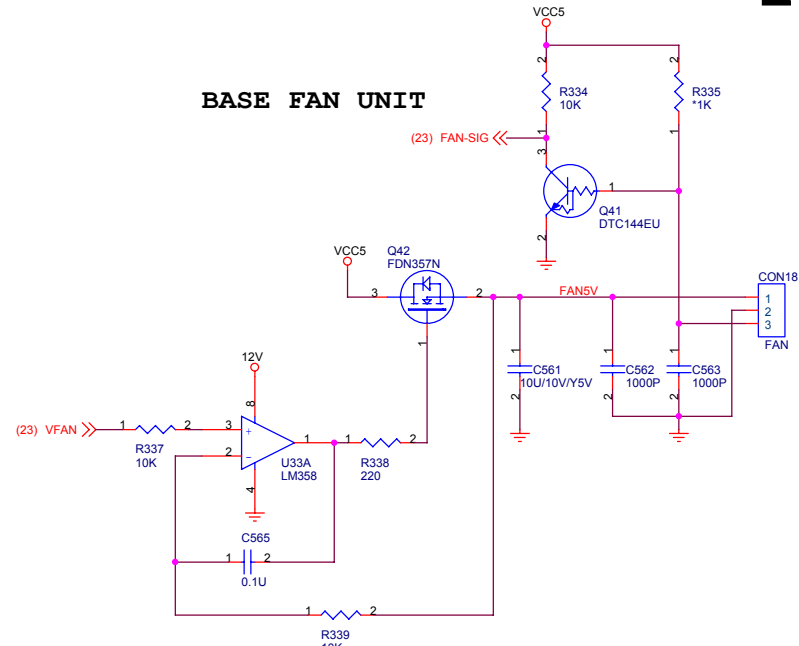
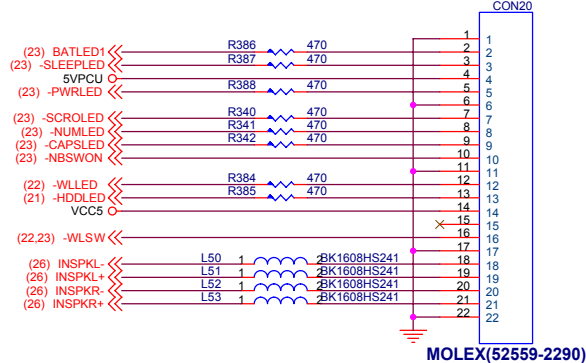


**QUANTA
COMPUTER**

Size	Document Number NE5 Main Board	Rev 2A
Date:	星期三, 十一月 11, 2002	Sheet 23 of 31



POWER SWITCH BOARD CONNECTOR

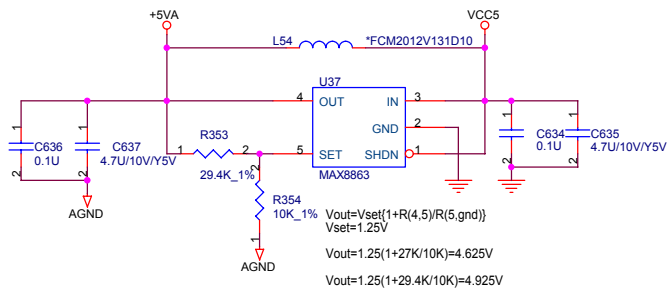
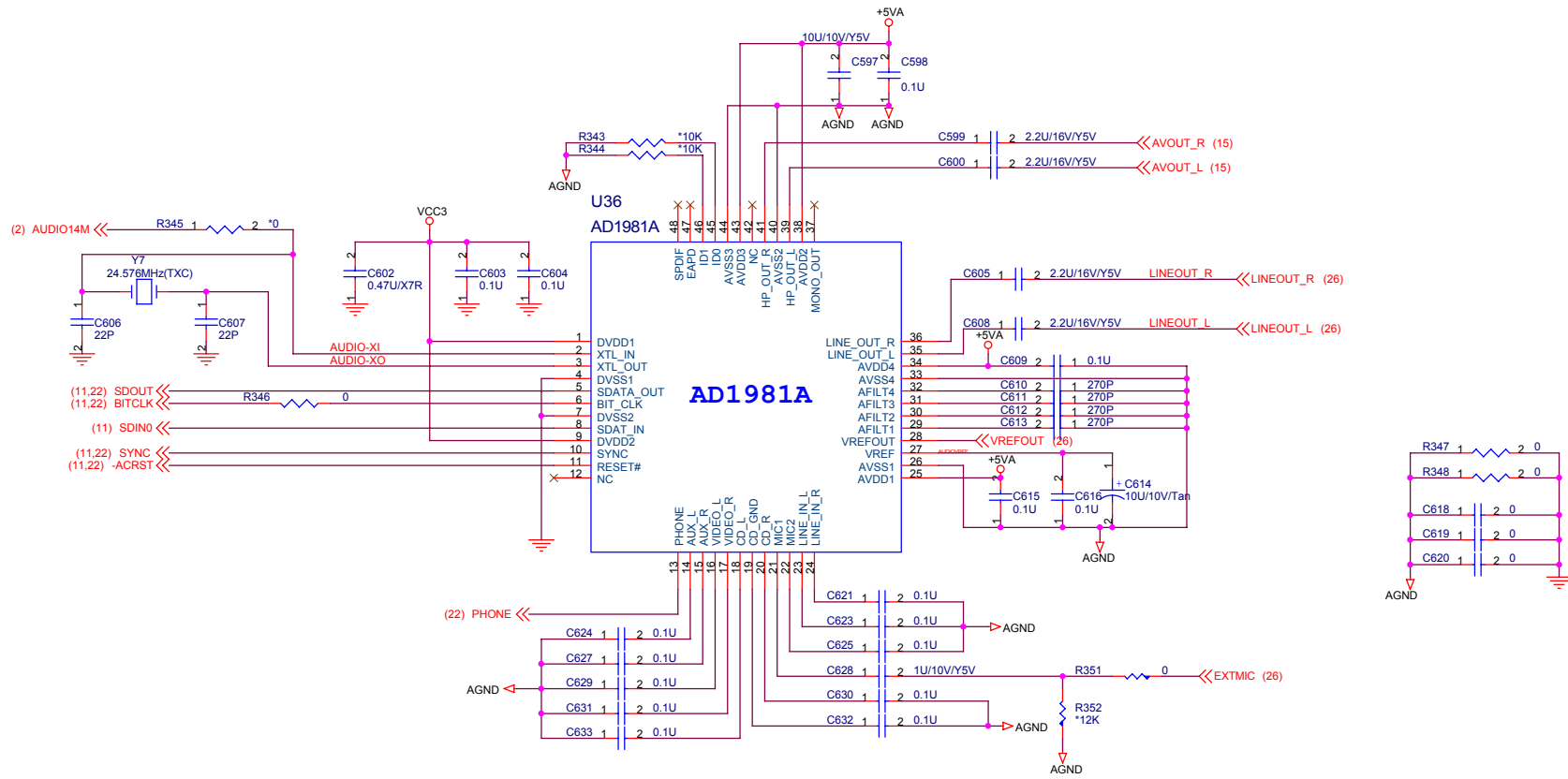



QUANTA COMPUTER

Size Document Number
NE5 Main Board

Date: 2002-11-11 Rev 3A

Sheet 24 of 31

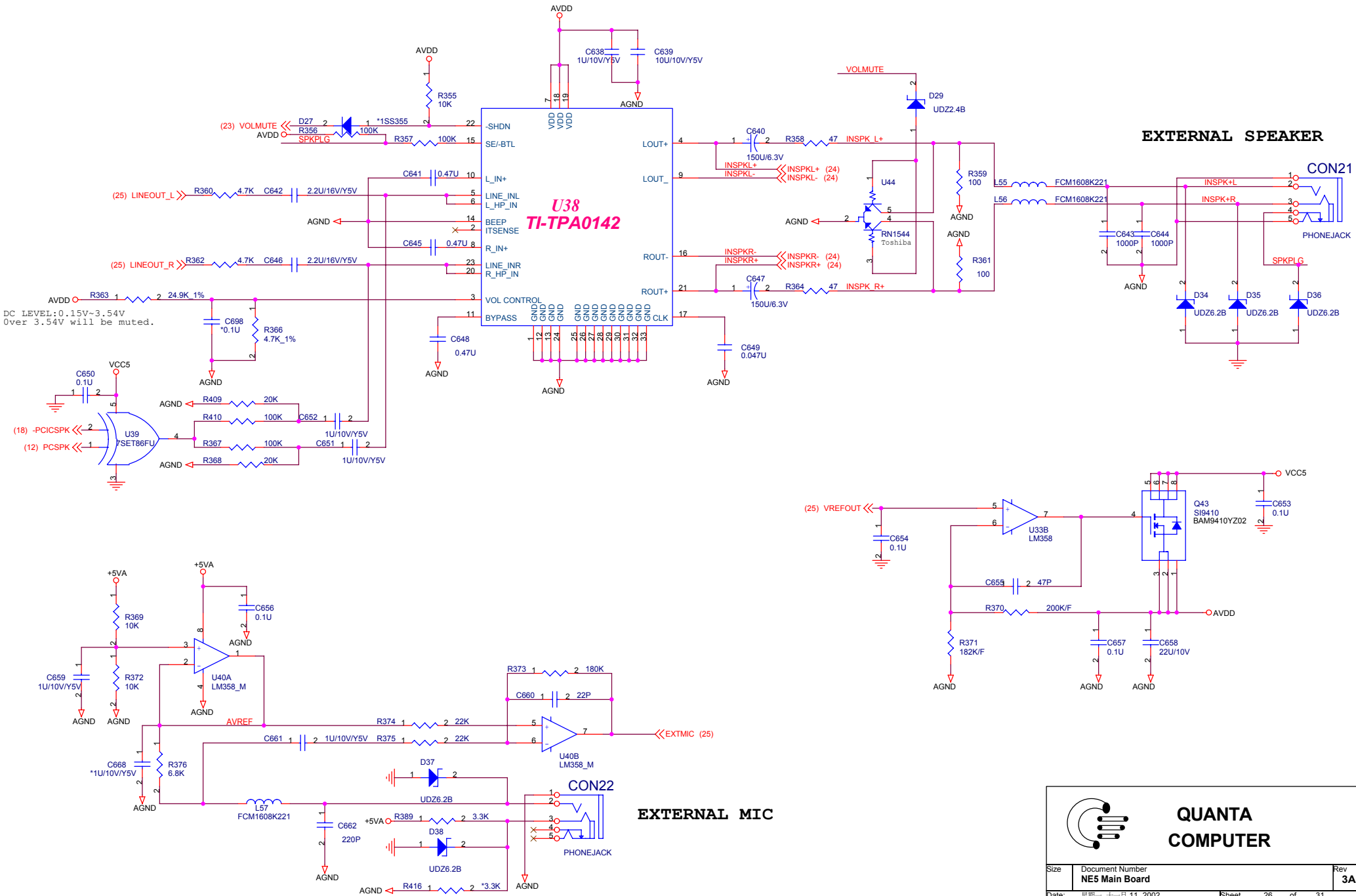




**QUANTA
COMPUTER**

Size	Document Number NE5 Main Board	Rev 3A
Date:	日期: 十一月 11, 2002	Sheet 25 of 31

Audio amplifier

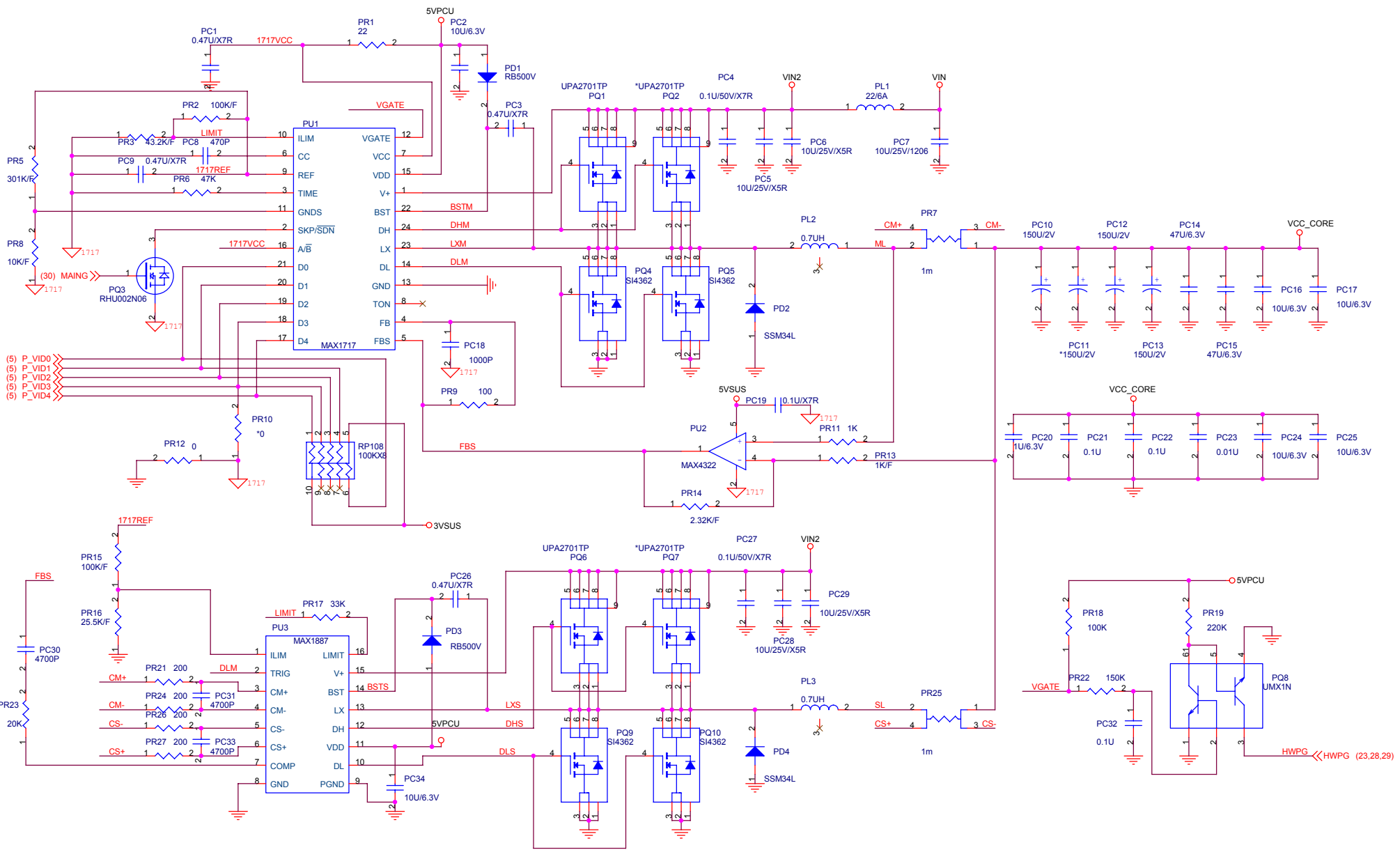



EXTERNAL SPEAKER

EXTERNAL MIC

**QUANTA
COMPUTER**

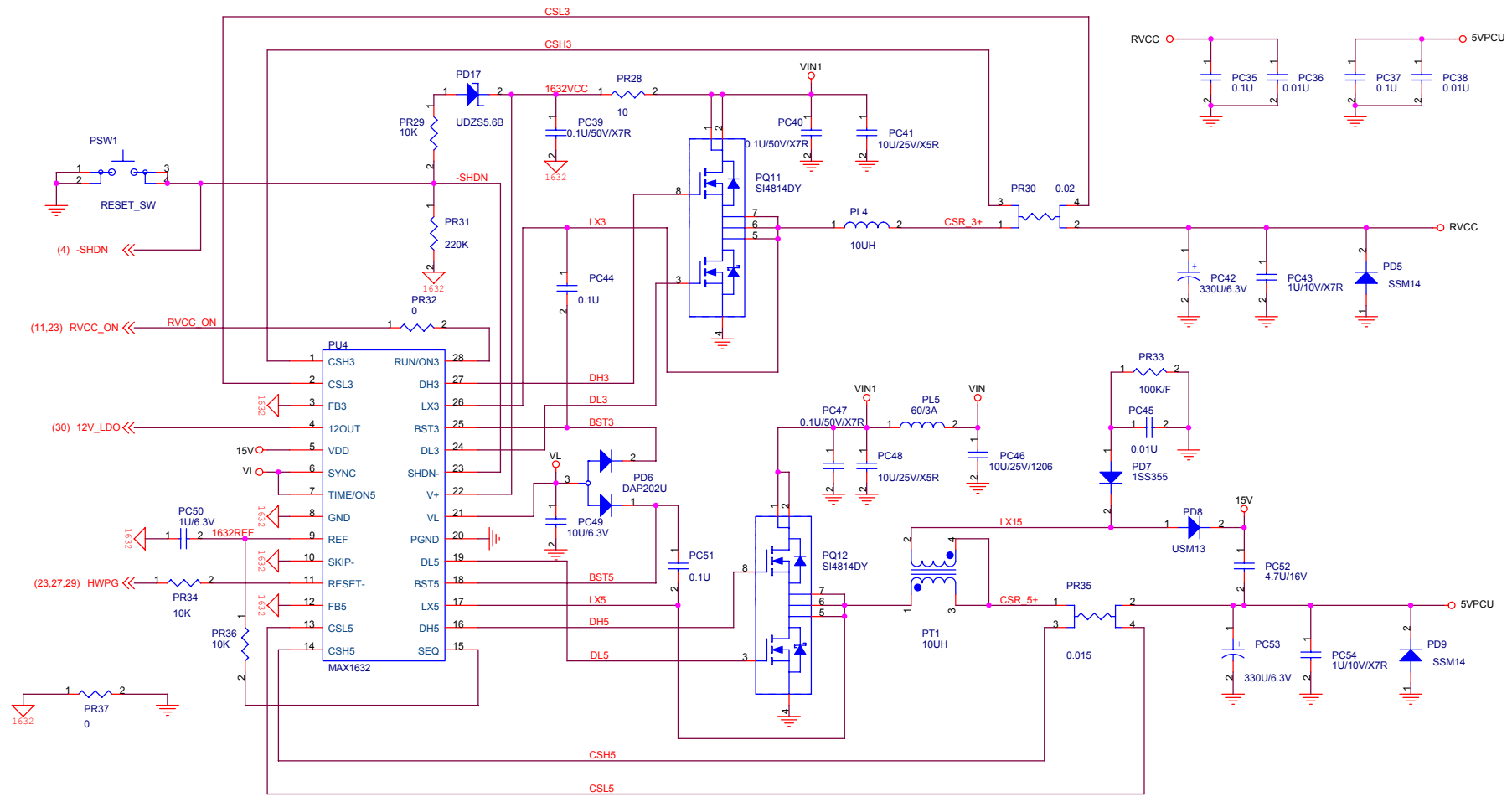
Size	Document Number	Rev
	NE5 Main Board	3A
Date:	日期: 十一月 11, 2002	Sheet 26 of 31






**QUANTA
COMPUTER**

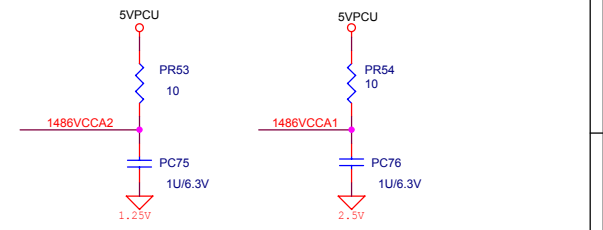
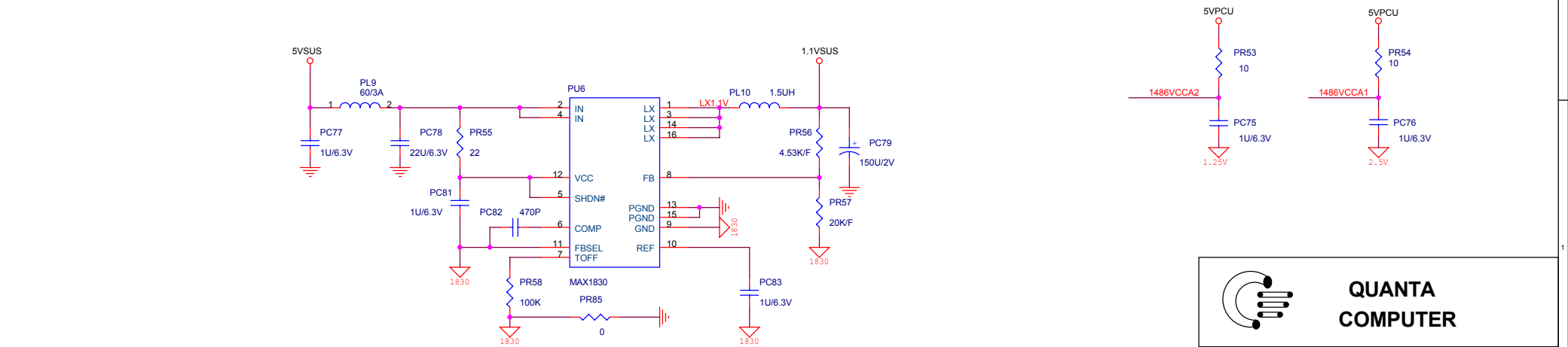
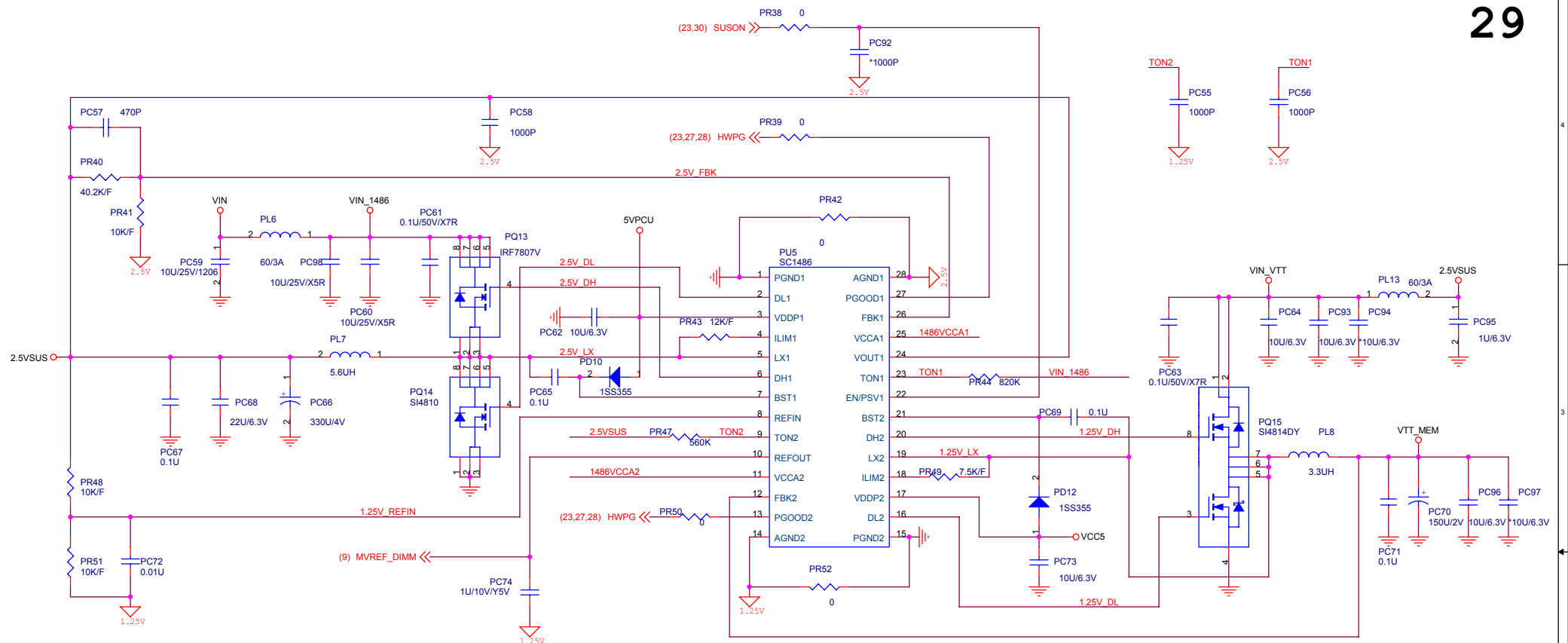
Size	Document Number	Rev
Date:	NE5 Main Board	2A
Date:	星期三, 十一月 11, 2002	Sheet 27 of 31






**QUANTA
COMPUTER**

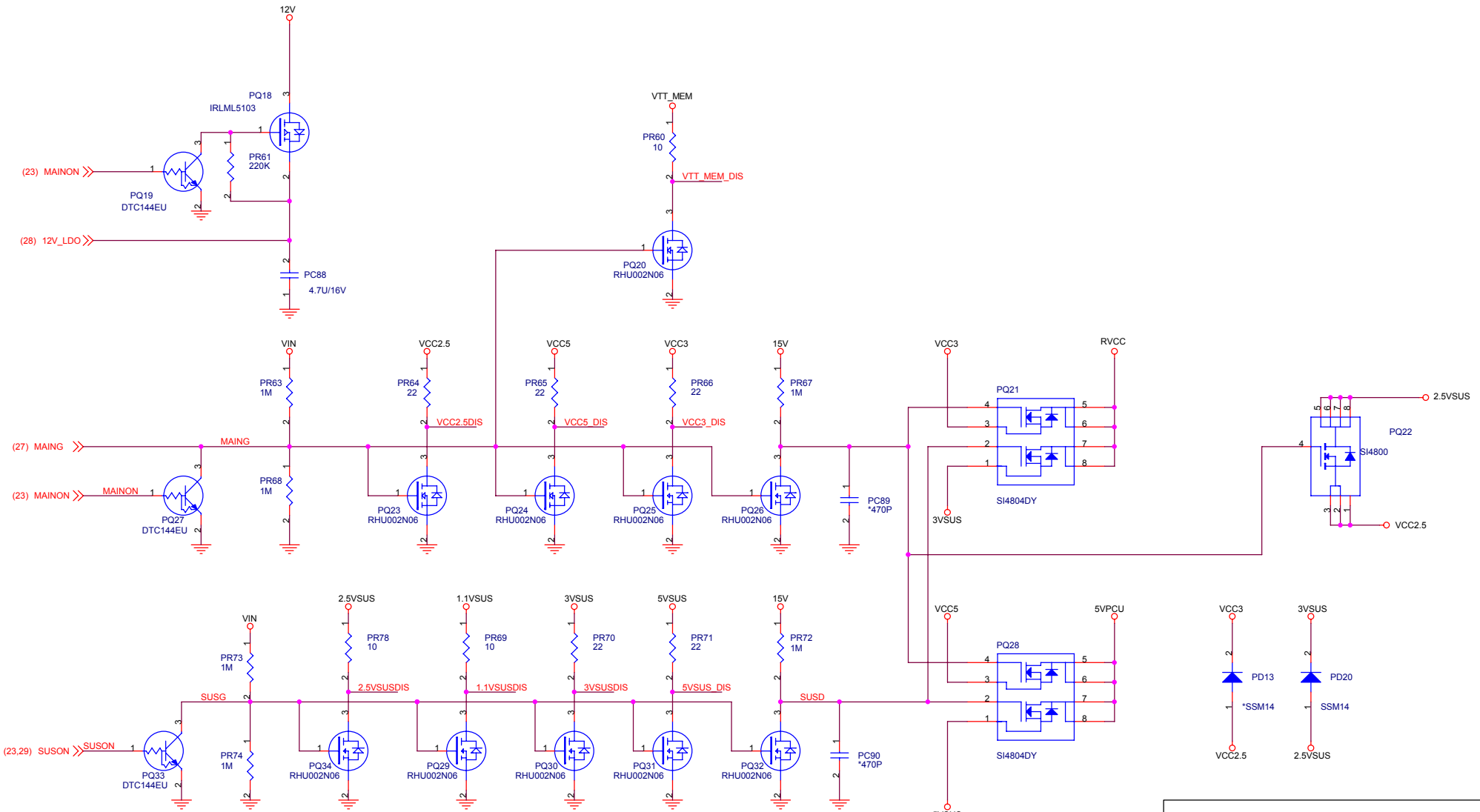
Size	Document Number NE5 Main Board	Rev 1A
Date: 星期二, 十一月 11, 2002		Sheet 28 of 31




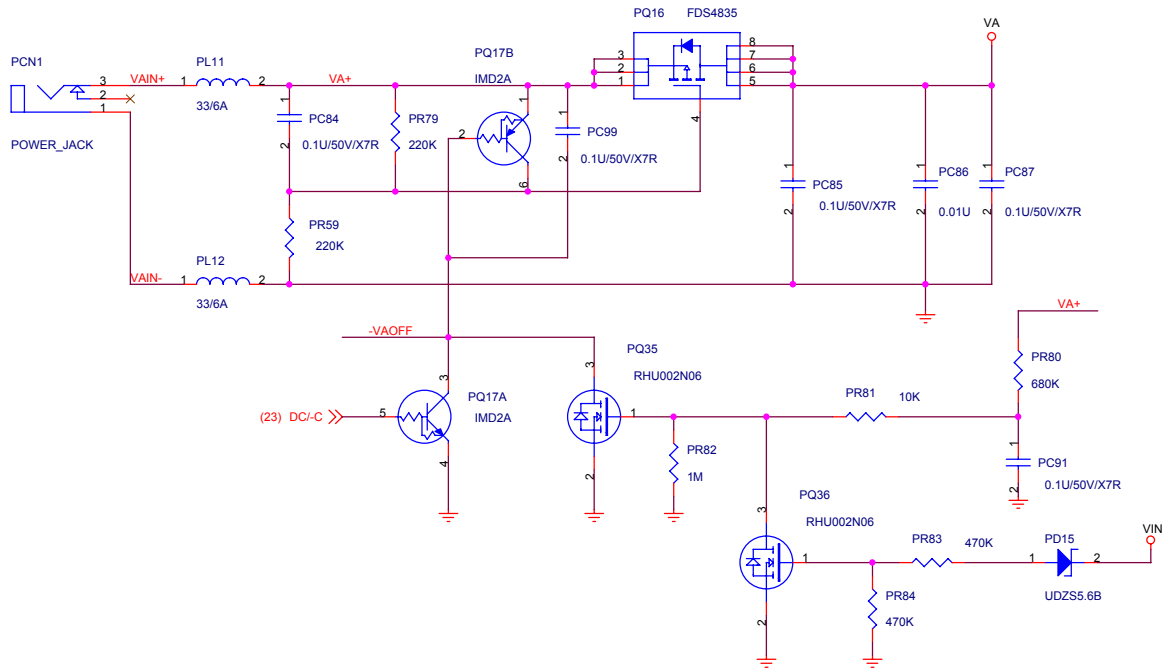


**QUANTA
COMPUTER**

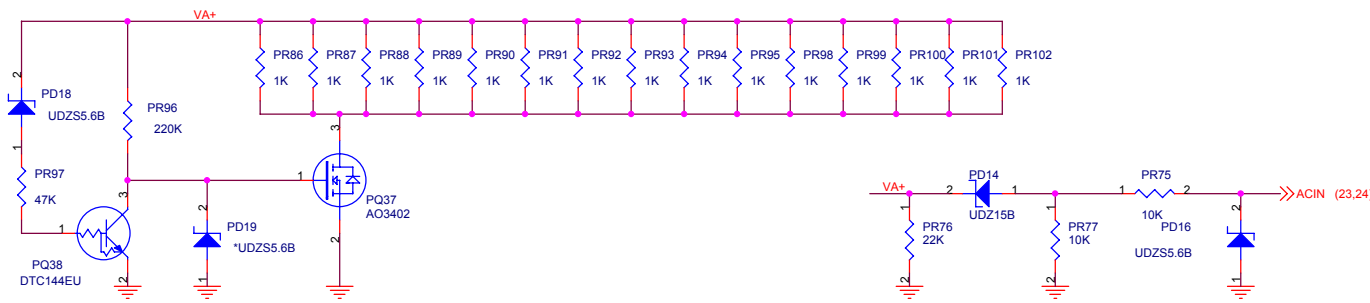
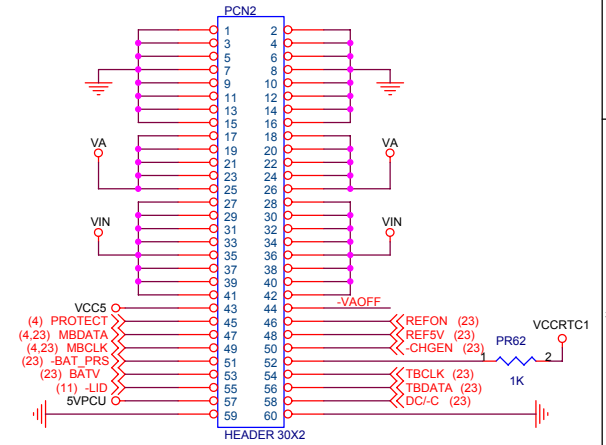
Size	Document Number	Rev
Date:	NE5 Main Board	2A
Date: 2002.11.11	Sheet 29 of 31	




		QUANTA COMPUTER
Size	Document Number	Rev
	NE5 Main Board	2A
Date:	日期: 十一月 11, 2002	Sheet 30 of 31



CHARGER BOARD CONNECTOR





**QUANTA
COMPUTER**

Size	Document Number	Rev
Date:	NE5 Main Board	2A
Date: 星期二, 十一月 11, 2002	Sheet 31 of 31	