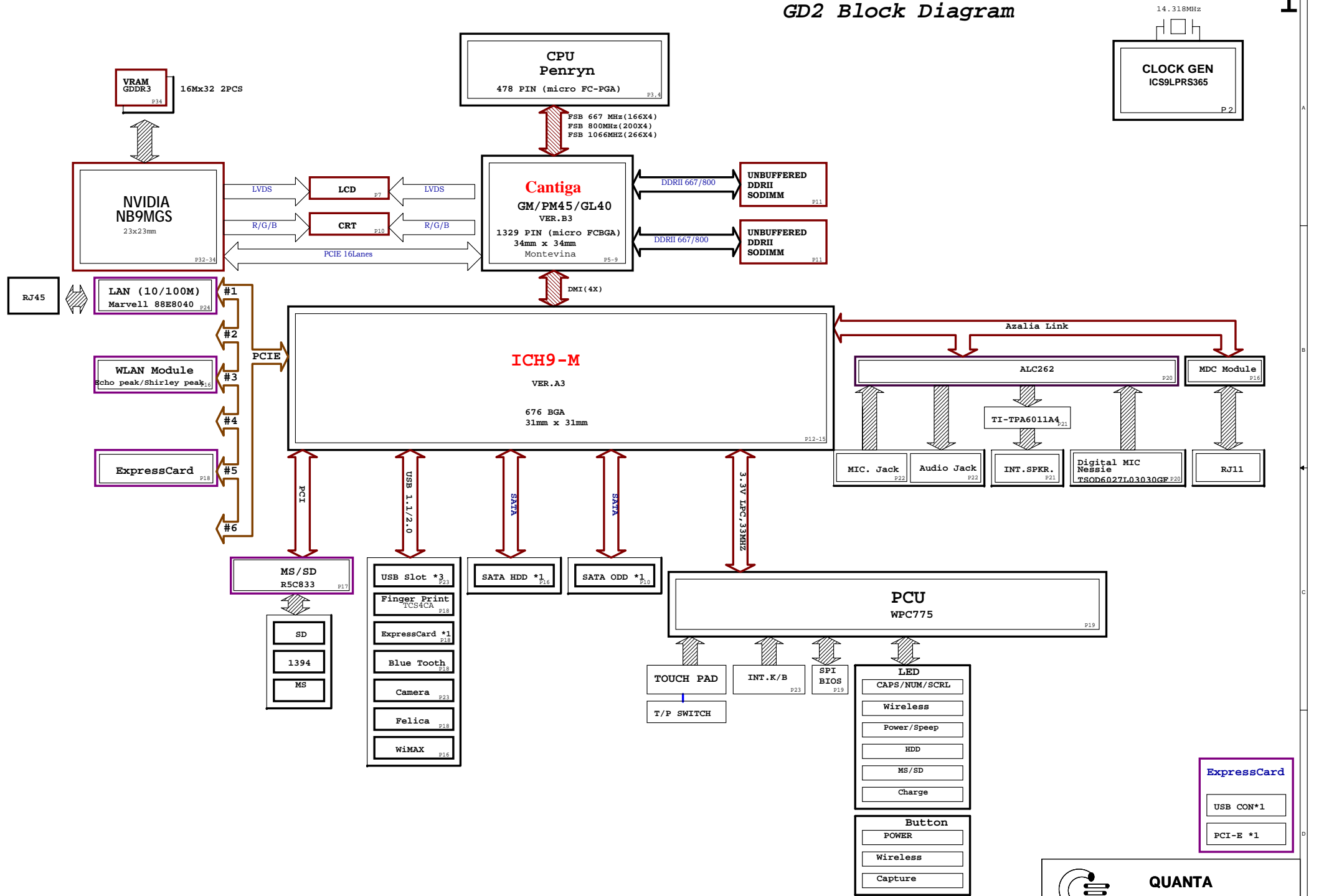


GD2 Block Diagram

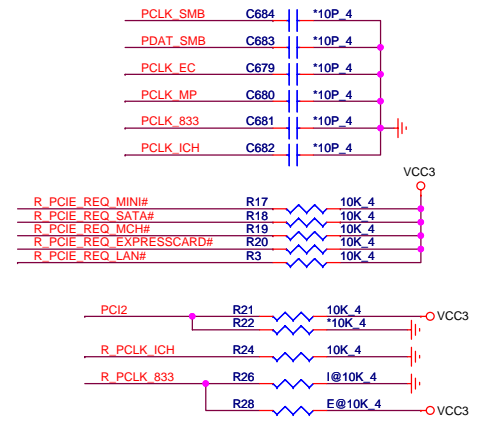
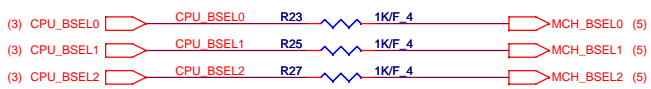
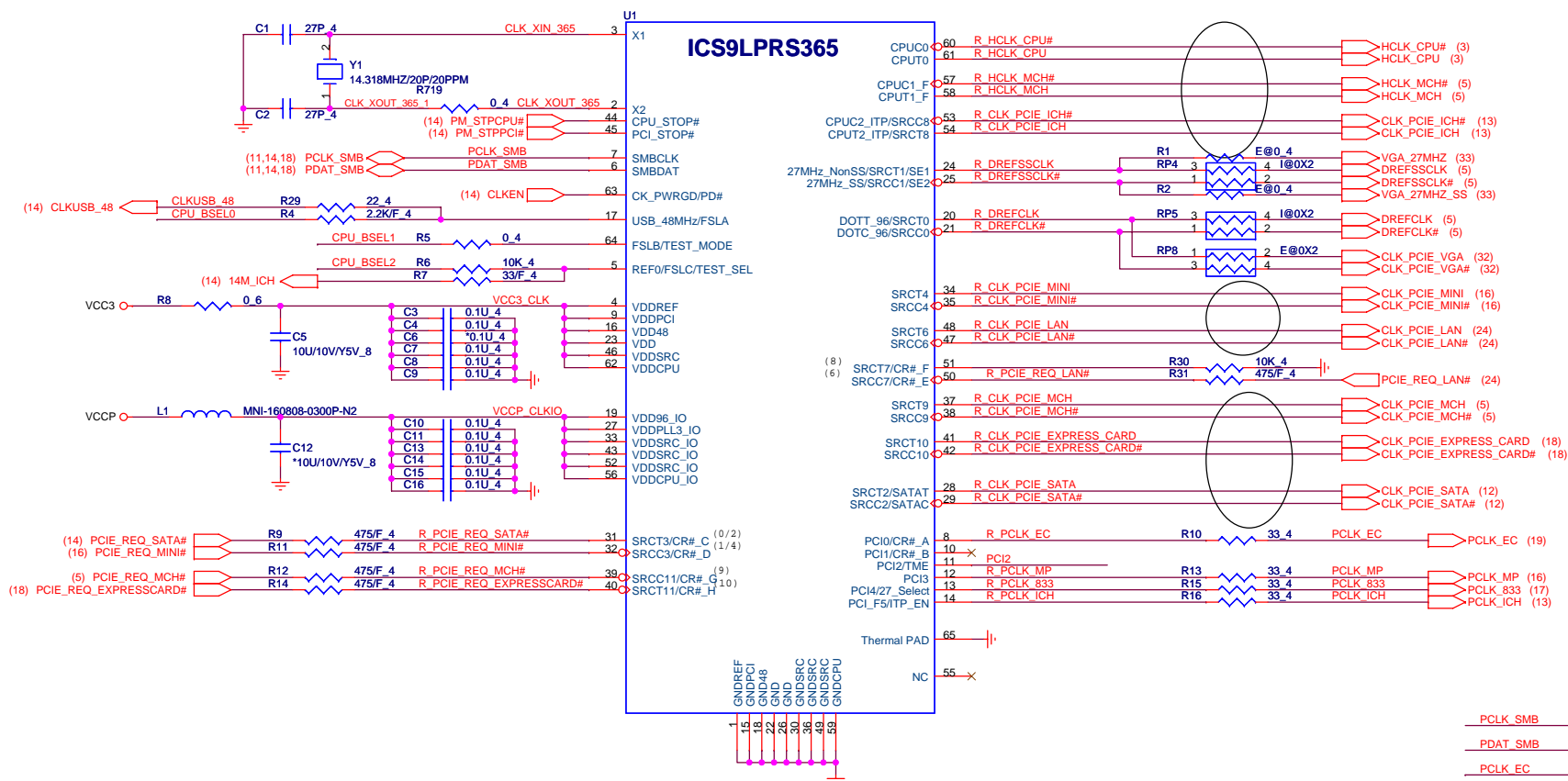


QUANTA COMPUTER

Size: Document Number: **GD2 Main Board** Rev: 2A

Date: Saturday, May 24, 2008 Sheet 1 of 35

1. Level 1 Environment-related Substances should NEVER be used.
2. Purchase ink, paint, wire rods, and Molding resins only from the sources/Partners that you approved as Green Partners.



FSC	FSB	FSA	CPU	SRC	PCI	REF	USB	DOT	Spread
BSEL2	BSEL1	BSEL0							%
* 0	0	0	266.66	100	33.33	14.318	48	96	0.5 Down
0	0	1	133.33	100	33.33	14.318	48	96	0.5 Down
0	1	0	200.00	100	33.33	14.318	48	96	0.5 Down
0	1	1	166.66	100	33.33	14.318	48	96	0.5 Down
1	0	0	333.33	100	33.33	14.318	48	96	0.5 Down
1	0	1	100.00	100	33.33	14.318	48	96	0.5 Down
1	1	0	400.00	100	33.33	14.318	48	96	0.5 Down
1	1	1							RESERVED

TME(PIN11)
 0 : Overclocking of CPU & SRC allowed.
 * 1 : Overclocking of CPU & SRC NOT allowed.

27 Select	PIN 20/21	PIN 24/25
0	DOT_96 / DOT_96#	LCDCCLK / LCDCCLK# (Int. Graphic)
1	SRC_0 / SRC_0#	27M / 27M_SS (NB9M-GS)

ITP_EN(PIN14)	PIN53/54
* 0	SRC8/SRC8#
1	ITP/ITP#

QUANTA COMPUTER

CLOCK GENERATOR

GD2 Main Board

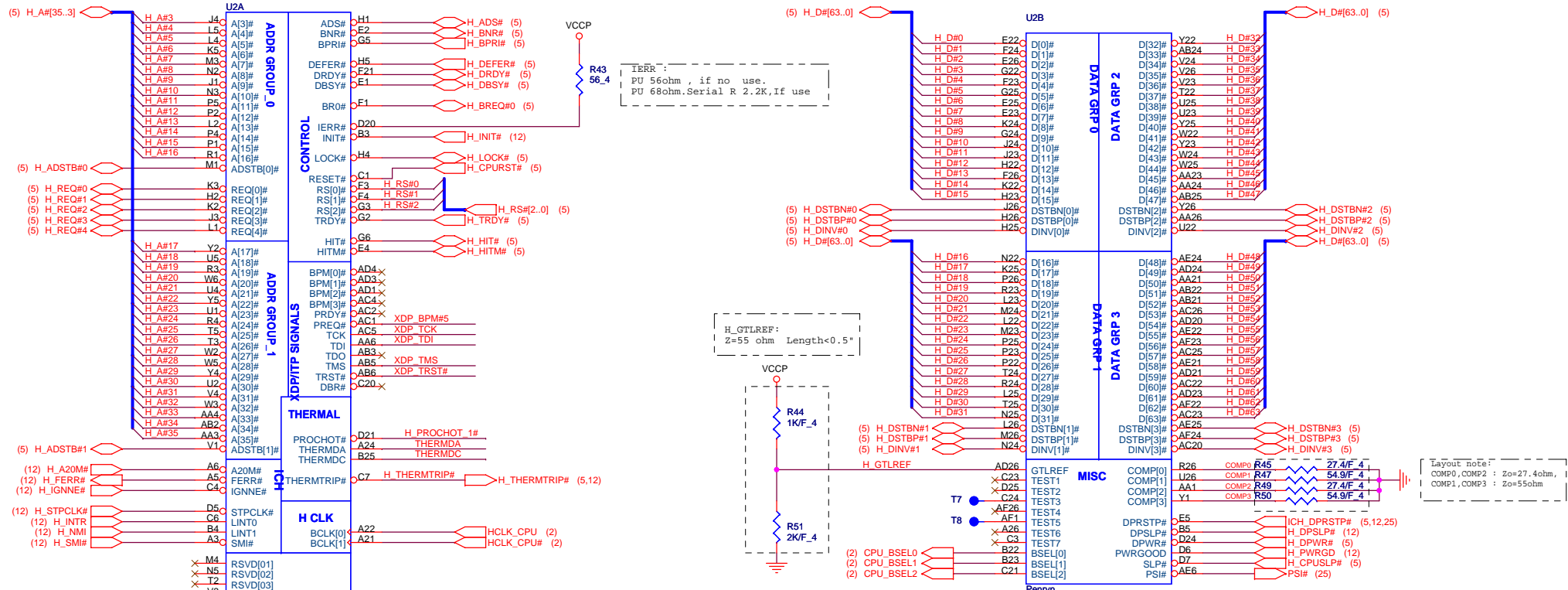
Rev 4A

Document Number

Date: Saturday, May 24, 2008

Sheet 2 of 35

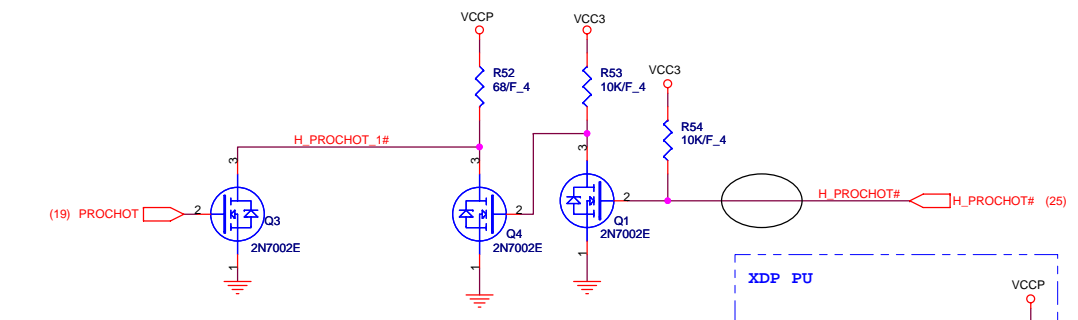
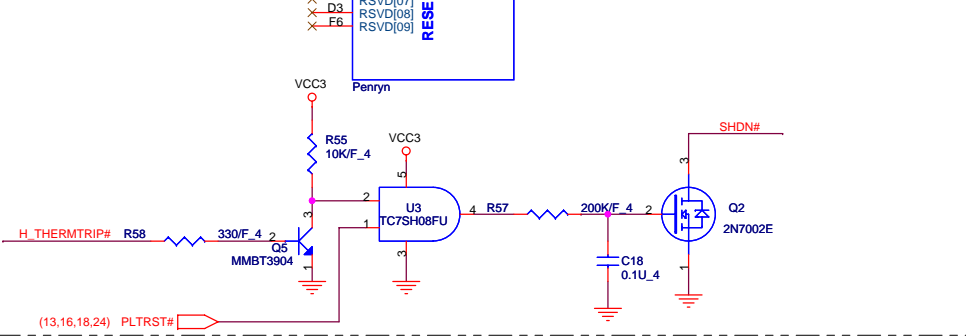
1.Level 1 Environment-related Substances Should NEVER be Used.
 2.Purchase ink, paint, wire rods, and Molding resins only from the business Partners that Sony approves as Green Partners



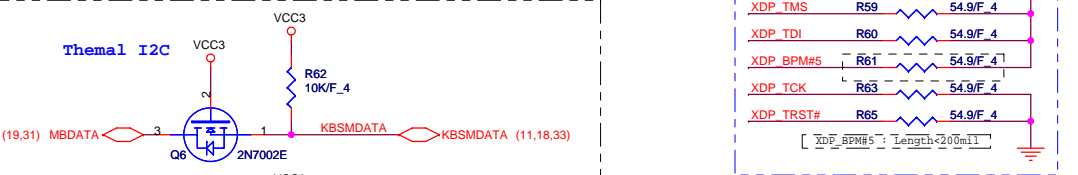
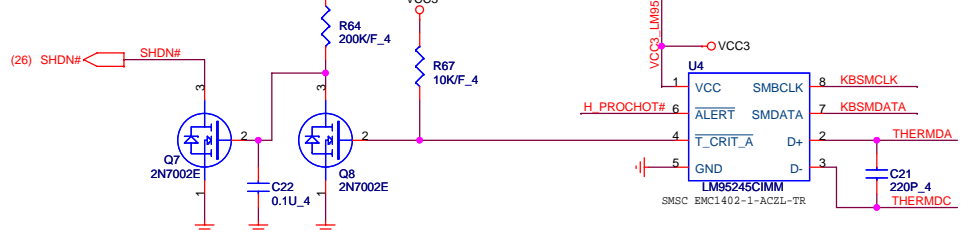
TerR:
 PU 56ohm, if no use.
 PU 68ohm, Serial R 2.2K, If use

H_GTLREF:
 Z=55 ohm Length<0.5"

Layout note:
 COMP0_COMP2 : Z=27.4ohm, L
 COMP1_COMP3 : Z=55ohm



Thermal Sensor



QUANTA COMPUTER

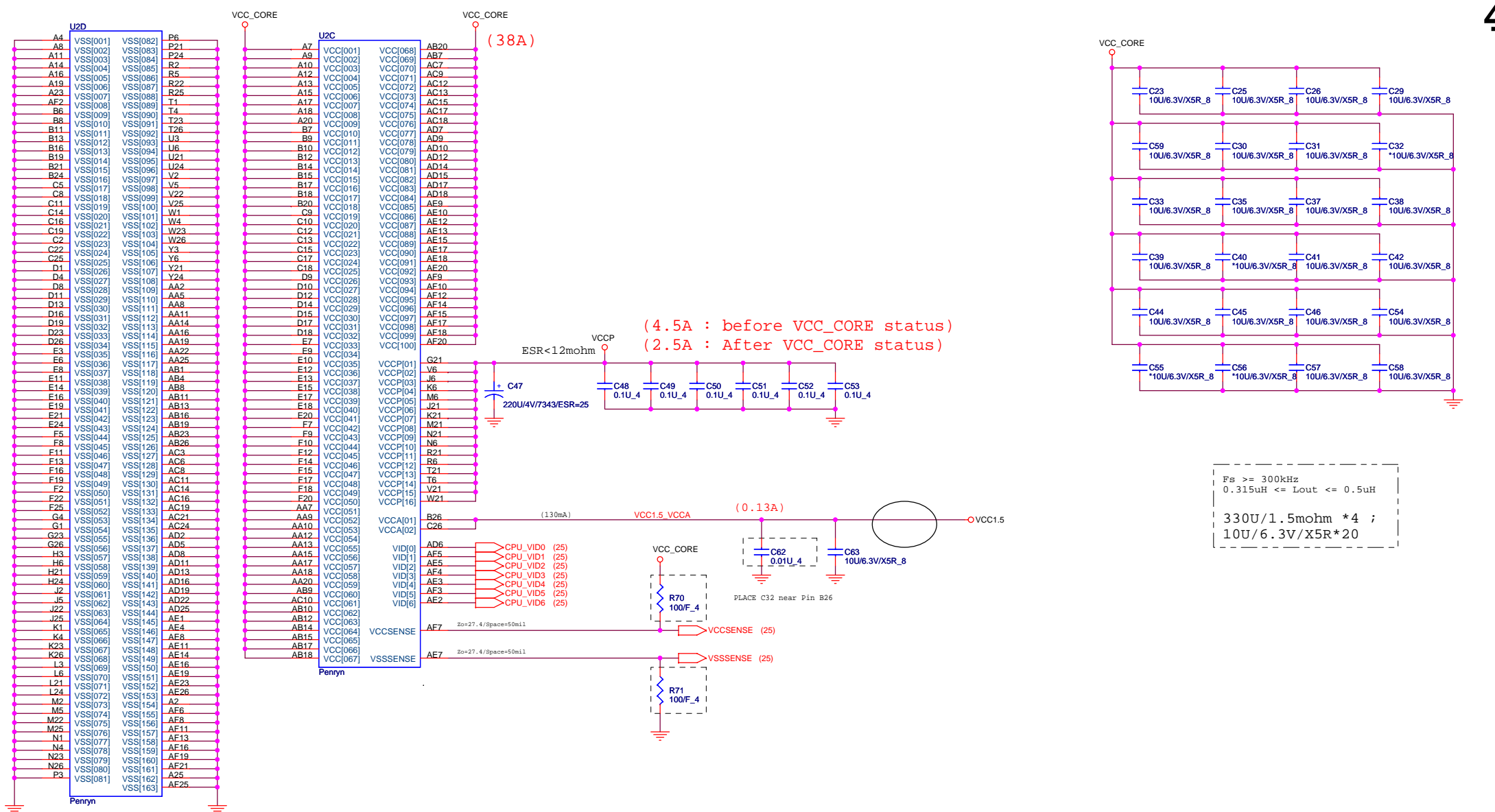
Title: **Penryn CPU1 of 2**

Size: **GD2 Main Board**

Document Number: **Rev 4A**

Date: **Saturday, May 24, 2008** Sheet **3** of **35**

1. Level 1 Environment-related Substances Should NEVER be Used.
 2. Purchase ink, paint, wire rods, and Molding resins only from the Business Partners that Sony approves as Green Partners.



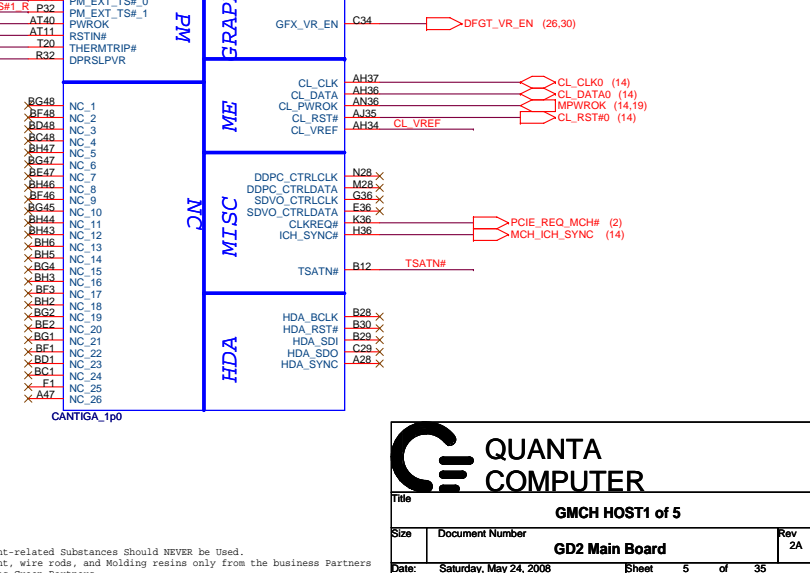
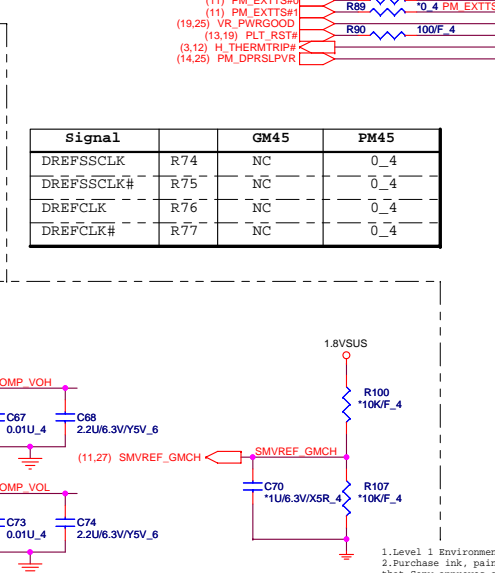
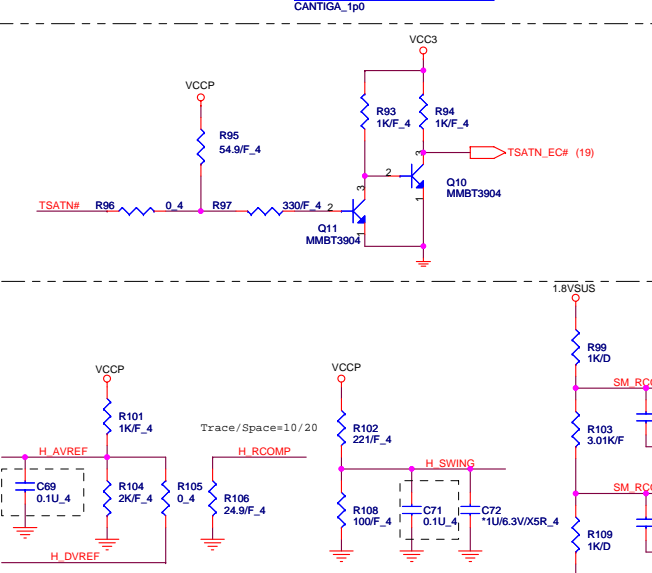
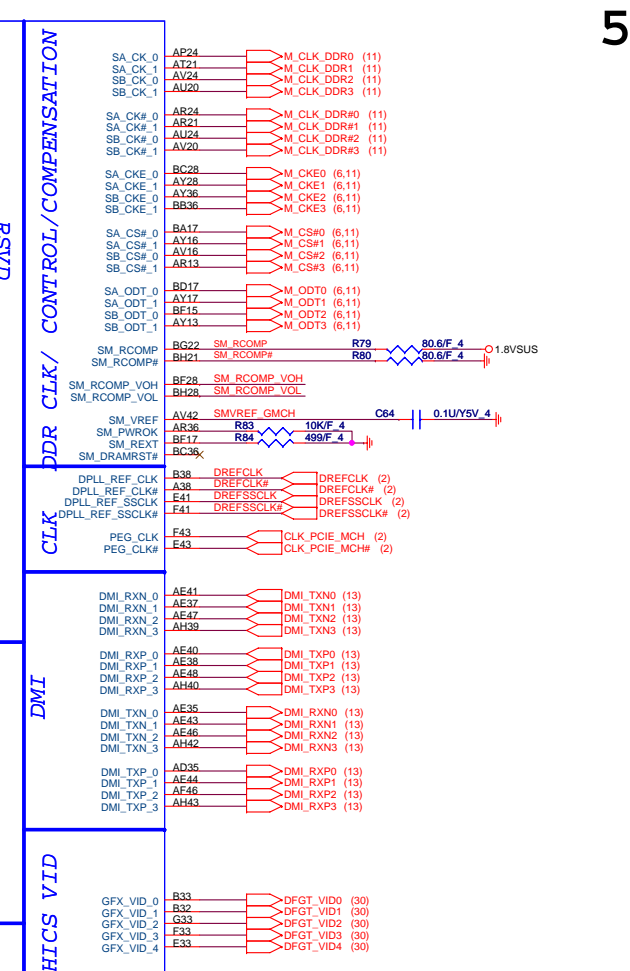
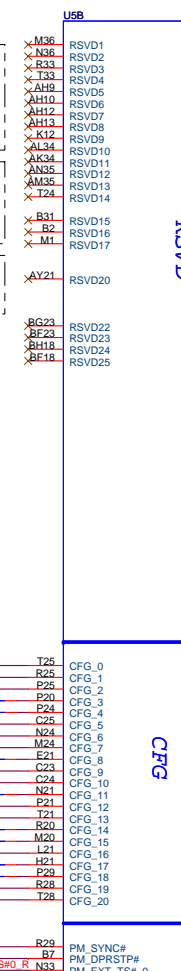
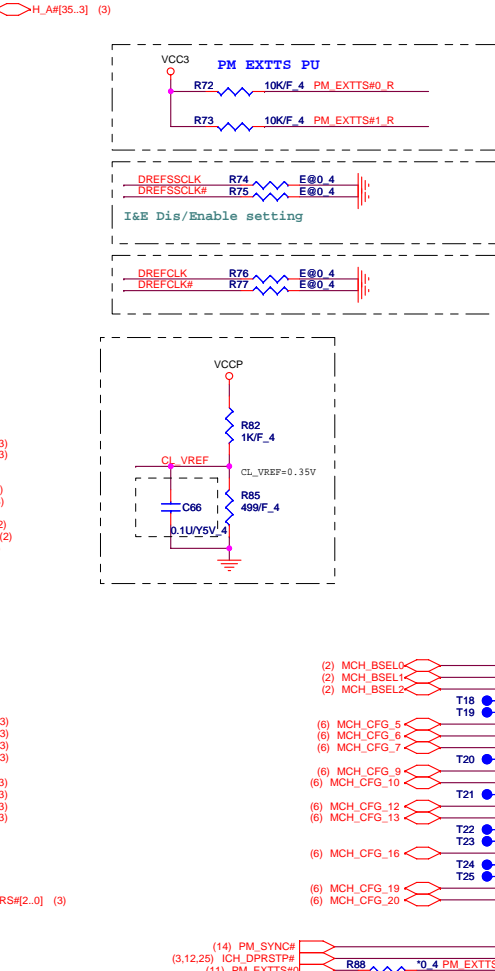
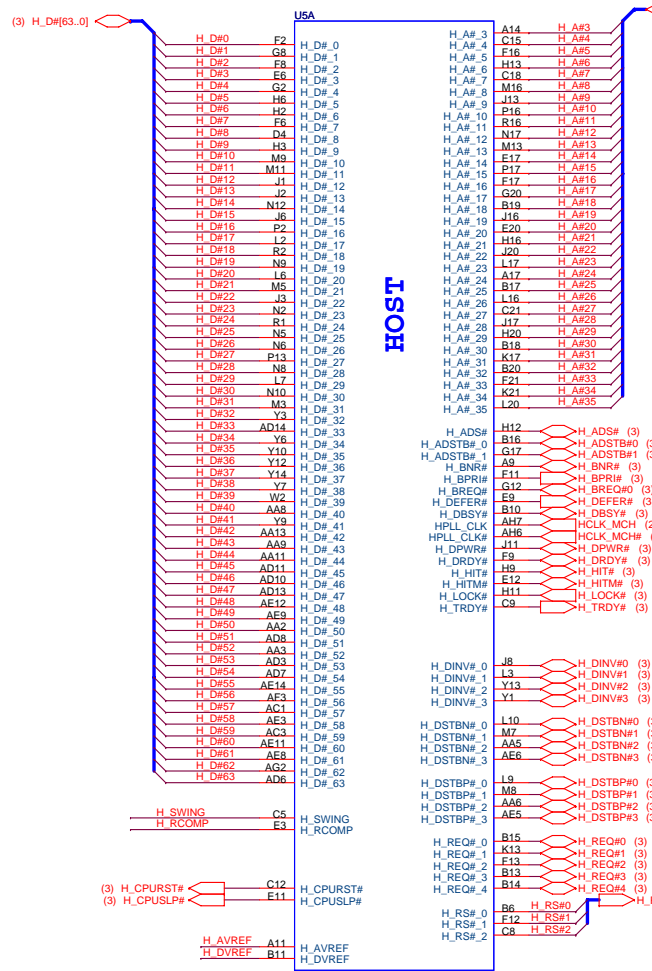
1. Level 1 Environment-related Substances Should NEVER be Used.
2. Purchase ink, paint, wire rods, and Molding resins only from the business Partners that Sony approves as Green Partners.

QUANTA COMPUTER

Title: **Penryn CPU 2 of 2**

Size: Document Number **GD2 Main Board** Rev **4A**

Date: Saturday, May 24, 2008 Sheet 4 of 35



Signal	GM45	PM45
DREFSSCLK	NC	0_4
DREFSSCLK#	NC	0_4
DREFCLK	NC	0_4
DREFCLK#	NC	0_4

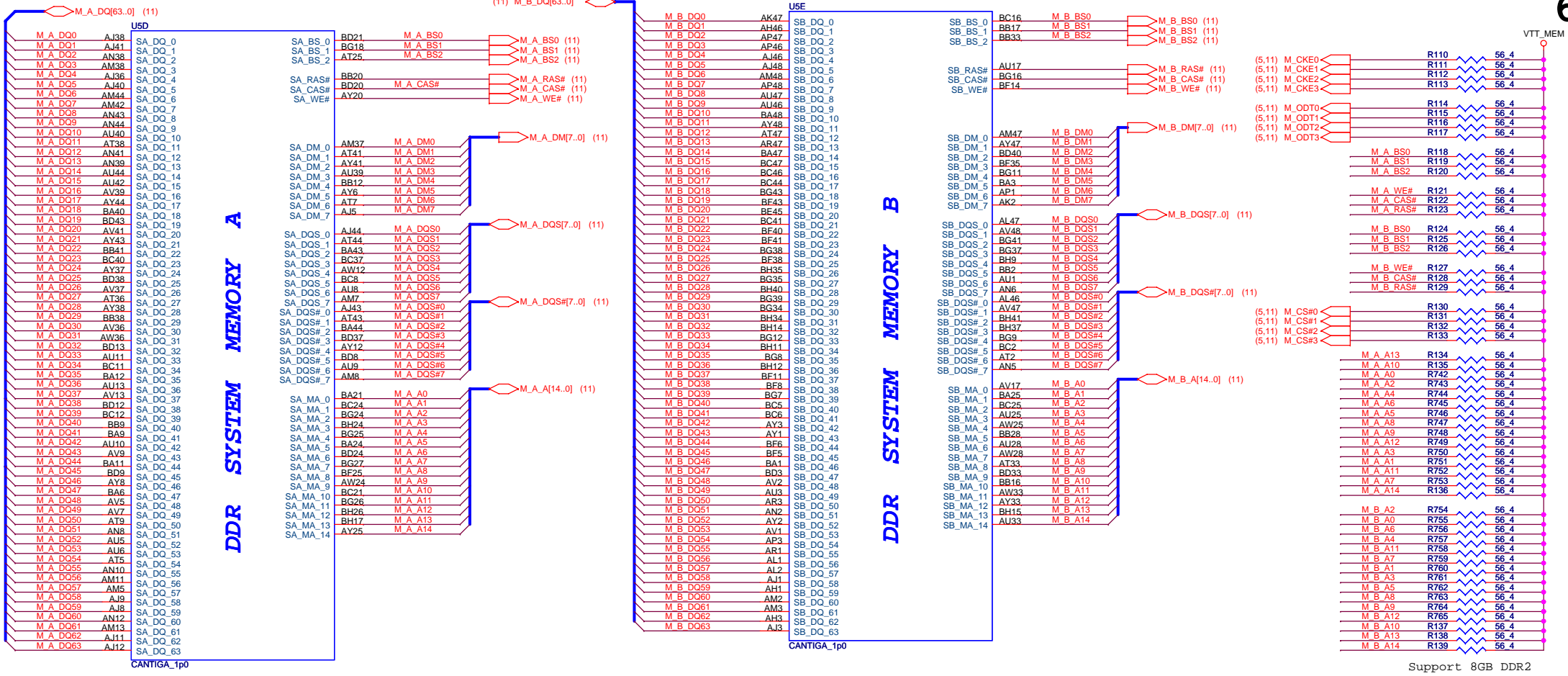
QUANTA COMPUTER

Title: **GMCH HOST1 of 5**

Size: _____ Document Number: _____ Rev: 2A

Date: **Saturday, May 24, 2008** Sheet: **5** of **35**

1.Level 1 Environment-related Substances Should NEVER be Used.
2.Purchase Ink, paint, wire rods, and Molding resins only from the business Partners that Sony approves as Green Partners.



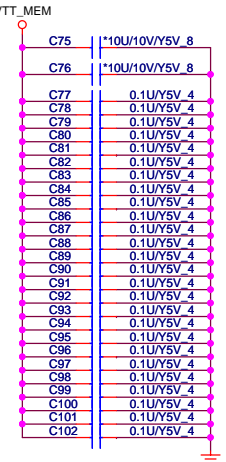
Support 8GB DDR2

GMCH Strap pin description

Low		High
CGF5	DMIX2	* DMIX4
CGF6	ITPM HOST interface enable	* ITPM HOST interface disable
CGF7	AMT Fireware will use TLS cipher suite with no confidentiality	* AMT Fireware will use TLS cipher suite with confidentiality
CGF9	PCIe Graphics lan : Reverse Lane	* PCIe Graphics lan : Normal operation
CGF10	PCIe Loopback enable	* PCIe Loopback disable
CGF16	FSB Dynamic ODT Disabled	* FSB Dynamic ODT Enabled
CGF19	* DMI LANE Normal	DMI LANE Reversed
CGF20	* only SDVO/DP/iHDMI or PCIe is operational	SDVO/DP/iHDMI and PCIe are operation simultaneously via the PEG port
CGF[12:13]:XOR /ALLZ / Clock Un-gating 00 = Reserve 01 = XOR mode enabled 10 = All-Z mode enabled * 11 = Normal Operation(Default)		

- (5) MCH_CFG_6 T49
- (5) MCH_CFG_5 T50
- (5) MCH_CFG_7 T51
- (5) MCH_CFG_9 T52
- (5) MCH_CFG_10 T53
- (5) MCH_CFG_12 T54
- (5) MCH_CFG_13 T55
- (5) MCH_CFG_16 T56
- (5) MCH_CFG_19 T57
- (5) MCH_CFG_20 T58

Int.Pull-down : CFG 18,19,20
 Int.Pull-high : CFG CFG 3-17



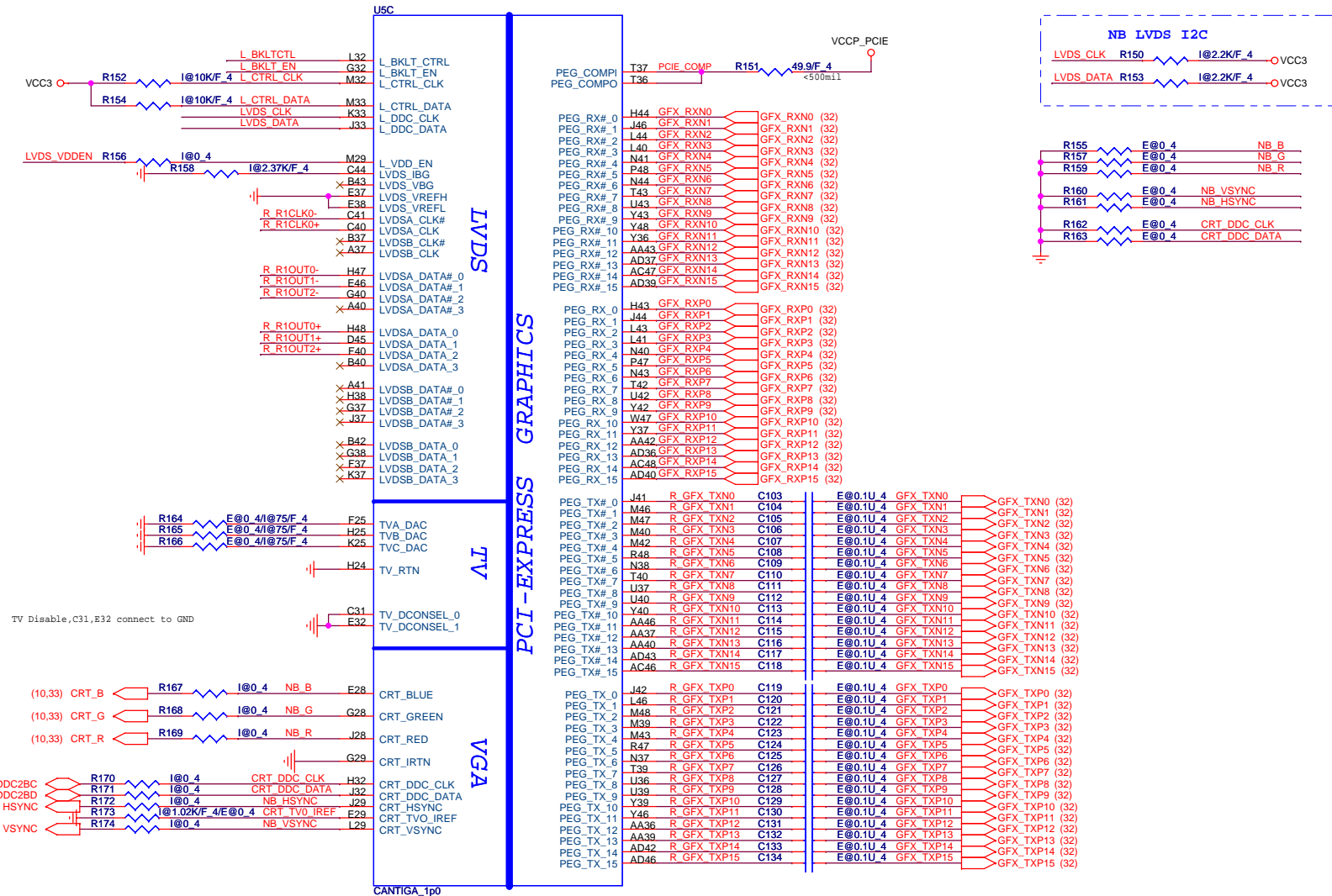
1.Level 1 Environment-related Substances Should NEVER be Used.
 2.Purchase ink, paint, wire rods, and Molding resins only from the business Partners that Sony approves as Green Partners.

QUANTA COMPUTER

GMCH DDR II 2 of 5

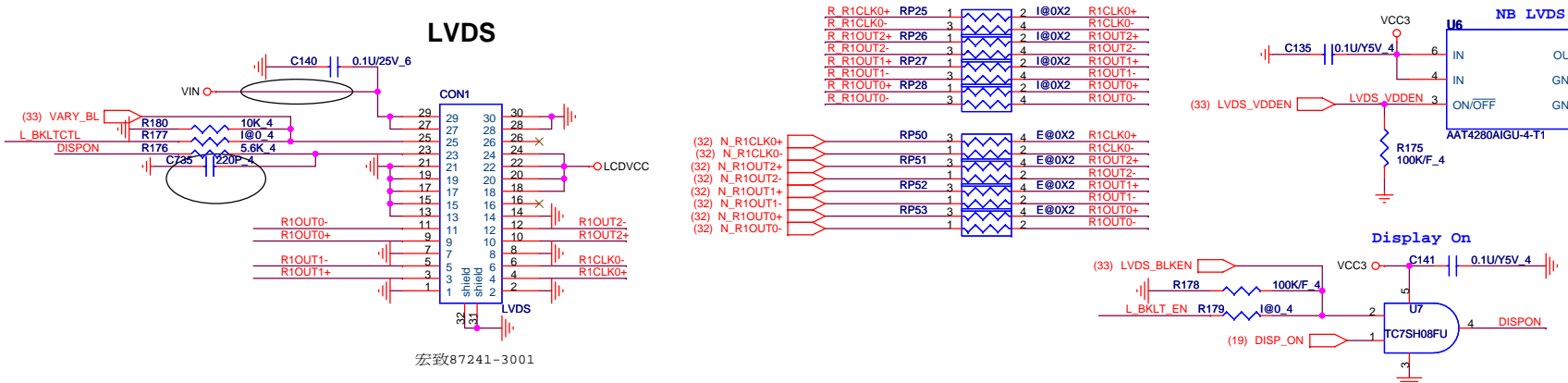
Size Document Number Rev 2A

Date: Saturday, May 24, 2008 Sheet 6 of 35



E@: PM(EXT) should mount
 I@: GM(INT) should mount

Signal		GM9X5	PM9X5
NB_B	R167	0_4	NI
	R155	NI	0_4
NB_G	R168	0_4	NI
	R157	NI	0_4
NB_R	R169	0_4	NI
	R159	NI	0_4
NB_VSYNC	R160	NI	0_4
	R174	30.1/F_4	NI
NB_HSYNC	R161	NI	0_4
	R172	30.1/F_4	NI
LVDS_IBG	R158	2.37K/F_4	NI
LVDS	RP25	0X2	NI
	RP28		NI
L_BKLT_EN	R179	0_4	NI
L_CTRL_CLK	R152	10K	NI
L_CTRL_DATA	R154	10K	NI
LVDS_VDDEN	R156	0_4	NI
DDC2BC	R170	0_4	NI
	R162	NI	0_4
DDC2BD	R171	0_4	NI
	R163	NI	0_4
CRT_TVO_IREF	R173	1.02K/F	0_4
LVDS_CLK	R150	2.2K/F_4	NI
LVDS_DATA	R153	2.2K/F_4	NI
TVA_DAC	R164	75/F_4	0_4
TVB_DAC	R165	75/F_4	0_4
TVC_DAC	R166	75/F_4	0_4
GFX	C103		
	C134	NI	0.1UF_4
L_BKLTCTL	R177	0_4	NI



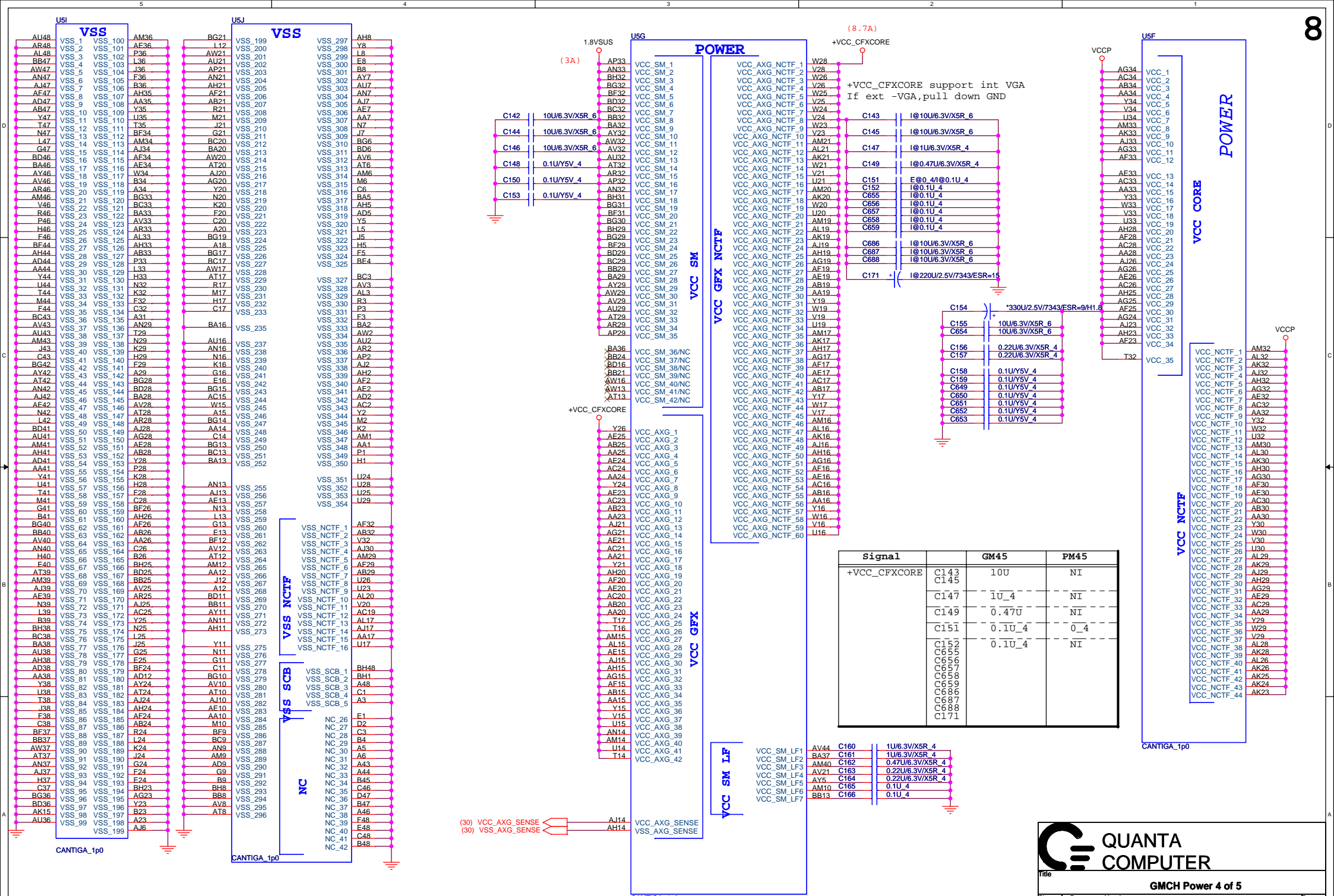
QUANTA COMPUTER

Title: **GMCH DMI VEDIO 3 of 5**

Size: Document Number **GD2 Main Board** Rev 4A

Date: Saturday, May 24, 2008 Sheet 7 of 35

1. Level 1 Environment-related Substances Should NEVER be Used.
 2. Purchase ink, paint, wire rods, and Molding resins only from the business Partners that Sony approves as Green Partners.



Signal	GM45	PM45
+VCC_CFXCORE	C143 C145	NI
	10U	
	C147	NI
	0.47U_4	
	C149	NI
	0.1U_4	0_4
	C151	NI
	0.1U_4	
	C152 C655 C656 C658 C659 C686 C687 C688 C171	NI
	0.1U_4	

QUANTA COMPUTER

GMCH Power 4 of 5

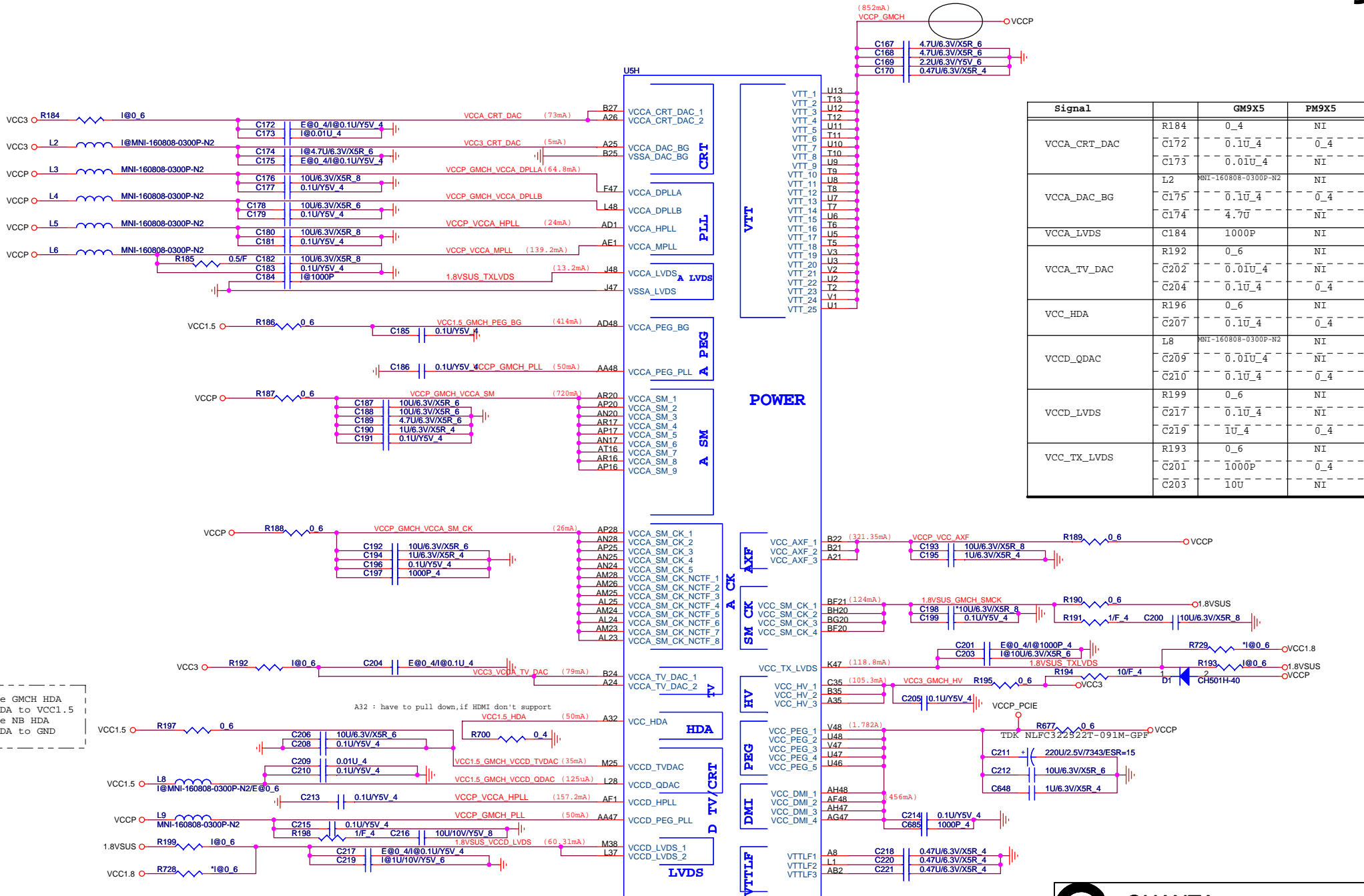
GD2 Main Board

Rev 3A

Sheet 8 of 35

Date: Saturday, May 24, 2008

1. Level 1 Environment-related Substances Should NEVER be Used.
 2. Purchase ink, paint, wire rods, and Molding resins only from the business Partners that Sony approves as Green Partners.



Signal		GM9X5	PM9X5
VCCA_CRT_DAC	R184	0_4	NI
	C172	0.1u_4	0_4
	C173	0.01u_4	NI
VCCA_DAC_BG	L2	MNI-160808-0300P-N2	NI
	C175	0.1u_4	0_4
VCCA_LVDS	C184	1000P	NI
	R192	0_6	NI
VCCA_TV_DAC	C202	0.01u_4	NI
	C204	0.1u_4	0_4
VCC_HDA	R196	0_6	NI
	C207	0.1u_4	0_4
VCCD_QDAC	L8	MNI-160808-0300P-N2	NI
	C209	0.01u_4	NI
VCCD_LVDS	C210	0.1u_4	0_4
	R199	0_6	NI
VCC_TX_LVDS	C217	0.1u_4	NI
	C219	1u_4	0_4
VCCD_QDAC	R193	0_6	NI
	C201	1000P	0_4
	C203	10u	NI

If use GMCH HDA
VCC_HDA to VCC1.5
If use NB HDA
VCC_HDA to GND

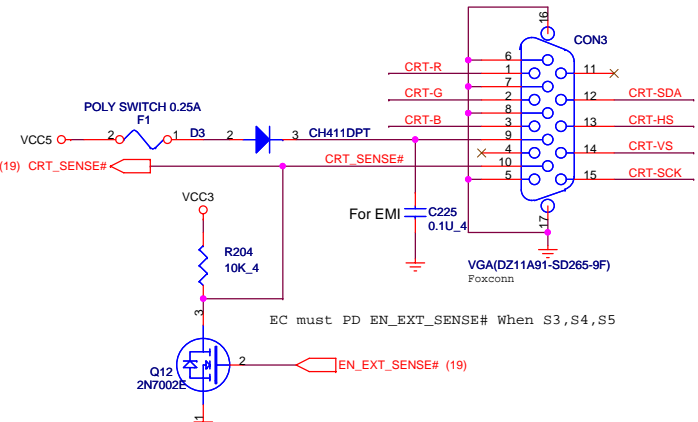
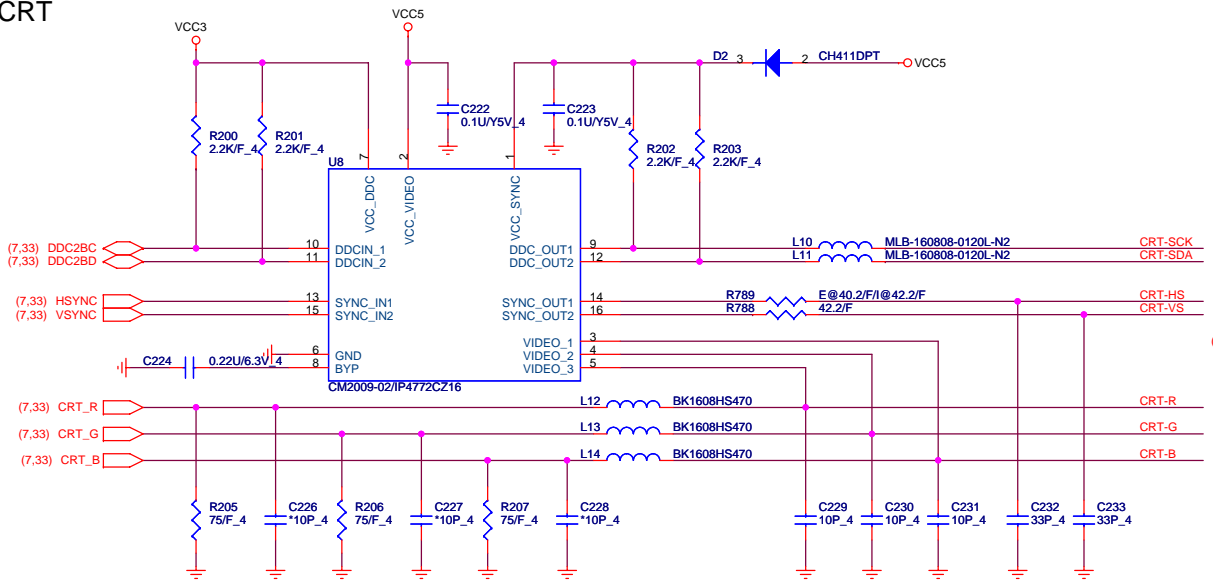
A32 : have to pull down, if HDMI don't support



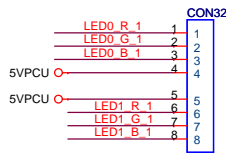
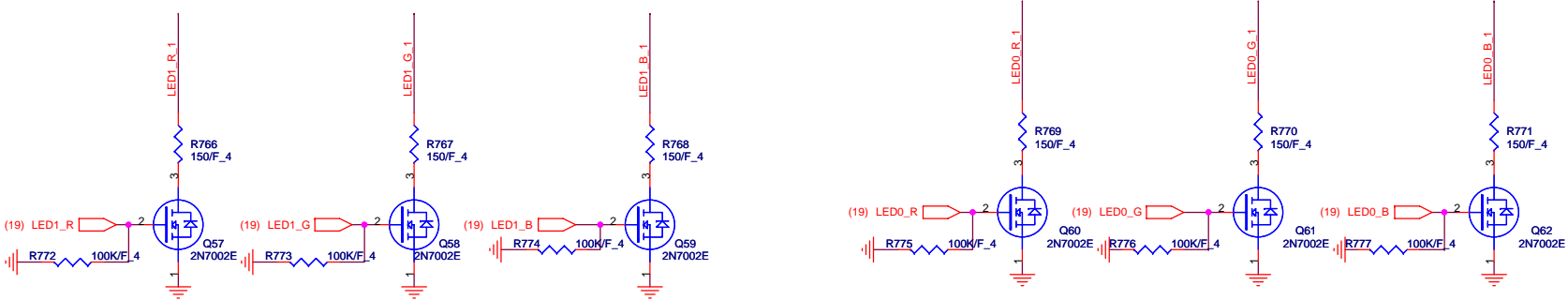
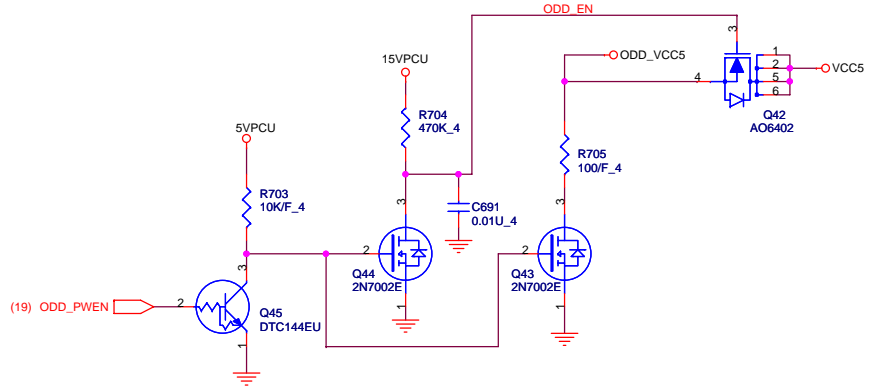
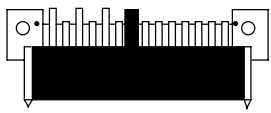
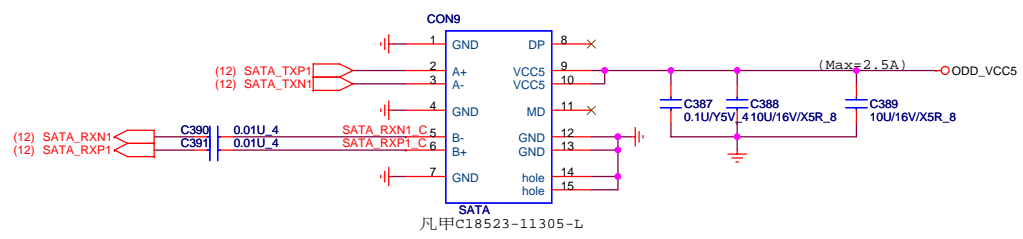
Title		
GMCH Power 5 of 5		
Size		
Document Number	Rev 4A	
GD2 Main Board		
Date: Saturday, May 24, 2008	Sheet 9	of 35

1. Level 1 Environment-related Substances Should NEVER be Used.
2. Purchase ink, paint, wire rods, and Molding resins only from the business Partners that Sony approves as Green Partners.

CRT



ODD CONNECTOR



7LEDA-(87212-0800L)

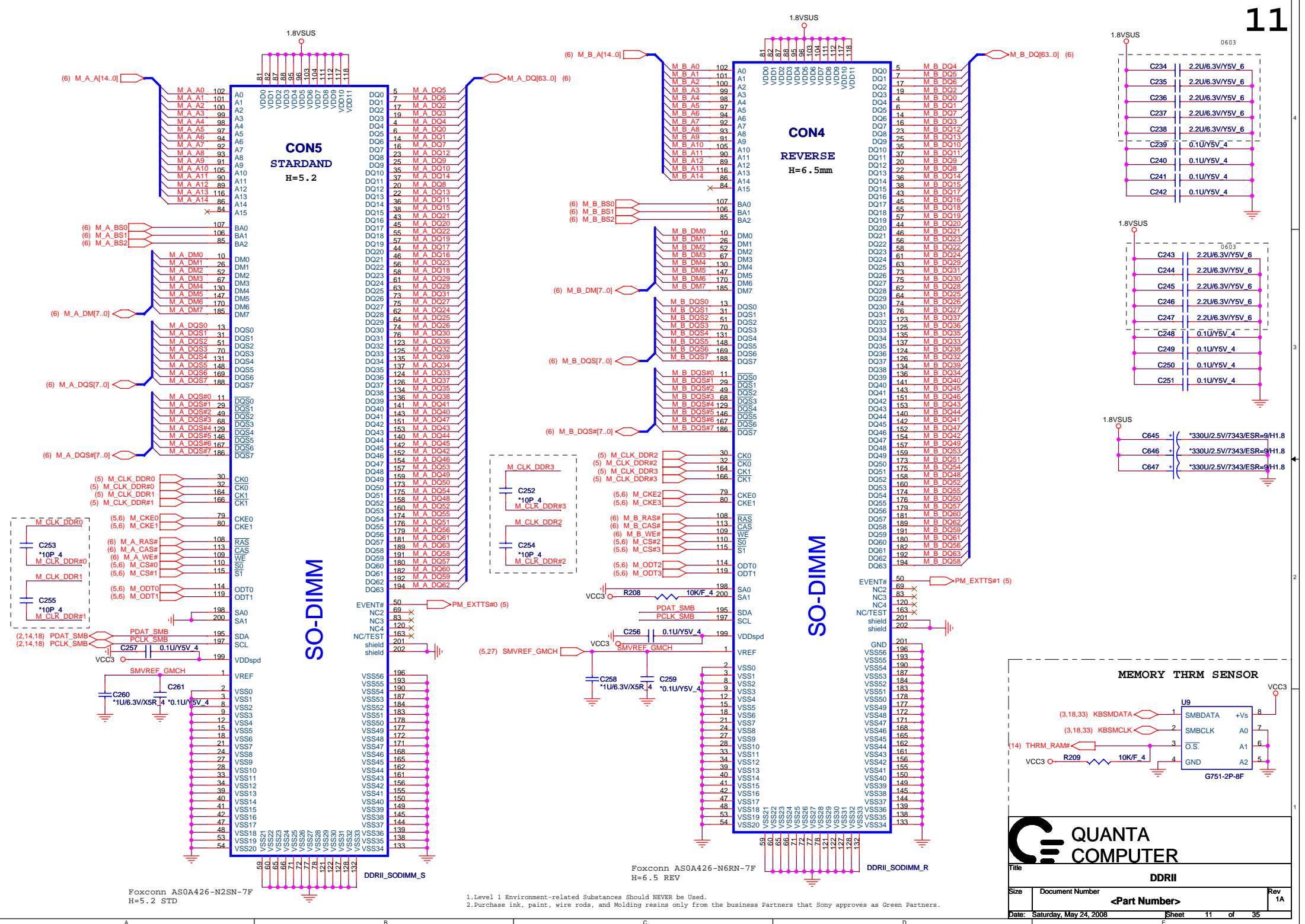
QUANTA COMPUTER

Title: CRT

Size: Custom Document Number: GD2 Main Board Rev: 4A

Date: Saturday, May 24, 2008 Sheet: 10 of 35

1. Level 1 Environment-related Substances should NEVER be Used.
 2. Purchase ink, paint, wire rods, and Molding resins only from the business Partners that Sony approves as Green Partners.



Foxconn AS0A426-N2SN-7F
H=5.2 STD

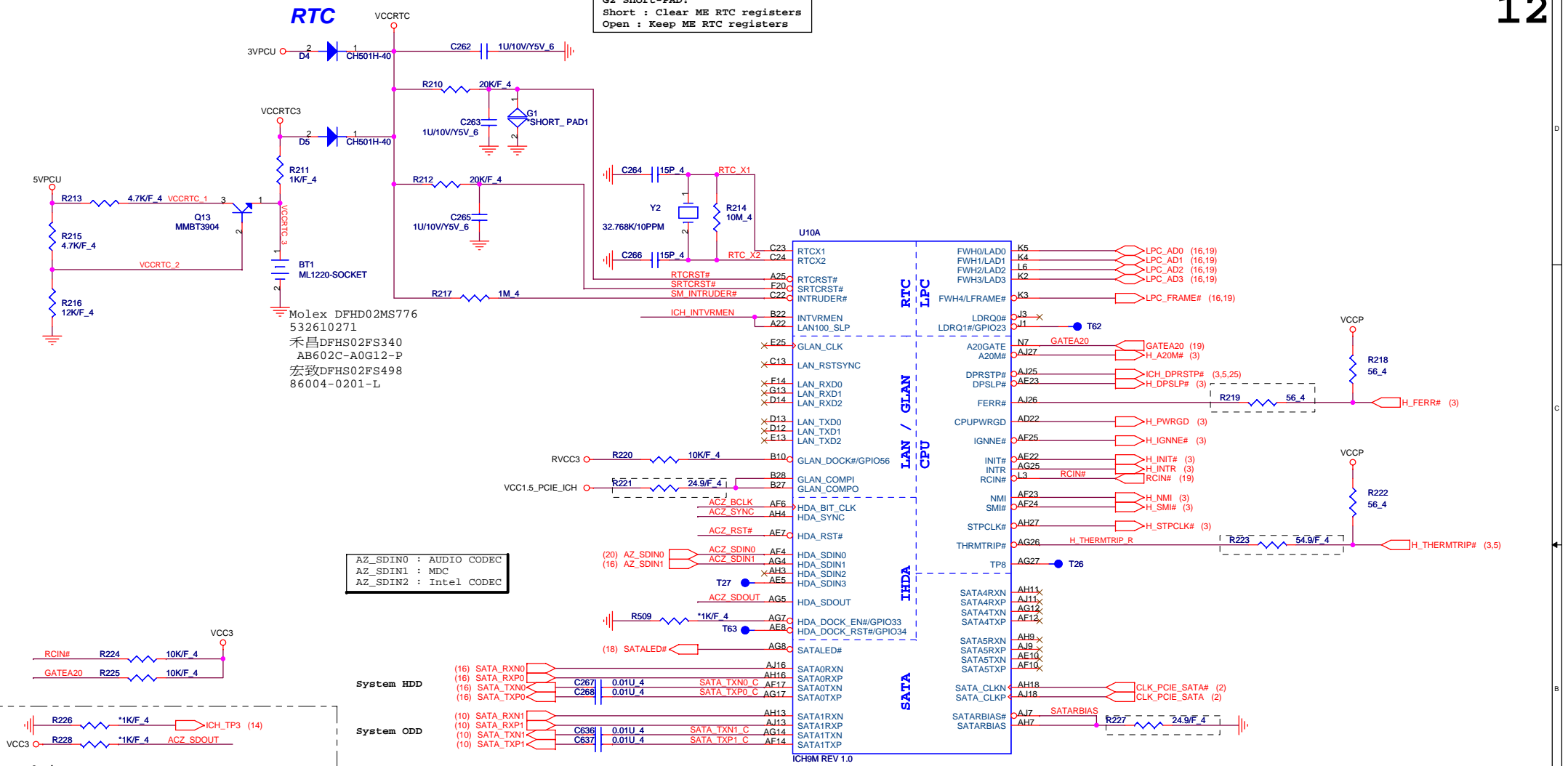
Foxconn AS0A426-N6RN-7F
H=6.5 REV

1.Level 1 Environment-related Substances Should NEVER be Used.
2.Purchase Ink, paint, wire rods, and Molding resins only from the business Partners that Sony approves as Green Partners.



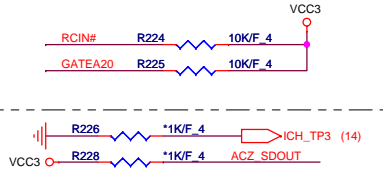
Title		DDRII	
Size	Document Number	Rev 1A	
<Part Number>			
Date:	Saturday, May 24, 2008	Sheet	11 of 35

G2 Short-PAD:
Short : Clear ME RTC registers
Open : Keep ME RTC registers



MoIex DFHD02MS776
532610271
禾昌DFHS02FS340
AB602C-AOG12-P
宏致DFHS02FS498
86004-0201-L

AZ_SDIN0 : AUDIO CODEC
AZ_SDIN1 : MDC
AZ_SDIN2 : Intel CODEC



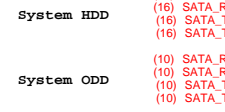
XOR Chain Entrance Strap

ICH_TP3	ACZ_SDOUT	Description
0	0	RSVD
0	1	Enter XOR Chain
1	0	* Normal operation
1	1	Set PCIE port config bit 1

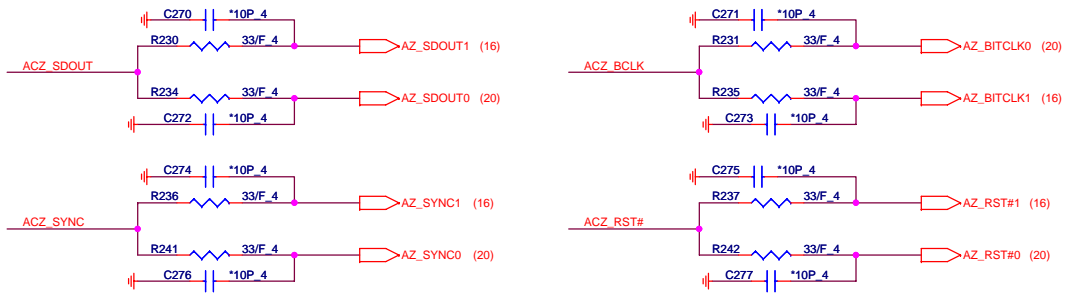
Internal VRM Enable for Vccsus1_05,
Vccsus1_5 , VccCL1_5, vccLAN1_05,vccCL1_05)

	INTVRMEN
Enable (default)	1
Disable	0

VCCRTC
R240 332K/F_4
ICH_INTVRMEN



HD to Audio Codec / Modem / N.B



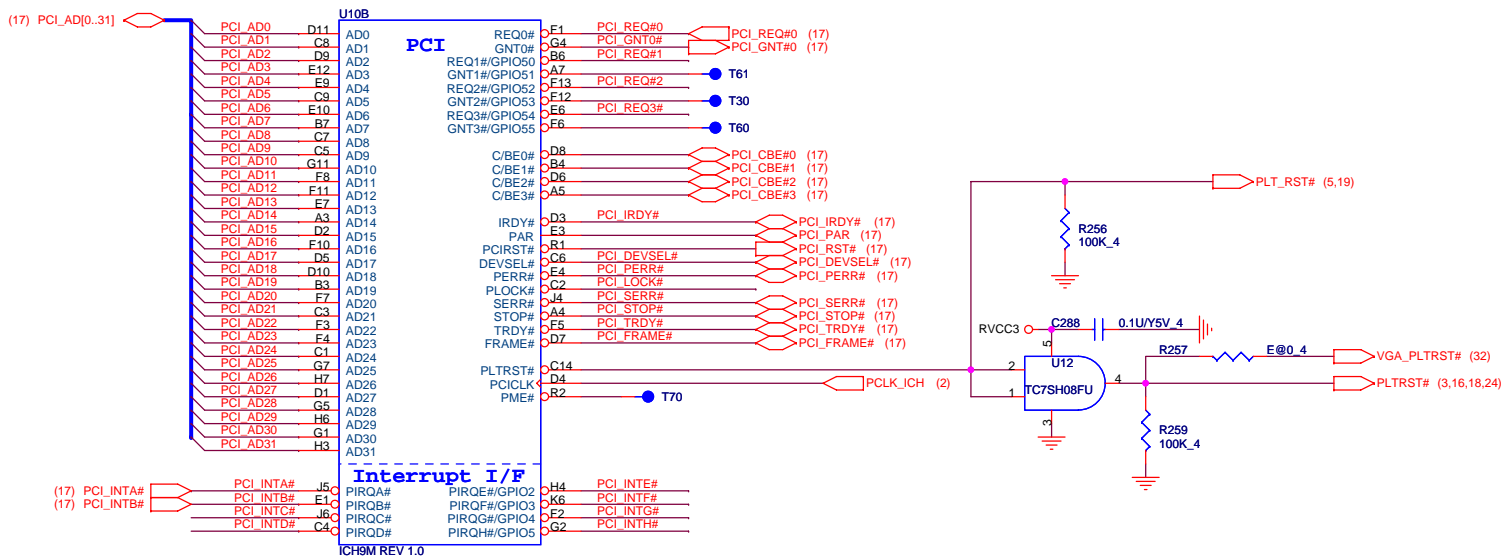
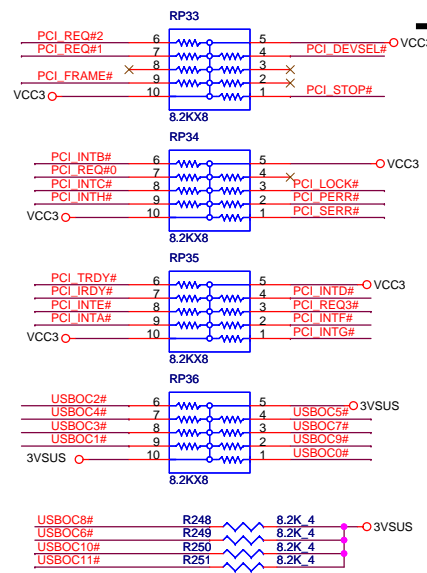
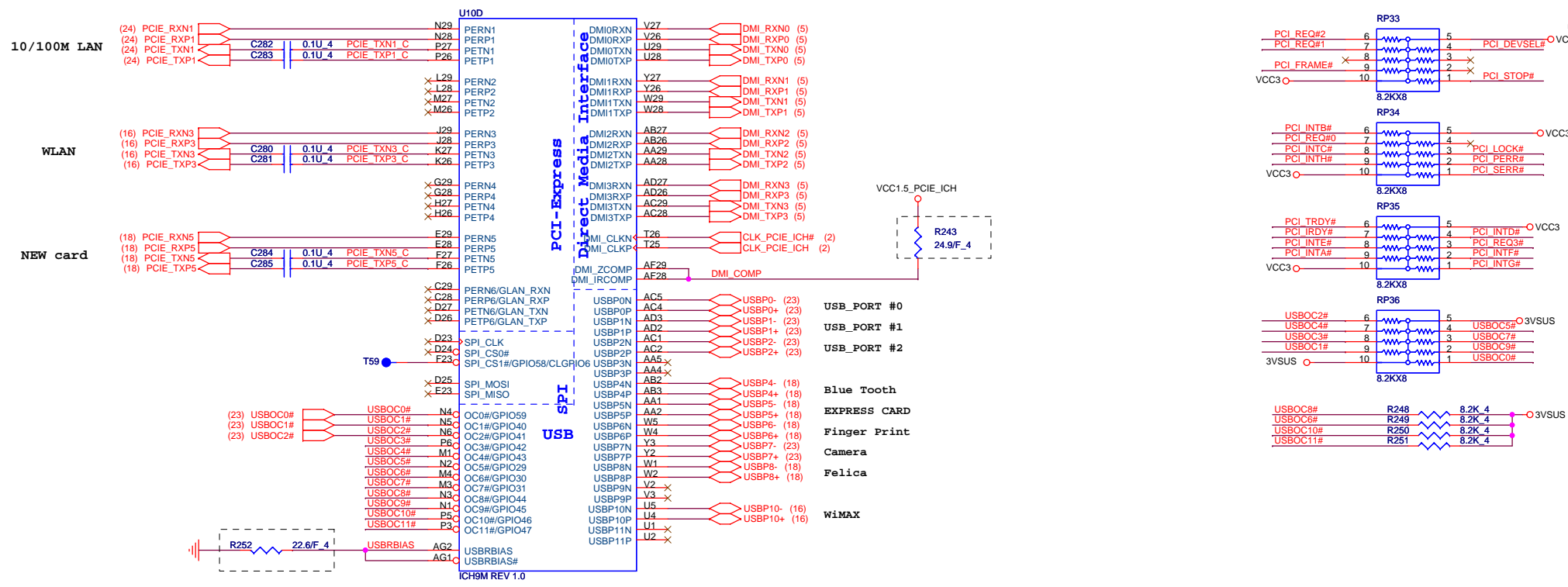
QUANTA COMPUTER

Title: ICH9-M HOST1 of 4

Size: Document Number: **GD2 Main Board** Rev 2A

Date: Saturday, May 24, 2008 Sheet 12 of 35

1.Level 1 Environment-related Substances Should NEVER be Used.
2.Purchase ink, paint, wire rods, and Molding resins only from the business Partners that Sony approves as Green Partners.



GPIO49 : NC
GPIO20 : Can't pull high.

A16 SWAP Override strap

PCI_GNT#3	Low = A16 swap override enabled High = Default
-----------	---

ICH9 Boot BIOS select

PCI_GNT#0	SPI_CS#1	Boot BIOS Location
0	1	SPI
1	0	PCI
1	1	LPC (Default)

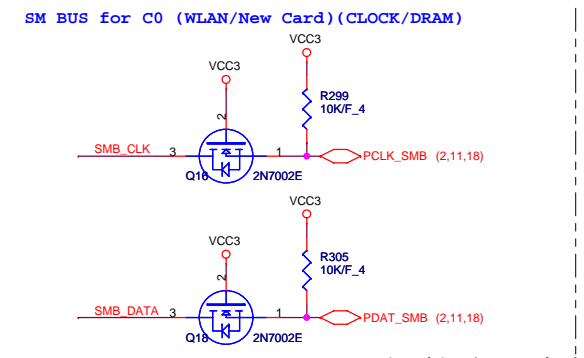
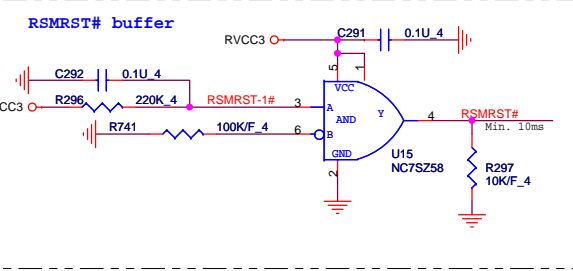
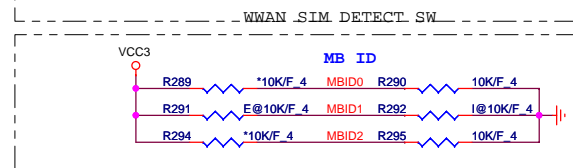
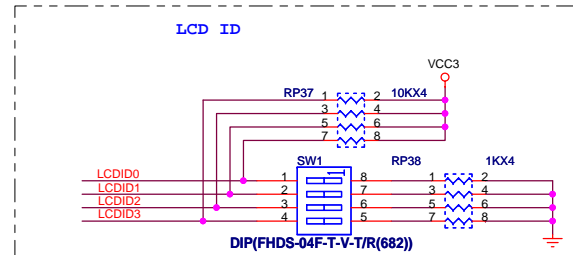
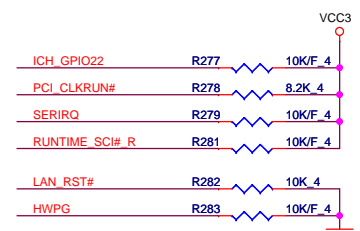
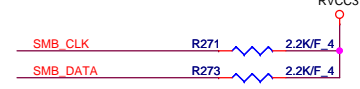
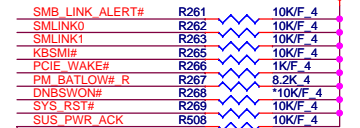
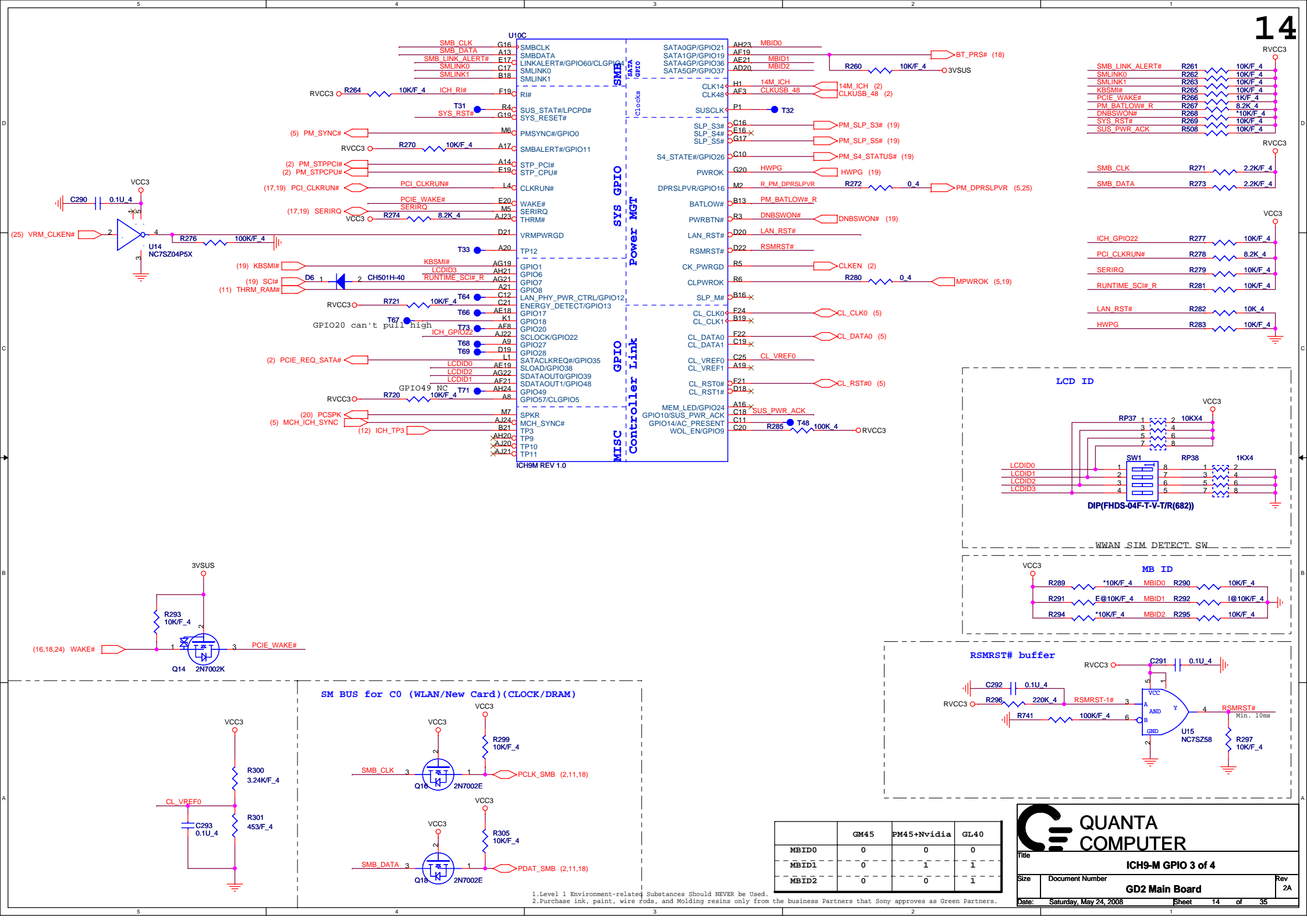
QUANTA
COMPUTER

Title: ICH9-M PCIE 2 of 4

Size	Document Number	Rev
	GD2 Main Board	2A

Date: Saturday, May 24, 2008 Sheet 13 of 35

1. This part should not contain any substances which are specified in SS-00259-1
2. Purchase ink, paint, wire rods and molding resins only from the business partners that Sony approves as Green Partners.



	GM45	PM45+Nvidia	GL40
MBID0	0	0	0
MBID1	0	1	1
MBID2	0	0	1

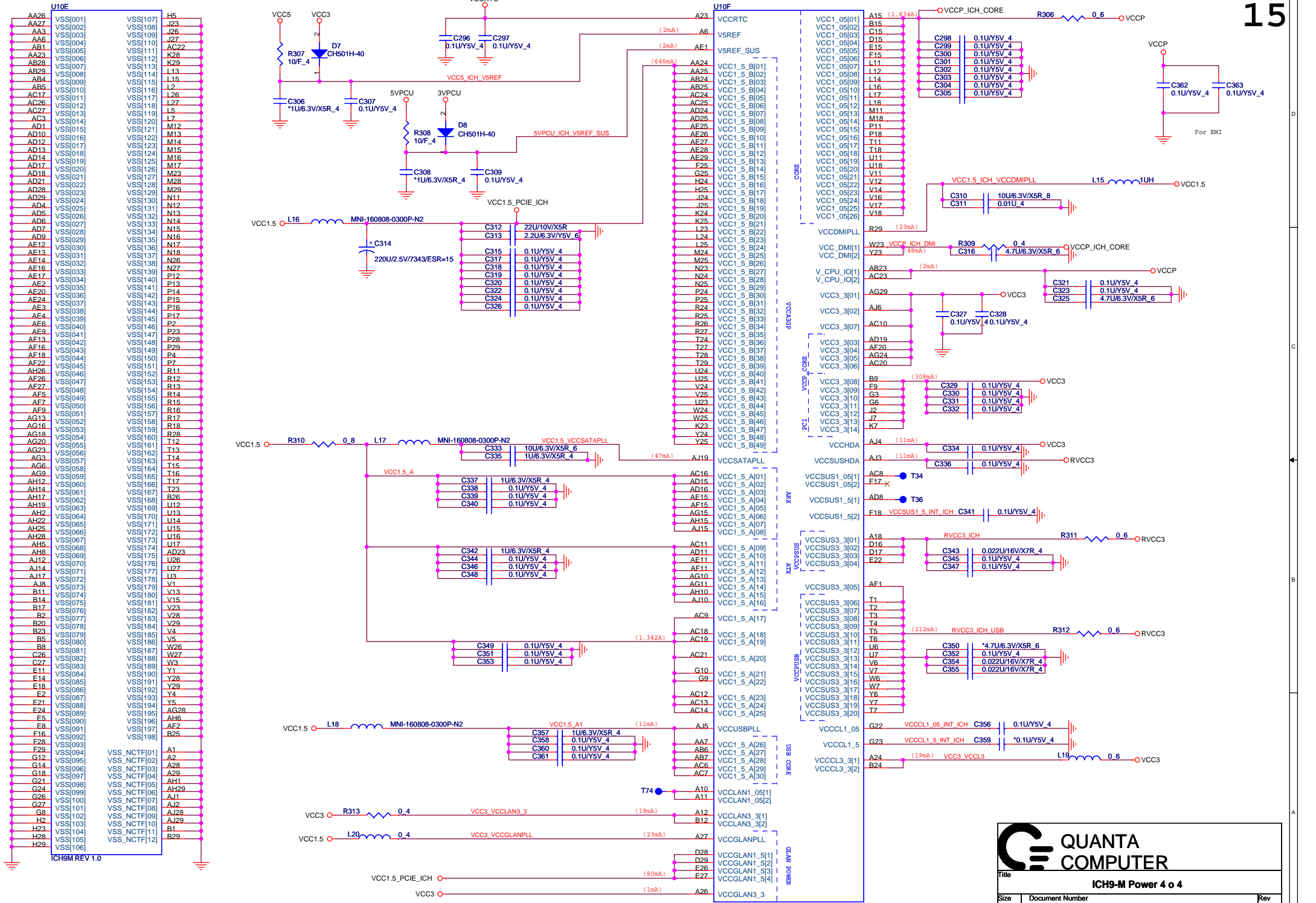
QUANTA COMPUTER

Title: **ICH9M GPIO 3 of 4**

Size: Document Number **GD2 Main Board** Rev 2A

Date: Saturday, May 24, 2008 Sheet 14 of 35

1. Level 1 Environment-related Substances should NEVER be Used.
 2. Purchase ink, paint, wire rods, and Molding resins only from the business Partners that Sony approves as Green Partners.



QUANTA COMPUTER

ICH9-M Power 4 o 4

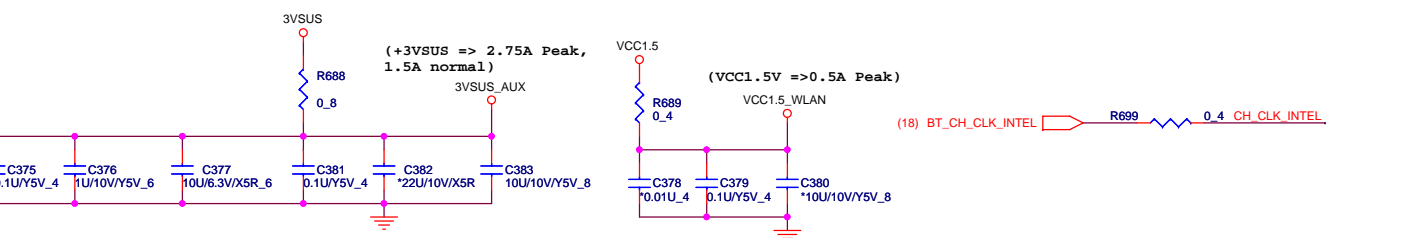
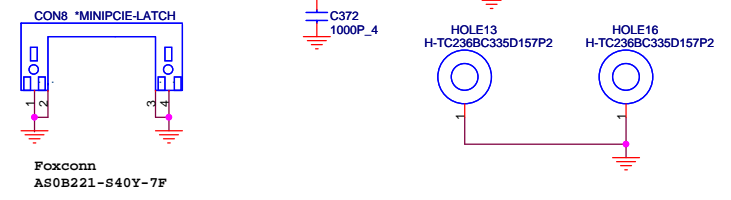
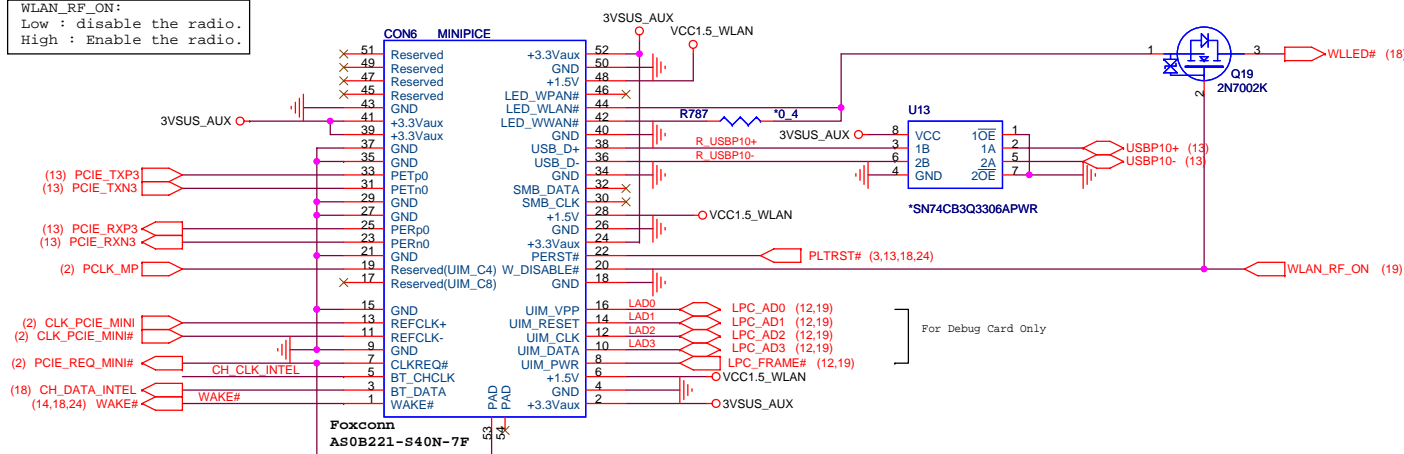
Size	Document Number	Rev
	GD2 Main Board	3A

Date: Saturday, May 24, 2008 Sheet 15 of 35

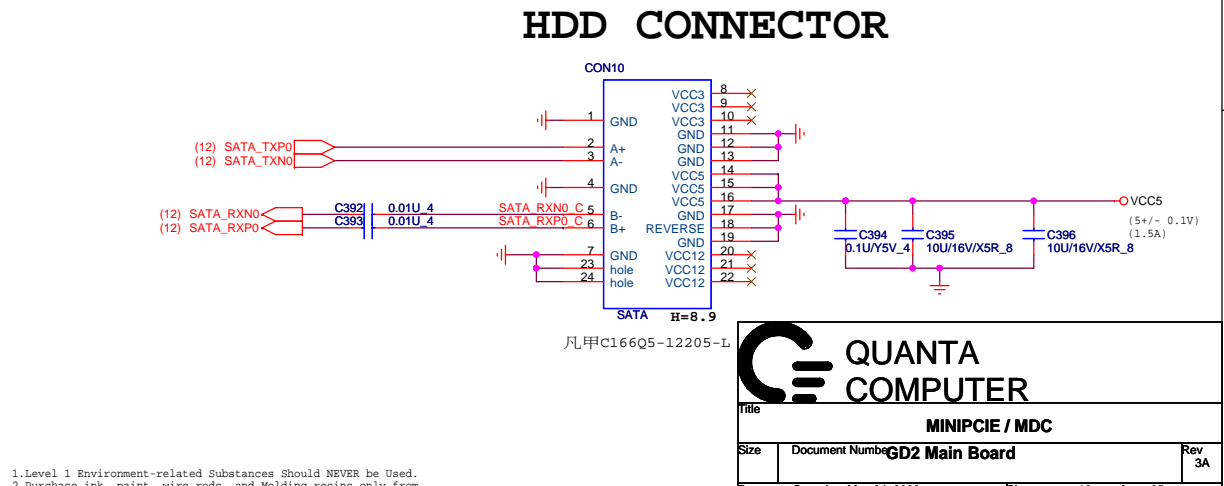
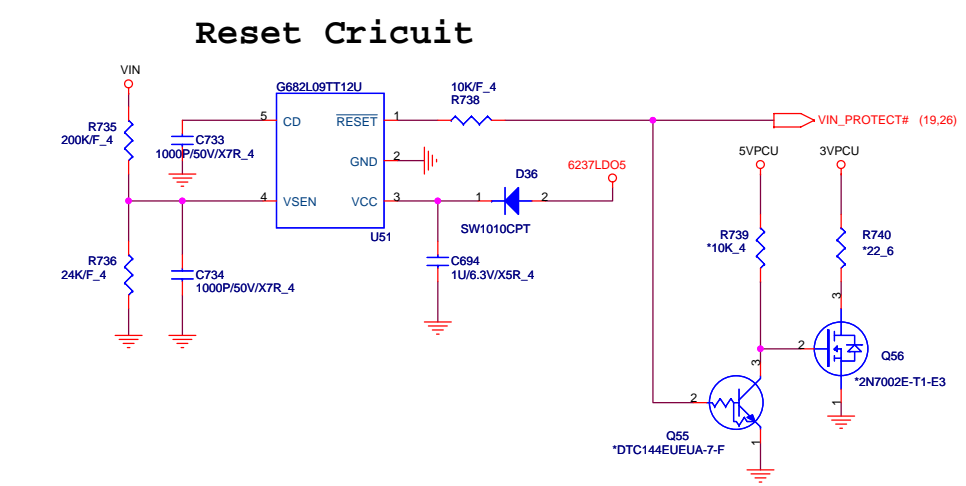
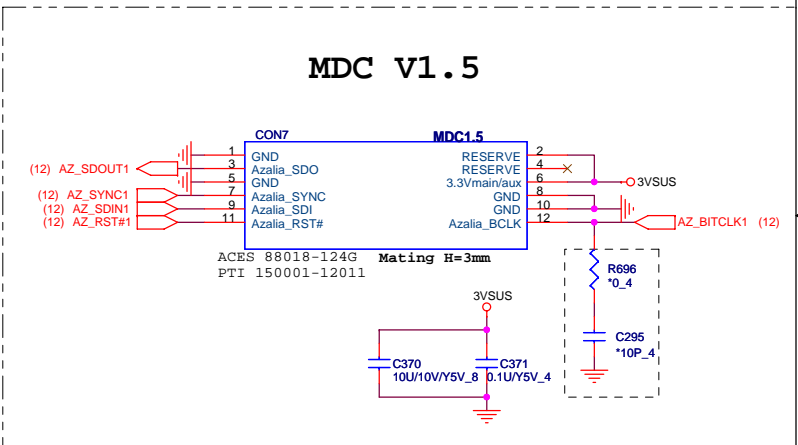
1.Level 1 Environment-related Substances Should NEVER be Used.
 2.Purchase ink, paint, wire rods, and Molding resins only from the business Partners that Sony approves as Green Partners.

Mini PCI-E Card FOR WL

WLAN_RF_ON:
Low : disable the radio.
High : Enable the radio.



SM BUS ADDRESS	A6	A5	A4	A3	A2	A1	A0
CPU LM95245C1MM	1	0	0	1	1	0	0
EMC1402-1							
NB9MGS LM89-1/G781-1	1	0	0	1	1	0	1
DRAM G75I-2P	1	0	0	1	0	0	0
Thermal G75I-2P	1	0	0	1	0	0	1



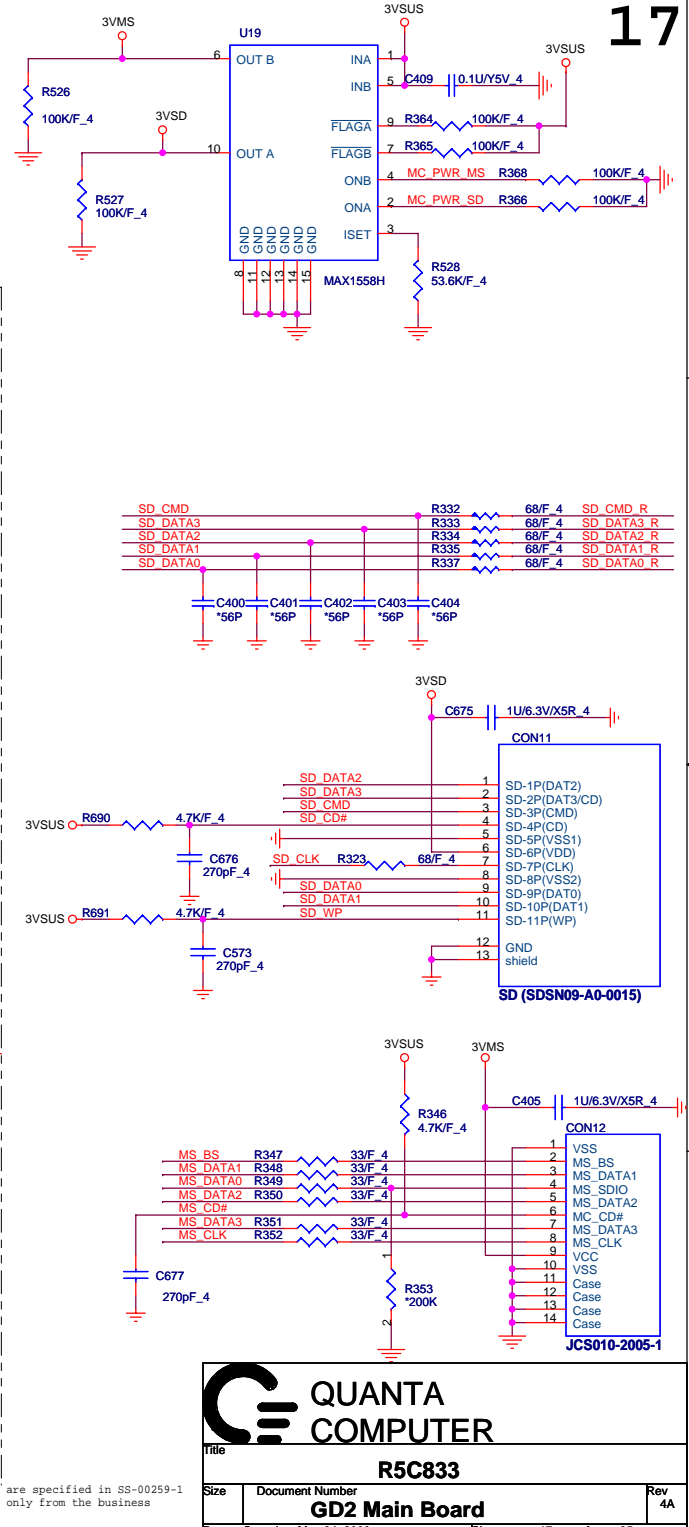
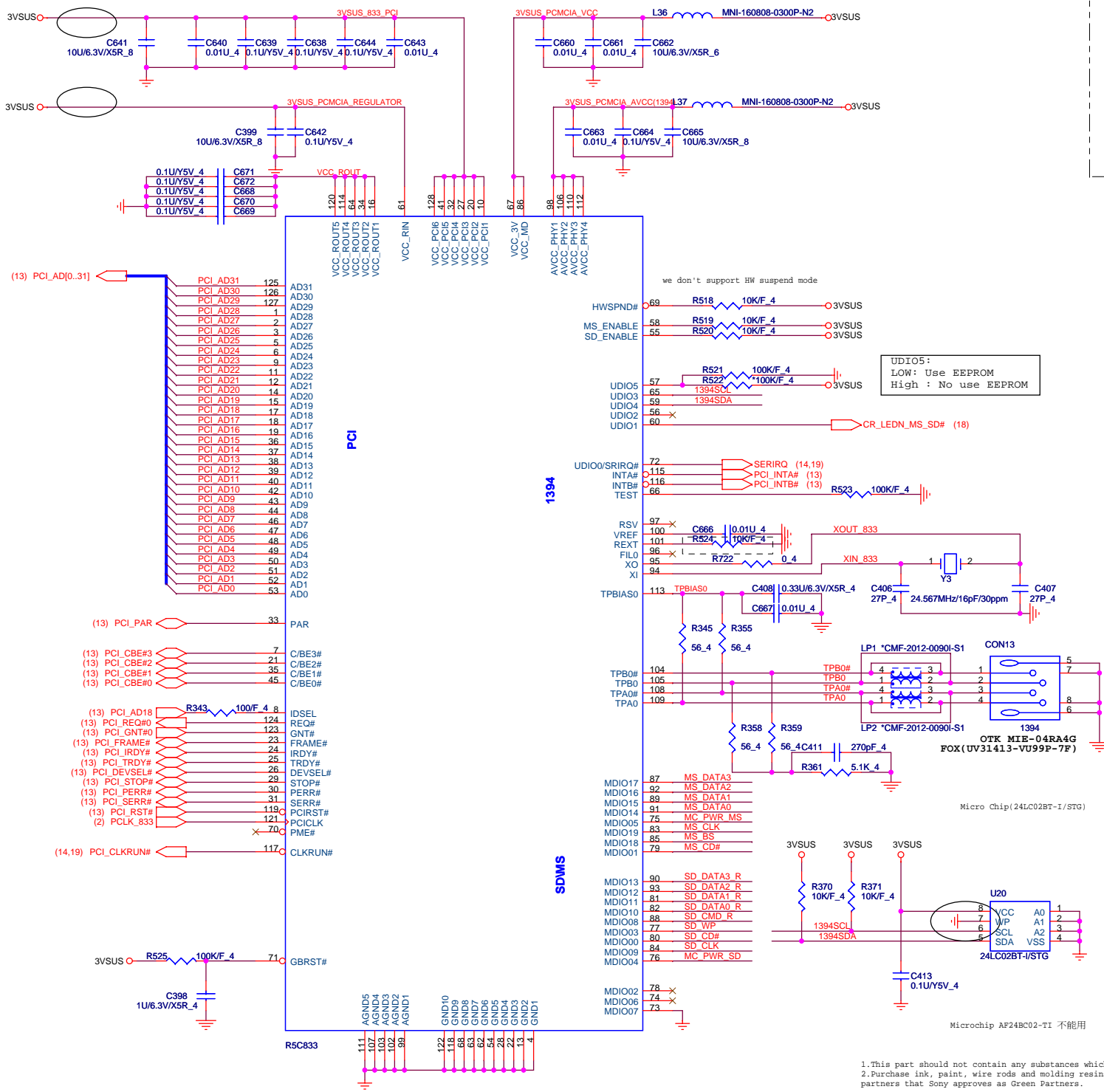
1. Level 1 Environment-related Substances Should NEVER be Used.
2. Purchase ink, paint, wire rods, and Molding resins only from the business partners that Sony approves as Green Partners.

QUANTA COMPUTER

File: **MINIPICE / MDC**

Size: **GD2 Main Board** Rev 3A

Date: **Saturday, May 24, 2008** Sheet **16** of **35**



QUANTA COMPUTER

File: **R5C833**

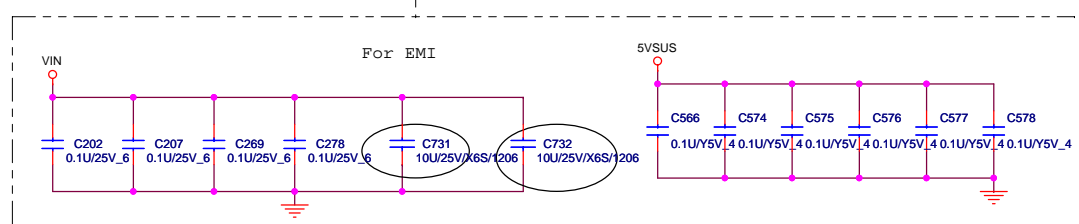
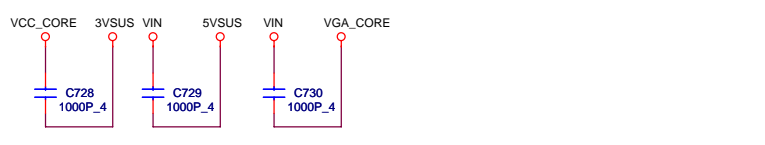
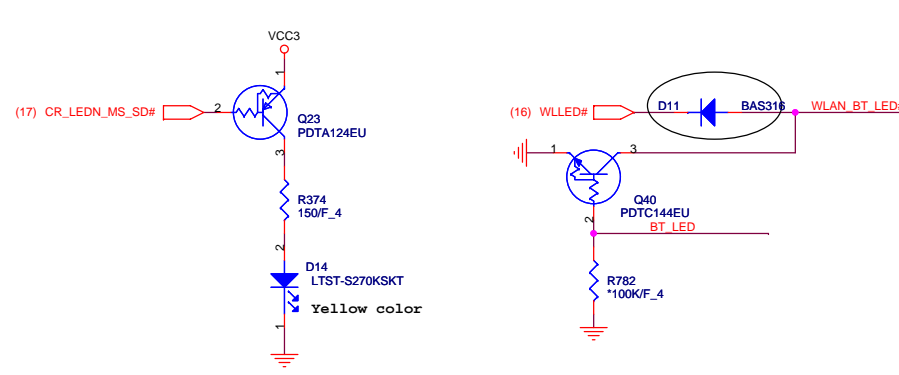
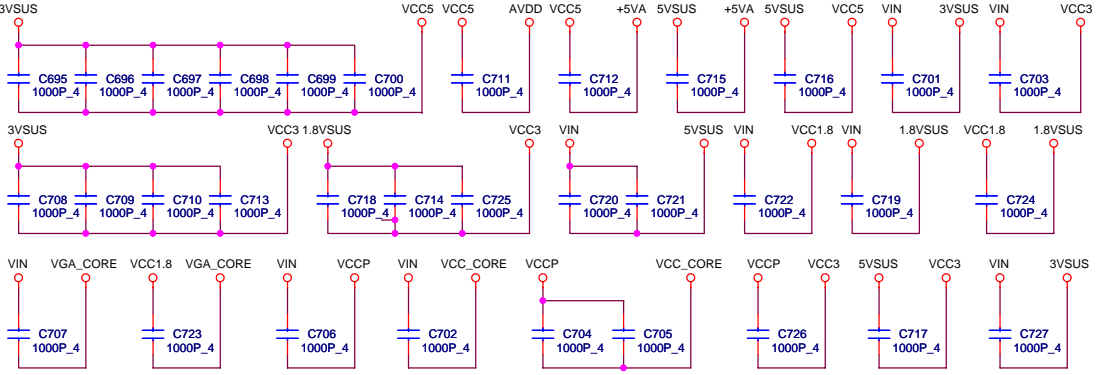
Size: **GD2 Main Board**

Date: Saturday, May 24, 2008

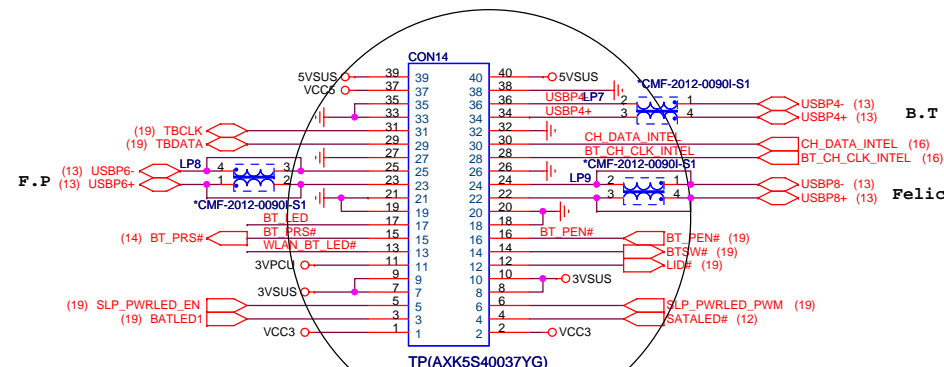
Sheet 17 of 35

Rev 4A

1. This part should not contain any substances which are specified in SS-00259-1
 2. Purchase Ink, paint, wire rods and molding resins only from the business partners that Sony approves as Green Partners.

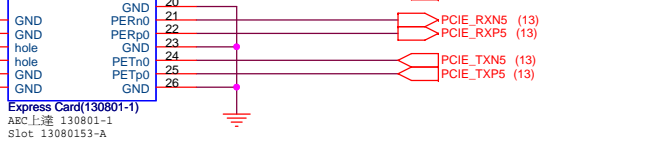
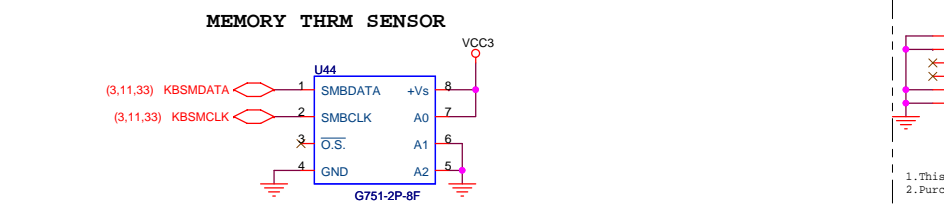
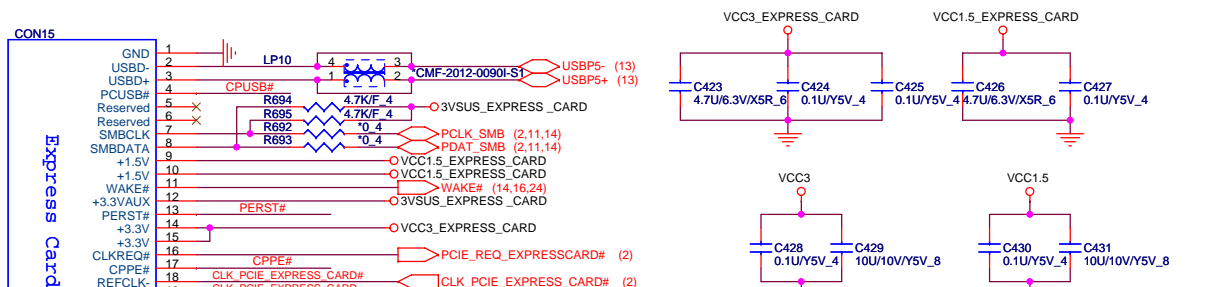
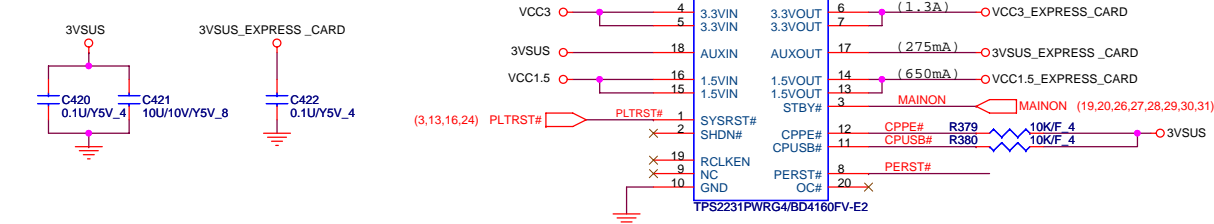


Two Color :
 everlight : 19-21UY0YGVG(BEAG00282A0)
 liteon : LTST-C195KGFKT(BEAG00322A0)
 Green :
 everlight : 19-21UYOC/S530-A6/TR8 (BEAB0015206)
 liteon : LTST-C190KFKT (BEAB006207)
 Yellow :
 everlight : 19-21SYGC/S530-E2/TR8(BEYG00532A2)
 liteon : LTST-C190KGTK(BEGR0080207)
 everlight : 19-21UYC/S530-A2/TR8 (BEYL0016208)
 liteon : LTST-C190KSKT(BEYL0024201)



EXPRESS CARD

Short current:
 3.3VOUT : 1.35 ~ 2.5A
 AUXOUT : 0.275 ~ 0.6A
 1.5VOUT : 0.67 ~ 1.3A



QUANTA COMPUTER

Express Card/LED

GD2 Main Board

Size: _____ Document Number: _____ Rev: 4A

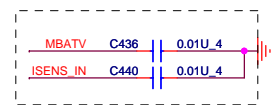
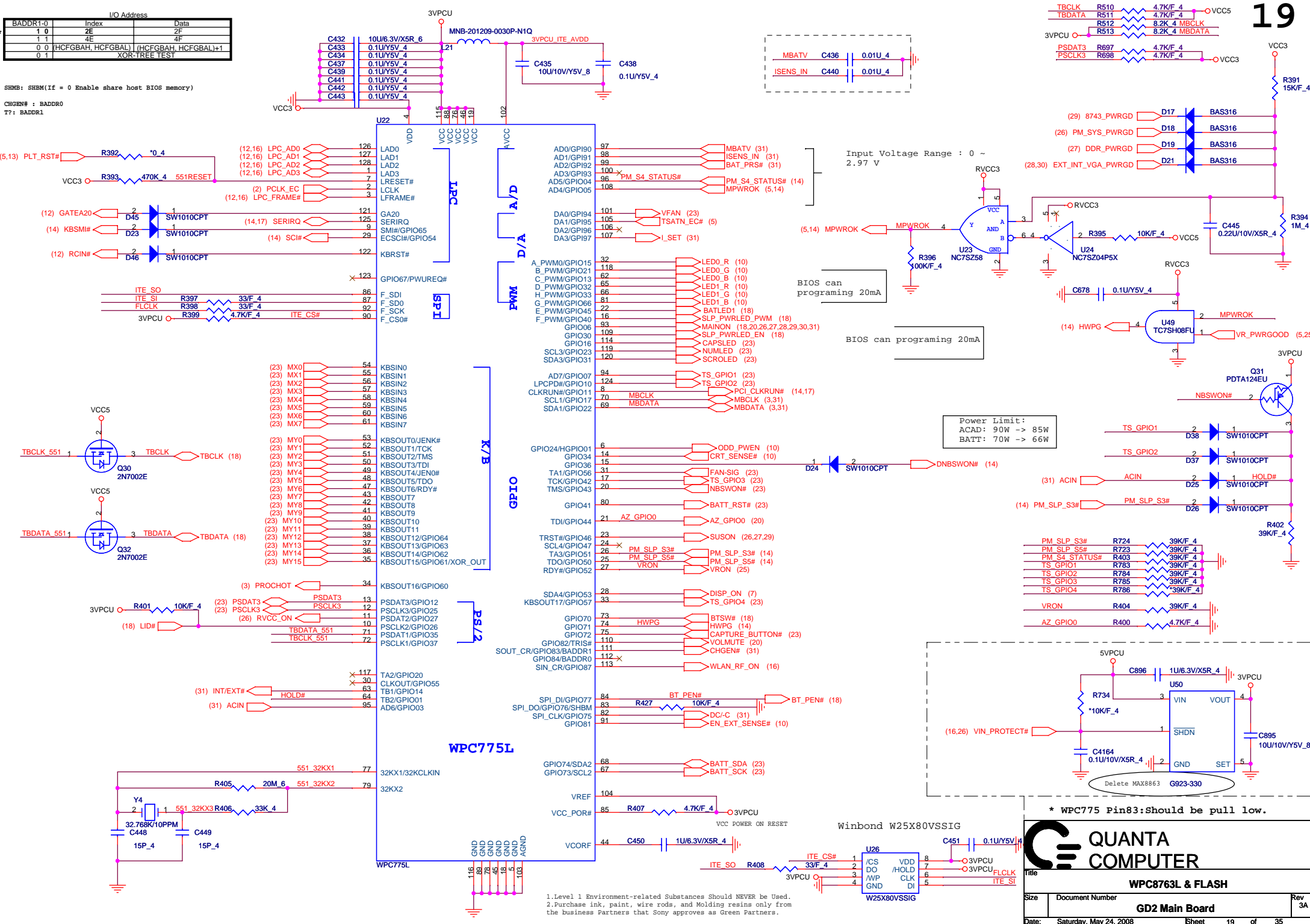
Date: Saturday, May 24, 2008 Sheet 18 of 35

1. This part should not contain any substances which are specified in SS-00259-1
 2. Purchase ink, paint, wire rods and molding resins only from the business partners that Sony approves as Green Partners.

I/O Address		
BADDR1-0	Index	Data
1 0	2E	2F
1 1	4E	4F
0 0	(HCFGBAH, HCFGBAL) / (HCFGBAH, HCFGBAL)+1	
0 1	XOR-TREE TEST	

SHMB: SHMB(If = 0 Enable share host BIOS memory)

CHGEN# : BADDR0
T#: BADDR1

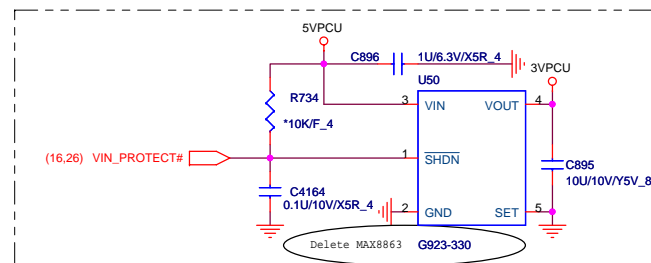


Input Voltage Range : 0 ~ 2.97 V

BIOS can programing 20mA

BIOS can programing 20mA

Power Limit:
ACAD: 90W -> 85W
BATT: 70W -> 66W



* WPC775 Pin83: Should be pull low.

QUANTA COMPUTER

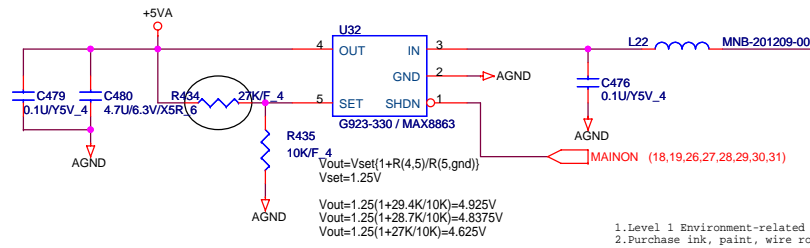
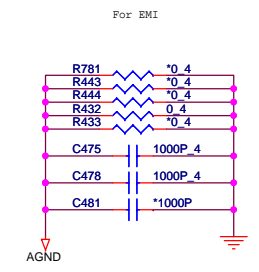
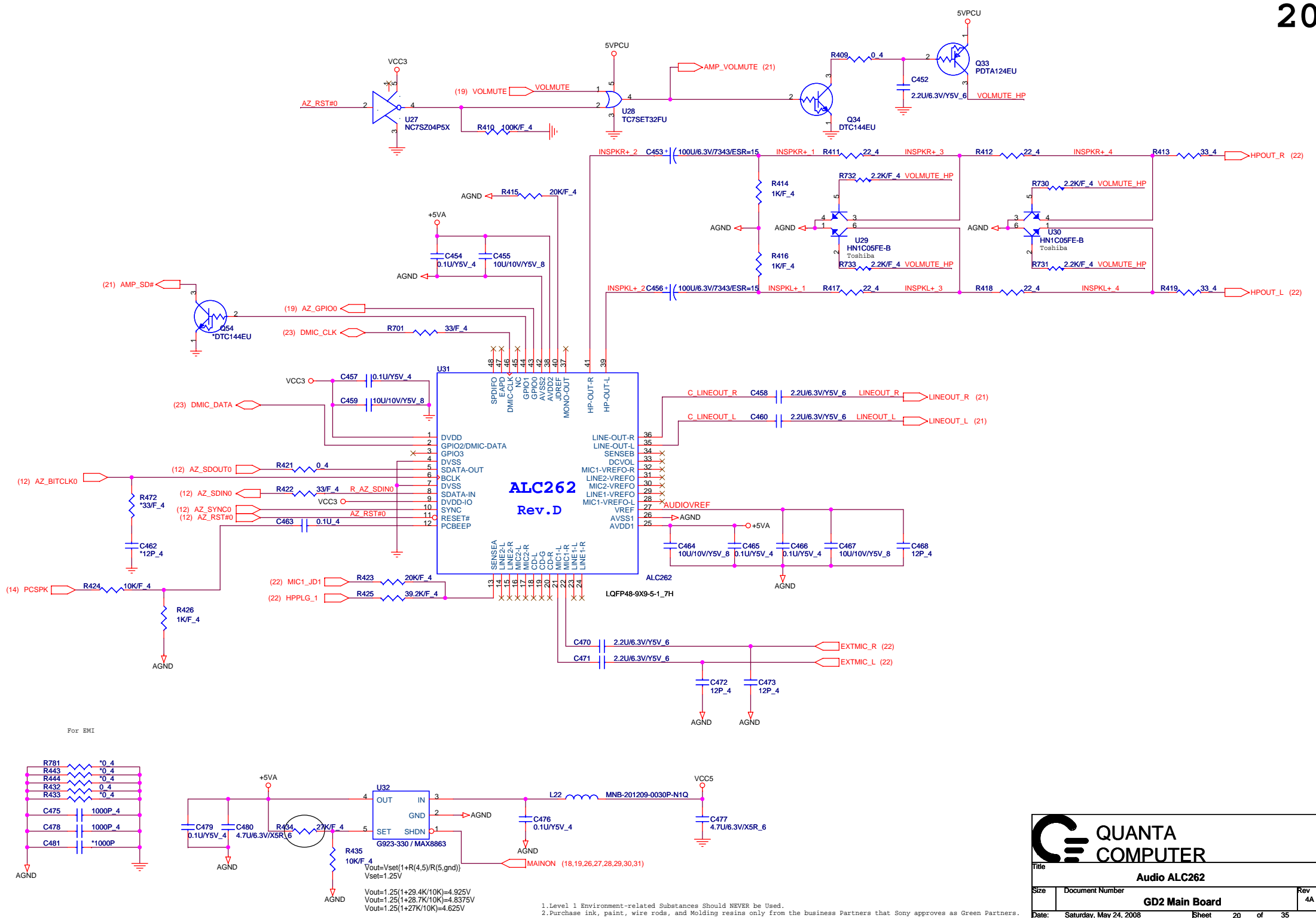
WPC8763L & FLASH

GD2 Main Board

Size: _____ Document Number: _____ Rev: 3A

Date: Saturday, May 24, 2008 Sheet 19 of 35

1. Level 1 Environment-related Substances Should NEVER be Used.
2. Purchase ink, paint, wire rods, and Molding resins only from the business Partners that Sony approves as Green Partners.



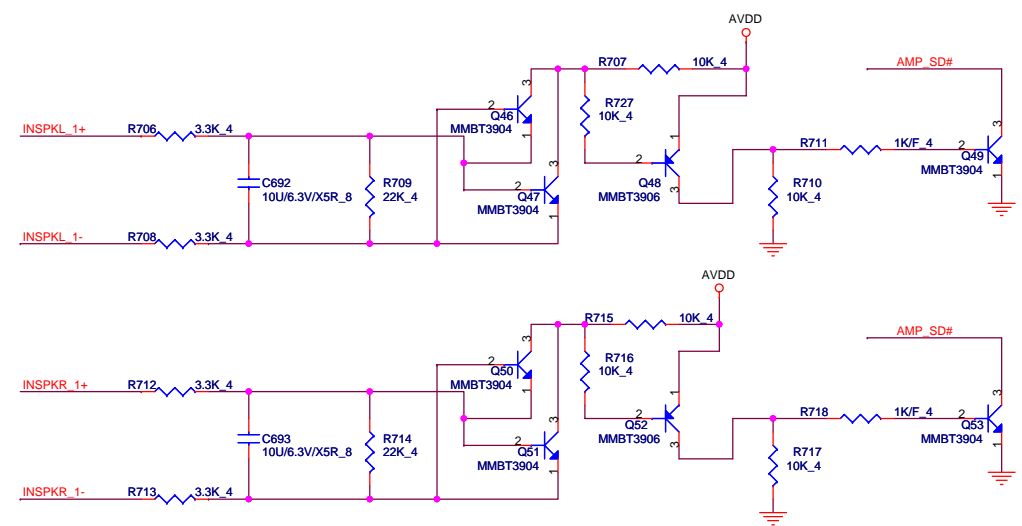
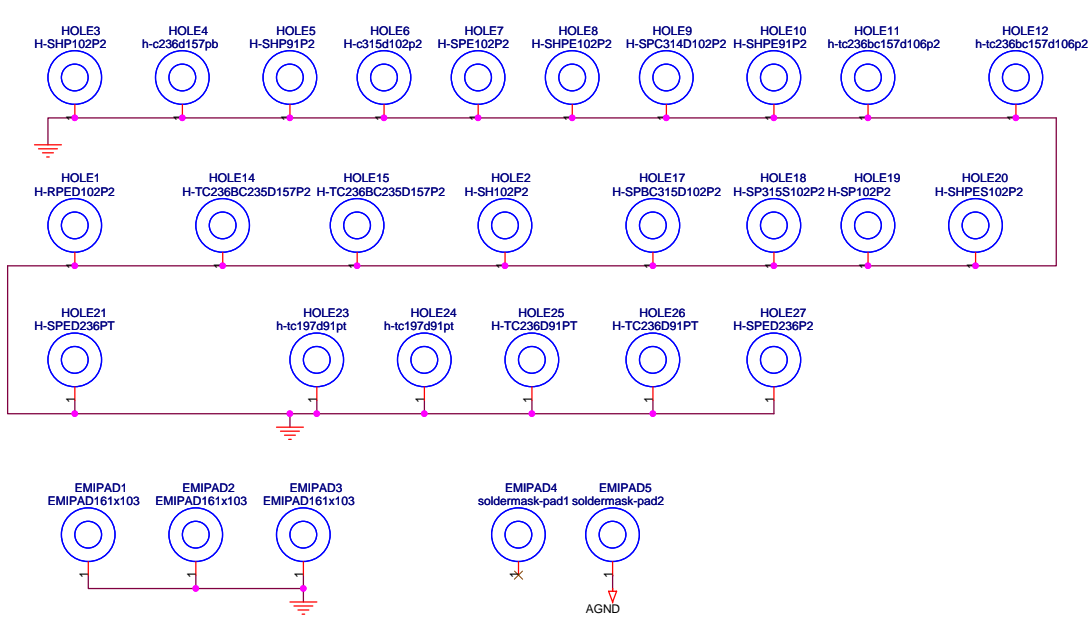
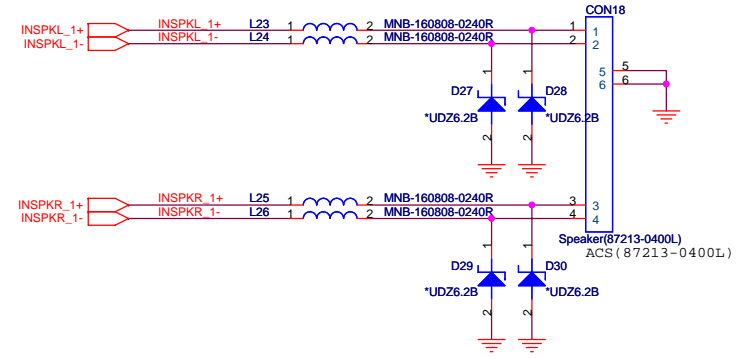
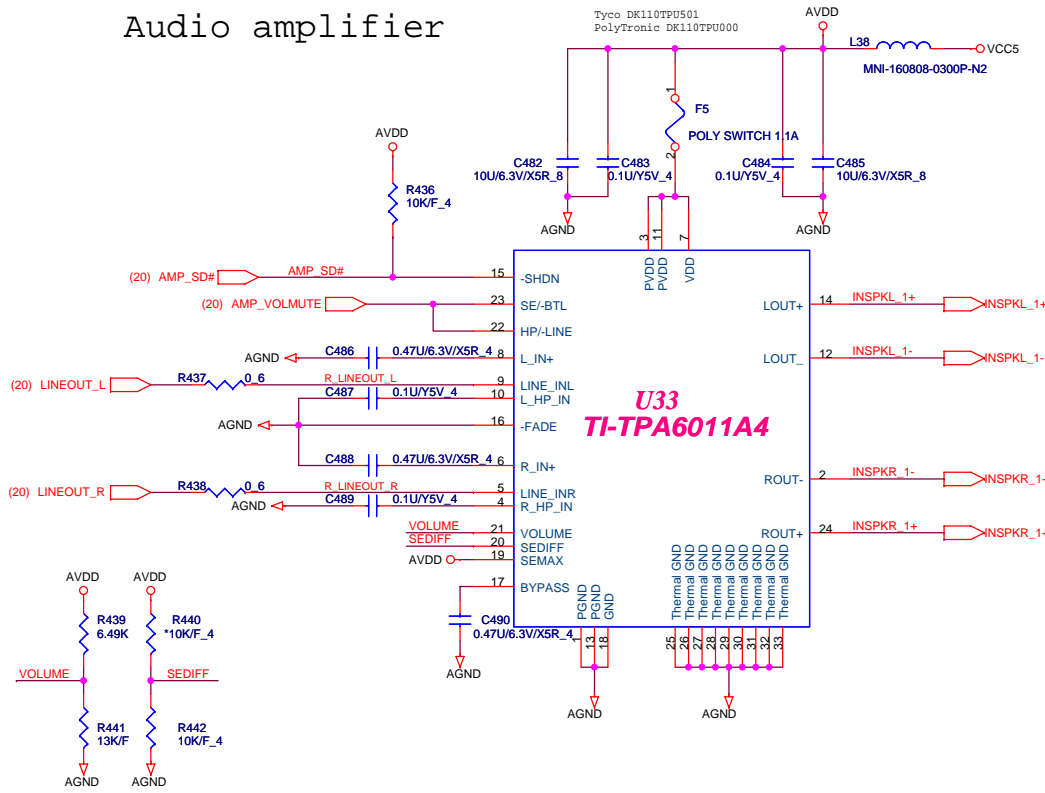
1. Level 1 Environment-related Substances Should NEVER be Used.
 2. Purchase ink, paint, wire rods, and Molding resins only from the business Partners that Sony approves as Green Partners.

QUANTA COMPUTER

Title: **Audio ALC262**

Size	Document Number	Rev
	GD2 Main Board	4A
Date:	Saturday, May 24, 2008	Sheet 20 of 35

Audio amplifier



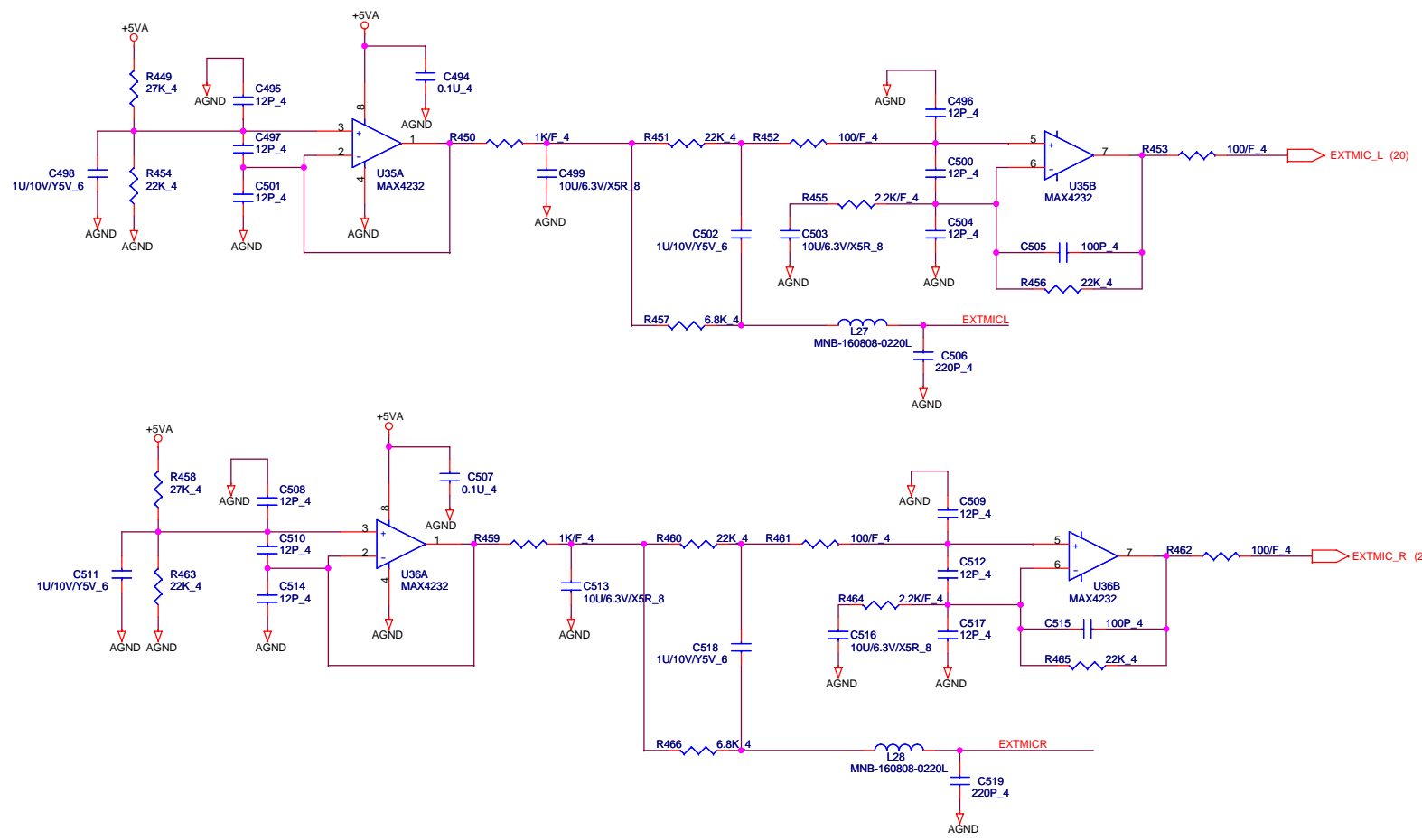
QUANTA COMPUTER

Title: **Audio AMP & Int. Speaker**

Size: **GD2 Main Board** Rev: **3A**

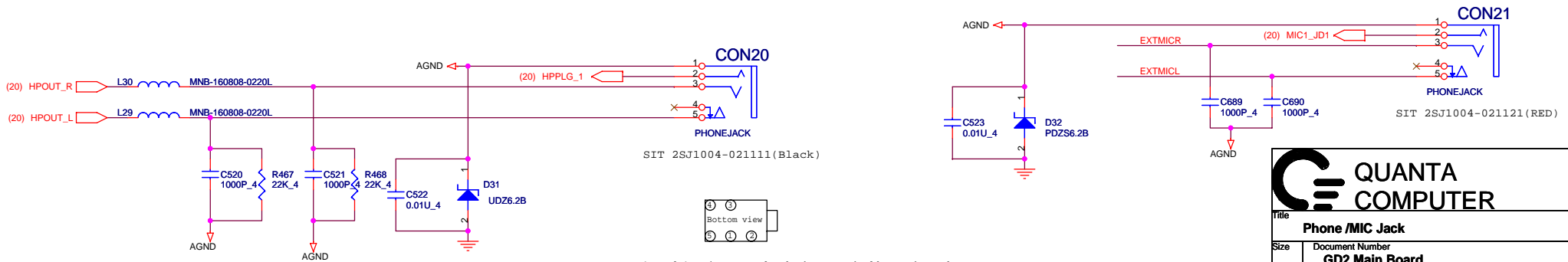
Date: **Saturday, May 24, 2008** Sheet: **21** of **35**

1. Level 1 Environment-related Substances Should NEVER be Used.
 2. Purchase ink, paint, wire rods, and Molding resins only from the business Partners that Sony approves as Green Partners.



EXTERNAL PHONE

EXTERNAL MIC



1. Level 1 Environment-related Substances Should NEVER be Used.
 2. Purchase ink, paint, wire rods, and Molding resins only from the business Partners that Sony approves as Green Partners.

QUANTA COMPUTER

Title: **Phone /MIC Jack**

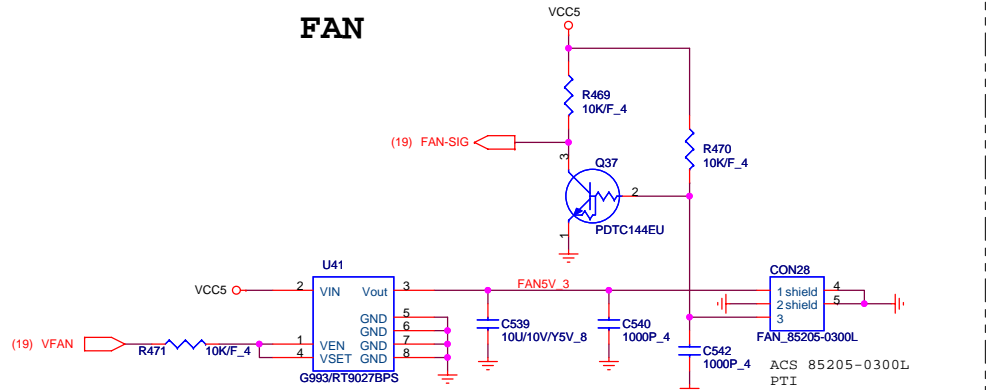
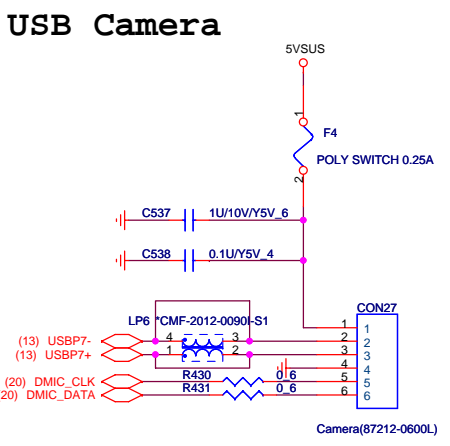
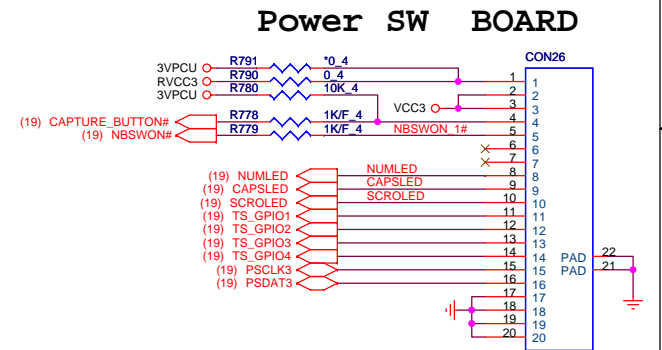
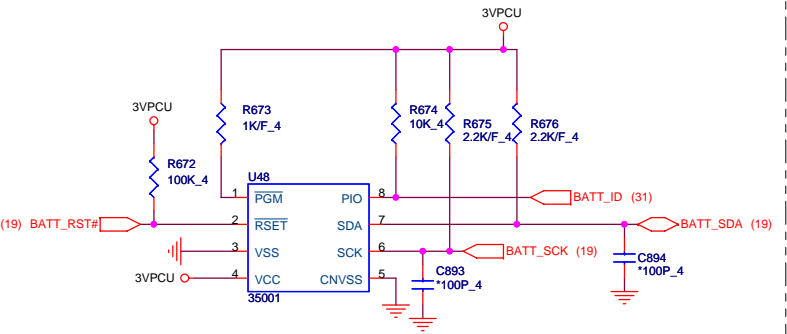
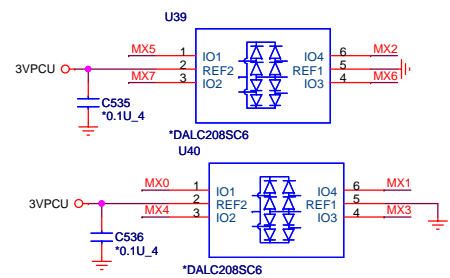
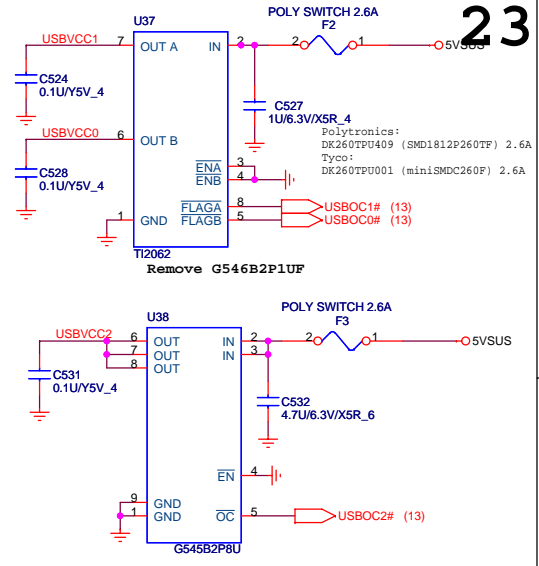
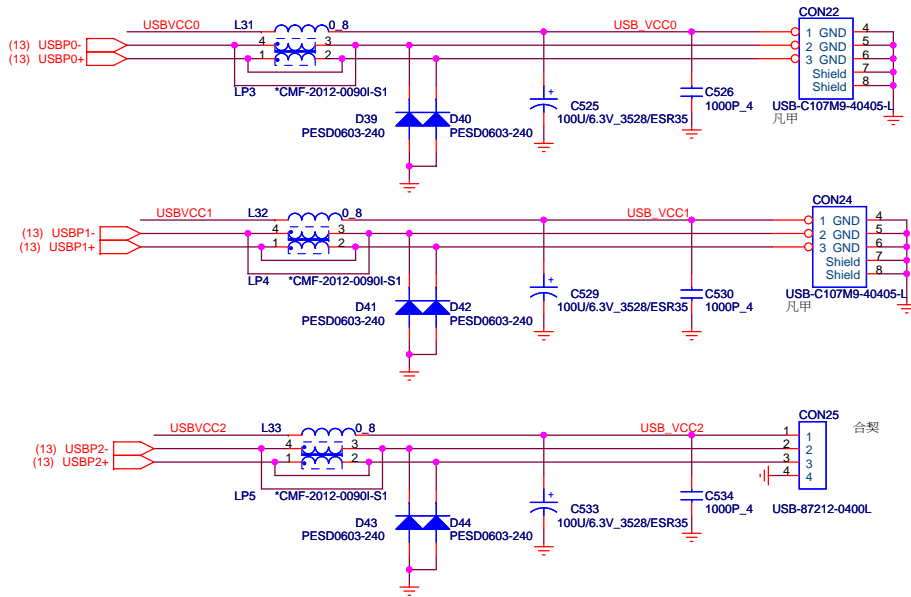
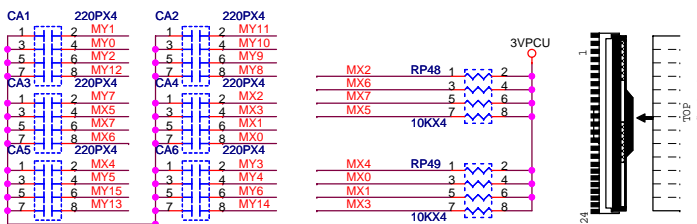
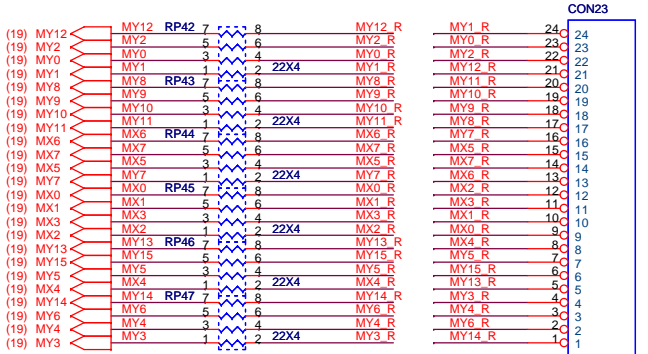
Document Number: **GD2 Main Board**

Date: Saturday, May 24, 2008

Rev: 2A

Sheet 22 of 35

KEYBOARD



Aladdin :	Merlin:
VCC3	RVCC3
PSCLK3	TS_GPIO1
PSDAT3	TS_GPIO2
TS_GPIO3	GND
TS_GPIO4	
GND	

QUANTA COMPUTER

Model: **K/B,USB**

Board: **GD2 Main Board**

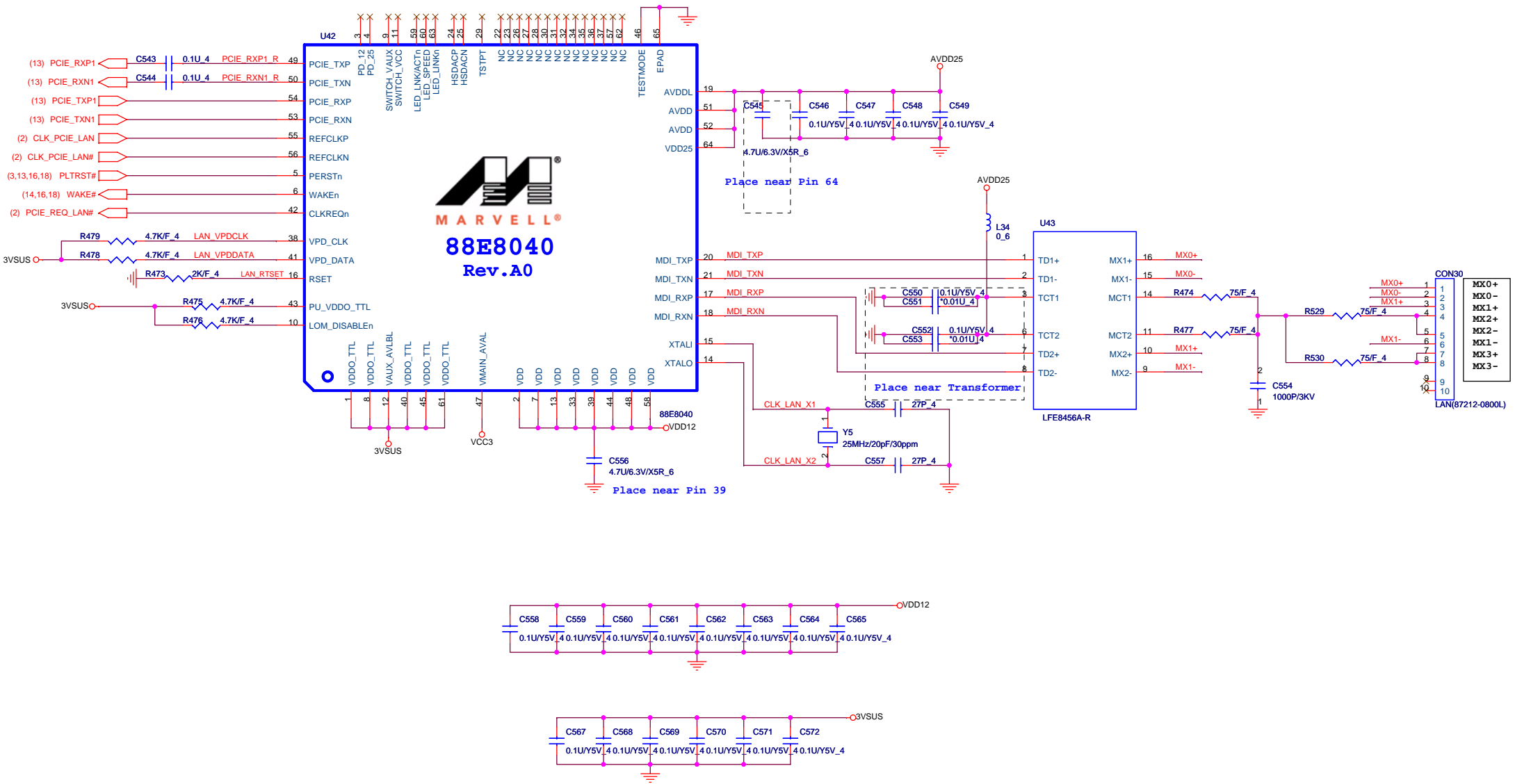
Document Number: **GD2 Main Board**

Rev: **3A**

Date: **Saturday, May 24, 2008**

Sheet: **23 of 35**

1.Level 1 Environment-related Substances Should NEVER be Used.
2.Purchase ink, paint, wire rods, and Molding resins only from the business Partners that Sony approves as Green Partners.



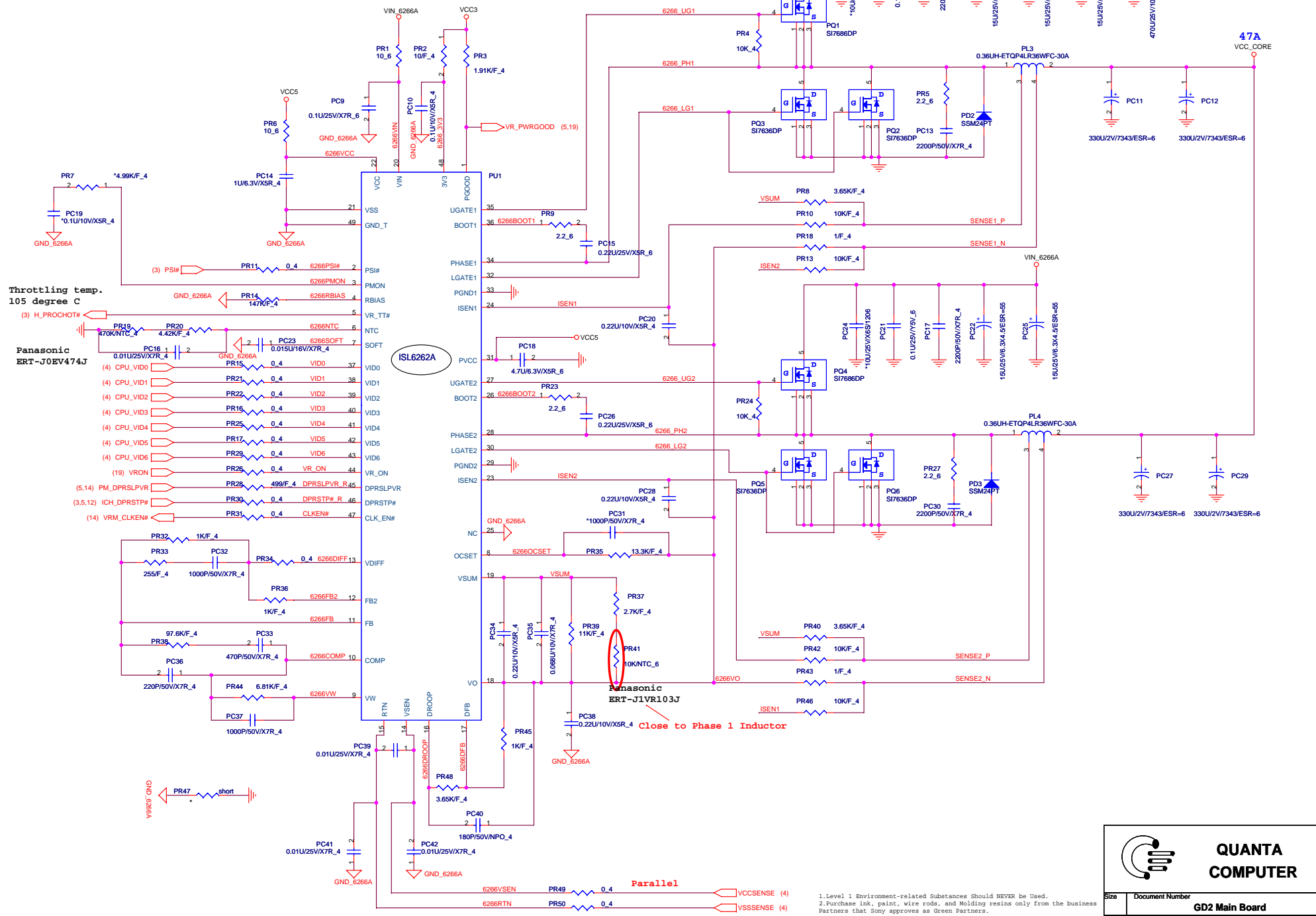
QUANTA COMPUTER

Title: **10/100 LAN 88E8040**

Size: Document Number: **GD2 Main Board** Rev: 2A

Date: Saturday, May 24, 2008 Sheet 24 of 35

CPU_CORE



Throttling temp.
105 degree C
(3) H_PROCHOT#

Panasonic
ERT-J0EV474J

ISL6262A

Panasonic
ERT-J1VR103J
Close to Phase 1 Inductor

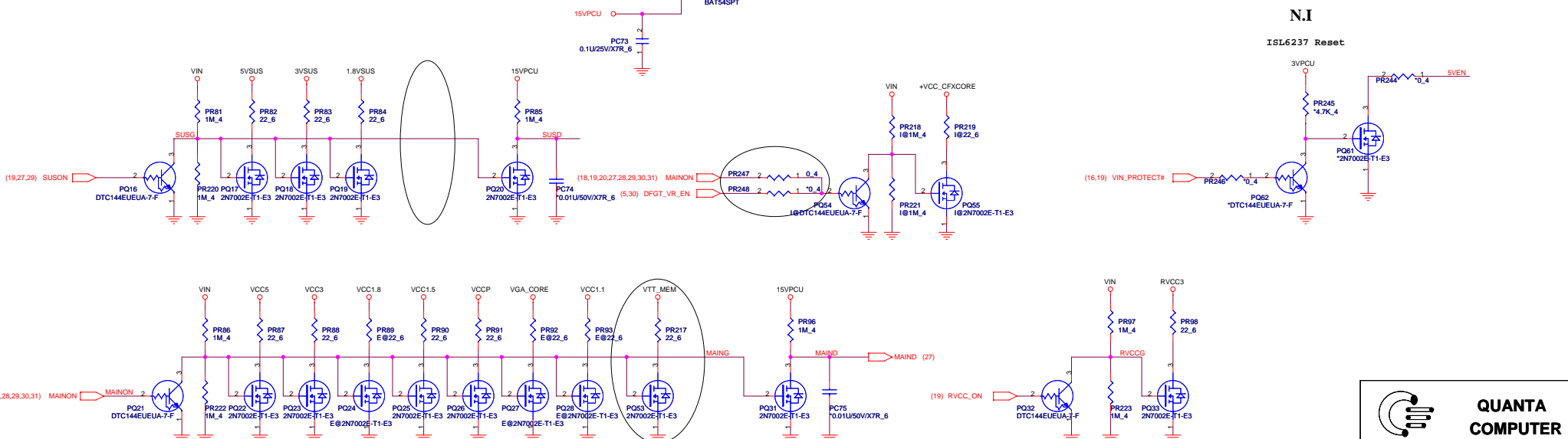
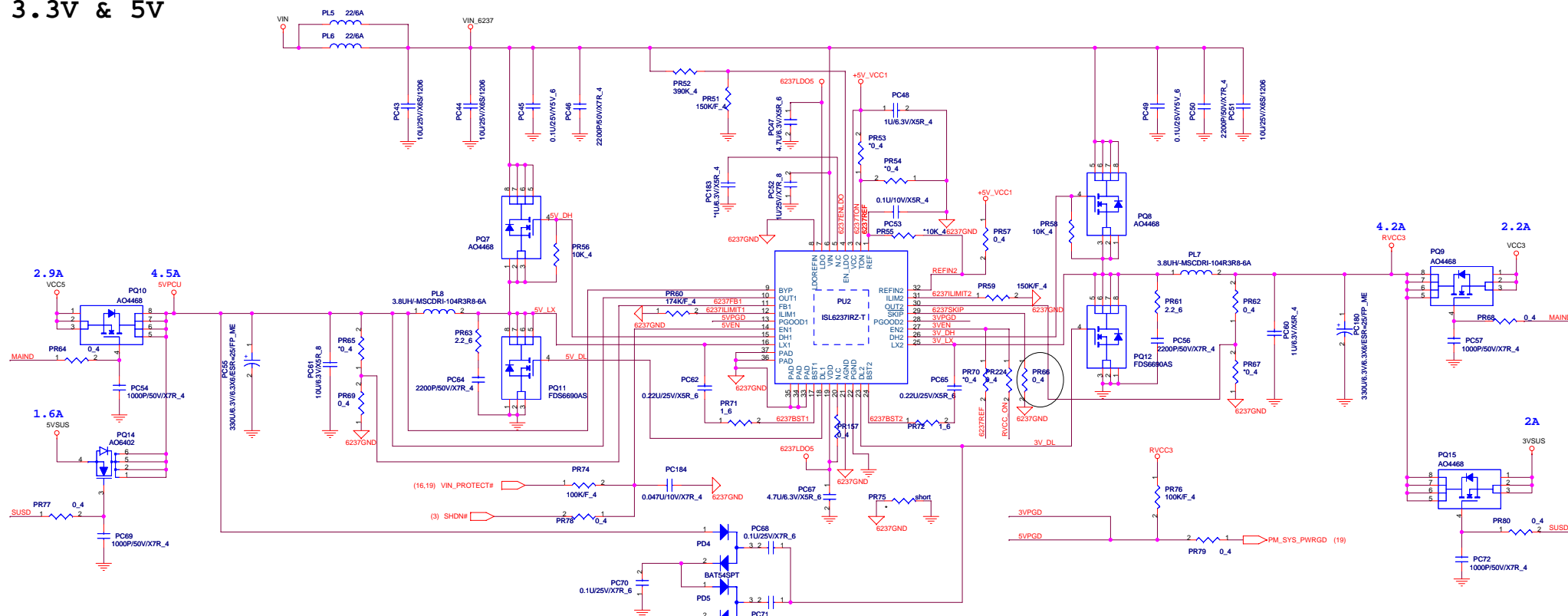
Parallel
VCCSENSE (4)
VSSSENSE (4)

**QUANTA
COMPUTER**

Size	Document Number	Rev
	GD2 Main Board	2A
Date:	Saturday, May 24, 2008	Sheet 25 of 35

1. Level 1 Environment-related Substances Should NEVER be Used.
2. Purchase Ink, paint, wire rods, and Molding resins only from the Business Partners that Sony approves as Green Partners.

3.3V & 5V



N.I
ISL6237 Reset

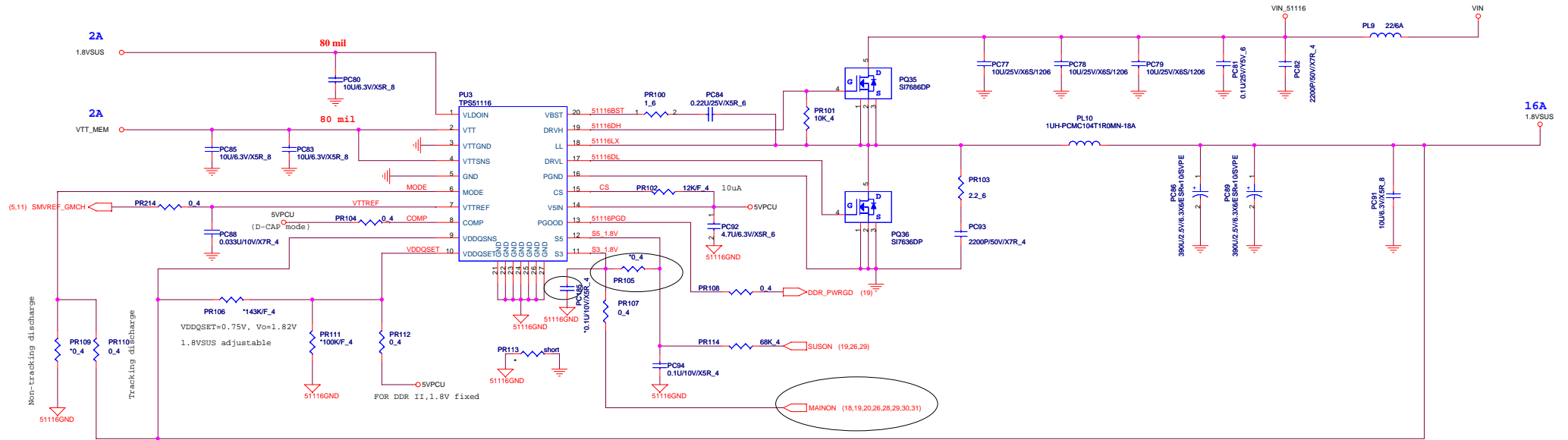
**QUANTA
COMPUTER**

Size: Document Number: **GD2 Main Board** Rev: **3A**

Date: Saturday, May 24, 2008 Sheet: 26 of 35

1. Level 1 Environment-related Substances should NEVER be used.
2. Purchase ink, paint, wire rods, and Molding resins only from the business Partners that Sony approves as Green Partners.

1.8VSUS & VTT_MEM

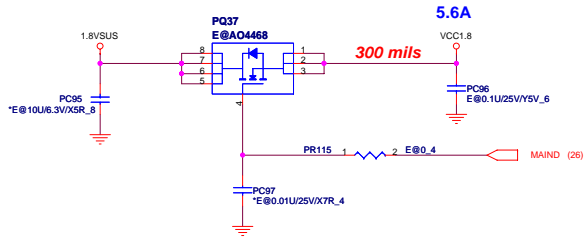


MODE	DISCHARGE MODE
+5V	No discharge
+1.8V	Tracking discharge
GND	Non-tracking discharge

VDDQSET	VDDQ(V)	VITREF & VTT	NOTE
GND	2.5 fixed	VDDQSNS/2	DDR
5V	1.8 fixed	VDDQSNS/2	DDR2
FB-Resistor	Adjustable	VDDQSNS/2	1.5V < VDDQ < 3V

VTT = VITREF = VDDQSNS / 2 = 0.9V

STATE	S3	S5	1.8VSUS	VITREF	VTT
S0	1	1	on	on	on
S3	0	1	on	on	oFF
S4/S5	0	0	oFF	oFF	oFF

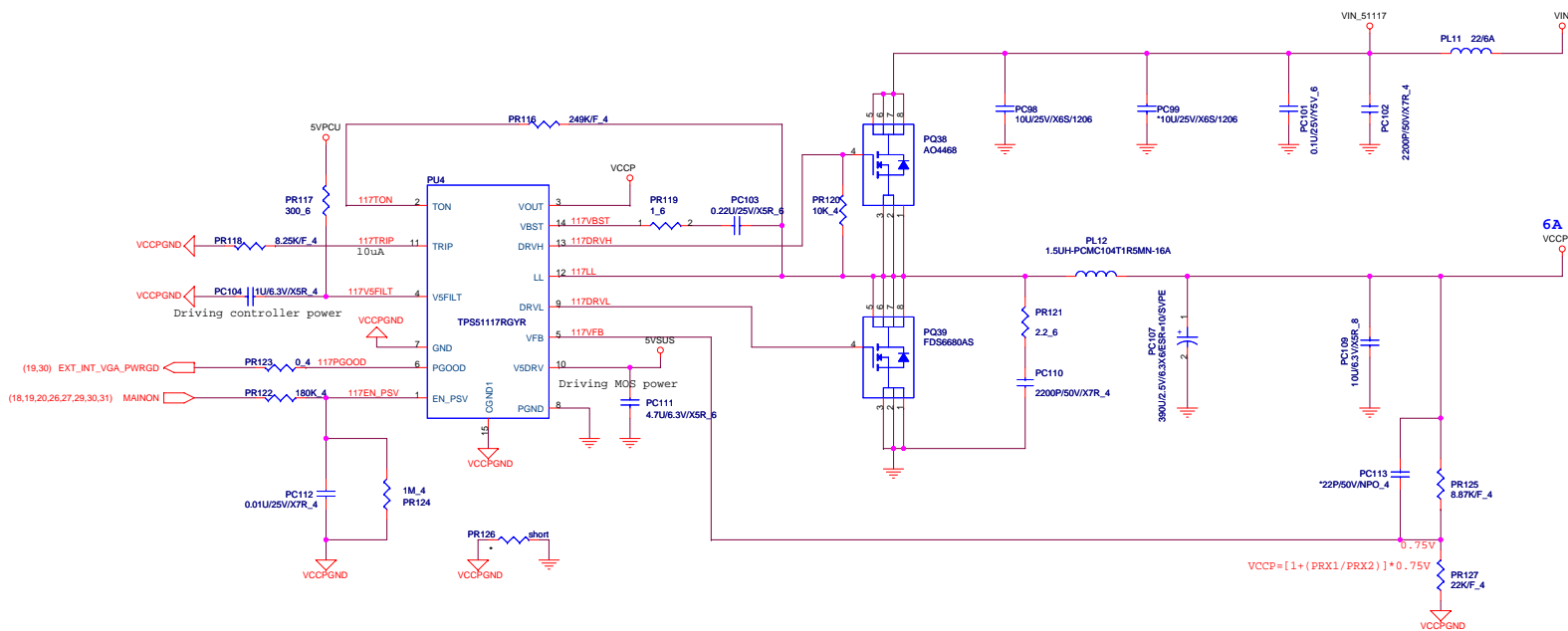


1. Level 1 Environment-related Substances should NEVER be used.
 2. Purchase ink, paint, wire rods, and Molding resins only from the business Partners that Sony approves as Green Partners.

**QUANTA
COMPUTER**

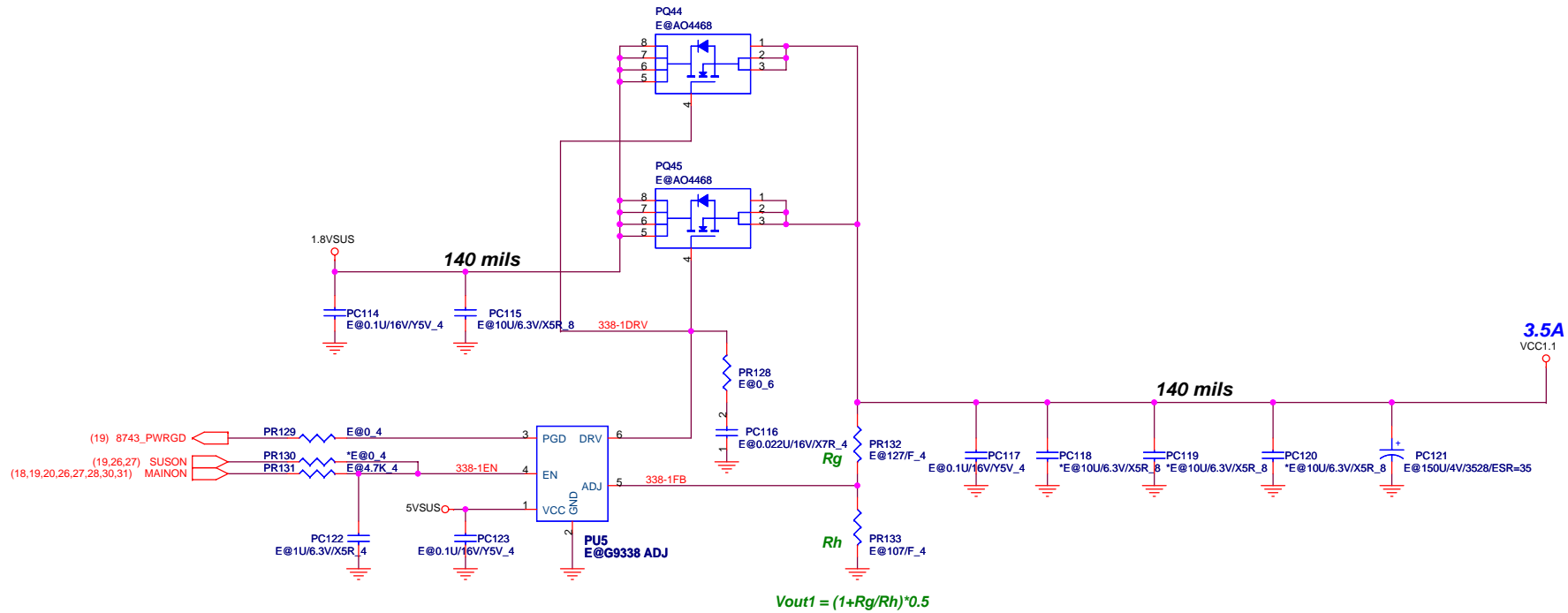
Size	Document Number	Rev
GD2 Main Board		4A
Date: Saturday, May 24, 2008 Sheet 27 of 35		

VCCP

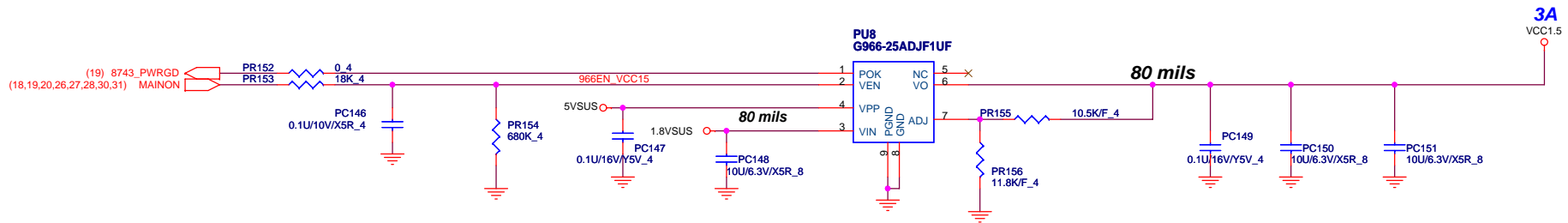



1.Level 1 Environment-related Substances should NEVER be Used.
 2.Purchase ink, paint, wire rods, and Molding resins only from the business Partners that Sony approves as Green Partners.

VCC1.1



VCC1.5





**QUANTA
COMPUTER**

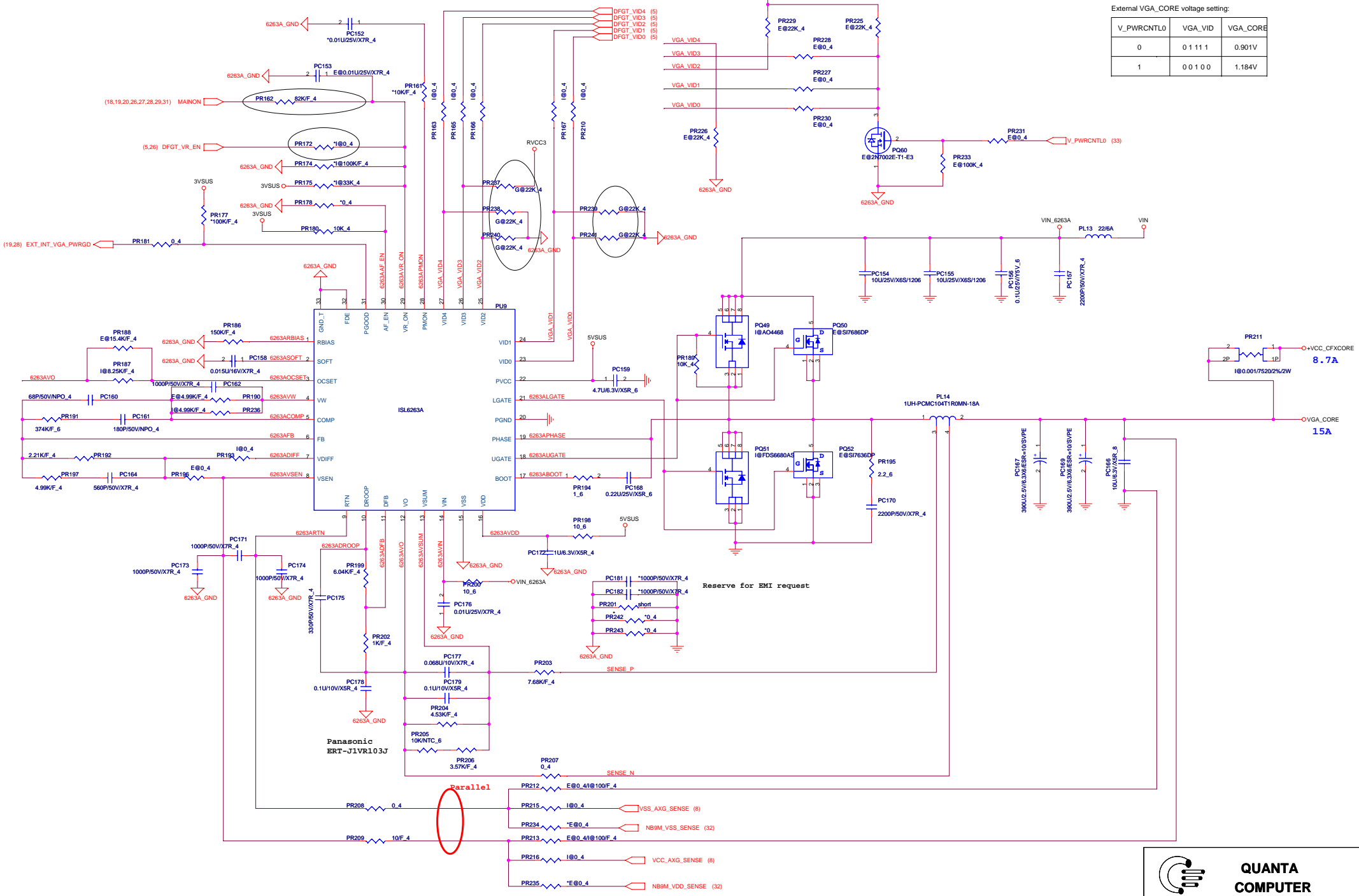
Size	Document Number	Rev
GD2 Main Board		3A
Date: Saturday, May 24, 2008		Sheet 29 of 35

1. Level 1 Environment-related Substances should NEVER be Used.
2. Purchase ink, paint, wire rods, and Molding resins only from the business Partners that Sony approves as Green Partners.

Int_VGA & Ext_VGA

External VGA_CORE voltage setting:

V_PWRCNTL0	VGA_VID	VGA_CORE
0	0 1 1 1 1	0.901V
1	0 0 1 0 0	1.184V



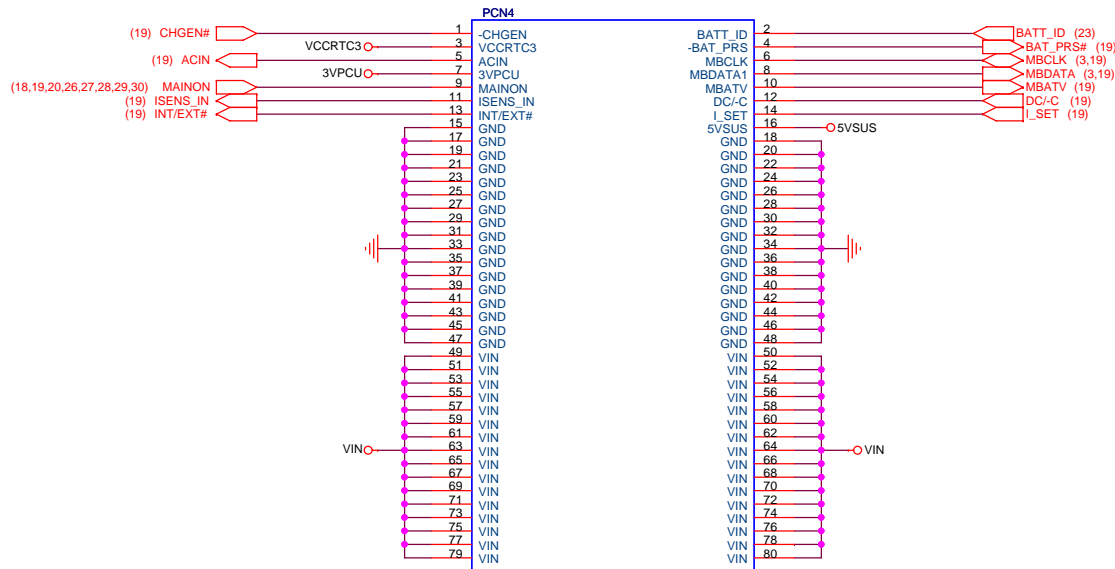
QUANTA COMPUTER

Size Document Number Rev 3A


GD2 Main Board

Date: Saturday, May 24, 2008 Sheet 30 of 35

1.Level 1 Environment-related Substances should NEVER be Used.
 2.Purchase Ink, paint, wire rods, and Molding resins only from the business Partners that Sony approves as Green Partners.



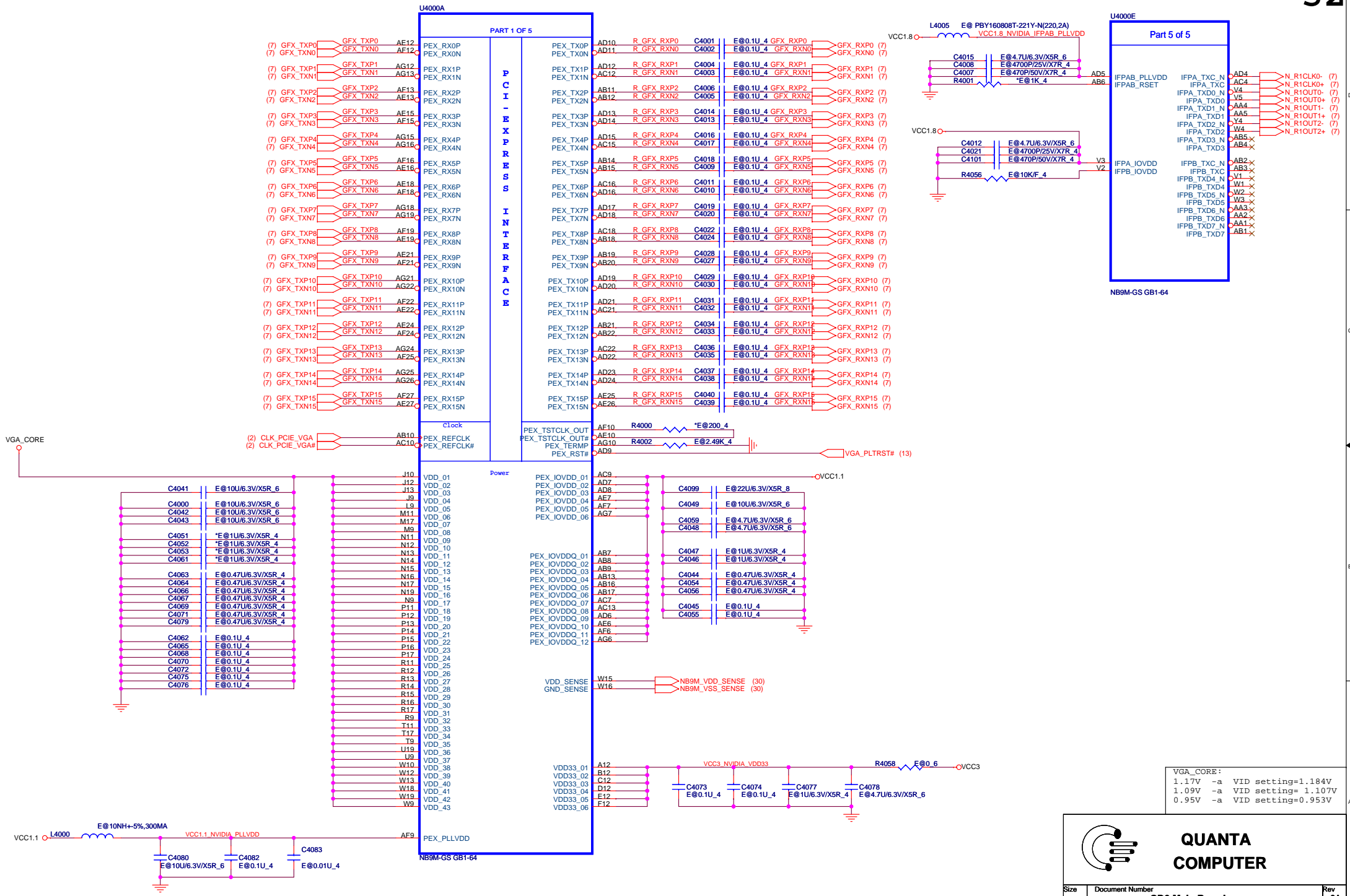
Charger/B2B-MAT(AXK5S80037YG) H=5mm
MAT AXK5S80037YG



**QUANTA
COMPUTER**

Size	Document Number	Rev
	GD2 Main Board	3A
Date: Saturday, May 24, 2008 Sheet 31 of 35		

1.Level 1 Environment-related Substances Should NEVER be Used.
2.Purchase ink, paint, wire rods, and Molding resins only from the business Partners that Sony approves as Green Partners.



VGA_CORE:
 1.17V -a VID setting=1.184V
 1.09V -a VID setting= 1.107V
 0.95V -a VID setting=0.953V

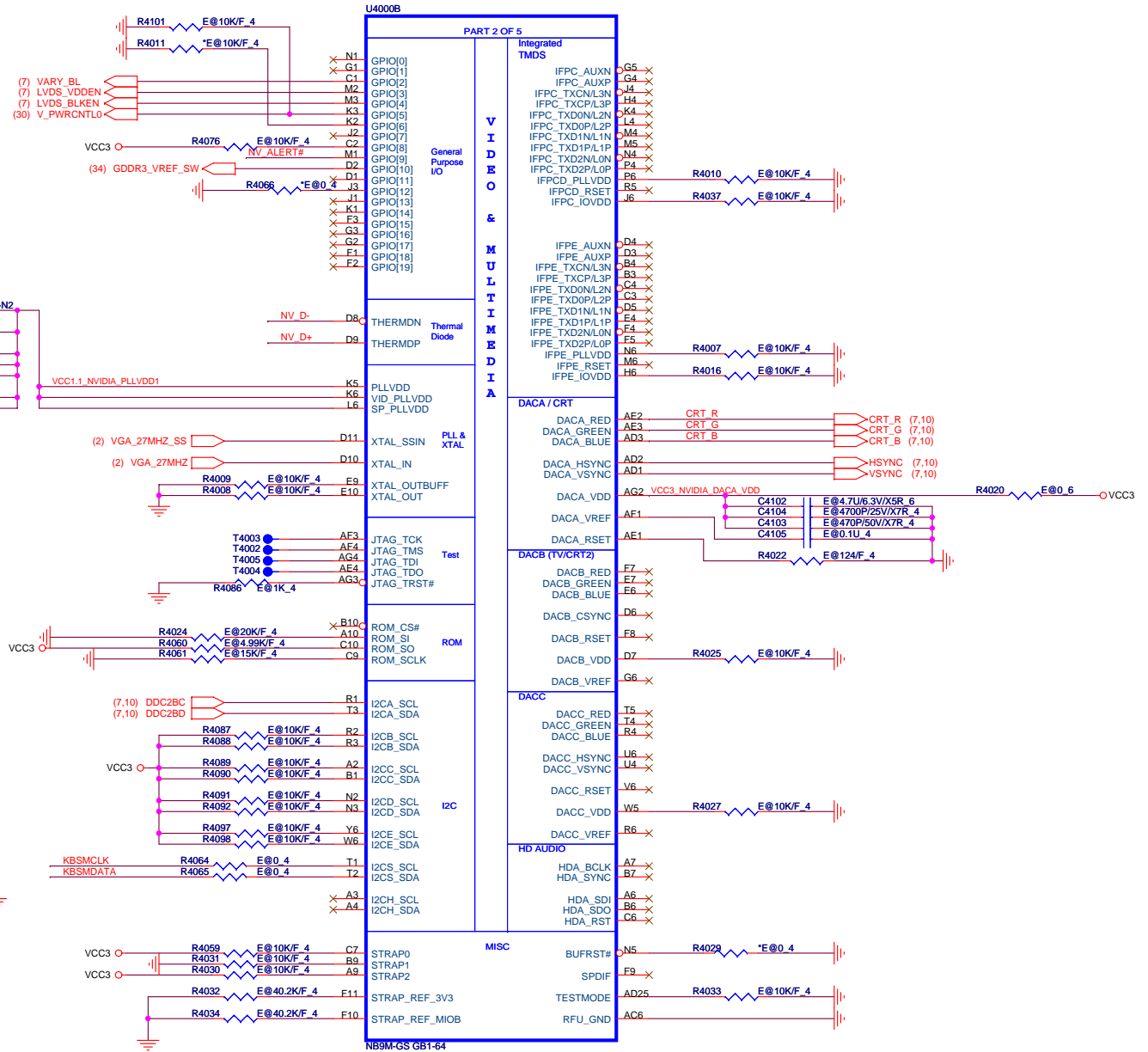
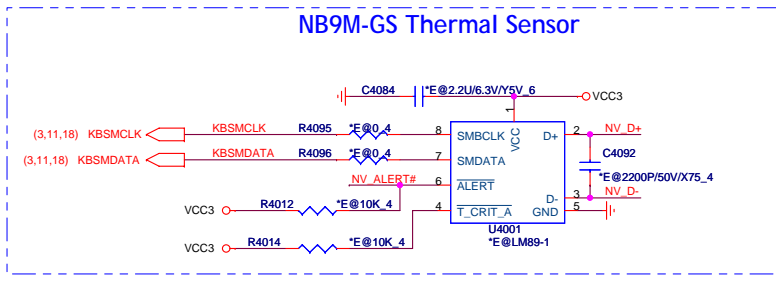
QUANTA COMPUTER

Size: Document Number: **GD2 Main Board** Rev: **3A**

Date: **Saturday, May 24, 2008** Sheet: **32** of **35**

1. Level 1 Environment-related Substances should NEVER be Used.
 2. Purchase ink, paint, wire rods, and Welding resins only from the business Partners that Sony approves as Green Partners.

NB9M-GS Thermal Sensor



Logical Strap Bit Mapping

Resistor Value	Pull to VDD	Pull to GND
5K	1000	0000
10K	1001	0001
15K	1010	0010
20K	1011	0011
25K	1100	0100
30K	1101	0101
35K	1110	0110
45K	1111	0111

Strap Bit Define

Straps	Bit 3	Bit 2	Bit 1	Bit 0
ROM_SI	RAMCFG[3]	RAMCFG[2]	RAMCFG[1]	RAMCFG[0]
ROM_SO	XCLK_277	TVMODE[2]	TVMODE[1]	TVMODE[0]
ROM_SCLK	PCI_DEVID[4]	SUB_VENDOR	SLOT_CLK_CFG	PEX_PLL_EN_TERM100
STRAP0	JSER[3]	JSER[2]	JSER[1]	JSER[0]
STRAP1	3GIO_PADCFG [3]	3GIO_PADCFG [2]	3GIO_PADCFG [1]	3GIO_PADCFG [0]
STRAP2	PCI_DEVID[3]	PCI_DEVID[2]	PCI_DEVID[1]	PCI_DEVID[0]

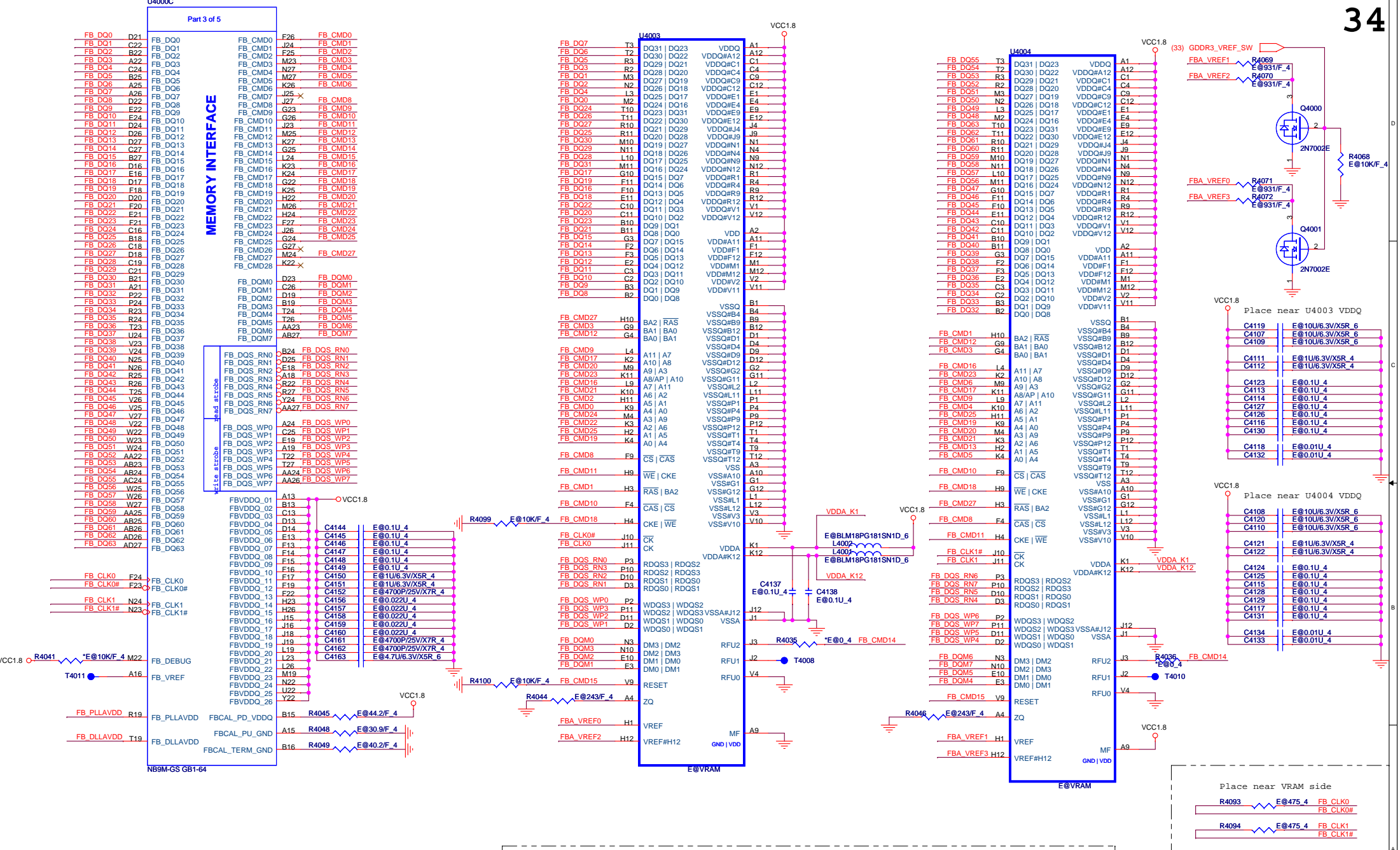
VRAM Strap:ROM_SI ; RAMCFG[x]

VRAM Vender	ID	R4024
Infineon	0001	PD 10K
Hynix	0010	PD 15K
Samsung	0011	PD 20K

1. Level 1 Environment-related Substances should NEVER be Used.
 2. Purchase ink, paint, wire rods, and Molding resins only from the business Partners that Sony approves as Green Partners.

**QUANTA
COMPUTER**

Size	Document Number	Rev
	GD2 Main Board	2A
Date:	Saturday, May 24, 2008	Sheet 33 of 35



ODT on : 1.26V (70% of 1.8V)
 ODT off : 0.9V (50% of 1.8V)

1. Level 1 Environment-related Substances should NEVER be Used.
 2. Purchase Ink, paint, wire rods, and Molding resins only from the business Partners that Sony approves as Green Partners.

**QUANTA
COMPUTER**

Size	Document Number	Rev
	GD2 Main Board	1A

Date: Saturday, May 24, 2008 Sheet 34 of 35

- * Delete RP1,RP2,RP3,RP6,RP7,RP9,RP10,RP11.(P2)
- * Delete R56(P3)
- * Delete R69(P4)
- * Delete R726,R725(P7)

- * R789 change value to E@40.2F/I@42.2F.(P10)
- * R788 change value to 42.2F.(P10)
- * Delete R516,R517(P17)
- * U20 pin 7 pull low.(P17)
- * C731,C732 change from 0805 to 1206(P18)
- * CON14 change to BtB connector.(easy for ASSY)(P18)
- * Add D11(P18)
- * Change net BTSW to BTSW# (P18)
- * Change net BTSW to BTSW# (P19)
- * R434 change value from 28.7K/F to 27K/F.(P20)
- * Add PR66 to enable "Skip" mode for 3V/5V. (P26)
- * Change PQ53 pin2 from SUSG to MAING. (P26)
- * Change PR107 connection to MAINON / reserve PR105,PC185. (P27)



**QUANTA
COMPUTER**

Size	Document Number	Rev
	GD2 Main Board	1A
Date:	Saturday, May 24, 2008	Sheet 35 of 35