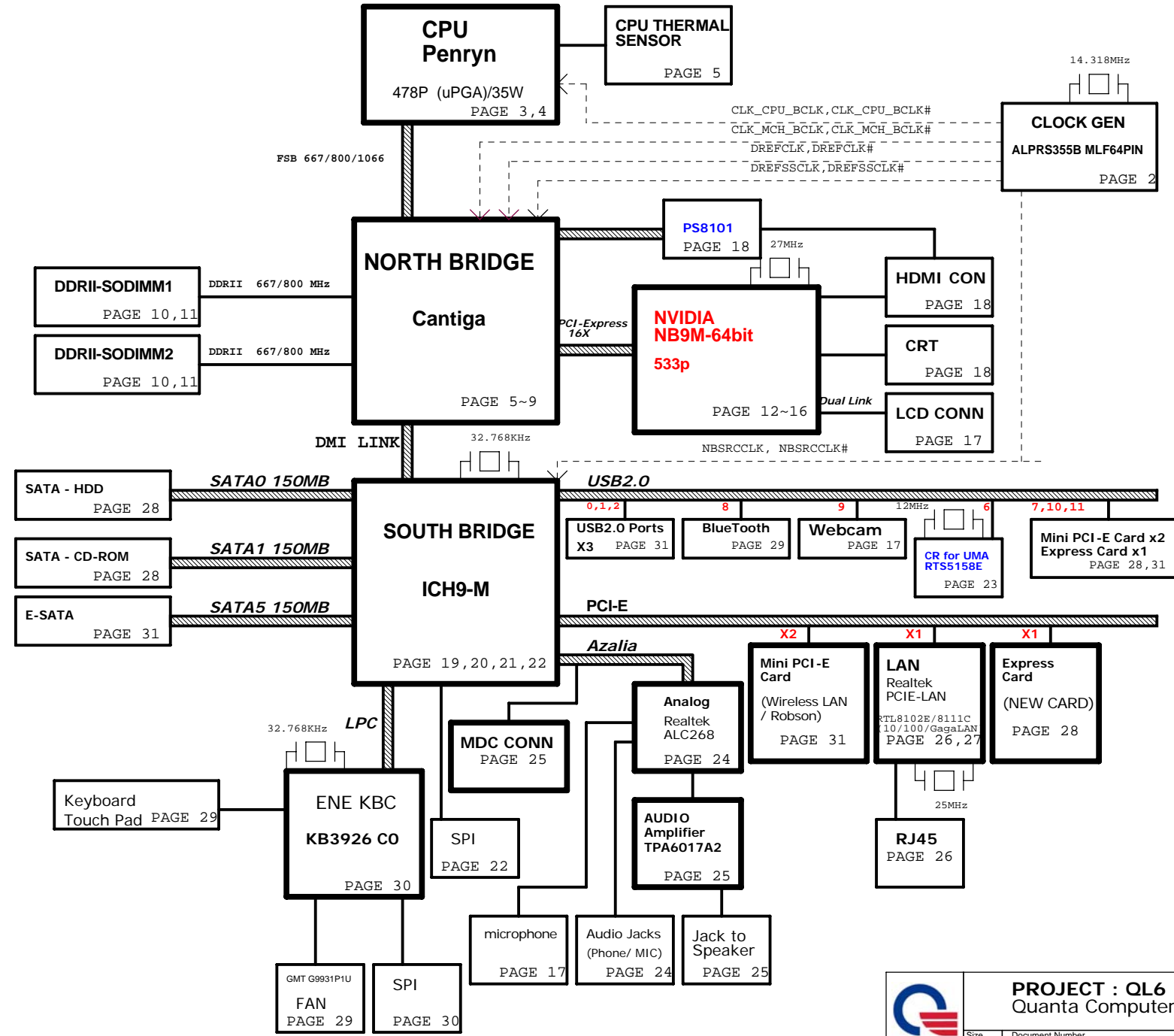


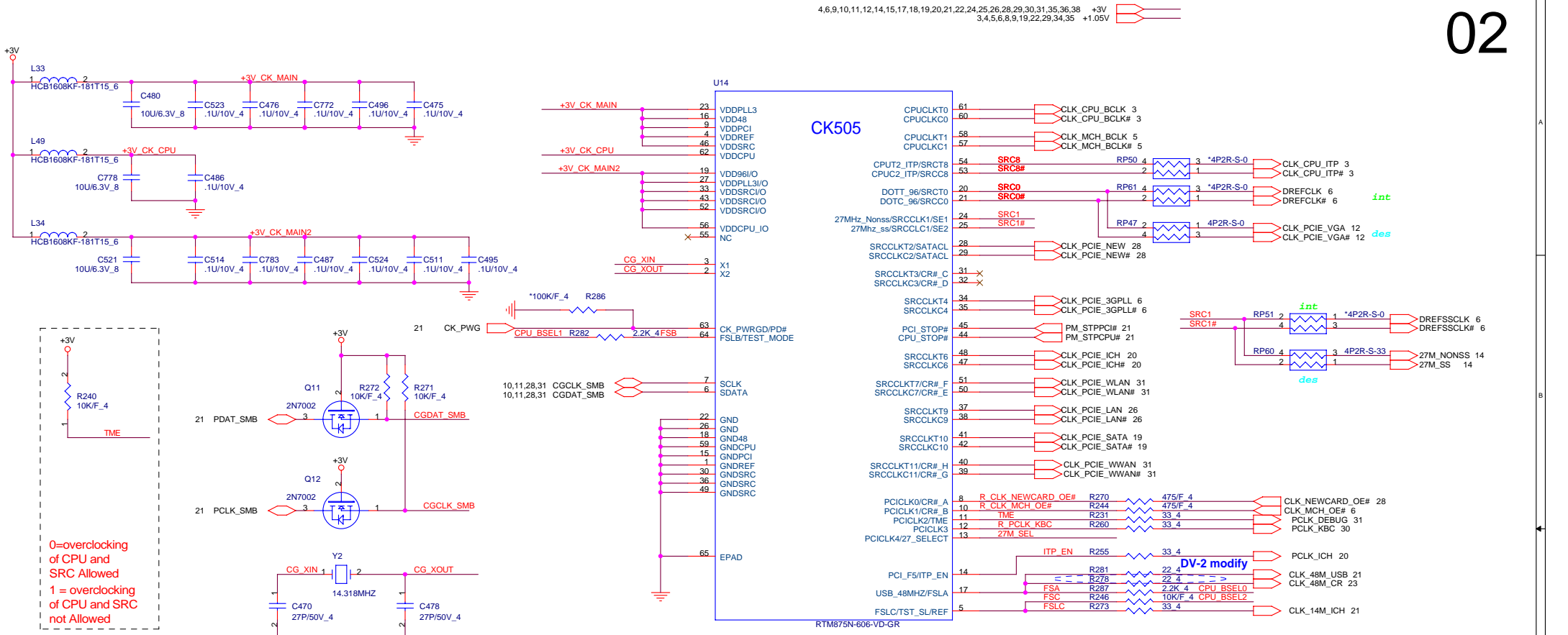
QL6 BLOCK DIAGRAM

- LAYER 1 : TOP
- LAYER 2 : SGND
- LAYER 3 : IN1
- LAYER 4 : SGND
- LAYER 5 : SVCC
- LAYER 6 : IN2
- LAYER 7 : SGND
- LAYER 8 : BOT



- SYSTEM CHARGER(ISL6251AHAZ-T) PAGE 32
- SYSTEM POWER ISL6237IRZ-T PAGE 33
- DDR II SMD DR VTERM 1.8V/1.8VSUS(TPS51116REGR) PAGE 37
- VCCP +1.5V AND GMCH 1.05V(RT8204) PAGE 34
- VGACORE(1.025V)Oz8118 PAGE 36
- CPU CORE ISL6266A PAGE 35

	PROJECT : QL6		Rev 2A
	Quanta Computer Inc.		
	Size Custom	Document Number Block Diagram	
Date: Tuesday, February 26, 2008		Sheet 1 of 40	



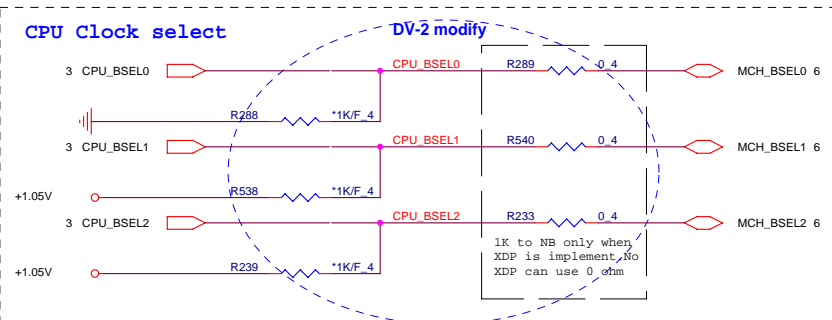
0=overclocking of CPU and SRC Allowed
 1 = overclocking of CPU and SRC not Allowed

0=UMA
 1 = External VGA

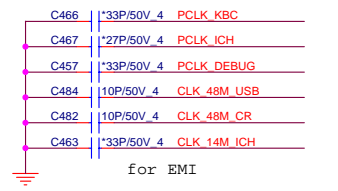
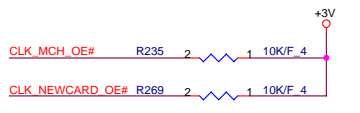
Enable ITP CLK

27M_SEL PIN13	PIN20	PIN21	PIN24	PIN25
0=UMA	DOT96T	DOT96C	SRCT1/LCDT_100	SRCT1/LCDT_100
1 = External VGA	SRCT0	SRCC0	27Mout-NSS	27Mout-SS

CK505 QFN64
 ICS ICS9LPRS355BKLF ALPRS355000
 Siligo SLG8SP513VTR AL8SP513000
 Realtek RTM875N-606-VD-GR AL000875000

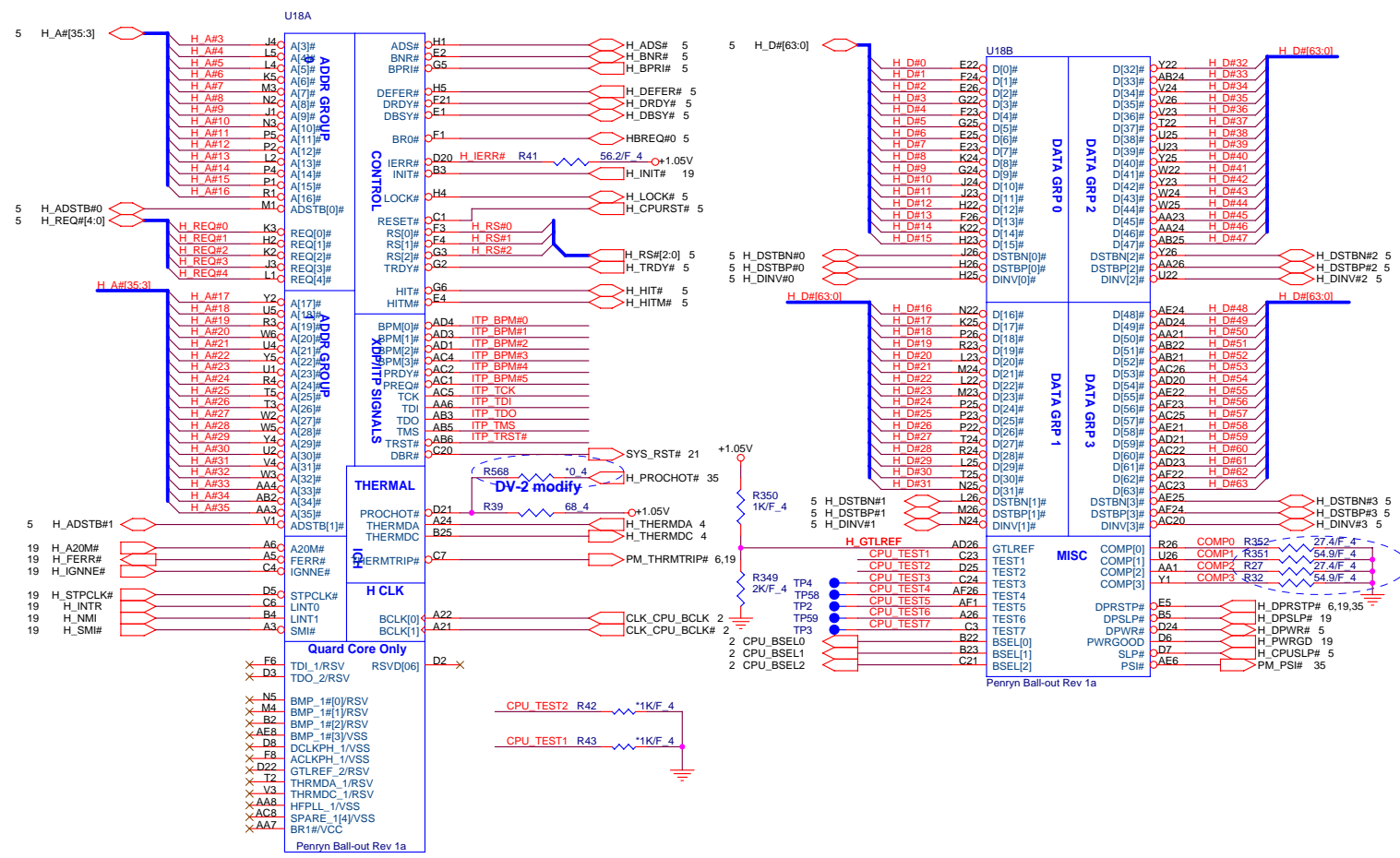


FSC	FSB	FSA	CPU	SRC	PCI
1	0	1	100	100	33
0	0	1	133	100	33
0	1	1	166	100	33
0	1	0	200	100	33
0	0	0	266	100	33
1	0	0	333	100	33
1	1	0	400	100	33
1	1	1	RSVD	100	33



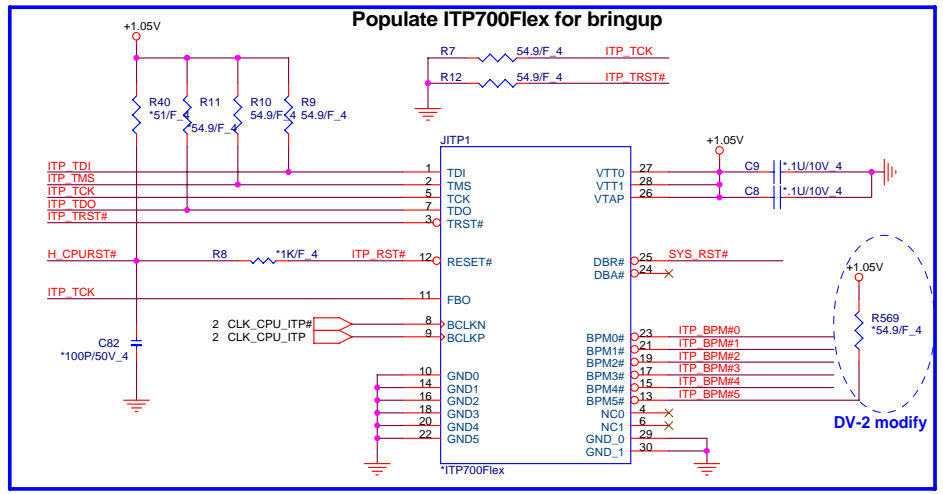
PROJECT : QL6
 Quanta Computer Inc.

Size Custom	Document Number Clock Generator	Rev 2A
Date: Tuesday, February 26, 2008 Sheet 2 of 40		



DV-2 modify

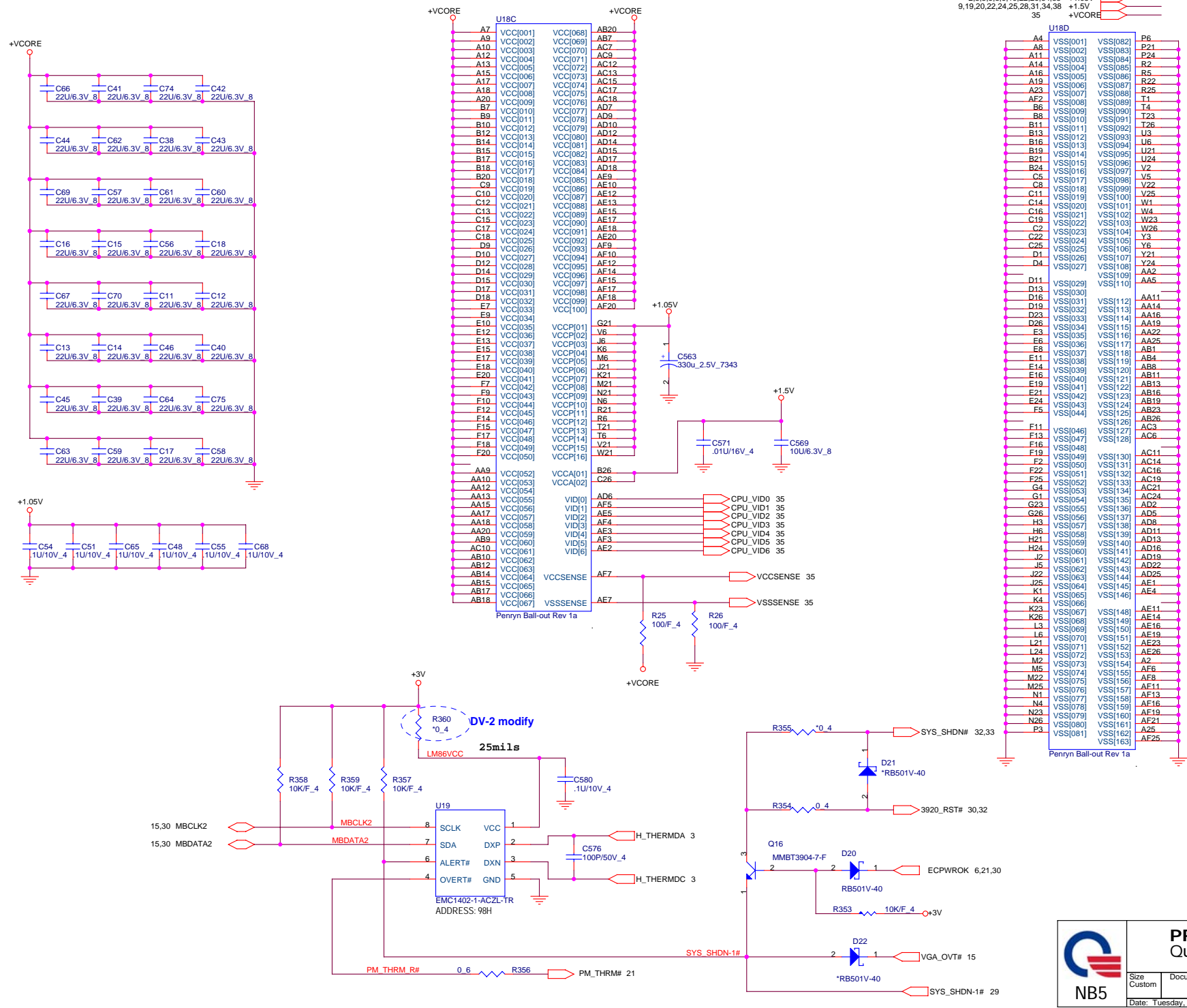
DV-2 modify



DV-2 modify

	PROJECT : QL6		Rev 2A
	Quanta Computer Inc.		
Size Custom	Document Number Penryn 1/2	Date: Tuesday, February 26, 2008	Sheet 3 of 40

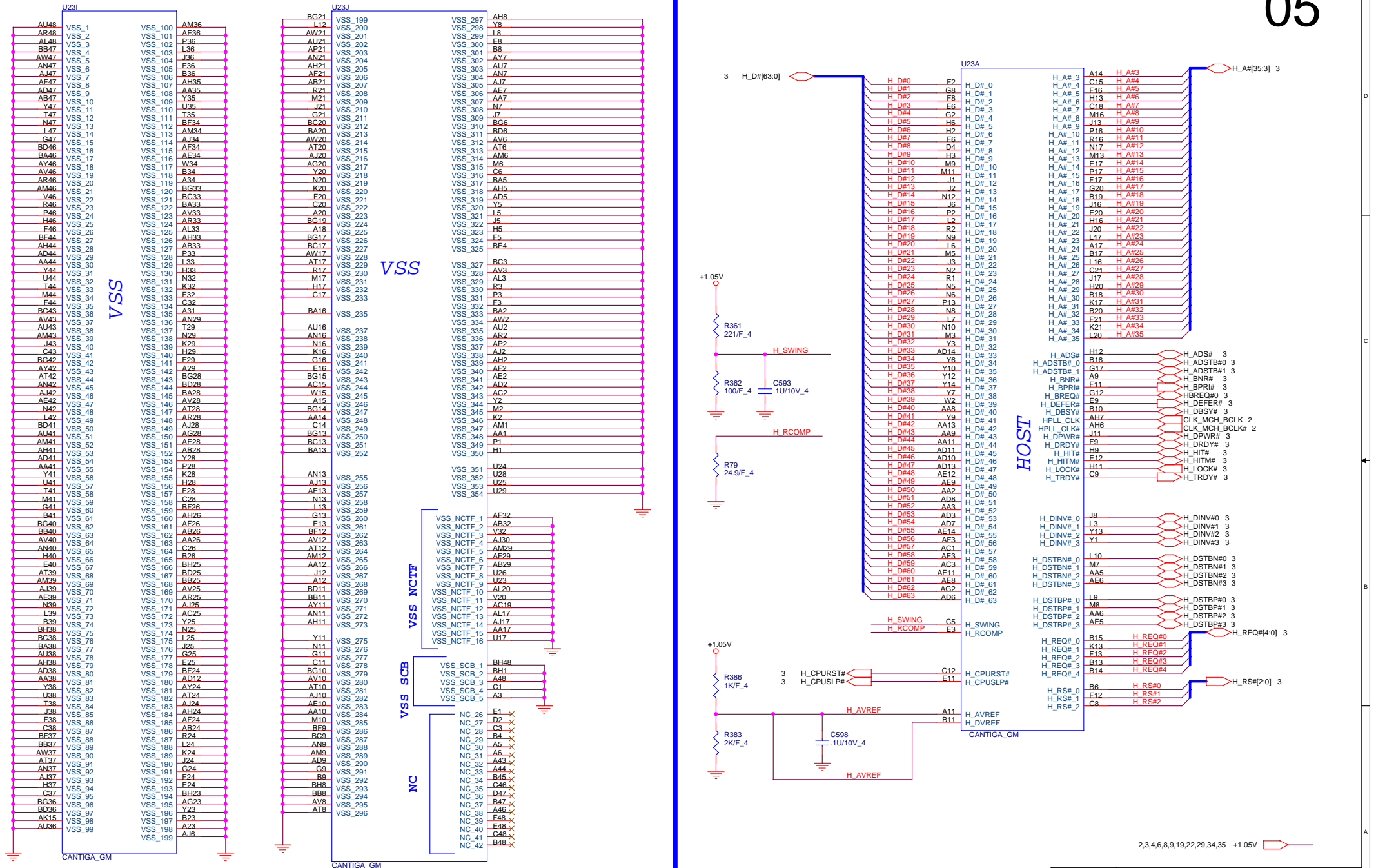
2,6,9,10,11,12,14,15,17,18,19,20,21,22,24,25,26,28,29,30,31,35,36,38 +3V
2,3,5,6,8,9,19,22,29,34,35 +1.05V
9,19,20,22,24,25,28,31,34,38 +1.5V
35 +VCCORE



PROJECT : QL6
Quanta Computer Inc.

NB5

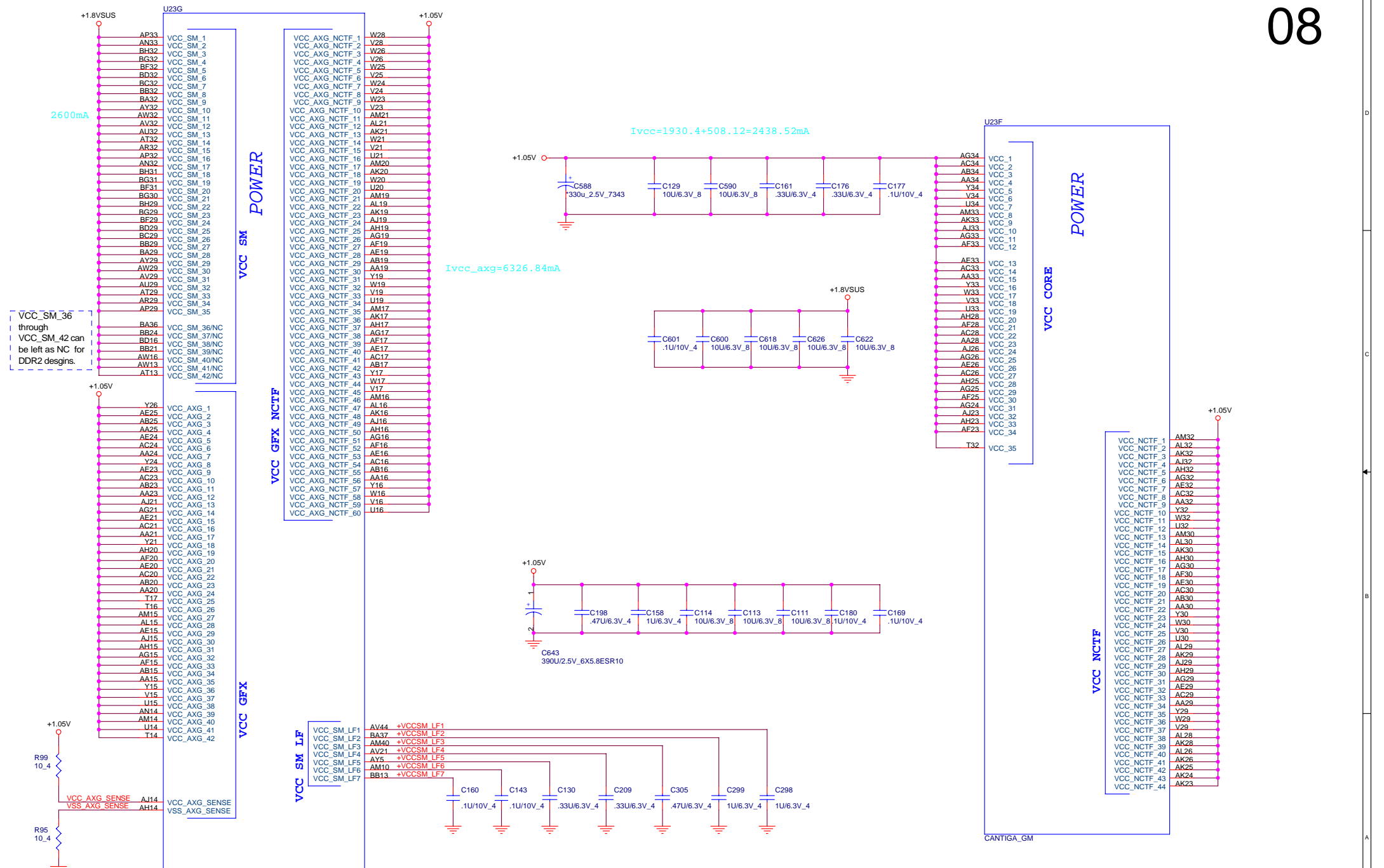
Size Custom	Document Number	Rev 2A
Penryn & TH Monitor 2/2		
Date: Tuesday, February 26, 2008	Sheet 4 of 40	



2,3,4,6,8,9,19,22,29,34,35 +1.05V

PROJECT : QL6
Quanta Computer Inc.

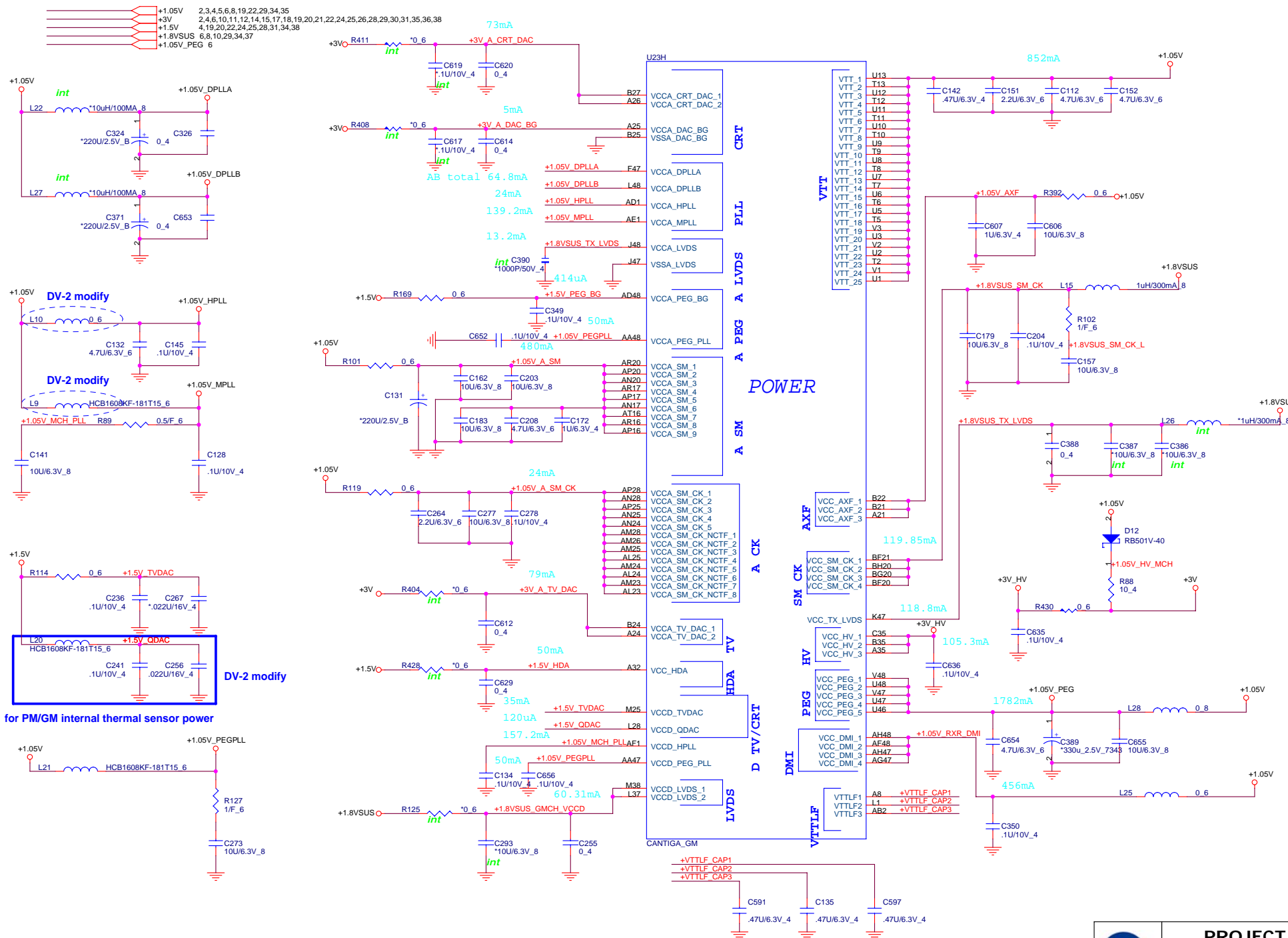
Size Custom	Document Number Cantiga Host & VSS 1/5	Rev 2A
Date: Tuesday, February 26, 2008 Sheet 5 of 40		




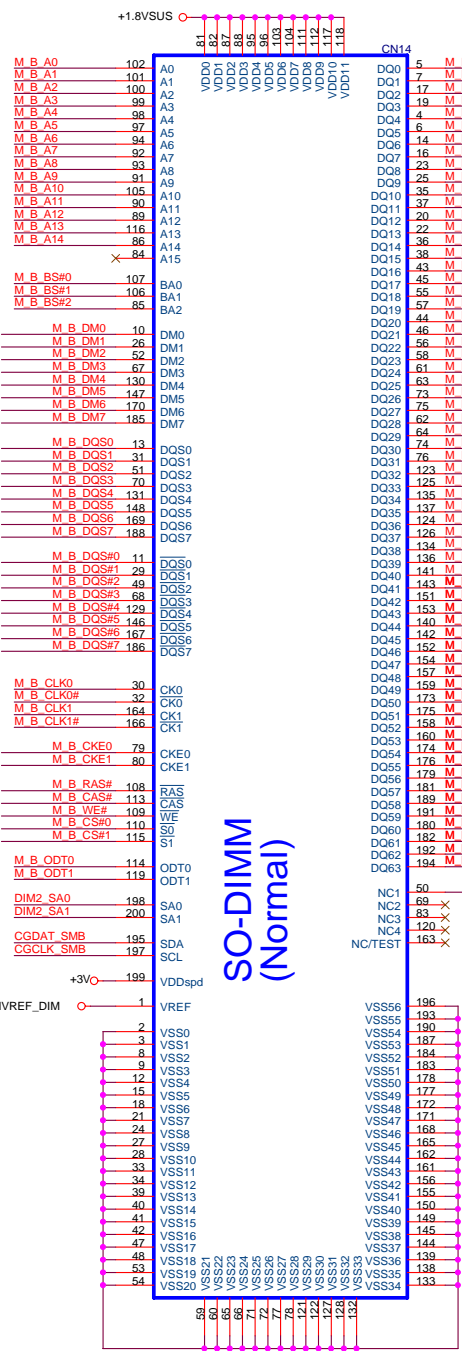
VCC_SM_36 through VCC_SM_42 can be left as NC for DDR2 desigins.

6,9,10,29,34,37 +1.8VSUS
2,3,4,5,6,9,19,22,29,34,35 +1.05V

	PROJECT : QL6		Rev 2A
	Quanta Computer Inc.		
	Size Custom Document Number Cantiga Vcc 4/5	Date: Tuesday, February 26, 2008 Sheet 8 of 40	

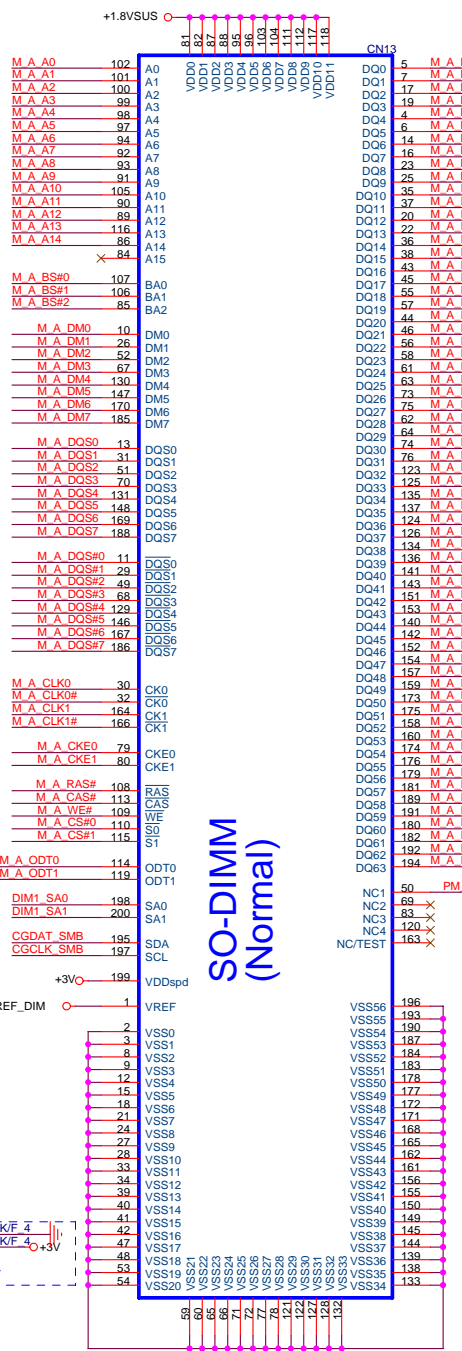


	PROJECT : QL6		Date: Tuesday, February 26, 2008	
	Quanta Computer Inc.			
	Size Custom	Document Number		Rev 2A
	Cantiga Power 5/5			
		Sheet 9 of 40		



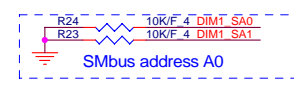
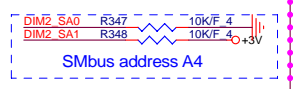
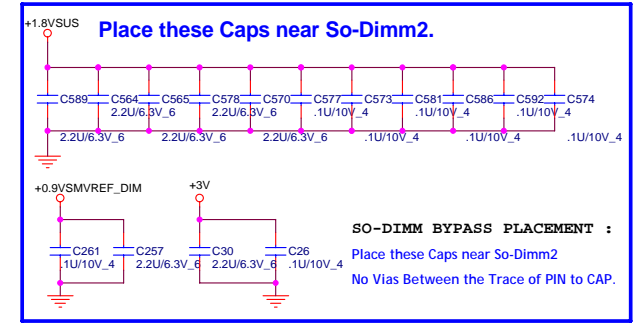
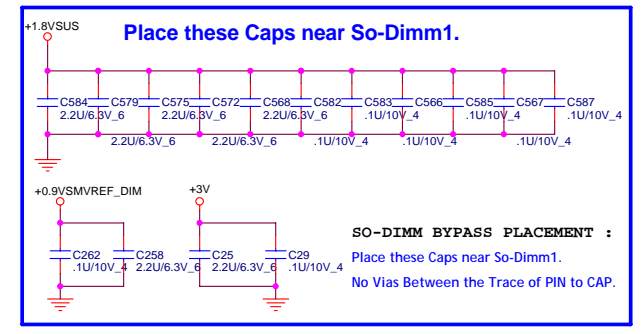
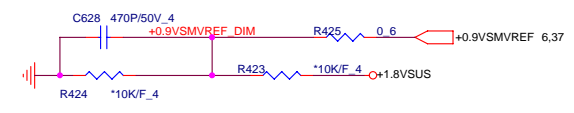
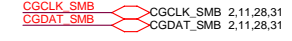
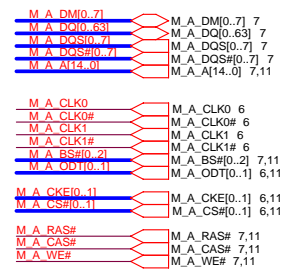
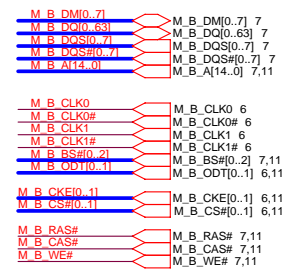
SO-DIMM (Normal)

H 9.2



SO-DIMM (Normal)

H 5.2



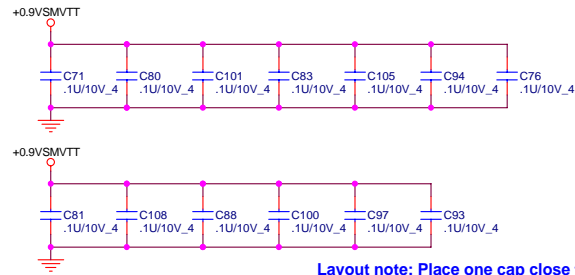
PROJECT : QL6
Quanta Computer Inc.

NB5

Size Custom	Document Number	Rev 2A
	DDR2 DIMM	
Date: Tuesday, February 26, 2008	Sheet 10 of 40	

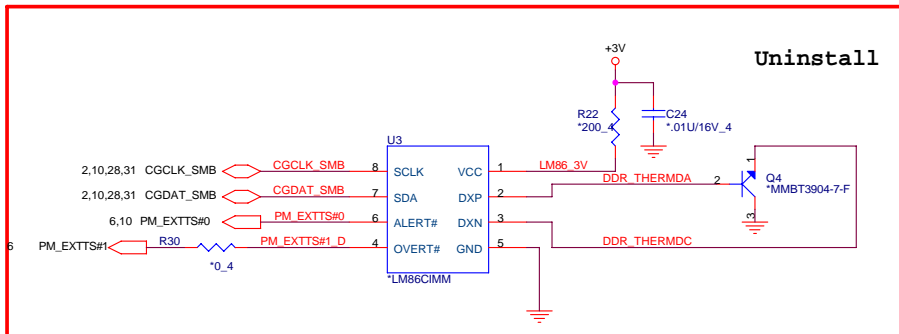
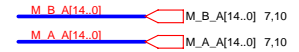
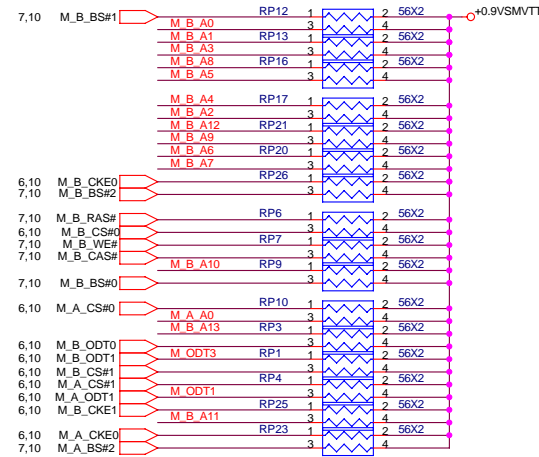
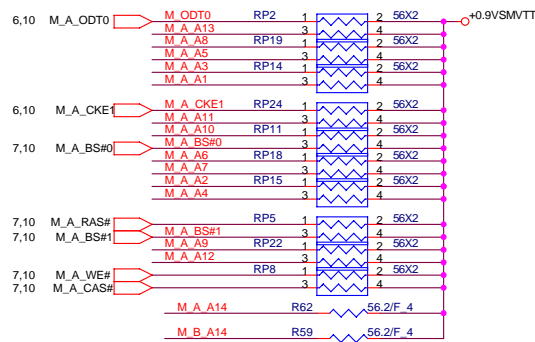
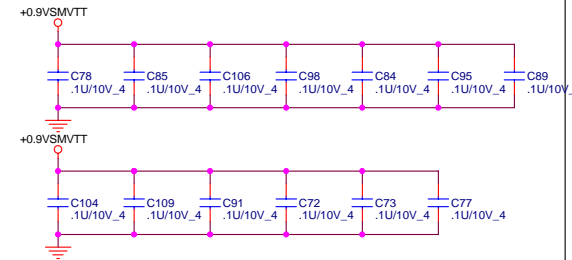
DDRII DUAL CHANNEL A,B.

DDRII A CHANNEL



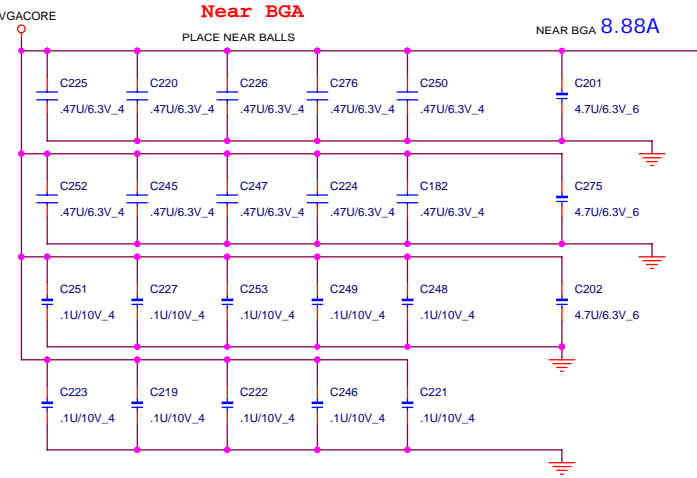
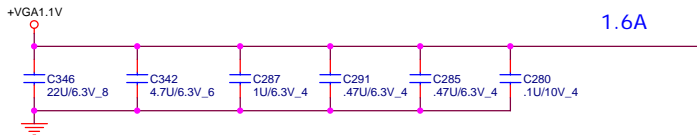
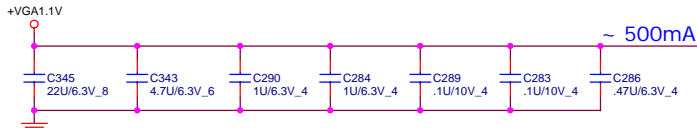
Layout note: Place one cap close to every 2 pullup resistors terminated to SMDDR_VTERM

DDRII B CHANNEL

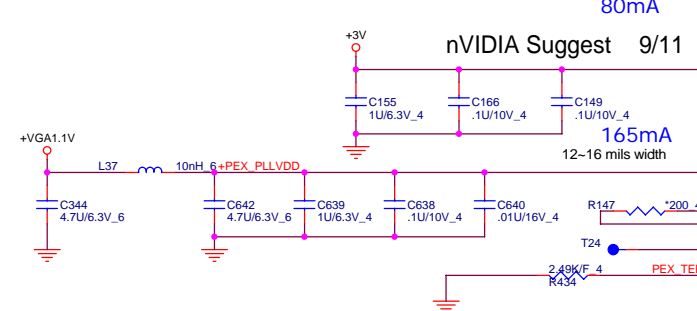


	PROJECT : QL6		Rev 2A
	Quanta Computer Inc.		
	Size Custom	Document Number DDR2 termination	
Sheet 11 of 40			

NB9M-GE (G98)



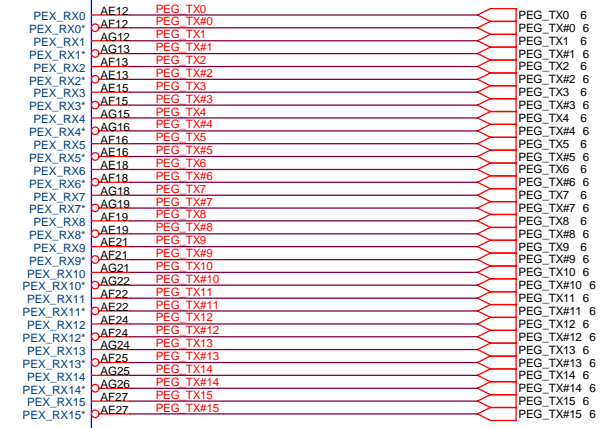
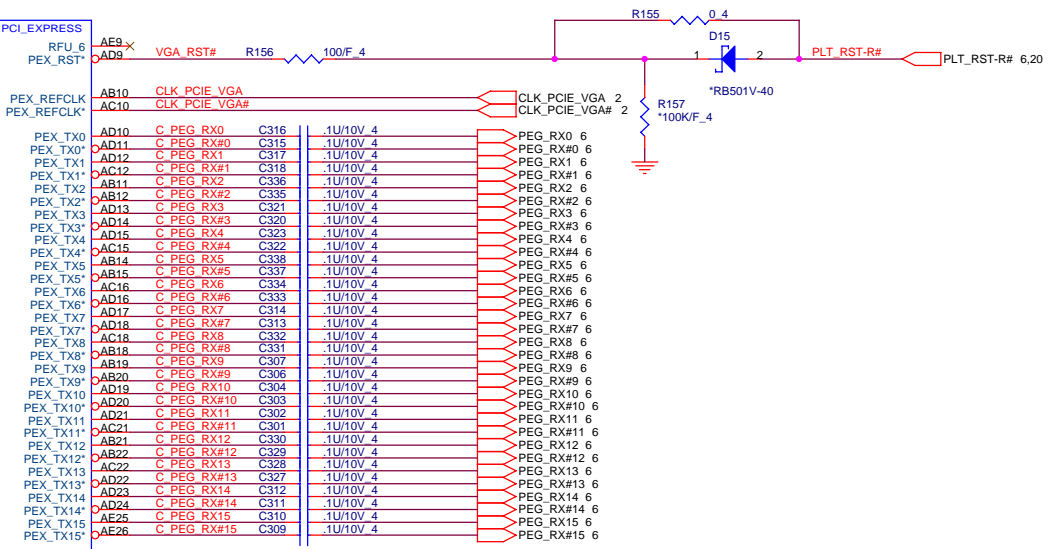
NB9M: VGACORE +0.95V ~ +1.09V



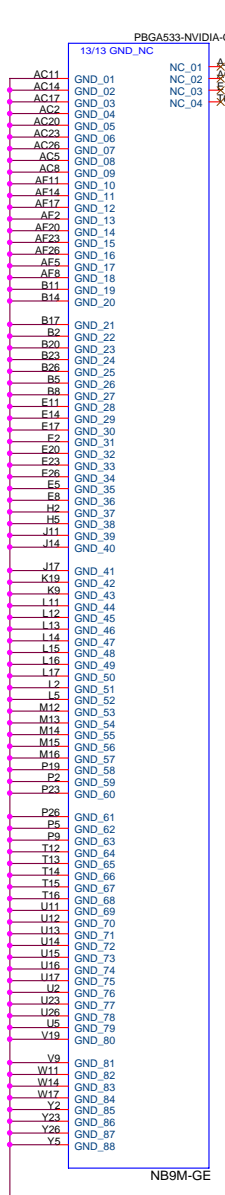
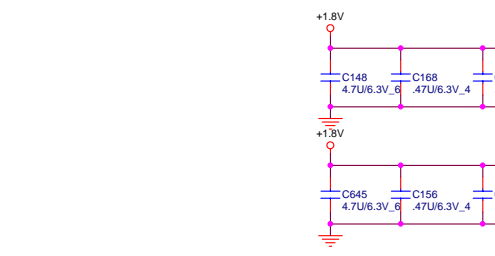
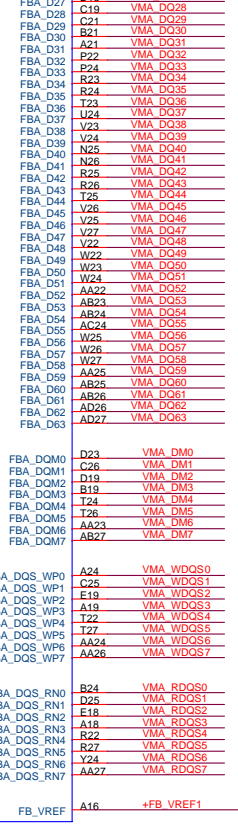
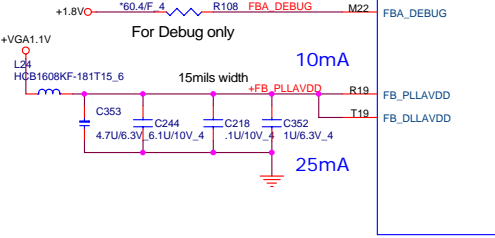
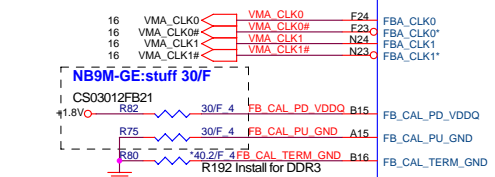
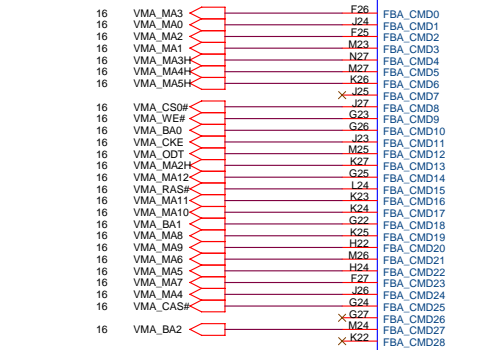
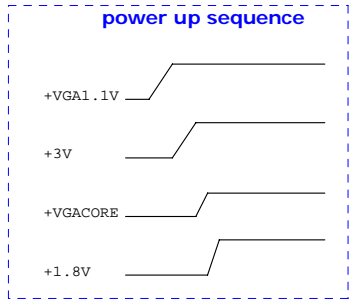
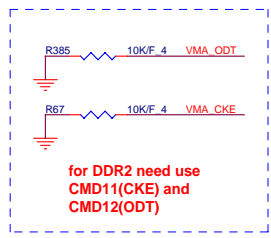
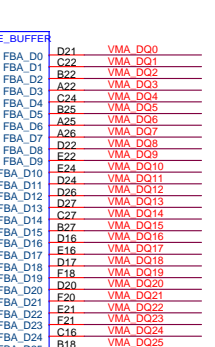
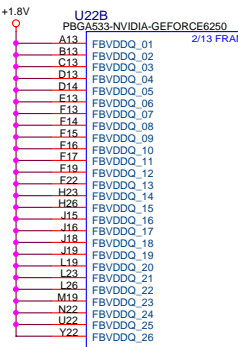
U22A
PBG533-NVIDIA-GEFORCE6250

1/13 PCI EXPRESS

AC9	PEX_IOVDD_01
AD7	PEX_IOVDD_02
AD8	PEX_IOVDD_03
AE7	PEX_IOVDD_04
AF7	PEX_IOVDD_05
AG7	PEX_IOVDD_06
AB13	PEX_IOVDDQ_01
AB16	PEX_IOVDDQ_02
AB17	PEX_IOVDDQ_03
AB7	PEX_IOVDDQ_04
AB8	PEX_IOVDDQ_05
AB9	PEX_IOVDDQ_06
AC13	PEX_IOVDDQ_07
AC7	PEX_IOVDDQ_08
AD6	PEX_IOVDDQ_09
AE6	PEX_IOVDDQ_10
AF6	PEX_IOVDDQ_11
AG6	PEX_IOVDDQ_12
J10	VDD_01
J12	VDD_02
J13	VDD_03
J9	VDD_04
L9	VDD_05
M11	VDD_06
M17	VDD_07
M9	VDD_08
N11	VDD_09
N12	VDD_10
N13	VDD_11
N14	VDD_12
N15	VDD_13
N16	VDD_14
N17	VDD_15
N19	VDD_16
N9	VDD_17
P11	VDD_18
P12	VDD_19
P13	VDD_20
P14	VDD_21
P15	VDD_22
P16	VDD_23
P17	VDD_24
R11	VDD_25
R12	VDD_26
R13	VDD_27
R14	VDD_28
R15	VDD_29
R16	VDD_30
R17	VDD_31
R9	VDD_32
T11	VDD_33
T17	VDD_34
T9	VDD_35
U19	VDD_36
U9	VDD_37
W10	VDD_38
W12	VDD_39
W13	VDD_40
W18	VDD_41
W19	VDD_42
W9	VDD_43
W15	VDD_SENSE
W16	GND_SENSE
A12	VDD33_01
B12	VDD33_02
C12	VDD33_03
D12	VDD33_04
E12	VDD33_05
F12	VDD33_06
AE9	PEX_PLLVDD
AE10	PEX_TSTCLK_OUT*
AE10	PEX_TSTCLK_OUT*
AG9	RFU_5
AG10	PEX_TERM



1.63A

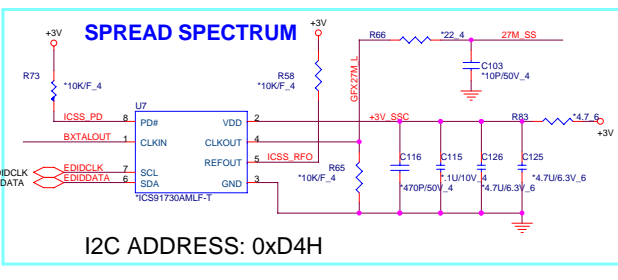
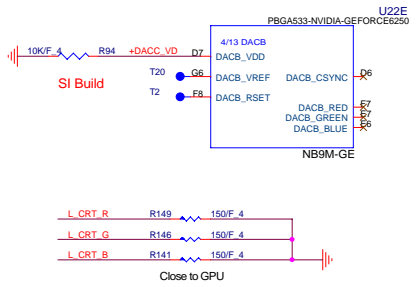
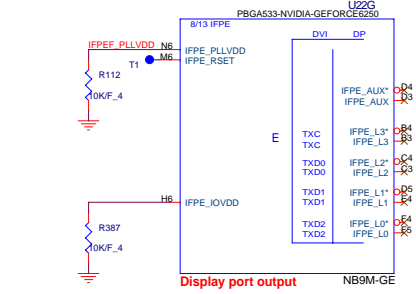
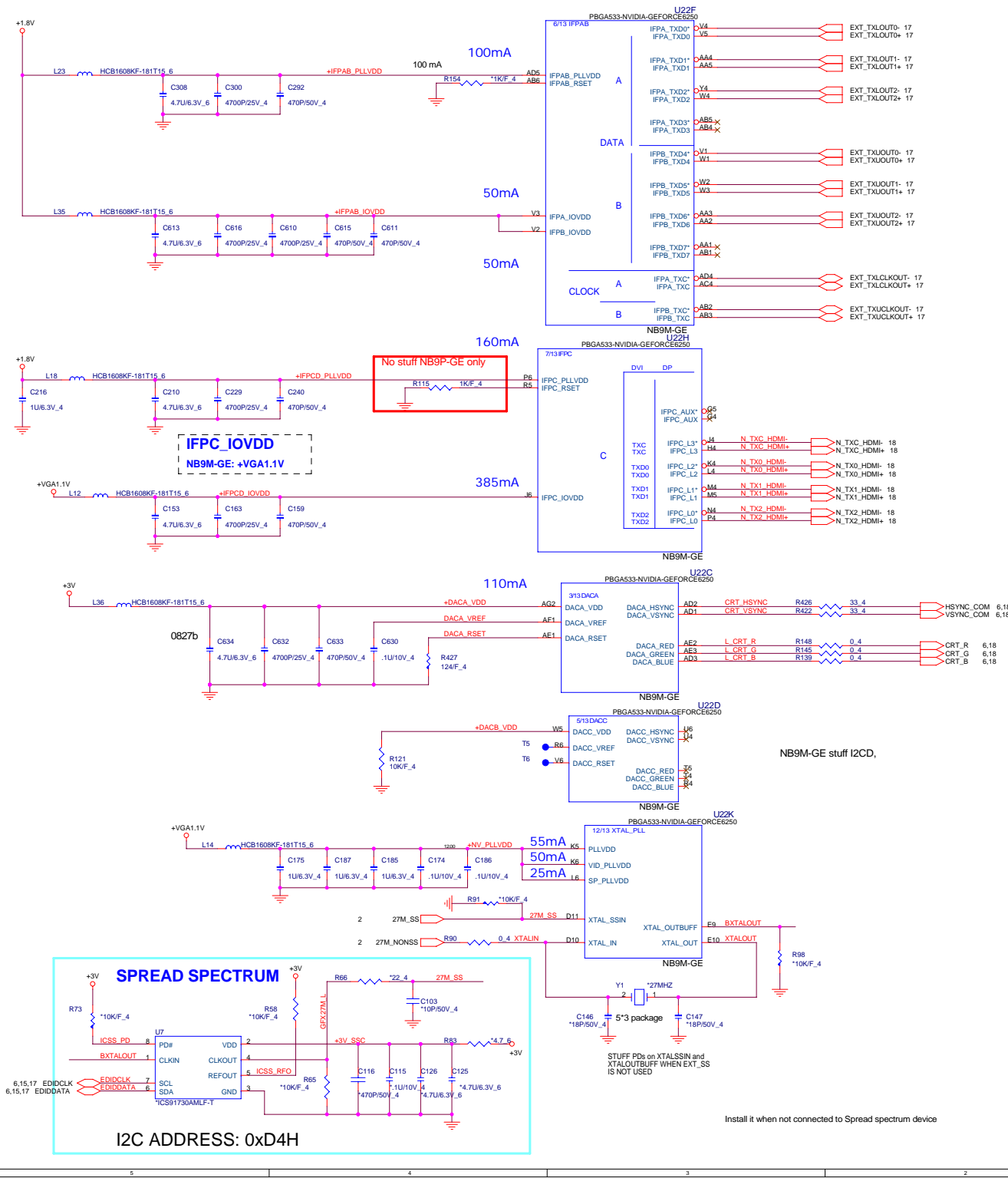


13

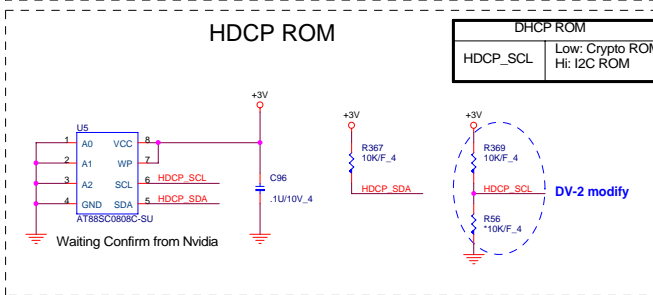
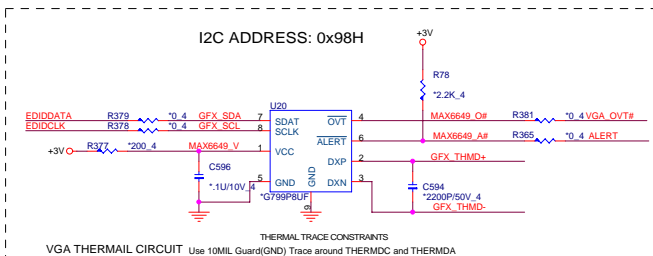
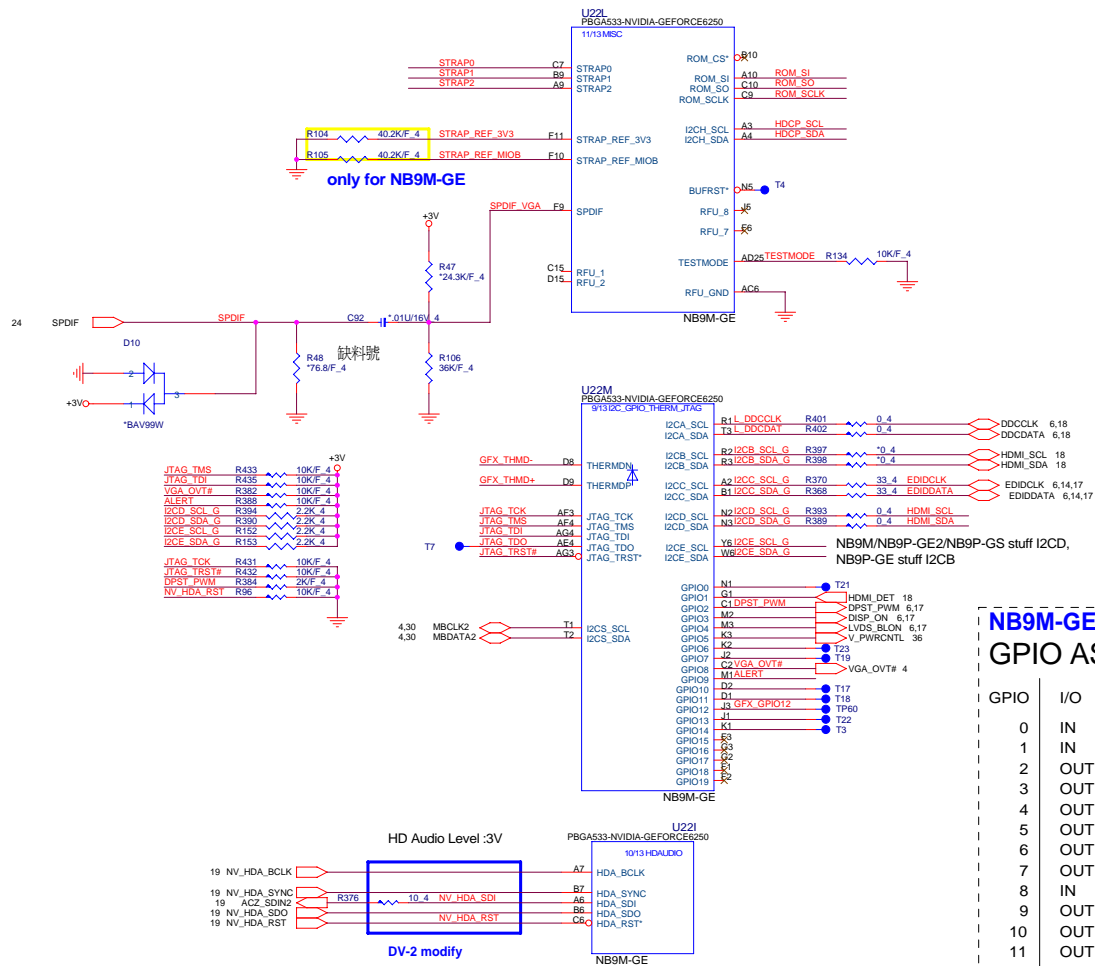


PROJECT : QL6
Quanta Computer Inc.

Size Custom	Document Number NV9X (MEMORY I/F) 2/5	Rev 2A
Date: Tuesday, February 26, 2008	Sheet 13 of 40	

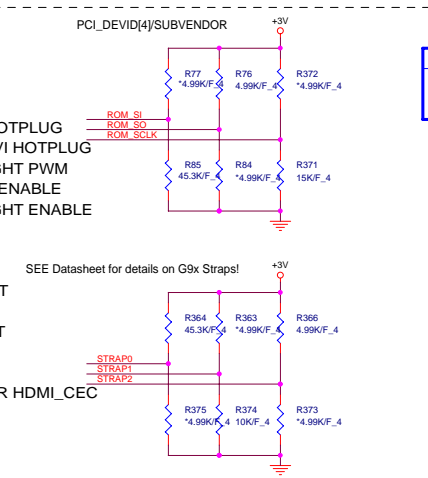


Install it when not connected to Spread spectrum device



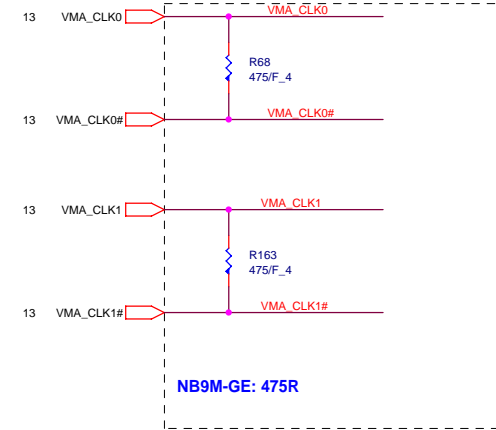
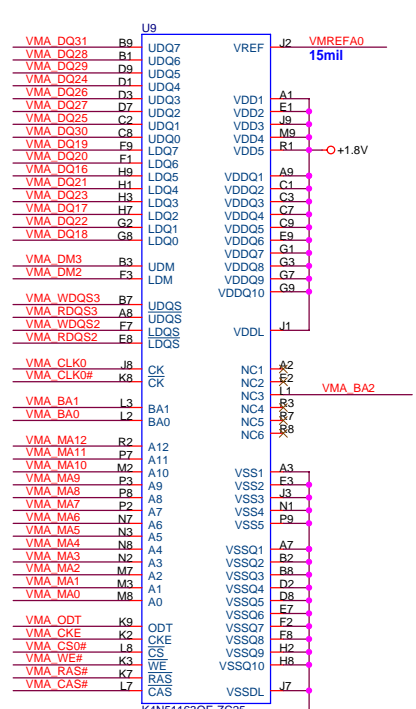
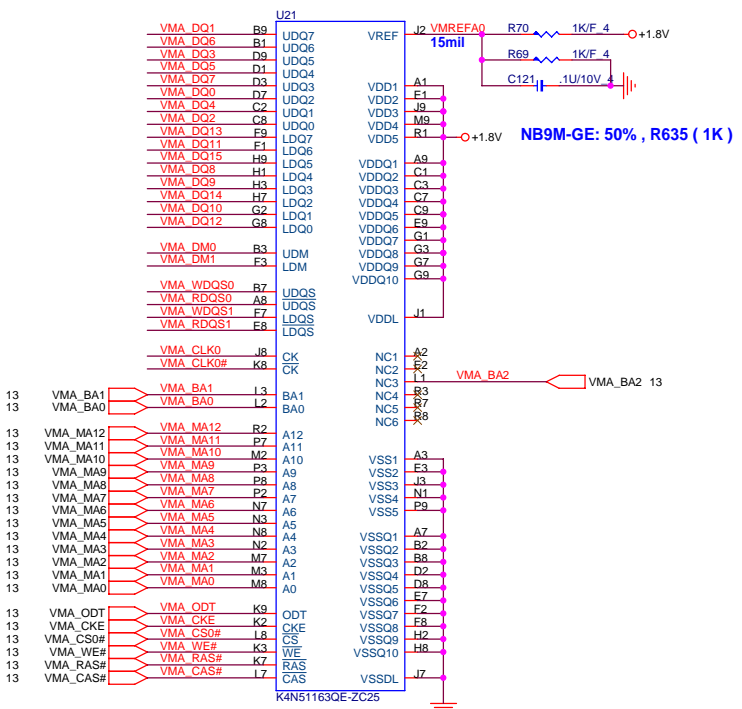
NB9M-GE (G98) Strapps
GPIO ASSIGNMENTS

GPIO	I/O	ACTIVE	USAGE
0	IN	N/A	PRIMARY DVI HOTPLUG
1	IN	N/A	SECONDARY DVI HOTPLUG
2	OUT	HIGH	PANEL BACKLIGHT PWM
3	OUT	HIGH	PANEL POWER ENABLE
4	OUT	HIGH	PANEL BACKLIGHT ENABLE
5	OUT	N/A	NV_VDD VID0
6	OUT	N/A	NV_VDD VID1
7	OUT	N/A	FB_VDD VID0
8	IN	LOW	THERMAL ALERT
9	OUT	LOW	FAN PWM
10	OUT	N/A	FBVREF SELECT
11	OUT	N/A	SLI SYNC0
12	IN	N/A	AC DETECT
13	OUT	LOW	PS CONTROL OR HDMI_CEC
14	OUT	HIGH	PS CONTROL

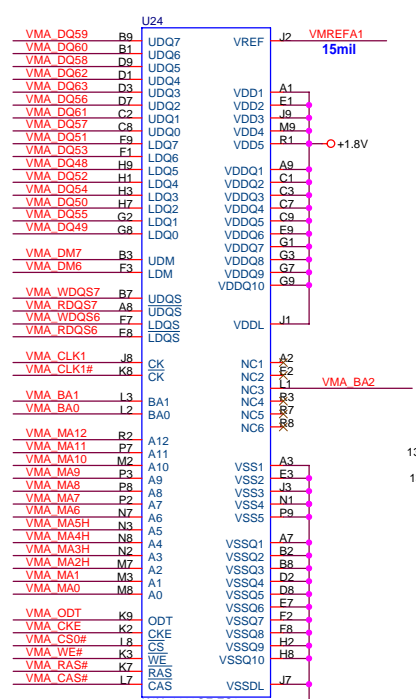
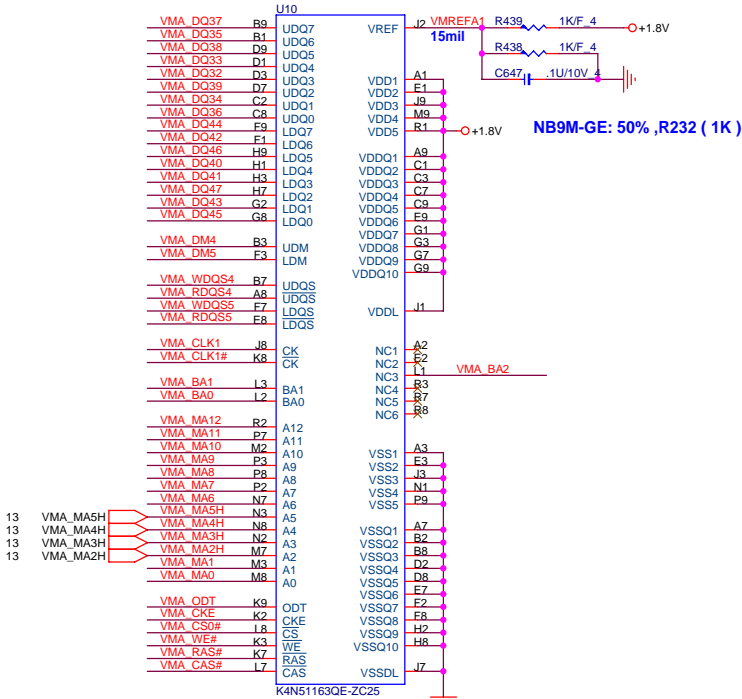
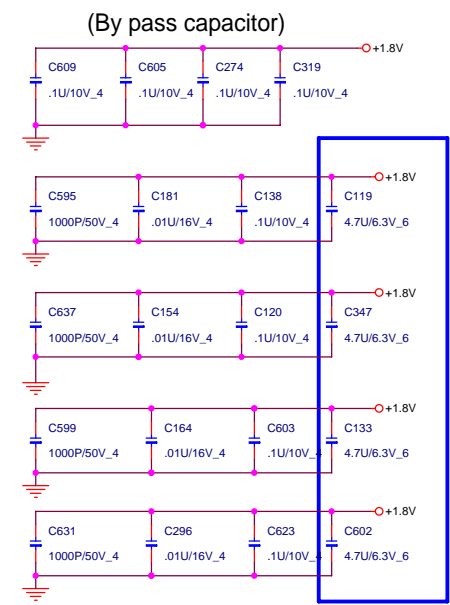


Logical Strap Bit Mapping

PU-VDD	PD
5K	1000 0000
10K	1001 0001
15K	1010 0010
20K	1011 0011
25K	1100 0100
30K	1101 0101
35K	1110 0110
45K	1111 0111



CS14752FB11 RES CHIP 475 1/16W +1% (0402)



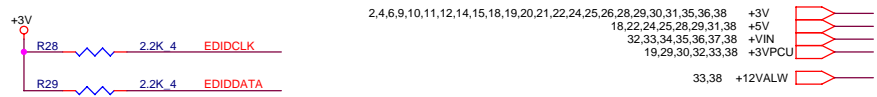
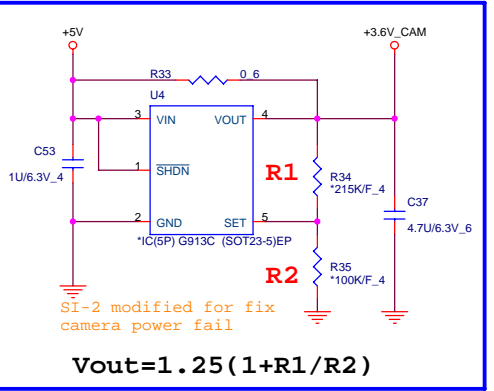
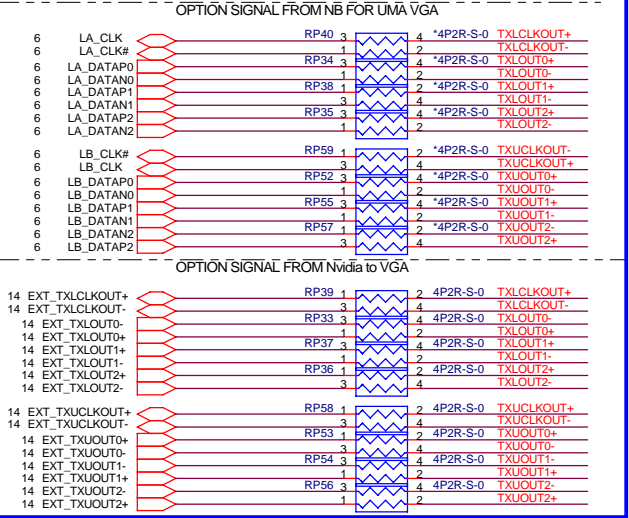
- 13 VMA_DQ[63..0]
 - 13 VMA_DM[7..0]
 - 13 VMA_WDQS[7..0]
 - 13 VMA_RDQS[7..0]
- NB9M : AKD5FG-TW31 (Hynix, 32M*16)
 AKD5FG-T*03 (Qimonda 32M*16)
 256Mb : AKD5JGAT*05
 512Mb : AKD59G-T*01

PROJECT : QL6
Quanta Computer Inc.

NB5

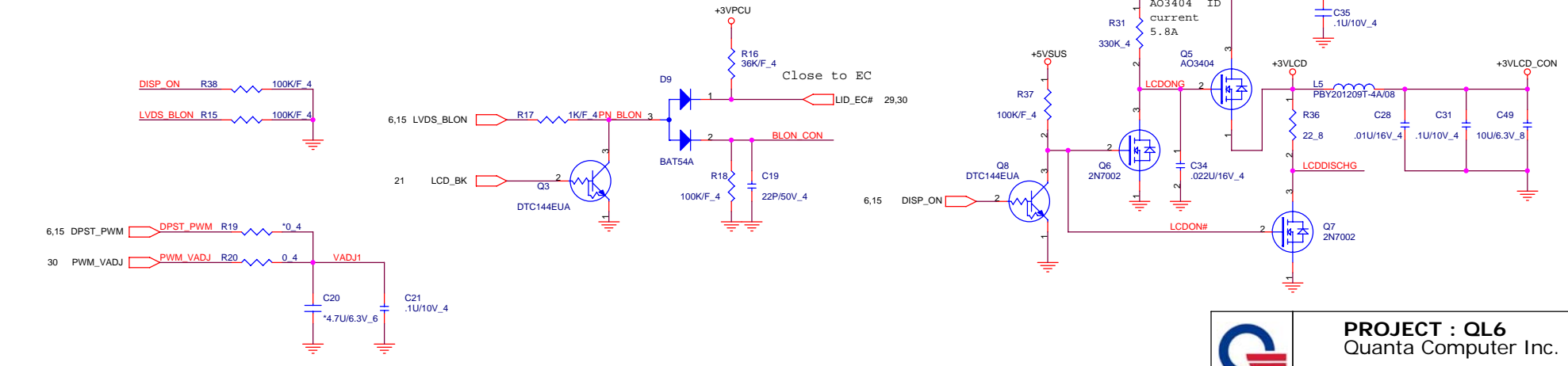
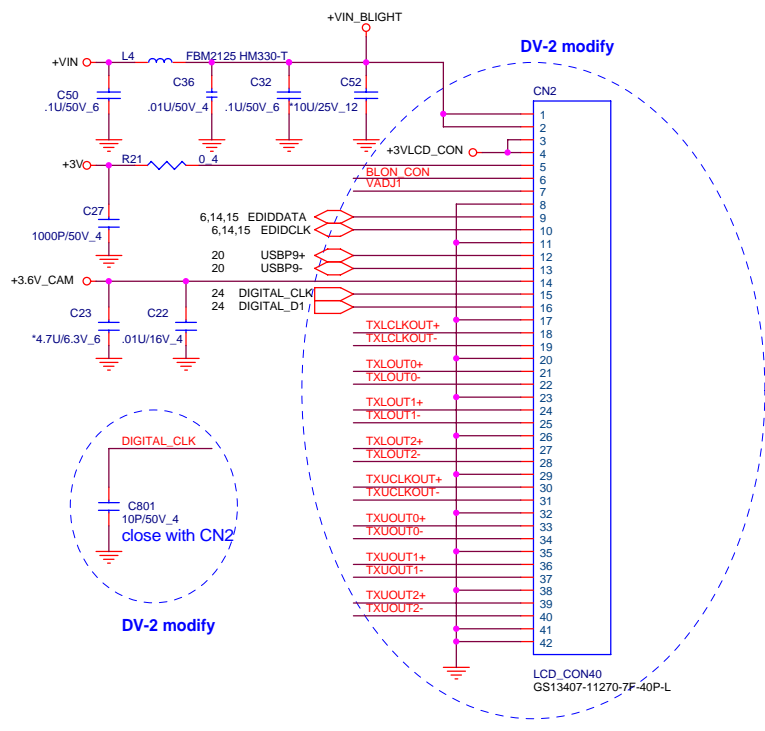
Size Custom	Document Number NV9X VRAM-1(GDDR2) 5/5	Rev 2A
Date: Tuesday, February 26, 2008		Sheet 16 of 40

1. If LCD connector near GPU, then place these series Resistors near GPU
2. If LCD connector near N/B, then place these series Resistors near N/B



17

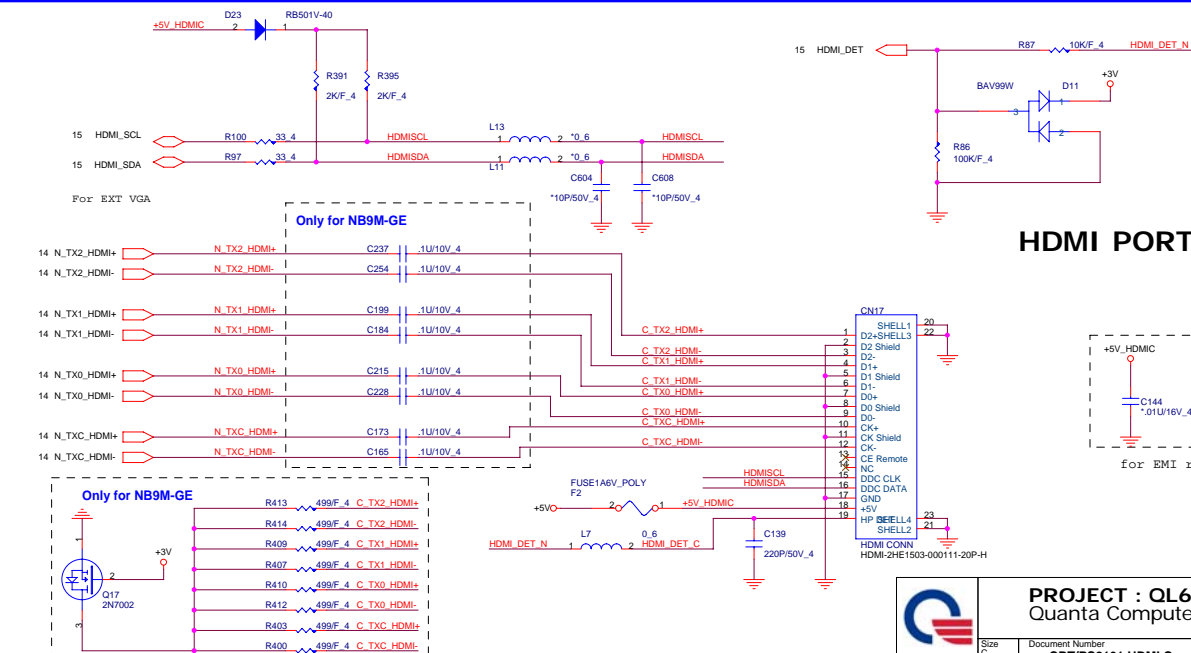
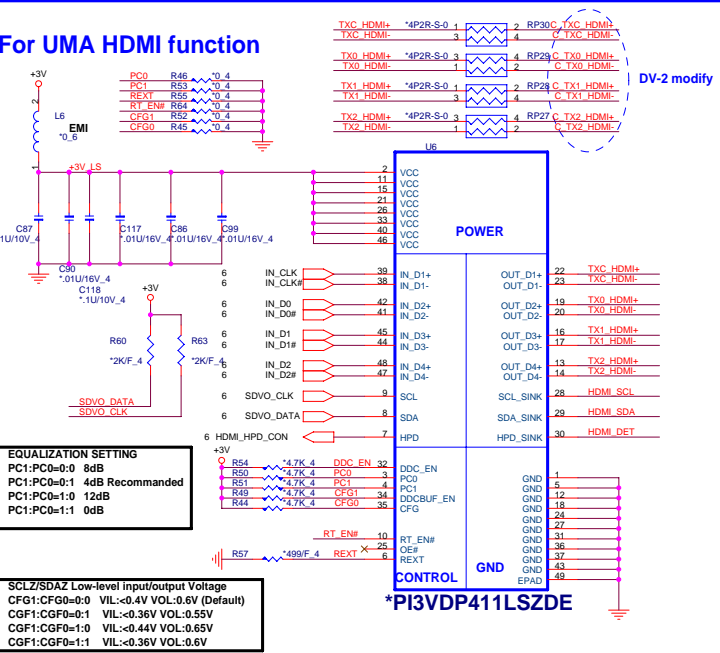
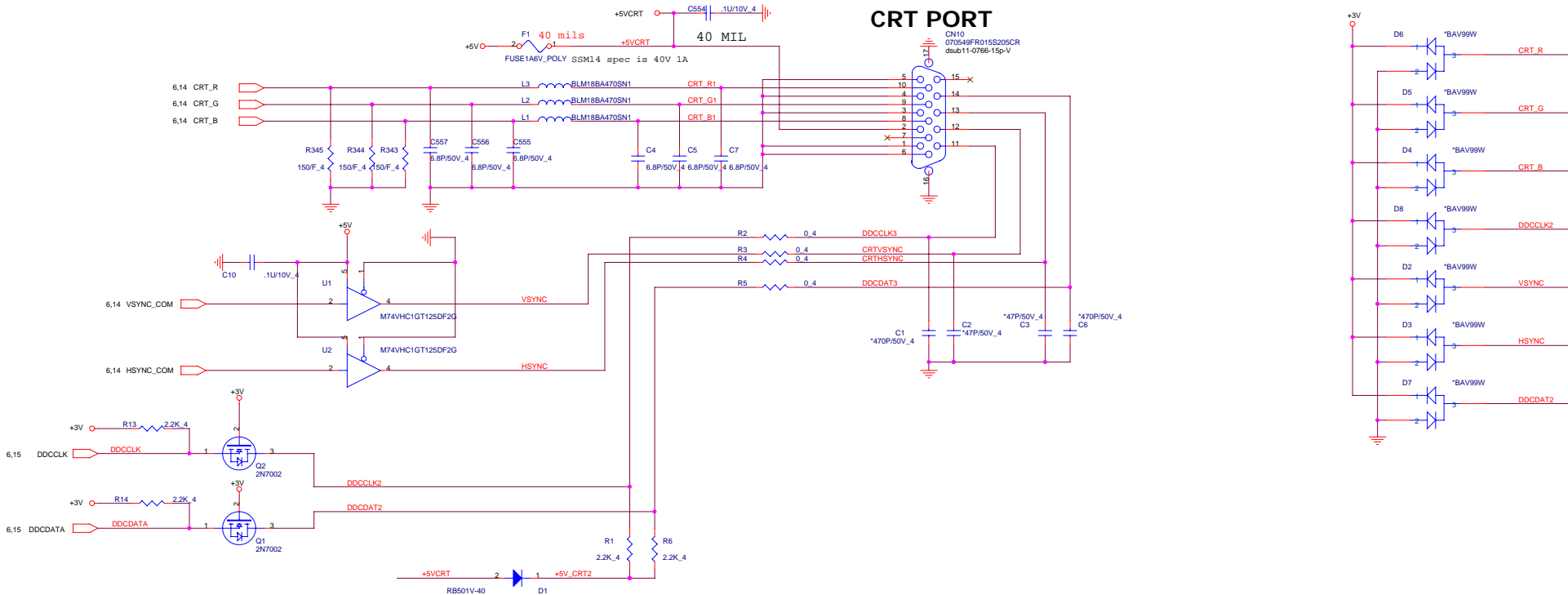
LCD / USB CAMERA / DIGITAL MIC CONNECTOR



PROJECT : QL6
Quanta Computer Inc.

NB5

Size Custom	Document Number LCD CONN(WC/MIC)/LID	Rev 2A
Date: Tuesday, February 26, 2008		Sheet 17 of 40

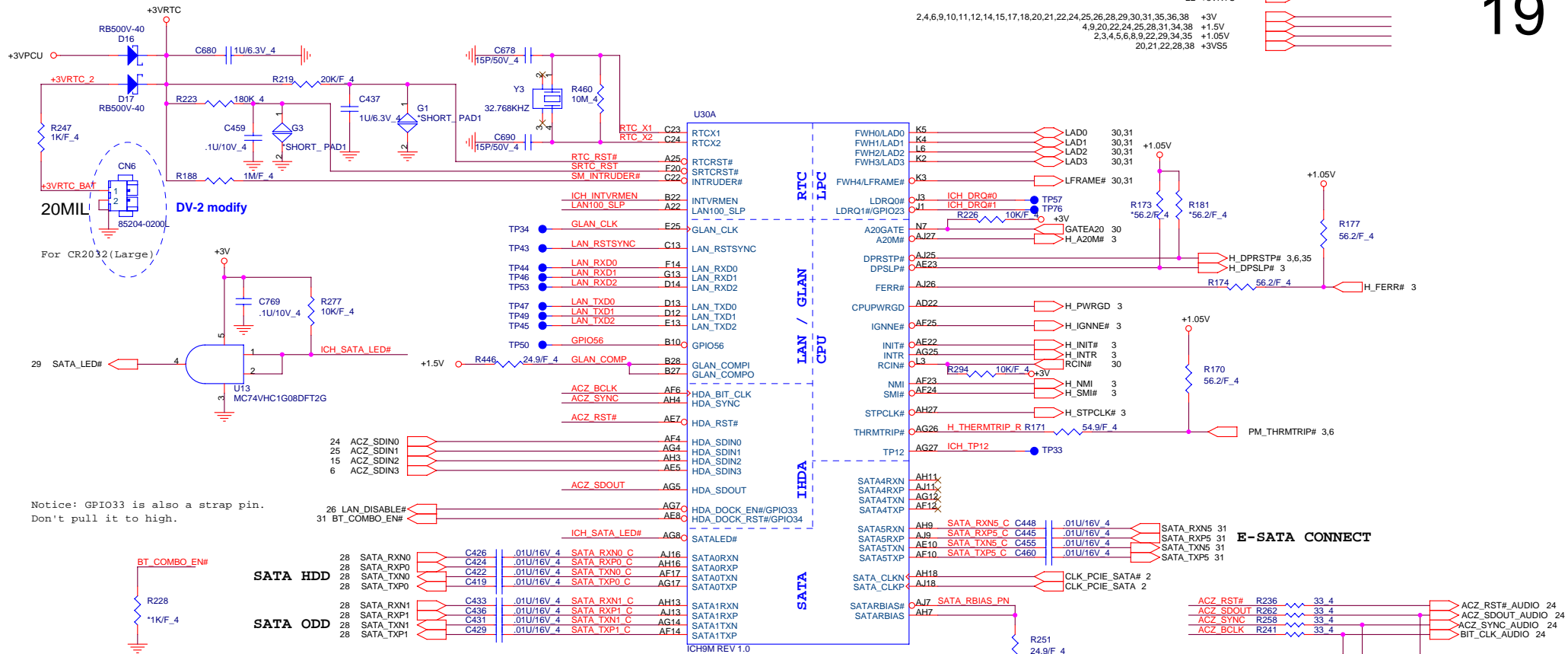


NB5

PROJECT : QL6
Quanta Computer Inc.

Size	Document Number	Rev
C	CRT/PS8101 HDMI Conn	2A

Date: Tuesday, February 26, 2008 Sheet 18 of 40

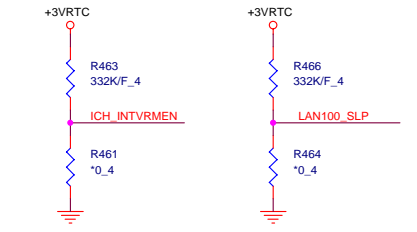


SB Strap

ICH9-M Internal VR Enable strap
 (Internal VR for Vccsus1_05, Vccsus1_5 and VccCL1_5)

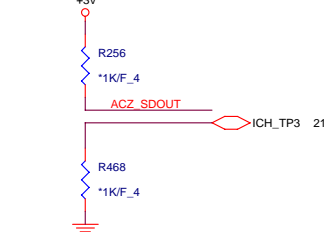
ICH9-M LAN100_SLP Strap
 (Internal VR for VccLAN1_05 and VccCL1_05)

INTVRMEN	Low = Internal VR disable High = Internal VR enable(Default)	LAN100_SLP	Low = Internal VR disable High = Internal VR enable(Default)
----------	---	------------	---



XOR Chain Entrance Strap

ICH_TP3	HDA_SDOUT	Description
0	0	RSVD
0	1	Enter XOR Chain
1	0	Normal operation(Default)
1	1	Set PCIe port config bit 1



ICH9 Boot BIOS select

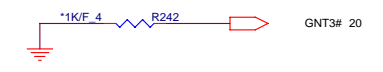
STRAP	PCI_GNT0#	SPI_CS#1
SPI	0	1
PCI	1	0
LPC	1	1

(default)

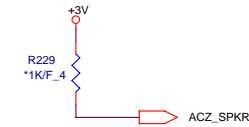


A16 swap override strap

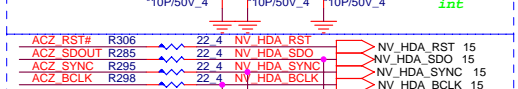
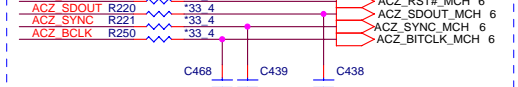
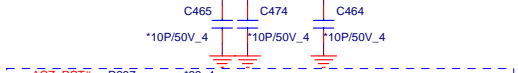
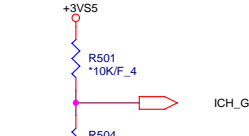
PCI_GNT#3	Low = A16 swap override enabled Hi = Default
-----------	---



ACZ_SPKR	Low: Default Hi: No reboot
----------	-------------------------------



ICH_GPIO57	Low: Default
------------	--------------



PROJECT : QL6

Quanta Computer Inc.

Size Custom	Document Number	Rev 2A
ICH9-M Host 1/4		
Date: Tuesday, February 26, 2008	Sheet 19 of 40	

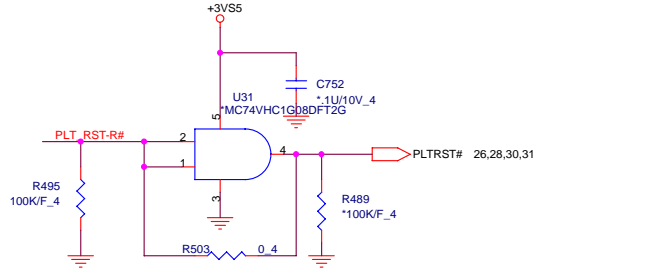
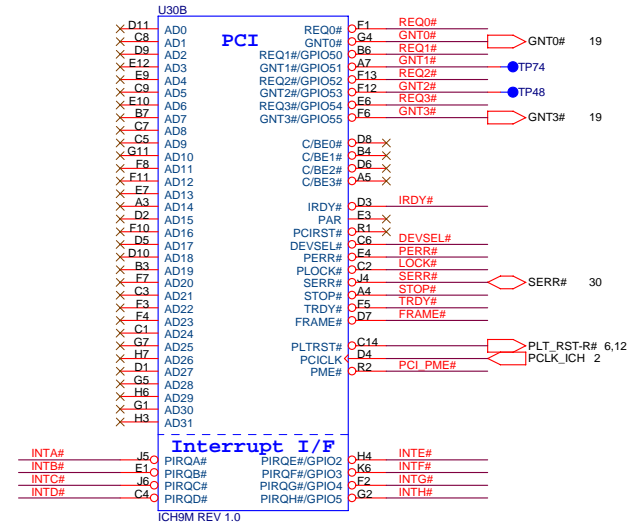
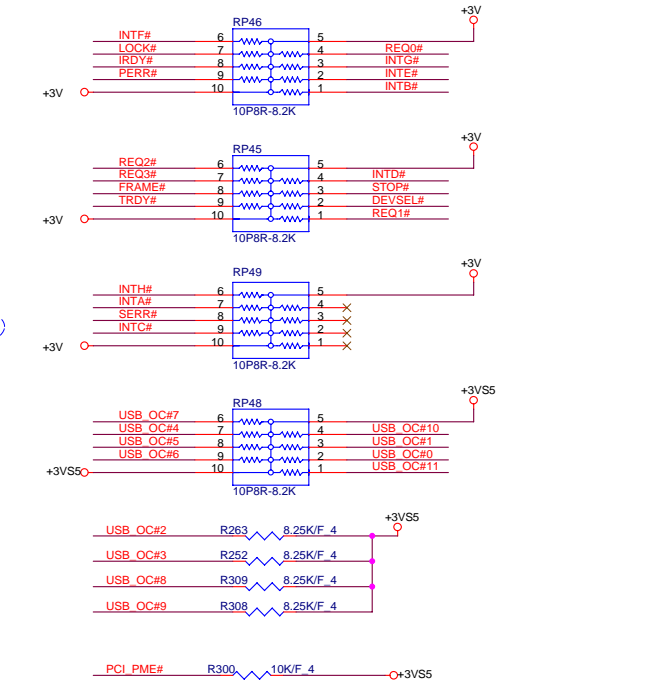
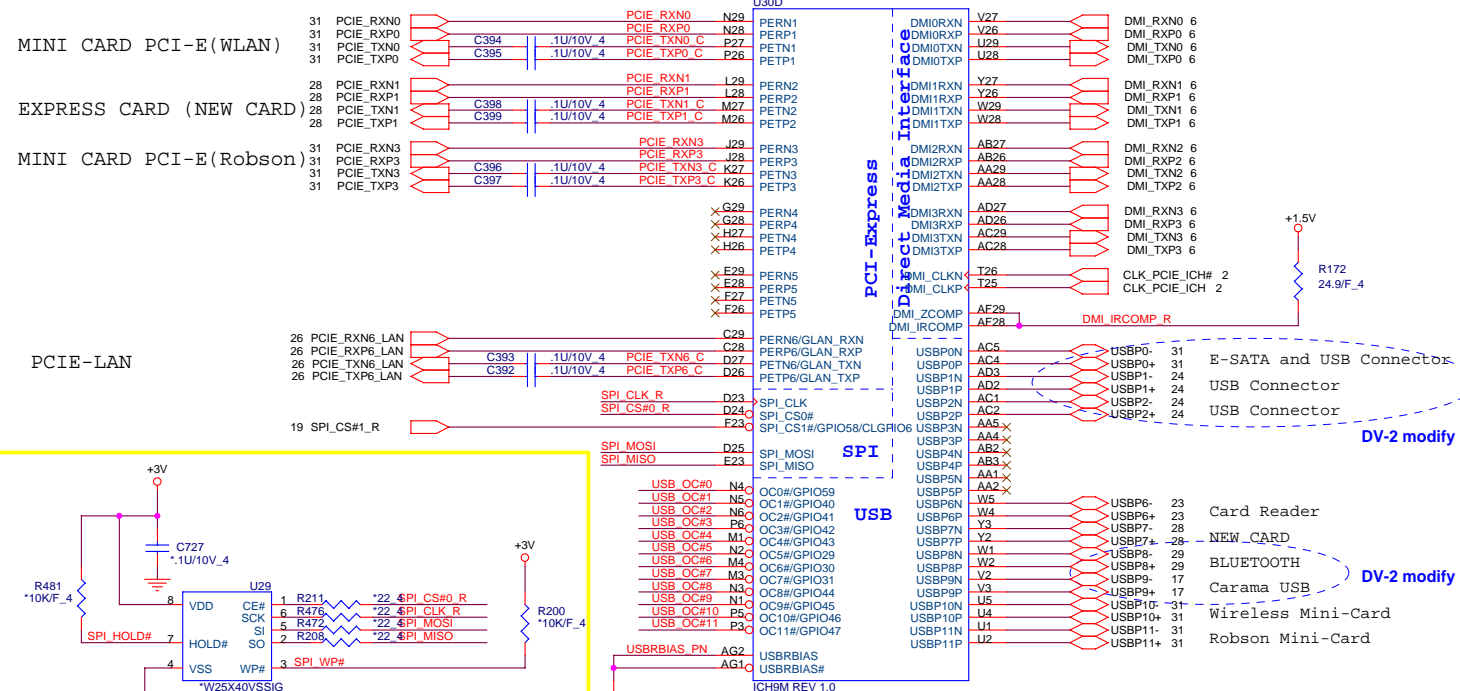
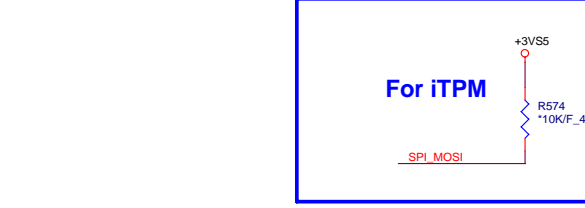
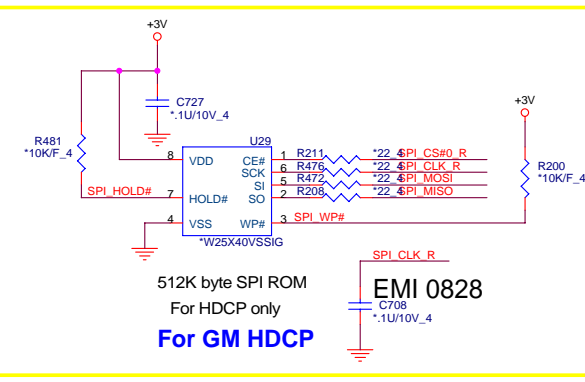


MINI CARD PCI-E(WLAN)

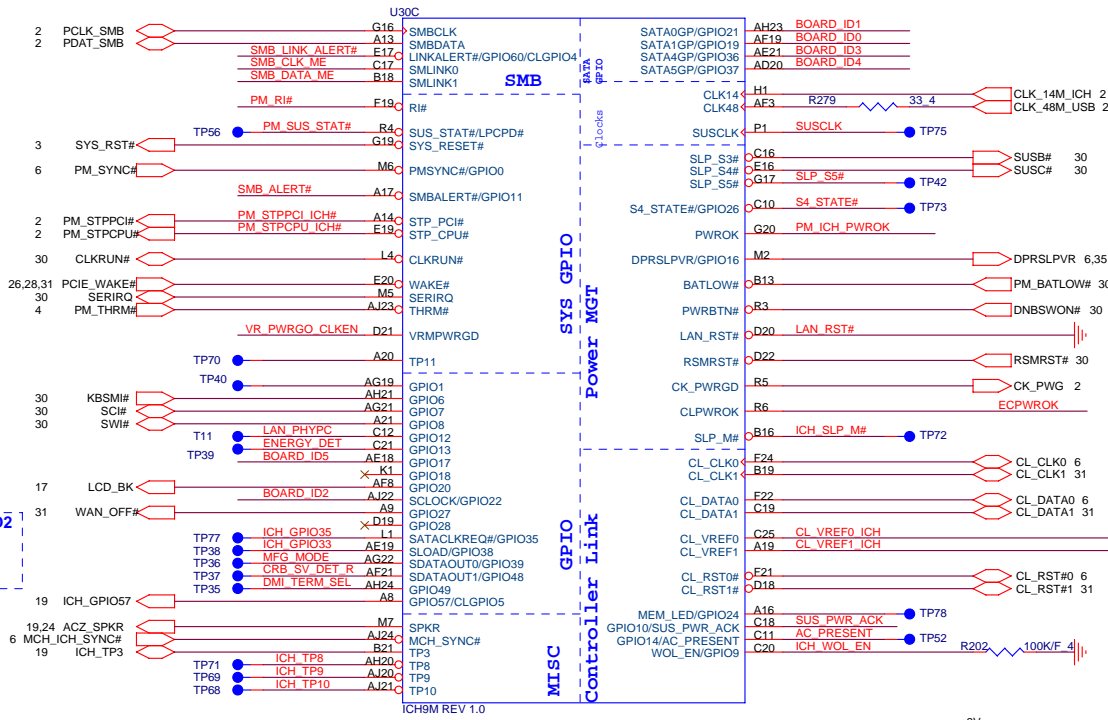
EXPRESS CARD (NEW CARD)

MINI CARD PCI-E(Robson)

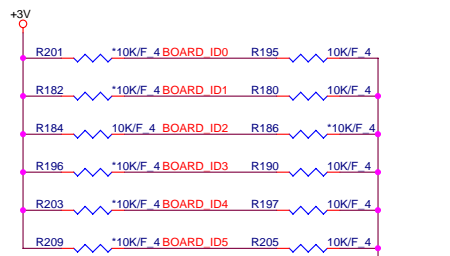
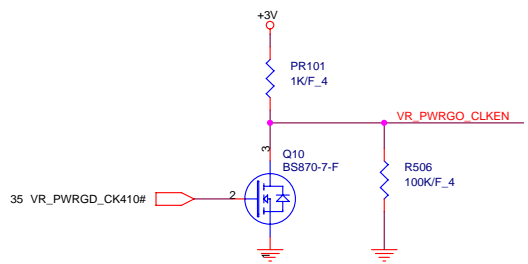
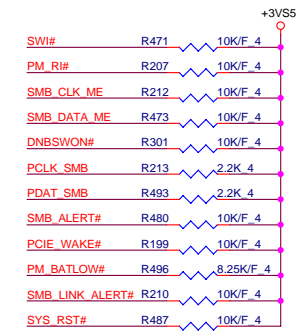
PCI-E-LAN



4,9,19,20,22,24,25,28,31,34,38 +1.5V
 2,4,6,9,10,11,12,14,15,17,18,19,20,22,24,25,26,28,29,30,31,35,36,38 +3V
 19,20,22,28,38 +3VS5
 23,29,31,34,35,36,38 +3VSUS

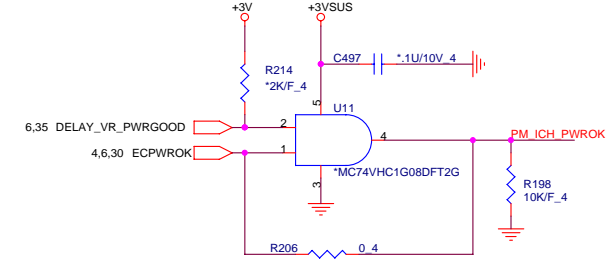
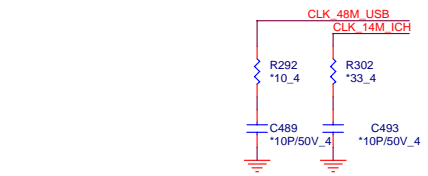
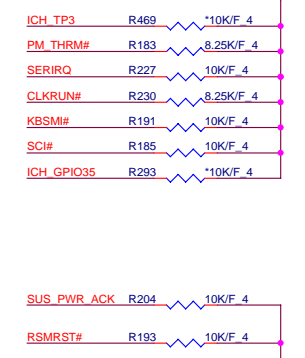


BIOS_REC:BOARD_ID2
 Default is PH
 For Bios recovery PD



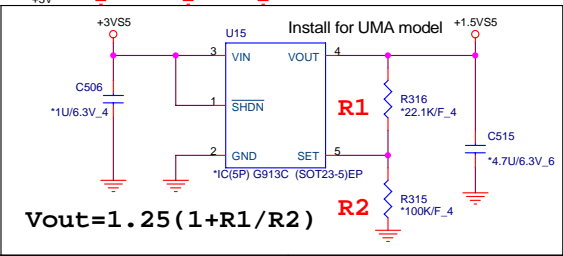
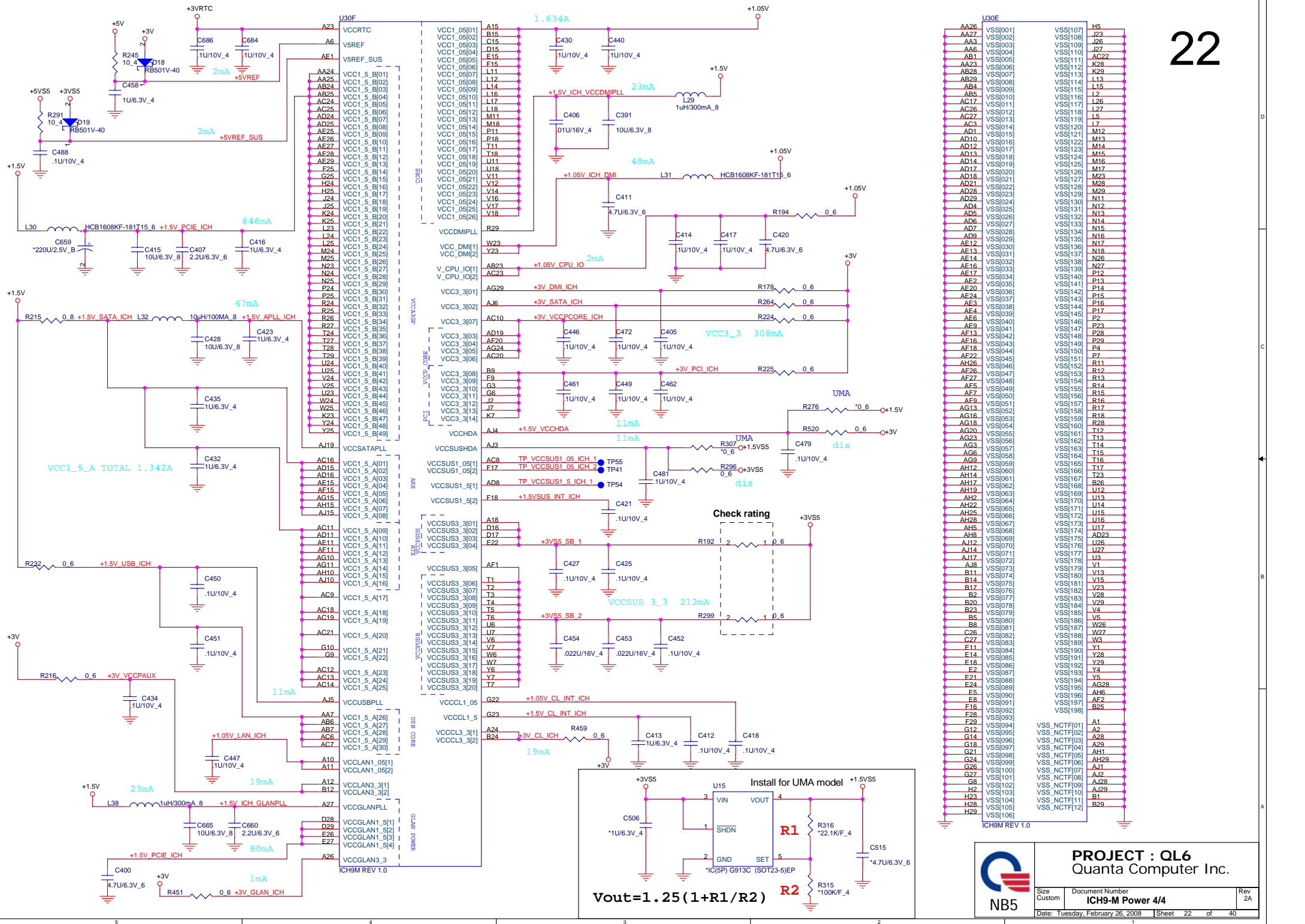
Board ID 4/5 pull low

Model	Board ID 3	Board ID 2	Board ID 1	Board ID 0
QL8/GM	0	0	0	0
QL8/9M	0	0	0	1
QL8/9P	0	0	1	0
QL6/GM	0	0	1	1
QL6/9M	0	1	0	0
TW8/GM	0	1	0	1
TW8/9M	0	1	1	0
TW8/9P	0	1	1	1
SW8/GM	1	0	0	0
SW8/9M	1	0	0	1
DW8/GM	1	0	1	0



PROJECT : QL6
 Quanta Computer Inc.

Size Custom	Document Number	Rev 2A
ICH9-M GPIO 3/4		
Date: Tuesday, February 26, 2008	Sheet 21 of 40	

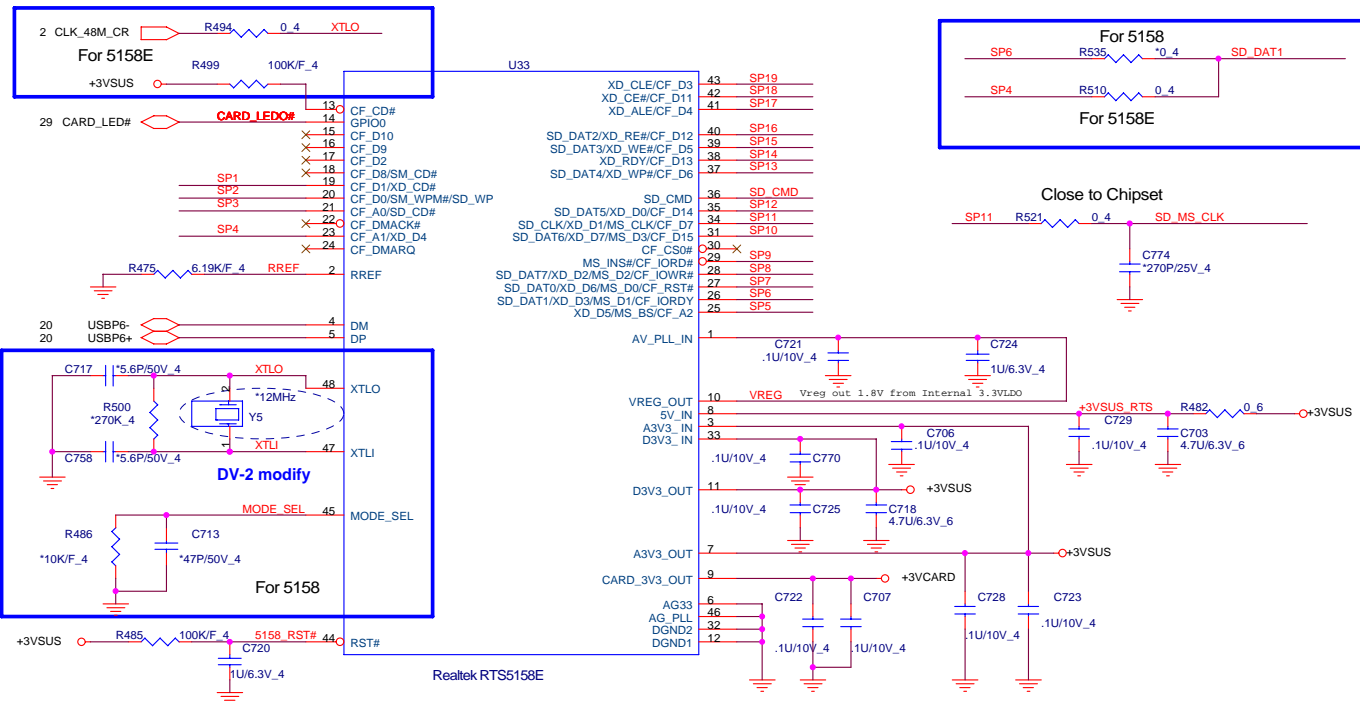


AA26	VSS[001]	H5
AA27	VSS[002]	J23
AA3	VSS[003]	J26
AA6	VSS[004]	J27
AB1	VSS[005]	K28
AA23	VSS[006]	K29
AB28	VSS[007]	L2
AB29	VSS[008]	L26
AB4	VSS[009]	L27
AB5	VSS[010]	L7
AC17	VSS[011]	M12
AC26	VSS[012]	M13
AC27	VSS[013]	M14
AC3	VSS[014]	M15
AD1	VSS[015]	M16
AD10	VSS[016]	M17
AD12	VSS[017]	M18
AD13	VSS[018]	M19
AD14	VSS[019]	M20
AD17	VSS[020]	M21
AD18	VSS[021]	M22
AD21	VSS[022]	M23
AD28	VSS[023]	M24
AD29	VSS[024]	M25
AD4	VSS[025]	M26
AD5	VSS[026]	M27
AD6	VSS[027]	M28
AD7	VSS[028]	M29
AE12	VSS[029]	M30
AE13	VSS[030]	M31
AE14	VSS[031]	M32
AE16	VSS[032]	M33
AE17	VSS[033]	M34
AE18	VSS[034]	M35
AE2	VSS[035]	M36
AE20	VSS[036]	M37
AE24	VSS[037]	M38
AE3	VSS[038]	M39
AE4	VSS[039]	M40
AE6	VSS[040]	M41
AE9	VSS[041]	M42
AF13	VSS[042]	M43
AF16	VSS[043]	M44
AF18	VSS[044]	M45
AF22	VSS[045]	M46
AH26	VSS[046]	M47
AF27	VSS[047]	M48
AF5	VSS[048]	M49
AF7	VSS[049]	M50
AG16	VSS[050]	M51
AG13	VSS[051]	M52
AG16	VSS[052]	M53
AG18	VSS[053]	M54
AG18	VSS[054]	M55
AG20	VSS[055]	M56
AG3	VSS[056]	M57
AG6	VSS[057]	M58
AG9	VSS[058]	M59
AH12	VSS[059]	M60
AH17	VSS[060]	M61
AH19	VSS[061]	M62
AH2	VSS[062]	M63
AH22	VSS[063]	M64
AH25	VSS[064]	M65
AH28	VSS[065]	M66
AH5	VSS[066]	M67
AH8	VSS[067]	M68
AH9	VSS[068]	M69
AJ12	VSS[069]	M70
AJ14	VSS[070]	M71
AJ17	VSS[071]	M72
AJ8	VSS[072]	M73
B1	VSS[073]	M74
B14	VSS[074]	M75
B17	VSS[075]	M76
B2	VSS[076]	M77
B2	VSS[077]	M78
B20	VSS[078]	M79
B23	VSS[079]	M80
B5	VSS[080]	M81
B8	VSS[081]	M82
C26	VSS[082]	M83
C27	VSS[083]	M84
E11	VSS[084]	M85
E14	VSS[085]	M86
E18	VSS[086]	M87
E5	VSS[087]	M88
E24	VSS[088]	M89
E5	VSS[089]	M90
E8	VSS[090]	M91
F16	VSS[091]	M92
F28	VSS[092]	M93
F29	VSS[093]	M94
G12	VSS[094]	M95
G14	VSS[095]	M96
G18	VSS[096]	M97
G21	VSS[097]	M98
G24	VSS[098]	M99
G26	VSS[099]	M100
G27	VSS[100]	M101
G8	VSS[101]	M102
H2	VSS[102]	M103
H23	VSS[103]	M104
H29	VSS[104]	M105
H29	VSS[105]	M106
H29	VSS[106]	M107

PROJECT : QL6
Quanta Computer Inc.

NB5

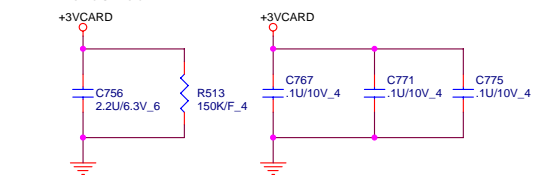
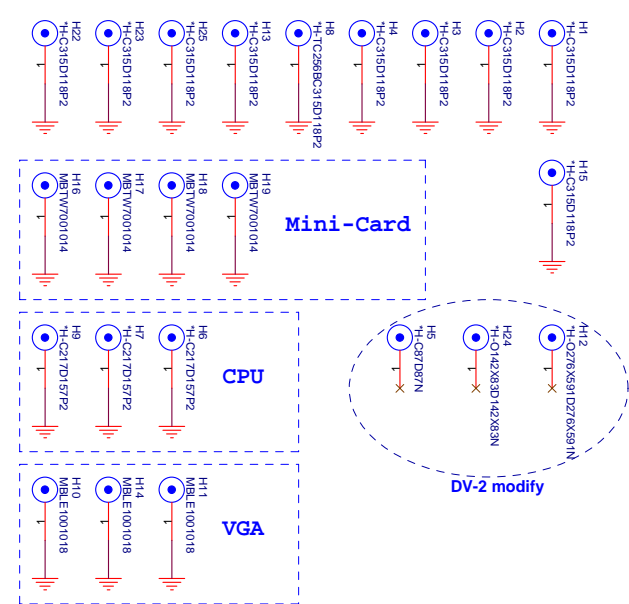
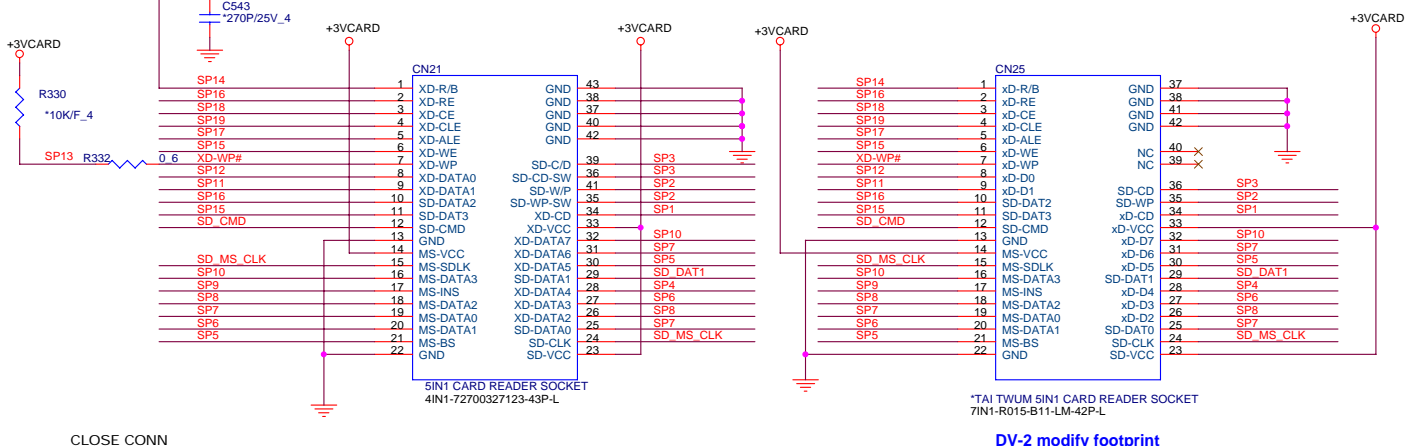
Size Custom	Document Number ICH9-M Power 4/4	Rev 2A
Date: Tuesday, February 26, 2008 Sheet 22 of 40		



Note:

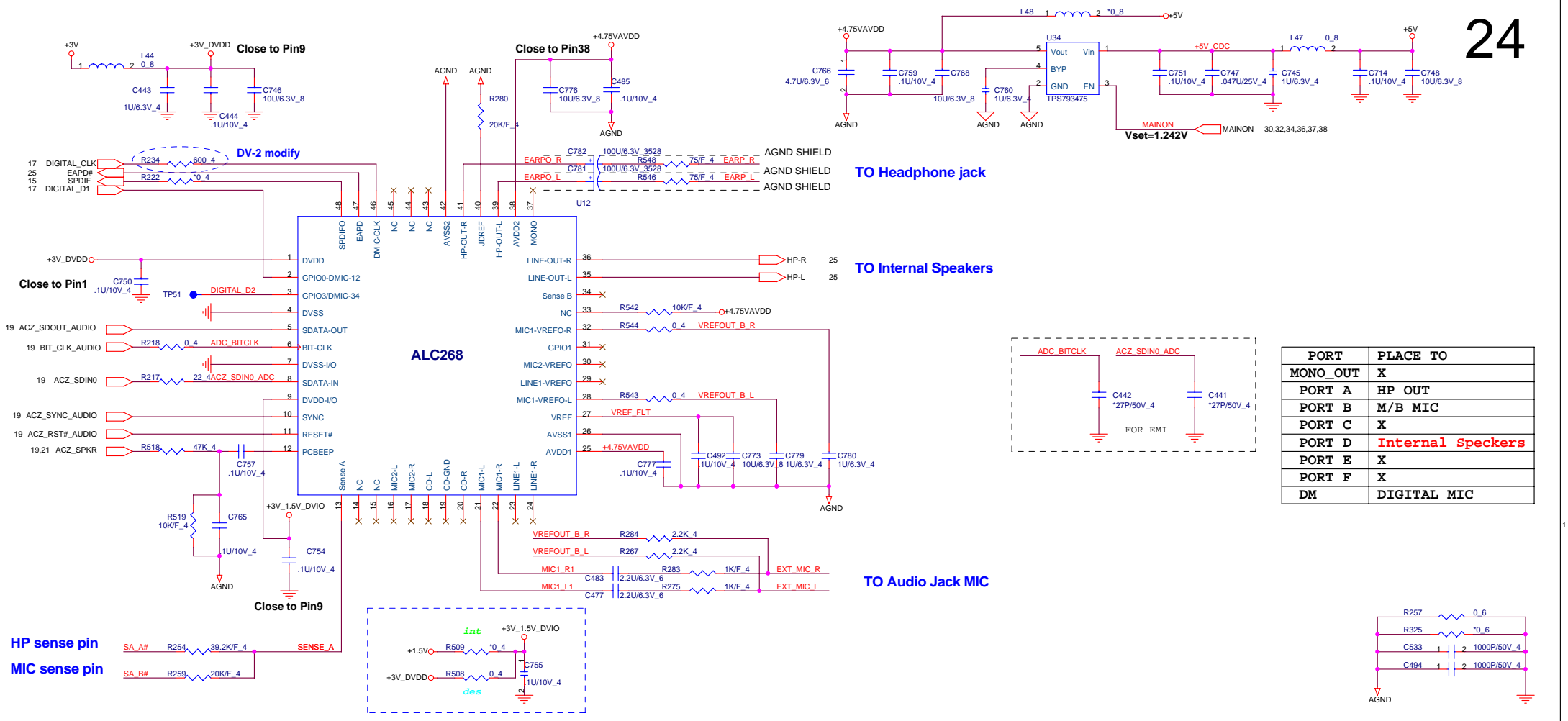
SD/MMC	MS	XD
SP0		XD CD#
SP1	SD WP	XD CD#
SP2	SD CD#	
SP3	SD DAT1	XD D4
SP4	SD DAT1	XD D5
SP5	SD DAT1	MS D1
SP6	SD DAT1	MS D1
SP7	SD DAT0	MS D0
SP8	SD DAT7	MS D2
SP9	MS INS#	
SP10	SD DAT6	MS D3
SP11	SD CLK	MS SCLK
SP12	SD DAT5	XD D0
SP13	SD DAT4	XD WP#
SP14		XD R/#
SP15	SD DAT3	XD WE#
SP16	SD DAT2	XD RE#
SP17		XD ALE
SP18		XD CE#
SP19		XD CLE

5 IN1 CARD READER
XD, MMC/SD, MS/MSP



PROJECT : QL6
Quanta Computer Inc.

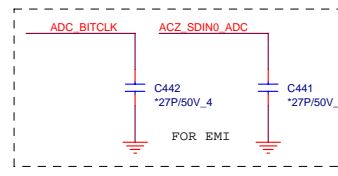
Size Custom	Document Number RTSS158 & CR SOCKET & HOLE	Rev 2A
Date: Tuesday, February 26, 2008 Sheet 23 of 40		



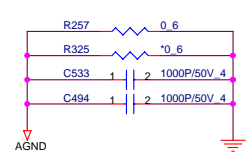
TO Headphone jack

TO Internal Speakers

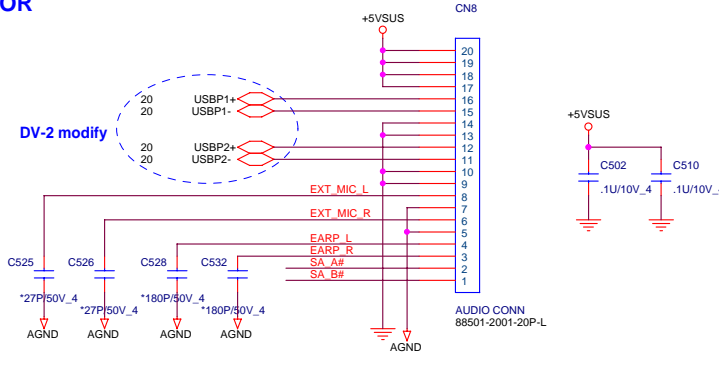
TO Audio Jack MIC



PORT	PLACE TO
MONO_OUT	X
PORT A	HP OUT
PORT B	M/B MIC
PORT C	X
PORT D	Internal Speakers
PORT E	X
PORT F	X
DM	DIGITAL MIC



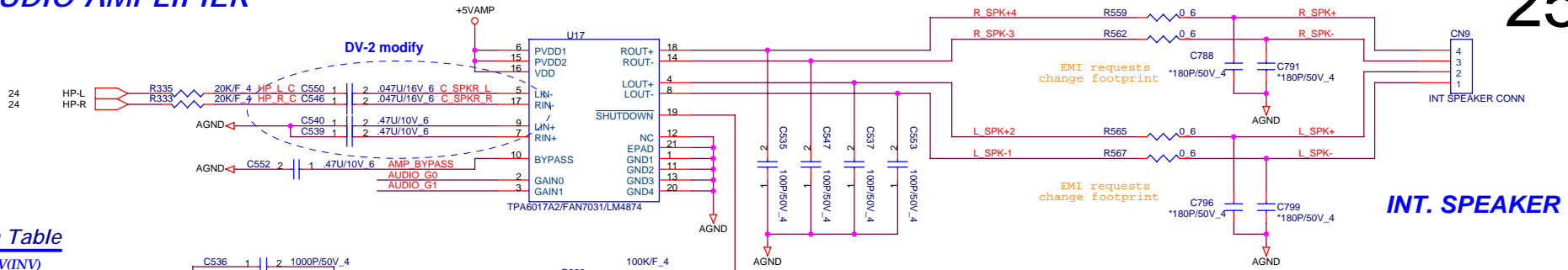
AUDIO/USB BOARD CONNECTOR



PROJECT : QL6
Quanta Computer Inc.

Size Custom	Document Number	Rev 2A
	Azalia IDT92HD71B7	
Date: Tuesday, February 26, 2008	Sheet 24	of 40

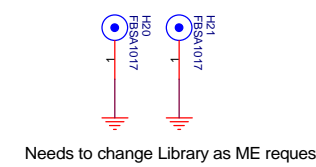
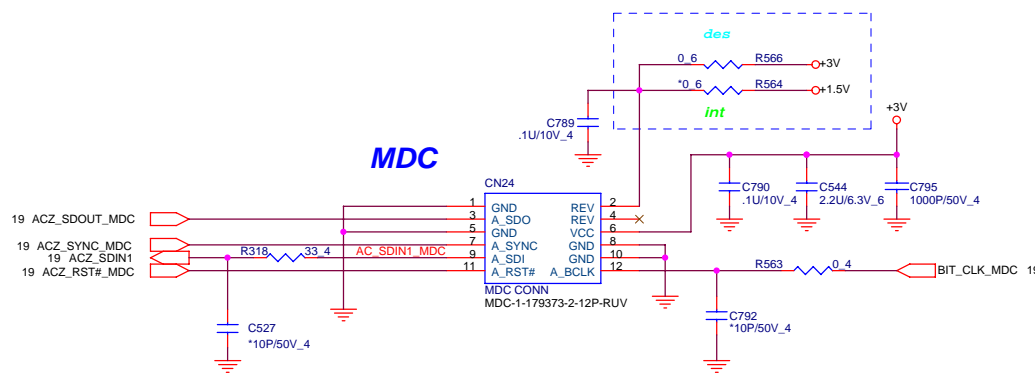
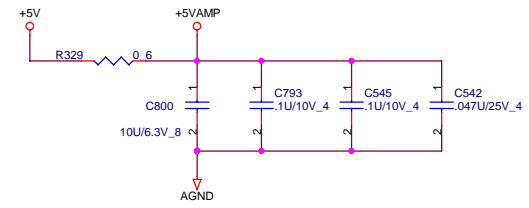
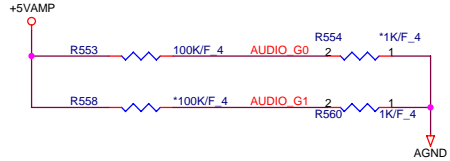
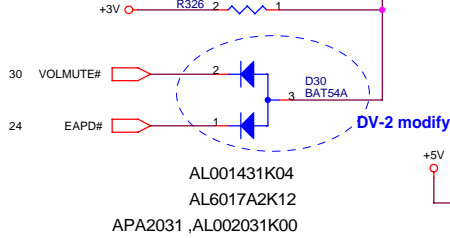
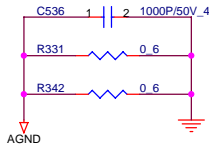
AUDIO AMPLIFIER



6017A2 Gain Table

GAIN0 GAIN1 AV(INV)

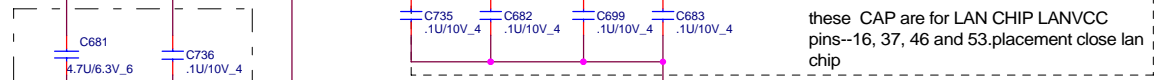
0	0	6dB
0	1	10dB
1	0	15.6dB
1	1	21.6dB



- T : Stuffed for RTL8111C(10/100/1000)
- E : Stuffed for 8102E(10/100)
- other

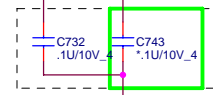
LANVCC
1.2W
364mA

Power trace Layout 寬度> 30mil



these CAP are for LAN CHIP LANVCC pins--16, 37, 46 and 53.placement close lan chip

+3V_A_LAN



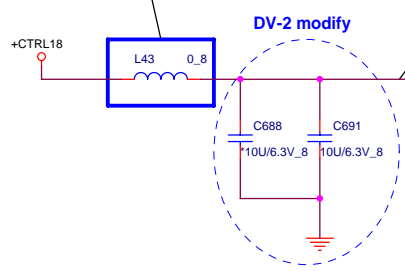
these CAP are for LAN CHIP LAN_A3.3 pins-- 2 and 59.placement close lan chip

placement close to lan chipset

8111C CV-4706MN00
8102E CS00004JA40

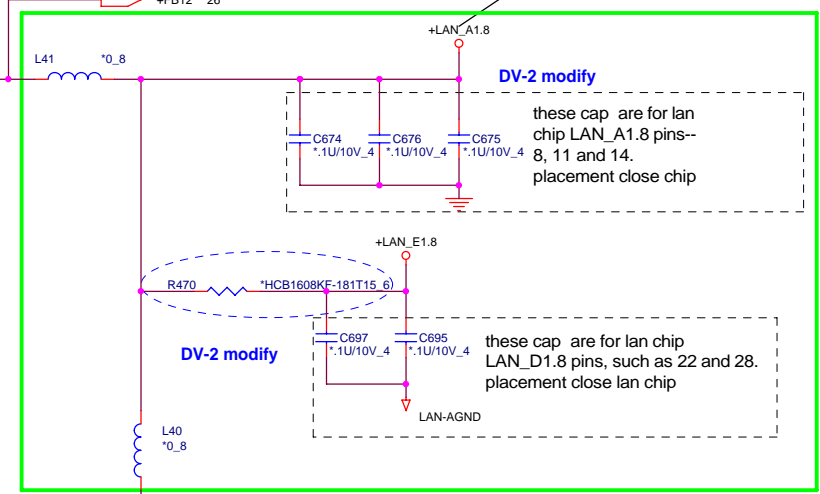
For Giga must change L65 to Inductor (Chipset include switch power)
+CTRL18 will become to switch power phase

L43 for Giga lan use 4.7uH power choke
A>500mA tolerance ±15%



DV-2 modify

Power trace Layout 寬度> 30mil



DV-2 modify

these cap are for lan chip LAN_A1.8 pins-- 8, 11 and 14. placement close chip

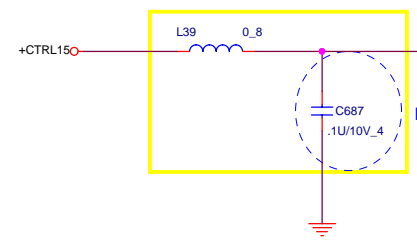
DV-2 modify

these cap are for lan chip LAN_D1.8 pins, such as 22 and 28. placement close lan chip

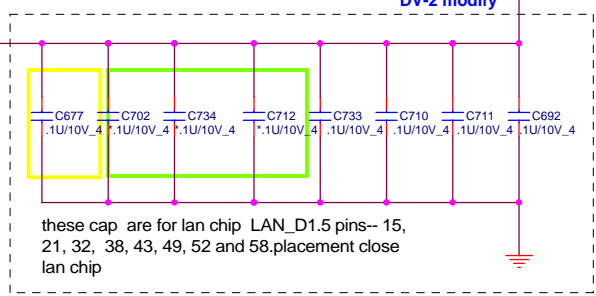
Power domain chart

	RTL8111C /RTL8102E
LANVCC	3.3V
LAN_D1.8	1.2V
LAN_A1.8	1.2V
LAN_D1.5	1.2V

Power trace Layout 寬度> 30mil



DV-2 modify



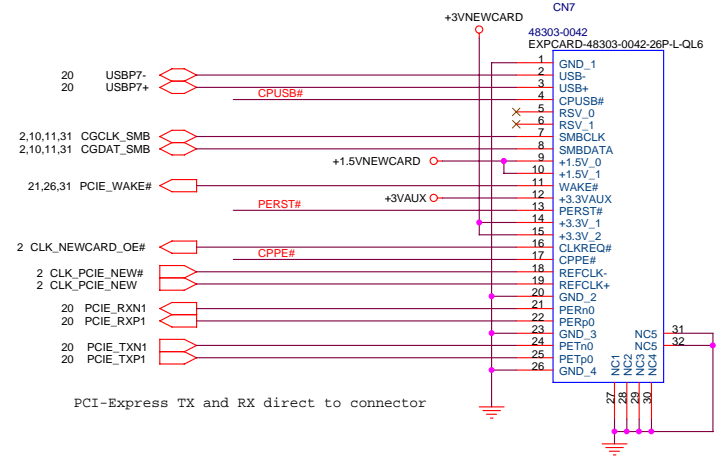
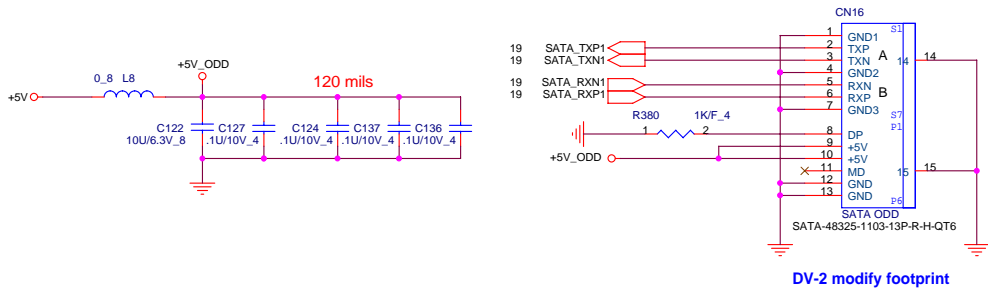
these cap are for lan chip LAN_D1.5 pins-- 15, 21, 32, 38, 43, 49, 52 and 58.placement close lan chip



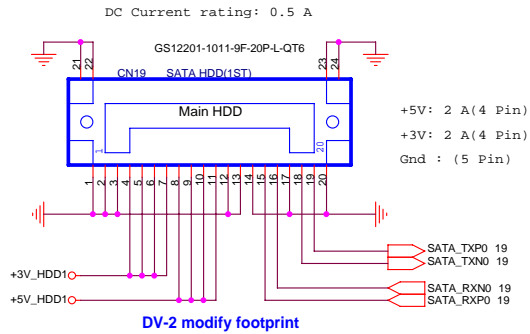
PROJECT : QL6
Quanta Computer Inc.

Size A3	Document Number LAN Power	Rev 2A
Date: Tuesday, February 26, 2008 Sheet 27 of 40		

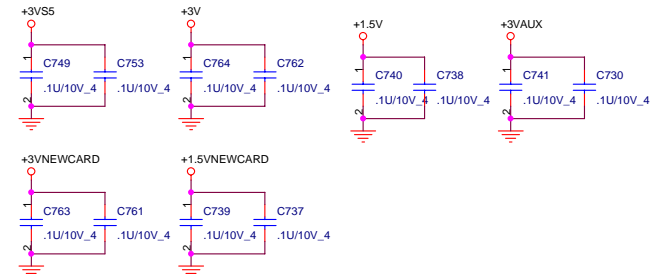
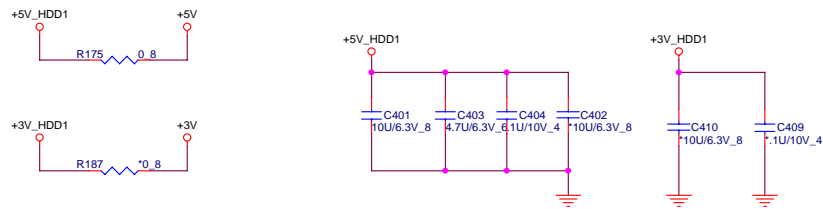
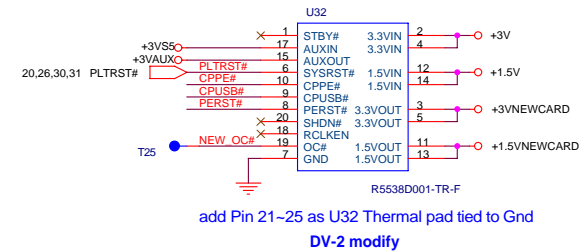
SATA ODD CONECTOR



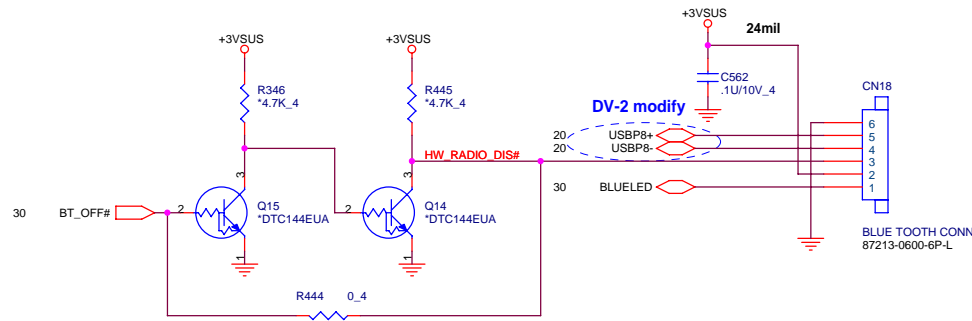
SATA HDD CONNECTOR



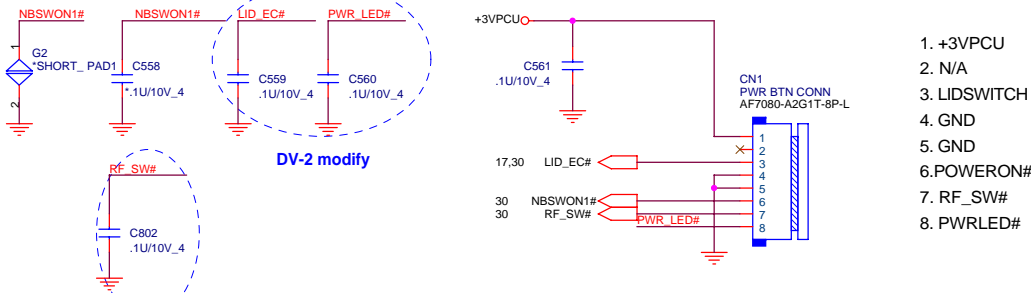
EXPCARD-48303-0042-26P-L-QT6 as ME modify Pad size(pin31,32) DV-2 modify



BLUETOOTH POWER

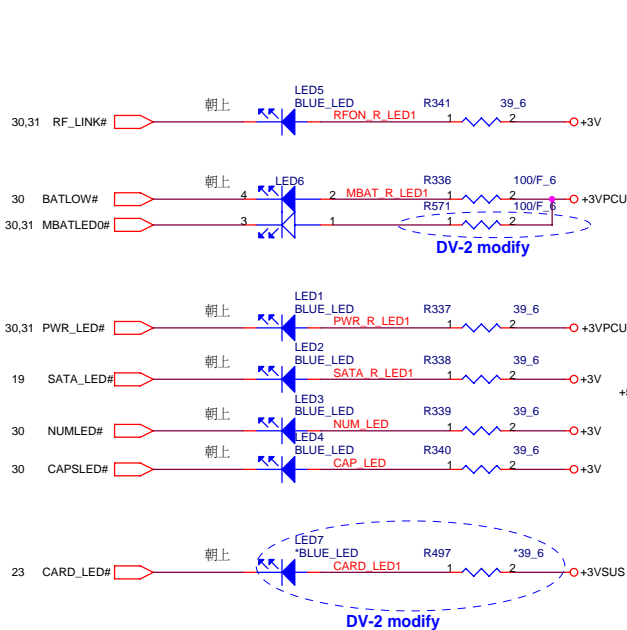


POWER BOTTON CONNECT

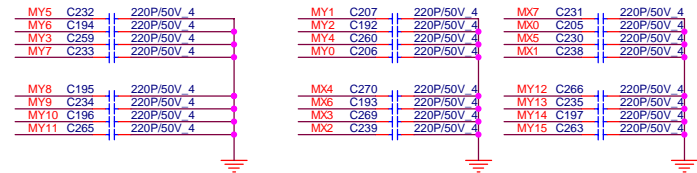
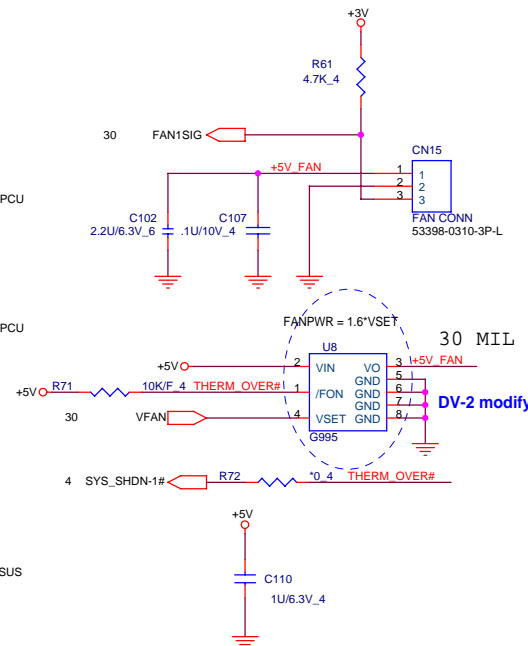


1. +3VPCU
2. N/A
3. LIDSWITCH
4. GND
5. GND
6. POWERON#
7. RF_SW#
8. PWRLED#

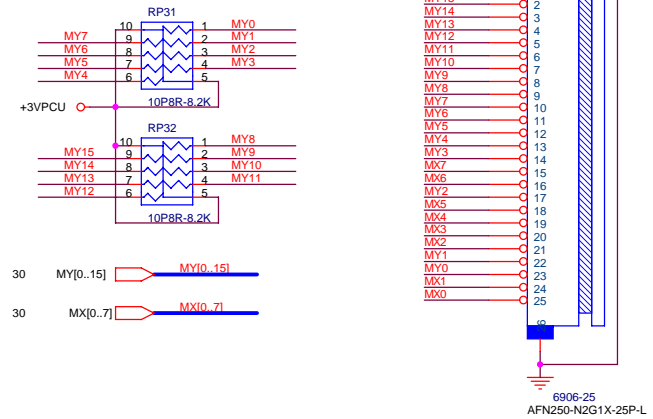
LED



CPU FAN

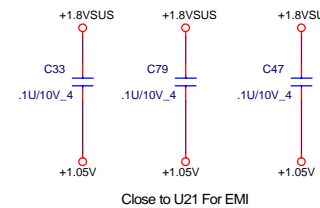


KEYBOARD PULL-UP



25	129 App	33 D	113 F2	59 Fn	46 Z	36 H	91 num 7	118 F7	119 F8	12	102 num 6	124 Prt				
24	17 Q	104 num Del	112 F4	115 F1	99 num 0	48 C	22 Y	122 F11	117 F9	108 num Ent	123 F12	125 Scr	126 Pause			
21	1	~	31 A	110 Esc	93 num 1	6 %	7 &	121 F10	116 F5	42 ~	11	13 =	76 Del			
20	19	4	3	98 num 2	5 \$	8 &	10 (9 *	45	58 L Ctrl	26	15 BS	80 Home			
19	16 Tab	2	18 W	83 num 3	20 R	23 U	25 O	57 R Shift	24 K	92 num 4	27	28	96 PgDn			
18	30 Caps	114 F3	32 S	103 num 4	34 F	37 J	39 L	44 L Shift	38	79	40	:	85 PgUp			
16	96 num 8	62 R Alt	35 X	47	84 V	49	52	54	53	101 num 9	55	41	81 End			
15	56	60 L Alt	97 T	21	90 num Lk	50 B	51 N	95 num /	100 num *	89	105 num -	43 Ent	61 Space			
23	22	17	14	13	12	11	10	9	8	7	6	5	4	3	2	1

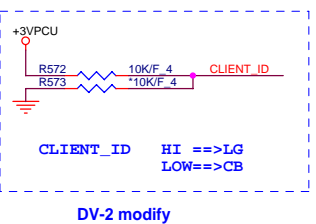
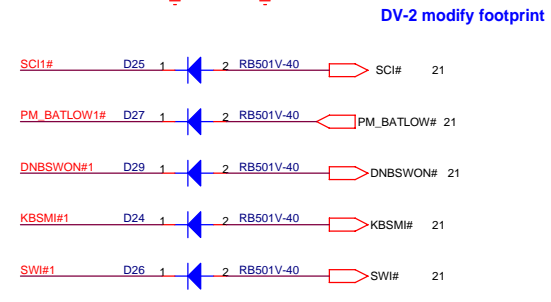
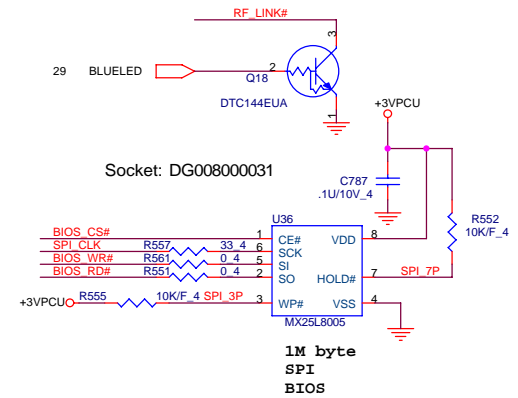
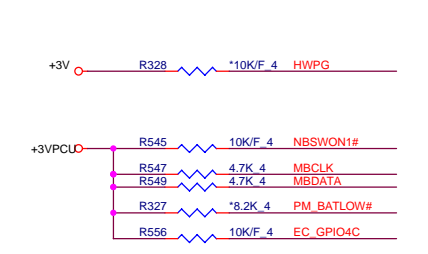
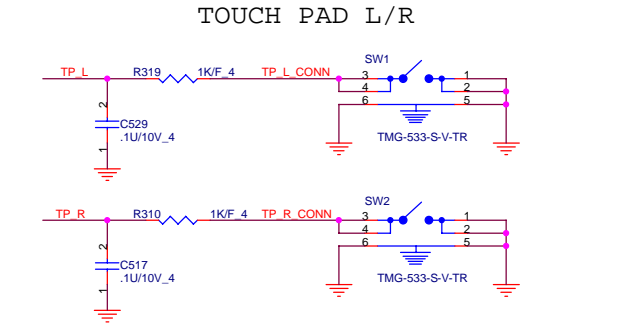
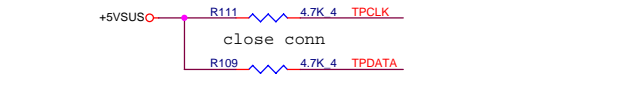
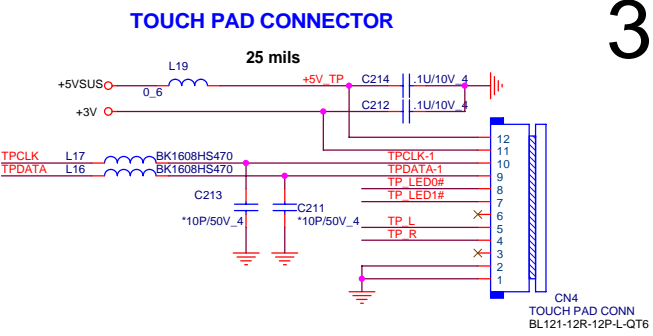
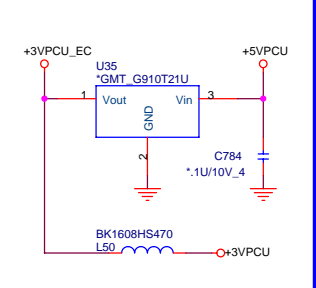
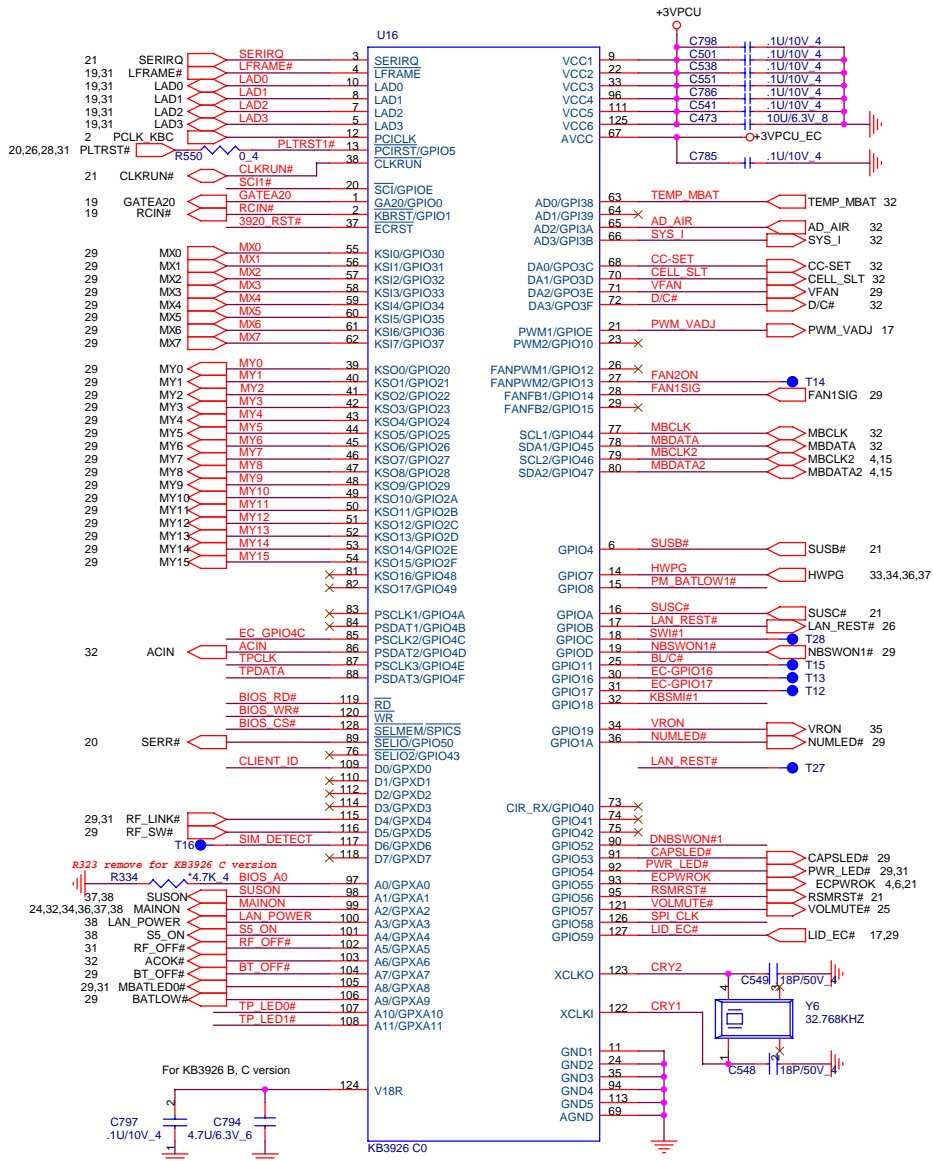
1&17 pin short circuit



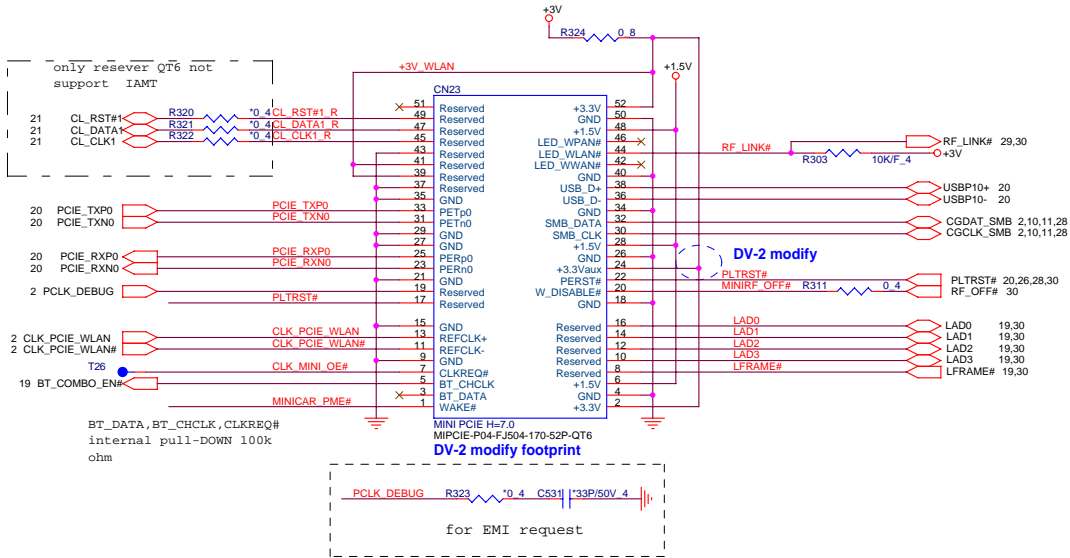
Close to U21 For EMI

PROJECT : QL6
Quanta Computer Inc.

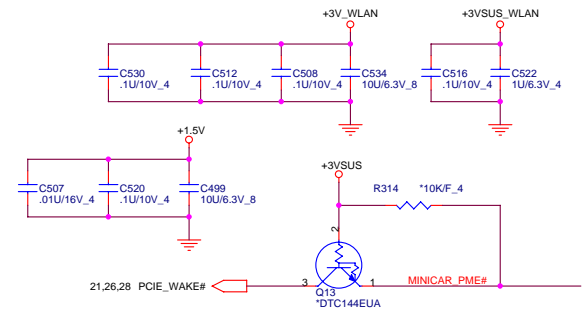
Size Custom	Document Number	Rev 2A
KB/FAN/POWER CONN/LED		
Date: Tuesday, February 26, 2008	Sheet 29 of 40	



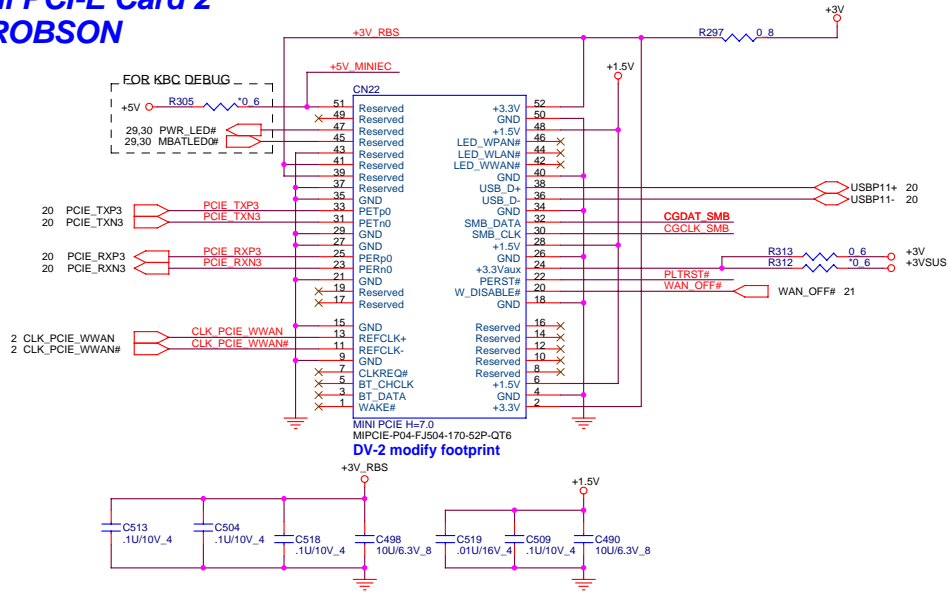
Mini PCI-E Card 1 WLAN



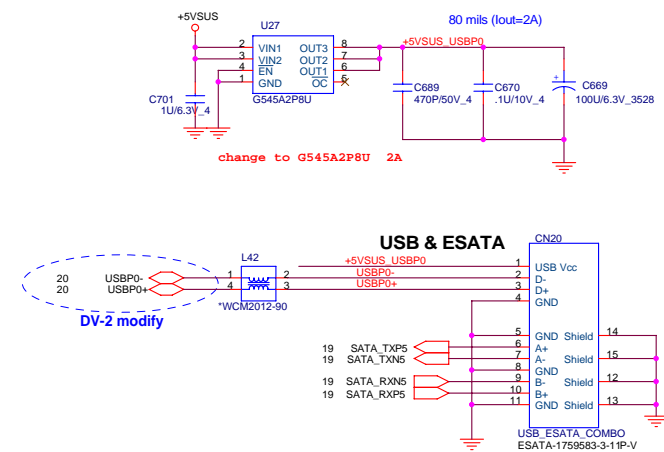
INTEL WLAN
CARD PIN 20
W_DISABLE#
have
internal
pull-up 110k
ohm



Mini PCI-E Card 2 ROBSON

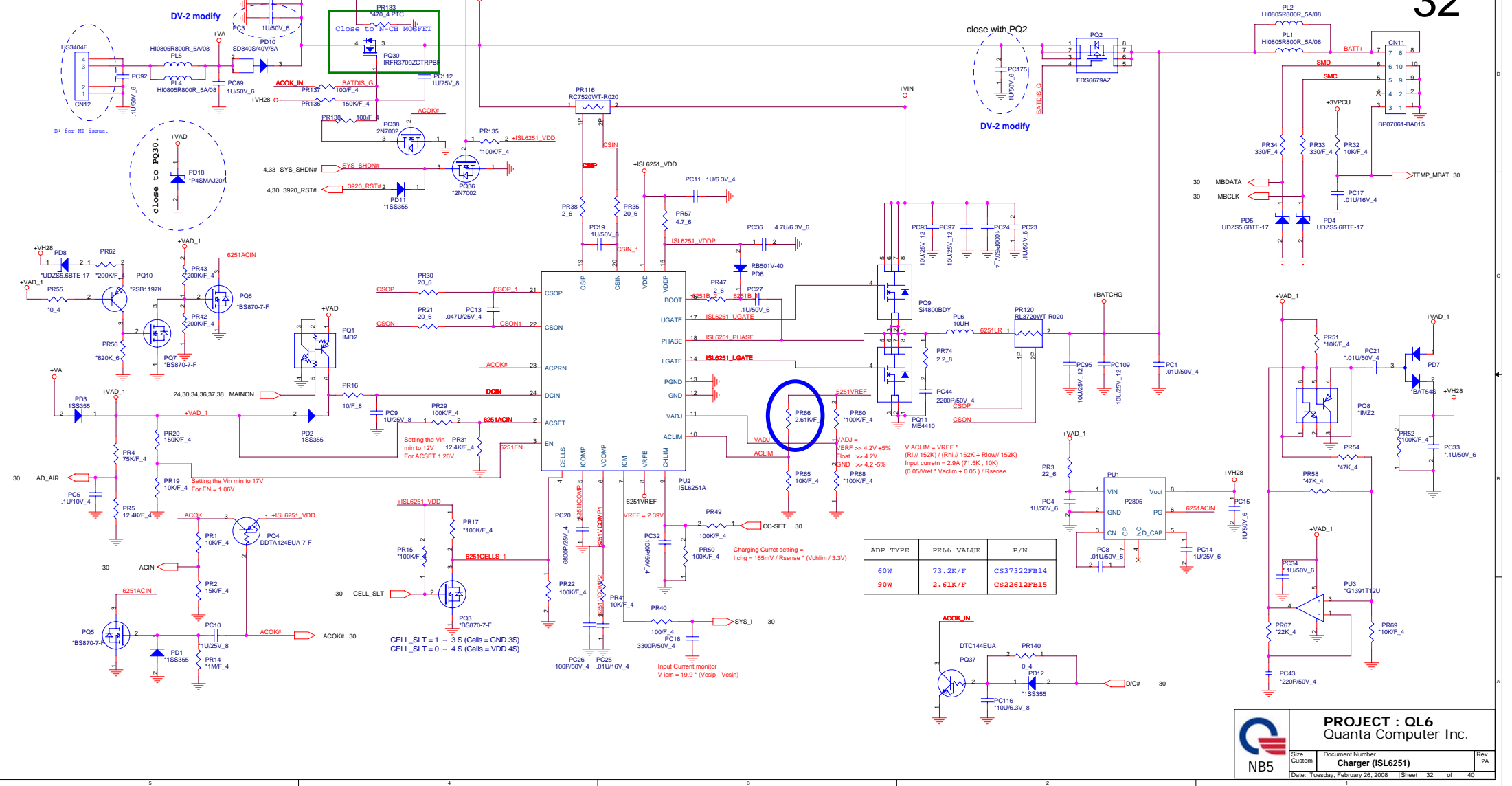


E-SATA/USB COMBO



PROJECT : QL6
Quanta Computer Inc.

Size Custom	Document Number	Rev 2A
MINI PCI-E CONN X2/E-SATA		
Date: Tuesday, February 26, 2008	Sheet 31 of 40	



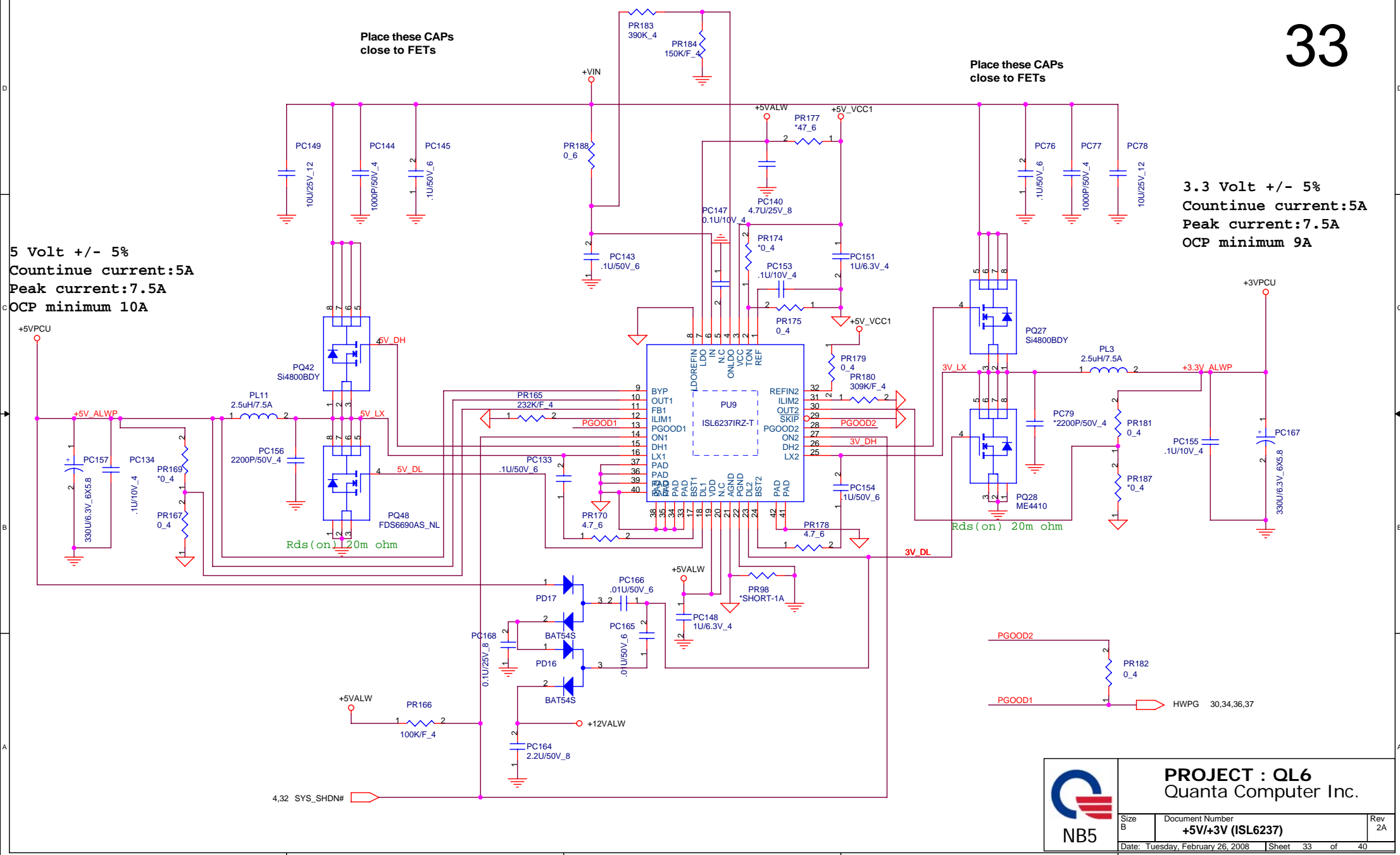
PROJECT : QL6
Quanta Computer Inc.

NBS

Size Custom	Document Number	Rev ZA
	Charger (ISL6251)	
Date: Tuesday, February 26, 2008	Sheet 32	of 40

5 Volt +/- 5%
 Countinue current:5A
 Peak current:7.5A
 OCP minimum 10A

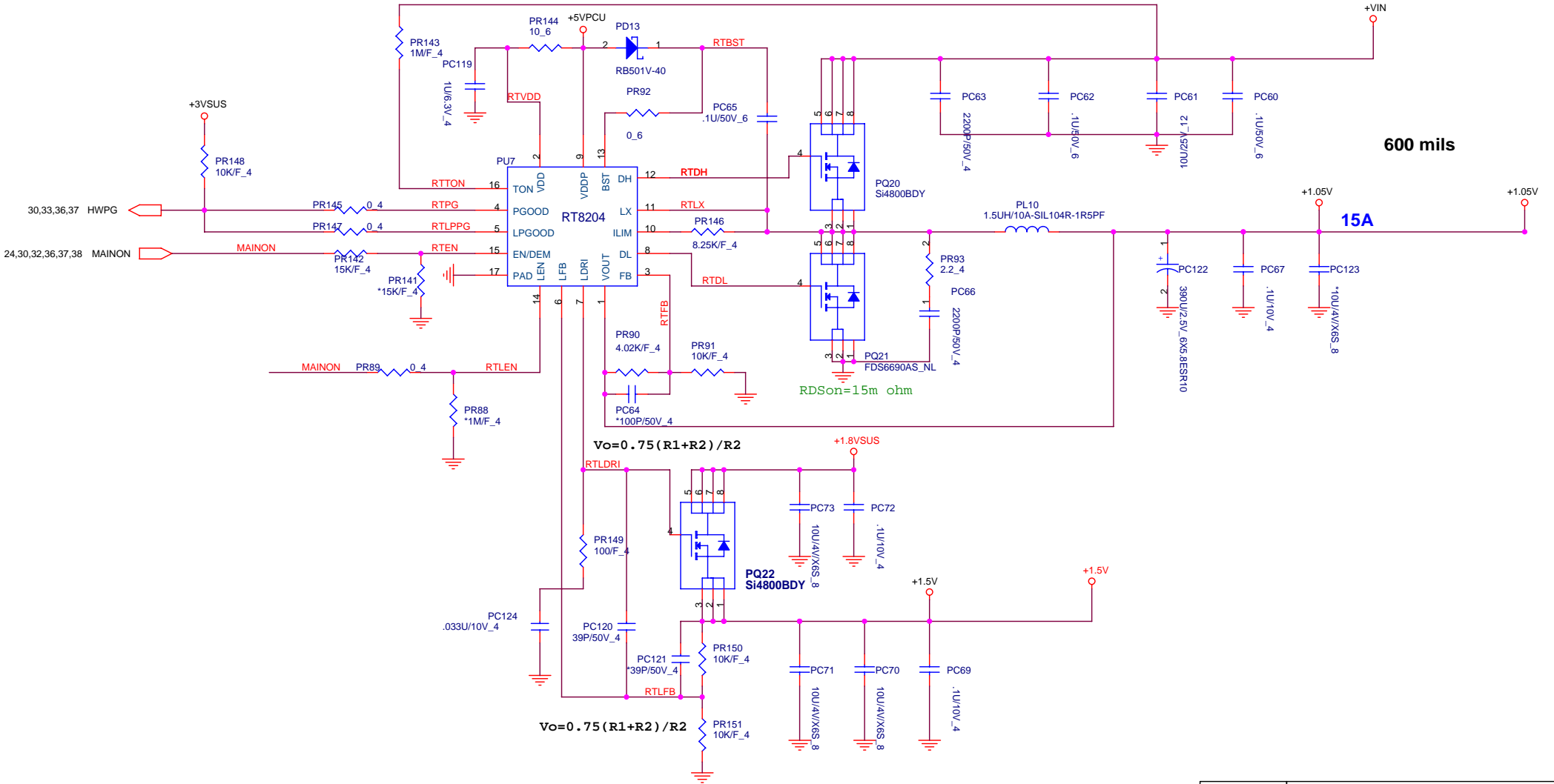
3.3 Volt +/- 5%
 Countinue current:5A
 Peak current:7.5A
 OCP minimum 9A



PROJECT : QL6 Quanta Computer Inc.		
Size B	Document Number +5V/+3V (ISL6237)	Rev 2A
Date: Tuesday, February 26, 2008 Sheet 33 of 40		

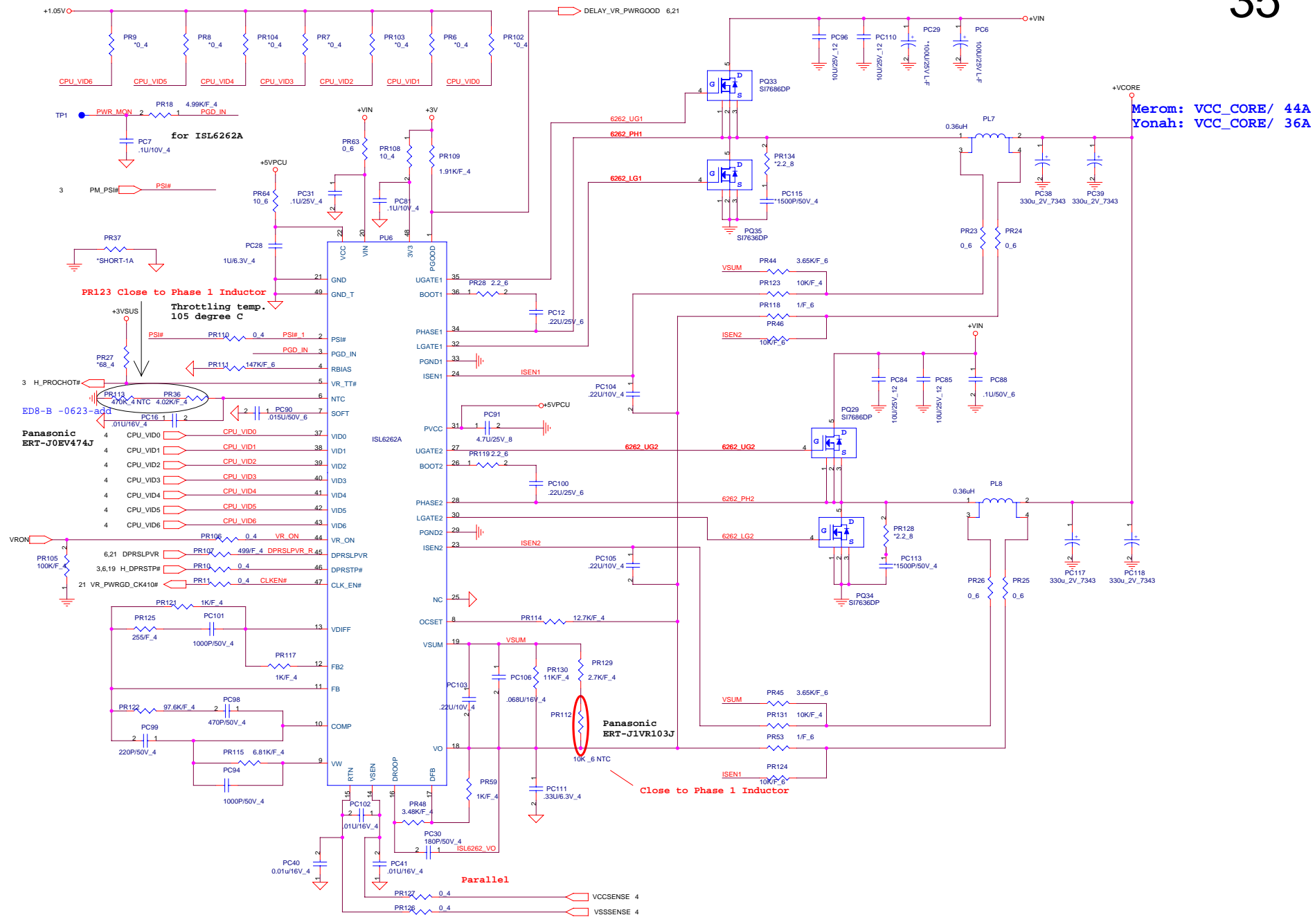
VCCP1.05V & +1.5V

+1.05Volt +/- 5%
 Countinue current:7.5A
 Peak current:10A
 OCP minimum 15A



PROJECT : QL6
 Quanta Computer Inc.


Size B	Document Number +1.05V/+1.5V (RT8204)	Rev 2A
Date: Tuesday, February 26, 2008		Sheet 34 of 40



Merom: VCC_CORE/ 44A
 Yonah: VCC_CORE/ 36A

Close to Phase 1 Inductor

Parallel

	PROJECT : QL6 Quanta Computer Inc.	
	Size: Custom Document Number: CPU Core (ISL6266A) Date: Tuesday, February 26, 2008	Rev: 2A Sheet: 35 of 40

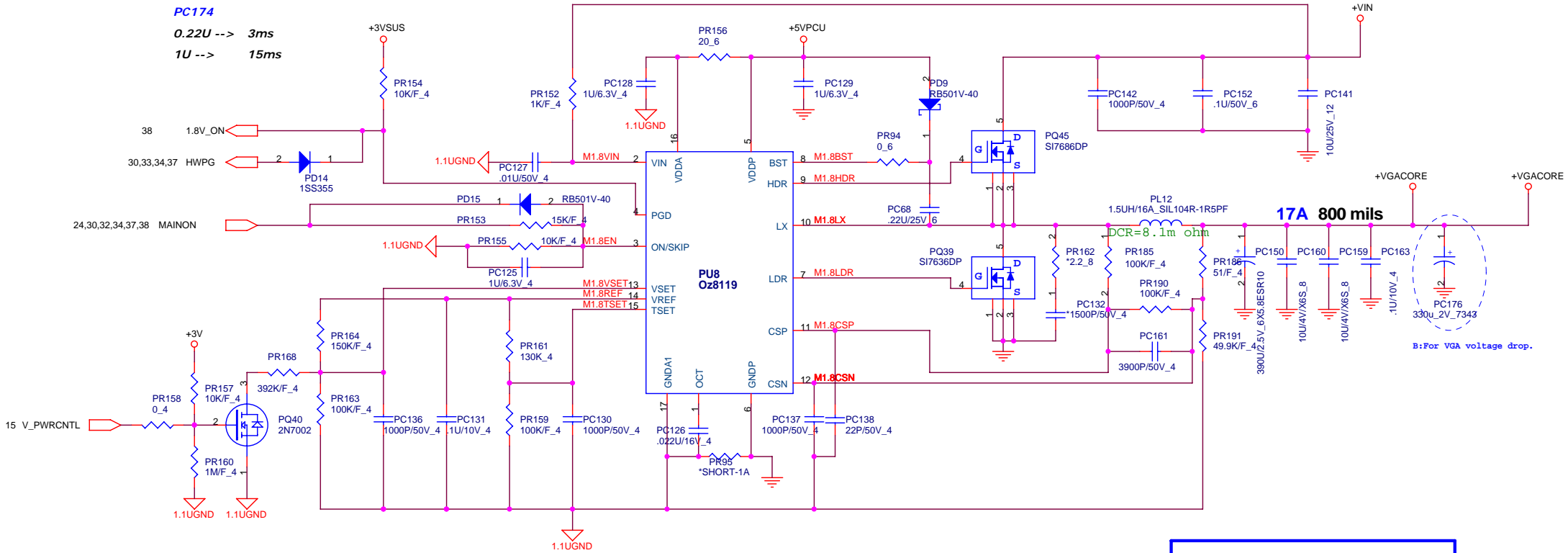
VGA Core & VCC1.1

+1.1Volt +/- 5%
 Countinue current:15A
 Peak current:17A
 OCP minimum 22A

36

PC174

0.22U --> 3ms
 1U --> 15ms

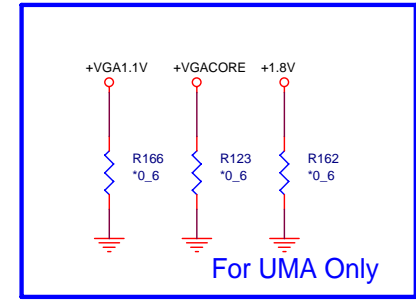


B: For VGA voltage drop.

V_PWRCNTL	NVIDIA NB9M	Resistor Value
HI	0.90V	PR67_392K_CS43922FB17
LO	1.09V	PR55_150K_CS41502FB18

V_PWRCNTL	nVIDIA NB9P-GE2	Resistor Value
HI	1.15V	PR67_1.43M_CS51432FB10
LO	1.2V	PR55_130K_CS41302FB00

V_PWRCNTL	NVIDIA NB9M-GE	Resistor Value
HI	0.95V	PR67_402K_CS44022FB25
LO	1.09V	PR55_150K_CS41502FB18

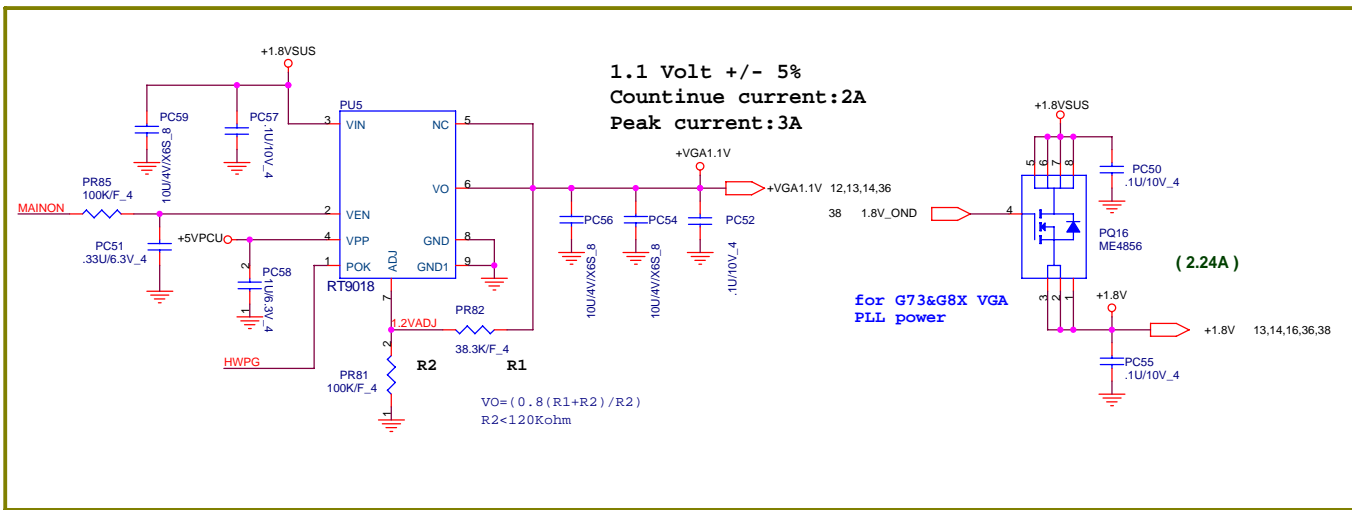
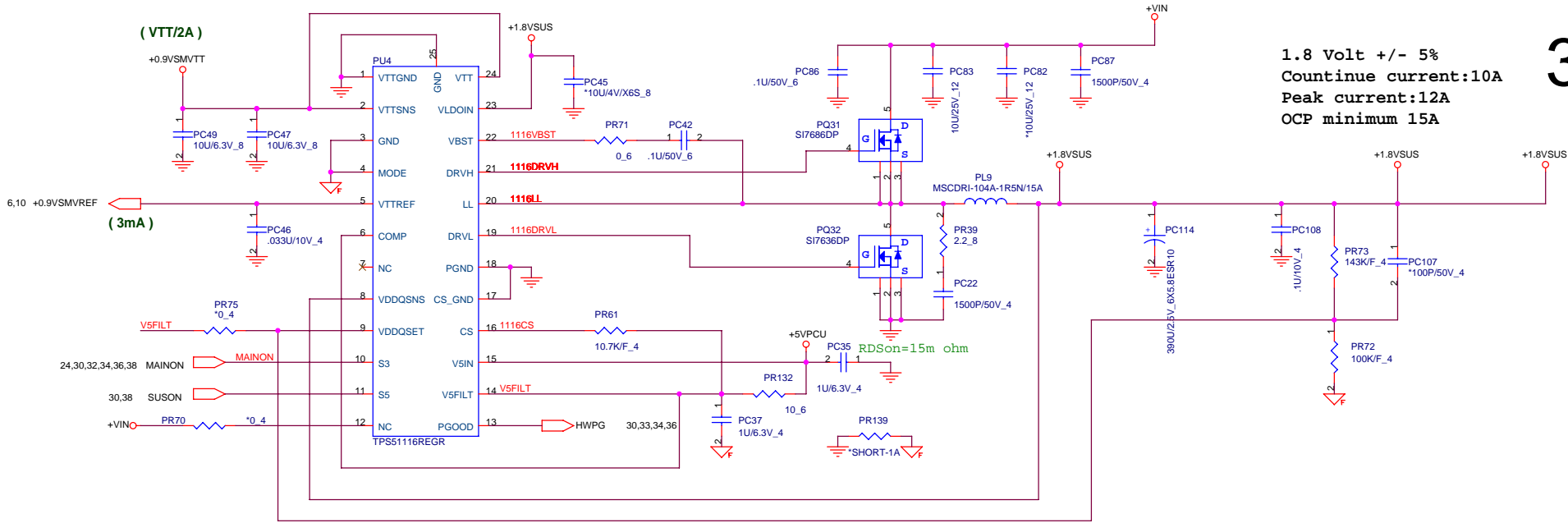


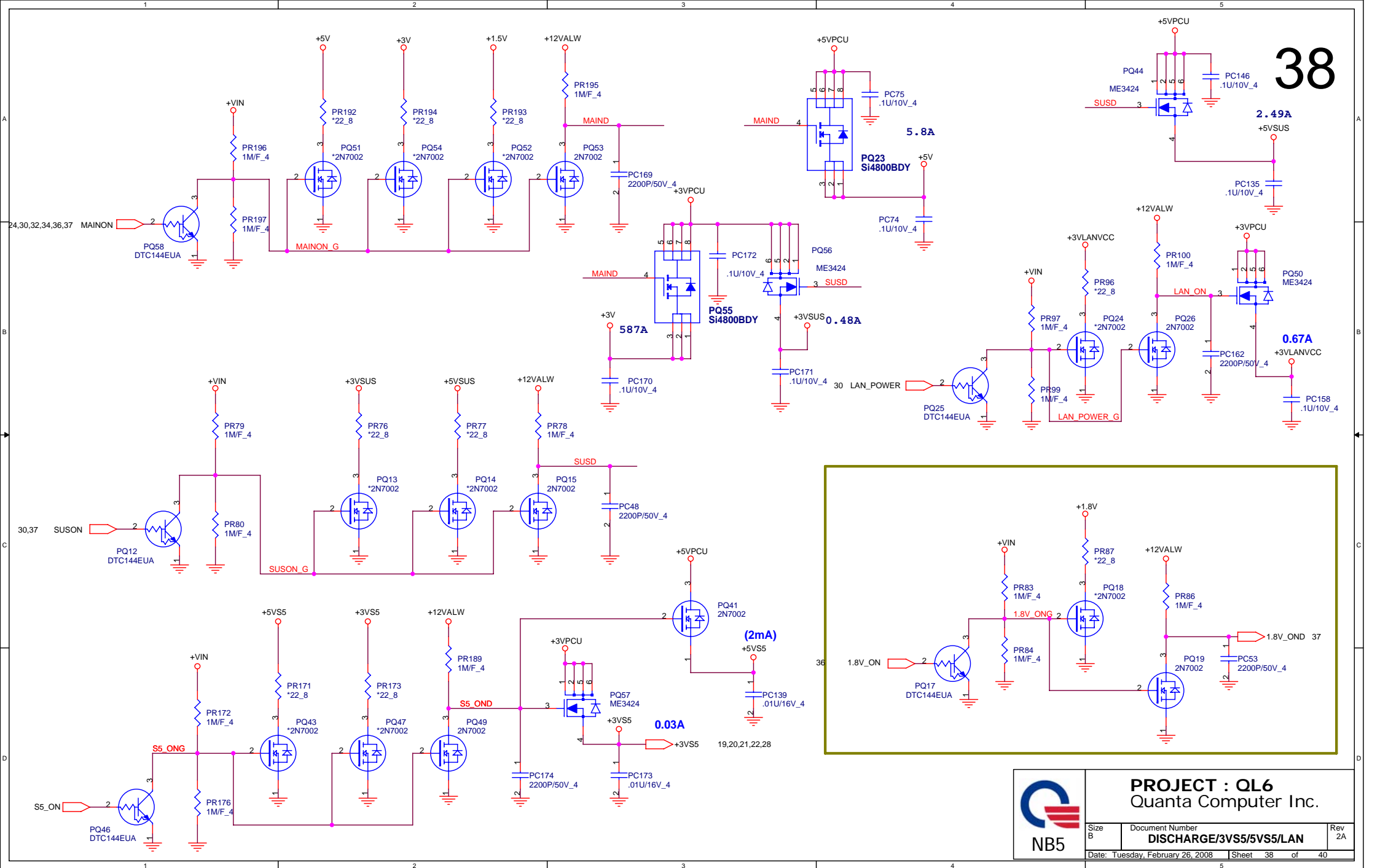
For UMA Only



PROJECT : QL6
 Quanta Computer Inc.

Size B	Document Number VGA CORE OZ8118	Rev 2A
Date: Tuesday, February 26, 2008 Sheet 36 of 40		





PROJECT : QL6 Quanta Computer Inc.		
Size B	Document Number DISCHARGE/3VS5/5VS5/LAN	Rev 2A
Date: Tuesday, February 26, 2008	Sheet 38	of 40

	Voltage level	AC MODE				DC MODE			
		S0	S3	S4	S5	S0	S3	S4	S5
+3VPCU	3.3V +/- 5%	V	V	V	V	V	V	V	V
+5VPCU	5V +/- 5%	V	V	V	V	V	V	V	V
+3VRTC	3.3V +/- 5%	V	V	V	V	V	V	V	V
+3VSS	3.3V +/- 5%	V	V	V	V	V	V		
+5VSS	5V +/- 5%	V	V	V	V	V	V		
+3VSUS	3.3V +/- 5%	V	V			V	V		
+5VSUS	5V +/- 5%	V	V			V	V		
+1.8VSUS	1.8V +/- 5%	V	V			V	V		
+0.9VSMVTT	0.9V +/- 5%	V	V			V	V		
+1.5V	1.5V +/- 5%	V				V			
+1.05V	1.05V +/- 5%	V				V			
+VCORE	0.9~1.15V	V				V			
+VGA_CORE	0.9~1.2V	V				V			
+VGA1.1V	1.1V +/- 5%	V				V			
+1.8V	1.8V +/- 5%	V				V			
+3VLAVCC	3.3V +/- 5%	V				V			



PROJECT : QL6
Quanta Computer Inc.

Size Custom	Document Number Voltage status	Rev 2A
Date: Tuesday, February 26, 2008 Sheet 39 of 40		