

SONY CONFIDENTIAL

REVISIONS			
ZONE	LTR	DESCRIPTION	DATE

IRX-5040 SCHEMATICS

MAIN SYSTEM BOARD MBX-187

FOR FOXCONN

REV. 1.300

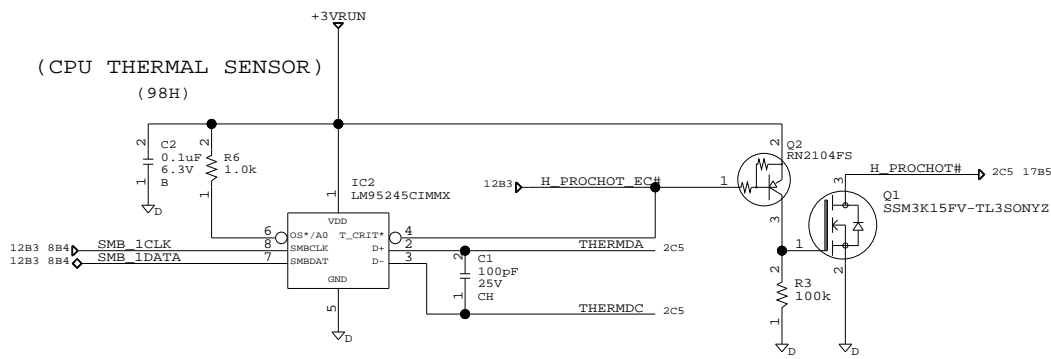
TABLE OF CONTENTS

BLOCK	PAGE	REF. NO.	DESCRIPTIONS
TITLE	1	-	INDEX (THIS PAGE)
○ 1 CPU	2 (CPU-1) 3 (CPU-2)	1 - 99 100 - 199	CPU (1/2) CPU (2/2)
○ 2 CLKGEN	4 (CLKGEN)	200 - 299	CLOCK GENERATOR
○ 3 SCH	5 (SCH-1) 6 (SCH-2) 7 (SCH-3) 8 (SCH-4) 9 (SCH-5) 10 (SCH-6)	300 - - 399 400 - - 499 500 - 599 600 - 699	SCH (1/6) SCH (2/6) SCH (3/6) SCH (4/6) SCH (5/6) SCH (6/6)
○ 4 MEMORY	11 (MEMORY)	700 - 799	DDR2 MEMORY
○ 5 LPC	12 (LPC)	800 - 899	LPC
○ 6 IF	13 (IF-1) 14 (IF-2) 15 (IF-3) 16 (IF-4)	1000 - 1099 1100 - 1199 1200 - 1299 1300 - 1399	LCD BACKLIGHT CTRL & LCD IF IDE (HDD) CNX-422 & SWX-298 IF IFX-522 IF
○ 7 POWER	17 (POWER-1) 18 (POWER-2) 19 (POWER-3) 20 (POWER-4) 21 (POWER-5) 22 (POWER-6) 23 (POWER-7) 24 (POWER-8) 25 (POWER-9)	1500 - 1599 1600 - 1699 1700 - 1799 1800 - 1899 1900 - 1999 2000 - 2099 2100 - 2199 2200 - 2299 2300 - 2399	+VCPUCORE +1.8VSUS/+2.5VVRUN/+1.05VVRUN/+1.5VVRUN +3VALW/+5VALW LOAD SW TIMING SEQUENCER UL2 CIRCUIT BATTERY CHARGER +VDC_IN UL CIRCUIT
○ 8 DEBUG	26 (DEBUG)	2900 - 2999	DEBUG/POWER-CHECK/XDP CN
○ 9 VARIANCE	27 (VARIANCE)	-	VARIANCE

SONY CORPORATION VAIO BUSINESS DIVISION	DRAWING: MBX-187 INDEX		
	LAST_MODIFIED=Sat May 9 17:03:02 2009		
THIS DOCUMENT CONTAINS INFORMATION PROPRIETARY TO SONY CORPORATION (SONY). USE OR DISCLOSURE WITHOUT THE WRITTEN PERMISSION OF AN OFFICER OF SONY IS EXPRESSLY FORBIDDEN. COPYRIGHT (C) SONY CORPORATION 2009	QTY 1	REV. 1.300	PART NO. 187843613
	SIZE C	DESIGNER	SHEET 1 OF 27

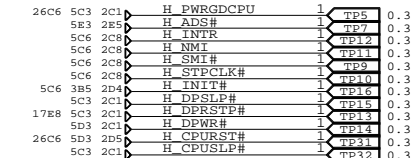
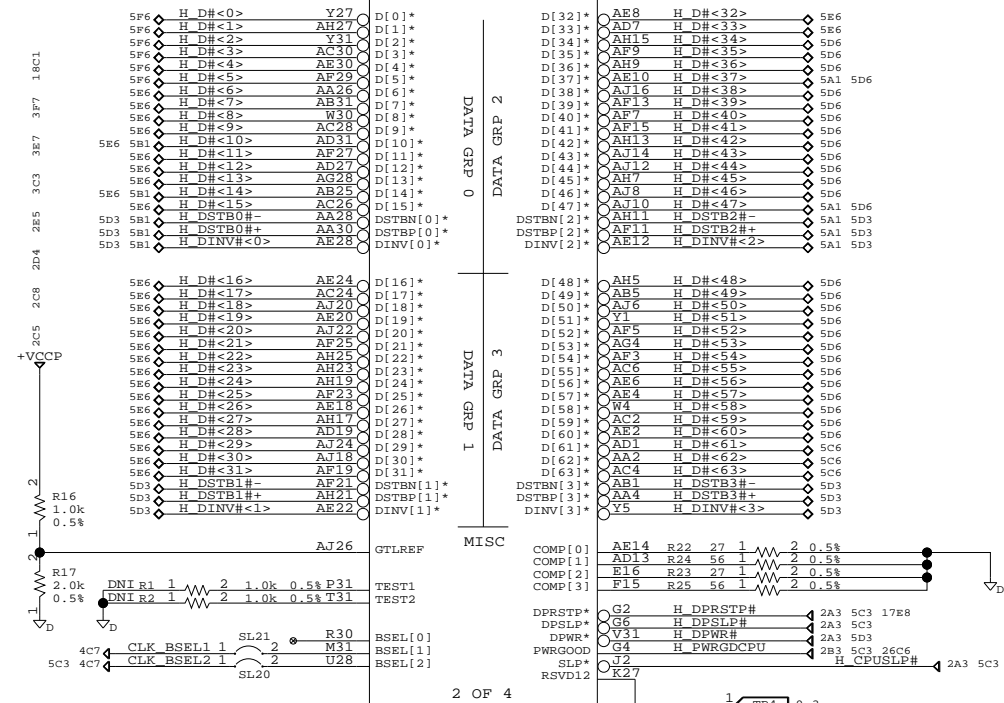
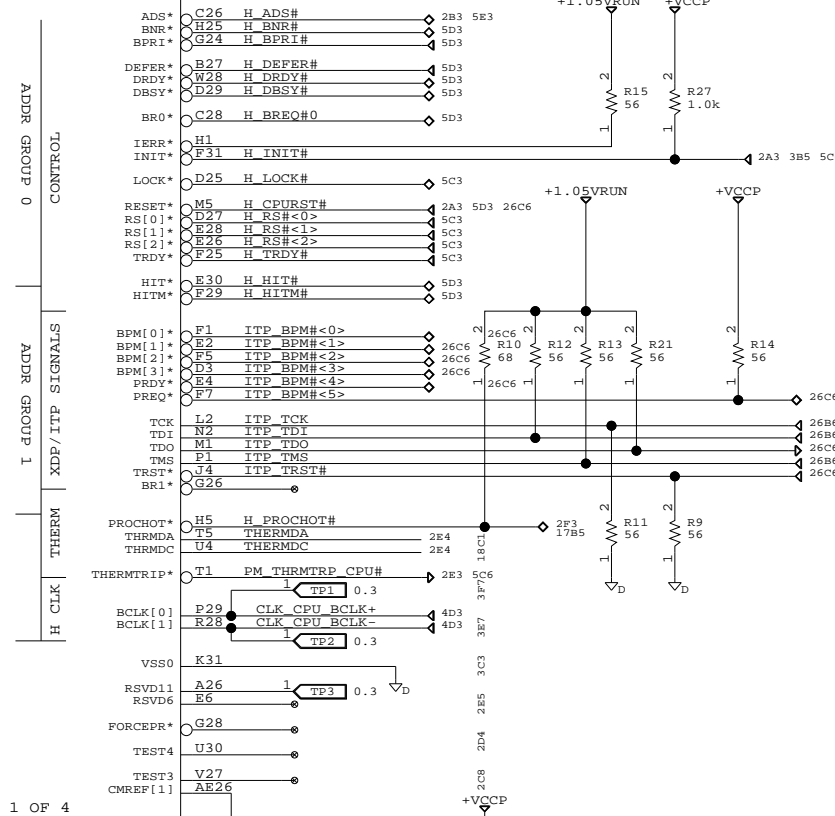
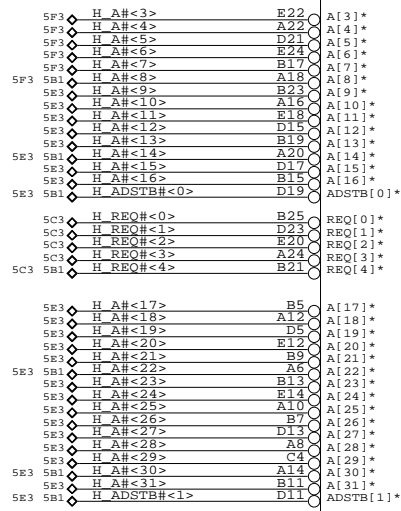
SONY CONFIDENTIAL

REVISIONS				
ZONE	LTR	DESCRIPTION	DATE	APPR.



IC1
AC80566UE014DWLSLB2H
NOTES=VAR
GROUP=CPU_BGA

IC1
AC80566UE014DWLSLB2H
NOTES=VAR
GROUP=CPU_BGA



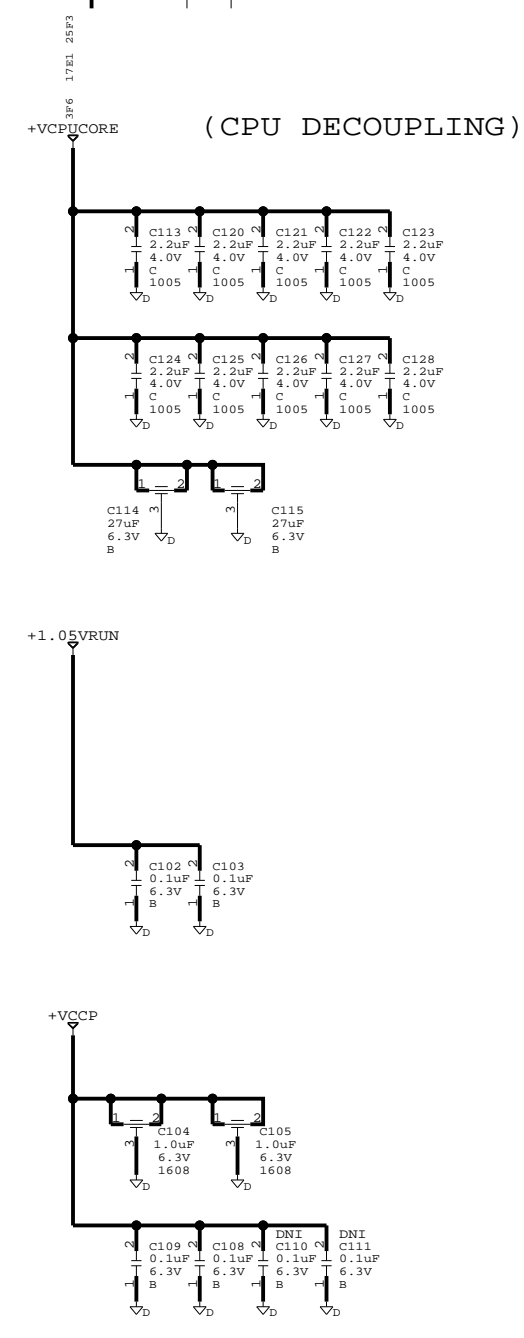
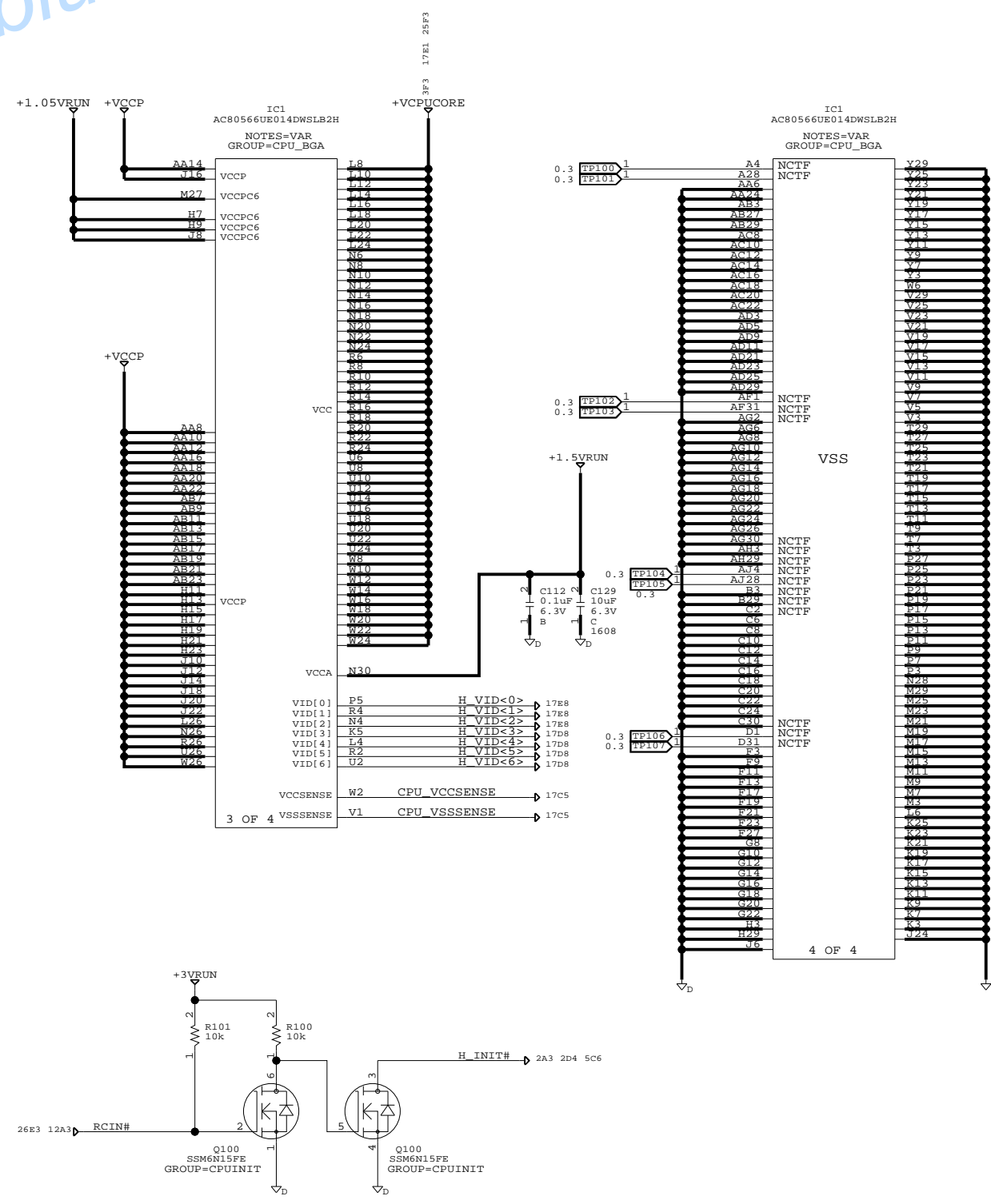
(REF: 1- 99)

SONY CORPORATION VAIO BUSINESS DIVISION		DRAWING: MBX-187 CPU (1/2)	
LAST_MODIFIED=Sat May 9 17:09:41 2009			
QTY	1	REV.	-
DESIGNER	-	PART NO.	-
SIZE	C	DESIGNER	-
THIS DOCUMENT CONTAINS INFORMATION PROPRIETARY TO SONY CORPORATION (SONY). USE OR DISCLOSURE WITHOUT THE WRITTEN PERMISSION OF AN OFFICER OF SONY IS EXPRESSLY FORBIDDEN. COPYRIGHT (C) SONY CORPORATION 2009			(CPU-1) SHEET 2 OF 27

www.laptopblue.com

SONY CONFIDENTIAL

REVISIONS				
ZONE	LTR	DESCRIPTION	DATE	APPR.



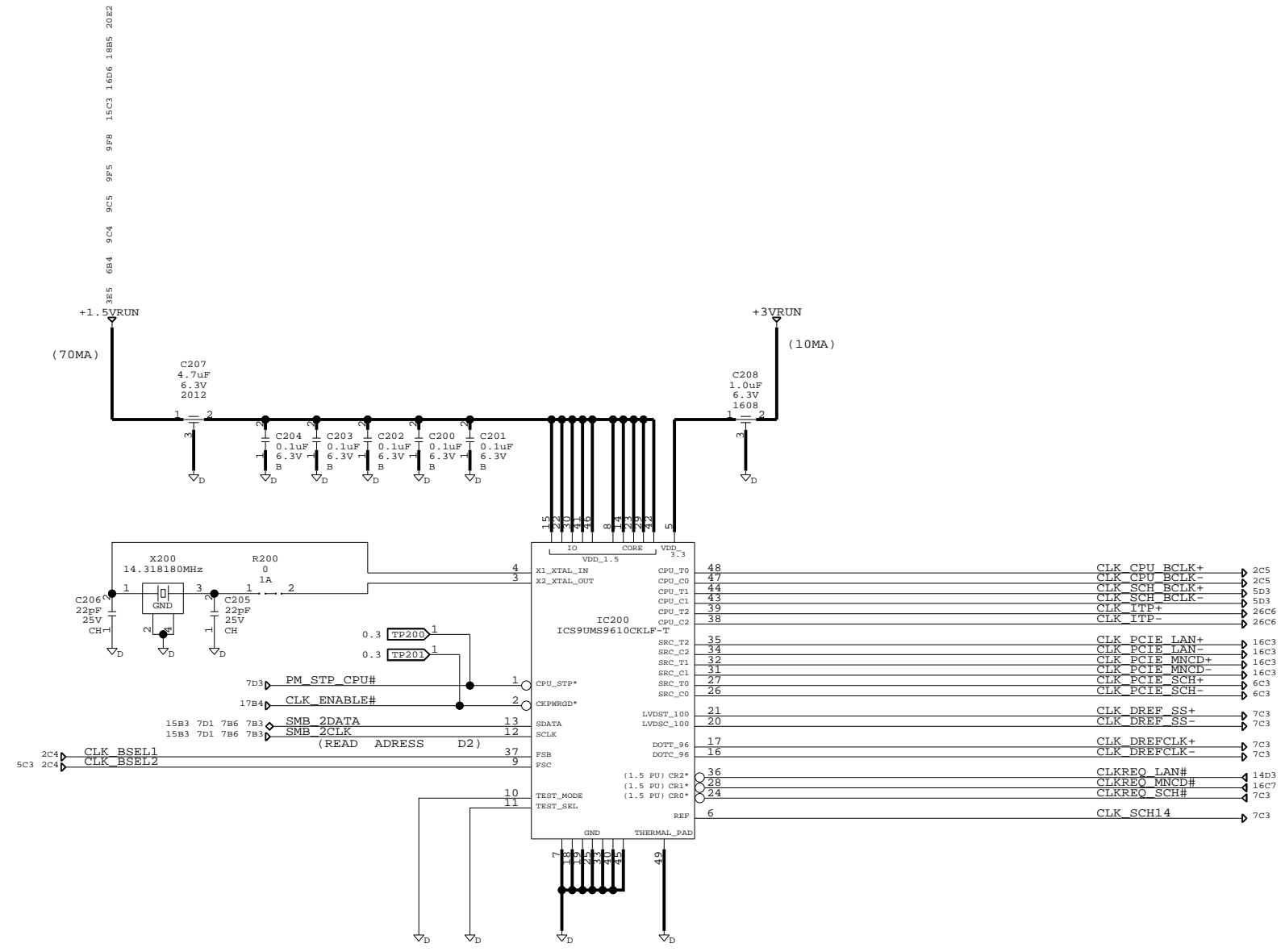
(REF: 100- 199)

SONY CORPORATION VAIO BUSINESS DIVISION		DRAWING: MBX-187 CPU (2/2)	
LAST_MODIFIED=Sat May 9 17:09:41 2009			
QTY	1	REV.	PART NO.
DESIGNER	C		
THIS DOCUMENT CONTAINS INFORMATION PROPRIETARY TO SONY CORPORATION (SONY). USE OR DISCLOSURE WITHOUT THE WRITTEN PERMISSION OF AN OFFICER OF SONY IS EXPRESSLY FORBIDDEN. COPYRIGHT (C) SONY CORPORATION 2009			(CPU-2) SHEET 3 OF 27

www.laptopblue.com

SONY CONFIDENTIAL

REVISIONS				
ZONE	LTR	DESCRIPTION	DATE	APPR.



BSEL2	BSEL1	CPUCLK
0	0	133M
1	0	100M
0	1	166M

PORT	SIGNAME	DEVICE
CPUCLK0	CPU_BCLK+/-	CPU
CPUCLK1	SCH_BCLK+/-	SCH
CPUCLK2	ITP+/-	ITP
DOT_96MHZ	DREFCLK+/-	SCH
LCDCCLK	DREF_SS+/-	SCH
SRCCLK0	CLK_PCIE_SCH+/-	SCH
SRCCLK1	CLK_PCIE_MNCD+/-	MINICARD
SRCCLK2	CLK_PCIE_LAN+/-	LAN
REFOUT	SCH14	SCH

(REF: 200- 299)

SONY CORPORATION VAIO BUSINESS DIVISION		DRAWING: MBX-187	
		CLOCK GENERATOR	
LAST_MODIFIED=Sat May 9 17:09:42 2009			
	QTY 1	REV.	PART NO.
SIZE C	DESIGNER		(CLKGEN-1) SHEET 4 OF 27

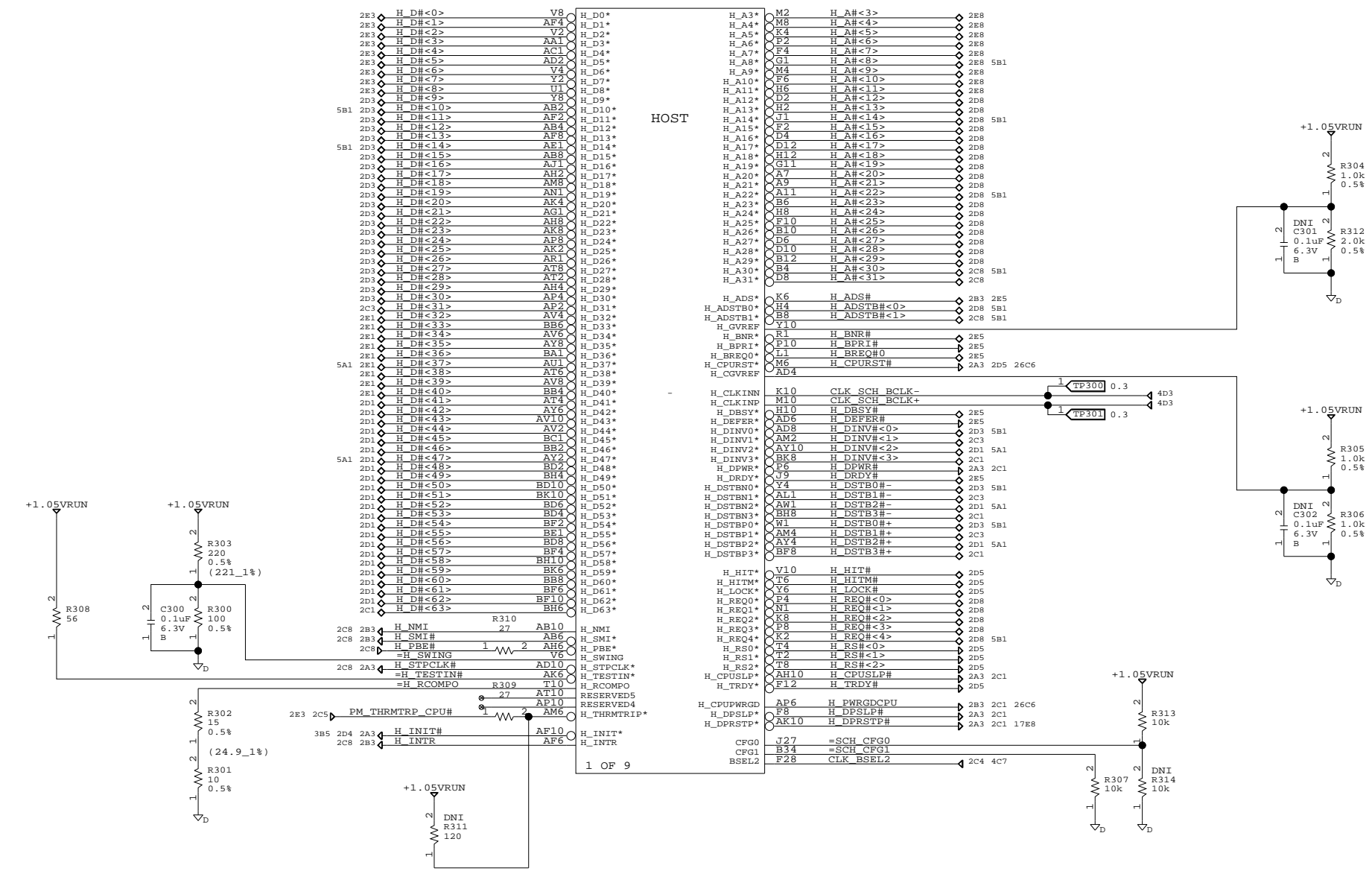
THIS DOCUMENT CONTAINS INFORMATION PROPRIETARY TO SONY CORPORATION (SONY). USE OR DISCLOSURE WITHOUT THE WRITTEN PERMISSION OF AN OFFICER OF SONY IS EXPRESSLY FORBIDDEN.
COPYRIGHT (C) SONY CORPORATION 2009

www.laptopblue.com

SONY CONFIDENTIAL

REVISIONS				
ZONE	LTR	DESCRIPTION	DATE	APPR.

IC300
AF82U51SWLGFQ
GROUP=SCH



5E3	2D8	H_ADSTB#<0>	1	TP304	0.3
5F3	2E8	H_A#<8>	1	TP303	0.3
5E3	2D8	H_A#<14>	1	TP307	0.3
5C3	2D8	H_REQ#<4>	1	TP305	0.3
5E3	2C8	H_ADSTB#<1>	1	TP306	0.3
5E3	2D8	H_A#<22>	1	TP307	0.3
5E3	2C8	H_A#<30>	1	TP308	0.3
5D3	2D3	H_DSTB0#-	1	TP309	0.3
5D3	2D3	H_DSTB0#+	1	TP310	0.3
5D3	2D3	H_DINV#<0>	1	TP311	0.3
5E6	2D3	H_DH<10>	1	TP312	0.3
5E6	2D3	H_DH<14>	1	TP313	0.3
5D3	2D1	H_DSTB2#-	1	TP314	0.3
5D3	2D1	H_DSTB2#+	1	TP315	0.3
5D3	2D1	H_DINV#<2>	1	TP316	0.3
5D6	2E1	H_DH<37>	1	TP317	0.3
5D6	2D1	H_DH<47>	1	TP318	0.3

(REF: 300-)

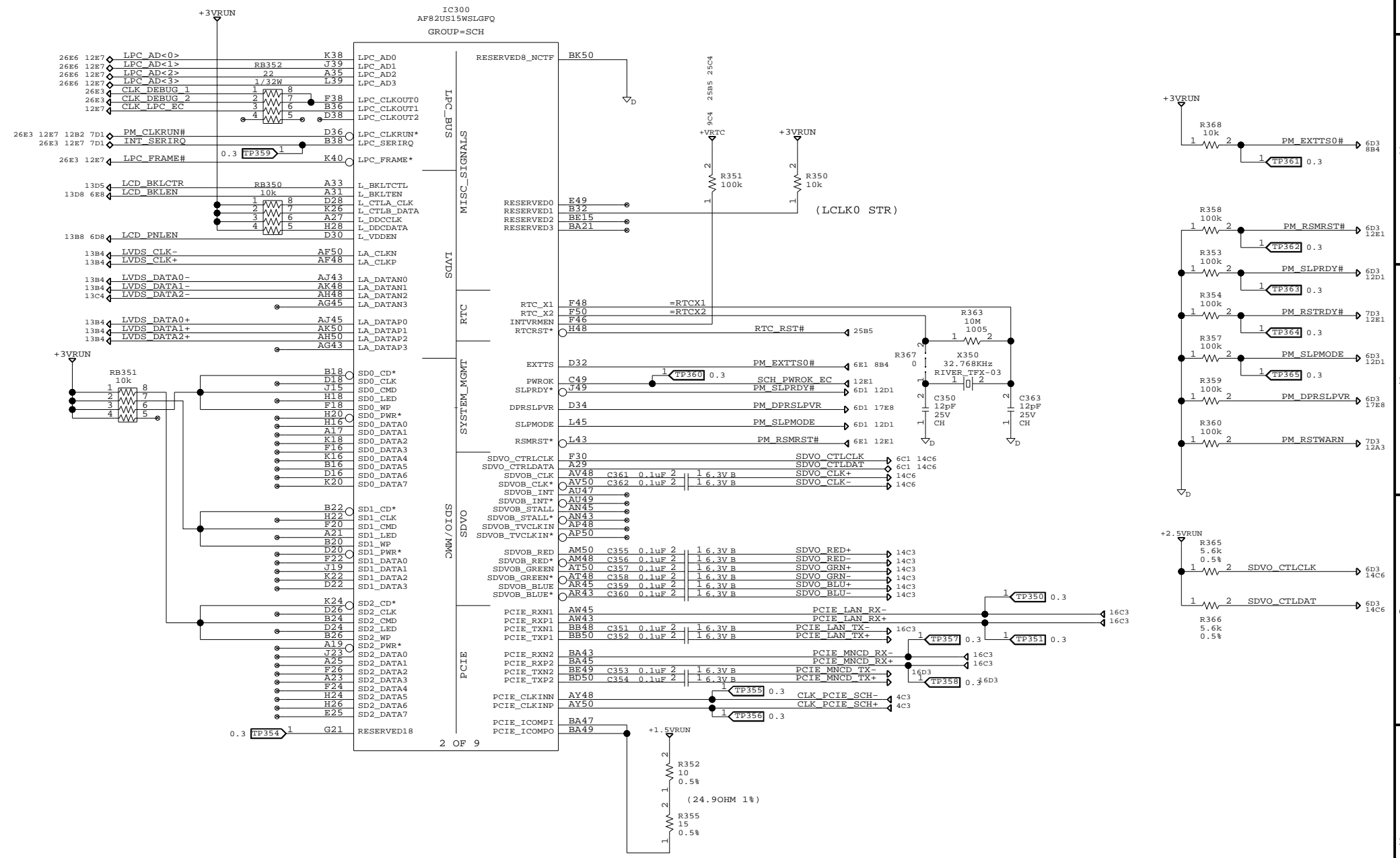
SONY CORPORATION VAIO BUSINESS DIVISION		DRAWING: MBX-187 SCH (1/6)	
LAST_MODIFIED=Sat May 9 17:09:42 2009			
QTY	REV.	PART NO.	
1	-	-	
SIZE	DESIGNER	SHEET 5 OF 27	
C	-	(SCH-1)	

THIS DOCUMENT CONTAINS INFORMATION PROPRIETARY TO SONY CORPORATION (SONY). USE OR DISCLOSURE WITHOUT THE WRITTEN PERMISSION OF AN OFFICER OF SONY IS EXPRESSLY FORBIDDEN.
COPYRIGHT (C) SONY CORPORATION 2009

www.laptopblue.com

SONY CONFIDENTIAL

REVISIONS				
ZONE	LTR	DESCRIPTION	DATE	APPR.



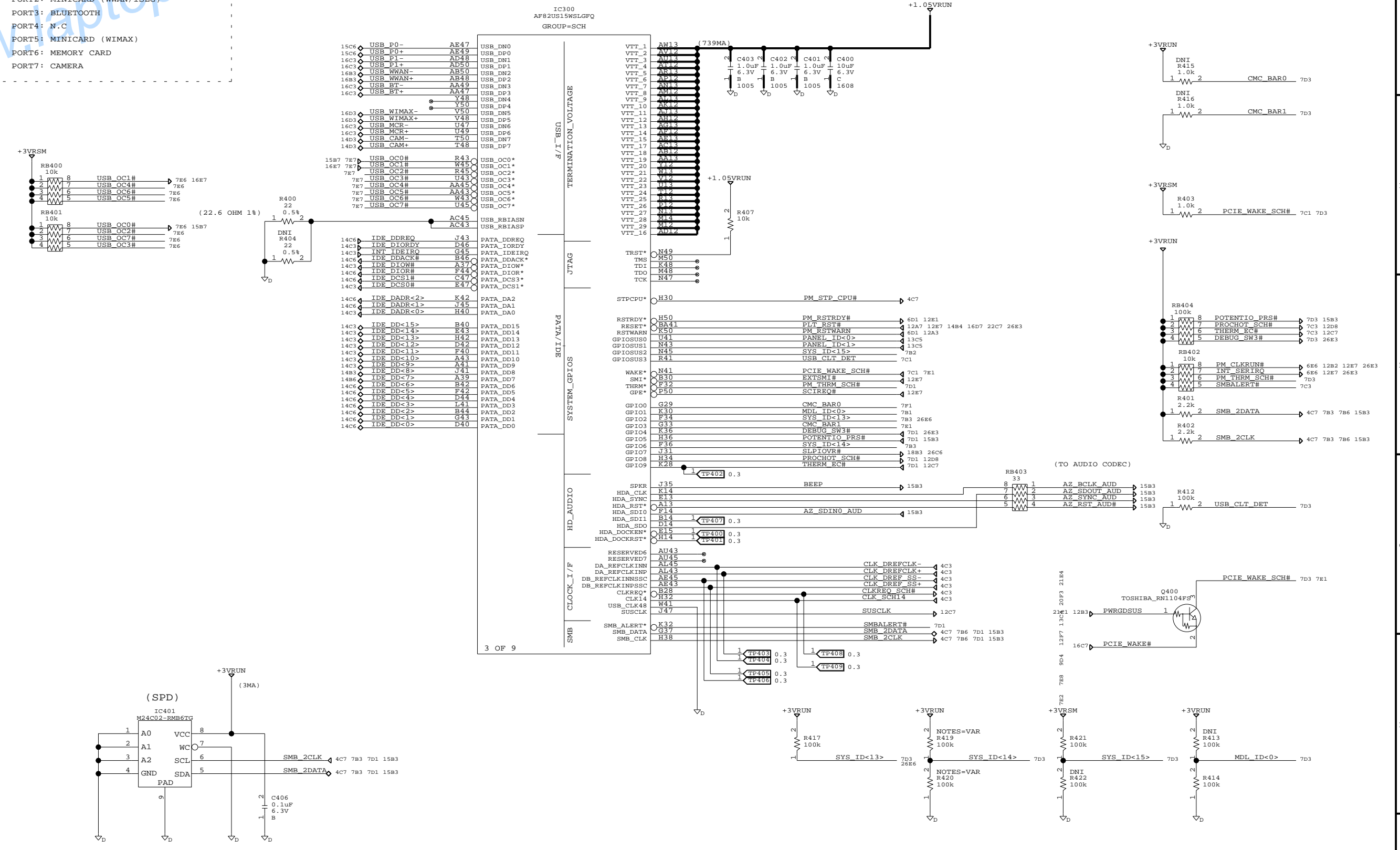
(REF: - 399)

SONY CORPORATION VAIO BUSINESS DIVISION		DRAWING: MBX-187 SCH (2/6)	
LAST_MODIFIED=Sat May 9 17:09:42 2009			
QTY	1	REV.	-
SIZE	C	DESIGNER	-
THIS DOCUMENT CONTAINS INFORMATION PROPRIETARY TO SONY CORPORATION (SONY). USE OR DISCLOSURE WITHOUT THE WRITTEN PERMISSION OF AN OFFICER OF SONY IS EXPRESSLY FORBIDDEN. COPYRIGHT (C) SONY CORPORATION 2009			PART NO. - SHEET 6 OF 27

SONY CONFIDENTIAL

REVISIONS				
ZONE	LTR	DESCRIPTION	DATE	APPR.

USB PORT ASSIGNMENT
 PORT0: MAIN UNIT CN (L)
 PORT1: MAIN UNIT CN (R)
 PORT2: MINICARD (WWAN/1SEG)
 PORT3: BLUETOOTH
 PORT4: N.C
 PORT5: MINICARD (WIMAX)
 PORT6: MEMORY CARD
 PORT7: CAMERA



(REF: 400-)

SONY CORPORATION VAIO BUSINESS DIVISION		DRAWING: MBX-187 SCH (3/6)	
LAST_MODIFIED=Sat May 9 17:09:42 2009			
QTY	1	REV.	PART NO.
DESIGNER	C		
THIS DOCUMENT CONTAINS INFORMATION PROPRIETARY TO SONY CORPORATION (SONY). USE OR DISCLOSURE WITHOUT THE WRITTEN PERMISSION OF AN OFFICER OF SONY IS EXPRESSLY FORBIDDEN. COPYRIGHT (C) SONY CORPORATION 2009			(SCH-3) SHEET 7 OF 27

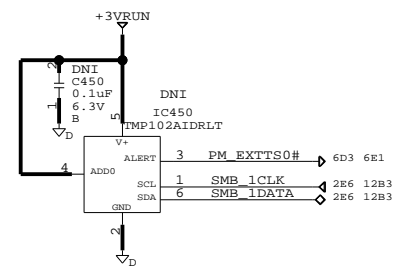
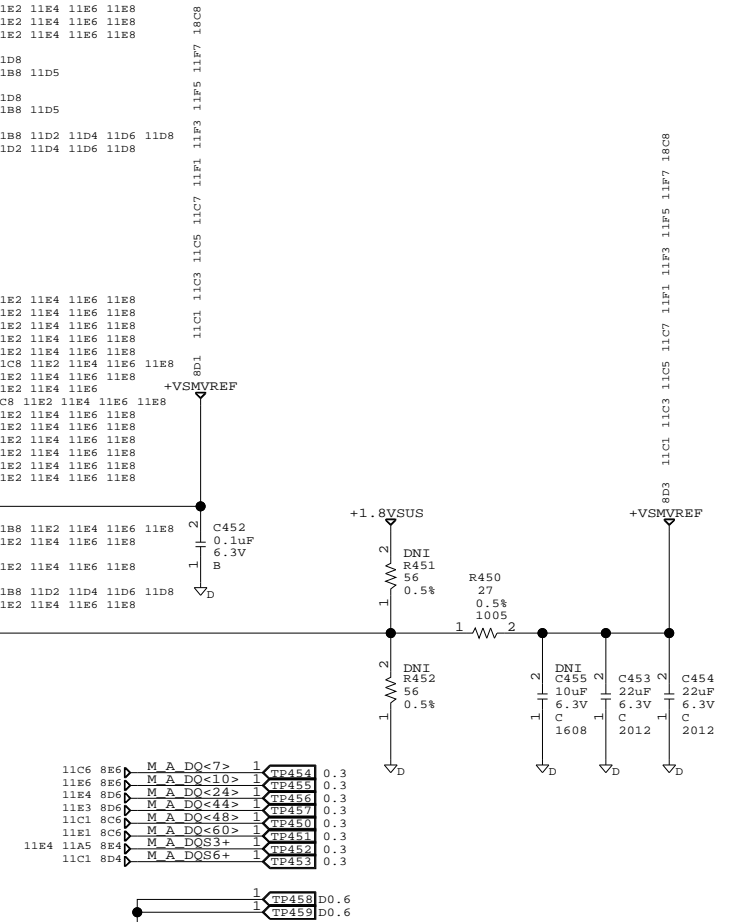
www.laptopblue.com

SONY CONFIDENTIAL

REVISIONS				
ZONE	LTR	DESCRIPTION	DATE	APPR.

IC300
AF82US15WSLGFQ
GROUP=SCH

11C6	M A DO<0>	BG49	SM_DQ0	SM_BS0	BC27	M A BS<0>	11B2 11B4 11B6 11B8 11E2 11E4 11E6 11E8
11C6	M A DO<1>	BG47	SM_DQ1	SM_BS1	BE25	M A BS<1>	11B2 11B4 11B6 11B8 11E2 11E4 11E6 11E8
11C6	M A DO<2>	BE45	SM_DQ2	SM_BS2	BA35	M A BS<2>	11B2 11B4 11B6 11B8 11E2 11E4 11E6 11E8
11C6	M A DO<3>	BC43	SM_DQ3				
11C6	M A DO<4>	BE47	SM_DQ4	SM_CK0	BG45	M CLK0+	11D2 11D4 11D6 11D7 11D8
11C6	M A DO<5>	BC47	SM_DQ5	SM_CK1	BE11	M CLK1+	11A6 11B2 11B4 11B6 11B8 11D5
11C6	M A DO<6>	BC45	SM_DQ6				
11C6	M A DO<7>	BK44	SM_DQ7	SM_CK0*	BG45	M CLK0-	11D2 11D4 11D6 11D7 11D8
11E6	M A DO<8>	BK42	SM_DQ8	SM_CK1*	BG11	M CLK1-	11A6 11B2 11B4 11B6 11B8 11D5
11E6	M A DO<9>	BK41	SM_DQ9				
11E6	M A DO<10>	BK40	SM_DQ10	SM_CKE0	BE39	M CKE0	11A6 11B2 11B4 11B6 11B8 11D2 11D4 11D6 11D8
11E6	M A DO<11>	BC41	SM_DQ11	SM_CKE1	BE37	M CKE1	11B2 11B4 11B6 11B8 11D2 11D4 11D6 11D8
11E6	M A DO<12>	BG43	SM_DQ12				
11E6	M A DO<13>	BK43	SM_DQ13				
11E6	M A DO<14>	BJ39	SM_DQ14	SM_DQS0	BJ47	M A DQS0+	11C6
11E6	M A DO<15>	BG39	SM_DQ15	SM_DQS1	BJ41	M A DQS1+	11A5 11E6
11C5	M A DO<16>	BC39	SM_DQ16	SM_DQS2	BC37	M A DQS2+	11C5
11C5	M A DO<17>	BK38	SM_DQ17	SM_DQS3	BK32	M A DQS3+	8C3 11A5 11E4
11C5	M A DO<18>	BG37	SM_DQ18	SM_DQS4	BG27	M A DQS4+	11C3
11C5	M A DO<19>	BK36	SM_DQ19	SM_DQS5	BE23	M A DQS5+	11A5 11E3
11C5	M A DO<20>	BJ37	SM_DQ20	SM_DQS6	BK18	M A DQS6+	8C3 11C1
11C5	M A DO<21>	BK35	SM_DQ21	SM_DQS7	BG13	M A DQS7+	11A5 11E1
11C5	M A DO<22>	BJ35	SM_DQ22				
11C5	M A DO<23>	BC35	SM_DQ23	SM_MAO	BJ27	M A A<0>	11C2 11C4 11C6 11C8 11E2 11E4 11E6 11E8
11E4	M A DO<24>	BK34	SM_DQ24	SM_MA1	BA19	M A A<1>	11C2 11C4 11C6 11C8 11E2 11E4 11E6 11E8
11E4	M A DO<25>	BK31	SM_DQ25	SM_MA2	BA27	M A A<2>	11C2 11C4 11C6 11C8 11E2 11E4 11E6 11E8
11E4	M A DO<26>	BG33	SM_DQ26	SM_MA3	BA25	M A A<3>	11C2 11C4 11C6 11C8 11E2 11E4 11E6 11E8
11E4	M A DO<27>	BK30	SM_DQ27	SM_MA4	BE29	M A A<4>	11C2 11C4 11C6 11C8 11E2 11E4 11E6 11E8
11E4	M A DO<28>	BC33	SM_DQ28	SM_MA5	BC23	M A A<5>	11A6 11C2 11C4 11C6 11C8 11E2 11E4 11E6 11E8
11E4	M A DO<29>	BJ33	SM_DQ29	SM_MA6	BE31	M A A<6>	11C2 11C4 11C6 11C8 11E2 11E4 11E6 11E8
11E4	M A DO<30>	BJ31	SM_DQ30	SM_MA7	BA31	M A A<7>	11C2 11C4 11C6 11C8 11E2 11E4 11E6 11E8
11E4	M A DO<31>	BC31	SM_DQ31	SM_MA8	BA33	M A A<8>	11E8 11C2 11C4 11C6 11C8 11E2 11E4 11E6 11E8
11C3	M A DO<32>	BJ29	SM_DQ32	SM_MA9	BA29	M A A<9>	11C2 11C4 11C6 11C8 11E2 11E4 11E6 11E8
11C3	M A DO<33>	BK29	SM_DQ33	SM_MA10	BE17	M A A<10>	11C2 11C4 11C6 11C8 11E2 11E4 11E6 11E8
11C3	M A DO<34>	BK28	SM_DQ34	SM_MA11	BE35	M A A<11>	11C2 11C4 11C6 11C8 11E2 11E4 11E6 11E8
11C3	M A DO<35>	BC29	SM_DQ35	SM_MA12	BE33	M A A<12>	11C2 11C4 11C6 11C8 11E2 11E4 11E6 11E8
11C3	M A DO<36>	BE27	SM_DQ36	SM_MA13	BE19	M A A<13>	11C2 11C4 11C6 11C8 11E2 11E4 11E6 11E8
11C3	M A DO<37>	BK26	SM_DQ37	SM_MA14	BA37	M A A<14>	11C2 11C4 11C6 11C8 11E2 11E4 11E6 11E8
11C3	M A DO<38>	BG25	SM_DQ38				
11C3	M A DO<39>	BJ25	SM_DQ39	SM_VREF	BE43		
11E3	M A DO<40>	BC25	SM_DQ40				
11E3	M A DO<41>	BK23	SM_DQ41	SM_RAS*	BE21	M A RAS#	11A6 11B2 11B4 11B6 11B8 11E2 11E4 11E6 11E8
11E3	M A DO<42>	BK22	SM_DQ42	SM_CAS*	BA13	M A CAS#	11B2 11B4 11B6 11B8 11E2 11E4 11E6 11E8
11E3	M A DO<43>	BJ21	SM_DQ43	SM_WE*	BA17	M A WE#	11B2 11B4 11B6 11B8 11E2 11E4 11E6 11E8
11E3	M A DO<44>	BK24	SM_DQ44				
11E3	M A DO<45>	BJ23	SM_DQ45	SM_CS0*	BA23	M CS#0	11A6 11B2 11B4 11B6 11B8 11D2 11D4 11D6 11D8
11E3	M A DO<46>	BK24	SM_DQ46	SM_CS1*	BA15	M CS#1	11B2 11B4 11B6 11B8 11E2 11E4 11E6 11E8
11E3	M A DO<47>	BC21	SM_DQ47				
11C1	M A DO<48>	BK20	SM_DQ48	SM_RCMP0	BE13		
11C1	M A DO<49>	BJ19	SM_DQ49	SM_RCVENIN	BA39	=A RCVENIN#	1 SL450
11C1	M A DO<50>	BG17	SM_DQ50	SM_RCVENOUT	BE41	=A RCVENOUT#	1 2
11C1	M A DO<51>	BJ17	SM_DQ51				
11C1	M A DO<52>	BK19	SM_DQ52				
11C1	M A DO<53>	BC19	SM_DQ53				
11C1	M A DO<54>	BC17	SM_DQ54				
11C1	M A DO<55>	BK16	SM_DQ55				
11E1	M A DO<56>	BK15	SM_DQ56				
11E1	M A DO<57>	BC15	SM_DQ57				
11E1	M A DO<58>	BJ13	SM_DQ58				
11E1	M A DO<59>	BK12	SM_DQ59				
11E1	M A DO<60>	BK14	SM_DQ60				
11E1	M A DO<61>	BJ15	SM_DQ61				
11E1	M A DO<62>	BC13	SM_DQ62				
11E1	M A DO<63>	BC11	SM_DQ63				



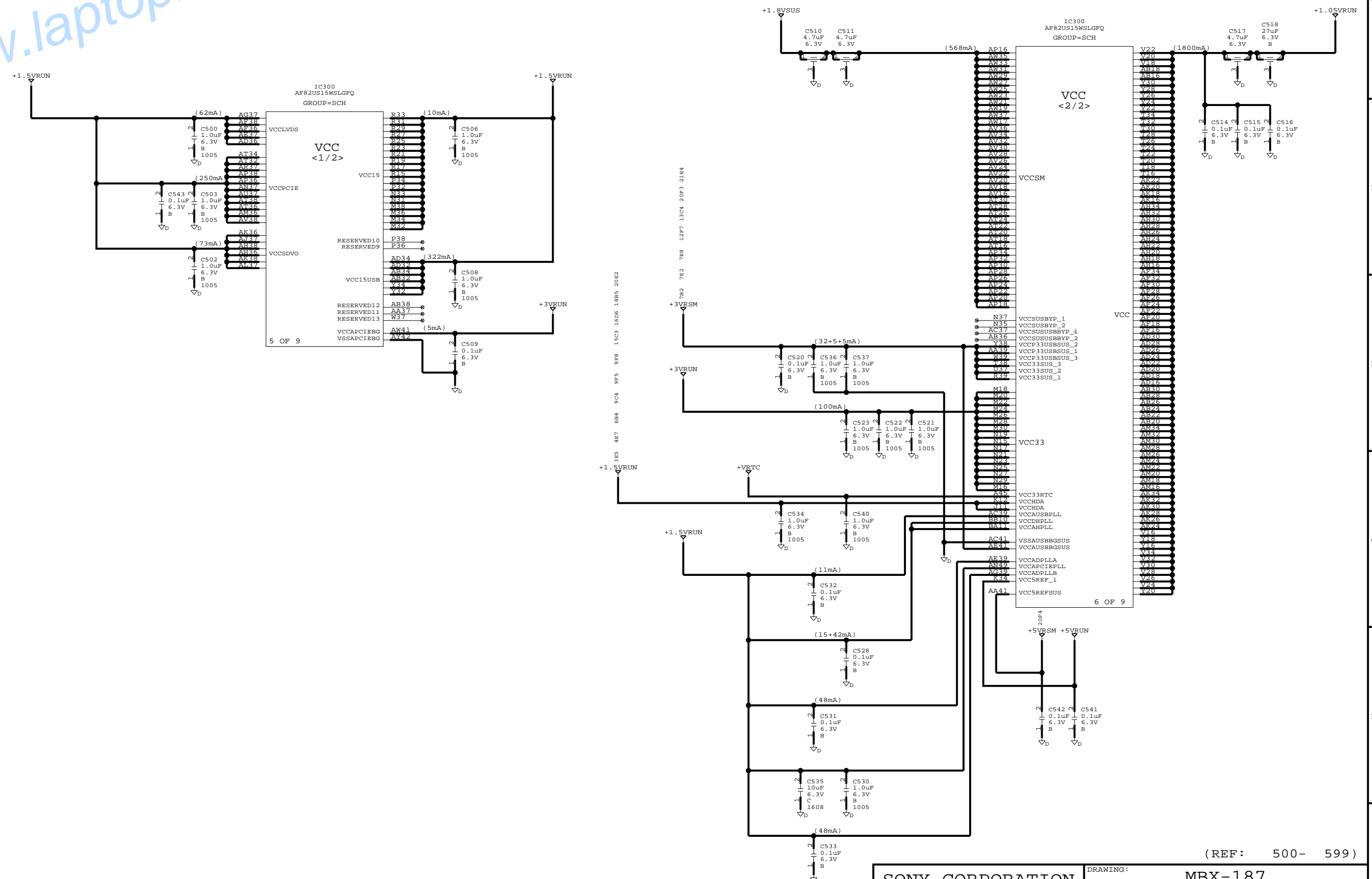
(REF: - 499)

SONY CORPORATION VAIO BUSINESS DIVISION		DRAWING: MBX-187 SCH (4/6)	
LAST_MODIFIED=Sat May 9 17:09:42 2009			
QTY	1	REV.	-
SIZE	C	DESIGNER	-
THIS DOCUMENT CONTAINS INFORMATION PROPRIETARY TO SONY CORPORATION (SONY). USE OR DISCLOSURE WITHOUT THE WRITTEN PERMISSION OF AN OFFICER OF SONY IS EXPRESSLY FORBIDDEN. COPYRIGHT (C) SONY CORPORATION 2009			(SCH-4) SHEET 8 OF 27

www.laptopblue.com

SONY CONFIDENTIAL

REVISIONS				
ZONE	LTR	DESCRIPTION	DATE	APPR.



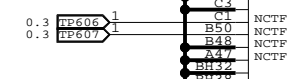
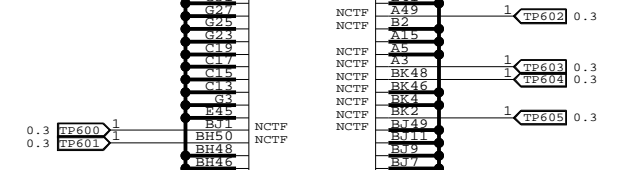
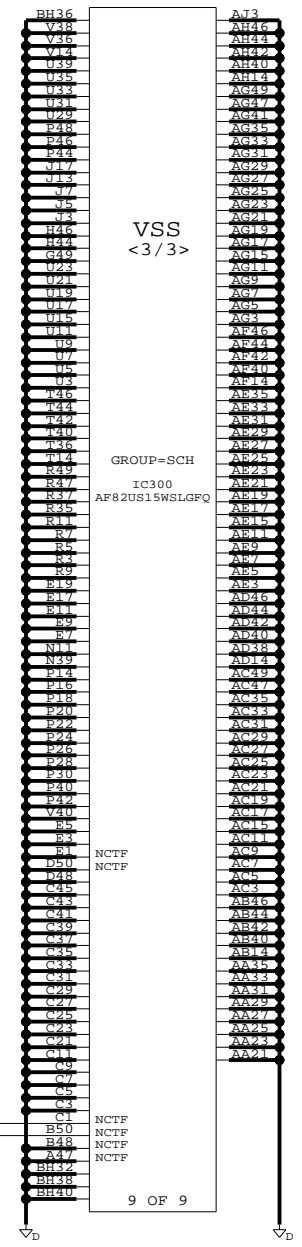
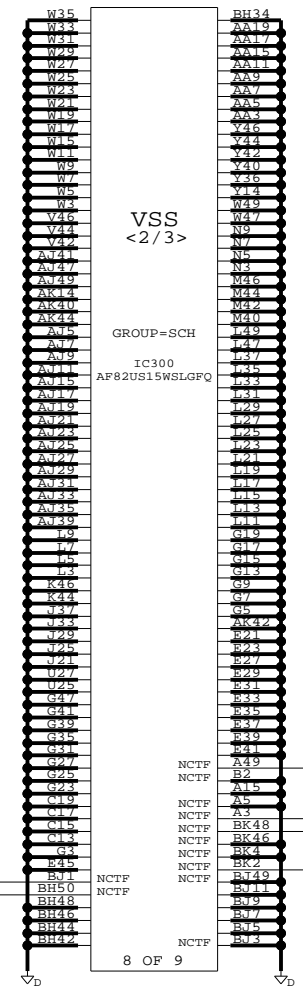
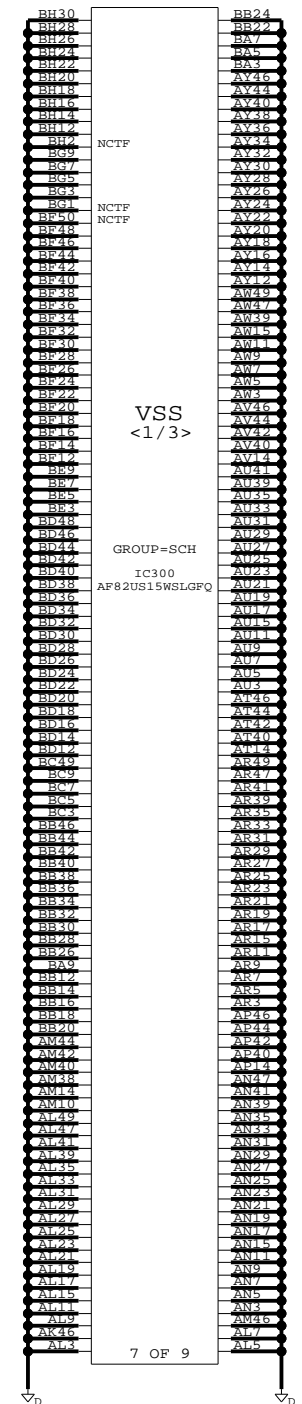
(REF: 500- 599)

SONY CORPORATION VAIO BUSINESS DIVISION		DRAWING: MBX-187 SCH (5/6)	
THIS DOCUMENT CONTAINS INFORMATION PROPRIETARY TO SONY CORPORATION (SONY). USE OR DISCLOSURE WITHOUT THE WRITTEN PERMISSION OF AN OFFICER OF SONY IS EXPRESSLY FORBIDDEN. COPYRIGHT (C) SONY CORPORATION 2009			
SIZE	C	DESIGNER	-
QTY	1	REV.	-
PART NO.	-	LAST_MODIFIED	Sat May 9 17:09:43 2009
SHEET 9 OF 27		(SCH-5)	

www.laptopblue.com

SONY CONFIDENTIAL

REVISIONS				
ZONE	LTR	DESCRIPTION	DATE	APPR.

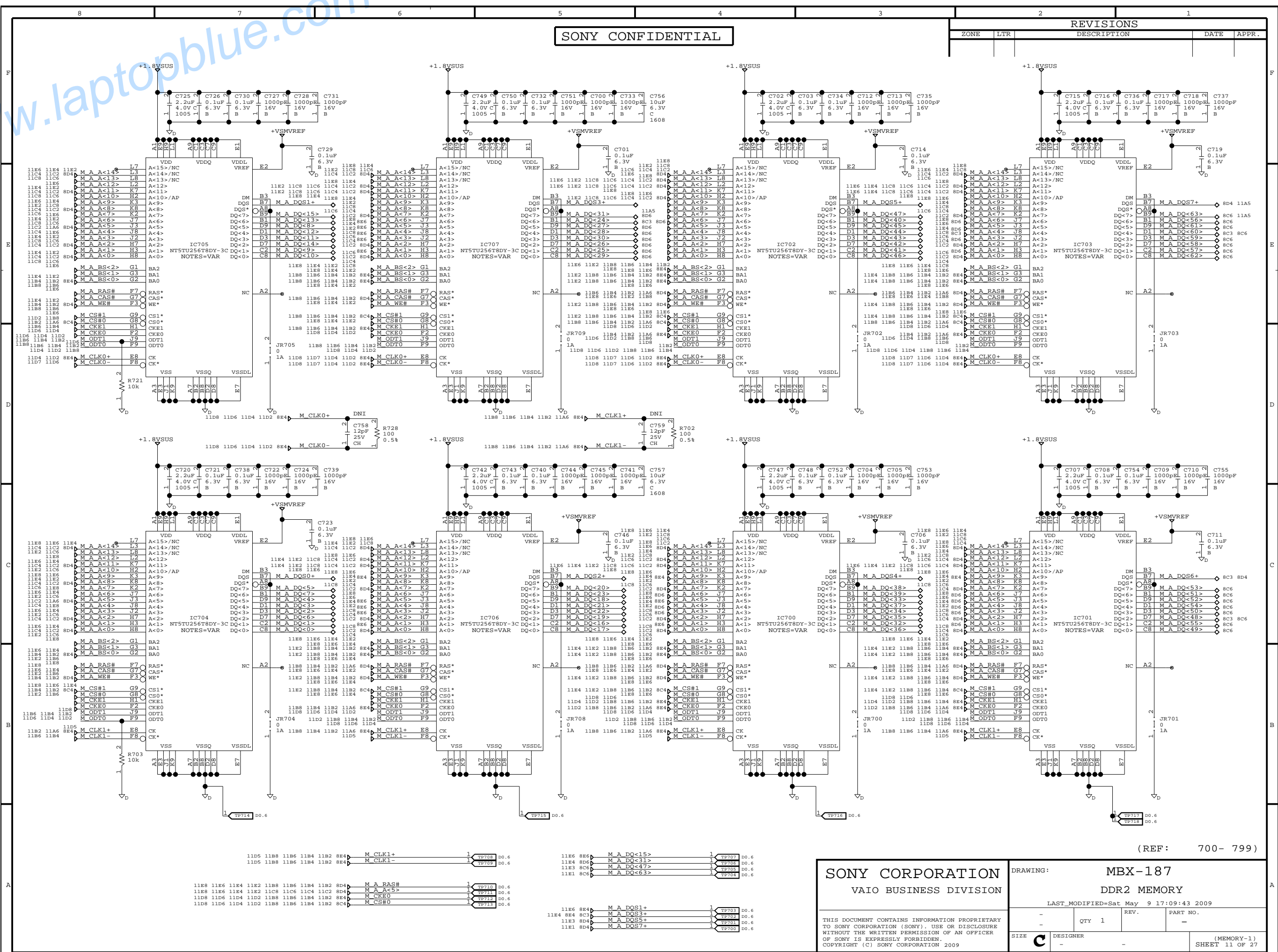


(REF: 600- 699)

SONY CORPORATION VAIO BUSINESS DIVISION		DRAWING: MBX-187 SCH (6/6)	
THIS DOCUMENT CONTAINS INFORMATION PROPRIETARY TO SONY CORPORATION (SONY). USE OR DISCLOSURE WITHOUT THE WRITTEN PERMISSION OF AN OFFICER OF SONY IS EXPRESSLY FORBIDDEN. COPYRIGHT (C) SONY CORPORATION 2009		LAST_MODIFIED=Sat May 9 17:09:43 2009	PART NO.
SIZE C	DESIGNER	QTY 1	REV.
		SHEET 10 OF 27 (SCH-6)	

SONY CONFIDENTIAL

REVISIONS				
ZONE	LTR	DESCRIPTION	DATE	APPR.



(REF: 700- 799)

SONY CORPORATION
VAIO BUSINESS DIVISION

DRAWING: **MBX-187**
DDR2 MEMORY

LAST_MODIFIED=Sat May 9 17:09:43 2009

QTY	1	REV.		PART NO.	
DESIGNER					

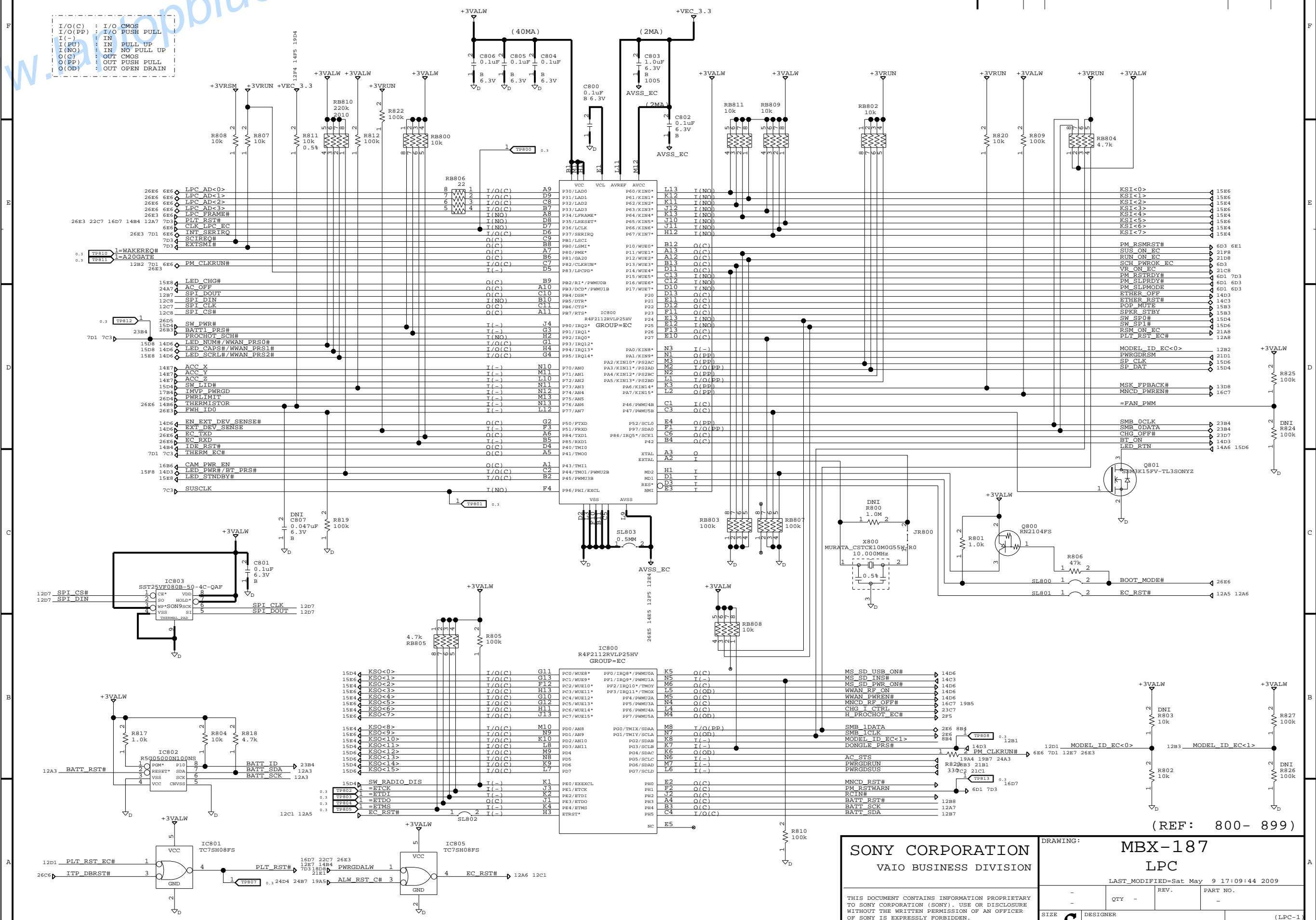
THIS DOCUMENT CONTAINS INFORMATION PROPRIETARY TO SONY CORPORATION (SONY). USE OR DISCLOSURE WITHOUT THE WRITTEN PERMISSION OF AN OFFICER OF SONY IS EXPRESSLY FORBIDDEN.

SIZE **C** SHEET (MEMORY-1) 13 OF 27

SONY CONFIDENTIAL

REVISIONS				
ZONE	LTR	DESCRIPTION	DATE	APPR.

I/O(C)	I/O CMOS
I/O(PP)	I/O PUSH PULL
I(-)	IN
I(PU)	IN PULL UP
I(NO)	IN NO PULL UP
O(C)	OUT CMOS
O(P)	OUT PUSH PULL
O(OD)	OUT OPEN DRAIN



SONY CORPORATION
VAIO BUSINESS DIVISION

MBX-187
LPC

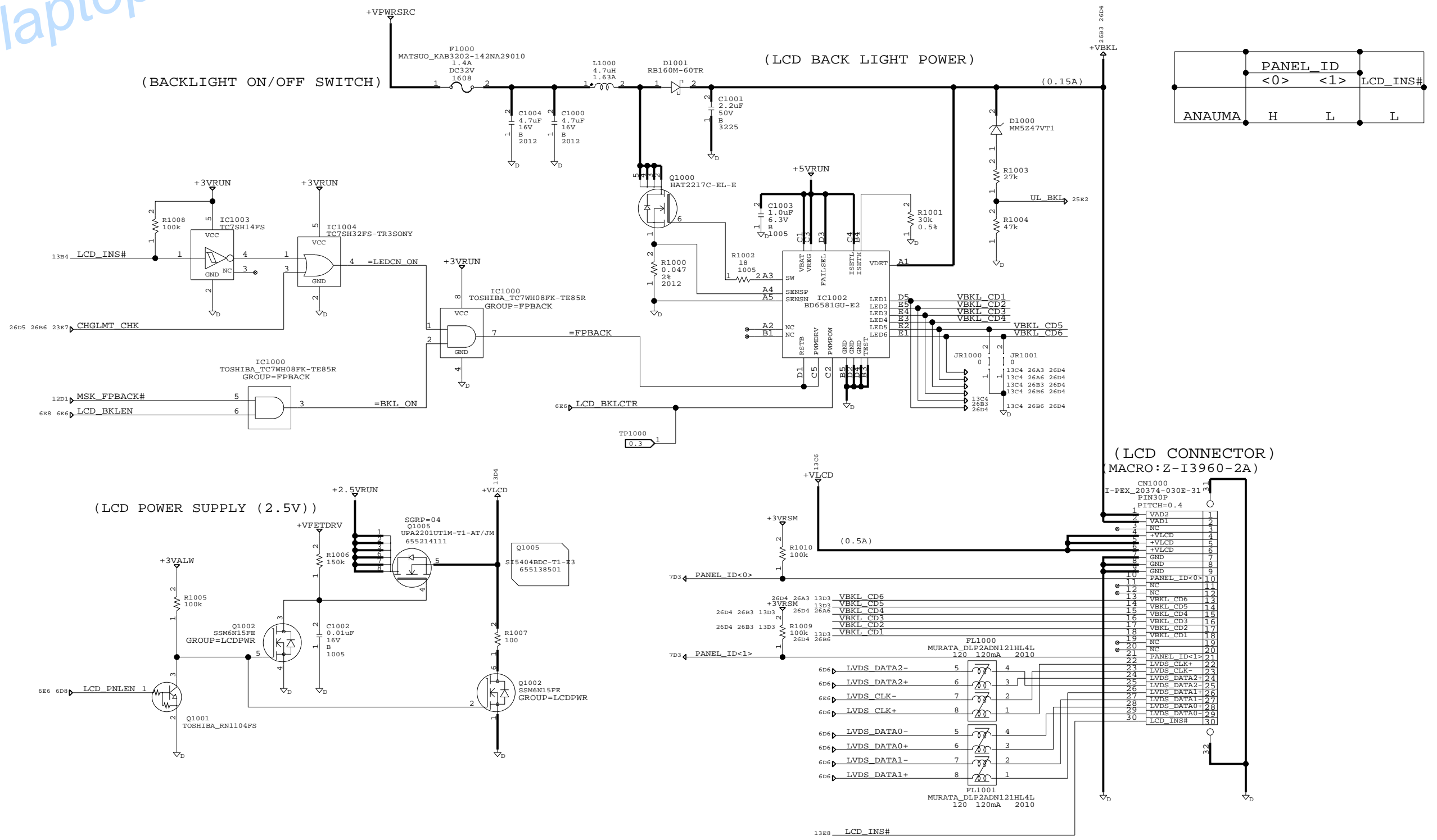
DRAWING: MBX-187 LPC			
LAST_MODIFIED=Sat May 9 17:09:44 2009			
QTY	REV.	PART NO.	
SIZE	DESIGNER	SHEET 12 OF 27	
C		(LPC-1)	

THIS DOCUMENT CONTAINS INFORMATION PROPRIETARY TO SONY CORPORATION (SONY). USE OR DISCLOSURE WITHOUT THE WRITTEN PERMISSION OF AN OFFICER OF SONY IS EXPRESSLY FORBIDDEN.
COPYRIGHT (C) SONY CORPORATION 2009

(REF: 800- 899)

SONY CONFIDENTIAL

REVISIONS				
ZONE	LTR	DESCRIPTION	DATE	APPR.



PANEL_ID	<0>	<1>	LCD_INS#
ANAUMA	H	L	L

(LCD CONNECTOR)
(MACRO: Z-I3960-2A)

1	VAD2	1
2	VAD1	2
3	NC	3
4	+VLCD	4
5	+VLCD	5
6	+VLCD	6
7	GND	7
8	GND	8
9	GND	9
10	PANEL_ID<0>	10
11	NC	11
12	NC	12
13	VBKL_CD6	13
14	VBKL_CD5	14
15	VBKL_CD4	15
16	VBKL_CD3	16
17	VBKL_CD2	17
18	VBKL_CD1	18
19	NC	19
20	NC	20
21	PANEL_ID<1>	21
22	LVDS_CLK+	22
23	LVDS_CLK-	23
24	LVDS_DATA2+	24
25	LVDS_DATA2-	25
26	LVDS_DATA1+	26
27	LVDS_DATA1-	27
28	LVDS_DATA0+	28
29	LVDS_DATA0-	29
30	LCD_INS#	30

(REF: 1000- 1099)

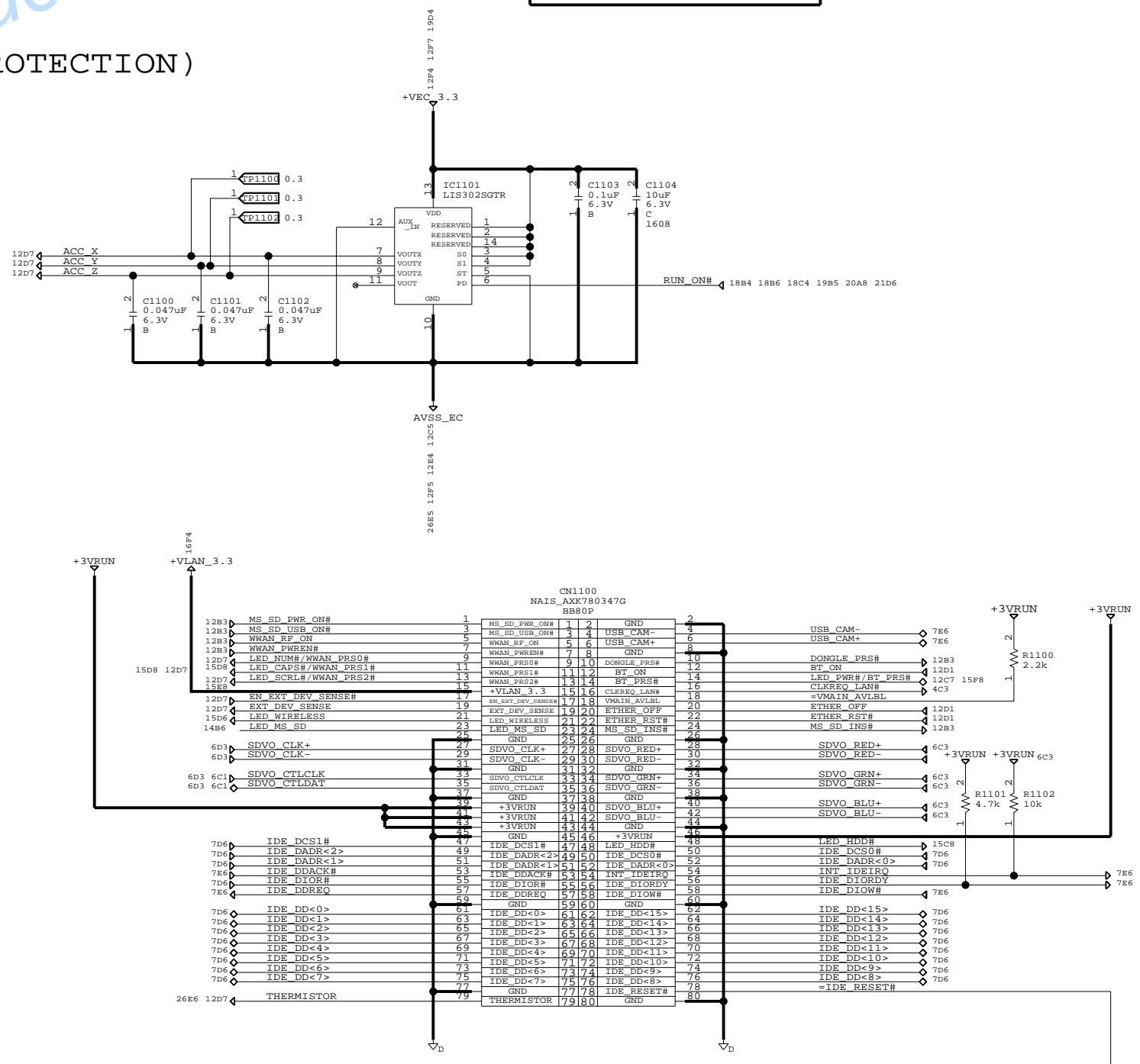
SONY CORPORATION VAIO BUSINESS DIVISION		DRAWING: MBX-187 LCD BACKLIGHT CTRL & LCD IF	
LAST_MODIFIED=Sat May 9 17:09:44 2009			
QTY	1	REV.	-
DESIGNER	-	PART NO.	-
SIZE	C	DESIGNER	-
THIS DOCUMENT CONTAINS INFORMATION PROPRIETARY TO SONY CORPORATION (SONY). USE OR DISCLOSURE WITHOUT THE WRITTEN PERMISSION OF AN OFFICER OF SONY IS EXPRESSLY FORBIDDEN. COPYRIGHT (C) SONY CORPORATION 2009			(IF-1) SHEET 13 OF 27

www.laptopblue.com

SONY CONFIDENTIAL

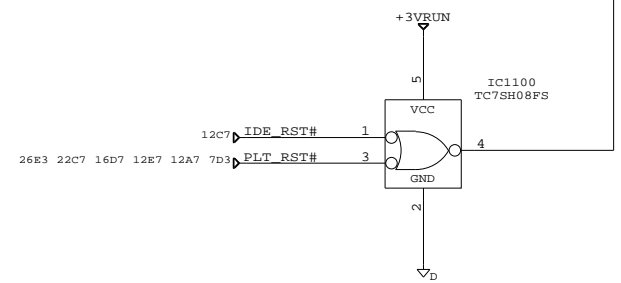
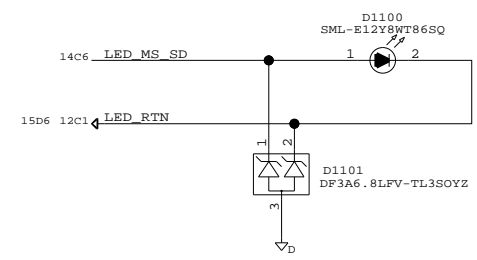
REVISIONS				
ZONE	LTR	DESCRIPTION	DATE	APPR.

(HDD PROTECTION)



<+3VRUN> HDD/SSD : 0.6A
 VGA : 0.5A

 TTL : 1.1A < 1.2A (0.3 X 4P)



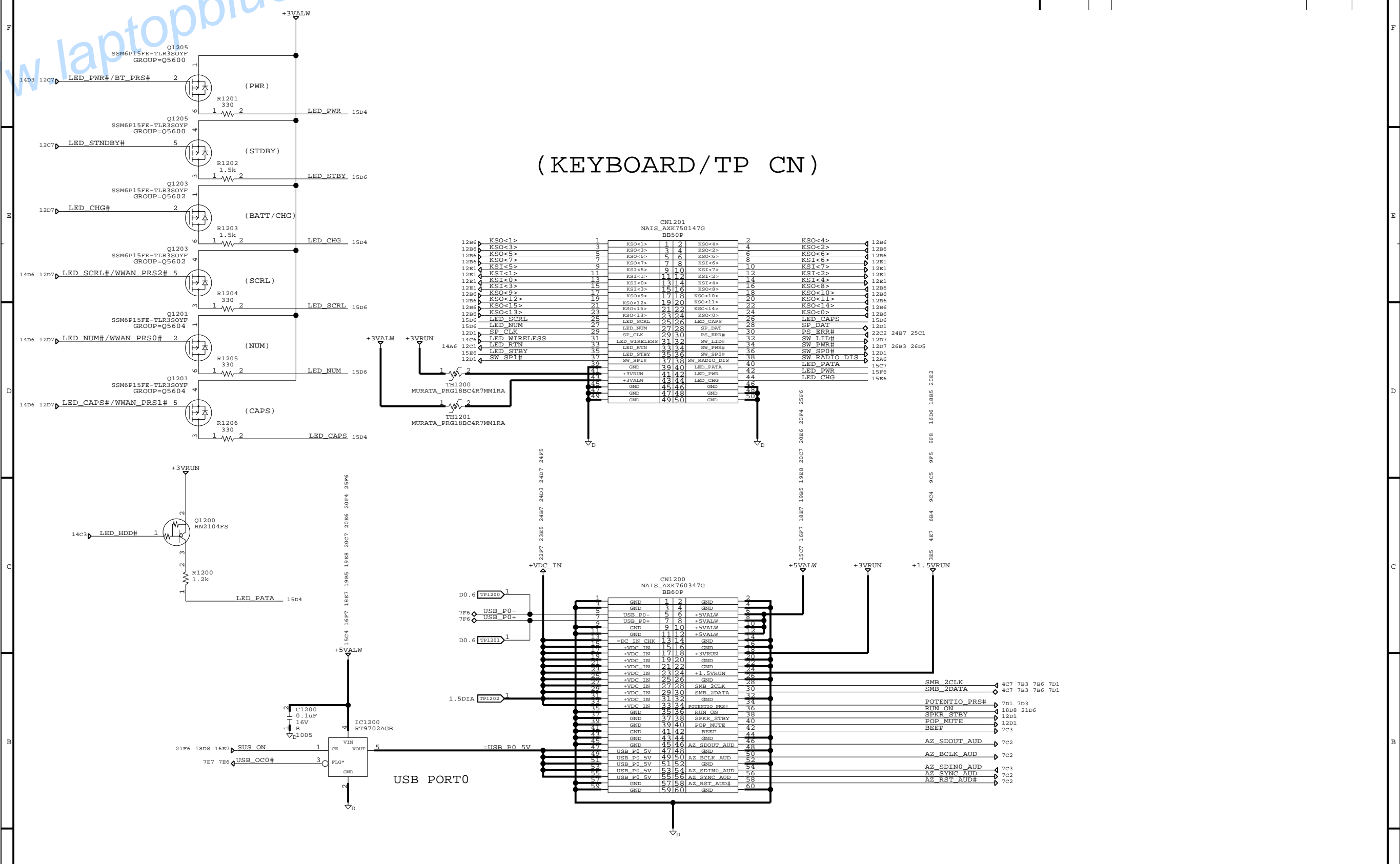
HDD : 3V 545MA
 (REF: 1100- 1199)

SONY CORPORATION VAIO BUSINESS DIVISION		DRAWING: MBX-187 IDE (HDD)	
LAST_MODIFIED=Sat May 9 17:09:44 2009			
QTY	1	REV.	-
DESIGNER	-	PART NO.	-
SIZE	C	DESIGNER	-
THIS DOCUMENT CONTAINS INFORMATION PROPRIETARY TO SONY CORPORATION (SONY). USE OR DISCLOSURE WITHOUT THE WRITTEN PERMISSION OF AN OFFICER OF SONY IS EXPRESSLY FORBIDDEN. COPYRIGHT (C) SONY CORPORATION 2009			(IF-2) SHEET 14 OF 27

SONY CONFIDENTIAL

REVISIONS				
ZONE	LTR	DESCRIPTION	DATE	APPR.

(KEYBOARD/TP CN)



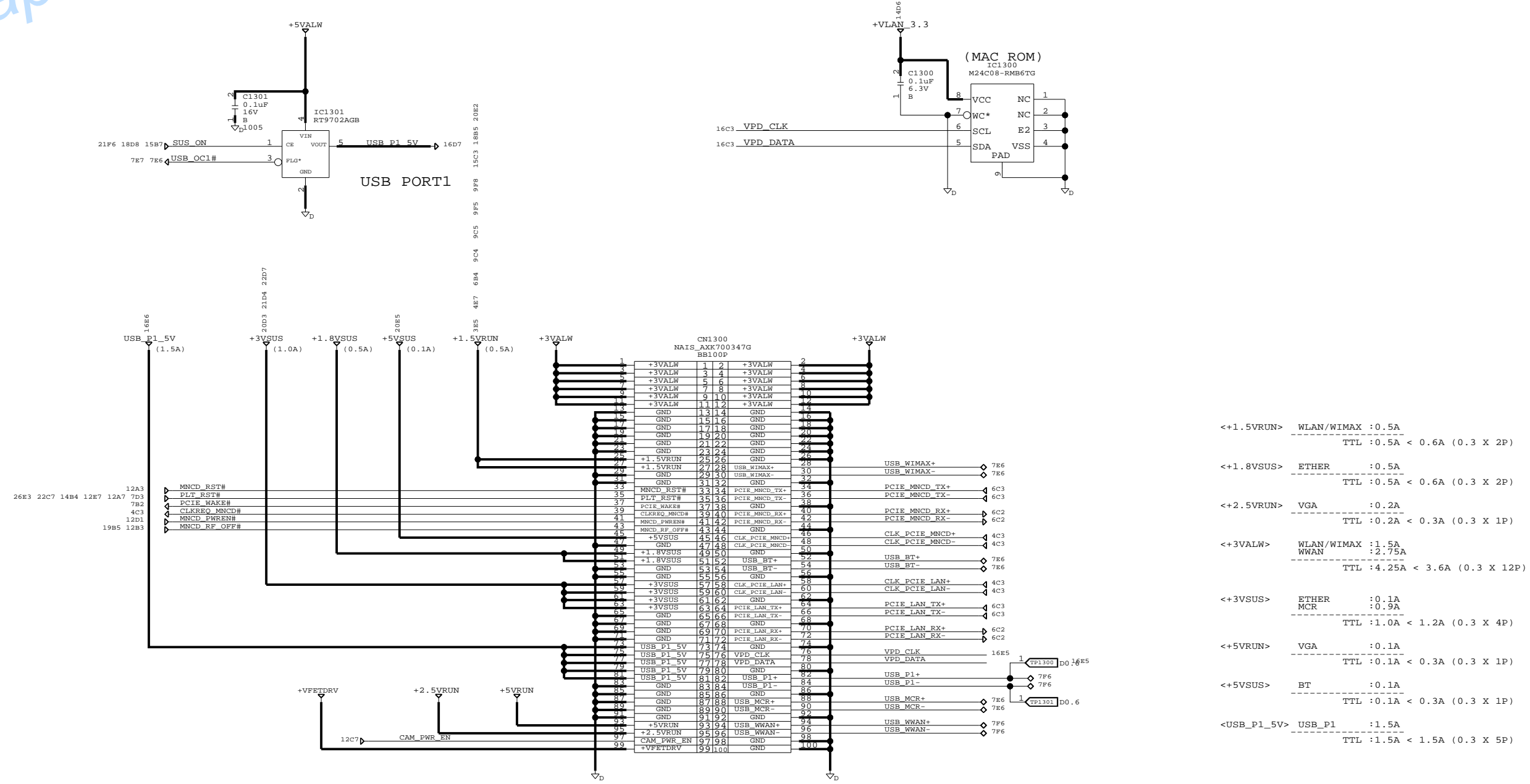
(REF: 1200- 1299)

SONY CORPORATION VAIO BUSINESS DIVISION		DRAWING: MBX-187 CNX-422 & SWX-298 IF	
LAST_MODIFIED=Sat May 9 17:09:44 2009			
SIZE	DESIGNER	REV.	PART NO.
C	-	-	-
THIS DOCUMENT CONTAINS INFORMATION PROPRIETARY TO SONY CORPORATION (SONY). USE OR DISCLOSURE WITHOUT THE WRITTEN PERMISSION OF AN OFFICER OF SONY IS EXPRESSLY FORBIDDEN. COPYRIGHT (C) SONY CORPORATION 2009			(IF-3) SHEET 15 OF 27

www.laptopblue.com

SONY CONFIDENTIAL

REVISIONS				
ZONE	LTR	DESCRIPTION	DATE	APPR.



<+1.5VRUN>	WLAN/WIMAX	: 0.5A	TTL : 0.5A < 0.6A (0.3 X 2P)
<+1.8VSUS>	ETHER	: 0.5A	TTL : 0.5A < 0.6A (0.3 X 2P)
<+2.5VRUN>	VGA	: 0.2A	TTL : 0.2A < 0.3A (0.3 X 1P)
<+3VALW>	WLAN/WIMAX	: 1.5A	TTL : 4.25A < 3.6A (0.3 X 12P)
	WWAN	: 2.75A	
<+3VSUS>	ETHER	: 0.1A	TTL : 1.0A < 1.2A (0.3 X 4P)
	MCR	: 0.9A	
<+5VRUN>	VGA	: 0.1A	TTL : 0.1A < 0.3A (0.3 X 1P)
<+5VSUS>	BT	: 0.1A	TTL : 0.1A < 0.3A (0.3 X 1P)
<USB_P1_5V>	USB P1	: 1.5A	TTL : 1.5A < 1.5A (0.3 X 5P)

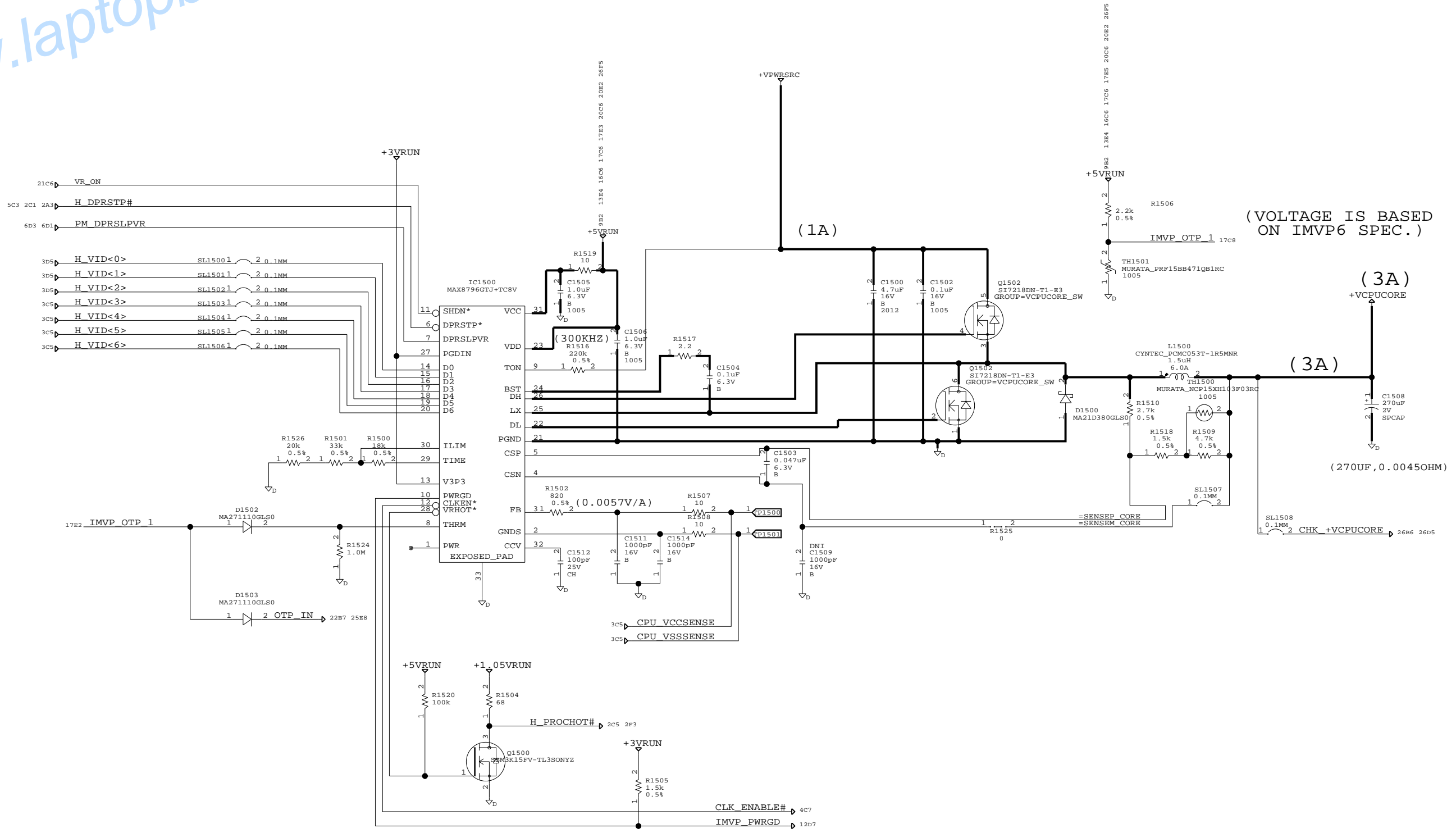
(REF: 1300- 1399)

SONY CORPORATION VAIO BUSINESS DIVISION		DRAWING: MBX-187 IFX-522 IF	
THIS DOCUMENT CONTAINS INFORMATION PROPRIETARY TO SONY CORPORATION (SONY). USE OR DISCLOSURE WITHOUT THE WRITTEN PERMISSION OF AN OFFICER OF SONY IS EXPRESSLY FORBIDDEN. COPYRIGHT (C) SONY CORPORATION 2009		LAST_MODIFIED=Sat May 9 17:09:45 2009	
SIZE	DESIGNER	REV.	PART NO.
C	-	-	-
			(IF-4) SHEET 16 OF 27

www.laptopblue.com

SONY CONFIDENTIAL

REVISIONS				
ZONE	LTR	DESCRIPTION	DATE	APPR.



(VOLTAGE IS BASED ON IMVP6 SPEC.)

(3A)

(270UF, 0.0045OHM)

(REF: 1500- 1599)

SONY CORPORATION
VAIO BUSINESS DIVISION

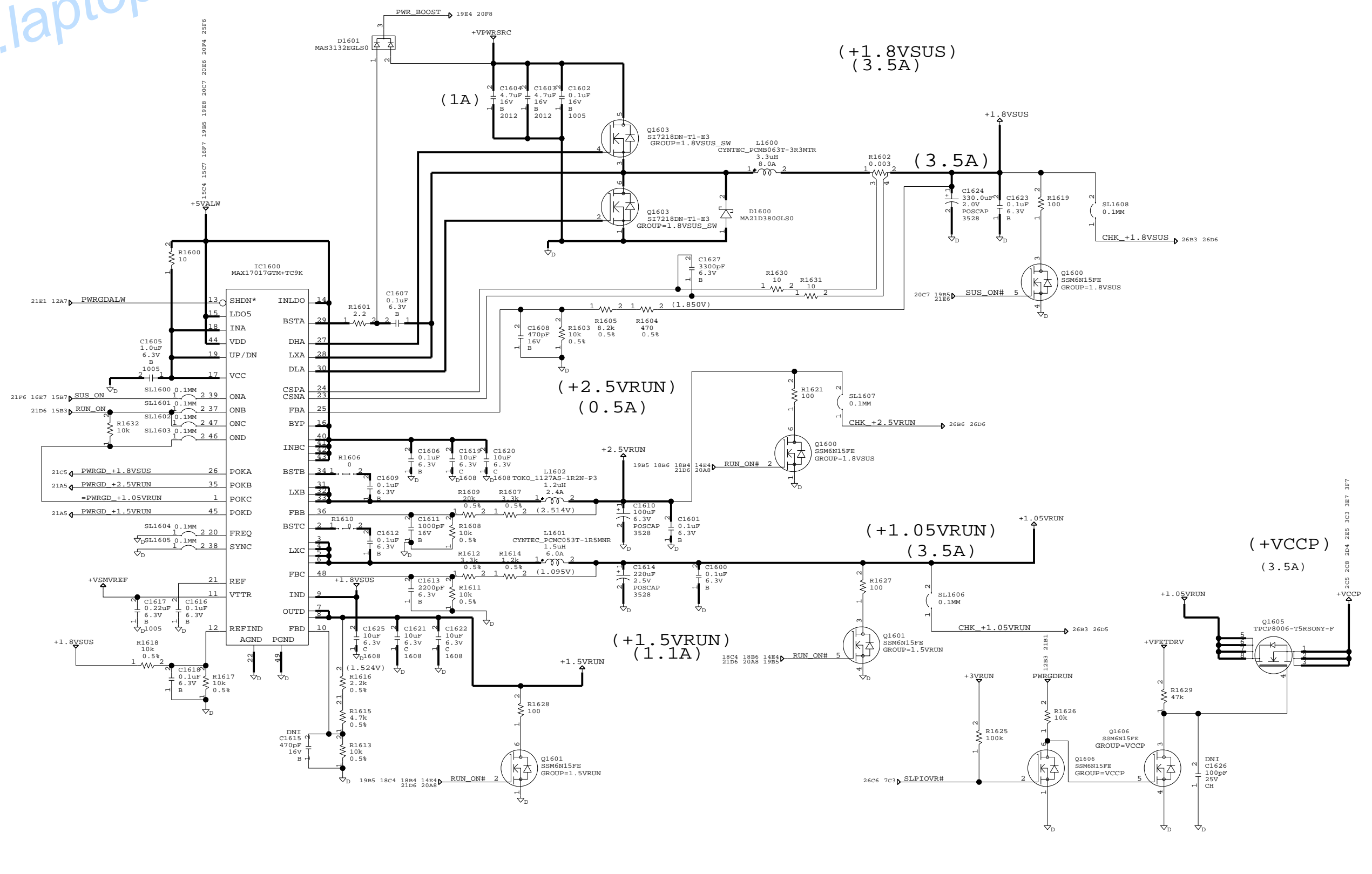
DRAWING: MBX-187
+VCPUCORE

THIS DOCUMENT CONTAINS INFORMATION PROPRIETARY TO SONY CORPORATION (SONY). USE OR DISCLOSURE WITHOUT THE WRITTEN PERMISSION OF AN OFFICER OF SONY IS EXPRESSLY FORBIDDEN.
COPYRIGHT (C) SONY CORPORATION 2009

LAST_MODIFIED=Sat May 9 17:09:45 2009	REV.	PART NO.
QTY 1		
DESIGNER		
		(POWER-1) SHEET 17 OF 27

SONY CONFIDENTIAL

REVISIONS				
ZONE	LTR	DESCRIPTION	DATE	APPR.

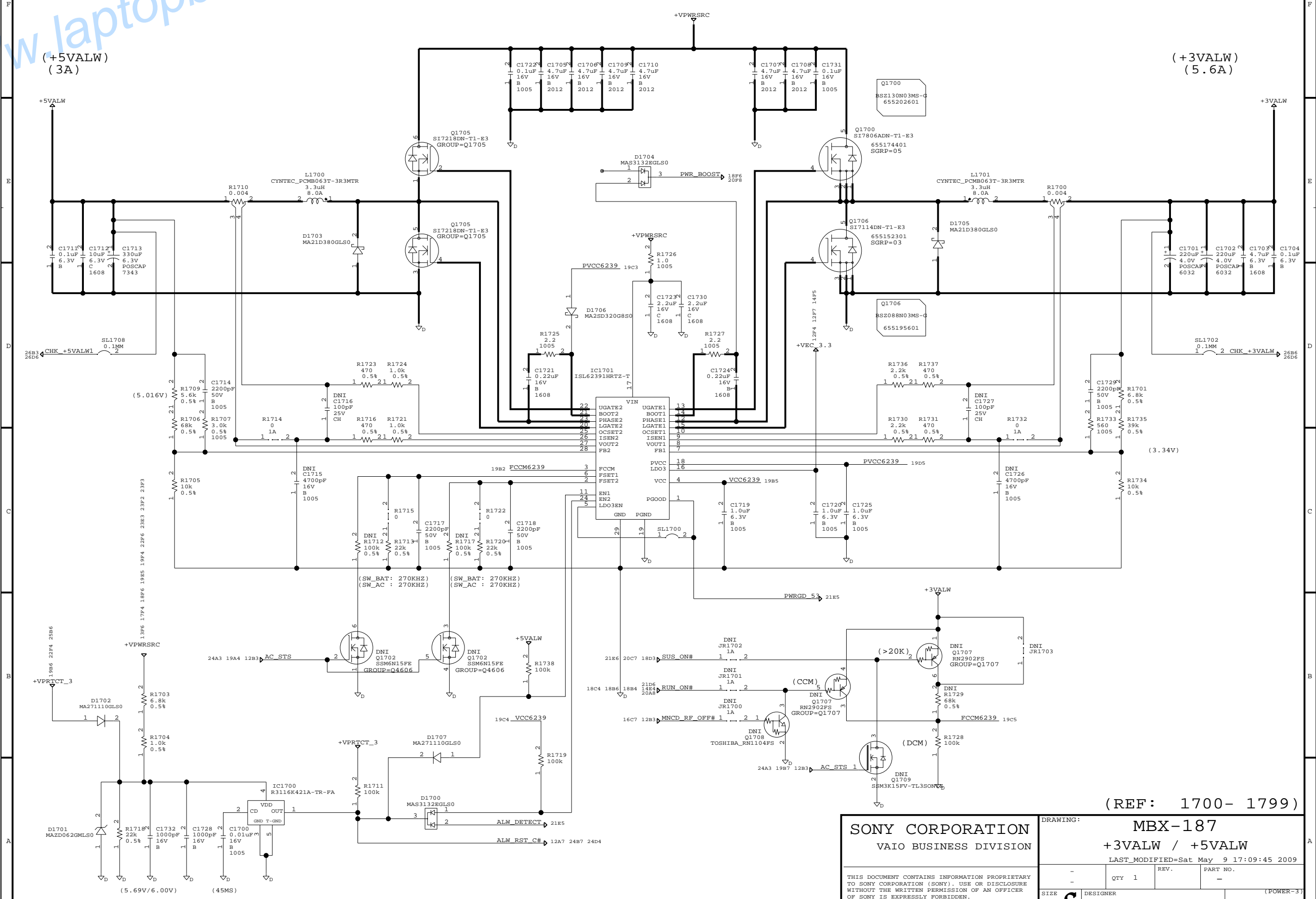


(REF: 1600- 1699)

SONY CORPORATION VAIO BUSINESS DIVISION		DRAWING: MBX-187	
		+1.8VSUS/+2.5VRUN/+1.05VRUN/+1.5VRUN	
		LAST_MODIFIED=Sat May 9 17:09:45 2009	
THIS DOCUMENT CONTAINS INFORMATION PROPRIETARY TO SONY CORPORATION (SONY). USE OR DISCLOSURE WITHOUT THE WRITTEN PERMISSION OF AN OFFICER OF SONY IS EXPRESSLY FORBIDDEN. COPYRIGHT (C) SONY CORPORATION 2009	QTY 1	REV.	PART NO.
SIZE C	DESIGNER		(POWER-2) SHEET 18 OF 27

SONY CONFIDENTIAL

REVISIONS				
ZONE	LTR	DESCRIPTION	DATE	APPR.



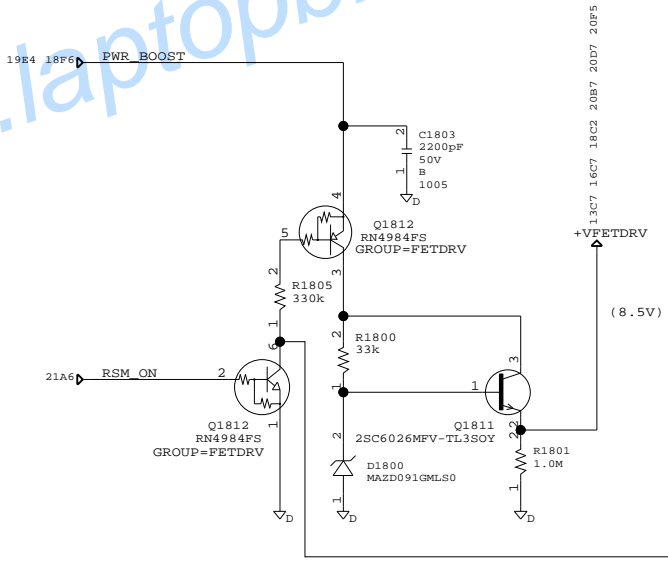
(REF: 1700- 1799)

SONY CORPORATION VAIO BUSINESS DIVISION		DRAWING: MBX-187 +3VALW / +5VALW LAST_MODIFIED=Sat May 9 17:09:45 2009	
THIS DOCUMENT CONTAINS INFORMATION PROPRIETARY TO SONY CORPORATION (SONY). USE OR DISCLOSURE WITHOUT THE WRITTEN PERMISSION OF AN OFFICER OF SONY IS EXPRESSLY FORBIDDEN. COPYRIGHT (C) SONY CORPORATION 2009	QTY 1 REV. - PART NO. - DESIGNER - SHEET 19 OF 27	(POWER-3)	SIZE C

SONY CONFIDENTIAL

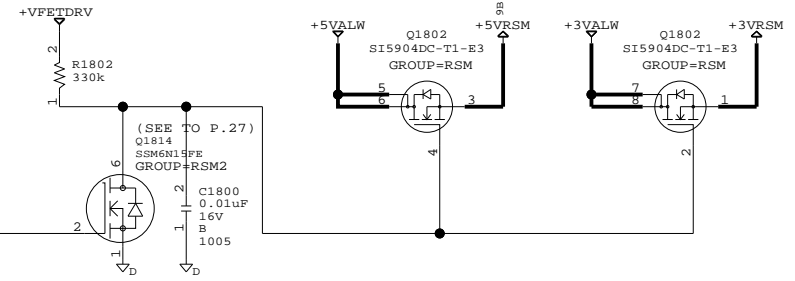
REVISIONS				
ZONE	LTR	DESCRIPTION	DATE	APPR.

(+VFETDRV)



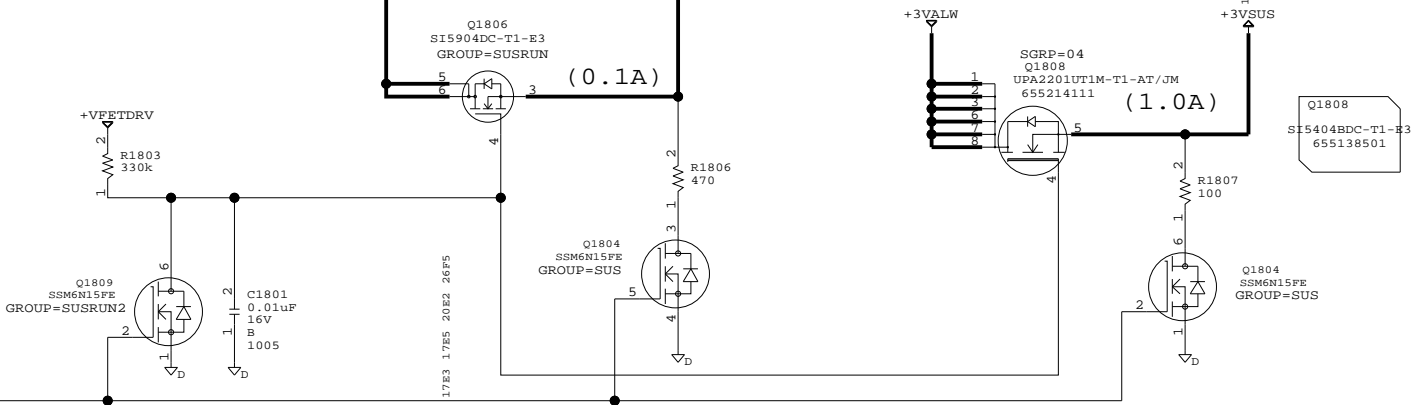
(+5VRSM) (0.1A)

(+3VRSM) (0.1A)



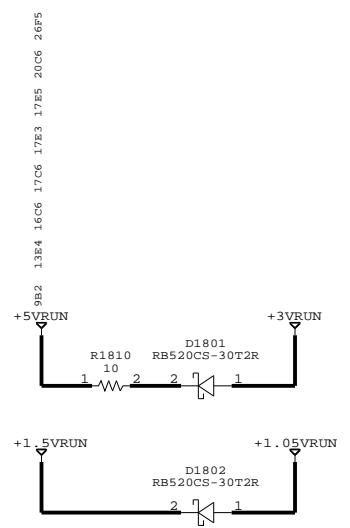
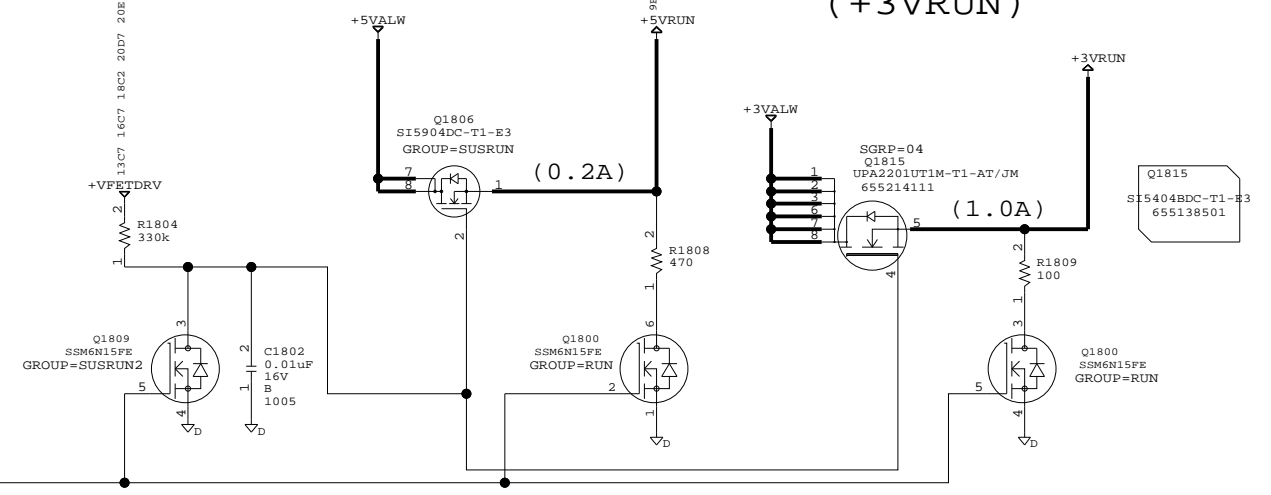
(+5VSUS) (0.1A)

(+3VSUS) (1.0A)



(+5VRUN) (0.2A)

(+3VRUN) (1.0A)

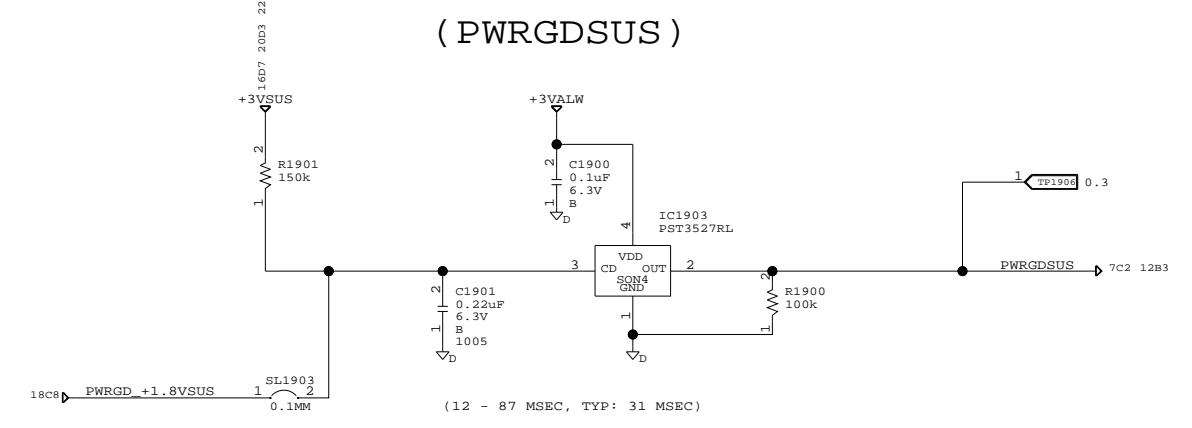
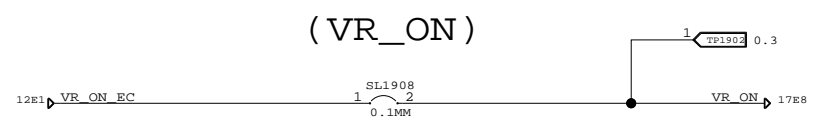
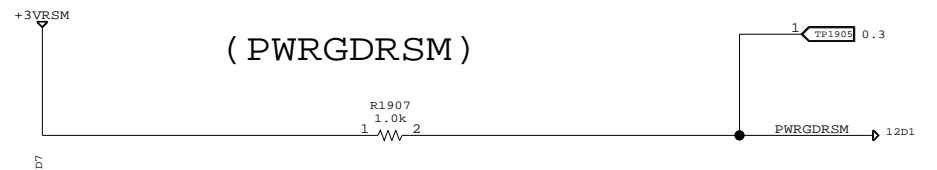
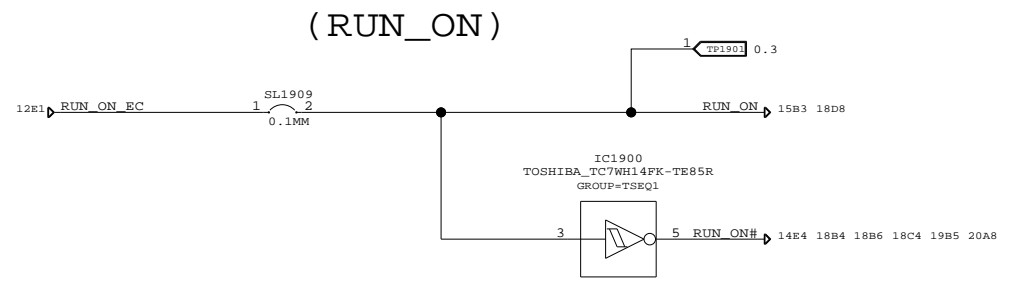
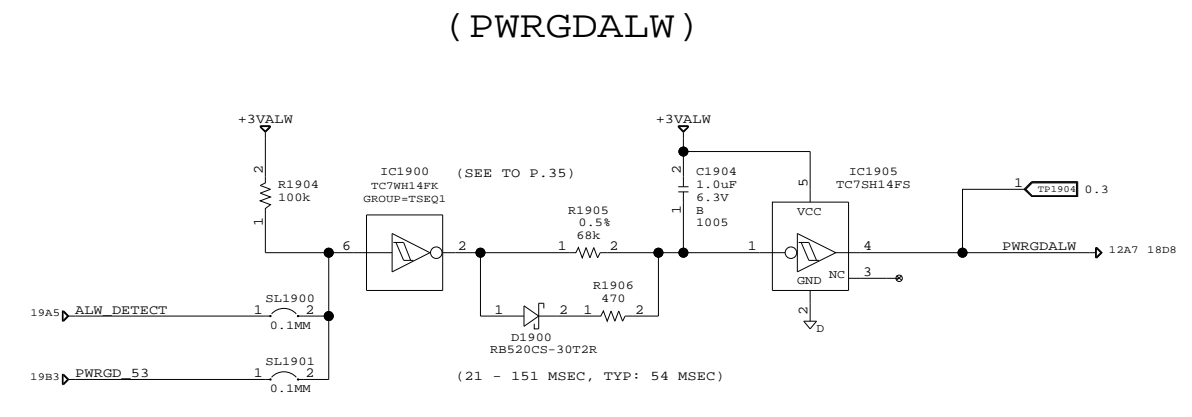
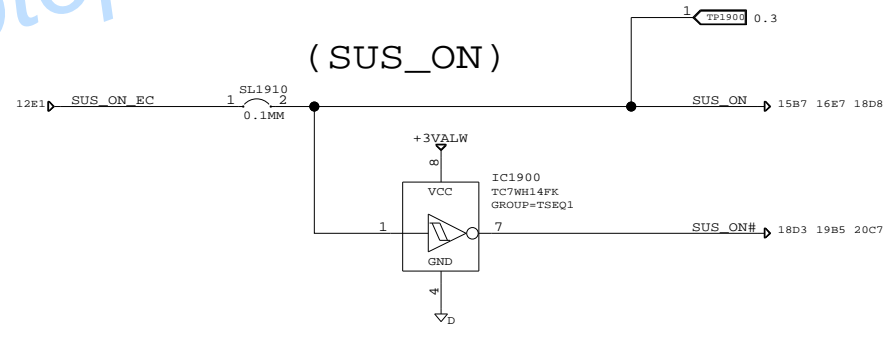


(REF: 1800- 1899)

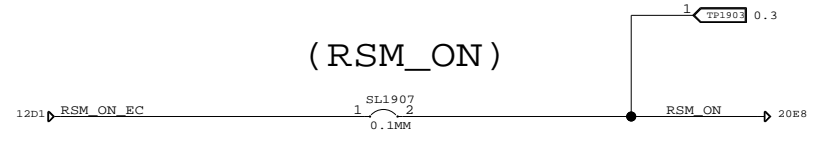
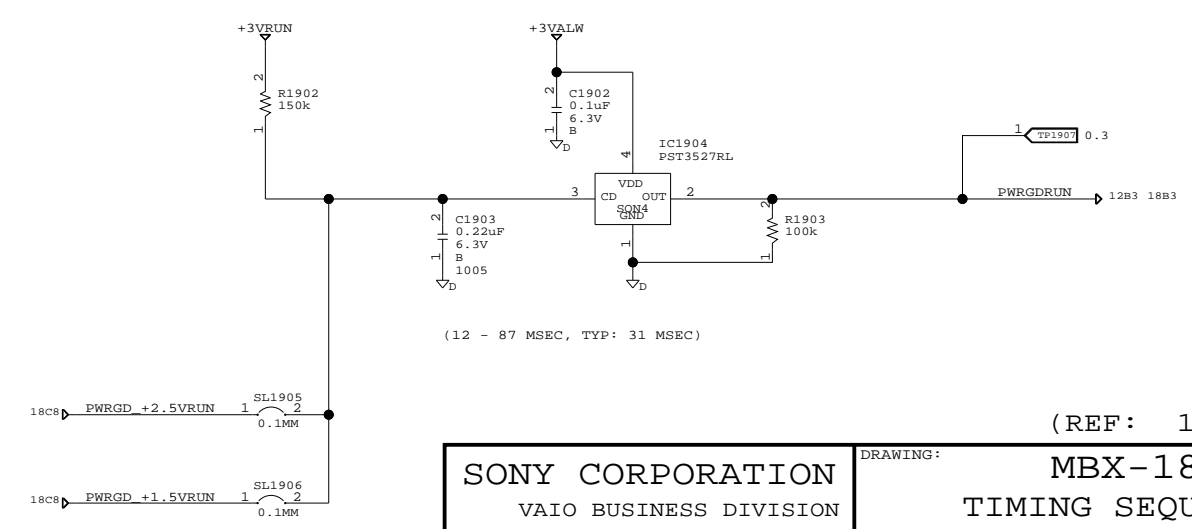
SONY CORPORATION VAIO BUSINESS DIVISION		DRAWING: MBX-187 LOAD SW	
LAST_MODIFIED=Sat May 9 17:09:45 2009			
QTY	1	REV.	PART NO.
DESIGNER	C		
THIS DOCUMENT CONTAINS INFORMATION PROPRIETARY TO SONY CORPORATION (SONY). USE OR DISCLOSURE WITHOUT THE WRITTEN PERMISSION OF AN OFFICER OF SONY IS EXPRESSLY FORBIDDEN. COPYRIGHT (C) SONY CORPORATION 2009			(POWER-4) SHEET 20 OF 27

SONY CONFIDENTIAL

REVISIONS				
ZONE	LTR	DESCRIPTION	DATE	APPR.



(PWRGDRUN)



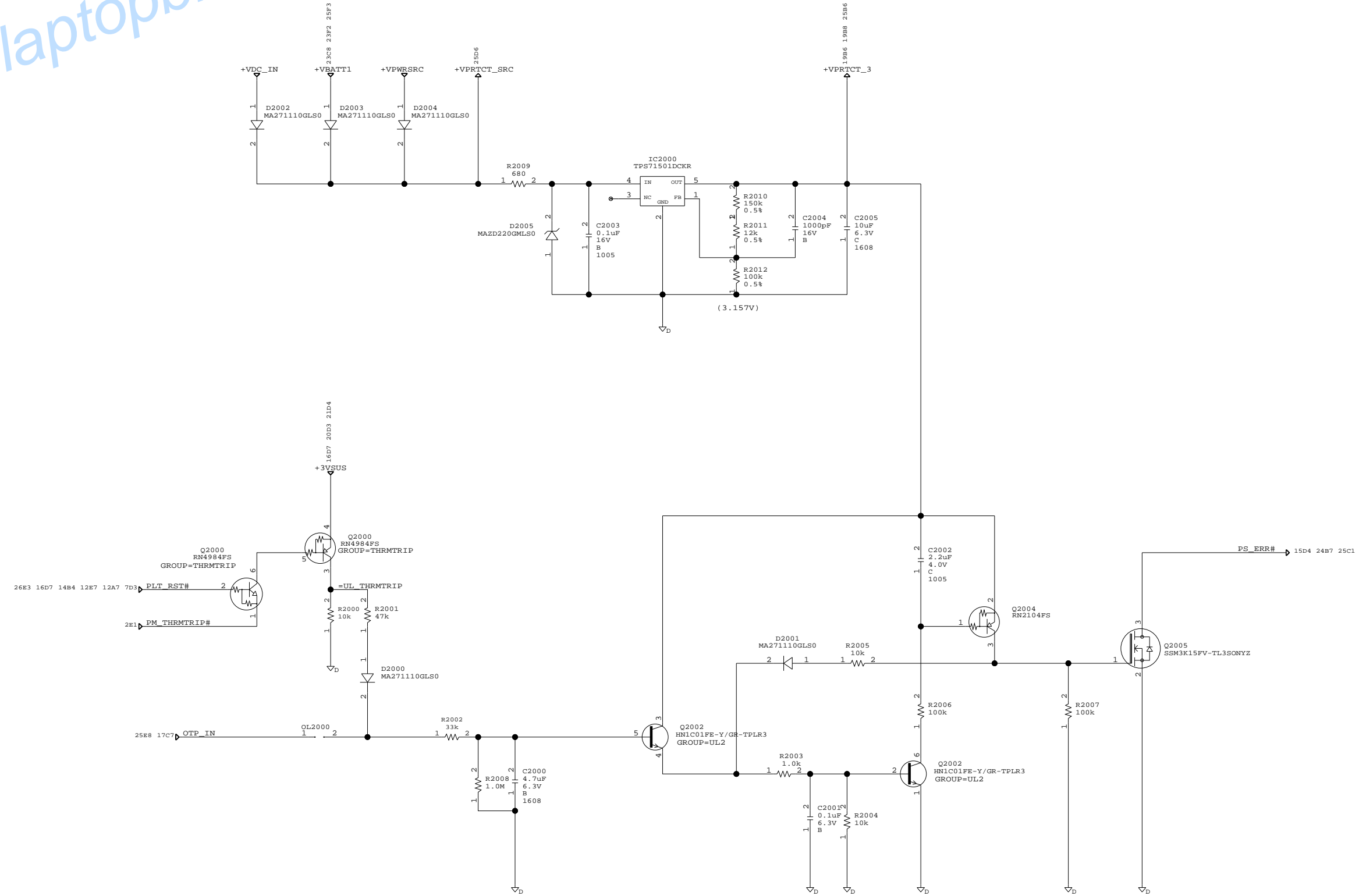
(REF: 1900- 1999)

SONY CORPORATION VAIO BUSINESS DIVISION		DRAWING: MBX-187 TIMING SEQUENCER	
LAST_MODIFIED=Sat May 9 17:09:46 2009			
QTY	1	REV.	PART NO.
DESIGNER	C		
THIS DOCUMENT CONTAINS INFORMATION PROPRIETARY TO SONY CORPORATION (SONY). USE OR DISCLOSURE WITHOUT THE WRITTEN PERMISSION OF AN OFFICER OF SONY IS EXPRESSLY FORBIDDEN. COPYRIGHT (C) SONY CORPORATION 2009			SHEET 21 OF 27 (POWER-5)

www.laptopblue.com

SONY CONFIDENTIAL

REVISIONS				
ZONE	LTR	DESCRIPTION	DATE	APPR.



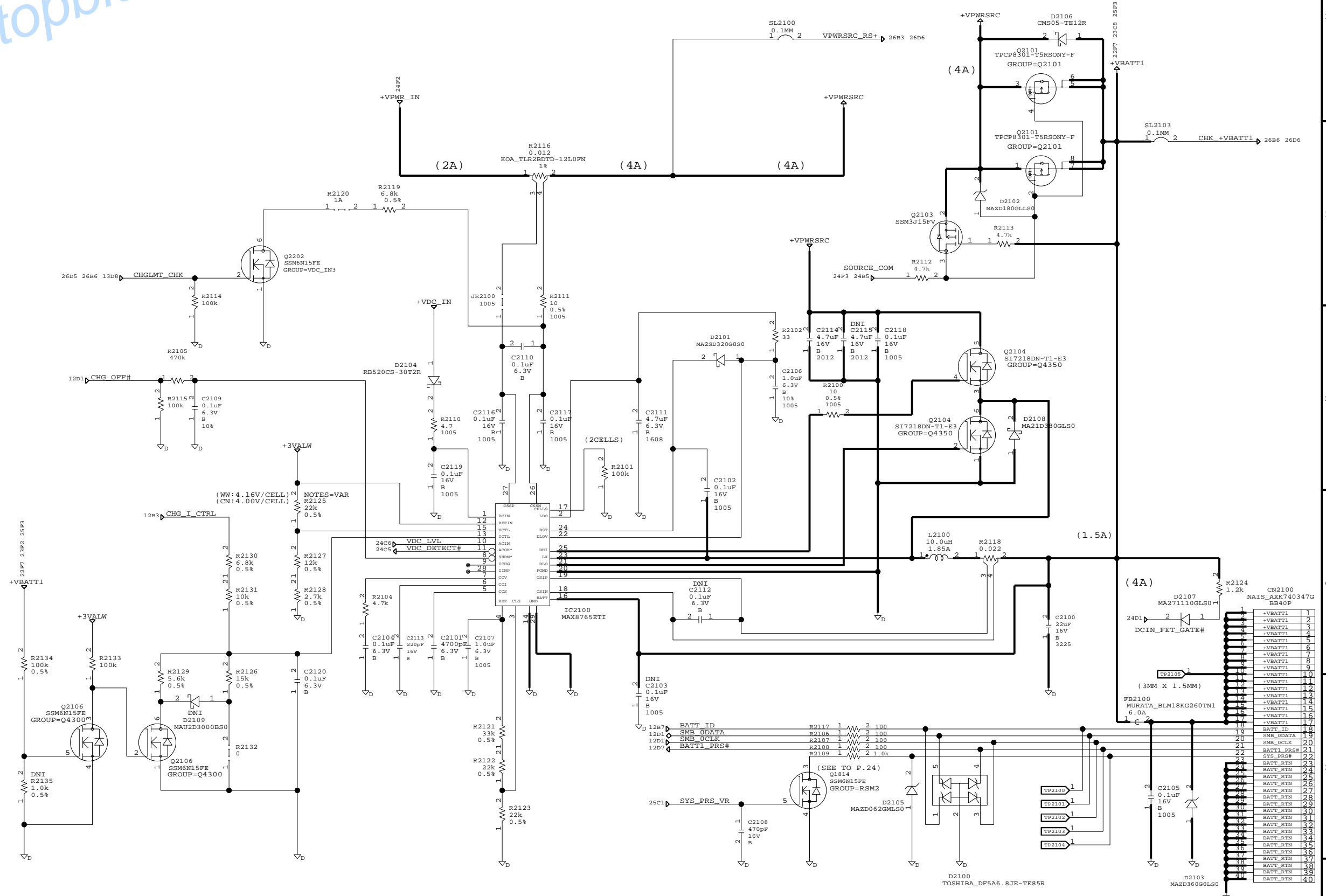
(REF: 2000- 2099)

SONY CORPORATION VAIO BUSINESS DIVISION		DRAWING: MBX-187 UL2 CIRCUIT	
THIS DOCUMENT CONTAINS INFORMATION PROPRIETARY TO SONY CORPORATION (SONY). USE OR DISCLOSURE WITHOUT THE WRITTEN PERMISSION OF AN OFFICER OF SONY IS EXPRESSLY FORBIDDEN. COPYRIGHT (C) SONY CORPORATION 2009		LAST_MODIFIED=Sat May 9 17:09:46 2009	PART NO. -
QTY 1	REV. -	DESIGNER -	SHEET 22 OF 27 (POWER-6)

www.laptopblue.com

SONY CONFIDENTIAL

REVISIONS				
ZONE	LTR	DESCRIPTION	DATE	APPR.



(REF: 2100- 2199)

SONY CORPORATION
VAIO BUSINESS DIVISION

DRAWING: MBX-187
BATTERY CHARGER
LAST_MODIFIED=Sat May 9 17:09:46 2009

THIS DOCUMENT CONTAINS INFORMATION PROPRIETARY TO SONY CORPORATION (SONY). USE OR DISCLOSURE WITHOUT THE WRITTEN PERMISSION OF AN OFFICER OF SONY IS EXPRESSLY FORBIDDEN.
COPYRIGHT (C) SONY CORPORATION 2009

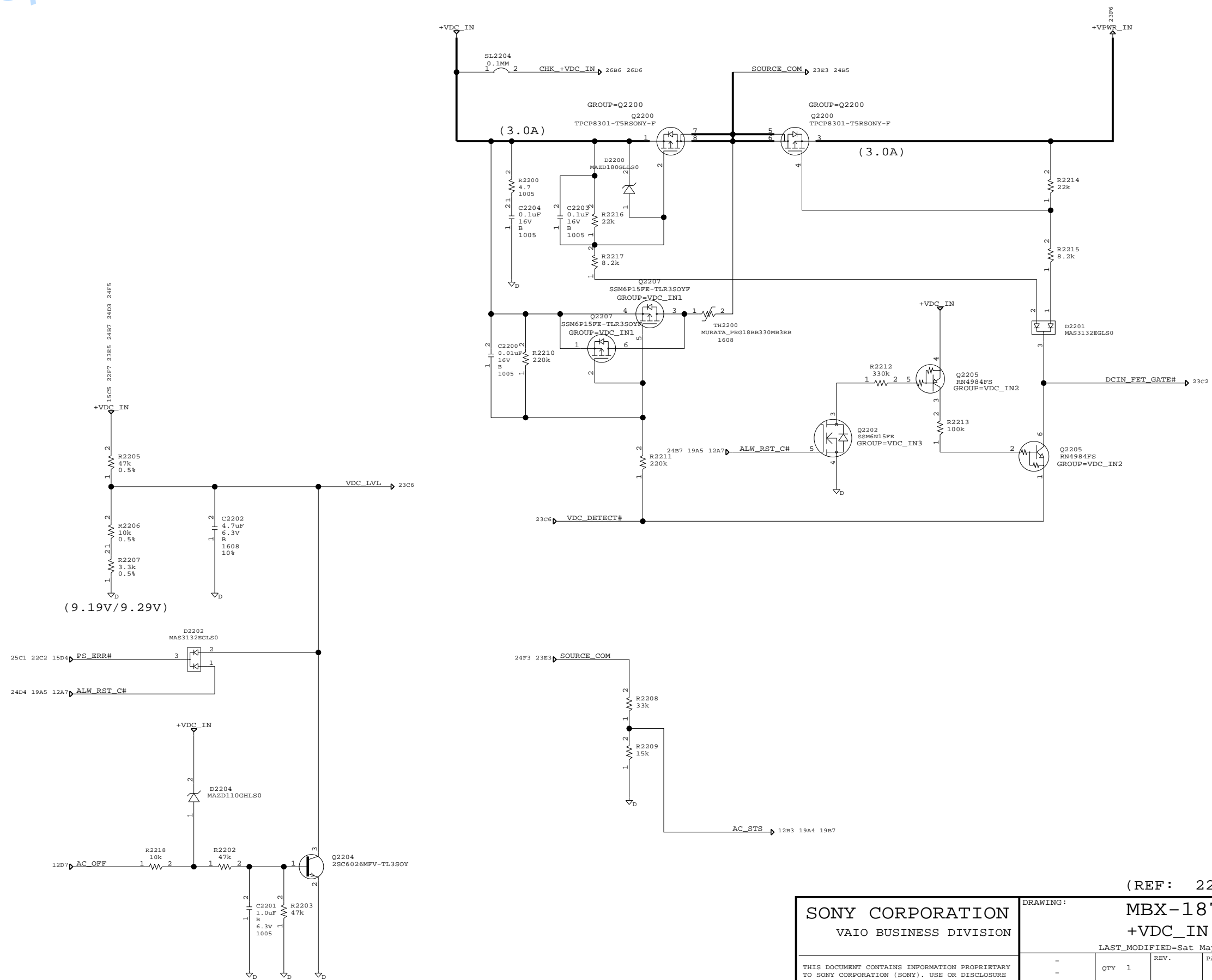
REV.	QTY	DESIGNER	REVISION	PART NO.
1	1	C	-	-

SIZE C SHEET 23 OF 27 (POWER-7)

www.laptopblue.com

SONY CONFIDENTIAL

REVISIONS				
ZONE	LTR	DESCRIPTION	DATE	APPR.



(REF: 2200- 2299)

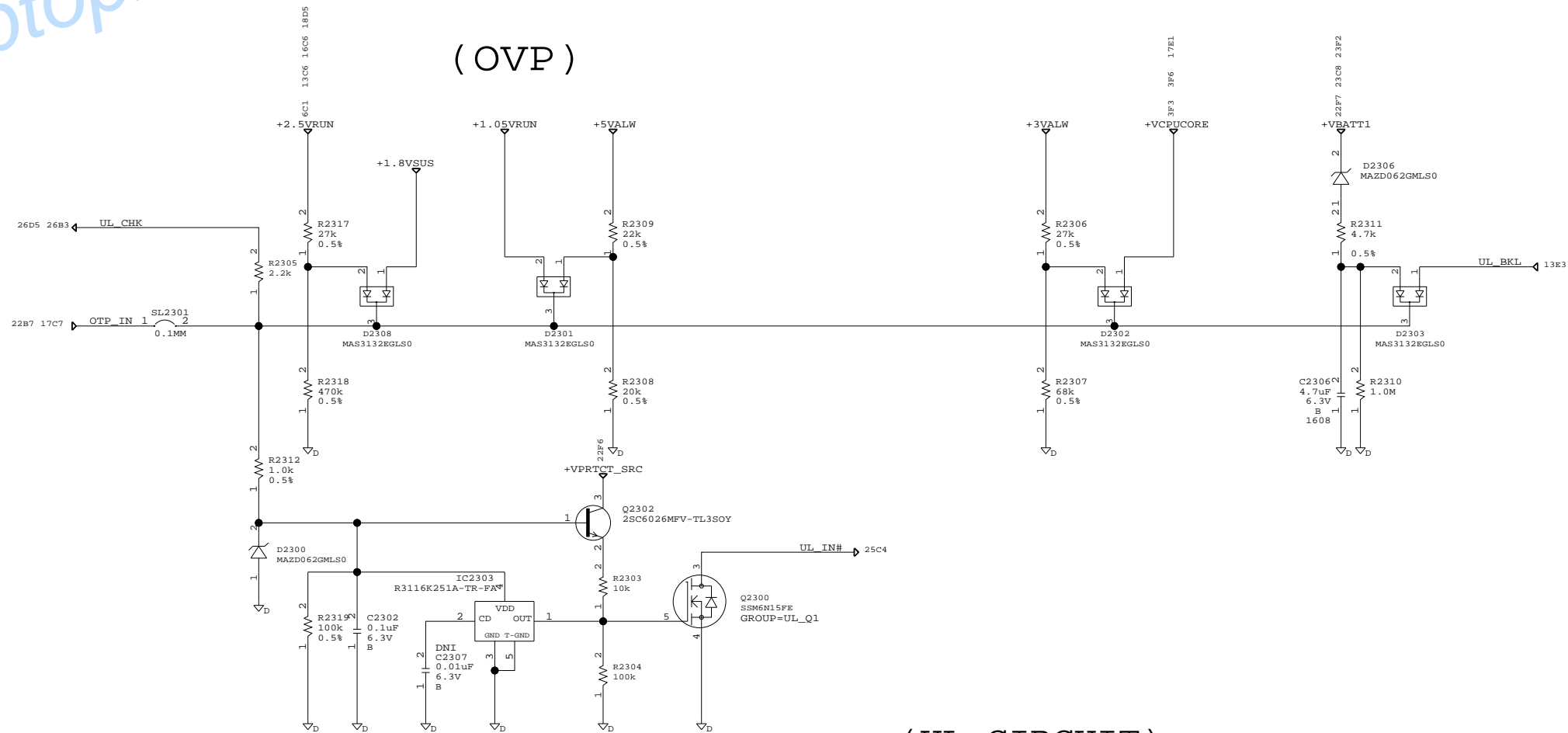
SONY CORPORATION VAIO BUSINESS DIVISION		DRAWING: MBX-187 +VDC_IN	
LAST_MODIFIED=Sat May 9 17:09:46 2009			
QTY	1	REV.	-
DESIGNER	-	PART NO.	-
SIZE	C	(POWER-8)	
			SHEET 24 OF 27

THIS DOCUMENT CONTAINS INFORMATION PROPRIETARY TO SONY CORPORATION (SONY). USE OR DISCLOSURE WITHOUT THE WRITTEN PERMISSION OF AN OFFICER OF SONY IS EXPRESSLY FORBIDDEN. COPYRIGHT (C) SONY CORPORATION 2009

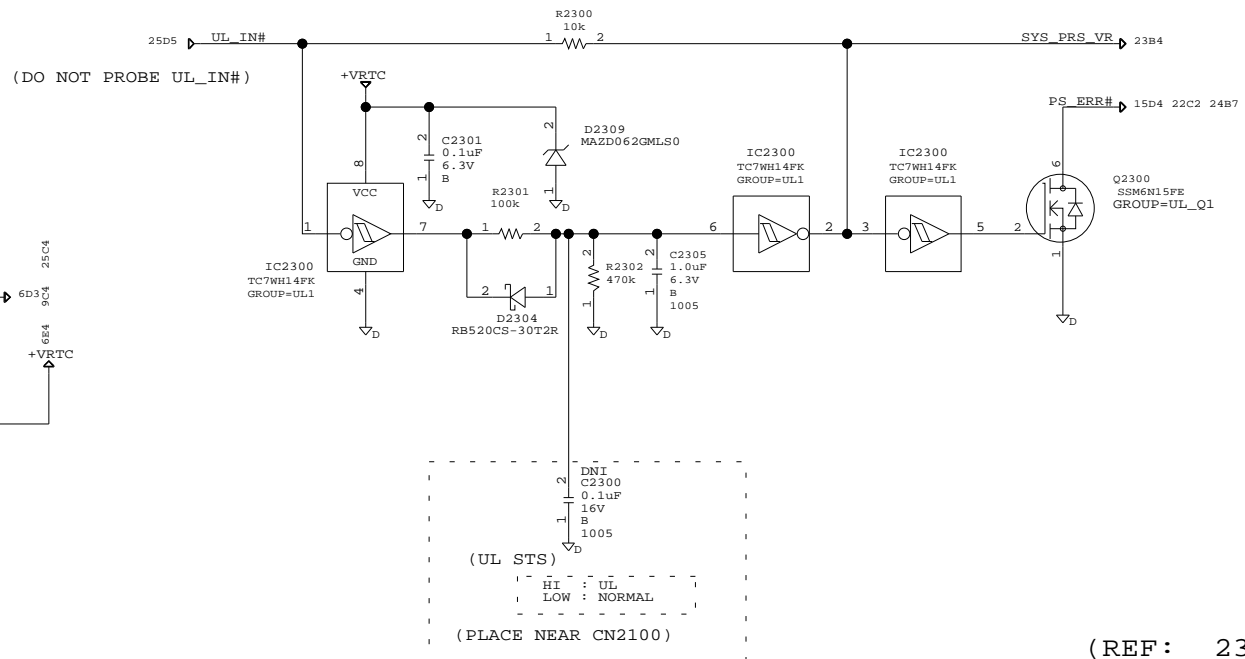
SONY CONFIDENTIAL

REVISIONS				
ZONE	LTR	DESCRIPTION	DATE	APPR.

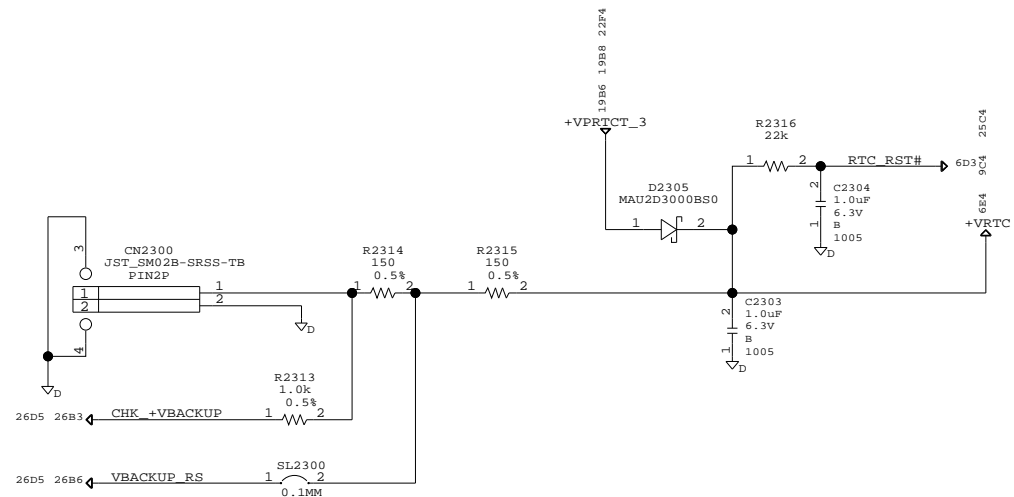
(OVP)



(UL CIRCUIT)



(BACKUP BATTERY)



(UL STS)
 HI : UL
 LOW : NORMAL
 (PLACE NEAR CN2100)

(REF: 2300- 2399)

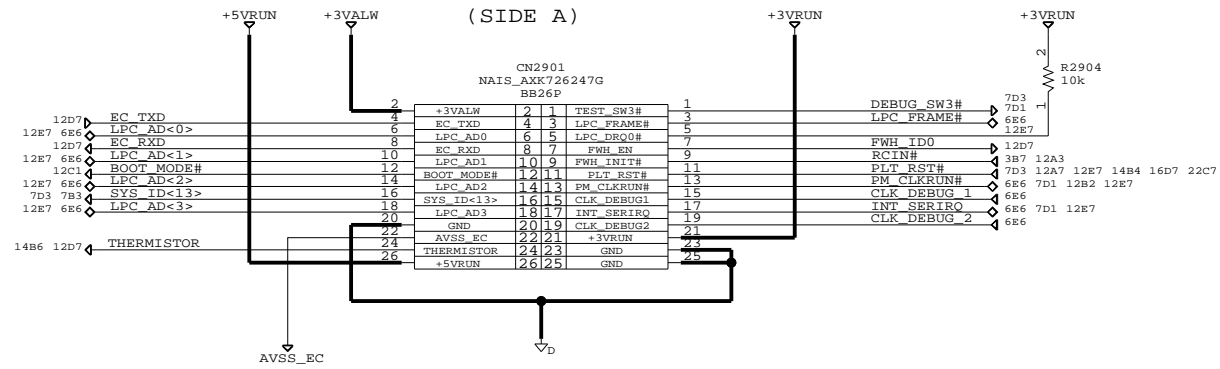
SONY CORPORATION VAIO BUSINESS DIVISION		DRAWING: MBX-187 UL CIRCUIT	
THIS DOCUMENT CONTAINS INFORMATION PROPRIETARY TO SONY CORPORATION (SONY). USE OR DISCLOSURE WITHOUT THE WRITTEN PERMISSION OF AN OFFICER OF SONY IS EXPRESSLY FORBIDDEN. COPYRIGHT (C) SONY CORPORATION 2009		LAST_MODIFIED=Sat May 9 17:09:47 2009	PART NO.
QTY 1	REV.	DESIGNER	SHEET 25 OF 27 (POWER-9)

www.laptopblue.com

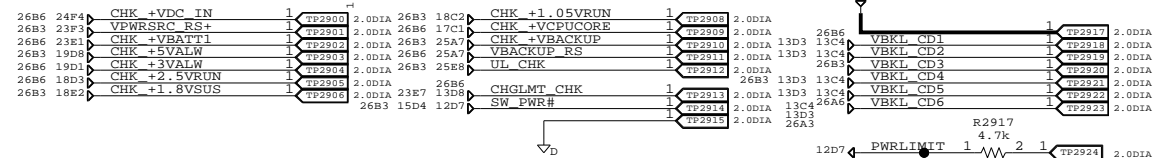
SONY CONFIDENTIAL

REVISIONS				
ZONE	LTR	DESCRIPTION	DATE	APPR.

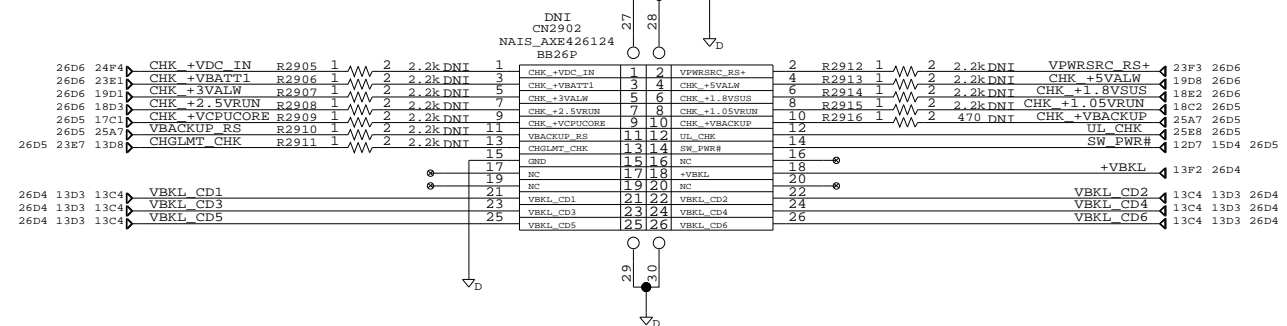
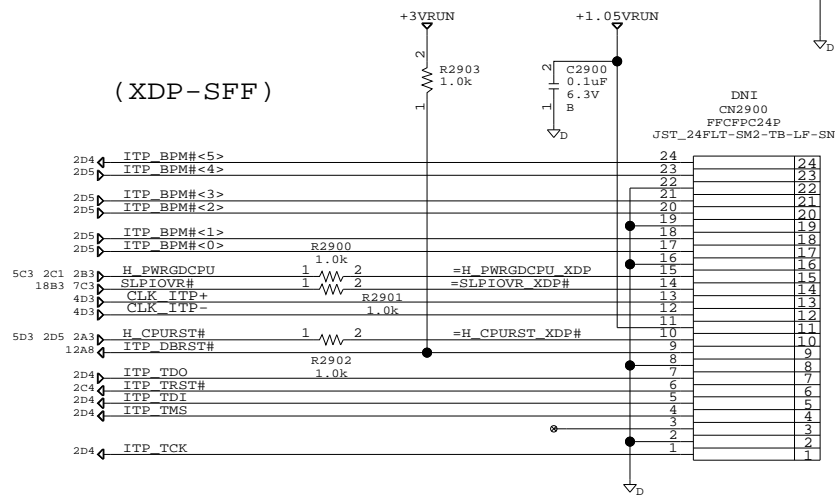
(DEBUG CONNECTOR)



(POWER CHECK)



(XDP-SFF)



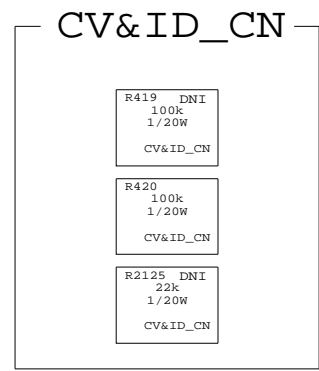
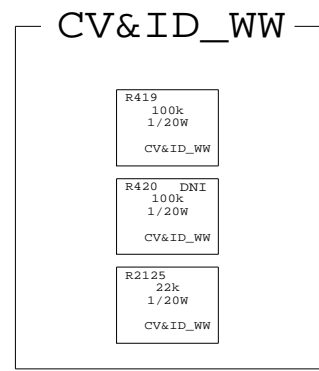
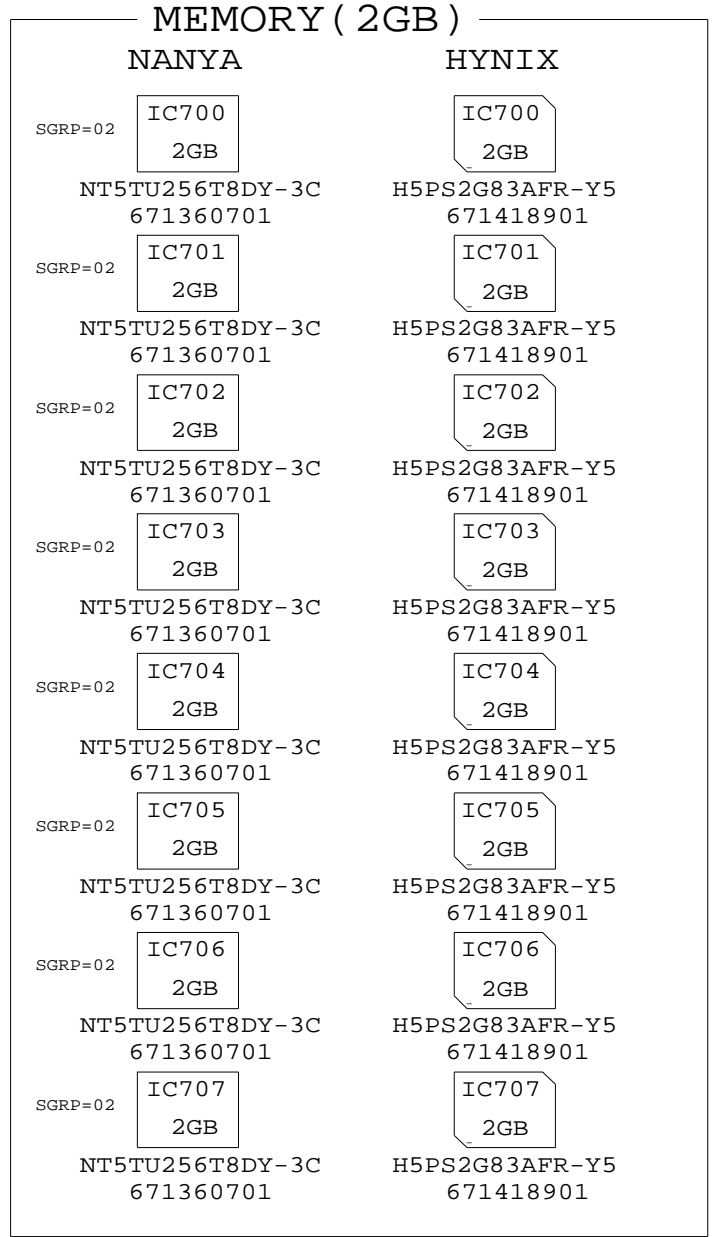
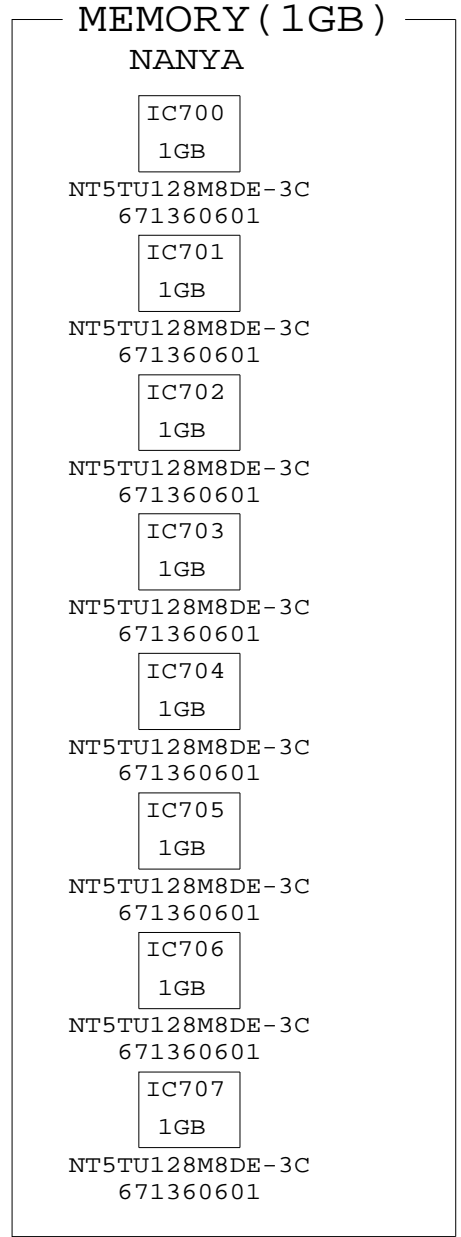
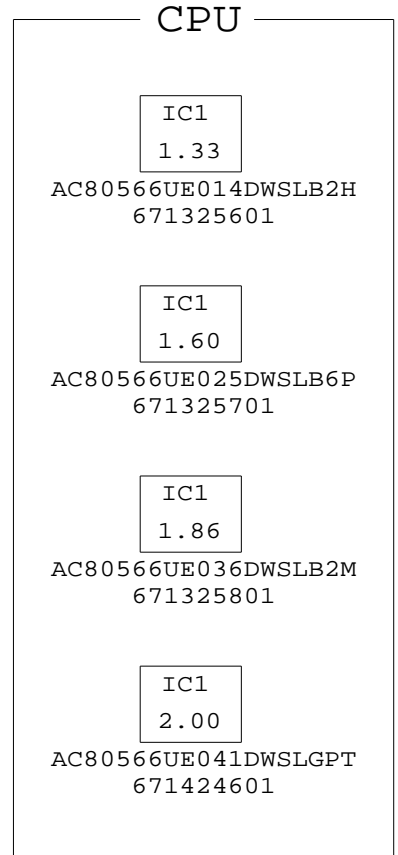
(REF: 2900- 2999)

SONY CORPORATION VAIO BUSINESS DIVISION		DRAWING: MBX-187 DEBUG/POWER-CHECK/XDP CN	
THIS DOCUMENT CONTAINS INFORMATION PROPRIETARY TO SONY CORPORATION (SONY). USE OR DISCLOSURE WITHOUT THE WRITTEN PERMISSION OF AN OFFICER OF SONY IS EXPRESSLY FORBIDDEN. COPYRIGHT (C) SONY CORPORATION 2009		LAST_MODIFIED=Sat May 9 17:09:47 2009	PART NO.
SIZE C	DESIGNER	QTY 1/1	REV.
		SHEET 26 OF 27 (DEBUG)	

www.laptopblue.com

SONY CONFIDENTIAL

REVISIONS				
ZONE	LTR	DESCRIPTION	DATE	APPR.



SONY CORPORATION
VAIO BUSINESS DIVISION

THIS DOCUMENT CONTAINS INFORMATION PROPRIETARY TO SONY CORPORATION (SONY). USE OR DISCLOSURE WITHOUT THE WRITTEN PERMISSION OF AN OFFICER OF SONY IS EXPRESSLY FORBIDDEN.
COPYRIGHT (C) SONY CORPORATION 2009

DRAWING: MBX-187		PART NO. -	
VARIANCE		REV. -	LAST_MODIFIED=Sat May 9 17:05:11 2009
SIZE C	DESIGNER -	QTY 1	(VARIANCE) SHEET 27 OF 27

	8	7	6	5	4	3	2	1
							REVISIONS	
	ZONE	LTR	DESCRIPTION	DATE	APPR.			
H_A#<18>	H_A#<18>	- @pwb_lib.MBX187	2D8 5E3	H_DPRSTP#	H_DPRSTP#	- @pwb_lib.MBX187	2A3 2C1 5C3 17E8	
H_A#<19>	H_A#<19>	- @pwb_lib.MBX187	2D8 5E3	H_DPSSLP#	H_DPSSLP#	- @pwb_lib.MBX187	2A3 2C1 5C3	
H_A#<20>	H_A#<20>	- @pwb_lib.MBX187	2D8 5E3	H_DPWR#	H_DPWR#	- @pwb_lib.MBX187	2A3 2C1 5D3	
H_A#<21>	H_A#<21>	- @pwb_lib.MBX187	2D8 5E3	H_DRDY#	H_DRDY#	- @pwb_lib.MBX187	2E5 5D3	
H_A#<22>	H_A#<22>	- @pwb_lib.MBX187	2D8 5B1 5E3	H_DSTB0#+	H_DSTB0#+	- @pwb_lib.MBX187	2D3 5B1 5D3	
H_A#<23>	H_A#<23>	- @pwb_lib.MBX187	2D8 5E3	H_DSTB0#-	H_DSTB0#-	- @pwb_lib.MBX187	2D3 5B1 5D3	
H_A#<24>	H_A#<24>	- @pwb_lib.MBX187	2D8 5E3	H_DSTB1#+	H_DSTB1#+	- @pwb_lib.MBX187	2C3 5D3	
H_A#<25>	H_A#<25>	- @pwb_lib.MBX187	2D8 5E3	H_DSTB1#-	H_DSTB1#-	- @pwb_lib.MBX187	2C3 5D3	
H_A#<26>	H_A#<26>	- @pwb_lib.MBX187	2D8 5E3	H_DSTB2#+	H_DSTB2#+	- @pwb_lib.MBX187	2D1 5A1 5D3	
H_A#<27>	H_A#<27>	- @pwb_lib.MBX187	2D8 5E3	H_DSTB2#-	H_DSTB2#-	- @pwb_lib.MBX187	2D1 5A1 5D3	
H_A#<28>	H_A#<28>	- @pwb_lib.MBX187	2D8 5E3	H_DSTB3#+	H_DSTB3#+	- @pwb_lib.MBX187	2C1 5D3	
H_A#<29>	H_A#<29>	- @pwb_lib.MBX187	2D8 5E3	H_DSTB3#-	H_DSTB3#-	- @pwb_lib.MBX187	2C1 5D3	
H_A#<30>	H_A#<30>	- @pwb_lib.MBX187	2C8 5B1 5E3	H_HIT#	H_HIT#	- @pwb_lib.MBX187	2D5 5D3	
H_A#<31>	H_A#<31>	- @pwb_lib.MBX187	2C8 5E3	H_HITM#	H_HITM#	- @pwb_lib.MBX187	2D5 5D3	
H_ADS#	H_ADS#	- @pwb_lib.MBX187	2B3 2E5 5E3	H_INIT#	H_INIT#	- @pwb_lib.MBX187	2A3 2D4 3B5 5C6	
H_ADSTB#<0>	H_ADSTB#<0>	- @pwb_lib.MBX187	2D8 5B1 5E3	H_INTR	H_INTR	- @pwb_lib.MBX187	2B3 2C8 5C6	
H_ADSTB#<1>	H_ADSTB#<1>	- @pwb_lib.MBX187	2C8 5B1 5E3	H_LOCK#	H_LOCK#	- @pwb_lib.MBX187	2D5 5C3	
H_BNR#	H_BNR#	- @pwb_lib.MBX187	2E5 5D3	H_NMI	H_NMI	- @pwb_lib.MBX187	2B3 2C8 5C6	
H_BPRI#	H_BPRI#	- @pwb_lib.MBX187	2E5 5D3	H_PBE#	H_PBE#	- @pwb_lib.MBX187	2C8 5C6	
H_BREQ#0	H_BREQ#0	- @pwb_lib.MBX187	2E5 5D3	H_PROCHOT#	H_PROCHOT#	- @pwb_lib.MBX187	2C5 2F3 17B5	
H_CPURST#	H_CPURST#	- @pwb_lib.MBX187	2A3 2D5 5D3 26C6	H_PROCHOT_EC#	H_PROCHOT_EC#	- @pwb_lib.MBX187	2F5 12B3	
H_CPUSLP#	H_CPUSLP#	- @pwb_lib.MBX187	2A3 2C1 5C3	H_PWRGDCPU	H_PWRGDCPU	- @pwb_lib.MBX187	2B3 2C1 5C3 26C6	
H_D#<0>	H_D#<0>	- @pwb_lib.MBX187	2E3 5F6	H_REQ#<0>	H_REQ#<0>	- @pwb_lib.MBX187	2D8 5C3	
H_D#<1>	H_D#<1>	- @pwb_lib.MBX187	2E3 5F6	H_REQ#<1>	H_REQ#<1>	- @pwb_lib.MBX187	2D8 5C3	
H_D#<2>	H_D#<2>	- @pwb_lib.MBX187	2E3 5F6	H_REQ#<2>	H_REQ#<2>	- @pwb_lib.MBX187	2D8 5C3	
H_D#<3>	H_D#<3>	- @pwb_lib.MBX187	2E3 5F6	H_REQ#<3>	H_REQ#<3>	- @pwb_lib.MBX187	2D8 5C3	
H_D#<4>	H_D#<4>	- @pwb_lib.MBX187	2E3 5F6	H_REQ#<4>	H_REQ#<4>	- @pwb_lib.MBX187	2D8 5B1 5C3	
H_D#<5>	H_D#<5>	- @pwb_lib.MBX187	2E3 5F6	H_RS#<0>	H_RS#<0>	- @pwb_lib.MBX187	2D5 5C3	
H_D#<6>	H_D#<6>	- @pwb_lib.MBX187	2E3 5E6	H_RS#<1>	H_RS#<1>	- @pwb_lib.MBX187	2D5 5C3	
H_D#<7>	H_D#<7>	- @pwb_lib.MBX187	2E3 5E6	H_RS#<2>	H_RS#<2>	- @pwb_lib.MBX187	2D5 5C3	
H_D#<8>	H_D#<8>	- @pwb_lib.MBX187	2E3 5E6	H_SMI#	H_SMI#	- @pwb_lib.MBX187	2B3 2C8 5C6	
H_D#<9>	H_D#<9>	- @pwb_lib.MBX187	2D3 5E6	H_STPCLK#	H_STPCLK#	- @pwb_lib.MBX187	2A3 2C8 5C6	
H_D#<10>	H_D#<10>	- @pwb_lib.MBX187	2D3 5B1 5E6	H_TRDY#	H_TRDY#	- @pwb_lib.MBX187	2D5 5C3	
H_D#<11>	H_D#<11>	- @pwb_lib.MBX187	2D3 5E6	H_VID#<0>	H_VID#<0>	- @pwb_lib.MBX187	3D5 17E8	
H_D#<12>	H_D#<12>	- @pwb_lib.MBX187	2D3 5E6	H_VID#<1>	H_VID#<1>	- @pwb_lib.MBX187	3D5 17E8	
H_D#<13>	H_D#<13>	- @pwb_lib.MBX187	2D3 5E6	H_VID#<2>	H_VID#<2>	- @pwb_lib.MBX187	3D5 17E8	
H_D#<14>	H_D#<14>	- @pwb_lib.MBX187	2D3 5B1 5E6	H_VID#<3>	H_VID#<3>	- @pwb_lib.MBX187	3C5 17D8	
H_D#<15>	H_D#<15>	- @pwb_lib.MBX187	2D3 5E6	H_VID#<4>	H_VID#<4>	- @pwb_lib.MBX187	3C5 17D8	
H_D#<16>	H_D#<16>	- @pwb_lib.MBX187	2D3 5E6	H_VID#<5>	H_VID#<5>	- @pwb_lib.MBX187	3C5 17D8	
H_D#<17>	H_D#<17>	- @pwb_lib.MBX187	2D3 5E6	H_VID#<6>	H_VID#<6>	- @pwb_lib.MBX187	3C5 17D8	
H_D#<18>	H_D#<18>	- @pwb_lib.MBX187	2D3 5E6	IDE_DADR#<0>	IDE_DADR#<0>	- @pwb_lib.MBX187	7D6 14C3	
H_D#<19>	H_D#<19>	- @pwb_lib.MBX187	2D3 5E6	IDE_DADR#<1>	IDE_DADR#<1>	- @pwb_lib.MBX187	7D6 14C6	
H_D#<20>	H_D#<20>	- @pwb_lib.MBX187	2D3 5E6	IDE_DADR#<2>	IDE_DADR#<2>	- @pwb_lib.MBX187	7D6 14C6	
H_D#<21>	H_D#<21>	- @pwb_lib.MBX187	2D3 5E6	IDE_DCS0#	IDE_DCS0#	- @pwb_lib.MBX187	7D6 14C3	
H_D#<22>	H_D#<22>	- @pwb_lib.MBX187	2D3 5E6	IDE_DCS1#	IDE_DCS1#	- @pwb_lib.MBX187	7D6 14C6	
H_D#<23>	H_D#<23>	- @pwb_lib.MBX187	2D3 5E6	IDE_DD#<0>	IDE_DD#<0>	- @pwb_lib.MBX187	7D6 14C6	
H_D#<24>	H_D#<24>	- @pwb_lib.MBX187	2D3 5E6	IDE_DD#<1>	IDE_DD#<1>	- @pwb_lib.MBX187	7D6 14C6	
H_D#<25>	H_D#<25>	- @pwb_lib.MBX187	2D3 5E6	IDE_DD#<2>	IDE_DD#<2>	- @pwb_lib.MBX187	7D6 14C6	
H_D#<26>	H_D#<26>	- @pwb_lib.MBX187	2D3 5E6	IDE_DD#<3>	IDE_DD#<3>	- @pwb_lib.MBX187	7D6 14C6	
H_D#<27>	H_D#<27>	- @pwb_lib.MBX187	2D3 5E6	IDE_DD#<4>	IDE_DD#<4>	- @pwb_lib.MBX187	7D6 14C6	
H_D#<28>	H_D#<28>	- @pwb_lib.MBX187	2D3 5E6	IDE_DD#<5>	IDE_DD#<5>	- @pwb_lib.MBX187	7D6 14C6	
H_D#<29>	H_D#<29>	- @pwb_lib.MBX187	2D3 5E6	IDE_DD#<6>	IDE_DD#<6>	- @pwb_lib.MBX187	7D6 14C6	
H_D#<30>	H_D#<30>	- @pwb_lib.MBX187	2D3 5E6	IDE_DD#<7>	IDE_DD#<7>	- @pwb_lib.MBX187	7D6 14B6	
H_D#<31>	H_D#<31>	- @pwb_lib.MBX187	2C3 5E6	IDE_DD#<8>	IDE_DD#<8>	- @pwb_lib.MBX187	7D6 14B3	
H_D#<32>	H_D#<32>	- @pwb_lib.MBX187	2E1 5E6	IDE_DD#<9>	IDE_DD#<9>	- @pwb_lib.MBX187	7D6 14C3	
H_D#<33>	H_D#<33>	- @pwb_lib.MBX187	2E1 5E6	IDE_DD#<10>	IDE_DD#<10>	- @pwb_lib.MBX187	7D6 14C3	
H_D#<34>	H_D#<34>	- @pwb_lib.MBX187	2E1 5D6	IDE_DD#<11>	IDE_DD#<11>	- @pwb_lib.MBX187	7D6 14C3	
H_D#<35>	H_D#<35>	- @pwb_lib.MBX187	2E1 5D6	IDE_DD#<12>	IDE_DD#<12>	- @pwb_lib.MBX187	7D6 14C3	
H_D#<36>	H_D#<36>	- @pwb_lib.MBX187	2E1 5D6	IDE_DD#<13>	IDE_DD#<13>	- @pwb_lib.MBX187	7D6 14C3	
H_D#<37>	H_D#<37>	- @pwb_lib.MBX187	2E1 5A1 5D6	IDE_DD#<14>	IDE_DD#<14>	- @pwb_lib.MBX187	7D6 14C3	
H_D#<38>	H_D#<38>	- @pwb_lib.MBX187	2E1 5D6	IDE_DD#<15>	IDE_DD#<15>	- @pwb_lib.MBX187	7D6 14C3	
H_D#<39>	H_D#<39>	- @pwb_lib.MBX187	2E1 5D6	IDE_DDACK#	IDE_DDACK#	- @pwb_lib.MBX187	7E6 14C6	
H_D#<40>	H_D#<40>	- @pwb_lib.MBX187	2E1 5D6	IDE_DDREQ	IDE_DDREQ	- @pwb_lib.MBX187	7E6 14C6	
H_D#<41>	H_D#<41>	- @pwb_lib.MBX187	2D1 5D6	IDE_DIOR#	IDE_DIOR#	- @pwb_lib.MBX187	7D6 14C6	
H_D#<42>	H_D#<42>	- @pwb_lib.MBX187	2D1 5D6	IDE_DIORDY	IDE_DIORDY	- @pwb_lib.MBX187	7E6 14C3	
H_D#<43>	H_D#<43>	- @pwb_lib.MBX187	2D1 5D6	IDE_DIOW#	IDE_DIOW#	- @pwb_lib.MBX187	7E6 14C3	
H_D#<44>	H_D#<44>	- @pwb_lib.MBX187	2D1 5D6	IDE_RST#	IDE_RST#	- @pwb_lib.MBX187	12C7 14B4	
H_D#<45>	H_D#<45>	- @pwb_lib.MBX187	2D1 5D6	IMVP_OTP_1	IMVP_OTP_1	- @pwb_lib.MBX187	17C8 17E2	
H_D#<46>	H_D#<46>	- @pwb_lib.MBX187	2D1 5D6	IMVP_PWRGD	IMVP_PWRGD	- @pwb_lib.MBX187	12D7 17B4	
H_D#<47>	H_D#<47>	- @pwb_lib.MBX187	2D1 5A1 5D6	INT_IDEIRQ	INT_IDEIRQ	- @pwb_lib.MBX187	7E6 14C3	
H_D#<48>	H_D#<48>	- @pwb_lib.MBX187	2D1 5D6	INT_SERIRQ	INT_SERIRQ	- @pwb_lib.MBX187	6E6 7D1 12E7 26E3	
H_D#<49>	H_D#<49>	- @pwb_lib.MBX187	2D1 5D6	ITP_BPM#<0>	ITP_BPM#<0>	- @pwb_lib.MBX187	2D5 26C6	
H_D#<50>	H_D#<50>	- @pwb_lib.MBX187	2D1 5D6	ITP_BPM#<1>	ITP_BPM#<1>	- @pwb_lib.MBX187	2D5 26C6	
H_D#<51>	H_D#<51>	- @pwb_lib.MBX187	2D1 5D6	ITP_BPM#<2>	ITP_BPM#<2>	- @pwb_lib.MBX187	2D5 26C6	
H_D#<52>	H_D#<52>	- @pwb_lib.MBX187	2D1 5D6	ITP_BPM#<3>	ITP_BPM#<3>	- @pwb_lib.MBX187	2D5 26C6	
H_D#<53>	H_D#<53>	- @pwb_lib.MBX187	2D1 5D6	ITP_BPM#<4>	ITP_BPM#<4>	- @pwb_lib.MBX187	2D5 26C6	
H_D#<54>	H_D#<54>	- @pwb_lib.MBX187	2D1 5D6	ITP_BPM#<5>	ITP_BPM#<5>	- @pwb_lib.MBX187	2D4 26C6	
H_D#<55>	H_D#<55>	- @pwb_lib.MBX187	2D1 5D6	ITP_DBRST#	ITP_DBRST#	- @pwb_lib.MBX187	12A8 26C6	
H_D#<56>	H_D#<56>	- @pwb_lib.MBX187	2D1 5D6	ITP_TCK	ITP_TCK	- @pwb_lib.MBX187	2D4 26B6	
H_D#<57>	H_D#<57>	- @pwb_lib.MBX187	2D1 5D6	ITP_TDI	ITP_TDI	- @pwb_lib.MBX187	2D4 26B6	
H_D#<58>	H_D#<58>	- @pwb_lib.MBX187	2D1 5D6	ITP_TDO	ITP_TDO	- @pwb_lib.MBX187	2D4 26C6	
H_D#<59>	H_D#<59>	- @pwb_lib.MBX187	2D1 5D6	ITP_TMS	ITP_TMS	- @pwb_lib.MBX187	2D4 26B6	
H_D#<60>	H_D#<60>	- @pwb_lib.MBX187	2D1 5D6	ITP_TRST#	ITP_TRST#	- @pwb_lib.MBX187	2C4 26C6	
H_D#<61>	H_D#<61>	- @pwb_lib.MBX187	2D1 5C6	KSI#<0>	KSI#<0>	- @pwb_lib.MBX187	12E1 15E6	
H_D#<62>	H_D#<62>	- @pwb_lib.MBX187	2D1 5C6	KSI#<1>	KSI#<1>	- @pwb_lib.MBX187	12E1 15E6	
H_D#<63>	H_D#<63>	- @pwb_lib.MBX187	2C1 5C6	KSI#<2>	KSI#<2>	- @pwb_lib.MBX187	12E1 15E4	
H_DBSY#	H_DBSY#	- @pwb_lib.MBX187	2E5 5D3	KSI#<3>	KSI#<3>	- @pwb_lib.MBX187	12E1 15E6	
H_DEFER#	H_DEFER#	- @pwb_lib.MBX187	2E5 5D3	KSI#<4>	KSI#<4>	- @pwb_lib.MBX187	12E1 15E4	
H_DINV#<0>	H_DINV#<0>	- @pwb_lib.MBX187	2D3 5B1 5D3	KSI#<5>	KSI#<5>	- @pwb_lib.MBX187	12E1 15E6	
H_DINV#<1>	H_DINV#<1>	- @pwb_lib.MBX187	2C3 5D3	KSI#<6>	KSI#<6>	- @pwb_lib.MBX187	12E1 15E4	
H_DINV#<2>	H_DINV#<2>	- @pwb_lib.MBX187	2D1 5A1 5D3	KSI#<7>	KSI#<7>	- @pwb_lib.MBX187	12E1 15E4	
H_DINV#<3>	H_DINV#<3>	- @pwb_lib.MBX187	2C1 5D3	KSO#<0>	KSO#<0>	- @pwb_lib.MBX187	12B6 15D4	

SONY CORPORATION

THIS DOCUMENT CONTAINS INFORMATION PROPRIETARY TO SONY CORPORATION (SONY). USE OR DISCLOSURE WITHOUT THE WRITTEN PERMISSION OF AN OFFICER OF SONY IS EXPRESSLY FORBIDDEN.		SIZE	DESIGNER	REV.	PART NO.
COPYRIGHT (C) SONY CORPORATION 2009		C	-	-	-
				QTY	1
				REV.	-
				PART NO.	-
				DESIGNER	-
				SHEET	29 OF 29
				TOTAL DESIGN SHEETS	<TOTAL DESIGN SHEETS>

				REVISIONS			
		ZONE	LTR	DESCRIPTION		DATE	APPR.
M_CLK1+	M_CLK1+ - @pwb_lib.MBX187	8E4 11A6 11B2 11B4 11B6 11B8 11D5	SUS_ON - @pwb_lib.MBX187	15B7 16E7 18D8 21F6			
M_CLK1-	M_CLK1- - @pwb_lib.MBX187	8E4 11A6 11B2 11B4 11B6 11B8 11D5	SUS_ON# - @pwb_lib.MBX187	18D3 19B5 20C7 21E6			
M_CS#0	M_CS#0 - @pwb_lib.MBX187	8C4 11A6 11B2 11B4 11B6 11B8 11D2 11D4 11D6 11D8	SUS_ON_EC - @pwb_lib.MBX187	12E1 21F8			
M_CS#1	M_CS#1 - @pwb_lib.MBX187	8C4 11B2 11B4 11B6 11B8 11E2 11E4 11E6 11E8	SW_LID# - @pwb_lib.MBX187	12D7 15D4			
M_ODT0	M_ODT0 - @pwb_lib.MBX187	11B2 11B4 11B6 11B8 11D2 11D4 11D6 11D8	SW_PWR# - @pwb_lib.MBX187	12D7 15D4 26B3 26D5			
M_ODT1	M_ODT1 - @pwb_lib.MBX187	11B2 11B4 11B6 11B8 11D2 11D4 11D6 11D8	SW_RADIO_DIS - @pwb_lib.MBX187	12A6 15D4			
OTP_IN	OTP_IN - @pwb_lib.MBX187	17C7 22B7 25E8	SW_SP0# - @pwb_lib.MBX187	12D1 15D4			
PANEL_ID<0>	PANEL_ID<0> - @pwb_lib.MBX187	7D3 13C5	SW_SP1# - @pwb_lib.MBX187	12D1 15D6			
PANEL_ID<1>	PANEL_ID<1> - @pwb_lib.MBX187	7D3 13C5	SYS_ID<13> - @pwb_lib.MBX187	7B3 7D3 26E6			
PCIE_LAN_RX+	PCIE_LAN_RX+ - @pwb_lib.MBX187	6C2 16C3	SYS_ID<14> - @pwb_lib.MBX187	7B3 7D3			
PCIE_LAN_RX-	PCIE_LAN_RX- - @pwb_lib.MBX187	6C2 16C3	SYS_ID<15> - @pwb_lib.MBX187	7B2 7D3			
PCIE_LAN_TX+	PCIE_LAN_TX+ - @pwb_lib.MBX187	6C3 16C3	SYS_PRS_VR - @pwb_lib.MBX187	23B4 25C1			
PCIE_LAN_TX-	PCIE_LAN_TX- - @pwb_lib.MBX187	6C3 16C3	THERMDA - @pwb_lib.MBX187	2C5 2E4			
PCIE_MNCD_RX+	PCIE_MNCD_RX+ - @pwb_lib.MBX187	6C2 16C3	THERMDC - @pwb_lib.MBX187	2C5 2E4			
PCIE_MNCD_RX-	PCIE_MNCD_RX- - @pwb_lib.MBX187	6C2 16C3	THERMISTOR - @pwb_lib.MBX187	12D7 14B6 26E6			
PCIE_MNCD_TX+	PCIE_MNCD_TX+ - @pwb_lib.MBX187	6C3 16D3	THERM_EC# - @pwb_lib.MBX187	7C3 7D1 12C7			
PCIE_MNCD_TX-	PCIE_MNCD_TX- - @pwb_lib.MBX187	6C3 16D3	UL_BKL - @pwb_lib.MBX187	13E3 25E2			
PCIE_WAKE#	PCIE_WAKE# - @pwb_lib.MBX187	7B2 16C7	UL_CHK - @pwb_lib.MBX187	25E8 26B3 26D5			
PCIE_WAKE_SCH#	PCIE_WAKE_SCH# - @pwb_lib.MBX187	7C1 7D3 7E1	UL_IN# - @pwb_lib.MBX187	25C4 25D5			
PLT_RST#	PLT_RST# - @pwb_lib.MBX187	7D3 12A7 12E7 14B4 16D7 22C7 26E3	USB_BT+ - @pwb_lib.MBX187	7E6 16C3			
PLT_RST_EC#	PLT_RST_EC# - @pwb_lib.MBX187	12A8 12D1	USB_BT- - @pwb_lib.MBX187	7E6 16C3			
PM_CLKRUN#	PM_CLKRUN# - @pwb_lib.MBX187	6E6 7D1 12B2 12E7 26E3	USB_CAM+ - @pwb_lib.MBX187	7E6 14D3			
PM_DPRS_LFVR	PM_DPRS_LFVR - @pwb_lib.MBX187	6D1 6D3 17E8	USB_CAM- - @pwb_lib.MBX187	7E6 14D3			
PM_EXTTTS0#	PM_EXTTTS0# - @pwb_lib.MBX187	6D3 6E1 8B4	USB_CLT_DET - @pwb_lib.MBX187	7C1 7D3			
PM_RSMRST#	PM_RSMRST# - @pwb_lib.MBX187	6D3 6E1 12E1	USB_MCR+ - @pwb_lib.MBX187	7E6 16C3			
PM_RSTRDY#	PM_RSTRDY# - @pwb_lib.MBX187	6D1 7D3 12E1	USB_MCR- - @pwb_lib.MBX187	7E6 16C3			
PM_RSTWARN	PM_RSTWARN - @pwb_lib.MBX187	6D1 7D3 12A3	USB_OC0# - @pwb_lib.MBX187	7E6 7E7 15B7			
PM_SLP_MODE	PM_SLP_MODE - @pwb_lib.MBX187	6D1 6D3 12D1	USB_OC1# - @pwb_lib.MBX187	7E6 7E7			
PM_SLP_RDY#	PM_SLP_RDY# - @pwb_lib.MBX187	6D1 6D3 12D1	USB_OC2# - @pwb_lib.MBX187	7E6 7E7			
PM_STP_CPU#	PM_STP_CPU# - @pwb_lib.MBX187	4C7 7D3	USB_OC3# - @pwb_lib.MBX187	7E6 7E7			
PM_THRMTRIP#	PM_THRMTRIP# - @pwb_lib.MBX187	2E1 22C7	USB_OC4# - @pwb_lib.MBX187	7E6 7E7			
PM_THRMTRIP_CPU#	PM_THRMTRIP_CPU# - @pwb_lib.MBX187	2C5 2E3 5C6	USB_OC5# - @pwb_lib.MBX187	7E6 7E7			
PM_THRM_SCH#	PM_THRM_SCH# - @pwb_lib.MBX187	7D1 7D3	USB_OC6# - @pwb_lib.MBX187	7E6 7E7			
POP_MUTE	POP_MUTE - @pwb_lib.MBX187	12D1 15B3	USB_OC7# - @pwb_lib.MBX187	7E6 7E7			
POTENTIO_PRS#	POTENTIO_PRS# - @pwb_lib.MBX187	7D1 7D3 15B3	USB_P0+ - @pwb_lib.MBX187	7F6 15C6			
PROCHOT_SCH#	PROCHOT_SCH# - @pwb_lib.MBX187	7C3 7D1 12D8	USB_P0- - @pwb_lib.MBX187	7F6 15C6			
PS_ERR#	PS_ERR# - @pwb_lib.MBX187	15D4 22C2 24B7 25C1	USB_P1+ - @pwb_lib.MBX187	7F6 16C3			
PVCC6239	PVCC6239 - @pwb_lib.MBX187	19C3 19D5	USB_P1- - @pwb_lib.MBX187	7F6 16C3			
PWRGDALW	PWRGDALW - @pwb_lib.MBX187	12A7 18D8 21E1	USB_P1_5V - @pwb_lib.MBX187	16D7 16E6			
PWRGDRSM	PWRGDRSM - @pwb_lib.MBX187	12D1 21D1	USB_WIMAX+ - @pwb_lib.MBX187	7E6 16D3			
PWRGDRUN	PWRGDRUN - @pwb_lib.MBX187	12B3 18B3 21B1	USB_WIMAX- - @pwb_lib.MBX187	7E6 16D3			
PWRGDSUS	PWRGDSUS - @pwb_lib.MBX187	7C2 12B3 21C1	USB_WWAN+ - @pwb_lib.MBX187	7F6 16B3			
PWRGD_+1.5VRUN	PWRGD_+1.5VRUN - @pwb_lib.MBX187	18C8 21A5	USB_WWAN- - @pwb_lib.MBX187	7F6 16B3			
PWRGD_+1.8VSUS	PWRGD_+1.8VSUS - @pwb_lib.MBX187	18C8 21C5	VBACKUP_RS - @pwb_lib.MBX187	25A7 26B6 26D5			
PWRGD_+2.5VRUN	PWRGD_+2.5VRUN - @pwb_lib.MBX187	18C8 21A5	VBKL_CD1 - @pwb_lib.MBX187	13C4 13D3 26B6 26D4			
PWRGD_53	PWRGD_53 - @pwb_lib.MBX187	19B3 21E5	VBKL_CD2 - @pwb_lib.MBX187	13C4 13D3 26B3 26D4			
PWRLIMIT	PWRLIMIT - @pwb_lib.MBX187	12D7 26D4	VBKL_CD3 - @pwb_lib.MBX187	13C4 13D3 26B6 26D4			
PWR_BOOST	PWR_BOOST - @pwb_lib.MBX187	18F6 19E4 20F8	VBKL_CD4 - @pwb_lib.MBX187	13C4 13D3 26B3 26D4			
RCIN#	RCIN# - @pwb_lib.MBX187	3B7 12A3 26E3	VBKL_CD5 - @pwb_lib.MBX187	13C4 13D3 26A6 26D4			
RSM_ON	RSM_ON - @pwb_lib.MBX187	20E8 21A6	VBKL_CD6 - @pwb_lib.MBX187	13C4 13D3 26A3 26D4			
RSM_ON_EC	RSM_ON_EC - @pwb_lib.MBX187	12D1 21A8	VCC6239 - @pwb_lib.MBX187	19B5 19C4			
RTC_RST#	RTC_RST# - @pwb_lib.MBX187	6D3 25B5	VDC_DETECT# - @pwb_lib.MBX187	23C6 24C5			
RUN_ON	RUN_ON - @pwb_lib.MBX187	15B3 18D8 21D6	VDC_LVL - @pwb_lib.MBX187	23C6 24C6			
RUN_ON#	RUN_ON# - @pwb_lib.MBX187	14E4 18B4 18B6 18C4 19B5 20A8 21D6	VPD_CLK - @pwb_lib.MBX187	16C3 16E5			
RUN_ON_EC	RUN_ON_EC - @pwb_lib.MBX187	12E1 21D8	VPD_DATA - @pwb_lib.MBX187	16C3 16E5			
SCH_PWROK_EC	SCH_PWROK_EC - @pwb_lib.MBX187	6D3 12E1	VPWRSRC_RS+ - @pwb_lib.MBX187	23F3 26B3 26D6			
SCIREQ#	SCIREQ# - @pwb_lib.MBX187	7D3 12E7	VR_ON - @pwb_lib.MBX187	17E8 21C6			
SDVO_BLU+	SDVO_BLU+ - @pwb_lib.MBX187	6C3 14C3	VR_ON_EC - @pwb_lib.MBX187	12E1 21C8			
SDVO_BLU-	SDVO_BLU- - @pwb_lib.MBX187	6C3 14C3	WWAN_PWREN# - @pwb_lib.MBX187	12B3 14D6			
SDVO_CLK+	SDVO_CLK+ - @pwb_lib.MBX187	6D3 14C6	WWAN_RF_ON - @pwb_lib.MBX187	12B3 14D6			
SDVO_CLK-	SDVO_CLK- - @pwb_lib.MBX187	6D3 14C6					
SDVO_CTLCLK	SDVO_CTLCLK - @pwb_lib.MBX187	6C1 6D3 14C6					
SDVO_CTLDAT	SDVO_CTLDAT - @pwb_lib.MBX187	6C1 6D3 14C6					
SDVO_GRN+	SDVO_GRN+ - @pwb_lib.MBX187	6C3 14C3					
SDVO_GRN-	SDVO_GRN- - @pwb_lib.MBX187	6C3 14C3					
SDVO_RED+	SDVO_RED+ - @pwb_lib.MBX187	6C3 14C3					
SDVO_RED-	SDVO_RED- - @pwb_lib.MBX187	6C3 14C3					
SLP_OVR#	SLP_OVR# - @pwb_lib.MBX187	7C3 18B3 26C6					
SMBALERT#	SMBALERT# - @pwb_lib.MBX187	7C3 7D1					
SMB_OCLK	SMB_OCLK - @pwb_lib.MBX187	12D1 23B4					
SMB_ODATA	SMB_ODATA - @pwb_lib.MBX187	12D1 23B4					
SMB_1CLK	SMB_1CLK - @pwb_lib.MBX187	2E6 8B4 12B3					
SMB_1DATA	SMB_1DATA - @pwb_lib.MBX187	2E6 8B4 12B3					
SMB_2CLK	SMB_2CLK - @pwb_lib.MBX187	4C7 7B3 7B6 7D1 15B3					
SMB_2DATA	SMB_2DATA - @pwb_lib.MBX187	4C7 7B3 7B6 7D1 15B3					
SOURCE_COM	SOURCE_COM - @pwb_lib.MBX187	23E3 24B5 24F3					
SPI_CLK	SPI_CLK - @pwb_lib.MBX187	12C7 12D7					
SPI_CS#	SPI_CS# - @pwb_lib.MBX187	12C8 12D7					
SPI_DIN	SPI_DIN - @pwb_lib.MBX187	12C8 12D7					
SPI_DOUT	SPI_DOUT - @pwb_lib.MBX187	12B7 12D7					
SPKR_STBY	SPKR_STBY - @pwb_lib.MBX187	12D1 15B3					
SP_CLK	SP_CLK - @pwb_lib.MBX187	12D1 15D6					
SP_DAT	SP_DAT - @pwb_lib.MBX187	12D1 15D4					
SUSCLK	SUSCLK - @pwb_lib.MBX187	7C3 12C7					

SONY CORPORATION			
-			
-	QTY 1	REV.	PART NO.
-	-	-	-
SIZE C	DESIGNER		
-	-	-	
			31
			SHEET 31 OF <TOTAL DESIGN SHEETS>

Title: Cref Part Report
 Design: mbx187
 Date: May 9 17:09:55 2009

C1 C_0603 mbx187[2E5]
 C2 C_0603 mbx187[2F6]
 C3 C_0603 mbx187[2B5]
 C102 C_0603 mbx187[3D2]
 C103 C_0603 mbx187[3D2]
 C104 3TERMINAL_C_1608 mbx187[3C2]
 C105 3TERMINAL_C_1608 mbx187[3C2]
 C108 C_0603 mbx187[3B2]
 C109 C_0603 mbx187[3B2]
 C110 C_0603 mbx187[3B2]
 C111 C_0603 mbx187[3B2]
 C112 C_0603 mbx187[3D5]
 C113 C_1005 mbx187[3E2]
 C114 3TERMINAL_C_3216 mbx187[3E2]
 C115 3TERMINAL_C_3216 mbx187[3E2]
 C120 C_1005 mbx187[3E2]
 C121 C_1005 mbx187[3E2]
 C122 C_1005 mbx187[3E2]
 C123 C_1005 mbx187[3E2]
 C124 C_1005 mbx187[3E2]
 C125 C_1005 mbx187[3E2]
 C126 C_1005 mbx187[3E2]
 C127 C_1005 mbx187[3E2]
 C128 C_1005 mbx187[3E2]
 C129 C_1608 mbx187[3D5]
 C200 C_0603 mbx187[4D6]
 C201 C_0603 mbx187[4D6]
 C202 C_0603 mbx187[4D6]
 C203 C_0603 mbx187[4D6]
 C204 C_0603 mbx187[4D7]
 C205 C_0603 mbx187[4D7]
 C206 C_0603 mbx187[4D7]
 C207 3TERMINAL_C_2012 mbx187[4D7]
 C208 3TERMINAL_C_1608 mbx187[4D5]
 C300 C_0603 mbx187[5C7]
 C301 C_0603 mbx187[5E2]
 C302 C_0603 mbx187[5D2]
 C350 C_0603 mbx187[6D3]
 C351 C_0603 mbx187[6C4]
 C352 C_0603 mbx187[6C4]
 C353 C_0603 mbx187[6C4]
 C354 C_0603 mbx187[6C4]
 C355 C_0603 mbx187[6C4]
 C356 C_0603 mbx187[6C4]
 C357 C_0603 mbx187[6C4]
 C358 C_0603 mbx187[6C4]
 C359 C_0603 mbx187[6C4]
 C360 C_0603 mbx187[6C4]
 C361 C_0603 mbx187[6D4]
 C362 C_0603 mbx187[6D4]
 C363 C_0603 mbx187[6D2]
 C400 C_1608 mbx187[7F4]
 C401 C_1005 mbx187[7F4]
 C402 C_1005 mbx187[7F4]
 C403 C_1005 mbx187[7F4]
 C406 C_0603 mbx187[7B7]
 C450 C_0603 mbx187[8B5]
 C452 C_0603 mbx187[8D3]
 C453 C_2012 mbx187[8C2]
 C454 C_2012 mbx187[8C1]
 C455 C_1608 mbx187[8C2]
 C500 C_1005 mbx187[9E7]
 C502 C_1005 mbx187[9E7]
 C503 C_1005 mbx187[9E7]
 C506 C_1005 mbx187[9E6]
 C508 C_1005 mbx187[9D6]
 C509 C_0603 mbx187[9D6]
 C510 3TERMINAL_C_2012 mbx187[9F4]
 C511 3TERMINAL_C_2012 mbx187[9F4]
 C514 C_0603 mbx187[9E1]
 C515 C_0603 mbx187[9E1]
 C516 C_0603 mbx187[9E1]
 C517 3TERMINAL_C_2012 mbx187[9F1]
 C518 3TERMINAL_C_3216 mbx187[9F1]
 C520 C_0603 mbx187[9D4]
 C521 C_1005 mbx187[9D3]
 C522 C_1005 mbx187[9D3]
 C523 C_1005 mbx187[9D4]
 C528 C_0603 mbx187[9B4]
 C530 C_1005 mbx187[9B4]
 C531 C_0603 mbx187[9B4]
 C532 C_0603 mbx187[9C4]
 C533 C_0603 mbx187[9A4]
 C534 C_1005 mbx187[9C4]
 C535 C_1608 mbx187[9B4]
 C536 C_1005 mbx187[9D4]
 C537 C_1005 mbx187[9D4]

C540 C_1005 mbx187[9C4]
 C541 C_0603 mbx187[9B2]
 C542 C_0603 mbx187[9B2]
 C543 C_0603 mbx187[9E7]
 C700 C_0603 mbx187[11F5]
 C701 C_0603 mbx187[11E5]
 C702 C_1005 mbx187[11F4]
 C703 C_0603 mbx187[11F4]
 C704 C_0603 mbx187[11D3]
 C705 C_0603 mbx187[11D3]
 C706 C_0603 mbx187[11C3]
 C707 C_1005 mbx187[11D2]
 C708 C_0603 mbx187[11D2]
 C709 C_0603 mbx187[11D1]
 C710 C_0603 mbx187[11D1]
 C711 C_0603 mbx187[11C1]
 C712 C_0603 mbx187[11F3]
 C713 C_0603 mbx187[11F3]
 C714 C_0603 mbx187[11E3]
 C715 C_1005 mbx187[11F2]
 C716 C_0603 mbx187[11F2]
 C717 C_0603 mbx187[11F1]
 C718 C_0603 mbx187[11F1]
 C719 C_0603 mbx187[11E1]
 C720 C_1005 mbx187[11D7]
 C721 C_0603 mbx187[11D7]
 C722 C_0603 mbx187[11D7]
 C723 C_0603 mbx187[11C7]
 C724 C_0603 mbx187[11D7]
 C725 C_1005 mbx187[11F7]
 C726 C_0603 mbx187[11F7]
 C727 C_0603 mbx187[11F7]
 C728 C_0603 mbx187[11F7]
 C729 C_0603 mbx187[11E7]
 C730 C_0603 mbx187[11F7]
 C731 C_0603 mbx187[11F7]
 C732 C_0603 mbx187[11F5]
 C733 C_0603 mbx187[11F5]
 C734 C_0603 mbx187[11F3]
 C735 C_0603 mbx187[11F3]
 C736 C_0603 mbx187[11F1]
 C737 C_0603 mbx187[11F1]
 C738 C_0603 mbx187[11D7]
 C739 C_0603 mbx187[11D7]
 C740 C_0603 mbx187[11D5]
 C741 C_0603 mbx187[11D5]
 C742 C_1005 mbx187[11D6]
 C743 C_0603 mbx187[11D5]
 C744 C_0603 mbx187[11D5]
 C745 C_0603 mbx187[11D5]
 C746 C_0603 mbx187[11C5]
 C747 C_1005 mbx187[11D4]
 C748 C_0603 mbx187[11D4]
 C749 C_1005 mbx187[11F6]
 C750 C_0603 mbx187[11F5]
 C751 C_0603 mbx187[11F5]
 C752 C_0603 mbx187[11D3]
 C753 C_0603 mbx187[11D3]
 C754 C_0603 mbx187[11D1]
 C755 C_0603 mbx187[11D1]
 C756 C_1608 mbx187[11F4]
 C757 C_1608 mbx187[11D4]
 C758 C_0603 mbx187[11D6]
 C759 C_0603 mbx187[11D4]
 C800 C_0603 mbx187[12E5]
 C801 C_0603 mbx187[12C7]
 C802 C_0603 mbx187[12E4]
 C803 C_1005 mbx187[12F5]
 C804 C_0603 mbx187[12F5]
 C805 C_0603 mbx187[12F5]
 C806 C_0603 mbx187[12F6]
 C807 C_0603 mbx187[12C7]
 C1000 C_2012 mbx187[13E5]
 C1001 C_3225 mbx187[13E4]
 C1002 C_1005 mbx187[13C7]
 C1003 C_1005 mbx187[13E4]
 C1004 C_2012 mbx187[13E6]
 C1100 C_0603 mbx187[14E7]
 C1101 C_0603 mbx187[14E6]
 C1102 C_0603 mbx187[14E6]
 C1103 C_0603 mbx187[14E5]
 C1104 C_1608 mbx187[14E5]
 C1200 C_1005 mbx187[15B7]
 C1300 C_0603 mbx187[16E4]
 C1301 C_1005 mbx187[16E7]
 C1500 C_2012 mbx187[17E4]
 C1502 C_1005 mbx187[17E3]
 C1503 C_0603 mbx187[17D4]
 C1504 C_0603 mbx187[17D5]
 C1505 C_1005 mbx187[17E5]
 C1506 C_1005 mbx187[17D5]
 C1508 CE_7343 mbx187[17D1]

REVISIONS				
ZONE	LTR	DESCRIPTION	DATE	APPR.

SONY CORPORATION

THIS DOCUMENT CONTAINS INFORMATION PROPRIETARY TO SONY CORPORATION (SONY). USE OR DISCLOSURE WITHOUT THE WRITTEN PERMISSION OF AN OFFICER OF SONY IS EXPRESSLY FORBIDDEN.
 COPYRIGHT (C) SONY CORPORATION 2009

SIZE	DESIGNER	REV.	PART NO.
C	-	1	-

www.tptonline.com

C1509	C_0603	mbx187[17C4]
C1511	C_0603	mbx187[17C5]
C1512	C_0603	mbx187[17C5]
C1514	C_0603	mbx187[17C5]
C1600	C_0603	mbx187[18C4]
C1601	C_0603	mbx187[18C5]
C1602	C_1005	mbx187[18E5]
C1603	C_2012	mbx187[18E5]
C1604	C_2012	mbx187[18E6]
C1605	C_1005	mbx187[18D7]
C1606	C_0603	mbx187[18D6]
C1607	C_0603	mbx187[18D6]
C1608	C_0603	mbx187[18D5]
C1609	C_0603	mbx187[18C6]
C1610	CE_3528	mbx187[18C5]
C1611	C_0603	mbx187[18C6]
C1612	C_0603	mbx187[18C6]
C1613	C_0603	mbx187[18C6]
C1614	CE_3528	mbx187[18C5]
C1615	C_0603	mbx187[18B7]
C1616	C_0603	mbx187[18C7]
C1617	C_1005	mbx187[18C7]
C1618	C_0603	mbx187[18B7]
C1619	C_1608	mbx187[18D6]
C1620	C_1608	mbx187[18D6]
C1621	C_1608	mbx187[18C6]
C1622	C_1608	mbx187[18C6]
C1623	C_0603	mbx187[18E3]
C1624	CE_3528	mbx187[18E3]
C1625	C_1608	mbx187[18C6]
C1626	C_0603	mbx187[18B2]
C1627	C_0603	mbx187[18E4]
C1700	C_1005	mbx187[19A7]
C1701	CE_6032	mbx187[19E1]
C1702	CE_6032	mbx187[19E1]
C1703	C_1608	mbx187[19E1]
C1704	C_0603	mbx187[19E1]
C1705	C_2012	mbx187[19F5]
C1706	C_2012	mbx187[19F5]
C1707	C_2012	mbx187[19F4]
C1708	C_2012	mbx187[19F4]
C1709	C_2012	mbx187[19F5]
C1710	C_2012	mbx187[19F5]
C1711	C_0603	mbx187[19E8]
C1712	C_1608	mbx187[19E8]
C1713	CE_7343	mbx187[19E8]
C1714	C_1005	mbx187[19D7]
C1715	C_1005	mbx187[19C7]
C1716	C_0603	mbx187[19D7]
C1717	C_1005	mbx187[19C6]
C1718	C_1005	mbx187[19C5]
C1719	C_1005	mbx187[19C4]
C1720	C_1005	mbx187[19C4]
C1721	C_1608	mbx187[19D5]
C1722	C_1005	mbx187[19F5]
C1723	C_1608	mbx187[19D5]
C1724	C_1608	mbx187[19D4]
C1725	C_1005	mbx187[19C3]
C1726	C_1005	mbx187[19C2]
C1727	C_0603	mbx187[19D3]
C1728	C_0603	mbx187[19A7]
C1729	C_1005	mbx187[19D2]
C1730	C_1608	mbx187[19D4]
C1731	C_1005	mbx187[19F4]
C1732	C_0603	mbx187[19A8]
C1800	C_1005	mbx187[20E4]
C1801	C_1005	mbx187[20D6]
C1802	C_1005	mbx187[20B7]
C1803	C_1005	mbx187[20F7]
C1900	C_0603	mbx187[21D3]
C1901	C_1005	mbx187[21C3]
C1902	C_0603	mbx187[21B3]
C1903	C_1005	mbx187[21B3]
C1904	C_1005	mbx187[21F3]
C2000	C_1608	mbx187[22B6]
C2001	C_0603	mbx187[22B4]
C2002	C_1005	mbx187[22C4]
C2003	C_1005	mbx187[22E5]
C2004	C_0603	mbx187[22E4]
C2005	C_1608	mbx187[22E4]
C2100	C_3225	mbx187[23C2]
C2101	C_0603	mbx187[23C5]
C2102	C_1005	mbx187[23C4]
C2103	C_1005	mbx187[23B4]
C2104	C_0603	mbx187[23C6]
C2105	C_1005	mbx187[23B1]
C2106	C_1005	mbx187[23D4]
C2107	C_1005	mbx187[23C5]
C2108	C_0603	mbx187[23B4]
C2109	C_0603	mbx187[23D7]
C2110	C_0603	mbx187[23D5]
C2111	C_1608	mbx187[23D4]

C2112	C_0603	mbx187[23C4]
C2113	C_0603	mbx187[23C6]
C2114	C_2012	mbx187[23D3]
C2115	C_2012	mbx187[23D3]
C2116	C_1005	mbx187[23D5]
C2117	C_1005	mbx187[23D5]
C2118	C_1005	mbx187[23D3]
C2119	C_1005	mbx187[23D5]
C2120	C_0603	mbx187[23B6]
C2200	C_1005	mbx187[24D5]
C2201	C_1005	mbx187[24A6]
C2202	C_1608	mbx187[24C7]
C2203	C_1005	mbx187[24E5]
C2204	C_1005	mbx187[24E5]
C2300	C_1005	mbx187[25B3]
C2301	C_0603	mbx187[25C4]
C2302	C_0603	mbx187[25D7]
C2303	C_1005	mbx187[25B5]
C2304	C_1005	mbx187[25B5]
C2305	C_1005	mbx187[25B3]
C2306	C_1608	mbx187[25E3]
C2307	C_0603	mbx187[25D6]
C2900	C_0603	mbx187[26C4]
CN1000	CN30P_SMD+2	mbx187[13C2]
CN1100	CN80P_SMD	mbx187[14C5]
CN1200	CN60P_SMD	mbx187[15B5]
CN1201	CN50P_SMD	mbx187[15D5]
CN1300	CN100P_SMD	mbx187[16C5]
CN2100	CN40P_SMD	mbx187[23B1]
CN2300	CN2P_SMD+2	mbx187[25B7]
CN2900	CN24P_SMD	mbx187[26C4]
CN2901	CN26P_SMD	mbx187[26E4]
CN2902	CN26P_SMD+4	mbx187[26B4]
D1000	ZD_SC79AK	mbx187[13E3]
D1001	SHOTTKY_SMD	mbx187[13F5]
D1100	LED_SMD	mbx187[14B5]
D1101	ZD2_SSSM3KKA	mbx187[14A6]
D1500	SHOTTKY_SMD	mbx187[17D3]
D1502	D_SMD	mbx187[17C7]
D1503	D_SMD	mbx187[17C7]
D1600	SHOTTKY_SMD	mbx187[18E4]
D1601	D2_SSSM3AAK	mbx187[18F6]
D1700	D2_SSSM3AAK	mbx187[19A6]
D1701	ZD_SMD	mbx187[19A8]
D1702	D_SMD	mbx187[19B8]
D1703	SHOTTKY_SMD	mbx187[19E6]
D1704	D2_SSSM3AAK	mbx187[19E5]
D1705	SHOTTKY_SMD	mbx187[19E3]
D1706	SHOTTKY_SC79	mbx187[19D5]
D1707	D_SMD	mbx187[19A6]
D1800	ZD_SMD	mbx187[20E7]
D1801	SHOTTKY_SMD	mbx187[20E1]
D1802	SHOTTKY_SMD	mbx187[20D1]
D1900	SHOTTKY_SMD	mbx187[21E3]
D2000	D_SMD	mbx187[22C6]
D2001	D_SMD	mbx187[22C4]
D2002	D_SMD	mbx187[22E7]
D2003	D_SMD	mbx187[22E7]
D2004	D_SMD	mbx187[22E6]
D2005	ZD_SMD	mbx187[22E5]
D2100	ZD4_USV6	mbx187[23B3]
D2101	SHOTTKY_SC79	mbx187[23D4]
D2102	ZD_SMD	mbx187[23E2]
D2103	ZD_SMD	mbx187[23B1]
D2104	SHOTTKY_SMD	mbx187[23D5]
D2105	ZD_SMD	mbx187[23B3]
D2106	SHOTTKY_SMD	mbx187[23F2]
D2107	D_SMD	mbx187[23C1]
D2108	SHOTTKY_SMD	mbx187[23D2]
D2109	SHOTTKY_SMD	mbx187[23B7]
D2200	ZD_SMD	mbx187[24E4]
D2201	D2_SSSM3AAK	mbx187[24D2]
D2202	D2_SSSM3AAK	mbx187[24B7]
D2204	ZD_SMD	mbx187[24B7]
D2300	ZD_SMD	mbx187[25D7]
D2301	D2_SSSM3AAK	mbx187[25E6]
D2302	D2_SSSM3AAK	mbx187[25E4]
D2303	D2_SSSM3AAK	mbx187[25E3]
D2304	SHOTTKY_SMD	mbx187[25B3]
D2305	SHOTTKY_SMD	mbx187[25B6]
D2306	ZD_SMD	mbx187[25E3]
D2308	D2_SSSM3AAK	mbx187[25E6]
D2309	ZD_SMD	mbx187[25C3]
F1000	FUSE_1608	mbx187[13F6]
FB2100	FB_1608	mbx187[23B2]
FL1000	LF4_2010	mbx187[13B3]
FL1001	LF4_2010	mbx187[13B3]
IC1	SILVERTHORNE_CSP441	mbx187[2D7 2D2]
IC1	SILVERTHORNE_CSP441	mbx187[3D6 3D4]
IC2	LM95245_TSSOP8	mbx187[2E5]
IC200	ICS9UMS9610_QFN49	mbx187[4C5]
IC300	POULSBO_CSP1249	mbx187[5D5]

REVISIONS				
ZONE	LTR	DESCRIPTION	DATE	APPR.

SONY CORPORATION

THIS DOCUMENT CONTAINS INFORMATION PROPRIETARY TO SONY CORPORATION (SONY). USE OR DISCLOSURE WITHOUT THE WRITTEN PERMISSION OF AN OFFICER OF SONY IS EXPRESSLY FORBIDDEN.
 COPYRIGHT (C) SONY CORPORATION 2009

QTY	1	REV.		PART NO.	
SIZE	C	DESIGNER			

REVISIONS

ZONE	LTR	DESCRIPTION	DATE	APPR.
------	-----	-------------	------	-------

IC300	POULSBO_CSP1249	mbx187[6D5]	8	Q1606	2M_FET_NCH_E_6P_ES6	mbx187[18B3 18B2]
IC300	POULSBO_CSP1249	mbx187[7D5]		Q1700	M_FET_NCH_E_5P_SON5	mbx187[19E3]
IC300	POULSBO_CSP1249	mbx187[8D5]		Q1702	2M_FET_NCH_E_6P_ES6	mbx187[19B6 19B6]
IC300	POULSBO_CSP1249	mbx187[9E7 9D2]		Q1705	2M_FET_NCH_E_6P_SON6	mbx187[19E6 19E6]
IC300	POULSBO_CSP1249	mbx187[10D2 10D7 10D4]		Q1706	M_FET_NCH_E_5P_SON5	mbx187[19E3]
IC401	NM24C02M8_SON9	mbx187[7B7]		Q1707	DTR-PNP-RBE_FS6	mbx187[19B3 19B3]
IC450	TMP10X_ES6	mbx187[8B5]		Q1708	DTR-NPN-RBE_FSM3BEC	mbx187[19B4]
IC700	DDR2_SDRAM2GX8_CSP63	mbx187[11C4]		Q1709	M_FET_NCH_E_3P_VMT3G	mbx187[19A3]
IC701	DDR2_SDRAM2GX8_CSP63	mbx187[11C2]			SD	
IC702	DDR2_SDRAM2GX8_CSP63	mbx187[11E4]		Q1800	2M_FET_NCH_E_6P_ES6	mbx187[20B6 20B5]
IC703	DDR2_SDRAM2GX8_CSP63	mbx187[11E2]		Q1802	2M_FET_NCH_E_8P_SON8	mbx187[20F4 20F3]
IC704	DDR2_SDRAM2GX8_CSP63	mbx187[11C7]		Q1804	2M_FET_NCH_E_6P_ES6	mbx187[20D4 20D5]
IC705	DDR2_SDRAM2GX8_CSP63	mbx187[11E7]		Q1806	2M_FET_NCH_E_8P_SON8	mbx187[20B6 20D6]
IC706	DDR2_SDRAM2GX8_CSP63	mbx187[11C5]		Q1808	M_FET_NCH_E_8P_2916-	mbx187[20D4]
IC707	DDR2_SDRAM2GX8_CSP63	mbx187[11E5]			8	
IC800	H8S2112_LGA145	mbx187[12B5 12D5]		Q1809	2M_FET_NCH_E_6P_ES6	mbx187[20D7 20B7]
IC801	7408_FSV	mbx187[12A7]		Q1811	TR-NPN_VMT3BEC	mbx187[20E7]
IC802	S_NOTICE_SON8	mbx187[12B7]		Q1812	DTR-NPN-PNP-RBE_FS6	mbx187[20E7 20E7]
IC803	SST25VF080_SON9	mbx187[12C7]		Q1814	2M_FET_NCH_E_6P_ES6	mbx187[20E5]
IC805	7408_FSV	mbx187[12A6]		Q1814	2M_FET_NCH_E_6P_ES6	mbx187[23B3]
IC1000	7408_SSOP8	mbx187[13D6 13D7]		Q1815	M_FET_NCH_E_8P_2916-	mbx187[20B5]
IC1002	BD6581_CSP24	mbx187[13D4]			8	
IC1003	7414_FSV	mbx187[13E7]		Q2000	DTR-NPN-PNP-RBE_FS6	mbx187[22C7 22C7]
IC1004	7432_FSV	mbx187[13E7]		Q2002	TR-NPN_ES6	mbx187[22B5 22B4]
IC1100	7408_FSV	mbx187[14B3]		Q2004	DTR-PNP-RBE_FSM3BEC	mbx187[22C3]
IC1101	LIS302_QFN14	mbx187[14E5]		Q2005	M_FET_NCH_E_3P_VMT3G	mbx187[22C2]
IC1200	RT9702_SOT23-5	mbx187[15B7]			SD	
IC1300	24C08_SON9	mbx187[16E3]		Q2101	2M_FET_PCH_E_8P_SON8	mbx187[23F2 23E2]
IC1301	RT9702_SOT23-5	mbx187[16E7]		Q2103	M_FET_PCH_E_3P_VMT3G	mbx187[23E3]
IC1500	MAX8796_7_QFN33	mbx187[17D6]			SD	
IC1600	MAX17017_QFN49	mbx187[18C7]		Q2104	2M_FET_NCH_E_6P_SON6	mbx187[23D2 23D2]
IC1700	R3116_SON5	mbx187[19A7]		Q2106	2M_FET_NCH_E_6P_ES6	mbx187[23B7 23B7]
IC1701	ISL6239_QFN29A	mbx187[19C5]		Q2200	2M_FET_PCH_E_8P_SON8	mbx187[24E4 24E3]
IC1900	7414_SSOP8	mbx187[21D6 21E7 21E4]		Q2202	2M_FET_NCH_E_6P_ES6	mbx187[23E6]
IC1903	PST3XXX_SON4	mbx187[21C3]		Q2202	2M_FET_NCH_E_6P_ES6	mbx187[24D3]
IC1904	PST3XXX_SON4	mbx187[21B3]		Q2204	TR-NPN_VMT3BEC	mbx187[24A6]
IC1905	7414_FSV	mbx187[21E2]		Q2205	DTR-NPN-PNP-RBE_FS6	mbx187[24D2 24D3]
IC2000	TPS715XX_SC88A	mbx187[22E5]		Q2207	2M_FET_PCH_E_6P_ES6	mbx187[24D4 24D4]
IC2100	MAX8765_QFN29	mbx187[23C5]		Q2300	2M_FET_NCH_E_6P_ES6	mbx187[25B2 25D5]
IC2300	7414_SSOP8	mbx187[25B2 25B4 25B3]		Q2302	TR-NPN_VMT3BEC	mbx187[25D6]
IC2303	R3116_SON5	mbx187[25D6]		R1	R_0603	mbx187[2C3]
JR700	CONDUCTOR_0603	mbx187[11B3]		R2	R_0603	mbx187[2C3]
JR701	CONDUCTOR_0603	mbx187[11B1]		R3	R_0603	mbx187[2E4]
JR702	CONDUCTOR_0603	mbx187[11D3]		R6	R_0603	mbx187[2F6]
JR703	CONDUCTOR_0603	mbx187[11D1]		R7	R_0603	mbx187[2C8]
JR704	CONDUCTOR_0603	mbx187[11B7]		R8	R_0603	mbx187[2C8]
JR705	CONDUCTOR_0603	mbx187[11D7]		R9	R_0603	mbx187[2C5]
JR708	CONDUCTOR_0603	mbx187[11B5]		R10	R_0603	mbx187[2D5]
JR709	CONDUCTOR_0603	mbx187[11D5]		R11	R_0603	mbx187[2C5]
JR800	CONDUCTOR_0603	mbx187[12C3]		R12	R_0603	mbx187[2D5]
JR1000	CONDUCTOR_0603	mbx187[13D3]		R13	R_0603	mbx187[2D5]
JR1001	CONDUCTOR_0603	mbx187[13D3]		R14	R_0603	mbx187[2D4]
JR1700	CONDUCTOR_0603	mbx187[19B4]		R15	R_0603	mbx187[2E5]
JR1701	CONDUCTOR_0603	mbx187[19B4]		R16	R_0603	mbx187[2C4]
JR1702	CONDUCTOR_0603	mbx187[19B4]		R17	R_0603	mbx187[2C4]
JR1703	CONDUCTOR_0603	mbx187[19B2]		R18	R_0603	mbx187[2B5]
JR2100	CONDUCTOR_1005	mbx187[23D5]		R19	R_0603	mbx187[2B5]
L1000	LP_50H28	mbx187[13F5]		R20	R_0603	mbx187[2E2]
L1500	LP_49H30	mbx187[17D2]		R21	R_0603	mbx187[2D5]
L1600	LP_70H30	mbx187[18E4]		R22	R_0603	mbx187[2C2]
L1601	LP_49H30	mbx187[18C5]		R23	R_0603	mbx187[2C2]
L1602	LP_37H18	mbx187[18C5]		R24	R_0603	mbx187[2C2]
L1700	LP_70H30	mbx187[19E7]		R25	R_0603	mbx187[2C2]
L1701	LP_70H30	mbx187[19E3]		R26	R_0603	mbx187[2C8]
L2100	LP_60H30	mbx187[23C3]		R27	R_0603	mbx187[2E5]
OL2000	OPENLAND_SMD	mbx187[22B7]		R28	R_0603	mbx187[2E2]
Q1	M_FET_NCH_E_3P_VMT3G	mbx187[2E4]		R100	R_0603	mbx187[3B6]
	SD			R101	R_0603	mbx187[3B7]
Q2	DTR-PNP-RBE_FSM3BEC	mbx187[2F4]		R200	CONDUCTOR_0603	mbx187[4D7]
Q3	TR-NPN_VMT3BEC	mbx187[2E2]		R300	R_0603	mbx187[5C7]
Q100	2M_FET_NCH_E_6P_ES6	mbx187[3B6 3B6]		R301	R_0603	mbx187[5C7]
Q400	DTR-NPN-RBE_FSM3BEC	mbx187[7C2]		R302	R_0603	mbx187[5C7]
Q800	DTR-PNP-RBE_FSM3BEC	mbx187[12C2]		R303	R_0603	mbx187[5D7]
Q801	M_FET_NCH_E_3P_VMT3G	mbx187[12C2]		R304	R_0603	mbx187[5E2]
	SD			R305	R_0603	mbx187[5D2]
Q1000	M_FET_NCH_E_6P_CMFPA	mbx187[13E5]		R306	R_0603	mbx187[5D2]
	K6			R307	R_0603	mbx187[5C3]
Q1001	DTR-NPN-RBE_FSM3BEC	mbx187[13B7]		R308	R_0603	mbx187[5C7]
Q1002	2M_FET_NCH_E_6P_ES6	mbx187[13C7 13B6]		R309	R_0603	mbx187[5C5]
Q1005	M_FET_NCH_E_8P_2916-	mbx187[13C6]		R310	R_0603	mbx187[5C5]
	8			R311	R_0603	mbx187[5C6]
Q1200	DTR-PNP-RBE_FSM3BEC	mbx187[15C7]		R312	R_0603	mbx187[5E2]
Q1201	2M_FET_PCH_E_6P_ES6	mbx187[15D7 15D7]		R313	R_0603	mbx187[5C3]
Q1203	2M_FET_PCH_E_6P_ES6	mbx187[15E7 15E7]		R314	R_0603	mbx187[5C3]
Q1205	2M_FET_PCH_E_6P_ES6	mbx187[15F7 15E7]		R350	R_0603	mbx187[6E3]
Q1500	M_FET_NCH_E_3P_VMT3G	mbx187[17B6]		R351	R_0603	mbx187[6E4]
	SD			R352	R_0603	mbx187[6B4]
Q1502	2M_FET_NCH_E_6P_SON6	mbx187[17D3 17D3]		R353	R_0603	mbx187[6D1]
Q1600	2M_FET_NCH_E_6P_ES6	mbx187[18D4 18D3]		R354	R_0603	mbx187[6D1]
Q1601	2M_FET_NCH_E_6P_ES6	mbx187[18B5 18C4]		R355	R_0603	mbx187[6B4]
Q1603	2M_FET_NCH_E_6P_SON6	mbx187[18E5 18E5]		R357	R_0603	mbx187[6D1]
Q1605	M_FET_NCH_E_8P_2924-	mbx187[18B1]				

SONY CORPORATION

THIS DOCUMENT CONTAINS INFORMATION PROPRIETARY TO SONY CORPORATION (SONY). USE OR DISCLOSURE WITHOUT THE WRITTEN PERMISSION OF AN OFFICER OF SONY IS EXPRESSLY FORBIDDEN.
 COPYRIGHT (C) SONY CORPORATION 2009

SIZE	DESIGNER	REV.	PART NO.
C	-	1	-

www.ptonline.com

R358	R_0603	mbx187[6E1]
R359	R_0603	mbx187[6D1]
R360	R_0603	mbx187[6D1]
R361	R_0603	mbx187[6E8]
R362	R_0603	mbx187[6D8]
R363	R_1005	mbx187[6D2]
R365	R_0603	mbx187[6C1]
R366	R_0603	mbx187[6C1]
R367	CONDUCTOR_0603	mbx187[6D3]
R368	R_0603	mbx187[6E1]
R400	R_0603	mbx187[7E7]
R401	R_0603	mbx187[7D2]
R402	R_0603	mbx187[7D2]
R403	R_0603	mbx187[7E2]
R404	R_0603	mbx187[7E7]
R407	R_0603	mbx187[7E4]
R412	R_0603	mbx187[7C2]
R413	R_0603	mbx187[7B2]
R414	R_0603	mbx187[7B2]
R415	R_0603	mbx187[7F2]
R416	R_0603	mbx187[7E2]
R417	R_0603	mbx187[7B4]
R419	R_0603	mbx187[7B3]
R420	R_0603	mbx187[7B3]
R421	R_0603	mbx187[7B2]
R422	R_0603	mbx187[7B2]
R450	R_1005	mbx187[8C2]
R451	R_0603	mbx187[8D2]
R452	R_0603	mbx187[8C2]
R702	R_0603	mbx187[11D4]
R703	R_0603	mbx187[11B8]
R721	R_0603	mbx187[11D8]
R728	R_0603	mbx187[11D6]
R800	R_0603	mbx187[12C3]
R801	R_0603	mbx187[12C3]
R802	R_0603	mbx187[12A1]
R803	R_0603	mbx187[12B1]
R804	R_0603	mbx187[12B7]
R805	R_0603	mbx187[12B6]
R806	R_0603	mbx187[12C2]
R807	R_0603	mbx187[12E7]
R808	R_0603	mbx187[12E7]
R809	R_0603	mbx187[12E2]
R810	R_0603	mbx187[12A4]
R811	R_0603	mbx187[12E7]
R812	R_0603	mbx187[12E6]
R817	R_0603	mbx187[12B8]
R818	R_0603	mbx187[12B7]
R819	R_0603	mbx187[12C7]
R820	R_0603	mbx187[12E3]
R822	R_0603	mbx187[12E6]
R823	R_0603	mbx187[12B3]
R824	R_0603	mbx187[12D1]
R825	R_0603	mbx187[12D1]
R826	R_0603	mbx187[12A1]
R827	R_0603	mbx187[12B1]
R1000	R_2012	mbx187[13E5]
R1001	R_0603	mbx187[13E3]
R1002	R_1005	mbx187[13E4]
R1003	R_0603	mbx187[13E3]
R1004	R_0603	mbx187[13E3]
R1005	R_0603	mbx187[13C7]
R1006	R_0603	mbx187[13C7]
R1007	R_0603	mbx187[13C6]
R1008	R_0603	mbx187[13E7]
R1009	R_0603	mbx187[13C4]
R1010	R_0603	mbx187[13C4]
R1100	R_0603	mbx187[14D3]
R1101	R_0603	mbx187[14C3]
R1102	R_0603	mbx187[14C3]
R1200	R_0603	mbx187[15C7]
R1201	R_0603	mbx187[15F7]
R1202	R_0603	mbx187[15E7]
R1203	R_0603	mbx187[15E7]
R1204	R_0603	mbx187[15D7]
R1205	R_0603	mbx187[15D7]
R1206	R_0603	mbx187[15D7]
R1500	R_0603	mbx187[17D6]
R1501	R_0603	mbx187[17D7]
R1502	R_0603	mbx187[17C5]
R1504	R_0603	mbx187[17B6]
R1505	R_0603	mbx187[17B5]
R1506	R_0603	mbx187[17E3]
R1507	R_0603	mbx187[17C5]
R1508	R_0603	mbx187[17C5]
R1509	R_0603	mbx187[17D2]
R1510	R_0603	mbx187[17D2]
R1516	R_0603	mbx187[17D5]
R1517	R_0603	mbx187[17D5]
R1518	R_0603	mbx187[17D2]
R1519	R_0603	mbx187[17E5]
R1520	R_0603	mbx187[17B6]

R1524	R_0603	mbx187[17C7]
R1525	CONDUCTOR_0603	mbx187[17C3]
R1526	R_0603	mbx187[17D7]
R1600	R_0603	mbx187[18E7]
R1601	R_0603	mbx187[18D6]
R1602	R4P_SMD	mbx187[18E3]
R1603	R_0603	mbx187[18D5]
R1604	R_0603	mbx187[18D5]
R1605	R_0603	mbx187[18D5]
R1606	CONDUCTOR_0603	mbx187[18C6]
R1607	R_0603	mbx187[18C5]
R1608	R_0603	mbx187[18C6]
R1609	R_0603	mbx187[18C6]
R1610	CONDUCTOR_0603	mbx187[18C6]
R1611	R_0603	mbx187[18C6]
R1612	R_0603	mbx187[18C6]
R1613	R_0603	mbx187[18B6]
R1614	R_0603	mbx187[18C5]
R1615	R_0603	mbx187[18B6]
R1616	R_0603	mbx187[18B6]
R1617	R_0603	mbx187[18B7]
R1618	R_0603	mbx187[18B7]
R1619	R_0603	mbx187[18E3]
R1621	R_0603	mbx187[18D4]
R1625	R_0603	mbx187[18B3]
R1626	R_0603	mbx187[18B3]
R1627	R_0603	mbx187[18C4]
R1628	R_0603	mbx187[18B5]
R1629	R_0603	mbx187[18B2]
R1630	R_0603	mbx187[18D4]
R1631	R_0603	mbx187[18D4]
R1632	R_0603	mbx187[18D8]
R1700	R4P_SMD	mbx187[19E2]
R1701	R_0603	mbx187[19D2]
R1703	R_0603	mbx187[19B8]
R1704	R_0603	mbx187[19B8]
R1705	R_0603	mbx187[19C7]
R1706	R_0603	mbx187[19C7]
R1707	R_1005	mbx187[19C7]
R1709	R_0603	mbx187[19D7]
R1710	R4P_SMD	mbx187[19E7]
R1711	R_0603	mbx187[19A6]
R1712	R_0603	mbx187[19C6]
R1713	R_0603	mbx187[19C6]
R1714	CONDUCTOR_0603	mbx187[19C7]
R1715	CONDUCTOR_0603	mbx187[19C6]
R1716	R_0603	mbx187[19C6]
R1717	R_0603	mbx187[19C6]
R1718	R_0603	mbx187[19A8]
R1719	R_0603	mbx187[19A5]
R1720	R_0603	mbx187[19C6]
R1721	R_0603	mbx187[19C6]
R1722	CONDUCTOR_0603	mbx187[19C6]
R1723	R_0603	mbx187[19D6]
R1724	R_0603	mbx187[19D6]
R1725	R_1005	mbx187[19D5]
R1726	R_1005	mbx187[19D5]
R1727	R_1005	mbx187[19D4]
R1728	R_0603	mbx187[19B3]
R1729	R_0603	mbx187[19B3]
R1730	R_0603	mbx187[19C3]
R1731	R_0603	mbx187[19C3]
R1732	CONDUCTOR_0603	mbx187[19C2]
R1733	R_1005	mbx187[19C2]
R1734	R_0603	mbx187[19C2]
R1735	R_0603	mbx187[19C2]
R1736	R_0603	mbx187[19D3]
R1737	R_0603	mbx187[19D3]
R1738	R_0603	mbx187[19B5]
R1800	R_0603	mbx187[20E7]
R1801	R_0603	mbx187[20E7]
R1802	R_0603	mbx187[20F5]
R1803	R_0603	mbx187[20D7]
R1804	R_0603	mbx187[20E7]
R1805	R_0603	mbx187[20E7]
R1806	R_0603	mbx187[20D5]
R1807	R_0603	mbx187[20D4]
R1808	R_0603	mbx187[20B6]
R1809	R_0603	mbx187[20B5]
R1810	R_0603	mbx187[20E2]
R1900	R_0603	mbx187[21C2]
R1901	R_0603	mbx187[21D4]
R1902	R_0603	mbx187[21B4]
R1903	R_0603	mbx187[21B2]
R1904	R_0603	mbx187[21E4]
R1905	R_0603	mbx187[21E3]
R1906	R_0603	mbx187[21E3]
R1907	R_0603	mbx187[21D3]
R2000	R_0603	mbx187[22C7]
R2001	R_0603	mbx187[22C6]
R2002	R_0603	mbx187[22B6]
R2003	R_0603	mbx187[22B4]

REVISIONS				
ZONE	LTR	DESCRIPTION	DATE	APPR.

SONY CORPORATION

THIS DOCUMENT CONTAINS INFORMATION PROPRIETARY TO SONY CORPORATION (SONY). USE OR DISCLOSURE WITHOUT THE WRITTEN PERMISSION OF AN OFFICER OF SONY IS EXPRESSLY FORBIDDEN.
COPYRIGHT (C) SONY CORPORATION 2009

SIZE	DESIGNER	REV.	PART NO.	SHEET 35 OF <TOTAL DESIGN SHEETS>
C	-	1	-	

www.ptonline.com

R2004	R_0603	mbx187[22B4]
R2005	R_0603	mbx187[22C4]
R2006	R_0603	mbx187[22C4]
R2007	R_0603	mbx187[22C3]
R2008	R_0603	mbx187[22B6]
R2009	R_0603	mbx187[22E6]
R2010	R_0603	mbx187[22E4]
R2011	R_0603	mbx187[22E4]
R2012	R_0603	mbx187[22E4]
R2100	R_1005	mbx187[23D3]
R2101	R_0603	mbx187[23D4]
R2102	R_0603	mbx187[23D4]
R2104	R_0603	mbx187[23C6]
R2105	R_0603	mbx187[23D7]
R2106	R_0603	mbx187[23B3]
R2107	R_0603	mbx187[23B3]
R2108	R_0603	mbx187[23B3]
R2109	R_0603	mbx187[23B3]
R2110	R_1005	mbx187[23D5]
R2111	R_1005	mbx187[23D5]
R2112	R_0603	mbx187[23E3]
R2113	R_0603	mbx187[23E2]
R2114	R_0603	mbx187[23D7]
R2115	R_0603	mbx187[23D7]
R2116	R4P_SMD	mbx187[23E5]
R2117	R_0603	mbx187[23B3]
R2118	R4P_SMD	mbx187[23C2]
R2119	R_0603	mbx187[23E6]
R2120	CONDUCTOR_0603	mbx187[23E6]
R2121	R_0603	mbx187[23B5]
R2122	R_0603	mbx187[23B5]
R2123	R_0603	mbx187[23B5]
R2124	R_0603	mbx187[23C1]
R2125	R_0603	mbx187[23C6]
R2126	R_0603	mbx187[23B7]
R2127	R_0603	mbx187[23C6]
R2128	R_0603	mbx187[23C6]
R2129	R_0603	mbx187[23B7]
R2130	R_0603	mbx187[23C7]
R2131	R_0603	mbx187[23C7]
R2132	CONDUCTOR_0603	mbx187[23B7]
R2133	R_0603	mbx187[23C7]
R2134	R_0603	mbx187[23C8]
R2135	R_0603	mbx187[23B8]
R2200	R_1005	mbx187[24E5]
R2202	R_0603	mbx187[24A6]
R2203	R_0603	mbx187[24A6]
R2205	R_0603	mbx187[24C7]
R2206	R_0603	mbx187[24C7]
R2207	R_0603	mbx187[24C7]
R2208	R_0603	mbx187[24B4]
R2209	R_0603	mbx187[24B4]
R2210	R_0603	mbx187[24D5]
R2211	R_0603	mbx187[24C4]
R2212	R_0603	mbx187[24D3]
R2213	R_0603	mbx187[24D3]
R2214	R_0603	mbx187[24E2]
R2215	R_0603	mbx187[24E2]
R2216	R_0603	mbx187[24E4]
R2217	R_0603	mbx187[24E4]
R2218	R_0603	mbx187[24A7]
R2300	R_0603	mbx187[25C3]
R2301	R_0603	mbx187[25B3]
R2302	R_0603	mbx187[25B3]
R2303	R_0603	mbx187[25D6]
R2304	R_0603	mbx187[25C6]
R2305	R_0603	mbx187[25E7]
R2306	R_0603	mbx187[25E4]
R2307	R_0603	mbx187[25E4]
R2308	R_0603	mbx187[25E6]
R2309	R_0603	mbx187[25E6]
R2310	R_0603	mbx187[25E3]
R2311	R_0603	mbx187[25E3]
R2312	R_0603	mbx187[25D7]
R2313	R_0603	mbx187[25A7]
R2314	R_0603	mbx187[25B6]
R2315	R_0603	mbx187[25B6]
R2316	R_0603	mbx187[25B5]
R2317	R_0603	mbx187[25E7]
R2318	R_0603	mbx187[25E7]
R2319	R_0603	mbx187[25D7]
R2900	R_0603	mbx187[26C5]
R2901	R_0603	mbx187[26C5]
R2902	R_0603	mbx187[26C5]
R2903	R_0603	mbx187[26C5]
R2904	R_0603	mbx187[26F3]
R2905	R_0603	mbx187[26B5]
R2906	R_0603	mbx187[26B5]
R2907	R_0603	mbx187[26B5]
R2908	R_0603	mbx187[26B5]
R2909	R_0603	mbx187[26B5]
R2910	R_0603	mbx187[26B5]

R2911	R_0603	mbx187[26B5]
R2912	R_0603	mbx187[26B4]
R2913	R_0603	mbx187[26B4]
R2914	R_0603	mbx187[26B4]
R2915	R_0603	mbx187[26B4]
R2916	R_0603	mbx187[26B4]
R2917	R_0603	mbx187[26D3]
R2918	R_0603	mbx187[26D4]
RB350	RB4_2010	mbx187[6E5]
RB351	RB4_2010	mbx187[6D6]
RB352	RB4_2010	mbx187[6E5]
RB400	RB4_2010	mbx187[7E8]
RB401	RB4_2010	mbx187[7E8]
RB402	RB4_2010	mbx187[7D2]
RB403	RB4_2010	mbx187[7C3]
RB404	RB4_1406	mbx187[7D2]
RB800	RB4_1406	mbx187[12E6]
RB802	RB4_1406	mbx187[12E3]
RB803	RB4_1406	mbx187[12C4]
RB804	RB4_1406	mbx187[12E2]
RB805	RB4_1406	mbx187[12B6]
RB806	RB4_1406	mbx187[12E6]
RB807	RB4_1406	mbx187[12C4]
RB808	RB4_1406	mbx187[12B4]
RB809	RB4_1406	mbx187[12E4]
RB810	RB4_2010	mbx187[12E6]
RB811	RB4_1406	mbx187[12E4]
SL20	SHORTLAND_SMD	mbx187[2C3]
SL21	SHORTLAND_01MM	mbx187[2C3]
SL450	SHORTLAND_SMD	mbx187[8C4]
SL800	SHORTLAND_SMD	mbx187[12C2]
SL801	SHORTLAND_SMD	mbx187[12C2]
SL802	SHORTLAND_SMD	mbx187[12A6]
SL803	SHORTLAND_05MM	mbx187[12C5]
SL1500	SHORTLAND_01MM	mbx187[17E7]
SL1501	SHORTLAND_01MM	mbx187[17E7]
SL1502	SHORTLAND_01MM	mbx187[17E7]
SL1503	SHORTLAND_01MM	mbx187[17D7]
SL1504	SHORTLAND_01MM	mbx187[17D7]
SL1505	SHORTLAND_01MM	mbx187[17D7]
SL1506	SHORTLAND_01MM	mbx187[17D7]
SL1507	SHORTLAND_01MM	mbx187[17C2]
SL1508	SHORTLAND_01MM	mbx187[17C2]
SL1600	SHORTLAND_01MM	mbx187[18D7]
SL1601	SHORTLAND_01MM	mbx187[18D7]
SL1602	SHORTLAND_01MM	mbx187[18D7]
SL1603	SHORTLAND_01MM	mbx187[18D7]
SL1604	SHORTLAND_01MM	mbx187[18C7]
SL1605	SHORTLAND_01MM	mbx187[18C7]
SL1606	SHORTLAND_01MM	mbx187[18C3]
SL1607	SHORTLAND_01MM	mbx187[18D4]
SL1608	SHORTLAND_01MM	mbx187[18E2]
SL1700	SHORTLAND_SMD	mbx187[19C4]
SL1702	SHORTLAND_01MM	mbx187[19D1]
SL1708	SHORTLAND_01MM	mbx187[19D8]
SL1900	SHORTLAND_01MM	mbx187[21E4]
SL1901	SHORTLAND_01MM	mbx187[21E4]
SL1903	SHORTLAND_01MM	mbx187[21C4]
SL1905	SHORTLAND_01MM	mbx187[21A4]
SL1906	SHORTLAND_01MM	mbx187[21A4]
SL1907	SHORTLAND_01MM	mbx187[21A7]
SL1908	SHORTLAND_01MM	mbx187[21C7]
SL1909	SHORTLAND_01MM	mbx187[21D7]
SL1910	SHORTLAND_01MM	mbx187[21F7]
SL2100	SHORTLAND_01MM	mbx187[23F4]
SL2103	SHORTLAND_01MM	mbx187[23E1]
SL2204	SHORTLAND_01MM	mbx187[24F5]
SL2300	SHORTLAND_01MM	mbx187[25A7]
SL2301	SHORTLAND_01MM	mbx187[25E7]
TH1200	POLYSW_1608	mbx187[15D6]
TH1201	POLYSW_1608	mbx187[15D6]
TH1500	THERMISTOR_1005	mbx187[17D2]
TH1501	POLYSW_1005	mbx187[17E3]
TH2200	POLYSW_1608	mbx187[24D4]
TP1	TESTPAD_-	mbx187[2C6]
TP2	TESTPAD_-	mbx187[2C6]
TP3	TESTPAD_-	mbx187[2C6]
TP4	TESTPAD_-	mbx187[2C2]
TP5	TESTPAD_-	mbx187[2B2]
TP7	TESTPAD_-	mbx187[2B2]
TP9	TESTPAD_-	mbx187[2B2]
TP10	TESTPAD_-	mbx187[2A2]
TP11	TESTPAD_-	mbx187[2B2]
TP12	TESTPAD_-	mbx187[2B2]
TP13	TESTPAD_-	mbx187[2A2]
TP14	TESTPAD_-	mbx187[2A2]
TP15	TESTPAD_-	mbx187[2A2]
TP16	TESTPAD_-	mbx187[2A2]
TP31	TESTPAD_-	mbx187[2A2]
TP32	TESTPAD_-	mbx187[2A2]
TP100	TESTPAD_-	mbx187[3F5]
TP101	TESTPAD_-	mbx187[3E5]

REVISIONS				
ZONE	LTR	DESCRIPTION	DATE	APPR.

SONY CORPORATION

THIS DOCUMENT CONTAINS INFORMATION PROPRIETARY TO SONY CORPORATION (SONY). USE OR DISCLOSURE WITHOUT THE WRITTEN PERMISSION OF AN OFFICER OF SONY IS EXPRESSLY FORBIDDEN.
COPYRIGHT (C) SONY CORPORATION 2009

SIZE	DESIGNER	REV.	PART NO.
C	-	1	-

