

June 18 '08

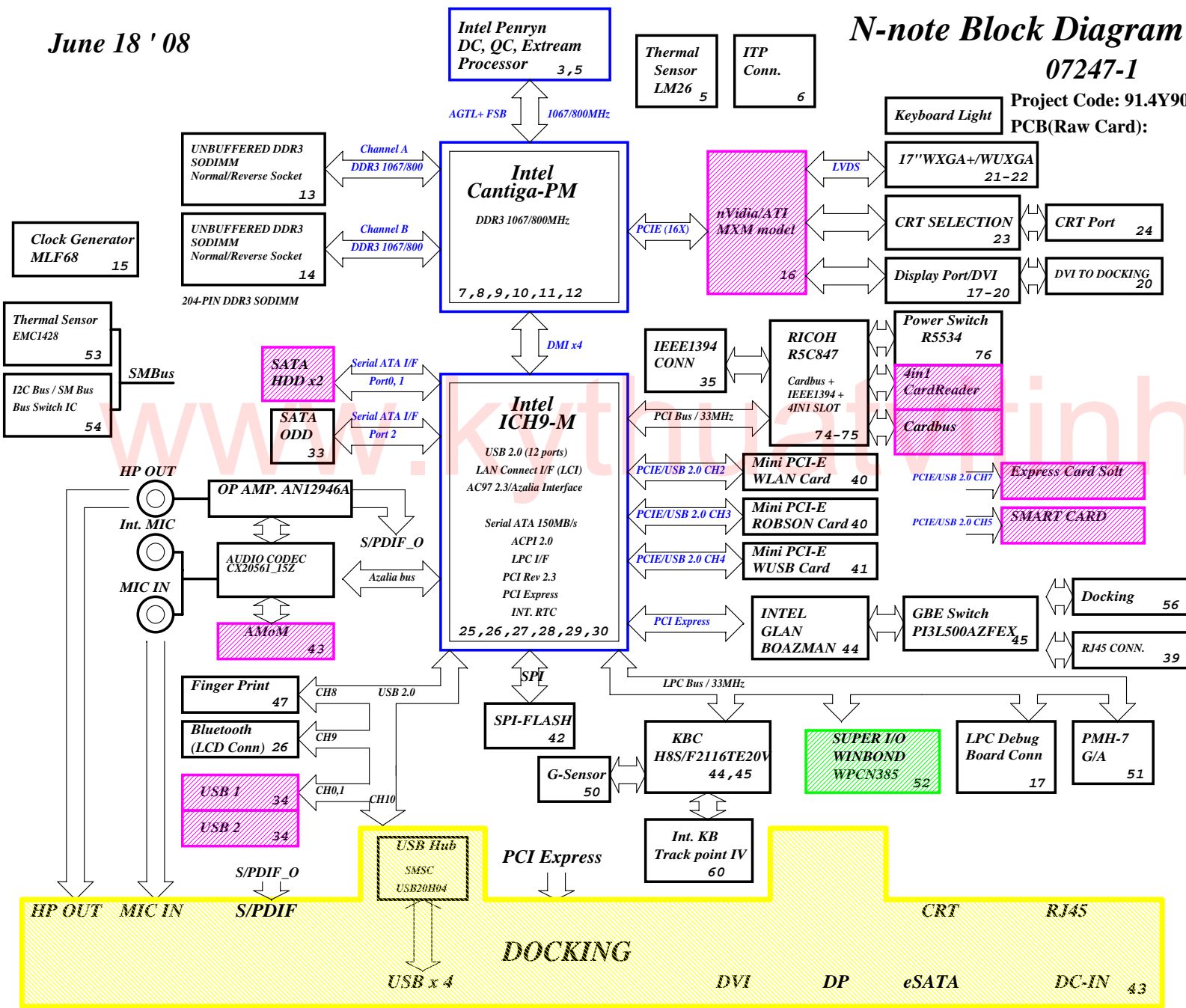
N-note Block Diagram

07247-1

Project Code: 91.4Y901.001
PCB(Raw Card):

PCB Layer Stackup

L1:Component
L2:GND
L3:Signal 1
L4:Signal 2
L5:GND
L6:VCC
L7:Signal 3
L8:Signal4
L9:GND
L10:Component



Battery Charger/Selector
MAX8765 57

INPUTS	OUTPUTS
DOCK_PWR20_F	M-BAT-PWR S-BAT-PWR

System DC/DC
TPS51221 61

VINT20	VCC5M VCC3M
--------	----------------

CPU DC/DC
ADP3207JCPZ 62

VINT20	VCCGFXCORE
--------	------------

VCCIR05AMT/VCCIR5A
MAX1540ETJ 65

VCCSV_OUT	VCCIR05AMT VCCIR5A
-----------	-----------------------

VCC0R75AMT
BD3533 66

VCCIR5A	VCC0R75AMT
---------	------------

VCCIR8B
BD3550 73

VCC3M	VCCIR8B
-------	---------

VCCIR05AUX/IR8AUX
BD3550 72

VCC3M	VCCIR05AUX VCCIR8AUX
-------	-------------------------

<Variant Name>

緯創資通 Wistron Corporation
21F, 88, Sec.1, Hsin Tai Wu Rd., Heichih, Taipei Hsien 221, Taiwan, R.O.C.

Title: **Block Diagram**

Size: Custom Document Number: N-Note Rev: 1

Date: Thursday, June 26, 2008 Sheet: 1 of 83

RESISTOR

Symbol name	Value	Tolerance (J: 5%, F: 1%, D: 0.5%, B: 0.1 %)	Rating 0402=> 1/16W, 25V 0603 => 1/16W, 75V 0805 => 1/10W, 100V	Size 2=>0402, 3=>0603, 5=>0805, 6=>1206, 0=>1210
10KR3	10K Ohm	If no letter, it means J: 5%	1/16W, 75V	0603
33D3R5	33.3 Ohm	If no letter, it means J: 5%	1/10W, 100V	0805
1KR3F	1K Ohm	F: 1%	1/16W, 75V	0603

The naming rule is value + R + size + tolerance
 For the value, it can be read by the number before R. (R means resistor)
 For the tolerance, it can be read from the last letter.
 For the rating, we don't show on the symbol name.
 For the size, R2=>0402, R3=>0603, R5=>0805,....

CAPACITOR

Symbol name	Value	Tolerance (M: +/-20, K: +/-10, Z: +80/-20)	Rating	Size 2=>0402, 3=>0603, 5=>0805, 6=>1206, 0=>1210
SCD1U10V2MX-1	0.1uF	M/X5R	10V	0402
SC10U6D3V5MX	10uF	M/X5R	6.3V	0805
SC2D2U16V5ZY	2.2uF	Z/Y5V	16V	0805

The naming rule is
 Capacitor type + value + rating + size + tolerance + material
 SCD1U10V2MX-1
 SC-> SMT Ceramic, TC=> POS cap or SP cap
 D1U => 0.1uF
 10V => the voltage rating is 10V
 2=> 0402, 3=>0603, 5=>0805
 M=>tolerance M, K, Z
 X=> X7R/X5R, Y=> Y5V
 -1 => symbol version, nonsense to EE characteristic

PLANAR_ID[3..0]

ICH8-M GPIOn	39	38	37	36	Planar ID Version	Planar PCB Version
PLANAR_IDn	3	2	1	0		
	0	0	0	0	N-note Pre-DV	SA
	0	0	0	1		
	0	0	1	0		
	0	0	1	1		
	0	1	0	0		
	0	1	0	1		
	0	1	1	0		
	0	1	1	1		

EC HISTORY

Stage	Date	EC No.	Page	Note

PCI TABLE

DEVICE	IDSEL	IRQ (Default)	REQ# / GNT#
MINIPCI SLOT	AD18	F, G	REQ# 3/ GNT#3
CARDBUS R5C811	AD16	SERIRQ	REQ#0 / GNT#0
USB UHCI	AD29	A, C, D	
USB 2.0 EHCI	AD29	H	
DMI-to-PCI/ AC97 Modem/ AC97 Audio	AD30	B B	
LPC Bridge IDE SATA SMBus	AD31	C C B	
PCI Express	AD28	A, B, C, D	

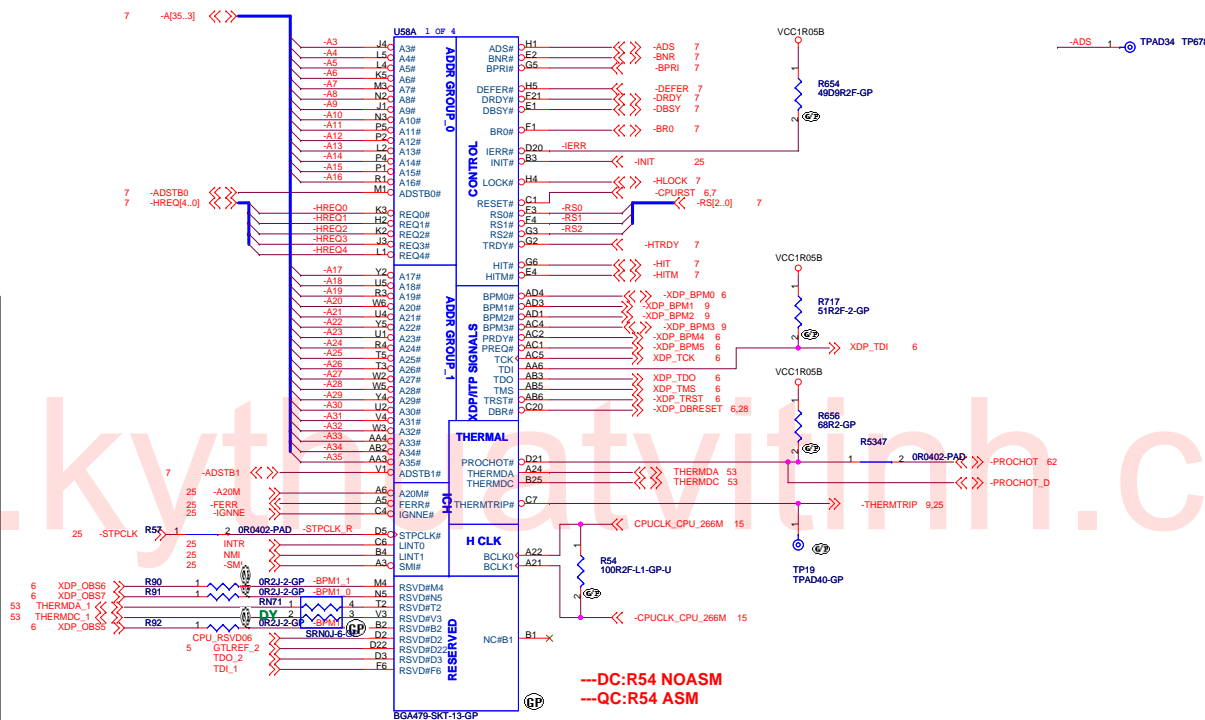
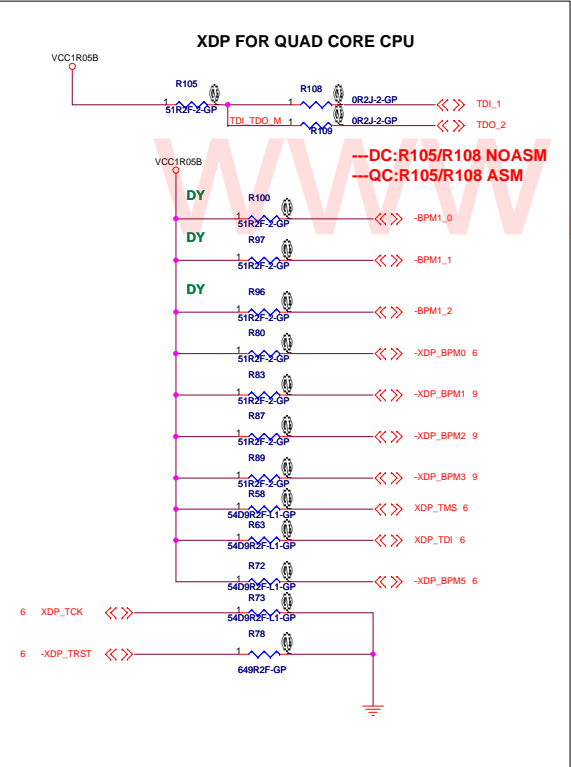
<Variant Name>

緯創資通 Wistron Corporation
 21F, 88, Sec.1, Hsin Tai Wu Rd., Hsichih, Taipei Hsien 221, Taiwan, R.O.C.

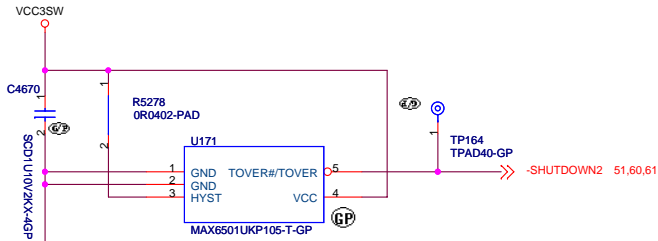
Title **Reference**

Size Custom Document Number **N-Note** Rev **1**

Date: Thursday, June 26, 2008 Sheet 2 of 83



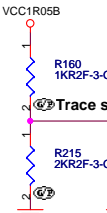
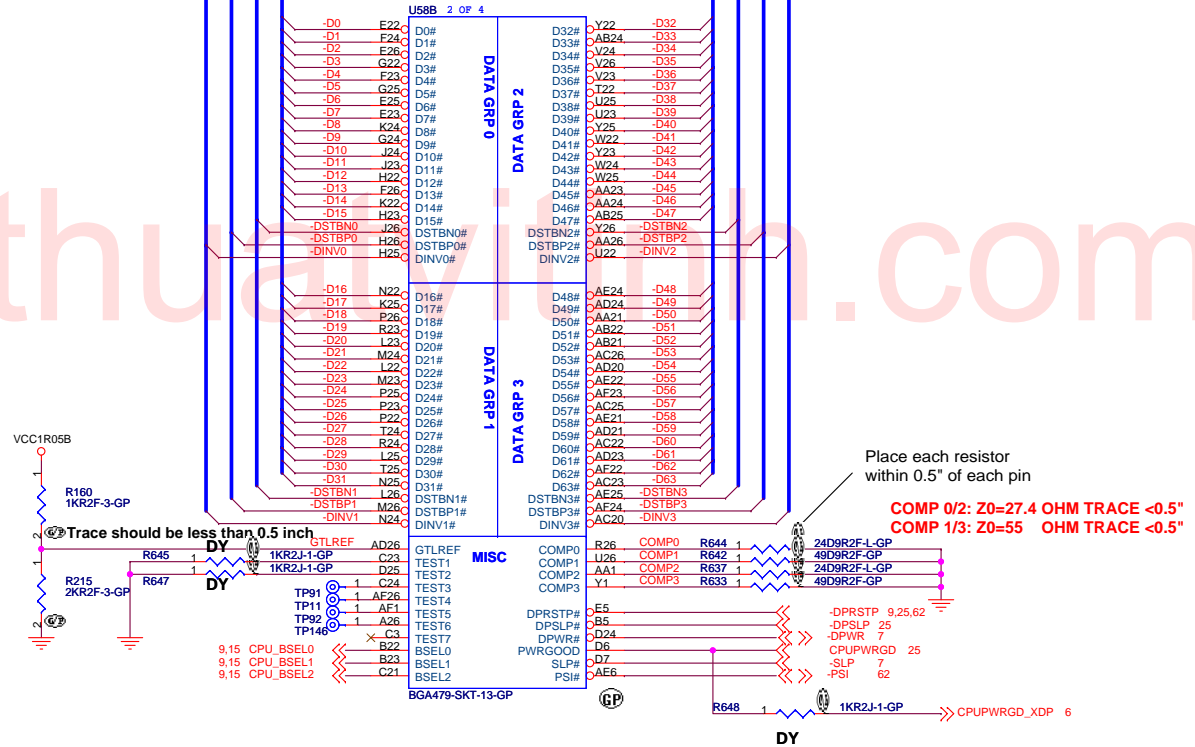
Thermal Sensor for CPU



105 DEG.C THRESHHOLD

U1	R1601
NS LM26	NO_ASM
MAXIM MAX6519	
MAXIM MAX6501	ASM ← PRIMARY
ADI ADT6501	

- 7 -D[63..0] <<>
- 7 -DSTBN[3..0] <<>
- 7 -DSTBP[3..0] <<>
- 7 -DINV[3..0] <<>



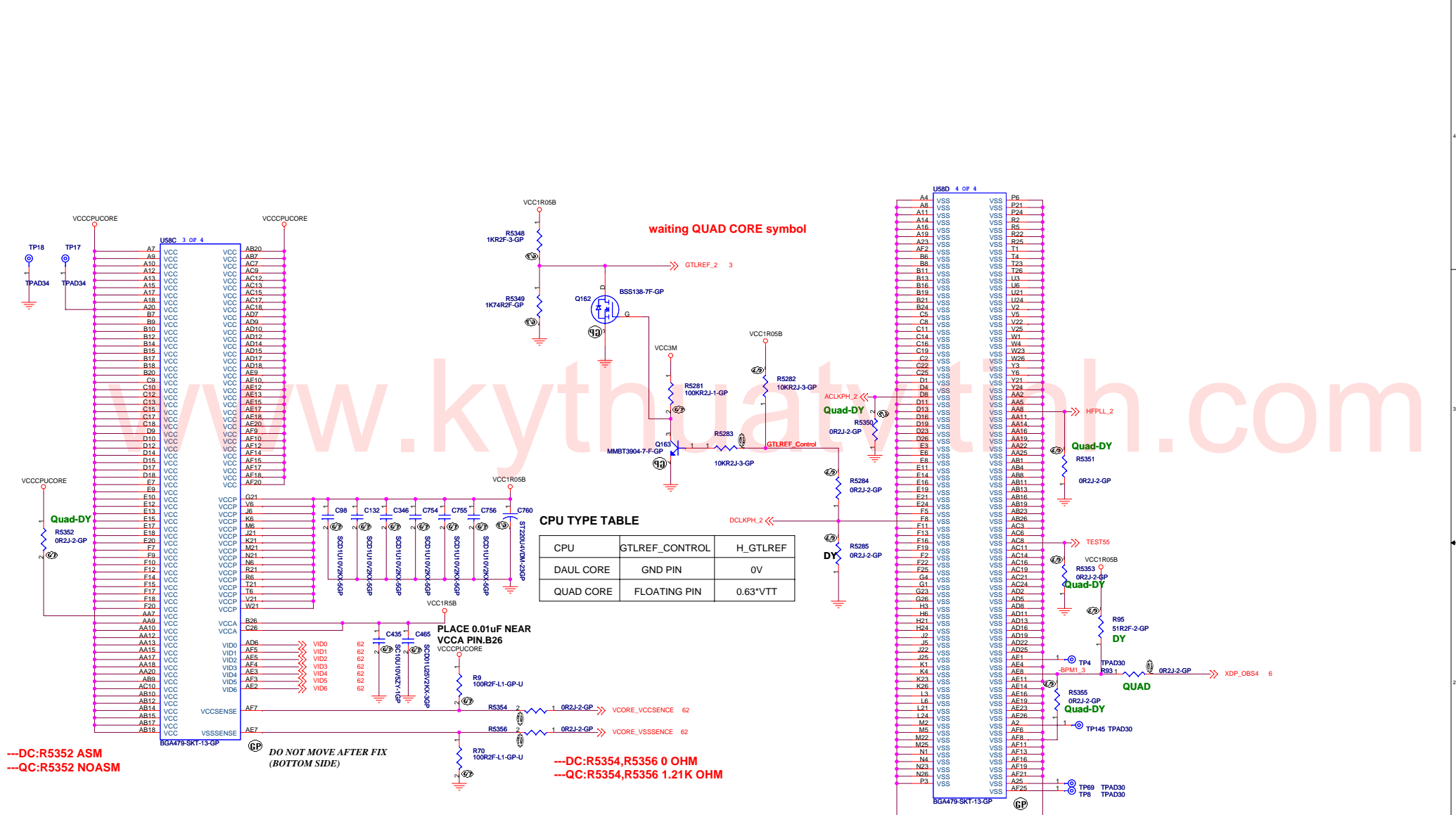
- 9,15 CPU_BSEL0
- 9,15 CPU_BSEL1
- 9,15 CPU_BSEL2

QUAD CPU
 COMP 0/2: Z0=24.9 OHM TRACE <0.5"
 COMP 1/3: Z0=49.9 OHM TRACE <0.5"

Place each resistor within 0.5" of each pin
 COMP 0/2: Z0=27.4 OHM TRACE <0.5"
 COMP 1/3: Z0=55 OHM TRACE <0.5"

<Variant Name>

Wistron Corporation 21F, 88, Sec.1, Hsin Tai Wu Rd., Hsichih, Taipei Hsien 221, Taiwan, R.O.C.	
Title Penryn CPU(2/3)	
Size	Document Number
Custom	N-Note
Date: Thursday, June 26, 2008	Sheet 4 of 83
Rev	1



CPU TYPE TABLE

CPU	GTLREF_CONTROL	H_GTLREF
DAUL CORE	GND PIN	0V
QUAD CORE	FLOATING PIN	0.63*VTT

CPU	R5354	R5356
DAUL CORE	0 OHM	0 OHM
QUAD CORE	1.21K 1%	1.21K 1%

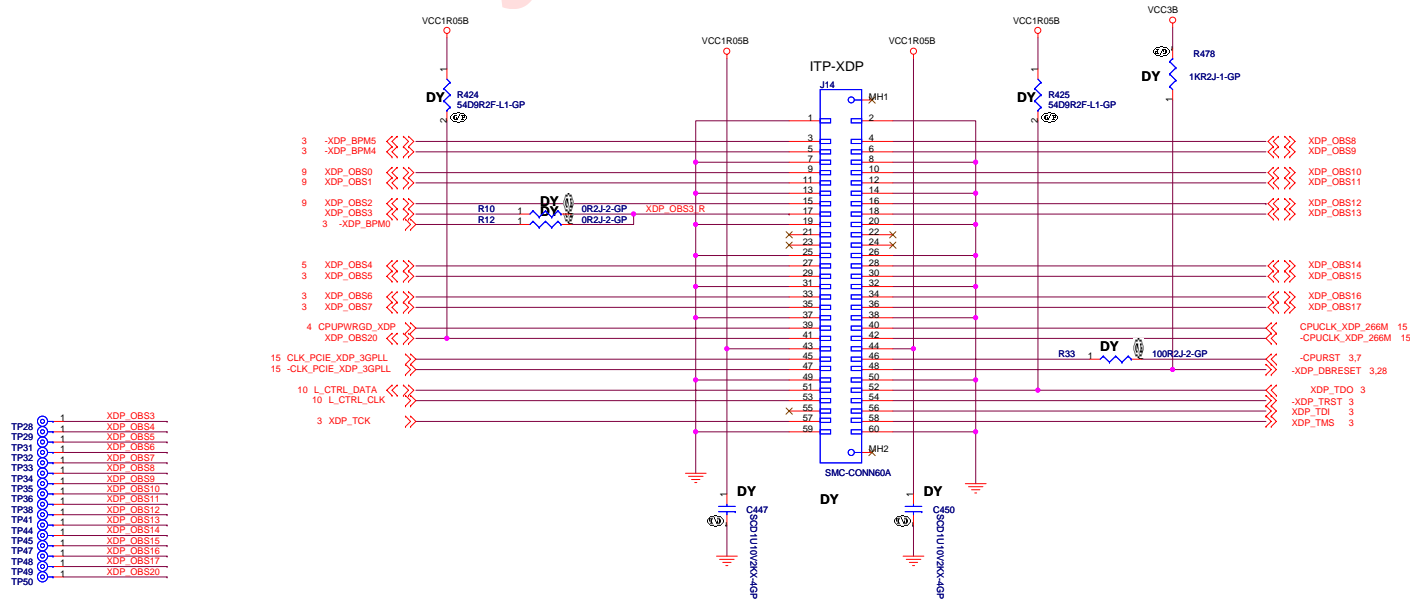
Logic
↓

Ref Des	For ITP-XDP
J14	NO_ASM-->ASM
R424	ASM (No Change)
R425	ASM (No Change)
R478	ASM (No Change)
R478	ASM (No Change)
R10	ASM (No Change)
R12	ASM (No Change)
R33	ASM (No Change)
C447	ASM (No Change)
C450	ASM (No Change)

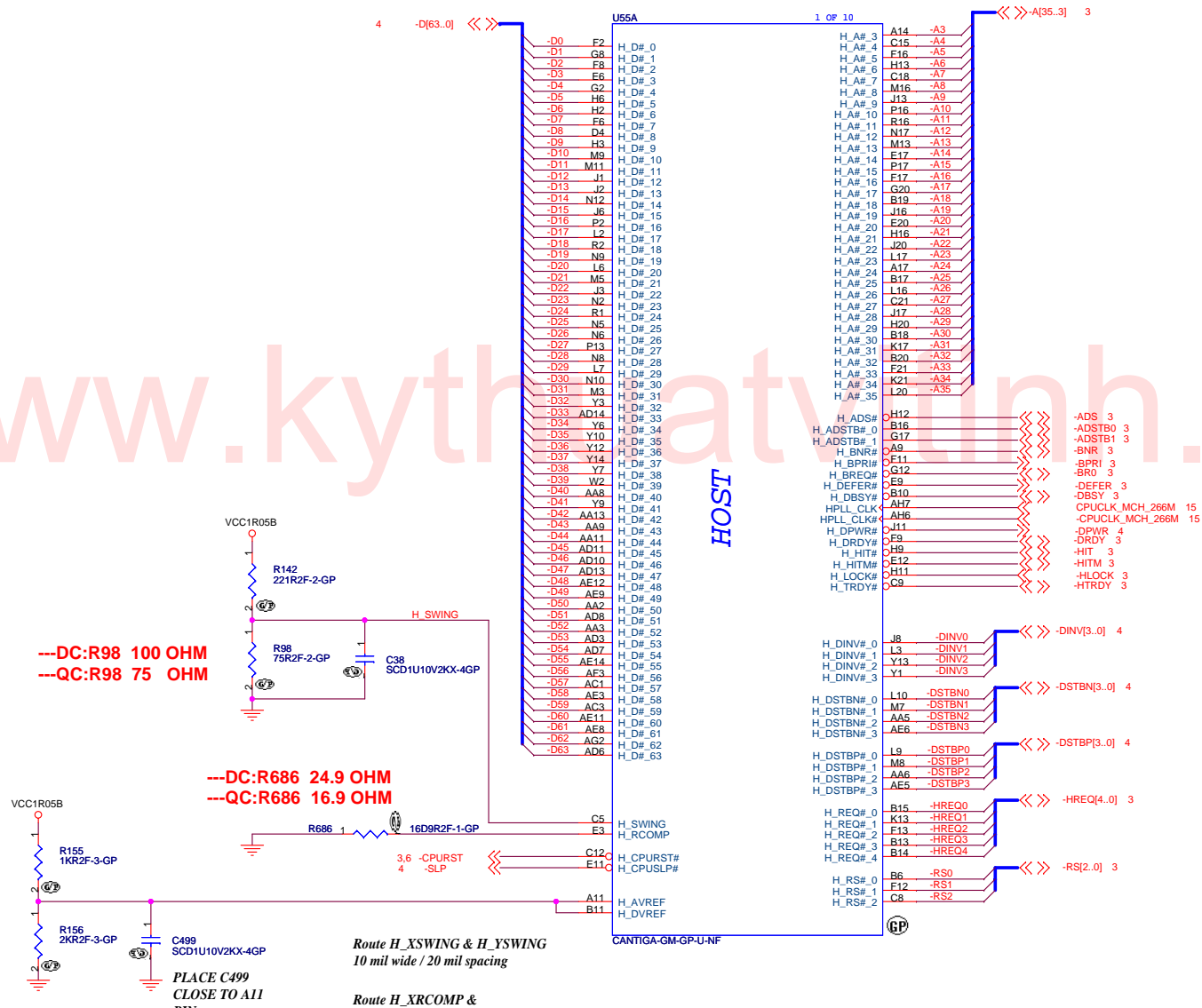
(*1) TCK SIGNAL IS BRANCHED AT CPU'S PIN

(*2) -CPURST SIGNAL IS BRANCHED AT GMCH'S PIN

www.kythuatchinh.com



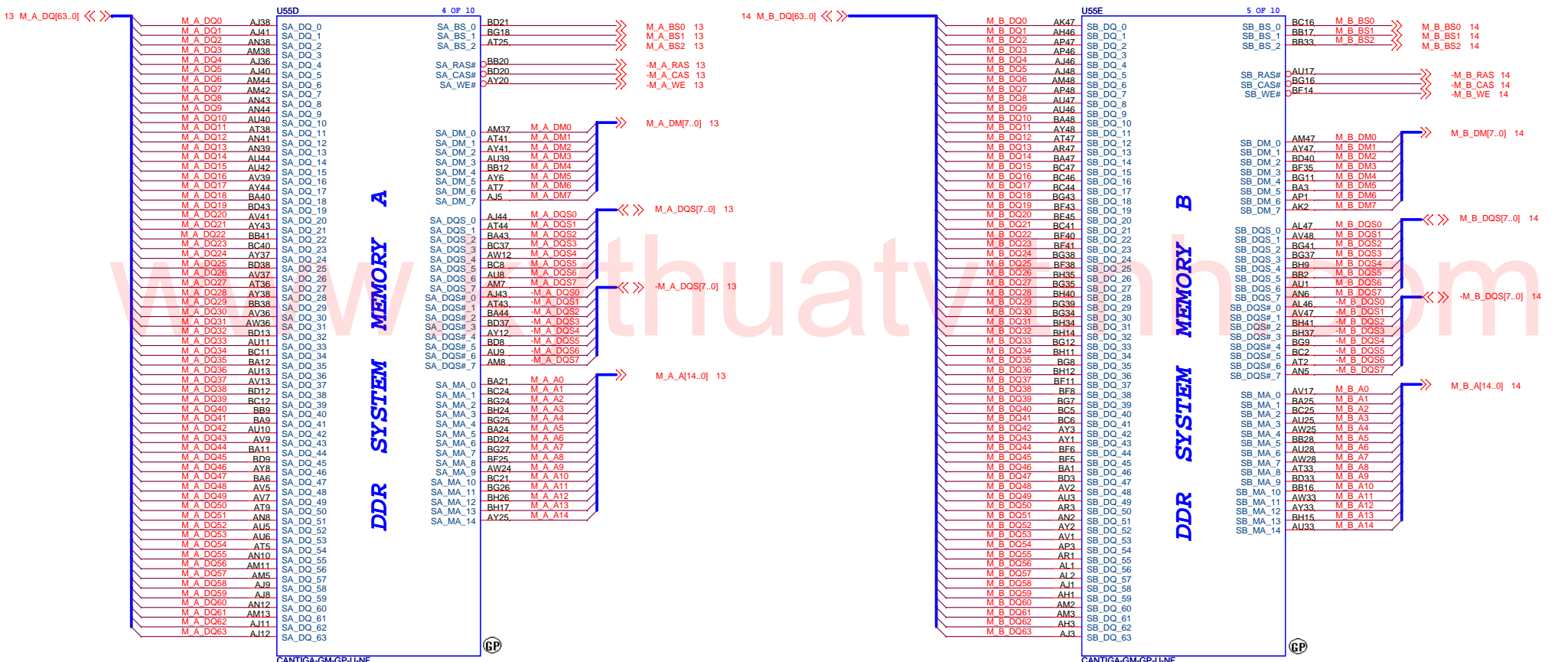
www.kythin.com



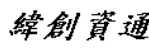
HOST

<Variant Name>

		Wistron Corporation 21F, 88, Sec.1, Hsin Tai Wu Rd., Hsichih, Taipei Hsien 221, Taiwan, R.O.C.	
Cantiga(1/6):HOST I/F			
Size	Document Number	Rev	
Custm	N-Note	1	
Date: Thursday, June 26, 2008		Sheet	7 of 83



<Variant Name>

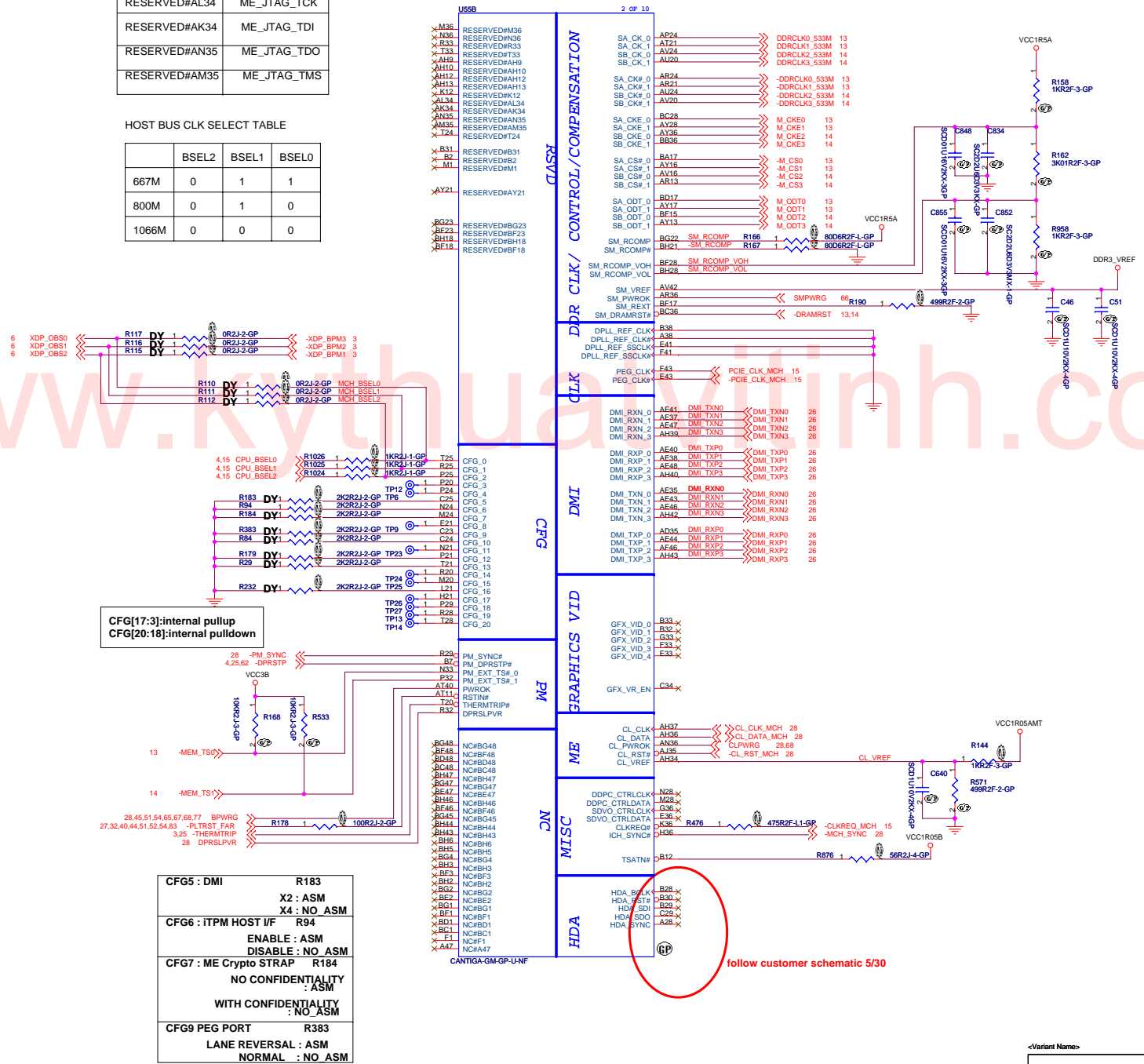
 Wistron Corporation 21F, 88, Sec.1, Hsin Tai Wu Rd., Hsichih, Taipei Hsien 221, Taiwan, R.O.C.	
Cantiga(2/6):DDR3 A/B CHANNEL	
Title Size Custom	Document Number N-Note
Date: Thursday, June 26, 2008	Sheet 8 of 83
Rev 1	

ME DEBUG PORT PIN OUT TABLE

RESERVED#AL34	ME_JTAG_TCK
RESERVED#AK34	ME_JTAG_TDI
RESERVED#AN35	ME_JTAG_TDO
RESERVED#AM35	ME_JTAG_TMS

HOST BUS CLK SELECT TABLE

	BSEL2	BSEL1	BSEL0
667M	0	1	1
800M	0	1	0
1066M	0	0	0



CFG5: DMI R183
 X2 : ASM
 X4 : NO ASM

CFG6 : ITPM HOST I/F R94
 ENABLE : ASM
 DISABLE : NO ASM

CFG7 : ME Crypto STRAP R184
 NO CONFIDENTIALITY : ASM
 WITH CONFIDENTIALITY : NO ASM

CFG9 PEG PORT R383
 LANE REVERSAL : ASM
 NORMAL : NO ASM

follow customer schematic 5/30

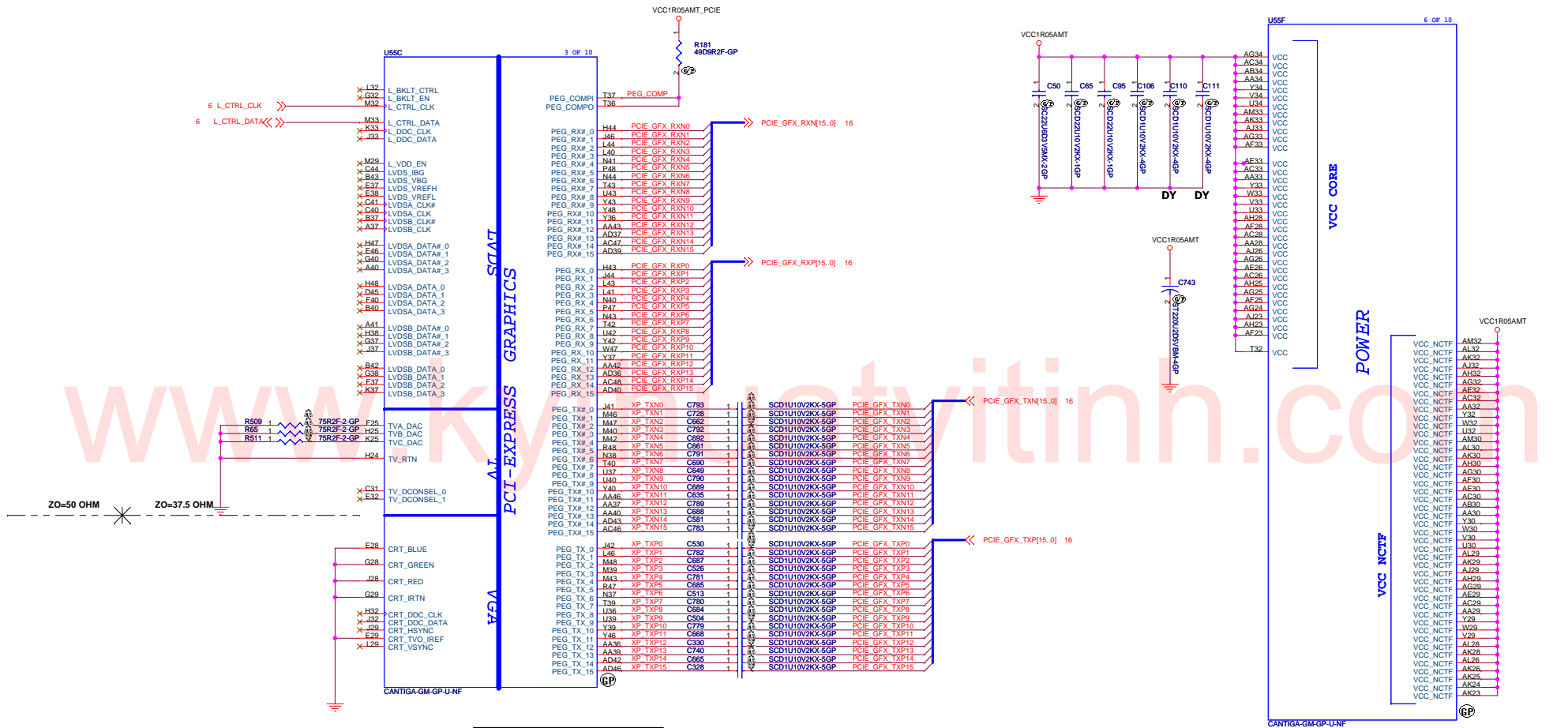
<Variant Name>

緯創資通 Wistron Corporation
 21F, 88, Sec. 1, Hsin Tai Wu Rd., Hsinshih,
 Taipei Hsien 221, Taiwan, R.O.C.

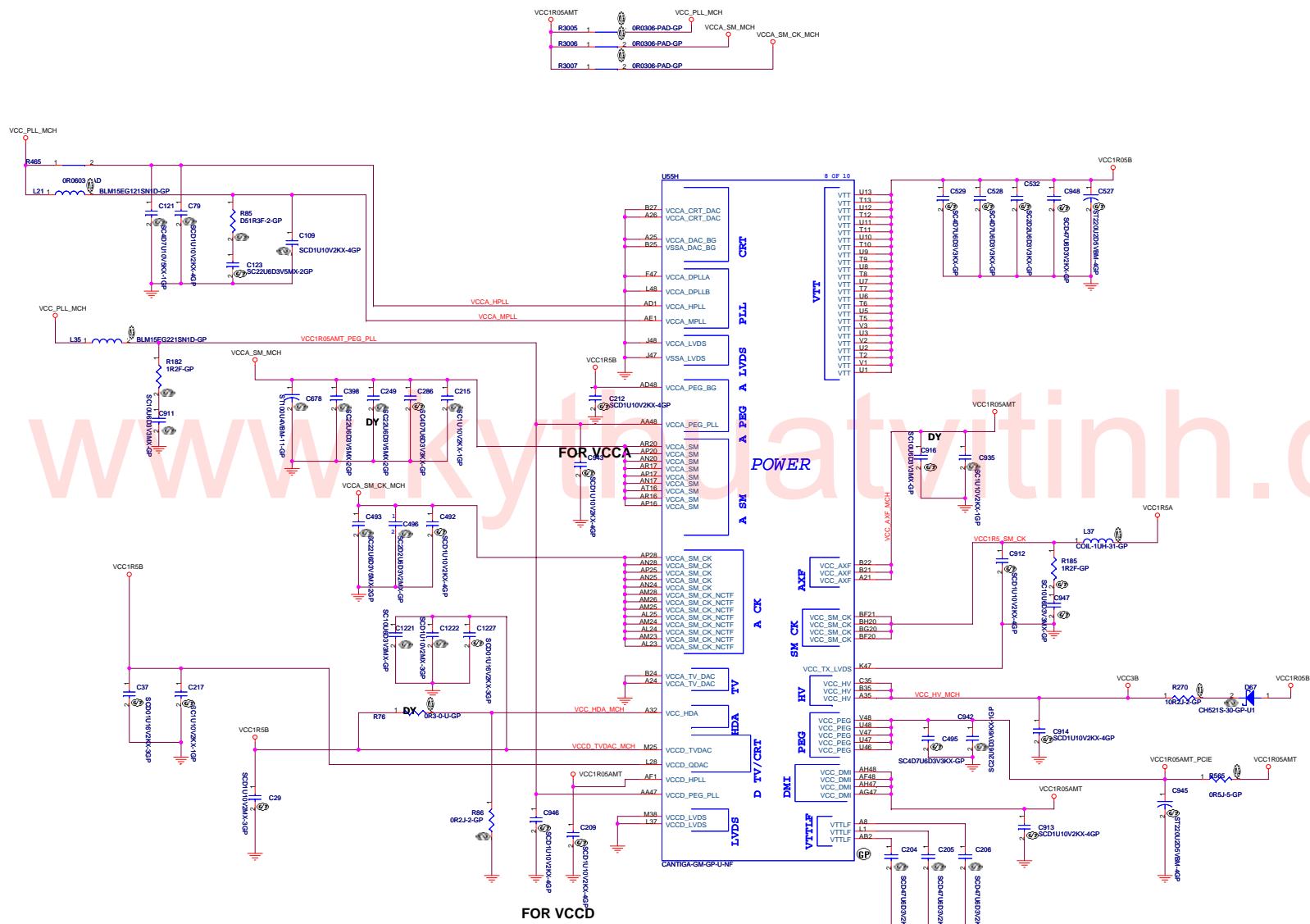
File
Cantiga(3/6):DMI/PM/CFG/GF

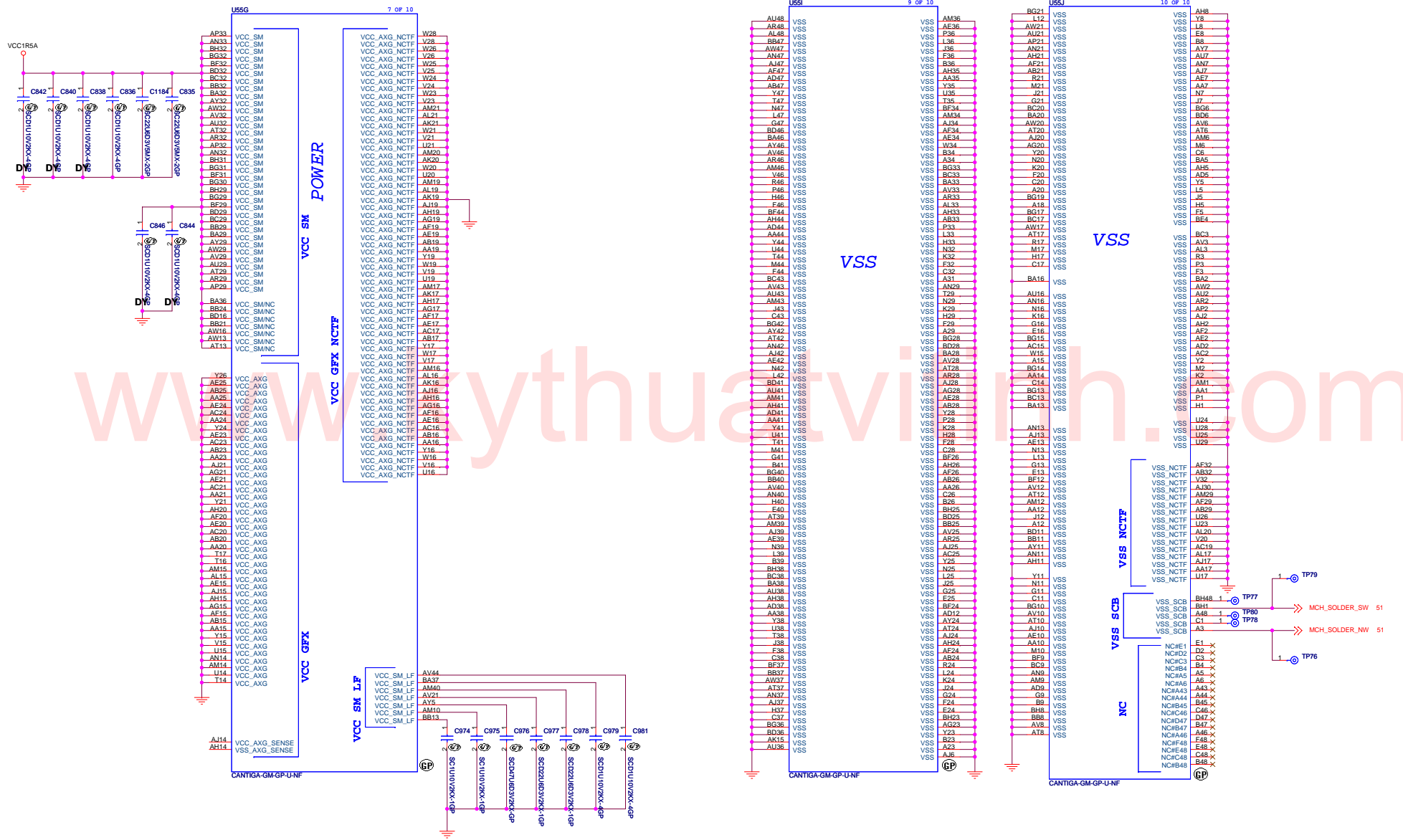
Size C Document Number N-Note Rev 1

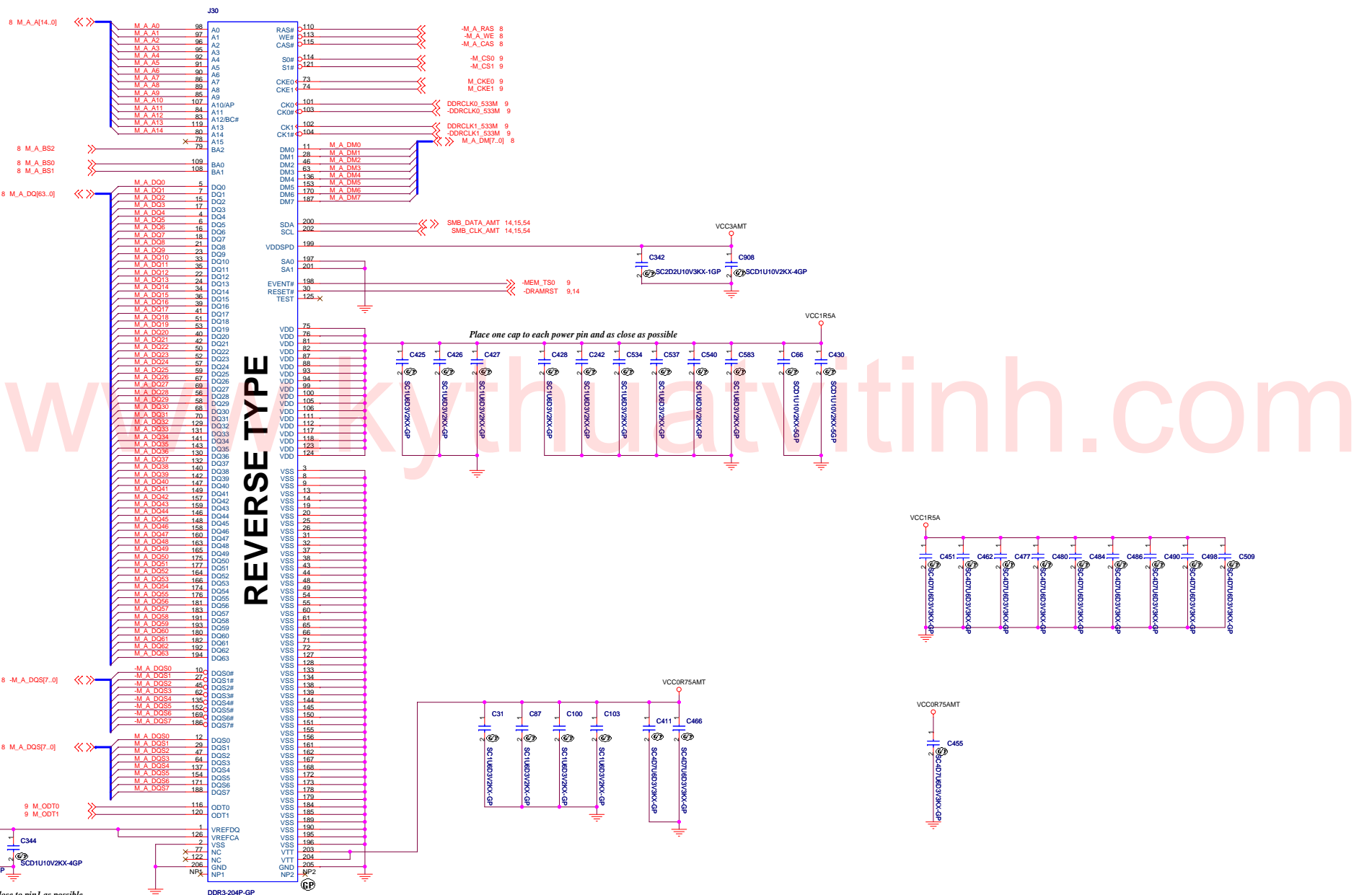
Date: Thursday, June 26, 2008 Sheet 9 of 63



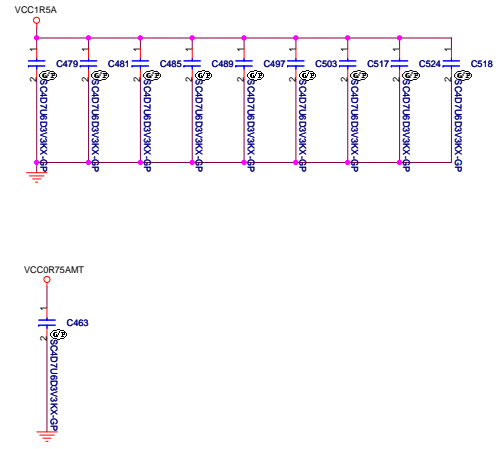
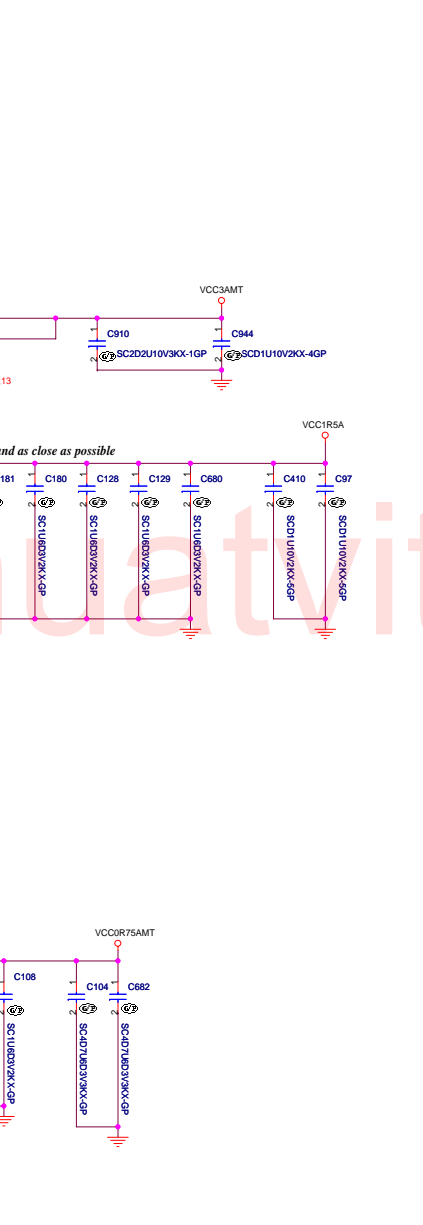
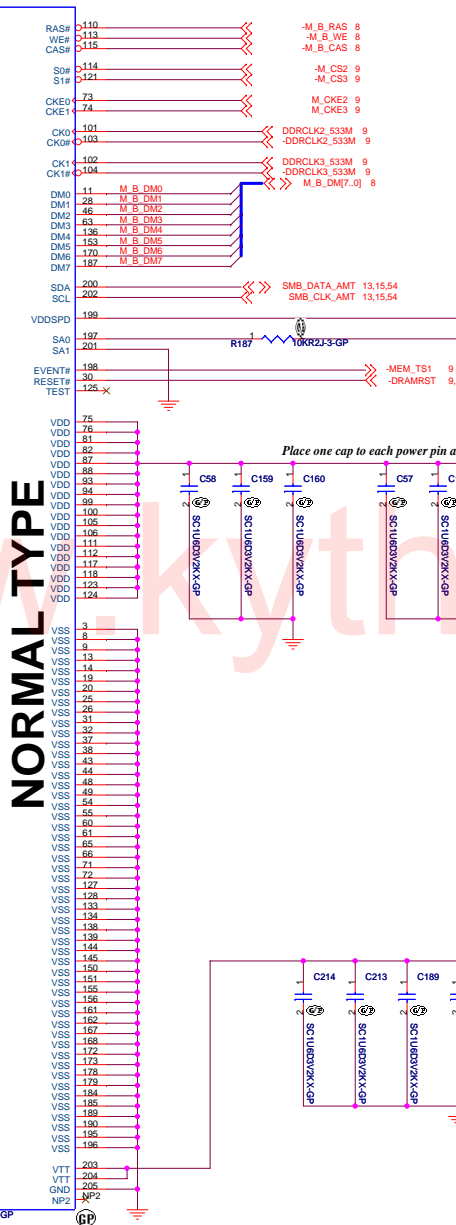
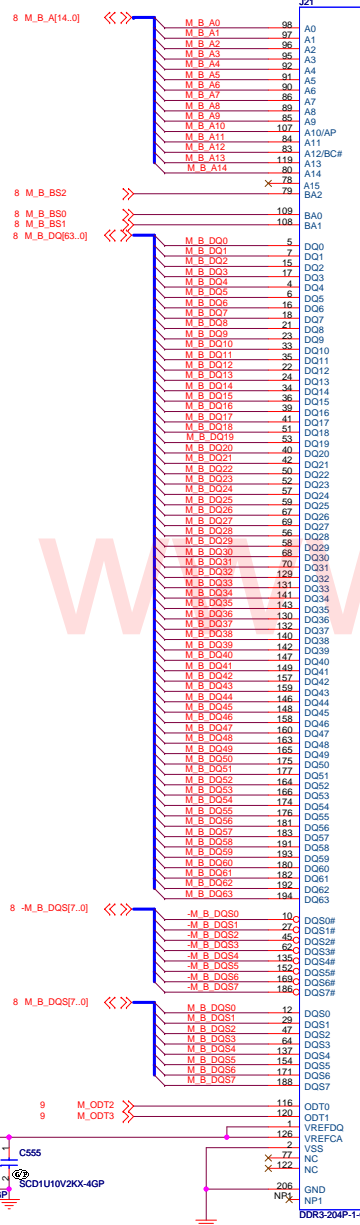
PEG Interface
 Port B --> System (Not Use)
 Port C --> Docking
 Port D --> (Not Use)







REVERSE TYPE



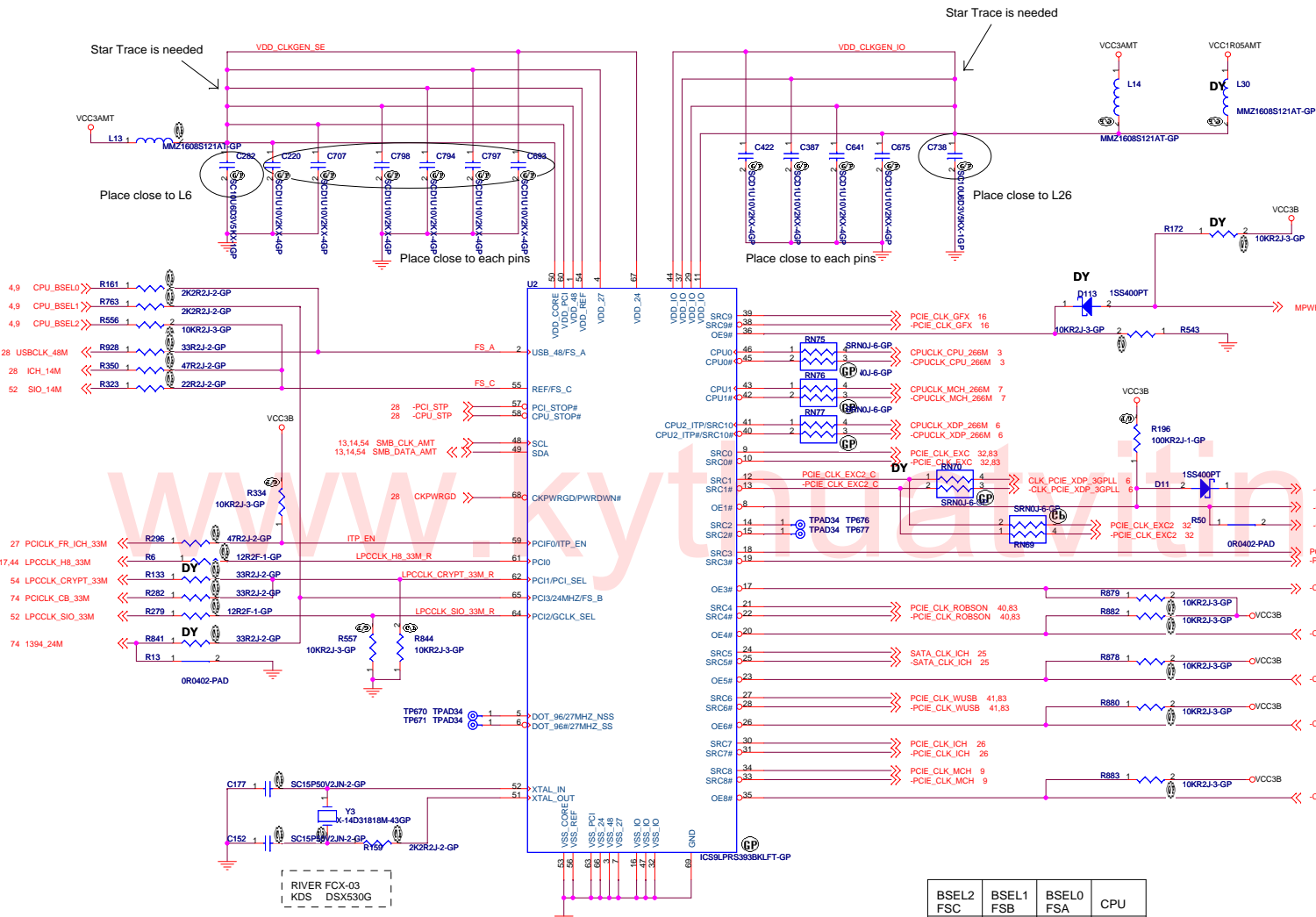
NORMAL TYPE

Place one cap to each power pin and as close as possible

<Variant Name>

緯創資通 Wistron Corporation
21F, 88, Sec.1, Hsin Tai Wu Rd., Hsichih,
Taipei Hsien 221, Taiwan, R.O.C.

File	DDR3 SODIMM-B (NORMAL TYPE)		
Size	Document Number	Rev	
C		1	
N-Note			
Date:	Thursday, June 26, 2008	Sheet	14 of 63



SERC#	OE#	DEVICE
0	OE0#	EXPRESS
1	OE1#	EXPRESS2
2		NA
3	OE3#	WLAN
4	OE4#	ROBSON
5	OE5#	SATA
6	OE6#	WUSB
7	OE7#	PCIE_CLK_ICH
8	OE8#	MCH
9	OE9#	EXT GFX
10	OE10#	ITP/XDP

[Source Cadidate]		
ICS	ICS9LPRS393AKLFT	71.09393.A03
SILEGO	SLG8SP568V	71.08568.A03

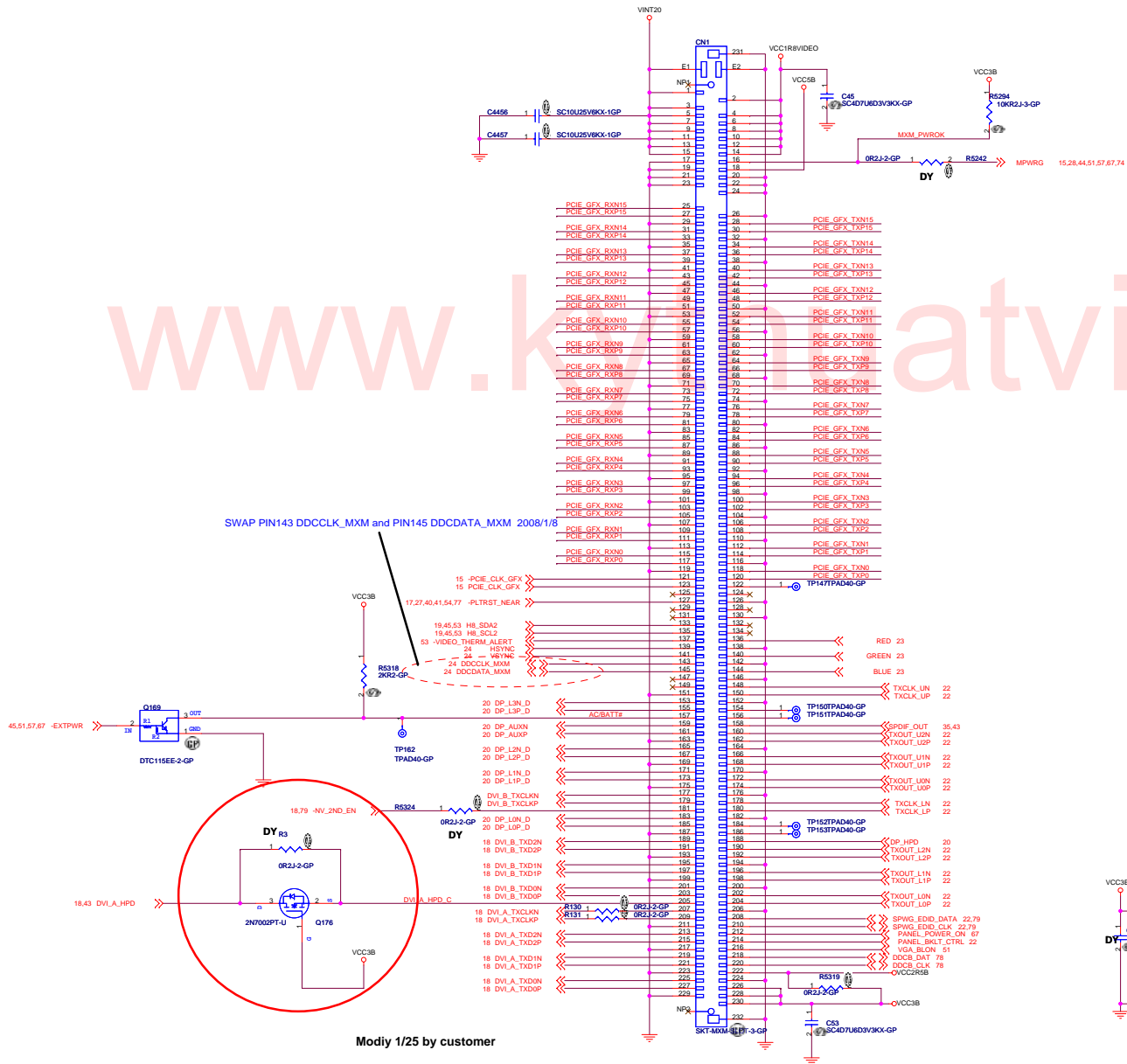
BSEL2	BSEL1	BSEL0	CPU
0	1	1	166M
0	1	0	200M
0	0	0	266M
1	0	0	333M

LOGIC →

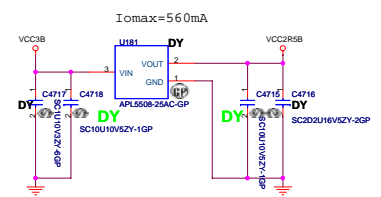
www.kytech.com

PCIe_GFX_RXN15_0 10
 PCIe_GFX_RXP15_0 10

 PCIe_GFX_TXN15_0 10
 PCIe_GFX_TXP15_0 10



Modiy 1/25 by customer



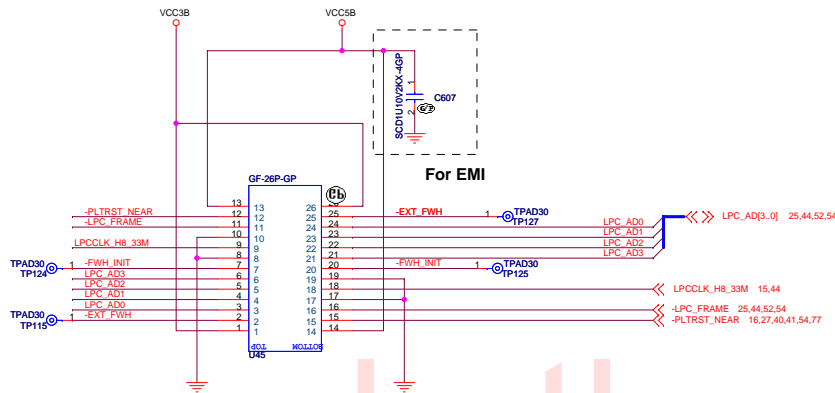
Golden Finger for Debug Board

(BOTTOM VIEW)

TOP VIEW

(14|15)(25|26)

12 12 13

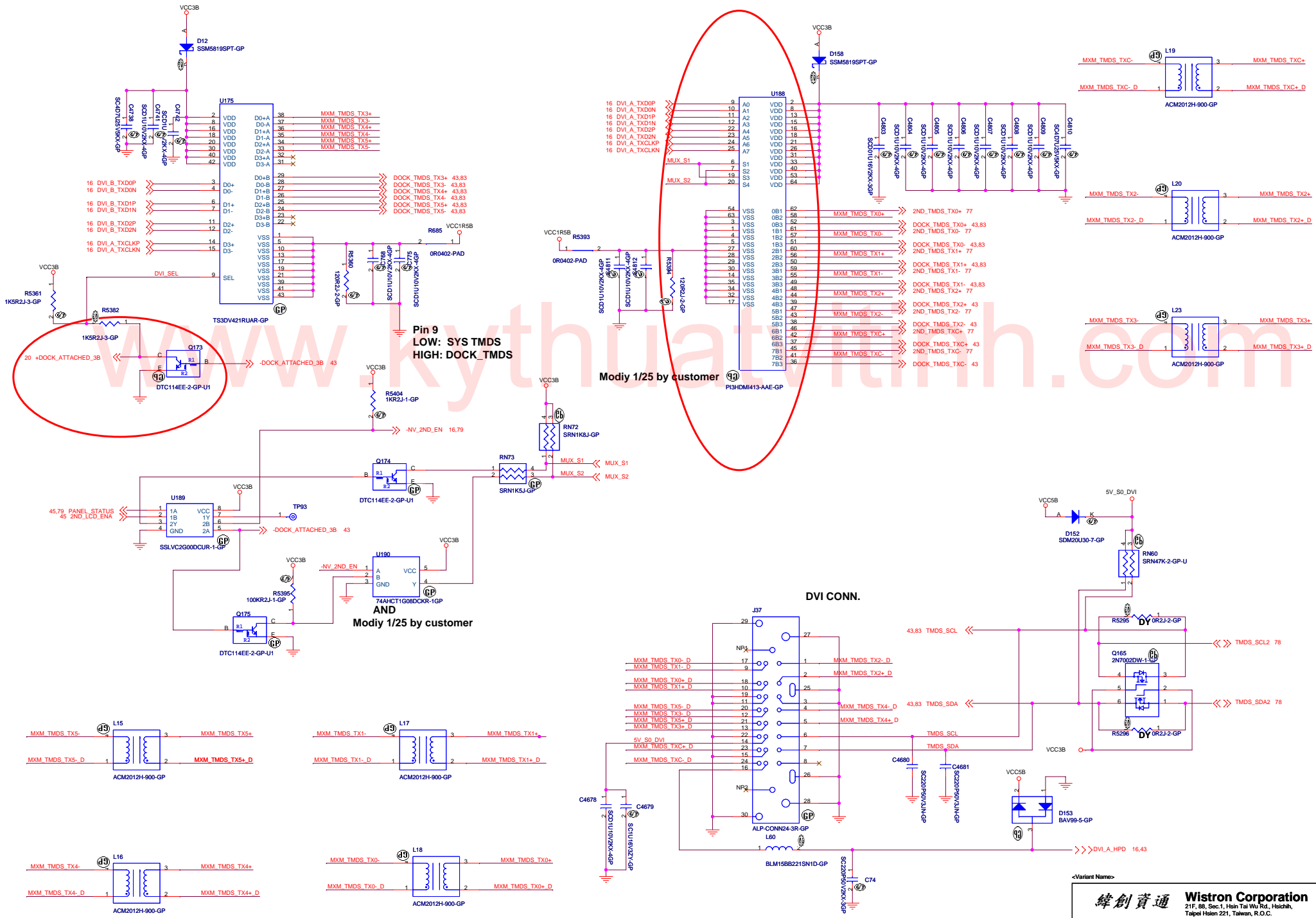


www.kythuativitinh.com

<Variant Name>

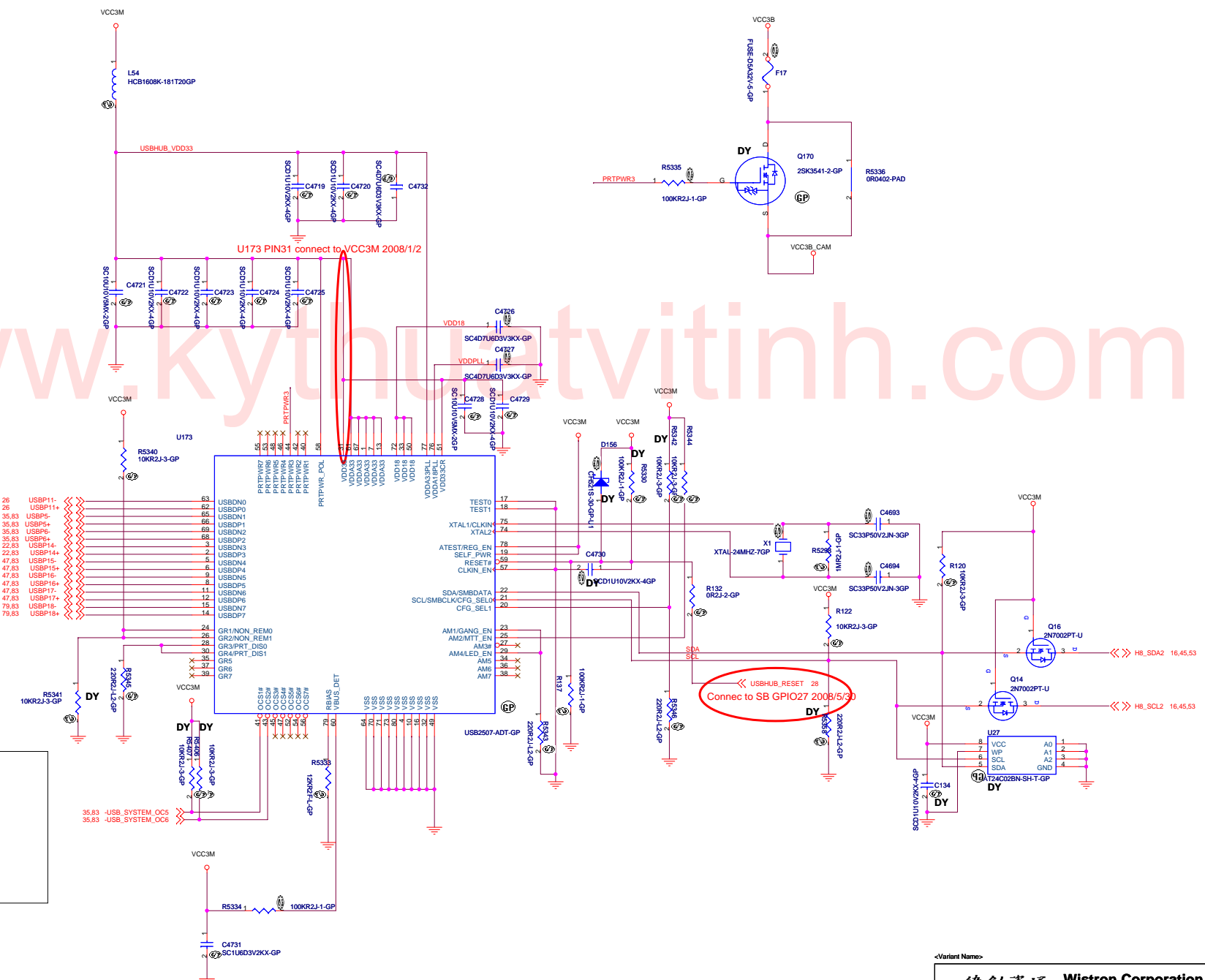
緯創資通 Wistron Corporation
21F, 88, Sec.1, Hsin Tai Wu Rd., Hsichih,
Taipei Hsien 221, Taiwan, R.O.C.

Title		
Debug Board		
Size	Document Number	Rev
C	N-Note	1
Date:	Thursday, June 26, 2008	Sheet 17 of 63

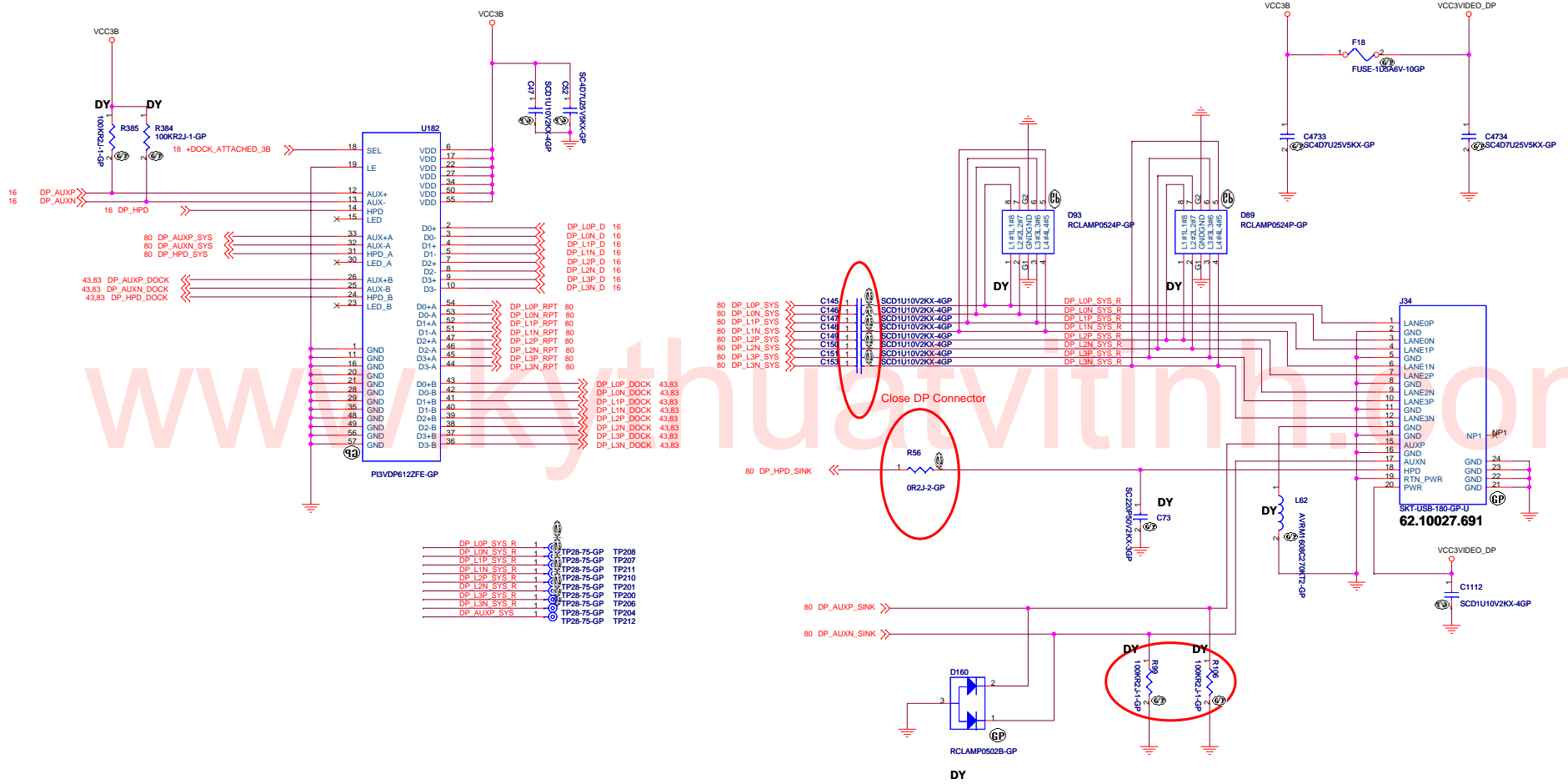


www.kytron.com.tw

- USB PORT TO
- USB11 : USB HUB
- USB12 : SYSTEM PORT3
- USB13 : SYSTEM PORT4
- USB14 : CAMERA
- USB15 : COLOR SENSOR
- USB16 : NUPAD
- USB17 : DIGITIZER
- USB18 : COLOR SENSOR2



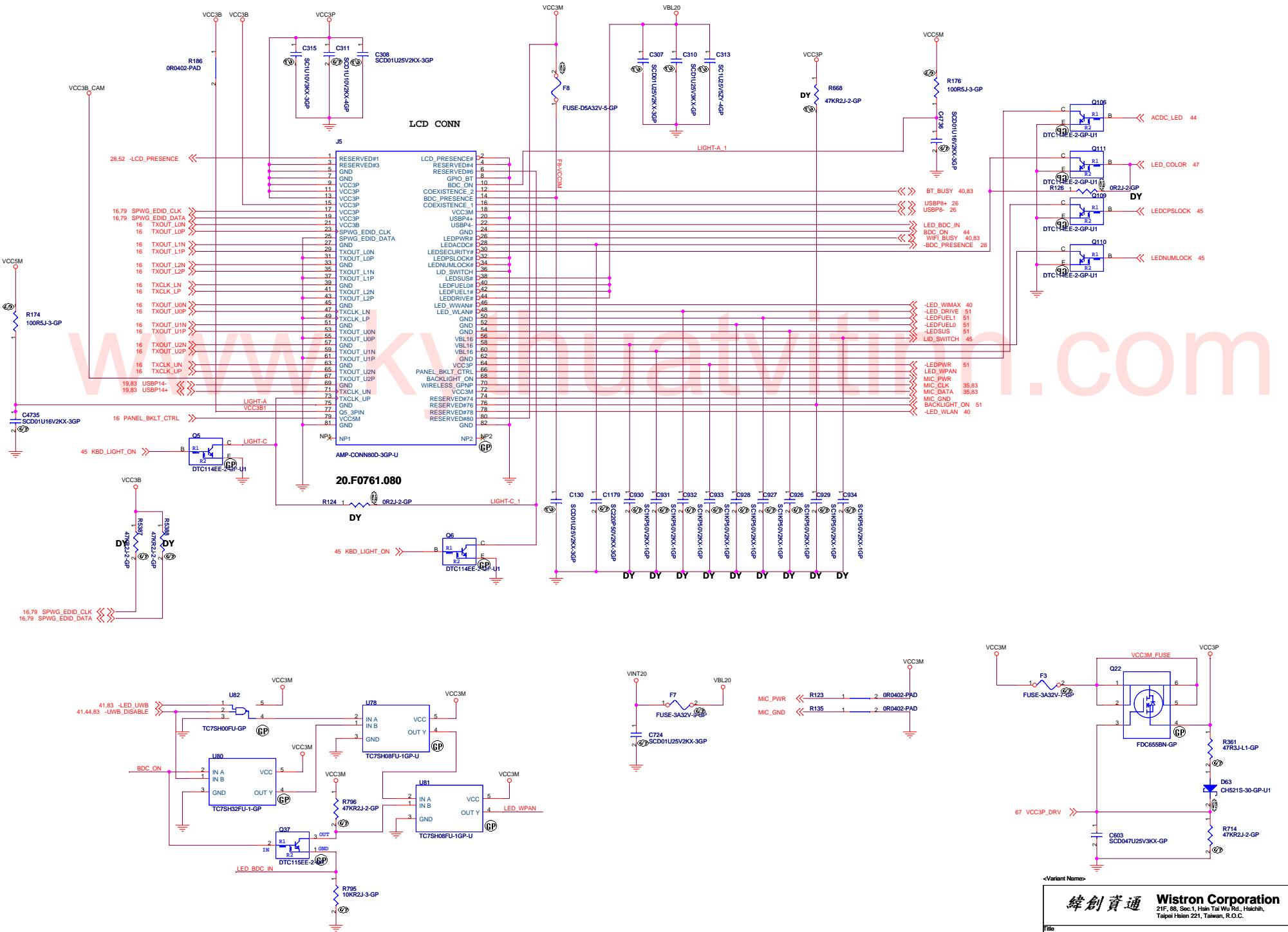
USBHUB_RESET 28
Connect to SB GPIO27 2008/5/30

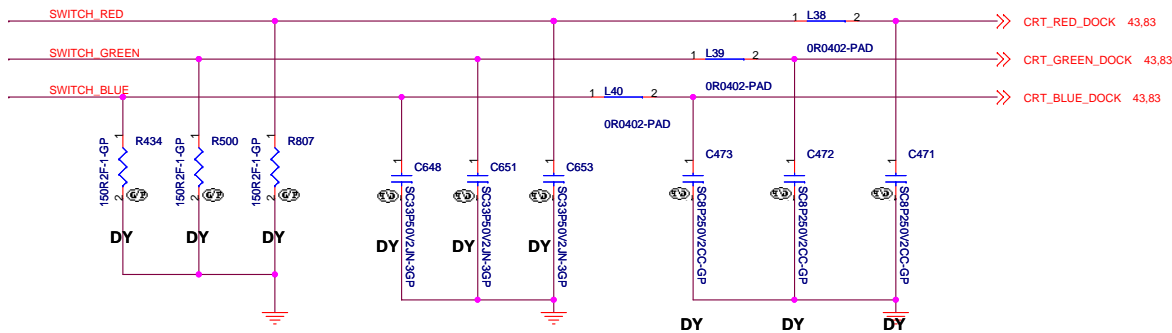
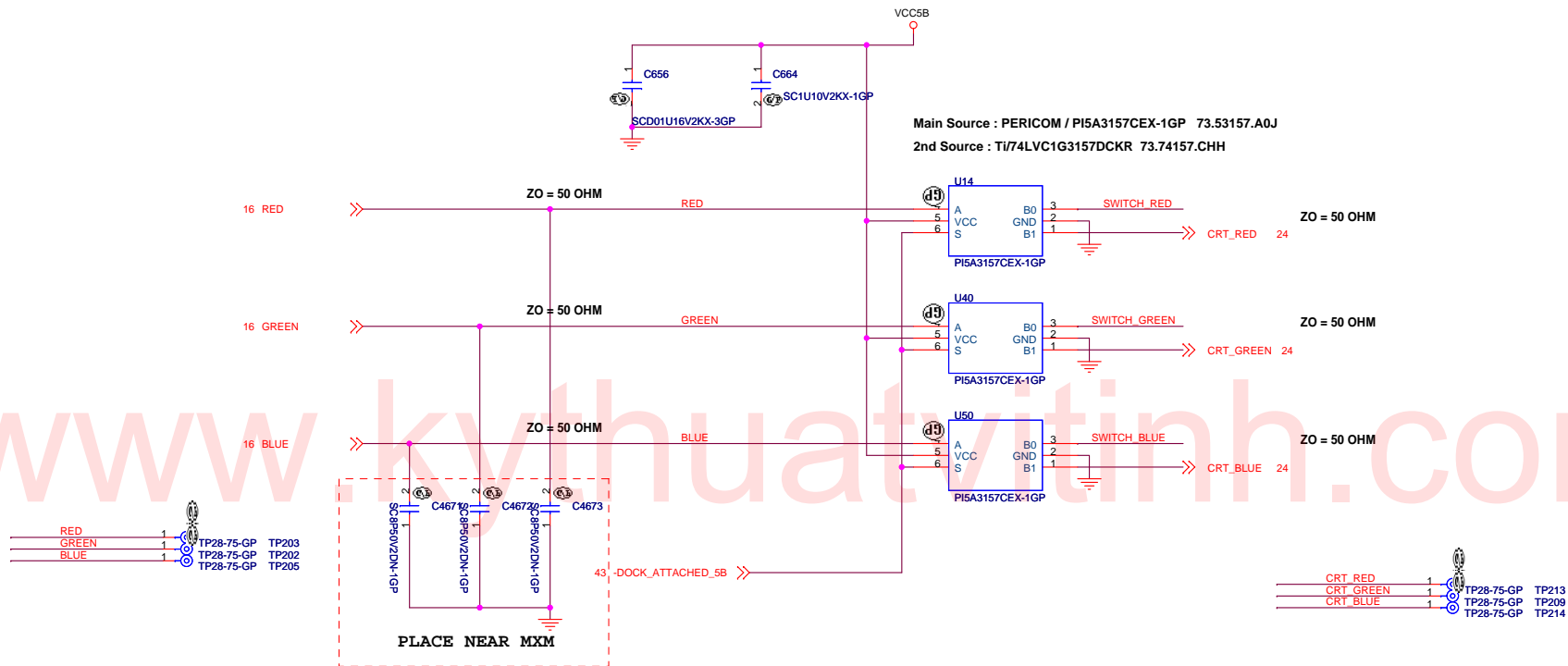


www.kythuatvitinh.com

18,45,79 PANEL_STATUS >>

<Variant Name>		
緯創資通		Wistron Corporation 21F, 88, Sec.1, Hsin Tai Wu Rd., Hsichih, Taipei Hsien 221, Taiwan, R.O.C.
LCD SWITCH		
Size C	Document Number N-Note	Rev 1
Date: Thursday, June 26, 2008		
Sheet 21 of		63



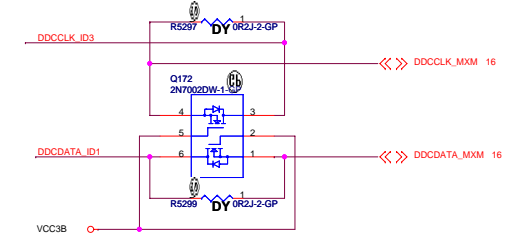
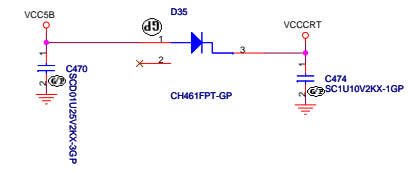
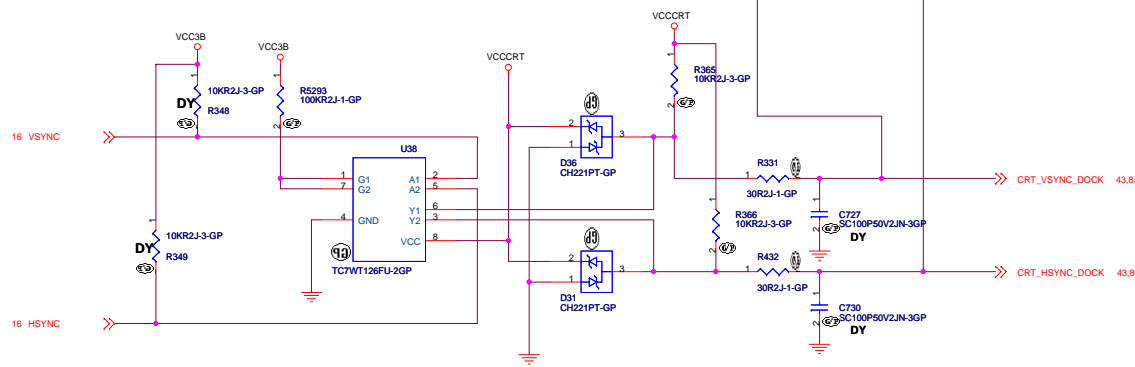
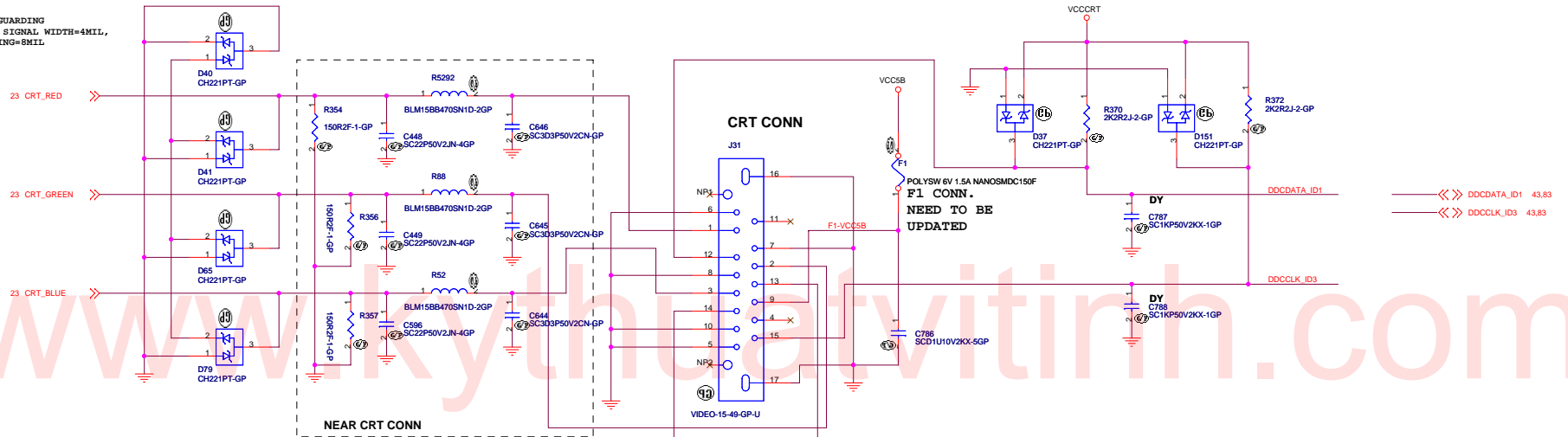


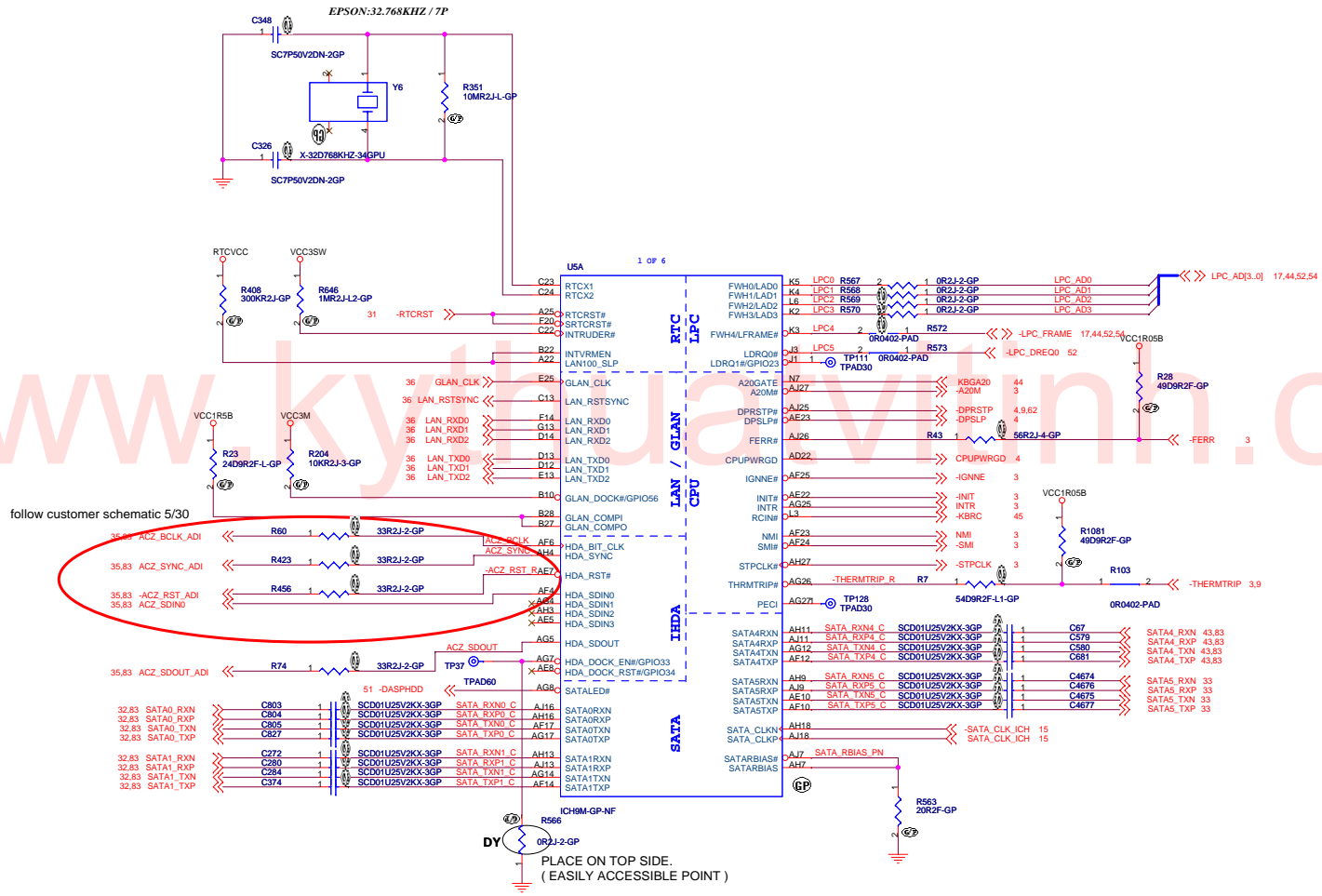
PLACE NEAR Docking connector

<Variant Name>

緯創資通		Wistron Corporation	
		21F, 88, Sec 1, Hsin Tai Wu Rd., Hsichih, Taipei Hsien 221, Taiwan, R.O.C.	
Title			
CRT SELECTOR			
Size	Document Number		Rev
Custom		N-Note	1
Date: Thursday, June 26, 2008		Sheet 23 of	83

GND GUARDING
EACH SIGNAL WIDTH=4MIL,
SPACING=8MIL

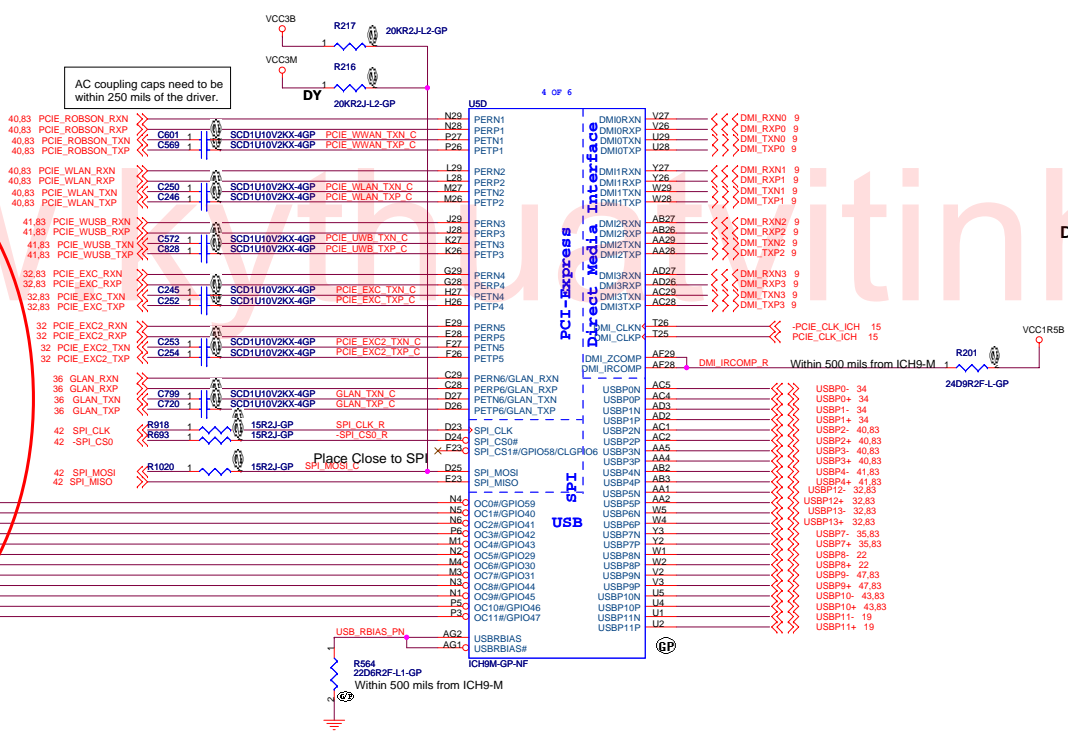
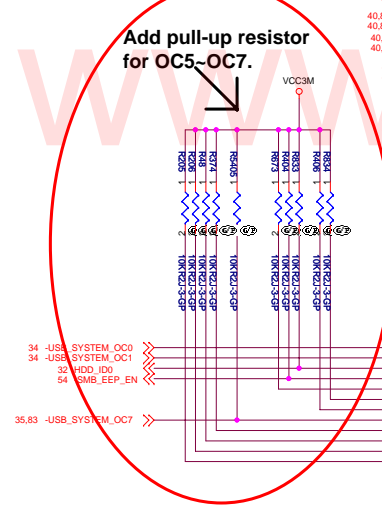




-Variant Name-

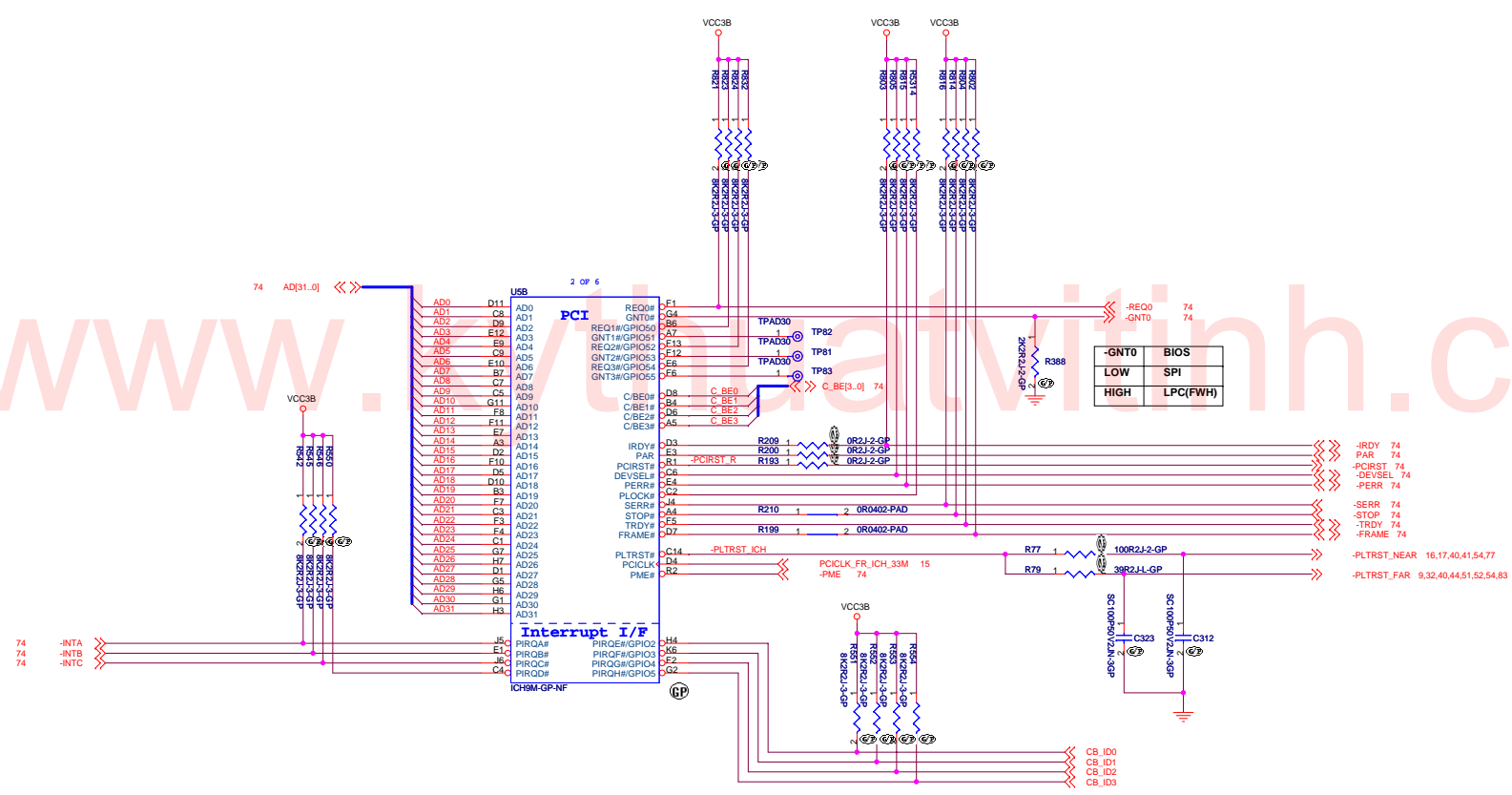
緯創資通 Wistron Corporation
21F, 88, Sec.1, Hsin Tai Wu Rd., Hsichuan, Taipei Hsien 221, Taiwan, R.O.C.

Title		ICH9-M(1/4):ATA/AC97/LPC	
Doc No	Document Number	N-Note	
Rev		Sheet	25 of 83
Date	Thursday, June 26, 2008		



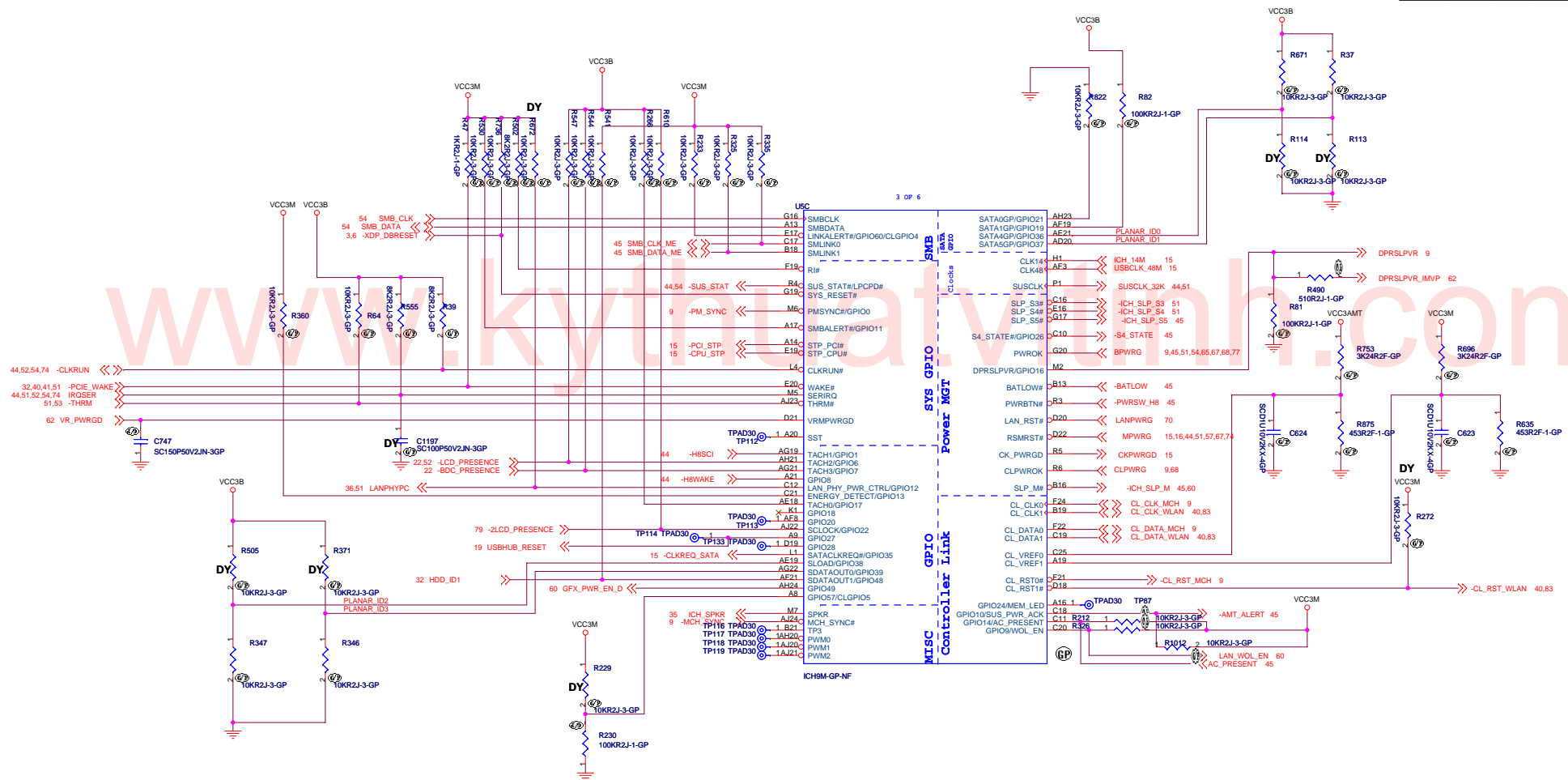
DMI LANE REVERSAL IS NOT APPLIED

USB PORT TO	
USB0 :	SYSTEM PORT1
USB1 :	SYSTEM PORT2
USB2 :	MINICARD SLOT (WLAN)
USB3 :	MINICARD SLOT (WWAN)
USB4 :	MICROCARD SLOT (WUSB)
USB5 :	SMARTCARD
USB6 :	EXPRESS CARD
USB7 :	SYSTEM PORT5
USB8 :	BLUETOOTH
USB9 :	FPR
USB10 :	PORTREPLICATOR
USB11 :	USB HUB
USB12 :	SMARTCARD
USB13 :	EXPRESS CARD
USB14 :	CAMERA
USB15 :	COLOR SENSOR
USB16 :	NUMPAD
USB17 :	DIGITIZER
USB18 :	COLOR SENSOR2

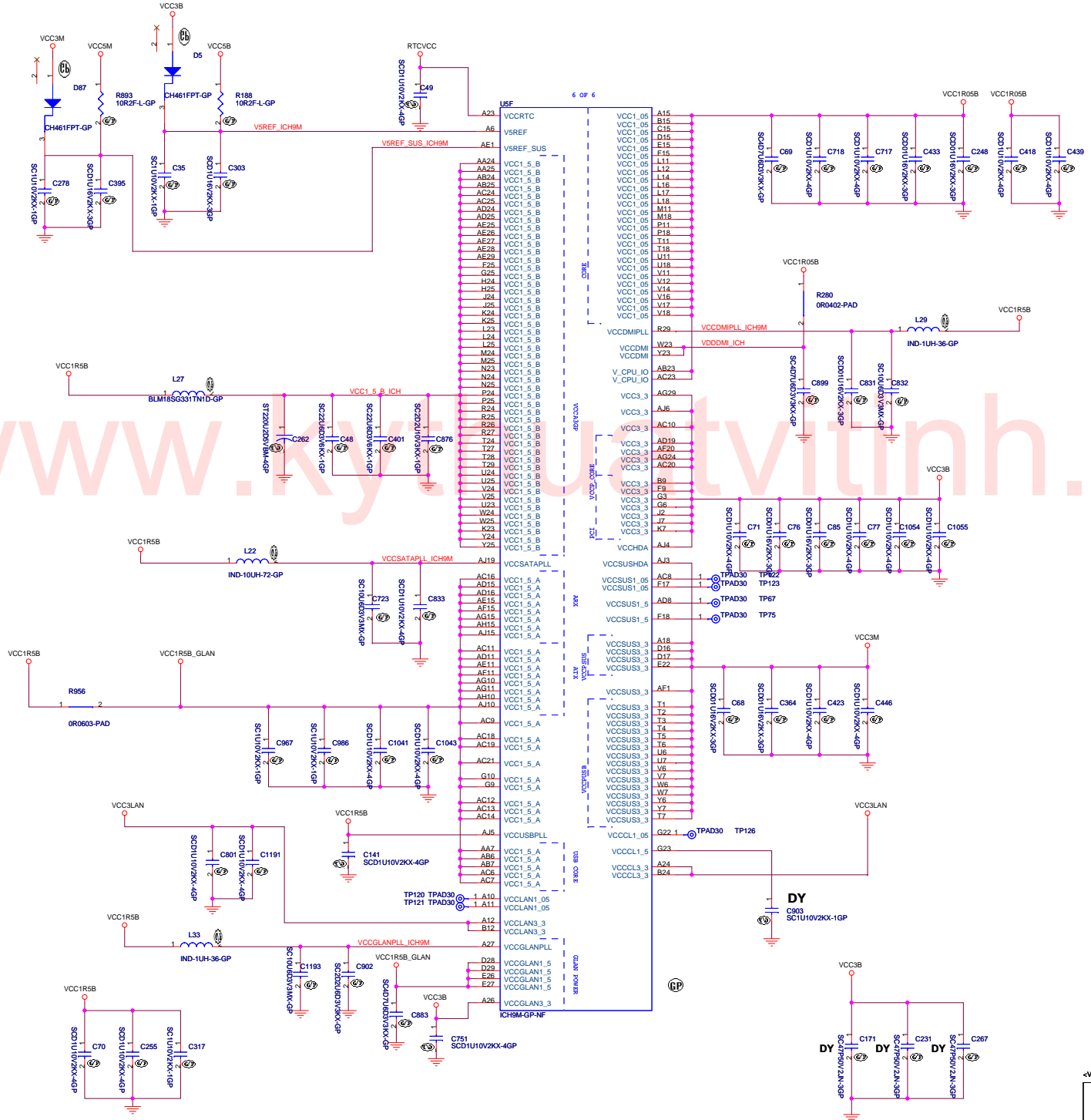


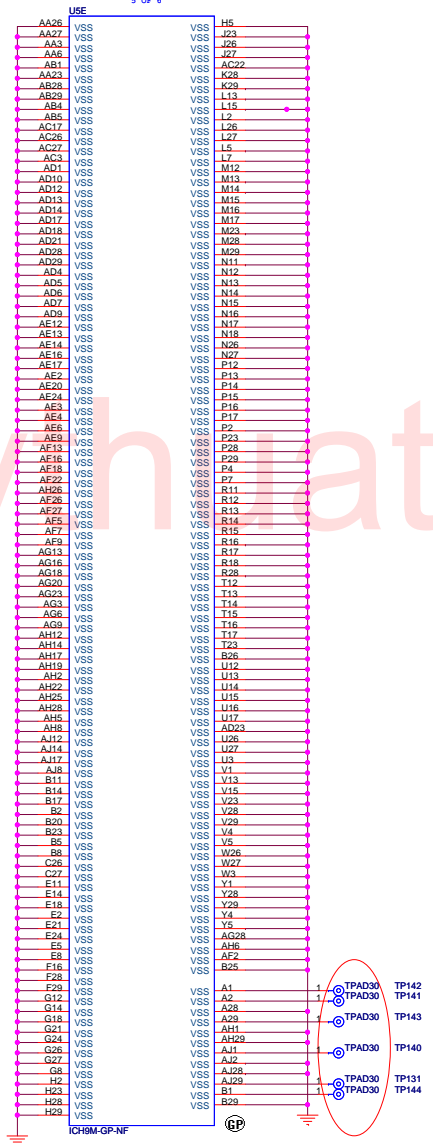
-GNT0	BIOS
LOW	SPI
HIGH	LPC(FWH)

PLANAR ID				
	3	2	1	0
1	R371	R505	R37	R671
0	R346	R347	R113	R114



LEVEL	PLANARID[3..0]
PREDV	0000B
SDV	0001B
SIV	0010B
SIT	0011B

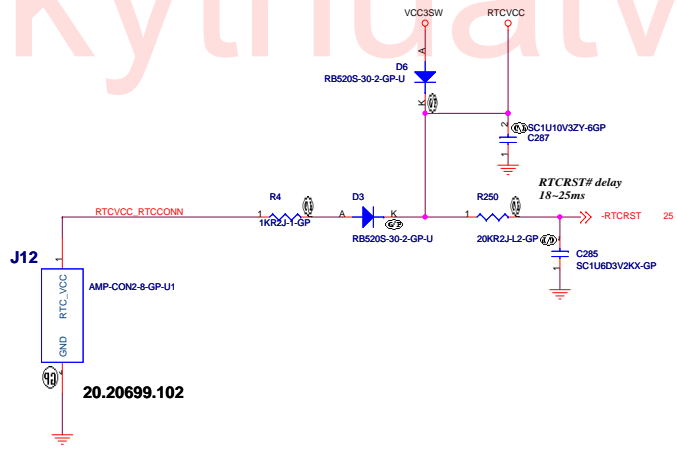




FOR SOLDER CRACK DETECTION

www.kyhatvithinh.com

www.kythuatvinh.com

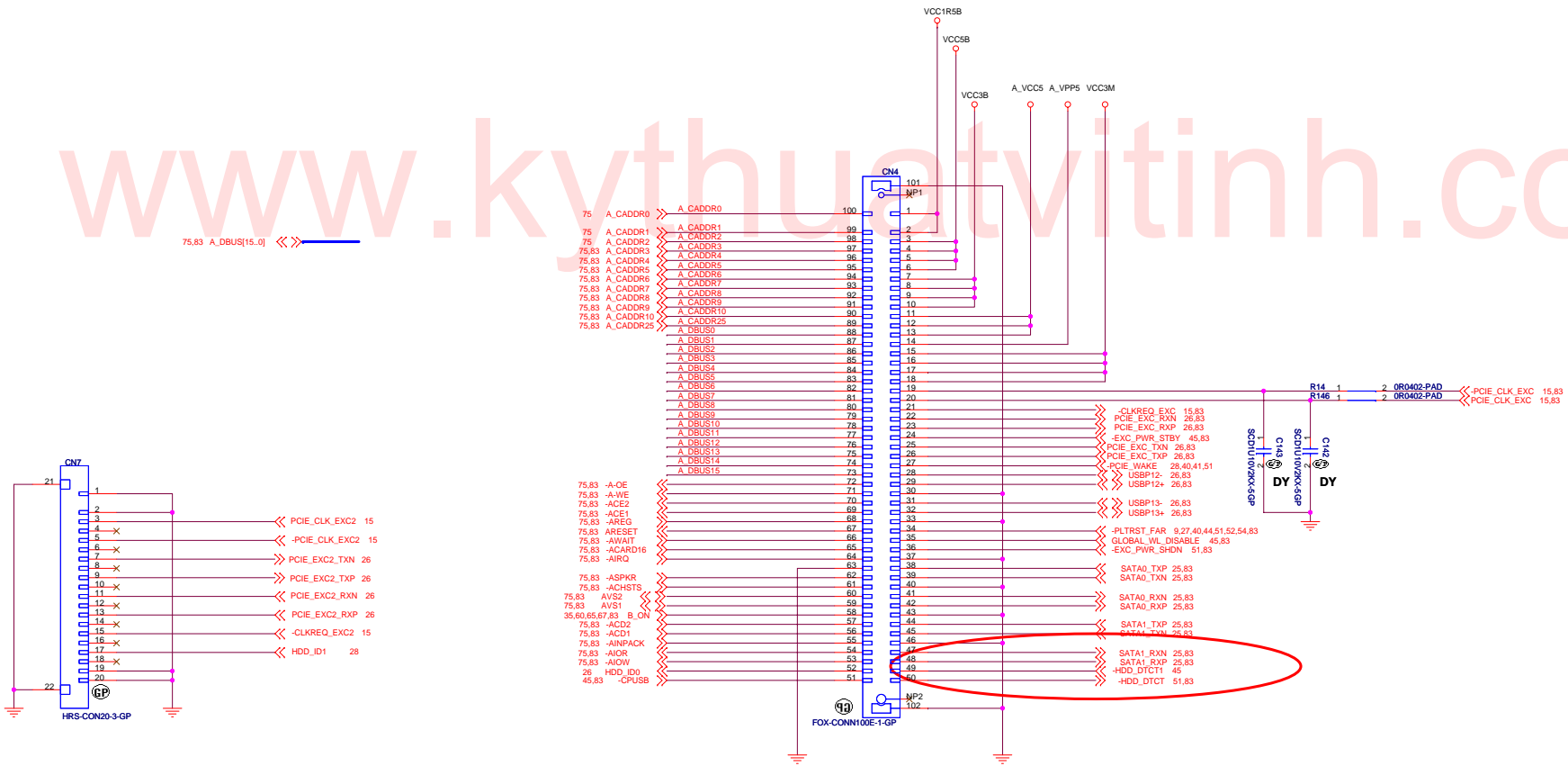


<Variant Name>

緯創資通		Wistron Corporation	
21F, 88, Sec.1, Hsin Tai Wu Rd., Hsichih, Taipei Hsien 221, Taiwan, R.O.C.			
Title		RTC BATTERY	
Size	Document Number	N-Note	Rev
C			1
Date:	Thursday, June 26, 2008	Sheet	31 of 63

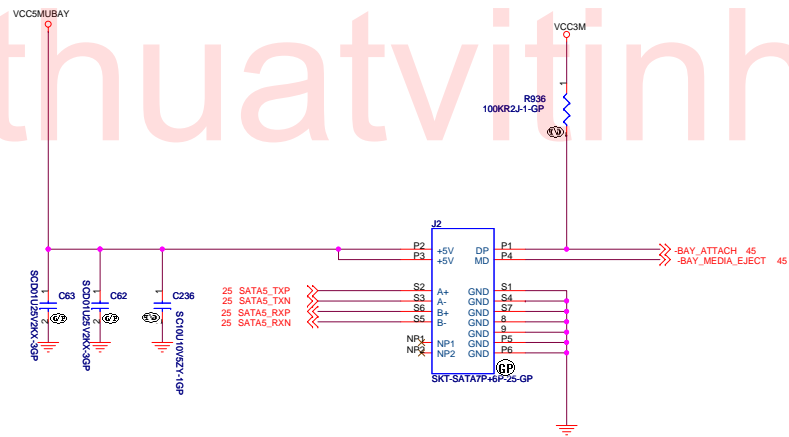
HDD IO SUB CARD Connector

www.kythuatvithinh.com

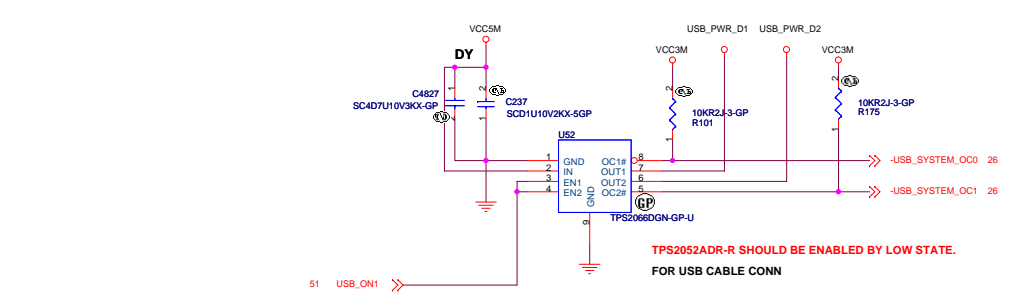
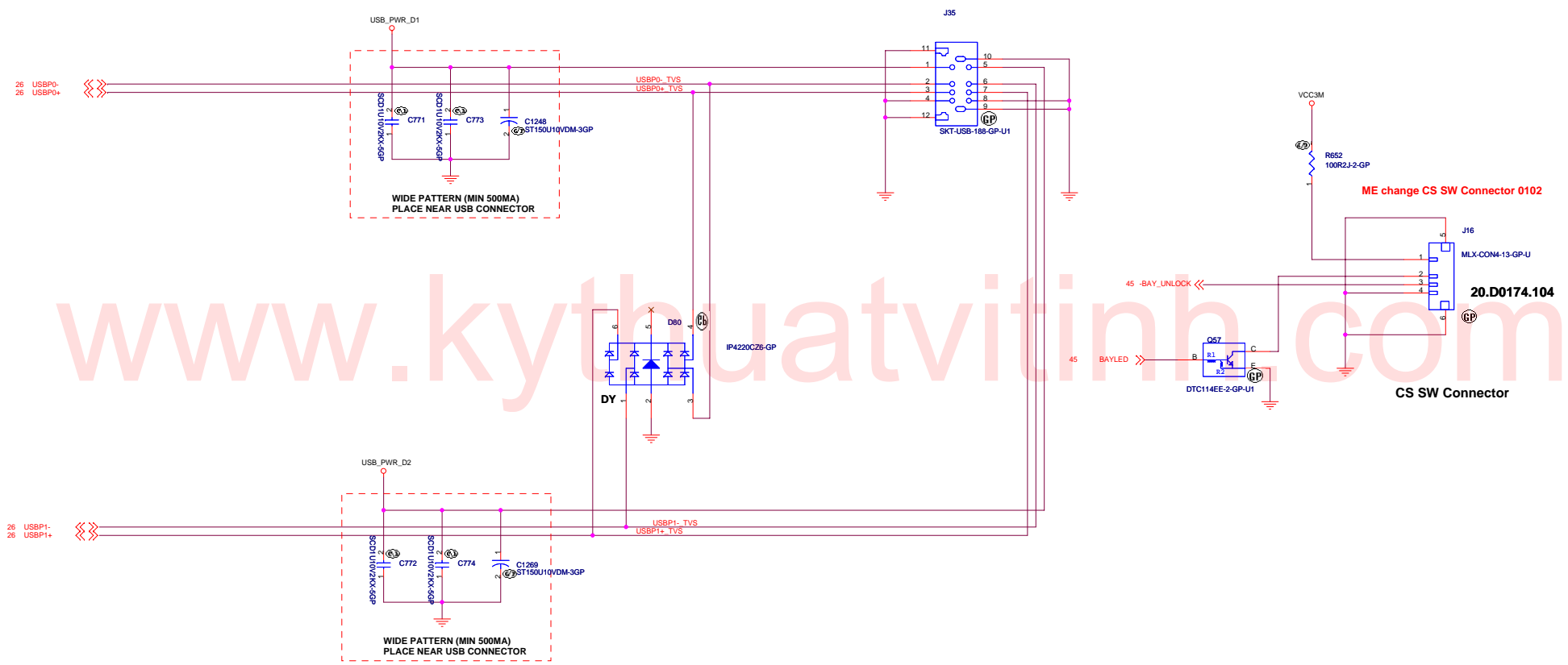


SATA SIGNAL SEGMENT		
S1	GND	
S2	A+	Differential signal pair from host controller
S3	A-	
S4	GND	
S5	B-	Differential signal pair to host controller
S6	B+	
S7	GND	

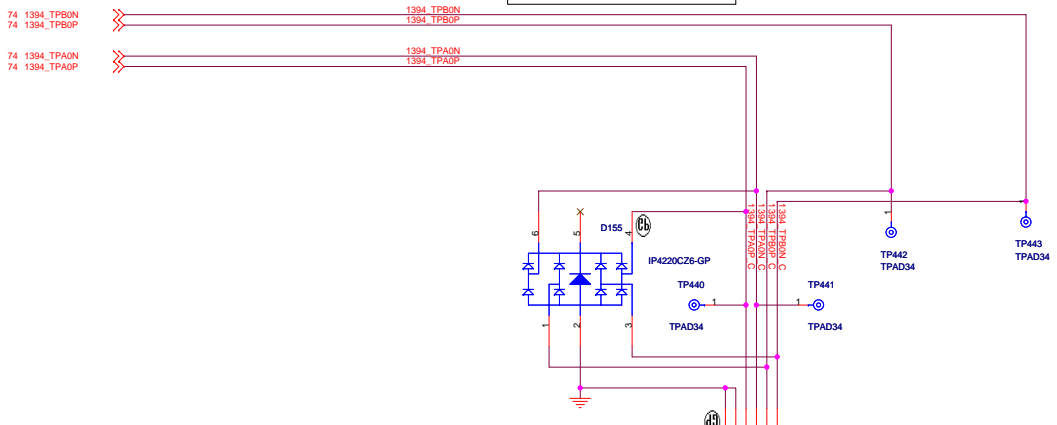
SATA POWER SEGMENT		
P1	DP	Device Present
P2	+5V	
P3	+5V	
P4	MD	Manufacturing Diagnostic
P5	GND	
P6	GND	



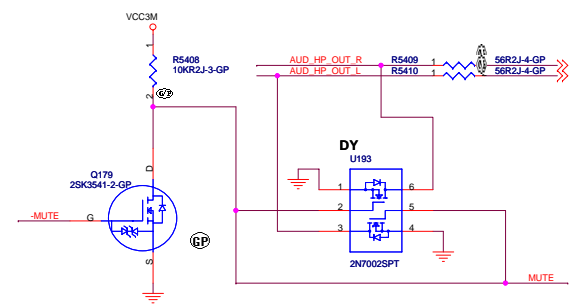
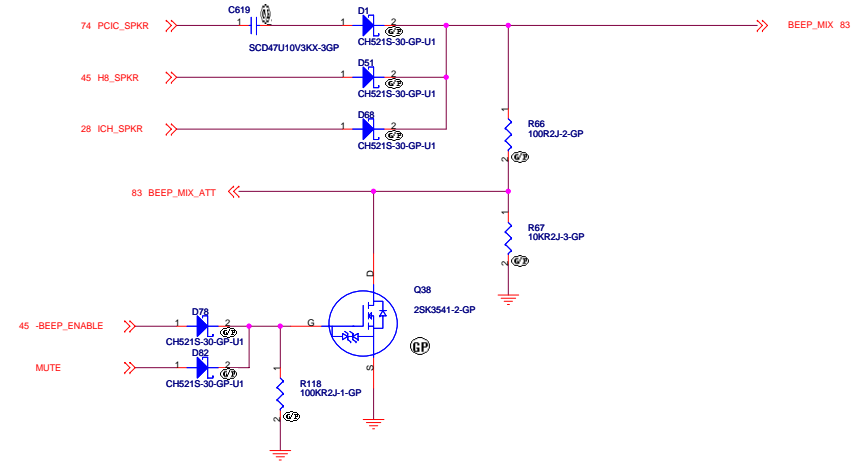
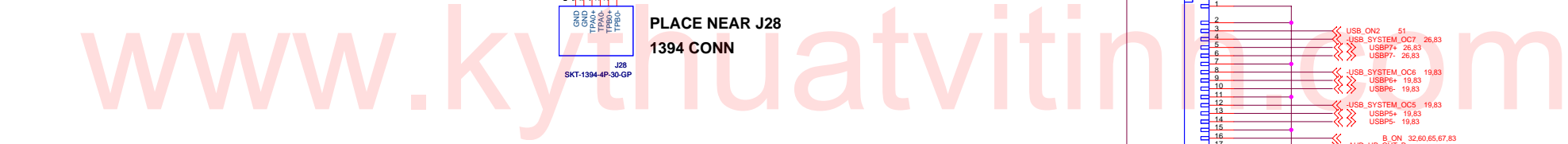
SATA ODD Connector



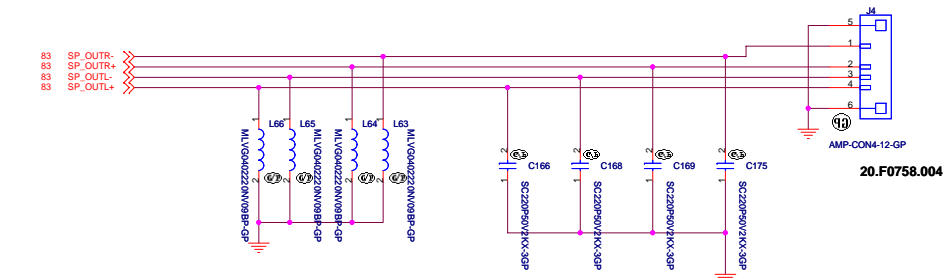
Trace Length match
require for Pair A and
Pair B



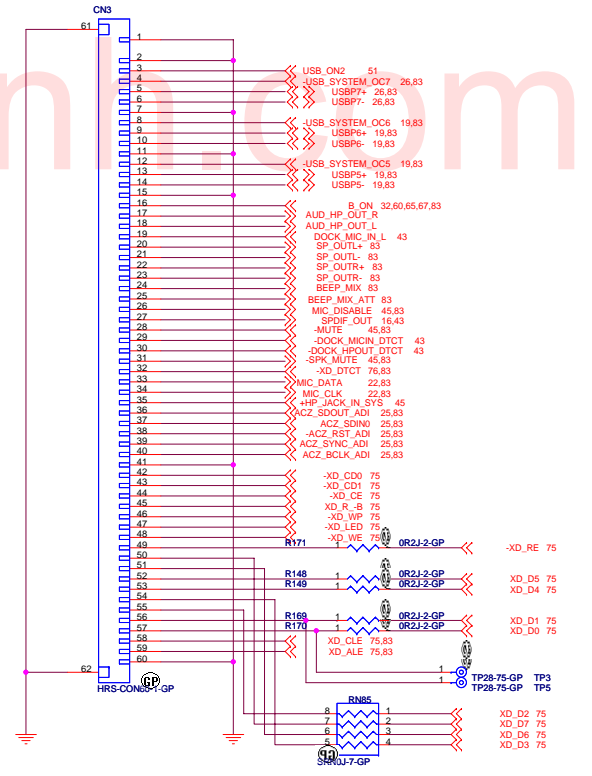
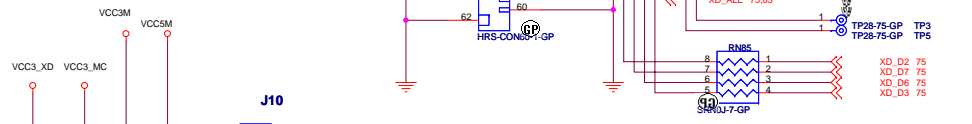
PLACE NEAR J28
1394 CONN

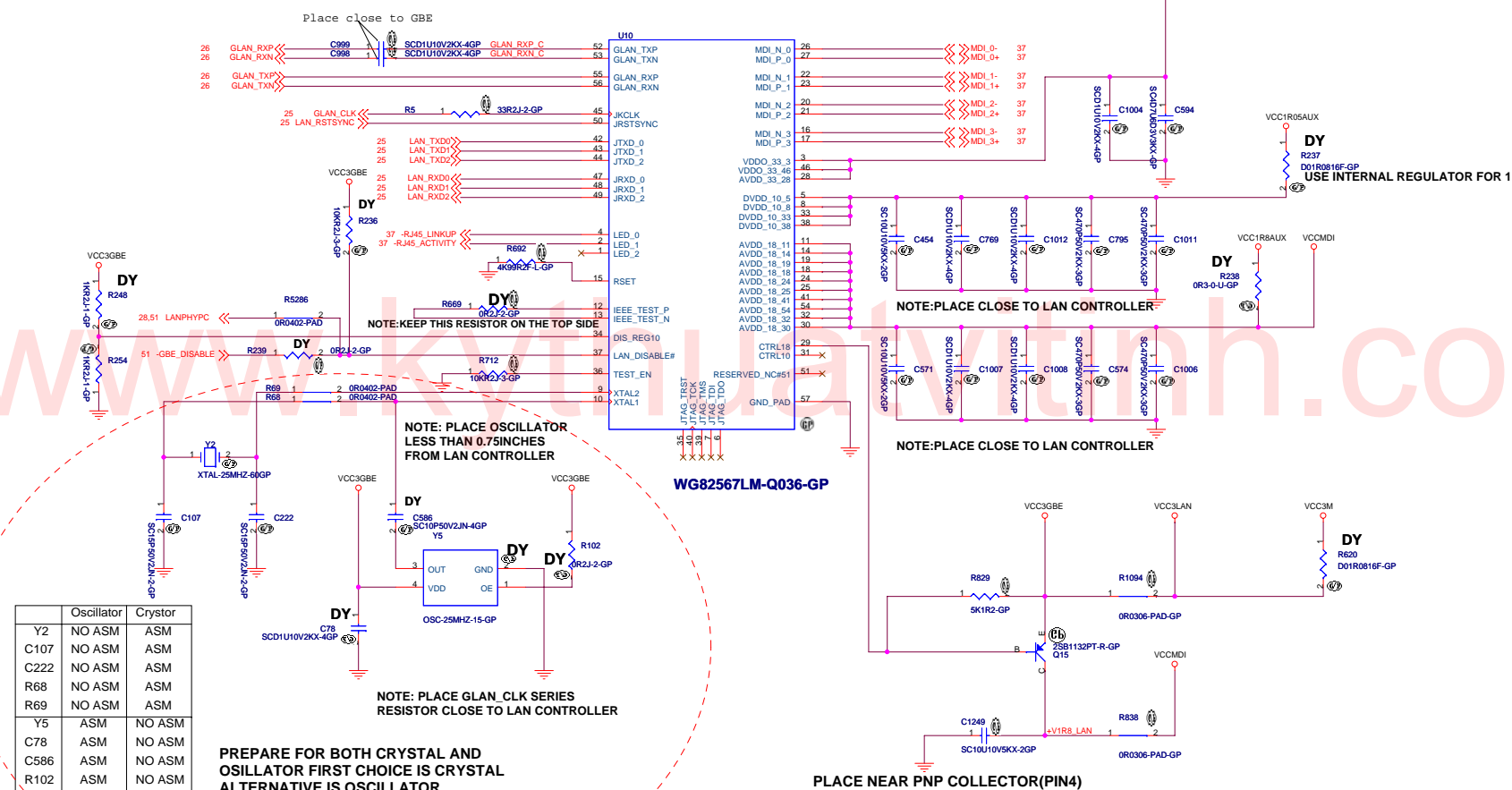


System Speaker CONN



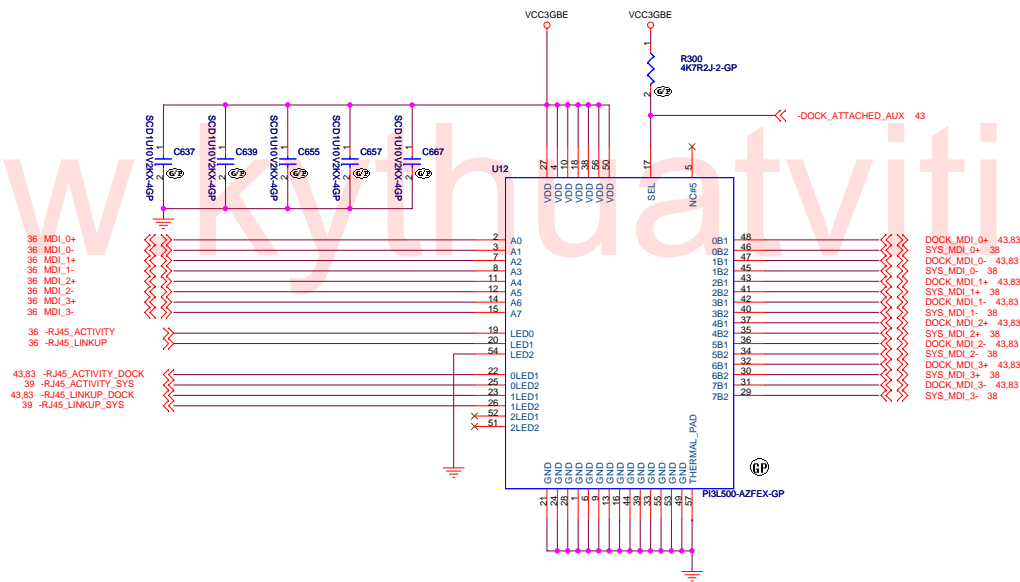
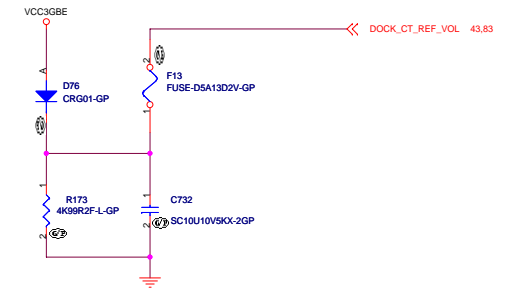
PLACE NEAR SPEAKER CONNECTOR





AFTER INTEL'S EVALUATION, WE WILL DISIDE TO USE VCC1R8AUX OR VCC2R5AUX.

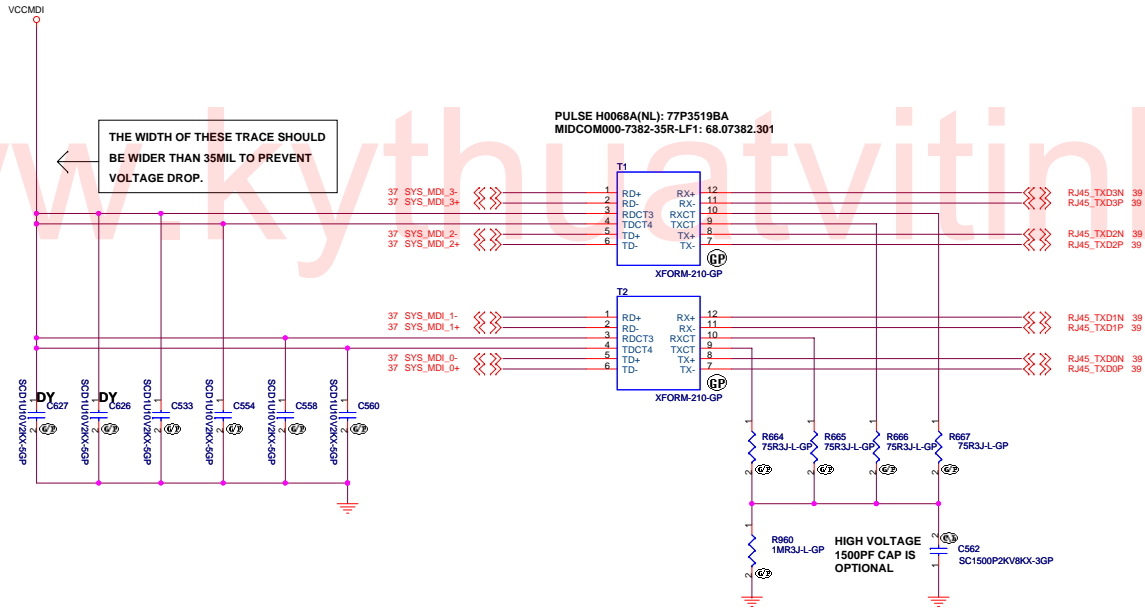
PLACE NEAR DOCKING CONNECTOR



- 36 MDI_0+
- 36 MDI_0-
- 36 MDI_1+
- 36 MDI_1-
- 36 MDI_2+
- 36 MDI_2-
- 36 MDI_3+
- 36 MDI_3-
- 36 -RJ45_ACTIVITY
- 36 -RJ45_LINKUP
- 43.83 -RJ45_ACTIVITY_DOCK
- 39 -RJ45_ACTIVITY_SYS
- 43.83 -RJ45_LINKUP_DOCK
- 39 -RJ45_LINKUP_SYS

- DOCK_MDI_0+ 43.83
- SYS_MDI_0+ 38
- DOCK_MDI_0- 43.83
- SYS_MDI_0- 38
- DOCK_MDI_1+ 43.83
- SYS_MDI_1+ 38
- DOCK_MDI_1- 43.83
- SYS_MDI_1- 38
- DOCK_MDI_2+ 43.83
- SYS_MDI_2+ 38
- DOCK_MDI_2- 43.83
- SYS_MDI_2- 38
- DOCK_MDI_3+ 43.83
- SYS_MDI_3+ 38
- DOCK_MDI_3- 43.83
- SYS_MDI_3- 38

		Vendor P/N	Wistron P/N
1st	Pericom	PI3L500AZFEX	73.3L500.003
2nd	TI	TS3L500AERHUR	73.3L500.A0V

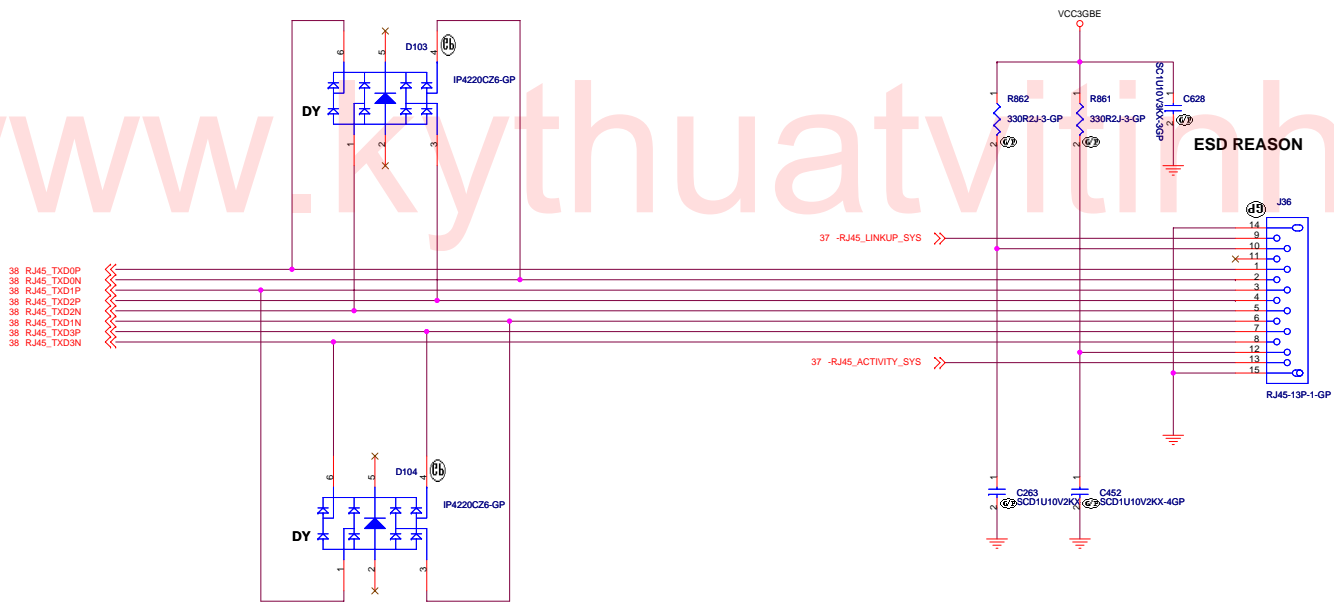


<Variant Name>

緯創資通 Wistron Corporation
21F, 88, Sec. 1, Hsin Tai Wu Rd., Hsichih,
Taipei Hsien 221, Taiwan, R.O.C.

File			GBE MAGNETICS		
Size	Document Number		N-note		Rev
C					1
Date:	Thursday, June 26, 2008	Sheet	38	of	63

www.kythuatchinh.com

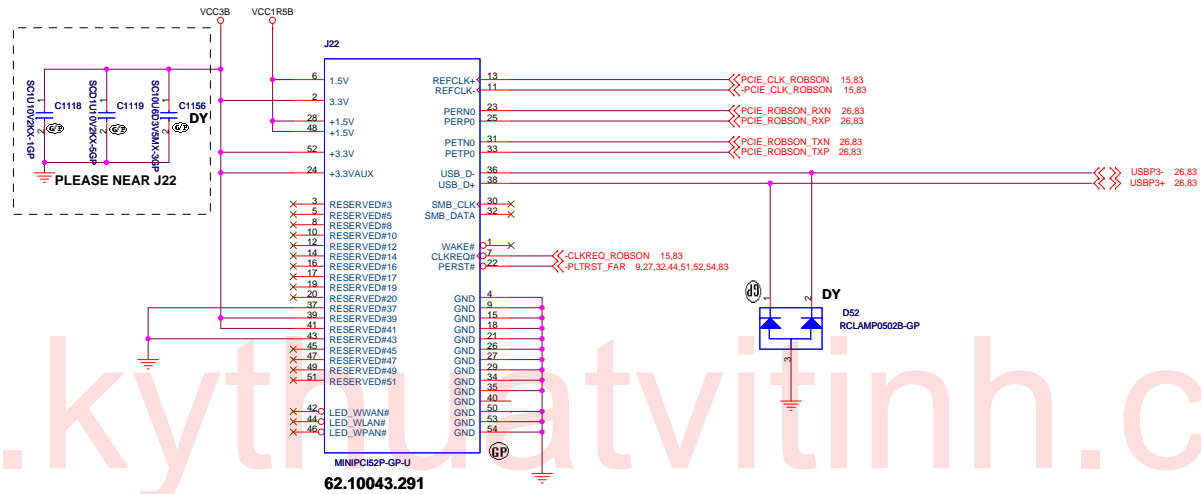


<Variant Name>

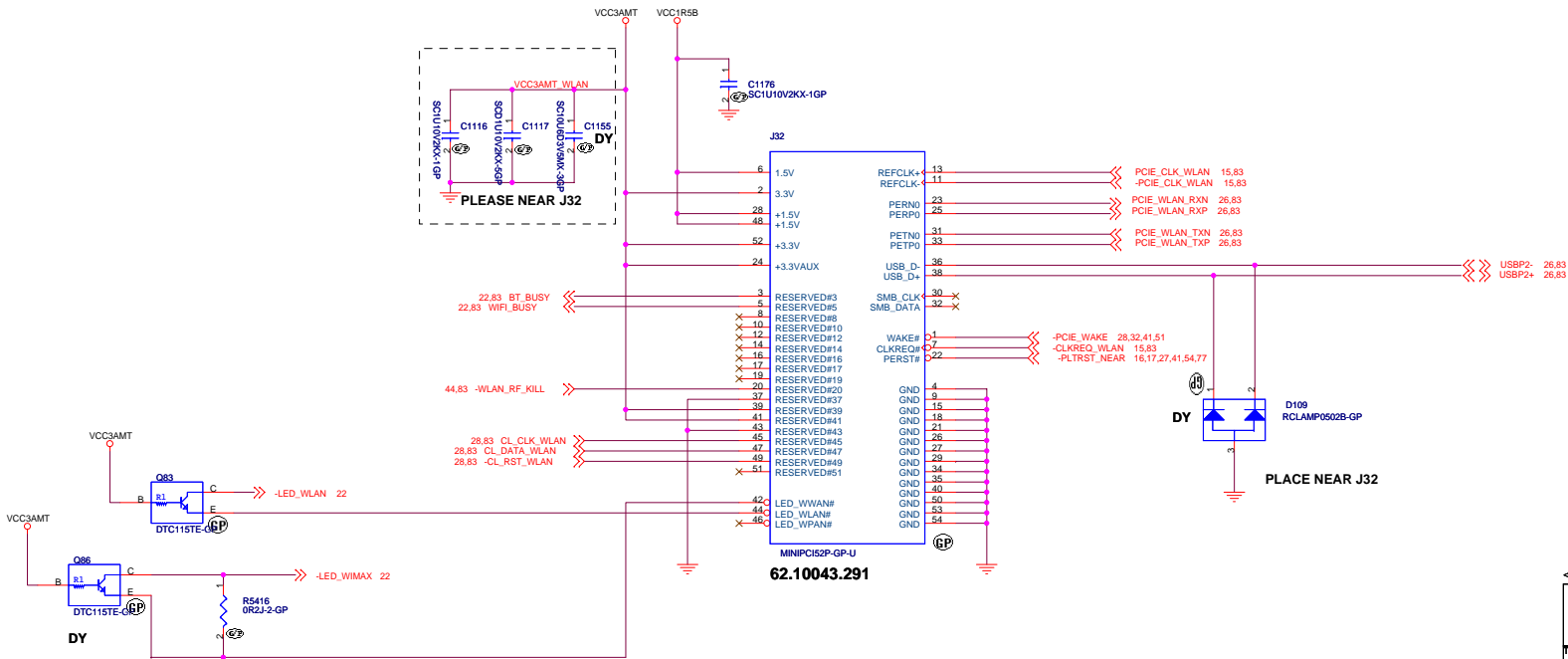
緯創資通 Wistron Corporation
 21F, 88, Sec. 1, Hsin Tai Wu Rd., Hsichin,
 Taipei Hsien Z21, Taiwan, R.O.C.

File		RJ11/RJ45 CONNECTOR	
Size	Document Number	N-note	Rev
C			1
Date:	Thursday, June 26, 2008	Sheet	39 of 63

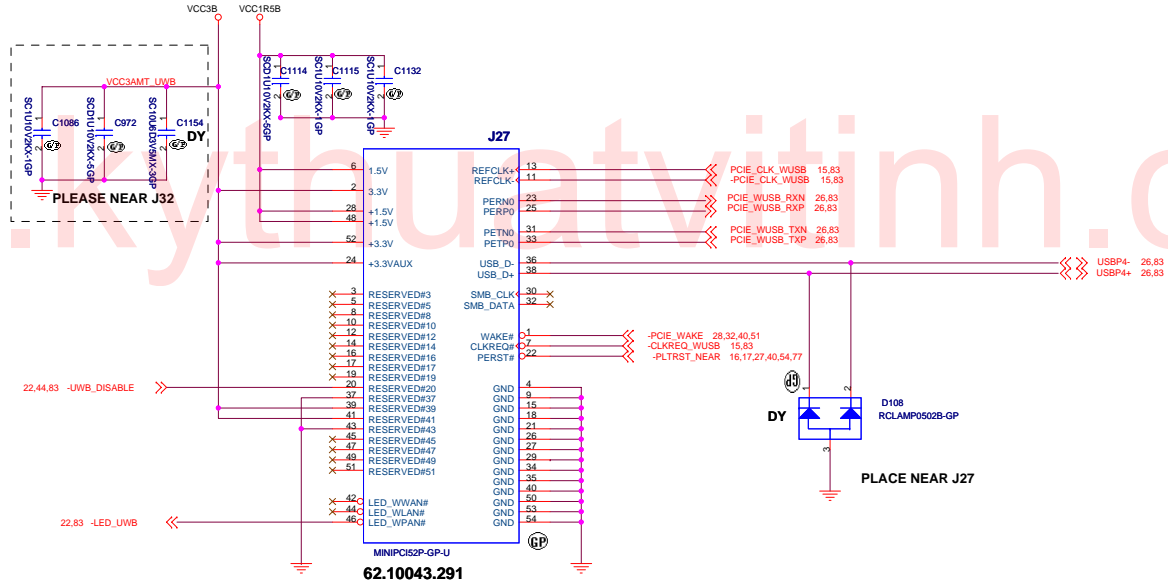
MINI PCIE CONN-1 FOR ROBSON

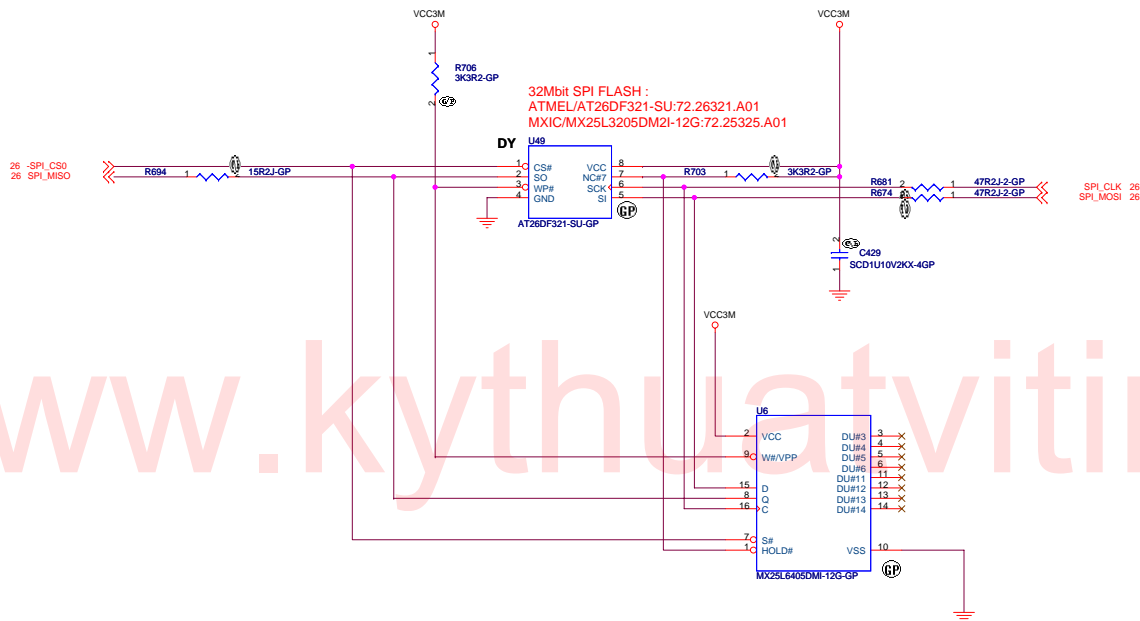


MINI PCIE CONN-2 FOR WLAN



MICRO PCIE CONN-3



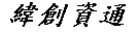


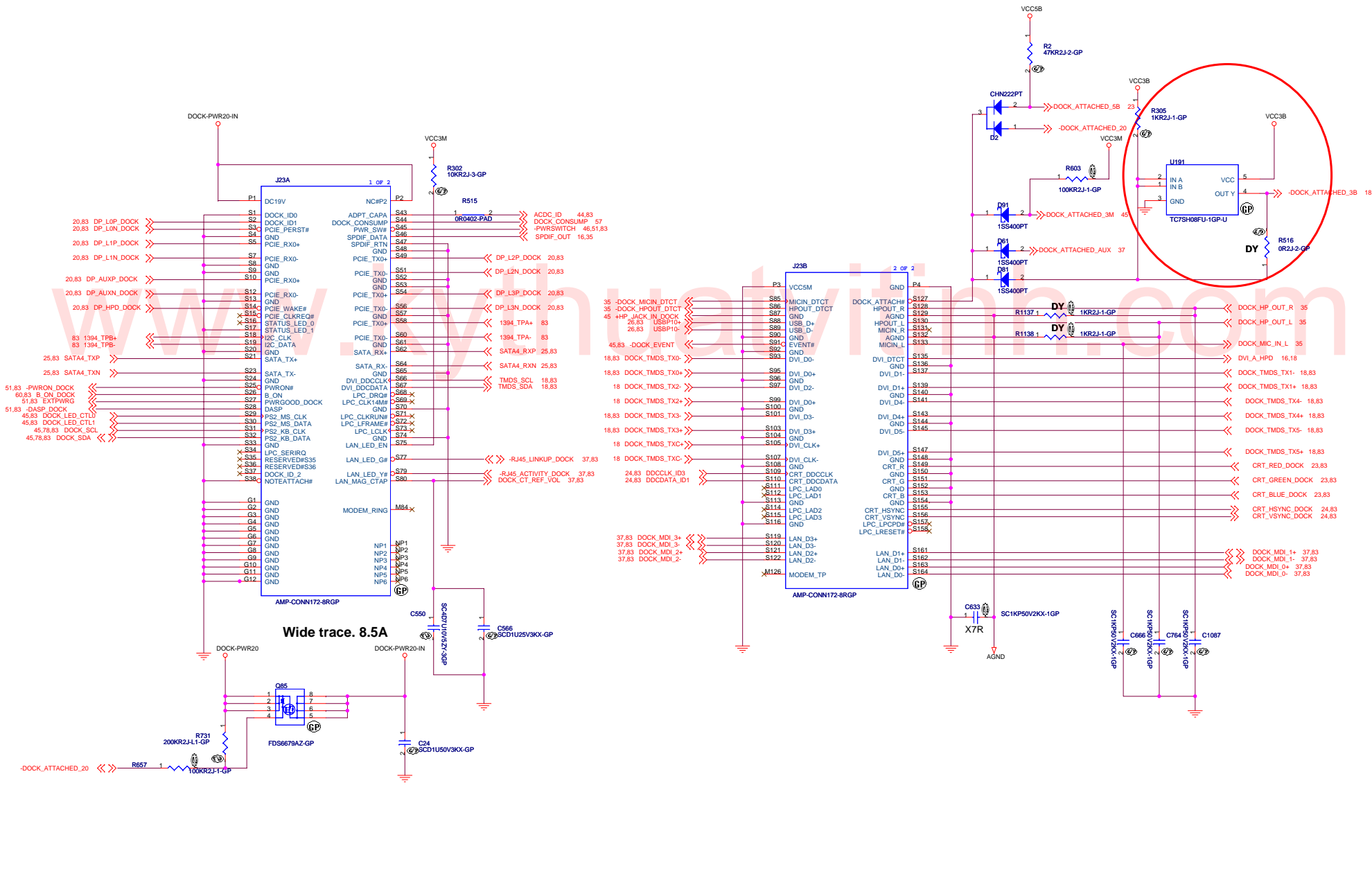
www.kythuratvithinh.com

SO8 and SO16 are both supported!

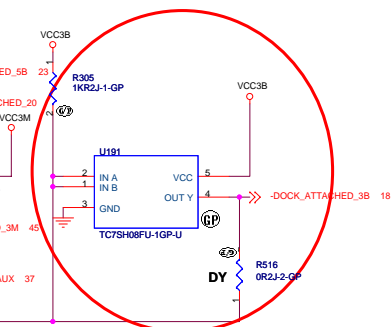
64Mbit SPI FLASH :
 WINBOND/W25X64VFIG:72.25X64.001
 MXIC/MX25L6405DMI-12G :72.25640.C01

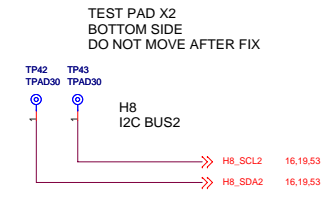
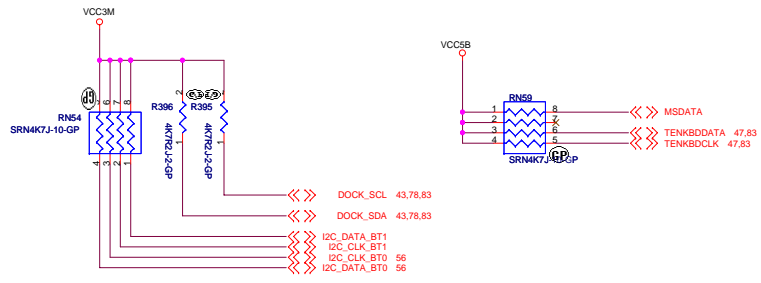
<Variant Name>

 Wistron Corporation 21F, 88, Sec.1, Hsin Tai Wu Rd., Hsichih, Taipei Hsien 221, Taiwan, R.O.C.	
SPI FLASH	
File	Rev
Size	1
N-note	
Date: Thursday, June 26, 2008	Sheet 42 of 63

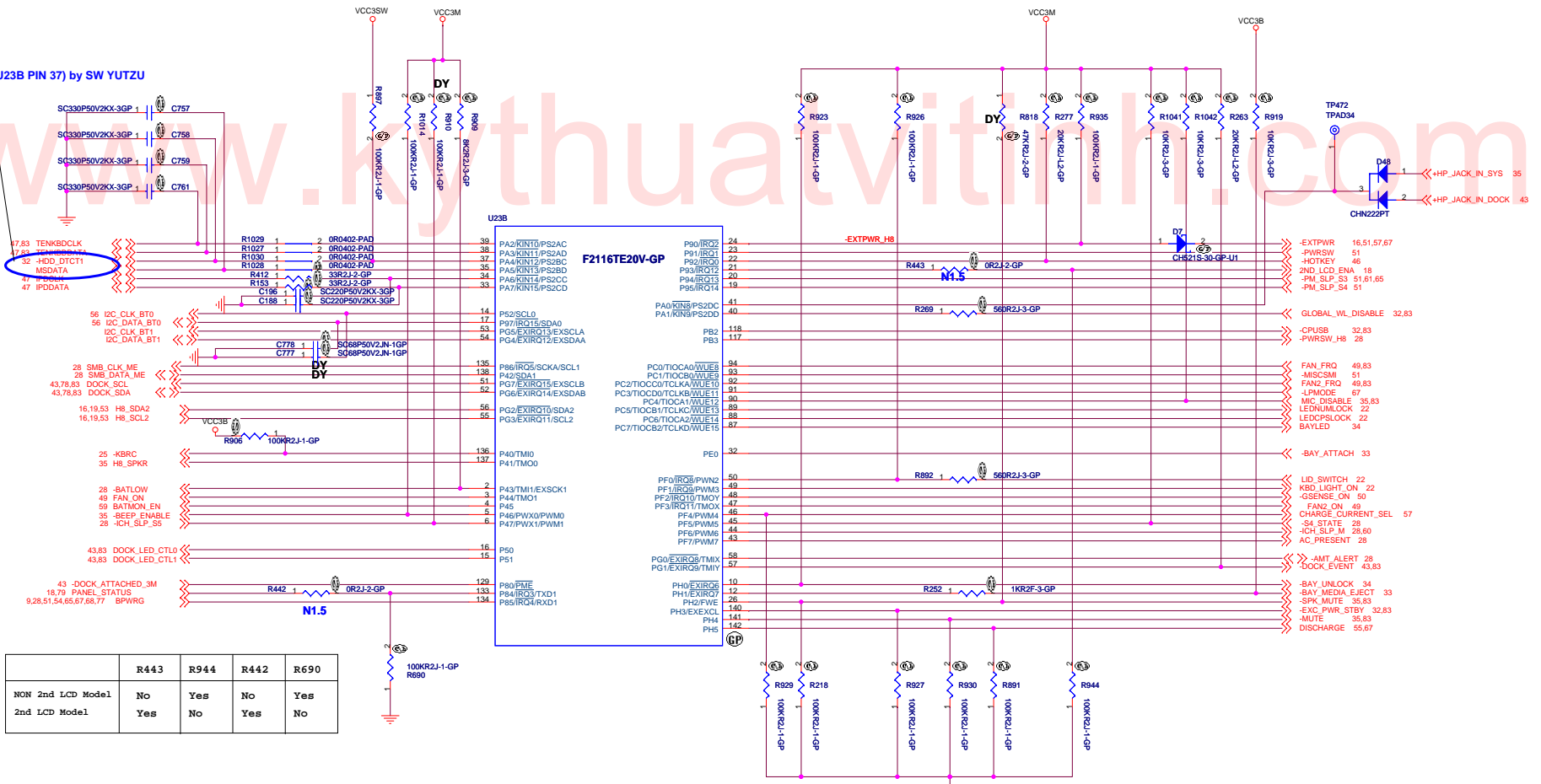


Wide trace. 8.5A



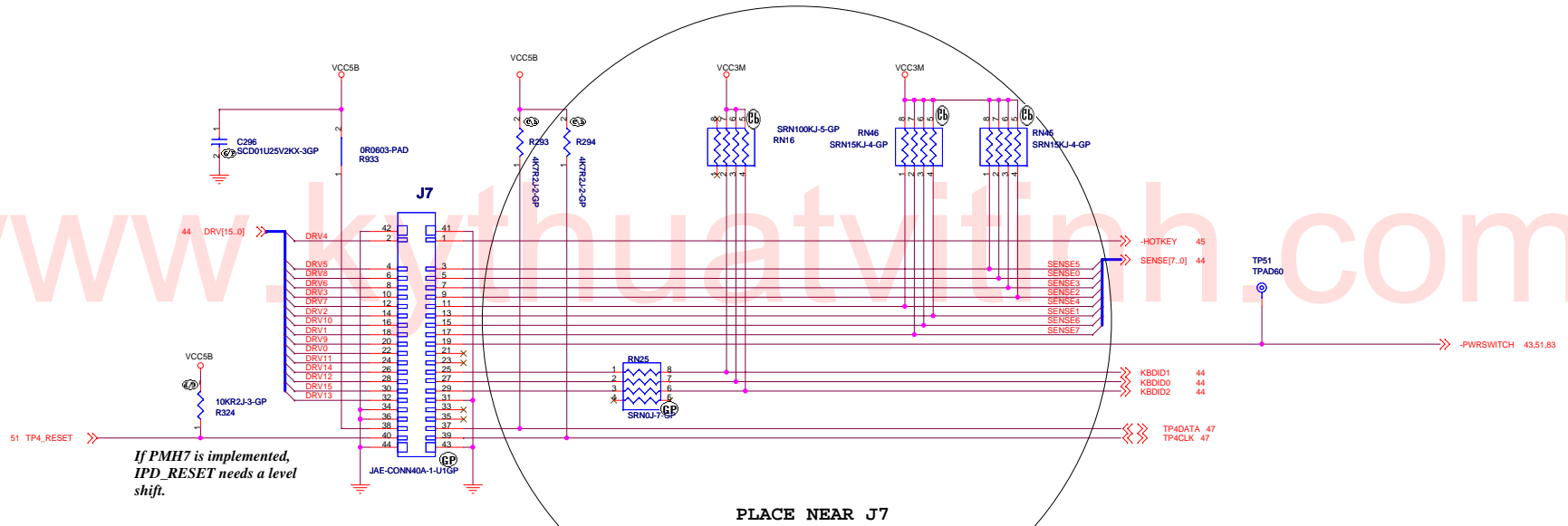


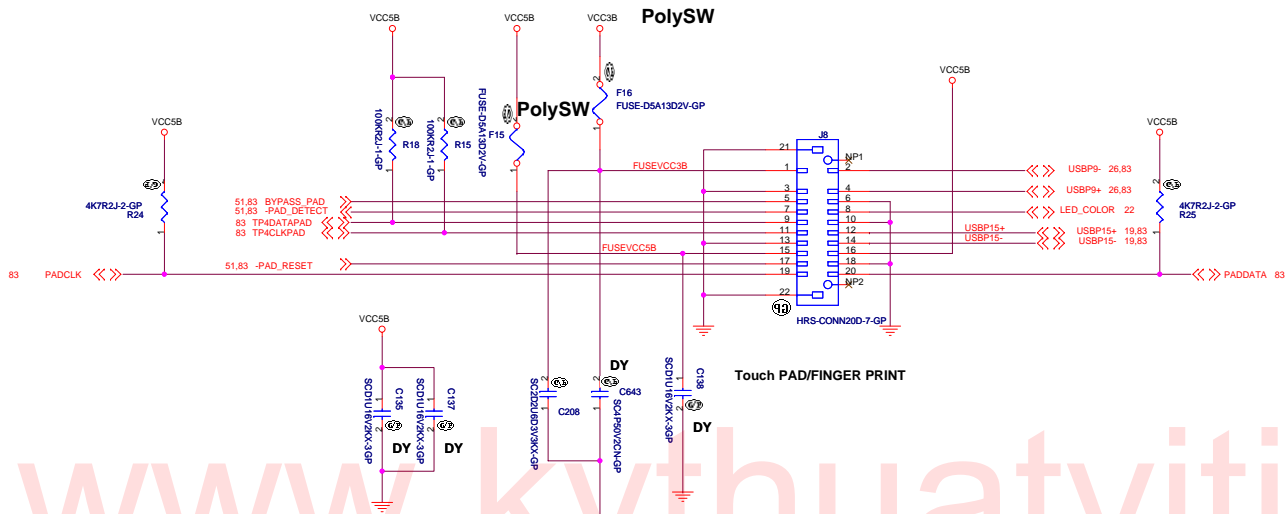
2'nd HDD detect pin define(U23B PIN 37) by SW YUTZU



	R443	R944	R442	R690
NON 2nd LCD Model	No	Yes	No	Yes
2nd LCD Model	Yes	No	Yes	No

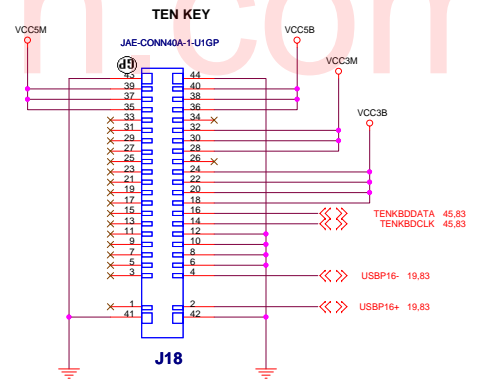
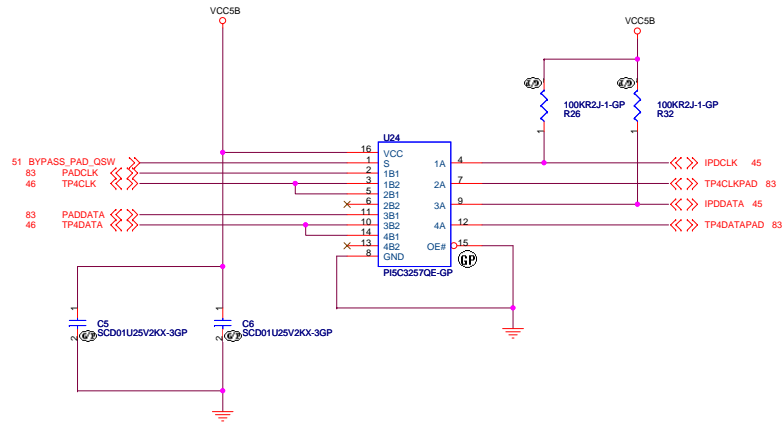




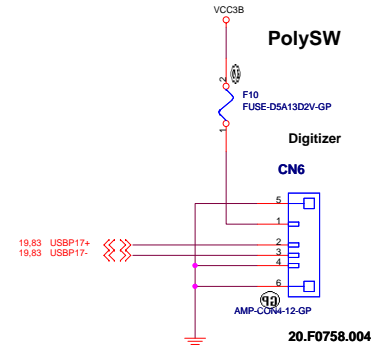


www.kythuatchinh.com

USE FSTU3257(FAIRCHILD) OR PI5C3257C(PERICOM)

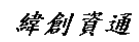


ME changeTEN KEY Connector 0118

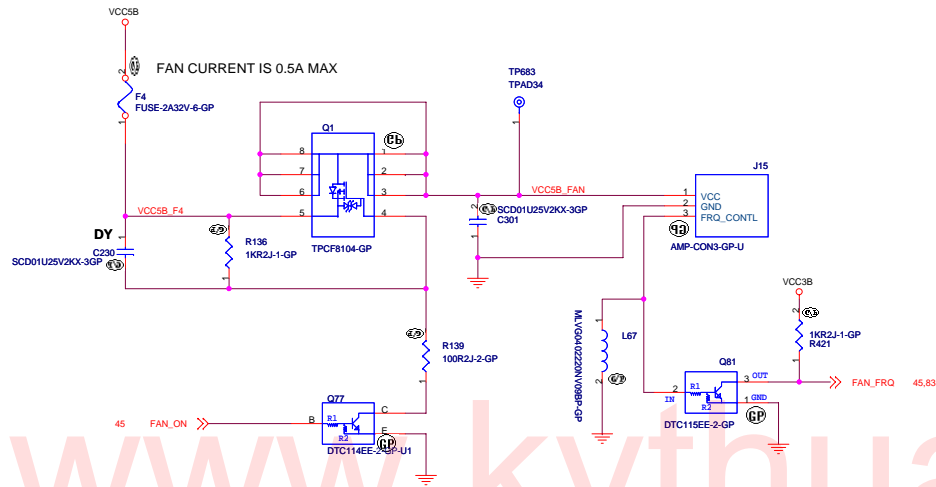


www.kythuatvitinh.com

<Variant Name>

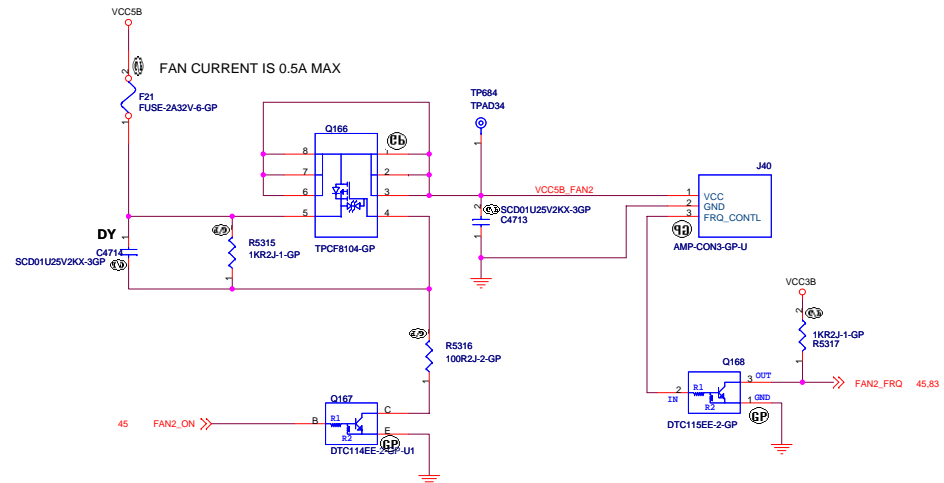
		Wistron Corporation 21F, 88, Sec.1, Hsin Tai Wu Rd., Hsichih, Taipei Hsien 221, Taiwan, R.O.C.
WIRELESS DISABLE SW		
Size C	Document Number N-note	Rev 1
Date: Thursday, June 26, 2008		
Sheet 48		of 63

CPU FAN



www.kythuovatvinh.com

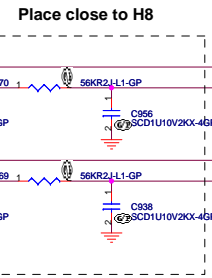
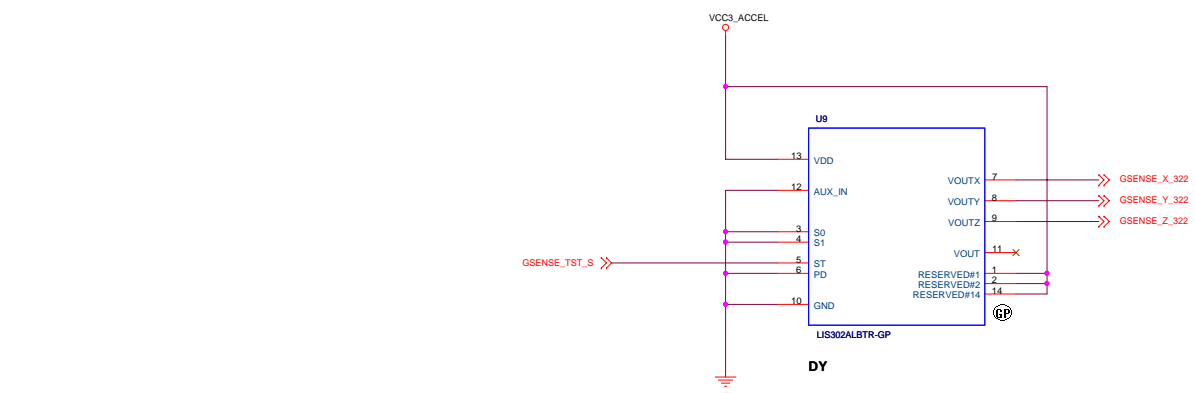
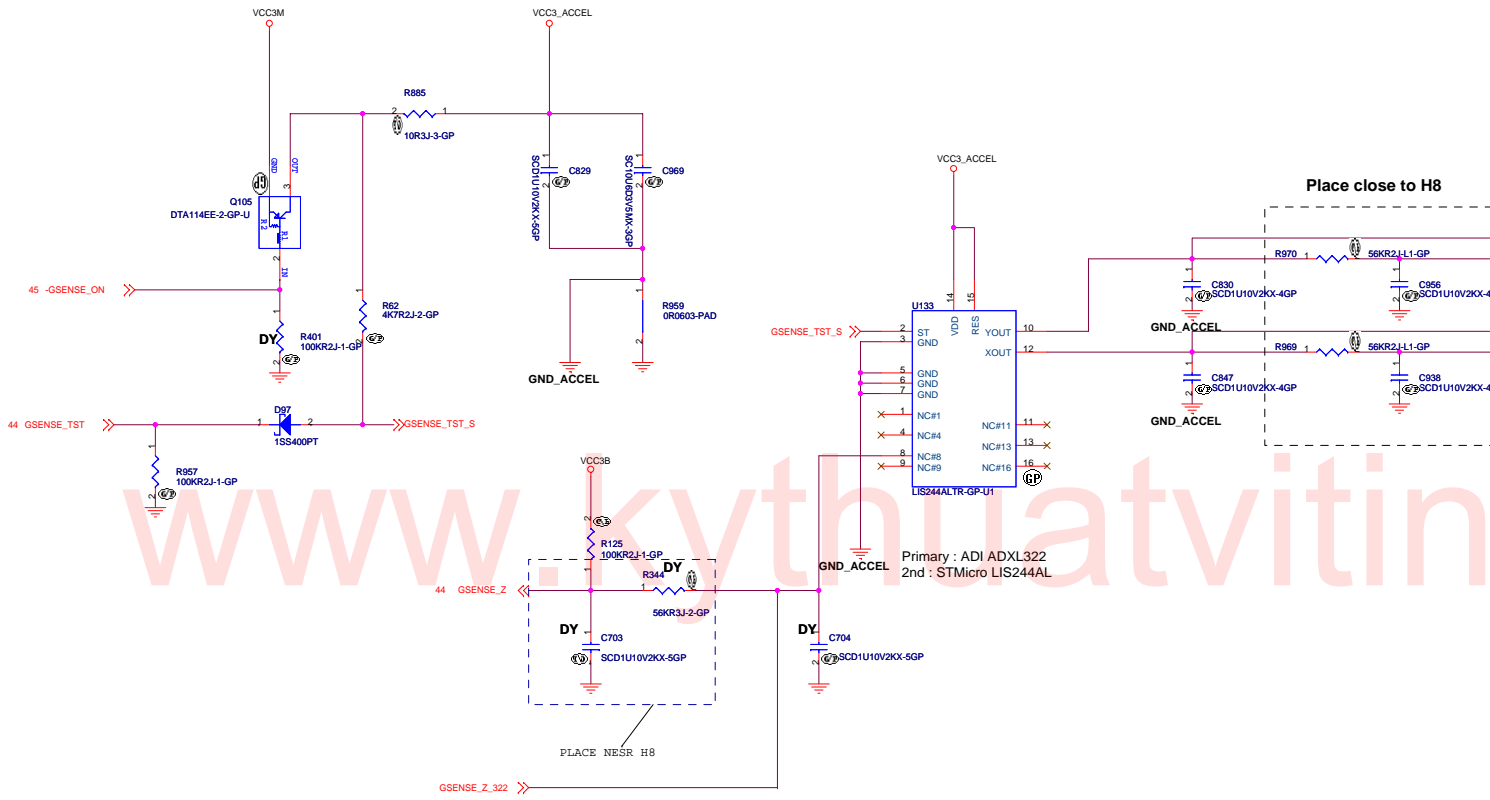
MxM FAN



<Variant Name>

緯創資通 Wistron Corporation
21F, 88, Sec.1, Hsin Tai Wu Rd., Hsichih,
Taipei Hsien 221, Taiwan, R.O.C.

File		
FAN CONTROL		
Size	Document Number	Rev
C	N-note	1
Date:	Thursday, June 26, 2008	Sheet 49 of 63

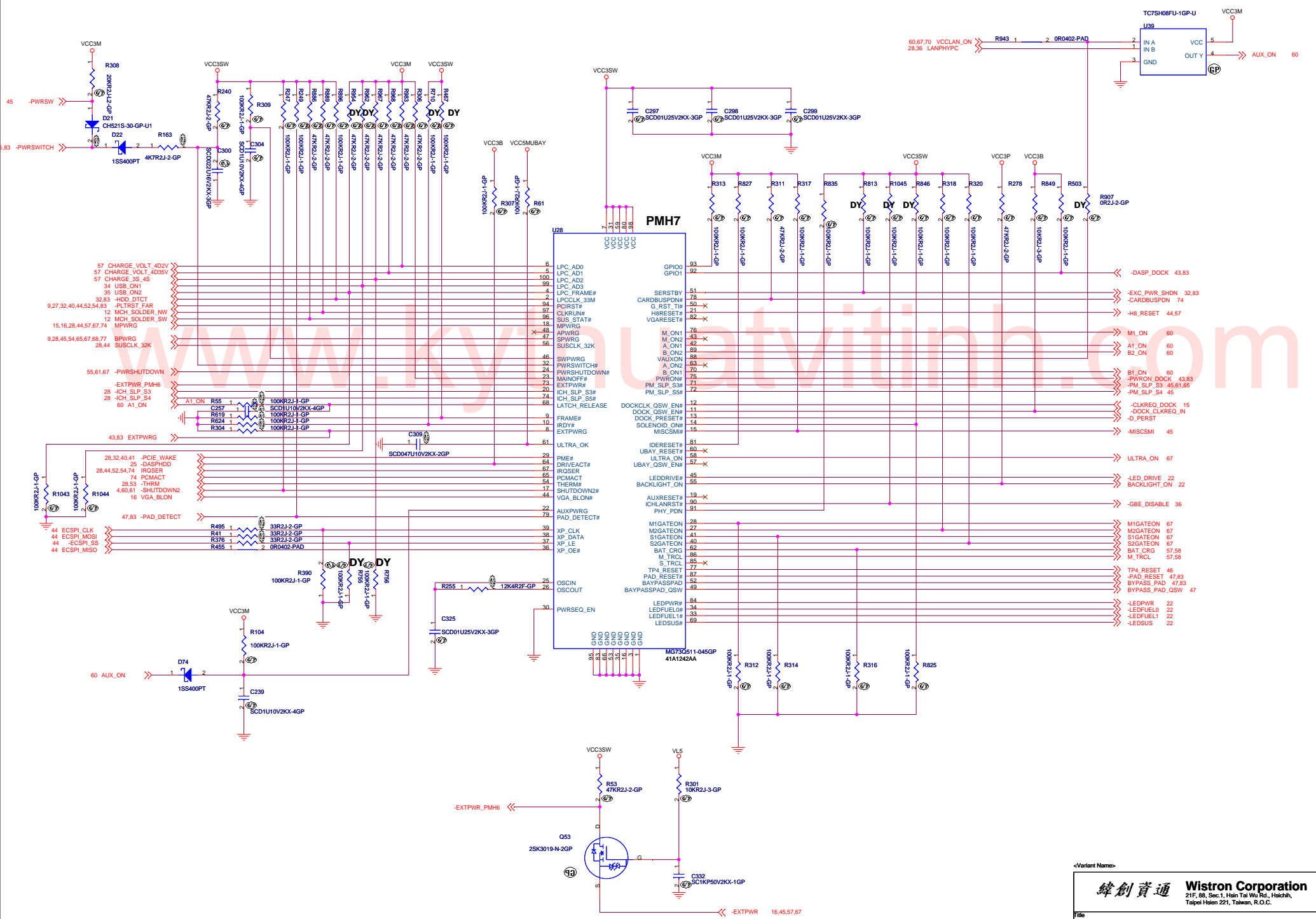


LOGIC

TABLE

N-note	ADXL322 / LIS244AL	LIS302ALB	No Accel.
	ADXL322	ST-MICRO	NO Accel.
R401	NO_ASM	NO_ASM	NO_ASM
R957	ASM	NO_ASM	NO_ASM
U9	NO_ASM	ASM	NO_ASM
U65	ASM	NO_ASM	NO_ASM
Q105	ASM	ASM	NO_ASM
D97	ASM	ASM	NO_ASM
R62	ASM	ASM	NO_ASM
R885	10 Ohm	ASM	NO_ASM
C829	ASM	ASM	NO_ASM
C969	ASM	ASM	NO_ASM
R959	ASM	ASM	NO_ASM
C830	ASM	ASM	NO_ASM
C847	ASM	ASM	NO_ASM
R969	56K	56K	NO_ASM
C938	ASM	ASM	NO_ASM
R970	56K	56K	NO_ASM
C956	ASM	ASM	NO_ASM
C704	NO_ASM	ASM	NO_ASM
R344	NO_ASM	ASM	NO_ASM
C703	NO_ASM	ASM	NO_ASM
R125	ASM	NO_ASM	ASM

Layout Comment :
 (1) Avoid routing under DCDC switching area.
 Width = 6 mil & Spacing = 10 mil
 for three Output traces



Variant Name:

緯創資通 Wistron Corporation
 217, 88, Sec.1, Hsin Tai Wu Rd., Hsinchu, Taipei Hsin 221, Taiwan, R.O.C.

File	MISC G/A (PMH-7)	
Size	Document Number	Rev
C	N-note	1
Date:	Thursday, June 26, 2008	Sheet 51 of 83

TABLE	
4IN1 SLOT	R561
YES	ASM
NO	NO_ASM

LOGIC

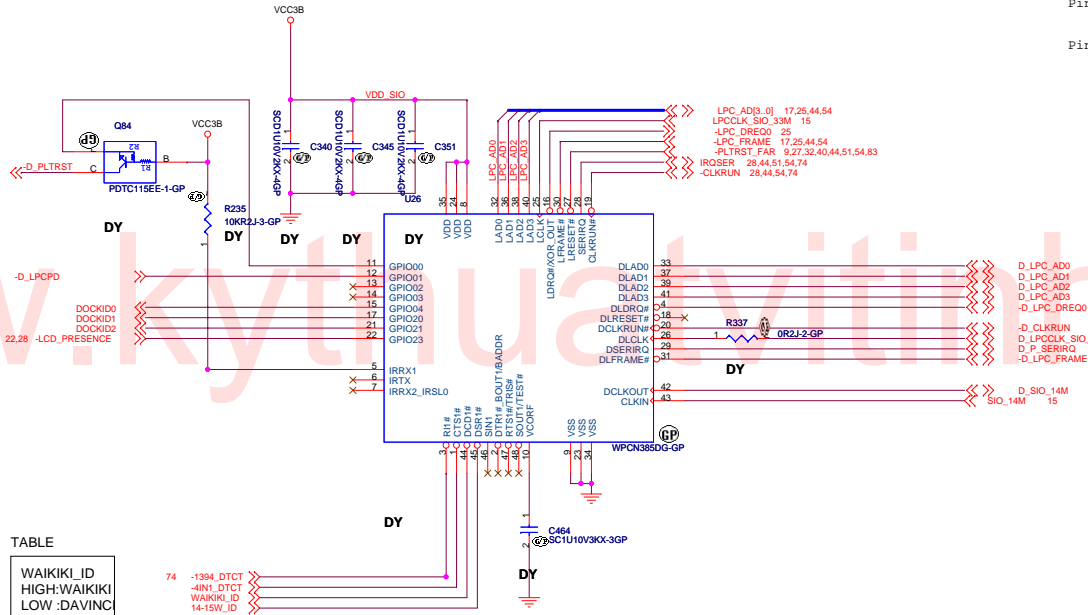


TABLE	
WAIKIKI_ID	HIGH:WAIKIKI
	LOW :DAVINIC

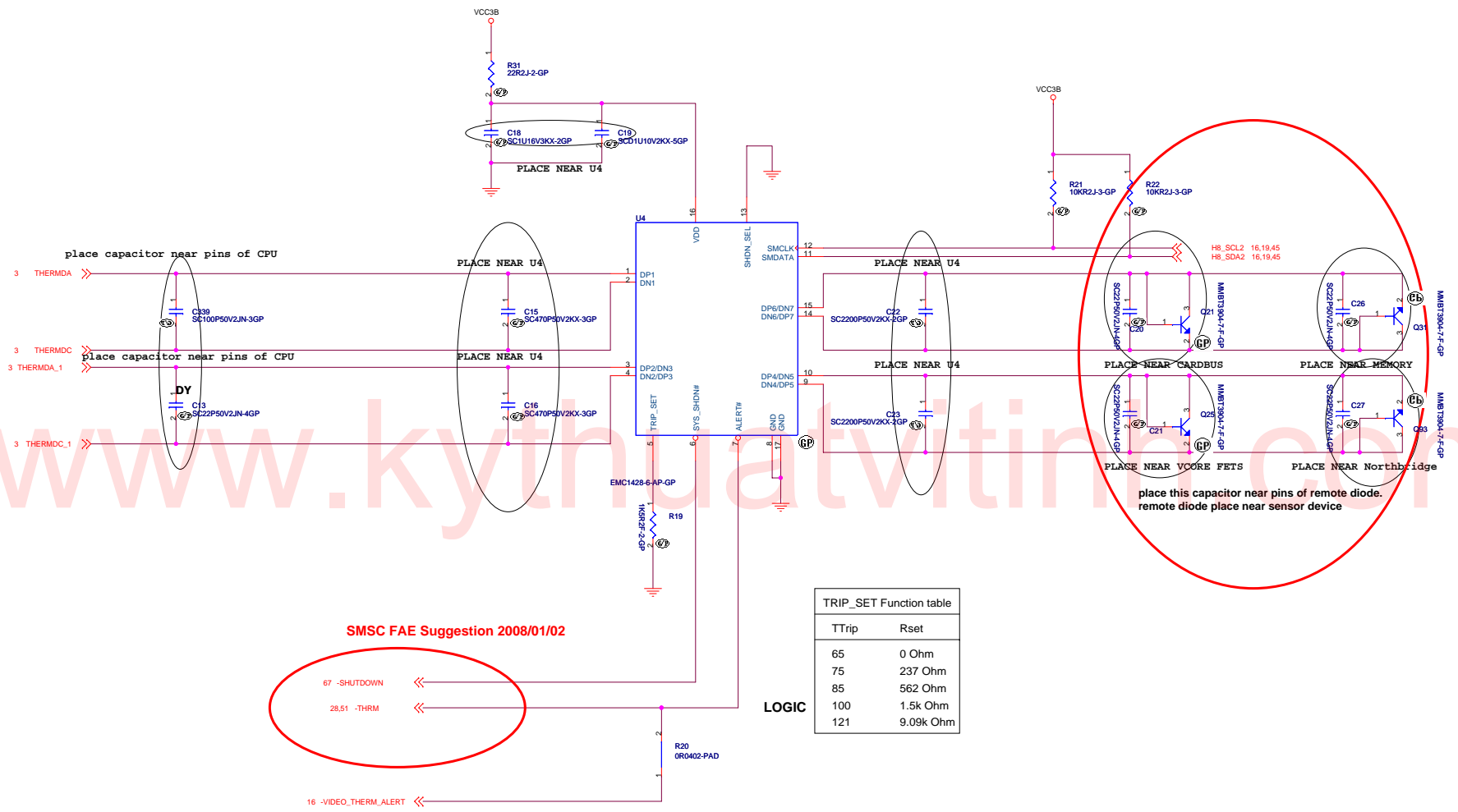
TABLE	
	R1022
14"	NO_ASM
15"W	ASM

LOGIC

GPIO ASSIGNMENT LIST	
GPIO00	:LPC RESET# FOR DOCKING LPC DEVICE
GPIO01	:LPC POWER DOWN FOR DOCKING LPC DEVICE
GPIO02	:RESERVED(INTERNAL PULLUP ENABLE)
GPIO03	:RESERVED(INTERNAL PULLUP ENABLE)
GPIO04	:DOCK ID 0(INTERNAL PULLUP ENABLE)
GPIO20	:DOCK ID 1(INTERNAL PULLUP ENABLE)
GPIO21	:DOCK ID 2(INTERNAL PULLUP ENABLE)
GPIO23	:LCD PRESENCE DETECT(INTERNAL PULLUP ENABLE)

- GPIO PORT1 ASSIGNMENT LIST
- Pin3: GPIO10:1394 PORT DETECT (INTERNAL PULLUP ENABLE)
 - Pin1 : GPIO11:4-IN-1 SLOT DETECT (INTERNAL PULLUP ENABLE)
 - Pin48 : GPIO12:RESERVED(NC)
 - Pin47 : GPIO13:RESERVED(NC)
 - Pin46 : GPIO14:RESERVED(NC) (INTERNAL PULLUP ENABLE)
 - Pin45 : GPIO15:14/15W ID (INTERNAL PULLUP ENABLE)
 - Pin44 : GPIO16:WAIKIKI ID (INTERNAL PULLUP ENABLE)
 - Pin7 : GPIO17:RESERVED(NC) (INTERNAL PULLUP ENABLE)

- Power On strap pin
- Pin2 : Base I/O address
 - NC : 164E/164F (Internal PU)
 - PD : 2E/2F
 - Pin31 : LPC Switch function
 - NC : Switch Enable(controlle by DLCON bit)
 - PD : Switch Disable(forced to be Dissconnected)
 - Pin47 : Tristate
 - NC : Normal Operation
 - PD : All pins floating
 - Pin48 : Test
 - NC : Normal Operation
 - PD : Test mode



SMSC FAE Suggestion 2008/01/02



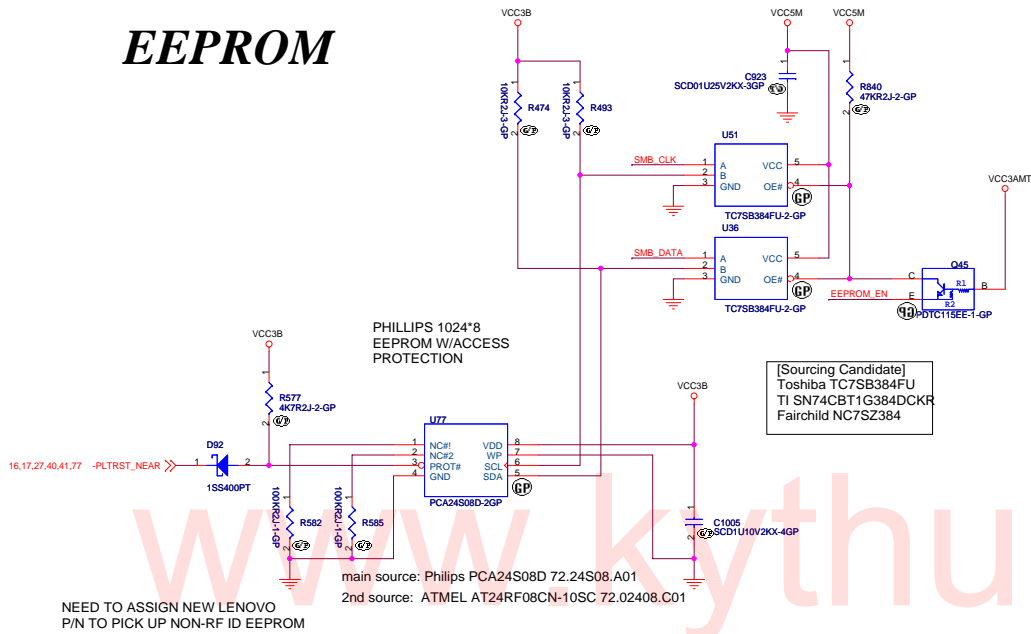
TRIP_SET Function table

TTrip	Rset
65	0 Ohm
75	237 Ohm
85	562 Ohm
100	1.5k Ohm
121	9.09k Ohm

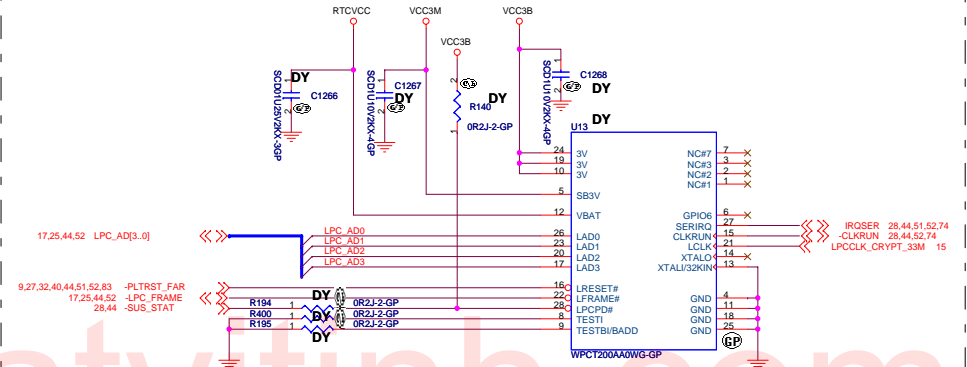
LOGIC

SMBUS ADDRESS: 1001_100xb
PLACE NEAR GLAN CHIP

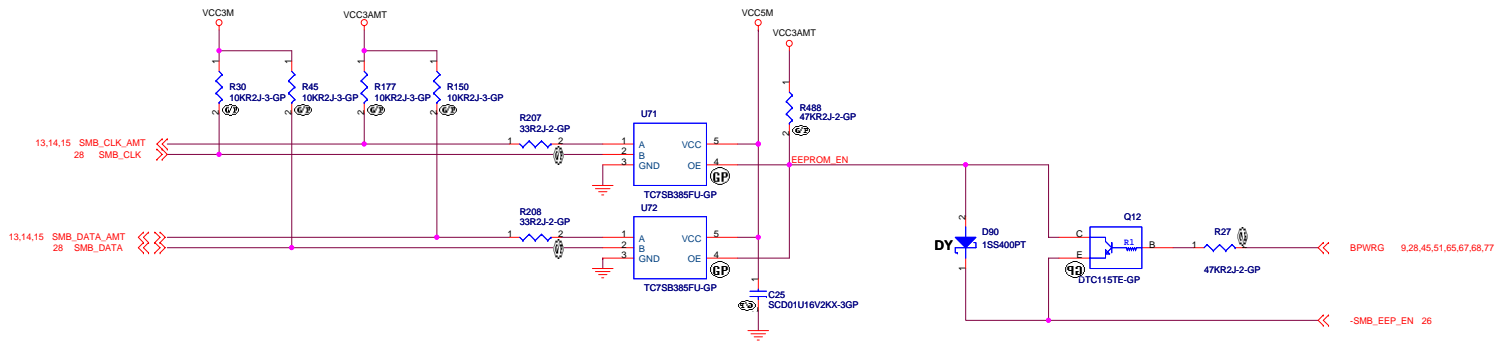
EEPROM



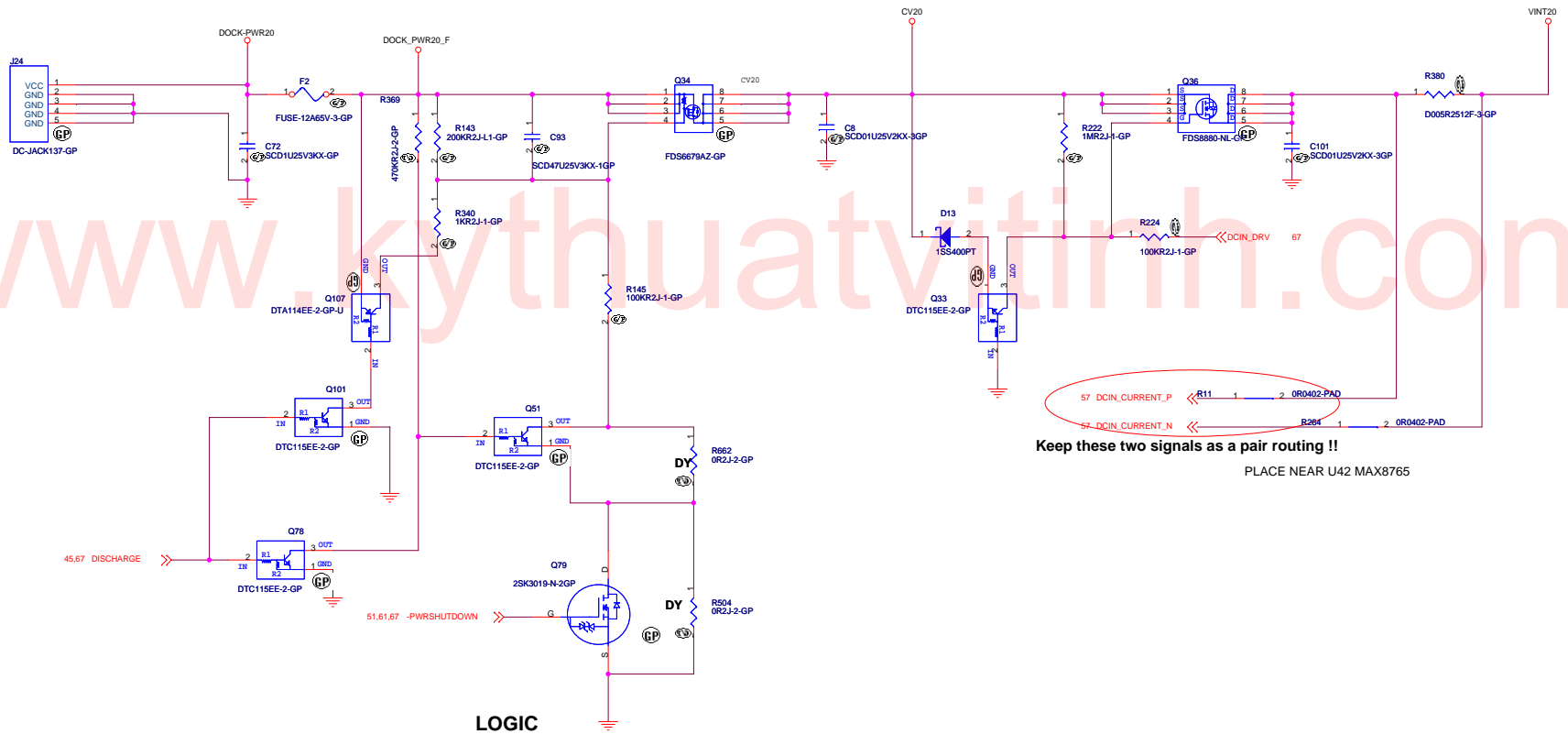
TCPA



SM BUS SW



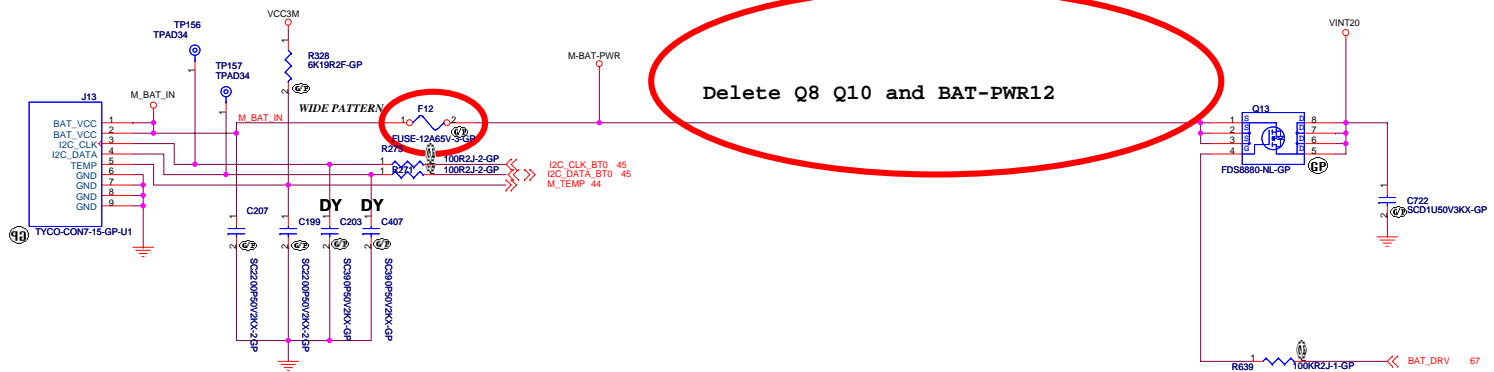
www.kythuatchinh.com



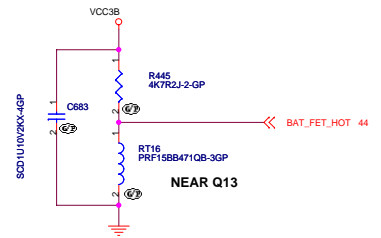
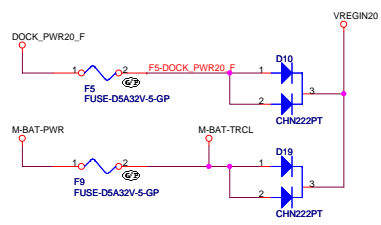
57 DCIN_CURRENT_P << R11 1 2 0R0402-PAD
 57 DCIN_CURRENT_N << R264 1 2 0R0402-PAD
Keep these two signals as a pair routing !!
 PLACE NEAR U42 MAX8765

LOGIC
 ↓

PEAK SHIFT	YES	NO
R662	NO-ASM	ASM
R369	ASM	NO-ASM
Q78	ASM	NO-ASM
Q51	ASM	NO-ASM

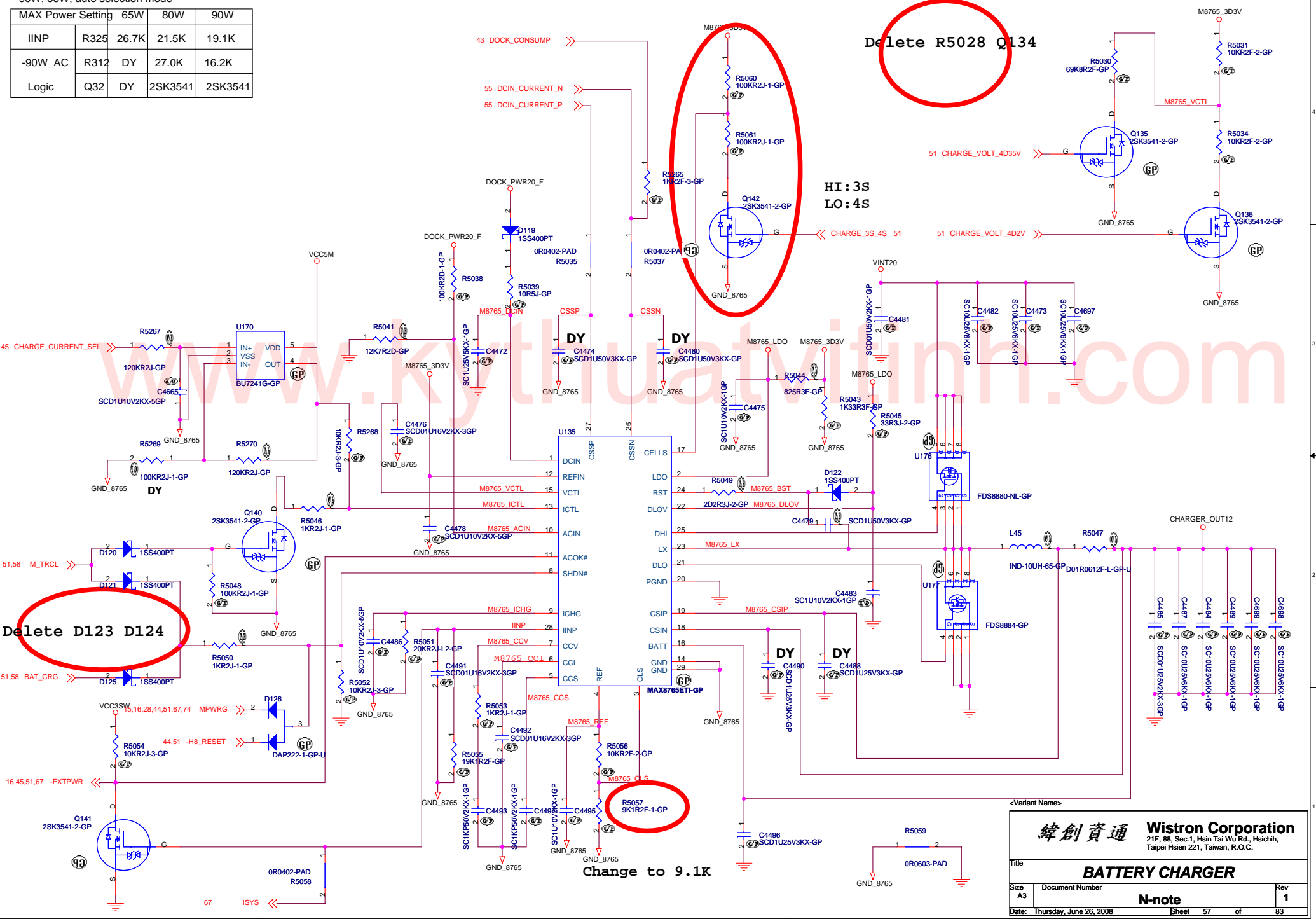


www.kythuativinh.com



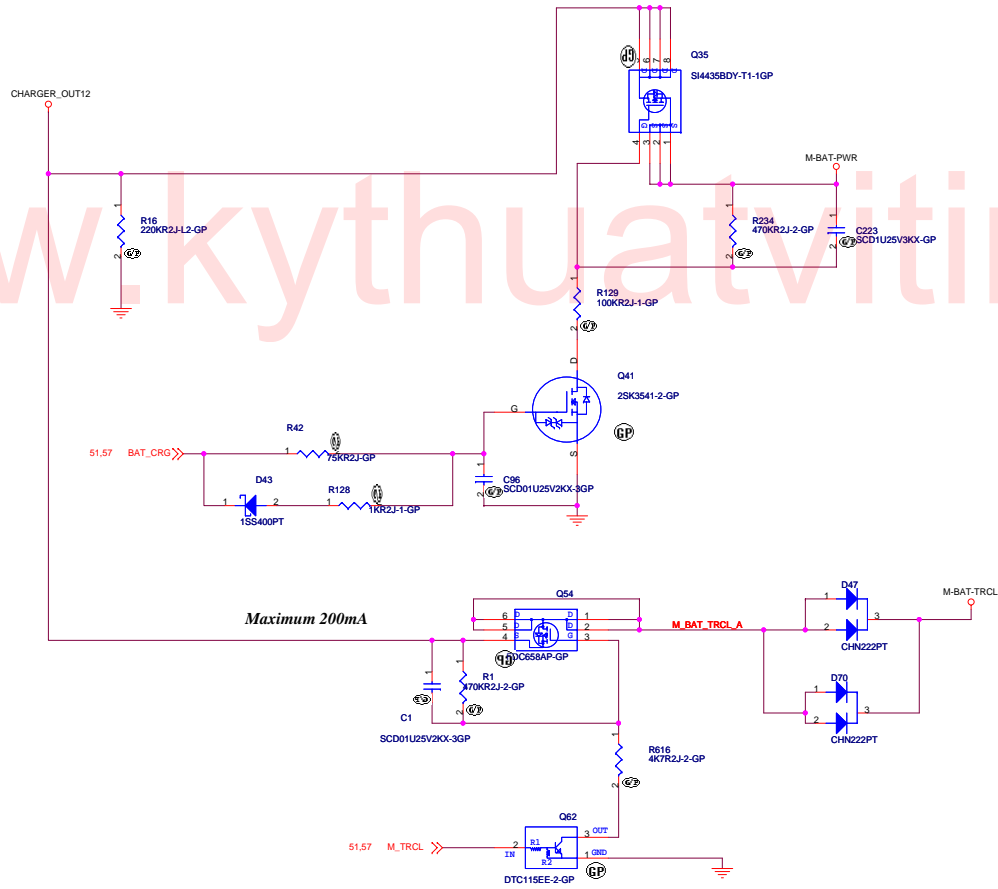
90W, 65W, auto selection mode

MAX Power Setting	65W	80W	90W
IINP	R325 26.7K	21.5K	19.1K
-90W_AC	R312 DY 27.0K	16.2K	
Logic	Q32 DY 2SK3541	2SK3541	



Wistron Corporation 21F, 88, Sec.1, Hsin Tai Wu Rd., Hsichih, Taipei Hsien 221, Taiwan, R.O.C.		
BATTERY CHARGER		
Title	Document Number	Rev
A3	N-note	1
Date: Thursday, June 26, 2008	Sheet 57	of 83

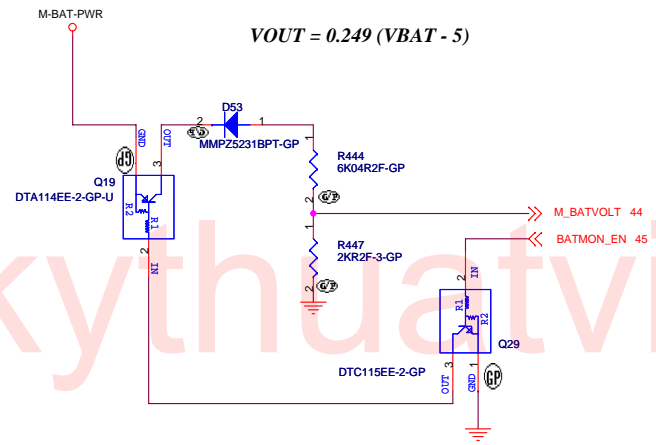
www.kythuathvithinh.com



<Variant Name>

Wistron Corporation 21F, 88, Sec.1, Hsin Tai Wu Rd., Hsichih, Taipei Hsien 221, Taiwan, R.O.C.	
CHARGER SELECT	
File	
Size	Document Number
Date	Thursday, June 26, 2008
Sheet	58 of 63
Rev	1
N note	

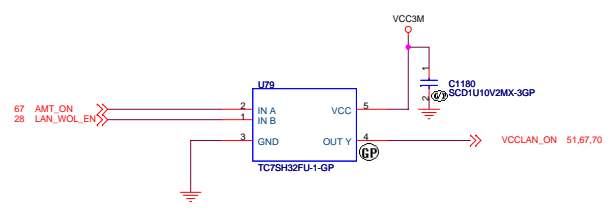
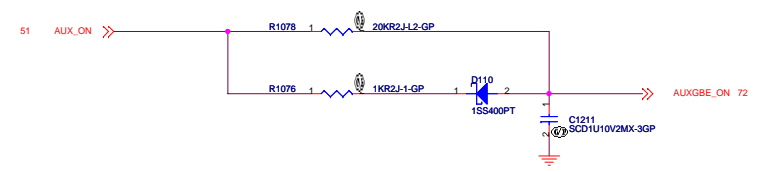
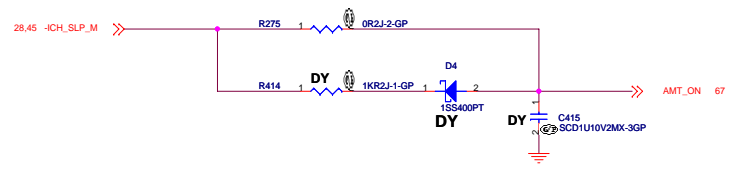
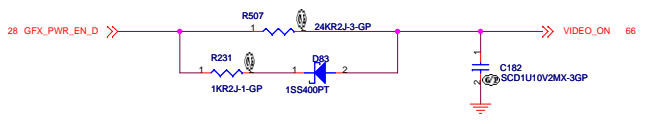
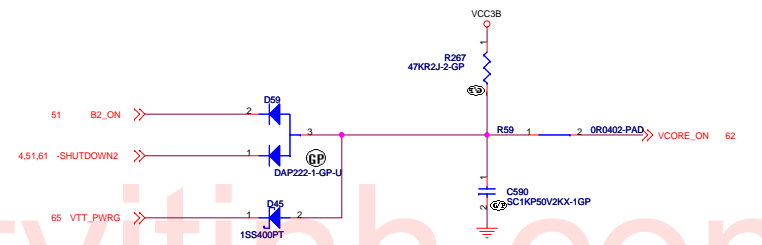
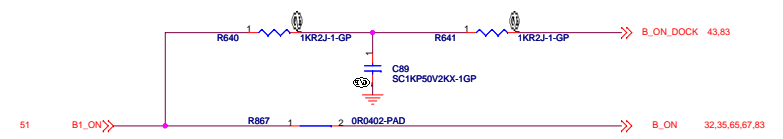
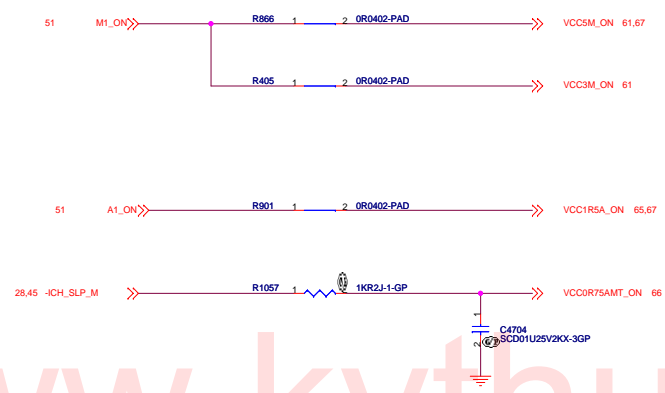
www.kythaatvithinh.com



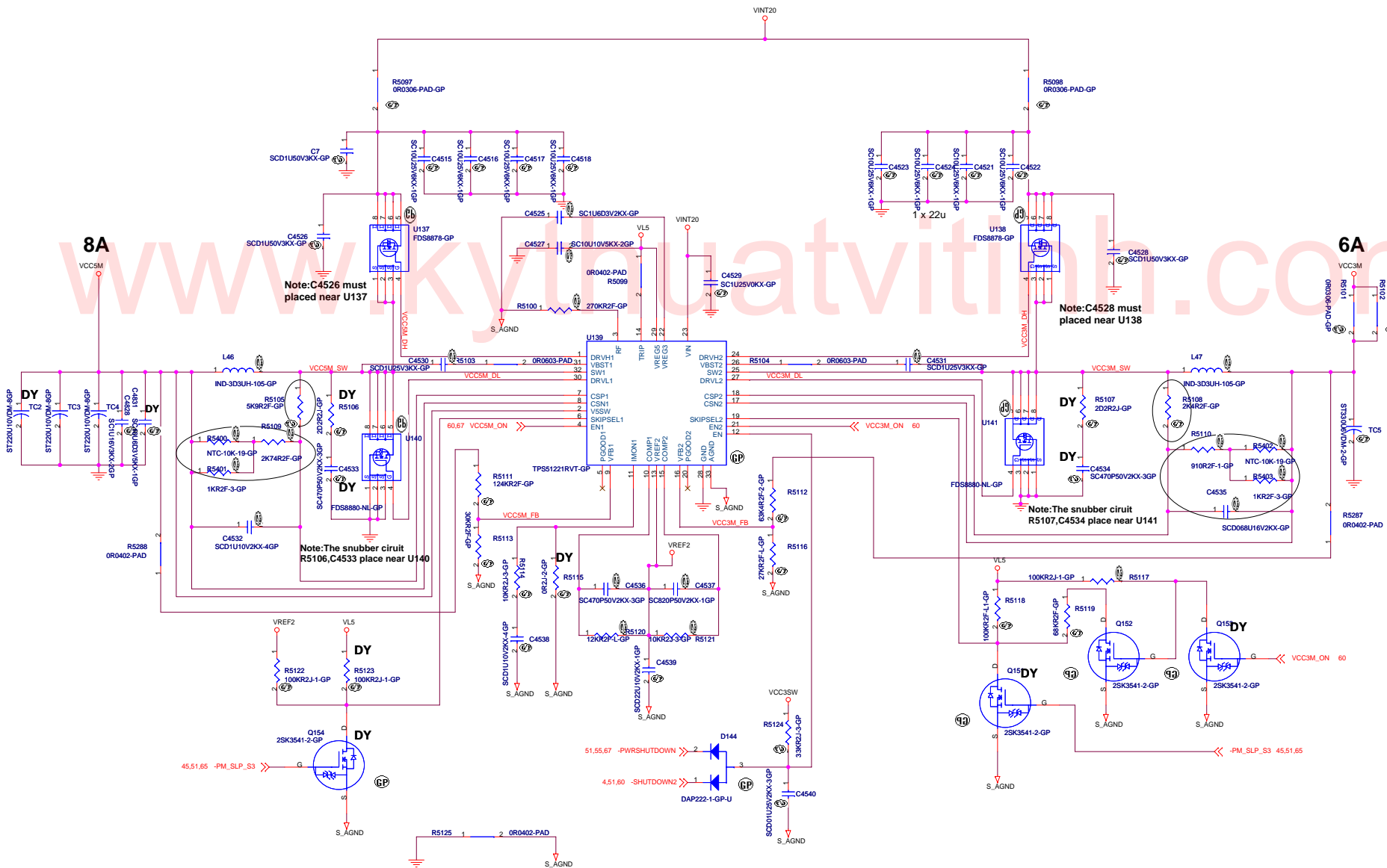
<Variant Name>

緯創資通 Wistron Corporation	
<small>21F, 88, Sec.1, Hsin Tai Wu Rd., Hsichih, Taipei Hsien 221, Taiwan, R.O.C.</small>	
BATTERY MONITOR	
Size C	Document Number
N note	
Date: Thursday, June 26, 2008	Sheet 59 of 83

Rev 1



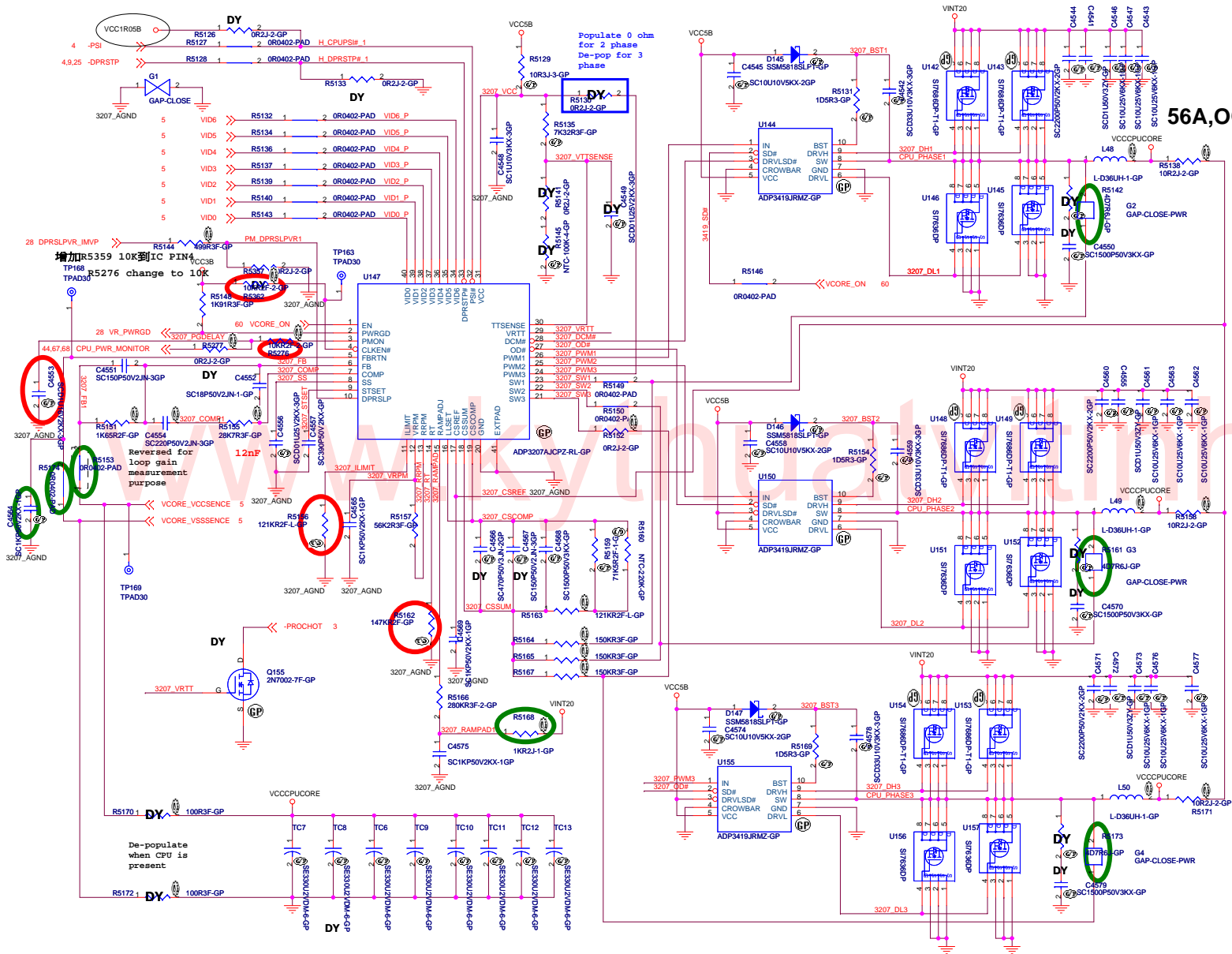
www.kythuativitinh.com



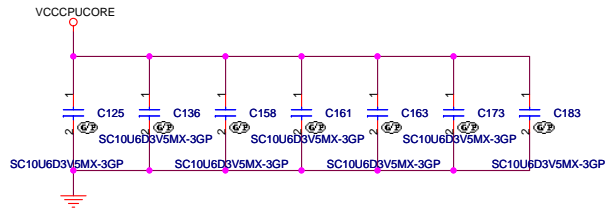
<Variant Name>

緯創資通 Wistron Corporation
21F, 88, Sec.1, Hsin Tai Wu Rd., Hsinchu,
Taipei Hsien 221, Taiwan, R.O.C.

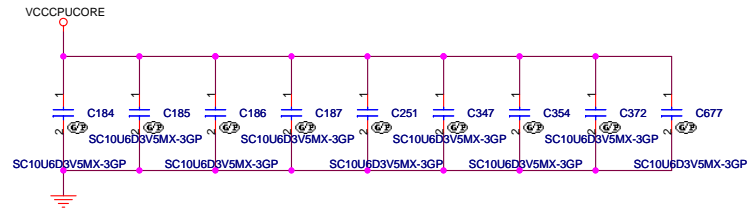
File		DC-DC VCC3M/VCC5M	
Size		N-note	
Document Number		Rev 1	
Date: Thursday, June 26, 2008	Sheet 61	of 63	



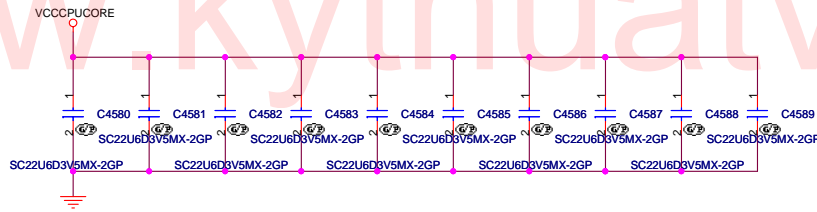
56A, OCP>64A



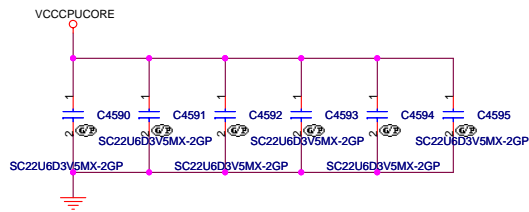
10UF 6.3V X5R 2125 1/16W X16 PCS



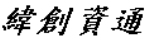
www.kythuatvithinh.com



22UF 6.3V X5R 2125 1/16W X16 PCS



<Variant Name>

 Wistron Corporation 21F, 88, Sec.1, Hsin Tai Wu Rd., Hsichih, Taipei Hsien 221, Taiwan, R.O.C.	
VCCCPUCORE DECOUPLING	
Size C	Document Number
N note	
Date: Thursday, June 26, 2008	Sheet 63 of 83
Rev	1

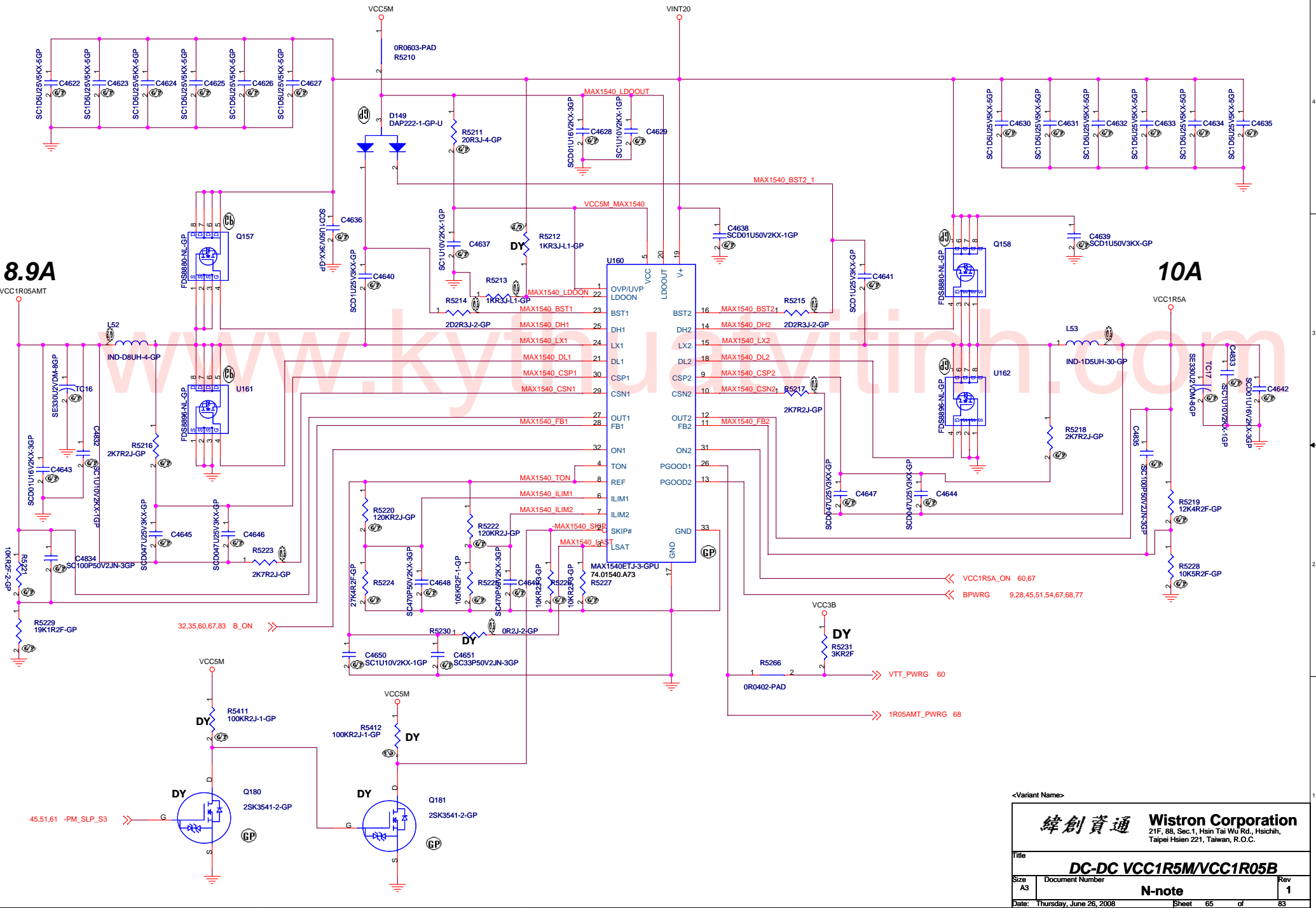
www.kythuatvitinh.com

<Variant Name>

緯創資通		Wistron Corporation	
		<small>21F, 88, Sec.1, Hsin Tai Wu Rd., Hsichin, Taipei Hsien 221, Taiwan, R.O.C.</small>	
Title			
DC-DC GFX CORE			
Size	Document Number	Rev	
Custom	N-note	1	
Date:	Thursday, June 26, 2008	Sheet	64 of 83

8.9A

10A



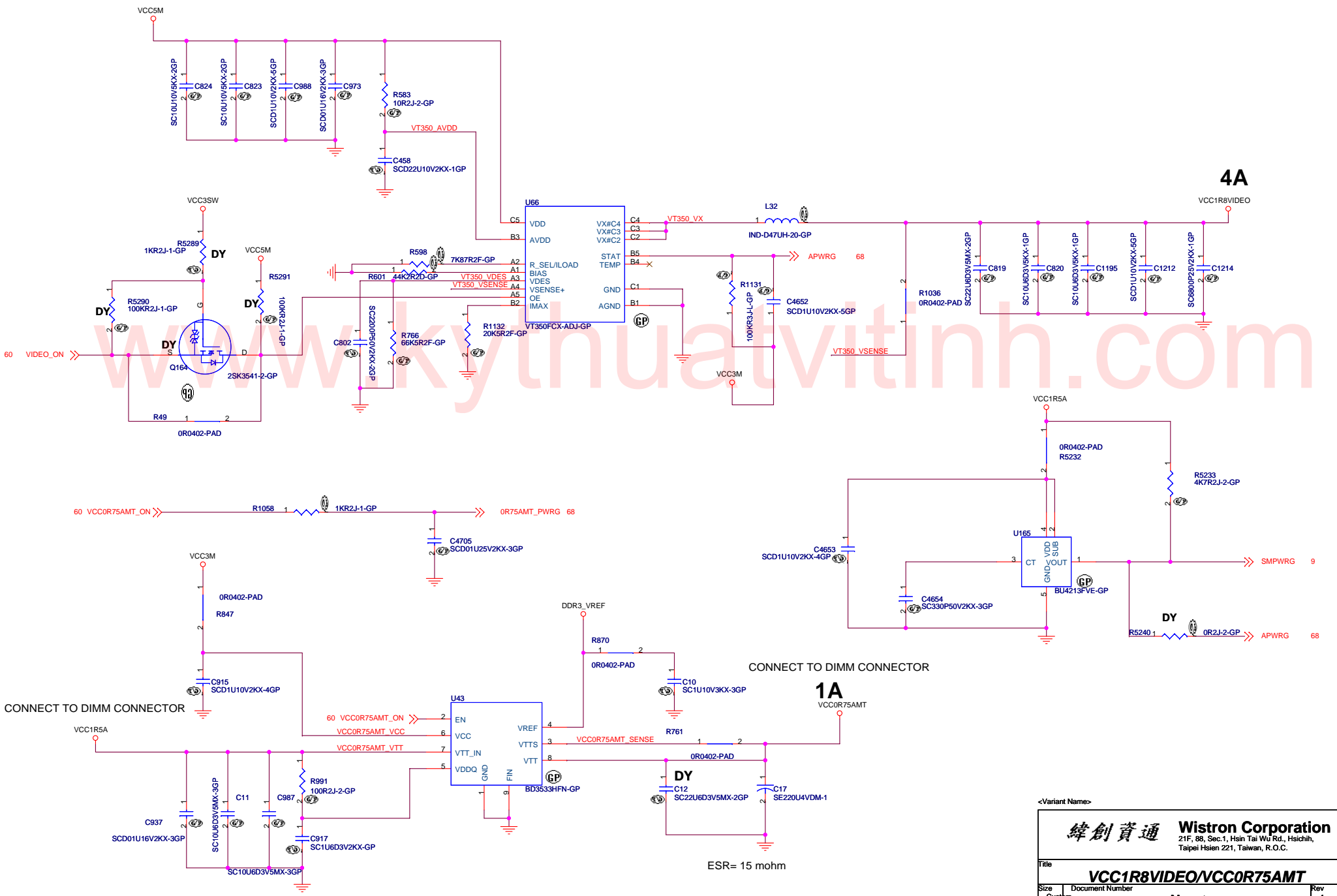
<Variant Name>

緯創資通 Wistron Corporation
 21F, 88, Sec. 1, Hsin Tai Wu Rd., Hsichih,
 Taipei Hsien 221, Taiwan, R.O.C.

Title: **DC-DC VCC1R5M/VCC1R05B**

Size A3 Document Number **N-note** Rev 1

Date: Thursday, June 26, 2008 Sheet 65 of 83



<Variant Name>

緯創資通 Wistron Corporation
 21F, 88, Sec.1, Hsin Tai Wu Rd., Hsichih, Taipei Hsien 221, Taiwan, R.O.C.

Title: **VCC1R8VIDEO/VCC0R75AMT**

Size	Document Number	Rev
Custom	N-note	1

Date: Thursday, June 26, 2008 Sheet 66 of 83

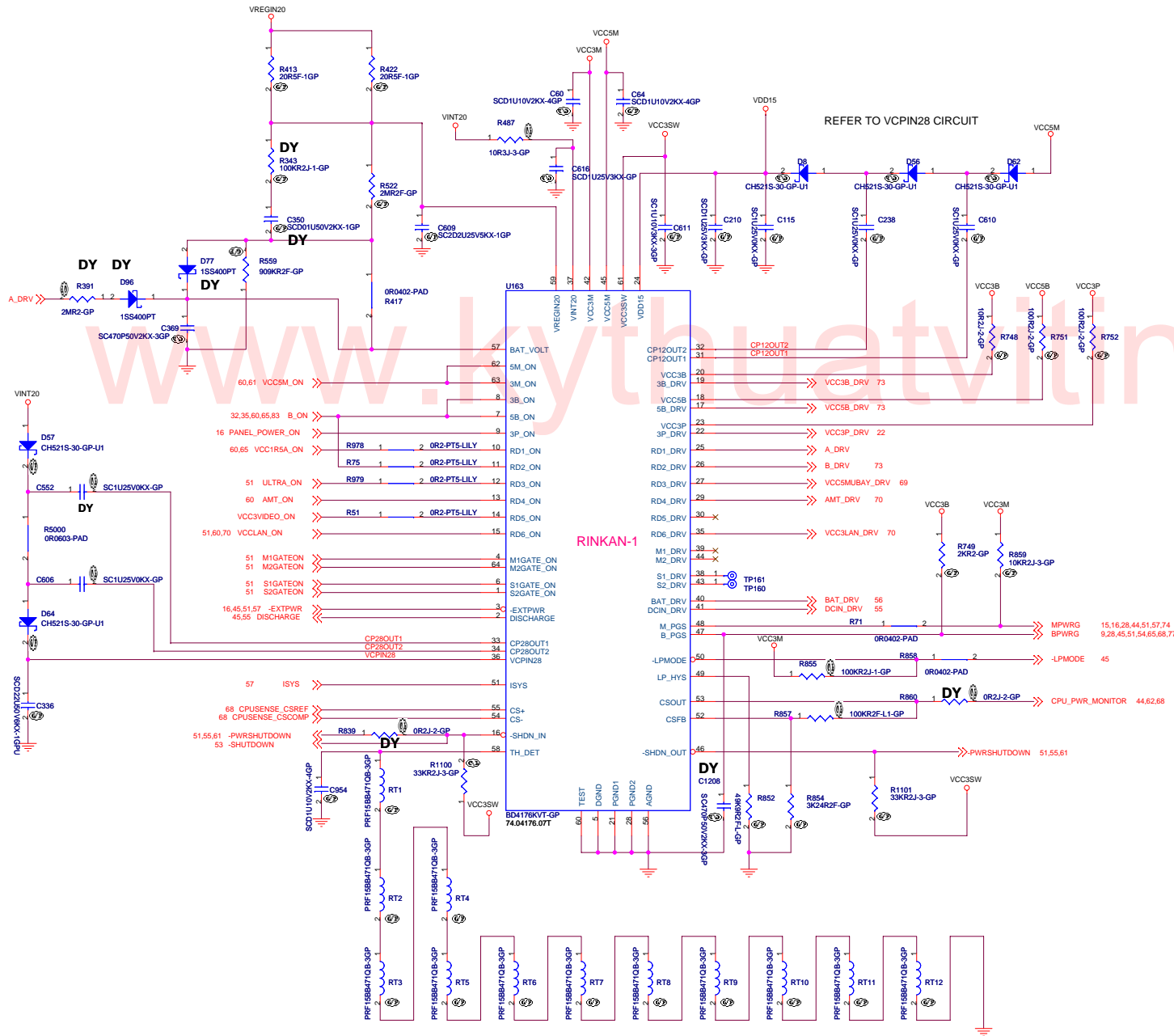
ESR= 15 mohm

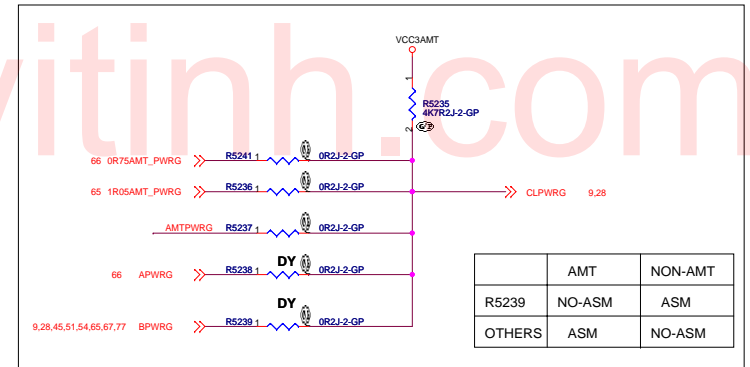
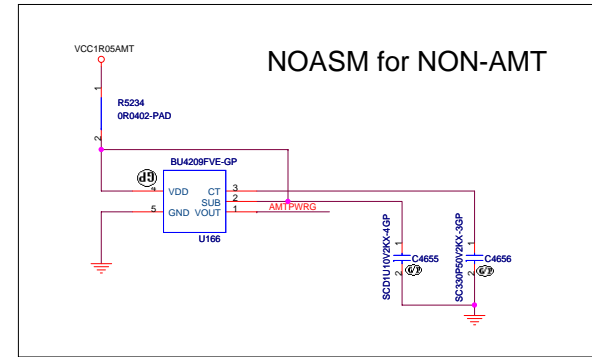
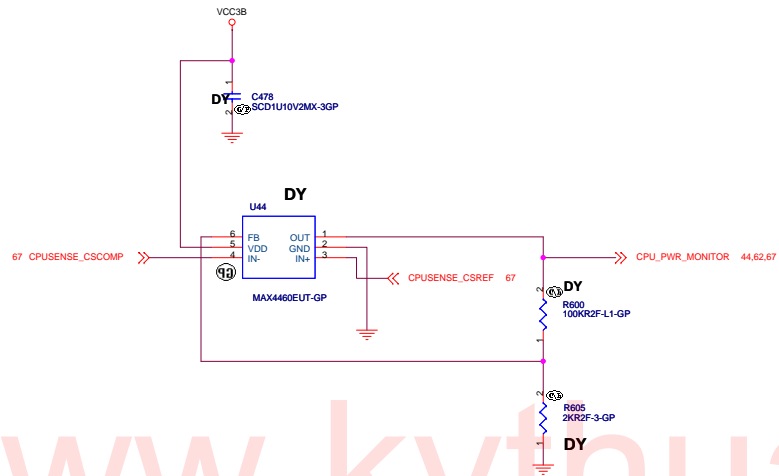
CONNECT TO DIMM CONNECTOR

CONNECT TO DIMM CONNECTOR

4A

1A



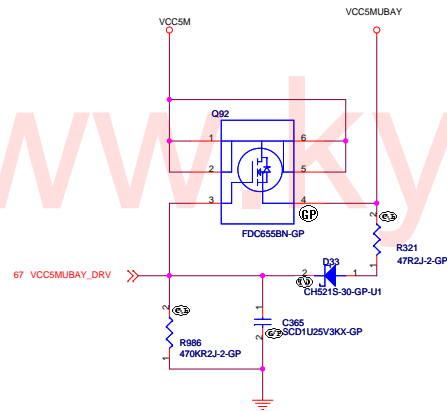


www.kytnuatvith.com

<Variant Name>

Ultrabay Power Load Switch

1.8A

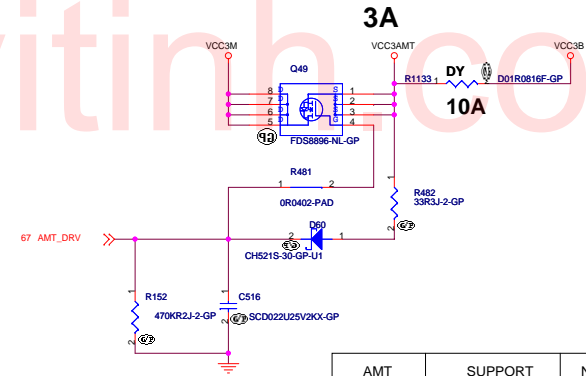
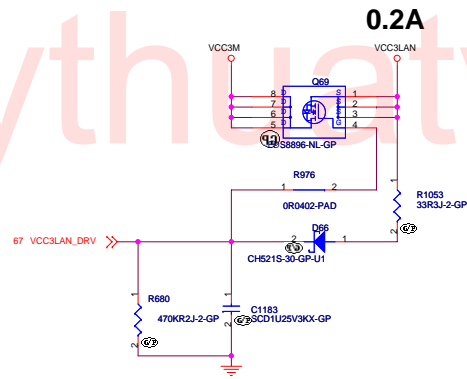
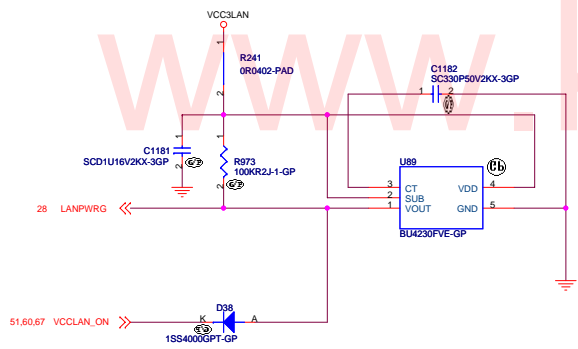


www.kythuatchinh.com

<Variant Name>

緯創資通 Wistron Corporation
21F, 88, Sec.1, Hsin Tai Wu Rd., Hsichih,
Taipei Hsien 221, Taiwan, R.O.C.

File		
LOAD SW(B&UBAY)		
Size	Document Number	Rev
C	N-note	1
Date:	Thursday, June 26, 2008	Sheet 69 of 83



AMT	SUPPORT	NON
R1133	NO_ASM	ASM
THEE OTHER	ASM	NO_ASM

↑
LOGIC

<Variant Name>

緯創資通 **Wistron Corporation**
21F, 88, Sec. 1, Hsin Tai Wu Rd., Hsichin,
Taipei Hsien Z21, Taiwan, R.O.C.

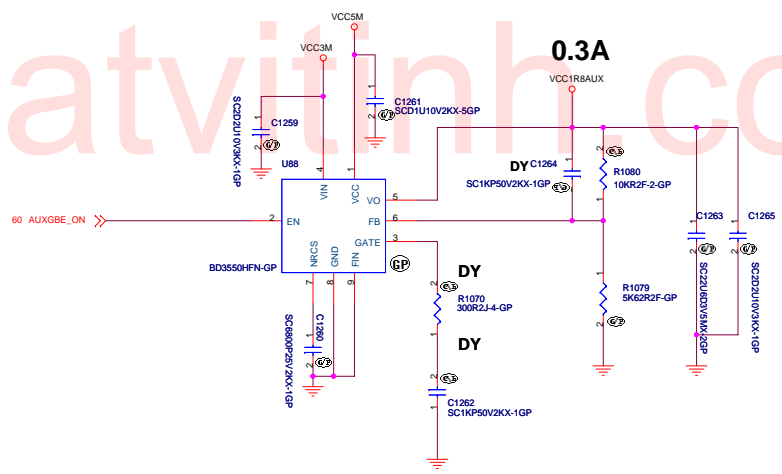
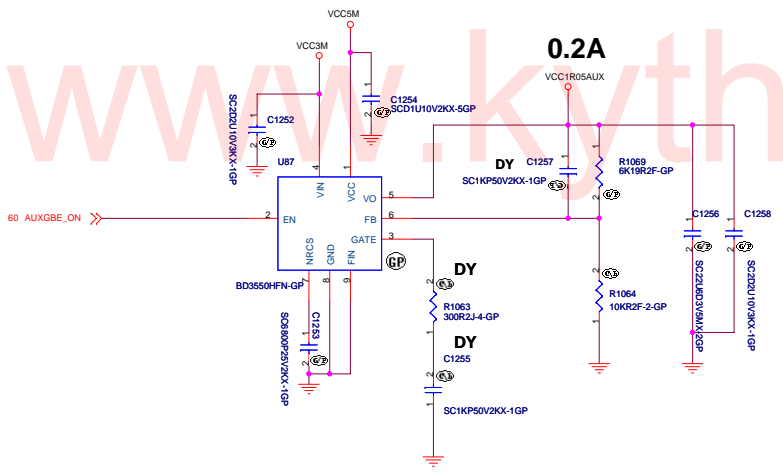
File			LOAD SE AMT & LAN		
Size	Document Number				Rev
C	N-note				1
Date:	Thursday, June 26, 2008	Sheet	70	of	83

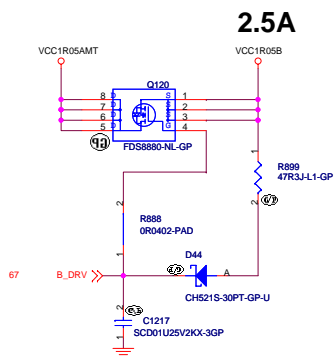
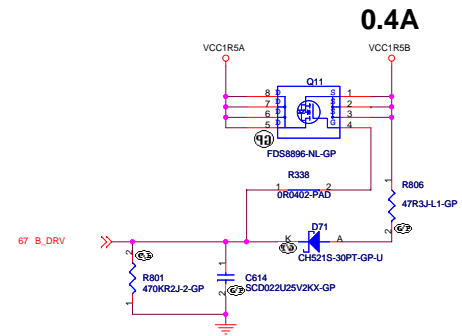
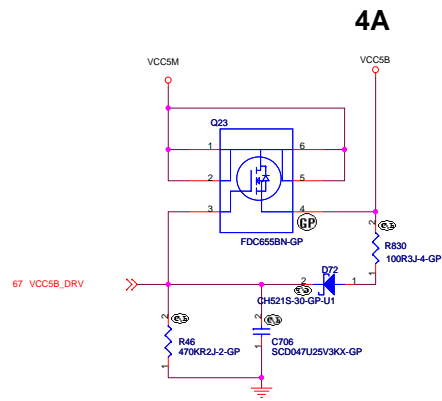
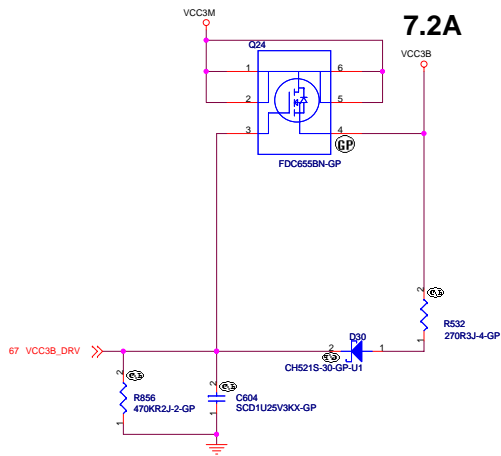
www.kythuatvitinh.com

<Variant Name>

緯創資通		Wistron Corporation	
		21F, 88, Sec. 1, Hsin Tai Wu Rd., Hsichih, Taipei Hsien 221, Taiwan, R.O.C.	
File		LOAD SW VIDEO	
Size	Document Number		Rev
C	N-note		1
Date:	Thursday, June 26, 2008	Sheet	71 of 83

VCC1R8AUX
 1.8V : R1079 : 5.62KOHM
 2.5V: R1079: 3.48KOHM





www.kythuatchinh.com

<Variant Name>

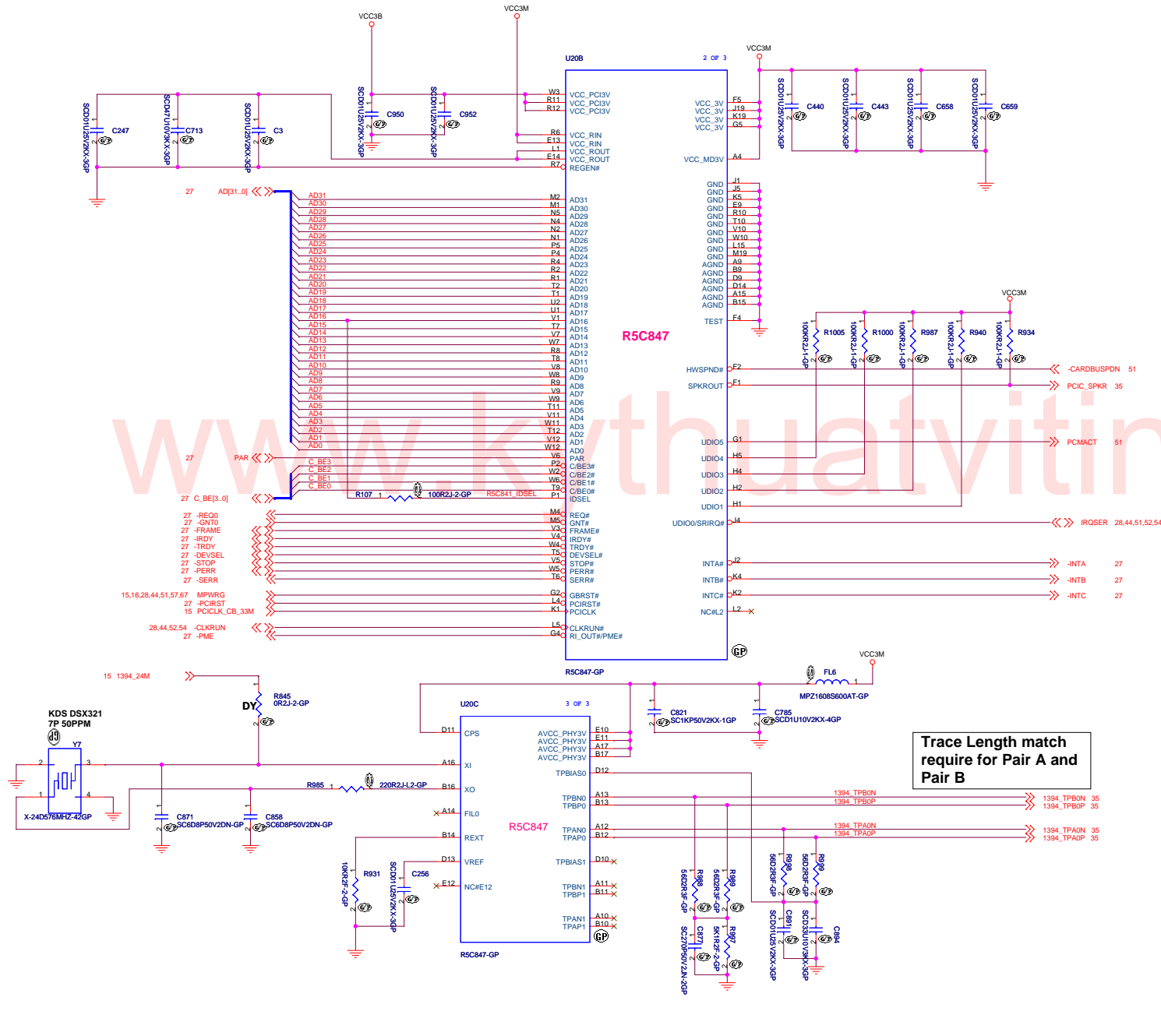
緯創資通 Wistron Corporation
21F, 88, Sec. 1, Hsin Tai Wu Rd., Hsichin,
Taipei Hsien Z21, Taiwan, R.O.C.

File		LOAD SW B	
Size	Document Number	Rev	
C		1	
Date:	Thursday, June 26, 2008	Sheet	73 of 83

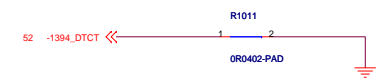
TABLE 1394

NO-1394 YES-1394

U20	R5C804	R5C847/ R5C803
FL6	0ohm	MPZ1608S600A
R931	NO_ASM	ASM
C256	NO_ASM	ASM
R988	NO_ASM	ASM
R989	NO_ASM	ASM
R998	NO_ASM	ASM
R999	NO_ASM	ASM
C877	NO_ASM	ASM
R997	NO_ASM	ASM
C891	NO_ASM	ASM
C894	NO_ASM	ASM
J28	NO_ASM	ASM
C801	NO_ASM	ASM
R985	NO_ASM	ASM
Y7	NO_ASM	ASM
C858	NO_ASM	ASM
C871	NO_ASM	ASM
R1011	NO_ASM	ASM
D106	NO_ASM	ASM
FL2	NO_ASM	ASM
FL8	NO_ASM	ASM



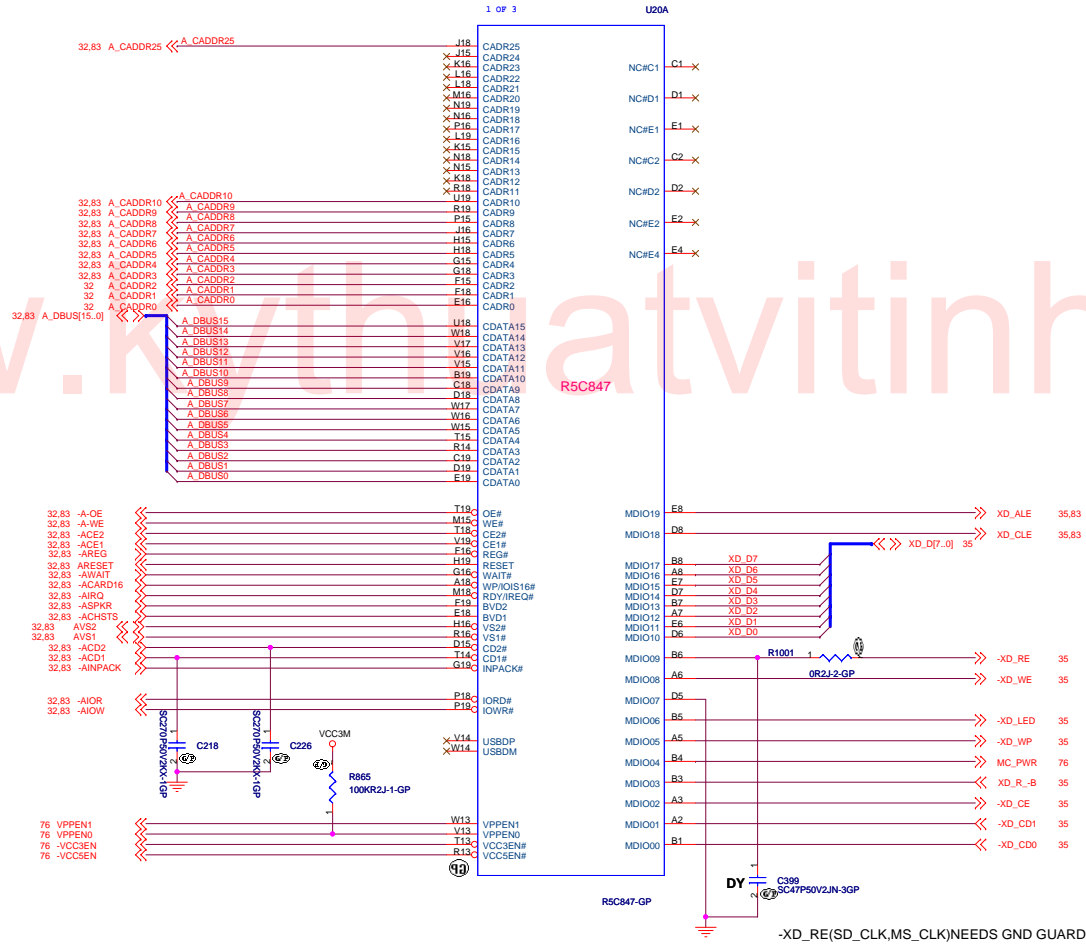
Trace Length match
require for Pair A and
Pair B



TP343 TPAD34 1 A_CADDR0
 TP344 TPAD34 1 A_CADDR1
 TP345 TPAD34 1 A_CADDR2

TP373 TPAD34 1 A_DBUS0
 TP374 TPAD34 1 A_DBUS1
 TP438 TPAD34 1 A_DBUS2
 TP445 TPAD34 1 A_DBUS3
 TP444 TPAD34 1 A_DBUS4

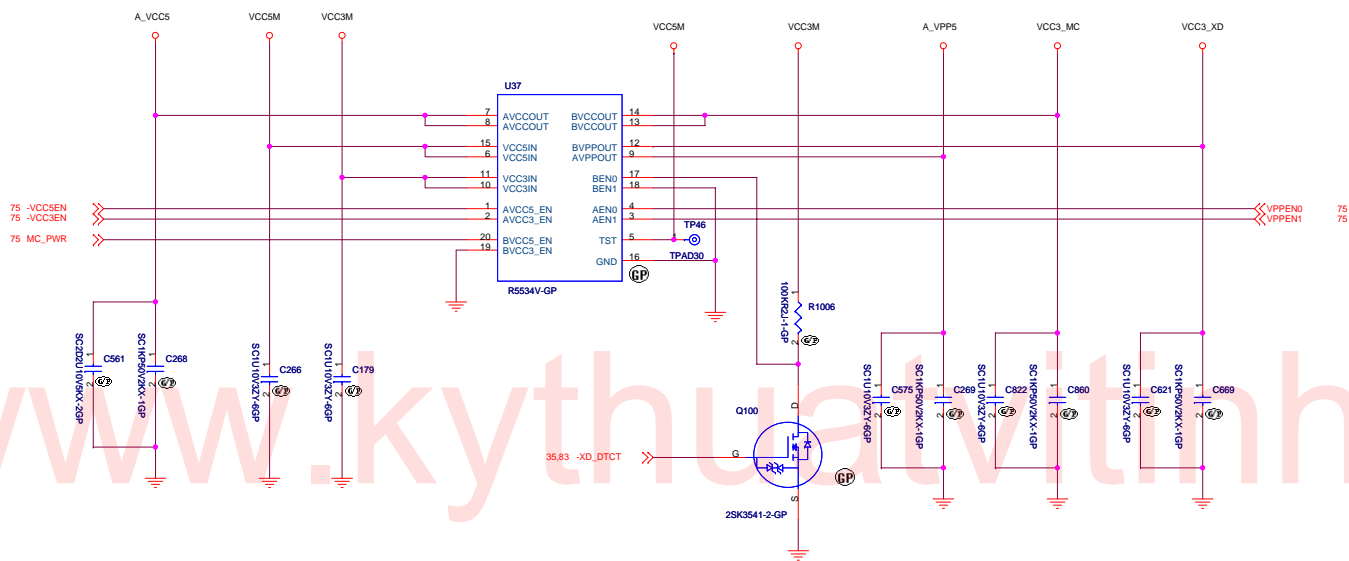
TP435 TPAD34 1 A_DBUS11
 TP432 TPAD34 1 A_DBUS12
 TP434 TPAD34 1 A_DBUS15



<Variant Name>

緯創資通 Wistron Corporation
 21F, 88, Sec.1, Hsin Tai Wu Rd., Hsinchu,
 Taipei Hsien 221, Taiwan, R.O.C.

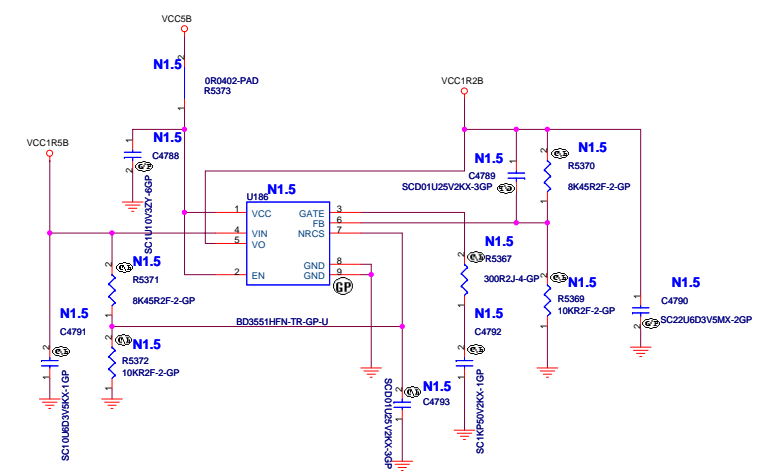
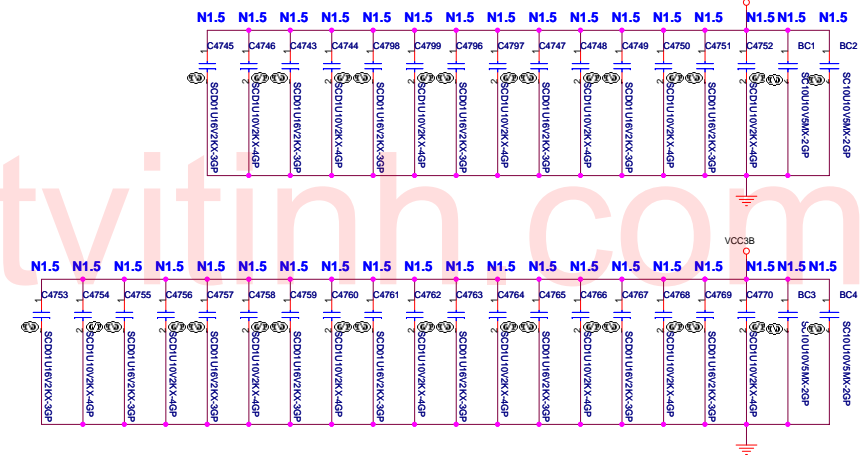
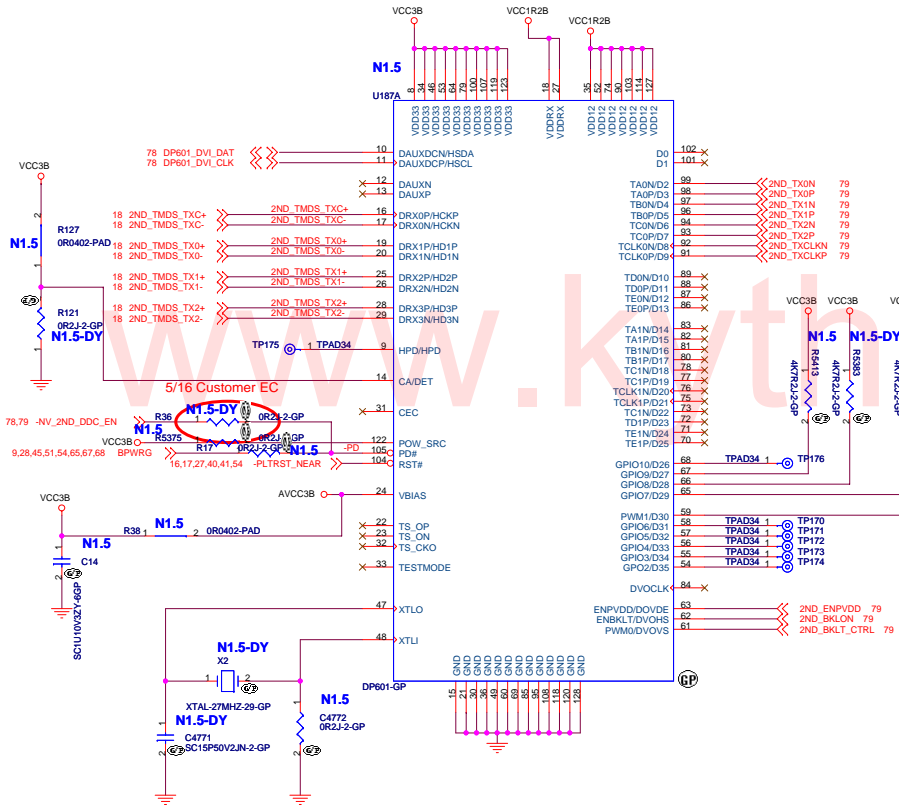
File		CARD BUS CONTROLLER (2/2)	
Size	Document Number	N-note	
C		Rev	1
Date:	Thursday, June 26, 2008	Sheet	75 of 63



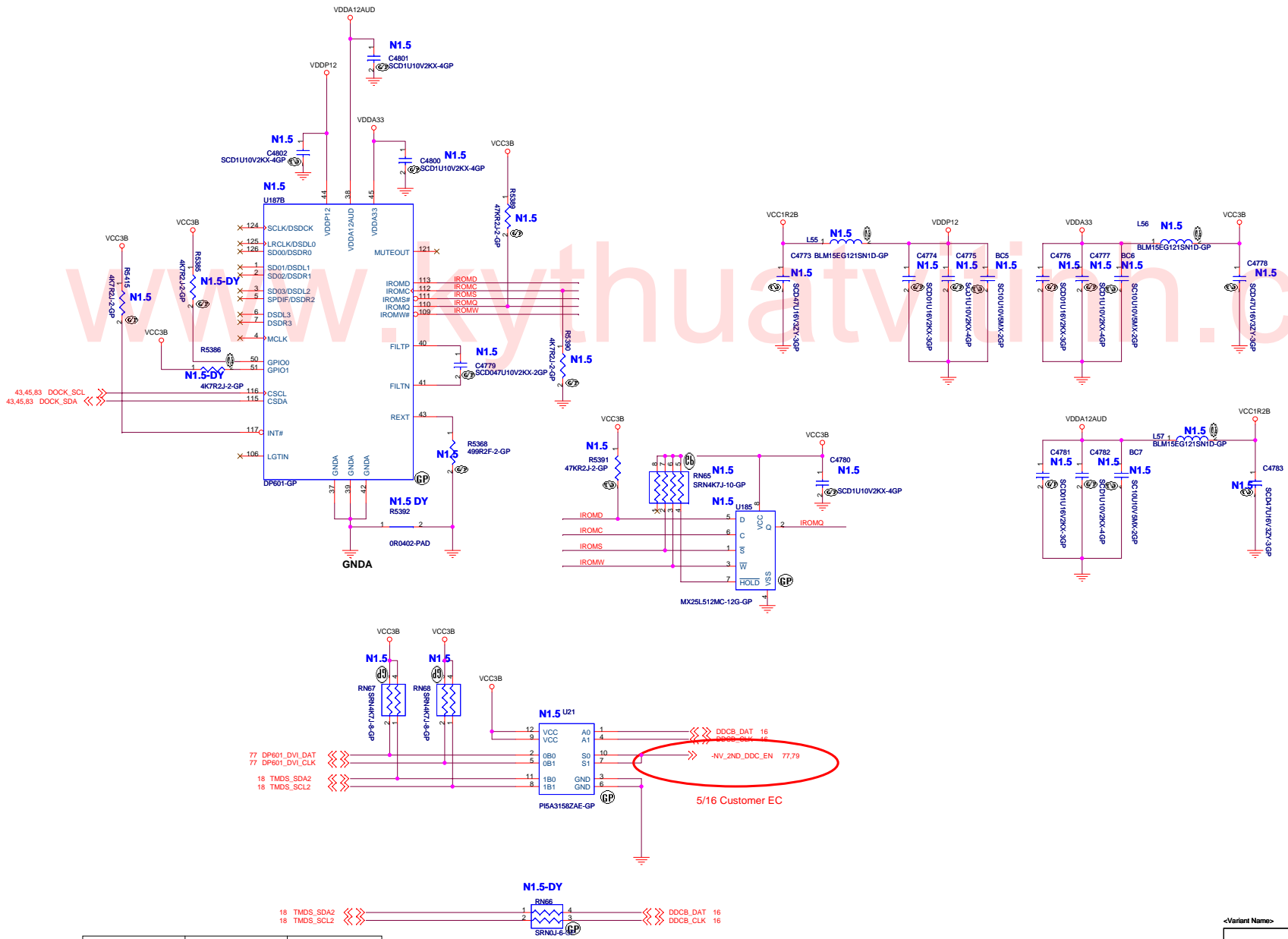
U20	R5C847	R5C803/4
C822	ASM	NO_ASM
C860	ASM	NO_ASM
C621	ASM	NO_ASM
C669	ASM	NO_ASM

↑
LOGIC

www.kything.com



DP601	Internal XTAL	External XTAL
X2	NO-ASM	ASM
C4771	NO-ASM	ASM
C4772	0 Ohm	ASM



RN66 Dummy is supported 2'nd LCD.

	2nd LCD	NON 2nd LCD
U21	Yes	No
RN66	No	Yes

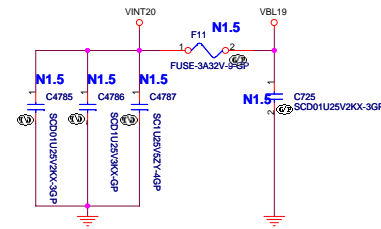
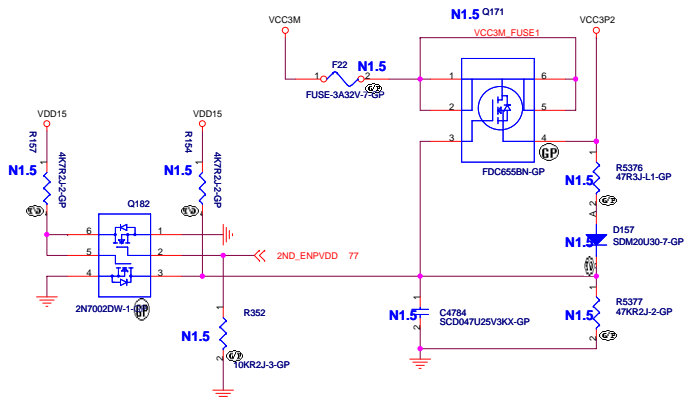
<Variant Name>

緯創資通 Wistron Corporation
21F, 88, Sec.1, Hsin Tai Wu Rd., Hsichih, Taipei Hsien 221, Taiwan, R.O.C.

File: **DP601 (2/2)**

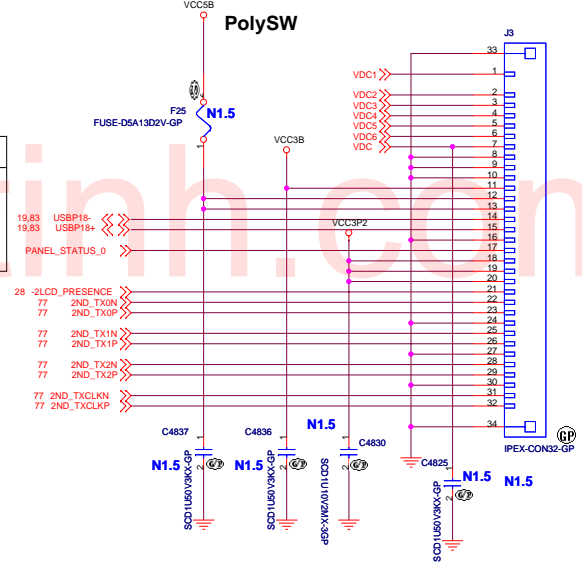
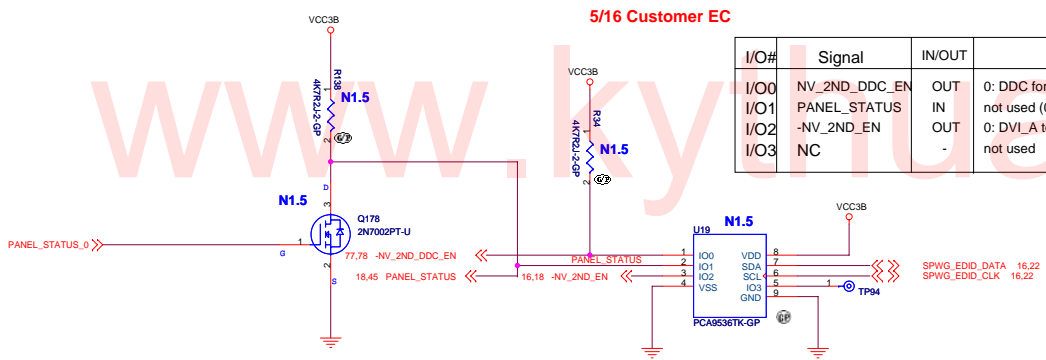
Size	Document Number	Rev
C	N-note	1

Date: Thursday, June 26, 2008 Sheet 78 of 83

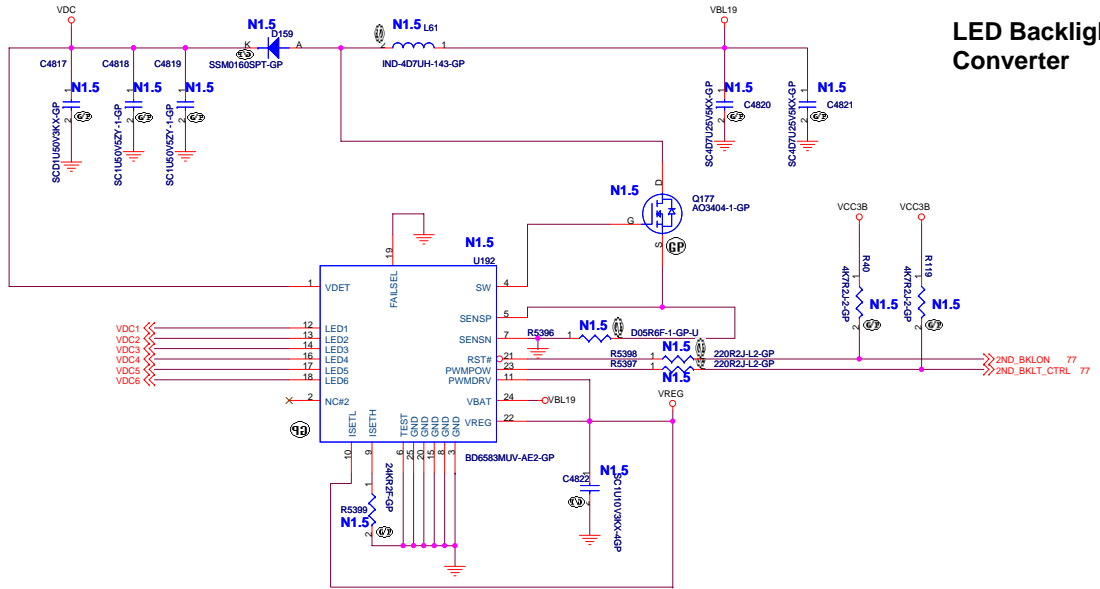


5/16 Customer EC

I/O#	Signal	IN/OUT	Description
I/O0	NV_2ND_DDC_EN	OUT	0: DDC for 2nd LCD, 1: DDC for System DVI
I/O1	PANEL_STATUS	IN	not used (0: 2nd LCD Lid Close, 1: 2nd LCD Lid Open)
I/O2	-NV_2ND_EN	OUT	0: DVI_A to 2nd LCD, 1: DVI_A to System DVI
I/O3	NC	-	not used



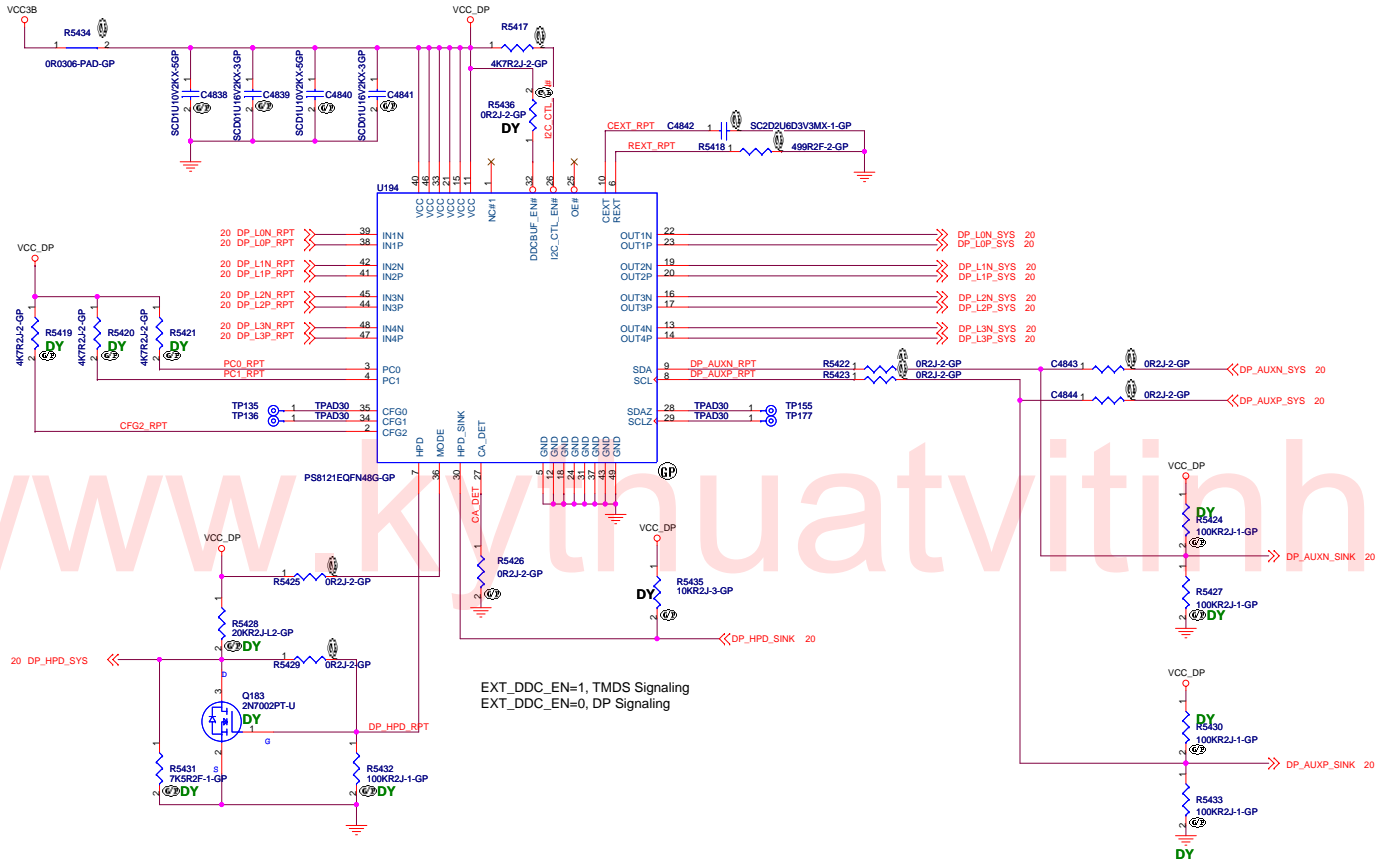
LED Backlight Converter



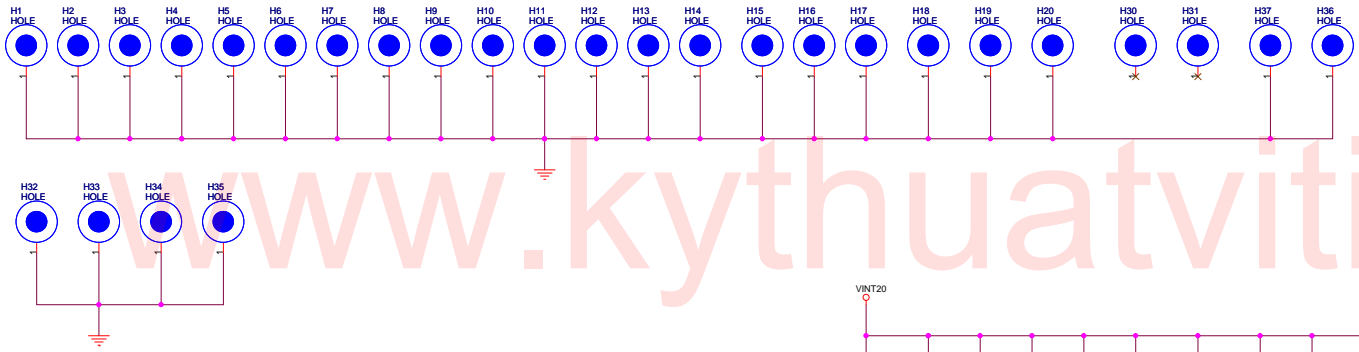
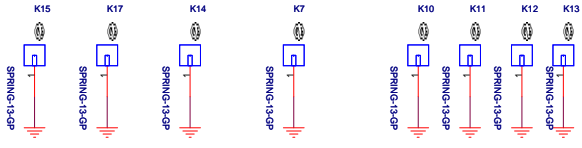
U19 I/O Usage
 I/O# Signal In/Out Description
 I/O0 -NV_2ND_DDC_EN OUT 0: DDC for 2nd LCD, 1: DDC for System DVI
 I/O1 PANEL_STATUS IN Not used (0: 2nd LCD Lid Close, 1: 2nd LCD Lid Open)
 I/O2 -NV_2ND_EN OUT Not used
 I/O3 -NV_2ND_EN OUT 0: DVI_A to 2nd LCD, 1: DVI_A to System DVI

EQUALIZATION SETTING		
PC1	PC0	
0	0	4dB
0	1	1.5dB
1	0	9dB
1	1	7dB

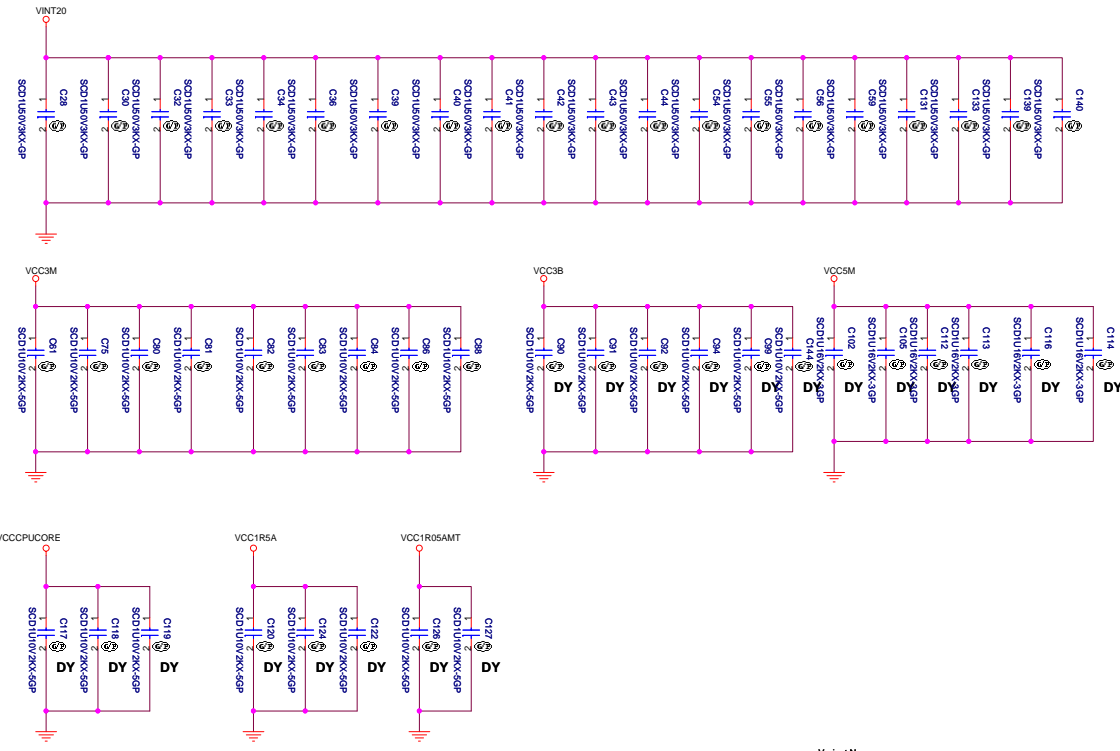
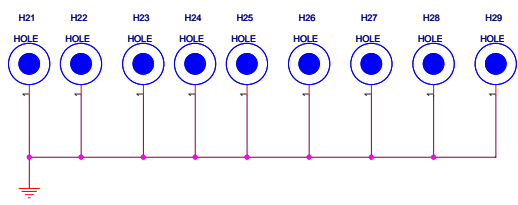
CFG2=LOW, DDC Passive Switch
CFG2=HIGH, DDC Active buffer



EXT_DDC_EN=1, TMSD Signaling
EXT_DDC_EN=0, DP Signaling



H5,H6,H3,H4,H1,H2,H11,H36,H37 P/N are 34.4B502.001.
H7/H8 P/N are 34.4B403.001.

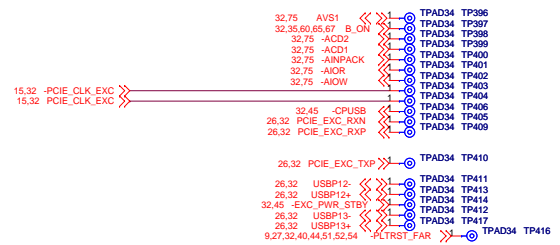
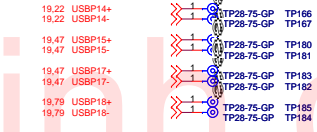
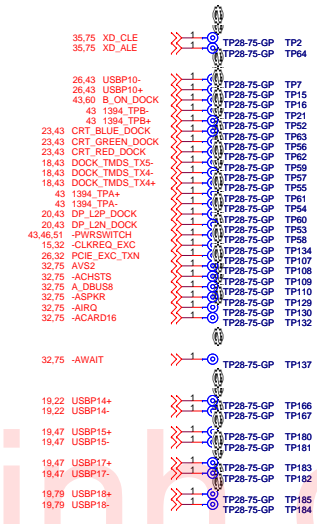
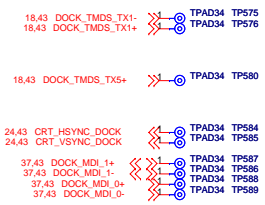
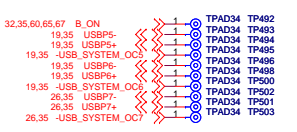
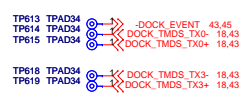
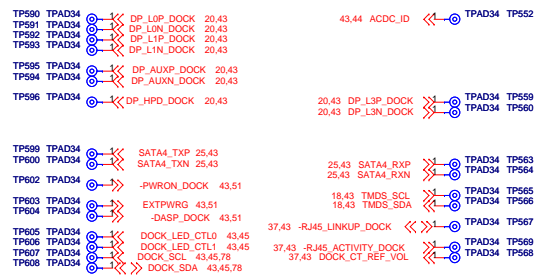
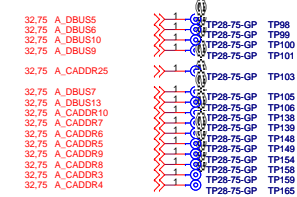
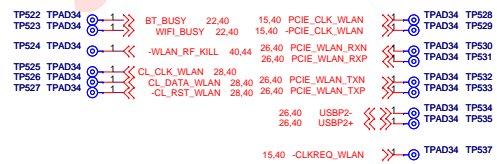
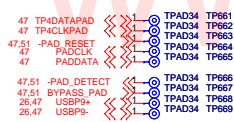
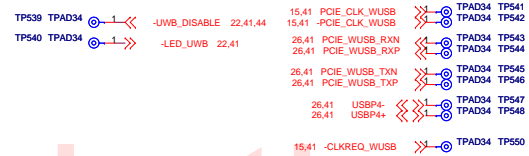
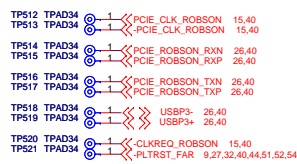
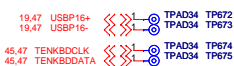


N-note SDV

- | | | |
|----------------------------------|----------------------------------|----------------------------------|
| 01. N-note Block Diagram | 33. SATA ODD CONN | 65. DC-DC VCC1R5A/VCC1R05AMT |
| 02. Reference | 34. USB POWER/CONNECTOR | 66. DC-DC VCC1R8VIDEO/VCC0R75AMT |
| 03. CPU(1/3) | 35. AUDIO IO SUB CARD | 67. DC/DC RINKAN(BD4176KVT) |
| 04. CPU(2/3) | 36. GBE BOAZMAN | 68. CPU POWER MONITOR |
| 05. CPU(3/3) | 37. GBE LAN SWITCH | 69. LOAD SW UBAY &WWAN |
| 06. XDP CONNECTOR | 38. GBE MAGNETICS | 70. LOAD SW AMT&LAN |
| 07. CANTIGA(1/6):HOST I/F | 39. RJ45 CONNECTOR | 71. LOAD SW VIDEO |
| 08. CANTIGA(2/6):DDR3 CH A/B | 40. PCIE MINI SLOT(ROBSON/WLAN) | 72. LOAD SW AUX |
| 09. CANTIGA(3/6):DMI/PM/CFG/GF | 41. PCIE HALF MINI SLOT(WUSB) | 73. LOAD SW B |
| 10. CANTIGA(4/6):PEG/GRAPHICS | 42. SPI FLASH | 74. CARD BUS CONTROLLER (1/2)847 |
| 11. CANTIGA(5/6):VCC | 43. DOCKING CONNECTOR | 75. CARDBUS CONTROLLER (2/2)847 |
| 12. CANTIGA(6/6):GND | 44. H8S/2116B(1/2) | 76. CARDBUS/EXC PWR CTRL |
| 13. DDR3 SODIMM-A(REVERSE TYPE) | 45. H8S/2116B(2/2) | 77. DP601 1/2 |
| 14. DDR3 SODIMM-B(NORMAL TYPE) | 46. KEYBOARD CONNECTOR | 78. DP601 2/2 |
| 15. CLOCK GEN(CK505) | 47. TOUCH PAD CONNECTOR | 79. 2'ND LCD CONN. |
| 16. MXM CONN. | 48. WIRELESS DISABLE SW | 80. PTH FOR SCREW HOLES |
| 17. LPC Debug Board | 49. FAN CONNECTOR | 81. N-NOTE SHEET INDEX |
| 18. DVI DUAL CONN. | 50. G-SENSOR | |
| 19. USB HUB(USB2507-ADT) | 51. MISC G/A (PMH7) | |
| 20. Display Port | 52. SUPER I/O(WPCN385SDG) | |
| 21. LVDS SWITCH(BLANK) | 53. THERMAL SENSOR(EMC1428) | |
| 22. LCD CONNECTOR | 54. EEPROM/SMBUS SW/TPM | |
| 23. RGB SWTICH | 55. DC-IN | |
| 24. EXT CRT INTERFACE | 56. BATTERY INPUT | |
| 25. ICH9-M(1/6):SATA/AC97/LPC | 57. BATTERY CHARGER (MAX8765) | |
| 26. ICH9-M(2/6):PCI/PCIE/DMI/USB | 58. CHARGER SELECT | |
| 27. ICH9-M(3/6):PCI/INTERRUPT | 59. BATTERY MONITOR | |
| 28. ICH9-M(4/6):GPIO/CLK/PM | 60. POWER SEQUENCE | |
| 29. ICH9-M(5/6):POWER | 61. DC-DC VCC3M/VCC5M(TPS51221) | |
| 30. ICH9-M:(6/6):GND | 62. DCDC VCCCPUCORE(ADP3207JCPZ) | |
| 31. RTC BATTERY | 63. VCCCPUCORE DECOUPLING | |
| 32. SATA HDD IO SUB CARD CONN | 64. UMA DC-DC GFX_CORE(BLANK) | |

<Variant Name>

緯創資通 Wistron Corporation 21F, 88, Sec.1, Hsin Tai Wu Rd., Hsichih, Taipei Hsien 221, Taiwan, R.O.C.		
File N-note Sheet Index		
Size C	Document Number N-note	Rev 1
Date: Thursday, June 26, 2008	Sheet 82	of 83



N-note Test PAD		
File	N-note	
Size	Document Number	Rev
C	N-note	1
Date:	Thursday, June 26, 2008	Sheet 83 of 83