

DAV3 GENBU5_W LOGIC SCHEMATICS

	DATE	EC NO.	PART NO.
REL	02/08/07	L11412	42W9239
			DEVELOPMENT NO.
			Q/M
			1 /98

VER 5.13

FEB/08/2007

- 96. POWER MOMITOR
- 97. PTH FOR SCREW HOLES
- 98. LOAD SW VCC3KDDI

- | | |
|--|--|
| <ul style="list-style-type: none"> 1. TITLE PAGE 2. EC HISTORY 3. CPU(1/3) 4. CPU(2/3) 5. CPU(3/3) 6. ITP CON/LARGE PTH HOLE/EMI FINGER 7. CRESTLINE(1/7) : HOST I/F 8. CRESTLINE(2/7) : DDR2-A 9. CRESTLINE(3/7) : DDR2-B 10. CRESTLINE(4/7) : PEG/DMI 11. CRESTLINE(5/7) : GRAPHICS 12. CRESTLINE(6/7) : VCC 13. CRESTLINE(7/7) : GND 14. POWER FOR CRESTLINE 15. DDR2 SODIMM-A 16. DDR2 SODIMM-B 17. DDR2 TERMINATION 18. DDR2 DECOUPLING 19. CLOCK GEN(ICS954309) 20. DVI TRANSMITTER 21. CRT DDC CLK/DATA 22. WPAN LED CONTROL 23. MEDIA CARD SLOT (4IN-1) 24. <BLANK PAGE> 25. <BLANK PAGE> 26. <BLANK PAGE> 27. <BLANK PAGE> 28. LCD CONNECTOR 29. EXT CRT INTERFACE 30. PATA I/F PU 31. ICH8-M(1/4) : DMI/PCI/LPC/AC97 32. ICH8-M(2/4) : ATA/USB/PM 33. ICH8-M(3/4) : PCI EXPRESS 34. ICH8-M(4/4) : VCC/GND 35. FWH,RTC BATTERY 36. SATA HDD CONN 37. BAY I/F CONN 38. USB POWER/CONN 39. AUDIO AD1981HD 40. AUDIO MISC 41. AUDIO INT MIC 42. AUDIO HP & EXT MIC CONN 43. AUDIO EXT MIC AMP 44. AUDIO SPEAKER 45. AUDIO HDP AMP MAX9789A(1/2) 46. AUDIO HDP AMP MISC(2/2) 47. CDC CONNECTOR | <ul style="list-style-type: none"> 48. CARDBUS CONTROLLER(1/2) 49. CARDBUS CONTROLLER(2/2) 50. CARDBUS/EXC SLOT 51. CARDBUS/EXC PWR CTRL 52. GBE LAN SW 53. GBE NINEVEH(1/2) 54. MICRO PCIE CONN 55. GBE MAGNETICS 56. RJ11/RJ45 CONNECTOR 57. MINI PCI SLOT 58. EEPROM/FLASH/SHARED 59. DOCKING CONNECTOR 60. H8S/2116B (1/2) 61. H8S/2116B (2/2) 62. KEYBOARD CONNECTOR 63. TOUCH PAD CONNECTOR 64. MISC G/A (PMH7) 65. SUPER I/O (PC87385) 66. WIRELESS DISABLE SW 67. LEGACY IO INTERFACE 68. <BLANK PAGE> 69. THERMAL SENSOR 70. I2CBUS/SMBUS 71. FAN CONTROL 72. G-SENSOR 73. EMC DECOUPLING 74. RGB SWITCH 75. DC-IN 76. BATTERY CHARGER (MAX8765) 77. CHARGE SELECTOR 78. BATTERY INPUT 79. BATTERY MONITOR 80. POWER SEQUENCE 81. DC-DC VCC3M/VCC5M (MAX17003) 82. DC-DC VCCCPUCORE (ADP3207) 83. VCCCPUCORE DECOUPLING 84. VCC1R05M(BD3508) 85. DC-DC VCCGFXCORE(ADP3209) 86. DC-DC VCC1R8M/VCC0R9A (MAX8632) 87. DC-DC VCC1R05M/VCC1R5M (MAX1540) 88. DC-DC VCC1R25AMT (BD3508) 89. LOAD SW AMT/LAN 90. CLPWRG 91. RINKAN-1 92. LOAD SW VIDEO 93. LOAD SW A&AUX 94. LOAD SW B&UBAY 95. MAX POWER CTRL |
|--|--|

42W9239

DESIGNER	Y.Y	02/08/07	PART NO.	42W9239
CHECKED	Y.I	02/08/07		
APPROVED	H.K	02/08/07	TITLE GENBU-5W	
CLASS	H.K	02/08/07	TITLE PAGE	
<small>THIS DOCUMENT IS THE PROPERTY OF LENOVO. ITS USE IS AUTHORIZED ONLY FOR RESPONDING TO A REQUEST FOR QUOTATION OR FOR THE PERFORMANCE OF WORK FOR LENOVO. ALL QUESTIONS MUST BE REFERRED TO THE LENOVO PURCHASING DEPARTMENT.</small>				
LENOVO CONFIDENTIAL				

EC HISTORY

	DATE	EC NO.	PART NO.
REL	02/08/07	L11412	42W9239
			DEVELOPMENT NO.
			Q/M
			2 /98

INTEG FVT (BASE LOGIC D3SDV VER.1.13
05/25/2006 APPLIED DAV3_SDV 060-061)

SDV
FVT
FVT_WIDE
SIV

GENBU3_R(BASE LOGIC SIV VER.3.10)
GENBU3_W(BASE LOGIC GENBU3_R VER.3.24)
GENBU4_W(BASE LOGIC GENBU3_W VER.3.55)

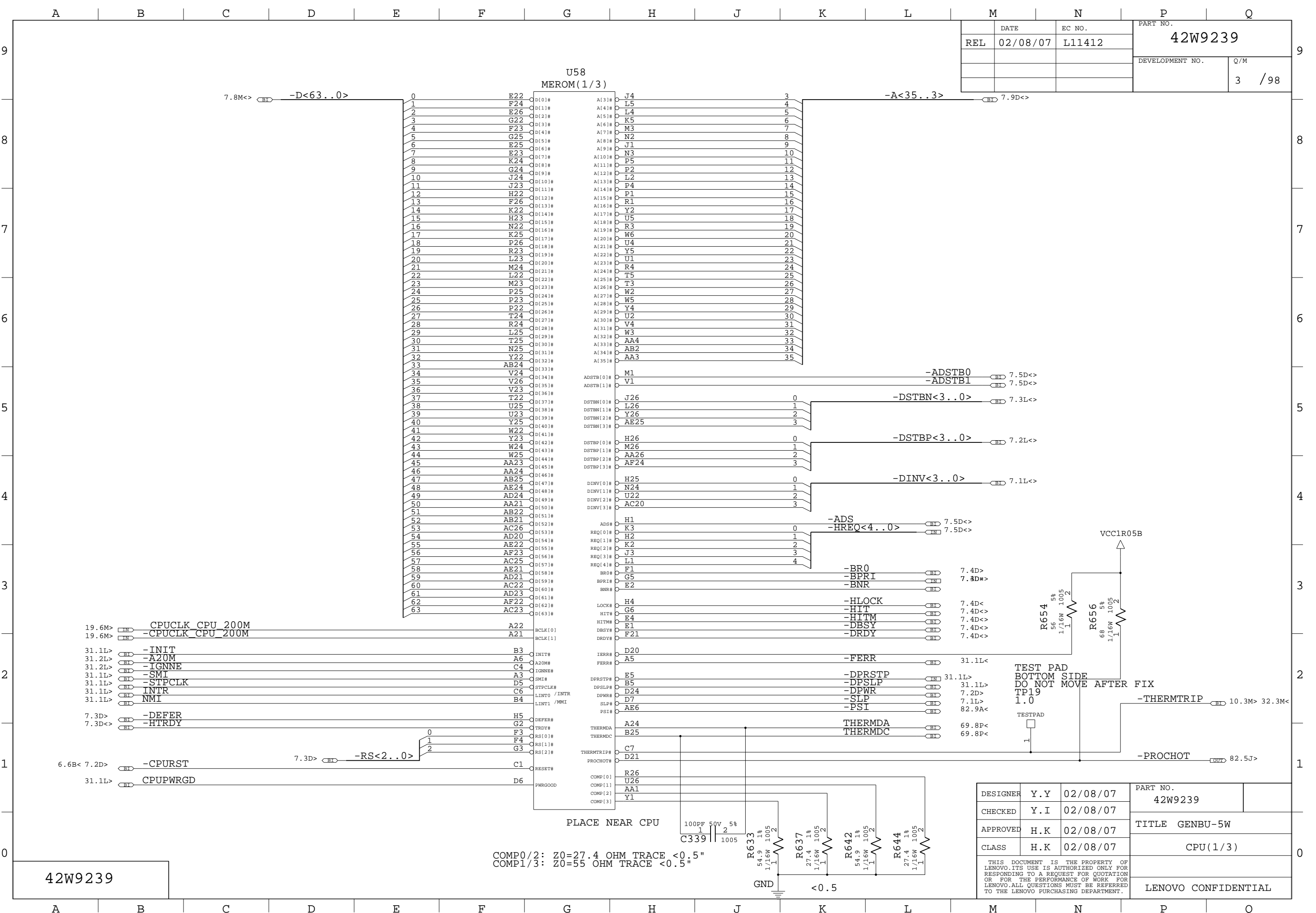
VER.5.00 09/14/2006 APPLIED DAV3_SIT 004,006
VER.5.01 09/19/2006 APPLIED DAV3_SIT 008,009
VER.5.02 09/22/2006 APPLIED COMMON COMPONENT NUMBER
VER.5.03 09/28/2006 APPLIED DAV3_SIT 012
VER.4.04 10/23/2006 APPLIED DAV3_SIT 014-017,020-022,024,026,027,029,030,034,036-038
VER.4.05 10/25/2006 APPLIED DAV3_SIT 041-043,047,049,051-054,057-062
VER.4.06 10/26/2006 APPLIED DAV3_SIT 055,063,064
VER.4.07 10/27/2006 APPLIED DAV3_SIT 066,067
VER.4.08 11/01/2006 APPLIED DAV3_SIT 071-073
VER.4.09 11/02/2006 APPLIED DAV3_SIT 074-077
VER.4.10 11/06/2006 APPLIED DAV3_SIT 079-086,088
VER.4.11 11/07/2006 APPLIED DAV3_SIT 089-094
VER.4.12 11/08/2006 APPLIED DAV3_SIT 087,095
VER.4.13 11/09/2006 APPLIED DAV3_SIT 096-100
VER.4.14 11/13/2006 APPLIED DAV3_SIT 102,065
VER.4.15 11/14/2006 APPLIED DAV3_SIT 103,104
VER.4.16 11/15/2006 APPLIED DAV3_SIT 105,106
VER.4.17 11/16/2006 APPLIED DAV3_SIT 108,109
VER.4.18 11/17/2006 CANCELED SIT_EC075
VER.4.19 11/20/2006 APPLIED DAV3_SIT 110-113,115
VER.4.20 11/21/2006 APPLIED DAV3_SIT 116,117,119-121-124
VER.4.21 11/24/2006 APPLIED DAV3_SIT 126,127,128
VER.4.22 11/27/2006 APPLIED DAV3_SIT 131
VER.4.23 11/29/2006 APPLIED DAV3_SIT 132,139
VER.4.24 11/30/2006 APPLIED DAV3_SIT 140,141
VER.4.25 12/01/2006 APPLIED DAV3_SIT 145
VER.4.26 12/04/2006 APPLIED DAV3_SIT 146,148-150
VER.4.27 12/18/2006 APPLIED DAV3_SIT 155,156,157(P2,P3),158,159,164,166

GENBU5_W(BASE LOGIC GENBU4_W VER.4.27)

VER.5.00 12/26/2006 APPLIED DAV3_SIT 153,157(P1),159,168,170,172-174
VER.5.01 12/28/2006 APPLIED DAV3_SIT 177
VER.5.02 01/15/2007 APPLIED DAV3_SIT 180-182, SVT_001
VER.5.03 01/17/2007 APPLIED DAV3_SIT 183, SVT 005-007,009
VER.5.04 01/22/2007 APPLIED DAV3_SVT 013-016
VER.5.05 01/23/2007 APPLIED DAV3_SVT 017,020,021
VER.5.06 01/24/2007 APPLIED DAV3_SVT 022
VER.5.07 01/25/2007 APPLIED DAV3_SIT 184, SVT 023,025
VER.5.08 01/26/2007 APPLIED DAV3_SVT 026
VER.5.09 01/29/2007 APPLIED DAV3_SVT 030
VER.5.10 01/30/2007 APPLIED DAV3_SVT 032
VER.5.11 01/31/2007 APPLIED DAV3_SVT 034,035
VER.5.12 02/07/2007 APPLIED DAV3_SVT 040
VER.5.13 02/08/2007 APPLIED DAV3_SVT 042,044

42W9239

DESIGNER	Y.Y	02/08/07	PART NO.	42W9239
CHECKED	Y.I	02/08/07	TITLE GENBU-5W	
APPROVED	H.K	02/08/07	HISTORY	
CLASS	H.K	02/08/07	THIS DOCUMENT IS THE PROPERTY OF LENOVO. ITS USE IS AUTHORIZED ONLY FOR RESPONDING TO A REQUEST FOR QUOTATION OR FOR THE PERFORMANCE OF WORK FOR LENOVO. ALL QUESTIONS MUST BE REFERRED TO THE LENOVO PURCHASING DEPARTMENT.	
LENOVO CONFIDENTIAL				



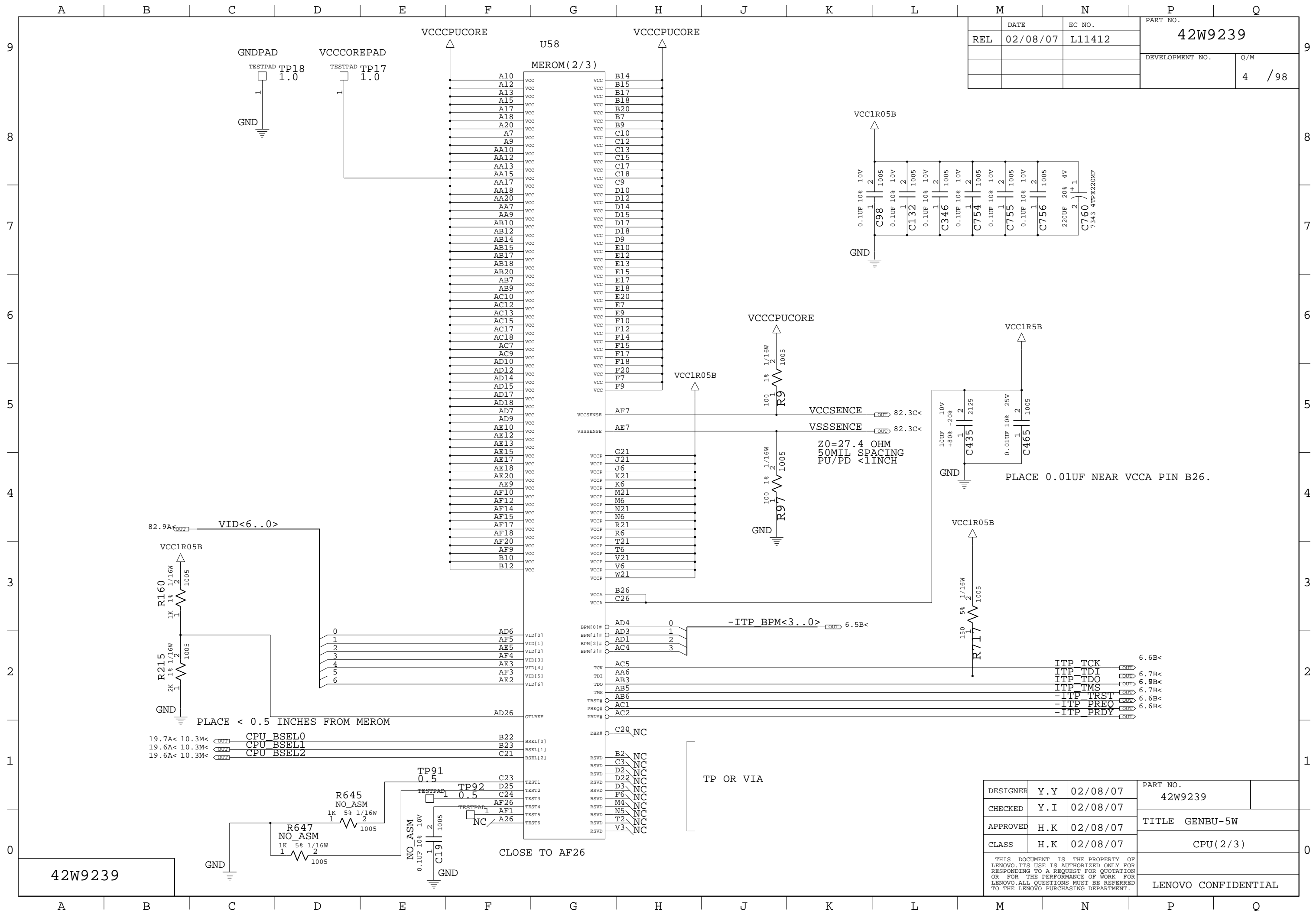
REL	DATE	EC NO.	PART NO.
	02/08/07	L11412	42W9239
			DEVELOPMENT NO.
			3 / 98

DESIGNER	Y.Y	02/08/07	PART NO.
CHECKED	Y.I	02/08/07	42W9239
APPROVED	H.K	02/08/07	TITLE GENBU-5W
CLASS	H.K	02/08/07	CPU(1/3)
THIS DOCUMENT IS THE PROPERTY OF LENOVO. ITS USE IS AUTHORIZED ONLY FOR RESPONDING TO A REQUEST FOR QUOTATION OR FOR THE PERFORMANCE OF WORK FOR LENOVO. ALL QUESTIONS MUST BE REFERRED TO THE LENOVO PURCHASING DEPARTMENT.			
LENOVO CONFIDENTIAL			

42W9239

COMP0/2: Z0=27.4 OHM TRACE <0.5"
 COMP1/3: Z0=55 OHM TRACE <0.5"

TEST PAD
 BOTTOM SIDE
 DO NOT MOVE AFTER FIX
 TP19
 1.0

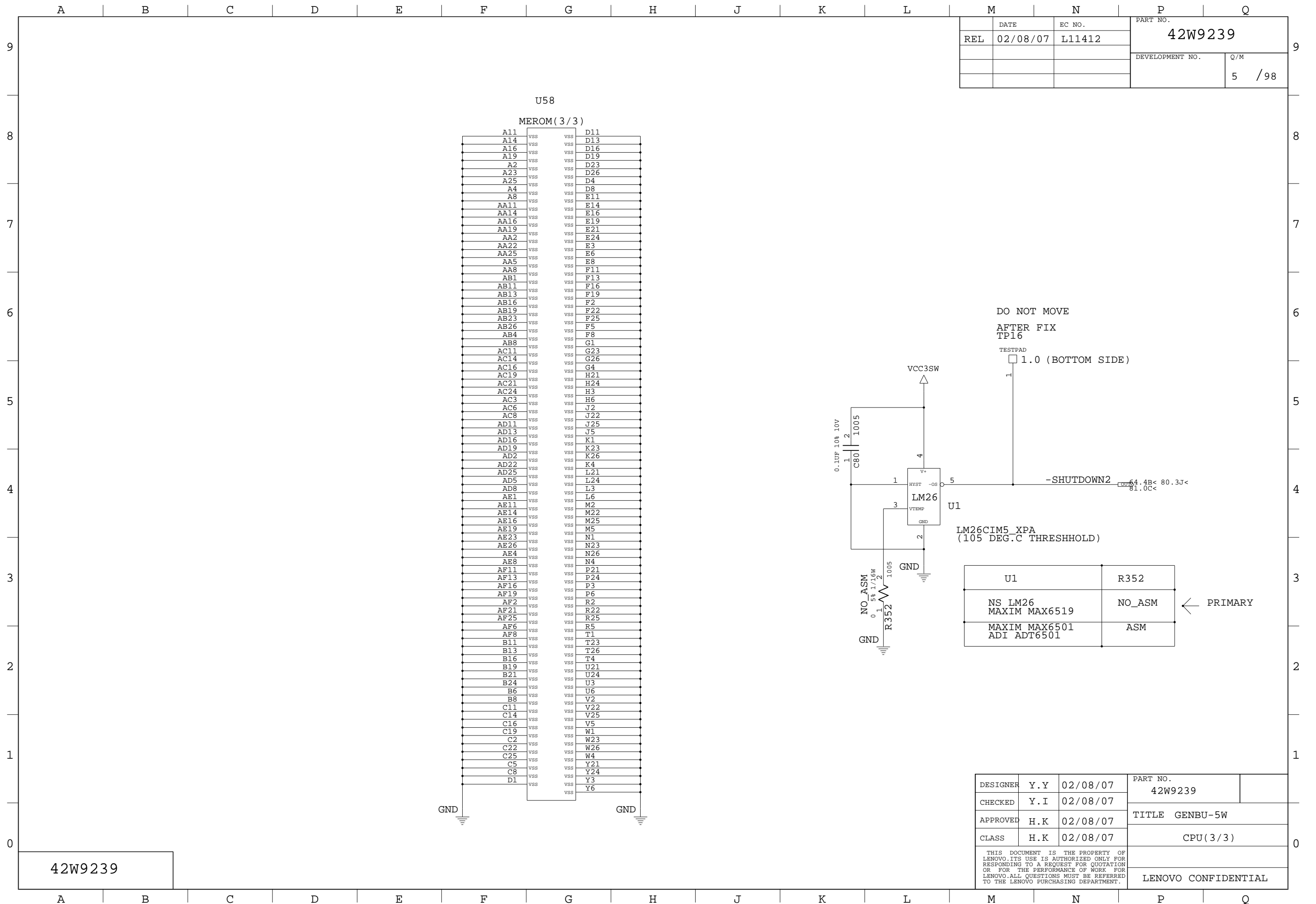


	DATE	EC NO.	PART NO.	
REL	02/08/07	L11412	42W9239	
			DEVELOPMENT NO.	Q/M
			4	/98

DESIGNER	Y.Y	02/08/07	PART NO.	42W9239
CHECKED	Y.I	02/08/07	TITLE GENBU-5W	
APPROVED	H.K	02/08/07	CPU(2/3)	
CLASS	H.K	02/08/07	LENVO CONFIDENTIAL	

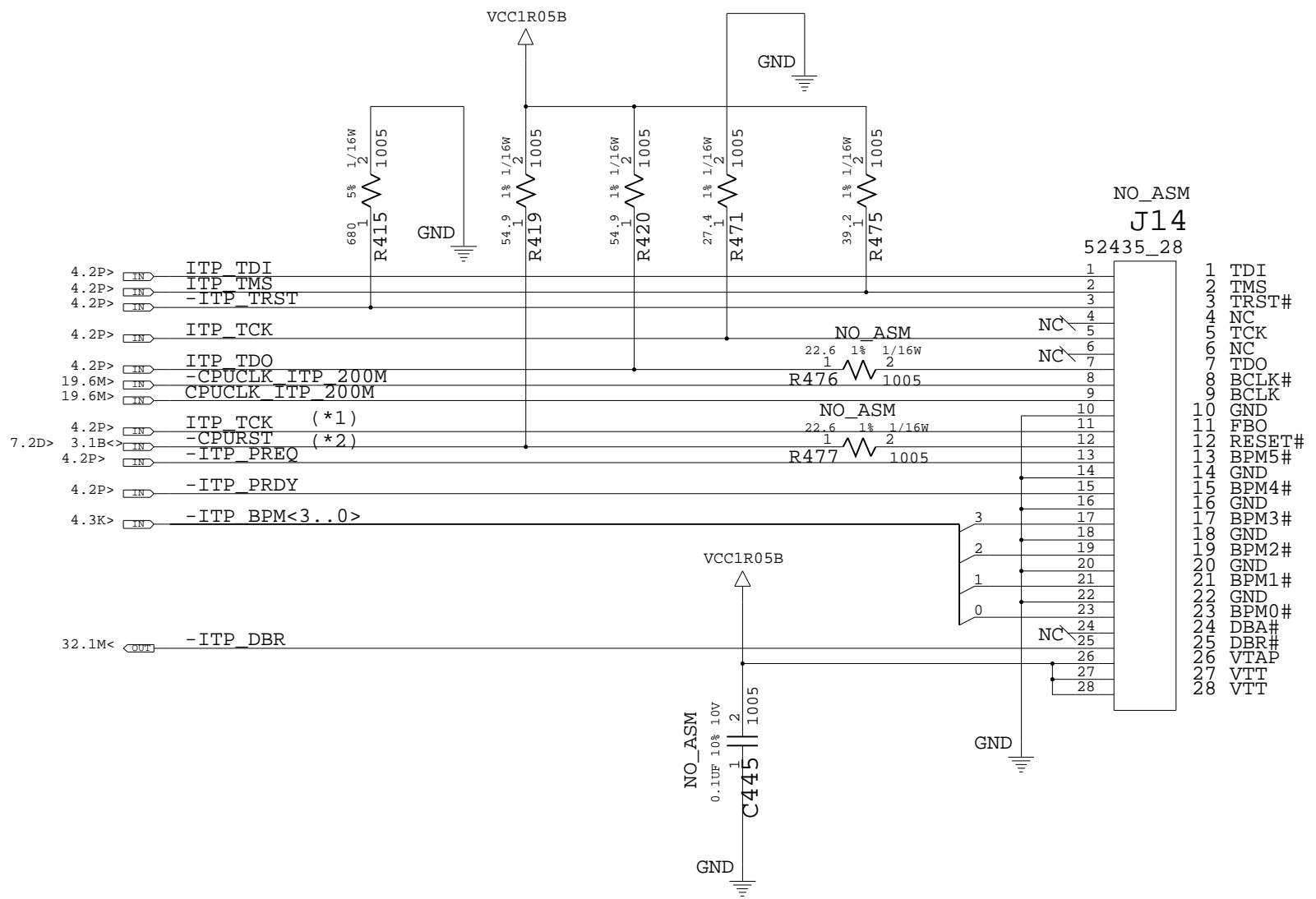
THIS DOCUMENT IS THE PROPERTY OF
 LENOVO. ITS USE IS AUTHORIZED ONLY FOR
 RESPONDING TO A REQUEST FOR QUOTATION
 OR FOR THE PERFORMANCE OF WORK FOR
 LENOVO. ALL QUESTIONS MUST BE REFERRED
 TO THE LENOVO PURCHASING DEPARTMENT.

42W9239



42W9239

	DATE	EC NO.	PART NO.	
REL	02/08/07	L11412	42W9239	
			DEVELOPMENT NO.	Q/M
			6	/98



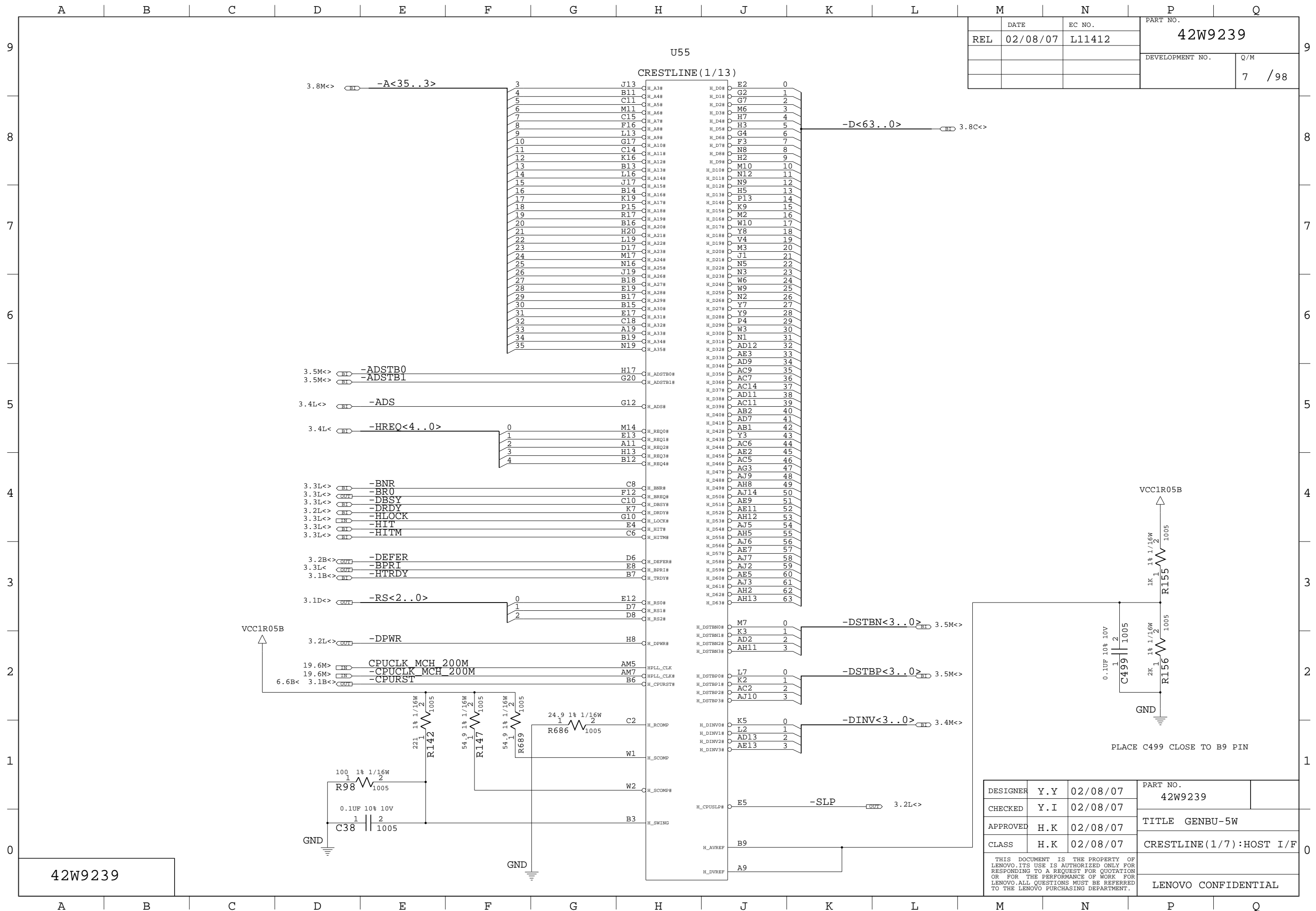
REF DES	FOR ITP700FLEX	FOR ITP--XDP
J14	NO_ASM ---> ASM	NO_ASM ---> ASM
C445	ASM ---> ASM	ASM ---> ASM
R717	ASM(NO CHANGE)	ASM ---> 51 5% ASM
R476	ASM ---> ASM	ASM ---> ASM
R477	ASM ---> ASM	ASM ---> 1K 5% ASM
R415	ASM(NO CHANGE)	ASM(NO CHANGE)
R419	ASM(NO CHANGE)	ASM ---> NO_ASM
R420	ASM(NO CHANGE)	ASM(NO CHANGE)
R471	ASM(NO CHANGE)	ASM ---> 51 5% ASM
R475	ASM(NO CHANGE)	ASM ---> 51 5% ASM

NOTE: C445,R476 AND R477 "ASM" BEFORE SIT, "NO_ASM" FROM SIT.

(*1) TCK SIGNAL IS BRANCHED AT YONAH PIN
 (*2) -CPURST SIGNAL IS BRANCHED AT CRESTLINE PIN

42W9239

DESIGNER	Y.Y	02/08/07	PART NO.	42W9239
CHECKED	Y.I	02/08/07	TITLE GENBU-5W	
APPROVED	H.K	02/08/07	ITP CONN/LARGE PTH HOLE	
CLASS	H.K	02/08/07	EMI FINGER	
THIS DOCUMENT IS THE PROPERTY OF LENOVO. ITS USE IS AUTHORIZED ONLY FOR RESPONDING TO A REQUEST FOR QUOTATION OR FOR THE PERFORMANCE OF WORK FOR LENOVO. ALL QUESTIONS MUST BE REFERRED TO THE LENOVO PURCHASING DEPARTMENT.				LENOVO CONFIDENTIAL

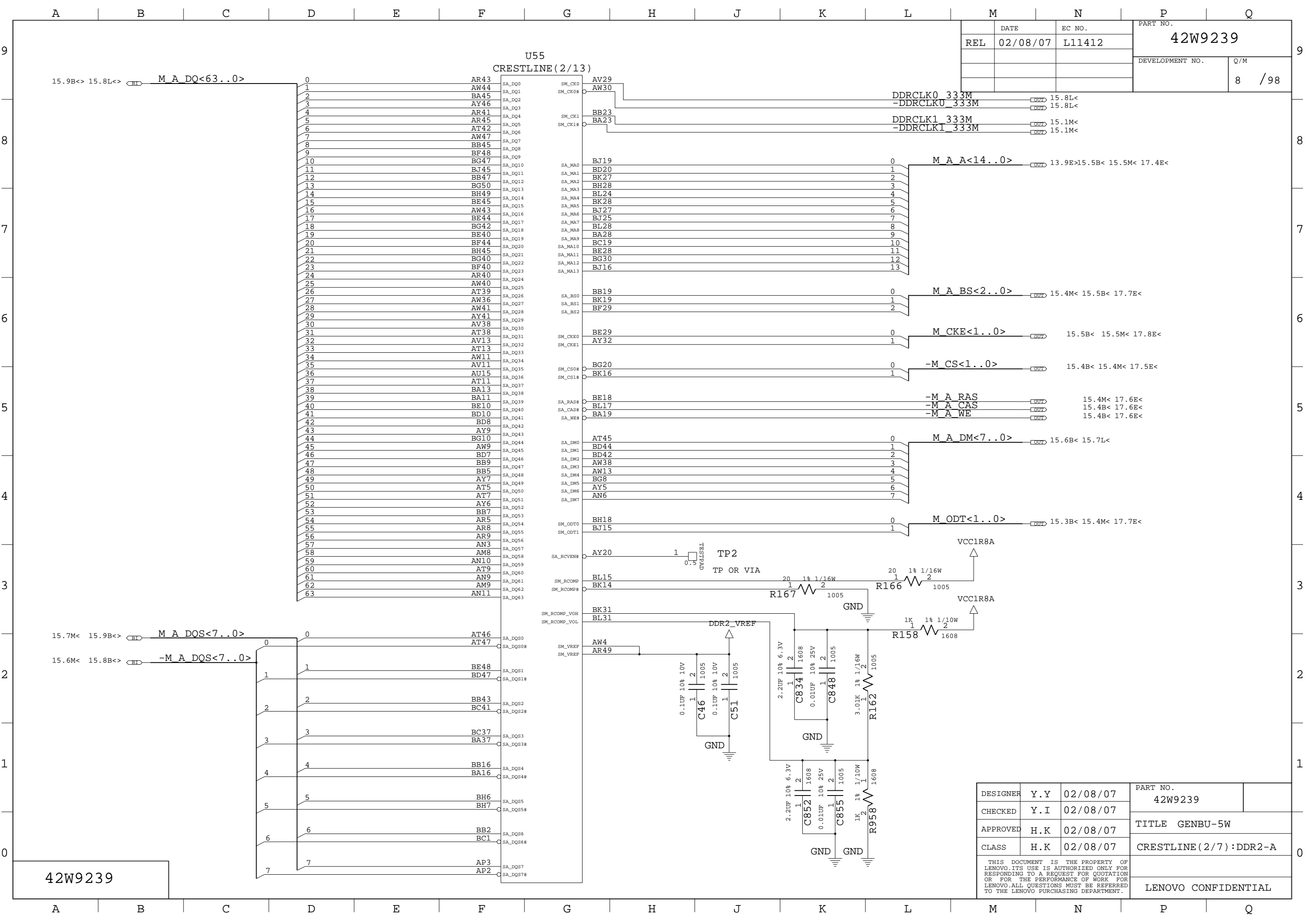


DATE	02/08/07	EC NO.	L11412	PART NO.	42W9239	
REL				DEVELOPMENT NO.	Q/M	7 / 98

DESIGNER	Y.Y	02/08/07	PART NO.	42W9239
CHECKED	Y.I	02/08/07	TITLE	GENBU-5W
APPROVED	H.K	02/08/07	CRESTLINE(1/7):HOST I/F	
CLASS	H.K	02/08/07	LENovo CONFIDENTIAL	

THIS DOCUMENT IS THE PROPERTY OF LENovo. ITS USE IS AUTHORIZED ONLY FOR RESPONDING TO A REQUEST FOR QUOTATION OR FOR THE PERFORMANCE OF WORK FOR LENovo. ALL QUESTIONS MUST BE REFERRED TO THE LENovo PURCHASING DEPARTMENT.

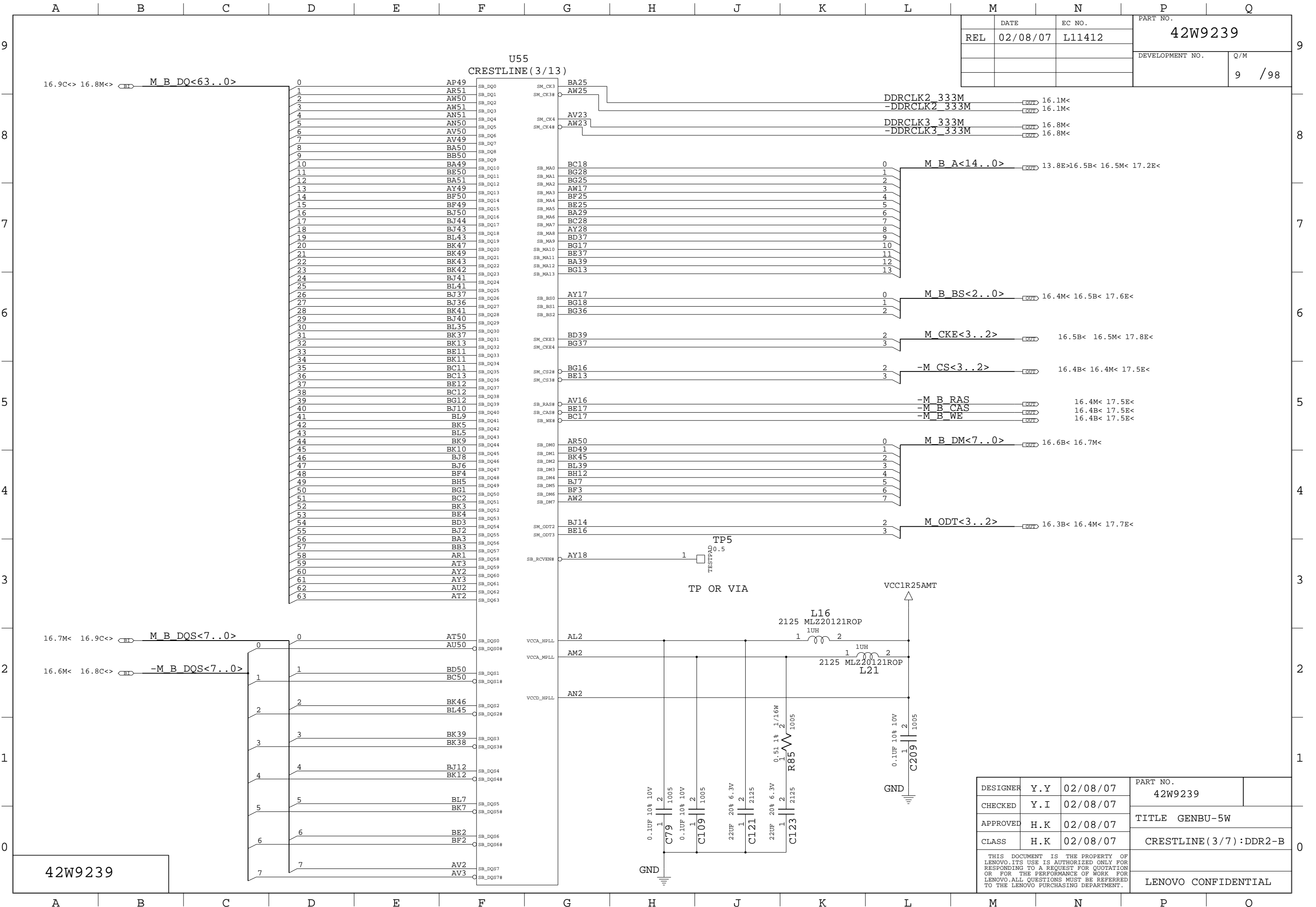
42W9239



REL	DATE	EC NO.	PART NO.
	02/08/07	L11412	42W9239
			DEVELOPMENT NO.
			8 / 98

DESIGNER	Y.Y	02/08/07	PART NO.	42W9239
CHECKED	Y.I	02/08/07	TITLE	GENBU-5W
APPROVED	H.K	02/08/07	CLASS	CRESTLINE (2/7) : DDR2-A
THIS DOCUMENT IS THE PROPERTY OF LENOVO. ITS USE IS AUTHORIZED ONLY FOR RESPONDING TO A REQUEST FOR QUOTATION OR FOR THE PERFORMANCE OF WORK FOR LENOVO. ALL QUESTIONS MUST BE REFERRED TO THE LENOVO PURCHASING DEPARTMENT.				LENOVO CONFIDENTIAL

42W9239



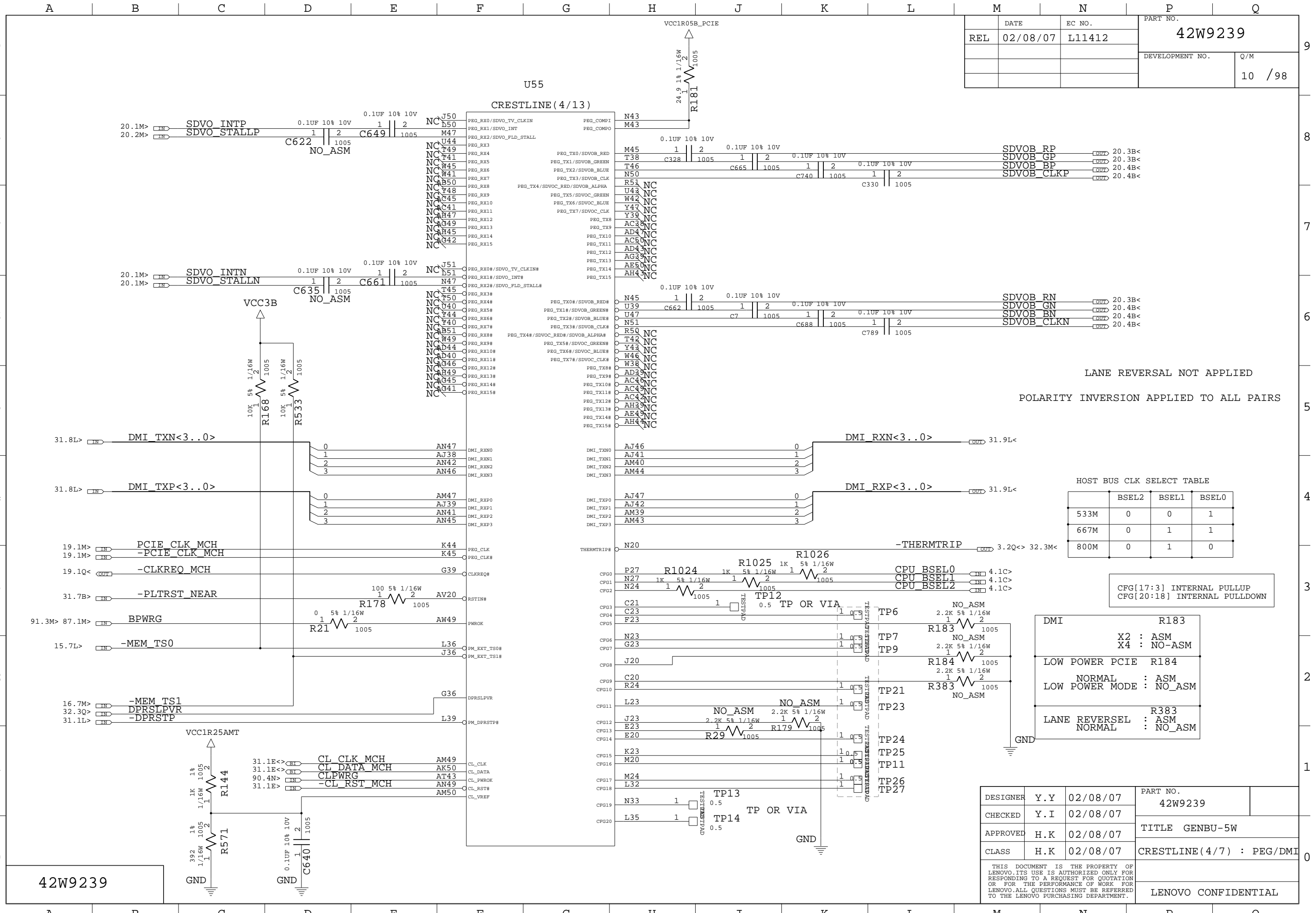
REL	DATE	EC NO.	PART NO.	
	02/08/07	L11412	42W9239	
			DEVELOPMENT NO.	Q/M
				9 / 98

42W9239

DESIGNER	Y.Y	02/08/07	PART NO.	42W9239
CHECKED	Y.I	02/08/07	TITLE GENBU-5W	
APPROVED	H.K	02/08/07	CRESTLINE (3/7) : DDR2-B	
CLASS	H.K	02/08/07	LENovo CONFIDENTIAL	

THIS DOCUMENT IS THE PROPERTY OF
 LENOVO. ITS USE IS AUTHORIZED ONLY FOR
 RESPONDING TO A REQUEST FOR QUOTATION
 OR FOR THE PERFORMANCE OF WORK FOR
 LENOVO. ALL QUESTIONS MUST BE REFERRED
 TO THE LENOVO PURCHASING DEPARTMENT.

REL	DATE	EC NO.	PART NO.
	02/08/07	L11412	42W9239
			DEVELOPMENT NO.
			Q/M
			10 / 98



LANE REVERSAL NOT APPLIED
POLARITY INVERSION APPLIED TO ALL PAIRS

HOST BUS CLK SELECT TABLE

	BSEL2	BSEL1	BSEL0
533M	0	0	1
667M	0	1	1
800M	0	1	0

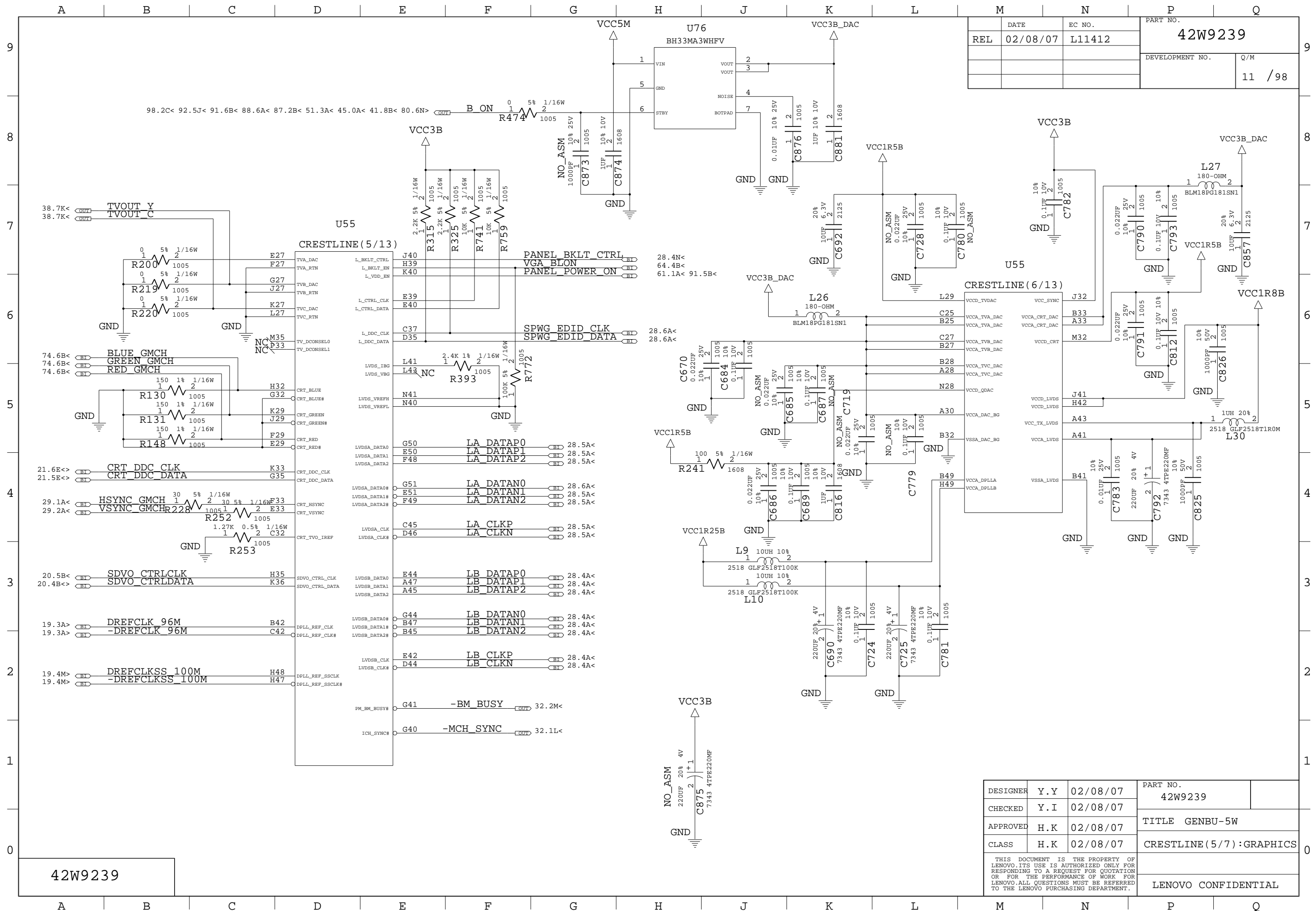
CFG[17:3] INTERNAL PULLUP
CFG[20:18] INTERNAL PULLDOWN

DMI		R183
X2	:	ASM
X4	:	NO-ASM
LOW POWER PCIE		R184
NORMAL	:	ASM
LOW POWER MODE	:	NO-ASM
LANE REVERSEL		R383
NORMAL	:	NO-ASM

DESIGNER	Y.Y	02/08/07	PART NO.	42W9239
CHECKED	Y.I	02/08/07	TITLE GENBU-5W	
APPROVED	H.K	02/08/07	CRESTLINE (4/7) : PEG/DMI	
CLASS	H.K	02/08/07	LENovo CONFIDENTIAL	

THIS DOCUMENT IS THE PROPERTY OF LENovo. ITS USE IS AUTHORIZED ONLY FOR RESPONDING TO A REQUEST FOR QUOTATION OR FOR THE PERFORMANCE OF WORK FOR LENovo. ALL QUESTIONS MUST BE REFERRED TO THE LENovo PURCHASING DEPARTMENT.

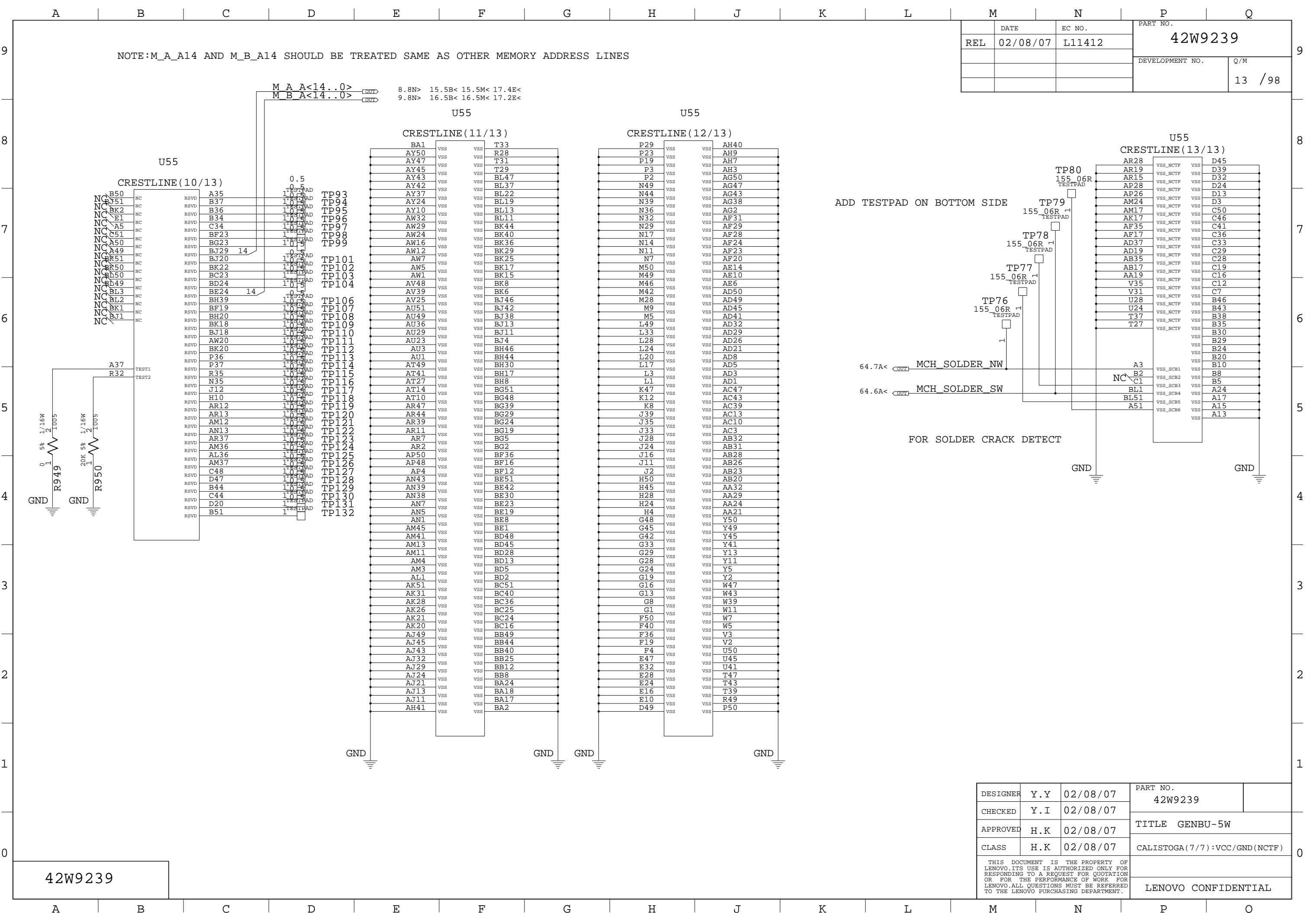
42W9239



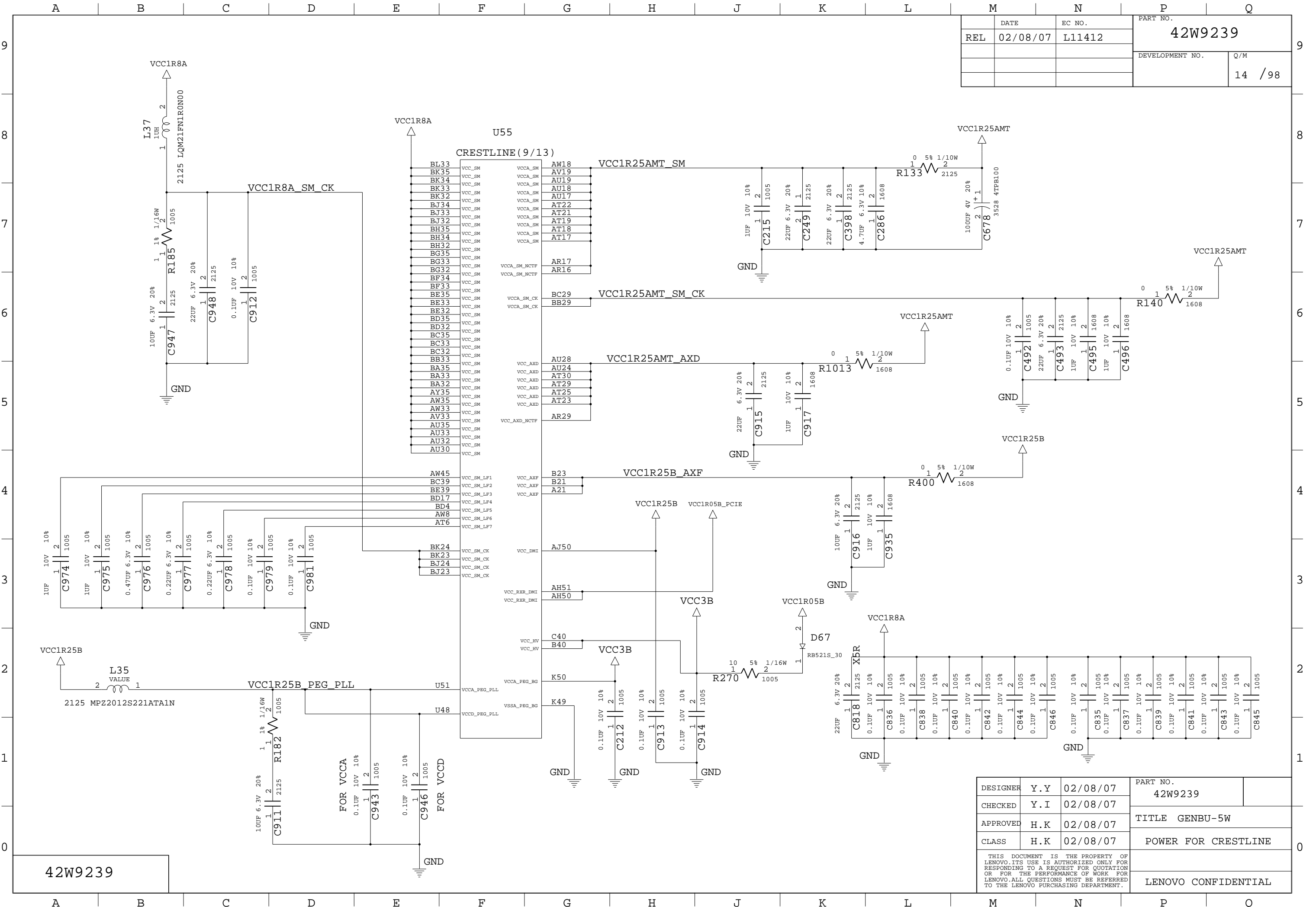
REL	DATE	EC NO.	PART NO.
	02/08/07	L11412	42W9239
			DEVELOPMENT NO.
			Q/M
			11 / 98

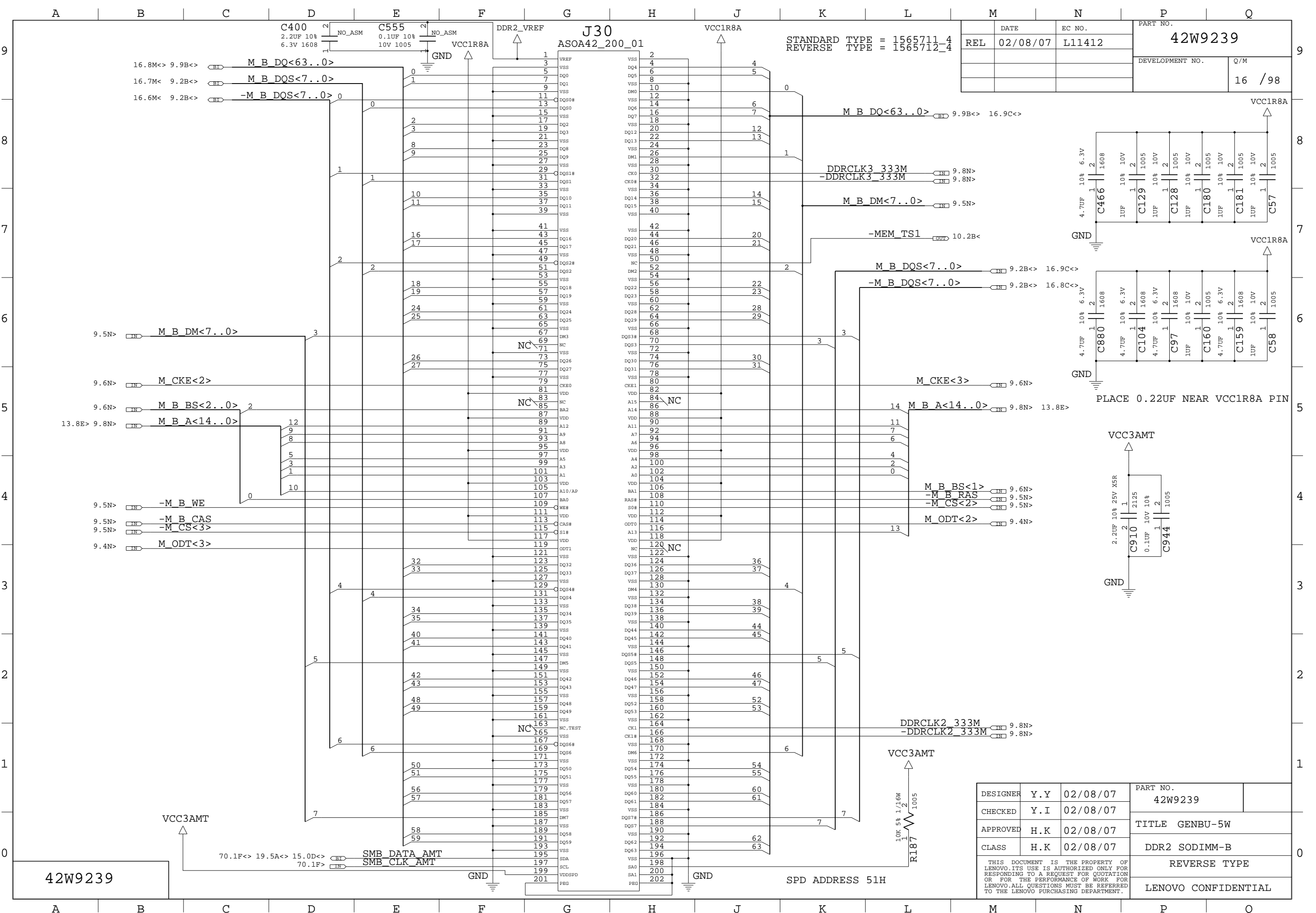
DESIGNER	Y.Y	02/08/07	PART NO.
CHECKED	Y.I	02/08/07	42W9239
APPROVED	H.K	02/08/07	TITLE GENBU-5W
CLASS	H.K	02/08/07	CRESTLINE(5/7):GRAPHICS
THIS DOCUMENT IS THE PROPERTY OF LENOVO. ITS USE IS AUTHORIZED ONLY FOR RESPONDING TO A REQUEST FOR QUOTATION OR FOR THE PERFORMANCE OF WORK FOR LENOVO. ALL QUESTIONS MUST BE REFERRED TO THE LENOVO PURCHASING DEPARTMENT.			LENOVO CONFIDENTIAL

42W9239



REL	DATE	EC NO.	PART NO.
	02/08/07	L11412	42W9239
			DEVELOPMENT NO.
			Q/M
			14 / 98





REL	DATE	EC NO.	PART NO.
	02/08/07	L11412	42W9239
			DEVELOPMENT NO.
			Q/M
			16 / 98

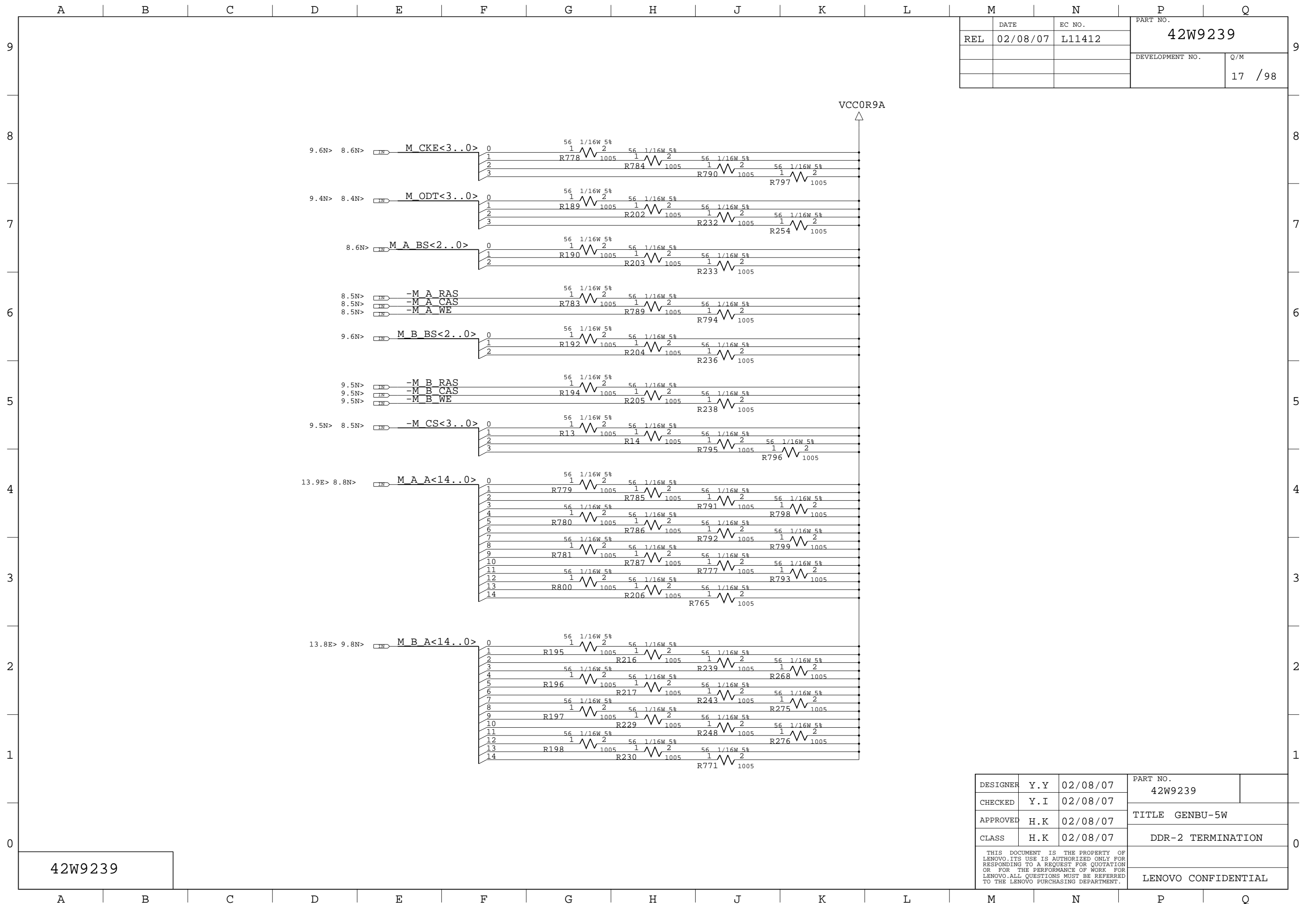
DESIGNER	Y.Y	02/08/07	PART NO.	42W9239
CHECKED	Y.I	02/08/07	TITLE	GENBU-5W
APPROVED	H.K	02/08/07	CLASS	DDR2 SODIMM-B
				REVERSE TYPE
				LENOVO CONFIDENTIAL

42W9239

SPD ADDRESS 51H

PLACE 0.22UF NEAR VCC1R8A PIN

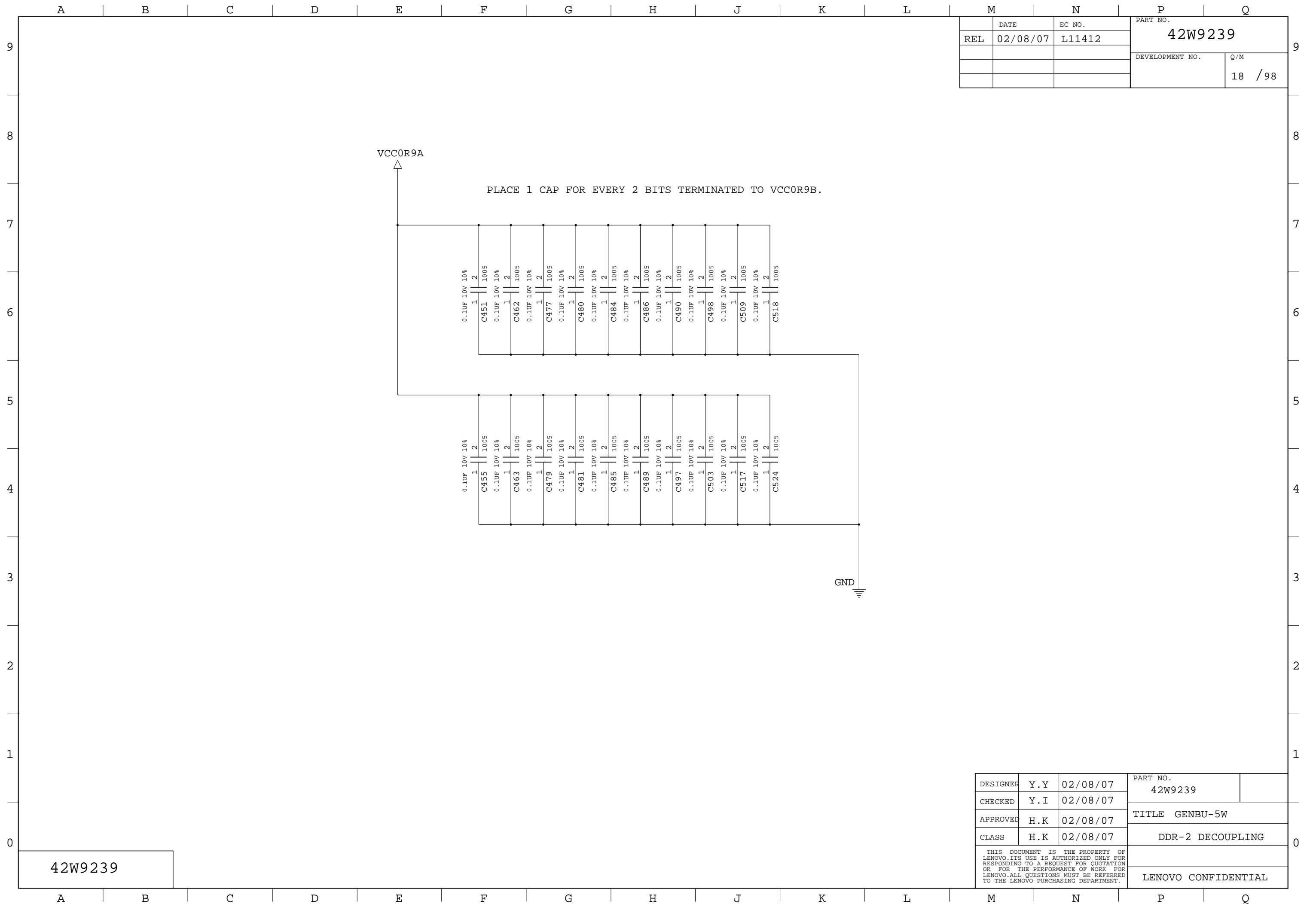
THIS DOCUMENT IS THE PROPERTY OF
LENOVO. ITS USE IS AUTHORIZED ONLY FOR
RESPONDING TO A REQUEST FOR QUOTATION
OR FOR THE PERFORMANCE OF WORK FOR
LENOVO. ALL QUESTIONS MUST BE REFERRED
TO THE LENOVO PURCHASING DEPARTMENT.



	DATE	EC NO.	PART NO.	
REL	02/08/07	L11412	42W9239	
			DEVELOPMENT NO.	Q/M
				17 /98

42W9239

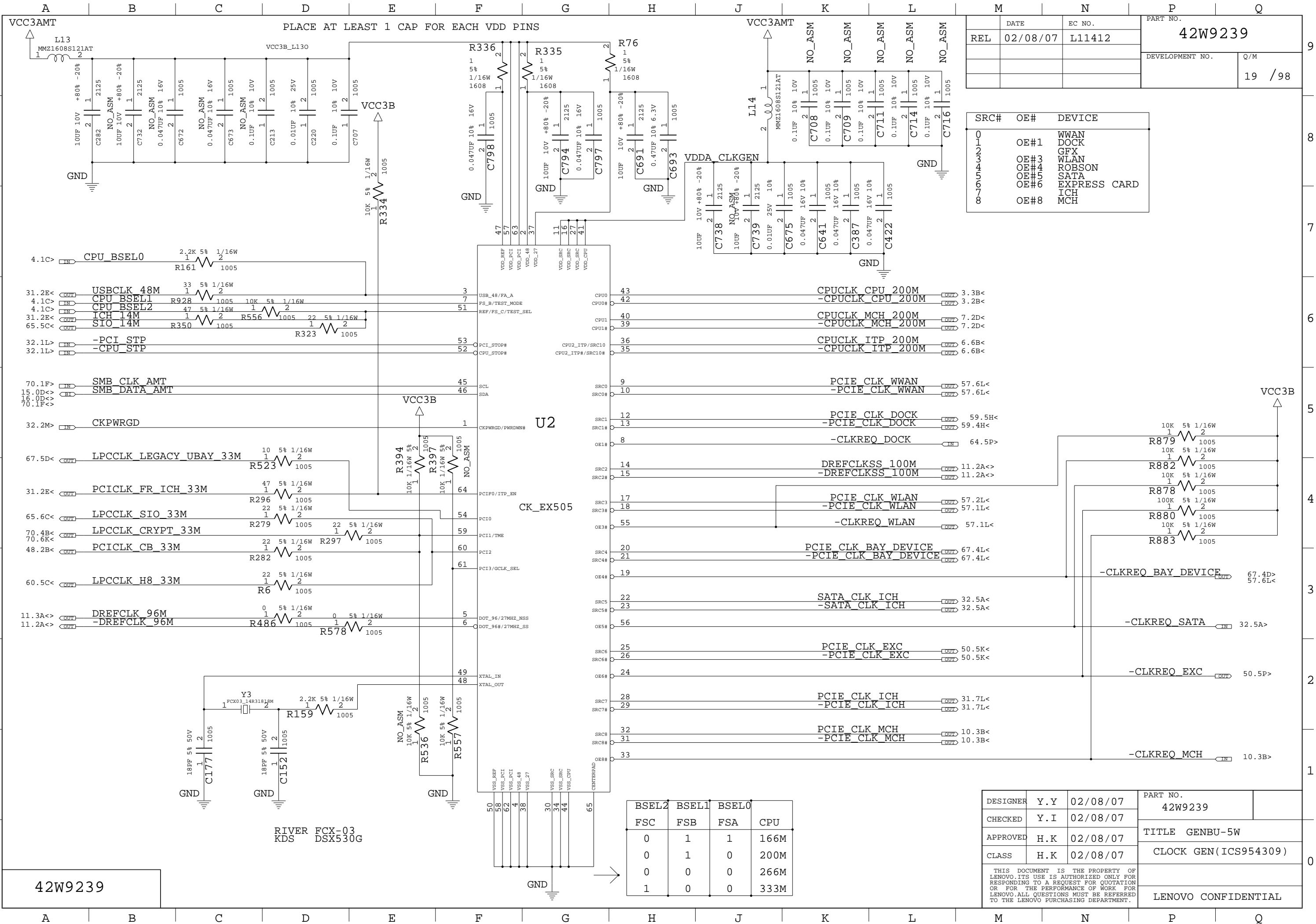
DESIGNER	Y.Y	02/08/07	PART NO.	42W9239
CHECKED	Y.I	02/08/07	TITLE GENBU-5W	
APPROVED	H.K	02/08/07		
CLASS	H.K	02/08/07	DDR-2 TERMINATION	
THIS DOCUMENT IS THE PROPERTY OF LENOVO. ITS USE IS AUTHORIZED ONLY FOR RESPONDING TO A REQUEST FOR QUOTATION OR FOR THE PERFORMANCE OF WORK FOR LENOVO. ALL QUESTIONS MUST BE REFERRED TO THE LENOVO PURCHASING DEPARTMENT.				LENOVO CONFIDENTIAL



	DATE	EC NO.	PART NO.	
REL	02/08/07	L11412	42W9239	
			DEVELOPMENT NO.	Q/M
				18 /98

42W9239

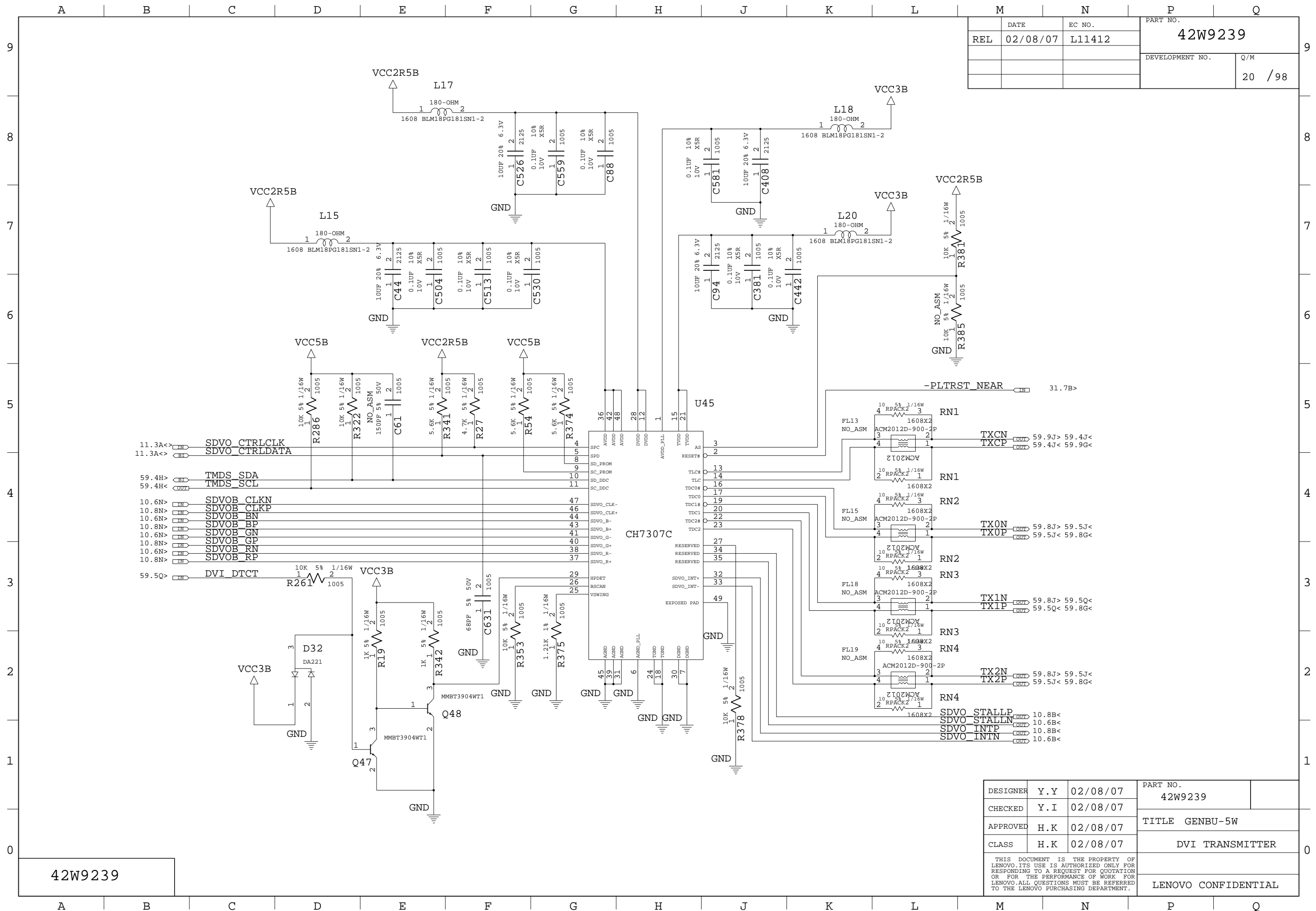
DESIGNER	Y.Y	02/08/07	PART NO.	
CHECKED	Y.I	02/08/07	42W9239	
APPROVED	H.K	02/08/07	TITLE GENBU-5W	
CLASS	H.K	02/08/07	DDR-2 DECOUPLING	
THIS DOCUMENT IS THE PROPERTY OF LENOVO. ITS USE IS AUTHORIZED ONLY FOR RESPONDING TO A REQUEST FOR QUOTATION OR FOR THE PERFORMANCE OF WORK FOR LENOVO. ALL QUESTIONS MUST BE REFERRED TO THE LENOVO PURCHASING DEPARTMENT.				LENOVO CONFIDENTIAL



DATE	EC NO.	PART NO.
REL 02/08/07	L11412	42W9239
DEVELOPMENT NO.		Q/M
		19 / 98

SRC#	OE#	DEVICE
0	OE#1	WWAN DOCK
1	OE#2	GFX
2	OE#3	WLAN
3	OE#4	ROBSON
4	OE#5	SATA
5	OE#6	EXPRESS CARD
6	OE#7	ICH
8	OE#8	MCH

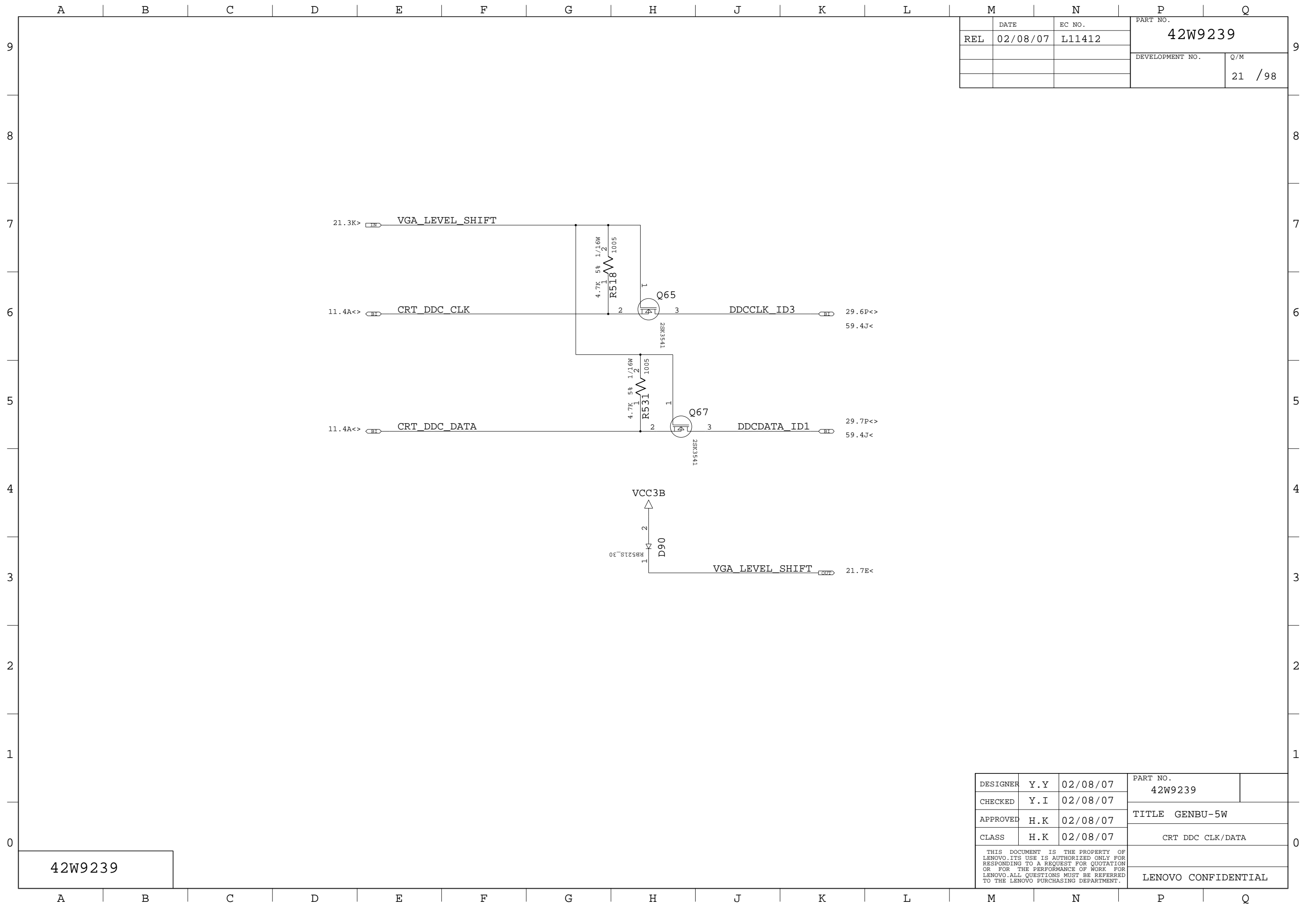
DESIGNER	Y.Y	02/08/07	PART NO.	42W9239
CHECKED	Y.I	02/08/07	TITLE GENBU-5W	
APPROVED	H.K	02/08/07	CLOCK GEN(ICS954309)	
CLASS	H.K	02/08/07	THIS DOCUMENT IS THE PROPERTY OF LENOVO. ITS USE IS AUTHORIZED ONLY FOR RESPONDING TO A REQUEST FOR QUOTATION OR FOR THE PERFORMANCE OF WORK FOR LENOVO. ALL QUESTIONS MUST BE REFERRED TO THE LENOVO PURCHASING DEPARTMENT.	
				LENVO CONFIDENTIAL



REL	DATE	EC NO.	PART NO.	
	02/08/07	L11412	42W9239	
			DEVELOPMENT NO.	Q/M
				20 / 98

42W9239

DESIGNER	Y.Y	02/08/07	PART NO.	42W9239
CHECKED	Y.I	02/08/07	TITLE GENBU-5W	
APPROVED	H.K	02/08/07	DVI TRANSMITTER	
CLASS	H.K	02/08/07	LENOVO CONFIDENTIAL	
THIS DOCUMENT IS THE PROPERTY OF LENOVO. ITS USE IS AUTHORIZED ONLY FOR RESPONDING TO A REQUEST FOR QUOTATION OR FOR THE PERFORMANCE OF WORK FOR LENOVO. ALL QUESTIONS MUST BE REFERRED TO THE LENOVO PURCHASING DEPARTMENT.				

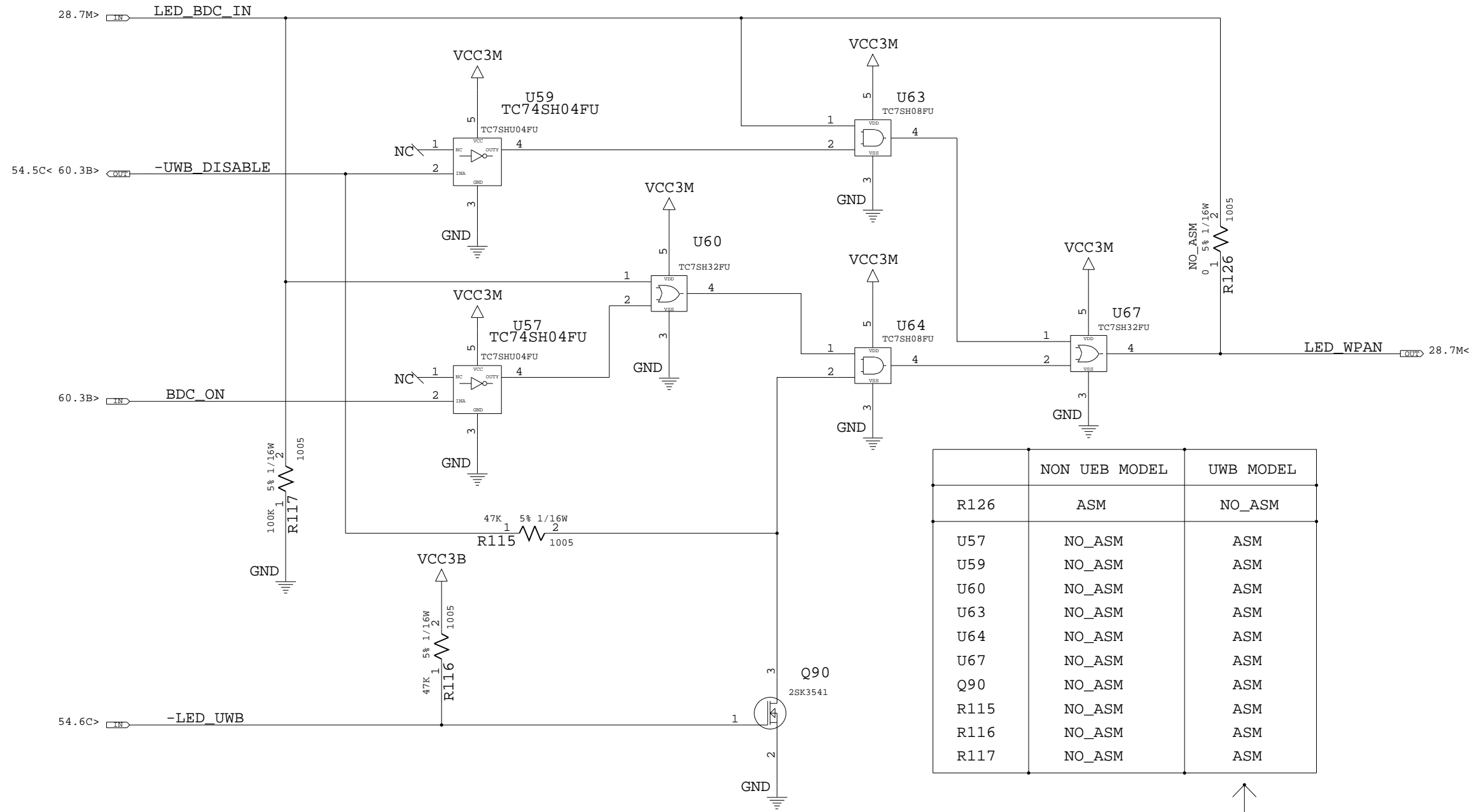


	DATE	EC NO.	PART NO.	
REL	02/08/07	L11412	42W9239	
			DEVELOPMENT NO.	Q/M
				21 / 98

42W9239

DESIGNER	Y.Y	02/08/07	PART NO.	
CHECKED	Y.I	02/08/07	42W9239	
APPROVED	H.K	02/08/07	TITLE GENBU-5W	
CLASS	H.K	02/08/07	CRT DDC CLK/DATA	
THIS DOCUMENT IS THE PROPERTY OF LENOVO. ITS USE IS AUTHORIZED ONLY FOR RESPONDING TO A REQUEST FOR QUOTATION OR FOR THE PERFORMANCE OF WORK FOR LENOVO. ALL QUESTIONS MUST BE REFERRED TO THE LENOVO PURCHASING DEPARTMENT.				LENOVO CONFIDENTIAL

	DATE	EC NO.	PART NO.	
REL	02/08/07	L11412	42W9239	
			DEVELOPMENT NO.	Q/M
				22 / 98

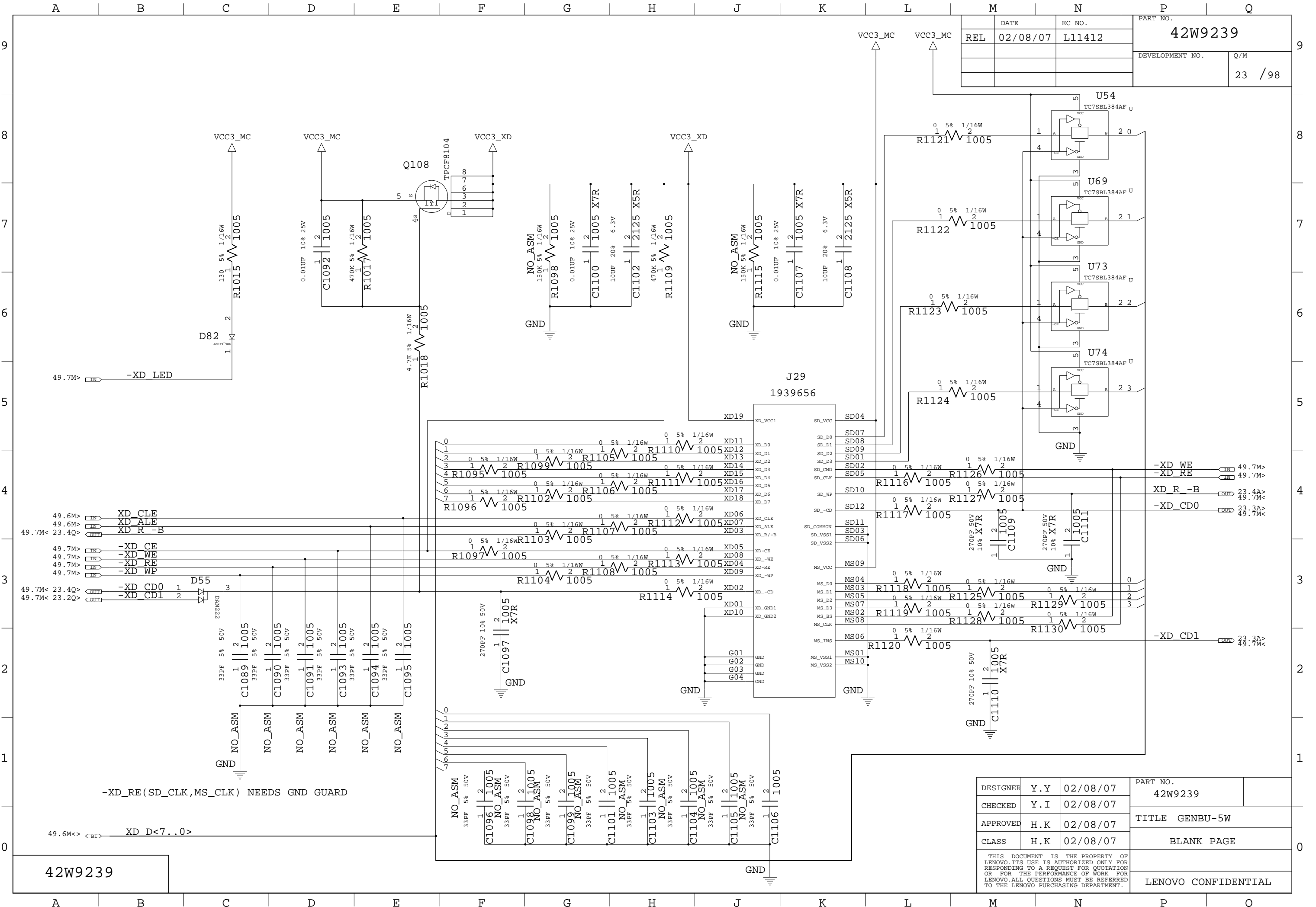


	NON UEB MODEL	UEB MODEL
R126	ASM	NO_ASM
U57	NO_ASM	ASM
U59	NO_ASM	ASM
U60	NO_ASM	ASM
U63	NO_ASM	ASM
U64	NO_ASM	ASM
U67	NO_ASM	ASM
Q90	NO_ASM	ASM
R115	NO_ASM	ASM
R116	NO_ASM	ASM
R117	NO_ASM	ASM

LOGIC

DESIGNER	Y. Y	02/08/07	PART NO.	42W9239
CHECKED	Y. I	02/08/07	TITLE GENBU-5W	
APPROVED	H. K	02/08/07	WPAN LED CONTROL	
CLASS	H. K	02/08/07	LENovo CONFIDENTIAL	
THIS DOCUMENT IS THE PROPERTY OF LENovo. ITS USE IS AUTHORIZED ONLY FOR RESPONDING TO A REQUEST FOR QUOTATION OR FOR THE PERFORMANCE OF WORK FOR LENovo. ALL QUESTIONS MUST BE REFERRED TO THE LENovo PURCHASING DEPARTMENT.				

42W9239



REL	DATE	EC NO.	PART NO.
	02/08/07	L11412	42W9239
			DEVELOPMENT NO.
			Q/M
			23 / 98

DESIGNER	Y.Y	02/08/07	PART NO.	42W9239
CHECKED	Y.I	02/08/07	TITLE	GENBU-5W
APPROVED	H.K	02/08/07		
CLASS	H.K	02/08/07		BLANK PAGE
THIS DOCUMENT IS THE PROPERTY OF LENOVO. ITS USE IS AUTHORIZED ONLY FOR RESPONDING TO A REQUEST FOR QUOTATION OR FOR THE PERFORMANCE OF WORK FOR LENOVO. ALL QUESTIONS MUST BE REFERRED TO THE LENOVO PURCHASING DEPARTMENT.				LENOVO CONFIDENTIAL

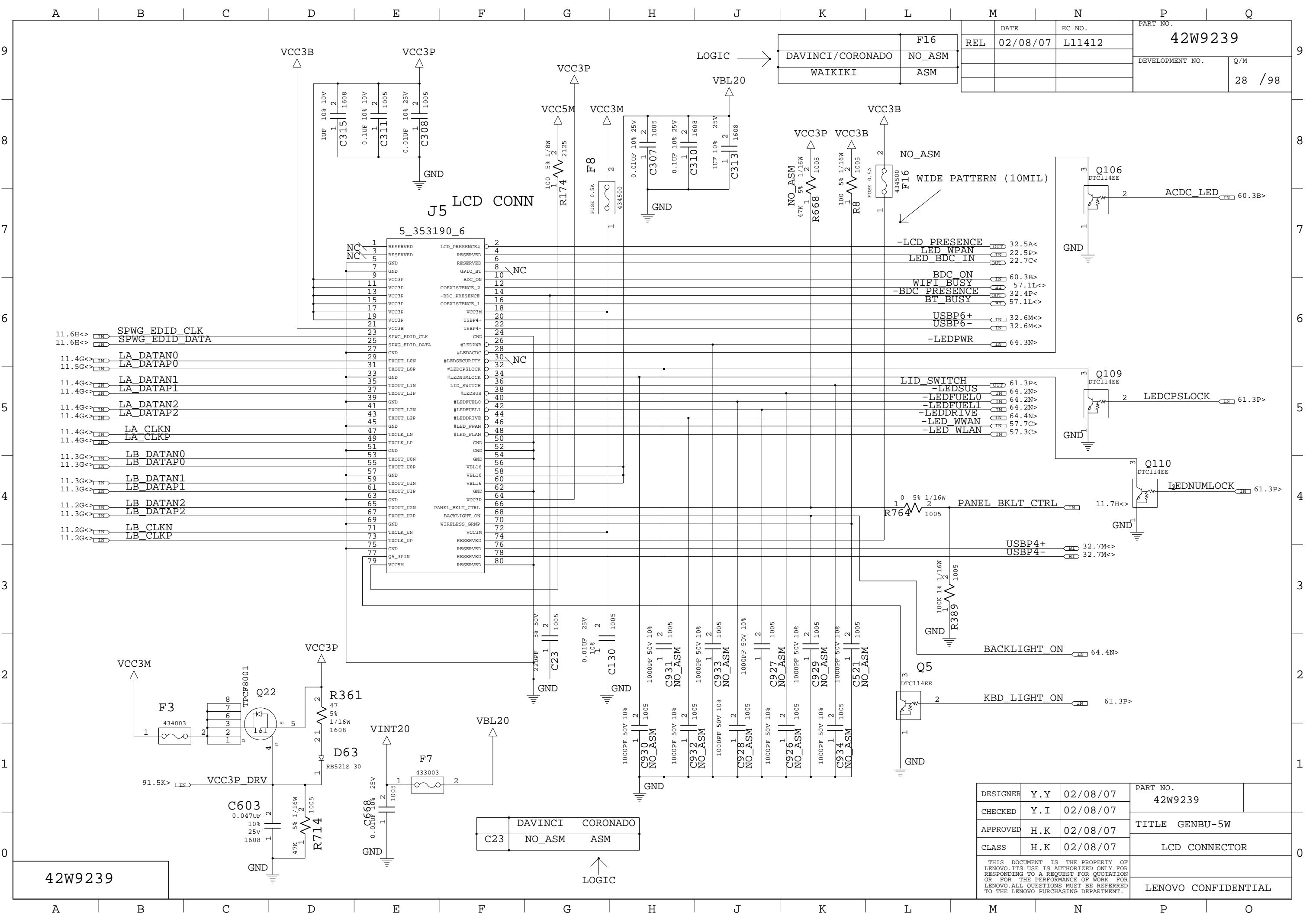
42W9239

-XD_RE(SD_CLK,MS_CLK) NEEDS GND GUARD

49.6M<> XD D<7..0>

-XD WE 49.7M<>
 -XD RE 49.7M<>
 XD R -B 23.4A<>
 -XD CD0 23.3A<>
 49.7M<>

-XD CD1 23.3A<>
 49.7M<>

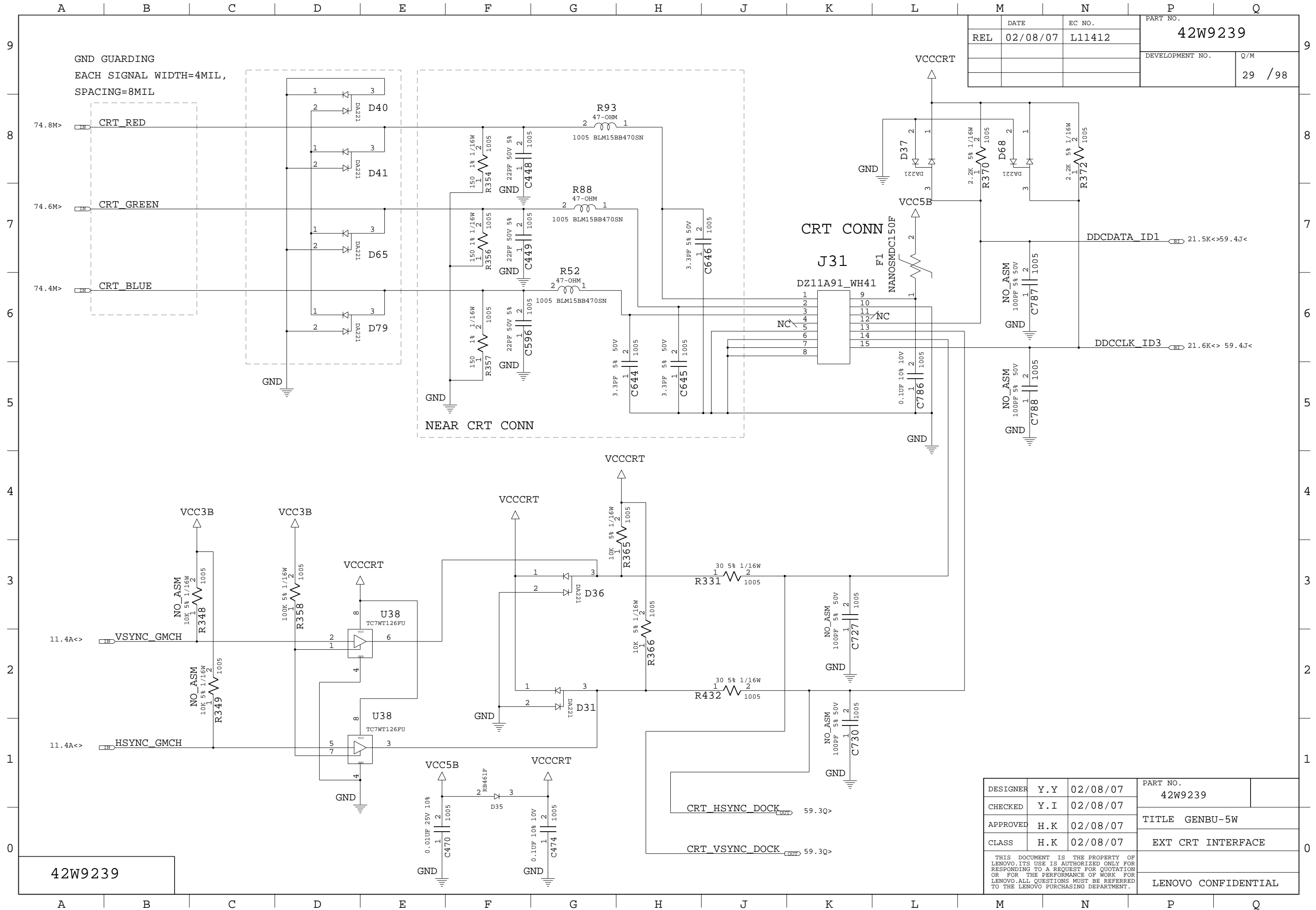


REL	DATE	EC NO.	PART NO.
	02/08/07	L11412	42W9239
			DEVELOPMENT NO.
			Q/M
			28 / 98

DAVINCI/CORONADO	F16
NO_ASM	
WAIKIKI	ASM

DESIGNER	Y.Y	02/08/07	PART NO.
CHECKED	Y.I	02/08/07	42W9239
APPROVED	H.K	02/08/07	TITLE GENBU-5W
CLASS	H.K	02/08/07	LCD CONNECTOR
THIS DOCUMENT IS THE PROPERTY OF LENOVO. ITS USE IS AUTHORIZED ONLY FOR RESPONDING TO A REQUEST FOR QUOTATION OR FOR THE PERFORMANCE OF WORK FOR LENOVO. ALL QUESTIONS MUST BE REFERRED TO THE LENOVO PURCHASING DEPARTMENT.			LENOVO CONFIDENTIAL

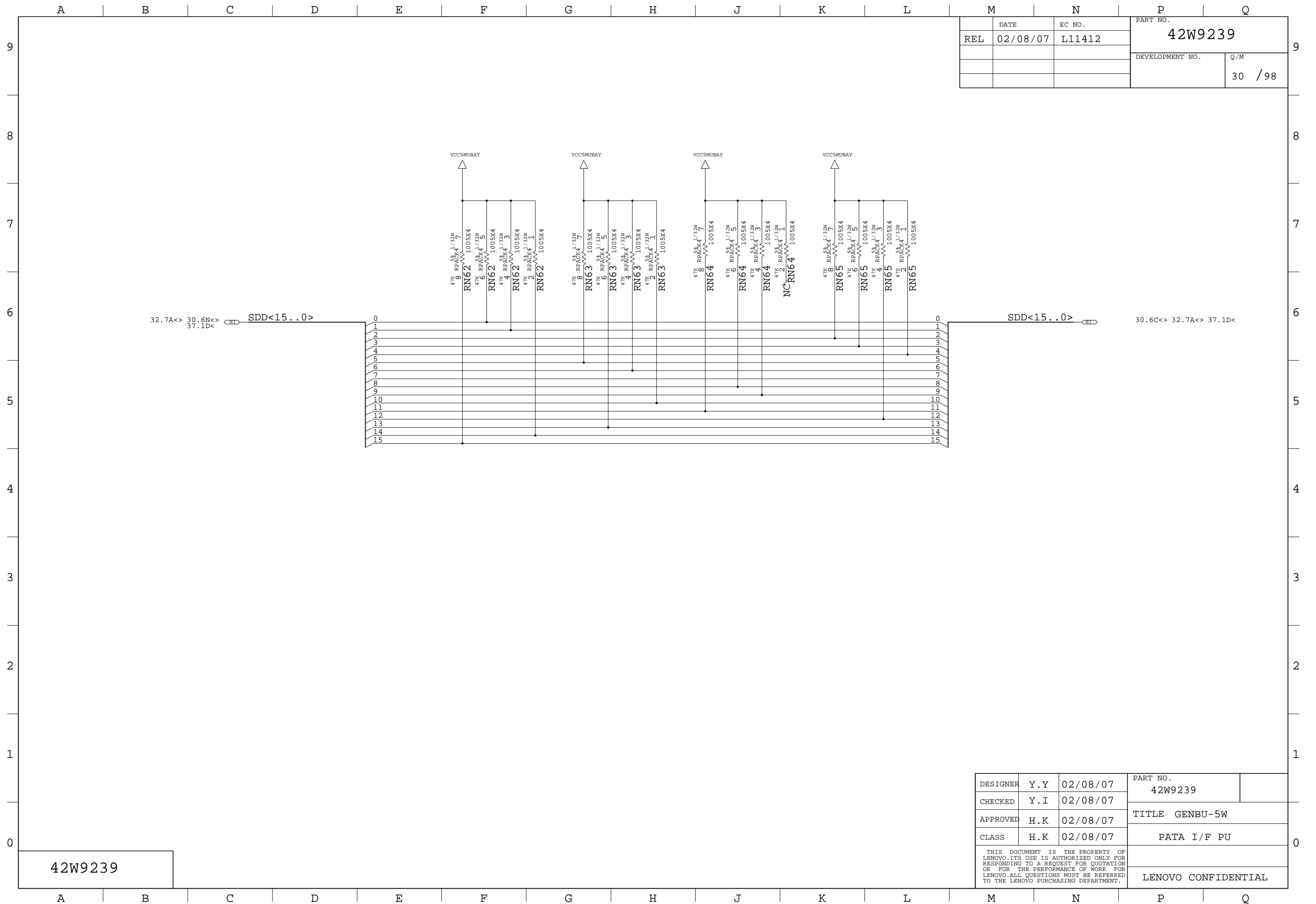
42W9239



DATE	02/08/07	EC NO.	L11412	PART NO.	42W9239
REL				DEVELOPMENT NO.	29 / 98

DESIGNER	Y.Y	02/08/07	PART NO.	42W9239
CHECKED	Y.I	02/08/07	TITLE	GENBU-5W
APPROVED	H.K	02/08/07	EXT CRT INTERFACE	
CLASS	H.K	02/08/07		
THIS DOCUMENT IS THE PROPERTY OF LENOVO. ITS USE IS AUTHORIZED ONLY FOR RESPONDING TO A REQUEST FOR QUOTATION OR FOR THE PERFORMANCE OF WORK FOR LENOVO. ALL QUESTIONS MUST BE REFERRED TO THE LENOVO PURCHASING DEPARTMENT.				LENOVO CONFIDENTIAL

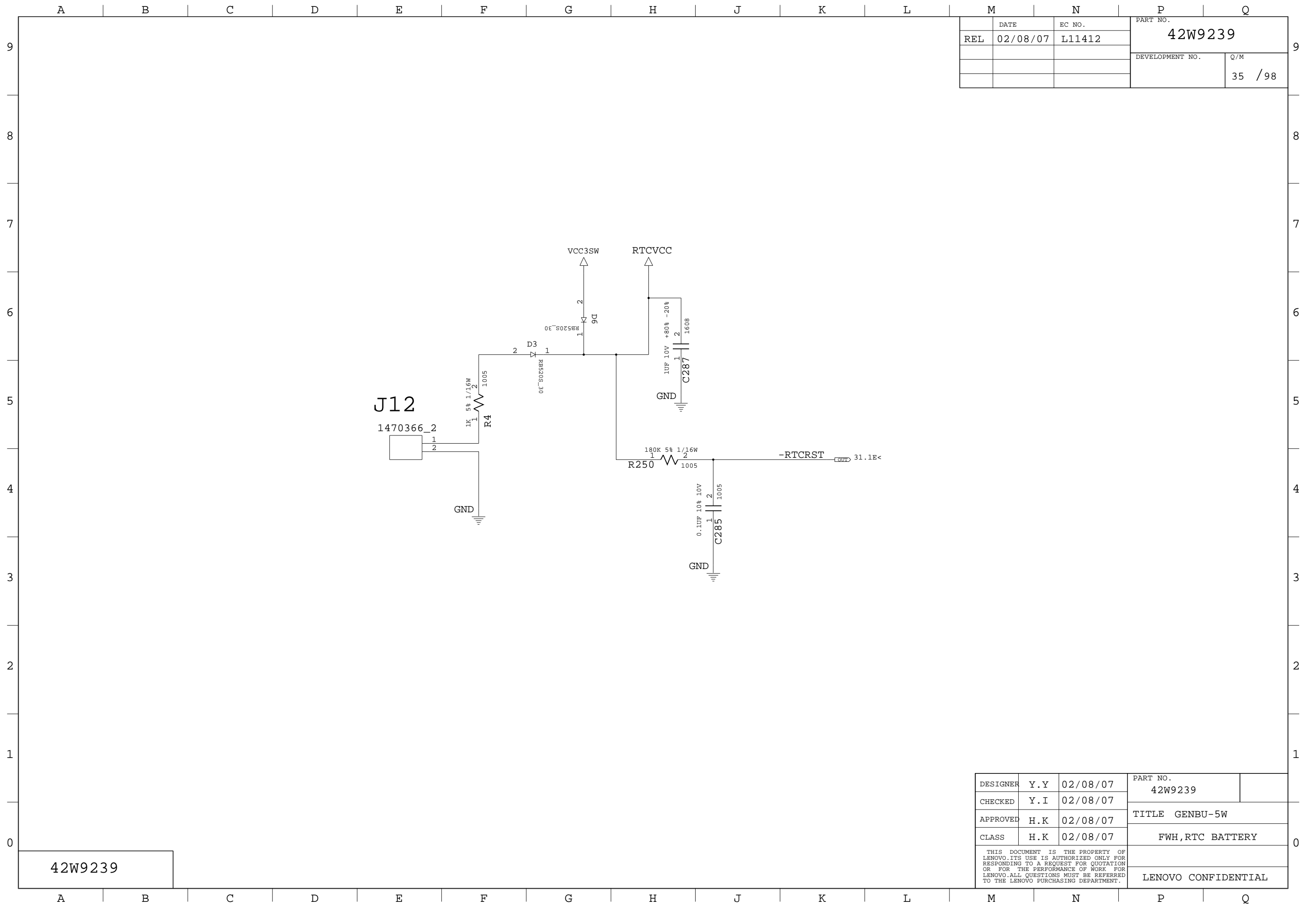
42W9239



REL	DATE 02/08/07	EC NO. L11412	PART NO. 42W9239
			DEVELOPMENT NO. Q/M 30 /98

42W9239

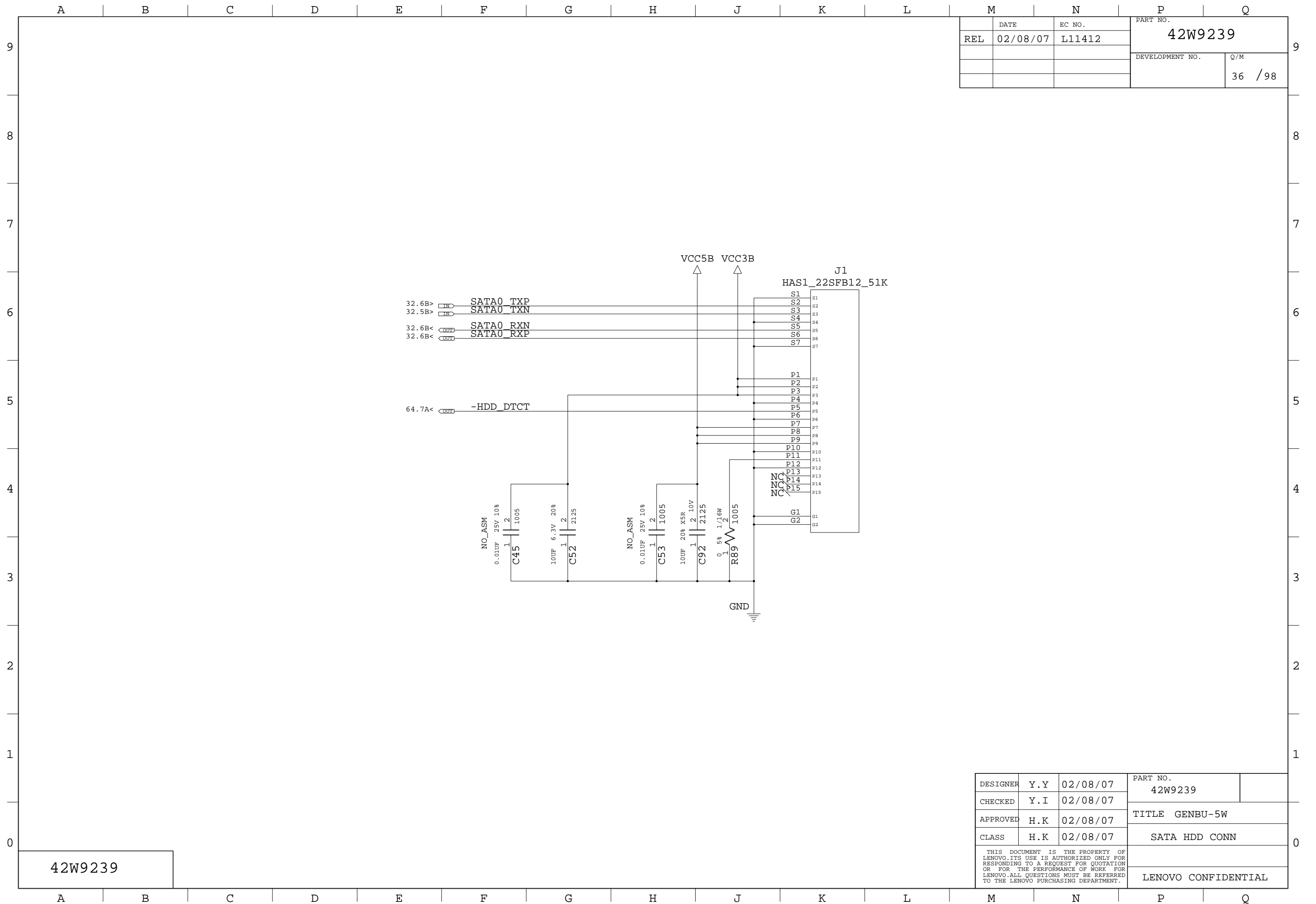
DESIGNER	Y.Y	02/08/07	PART NO. 42W9239
CHECKED	Y.I	02/08/07	
APPROVED	H.K	02/08/07	TITLE GENBU-5W
CLASS	H.K	02/08/07	PATA I/F PU
THIS DOCUMENT IS THE PROPERTY OF LENOVO. ITS USE IS AUTHORIZED ONLY FOR RESPONDING TO A REQUEST FOR QUOTATION OR FOR THE PERFORMANCE OF WORK FOR LENOVO. ALL QUESTIONS MUST BE REFERRED TO THE LENOVO PURCHASING DEPARTMENT.			LENOVO CONFIDENTIAL



	DATE	EC NO.	PART NO.	
REL	02/08/07	L11412	42W9239	
			DEVELOPMENT NO.	Q/M
				35 /98

42W9239

DESIGNER	Y.Y	02/08/07	PART NO.	
CHECKED	Y.I	02/08/07	42W9239	
APPROVED	H.K	02/08/07	TITLE GENBU-5W	
CLASS	H.K	02/08/07	FWH,RTC BATTERY	
THIS DOCUMENT IS THE PROPERTY OF LENOVO. ITS USE IS AUTHORIZED ONLY FOR RESPONDING TO A REQUEST FOR QUOTATION OR FOR THE PERFORMANCE OF WORK FOR LENOVO. ALL QUESTIONS MUST BE REFERRED TO THE LENOVO PURCHASING DEPARTMENT.				LENOVO CONFIDENTIAL

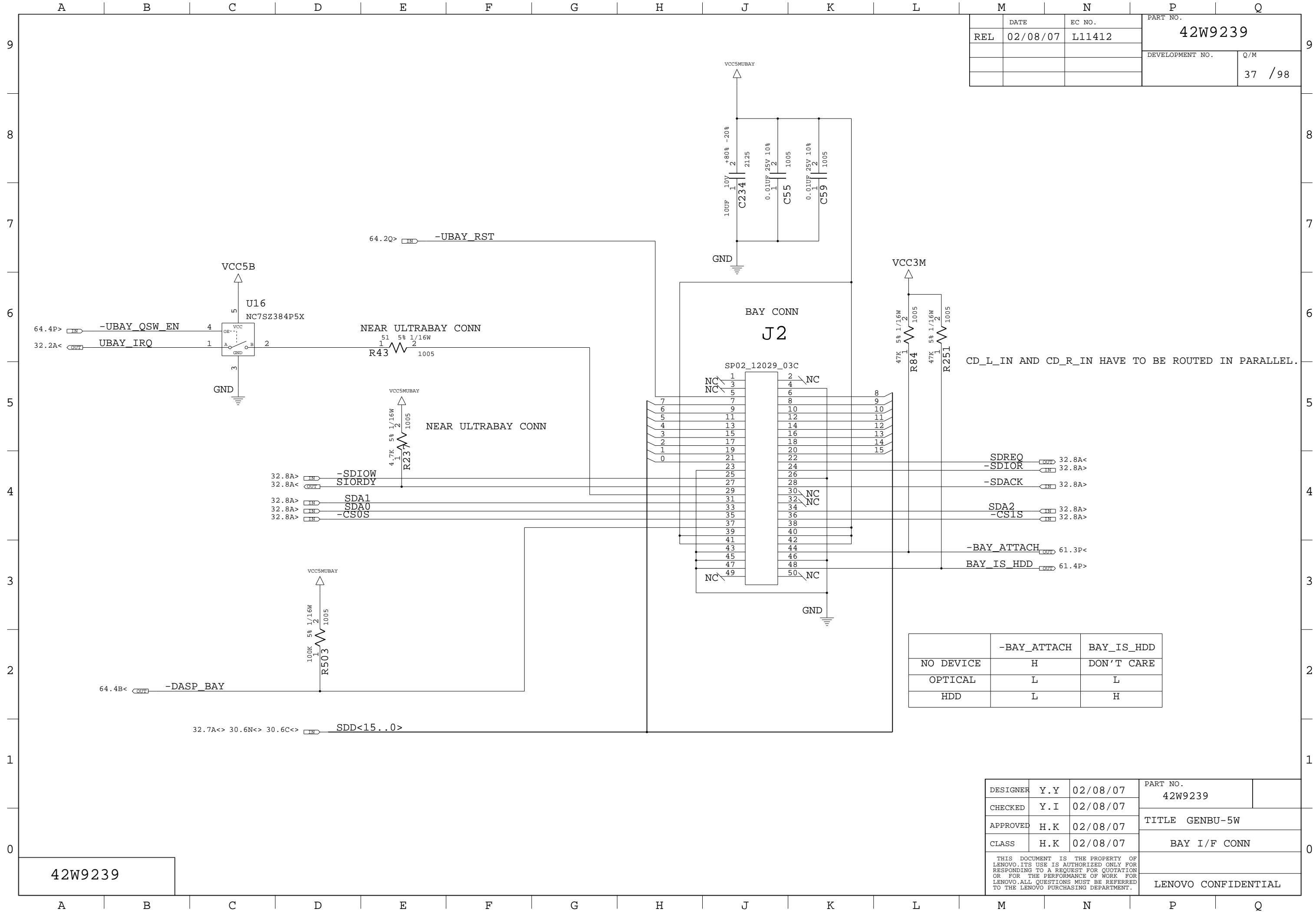


	DATE	EC NO.	PART NO.	
REL	02/08/07	L11412	42W9239	
			DEVELOPMENT NO.	Q/M
				36 / 98

42W9239

DESIGNER	Y. Y	02/08/07	PART NO.	42W9239
CHECKED	Y. I	02/08/07	TITLE GENBU-5W	
APPROVED	H. K	02/08/07	SATA HDD CONN	
CLASS	H. K	02/08/07	LENOVO CONFIDENTIAL	
<small>THIS DOCUMENT IS THE PROPERTY OF LENOVO. ITS USE IS AUTHORIZED ONLY FOR RESPONDING TO A REQUEST FOR QUOTATION OR FOR THE PERFORMANCE OF WORK FOR LENOVO. ALL QUESTIONS MUST BE REFERRED TO THE LENOVO PURCHASING DEPARTMENT.</small>				

	DATE	EC NO.	PART NO.	
REL	02/08/07	L11412	42W9239	
			DEVELOPMENT NO.	Q/M
				37 / 98



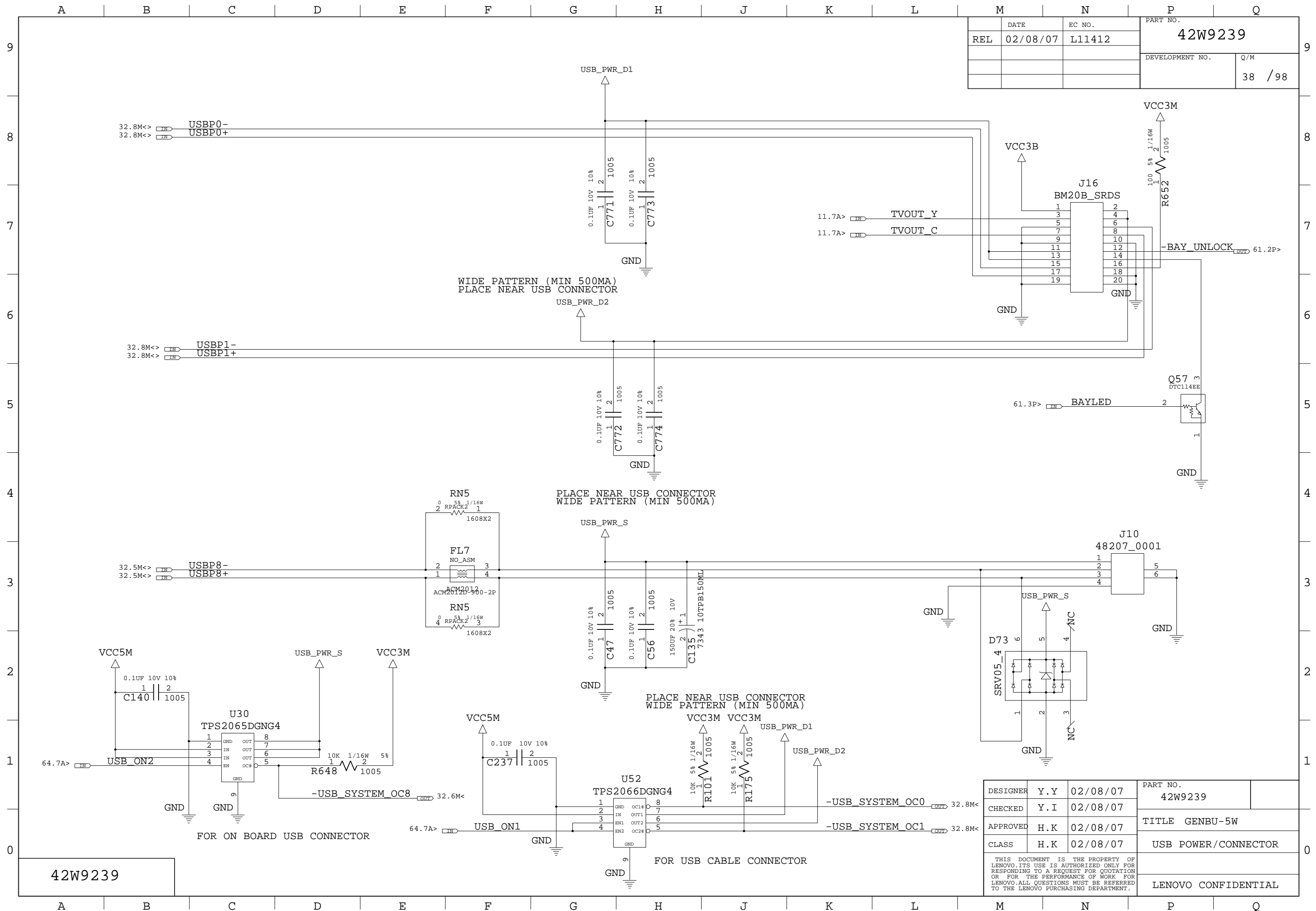
CD_L_IN AND CD_R_IN HAVE TO BE ROUTED IN PARALLEL.

	-BAY_ATTACH	BAY_IS_HDD
NO DEVICE	H	DON'T CARE
OPTICAL	L	L
HDD	L	H

DESIGNER	Y.Y	02/08/07	PART NO.	42W9239
CHECKED	Y.I	02/08/07	TITLE GENBU-5W	
APPROVED	H.K	02/08/07	BAY I/F CONN	
CLASS	H.K	02/08/07	LENOVO CONFIDENTIAL	

THIS DOCUMENT IS THE PROPERTY OF LENOVO. ITS USE IS AUTHORIZED ONLY FOR RESPONDING TO A REQUEST FOR QUOTATION OR FOR THE PERFORMANCE OF WORK FOR LENOVO. ALL QUESTIONS MUST BE REFERRED TO THE LENOVO PURCHASING DEPARTMENT.

42W9239



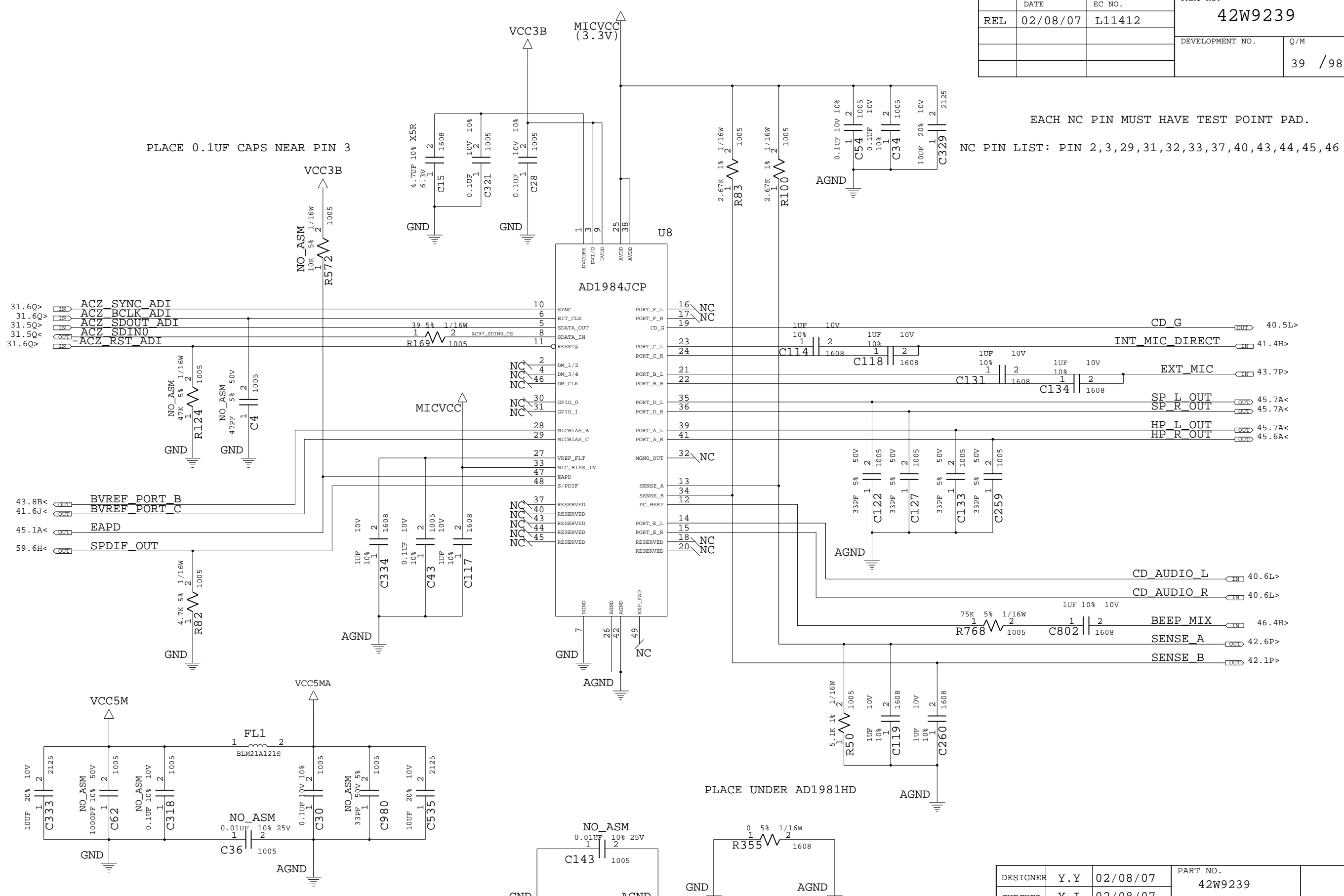
REL	DATE	EC NO.	PART NO.
	02/08/07	L11412	42W9239
			DEVELOPMENT NO.
			Q/M
			38 / 98

42W9239

DESIGNER	Y.Y	02/08/07	PART NO.	42W9239
CHECKED	Y.I	02/08/07	TITLE	GENBU-5W
APPROVED	H.K	02/08/07	CLASS	USB POWER/CONNECTOR
CLASS	H.K	02/08/07	THIS DOCUMENT IS THE PROPERTY OF LENOVO. ITS USE IS AUTHORIZED ONLY FOR RESPONDING TO A REQUEST FOR QUOTATION OR FOR THE PERFORMANCE OF WORK FOR LENOVO. ALL QUESTIONS MUST BE REFERRED TO THE LENOVO PURCHASING DEPARTMENT.	
				LENOVO CONFIDENTIAL

REL	DATE	EC NO.	PART NO.
	02/08/07	L11412	42W9239
			DEVELOPMENT NO.
			Q/M
			39 / 98

EACH NC PIN MUST HAVE TEST POINT PAD.
 NC PIN LIST: PIN 2,3,29,31,32,33,37,40,43,44,45,46



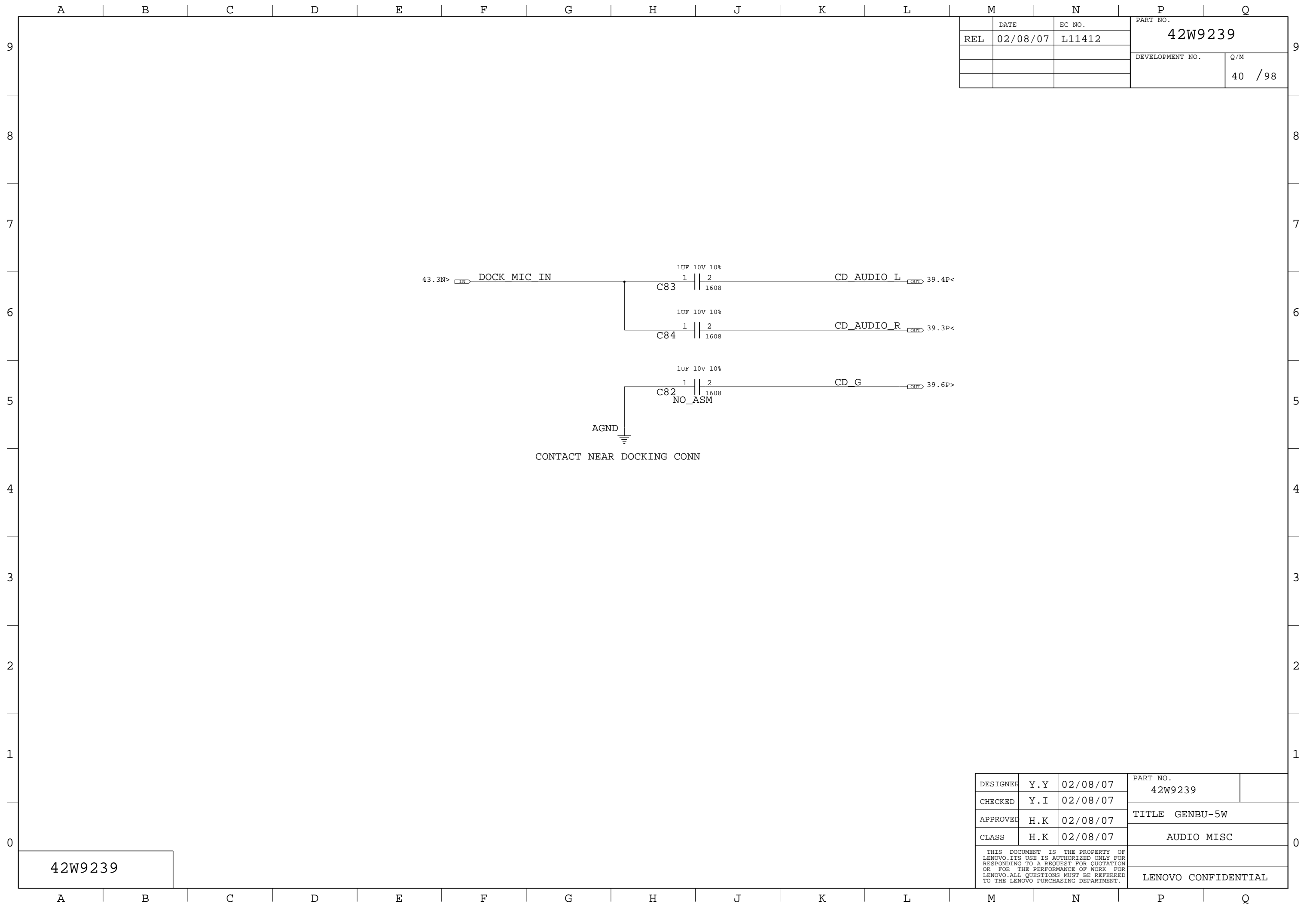
PLACE 0.1UF CAPS NEAR PIN 3

PLACE UNDER AD1981HD

42W9239

DESIGNER	Y.Y	02/08/07	PART NO.	42W9239
CHECKED	Y.I	02/08/07	TITLE GENBU-5W	
APPROVED	H.K	02/08/07	AUDIO AD1981HD	
CLASS	H.K	02/08/07	LENOVO CONFIDENTIAL	

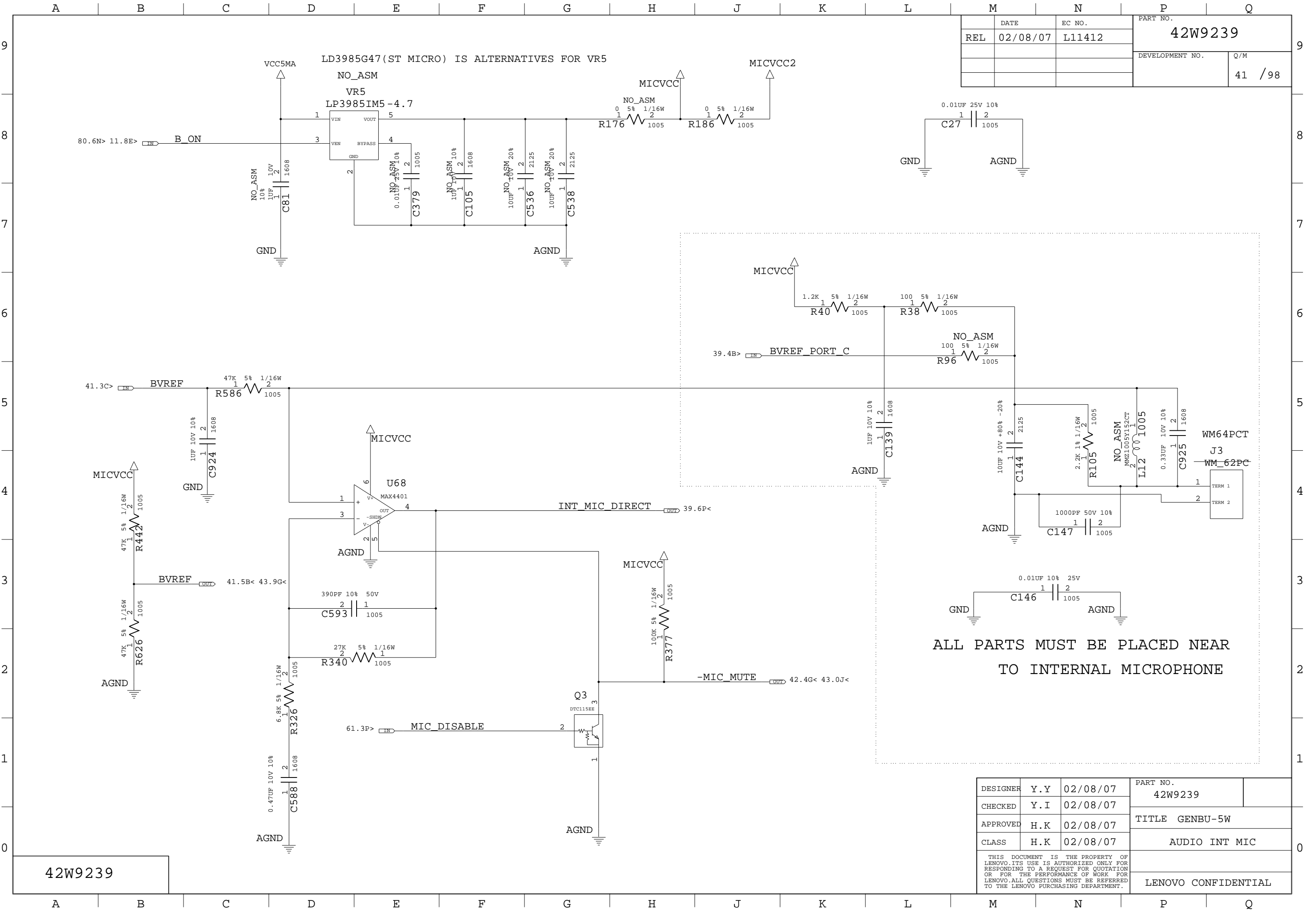
THIS DOCUMENT IS THE PROPERTY OF
 LENOVO. ITS USE IS AUTHORIZED ONLY FOR
 RESPONDING TO A REQUEST FOR QUOTATION
 OR FOR THE PERFORMANCE OF WORK FOR
 LENOVO. ALL QUESTIONS MUST BE REFERRED
 TO THE LENOVO PURCHASING DEPARTMENT.



	DATE	EC NO.	PART NO.	
REL	02/08/07	L11412	42W9239	
			DEVELOPMENT NO.	Q/M
				40 /98

42W9239

DESIGNER	Y.Y	02/08/07	PART NO.	
CHECKED	Y.I	02/08/07	42W9239	
APPROVED	H.K	02/08/07	TITLE GENBU-5W	
CLASS	H.K	02/08/07	AUDIO MISC	
THIS DOCUMENT IS THE PROPERTY OF LENOVO. ITS USE IS AUTHORIZED ONLY FOR RESPONDING TO A REQUEST FOR QUOTATION OR FOR THE PERFORMANCE OF WORK FOR LENOVO. ALL QUESTIONS MUST BE REFERRED TO THE LENOVO PURCHASING DEPARTMENT.				LENOVO CONFIDENTIAL

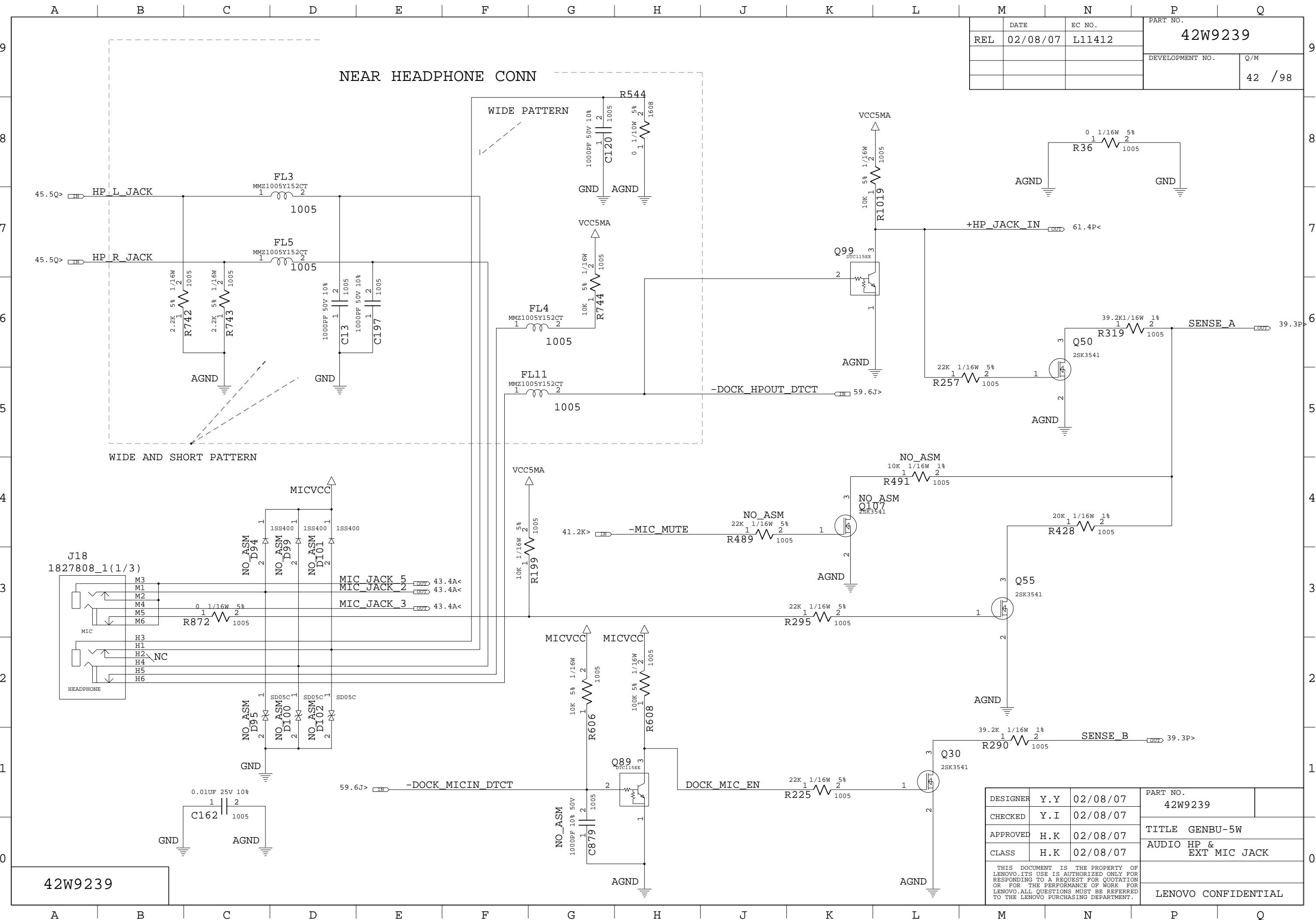


REL	DATE	EC NO.	PART NO.	
	02/08/07	L11412	42W9239	
			DEVELOPMENT NO.	Q/M
				41 / 98

DESIGNER	Y.Y	02/08/07	PART NO.	42W9239
CHECKED	Y.I	02/08/07	TITLE GENBU-5W	
APPROVED	H.K	02/08/07	AUDIO INT MIC	
CLASS	H.K	02/08/07	LENOVO CONFIDENTIAL	

THIS DOCUMENT IS THE PROPERTY OF LENOVO. ITS USE IS AUTHORIZED ONLY FOR RESPONDING TO A REQUEST FOR QUOTATION OR FOR THE PERFORMANCE OF WORK FOR LENOVO. ALL QUESTIONS MUST BE REFERRED TO THE LENOVO PURCHASING DEPARTMENT.

42W9239



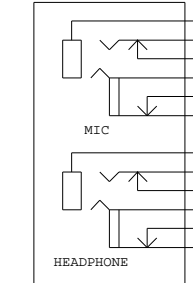
DATE	EC NO.	PART NO.	
REL 02/08/07	L11412	42W9239	
		DEVELOPMENT NO.	Q/M
			42 / 98

NEAR HEADPHONE CONN

WIDE PATTERN

WIDE AND SHORT PATTERN

J18
1827808_1(1/3)



MICVCC

MICVCC

MICVCC

-DOCK MICIN_DTCT

DOCK MIC EN

-DOCK_HPOUT_DTCT

+HP_JACK_IN

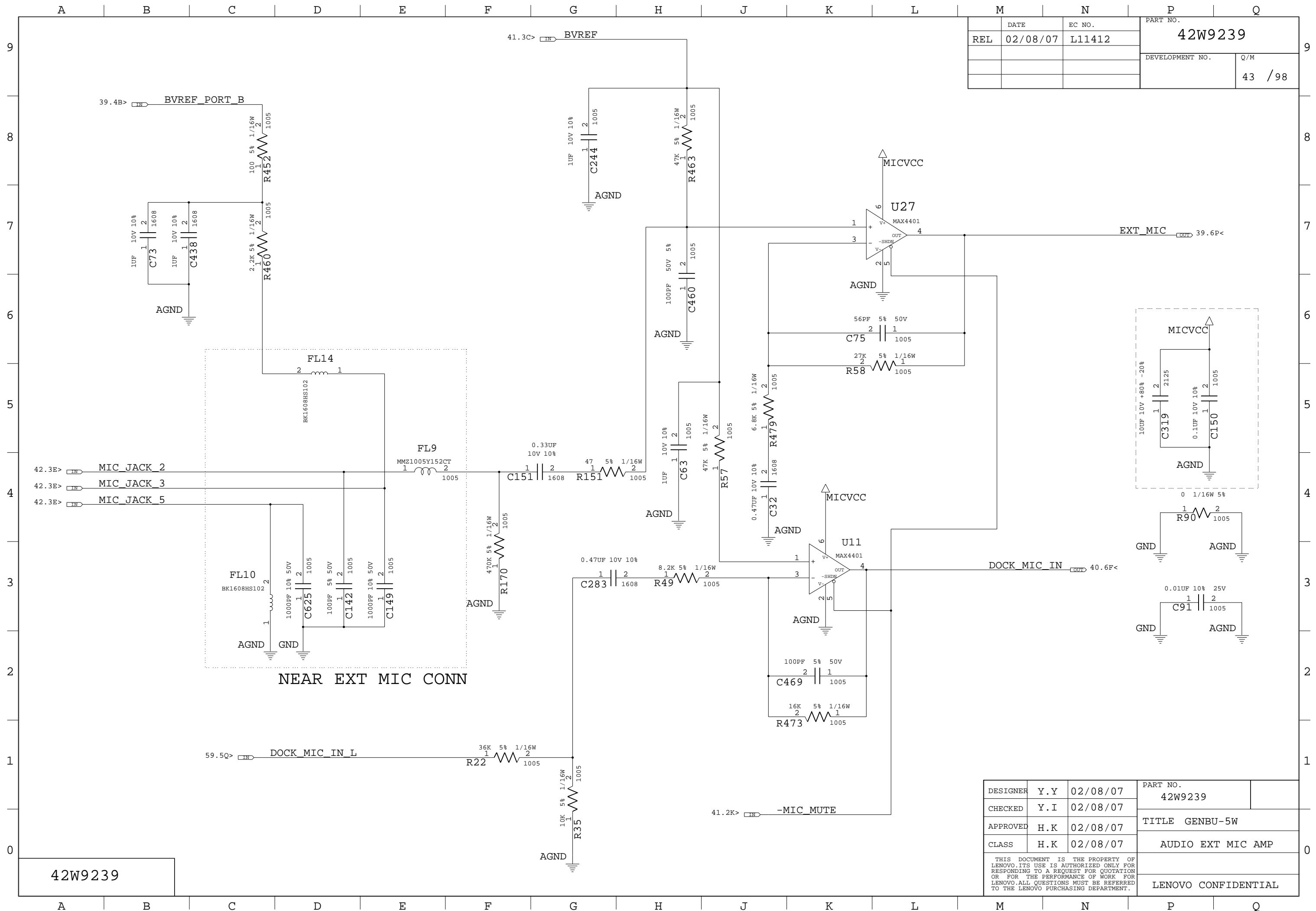
SENSE_A

SENSE_B

42W9239

DESIGNER	Y.Y	02/08/07	PART NO.	42W9239
CHECKED	Y.I	02/08/07	TITLE	GENBU-5W
APPROVED	H.K	02/08/07	AUDIO HP & EXT MIC JACK	
CLASS	H.K	02/08/07	LENOVO CONFIDENTIAL	

THIS DOCUMENT IS THE PROPERTY OF LENOVO. ITS USE IS AUTHORIZED ONLY FOR RESPONDING TO A REQUEST FOR QUOTATION OR FOR THE PERFORMANCE OF WORK FOR LENOVO. ALL QUESTIONS MUST BE REFERRED TO THE LENOVO PURCHASING DEPARTMENT.

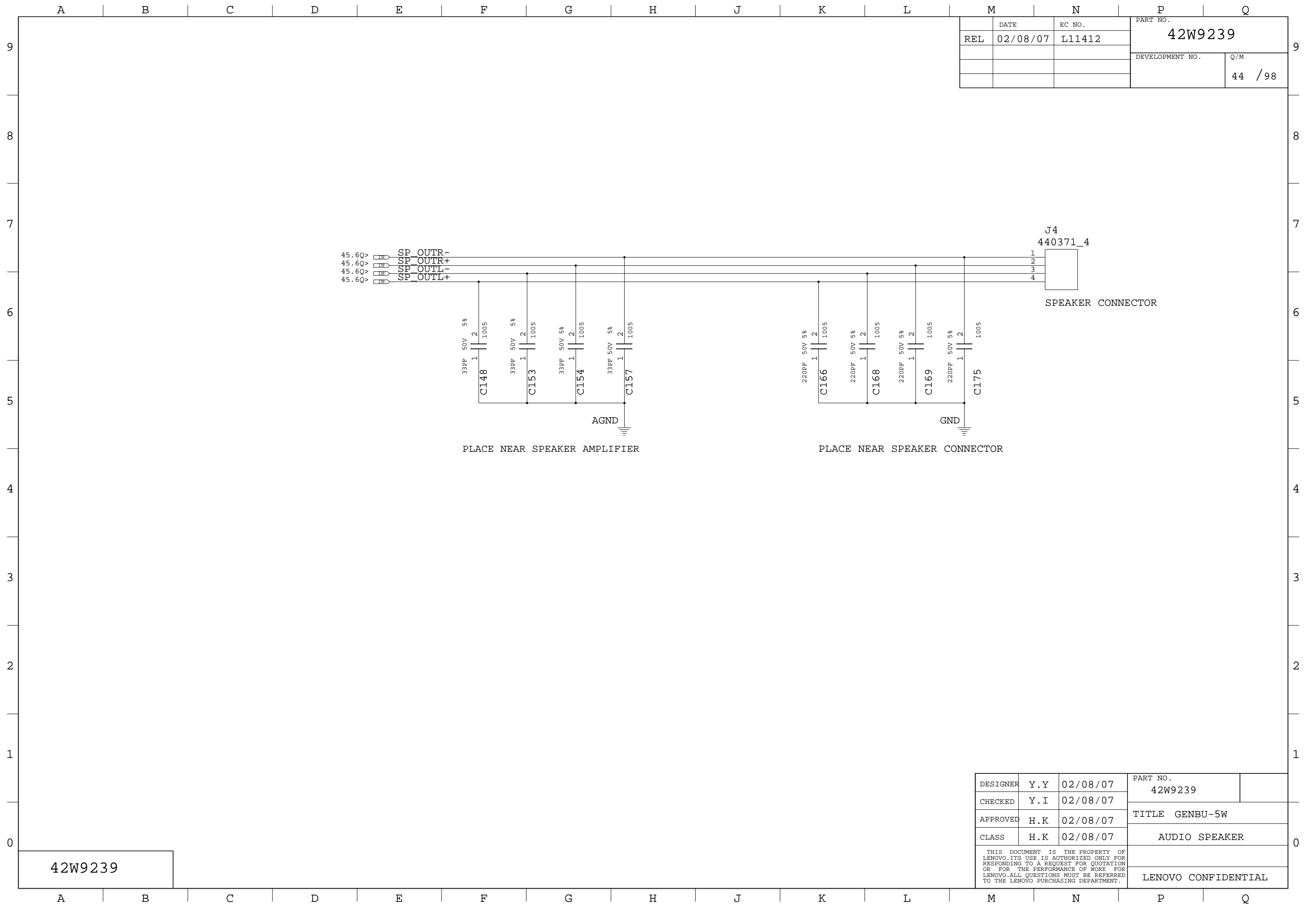


	DATE	EC NO.	PART NO.	
REL	02/08/07	L11412	42W9239	
			DEVELOPMENT NO.	Q/M
				43 / 98

42W9239

DESIGNER	Y.Y	02/08/07	PART NO.	42W9239
CHECKED	Y.I	02/08/07	TITLE GENBU-5W	
APPROVED	H.K	02/08/07	AUDIO EXT MIC AMP	
CLASS	H.K	02/08/07	LENOVO CONFIDENTIAL	

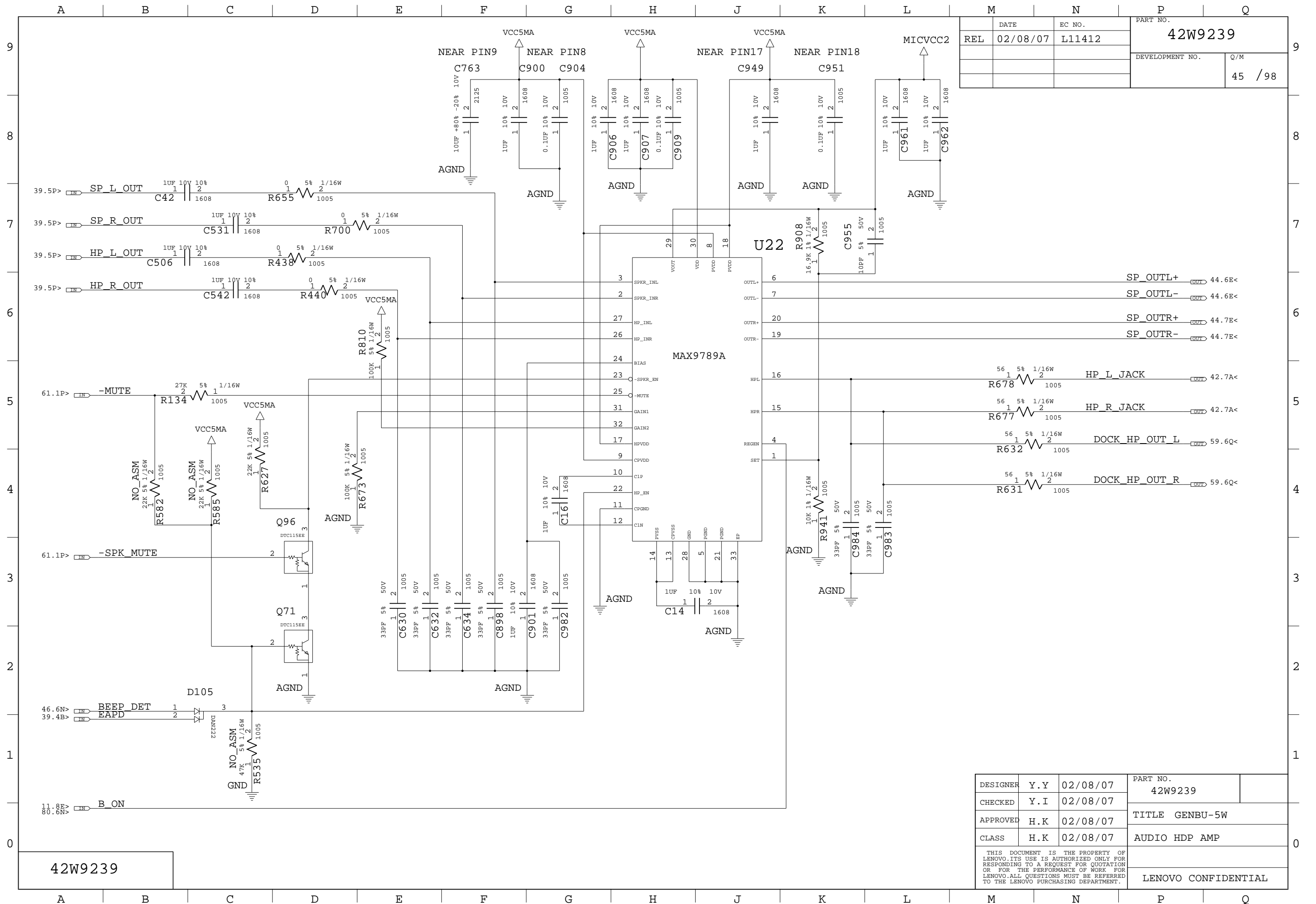
THIS DOCUMENT IS THE PROPERTY OF LENOVO. ITS USE IS AUTHORIZED ONLY FOR RESPONDING TO A REQUEST FOR QUOTATION OR FOR THE PERFORMANCE OF WORK FOR LENOVO. ALL QUESTIONS MUST BE REFERRED TO THE LENOVO PURCHASING DEPARTMENT.



	DATE	EC NO.	PART NO.	
REL	02/08/07	L11412	42W9239	
			DEVELOPMENT NO.	Q/M
				44 /98

42W9239

DESIGNER	Y.Y	02/08/07	PART NO.	
CHECKED	Y.I	02/08/07	42W9239	
APPROVED	H.K	02/08/07	TITLE GENBU-5W	
CLASS	H.K	02/08/07	AUDIO SPEAKER	
THIS DOCUMENT IS THE PROPERTY OF LENOVO. ITS USE IS AUTHORIZED ONLY FOR RESPONDING TO A REQUEST FOR QUOTATION OR FOR THE PERFORMANCE OF WORK FOR LENOVO. ALL QUESTIONS MUST BE REFERRED TO THE LENOVO PURCHASING DEPARTMENT.				LENOVO CONFIDENTIAL

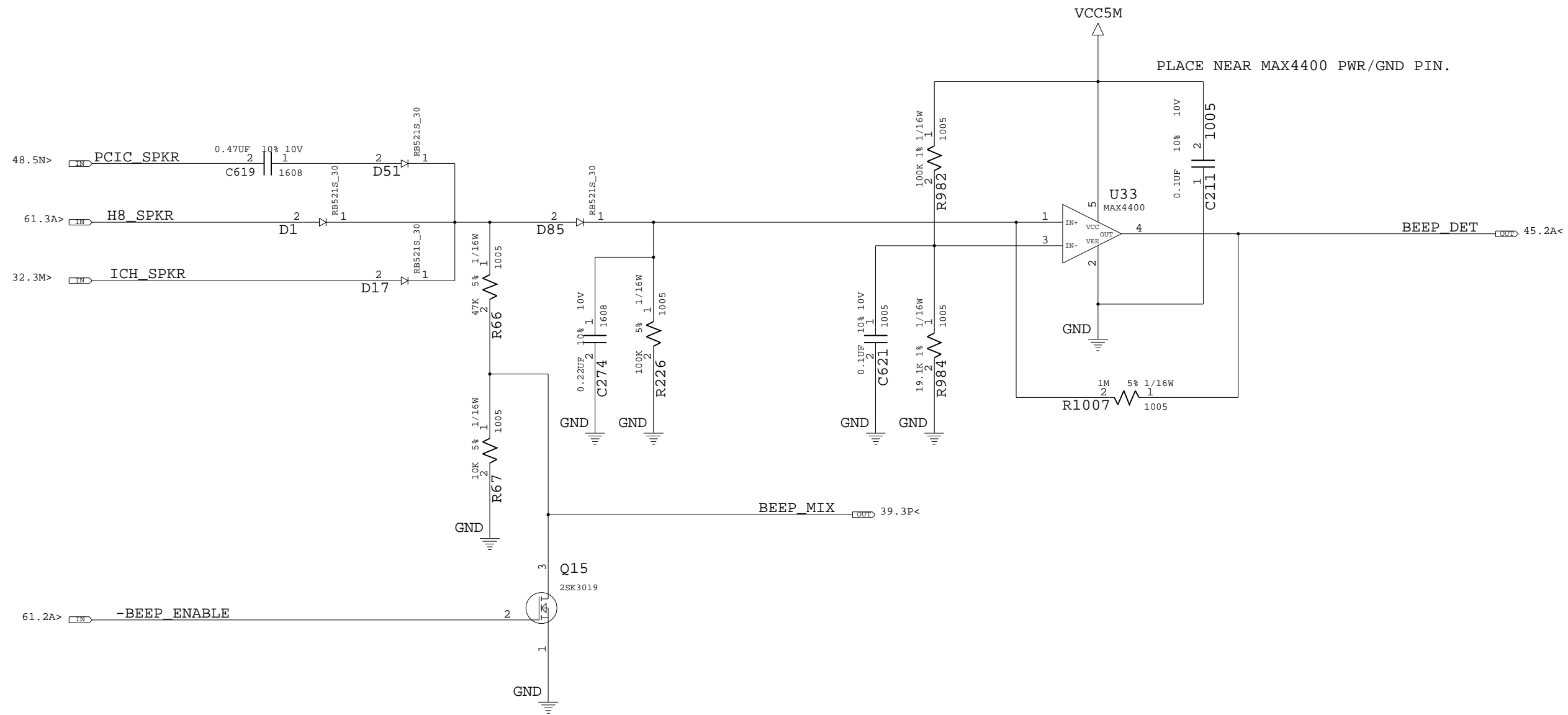


REL	DATE	EC NO.	PART NO.
	02/08/07	L11412	42W9239
			DEVELOPMENT NO.
			Q/M
			45 / 98

DESIGNER	Y.Y	02/08/07	PART NO.	42W9239
CHECKED	Y.I	02/08/07	TITLE	GENBU-5W
APPROVED	H.K	02/08/07	CLASS	AUDIO HDP AMP
THIS DOCUMENT IS THE PROPERTY OF LENOVO. ITS USE IS AUTHORIZED ONLY FOR RESPONDING TO A REQUEST FOR QUOTATION OR FOR THE PERFORMANCE OF WORK FOR LENOVO. ALL QUESTIONS MUST BE REFERRED TO THE LENOVO PURCHASING DEPARTMENT.				LENOVO CONFIDENTIAL

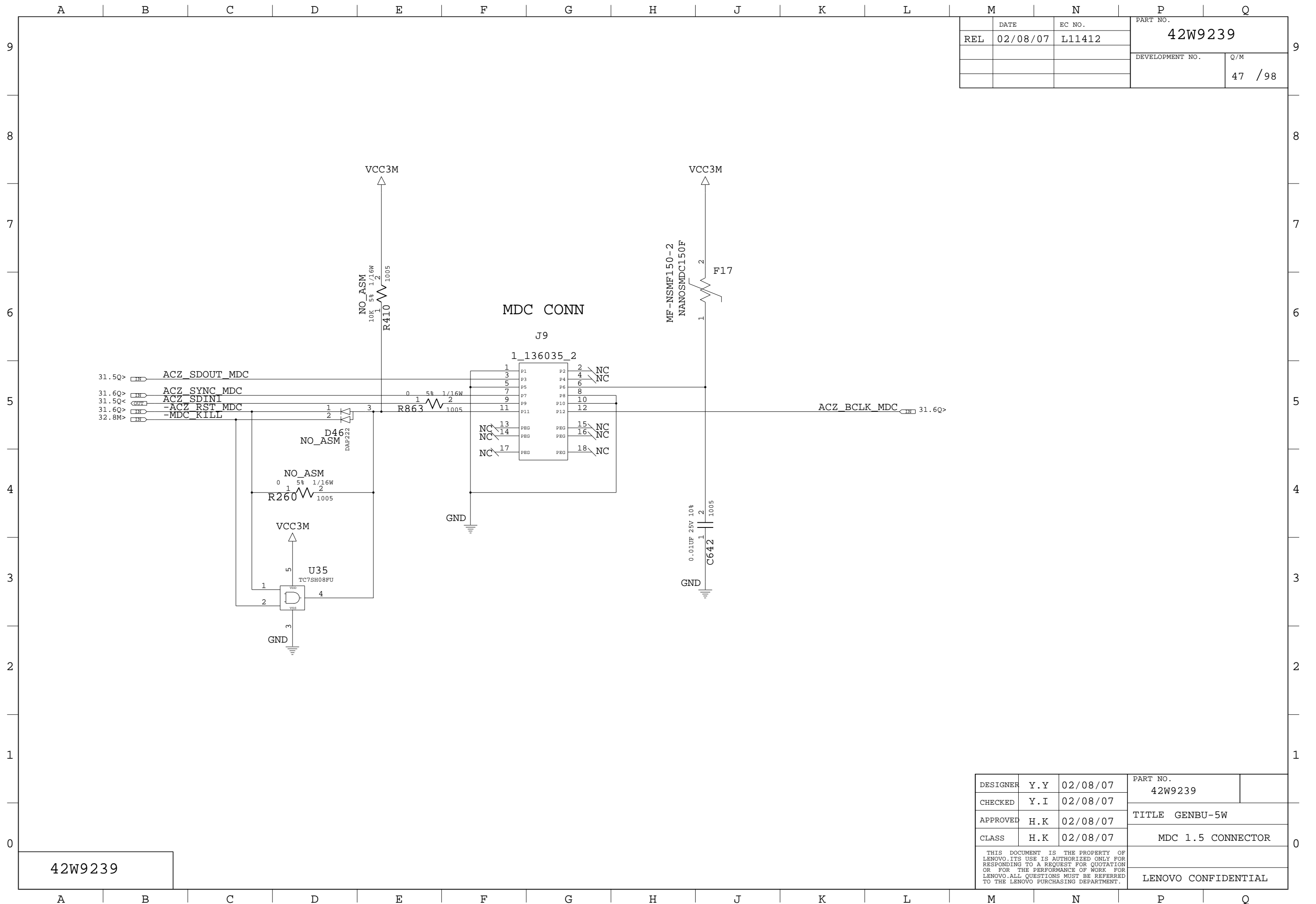
42W9239

	DATE	EC NO.	PART NO.	
REL	02/08/07	L11412	42W9239	
			DEVELOPMENT NO.	Q/M
				46 / 98



42W9239

DESIGNER	Y.Y	02/08/07	PART NO.	42W9239
CHECKED	Y.I	02/08/07	TITLE GENBU-5W	
APPROVED	H.K	02/08/07	CLASS AUDIO HDP AMP MISC	
CLASS	H.K	02/08/07	THIS DOCUMENT IS THE PROPERTY OF LENOVO. ITS USE IS AUTHORIZED ONLY FOR RESPONDING TO A REQUEST FOR QUOTATION OR FOR THE PERFORMANCE OF WORK FOR LENOVO. ALL QUESTIONS MUST BE REFERRED TO THE LENOVO PURCHASING DEPARTMENT.	
			LENOVO CONFIDENTIAL	



	DATE	EC NO.	PART NO.	
REL	02/08/07	L11412	42W9239	
			DEVELOPMENT NO.	Q/M
				47 /98

42W9239

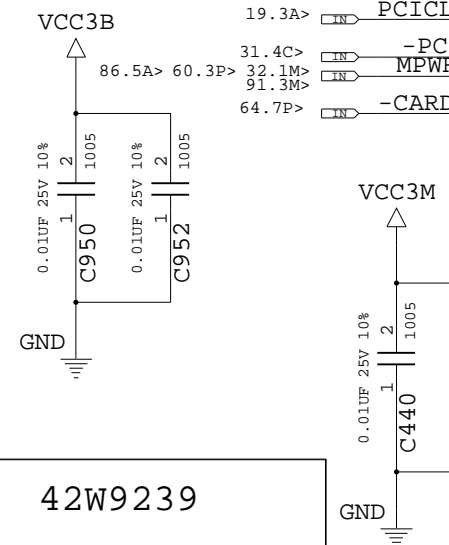
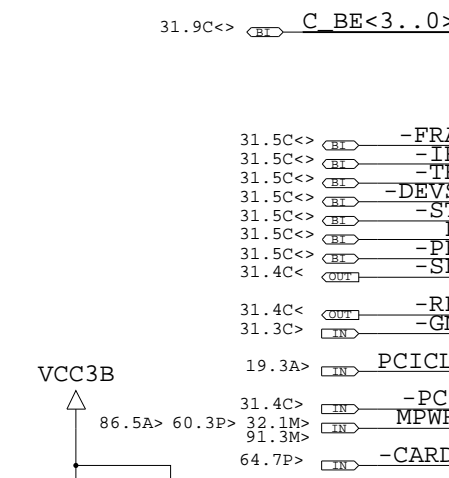
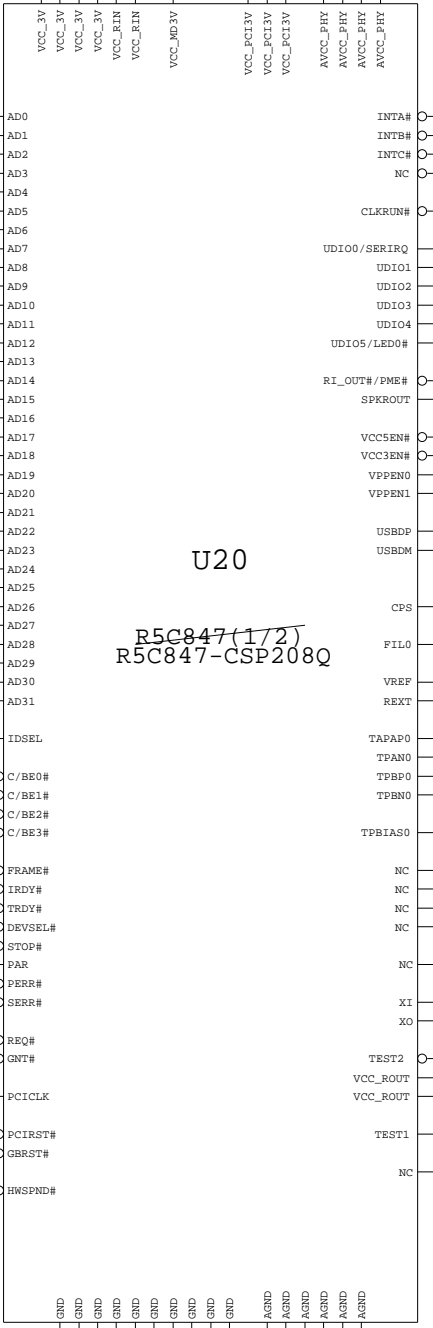
DESIGNER	Y.Y	02/08/07	PART NO.	
CHECKED	Y.I	02/08/07	42W9239	
APPROVED	H.K	02/08/07	TITLE GENBU-5W	
CLASS	H.K	02/08/07	MDC 1.5 CONNECTOR	
THIS DOCUMENT IS THE PROPERTY OF LENOVO. ITS USE IS AUTHORIZED ONLY FOR RESPONDING TO A REQUEST FOR QUOTATION OR FOR THE PERFORMANCE OF WORK FOR LENOVO. ALL QUESTIONS MUST BE REFERRED TO THE LENOVO PURCHASING DEPARTMENT.				LENOVO CONFIDENTIAL

REL	DATE	EC NO.	PART NO.
	02/08/07	L11412	42W9239
			DEVELOPMENT NO.
			Q/M
			48 / 98

TABLE 1394

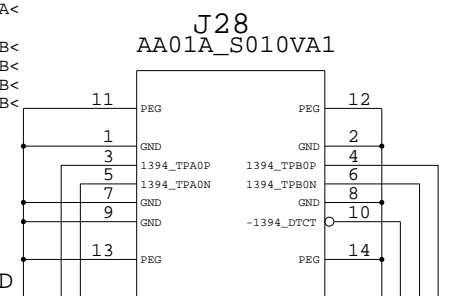
1394	NO	YES
U20	R5C804	R5C847/ R5C803
FL6	00HM	MPZ1608S600A
R931	NO_ASM	ASM
C256	NO_ASM	ASM
R988	NO_ASM	ASM
R989	NO_ASM	ASM
R998	NO_ASM	ASM
R999	NO_ASM	ASM
C877	NO_ASM	ASM
R997	NO_ASM	ASM
C891	NO_ASM	ASM
C894	NO_ASM	ASM
J28	NO_ASM	ASM
R985	NO_ASM	ASM
Y7	NO_ASM	ASM
C858	NO_ASM	ASM
C871	NO_ASM	ASM

LOGIC

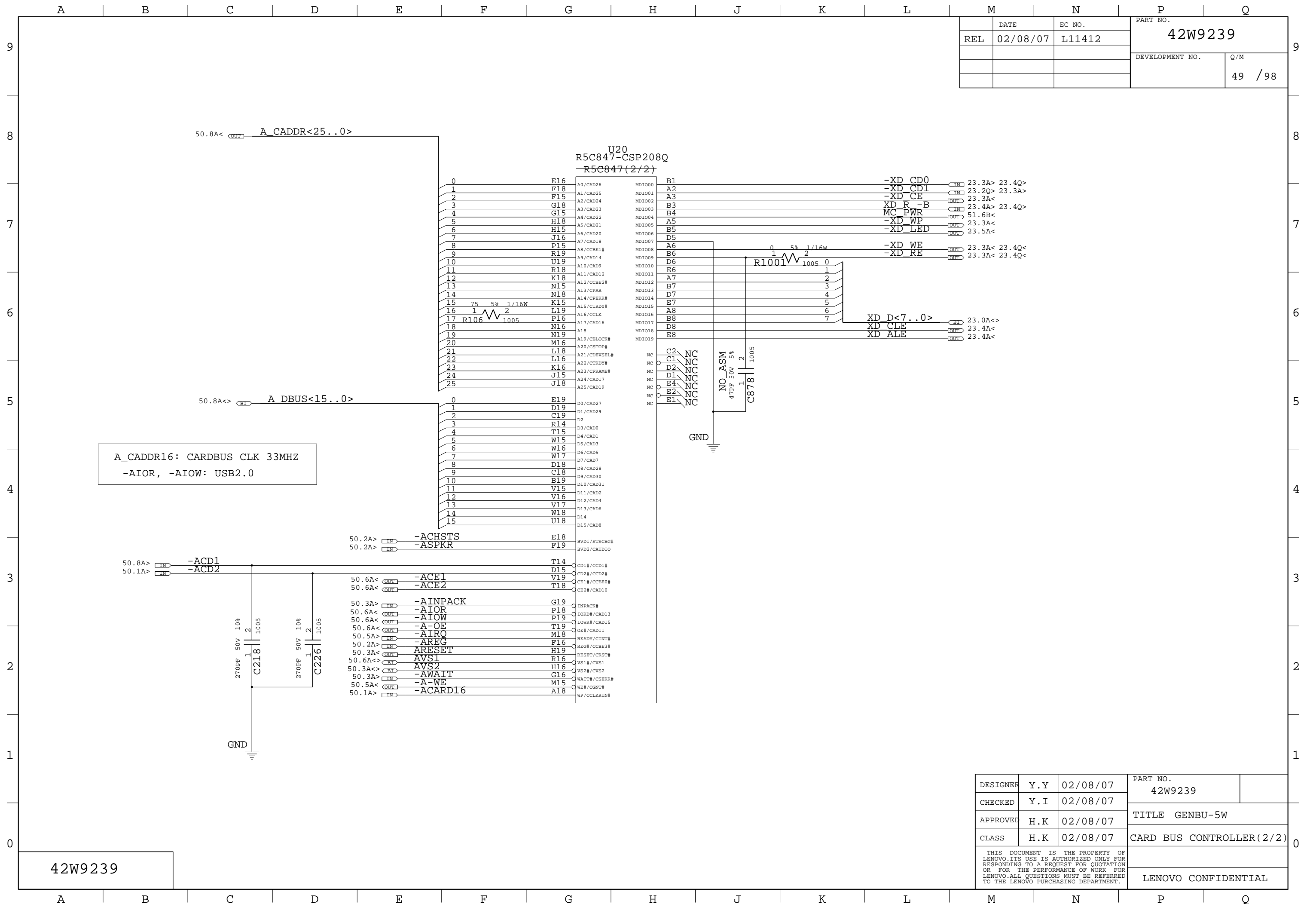


42W9239

TRACE LENGTH MATCHING
REQUIRED FOR A PAIR
AND B PAIR



DESIGNER	Y.Y	02/08/07	PART NO.
CHECKED	Y.I	02/08/07	42W9239
APPROVED	H.K	02/08/07	TITLE GENBU-5W
CLASS	H.K	02/08/07	CARD BUS CONTROLLER(1/2)
THIS DOCUMENT IS THE PROPERTY OF LENOVO. ITS USE IS AUTHORIZED ONLY FOR RESPONDING TO A REQUEST FOR QUOTATION OR FOR THE PERFORMANCE OF WORK FOR LENOVO. ALL QUESTIONS MUST BE REFERRED TO THE LENOVO PURCHASING DEPARTMENT.			LENOVO CONFIDENTIAL

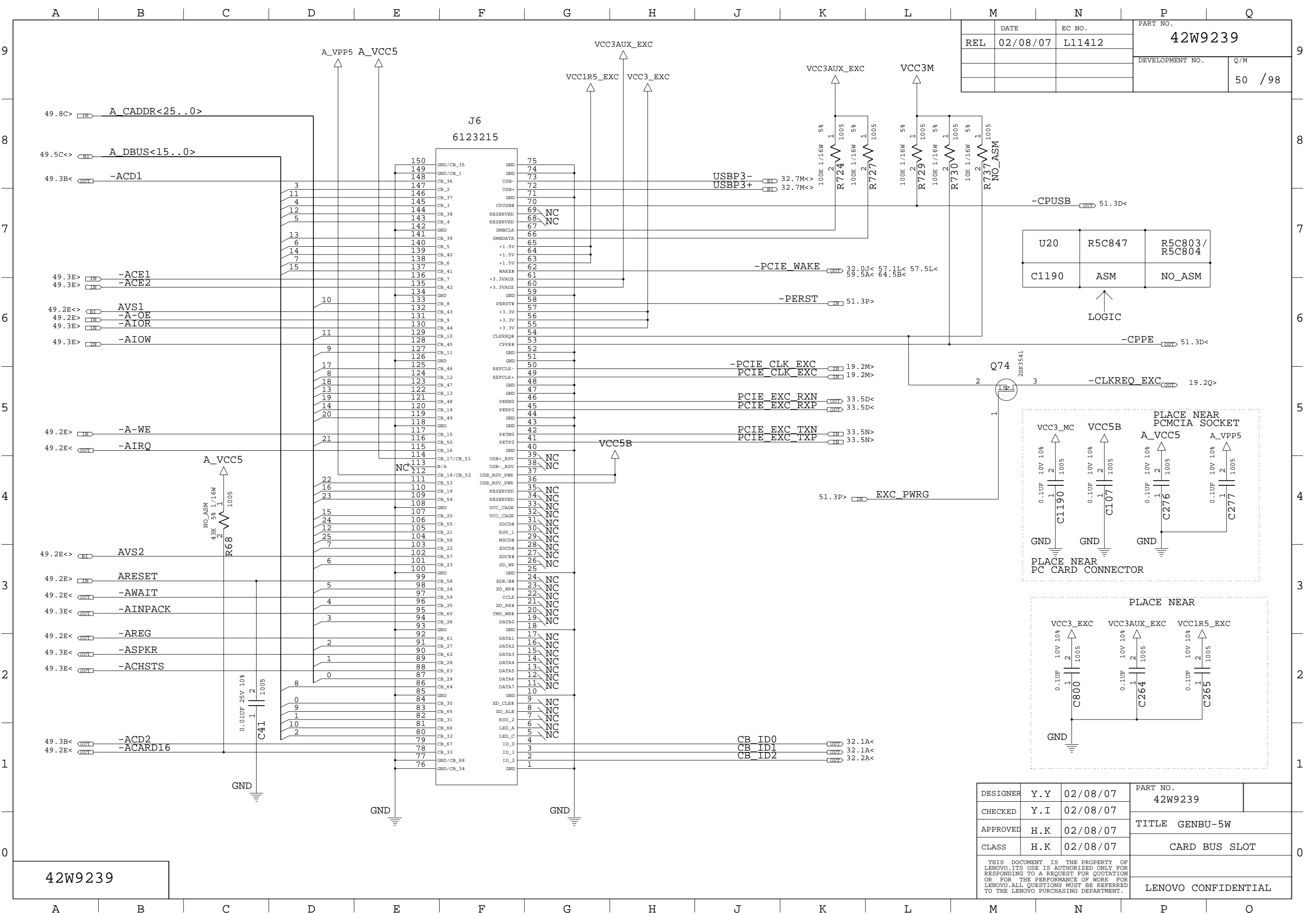


REL	DATE	EC NO.	PART NO.
	02/08/07	L11412	42W9239
			DEVELOPMENT NO.
			Q/M
			49 /98

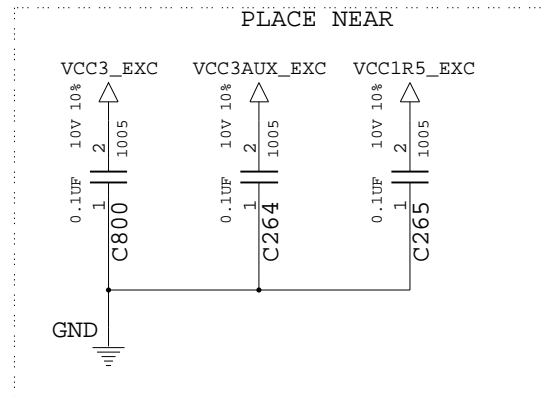
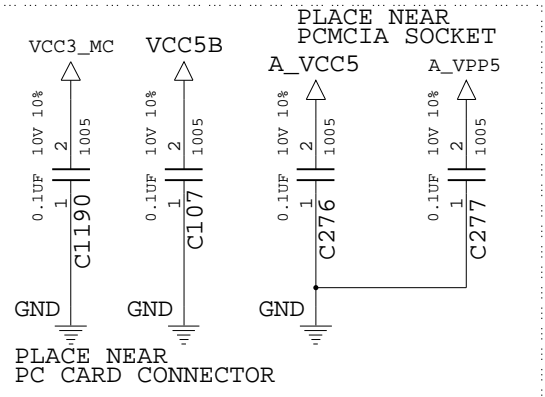
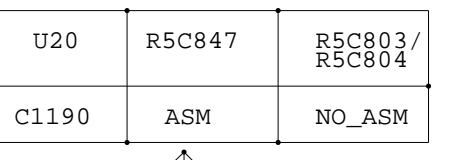
A_CADDR16: CARDBUS CLK 33MHZ
 -AIOR, -AIOW: USB2.0

42W9239

DESIGNER	Y.Y	02/08/07	PART NO.	42W9239
CHECKED	Y.I	02/08/07	TITLE GENBU-5W	
APPROVED	H.K	02/08/07	CLASS CARD BUS CONTROLLER(2/2)	
CLASS	H.K	02/08/07	THIS DOCUMENT IS THE PROPERTY OF LENOVO. ITS USE IS AUTHORIZED ONLY FOR RESPONDING TO A REQUEST FOR QUOTATION OR FOR THE PERFORMANCE OF WORK FOR LENOVO. ALL QUESTIONS MUST BE REFERRED TO THE LENOVO PURCHASING DEPARTMENT.	
				LENOVO CONFIDENTIAL



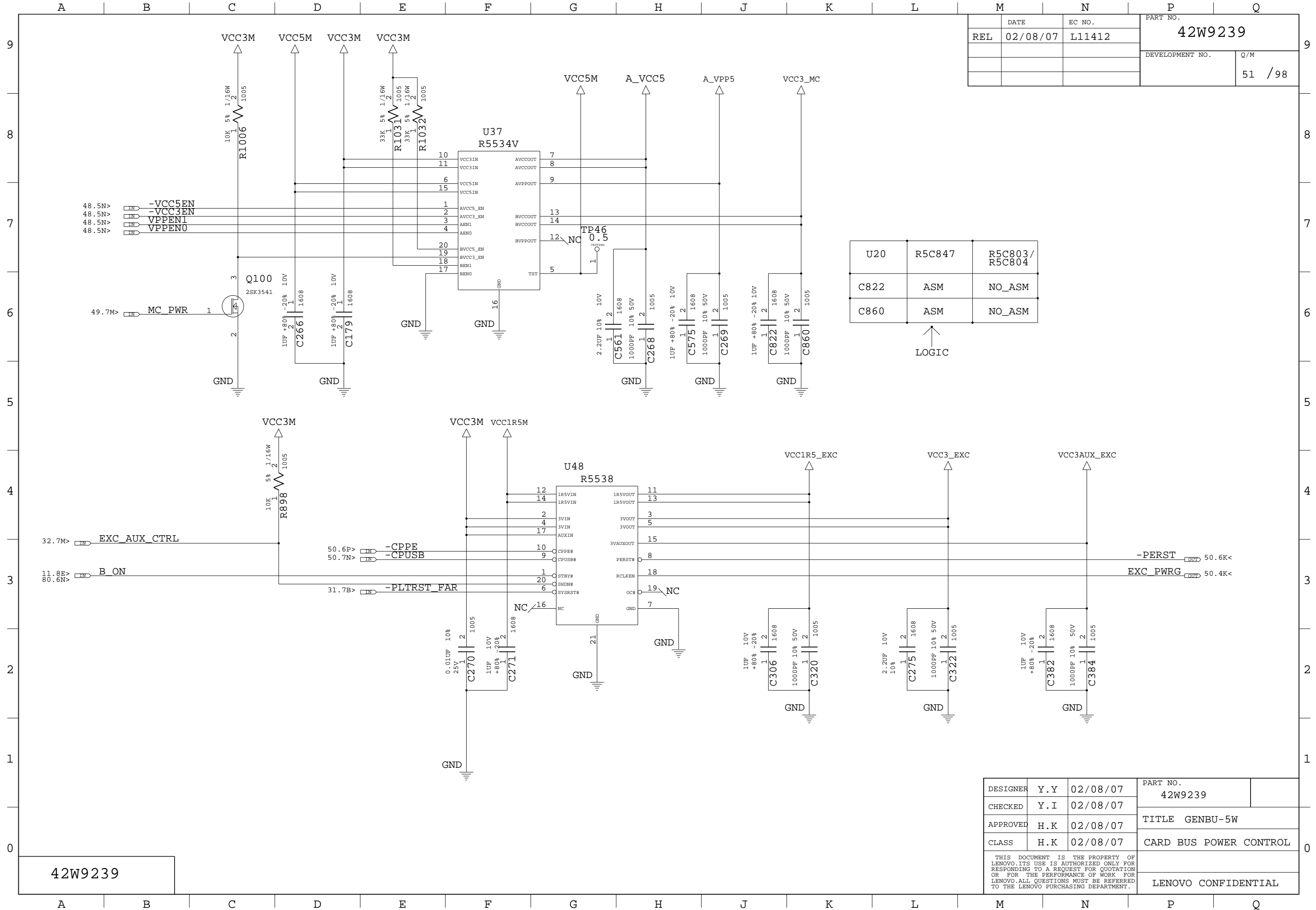
REL	DATE	EC NO.	PART NO.
	02/08/07	L11412	42W9239
			DEVELOPMENT NO.
			Q/M
			50 / 98



DESIGNER	Y.Y	02/08/07	PART NO.	42W9239
CHECKED	Y.I	02/08/07	TITLE GENBU-5W	
APPROVED	H.K	02/08/07		
CLASS	H.K	02/08/07	CARD BUS SLOT	
THIS DOCUMENT IS THE PROPERTY OF LENOVO. ITS USE IS AUTHORIZED ONLY FOR RESPONDING TO A REQUEST FOR QUOTATION OR FOR THE PERFORMANCE OF WORK FOR LENOVO. ALL QUESTIONS MUST BE REFERRED TO THE LENOVO PURCHASING DEPARTMENT.				LENOVO CONFIDENTIAL

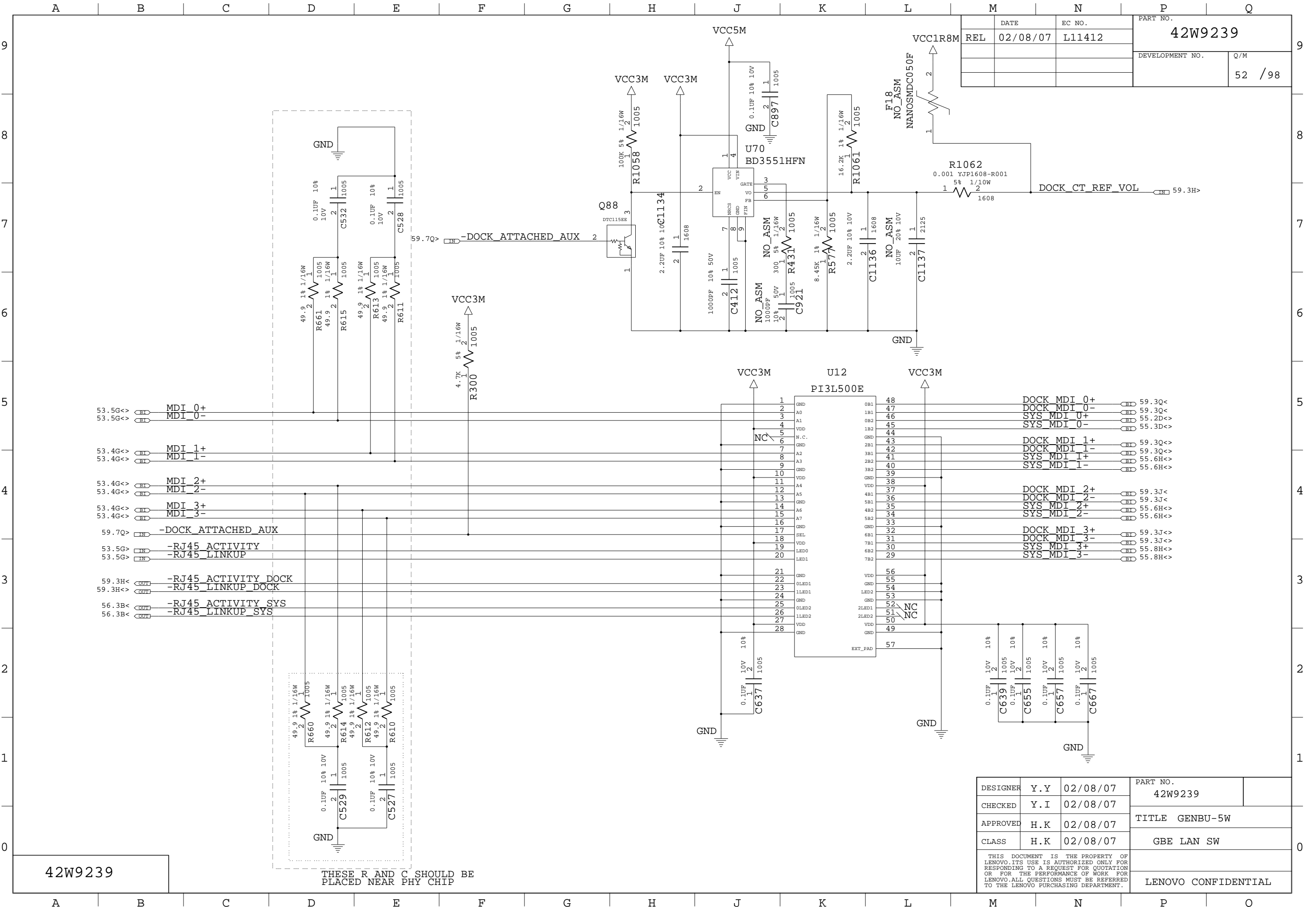
42W9239

	DATE	EC NO.	PART NO.	
REL	02/08/07	L11412	42W9239	
			DEVELOPMENT NO.	Q/M
				51 / 98



42W9239

DESIGNER	Y.Y	02/08/07	PART NO.	42W9239
CHECKED	Y.I	02/08/07	TITLE GENBU-5W	
APPROVED	H.K	02/08/07	CARD BUS POWER CONTROL	
CLASS	H.K	02/08/07	THIS DOCUMENT IS THE PROPERTY OF LENOVO. ITS USE IS AUTHORIZED ONLY FOR RESPONDING TO A REQUEST FOR QUOTATION OR FOR THE PERFORMANCE OF WORK FOR LENOVO. ALL QUESTIONS MUST BE REFERRED TO THE LENOVO PURCHASING DEPARTMENT.	
				LENOVO CONFIDENTIAL



REL	DATE	EC NO.	PART NO.
	02/08/07	L11412	42W9239
			DEVELOPMENT NO.
			Q/M
			52 / 98

42W9239

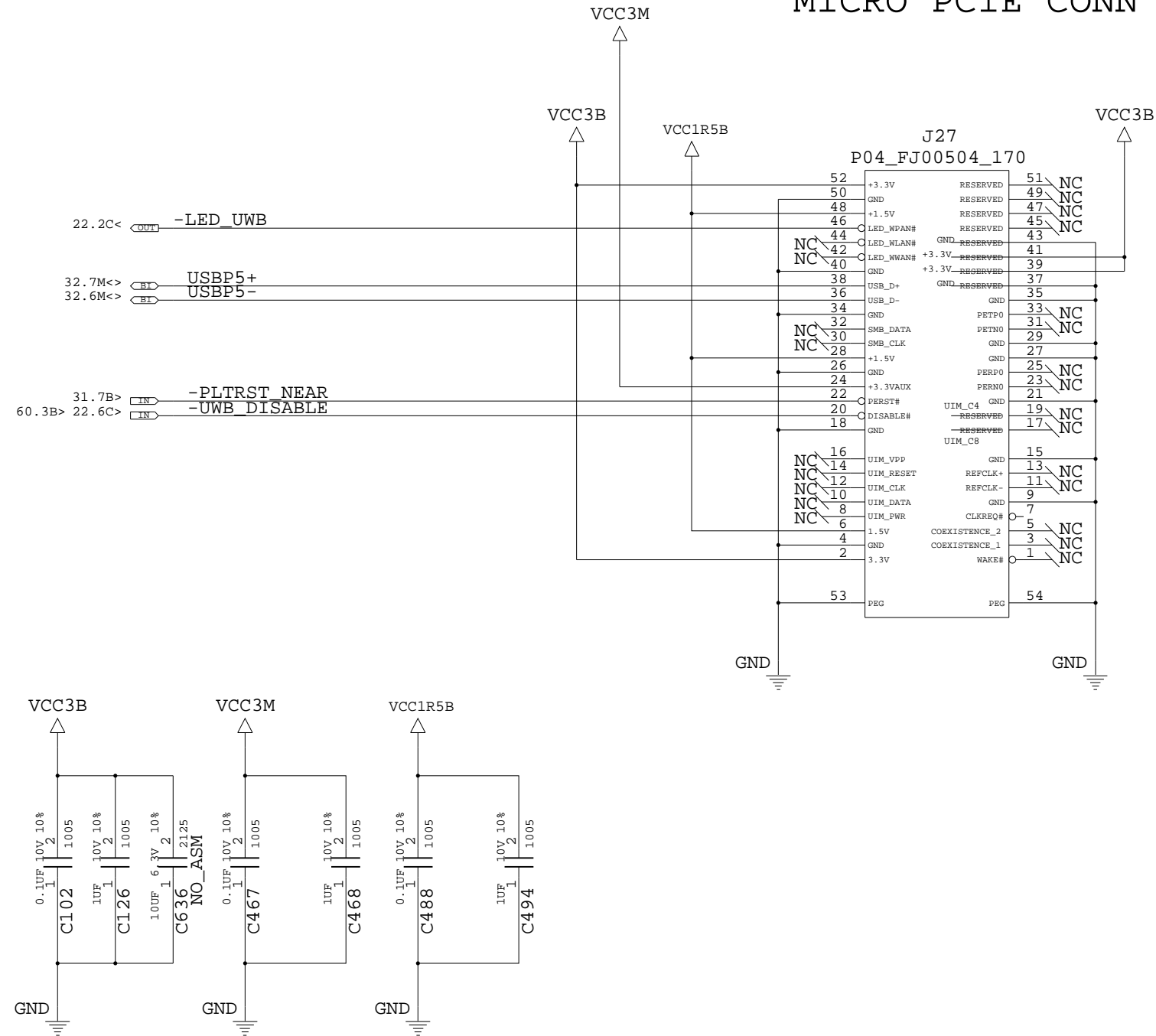
THESE R AND C SHOULD BE PLACED NEAR PHY CHIP

DESIGNER	Y.Y	02/08/07	PART NO.	42W9239
CHECKED	Y.I	02/08/07	TITLE GENBU-5W	
APPROVED	H.K	02/08/07	GBE LAN SW	
CLASS	H.K	02/08/07	LENOVO CONFIDENTIAL	

THIS DOCUMENT IS THE PROPERTY OF LENOVO. ITS USE IS AUTHORIZED ONLY FOR RESPONDING TO A REQUEST FOR QUOTATION OR FOR THE PERFORMANCE OF WORK FOR LENOVO. ALL QUESTIONS MUST BE REFERRED TO THE LENOVO PURCHASING DEPARTMENT.

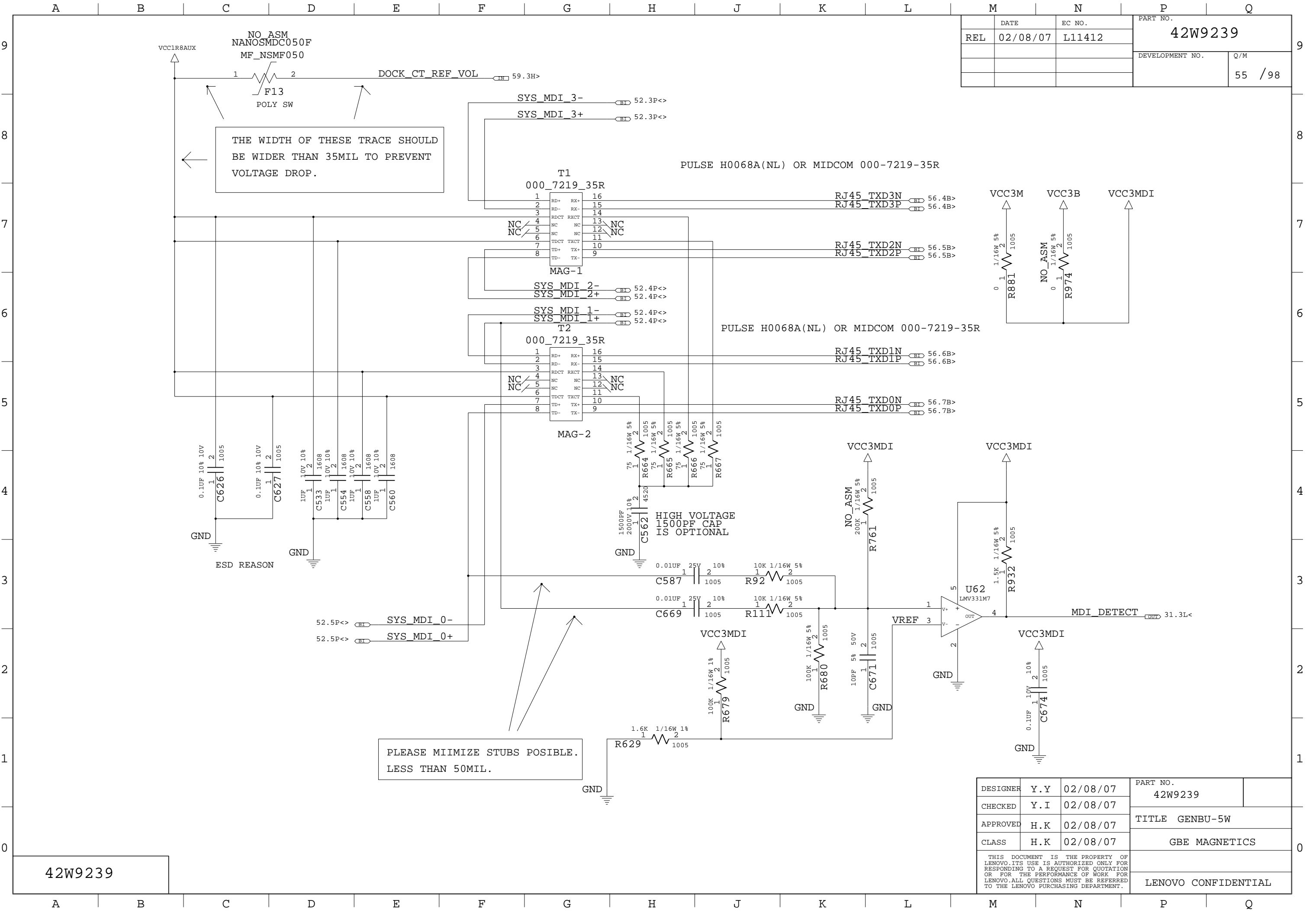
	DATE	EC NO.	PART NO.	
REL	02/08/07	L11412	42W9239	
			DEVELOPMENT NO.	Q/M
				54 / 98

MICRO PCIE CONN



42W9239

DESIGNER	Y.Y	02/08/07	PART NO.	42W9239
CHECKED	Y.I	02/08/07	TITLE GENBU-5W	
APPROVED	H.K	02/08/07	MICRO PCIE CONN	
CLASS	H.K	02/08/07	LENOVO CONFIDENTIAL	
THIS DOCUMENT IS THE PROPERTY OF LENOVO. ITS USE IS AUTHORIZED ONLY FOR RESPONDING TO A REQUEST FOR QUOTATION OR FOR THE PERFORMANCE OF WORK FOR LENOVO. ALL QUESTIONS MUST BE REFERRED TO THE LENOVO PURCHASING DEPARTMENT.				



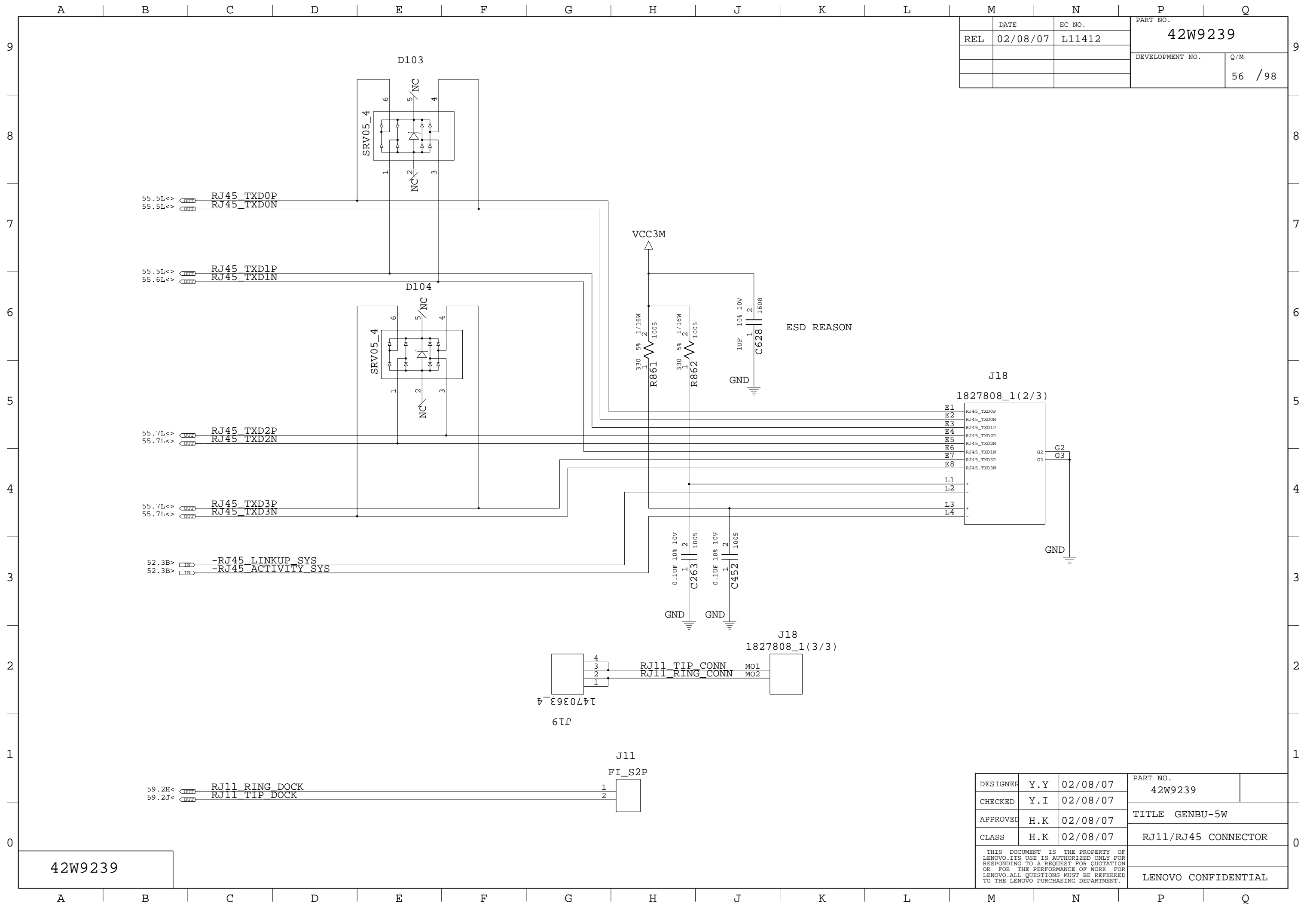
REL	DATE 02/08/07	EC NO. L11412	PART NO. 42W9239
			DEVELOPMENT NO. Q/M 55 /98

THE WIDTH OF THESE TRACE SHOULD BE WIDER THAN 35MIL TO PREVENT VOLTAGE DROP.

PLEASE MIIMIZE STUBS POSSIBLE. LESS THAN 50MIL.

42W9239

DESIGNER	Y. Y	02/08/07	PART NO. 42W9239
CHECKED	Y. I	02/08/07	TITLE GENBU-5W
APPROVED	H. K	02/08/07	
CLASS	H. K	02/08/07	TITLE GENBU-5W
THIS DOCUMENT IS THE PROPERTY OF LENOVO. ITS USE IS AUTHORIZED ONLY FOR RESPONDING TO A REQUEST FOR QUOTATION OR FOR THE PERFORMANCE OF WORK FOR LENOVO. ALL QUESTIONS MUST BE REFERRED TO THE LENOVO PURCHASING DEPARTMENT.			GBE MAGNETICS
			LENOVO CONFIDENTIAL



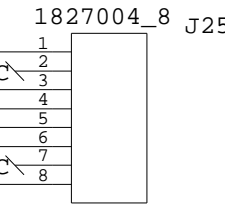
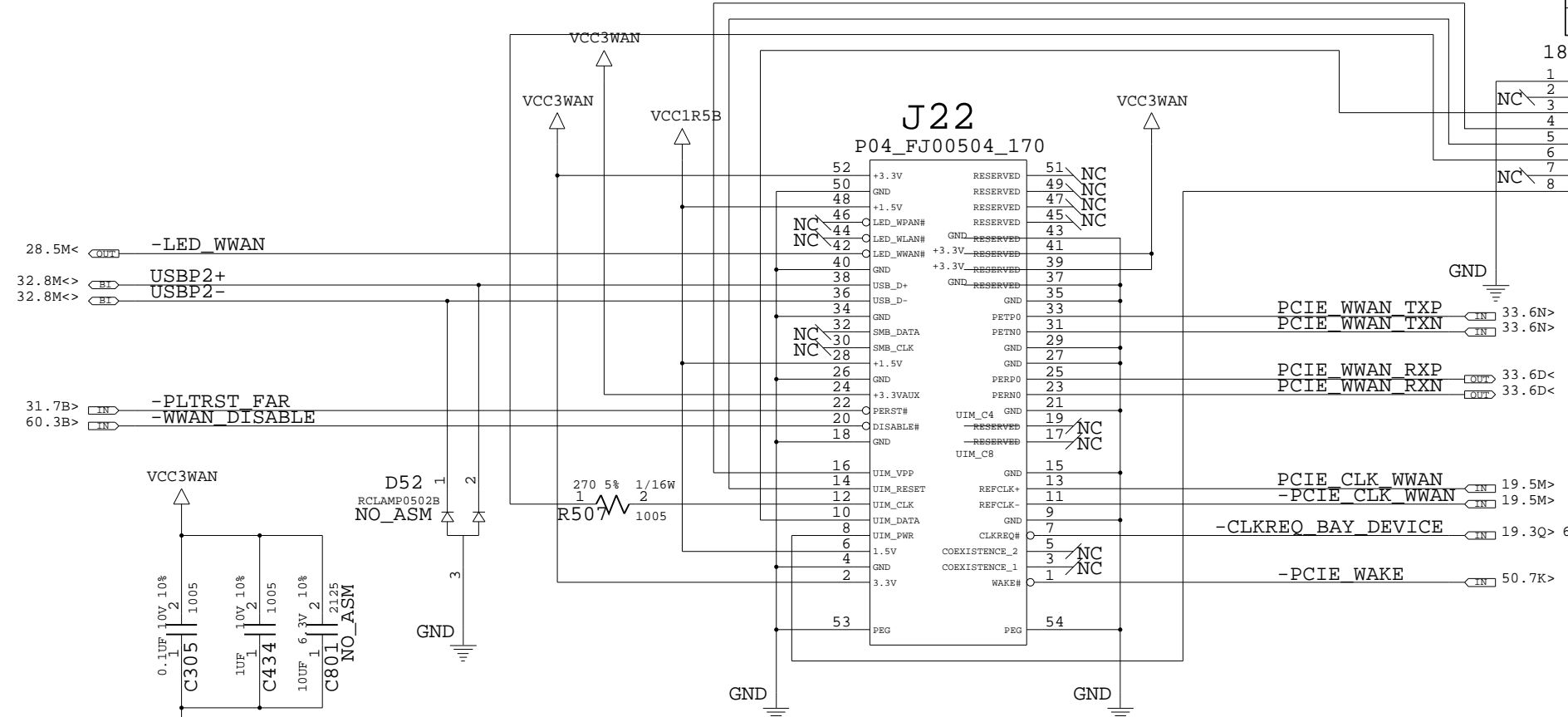
	DATE	EC NO.	PART NO.	
REL	02/08/07	L11412	42W9239	
			DEVELOPMENT NO.	Q/M
				56 / 98

42W9239

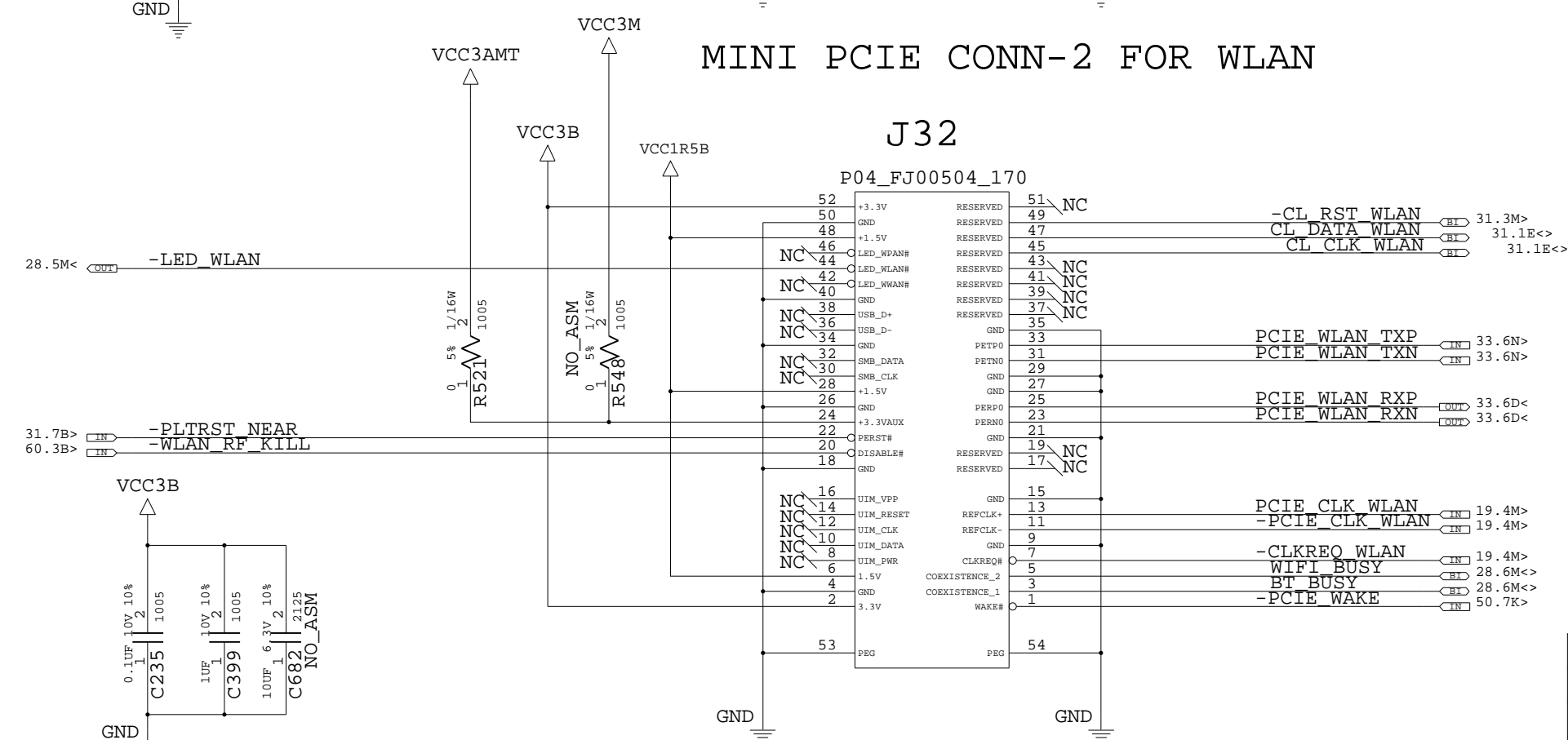
DESIGNER	Y.Y	02/08/07	PART NO.	
CHECKED	Y.I	02/08/07	42W9239	
APPROVED	H.K	02/08/07	TITLE GENBU-5W	
CLASS	H.K	02/08/07	RJ11/RJ45 CONNECTOR	
THIS DOCUMENT IS THE PROPERTY OF LENOVO. ITS USE IS AUTHORIZED ONLY FOR RESPONDING TO A REQUEST FOR QUOTATION OR FOR THE PERFORMANCE OF WORK FOR LENOVO. ALL QUESTIONS MUST BE REFERRED TO THE LENOVO PURCHASING DEPARTMENT.			LENOVO CONFIDENTIAL	

MINI PCIE CONN-1 FOR WWAN

REL	DATE	EC NO.	PART NO.
	02/08/07	L11412	42W9239
			DEVELOPMENT NO.
			Q/M
			57 / 98



MINI PCIE CONN-2 FOR WLAN

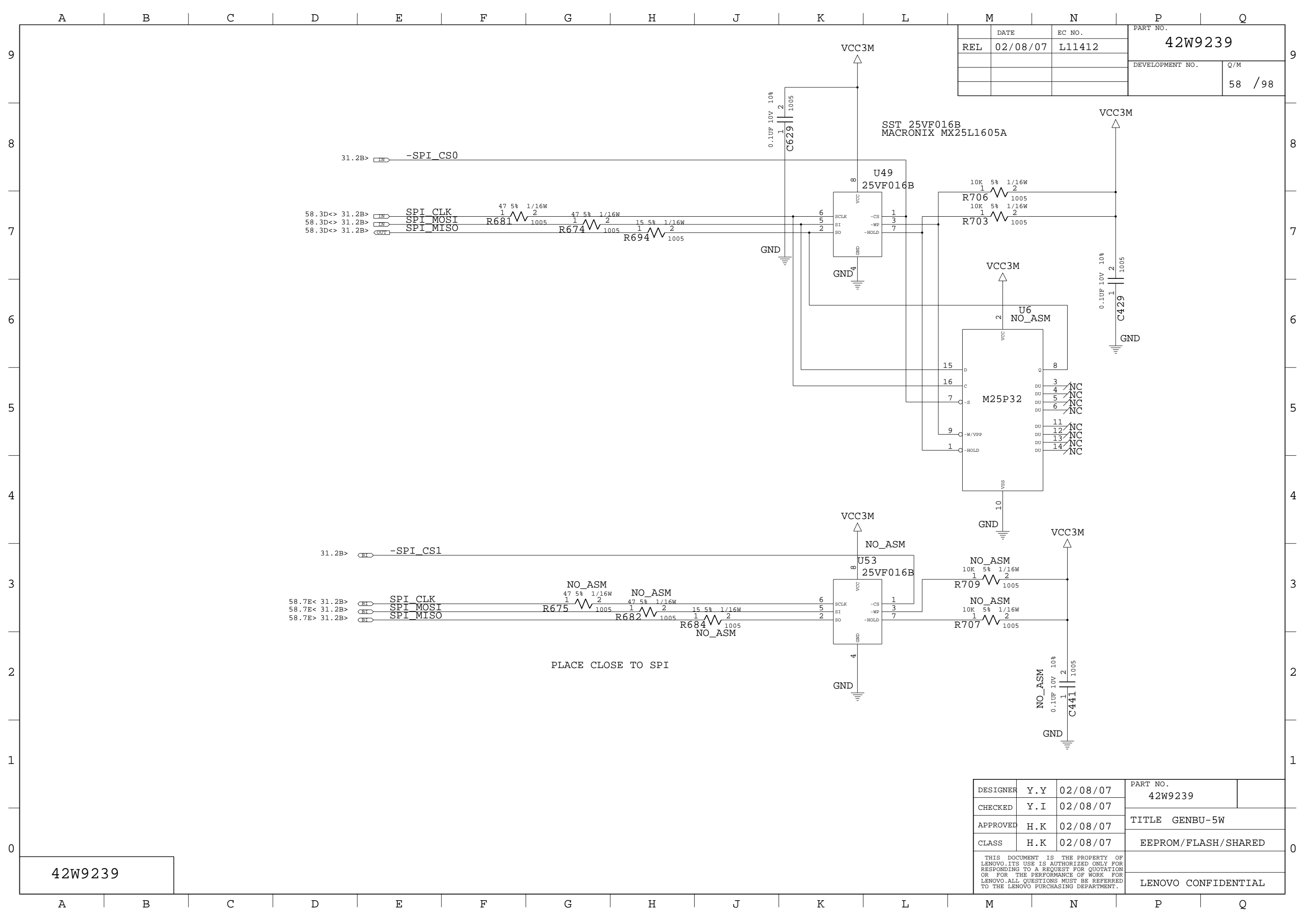


	W/WWAM	W/O WWAM
J22	ASM	NO_ASM
J25	ASM	NO_ASM

↑
LOGIC

42W9239

DESIGNER	Y.Y	02/08/07	PART NO.	42W9239
CHECKED	Y.I	02/08/07	TITLE	GENBU-5W
APPROVED	H.K	02/08/07		MINI PCIE SLOT
CLASS	H.K	02/08/07		
THIS DOCUMENT IS THE PROPERTY OF LENOVO. ITS USE IS AUTHORIZED ONLY FOR RESPONDING TO A REQUEST FOR QUOTATION OR FOR THE PERFORMANCE OF WORK FOR LENOVO. ALL QUESTIONS MUST BE REFERRED TO THE LENOVO PURCHASING DEPARTMENT.				LENOVO CONFIDENTIAL

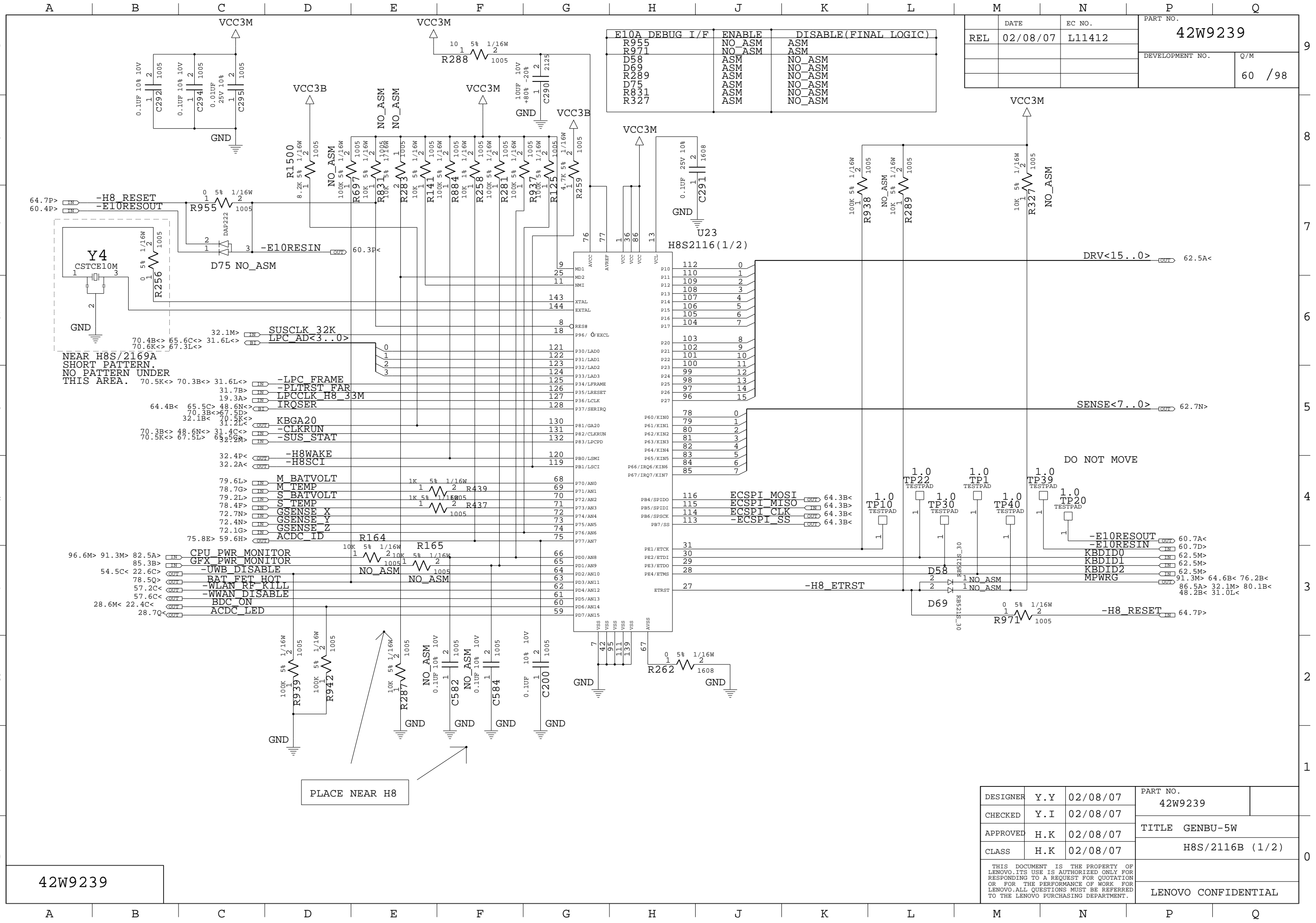


REL	DATE	EC NO.	PART NO.	
	02/08/07	L11412	42W9239	
			DEVELOPMENT NO.	Q/M
				58 / 98

42W9239

DESIGNER	Y.Y	02/08/07	PART NO.	42W9239
CHECKED	Y.I	02/08/07	TITLE GENBU-5W	
APPROVED	H.K	02/08/07	EEPROM/FLASH/SHARED	
CLASS	H.K	02/08/07	LENOVO CONFIDENTIAL	

THIS DOCUMENT IS THE PROPERTY OF LENOVO. ITS USE IS AUTHORIZED ONLY FOR RESPONDING TO A REQUEST FOR QUOTATION OR FOR THE PERFORMANCE OF WORK FOR LENOVO. ALL QUESTIONS MUST BE REFERRED TO THE LENOVO PURCHASING DEPARTMENT.



E10A DEBUG I/F	ENABLE	DISABLE(FINAL LOGIC)
R955	NO_ASM	ASM
R971	NO_ASM	ASM
D58	ASM	NO_ASM
D69	ASM	NO_ASM
R289	ASM	NO_ASM
D75	ASM	NO_ASM
R831	ASM	NO_ASM
R327	ASM	NO_ASM

DATE	EC NO.	PART NO.
REL 02/08/07	L11412	42W9239
DEVELOPMENT NO.		Q/M
		60 / 98

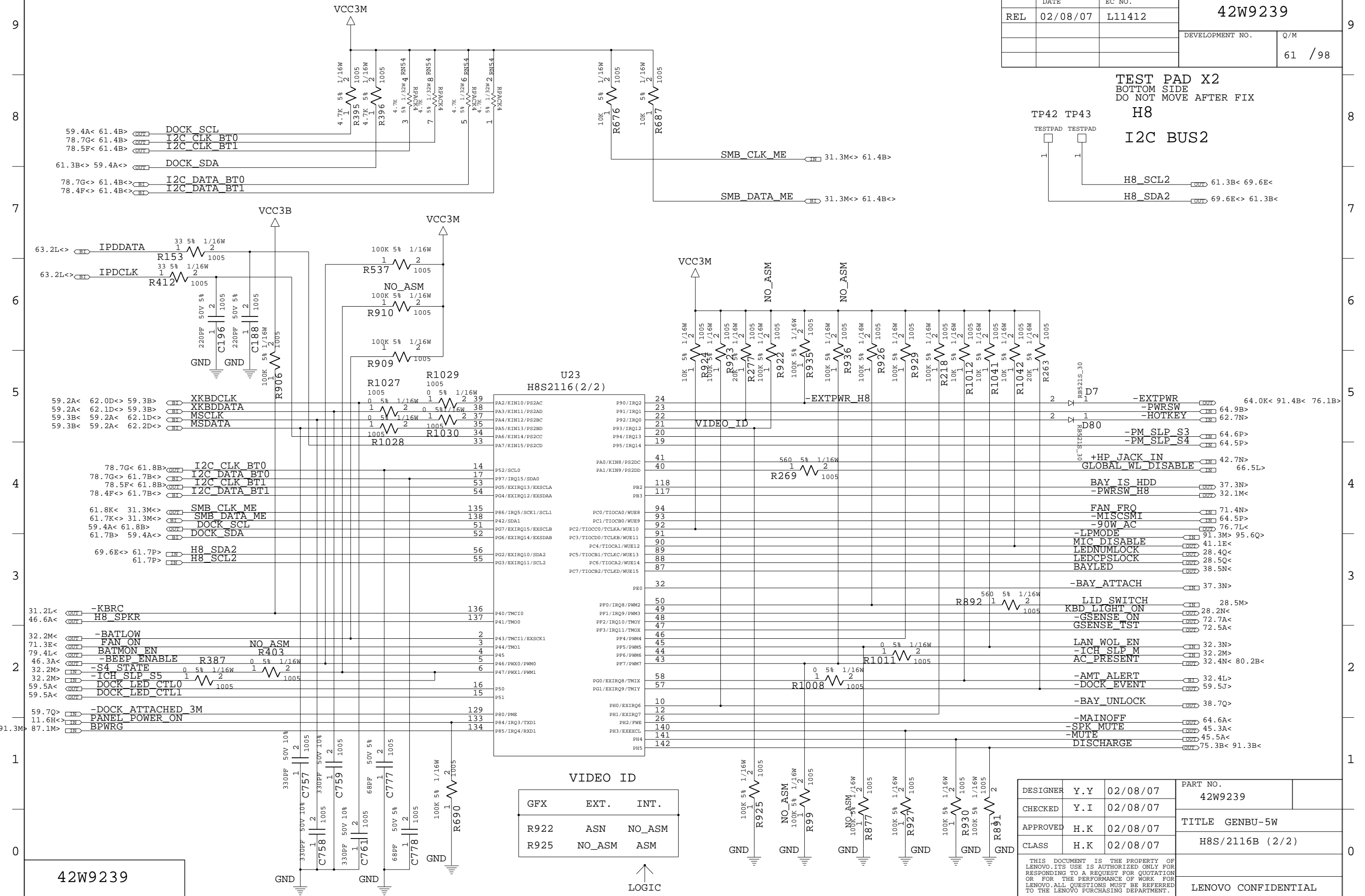
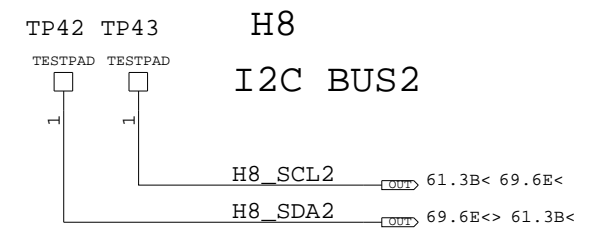
DESIGNER	Y.Y	02/08/07	PART NO.	42W9239
CHECKED	Y.I	02/08/07	TITLE GENBU-5W	
APPROVED	H.K	02/08/07	H8S/2116B (1/2)	
CLASS	H.K	02/08/07	LENVO CONFIDENTIAL	

42W9239

THIS DOCUMENT IS THE PROPERTY OF
 LENOVO. ITS USE IS AUTHORIZED ONLY FOR
 RESPONDING TO A REQUEST FOR QUOTATION
 OR FOR THE PERFORMANCE OF WORK FOR
 LENOVO. ALL QUESTIONS MUST BE REFERRED
 TO THE LENOVO PURCHASING DEPARTMENT.

REL	DATE	EC NO.	PART NO.	
	02/08/07	L11412	42W9239	
			DEVELOPMENT NO.	Q/M
				61 /98

TEST PAD X2
BOTTOM SIDE
DO NOT MOVE AFTER FIX



VIDEO ID

GFX	EXT.	INT.
R922	ASN	NO_ASM
R925	NO_ASM	ASM

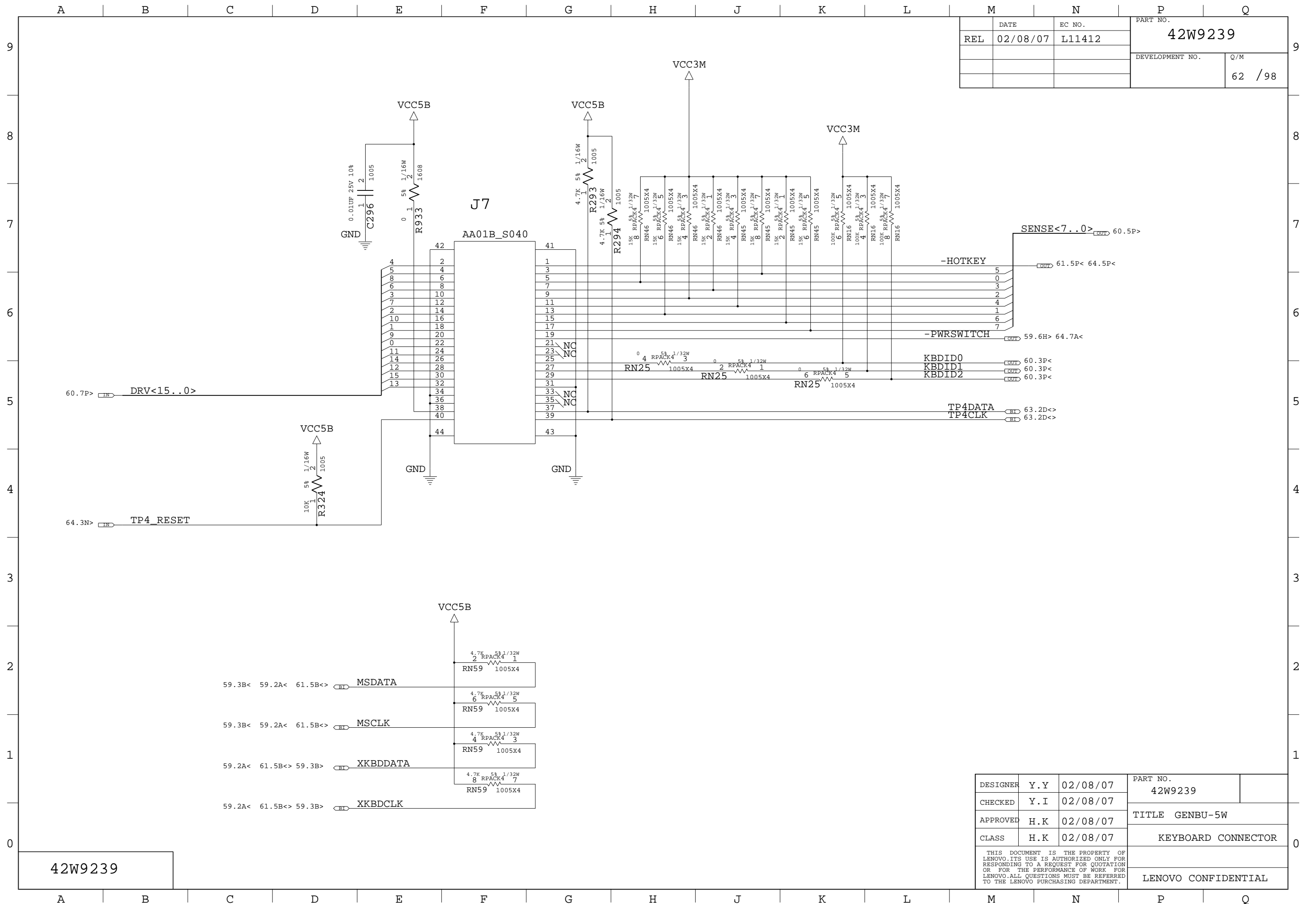
LOGIC

42W9239

DESIGNER	Y.Y	02/08/07	PART NO.	42W9239
CHECKED	Y.I	02/08/07	TITLE	GENBU-5W
APPROVED	H.K	02/08/07		H8S/2116B (2/2)
CLASS	H.K	02/08/07		

THIS DOCUMENT IS THE PROPERTY OF LENOVO. ITS USE IS AUTHORIZED ONLY FOR RESPONDING TO A REQUEST FOR QUOTATION OR FOR THE PERFORMANCE OF WORK FOR LENOVO. ALL QUESTIONS MUST BE REFERRED TO THE LENOVO PURCHASING DEPARTMENT.

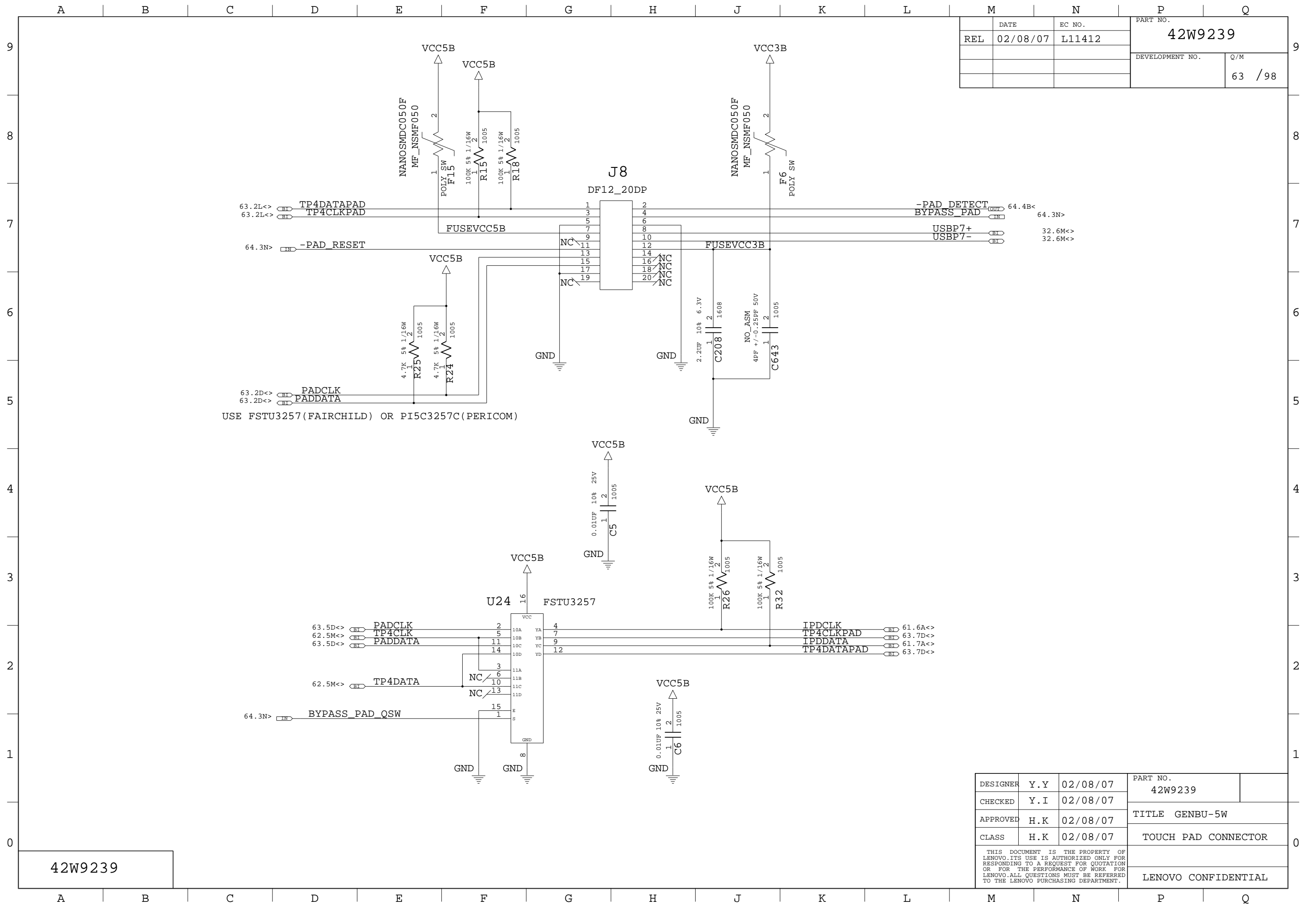
LENOVO CONFIDENTIAL



	DATE	EC NO.	PART NO.	
REL	02/08/07	L11412	42W9239	
			DEVELOPMENT NO.	Q/M
				62 / 98

42W9239

DESIGNER	Y.Y	02/08/07	PART NO.	42W9239
CHECKED	Y.I	02/08/07	TITLE GENBU-5W	
APPROVED	H.K	02/08/07		
CLASS	H.K	02/08/07	KEYBOARD CONNECTOR	
THIS DOCUMENT IS THE PROPERTY OF LENOVO. ITS USE IS AUTHORIZED ONLY FOR RESPONDING TO A REQUEST FOR QUOTATION OR FOR THE PERFORMANCE OF WORK FOR LENOVO. ALL QUESTIONS MUST BE REFERRED TO THE LENOVO PURCHASING DEPARTMENT.				LENOVO CONFIDENTIAL



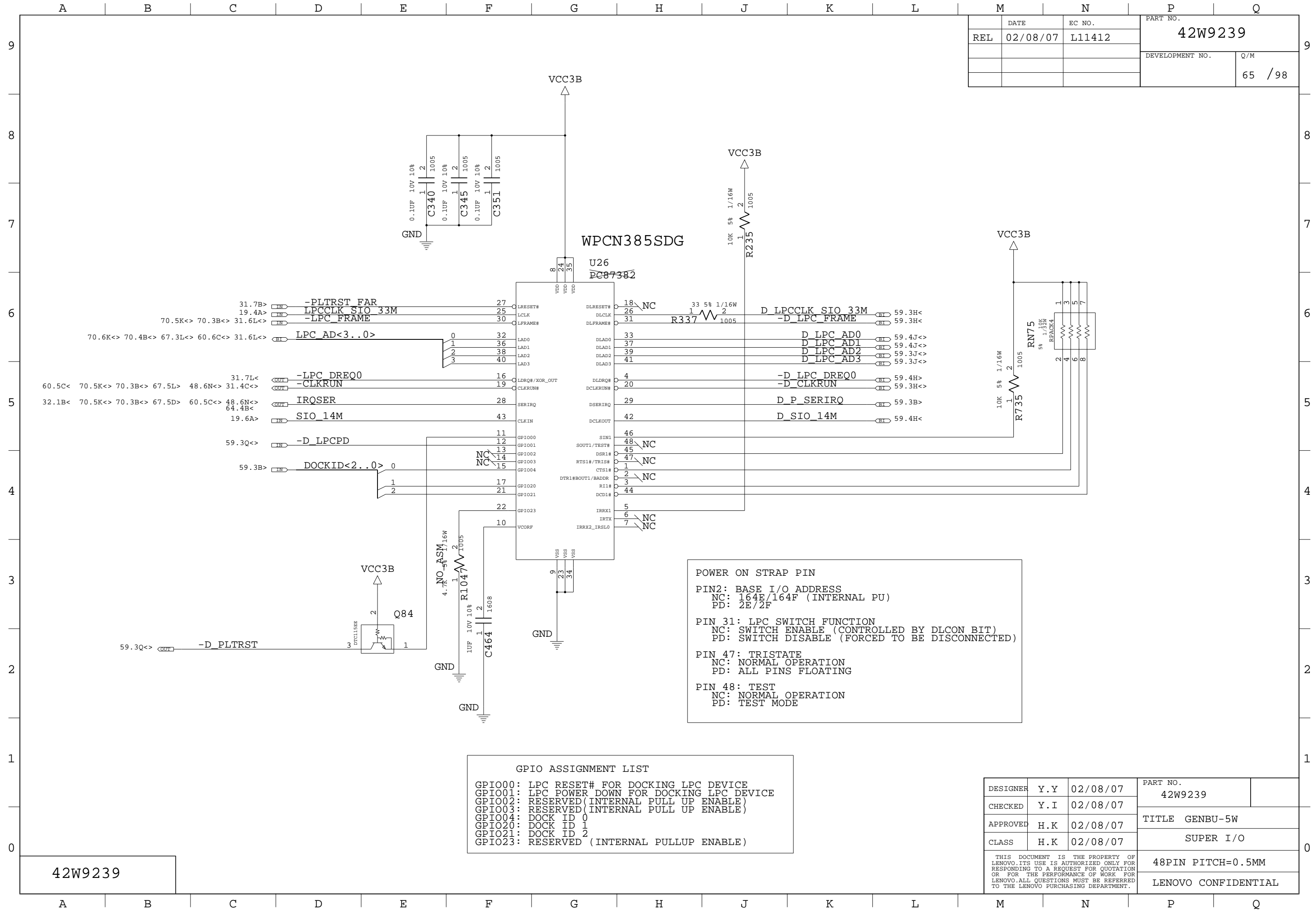
	DATE	EC NO.	PART NO.	
REL	02/08/07	L11412	42W9239	
			DEVELOPMENT NO.	Q/M
				63 / 98

42W9239

DESIGNER	Y.Y	02/08/07	PART NO.	42W9239
CHECKED	Y.I	02/08/07	TITLE GENBU-5W	
APPROVED	H.K	02/08/07	TOUCH PAD CONNECTOR	
CLASS	H.K	02/08/07	LENovo CONFIDENTIAL	

THIS DOCUMENT IS THE PROPERTY OF LENOVO. ITS USE IS AUTHORIZED ONLY FOR RESPONDING TO A REQUEST FOR QUOTATION OR FOR THE PERFORMANCE OF WORK FOR LENOVO. ALL QUESTIONS MUST BE REFERRED TO THE LENOVO PURCHASING DEPARTMENT.

REL	DATE	EC NO.	PART NO.	
	02/08/07	L11412	42W9239	
			DEVELOPMENT NO.	Q/M
				65 /98



POWER ON STRAP PIN
 PIN2: BASE I/O ADDRESS
 NC: 164E/164F (INTERNAL PU)
 PD: 2E/2F

PIN 31: LPC SWITCH FUNCTION
 NC: SWITCH ENABLE (CONTROLLED BY DLCON BIT)
 PD: SWITCH DISABLE (FORCED TO BE DISCONNECTED)

PIN 47: TRISTATE
 NC: NORMAL OPERATION
 PD: ALL PINS FLOATING

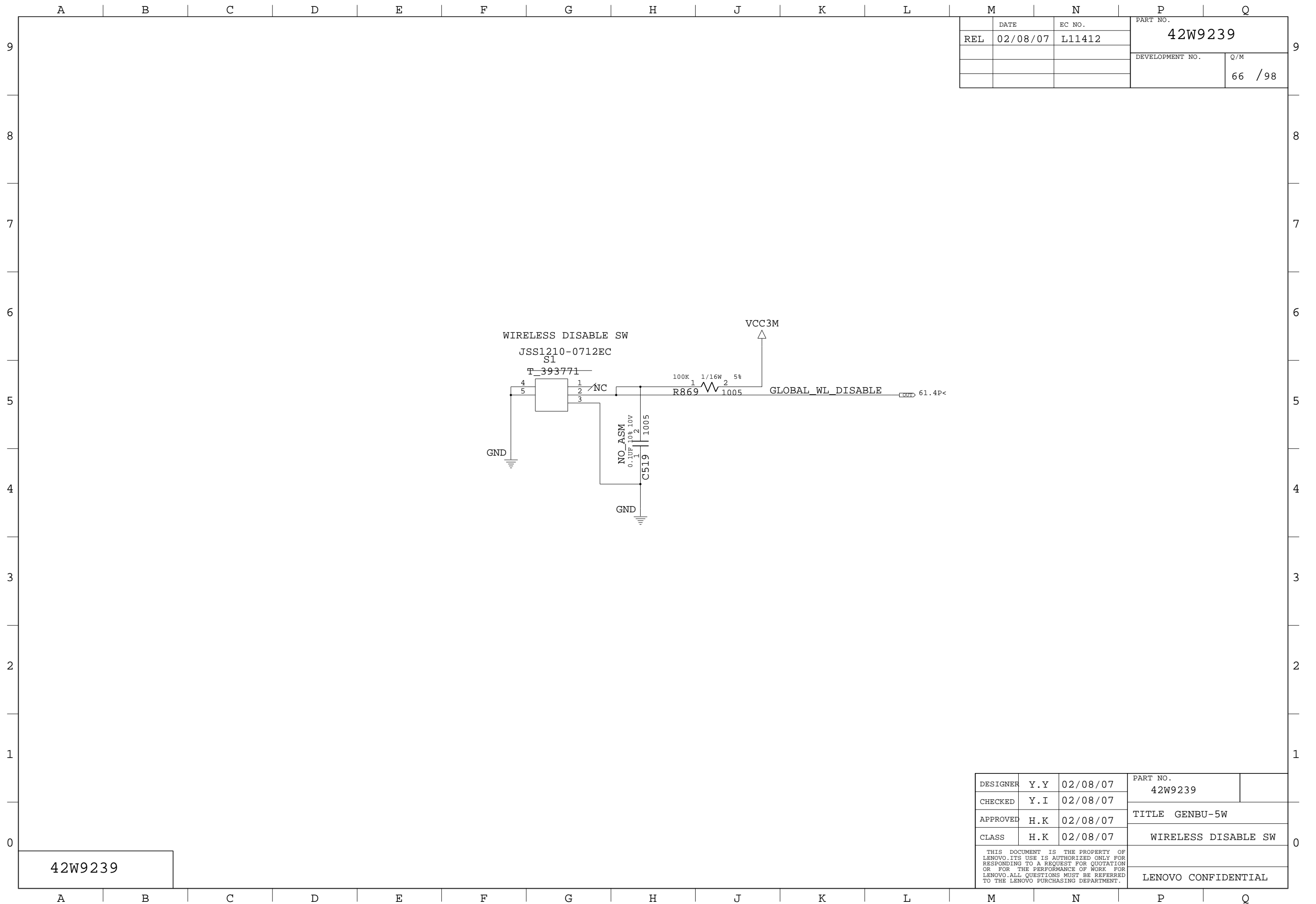
PIN 48: TEST
 NC: NORMAL OPERATION
 PD: TEST MODE

GPIO ASSIGNMENT LIST

GPIO00:	LPC RESET# FOR DOCKING LPC DEVICE
GPIO01:	LPC POWER DOWN FOR DOCKING LPC DEVICE
GPIO02:	RESERVED (INTERNAL PULL UP ENABLE)
GPIO03:	RESERVED (INTERNAL PULL UP ENABLE)
GPIO04:	DOCK ID 0
GPIO20:	DOCK ID 1
GPIO21:	DOCK ID 2
GPIO23:	RESERVED (INTERNAL PULLUP ENABLE)

DESIGNER	Y.Y	02/08/07	PART NO.	42W9239
CHECKED	Y.I	02/08/07	TITLE GENBU-5W	
APPROVED	H.K	02/08/07	SUPER I/O	
CLASS	H.K	02/08/07	48PIN PITCH=0.5MM	
THIS DOCUMENT IS THE PROPERTY OF LENOVO. ITS USE IS AUTHORIZED ONLY FOR RESPONDING TO A REQUEST FOR QUOTATION OR FOR THE PERFORMANCE OF WORK FOR LENOVO. ALL QUESTIONS MUST BE REFERRED TO THE LENOVO PURCHASING DEPARTMENT.				LENOVO CONFIDENTIAL

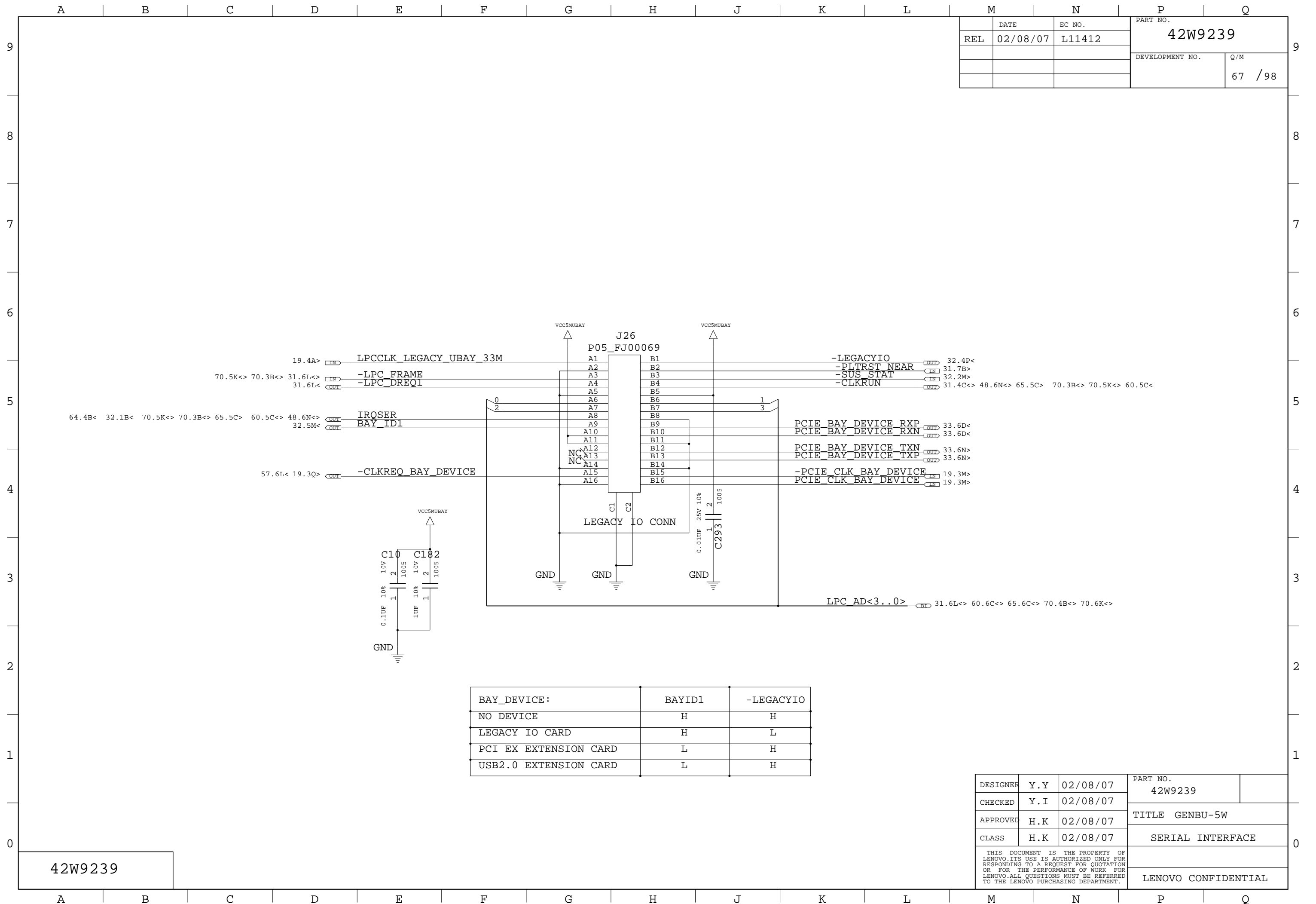
42W9239



	DATE	EC NO.	PART NO.	
REL	02/08/07	L11412	42W9239	
			DEVELOPMENT NO.	Q/M
				66 /98

42W9239

DESIGNER	Y.Y	02/08/07	PART NO.	
CHECKED	Y.I	02/08/07	42W9239	
APPROVED	H.K	02/08/07	TITLE GENBU-5W	
CLASS	H.K	02/08/07	WIRELESS DISABLE SW	
THIS DOCUMENT IS THE PROPERTY OF LENOVO. ITS USE IS AUTHORIZED ONLY FOR RESPONDING TO A REQUEST FOR QUOTATION OR FOR THE PERFORMANCE OF WORK FOR LENOVO. ALL QUESTIONS MUST BE REFERRED TO THE LENOVO PURCHASING DEPARTMENT.			LENOVO CONFIDENTIAL	

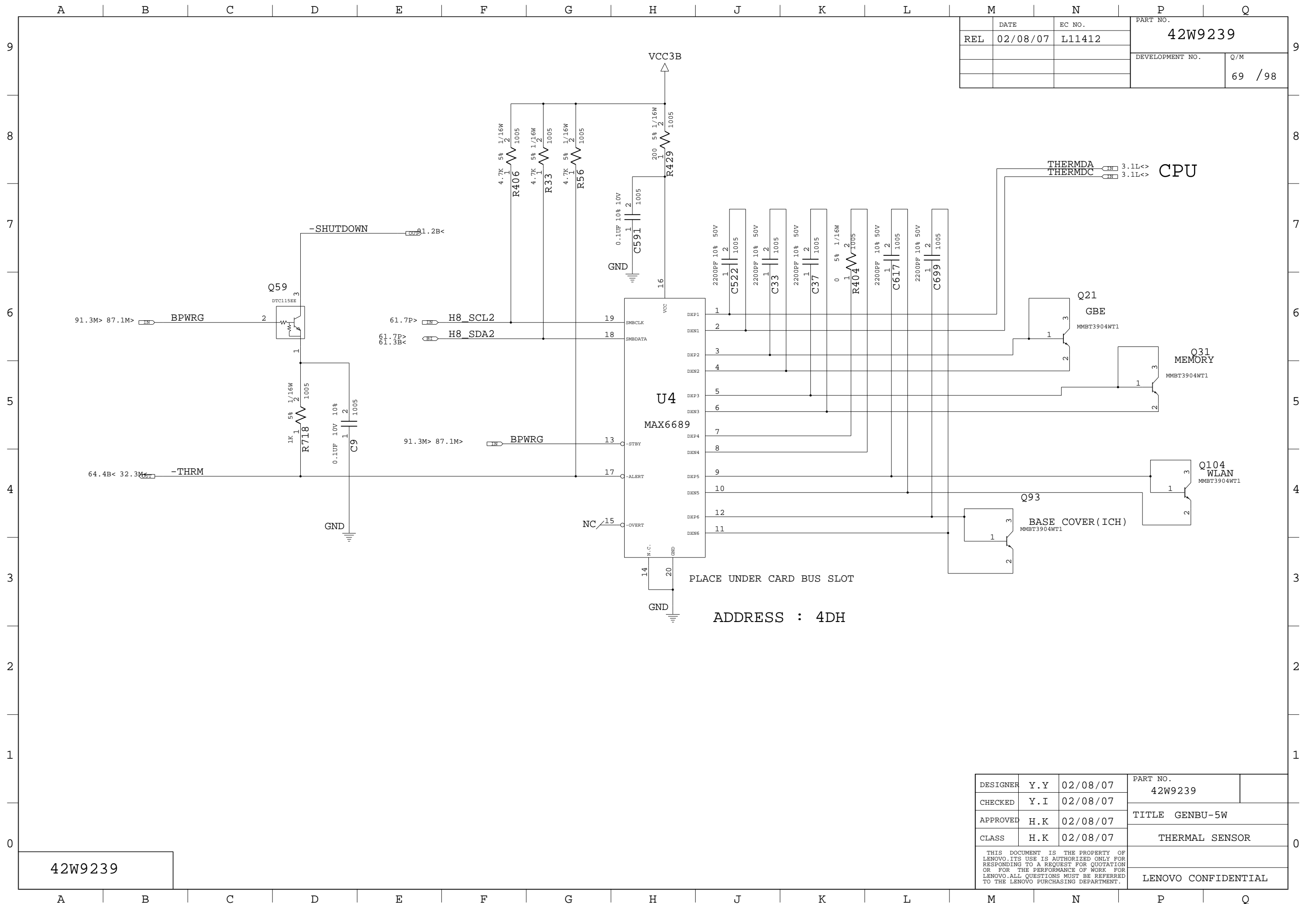


REL	DATE	EC NO.	PART NO.
	02/08/07	L11412	42W9239
			DEVELOPMENT NO.
			Q/M
			67 /98

42W9239

THIS DOCUMENT IS THE PROPERTY OF
 LENovo. ITS USE IS AUTHORIZED ONLY FOR
 RESPONDING TO A REQUEST FOR QUOTATION
 OR FOR THE PERFORMANCE OF WORK FOR
 LENovo. ALL QUESTIONS MUST BE REFERRED
 TO THE LENovo PURCHASING DEPARTMENT.

LENovo CONFIDENTIAL



42W9239

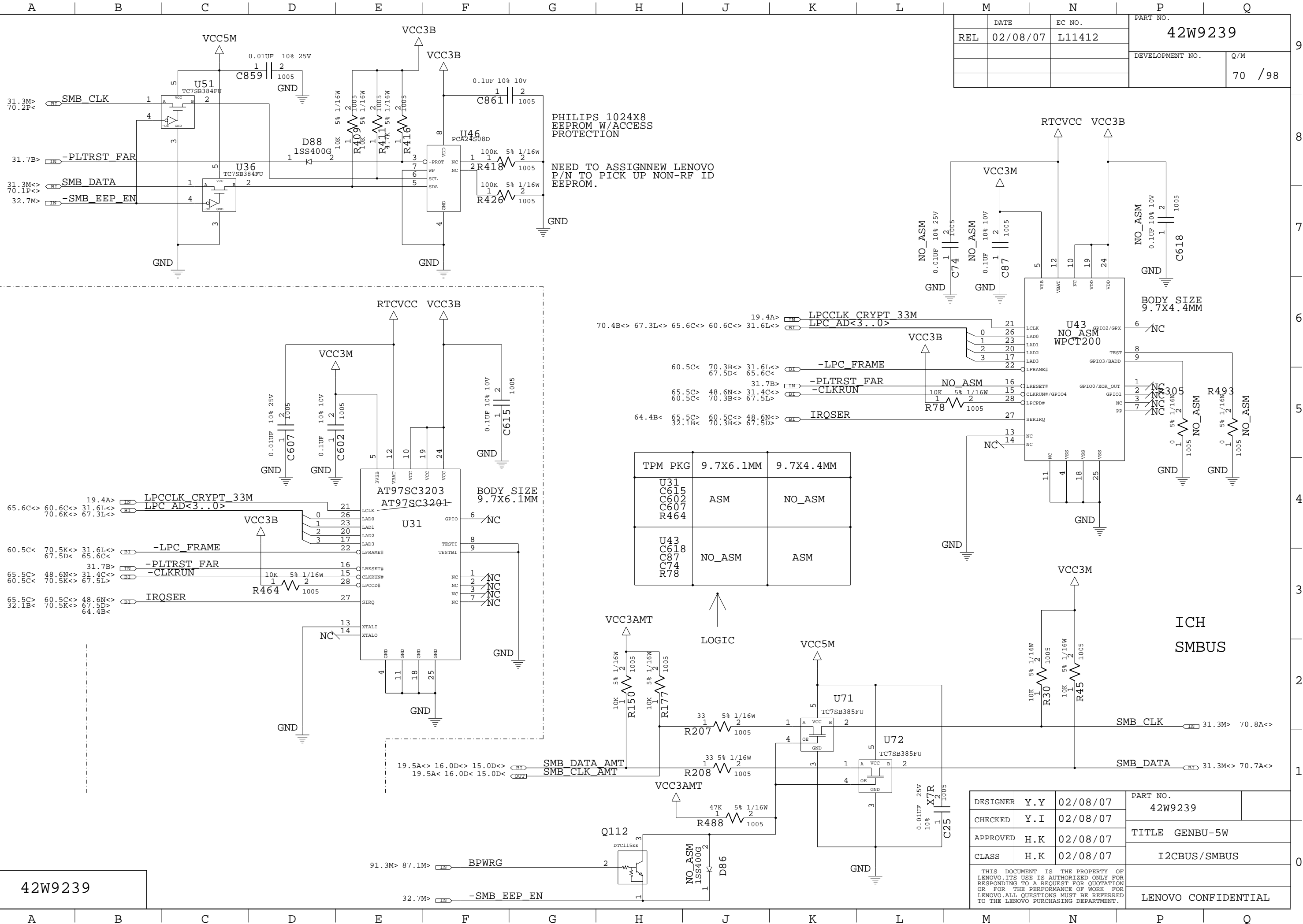
PLACE UNDER CARD BUS SLOT

ADDRESS : 4DH

DESIGNER	Y.Y	02/08/07	PART NO.	42W9239
CHECKED	Y.I	02/08/07	TITLE GENBU-5W	
APPROVED	H.K	02/08/07	THERMAL SENSOR	
CLASS	H.K	02/08/07	LENOVO CONFIDENTIAL	

THIS DOCUMENT IS THE PROPERTY OF LENOVO. ITS USE IS AUTHORIZED ONLY FOR RESPONDING TO A REQUEST FOR QUOTATION OR FOR THE PERFORMANCE OF WORK FOR LENOVO. ALL QUESTIONS MUST BE REFERRED TO THE LENOVO PURCHASING DEPARTMENT.

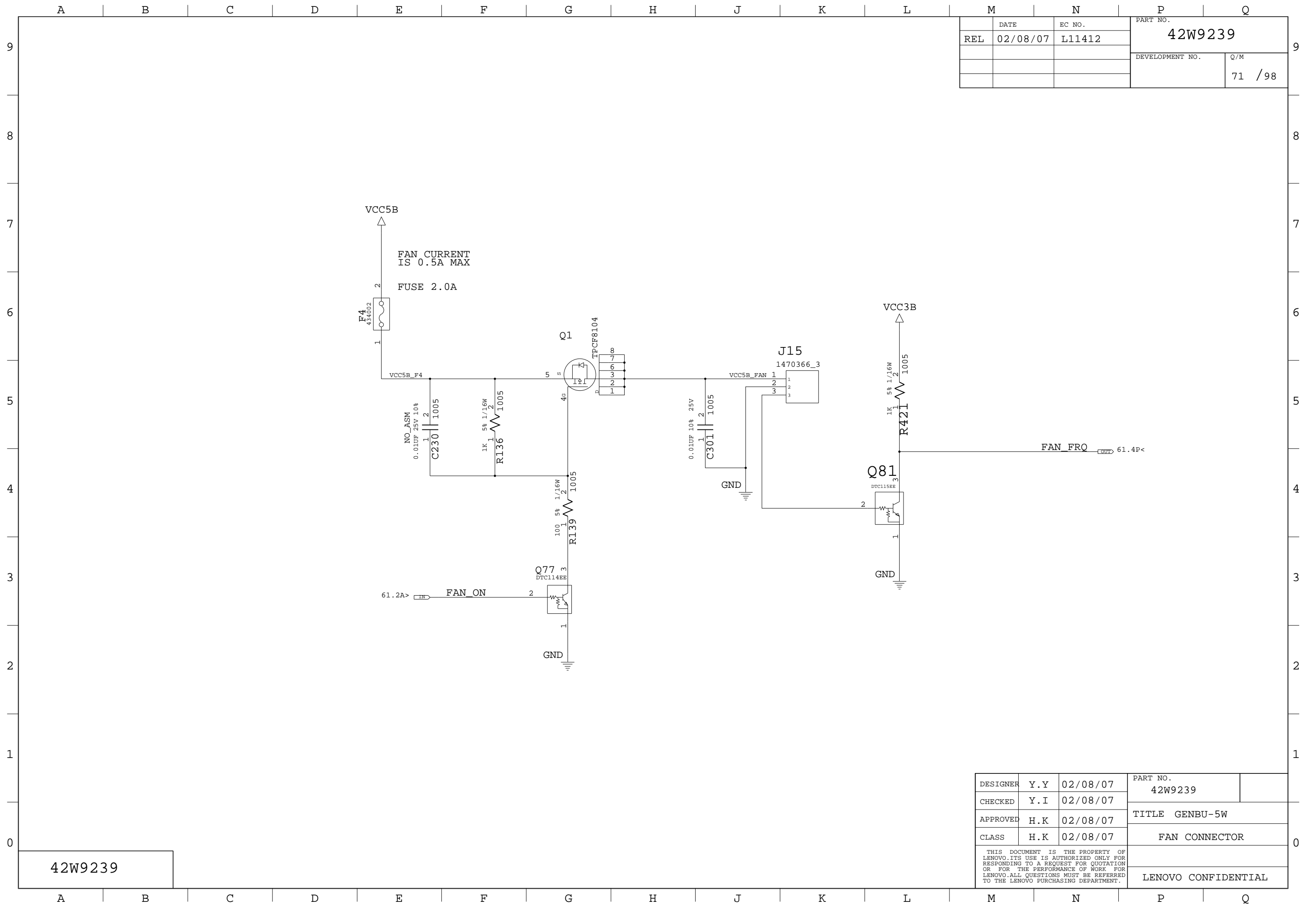
REL	DATE	EC NO.	PART NO.
	02/08/07	L11412	42W9239
			DEVELOPMENT NO.
			Q/M
			70 / 98



TPM PKG	9.7X6.1MM	9.7X4.4MM
U31 C615 C607 C602 R464	ASM	NO_ASM
U43 C618 C87 C74 R78	NO_ASM	ASM

DESIGNER	Y.Y	02/08/07	PART NO.	42W9239
CHECKED	Y.I	02/08/07	TITLE	GENBU-5W
APPROVED	H.K	02/08/07		
CLASS	H.K	02/08/07		I2CBUS/SMBUS
THIS DOCUMENT IS THE PROPERTY OF LENOVO. ITS USE IS AUTHORIZED ONLY FOR RESPONDING TO A REQUEST FOR QUOTATION OR FOR THE PERFORMANCE OF WORK FOR LENOVO. ALL QUESTIONS MUST BE REFERRED TO THE LENOVO PURCHASING DEPARTMENT.				LENOVO CONFIDENTIAL

42W9239

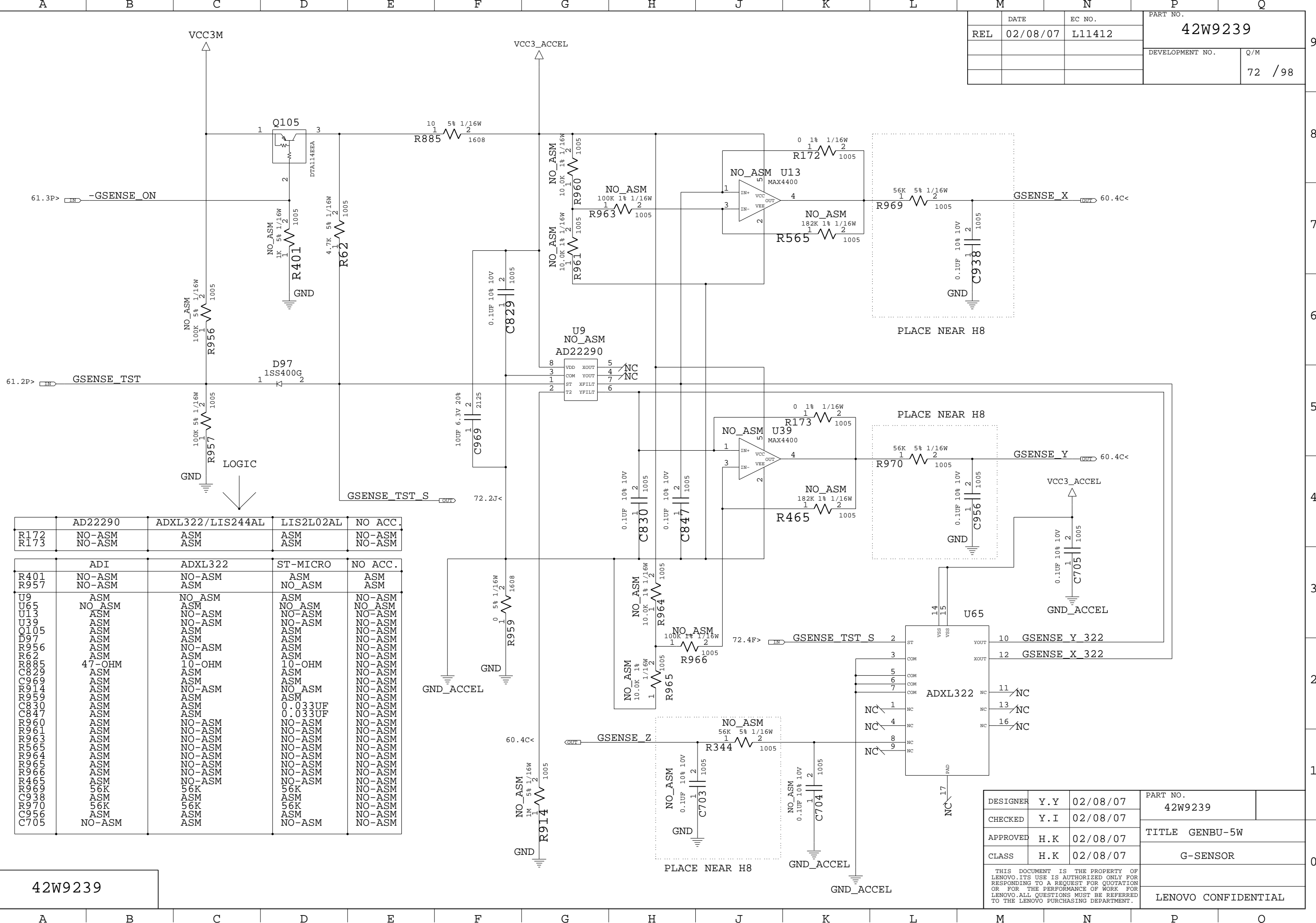


	DATE	EC NO.	PART NO.	
REL	02/08/07	L11412	42W9239	
			DEVELOPMENT NO.	Q/M
				71 /98

42W9239

DESIGNER	Y.Y	02/08/07	PART NO.	
CHECKED	Y.I	02/08/07	42W9239	
APPROVED	H.K	02/08/07	TITLE GENBU-5W	
CLASS	H.K	02/08/07	FAN CONNECTOR	
THIS DOCUMENT IS THE PROPERTY OF LENOVO. ITS USE IS AUTHORIZED ONLY FOR RESPONDING TO A REQUEST FOR QUOTATION OR FOR THE PERFORMANCE OF WORK FOR LENOVO. ALL QUESTIONS MUST BE REFERRED TO THE LENOVO PURCHASING DEPARTMENT.				LENOVO CONFIDENTIAL

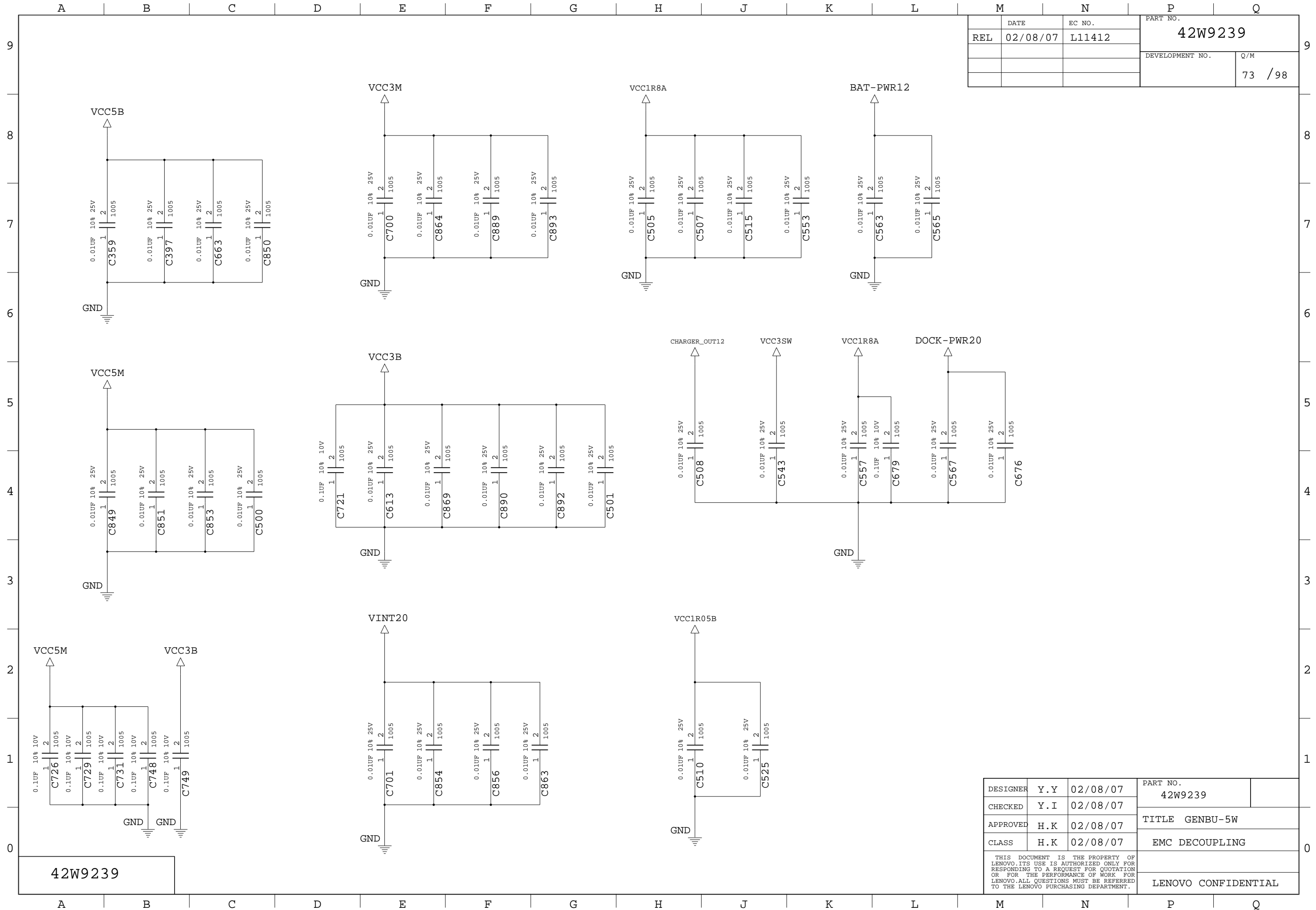
DATE	02/08/07	EC NO.	L11412	PART NO.	42W9239
REL		DEVELOPMENT NO.		Q/M	72 / 98



R172	NO-ASM	NO-ASM	NO-ASM	NO-ASM
R173	NO-ASM	NO-ASM	NO-ASM	NO-ASM
R401	NO-ASM	NO-ASM	NO-ASM	NO-ASM
R957	NO-ASM	NO-ASM	NO-ASM	NO-ASM
U9	ASM	NO-ASM	ASM	NO-ASM
U65	NO-ASM	ASM	NO-ASM	NO-ASM
U13	ASM	NO-ASM	NO-ASM	NO-ASM
U39	ASM	NO-ASM	NO-ASM	NO-ASM
Q105	ASM	NO-ASM	NO-ASM	NO-ASM
D97	ASM	ASM	ASM	NO-ASM
R956	ASM	NO-ASM	ASM	NO-ASM
R62	ASM	ASM	ASM	NO-ASM
R885	47-OHM	10-OHM	10-OHM	NO-ASM
C829	ASM	ASM	ASM	NO-ASM
C969	ASM	ASM	ASM	NO-ASM
R959	NO-ASM	NO-ASM	NO-ASM	NO-ASM
R961	NO-ASM	NO-ASM	NO-ASM	NO-ASM
R963	NO-ASM	NO-ASM	NO-ASM	NO-ASM
R964	NO-ASM	NO-ASM	NO-ASM	NO-ASM
R965	NO-ASM	NO-ASM	NO-ASM	NO-ASM
R966	NO-ASM	NO-ASM	NO-ASM	NO-ASM
R969	NO-ASM	NO-ASM	NO-ASM	NO-ASM
R970	NO-ASM	NO-ASM	NO-ASM	NO-ASM
R172	NO-ASM	NO-ASM	NO-ASM	NO-ASM
R173	NO-ASM	NO-ASM	NO-ASM	NO-ASM
R465	NO-ASM	NO-ASM	NO-ASM	NO-ASM
R344	NO-ASM	NO-ASM	NO-ASM	NO-ASM
R914	NO-ASM	NO-ASM	NO-ASM	NO-ASM
C703	NO-ASM	NO-ASM	NO-ASM	NO-ASM
C704	NO-ASM	NO-ASM	NO-ASM	NO-ASM
C938	NO-ASM	NO-ASM	NO-ASM	NO-ASM
C705	NO-ASM	NO-ASM	NO-ASM	NO-ASM

42W9239

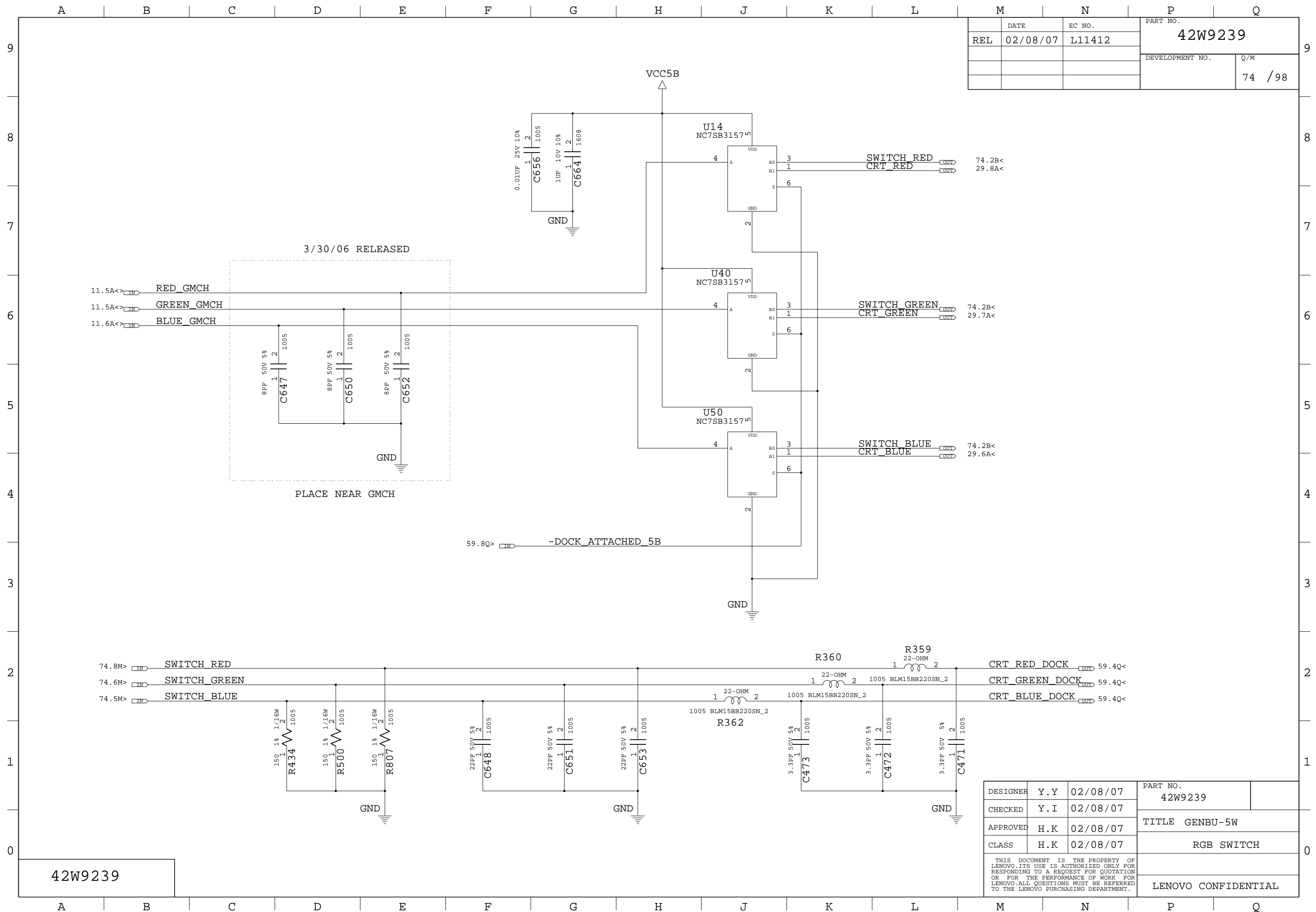
DESIGNER	Y.Y	02/08/07	PART NO.	42W9239
CHECKED	Y.I	02/08/07	TITLE	GENBU-5W
APPROVED	H.K	02/08/07		
CLASS	H.K	02/08/07		G-SENSOR
THIS DOCUMENT IS THE PROPERTY OF LENOVO. ITS USE IS AUTHORIZED ONLY FOR RESPONDING TO A REQUEST FOR QUOTATION OR FOR THE PERFORMANCE OF WORK FOR LENOVO. ALL QUESTIONS MUST BE REFERRED TO THE LENOVO PURCHASING DEPARTMENT.				LENOVO CONFIDENTIAL



	DATE	EC NO.	PART NO.	
REL	02/08/07	L11412	42W9239	
			DEVELOPMENT NO.	Q/M
				73 / 98

42W9239

DESIGNER	Y.Y	02/08/07	PART NO.	42W9239
CHECKED	Y.I	02/08/07	TITLE GENBU-5W	
APPROVED	H.K	02/08/07	EMC DECOUPLING	
CLASS	H.K	02/08/07	LENOVO CONFIDENTIAL	
<small>THIS DOCUMENT IS THE PROPERTY OF LENOVO. ITS USE IS AUTHORIZED ONLY FOR RESPONDING TO A REQUEST FOR QUOTATION OR FOR THE PERFORMANCE OF WORK FOR LENOVO. ALL QUESTIONS MUST BE REFERRED TO THE LENOVO PURCHASING DEPARTMENT.</small>				

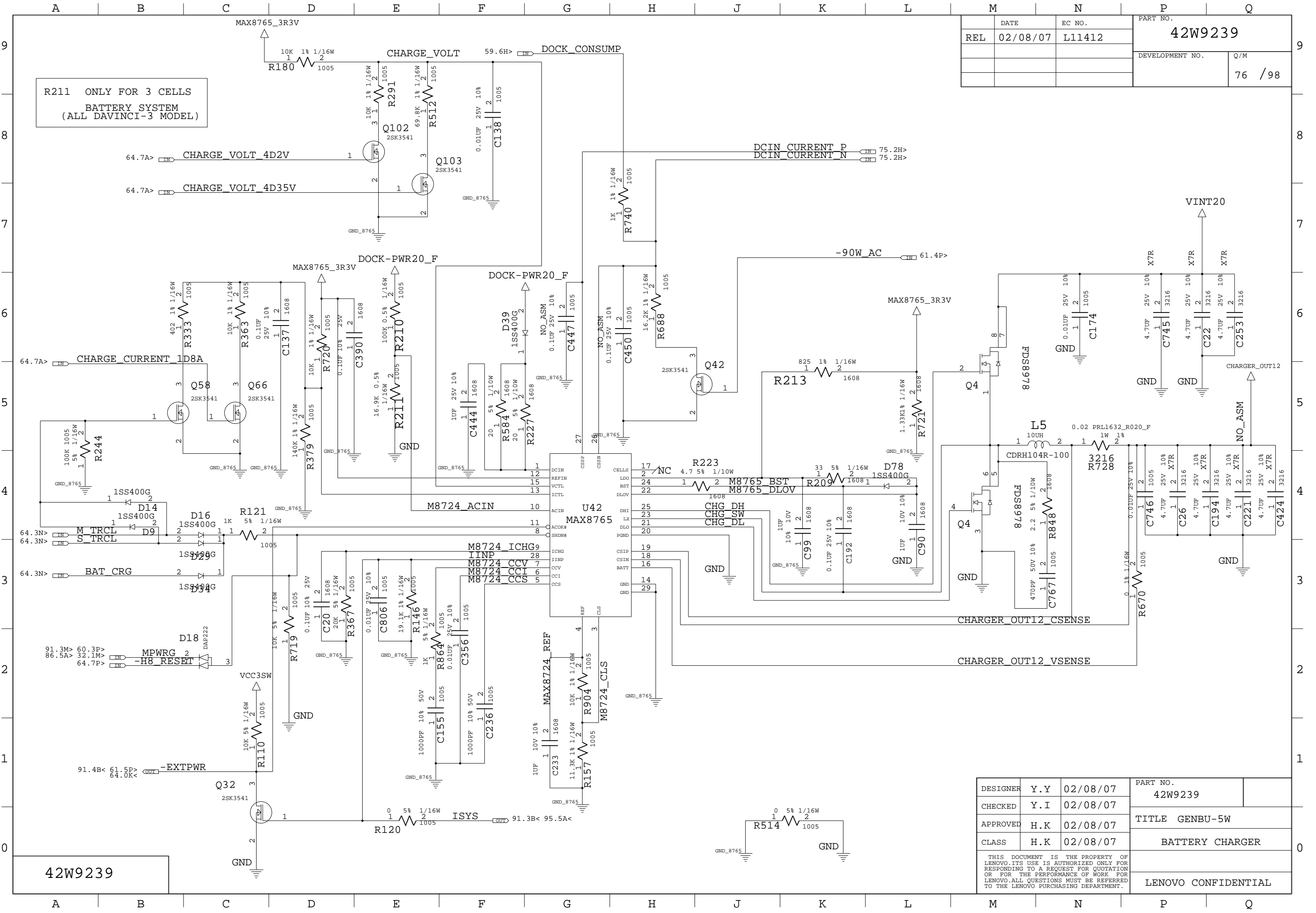


	DATE	EC NO.	PART NO.	
REL	02/08/07	L11412	42W9239	
			DEVELOPMENT NO.	Q/M
				74 / 98

42W9239

DESIGNER	Y.Y	02/08/07	PART NO.	42W9239
CHECKED	Y.I	02/08/07	TITLE GENBU-5W	
APPROVED	H.K	02/08/07	RGB SWITCH	
CLASS	H.K	02/08/07	LENOVO CONFIDENTIAL	

THIS DOCUMENT IS THE PROPERTY OF
 LENOVO. ITS USE IS AUTHORIZED ONLY FOR
 RESPONDING TO A REQUEST FOR QUOTATION
 OR FOR THE PERFORMANCE OF WORK FOR
 LENOVO. ALL QUESTIONS MUST BE REFERRED
 TO THE LENOVO PURCHASING DEPARTMENT.



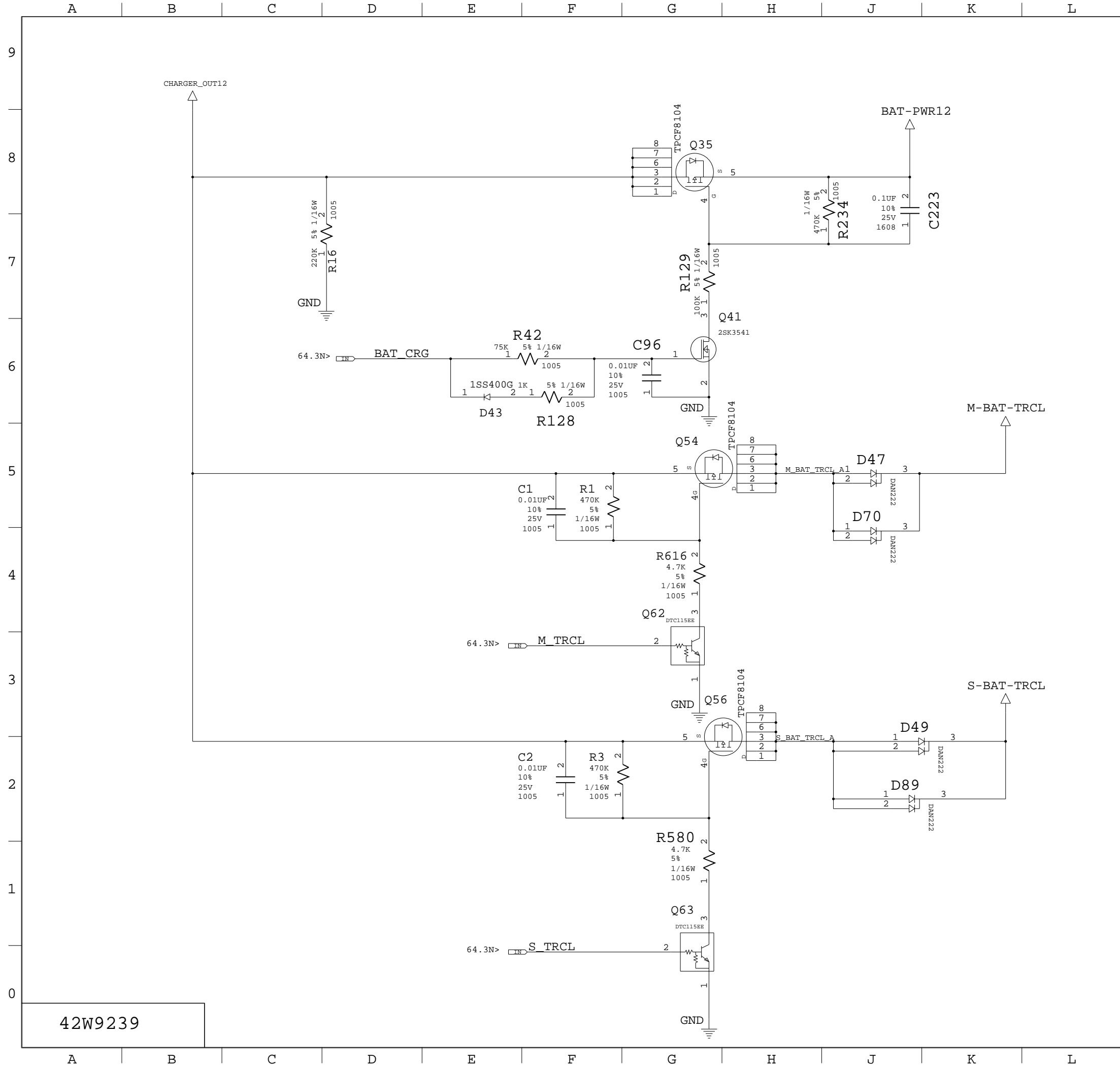
R211 ONLY FOR 3 CELLS
BATTERY SYSTEM
(ALL DAVINCI-3 MODEL)

DATE	EC NO.	PART NO.
REL 02/08/07	L11412	42W9239
DEVELOPMENT NO.		Q/M
		76 / 98

42W9239

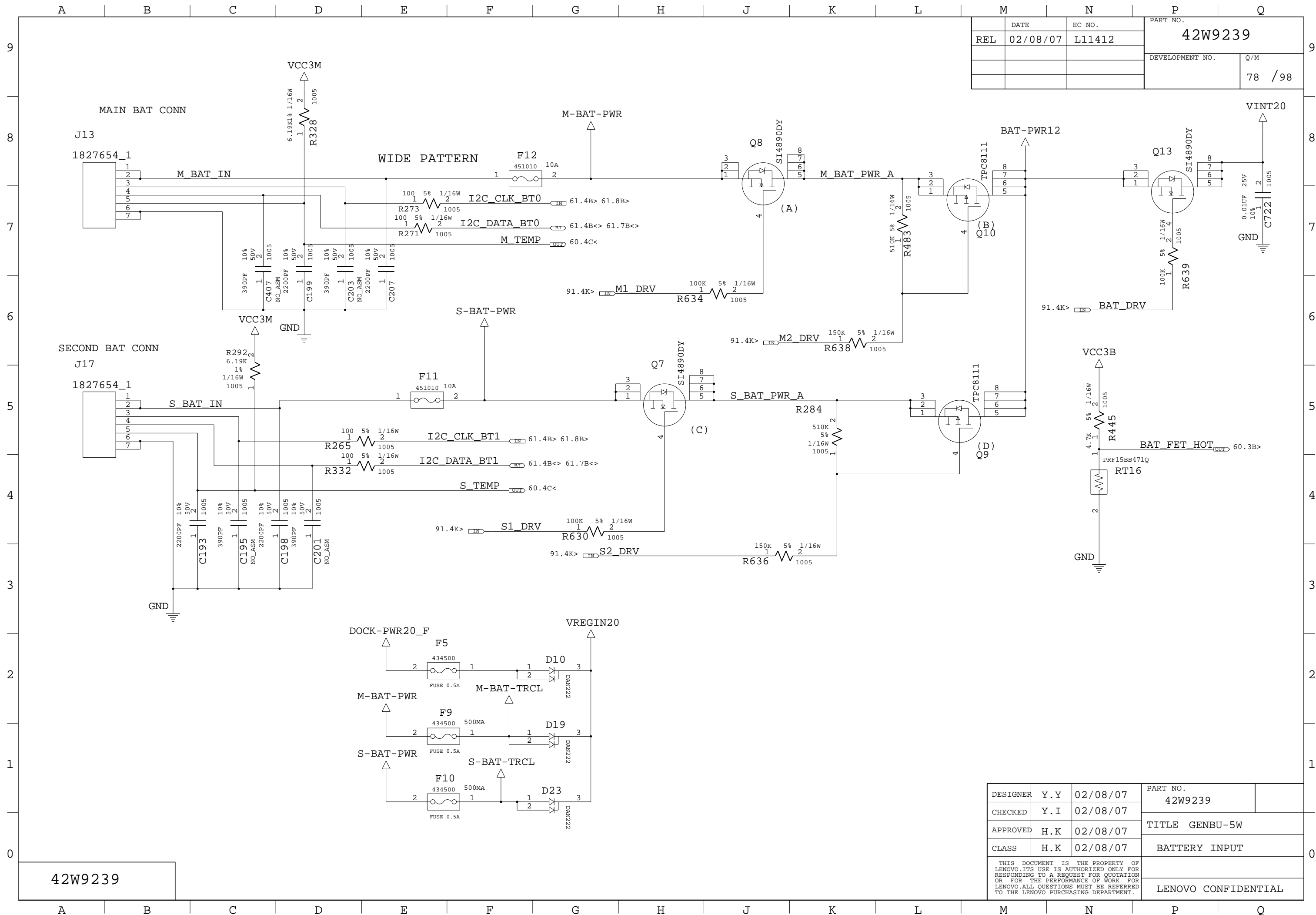
DESIGNER	Y.Y	02/08/07	PART NO.	42W9239
CHECKED	Y.I	02/08/07	TITLE GENBU-5W	
APPROVED	H.K	02/08/07		
CLASS	H.K	02/08/07	BATTERY CHARGER	
THIS DOCUMENT IS THE PROPERTY OF LENOVO. ITS USE IS AUTHORIZED ONLY FOR RESPONDING TO A REQUEST FOR QUOTATION OR FOR THE PERFORMANCE OF WORK FOR LENOVO. ALL QUESTIONS MUST BE REFERRED TO THE LENOVO PURCHASING DEPARTMENT.				LENOVO CONFIDENTIAL

	DATE	EC NO.	PART NO.	
REL	02/08/07	L11412	42W9239	
			DEVELOPMENT NO.	Q/M
				77 /98



42W9239

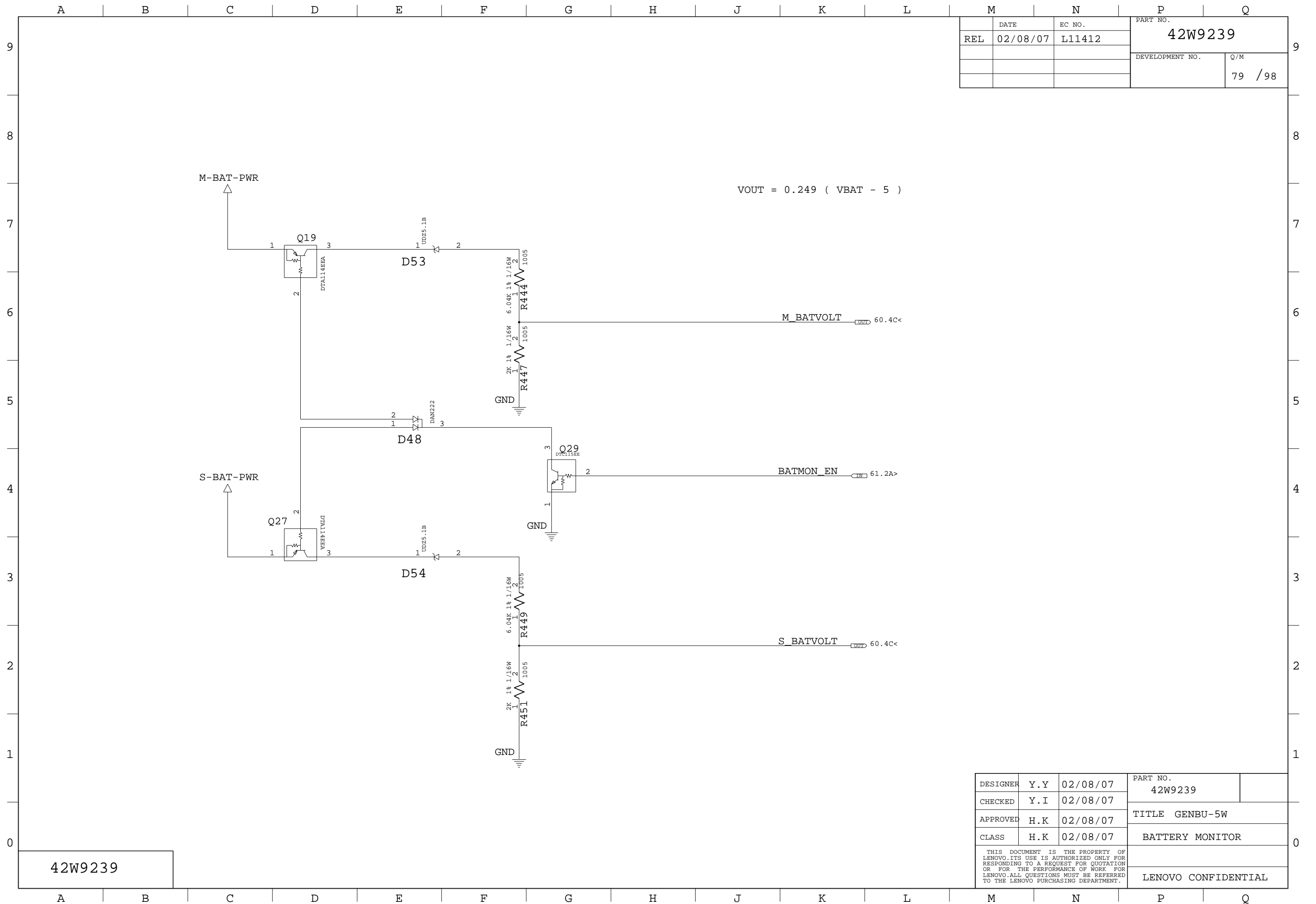
DESIGNER	Y.Y	02/08/07	PART NO.	42W9239
CHECKED	Y.I	02/08/07	TITLE GENBU-5W	
APPROVED	H.K	02/08/07	CHARGE SELECTOR	
CLASS	H.K	02/08/07	LENOVO CONFIDENTIAL	
THIS DOCUMENT IS THE PROPERTY OF LENOVO. ITS USE IS AUTHORIZED ONLY FOR RESPONDING TO A REQUEST FOR QUOTATION OR FOR THE PERFORMANCE OF WORK FOR LENOVO. ALL QUESTIONS MUST BE REFERRED TO THE LENOVO PURCHASING DEPARTMENT.				



REL	DATE	EC NO.	PART NO.
	02/08/07	L11412	42W9239
			DEVELOPMENT NO.
			Q/M
			78 / 98

42W9239

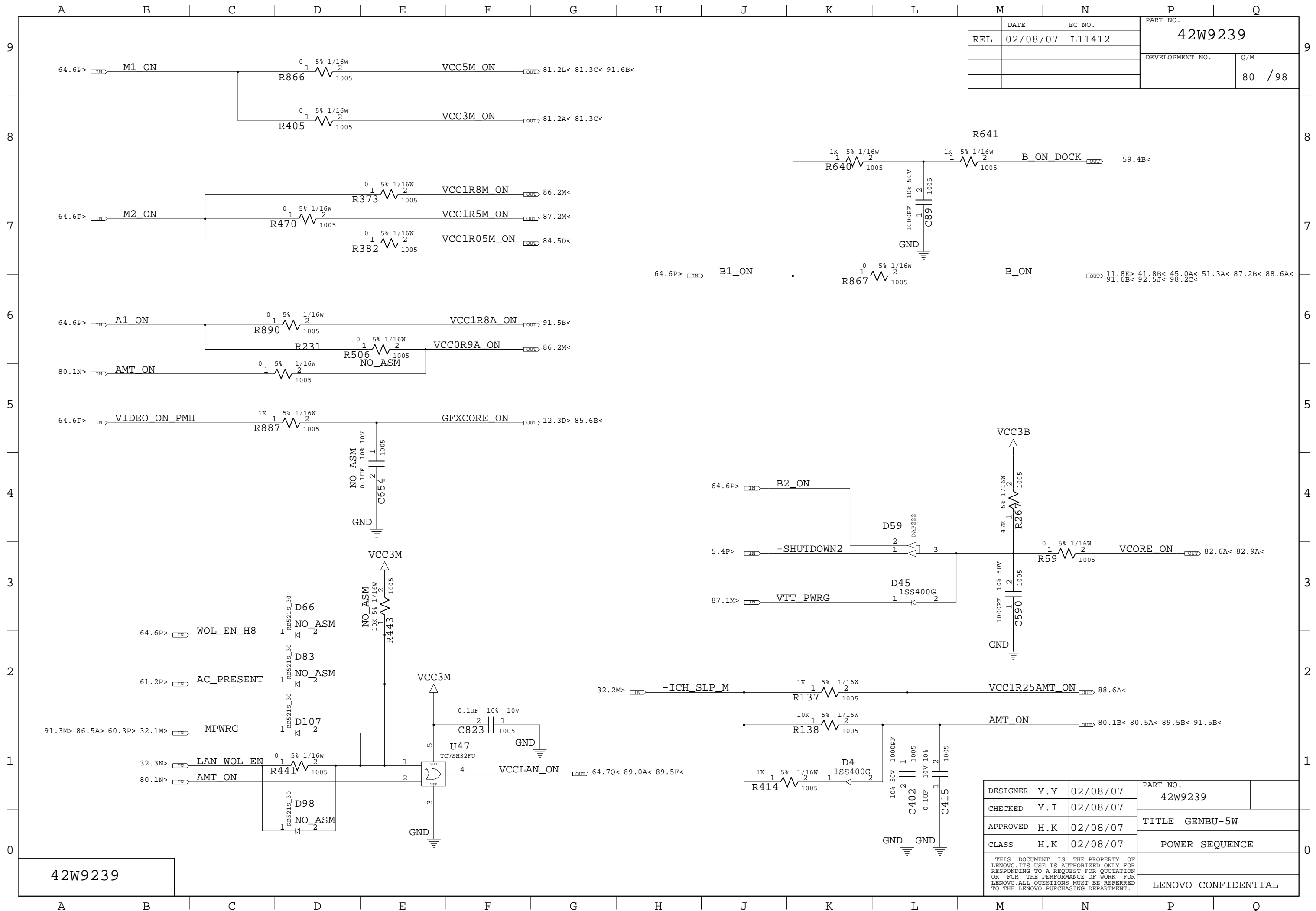
DESIGNER	Y.Y	02/08/07	PART NO.	42W9239
CHECKED	Y.I	02/08/07	TITLE GENBU-5W	
APPROVED	H.K	02/08/07	BATTERY INPUT	
CLASS	H.K	02/08/07	LENovo CONFIDENTIAL	
THIS DOCUMENT IS THE PROPERTY OF LENovo. ITS USE IS AUTHORIZED ONLY FOR RESPONDING TO A REQUEST FOR QUOTATION OR FOR THE PERFORMANCE OF WORK FOR LENovo. ALL QUESTIONS MUST BE REFERRED TO THE LENovo PURCHASING DEPARTMENT.				



	DATE	EC NO.	PART NO.	
REL	02/08/07	L11412	42W9239	
			DEVELOPMENT NO.	Q/M
				79 /98

42W9239

DESIGNER	Y.Y	02/08/07	PART NO.	
CHECKED	Y.I	02/08/07	42W9239	
APPROVED	H.K	02/08/07	TITLE GENBU-5W	
CLASS	H.K	02/08/07	BATTERY MONITOR	
THIS DOCUMENT IS THE PROPERTY OF LENOVO. ITS USE IS AUTHORIZED ONLY FOR RESPONDING TO A REQUEST FOR QUOTATION OR FOR THE PERFORMANCE OF WORK FOR LENOVO. ALL QUESTIONS MUST BE REFERRED TO THE LENOVO PURCHASING DEPARTMENT.			LENOVO CONFIDENTIAL	

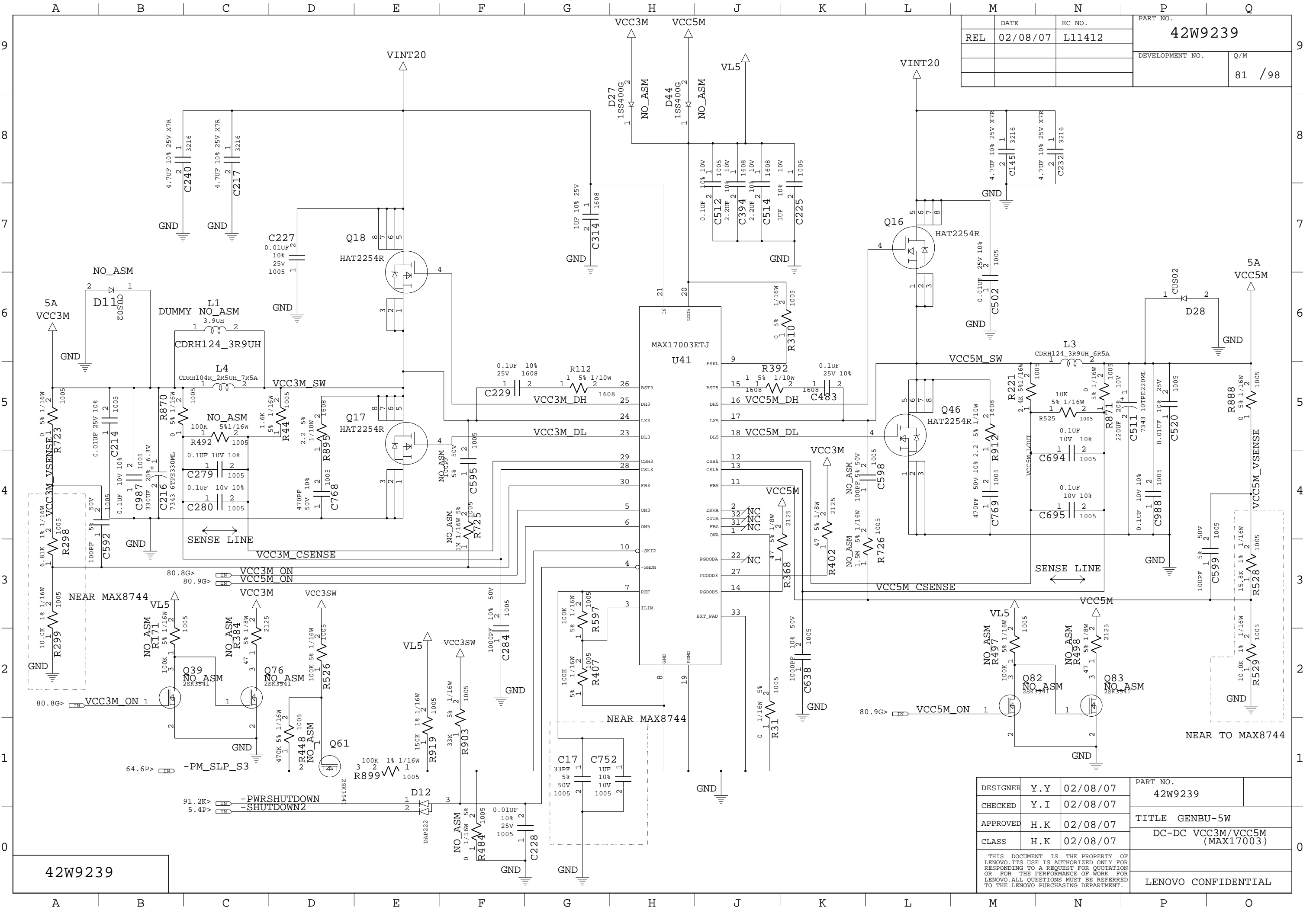


	DATE	EC NO.	PART NO.	
REL	02/08/07	L11412	42W9239	
			DEVELOPMENT NO.	Q/M
				80 / 98

42W9239

DESIGNER	Y.Y	02/08/07	PART NO.	42W9239
CHECKED	Y.I	02/08/07	TITLE GENBU-5W	
APPROVED	H.K	02/08/07	POWER SEQUENCE	
CLASS	H.K	02/08/07	LENovo CONFIDENTIAL	

THIS DOCUMENT IS THE PROPERTY OF LENovo. ITS USE IS AUTHORIZED ONLY FOR RESPONDING TO A REQUEST FOR QUOTATION OR FOR THE PERFORMANCE OF WORK FOR LENovo. ALL QUESTIONS MUST BE REFERRED TO THE LENovo PURCHASING DEPARTMENT.

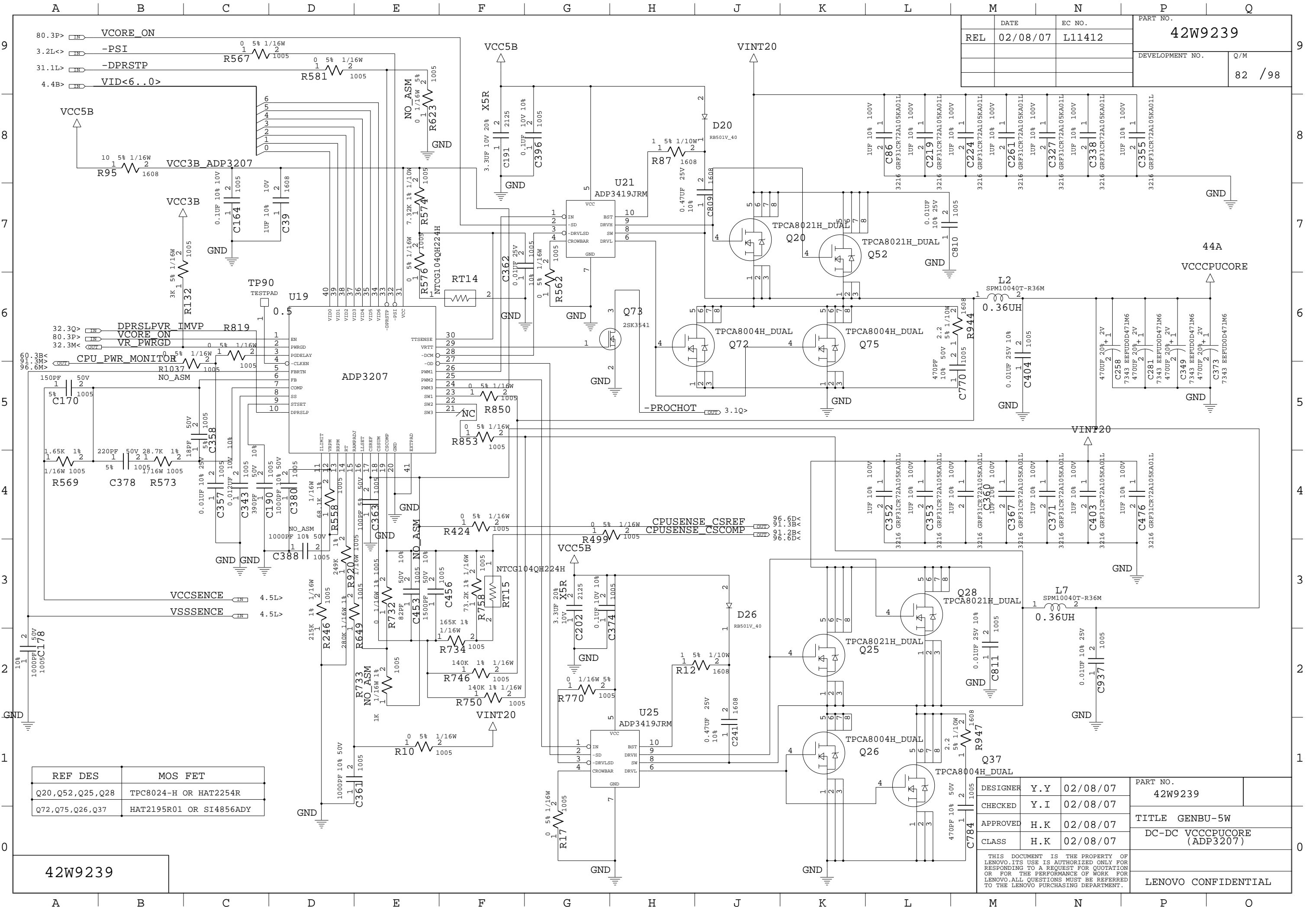


REL	DATE	EC NO.	PART NO.
	02/08/07	L11412	42W9239
			DEVELOPMENT NO.
			Q/M
			81 / 98

42W9239

DESIGNER	Y.Y	02/08/07	PART NO.	42W9239
CHECKED	Y.I	02/08/07	TITLE	GENBU-5W
APPROVED	H.K	02/08/07	DC-DC VCC3M/VCC5M (MAX17003)	
CLASS	H.K	02/08/07	LENOVO CONFIDENTIAL	

THIS DOCUMENT IS THE PROPERTY OF LENOVO. ITS USE IS AUTHORIZED ONLY FOR RESPONDING TO A REQUEST FOR QUOTATION OR FOR THE PERFORMANCE OF WORK FOR LENOVO. ALL QUESTIONS MUST BE REFERRED TO THE LENOVO PURCHASING DEPARTMENT.



REL	DATE	EC NO.	PART NO.
	02/08/07	L11412	42W9239
			DEVELOPMENT NO.
			Q/M
			82 / 98

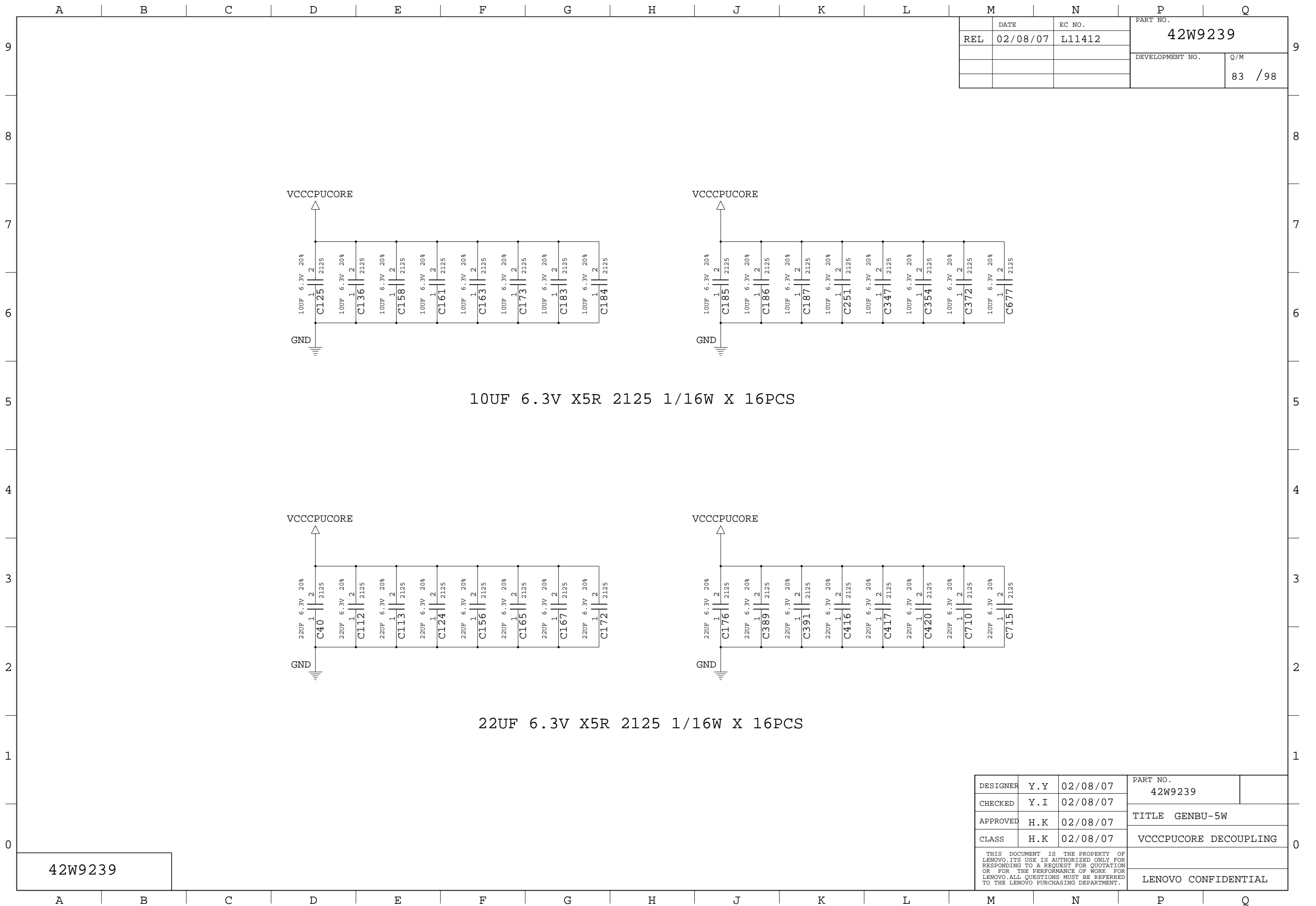
REF DES	MOS FET
Q20, Q52, Q25, Q28	TPC8024-H OR HAT2254R
Q72, Q75, Q26, Q37	HAT2195R01 OR SI4856ADY

DESIGNER	Y.Y	02/08/07	PART NO.
CHECKED	Y.I	02/08/07	42W9239
APPROVED	H.K	02/08/07	TITLE GENBU-5W
CLASS	H.K	02/08/07	DC-DC VCCCPUCORE (ADP3207)

THIS DOCUMENT IS THE PROPERTY OF LENOVO. ITS USE IS AUTHORIZED ONLY FOR RESPONDING TO A REQUEST FOR QUOTATION OR FOR THE PERFORMANCE OF WORK FOR LENOVO. ALL QUESTIONS MUST BE REFERRED TO THE LENOVO PURCHASING DEPARTMENT.

LENOVO CONFIDENTIAL

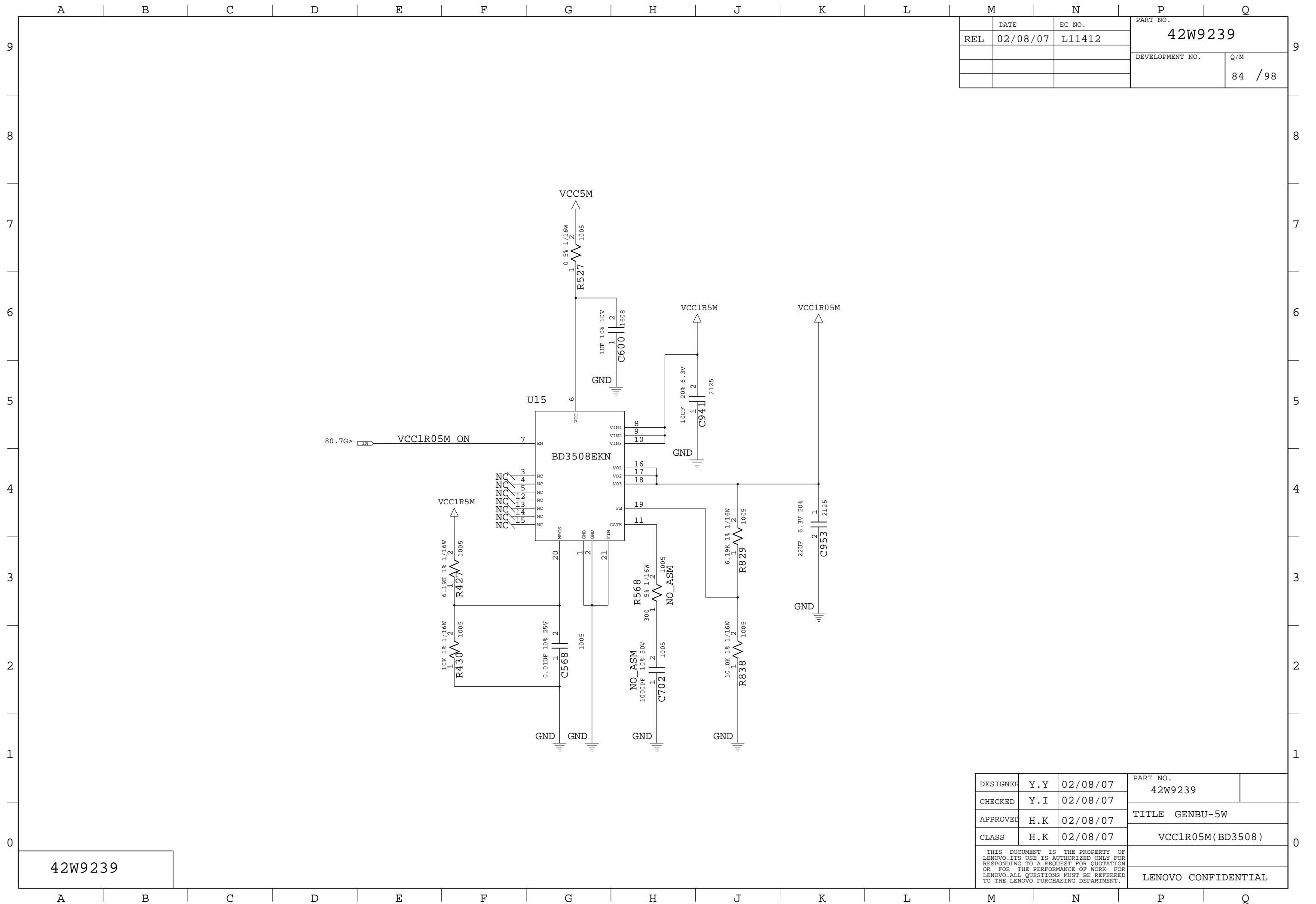
42W9239



	DATE	EC NO.	PART NO.	
REL	02/08/07	L11412	42W9239	
			DEVELOPMENT NO.	Q/M
				83 /98

42W9239

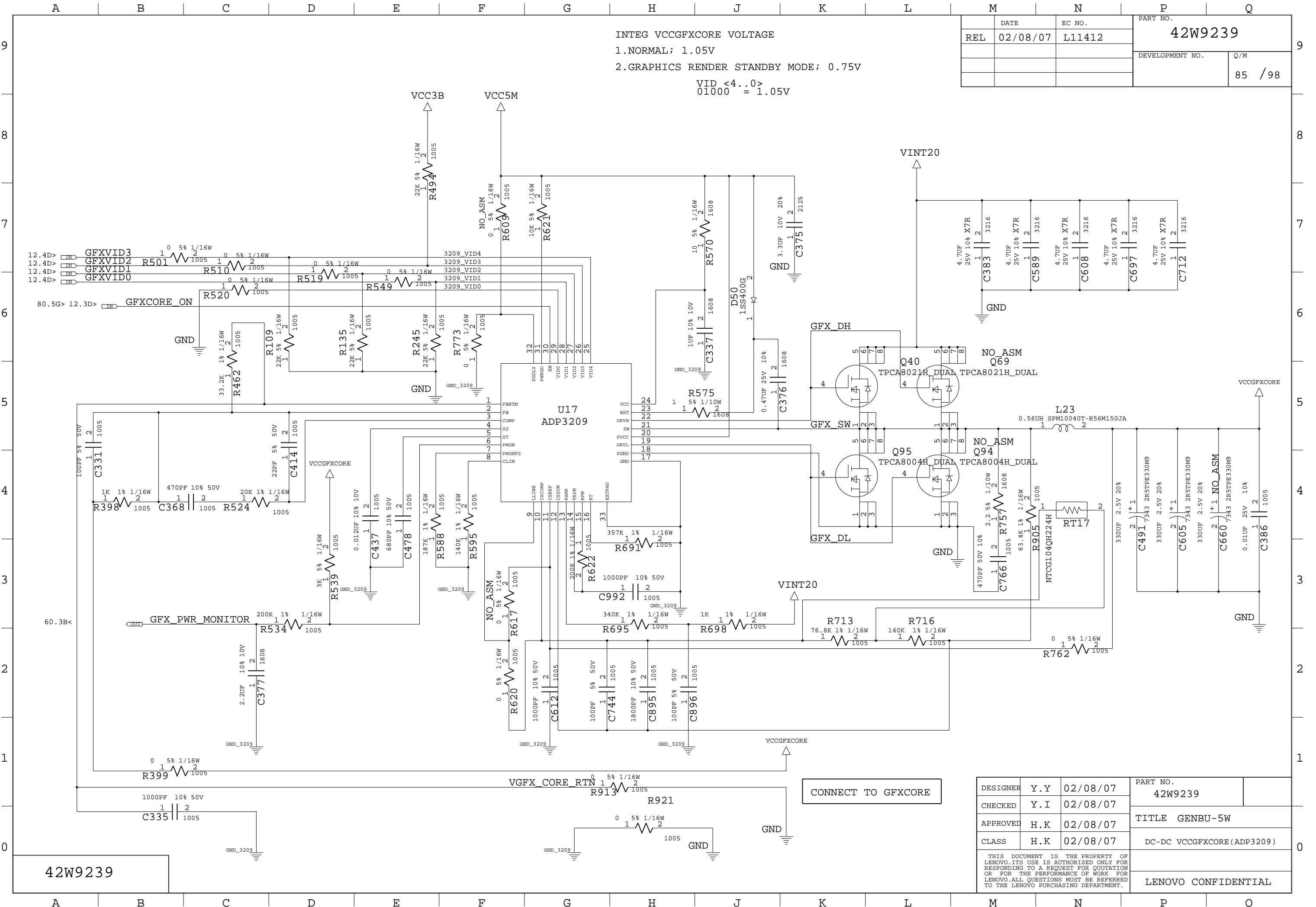
DESIGNER	Y.Y	02/08/07	PART NO.	
CHECKED	Y.I	02/08/07	42W9239	
APPROVED	H.K	02/08/07	TITLE GENBU-5W	
CLASS	H.K	02/08/07	VCCCPUCORE DECOUPLING	
THIS DOCUMENT IS THE PROPERTY OF LENOVO. ITS USE IS AUTHORIZED ONLY FOR RESPONDING TO A REQUEST FOR QUOTATION OR FOR THE PERFORMANCE OF WORK FOR LENOVO. ALL QUESTIONS MUST BE REFERRED TO THE LENOVO PURCHASING DEPARTMENT.				LENOVO CONFIDENTIAL



	DATE	EC NO.	PART NO.	
REL	02/08/07	L11412	42W9239	
			DEVELOPMENT NO.	Q/M
				84 / 98

42W9239

DESIGNER	Y.Y	02/08/07	PART NO.	
CHECKED	Y.I	02/08/07	42W9239	
APPROVED	H.K	02/08/07	TITLE GENBU-5W	
CLASS	H.K	02/08/07	VCC1R05M(BD3508)	
THIS DOCUMENT IS THE PROPERTY OF LENOVO. ITS USE IS AUTHORIZED ONLY FOR RESPONDING TO A REQUEST FOR QUOTATION OR FOR THE PERFORMANCE OF WORK FOR LENOVO. ALL QUESTIONS MUST BE REFERRED TO THE LENOVO PURCHASING DEPARTMENT.				LENOVO CONFIDENTIAL



INTEG VCCGFXCORE VOLTAGE
 1.NORMAL; 1.05V
 2.GRAPHICS RENDER STANDBY MODE; 0.75V

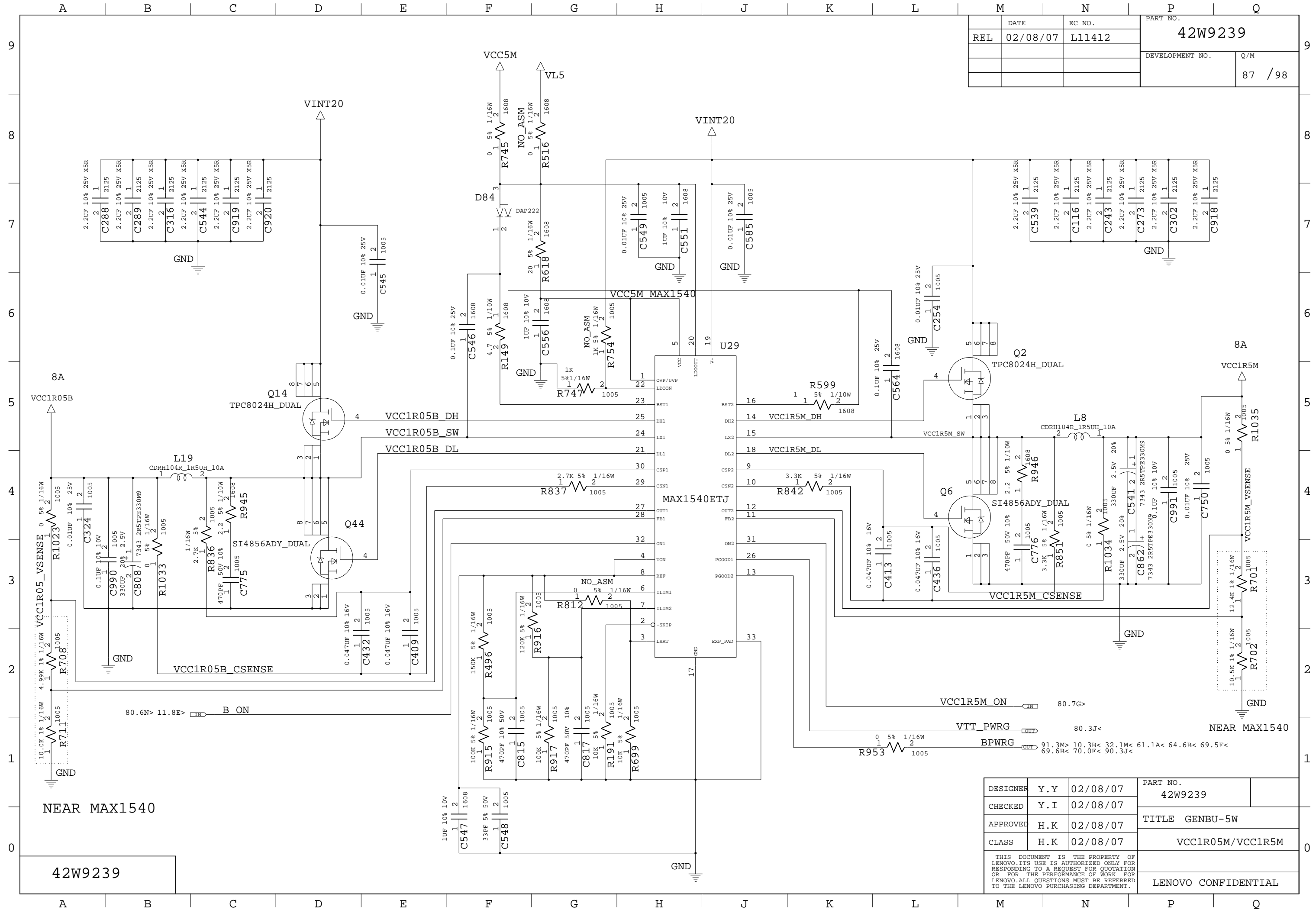
VID <4..0>
 01000 = 1.05V

REL	DATE	EC NO.	PART NO.
	02/08/07	L11412	42W9239
			DEVELOPMENT NO.
			Q/M
			85 / 98

42W9239

DESIGNER	Y.Y	02/08/07	PART NO.	42W9239
CHECKED	Y.I	02/08/07	TITLE	GENBU-5W
APPROVED	H.K	02/08/07	CLASS	DC-DC VCCGFXCORE (ADP3209)
THIS DOCUMENT IS THE PROPERTY OF LENOVO. ITS USE IS AUTHORIZED ONLY FOR RESPONDING TO A REQUEST FOR QUOTATION OR FOR THE PERFORMANCE OF WORK FOR LENOVO. ALL QUESTIONS MUST BE REFERRED TO THE LENOVO PURCHASING DEPARTMENT.				LENOVO CONFIDENTIAL

REL	DATE	EC NO.	PART NO.
	02/08/07	L11412	42W9239
			DEVELOPMENT NO.
			Q/M
			87 / 98

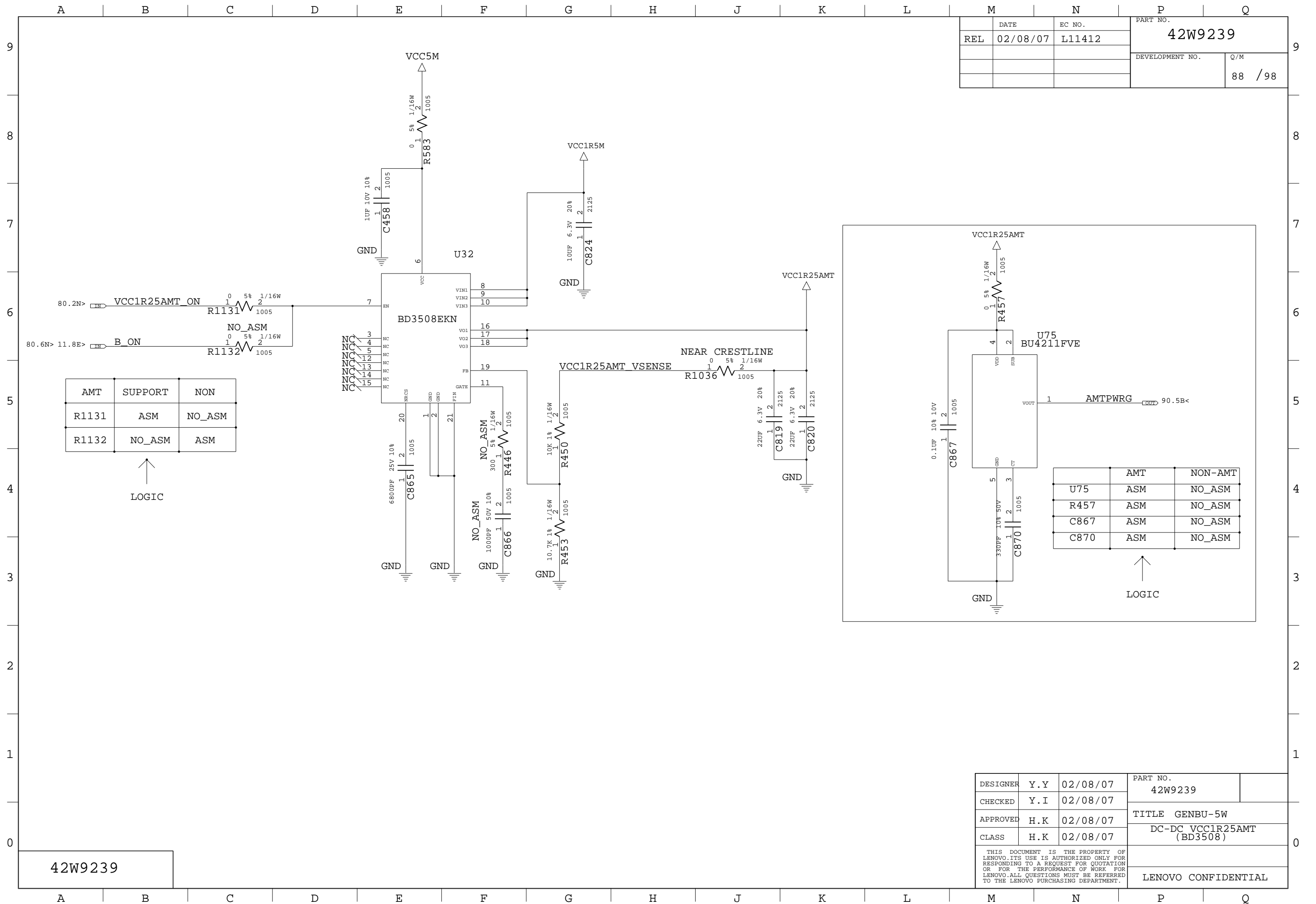


NEAR MAX1540

42W9239

DESIGNER	Y.Y	02/08/07	PART NO.	42W9239
CHECKED	Y.I	02/08/07	TITLE	GENBU-5W
APPROVED	H.K	02/08/07	VCC1R05M/VCC1R5M	
CLASS	H.K	02/08/07	LENOVO CONFIDENTIAL	

THIS DOCUMENT IS THE PROPERTY OF LENOVO. ITS USE IS AUTHORIZED ONLY FOR RESPONDING TO A REQUEST FOR QUOTATION OR FOR THE PERFORMANCE OF WORK FOR LENOVO. ALL QUESTIONS MUST BE REFERRED TO THE LENOVO PURCHASING DEPARTMENT.



	DATE	EC NO.	PART NO.	
REL	02/08/07	L11412	42W9239	
			DEVELOPMENT NO.	Q/M
				88 / 98

AMT	SUPPORT	NON
R1131	ASM	NO_ASM
R1132	NO_ASM	ASM

LOGIC

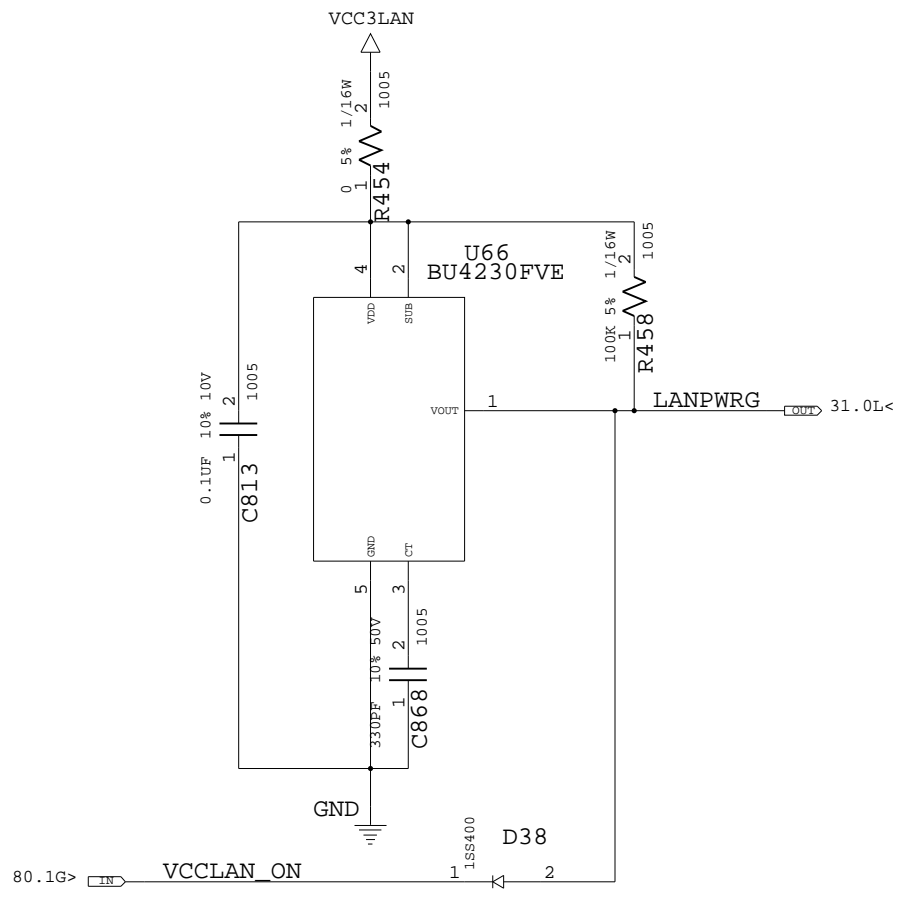
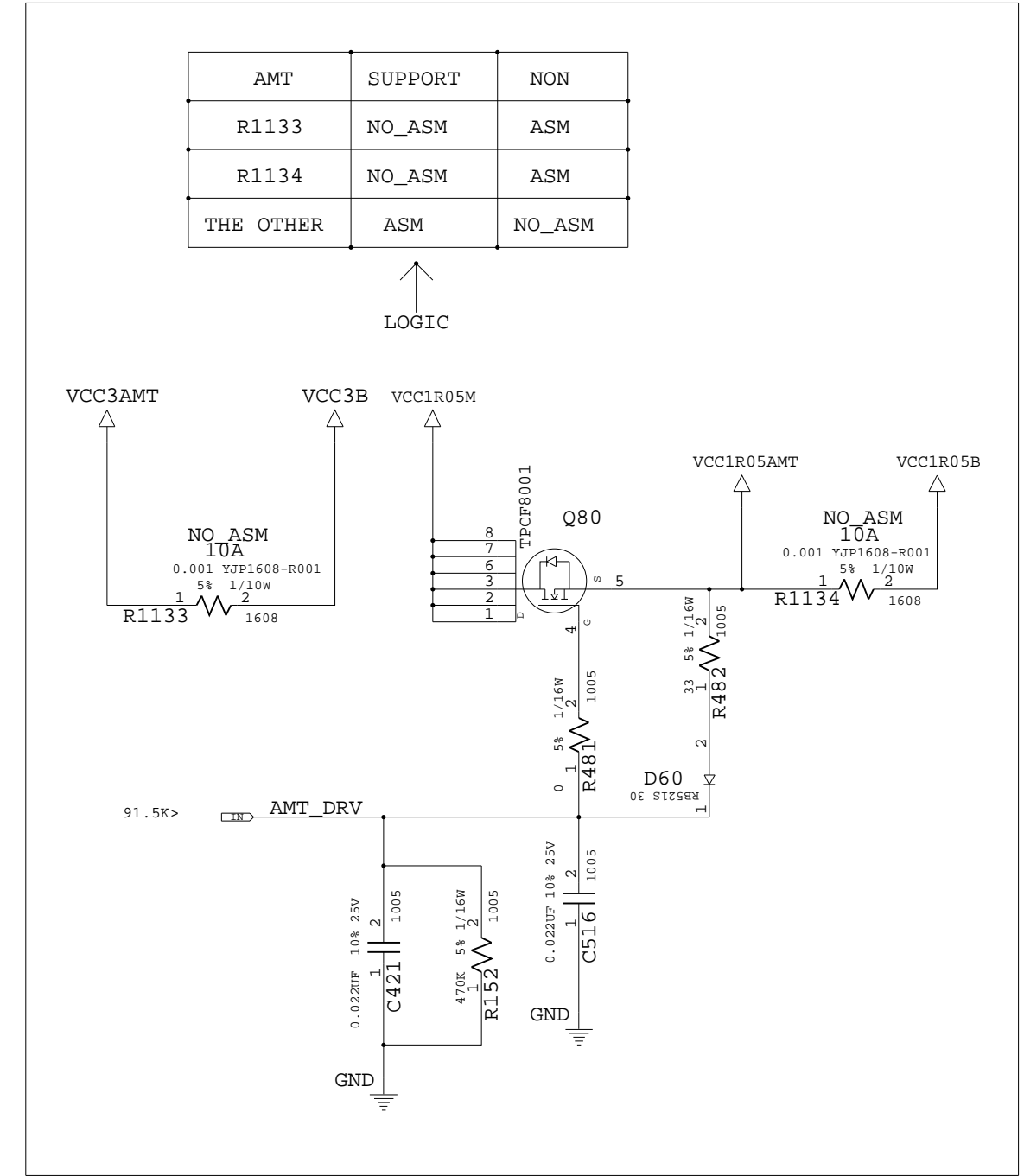
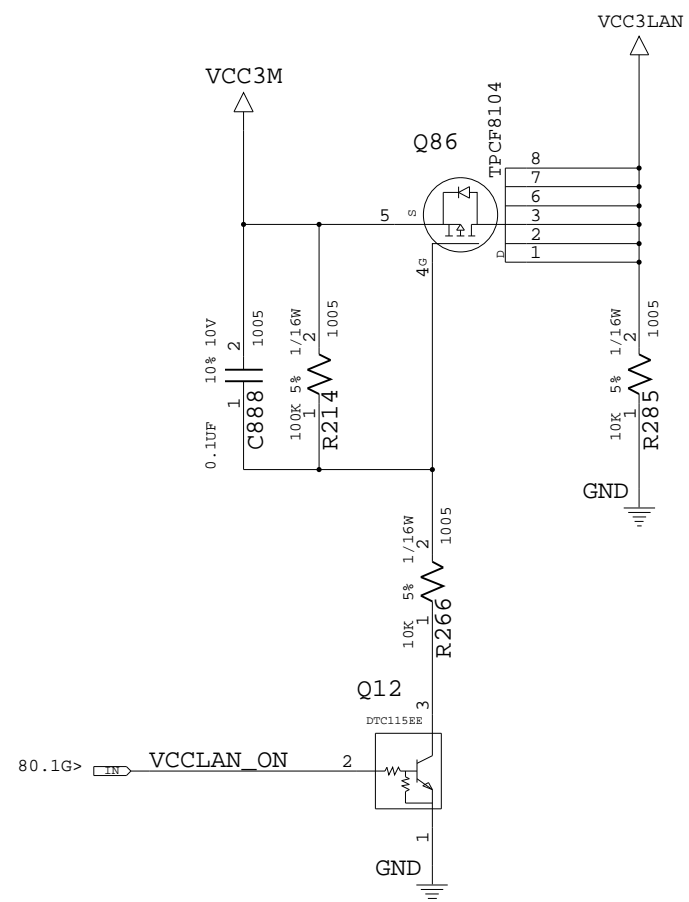
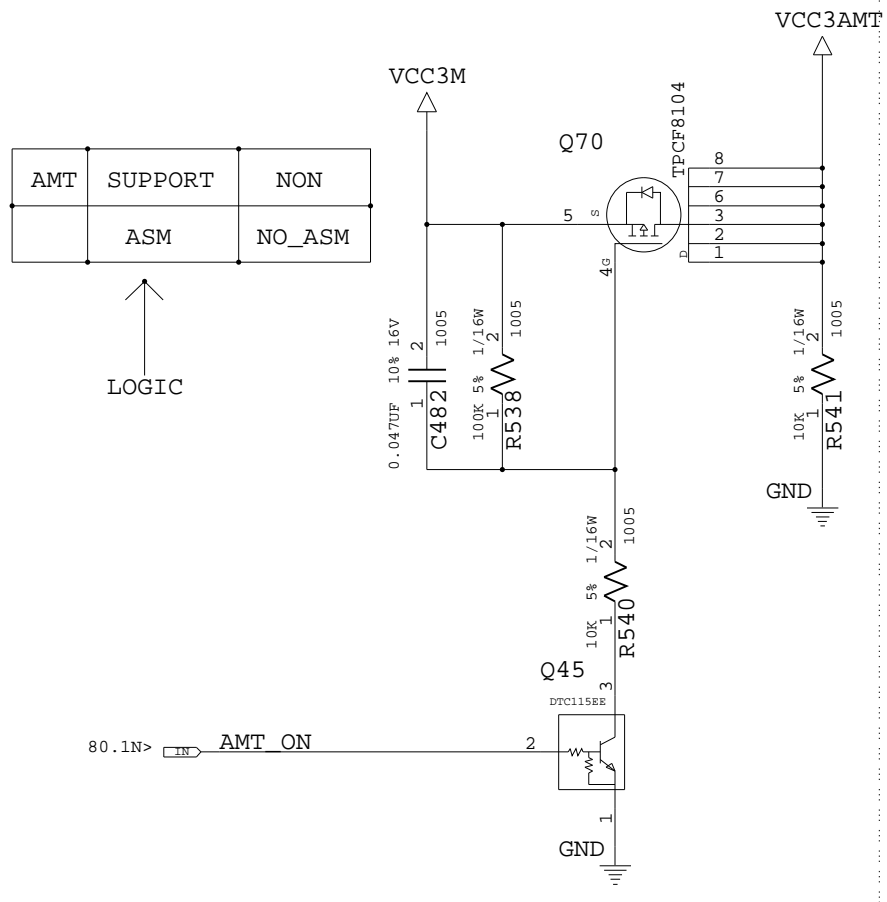
U75	AMT	NON-AMT
R457	ASM	NO_ASM
C867	ASM	NO_ASM
C870	ASM	NO_ASM

LOGIC

42W9239

DESIGNER	Y. Y	02/08/07	PART NO.	42W9239
CHECKED	Y. I	02/08/07		
APPROVED	H. K	02/08/07	TITLE GENBU-5W	
CLASS	H. K	02/08/07	DC-DC VCC1R25AMT (BD3508)	
THIS DOCUMENT IS THE PROPERTY OF LENOVO. ITS USE IS AUTHORIZED ONLY FOR RESPONDING TO A REQUEST FOR QUOTATION OR FOR THE PERFORMANCE OF WORK FOR LENOVO. ALL QUESTIONS MUST BE REFERRED TO THE LENOVO PURCHASING DEPARTMENT.				LENOVO CONFIDENTIAL

	DATE	EC NO.	PART NO.
REL	02/08/07	L11412	42W9239
			DEVELOPMENT NO.
			Q/M
			89 / 98



42W9239

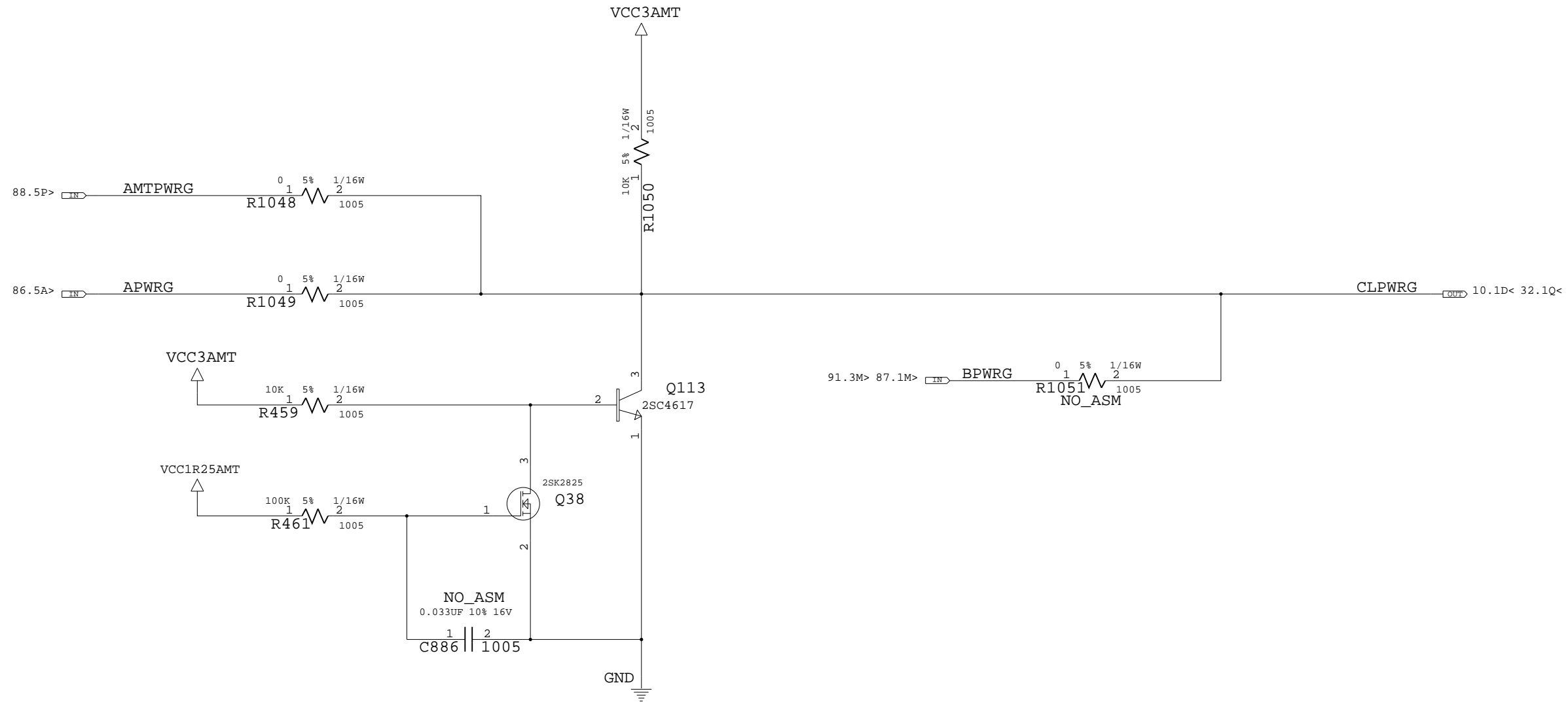
DESIGNER	Y.Y	02/08/07	PART NO.	42W9239
CHECKED	Y.I	02/08/07	TITLE GENBU-5W	
APPROVED	H.K	02/08/07	LOAD SW AMT/LAN	
CLASS	H.K	02/08/07	LENVO CONFIDENTIAL	

THIS DOCUMENT IS THE PROPERTY OF
 LENOVO. ITS USE IS AUTHORIZED ONLY FOR
 RESPONDING TO A REQUEST FOR QUOTATION
 OR FOR THE PERFORMANCE OF WORK FOR
 LENOVO. ALL QUESTIONS MUST BE REFERRED
 TO THE LENOVO PURCHASING DEPARTMENT.

	DATE	EC NO.	PART NO.	
REL	02/08/07	L11412	42W9239	
			DEVELOPMENT NO.	Q/M
				90 /98

	AMT	NON-AMT
R1051	NO_ASM	ASM
OTHERS	ASM	NO_ASM

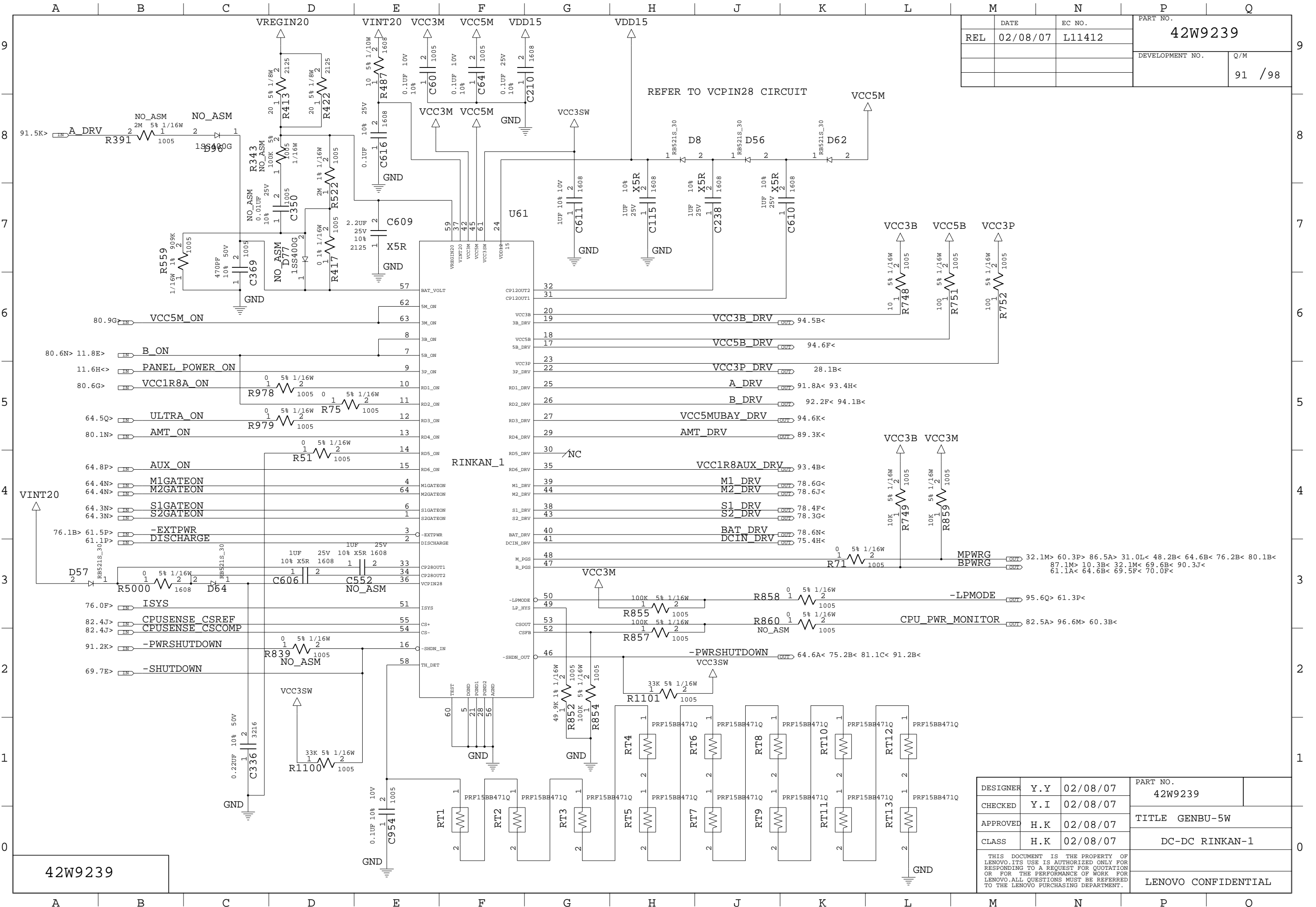
↑
LOGIC



42W9239

DESIGNER	Y.Y	02/08/07	PART NO.	42W9239
CHECKED	Y.I	02/08/07	TITLE GENBU-5W	
APPROVED	H.K	02/08/07	CLASS CLPWRG	
CLASS	H.K	02/08/07	THIS DOCUMENT IS THE PROPERTY OF LENOVO. ITS USE IS AUTHORIZED ONLY FOR RESPONDING TO A REQUEST FOR QUOTATION OR FOR THE PERFORMANCE OF WORK FOR LENOVO. ALL QUESTIONS MUST BE REFERRED TO THE LENOVO PURCHASING DEPARTMENT.	
			LENOVO CONFIDENTIAL	

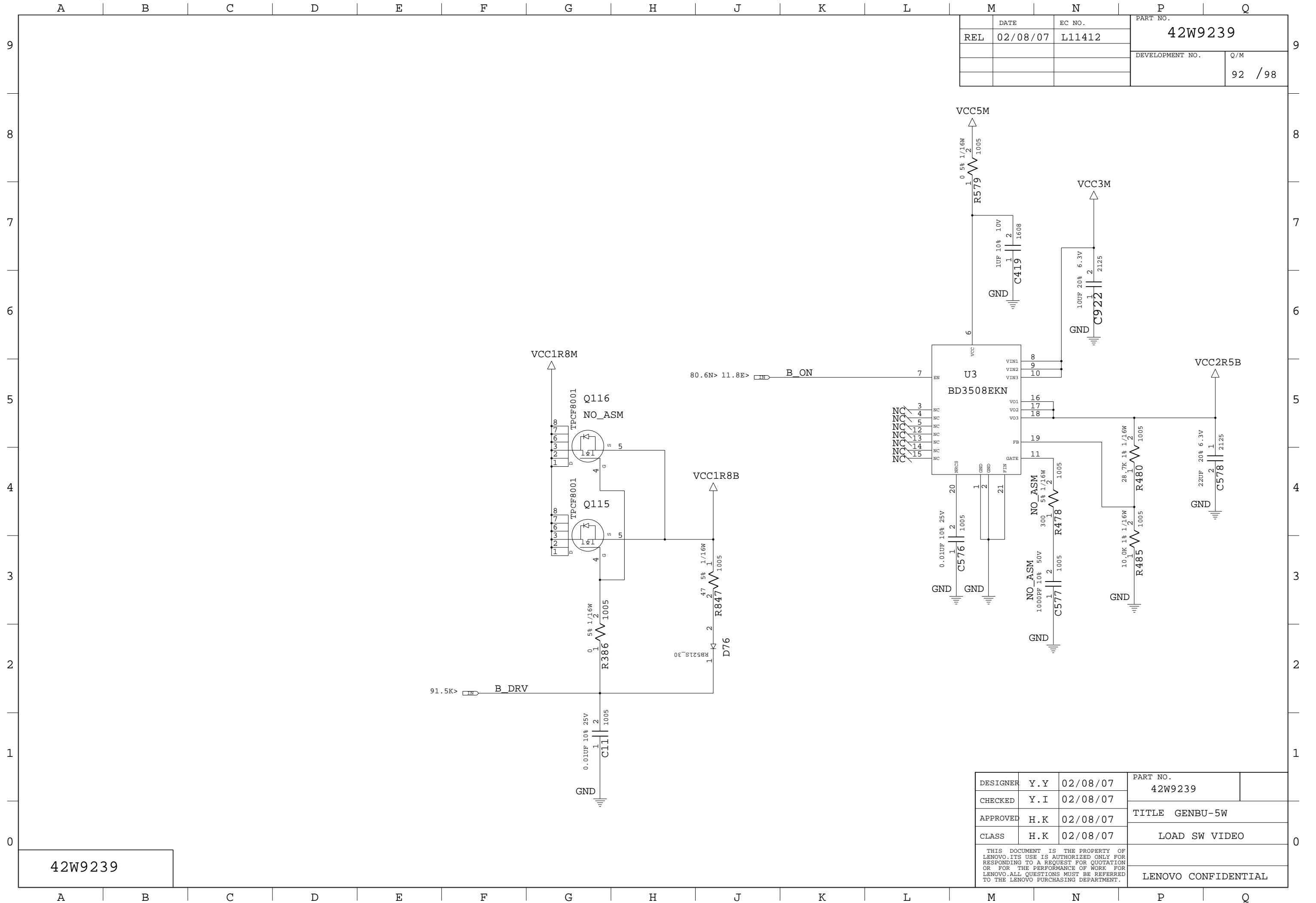
DATE	EC NO.	PART NO.	
REL 02/08/07	L11412	42W9239	
		DEVELOPMENT NO.	Q/M
			91 / 98



42W9239

DESIGNER	Y.Y	02/08/07	PART NO.	42W9239
CHECKED	Y.I	02/08/07	TITLE GENBU-5W	
APPROVED	H.K	02/08/07	DC-DC RINKAN-1	
CLASS	H.K	02/08/07	LENOVO CONFIDENTIAL	

THIS DOCUMENT IS THE PROPERTY OF LENOVO. ITS USE IS AUTHORIZED ONLY FOR RESPONDING TO A REQUEST FOR QUOTATION OR FOR THE PERFORMANCE OF WORK FOR LENOVO. ALL QUESTIONS MUST BE REFERRED TO THE LENOVO PURCHASING DEPARTMENT.

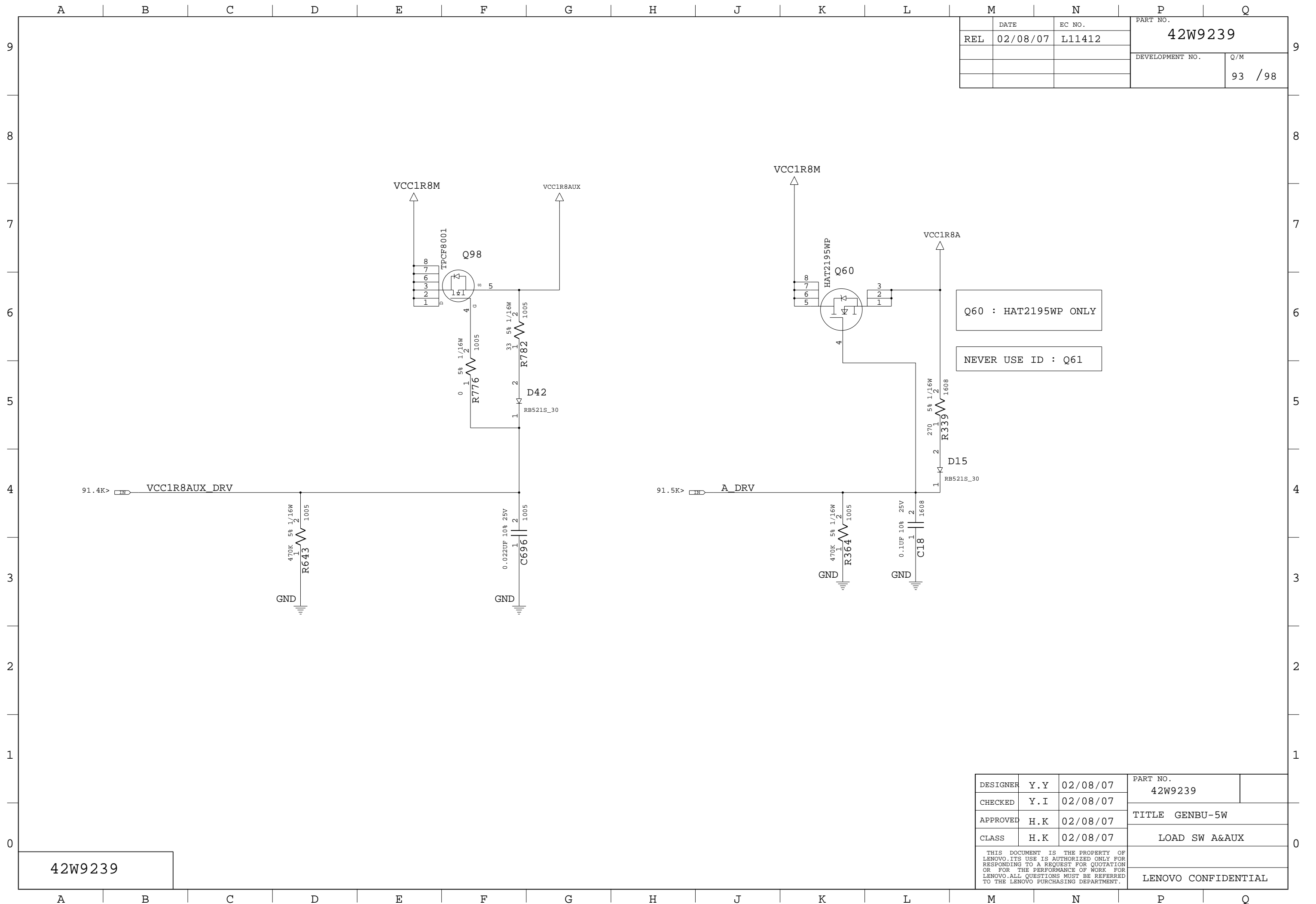


REL	DATE	EC NO.	PART NO.	
	02/08/07	L11412	42W9239	
			DEVELOPMENT NO.	Q/M
				92 / 98

42W9239

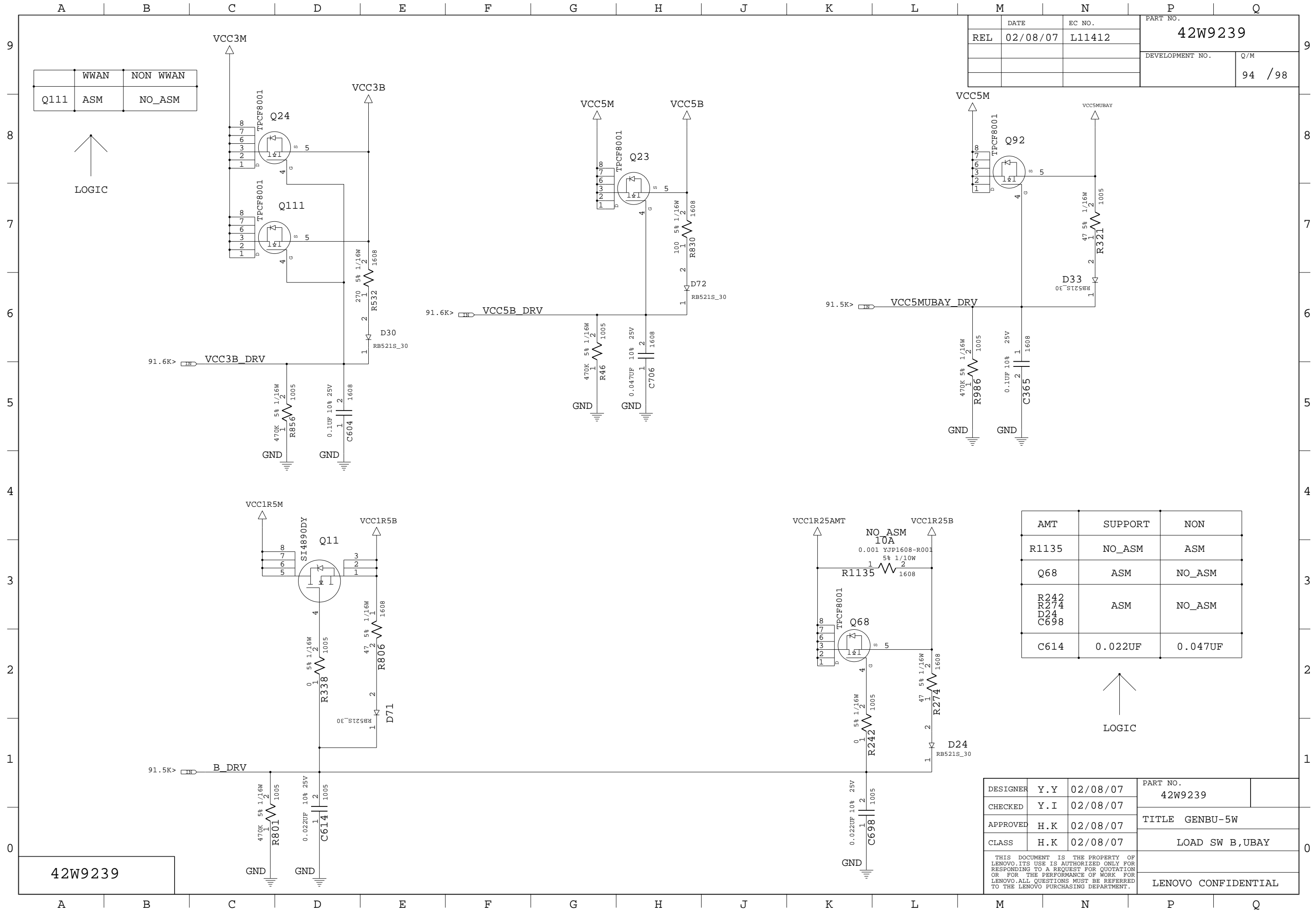
DESIGNER	Y.Y	02/08/07	PART NO.	42W9239
CHECKED	Y.I	02/08/07	TITLE GENBU-5W	
APPROVED	H.K	02/08/07	LOAD SW VIDEO	
CLASS	H.K	02/08/07	LENOVO CONFIDENTIAL	
<small>THIS DOCUMENT IS THE PROPERTY OF LENOVO. ITS USE IS AUTHORIZED ONLY FOR RESPONDING TO A REQUEST FOR QUOTATION OR FOR THE PERFORMANCE OF WORK FOR LENOVO. ALL QUESTIONS MUST BE REFERRED TO THE LENOVO PURCHASING DEPARTMENT.</small>				

	DATE	EC NO.	PART NO.	
REL	02/08/07	L11412	42W9239	
			DEVELOPMENT NO.	Q/M
				93 /98



42W9239

DESIGNER	Y.Y	02/08/07	PART NO.	42W9239
CHECKED	Y.I	02/08/07	TITLE GENBU-5W	
APPROVED	H.K	02/08/07	LOAD SW A&AUX	
CLASS	H.K	02/08/07	LENOVO CONFIDENTIAL	
THIS DOCUMENT IS THE PROPERTY OF LENOVO. ITS USE IS AUTHORIZED ONLY FOR RESPONDING TO A REQUEST FOR QUOTATION OR FOR THE PERFORMANCE OF WORK FOR LENOVO. ALL QUESTIONS MUST BE REFERRED TO THE LENOVO PURCHASING DEPARTMENT.				

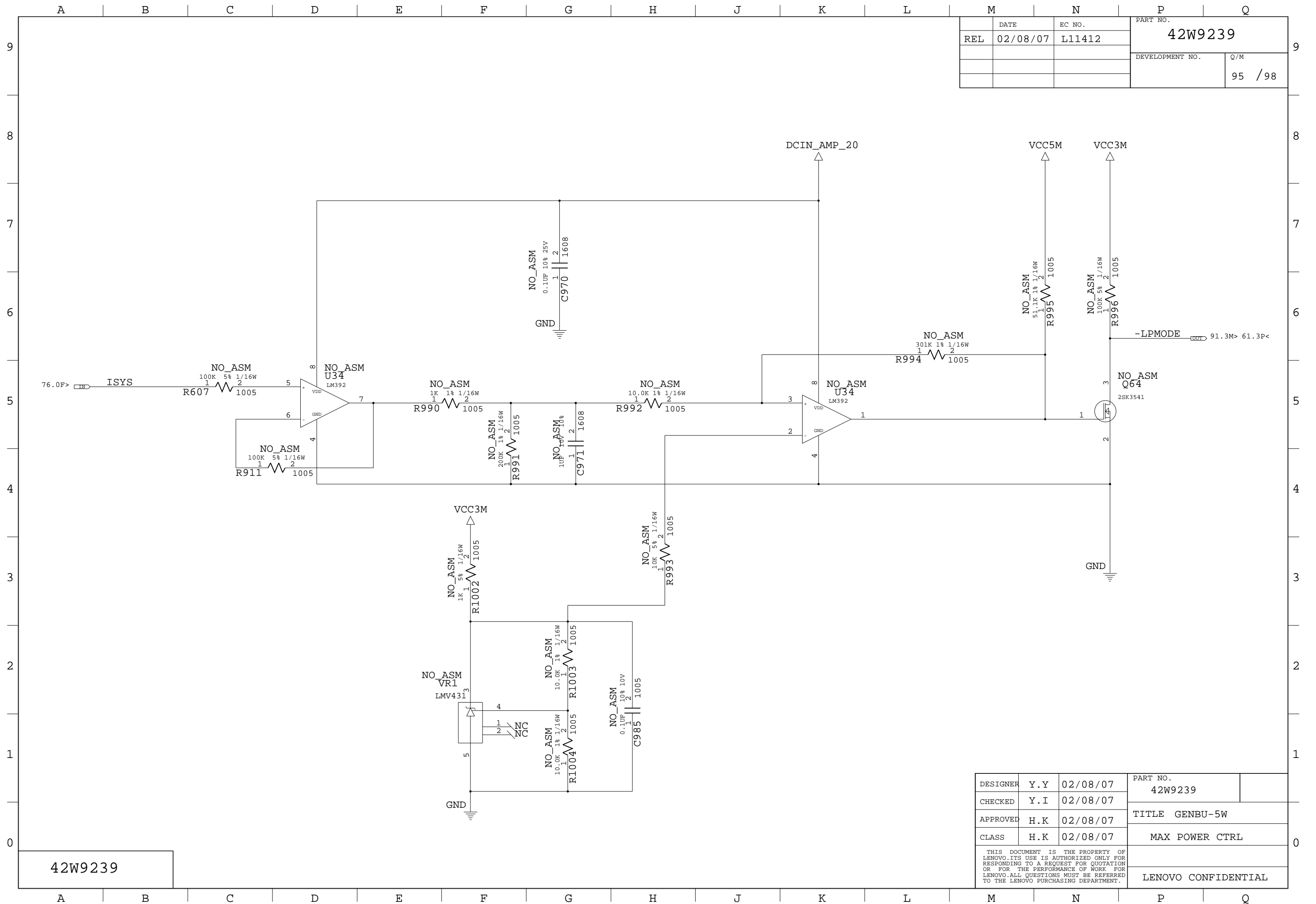


REL	DATE	EC NO.	PART NO.	
	02/08/07	L11412	42W9239	
			DEVELOPMENT NO.	Q/M
				94 / 98

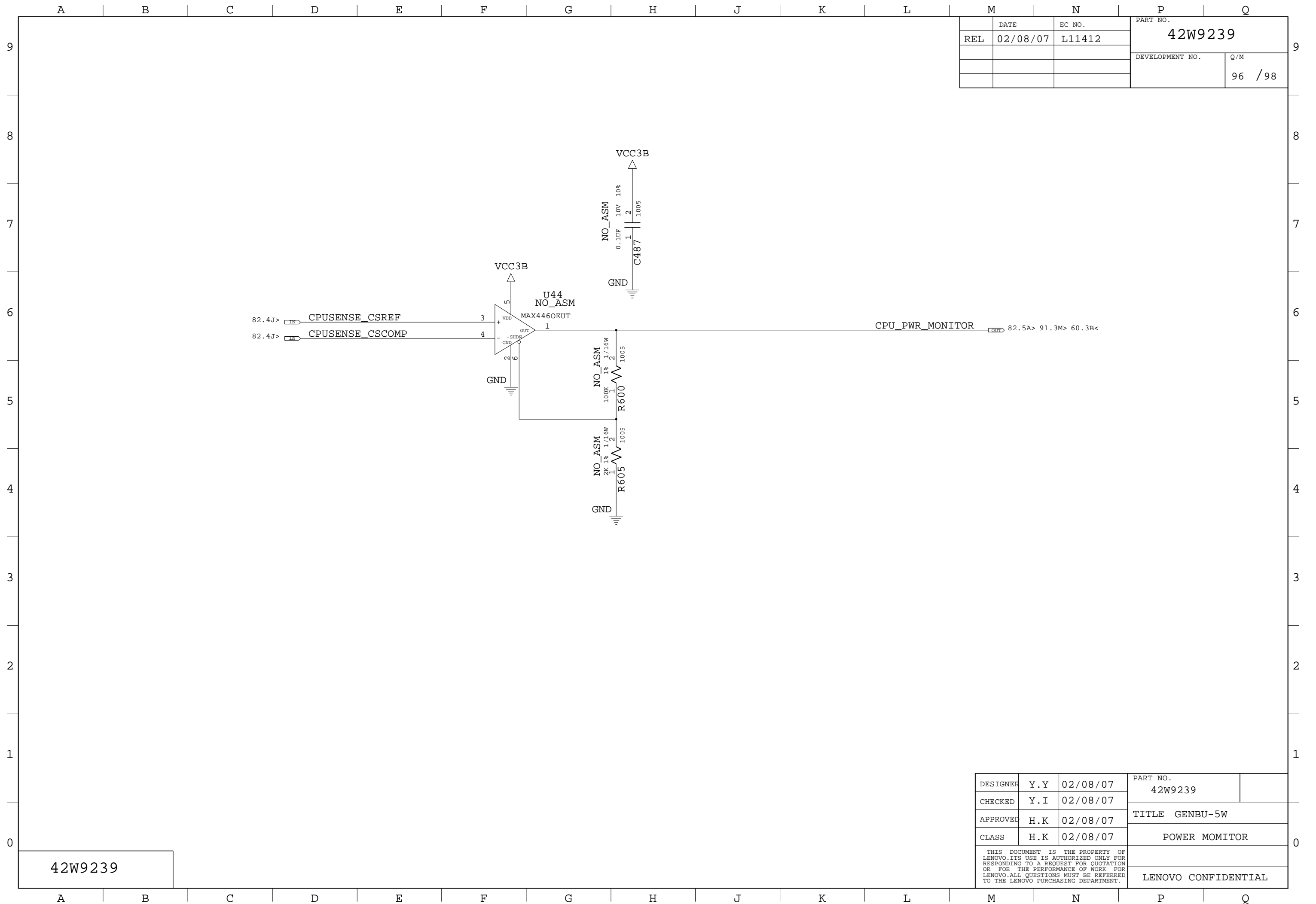
AMT	SUPPORT	NON
R1135	NO_ASM	ASM
Q68	ASM	NO_ASM
R242 R274 D24 C698	ASM	NO_ASM
C614	0.022UF	0.047UF

DESIGNER	Y.Y	02/08/07	PART NO.	
CHECKED	Y.I	02/08/07	42W9239	
APPROVED	H.K	02/08/07	TITLE GENBU-5W	
CLASS	H.K	02/08/07	LOAD SW B,UBAY	
THIS DOCUMENT IS THE PROPERTY OF LENOVO. ITS USE IS AUTHORIZED ONLY FOR RESPONDING TO A REQUEST FOR QUOTATION OR FOR THE PERFORMANCE OF WORK FOR LENOVO. ALL QUESTIONS MUST BE REFERRED TO THE LENOVO PURCHASING DEPARTMENT.			LENOVO CONFIDENTIAL	

42W9239



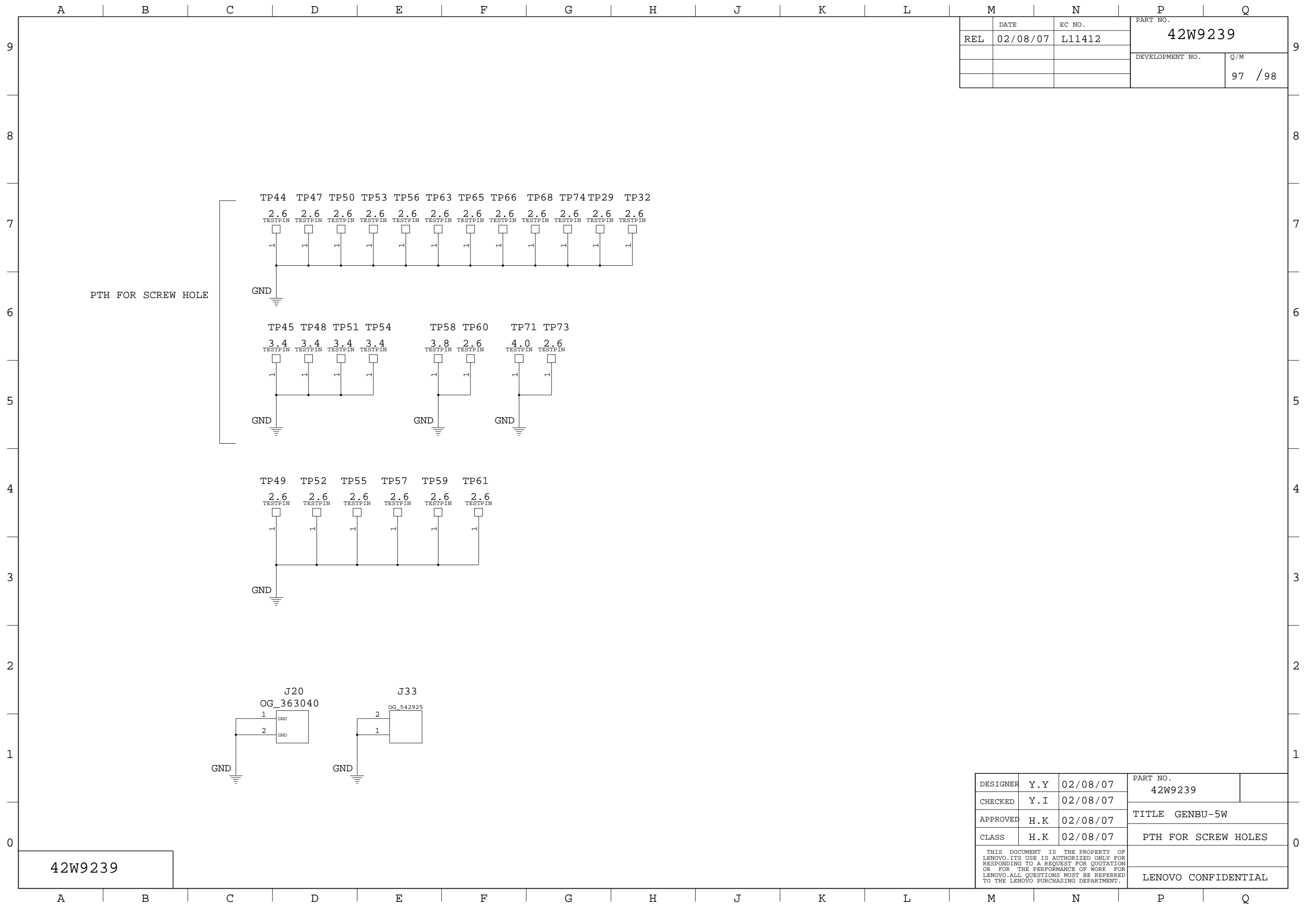
42W9239



	DATE	EC NO.	PART NO.	
REL	02/08/07	L11412	42W9239	
			DEVELOPMENT NO.	Q/M
				96 / 98

42W9239

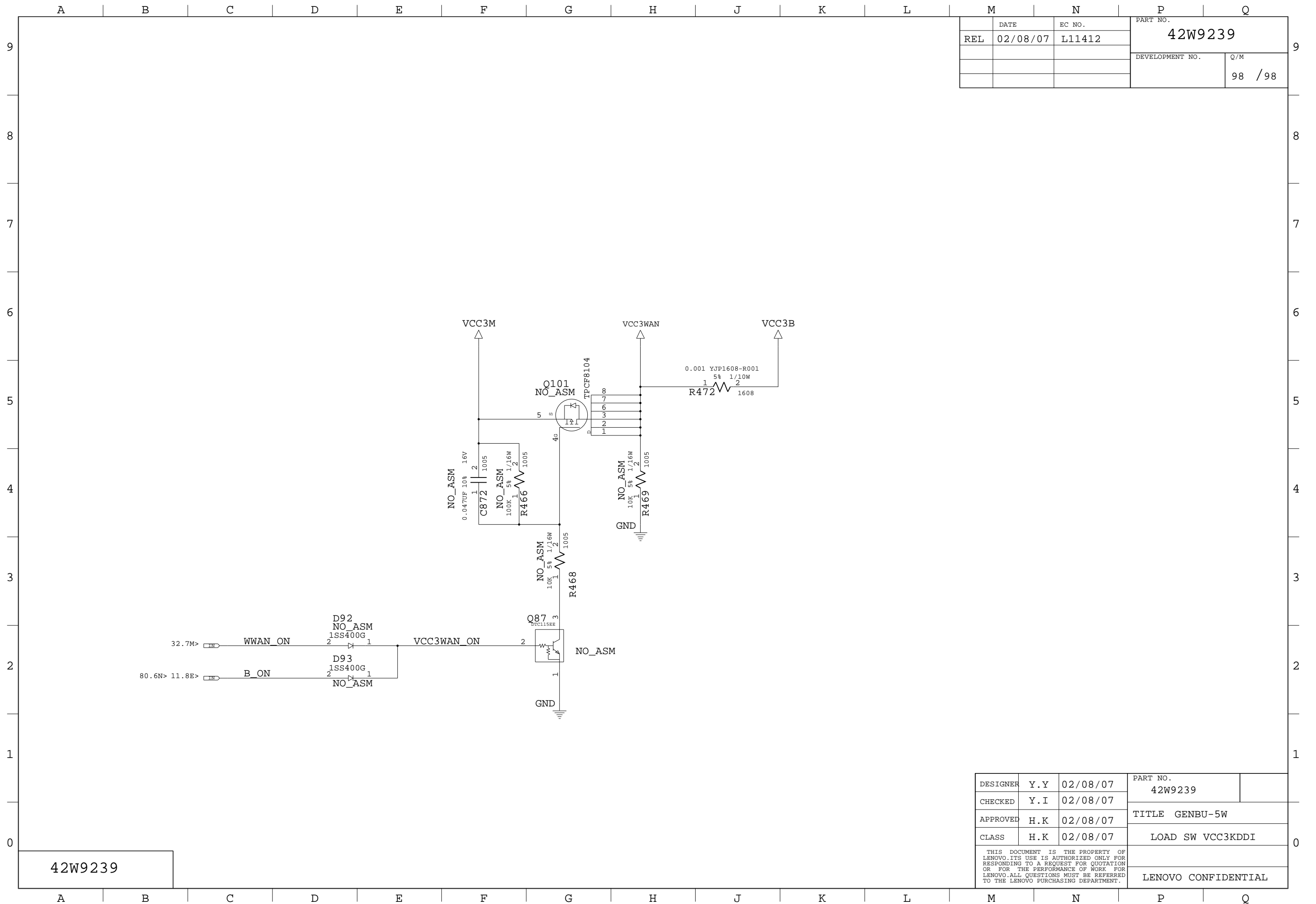
DESIGNER	Y.Y	02/08/07	PART NO.	
CHECKED	Y.I	02/08/07	42W9239	
APPROVED	H.K	02/08/07	TITLE GENBU-5W	
CLASS	H.K	02/08/07	POWER MOMITOR	
THIS DOCUMENT IS THE PROPERTY OF LENOVO. ITS USE IS AUTHORIZED ONLY FOR RESPONDING TO A REQUEST FOR QUOTATION OR FOR THE PERFORMANCE OF WORK FOR LENOVO. ALL QUESTIONS MUST BE REFERRED TO THE LENOVO PURCHASING DEPARTMENT.				LENOVO CONFIDENTIAL



	DATE	EC NO.	PART NO.	
REL	02/08/07	L11412	42W9239	
			DEVELOPMENT NO.	Q/M
				97 /98

42W9239

DESIGNER	Y.Y	02/08/07	PART NO.	
CHECKED	Y.I	02/08/07	42W9239	
APPROVED	H.K	02/08/07	TITLE GENBU-5W	
CLASS	H.K	02/08/07	PTH FOR SCREW HOLES	
THIS DOCUMENT IS THE PROPERTY OF LENOVO. ITS USE IS AUTHORIZED ONLY FOR RESPONDING TO A REQUEST FOR QUOTATION OR FOR THE PERFORMANCE OF WORK FOR LENOVO. ALL QUESTIONS MUST BE REFERRED TO THE LENOVO PURCHASING DEPARTMENT.			LENOVO CONFIDENTIAL	



	DATE	EC NO.	PART NO.	
REL	02/08/07	L11412	42W9239	
			DEVELOPMENT NO.	Q/M
				98 /98

42W9239

DESIGNER	Y.Y	02/08/07	PART NO.	42W9239
CHECKED	Y.I	02/08/07	TITLE GENBU-5W	
APPROVED	H.K	02/08/07	LOAD SW VCC3KDDI	
CLASS	H.K	02/08/07	LENOVO CONFIDENTIAL	
<small>THIS DOCUMENT IS THE PROPERTY OF LENOVO. ITS USE IS AUTHORIZED ONLY FOR RESPONDING TO A REQUEST FOR QUOTATION OR FOR THE PERFORMANCE OF WORK FOR LENOVO. ALL QUESTIONS MUST BE REFERRED TO THE LENOVO PURCHASING DEPARTMENT.</small>				