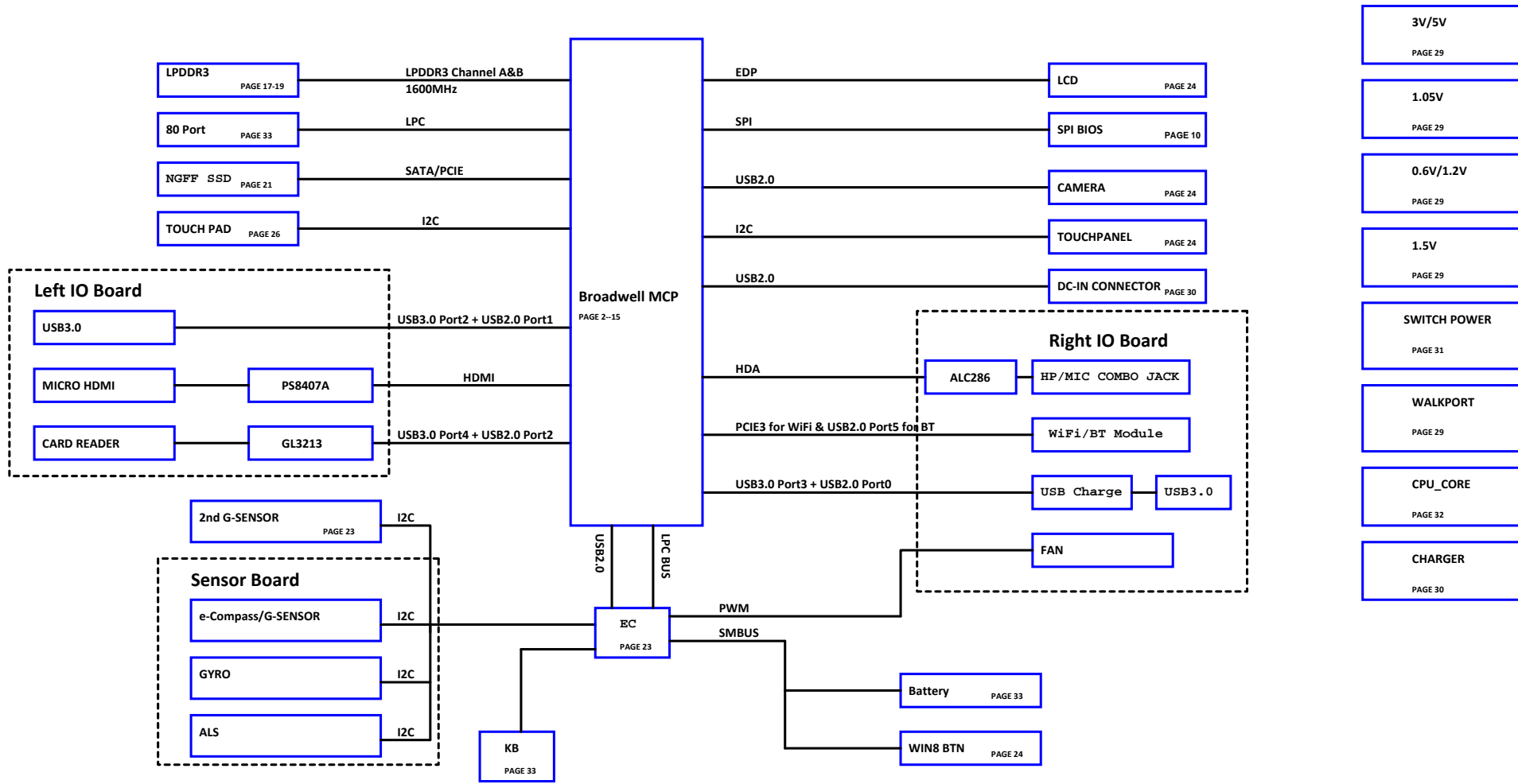
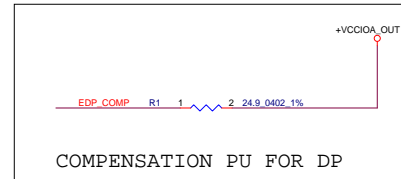
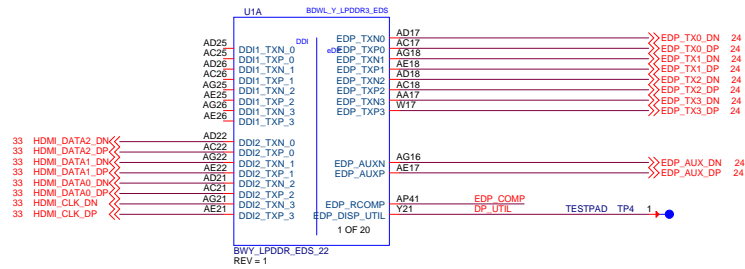


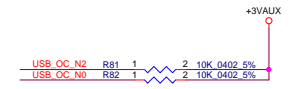
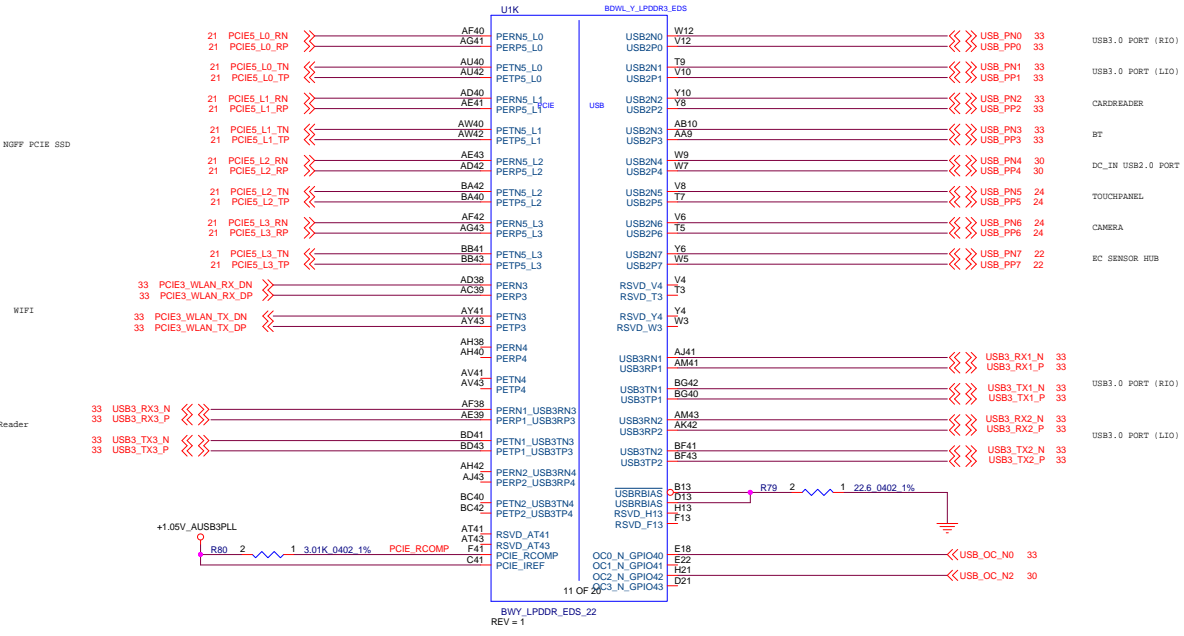
# BACH SVT Schematic Block Diagram



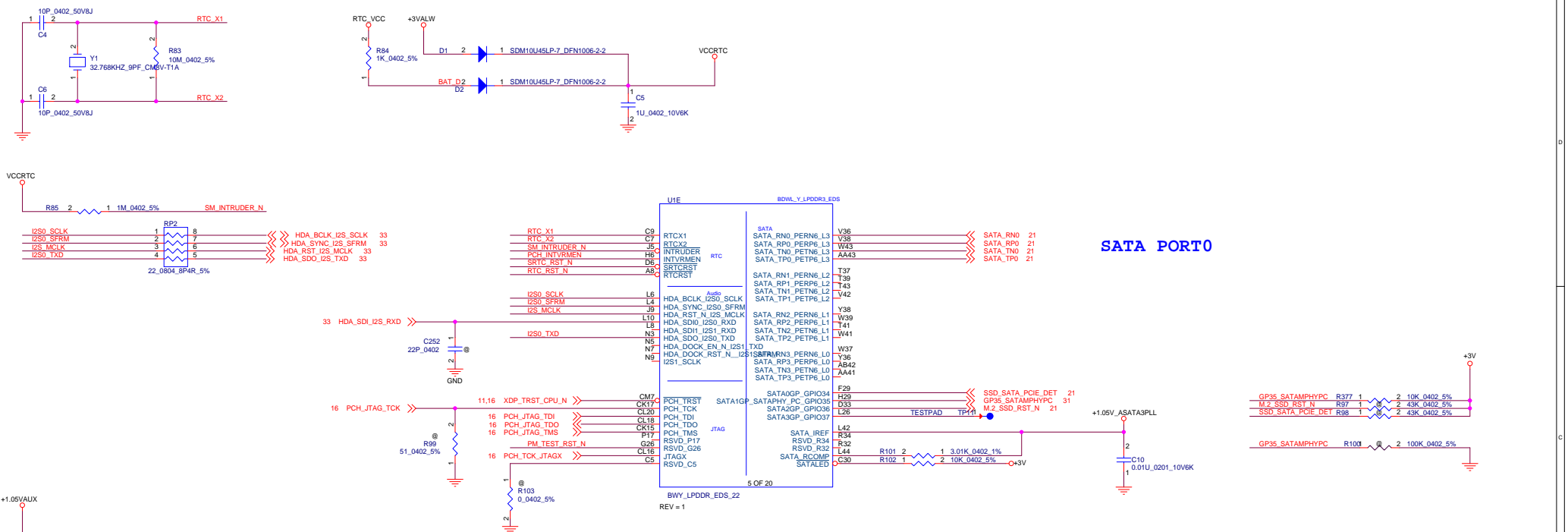








BWV\_LPDDR\_EDS\_22  
REV = 1



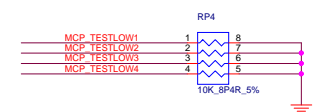
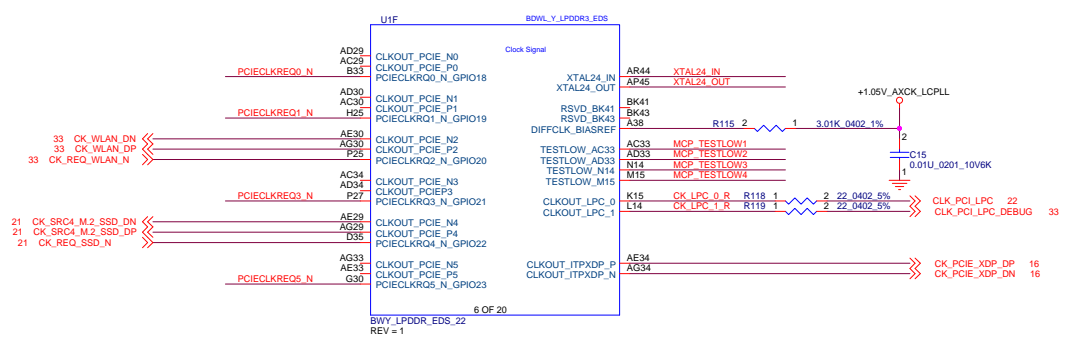
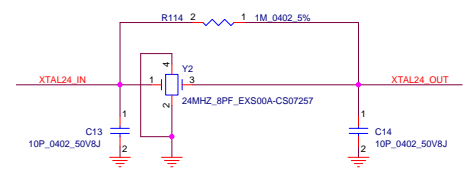
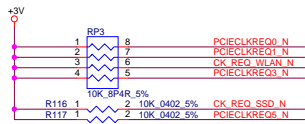
**SATA PORT0**

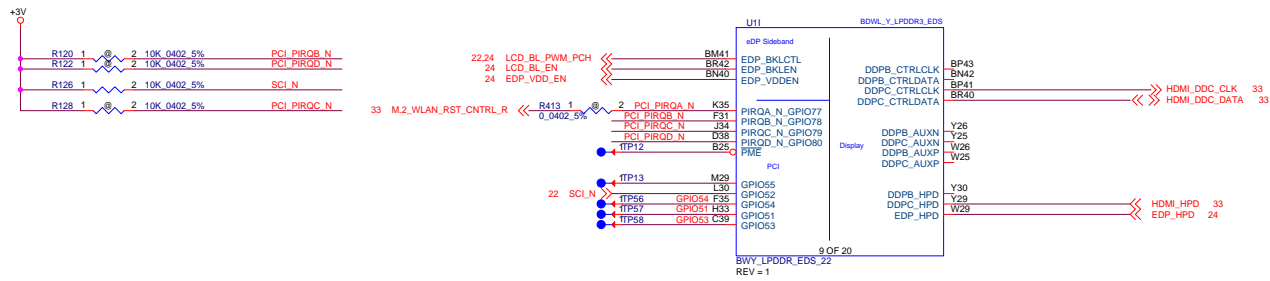
**Integrated VRM STRAP**  
 ENABLE = PU  
 DISABLE = PD (Default)

**ME RESET**  
 SAVE ME = PU (Default)  
 CLEAR ME = PD

**CMOS RESET**  
 SAVE CMOS = PU (Default)  
 CLEAR CMOS = PD

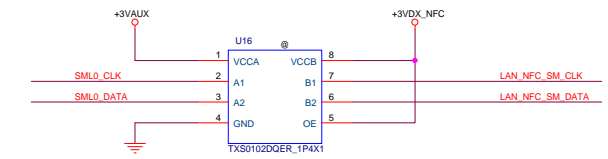
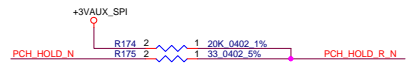
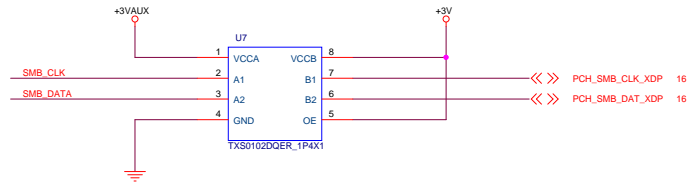
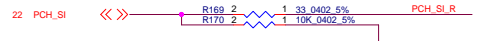
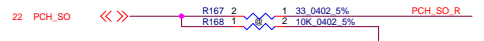
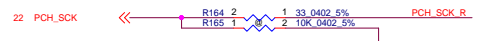
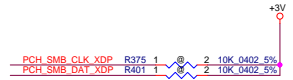
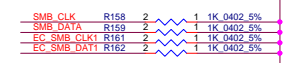
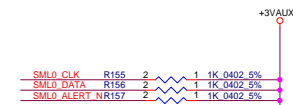
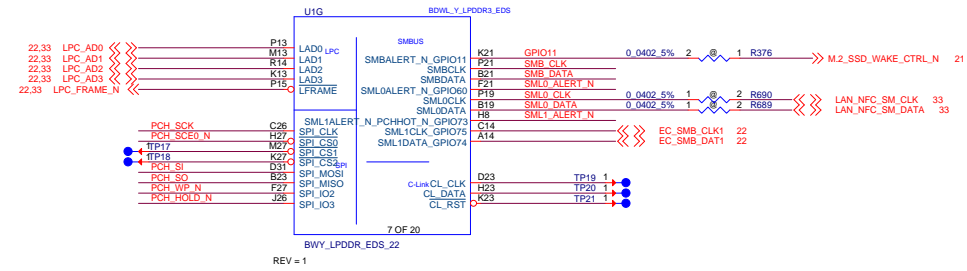
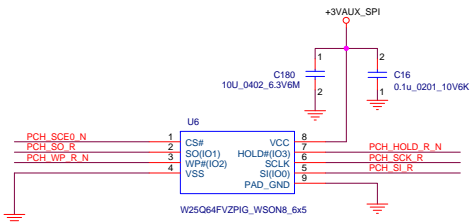
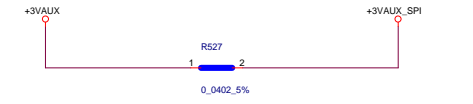
**FLASH DESCRIPTOR SECURITY OVERRIDE**  
 ENABLE = PU  
 DISABLE = PD (Default)




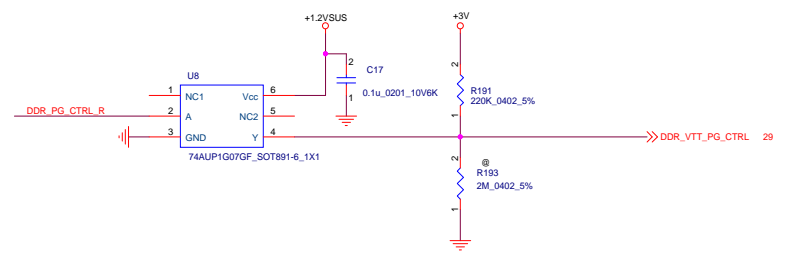
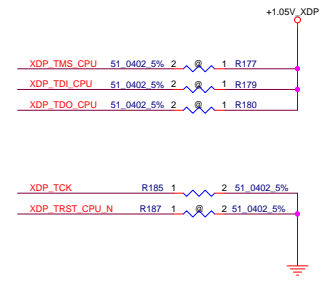
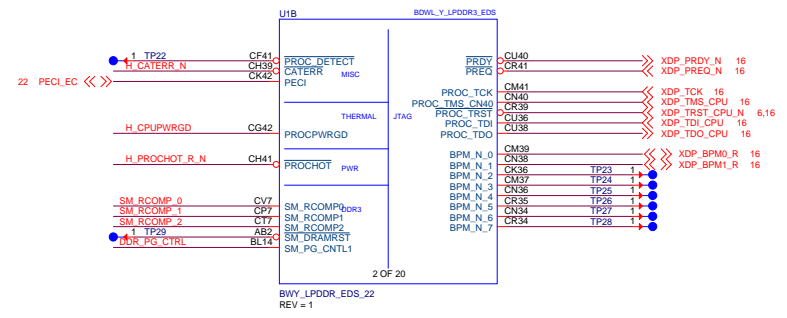
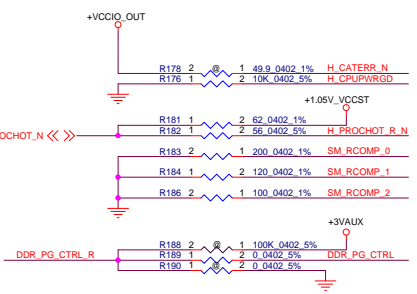










**LENOVO.CRDN**  
 Title: **BROADWELL MCP (LPC SPI SMB CLINK)**  
 Size C | Document Number: **BDW CRESENT BAY** | Rev **V1.0**  
 Date: **Monday, July 21, 2014** | Sheet **10** of **37**  
PROPERTY NOTE: this document contains information confidential and property to LENOVO PND and shall not be reproduced or transferred to other documents or disclosed to others or used for any purpose other than that for which it was obtained without the expressed written consent of LENOVO PND.



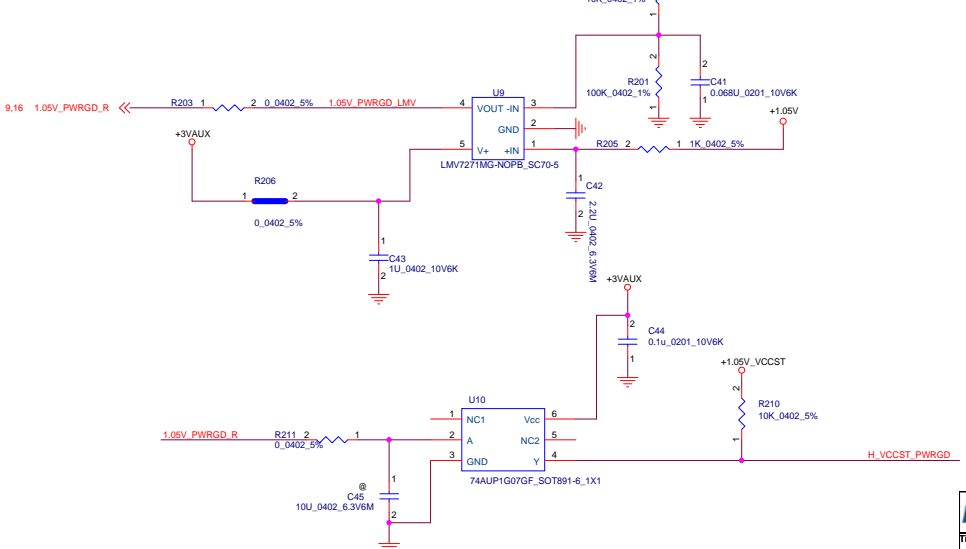
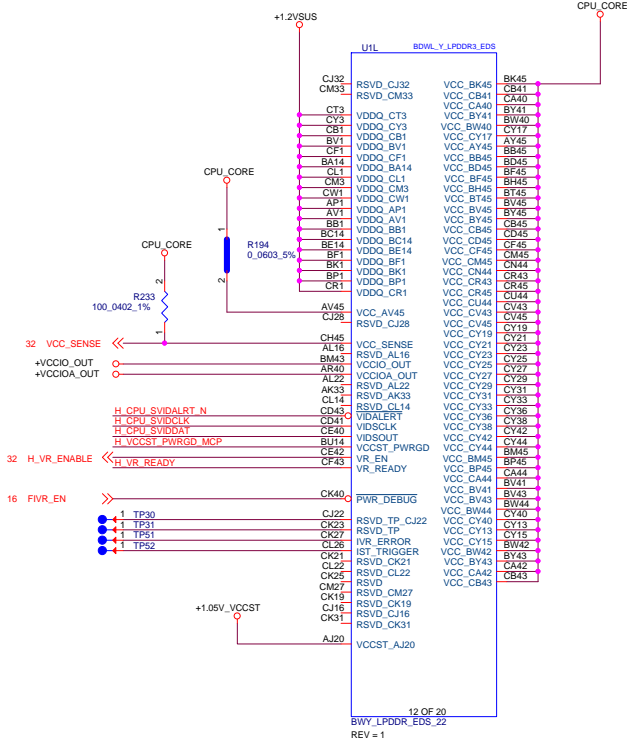
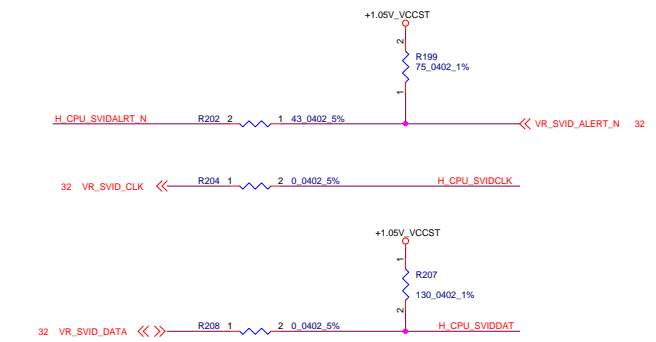
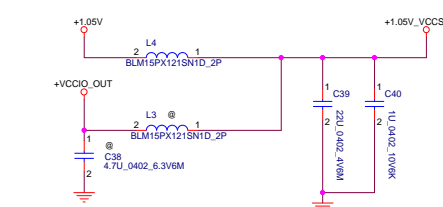
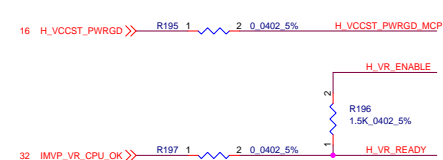
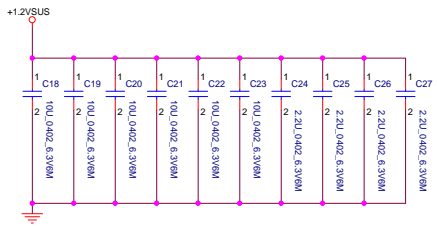

**LENOVO.CRDN**

**Title**  
 BROADWELL MCP (MISC THERM CPU JTAG)

**Size** C    **Document Number** BDW CRESENT BAY    **Rev** V1.0

**Date:** Monday, July 21, 2014    **Sheet** 11 of 37

PROPERTY NOTE: This document contains information confidential and property to LENOVO PND and shall not be reproduced or transferred to other documents or disclosed to others or used for any purpose other than that for which it was obtained without the expressed written consent of LENOVO PND.



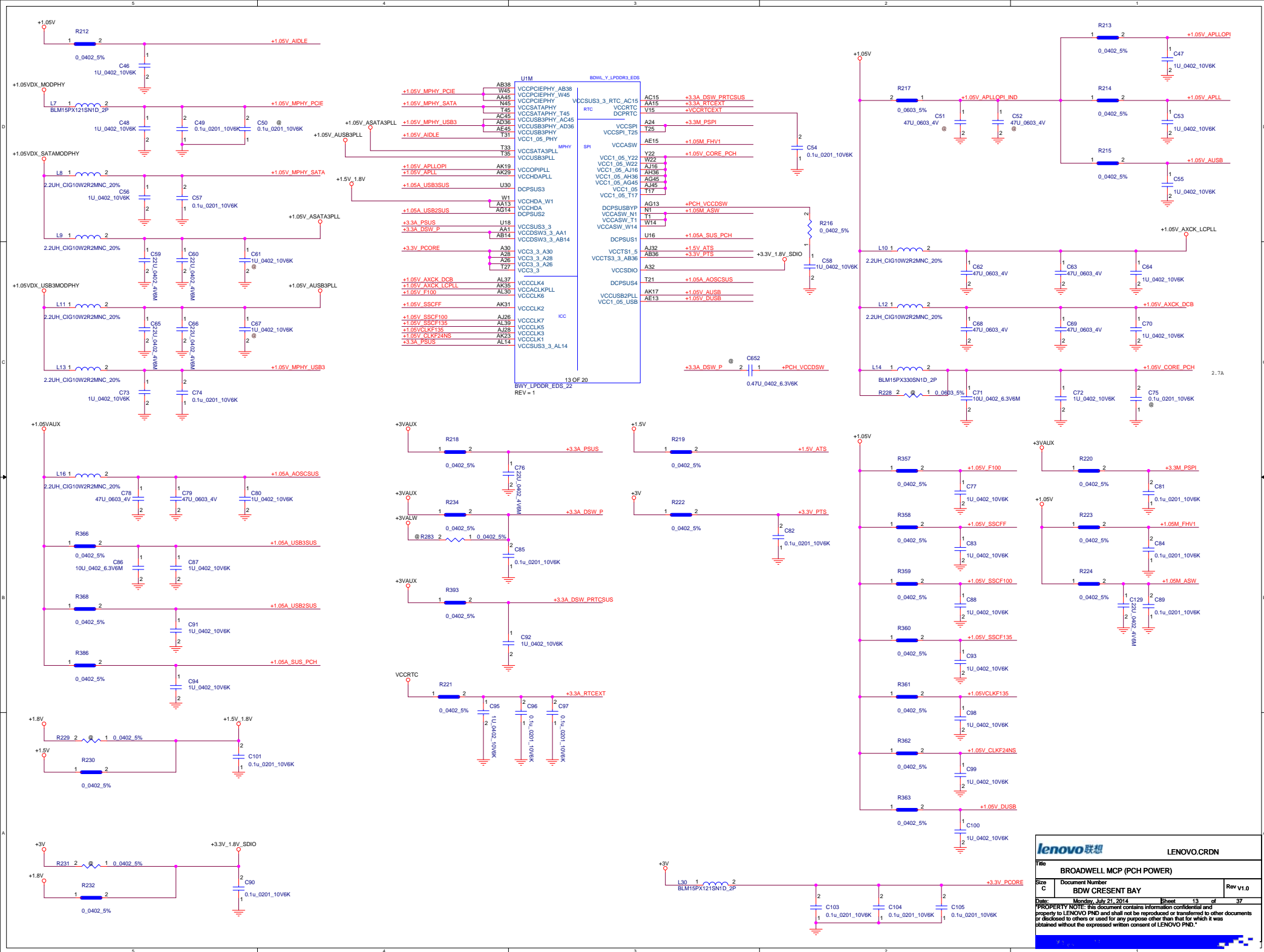
**lenovo** 联想 LENOVO.CRDN

Title: BROADWELL MCP (PROCESSOR POWER)

Size C Document Number: BDW CRESENT BAY Rev V1.0

Date: Monday, July 21, 2014 Sheet 12 of 37

PROPERTY NOTE: This document contains information confidential and property to LENOVO PND and shall not be reproduced or transferred to other documents or disclosed to others or used for any purpose other than that for which it was obtained without the expressed written consent of LENOVO PND.



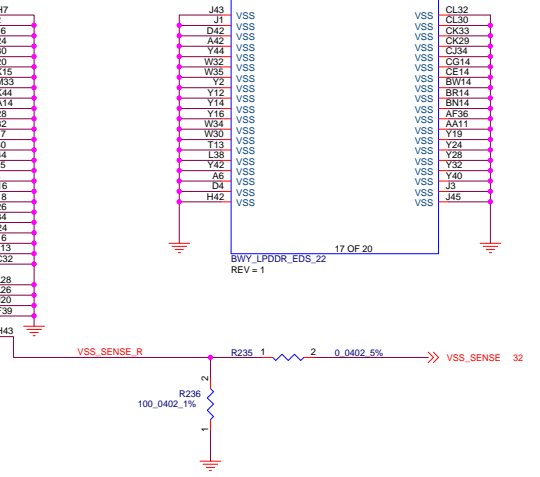
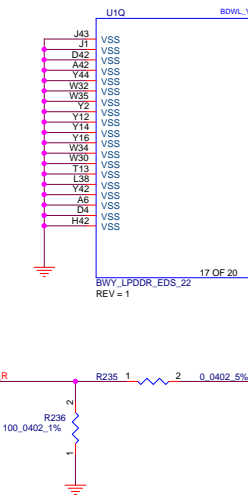
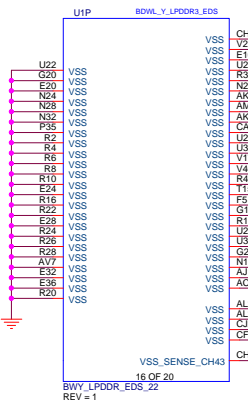
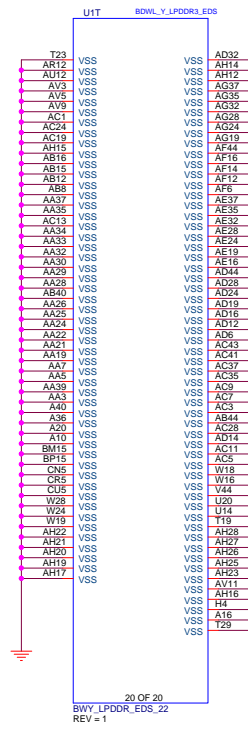
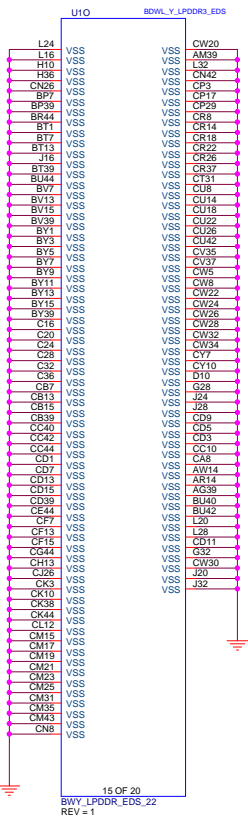
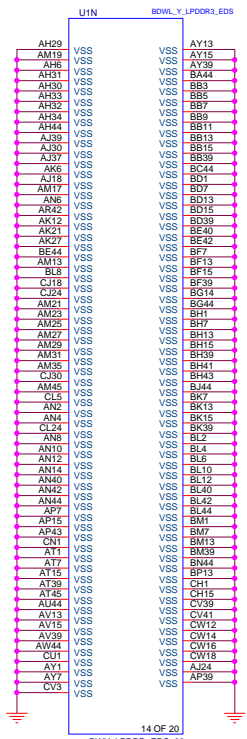
**lenovo 联想** LENOVO.CRDN

Title: **BROADWELL MCP (PCH POWER)**

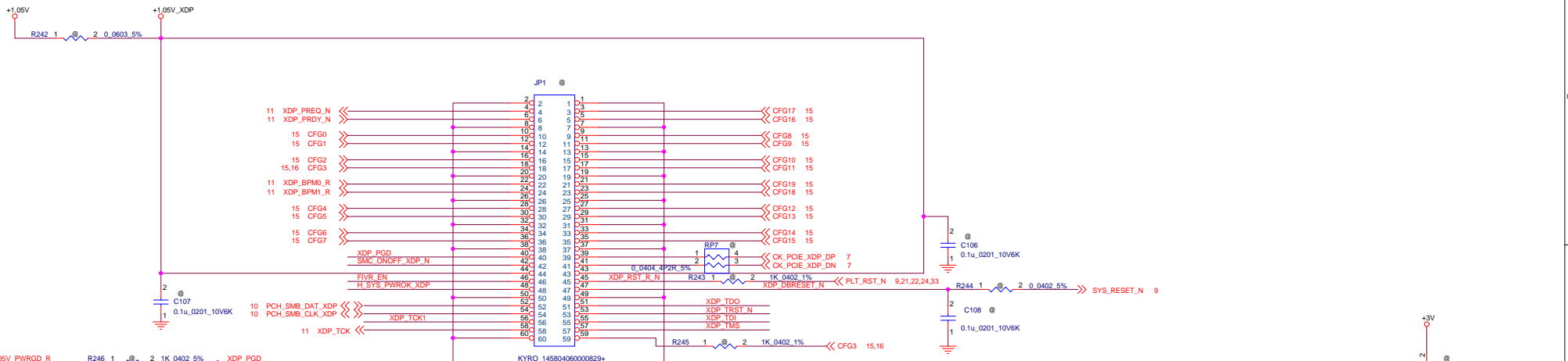
Size C Document Number: **BDW CRESENT BAY** Rev V1.0

Date: Monday, July 21, 2014 Sheet 13 of 37

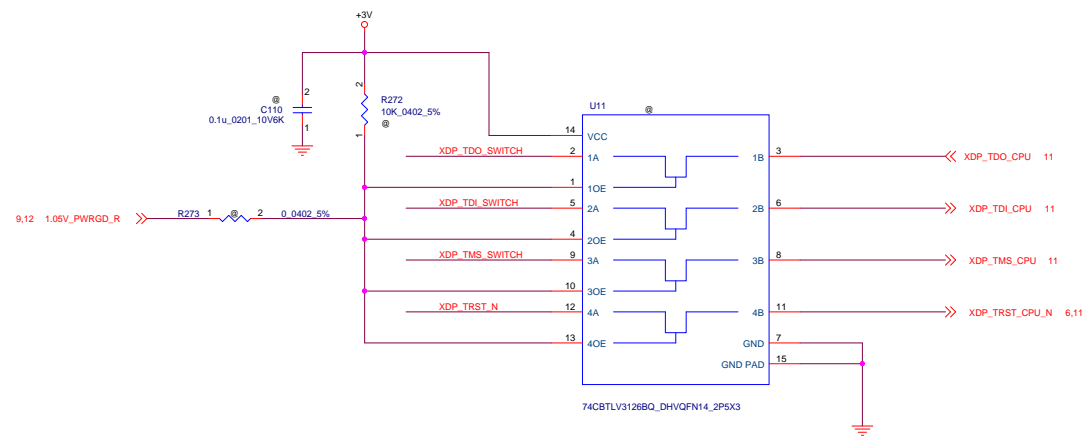
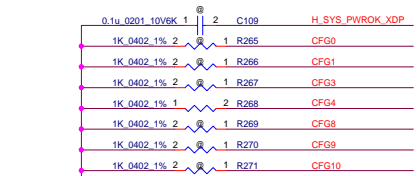
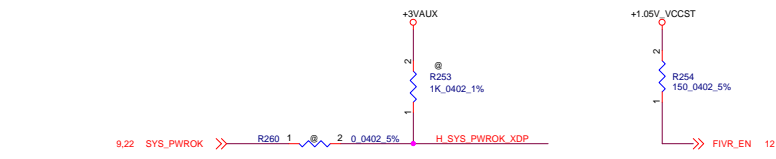
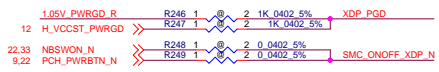
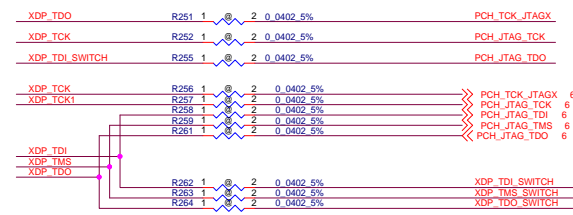
PROPERTY NOTE: This document contains information confidential and property to LENOVO PND and shall not be reproduced or transferred to other documents or disclosed to others or for any purpose other than that for which it was obtained without the expressed written consent of LENOVO PND.



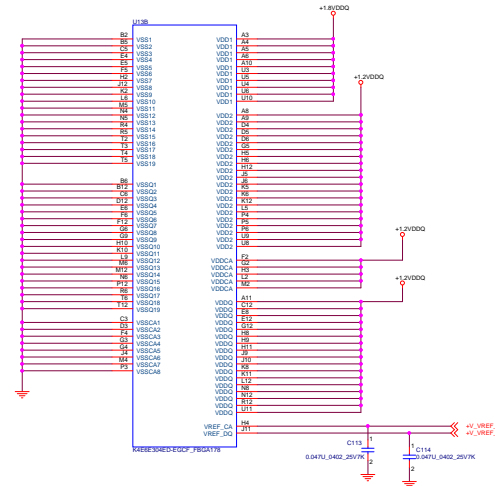
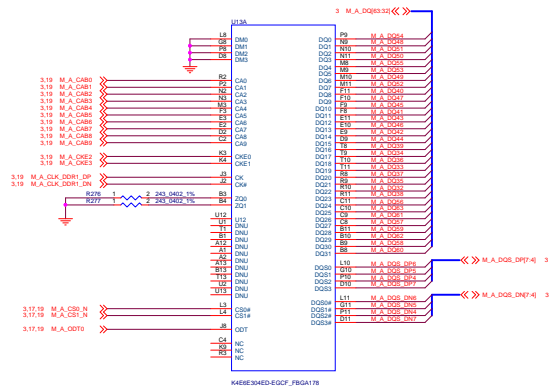
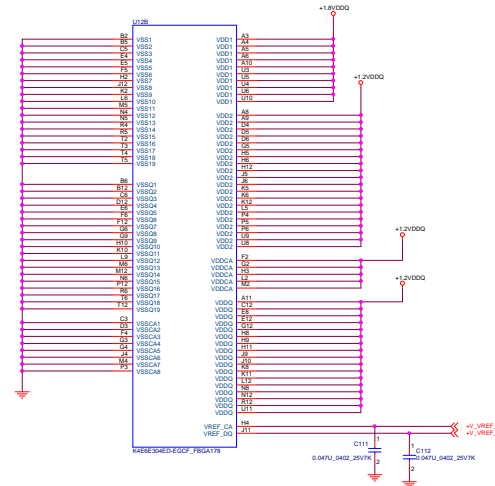
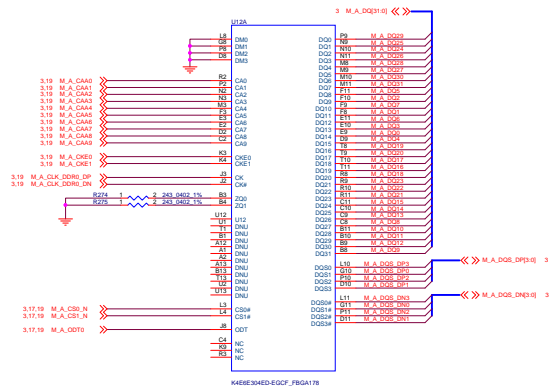


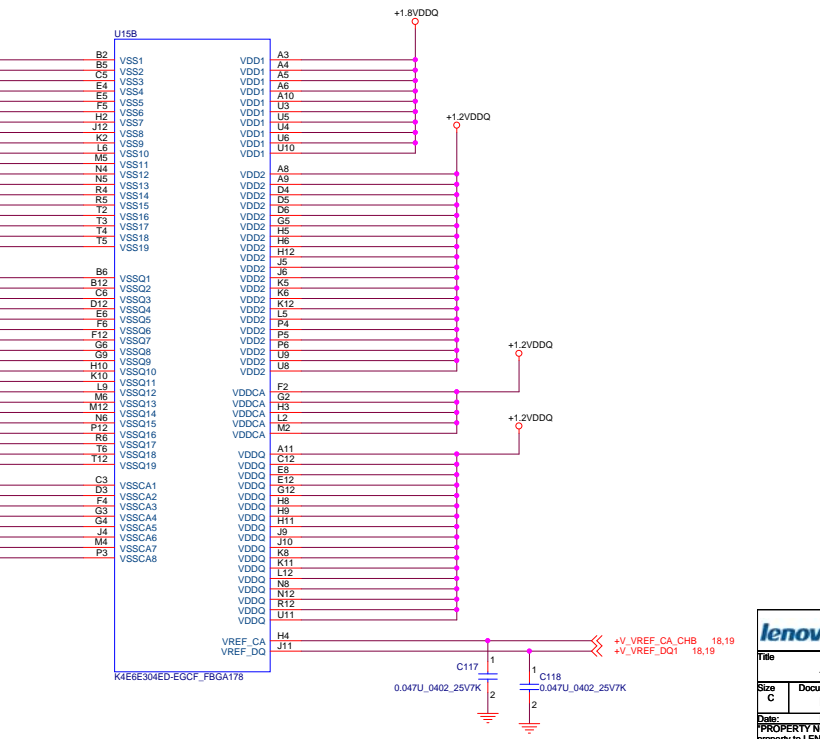
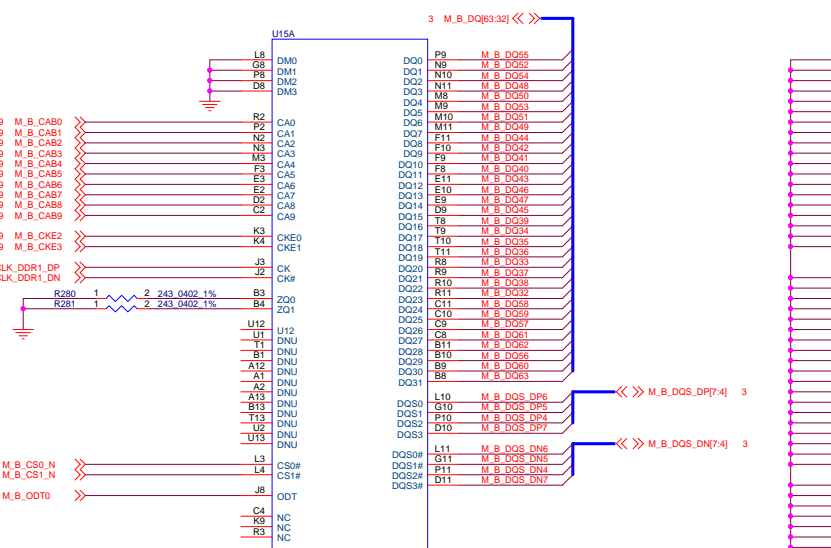
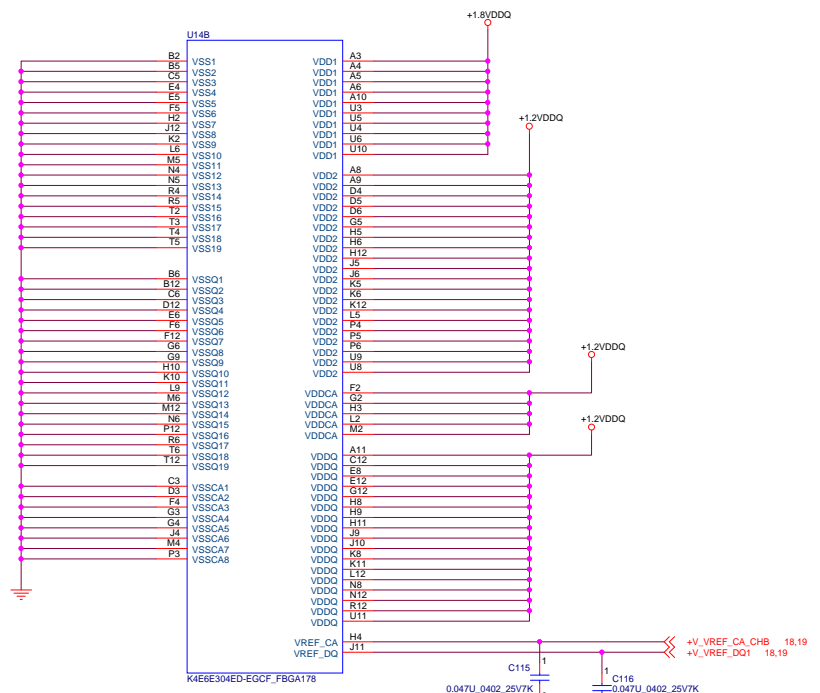
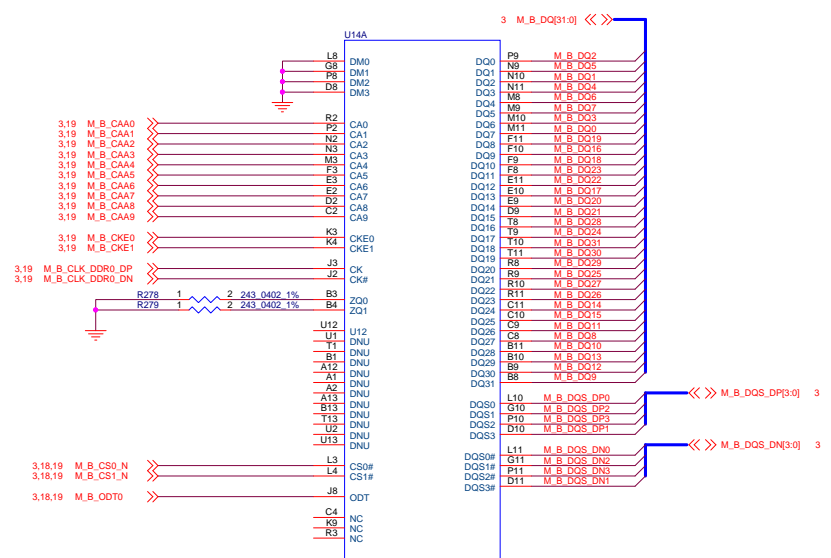


JTAG Mode  
 DUAL TCKS = STUFFED R258, R259, R261, R262, R263, R264 (DEFAULT)  
 UNSTUFFED R251, R252, R255  
 SINGLE TCK = STUFFED R251, R252, R255  
 UNSTUFFED R258, R259, R261, R262, R263, R264









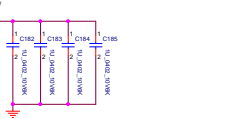
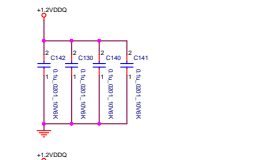
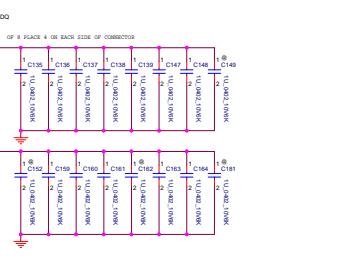
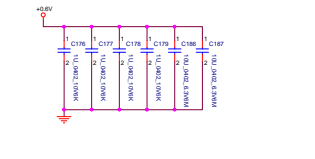
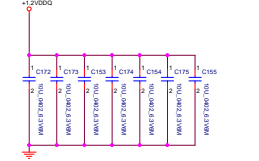
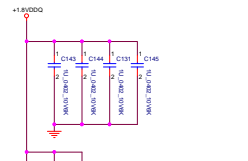
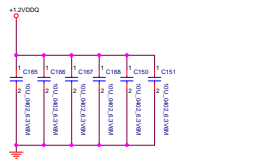
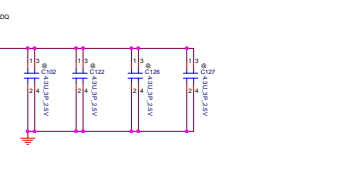
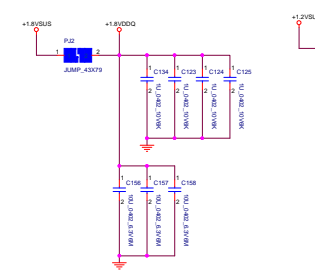
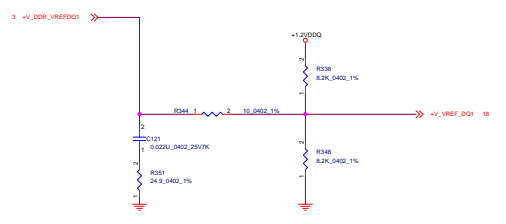
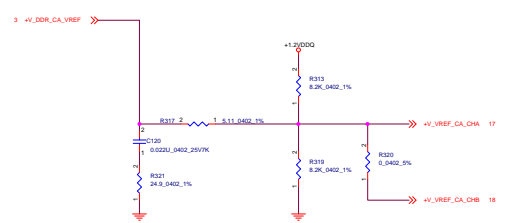
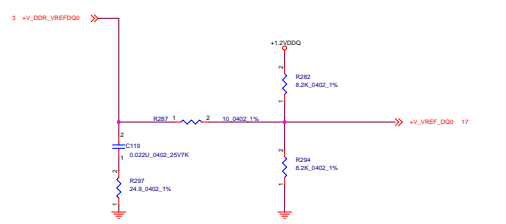
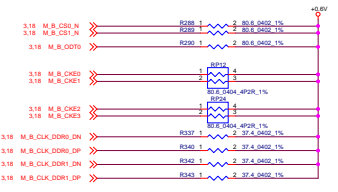
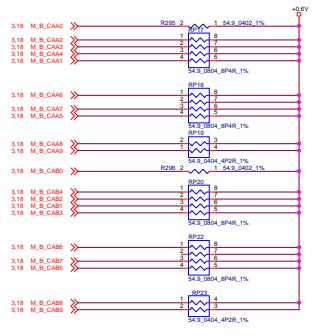
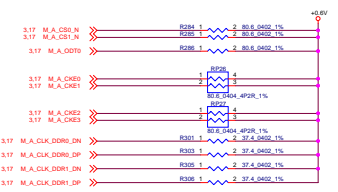
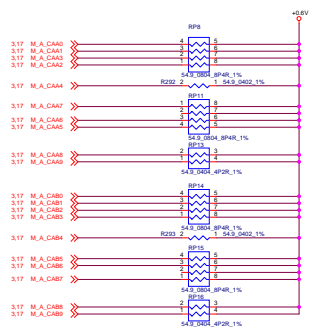
**lenovo 联想** LENOVO.CRDN

Title: **AUDIO DSP**

Size: **C** Document Number: **BDW CRESANT BAY** Rev: **V1.0**

Date: **Monday, July 21, 2014** Sheet: **18** of **37**

PROPERTY NOTE: this document contains information confidential and property to LENOVO PND and shall not be reproduced or transferred to other documents or disclosed to others or used for any purpose other than that for which it was obtained without the expressed written consent of LENOVO PND.



5

4

3

2

1

b

b

c


c

b

b

a

a

		LENOVO.CRDN	
Title			
AUDIO CODEC			
Size	Document Number	Rev	
C	BDW CRESENT BAY	V1.0	
Date:	Monday, July 21, 2014	Sheet	20 of 37
<small>           *PROPERTY NOTE: this document contains information confidential and property to LENOVO PND and shall not be reproduced or transferred to other documents or disclosed to others or used for any purpose other than that for which it was obtained without the expressed written consent of LENOVO PND.*         </small>			

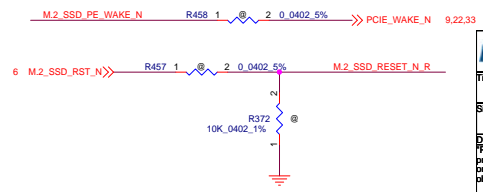
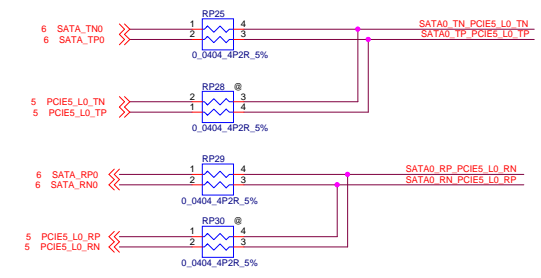
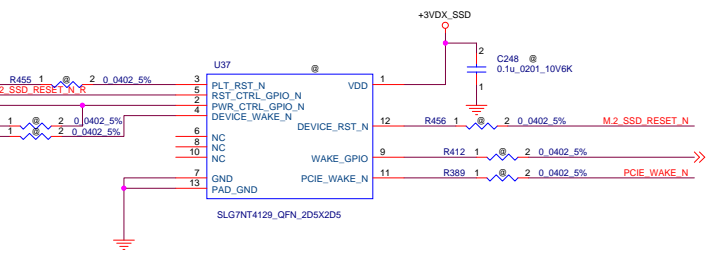
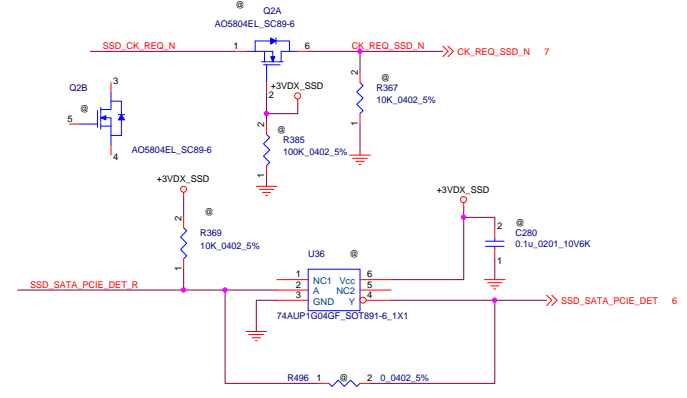
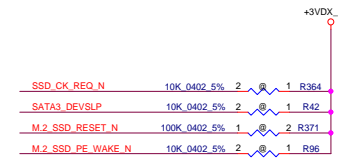
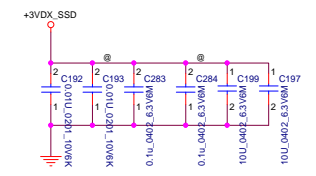
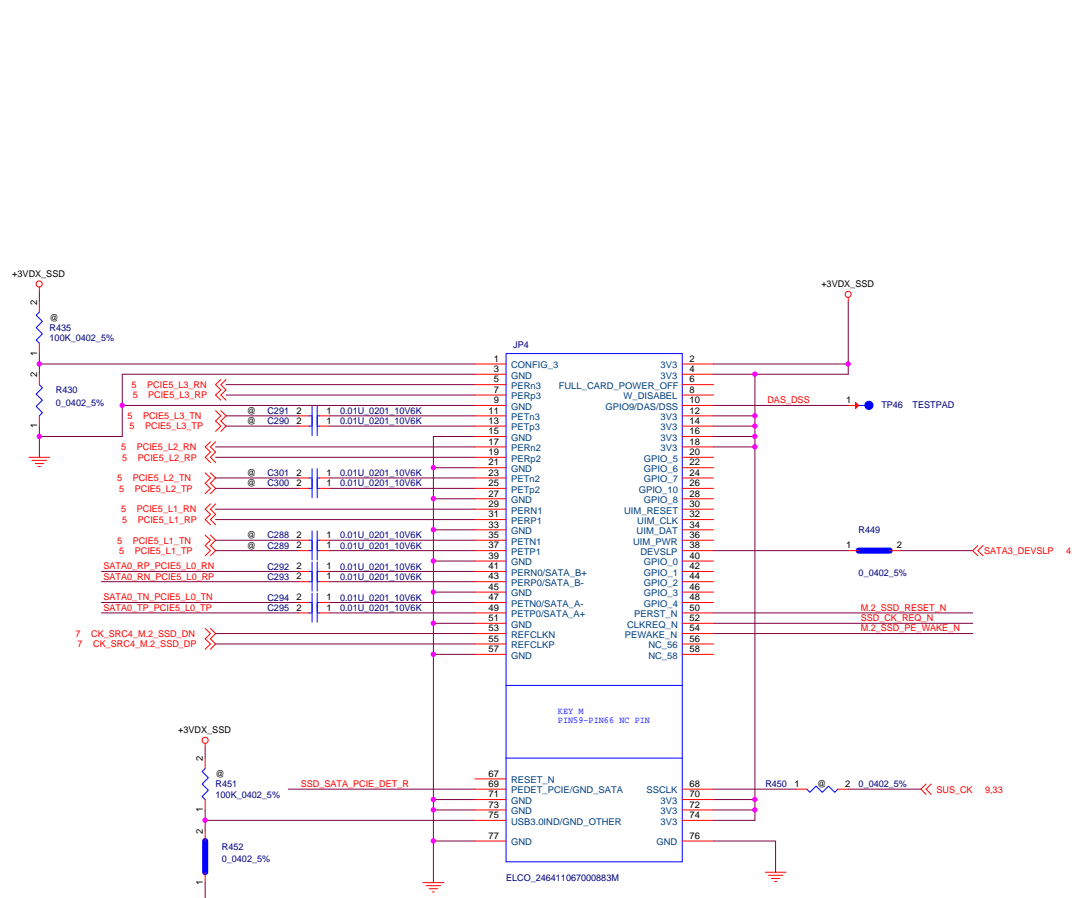
5

4

3

2

1



**lenovo** **联想** **LENOVO.CRDN**

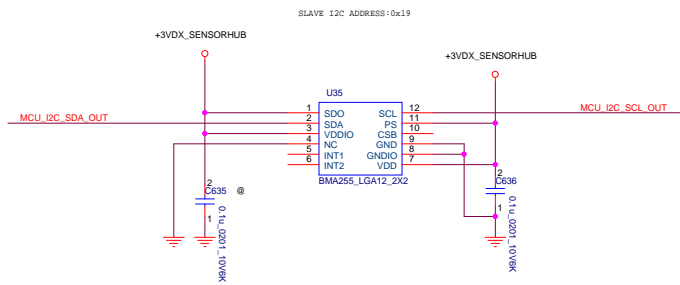
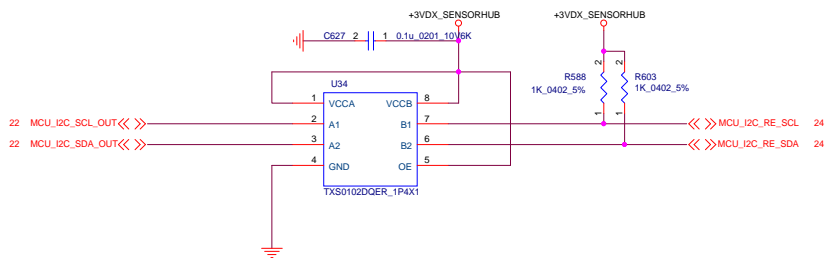
Title: **NGFF SSD**

Size: **C** Document Number: **BDW CRESENT BAY** Rev: **V1.0**

Date: **Monday, July 21, 2014** Sheet **21** of **37**

PROPERTY NOTE: this document contains information confidential and property to LENOVO PND and shall not be reproduced or transferred to other documents or disclosed to others or used for any purpose other than that for which it was obtained without the expressed written consent of LENOVO PND.









5

4

3

2

1

b

b

c

c

b

b

a

a


5

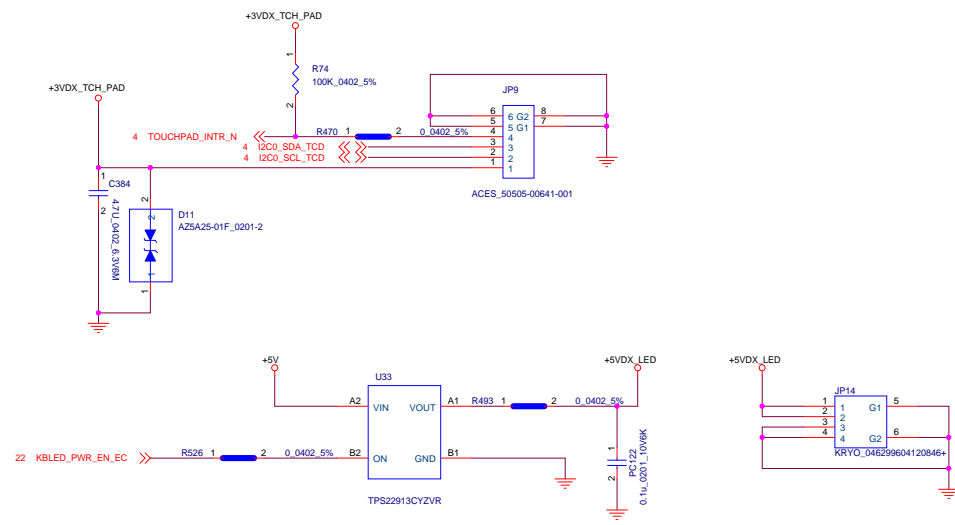
4

3

2

1

		LENOVO.CRDN	
Title			
THERMAL SENSOR			
Size	Document Number	Rev	
C	BDW CRESNET BAY	V1.0	
Date:	Monday, July 21, 2014	Sheet 25 of 37	
<small>PROPERTY NOTE: this document contains information confidential and property to LENOVO PND and shall not be reproduced or transferred to other documents or disclosed to others or used for any purpose other than that for which it was obtained without the expressed written consent of LENOVO PND.</small>			



5

4

3

2

1

b

b

c


c

b

b

a

a

		LENOVO.CRDN	
Title			
PWR LED CONN			
Size	Document Number	Rev	
C	BDW CRESENT BAY	V1.0	
Date:	Monday, July 21, 2014	Sheet	27 of 37
<small>           *PROPERTY NOTE: this document contains information confidential and property to LENOVO PND and shall not be reproduced or transferred to other documents or disclosed to others or used for any purpose other than that for which it was obtained without the expressed written consent of LENOVO PND.*         </small>			

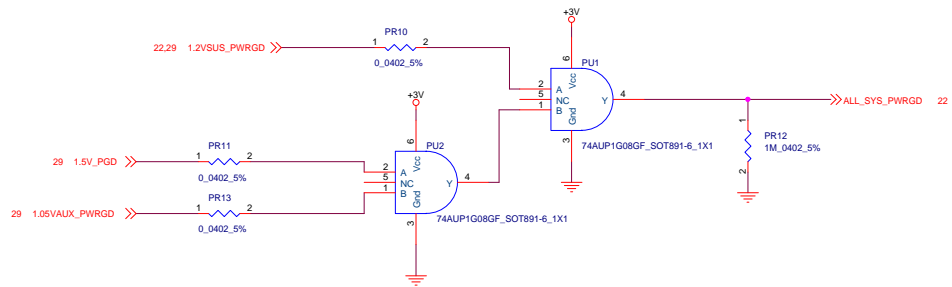
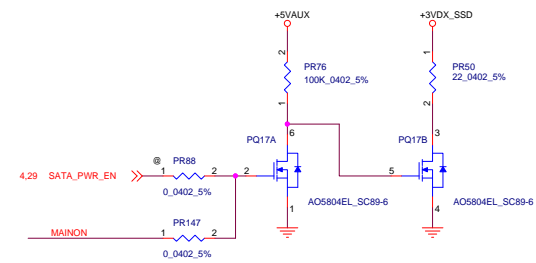
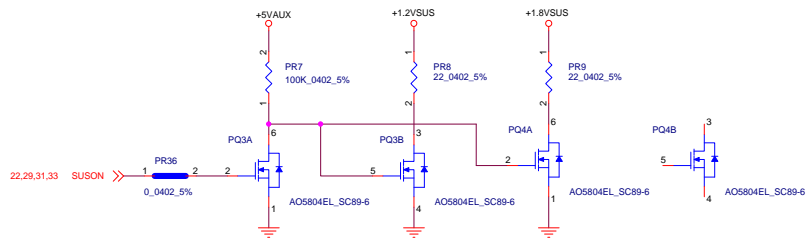
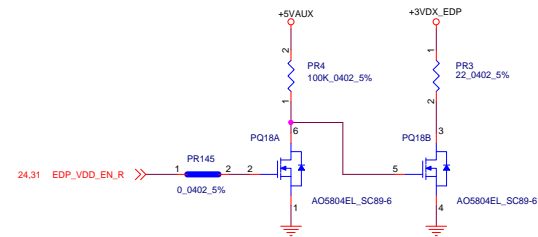
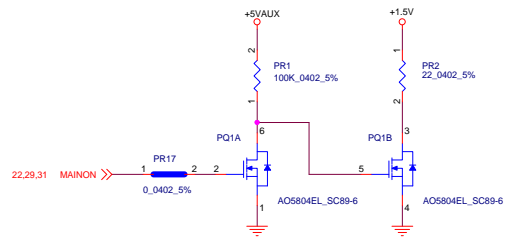
5

4

3

2

1

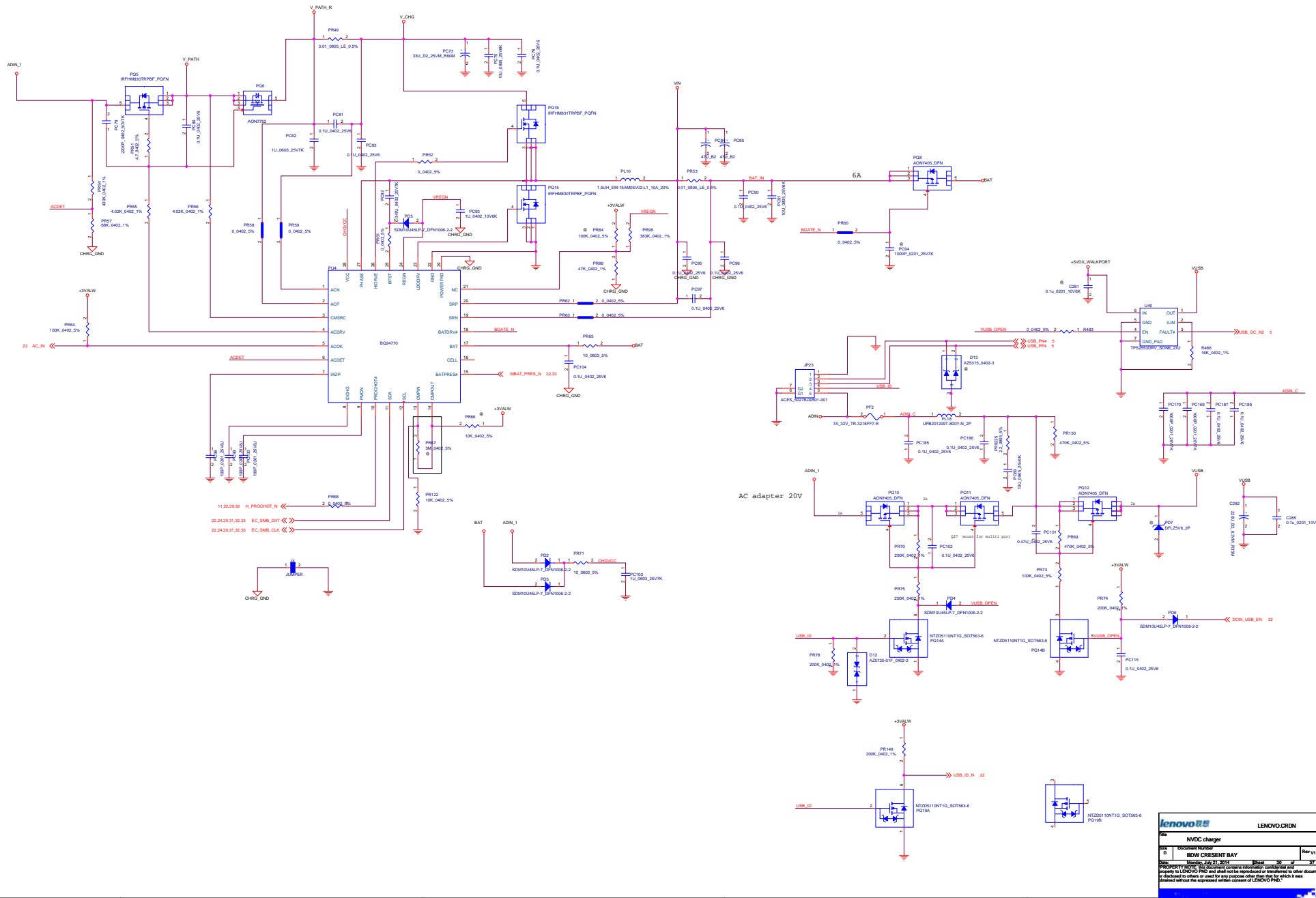


Lenovo

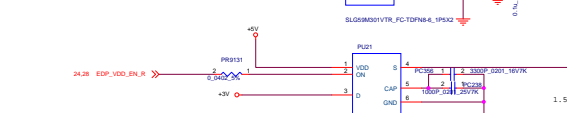
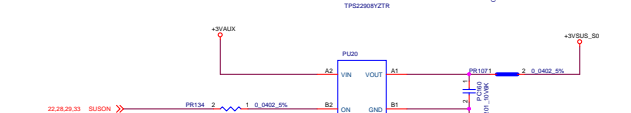
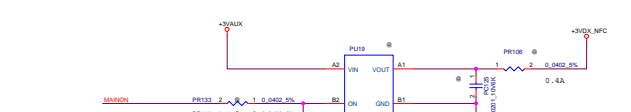
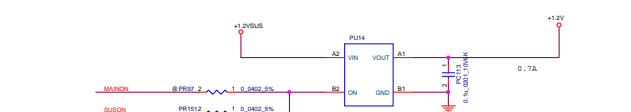
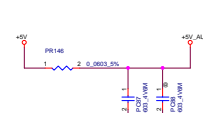
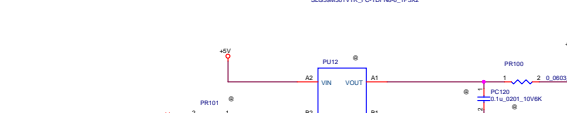
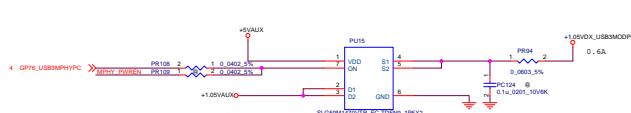
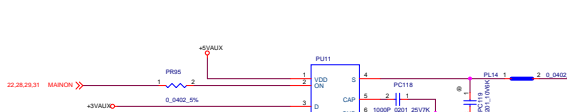
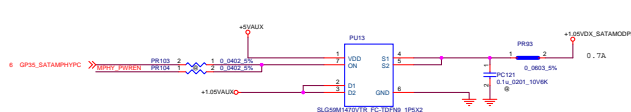
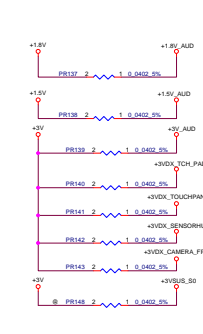
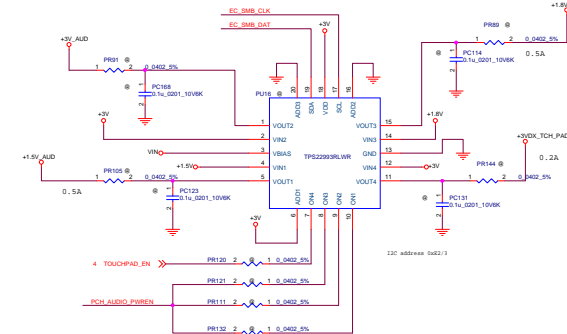
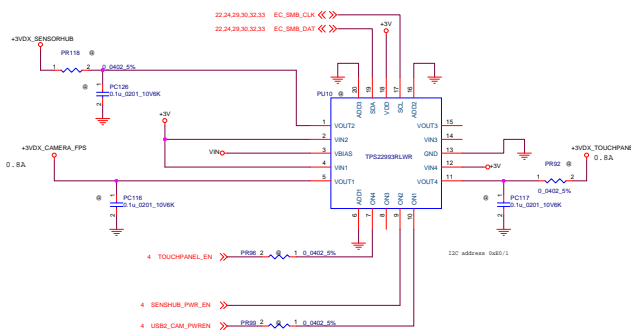
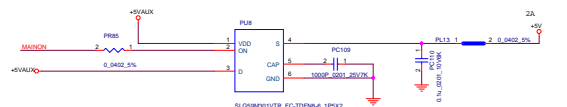
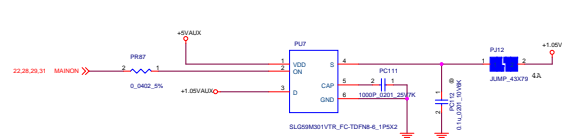
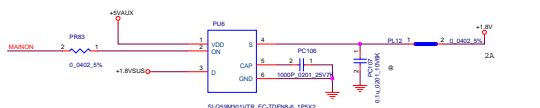
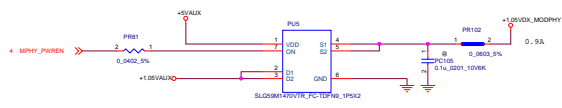
ISL5905

PL3

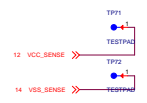
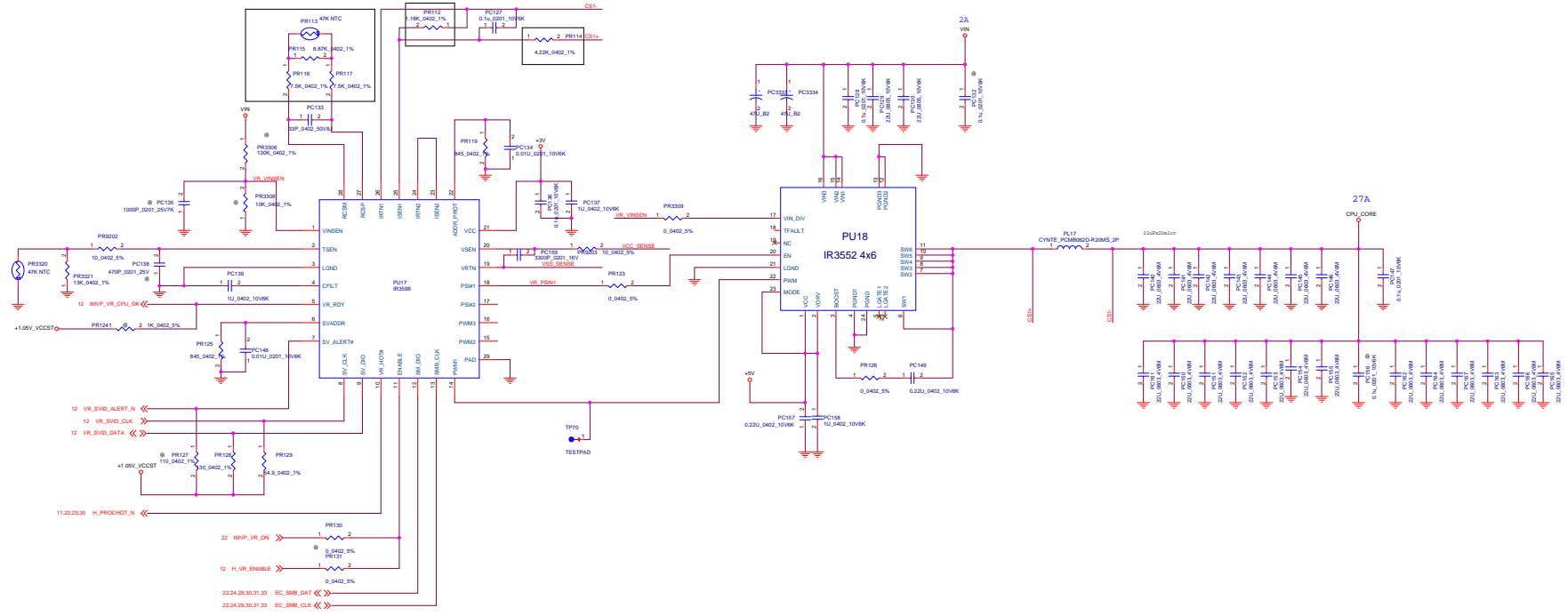
lenovo 联想		LENOVO.CRDN	
Title: PMIC			
Size: C	Document Number: BDW CRESENT BAY	Rev: v1.0	
Date: Monday, July 21, 2014	Sheet: 29	of 37	
PROPERTY NOTICE: This document contains information confidential and property to LENOVO PND and shall not be reproduced or transferred to other documents or disclosed to others or used for any purpose other than that for which it was obtained without the expressed written consent of LENOVO PND.			



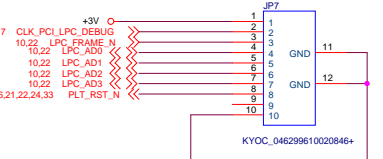
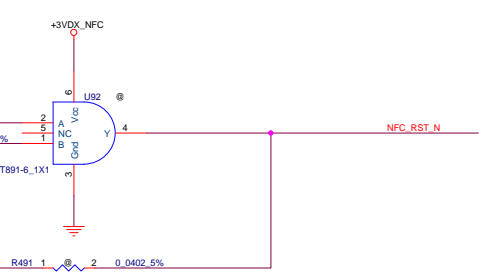
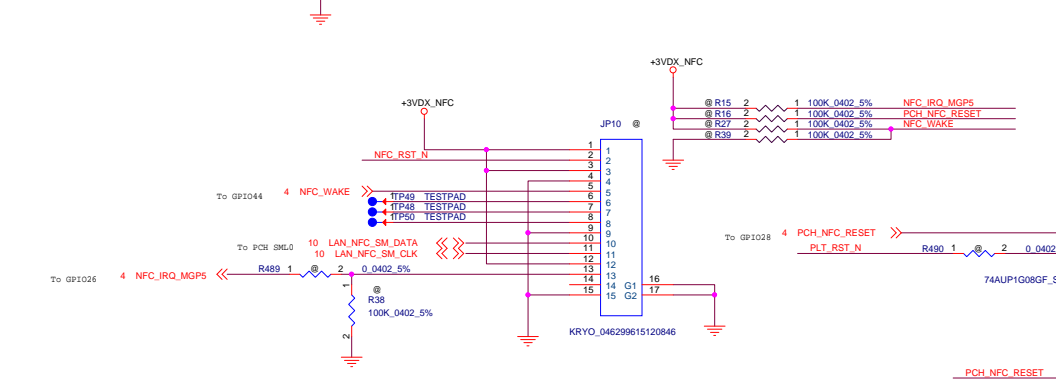
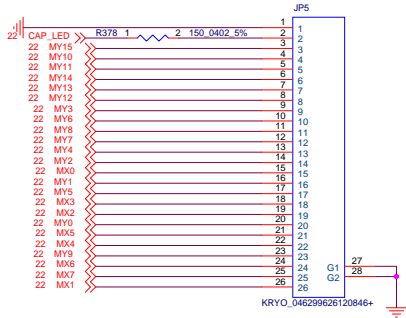
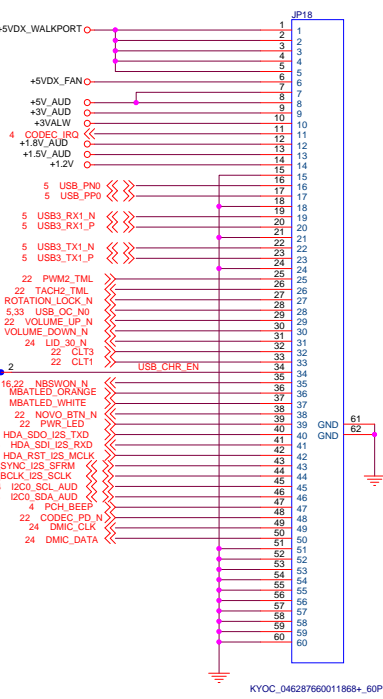
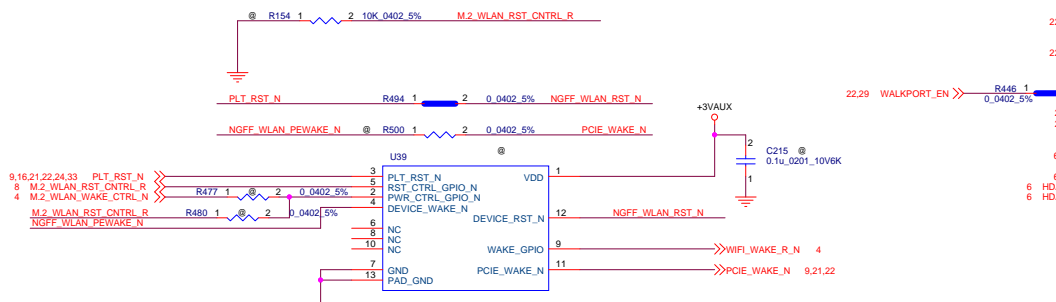
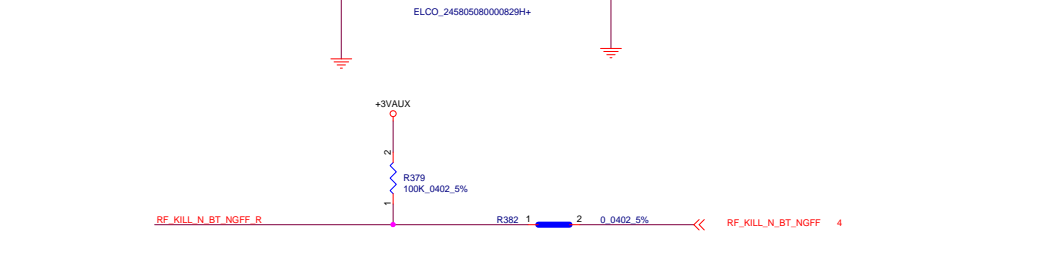
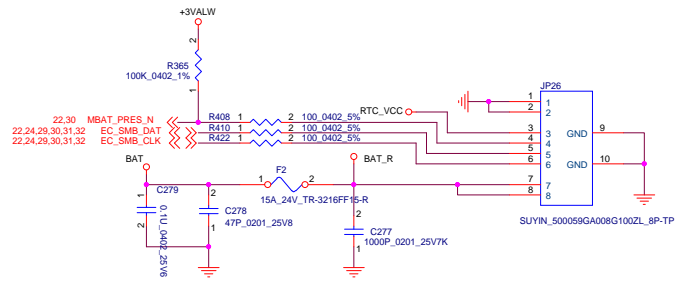
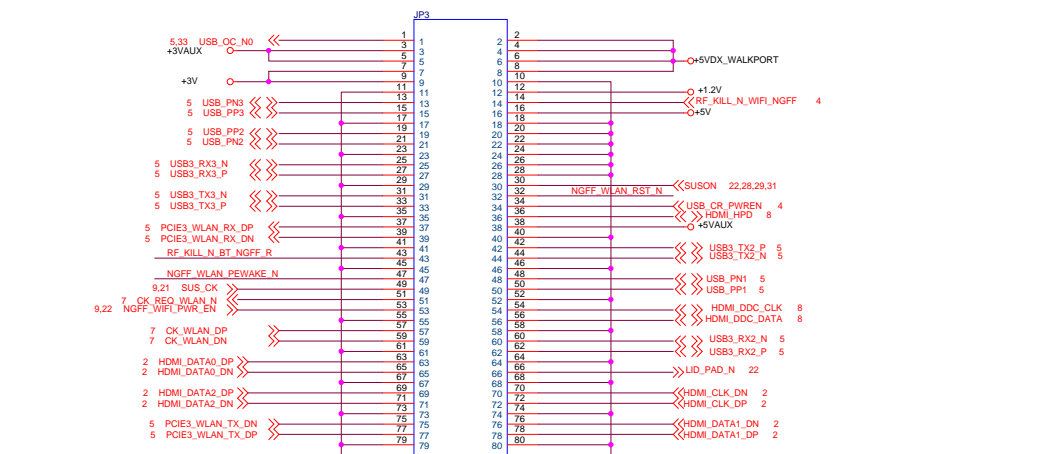
lenovo		LENOVO.ORDN	
file: NVDC charger			
REV D: BDW CRESENT BAY			
DATE	REV	DATE	REV
2014-07-23	01	2014-07-23	01
PROPERTY OF LENOVO: This document contains information of confidential nature and is disclosed to others only as used for any purpose other than that for which it was delivered without the expressed written consent of LENOVO INC.			



lenovo		LENOVO.CRDN	
SWITCH POWER			
REV	DESCRIPTION	DATE	BY
D	BOW CRESENT BAY		
<small>         This document contains technical information and is the property of LENOVO. This document may not be reproduced or transmitted in any form or by any means, electronic or mechanical, including photocopying, recording, or by any information storage and retrieval system, without the prior written permission of LENOVO.       </small>			







**lenovo** 联想 LENOVO.CRDN

Title: **CONNECTOR**

Size C: **BDW CRESENT BAY** Rev V1.0

Date: **Monday, July 21, 2014** Sheet 33 of 37

PROPERTY NOTICE: this document contains information confidential and property to LENOVO PND and shall not be reproduced or transferred to other documents or disclosed to others or used for any purpose other than that for which it was obtained without the expressed written consent of LENOVO PND.

5

4

3

2

1

b

b

c


c

b

b

a

a

		LENOVO.CRDN	
Title			
XXXXX			
Size	Document Number	Rev	
C	BDW CRESENT BAY	V1.0	
Date:	Monday, July 21, 2014	Sheet 34 of	37
<small>           *PROPERTY NOTE: this document contains information confidential and property to LENOVO PND and shall not be reproduced or transferred to other documents or disclosed to others or used for any purpose other than that for which it was obtained without the expressed written consent of LENOVO PND.*         </small>			

5

4

3

2

1

5

4

3

2

1

b

b

c


c

b

b

a

a

		LENOVO.CRDN	
Title			
XXXXX			
Size	Document Number	Rev	
C	BDW CRESENT BAY	V1.0	
Date:	Monday, July 21, 2014	Sheet 35 of	37
<small>           *PROPERTY NOTE: this document contains information confidential and property to LENOVO PND and shall not be reproduced or transferred to other documents or disclosed to others or used for any purpose other than that for which it was obtained without the expressed written consent of LENOVO PND.*         </small>			

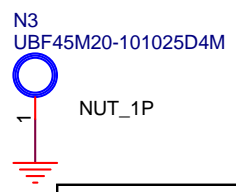
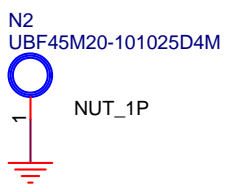
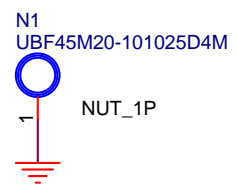
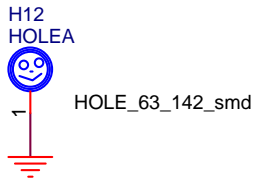
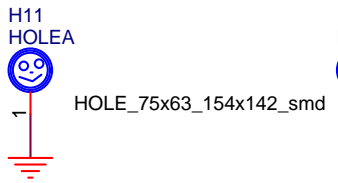
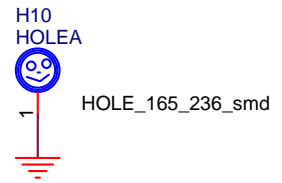
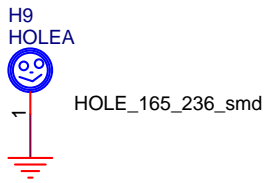
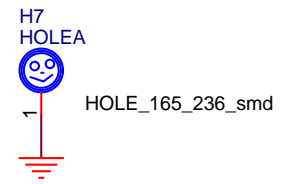
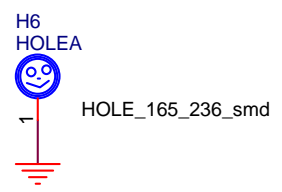
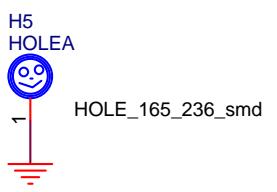
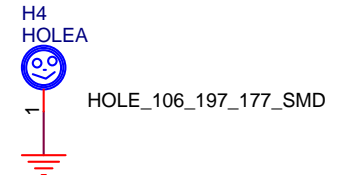
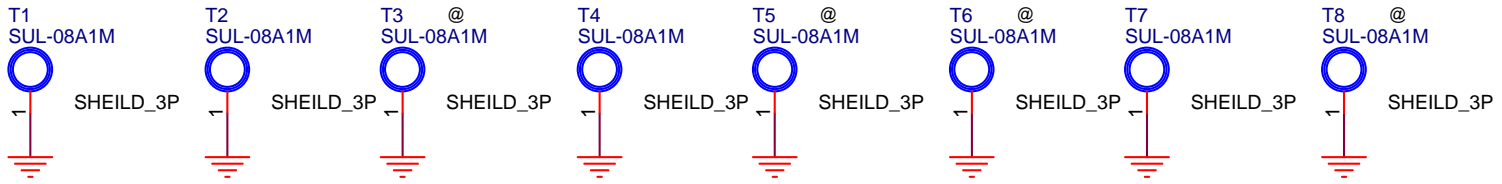
5

4

3

2

1



<b>lenovo</b> 联想		LENOVO.CRDN	
Title MOUNTING HOLE/EMI			
Size A	Document Number BDW CRESENT BAY		Rev v1.0
Date: Monday, July 21, 2014		Sheet 36 of 37	
"PROPERTY NOTE: this document contains information confidential and property to LENOVO PND and shall not be reproduced or transferred to other documents or disclosed to others or used for any purpose other than that for which it was obtained without the expressed written consent of LENOVO PND."			

