

MLB-1 NV EXT SVT LOGIC SCHEMATICS

DATE	EC NO.	PART NO.
20061220	L11403	42W7622
DEVELOPMENT NO.		Q/M
		1 / 97

VER 2.27
JANUARY/31/2007

- | | |
|--------------------------------------|--------------------------------------|
| 1. TITLE PAGE | 47. CDC CONNECTOR |
| 2. EC HISTORY | 48. CARDBUS CONTROLLER(1/2) |
| 3. CPU(1/3) | 49. CARDBUS CONTROLLER(2/2) |
| 4. CPU(2/3) | 50. CARDBUS/EXC SLOT |
| 5. CPU(3/3) | 51. CARDBUS/EXC PWR CTRL |
| 6. ITP CON/LARGE PTH HOLE/EMI FINGER | 52. GBE LAN SW |
| 7. CRESTLINE(1/7) : HOST I/F | 53. GBE NINEVEH(1/2) |
| 8. CRESTLINE(2/7) : DDR2-A | 54. BLANK PAGE |
| 9. CRESTLINE(3/7) : DDR2-B | 55. GBE MAGNETICS |
| 10. CRESTLINE(4/7) : PEG/DMI | 56. RJ11/RJ45 CONNECTOR |
| 11. CRESTLINE(5/7) : GRAPHICS | 57. MINI PCI SLOT |
| 12. CRESTLINE(6/7) : VCC | 58. EEPROM/FLASH/SHARED |
| 13. CRESTLINE(7/7) : GND | 59. DOCKING CONNECTOR |
| 14. POWER FOR CRESTLINE | 60. H8S/2116B (1/2) |
| 15. DDR2 SODIMM-A | 61. H8S/2116B (2/2) |
| 16. DDR2 SODIMM-B | 62. KEYBOARD CONNECTOR |
| 17. DDR2 TERMINATION | 63. TOUCH PAD CONNECTOR |
| 18. DDR2 DECOUPLING | 64. MISC G/A (PMH7) |
| 19. CLOCK GEN(ICS954309) | 65. SUPER I/O (PC87385) |
| 20. NV NB8M-GS : PEG I/F | 66. WIRELESS DISABLE SW |
| 21. NV NB8M-GS : LVDS/CRT/TV/TMDS | 67. LEGACY IO INTERFACE |
| 22. NV NB8M-GS : CLK/GPIO | 68. BLANK PAGE |
| 23. NV NB8M-GS : ANALOG POWER | 69. THERMAL SENSOR |
| 24. NV NB8M-GS : VCC | 70. I2CBUS/SMBUS |
| 25. NV NB8M-GS : GND | 71. FAN CONTROL |
| 26. DYNAMIC MEMORY TERMINATION | 72. G-SENSOR |
| 27. VRAM FOR ATI M6X CHANNEL-A | 73. EMC DECOUPLING |
| 28. LCD CONNECTOR | 74. RGB SWITCH |
| 29. EXT CRT INTERFACE | 75. DC-IN |
| 30. PATA I/F PU | 76. BATTERY CHARGER (MAX8765) |
| 31. ICH8-M(1/4) : DMI/PCI/LPC/AC97 | 77. CHARGE SELECTOR |
| 32. ICH8-M(2/4) : ATA/USB/PM | 78. BATTERY INPUT |
| 33. ICH8-M(3/4) : PCI EXPRESS | 79. BATTERY MONITOR |
| 34. ICH8-M(4/4) : VCC/GND | 80. POWER SEQUENCE |
| 35. FWH,RTC BATTERY | 81. DC-DC VCC3M/VCC5M (MAX8774) |
| 36. SATA HDD CONN | 82. DC-DC VCCCPUCORE (ADP3207) |
| 37. BAY I/F CONN | 83. VCCCPUCORE DECOUPLING |
| 38. USB POWER/CONN | 84. DC-DC VCC1R05M |
| 39. AUDIO AD1981HD | 85. DC-DC VCCGFXCORE(MAX1993) |
| 40. AUDIO MISC | 86. DC-DC VCC1R8M/VCC0R9A (MAX8632) |
| 41. AUDIO INT MIC | 87. DC-DC VCC1R05B/VCC1R5M (MAX1540) |
| 42. AUDIO HP & EXT MIC CONN | 88. DC-DC VCC1R25AMT (VT322) |
| 43. AUDIO EXT MIC AMP | 89. LOAD SW AMT |
| 44. AUDIO SPEAKER | 90. PWRG |
| 45. AUDIO HDP AMP MAX9789A(1/2) | 91. RINKAI-1 |
| 46. AUDIO HDP AMP MISC(2/2) | 92. LOAD SW VIDEO |
| | 93. LOAD SW AUX1,AUX2 |
| | 94. LOAD SW B&UBAY |
| | 95. MAX POWER CTRL |
| | 96. POWER MOMITOR |
| | 97. PTH FOR SCREW HOLES |

DESIGNER	K.Y	06/01/06	PART NO.	42W7622
CHECKED	Y.I	06/01/06	TITLE	MLB-1 SVT
APPROVED	T.S	06/01/06	TITLE	PAGE
CLASS	T.S	06/01/06	LENOVO CONFIDENTIAL	

THIS DOCUMENT IS THE PROPERTY OF LENOVO/ITS USE IS AUTHORIZED ONLY FOR RESPONDING TO A REQUEST FOR QUOTATION OR FOR THE PERFORMANCE OF WORK FOR LENOVO/ALL QUESTIONS MUST BE REFERRED TO THE LENOVO PURCHASING DEPARTMENT.

EC HISTORY

SDV (BASE LOGIC DAV3 SDV VER.1.16)

VER.0.01	06/05/2006	APPLIED	DAV3_SDV 081
VER.0.01	06/05/2006	APPLIED	MLB_SDV 001
VER.0.02	06/07/2006	APPLIED	DAV3_FVT 005,006,009
VER.0.03	06/05/2006	APPLIED	DAV3_SDV 084,085
VER.0.03	06/05/2006	APPLIED	DAV3_FVT 013
VER.0.04	06/14/2006	APPLIED	DAV3_SDV 086
VER.0.04	06/14/2006	APPLIED	DAV3_FVT 018,015,014,011
VER.0.05	06/15/2006	APPLIED	DAV3_FVT 028
VER.0.06	06/16/2006	APPLIED	DAV3_SDV 003,036,035,032
VER.0.07	06/19/2006	APPLIED	DAV3_FVT 038,039
VER.0.08	06/20/2006	APPLIED	DAV3_FVT 040,039,020,003
VER.0.09	06/21/2006	APPLIED	DAV3_FVT 039,038,036,006,041
VER.0.10	06/21/2006	APPLIED	DAV3_SDV 007
VER.0.11	06/23/2006	APPLIED	DAV3_SDV 011-009
VER.0.12	06/24/2006	APPLIED	DAV3_FVT 051-047,045
VER.0.13	06/26/2006	APPLIED	DAV3_SDV 012
VER.0.14	06/27/2006	APPLIED	DAV3_FVT 054-57&SIV 01(EXCEPT 053)
VER.0.15	06/28/2006	APPLIED	DAV3_FVT 053,054-57&SIV 01
VER.0.16	07/01/2006	APPLIED	DAV3_SDV013-014&FVT063
VER.0.17	07/04/2006	APPLIED	DAV3_SDV015-016
VER.0.18	07/05/2006	APPLIED	DAV3_SDV017-018&SIV005,007
VER.0.19	07/07/2006	APPLIED	DAV3_FVT069&SIV011
VER.0.20	07/11/2006	APPLIED	DAV3_SDV019,021,20-2&SIV012-013,020
VER.0.21	07/13/2006	APPLIED	DAV3_SDV022-025&SIV024
VER.0.22	07/21/2006	APPLIED	DAV3_SIV028,032,034&FVT075,080,083-084 SDV027-029,031

SIV (BASE LOGIC MLB-1 EXT SDV VER.0.22)

VER.1.00	08/25/2006	APPLIED	DAV3_SIV0140,017,026,031,038-040,042-045,047,051-052)
VER.1.00	08/25/2006	APPLIED	DAV3_SIV054-055,057,060-061,063-065,067-076)
VER.1.00	08/25/2006	APPLIED	DAV3_SIV078-084,086,094-095,097-098,100)
VER.1.00	08/25/2006	APPLIED	DAV3_SIV103-104,108-109,113,114,117,119-124)
VER.1.00	08/25/2006	APPLIED	MLB1_SIV001,006,009
VER.1.01	08/25/2006	APPLIED	DAV3_SIV016,089,090,096,099,101,115,118,127-130,133)
VER.1.01	08/25/2006	APPLIED	MLB1_SIV002-005,007,008,010,011,013,017,018)
VER.1.02	09/04/2006	APPLIED	MLB1_SIV026,048,056,058,059,116,126,132,134,135-137)
VER.1.02	09/04/2006	APPLIED	MLB1_SIV007,012,014-016,019-041,043-046)
VER.1.03	09/07/2006	APPLIED	MLB1_SIV047-057)
VER.1.04	09/12/2006	APPLIED	DAV3_SIV138,139,141)
VER.1.04	09/12/2006	APPLIED	MLB1_SIV058,059)
VER.1.05	09/13/2006	APPLIED	DAV3_SIV143,145,146)
VER.1.05	09/13/2006	APPLIED	MLB1_SIV060)
VER.1.06	09/15/2006	APPLIED	MLB1_SIV063,065-068)

SIV NV (BASE LOGIC MLB-1 EXT SDV VER.1.06)

VER.1.00	10/11/2006	APPLIED	MLB1_NV_002-006)
VER.1.00	10/11/2006	APPLIED	DAV3_NV_001,003-009,010-012,015-020,023,030,031,35)
VER.1.01	10/12/2006	APPLIED	MLB1_NV_001)
VER.1.01	10/12/2006	APPLIED	DAV3_NV_013,034,036,039,040)
VER.1.01	10/12/2006	APPLIED	DAV3_SIT_008,009,012,014,015,017,020-022)
VER.1.01	10/12/2006	APPLIED	DAV3_SIT_025-027,030,032,034,036)
VER.1.02	10/13/2006	APPLIED	MLB1_SIT_013,011)
VER.1.02	10/13/2006	APPLIED	DAV3_NV_041)
VER.1.03	10/14/2006	APPLIED	MLB1_NV_007-010)
VER.1.03	10/14/2006	APPLIED	DAV3_SIT_004)
VER.1.03	10/14/2006	APPLIED	MLB1_SIT_015)
VER.1.04	10/17/2006	APPLIED	MLB1_NV_011-014)
VER.1.04	10/17/2006	APPLIED	DAV3_NV_042-044)
VER.1.05	10/19/2006	APPLIED	MLB1_NV_016,017,019)
VER.1.05	10/19/2006	APPLIED	MLB1_SIT_016,017,019,020)
VER.1.05	10/19/2006	APPLIED	DAV3_NV_049,052)
VER.1.05	10/19/2006	APPLIED	DAV3_SIT_040,041)
VER.1.06	10/24/2006	APPLIED	DAV3_NV_037)
VER.1.06	10/24/2006	APPLIED	DAV3_SIT_038)
VER.1.06	10/24/2006	APPLIED	MLB1_NV_020-022)
VER.1.07	10/25/2006	APPLIED	MLB1_SIT_001,006,014,018,021,025)
VER.1.08	10/26/2006	APPLIED	DAV3_NV_051)
VER.1.08	10/26/2006	APPLIED	MLB1_NV_015,018)
VER.1.09	10/31/2006	APPLIED	MLB1_SIT_029,030)
VER.1.09	10/31/2006	APPLIED	MLB1_NV_024-026)
VER.1.09	10/31/2006	APPLIED	DAV3_SIT_042,047,061)
VER.1.09	10/31/2006	APPLIED	DAV3_NV_067)

DV6 (BASE LOGIC MLB-1 EXT SDV VER.1.09)

VER.2.00	11/16/2006	APPLIED	MLB1_SIT_034-044,46)
VER.2.00	11/16/2006	APPLIED	DAV3_SIT_071-074,079,082,088,089,091,096)
VER.2.01	11/20/2006	APPLIED	MLB1_SIT_45,47)
VER.2.01	11/20/2006	APPLIED	DAV3_SIT_104,110-112)
VER.2.02	11/22/2006	APPLIED	MLB1_SIT_45,51)
VER.2.02	11/22/2006	APPLIED	DAV3_SIT_115,116,119-121)
VER.2.03	12/05/2006	APPLIED	DAV3_SIT_058,069,083-85,90,100)
VER.2.03	12/12/2006	APPLIED	MLB1_SIT_053,052,058,78,80)
VER.2.04	12/13/2006	APPLIED	MLB1_SIT_062,066,067,073,074,076,077)
VER.2.04	12/13/2006	APPLIED	DAV3_SIT_102,103,106,107,122,123,126)
VER.2.04	12/13/2006	APPLIED	DAV3_SIT_127,131,132,141,143,135)
VER.2.04	12/13/2006	APPLIED	DAV3_NV_071,080)
VER.2.05	12/25/2006	APPLIED	MLB1_SIT_EC034,035,036,037,039,040,045,052,054
VER.2.05	12/15/2006	APPLIED	EC055,057,063,061,060,059,064,065,066
VER.2.05	12/15/2006	APPLIED	DAV3_NV_EC083,085,086
VER.2.05	12/15/2006	APPLIED	DAV3_SIT_EC145,148,153,159
VER.2.05	12/15/2006	APPLIED	MLB1_SIT_EC069,070,071,072,074,075,082,083
VER.2.06	12/18/2006	APPLIED	DAV3_SIT_EC086,105,108,133
VER.2.07	12/20/2006	APPLIED	DAV3_NV_EC087,157,160,162,168
VER.2.07	12/20/2006	APPLIED	MLB1_SIT_EC091,095,102,103
VER.2.08	12/21/2006	APPLIED	DAV3_SIT_EC170
VER.2.08	12/21/2006	APPLIED	MLB1_SIT_EC113,114,115
VER.2.08	12/21/2006	APPLIED	DAV3_SIT_EC141
VER.2.09	12/22/2006	APPLIED	DAV3_SIT_EC172
VER.2.09	12/22/2006	APPLIED	MLB1_SIT_EC116
VER.2.10	12/25/2006	APPLIED	DAV3_SIT_EC173
VER.2.10	12/25/2006	APPLIED	MLB1_SIT_EC121
VER.2.11	12/28/2006	APPLIED	MDAV3_SIT_EC177 MLB1_SIT_EC132,133
VER.2.12	01/12/2007	APPLIED	EC OF GBE POWER FOR ITEG SVT
VER.2.12	01/12/2007	APPLIED	MALIBU-1_PN_EC1226
VER.2.12	01/12/2007	APPLIED	H2W_P52
VER.2.12	01/12/2007	APPLIED	EC TRANSACTION 0111

SIT (BASE LOGIC MLB-1 EXT DV6 VER.2.12)

VER.2.13	01/15/2007	APPLIED	ACPRESENT
VER.2.13	01/15/2007	APPLIED	BD3551_P52_070112
VER.2.14	01/16/2007	APPLIED	_42W7622SIT0115_P25_20070116
VER.2.14	01/16/2007	APPLIED	GFXCORE CAP 20070116.GIF
VER.2.16	01/17/2007	APPLIED	MLB1_SIT_EC151 20070117
VER.2.16	01/17/2007	APPLIED	DAV3_SIT_EC182 20070117
VER.2.16	01/17/2007	APPLIED	DAV3_SIT_EC180 20070117
VER.2.17	01/17/2007	APPLIED	DAV3_SVT_EC009 20070117
VER.2.18	01/18/2007	APPLIED	MLB1_SIT_EC153 20070118
VER.2.20	01/19/2007	APPLIED	MLB1_SIT_EC155,156 20070119

SVT (BASE LOGIC MLB-1 EXT SIT VER.2.20)

VER.2.21	01/27/2007	APPLIED	DAV3_SIT_EC184 20070127
VER.2.21	01/27/2007	APPLIED	DAV3_NV_EC098 20070127
VER.2.21	01/27/2007	APPLIED	DAV3_NV_EC099 20070127
VER.2.21	01/27/2007	APPLIED	DAV3_NV_EC100 20070127
VER.2.21	01/27/2007	APPLIED	DAV3_SVT_EC025 20070127
VER.2.21	01/27/2007	APPLIED	DAV3_SVT_EC027 20070127
VER.2.21	01/27/2007	APPLIED	DAV3_SVT_EC028 20070127
VER.2.21	01/27/2007	APPLIED	DAV3_SVT_EC029 20070127
VER.2.21	01/27/2007	APPLIED	MLB1_SVT_EC006 20070127
VER.2.21	01/27/2007	APPLIED	MLB1_SVT_EC009 20070127
VER.2.22	01/29/2007	APPLIED	DAV3_SVT_EC030 20070129
VER.2.25	01/30/2007	APPLIED	MLB1_SVT_EC013 20070130
VER.2.25	01/30/2007	APPLIED	MLB1_SVT_EC014 20070130
VER.2.25	01/30/2007	APPLIED	MLB1_SVT_EC004,014 20070130
VER.2.25	01/30/2007	APPLIED	DAV3_SVT_EC014,023,030 20070130
VER.2.25	01/30/2007	APPLIED	DAV3_NV_EC098 20070130
VER.2.26	01/30/2007	APPLIED	DAV3_SVT_EC035 20070130

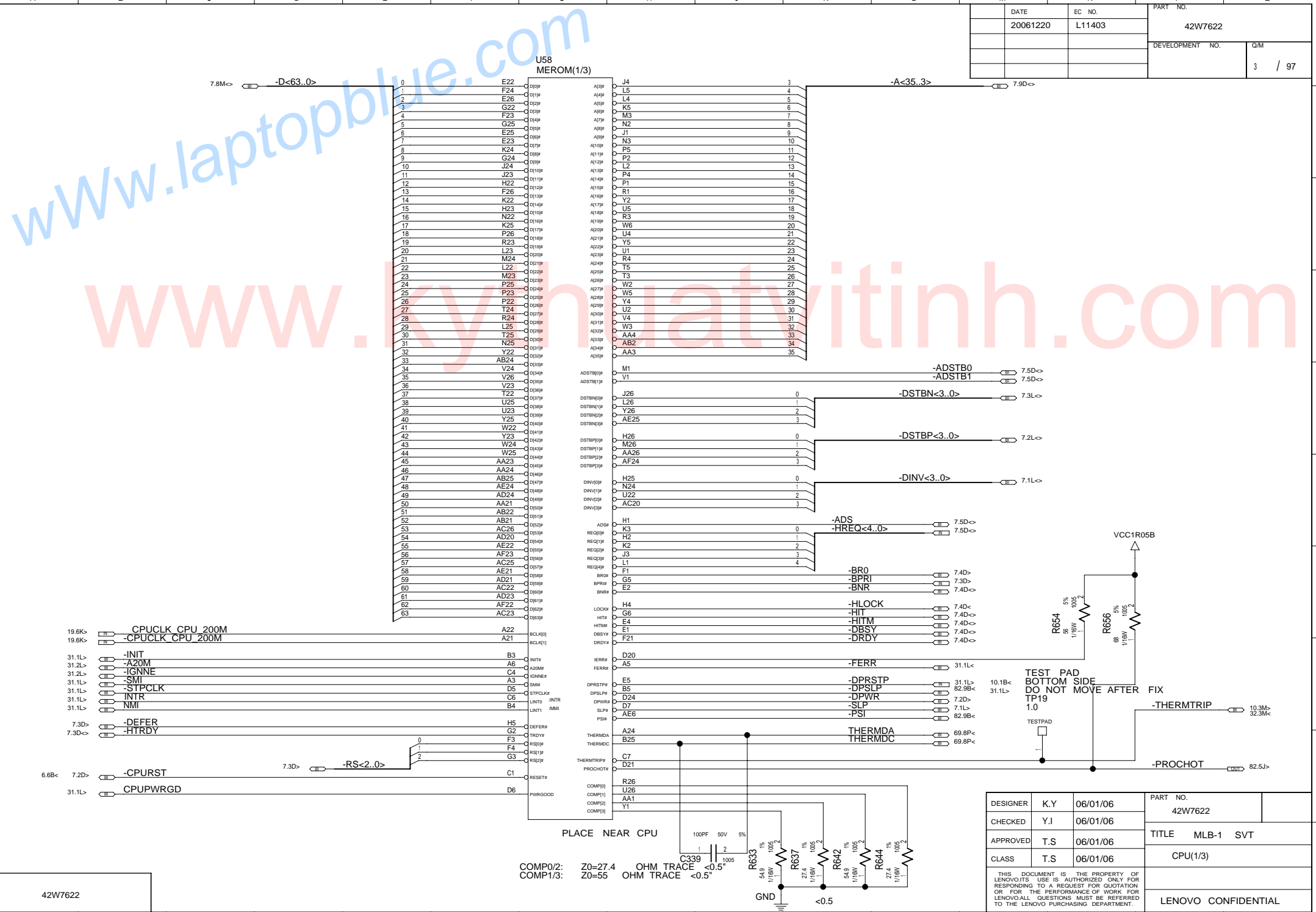
VER.2.27	01/31/2007	APPLIED	MLB1_SVT_EC018
VER.2.27	01/31/2007	APPLIED	MLB1_SVT_EC021

DATE	20061220	EC NO.	L11403	PART NO.	42W7622
DEVELOPMENT NO.		Q/M			2 / 97

DESIGNER	K.Y	06/01/06	PART NO.	42W7622
CHECKED	Y.I	06/01/06	TITLE	MLB-1 SVT
APPROVED	T.S	06/01/06	HISTORY	
CLASS	T.S	06/01/06	LENOVO CONFIDENTIAL	

THIS DOCUMENT IS THE PROPERTY OF LENOVO. ITS USE IS AUTHORIZED ONLY FOR RESPONDING TO A REQUEST FOR QUOTATION OR FOR THE PERFORMANCE OF WORK FOR LENOVO. ALL QUESTIONS MUST BE REFERRED TO THE LENOVO PURCHASING DEPARTMENT.

DATE	EC NO.	PART NO.	
20061220	L11403	42W7622	
		DEVELOPMENT NO.	Q/M
			3 / 97



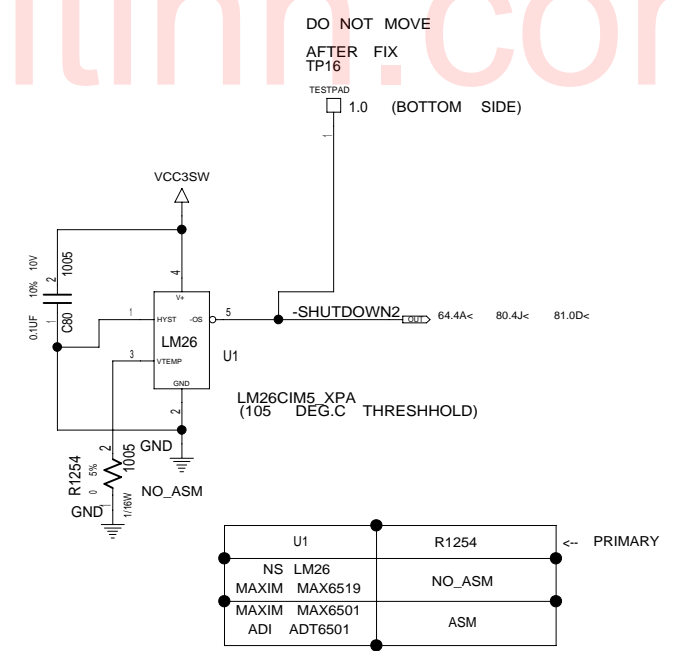
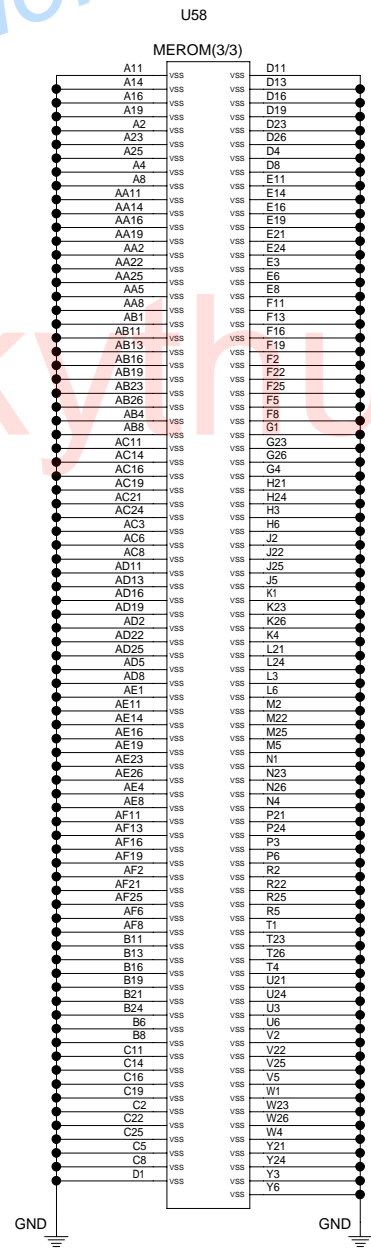
DESIGNER	K.Y	06/01/06	PART NO.	42W7622
CHECKED	Y.I	06/01/06	TITLE	MLB-1 SVT
APPROVED	T.S	06/01/06	CLASS	CPU(1/3)
				LENOVO CONFIDENTIAL

THIS DOCUMENT IS THE PROPERTY OF LENOVO. ITS USE IS AUTHORIZED ONLY FOR RESPONDING TO A REQUEST FOR QUOTATION OR FOR THE PERFORMANCE OF WORK FOR LENOVO. ALL QUESTIONS MUST BE REFERRED TO THE LENOVO PURCHASING DEPARTMENT.

DATE	EC NO.	PART NO.	
20061220	L11403	42W7622	
		DEVELOPMENT NO.	Q/M
			5 / 97

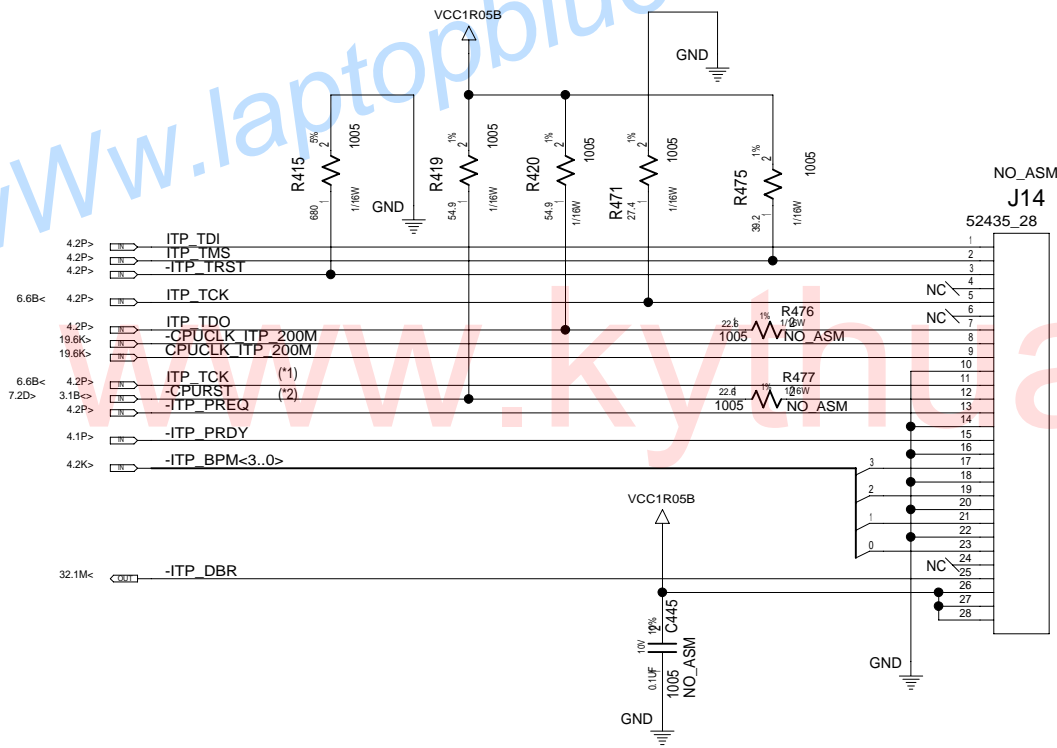
www.laptopblue.com

www.kvhuatvith.com



DESIGNER	K.Y	06/01/06	PART NO.	42W7622
CHECKED	Y.I	06/01/06	TITLE MLB-1 SVT	
APPROVED	T.S	06/01/06	CLASS CPU(3/3)	
CLASS	T.S	06/01/06	THIS DOCUMENT IS THE PROPERTY OF LENOVO/ITS USE IS AUTHORIZED ONLY FOR RESPONDING TO A REQUEST FOR QUOTATION OR FOR THE PERFORMANCE OF WORK FOR LENOVO/ALL QUESTIONS MUST BE REFERRED TO THE LENOVO PURCHASING DEPARTMENT.	
				LENOVO CONFIDENTIAL

DATE	EC NO.	PART NO.	
20061220	L11403	42W7622	
		DEVELOPMENT NO.	Q/M
			6 / 97



- NO_ASM
J14
52435_28
- 1 TDI
 - 2 TMS
 - 3 TRST#
 - 4 NC
 - 5 TCK
 - 6 NC
 - 7 TDO
 - 8 BCLK#
 - 9 BCLK
 - 10 GND
 - 11 FBO
 - 12 RESET#
 - 13 BPM5#
 - 14 GND
 - 15 BPM4#
 - 16 GND
 - 17 BPM3#
 - 18 GND
 - 19 BPM2#
 - 20 GND
 - 21 BPM1#
 - 22 GND
 - 23 BPM0#
 - 24 DBA#
 - 25 DBR#
 - 26 VTAP
 - 27 VTT
 - 28 VTT

REF DES	FOR ITP700FLEX	FOR ITP--XDP
J14	NO_ASM ---> ASM	NO_ASM ---> ASM
C445	ASM ---> ASM	ASM ---> ASM
R717	ASM(NO CHANGE)	ASM ---> 51 5% ASM
R476	ASM ---> ASM	ASM ---> ASM
R477	ASM ---> ASM	ASM ---> 1K 5% ASM
R415	ASM(NO CHANGE)	ASM(NO CHANGE)
R419	ASM(NO CHANGE)	ASM ---> NO_ASM
R420	ASM(NO CHANGE)	ASM(NO CHANGE)
R471	ASM(NO CHANGE)	ASM ---> 51 5% ASM
R475	ASM(NO CHANGE)	ASM ---> 51 5% ASM

NOTE: C445,R476 AND R477 "ASM" BEFORE SIT, "NO_ASM" FROM SIT.

- (*1) TCK SIGNAL IS BRANCHED AT YONAH PIN
- (*2) -CPURST SIGNAL IS BRANCHED AT CRESTLINE PIN

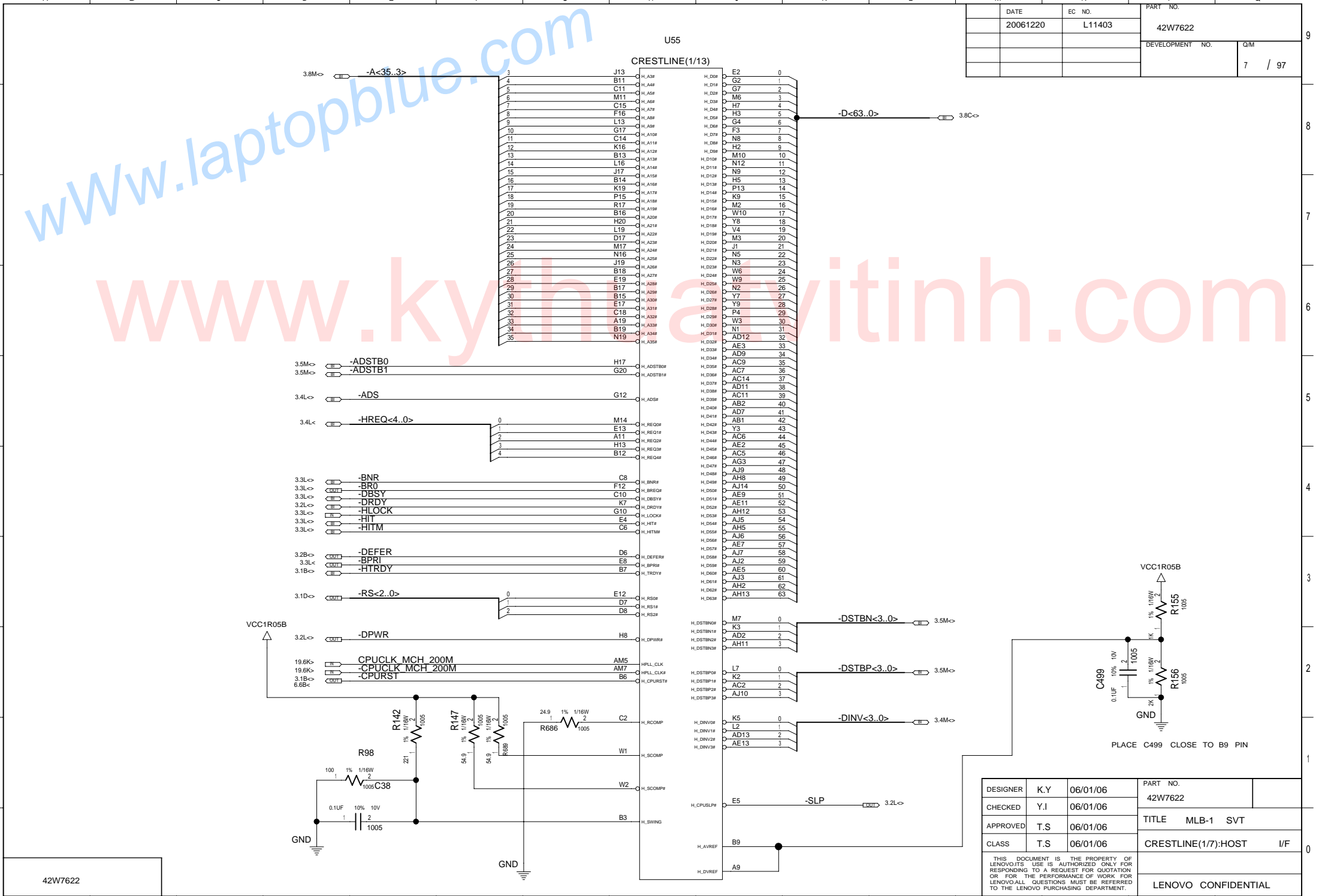
DESIGNER	K.Y	06/01/06	PART NO.	42W7622
CHECKED	Y.I	06/01/06	TITLE	MLB-1 SVT
APPROVED	T.S	06/01/06	CLASS	ITP CONN/LARGE PTH HOLE
				EMI FINGER
				LENOVO CONFIDENTIAL

THIS DOCUMENT IS THE PROPERTY OF LENOVO. ITS USE IS AUTHORIZED ONLY FOR RESPONDING TO A REQUEST FOR QUOTATION OR FOR THE PERFORMANCE OF WORK FOR LENOVO. ALL QUESTIONS MUST BE REFERRED TO THE LENOVO PURCHASING DEPARTMENT.

DATE	EC NO.	PART NO.
20061220	L11403	42W7622
DEVELOPMENT NO.		Q/M
		7 / 97

www.laptopblue.com

www.kytech.vn
www.alvithinh.com



DESIGNER	K.Y	06/01/06	PART NO.	42W7622
CHECKED	Y.I	06/01/06	TITLE	MLB-1 SVT
APPROVED	T.S	06/01/06	CRESTLINE(1/7):HOST	I/F
CLASS	T.S	06/01/06	LENOVO CONFIDENTIAL	

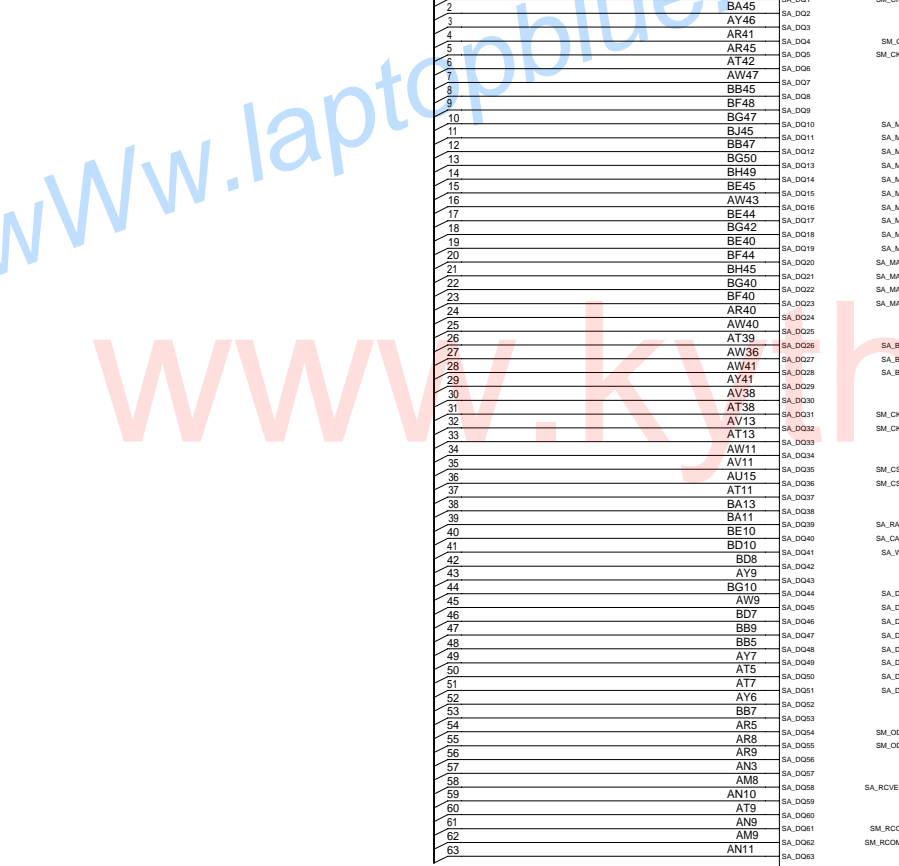
THIS DOCUMENT IS THE PROPERTY OF LENOVO/ITS USE IS AUTHORIZED ONLY FOR RESPONDING TO A REQUEST FOR QUOTATION OR FOR THE PERFORMANCE OF WORK FOR LENOVO.ALL QUESTIONS MUST BE REFERRED TO THE LENOVO PURCHASING DEPARTMENT.

DATE	EC NO.	PART NO.
20061220	L11403	42W7622
DEVELOPMENT NO.		Q/M
		8 / 97

U55

CRESTLINE(2/13)

15.9B<> 15.8L<> M A DQ<63..0>



DDRCLK0 333M
-DDRCLK0 333M

DDRCLK1 333M
-DDRCLK1 333M

M A A<14..0>

M A BS<2..0>

M CKE<1..0>

-M CS<1..0>

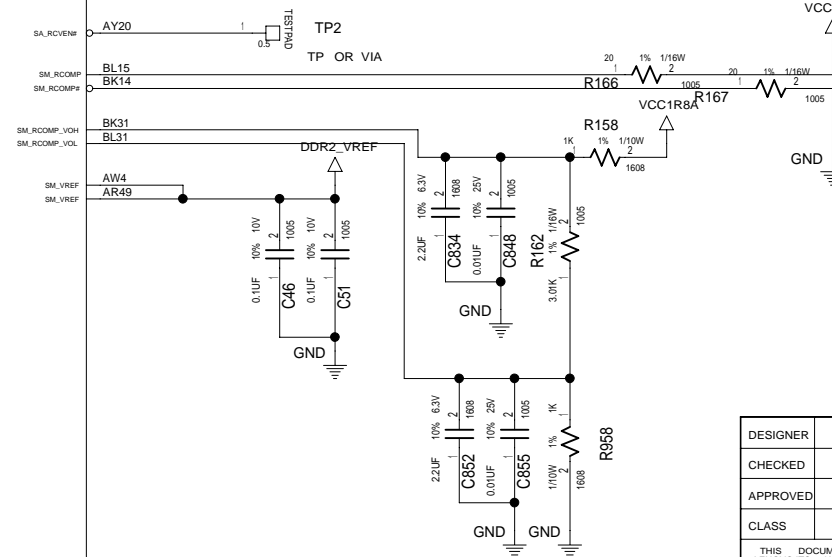
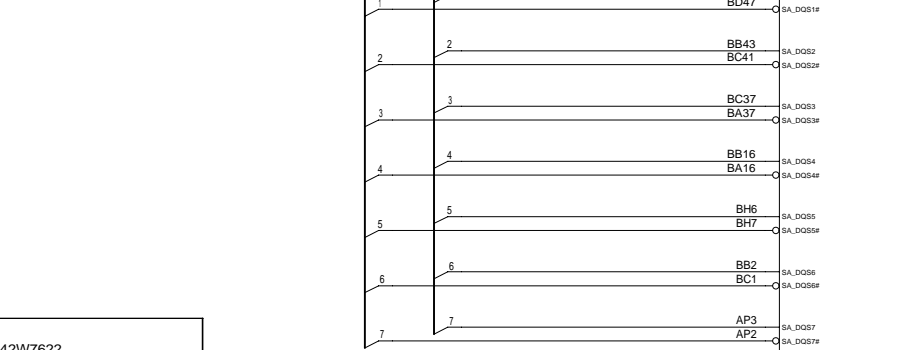
-M A RAS
-M A CAS
-M A WE

M A DM<7..0>

M ODT<1..0>

15.7M<> 15.9B<> M A DQS<7..0>

15.6M<> 15.8B<> -M A DQS<7..0>

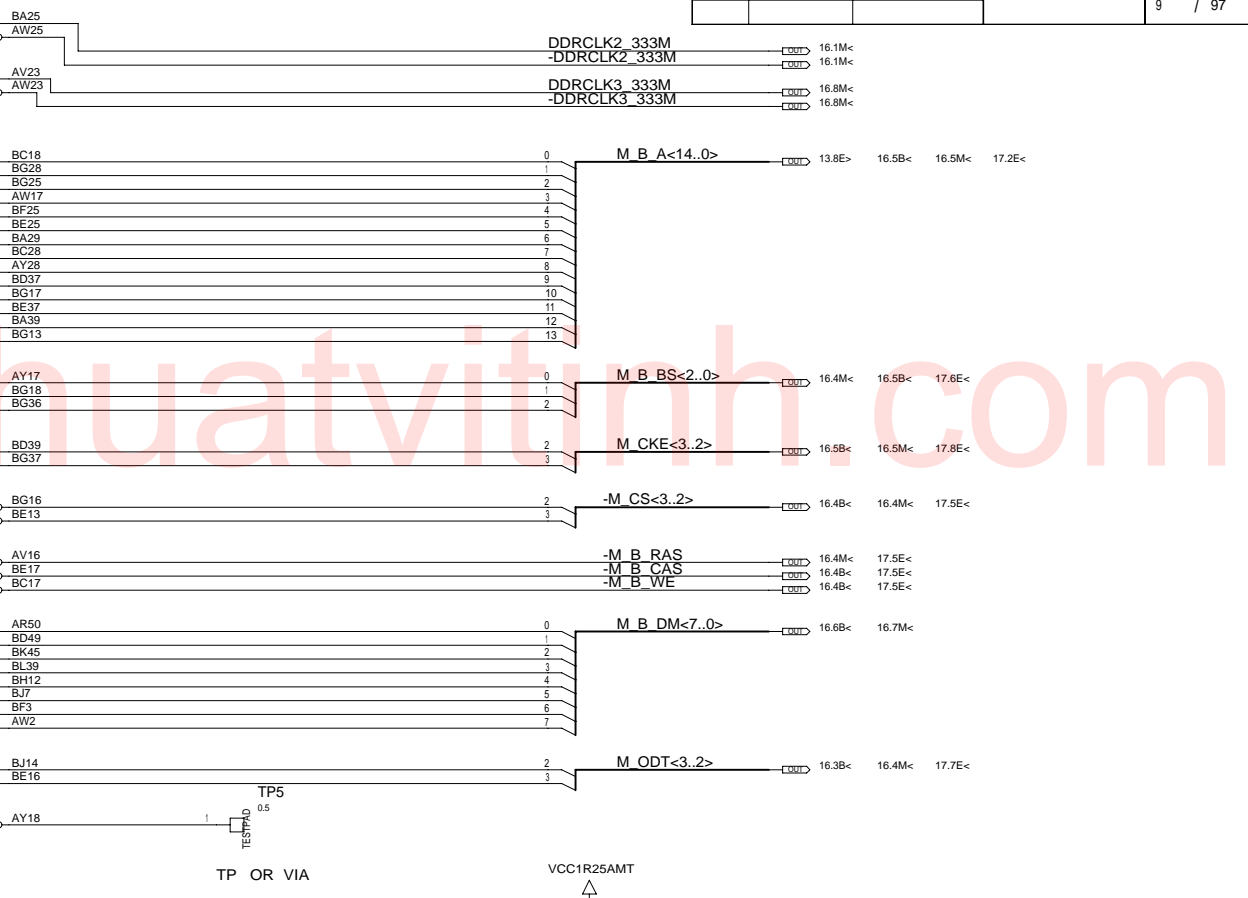


DESIGNER	K.Y	06/01/06	PART NO.	42W7622
CHECKED	Y.I	06/01/06	TITLE	MLB-1 SVT
APPROVED	T.S	06/01/06	CRESTLINE(2/7):DDR2-A	
CLASS	T.S	06/01/06	LENOVO CONFIDENTIAL	

THIS DOCUMENT IS THE PROPERTY OF
LENOVO. ITS USE IS AUTHORIZED ONLY FOR
RESPONDING TO A REQUEST FOR QUOTATION
OR FOR THE PERFORMANCE OF WORK FOR
LENOVO. ALL QUESTIONS MUST BE REFERRED
TO THE LENOVO PURCHASING DEPARTMENT.

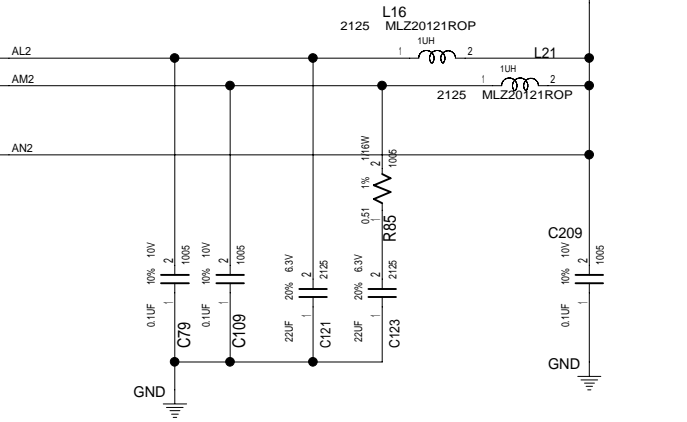
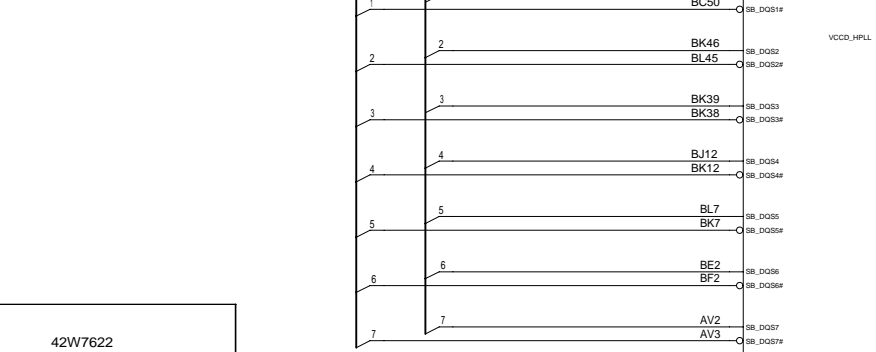
DATE	EC NO.	PART NO.	
20061220	L11403	42W7622	
		DEVELOPMENT NO.	Q/M
			9 / 97

16.9C<> 16.8M<> M_B DQ<63..0>



16.7M< 16.9C<> M_B DQS<7..0>

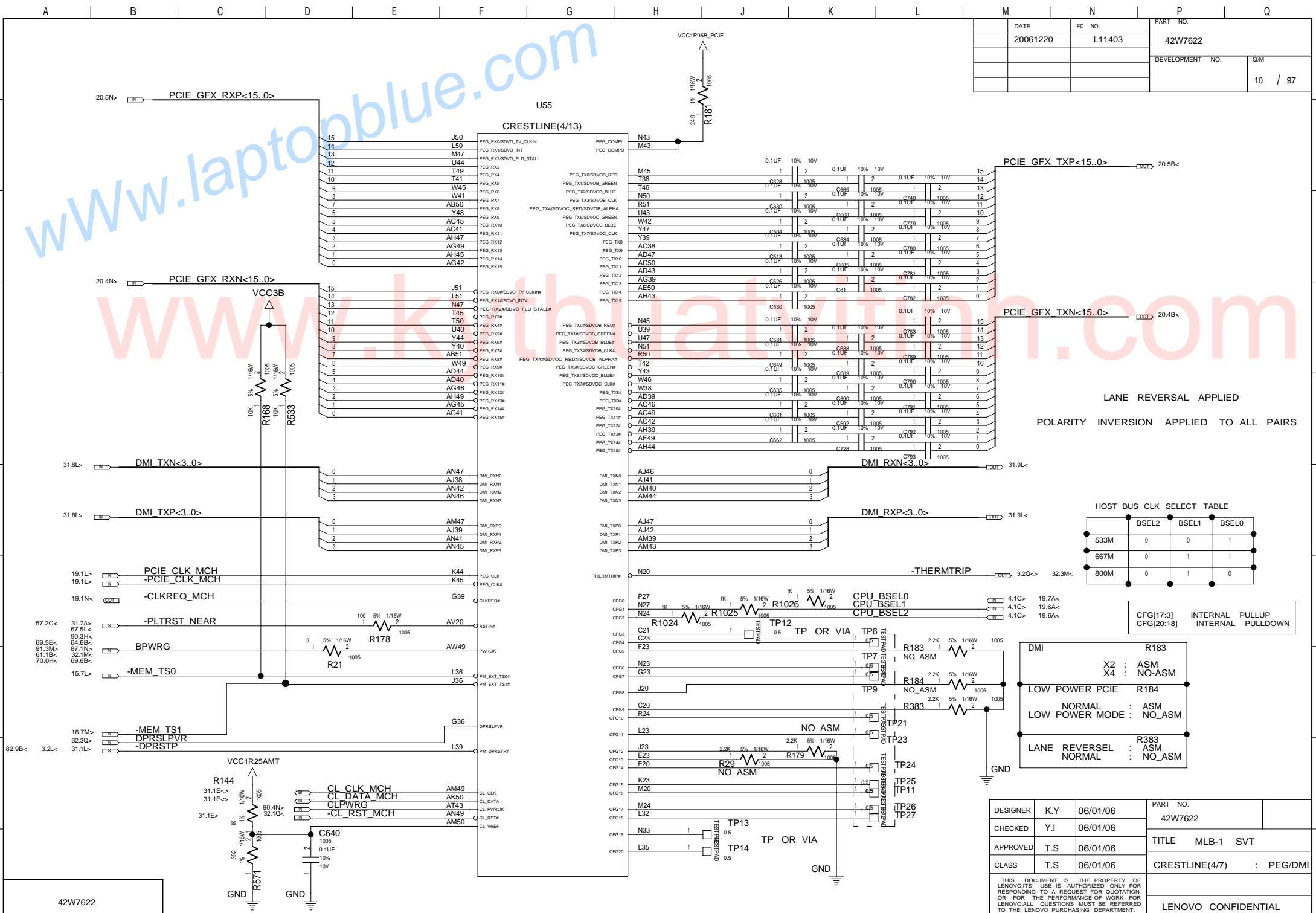
16.6M< 16.8C<> -M_B DQS<7..0>



DESIGNER	K.Y	06/01/06	PART NO.	42W7622
CHECKED	Y.I	06/01/06	TITLE	MLB-1 SVT
APPROVED	T.S	06/01/06	CRESTLINE(3/7):DDR2-B	
CLASS	T.S	06/01/06	LENOVO CONFIDENTIAL	

THIS DOCUMENT IS THE PROPERTY OF LENOVO. ITS USE IS AUTHORIZED ONLY FOR RESPONDING TO A REQUEST FOR QUOTATION OR FOR THE PERFORMANCE OF WORK FOR LENOVO. ALL QUESTIONS MUST BE REFERRED TO THE LENOVO PURCHASING DEPARTMENT.

DATE	EC NO.	PART NO.
20061220	L11403	42W7622
DEVELOPMENT NO.		Q/M
		10 / 97



LANE REVERSAL APPLIED
POLARITY INVERSION APPLIED TO ALL PAIRS

HOST BUS CLK SELECT TABLE

	BSEL2	BSEL1	BSEL0
533M	0	0	1
667M	0	1	1
800M	0	1	0

CFG[17:3] INTERNAL PULLDOWN
CFG[20:18] INTERNAL PULLDOWN

DM1	R183	X2 : ASM X4 : NO-ASM
LOW POWER PCIE	R184	NOASM
NORMAL		ASM
LOW POWER MODE :		NO_ASM
LANE REVERSEL	R383	ASM
NORMAL		NO_ASM

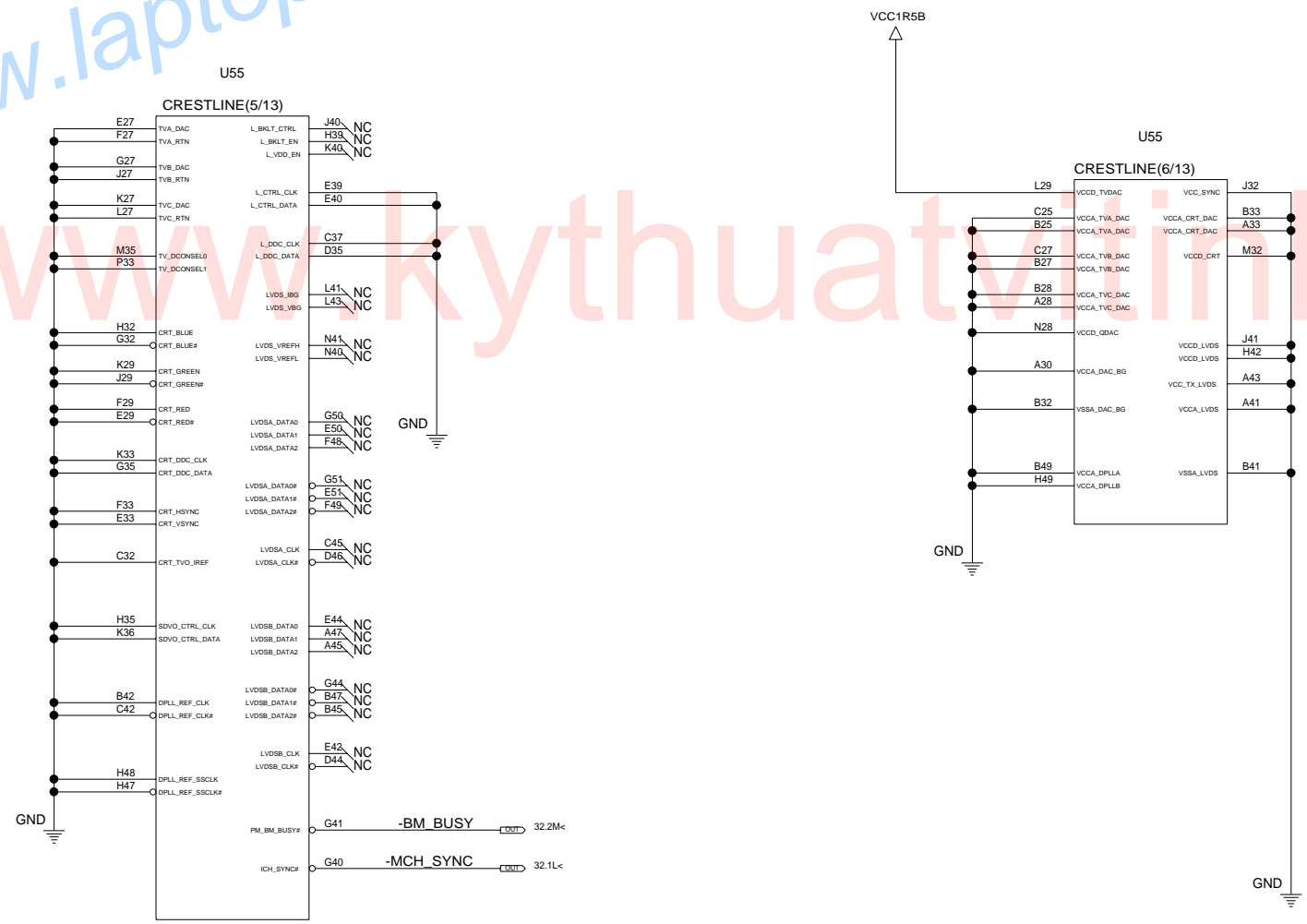
DESIGNER	K.Y	06/01/06	PART NO.	42W7622
CHECKED	Y.I	06/01/06	TITLE	MLB-1 SVT
APPROVED	T.S	06/01/06	CRESTLINE(4/7) :	PEG/DMI
CLASS	T.S	06/01/06	LENOVO CONFIDENTIAL	

THIS DOCUMENT IS THE PROPERTY OF
LENOVO. IT IS AUTHORIZED ONLY FOR
RESPONDING TO A REQUEST FOR QUOTATION
OR FOR THE PERFORMANCE OF WORK FOR
LENOVO. ALL QUESTIONS MUST BE REFERRED
TO THE LENOVO PURCHASING DEPARTMENT.

DATE	EC NO.	PART NO.	
20061220	L11403	42W7622	
		DEVELOPMENT NO.	Q/M
			11 / 97

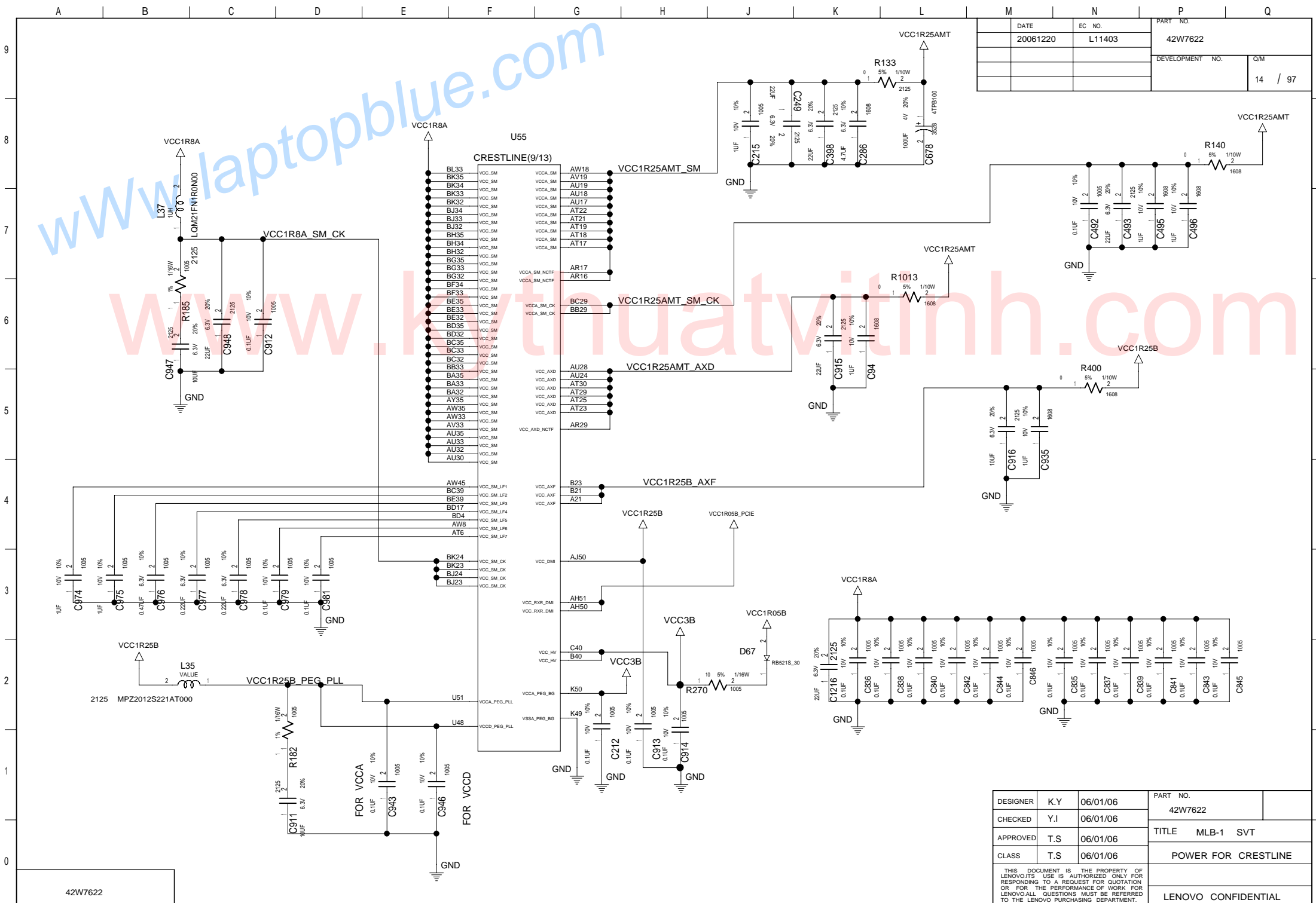
www.laptopblue.com

www.kythuathinh.com



DESIGNER	K.Y	06/01/06	PART NO.	42W7622
CHECKED	Y.I	06/01/06	TITLE MLB-1 SVT	
APPROVED	T.S	06/01/06	CRESTLINE(5/7):GRAPHICS	
CLASS	T.S	06/01/06	LENOVO CONFIDENTIAL	

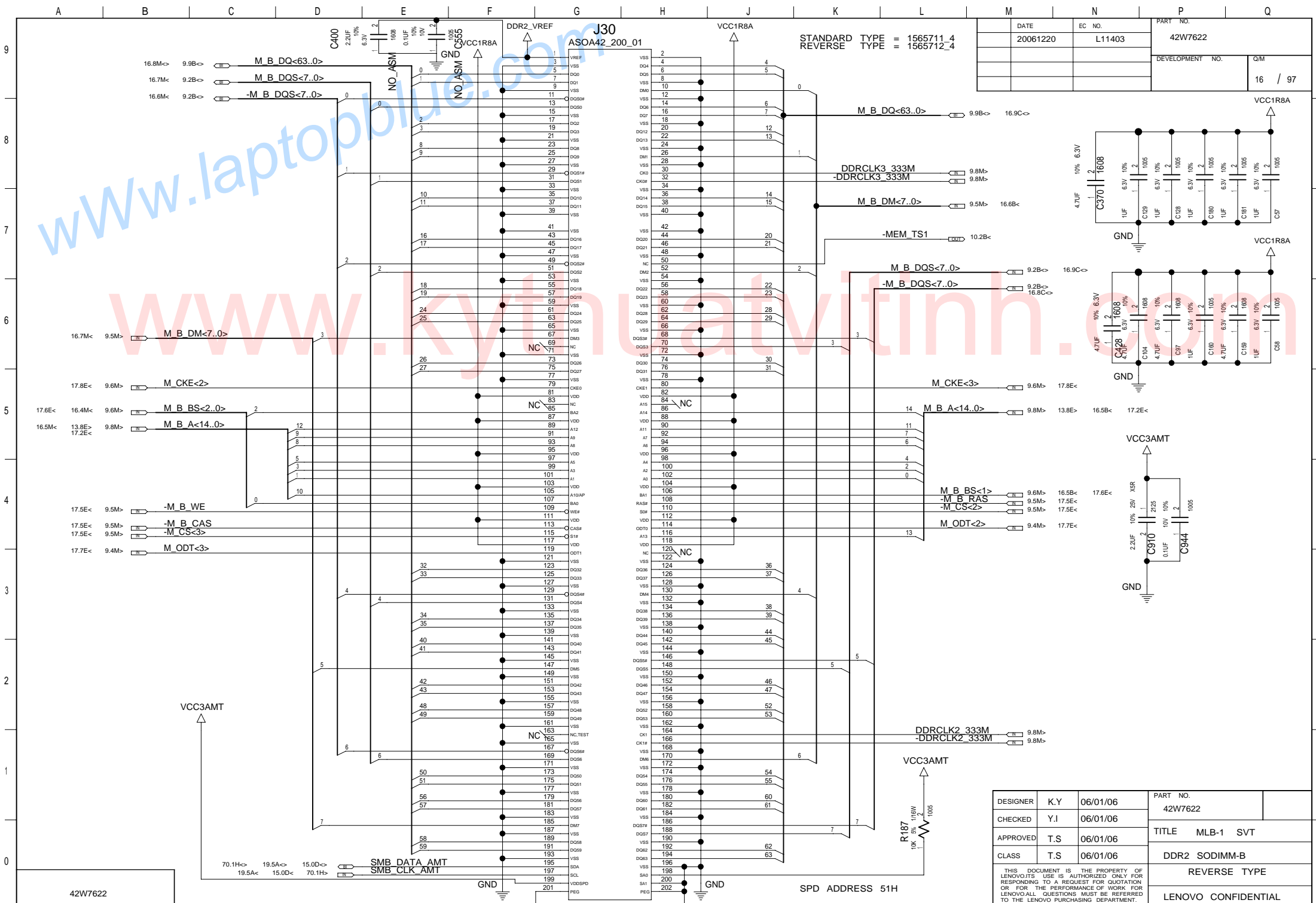
THIS DOCUMENT IS THE PROPERTY OF LENOVO/ITS USE IS AUTHORIZED ONLY FOR RESPONDING TO A REQUEST FOR QUOTATION OR FOR THE PERFORMANCE OF WORK FOR LENOVO/ALL QUESTIONS MUST BE REFERRED TO THE LENOVO PURCHASING DEPARTMENT.



DATE	EC NO.	PART NO.
20061220	L11403	42W7622
DEVELOPMENT NO.		Q/M
		14 / 97

DESIGNER	K.Y	06/01/06	PART NO.	42W7622
CHECKED	Y.I	06/01/06	TITLE	MLB-1 SVT
APPROVED	T.S	06/01/06	POWER FOR CRESTLINE	
CLASS	T.S	06/01/06	LENOVO CONFIDENTIAL	

THIS DOCUMENT IS THE PROPERTY OF LENOVO/ITS USE IS AUTHORIZED ONLY FOR RESPONDING TO A REQUEST FOR QUOTATION OR FOR THE PERFORMANCE OF WORK FOR LENOVO/ALL QUESTIONS MUST BE REFERRED TO THE LENOVO PURCHASING DEPARTMENT.



DATE	EC NO.	PART NO.
20061220	L11403	42W7622
DEVELOPMENT NO.		Q/M
		16 / 97

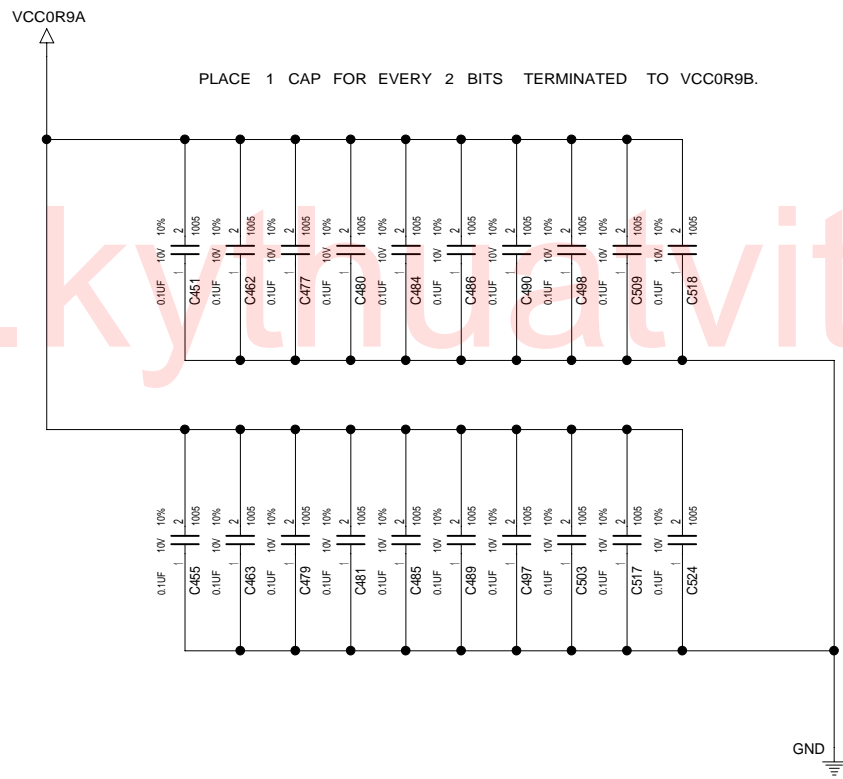
DESIGNER	K.Y	06/01/06	PART NO.	42W7622
CHECKED	Y.I	06/01/06	TITLE	MLB-1 SVT
APPROVED	T.S	06/01/06	CLASS	DDR2 SODIMM-B
REVERSE TYPE				
LENOVO CONFIDENTIAL				

THIS DOCUMENT IS THE PROPERTY OF LENOVO/ITS USE IS AUTHORIZED ONLY FOR RESPONDING TO A REQUEST FOR QUOTATION OR FOR THE PERFORMANCE OF WORK FOR LENOVO. ALL QUESTIONS MUST BE REFERRED TO THE LENOVO PURCHASING DEPARTMENT.

DATE		EC NO.		PART NO.	
20061220		L11403		42W7622	
DEVELOPMENT NO.				Q/M	
				18 / 97	

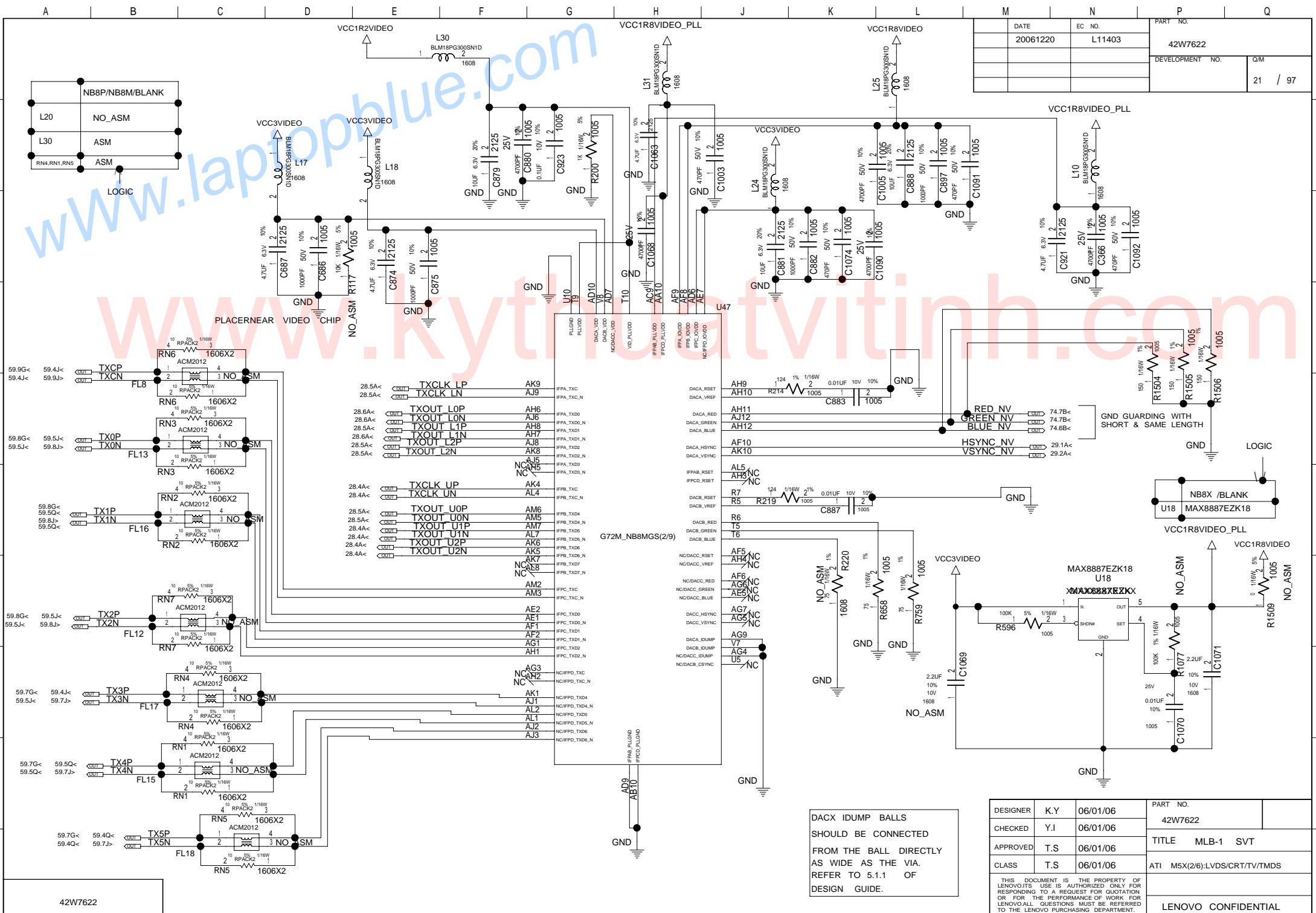
www.laptopblue.com

www.kyuhuatvithinh.com



42W7622

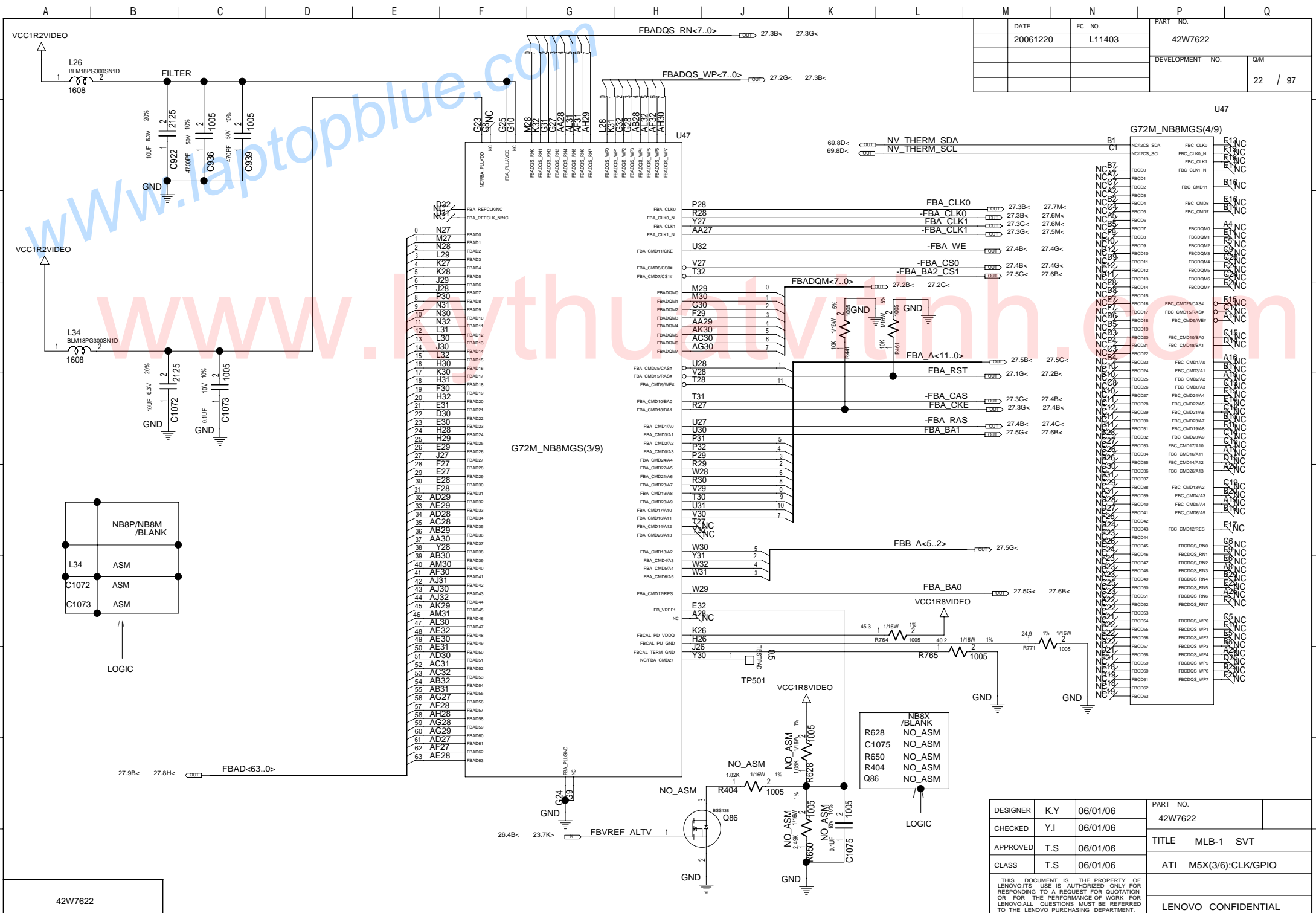
DESIGNER	K.Y	06/01/06	PART NO.	42W7622
CHECKED	Y.I	06/01/06	TITLE MLB-1 SVT	
APPROVED	T.S	06/01/06	DDR-2 DECOUPLING	
CLASS	T.S	06/01/06	LENOVO CONFIDENTIAL	
<small>THIS DOCUMENT IS THE PROPERTY OF LENOVO/TS. USE IS AUTHORIZED ONLY FOR RESPONDING TO A REQUEST FOR QUOTATION OR FOR THE PERFORMANCE OF WORK FOR LENOVO. ALL QUESTIONS MUST BE REFERRED TO THE LENOVO PURCHASING DEPARTMENT.</small>				



DATE	EC NO.	PART NO.
20061220	L11403	42W7622
DEVELOPMENT NO.		Q/M
		21 / 97

DESIGNER	K.Y	06/01/06	PART NO.	42W7622
CHECKED	Y.I	06/01/06	TITLE	MLB-1 SVT
APPROVED	T.S	06/01/06	ATI M5X(2/6):LVDS/CRT/TV/TMDS	
CLASS	T.S	06/01/06	LENOVO CONFIDENTIAL	

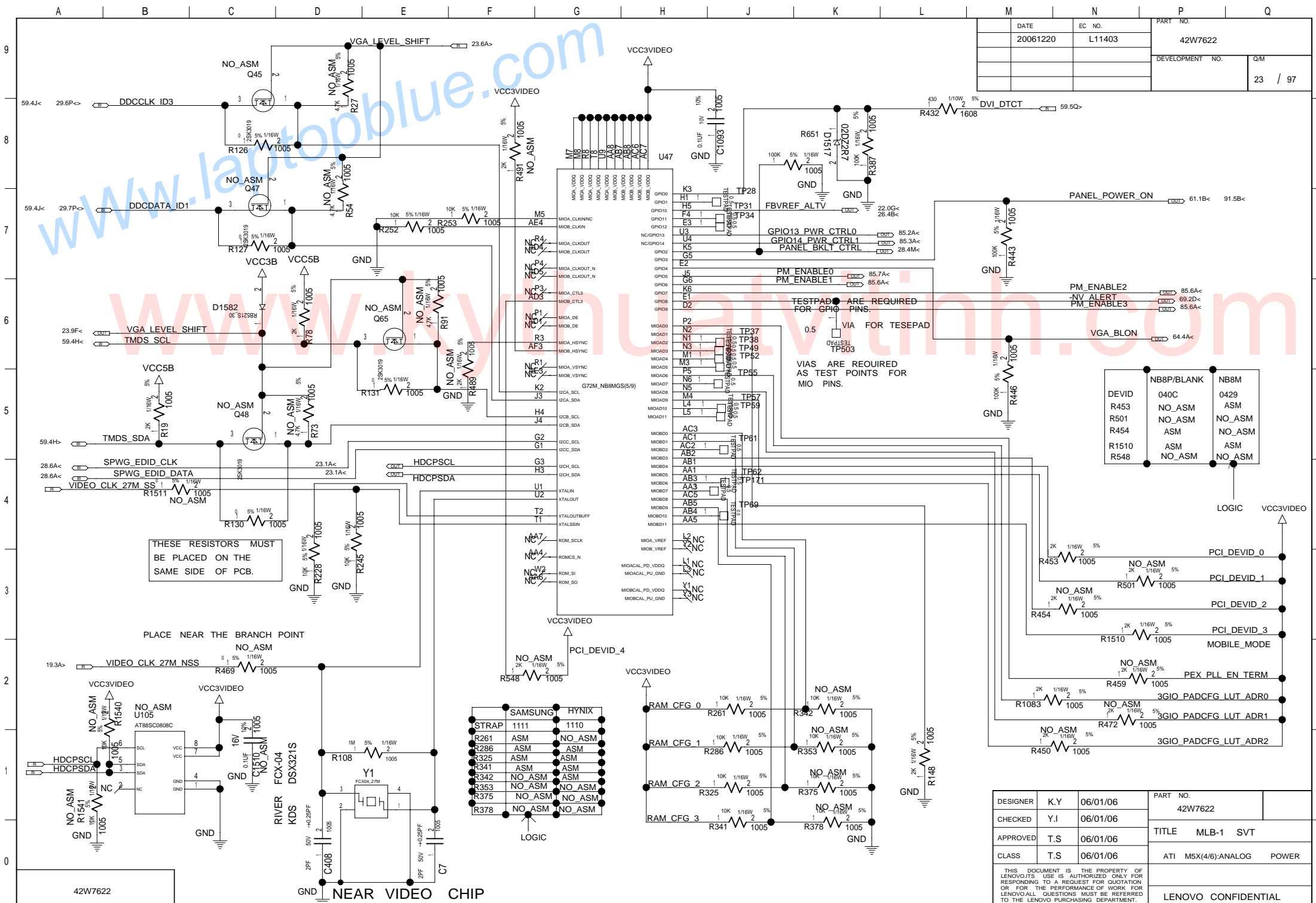
DACX IDUMP BALLS SHOULD BE CONNECTED FROM THE BALL DIRECTLY AS WIDE AS THE VIA. REFER TO 5.1.1 OF DESIGN GUIDE.



DATE	EC NO.	PART NO.
20061220	L11403	42W7622
DEVELOPMENT NO.		Q/M
		22 / 97

DESIGNER	K.Y	06/01/06	PART NO.	42W7622
CHECKED	Y.I	06/01/06	TITLE	MLB-1 SVT
APPROVED	T.S	06/01/06	CLASS	ATI M5X(3/6):CLK/GPIO
CLASS	T.S	06/01/06	LENOVO CONFIDENTIAL	

THIS DOCUMENT IS THE PROPERTY OF LENOVO/ITS USE IS AUTHORIZED ONLY FOR RESPONDING TO A REQUEST FOR QUOTATION OR FOR THE PERFORMANCE OF WORK FOR LENOVO/ALL QUESTIONS MUST BE REFERRED TO THE LENOVO PURCHASING DEPARTMENT.



DATE	EC NO.	PART NO.
20061220	L11403	42W7622
DEVELOPMENT NO.		Q/M
		23 / 97

THESE RESISTORS MUST BE PLACED ON THE SAME SIDE OF PCB.

PLACE NEAR THE BRANCH POINT

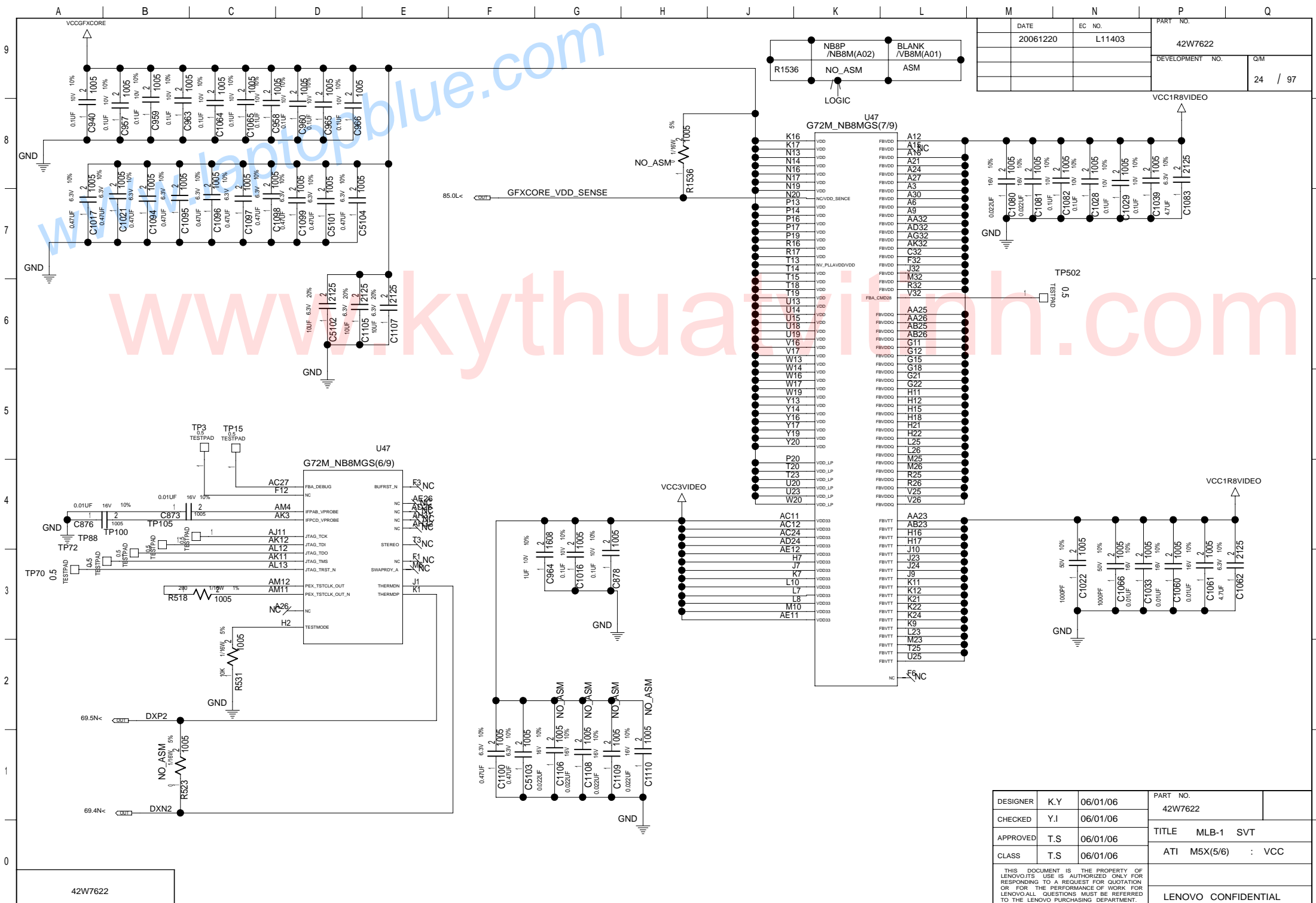
NEAR VIDEO CHIP

TESTPAD ARE REQUIRED FOR GPIO PINS.
VIA FOR TESEPAP
VIAS ARE REQUIRED AS TEST POINTS FOR MIO PINS.

DEVID	040C	0429
R453	NO_ASM	ASM
R501	NO_ASM	NO_ASM
R454	ASM	NO_ASM
R1510	ASM	ASM
R548	NO_ASM	NO_ASM
NB8P/BLANK		NB8M

DESIGNER	K.Y	06/01/06	PART NO.	42W7622
CHECKED	Y.I	06/01/06	TITLE MLB-1 SVT	
APPROVED	T.S	06/01/06	CLASS ATI M5X(4/6):ANALOG POWER	
CLASS	T.S	06/01/06	LENOVO CONFIDENTIAL	

THIS DOCUMENT IS THE PROPERTY OF LENOVO. ITS USE IS AUTHORIZED ONLY FOR RESPONDING TO A REQUEST FOR QUOTATION OR FOR THE PERFORMANCE OF WORK FOR LENOVO. ALL QUESTIONS MUST BE REFERRED TO THE LENOVO PURCHASING DEPARTMENT.



DATE	EC NO.	PART NO.
20061220	L11403	42W7622
DEVELOPMENT NO.		Q/M
		24 / 97

DESIGNER	K.Y	06/01/06	PART NO.	42W7622
CHECKED	Y.I	06/01/06	TITLE MLB-1 SVT	
APPROVED	T.S	06/01/06	ATI M5X(5/6) : VCC	
CLASS	T.S	06/01/06		
THIS DOCUMENT IS THE PROPERTY OF LENOVO/TS. USE IS AUTHORIZED ONLY FOR RESPONDING TO A REQUEST FOR QUOTATION OR FOR THE PERFORMANCE OF WORK FOR LENOVO. ALL QUESTIONS MUST BE REFERRED TO THE LENOVO PURCHASING DEPARTMENT.				
LENOVO CONFIDENTIAL				

A B C D E F G H J K L M N P Q

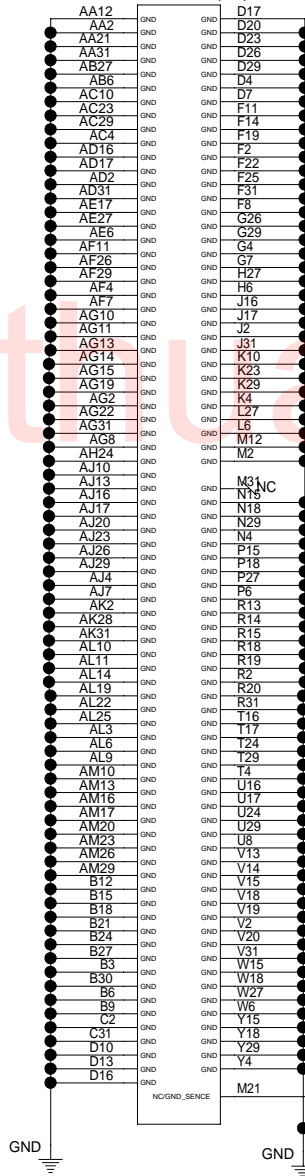
DATE	EC NO.	PART NO.	
20061220	L11403	42W7622	
		DEVELOPMENT NO.	Q/M
			25 / 97

www.laptopblue.com

www.kyotatvihin.com

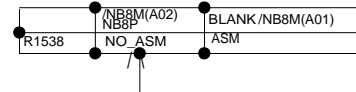
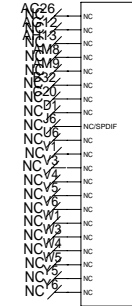
U47

G72M_NB8MGS(8/9)



U47

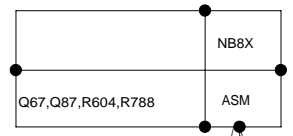
G72M_MB8MGS(9/9)



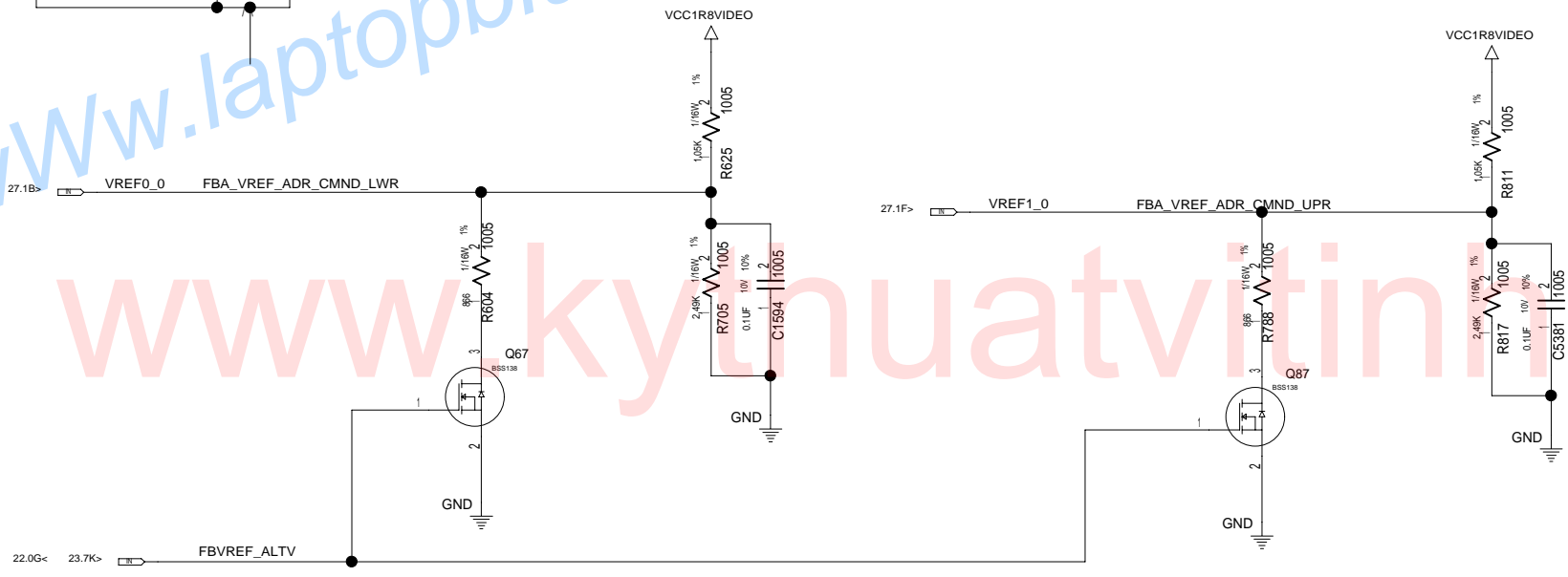
DESIGNER	K.Y	06/01/06	PART NO.	42W7622
CHECKED	Y.I	06/01/06	TITLE MLB-1 SVT	
APPROVED	T.S	06/01/06	CLASS ATI M5X(6/6) : GND	
<p>THIS DOCUMENT IS THE PROPERTY OF LENOVO. ITS USE IS AUTHORIZED ONLY FOR RESPONDING TO A REQUEST FOR QUOTATION OR FOR THE PERFORMANCE OF WORK FOR LENOVO. ALL QUESTIONS MUST BE REFERRED TO THE LENOVO PURCHASING DEPARTMENT.</p>				
LENOVO CONFIDENTIAL				

A B C D E F G H J K L M N P Q

DATE	EC NO.	PART NO.	
20061220	L11403	42W7622	
		DEVELOPMENT NO.	Q/M
			26 / 97

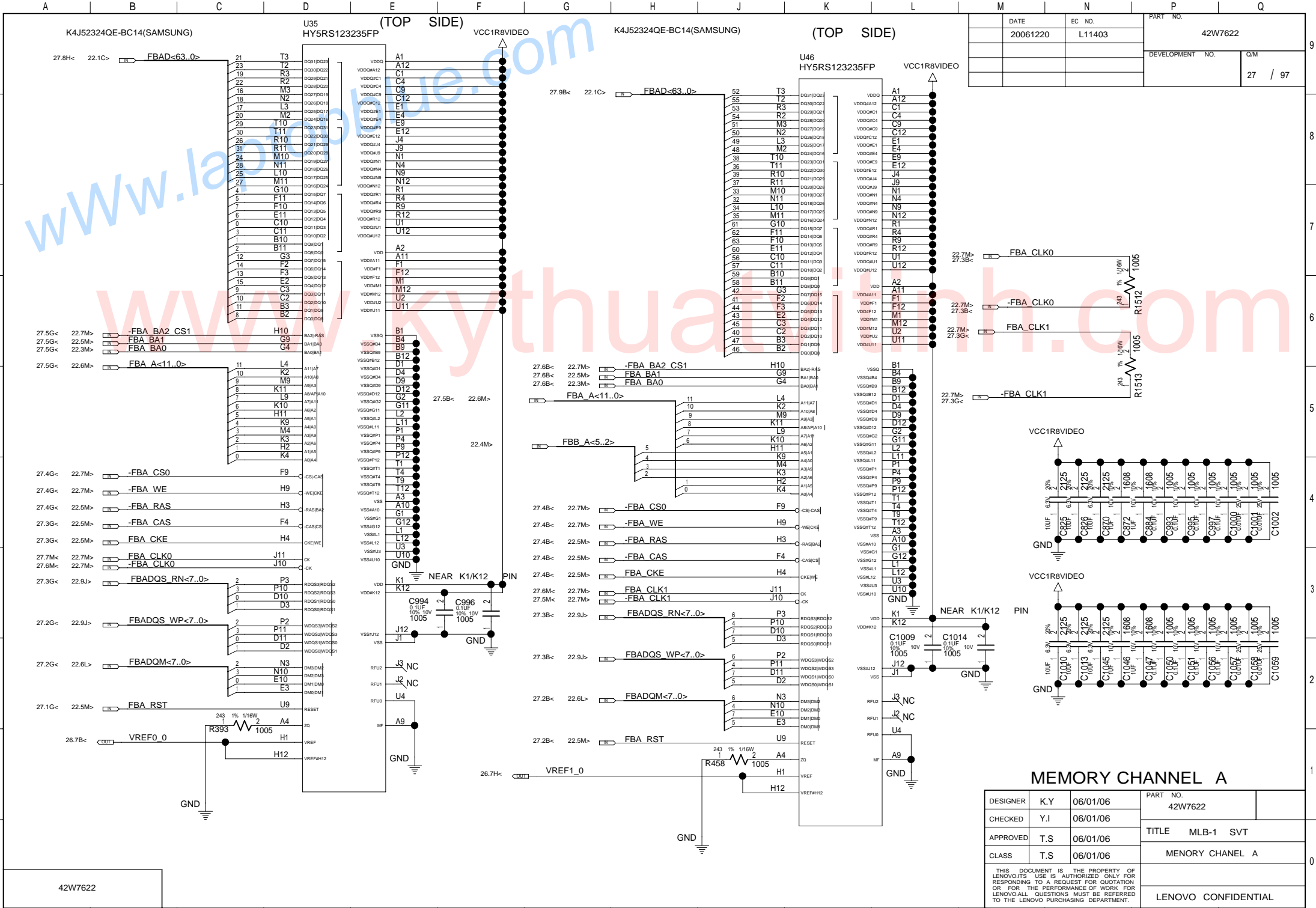


PLEASE COMPONENTS CLOSE TO THE RESPECTIVE PINS ON THE MEMORU



42W7622

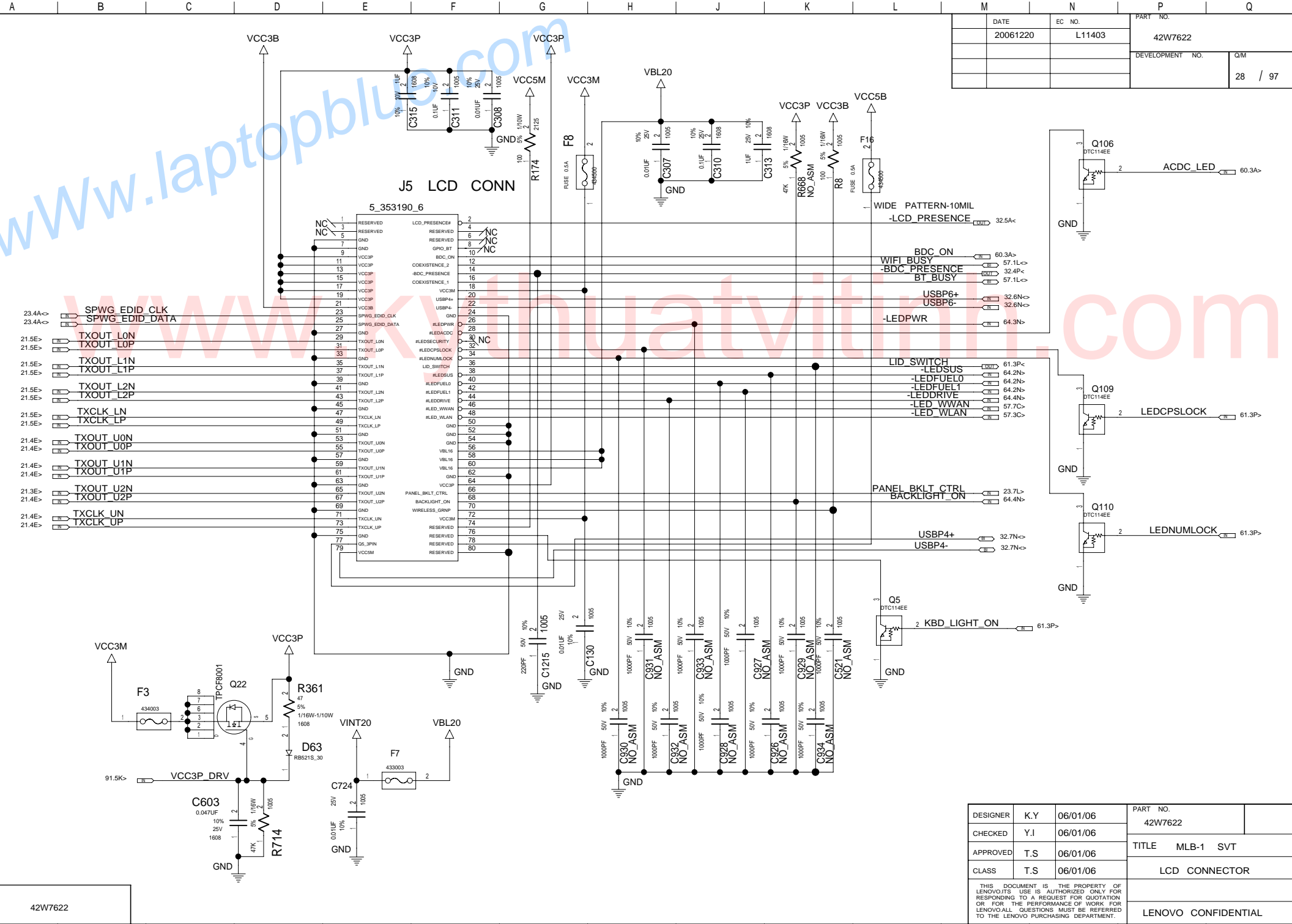
DESIGNER	K.Y	06/01/06	PART NO.	42W7622
CHECKED	Y.I	06/01/06	TITLE MLB-1 SVT	
APPROVED	T.S	06/01/06		
CLASS	T.S	06/01/06		
<p>THIS DOCUMENT IS THE PROPERTY OF LENOVO/ITS USE IS AUTHORIZED ONLY FOR RESPONDING TO A REQUEST FOR QUOTATION OR FOR THE PERFORMANCE OF WORK FOR LENOVO/ALL QUESTIONS MUST BE REFERRED TO THE LENOVO PURCHASING DEPARTMENT.</p>				
LENOVO CONFIDENTIAL				



DATE	EC NO.	PART NO.
20061220	L11403	42W7622
DEVELOPMENT NO.		Q/M
		27 / 97

DESIGNER K.Y 06/01/06			PART NO. 42W7622	
CHECKED Y.I 06/01/06			TITLE MLB-1 SVT	
APPROVED T.S 06/01/06			MEMORY CHANNEL A	
CLASS T.S 06/01/06			LENOVO CONFIDENTIAL	

THIS DOCUMENT IS THE PROPERTY OF LENOVO. ITS USE IS AUTHORIZED ONLY FOR RESPONDING TO A REQUEST FOR QUOTATION OR FOR THE PERFORMANCE OF WORK FOR LENOVO. ALL QUESTIONS MUST BE REFERRED TO THE LENOVO PURCHASING DEPARTMENT.



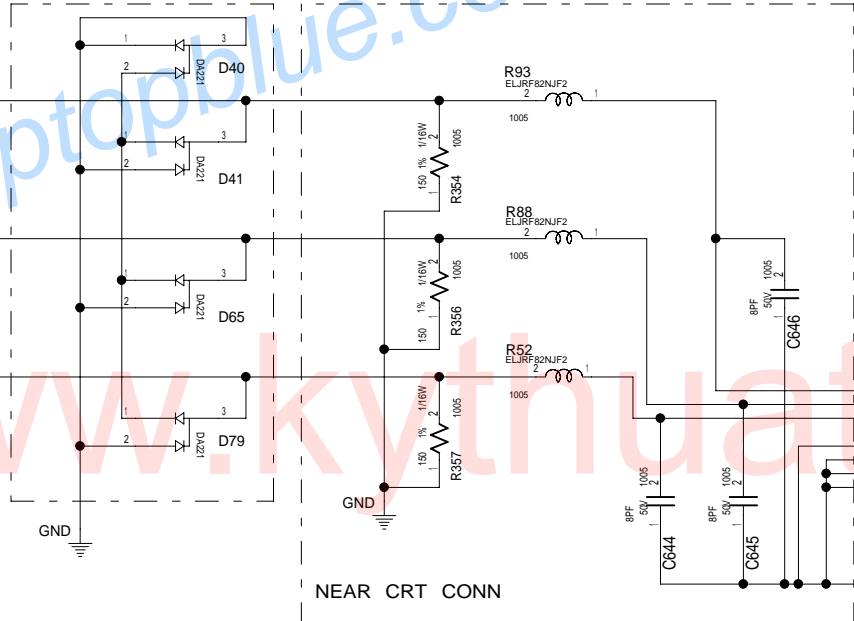
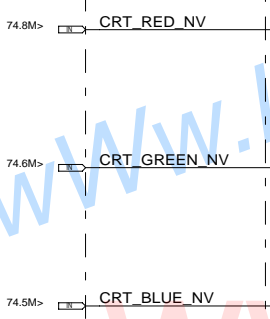
DATE	EC NO.	PART NO.
20061220	L11403	42W7622
		DEVELOPMENT NO.
		Q/M
		28 / 97

DESIGNER	K.Y	06/01/06	PART NO.	42W7622
CHECKED	Y.I	06/01/06	TITLE	MLB-1 SVT
APPROVED	T.S	06/01/06		LCD CONNECTOR
CLASS	T.S	06/01/06		LENOVO CONFIDENTIAL

THIS DOCUMENT IS THE PROPERTY OF LENOVO'S. USE IS AUTHORIZED ONLY FOR RESPONDING TO A REQUEST FOR QUOTATION OR FOR THE PERFORMANCE OF WORK FOR LENOVO. ALL QUESTIONS MUST BE REFERRED TO THE LENOVO PURCHASING DEPARTMENT.

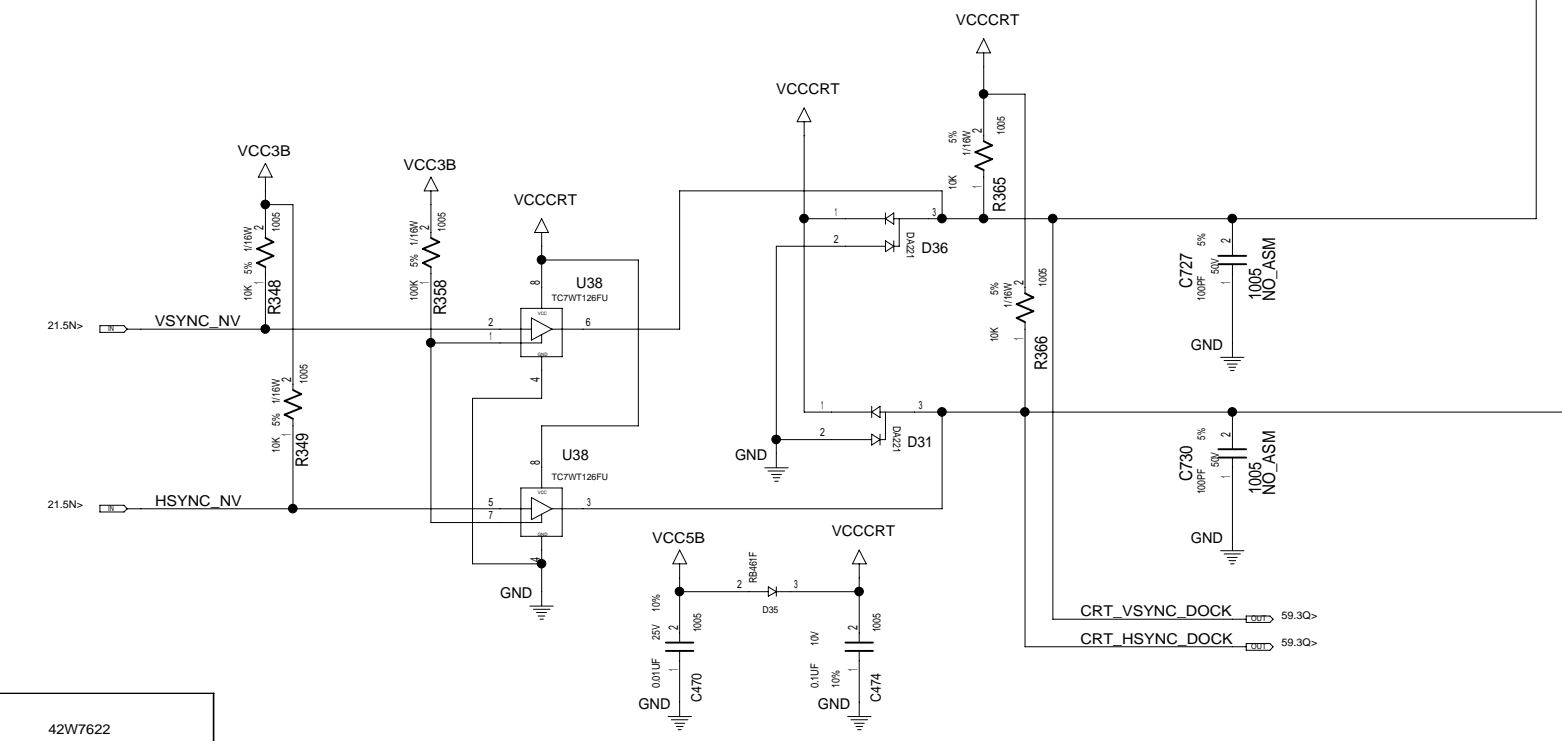
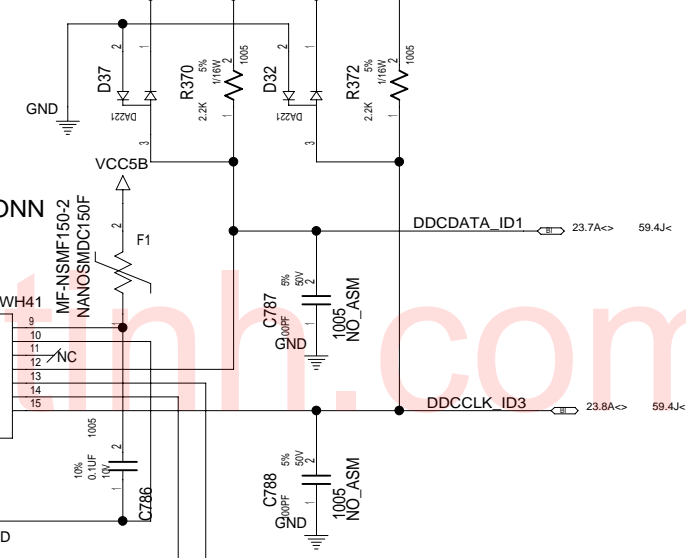
DATE	EC NO.	PART NO.
20061220	L11403	42W7622
DEVELOPMENT NO.		Q/M
		29 / 97

GND GUARDING
EACH SIGNAL WIDTH=4MIL,
SPACING=8MIL



CRT CONN

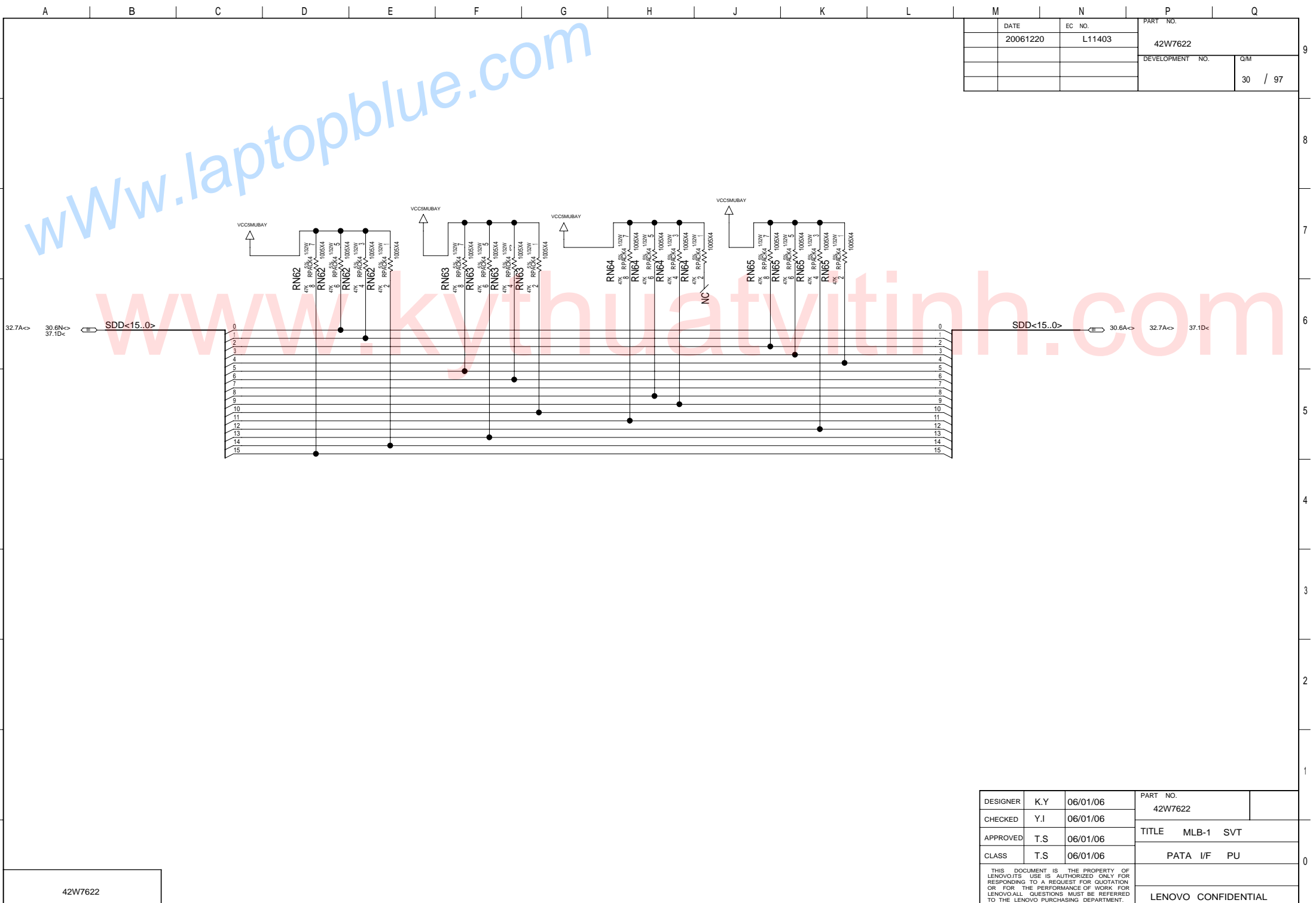
J31



DESIGNER	K.Y	06/01/06	PART NO.	42W7622
CHECKED	Y.I	06/01/06	TITLE	MLB-1 SVT
APPROVED	T.S	06/01/06	EXT CRT INTERFACE	
CLASS	T.S	06/01/06	LENOVO CONFIDENTIAL	

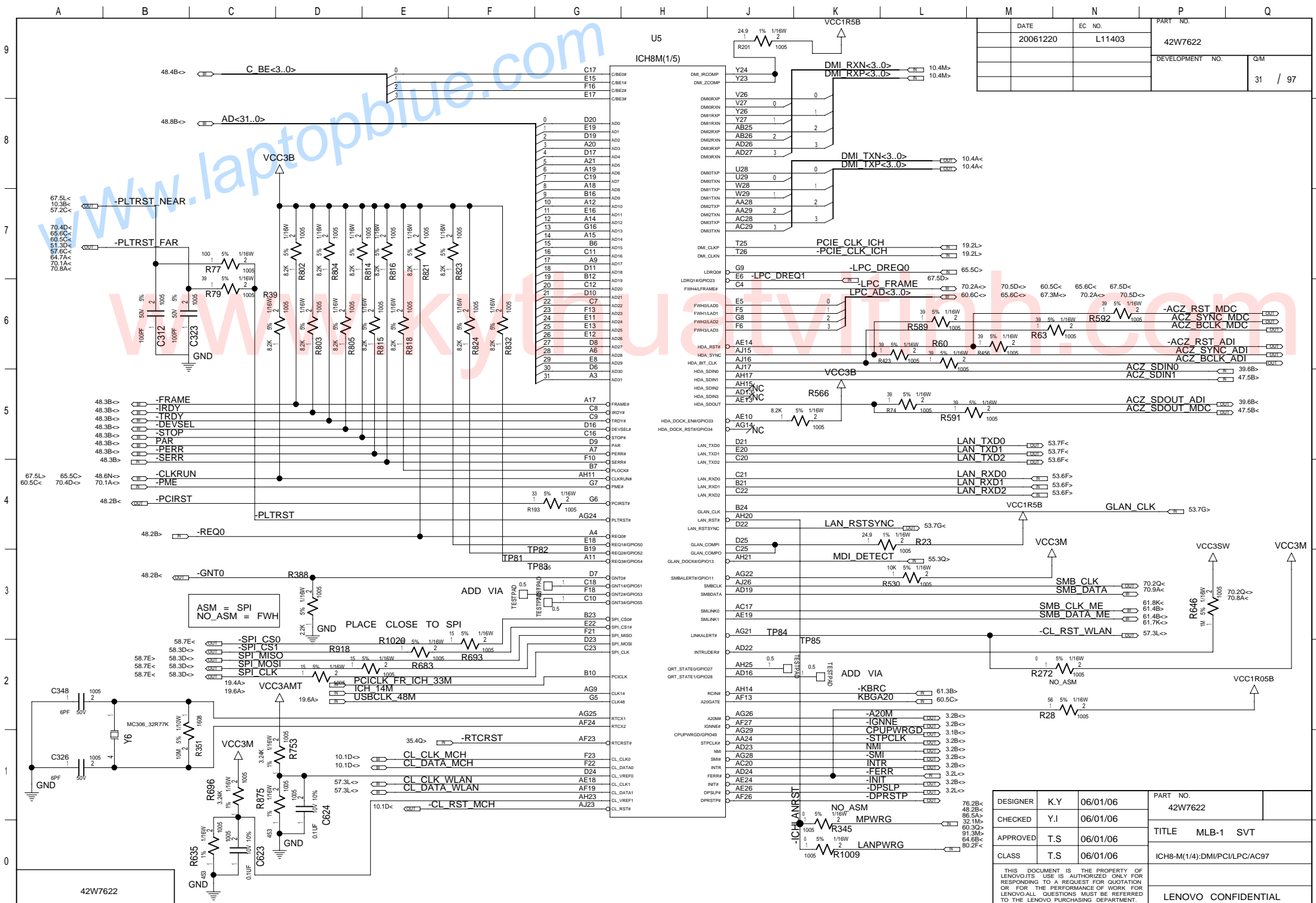
THIS DOCUMENT IS THE PROPERTY OF
LENOVO. USE IS AUTHORIZED ONLY FOR
RESPONDING TO A REQUEST FOR QUOTATION
OR FOR THE PERFORMANCE OF WORK FOR
LENOVO. ALL QUESTIONS MUST BE REFERRED
TO THE LENOVO PURCHASING DEPARTMENT.

DATE		EC NO.		PART NO.	
20061220		L11403		42W7622	
DEVELOPMENT NO.				Q/M	
				30 / 97	



42W7622

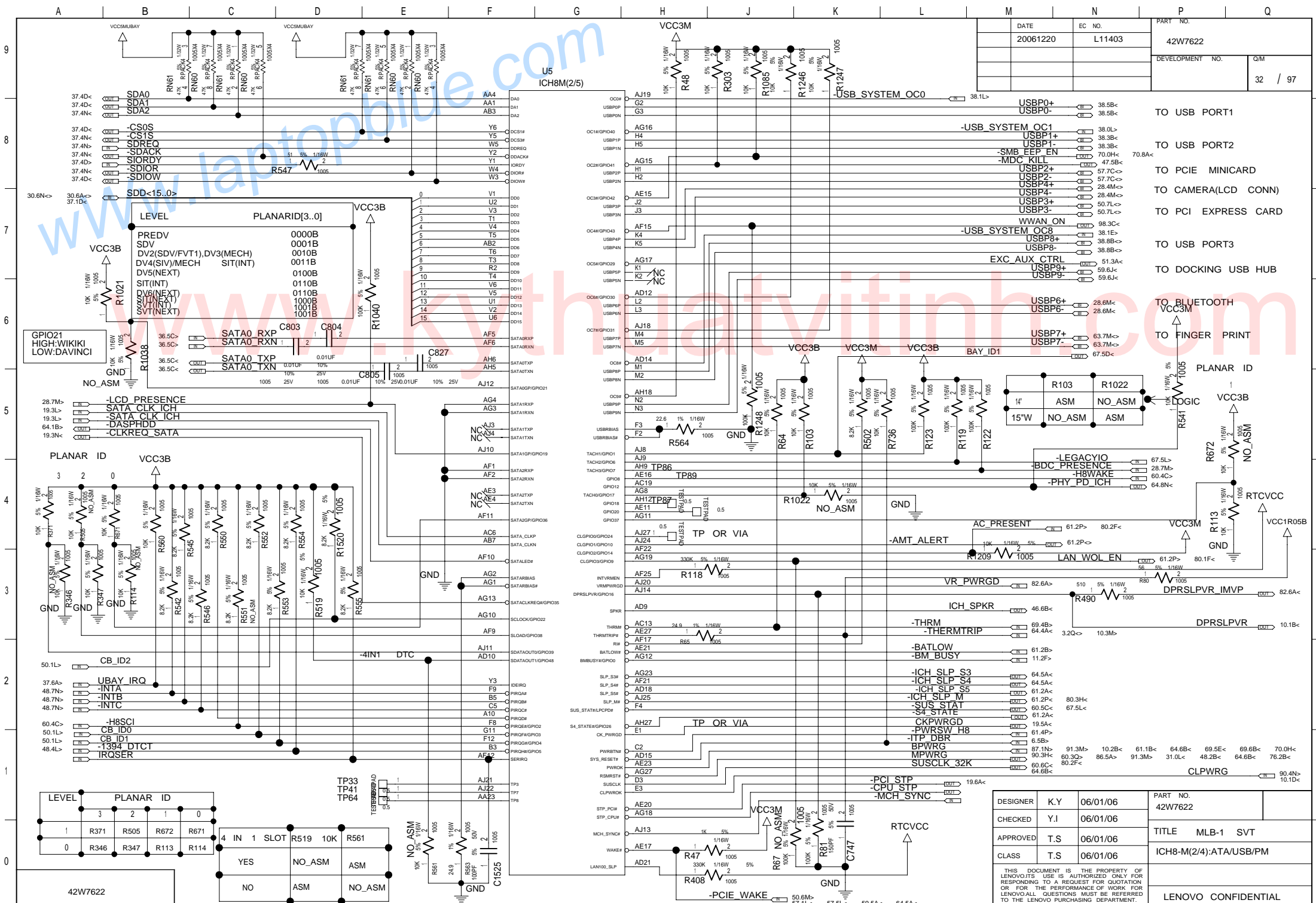
DESIGNER	K.Y	06/01/06	PART NO.	42W7622
CHECKED	Y.I	06/01/06	TITLE	MLB-1 SVT
APPROVED	T.S	06/01/06	CLASS	PATA I/F PU
CLASS	T.S	06/01/06	THIS DOCUMENT IS THE PROPERTY OF LENOVO. ITS USE IS AUTHORIZED ONLY FOR RESPONDING TO A REQUEST FOR QUOTATION OR FOR THE PERFORMANCE OF WORK FOR LENOVO. ALL QUESTIONS MUST BE REFERRED TO THE LENOVO PURCHASING DEPARTMENT.	
LENOVO CONFIDENTIAL				



DATE	EC NO.	PART NO.
20061220	L11403	42W7622
DEVELOPMENT NO.		Q/M
		31 / 97

DESIGNER	K.Y	06/01/06	PART NO.	42W7622
CHECKED	Y.I	06/01/06	TITLE	MLB-1 SVT
APPROVED	T.S	06/01/06	IC8M(1/4):DMI/PCI/LPC/AC97	
CLASS	T.S	06/01/06	LENOVO CONFIDENTIAL	

THIS DOCUMENT IS THE PROPERTY OF LENOVO. IT IS AUTHORIZED ONLY FOR RESPONDING TO A REQUEST FOR QUOTATION OR FOR THE PERFORMANCE OF WORK FOR LENOVO. ALL QUESTIONS MUST BE REFERRED TO THE LENOVO PURCHASING DEPARTMENT.



DATE	EC NO.	PART NO.
20061220	L11403	42W7622
DEVELOPMENT NO.		Q/M
		32 / 97

USBPO+	38.5B<	TO USB PORT1
USBPO-	38.5B<	
-USB SYSTEM OC1	38.0L>	
USBP1+	38.3B<	TO USB PORT2
USBP1-	38.3B<	
-SMB_EEP_EN	70.0H<	70.8A<
-MDC_KILL	47.5B<	
USBP2+	57.7C>	TO PCIE MINICARD
USBP2-	57.7C>	
USBP4+	28.4M<	TO CAMERA(LCD CONN)
USBP4-	28.4M<	
USBP3+	50.7L<	TO PCI EXPRESS CARD
USBP3-	50.7L<	
WWAN_ON	98.3C<	
-USB SYSTEM OC8	38.1E>	
USBP8+	38.8B<	TO USB PORT3
USBP8-	38.8B<	
EXC_AUX_CTRL	51.3A<	TO DOCKING USB HUB
USBP9+	59.6J<	
USBP9-	59.6J<	

USBP6+	28.6M<	TO BLUETOOTH
USBP6-	28.6M<	
USBP7+	63.7M<	TO FINGER PRINT
USBP7-	63.7M<	

BAY_ID1	LOGIC	PLANAR ID
R103	NO_ASM	
R1022	ASM	
R672	NO_ASM	

-LEGACYIO	67.5L>	
-BDC PRESENCE	28.7M>	
-H8WAKE	60.4C>	
-PHY_PD_ICH	64.8N<	

AC_PRESENT	61.2P>	80.2F<
-AMT_ALERT	61.2P>	
LAN_WOL_EN	61.2P>	80.1F<
VR_PWRGD	82.6A>	
DPRSPLVR_IMVP	82.6A<	

ICH_SPKR	46.6B<	
-THRM	69.4B>	
-THERMTRIP	64.4A<	
-BATLOW	61.2B>	
-BM_BUSY	11.2F>	
-ICH_SLP_S3	64.5A<	
-ICH_SLP_S4	64.5A<	
-ICH_SLP_S5	61.2A<	
-ICH_SLP_M	61.2P<	80.3H<
-SUS_STAT	60.5C<	67.5L<
-SUS_STATE	61.2A<	

CKPWRGD	19.5A<	
-PWRSW_H8	61.4F>	
-ITP_DBR	6.5B>	
BPWRGD	87.1N>	91.3M>
MPWRGD	90.3H>	10.2B>
SUSCLK_32K	60.6C<	61.1B<
-PCI_STP	19.6A<	64.6B<
-CPU_STP	60.3Q>	69.5E<
-MCH_SYNC	80.2F<	69.6B<
CLPWRG	90.4N>	70.0H<
		10.1D<

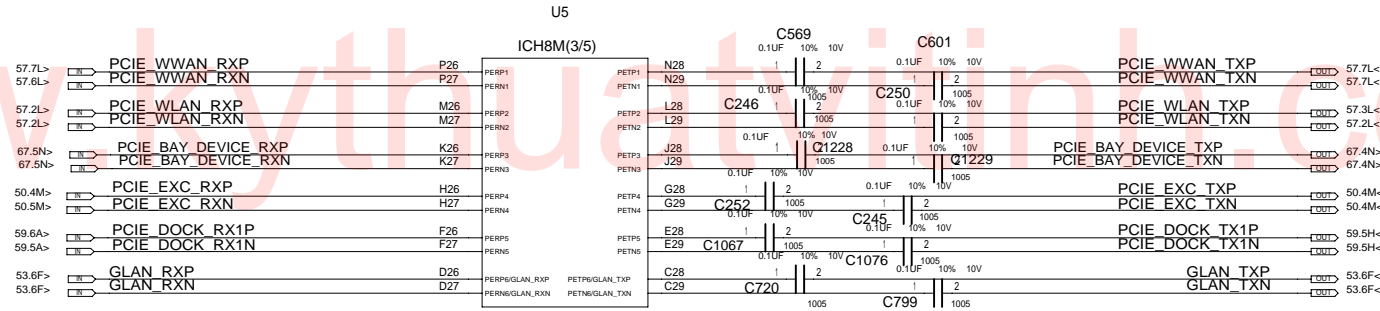
DESIGNER	K.Y	06/01/06	PART NO.	42W7622
CHECKED	Y.I	06/01/06	TITLE	MLB-1 SVT
APPROVED	T.S	06/01/06	ICH8-M(2/4):ATA/USB/PM	
CLASS	T.S	06/01/06	LENOVO CONFIDENTIAL	

THIS DOCUMENT IS THE PROPERTY OF LENOVO/ITS USE IS AUTHORIZED ONLY FOR RESPONDING TO A REQUEST FOR QUOTATION OR FOR THE PERFORMANCE OF WORK FOR LENOVO. ALL QUESTIONS MUST BE REFERRED TO THE LENOVO PURCHASING DEPARTMENT.

42W7622

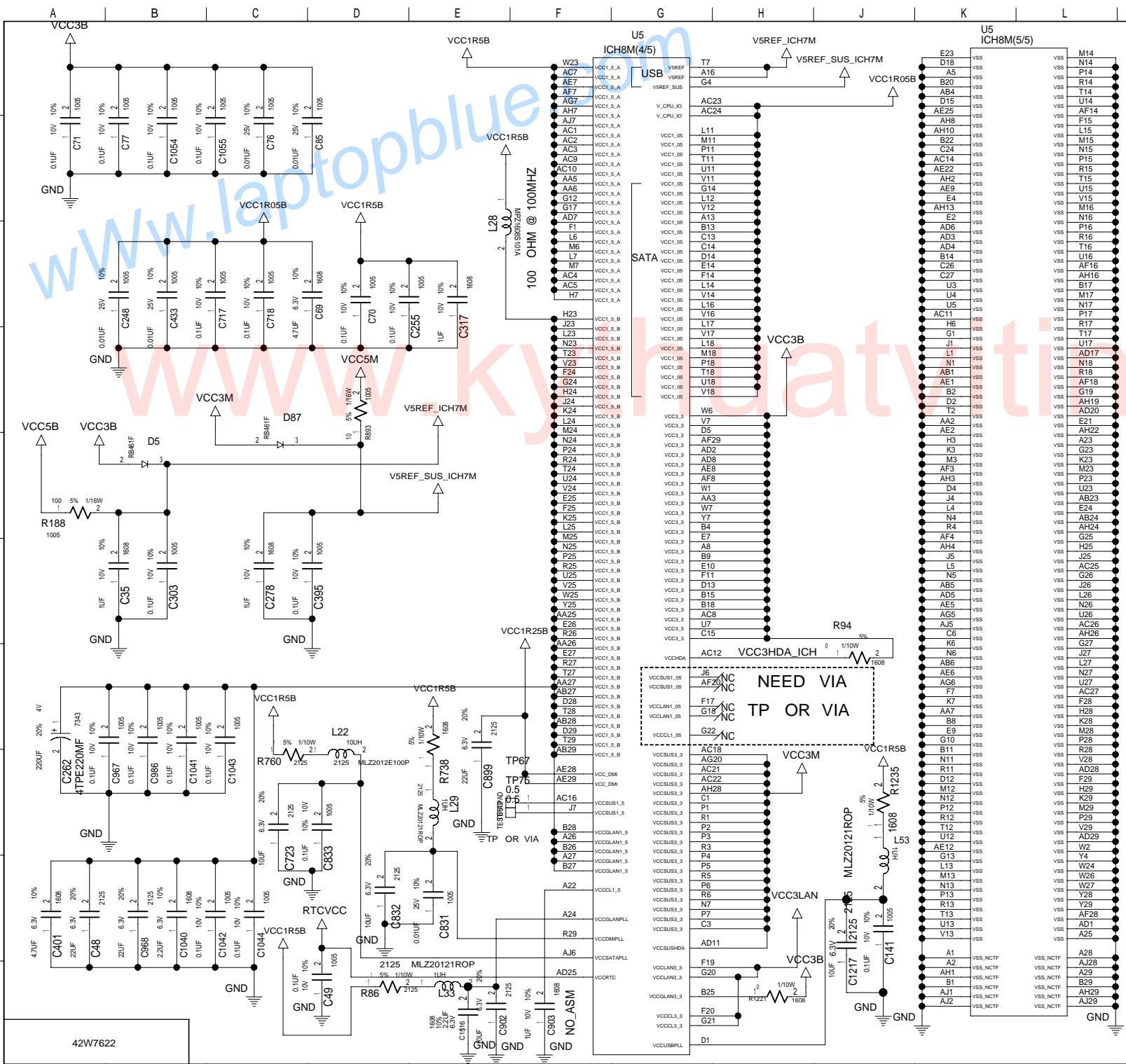
www.laptopblue.com

DATE	EC NO.	PART NO.	
20061220	L11403	42W7622	
		DEVELOPMENT NO.	Q/M
			33 / 97

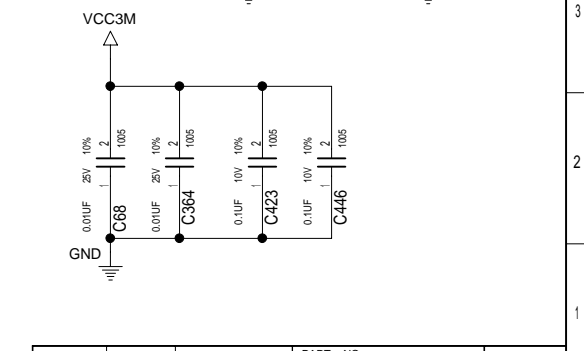
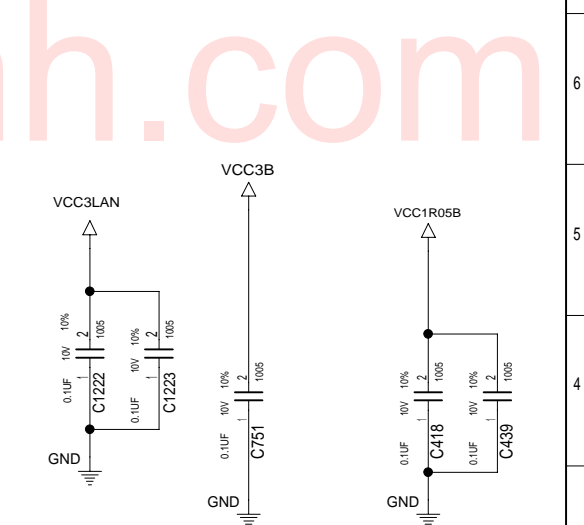
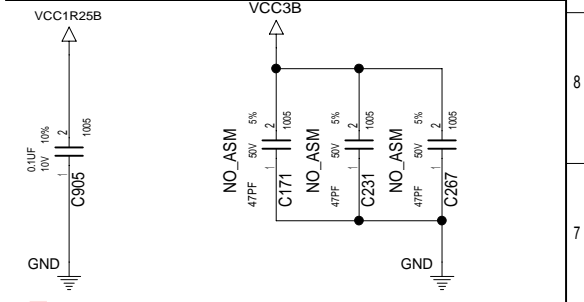


42W7622

DESIGNER	K.Y	06/01/06	PART NO.	
CHECKED	Y.I	06/01/06	42W7622	
APPROVED	T.S	06/01/06	TITLE MLB-1 SVT	
CLASS	T.S	06/01/06	ICH8-M(3/4):PCI	EXPRESS
THIS DOCUMENT IS THE PROPERTY OF LENOVO.ITS USE IS AUTHORIZED ONLY FOR RESPONDING TO A REQUEST FOR QUOTATION OR FOR THE PERFORMANCE OF WORK FOR LENOVO.ALL QUESTIONS MUST BE REFERRED TO THE LENOVO PURCHASING DEPARTMENT.				
LENOVO CONFIDENTIAL				



DATE	EC NO.	PART NO.	DEVELOPMENT NO.	Q/M
20061220	L11403	42W7622		34 / 97

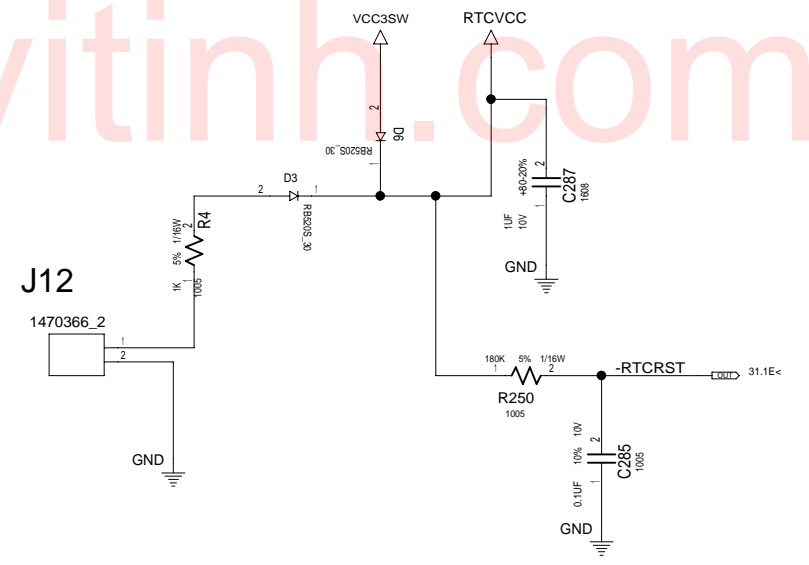


DESIGNER	K.Y	06/01/06	PART NO.
CHECKED	Y.I	06/01/06	42W7622
APPROVED	T.S	06/01/06	TITLE MLB-1 SVT
CLASS	T.S	06/01/06	ICH8-M(4/4):VCC/GND
<small>THIS DOCUMENT IS THE PROPERTY OF LENOVO/ITS USE IS AUTHORIZED ONLY FOR RESPONDING TO A REQUEST FOR QUOTATION OR FOR THE PERFORMANCE OF WORK FOR LENOVO/ALL QUESTIONS MUST BE REFERRED TO THE LENOVO PURCHASING DEPARTMENT.</small>			LENOVO CONFIDENTIAL

www.laptopblue.com

www.kythuativinh.com

DATE	EC NO.	PART NO.	
20061220	L11403	42W7622	
		DEVELOPMENT NO.	Q/M
			35 / 97



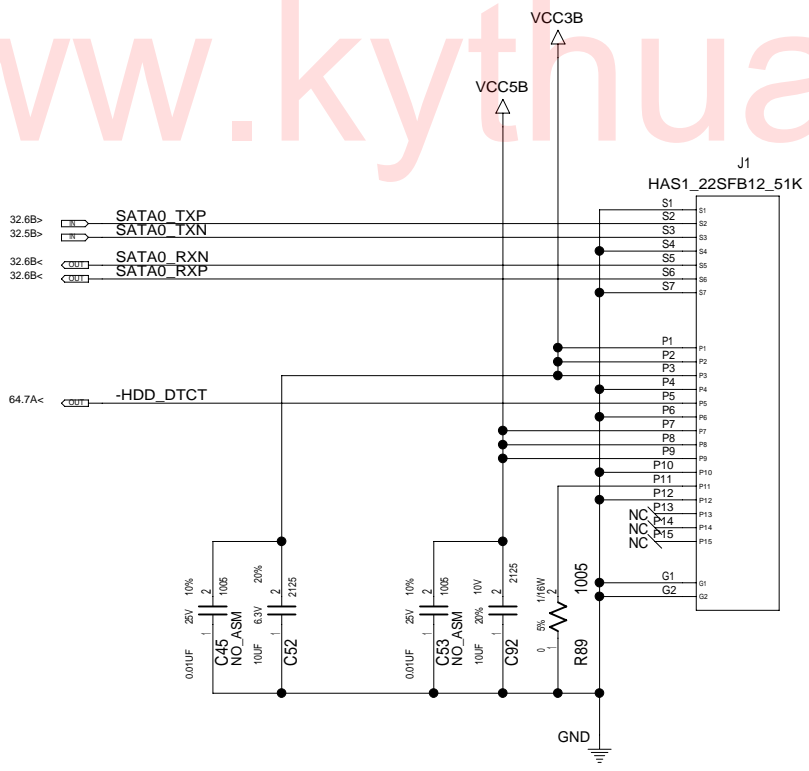
42W7622

DESIGNER	K.Y	06/01/06	PART NO.	
CHECKED	Y.I	06/01/06	42W7622	
APPROVED	T.S	06/01/06	TITLE	MLB-1 SVT
CLASS	T.S	06/01/06		FWH,RTC BATTERY
<small>THIS DOCUMENT IS THE PROPERTY OF LENOVO/TS. USE IS AUTHORIZED ONLY FOR RESPONDING TO A REQUEST FOR QUOTATION OR FOR THE PERFORMANCE OF WORK FOR LENOVO. ALL QUESTIONS MUST BE REFERRED TO THE LENOVO PURCHASING DEPARTMENT.</small>				LENOVO CONFIDENTIAL

www.laptopblue.com

www.kythuatvithinh.com

DATE	EC NO.	PART NO.	
20061220	L11403	42W7622	
		DEVELOPMENT NO.	Q/M
			36 / 97



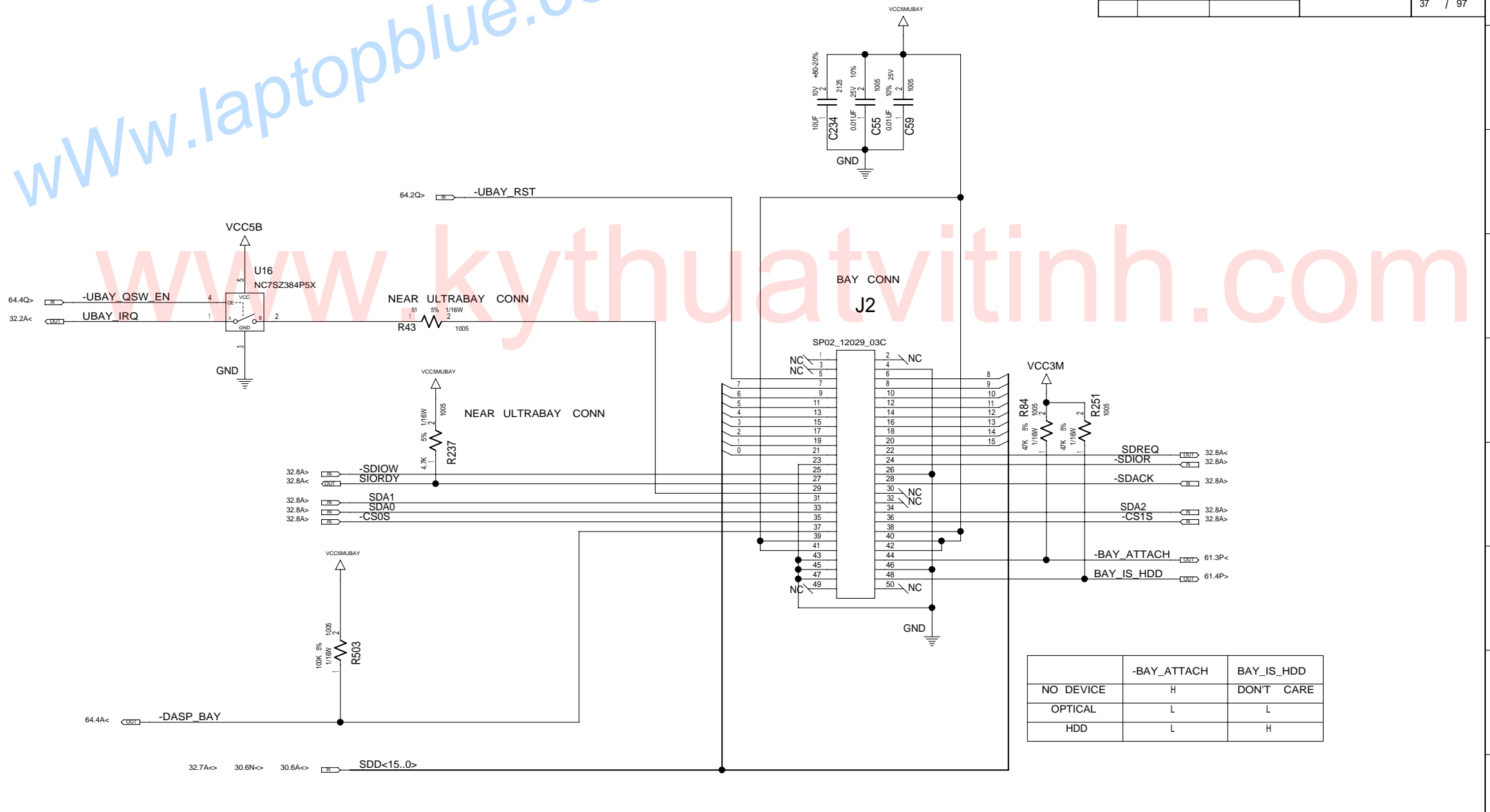
42W7622

DESIGNER	K.Y	06/01/06	PART NO.	42W7622
CHECKED	Y.I	06/01/06	TITLE	MLB-1 SVT
APPROVED	T.S	06/01/06	CLASS	SATA HDD CONN
CLASS	T.S	06/01/06	THIS DOCUMENT IS THE PROPERTY OF LENOVO/ITS USE IS AUTHORIZED ONLY FOR RESPONDING TO A REQUEST FOR QUOTATION OR FOR THE PERFORMANCE OF WORK FOR LENOVO/ALL QUESTIONS MUST BE REFERRED TO THE LENOVO PURCHASING DEPARTMENT.	
LENOVO CONFIDENTIAL				

DATE	EC NO.	PART NO.	
20061220	L11403	42W7622	
		DEVELOPMENT NO.	Q/M
			37 / 97

www.laptopblue.com

www.kythuatvinh.com



	-BAY_ATTACH	BAY_IS_HDD
NO DEVICE	H	DON'T CARE
OPTICAL	L	L
HDD	L	H

DESIGNER	K.Y	06/01/06	PART NO.	42W7622
CHECKED	Y.I	06/01/06	TITLE MLB-1 SVT	
APPROVED	T.S	06/01/06	BAY I/F CONN	
CLASS	T.S	06/01/06	LENOVO CONFIDENTIAL	
<small>THIS DOCUMENT IS THE PROPERTY OF LENOVO/ITS USE IS AUTHORIZED ONLY FOR RESPONDING TO A REQUEST FOR QUOTATION OR FOR THE PERFORMANCE OF WORK FOR LENOVO. ALL QUESTIONS MUST BE REFERRED TO THE LENOVO PURCHASING DEPARTMENT.</small>				

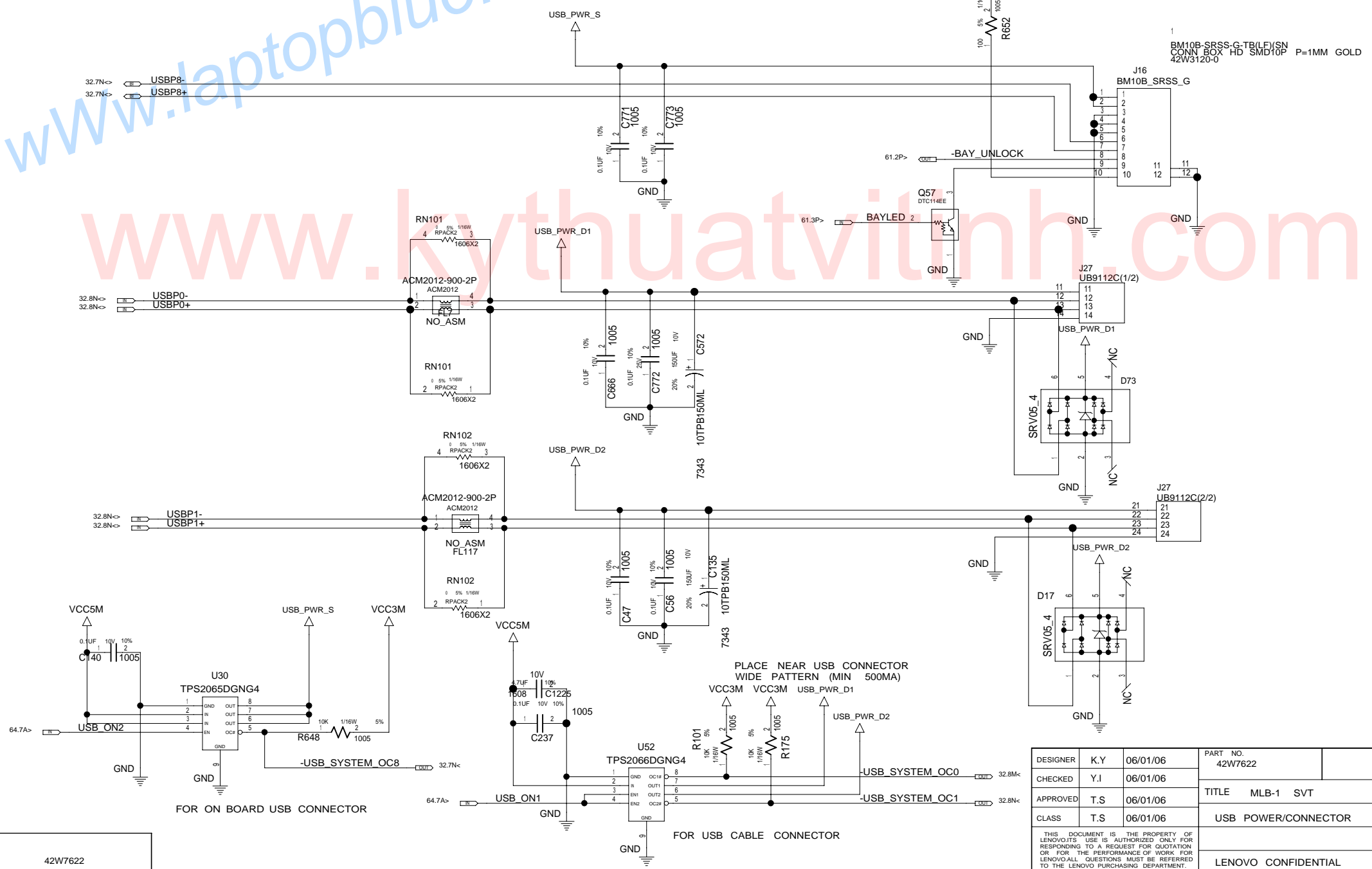
42W7622

A B C D E F G H J K L M N P Q

DATE	EC NO.	PART NO.
20061220	L11403	42W7622
DEVELOPMENT NO.		Q/M
		38 / 97

www.laptopblue.com

www.kythuatvith.com



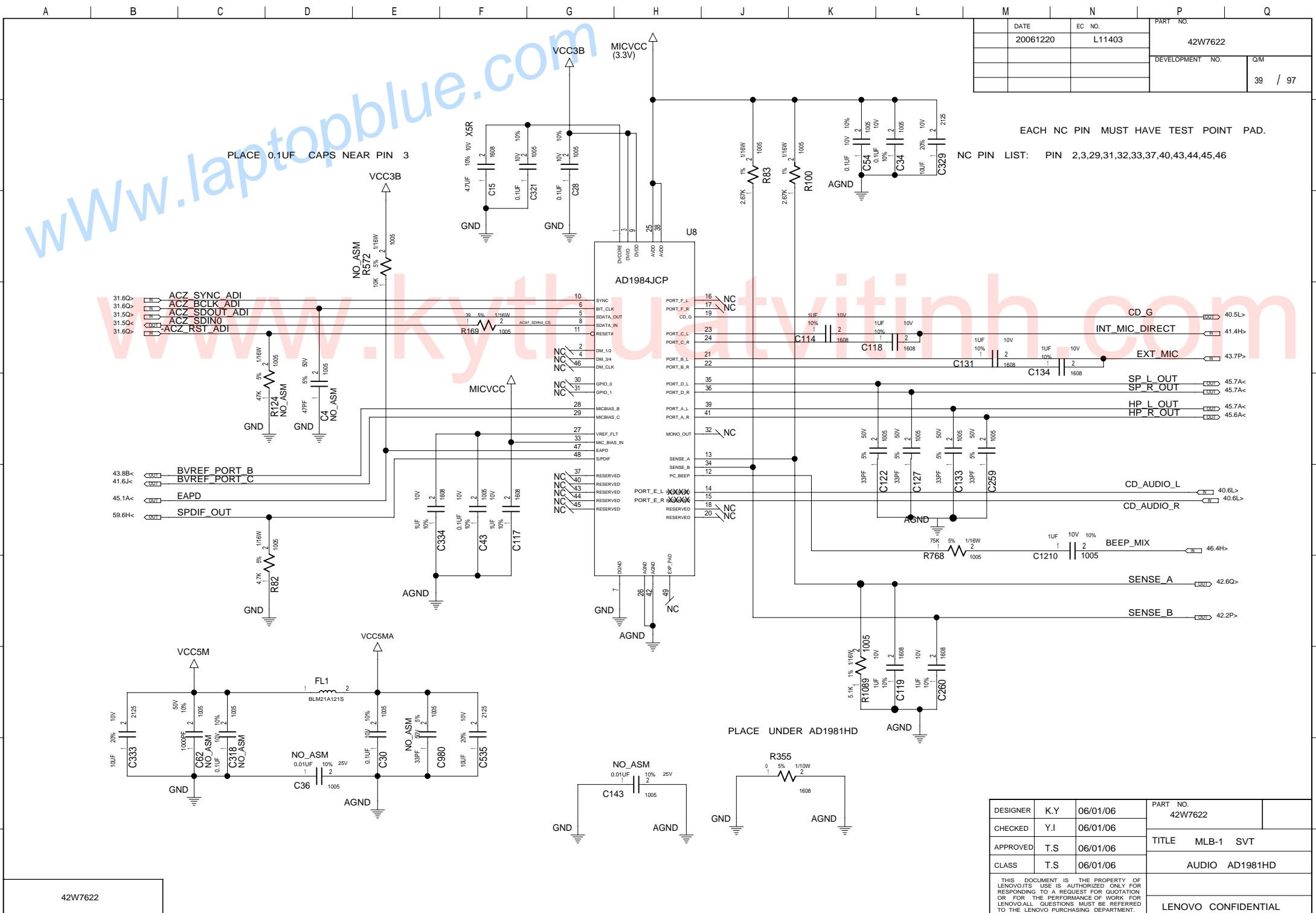
BM10B-SRSS-G-TB(LF)/SN
CONN BOX HD SMD10P P=1MM GOLD
42W3120-0

DESIGNER	K.Y	06/01/06	PART NO.	42W7622
CHECKED	Y.I	06/01/06	TITLE	MLB-1 SVT
APPROVED	T.S	06/01/06	CLASS	USB POWER/CONNECTOR
THIS DOCUMENT IS THE PROPERTY OF LENOVO/ITS USE IS AUTHORIZED ONLY FOR RESPONDING TO A REQUEST FOR QUOTATION OR FOR THE PERFORMANCE OF WORK FOR LENOVO/ALL QUESTIONS MUST BE REFERRED TO THE LENOVO PURCHASING DEPARTMENT.				LENOVO CONFIDENTIAL

A B C D E F G H J K L M N P Q

DATE	EC NO.	PART NO.
20061220	L11403	42W7622
DEVELOPMENT NO.		Q/M
		39 / 97

EACH NC PIN MUST HAVE TEST POINT PAD.
 NC PIN LIST: PIN 2,3,29,31,32,33,37,40,43,44,45,46



PLACE 0.1UF CAPS NEAR PIN 3

PLACE UNDER AD1981HD

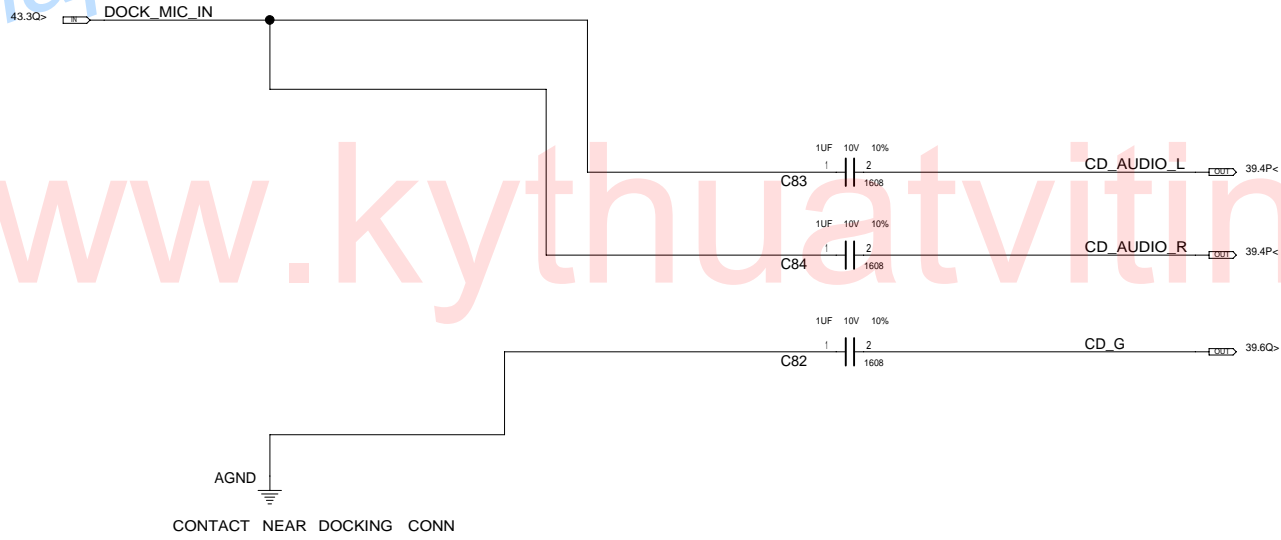
DESIGNER	K.Y	06/01/06	PART NO.	42W7622
CHECKED	Y.I	06/01/06	TITLE MLB-1 SVT	
APPROVED	T.S	06/01/06	AUDIO AD1981HD	
CLASS	T.S	06/01/06	LENOVO CONFIDENTIAL	

THIS DOCUMENT IS THE PROPERTY OF LENOVO/ITS USE IS AUTHORIZED ONLY FOR RESPONDING TO A REQUEST FOR QUOTATION OR FOR THE PERFORMANCE OF WORK FOR LENOVO. ALL QUESTIONS MUST BE REFERRED TO THE LENOVO PURCHASING DEPARTMENT.

DATE	EC NO.	PART NO.	
20061220	L11403	42W7622	
		DEVELOPMENT NO.	Q/M
			40 / 97

www.laptopblue.com

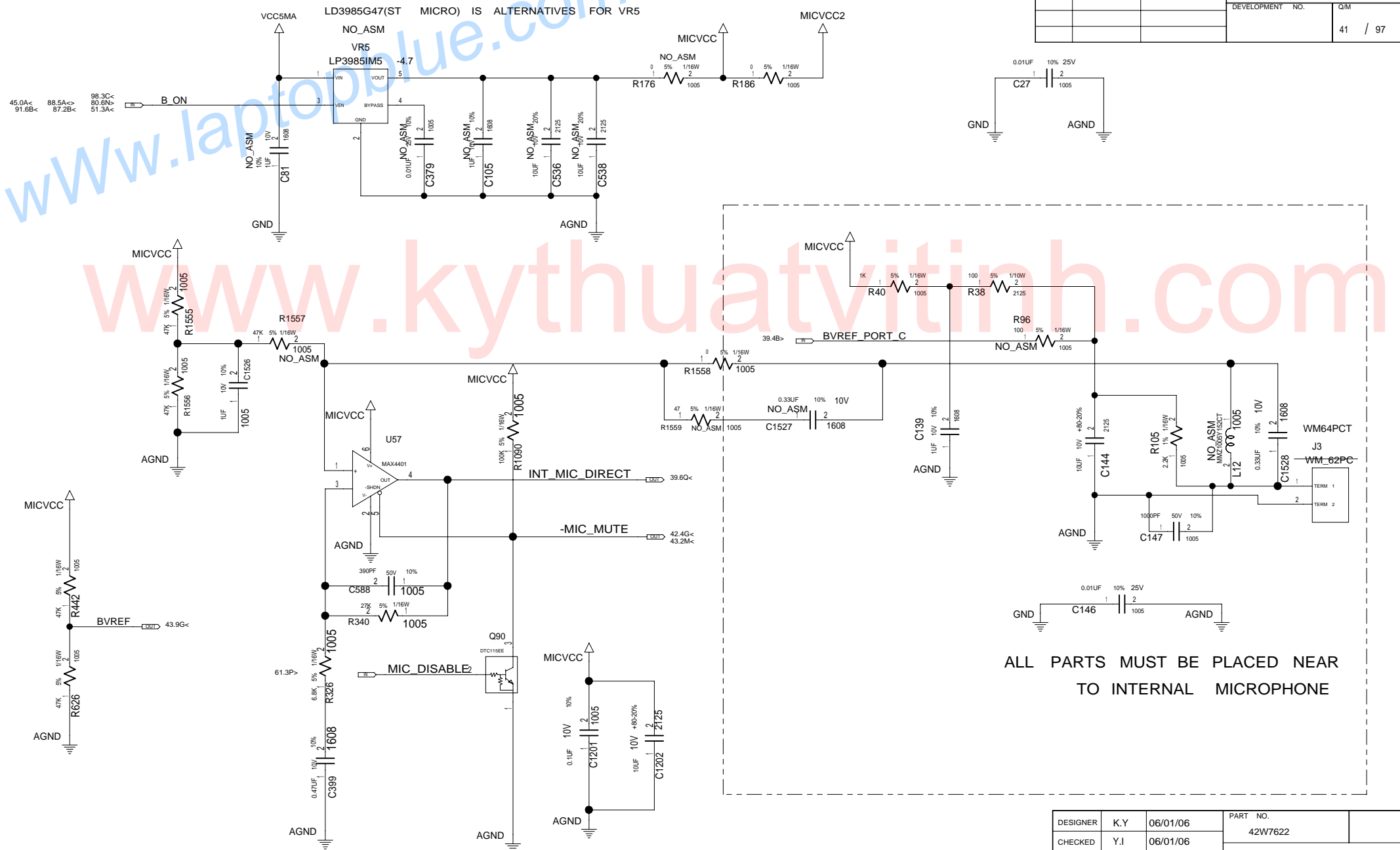
www.kythuatvithinh.com



42W7622

DESIGNER	K.Y	06/01/06	PART NO.	42W7622
CHECKED	Y.I	06/01/06	TITLE MLB-1 SVT	
APPROVED	T.S	06/01/06		
CLASS	T.S	06/01/06	AUDIO MISC	
<small>THIS DOCUMENT IS THE PROPERTY OF LENOVO/ITS USE IS AUTHORIZED ONLY FOR RESPONDING TO A REQUEST FOR QUOTATION OR FOR THE PERFORMANCE OF WORK FOR LENOVO/ALL QUESTIONS MUST BE REFERRED TO THE LENOVO PURCHASING DEPARTMENT.</small>				
LENOVO CONFIDENTIAL				

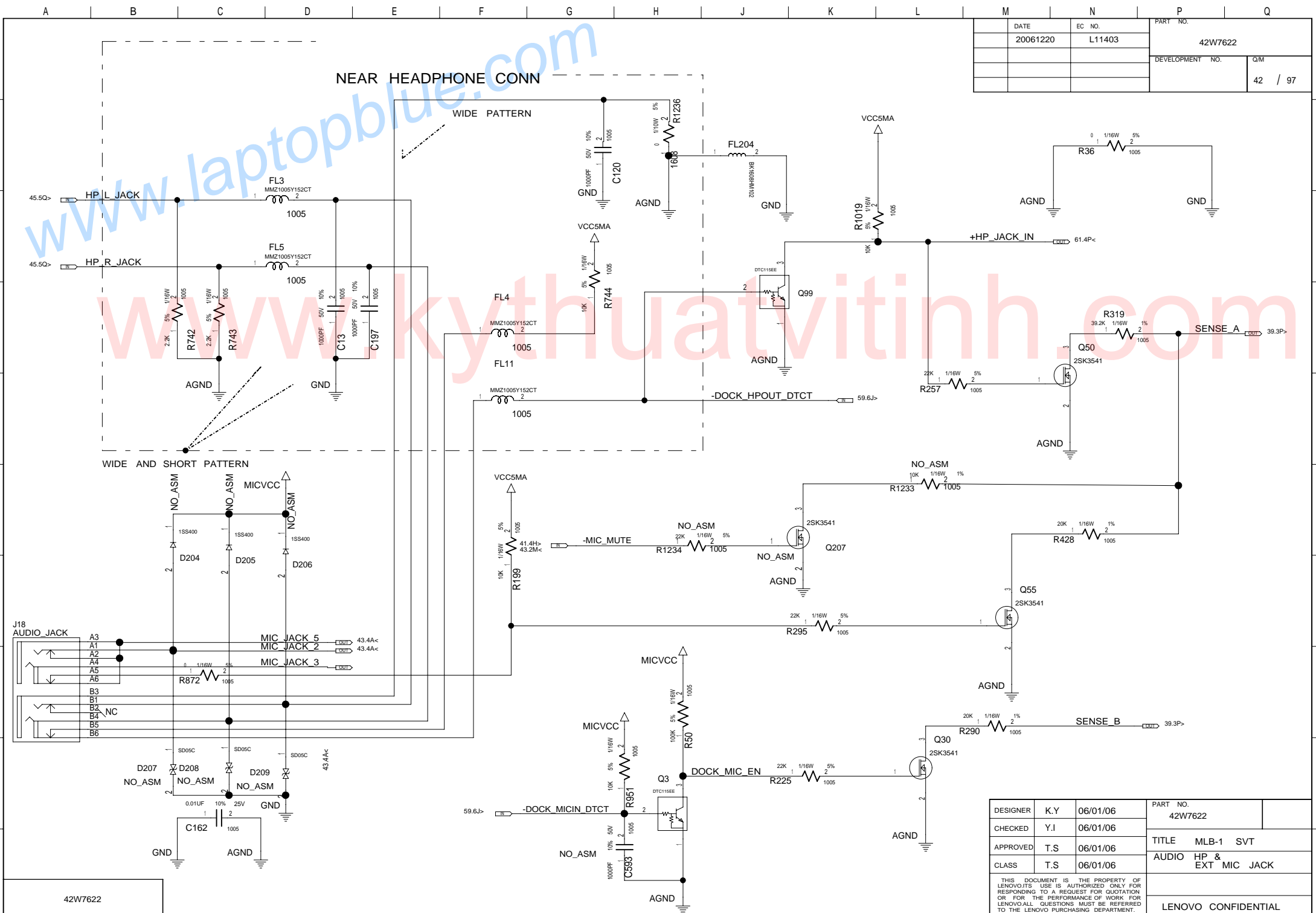
DATE	EC NO.	PART NO.
20061220	L11403	42W7622
DEVELOPMENT NO.		Q/M
		41 / 97



ALL PARTS MUST BE PLACED NEAR TO INTERNAL MICROPHONE

DESIGNER	K.Y	06/01/06	PART NO.	42W7622
CHECKED	Y.I	06/01/06	TITLE	MLB-1 SVT
APPROVED	T.S	06/01/06	CLASS	AUDIO INT MIC
CLASS	T.S	06/01/06	THIS DOCUMENT IS THE PROPERTY OF LENOVO/ITS USE IS AUTHORIZED ONLY FOR RESPONDING TO A REQUEST FOR QUOTATION OR FOR THE PERFORMANCE OF WORK FOR LENOVO. ALL QUESTIONS MUST BE REFERRED TO THE LENOVO PURCHASING DEPARTMENT.	
LENOVO CONFIDENTIAL				

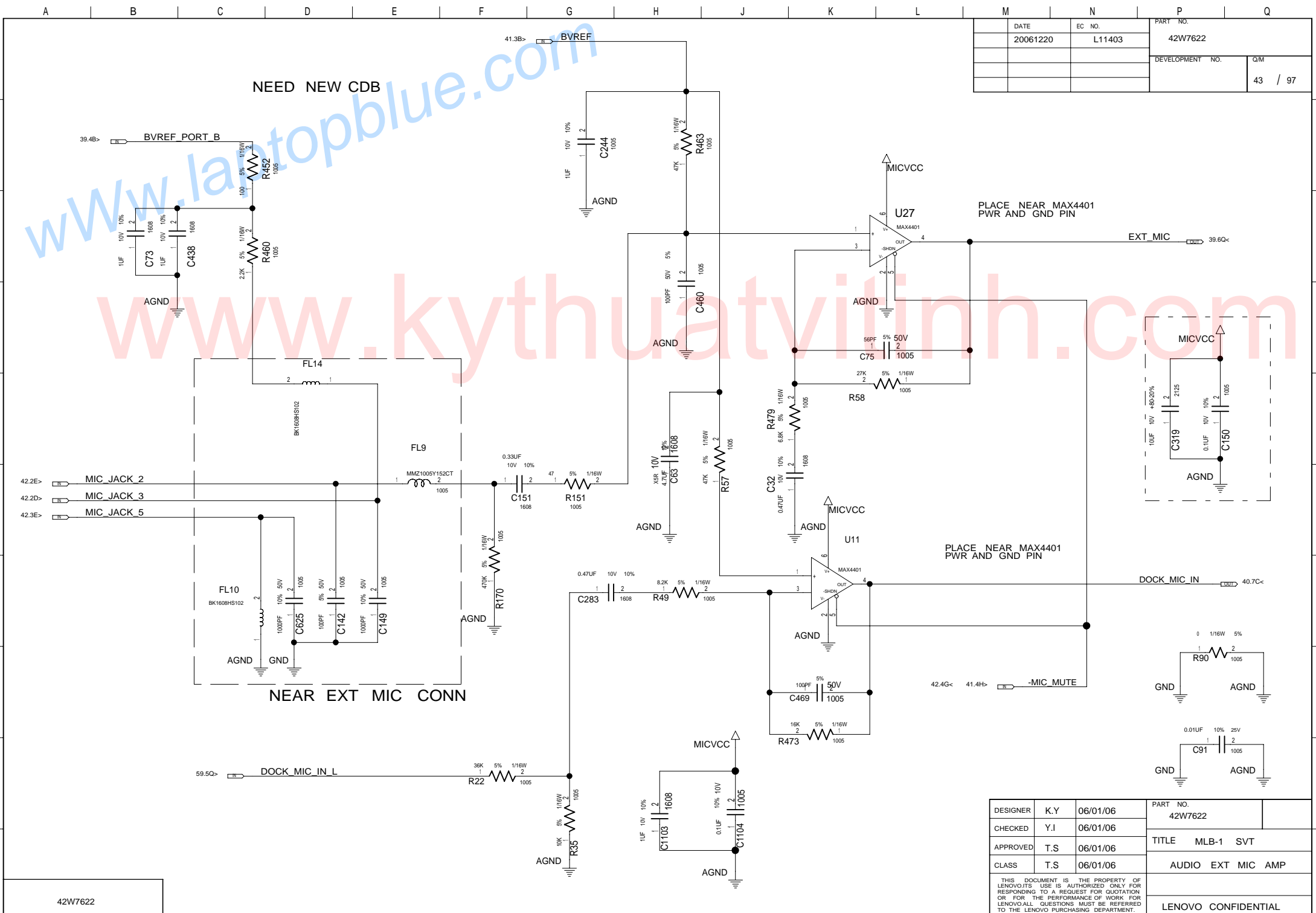
DATE	EC NO.	PART NO.
20061220	L11403	42W7622
DEVELOPMENT NO.		Q/M
		42 / 97



42W7622

DESIGNER	K.Y	06/01/06	PART NO.	42W7622
CHECKED	Y.I	06/01/06	TITLE MLB-1 SVT	
APPROVED	T.S	06/01/06	AUDIO HP & EXT MIC JACK	
CLASS	T.S	06/01/06	LENOVO CONFIDENTIAL	

THIS DOCUMENT IS THE PROPERTY OF LENOVO/ITS USE IS AUTHORIZED ONLY FOR RESPONDING TO A REQUEST FOR QUOTATION OR FOR THE PERFORMANCE OF WORK FOR LENOVO/ALL QUESTIONS MUST BE REFERRED TO THE LENOVO PURCHASING DEPARTMENT.



DATE	EC NO.	PART NO.
20061220	L11403	42W7622
DEVELOPMENT NO.		Q/M
		43 / 97

PLACE NEAR MAX4401 PWR AND GND PIN

PLACE NEAR MAX4401 PWR AND GND PIN

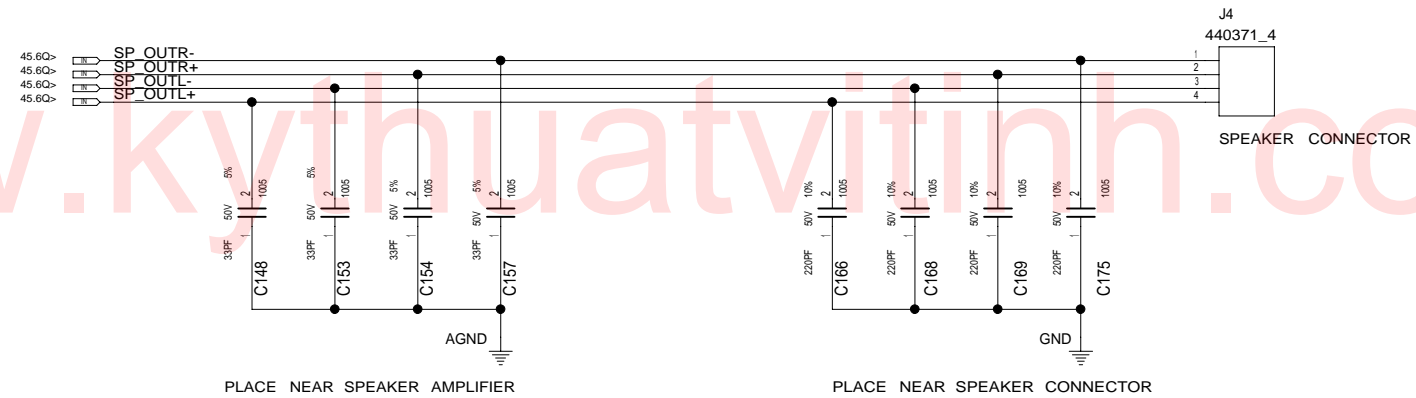
NEED NEW CDB

NEAR EXT MIC CONN

DESIGNER	K.Y	06/01/06	PART NO.	42W7622
CHECKED	Y.I	06/01/06		
APPROVED	T.S	06/01/06	TITLE MLB-1 SVT	
CLASS	T.S	06/01/06	AUDIO EXT MIC AMP	
<small>THIS DOCUMENT IS THE PROPERTY OF LENOVO/ITS USE IS AUTHORIZED ONLY FOR RESPONDING TO A REQUEST FOR QUOTATION OR FOR THE PERFORMANCE OF WORK FOR LENOVO/ALL QUESTIONS MUST BE REFERRED TO THE LENOVO PURCHASING DEPARTMENT.</small>				
LENOVO CONFIDENTIAL				

DATE	EC NO.	PART NO.	
20061220	L11403	42W7622	
		DEVELOPMENT NO.	Q/M
			44 / 97

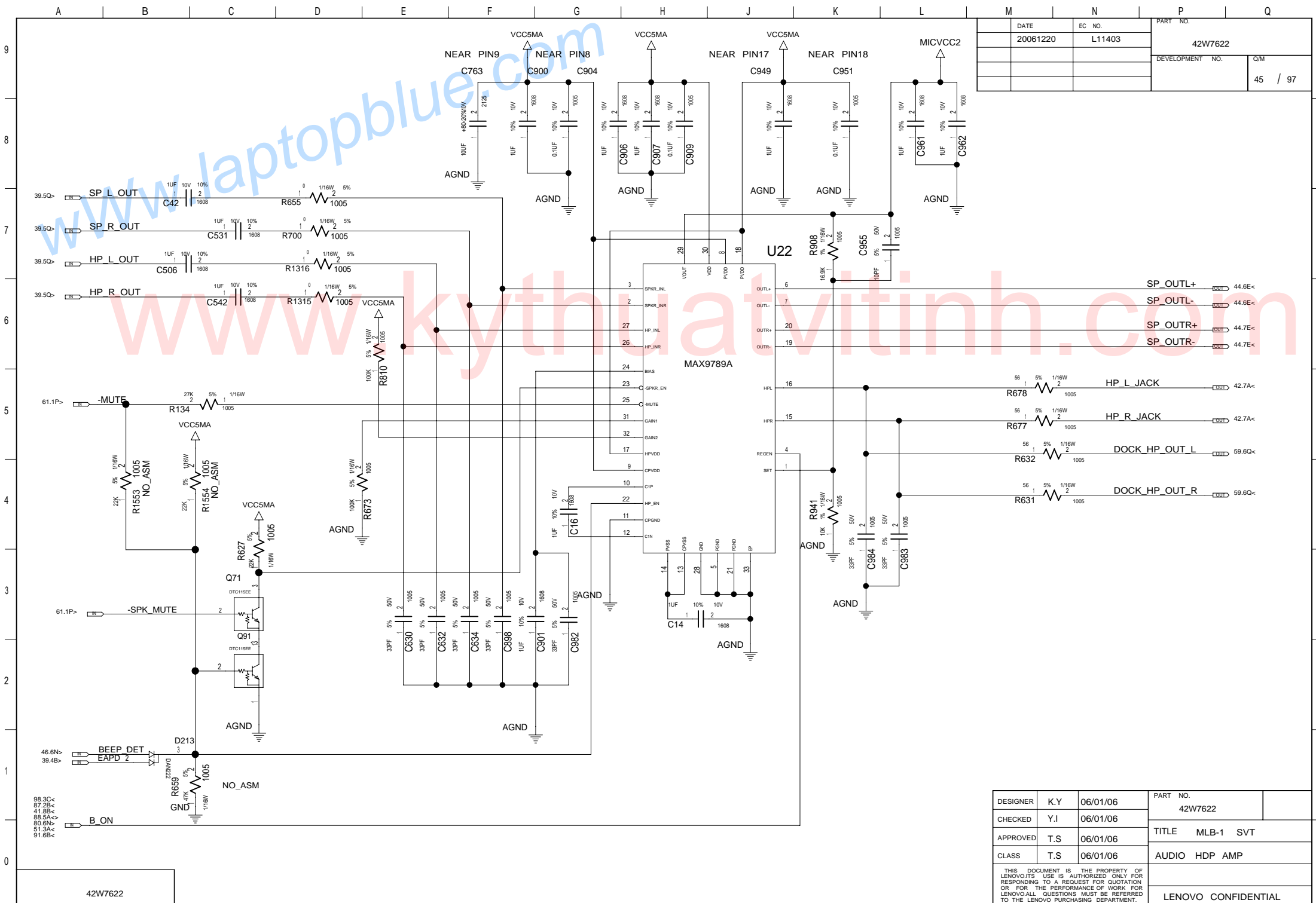
www.laptopblue.com



DESIGNER	K.Y	06/01/06	PART NO.	42W7622
CHECKED	Y.I	06/01/06	TITLE MLB-1 SVT	
APPROVED	T.S	06/01/06	AUDIO SPEAKER	
CLASS	T.S	06/01/06	LENOVO CONFIDENTIAL	

THIS DOCUMENT IS THE PROPERTY OF LENOVO. ITS USE IS AUTHORIZED ONLY FOR RESPONDING TO A REQUEST FOR QUOTATION OR FOR THE PERFORMANCE OF WORK FOR LENOVO. ALL QUESTIONS MUST BE REFERRED TO THE LENOVO PURCHASING DEPARTMENT.

42W7622



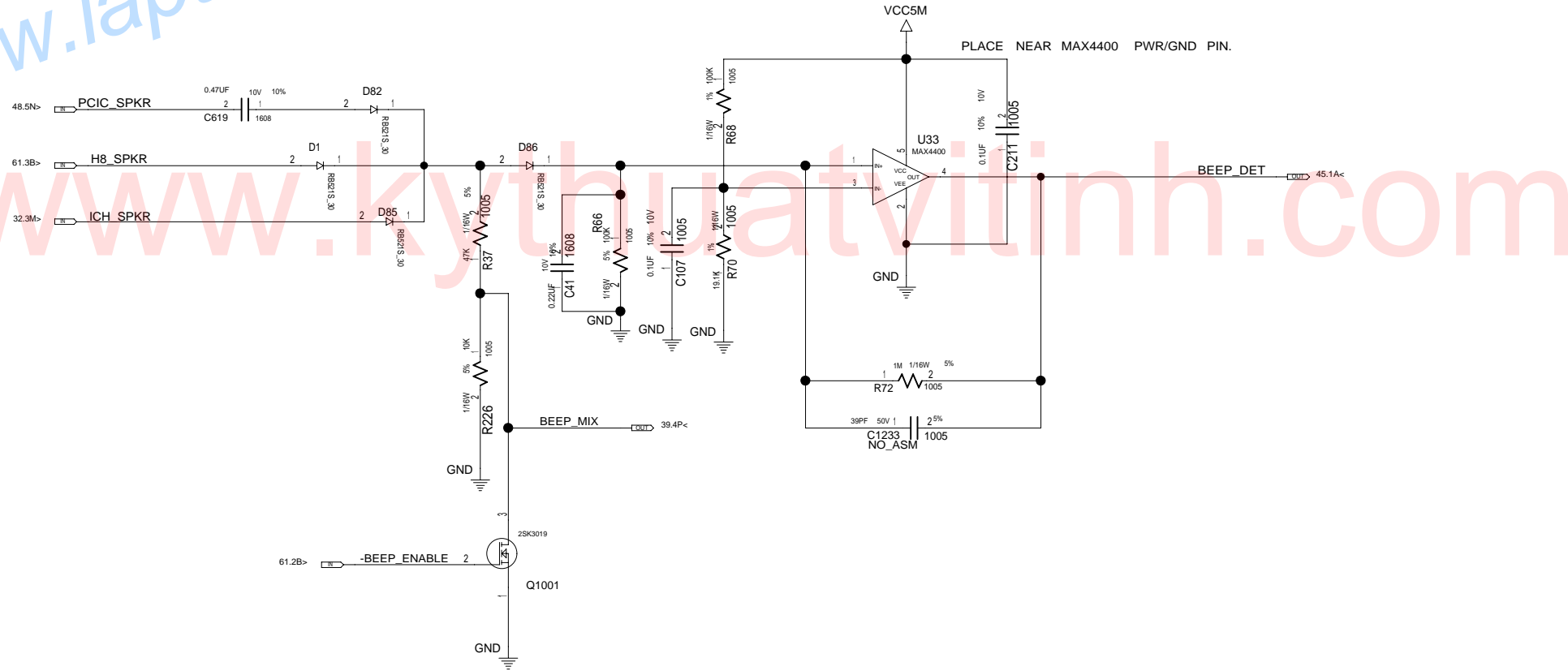
DATE	EC NO.	PART NO.
20061220	L11403	42W7622
DEVELOPMENT NO.		Q/M
		45 / 97

DESIGNER	K.Y	06/01/06	PART NO.	42W7622
CHECKED	Y.I	06/01/06	TITLE	MLB-1 SVT
APPROVED	T.S	06/01/06	CLASS	AUDIO HDP AMP
THIS DOCUMENT IS THE PROPERTY OF LENOVO/ITS USE IS AUTHORIZED ONLY FOR RESPONDING TO A REQUEST FOR QUOTATION OR FOR THE PERFORMANCE OF WORK FOR LENOVO/ALL QUESTIONS MUST BE REFERRED TO THE LENOVO PURCHASING DEPARTMENT.				LENOVO CONFIDENTIAL

42W7622

www.laptopblue.com

DATE	EC NO.	PART NO.	
20061220	L11403	42W7622	
		DEVELOPMENT NO.	Q/M
			46 / 97



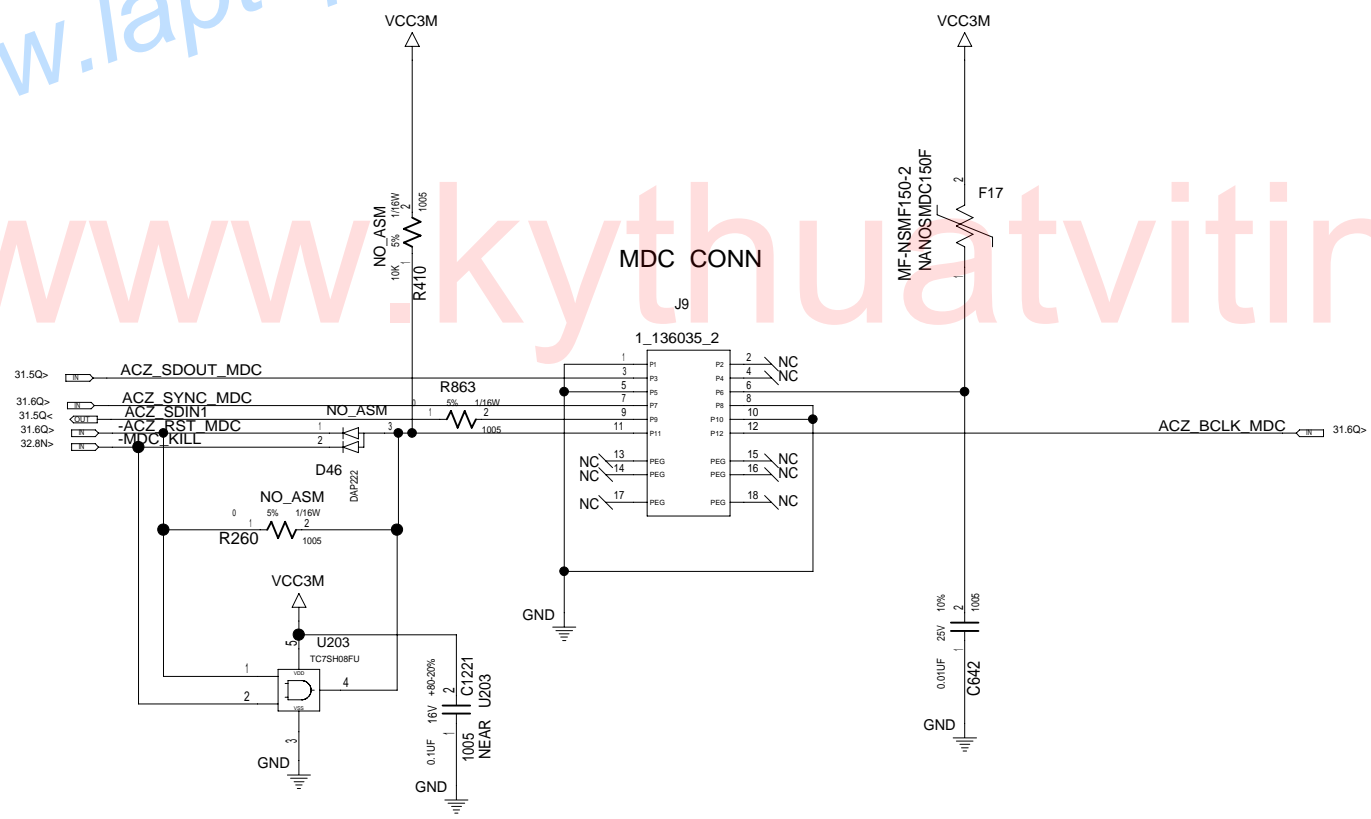
42W7622

DESIGNER	K.Y	06/01/06	PART NO.	42W7622
CHECKED	Y.I	06/01/06	TITLE	MLB-1 SVT
APPROVED	T.S	06/01/06	CLASS	AUDIO HDP AMP MISC
CLASS	T.S	06/01/06	THIS DOCUMENT IS THE PROPERTY OF LENOVO/ITS USE IS AUTHORIZED ONLY FOR RESPONDING TO A REQUEST FOR QUOTATION OR FOR THE PERFORMANCE OF WORK FOR LENOVO/ALL QUESTIONS MUST BE REFERRED TO THE LENOVO PURCHASING DEPARTMENT.	
LENOVO CONFIDENTIAL				

DATE	EC NO.	PART NO.	
20061220	L11403	42W7622	
		DEVELOPMENT NO.	Q/M
			47 / 97

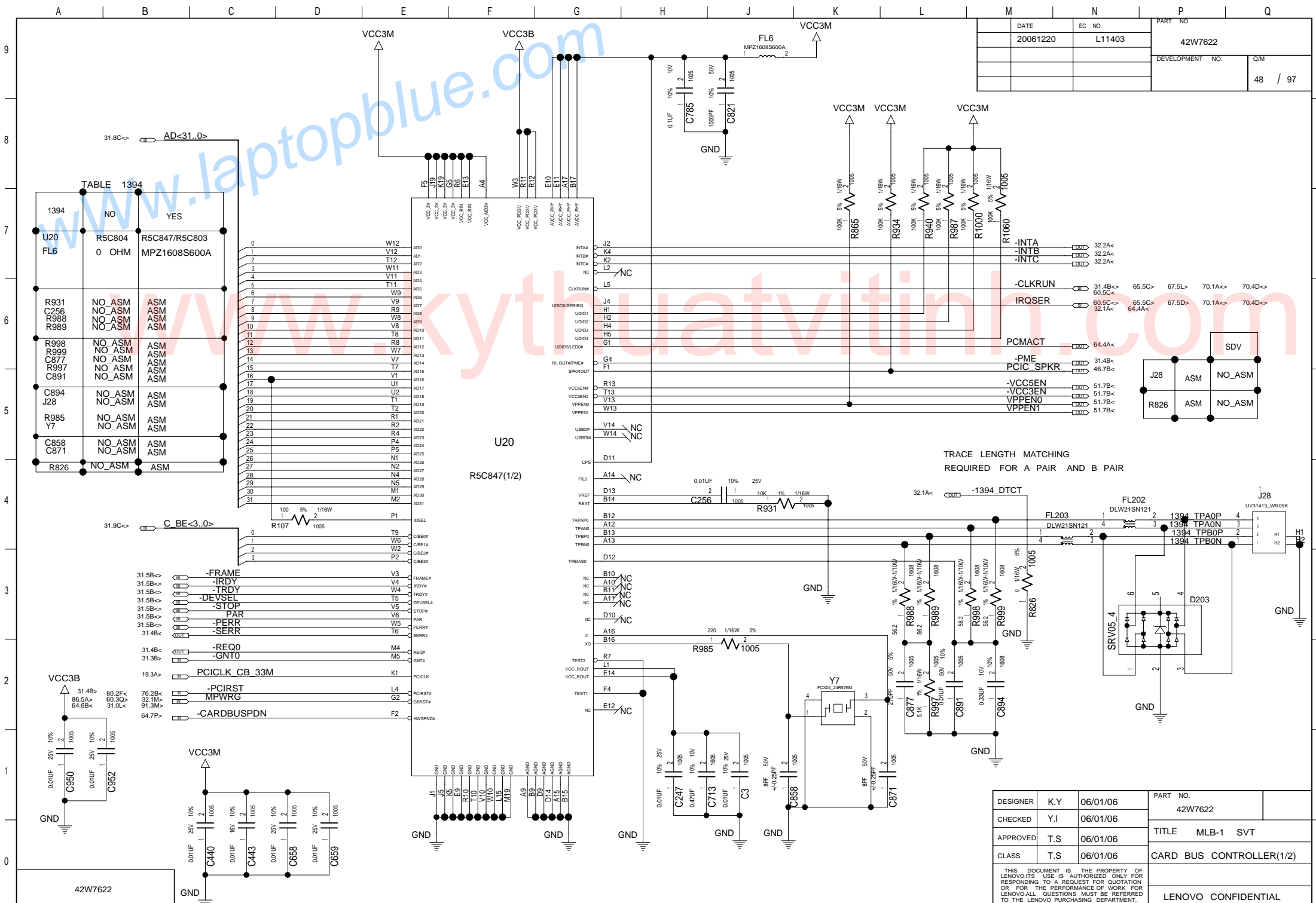
www.laptopblue.com

www.kythuathatvithinh.com



42W7622

DESIGNER	K.Y	06/01/06	PART NO.	42W7622
CHECKED	Y.I	06/01/06	TITLE MLB-1 SVT	
APPROVED	T.S	06/01/06	MDC 1.5 CONNECTOR	
CLASS	T.S	06/01/06	LENOVO CONFIDENTIAL	
<small>THIS DOCUMENT IS THE PROPERTY OF LENOVO/ITS USE IS AUTHORIZED ONLY FOR RESPONDING TO A REQUEST FOR QUOTATION OR FOR THE PERFORMANCE OF WORK FOR LENOVO/ALL QUESTIONS MUST BE REFERRED TO THE LENOVO PURCHASING DEPARTMENT.</small>				



DATE	EC NO.	PART NO.
20061220	L11403	42W7622
DEVELOPMENT NO.		Q/M
		48 / 97

TABLE	1394	NO	YES
U20	FL6	R5C804	R5C847/R5C803
		0 OHM	MPZ1608S600A
R931	NO_ASM	ASM	
C256	NO_ASM	ASM	
R988	NO_ASM	ASM	
R989	NO_ASM	ASM	
R998	NO_ASM	ASM	
R999	NO_ASM	ASM	
C877	NO_ASM	ASM	
R997	NO_ASM	ASM	
C891	NO_ASM	ASM	
C894	NO_ASM	ASM	
J28	NO_ASM	ASM	
R985	NO_ASM	ASM	
Y7	NO_ASM	ASM	
C858	NO_ASM	ASM	
C871	NO_ASM	ASM	
R826	NO_ASM	ASM	

Pin	Signal	IO
0	W12	AD0
1	AD1	AD1
2	T12	AD2
3	W11	AD3
4	V11	AD4
5	T11	AD5
6	W9	AD6
7	V9	AD7
8	R9	AD8
9	W8	AD9
10	V8	AD10
11	T8	AD11
12	W7	AD12
13	V7	AD13
14	T7	AD14
15	W1	AD15
16	V1	AD16
17	U1	AD17
18	U2	AD18
19	T1	AD19
20	T2	AD20
21	R1	AD21
22	R2	AD22
23	R4	AD23
24	P4	AD24
25	P5	AD25
26	N1	AD26
27	N2	AD27
28	N4	AD28
29	N5	AD29
30	M1	AD30
31	M2	AD31
	P1	IDSEL
	T9	CIBEQP
	W6	CIBIE1P
	W2	CIBIE2P
	P2	CIBIE3P
	V3	FRAME#
	V4	IRDY#
	W4	TRDY#
	T5	DEVSEL#
	V5	STOP#
	V6	PAR
	W5	PER#
	T6	SERR#
	M4	REQ#
	M5	GNT#
	K1	PCICLK
	L4	PCIRST
	G2	MPWRG
	F2	CARDBUSPDN
	L5	GND
	L6	GND
	L7	GND
	L8	GND
	L9	GND
	L10	GND
	L11	GND
	L12	GND
	L13	GND
	L14	GND
	L15	GND
	L16	GND
	L17	GND
	L18	GND
	L19	GND
	L20	GND
	L21	GND
	L22	GND
	L23	GND
	L24	GND
	L25	GND
	L26	GND
	L27	GND
	L28	GND
	L29	GND
	L30	GND
	L31	GND
	L32	GND
	L33	GND
	L34	GND
	L35	GND
	L36	GND
	L37	GND
	L38	GND
	L39	GND
	L40	GND
	L41	GND
	L42	GND
	L43	GND
	L44	GND
	L45	GND
	L46	GND
	L47	GND
	L48	GND
	L49	GND
	L50	GND
	L51	GND
	L52	GND
	L53	GND
	L54	GND
	L55	GND
	L56	GND
	L57	GND
	L58	GND
	L59	GND
	L60	GND
	L61	GND
	L62	GND
	L63	GND
	L64	GND
	L65	GND
	L66	GND
	L67	GND
	L68	GND
	L69	GND
	L70	GND
	L71	GND
	L72	GND
	L73	GND
	L74	GND
	L75	GND
	L76	GND
	L77	GND
	L78	GND
	L79	GND
	L80	GND
	L81	GND
	L82	GND
	L83	GND
	L84	GND
	L85	GND
	L86	GND
	L87	GND
	L88	GND
	L89	GND
	L90	GND
	L91	GND
	L92	GND
	L93	GND
	L94	GND
	L95	GND
	L96	GND
	L97	GND
	L98	GND
	L99	GND
	L100	GND

DESIGNER	K.Y.	06/01/06	PART NO.	42W7622
CHECKED	Y.I.	06/01/06	TITLE	MLB-1 SVT
APPROVED	T.S.	06/01/06	CLASS	CARD BUS CONTROLLER(1/2)
CLASS	T.S.	06/01/06	LENOVO CONFIDENTIAL	

THIS DOCUMENT IS THE PROPERTY OF LENOVO. ITS USE IS AUTHORIZED ONLY FOR RESPONDING TO A REQUEST FOR QUOTATION OR FOR THE PERFORMANCE OF WORK FOR LENOVO. ALL QUESTIONS MUST BE REFERRED TO THE LENOVO PURCHASING DEPARTMENT.

DATE	EC NO.	PART NO.	
20061220	L11403	42W7622	
		DEVELOPMENT NO.	Q/M
			49 / 95

www.laptopblue.com

www.kyotivietvithinh.com

50.8B< A_CADDR<25..0>

50.7B<> A_DBUS<15..0>

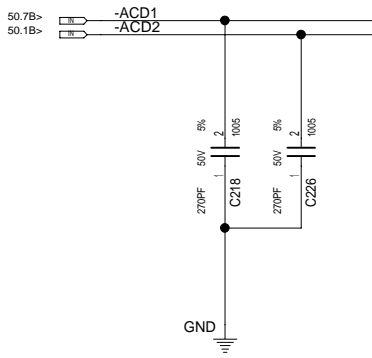
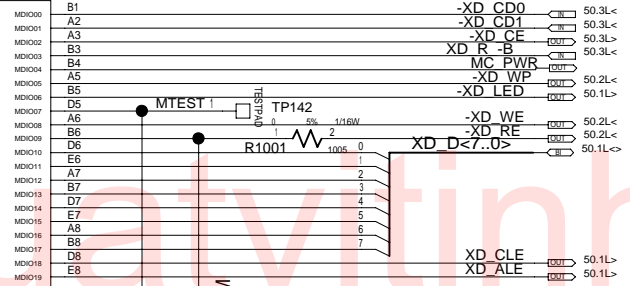
A_CADDR16: CARDBUS CLK 33MHZ
-AIOR, -AIOW: USB2.0

U20
R5C847(2/2)

- 0 E16 A0CAD26
- 1 F18 A1CAD25
- 2 F15 A2CAD24
- 3 G18 A3CAD23
- 4 G15 A4CAD22
- 5 H18 A5CAD21
- 6 H15 A6CAD20
- 7 J16 A7CAD19
- 8 P15 A8CCBE14
- 9 R19 A9CAD14
- 10 U19 A10CAD9
- 11 R18 A11CAD12
- 12 K18 A12CCBE29
- 13 N15 A13CPAR
- 14 N18 A14CFERR#
- 15 R16 A15CIROV#
- 16 R106 A16CCLK
- 17 P16 A17CAD16
- 18 N16 A18
- 19 N19 A19CBLOCK#
- 20 M16 A20CSTOP#
- 21 L18 A21CDREVBEL#
- 22 L16 A22CTIOV#
- 23 D2 K16 A23CFRAME#
- 24 J15 A24CAD17
- 25 J18 A25CAD19

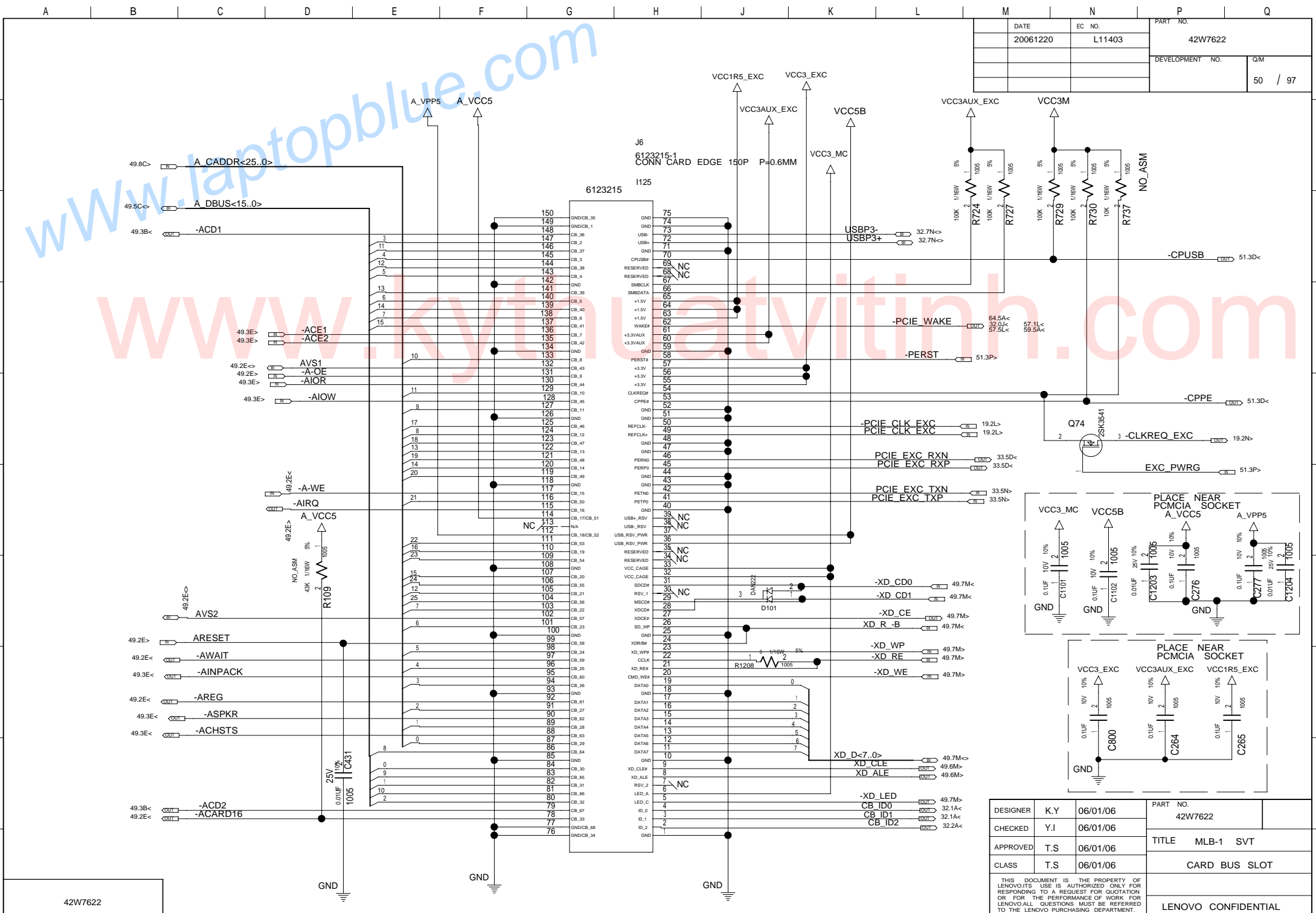
- 0 E19 D0CAD27
- 1 D19 D1CAD29
- 2 C19 D2
- 3 R14 D3CAD5
- 4 T15 D4CAD1
- 5 W15 D5CAD3
- 6 W16 D6CAD6
- 7 W17 D7CAD7
- 8 D18 D8CAD28
- 9 C18 D9CAD30
- 10 B19 D10CAD31
- 11 V15 D11CAD2
- 12 V16 D12CAD4
- 13 V17 D13CAD6
- 14 W18 D14
- 15 U18 D15CAD8

- 50.2B> -ACHSTS E18 BV01/STSCHG#
- 50.2B> -ASPKR F19 BV02/CAUDIO
- 50.6C< -ACE1 D15 CD28/CCD2#
- 50.6C< -ACE2 V19 CE1#CCBE0#
- AINPACK G19 #PACK#
- 50.5D< -AIOR P18 IOR#CAD13
- 50.5D< -AIOW P19 IOW#CAD15
- 50.5C< -A-OE T19 OE#CAD11
- 50.4D< -AIRO F16 READY/GNT#
- 50.3B> -ARESET H19 REG#CCBE3#
- 50.6C< -AVST R16 RESET/CRST#
- 50.3C< -AVS2 H16 VS1#CVS1
- 50.2B> -AWAIT G16 WAIT#CSERR#
- 50.4D< -A-WE M15 WE#GNT#
- 50.1B> -ACARD16 A18 WP/CCLKRUN#



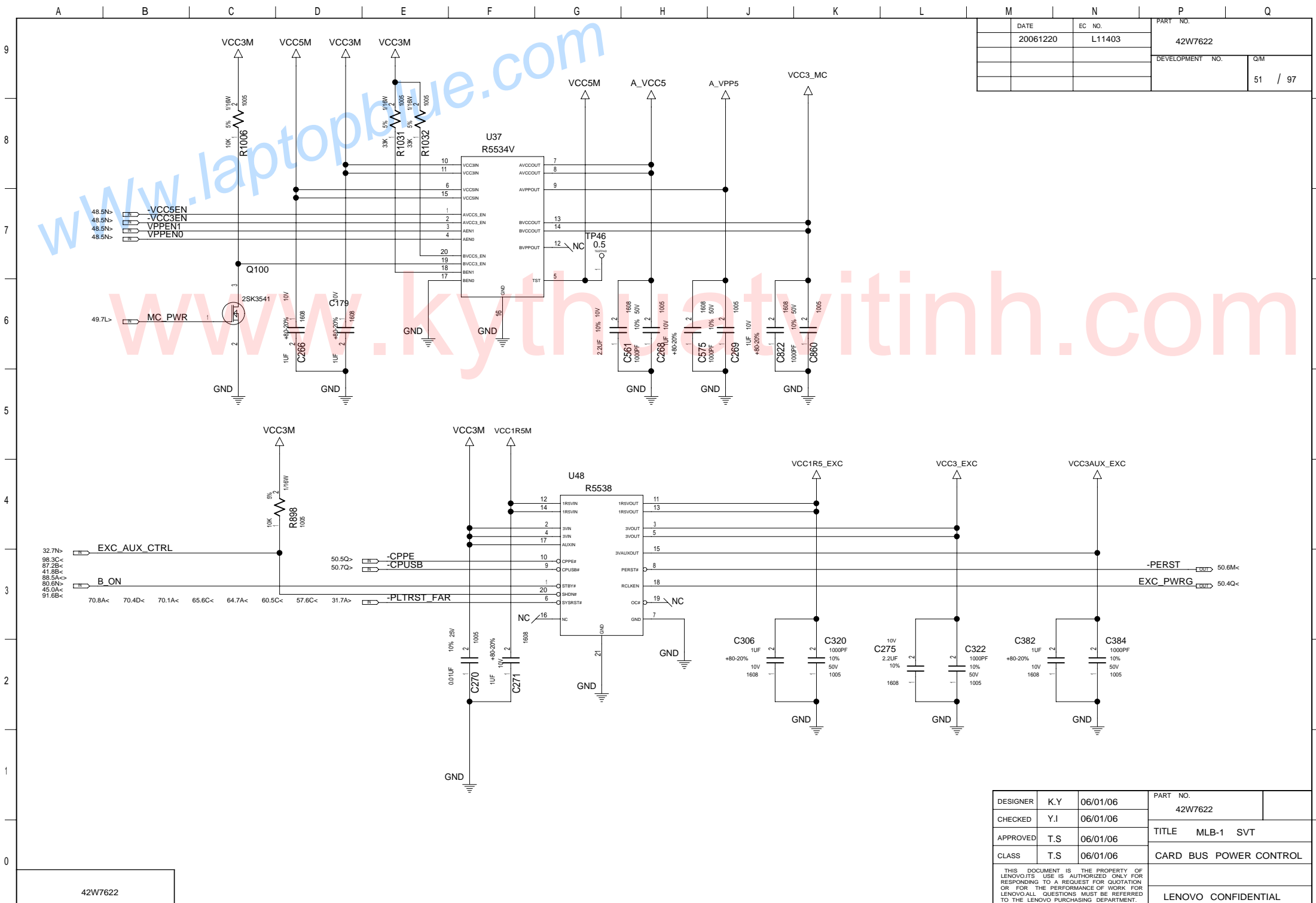
DESIGNER	K.Y	06/01/06	PART NO.	42W7622
CHECKED	Y.I	06/01/06	TITLE MLB-1 SVT	
APPROVED	T.S	06/01/06	CARD BUS CONTROLLER(2/2)	
CLASS	T.S	06/01/06	LENOVO CONFIDENTIAL	

THIS DOCUMENT IS THE PROPERTY OF LENOVO/ITS USE IS AUTHORIZED ONLY FOR RESPONDING TO A REQUEST FOR QUOTATION OR FOR THE PERFORMANCE OF WORK FOR LENOVO/ALL QUESTIONS MUST BE REFERRED TO THE LENOVO PURCHASING DEPARTMENT.



DATE	EC NO.	PART NO.
20061220	L11403	42W7622
DEVELOPMENT NO.		Q/M
		50 / 97

DESIGNER	K.Y	06/01/06	PART NO.	42W7622
CHECKED	Y.I	06/01/06	TITLE	
APPROVED	T.S	06/01/06	MLB-1 SVT	
CLASS	T.S	06/01/06	CARD BUS SLOT	
THIS DOCUMENT IS THE PROPERTY OF LENOVO/ITS USE IS AUTHORIZED ONLY FOR RESPONDING TO A REQUEST FOR QUOTATION OR FOR THE PERFORMANCE OF WORK FOR LENOVO. ALL QUESTIONS MUST BE REFERRED TO THE LENOVO PURCHASING DEPARTMENT.				
LENOVO CONFIDENTIAL				

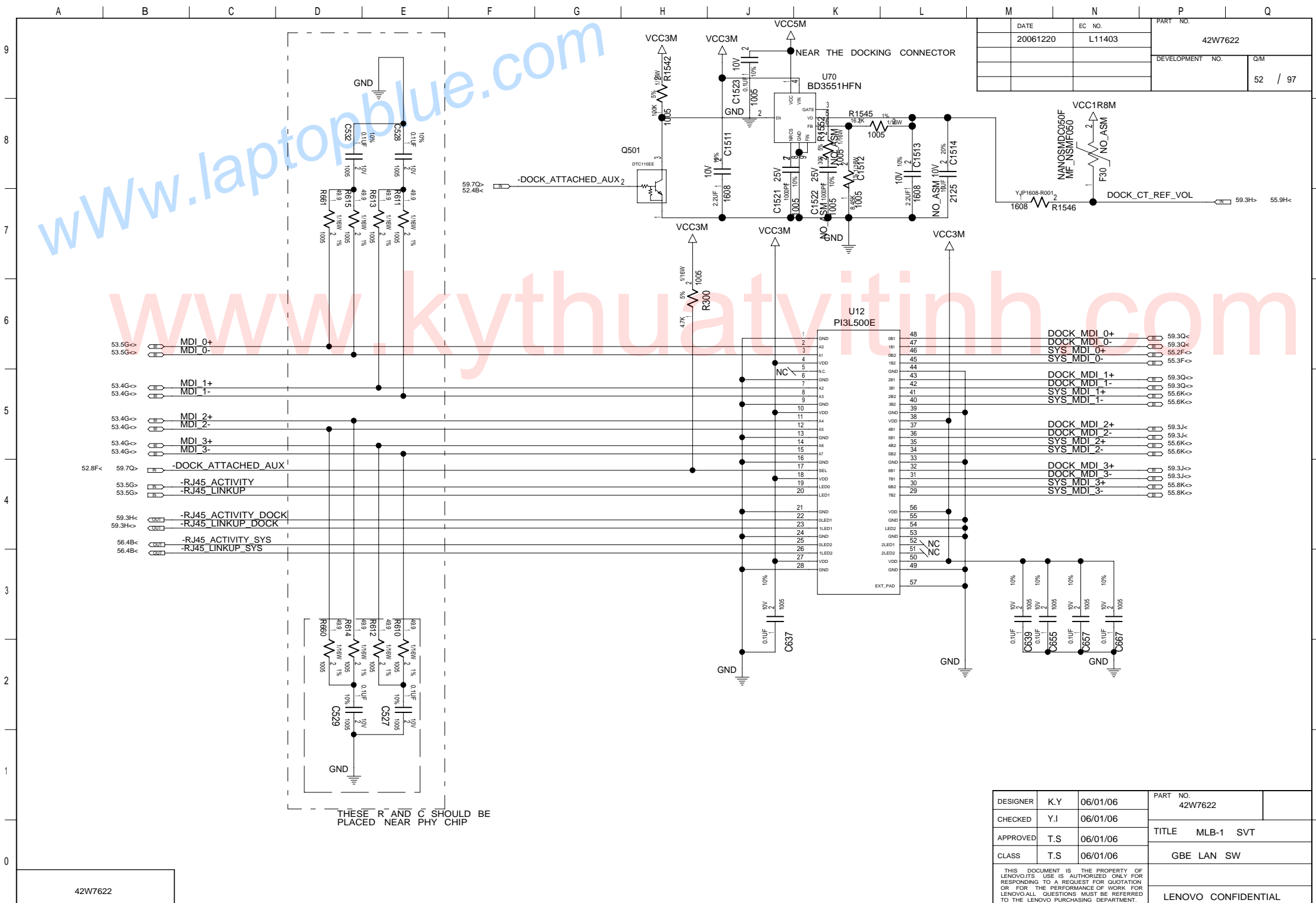


DATE	EC NO.	PART NO.	
20061220	L11403	42W7622	
		DEVELOPMENT NO.	Q/M
			51 / 97

42W7622

DESIGNER	K.Y	06/01/06	PART NO.	42W7622
CHECKED	Y.I	06/01/06	TITLE MLB-1 SVT	
APPROVED	T.S	06/01/06	CARD BUS POWER CONTROL	
CLASS	T.S	06/01/06	LENOVO CONFIDENTIAL	

THIS DOCUMENT IS THE PROPERTY OF LENOVO/ITS USE IS AUTHORIZED ONLY FOR RESPONDING TO A REQUEST FOR QUOTATION OR FOR THE PERFORMANCE OF WORK FOR LENOVO/ALL QUESTIONS MUST BE REFERRED TO THE LENOVO PURCHASING DEPARTMENT.

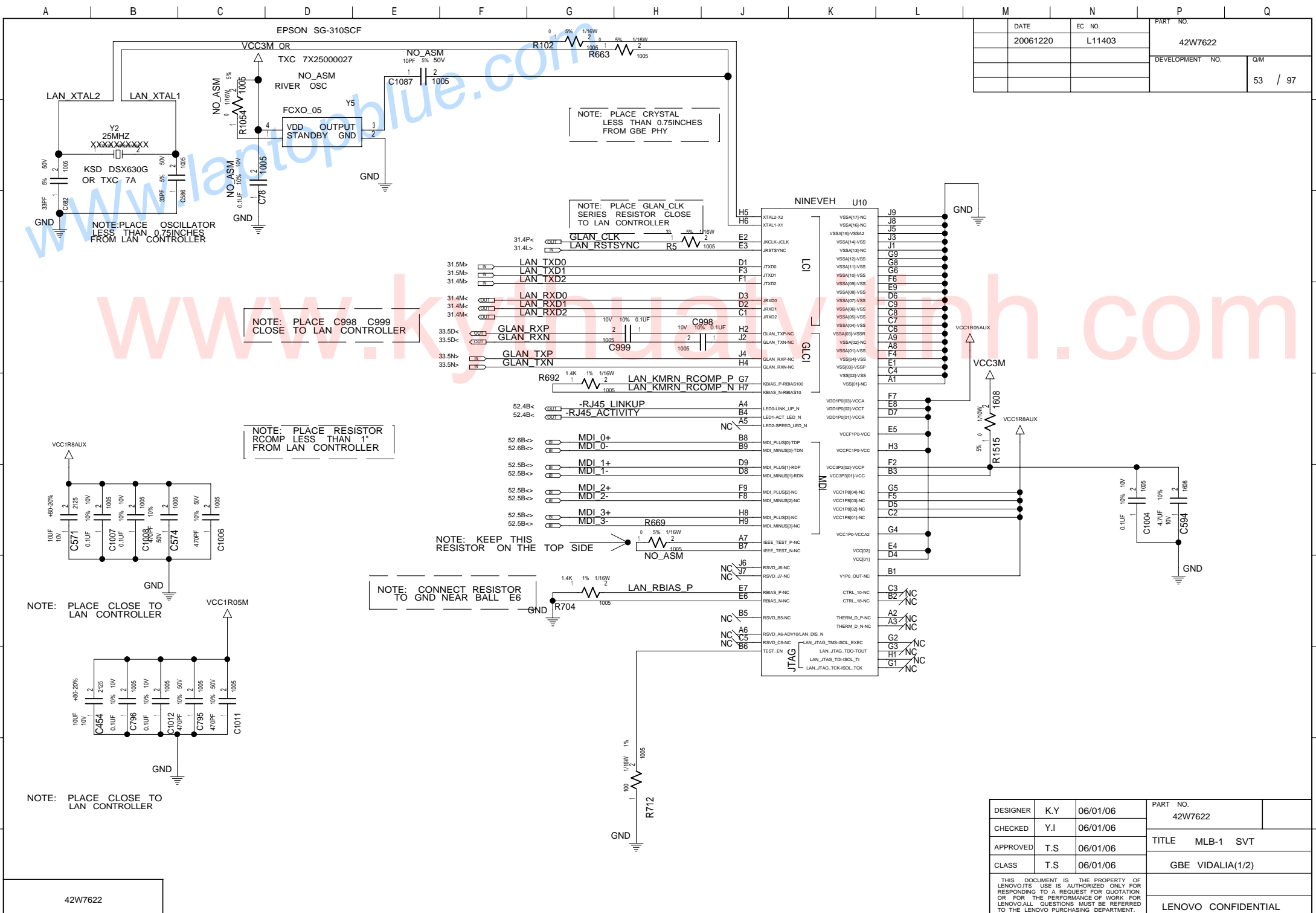


DATE	EC NO.	PART NO.
20061220	L11403	42W7622
DEVELOPMENT NO.		Q/M
		52 / 97

THESE R AND C SHOULD BE PLACED NEAR PHY CHIP

DESIGNER	K.Y	06/01/06	PART NO.	42W7622
CHECKED	Y.I	06/01/06	TITLE MLB-1 SVT	
APPROVED	T.S	06/01/06	GBE LAN SW	
CLASS	T.S	06/01/06	LENOVO CONFIDENTIAL	

THIS DOCUMENT IS THE PROPERTY OF LENOVO. ITS USE IS AUTHORIZED ONLY FOR RESPONDING TO A REQUEST FOR QUOTATION OR FOR THE PERFORMANCE OF WORK FOR LENOVO. ALL QUESTIONS MUST BE REFERRED TO THE LENOVO PURCHASING DEPARTMENT.



DATE	EC NO.	PART NO.
20061220	L11403	42W7622
		DEVELOPMENT NO.
		Q/M
		53 / 97

DESIGNER	K.Y	06/01/06	PART NO.	42W7622
CHECKED	Y.I	06/01/06	TITLE	MLB-1 SVT
APPROVED	T.S	06/01/06	CLASS	GBE VIDALIA(1/2)
CLASS	T.S	06/01/06	THIS DOCUMENT IS THE PROPERTY OF LENOVO/ITS USE IS AUTHORIZED ONLY FOR RESPONDING TO A REQUEST FOR QUOTATION OR FOR THE PERFORMANCE OF WORK FOR LENOVO. ALL QUESTIONS MUST BE REFERRED TO THE LENOVO PURCHASING DEPARTMENT.	
				LENOVO CONFIDENTIAL

NOTE: PLACE CRYSTAL LESS THAN 0.75INCHES FROM GBE PHY

NOTE: PLACE GLAN_CLK SERIES RESISTOR CLOSE TO LAN CONTROLLER

NOTE: PLACE C998 C999 CLOSE TO LAN CONTROLLER

NOTE: PLACE RESISTOR RCOMP LESS THAN 1" FROM LAN CONTROLLER

NOTE: KEEP THIS RESISTOR ON THE TOP SIDE

NOTE: CONNECT RESISTOR TO GND NEAR BALL E6

NOTE: PLACE CLOSE TO LAN CONTROLLER

NOTE: PLACE CLOSE TO LAN CONTROLLER

A B C D E F G H J K L M N P Q

DATE	EC NO.	PART NO.	
20061220	L11403	42W7622	
		DEVELOPMENT NO.	Q/M
			54 / 97

www.laptopblue.com

www.kythuativinh.com

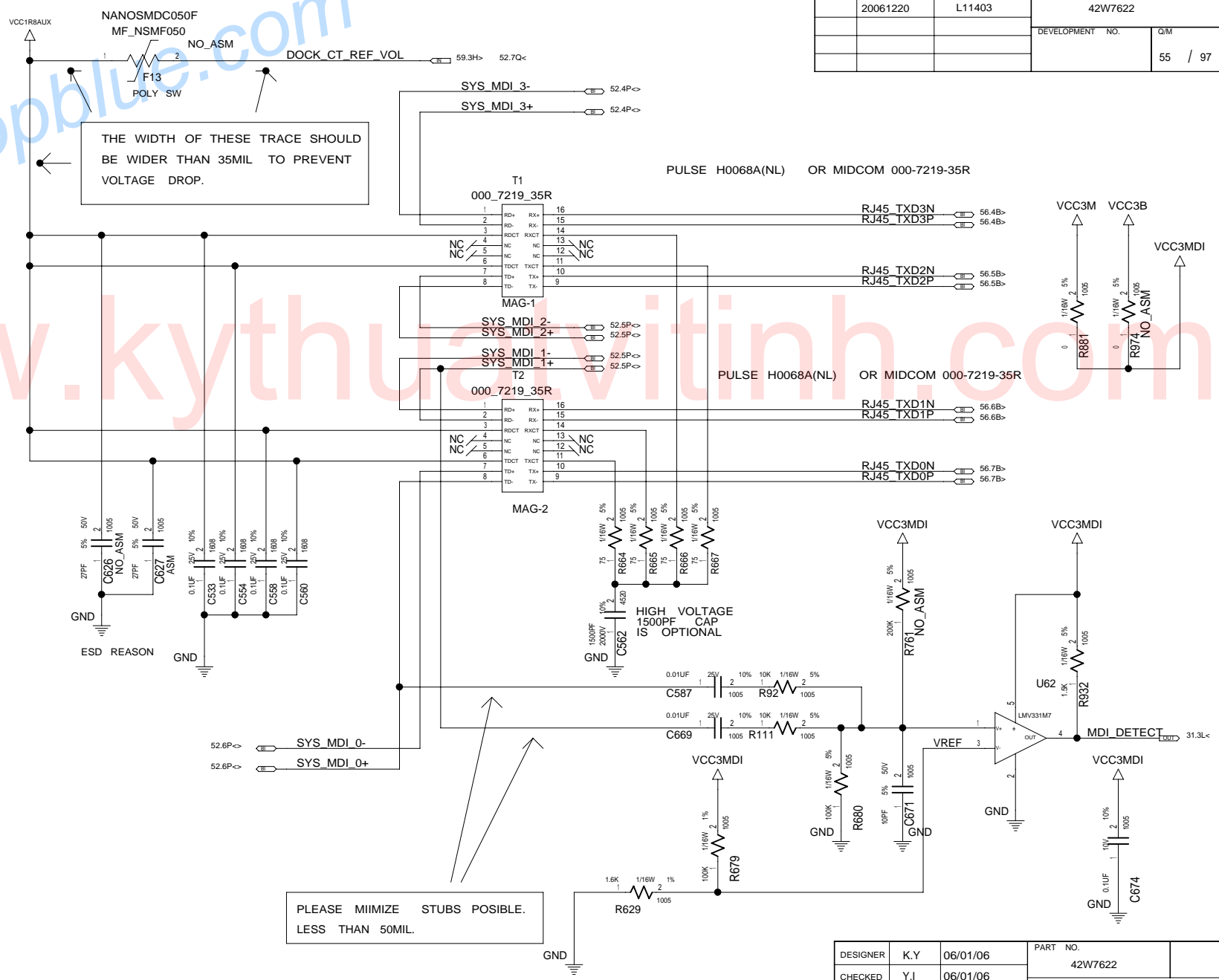
BLANK PAGE

42W7622

DESIGNER	K.Y	06/01/06	PART NO.	42W7622
CHECKED	Y.I	06/01/06	TITLE MLB-1 SVT	
APPROVED	T.S	06/01/06	BLANK PAGE	
CLASS	T.S	06/01/06	LENOVO CONFIDENTIAL	
<small>THIS DOCUMENT IS THE PROPERTY OF LENOVO/ITS USE IS AUTHORIZED ONLY FOR RESPONDING TO A REQUEST FOR QUOTATION OR FOR THE PERFORMANCE OF WORK FOR LENOVO/ALL QUESTIONS MUST BE REFERRED TO THE LENOVO PURCHASING DEPARTMENT.</small>				

A B C D E F G H J K L M N P Q

DATE	EC NO.	PART NO.
20061220	L11403	42W7622
DEVELOPMENT NO.		Q/M
		55 / 97



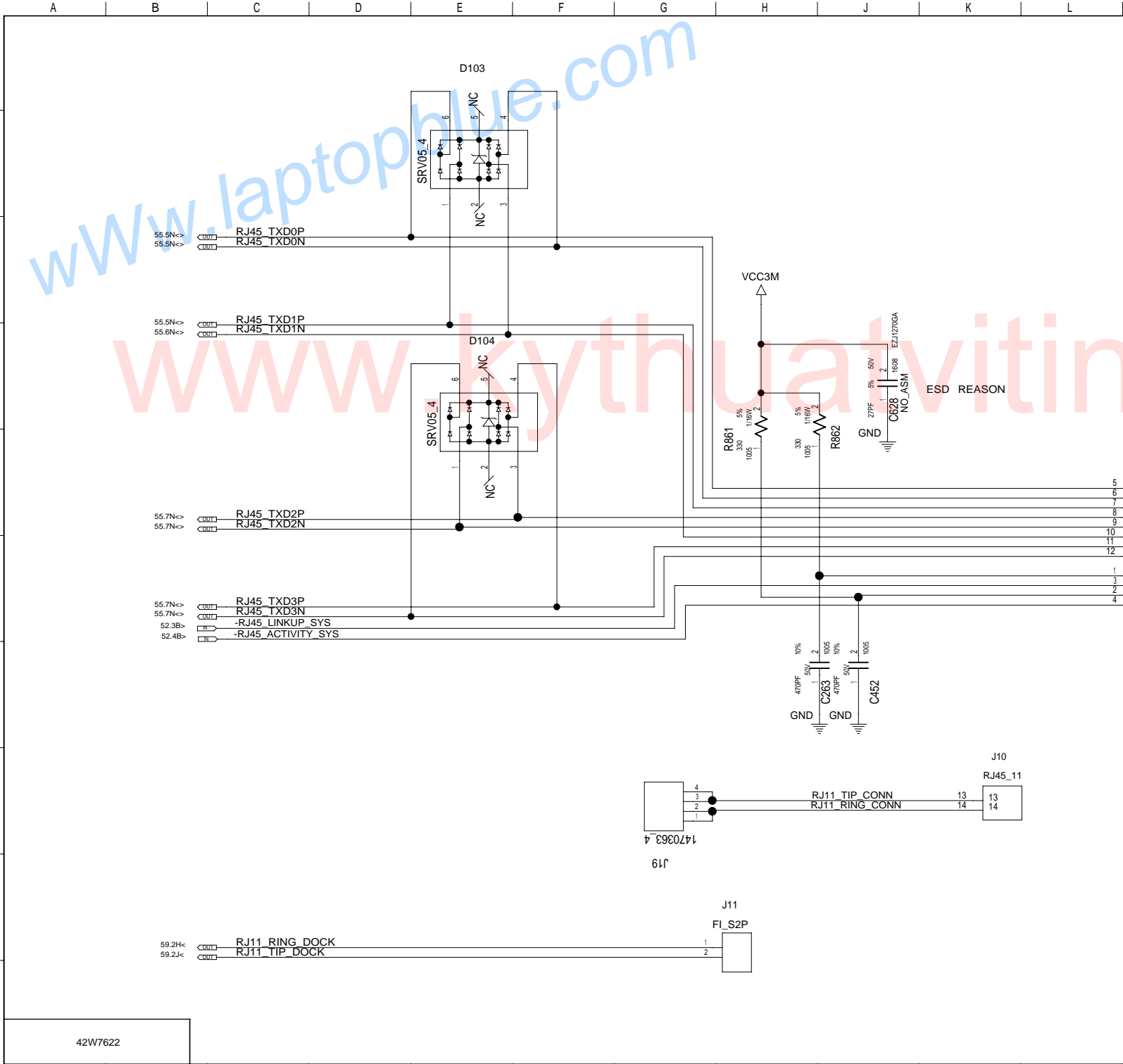
THE WIDTH OF THESE TRACE SHOULD BE WIDER THAN 35MIL TO PREVENT VOLTAGE DROP.

PLEASE MINIMIZE STUBS POSSIBLE. LESS THAN 50MIL.

DESIGNER	K.Y	06/01/06	PART NO.	42W7622
CHECKED	Y.I	06/01/06	TITLE	MLB-1 SVT
APPROVED	T.S	06/01/06	CLASS	GBE MAGNETICS
CLASS	T.S	06/01/06	LENOVO CONFIDENTIAL	

THIS DOCUMENT IS THE PROPERTY OF LENOVO/ITS USE IS AUTHORIZED ONLY FOR RESPONDING TO A REQUEST FOR QUOTATION OR FOR THE PERFORMANCE OF WORK FOR LENOVO/ALL QUESTIONS MUST BE REFERRED TO THE LENOVO PURCHASING DEPARTMENT.

DATE	EC NO.	PART NO.	
20061220	L11403	42W7622	
		DEVELOPMENT NO.	Q/M
			56 / 97

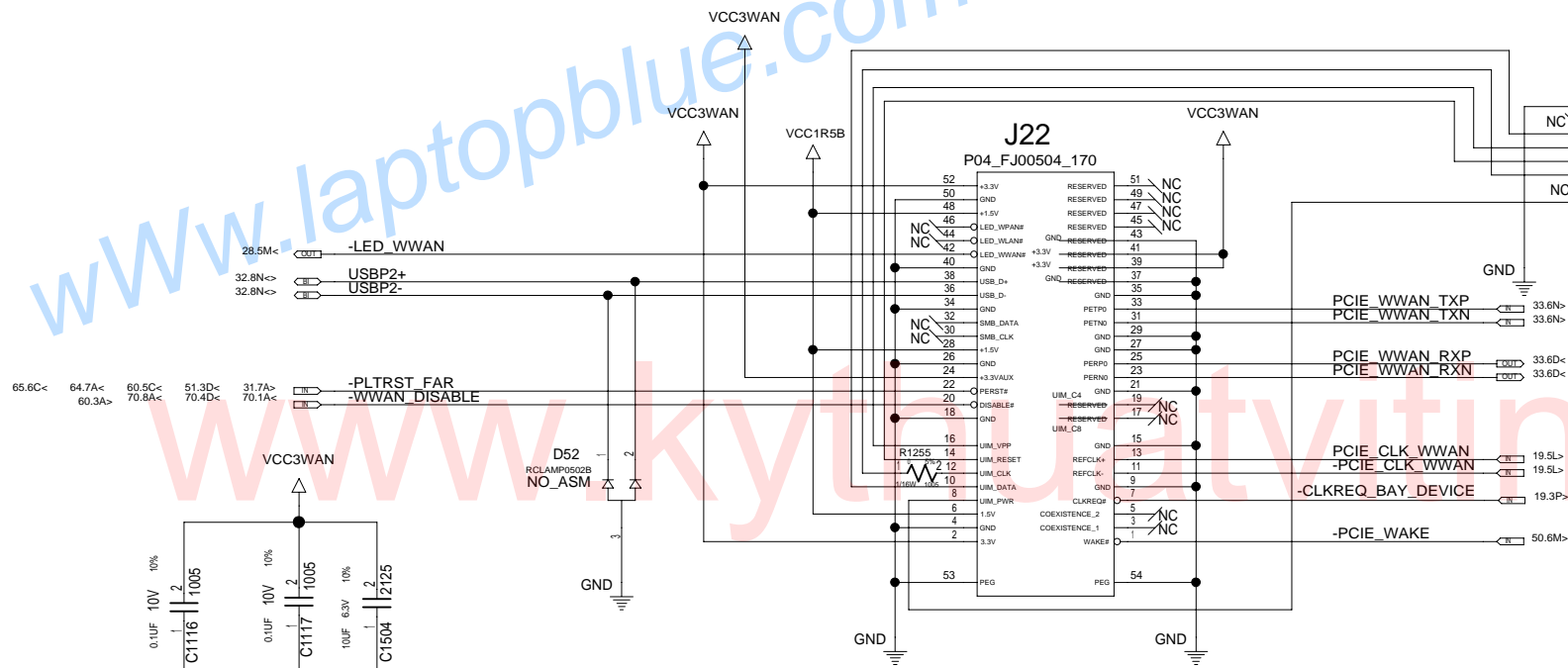


DESIGNER	K.Y	06/01/06	PART NO.	42W7622
CHECKED	Y.I	06/01/06	TITLE MLB-1 SVT	
APPROVED	T.S	06/01/06	RJ11/RJ45 CONNECTOR	
CLASS	T.S	06/01/06	LENOVO CONFIDENTIAL	

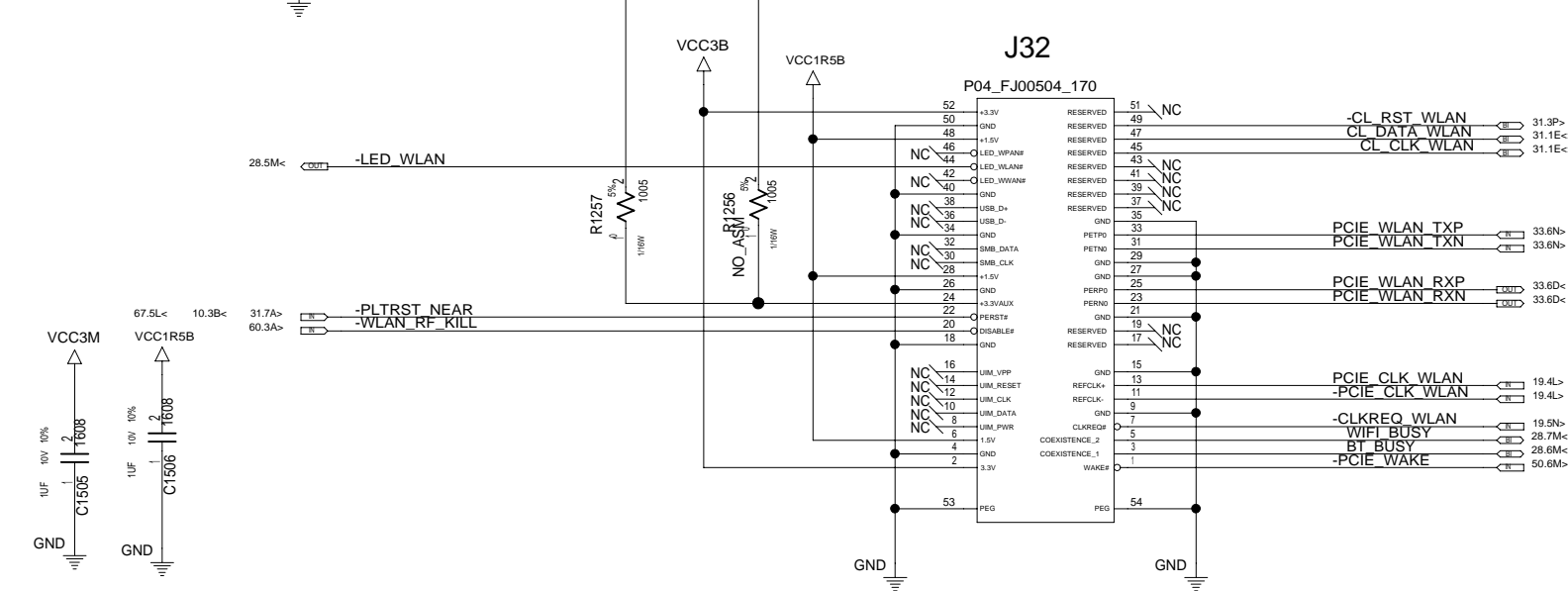
THIS DOCUMENT IS THE PROPERTY OF LENOVO/ITS USE IS AUTHORIZED ONLY FOR RESPONDING TO A REQUEST FOR QUOTATION OR FOR THE PERFORMANCE OF WORK FOR LENOVO/ALL QUESTIONS MUST BE REFERRED TO THE LENOVO PURCHASING DEPARTMENT.

MINI PCIE CONN-1 FOR WWAN

DATE	EC NO.	PART NO.
20061220	L11403	42W7622
DEVELOPMENT NO.		Q/M
		57 / 97



MINI PCIE CONN-2 FOR WLAN



J22	WWWAN	W/O_WWAN
J25	ASM	NO_ASM

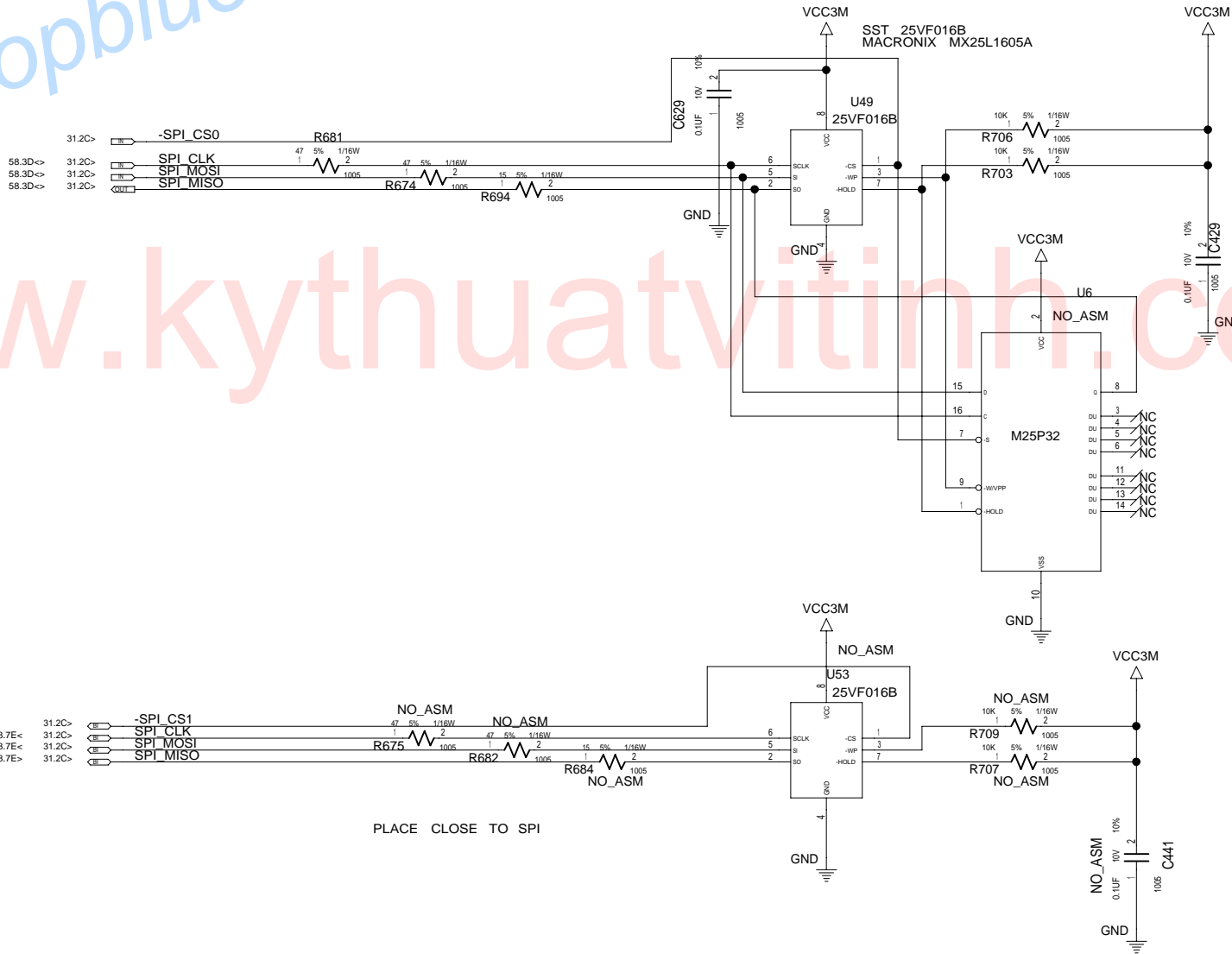
LOGIC

DESIGNER	K.Y	06/01/06	PART NO.	42W7622
CHECKED	Y.I	06/01/06	TITLE	MLB-1 SVT
APPROVED	T.S	06/01/06	MINI PCIE SLOT	
CLASS	T.S	06/01/06	LENOVO CONFIDENTIAL	

THIS DOCUMENT IS THE PROPERTY OF LENOVO. ITS USE IS AUTHORIZED ONLY FOR RESPONDING TO A REQUEST FOR QUOTATION OR FOR THE PERFORMANCE OF WORK FOR LENOVO. ALL QUESTIONS MUST BE REFERRED TO THE LENOVO PURCHASING DEPARTMENT.

www.laptopblue.com

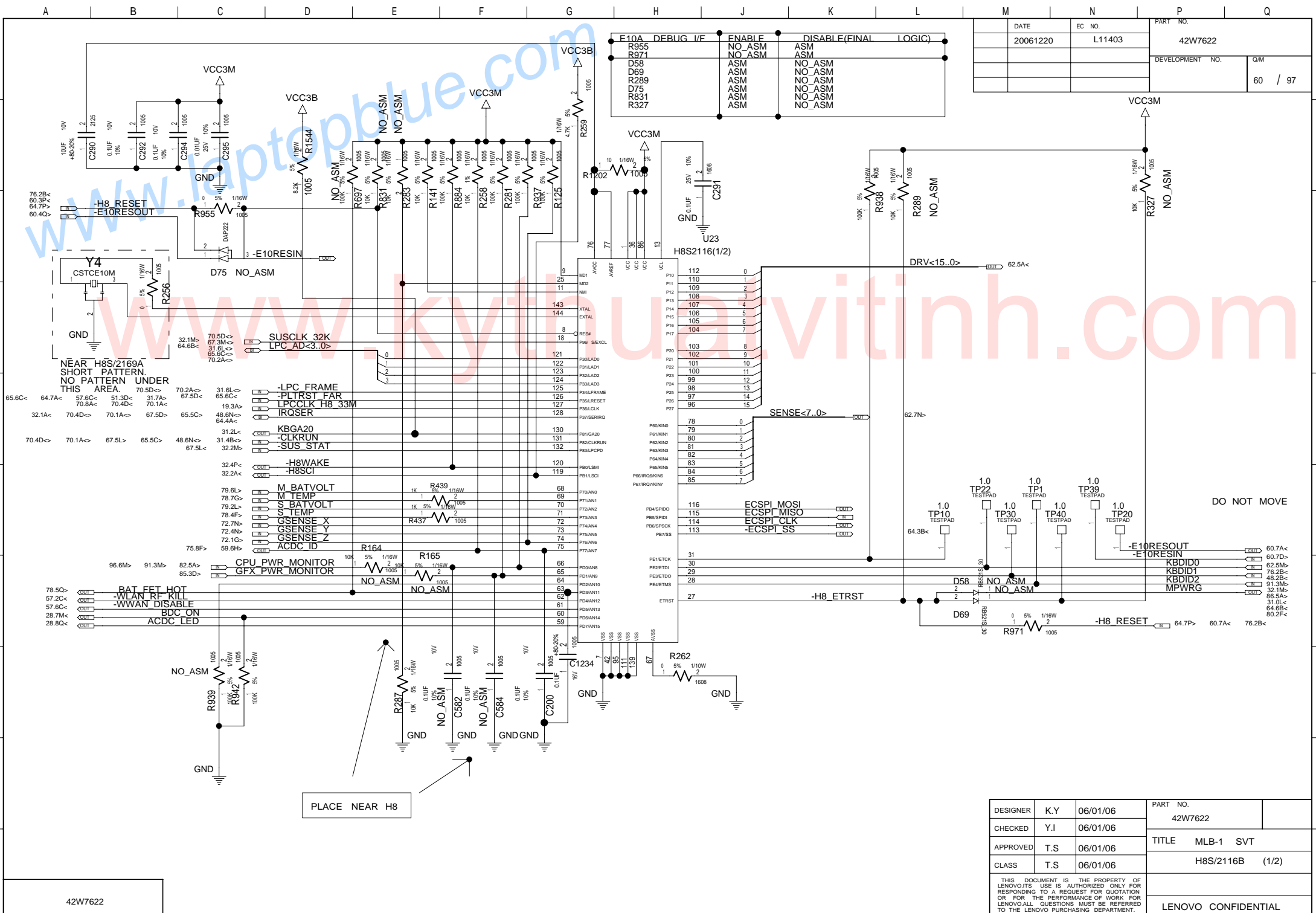
DATE	EC NO.	PART NO.	
20061220	L11403	42W7622	
		DEVELOPMENT NO.	Q/M
			58 / 97



PLACE CLOSE TO SPI

DESIGNER	K.Y	06/01/06	PART NO.	42W7622
CHECKED	Y.I	06/01/06	TITLE	MLB-1 SVT
APPROVED	T.S	06/01/06	CLASS	EEPROM/FLASH/SHARED
CLASS	T.S	06/01/06	LENOVO CONFIDENTIAL	

THIS DOCUMENT IS THE PROPERTY OF LENOVO/ITS USE IS AUTHORIZED ONLY FOR RESPONDING TO A REQUEST FOR QUOTATION OR FOR THE PERFORMANCE OF WORK FOR LENOVO/ALL QUESTIONS MUST BE REFERRED TO THE LENOVO PURCHASING DEPARTMENT.



F10A	DEBUG I/F	ENABLE	DISABLE(FINAL)	LOGIC
R955	NO_ASM	NO_ASM	ASM	
R971	NO_ASM	NO_ASM	ASM	
D58	ASM	NO_ASM	NO_ASM	
D69	ASM	NO_ASM	NO_ASM	
R289	ASM	NO_ASM	NO_ASM	
D75	ASM	NO_ASM	NO_ASM	
R331	ASM	NO_ASM	NO_ASM	
R327	ASM	NO_ASM	NO_ASM	

DATE	EC NO.	PART NO.
20061220	L11403	42W7622
		DEVELOPMENT NO.
		60 / 97

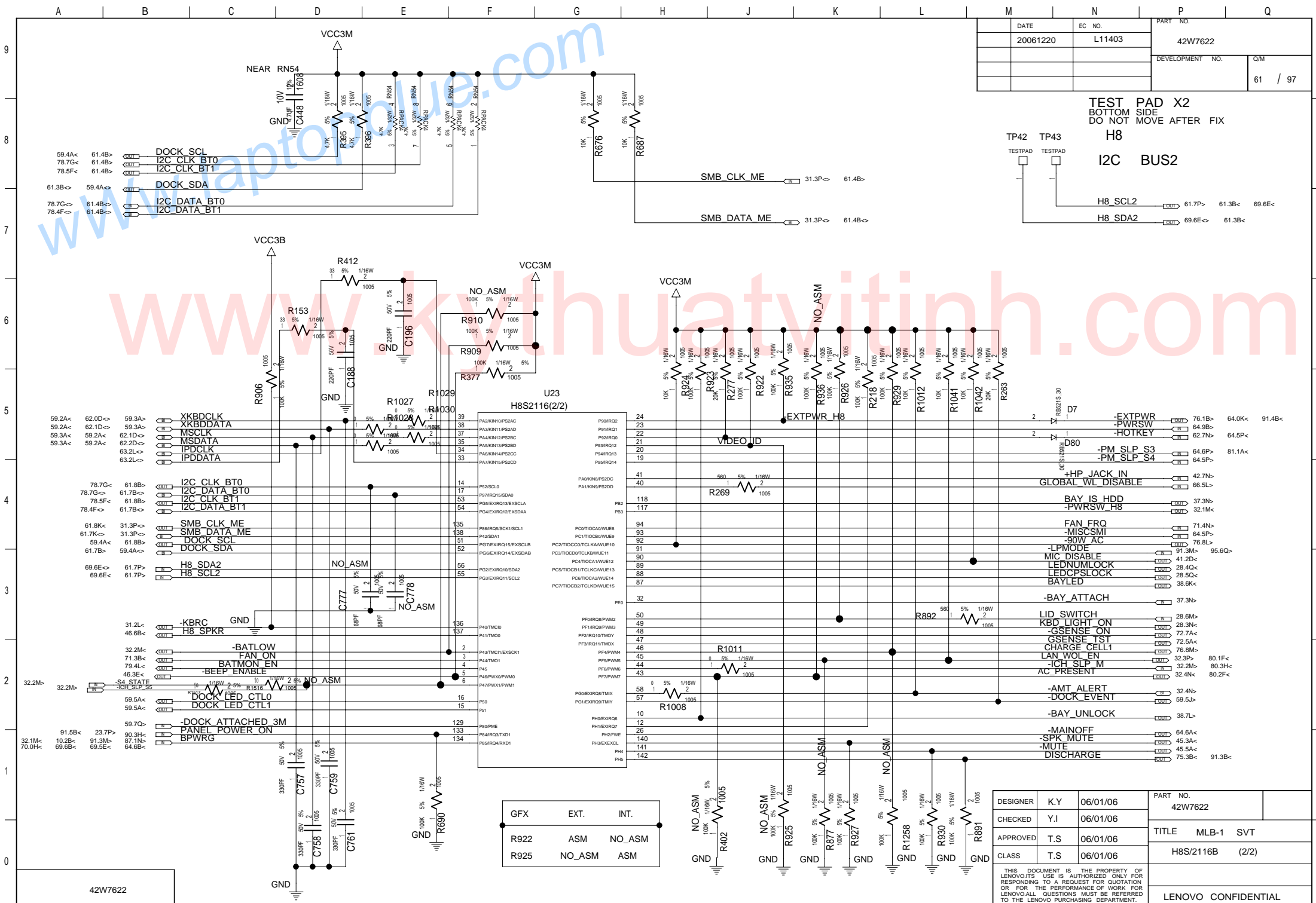
NEAR H8S/2169A
SHORT PATTERN.
NO PATTERN UNDER
THIS AREA.

PLACE NEAR H8

DO NOT MOVE

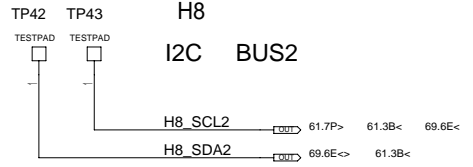
DESIGNER	K.Y	06/01/06	PART NO.	42W7622
CHECKED	Y.I	06/01/06	TITLE	MLB-1 SVT
APPROVED	T.S	06/01/06	H8S/2116B (1/2)	
CLASS	T.S	06/01/06	LENOVO CONFIDENTIAL	

THIS DOCUMENT IS THE PROPERTY OF
LENOVO.ITS USE IS AUTHORIZED ONLY FOR
RESPONDING TO A REQUEST FOR QUOTATION
OR FOR THE PERFORMANCE OF WORK FOR
LENOVO.ALL QUESTIONS MUST BE REFERRED
TO THE LENOVO PURCHASING DEPARTMENT.



DATE	EC NO.	PART NO.
20061220	L11403	42W7622
DEVELOPMENT NO.		Q/M
		61 / 97

TEST PAD X2
BOTTOM SIDE
DO NOT MOVE AFTER FIX



GFX	EXT.	INT.
R922	ASM	NO_ASM
R925	NO_ASM	ASM

DESIGNER	K.Y	06/01/06	PART NO.	42W7622
CHECKED	Y.I	06/01/06	TITLE	MLB-1 SVT
APPROVED	T.S	06/01/06	H8S2116B (2/2)	
CLASS	T.S	06/01/06		

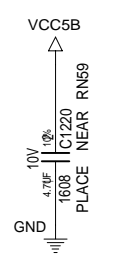
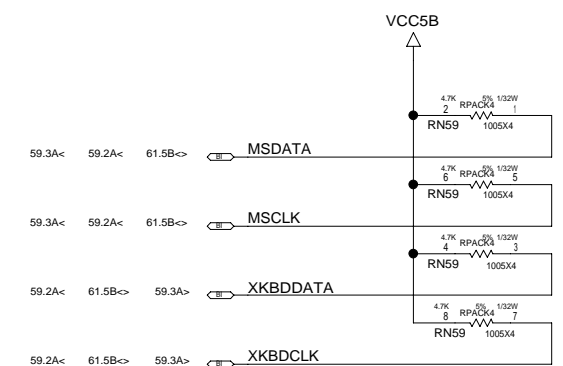
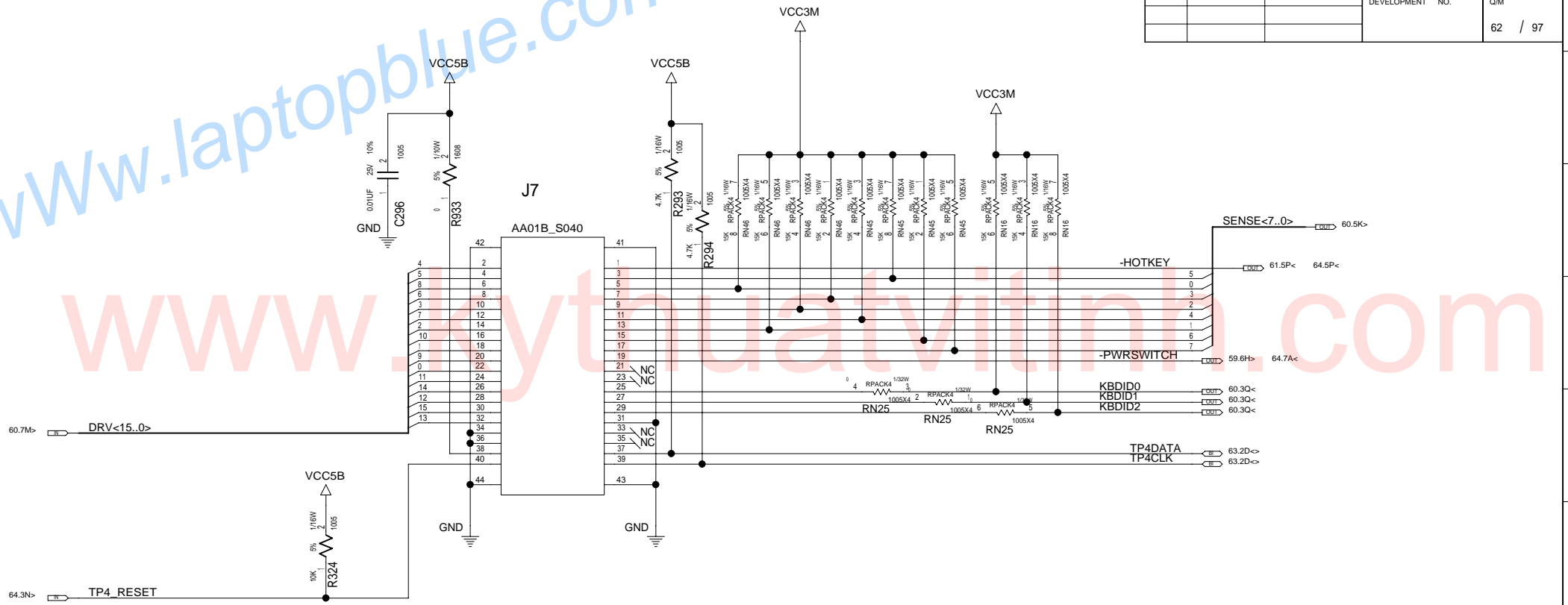
THIS DOCUMENT IS THE PROPERTY OF LENOVO. ITS USE IS AUTHORIZED ONLY FOR RESPONDING TO A REQUEST FOR QUOTATION OR FOR THE PERFORMANCE OF WORK FOR LENOVO. ALL QUESTIONS MUST BE REFERRED TO THE LENOVO PURCHASING DEPARTMENT.

LENOVO CONFIDENTIAL

DATE	EC NO.	PART NO.
20061220	L11403	42W7622
DEVELOPMENT NO.		Q/M
		62 / 97

www.laptopblue.com

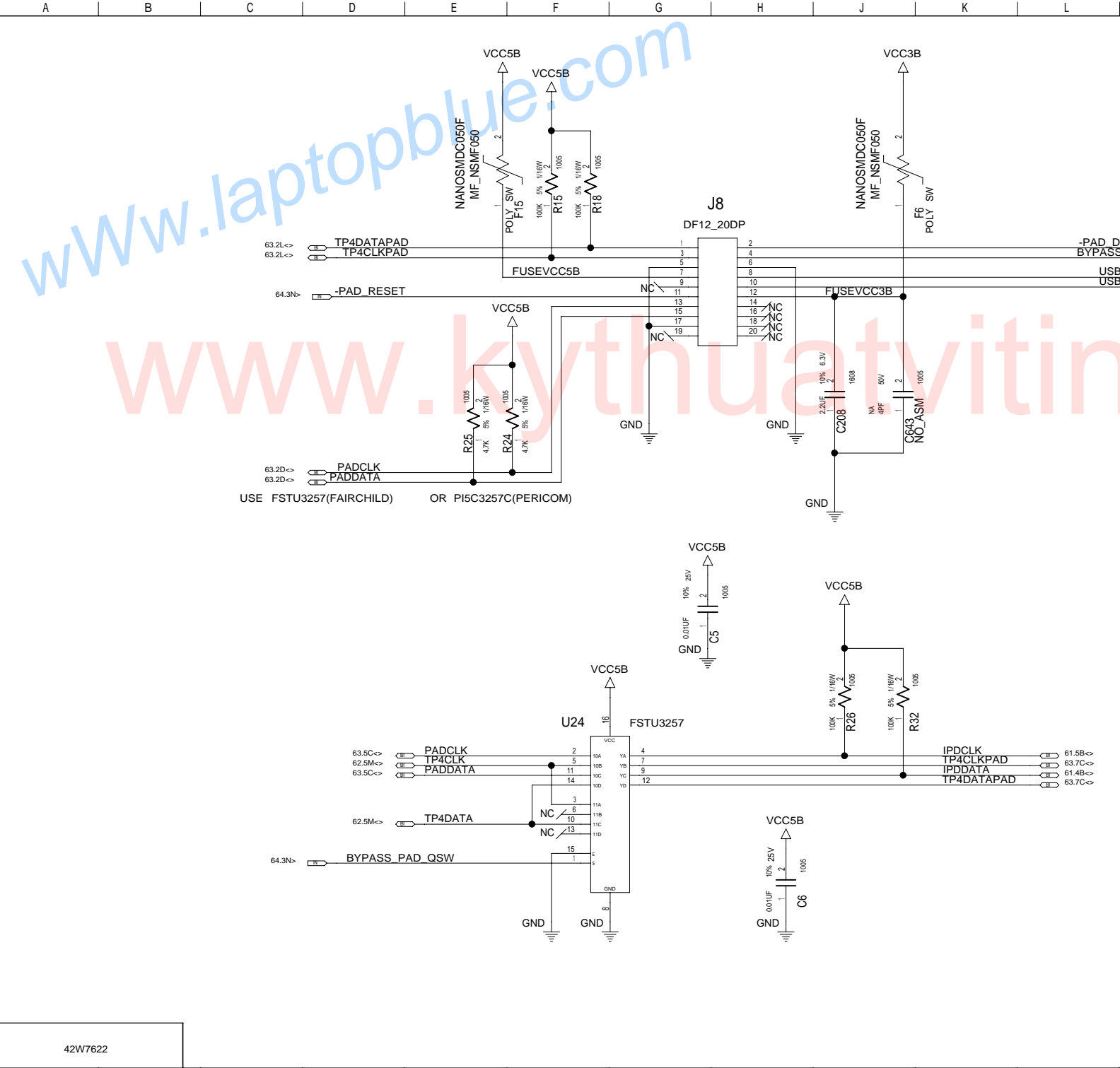
www.tytruatviti.nl.com



DESIGNER	K.Y	06/01/06	PART NO.	42W7622
CHECKED	Y.I	06/01/06	TITLE MLB-1 SVT	
APPROVED	T.S	06/01/06	KEYBOARD CONNECTOR	
CLASS	T.S	06/01/06	LENOVO CONFIDENTIAL	

THIS DOCUMENT IS THE PROPERTY OF LENOVO/ITS USE IS AUTHORIZED ONLY FOR RESPONDING TO A REQUEST FOR QUOTATION OR FOR THE PERFORMANCE OF WORK FOR LENOVO/ALL QUESTIONS MUST BE REFERRED TO THE LENOVO PURCHASING DEPARTMENT.

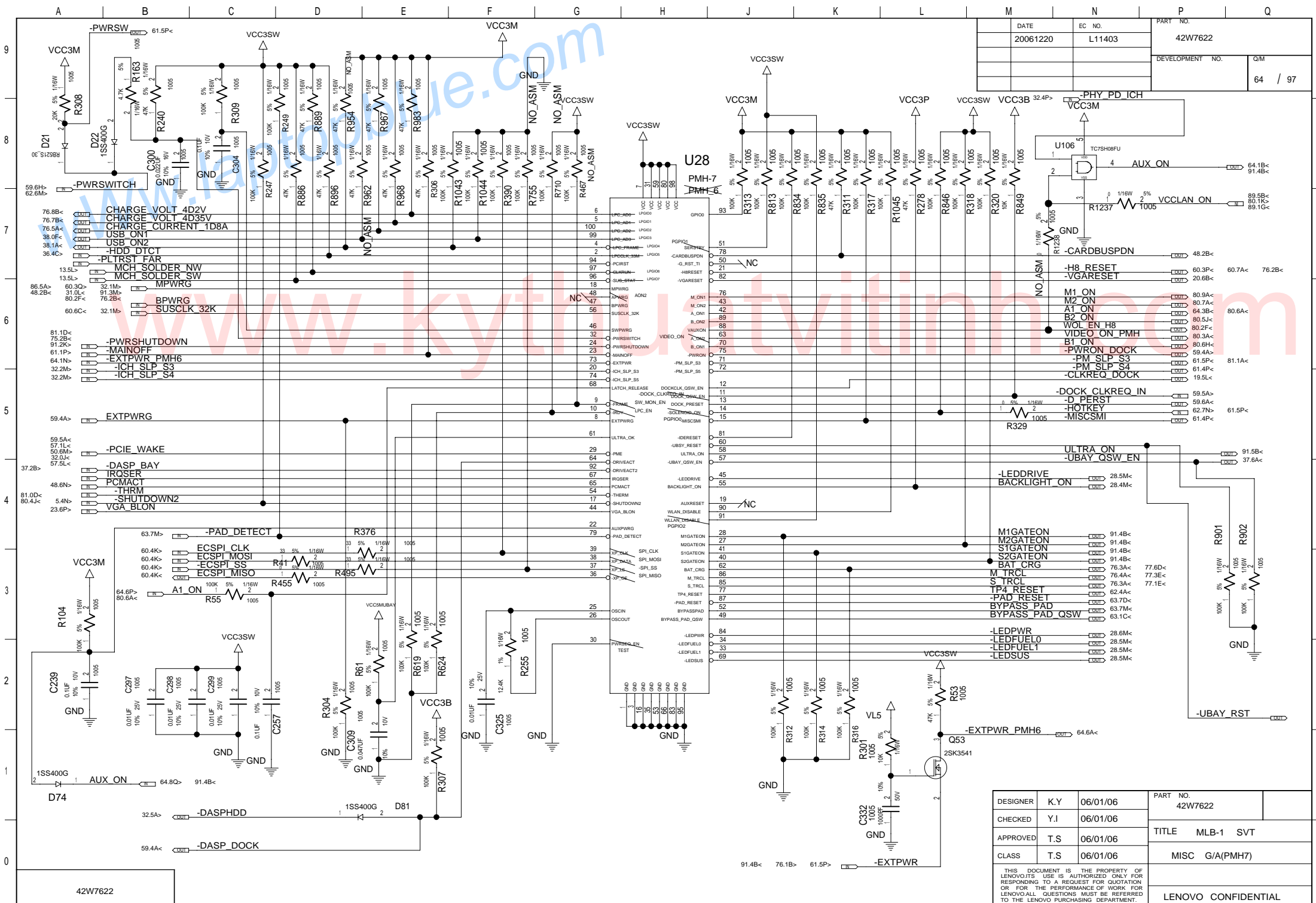
DATE	EC NO.	PART NO.
20061220	L11403	42W7622
DEVELOPMENT NO.		Q/M
		63 / 97



DESIGNER	K.Y	06/01/06	PART NO.	42W7622
CHECKED	Y.I	06/01/06	TITLE MLB-1 SVT	
APPROVED	T.S	06/01/06	TOUCH PAD CONNECTOR	
CLASS	T.S	06/01/06	LENOVO CONFIDENTIAL	

THIS DOCUMENT IS THE PROPERTY OF LENOVO/ITS USE IS AUTHORIZED ONLY FOR RESPONDING TO A REQUEST FOR QUOTATION OR FOR THE PERFORMANCE OF WORK FOR LENOVO/ALL QUESTIONS MUST BE REFERRED TO THE LENOVO PURCHASING DEPARTMENT.

42W7622



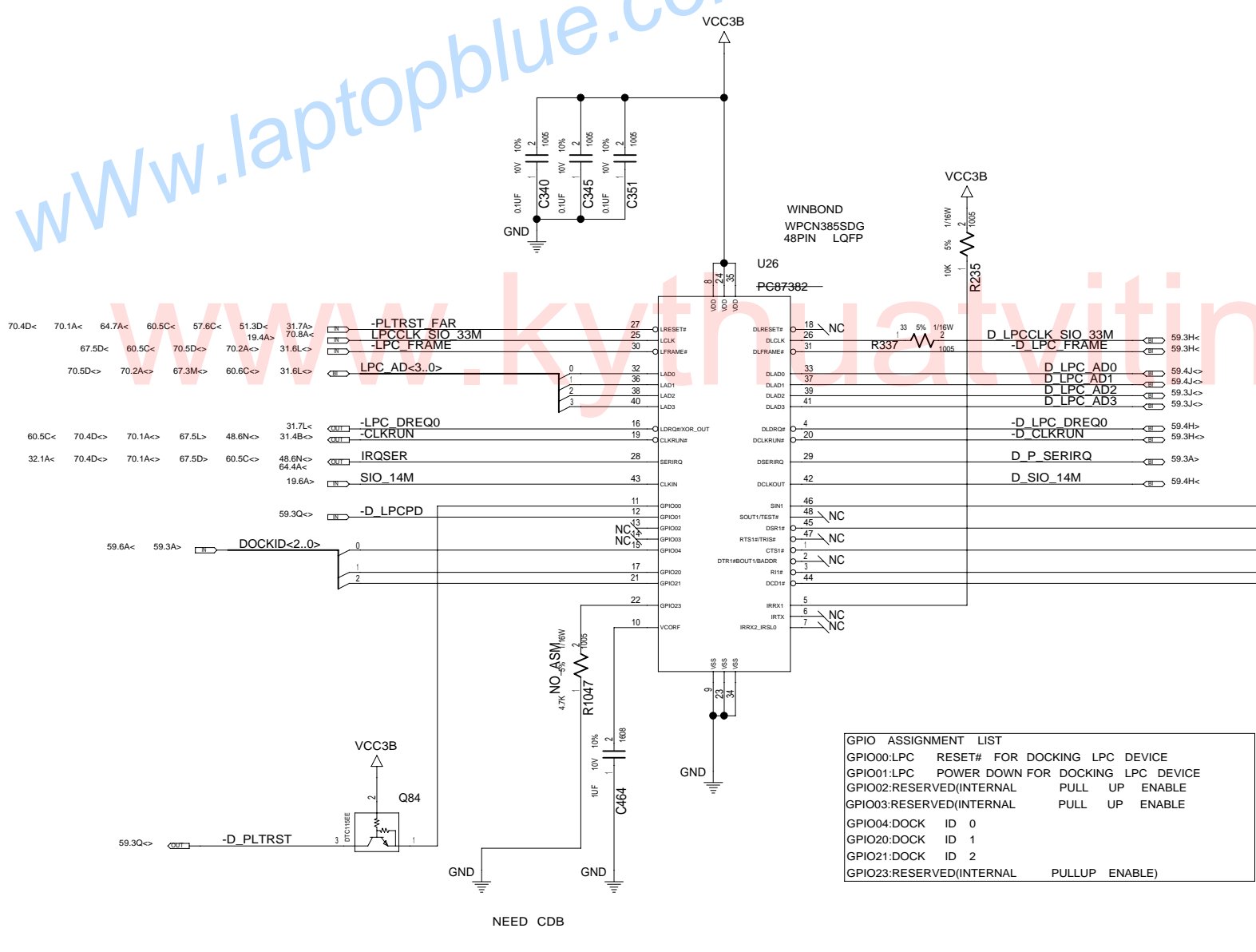
DATE	EC NO.	PART NO.
20061220	L11403	42W7622
DEVELOPMENT NO.		Q/M
		64 / 97

DESIGNER	K.Y	06/01/06	PART NO.	42W7622
CHECKED	Y.I	06/01/06	TITLE MLB-1 SVT	
APPROVED	T.S	06/01/06	MISC G/(PMH7)	
CLASS	T.S	06/01/06	LENOVO CONFIDENTIAL	

THIS DOCUMENT IS THE PROPERTY OF LENOVO/ITS USE IS AUTHORIZED ONLY FOR RESPONDING TO A REQUEST FOR QUOTATION OR FOR THE PERFORMANCE OF WORK FOR LENOVO. ALL QUESTIONS MUST BE REFERRED TO THE LENOVO PURCHASING DEPARTMENT.

DATE	EC NO.	PART NO.	
20061220	L11403	42W7622	
		DEVELOPMENT NO.	Q/M
			65 / 97

www.laptopblue.com



GPIO ASSIGNMENT LIST

GPIO00:	LPC RESET#	FOR DOCKING LPC DEVICE
GPIO01:	LPC POWER DOWN	FOR DOCKING LPC DEVICE
GPIO02:	RESERVED(INTERNAL)	PULL UP ENABLE
GPIO03:	RESERVED(INTERNAL)	PULL UP ENABLE
GPIO04:	DOCK ID 0	
GPIO20:	DOCK ID 1	
GPIO21:	DOCK ID 2	
GPIO23:	RESERVED(INTERNAL)	PULLUP ENABLE

POWER ON STRAP PIN

PIN2:	BASE I/O ADDRESS
NC:	164E/164F(INTERNAL PU)
PD:	2E/2F
PIN31:	LPC SWITCH FUNCTION
NC:	SWITCH ENABLE (CONTROLLED BY DLCON BIT)
PD:	SWITCH DISABLE (FORCED TO BE DISCONNECTED)
PIN47:	TRISTATE
NC:	NORMAL OPERATION
PD:	ALL PINS FLOATING
PIN48:	TEST
NC:	NORMAL OPERATION
PD:	TEST MODE

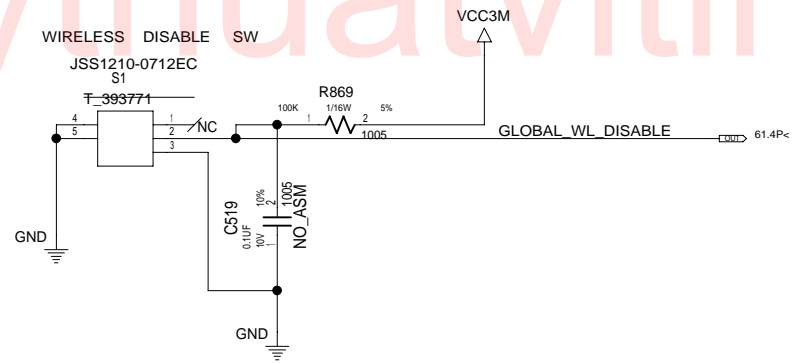
42W7622

DESIGNER	K.Y	06/01/06	PART NO.	42W7622
CHECKED	Y.I	06/01/06	TITLE MLB-1 SVT	
APPROVED	T.S	06/01/06		
CLASS	T.S	06/01/06	SUPER I/O	
THIS DOCUMENT IS THE PROPERTY OF LENOVO/ITS USE IS AUTHORIZED ONLY FOR RESPONDING TO A REQUEST FOR QUOTATION OR FOR THE PERFORMANCE OF WORK FOR LENOVO/ALL QUESTIONS MUST BE REFERRED TO THE LENOVO PURCHASING DEPARTMENT.			48PIN PITCH=0.5MM	
LENOVO CONFIDENTIAL				

www.laptopblue.com

www.kythuatvitinh.com

DATE	EC NO.	PART NO.	
20061220	L11403	42W7622	
		DEVELOPMENT NO.	Q/M
			66 / 97



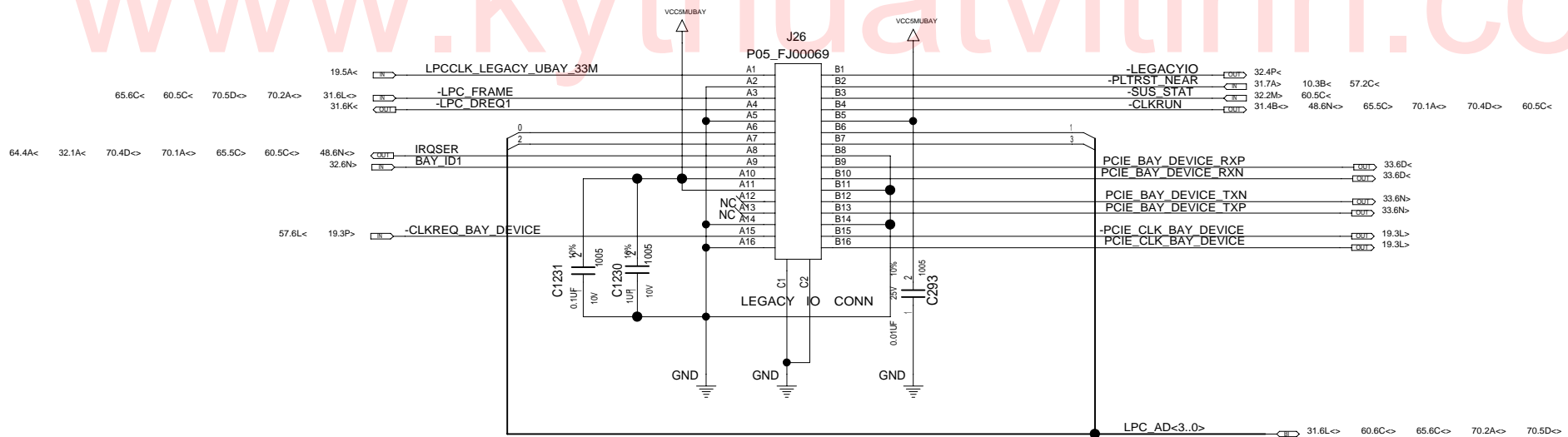
42W7622

DESIGNER	K.Y	06/01/06	PART NO.	
CHECKED	Y.I	06/01/06	42W7622	
APPROVED	T.S	06/01/06	TITLE	MLB-1 SVT
CLASS	T.S	06/01/06	WIRELESS DISABLE SW	
<small>THIS DOCUMENT IS THE PROPERTY OF LENOVO/ITS USE IS AUTHORIZED ONLY FOR RESPONDING TO A REQUEST FOR QUOTATION OR FOR THE PERFORMANCE OF WORK FOR LENOVO/ALL QUESTIONS MUST BE REFERRED TO THE LENOVO PURCHASING DEPARTMENT.</small>				LENOVO CONFIDENTIAL

www.laptopblue.com

DATE	EC NO.	PART NO.	
20061220	L11403	42W7622	
		DEVELOPMENT NO.	Q/M
			67 / 97

www.kythuatvithinh.com



DESIGNER	K.Y	06/01/06	PART NO.	42W7622
CHECKED	Y.I	06/01/06	TITLE	MLB-1 SVT
APPROVED	T.S	06/01/06	SERIAL	INTERFACE
CLASS	T.S	06/01/06	LENOVO CONFIDENTIAL	

THIS DOCUMENT IS THE PROPERTY OF LENOVO/ITS USE IS AUTHORIZED ONLY FOR RESPONDING TO A REQUEST FOR QUOTATION OR FOR THE PERFORMANCE OF WORK FOR LENOVO/ALL QUESTIONS MUST BE REFERRED TO THE LENOVO PURCHASING DEPARTMENT.

www.laptopblue.com

www.kythuativinh.com

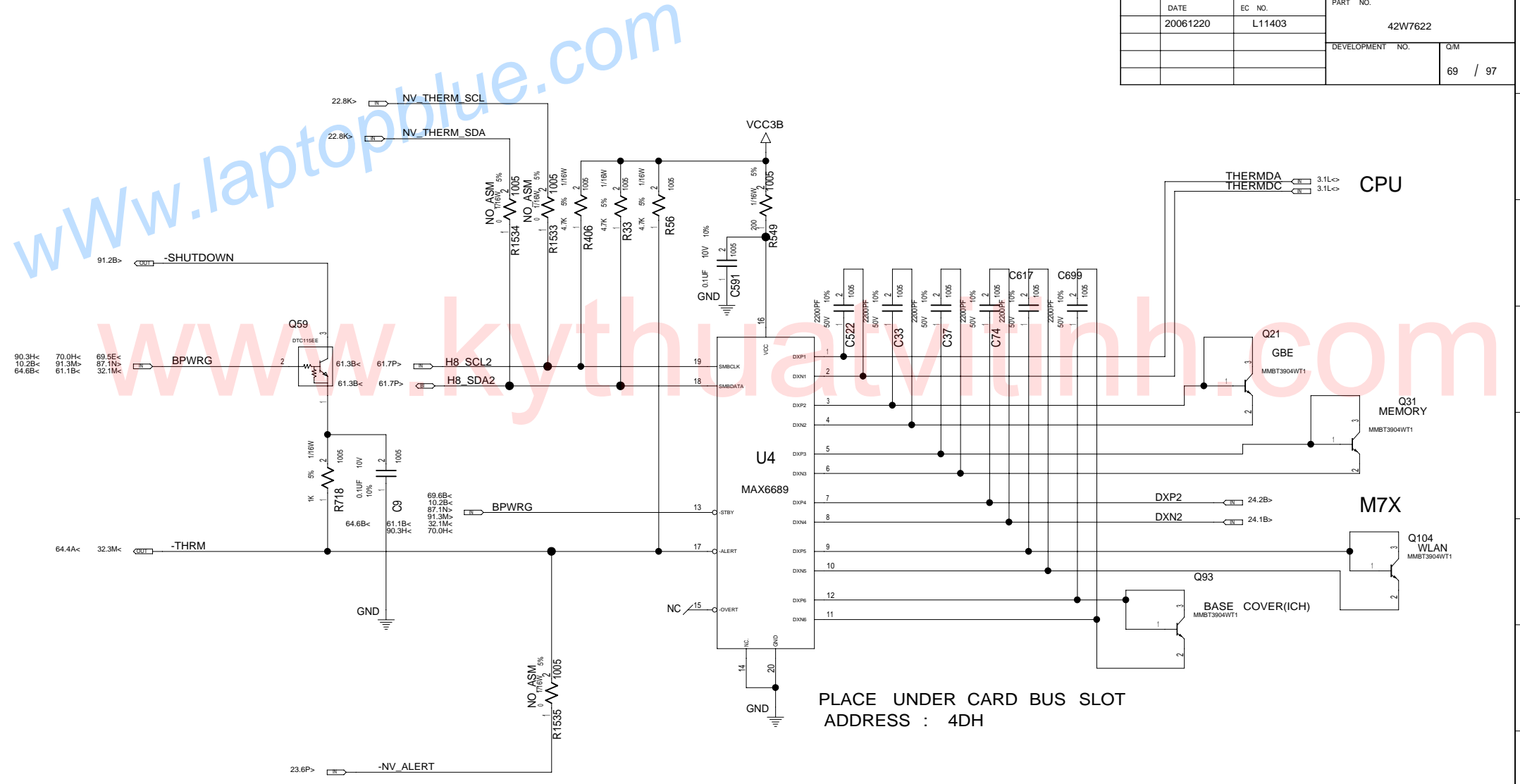
BLANK PAGE

	DATE	EC NO.	PART NO.	
	20061220	L11403	42W7622	
			DEVELOPMENT NO.	Q/M
				68 / 97

42W7622

DESIGNER	K.Y	06/01/06	PART NO.	42W7622
CHECKED	Y.I	06/01/06	TITLE MLB-1 SVT	
APPROVED	T.S	06/01/06	BLANK PAGE	
CLASS	T.S	06/01/06	LENOVO CONFIDENTIAL	
<small>THIS DOCUMENT IS THE PROPERTY OF LENOVO/ITS USE IS AUTHORIZED ONLY FOR RESPONDING TO A REQUEST FOR QUOTATION OR FOR THE PERFORMANCE OF WORK FOR LENOVO/ALL QUESTIONS MUST BE REFERRED TO THE LENOVO PURCHASING DEPARTMENT.</small>				

DATE	EC NO.	PART NO.
20061220	L11403	42W7622
DEVELOPMENT NO.		Q/M
		69 / 97

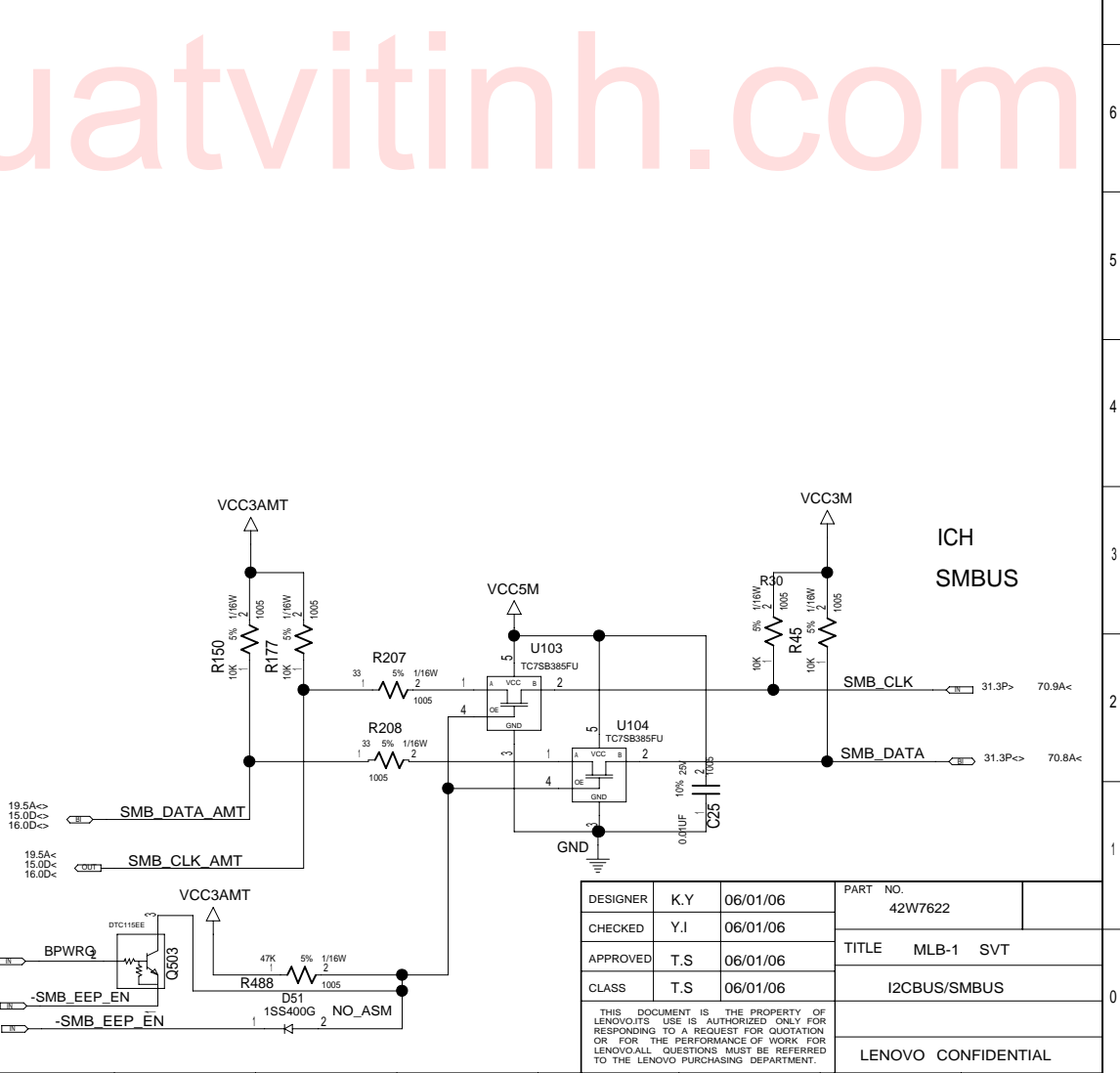
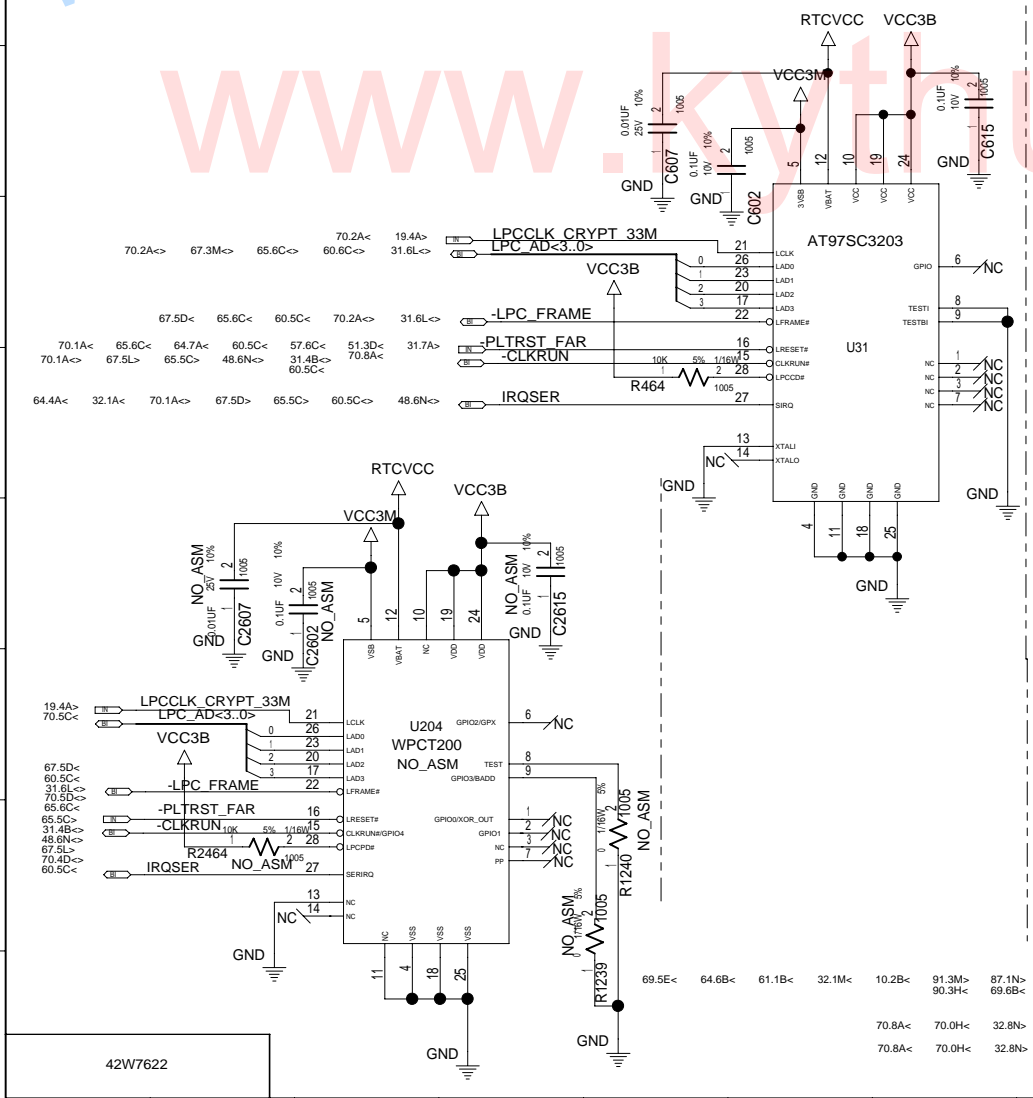
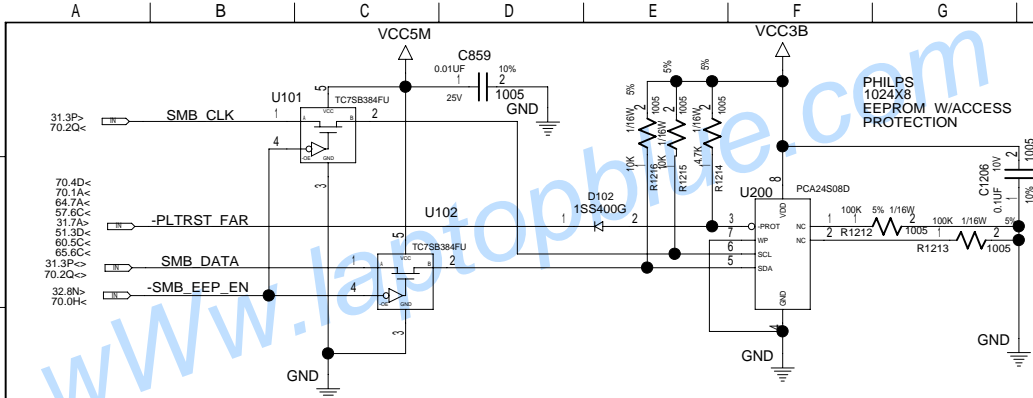


PLACE UNDER CARD BUS SLOT
ADDRESS : 4DH

DESIGNER	K.Y	06/01/06	PART NO.	42W7622
CHECKED	Y.I	06/01/06	TITLE MLB-1 SVT	
APPROVED	T.S	06/01/06	THERMAL SENSOR	
CLASS	T.S	06/01/06	LENOVO CONFIDENTIAL	

THIS DOCUMENT IS THE PROPERTY OF LENOVO. ITS USE IS AUTHORIZED ONLY FOR RESPONDING TO A REQUEST FOR QUOTATION OR FOR THE PERFORMANCE OF WORK FOR LENOVO. ALL QUESTIONS MUST BE REFERRED TO THE LENOVO PURCHASING DEPARTMENT.

DATE		EC NO.		PART NO.	
20061220		L11403		42W7622	
DEVELOPMENT NO.				Q/M	
				70 / 97	



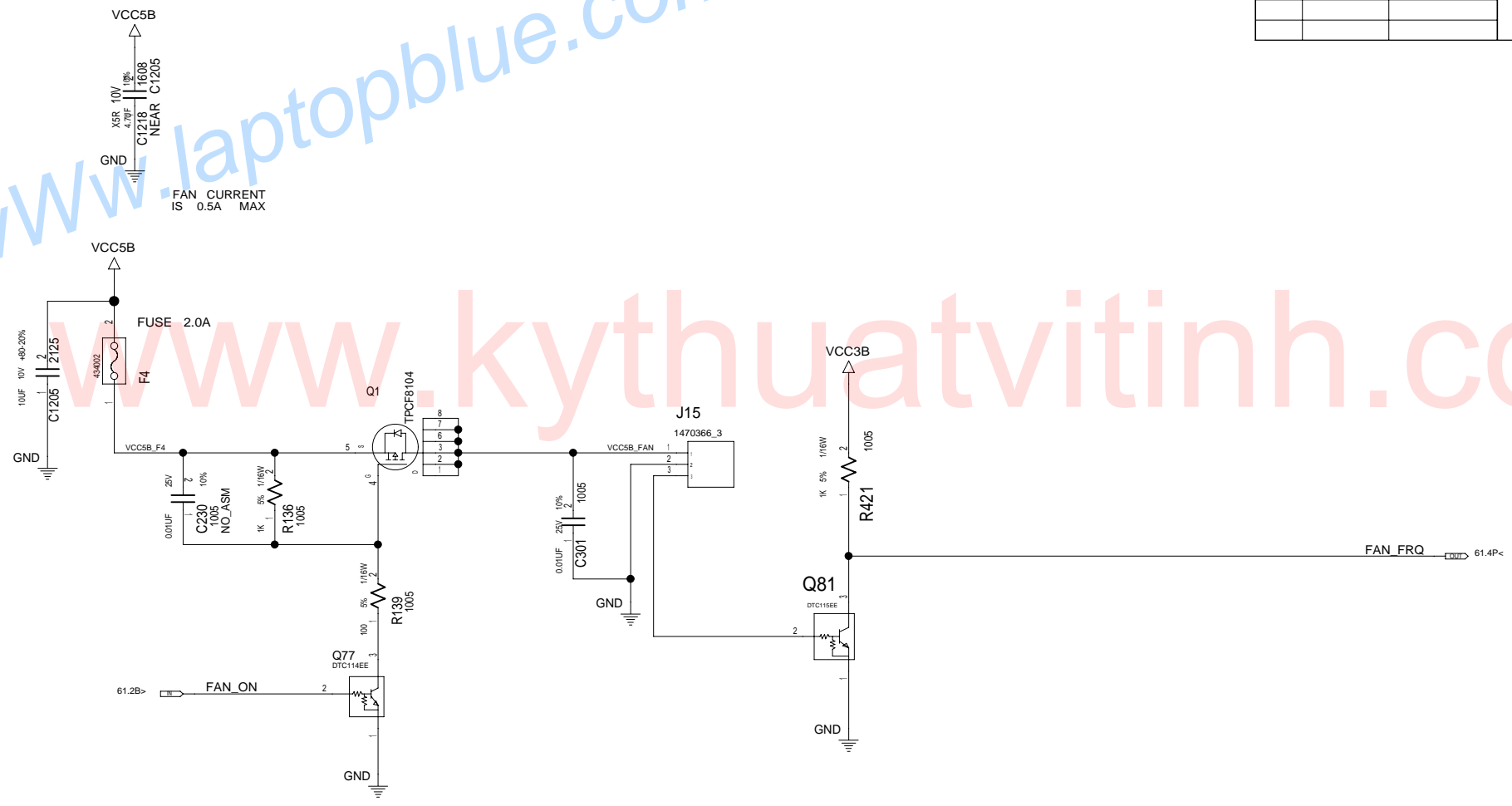
DESIGNER	K.Y	06/01/06	PART NO.	42W7622
CHECKED	Y.I	06/01/06	TITLE	MLB-1 SVT
APPROVED	T.S	06/01/06	I2CBUS/SMBUS	
CLASS	T.S	06/01/06	LENOVO CONFIDENTIAL	

THIS DOCUMENT IS THE PROPERTY OF LENOVO/ITS USE IS AUTHORIZED ONLY FOR RESPONDING TO A REQUEST FOR QUOTATION OR FOR THE PERFORMANCE OF WORK FOR LENOVO/ALL QUESTIONS MUST BE REFERRED TO THE LENOVO PURCHASING DEPARTMENT.

DATE	EC NO.	PART NO.	
20061220	L11403	42W7622	
		DEVELOPMENT NO.	Q/M
			71 / 97

www.laptopblue.com

www.kythuatvithinh.com

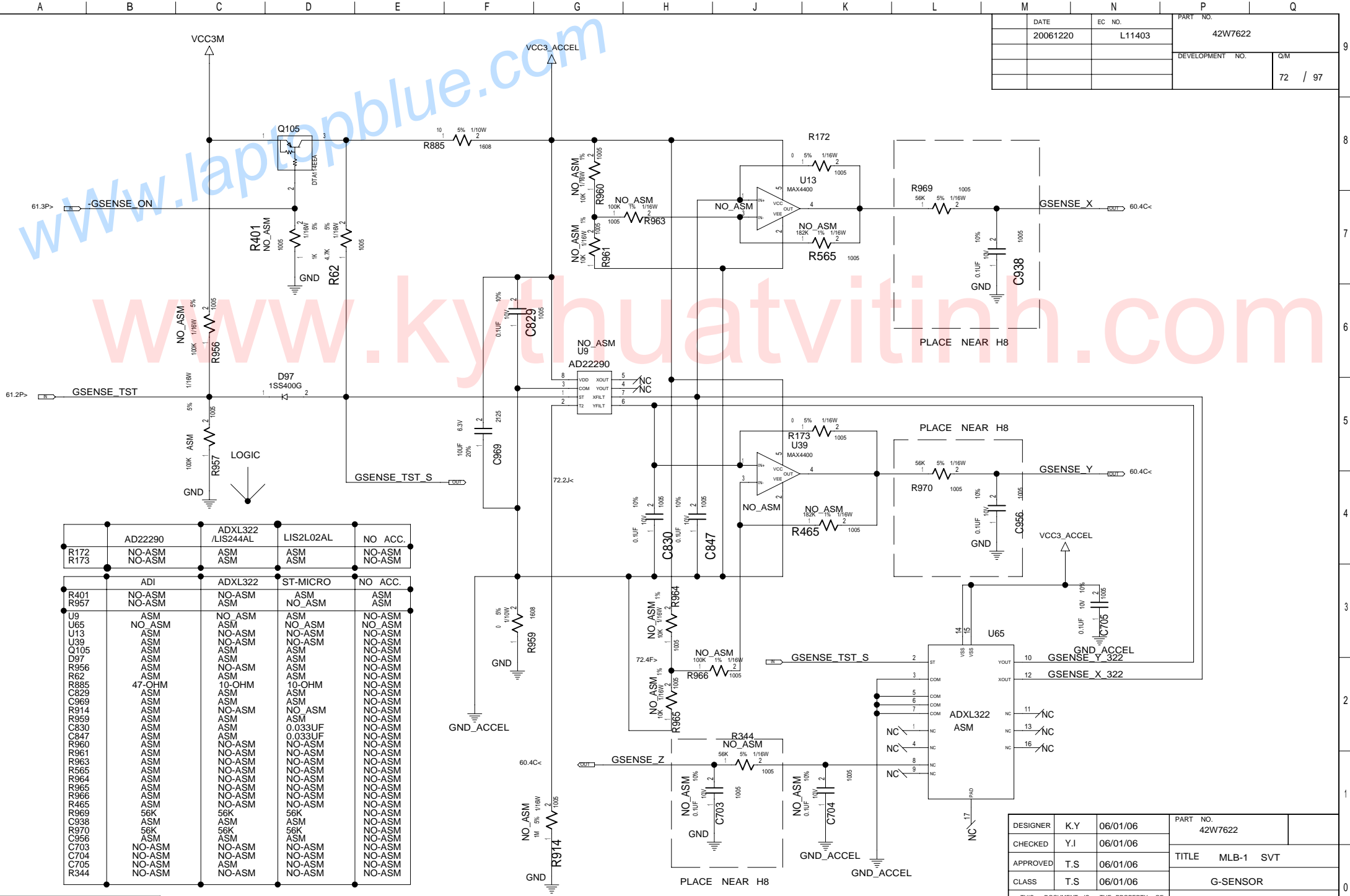


42W7622

DESIGNER	K.Y	06/01/06	PART NO.	42W7622
CHECKED	Y.I	06/01/06	TITLE MLB-1 SVT	
APPROVED	T.S	06/01/06	FAN CONNECTOR	
CLASS	T.S	06/01/06	LENOVO CONFIDENTIAL	

THIS DOCUMENT IS THE PROPERTY OF LENOVO/ITS USE IS AUTHORIZED ONLY FOR RESPONDING TO A REQUEST FOR QUOTATION OR FOR THE PERFORMANCE OF WORK FOR LENOVO/ALL QUESTIONS MUST BE REFERRED TO THE LENOVO PURCHASING DEPARTMENT.

DATE	EC NO.	PART NO.
20061220	L11403	42W7622
DEVELOPMENT NO.		Q/M
		72 / 97

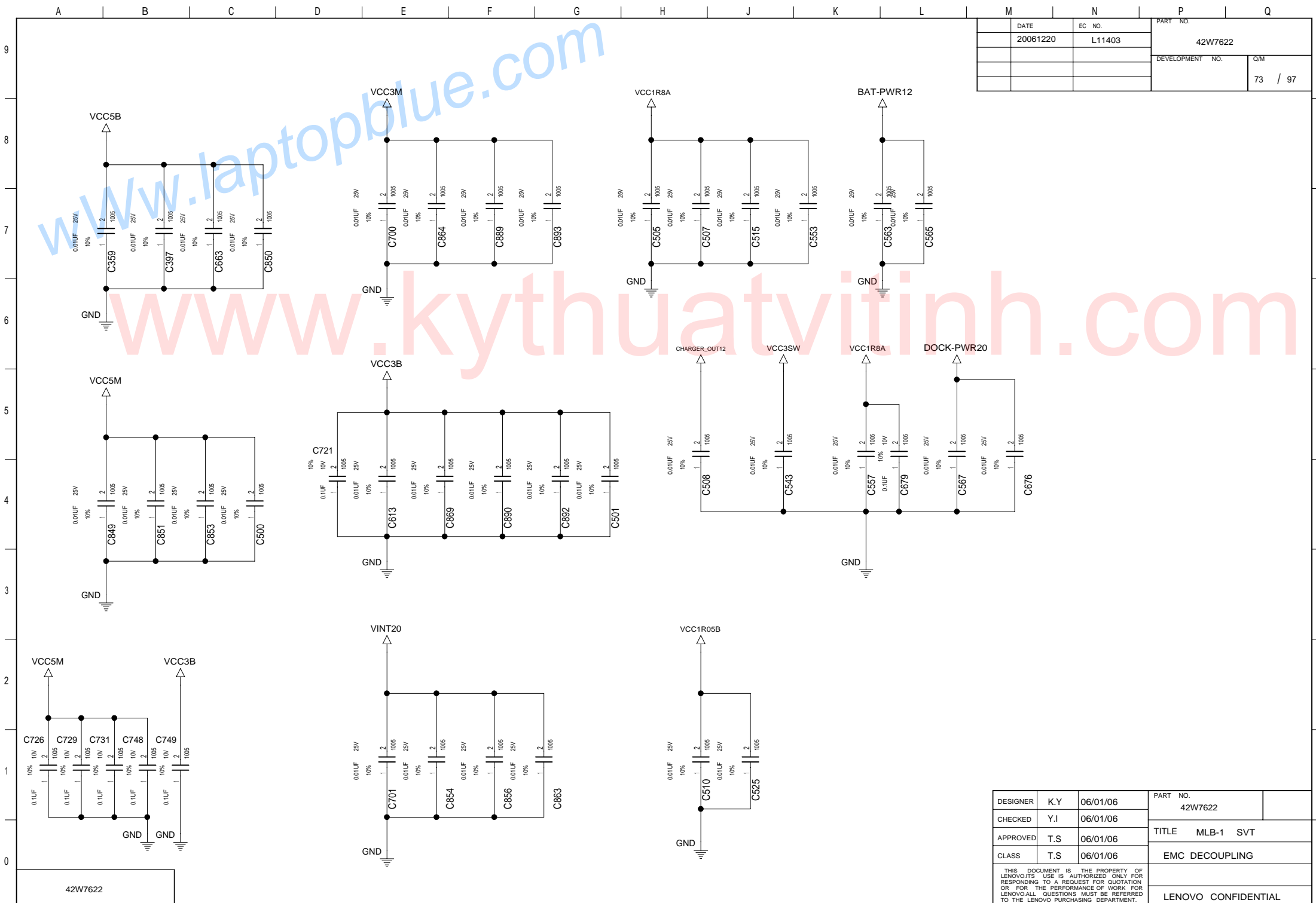


R172	AD22290	ADXL322 / LIS244AL	LIS2L02AL	NO ACC.
R173	NO-ASM	NO-ASM	ASM	NO-ASM
R401	ADI	ADXL322	ST-MICRO	NO ACC.
R957	NO-ASM	NO-ASM	NO-ASM	ASM
U9	ASM	NO-ASM	ASM	NO-ASM
U65	NO-ASM	ASM	NO-ASM	NO-ASM
U13	ASM	NO-ASM	NO-ASM	NO-ASM
U39	ASM	NO-ASM	NO-ASM	NO-ASM
Q105	ASM	ASM	ASM	NO-ASM
D97	ASM	ASM	ASM	NO-ASM
R956	ASM	NO-ASM	ASM	NO-ASM
R62	ASM	ASM	ASM	NO-ASM
R865	ASM	10-OHM	10-OHM	NO-ASM
C829	ASM	ASM	ASM	NO-ASM
C969	ASM	ASM	ASM	NO-ASM
R914	ASM	NO-ASM	NO-ASM	NO-ASM
R959	ASM	ASM	ASM	NO-ASM
C830	ASM	ASM	0.033UF	NO-ASM
C847	ASM	ASM	0.033UF	NO-ASM
R960	ASM	NO-ASM	NO-ASM	NO-ASM
R961	ASM	NO-ASM	NO-ASM	NO-ASM
R963	ASM	NO-ASM	NO-ASM	NO-ASM
R565	ASM	NO-ASM	NO-ASM	NO-ASM
R964	ASM	NO-ASM	NO-ASM	NO-ASM
R965	ASM	NO-ASM	NO-ASM	NO-ASM
R966	ASM	NO-ASM	NO-ASM	NO-ASM
R465	ASM	NO-ASM	NO-ASM	NO-ASM
R969	56K	56K	56K	NO-ASM
C938	ASM	ASM	ASM	NO-ASM
R970	56K	56K	56K	NO-ASM
C956	ASM	ASM	ASM	NO-ASM
C703	NO-ASM	NO-ASM	NO-ASM	NO-ASM
C704	NO-ASM	NO-ASM	NO-ASM	NO-ASM
C705	NO-ASM	NO-ASM	NO-ASM	NO-ASM
R344	NO-ASM	NO-ASM	NO-ASM	NO-ASM

42W7622

DESIGNER	K.Y	06/01/06	PART NO.	42W7622
CHECKED	Y.I	06/01/06	TITLE	MLB-1 SVT
APPROVED	T.S	06/01/06	CLASS	G-SENSOR
CLASS	T.S	06/01/06	LENOVO CONFIDENTIAL	

THIS DOCUMENT IS THE PROPERTY OF LENOVO/IVTS. USE IS AUTHORIZED ONLY FOR RESPONDING TO A REQUEST FOR QUOTATION OR FOR THE PERFORMANCE OF WORK FOR LENOVO. ALL QUESTIONS MUST BE REFERRED TO THE LENOVO PURCHASING DEPARTMENT.



DATE	EC NO.	PART NO.	
20061220	L11403	42W7622	
		DEVELOPMENT NO.	Q/M
			73 / 97

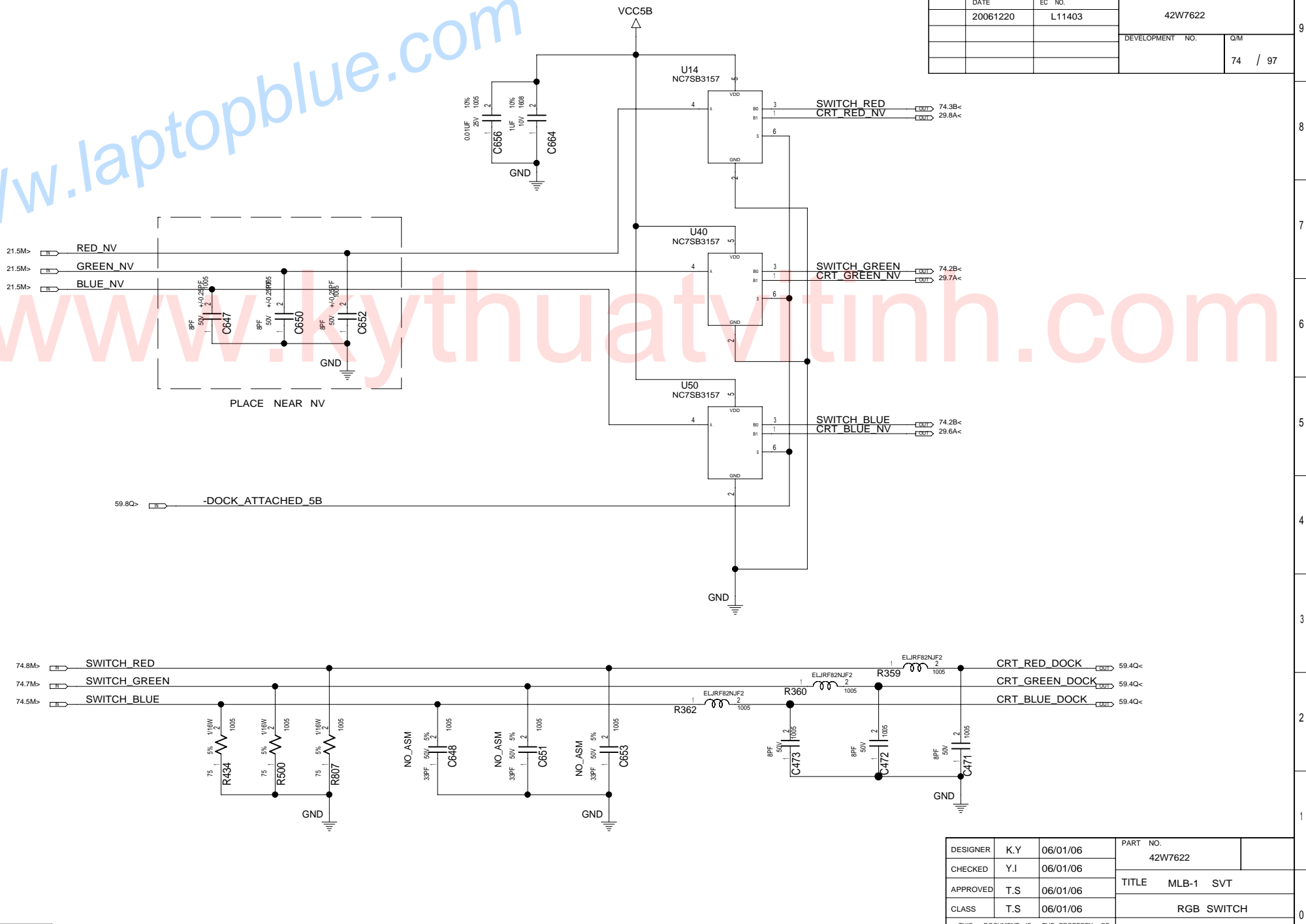
42W7622

DESIGNER	K.Y	06/01/06	PART NO.	42W7622
CHECKED	Y.I	06/01/06	TITLE	MLB-1 SVT
APPROVED	T.S	06/01/06	CLASS	EMC DECOUPLING
CLASS	T.S	06/01/06	THIS DOCUMENT IS THE PROPERTY OF LENOVO/ITS USE IS AUTHORIZED ONLY FOR RESPONDING TO A REQUEST FOR QUOTATION OR FOR THE PERFORMANCE OF WORK FOR LENOVO/ALL QUESTIONS MUST BE REFERRED TO THE LENOVO PURCHASING DEPARTMENT.	
LENOVO CONFIDENTIAL				

DATE	EC NO.	PART NO.
20061220	L11403	42W7622
DEVELOPMENT NO.		Q/M
		74 / 97

www.laptopblue.com

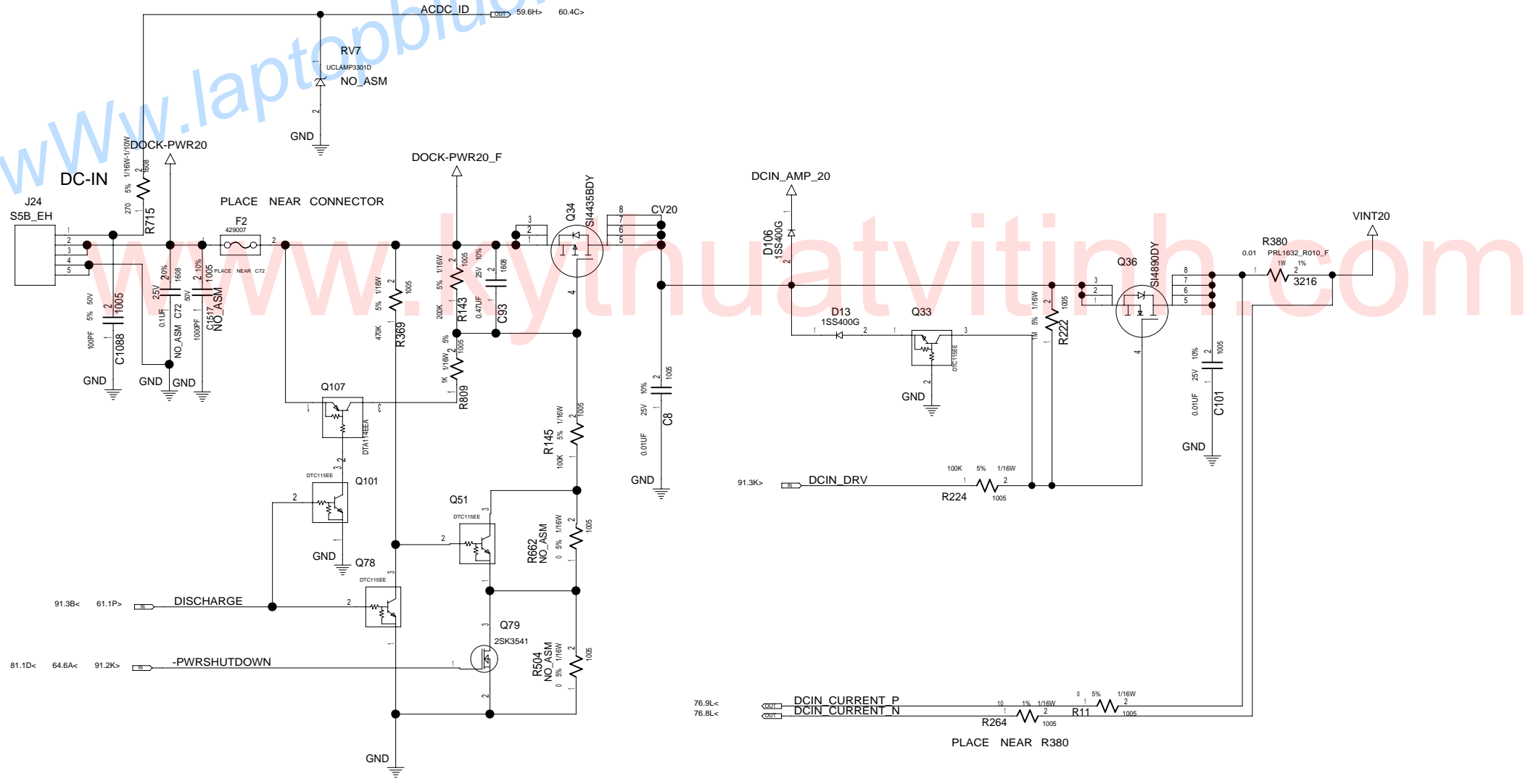
www.kyathuatinh.com



DESIGNER	K.Y	06/01/06	PART NO.	42W7622
CHECKED	Y.I	06/01/06	TITLE MLB-1 SVT	
APPROVED	T.S	06/01/06	RGB SWITCH	
CLASS	T.S	06/01/06	LENOVO CONFIDENTIAL	
<small>THIS DOCUMENT IS THE PROPERTY OF LENOVO/ITS USE IS AUTHORIZED ONLY FOR RESPONDING TO A REQUEST FOR QUOTATION OR FOR THE PERFORMANCE OF WORK FOR LENOVO/ALL QUESTIONS MUST BE REFERRED TO THE LENOVO PURCHASING DEPARTMENT.</small>				

42W7622

DATE	EC NO.	PART NO.	
20061220	L11403	42W7622	
		DEVELOPMENT NO.	Q/M
			75 / 97

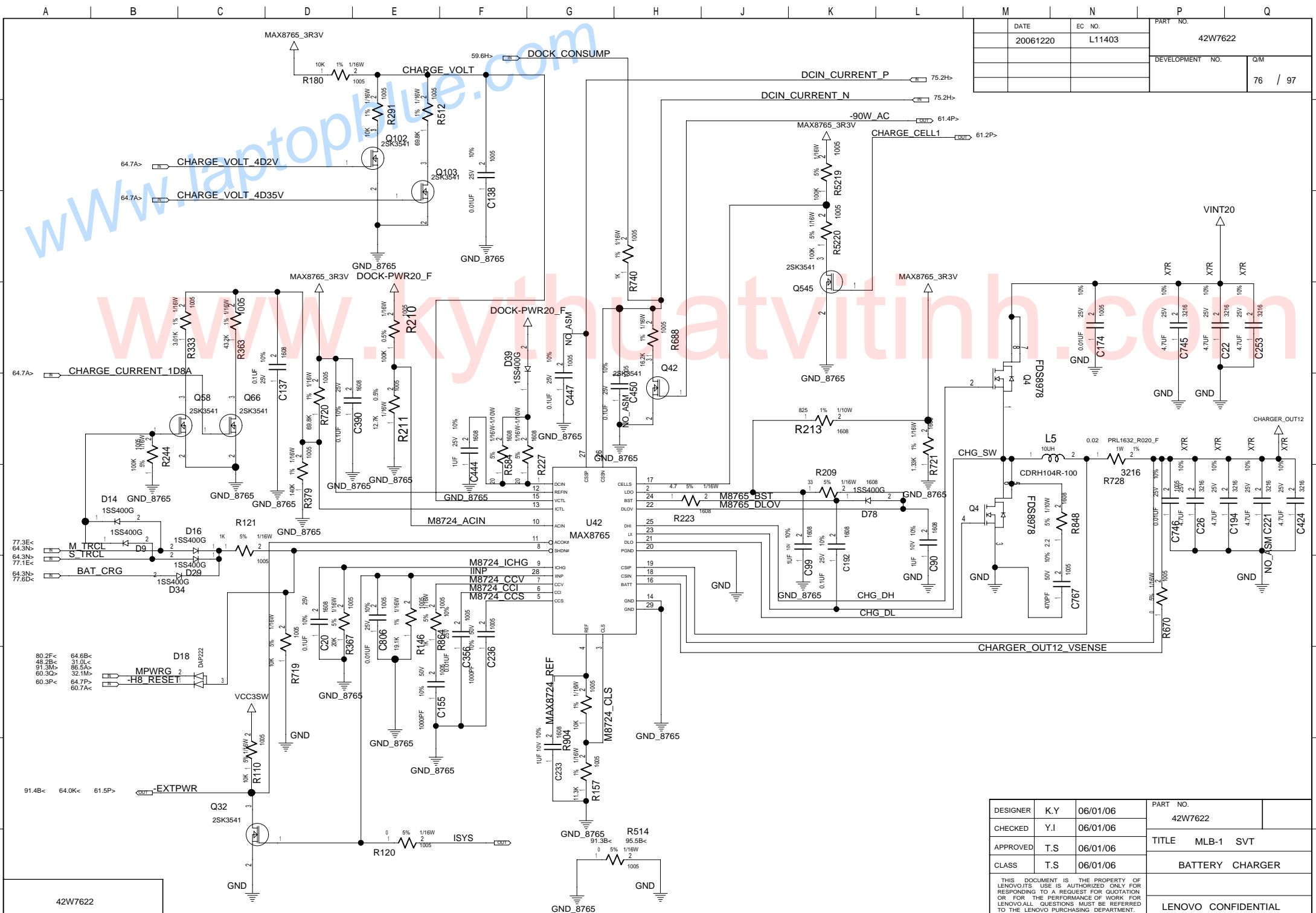


PEAK SHIFT	YES	NO
R662	NO-ASM	ASM
R369	ASM	NO-ASM
Q78	ASM	NO-ASM
Q51	ASM	NO-ASM

42W7622

DESIGNER	K.Y	06/01/06	PART NO.	42W7622
CHECKED	Y.I	06/01/06	TITLE	MLB-1 SVT
APPROVED	T.S	06/01/06	DC-IN	
CLASS	T.S	06/01/06	LENOVO CONFIDENTIAL	

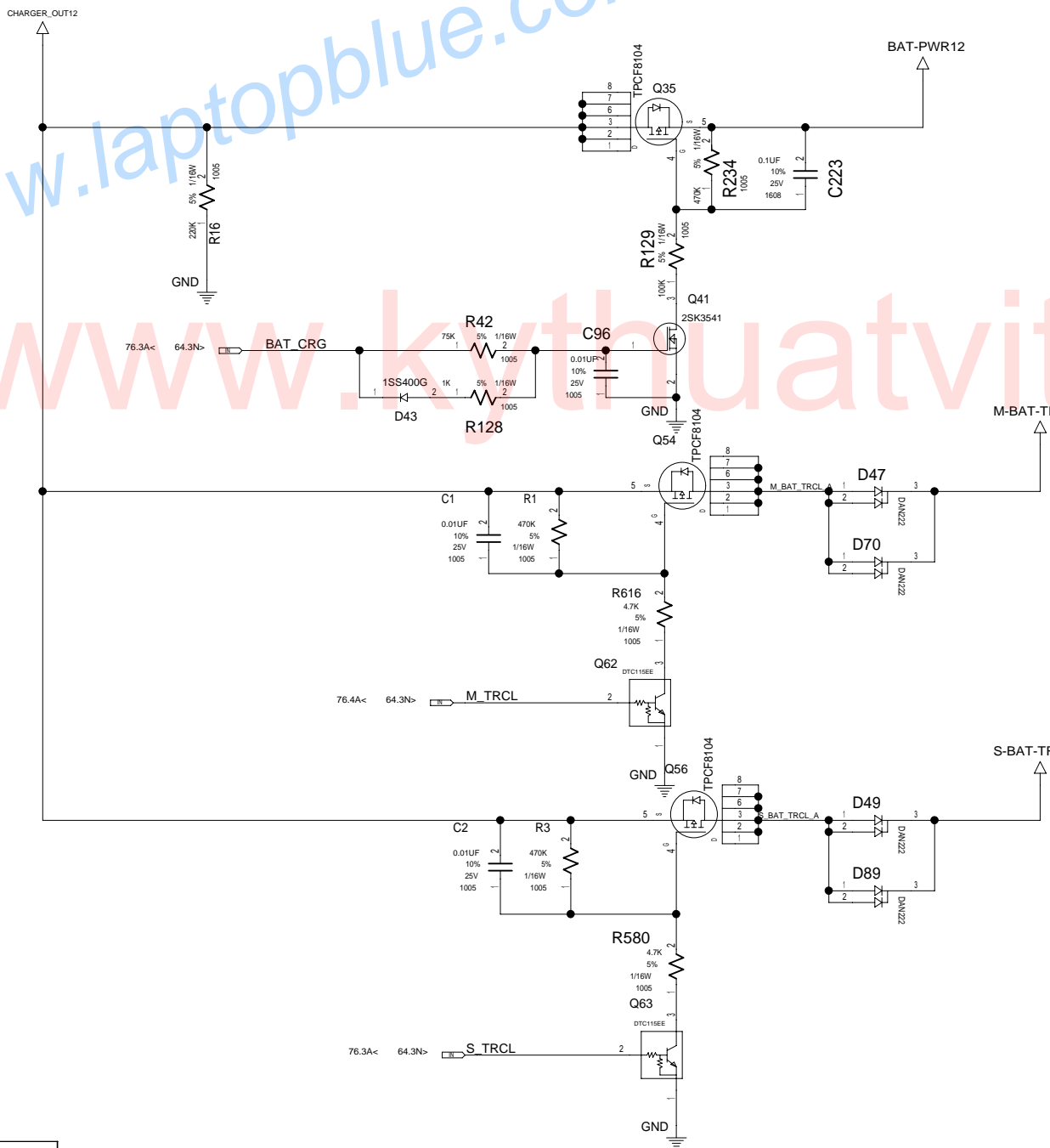
THIS DOCUMENT IS THE PROPERTY OF LENOVO/ITS USE IS AUTHORIZED ONLY FOR RESPONDING TO A REQUEST FOR QUOTATION OR FOR THE PERFORMANCE OF WORK FOR LENOVO/ALL QUESTIONS MUST BE REFERRED TO THE LENOVO PURCHASING DEPARTMENT.



DATE	EC NO.	PART NO.
20061220	L11403	42W7622
DEVELOPMENT NO.		Q/M
		76 / 97

DESIGNER	K.Y	06/01/06	PART NO.	42W7622
CHECKED	Y.I	06/01/06	TITLE	MLB-1 SVT
APPROVED	T.S	06/01/06	CLASS	BATTERY CHARGER
CLASS	T.S	06/01/06	THIS DOCUMENT IS THE PROPERTY OF LENOVO/ITS USE IS AUTHORIZED ONLY FOR RESPONDING TO A REQUEST FOR QUOTATION OR FOR THE PERFORMANCE OF WORK FOR LENOVO. ALL QUESTIONS MUST BE REFERRED TO THE LENOVO PURCHASING DEPARTMENT.	
				LENOVO CONFIDENTIAL

DATE	EC NO.	PART NO.	
20061220	L11403	42W7622	
		DEVELOPMENT NO.	Q/M
			77 / 97

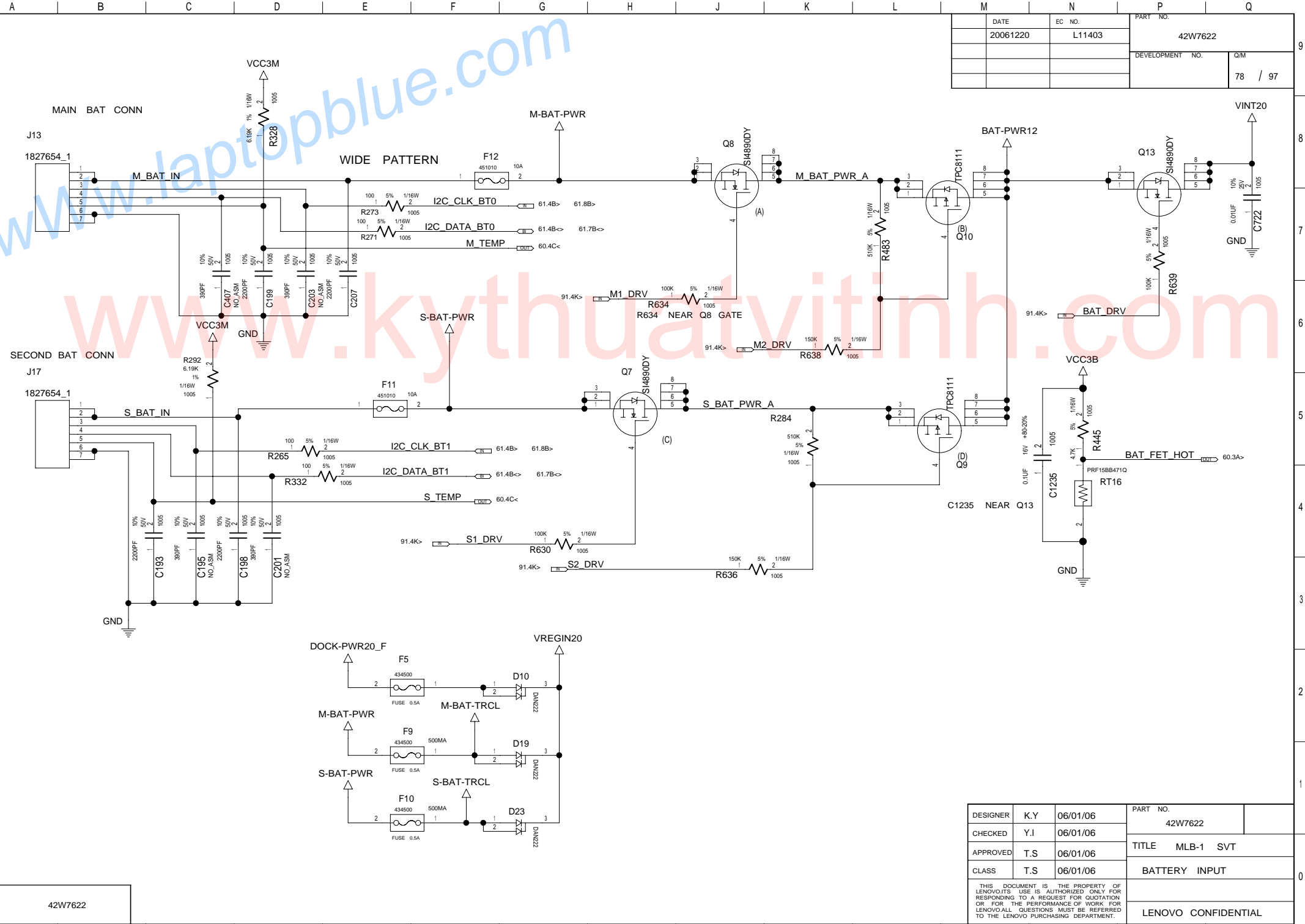


42W7622

DESIGNER	K.Y	06/01/06	PART NO.	42W7622
CHECKED	Y.I	06/01/06	TITLE MLB-1 SVT	
APPROVED	T.S	06/01/06	CHARGE SELECTOR	
CLASS	T.S	06/01/06	LENOVO CONFIDENTIAL	

THIS DOCUMENT IS THE PROPERTY OF LENOVO. ITS USE IS AUTHORIZED ONLY FOR RESPONDING TO A REQUEST FOR QUOTATION OR FOR THE PERFORMANCE OF WORK FOR LENOVO. ALL QUESTIONS MUST BE REFERRED TO THE LENOVO PURCHASING DEPARTMENT.

DATE	EC NO.	PART NO.
20061220	L11403	42W7622
DEVELOPMENT NO.		Q/M
		78 / 97



DESIGNER	K.Y	06/01/06	PART NO.	42W7622
CHECKED	Y.I	06/01/06	TITLE MLB-1 SVT	
APPROVED	T.S	06/01/06	BATTERY INPUT	
CLASS	T.S	06/01/06	LENOVO CONFIDENTIAL	

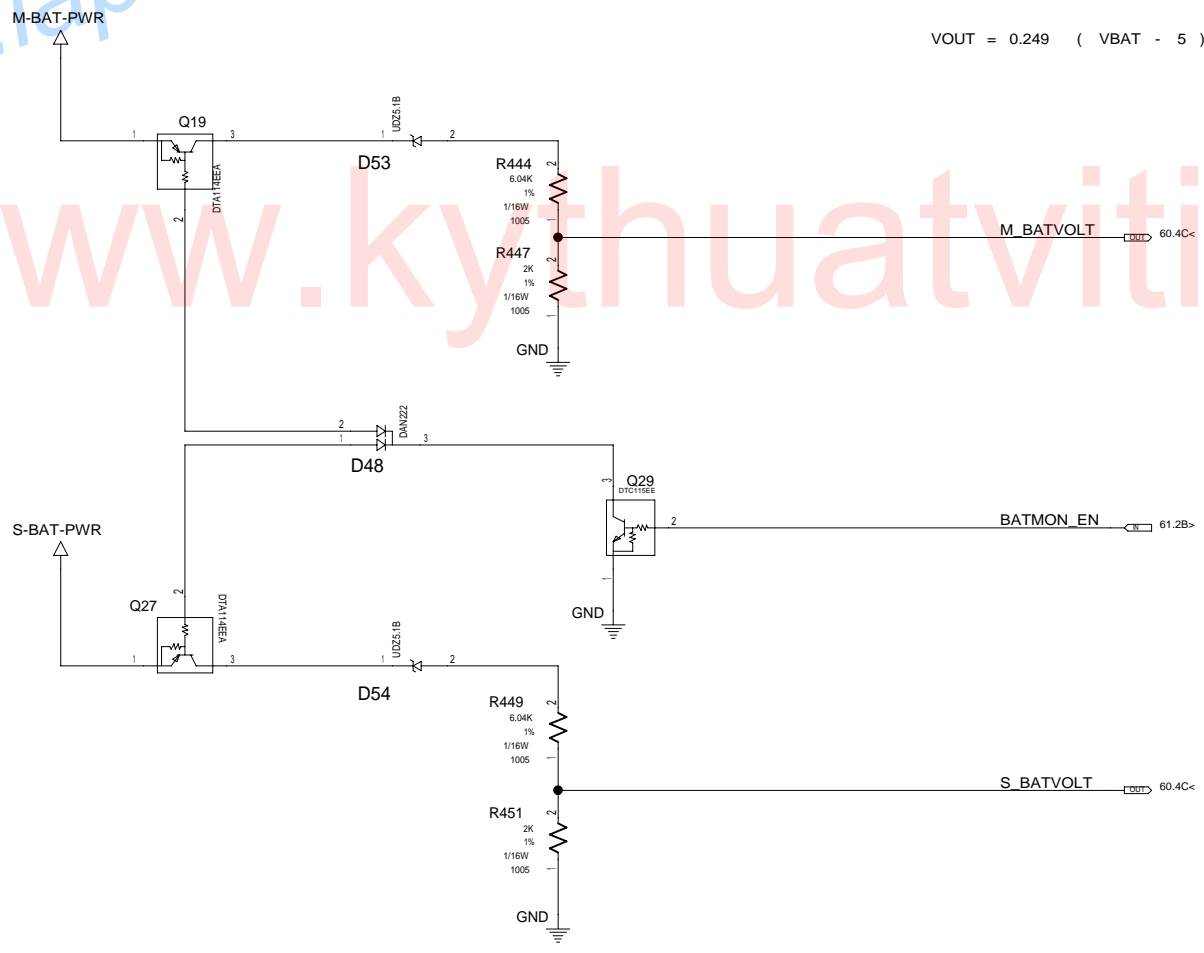
THIS DOCUMENT IS THE PROPERTY OF LENOVO. ITS USE IS AUTHORIZED ONLY FOR RESPONDING TO A REQUEST FOR QUOTATION OR FOR THE PERFORMANCE OF WORK FOR LENOVO. ALL QUESTIONS MUST BE REFERRED TO THE LENOVO PURCHASING DEPARTMENT.

DATE	EC NO.	PART NO.	
20061220	L11403	42W7622	
		DEVELOPMENT NO.	Q/M
			79 / 97

www.laptopblue.com

www.ky.chuatvithinh.com

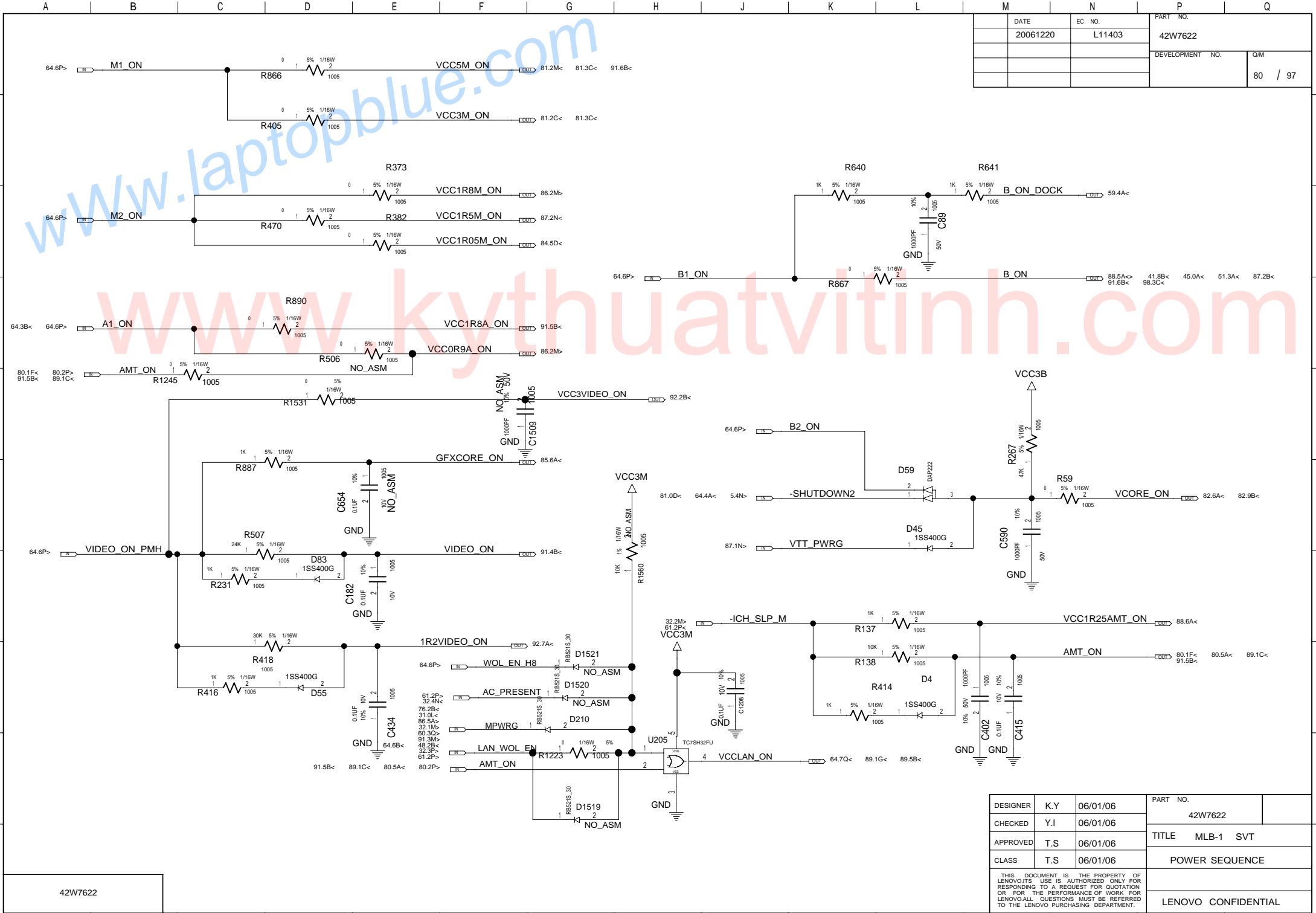
$V_{OUT} = 0.249 (V_{BAT} - 5)$



42W7622

DESIGNER	K.Y	06/01/06	PART NO.	42W7622
CHECKED	Y.I	06/01/06	TITLE MLB-1 SVT	
APPROVED	T.S	06/01/06	BATTERY MONITOR	
CLASS	T.S	06/01/06	LENOVO CONFIDENTIAL	
<small>THIS DOCUMENT IS THE PROPERTY OF LENOVO/TS. USE IS AUTHORIZED ONLY FOR RESPONDING TO A REQUEST FOR QUOTATION OR FOR THE PERFORMANCE OF WORK FOR LENOVO. ALL QUESTIONS MUST BE REFERRED TO THE LENOVO PURCHASING DEPARTMENT.</small>				

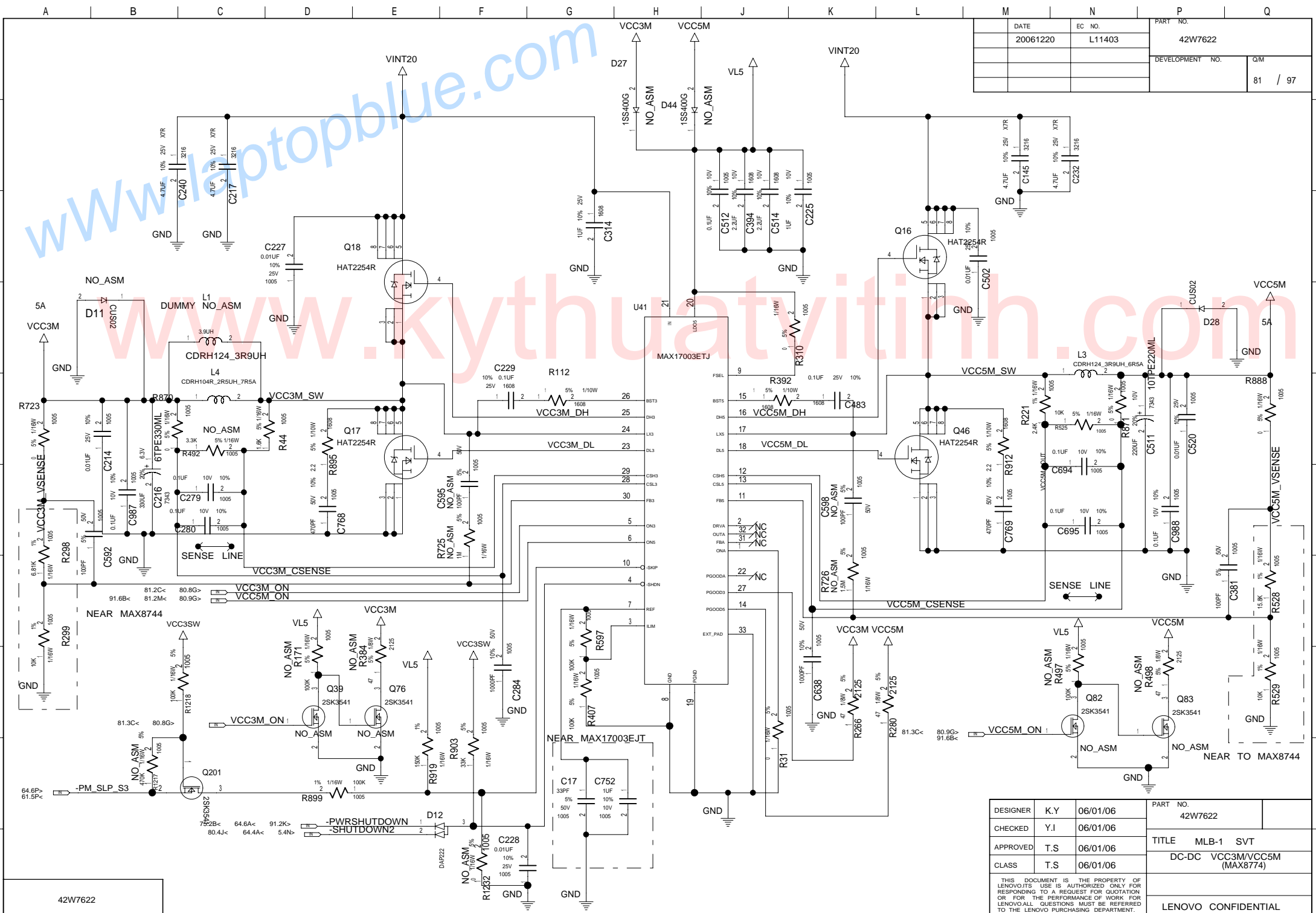
DATE	EC NO.	PART NO.
20061220	L11403	42W7622
		DEVELOPMENT NO.
		80 / 97



DESIGNER	K.Y	06/01/06	PART NO.	42W7622
CHECKED	Y.I	06/01/06	TITLE	MLB-1 SVT
APPROVED	T.S	06/01/06	POWER SEQUENCE	
CLASS	T.S	06/01/06	LENOVO CONFIDENTIAL	

THIS DOCUMENT IS THE PROPERTY OF LENOVO/ITS USE IS AUTHORIZED ONLY FOR RESPONDING TO A REQUEST FOR QUOTATION OR FOR THE PERFORMANCE OF WORK FOR LENOVO. ALL QUESTIONS MUST BE REFERRED TO THE LENOVO PURCHASING DEPARTMENT.

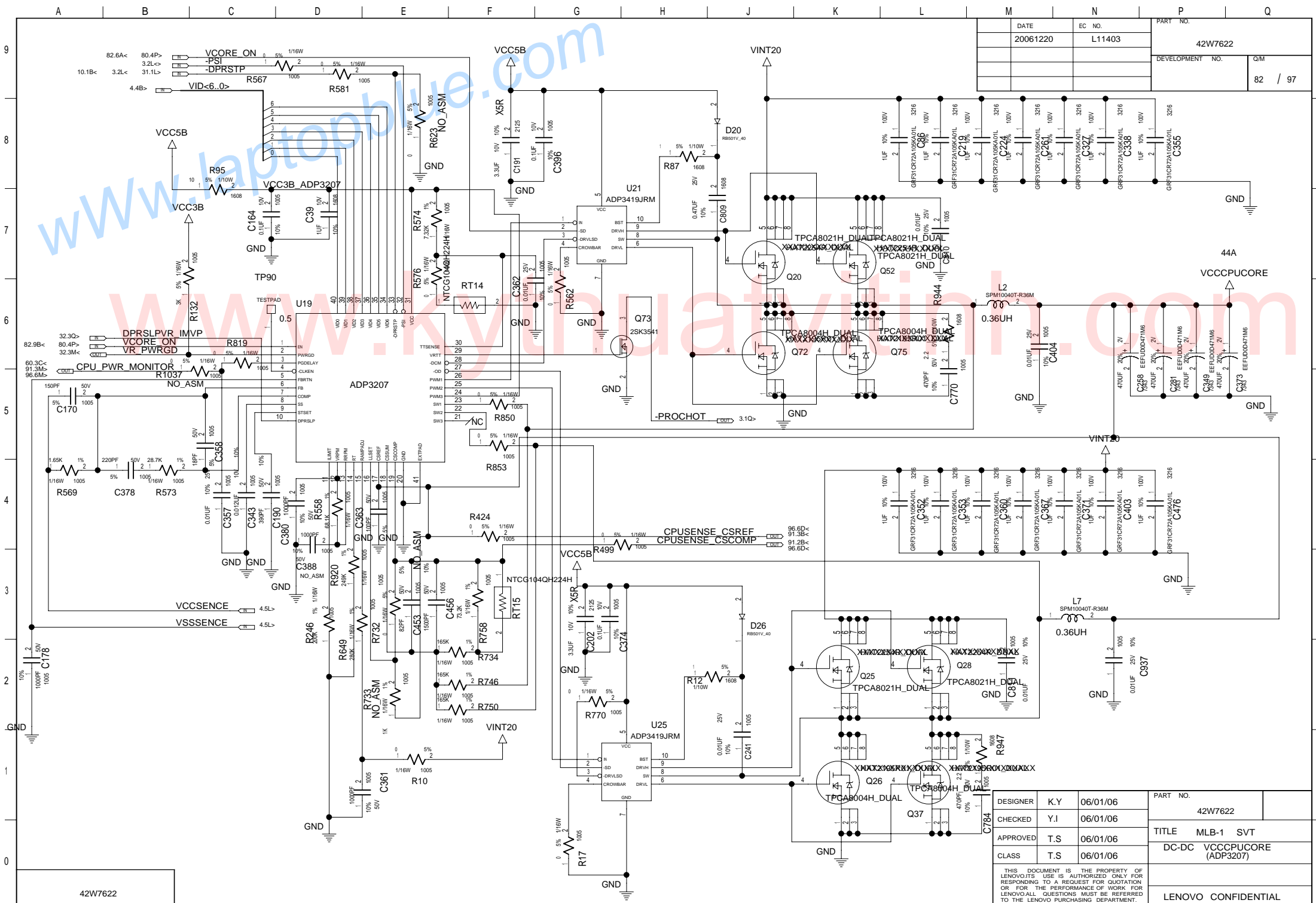
42W7622



DATE	EC NO.	PART NO.
20061220	L11403	42W7622
DEVELOPMENT NO.		Q/M
		81 / 97

DESIGNER	K.Y	06/01/06	PART NO.	42W7622
CHECKED	Y.I	06/01/06	TITLE	
APPROVED	T.S	06/01/06	DC-DC VCC3M/VCC5M (MAX8774)	
CLASS	T.S	06/01/06	LENOVO CONFIDENTIAL	

THIS DOCUMENT IS THE PROPERTY OF LENOVO. ITS USE IS AUTHORIZED ONLY FOR RESPONDING TO A REQUEST FOR QUOTATION OR FOR THE PERFORMANCE OF WORK FOR LENOVO. ALL QUESTIONS MUST BE REFERRED TO THE LENOVO PURCHASING DEPARTMENT.

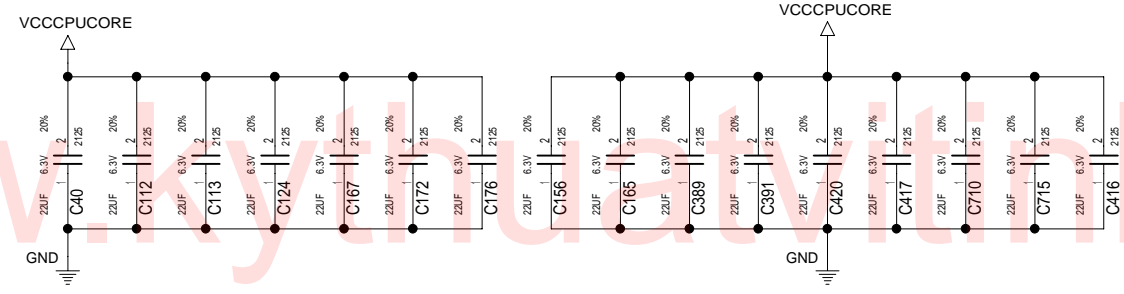


DATE	EC NO.	PART NO.
20061220	L11403	42W7622
DEVELOPMENT NO.		Q/M
		82 / 97

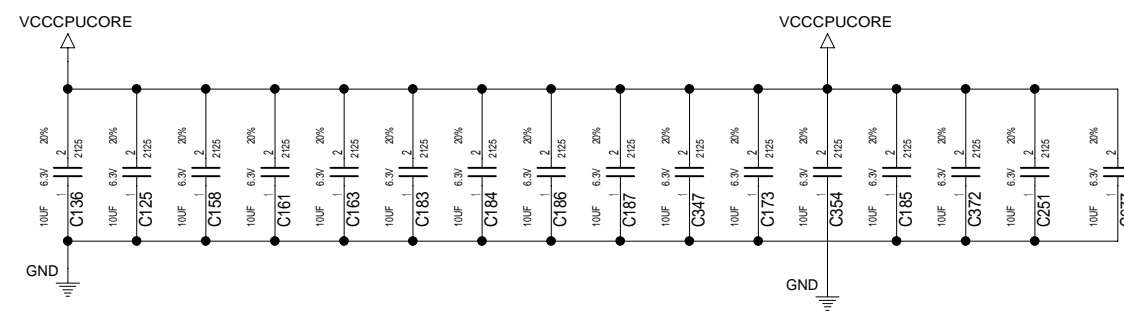
DESIGNER	K.Y	06/01/06	PART NO.	42W7622
CHECKED	Y.I	06/01/06	TITLE	MLB-1 SVT
APPROVED	T.S	06/01/06	DC-DC	VCCPCUCORE (ADP3207)
CLASS	T.S	06/01/06	LENOVO CONFIDENTIAL	

THIS DOCUMENT IS THE PROPERTY OF LENOVO. ITS USE IS AUTHORIZED ONLY FOR RESPONDING TO A REQUEST FOR QUOTATION OR FOR THE PERFORMANCE OF WORK FOR LENOVO. ALL QUESTIONS MUST BE REFERRED TO THE LENOVO PURCHASING DEPARTMENT.

DATE	EC NO.	PART NO.	
20061220	L11403	42W7622	
		DEVELOPMENT NO.	Q/M
			83 / 97



22UF 6.3V X5R 2125 1/16W X 16PCS



10UF 6.3V X5R 2125 1/16W X 16PCS

DESIGNER	K.Y	06/01/06	PART NO.	
CHECKED	Y.I	06/01/06	42W7622	
APPROVED	T.S	06/01/06	TITLE	MLB-1 SVT
CLASS	T.S	06/01/06	VCCCPUCORE DECOUPLING	
<small>THIS DOCUMENT IS THE PROPERTY OF LENOVO/ITS USE IS AUTHORIZED ONLY FOR RESPONDING TO A REQUEST FOR QUOTATION OR FOR THE PERFORMANCE OF WORK FOR LENOVO/ALL QUESTIONS MUST BE REFERRED TO THE LENOVO PURCHASING DEPARTMENT.</small>				
LENOVO CONFIDENTIAL				

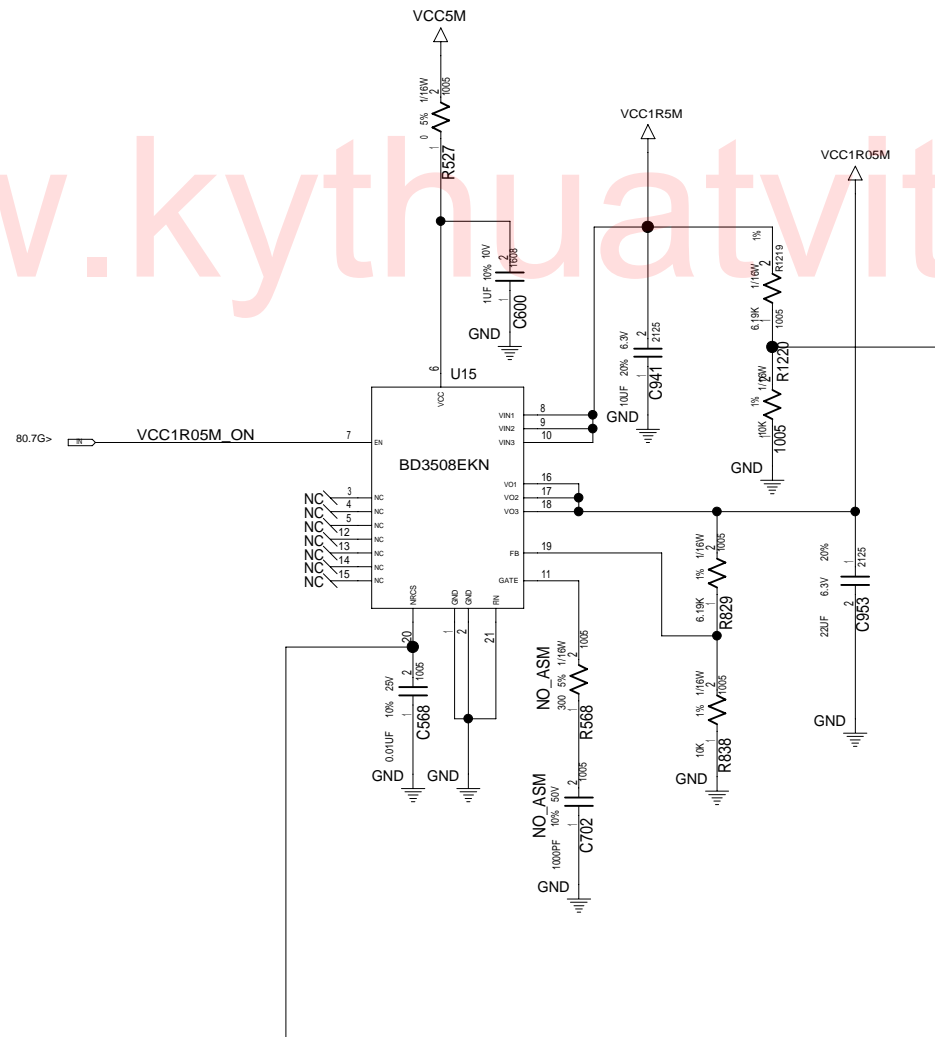
42W7622

www.laptopblue.com

www.kyathathath.com

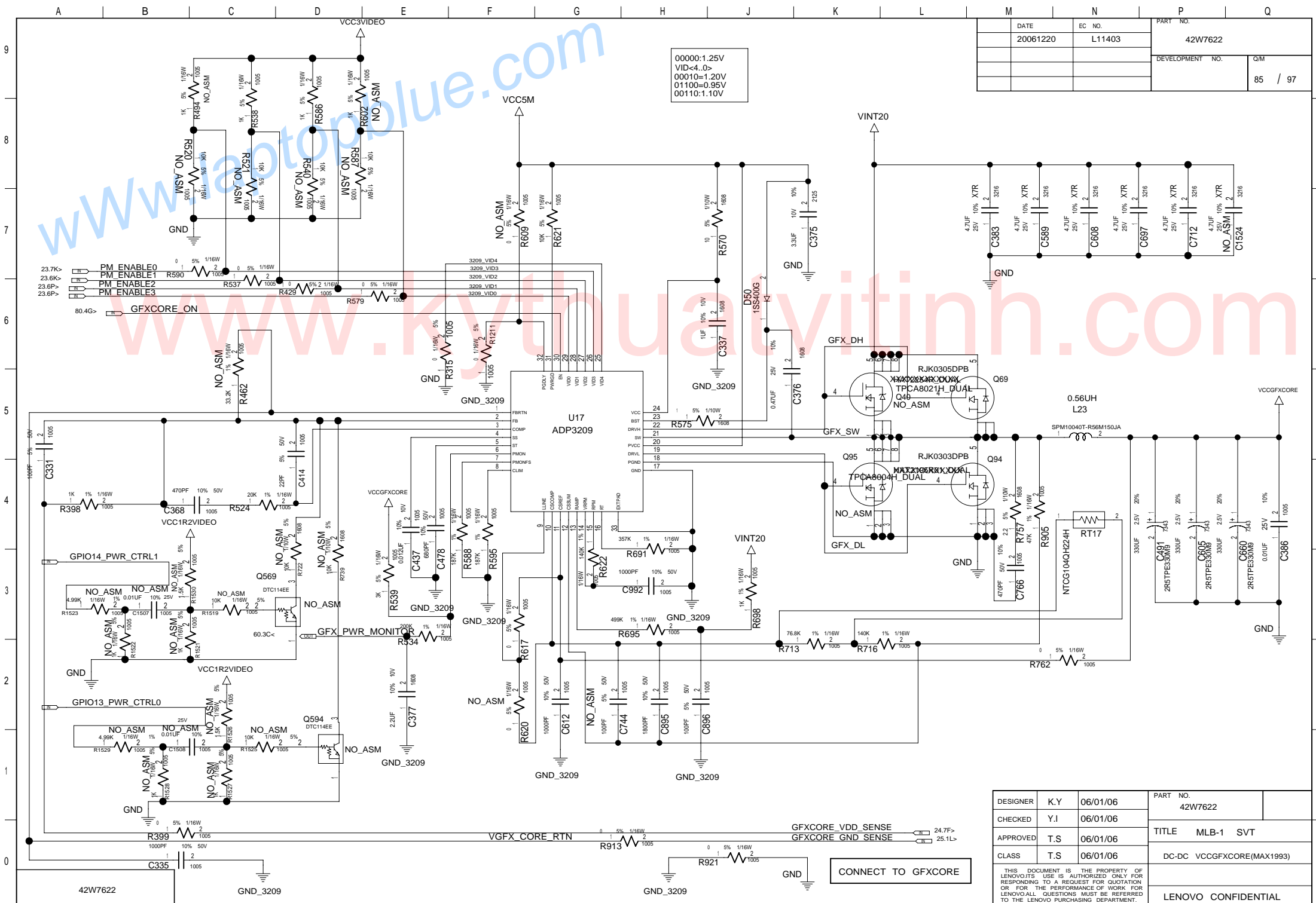
www.laptopblue.com

DATE	EC NO.	PART NO.	
20061220	L11403	42W7622	
		DEVELOPMENT NO.	Q/M
			84 / 97



DESIGNER	K.Y	06/01/06	PART NO.	42W7622
CHECKED	Y.I	06/01/06	TITLE	MLB-1 SVT
APPROVED	T.S	06/01/06	DC-DC VCC1R05M	
CLASS	T.S	06/01/06	LENOVO CONFIDENTIAL	

THIS DOCUMENT IS THE PROPERTY OF LENOVO/ITS USE IS AUTHORIZED ONLY FOR RESPONDING TO A REQUEST FOR QUOTATION OR FOR THE PERFORMANCE OF WORK FOR LENOVO/ALL QUESTIONS MUST BE REFERRED TO THE LENOVO PURCHASING DEPARTMENT.

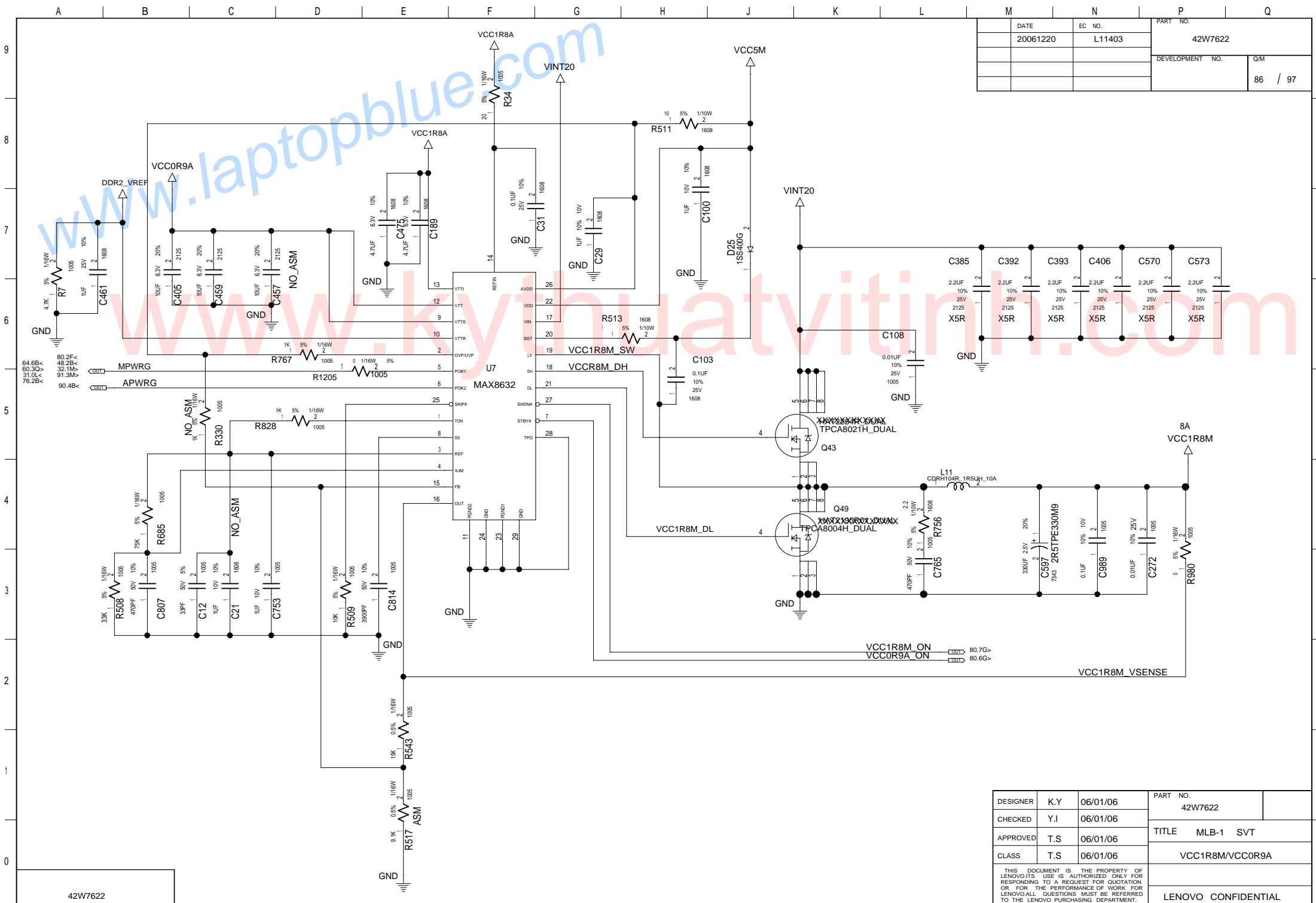


00000:1.25V
 VID<4.0:
 00010=1.20V
 01100=0.95V
 00110:1.10V

DATE	EC NO.	PART NO.
20061220	L11403	42W7622
DEVELOPMENT NO.		Q/M
		85 / 97

DESIGNER	K.Y	06/01/06	PART NO.	42W7622
CHECKED	Y.I	06/01/06	TITLE	
APPROVED	T.S	06/01/06	MLB-1 SVT	
CLASS	T.S	06/01/06	DC-DC VCCFXCORE(MAX1993)	
THIS DOCUMENT IS THE PROPERTY OF LENOVO/ITS USE IS AUTHORIZED ONLY FOR RESPONDING TO A REQUEST FOR QUOTATION OR FOR THE PERFORMANCE OF WORK FOR LENOVO.ALL QUESTIONS MUST BE REFERRED TO THE LENOVO PURCHASING DEPARTMENT.				
LENOVO CONFIDENTIAL				

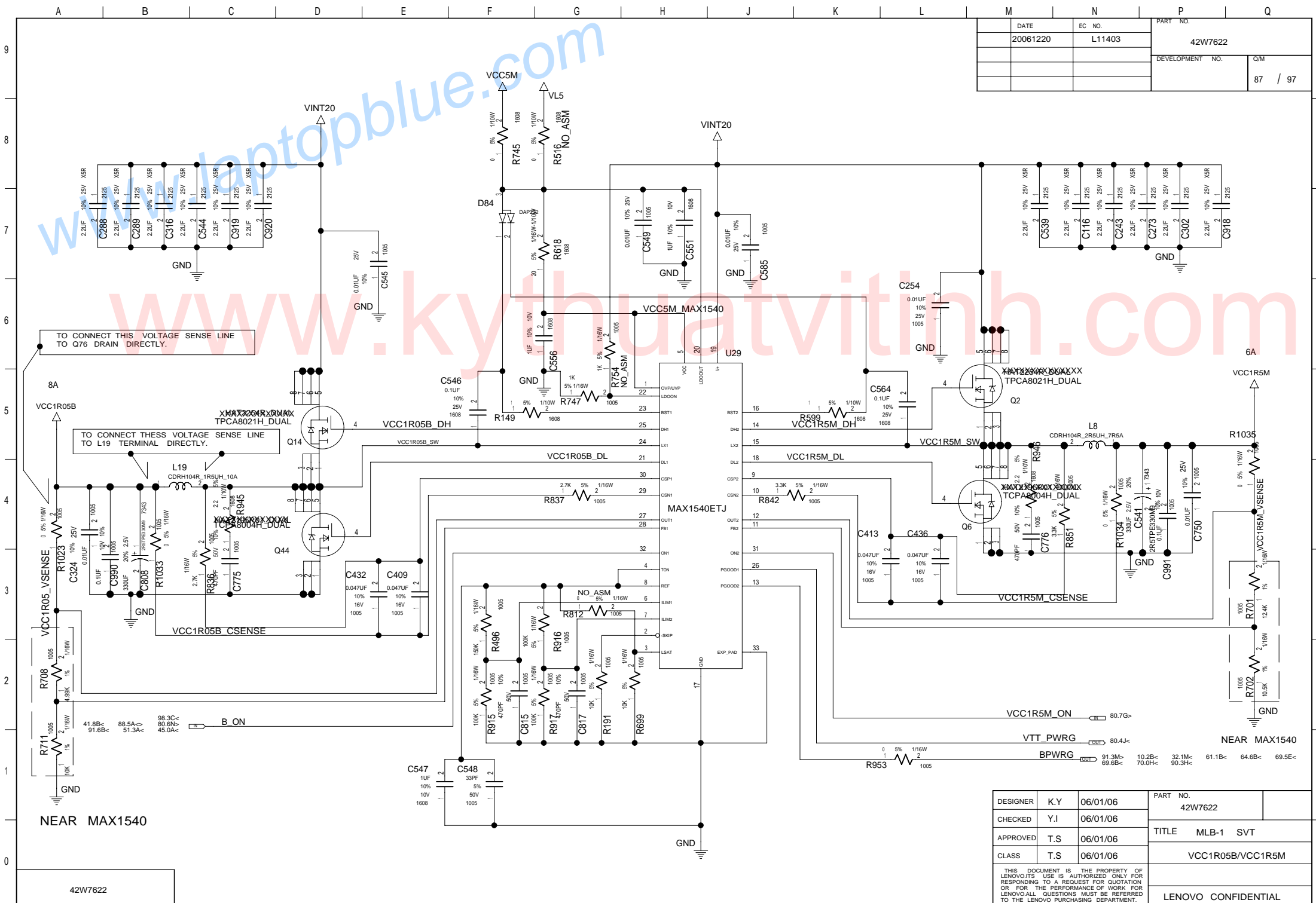
CONNECT TO GFXCORE



DATE	EC NO.	PART NO.	
20061220	L11403	42W7622	
		DEVELOPMENT NO.	Q/M
			86 / 97

DESIGNER	K.Y	06/01/06	PART NO.	42W7622
CHECKED	Y.I	06/01/06	TITLE MLB-1 SVT	
APPROVED	T.S	06/01/06	VCC1R8M/VCC0R9A	
CLASS	T.S	06/01/06	LENOVO CONFIDENTIAL	

THIS DOCUMENT IS THE PROPERTY OF LENOVO/ITS USE IS AUTHORIZED ONLY FOR RESPONDING TO A REQUEST FOR QUOTATION OR FOR THE PERFORMANCE OF WORK FOR LENOVO/ALL QUESTIONS MUST BE REFERRED TO THE LENOVO PURCHASING DEPARTMENT.



DATE	EC NO.	PART NO.
20061220	L11403	42W7622
DEVELOPMENT NO.		Q/M
		87 / 97

TO CONNECT THIS VOLTAGE SENSE LINE TO Q76 DRAIN DIRECTLY.

TO CONNECT THIS VOLTAGE SENSE LINE TO L19 TERMINAL DIRECTLY.

DESIGNER	K.Y	06/01/06	PART NO.	42W7622
CHECKED	Y.I	06/01/06	TITLE MLB-1 SVT	
APPROVED	T.S	06/01/06	VCC1R05B/VCC1R5M	
CLASS	T.S	06/01/06	LENOVO CONFIDENTIAL	

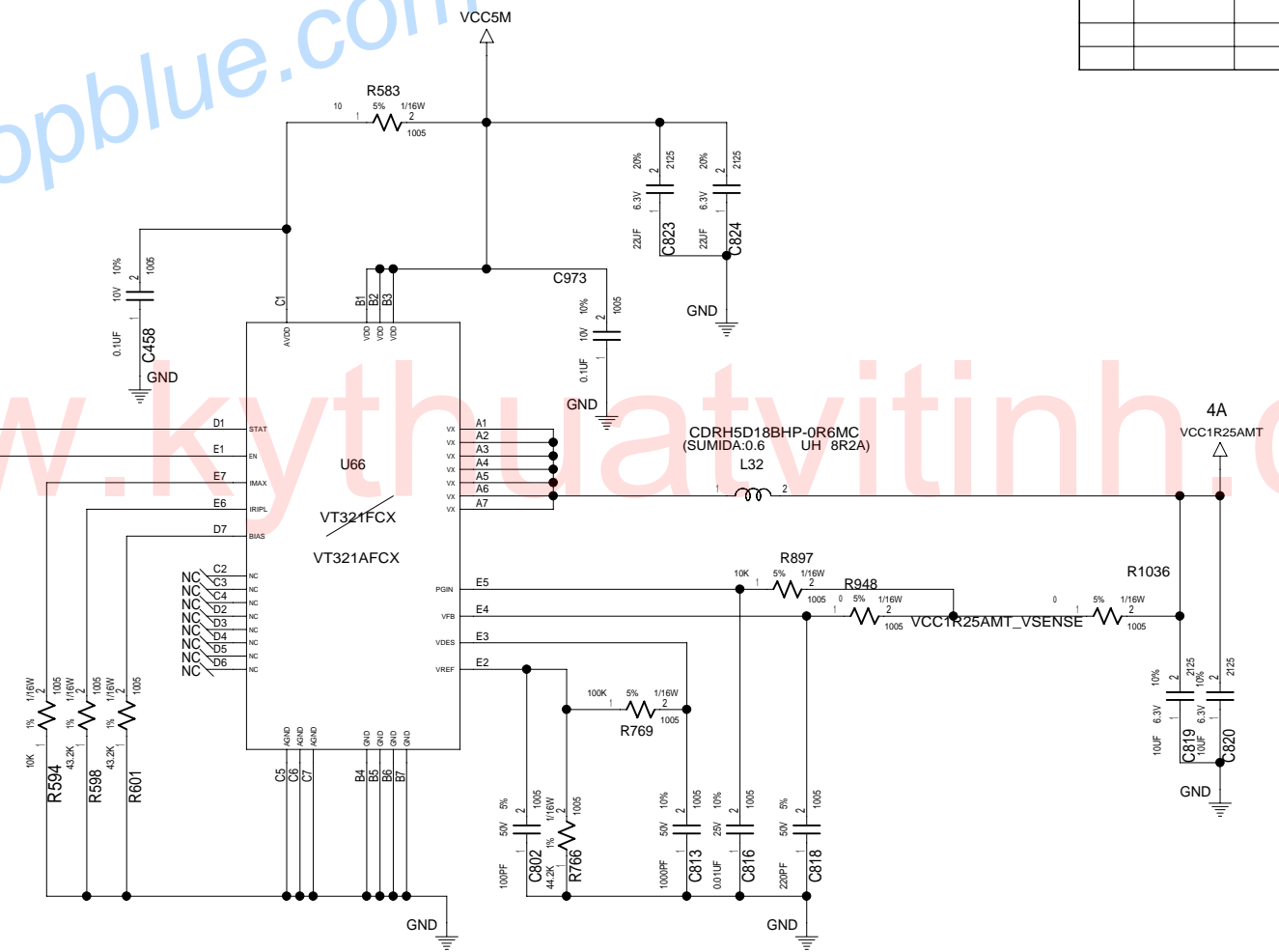
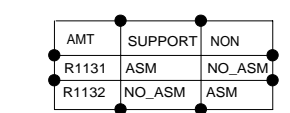
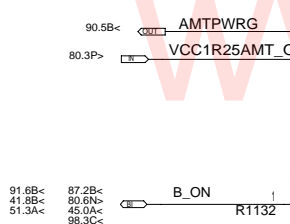
THIS DOCUMENT IS THE PROPERTY OF LENOVO/ITS USE IS AUTHORIZED ONLY FOR RESPONDING TO A REQUEST FOR QUOTATION OR FOR THE PERFORMANCE OF WORK FOR LENOVO. ALL QUESTIONS MUST BE REFERRED TO THE LENOVO PURCHASING DEPARTMENT.

NEAR MAX1540

VTT_PWRG 80.7G<
BPWRG 91.3M< 10.2B< 32.1M< 61.1B< 64.6B< 69.5E<
80.4J< 69.6B< 70.0H< 90.3B<

www.laptopblue.com

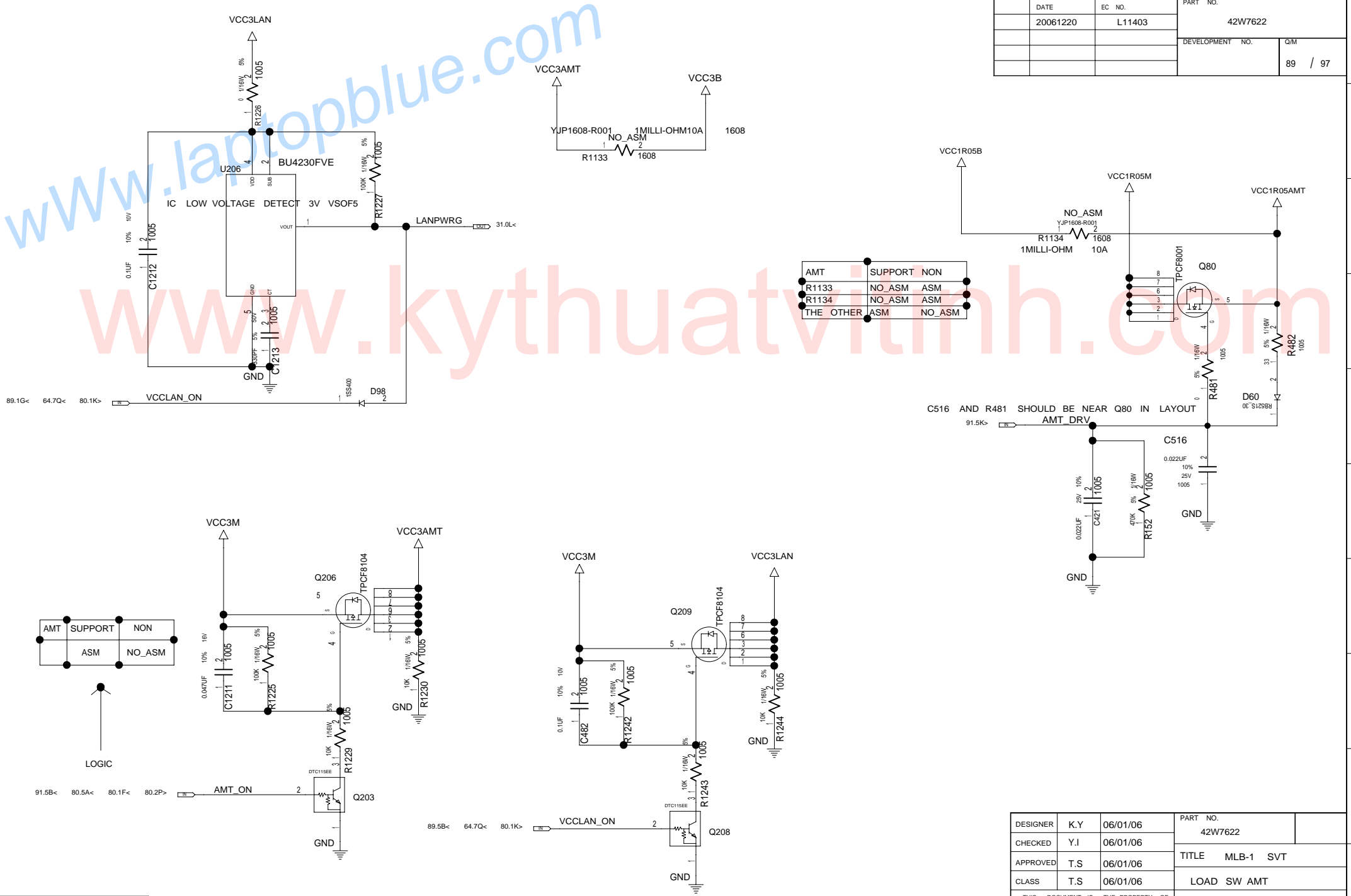
DATE	EC NO.	PART NO.	
20061220	L11403	42W7622	
		DEVELOPMENT NO.	Q/M
			88 / 97



DESIGNER	K.Y	06/01/06	PART NO.	42W7622
CHECKED	Y.I	06/01/06	TITLE	MLB-1 SVT
APPROVED	T.S	06/01/06	CLASS	DC-DC VCC1R25AMT
CLASS	T.S	06/01/06	LENOVO CONFIDENTIAL	

THIS DOCUMENT IS THE PROPERTY OF LENOVO. ITS USE IS AUTHORIZED ONLY FOR RESPONDING TO A REQUEST FOR QUOTATION OR FOR THE PERFORMANCE OF WORK FOR LENOVO. ALL QUESTIONS MUST BE REFERRED TO THE LENOVO PURCHASING DEPARTMENT.

DATE	EC NO.	PART NO.
20061220	L11403	42W7622
DEVELOPMENT NO.		Q/M
		89 / 97



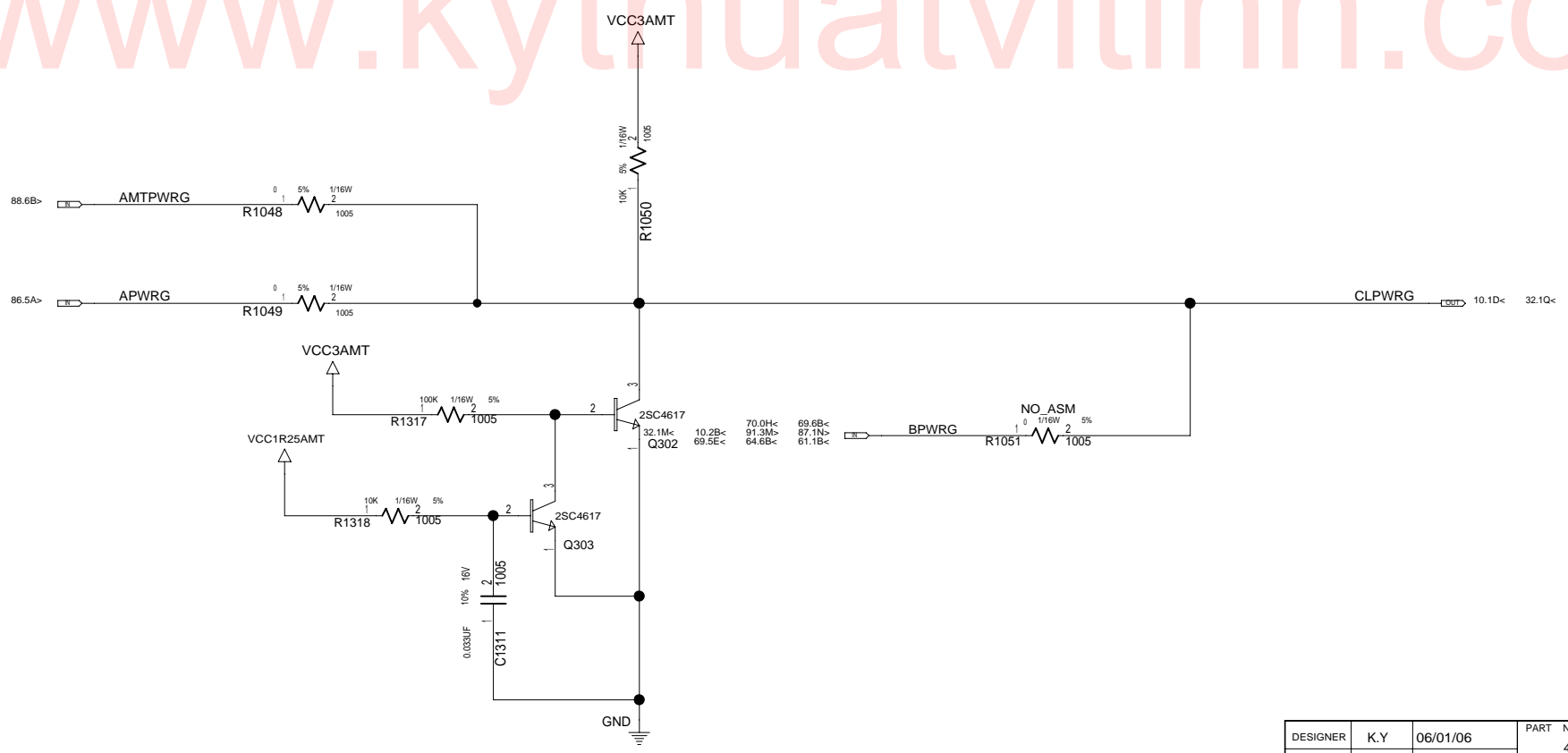
C516 AND R481 SHOULD BE NEAR Q80 IN LAYOUT

DESIGNER	K.Y	06/01/06	PART NO.	42W7622
CHECKED	Y.I	06/01/06	TITLE MLB-1 SVT	
APPROVED	T.S	06/01/06	LOAD SW AMT	
CLASS	T.S	06/01/06	LENOVO CONFIDENTIAL	

THIS DOCUMENT IS THE PROPERTY OF LENOVO/ITS USE IS AUTHORIZED ONLY FOR RESPONDING TO A REQUEST FOR QUOTATION OR FOR THE PERFORMANCE OF WORK FOR LENOVO/ALL QUESTIONS MUST BE REFERRED TO THE LENOVO PURCHASING DEPARTMENT.

DATE	EC NO.	PART NO.	
20061220	L11403	42W7622	
		DEVELOPMENT NO.	Q/M
			90 / 97

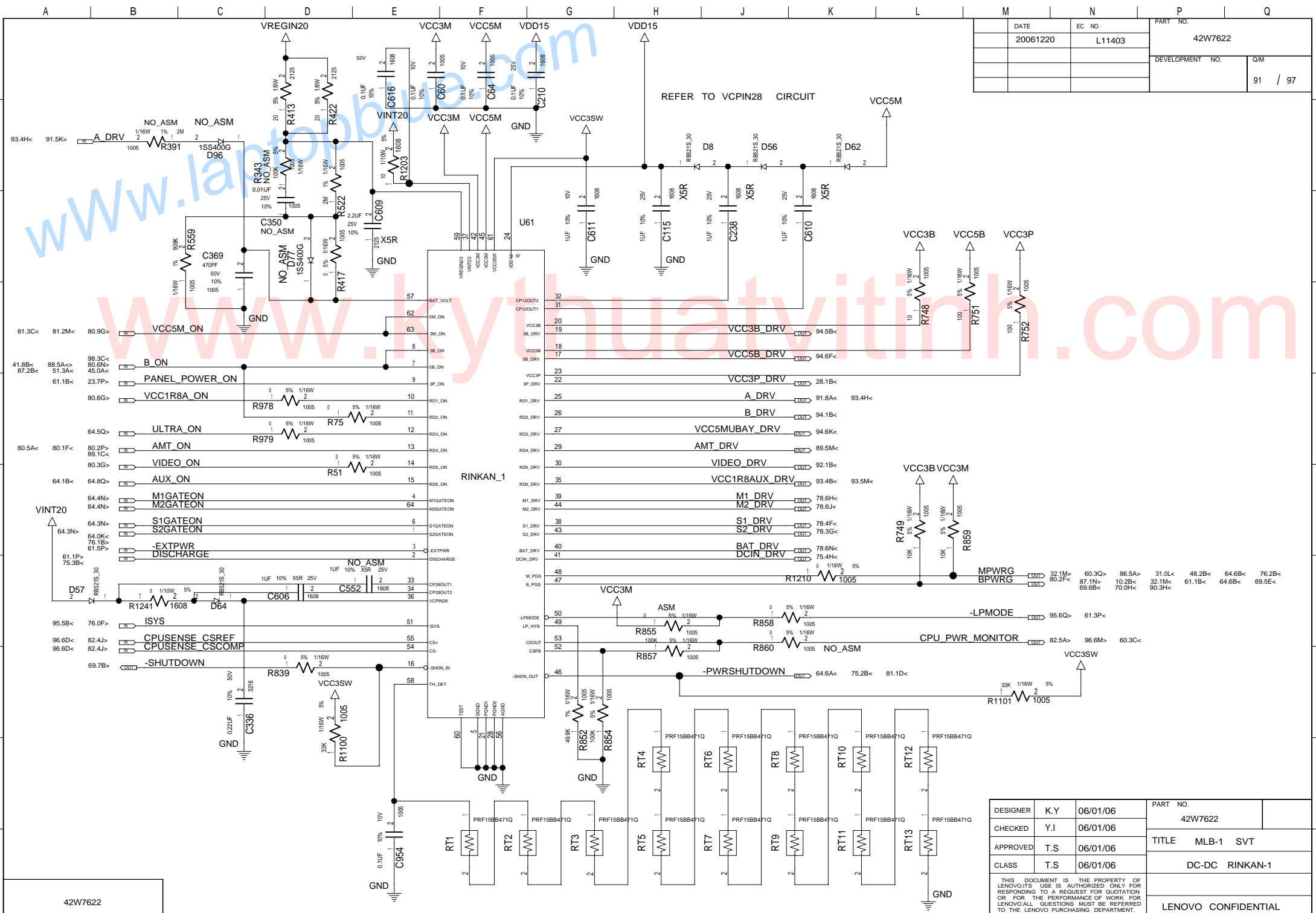
	AMT	NON-AMT
R1051	NO_ASM	ASM
OTHERS	ASM	NO_ASM



42W7622

DESIGNER	K.Y	06/01/06	PART NO.	42W7622
CHECKED	Y.I	06/01/06	TITLE MLB-1 SVT	
APPROVED	T.S	06/01/06	PWRG	
CLASS	T.S	06/01/06	LENOVO CONFIDENTIAL	

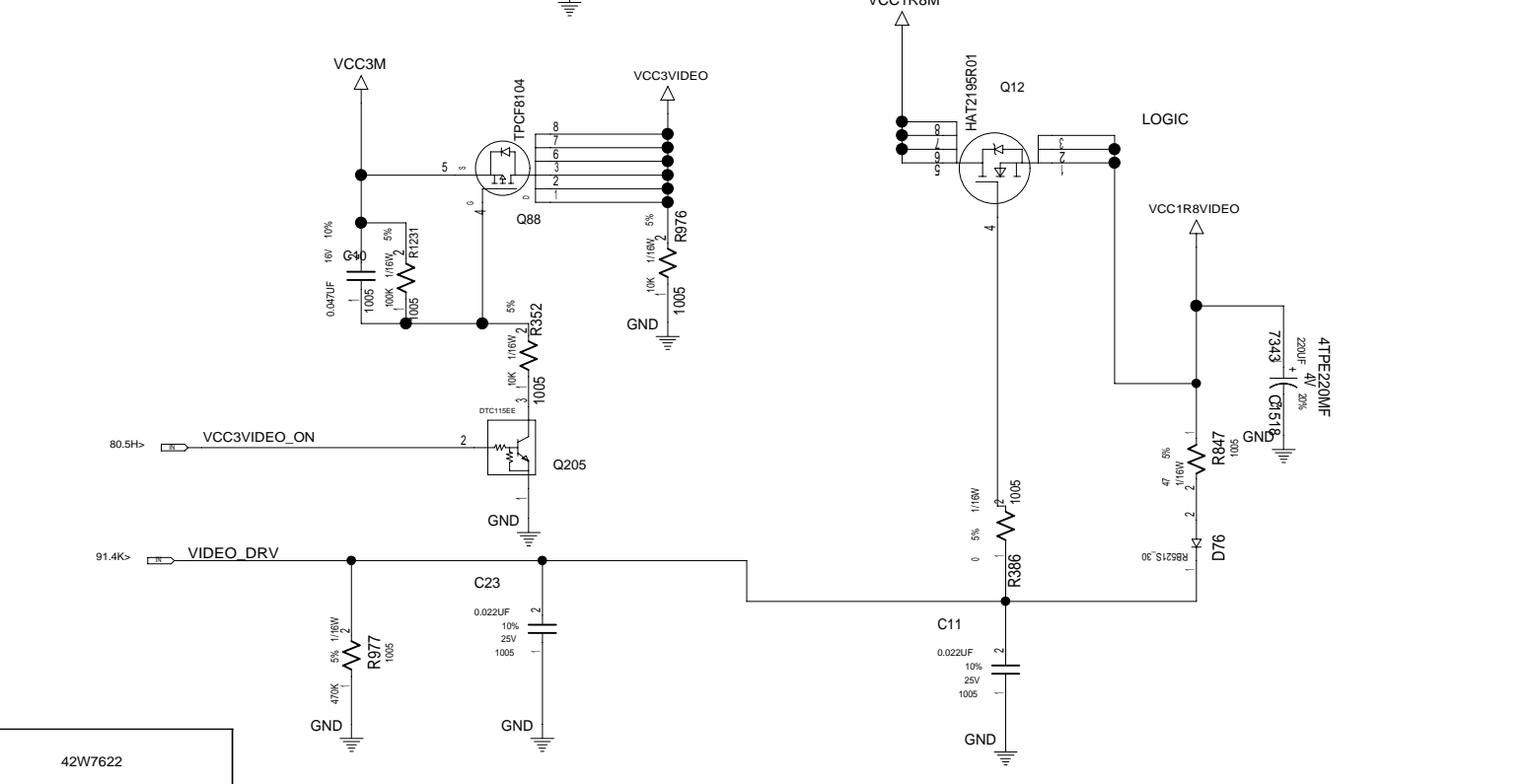
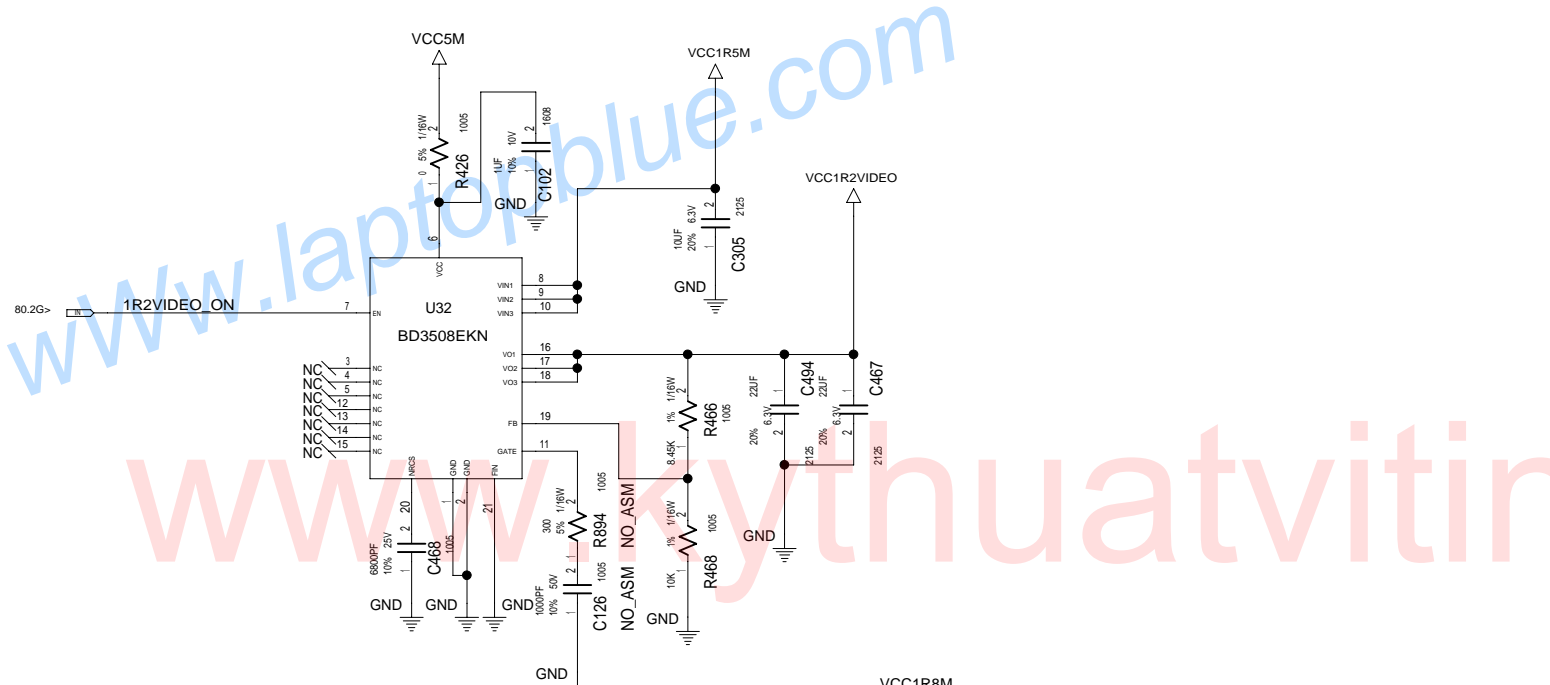
THIS DOCUMENT IS THE PROPERTY OF LENOVO/ITS USE IS AUTHORIZED ONLY FOR RESPONDING TO A REQUEST FOR QUOTATION OR FOR THE PERFORMANCE OF WORK FOR LENOVO/ALL QUESTIONS MUST BE REFERRED TO THE LENOVO PURCHASING DEPARTMENT.



DATE	EC NO.	PART NO.
20061220	L11403	42W7622
DEVELOPMENT NO.		Q/M
		91 / 97

DESIGNER	K.Y	06/01/06	PART NO.	42W7622
CHECKED	Y.I	06/01/06	TITLE	MLB-1 SVT
APPROVED	T.S	06/01/06	CLASS	DC-DC RINKAN-1
THIS DOCUMENT IS THE PROPERTY OF LENOVO.ITS USE IS AUTHORIZED ONLY FOR RESPONDING TO A REQUEST FOR QUOTATION OR FOR THE PERFORMANCE OF WORK FOR LENOVO.ALL QUESTIONS MUST BE REFERRED TO THE LENOVO PURCHASING DEPARTMENT.				LENOVO CONFIDENTIAL

DATE	EC NO.	PART NO.	
20061220	L11403	42W7622	
		DEVELOPMENT NO.	Q/M
			92 / 97

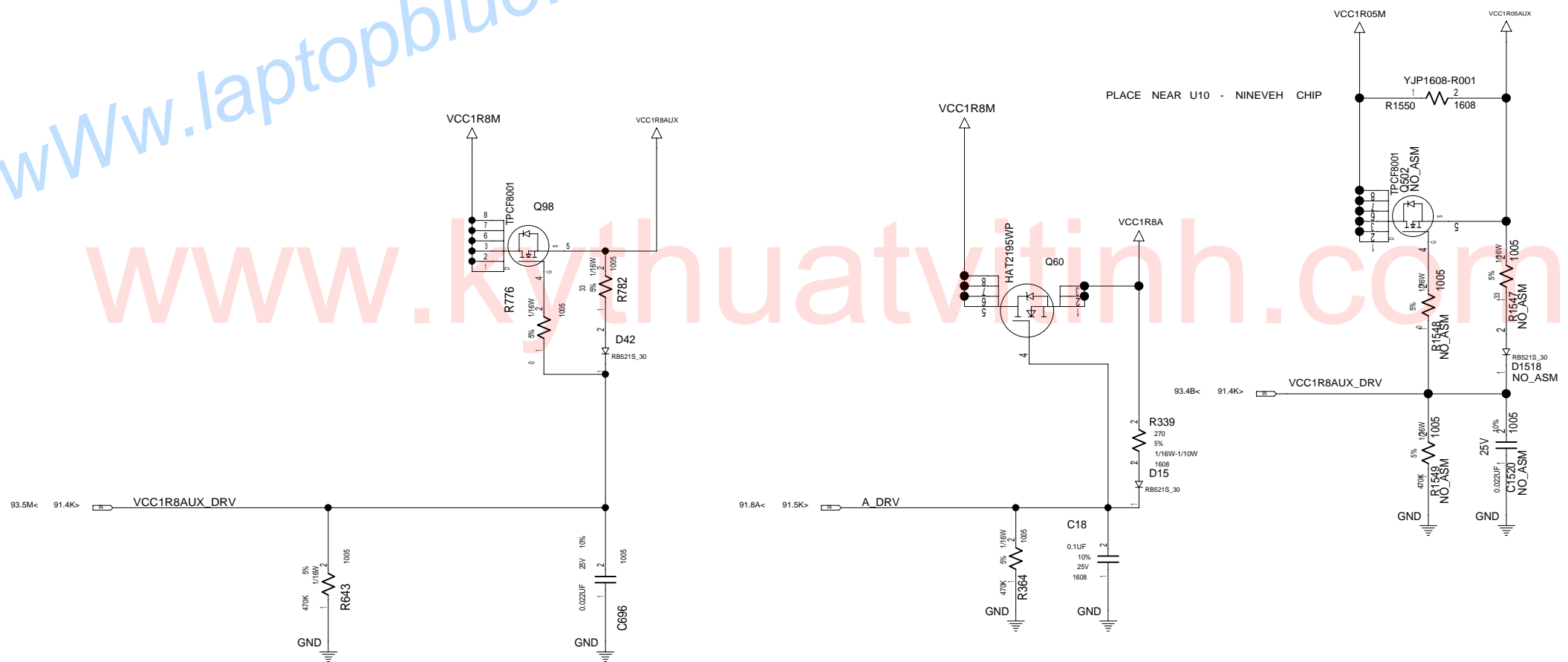


DESIGNER	K.Y	06/01/06	PART NO.	42W7622
CHECKED	Y.I	06/01/06	TITLE MLB-1 SVT	
APPROVED	T.S	06/01/06	LOAD SW VIDEO	
CLASS	T.S	06/01/06	LENOVO CONFIDENTIAL	

THIS DOCUMENT IS THE PROPERTY OF LENOVO. ITS USE IS AUTHORIZED ONLY FOR RESPONDING TO A REQUEST FOR QUOTATION OR FOR THE PERFORMANCE OF WORK FOR LENOVO. ALL QUESTIONS MUST BE REFERRED TO THE LENOVO PURCHASING DEPARTMENT.

www.laptopblue.com

DATE	EC NO.	PART NO.
20061220	L11403	42W7622
		DEVELOPMENT NO.
		Q/M
		93 / 97



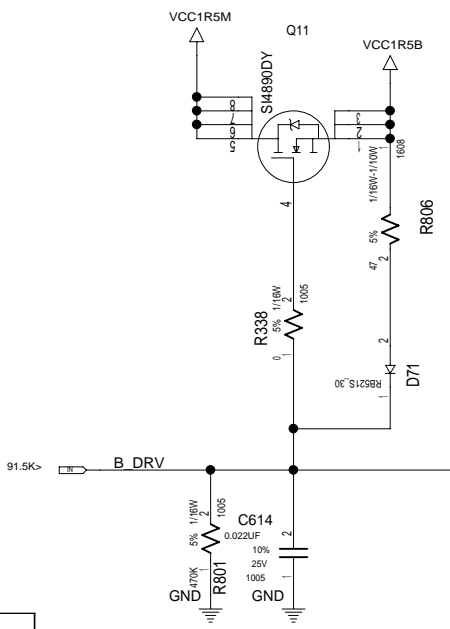
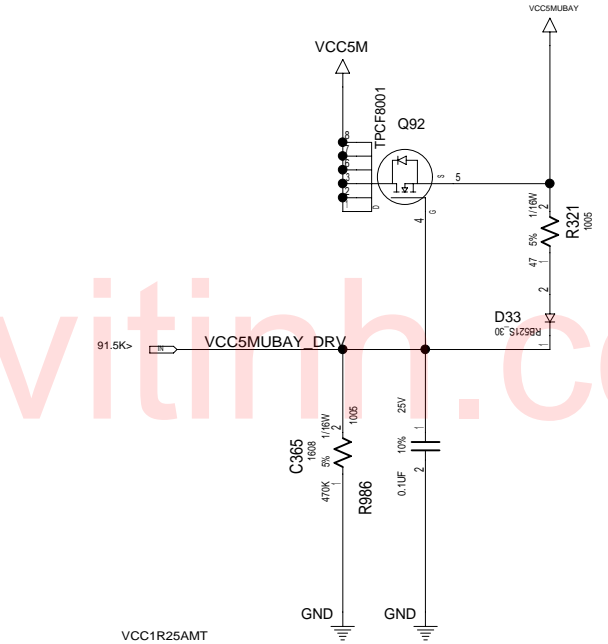
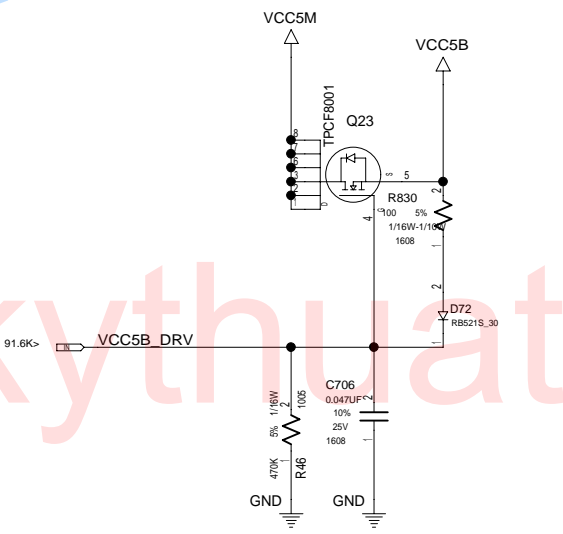
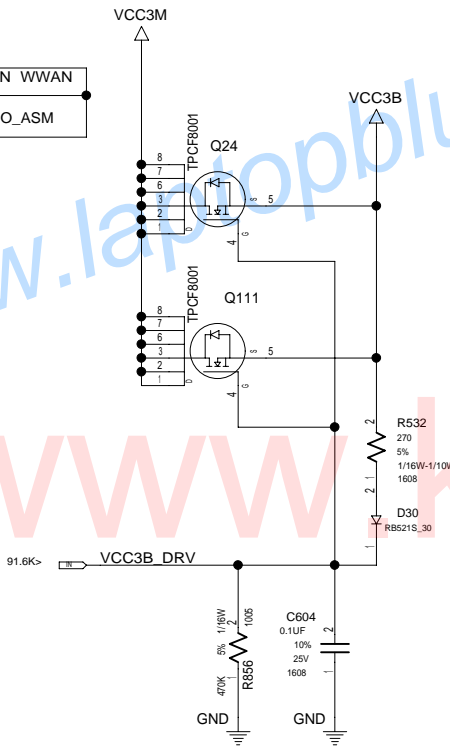
PLACE NEAR U10 - NINEVEH CHIP

DESIGNER	K.Y	06/01/06	PART NO.	42W7622
CHECKED	Y.I	06/01/06	TITLE	MLB-1 SVT
APPROVED	T.S	06/01/06	CLASS	LOAD SW FOR AUX2
CLASS	T.S	06/01/06	LENOVO CONFIDENTIAL	

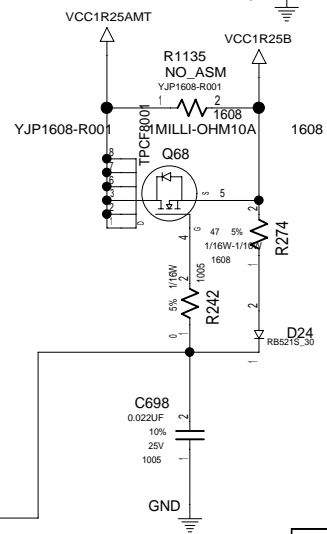
THIS DOCUMENT IS THE PROPERTY OF LENOVO/ITS USE IS AUTHORIZED ONLY FOR RESPONDING TO A REQUEST FOR QUOTATION OR FOR THE PERFORMANCE OF WORK FOR LENOVO. ALL QUESTIONS MUST BE REFERRED TO THE LENOVO PURCHASING DEPARTMENT.

DATE	EC NO.	PART NO.
20061220	L11403	42W7622
DEVELOPMENT NO.		Q/M
		94 / 97

WWAN	NON WWAN	
Q111	ASM	NO_ASM



AMT	SUPPORT	NON
R1135	NO_ASM	ASM
Q68	ASM	NO_ASM
R242	ASM	NO_ASM
R274		
D24		
C698		
C614	0.022UF	0.047UF



DESIGNER	K.Y	06/01/06	PART NO.	42W7622
CHECKED	Y.I	06/01/06	TITLE	MLB-1 SVT
APPROVED	T.S	06/01/06		LOAD SW BUBAY
CLASS	T.S	06/01/06		

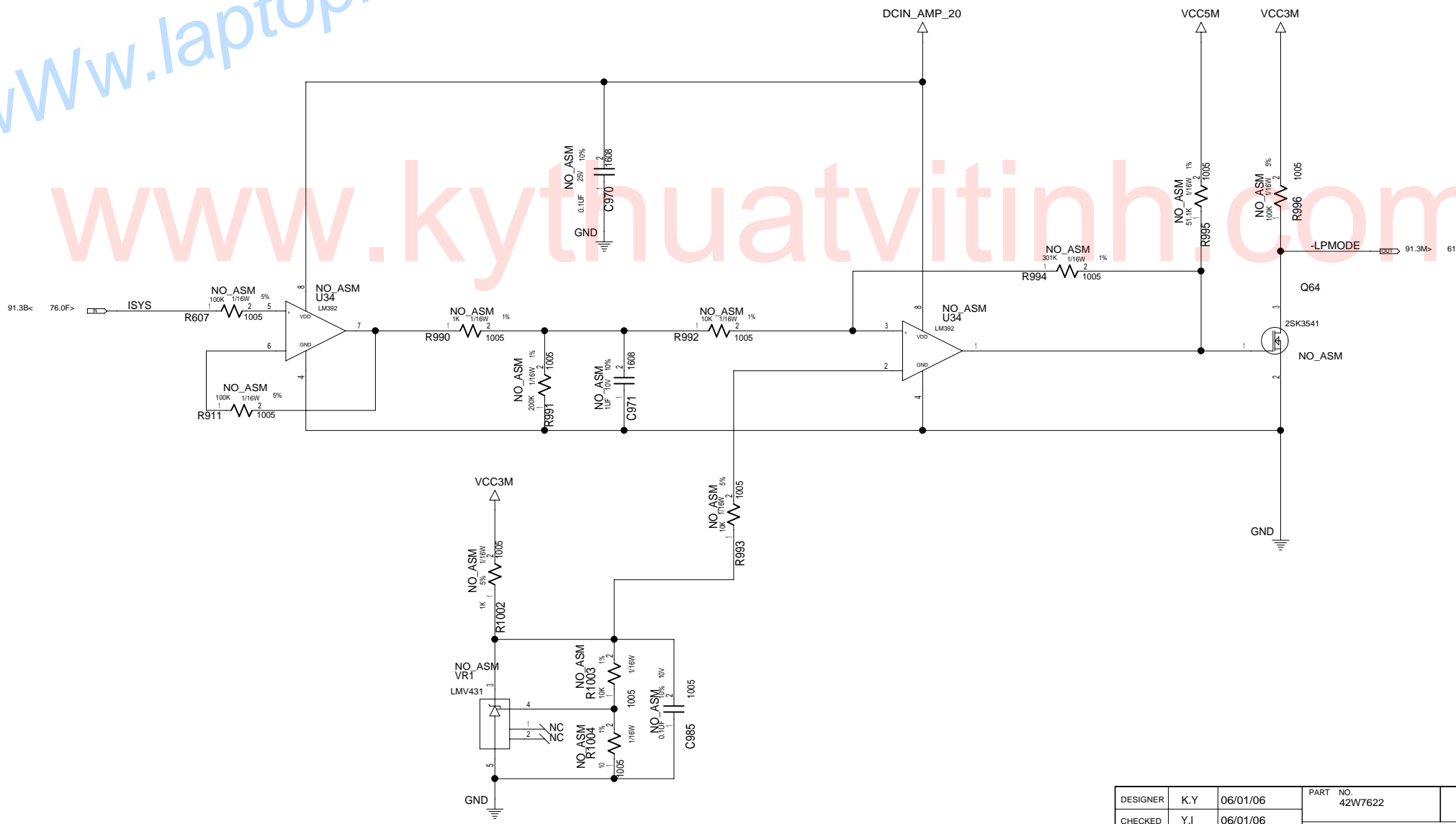
THIS DOCUMENT IS THE PROPERTY OF LENOVO/ITS USE IS AUTHORIZED ONLY FOR RESPONDING TO A REQUEST FOR QUOTATION OR FOR THE PERFORMANCE OF WORK FOR LENOVO. ALL QUESTIONS MUST BE REFERRED TO THE LENOVO PURCHASING DEPARTMENT.

LENOVO CONFIDENTIAL

DATE	EC NO.	PART NO.	
20061220	L11403	42W7622	
		DEVELOPMENT NO.	Q/M
			95 / 97

www.laptopblue.com

www.kythuatvithinh.com



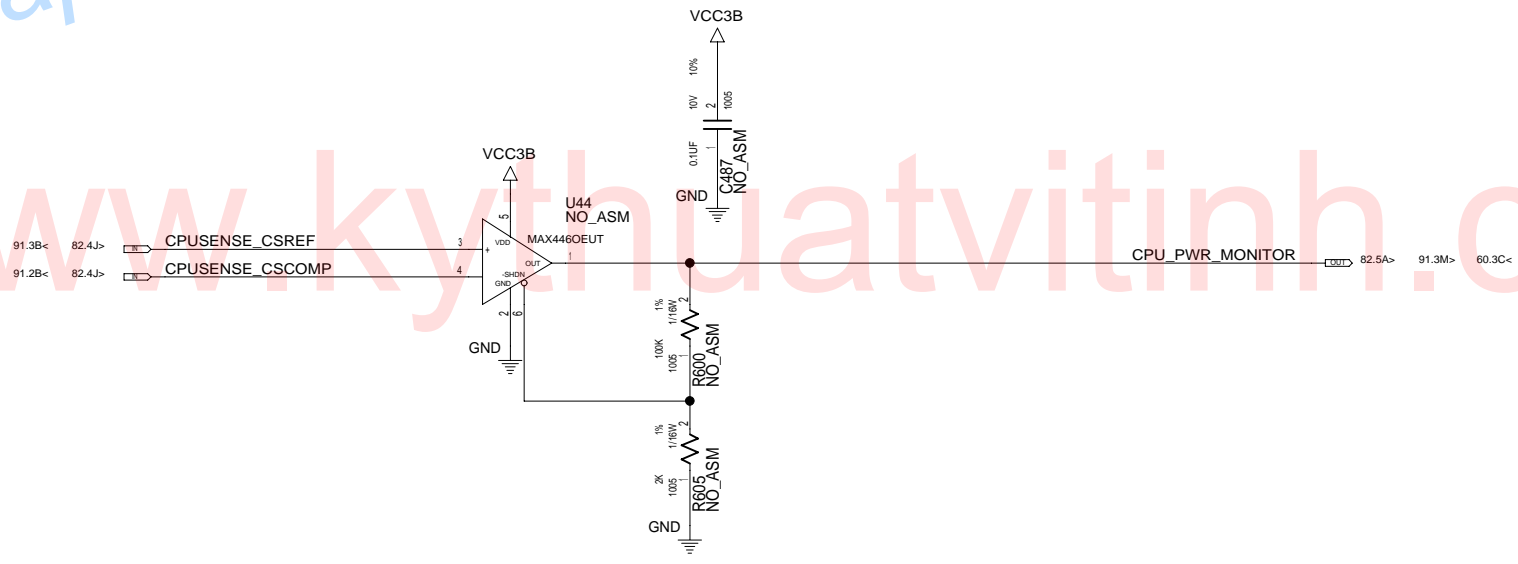
42W7622

DESIGNER	K.Y	06/01/06	PART NO.	42W7622
CHECKED	Y.I	06/01/06	TITLE MLB-1 SVT	
APPROVED	T.S	06/01/06	MAX POWER CTRL	
CLASS	T.S	06/01/06	LENOVO CONFIDENTIAL	

THIS DOCUMENT IS THE PROPERTY OF LENOVO. ITS USE IS AUTHORIZED ONLY FOR RESPONDING TO A REQUEST FOR QUOTATION OR FOR THE PERFORMANCE OF WORK FOR LENOVO. ALL QUESTIONS MUST BE REFERRED TO THE LENOVO PURCHASING DEPARTMENT.

www.laptopblue.com

DATE	EC NO.	PART NO.	
20061220	L11403	42W7622	
		DEVELOPMENT NO.	Q/M
			96 / 97

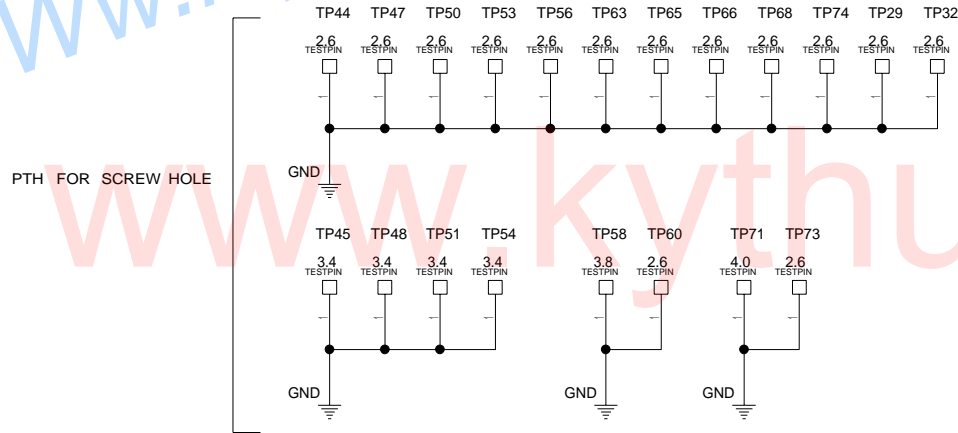


DESIGNER	K.Y	06/01/06	PART NO.	42W7622
CHECKED	Y.I	06/01/06	TITLE MLB-1 SVT	
APPROVED	T.S	06/01/06	POWER MONITOR	
CLASS	T.S	06/01/06	LENOVO CONFIDENTIAL	
<small>THIS DOCUMENT IS THE PROPERTY OF LENOVO/ITS USE IS AUTHORIZED ONLY FOR RESPONDING TO A REQUEST FOR QUOTATION OR FOR THE PERFORMANCE OF WORK FOR LENOVO/ALL QUESTIONS MUST BE REFERRED TO THE LENOVO PURCHASING DEPARTMENT.</small>				

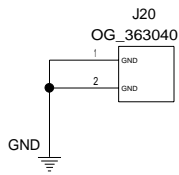
42W7622

DATE		EC NO.		PART NO.	
20061220		L11403		42W7622	
DEVELOPMENT NO.				Q/M	
				97 / 97	

www.laptopblue.com



www.kythuatvinh.com



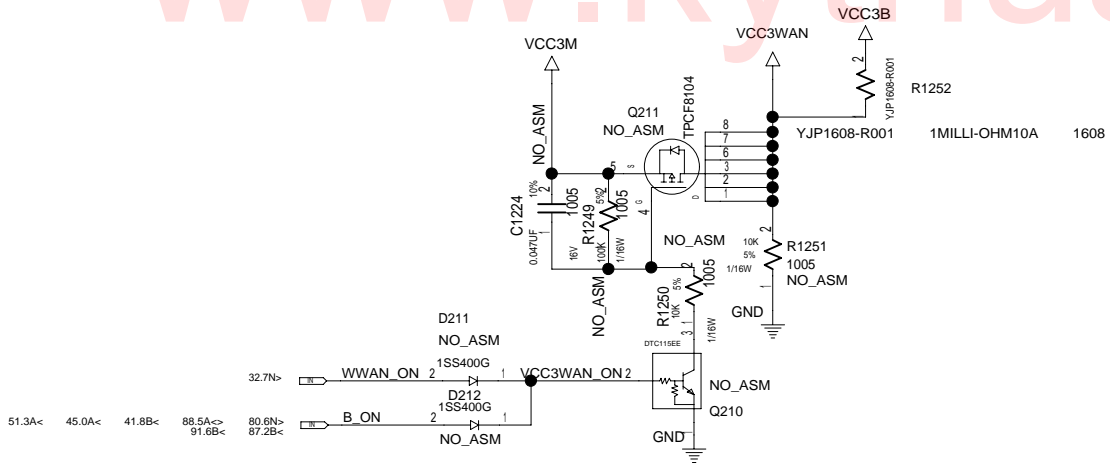
42W7622

DESIGNER	K.Y	06/01/06	PART NO.	42W7622
CHECKED	Y.I	06/01/06	TITLE MLB-1 SVT	
APPROVED	T.S	06/01/06	PTH FOR SCREW HOLES	
CLASS	T.S	06/01/06	LENOVO CONFIDENTIAL	
<small>THIS DOCUMENT IS THE PROPERTY OF LENOVO/ITS USE IS AUTHORIZED ONLY FOR RESPONDING TO A REQUEST FOR QUOTATION OR FOR THE PERFORMANCE OF WORK FOR LENOVO/ALL QUESTIONS MUST BE REFERRED TO THE LENOVO PURCHASING DEPARTMENT.</small>				

www.laptopblue.com

www.kythuatvithinh.com

	DATE	EC NO.	PART NO.	
			DEVELOPMENT NO.	Q/M
				/



DESIGNER	K.Y	06/01/06	PART NO.	42W7501	
CHECKED	Y.I	06/01/06	TITLE		
APPROVED	T.S	06/01/06	CLASS		LOAD SW VCC3KDDI
THIS DOCUMENT IS THE PROPERTY OF IBM. ITS USE IS AUTHORIZED ONLY FOR RESPONDING TO A REQUEST FOR QUOTATION OR FOR THE PERFORMANCE OF WORK FOR IBM. ALL QUESTIONS MUST BE REFERRED TO THE IBM PURCHASING DEPARTMENT.					LENOVO CONFIDENTIAL