

| | | | | | | | |
|---|---|---|---|---|---|---|---|
| 1 | 2 | 3 | 4 | 5 | 6 | 7 | 8 |
|---|---|---|---|---|---|---|---|

THIS DRAWING AND SPECIFICATIONS, HEREIN, ARE THE PROPERTY OF INVENTEC CORPORATION AND SHALL NOT BE REPRODUCED, COPIED, OR USED IN WHOLE OR IN PART AS THE BASIS FOR THE MANUFACTURE OR SALE OF ITEMS WITHOUT WRITTEN PERMISSION, INVENTEC CORPORATION 2009 ALL RIGHT RESERVED

HSF Property : **RoHS**

Diesel 10 UMA

PV_BUILD

2010.02.02

| DATE | CHANGE NO. | REV |
|------|------------|-----|
| | | |
| | | |
| | | |
| | | |
| | | |
| | | |
| | | |
| | | |
| | | |
| | | |

| | | | | | | | | |
|-------------|----------------|------|-------|------|---------------------|-----------|--------------------|------------|
| DRAWER | EE | DATE | POWER | DATE | INVENTEC | | | |
| DESIGN | | | | | | | | |
| CHECK | | | | | | | | |
| RESPONSIBLE | | | | | | | | |
| TITLE | | | | | Diesel10 UMA | | | |
| SIZE | = | 3 | VER : | | SIZE | CODE | DOC. NUMBER | REV |
| FILE NAME : | XXXX XXXXXX-XX | | | | A3 | CS | 131012326601-0-MTR | A01 |
| P/N | XXXXXXXXXXXX | | | | SHEET | 1 | OF | 61 |

| | | | | | | | |
|---|---|---|---|---|---|---|---|
| 1 | 2 | 3 | 4 | 5 | 6 | 7 | 8 |
|---|---|---|---|---|---|---|---|

TABLE OF CONTENTS

PAGE

- 5- DC& BATTERY CHARGER
- 6- SELECT & BATTERY CONN
- 7- SYSTEM POWER(3V/5V)
- 8- SYSTEM POWER(+V1.05M_LAN/+V1.5)
- 9- SYSTEM POWER(+V1.8S)
- 10- SYSTEM POWER(+VCCP)
- 11- CPU POWER(VCC_CORE)
- 12- GRAPHIC POWER(+VGFX_CORE)
- 13- POWER(SLEEP)
- 14- POWER(SEQUENCE)
- 15- CLOCK_GENERATOR
- 16- FAN
- 17-ARRANDALE1
- 18-ARRANDALE2
- 19-ARRANDALE3 & XDP
- 20-ARRANDALE4
- 21-ARRANDALE5
- 22-ARRANDALE6
- 23- DDR3-DIMM0
- 24- DDR3-DIMM1
- 25- PCH1
- 26- PCH2
- 27- PCH3
- 28- PCH4
- 29- PCH5
- 30- PCH6
- 31- PCH7-POWER
- 32- PCH8-POWER
- 33- PCH9

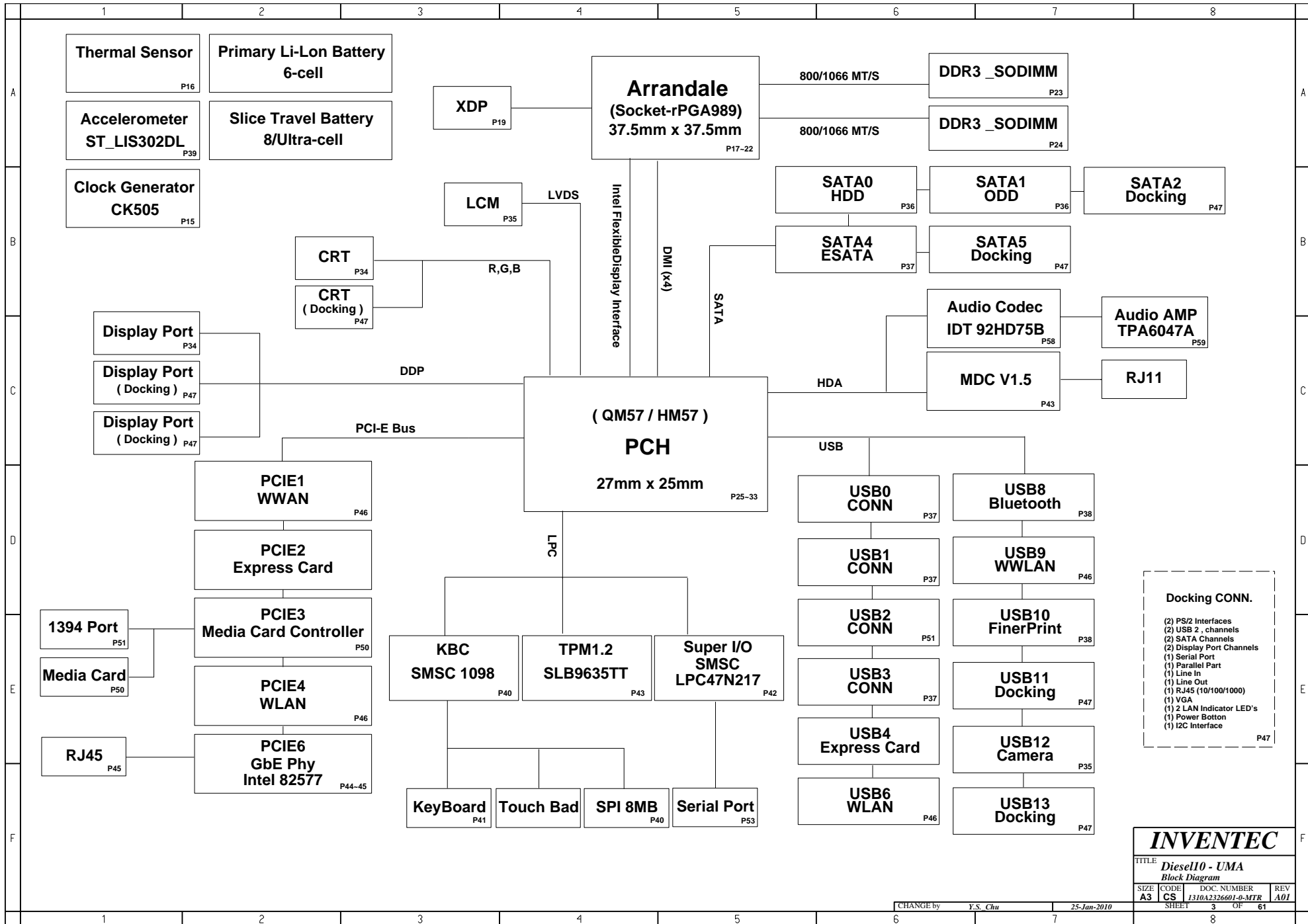
PAGE

- 34- CRT / DISPLAY PORT CNTR
- 35- LCM & CAMERA
- 36- SATA & ODD CNTR
- 37- LEFT USB & ESATA COMBO
- 38- BLUE TOOTH & FINGER PRINTER CNTR
- 39- ACCELEMETOR
- 40- KBC & SPI
- 41- KEYBOARD & STICK POINT
- 42- SUPER I/O
- 43- TPM & MDC
- 44- LAN INTERFACE
- 45- LAN RJ45 CNTR
- 46- WWAN & WLAN & SIM
- 47- DOCKING CNTR
- 48- CNTR FOR DAUGHTER BOARD
- 49- SCREW & EMI
- 50- CARD READER DB-1
- 51- CARD READER DB-2
- 52- ODD DB
- 53- SERIAL DB
- 54- POWER BUTTON DB
- 55- EXPRESS CARD & Audio DB-1
- 56- EXPRESS CARD & Audio DB-2
- 57- EXPRESS CARD & Audio DB-3
- 58- EXPRESS CARD & Audio DB-4
- 59- EXPRESS CARD & Audio DB-5
- 60- CAP SENSOR BOARD DB(SMSC) 14"
- 61- CAP SENSOR BOARD DB(SMSC) 15"

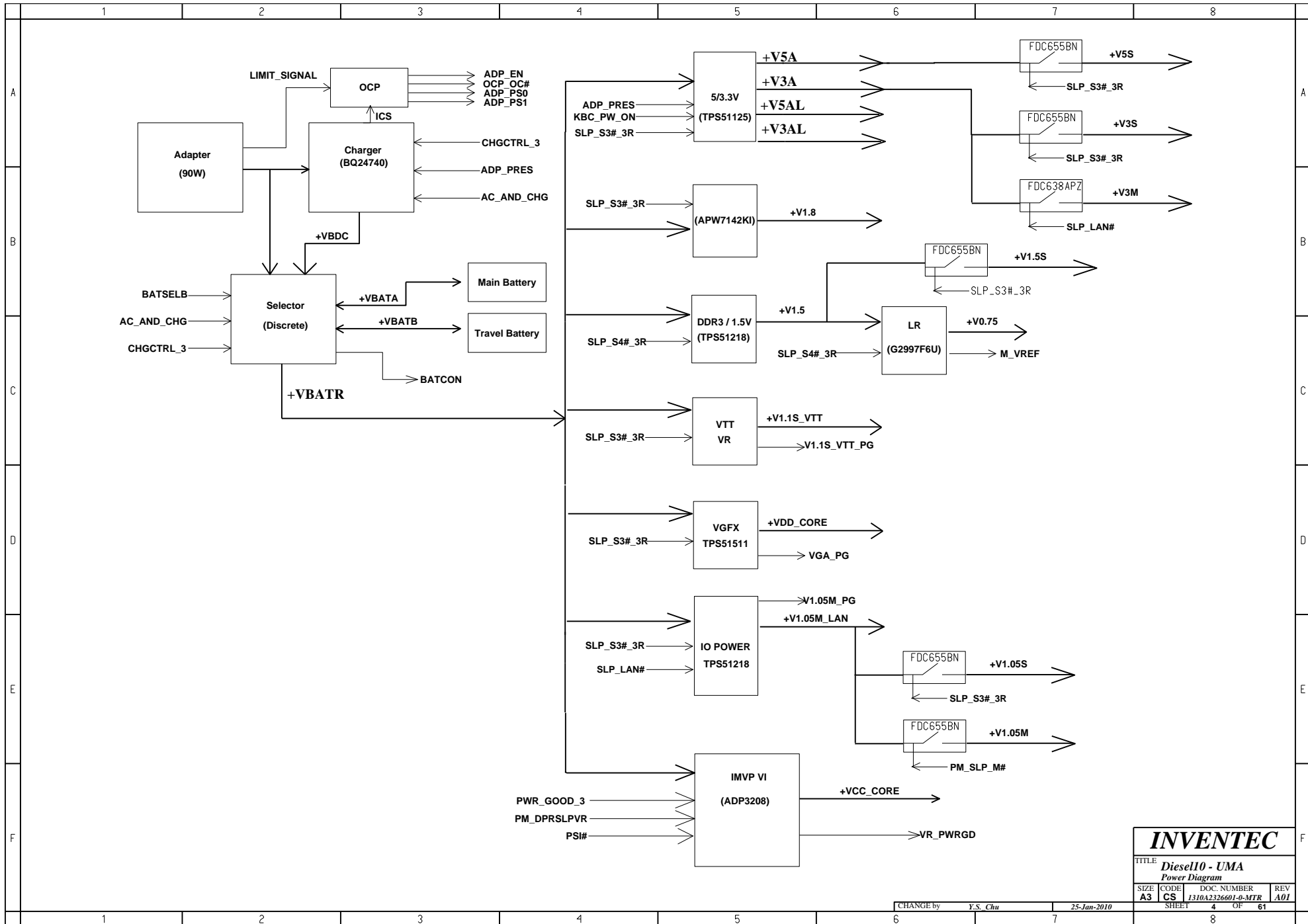
INVENTEC

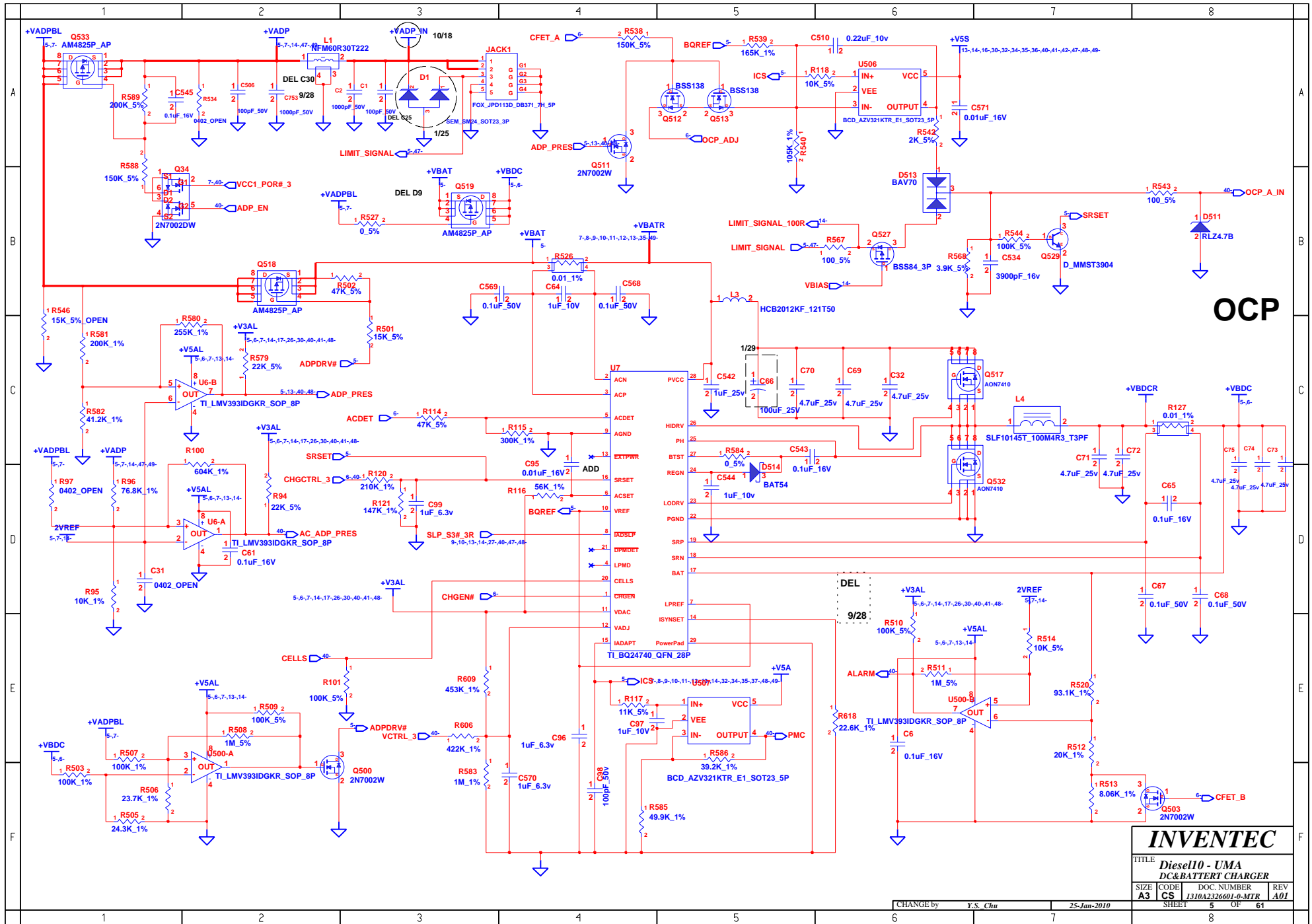
| | | | |
|-----------------------|------|--------------------|-----|
| TITLE | | | |
| <i>Diesel10 - UMA</i> | | | |
| Page List | | | |
| SIZE | CODE | DOC. NUMBER | REV |
| A3 | CS | 1310A2326601-0-MTR | A01 |
| SHEET | | OF | 61 |
| 2 | | | |

CHANGE by Y.S. Chu 25-Jan-2010



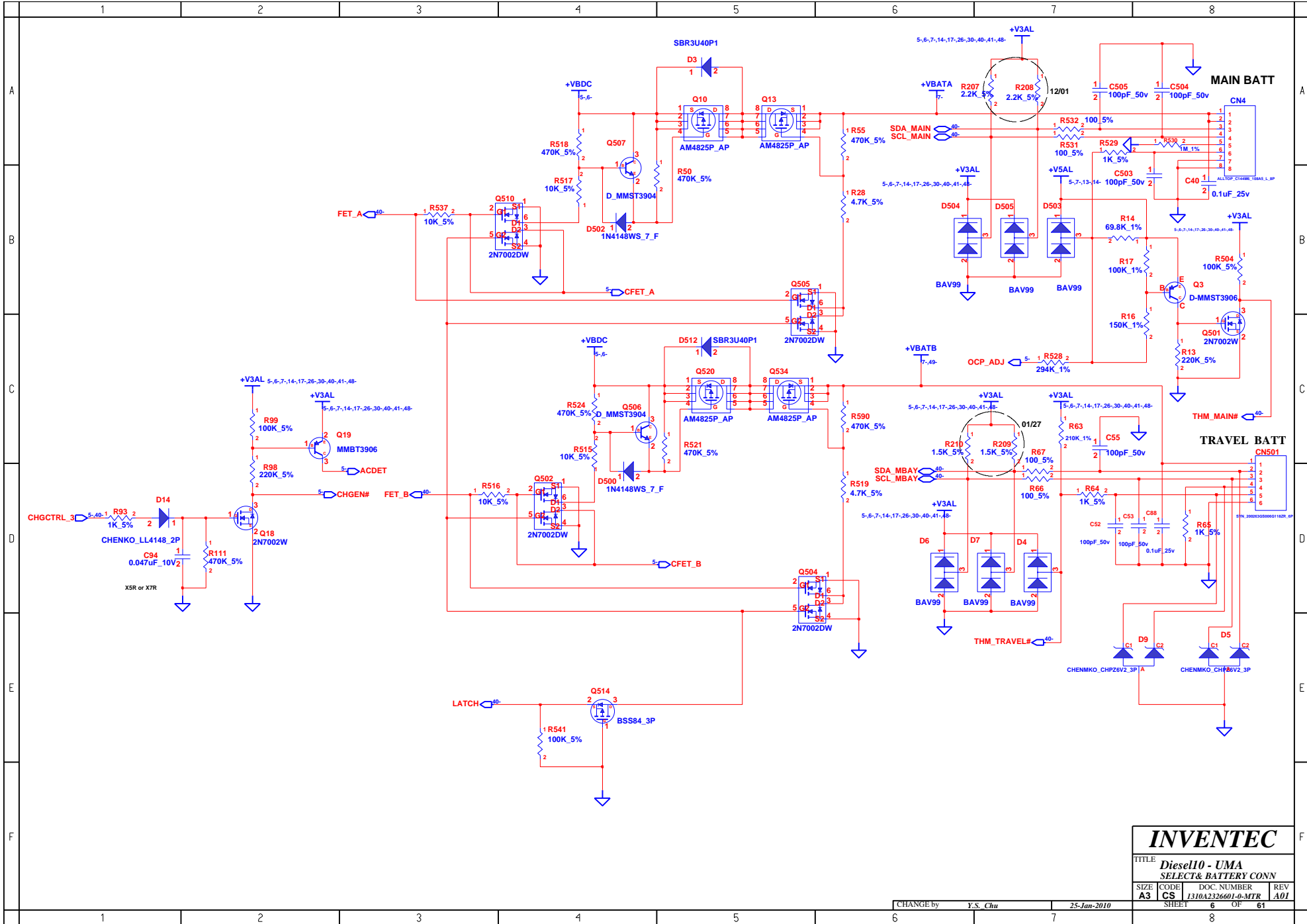
| | | | |
|---------------------------------------|------------|-----------------------------------|------------|
| INVENTEC | | | |
| TITLE Diesel10 - UMA Block Diagram | | | |
| SIZE A3 | CODE CS | DOC. NUMBER 1310A2326601-0-MTR | REV A01 |
| CHANGE by Y.S. Chu | | 25-Jan-2010 | |
| SHEET 3 | | OF 61 | |





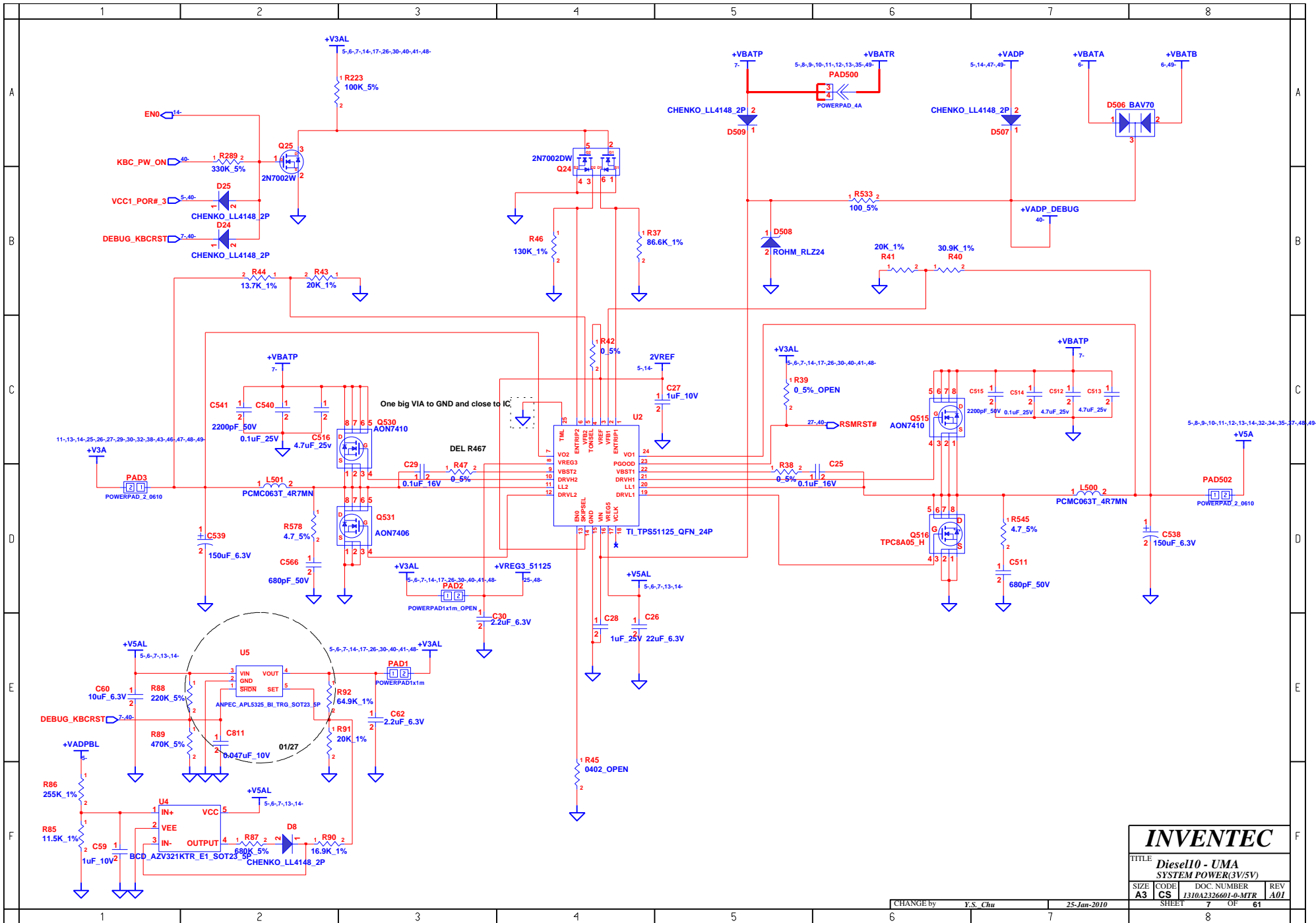
| | | | |
|---|-------------------|--|-------------------|
| INVENTEC | | | |
| TITLE Diesel10 - UMA DC & BATTERY CHARGER | | | |
| SIZE A3 | CODE CS | DOC. NUMBER 1310A2326601-b-MTR | REV A01 |
| CHANGE by Y.S. Chu | | 25-Jan-2010 | |
| SHEET 5 | | OF 61 | |

<http://sualaptop365.edu.vn>



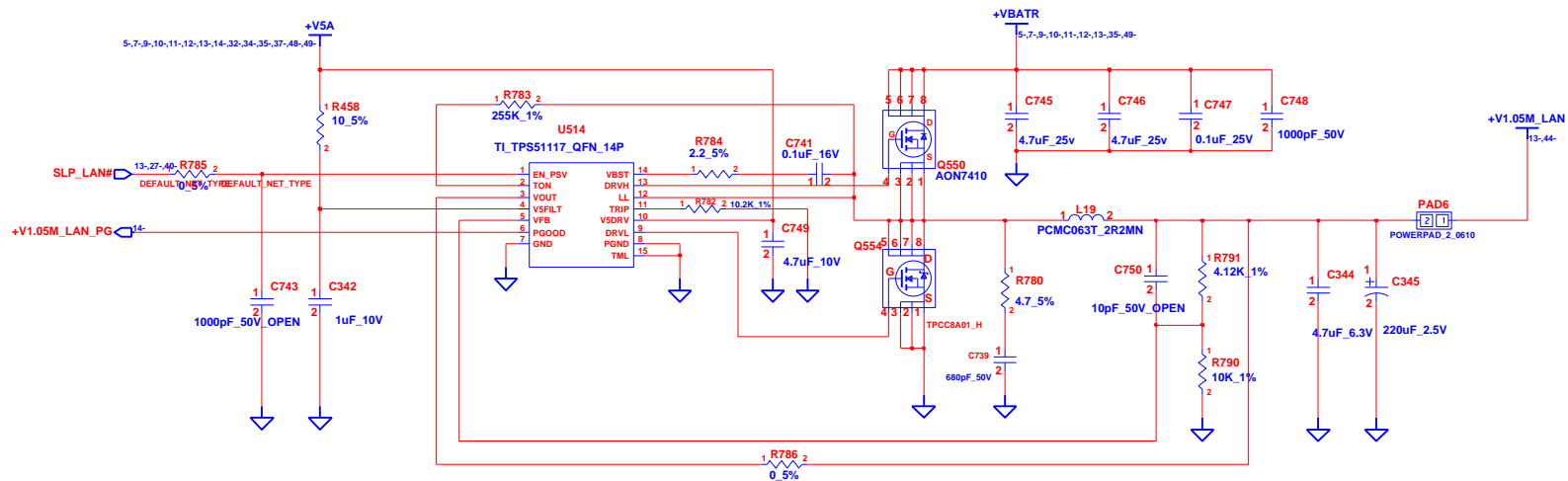
| | | | |
|-----------------------|---------|--------------------------------|---------|
| INVENTEC | | | |
| TITLE Diesel10 - UMA | | | |
| SELECT & BATTERY CONN | | | |
| SIZE A3 | CODE CS | DOC. NUMBER 1310A2326601-0-MTR | REV A01 |
| CHANGE by Y.S. Chu | | 25-Jan-2010 | |
| SHEET 6 | | OF 61 | |

<http://sualaptop365.edu.vn>



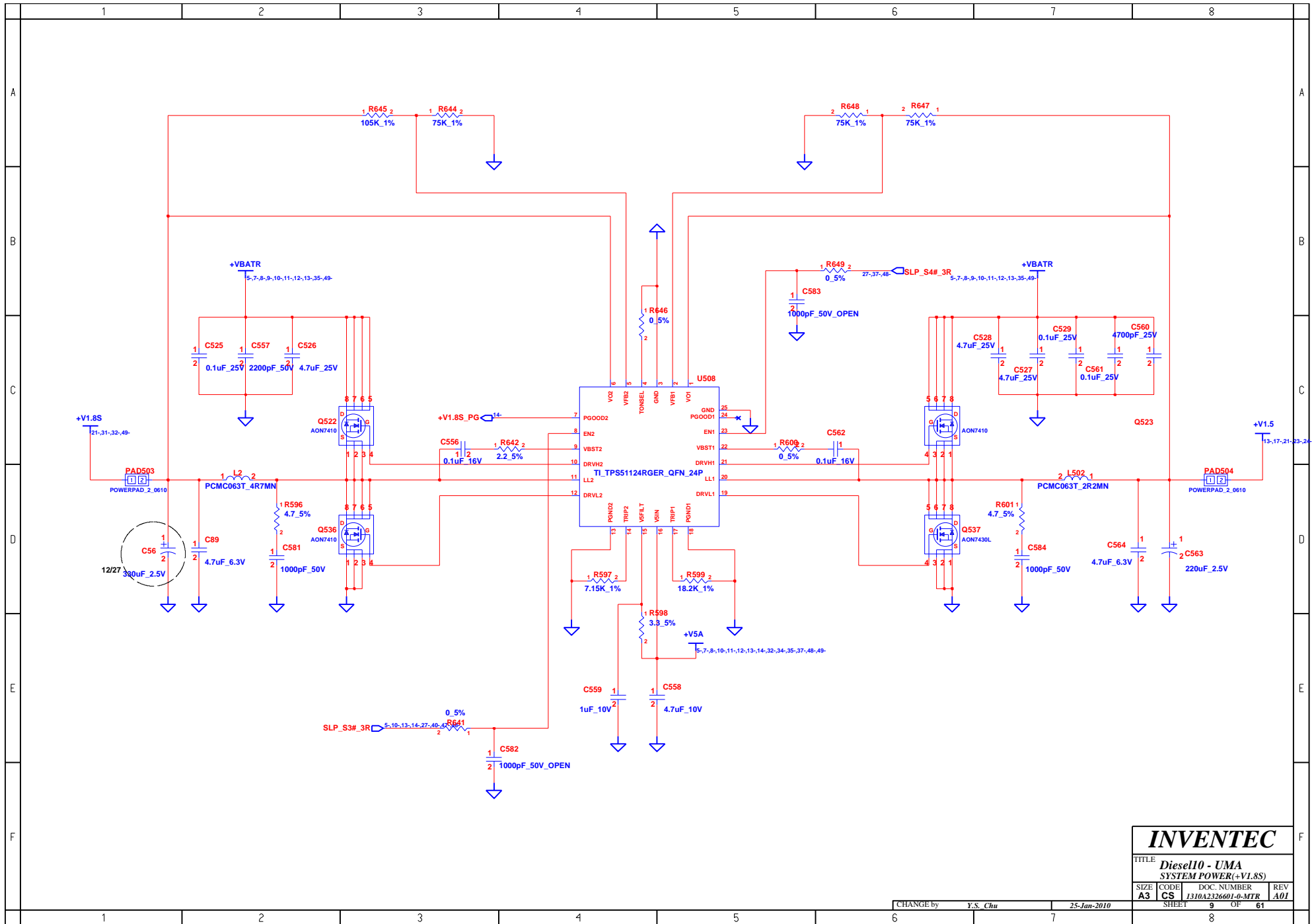
| | | | |
|---|-------------------|----------------------------------|-------------------|
| INVENTEC | | | |
| TITLE Diesel10 - UMA SYSTEM POWER(3V/5V) | | | |
| SIZE A3 | CODE CS | DOC NUMBER 1310A2326601-0-MTR | REV A01 |
| CHANGE by Y.S. Chu | | 25-Jan-2010 | |
| SHEET 7 | | OF 61 | |

<http://sualaptop365.edu.vn>



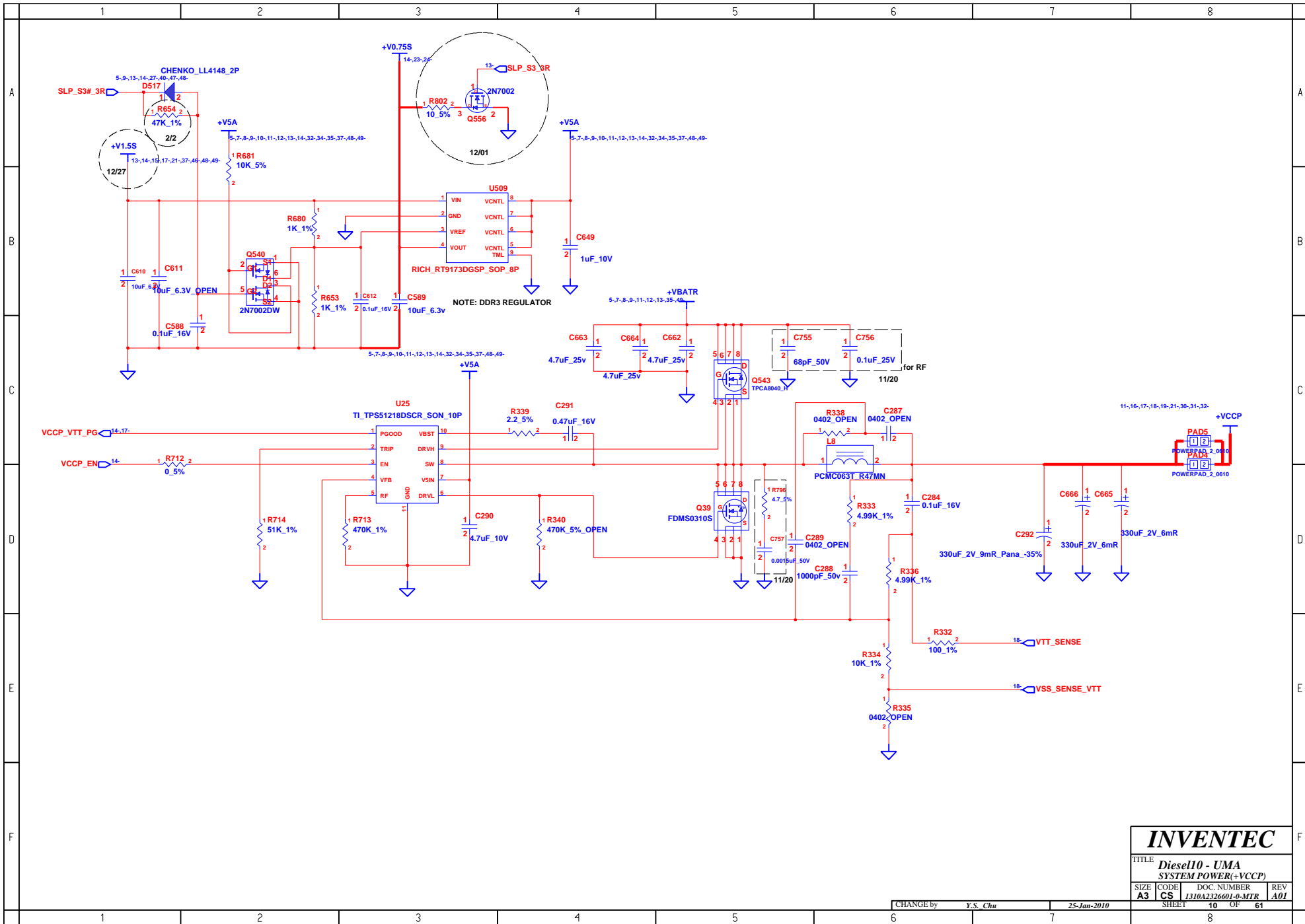
INVENTEC

| | | | |
|--------------------------------|------|--------------------|-------------|
| TITLE | | | |
| Diesel10 - UMA | | | |
| SYSTEM POWER(+V1.05M_LAN/+V1.5 | | | |
| SIZE | CODE | DOC. NUMBER | REV |
| A3 | CS | 1310A2326601-0-MTR | A01 |
| CHANGE by | | Y.S. Chu | 25-Jan-2010 |
| SHEET | | 8 | OF 61 |



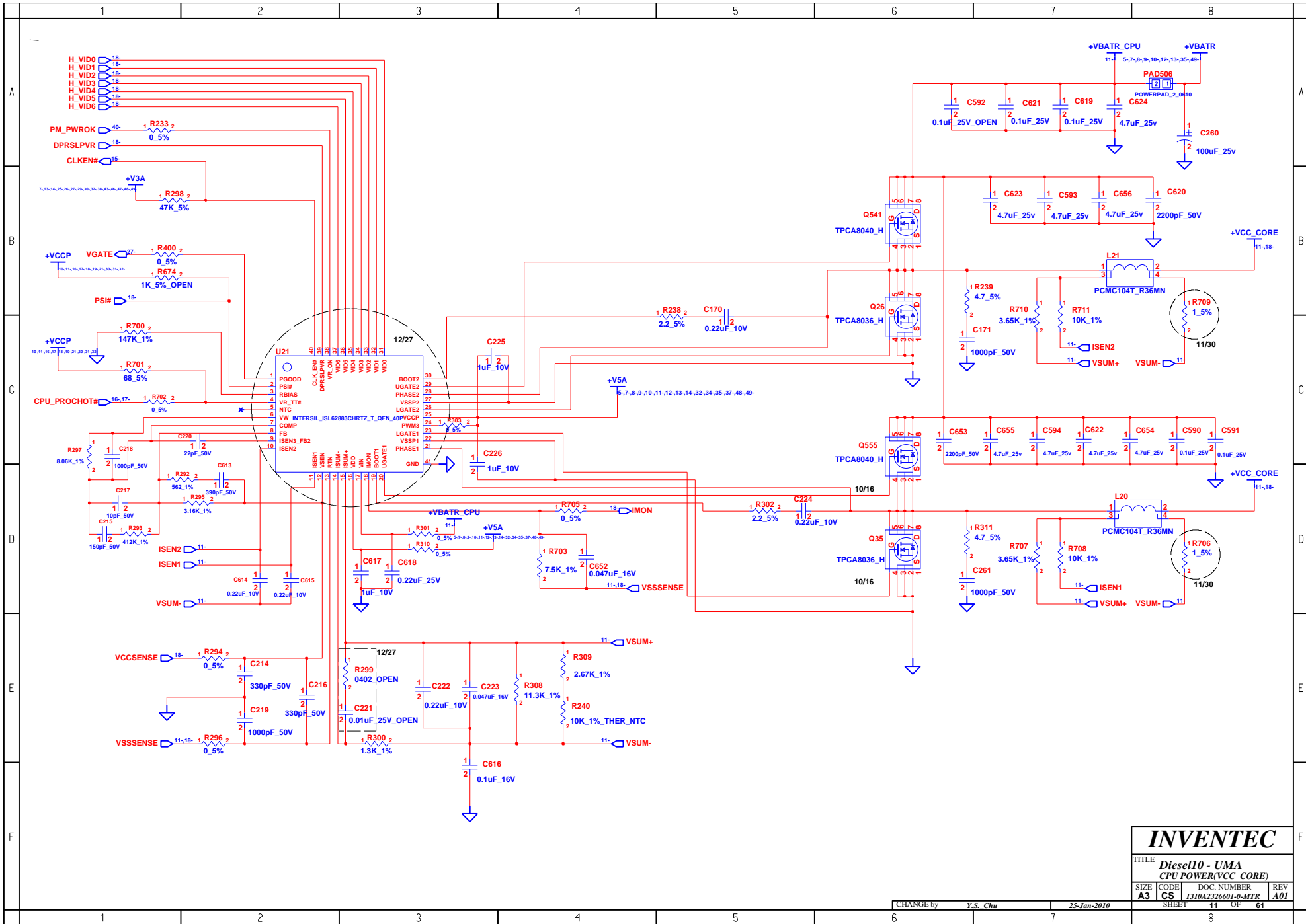
| | | | |
|---|-------------------|--|-------------------|
| INVENTEC | | | |
| TITLE Diesel10 - UMA SYSTEM POWER(+V1.8S) | | | |
| SIZE A3 | CODE CS | DOC. NUMBER 1310A2326601-0-MTR | REV A01 |
| CHANGE by Y.S. Chu | | 25-Jan-2010 | |
| SHEET 9 | | OF 61 | |

<http://sualaptop365.edu.vn>



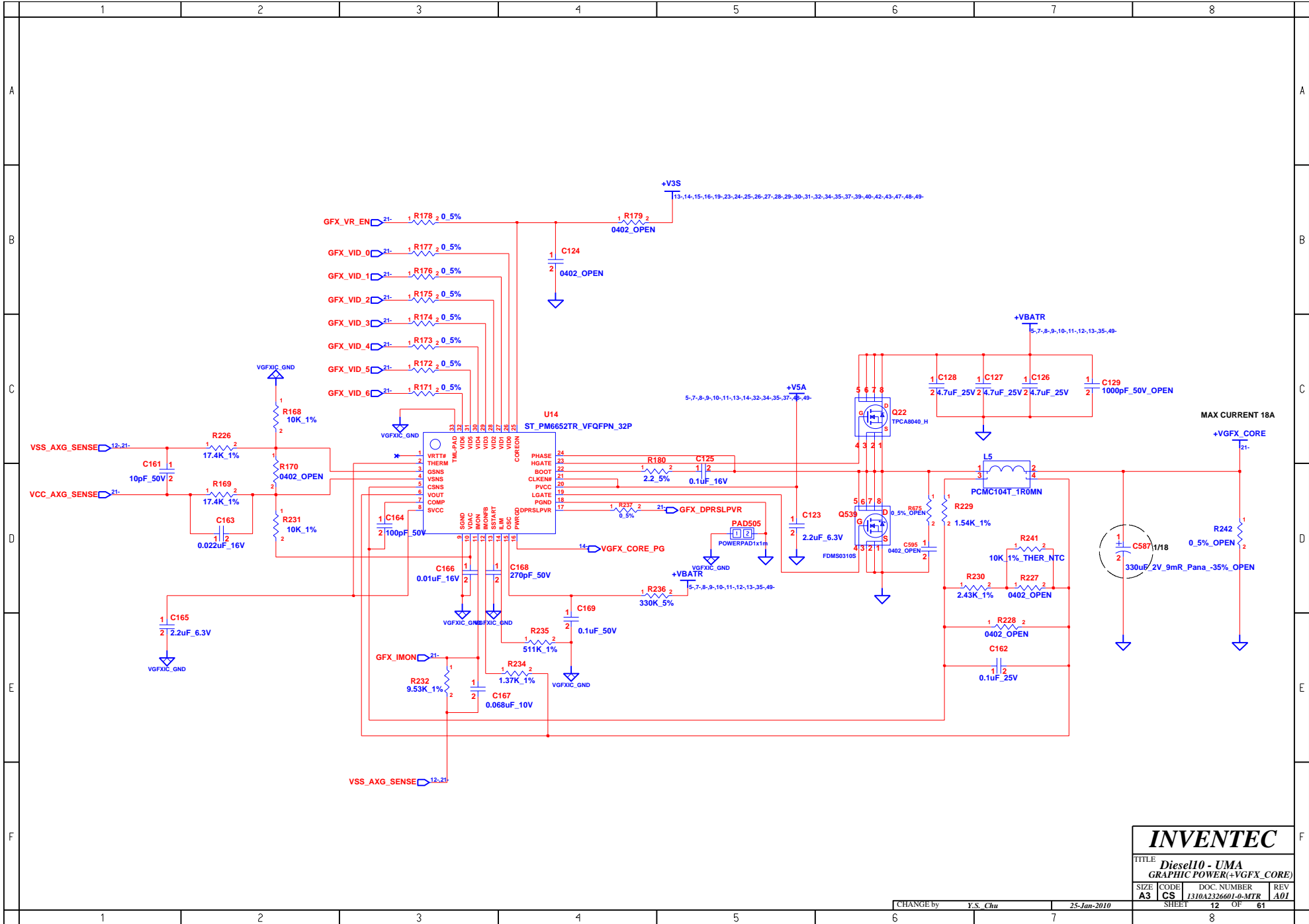
| | | | |
|--|-------------------|--|-------------------|
| INVENTEC | | | |
| TITLE Diesel10 - UMA SYSTEM POWER(+VCCP) | | | |
| SIZE A3 | CODE CS | DOC. NUMBER 1310A2326001-p-MTR | REV A01 |
| CHANGE by Y.S. Chu | | 25-Jan-2010 | |
| SHEET 10 | | OF 61 | |

<http://sualaptop365.edu.vn>



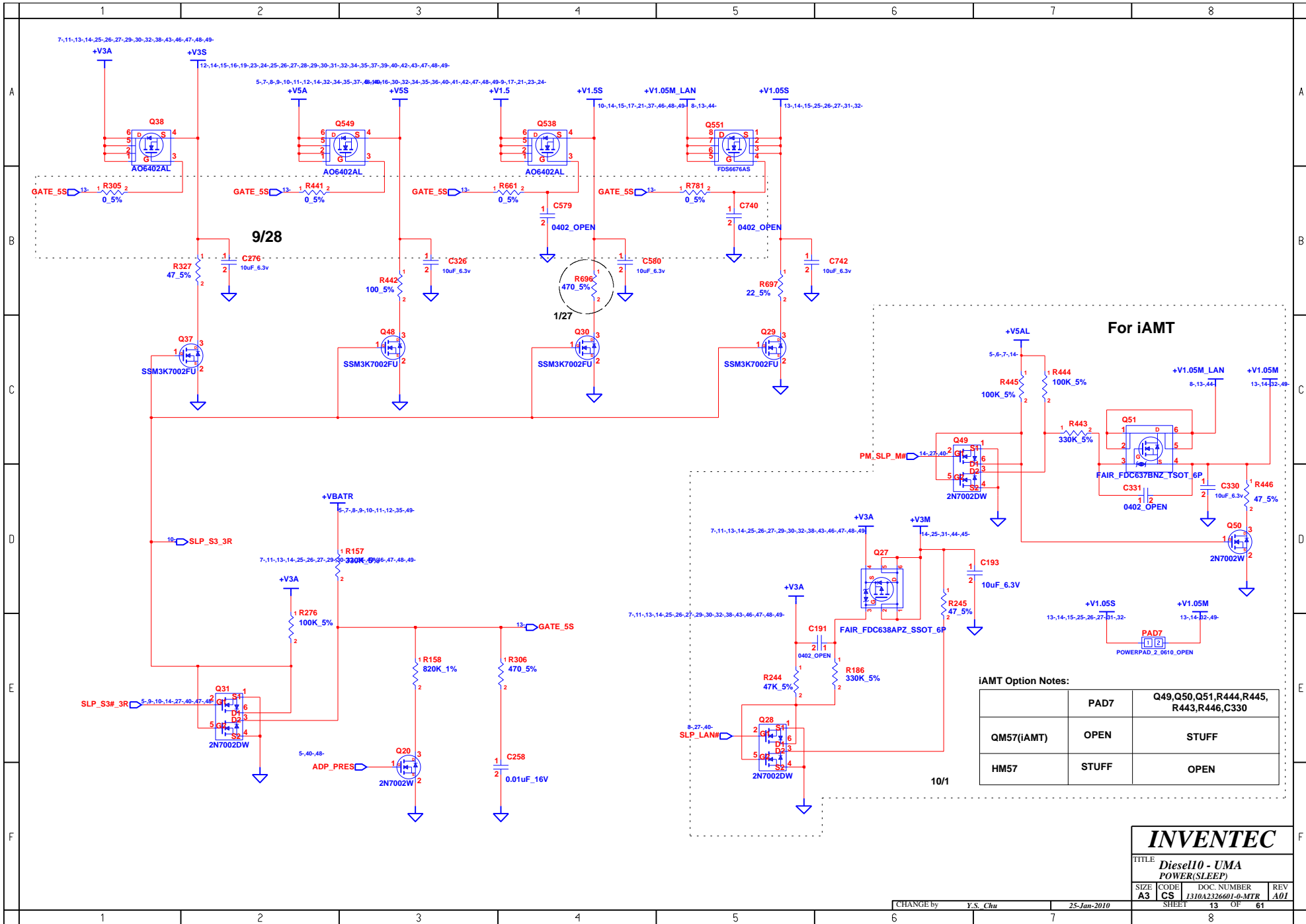
| | | | |
|--|-------------------|---|-------------------|
| INVENTEC | | | |
| TITLE Diesel10 - UMA CPU POWER(VCC_CORE) | | | |
| SIZE A3 | CODE CS | DOC NUMBER 1310A2326601-p-MTR | REV A01 |
| CHANGE by Y.S. Chu | | 25-Jan-2010 | |
| SHEET 11 | | OF 61 | |

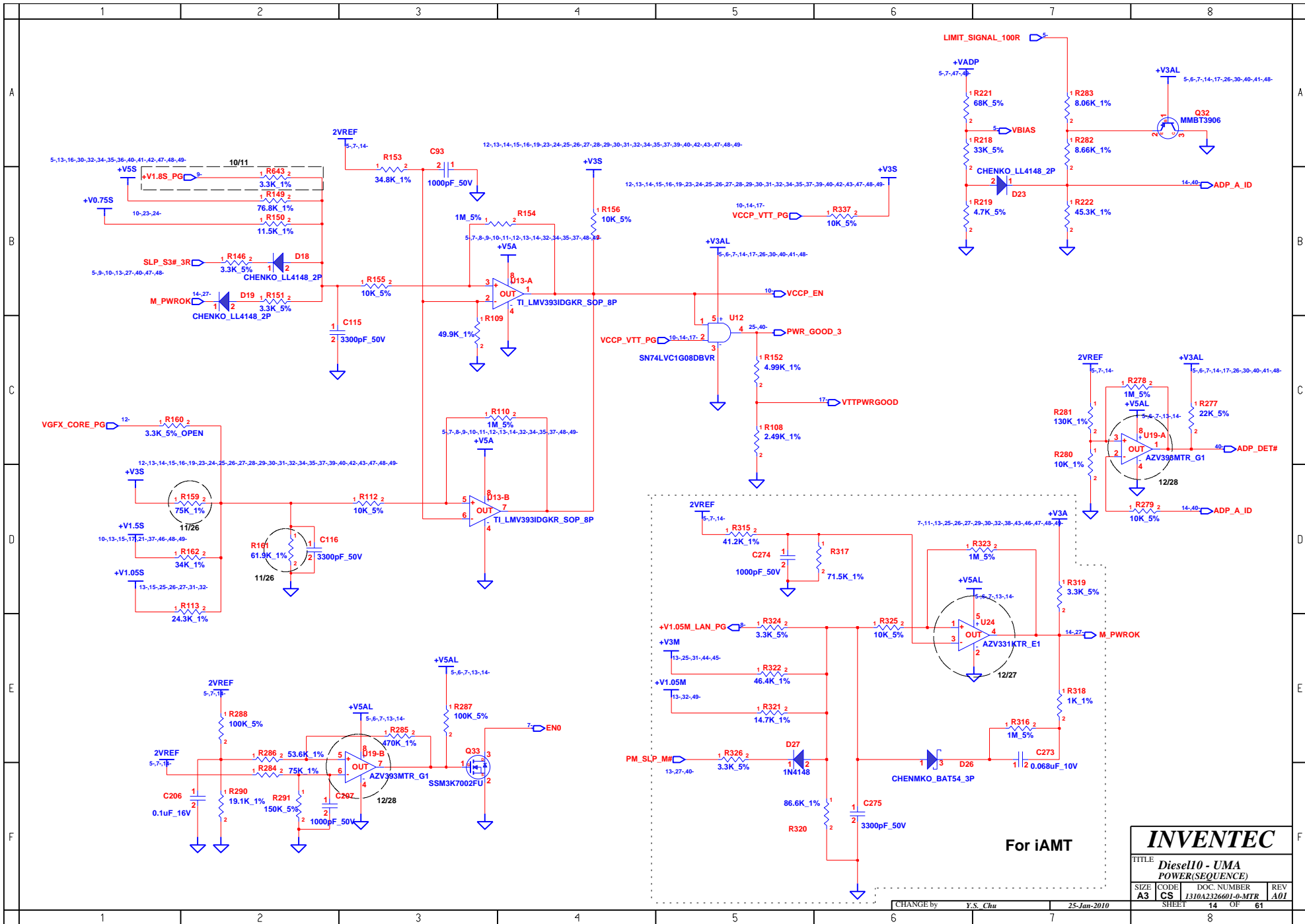
<http://sualaptop365.edu.vn>



| | | | |
|---|---------|-------------------------------|---------|
| INVENTEC | | | |
| TITLE Diesel10 - UMA GRAPHIC POWER(+VGFX_CORE) | | | |
| SIZE A3 | CODE CS | DOC NUMBER 1310A2326601-0-MTR | REV A01 |
| CHANGE by Y.S. Chu | | 25-Jan-2010 | |
| SHEET 12 | | OF 61 | |

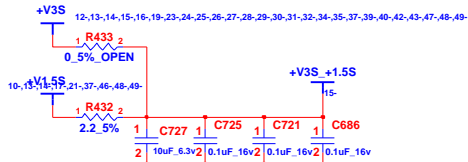
<http://sualaptop365.edu.vn>



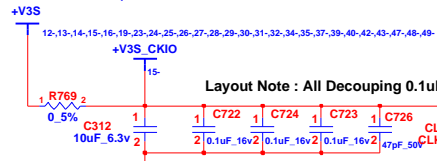


<http://sualaptop365.edu.vn>

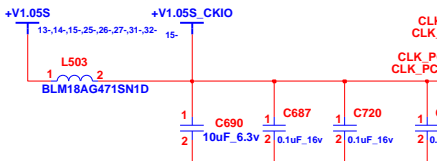
| | | |
|----------------|-------|-------|
| | R1138 | R1139 |
| STANDARD POWER | OPEN | STUFF |
| LOW POWER | STUFF | OPEN |



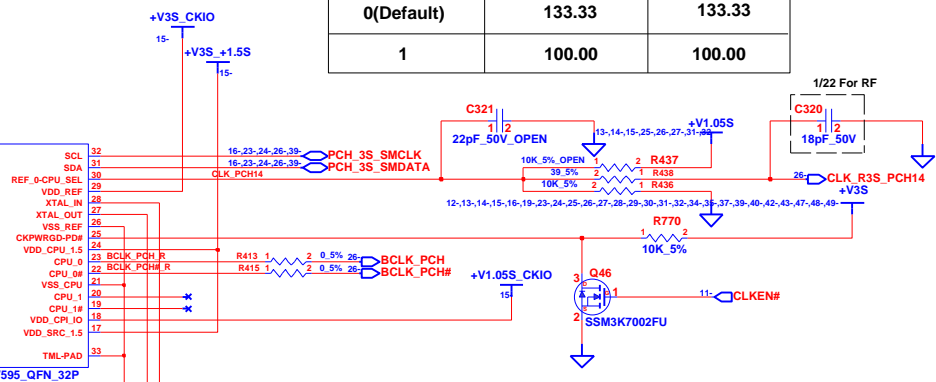
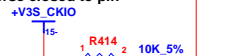
Layout Note : All Decoupling 0.1uF disperse closed to pin



Layout Note : All Decoupling 0.1uF disperse closed to pin

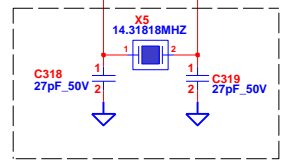


Layout Note : All Decoupling 0.1uF disperse closed to pin



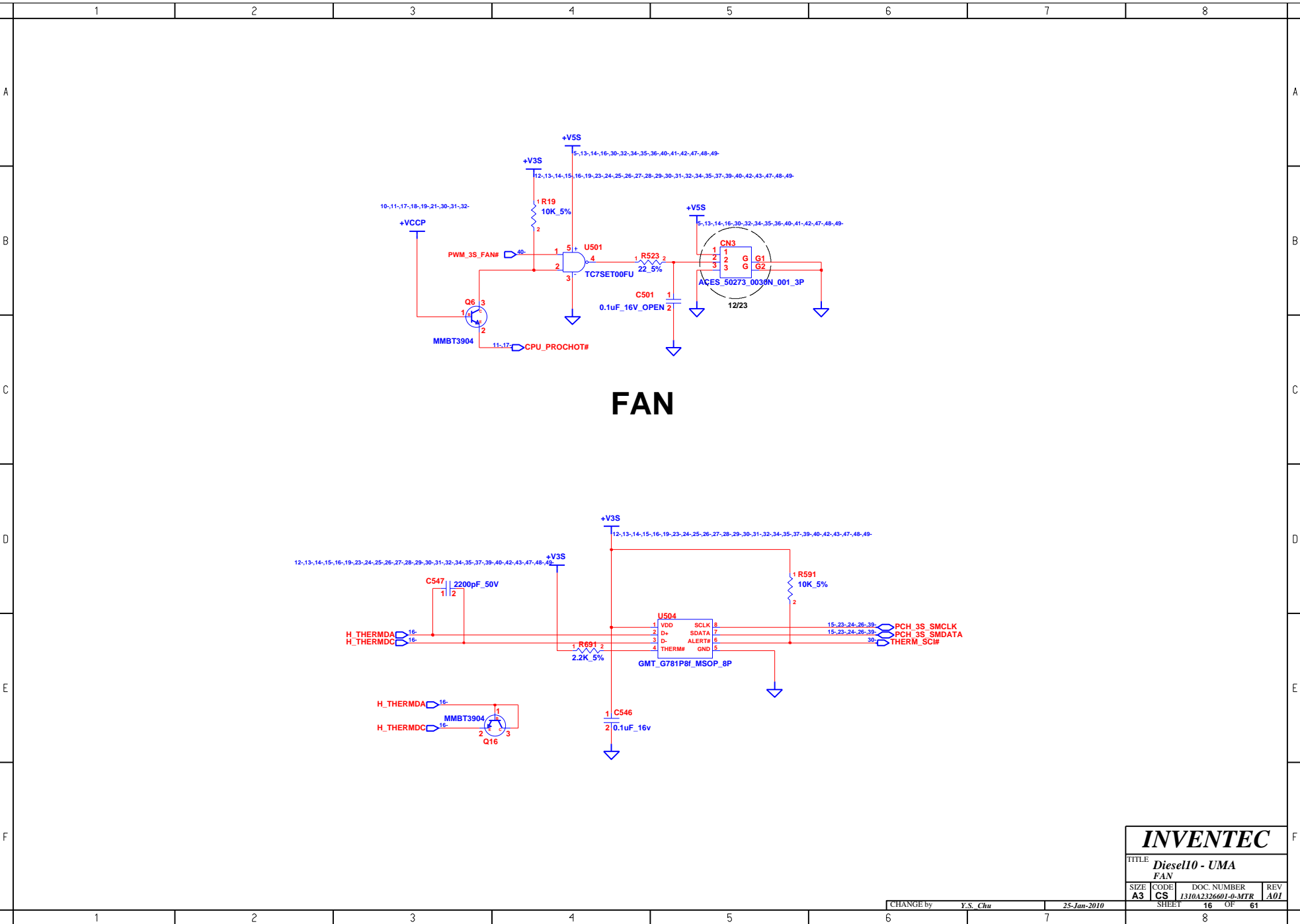
CPU Frequency Select Table

| PIN 30 | CPU_0 MHz | CPU_1 MHz |
|------------|-----------|-----------|
| 0(Default) | 133.33 | 133.33 |
| 1 | 100.00 | 100.00 |

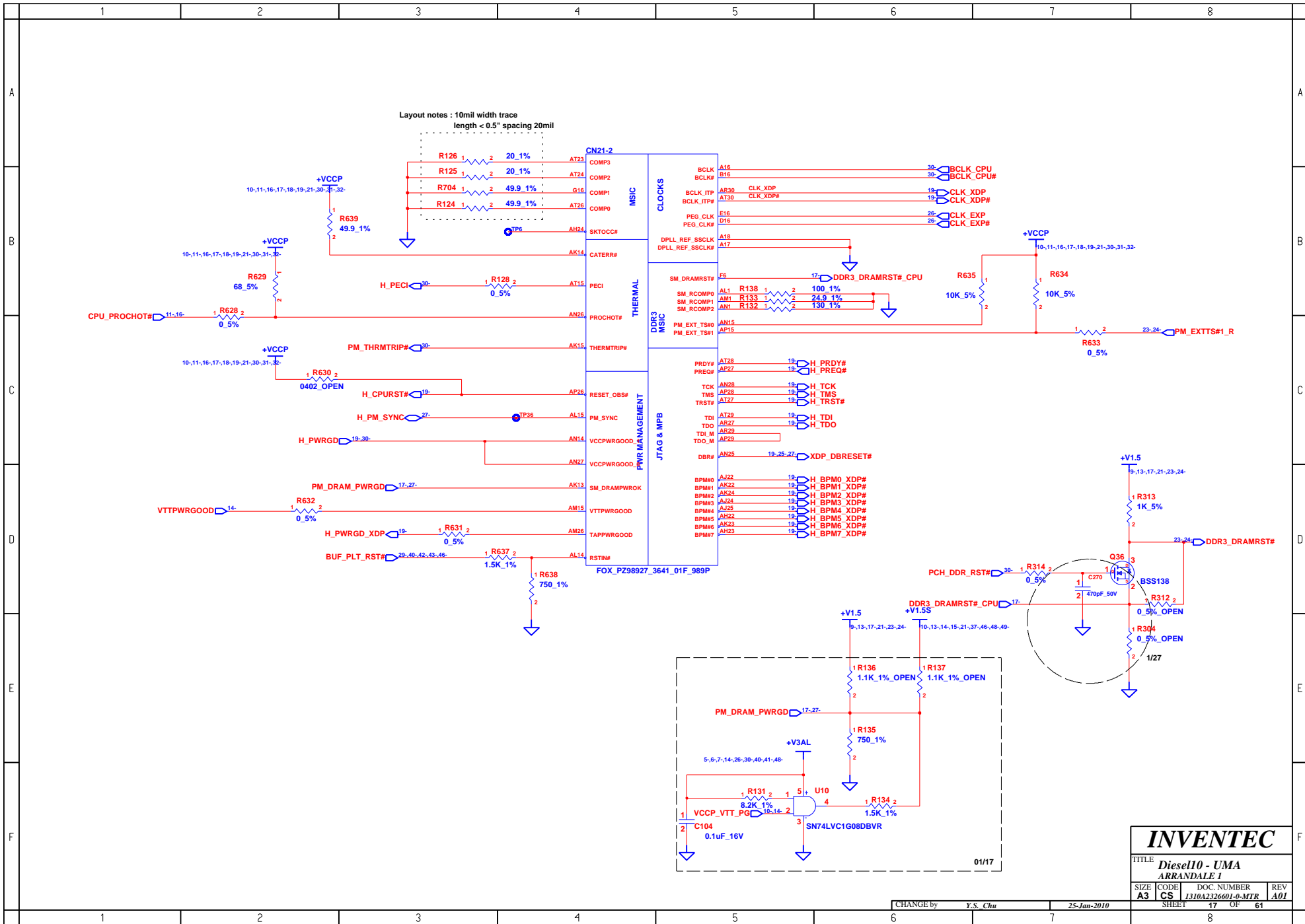


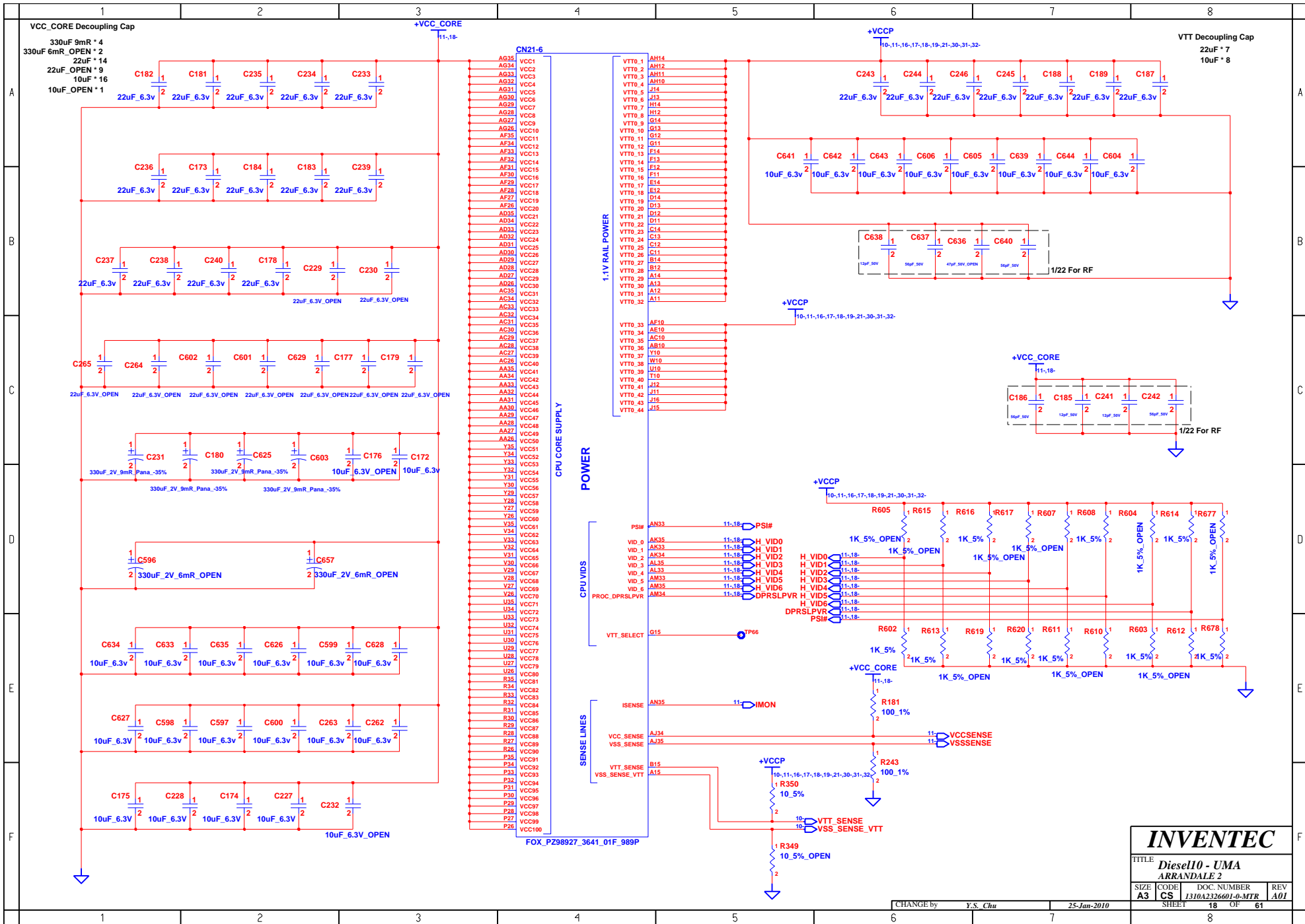
Layout Note: Place close to CLKGEN within 500 mils

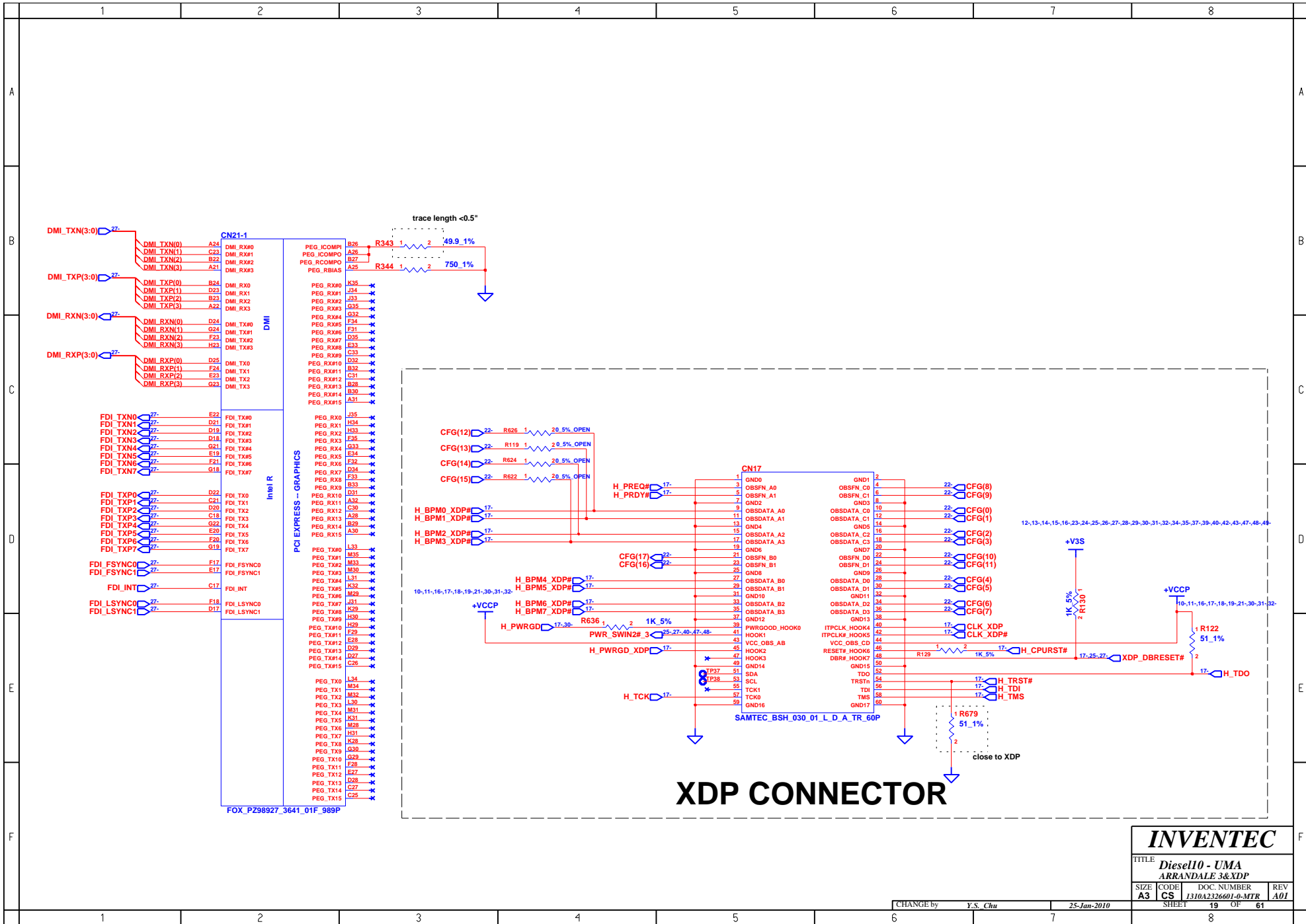
| | | | |
|---|---------|------------------------------|----------------|
| INVENTEC | | | |
| TITLE Diesel10 - UMA CLOCK GENERATOR | | | |
| SIZE A3 | CODE CS | DOC NUMBER 1310A232601-p-MTR | REV A01 |
| CHANGE by Y.S. Chu | | 25-Jan-2010 | SHEET 15 OF 61 |



| | | | |
|--------------------------------|-------------------|--|-------------------|
| INVENTEC | | | |
| TITLE Diesel10 - UMA | | | |
| FAN | | | |
| SIZE A3 | CODE CS | DOC. NUMBER 1310A2326601-0-MTR | REV A01 |
| CHANGE by Y.S. Chu | | 25-Jan-2010 | |
| SHEET 16 | | OF 61 | |

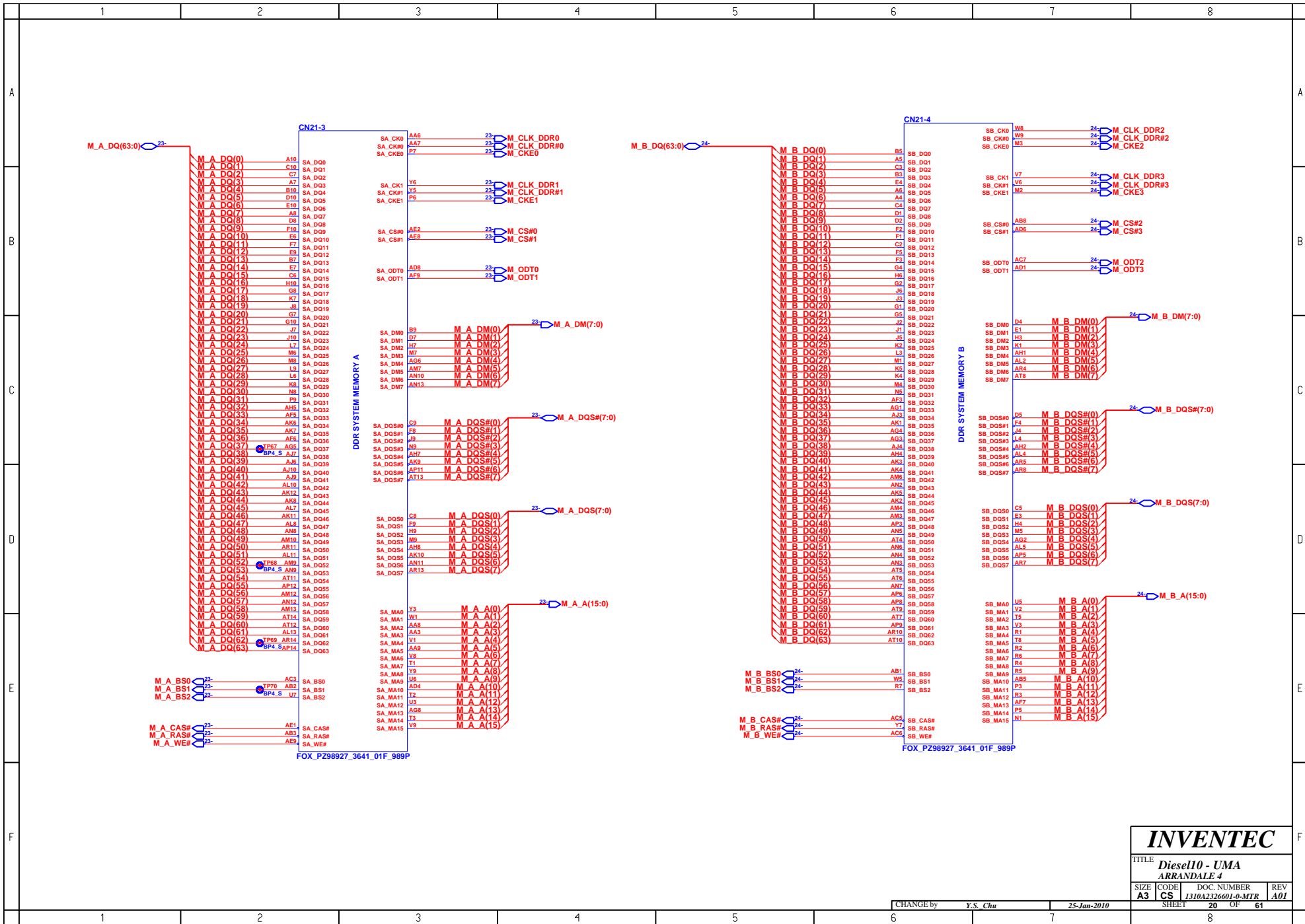


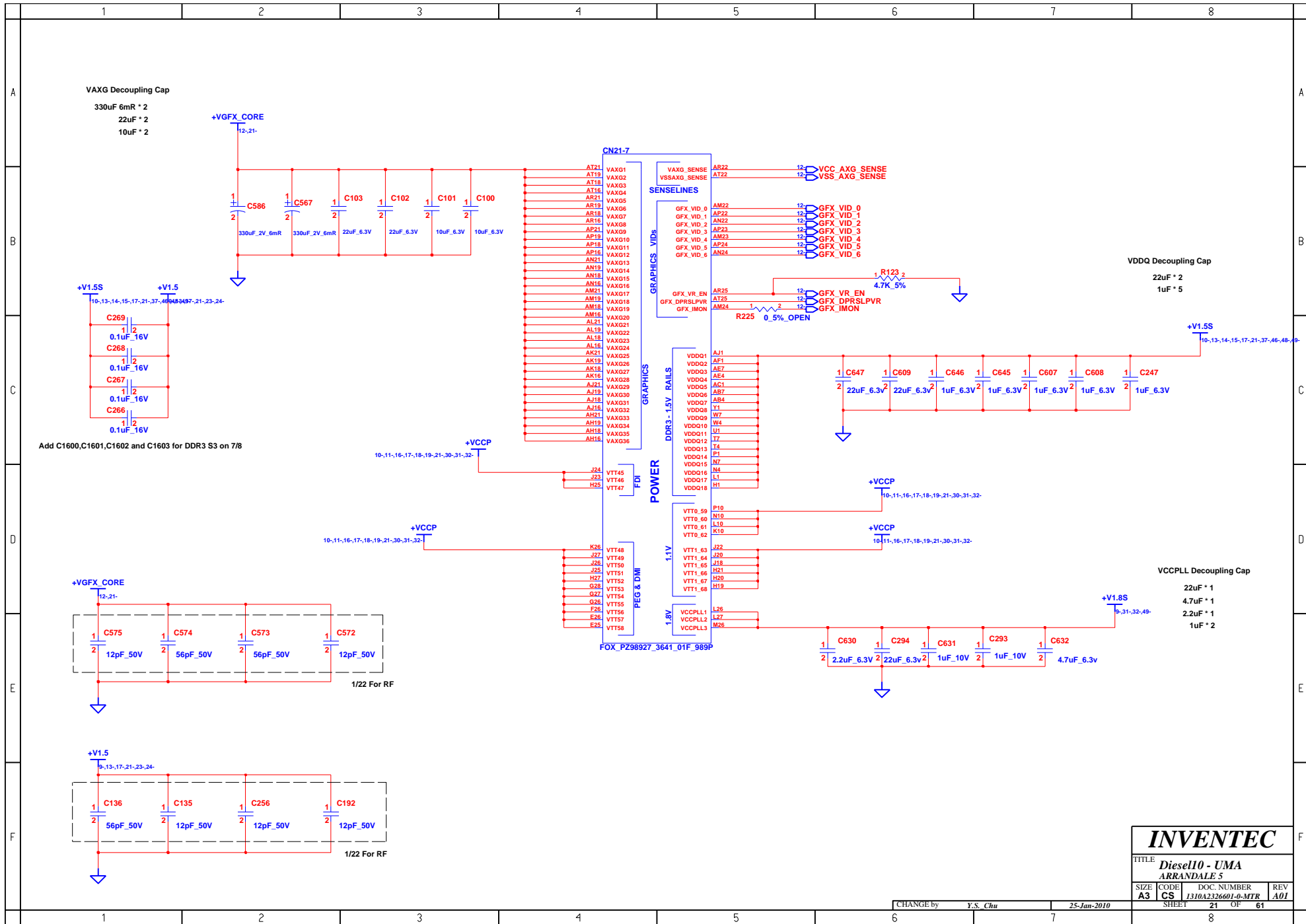




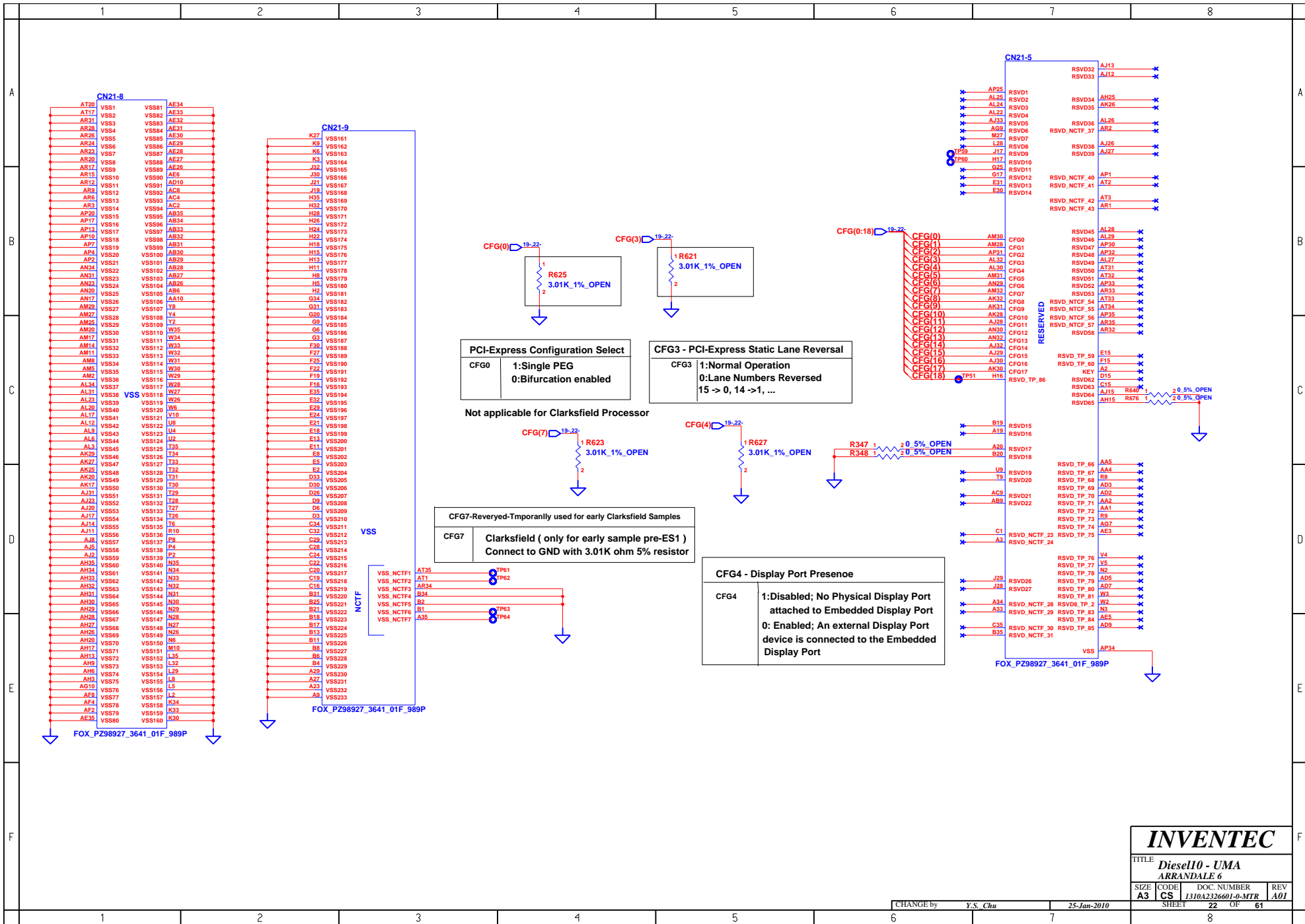
XDP CONNECTOR

| | | | |
|--|------------|----------------------------------|------------|
| INVENTEC | | | |
| TITLE Diesel10 - UMA ARRANDALE 3&XDP | | | |
| SIZE A3 | CODE CS | DOC. NUMBER 1310A232601-0-MTR | REV A01 |
| CHANGE by Y.S. Chu | | 25-Jan-2010 | |
| SHEET 19 | | OF 61 | |

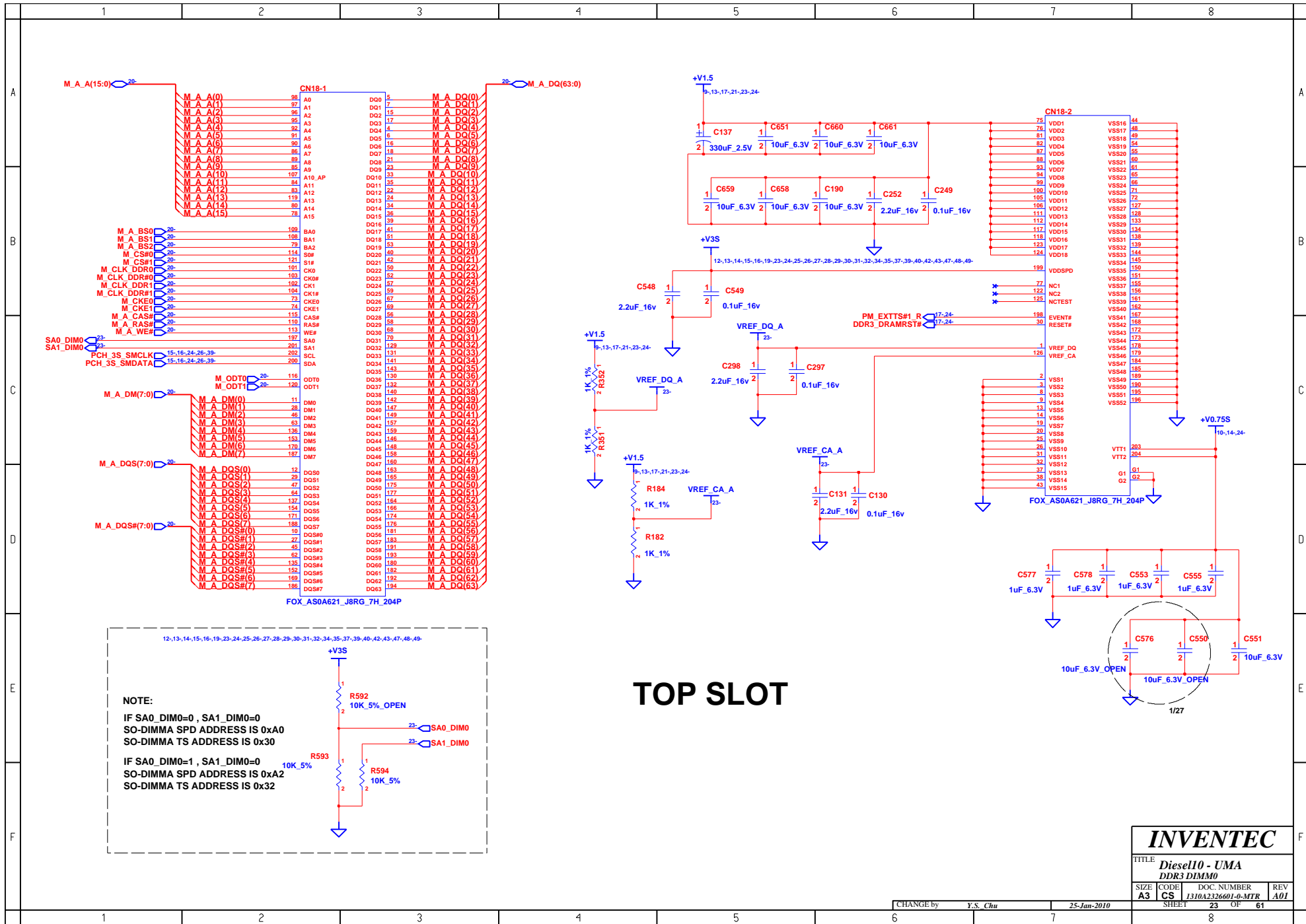


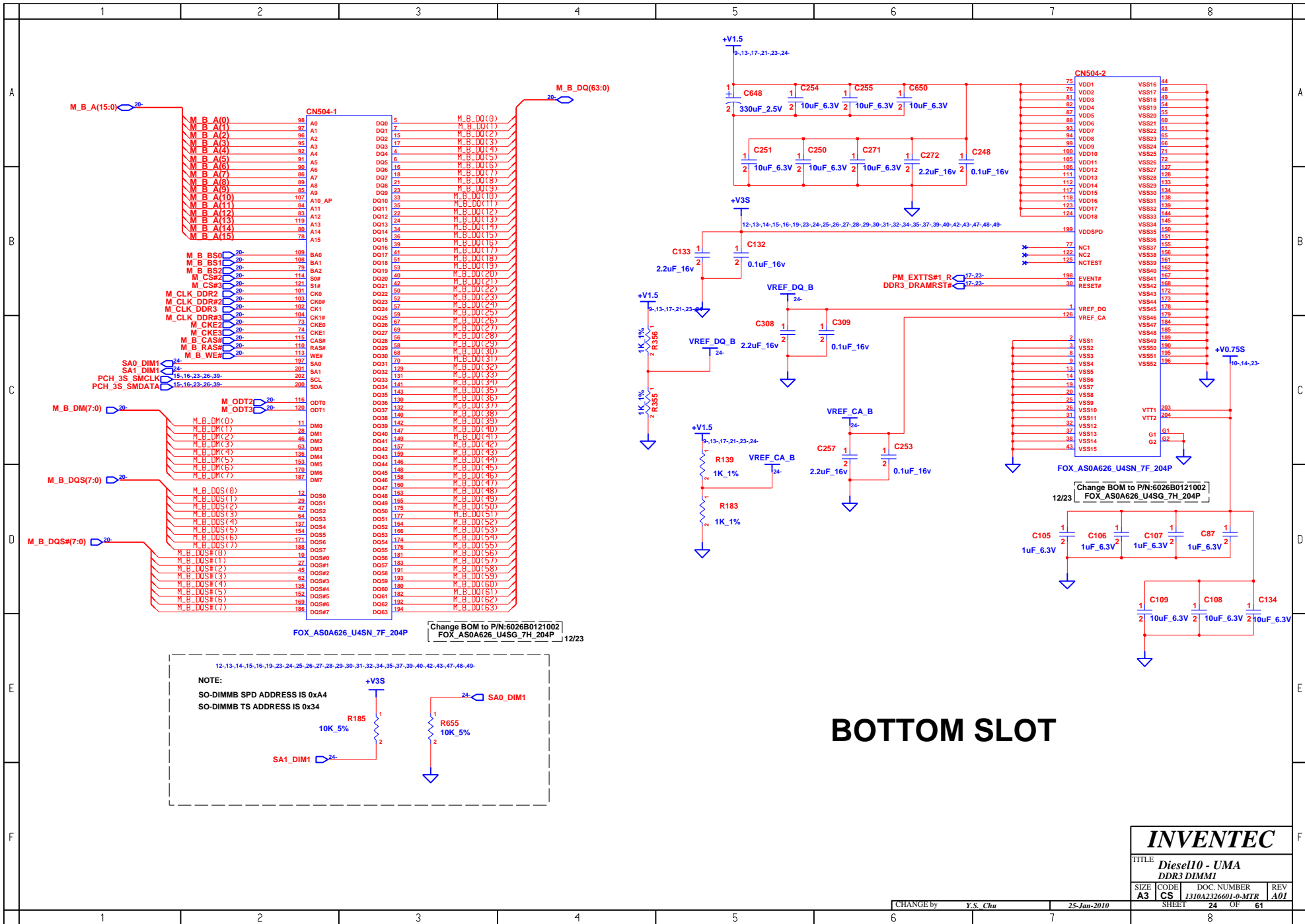


| | | | |
|--------------------------------|-------------------|--|-------------------|
| INVENTEC | | | |
| TITLE Diesel10 - UMA | | | |
| ARRANDALE 5 | | | |
| SIZE A3 | CODE CS | DOC. NUMBER 1310A2326601-p-MTR | REV A01 |
| CHANGE by Y.S. Chu | | 25-Jan-2010 | |
| SHEET 21 | | OF 61 | |



| | | | |
|----------------------|---------|-------------------------------|---------|
| INVENTEC | | | |
| TITLE Diesel10 - UMA | | | |
| ARRANDALE 6 | | | |
| SIZE A3 | CODE CS | DOC NUMBER 1310A2326601-0-MTR | REV A01 |
| CHANGE by Y.S. Chu | | 25-Jan-2010 | |
| SHEET 22 | | OF 61 | |





BOTTOM SLOT

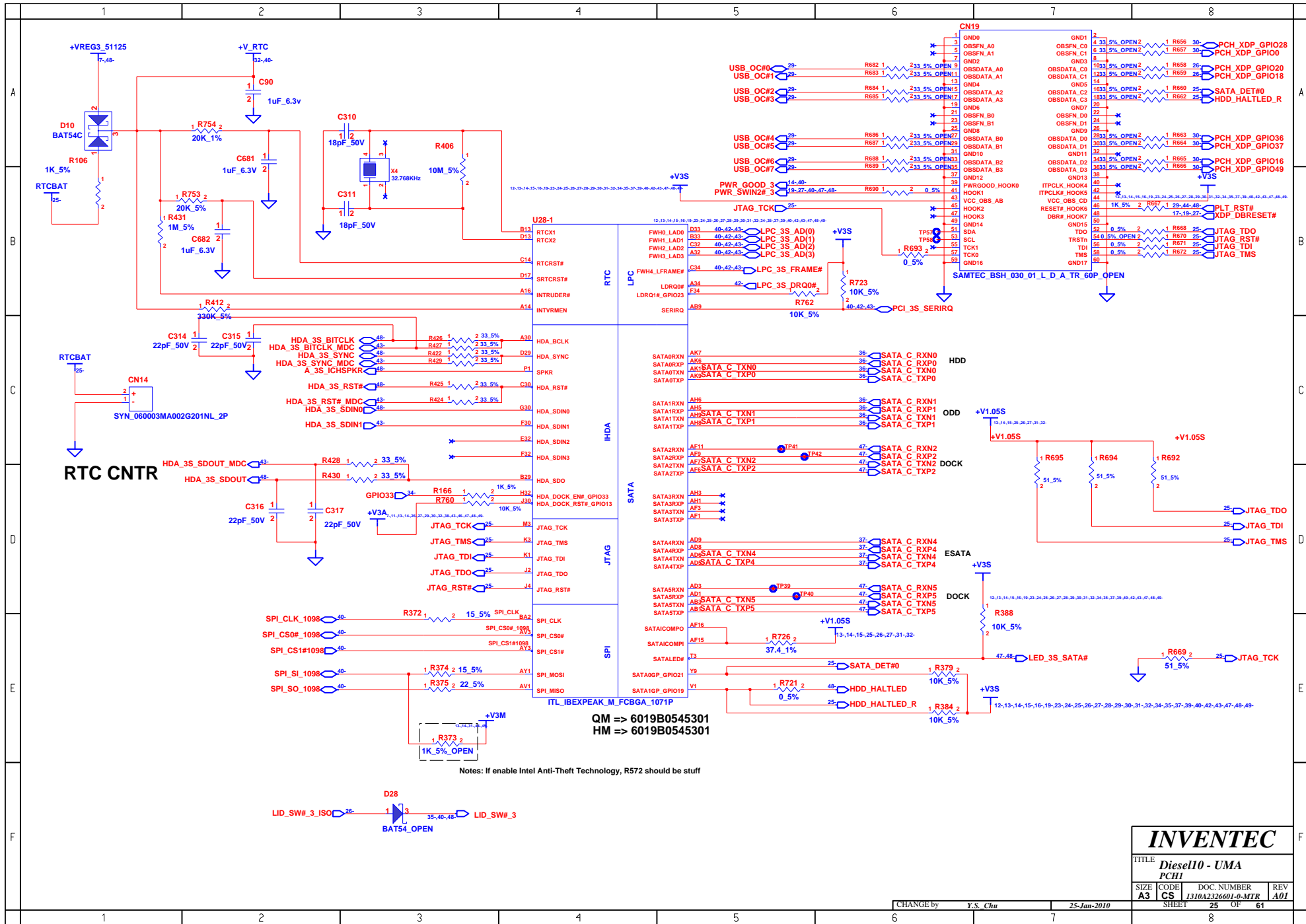
INVENTEC

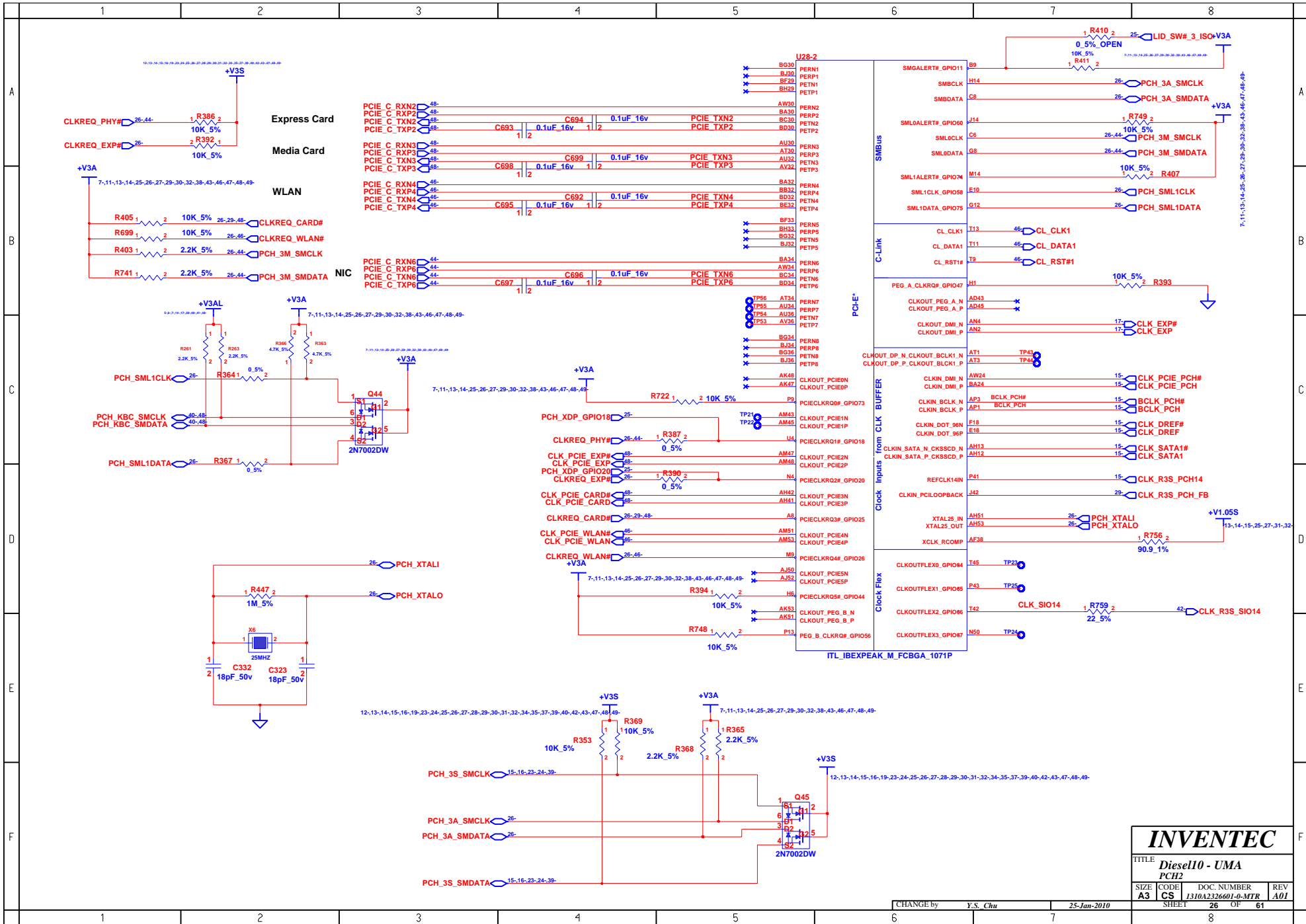
TITLE: Diesel10 - UMA
DDR3 DIMM1

| SIZE | CODE | DOC. NUMBER | REV |
|------|------|--------------------|-----|
| A3 | CS | 1310A2326601-0-MTR | A01 |

CHANGE by Y.S. Chu 25-Jan-2010

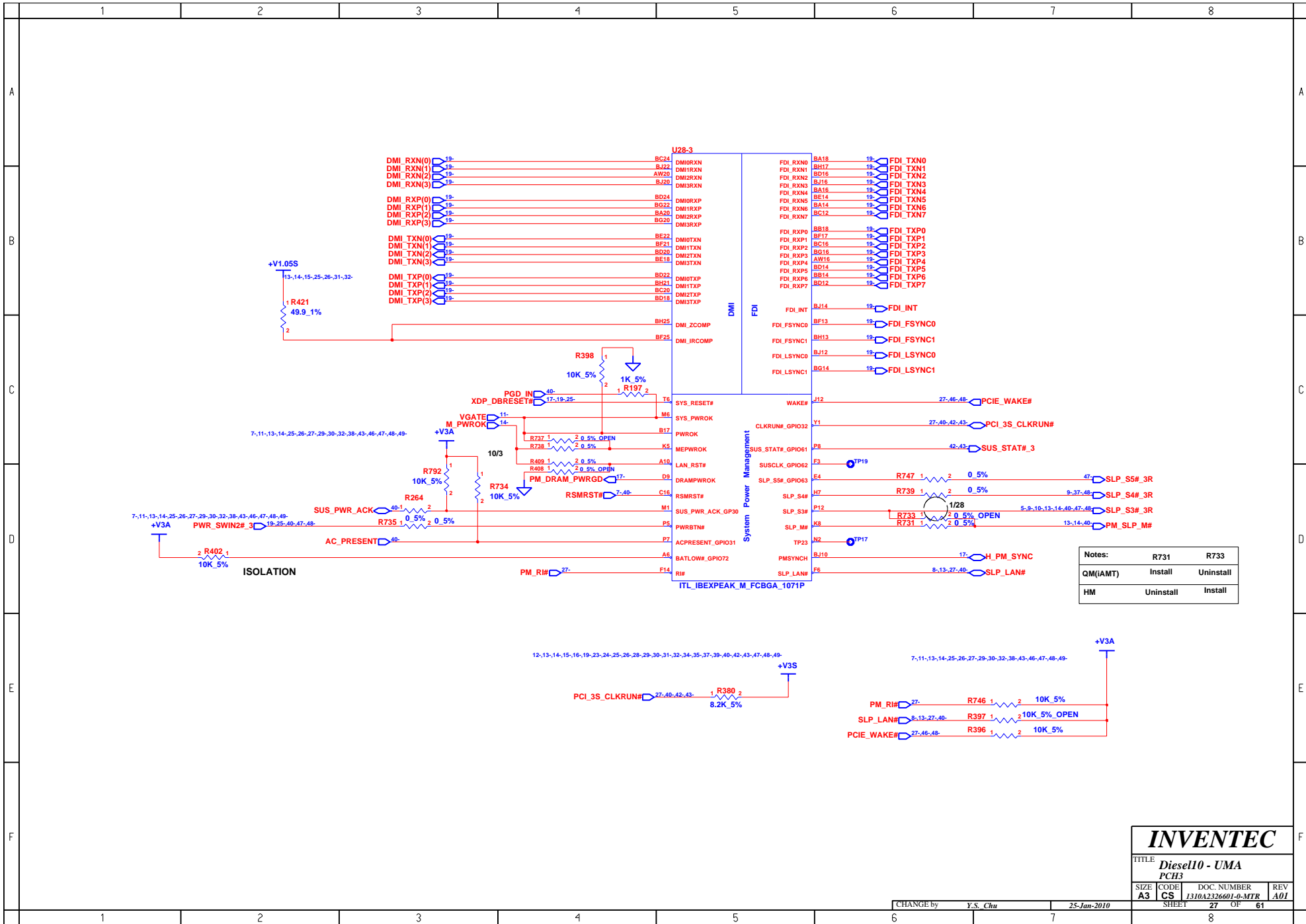
SHEET 24 OF 61





| | | | |
|--------------------------------|-------------------|--|-------------------|
| INVENTEC | | | |
| TITLE Diesel10 - UMA | | | |
| PCH2 | | | |
| SIZE A3 | CODE CS | DOC. NUMBER 1310A2326001-0-MTR | REV A01 |
| CHANGE by Y.S. Chu | | 25-Jan-2010 | |
| SHEET 26 | | OF 61 | |

<http://sualaptop365.edu.vn>



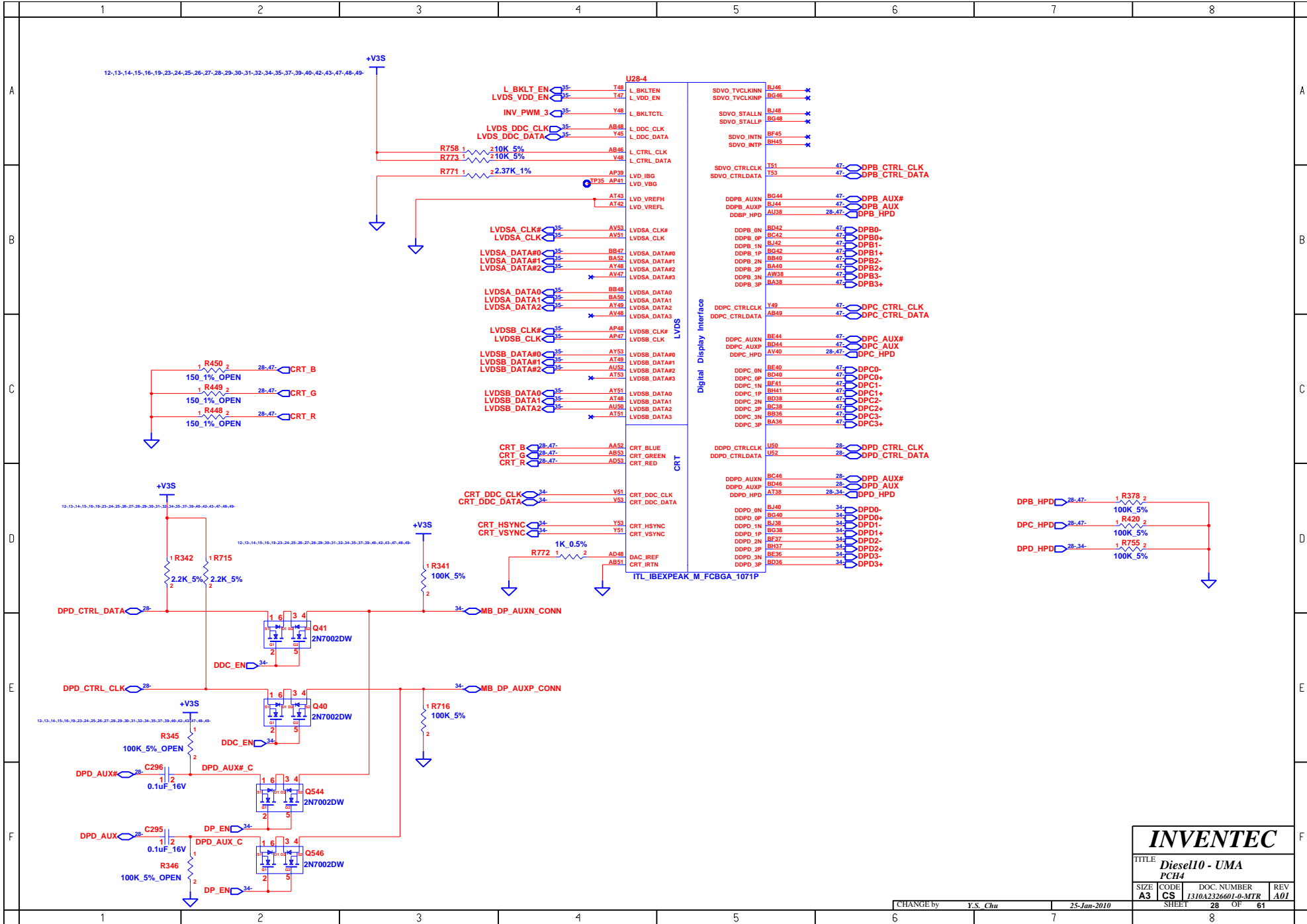
INVENTEC

TITLE Diesel10 - UMA
PCH3

| | | | |
|------------|------------|-----------------------------------|------------|
| SIZE A3 | CODE CS | DOC. NUMBER 1310A2326601-0-MTR | REV A01 |
|------------|------------|-----------------------------------|------------|

CHANGE by Y.S. Chu 25-Jan-2010

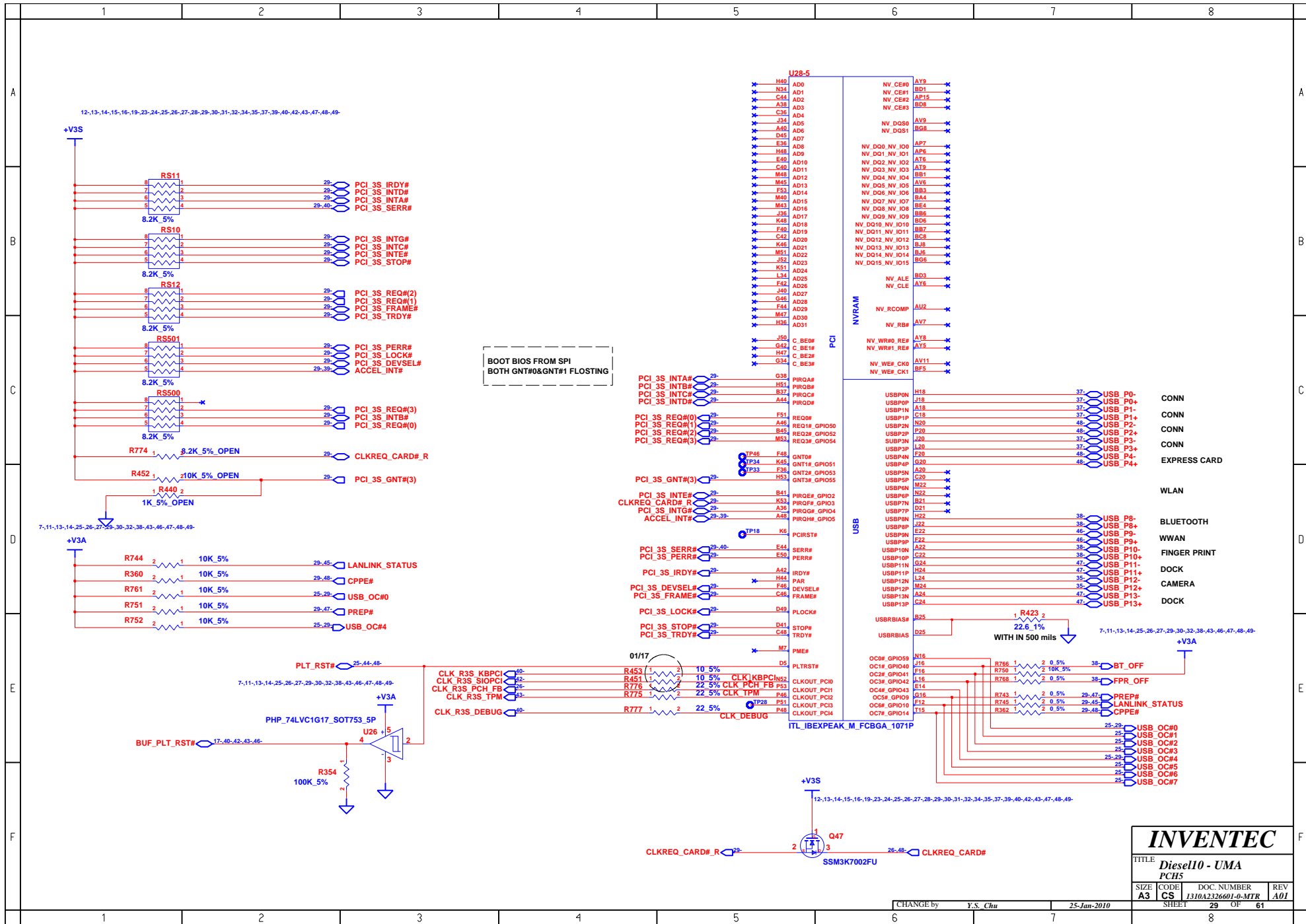
SHEET 27 OF 61

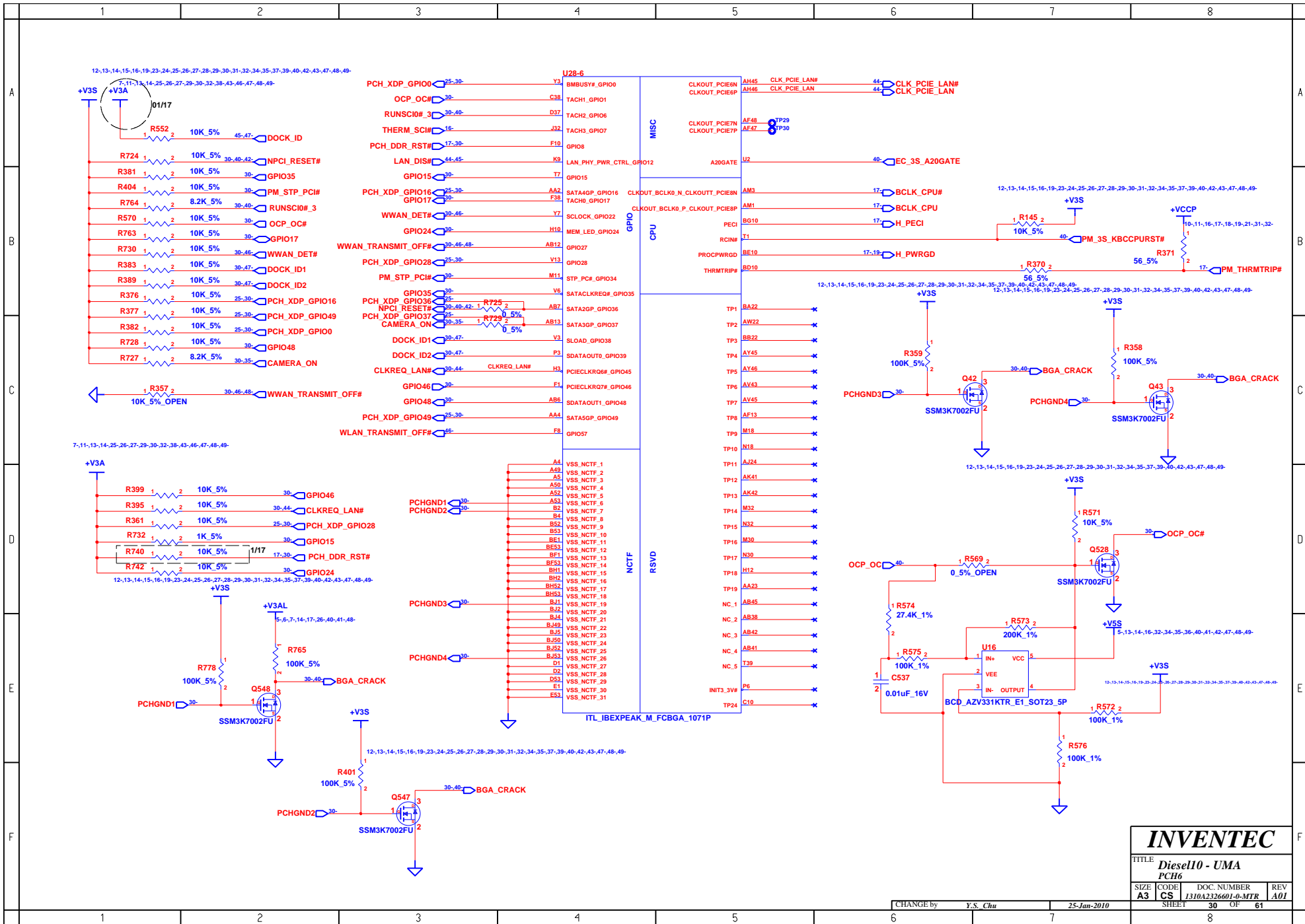


<http://sualaptop365.edu.vn>

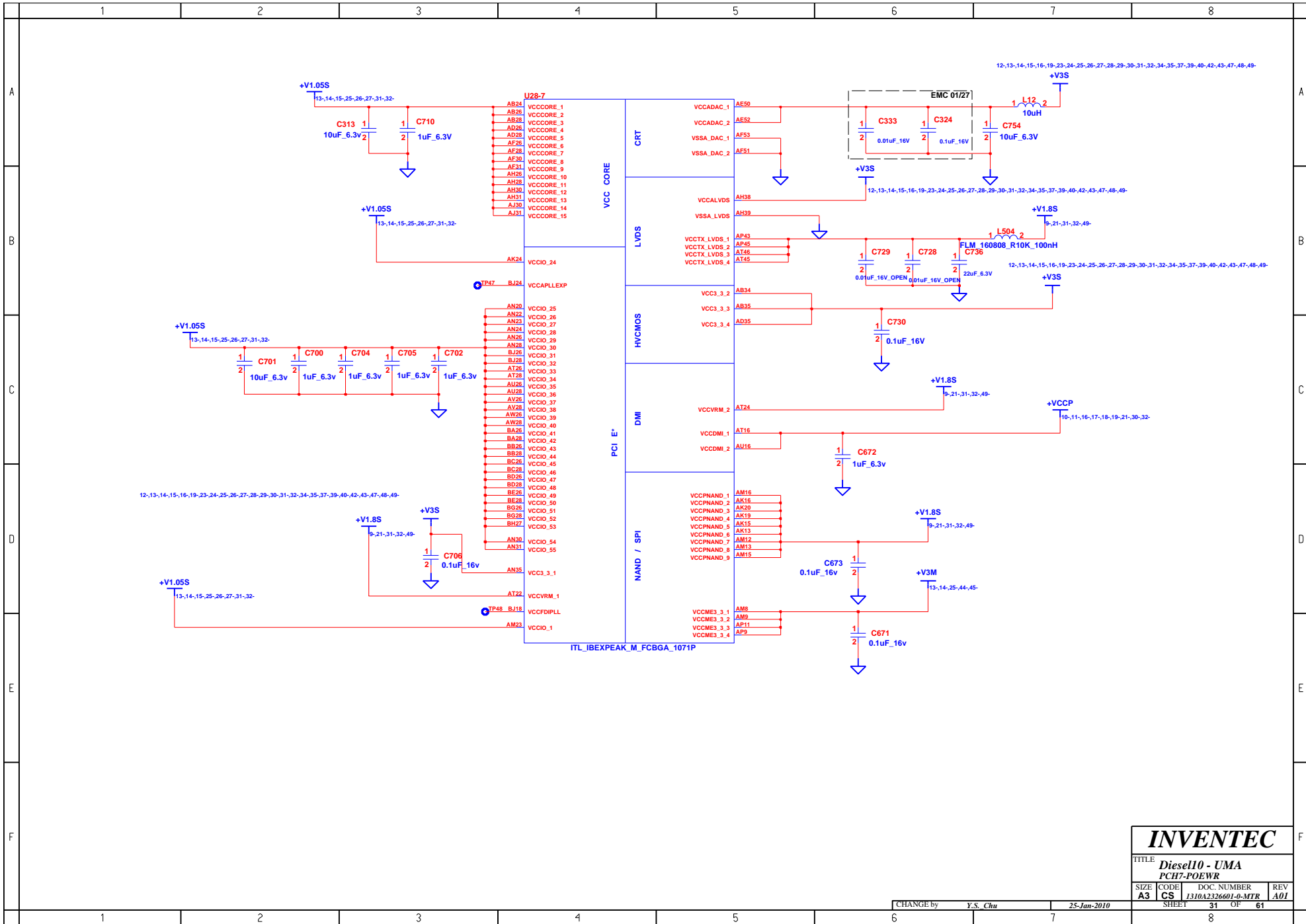
| | | | |
|--|-------------------|--|-------------------|
| INVENTEC | | | |
| TITLE Diesell10 - UMA PCH4 | | | |
| SIZE A3 | CODE CS | DOC. NUMBER 1310A2326601-p-MTR | REV A01 |
| SHEET 28 | | OF 61 | |

CHANGE by **Y.S. Chu** 25-Jan-2010



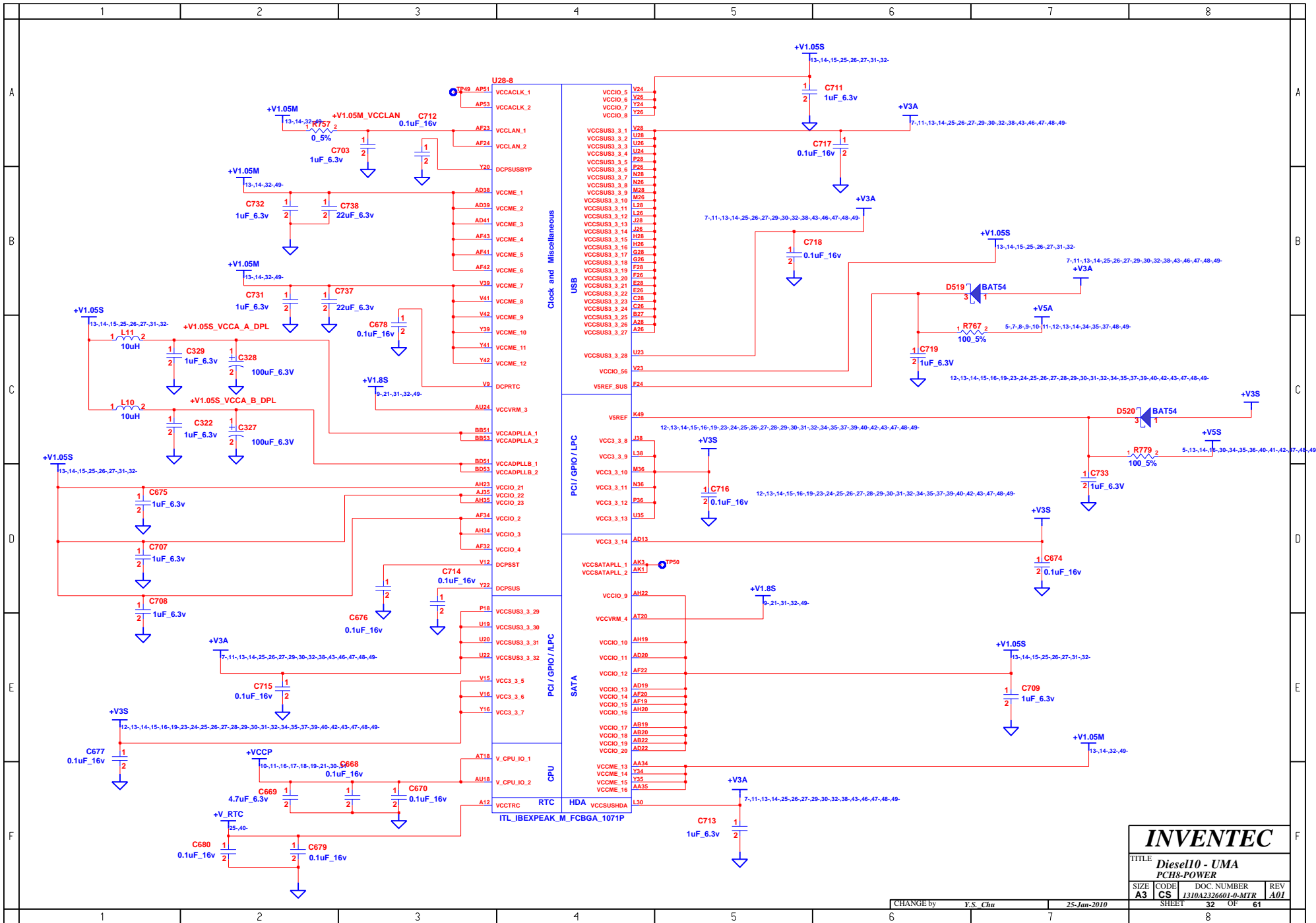


| | | | |
|-------------------------------|------------|----------------------------------|------------|
| INVENTEC | | | |
| TITLE: Diesel10 - UMA PCH6 | | | |
| SIZE A3 | CODE CS | DOC. NUMBER 1310A232601-0-MTR | REV A01 |
| CHANGE by Y.S. Chu | | 25-Jan-2010 | |
| SHEET 30 | | OF 61 | |



| | | | |
|---|-------------------|--|-------------------|
| INVENTEC | | | |
| TITLE Diesel10 - UMA PCH7-POEWR | | | |
| SIZE A3 | CODE CS | DOC. NUMBER 1310A2326601-0-MTR | REV A01 |
| CHANGE by Y.S. Chu | | 25-Jan-2010 | |
| SHEET 31 | | OF 61 | |

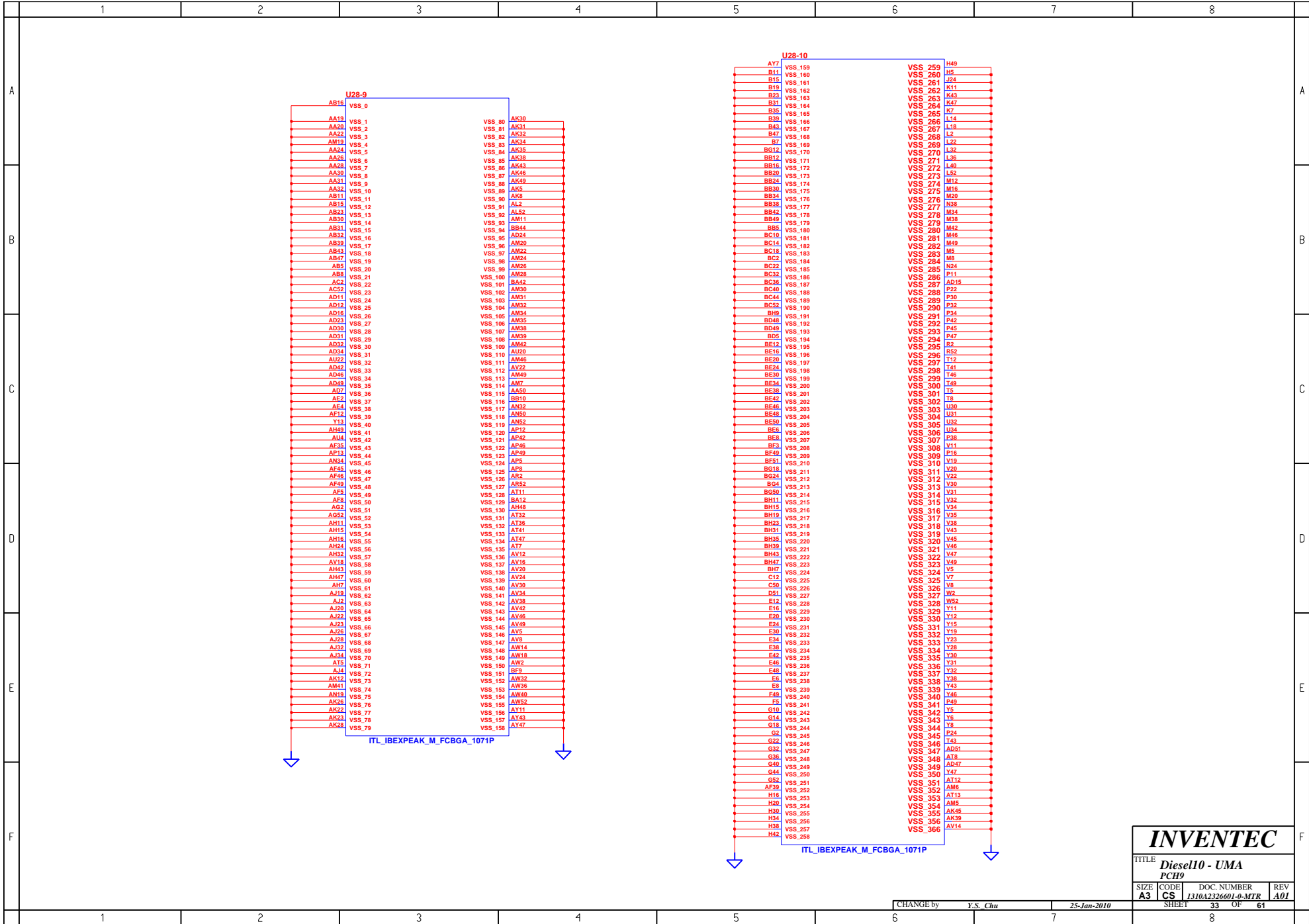
<http://sualaptop365.edu.vn>



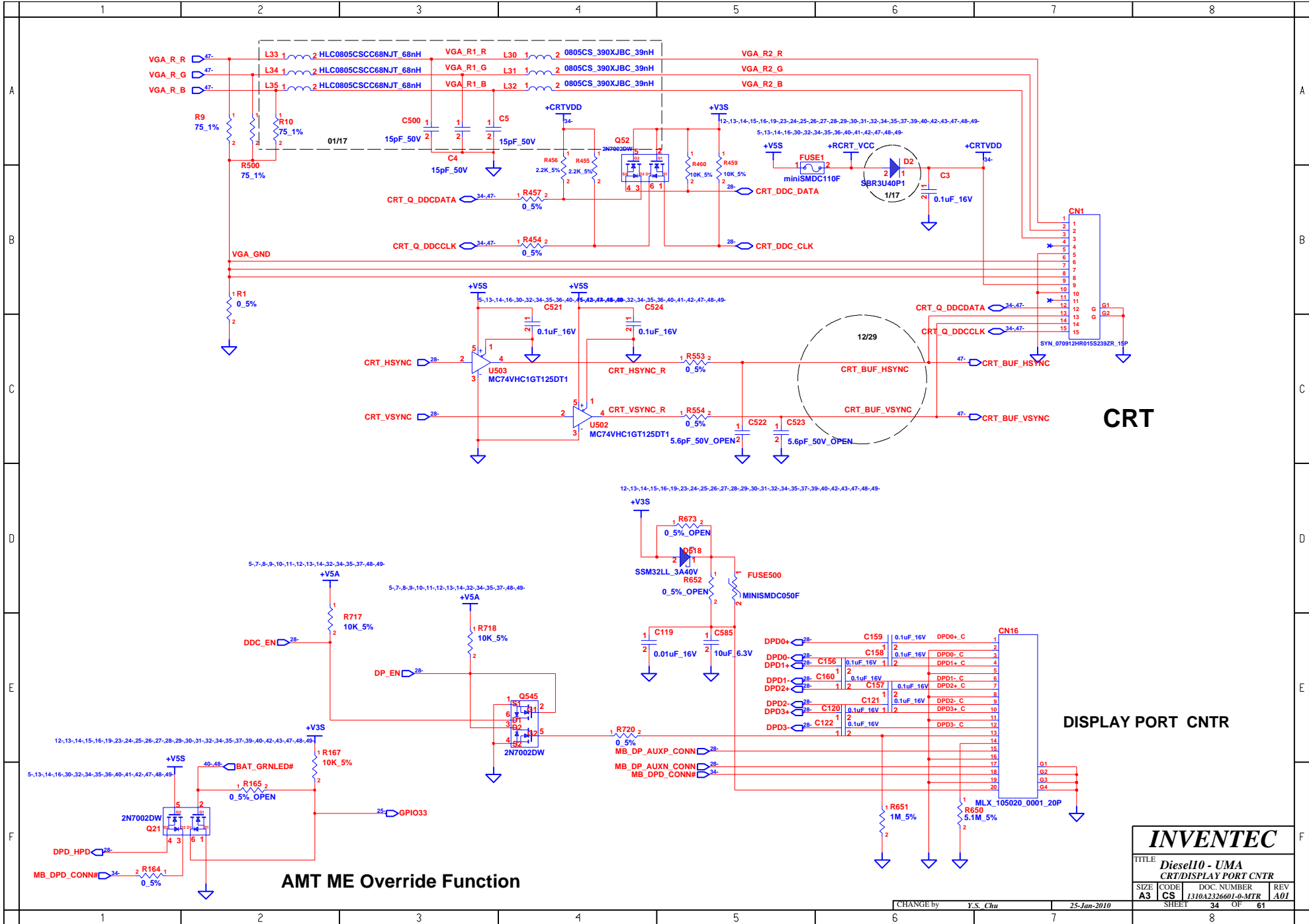
| INVENTEC | | | | |
|------------------------------------|---------|--------------------------------|---------|--|
| TITLE Diesel10 - UMA PCH8-POWER | | | | |
| SIZE A3 | CODE CS | DOC. NUMBER 1310A2326001-0-MTR | REV A01 | |
| SHEET 32 | | | OF 61 | |

CHANGE by Y.S. Chu 25-Jan-2010

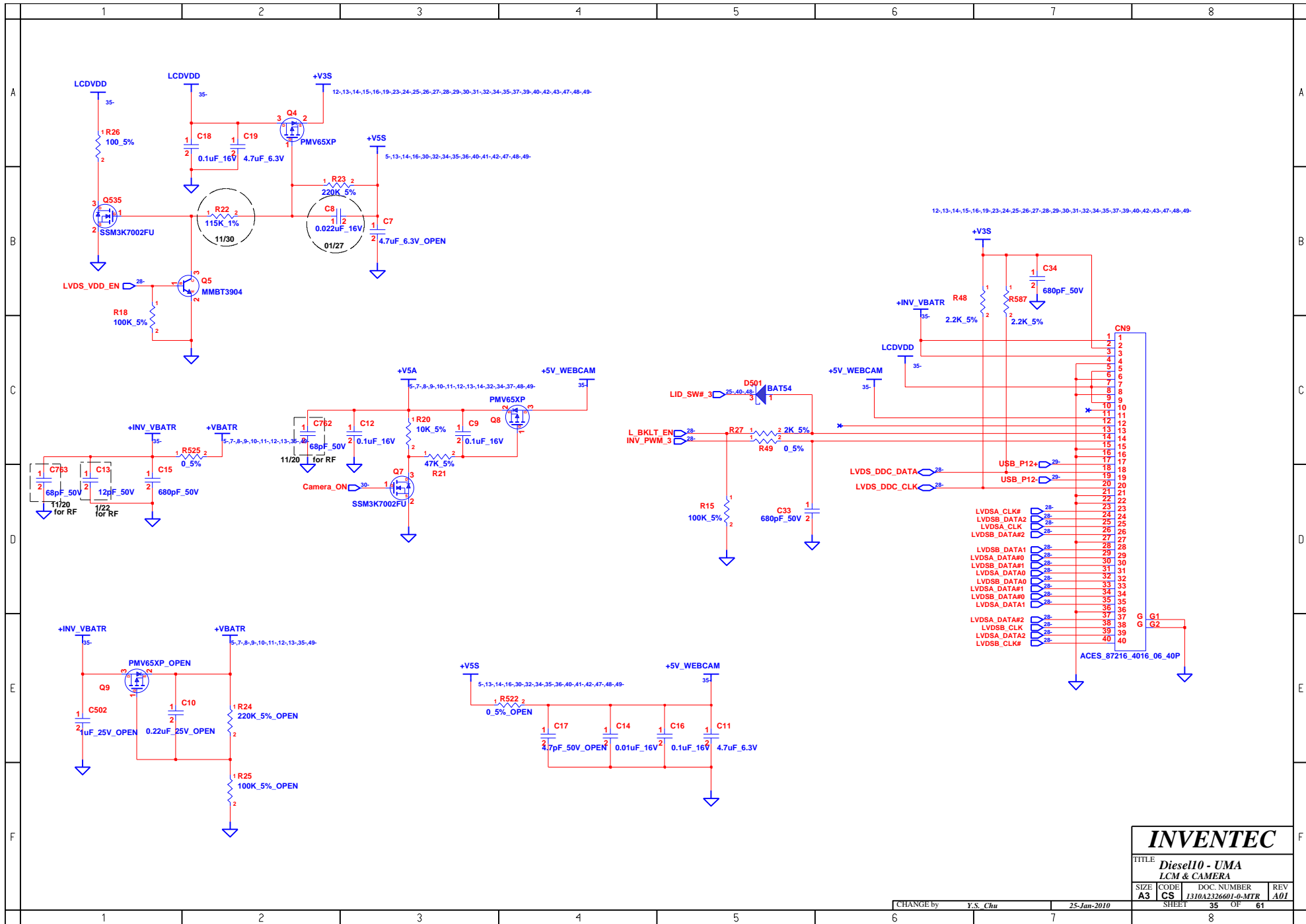
<http://sualaptop365.edu.vn>



| | | | |
|----------------------|-------------------|----------------------------------|-------------------|
| INVENTEC | | | |
| TITLE Diesel10 - UMA | | | |
| PCH9 | | | |
| SIZE A3 | CODE CS | DOC. NUMBER 1310A232601-0-MTR | REV A01 |
| SHEET 33 | | OF 61 | |

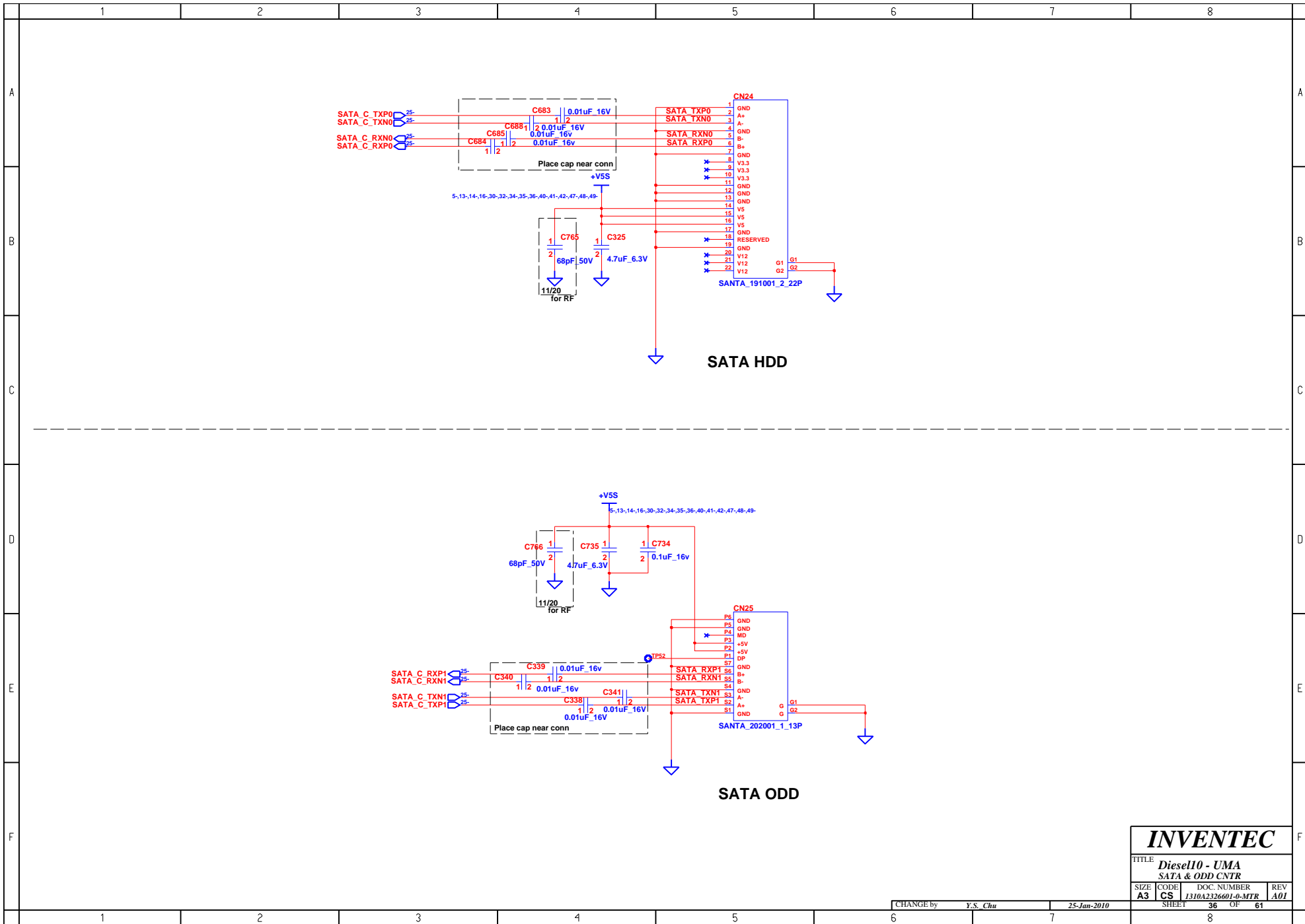


| | | | |
|--|------------|-----------------------------------|------------|
| INVENTEC | | | |
| TITLE Diesel10 - UMA CRT/Display Port CNTR | | | |
| SIZE A3 | CODE CS | DOC. NUMBER 1310A2326001-0-MTR | REV A01 |
| CHANGE by Y.S. Chu | | 25-Jan-2010 | |
| SHEET 34 | | OF 61 | |



| INVENTEC | | | |
|--------------------------------------|----------|--------------------------------|----------------|
| TITLE Diesel10 - UMA LCM & CAMERA | | | |
| SIZE A3 | CODE CS | DOC. NUMBER 1310A2326601-0-MTR | REV A01 |
| CHANGE by | Y.S. Chu | 25-Jan-2010 | SHEET 35 OF 61 |

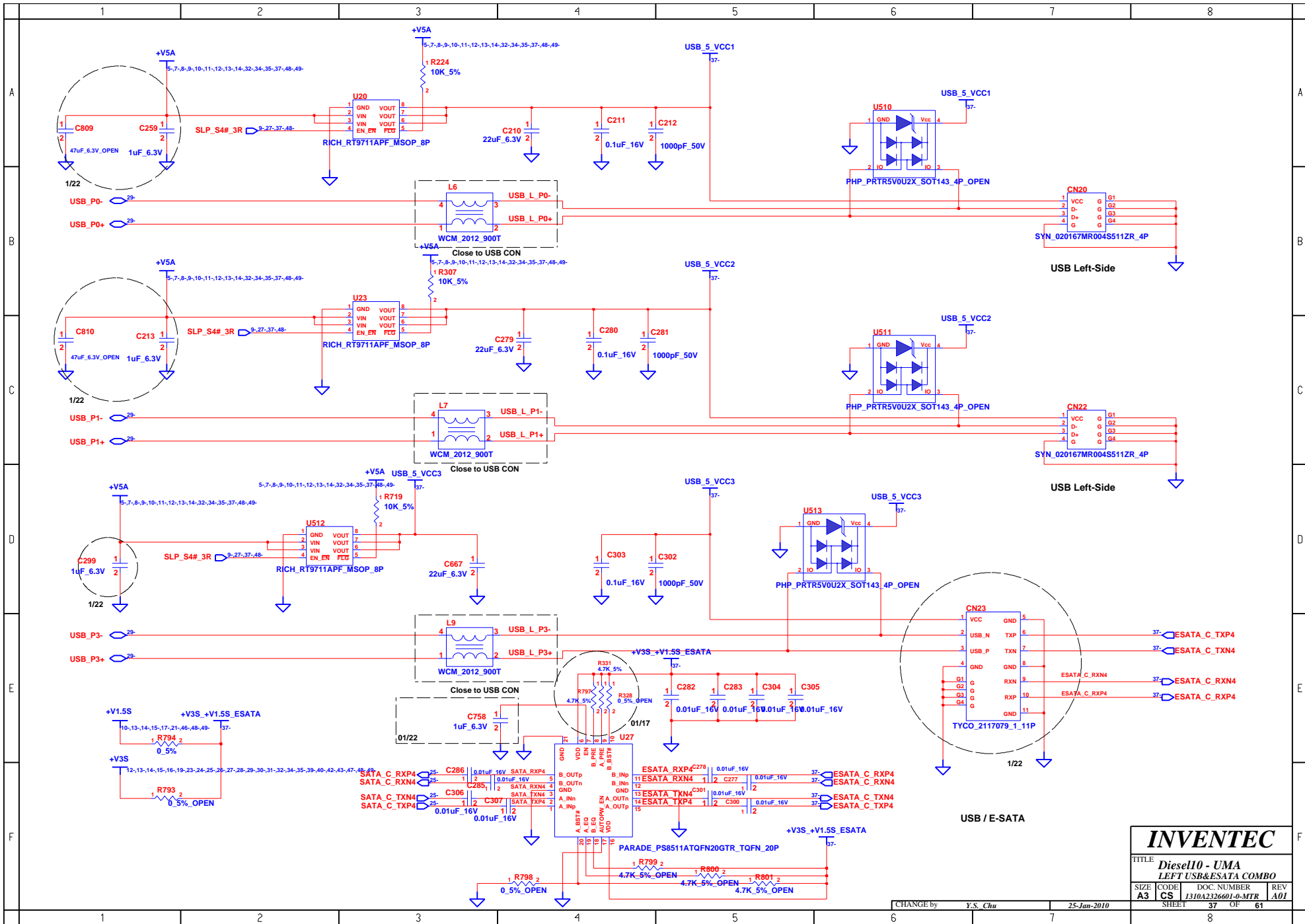
<http://sualaptop365.edu.vn>



INVENTEC

| | | | |
|-----------------|------|--------------------|-------|
| TITLE | | | |
| Diesel10 - UMA | | | |
| SATA & ODD CNTR | | | |
| SIZE | CODE | DOC. NUMBER | REV |
| A3 | CS | 1310A2326601-0-MTR | A01 |
| SHEET | | 36 | OF 61 |

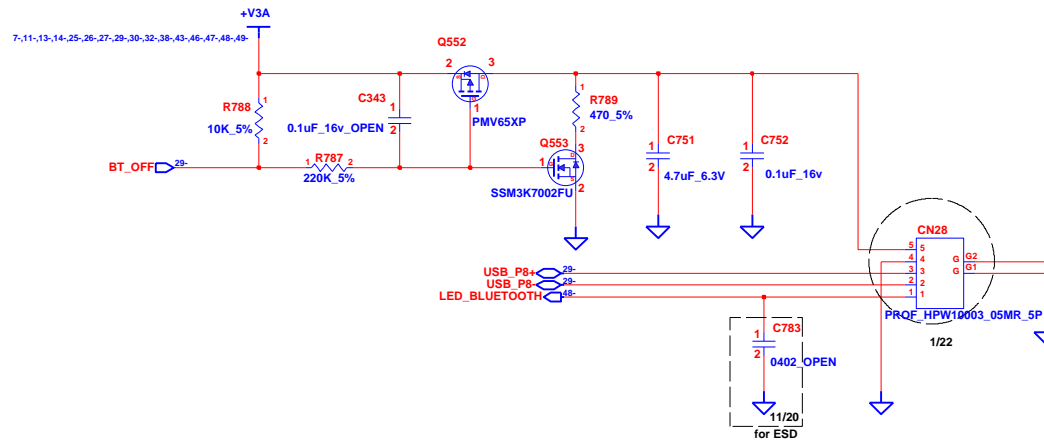
CHANGE by Y.S. Chu 25-Jan-2010



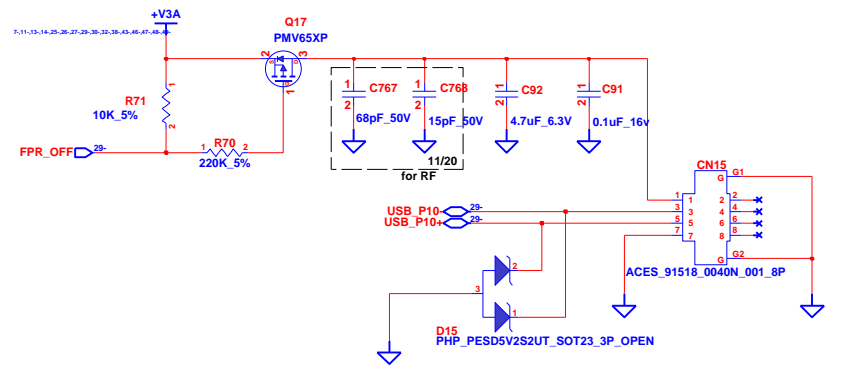
| | | | |
|---|----------|--------------------------------|----------|
| INVENTEC | | | |
| TITLE: Diesel10 - UMA LEFT USB&ESATA COMBO | | | |
| SIZE: A3 | CODE: CS | DOC NUMBER: 1310A2326001-0-MTR | REV: A01 |
| SHEET: 37 | | OF: 61 | |

CHANGE by Y.S. Chu 25-Jan-2010

<http://sualaptop365.edu.vn>

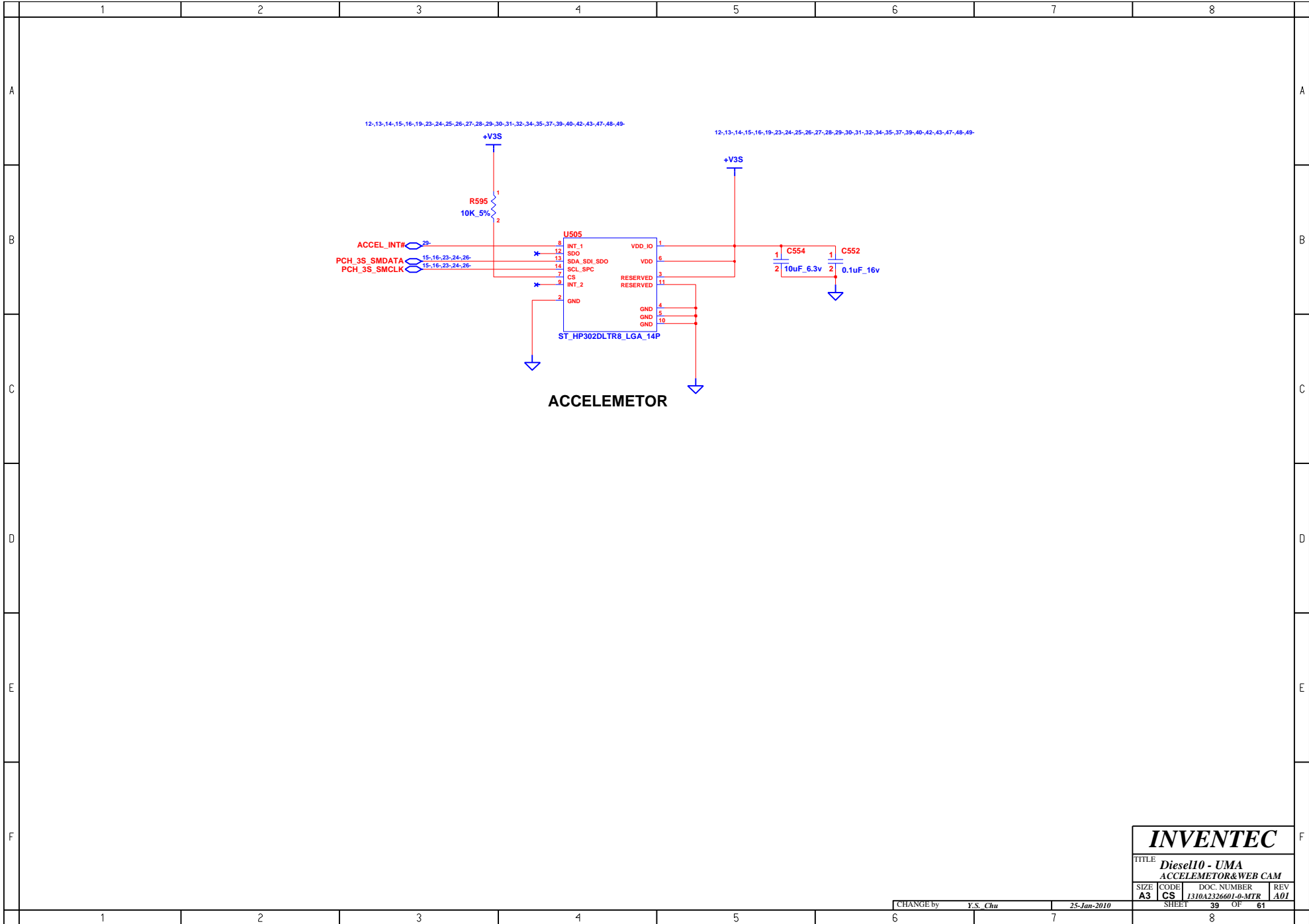


BLUETOOTH



FINGER PRINTER CNTR

| | | | |
|--------------------------|------------|-----------------------------------|----------------|
| INVENTEC | | | |
| TITLE Diesel10 - UMA | | | |
| BLUETOOTH&FINGER PRINTER | | | |
| SIZE A3 | CODE CS | DOC. NUMBER 1310A2326601-0-MTR | REV A01 |
| CHANGE by Y.S. Chu | | 25-Jan-2010 | SHEET 38 OF 61 |



ACCELEMETOR

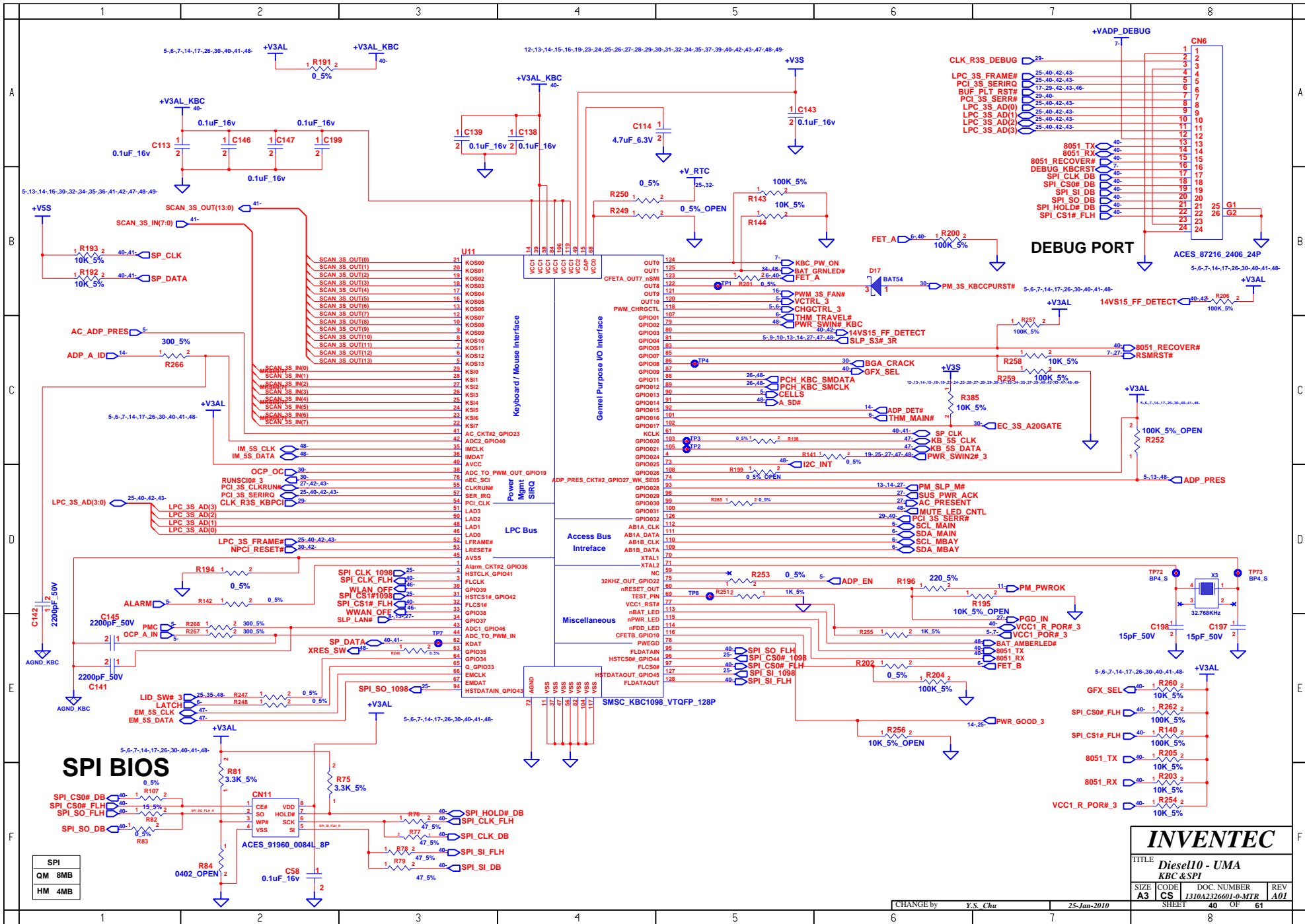
INVENTEC

TITLE Diesel10 - UMA
ACCELEMETOR&WEB CAM

| | | | |
|------------|------------|-----------------------------------|------------|
| SIZE A3 | CODE CS | DOC. NUMBER 1310A2326601-0-MTR | REV A01 |
|------------|------------|-----------------------------------|------------|

CHANGE by Y.S. Chu 25-Jan-2010

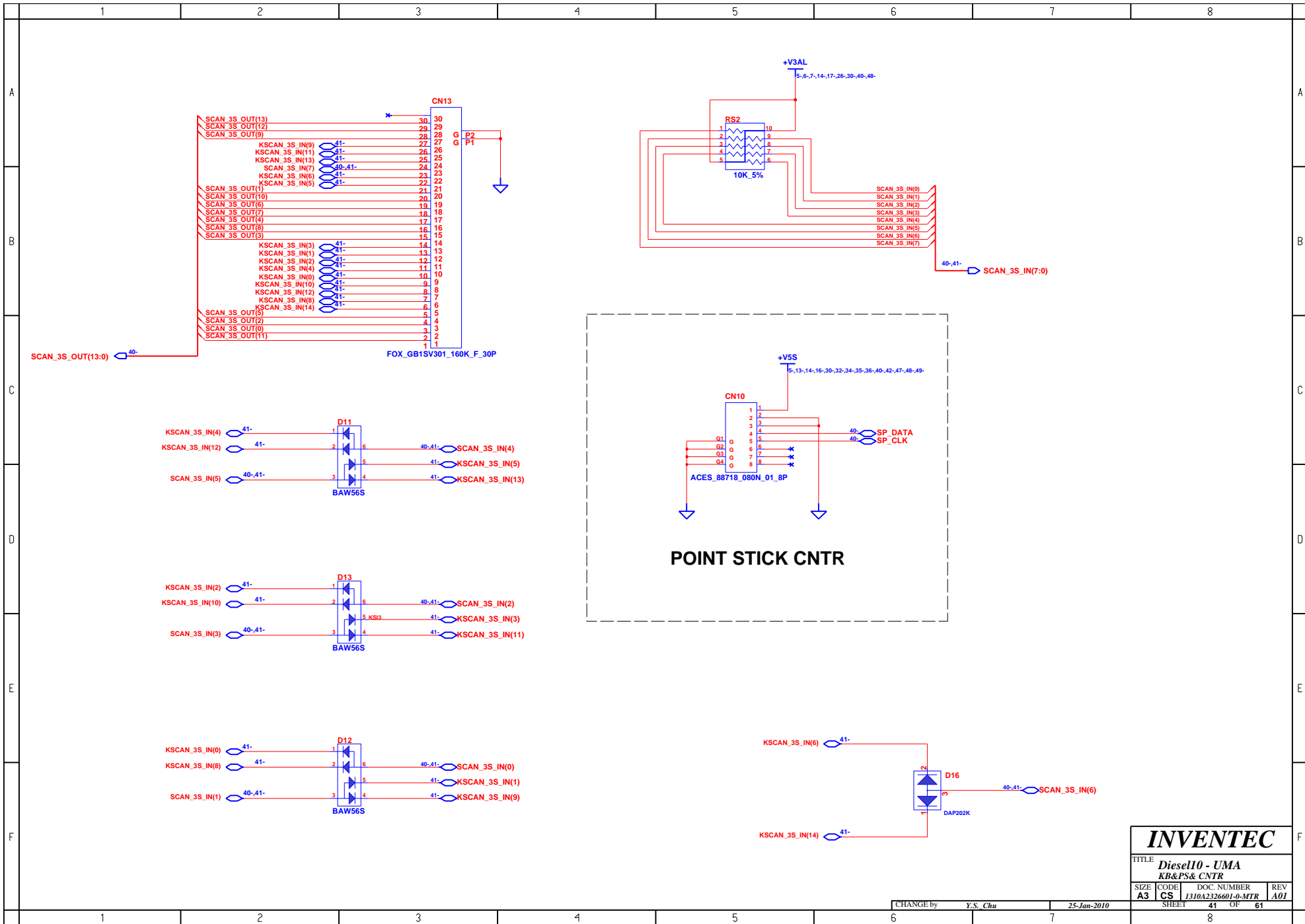
SHEET 39 OF 61



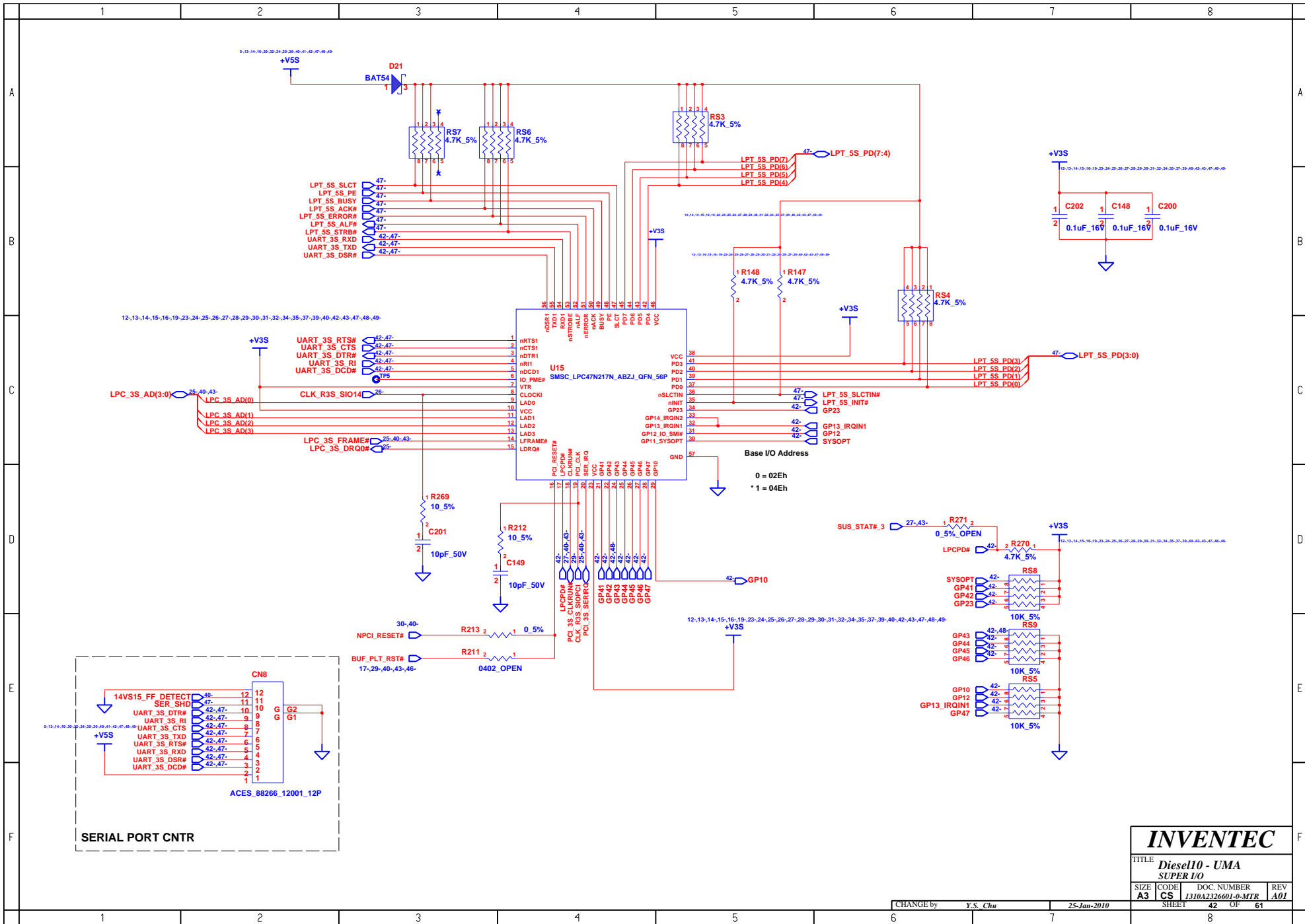
| | |
|-----|-----|
| SPI | |
| QM | 8MB |
| HM | 4MB |

| | | | |
|-----------------------------------|------|--------------------|-----|
| INVENTEC | | | |
| TITLE Diesel10 - UMA KBC & SPI | | | |
| SIZE | CODE | DOC. NUMBER | REV |
| A3 | CS | 1310A2326601-0-MTR | A01 |
| SHEET | 40 | OF | 61 |

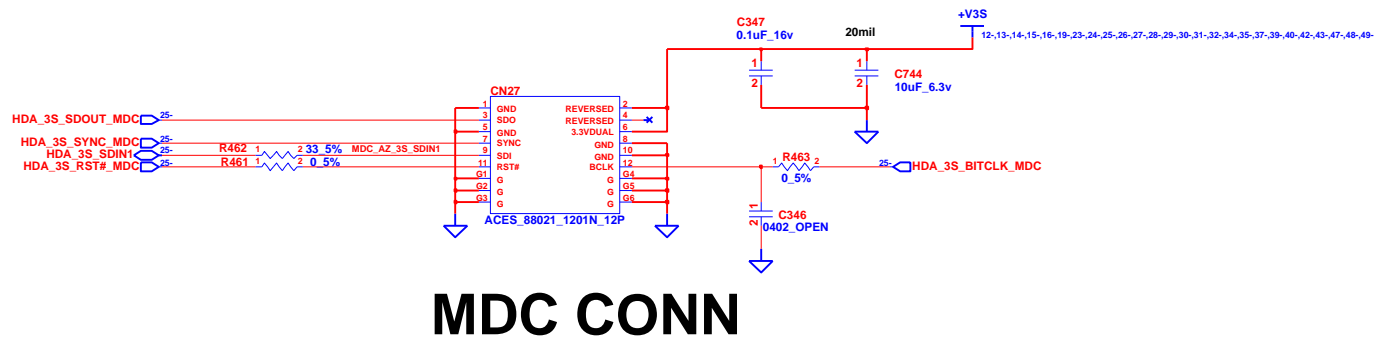
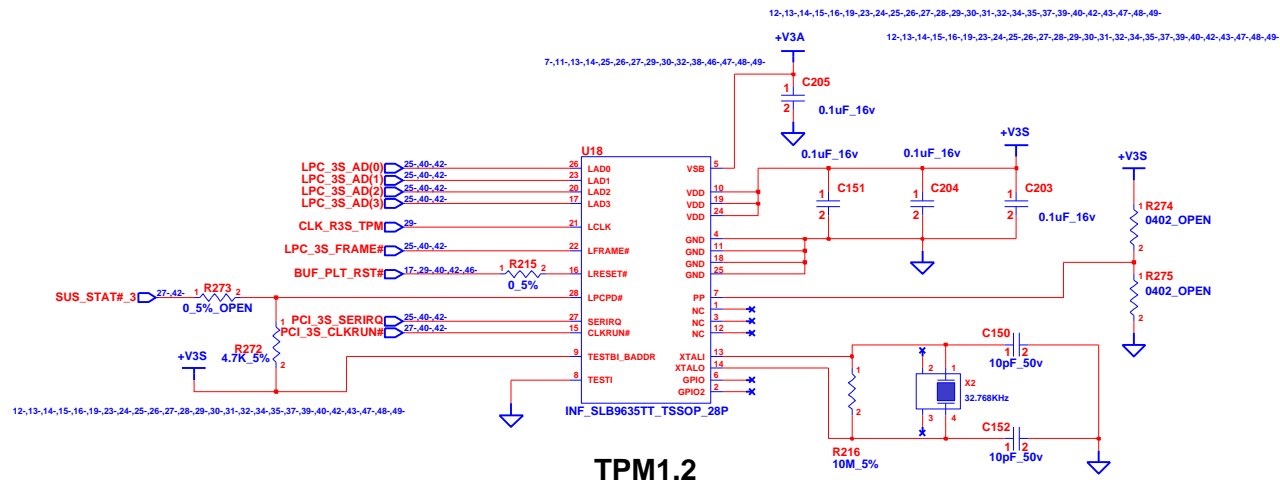
CHANGE by Y.S. Chu 25-Jan-2010



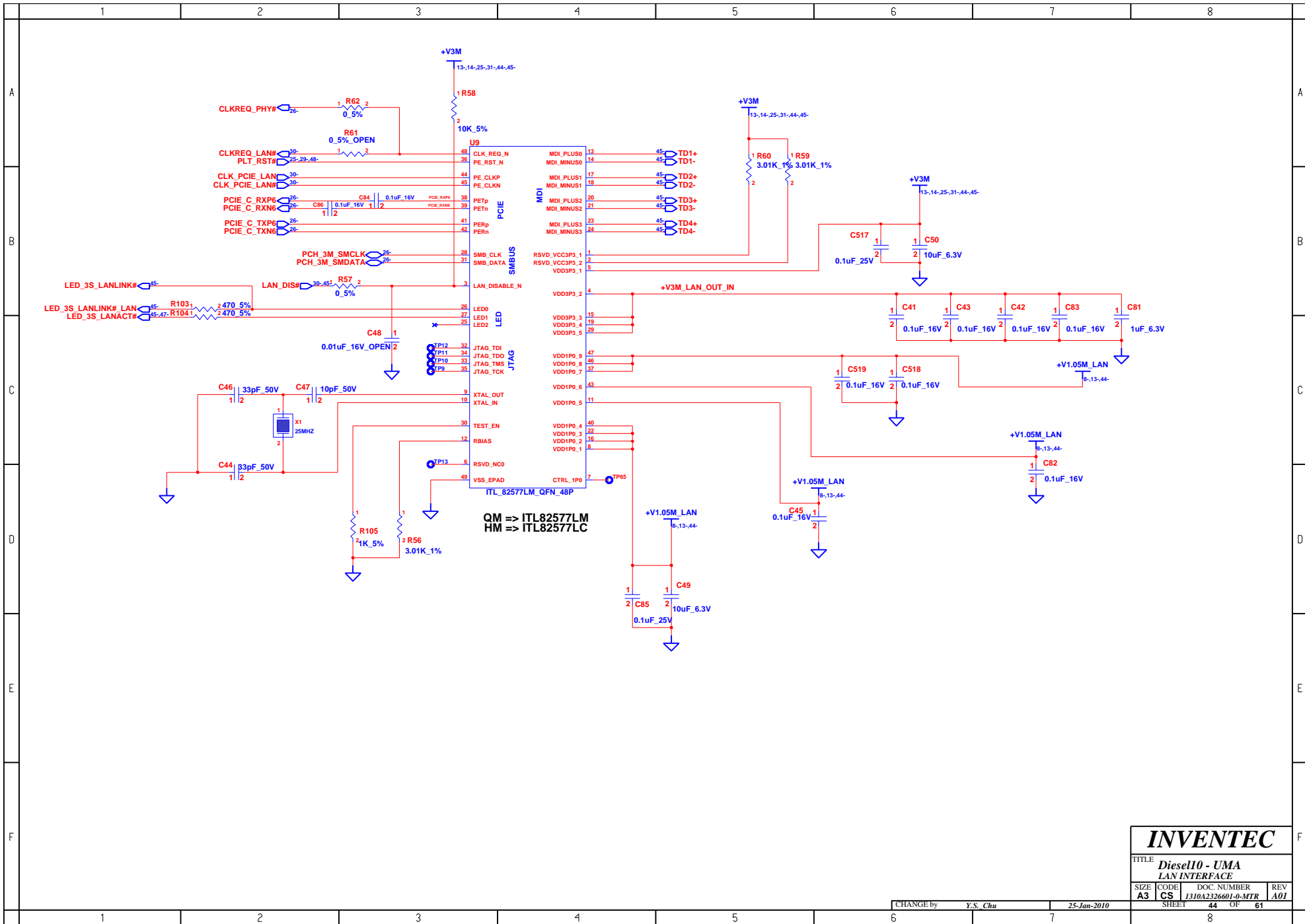
| | | | |
|--|-------------------|---|-------------------|
| INVENTEC | | | |
| TITLE Diesel10 - UMA KB&PS& CNTR | | | |
| SIZE A3 | CODE CS | DOC NUMBER 1310A2326601-0-MTR | REV A01 |
| CHANGE by Y.S. Chu | | 25-Jan-2010 | |
| SHEET 41 | | OF 61 | |

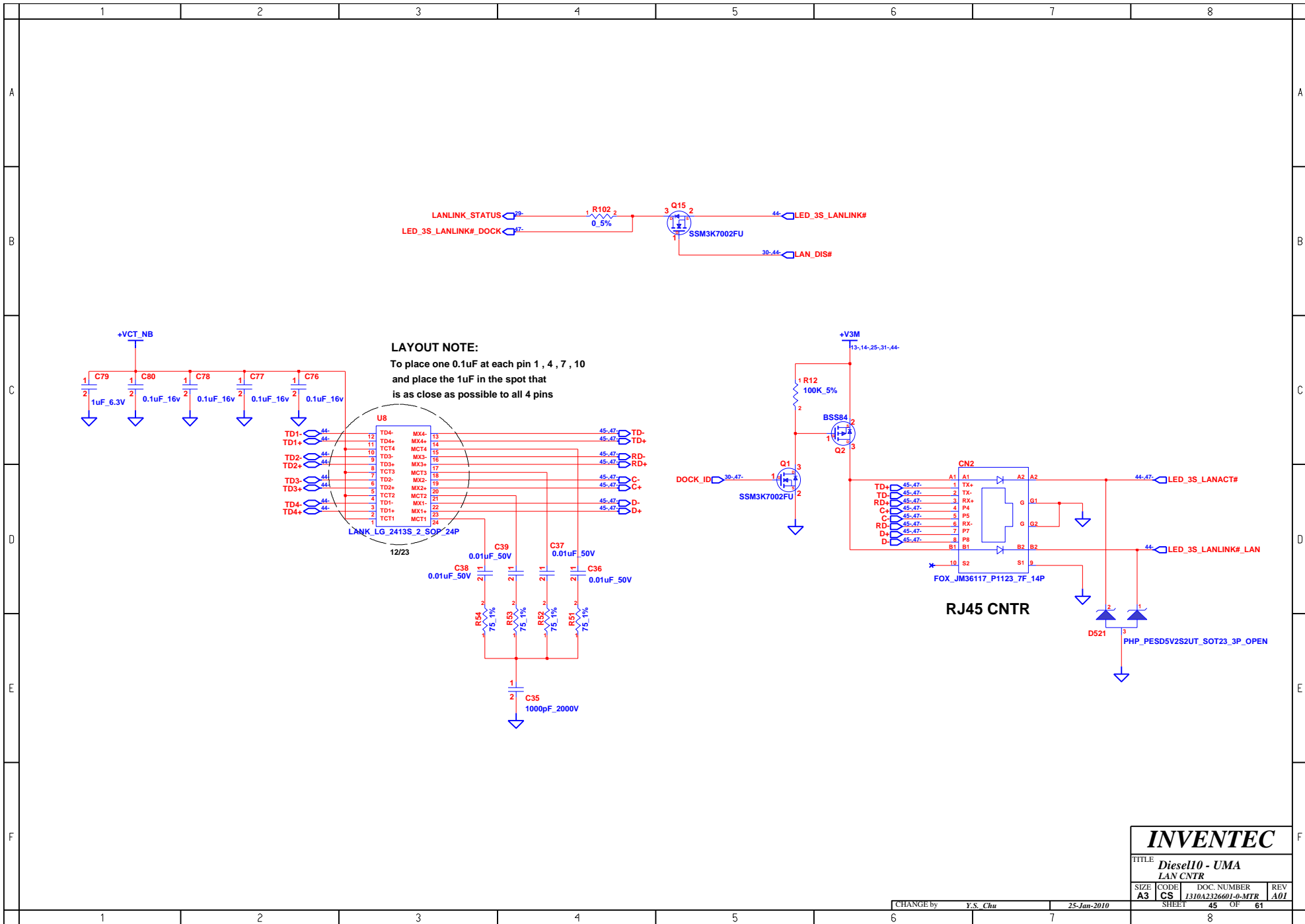


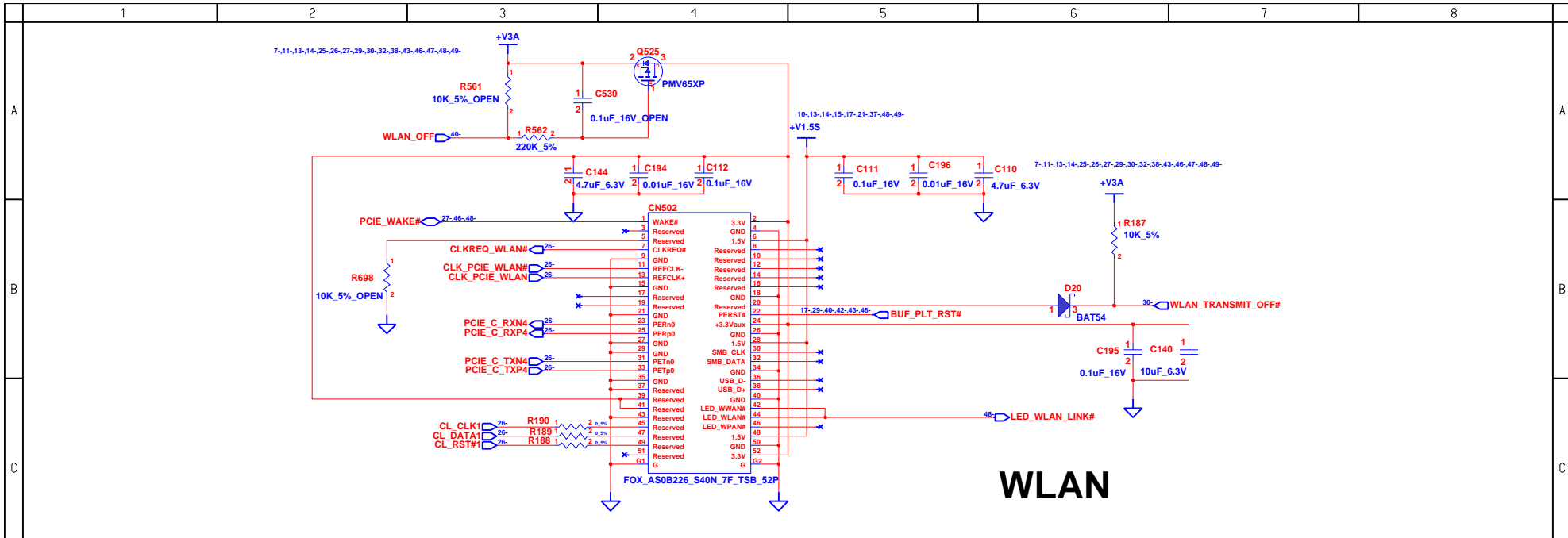
<http://sualaptop365.edu.vn>



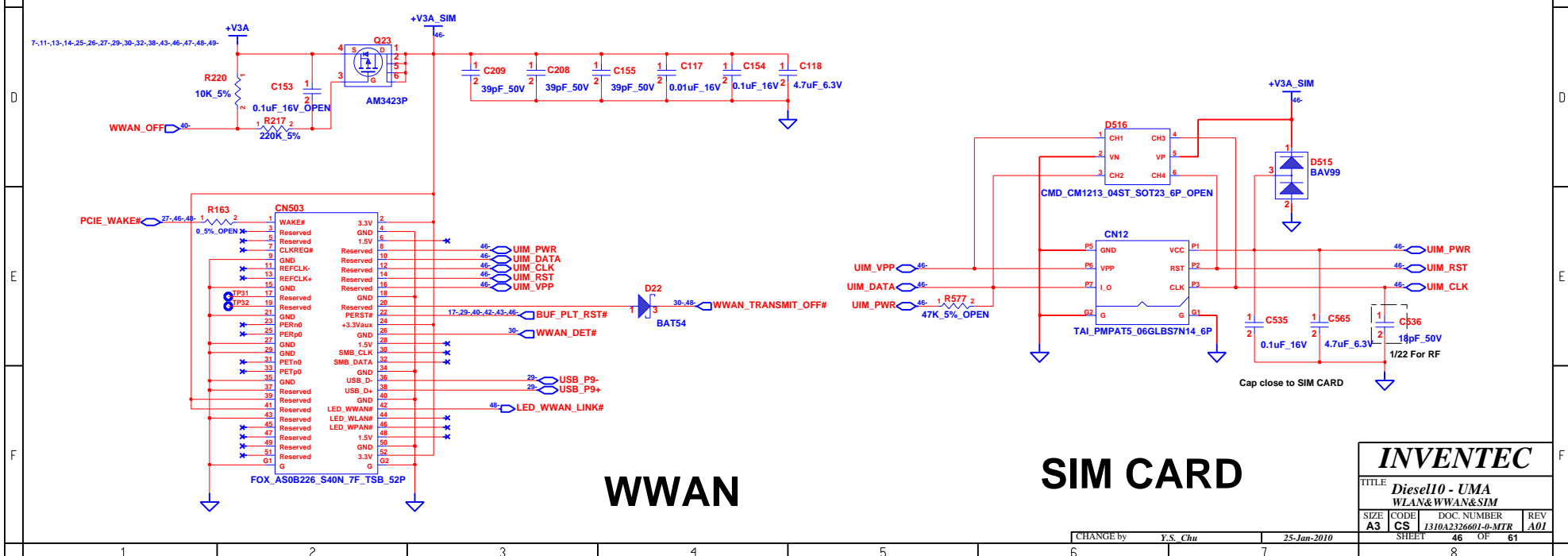
| | | | |
|--|-------------------|--|-------------------|
| INVENTEC | | | |
| TITLE <i>Diesel10 - UMA</i> <i>TPM & MDC</i> | | | |
| SIZE A3 | CODE CS | DOC. NUMBER <i>1310A2326601-p-MTR</i> | REV A01 |
| CHANGE by <i>Y.S. Chu</i> | | 25-Jan-2010 | |
| SHEET 43 | | OF 61 | |







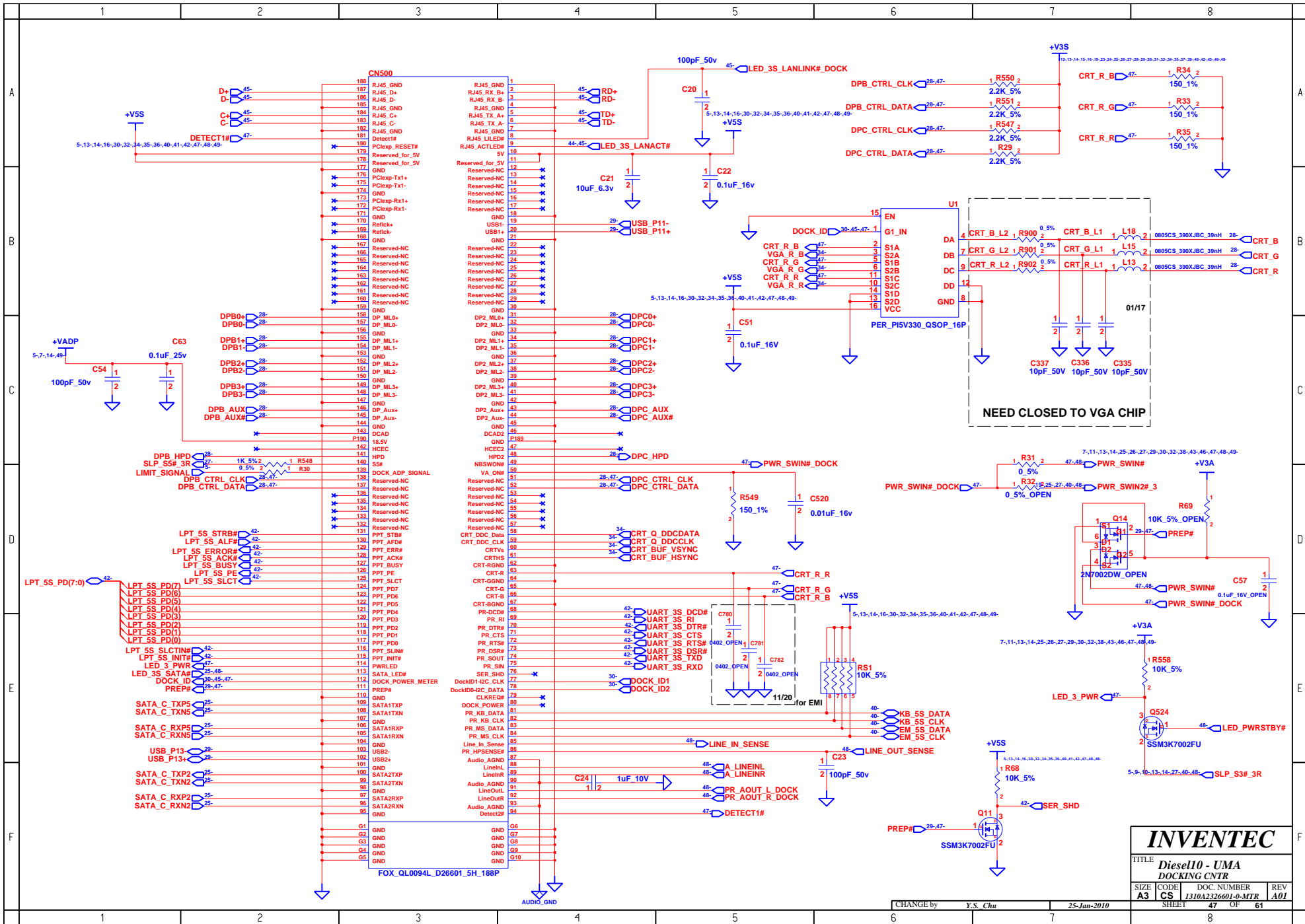
WLAN

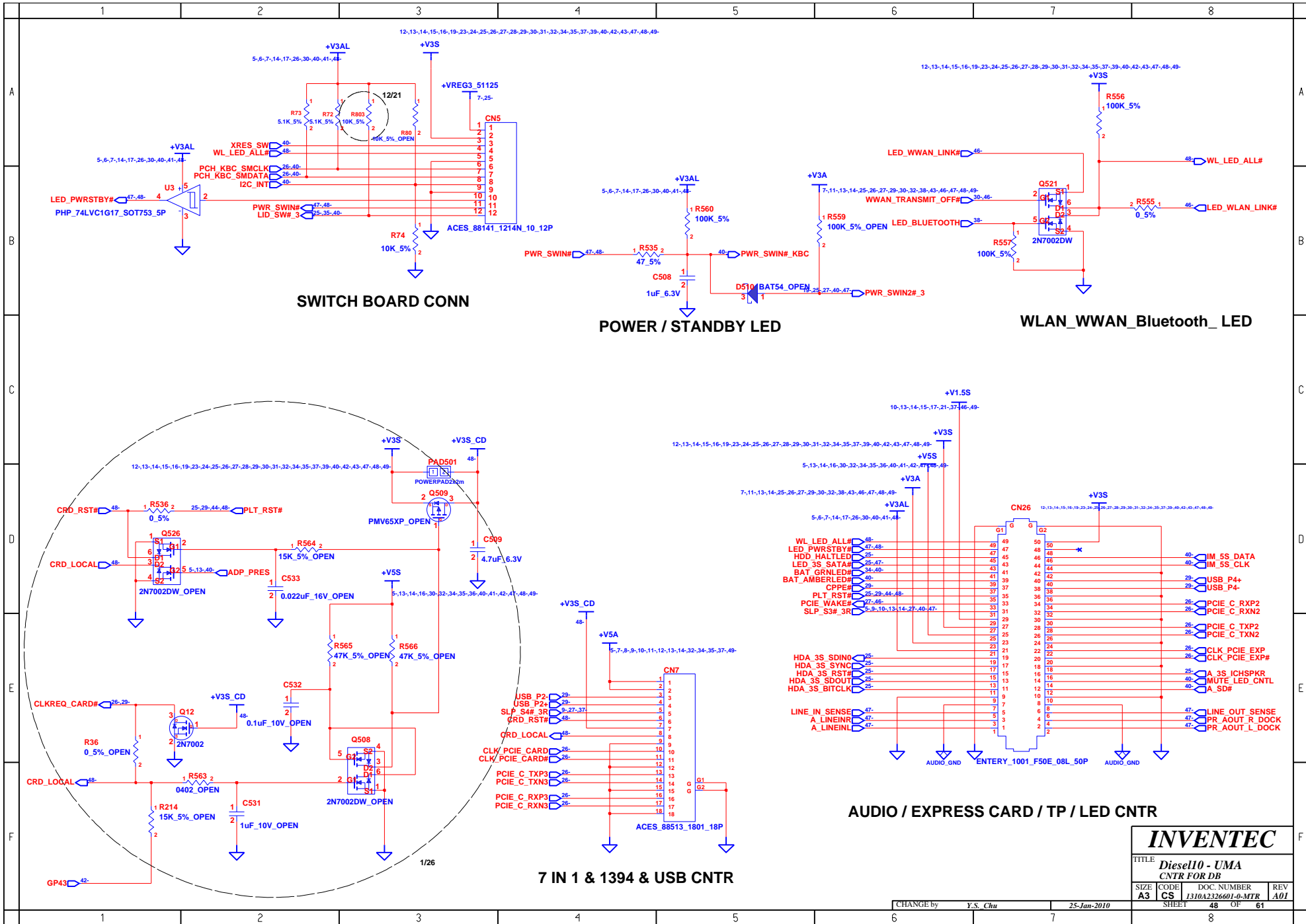


WWAN

SIM CARD

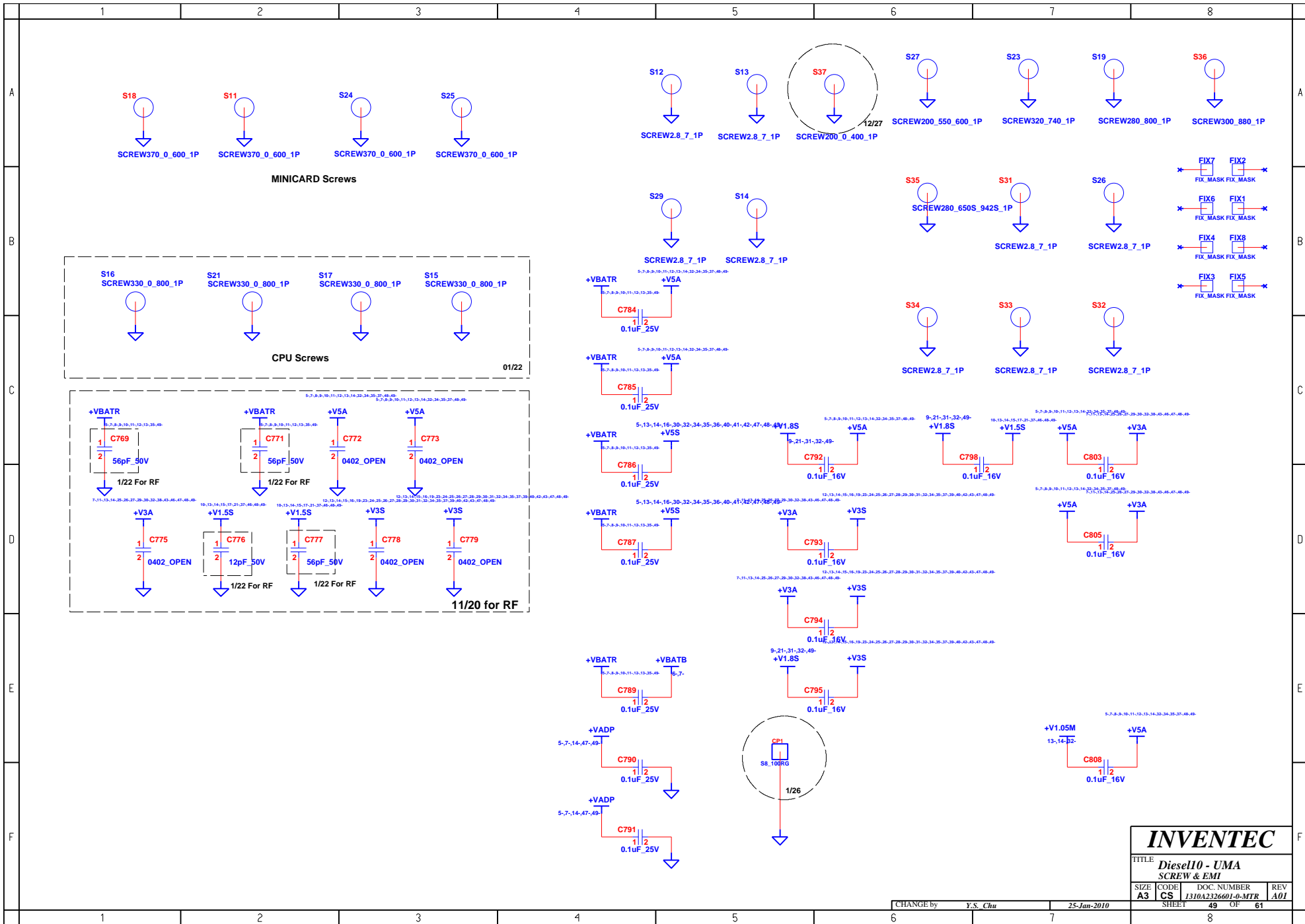
| | | | |
|--|-------------------|--|-------------------|
| INVENTEC | | | |
| TITLE Diesel10 - UMA WLAN&WWAN&SIM | | | |
| SIZE A3 | CODE CS | DOC. NUMBER 1310A2326001-p-MTR | REV A01 |
| CHANGE by Y.S. Chu | | 25-Jan-2010 | |
| SHEET 46 | | OF 61 | |



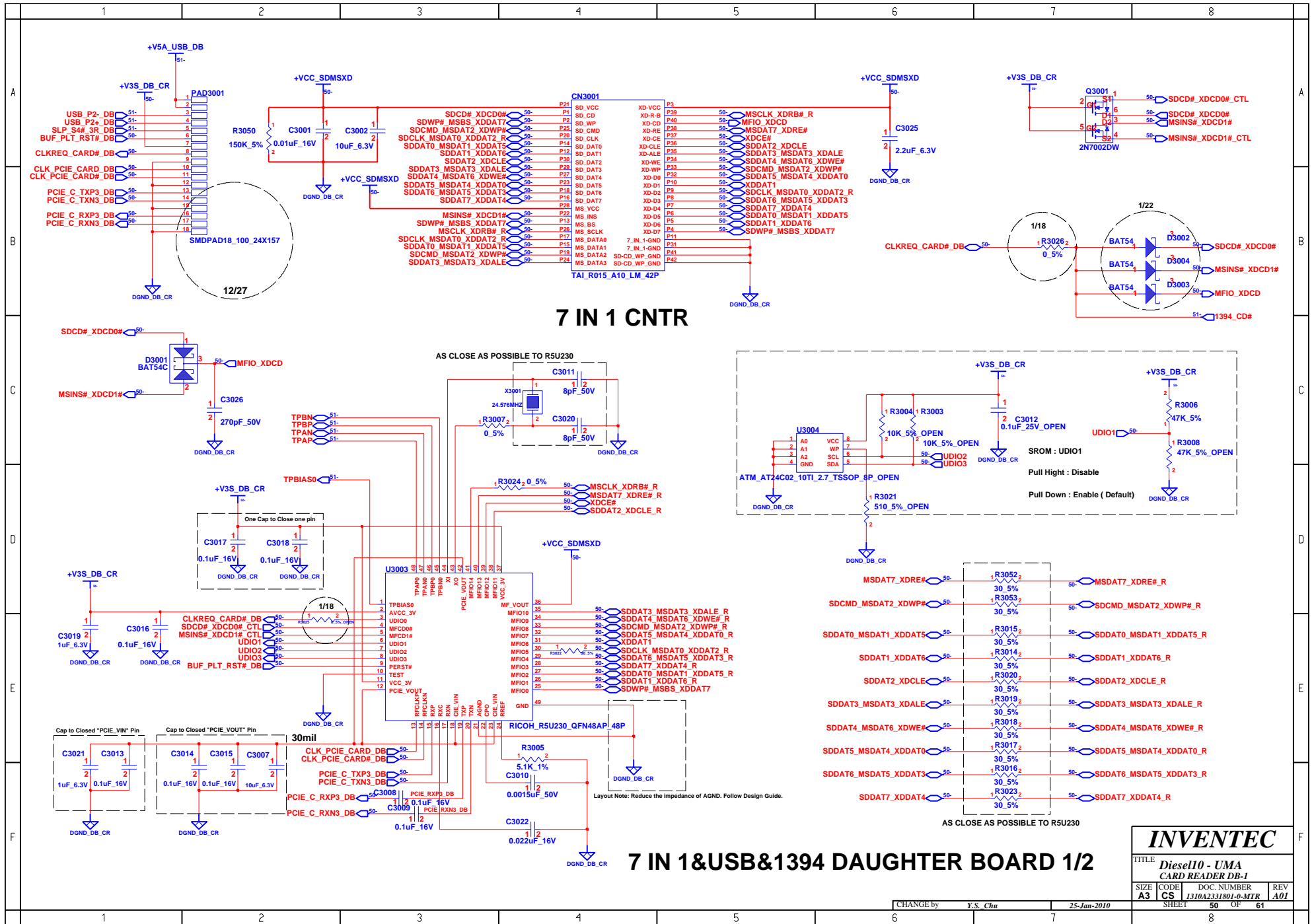


| | | | |
|--|-------------------|--|-------------------|
| INVENTEC | | | |
| TITLE Diesel10 - UMA CNTR FOR DB | | | |
| SIZE A3 | CODE CS | DOC NUMBER 1310A232601-0-MTR | REV A01 |
| CHANGE by Y.S. Chu | | 25-Jan-2010 | |
| SHEET 48 | | OF 61 | |

<http://sualaptop365.edu.vn>



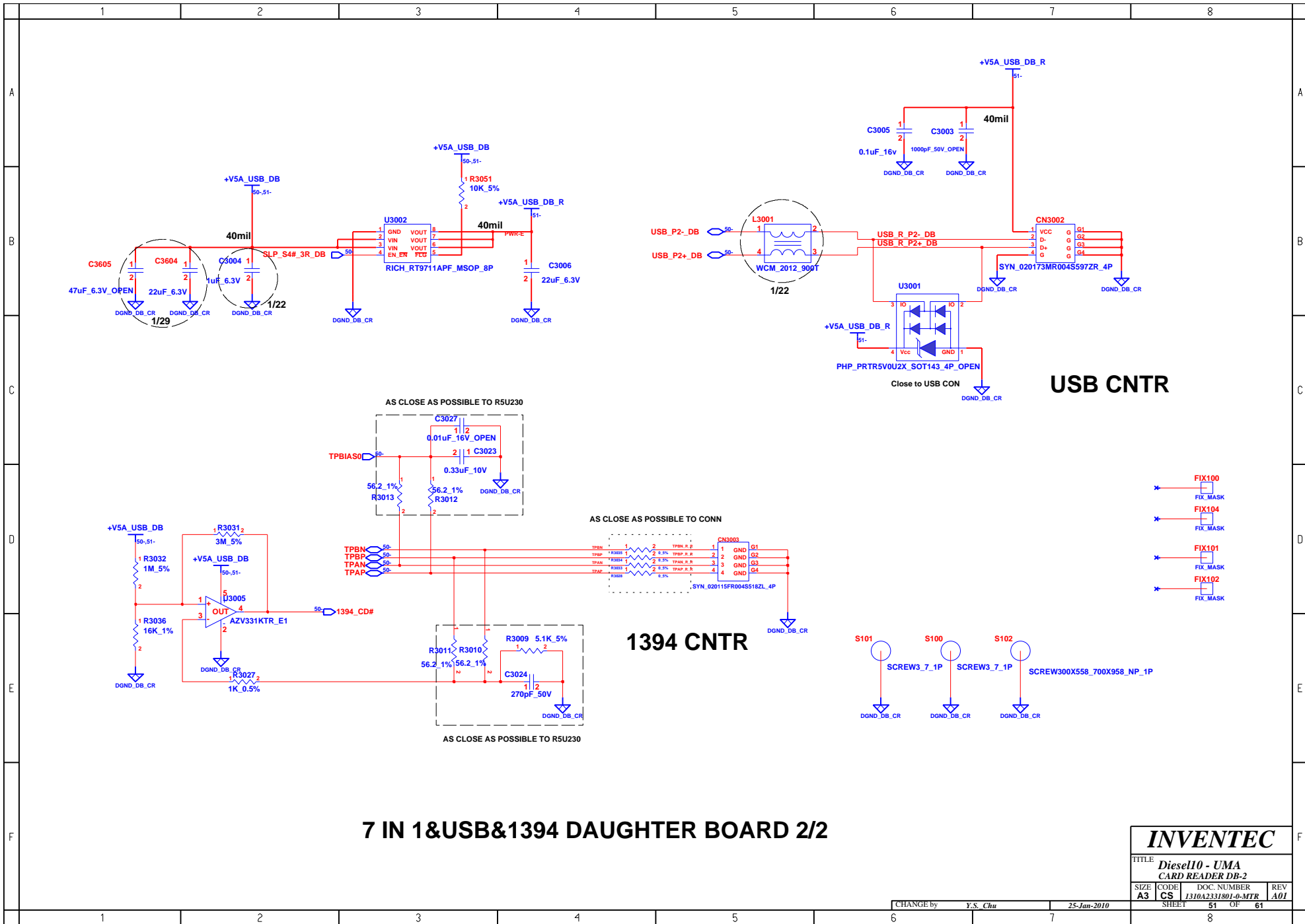
| | | | |
|--------------------------------------|------------|-----------------------------------|------------|
| INVENTEC | | | |
| TITLE: Diesel10 - UMA SCREW & EMI | | | |
| SIZE A3 | CODE CS | DOC. NUMBER 1310A2326601-b-MTR | REV A01 |
| CHANGE by Y.S. Chu | | 25-Jan-2010 | |
| SHEET 49 | | OF 61 | |

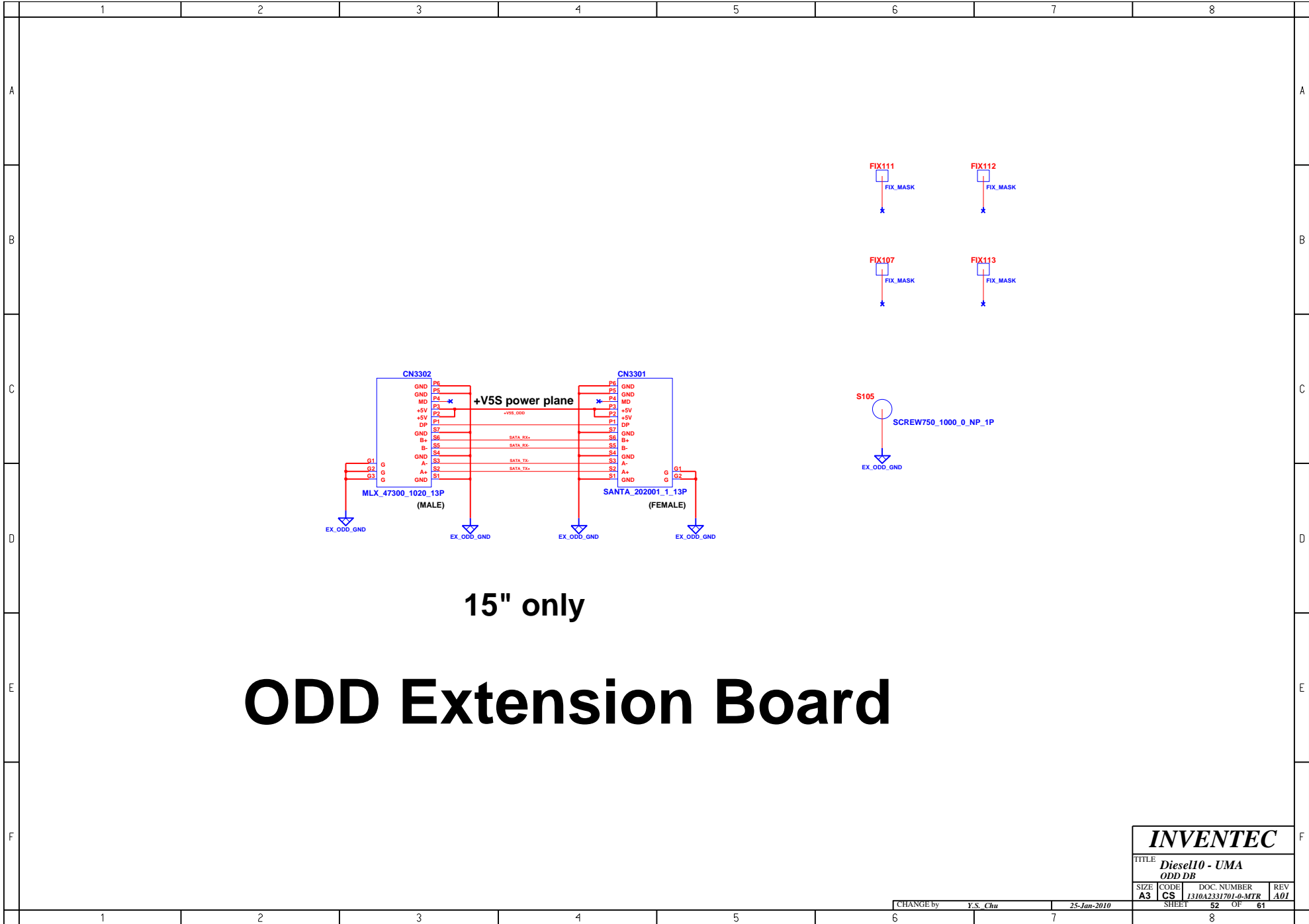


7 IN 1 CNTR

7 IN 1&USB&1394 DAUGHTER BOARD 1/2

| | | | |
|--|---------|-------------------------------|---------|
| INVENTEC | | | |
| TITLE Diesel10 - UMA CARD READER DB-1 | | | |
| SIZE A3 | CODE CS | DOC. NUMBER 1310A231801-0-MTR | REV A01 |
| CHANGE by Y.S. Chu | | 25-Jan-2010 | |
| SHEET 50 | | OF 61 | |





15" only

ODD Extension Board

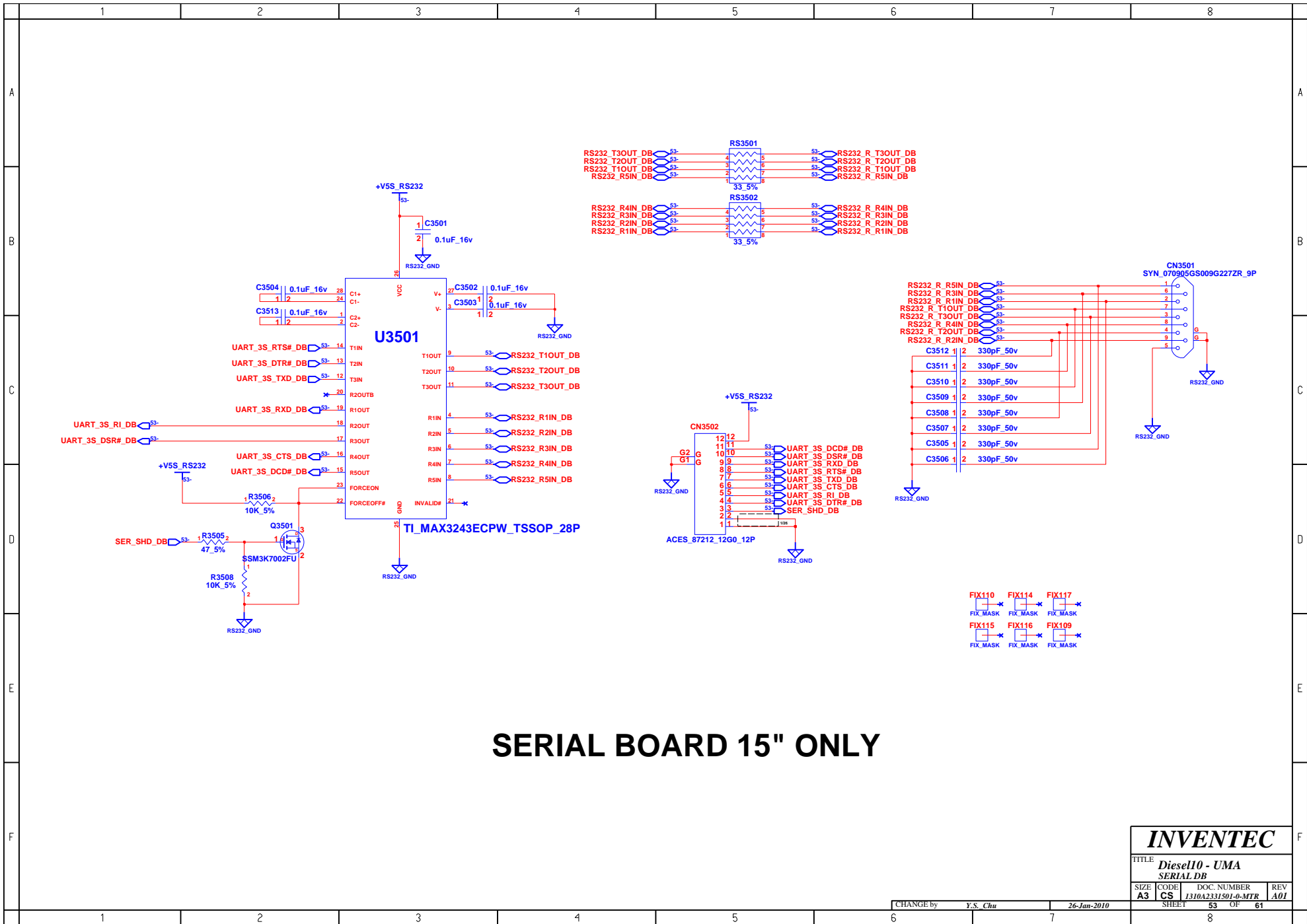
INVENTEC

TITLE *Diesell10 - UMA*
ODD DB

| | | | |
|-------------------|-------------------|--|-------------------|
| SIZE A3 | CODE CS | DOC. NUMBER <i>1310A2331701-p-MTR</i> | REV A01 |
|-------------------|-------------------|--|-------------------|

CHANGE by *Y.S. Chu* 25-Jan-2010

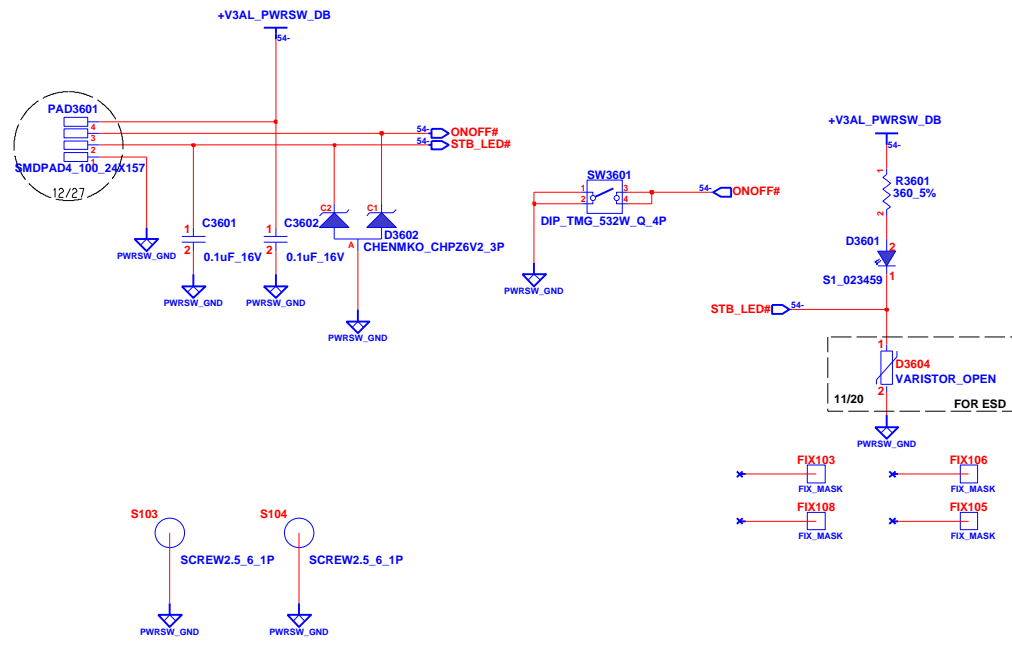
SHEET 52 OF 61



SERIAL BOARD 15" ONLY

INVENTEC

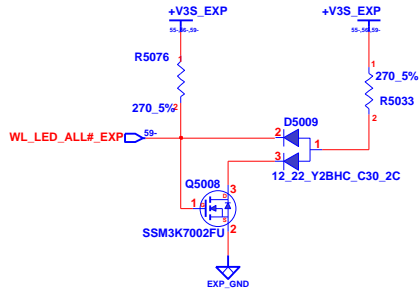
| | | | |
|--|-------------------|---|-------------------|
| TITLE Diesel10 - UMA SERIAL DB | | | |
| SIZE A3 | CODE CS | DOC. NUMBER 1310A231501-p-MTR | REV A01 |
| CHANGE by Y.S. Chu | | DATE 26-Jan-2010 | |
| SHEET 53 | | OF 61 | |



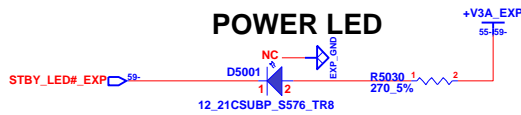
POWER SWITCH DAUGHTER BOARD

| | | | |
|--|----------|---------------------------------|----------------|
| INVENTEC | | | |
| TITLE: Diesel10 - UMA POWER BUTTON DB | | | |
| SIZE: A3 | CODE: CS | DOC. NUMBER: 1310A2331401-0-MTR | REV: A01 |
| CHANGE by: Y.S. Chu | | 25-Jan-2010 | SHEET 54 OF 61 |

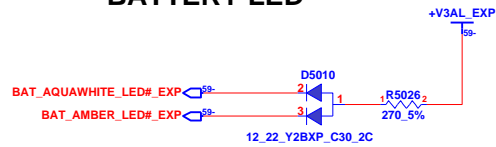
WIRELESS LED



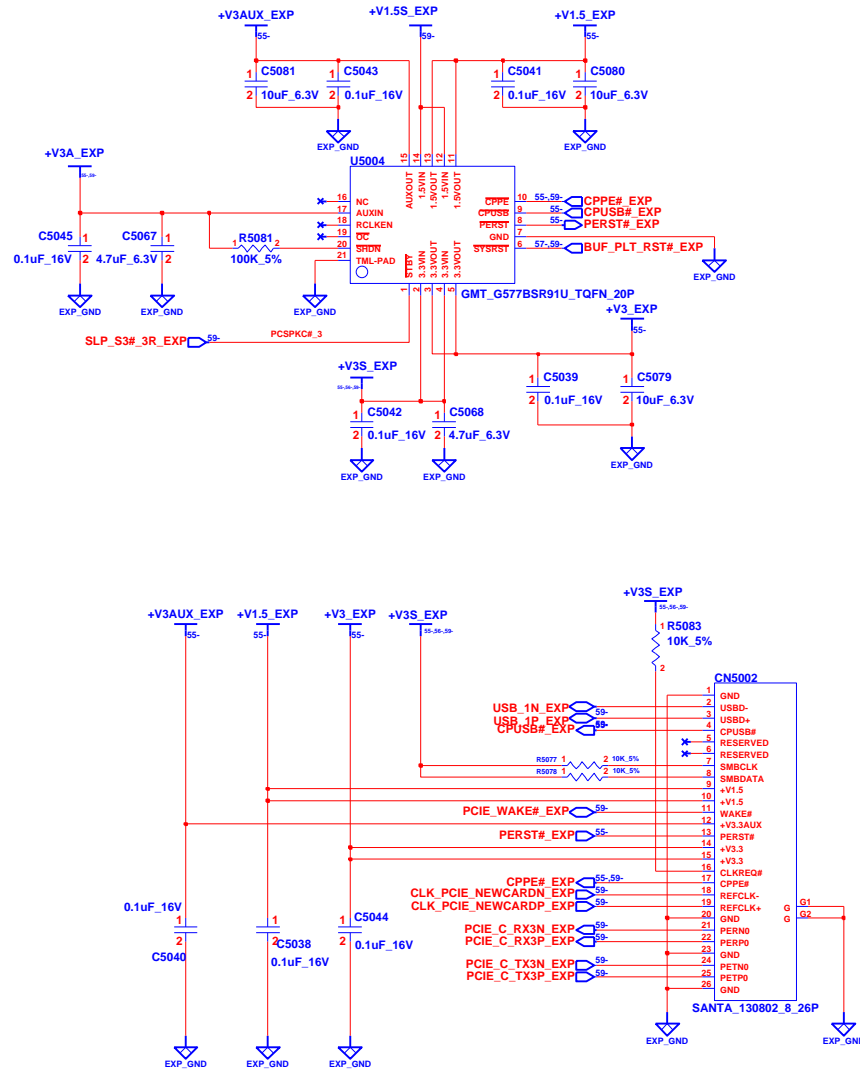
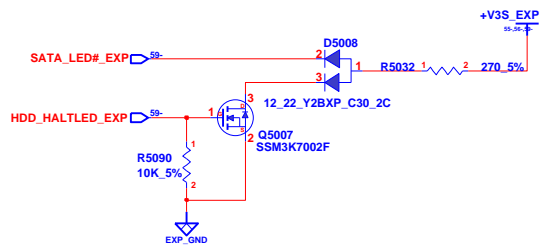
POWER LED



BATTERY LED



SATA LED & HDD-HALTED LED

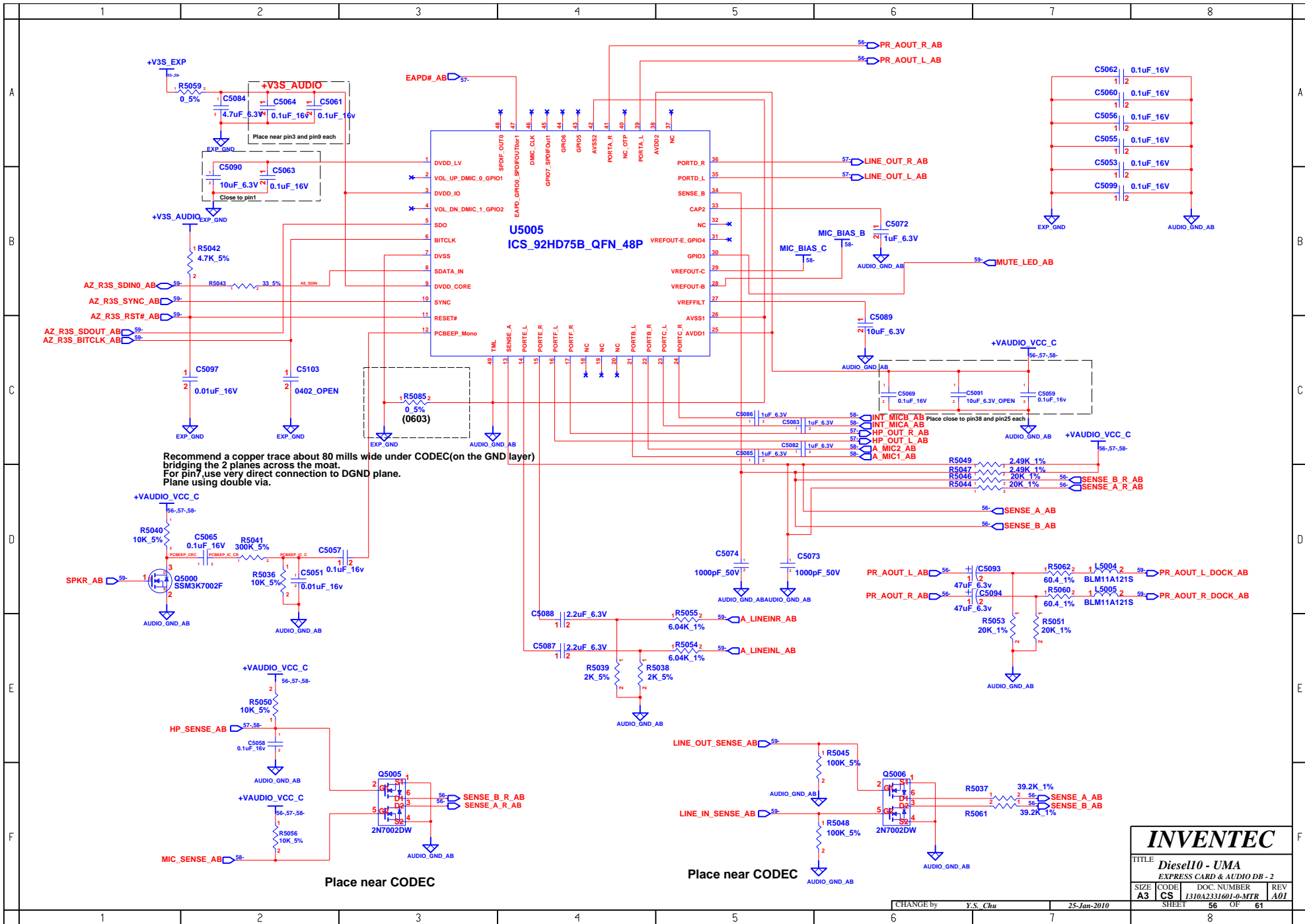


EXPRESS CARD

INVENTEC

| | | | |
|-----------------------------|------|-------------------|-------|
| TITLE | | | |
| Diesel10 - UMA | | | |
| EXPRESS CARD & AUDIO DB - 1 | | | |
| SIZE | CODE | DOC. NUMBER | REV |
| A3 | CS | 1310A231601-b-MTR | A01 |
| SHEET | | 55 | OF 61 |

CHANGE by Y.S. Chu 25-Jan-2010



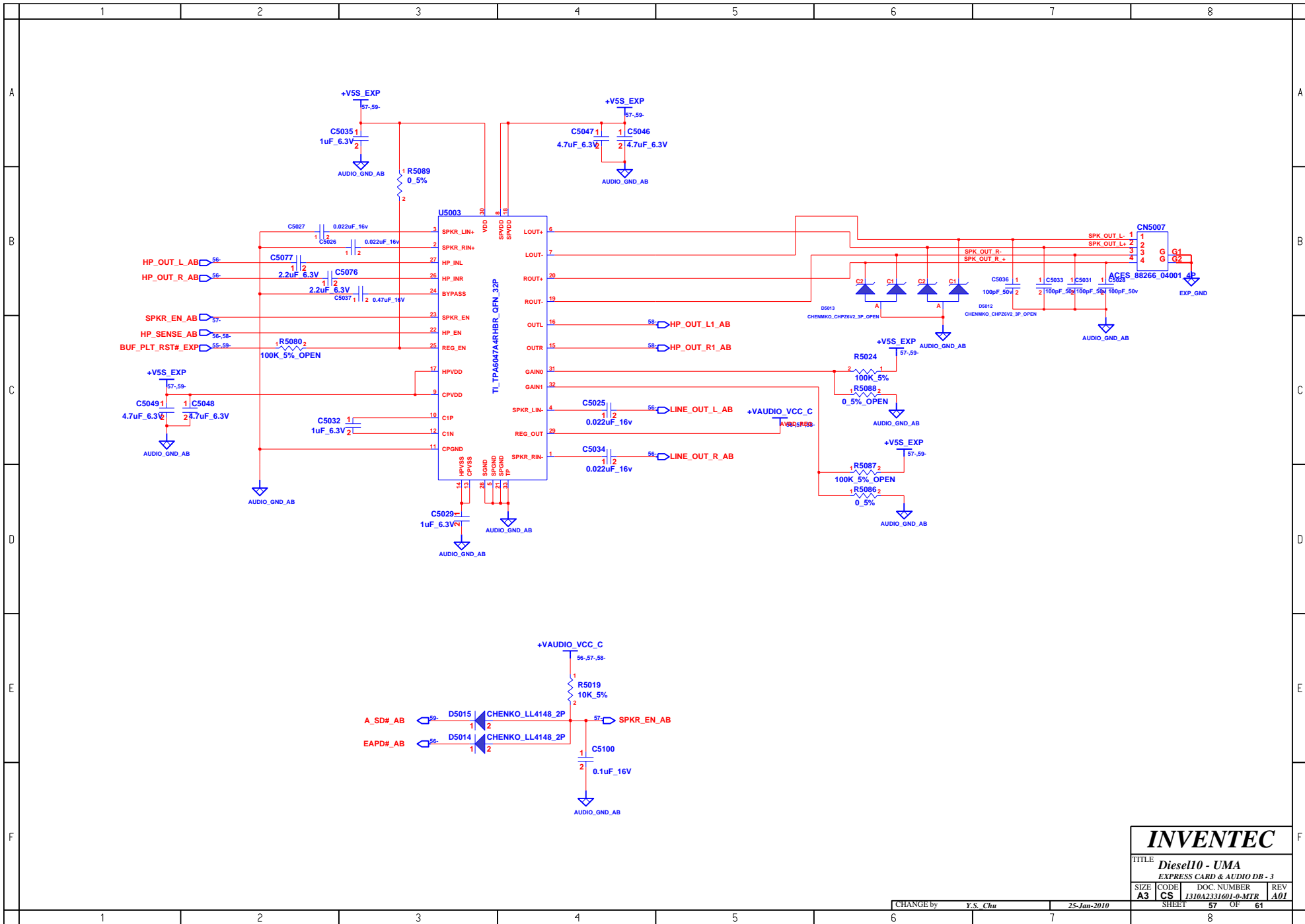
Recommend a copper trace about 80 mills wide under CODEC(on the GND layer) bridging the 2 planes across the moat. For pin7, use very direct connection to DGND plane. Plane using double via.

Place near CODEC

Place near CODEC

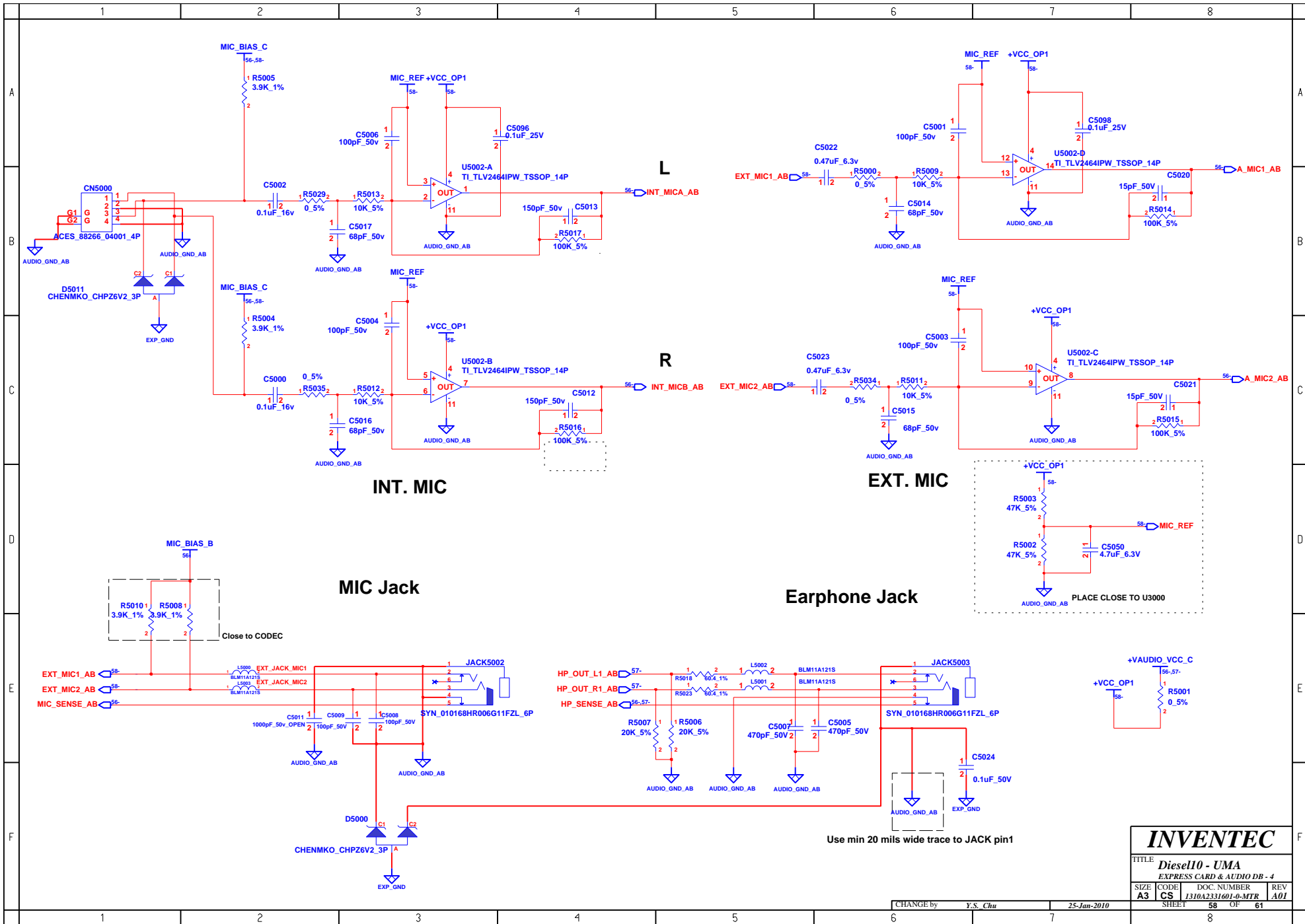
| | | | |
|-----------------------------|------|-------------------|-------|
| INVENTEC | | | |
| TITLE: Diesel10 - UMA | | | |
| EXPRESS CARD & AUDIO DB - 2 | | | |
| SIZE | CODE | DOC. NUMBER | REV |
| A3 | CS | 1310A231601-b-MTR | A01 |
| SHEET | | 56 | OF 61 |

CHANGE by Y.S. Chu 25-Jan-2010

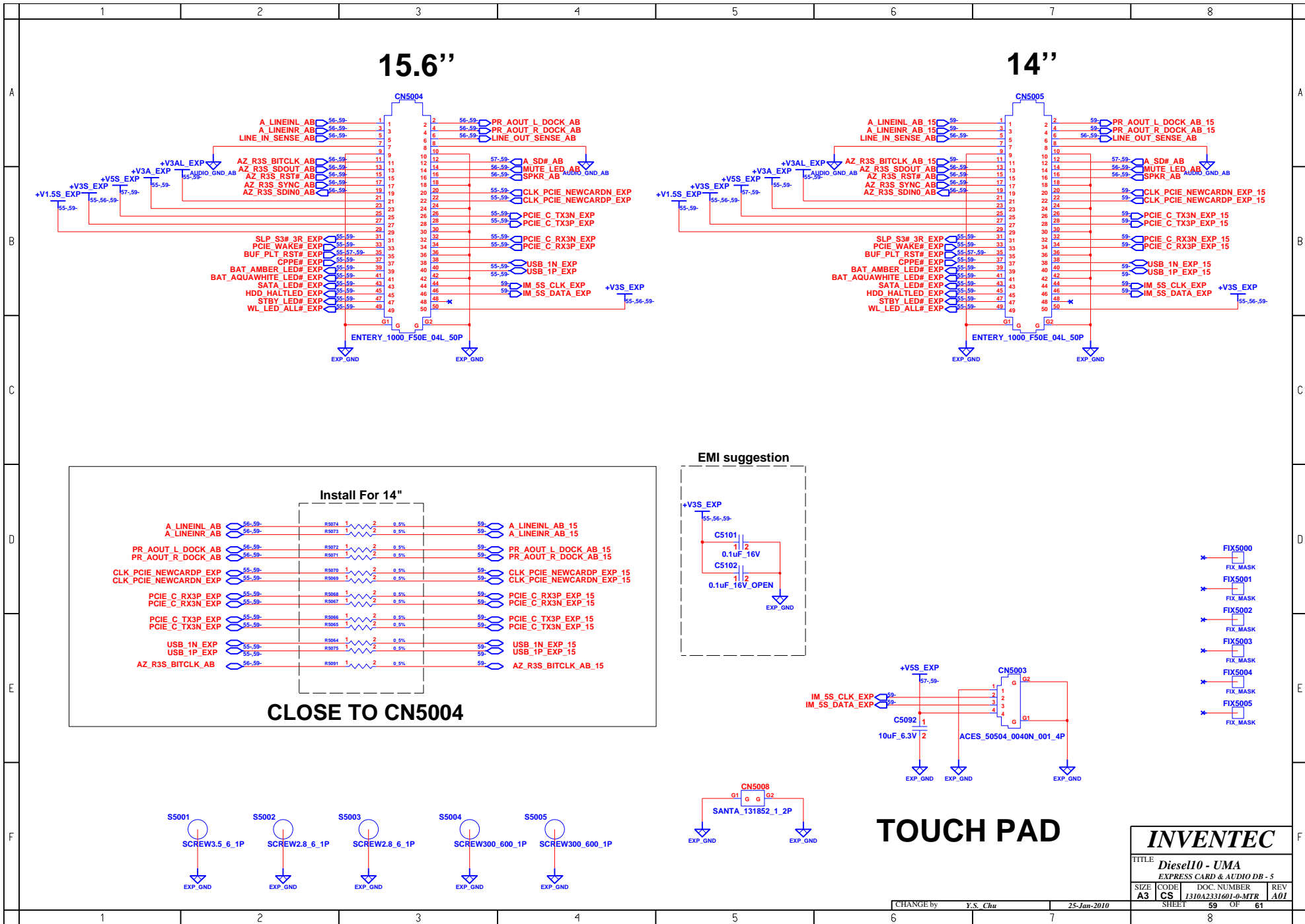


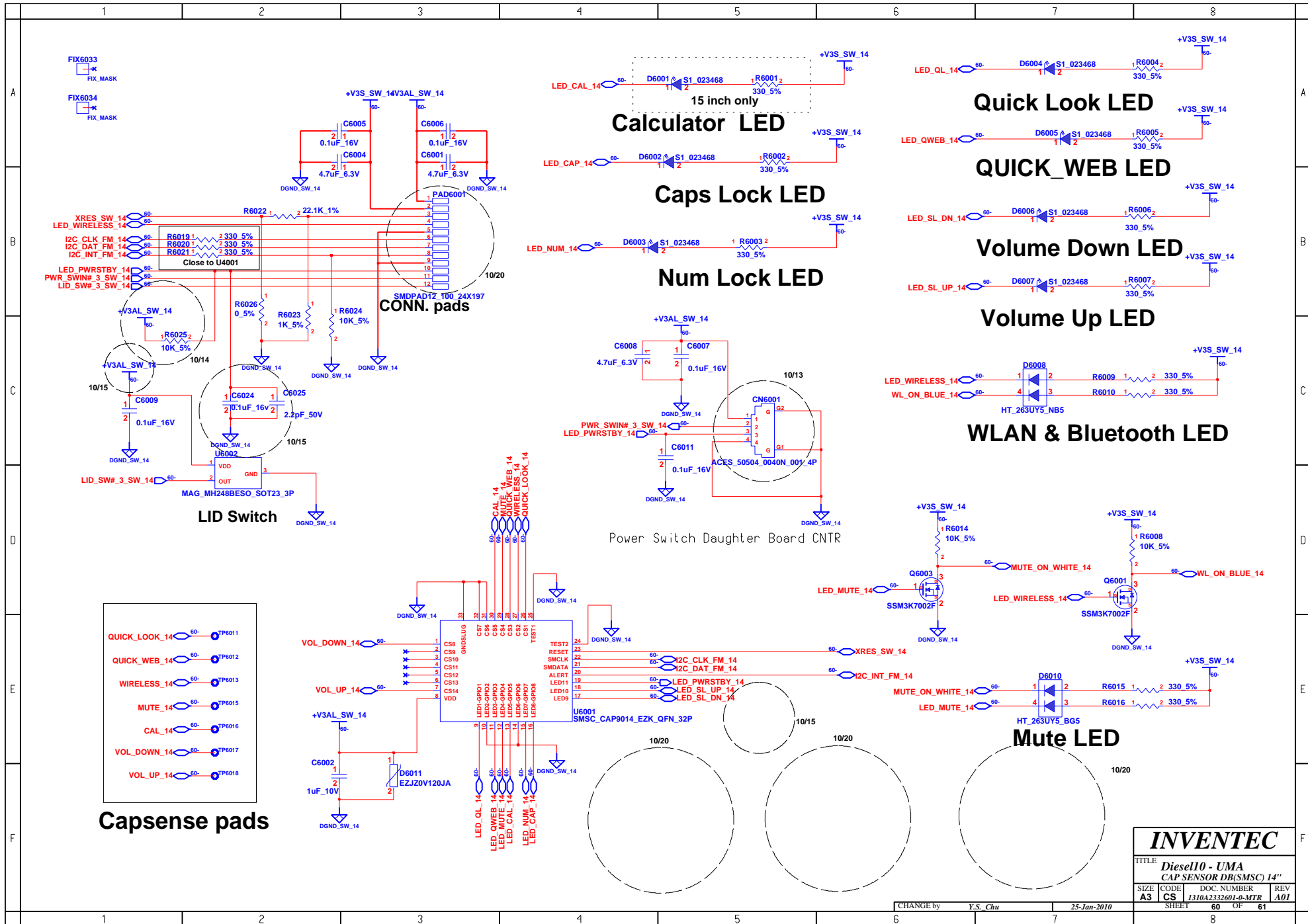
| | | | |
|---|-------------------|--|-------------------|
| INVENTEC | | | |
| TITLE Diesel10 - UMA EXPRESS CARD & AUDIO DB - 3 | | | |
| SIZE A3 | CODE CS | DOC. NUMBER 1310A2331601-b-MTR | REV A01 |
| CHANGE by Y.S. Chu | | 25-Jan-2010 | |
| SHEET 57 | | OF 61 | |

<http://sualaptop365.edu.vn>

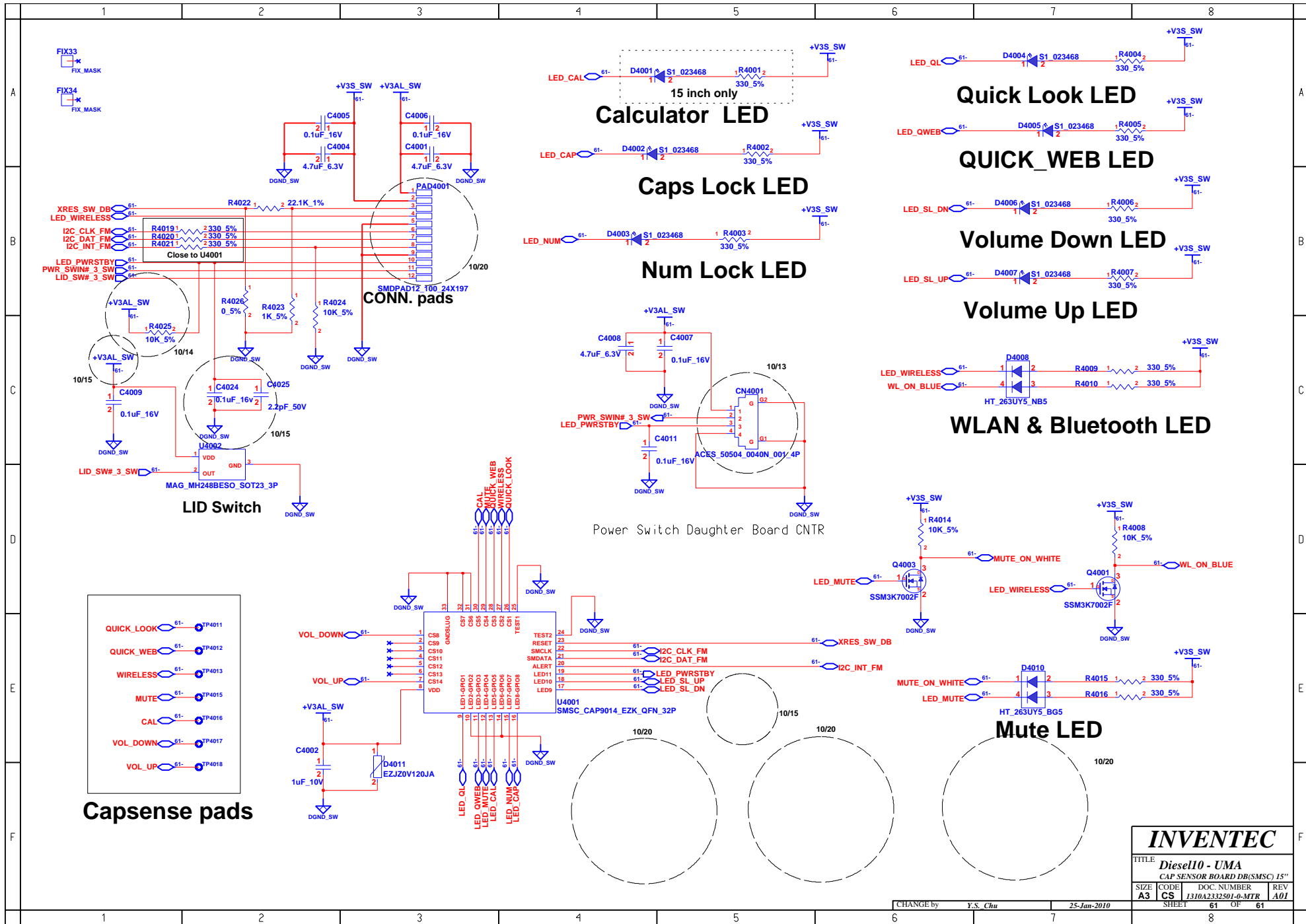


| | | | |
|-----------------------------|----------|--------------------------------|----------|
| INVENTEC | | | |
| TITLE: Diesel10 - UMA | | | |
| EXPRESS CARD & AUDIO DB - 4 | | | |
| SIZE: A3 | CODE: CS | DOC. NUMBER: 1310A231601-p-MTR | REV: A01 |
| CHANGE by: Y.S. Chu | | 25-Jan-2010 | |
| SHEET: 58 | | OF: 61 | |





<http://sualaptop365.edu.vn>



| | | | |
|--------------------------------|-------------------|--|-------------------|
| INVENTEC | | | |
| TITLE Diesel10 - UMA | | | |
| CAP SENSOR BOARD DB(SMSC) 15" | | | |
| SIZE A3 | CODE CS | DOC. NUMBER 1310A2332501-b-MTR | REV A01 |
| CHANGE by Y.S. Chu | | 25-Jan-2010 | |
| SHEET 61 | | OF 61 | |

<http://sualaptop365.edu.vn>