

1	2	3	4	5	6	7	8
---	---	---	---	---	---	---	---

THIS DRAWING AND SPECIFICATIONS, HEREIN, ARE THE PROPERTY OF INVENTEC CORPORATION AND SHALL NOT BE REPRODUCED, COPIED, OR USED IN WHOLE OR IN PART AS THE BASIS FOR THE MANUFACTURE OR SALE OF ITEMS WITHOUT WRITTEN PERMISSION, INVENTEC CORPORATION 2009 ALL RIGHT RESERVED

A  
B  
C  
D  
E  
F

HSF Property : HF

# ROXETTE

## SEYMOUR XT-S3

### PV-R BUILD

**2011.03.03**

A  
B  
C  
D  
E  
F

DATE	CHANGE NO.	REV

DRAWER	EE	DATE	POWER	DATE	<b>INVENTEC</b>
DESIGN					
CHECK					
RESPONSIBLE					
TITLE					<b>ROXETTE SEYMOUR-XT</b>
SIZE =	3	VER :			
FILE NAME :	XXXX-XXXXXX-XX				SIZE <b>A3</b> CODE <b>CS</b> DOC. NUMBER <b>1310A2411501-0-MTR</b> REV <b>A01</b>
P/N	XXXXXXXXXXXX				SHEET <b>1</b> OF <b>67</b>

1	2	3	4	5	6	7	8
---	---	---	---	---	---	---	---

**TABLE OF CONTENTS**

**PAGE**

- 01. PROJECT NAME
- 02. INDEX
- 03. Block Diagram
- 04. POWER Procedure
- 05. DC & BATTERY CHARGE
- 06. SELECT & BATTERY CONN
- 07. SYSTEM POWER +V3A/+V5A
- 08. SYSTEM POWER +V1.5/+V0.75
- 09. GPU POWER +VDD\_CORE/V1.8S
- 10. SYSTEM POWER +VCCP
- 11. CPU POWER +VCCSA
- 12. CPU POWER IC
- 13. +VCC\_CORE & +VGFX\_CORE
- 14. POWER SLEEP
- 15. POWER SEQUENCE
- 16. FAN & THERMAL SENSOR
- 17. CPU& PCH XDP
- 18. Sandy Bridge-1
- 19. Sandy Bridge-2
- 20. Sandy Bridge-3
- 21. Sandy Bridge-4
- 22. Sandy Bridge-5
- 23. Sandy Bridge-6
- 24. DDR3-DIMM0
- 25. DDR3-DIMM1
- 26. PCH-1
- 27. PCH-2
- 28. PCH-3
- 29. PCH-4
- 30. PCH-5

**PAGE**

- 31. PCH-6
- 32. PCH-7
- 33. PCH-8
- 34. PCH-9
- 35. KBC & SPI
- 36. KEYBOARD & TP CONN
- 37. GPU-1
- 38. GPU-2
- 39. GPU-3
- 40. GPU-4
- 41. VRAM-1
- 42. VRAM-2
- 43. CRT
- 44. HDMI CONN
- 45. LCM & DMIC & CAMERA CONN
- 46. ODD & HDD CONN
- 47. USB 2.0 RIGHT & LEFT SIDE
- 48. USB 3.0 CONTROLLER
- 49. USB 3.0 CONN
- 50. FINGER PRINTER CNTR
- 51. ACCELEMETER
- 52. MDC CONN
- 53. LAN INTERFACE
- 54. RJ-45
- 55. WLAN & BLUETOOTH COMBO
- 56. EXPRESS CARD
- 57. AUDIO CODEC
- 59. DAUGHTER BOARD CNTR(M/N SIDE)
- 60. SCREW & STITCHING CAPS
- 61. CARD READER & AUDIO JACK-1

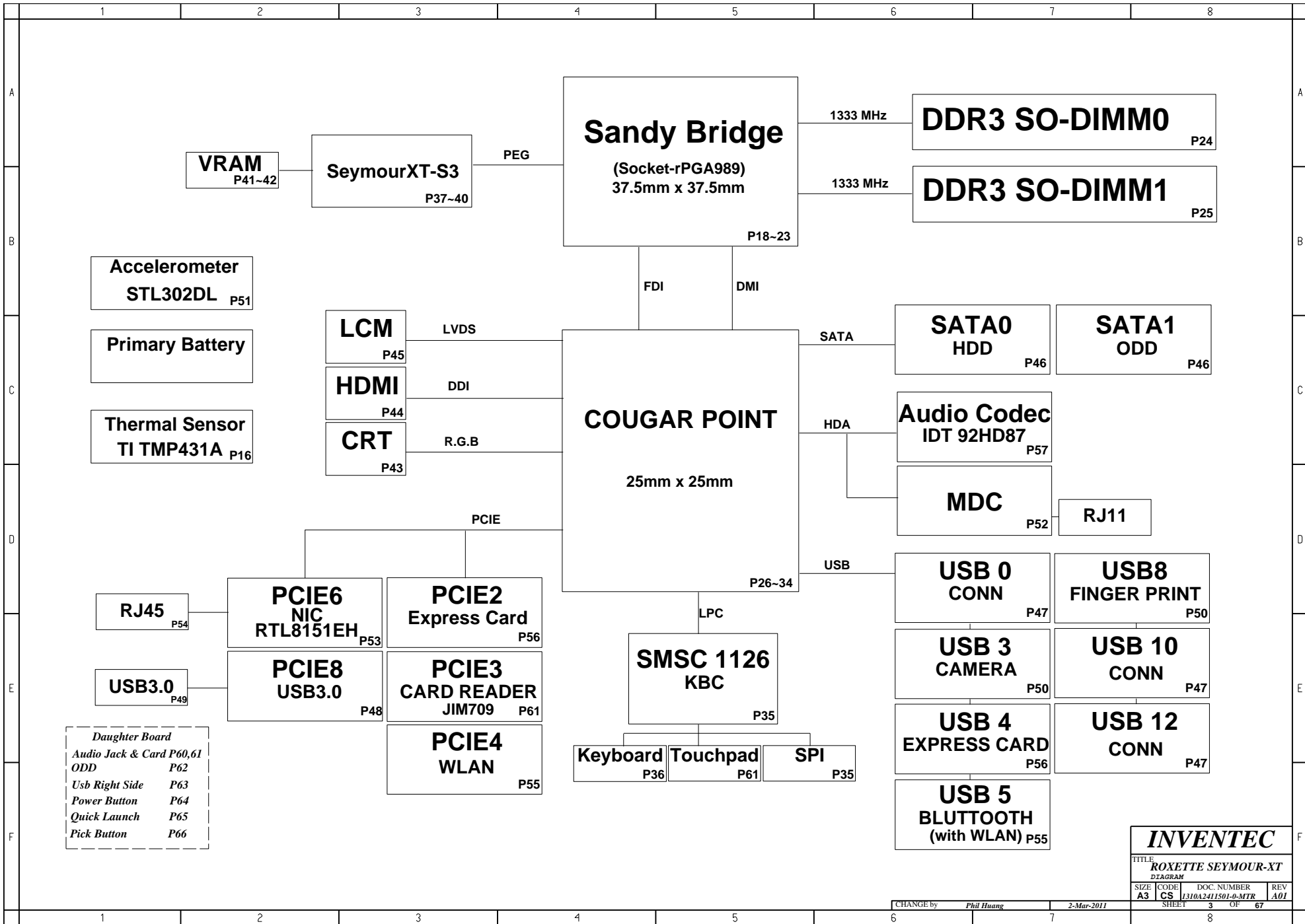
**PAGE**

- 62. CARE READER & AUDIO JACK-2
- 63. ODD DB
- 64. USB RIGHT SIDE DB
- 65. POWER BUTTON BOARD DB
- 66. QUICK LAUNCH & WLAN DB
- 67. PICK BUTTON DB

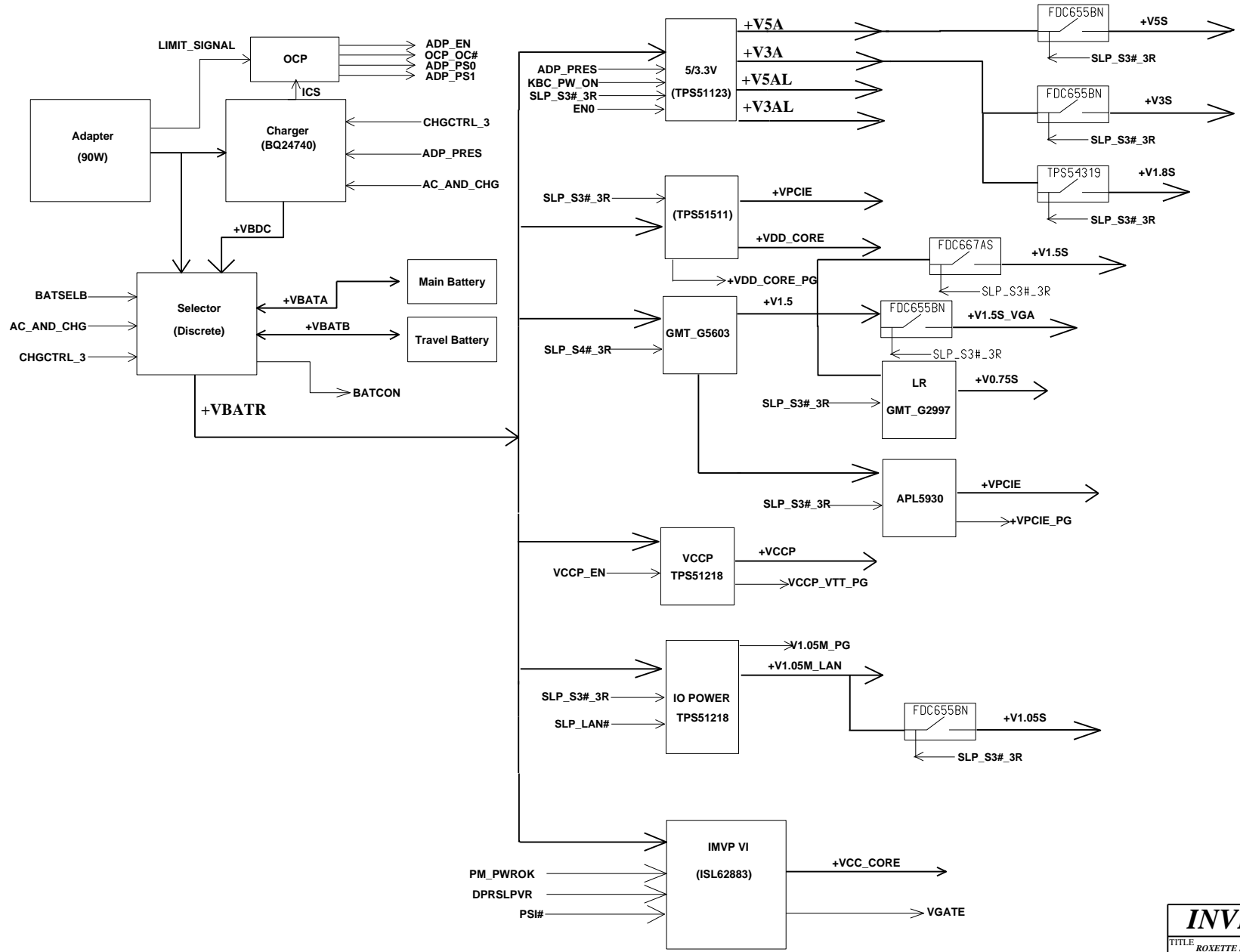
**INVENTEC**

<small>TITLE</small>			
<b>ROXETTE SEYMOUR-XT</b>			
<small>SIZE</small>	<small>CODE</small>	<small>DOC. NUMBER</small>	<small>REV</small>
<b>A3</b>	<b>CS</b>	<b>I310A2411501-0-MTR</b>	<b>A01</b>
<small>SHEET</small>		<small>OF</small>	
<b>2</b>		<b>67</b>	

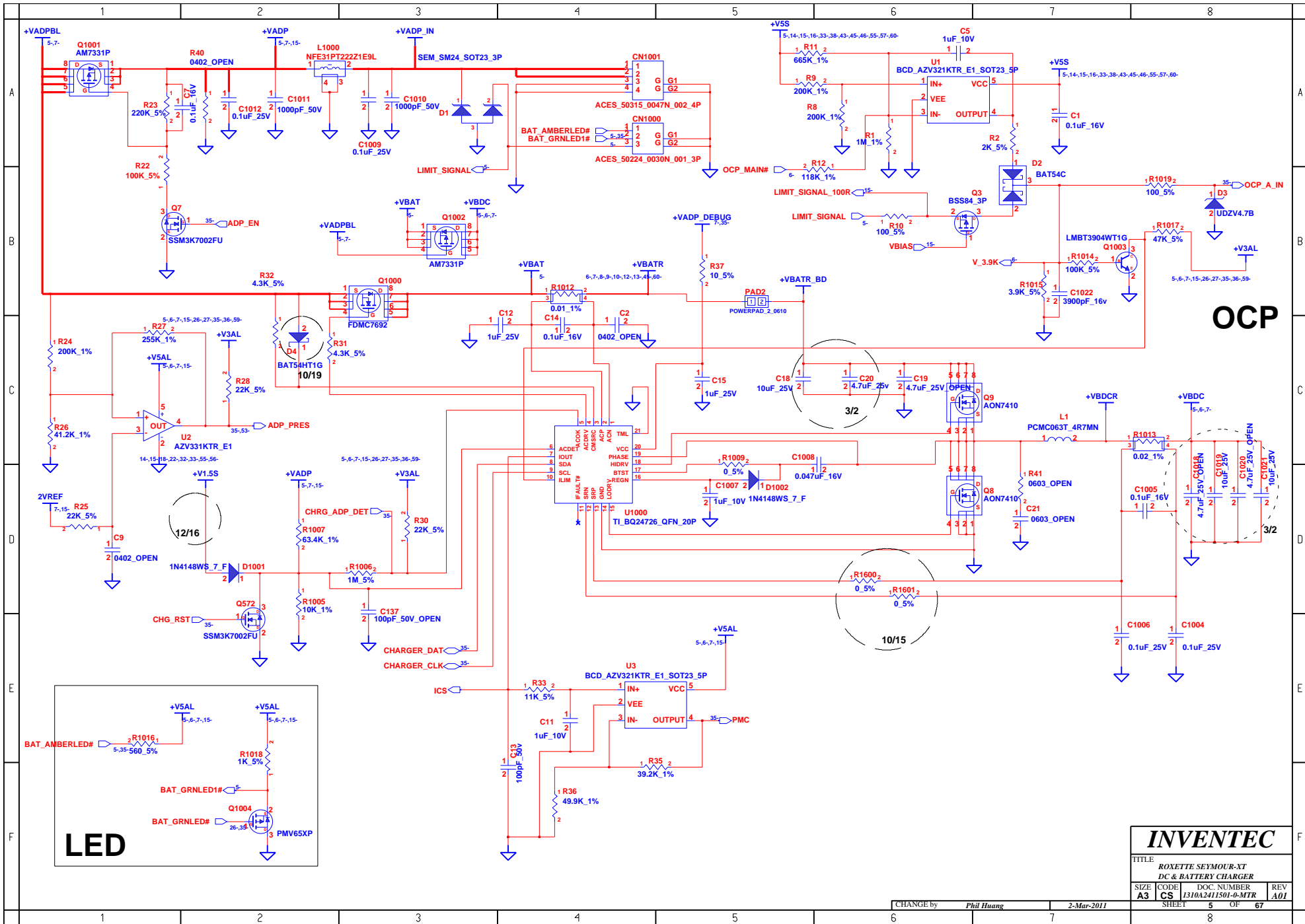
CHANGE by *Phil Huang* 2-Mar-2011



<b>INVENTEC</b>			
TITLE <b>ROXETTE SEYMOUR-XT</b>			
DIAGRAM			
SIZE <b>A3</b>	CODE <b>CS</b>	DOC. NUMBER <b>1310A2411501-0-MTR</b>	REV <b>A01</b>
CHANGE by <i>Phil Huang</i>		2-Mar-2011	
SHEET <b>3</b>		OF <b>67</b>	



<b>INVENTEC</b>			
TITLE ROXETTE SEYMOUR-XT			
POWER DIAGRAM			
SIZE A3	CODE CS	DOC. NUMBER 13102411501-0-MTR	REV A01
CHANGE by Phil Huang		2-Mar-2011	
SHEET 4		OF 67	

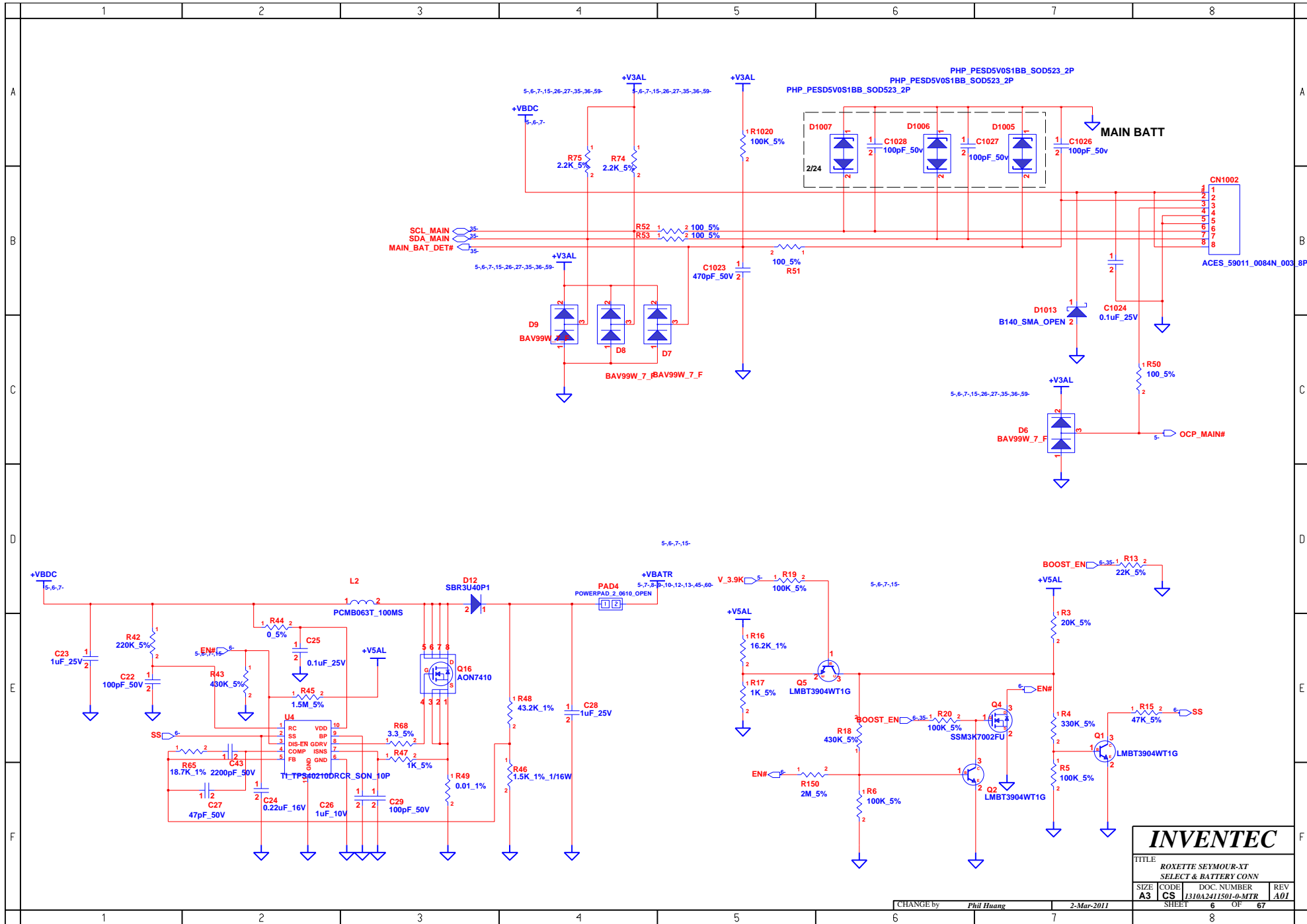


OCP

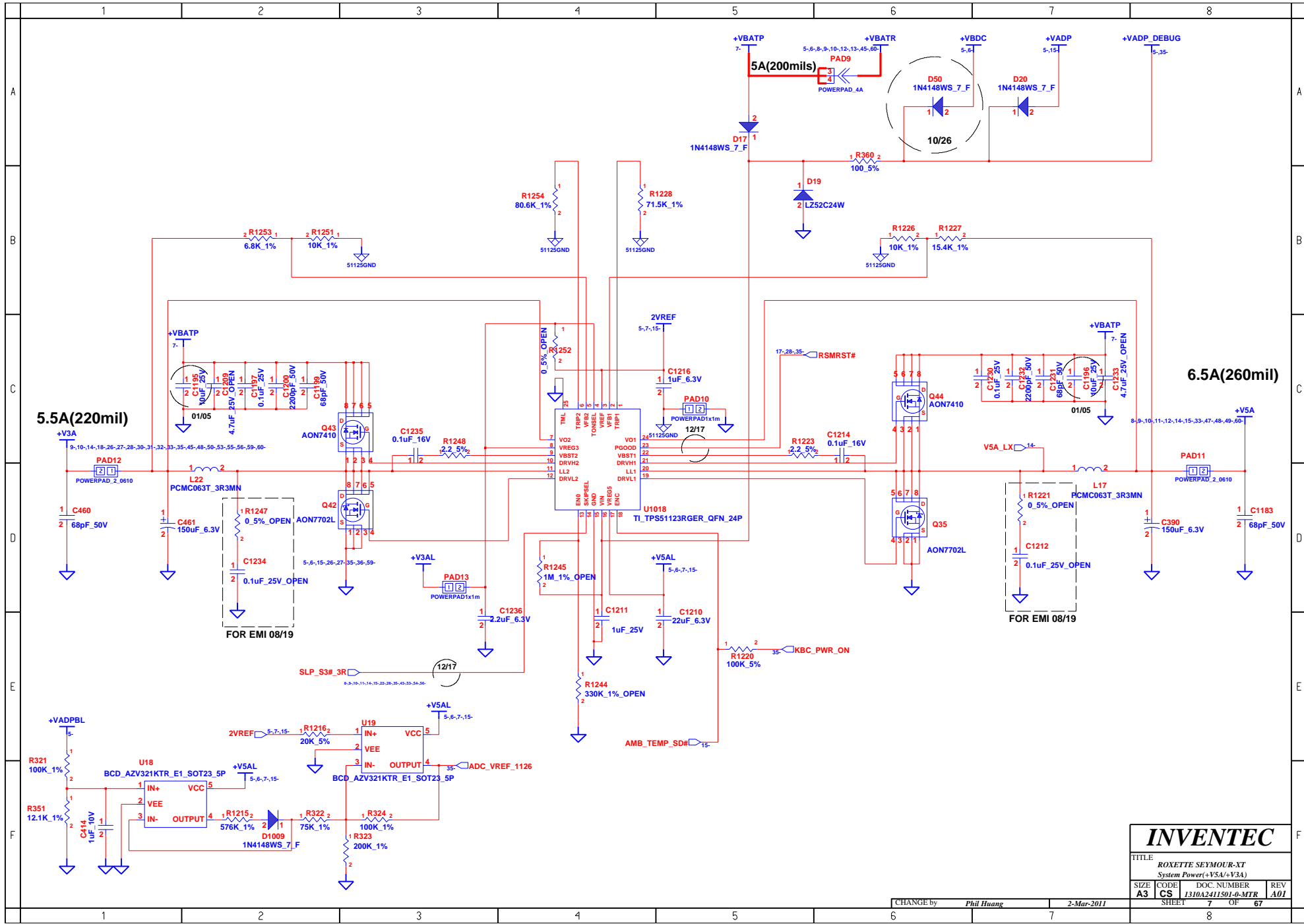
LED

**INVENTEC**

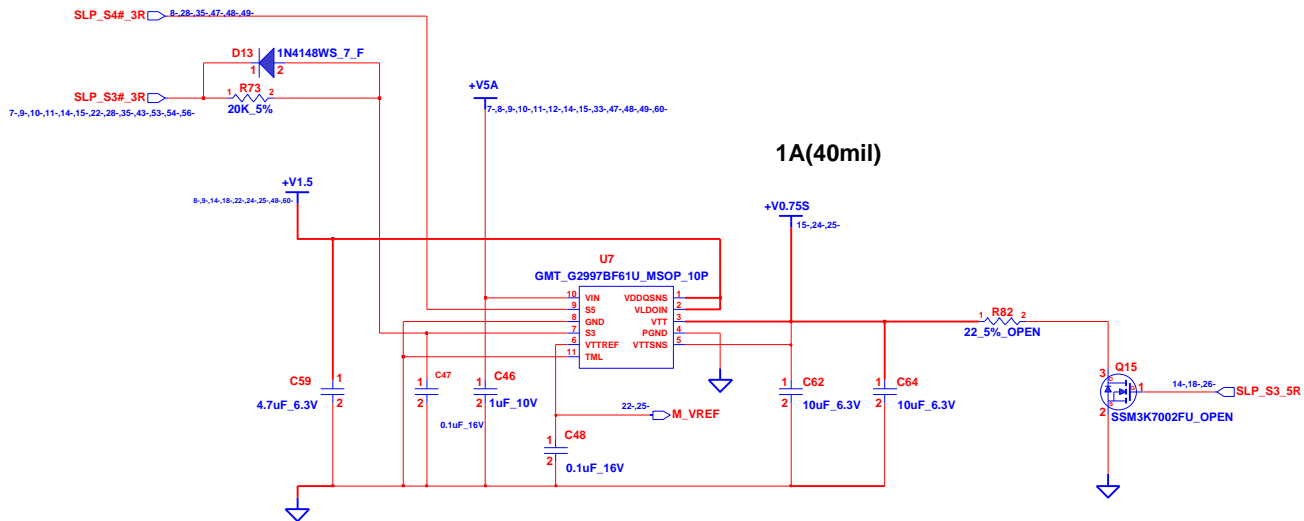
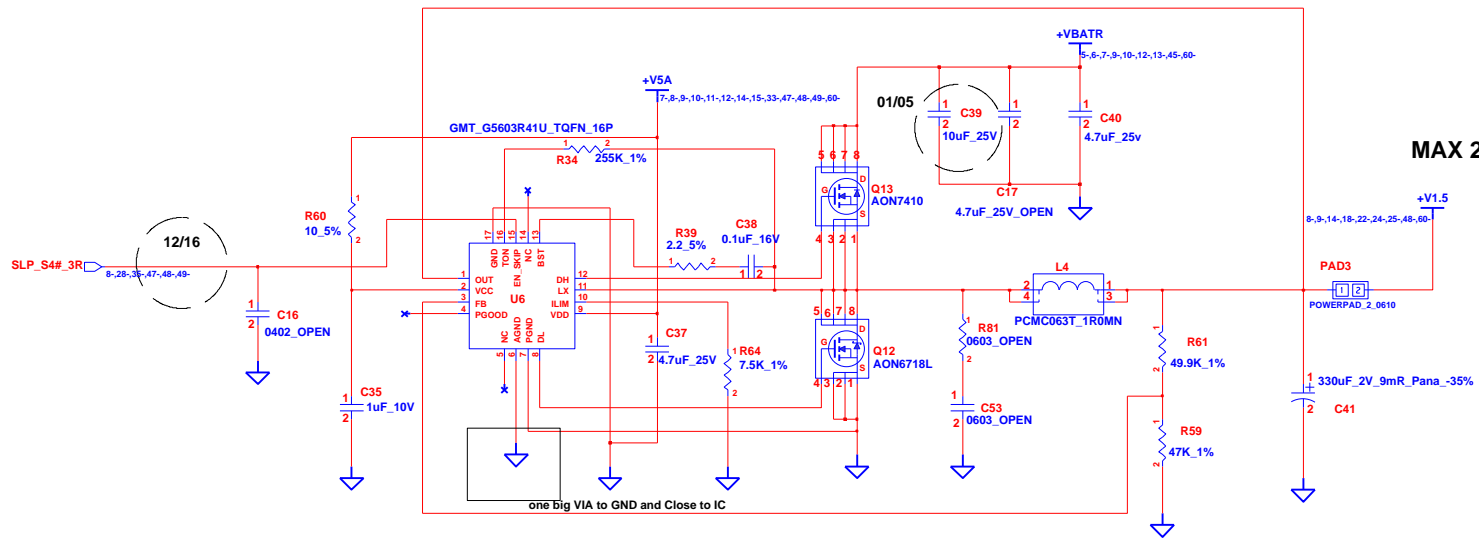
TITLE			
ROXETTE SEYMOUR-XT			
DC & BATTERY CHARGER			
SIZE	CODE	DOC. NUMBER	REV
A3	CS	I310A2411501-0-MTR	A01
SHEET		OF	
5		67	



<b>INVENTEC</b>			
TITLE ROXETTE SEYMOUR-XT SELECT & BATTERY CONN			
SIZE A3	CODE CS	DOC. NUMBER 1310A2411501-0-MTR	REV A01
CHANGE by Phil Huang		2-Mar-2011	
SHEET 6		OF 67	



<b>INVENTEC</b>			
TITLE			
ROXETTE SEYMOUR-XT System Power(+V5A/+V3A)			
SIZE	CODE	DOC NUMBER	REV
A3	CS	1310A2411501-0-MTR	A01
CHANGE by		SHEET	
Phil Huang		7 OF 67	



NOTE: DDR3 REGULATOR

MAX 20A(800mil)

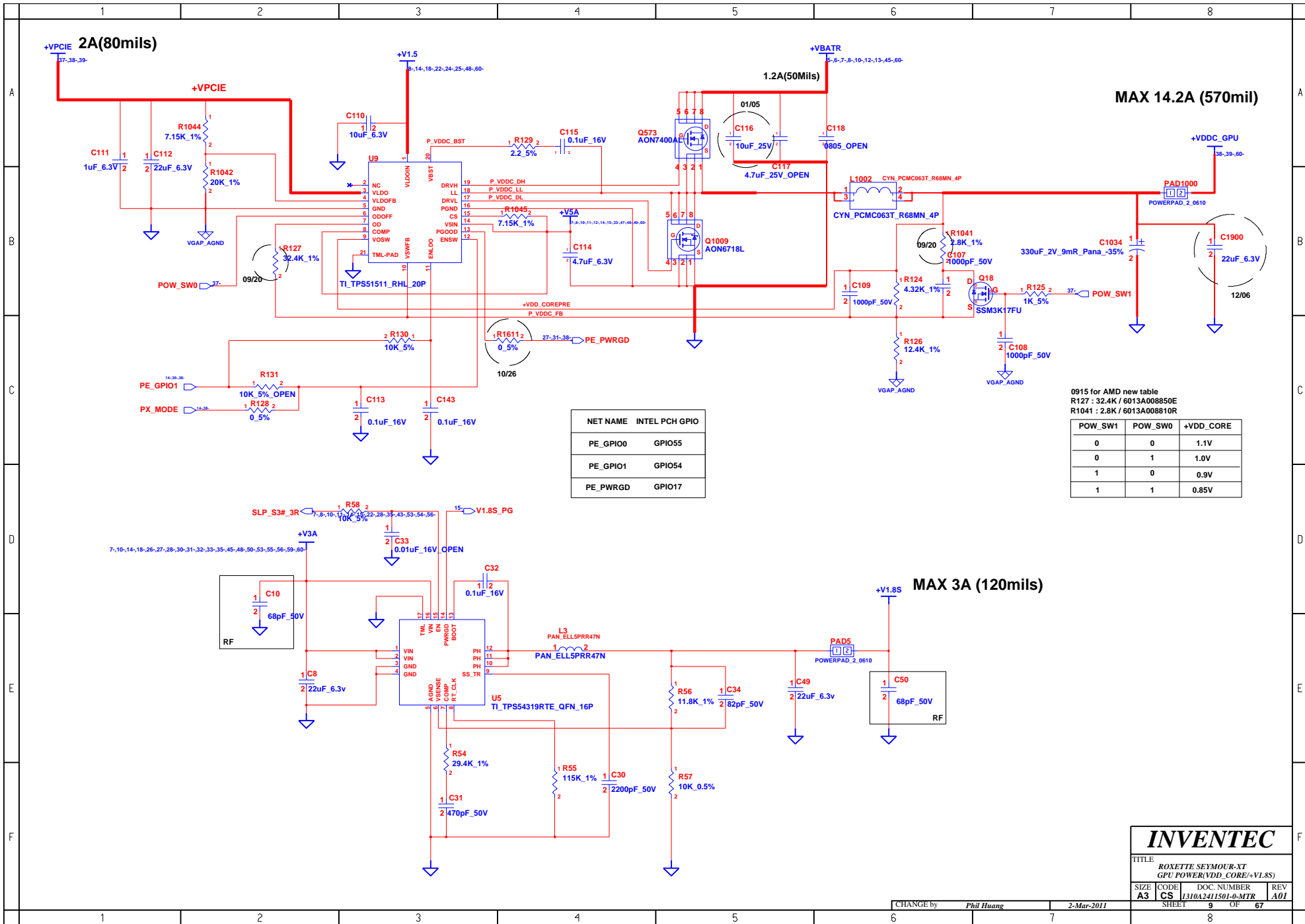
1A(40mil)

**INVENTEC**

TITLE			
ROXETTE SEYMOUR-XT SYSTEM POWER(+V1.05M/+V1.5)			
SIZE	CODE	DOC. NUMBER	REV
A3	CS	1310A2411501-0-MTR	A01
SHEET		8	OF 87

CHANGE by Phil Huang 2-Mar-2011



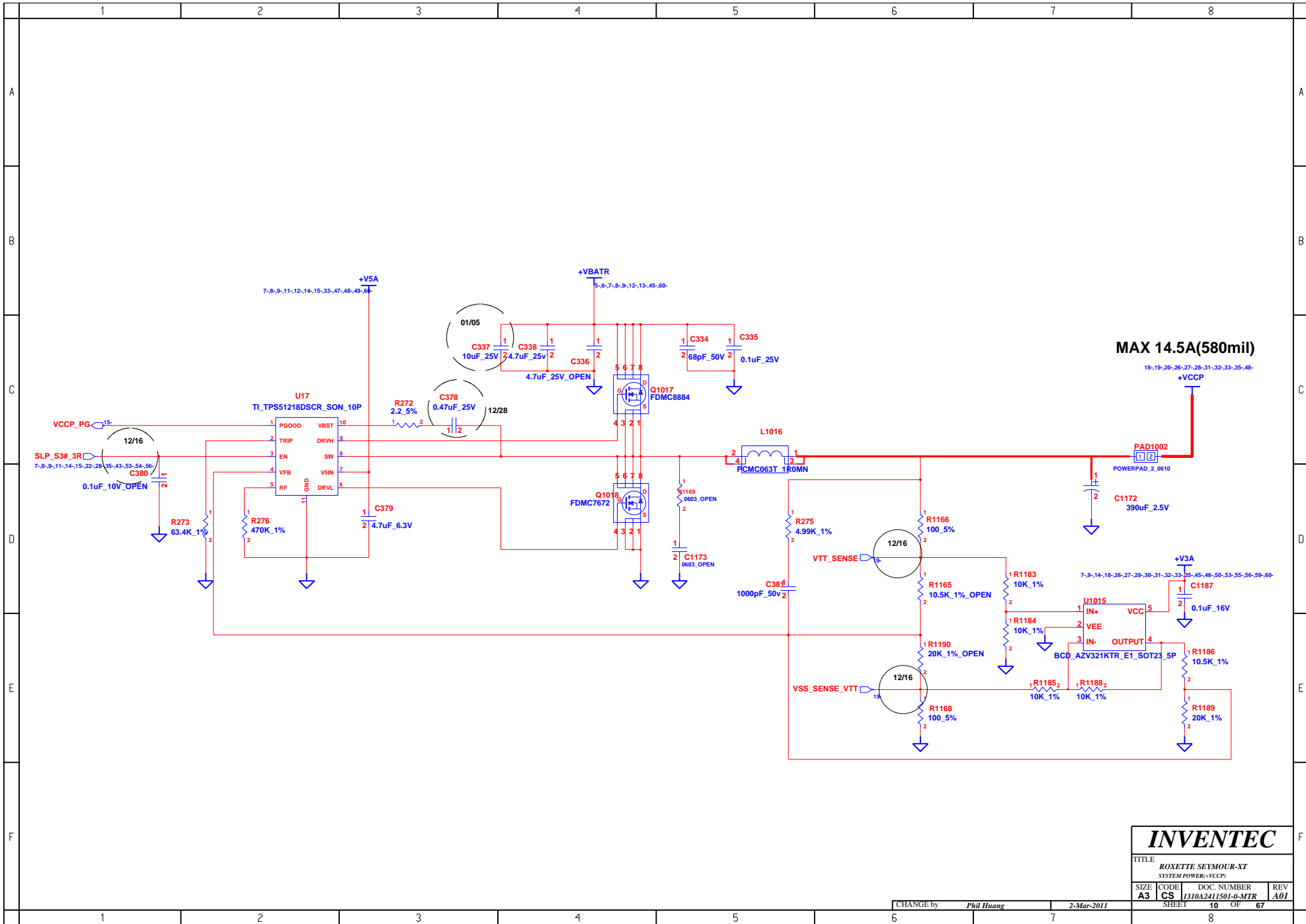


NET NAME	INTEL PCH GPIO
PE_GPIO0	GPIO55
PE_GPIO1	GPIO54
PE_PWRGD	GPIO17

0915 for AMD new table  
R127 : 32.4K / 6013A008850E  
R1041 : 2.8K / 6013A008810R

POW_SW1	POW_SW0	+VDD_CORE
0	0	1.1V
0	1	1.0V
1	0	0.9V
1	1	0.85V

<b>INVENTEC</b>			
TITLE ROXETTE SEYMOUR-XT GPU POWER(VDD_CORE+V1.8S)			
SIZE A3	CODE CS	DOC NUMBER 1310A2411501-0-MTR	REV A01
CHANGE by Phil Huang		2-Mar-2011	
SHEET 9		OF 67	



MAX 14.5A(580mil)

**INVENTEC**

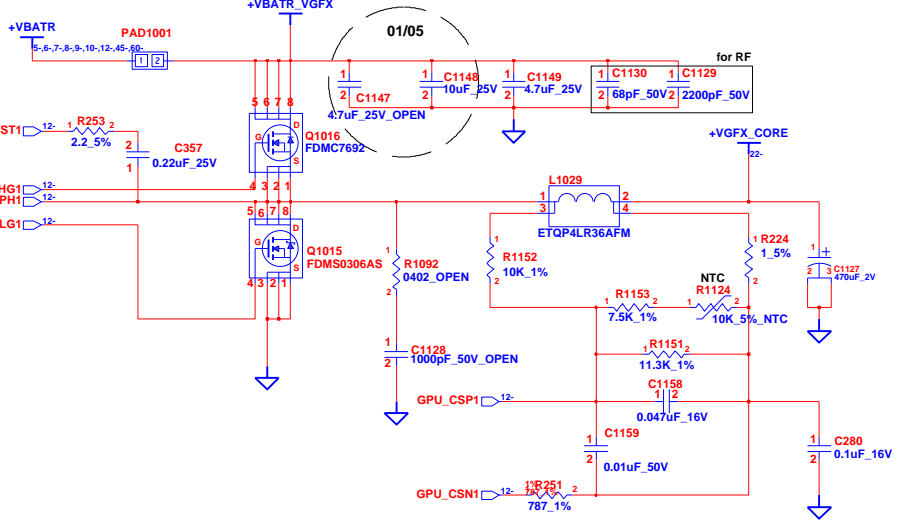
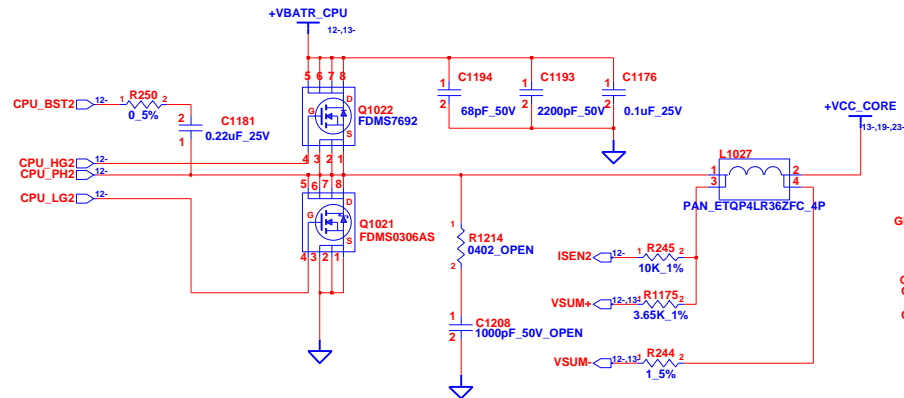
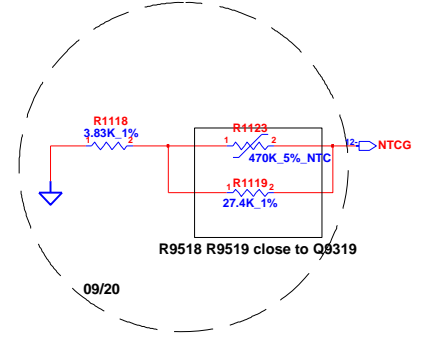
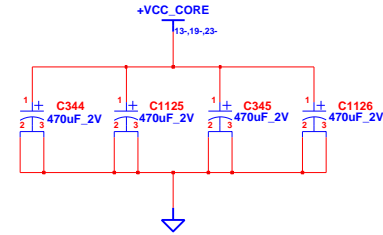
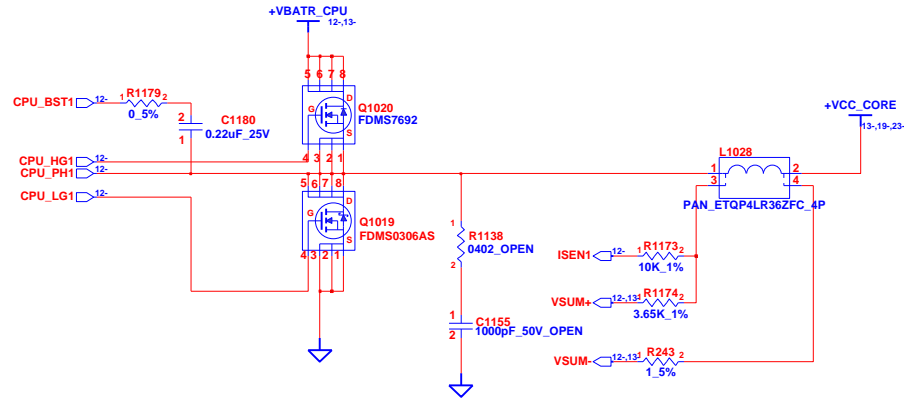
TITLE			
ROXETTE SEYMOUR-XT			
SYSTEM POWER(+VCCP)			
SIZE	CODE	DOC. NUMBER	REV
A3	CS	1310A2411501-0-MTR	A01
SHEET 10 OF 67			

CHANGE by Phil Huang 2-Mar-2011

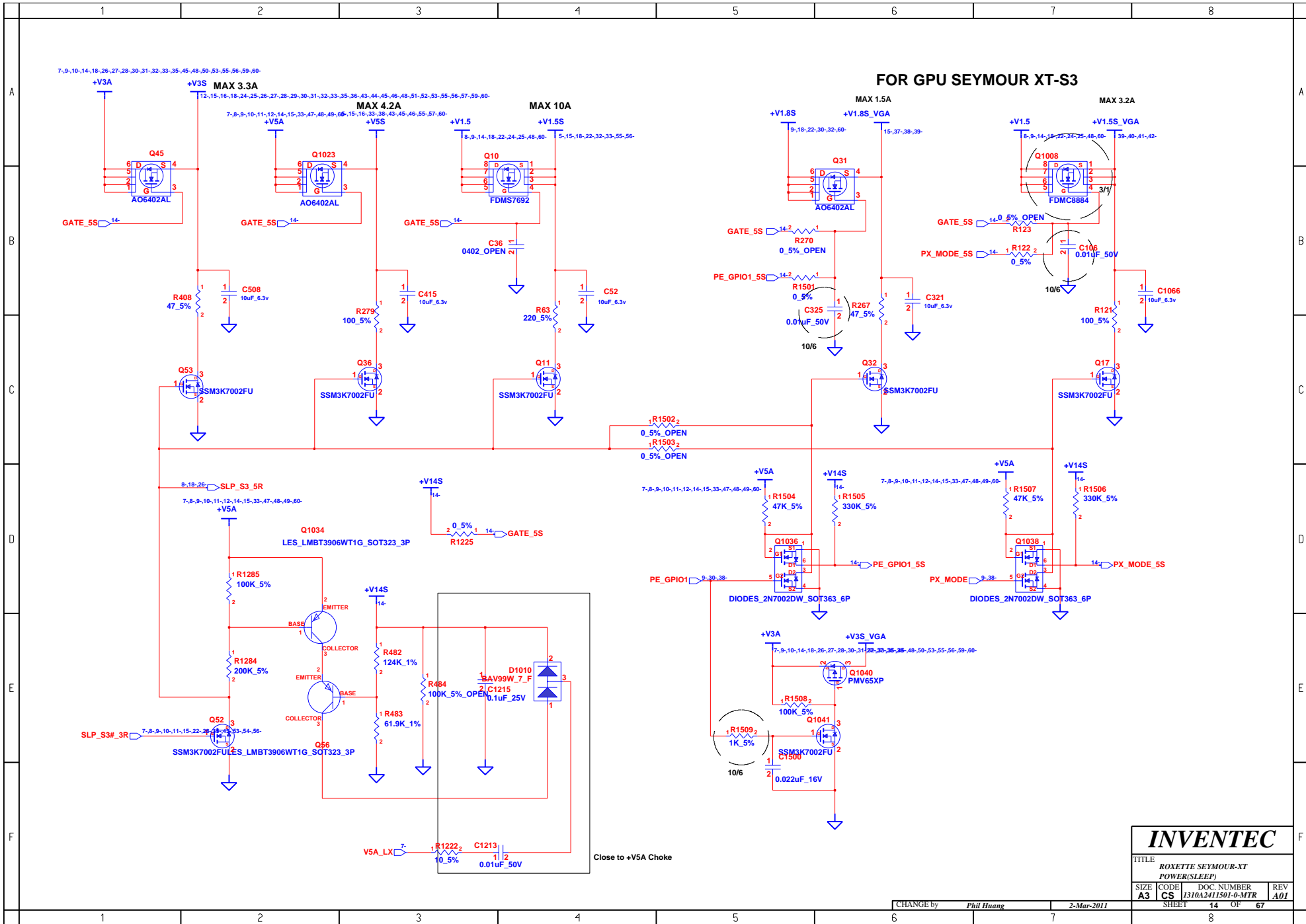




### VCC\_CORE (SV DC 35W-->MAX 53A)

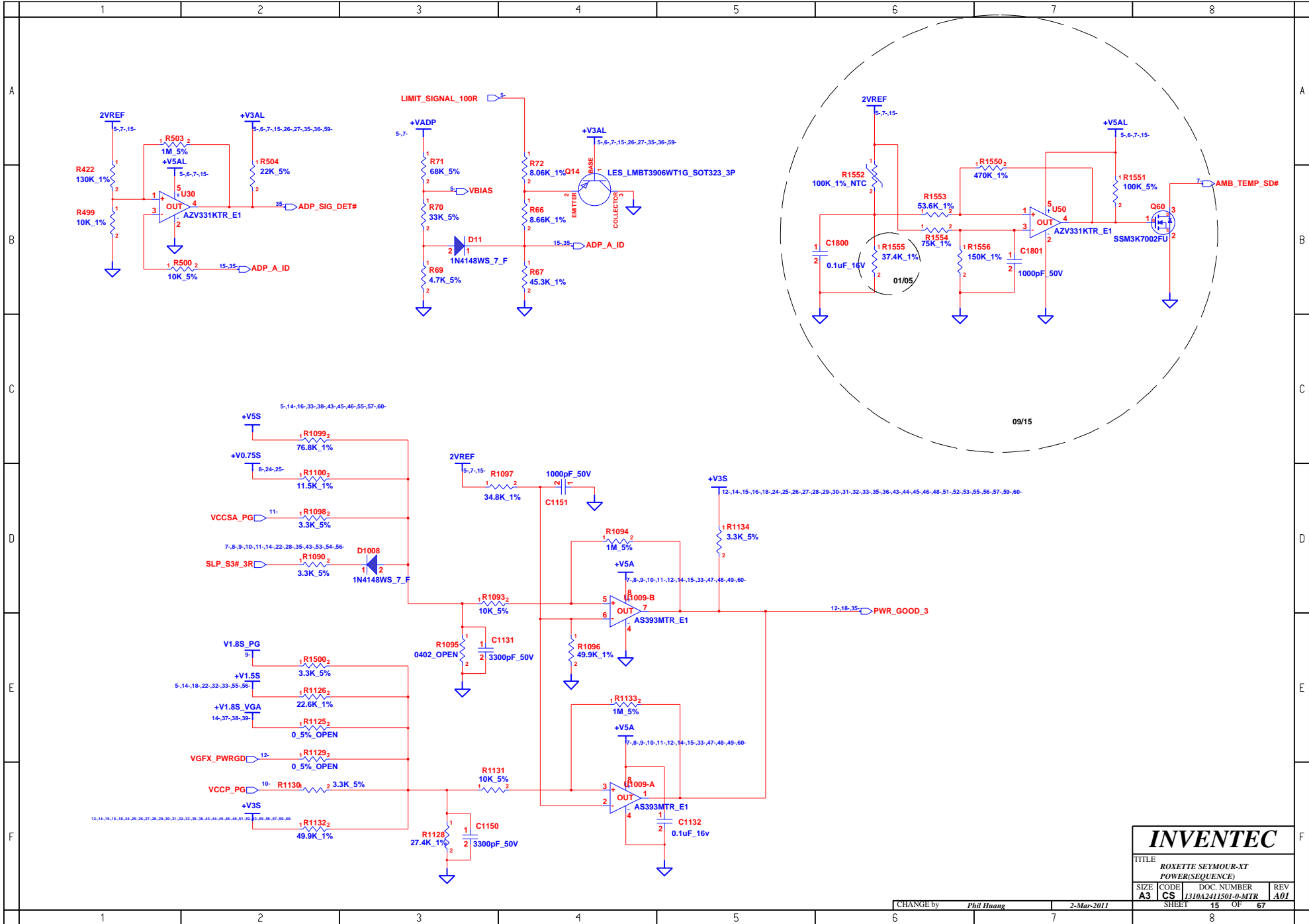


<b>INVENTEC</b>			
TITLE			
ROXETTE SEYMOUR-XT +VCC_CORE & +VGFY_CORE			
SIZE	CODE	DOC. NUMBER	REV
A3	CS	1310A2411501-0-MTR	A01
CHANGE by		SHEET	
Phil Huang		13 OF 67	

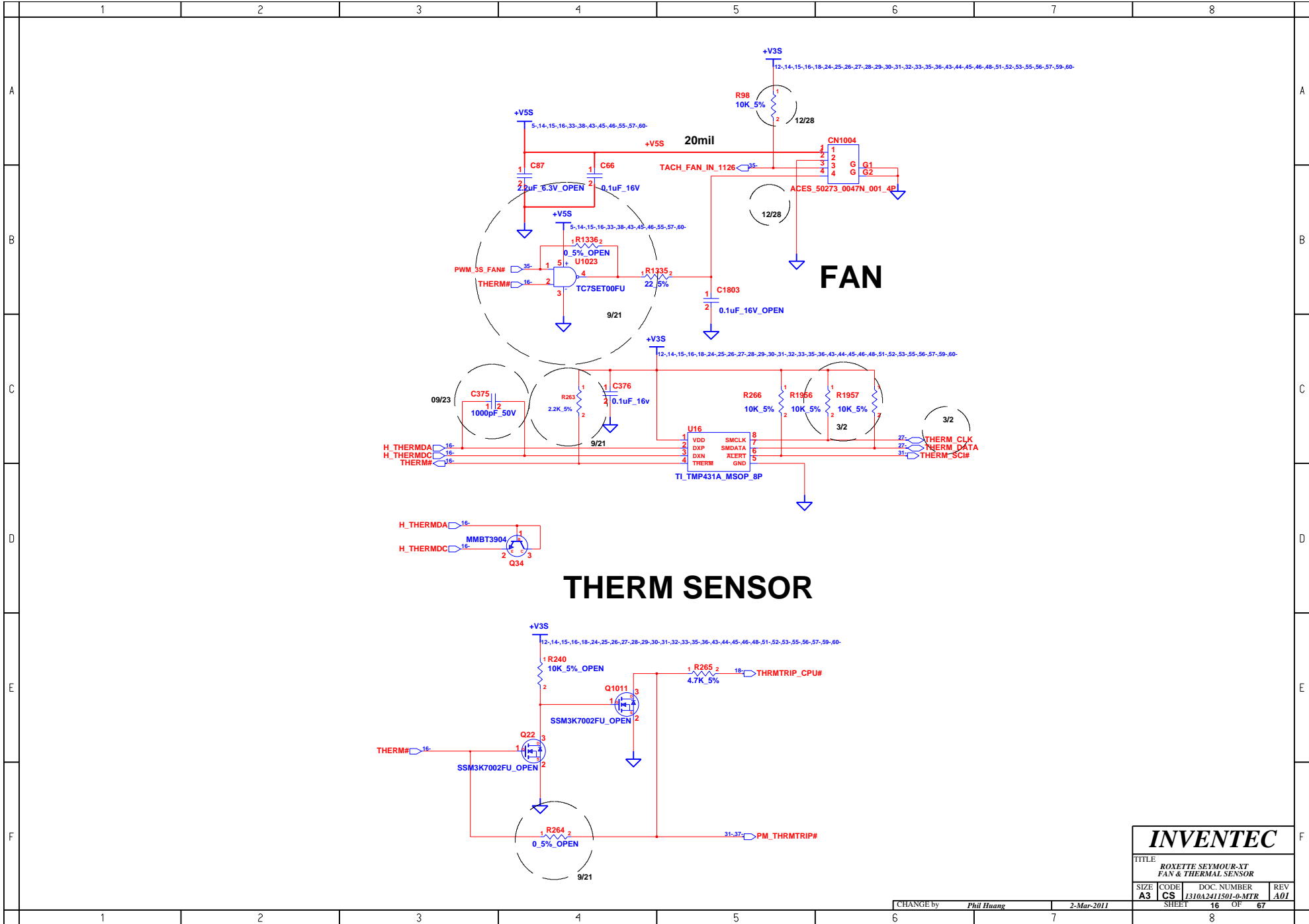


**FOR GPU SEYMOUR XT-S3**

<b>INVENTEC</b>			
TITLE ROXETTE SEYMOUR-XT POWER(SLEEP)			
SIZE A3	CODE CS	DOC NUMBER I310A2411501-0-MTR	REV A01
CHANGE by Phil Huang		2-Mar-2011	
SHEET 14		OF 67	



<b>INVENTEC</b>			
TITLE ROXETTE SEYMOUR-XT POWER(SEQUENCE)			
SIZE A3	CODE CS	DOC NUMBER I310A2411501-0-MTR	REV A01
CHANGE by Phil Huang		2-Mar-2011	
SHEET 15		OF 67	



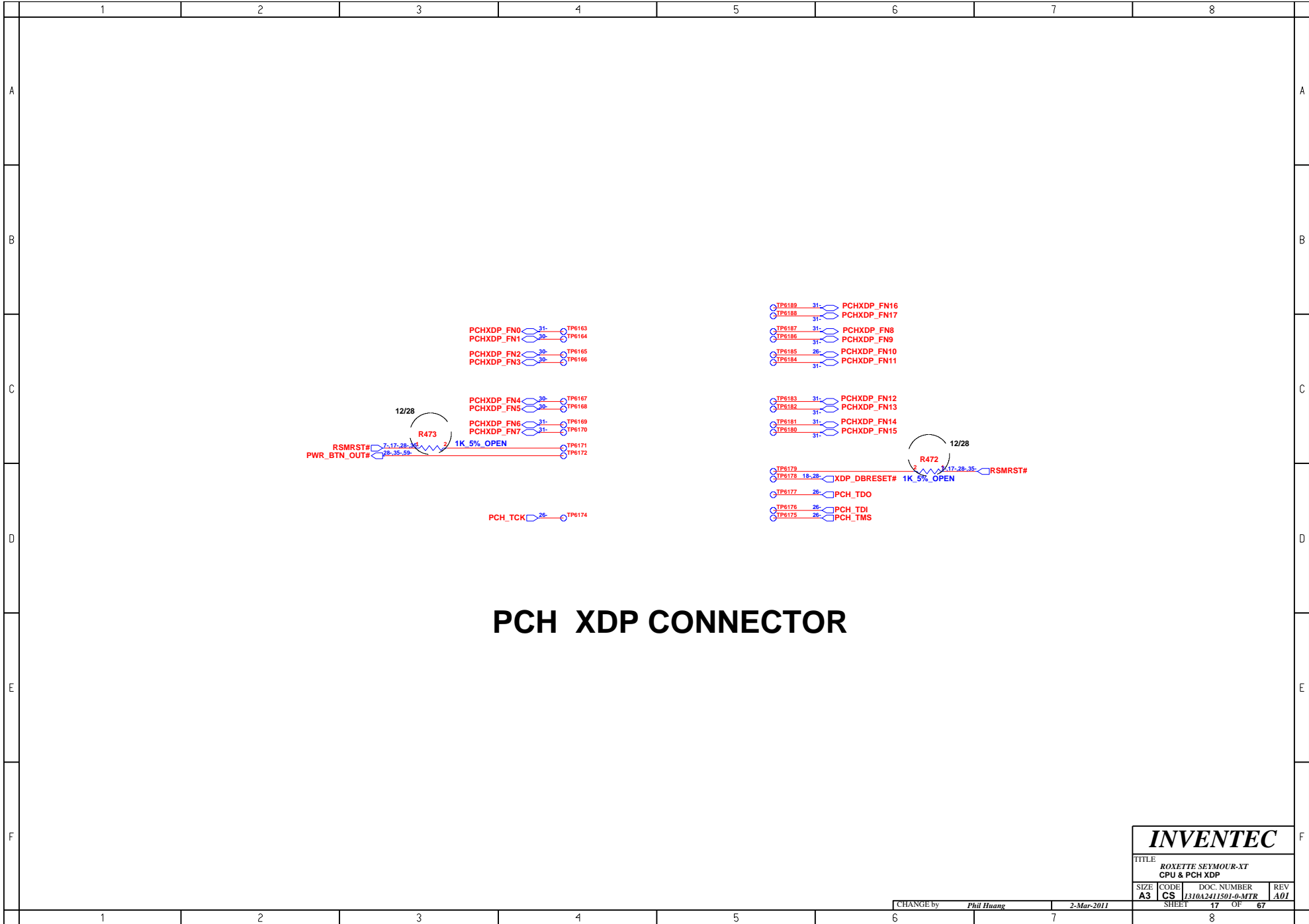
# THERM SENSOR

## INVENTEC

TITLE			
ROXETTE SEYMOUR-XT FAN & THERMAL SENSOR			
SIZE	CODE	DOC. NUMBER	REV
A3	CS	1310A2411501-0-MTR	A01
SHEET		16	OF 67

CHANGE by Phil Huang 2-Mar-2011





# PCH XDP CONNECTOR

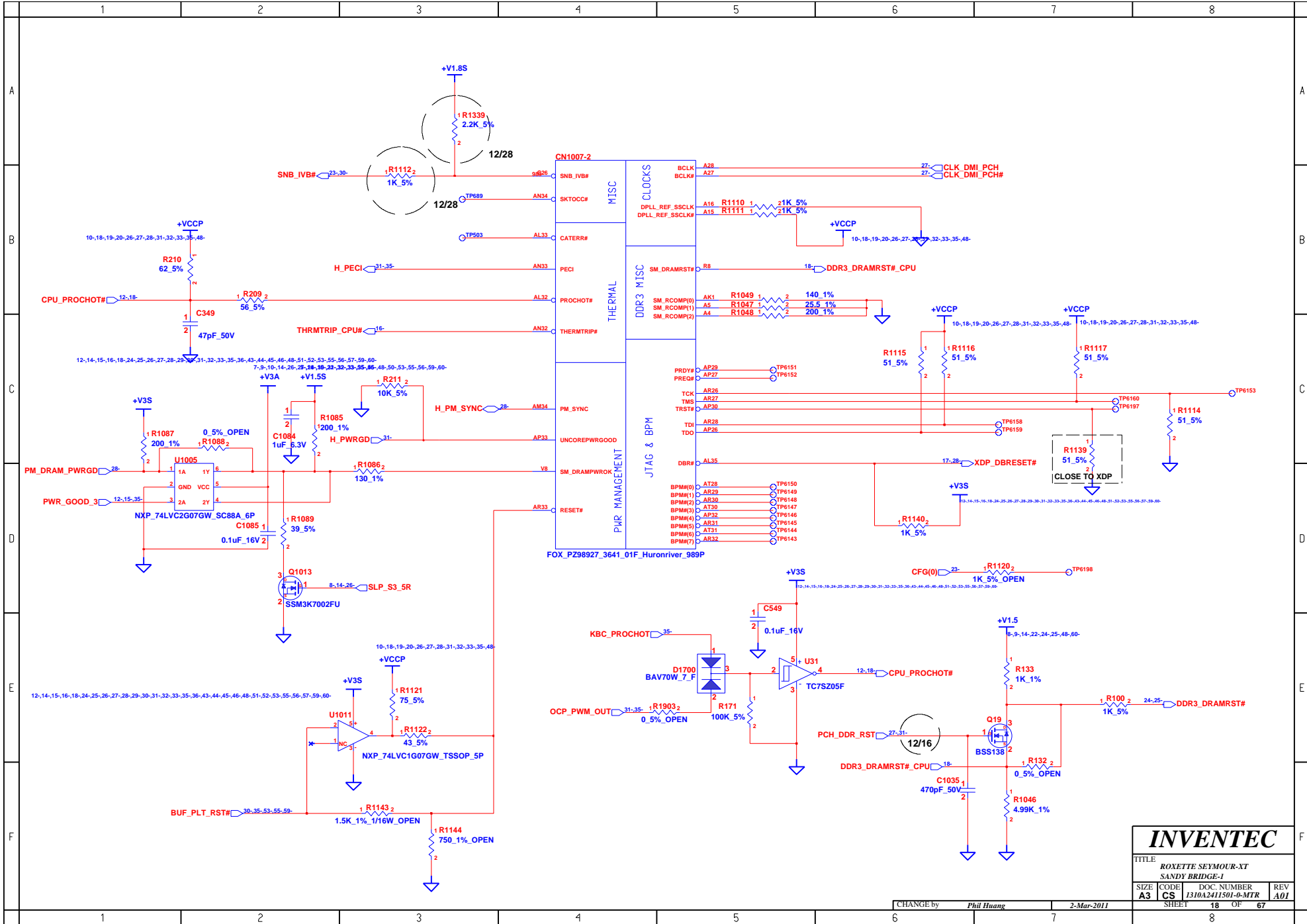
**INVENTEC**

TITLE  
 ROXETTE SEYMOUR-XT  
 CPU & PCH XDP

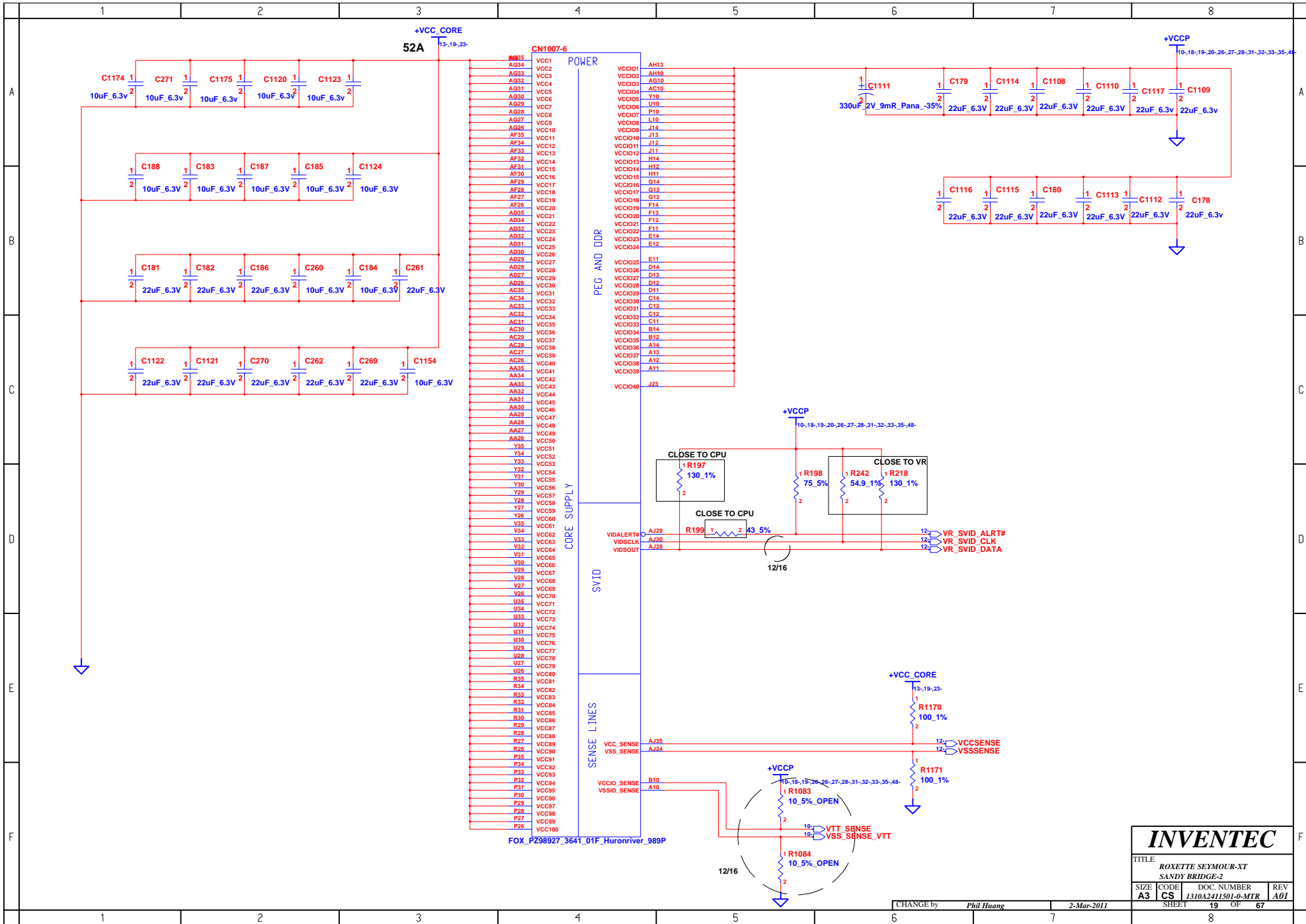
SIZE <b>A3</b>	CODE <b>CS</b>	DOC. NUMBER <b>1310A2411501-0-MTR</b>	REV <b>A01</b>
-------------------	-------------------	--	-------------------

CHANGE by *Phil Huang* 2-Mar-2011

SHEET 17 OF 67

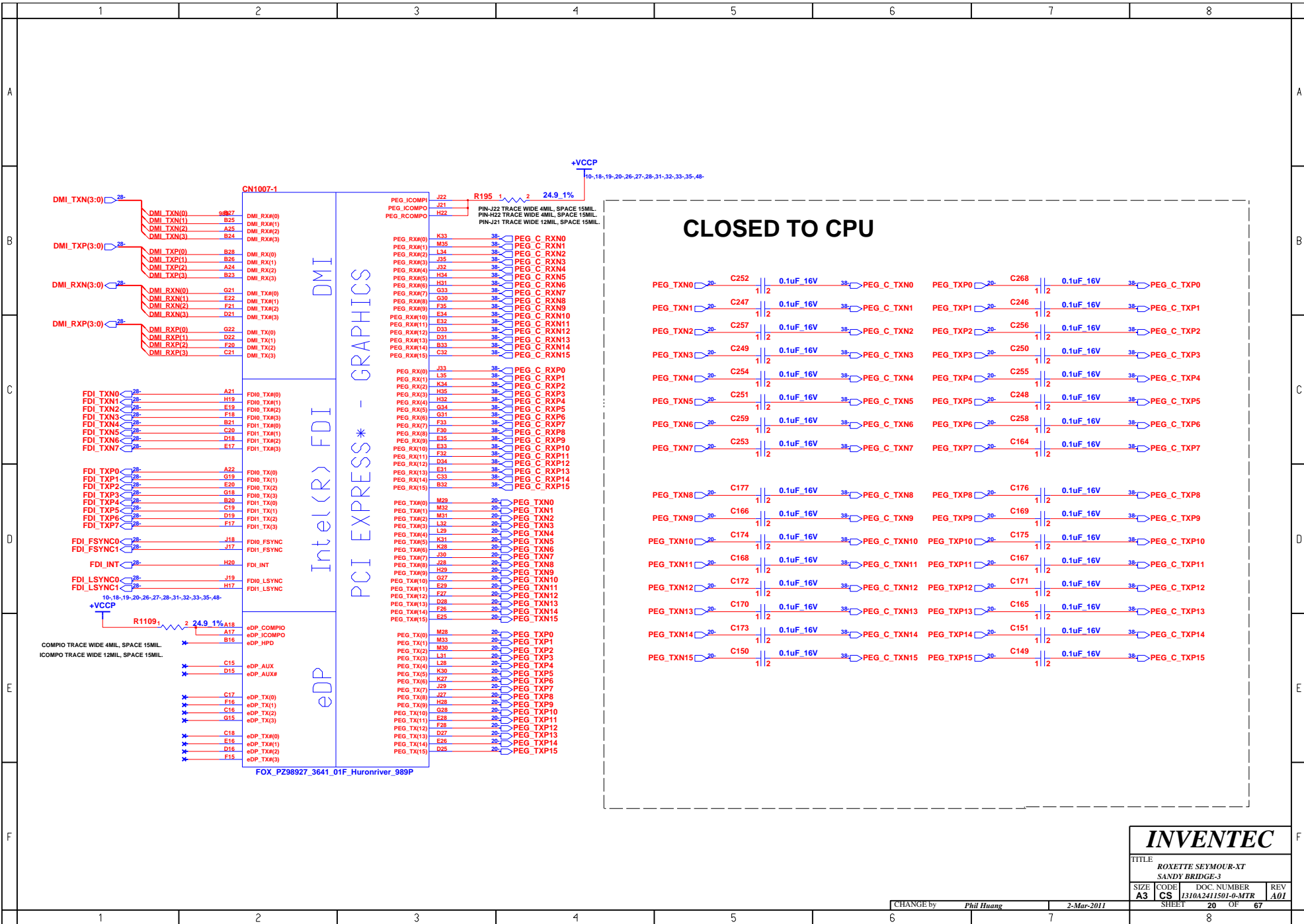


<b>INVENTEC</b>			
TITLE ROXETTE SEYMOUR-XT SANDY BRIDGE-1			
SIZE A3	CODE CS	DOC. NUMBER I310A2411501-0-MTR	REV A01
CHANGE by Phil Huang		2-Mar-2011	
SHEET 18		OF 67	

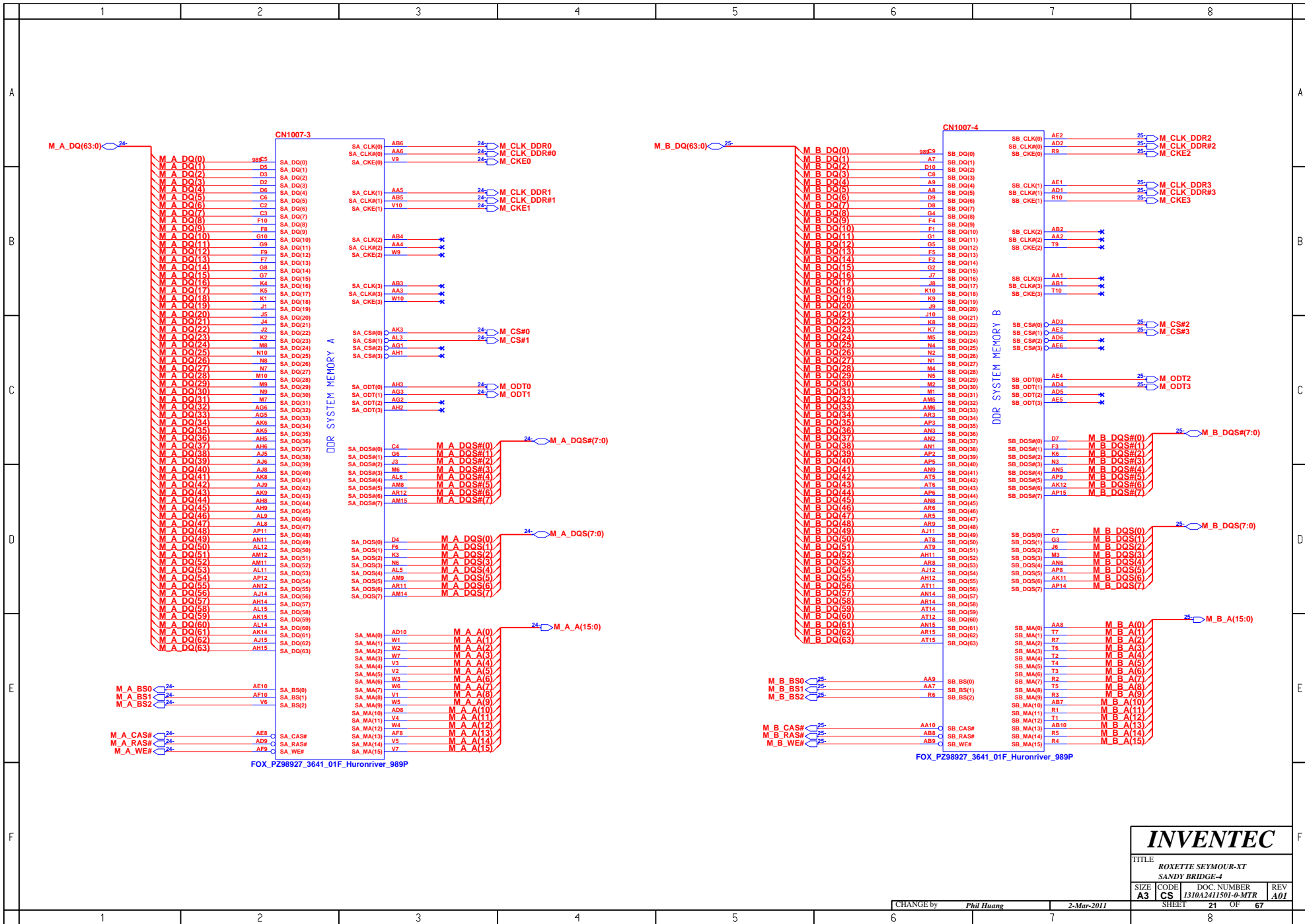


FOX\_P298927\_3641\_01F\_Huronriver\_989P

<b>INVENTEC</b>			
TITLE ROXETTE SEYMOUR-XT SANDY BRIDGE-2			
SIZE <b>A3</b>	CODE <b>CS</b>	DOC. NUMBER 1310A2411501-b-MTR	REV <b>A01</b>
CHANGE by <i>Phil Huang</i>		2-Mar-2011	
SHEET 19		OF 67	



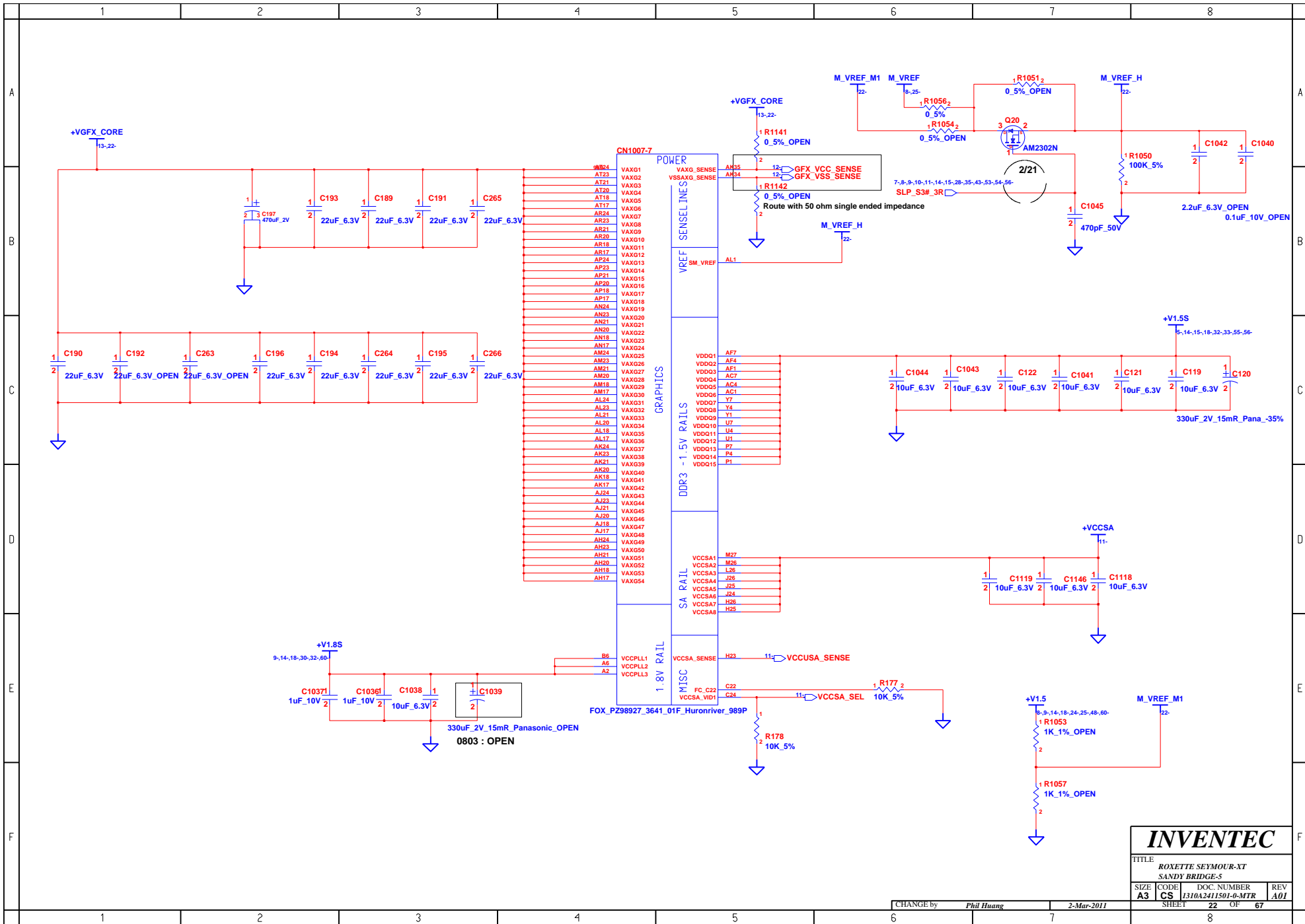
<b>INVENTEC</b>			
TITLE ROXETTE SEYMOUR-XT SANDY BRIDGE-3			
SIZE A3	CODE CS	DOC NUMBER 1310A2411501-0-MTR	REV A01
CHANGE by Phil Huang		2-Mar-2011	
SHEET 20		OF 67	



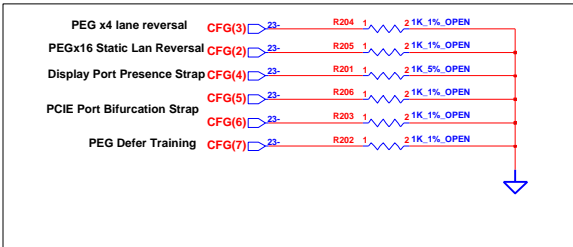
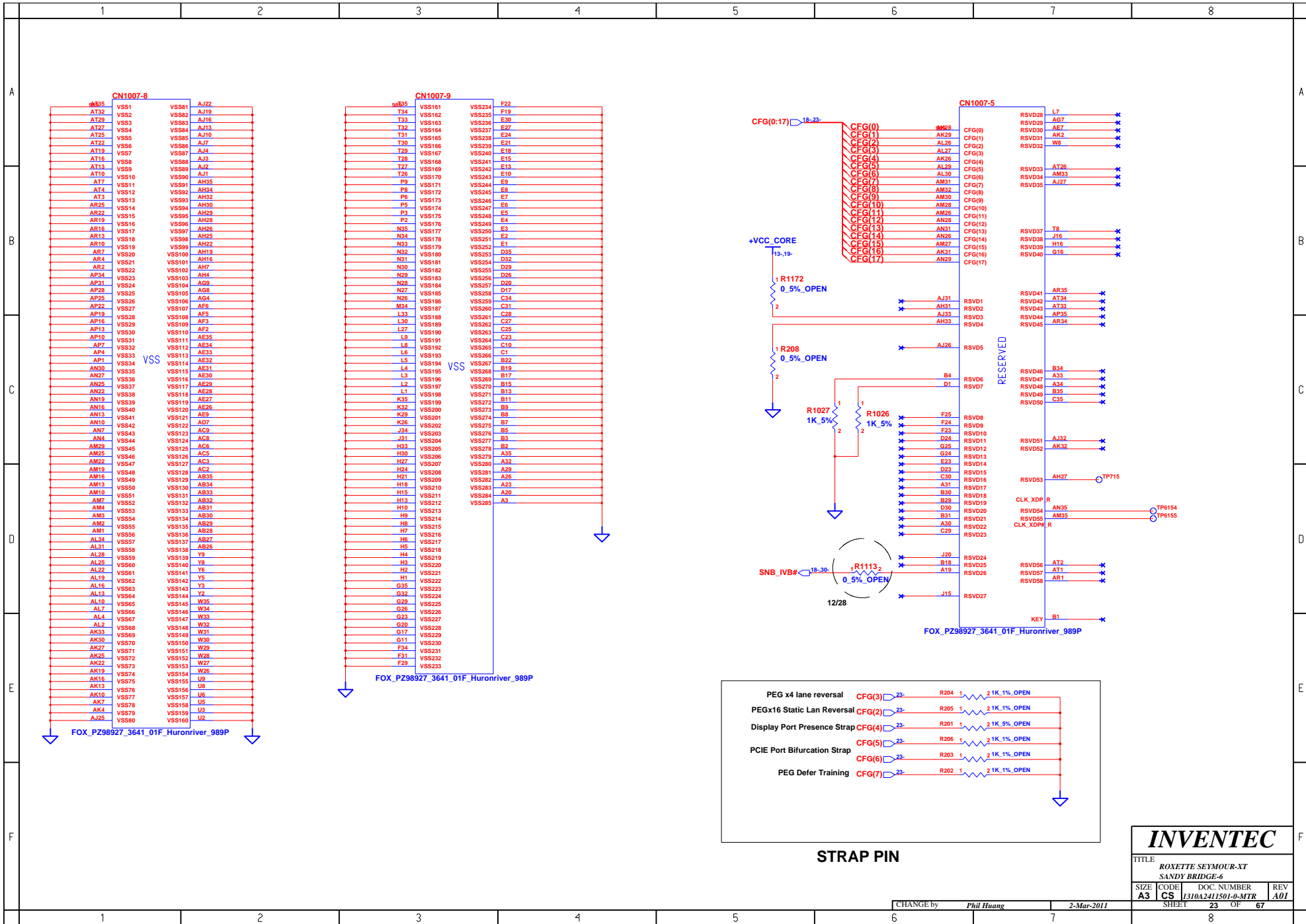
# INVENTEC

TITLE			
ROXETTE SEYMOUR-XT			
SANDY BRIDGE-4			
SIZE	CODE	DOC. NUMBER	REV
A3	CS	I310A2411501-0-MTR	A01
SHEET		21	OF 67

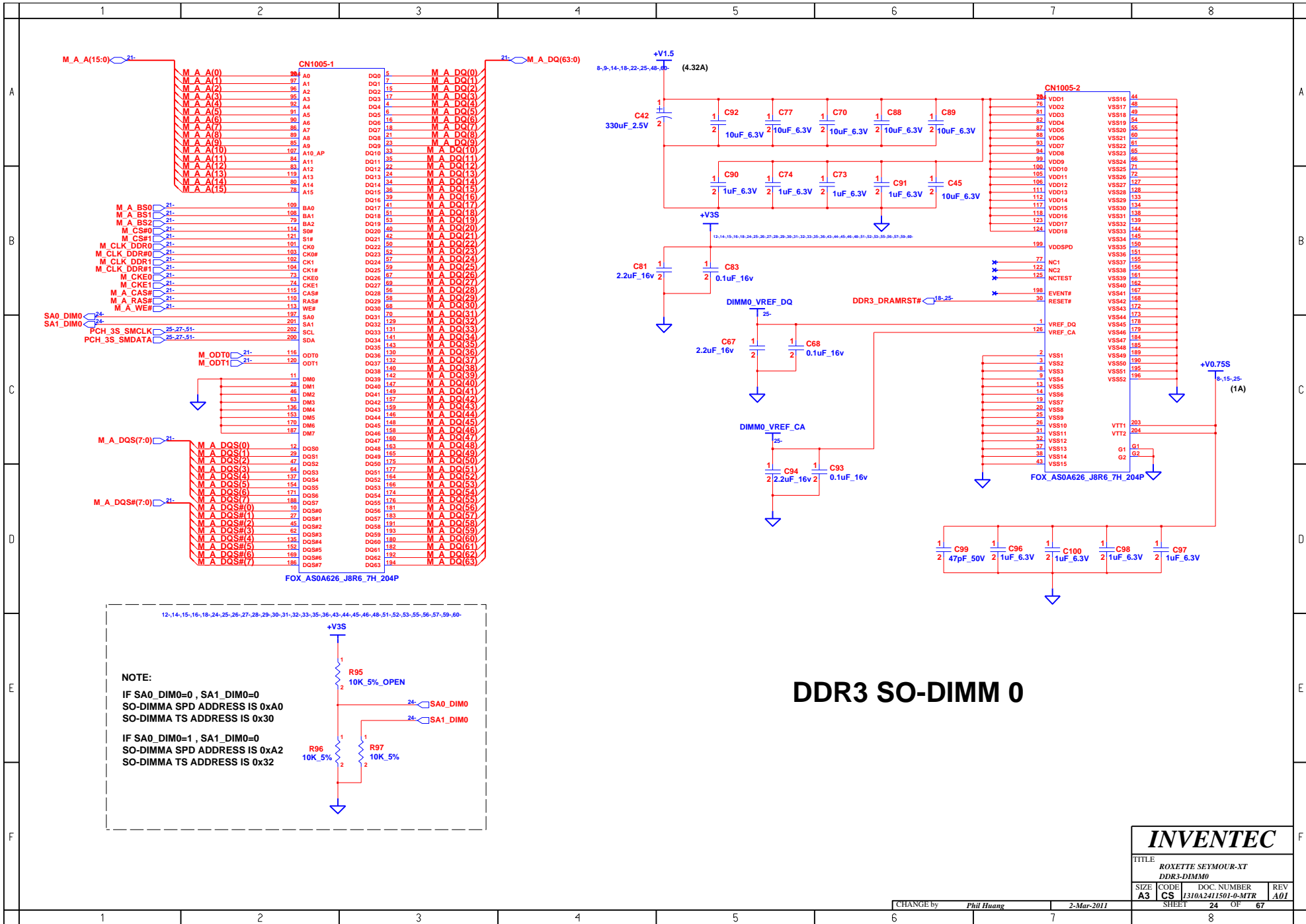
CHANGE by Phil Huang 2-Mar-2011



<b>INVENTEC</b>			
TITLE			
ROXETTE SEYMOUR-XT SANDY BRIDGE-5			
SIZE	CODE	DOC NUMBER	REV
A3	CS	1310A2411501-0-MTR	A01
CHANGE by		SHEET	
Phil Huang		22 OF 67	



<b>INVENTEC</b>			
TITLE ROXETTE SEYMOUR-XT SANDY BRIDGE-6			
SIZE <b>A3</b>	CODE <b>CS</b>	DOC. NUMBER 1310A2411501-0-MTR	REV <b>A01</b>
CHANGE by Phil Huang		2-Mar-2011	
SHEET 23		OF 67	



# DDR3 SO-DIMM 0

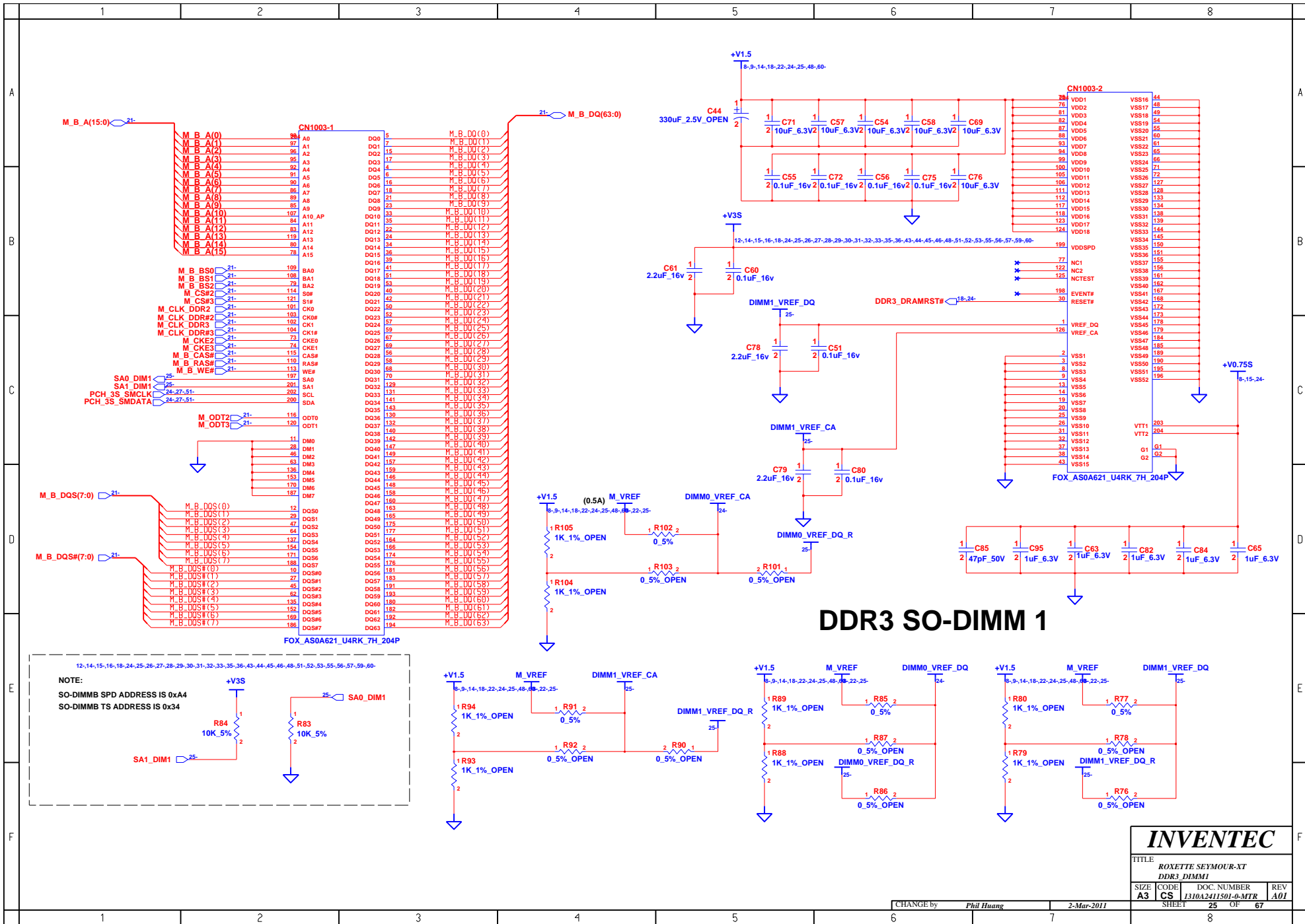
**NOTE:**

IF SA0\_DIMM=0, SA1\_DIMM=0  
SO-DIMMA SPD ADDRESS IS 0xA0  
SO-DIMMA TS ADDRESS IS 0x30

IF SA0\_DIMM=1, SA1\_DIMM=0  
SO-DIMMA SPD ADDRESS IS 0xA2  
SO-DIMMA TS ADDRESS IS 0x32

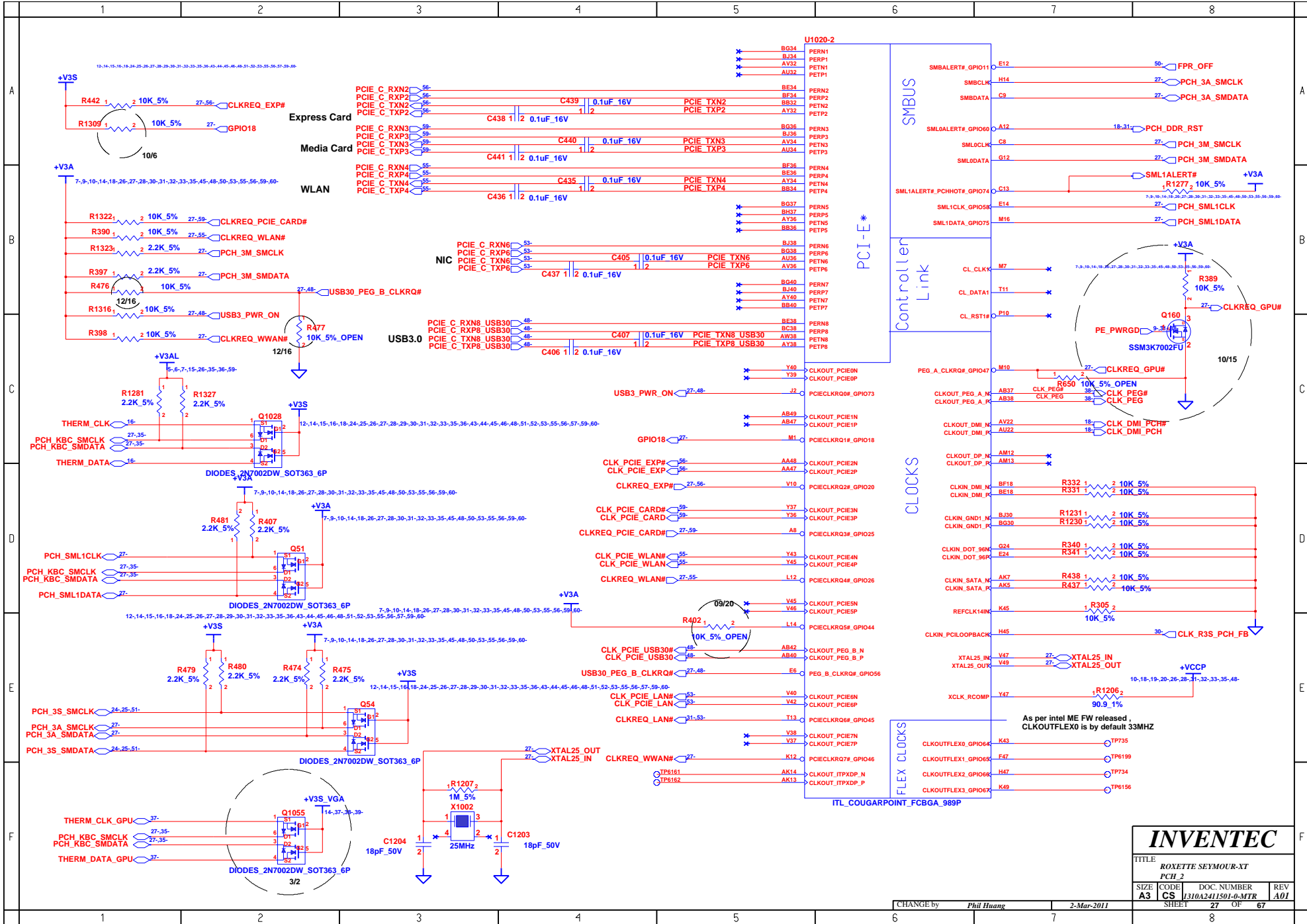
<b>INVENTEC</b>			
TITLE ROXETTE SEYMOUR-XT DDR3-DIMM0			
SIZE A3	CODE CS	DOC. NUMBER I310A2411501-0-MTR	REV A01
CHANGE by Phil Huang		2-Mar-2011	
SHEET 24		OF 67	





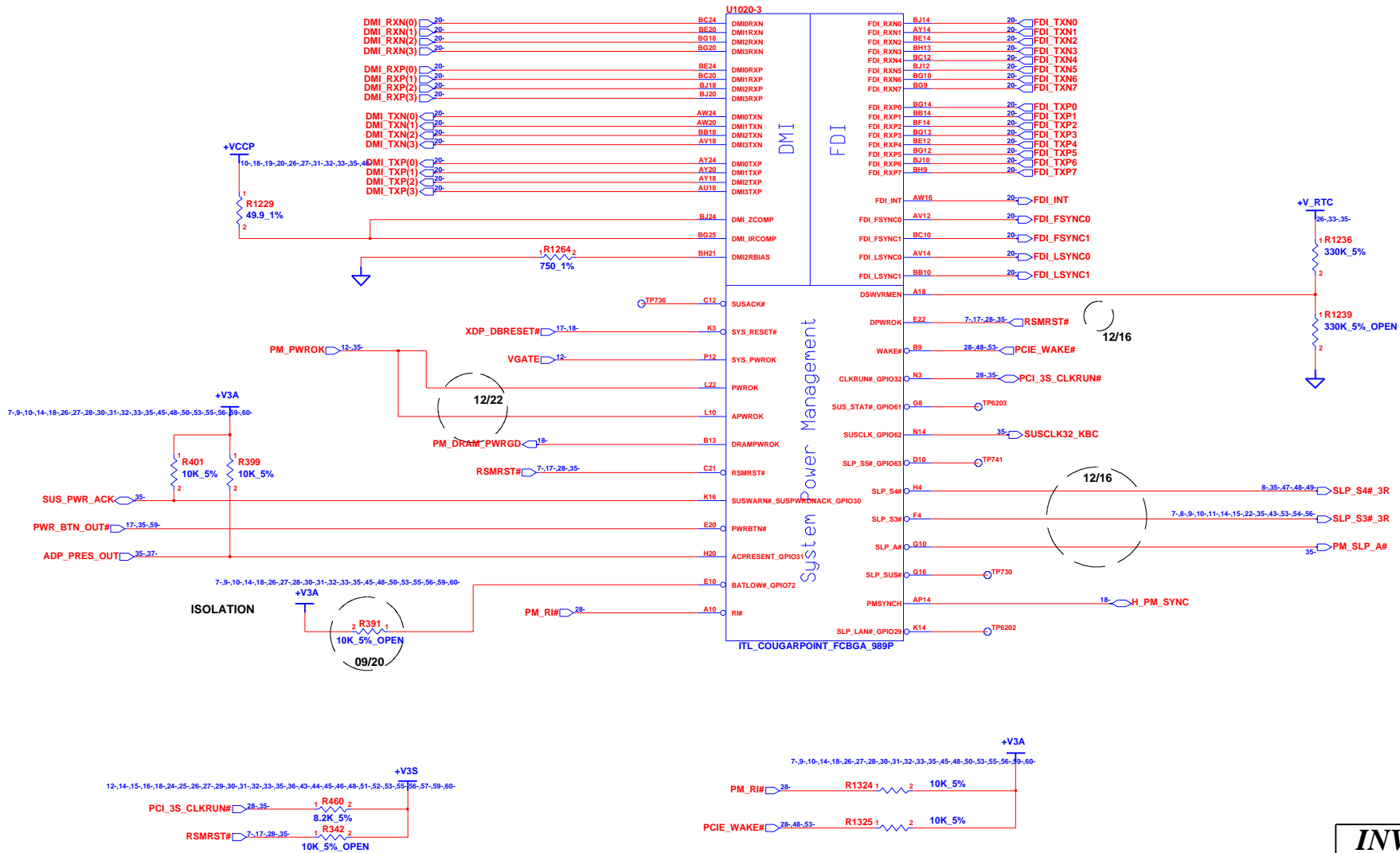
<b>INVENTEC</b>			
TITLE ROXETTE SEYMOUR-XT DDR3 DIMM1			
SIZE A3	CODE CS	DOC. NUMBER 1310A2411501-0-MTR	REV A01
CHANGE by Phil Huang		2-Mar-2011	
SHEET 25		OF 67	



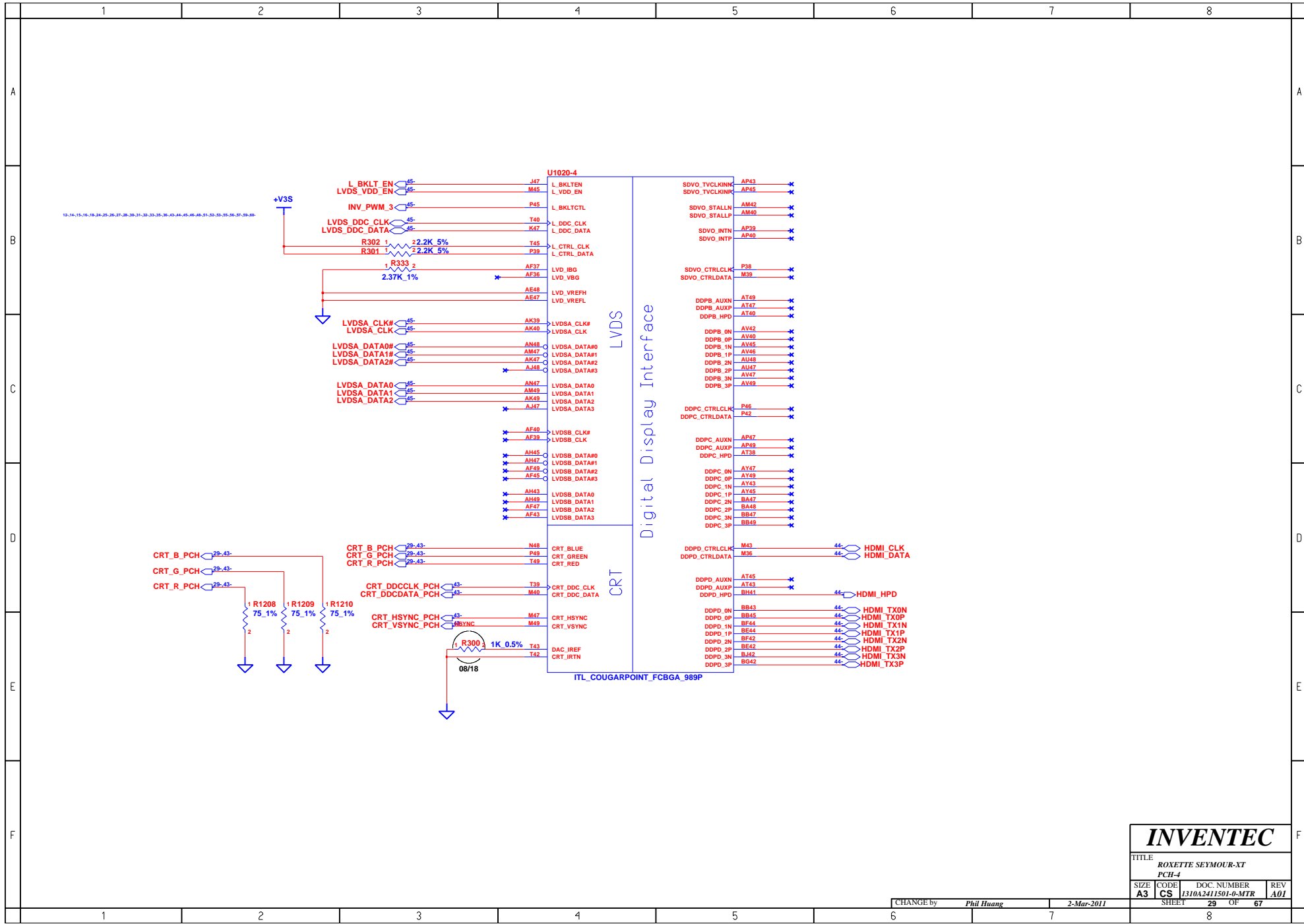


<b>INVENTEC</b>			
TITLE ROXETTE SEYMOUR-XT PCH 2			
SIZE A3	CODE CS	DOC. NUMBER 1310A2411501-0-MTR	REV A01
CHANGE by Phil Huang		2-Mar-2011	
SHEET 27		OF 67	

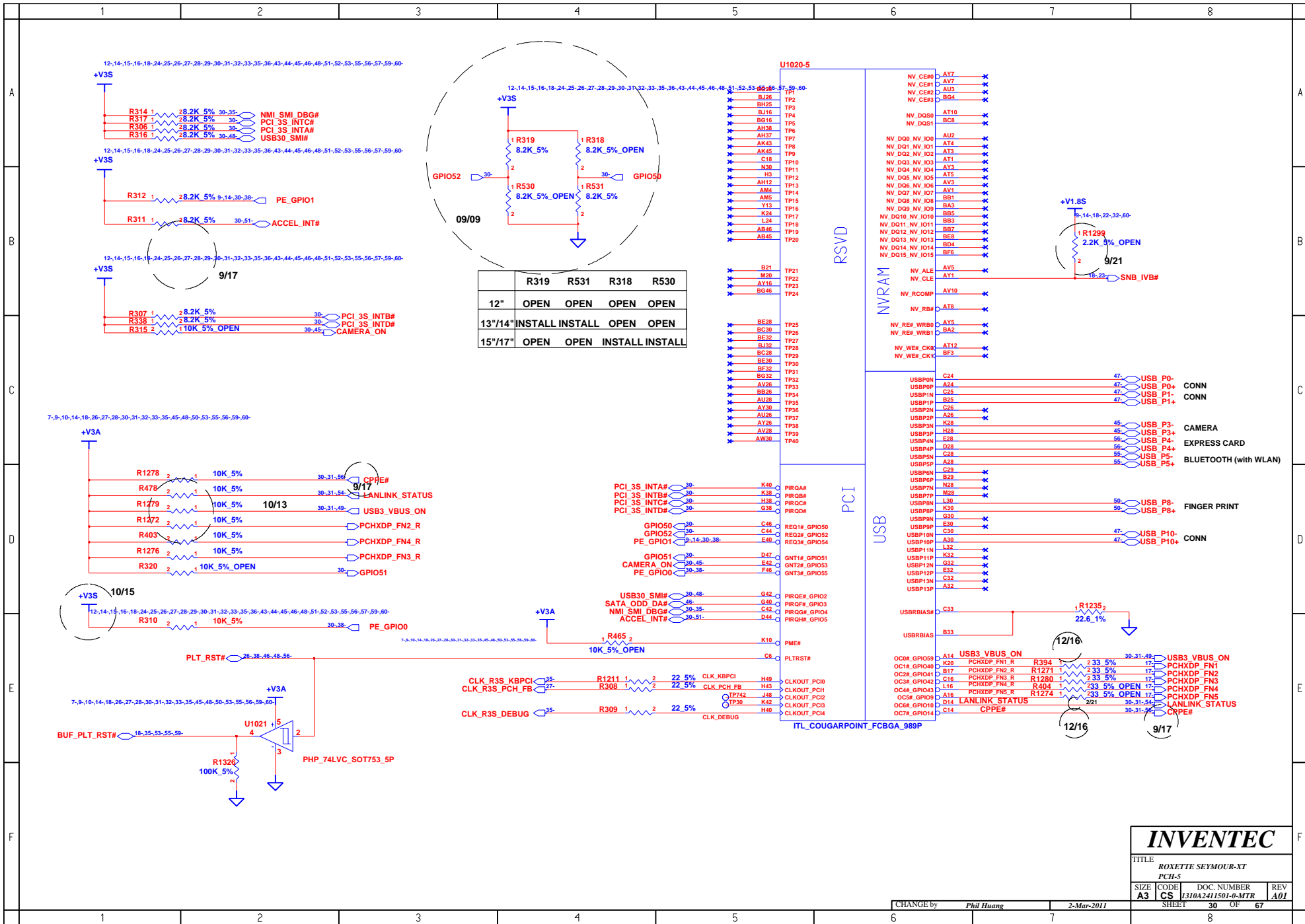
Note: 1.SLP\_SUS and SUSACK# are NC if DSW is not supported  
 2.DPWR0K should connect to RSMRST# if DSW not supported  
 3.PCH\_DPWR0K pull up to +V3S enables DSW support. No install R5261 to disable DSW

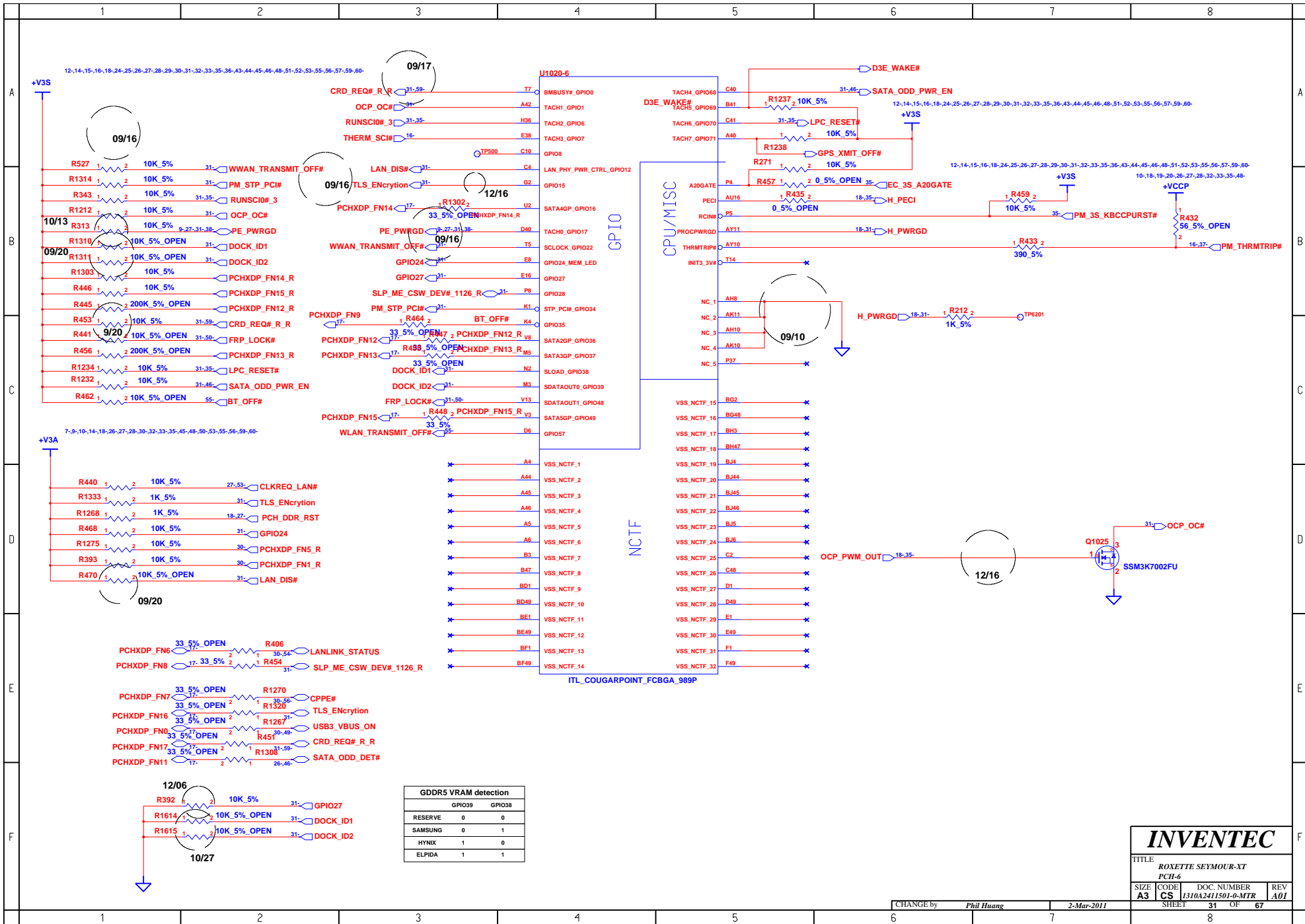


<b>INVENTEC</b>			
TITLE ROXETTE SEYMOUR-XT PCH-3			
SIZE A3	CODE CS	DOC. NUMBER 1310A2411501-0-MTR	REV A01
CHANGE by Phil Huang		2-Mar-2011	
SHEET 28		OF 67	



<b>INVENTEC</b>			
TITLE			
ROXETTE SEYMOUR-XT PCH-4			
SIZE	CODE	DOC. NUMBER	REV
A3	CS	1310A2411501-0-MTR	A01
CHANGE by		SHEET	
Phil Huang		29 OF 67	
2-Mar-2011		8	

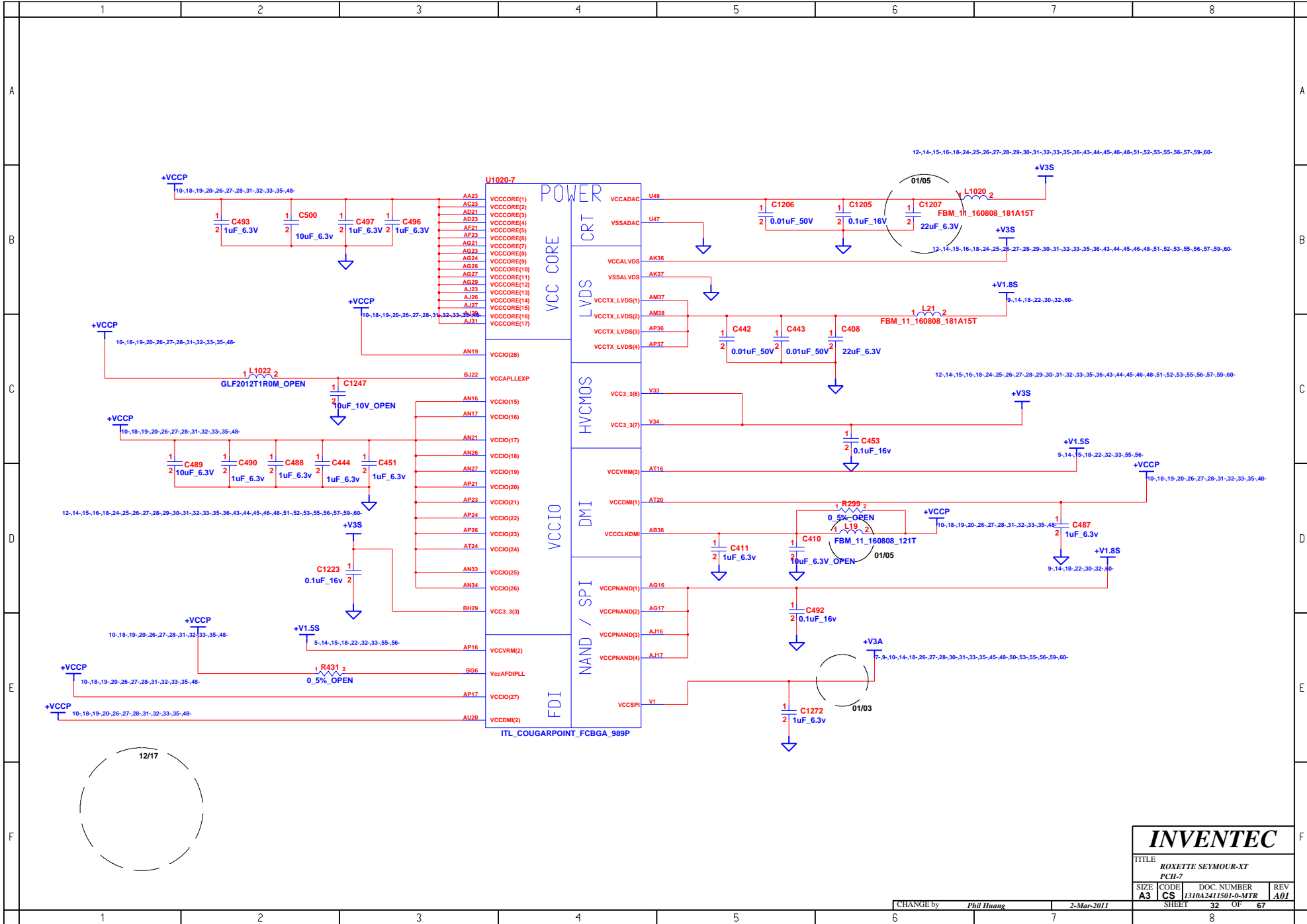




GDDR5 VRAM detection	
GPIO39	GPIO38
RESERVE	0 0
SAMSUNG	0 1
HYNIX	1 0
ELPIDA	1 1

<b>INVENTEC</b>			
TITLE ROXETTE SEYMOUR-XT PCH-6			
SIZE A3	CODE CS	DOC. NUMBER 1310A2411501-0-MTR	REV A01
SHEET		31 OF 67	

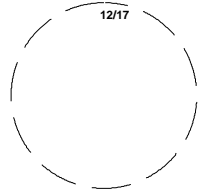
CHANGE by Phil Huang 2-Mar-2011



# INVENTEC

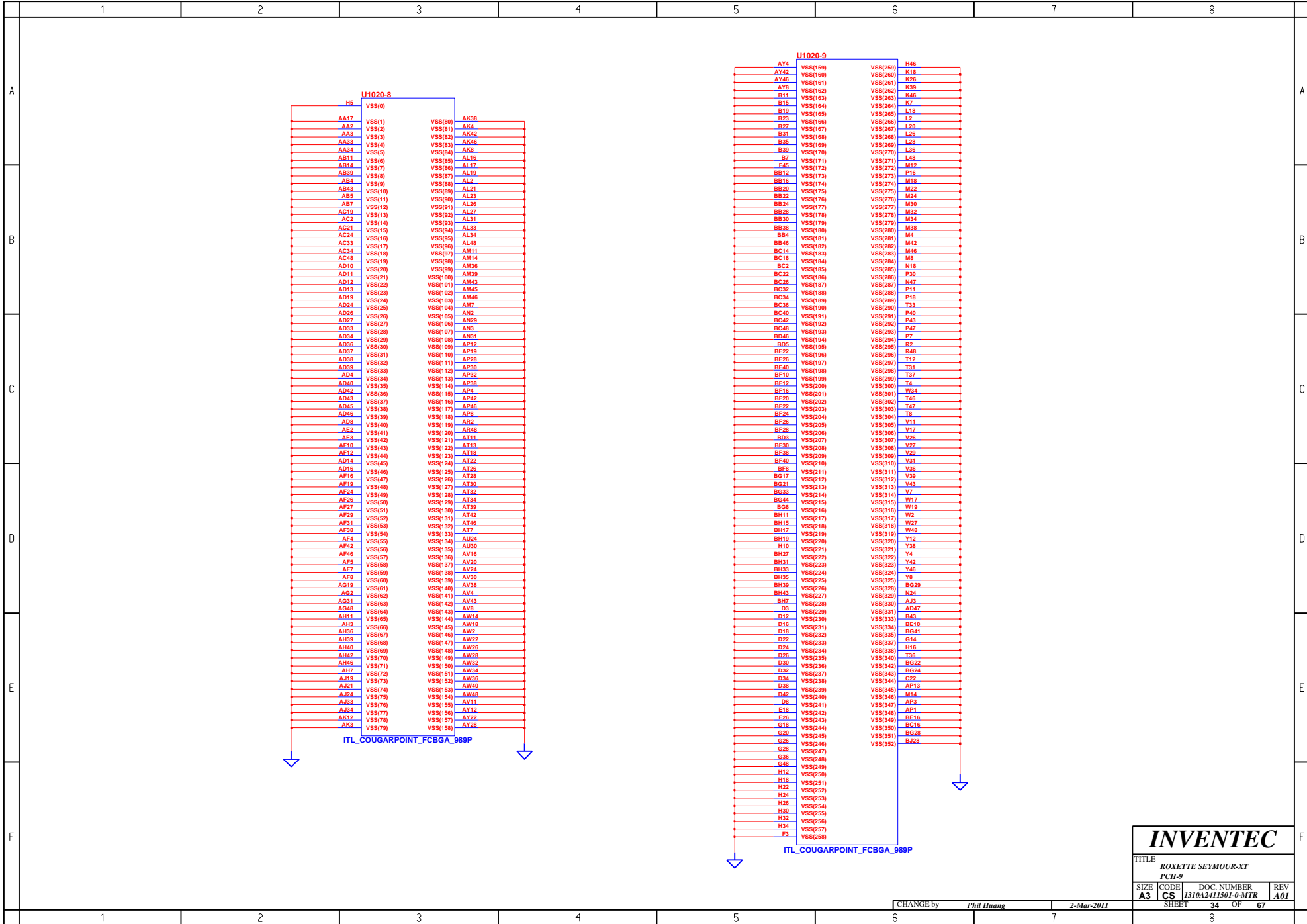
TITLE			
ROXETTE SEYMOUR-XT			
PCH-7			
SIZE	CODE	DOC. NUMBER	REV
A3	CS	I310A2411501-0-MTR	A01
SHEET		OF	
32		67	

CHANGE by *Phil Huang* 2-Mar-2011







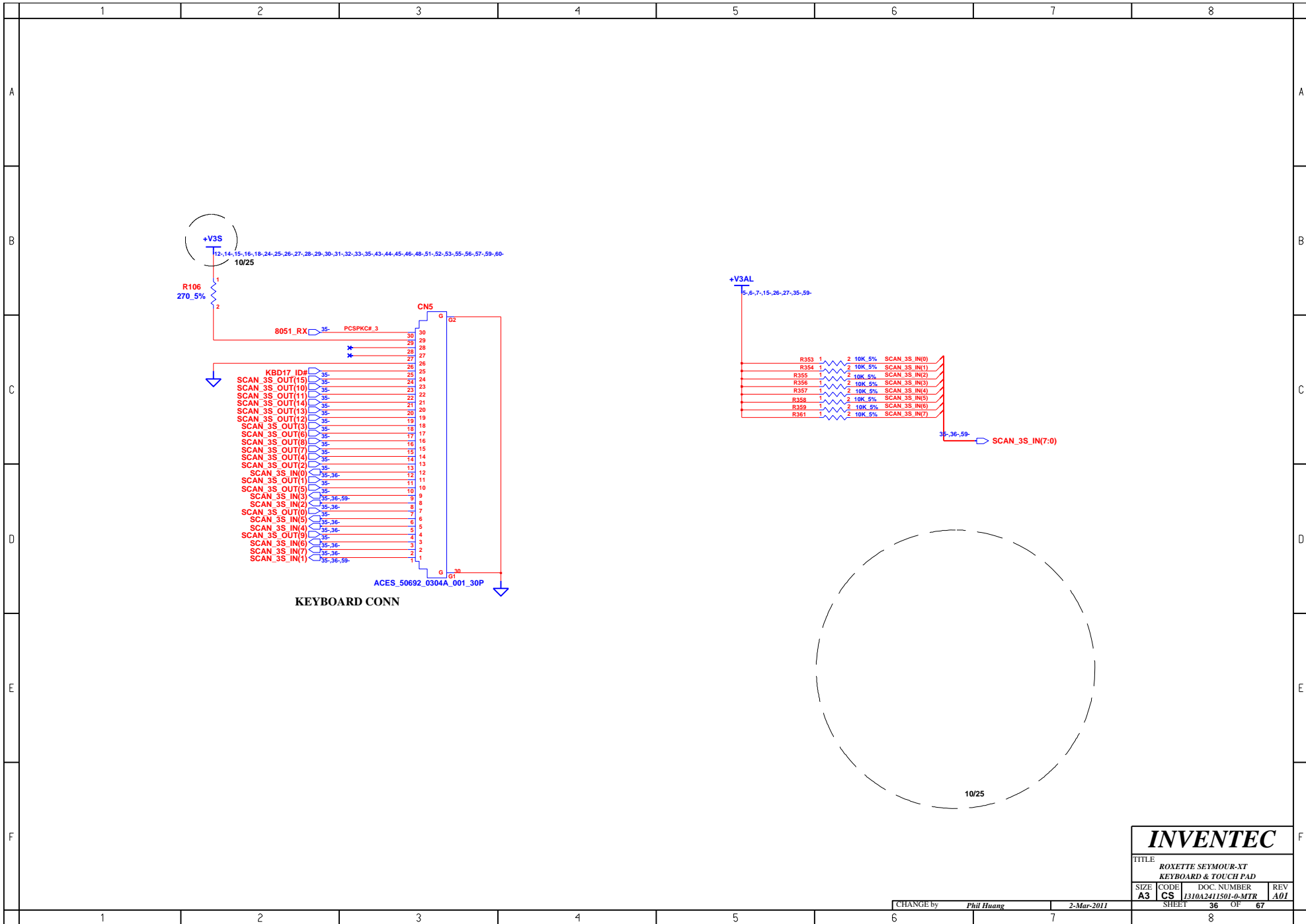


- U1020-8**
- VSS(0)
  - AK38
  - AK4
  - AK42
  - AK46
  - AK8
  - AL16
  - AL17
  - AL19
  - AL2
  - AL21
  - AL23
  - AL26
  - AL27
  - AL31
  - AL33
  - AL34
  - AL46
  - AM11
  - AM14
  - AM36
  - AM39
  - AM43
  - AM45
  - AM46
  - AM7
  - AN2
  - AN29
  - AN3
  - AN31
  - AP12
  - AP19
  - AP28
  - AP32
  - AP38
  - AP4
  - AP42
  - AP46
  - AP8
  - AR2
  - AR48
  - AT11
  - AT13
  - AT18
  - AT22
  - AT26
  - AT28
  - AT30
  - AT32
  - AT34
  - AT39
  - AT42
  - AT46
  - AT7
  - AU24
  - AV0
  - AV16
  - AV20
  - AV24
  - AV38
  - AV4
  - AV43
  - AV8
  - AW14
  - AW18
  - AW2
  - AW22
  - AW26
  - AW28
  - AW34
  - AW36
  - AW40
  - AW46
  - AW2
  - AW22
  - AW26
  - AW28
  - AW34
  - AW36
  - AW40
  - AV11
  - AY12
  - AY22
  - AY28
  - VSS(158)

- U1020-9**
- VSS(159)
  - VSS(160)
  - VSS(161)
  - VSS(162)
  - VSS(163)
  - VSS(164)
  - VSS(165)
  - VSS(166)
  - VSS(167)
  - VSS(168)
  - VSS(169)
  - VSS(170)
  - VSS(171)
  - VSS(172)
  - VSS(173)
  - VSS(174)
  - VSS(175)
  - VSS(176)
  - VSS(177)
  - VSS(178)
  - VSS(179)
  - VSS(180)
  - VSS(181)
  - VSS(182)
  - VSS(183)
  - VSS(184)
  - VSS(185)
  - VSS(186)
  - VSS(187)
  - VSS(188)
  - VSS(189)
  - VSS(190)
  - VSS(191)
  - VSS(192)
  - VSS(193)
  - VSS(194)
  - VSS(195)
  - VSS(196)
  - VSS(197)
  - VSS(198)
  - VSS(199)
  - VSS(200)
  - VSS(201)
  - VSS(202)
  - VSS(203)
  - VSS(204)
  - VSS(205)
  - VSS(206)
  - VSS(207)
  - VSS(208)
  - VSS(209)
  - VSS(210)
  - VSS(211)
  - VSS(212)
  - VSS(213)
  - VSS(214)
  - VSS(215)
  - VSS(216)
  - VSS(217)
  - VSS(218)
  - VSS(219)
  - VSS(220)
  - VSS(221)
  - VSS(222)
  - VSS(223)
  - VSS(224)
  - VSS(225)
  - VSS(226)
  - VSS(227)
  - VSS(228)
  - VSS(229)
  - VSS(230)
  - VSS(231)
  - VSS(232)
  - VSS(233)
  - VSS(234)
  - VSS(235)
  - VSS(236)
  - VSS(237)
  - VSS(238)
  - VSS(239)
  - VSS(240)
  - VSS(241)
  - VSS(242)
  - VSS(243)
  - VSS(244)
  - VSS(245)
  - VSS(246)
  - VSS(247)
  - VSS(248)
  - VSS(249)
  - VSS(250)
  - VSS(251)
  - VSS(252)
  - VSS(253)
  - VSS(254)
  - VSS(255)
  - VSS(256)
  - VSS(257)
  - VSS(258)

<b>INVENTEC</b>			
TITLE			
ROXETTE SEYMOUR-XT PCH-9			
SIZE	CODE	DOC. NUMBER	REV
A3	CS	I310A2411501-0-MTR	A01
CHANGE by		2-Mar-2011	
SHEET		34 OF 67	





# INVENTEC

TITLE			
ROXETTE SEYMOUR-XT KEYBOARD & TOUCH PAD			
SIZE	CODE	DOC. NUMBER	REV
A3	CS	1310A2411501-0-MTR	A01
SHEET		36	OF 67

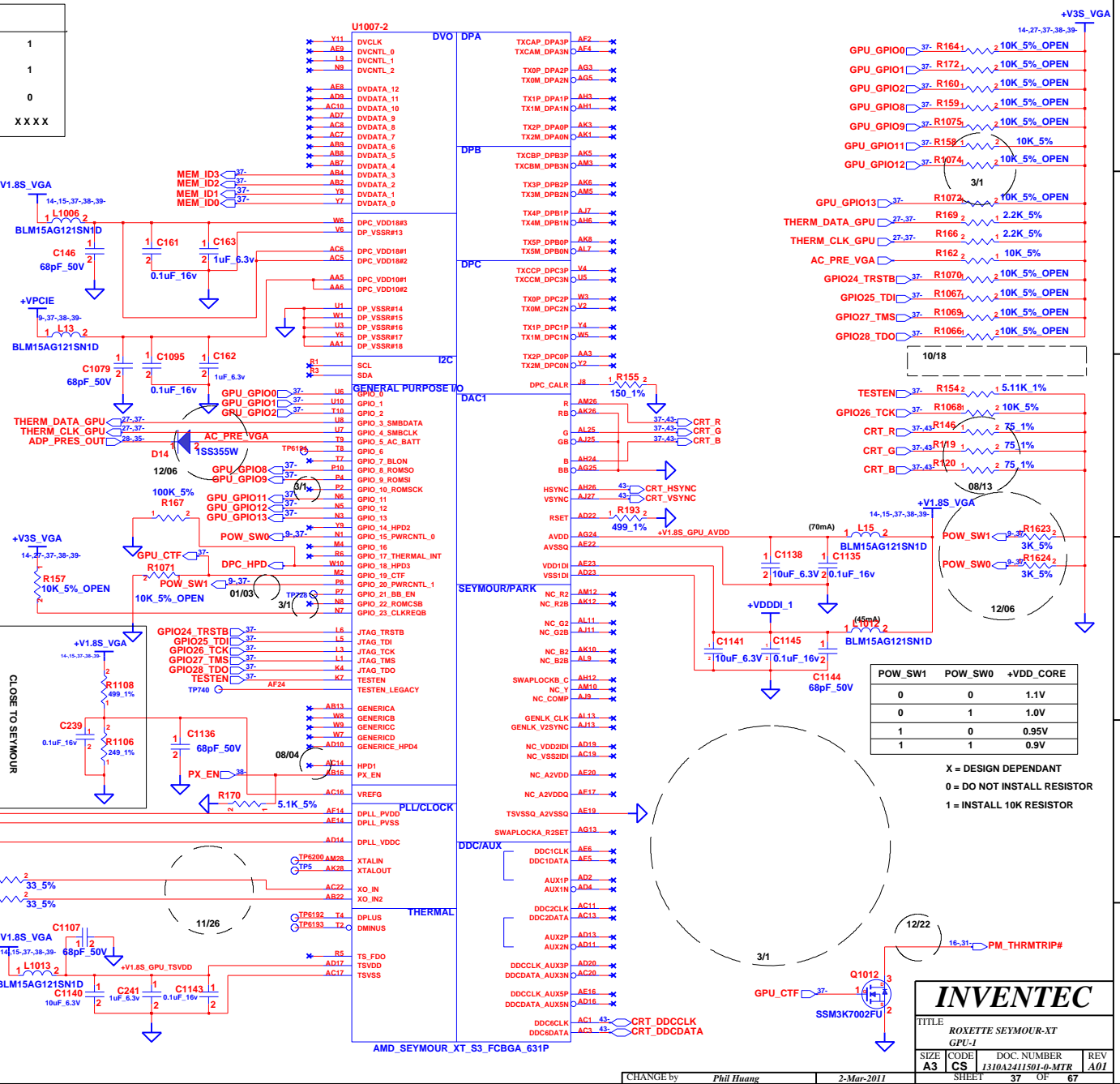
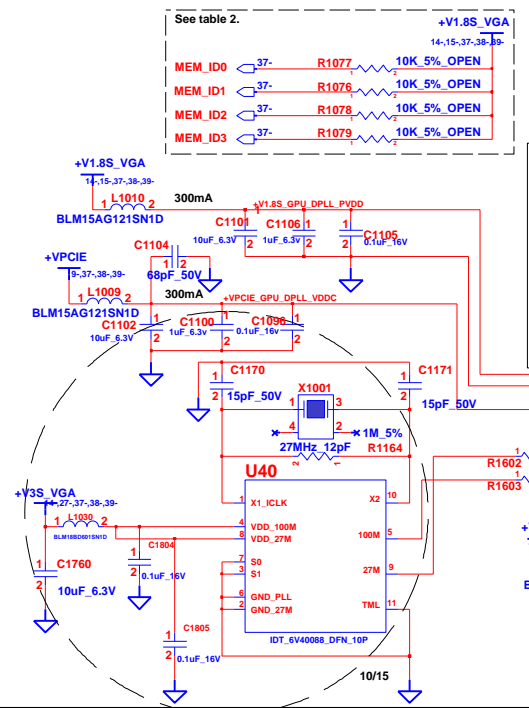
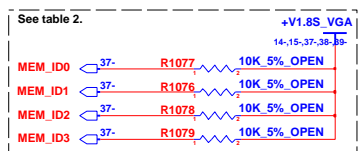
CHANGE by *Phil Huang* 2-Mar-2011

STRAPS	PIN	Description of default settings	
TX_PWRS_ENB	GPIO0	PCIe full TX output swing.	1
TX_DEEMPH_EN	GPIO1	PCIe transmitter de-emphasis enabled.	1
BIF_DEBUG_ACCESS	GPIO4	Debug signals muxed out.	0
ROMIDCFG(0:3)	GPIO[11:13,9]	Memory aperture type	X X X X

GPIO_13	GPIO_12	GPIO_11	MEMORY APERTURE SIZE
0	0	1	512MB/256MB memory aperture (Default)
1	1	0	reserved

GPIO39	GPIO38	MEM_ID3	MEM_ID2	MEM_ID1	MEM_ID0	Vendor	Die Ver
R1311/R1615	R1310/R1614	R1079	R1078	R1076	R1077	Samsung(32Mx32)-K4G10325FE-HC04	E
0	1	0	0	0	0	Samsung(32Mx32)-K4G10325FE-HC04	G
0	1	1	0	0	0	Samsung(32Mx32)-K4G10325FE-HC04	E
0	1	0	1	0	0	Samsung(64Mx32)-K4G20325FE-HC04	C
1	0	0	0	0	0	Hynix(32Mx32)-H5GQ1H24FR-T2C	A(ORION)
1	0	1	0	0	0	Hynix(32Mx32)-H5GQ2H24FR-T2C	B(VEGA)
1	0	0	1	0	0	Hynix(64Mx32)-H5GQ2H24FR-T2C	M(VEGA)
1	1	0	0	0	0	Elpidia(32Mx32)-EDW1032BAG-50-F	A
1	1	1	0	0	0	Elpidia(32Mx32)-TBD	B
1	1	0	1	0	0	Elpidia(64Mx32)-EDW3032BAG-50-F	A
1	1	1	0	0	0	Elpidia(64Mx32)-TBD	B

MEM\_ID1 : 0 = OLD DIE, 1 = NEW DIE  
MEM\_ID0 : 0 = 512MB, 1 = 1GB

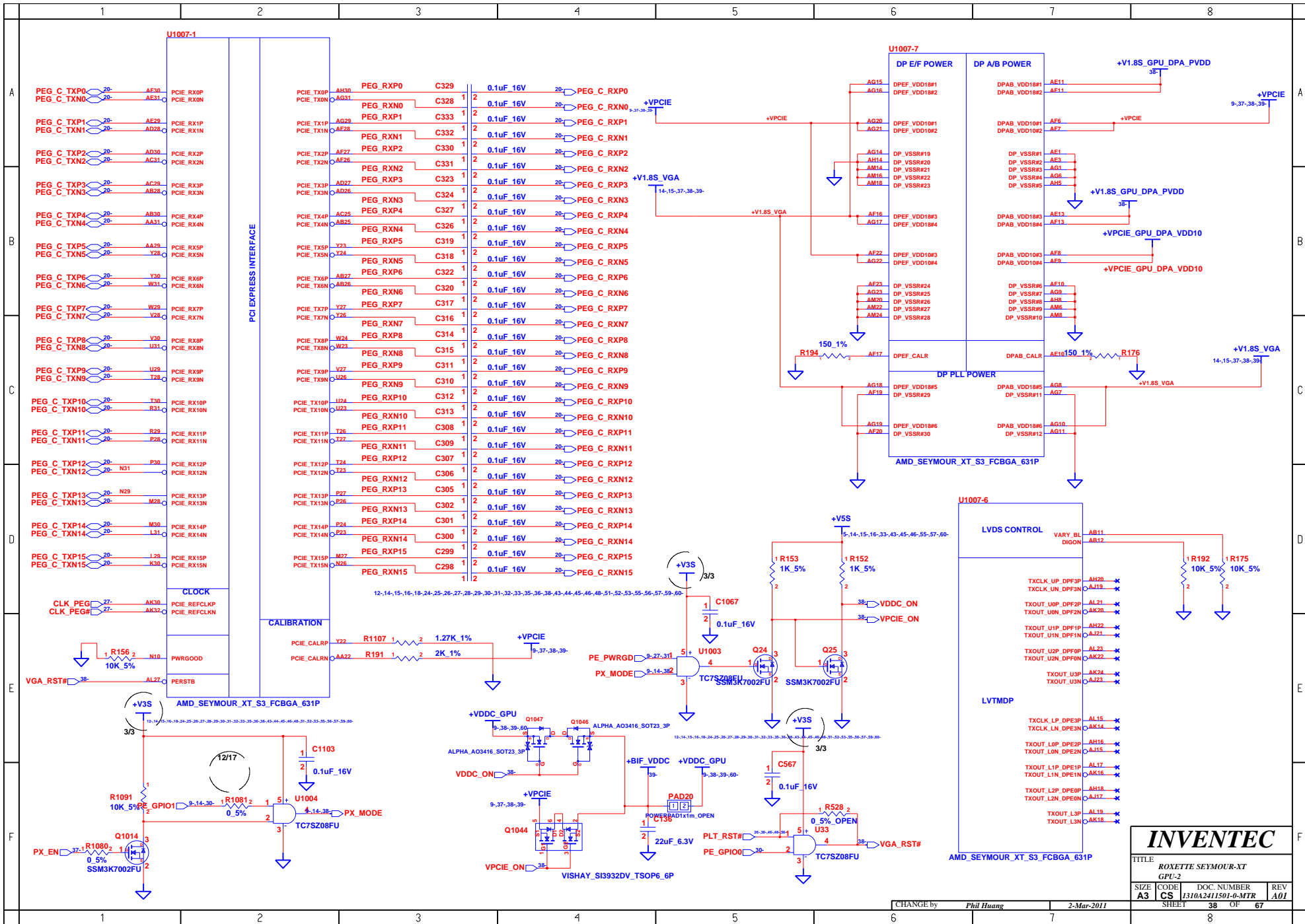


POW_SW1	POW_SW0	+VDD_CORE
0	0	1.1V
0	1	1.0V
1	0	0.95V
1	1	0.9V

X = DESIGN DEPENDANT  
0 = DO NOT INSTALL RESISTOR  
1 = INSTALL 10K RESISTOR

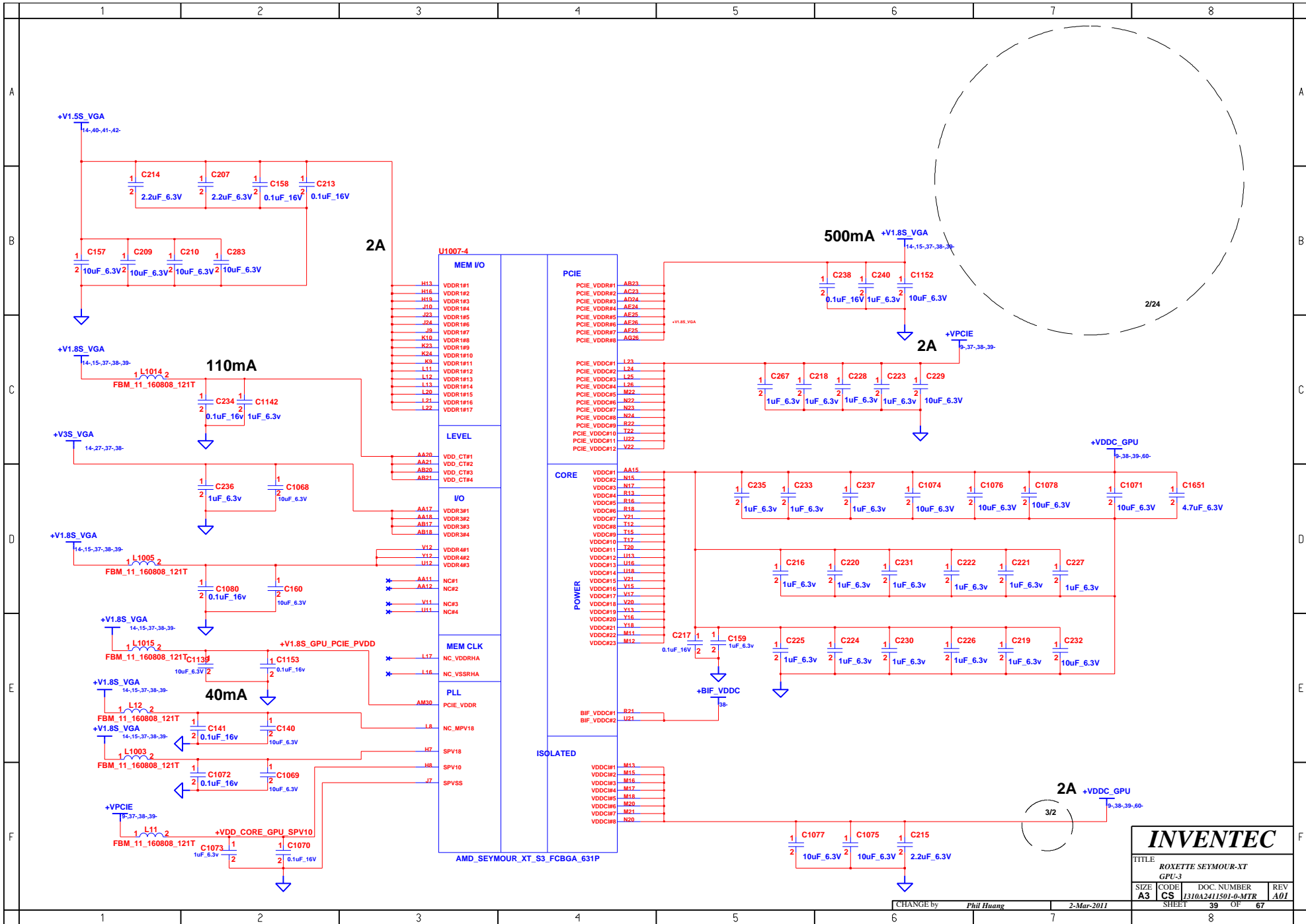
**INVENTEC**

TITLE			
ROXETTE SEYMOUR-XT GPU-I			
SIZE	CODE	DOC. NUMBER	REV
A3	CS	1310A2411501-0-MTR	A01
SHEET		OF	
37		67	

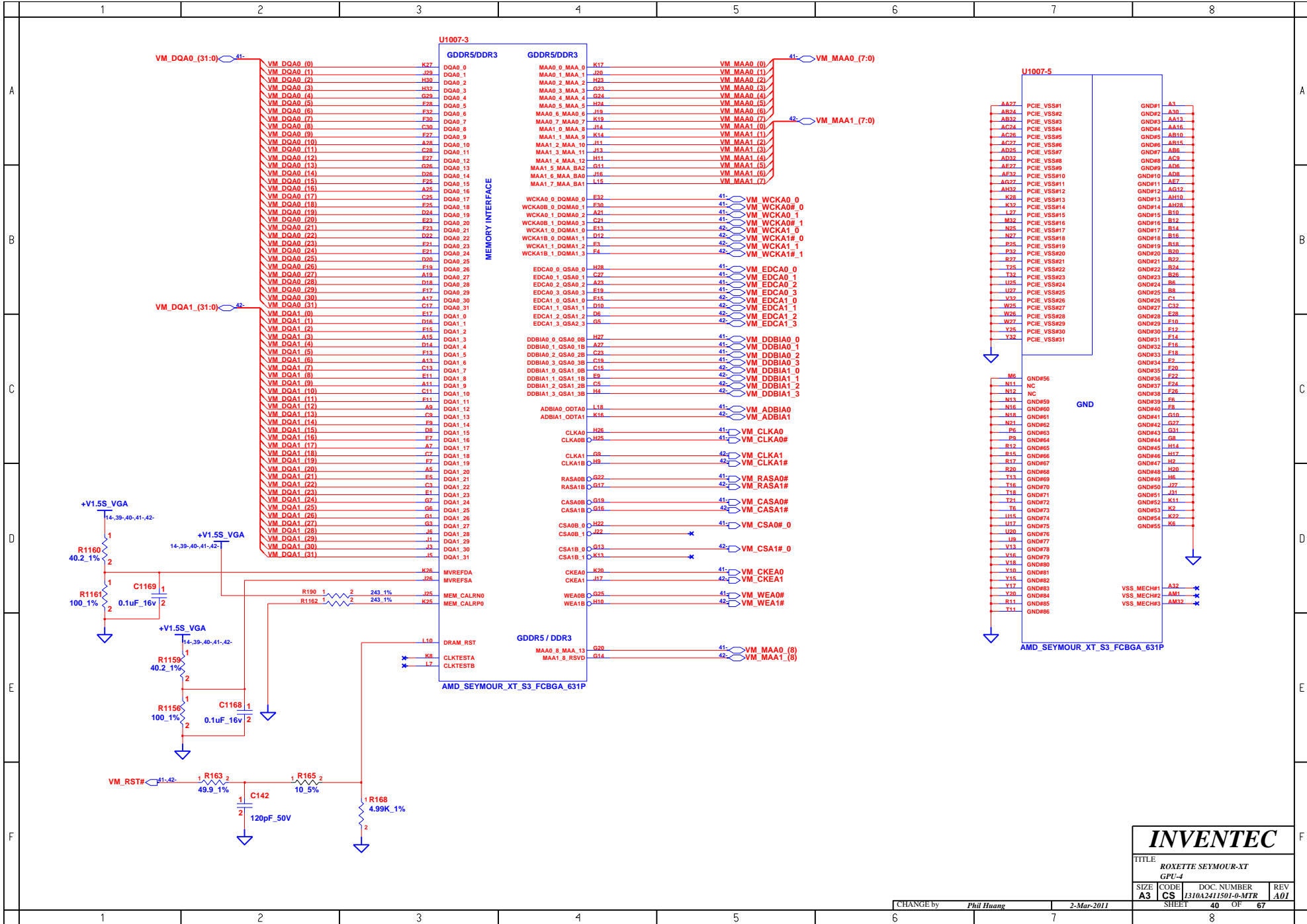


<b>INVENTEC</b>			
TITLE ROXETTE SEYMOUR-XT GPU-2			
SIZE A3	CODE CS	DOC. NUMBER 13102411501-0-MTR	REV A01
SHEET 38		OF 67	

CHANGE by Phil Huang 2-Mar-2011

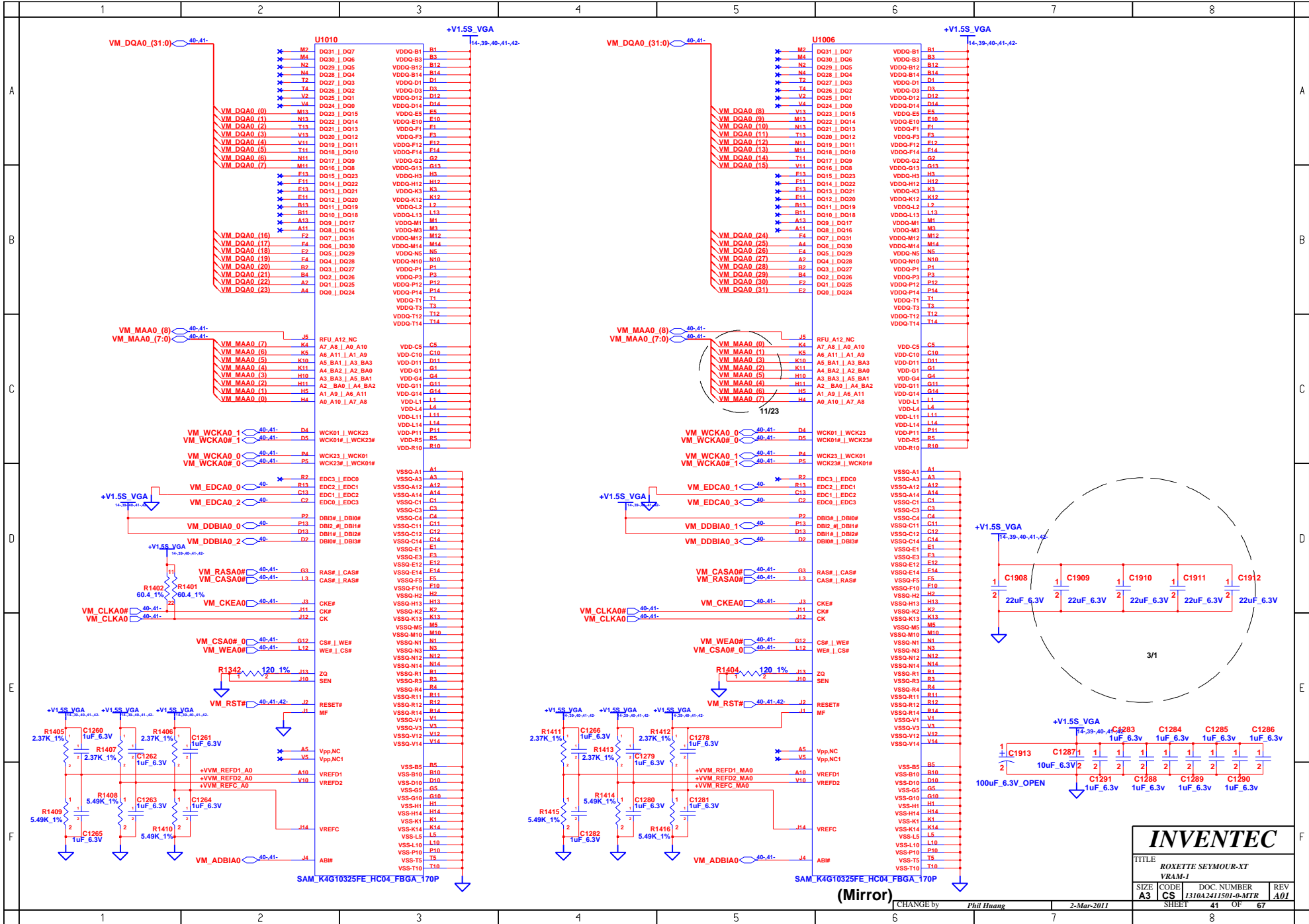


<b>INVENTEC</b>			
TITLE ROXETTE SEYMOUR_XT GPU-3			
SIZE A3	CODE CS	DOC. NUMBER 1310A2411501-0-MTR	REV A01
CHANGE by Phil Huang		2-Mar-2011	
SHEET 39		OF 67	



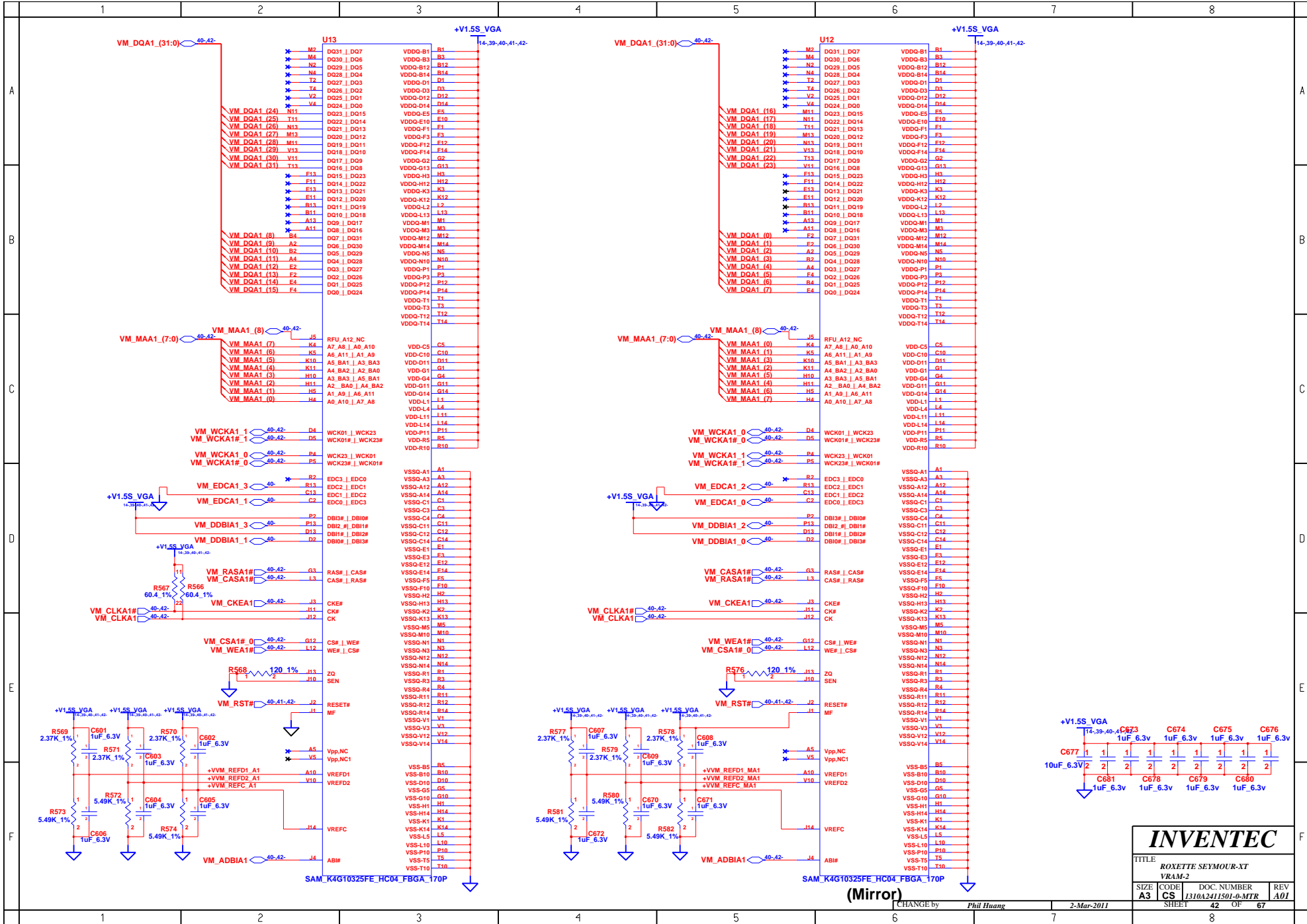
<b>INVENTEC</b>			
TITLE ROXETTE SEYMOUR-XT GPU-4			
SIZE A3	CODE CS	DOC. NUMBER 1310A2411501-0-MTR	REV A01
CHANGE by Phil Huang		2-Mar-2011	
SHEET		40 OF 67	





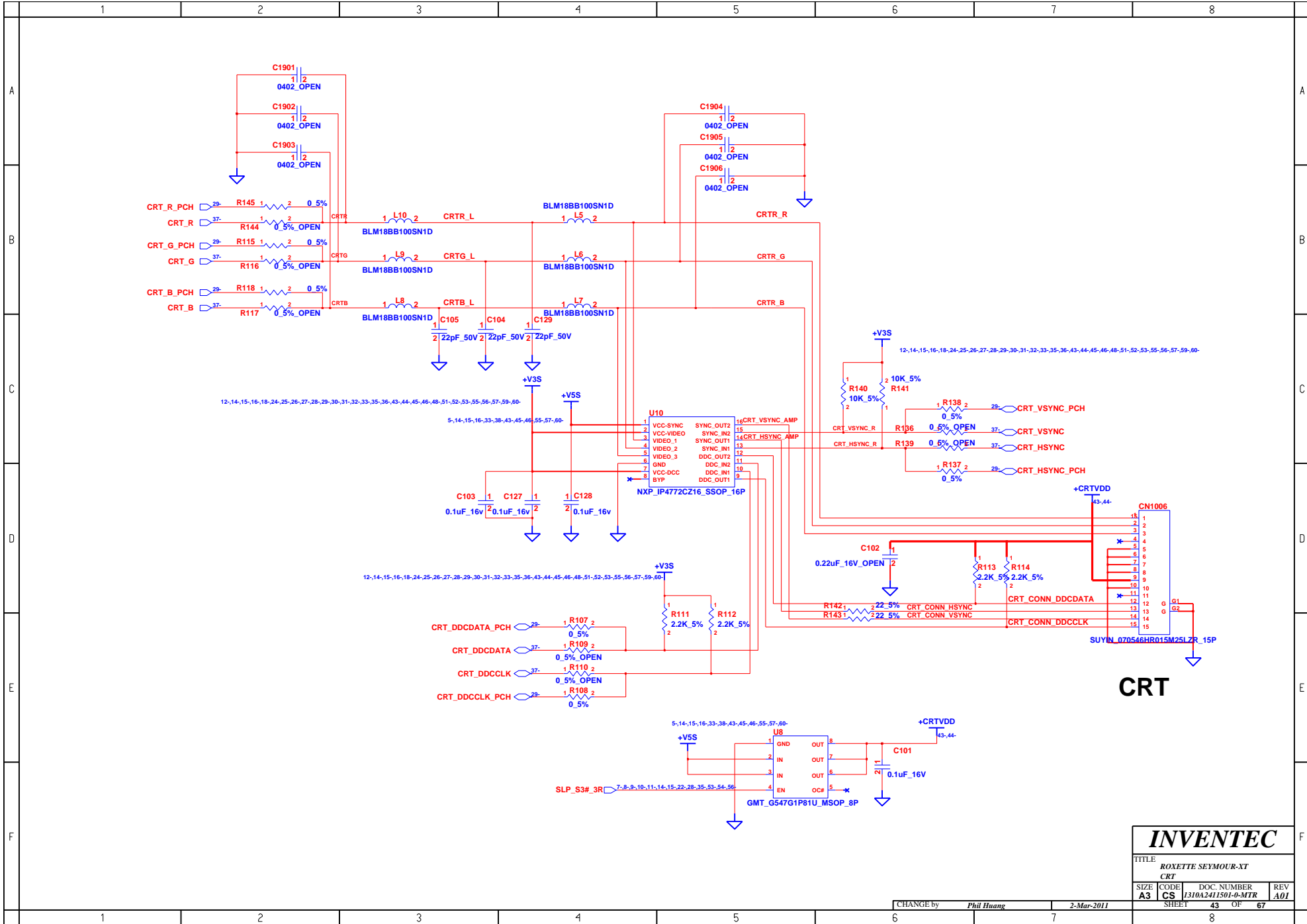
(Mirror)

<b>INVENTEC</b>			
TITLE ROXETTE SEYMOUR-XT VRAM-1			
SIZE A3	CODE CS	DOC. NUMBER 1310A2411501-0-MTR	REV A01
SHEET 41		OF 67	



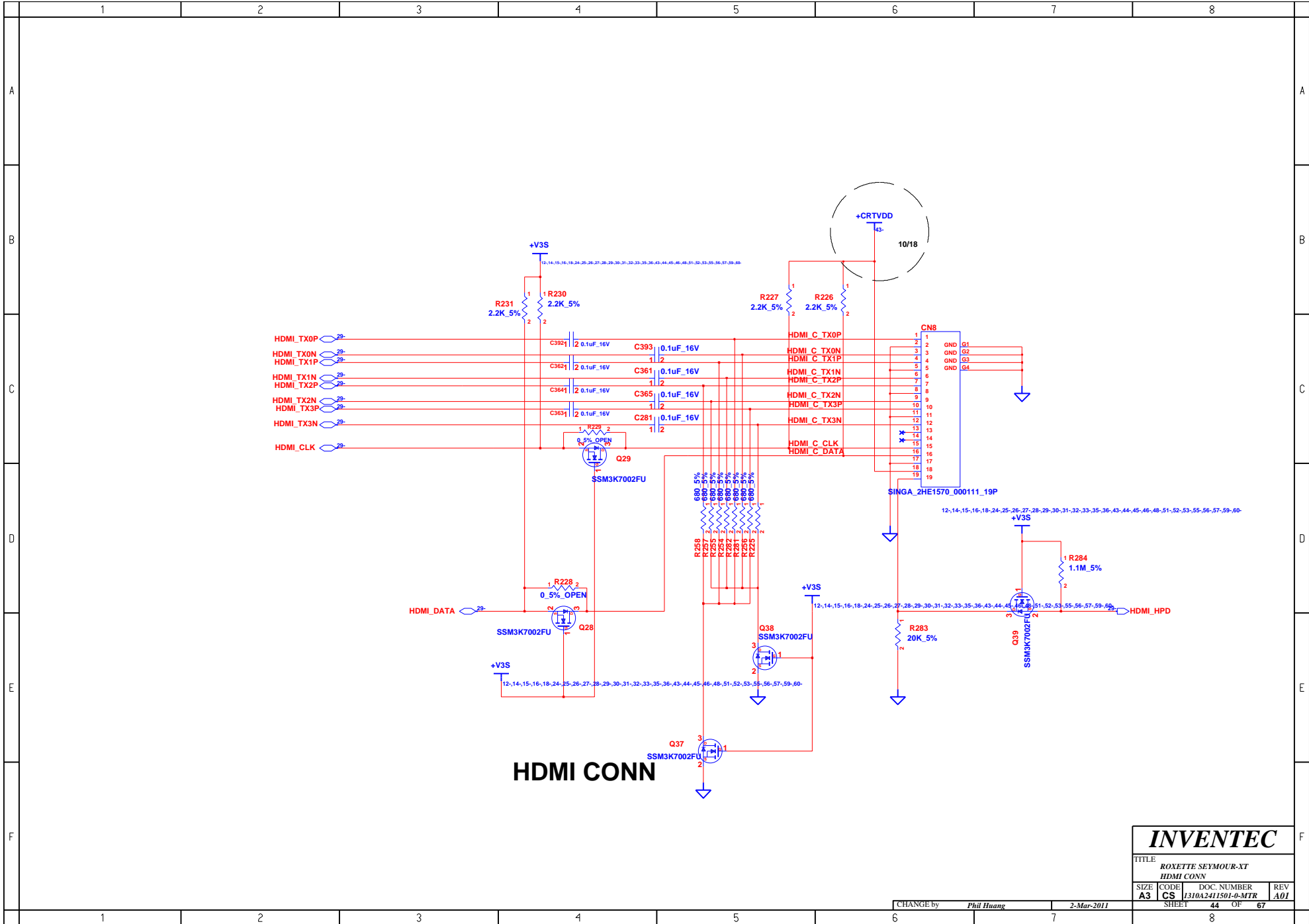
<b>INVENTEC</b>			
TITLE ROXETTE SEYMOUR-XT VRAM-2			
SIZE A3	CODE CS	DOC. NUMBER 1310A2411501-0-MTR	REV A01
SHEET 42		OF 67	

(Mirror)



**CRT**

<b>INVENTEC</b>			
TITLE ROXETTE SEYMOUR-XT CRT			
SIZE <b>A3</b>	CODE <b>CS</b>	DOC. NUMBER I3102411501-0-MTR	REV <b>A01</b>
CHANGE by <i>Phil Huang</i>		2-Mar-2011	
SHEET 43		OF 67	

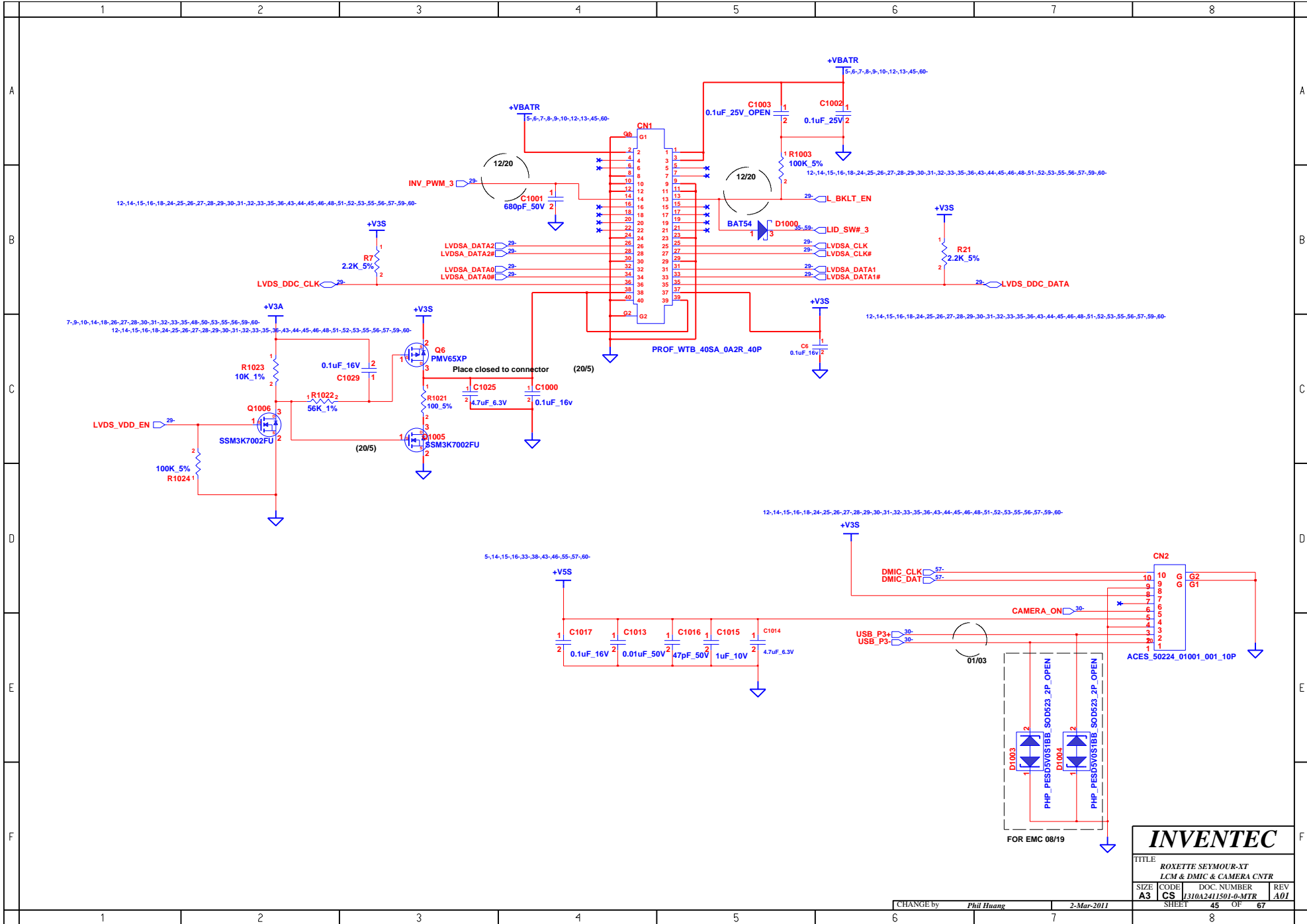


**HDMI CONN**

**INVENTEC**

TITLE			
ROXETTE SEYMOUR-XT			
HDMI CONN			
SIZE	CODE	DOC. NUMBER	REV
A3	CS	I310A2411501-0-MTR	A01
CHANGE by		SHEET	OF
Phil Huang		44	67

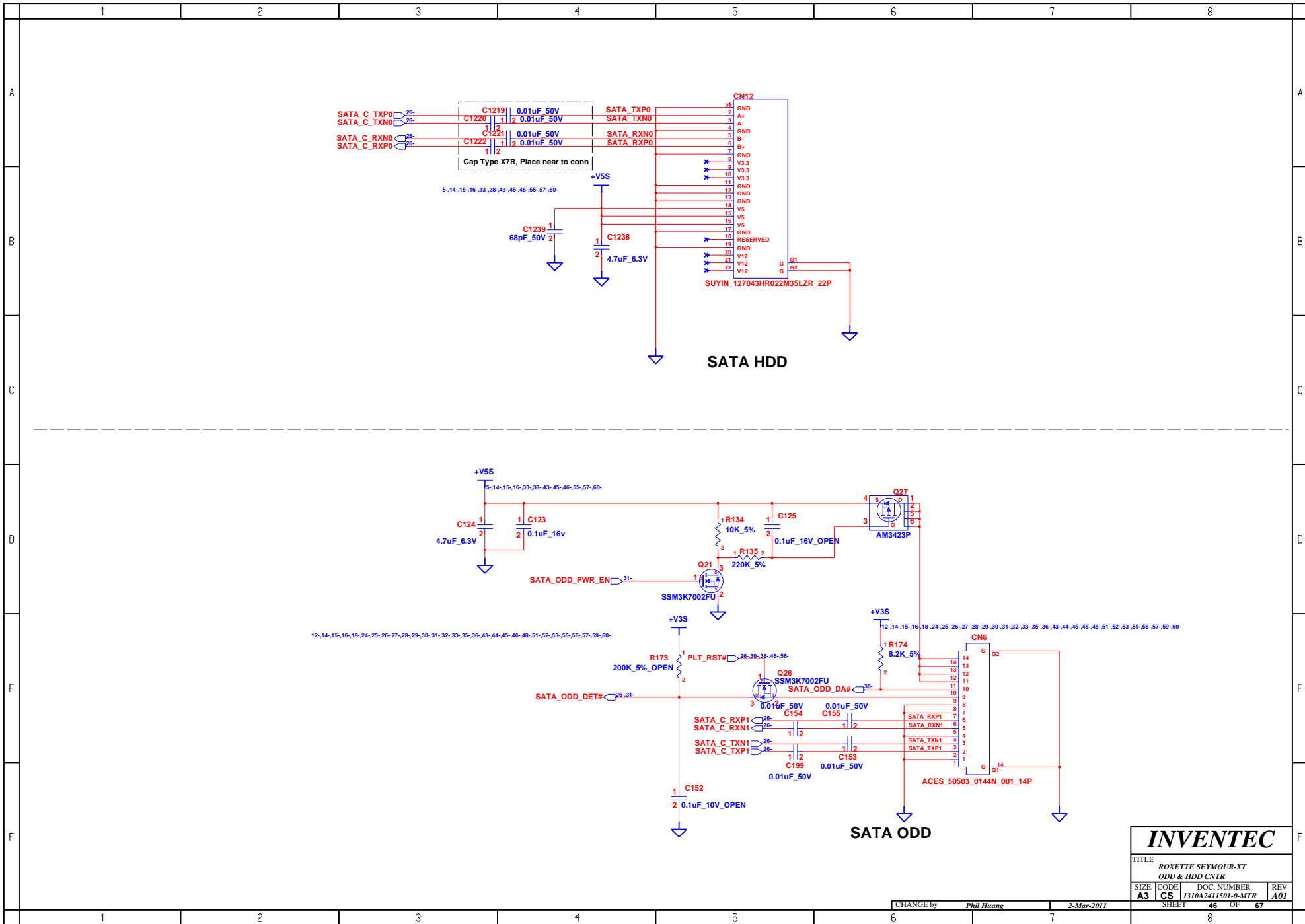
2-Mar-2011



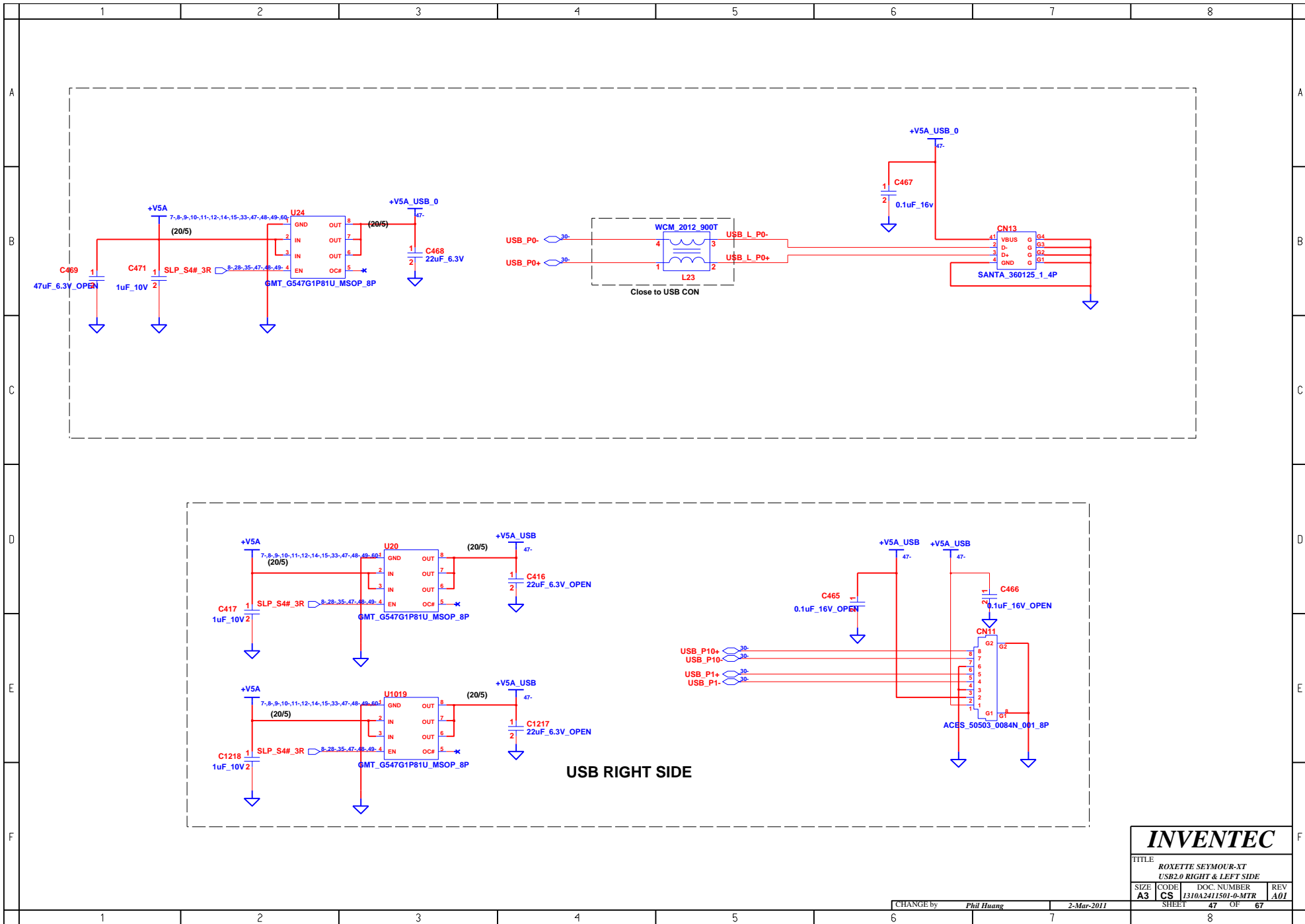
<b>INVENTEC</b>			
TITLE ROXETTE SEYMOUR-XT LCM & DMIC & CAMERA CNTR			
SIZE A3	CODE CS	DOC. NUMBER 1310A2411501-0-MTR	REV A01
SHEET 45		OF 67	

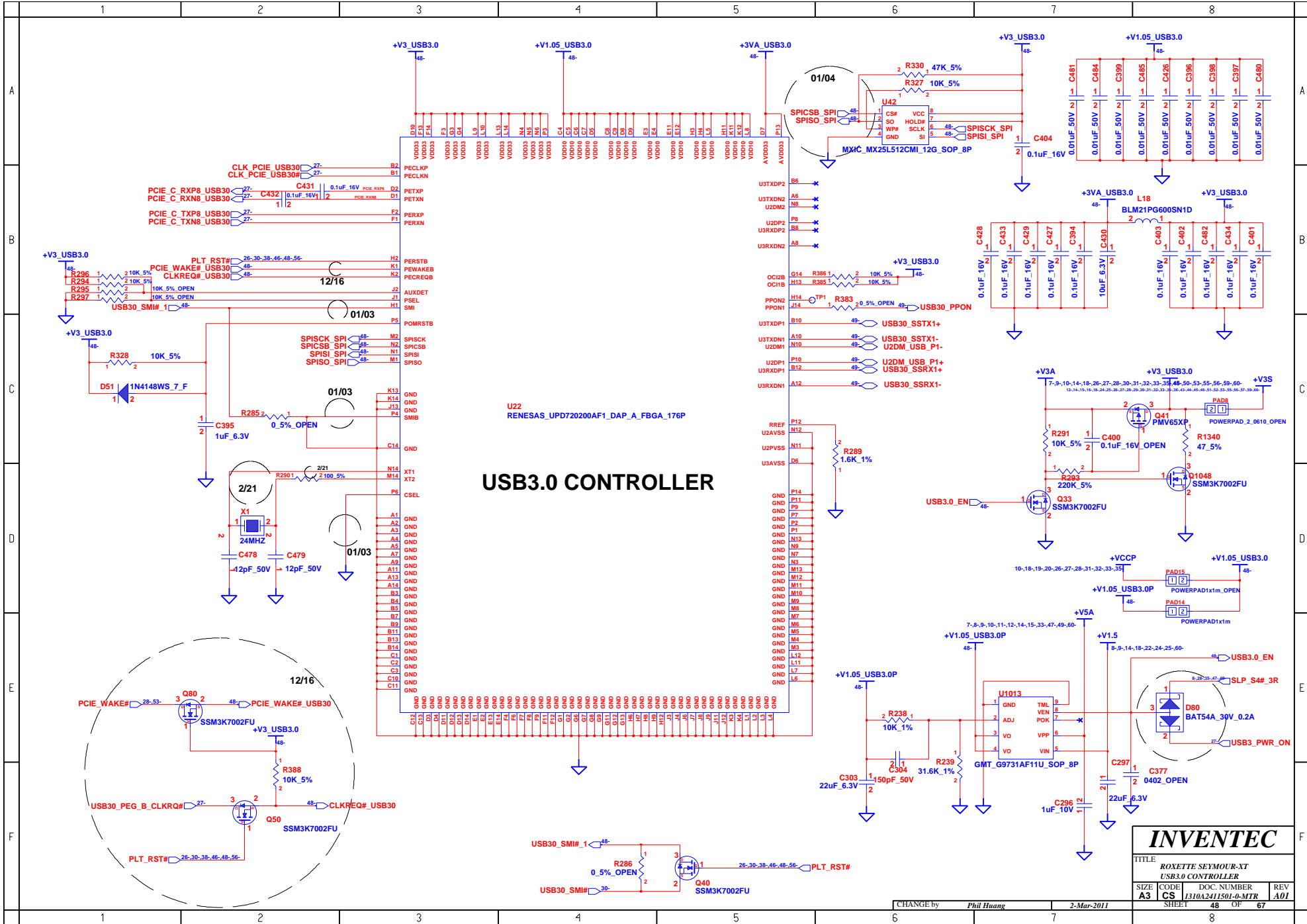
CHANGE by *Phil Huang* 2-Mar-2011

FOR EMC 08/19



<b>INVENTEC</b>			
TITLE ROXETTE SEYMOUR-XT ODD & HDD CNTR			
SIZE <b>A3</b>	CODE <b>CS</b>	DOC NUMBER 1310A2411501-0-MTR	REV <b>A01</b>
CHANGE by Phil Huang		2-Mar-2011	
SHEET 46		OF 67	

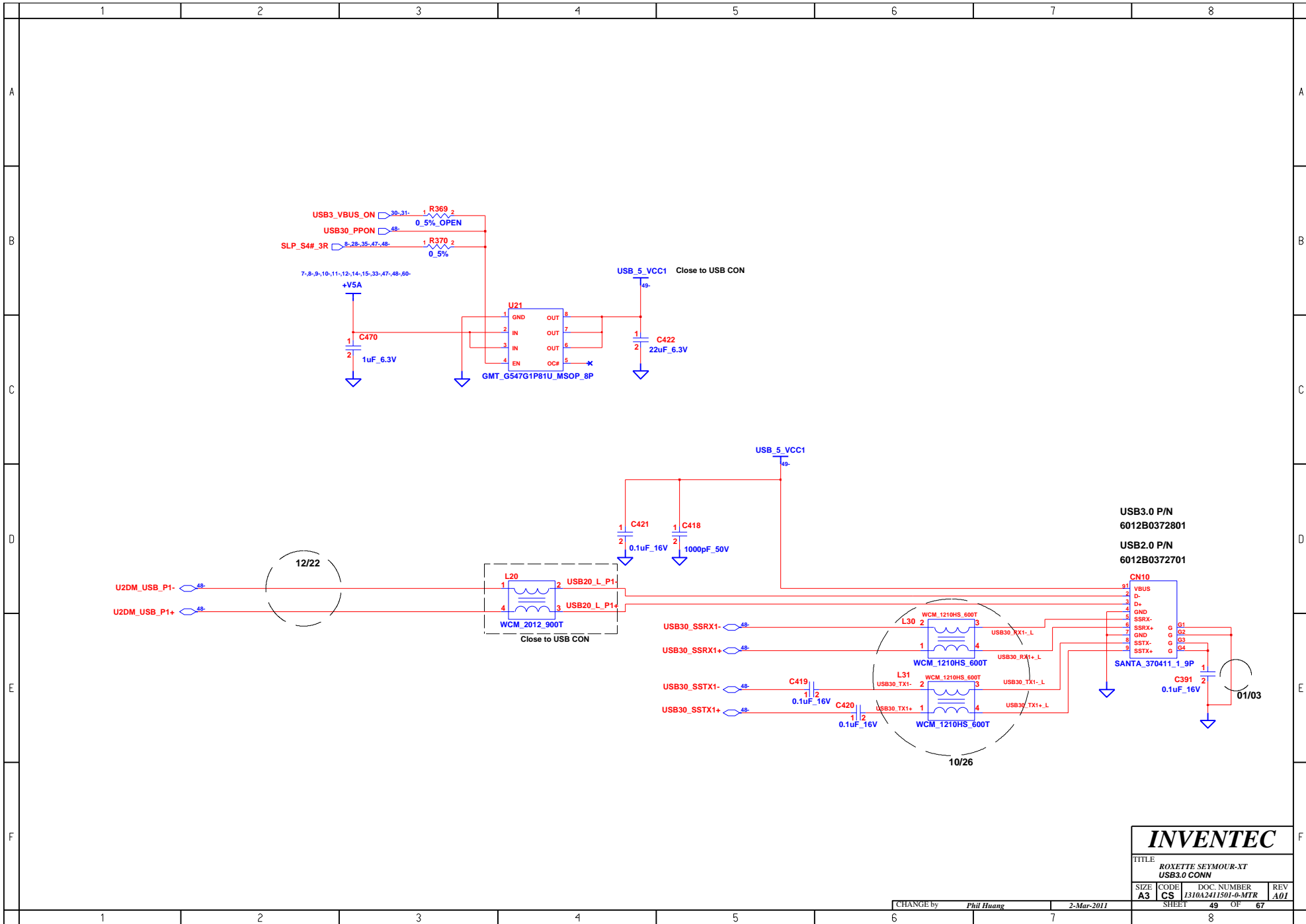




<b>INVENTEC</b>			
TITLE ROXETTE SEYMOUR-XT USB3.0 CONTROLLER			
SIZE A3	CODE CS	DOC. NUMBER 1310A2411501-0-MTR	REV A01
SHEET 48		OF 67	

CHANGE by Phil Huang 2-Mar-2011





**USB3.0 P/N**  
 6012B0372801  
**USB2.0 P/N**  
 6012B0372701

# INVENTEC

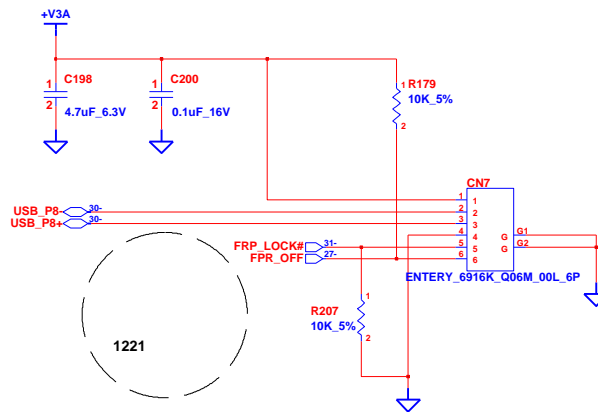
TITLE  
 ROXETTE SEYMOUR-XT  
 USB3.0 CONN

SIZE	CODE	DOC. NUMBER	REV
A3	CS	I310A241501-0-MTR	A01

CHANGE by *Phil Huang* 2-Mar-2011

SHEET 49 OF 67

1-8, 10, 14, 16, 26, 27, 28, 30, 31, 32, 33, 35, 45, 46, 53, 55, 56, 59, 60

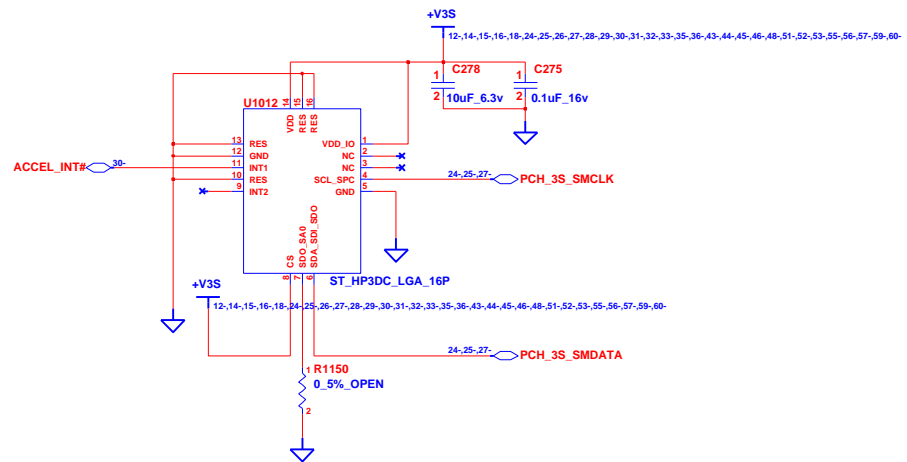


**FINGER PRINTER CNTR**

**INVENTEC**

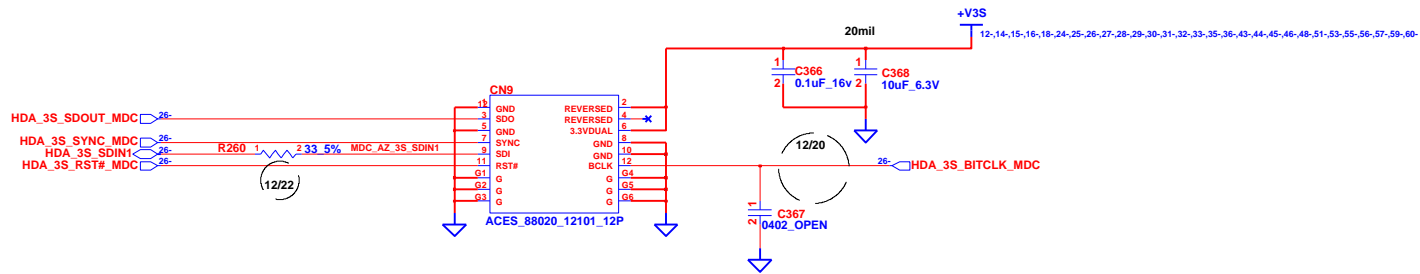
TITLE			
ROXETTE SEYMOUR-XT FINGER PRINTER CNTR			
SIZE	CODE	DOC. NUMBER	REV
A3	CS	1310A2411501-0-MTR	A01
SHEET		50	OF 67

CHANGE by *Phil Huang* 2-Mar-2011



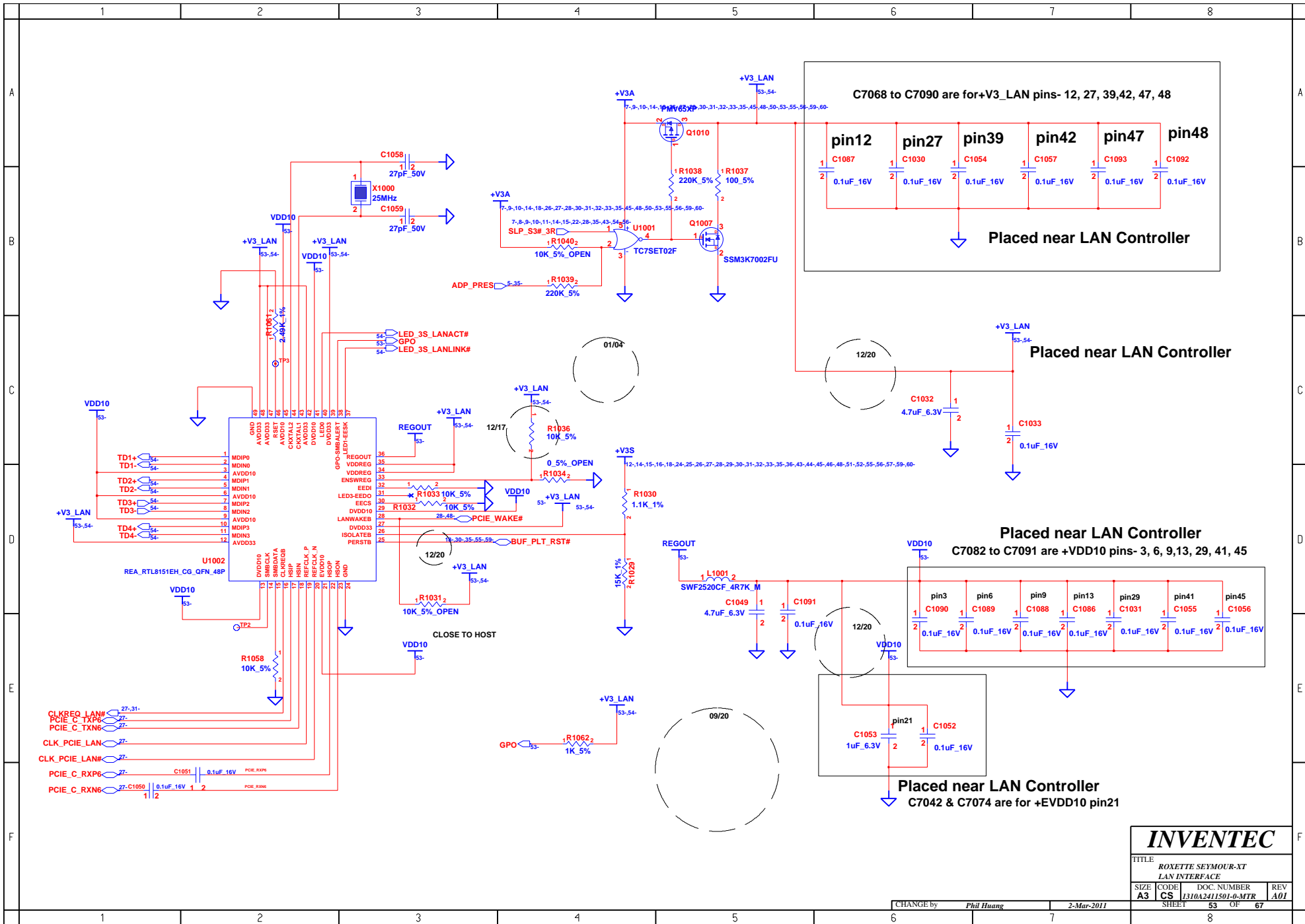
**ACCELEMETER**

<b>INVENTEC</b>			
TITLE			
ROXETTE SEYMOUR-XT ACCELEMETER			
SIZE	CODE	DOC. NUMBER	REV
A3	CS	1310A2411501-0-MTR	A01
CHANGE by		SHEET	
Phil Huang		51 OF 67	
2-Mar-2011		8	

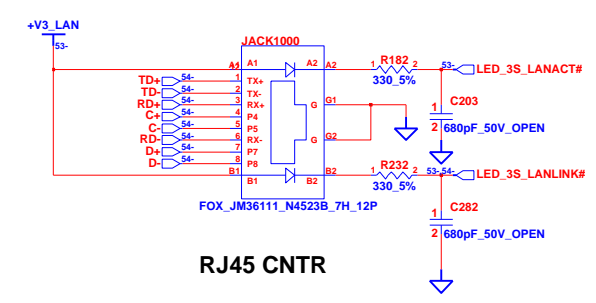
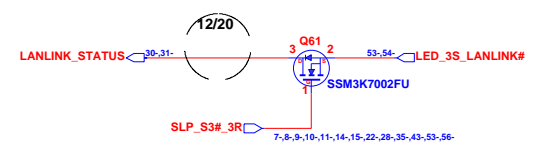
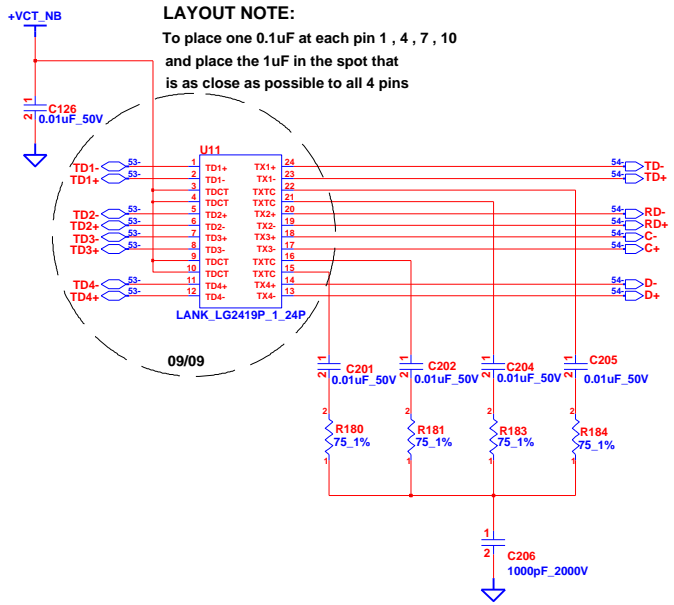


# MDC CONN

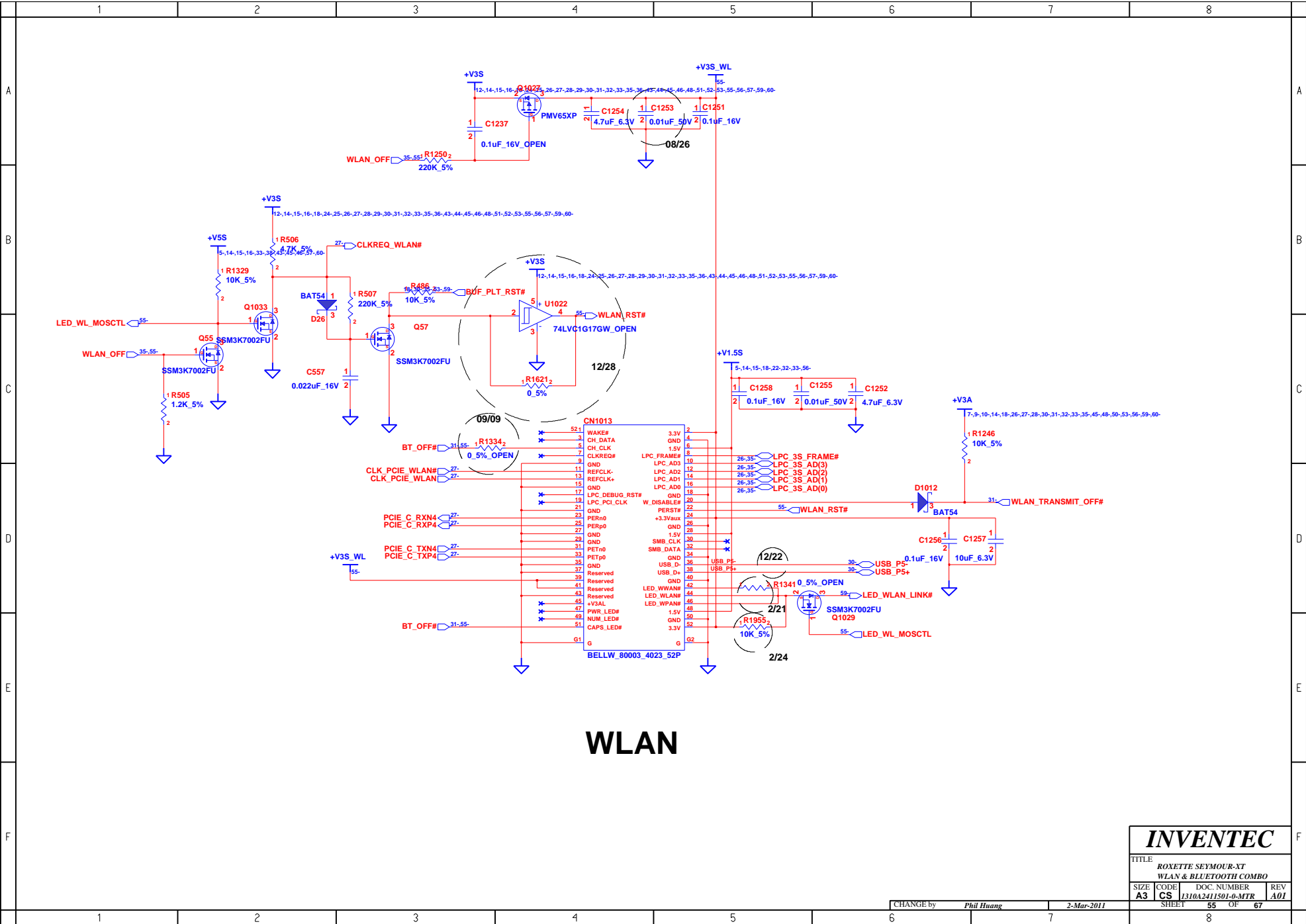
<b>INVENTEC</b>			
TITLE ROXETTE SEYMOUR-XT MDC CNTR			
SIZE <b>A3</b>	CODE <b>CS</b>	DOC. NUMBER 1310A2411501-0-MTR	REV <b>A01</b>
CHANGE by <i>Phil Huang</i>		2-Mar-2011	
SHEET 52		OF 67	



<b>INVENTEC</b>			
TITLE ROXETTE SEYMOUR-XT LAN INTERFACE			
SIZE A3	CODE CS	DOC. NUMBER I310A2411501-0-MTR	REV A01
CHANGE by Phil Huang		2-Mar-2011	
SHEET 53		OF 67	



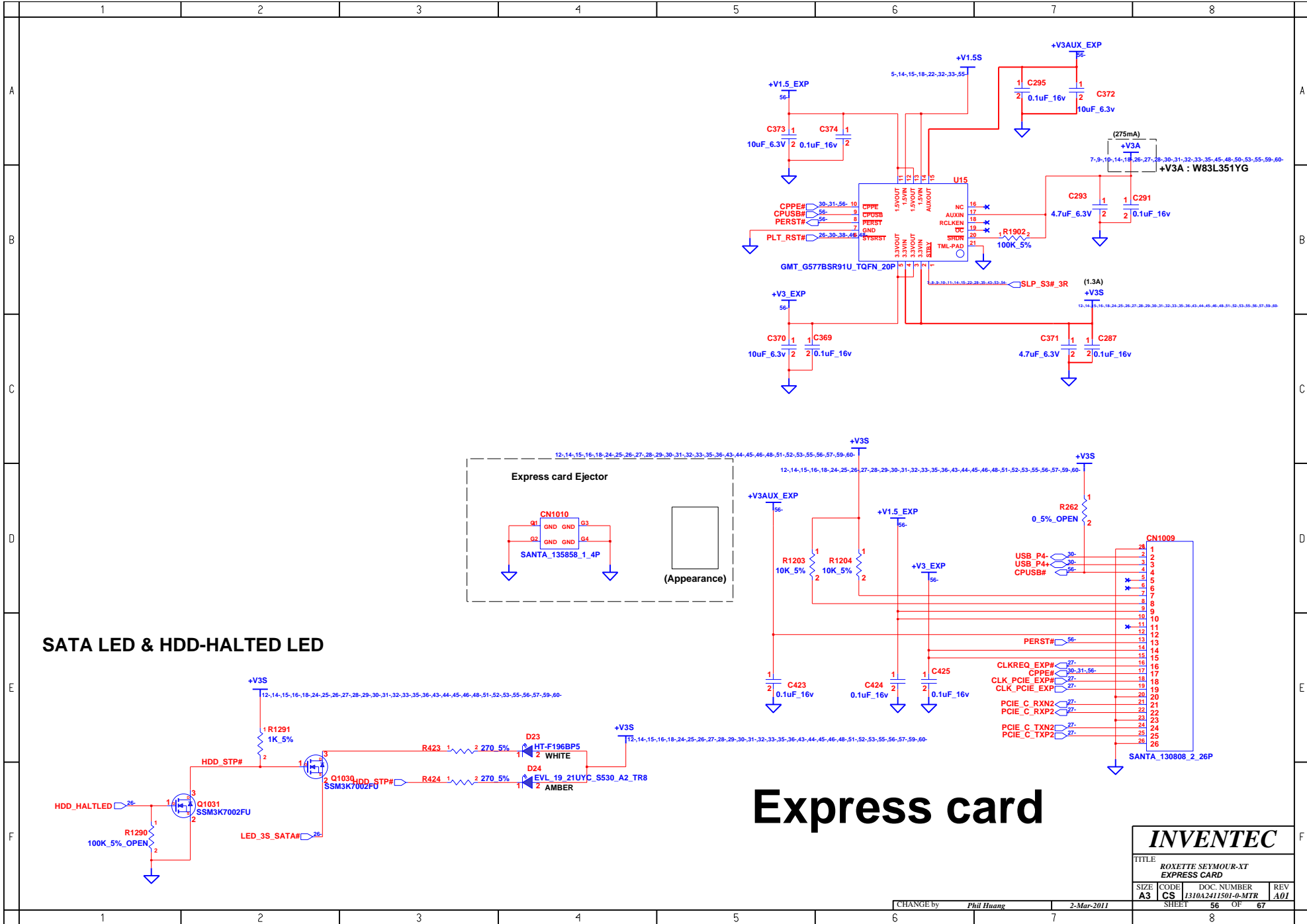
<b>INVENTEC</b>			
TITLE ROXETTE SEYMOUR-XT RJ45			
SIZE A3	CODE CS	DOC. NUMBER 1310A2411501-0-MTR	REV A01
CHANGE by Phil Huang		2-Mar-2011	
SHEET 54		OF 67	



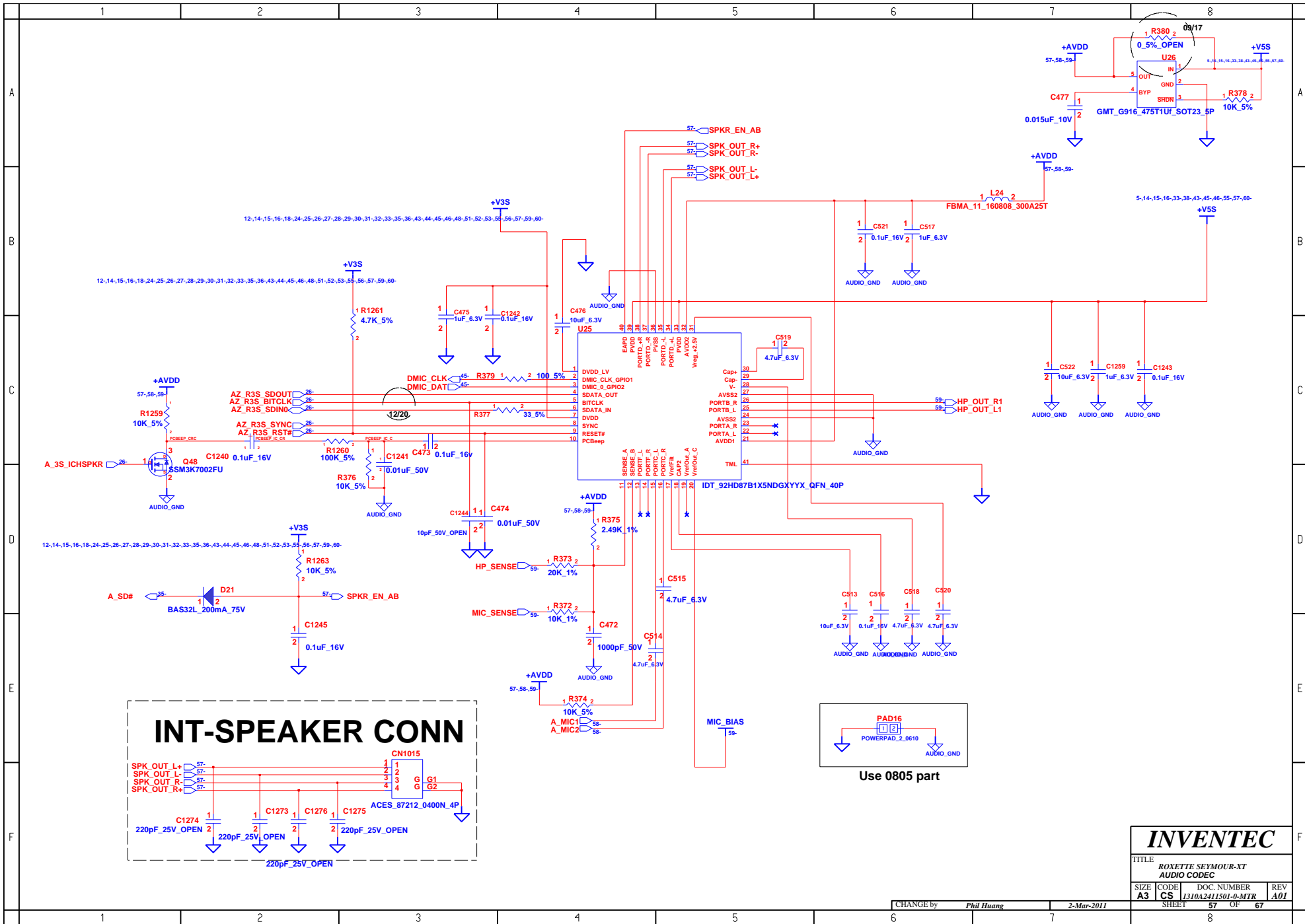
# INVENTEC

TITLE  
 ROXETTE SEYMOUR-XT  
 WLAN & BLUETOOTH COMBO

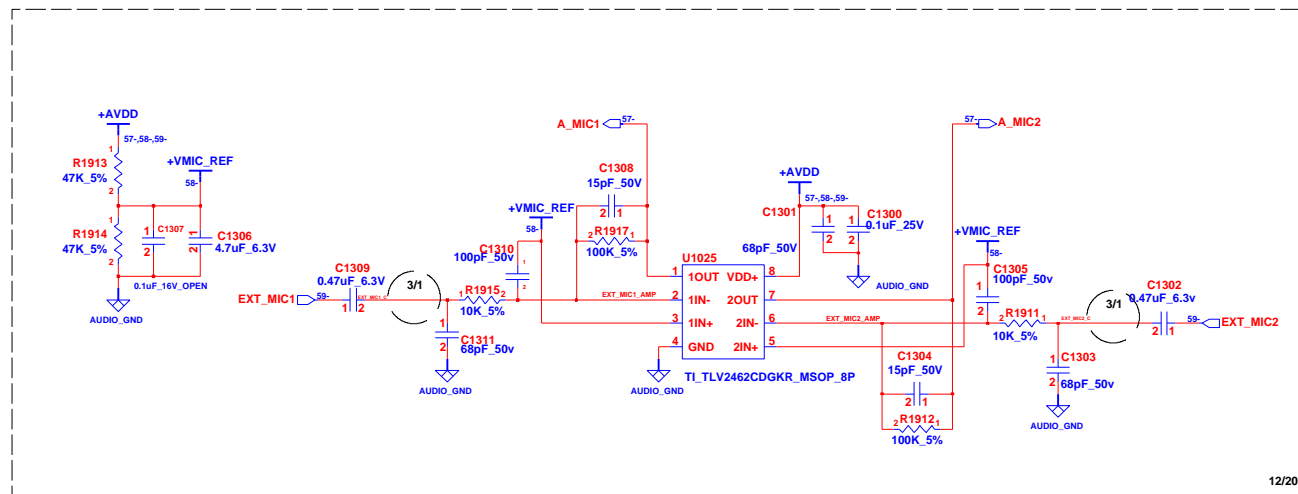
SIZE <b>A3</b>	CODE <b>CS</b>	DOC. NUMBER 1310A241501-0-MTR	REV <b>A01</b>
-------------------	-------------------	----------------------------------	-------------------







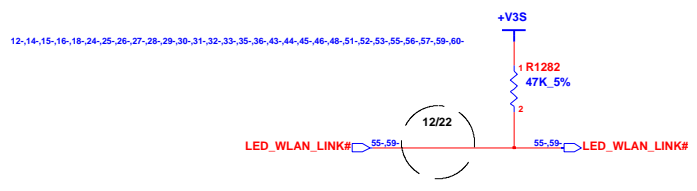
<b>INVENTEC</b>			
TITLE ROXETTE SEYMOUR-XT AUDIO CODEC			
SIZE A3	CODE CS	DOC. NUMBER I310A2411501-0-MTR	REV A01
CHANGE by Phil Huang		2-Mar-2011	
SHEET 57		OF 67	



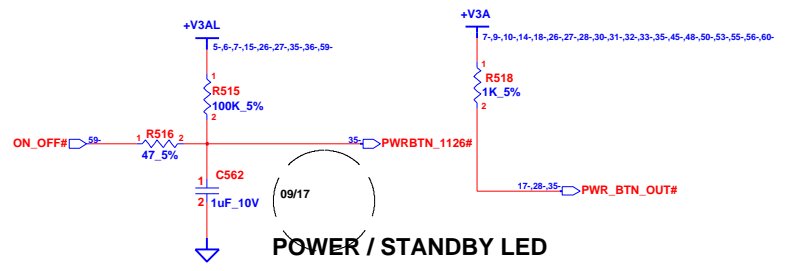
## EXT. MIC. AMP.

<b>INVENTEC</b>			
TITLE			
ROXETTE SEYMOUR-XT			
EXT.MIC.AMP			
SIZE	CODE	DOC. NUMBER	REV
A3	CS	1310A2411501-b-MTR	A01
CHANGE by		SHEET	OF
Phil Huang		58	67

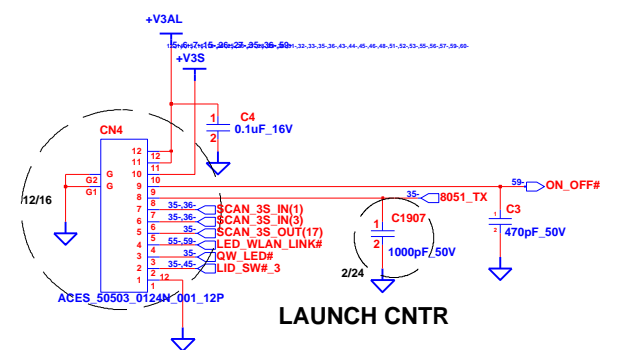
2-Mar-2011



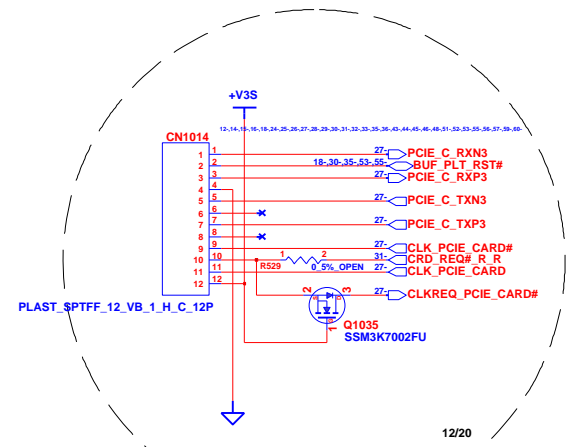
**WLAN/Bluetooth LED**



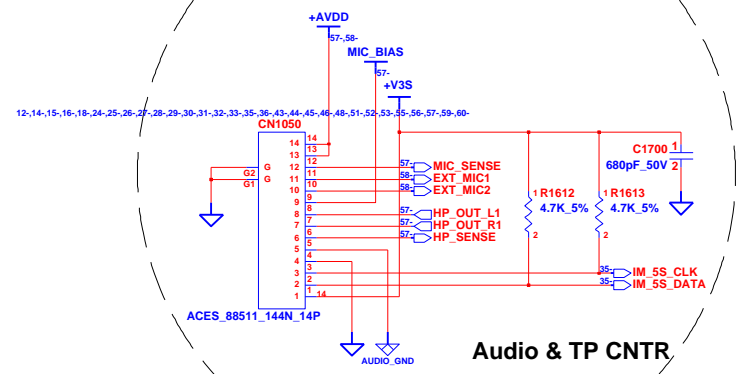
**POWER / STANDBY LED**



**LAUNCH CNTR**

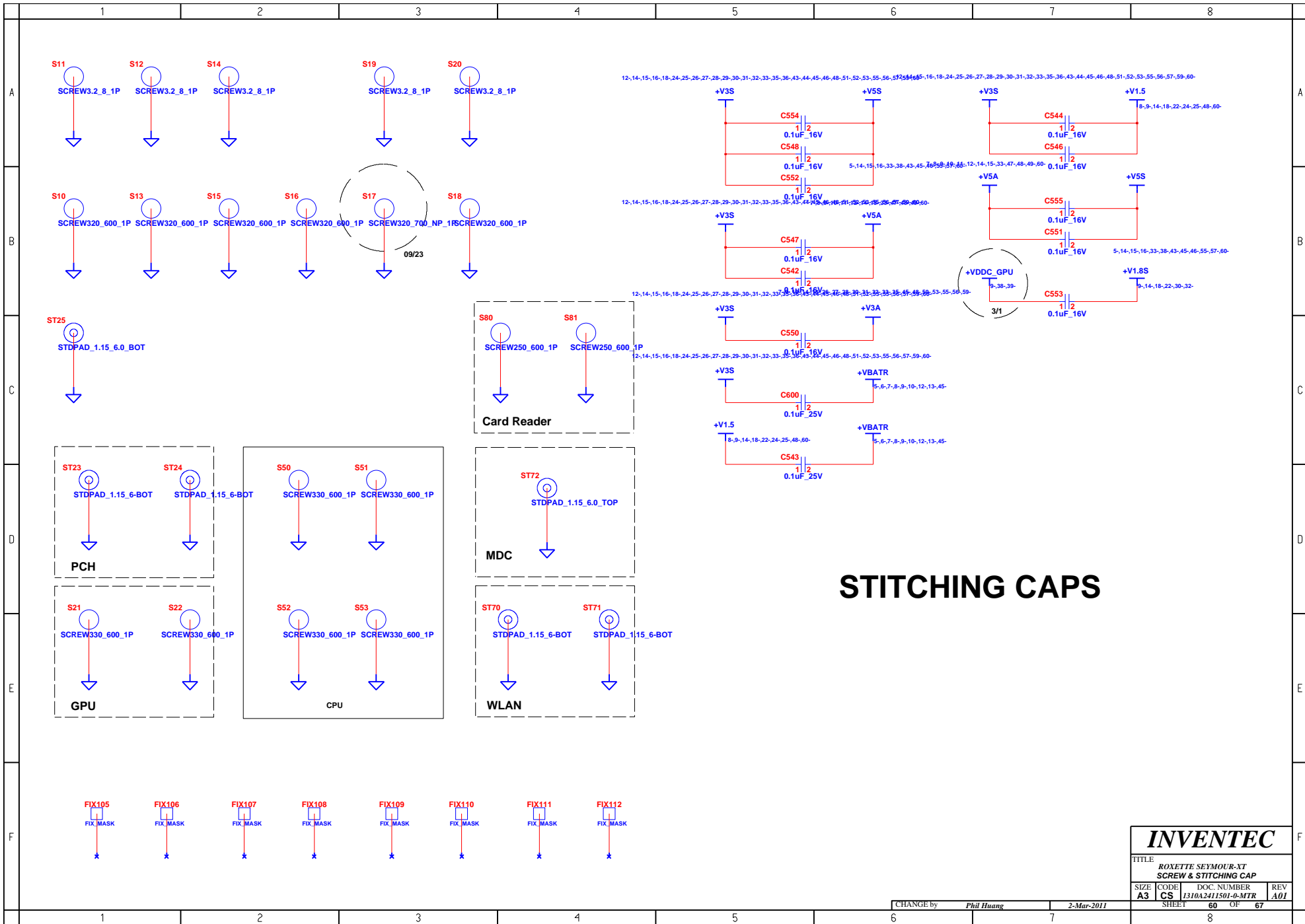


**3 IN 1 CARD READER CNTR**



**Audio & TP CNTR**

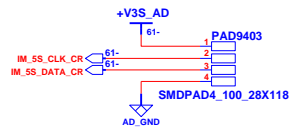
<b>INVENTEC</b>			
TITLE ROXETTE SEYMOUR-XT DAUGHTER BOARD CNTR (M/B SIDE)			
SIZE <b>A3</b>	CODE <b>CS</b>	DOC NUMBER 1310A2411501-0-MTR	REV <b>A01</b>
CHANGE by <i>Phil Huang</i>		2-Mar-2011	
SHEET <b>59</b>		OF <b>67</b>	



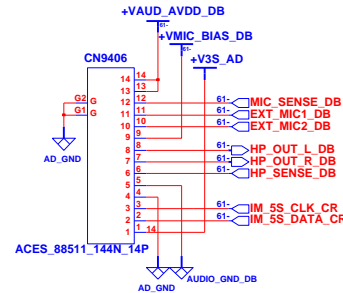
# STITCHING CAPS

<b>INVENTEC</b>			
TITLE			
ROXETTE SEYMOUR-XT SCREW & STITCHING CAP			
SIZE	CODE	DOC. NUMBER	REV
A3	CS	I310A2411501-0-MTR	A01
CHANGE by		SHEET	
Phil Huang		60 OF 67	

2-Mar-2011



T/P B/B CONN

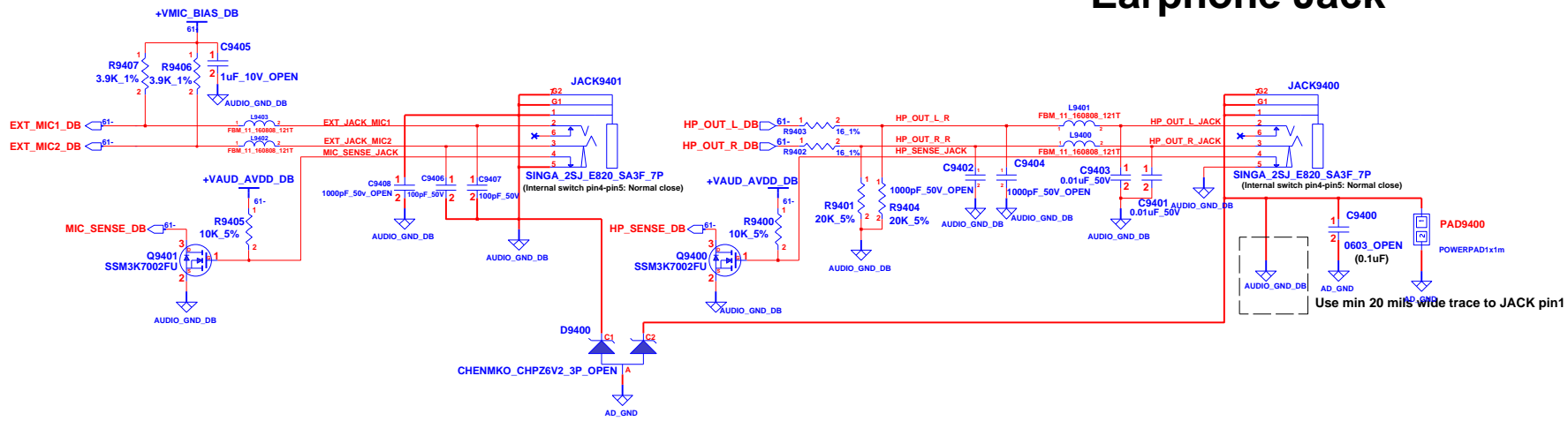


Audio & T/P B/B CONN (D/B)



MIC Jack

Earphone Jack

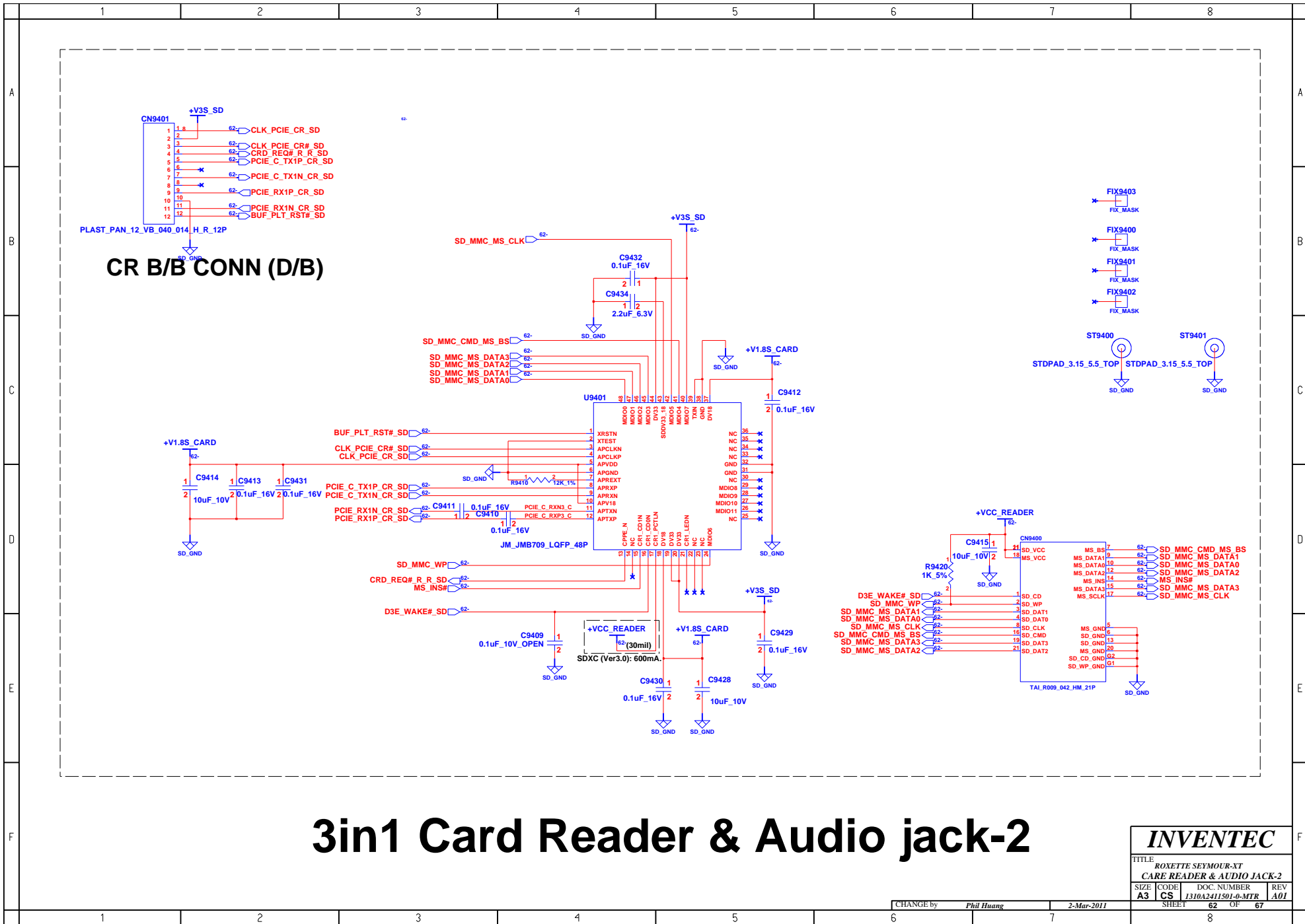


3in1 Card Reader & Audio jack-1

**INVENTEC**

TITLE			
ROXETTE SEYMOUR-XT CARD READER & AUDIO JACK-1			
SIZE	CODE	DOC. NUMBER	REV
A3	CS	I310A2415101-0-MTR	A01
SHEET		61	OF 67

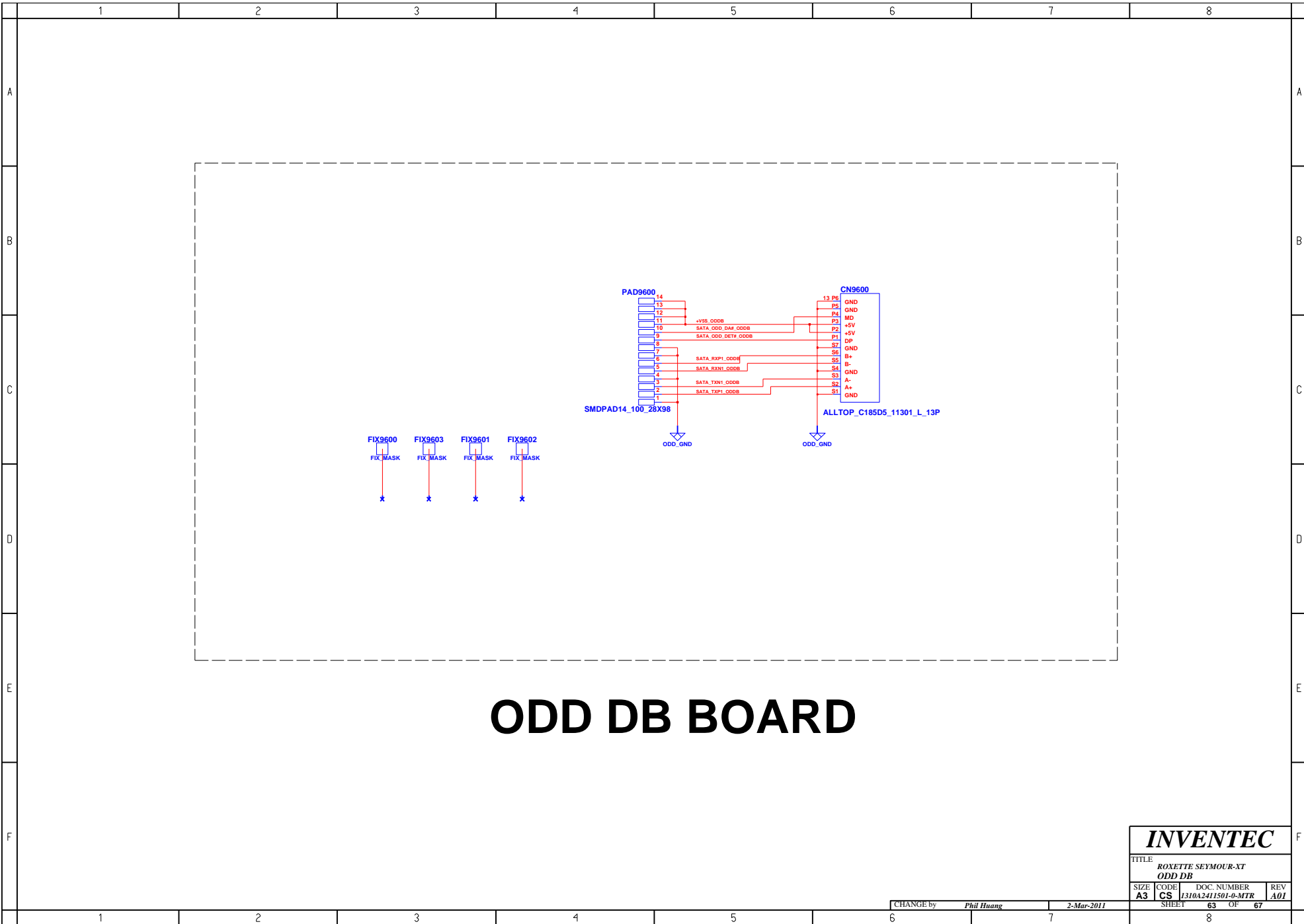
CHANGE by Phil Huang 2-Mar-2011



**CR B/B CONN (D/B)**

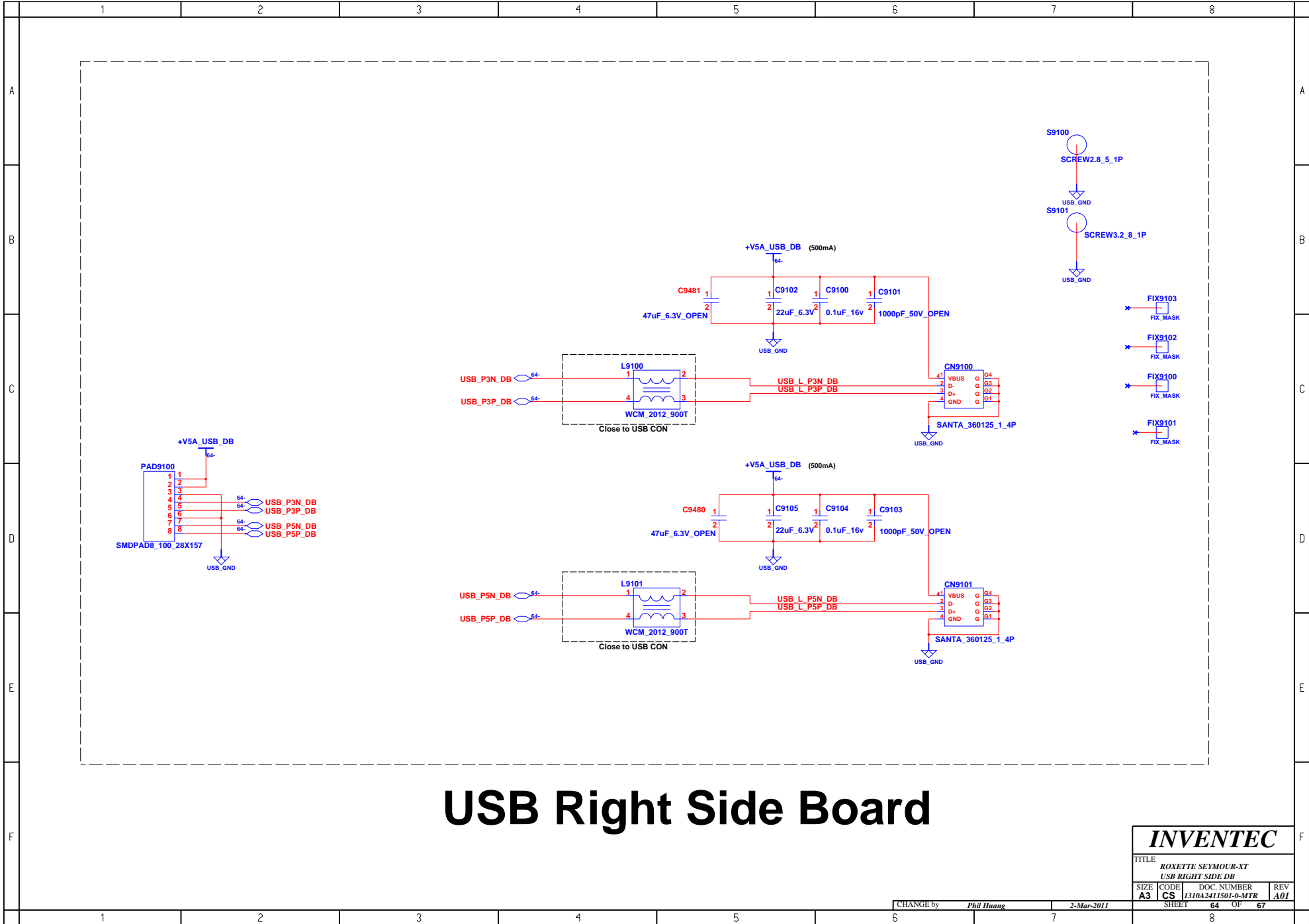
# 3in1 Card Reader & Audio jack-2

<b>INVENTEC</b>			
TITLE ROXETTE SEYMOUR-XT CARE READER & AUDIO JACK-2			
SIZE <b>A3</b>	CODE <b>CS</b>	DOC. NUMBER 1310A2411501-b-MTR	REV <b>A01</b>
CHANGE by <i>Phil Huang</i>		2-Mar-2011	
SHEET		62 OF 67	



# ODD DB BOARD

<b>INVENTEC</b>			
TITLE ROXETTE SEYMOUR-XT ODD DB			
SIZE A3	CODE CS	DOC. NUMBER 1310A2411501-0-MTR	REV A01
CHANGE by Phil Huang		2-Mar-2011	
SHEET 63		OF 67	



# USB Right Side Board

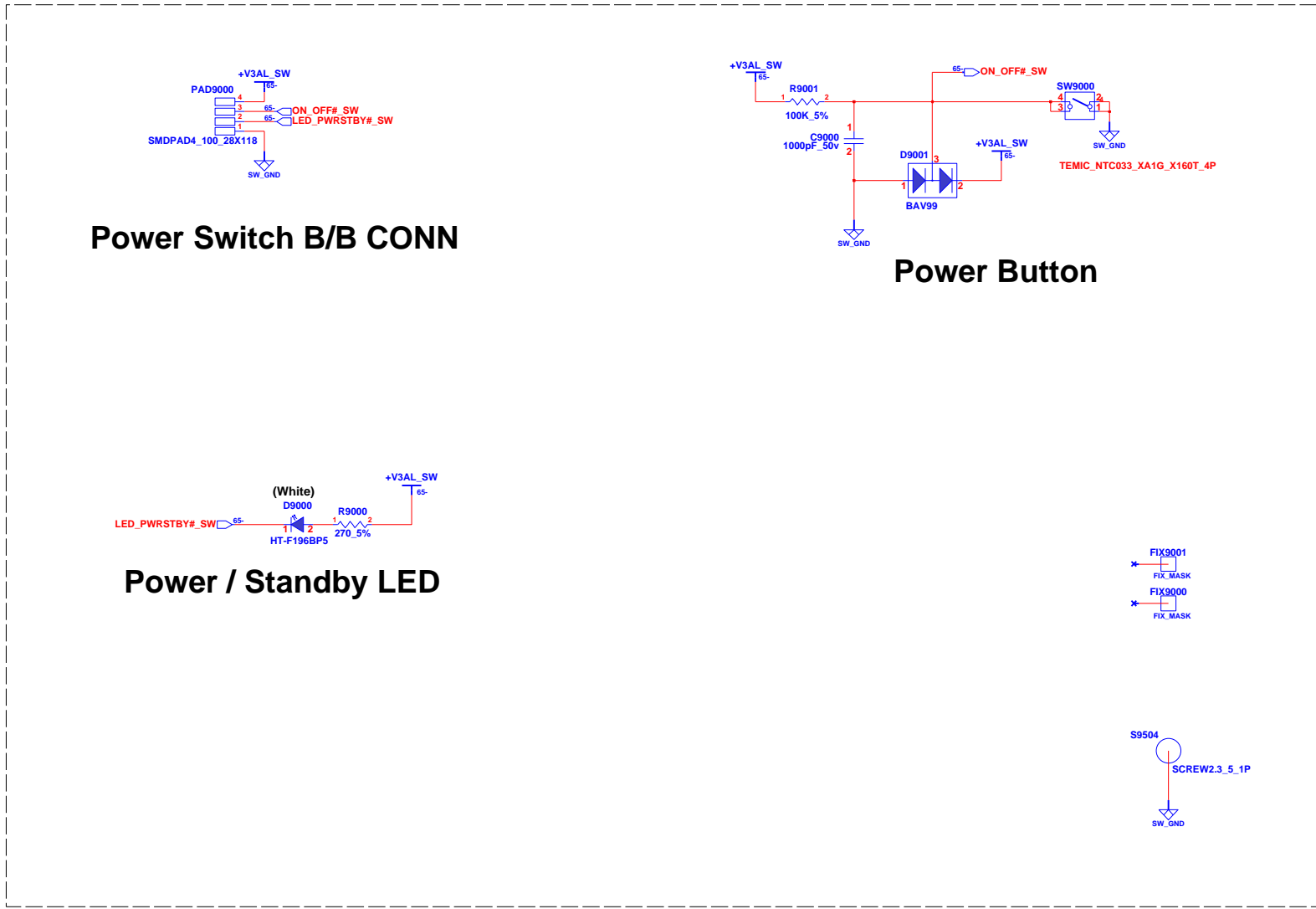
**INVENTEC**

TITLE  
 ROXETTE SEYMOUR-XT  
 USB RIGHT SIDE DB

SIZE A3	CODE CS	DOC. NUMBER I310A2411501-0-MTR	REV A01
------------	------------	-----------------------------------	------------

CHANGE by Phil Huang 2-Mar-2011 SHEET 64 OF 67





**Power Switch B/B CONN**

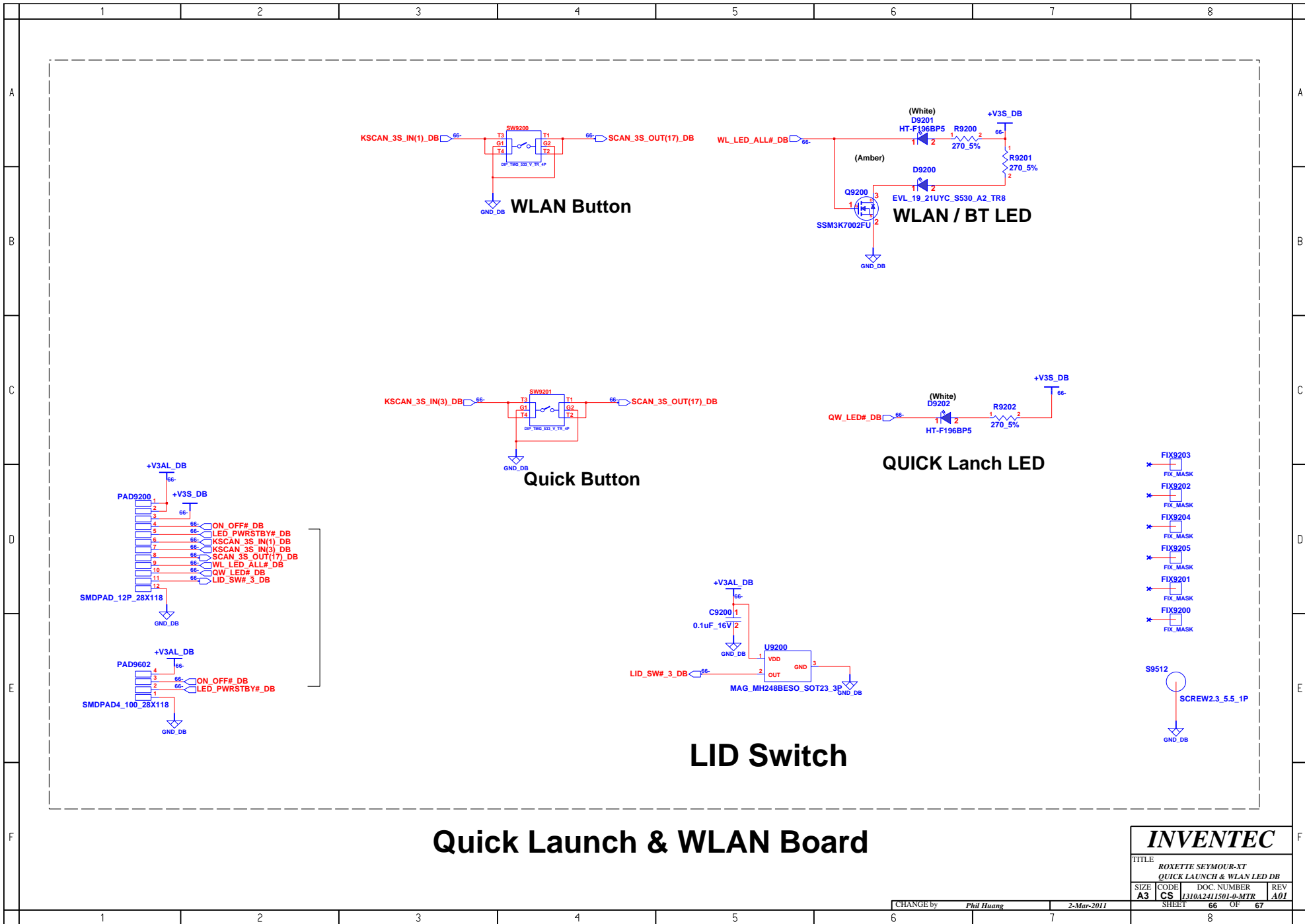
**Power Button**

**Power / Standby LED**

**Power Button Board**

**INVENTEC**

TITLE			
ROXETTE SEYMOUR-XT			
POWER BUTTON BOARD DB			
SIZE	CODE	DOC. NUMBER	REV
A3	CS	1310241501-0-MTR	A01

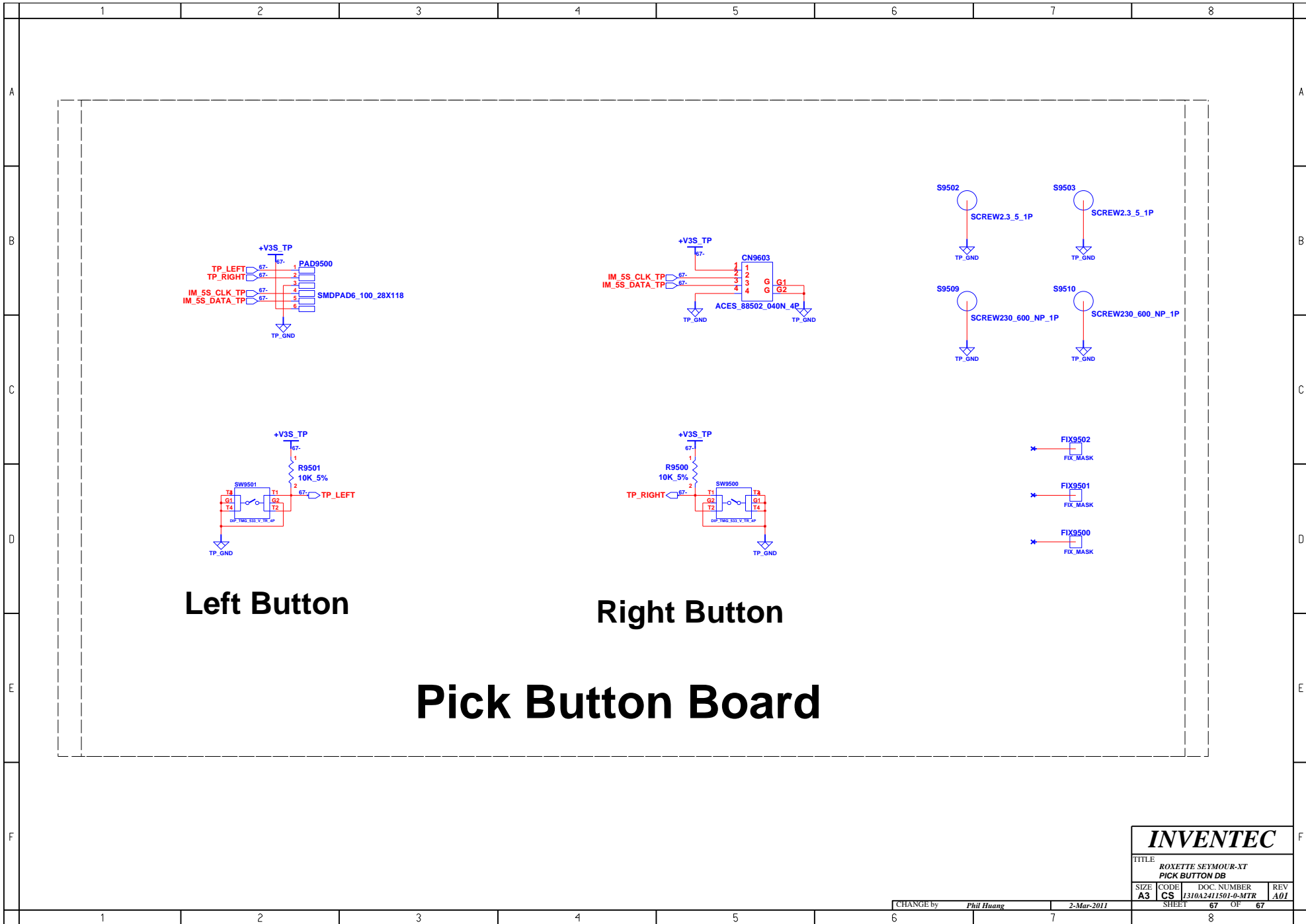


# Quick Launch & WLAN Board

**INVENTEC**

TITLE		
ROXETTE SEYMOUR-XT		
QUICK LAUNCH & WLAN LED DB		
SIZE	CODE	DOC. NUMBER
A3	CS	1310A2411501-0-MTR
SHEET		REV
66		A01

CHANGE by Phil Huang 2-Mar-2011



**Left Button**

**Right Button**

# Pick Button Board

**INVENTEC**

TITLE			
ROXETTE SEYMOUR-XT PICK BUTTON DB			
SIZE	CODE	DOC. NUMBER	REV
A3	CS	13102411501-0-MTR	A01
SHEET		OF	67

CHANGE by *Phil Huang* 2-Mar-2011