

1	2	3	4	5	6	7	8
---	---	---	---	---	---	---	---

THIS DRAWING AND SPECIFICATIONS, HEREIN, ARE THE PROPERTY OF INVENTEC CORPORATION AND SHALL NOT BE REPRODUCED, COPIED, OR USED IN WHOLE OR IN PART AS THE BASIS FOR THE MANUFACTURE OR SALE OF ITEMS WITHOUT WRITTEN PERMISSION, INVENTEC CORPORATION 2009 ALL RIGHT RESERVED

HSF Property : **RoHS**

Diesel 10 UMA

PV_BUILD

2010.02.02

DATE	CHANGE NO.	REV

DRAWER	EE	DATE	POWER	DATE	INVENTEC TITLE Diesel10 UMA
DESIGN					
CHECK					
RESPONSIBLE					
SIZE =	3	VER :			SIZE A3 CODE CS DOC. NUMBER 1310A2326601-0-MTR REV A01
FILE NAME :	XXXX-XXXXXX-XX				SHEET 1 OF 61
P/N	XXXXXXXXXXXX				

1	2	3	4	5	6	7	8
---	---	---	---	---	---	---	---

TABLE OF CONTENTS

PAGE

- 5- DC& BATTERY CHARGER
- 6- SELECT & BATTERY CONN
- 7- SYSTEM POWER(3V/5V)
- 8- SYSTEM POWER(+V1.05M_LAN/+V1.5)
- 9- SYSTEM POWER(+V1.8S)
- 10- SYSTEM POWER(+VCCP)
- 11- CPU POWER(VCC_CORE)
- 12- GRAPHIC POWER(+VGFX_CORE)
- 13- POWER(SLEEP)
- 14- POWER(SEQUENCE)
- 15- CLOCK_GENERATOR
- 16- FAN
- 17-ARRANDALE1
- 18-ARRANDALE2
- 19-ARRANDALE3 & XDP
- 20-ARRANDALE4
- 21-ARRANDALE5
- 22-ARRANDALE6
- 23- DDR3-DIMM0
- 24- DDR3-DIMM1
- 25- PCH1
- 26- PCH2
- 27- PCH3
- 28- PCH4
- 29- PCH5
- 30- PCH6
- 31- PCH7-POWER
- 32- PCH8-POWER
- 33- PCH9

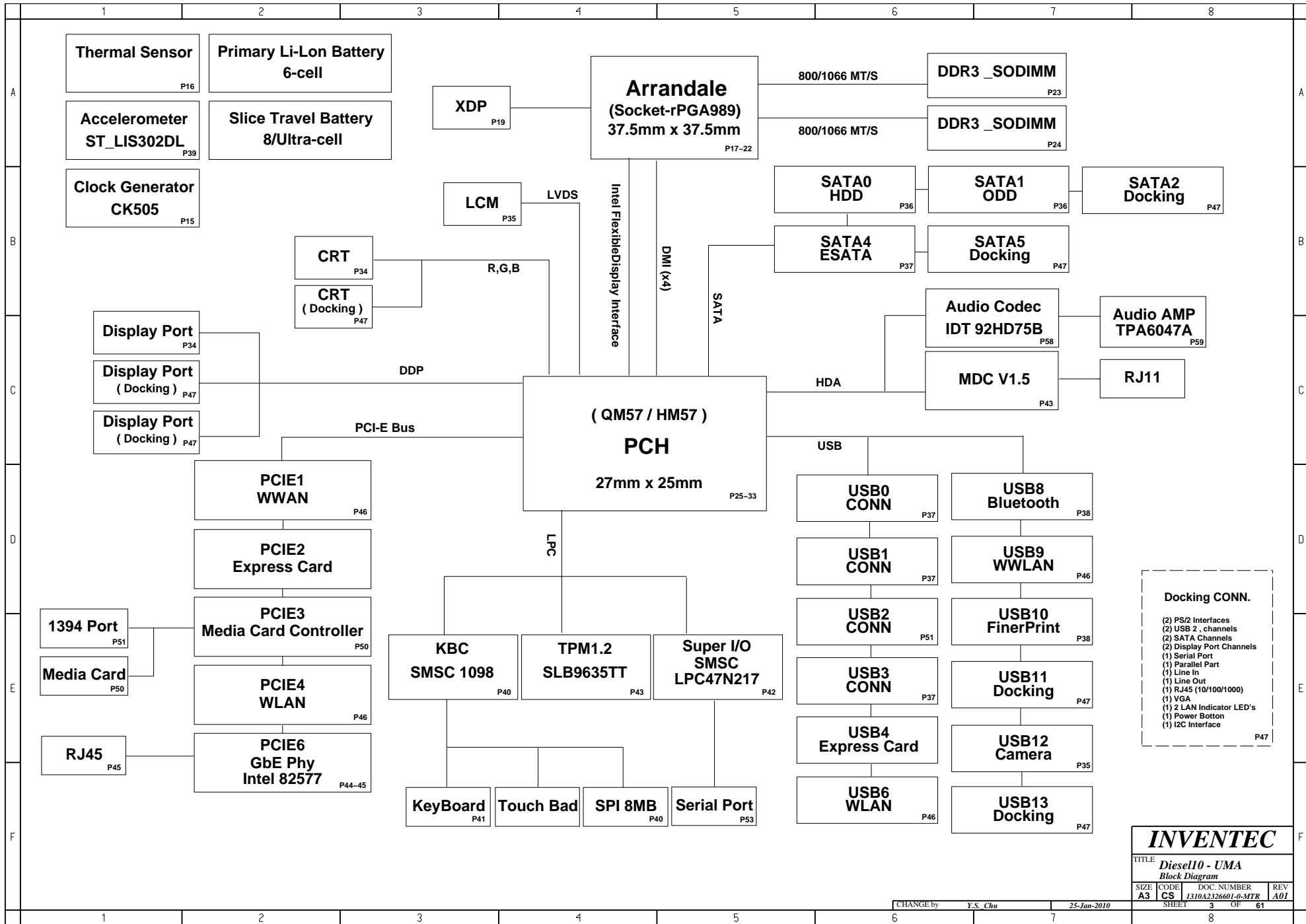
PAGE

- 34- CRT / DISPLAY PORT CNTR
- 35- LCM & CAMERA
- 36- SATA & ODD CNTR
- 37- LEFT USB & ESATA COMBO
- 38- BLUE TOOTH & FINGER PRINTER CNTR
- 39- ACCELEMETOR
- 40- KBC & SPI
- 41- KEYBOARD & STICK POINT
- 42- SUPER I/O
- 43- TPM & MDC
- 44- LAN INTERFACE
- 45- LAN RJ45 CNTR
- 46- WWAN & WLAN & SIM
- 47- DOCKING CNTR
- 48- CNTR FOR DAUGHTER BOARD
- 49- SCREW & EMI
- 50- CARD READER DB-1
- 51- CARD READER DB-2
- 52- ODD DB
- 53- SERIAL DB
- 54- POWER BUTTON DB
- 55- EXPRESS CARD & Audio DB-1
- 56- EXPRESS CARD & Audio DB-2
- 57- EXPRESS CARD & Audio DB-3
- 58- EXPRESS CARD & Audio DB-4
- 59- EXPRESS CARD & Audio DB-5
- 60- CAP SENSOR BOARD DB(SMSC) 14"
- 61- CAP SENSOR BOARD DB(SMSC) 15"

INVENTEC

TITLE			
<i>Diesel10 - UMA</i>			
<i>Page List</i>			
SIZE	CODE	DOC. NUMBER	REV
A3	CS	1310A2326601-0-MTR	A01
SHEET		OF	61
2			

CHANGE by Y.S. Chu 25-Jan-2010



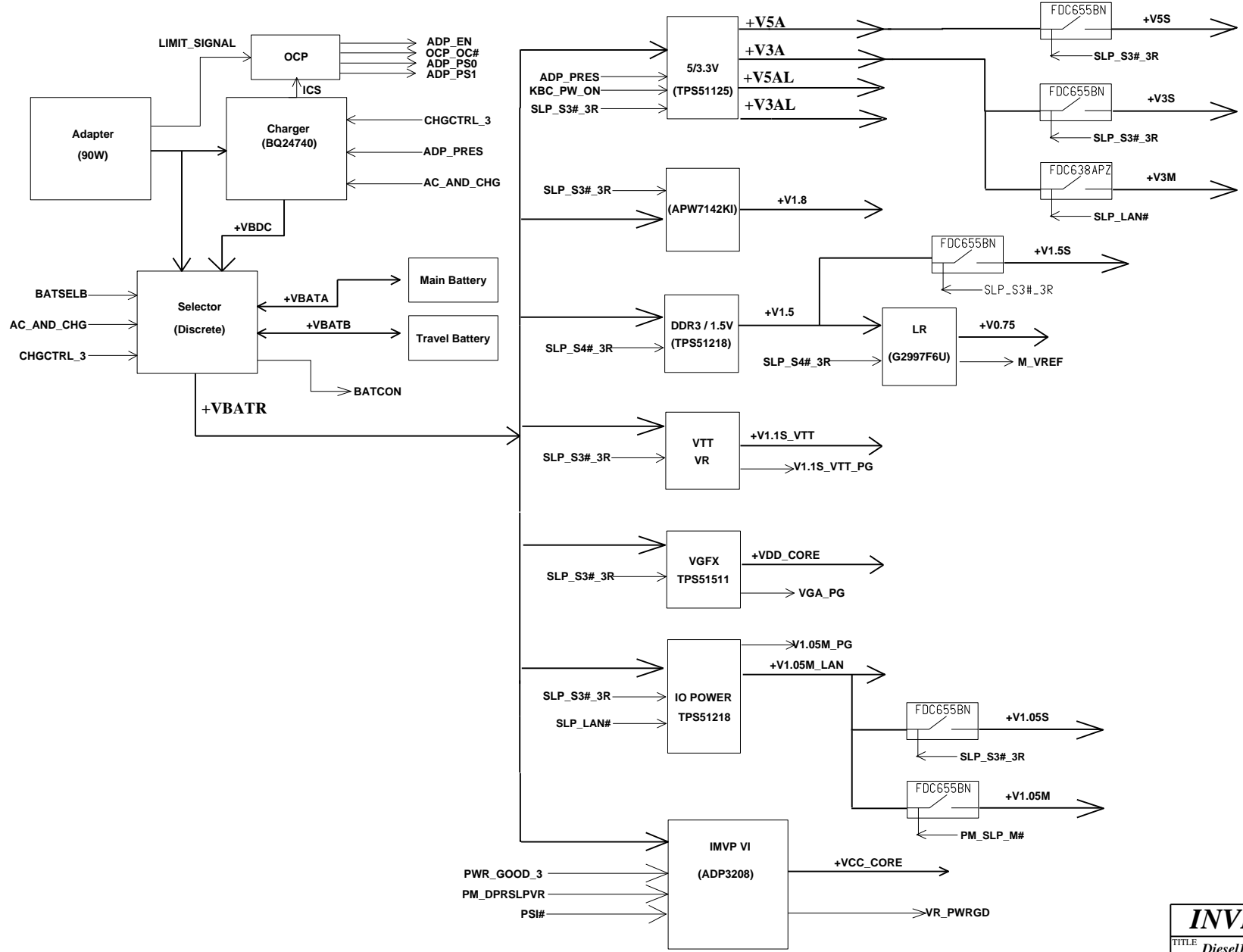
INVENTEC

TITLE Diesel10 - UMA
Block Diagram

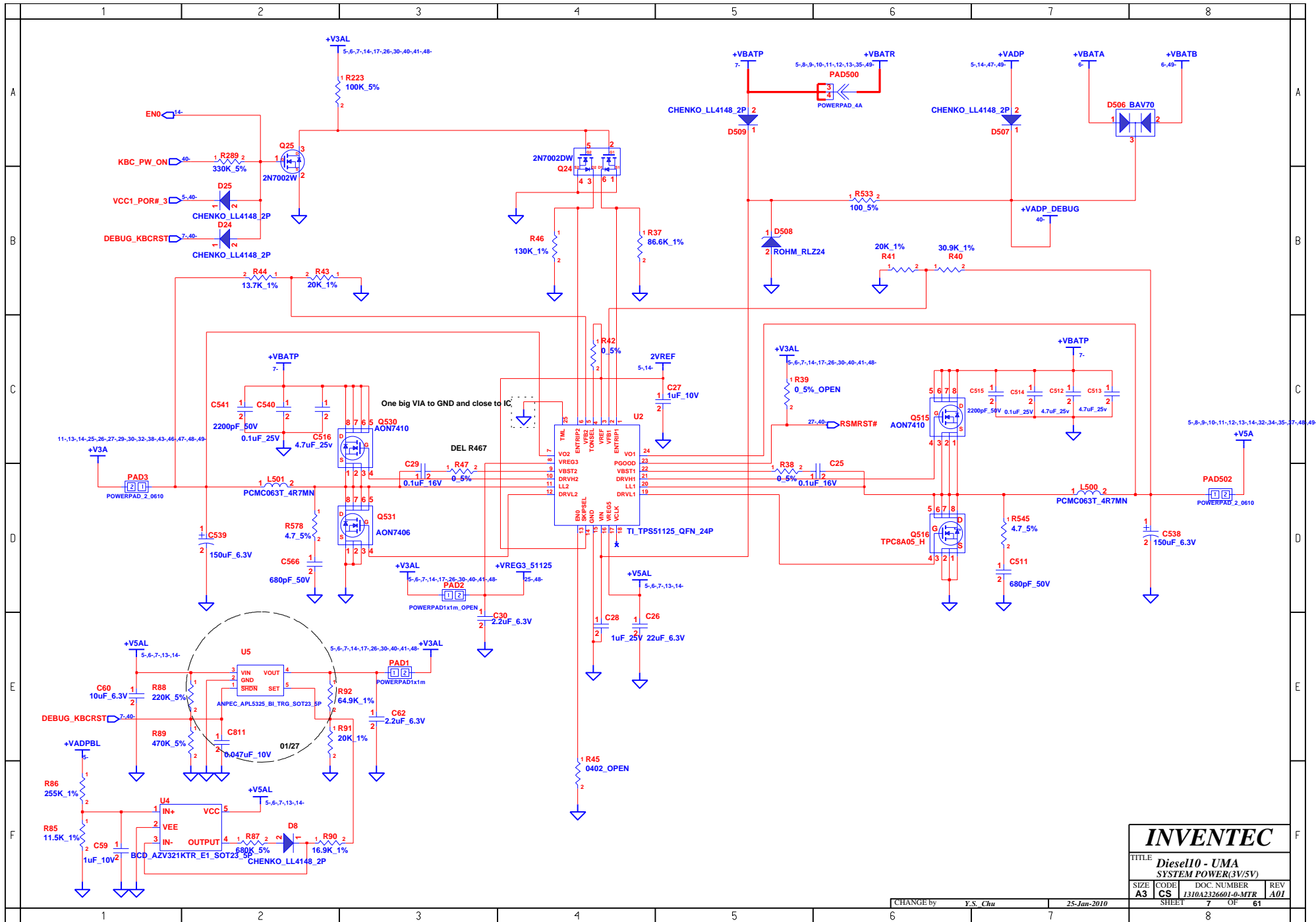
SIZE	CODE	DOC. NUMBER	REV
A3	CS	1310A2326601-0-MTR	A01

CHANGE by Y.S. Chu 25-Jan-2010

SHEET 3 OF 61

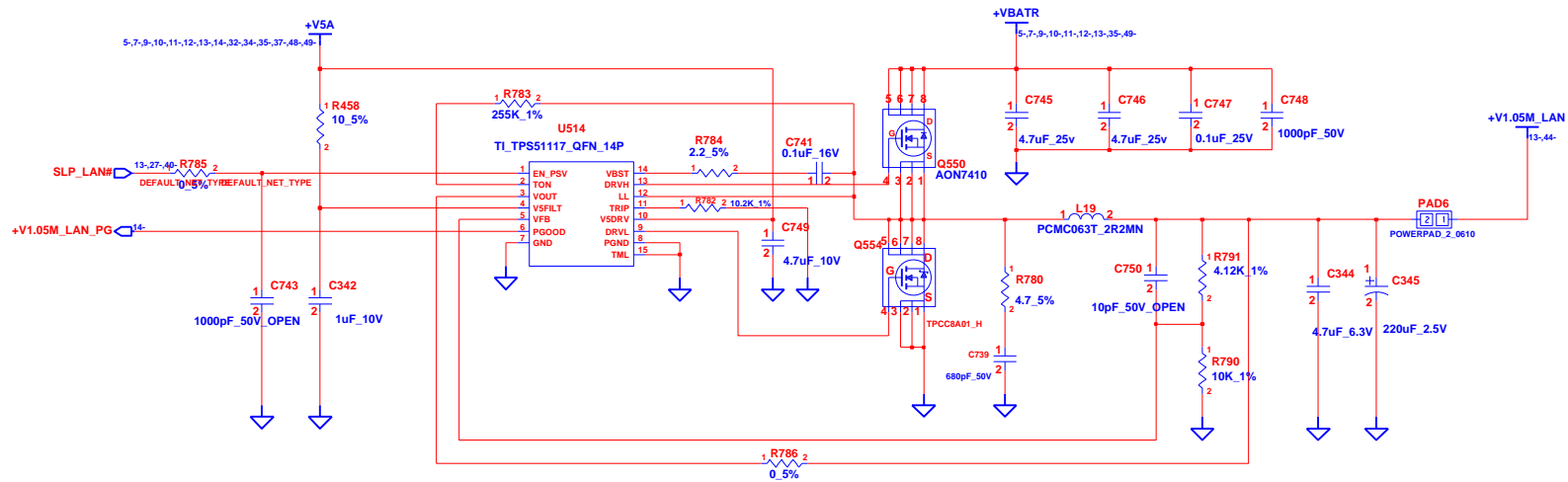


INVENTEC			
TITLE Diesel10 - UMA			
Power Diagram			
SIZE A3	CODE CS	DOC. NUMBER 1310A2326601-0-MTR	REV A01
CHANGE by Y.S. Chu		25-Jan-2010	
SHEET 4		OF 61	



INVENTEC			
TITLE Diesel10 - UMA SYSTEM POWER(3V/5V)			
SIZE A3	CODE CS	DOC. NUMBER 1310A2326601-0-MTR	REV A01
SHEET 7		OF 61	

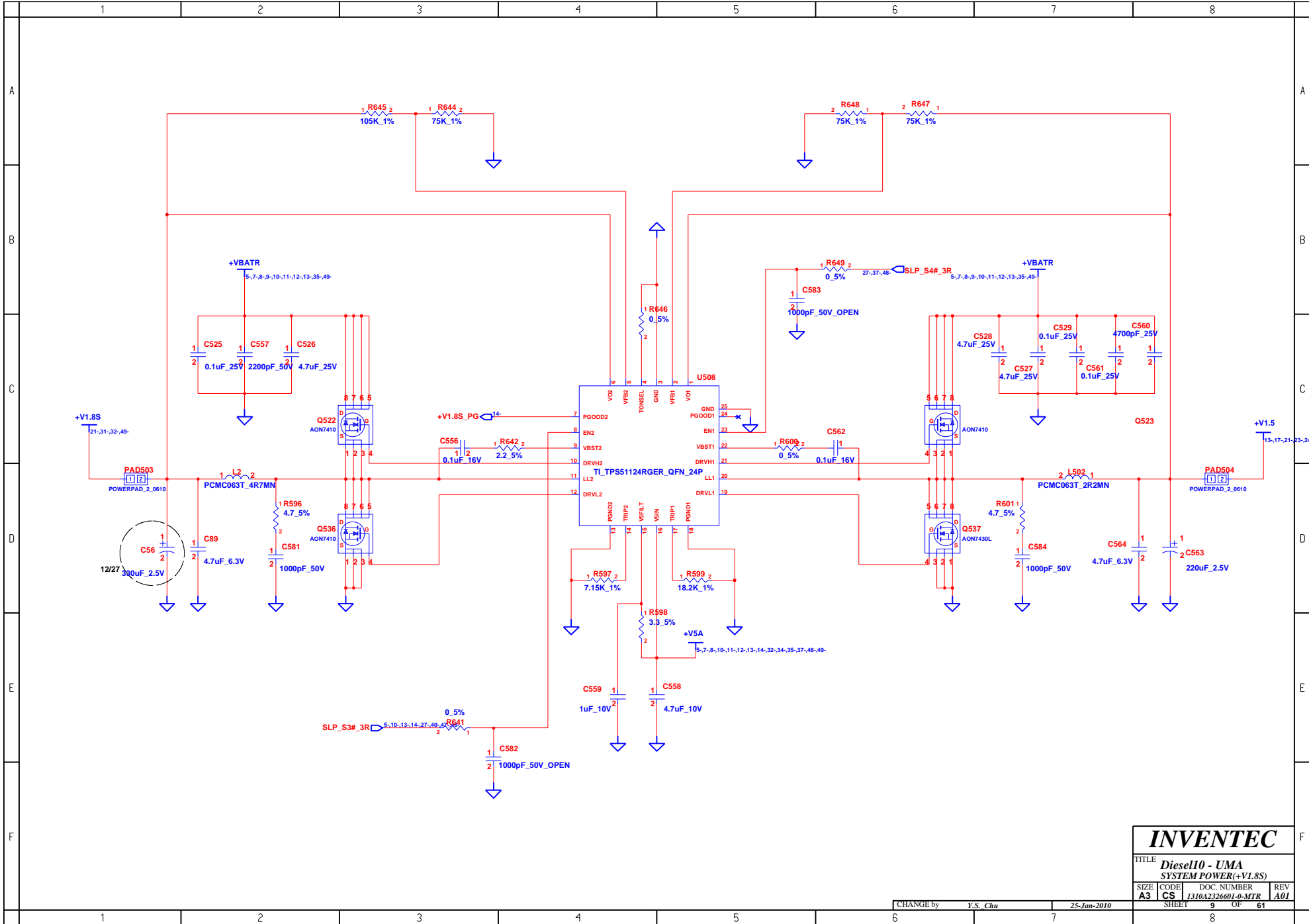
CHANGE by **Y.S. Chu** 25-Jan-2010



INVENTEC

TITLE			
Diesel10 - UMA			
SYSTEM POWER(+V1.05M_LAN/+V1.5			
SIZE	CODE	DOC. NUMBER	REV
A3	CS	1310A2326601-0-MTR	A01
CHANGE by		SHEET	
Y.S. Chu		8 OF 61	

25-Jan-2010

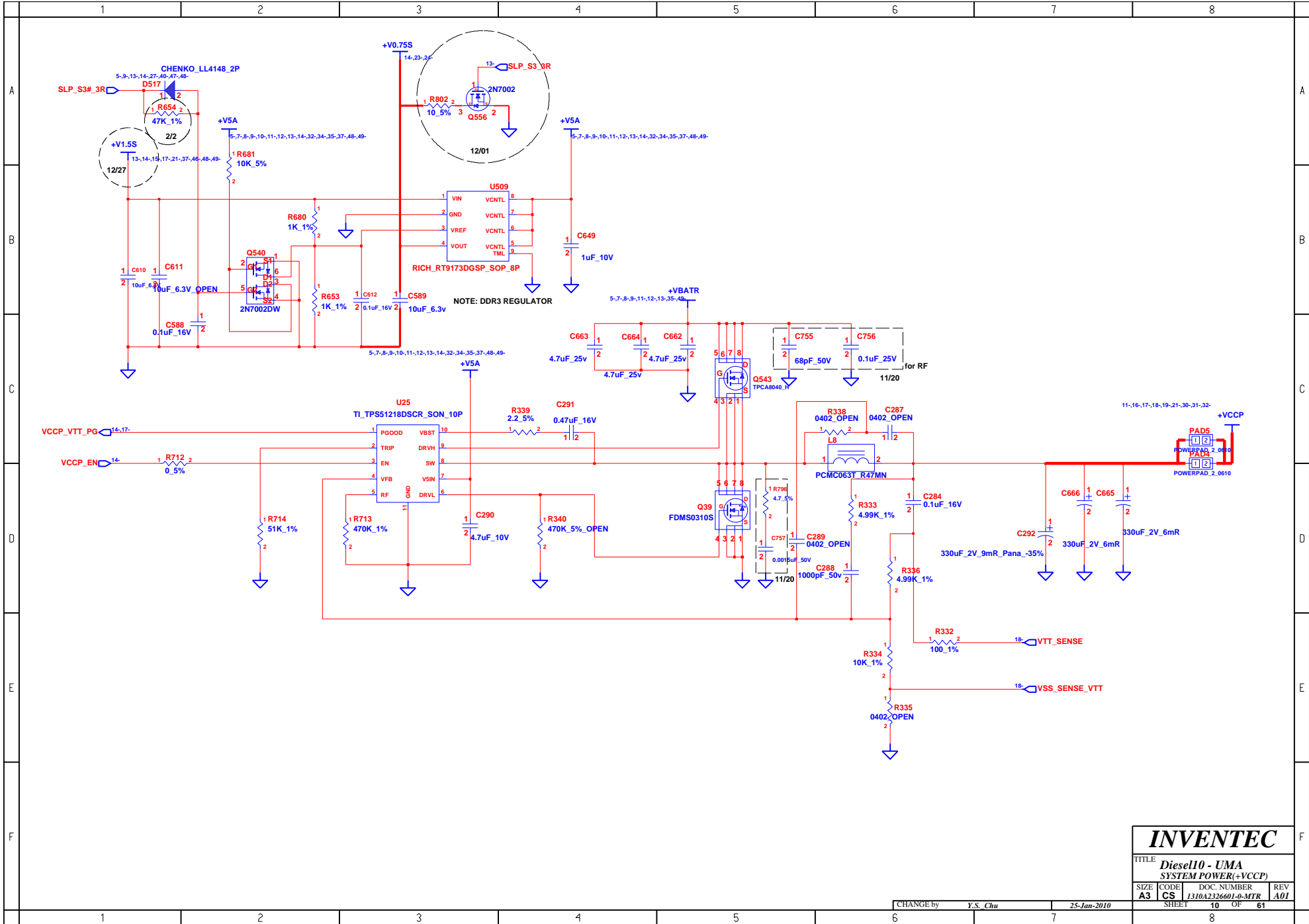


INVENTEC

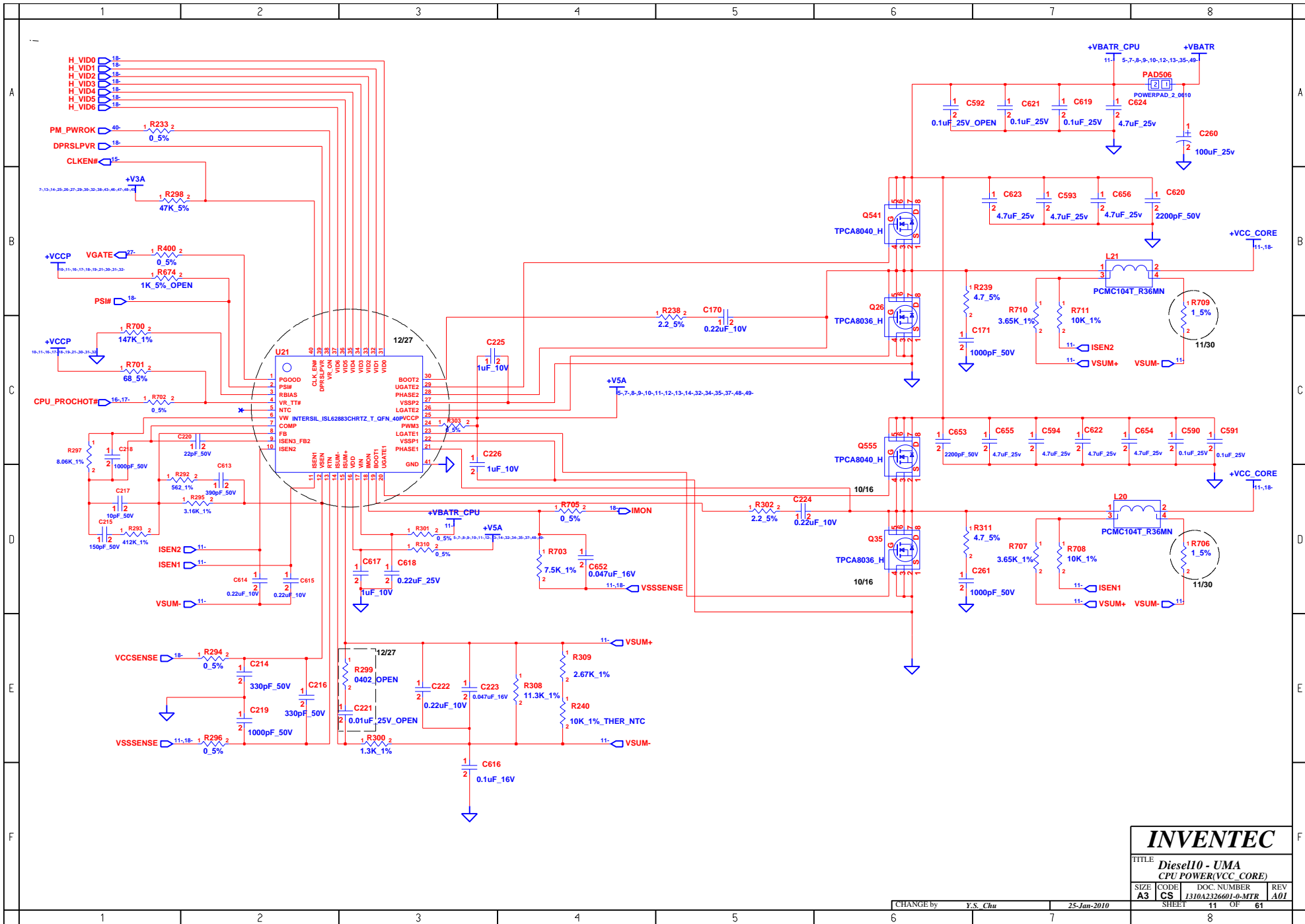
TITLE
Diesel10 - UMA
SYSTEM POWER(+V1.8S)

SIZE A3	CODE CS	DOC. NUMBER 1310A2326601-0-MTR	REV A01
-------------------	-------------------	--	-------------------

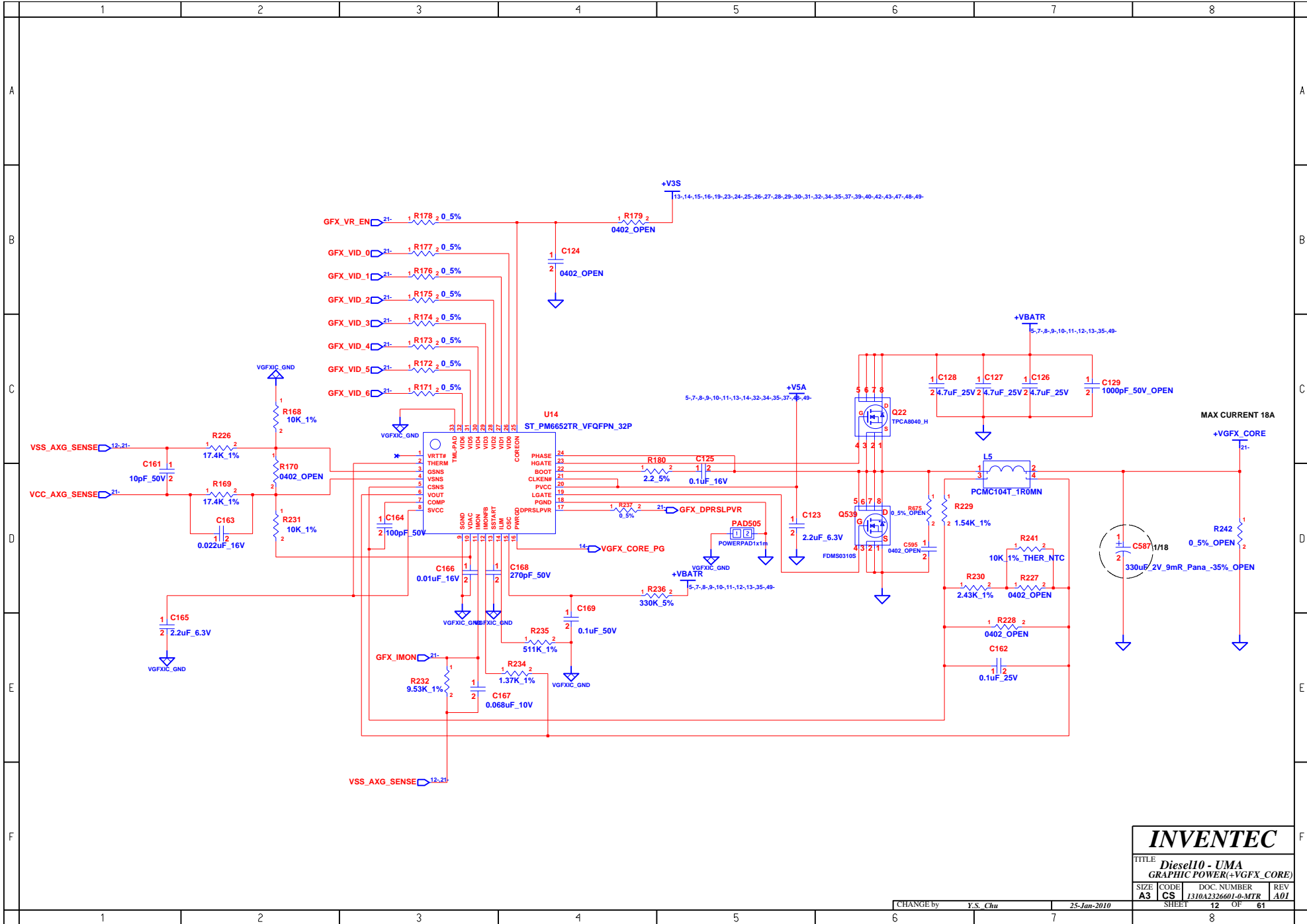
CHANGE by Y.S. Chu	DATE 25-Jan-2010	SHEET 9	OF 61
------------------------------	----------------------------	-------------------	-----------------



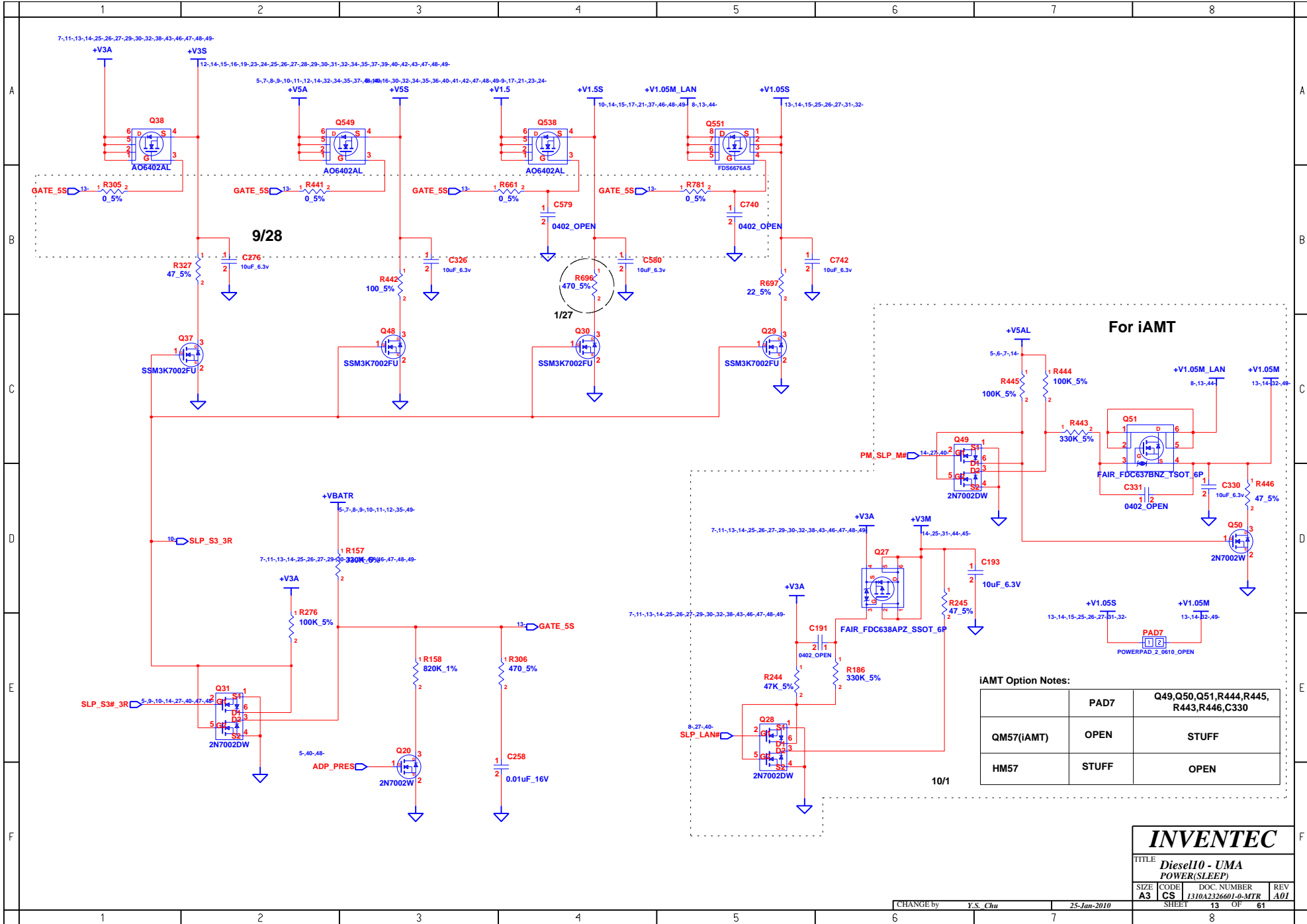
INVENTEC			
TITLE Diesel10 - UMA SYSTEM POWER(+VCCP)			
SIZE A3	CODE CS	DOC. NUMBER 1310A2326001-p-MTR	REV A01
CHANGE by Y.S. Chu		DATE 25-Jan-2010	
SHEET 10		OF 61	



INVENTEC			
TITLE Diesel10 - UMA			
CPU POWER(VCC_CORE)			
SIZE A3	CODE CS	DOC NUMBER 1310A2326601-p-MTR	REV A01
CHANGE by Y.S. Chu		25-Jan-2010	
SHEET 11		OF 61	



INVENTEC			
TITLE Diesel10 - UMA GRAPHIC POWER(+VGFX_CORE)			
SIZE A3	CODE CS	DOC. NUMBER 1310A2326601-0-MTR	REV A01
CHANGE by Y.S. Chu		25-Jan-2010	
SHEET 12		OF 61	

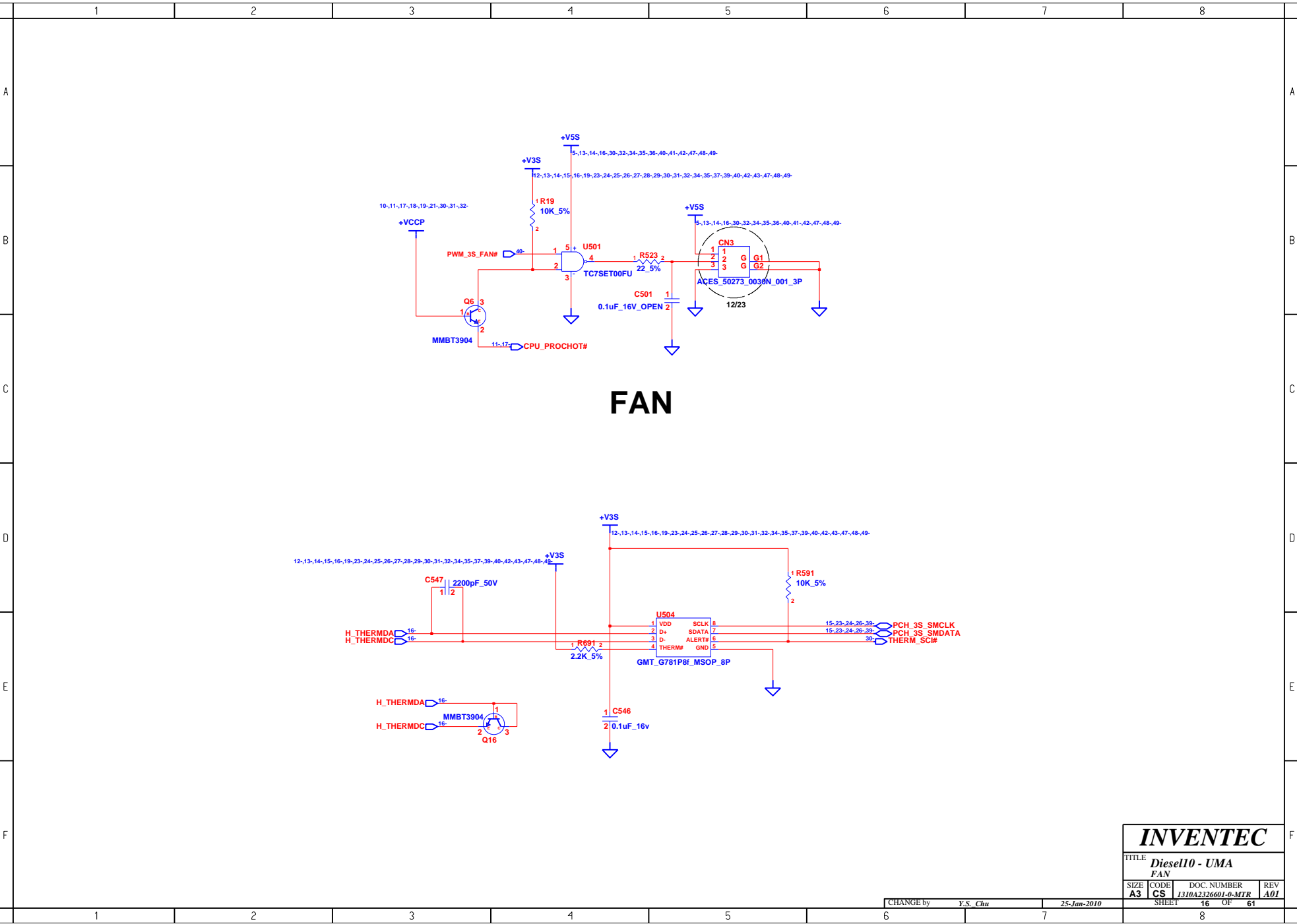


iAMT Option Notes:

	PAD7	Q49,Q50,Q51,R444,R445, R443,R446,C330
QM57(iAMT)	OPEN	STUFF
HM57	STUFF	OPEN

INVENTEC

TITLE Diesel10 - UMA POWER(SLEEP)			
SIZE A3	CODE CS	DOC. NUMBER 1310A232601-0-MTR	REV A01
SHEET 13		OF 61	

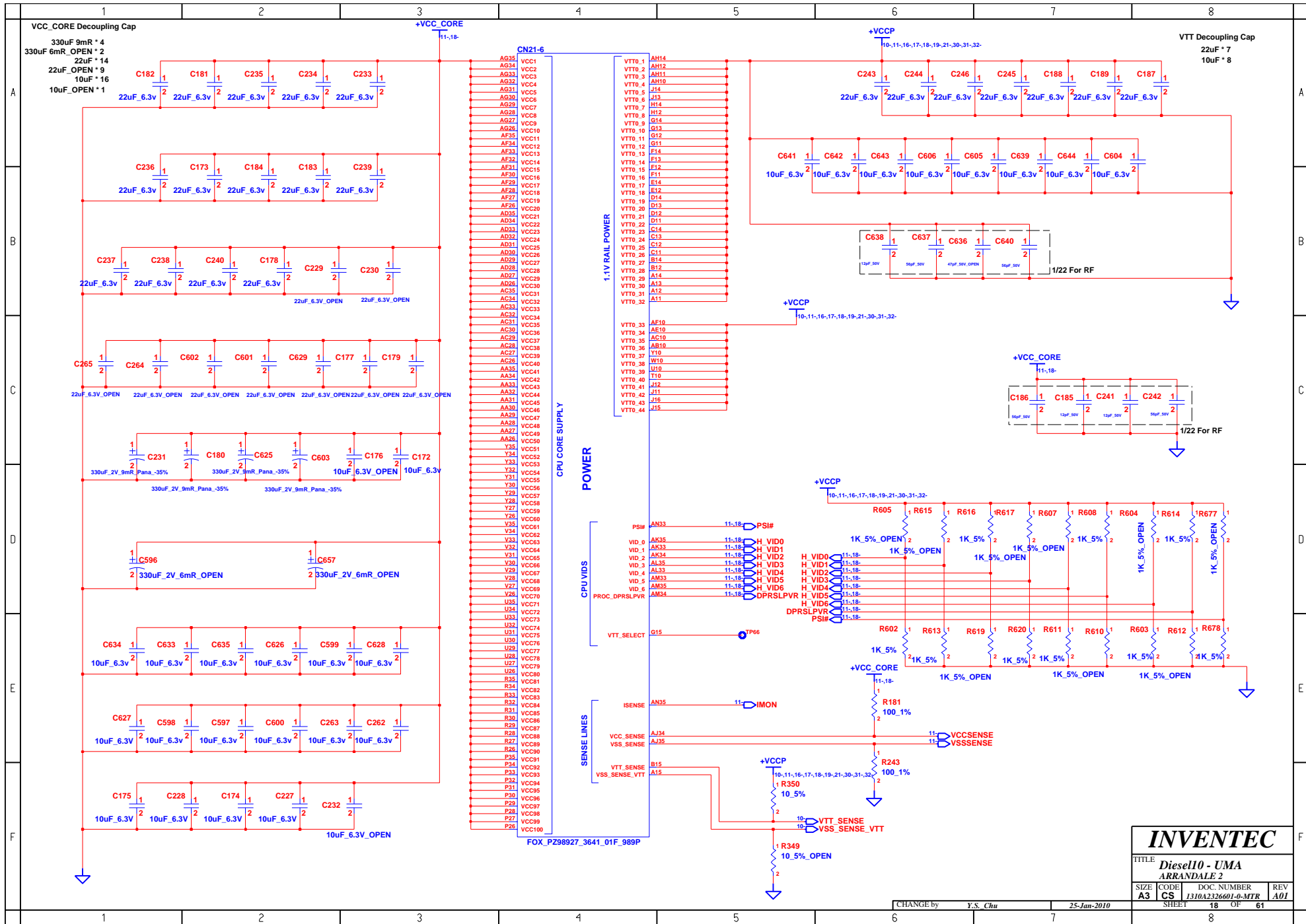


FAN

INVENTEC

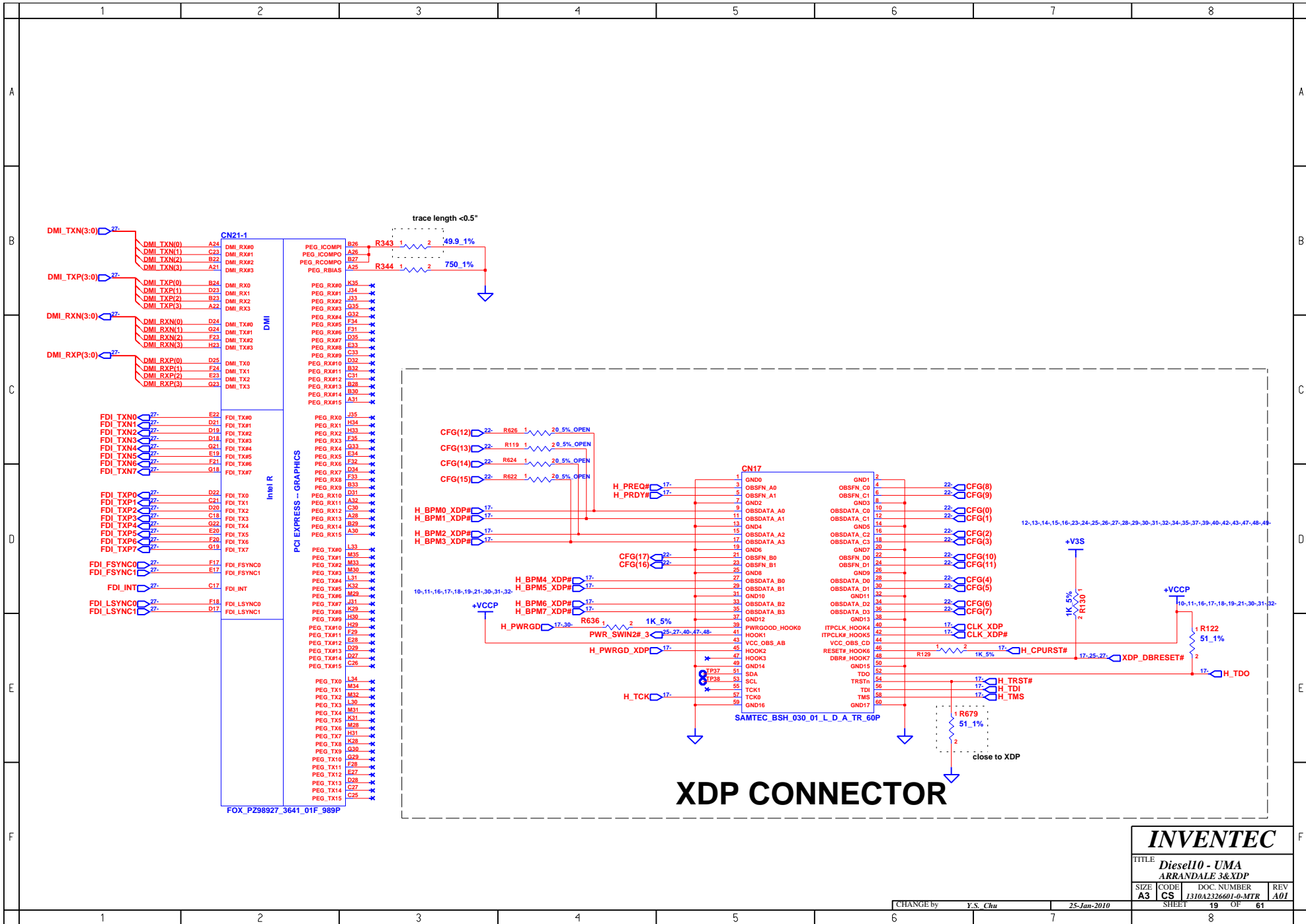
TITLE			
Diesel10 - UMA			
FAN			
SIZE	CODE	DOC. NUMBER	REV
A3	CS	1310A2326601-0-MTR	A01
SHEET		16	OF 61

CHANGE by Y.S. Chu 25-Jan-2010



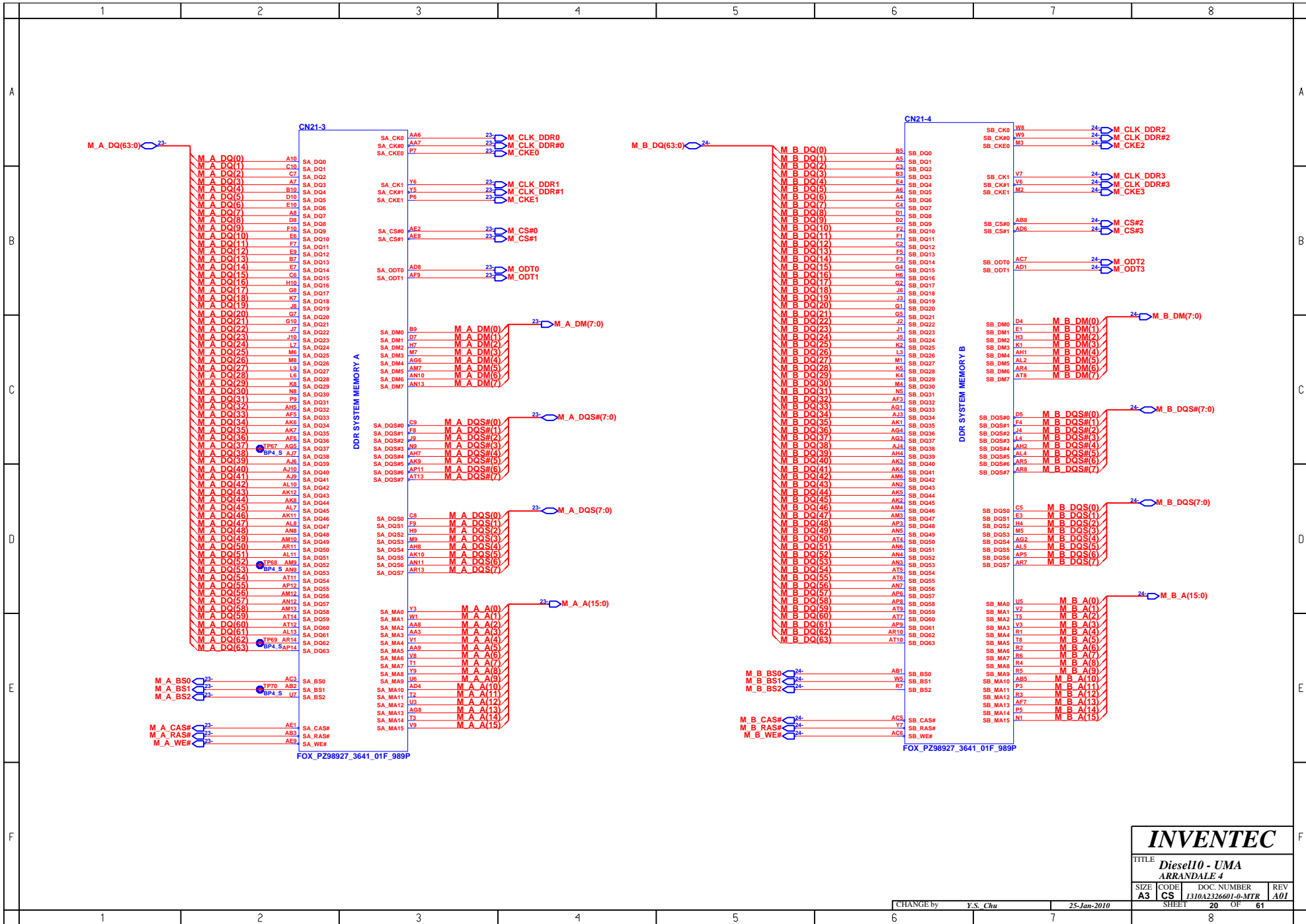
INVENTEC			
TITLE Diesel10 - UMA			
ARRANDALE 2			
SIZE A3	CODE CS	DOC. NUMBER 1310A236601-0-MTR	REV A01
SHEET 18		OF 61	

CHANGE by **Y.S. Chu** 25-Jan-2010



XDP CONNECTOR

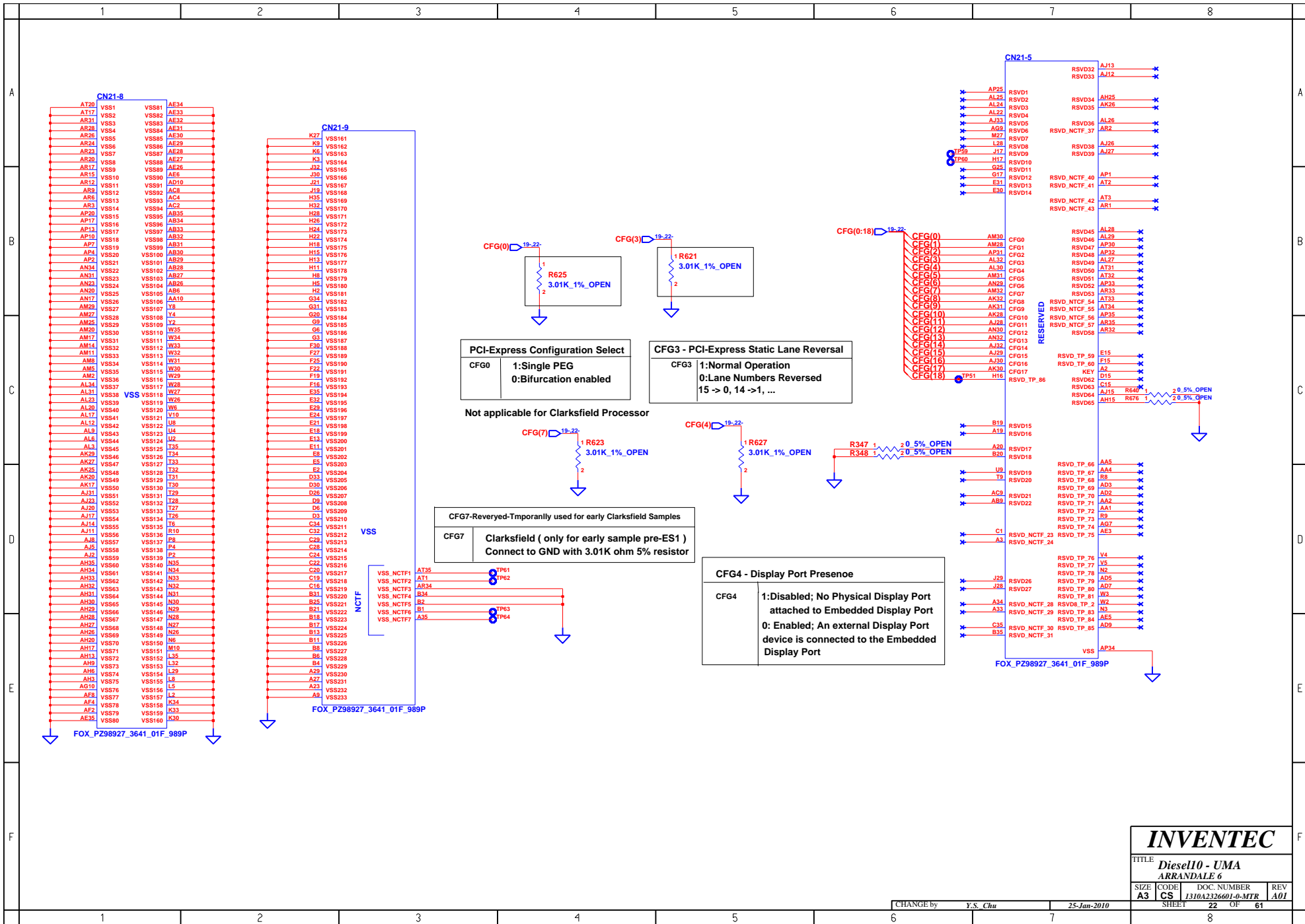
INVENTEC			
TITLE Diesel10 - UMA ARRANDALE 3&XDP			
SIZE A3	CODE CS	DOC NUMBER 1310A232601-0-MTR	REV A01
CHANGE by Y.S. Chu		25-Jan-2010	
SHEET 19		OF 61	



INVENTEC

TITLE
Diesel10 - UMA
ARRANDALE 4

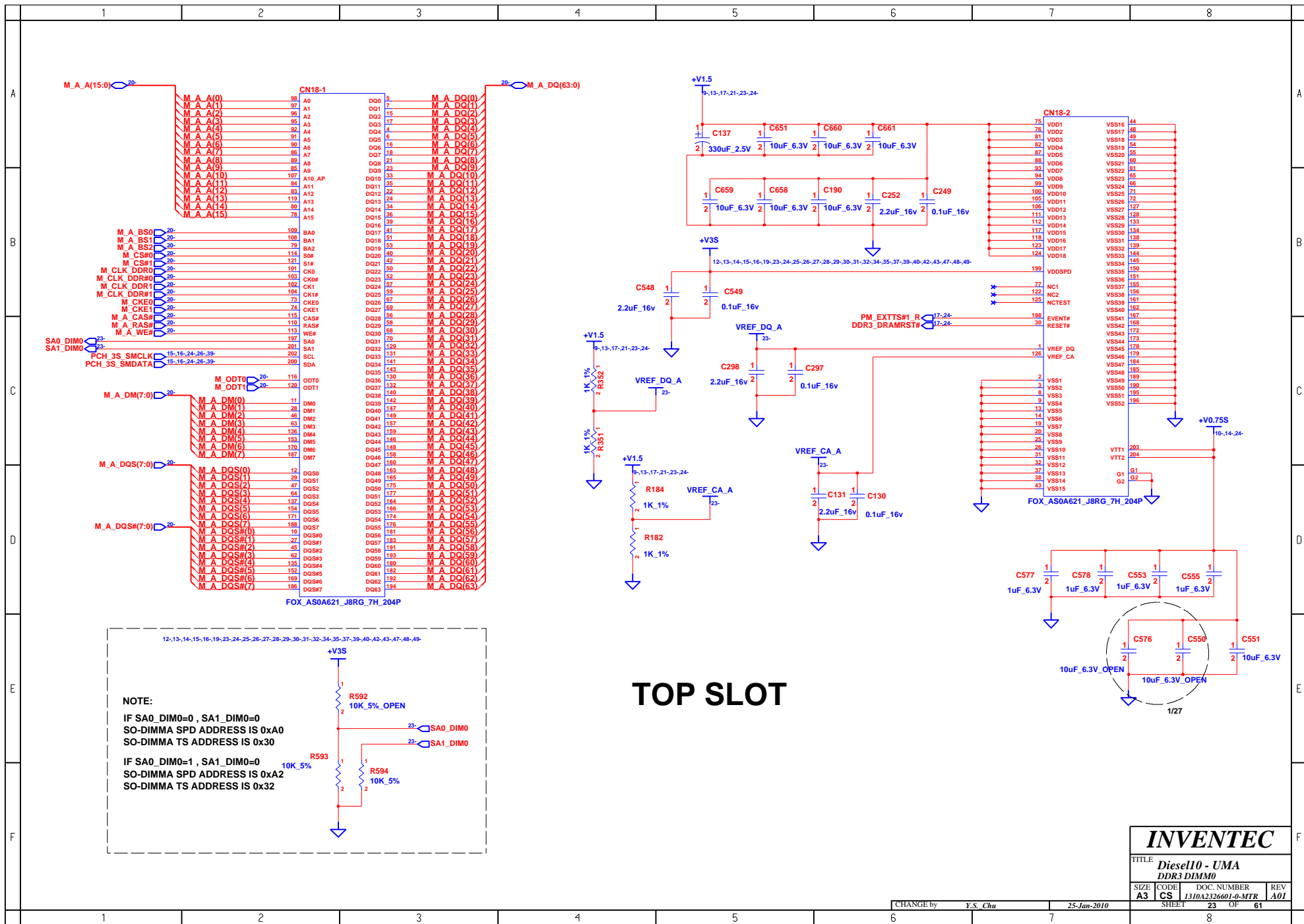
SIZE A3	CODE CS	DOC. NUMBER 1310A232601-0-MTR	REV A01
CHANGE by Y.S. Chu		25-Jan-2010	
SHEET 20		OF 61	



INVENTEC

TITLE Diesel10 - UMA
ARRANDALE 6

SIZE A3	CODE CS	DOC. NUMBER 1310A2326601-0-MTR	REV A01
CHANGE by Y.S. Chu		25-Jan-2010	
		SHEET 22	OF 61



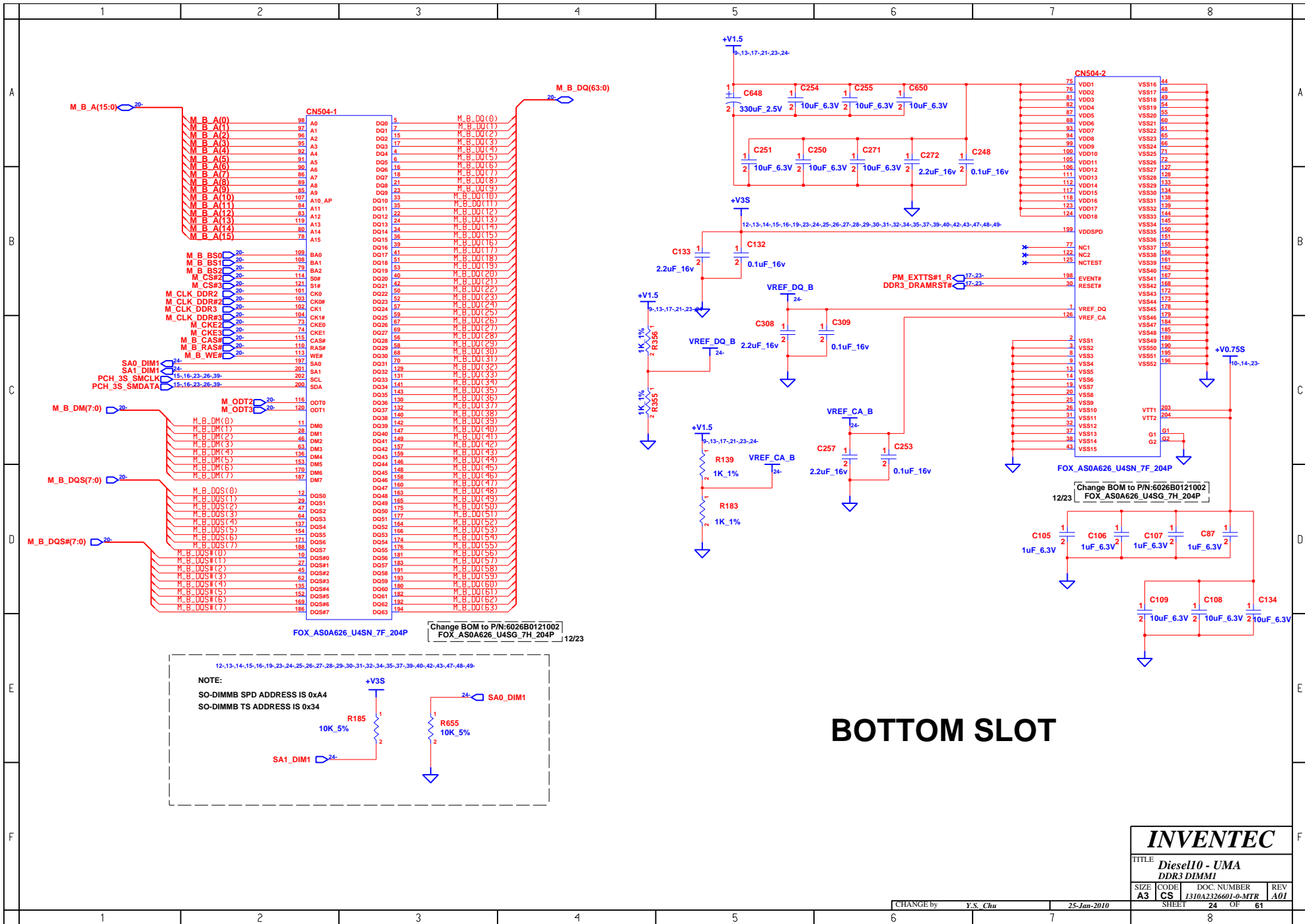
TOP SLOT

NOTE:

IF SA0_DIM0=0, SA1_DIM0=0
 SO-DIMMA SPD ADDRESS IS 0xA0
 SO-DIMMA TS ADDRESS IS 0x30

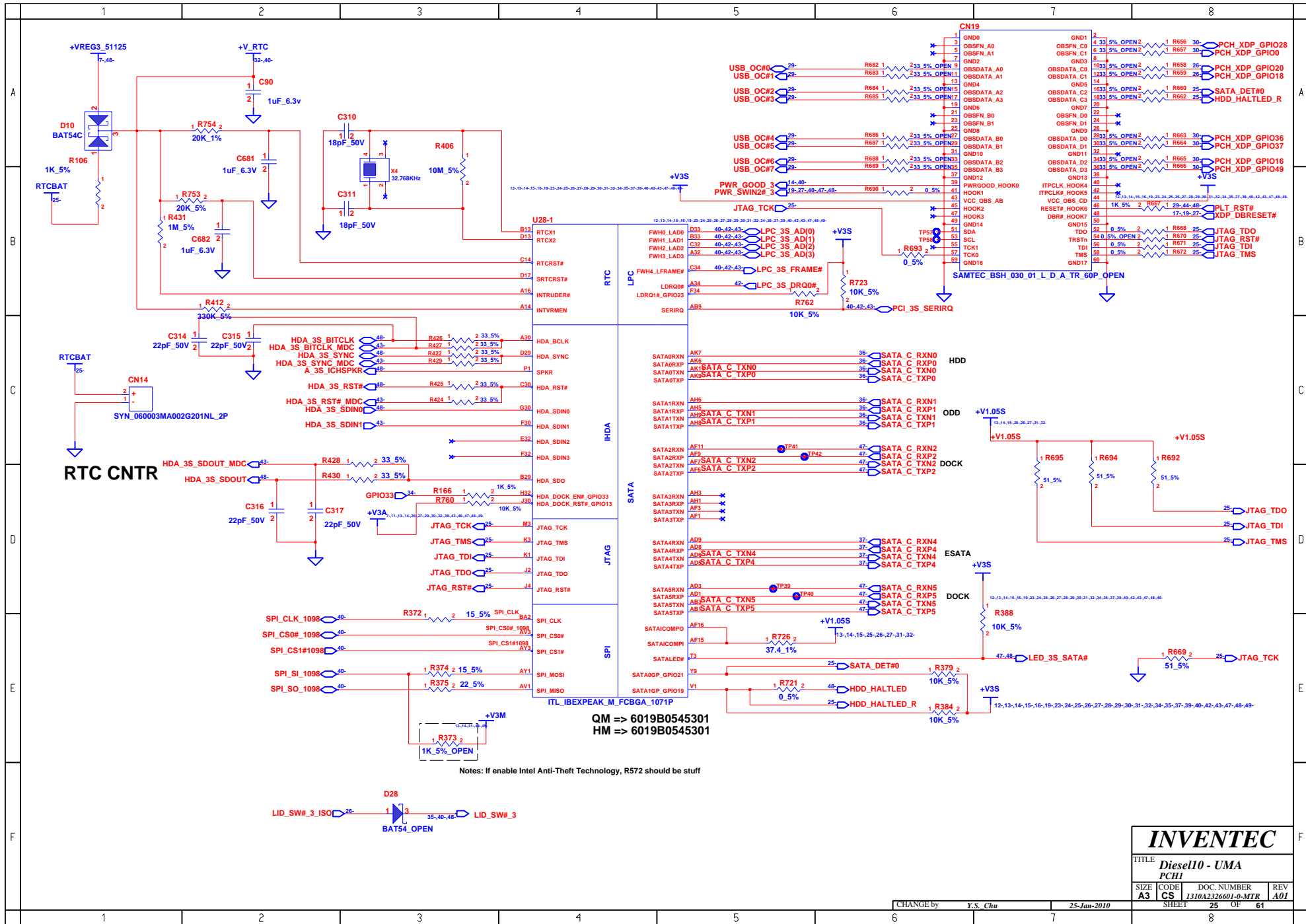
IF SA0_DIM0=1, SA1_DIM0=0
 SO-DIMMA SPD ADDRESS IS 0xA2
 SO-DIMMA TS ADDRESS IS 0x32

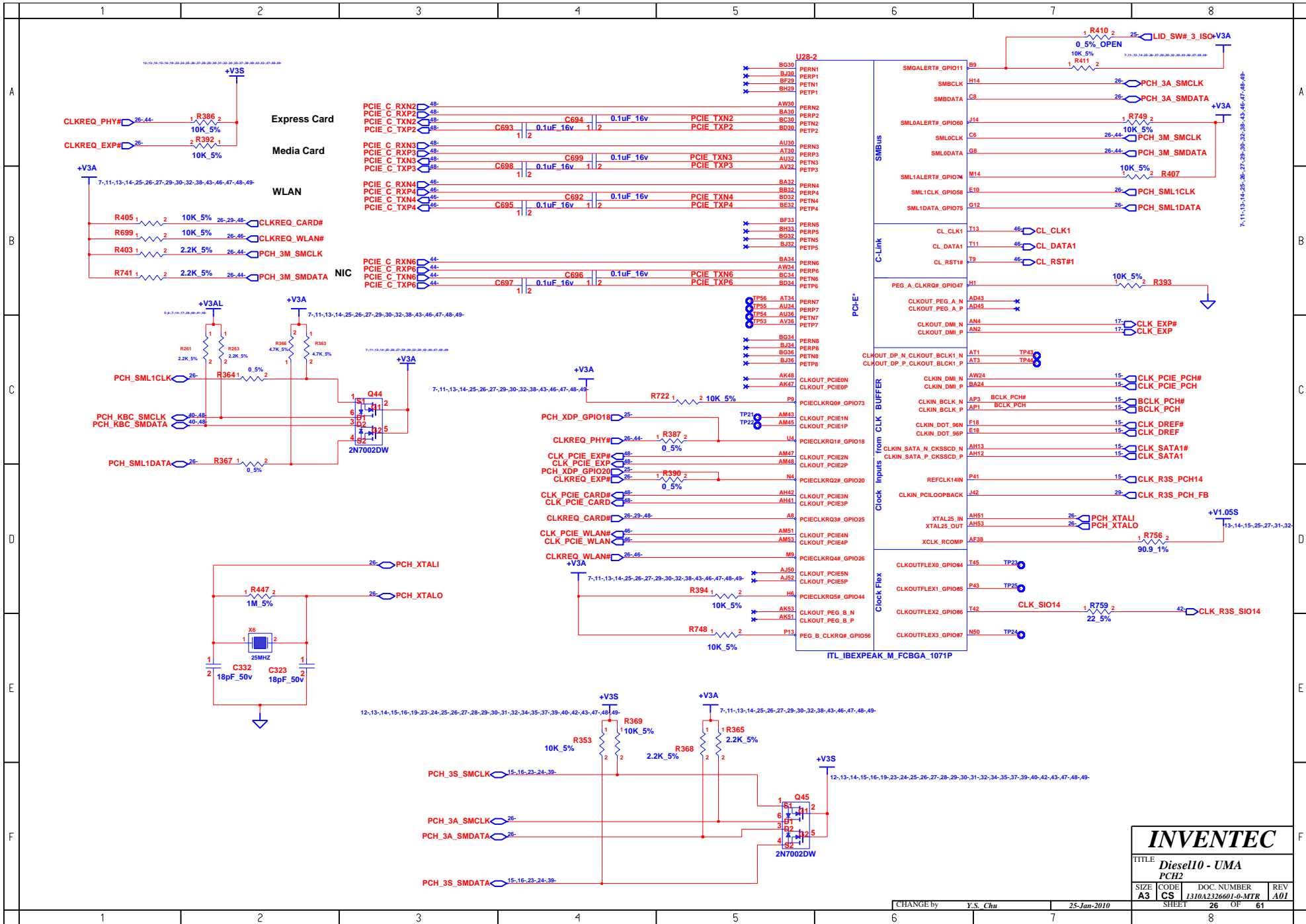
INVENTEC			
TITLE Diesel10 - UMA DDR3 DIMM0			
SIZE A3	CODE CS	DOC. NUMBER 1310A2326601-0-MTR	REV A01
CHANGE by Y.S. Chu		25-Jan-2010	
SHEET 23		OF 61	



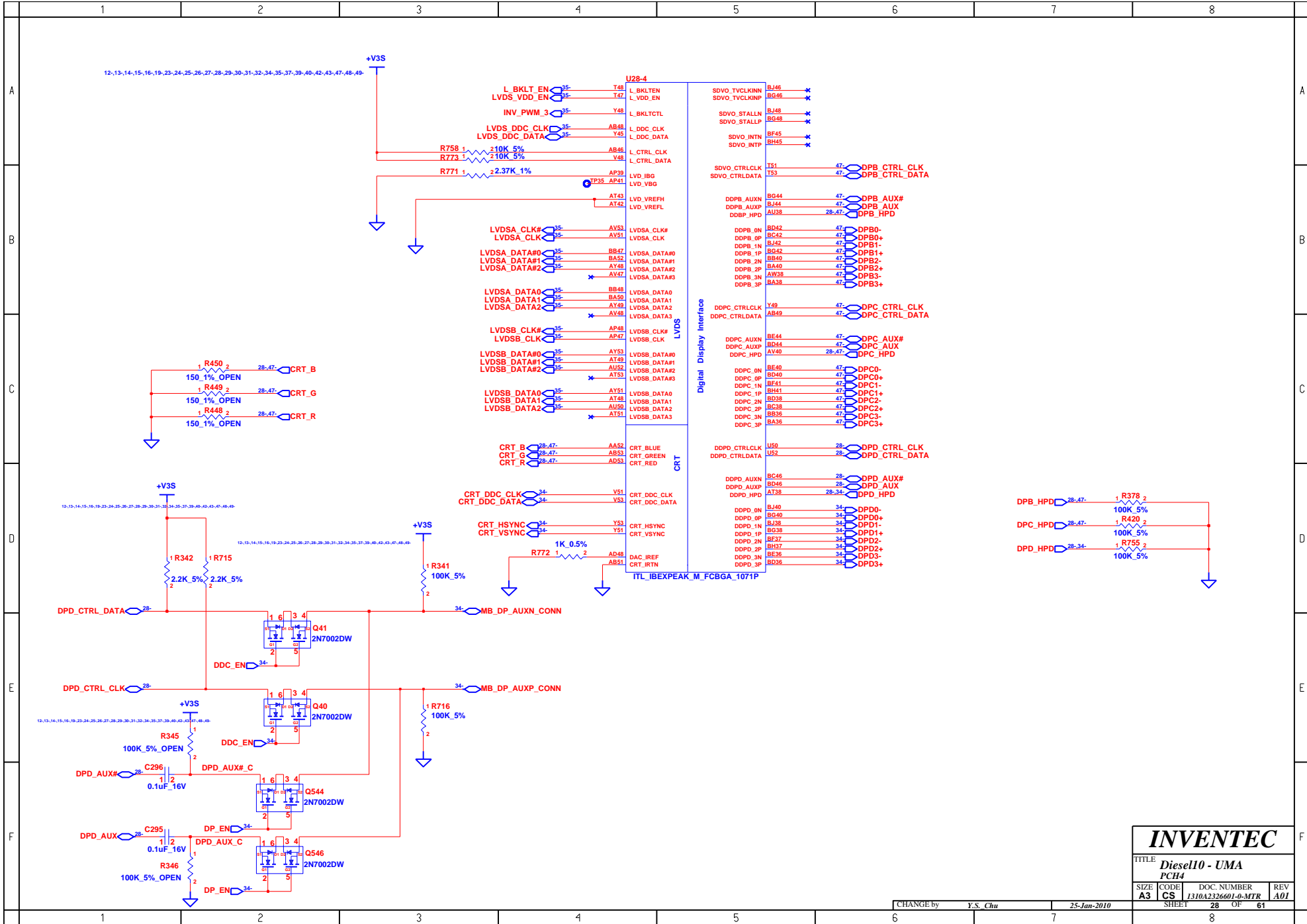
BOTTOM SLOT

INVENTEC				
TITLE: Diesel10 - UMA DDR3 DIMM1				
SIZE: A3	CODE: CS	DOC. NUMBER: 1310A2326601-0-MTR	REV: A01	
CHANGE by: Y.S. Chu			25-Jan-2010	
SHEET: 24			OF: 61	

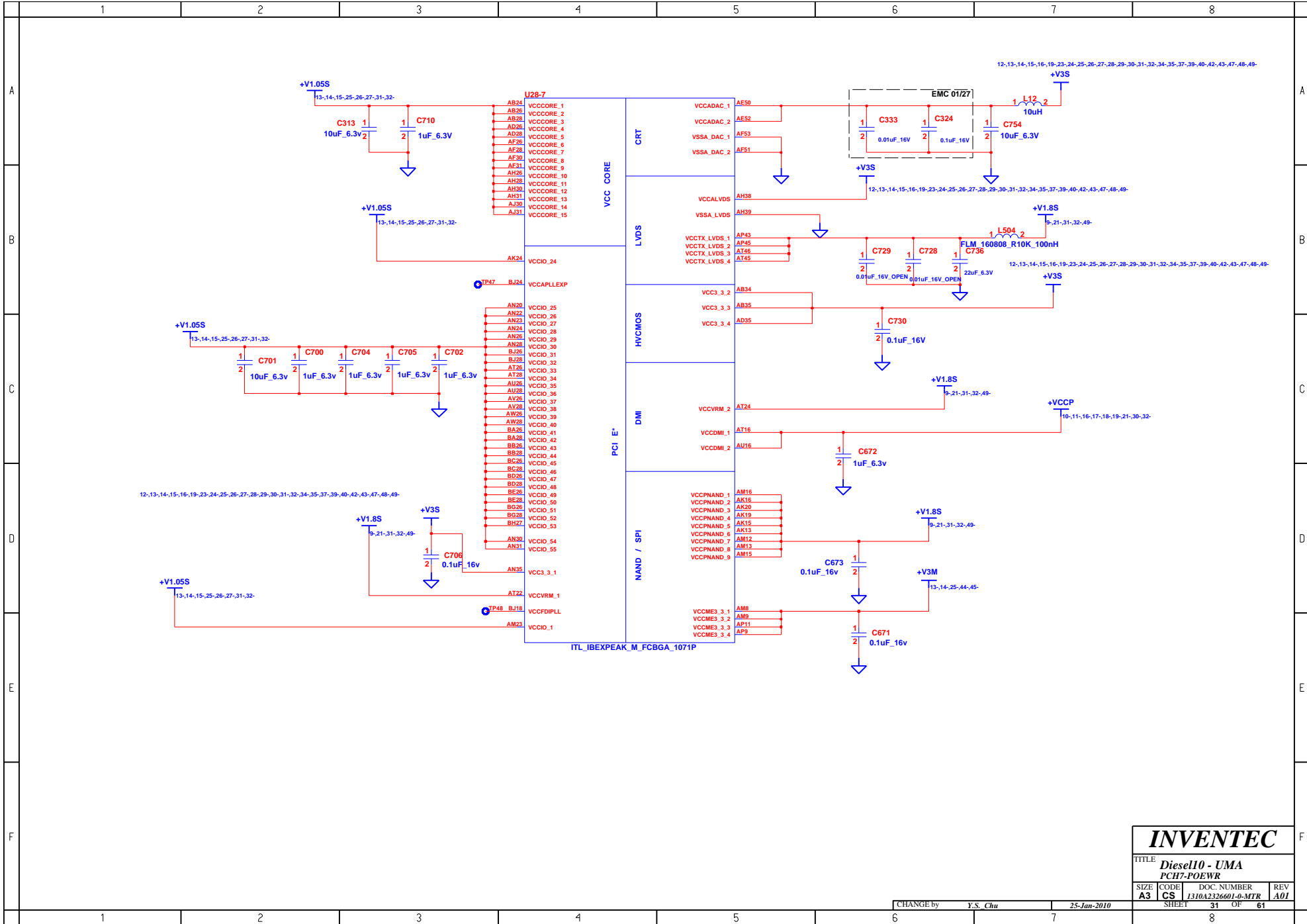




INVENTEC			
TITLE Diesel10 - UMA			
PCH2			
SIZE A3	CODE CS	DOC. NUMBER 1310A2326001-0-MTR	REV A01
CHANGE by Y.S. Chu		25-Jan-2010	
SHEET 26		OF 61	



INVENTEC			
TITLE <i>Diesel10 - UMA</i> <i>PCH4</i>			
SIZE A3	CODE CS	DOC. NUMBER <i>1310A232601-0-MTR</i>	REV A01
CHANGE by <i>Y.S. Chu</i>		25-Jan-2010	
SHEET 28		OF 61	



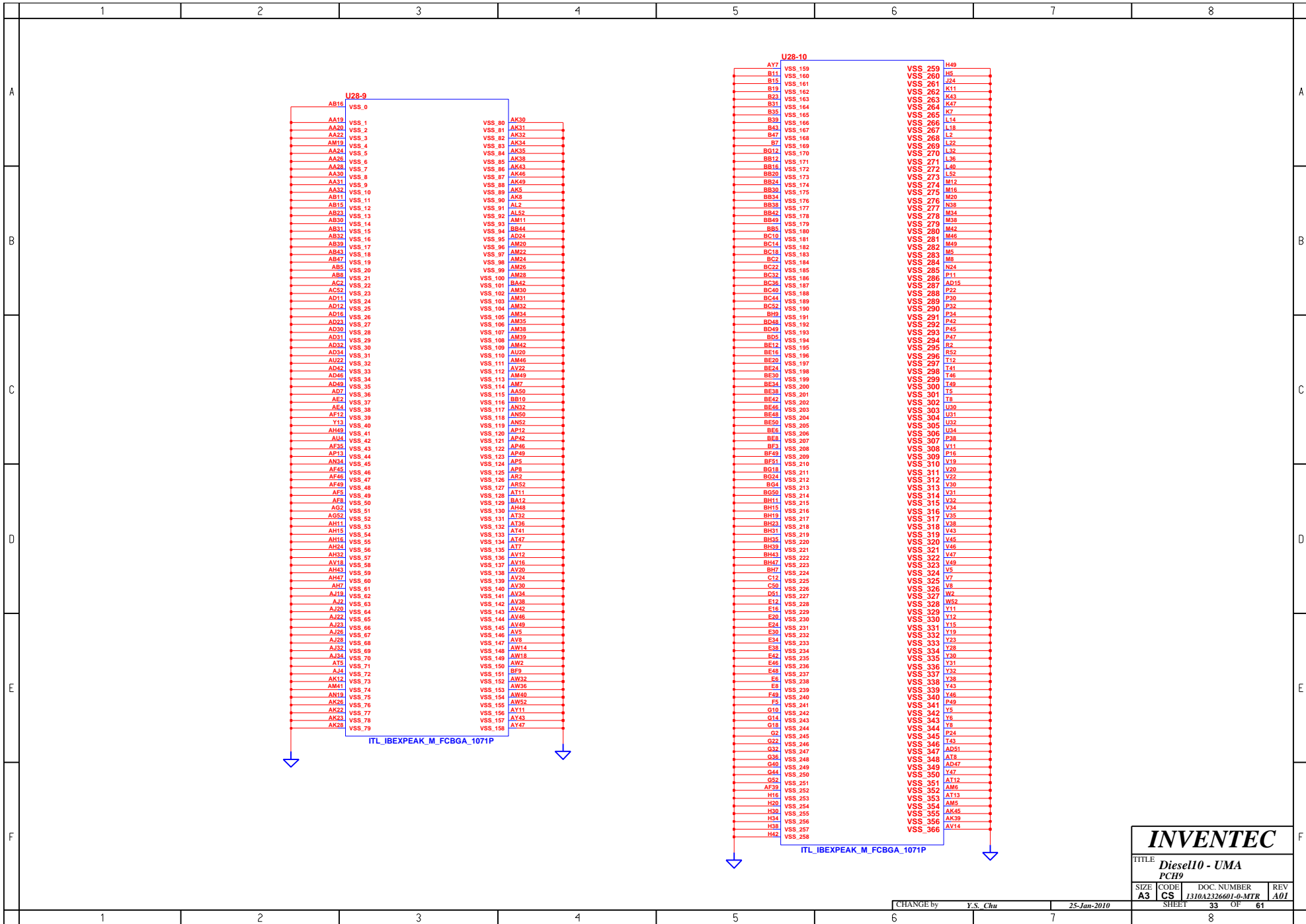
INVENTEC

TITLE
Diesel10 - UMA
PCH7-POEWR

SIZE A3	CODE CS	DOC. NUMBER 1310A2326601-0-MTR	REV A01
-------------------	-------------------	-----------------------------------	-------------------

CHANGE by Y.S. Chu 25-Jan-2010

SHEET 31 OF 61

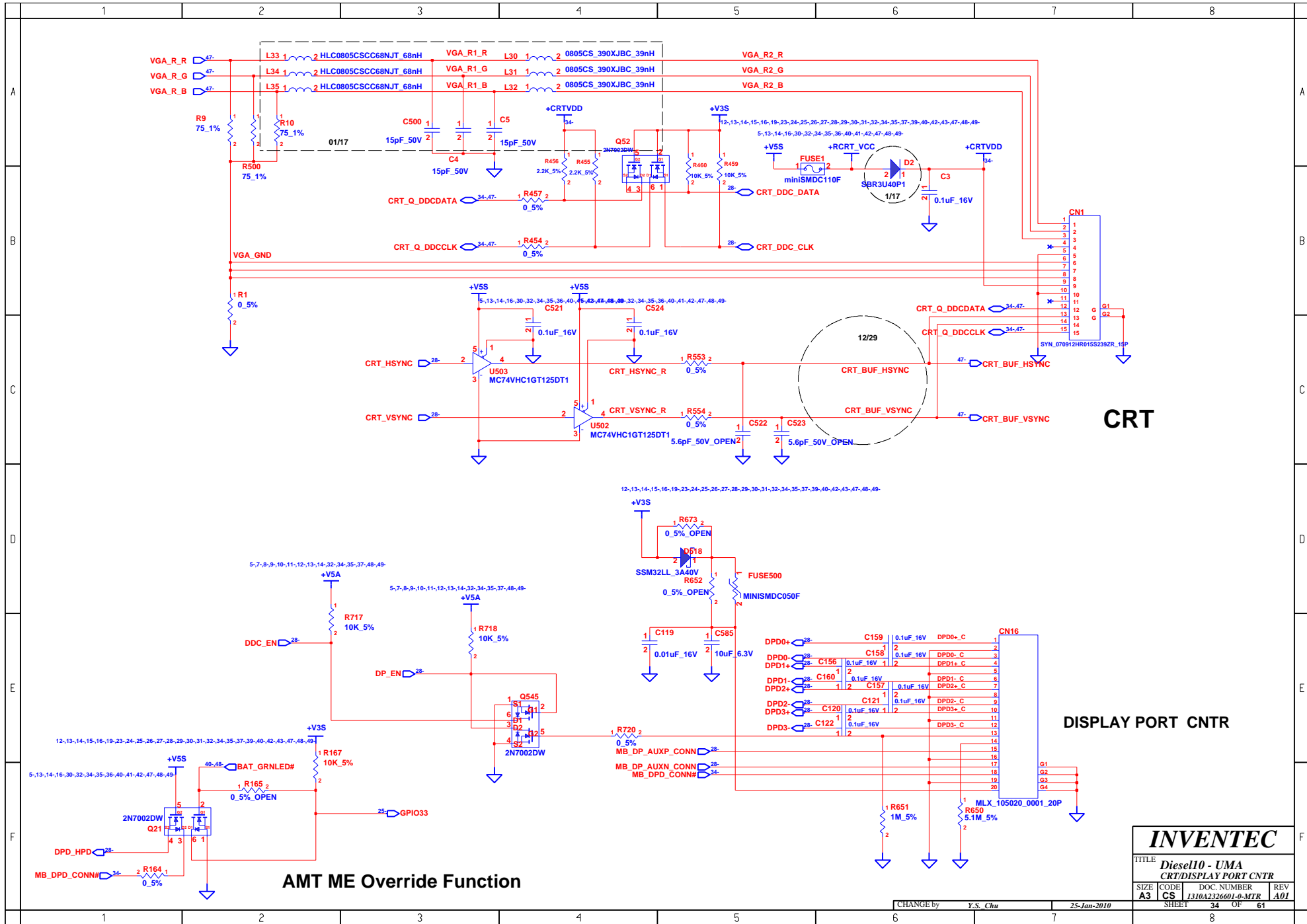


INVENTEC

TITLE: Diesel10 - UMA
PCH9

SIZE A3	CODE CS	DOC. NUMBER 1310A232601-0-MTR	REV A01
SHEET		33	OF 61

CHANGE by Y.S. Chu 25-Jan-2010



AMT ME Override Function

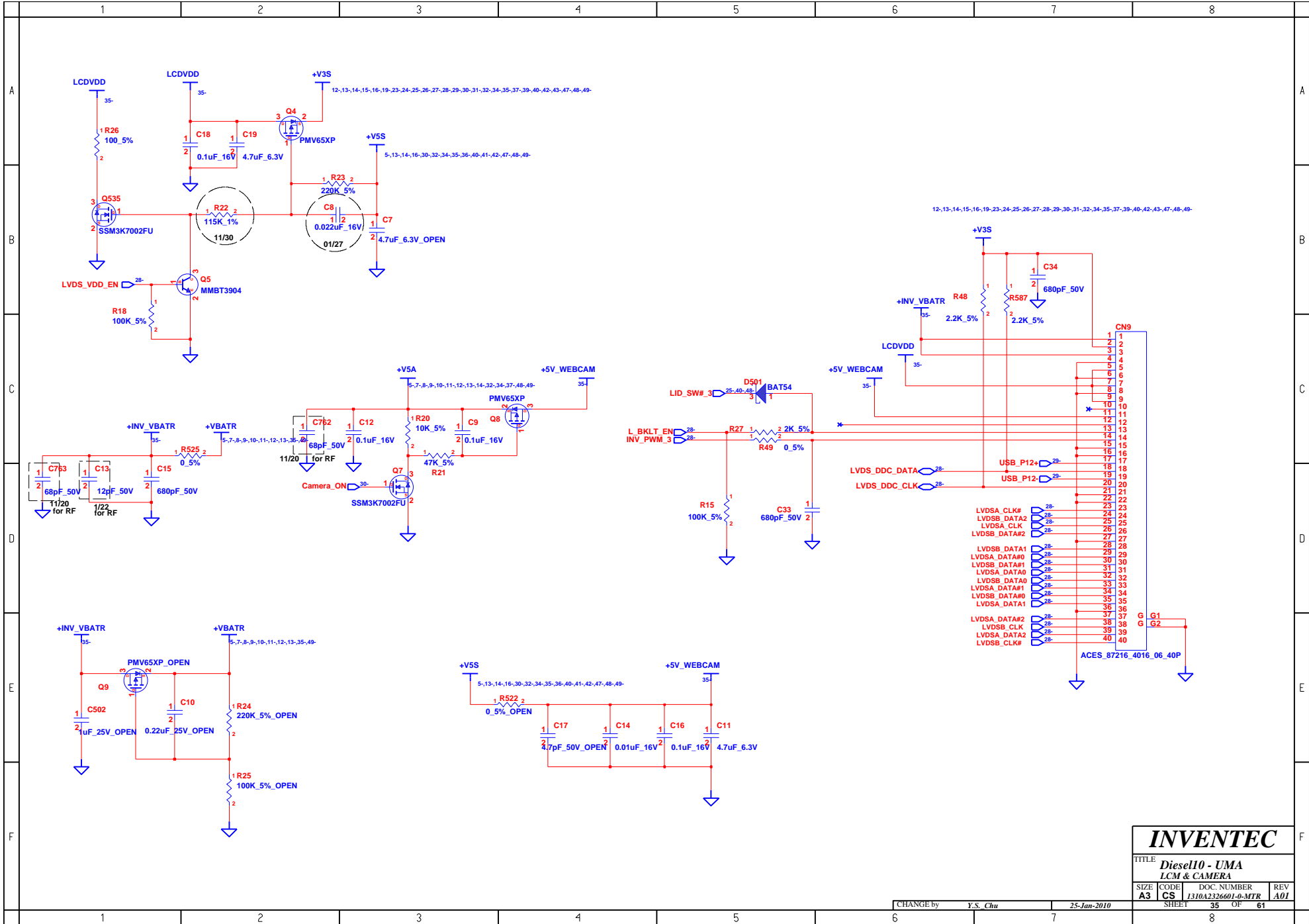
CRT

DISPLAY PORT CNTR

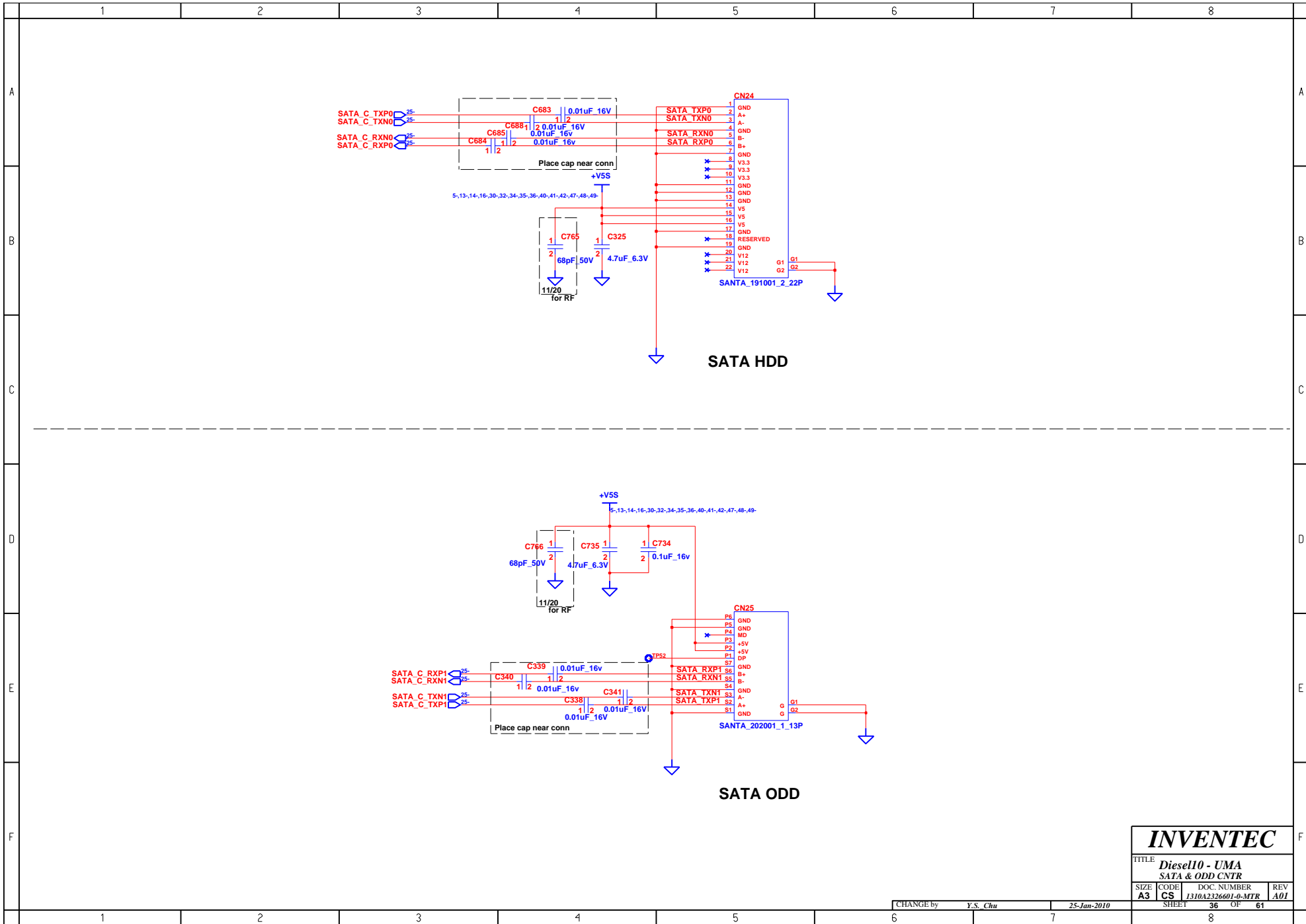
INVENTEC

TITLE			
Diesel10 - UMA			
CRT/DISPLAY PORT CNTR			
SIZE	CODE	DOC. NUMBER	REV
A3	CS	1310A2326001-0-MTR	A01
SHEET		34	OF 61

CHANGE by Y.S. Chu 25-Jan-2010



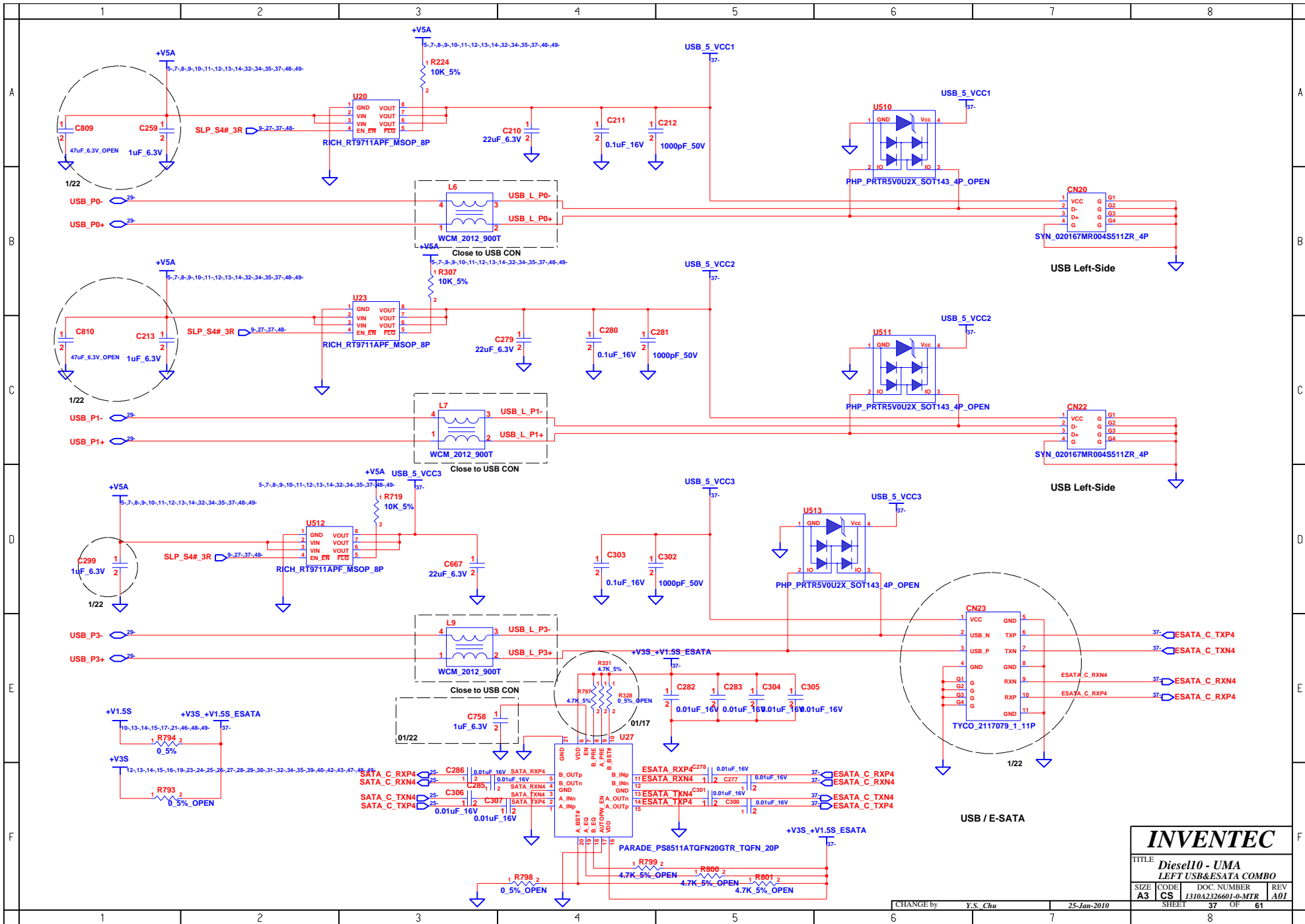
INVENTEC			
TITLE Diesel10 - UMA			
LCM & CAMERA			
SIZE A3	CODE CS	DOC NUMBER 1310A2326601-0-MTR	REV A01
CHANGE by Y.S. Chu		25-Jan-2010	
SHEET 35		OF 61	



INVENTEC

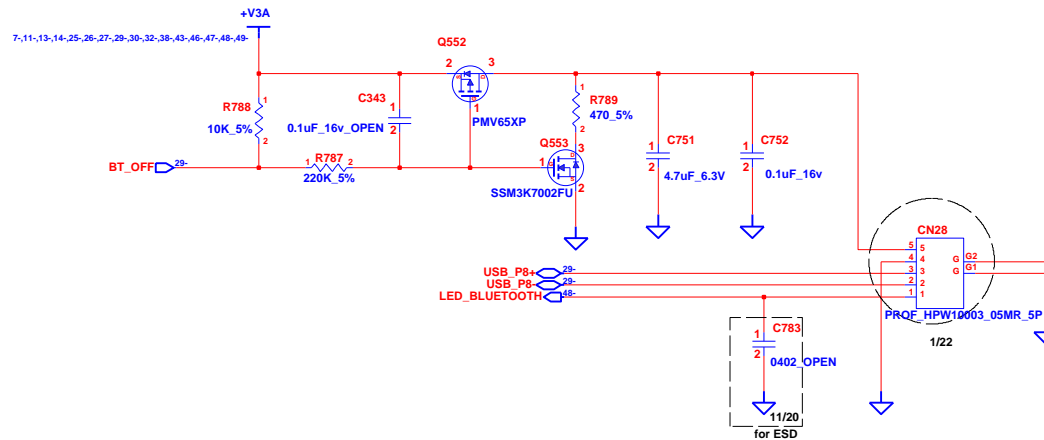
TITLE Diesel10 - UMA
SATA & ODD CNTR

SIZE A3	CODE CS	DOC. NUMBER 1310A232601-0-MTR	REV A01
-------------------	-------------------	----------------------------------	-------------------

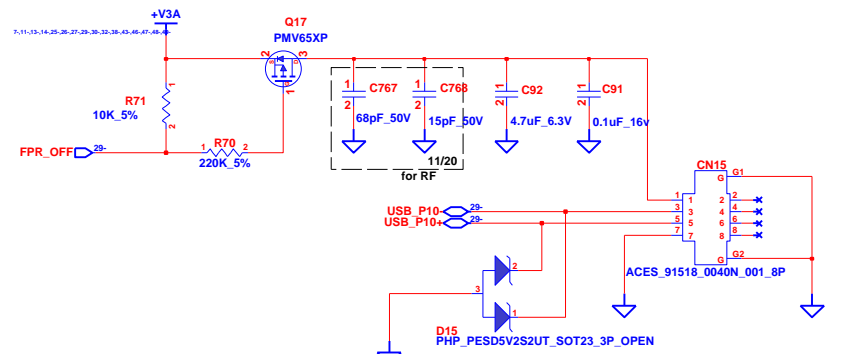


INVENTEC			
TITLE: Diesel10 - UMA LEFT USB&ESATA COMBO			
SIZE: A3	CODE: CS	DOC NUMBER: 1310A2326601-0-MTR	REV: A01
SHEET: 37		OF: 61	

CHANGE by Y.S. Chu 25-Jan-2010



BLUETOOTH

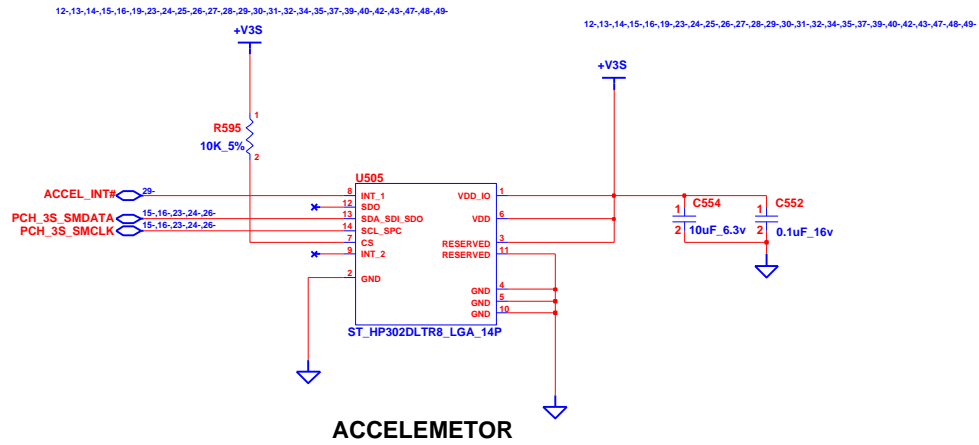


FINGER PRINTER CNTR

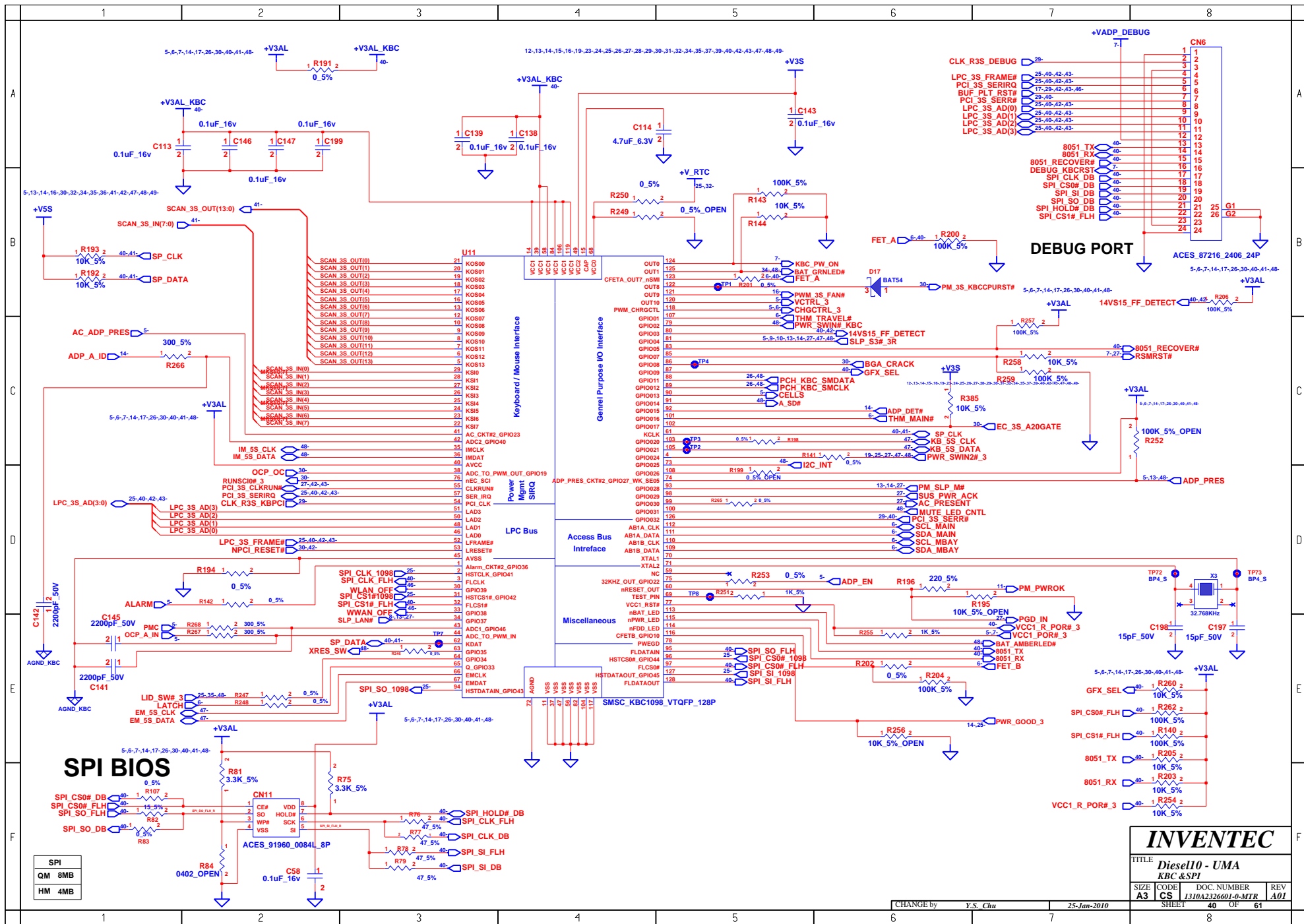
INVENTEC

TITLE			
Diesel10 - UMA			
BLUETOOTH&FINGER PRINTER			
SIZE	CODE	DOC. NUMBER	REV
A3	CS	1310A2326601-0-MTR	A01
SHEET		OF	
38		61	

CHANGE by Y.S. Chu 25-Jan-2010



INVENTEC			
TITLE Diesel10 - UMA ACCELEMETOR&WEB CAM			
SIZE A3	CODE CS	DOC. NUMBER 1310A2326601-0-MTR	REV A01
CHANGE by Y.S. Chu		25-Jan-2010	
SHEET		39 OF 61	

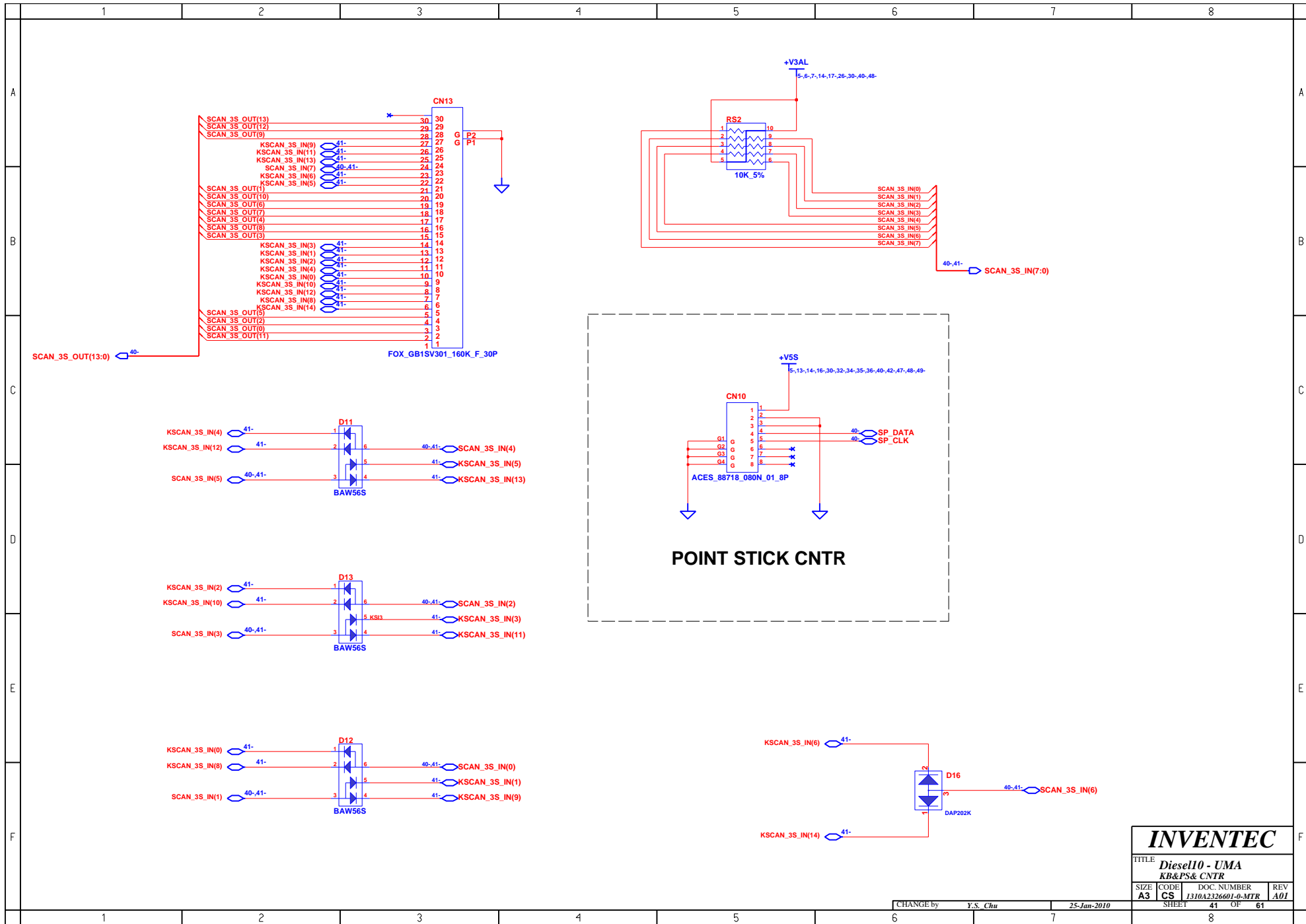


SPI	
QM	8MB
HM	4MB

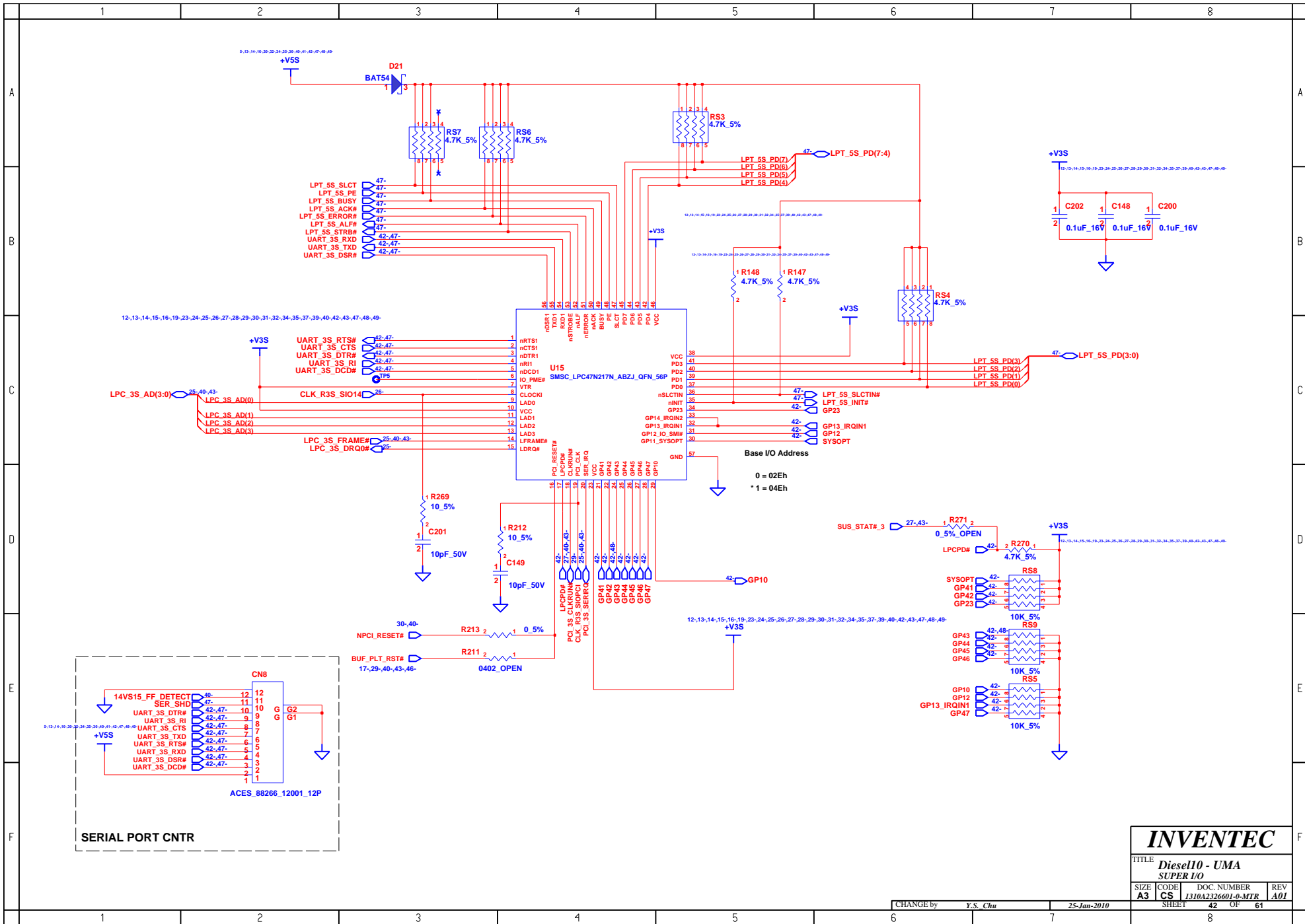
INVENTEC

TITLE Diesel10 - UMA
KBC & SPI

SIZE A3	CODE CS	DOC. NUMBER 1310A2326601-0-MTR	REV A01
SHEET 40		OF 61	



INVENTEC			
TITLE Diesel10 - UMA KB&PS& CNTR			
SIZE A3	CODE CS	DOC NUMBER 1310A2326601-0-MTR	REV A01
CHANGE by Y.S. Chu		25-Jan-2010	
SHEET 41		OF 61	



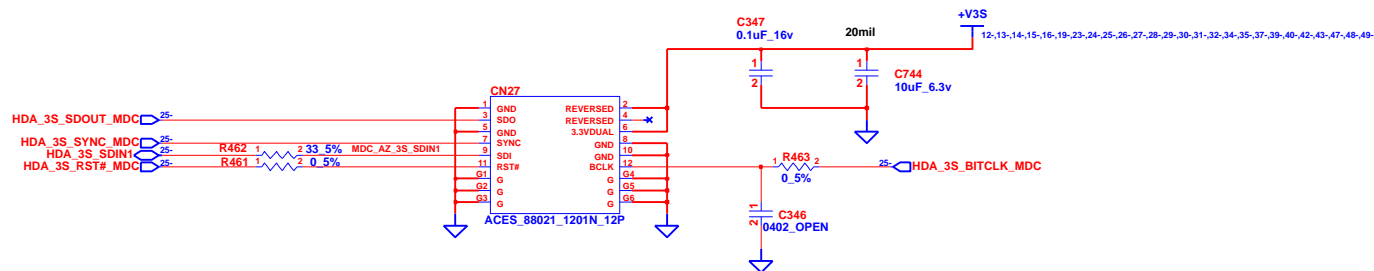
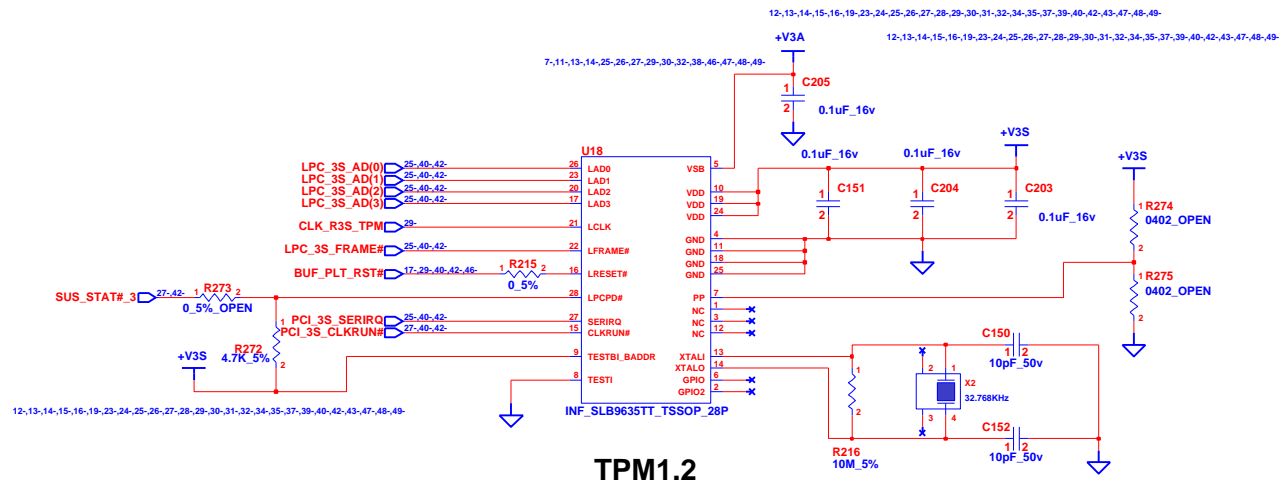
INVENTEC

TITLE
Diesel10 - UMA
SUPER I/O

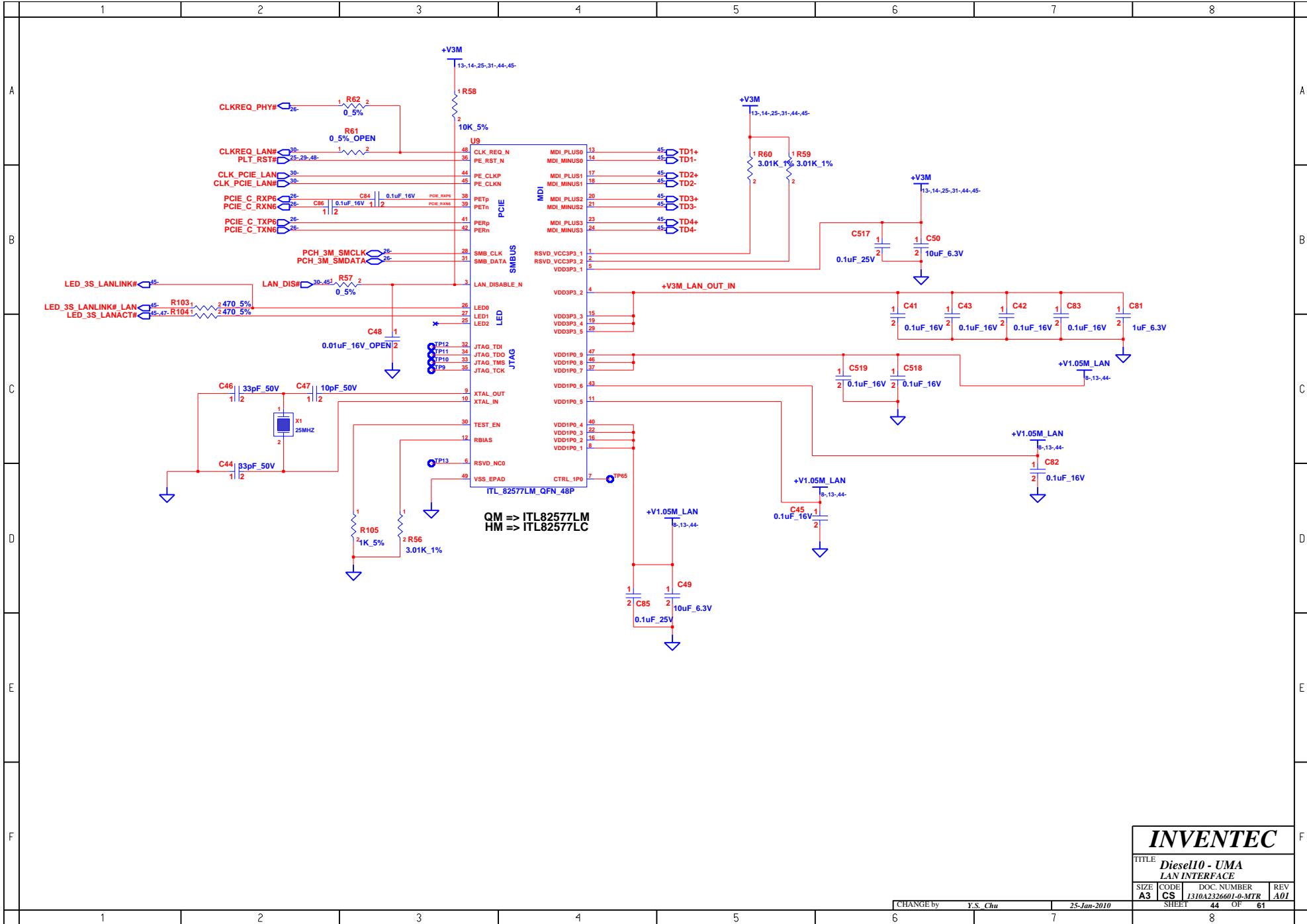
SIZE A3	CODE CS	DOC. NUMBER 1310A232601-0-MTR	REV A01
-------------------	-------------------	----------------------------------	-------------------

CHANGE by Y.S. Chu 25-Jan-2010

SHEET 42 OF 61

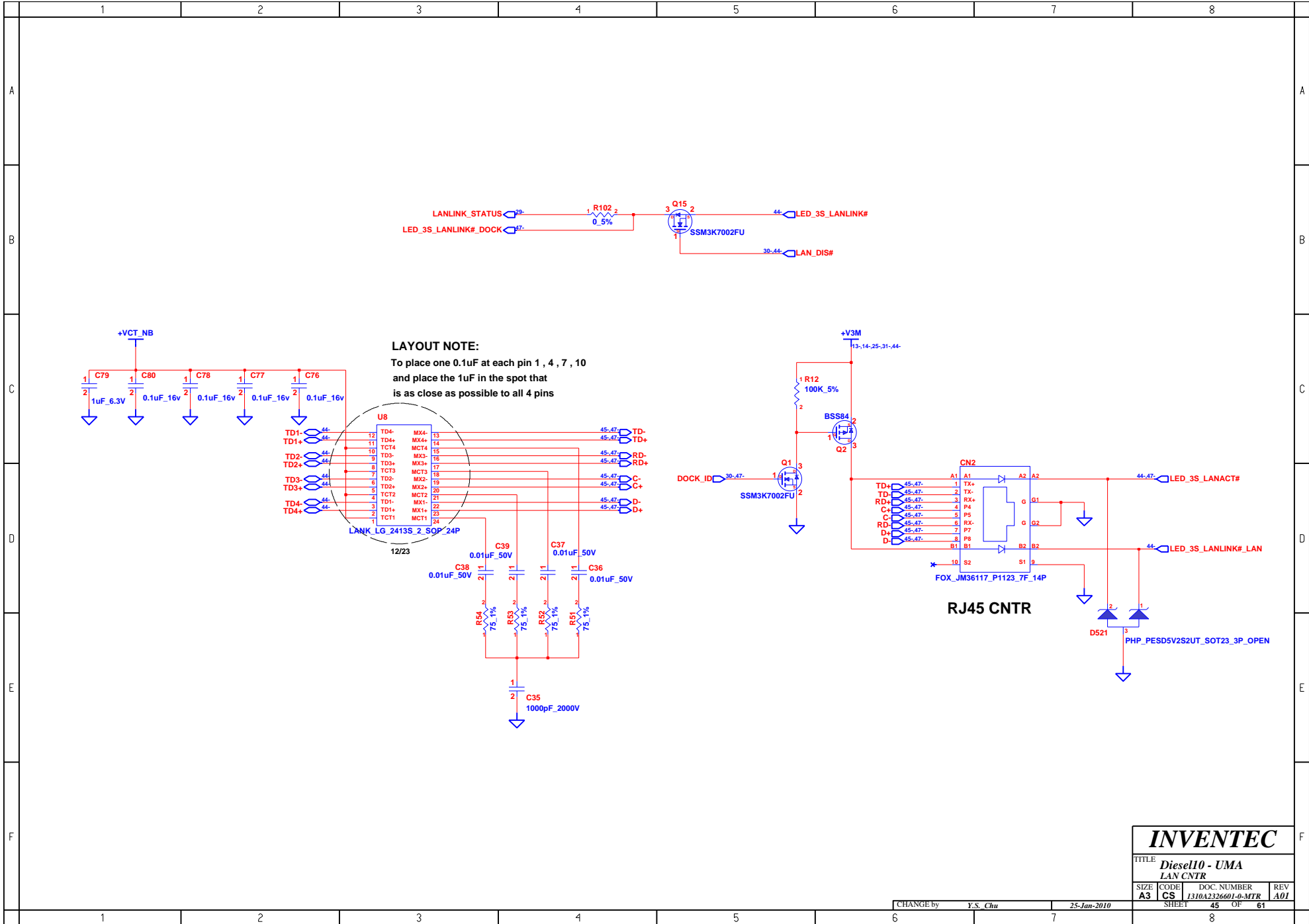


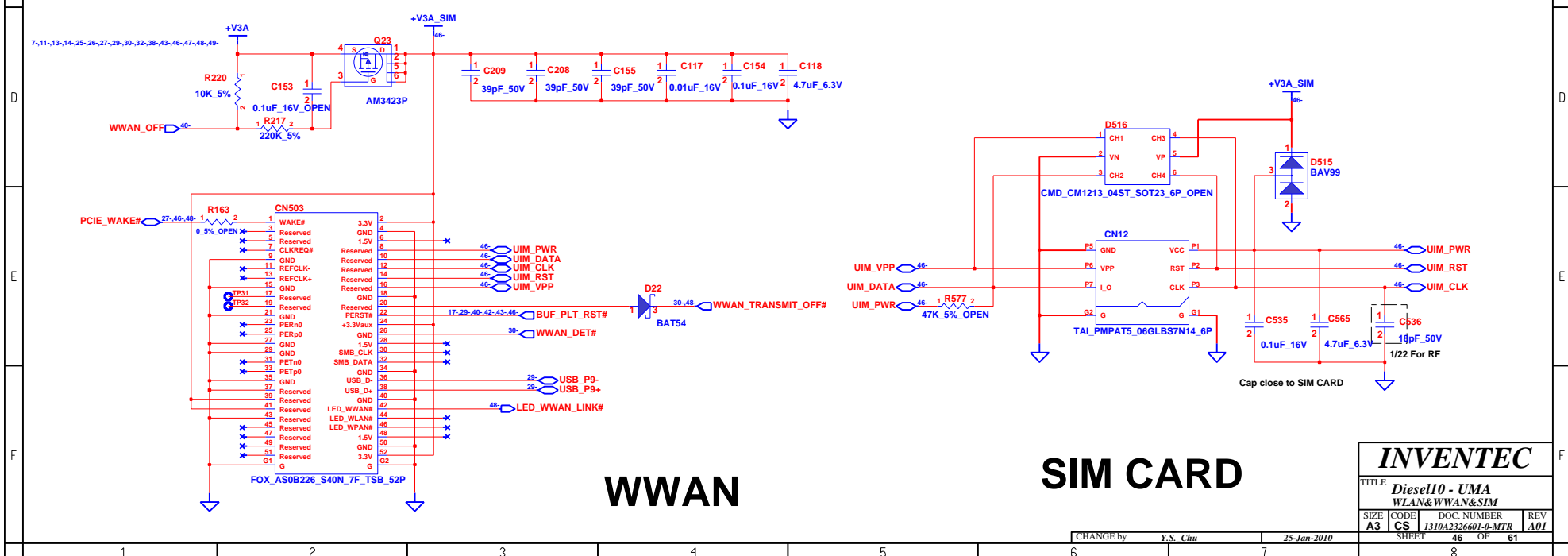
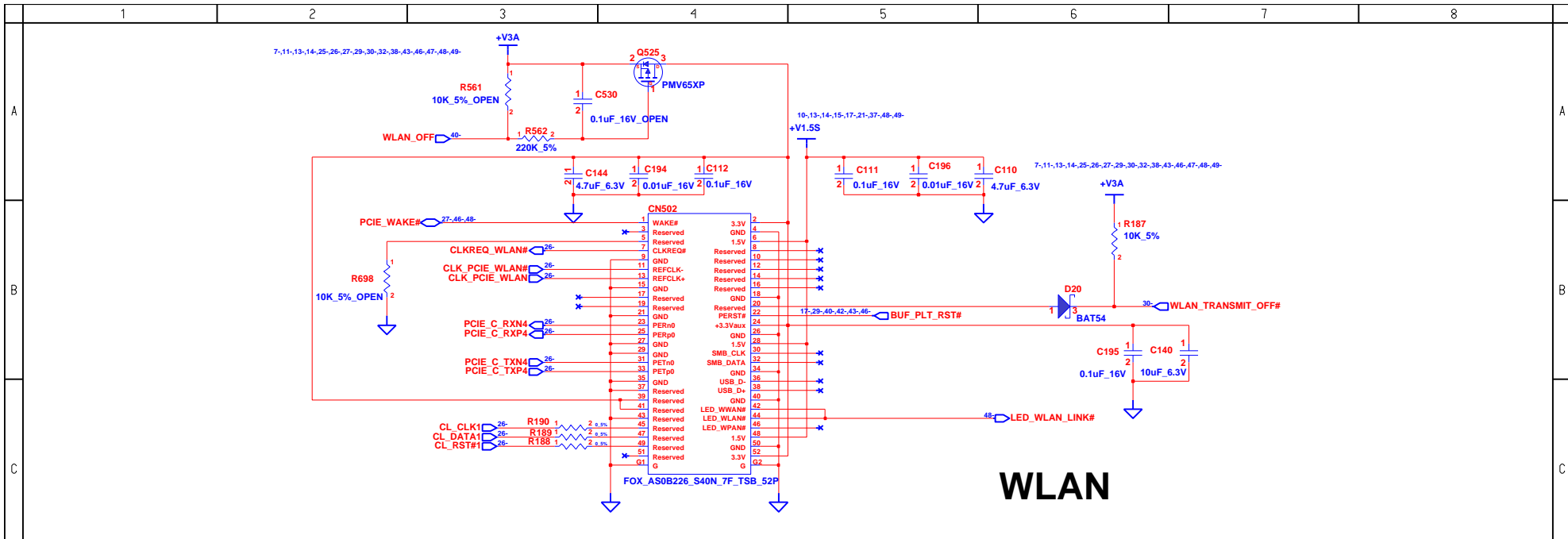
INVENTEC			
TITLE <i>Diesel10 - UMA</i> <i>TPM & MDC</i>			
SIZE A3	CODE CS	DOC. NUMBER <i>1310A2326601-p-MTR</i>	REV A01
CHANGE by <i>Y.S. Chu</i>		25-Jan-2010	
SHEET 43		OF 61	



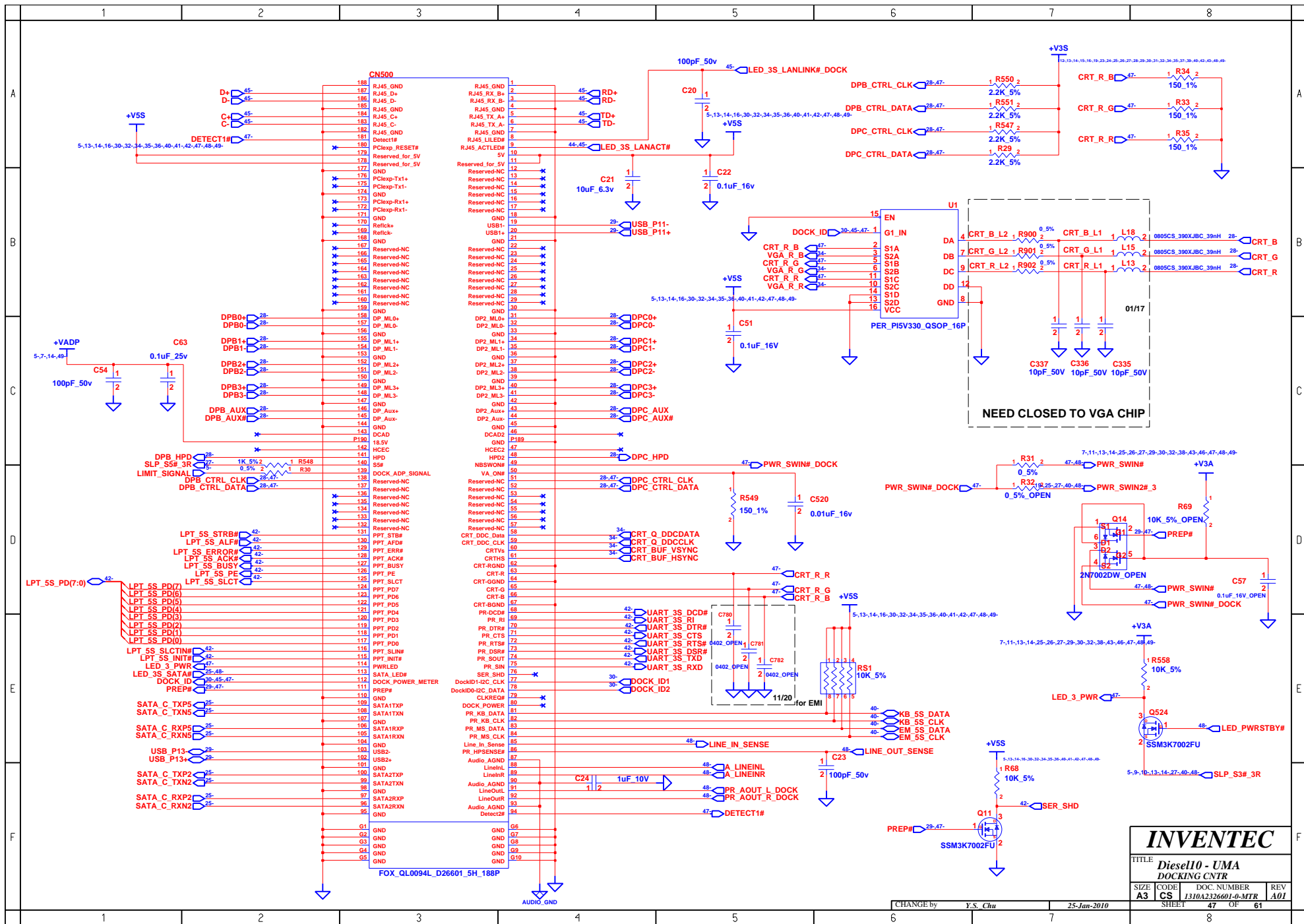
CHANGE by Y.S. Chu 25-Jan-2010

INVENTEC			
TITLE Diesel10 - UMA			
LAN INTERFACE			
SIZE A3	CODE CS	DOC NUMBER 1310A2326601-0-MTR	REV A01
SHEET 44		OF 61	



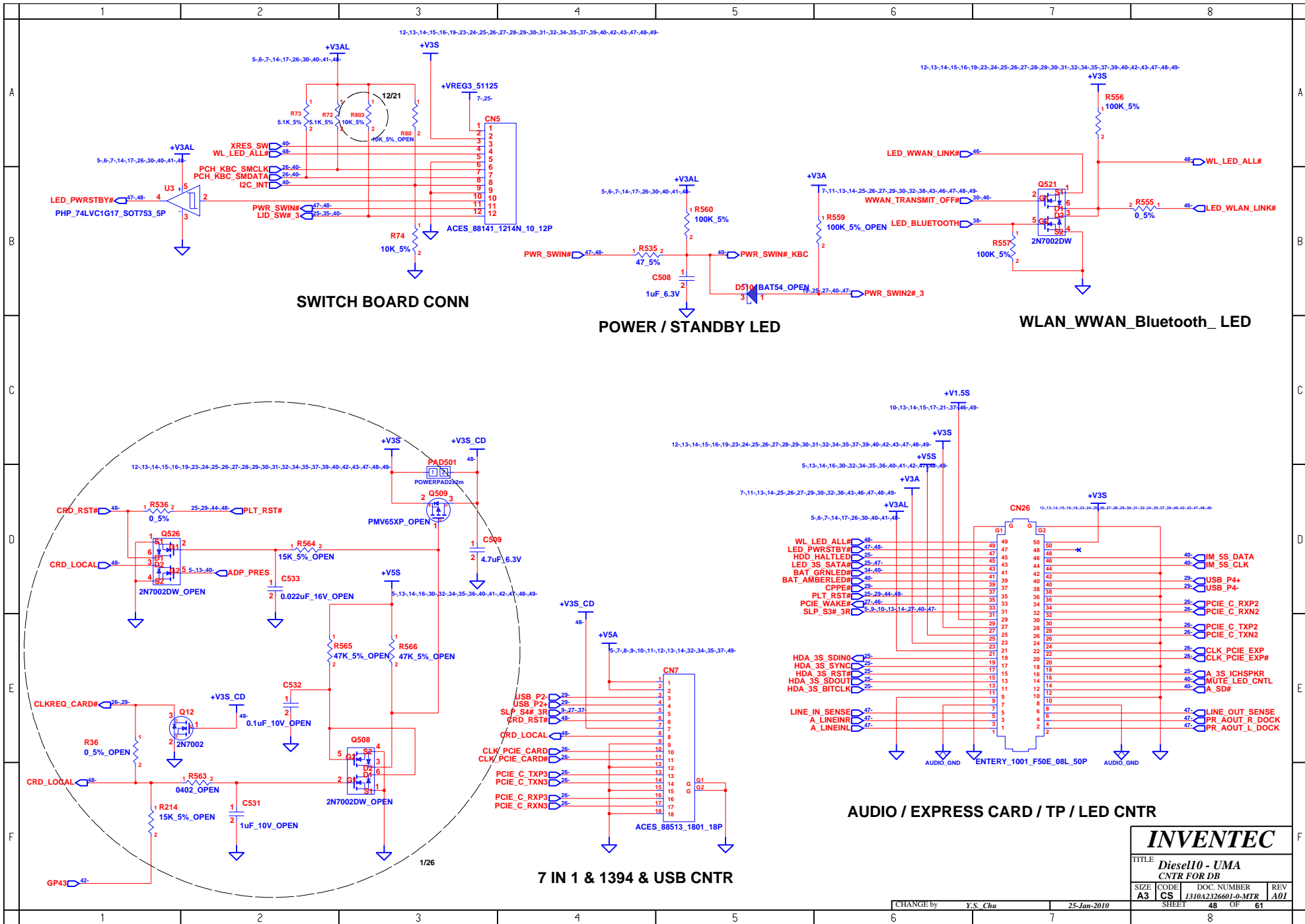


INVENTEC			
TITLE Diesel10 - UMA WLAN&WWAN&SIM			
SIZE A3	CODE CS	DOC. NUMBER 1310A232601-0-MTR	REV A01
CHANGE by Y.S. Chu		25-Jan-2010	
SHEET 46		OF 61	

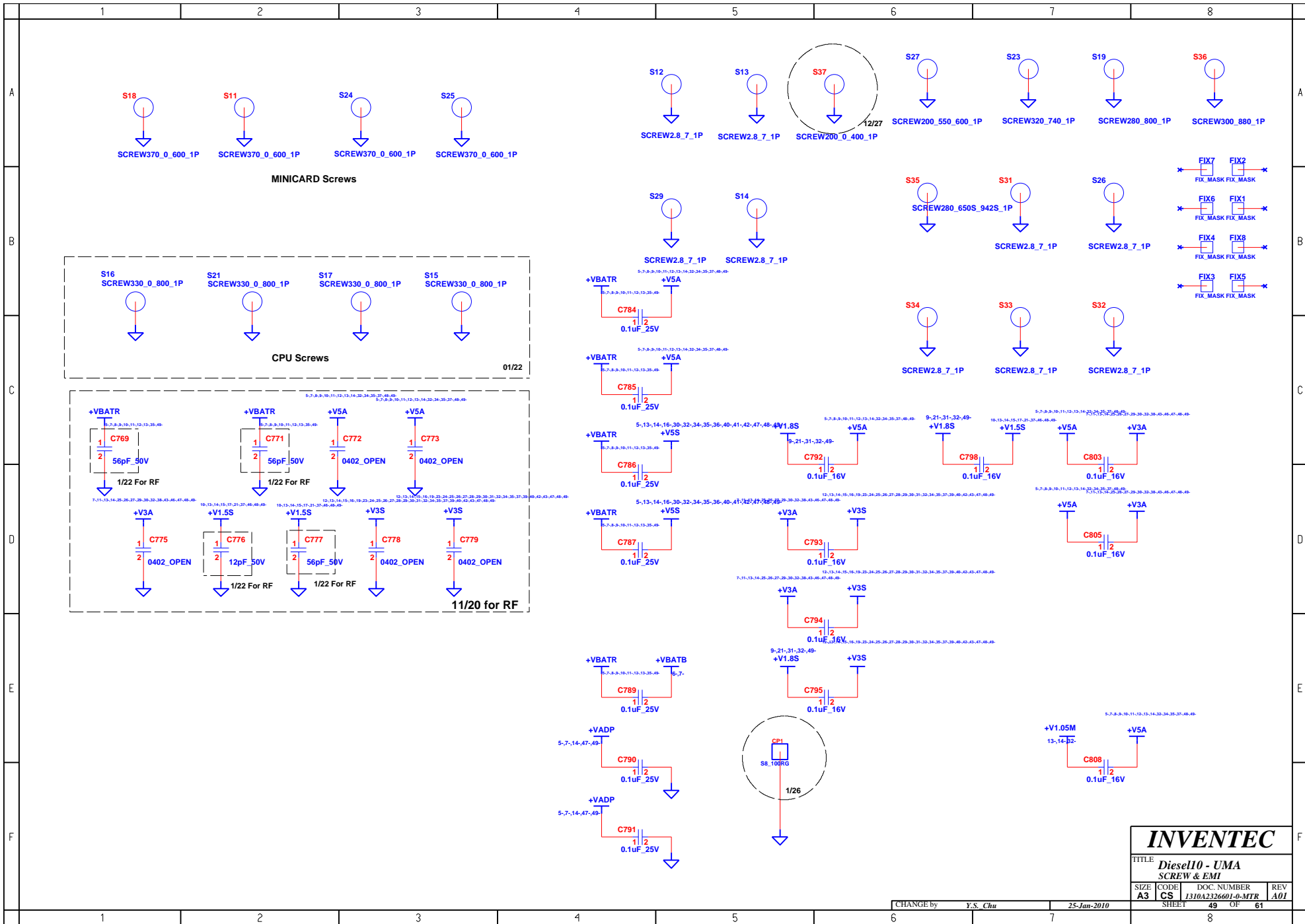


INVENTEC			
TITLE Diesel10 - UMA DOCKING CNTR			
SIZE A3	CODE CS	DOC. NUMBER 1310A2326601-0-MTR	REV A01
SHEET 47		OF 61	

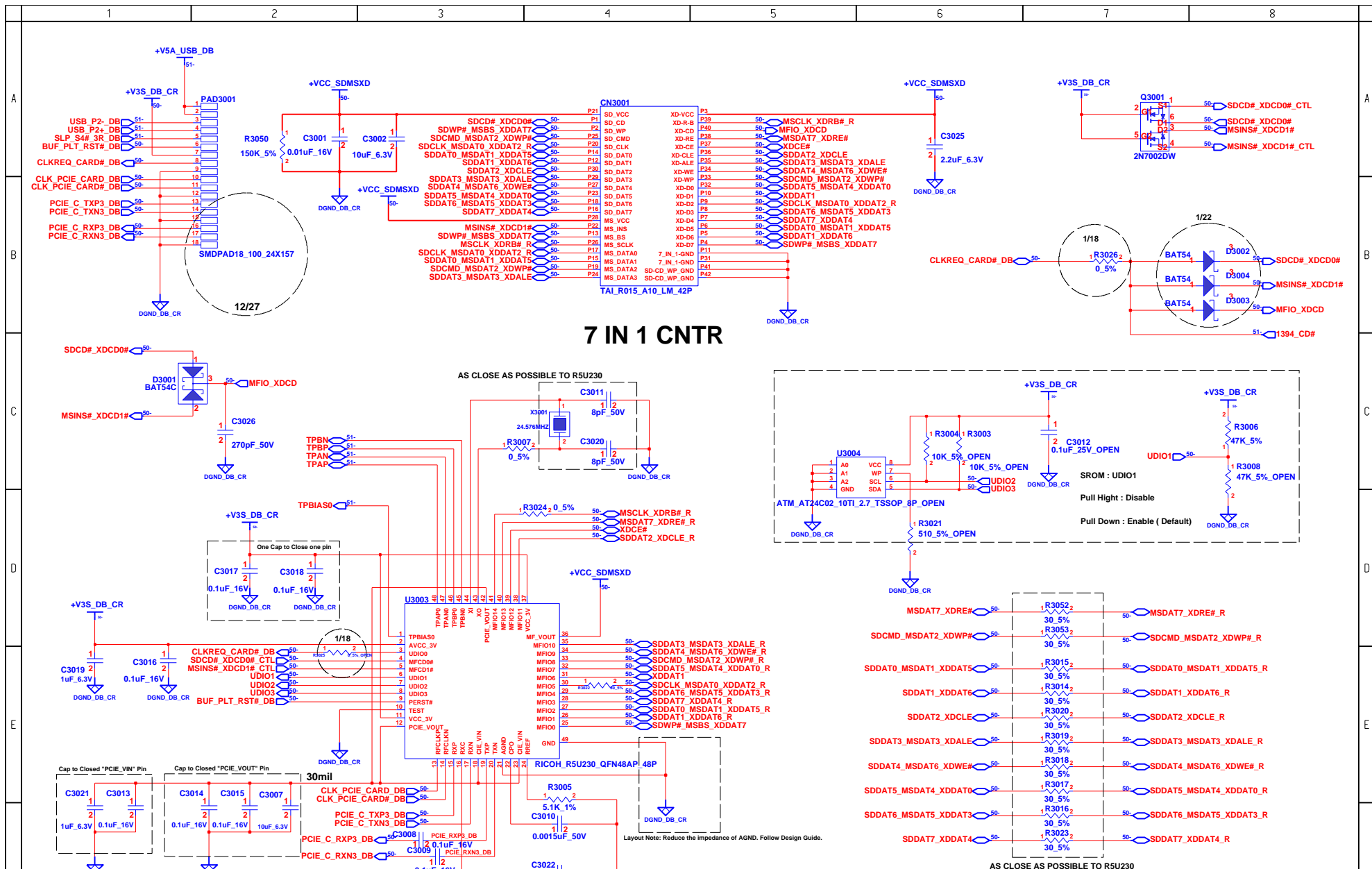
CHANGE by **Y.S. Chu** 25-Jan-2010



INVENTEC			
TITLE Diesel10 - UMA CNTR FOR DB			
SIZE A3	CODE CS	DOC NUMBER 1310A232601-0-MTR	REV A01
CHANGE by Y.S. Chu		25-Jan-2010	
SHEET 48		OF 61	



INVENTEC			
TITLE Diesel10 - UMA			
SCREW & EMI			
SIZE A3	CODE CS	DOC NUMBER 1310A2326601-b-MTR	REV A01
CHANGE by Y.S. Chu		25-Jan-2010	
SHEET 49		OF 61	

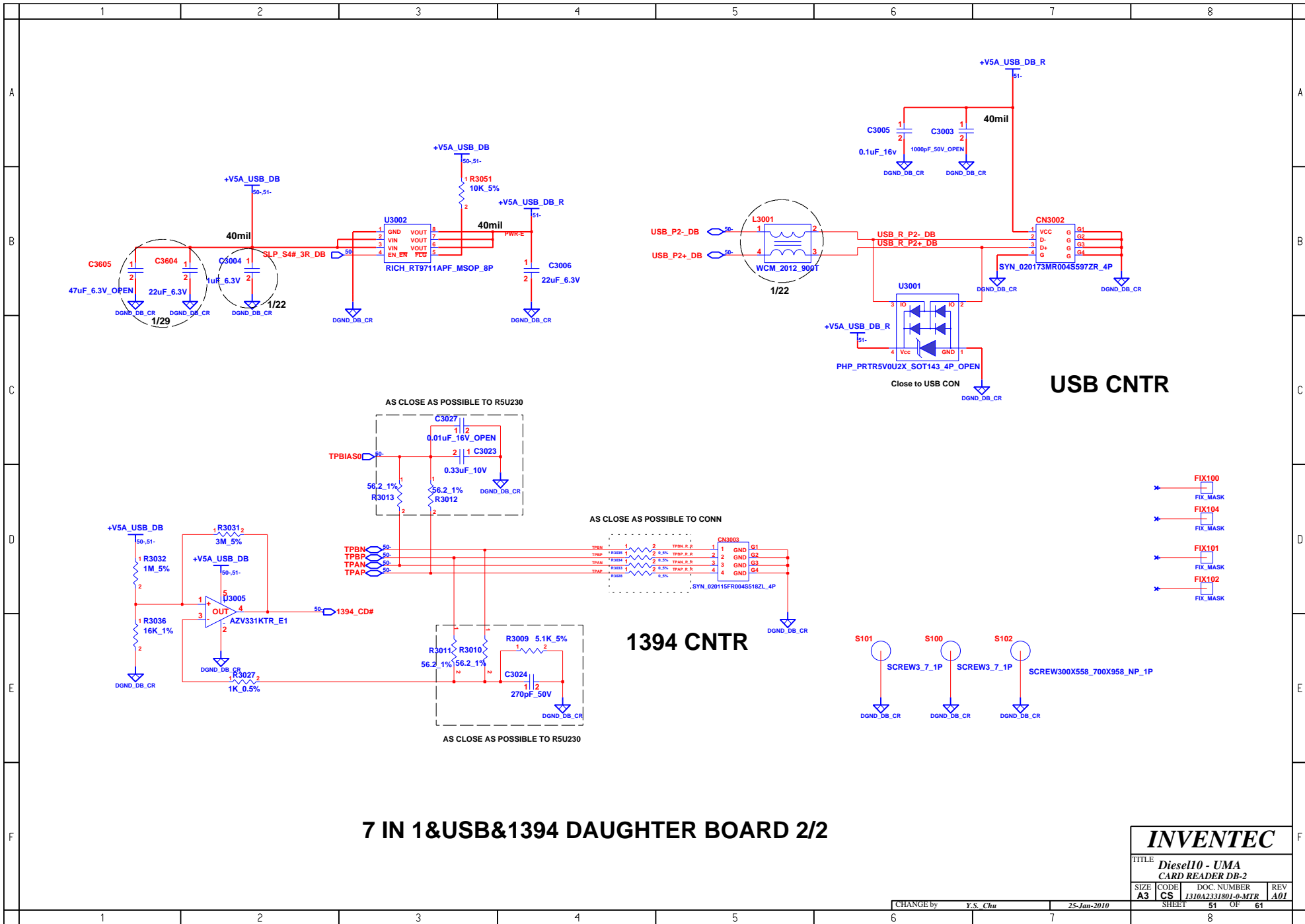


7 IN 1 CNTR

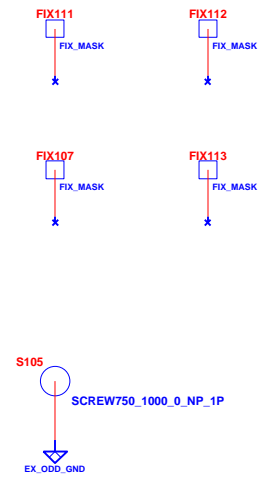
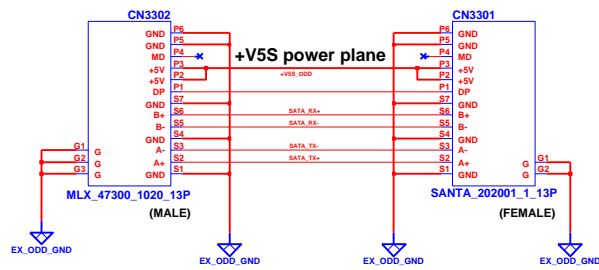
7 IN 1&USB&1394 DAUGHTER BOARD 1/2

INVENTEC			
TITLE: Diesel10 - UMA CARD READER DB-1			
SIZE: A3	CODE: CS	DOC. NUMBER: 1310A231801-0-MTR	REV: A01
SHEET: 50		OF: 61	

CHANGE by: Y.S. Chu 25-Jan-2010



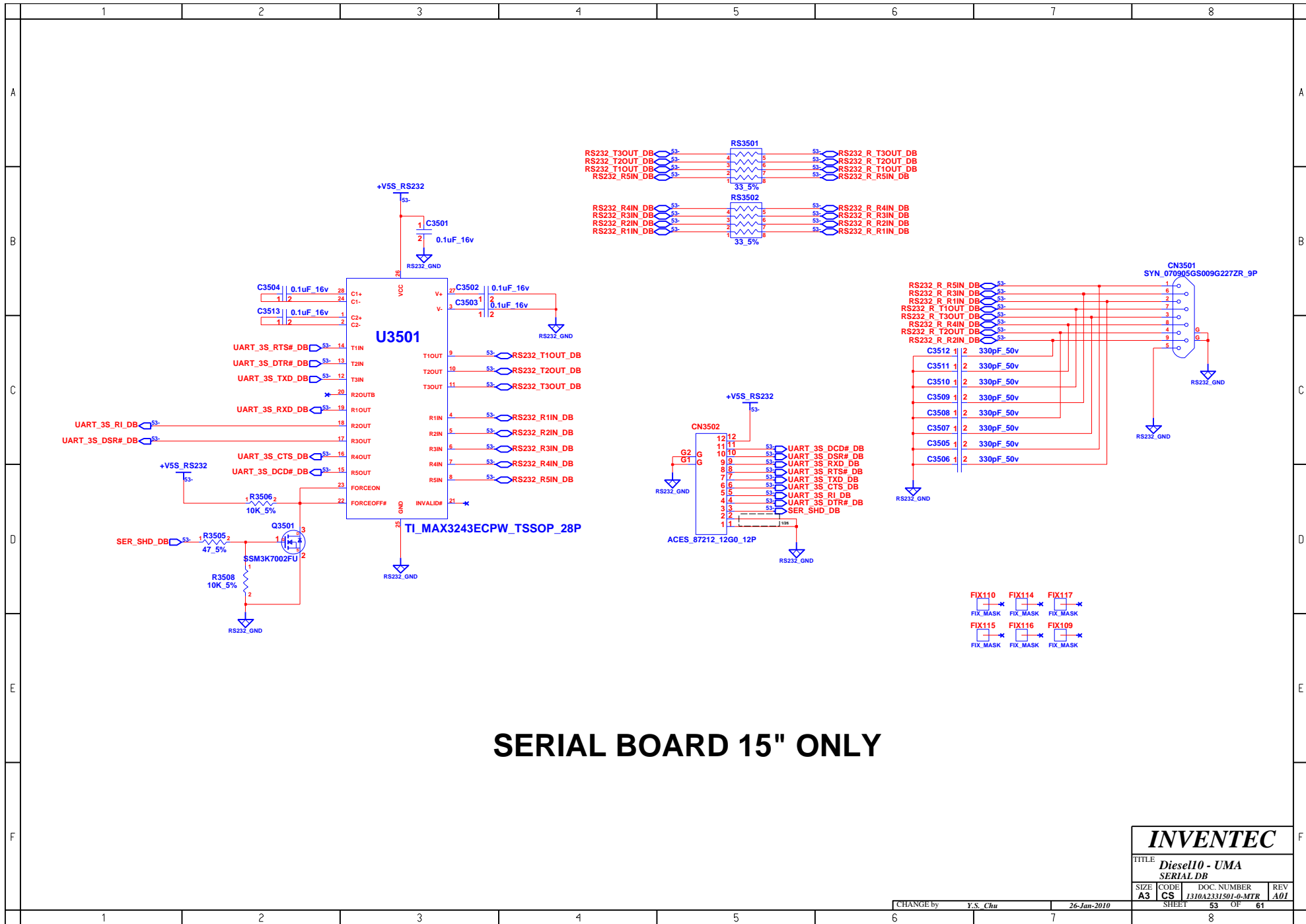
INVENTEC			
TITLE Diesel10 - UMA CARD READER DB-2			
SIZE A3	CODE CS	DOC NUMBER 1310A231801-0-MTR	REV A01
CHANGE by Y.S. Chu		25-Jan-2010	
SHEET 51		OF 61	



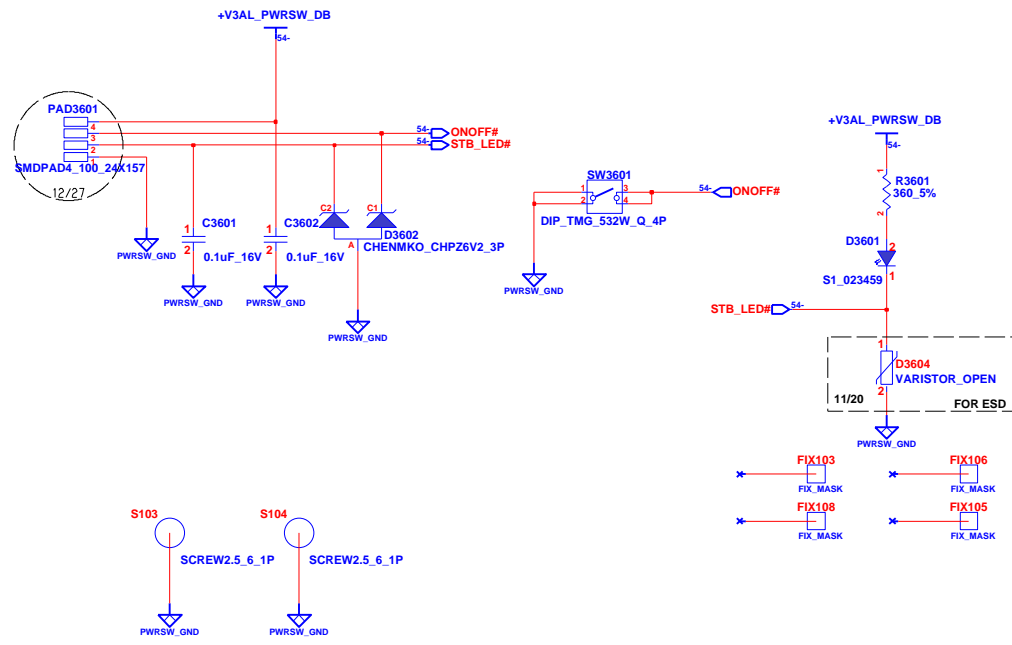
15" only

ODD Extension Board

INVENTEC			
TITLE: Diesel10 - UMA			
ODD DB			
SIZE	CODE	DOC. NUMBER	REV
A3	CS	1310A231701-0-MTR	A01
CHANGE by		Y.S. Chu	25-Jan-2010
SHEET		52	OF 61



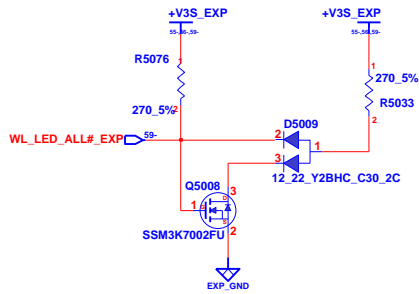
INVENTEC			
TITLE Diesel10 - UMA SERIAL DB			
SIZE A3	CODE CS	DOC. NUMBER 1310A231501-p-MTR	REV A01
CHANGE by Y.S. Chu		26-Jan-2010	
SHEET 53		OF 61	



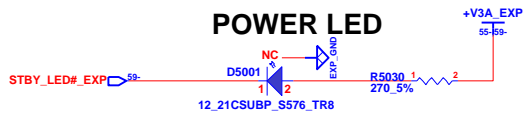
POWER SWITCH DAUGHTER BOARD

INVENTEC			
TITLE Diesel10 - UMA POWER BUTTON DB			
SIZE A3	CODE CS	DOC. NUMBER 1310A2331401-0-MTR	REV A01
CHANGE by Y.S. Chu		DATE 25-Jan-2010	
SHEET 54		OF 61	

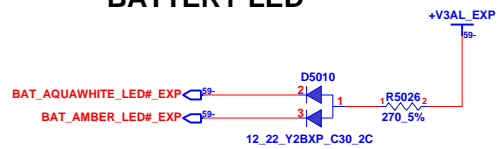
WIRELESS LED



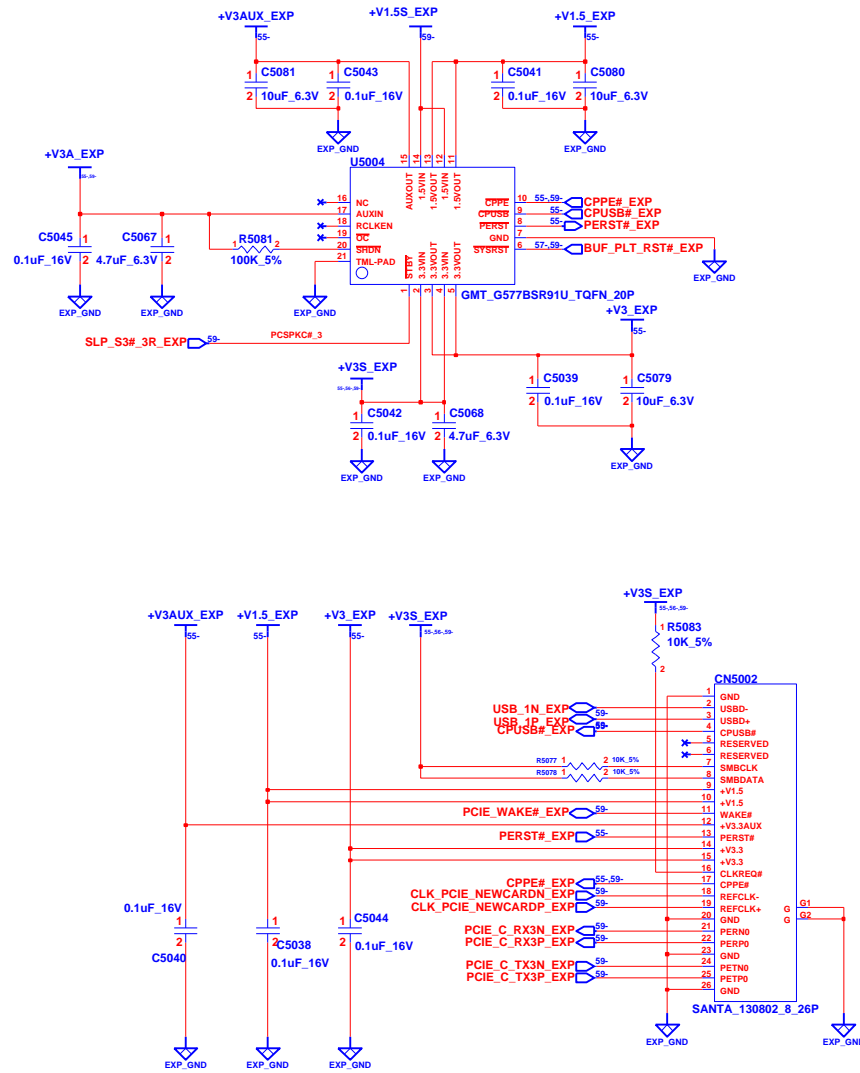
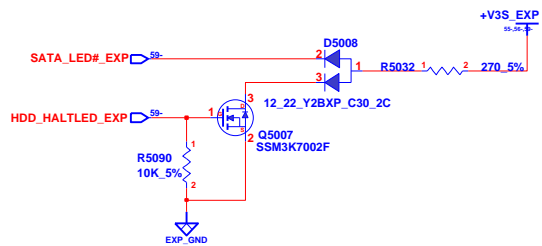
POWER LED



BATTERY LED



SATA LED & HDD-HALTED LED

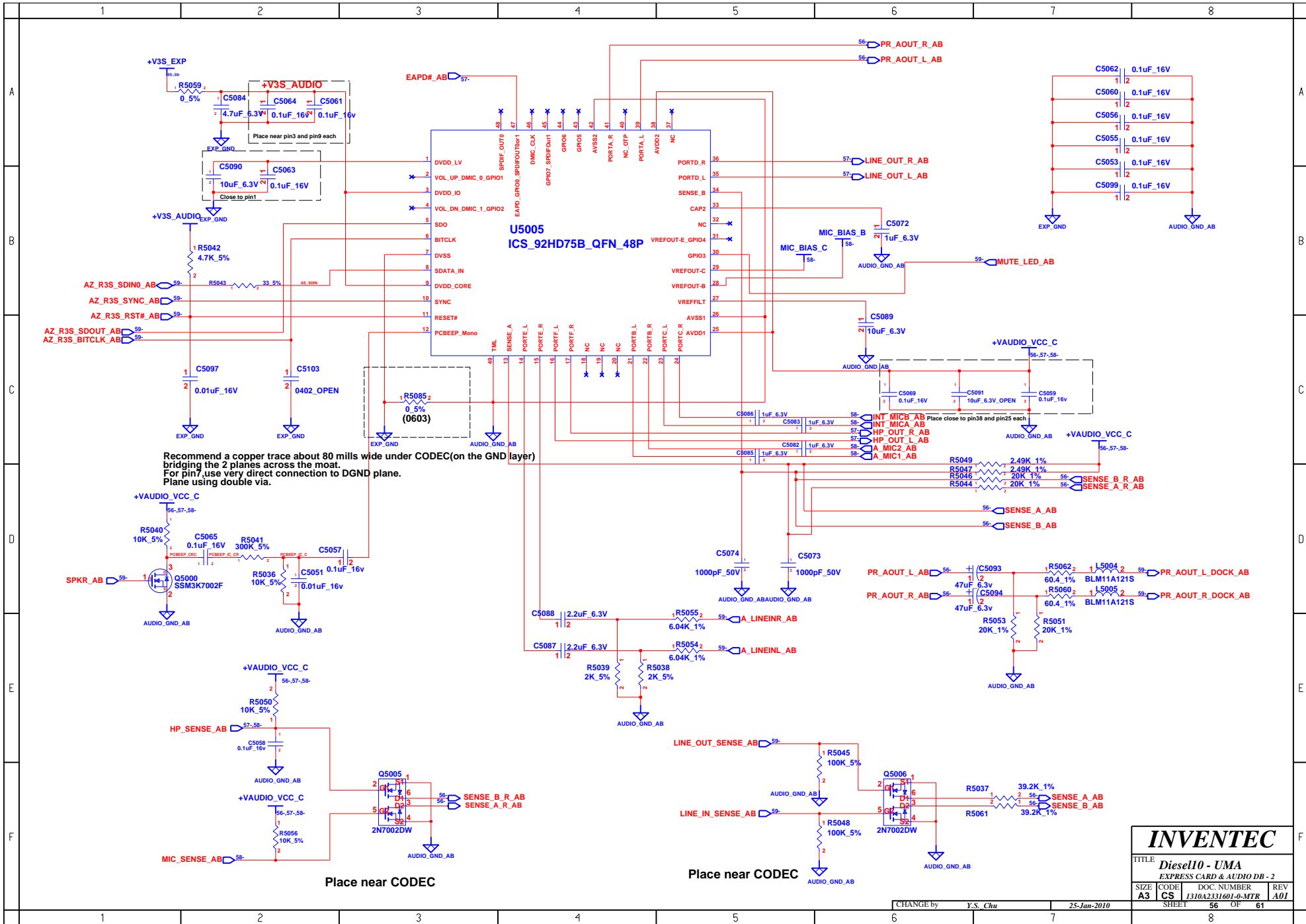


EXPRESS CARD

INVENTEC

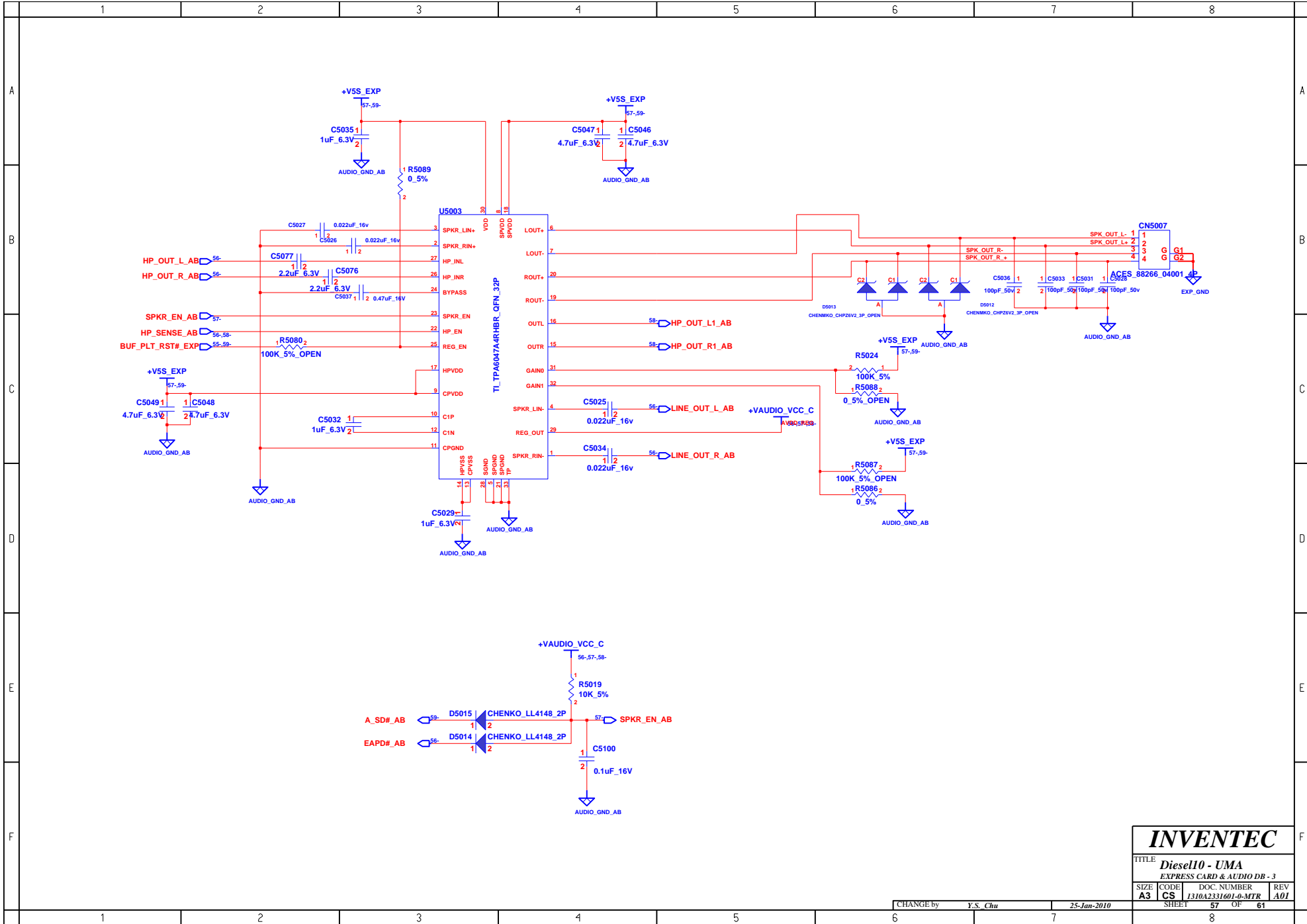
TITLE			
Diesel10 - UMA			
EXPRESS CARD & AUDIO DB - 1			
SIZE	CODE	DOC. NUMBER	REV
A3	CS	1310A231601-b-MTR	A01
SHEET		55	OF 61

CHANGE by Y.S. Chu 25-Jan-2010

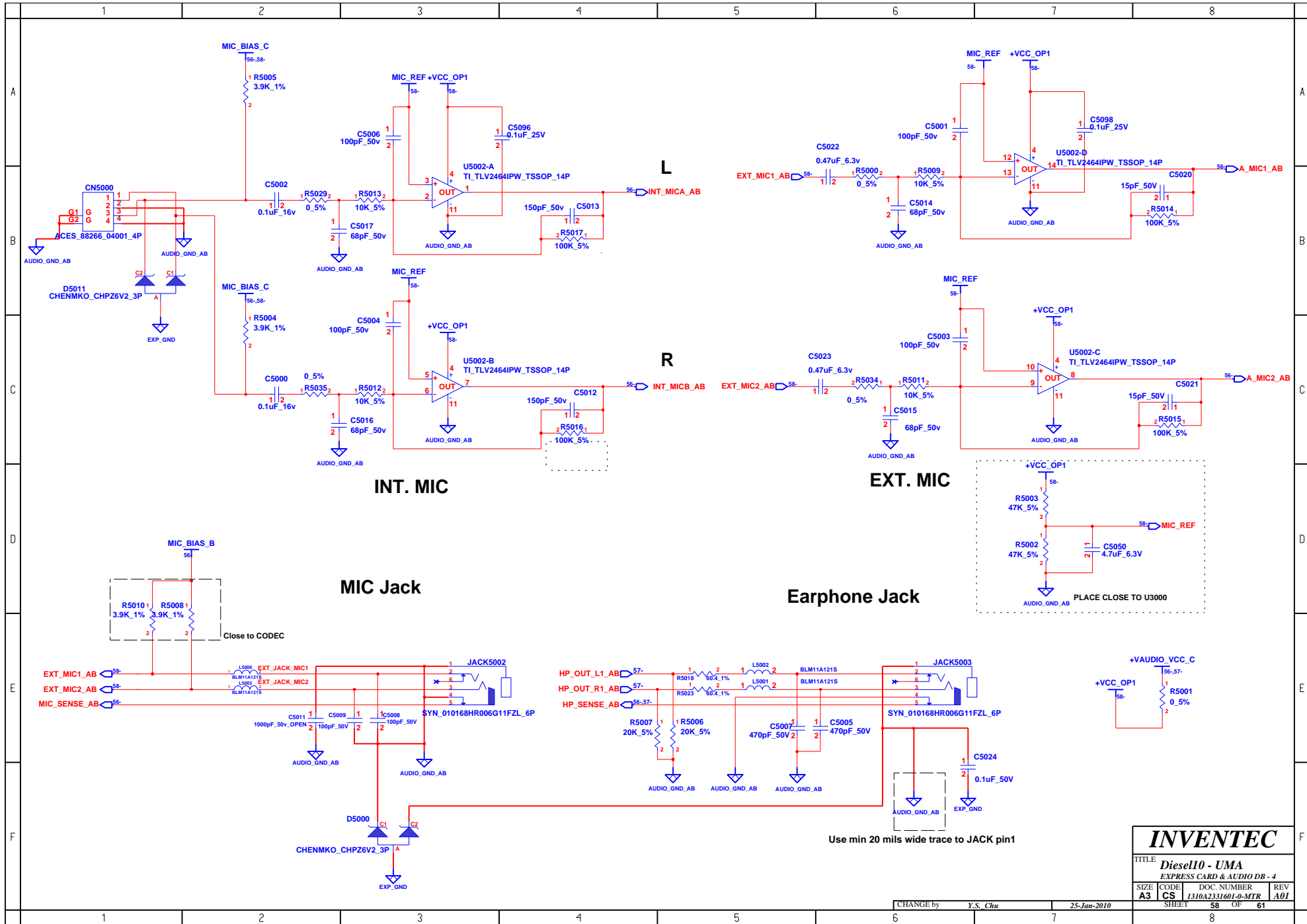


INVENTEC			
TITLE: Diesel10 - UMA			
EXPRESS CARD & AUDIO DB - 2			
SIZE	CODE	DOC. NUMBER	REV
A3	CS	1310A231601-b-MTR	A01
SHEET		56	OF 61

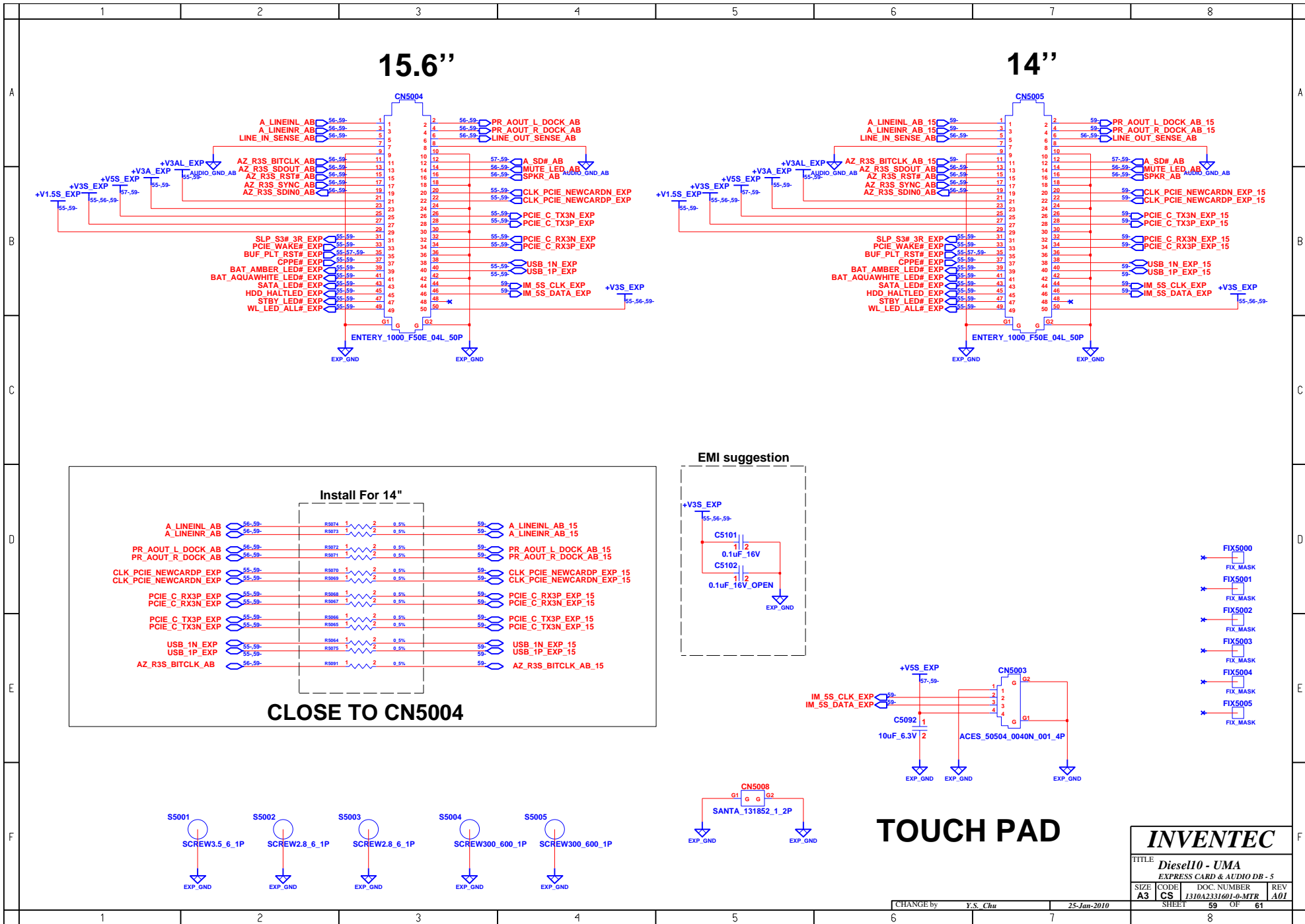
CHANGE by Y.S. Chu 25-Jan-2010



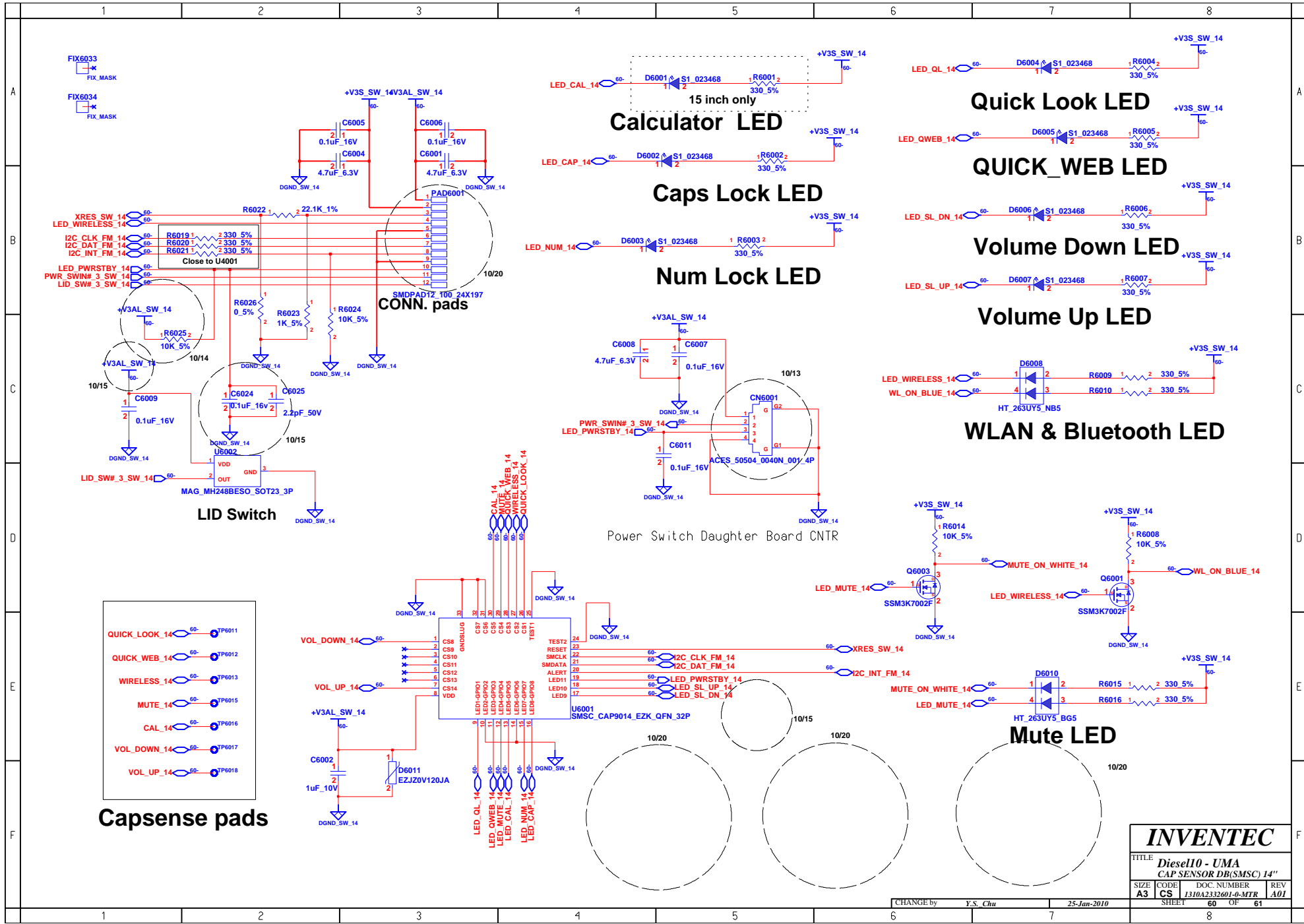
INVENTEC			
TITLE Diesel10 - UMA			
EXPRESS CARD & AUDIO DB - 3			
SIZE A3	CODE CS	DOC. NUMBER 1310A2331601-b-MTR	REV A01
CHANGE by Y.S. Chu		25-Jan-2010	
SHEET 57		OF 61	



INVENTEC			
TITLE Diesel10 - UMA EXPRESS CARD & AUDIO DB - 4			
SIZE A3	CODE CS	DOC. NUMBER 1310A231601-p-MTR	REV A01
CHANGE by Y.S. Chu		25-Jan-2010	
SHEET 58		OF 61	



INVENTEC			
TITLE Diesel10 - UMA			
EXPRESS CARD & AUDIO DB - 5			
SIZE A3	CODE CS	DOC. NUMBER 1310A231601-0-MTR	REV A01
CHANGE by Y.S. Chu		25-Jan-2010	
SHEET 59		OF 61	



Calculator LED

Quick Look LED

QUICK_WEB LED

Caps Lock LED

Num Lock LED

Volume Down LED

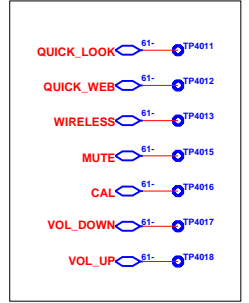
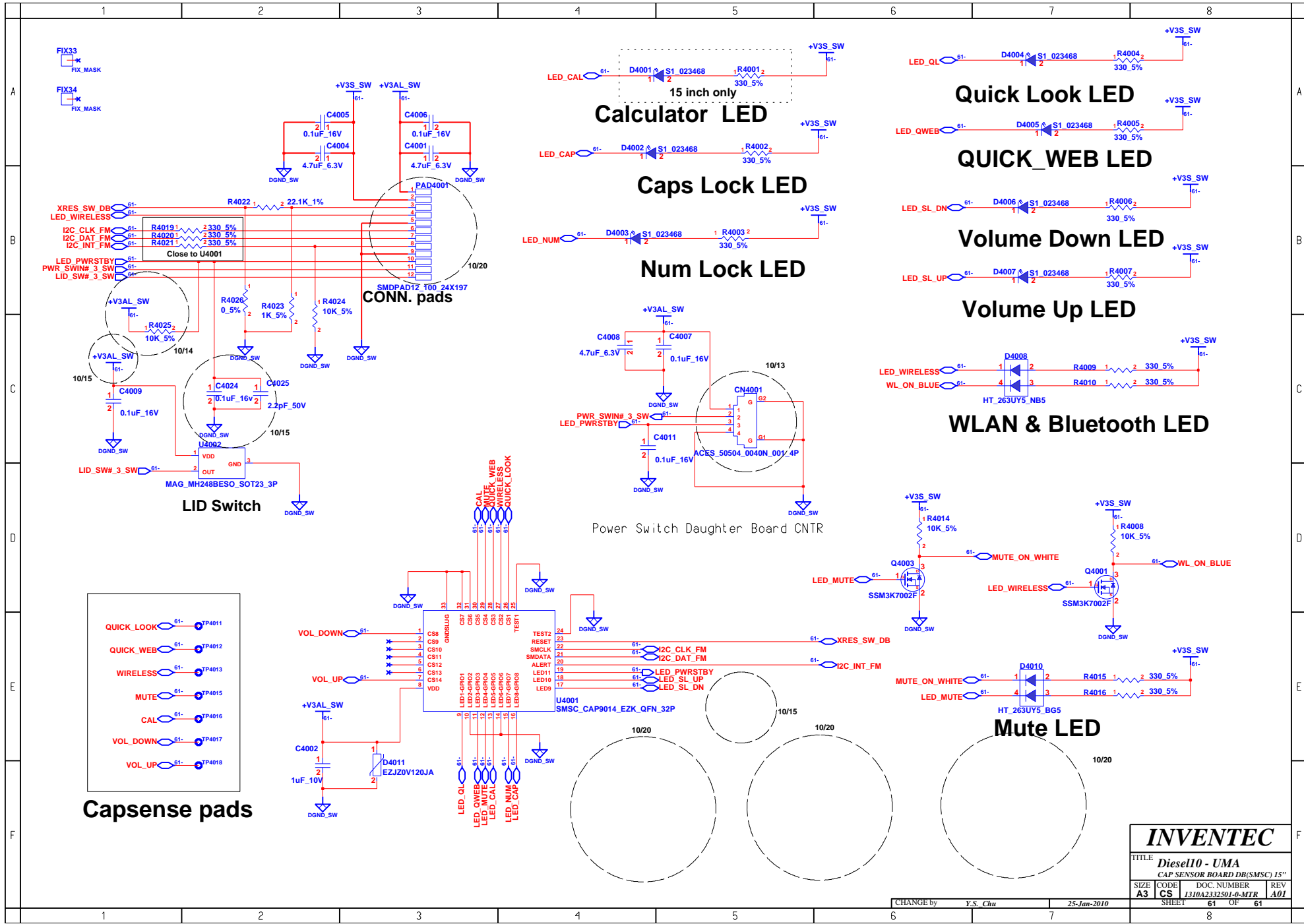
Volume Up LED

WLAN & Bluetooth LED

Mute LED

Capsense pads

INVENTEC			
TITLE Diesel10 - UMA			
CAP SENSOR DB(SMSC) 14"			
SIZE A3	CODE CS	DOC NUMBER 1310A232601-p-MTR	REV A01
CHANGE by Y.S. Chu		25-Jan-2010	
SHEET 60		OF 61	



INVENTEC			
TITLE Diesel10 - UMA			
CAP SENSOR BOARD DB(SMSC) 15"			
SIZE A3	CODE CS	DOC. NUMBER 1310A2332501-0-MTR	REV A01
CHANGE by Y.S. Chu		25-Jan-2010	
SHEET 61		OF 61	