

1	2	3	4	5	6	7	8
---	---	---	---	---	---	---	---

THIS DRAWING AND SPECIFICATIONS, HEREIN, ARE THE PROPERTY OF INVENTEC CORPORATION AND SHALL NOT BE REPRODUCED, COPIED, OR USED IN WHOLE OR IN PART AS THE BASIS FOR THE MANUFACTURE OR SALE OF ITEMS WITHOUT WRITTEN PERMISSION, INVENTEC CORPORATION 2009 ALL RIGHT RESERVED

HSF Property : **RoHS**

# RAMONES

## DB BUILD

**2010.08.30**

DATE	CHANGE NO.	REV

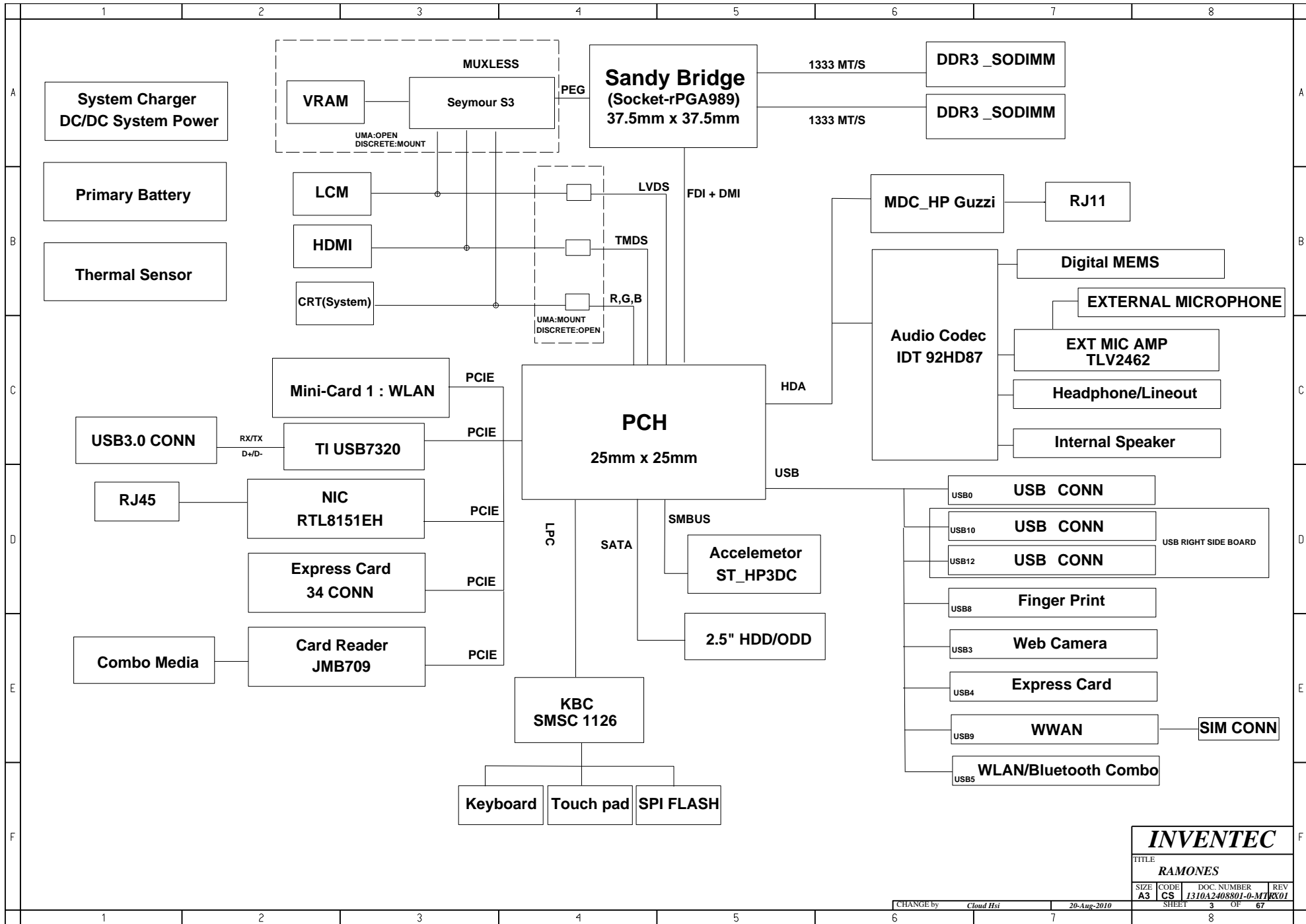
DRAWER	EE	DATE	POWER	DATE	<b>INVENTEC</b>
DESIGN					
CHECK					
RESPONSIBLE					
TITLE					<b>RAMONES</b>
SIZE =	3	VER :			
FILE NAME :	XXXX-XXXXXX-XX				
P/N	XXXXXXXXXXXX				
SHEET					1 OF 67

1	2	3	4	5	6	7	8
---	---	---	---	---	---	---	---

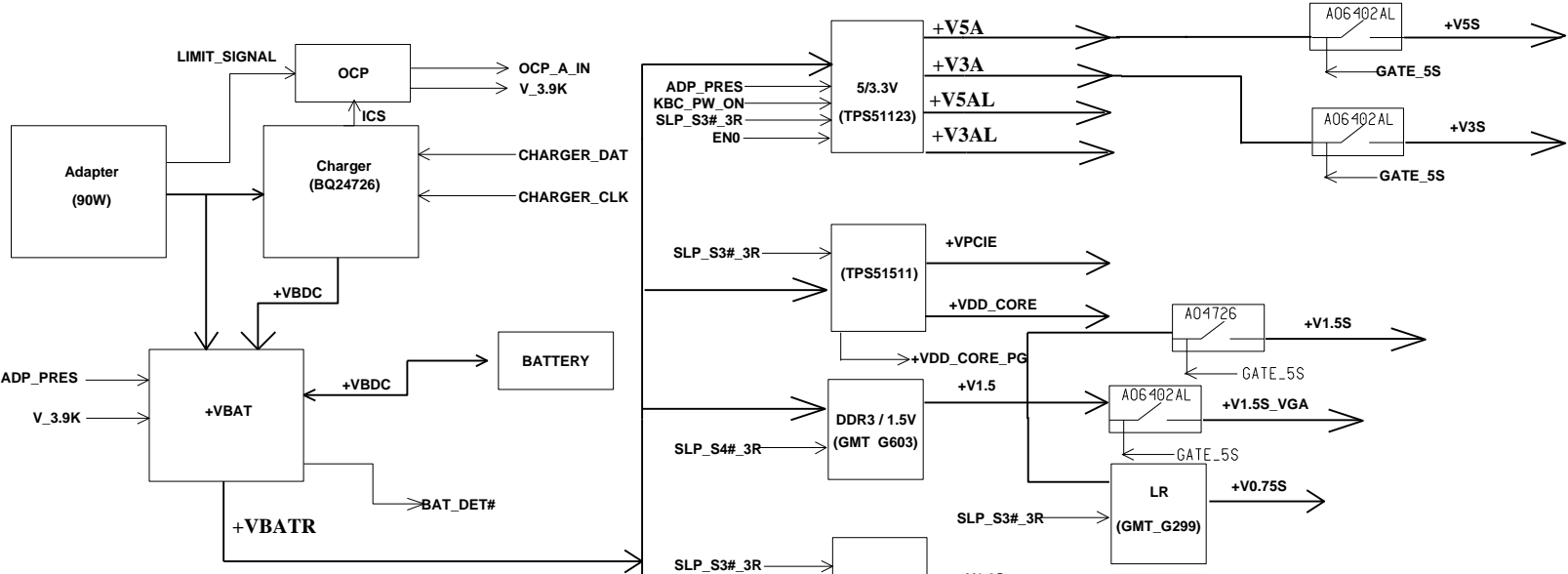
**TABLE OF CONTENTS**

<p><b>1- Cover Page</b></p> <p><b>2- TABLE OF CONTENTS</b></p> <p><b>3- BLOCK DIGARAM</b></p> <p><b>4- POWER MAP</b></p> <p><b>5- DC&amp; BATTERY CHARGER</b></p> <p><b>6- BATTERY CONN</b></p> <p><b>7- SYSTEM POWER(3V/5V)</b></p> <p><b>8- SYSTEM POWER(+V1.5/+V0.75S)</b></p> <p><b>9- GRAPHIC POWER(+VDD_CORE/+VPCIE/+V1.8S)</b></p> <p><b>10- SYSTEM POWER(+VCCP)</b></p> <p><b>11- CPU POWER(+VCCSA)</b></p> <p><b>12- CPU POWER IC</b></p> <p><b>13- CPU POWER(+VCC_CORE/+VGFX)</b></p> <p><b>14- POWER(SLEEP)</b></p> <p><b>15- POWER(SEQUENCE)</b></p> <p><b>16- FAN &amp; THERMAL</b></p> <p><b>17- XDP CONN</b></p> <p><b>18- SANDY BRIDGE1</b></p> <p><b>19- SANDY BRIDGE2</b></p> <p><b>20- SANDY BRIDGE3</b></p> <p><b>21- SANDY BRIDGE4</b></p> <p><b>22- SANDY BRIDGE5</b></p> <p><b>23- SANDY BRIDGE6</b></p> <p><b>24- DDR3-DIMM0</b></p> <p><b>25- DDR3-DIMM1</b></p> <p><b>26- Seymour-S3-1</b></p> <p><b>27- Seymour-S3-1</b></p> <p><b>28- Seymour-S3-1</b></p> <p><b>29- Seymour-S3-1</b></p> <p><b>30- VRAM1</b></p> <p><b>31- VRAM2</b></p> <p><b>32- PCH1</b></p> <p><b>33- PCH2</b></p>	<p><b>34- PCH3</b></p> <p><b>35- PCH4</b></p> <p><b>36- PCH5</b></p> <p><b>37- PCH6</b></p> <p><b>38- PCH7-POWER</b></p> <p><b>39- PCH8-POWER</b></p> <p><b>40- PCH9</b></p> <p><b>41- CRT</b></p> <p><b>42- HDMI CONN</b></p> <p><b>43- LCM &amp; WEBCAM</b></p> <p><b>44- SATA &amp; ODD CNTR</b></p> <p><b>45- USB2.0 CNTR</b></p> <p><b>46- USB3.0_CONTROLLER</b></p> <p><b>47- USB3.0</b></p> <p><b>48- FINGER PRINTER</b></p> <p><b>49- ACCELEMETOR</b></p> <p><b>50- KBC &amp; SPI</b></p> <p><b>51- KB &amp; TOUCH PAD</b></p> <p><b>52- MDC</b></p> <p><b>53- LAN INTERFACE</b></p> <p><b>54- LAN RJ45 CNTR</b></p> <p><b>55- WWAN &amp; WLAN &amp; SIM</b></p> <p><b>56- EXPRESS CARD</b></p> <p><b>57- AUDIO CODEC</b></p> <p><b>58-POWER BUTTON CONNECTOR</b></p> <p><b>59-SCREW</b></p> <p><b>60- STITCHING CAPS</b></p> <p><b>61-CARD Reader &amp; Audio Jack BOARD 1</b></p> <p><b>62- CARD Reader &amp; Audio Jack BOARD 2</b></p> <p><b>63- DIGITAL MIC BOARD</b></p>	<p><b>64- USB RIGHT SIDE BOARD</b></p> <p><b>65- POWER BUTTON BOARD</b></p> <p><b>66- QUICK LAUCH&amp;WLAN BOARD</b></p> <p><b>67- PICK BUTTON DB BOARD</b></p>
---	--	---

<b>INVENTEC</b>			
TITLE <b>RAMONES</b>			
SIZE <b>A3</b>	CODE <b>CS</b>	DOC. NUMBER <b>1310A2408801-0-M1</b>	REV <b>001</b>
CHANGE by <i>Cloud Hsi</i>		4-Aug-2010	
SHEET <b>2</b>		OF <b>67</b>	



<b>INVENTEC</b>			
TITLE			
<b>RAMONES</b>			
SIZE	CODE	DOC. NUMBER	REV
A3	CS	1310A2408801-0-MT	001
CHANGE by		20-Aug-2010	
Cloud Hsi		SHEET 3 OF 67	



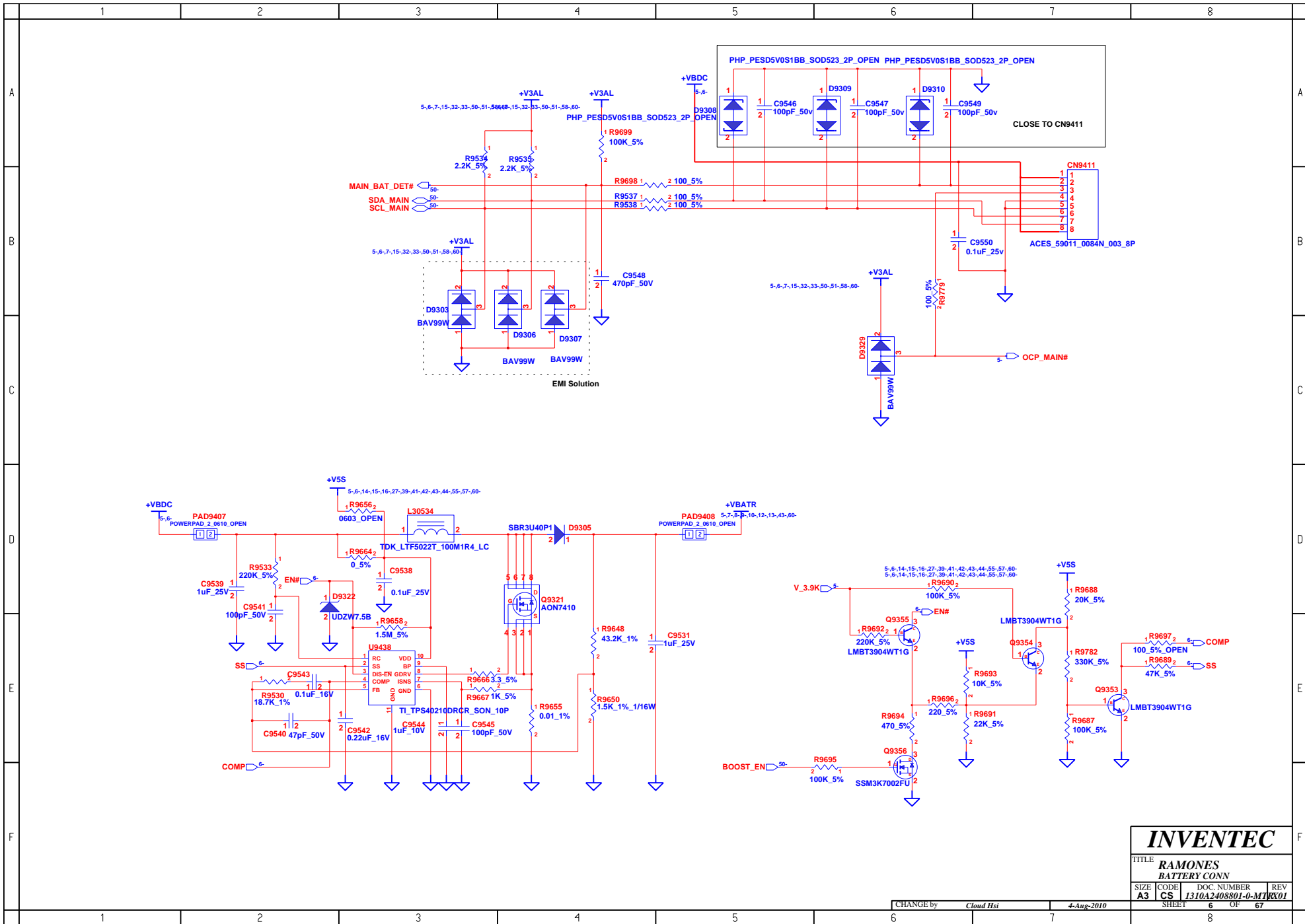
POWER PLANE	VOLTAGE	Voltage Rails ACTIVE IN	DESCRIPTION
+V5S +V3S +V1.8S +V1.5S +VCCP +V1.05S +V0.75S +VCC_CORE +VGFCORE	5V 3.3V 1.8V 1.5V 1.05V 1.05V 0.75V 0.35V-1.5V 0.4V-1.25V	S0	CPU Core Rail Graphics Core Rail
+V5A +V3A +V1.5A	5V 3.3V 1.5V	S3	
+VADP +VBATR +V5AL +V3AL	6V-14.1V 6V-14.1V 5V 3.3V	All S States	AC Brick Mode only
+V3_LAN	3.3V	WOL_EN	Legacy WOL
RTC	3.3V	G3, Sx	Power by Li Coin Cell in G3 and +V3AL in Sx

**INVENTEC**

TITLE  
**RAMONES**

SIZE <b>A3</b>	CODE <b>CS</b>	DOC. NUMBER <b>1310A2408801-0-MT</b>	REV <b>001</b>
CHANGE by <i>Cloud Hsi</i>		24-Aug-2010	
SHEET <b>4</b>		OF <b>67</b>	





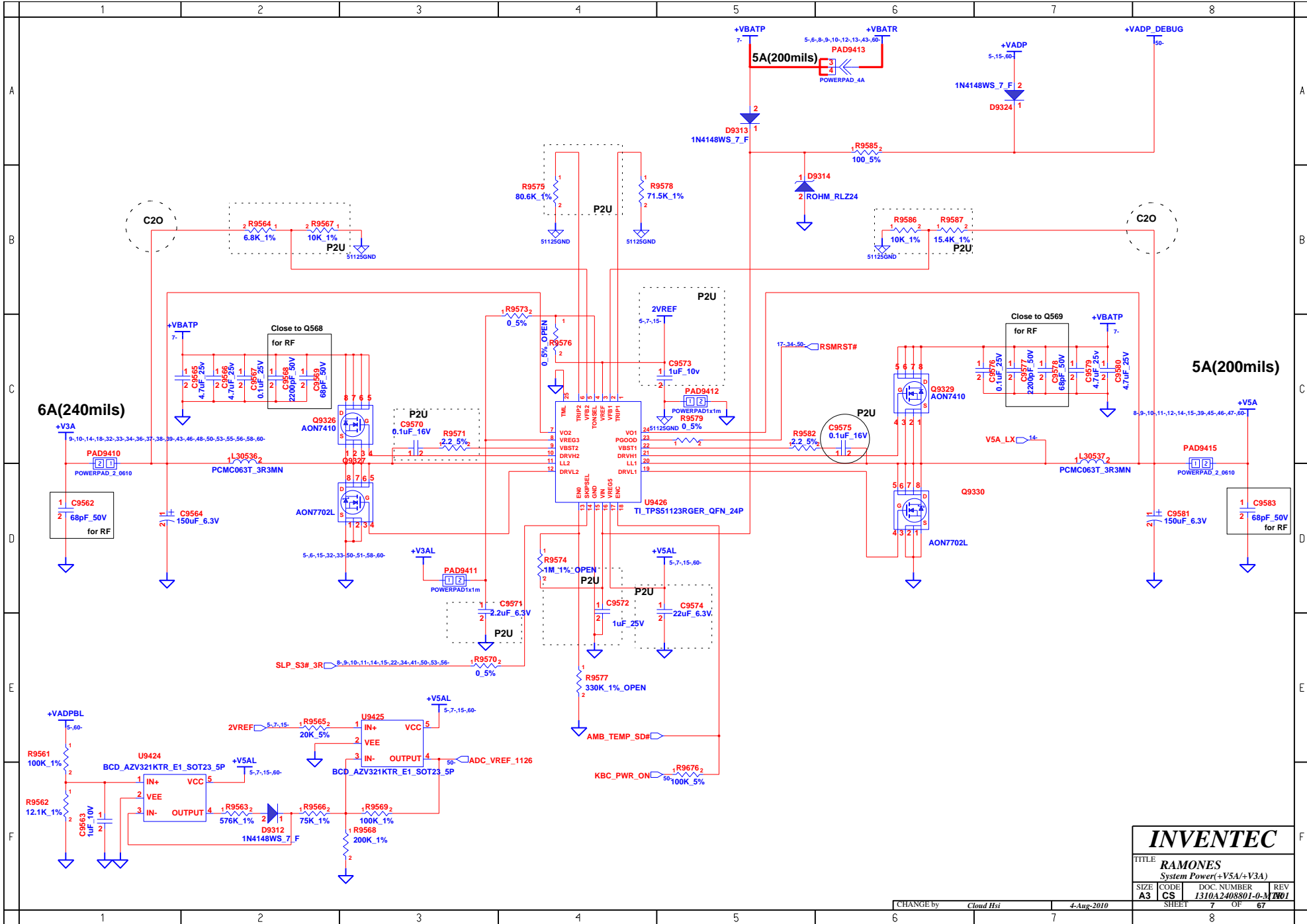
# INVENTEC

TITLE  
**RAMONES  
 BATTERY CONN**

SIZE <b>A3</b>	CODE <b>CS</b>	DOC NUMBER <b>1310A2408801-0-MT</b>	REV <b>001</b>
-------------------	-------------------	--	-------------------

CHANGE by *Cloud Hsi* 4-Aug-2010

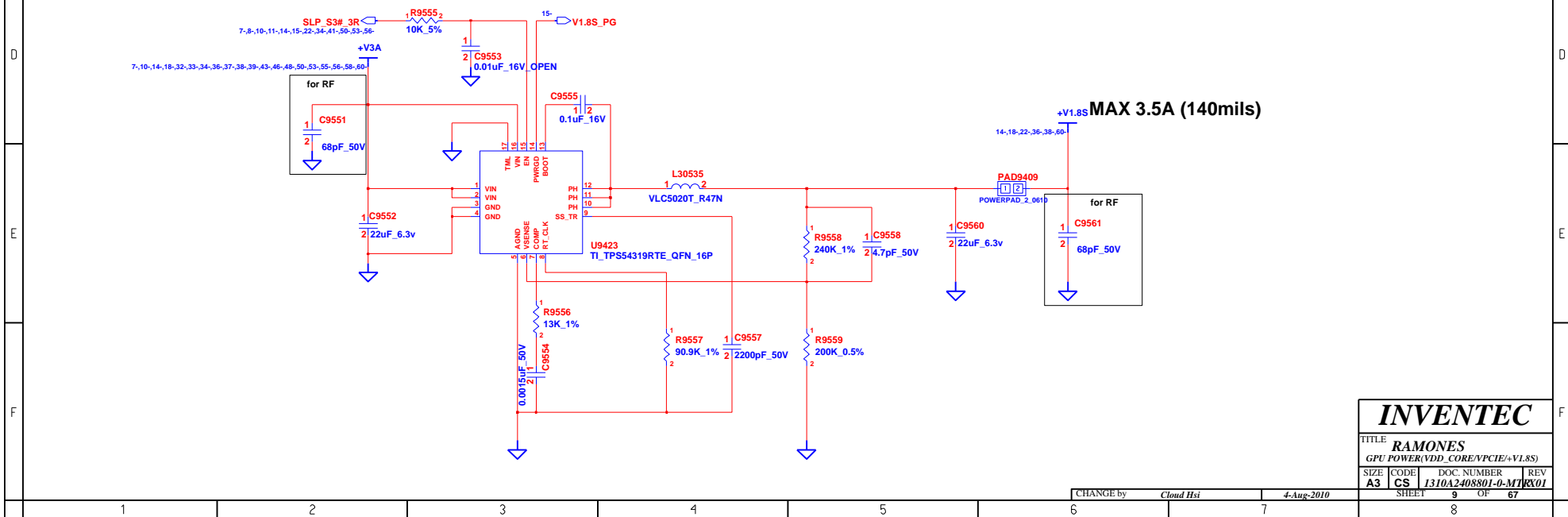
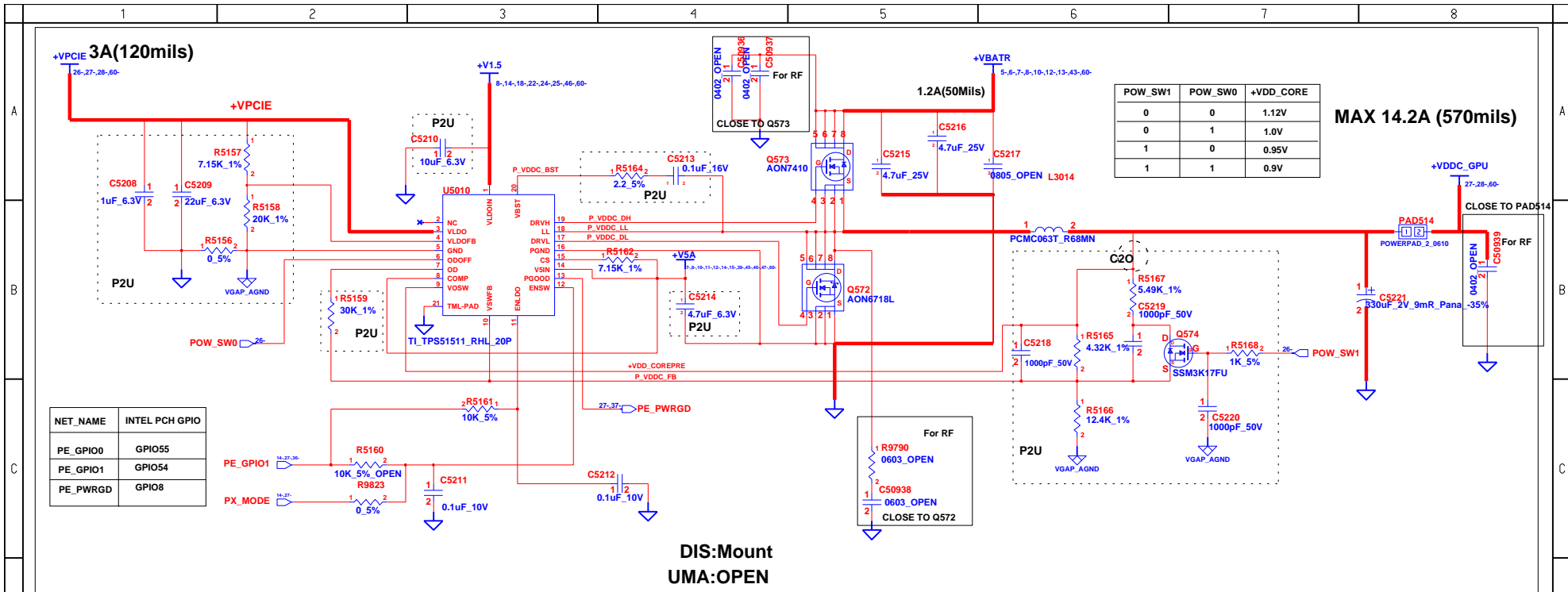
SHEET 6 OF 67

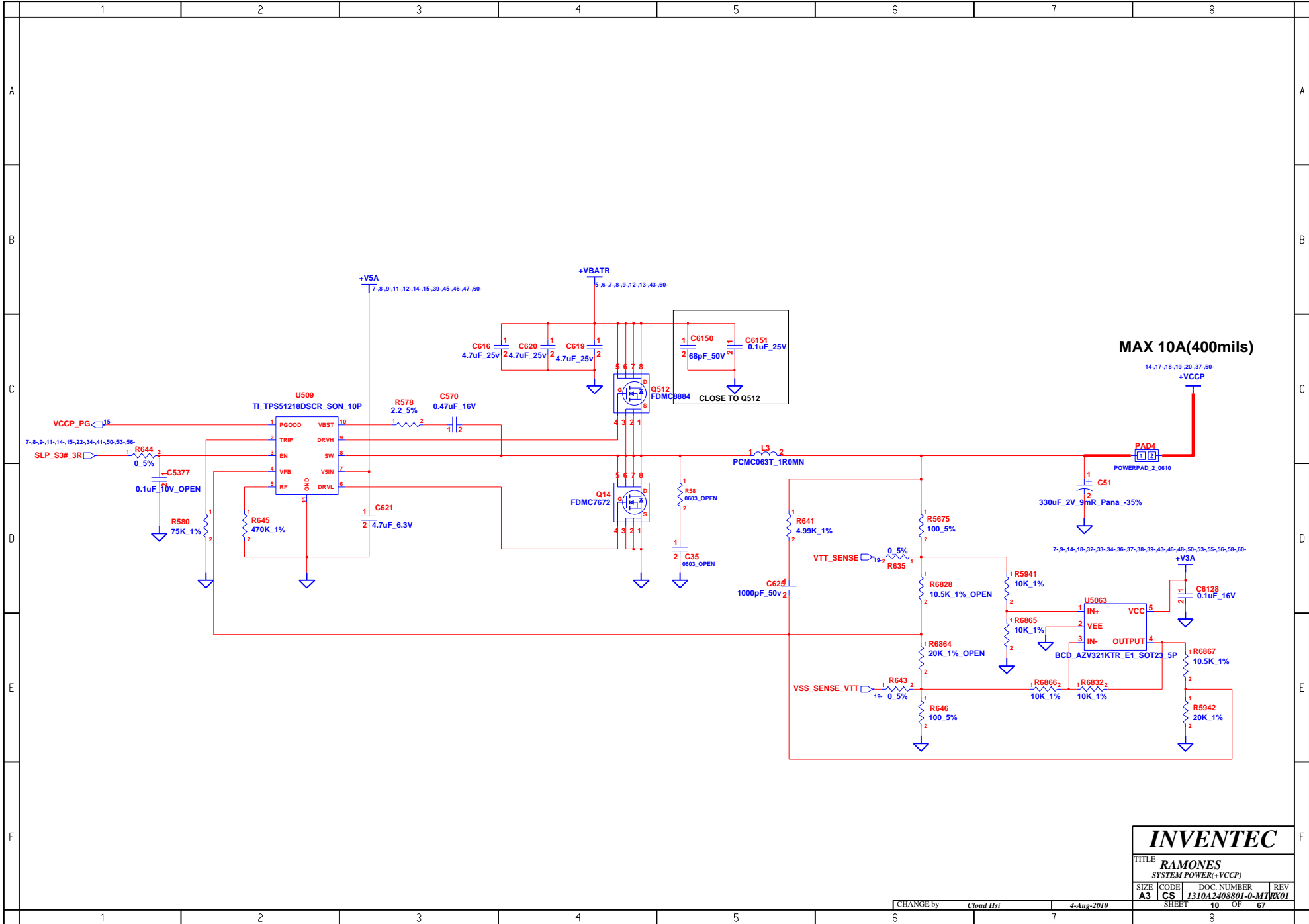


<b>INVENTEC</b>			
TITLE: <b>RAMONES</b>			
System Power(+V5A/+V3A)			
SIZE: <b>A3</b>	CODE: <b>CS</b>	DOC. NUMBER: <b>1310A240801-0-3</b>	REV: <b>701</b>
CHANGE by: <i>Cloud Hsi</i>		4-Aug-2010	
SHEET: 7		OF: 67	







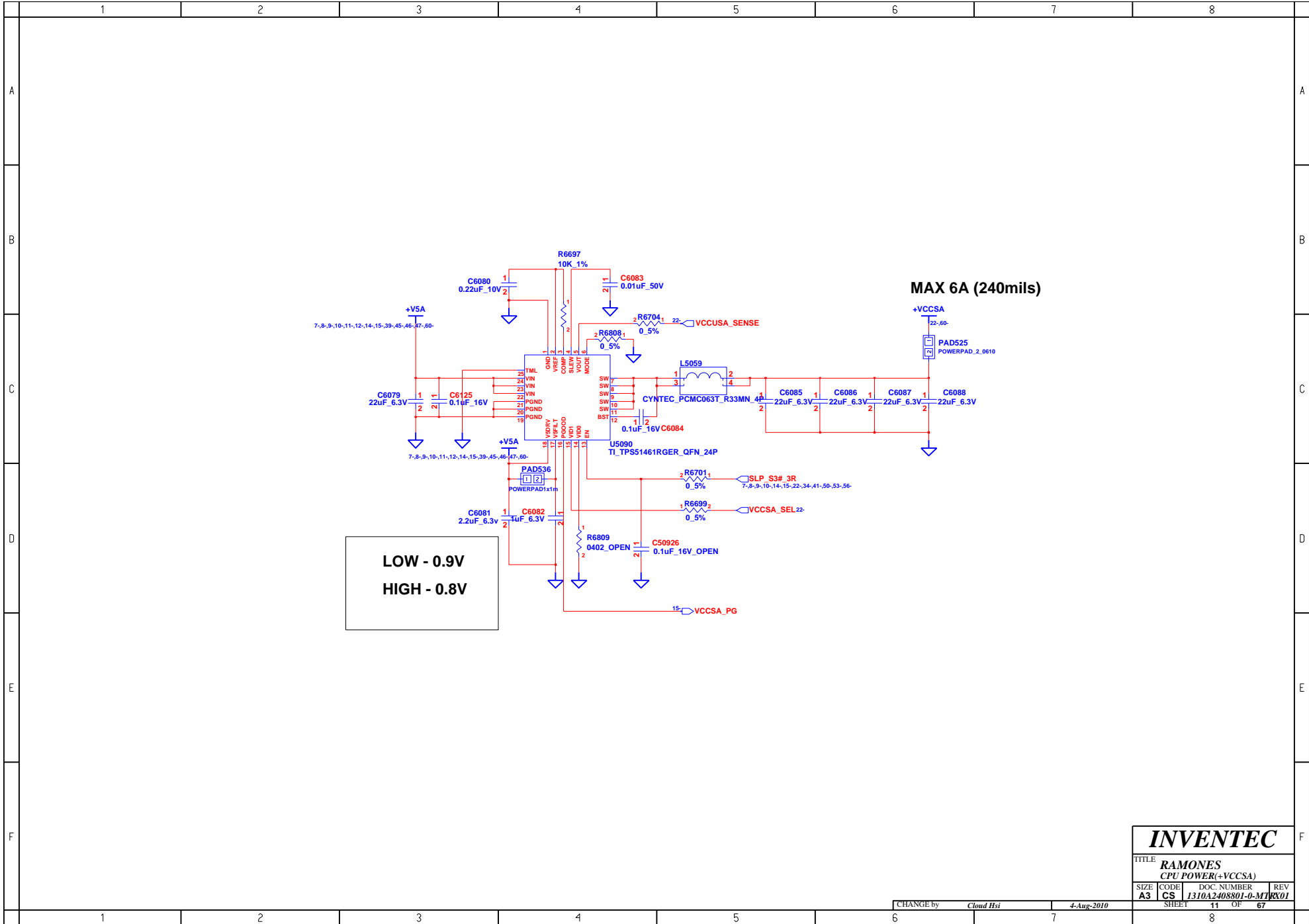


MAX 10A(400mils)

**INVENTEC**

TITLE			
RAMONES			
SYSTEM POWER(+VCCP)			
SIZE	CODE	DOC NUMBER	REV
A3	CS	1310A2408801-0-M1	001
CHANGE by		SHEET	
Cloud Hsi		10 OF 67	

4-Aug-2010



LOW - 0.9V  
HIGH - 0.8V

**INVENTEC**

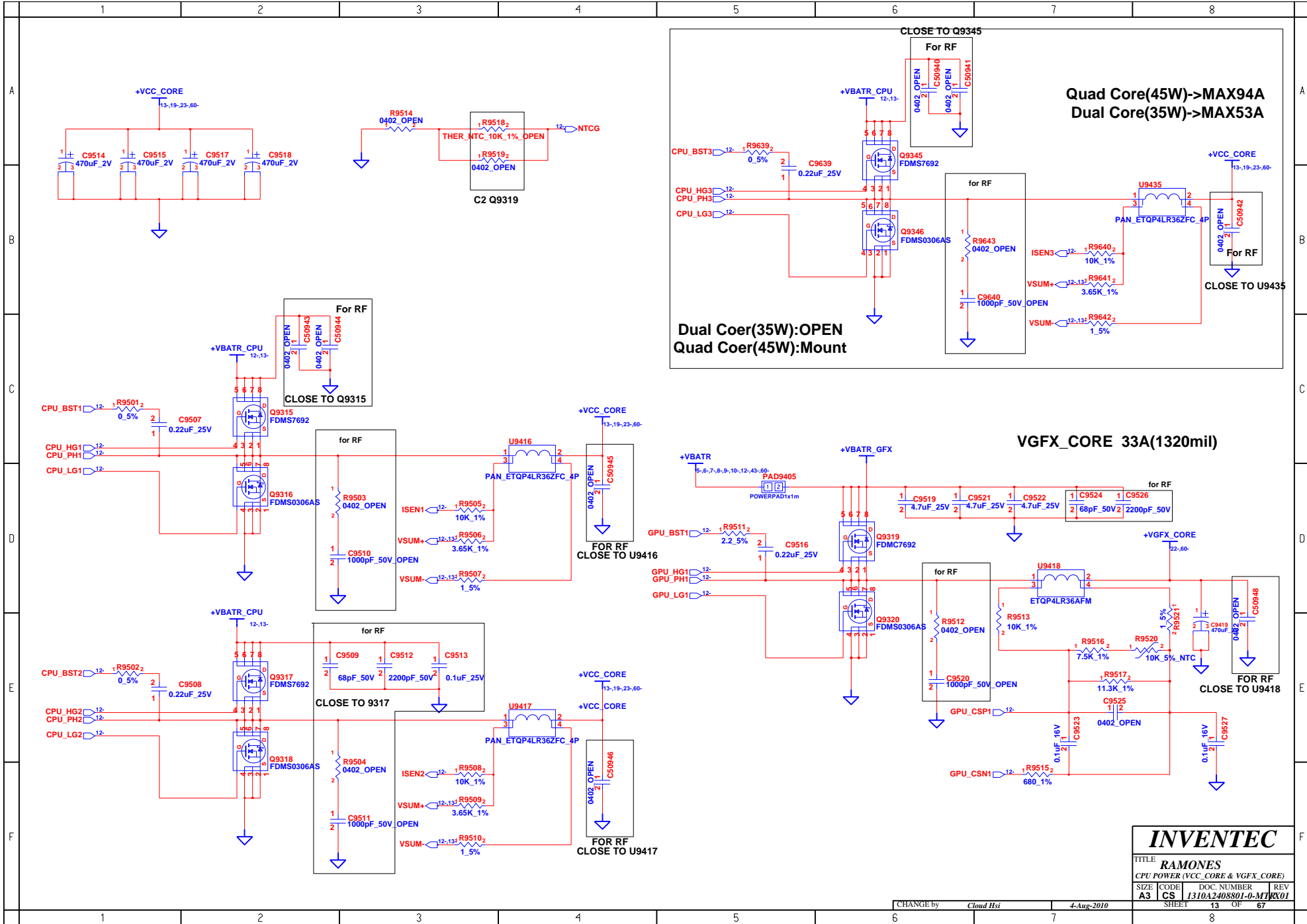
TITLE  
**RAMONES**  
CPU POWER(+VCCSA)

SIZE <b>A3</b>	CODE <b>CS</b>	DOC NUMBER <b>1310A2408801-0-M1</b>	REV <b>001</b>
-------------------	-------------------	--	-------------------

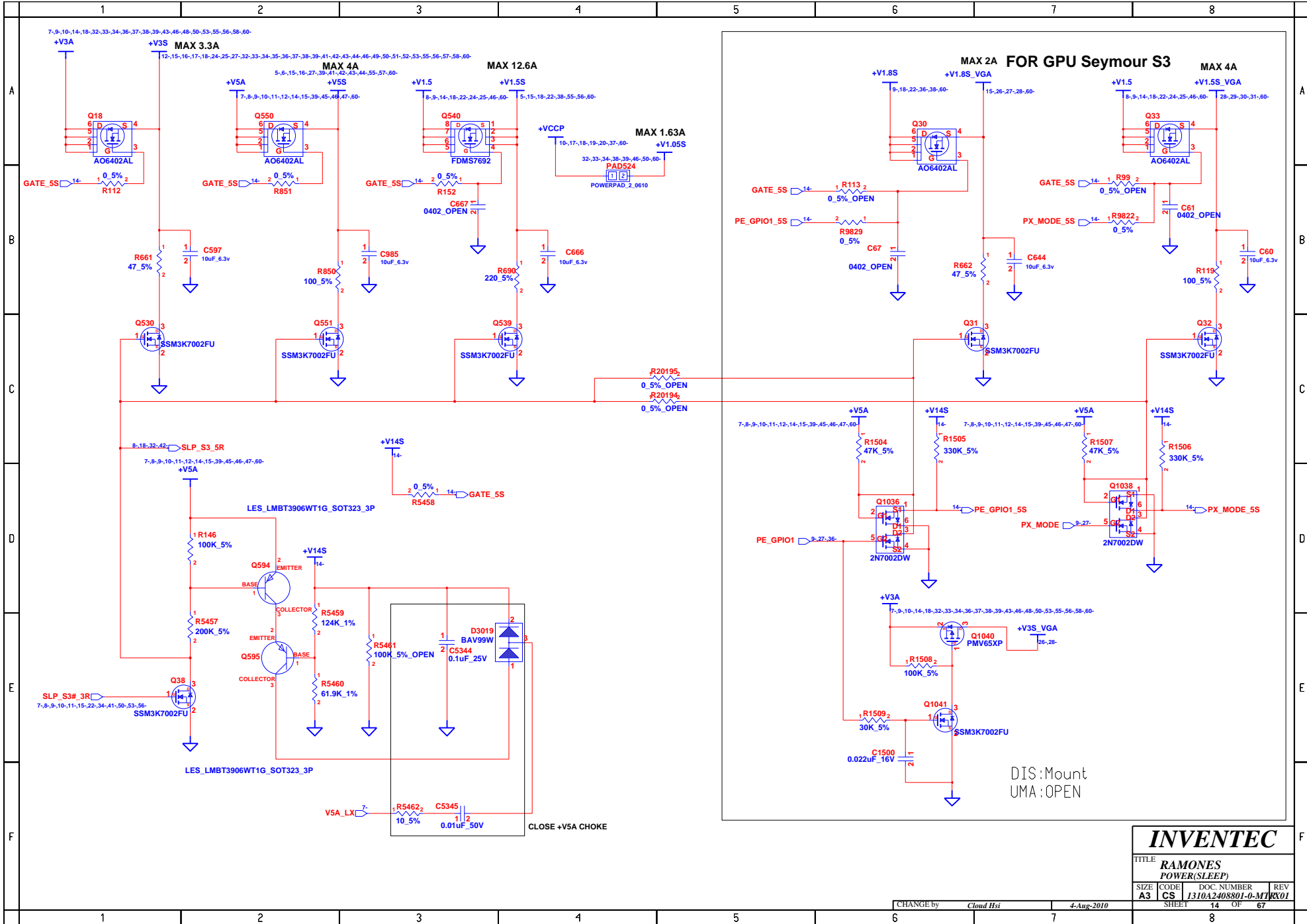
CHANGE by *Cloud Hsi* 4-Aug-2010

SHEET 11 OF 67



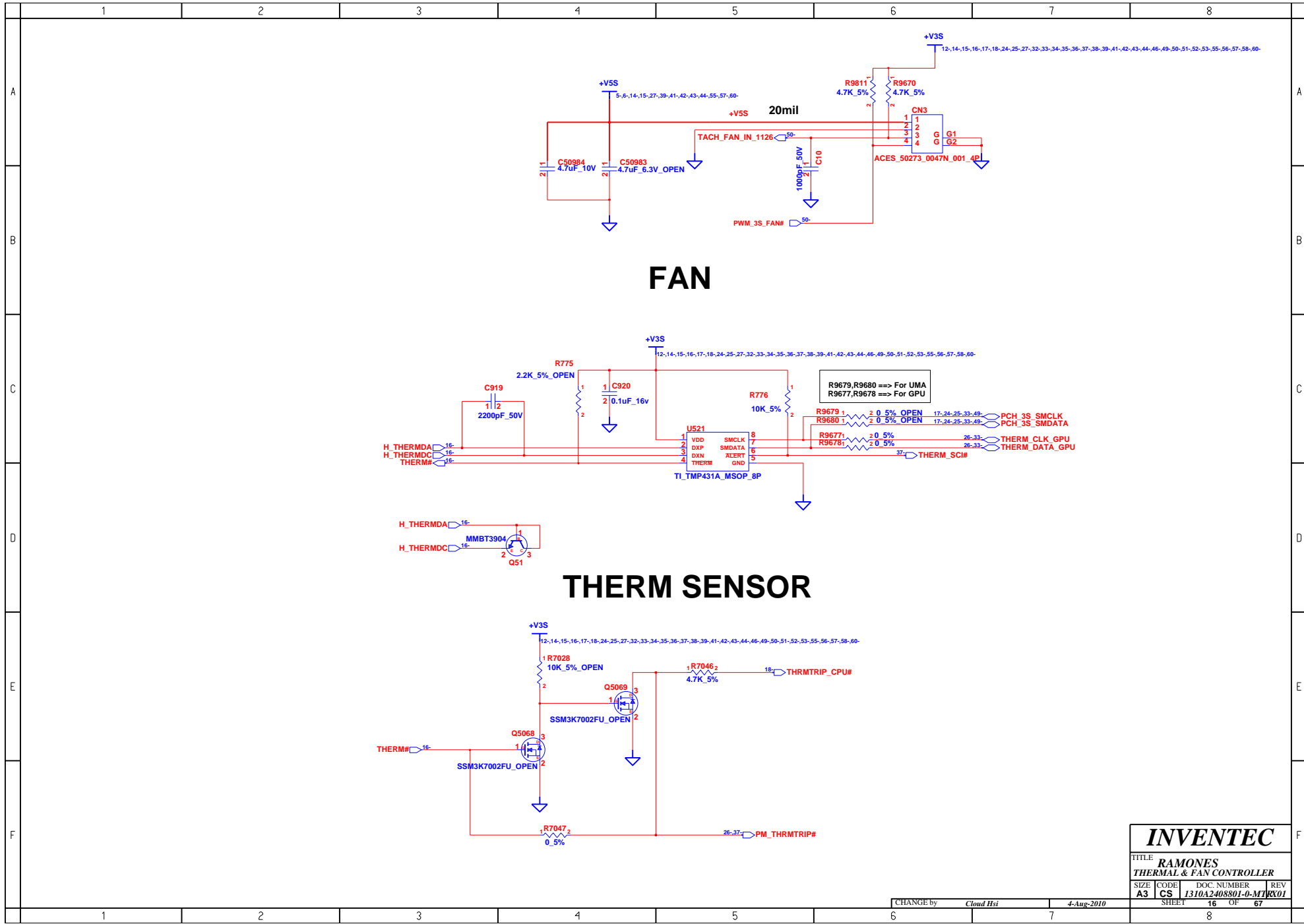


<b>INVENTEC</b>			
TITLE <b>RAMONES</b>			
CPU POWER (VCC_CORE & VGFX_CORE)			
SIZE <b>A3</b>	CODE <b>CS</b>	DOC NUMBER <b>1310A2408801-0-M1</b>	REV <b>XX01</b>
CHANGE by <i>Cloud Hsi</i>		4-Aug-2010	
SHEET <b>13</b>		OF <b>67</b>	



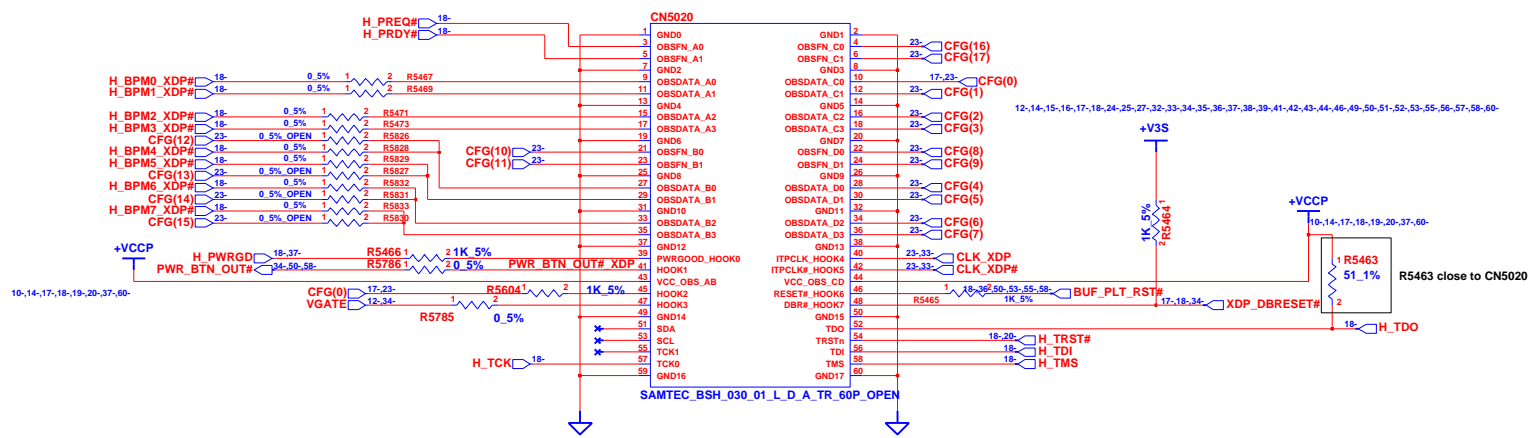
<b>INVENTEC</b>			
TITLE <b>RAMONES POWER(SLEEP)</b>			
SIZE <b>A3</b>	CODE <b>CS</b>	DOC NUMBER <b>1310A2408801-0-M1</b>	REV <b>001</b>
CHANGE by <i>Cloud Hsi</i>		4-Aug-2010	
SHEET <b>14</b>		OF <b>67</b>	



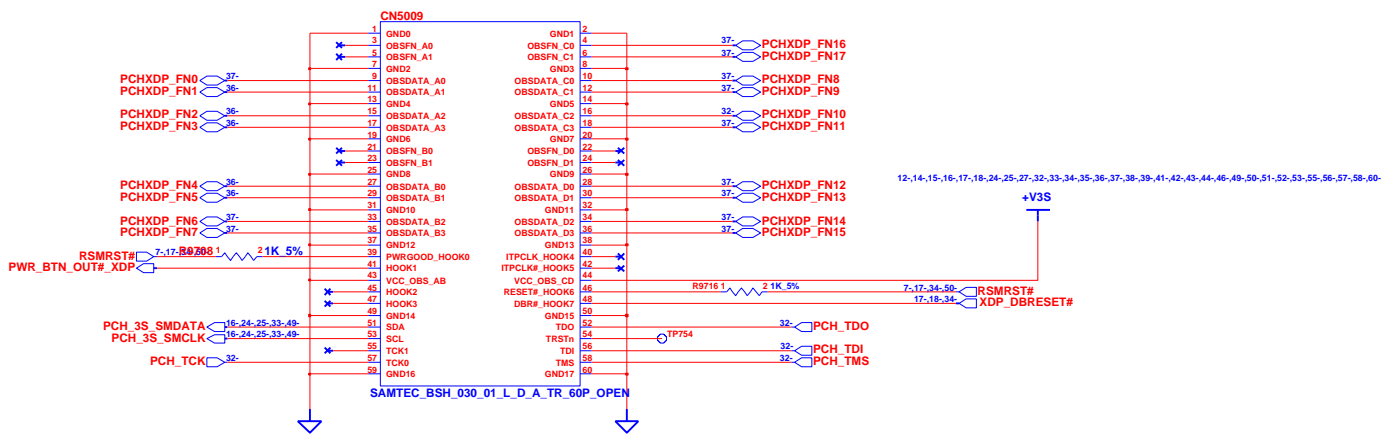


<b>INVENTEC</b>			
TITLE <b>RAMONES</b>			
THERMAL & FAN CONTROLLER			
SIZE <b>A3</b>	CODE <b>CS</b>	DOC NUMBER <b>1310A2408801-0-M1</b>	REV <b>001</b>
CHANGE by <i>Cloud Hsi</i>		4-Aug-2010	
SHEET <b>16</b>		OF <b>67</b>	



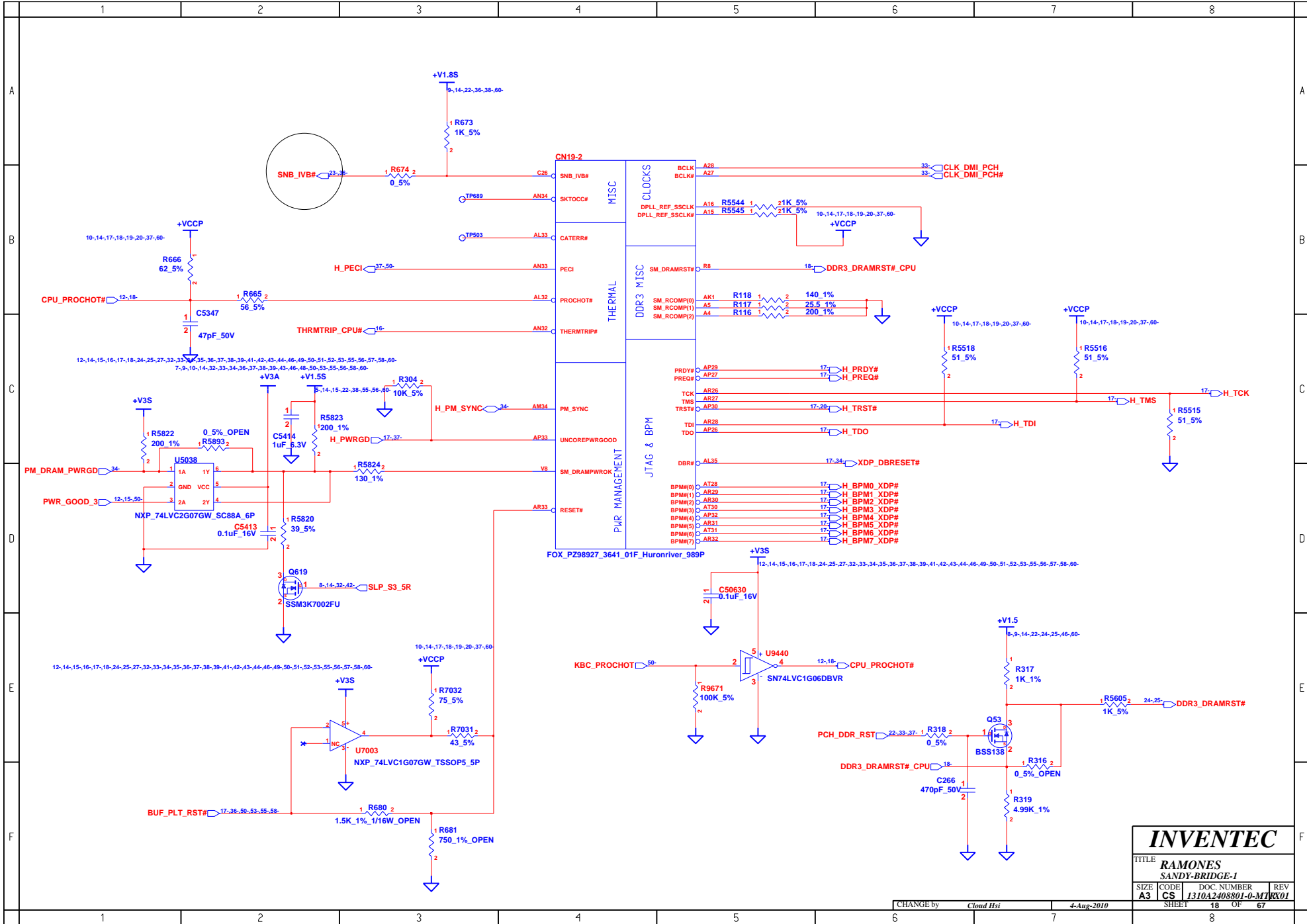


# CPU XDP CONNECTOR

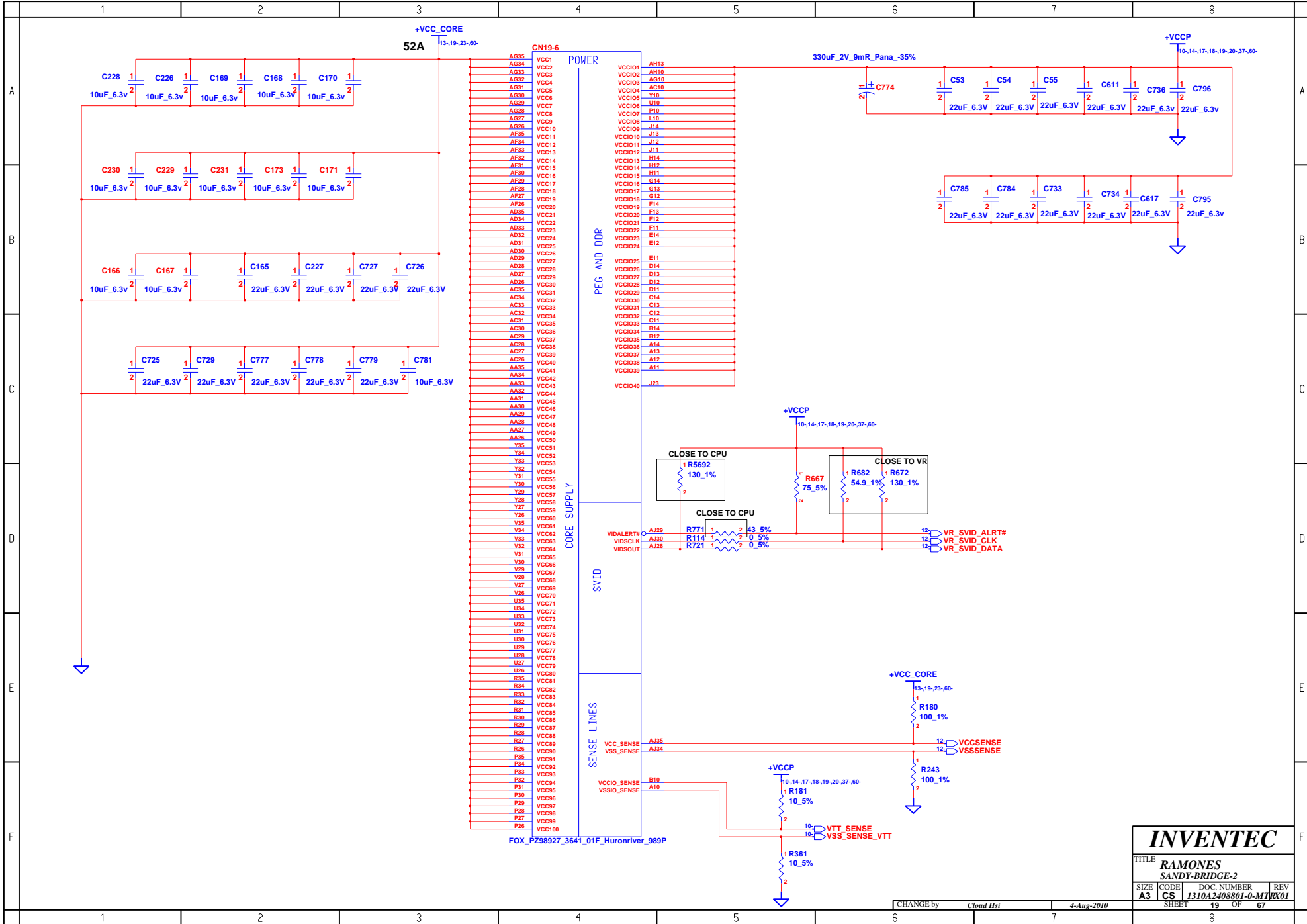


# PCH XDP CONNECTOR

<b>INVENTEC</b>			
TITLE <b>RAMONES CPU &amp; PCH XDP CNTR</b>			
SIZE <b>A3</b>	CODE <b>CS</b>	DOC NUMBER <b>1310A2408801-0-M1</b>	REV <b>01</b>
CHANGE by <i>Cloud Hsi</i>		4-Aug-2010	
SHEET <b>17</b>		OF <b>67</b>	



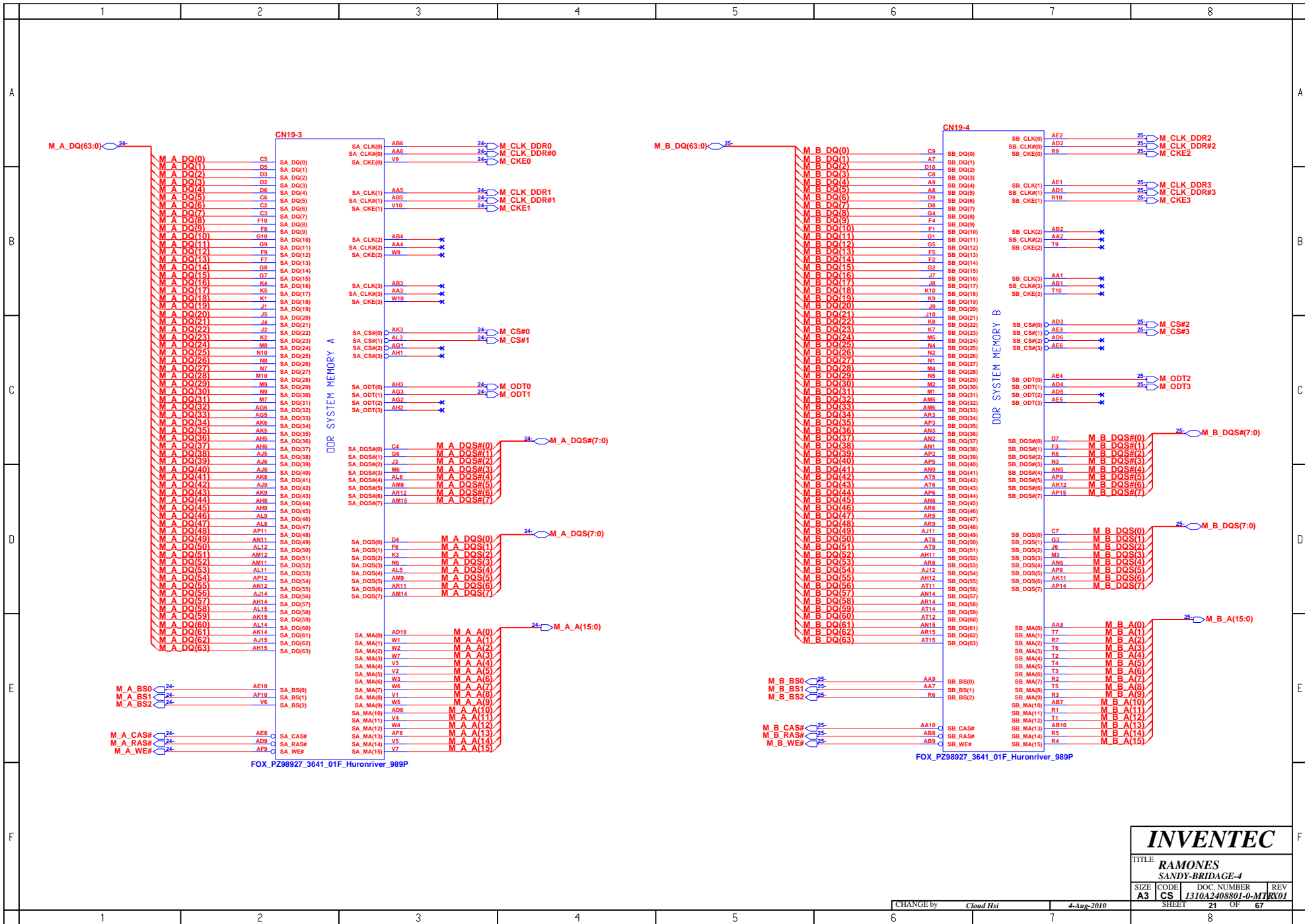
<b>INVENTEC</b>			
TITLE <b>RAMONES SANDY-BRIDGE-1</b>			
SIZE <b>A3</b>	CODE <b>CS</b>	DOC NUMBER <b>1310A2408801-0-M1</b>	REV <b>001</b>
CHANGE by <i>Cloud Hsi</i>		4-Aug-2010	
SHEET <b>18</b>		OF <b>67</b>	



FOX\_PZ98927\_3641\_01F\_Huronriver\_989P

<b>INVENTEC</b>			
TITLE <b>RAMONES SANDY-BRIDGE-2</b>			
SIZE <b>A3</b>	CODE <b>CS</b>	DOC NUMBER <b>1310A2408801-0-M1</b>	REV <b>001</b>
CHANGE by <i>Cloud Hsi</i>		4-Aug-2010	
SHEET <b>19</b>		OF <b>67</b>	





FOX\_PZ98927\_3641\_01F\_Huronriver\_989P

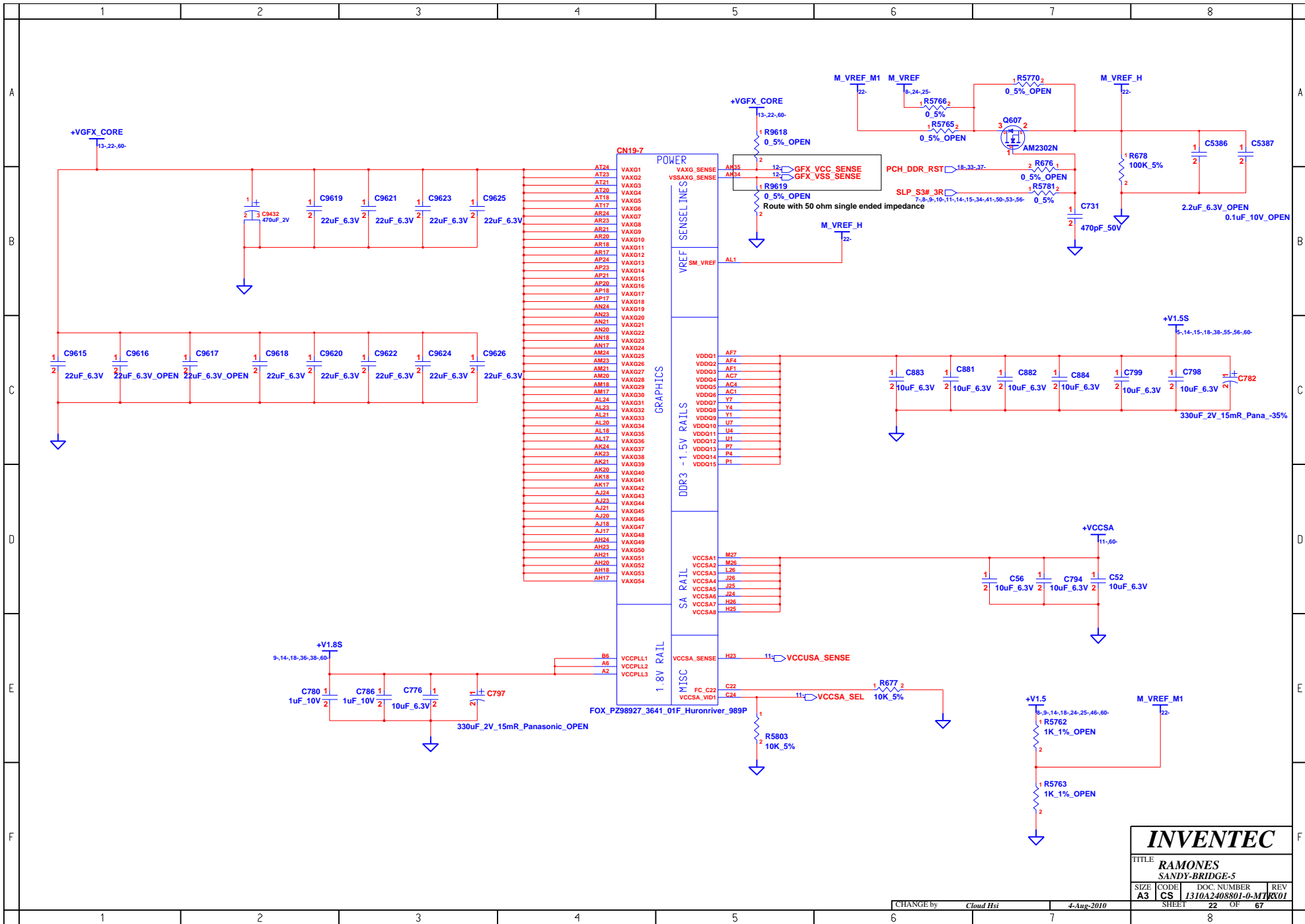
FOX\_PZ98927\_3641\_01F\_Huronriver\_989P

# INVENTEC

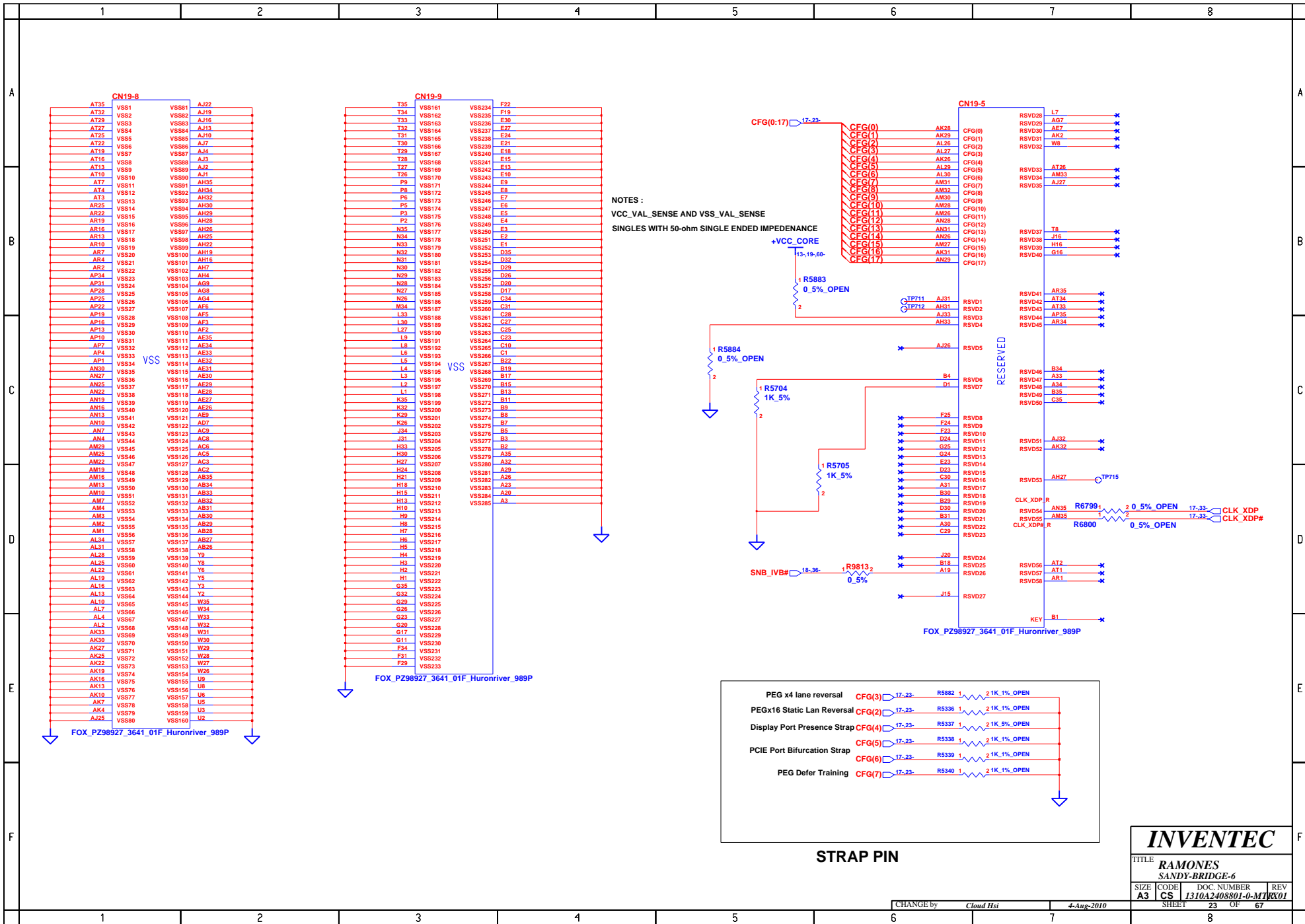
TITLE  
**RAMONES**  
**SANDY-BRIDAGE-4**

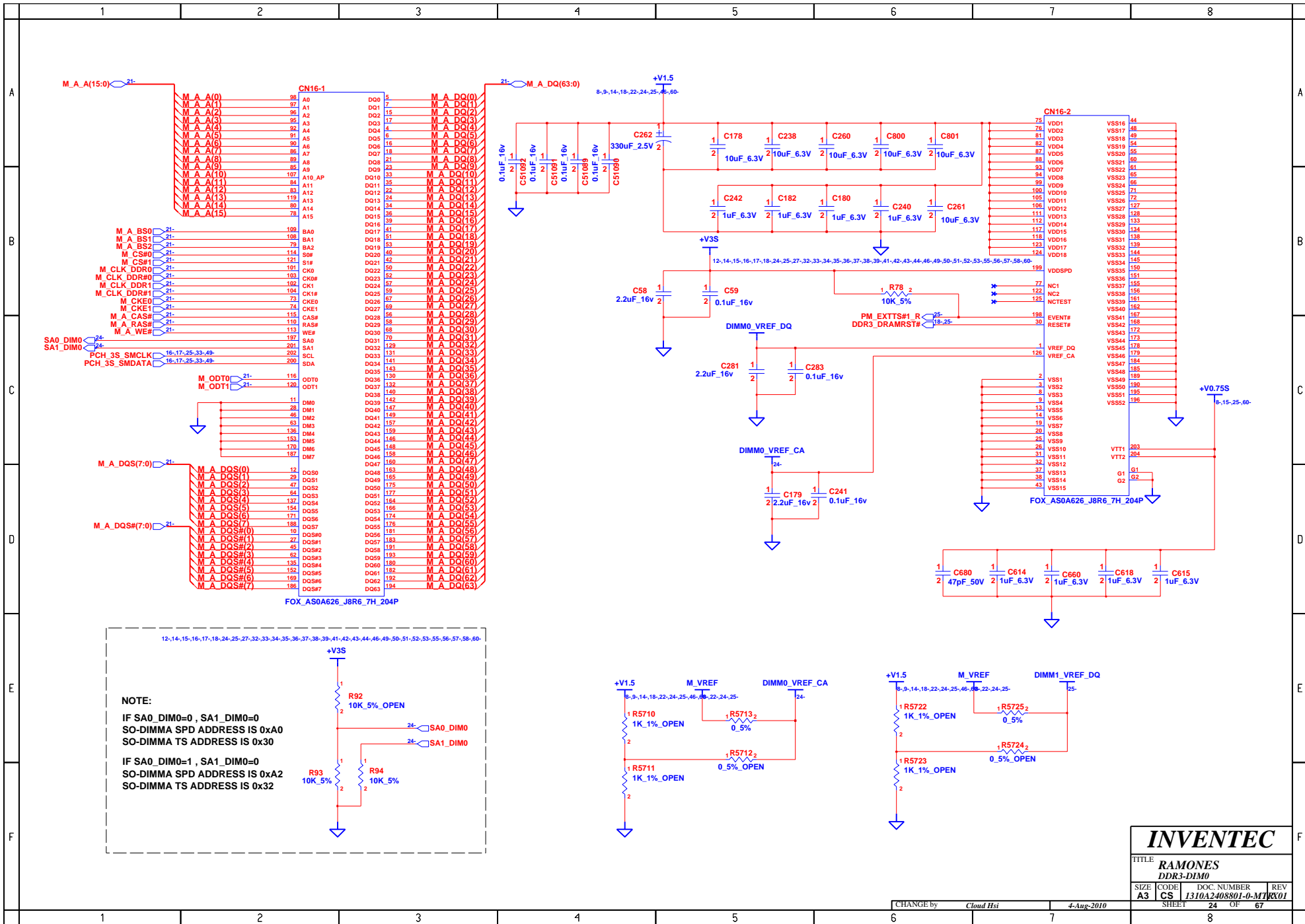
SIZE	CODE	DOC. NUMBER	REV
A3	CS	1310A2408801-0-M1	001
SHEET		21	OF 67

CHANGE by Cloud Hsi 4-Aug-2010



<b>INVENTEC</b>			
TITLE			
RAMONES SANDY-BRIDGE-5			
SIZE	CODE	DOC NUMBER	REV
A3	CS	1310A2408801-0-M1	001
CHANGE by		SHEET	
Cloud Hsi		22 OF 67	

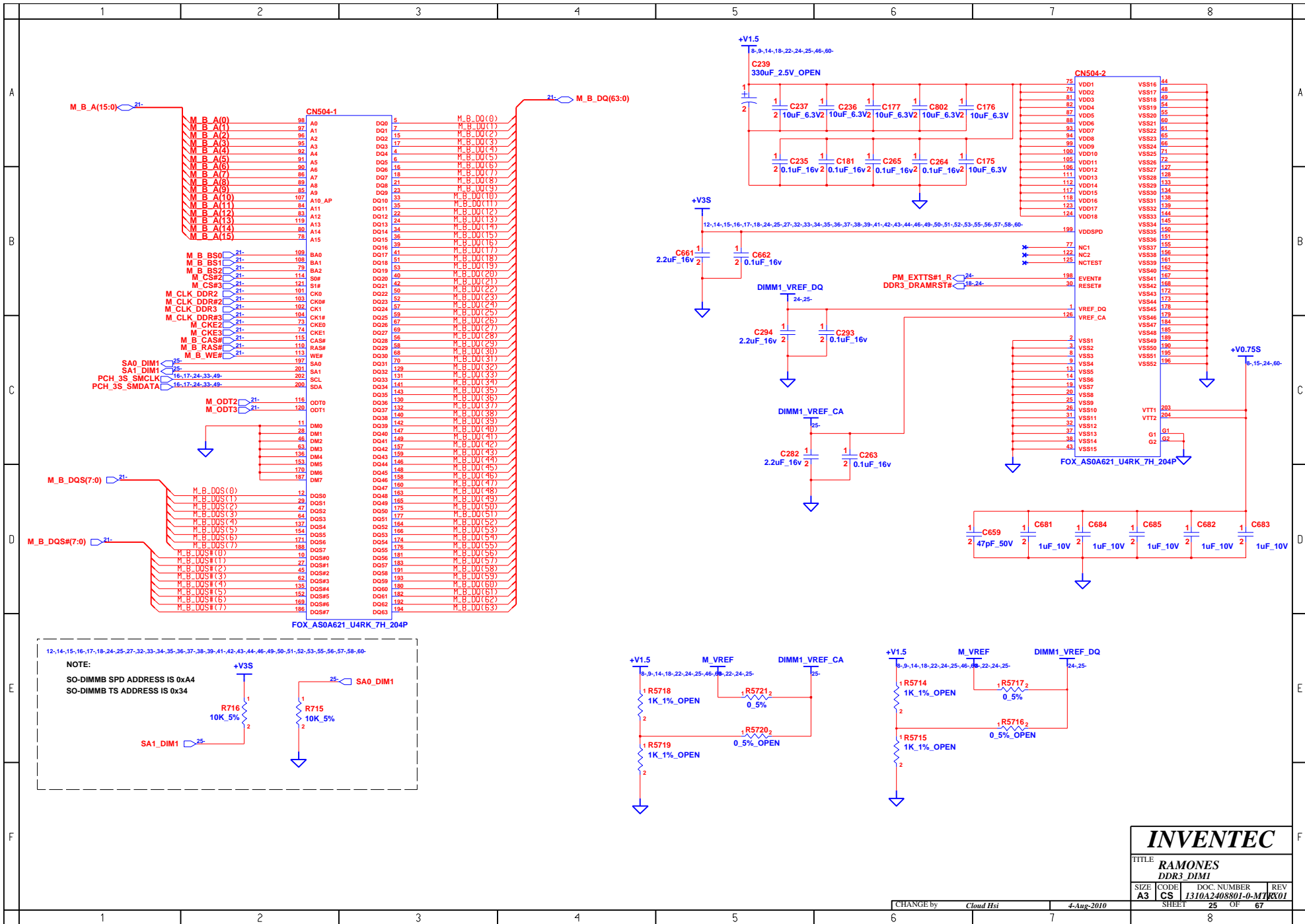




NOTE:  
 IF SA0\_DIM0=0, SA1\_DIM0=0  
 SO-DIMMA SPD ADDRESS IS 0xA0  
 SO-DIMMA TS ADDRESS IS 0x30  
 IF SA0\_DIM0=1, SA1\_DIM0=0  
 SO-DIMMA SPD ADDRESS IS 0xA2  
 SO-DIMMA TS ADDRESS IS 0x32

<b>INVENTEC</b>			
TITLE <b>RAMONES DDR3-DIM0</b>			
SIZE <b>A3</b>	CODE <b>CS</b>	DOC. NUMBER <b>1310A2408801-0-M1</b>	REV <b>001</b>
CHANGE by <i>Cloud Hsi</i>		4-Aug-2010	
SHEET <b>24</b>		OF <b>67</b>	





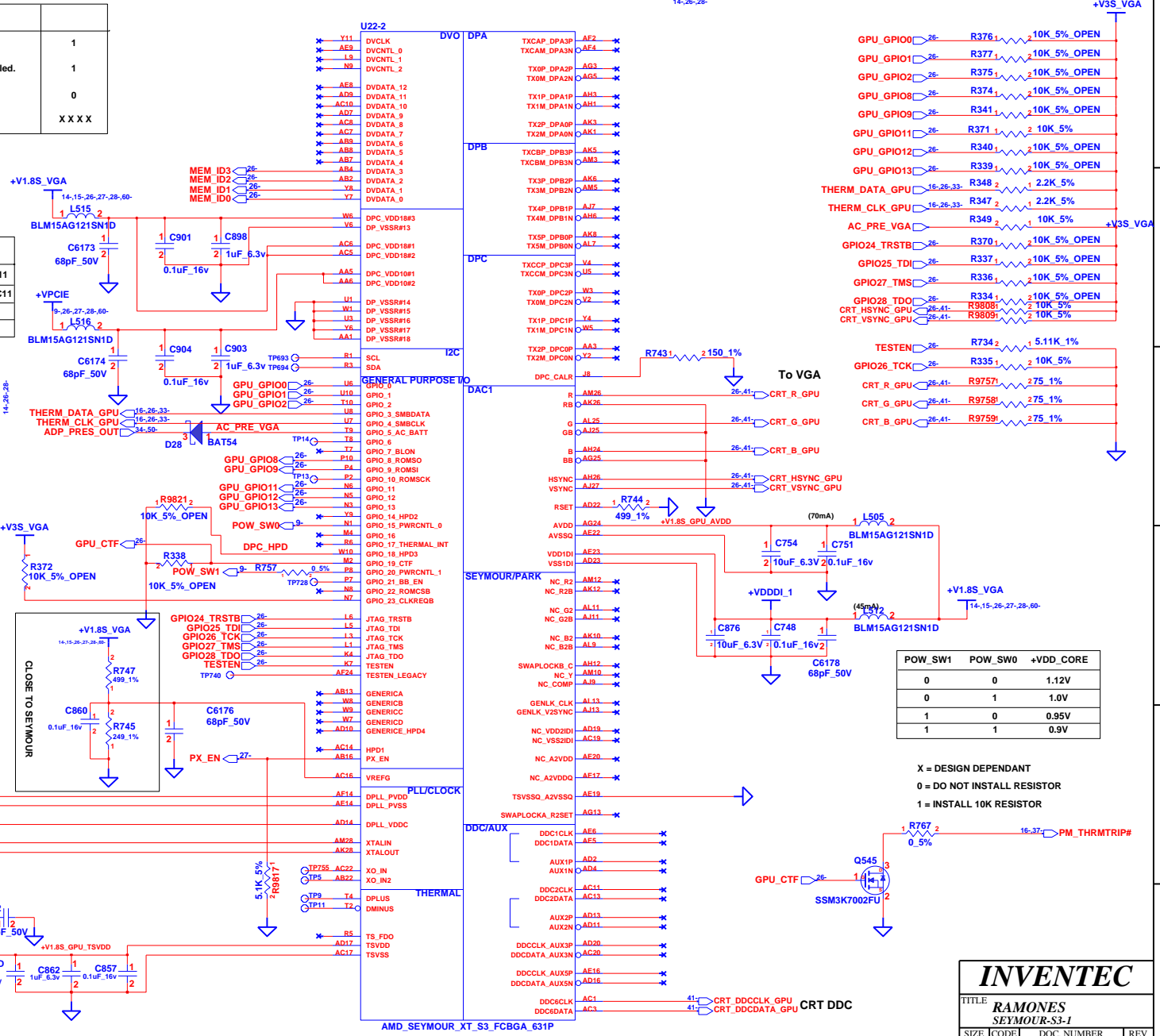
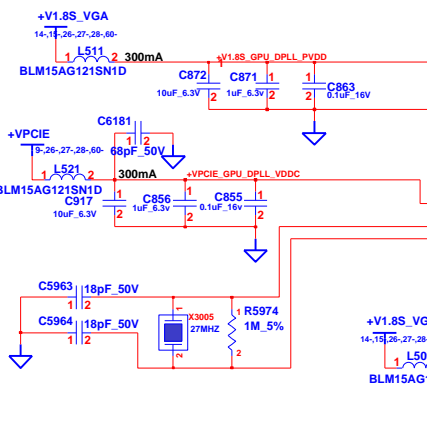
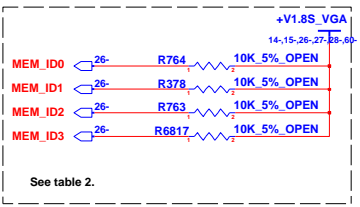
<b>INVENTEC</b>			
TITLE <b>RAMONES DDR3 DIM1</b>			
SIZE <b>A3</b>	CODE <b>CS</b>	DOC. NUMBER <b>1310A2408801-0-M1</b>	REV <b>001</b>
CHANGE by <i>Cloud Hsi</i>		4-Aug-2010	
SHEET <b>25</b>		OF <b>67</b>	

STRAPS	PIN	Description of default settings	
TX_PWRS_ENB	GPIO0	PCIe full TX output swing.	1
TX_DEEMPH_EN	GPIO1	PCIe transmitter de-emphasis enabled.	1
BIF_DEBUG_ACCESS	GPIO4	Debug signals muxed out.	0
ROMIDCFG(0:3)	GPIO[11:13,9]	Memory aperture type	X X X X

GPIO_13	GPIO_12	GPIO_11	MEMORY APERTURE SIZE
0	0	1	512MB/256MB memory aperture (Default)
1	1	0	reserved

MEM_ID3	MEM_ID2	MEM_ID1	MEM_ID0	vendor
R6817	R763	R378	R764	
0	1	0	0	Samsung (64Mx16)- K4W1G1646G-HC11
0	1	0	1	Samsung (128Mx16)- K4W2G1646G-HC11
0	1	1	0	Hynix (64Mx16)- H5TQ1G63DFR-11C
0	1	1	1	Hynix(128Mx16)- H5TQ2G63BFR-11C

Hynix 512MB: 6019B081102  
 Samsung 512MB: 6019B0818501  
 Hynix 1GB: 6019B0818701  
 Samsung 1GB: 6019B0818601



POW_SW1	POW_SW0	+VDD_CORE
0	0	1.12V
0	1	1.0V
1	0	0.95V
1	1	0.9V

X = DESIGN DEPENDANT  
 0 = DO NOT INSTALL RESISTOR  
 1 = INSTALL 10K RESISTOR

**INVENTEC**

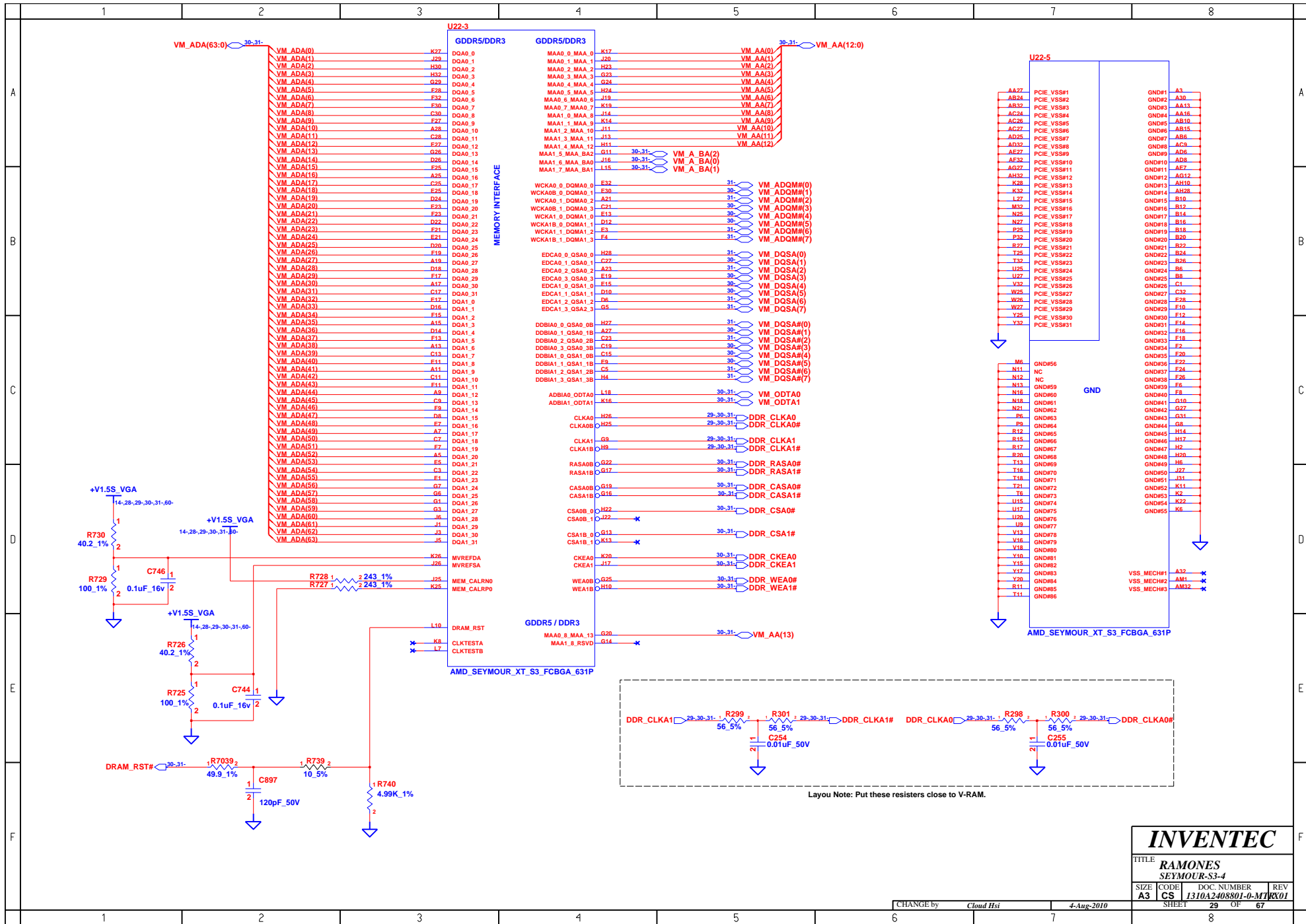
TITLE: **RAMONES SEYMOUR-S3-1**

SIZE	CODE	DOC NUMBER	REV
A3	CS	1310A2408801-0-M1	001

SHEET 26 OF 67







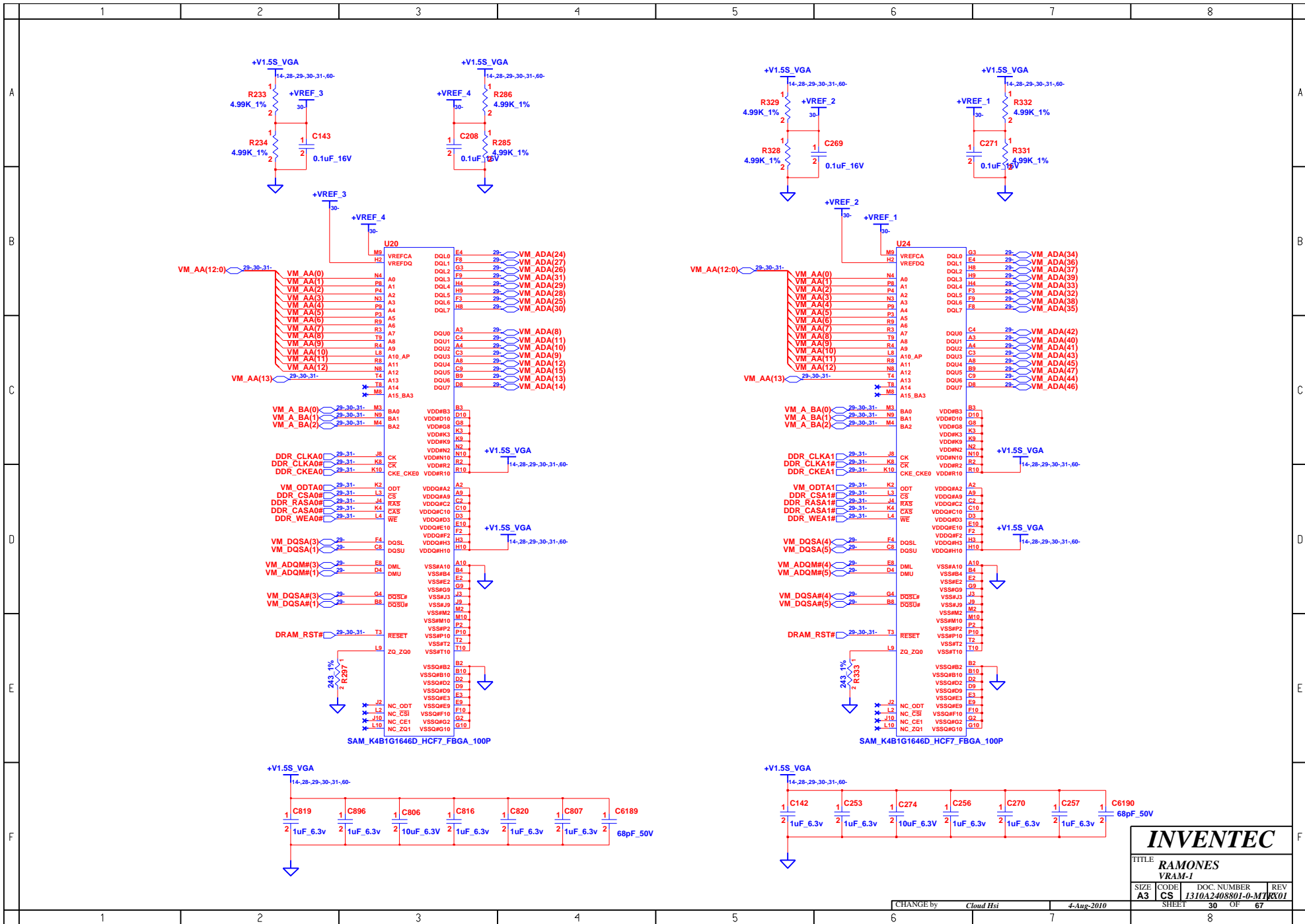
**INVENTEC**

TITLE: RAMONES SEYMOUR-S3-4

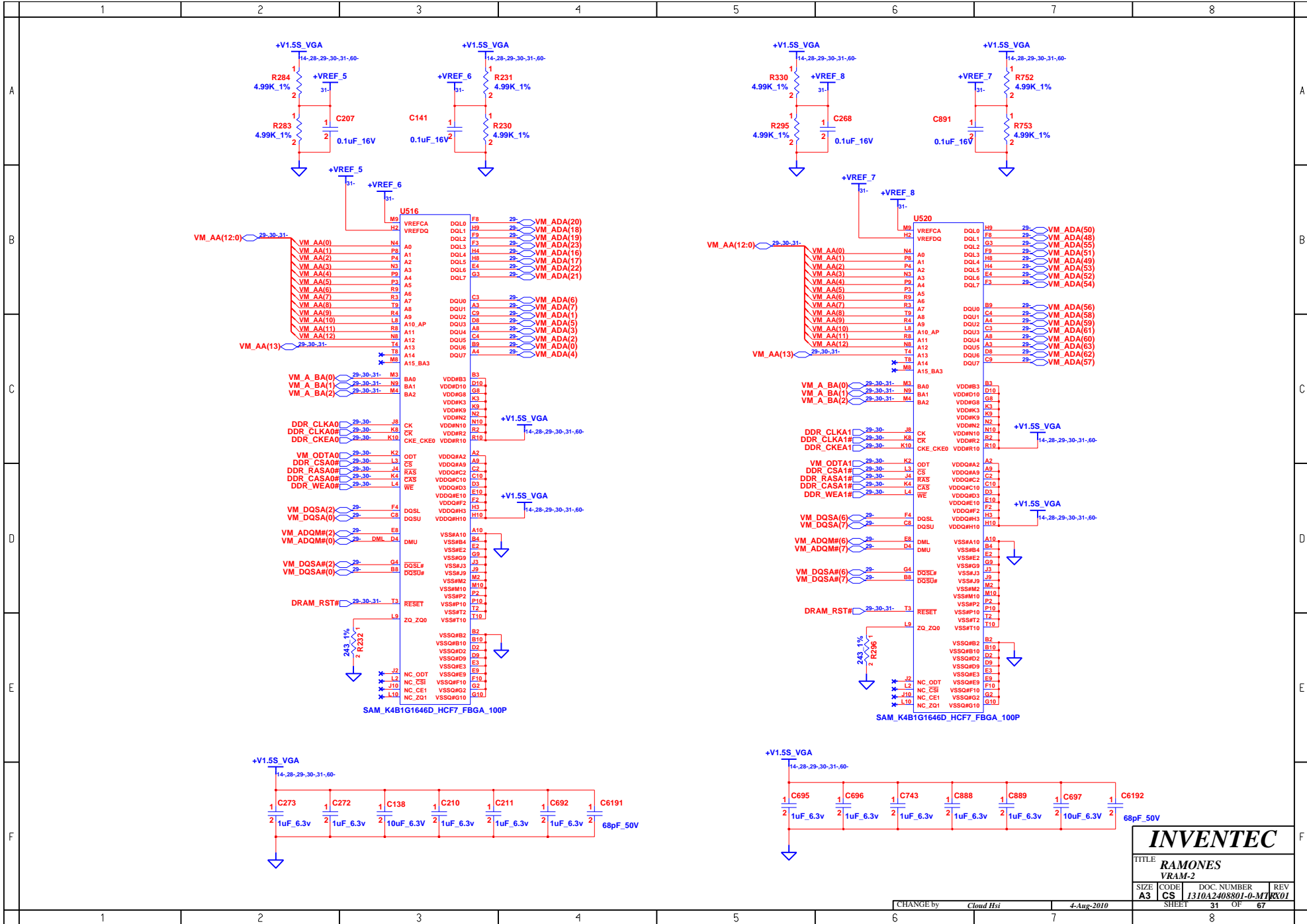
SIZE	CODE	DOC. NUMBER	REV
A3	CS	1310A2408801-0-M1	001

CHANGE by: Cloud Hsi 4-Aug-2010

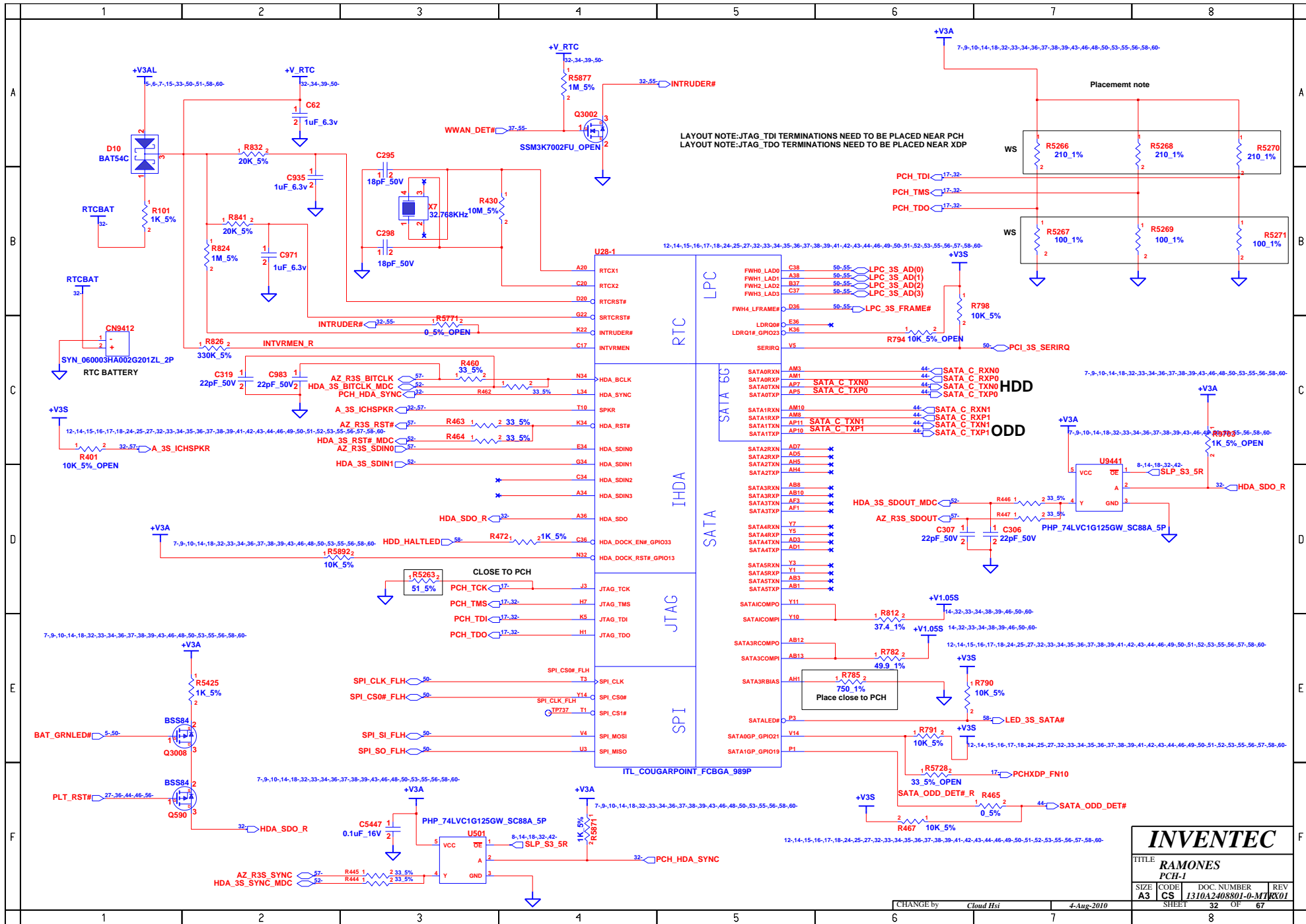
SHEET 29 OF 67



<b>INVENTEC</b>			
TITLE: <b>RAMONES</b>			
VRAM-1			
SIZE: <b>A3</b>	CODE: <b>CS</b>	DOC. NUMBER: <b>1310A2408801-0-M1</b>	REV: <b>001</b>
CHANGE by: <i>Cloud Hsi</i>		4-Aug-2010	
SHEET: <b>30</b>		OF: <b>67</b>	

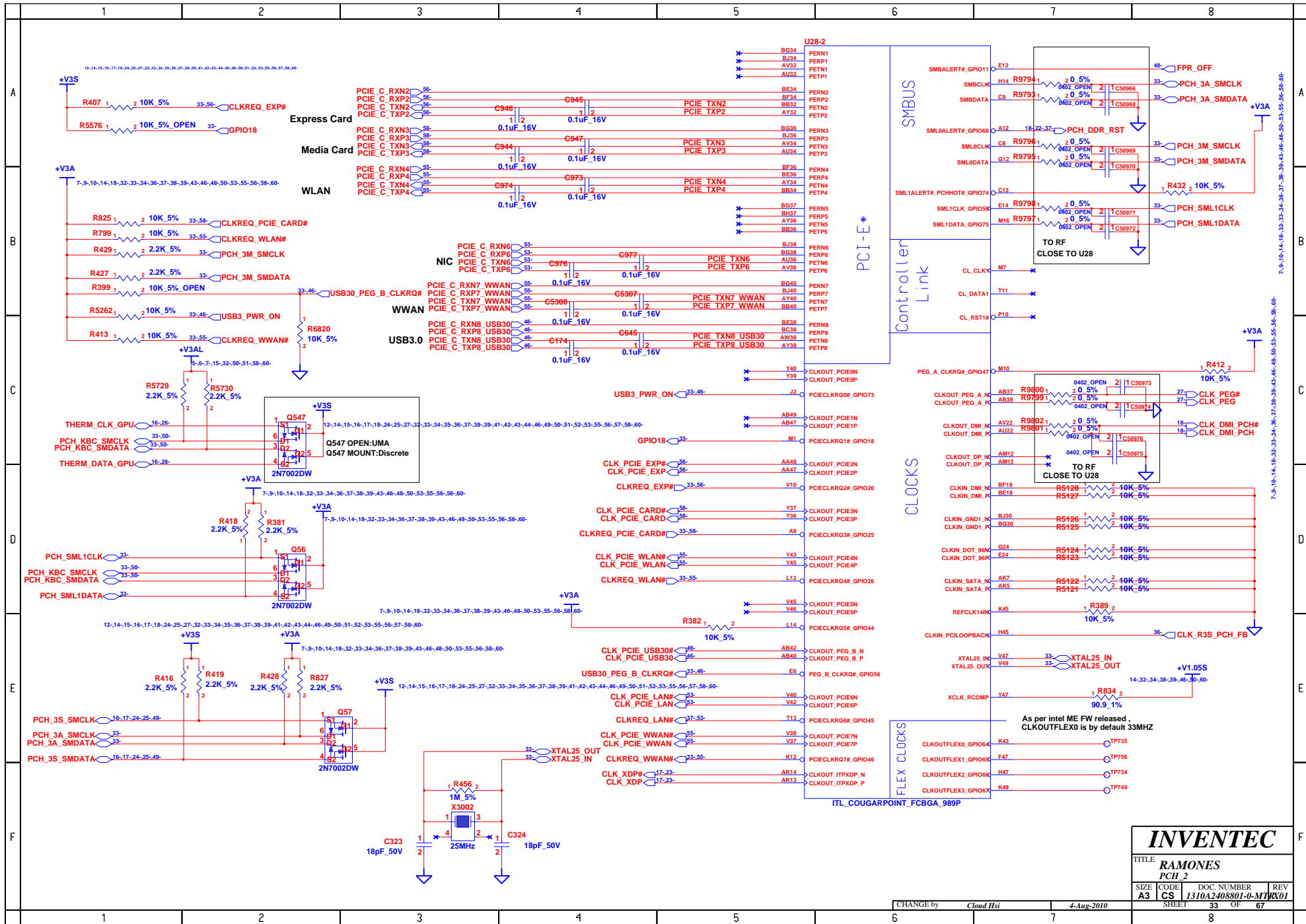


<b>INVENTEC</b>			
TITLE <b>RAMONES</b>			
VRAM-2			
SIZE	CODE	DOC. NUMBER	REV
A3	CS	1310A2408801-0-M1	001
CHANGE by		4-Aug-2010	
Cloud Hsi		31 OF 67	



<b>INVENTEC</b>			
TITLE <b>RAMONES</b>			
PCH-1			
SIZE <b>A3</b>	CODE <b>CS</b>	DOC NUMBER <b>1310A2408801-0-M1</b>	REV <b>001</b>
CHANGE by <i>Cloud Hsi</i>		4-Aug-2010	
SHEET <b>32</b>		OF <b>67</b>	

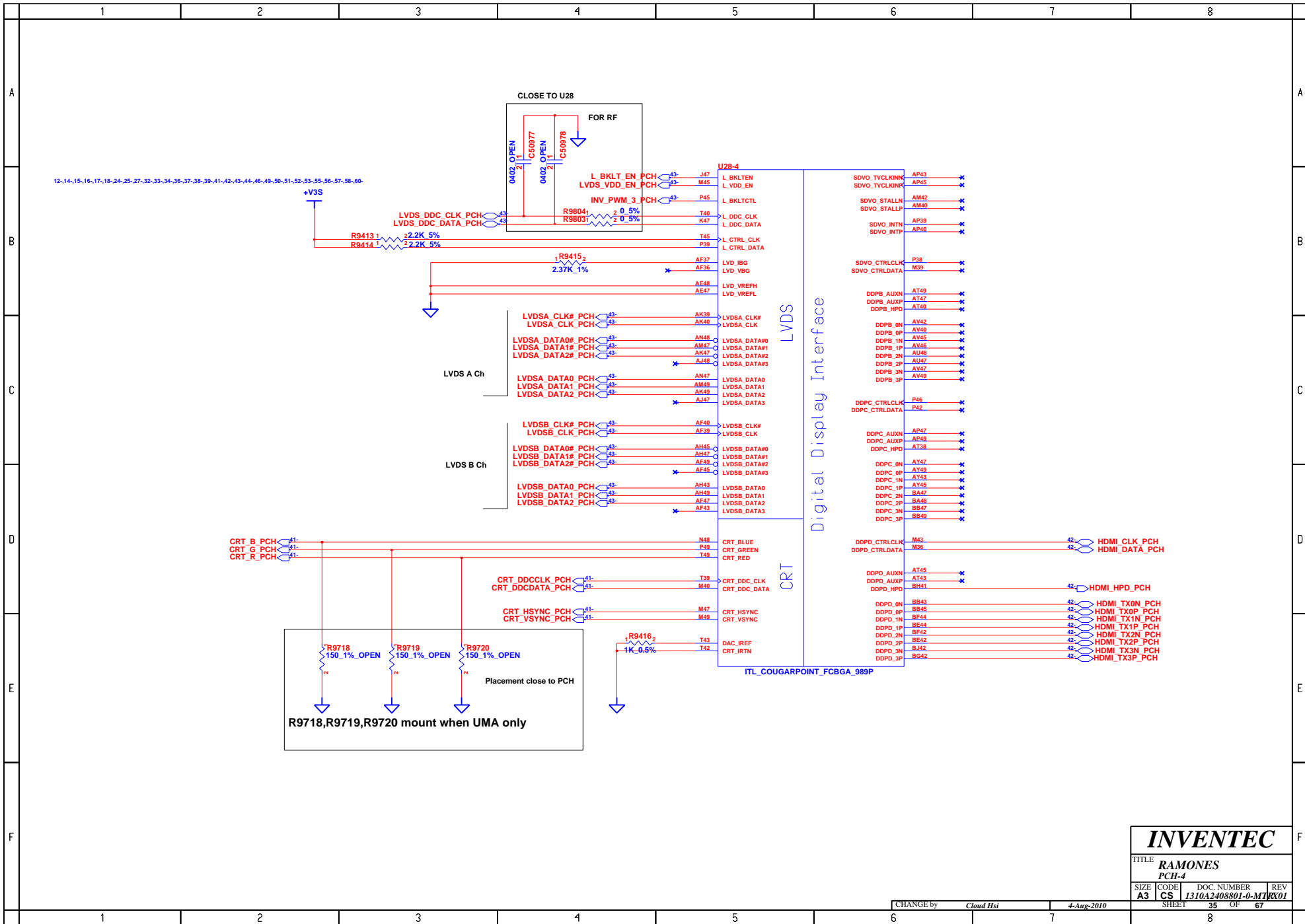




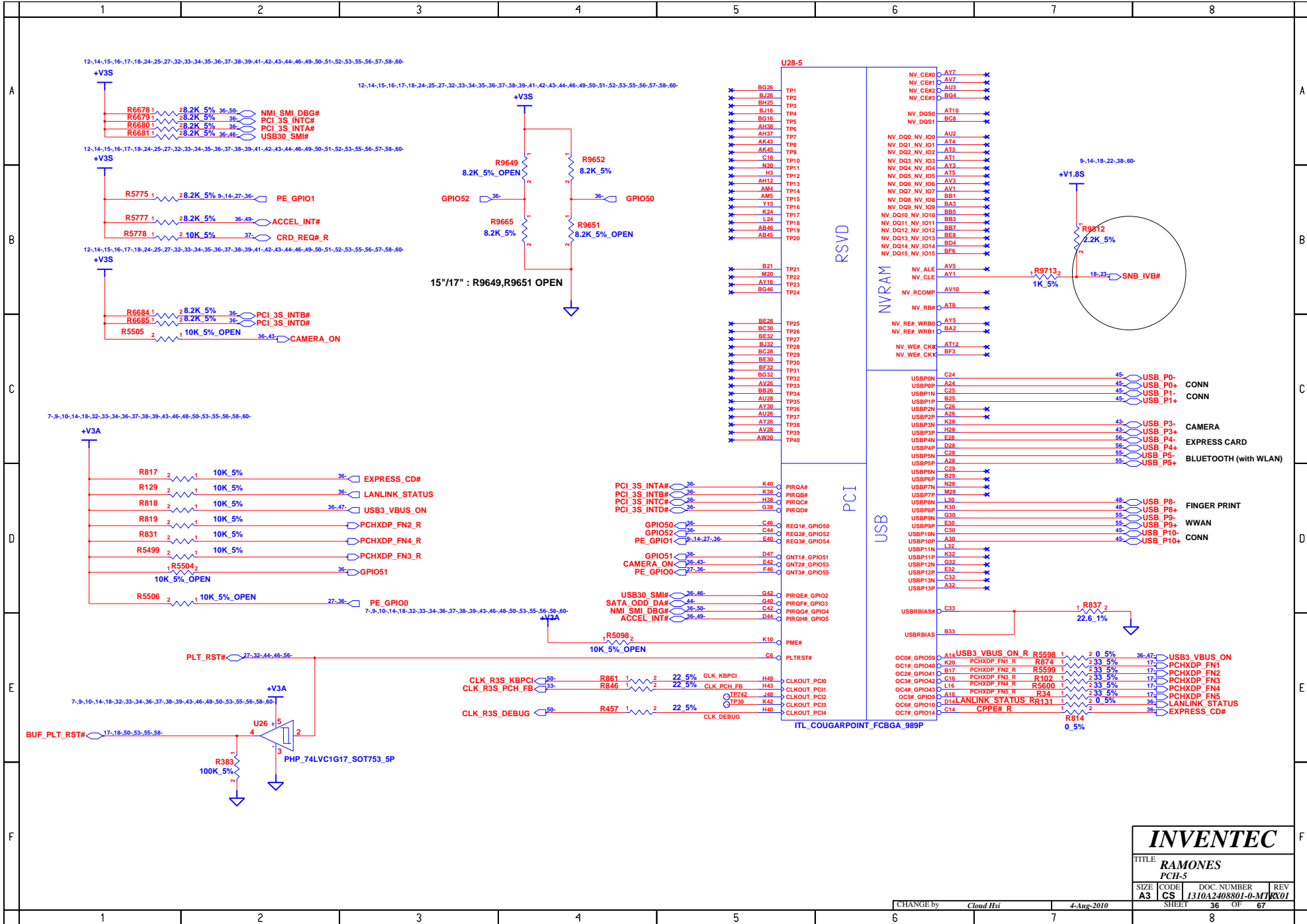
<b>INVENTEC</b>			
TITLE <b>RAMONES</b> <b>PCH 2</b>			
SIZE	CODE	DOC. NUMBER	REV
A3	CS	1310A2408801-0-M1	001
SHEET		33	OF 67

CHANGE by Cloud Hsi 4-Aug-2010



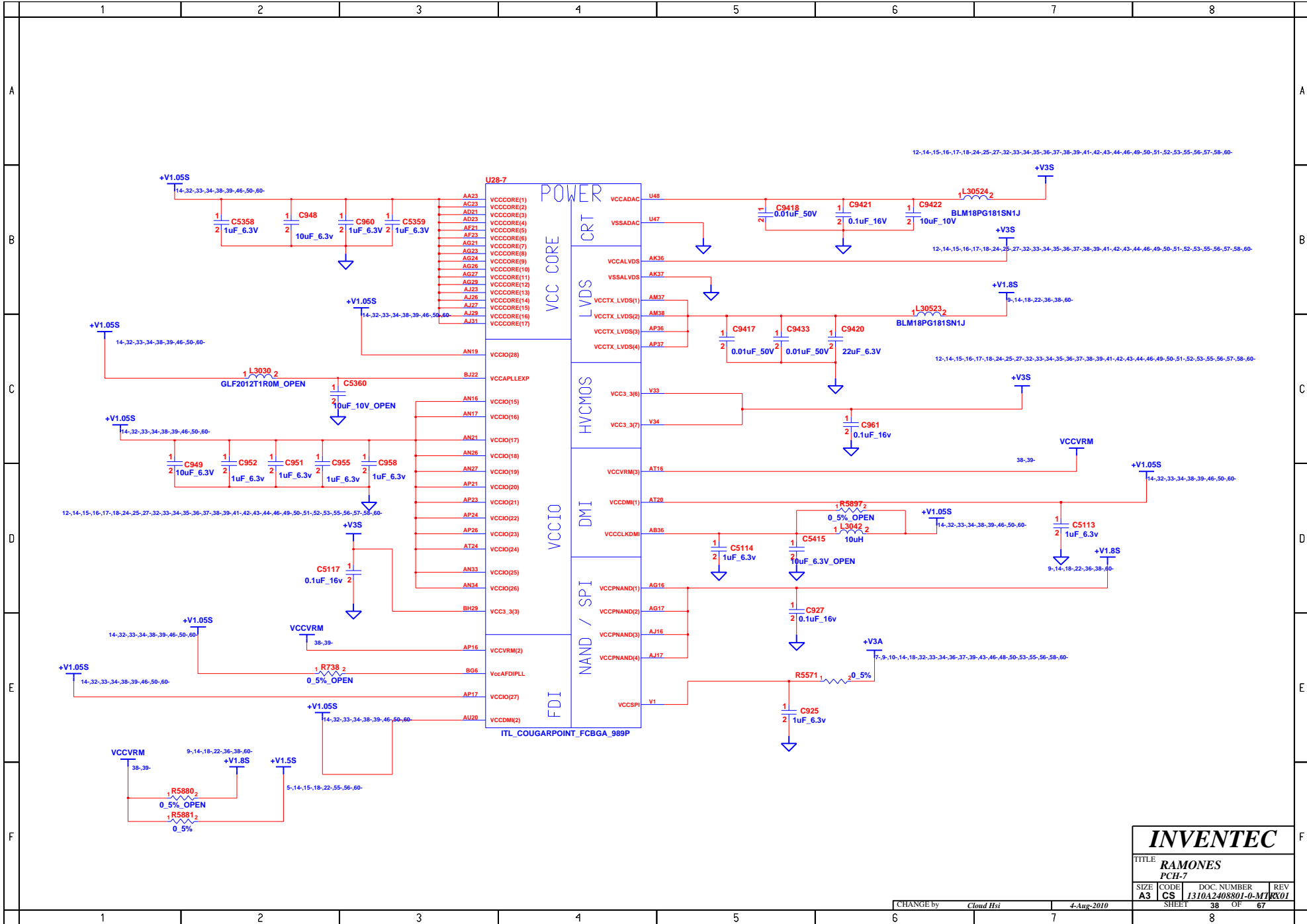


<b>INVENTEC</b>			
TITLE <b>RAMONES</b>			
PCH-4			
SIZE <b>A3</b>	CODE <b>CS</b>	DOC. NUMBER <b>1310A2408801-0-M1</b>	REV <b>001</b>
CHANGE by <i>Cloud Hsi</i>		4-Aug-2010	
SHEET <b>35</b>		OF <b>67</b>	

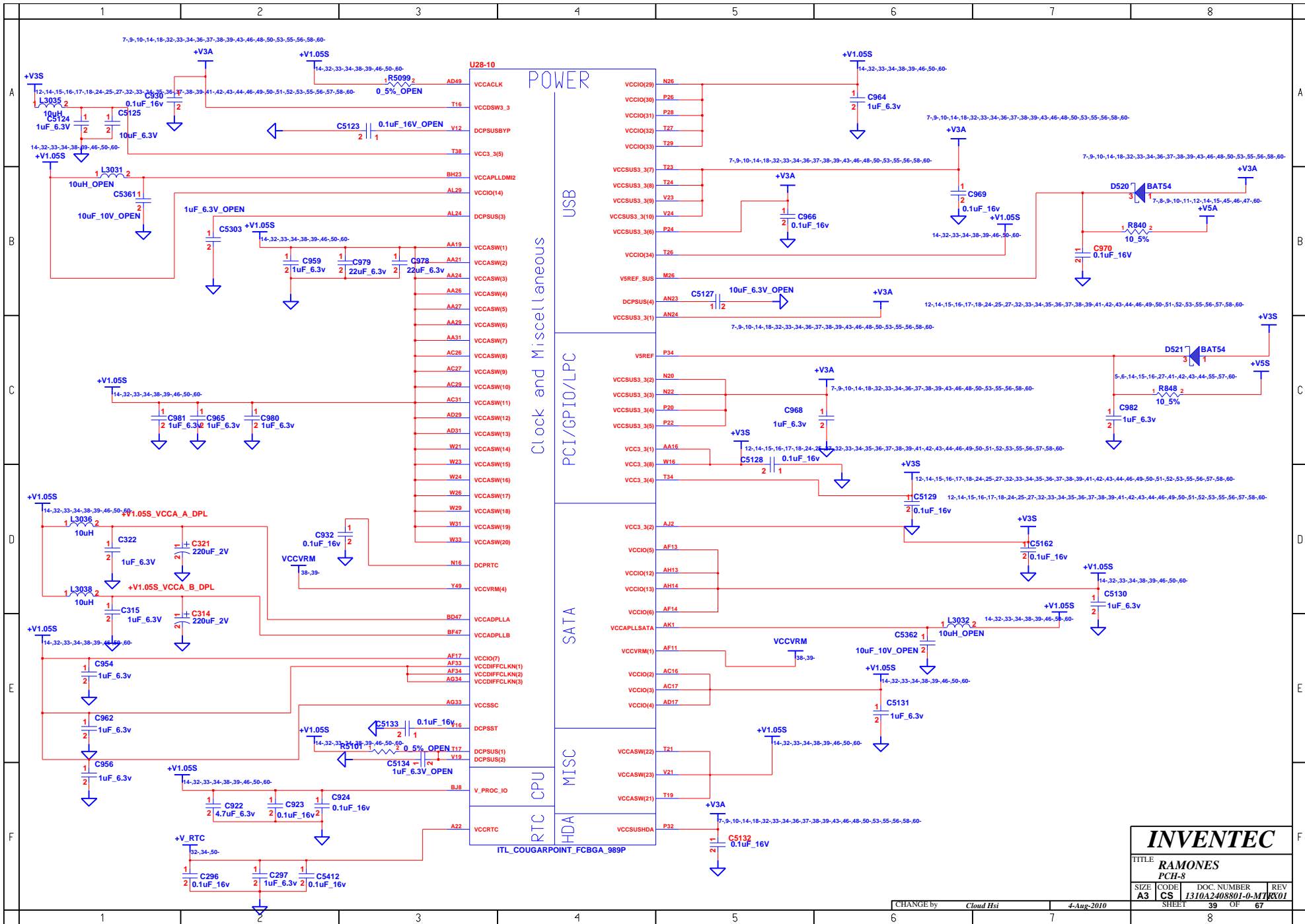


<b>INVENTEC</b>			
TITLE: <b>RAMONES</b> <b>PCH-5</b>			
SIZE: <b>A3</b>	CODE: <b>CS</b>	DOC. NUMBER: <b>1310A2408801-0-M1</b>	REV: <b>R01</b>
CHANGE by: <i>Cloud Hsi</i>		4-Aug-2010	
SHEET: <b>36</b>		OF <b>67</b>	





<b>INVENTEC</b>			
TITLE <b>RAMONES</b>			
PCH-7			
SIZE <b>A3</b>	CODE <b>CS</b>	DOC NUMBER <b>1310A2408801-0-M1</b>	REV <b>001</b>
CHANGE by <i>Cloud Hsi</i>		4-Aug-2010	
SHEET <b>38</b>		OF <b>67</b>	

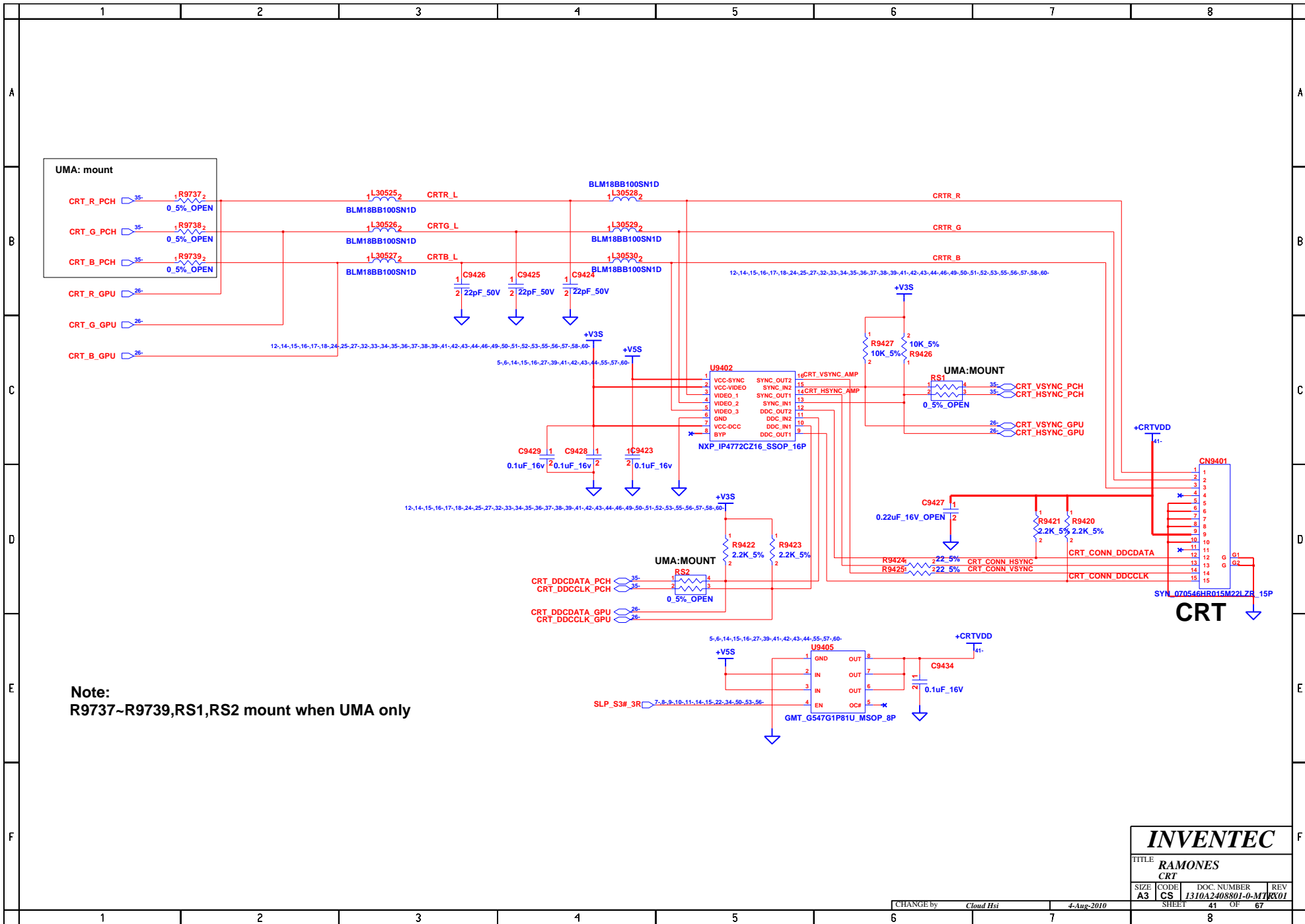


<b>INVENTEC</b>			
TITLE: <b>RAMONES</b>			
PCH-8			
SIZE: <b>A3</b>	CODE: <b>CS</b>	DOC NUMBER: <b>1310A2408801-0-M1</b>	REV: <b>XX01</b>
SHEET: <b>39</b>		OF: <b>67</b>	

CHANGE by: *Cloud Hsi* 4-Aug-2010

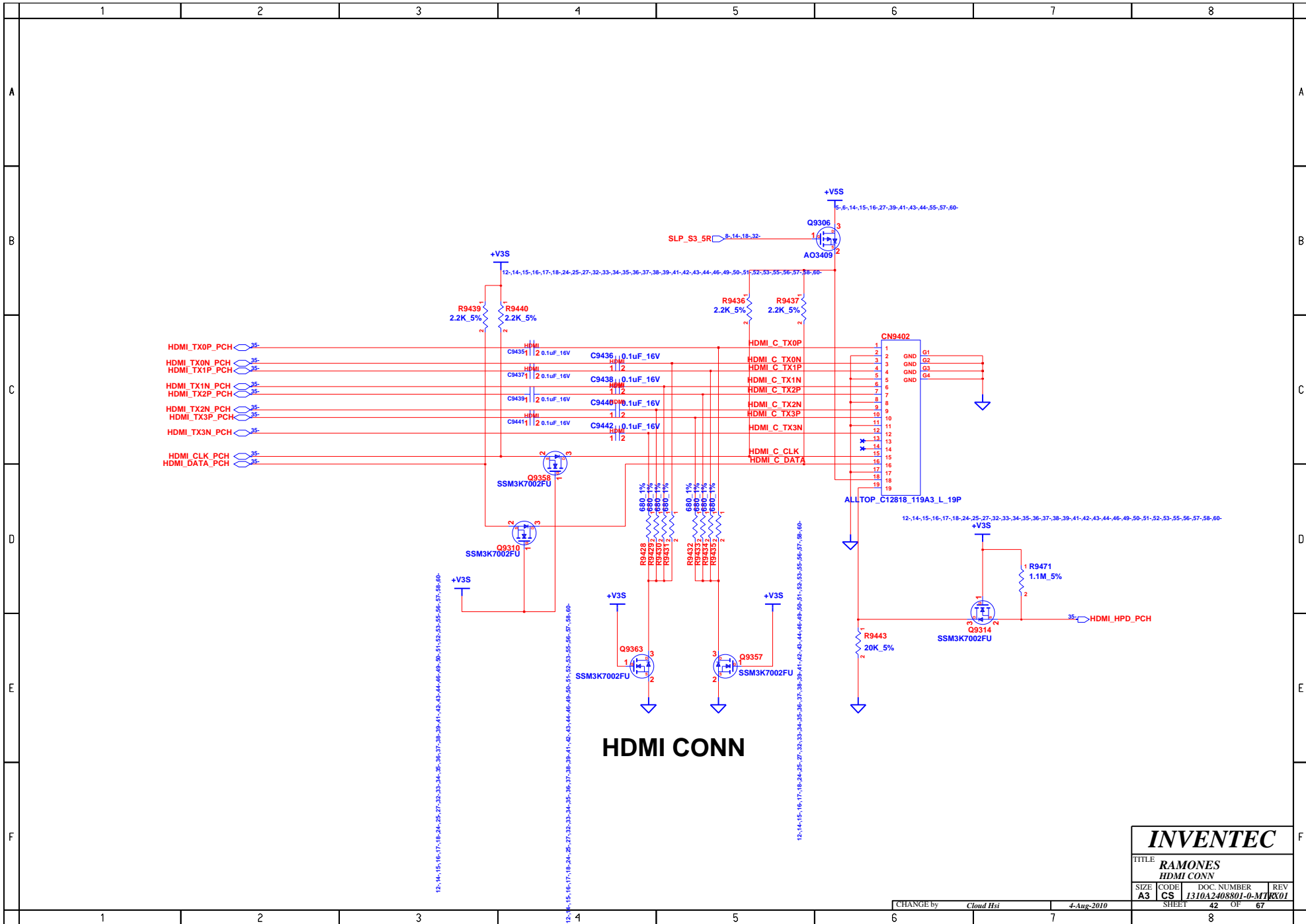






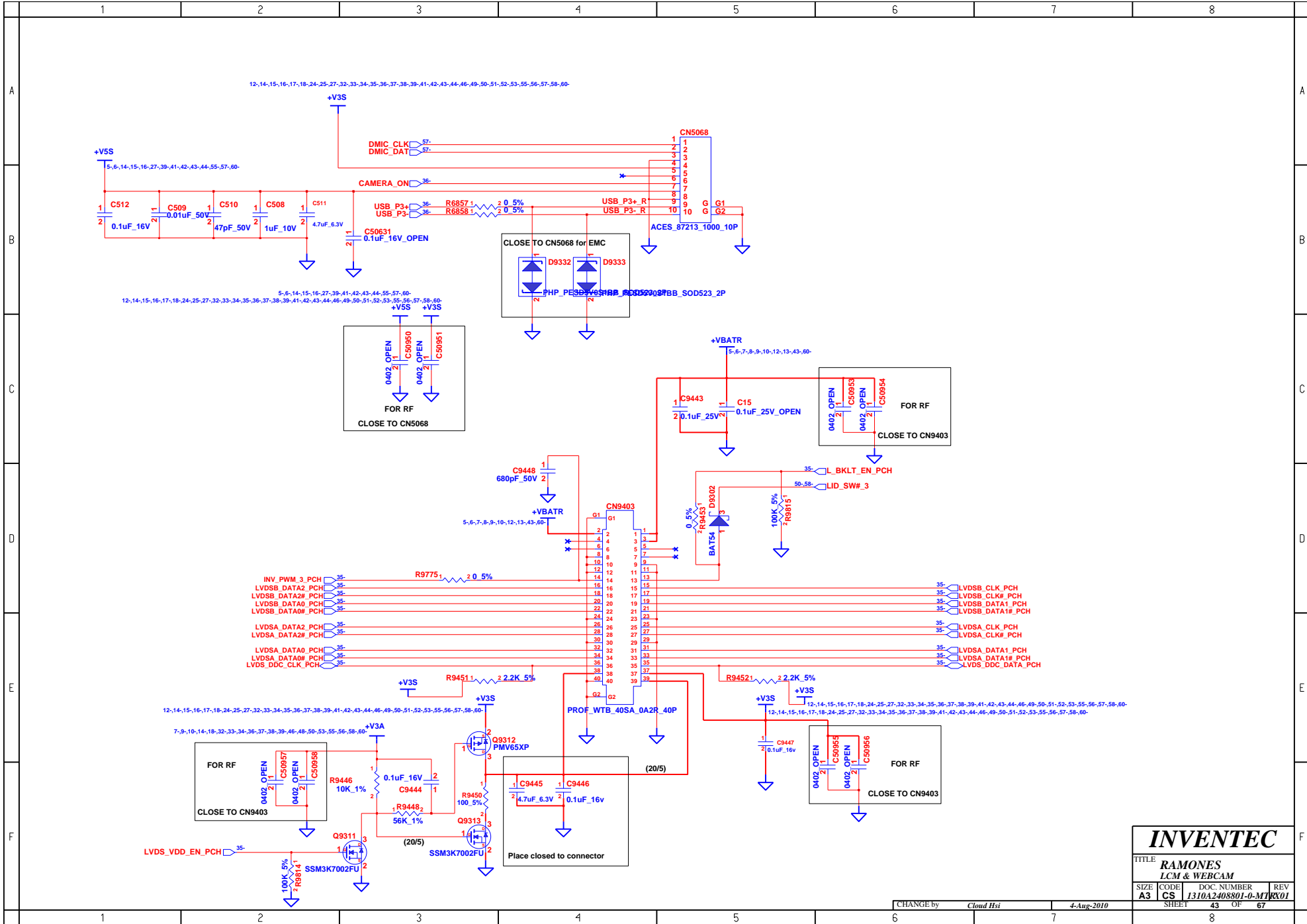
**Note:**  
R9737~R9739,RS1,RS2 mount when UMA only

<b>INVENTEC</b>			
TITLE <b>RAMONES</b> <b>CRT</b>			
SIZE <b>A3</b>	CODE <b>CS</b>	DOC. NUMBER <b>1310A2408801-0-MT</b>	REV <b>01</b>
CHANGE by <i>Cloud Hsi</i>		4-Aug-2010	
SHEET <b>41</b>		OF <b>67</b>	

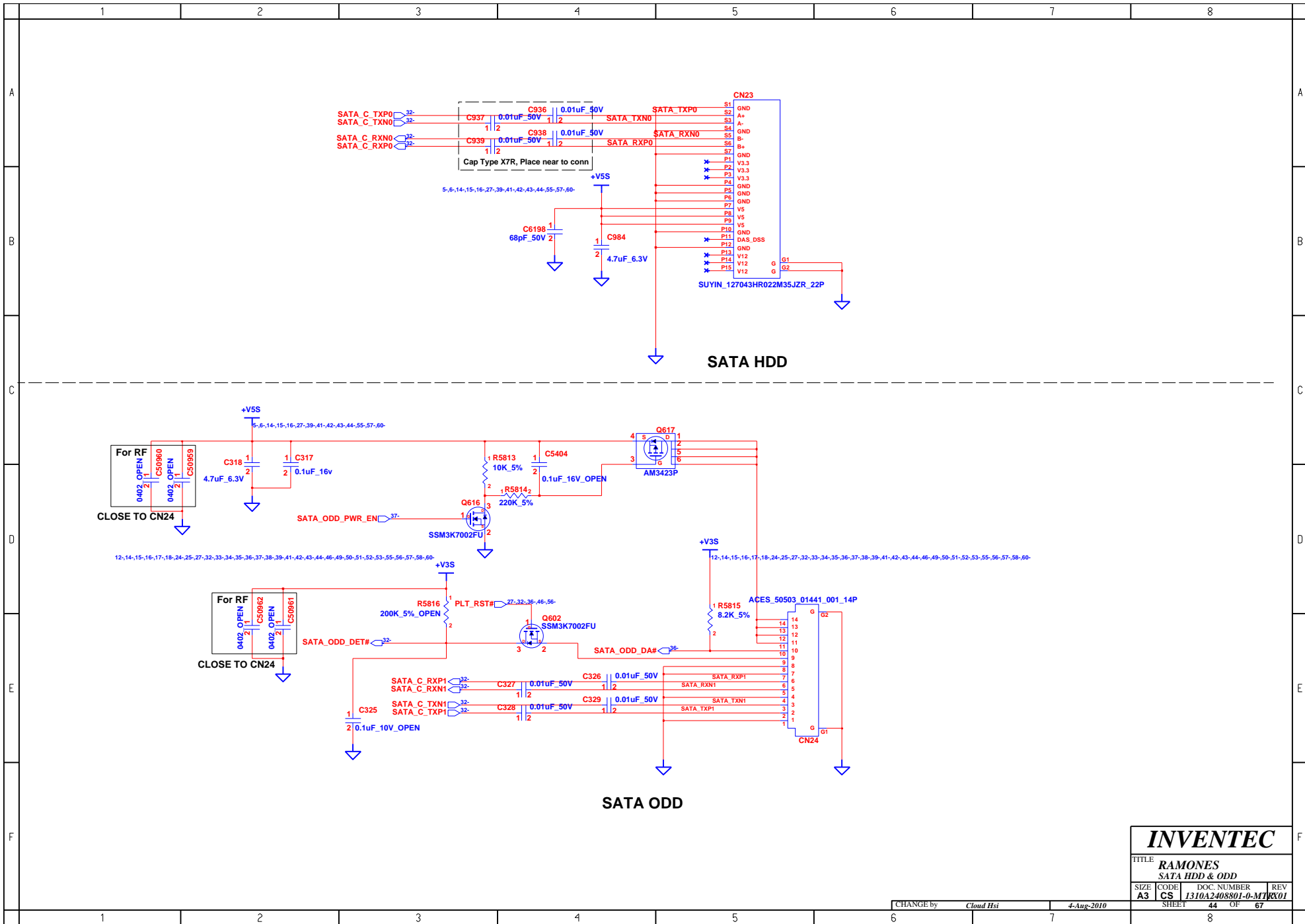


# HDMI CONN

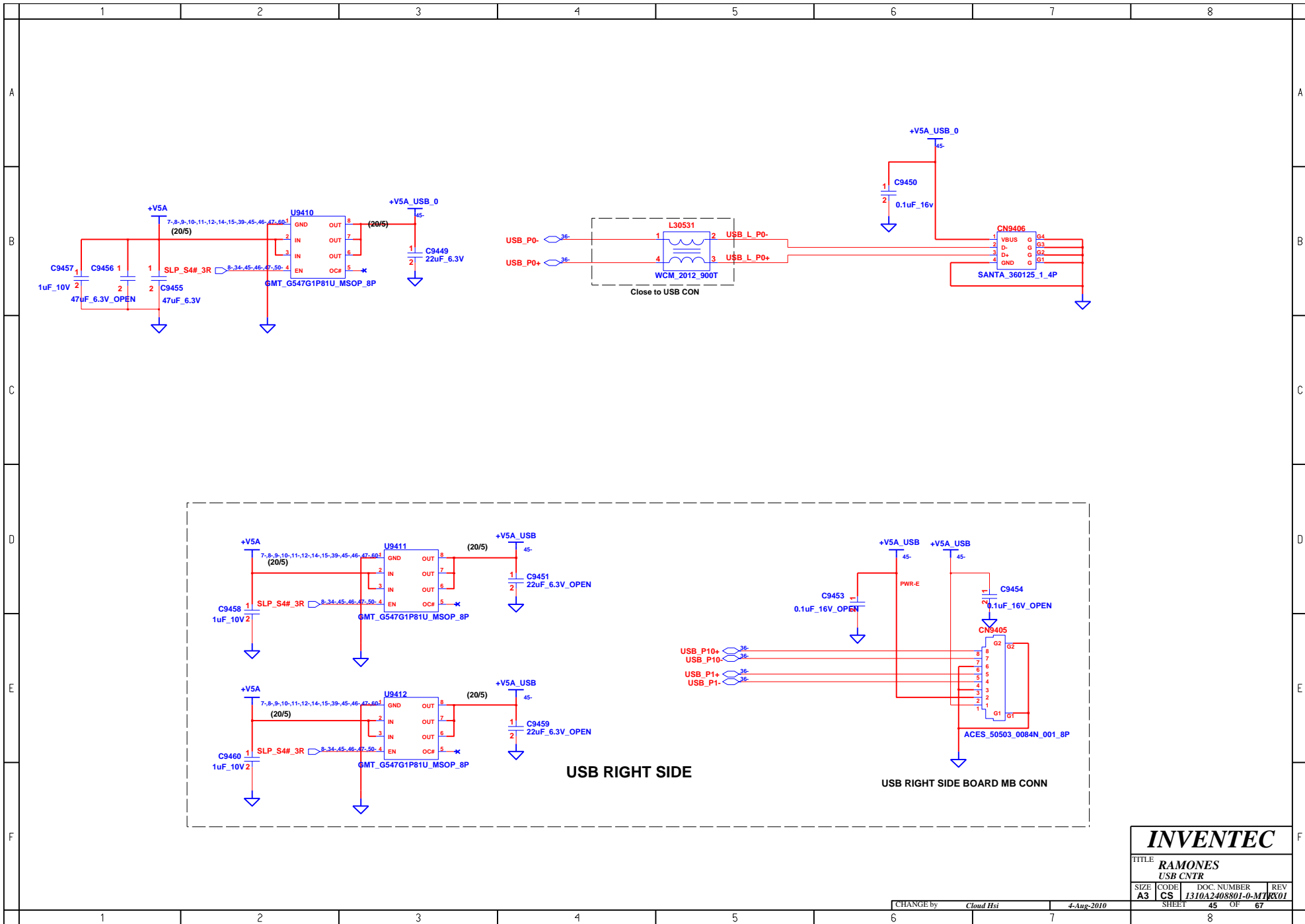
<b>INVENTEC</b>			
TITLE <b>RAMONES HDMI CONN</b>			
SIZE <b>A3</b>	CODE <b>CS</b>	DOC NUMBER <b>1310A2408801-0-M1</b>	REV <b>01</b>
CHANGE by <i>Cloud Hsi</i>		4-Aug-2010	
SHEET <b>42</b>		OF <b>67</b>	



<b>INVENTEC</b>			
TITLE <b>RAMONES</b> LCM & WEBCAM			
SIZE <b>A3</b>	CODE <b>CS</b>	DOC NUMBER <b>1310A2408801-0-M1</b>	REV <b>XX01</b>
CHANGE by <i>Cloud Hsi</i>		4-Aug-2010	
SHEET <b>43</b>		OF <b>67</b>	



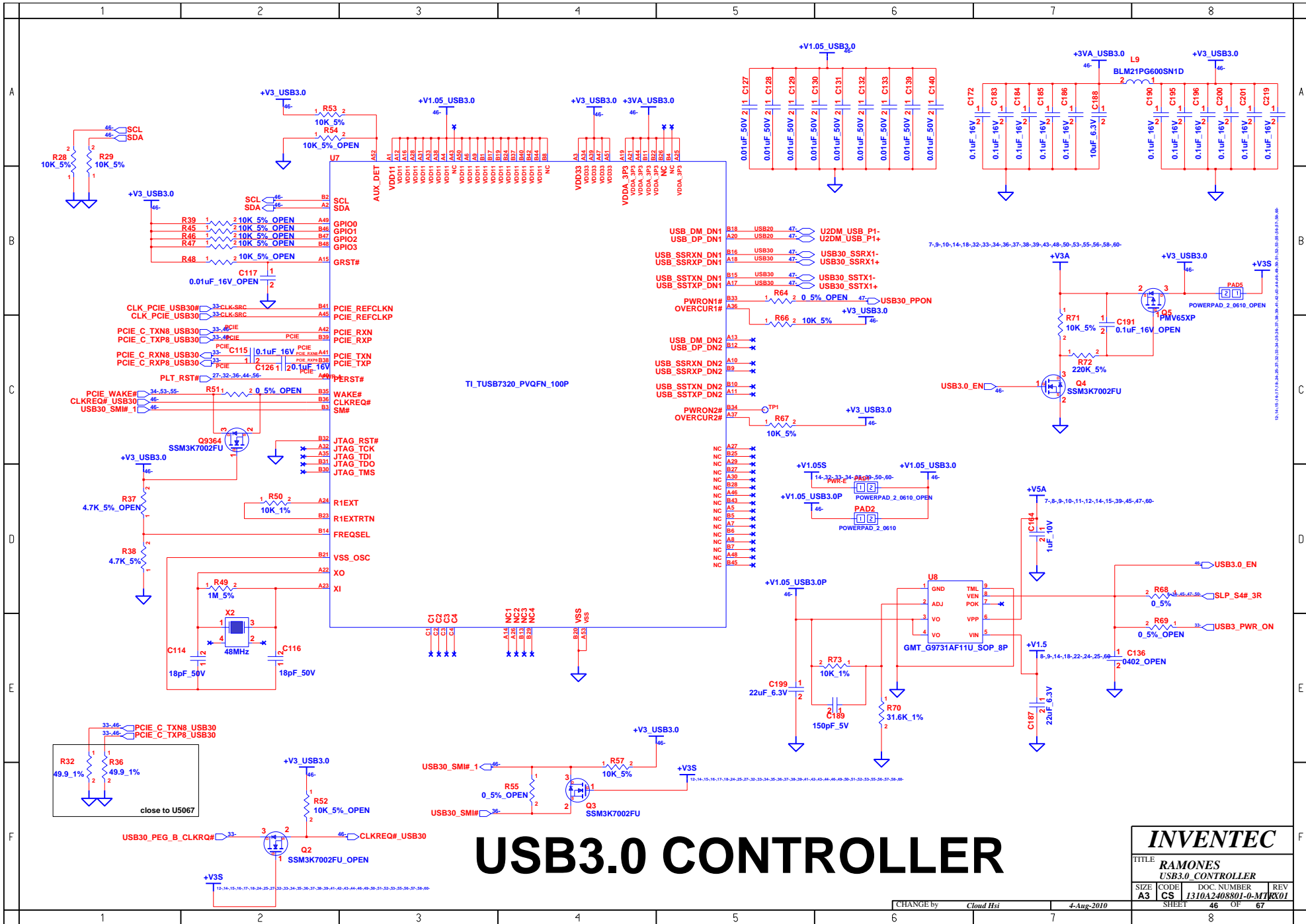
<b>INVENTEC</b>			
TITLE <b>RAMONES</b> <b>SATA HDD &amp; ODD</b>			
SIZE <b>A3</b>	CODE <b>CS</b>	DOC. NUMBER <b>1310A2408801-0-M1</b>	REV <b>01</b>
CHANGE by <i>Cloud Hsi</i>		4-Aug-2010	
SHEET <b>44</b>		OF <b>67</b>	



USB RIGHT SIDE

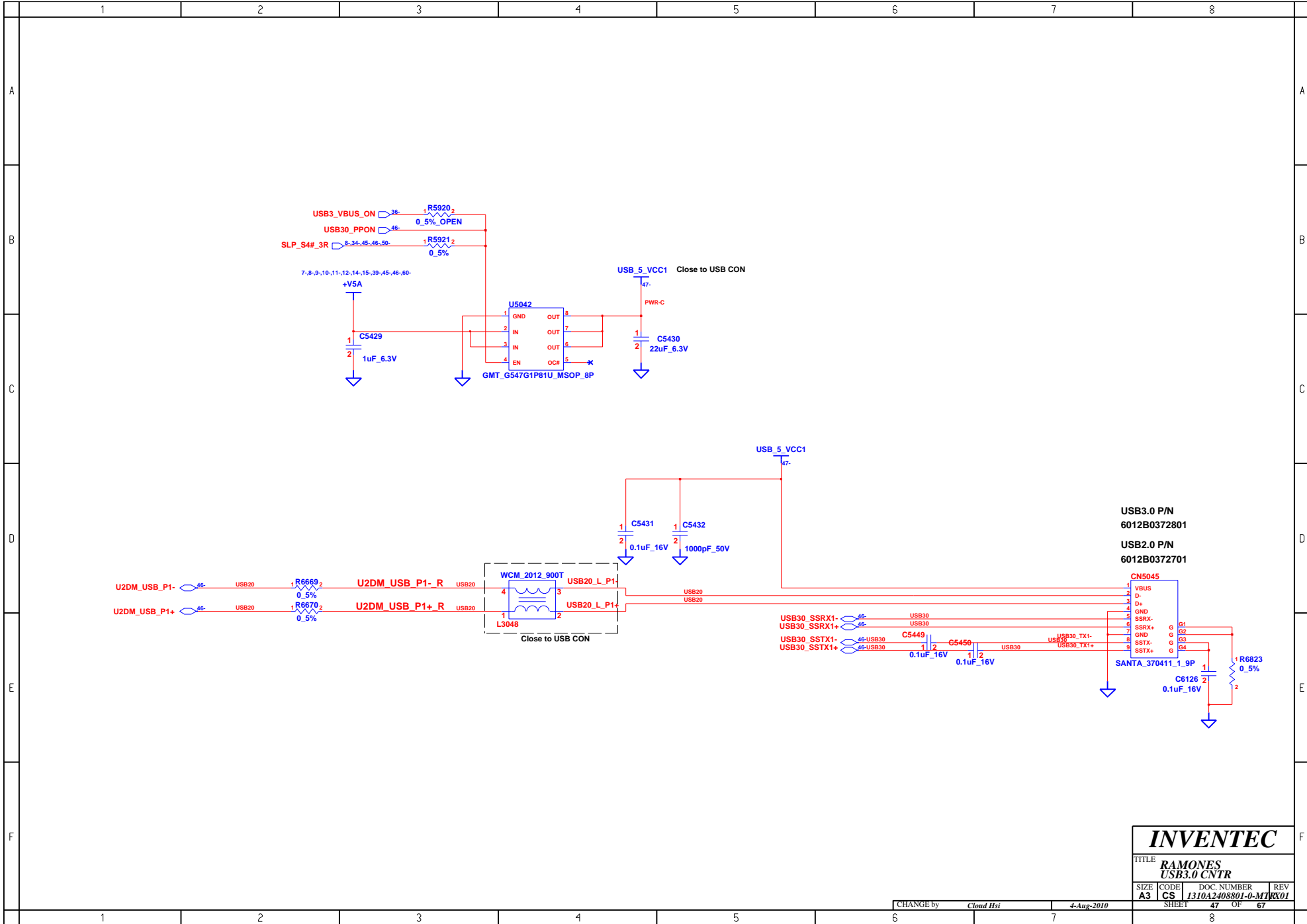
USB RIGHT SIDE BOARD MB CONN

<b>INVENTEC</b>			
TITLE <b>RAMONES</b> USB CNTR			
SIZE <b>A3</b>	CODE <b>CS</b>	DOC. NUMBER <b>1310A2408801-0-M1</b>	REV <b>001</b>
CHANGE by <i>Cloud Hsi</i>		4-Aug-2010	
SHEET <b>45</b>		OF <b>67</b>	



# USB3.0 CONTROLLER

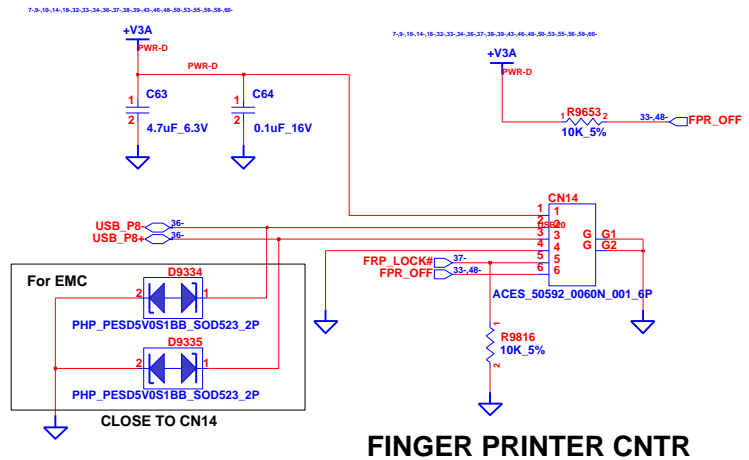
<b>INVENTEC</b>			
TITLE <b>RAMONES USB3.0 CONTROLLER</b>			
SIZE <b>A3</b>	CODE <b>CS</b>	DOC NUMBER <b>1310A2408801-0-M1</b>	REV <b>001</b>
CHANGE by <i>Cloud Hsi</i>		4-Aug-2010	
SHEET <b>46</b>		OF <b>67</b>	



**INVENTEC**

TITLE  
**RAMONES**  
**USB3.0 CNTR**

SIZE	CODE	DOC. NUMBER	REV
A3	CS	1310A2408801-0-M1	XX01

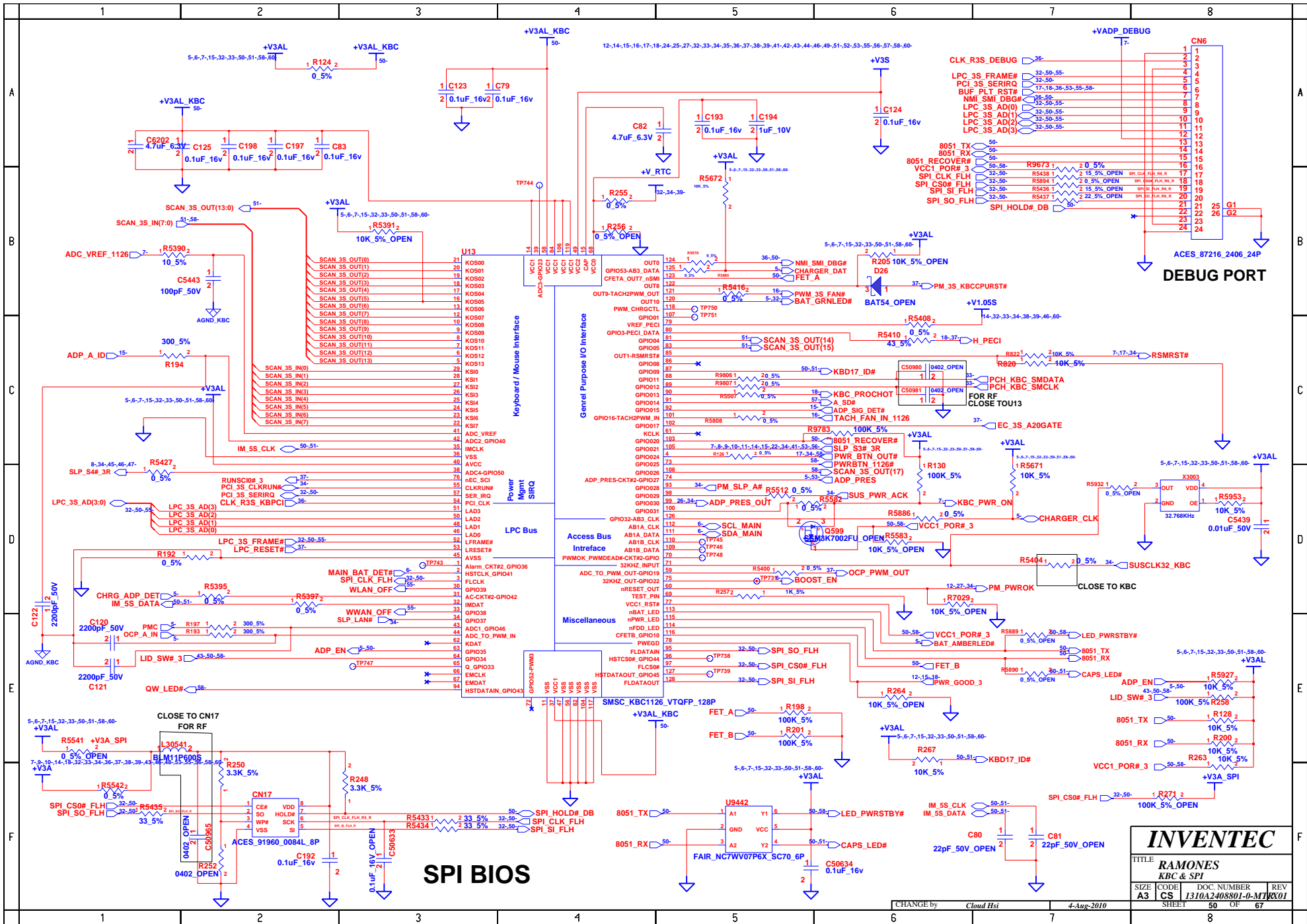


<b>INVENTEC</b>			
TITLE <b>RAMONES</b>			
FINGER PRINTER			
SIZE	CODE	DOC. NUMBER	REV
A3	CS	1310A2408801-0-M1	001
CHANGE by		SHEET	
Cloud Hsi		48 OF 67	

4-Aug-2010







**INVENTEC**

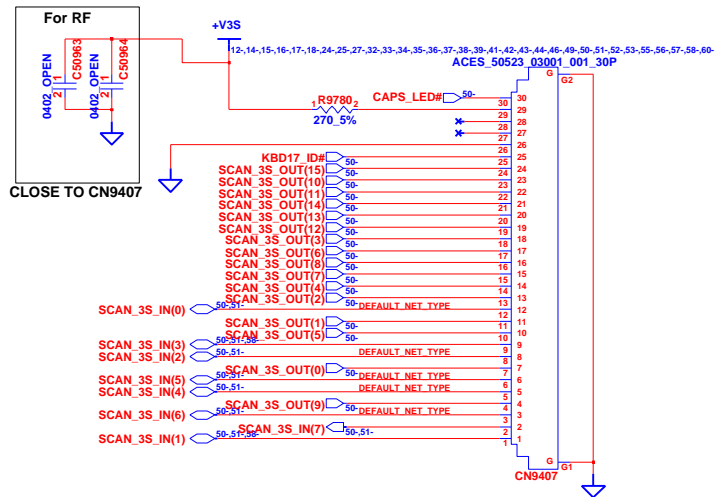
TITLE: **RAMONES KBC & SPI**

SIZE: <b>A3</b>	CODE: <b>CS</b>	DOC NUMBER: <b>1310A2408801-0-M1</b>	REV: <b>01</b>
CHANGE by: <i>Cloud Hsi</i>		DATE: <b>4-Aug-2010</b>	REV: <b>01</b>
SHEET: <b>50</b>		OF: <b>67</b>	

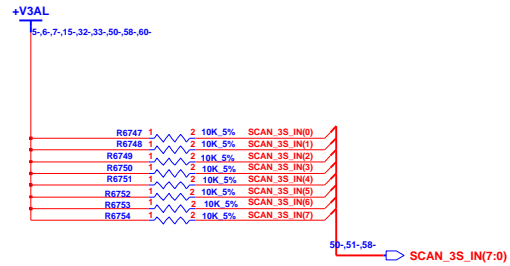
**SPI BIOS**

**DEBUG PORT**

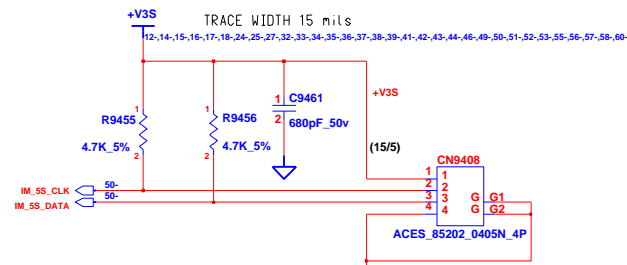
PIN NAME	LEVEL	PANEL SIZE
KBD17_1D#	HIGH	15
	LOW	17



KEYBOARD CONN



TOUCH PAD CNTR



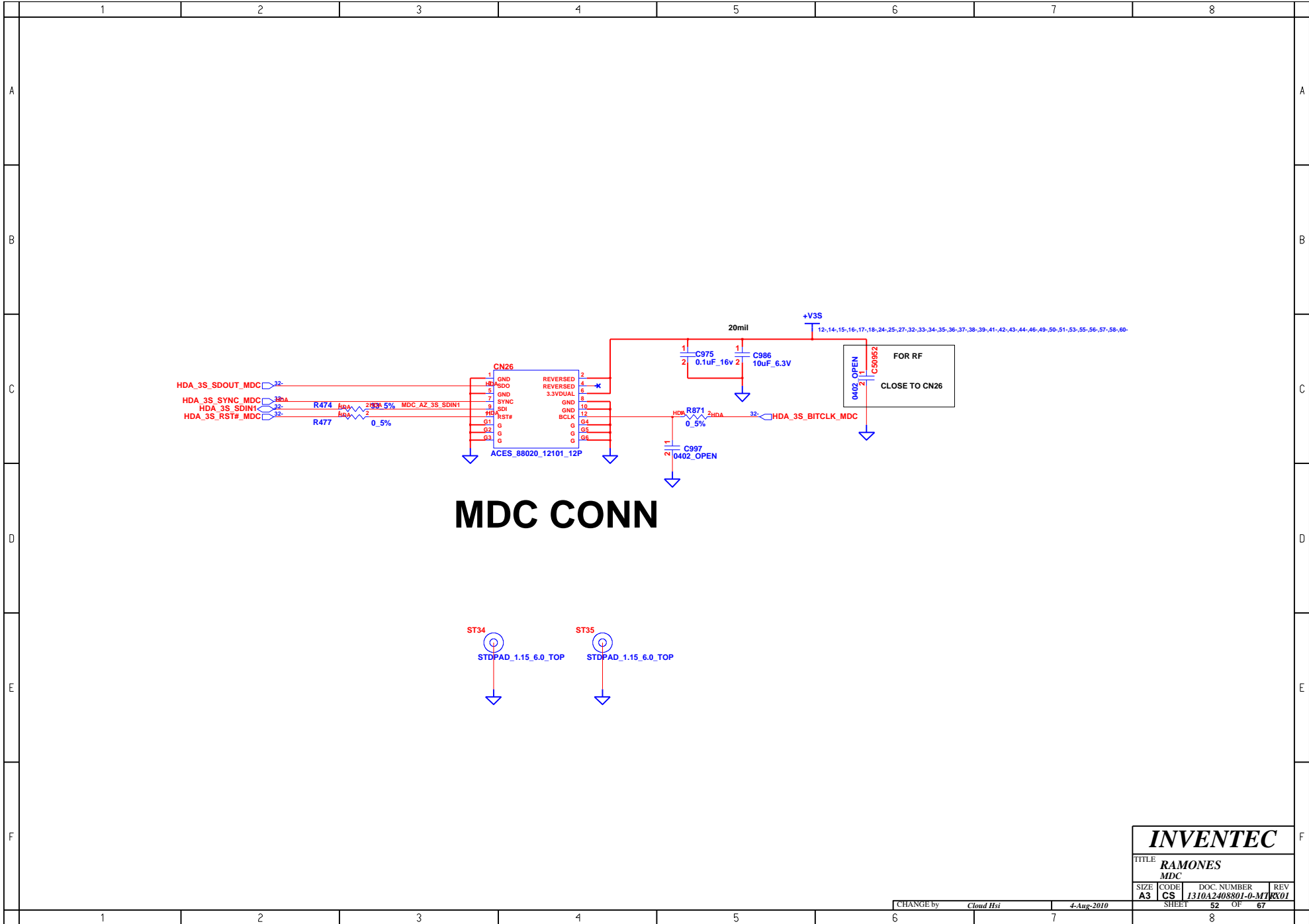
**INVENTEC**

TITLE  
**RAMONES**  
**KEYBOARD & TOUCH PAD**

SIZE <b>A3</b>	CODE <b>CS</b>	DOC NUMBER <b>1310A2408801-0-MT</b>	REV <b>001</b>
CHANGE by <i>Cloud Hsi</i>		4-Aug-2010	
SHEET <b>51</b>		OF <b>67</b>	

CHANGE by *Cloud Hsi* 4-Aug-2010

8



# MDC CONN

**INVENTEC**

TITLE  
**RAMONES**  
**MDC**

SIZE <b>A3</b>	CODE <b>CS</b>	DOC. NUMBER <b>1310A2408801-0-M1</b>	REV <b>RX01</b>
CHANGE by <i>Cloud Hsi</i>		4-Aug-2010	
SHEET <b>52</b>		OF <b>67</b>	

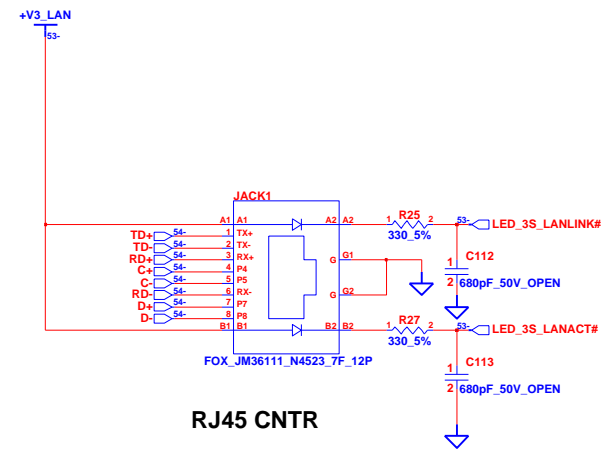
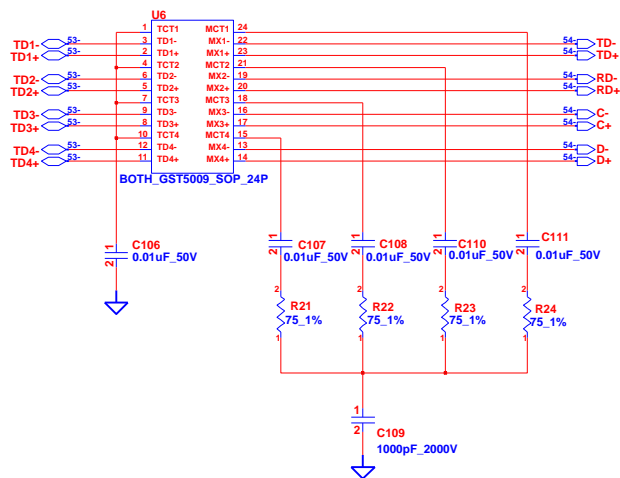
CHANGE by *Cloud Hsi* 4-Aug-2010

SHEET 52 OF 67



**LAYOUT NOTE:**

To place one 0.1uF at each pin 1, 4, 7, 10  
and place the 1uF in the spot that  
is as close as possible to all 4 pins

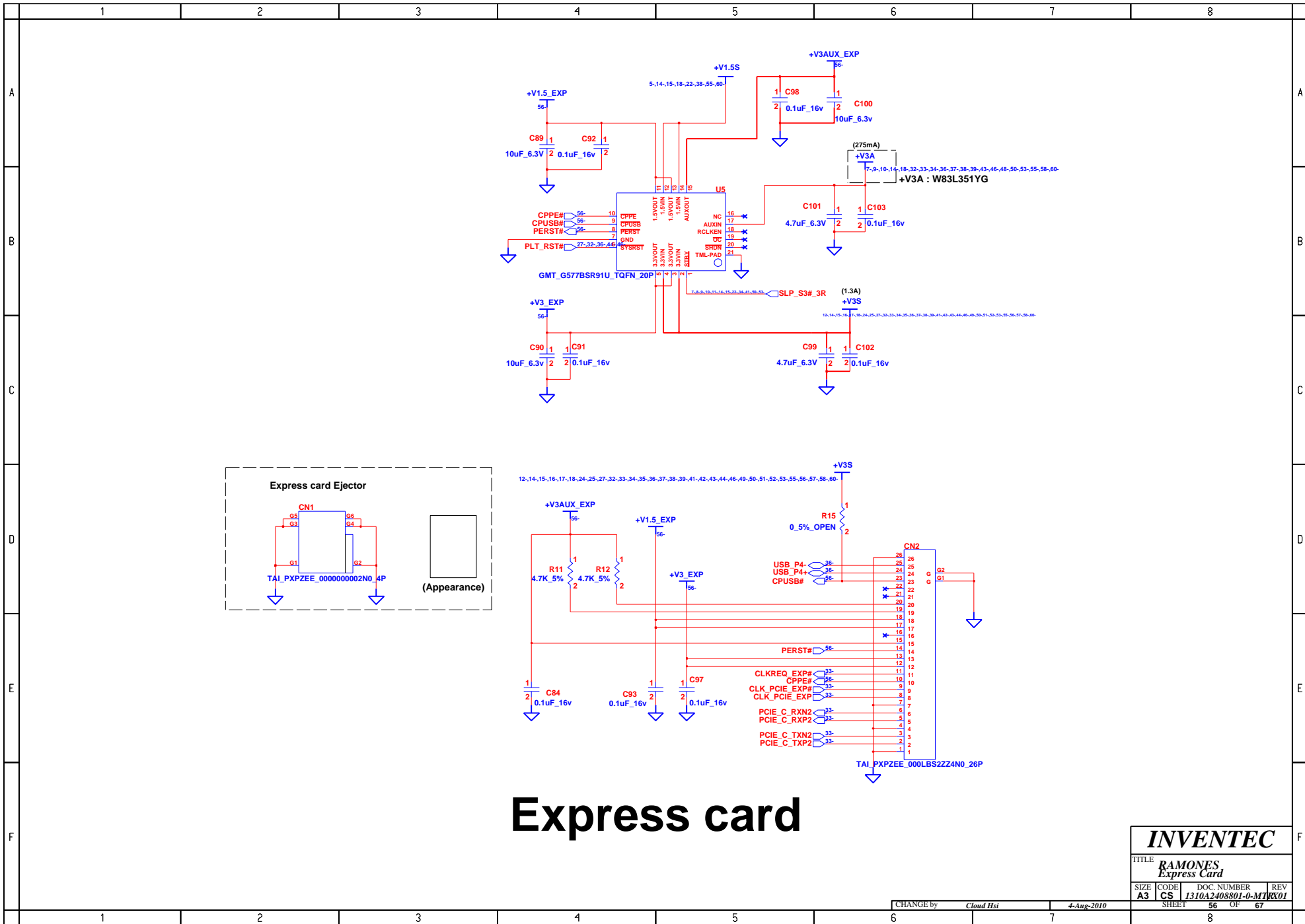


**RJ45 CNTR**

**INVENTEC**

TITLE			
RAMONES			
LAN RJ45 CONN			
SIZE	CODE	DOC. NUMBER	REV
A3	CS	1310A2408801-0-M1	001
CHANGE by		SHEET	
Cloud Hsi		54 OF 67	





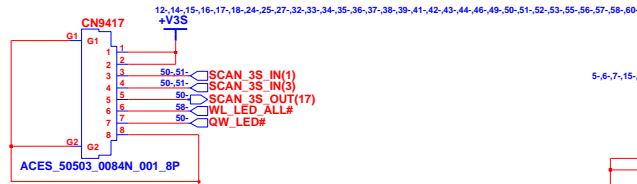
**INVENTEC**

TITLE  
**RAMONES Express Card**

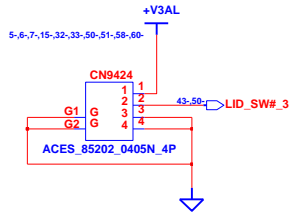
SIZE <b>A3</b>	CODE <b>CS</b>	DOC NUMBER <b>1310A2408801-0-M1</b>	REV <b>RX01</b>
CHANGE by <i>Cloud Hsi</i>		4-Aug-2010	
SHEET <b>56</b>		OF <b>67</b>	



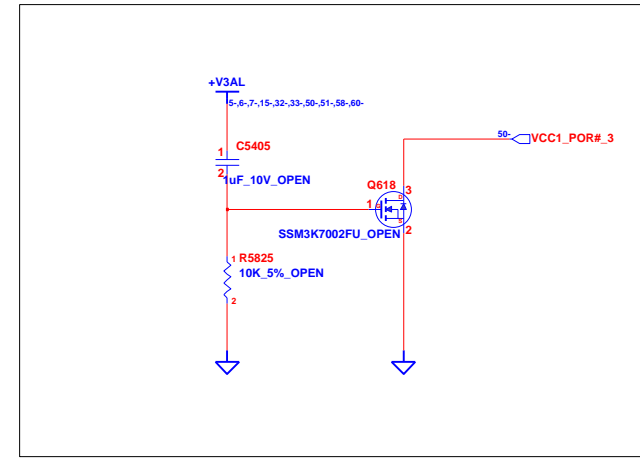




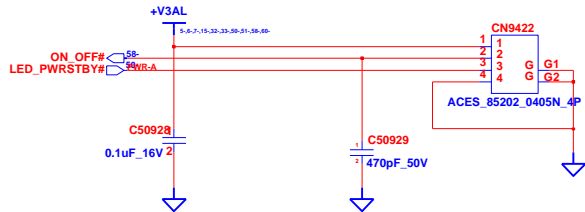
For QUICK LAUNCH BOARD MB CONN



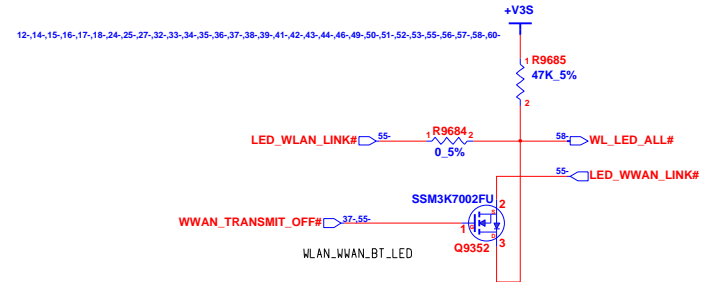
For LID SWITCH BOARD MB CONN



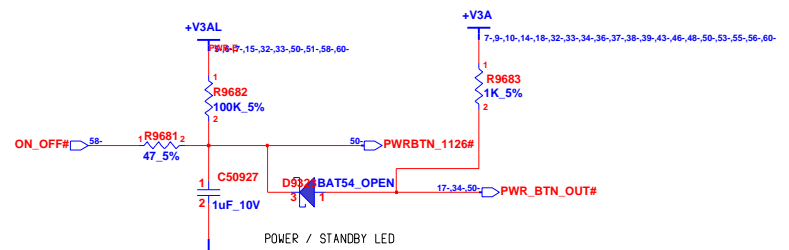
CLOSE TO KBC



For POWER BUTTON BOARD MB CONN



For CardReader&AUDIO Jack BOARD MB CONN

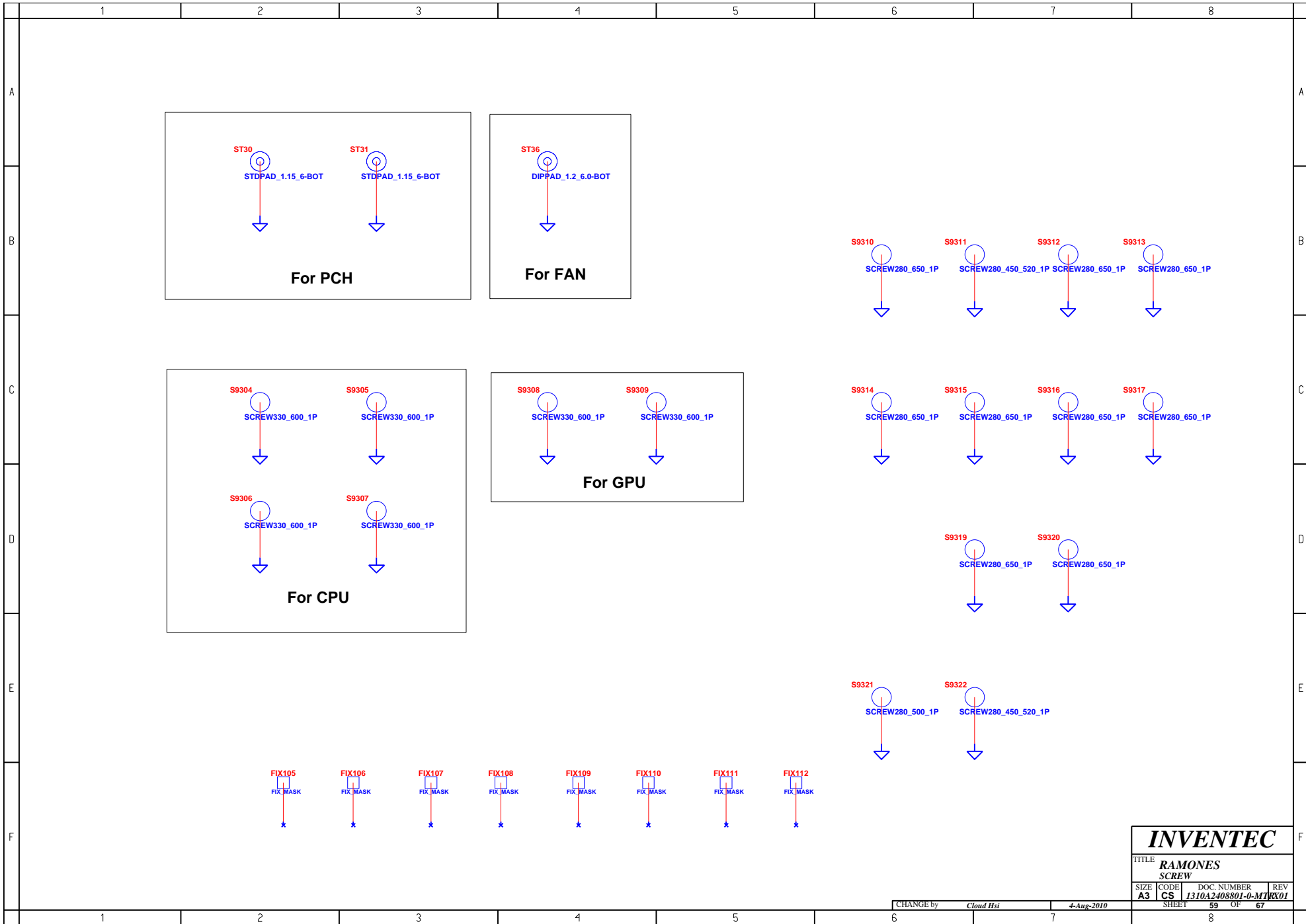


**INVENTEC**

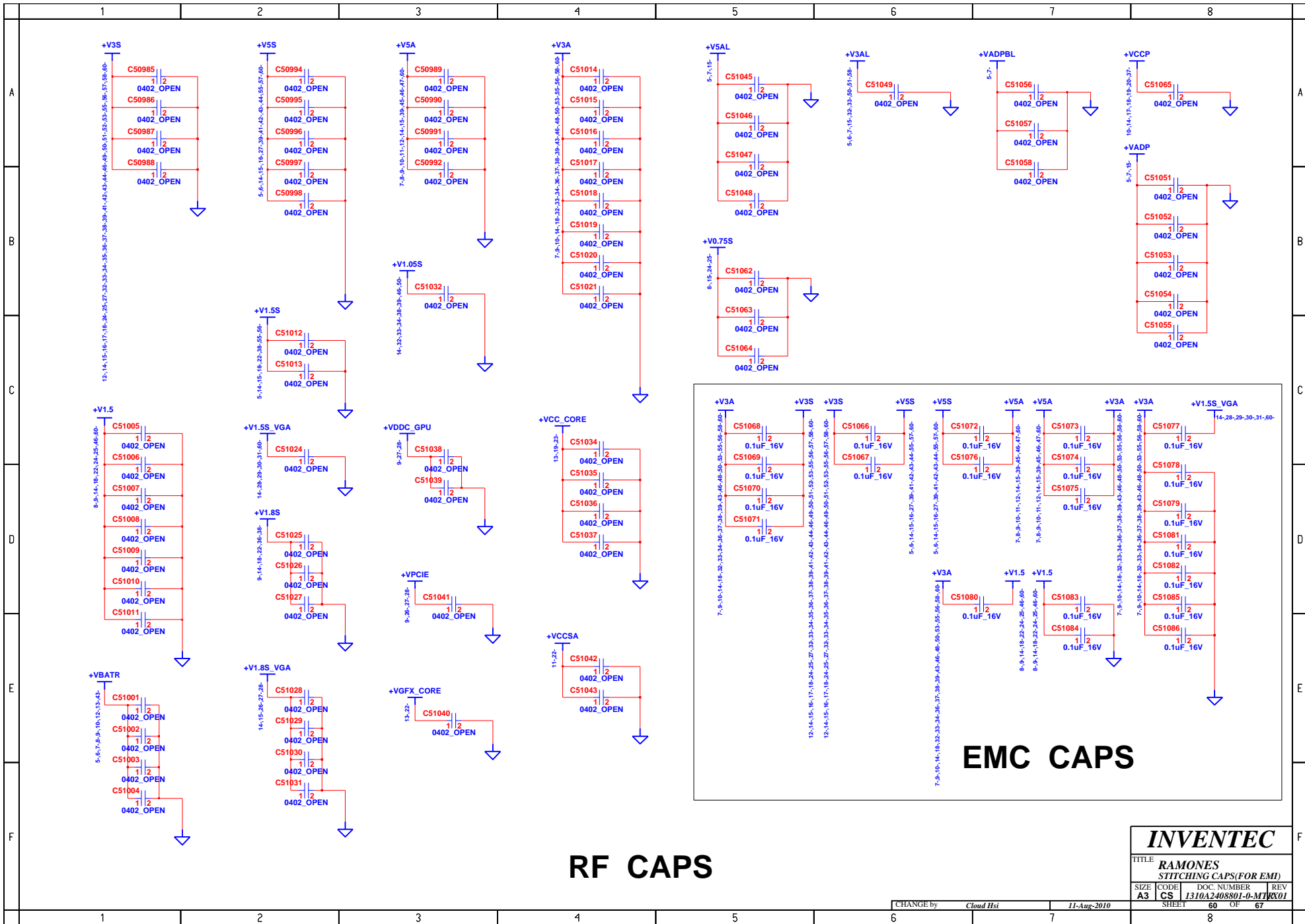
TITLE **RAMONES**  
**Power Button MB Conn**

SIZE	CODE	DOC NUMBER	REV
A3	CS	1310A2408801-0-M1	001
SHEET		58	OF 67

CHANGE by *Cloud Hsi* 4-Aug-2010



<b>INVENTEC</b>			
TITLE <b>RAMONES</b>			
SCREW			
SIZE <b>A3</b>	CODE <b>CS</b>	DOC. NUMBER <b>1310A2408801-0-MT</b>	REV <b>001</b>
CHANGE by <i>Cloud Hsi</i>		4-Aug-2010	
SHEET <b>59</b>		OF <b>67</b>	

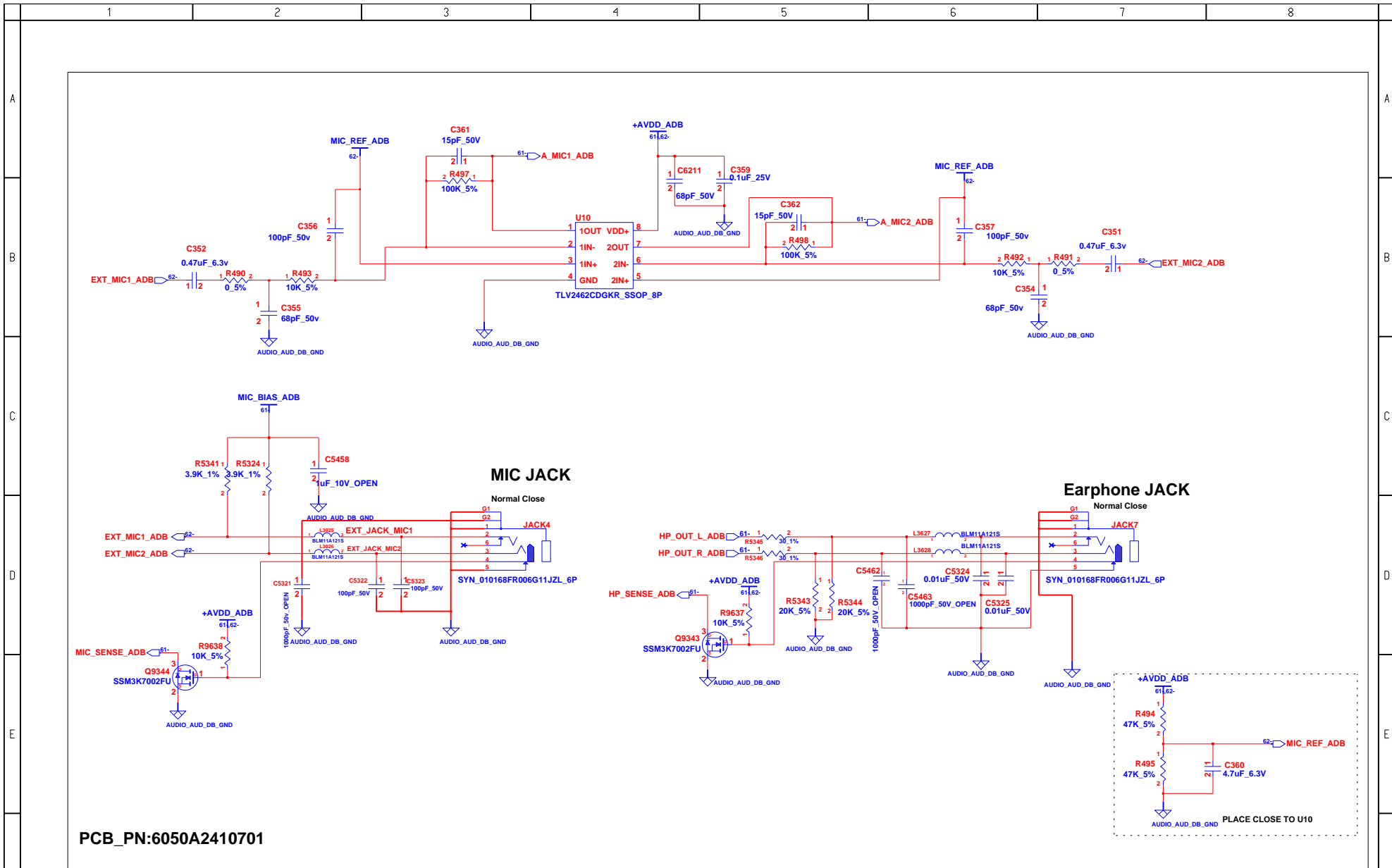


**RF CAPS**

**EMC CAPS**

<b>INVENTEC</b>			
TITLE <b>RAMONES STITCHING CAPS(FOR EMI)</b>			
SIZE <b>A3</b>	CODE <b>CS</b>	DOC NUMBER <b>1310A2408801-0-M1</b>	REV <b>001</b>
CHANGE by <i>Cloud Hsi</i>		11-Aug-2010	
SHEET <b>60</b>		OF <b>67</b>	





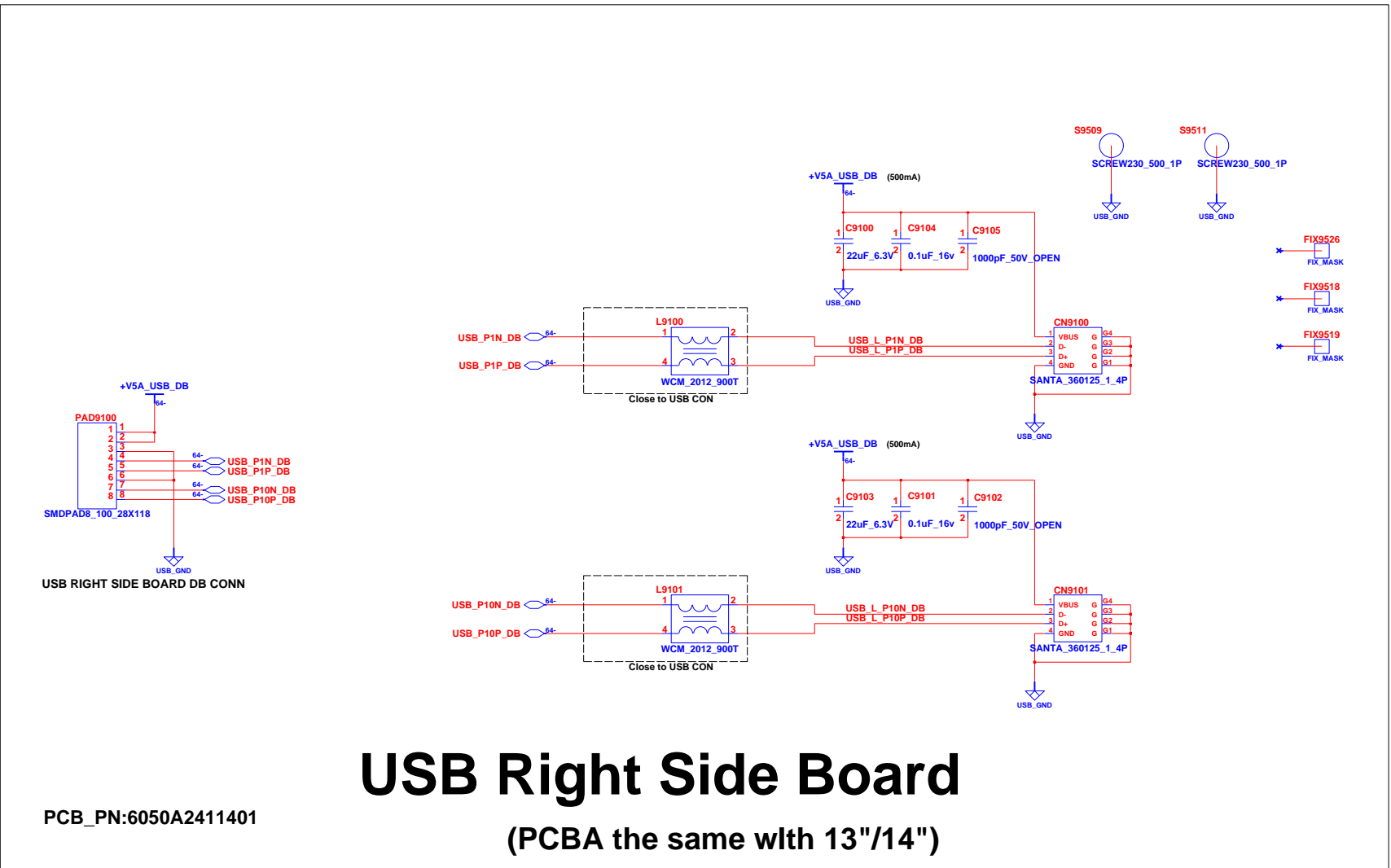
PCB\_PN:6050A2410701

# Card READER & AUDIO BOARD 2/2

<b>INVENTEC</b>			
TITLE <b>RAMONES</b>			
Card Reader & Audio Board 2			
SIZE <b>A3</b>	CODE <b>CS</b>	DOC. NUMBER <b>1310A2408801-0-M1</b>	REV <b>001</b>
SHEET <b>62</b>		OF <b>67</b>	

CHANGE by *Cloud Hsi* 4-Aug-2010





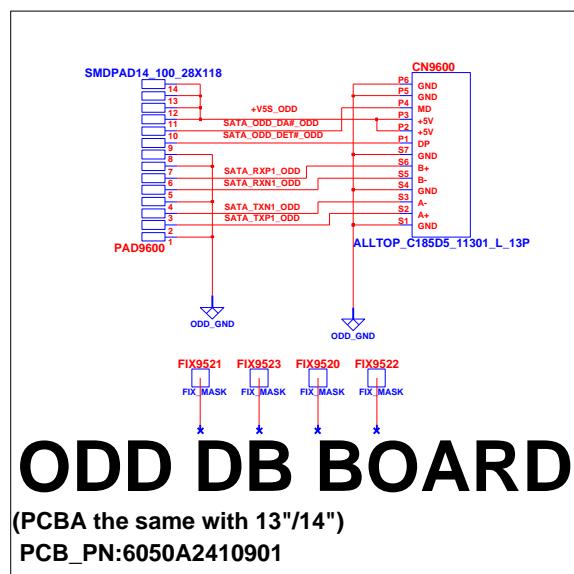
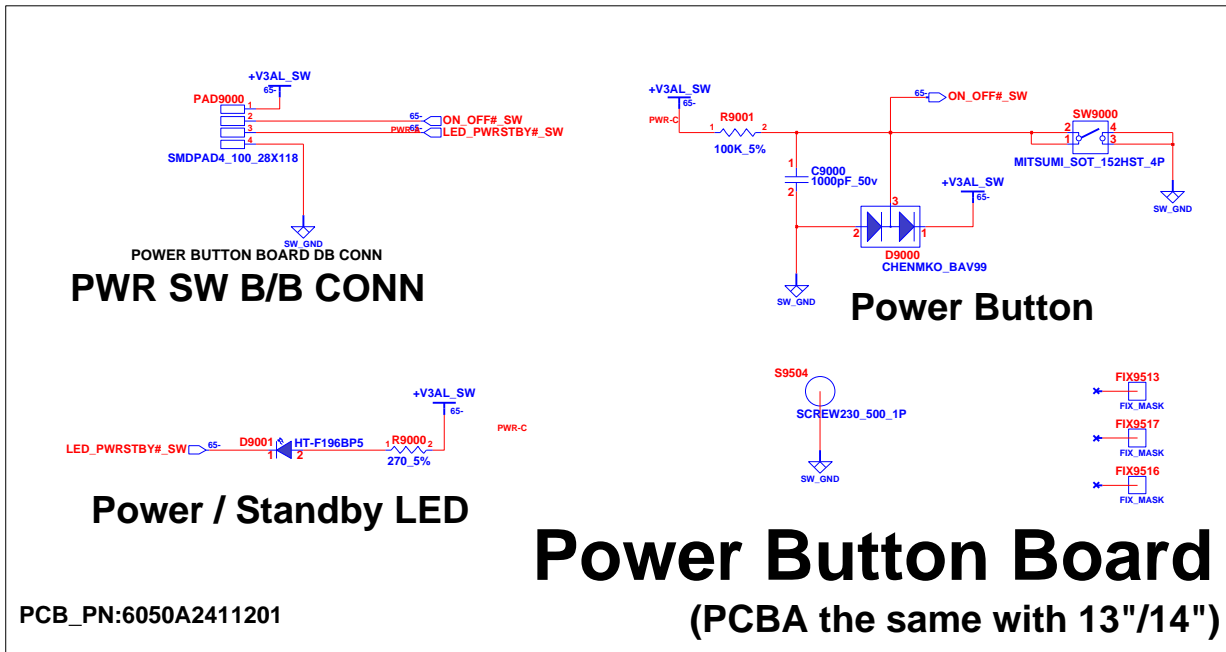
# USB Right Side Board

(PCBA the same w/13"/14")

PCB\_PN:6050A2411401

<b>INVENTEC</b>			
TITLE: <b>RAMONES</b>			
USB RIGHT SIDE DB BOARD			
SIZE: <b>A3</b>	CODE: <b>CS</b>	DOC. NUMBER: <b>1310A2408801-0-M1</b>	REV: <b>001</b>
CHANGE by: <i>Cloud Hsi</i>		27-Aug-2010	
SHEET: <b>64</b>		OF: <b>67</b>	

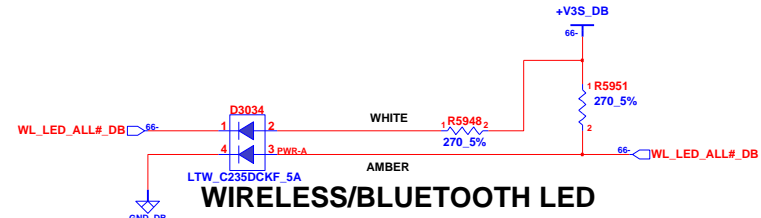




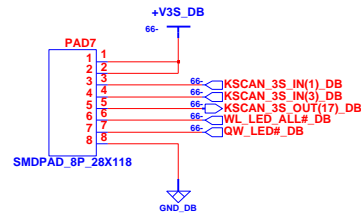
<b>INVENTEC</b>			
TITLE: <b>RAMONES POWER BUTTON BOARD</b>			
SIZE: <b>A3</b>	CODE: <b>CS</b>	DOC. NUMBER: <b>1310A2408801-0-M1201</b>	REV: <b>1</b>
CHANGE by: <b>Cloud Hsi</b>		4-Aug-2010	
SHEET: <b>65</b>		OF: <b>67</b>	

# Quick Launch Board

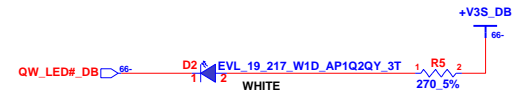
PCB\_PN:6050A2410501



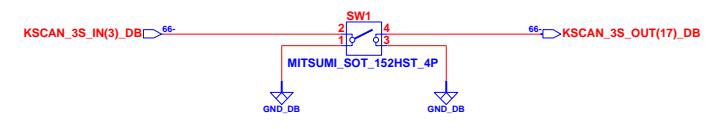
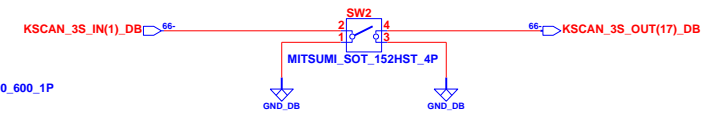
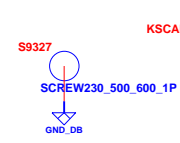
## WIRELESS/BLUETOOTH LED



## QUICK LAUNCH BOARD DB CONN

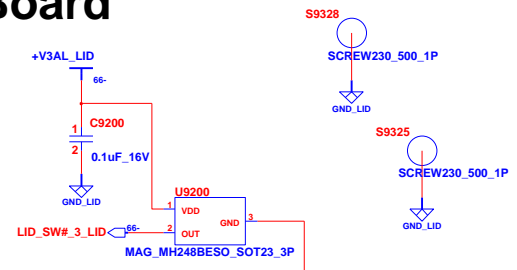
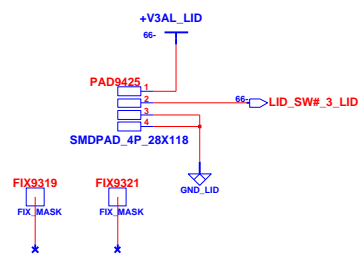


## QUICK LANCH LED



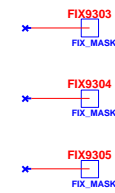
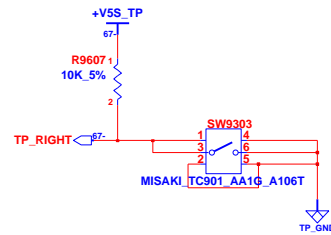
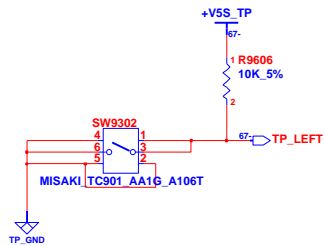
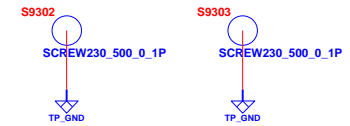
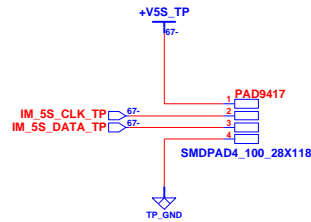
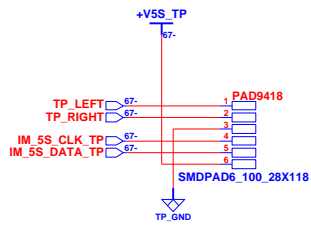
# LID SWITCH BOARD Board

PCB\_PN:6050A2414801



## LID SWITCH Referense Number 9200-9299

<b>INVENTEC</b>			
TITLE <b>RAMONES</b>			
QUICK LAUNCH & WLAN BOARD			
SIZE <b>A3</b>	CODE <b>CS</b>	DOC NUMBER <b>1310A2408801-0-MT</b>	REV <b>001</b>
CHANGE by <i>Cloud Hsi</i>		4-Aug-2010	
SHEET <b>66</b>		OF <b>67</b>	



**LEFT BUTTON**

**RIGHT BUTTON**

# PICK Button Board

PCB\_PN:6050A2410601

<b>INVENTEC</b>			
TITLE <b>RAMONES TOUCH BUTTON BOARD</b>			
SIZE <b>A3</b>	CODE <b>CS</b>	DOC NUMBER <b>1310A2408801-0-MT</b>	REV <b>RX01</b>
CHANGE by <i>Cloud Hsi</i>		27-Aug-2010	
SHEET <b>67</b>		OF <b>67</b>	