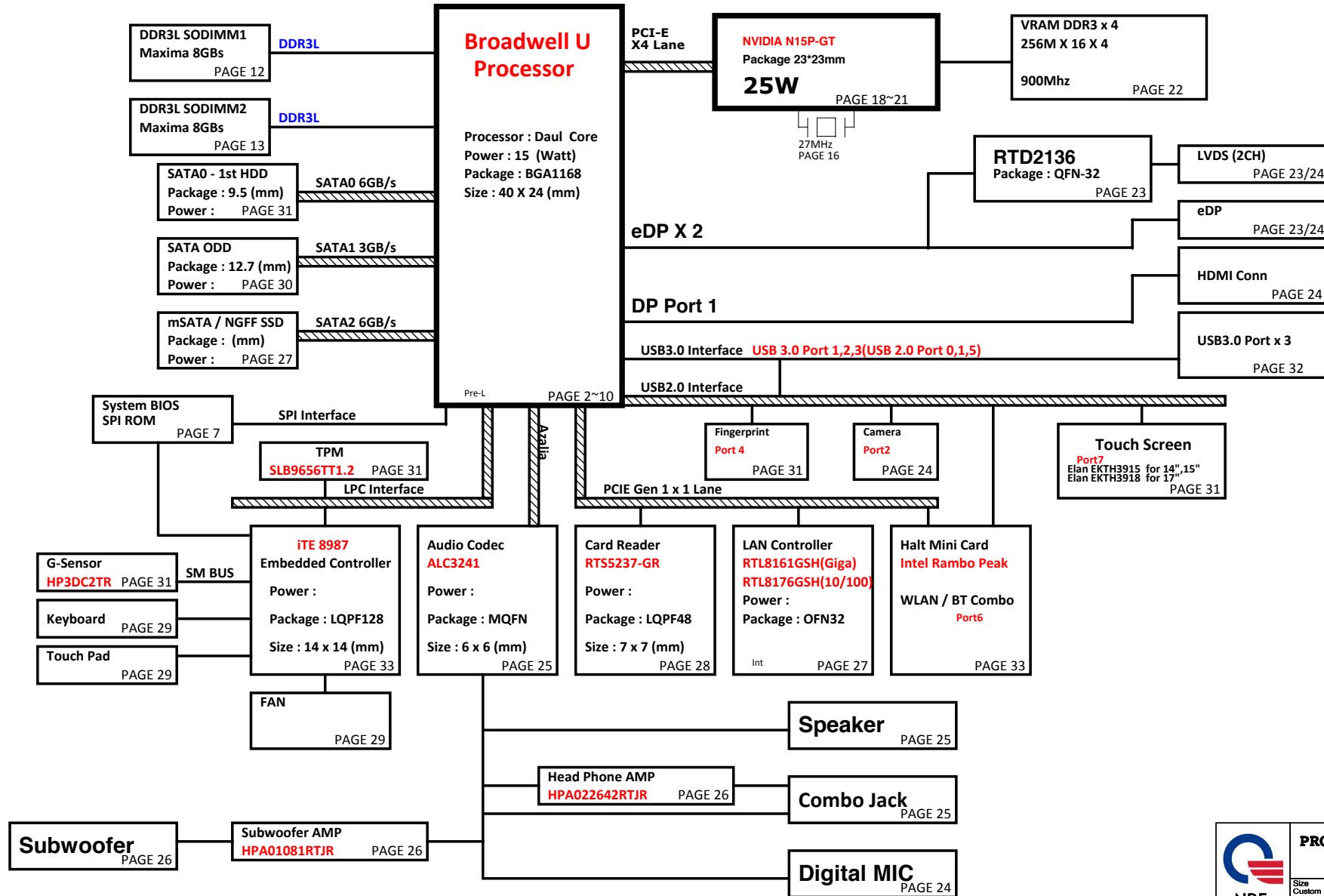


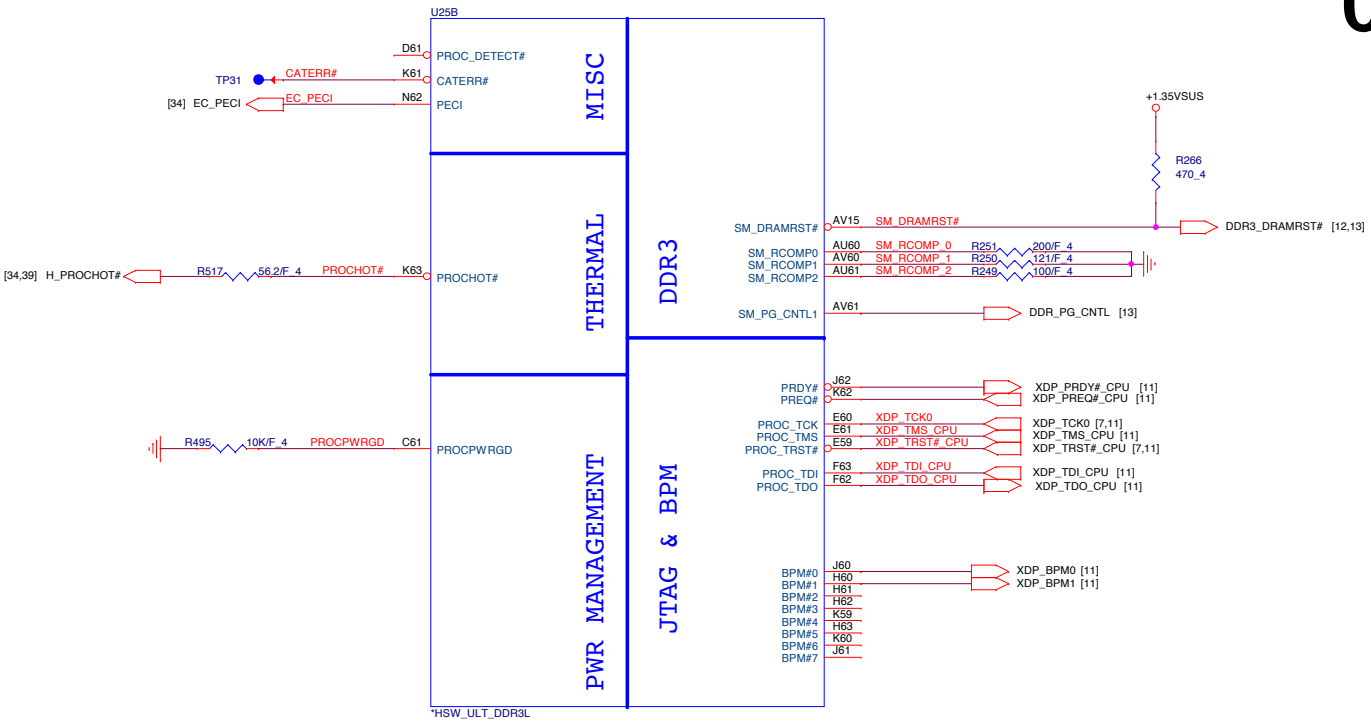
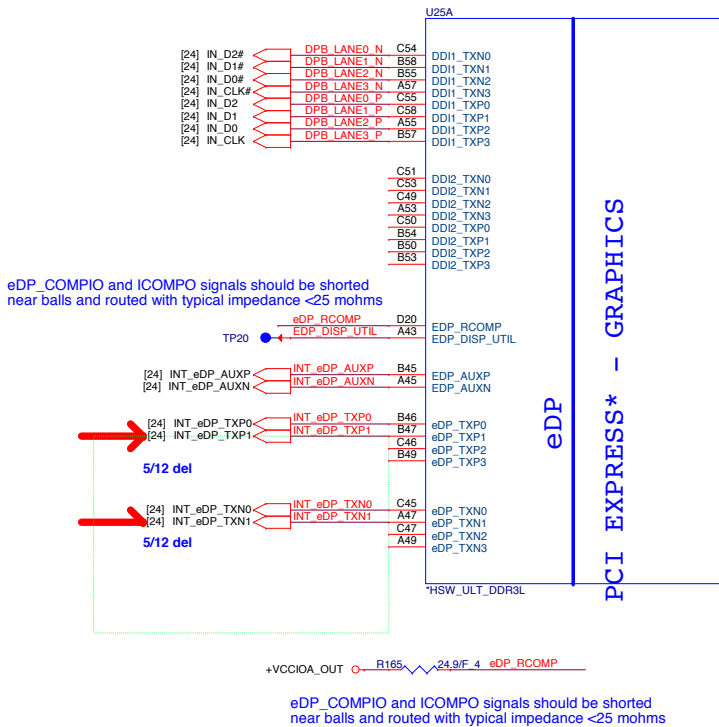
# DIS (14" / 15" / 17") Lay-Vine Intel Crescent Bay ULT Platform Block Diagram

01

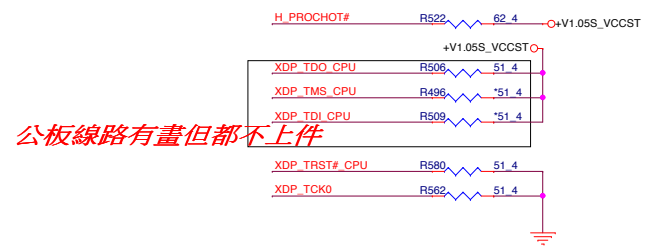
PCB 6L STACK UP

LAYER 1 : TOP  
 LAYER 2 : SGND  
 LAYER 3 : IN1(High)  
 LAYER 4 : IN2(Low)  
 LAYER 5 : SVCC  
 LAYER 6 : BOT



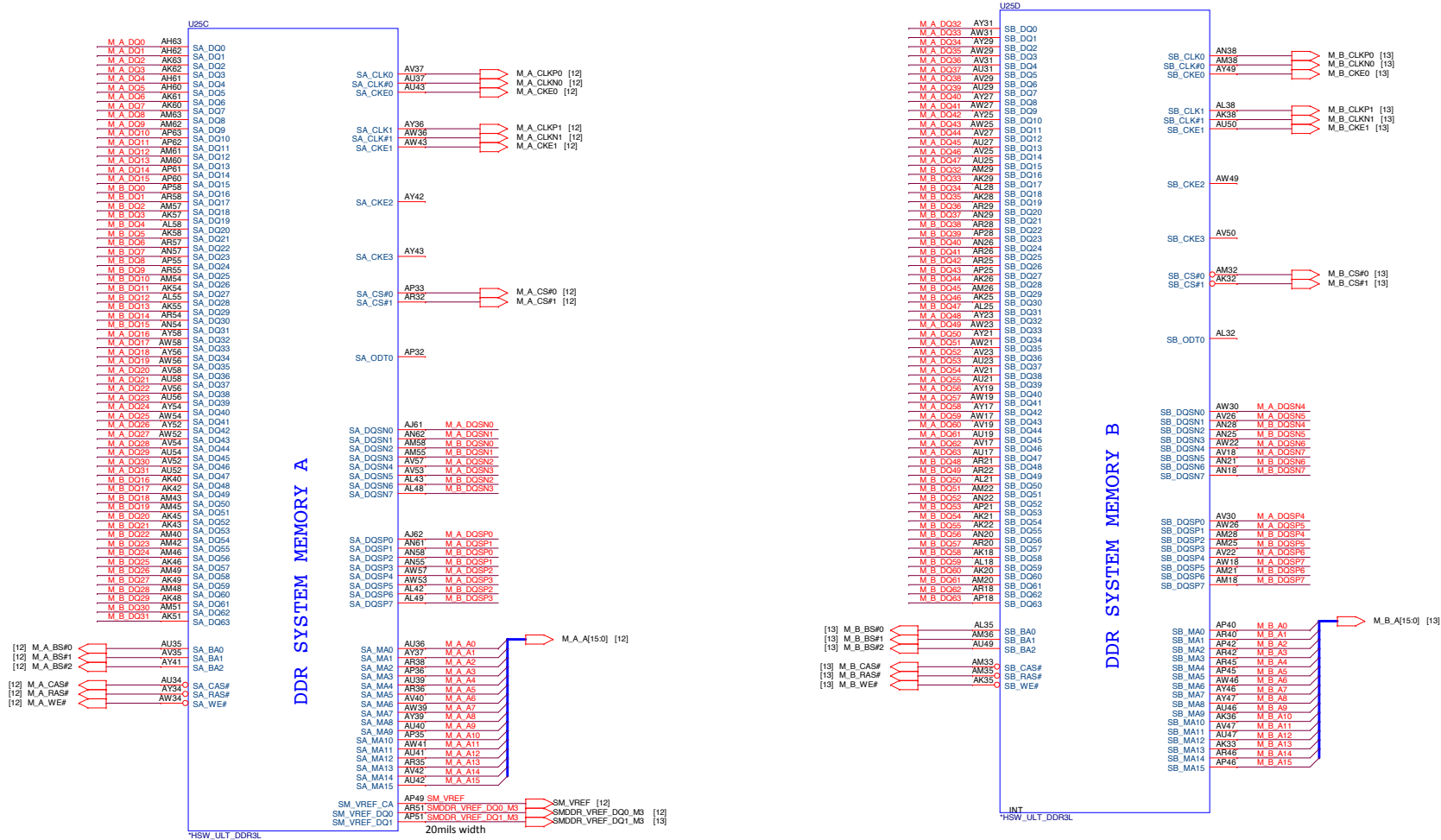


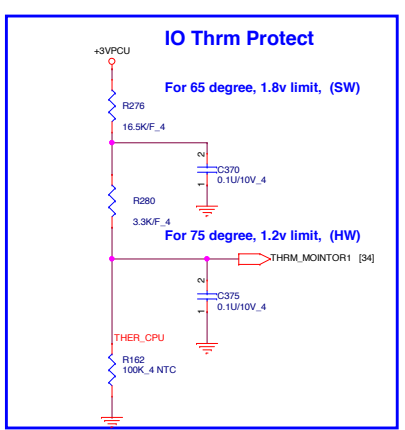
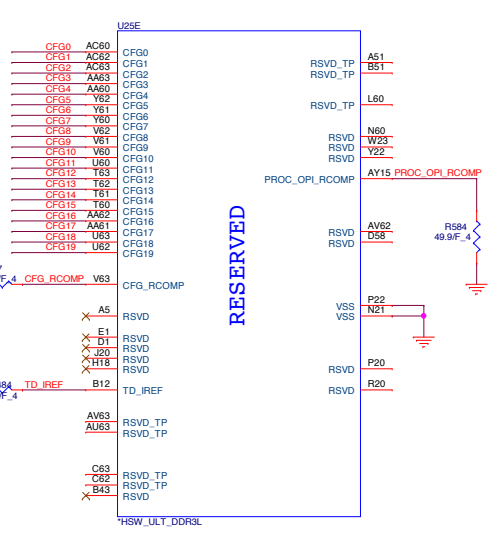
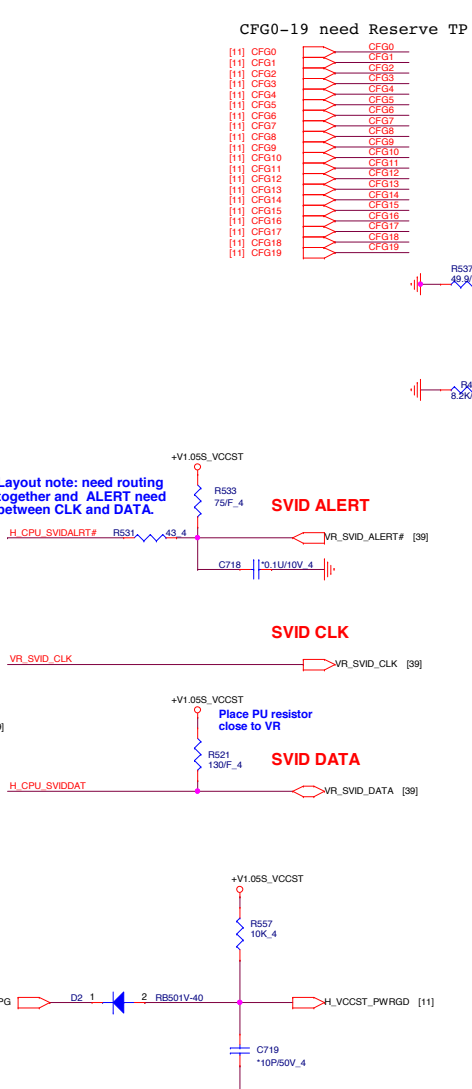
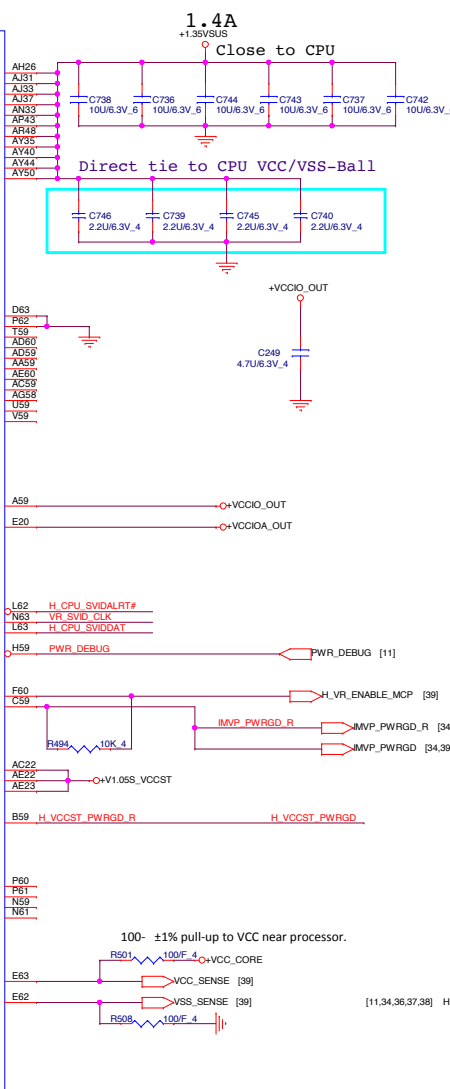
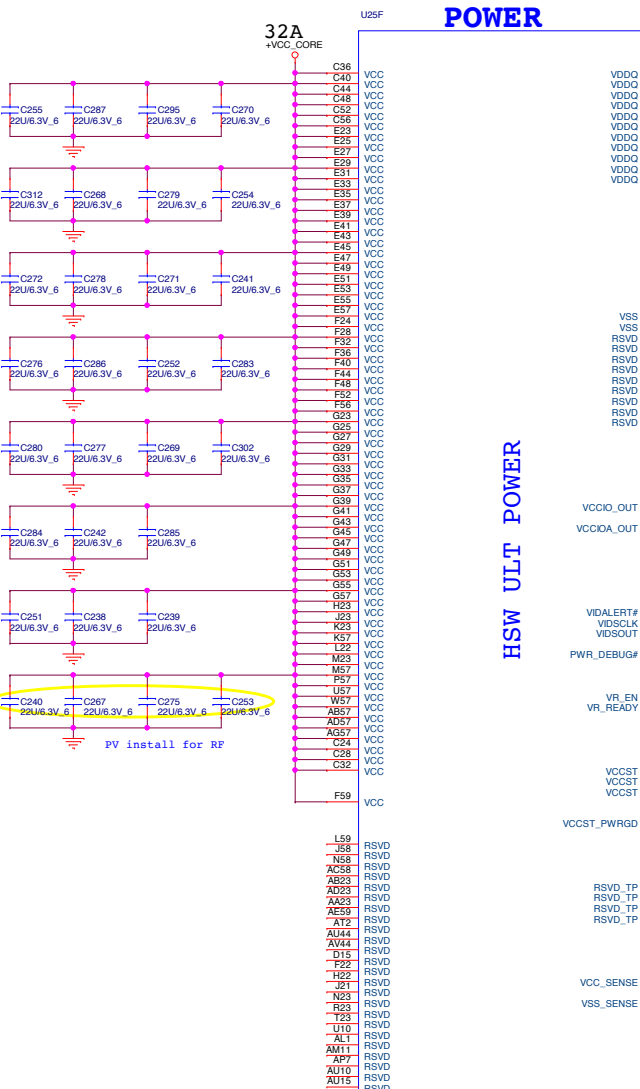
Processor pull-up (CPU)



# Haswell ULT Processor (DDR3L)

- [12] M\_A\_DQ[63:0]
- [13] M\_B\_DQ[63:0]
- [12] M\_A\_DQSN[7:0]
- [12] M\_A\_DQSP[7:0]
- [13] M\_B\_DQSN[7:0]
- [13] M\_B\_DQSP[7:0]

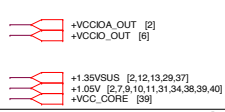




**Processor Strapping**

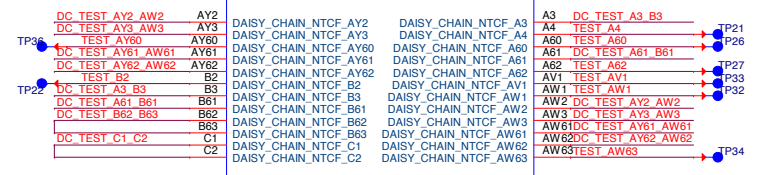
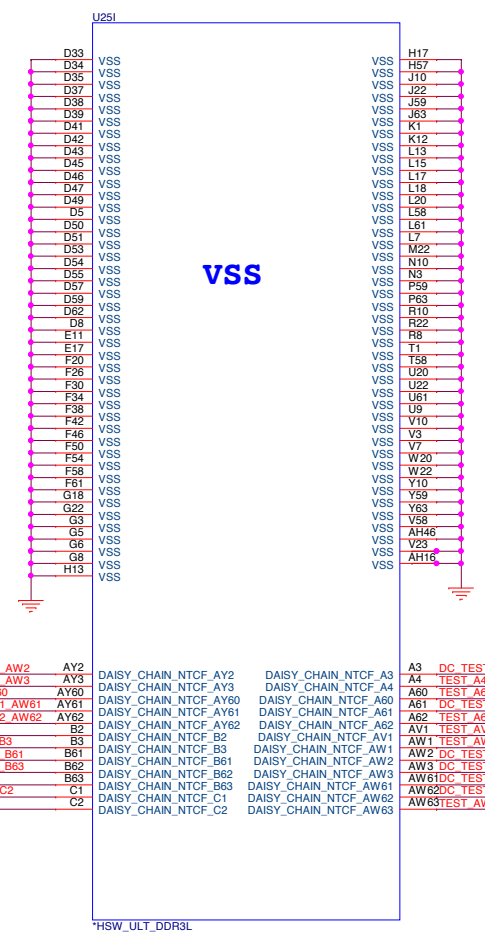
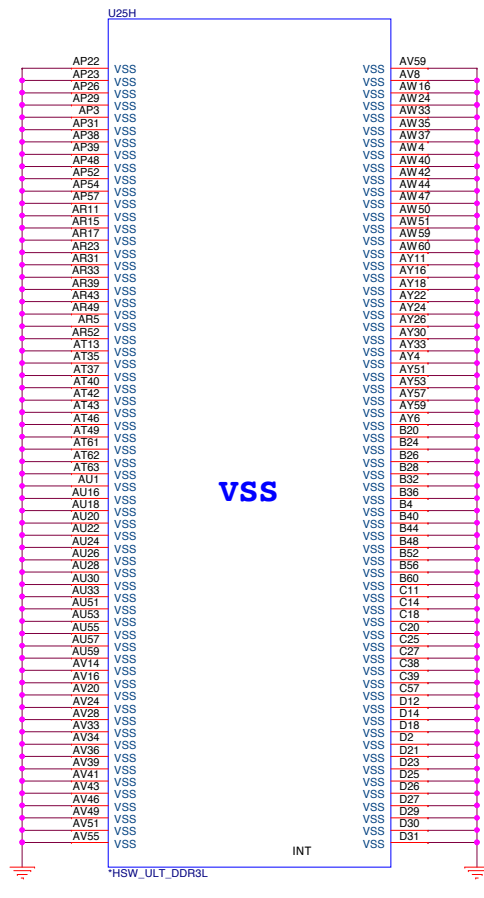
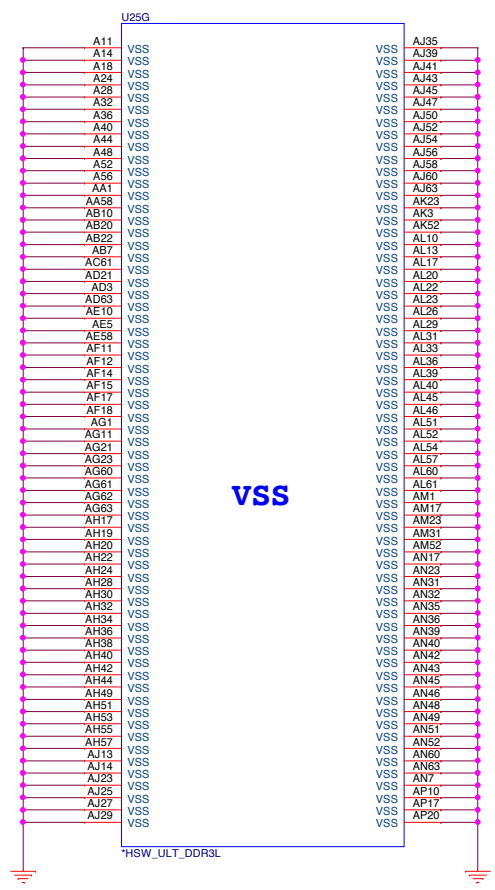
The CFG signals have a default value of '1' if not terminated on the board.

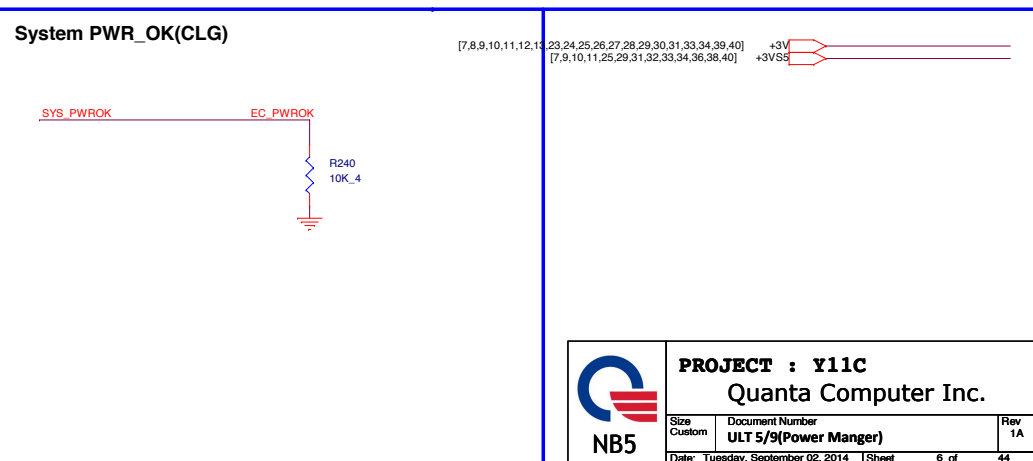
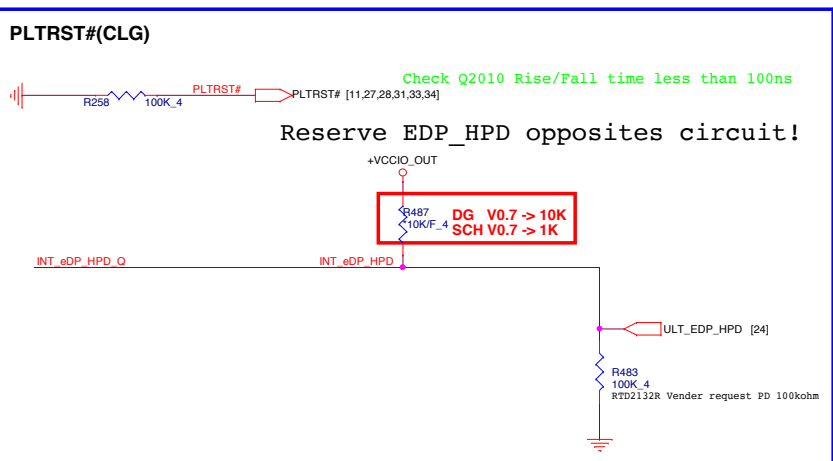
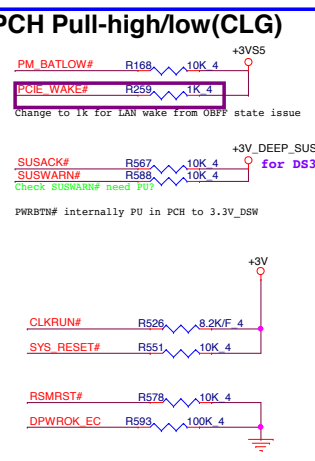
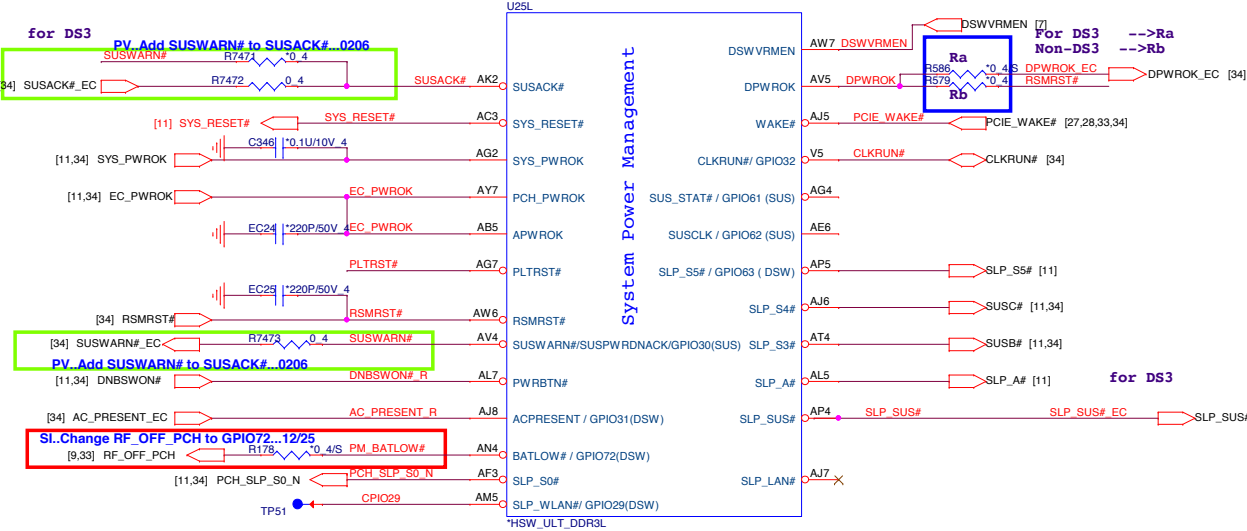
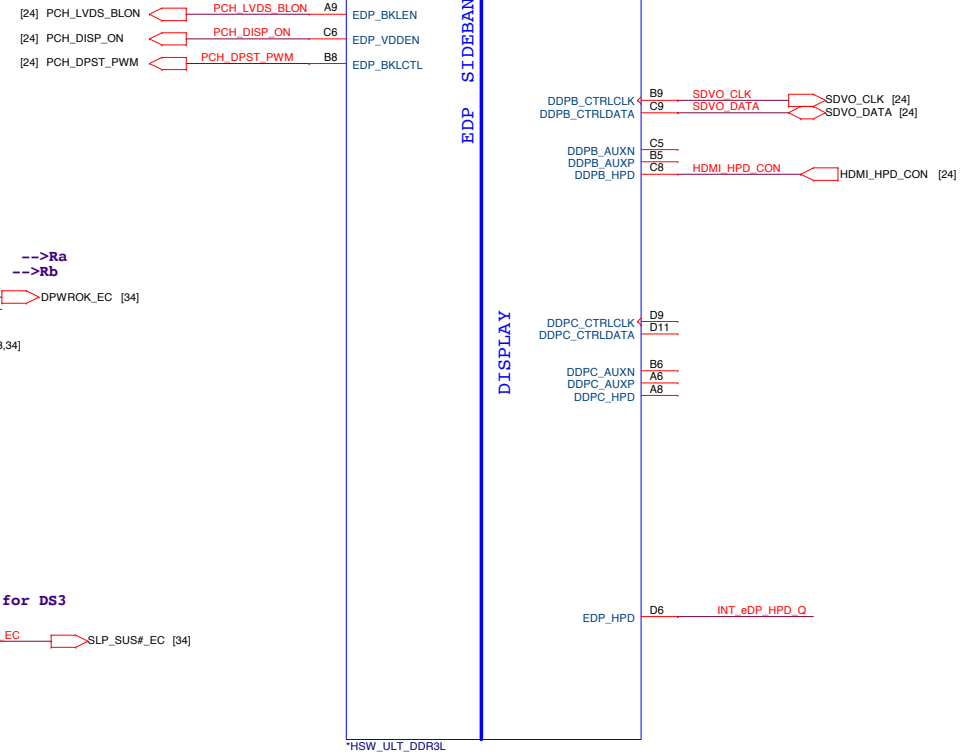
	1	0	Circuit
CFG3 (Physical Debug Enable) DFX_Privacy CFG4 (DP Presence Strap)	Disable:	Enable: Set DFX Enable in DFX interface MSR	
	Disable; No physical DP attached to eDP	Enable; An ext DP device is connected to eDP	



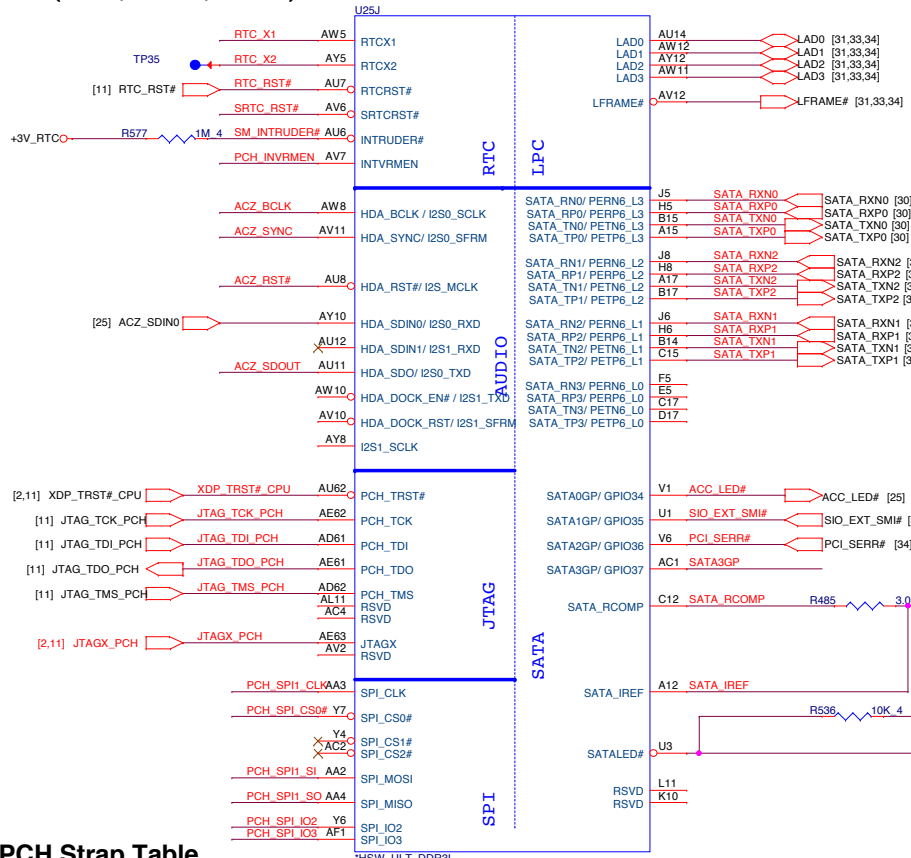
**PROJECT : Y11C**  
**Quanta Computer Inc.**

Size Custom Document Number 04 - ULT 3/9 (POWER-1) Rev 1A  
 Date: Tuesday, September 02, 2014 Sheet 4 of 44





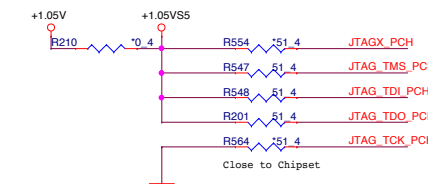
# Lynx Point-LP Platform Controller Hub (HDA, JTAG, SATA)



## PCH Strap Table

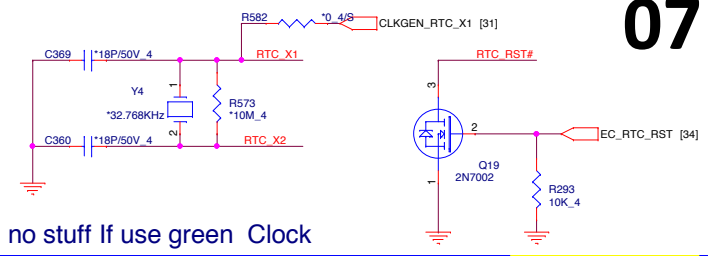
Pin Name	Strap description	Sampled	Configuration	Circuit								
SPKR	No reboot mode setting	PWROK	0 = Default (weak pull-down 20K) 1 = Setting to No-Reboot mode									
SDIO_D0/GPIO66	Top-Block Swap	PWROK	0 = "top-block swap" mode 1 = Default (weak pull-up 20K)									
INTVRMEN	Integrated 1.05V VRM enable	ALWAYS	Should be always pull-up	+3V_RTC0 - R575 - 330K 4 PCH_INVRMEN								
HDA_SDO/I2S0_TXD	Flash Descriptor Security Only for Interposer	PWROK	0 = Default (weak pull-down 20K) 1 = Can be Overriden	[34] GPIO3_EC - R581 - 1K 4 ACZ_SDOOUT								
GSPI0_MOSI/GPIO86	Boot BIOS Selection	PWROK	<table border="1"> <tr> <th>GNT0#</th> <th>Boot Location</th> </tr> <tr> <td>0</td> <td>LPC</td> </tr> <tr> <td>1</td> <td>SPI(Default)</td> </tr> </table>	GNT0#	Boot Location	0	LPC	1	SPI(Default)			
GNT0#	Boot Location											
0	LPC											
1	SPI(Default)											
GPIO15	TLS Confidentiality	PWROK	0 = ME Crypto Transport Layer Security cipher suite with no confidentiality(Default) 1 = Intel ME Crypto TLS cipher suite with confidentiality									
DSWVRMEN	Deep Sx Well On-Die Voltage Regulator Enable	ALWAYS	Should be always pull-up	+3V_RTC0 - R576 - 330K 4 DSWVRMEN [6]								
				<table border="1"> <tr> <td>[34] PCH_SPI_CS0# R</td> <td>PCH_SPI_CS0# R</td> </tr> <tr> <td>[34] PCH_SPI_CLK# R</td> <td>PCH_SPI_CLK# R</td> </tr> <tr> <td>[34] PCH_SPI_SI# R</td> <td>PCH_SPI_SI# R</td> </tr> <tr> <td>[34] PCH_SPI_SO# R</td> <td>PCH_SPI_SO# R</td> </tr> </table>	[34] PCH_SPI_CS0# R	PCH_SPI_CS0# R	[34] PCH_SPI_CLK# R	PCH_SPI_CLK# R	[34] PCH_SPI_SI# R	PCH_SPI_SI# R	[34] PCH_SPI_SO# R	PCH_SPI_SO# R
[34] PCH_SPI_CS0# R	PCH_SPI_CS0# R											
[34] PCH_SPI_CLK# R	PCH_SPI_CLK# R											
[34] PCH_SPI_SI# R	PCH_SPI_SI# R											
[34] PCH_SPI_SO# R	PCH_SPI_SO# R											

HDD (SATA3 6.0Gb/s)  
 ODD (SATA2 3.0Gb/s)  
 mSATA / NGFF (SATA4 6Gb/s)

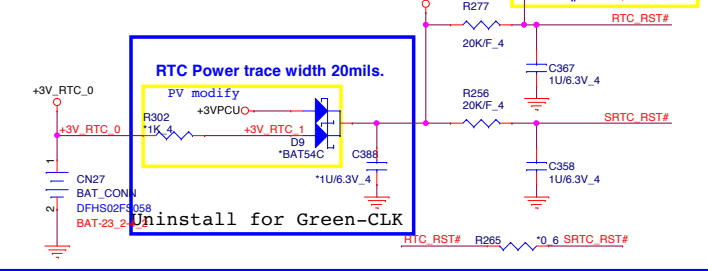


DG recommended that SATA AC coupling capacitors should be close to the connector (<100 mils) for optimal signal quality.

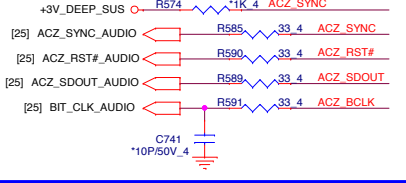
## RTC Clock 32.768KHz



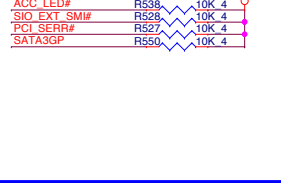
## RTC Circuitry(RTC)



## HDA Bus(CLG)

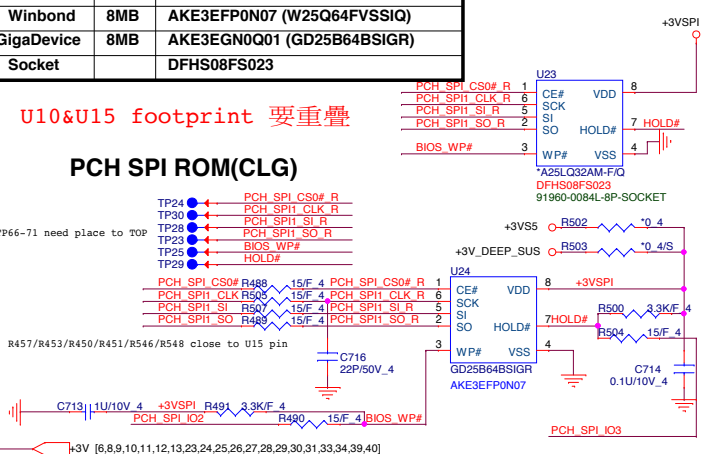


## GPIO Pull UP

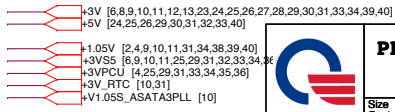
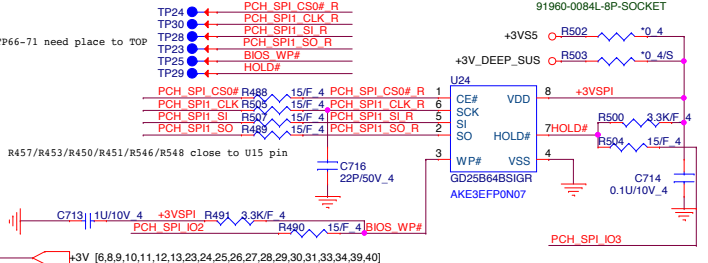


Vender	Size	P/N
EON	8MB	AKE3EZN0Q01 (EN25QH64-104HIP)
Winbond	8MB	AKE3EFP0N07 (W25Q64FVSSIQ)
GigaDevice	8MB	AKE3EGN0Q01 (GD25B64BSIGR)
Socket		DFHS08FS023

## 4M SPI ROM Socket



## PCH SPI ROM(CLG)

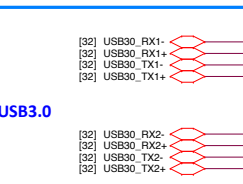
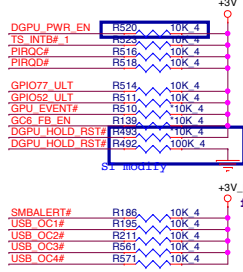


**PROJECT : Y11C**  
**Quanta Computer Inc.**

Size Custom	Document Number <b>ULT 6/9(SATA/HDA)</b>	Rev 1A
Date: Tuesday, September 02, 2014 1 Sheet		7 of 44

# Lynx Point-LP Platform Controller Hub (HDA, JTAG, SATA)

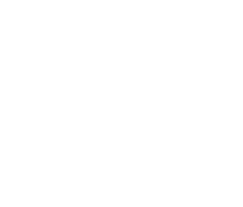
## PCI/USBOC# Pull-up(CLG)



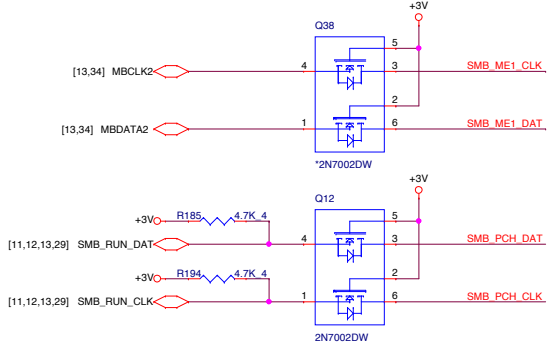
20111130 Modify USB3.0 for HM70



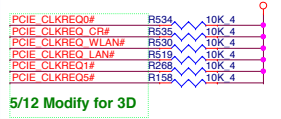
5/14 Modify for 3D



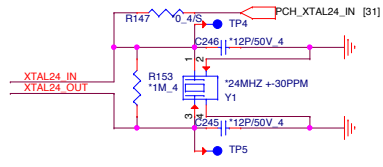
## SMBus/Pull-up(CLG)



## CLK\_REQ/Strap Pin(CLG)

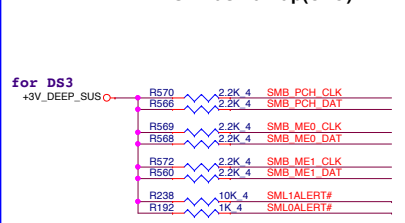


5/12 Modify for 3D



[6,7,9,10,11,12,13,23,24,25,26,27,28,29,30,31,33,34,39,40] +3V [6,7,9,10,11] +3V\_DEEP\_SUS

## SMBus/Pull-up(CLG)



for DS3

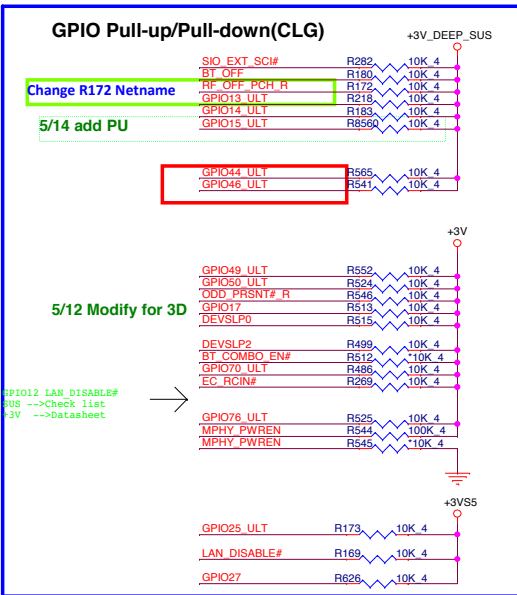
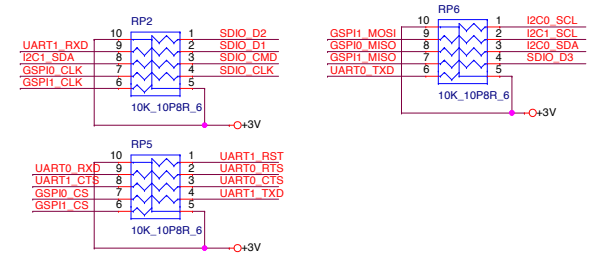
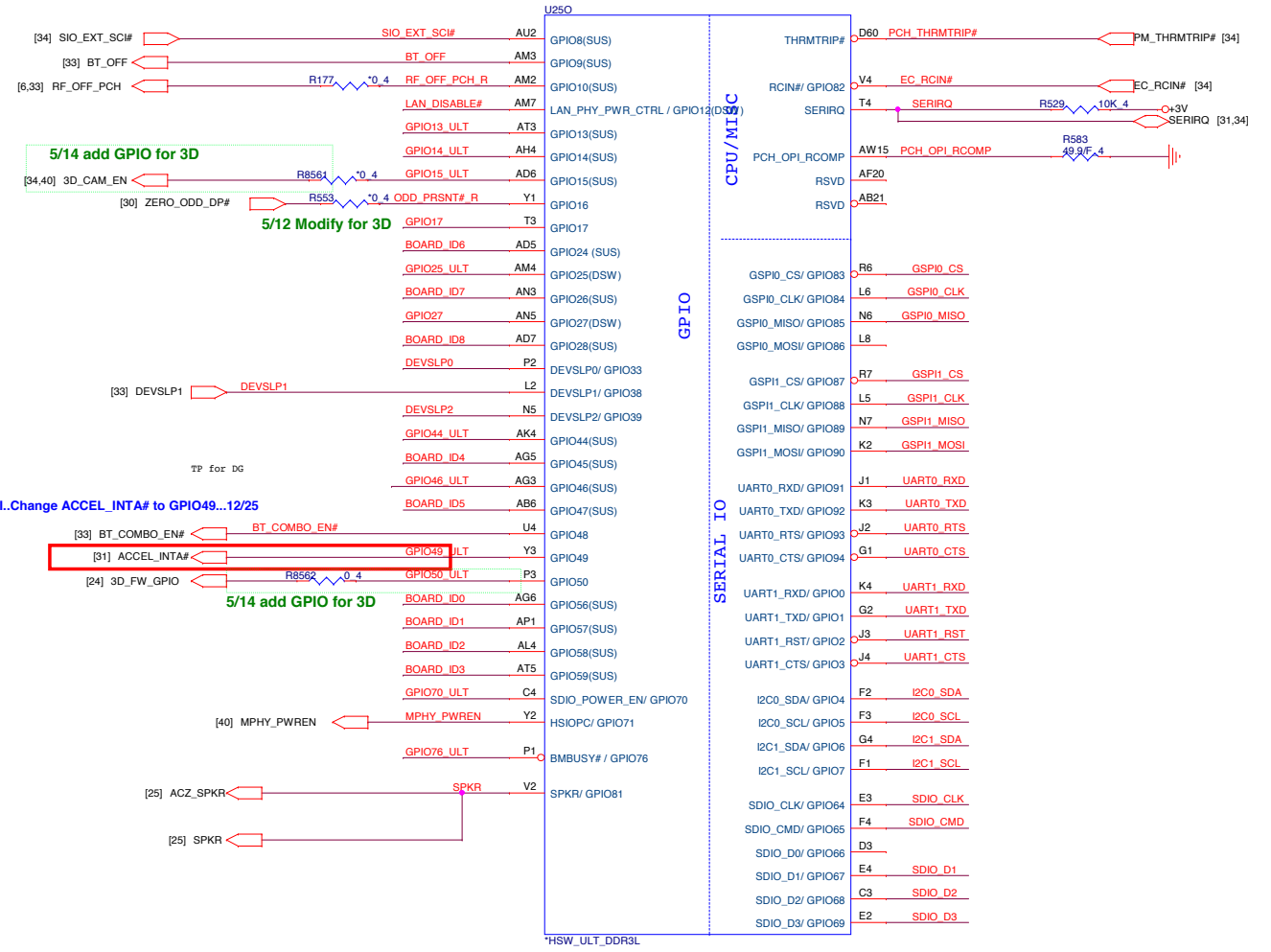


**PROJECT : Y11C**  
**Quanta Computer Inc.**

Size Custom	Document Number	Rev 1A
	<b>ULT 7/9 (PCIE/USB/CLK)</b>	
Date: Tuesday, September 02, 2014	Sheet	8 of 44



# Lynx Point-LP System Controller Hub (HDA,JTAG,SATA) Haswell (GPIO)



SI.Change ACCEL\_INTA# to GPIO49...12/25

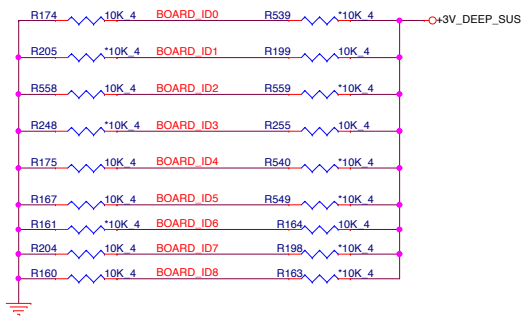
5/14 add GPIO for 3D

5/12 Modify for 3D

5/12 Modify for 3D

Close to EC

Model	BOARD_ID[6-5] 10 3D Camera	BOARD_ID4 Reserve	BOARD_ID3 Pavillian	BOARD_ID[2-1] 00 14" 01 15" 10 17"	BOARD_ID0 0 : UMA 1 : DIS



	DIS	UMA
Staff	Ra	Rb
NC	Rb	Ra

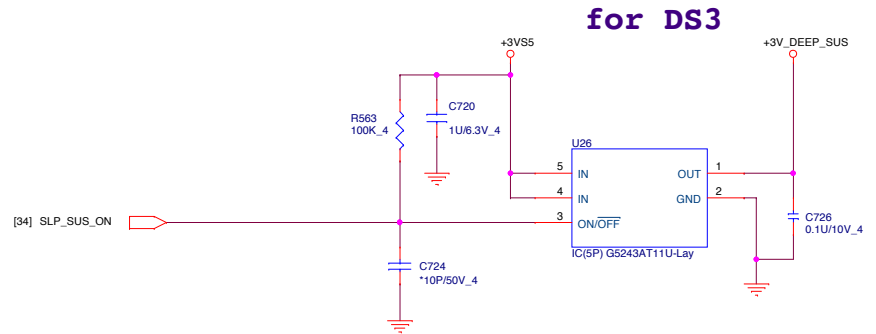
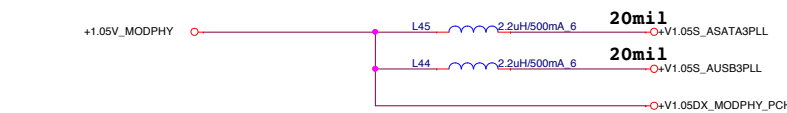
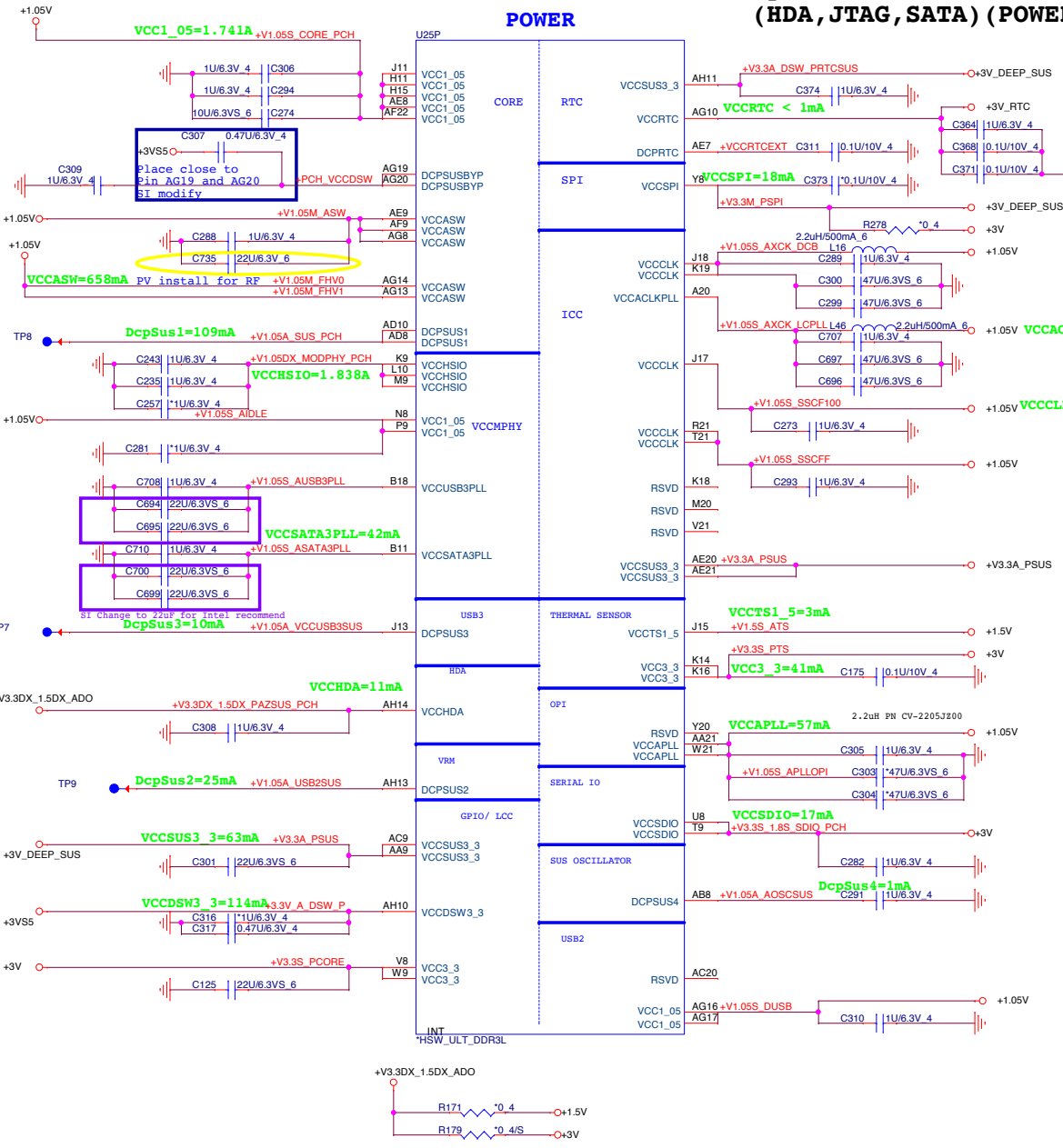
[6,7,8,10,11,12,13,23,24,25,26,27,28,29,30,31,33,34,39,40] +3V  
[6,7,10,11,25,29,31,32,33,34,36,38,40] +3VSS

**PROJECT : Y11C**  
**Quanta Computer Inc.**

Size Custom Document Number **ULT 8/9 (GPIO/MISC)** Rev 1A

**NB5** Date: Tuesday, September 02, 2014 | Sheet 9 of 44

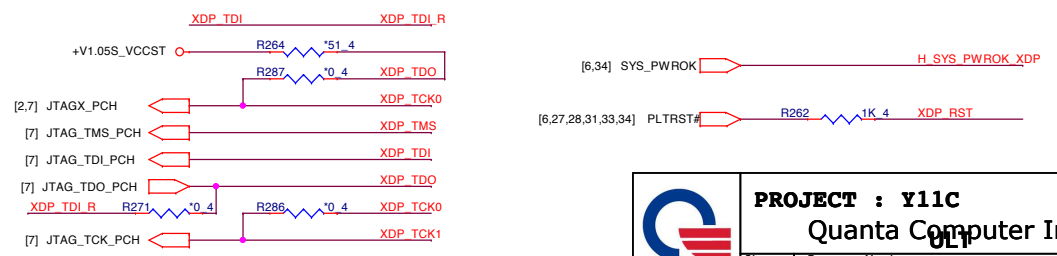
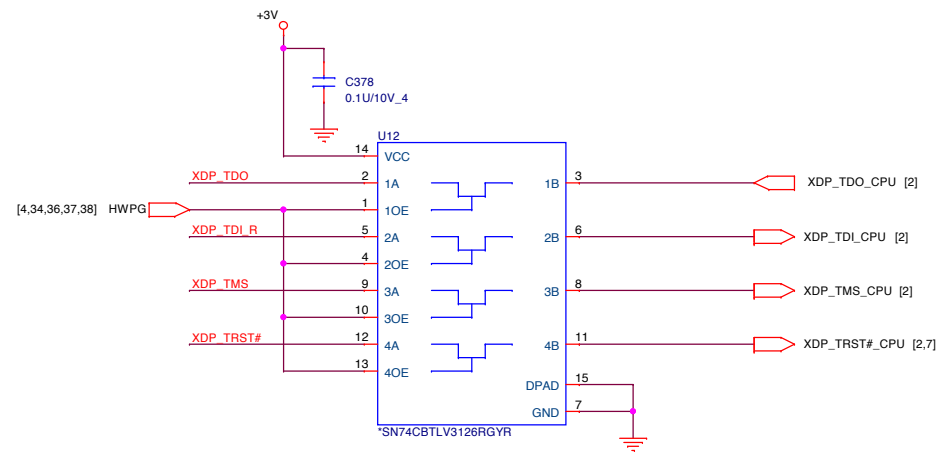
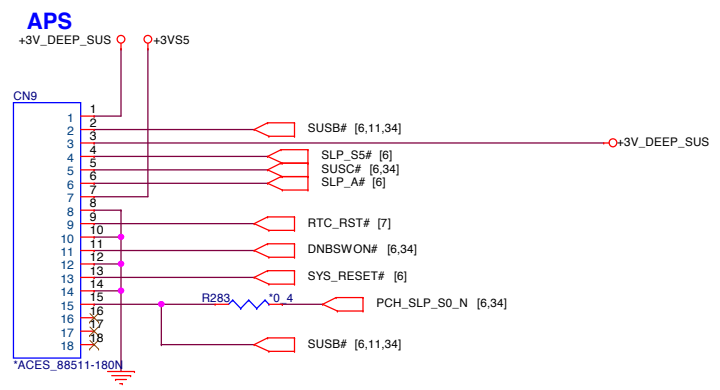
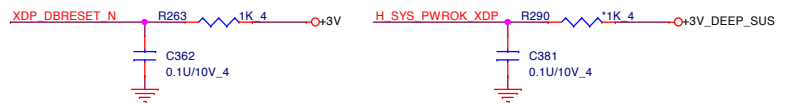
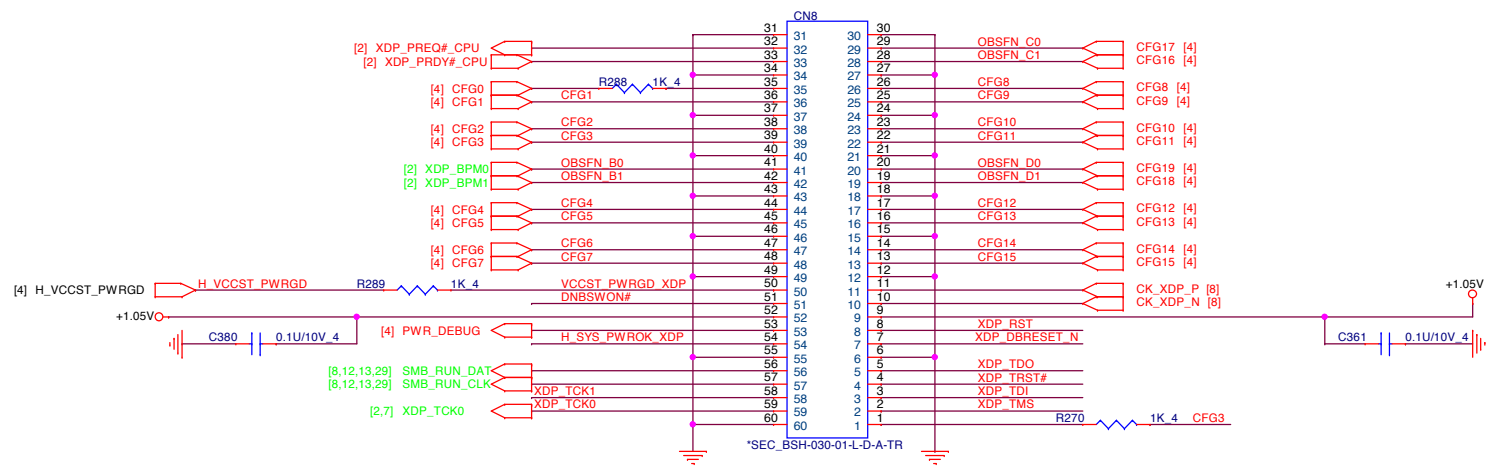
# Lynx Point-LP Platform Controller Hub (HDA, JTAG, SATA) (POWER)



[6,7,8,9,11,12,13,23,24,25,26,27,28,29,30,31,33,34,39,40]	+3V	[8]	+1.05V_AUSBS3PLL
[24,25,26,29,30,31,32,33,40]	+5V	[7]	+1.05V_ASATA3PLL
[2,4,7,9,11,31,34,38,39,40]	+1.05V	[6]	+1.05V_AXCK_LCPDLL
[6,7,9,11,25,29,31,32,33,34,36,38,40]	+3VS5	[7,31]	+3V_RTC
[13,25,29,32,36,37,38,39,40]	+5VS5	[2,4,12,13,29,37]	+1.35VSUS

**PROJECT : Y11C**  
**Quanta Computer Inc.**

Size Custom	Document Number	Rev 1A
	<b>ULT 9/9(POWER-2)</b>	
Date: Tuesday, September 02, 2014		Sheet 10 of 44



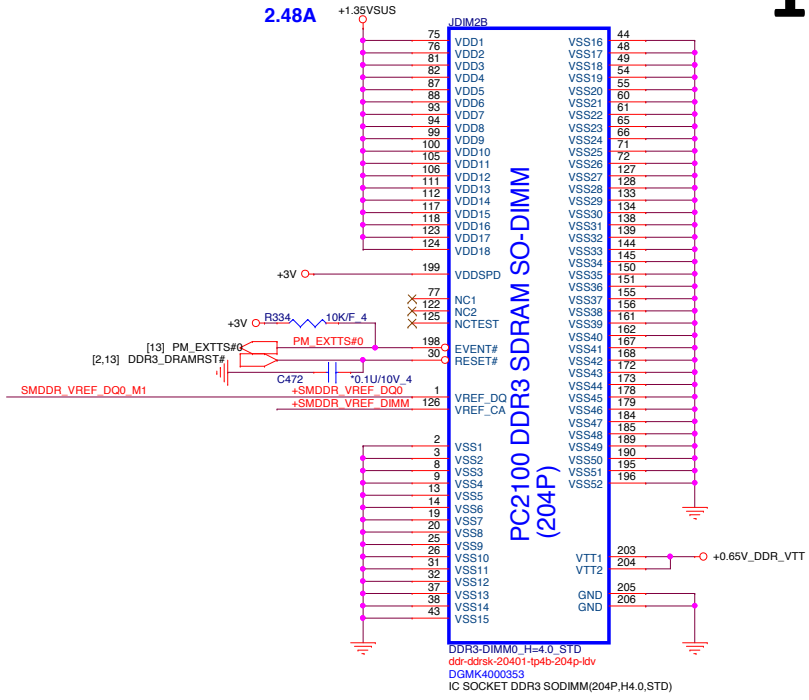
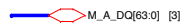
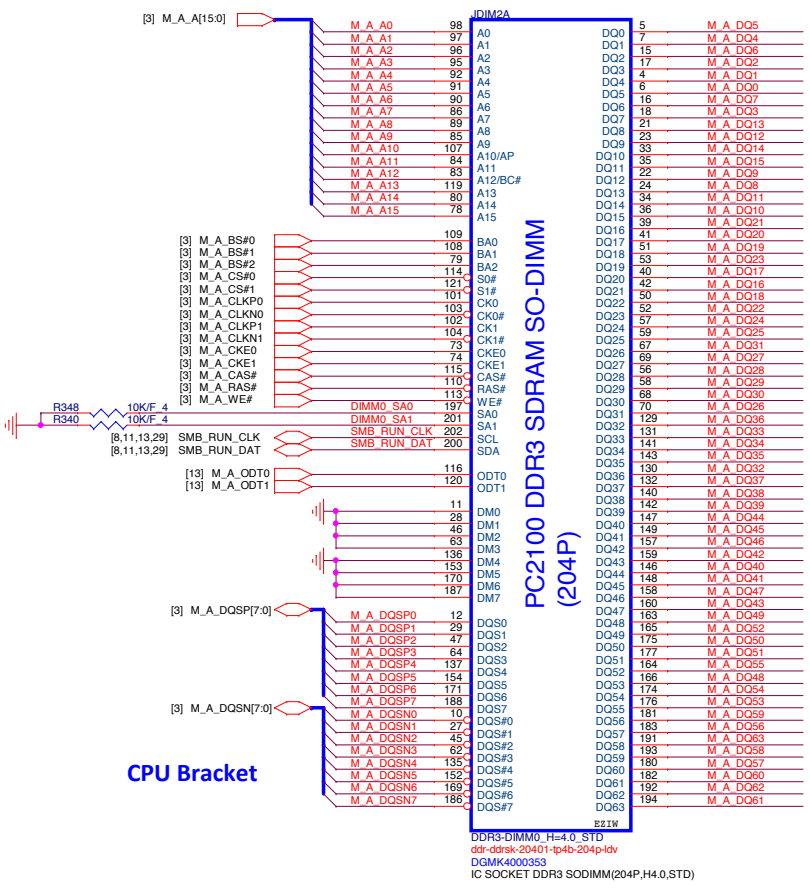
**PROJECT : Y11C**  
**Quanta Computer Inc.**

Size Document Number  
**HSW XDP & APS**

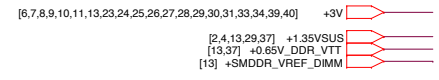
Date: Tuesday, September 02, 2014 | Sheet 11 of 44

NB5 Rev 1A

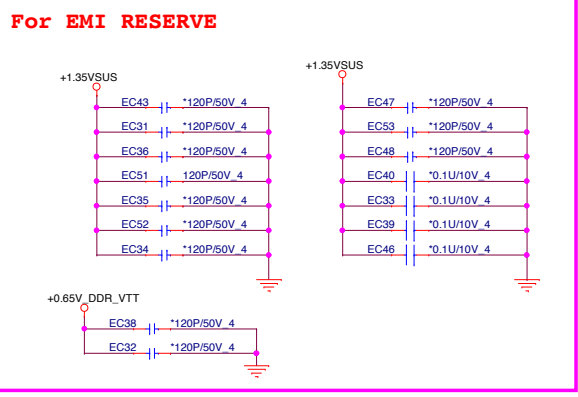
**DIMM & Footprint 同Joshua提供**



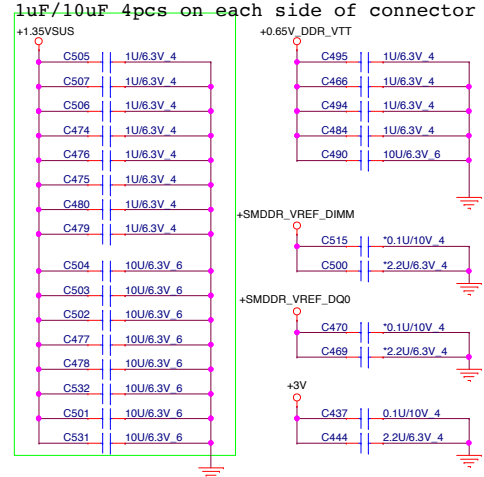
DDR3-DIMM0\_H=4.0 STD  
 ddr-dim3k-20401-tp4b-204p-tdv  
 DGMK4000353  
 IC SOCKET DDR3 SODIMM(204P,H4.0,STD)



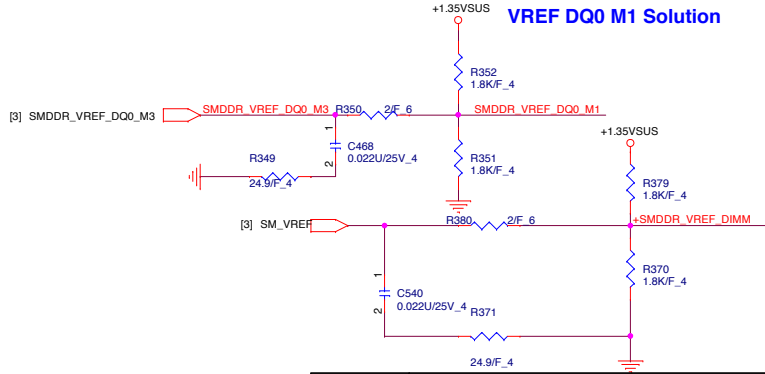
**CPU Bracket**



**Place these Caps near So-Dimm0.**



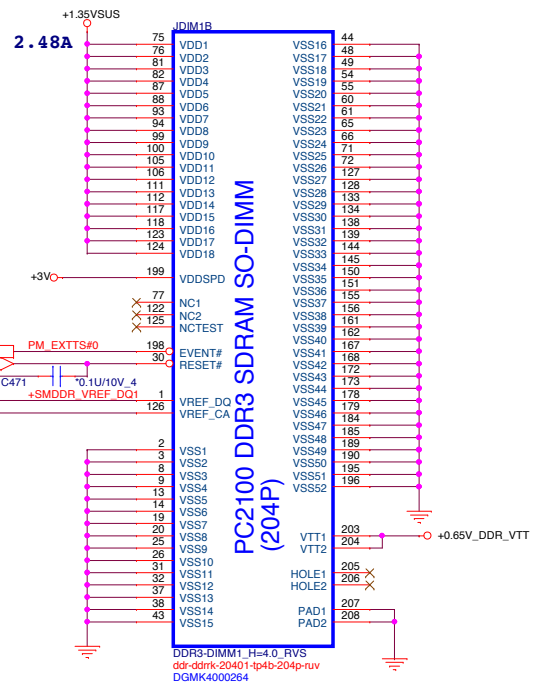
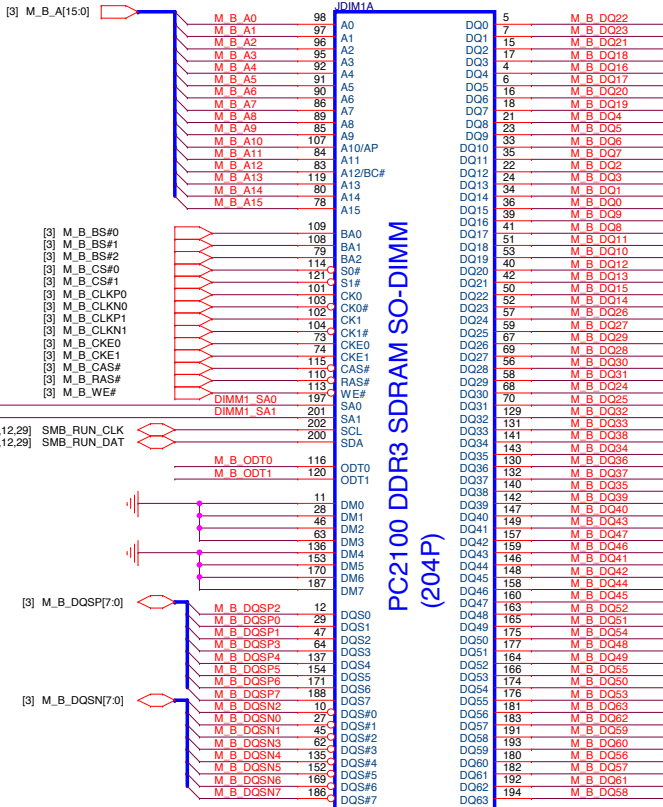
**VREF DQ0 M1 Solution**



	<b>PROJECT : Y11C</b>		Date: Tuesday, September 02, 2014   Sheet 12 of 44
	Quanta Computer Inc.		
	Size Custom	Document Number DDR3 DIMM0-STD(4.0H)	

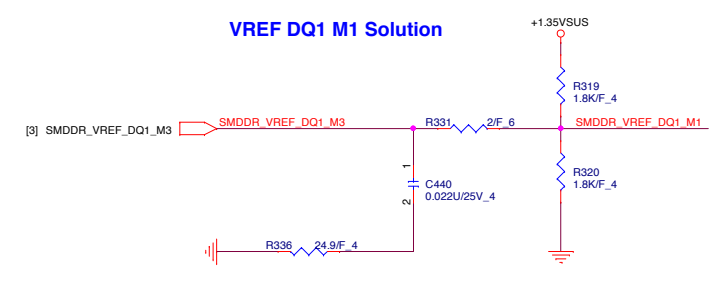
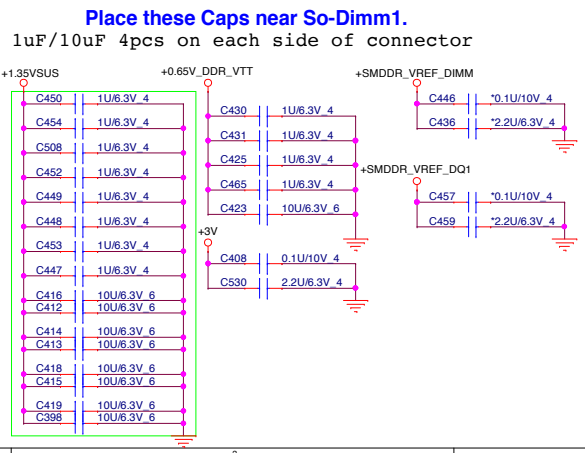
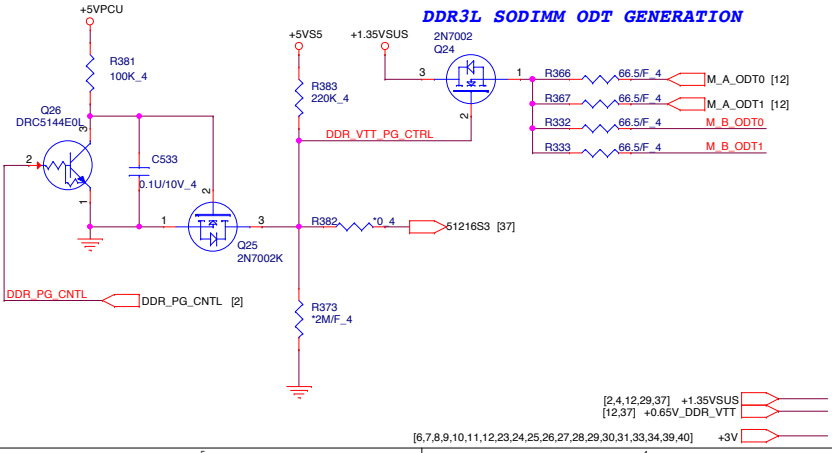
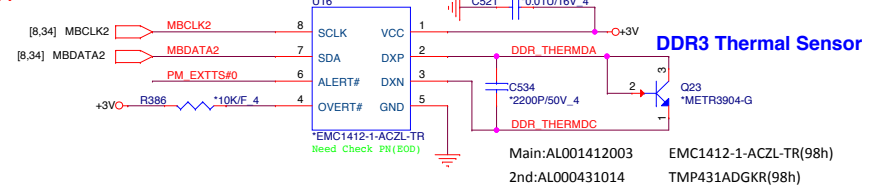
**DIMM & Footprint 同Joshua提供**

M\_B\_DQ[63:0] [9]




**Local Thermal Sensor**


**mv可移除**




**PROJECT : Y11C**  
**Quanta Computer Inc.**

Size Custom	Document Number	Rev 1A
	<b>DDR3 DIMM1-RV5(4.0H)</b>	
Date: Tuesday, September 02, 2014	Sheet	13 of 44

	<b>PROJECT :Y05</b> Quanta Computer Inc.		
	Size Custom	Document Number <b>N15S-GT (PCIE I/F) /NVDD</b>	Rev 2A
	Date: Tuesday, September 02, 2014   Sheet 14 of 44		

	<b>PROJECT :Y05</b>	
	Quanta Computer Inc.	
	Size Custom	Document Number <b>N15S-GT (MEMORY/GND)</b>
Date: Tuesday, September 02, 2014   Sheet 15 of 44		

	<b>PROJECT :Y05</b> Quanta Computer Inc.		
	Size Custom	Document Number <b>N15S-GT (DISPLAY)</b>	Rev 2A
	Date: Tuesday, September 02, 2014   Sheet 16 of 44		



1 2 3 4 5 6 7 8

A

A

B

B

C

C

D


D


1 2 3 4 5 6 7 8



**PROJECT :Y05**  
Quanta Computer Inc.

Size Custom	Document Number <b>N15S-GT (GPIO/STRAPS)</b>	Rev 2A
Date: Tuesday, September 02, 2014   Sheet 17 of 44		


	<b>PROJECT :U82</b>	
	Quanta Computer Inc.	
	Size Custom	Document Number <b>N14M-GS (PCIE /F) /NVDD</b>
Date: Tuesday, September 02, 2014   Sheet 18 of 44		


	<b>PROJECT :U82</b> Quanta Computer Inc.		
	Size Custom	Document Number <b>N14M-GS (MEMORY/GND)</b>	Rev 2A
	Date: Tuesday, September 02, 2014   Sheet 19 of 44		



**PROJECT :U82**  
Quanta Computer Inc.

Size Custom	Document Number <b>N14M-GS (DISPLAY)</b>	Rev 2A
Date: Tuesday, September 02, 2014   Sheet 20 of 44		

	<b>PROJECT :U82</b>	
	Quanta Computer Inc.	
	Size Custom	Document Number <b>N14M-GS (GPIO/STRAPS)</b>
Date: Tuesday, September 02, 2014   Sheet 21 of 44		

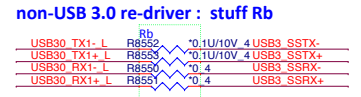
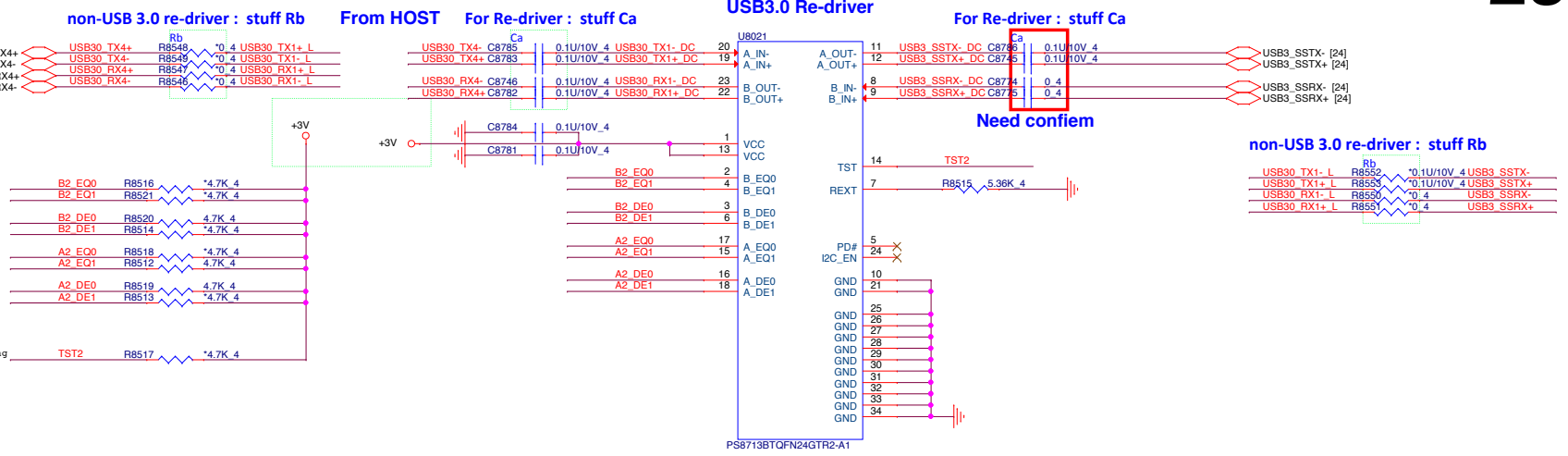
	<b>PROJECT :U82</b>	
	Quanta Computer Inc.	
	Size Custom	Document Number <b>DGPU Memory (DDR3)</b>
Date: Tuesday, September 02, 2014   Sheet 22 of 44		

USB 3.0 re-driver for 3D Camera

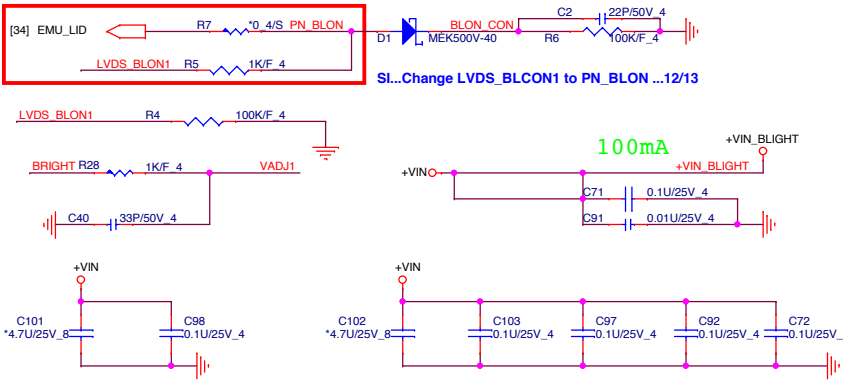
AEQ 9.5db / ADE 3.5db  
 BEQ 13db / BDE 5db / REXT 5.36K

A_EQ1	A_EQ0	A_DE1	A_DE0
B_EQ1	B_EQ0	B_DE1	B_DE0
0	0	9.5dB	0
0	1	13dB	0
1	0	4.5dB	1
1	1	7.5dB	1

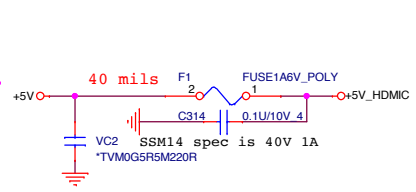
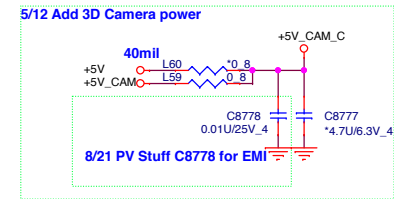
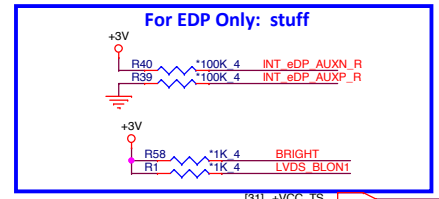
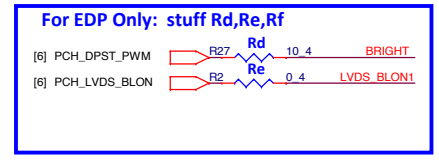
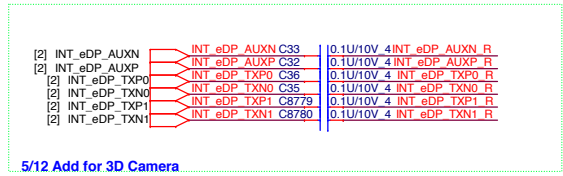
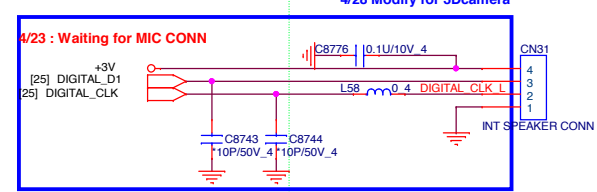
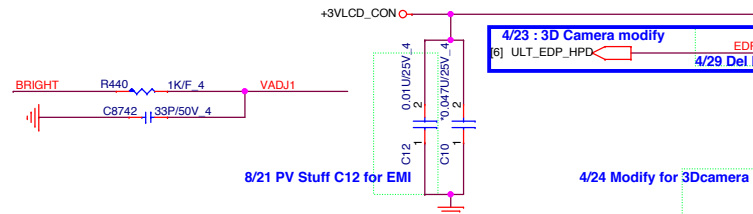
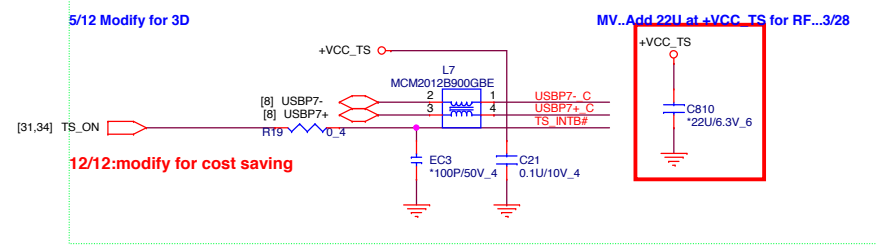
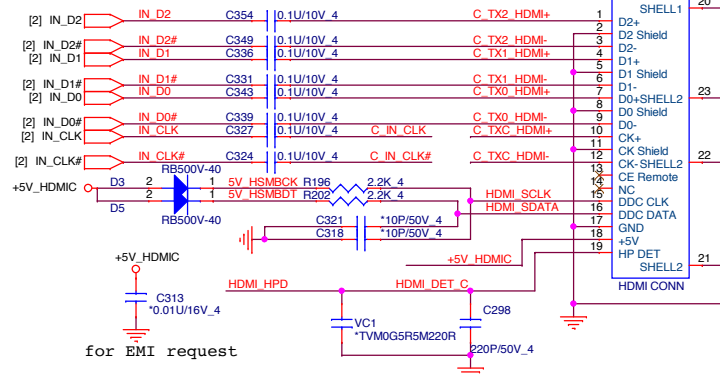
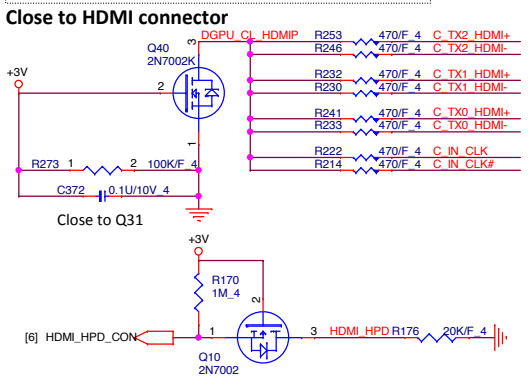
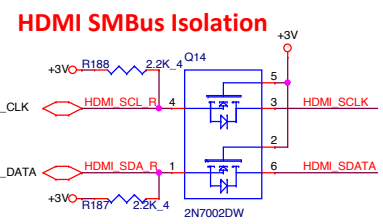
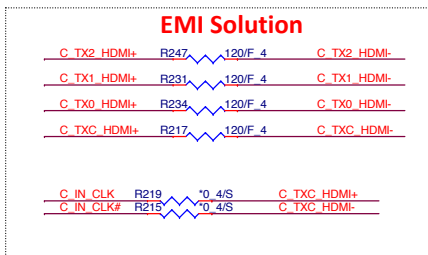
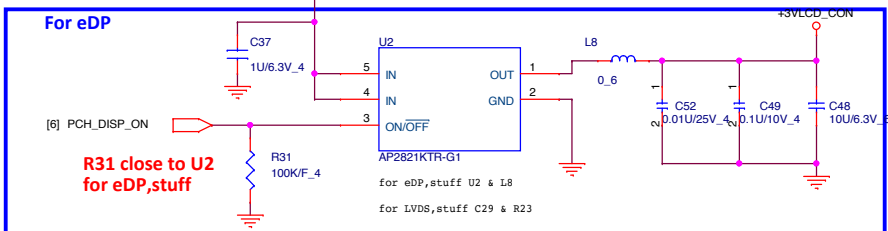
TST : Low = Normal LFPS swing / Hight =Turn down LFPS swing



# LID Switch



5/12 Modify for 3D

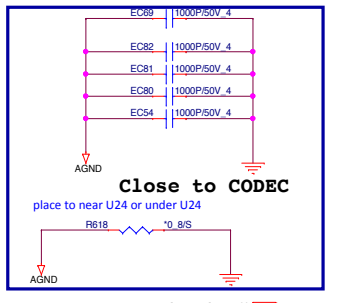
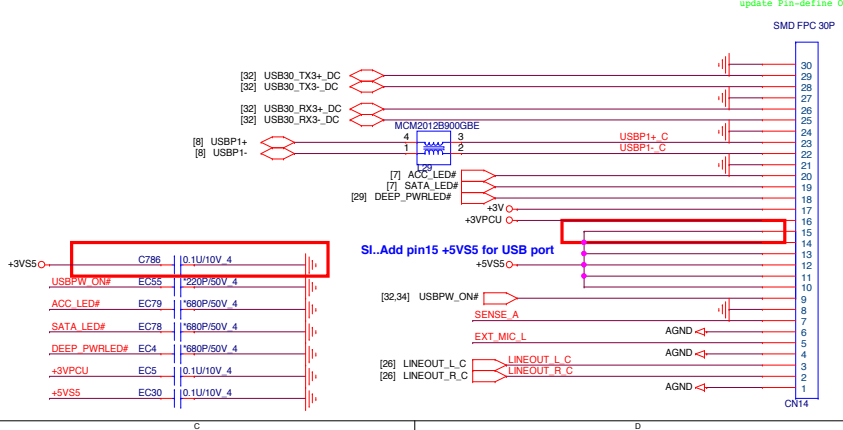
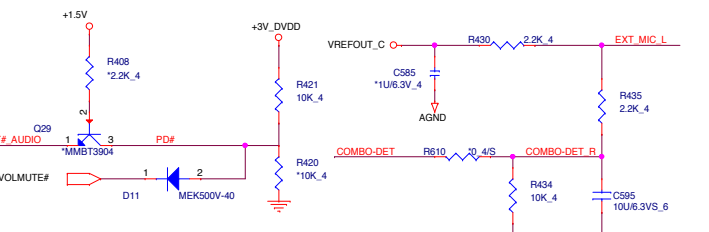
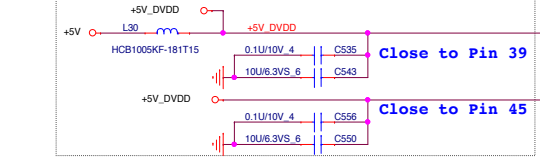
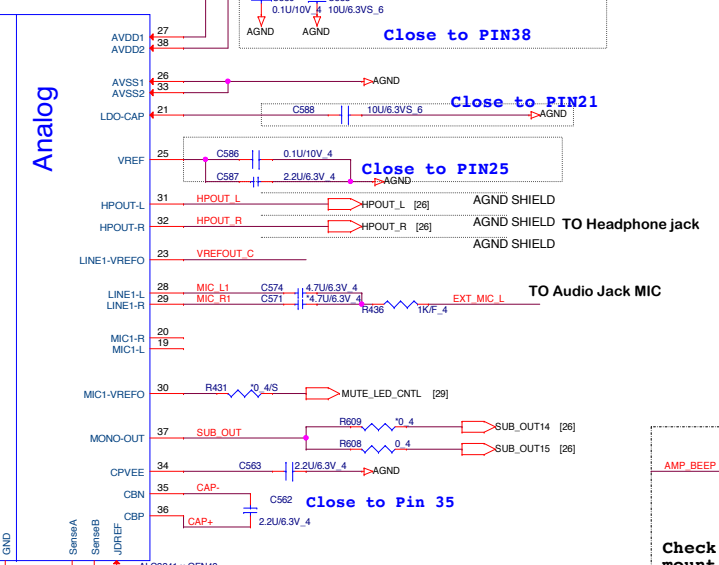
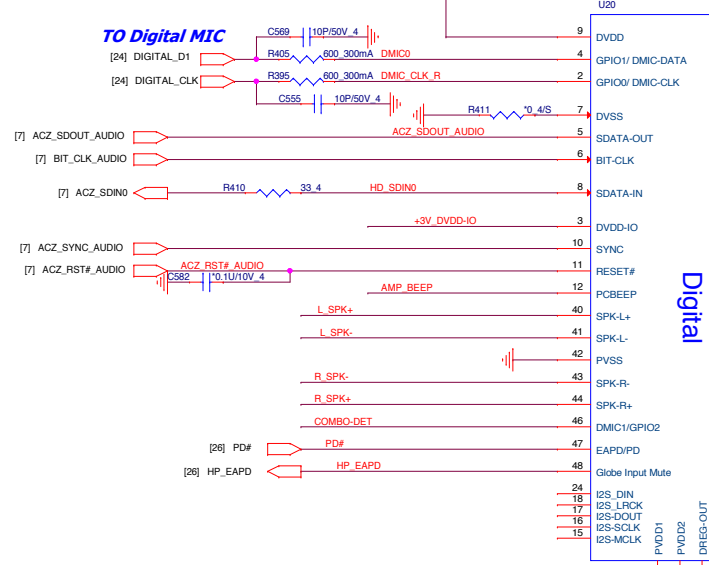
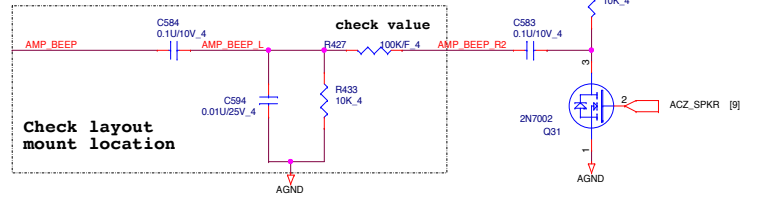
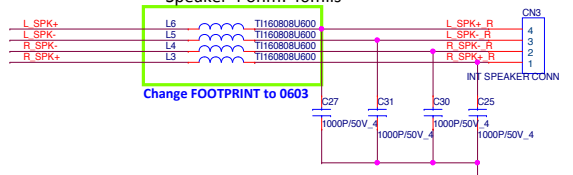
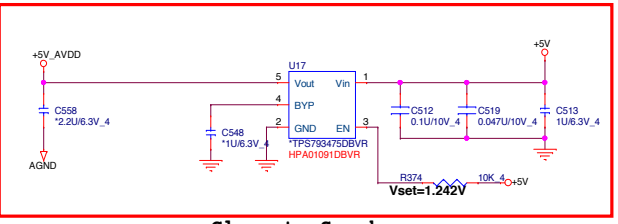
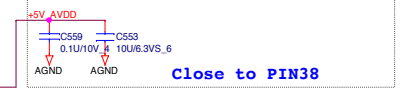
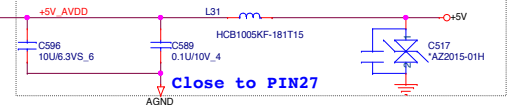
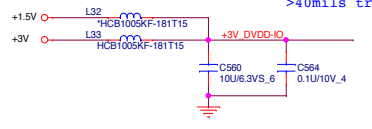
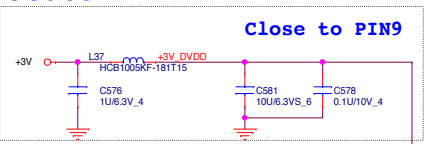


**PROJECT : Y11C**  
**Quanta Computer Inc.**

Size Custom Document Number **LCD CONN/LID/CAM/D-MIC** Rev 1A

Date: Tuesday, September 02, 2014 Sheet 24 of 44





**PROJECT : Y11C**

**Quanta Computer Inc.**

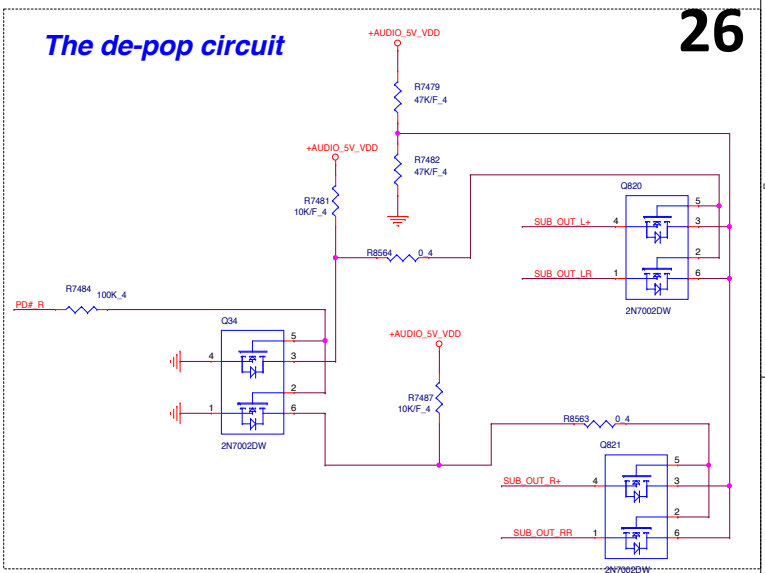
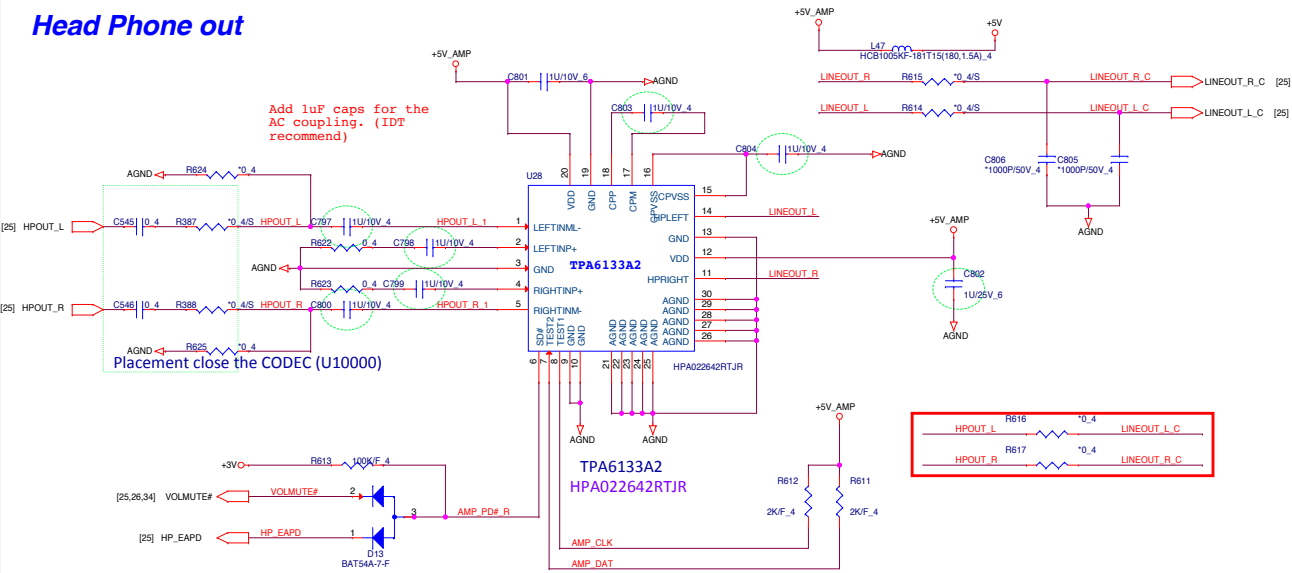
**NB5**

**Audio Codec**

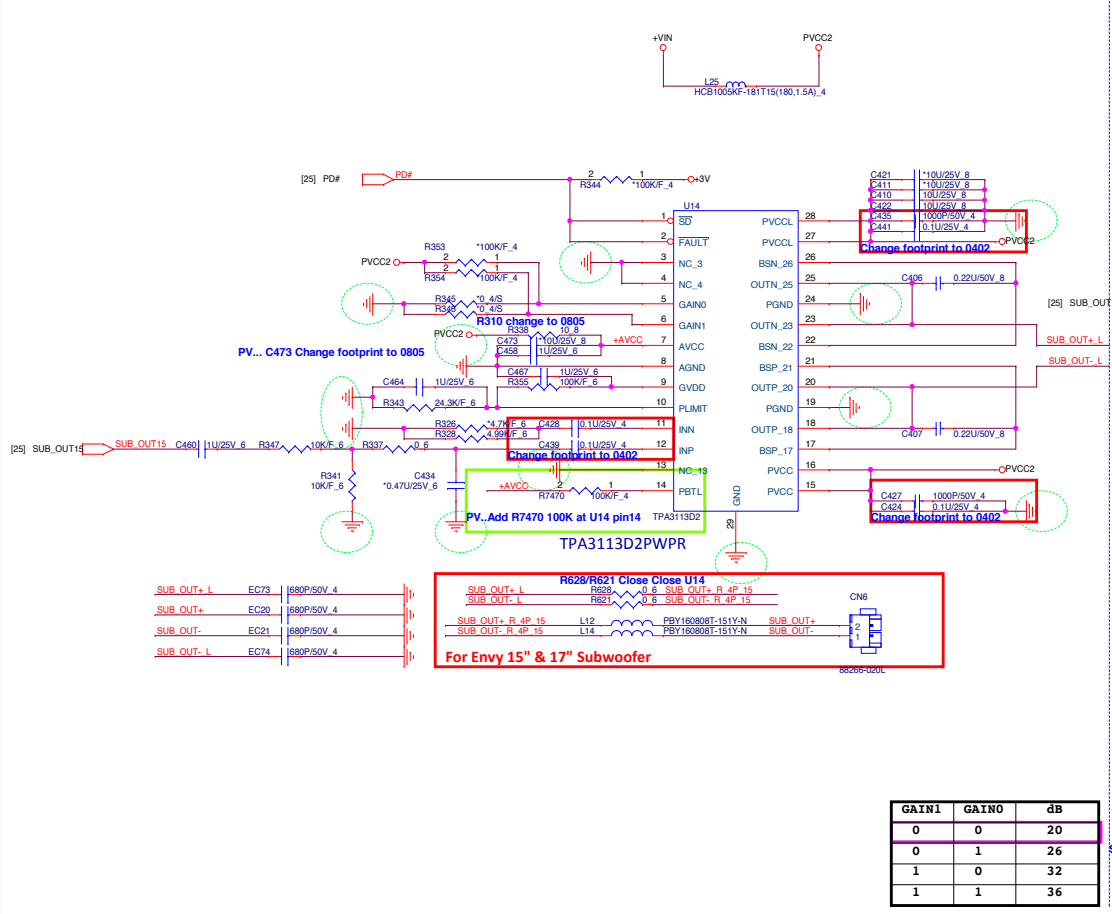
Size Custom Document Number Audio Codec Rev 1A

Date: Tuesday, September 02, 2014 Sheet 25 of 44

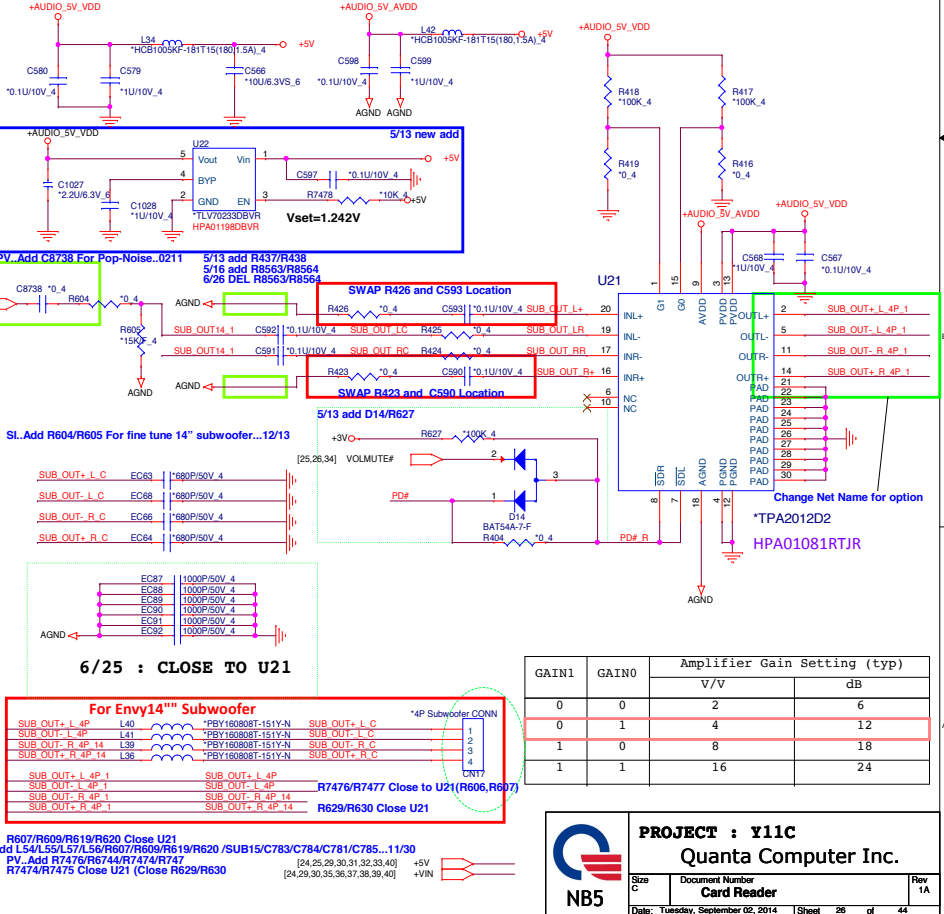
# Head Phone out



# For Envy 15" & 17" Subwoofer



# For Pavilion 15" Subwoofer(Reserve)For Envy14" Subwoofer

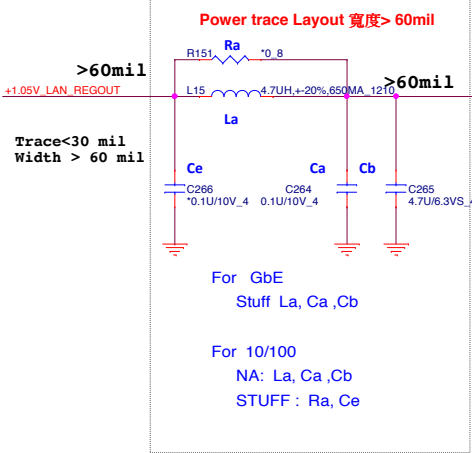
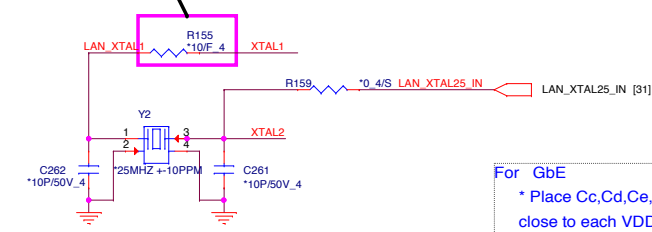


**PROJECT : Y11C**  
**Quanta Computer Inc.**

Size C Document Number Card Reader Rev 1A

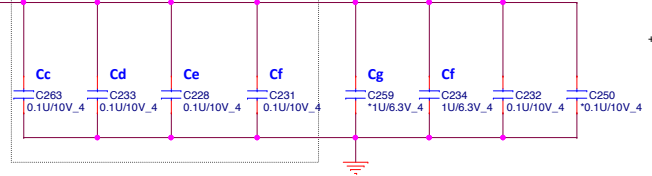
Date: Tuesday, September 02, 2014 Sheet 26 of 44

For EMI 0 - 22 ohm



For GbE  
\* Place Cc,Cd,Ce,Cf,C232  
close to each VDD10 pin-- 3, 22, 8, 30

For 10/100 NA Ce,Cf  
\* Place Ce, Cf, C250  
close to each VDD10 pin-- 8, 30 only,

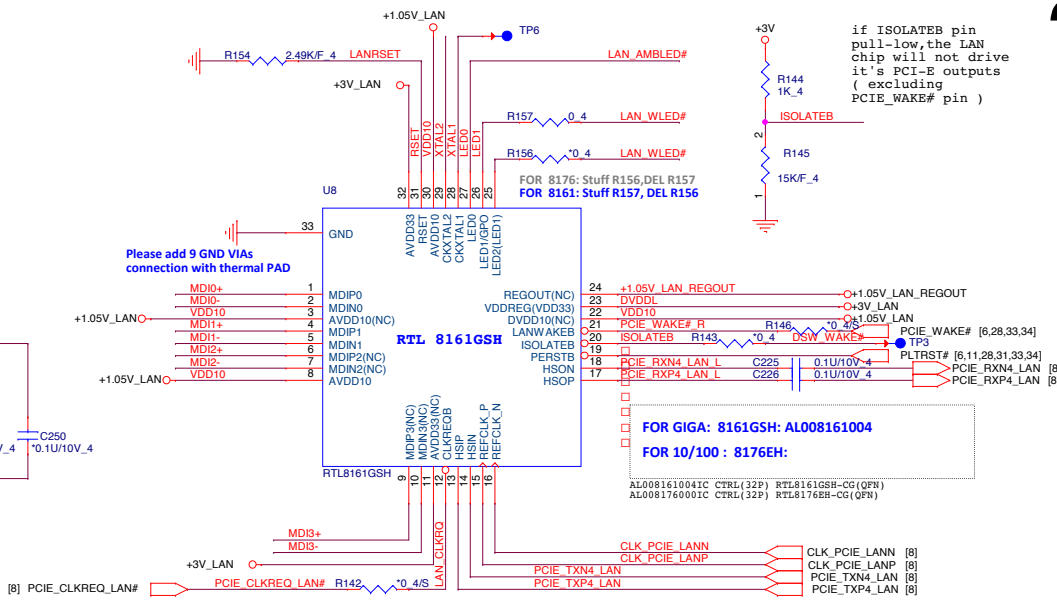
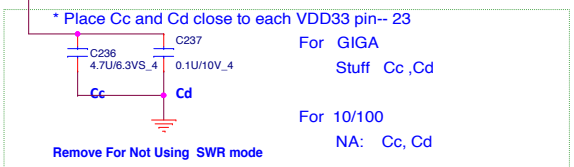
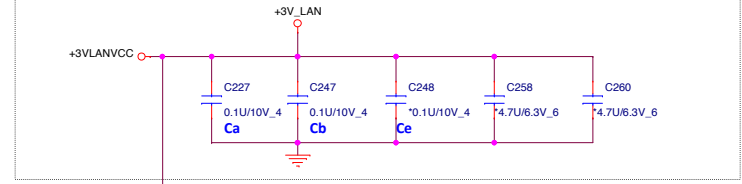


For GbE  
\* Place Cf close to each VDD10 pin-- 22 (reserve)

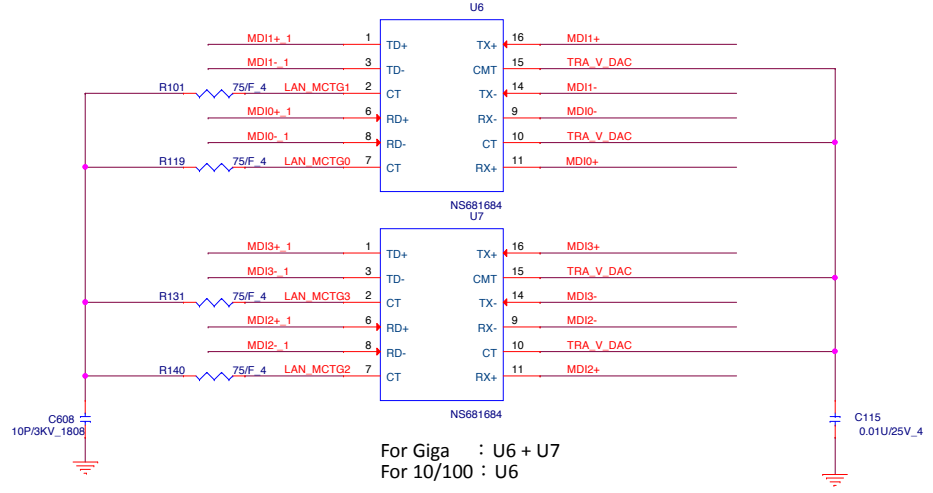
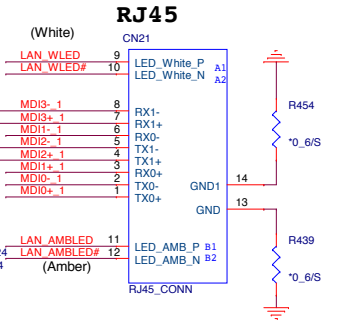
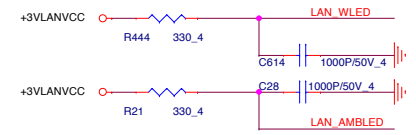
For 10/100  
\* Place Cg close to each VDD10 pin-- 30 (reserve)

For 10/100  
\* Stuff Cb and Ce only, close to each VDD33 pin-- 23, 32

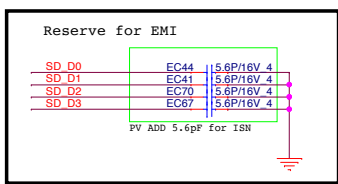
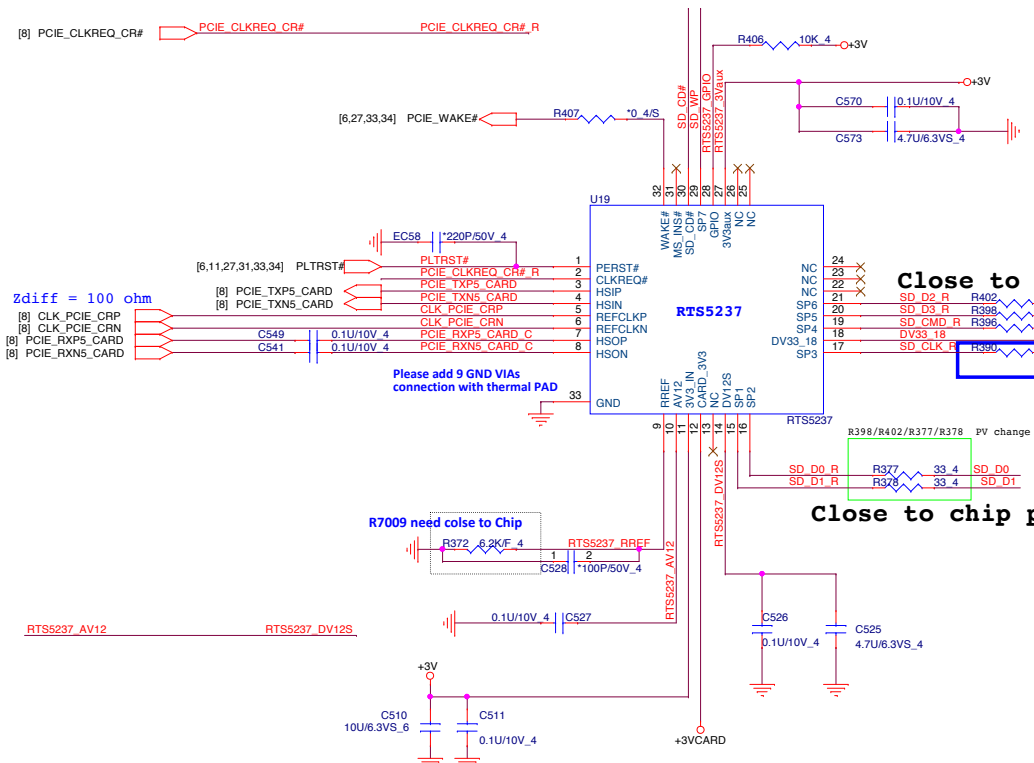
For GIGA  
\* Stuff Ca and Cb only, close to each VDD33 pin-- 11, 32



if ISOLATEB pin pull-low, the LAN chip will not drive it's PCI-E outputs ( excluding PCIE\_WAKE# pin )



	<b>PROJECT : Y11C</b>		
	<b>Quanta Computer Inc.</b>		
	Size Custom	Document Number LAN RTL8161GSH /RJ45 conn	Rev 1A
Date: Tuesday, September 02, 2014   Sheet 27 of 44			



SP1	SD D1	MS D1
SP2	SD D0	MS D0
SP3	SD CLK	MS D0
SP4	SD CMD	MS D2
SP5	SD D3	MS D3
SP6	SD D2	MS CLK
SP7	SD WP	MS_BS

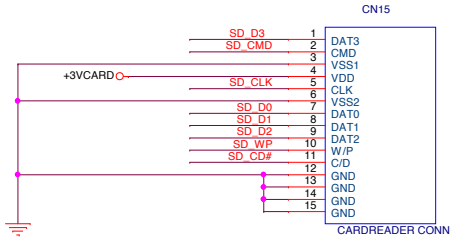
Share Pin  
SD / MMC

Close to chip pin

Close to chip pin

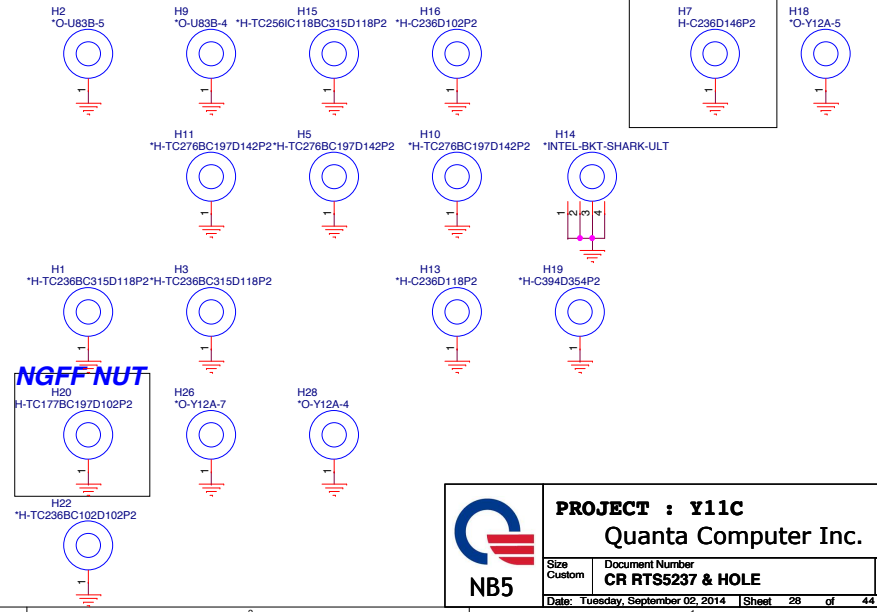
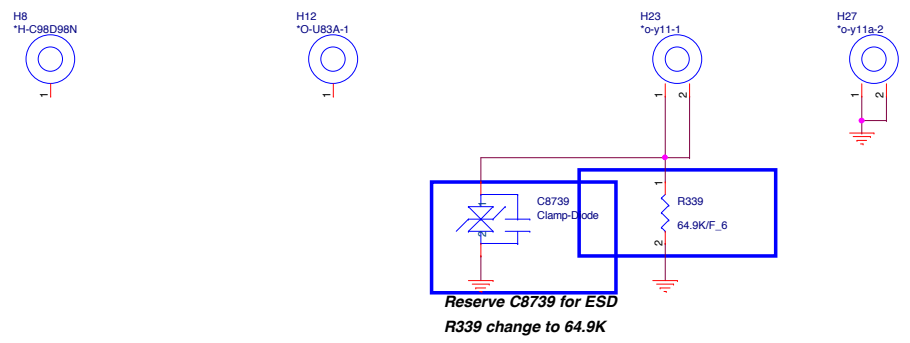
CLOSE CONN

CARD READER



R6x Type

Thermal Nut

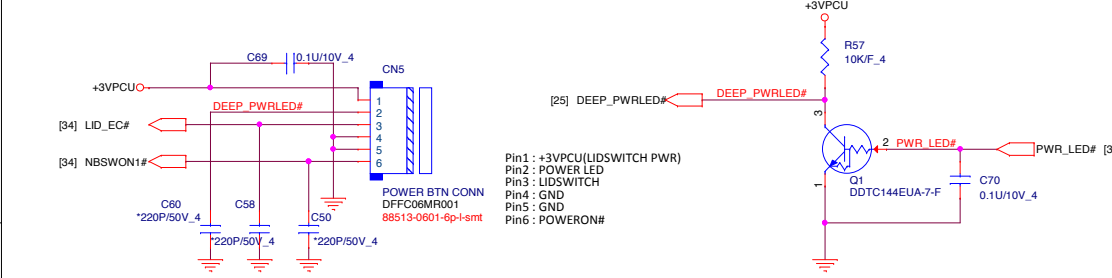


**PROJECT : Y11C**  
**Quanta Computer Inc.**

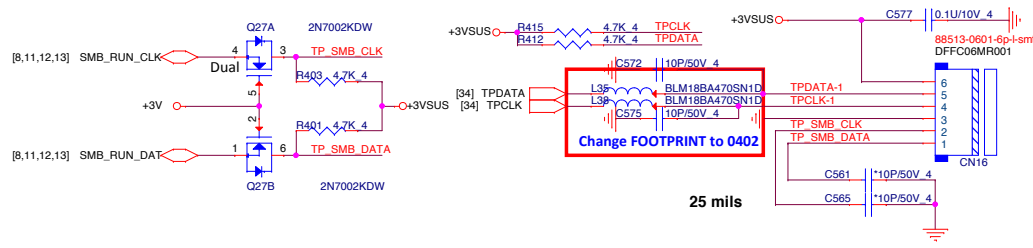
Size Custom	Document Number	Rev 1A
<b>CR RTS5237 &amp; HOLE</b>		
Date: Tuesday, September 02, 2014   Sheet 28 of 44		

NB5

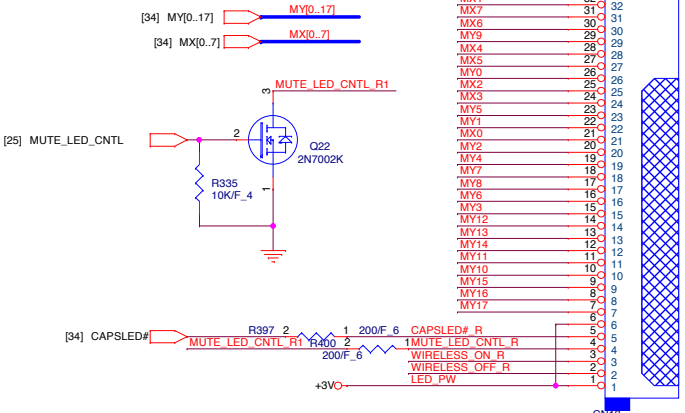
**Power Button Connector**



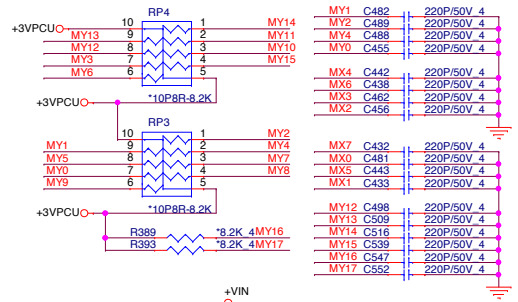
**Touch Pad Connector**



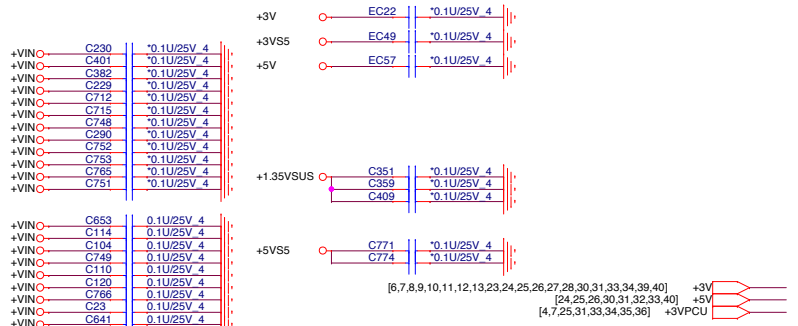
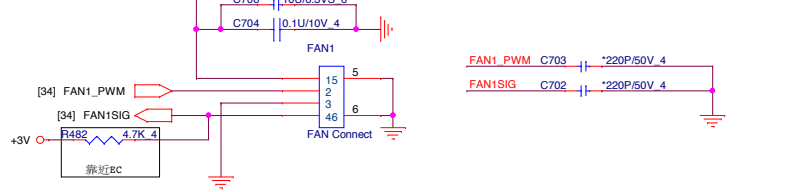
**KEYBOARD Con.**



**KEYBOARD PULL-UP**



**FAN**

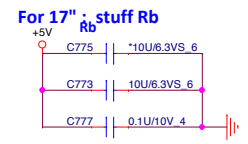
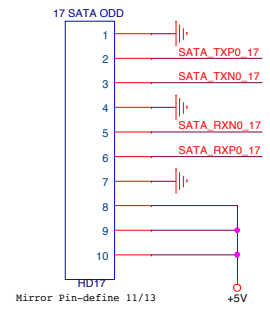
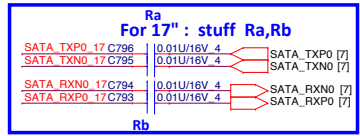


**PROJECT : Y11C**  
**Quanta Computer Inc.**

Size Custom Document Number PB/TP/KB/FAN/EMI Cap Rev 1A  
 Date: Tuesday, September 02, 2014 Sheet 29 of 44

HDD

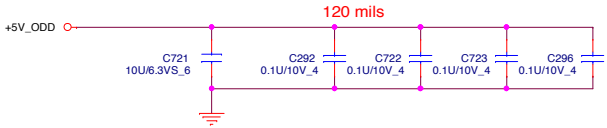
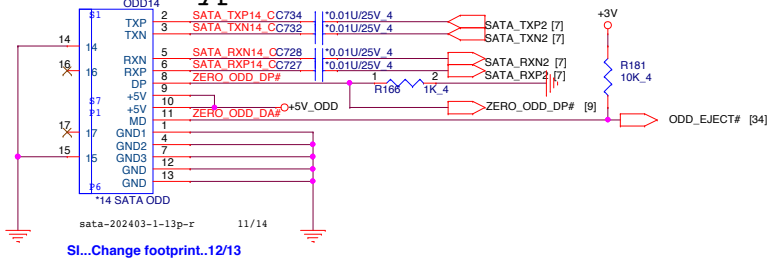
SATA HDD Connector(Cable type) 15.6"



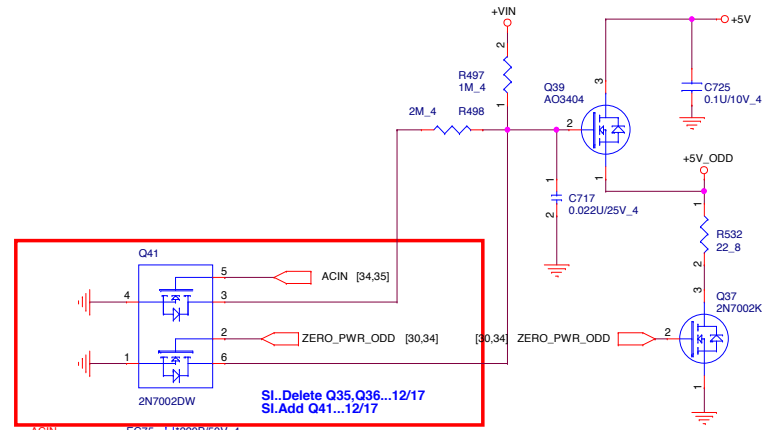
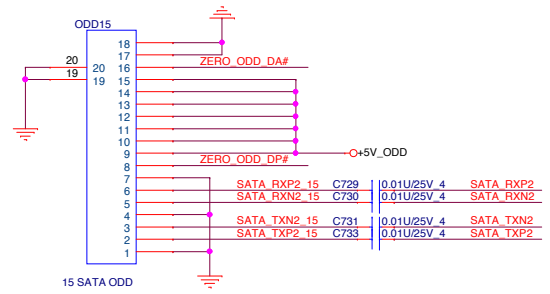
SATA ODD CONNECTOR

14" SATA ODD

Bypass CAP close conn



15" SATA ODD



High : ODD power down  
Low : ODD power on

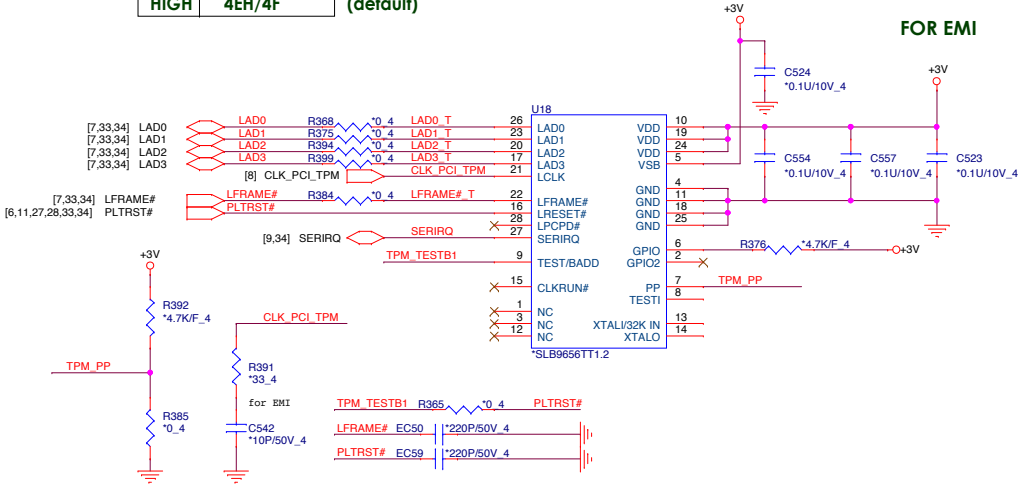
	<b>PROJECT : Y11C</b>	
	Quanta Computer Inc.	
	Size Custom	Document Number
HDMI		
Date: Tuesday, September 02, 2014   Sheet 30 of 44		

# Accelerometer Sensor

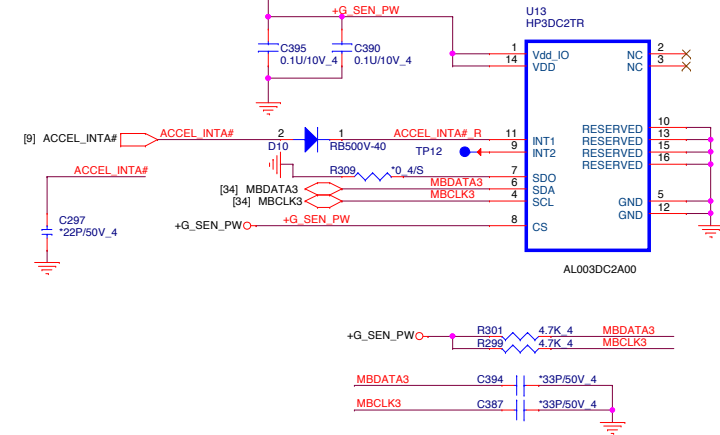
# TPM (1.2)

Address

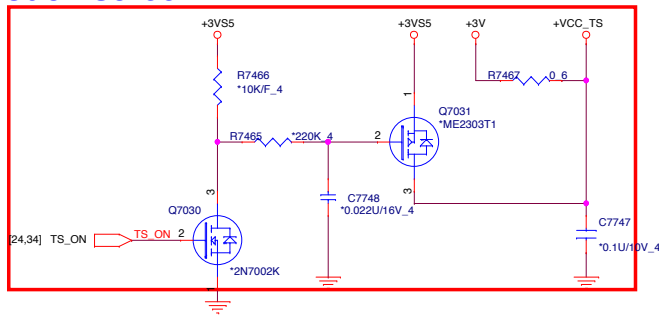
	BADD
HIGH	4EH/4F (default)



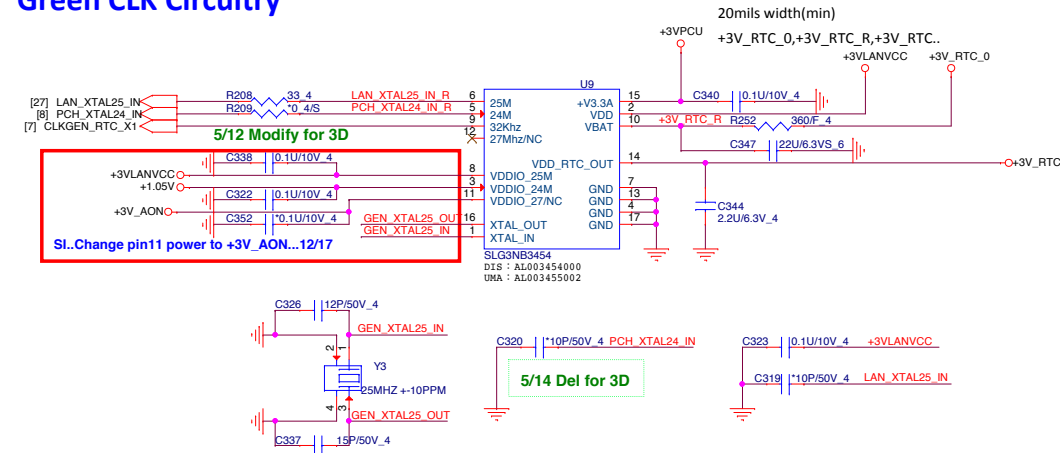
沿用u82



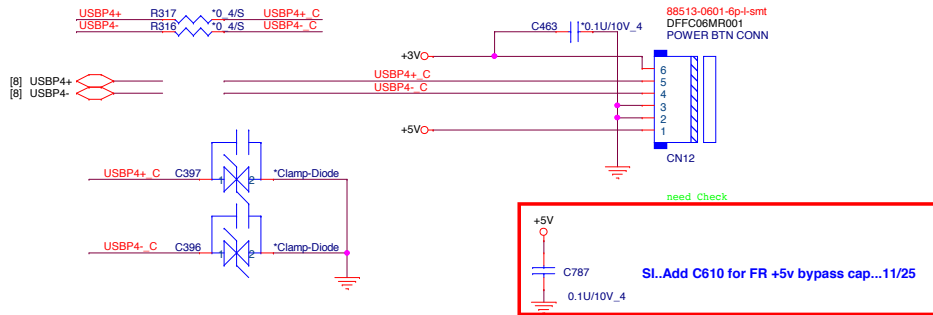
# Touch screen



# Green CLK Circuitry



# Fingerprint Conn

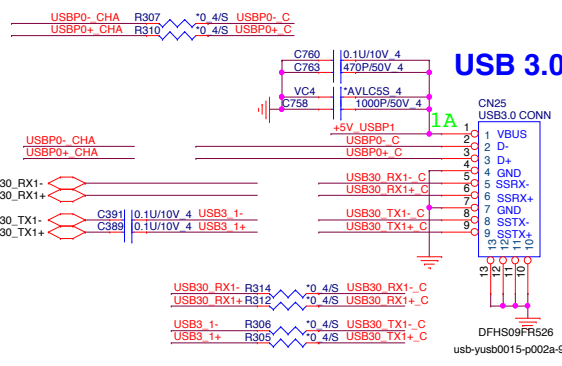
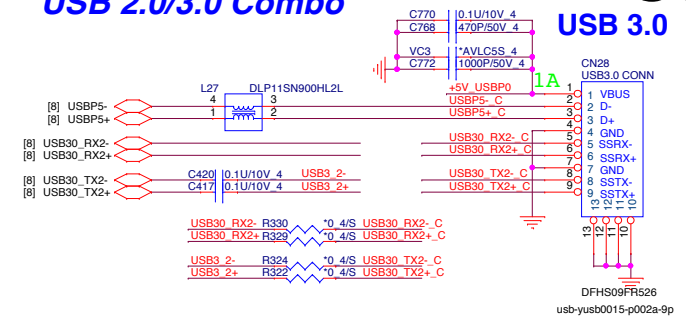


**PROJECT : Y11C**  
**Quanta Computer Inc.**

Size	Document Number	Rev
Custom	TPM/G-Sensor/G-CLK/TS/FP	1A

Date: Tuesday, September 02, 2014 | Sheet 31 of 44

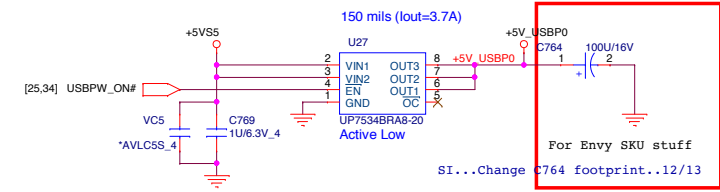
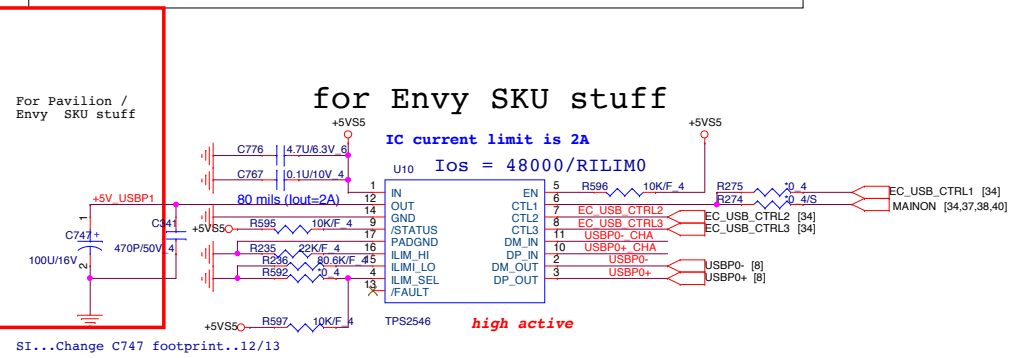
USB 2.0/3.0 Combo



if Envy SKU, non-staff



For Pavilion / Envy SKU stuff

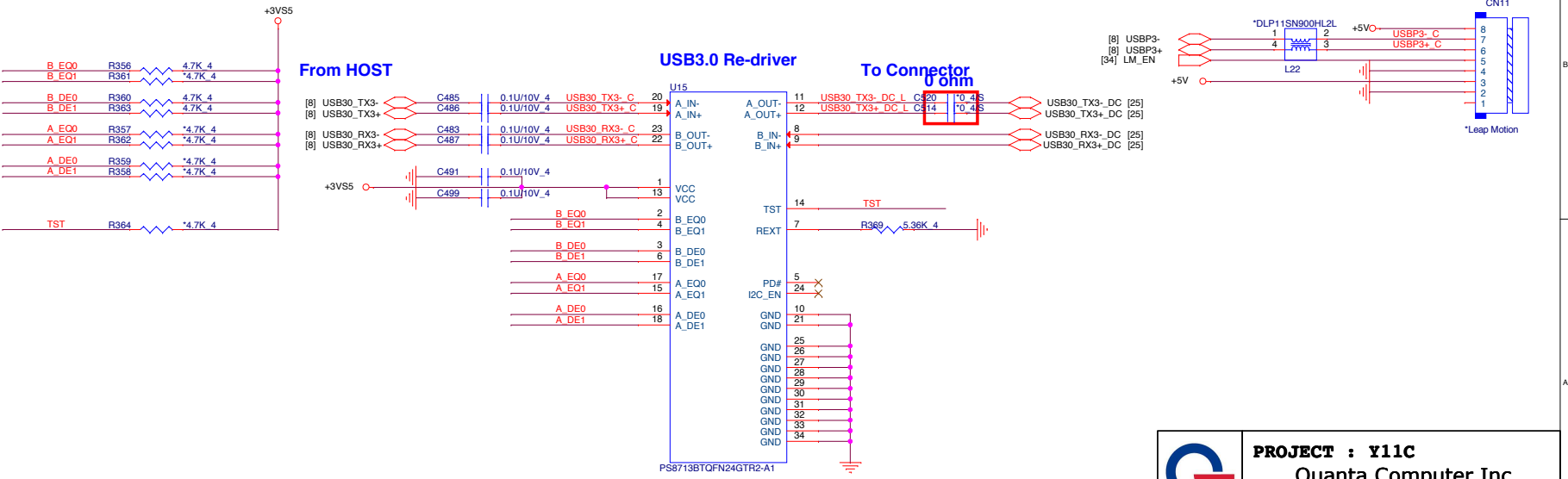


Right-Side USB3.0 Re-Driver

AEQ 9.5db / ADE 3.5db  
BEQ 13db / BDE 5db / REXT 5.36K

A_EQ1	A_EQ0	A_DE1	A_DE0	B_EQ1	B_EQ0	B_DE1	B_DE0
0	0	9.5dB	0	0	0	3.5dB	
0	1	13dB	0	1	0	no de-emphasis	
1	0	4.5dB	1	0	0	2.7dB	
1	1	7.5dB	1	1	1	5dB	

TST : Low = Normal LFPS swing / High =Turn down LFPS swing

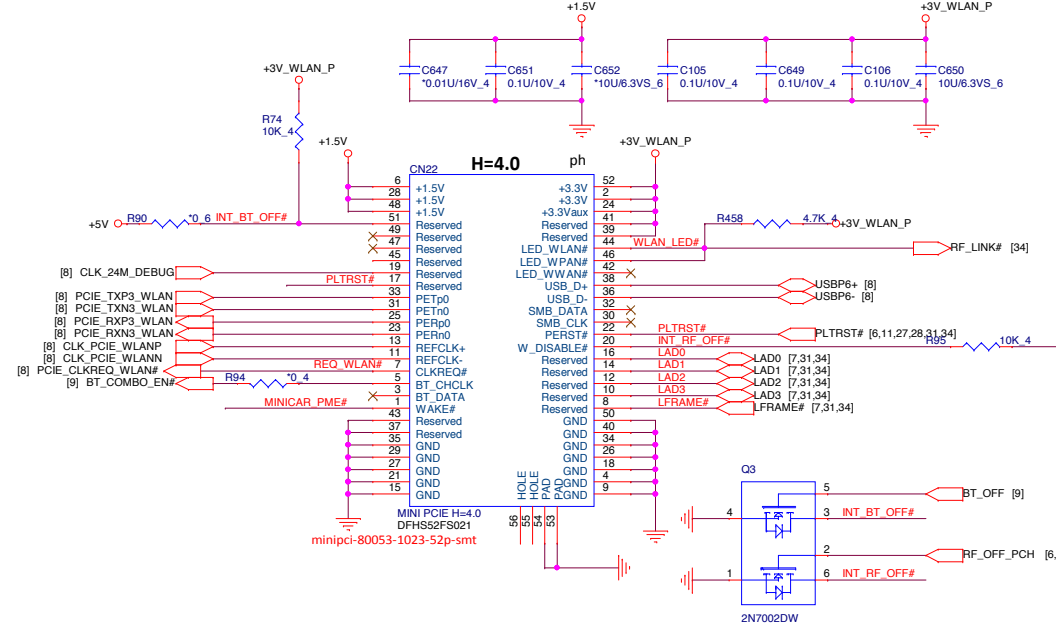


**PROJECT : Y11C**  
**Quanta Computer Inc.**

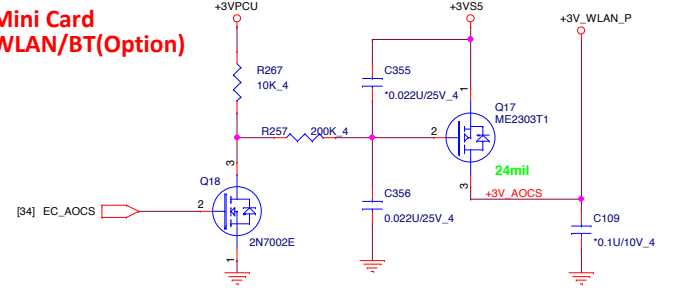
Size Custom Document Number **USB 3.0** Rev 1A

Date: Tuesday, September 02, 2014 | Sheet 32 of 44

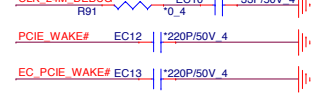




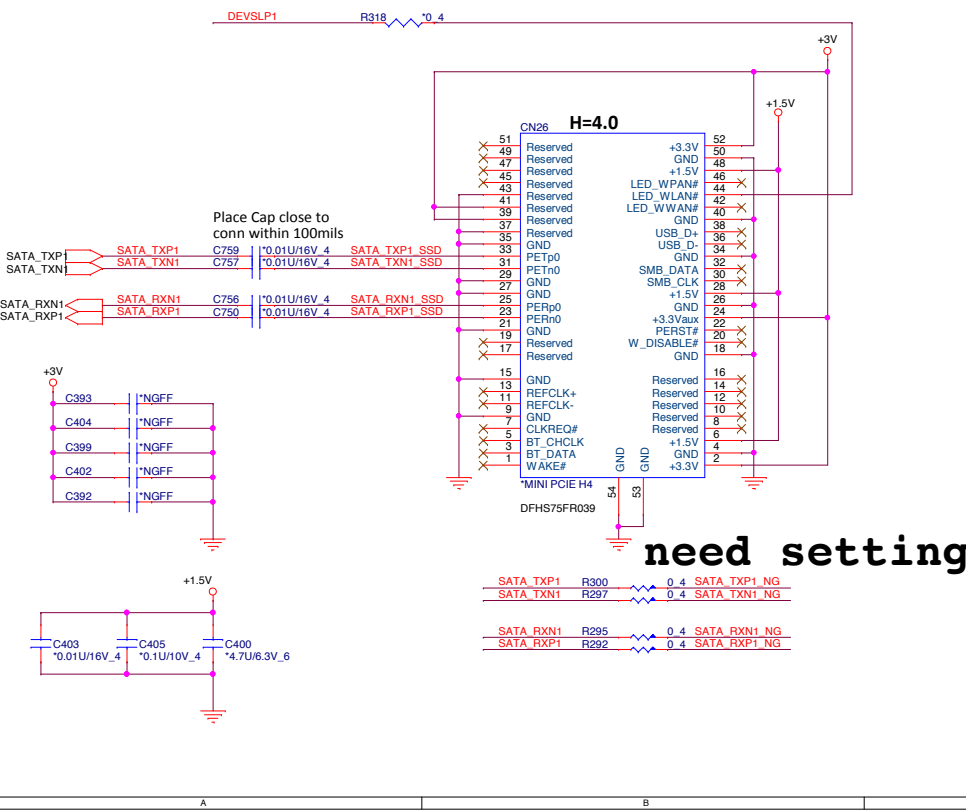
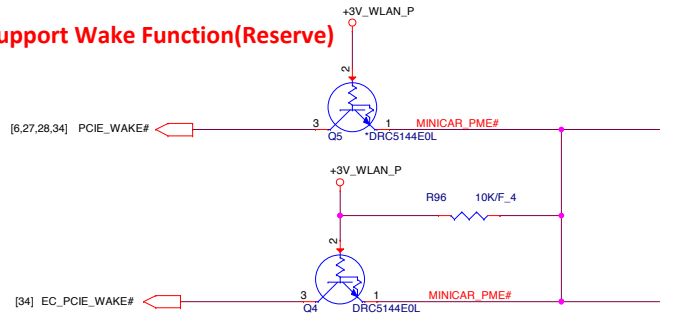
Mini Card WLAN/BT(Option)



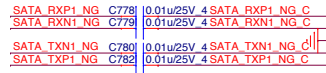
For EMI Suggestion



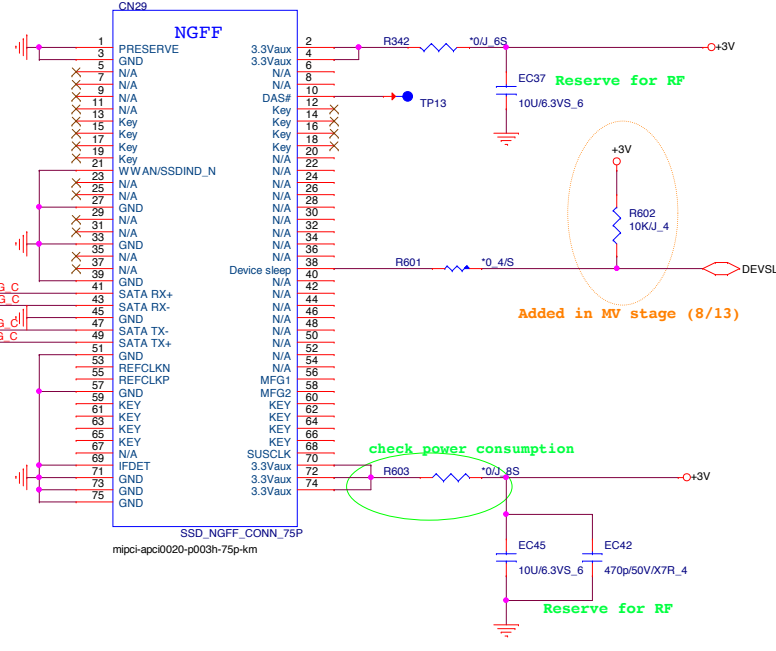
Support Wake Function(Reserve)



NGFF-SSD



need setting

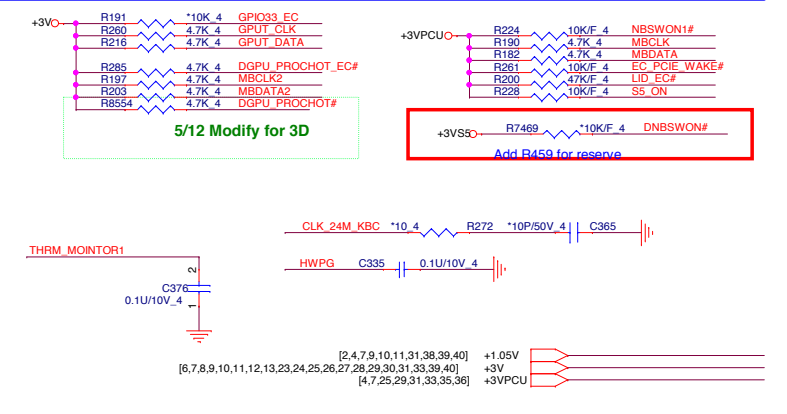
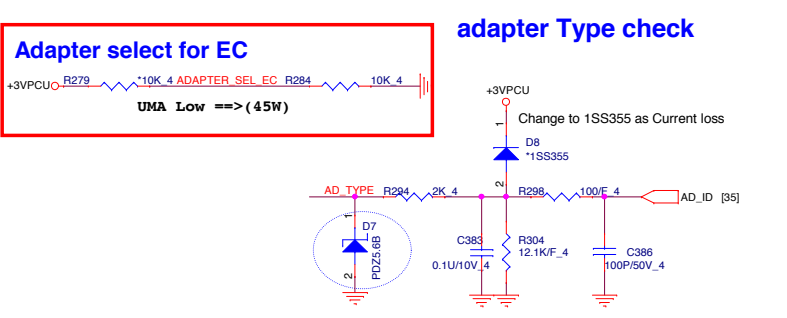
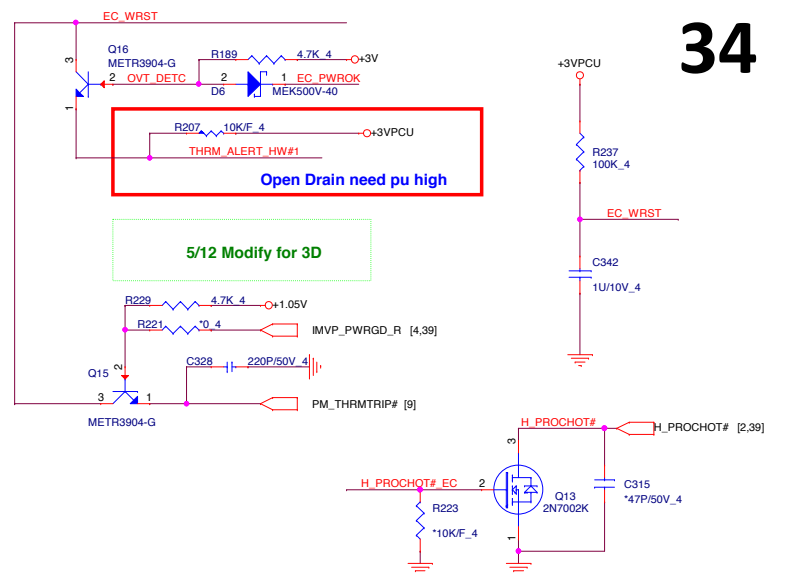
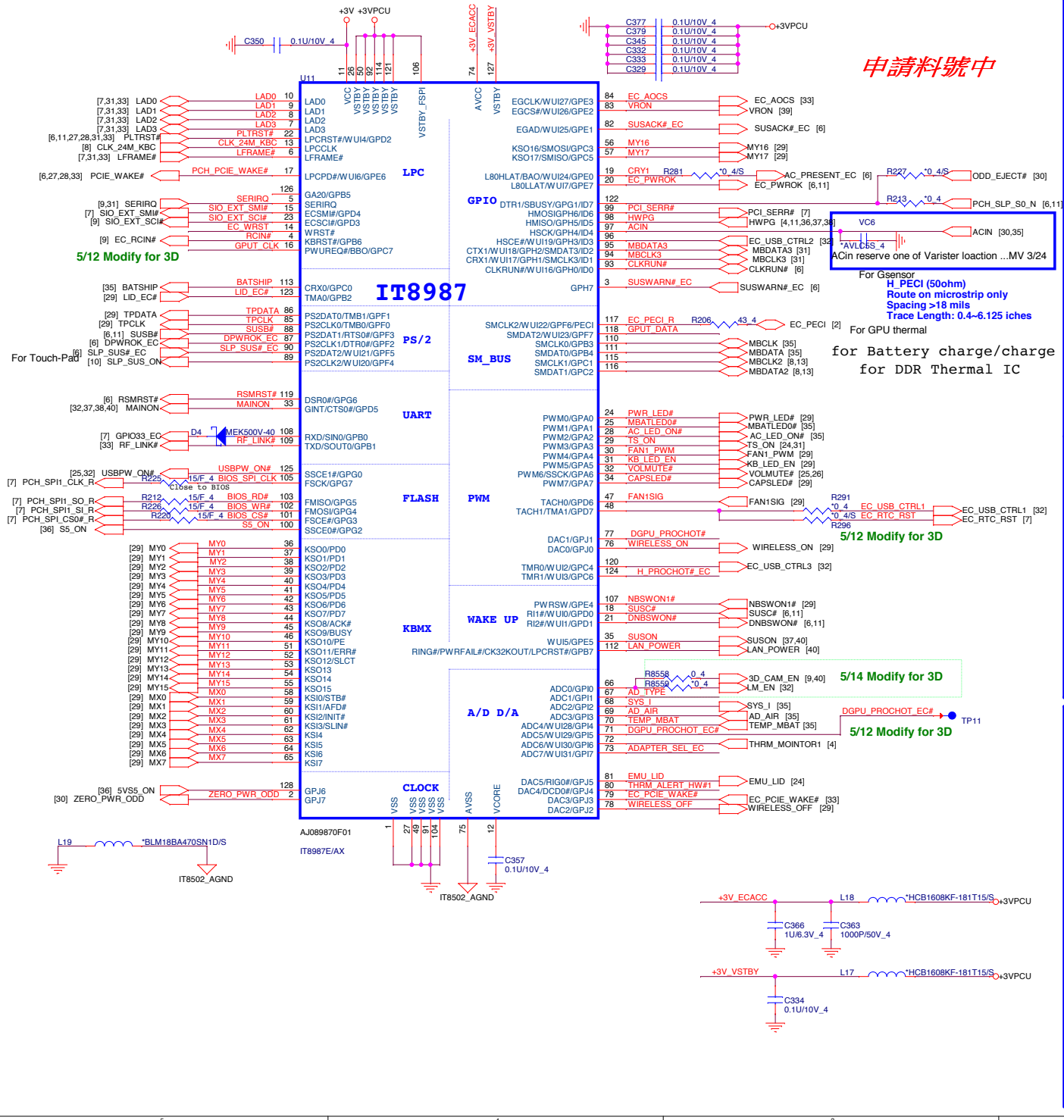


**PROJECT : Y11C**  
**Quanta Computer Inc.**

Size Custom    Document Number **WLAN/NGFF/MSATA**    Rev 1A

Date: Tuesday, September 02, 2014    Sheet 33 of 44

申請料號中



For Gsensor  
H\_PECI (50ohm)  
Route on microstrip only  
Spacing >18 mils  
Trace Length: 0.4-6.125 inches

For GPU thermal  
for Battery charge/charge  
for DDR Thermal IC

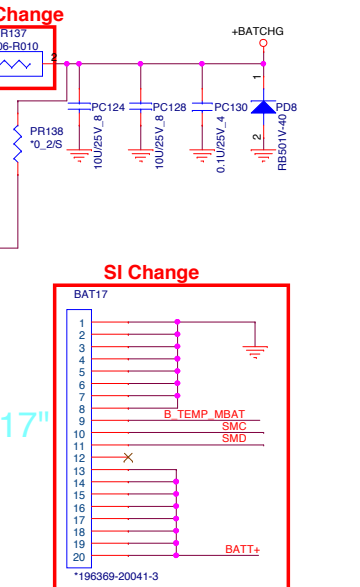
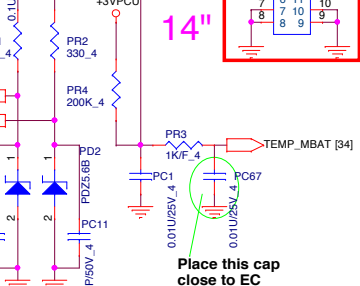
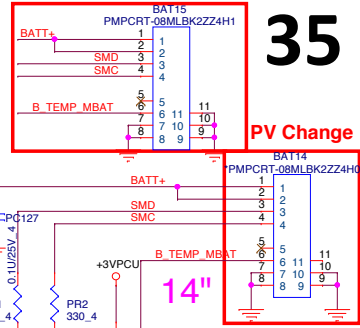
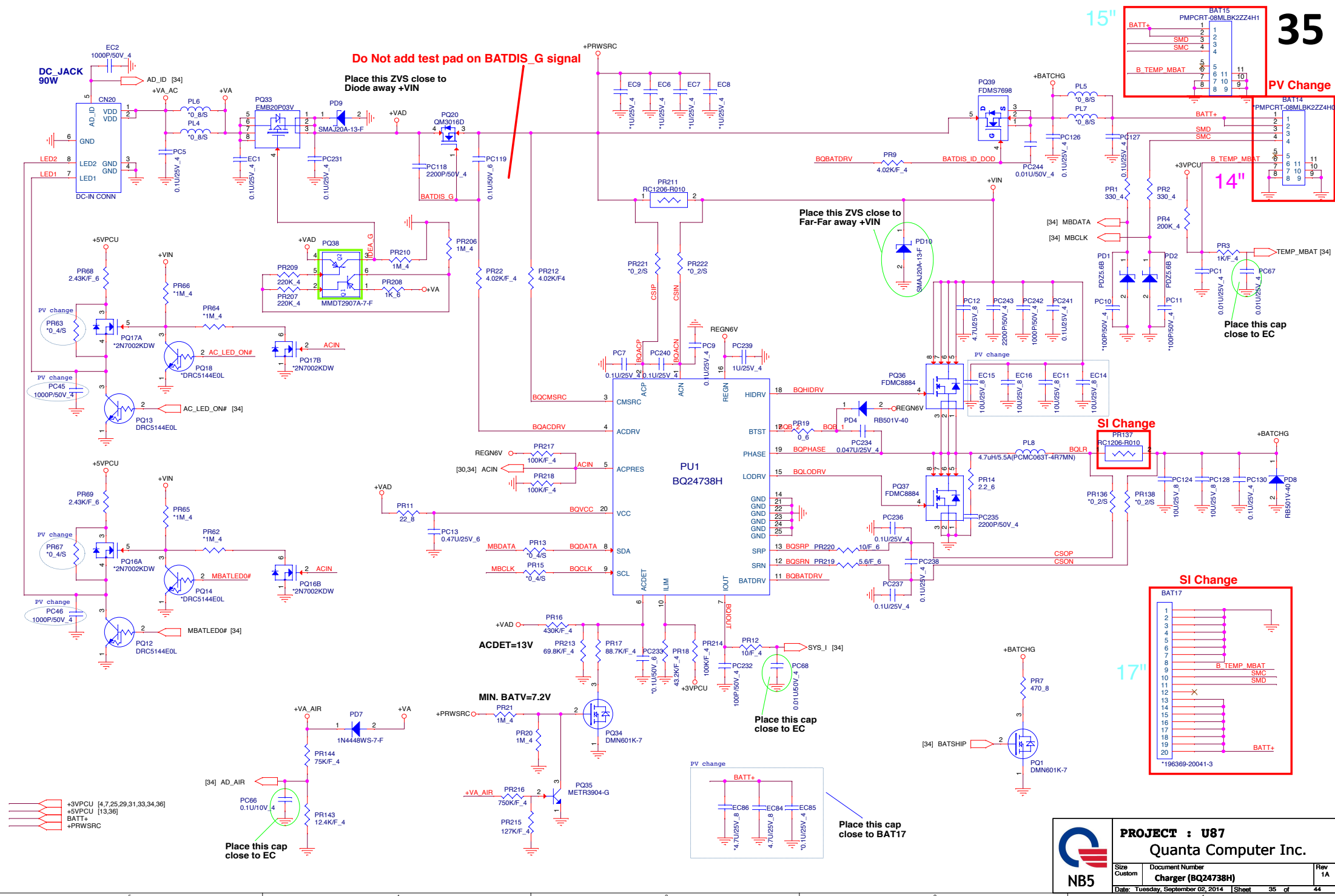
UMA Low ==> (45W)

Change to 1SS355 as Current loss

**PROJECT : Y11C**  
**Quanta Computer Inc.**

Size Custom | Document Number **WLAN/G-Sensor/G-CLK/TS** | Rev 1A

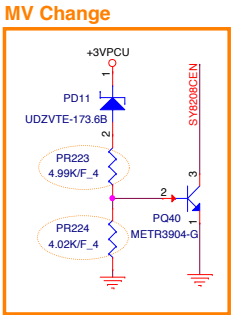
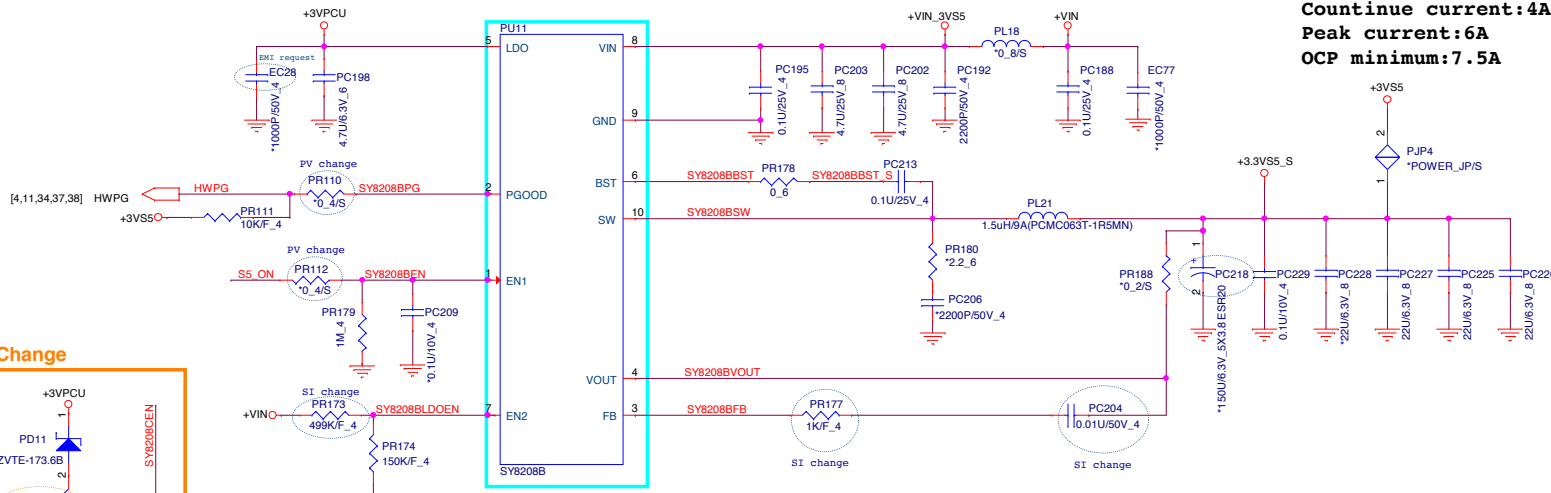
Date: Tuesday, September 02, 2014 | Sheet 34 of 44



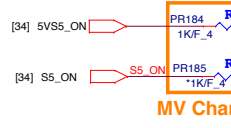
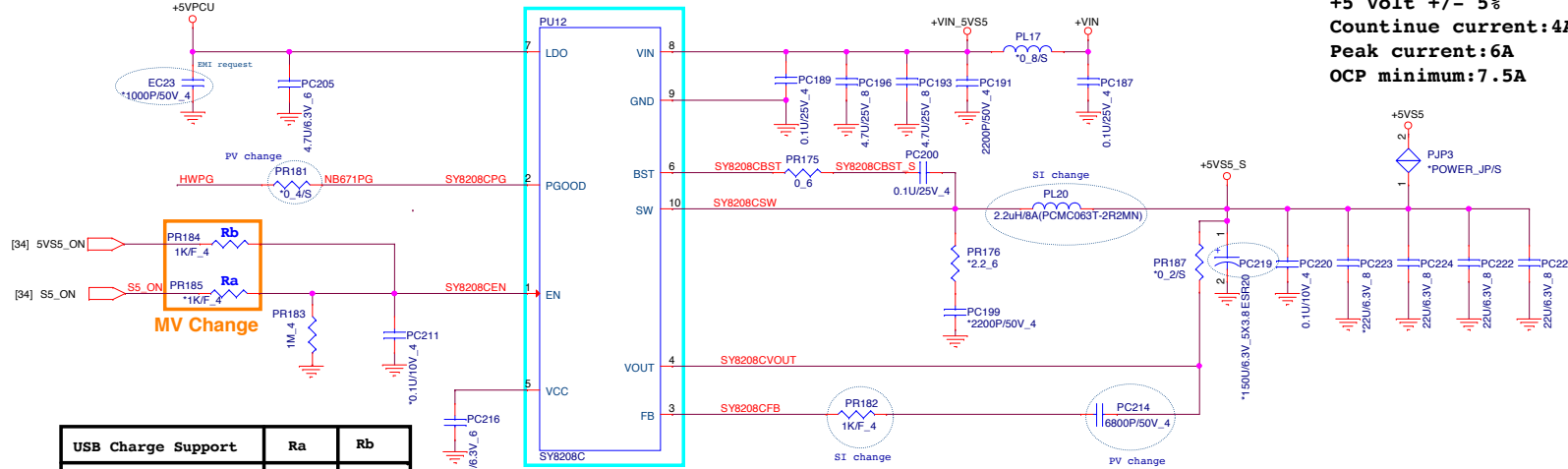
DC/DC +3VS5/+5VS5

**+3.3 Volt +/- 5%**  
**Countinue current:4A**  
**Peak current:6A**  
**OCP minimum:7.5A**

+3VS5 [6,7,9,10,11,25,29,31,32,33,34,38,40]  
 +5VS5 [13,25,29,32,37,38,39,40]

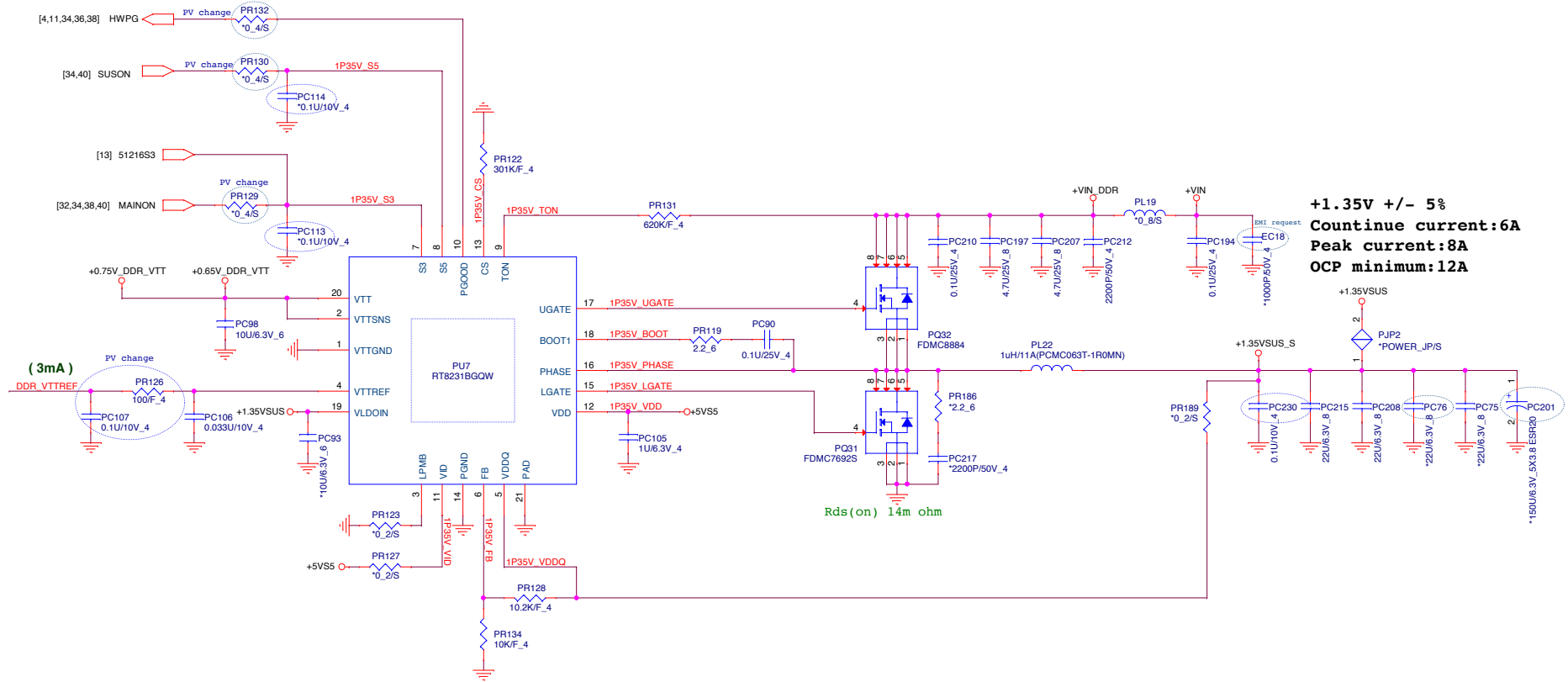


**+5 Volt +/- 5%**  
**Countinue current:4A**  
**Peak current:6A**  
**OCP minimum:7.5A**



USB Charge Support	Ra	Rb
VINE (No support)	Stuff	NA
ENVY (Support)	NA	Stuff


	<b>PROJECT : R63</b> Quanta Computer Inc.		
	Size Custom	Document Number <b>3/5VPCU(RT8243A)</b>	Rev 1A
	Date Tuesday, September 02, 2014	Sheet 36 of 44	

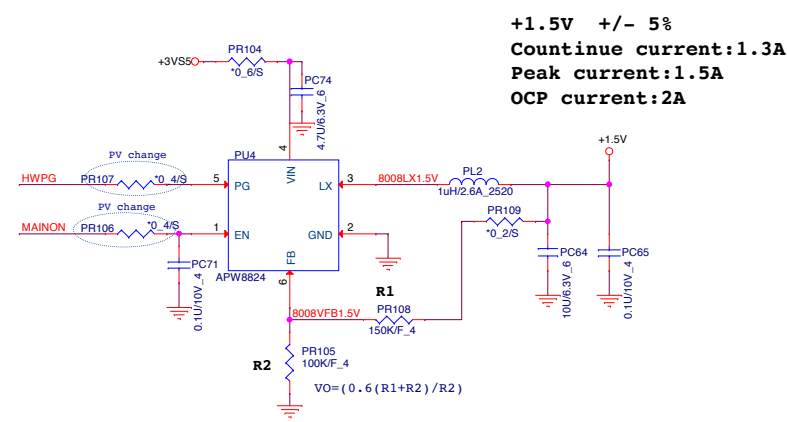
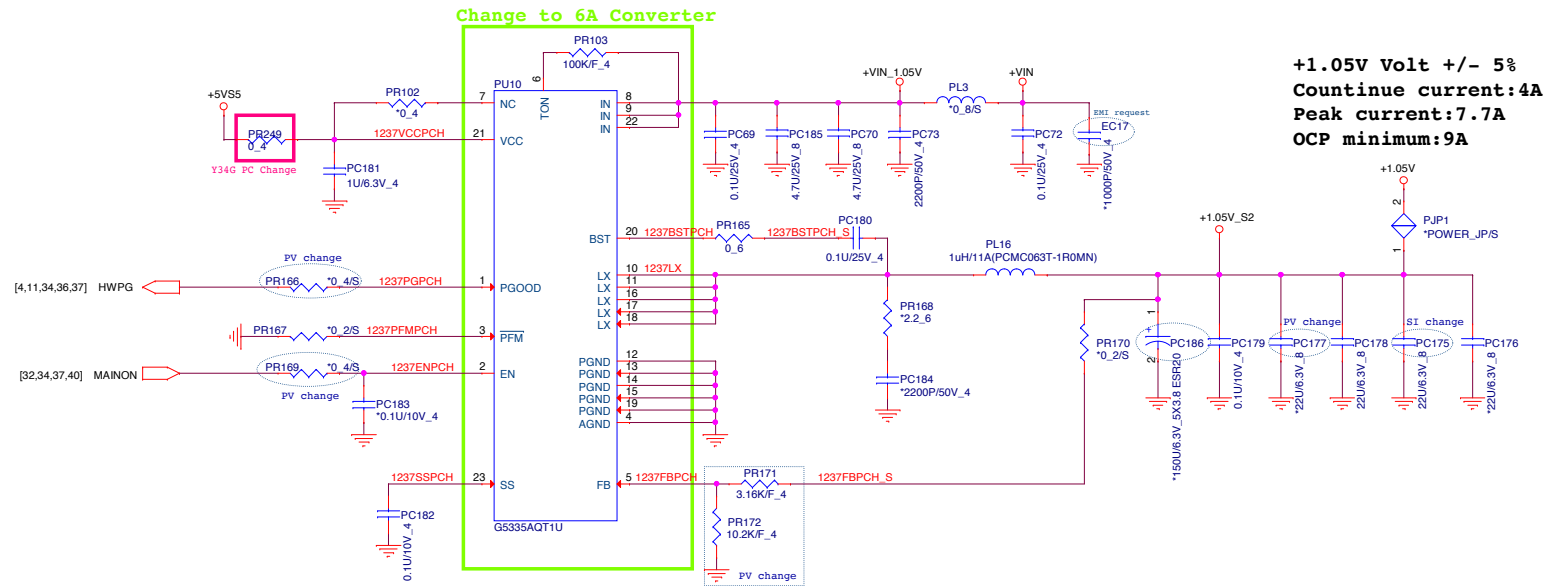


**+1.35V +/- 5%**  
**Countinue current:6A**  
**Peak current:8A**  
**OCP minimum:12A**

Rds(on) 14m ohm

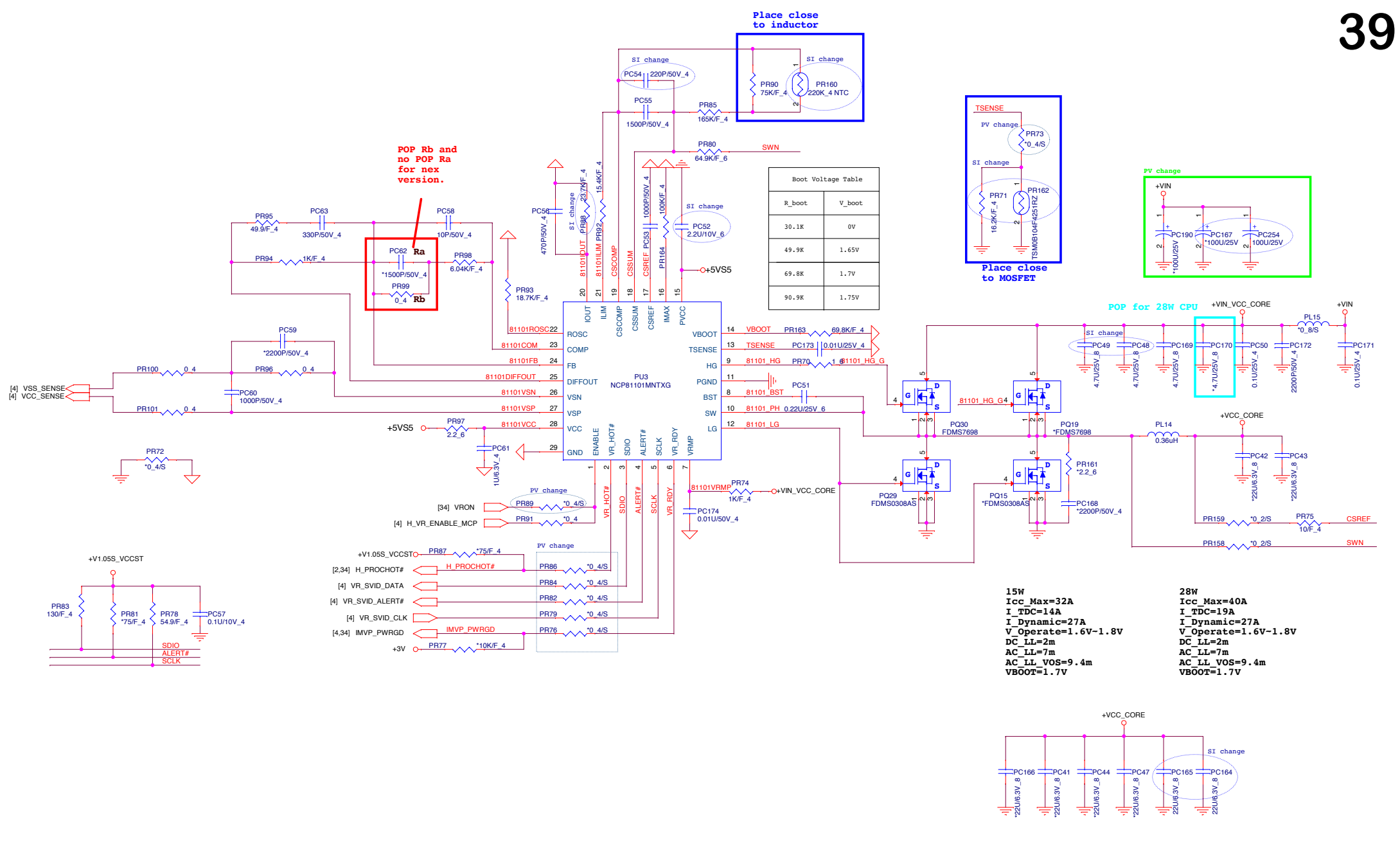
+1.35VSUS [2,4,12,13,29]

	<b>PROJECT : Y02</b>			Rev <b>1A</b>
	<b>Quanta Computer Inc.</b>			
	Size Custom	Document Number <b>DDR3 (RT8231A)/1.8VS5</b>		
	Date: Tuesday, September 02, 2014   Sheet 37 of 44			



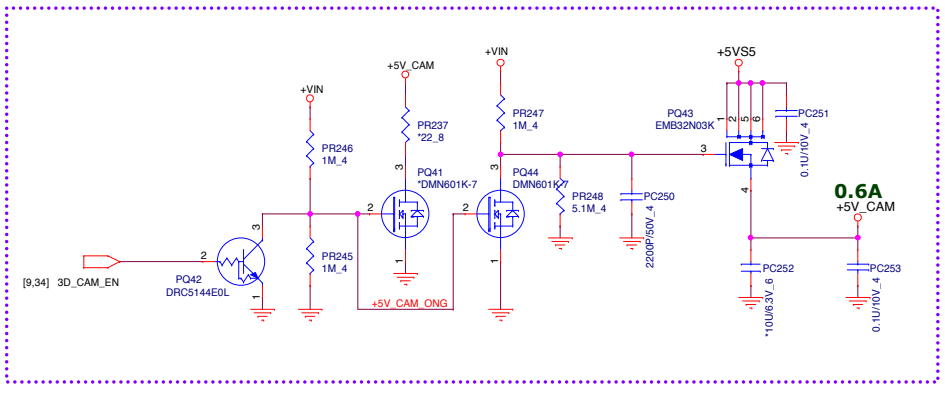
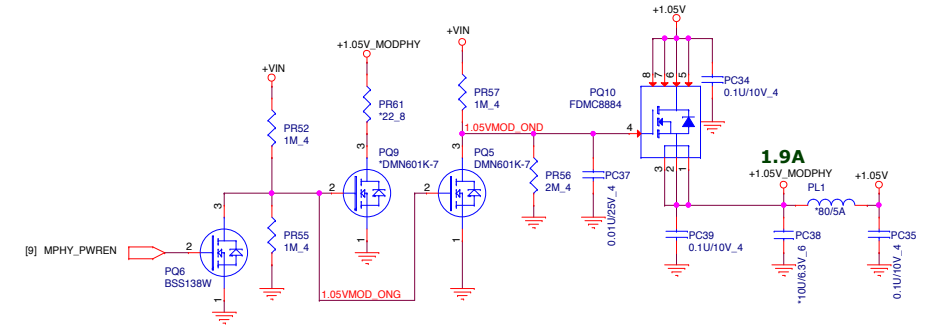
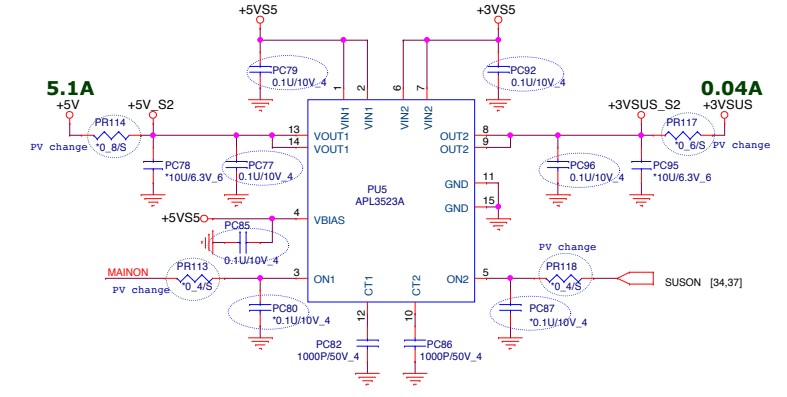
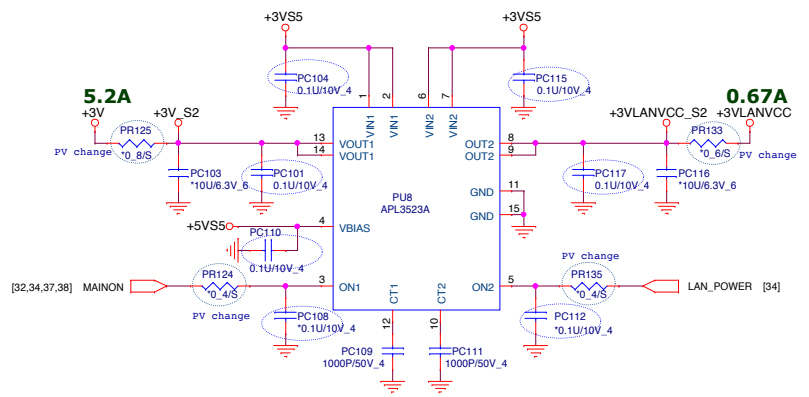
+VIN [24,26,29,30,35,36,37,39,40]  
 +3VS5 [6,7,9,10,11,25,29,31,32,33,34,36,40]  
 +5VS5 [13,25,29,32,36,37,39,40]

 NB5/RD3	<b>PROJECT : U63</b> Quanta Computer Inc.	
	Size Custom Document Number <b>+1.1VS5 (RT8228)/2.5V</b>	Rev 1A
Date: Tuesday, September 02, 2014   Sheet 38 of 44		



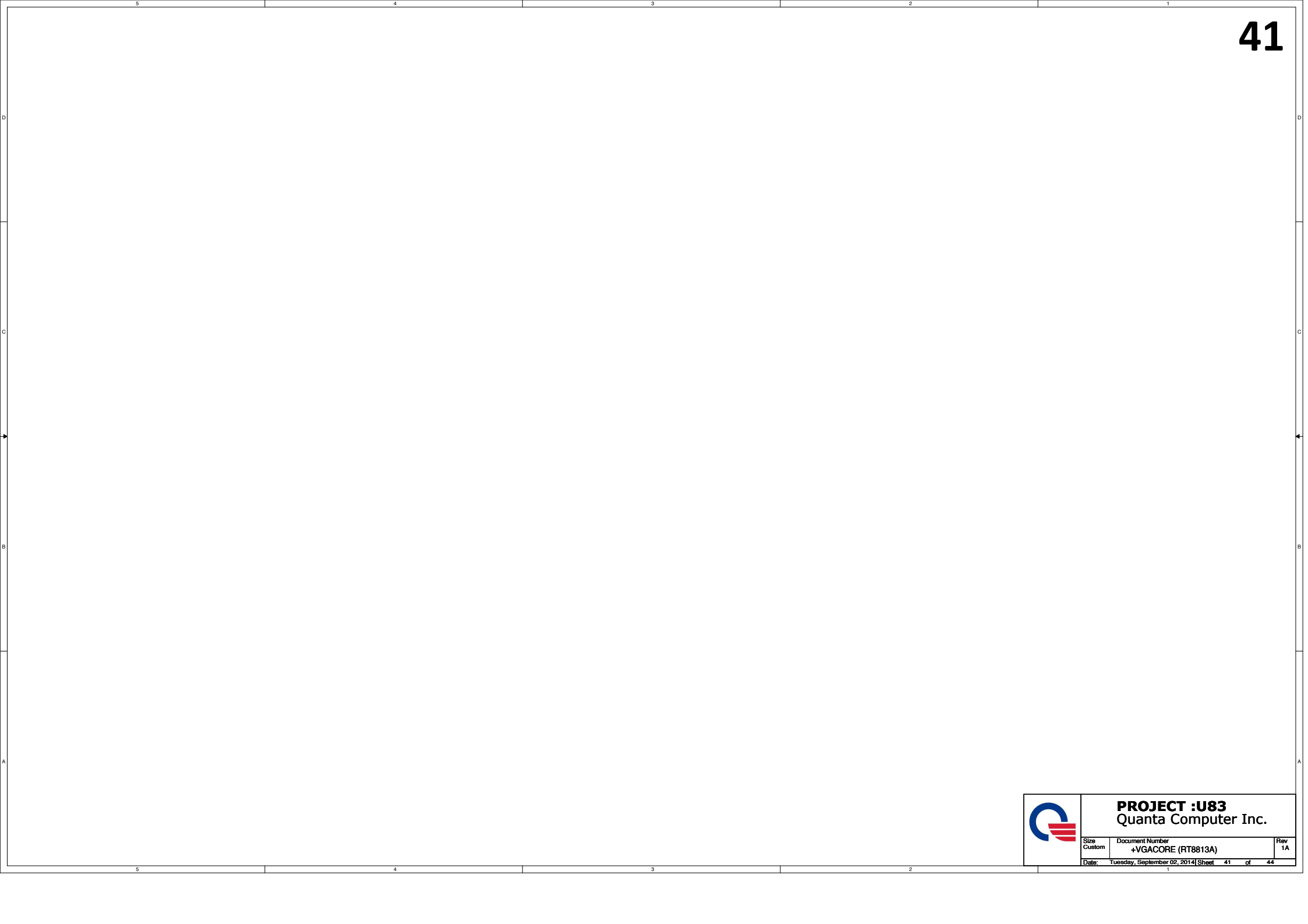
**PROJECT :U83**  
 Quanta Computer Inc.


Size Custom	Document Number CPU Core (NCP81101)ULT	Rev 1A
Date Tuesday, September 02, 2014	Sheet 39	of 44





- [6,7,8,9,10,11,12,13,23,24,25,26,27,28,29,30,31,33,34,39] +3V
- [24,25,26,29,30,31,32,33] +5V
- [24,26,29,30,35,36,37,38,39] +VIN
- [6,7,9,10,11,25,29,31,32,33,34,36,38] +3VS5
- [13,25,29,32,36,37,38,39] +5VS5
- [27,31] +3VLANVCC





	<b>PROJECT :U83</b> Quanta Computer Inc.		
	Size Custom	Document Number +VGACORE (RT8813A)	Rev 1A
	Date: Tuesday, September 02, 2014   Sheet 41 of 44		

	<b>PROJECT :U83</b> Quanta Computer Inc.		
	Size Custom	Document Number <b>+1.35V_VGA(A021237)</b>	Rev 1A
	Date: Tuesday, September 02, 2014   Sheet 42 of 44		

	<b>PROJECT :U83</b>	
	Quanta Computer Inc.	
	Size Custom	Document Number 1.05V_VGA/3V_VGA
Date: Tuesday, September 02, 2014   Sheet 43 of 44		

Battery Connector	Pavillion	ENVY
14"	DFAD08MR063	DFAD08MR064
15"	DFAD08MR065	DFAD08MR066
17"	<b>DFFC20FR081</b>	<b>DFFC20FR081</b>

USB Charge Support	PR185	PR184
Pavillion	Stuff	NA
ENVY (USB charge)	NA	Stuff

Title		
<Title>		
Size	Document Number	Rev
A	<Doc>	<RevCode>
Date:	Tuesday, September 02, 2014	Sheet 44 of 44

[www.s-manuals.com](http://www.s-manuals.com)