

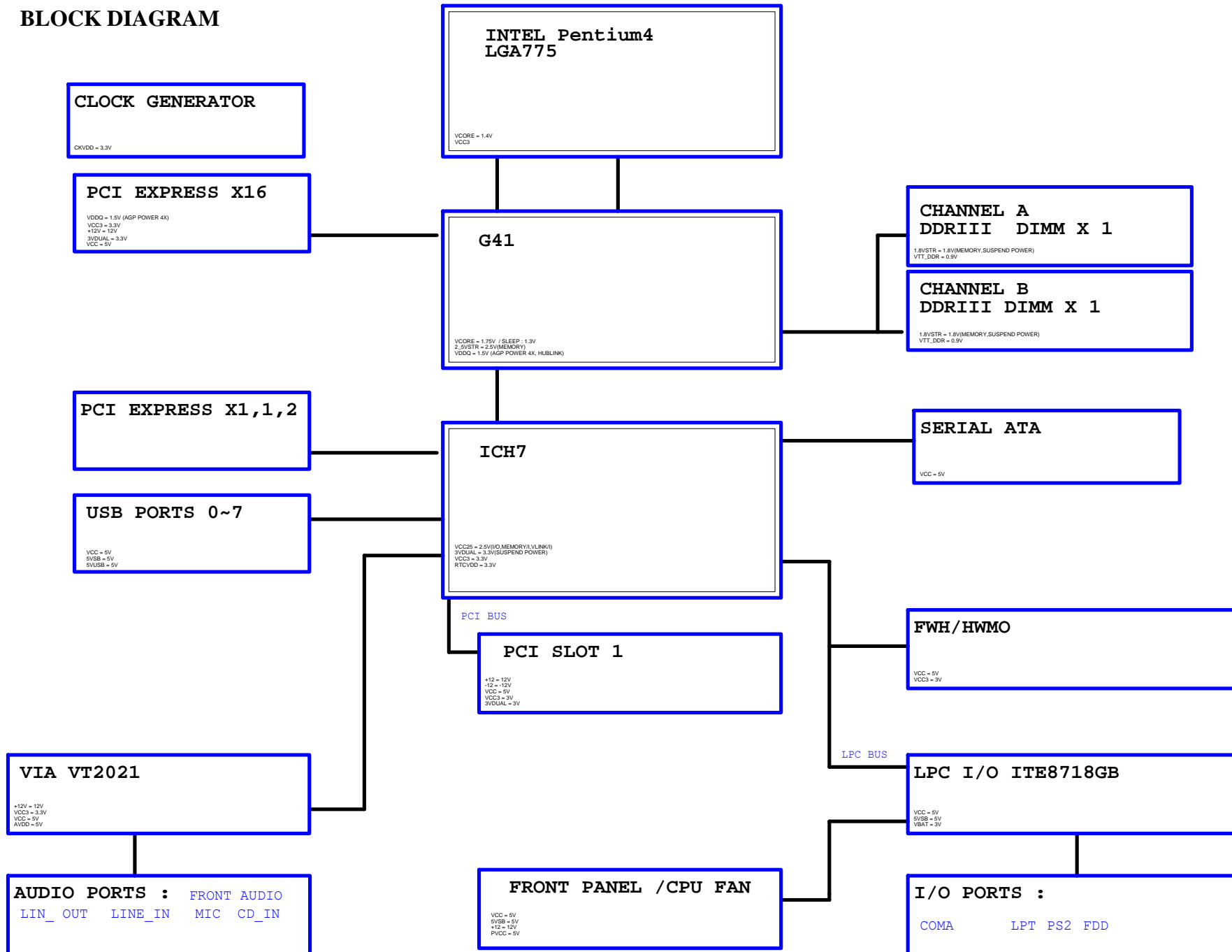
SHEET TITLE

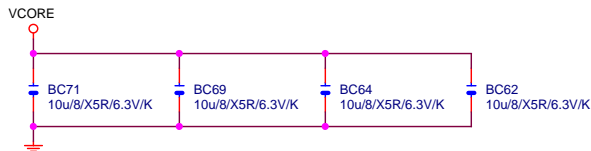
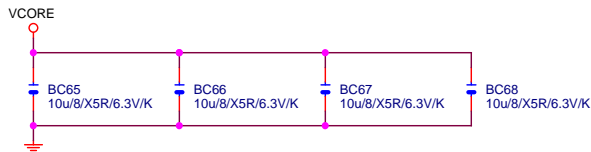
SHEET TITLE

01	COVER SHEET
02	BLOCK DIAGRAM
03	BOM & PCB MODIFY HISTORY
04	P4_LGA775_A
05	P4_LGA775_B,D
06	P4_LGA775_C
07	P4_LGA775_E,F,G,H
08	G41_HOST
09	G41_DDRII
10	G41_PCI E, DMI
11	G41_VGA
12	G41_GND
13	G41_PWR
14	PCI EXPRESS*16 SLOT
15	DDR3 CHANNEL A
16	DDR3 CHANNEL B
17	DDR3 TERMINATION
18	ICH7 PCI, USB, DMI, LAN
19	ICH7 IDE, GPIO, SATA, CTRL
20	ICH7 VCC, GND
21	CK505 CLOCK.
22	PCI SLOT 1,PCIE*1,2
23	IDE/FLOPPY/F_USB/R_USB
24	ITE 8718 GB
25	COM_LPT
26	CI,HWM,KB/MS,DUALBIOS
27	VIA VT2021

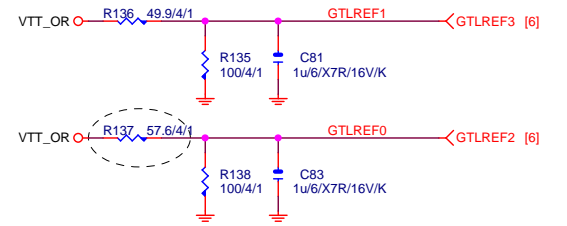
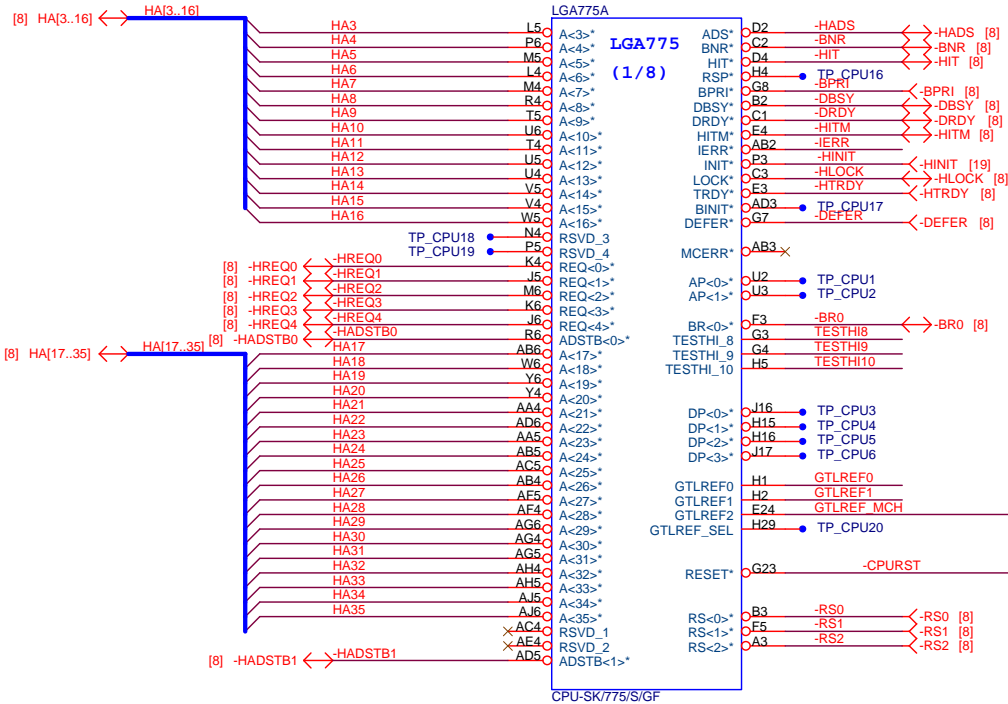
28	REAR AUDIO JACK
29	DISCRETE POWER
30	VCORE PWM_ISL6312
31	ATX, OTHERS POWER
32	FRONT PANEL
33	ARTHEROS AR8151

BLOCK DIAGRAM

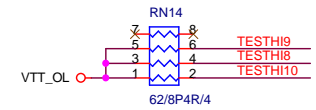
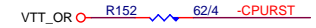
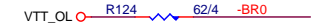
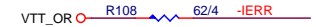




LGA775-39-2

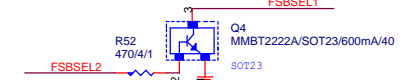
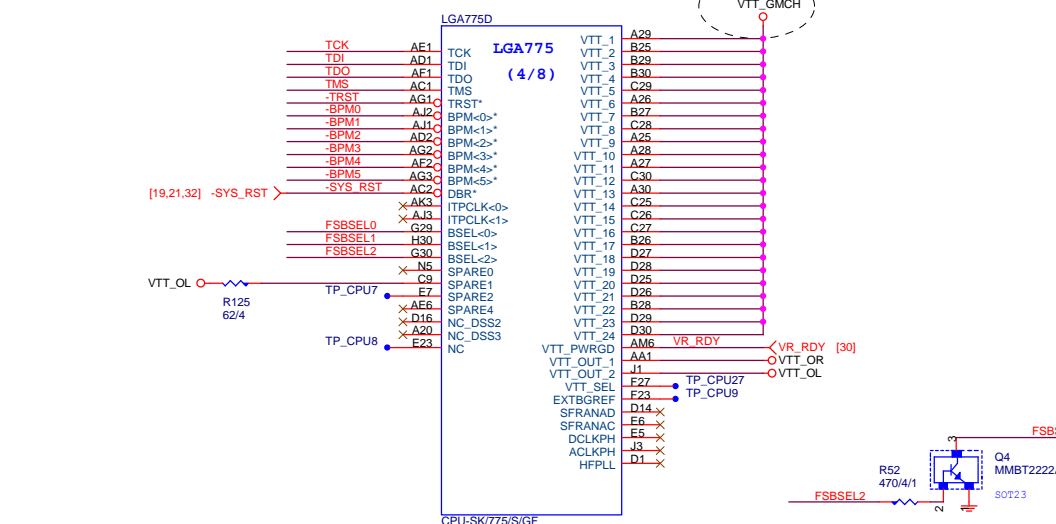
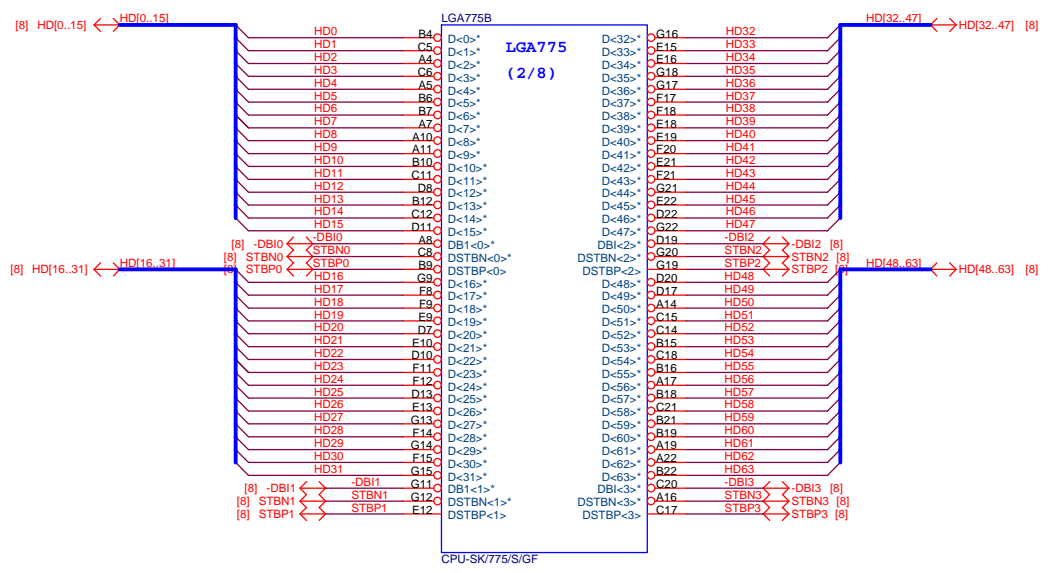


中間値 0.9V



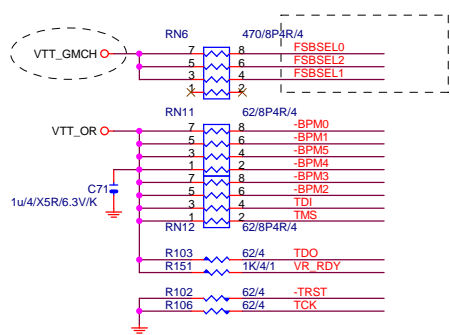
Gigabyte Technology

Title			P4_LGA775-A		
Size	Document Number	GA-G41MT-S2P			Rev
B					1.3
Date:	Thursday, December 23, 2010	Sheet	4	of	33

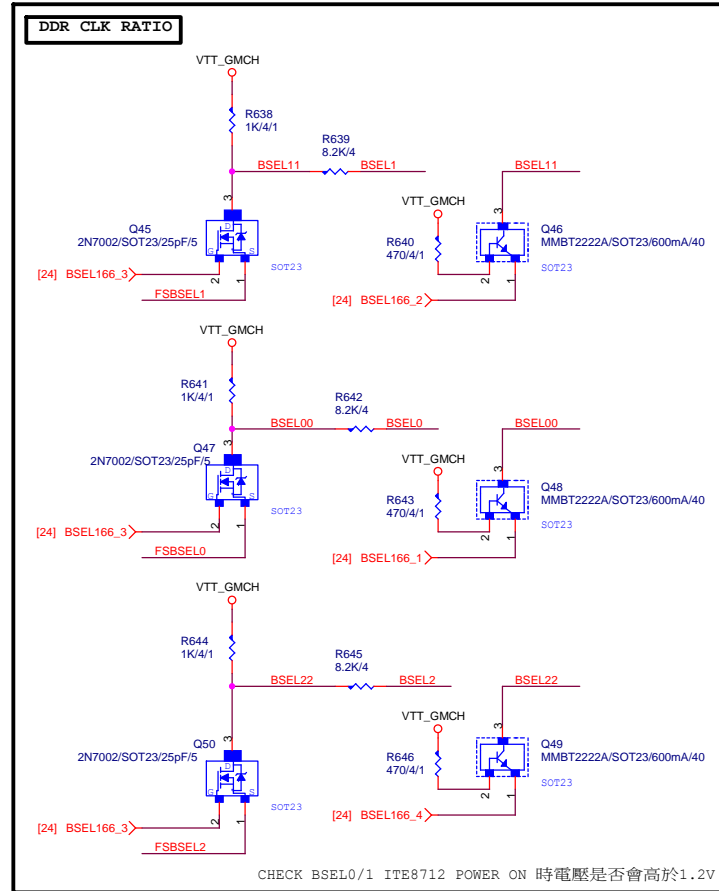


CPU

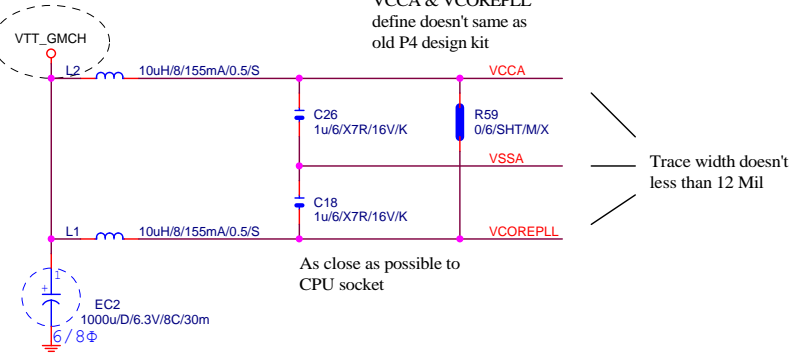
NA	FSB	FSB	FSB	FSB
FSBSEL3	FSBSEL1	FSBSEL0	FSBSEL0	FSBSEL0
1	0	1	1	100MHz
0	0	1	1	133MHz
0	1	1	1	166MHz
0	1	0	1	200MHz
0	0	0	0	266MHz



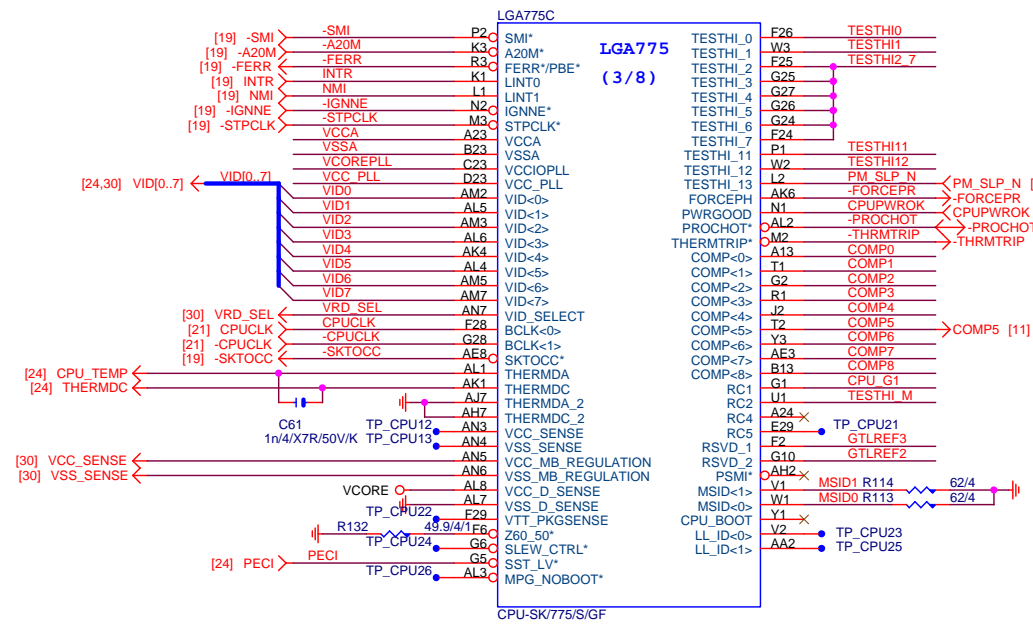
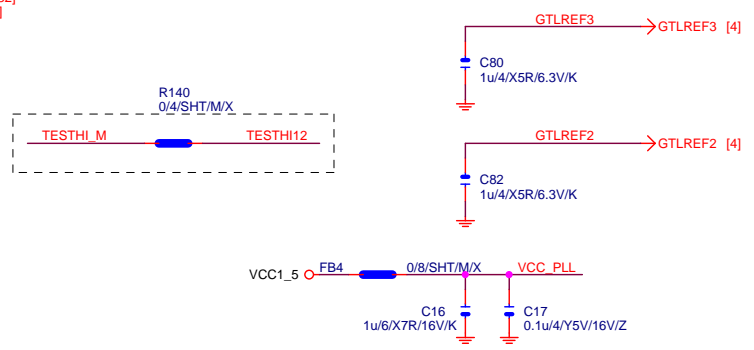
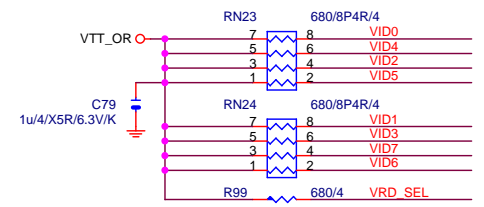
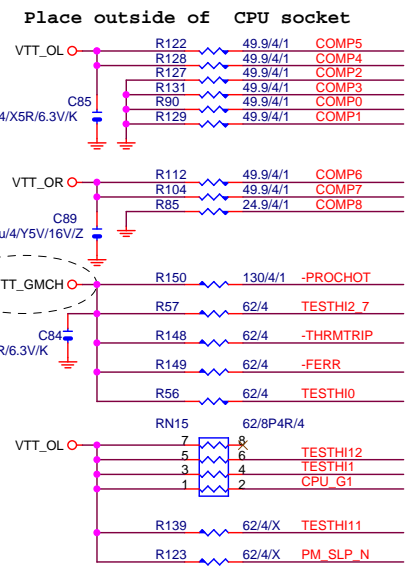
TO CLK GEN [21] FSBSEL0 FSBSEL0 R54 8.2K/4X BSEL0 BSEL0 [11]
 [21] FSBSEL1 FSBSEL1 R51 8.2K/4X BSEL1 BSEL1 [11]
 [21] FSBSEL2 FSBSEL2 R53 8.2K/4X BSEL2 BSEL2 [11] **TO NB**



Note:
VCCA & VCOREPLL
define doesn't same as
old P4 design kit



As close as possible to
CPU socket

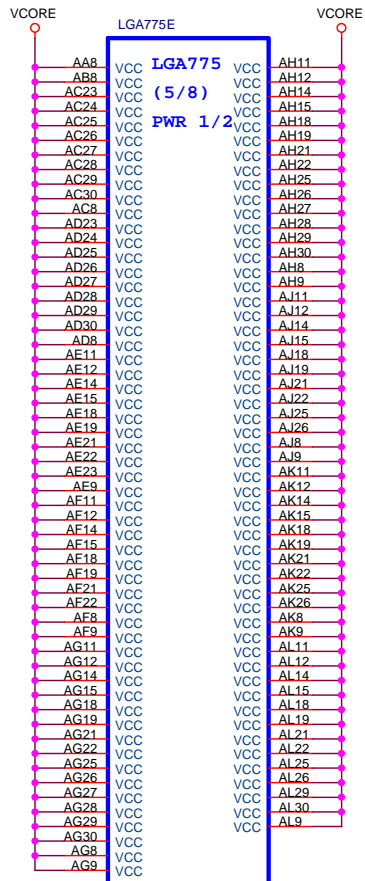


Gigabyte Technology

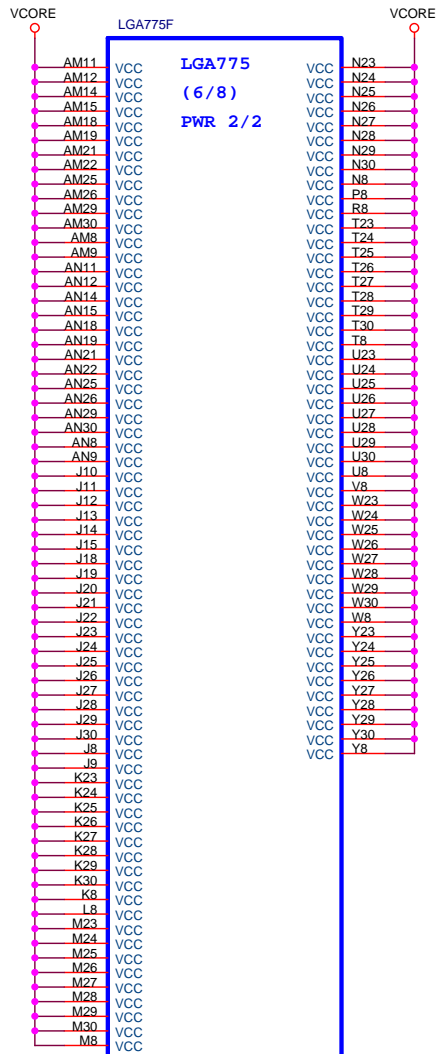
P4_LGA775-C

Title	P4_LGA775-C		
Size	Document Number	GA-G41MT-S2P	Rev
B			1.3
Date:	Thursday, December 23, 2010	Sheet	6 of 33

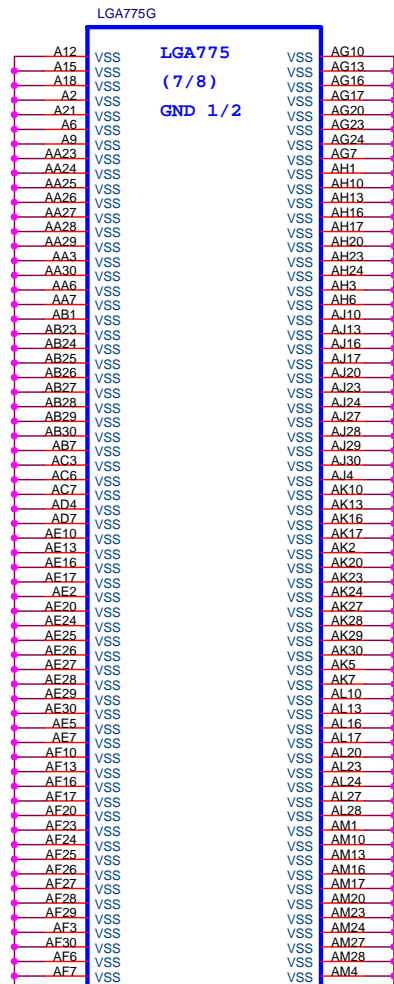
PECCI: Platform Environment Control Interface



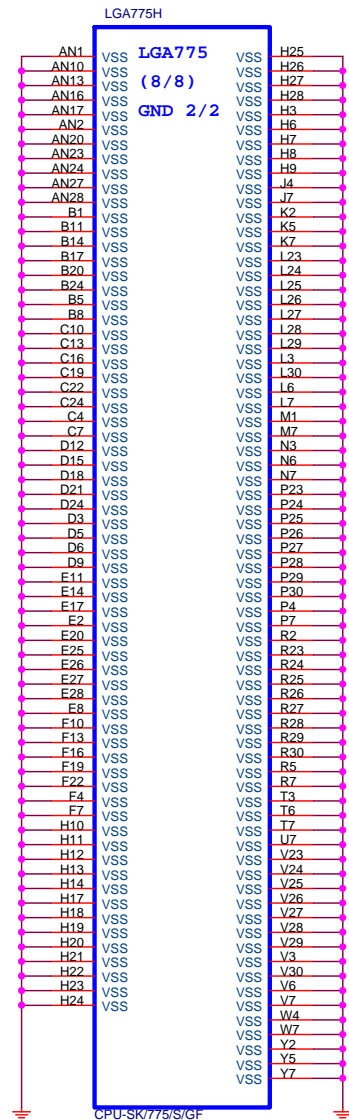
CPU-SK/775/S/GF



CPU-SK/775/S/GF



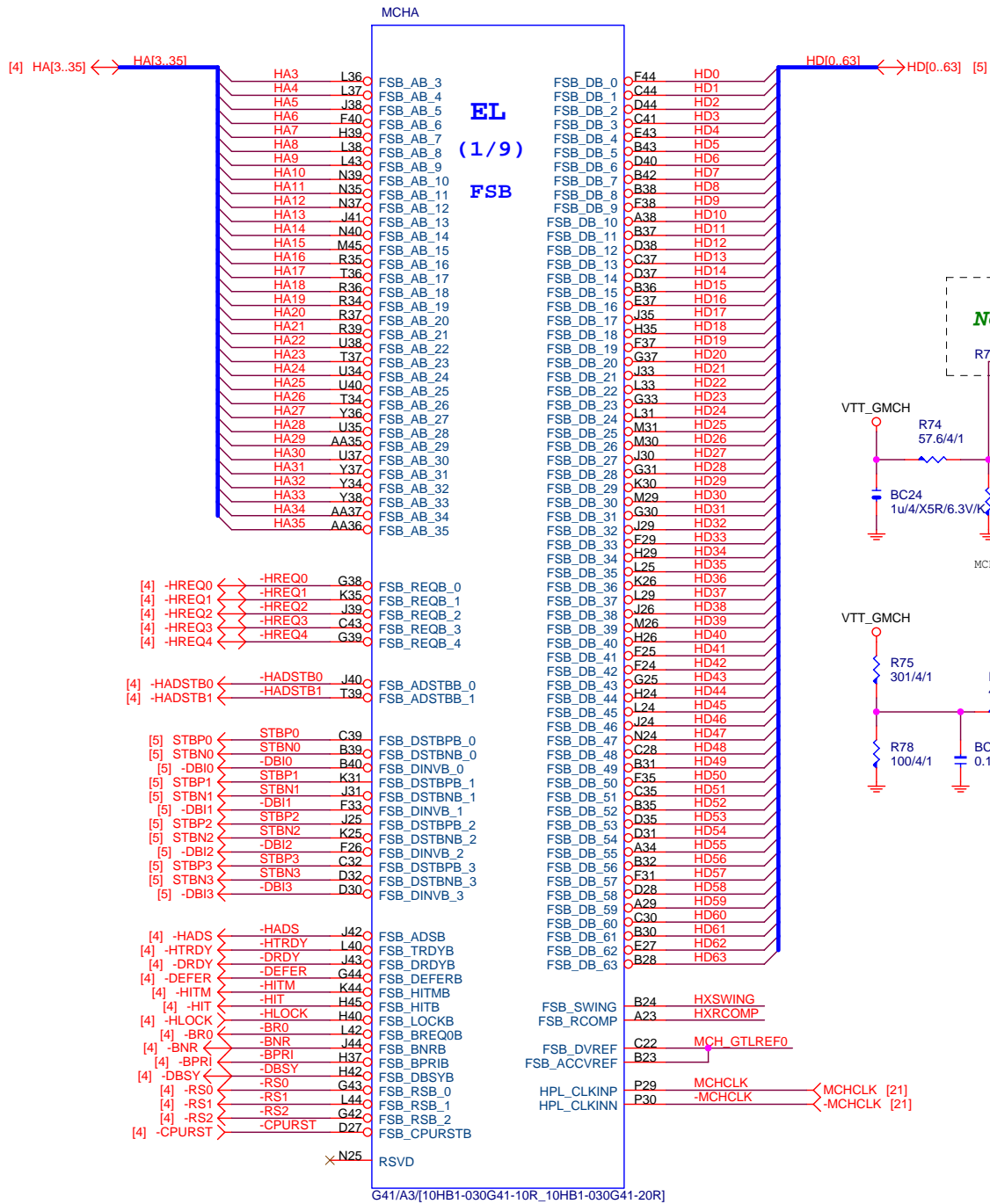
CPU-SK/775/S/GF



CPU-SK/775/S/GF

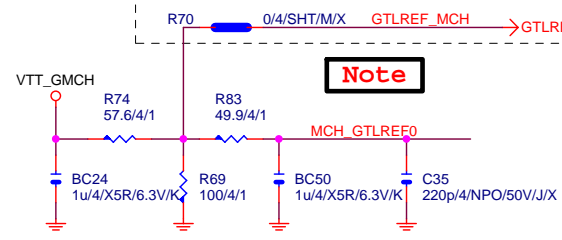
Gigabyte Technology

Title		P4_LGA775-E,F,G,H	
Size B	Document Number	GA-G41MT-S2P	Rev 1.3
Date:	Thursday, December 23, 2010	Sheet	7 of 33

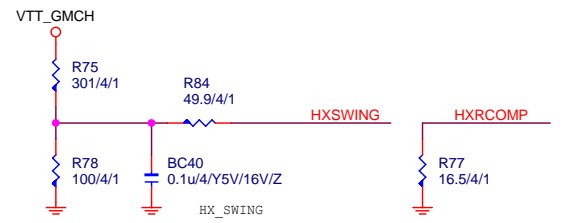


G41/A3/[10HB1-030G41-10R_10HB1-030G41-20R]

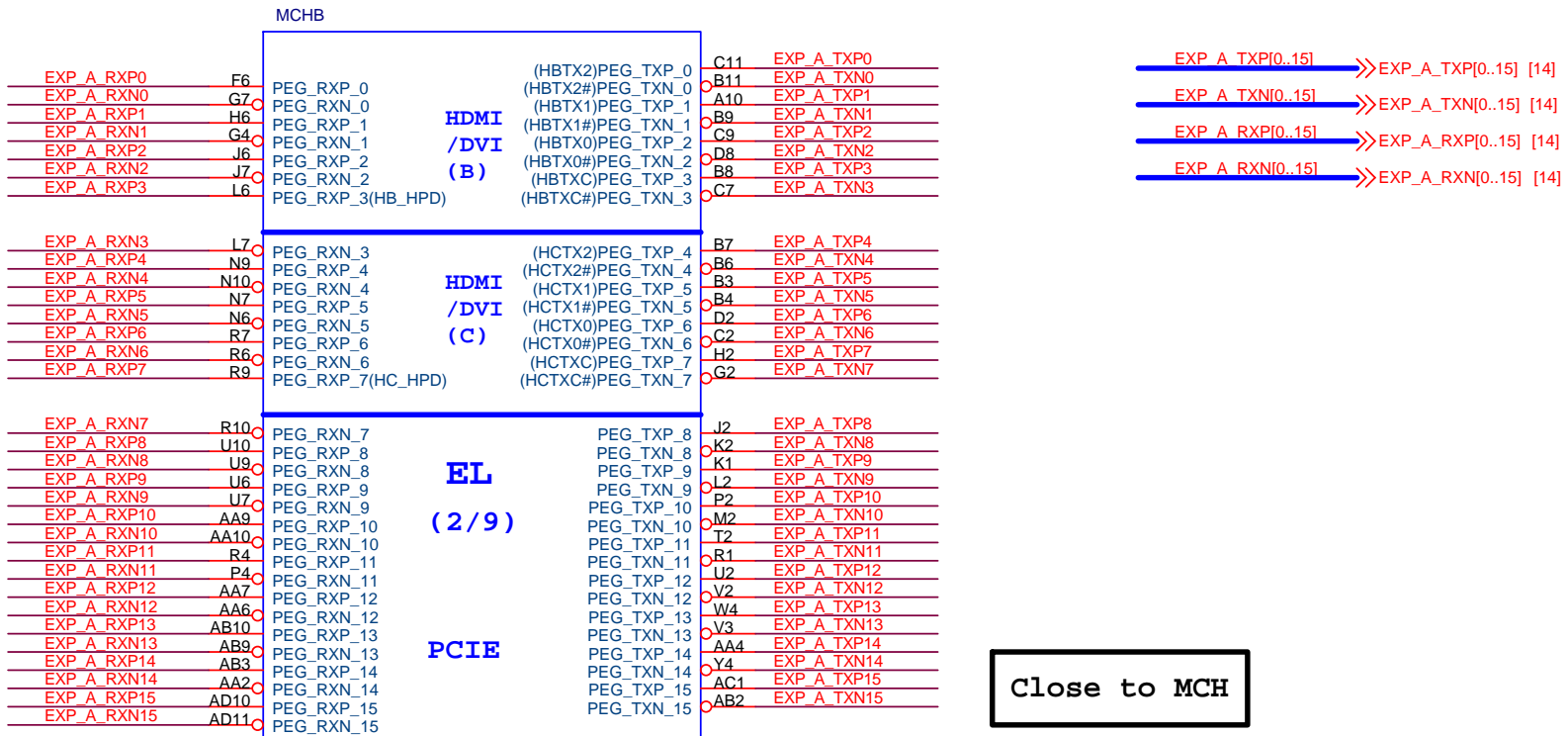
Not used for CoreTM2 Duo and Wolfdale



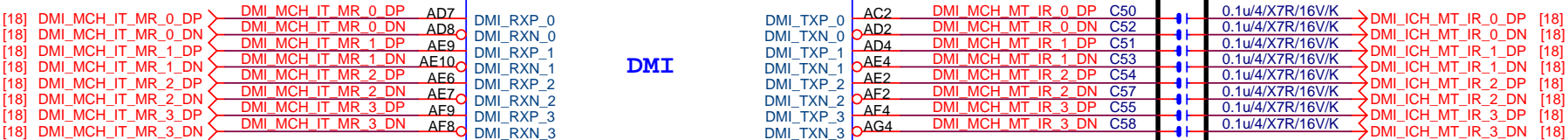
MCH_GTLREF VOLTAGE SHOULD BE 0.63 * VTT



Gigabyte Technology		
GMCH-HOST		
Title		
Size	Document Number	Rev
Custom	GA-G41MT-S2P	1.31
Date:	Thursday, December 23, 2010	Sheet 8 of 33

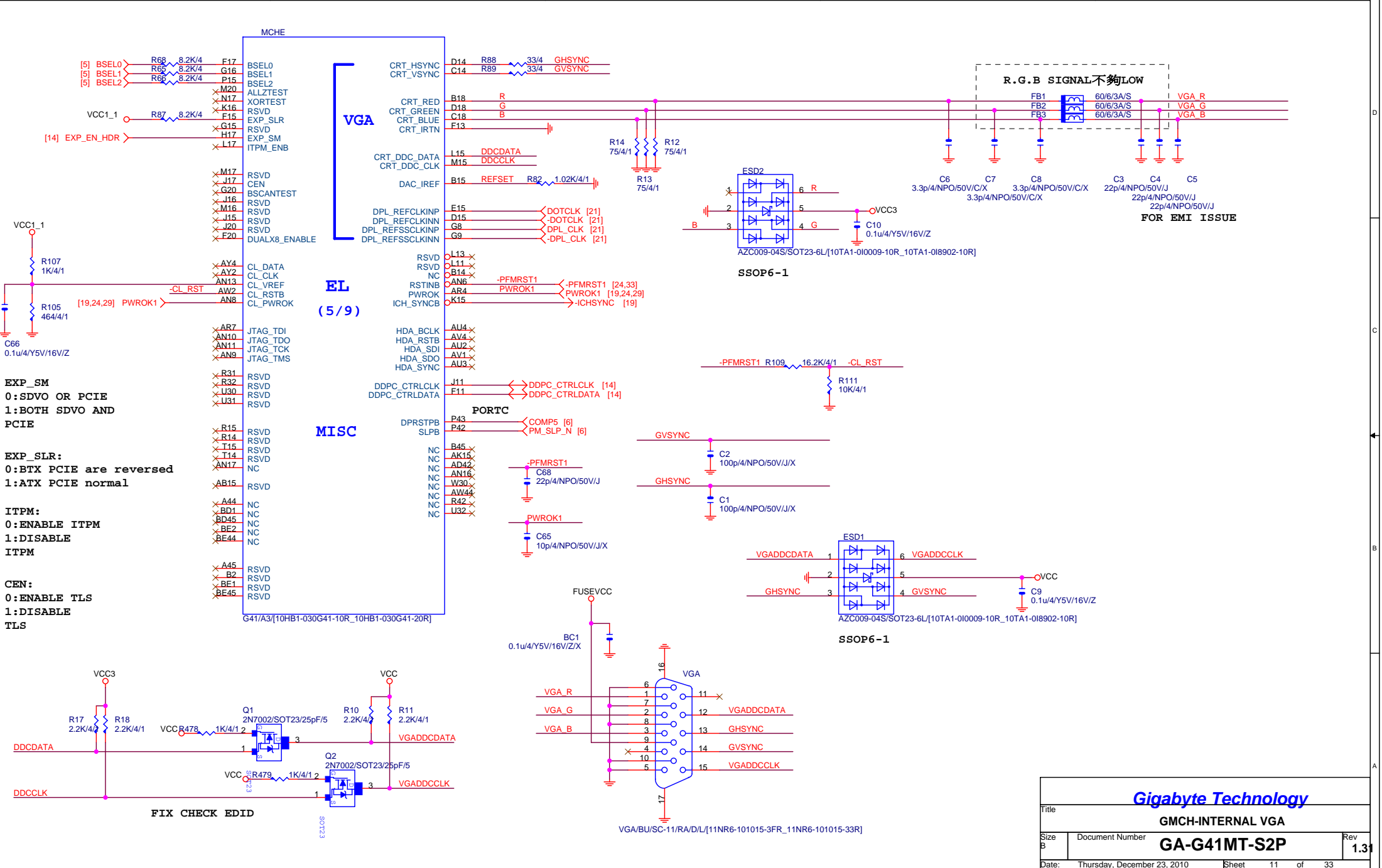


Close to MCH



G41/A3/[10HB1-030G41-10R_10HB1-030G41-20R]

Gigabyte Technology		
GMCH-PCI E & DMI		
Size Custom	Document Number	Rev
	GA-G41MT-S2P	1.31
Date:	Thursday, December 23, 2010	Sheet 10 of 33



Gigabyte Technology		
Title GMCH-INTERNAL VGA		
Size B	Document Number GA-G41MT-S2P	Rev 1.31
Date: Thursday, December 23, 2010	Sheet 11	of 33

MCHH

A12	VSS		VSS	AK35		
A15	VSS	EL	VSS	AK38		
A19	VSS		(8/9)	VSS	AK39	
A27	VSS			VSS	AL44	
A31	VSS			VSS	AL45	
A36	VSS			VSS	AN33	
A40	VSS			VSS	AN36	
AA1	VSS			GND	VSS	AN38
AA8	VSS				VSS	AN7
AA11	VSS				VSS	AP20
AA12	VSS	VSS			AP22	
AA13	VSS	VSS	AP24			
AA20	VSS	VSS	AP29			
AA22	VSS	VSS	AP45			
AA24	VSS	VSS	AR3			
AA26	VSS	VSS	AR8			
AA34	VSS	VSS	AR9			
AA38	VSS	VSS	AR10			
AA40	VSS	VSS	AR11			
AA44	VSS	VSS	AR13			
AB4	VSS	VSS	AR16			
AB6	VSS	VSS	AR26			
AB7	VSS	VSS	AR31			
AB8	VSS	VSS	AR33			
AB11	VSS	VSS	AR36			
AB12	VSS	VSS	AR39			
AB19	VSS	VSS	AT1			
AB21	VSS	VSS	AT2			
AB23	VSS	VSS	AT11			
AB25	VSS	VSS	AT13			
AB27	VSS	VSS	AT17			
AB34	VSS	VSS	AT24			
AB36	VSS	VSS	AT29			
AB39	VSS	VSS	AY15			
AC5	VSS	VSS	AT35			
AC20	VSS	VSS	AY9			
AC22	VSS	VSS	AU20			
AC24	VSS	VSS	AU22			
AC26	VSS	VSS	AU25			
AC45	VSS	VSS	G26			
AD3	VSS	VSS	G29			
AD6	VSS	VSS	AV8			
AD9	VSS	VSS	AV9			
AD12	VSS	VSS	AV11			
AD19	VSS	VSS	AV13			
AD21	VSS	VSS	AV15			
AD23	VSS	VSS	AV16			
AD25	VSS	VSS	AV21			
AD27	VSS	VSS	AV30			
AD34	VSS	VSS	H25			
AD36	VSS	VSS	H30			
AD39	VSS	VSS	H31			
AE1	VSS	VSS	H33			
AE8	VSS	VSS	H38			
AE11	VSS	VSS	H44			
AE20	VSS	VSS	H7			
AE22	VSS	VSS	H8			
AE24	VSS	VSS	H9			
AE26	VSS	VSS	J3			
AE34	VSS	VSS	J37			
AE38	VSS	VSS	J4			
AE40	VSS	VSS	J5			
AE44	VSS	VSS	J8			
AF6	VSS	VSS	J9			
AF7	VSS	VSS	K11			
AF10	VSS	VSS	K13			
AF11	VSS	VSS	K17			
AF12	VSS	VSS	K20			
AF13	VSS	VSS	K24			
AF33	VSS	VSS	K29			
AF35	VSS	VSS	K33			
AF39	VSS	VSS	K45			
AG5	VSS	VSS	B10			
AG19	VSS	VSS	F8			
AG21	VSS	VSS	AA16			
AG23	VSS	VSS	AA17			
AG25	VSS	VSS	AB16			
AG27	VSS	VSS	AB17			
AG45	VSS	VSS	AE12			
AH2	VSS	VSS	AE13			
AH3	VSS	VSS	AN21			
AH4	VSS	VSS	AN22			
AJ20	VSS	VSS	AN24			
AJ22	VSS	VSS	AN25			
AJ24	VSS	VSS	AN26			
AJ26	VSS	VSS	AP21			
AJ36	VSS	VSS	AP25			
AJ39	VSS	VSS	AU5			
AJ44	VSS	VSS	AU6			
AJ45	VSS	VSS	AU35			
			AV6			

G41/A3/[10HB1-030G41-10R_10HB1-030G41-20R]

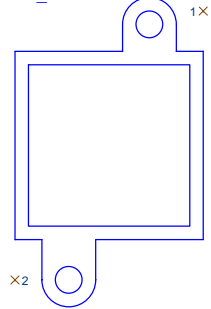
MCHI

BA5	VSS		VSS	L26	
BB21	VSS	EL	VSS	L30	
BB25	VSS		(9/9)	VSS	L35
BB28	VSS			VSS	L39
BB6	VSS			VSS	L4
BD12	VSS			VSS	L8
BD17	VSS			VSS	L9
BD8	VSS			VSS	M1
BE10	VSS			VSS	M24
BE15	VSS			VSS	M25
BE19	VSS	VSS		M44	
BE22	VSS	VSS	N11		
BE24	VSS	VSS	N13		
BE29	VSS	VSS	N16		
BE34	VSS	VSS	N26		
BE40	VSS	VSS	N29		
C16	VSS	VSS	N30		
C3	VSS	VSS	N33		
CA	VSS	VSS	N36		
D11	VSS	VSS	N38		
D16	VSS	VSS	N8		
D21	VSS	VSS	P16		
D25	VSS	VSS	P17		
D26	VSS	VSS	P25		
D39	VSS	VSS	P26		
D6	VSS	VSS	P31		
D7	VSS	VSS	R11		
E3	VSS	VSS	R12		
E31	VSS	VSS	R16		
F41	VSS	VSS	R17		
E5	VSS	VSS	R19		
F16	VSS	VSS	R2		
F2	VSS	VSS	R30		
F30	VSS	VSS	R38		
F4	VSS	VSS	R45		
F42	VSS	VSS	R5		
F45	VSS	VSS	RR		
G11	VSS	VSS	T10		
G17	VSS	VSS	T11		
G24	VSS	VSS	T12		
G26	VSS	VSS	T13		
G29	VSS	VSS	T16		
G3	VSS	VSS	T17		
G35	VSS	VSS	T19		
H1	VSS	VSS	T20		
H13	VSS	VSS	T3		
H15	VSS	VSS	T30		
H16	VSS	VSS	T31		
H20	VSS	VSS	T32		
H25	VSS	VSS	T33		
H30	VSS	VSS	T35		
H31	VSS	VSS	T38		
H33	VSS	VSS	T4		
H38	VSS	VSS	T40		
H44	VSS	VSS	T6		
H7	VSS	VSS	T7		
H8	VSS	VSS	T8		
H9	VSS	VSS	T9		
J3	VSS	VSS	U1		
J37	VSS	VSS	W2		
J4	VSS	VSS	W20		
J5	VSS	VSS	W22		
J8	VSS	VSS	W24		
J9	VSS	VSS	W26		
K11	VSS	VSS	W44		
K13	VSS	VSS	W45		
K17	VSS	VSS	W5		
K20	VSS	VSS	Y10		
K24	VSS	VSS	Y11		
K29	VSS	VSS	Y12		
K33	VSS	VSS	Y13		
K45	VSS	VSS	Y16		
L10	VSS	VSS	Y17		
L16	VSS	VSS	Y19		
L20	VSS	VSS	Y2		
U11	VSS	VSS	Y21		
U12	VSS	VSS	Y23		
U13	VSS	VSS	Y25		
U16	VSS	VSS	Y27		
U17	VSS	VSS	Y3		
U19	VSS	VSS	Y35		
U20	VSS	VSS	Y39		
U35	VSS	VSS	Y9		
U39	VSS	VSS	BC45		
U44	VSS	VSS	BD2		
U8	VSS	VSS	BD44		
W1	VSS	VSS	BE3		
W16	VSS	VSS	BE43		
W17	VSS	VSS	C1		
A3	VSS	VSS	C45		
A43	VSS	VSS	F1		
A6	VSS	VSS	BD43		
B44	VSS	VSS			
BC1	VSS	VSS			

G41/A3/[10HB1-030G41-10R_10HB1-030G41-20R]



NB_HEATSIN

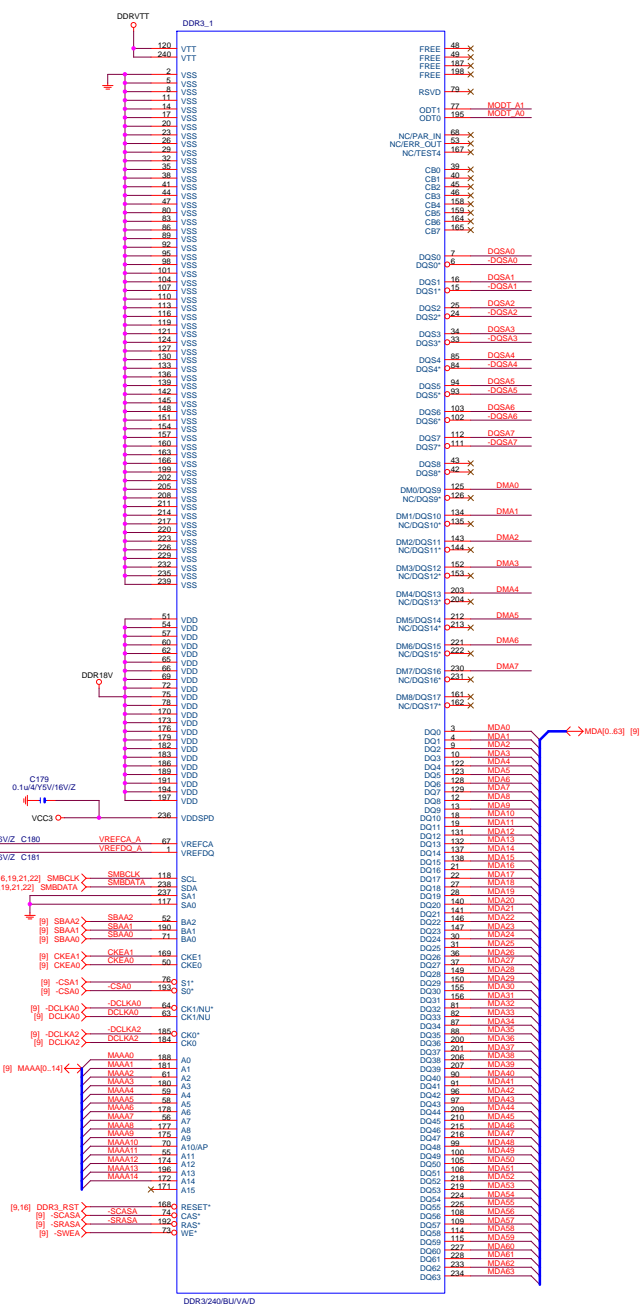


NB_HS
NB_HEATSINK[12SP2-S04520-01R_12SP2-S04520-02R_12SP2-S04520-03R]

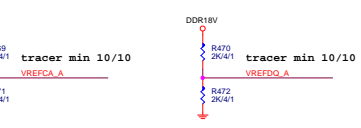
BGASINK445A-L

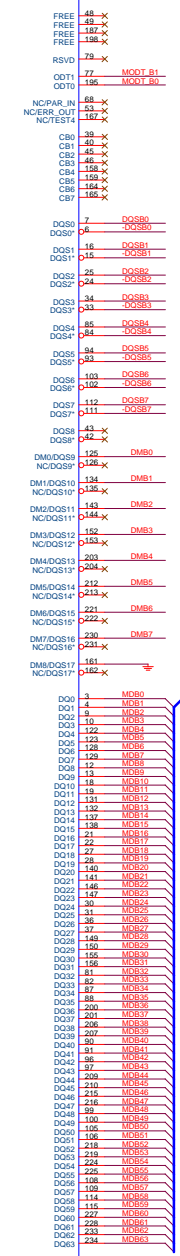
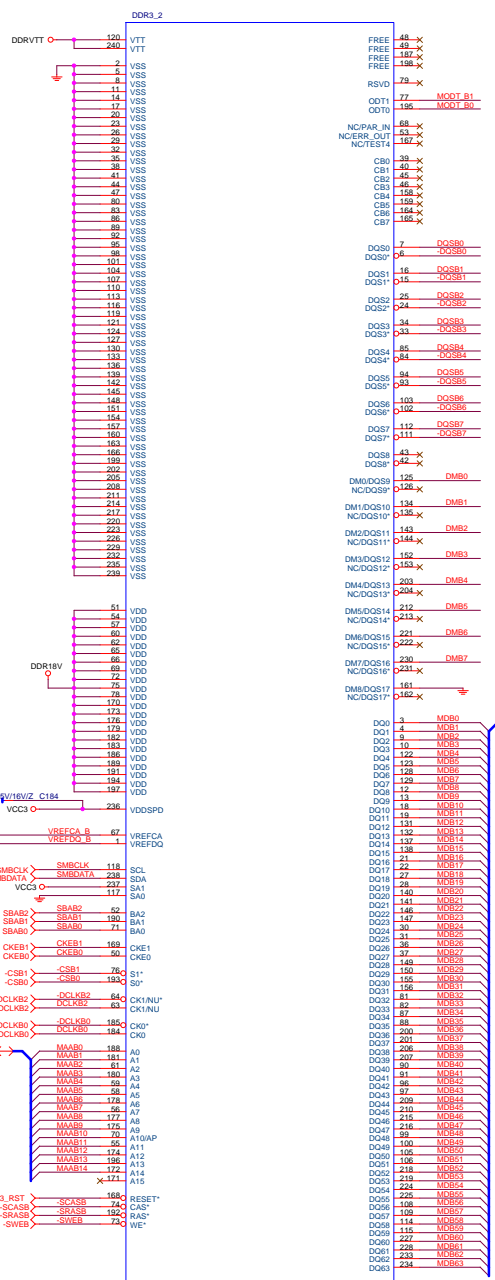
NEW COST DOWN

Gigabyte Technology			
Title			
GMCH-GND			
Size	Document Number	GA-G41MT-S2P	Rev
Custom			1.31
Date:	Thursday, December 23, 2010	Sheet	12 of 33

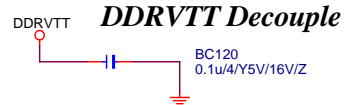
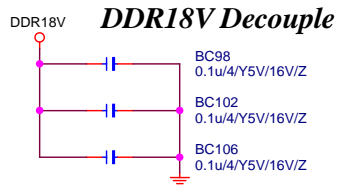
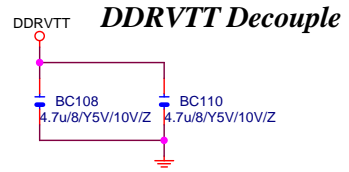
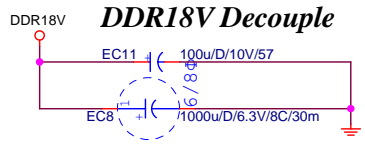


FREE	48	X
FREE	49	X
FREE	187	X
FREE	188	X
RSVD	70	X
ODT1	77	X
ODT0	156	X
NC/PA0_IN	68	X
NC/ERR_OUT	53	X
NC/TEST4	160	X
CB0	39	X
CB1	40	X
CB2	46	X
CB3	158	X
CB4	159	X
CB5	164	X
CB6	165	X
CB7	166	X
DQS0	7	DQSA0
DQS0	6	DQSA0
DQS1	16	DQSA1
DQS1	15	DQSA1
DQS2	25	DQSA2
DQS2	24	DQSA2
DQS3	34	DQSA3
DQS3	33	DQSA3
DQS4	85	DQSA4
DQS4	84	DQSA4
DQS5	94	DQSA5
DQS5	93	DQSA5
DQS6	103	DQSA6
DQS6	102	DQSA6
DQS7	112	DQSA7
DQS7	111	DQSA7
DQS8	43	X
DQS8	42	X
DQS8	128	X
DMA0	128	DMA0
DM0DQS9	128	X
NC/DQS9	128	X
DM1DQS10	134	DMA1
NC/DQS10	133	X
DM2DQS11	143	DMA2
NC/DQS11	144	X
DM3DQS12	152	DMA3
NC/DQS12	153	X
DM4DQS13	203	DMA4
NC/DQS13	204	X
DM5DQS14	212	DMA5
NC/DQS14	213	X
DM6DQS15	221	DMA6
NC/DQS15	222	X
DM7DQS16	230	DMA7
NC/DQS16	231	X
DM8DQS17	185	X
NC/DQS17	186	X
DO0	3	MDA0
DO1	4	MDA1
DO2	9	MDA2
DO3	122	MDA3
DO4	123	MDA3
DO5	128	MDA4
DO6	129	MDA4
DO7	12	MDA5
DO8	13	MDA5
DO9	18	MDA9
DO10	19	MDA10
DO11	131	MDA11
DO12	132	MDA12
DO13	137	MDA13
DO14	138	MDA14
DO15	138	MDA15
DO16	21	MDA16
DO17	22	MDA17
DO18	28	MDA19
DO19	140	MDA20
DO20	141	MDA20
DO21	146	MDA22
DO22	147	MDA23
DO23	30	MDA24
DO24	31	MDA25
DO25	36	MDA26
DO26	37	MDA26
DO27	149	MDA28
DO28	150	MDA29
DO29	155	MDA30
DO30	156	MDA30
DO31	156	MDA31
DO32	81	MDA32
DO33	82	MDA33
DO34	87	MDA34
DO35	88	MDA35
DO36	200	MDA36
DO37	201	MDA37
DO38	207	MDA39
DO39	98	MDA40
DO40	91	MDA41
DO41	97	MDA42
DO42	96	MDA43
DO43	97	MDA43
DO44	209	MDA44
DO45	210	MDA45
DO46	215	MDA46
DO47	216	MDA47
DO48	99	MDA48
DO49	100	MDA49
DO49	106	MDA50
DO50	108	MDA51
DO51	218	MDA52
DO52	219	MDA53
DO53	224	MDA54
DO54	225	MDA55
DO55	108	MDA56
DO56	109	MDA57
DO56	114	MDA58
DO59	115	MDA59
DO60	227	MDA60
DO60	228	MDA61
DO61	233	MDA62
DO62	234	MDA63
DO63		



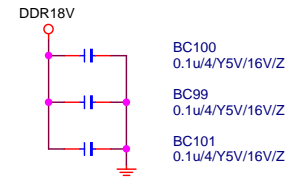


DDR TERMINATION CHANNEL A

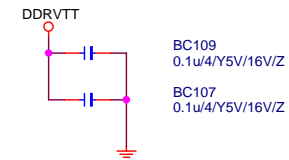


DDR TERMINATION CHANNEL B

DDR18V Decouple

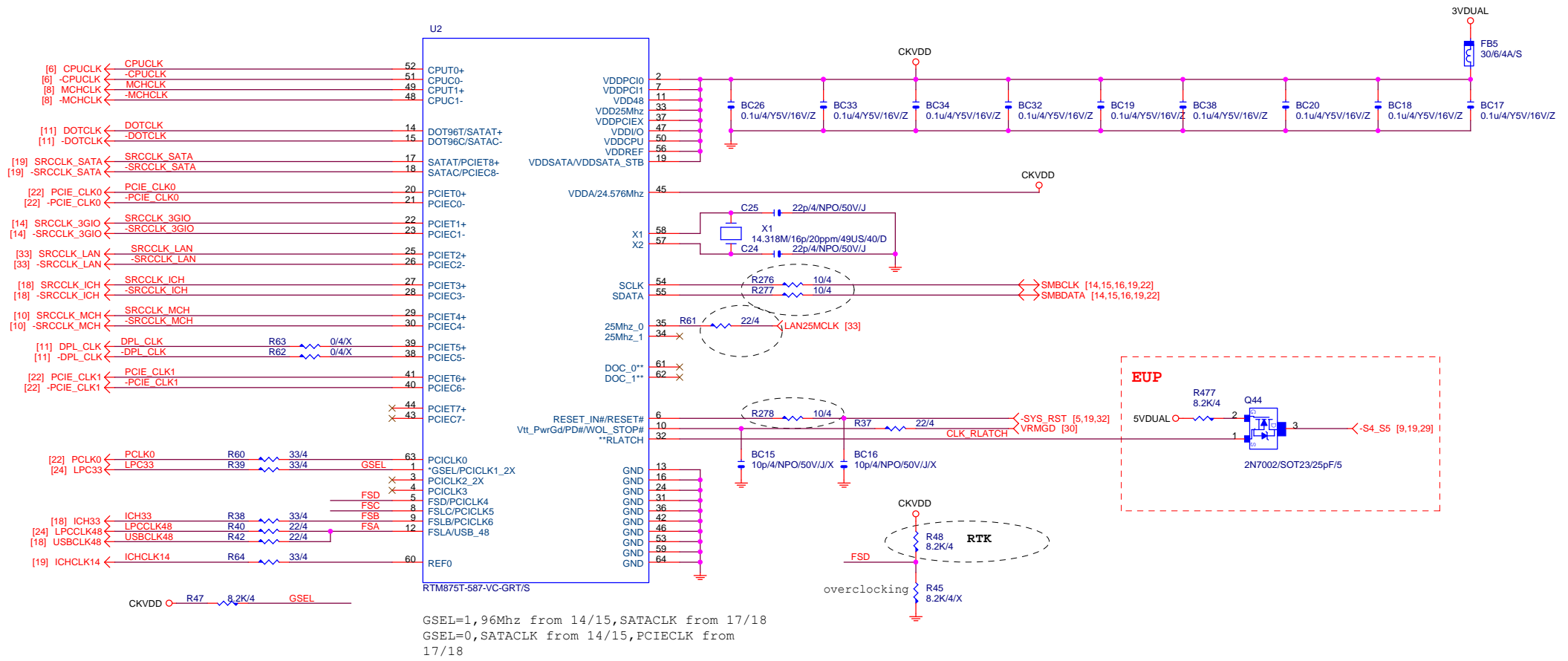


DDRVTT Decouple

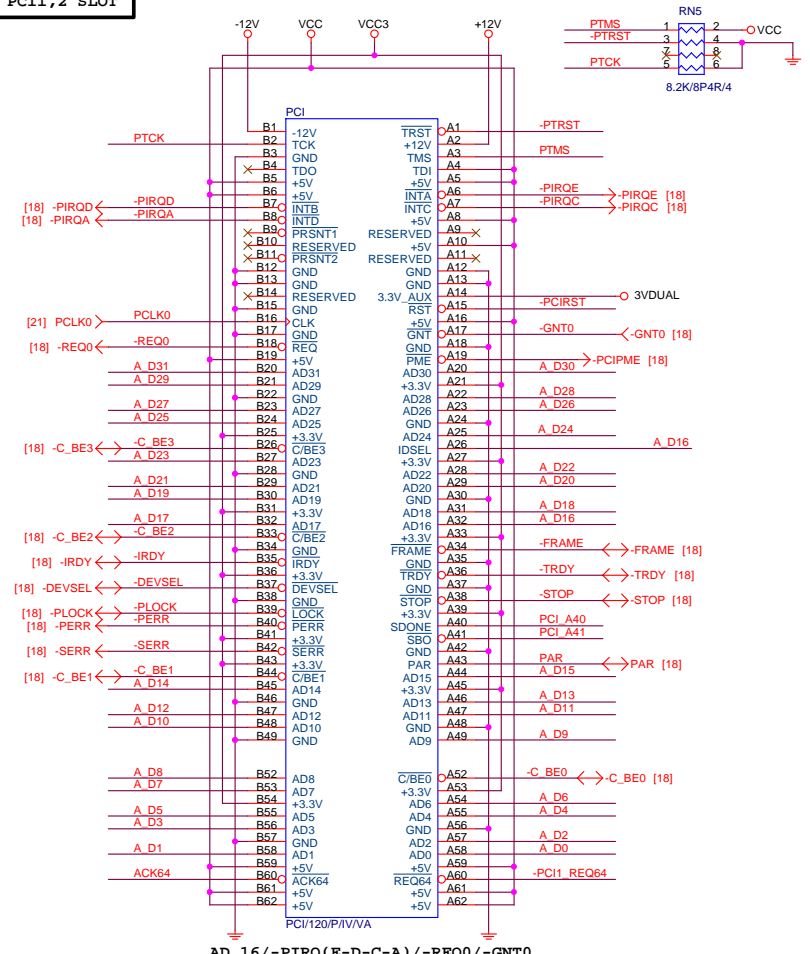


Gigabyte Technology

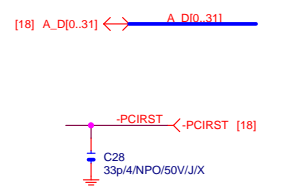
Title			DDRII TERMINATOR
Size Custom	Document Number	GA-G41MT-S2P	
Date: Thursday, December 23, 2010		Sheet	17 of 33
		Rev	1.31



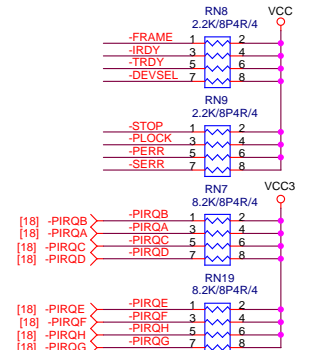
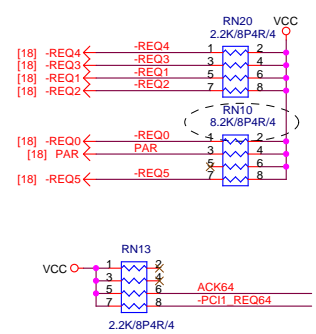
PCI1, 2 SLOT



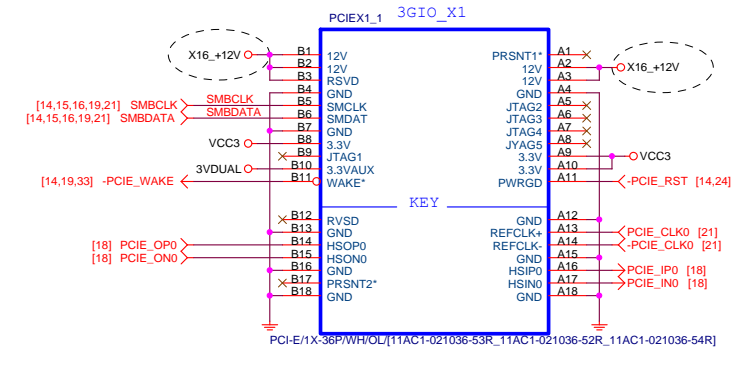
AD_16/-PIRQ (E-D-C-A) /-REQ0/-GNT0



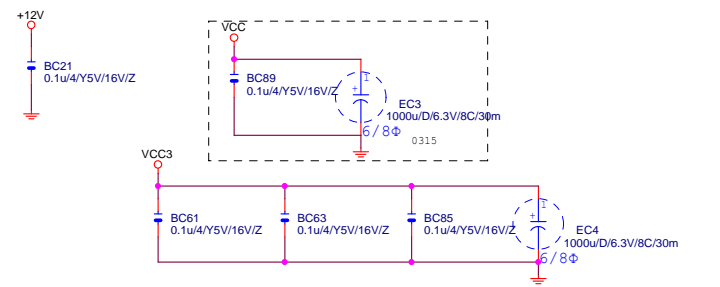
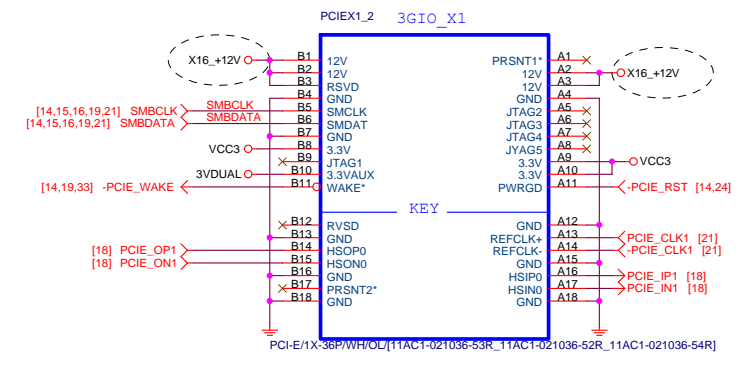
Place close to PCII



PCIEX1, 2

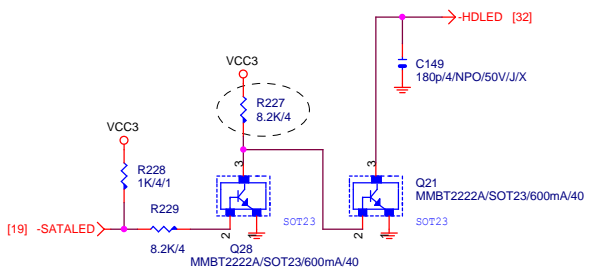


WHITE



Gigabyte Technology		
PCI SLOT 1, 2/PCIEX1		
GA-G41MT-S2P		Rev 1.31
Size	Document Number	Date
Custom		Thursday, December 23, 2010
Sheet 22 of 33		

IDE/SATA LED

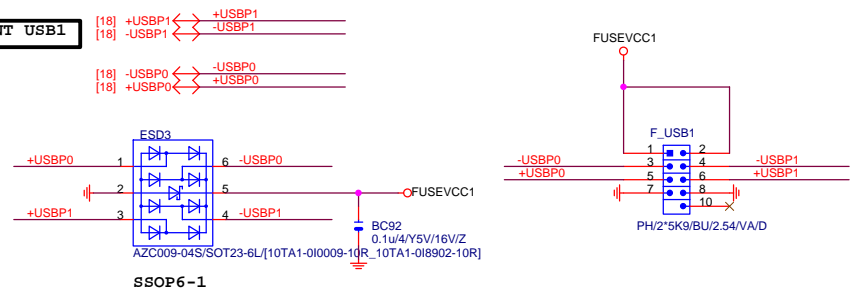


IDE RESET N/A

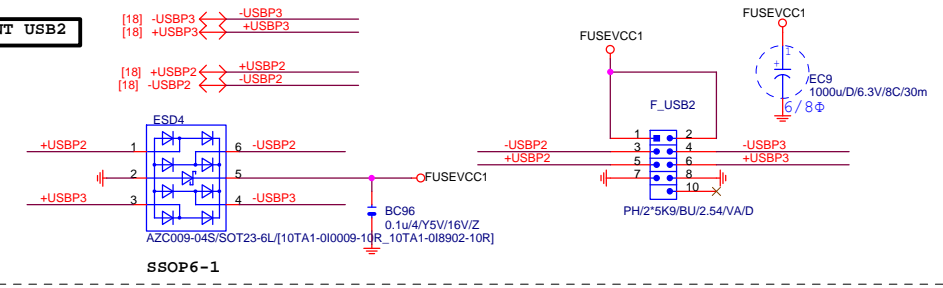
FLOPPY N/A

IDE N/A

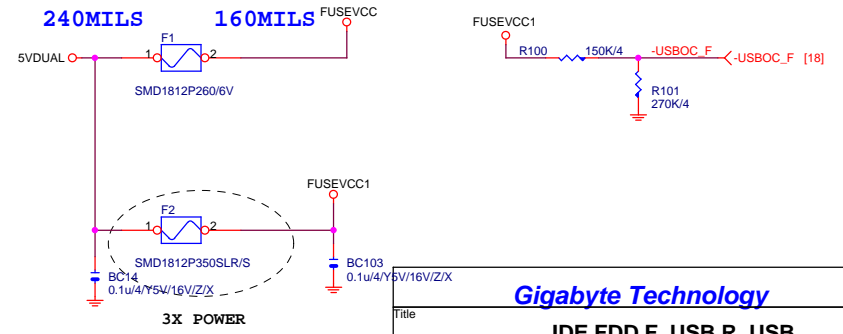
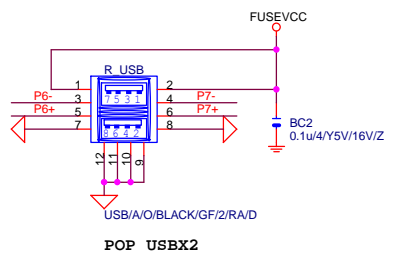
FRONT USB1



FRONT USB2

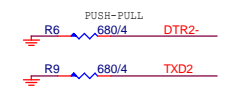
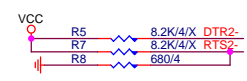


- [18] -USBP7 <-> -USBP7 P7-
- [18] +USBP7 <-> +USBP7 P7+
- [18] -USBP6 <-> -USBP6 P6-
- [18] +USBP6 <-> +USBP6 P6+



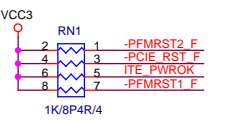
Gigabyte Technology		
IDE,FDD,F_USB,R_USB		
GA-G41MT-S2P		Rev 1.31
Date:	Thursday, December 23, 2010	Sheet 23 of 33

RTS2- ==LOW CPU FAN 50%
 ==HIGH 100%
DEFAULT 50%



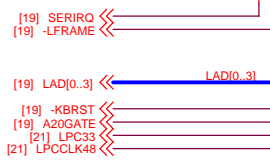
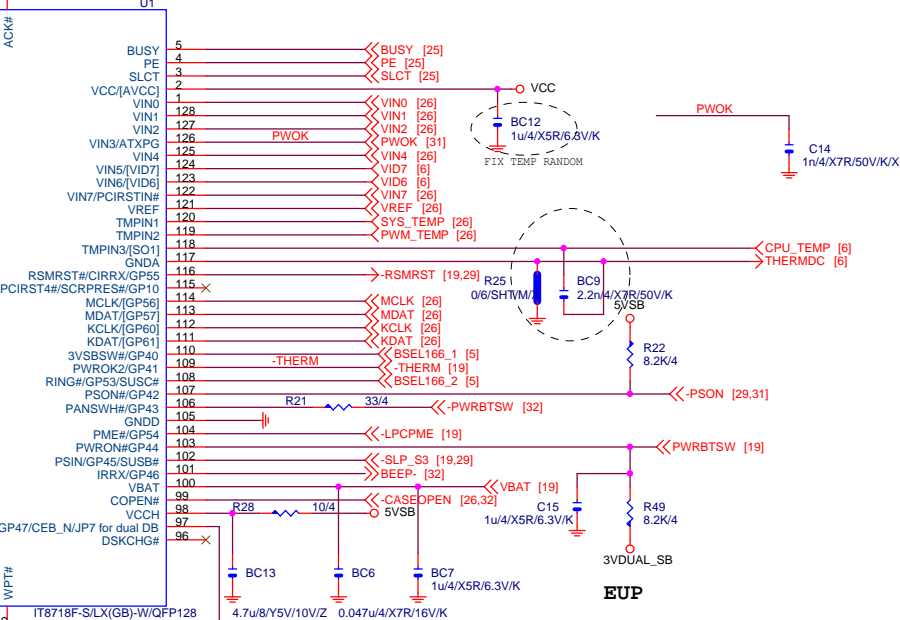
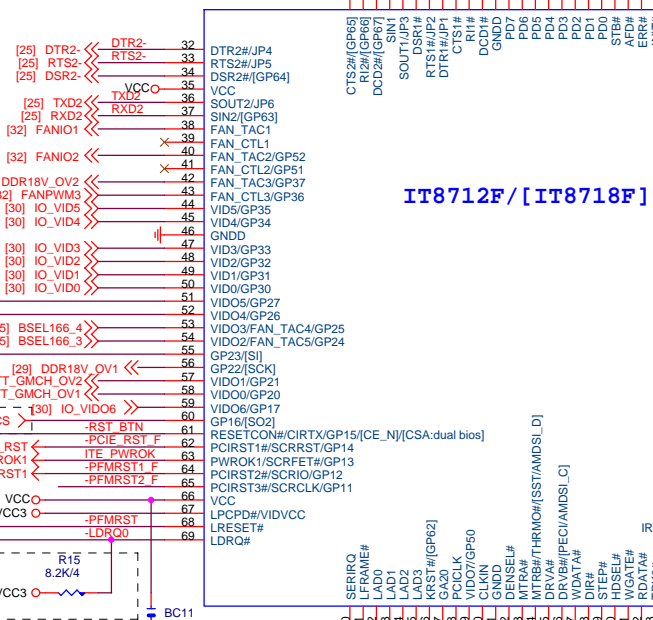
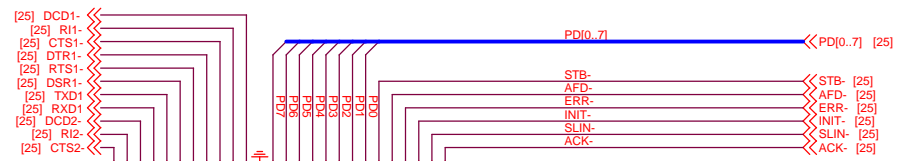
FOR AR8161

EUP [29] EUP_N

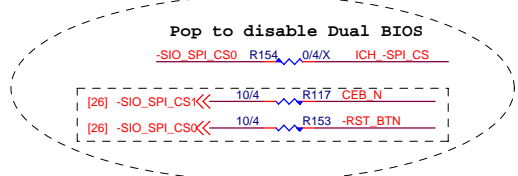
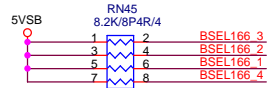


Dual BIOS:
 GB logo :Pin 61 (GP15/CSA)
 GB logo :Pin 59 (GP17/CSB)
Pin 59 Dual BIOS ,Power On Strapping:
 H ==>Dual BIOS function Enable
 L ==>Dual BIOS function Disable

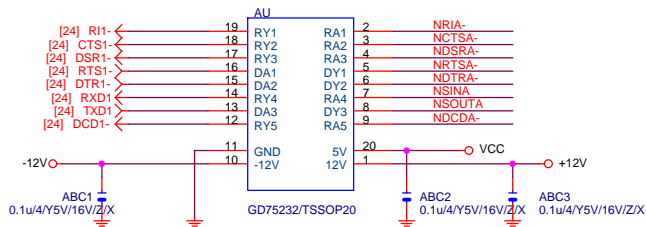
1.2V or 3.3V tolerance select.
 1.2V OUTPUT 接 VTT_GMCH
 3.3V OUTPUT 接 VTT_GMCH
 LPCPD#=VIDVCC



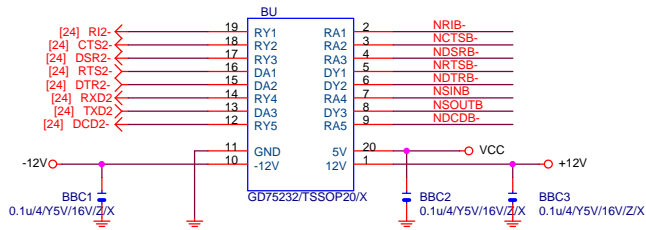
JP7 : HIGH DUAL BIOS ENABLE | LOW DUAL BIOS DISABLE



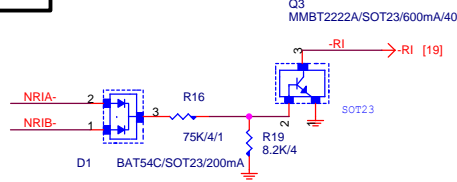
COMA



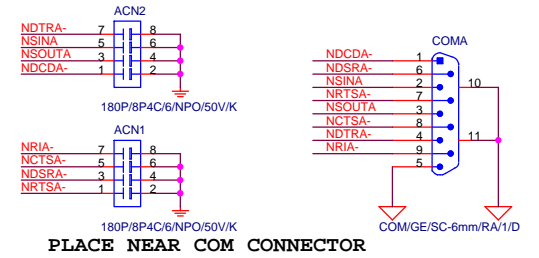
IC20TSSOP-1



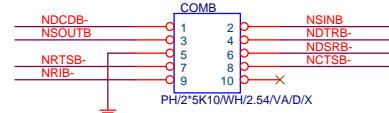
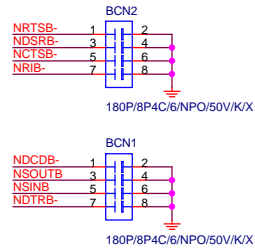
RING IN



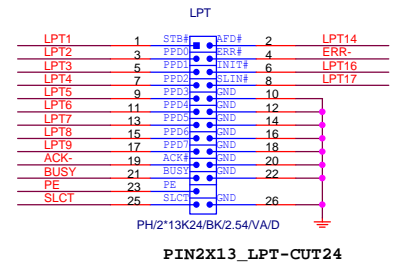
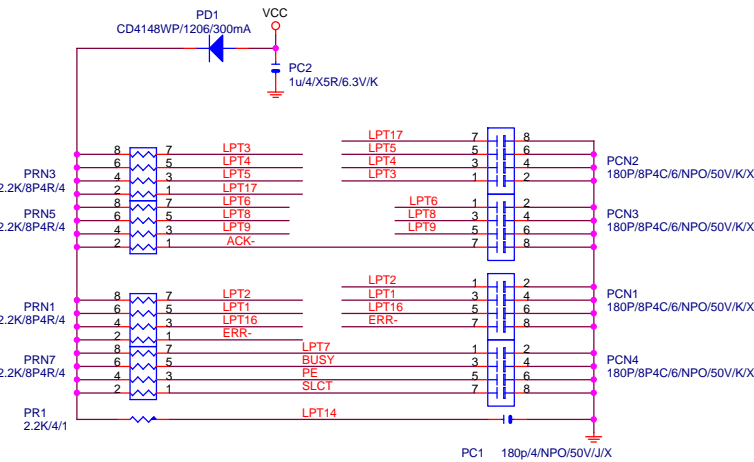
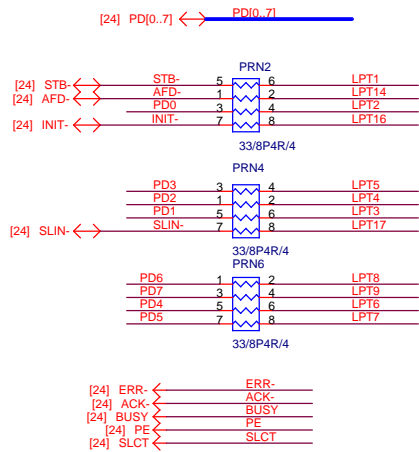
EXTERNAL COMA



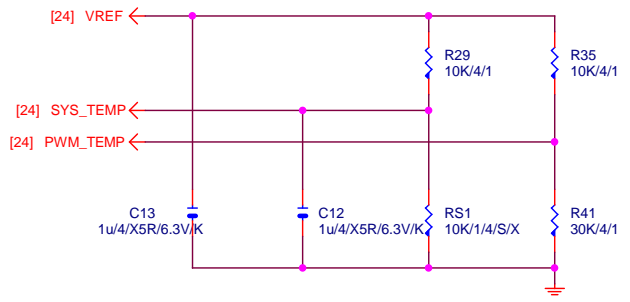
PLACE NEAR COM CONNECTOR



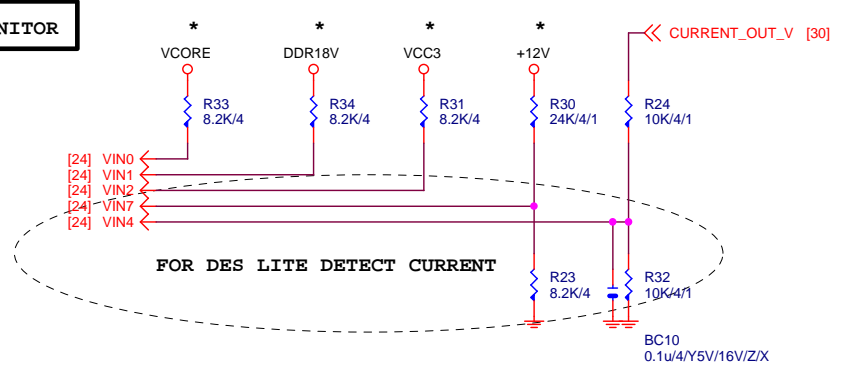
LPT PORT



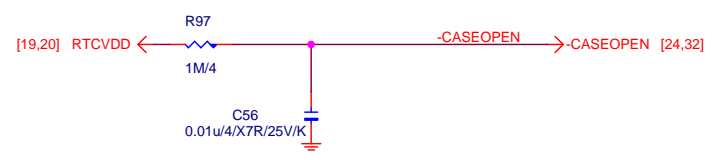
TEMP H/W MONITOR



VOLTAGE-- H/W MONITOR

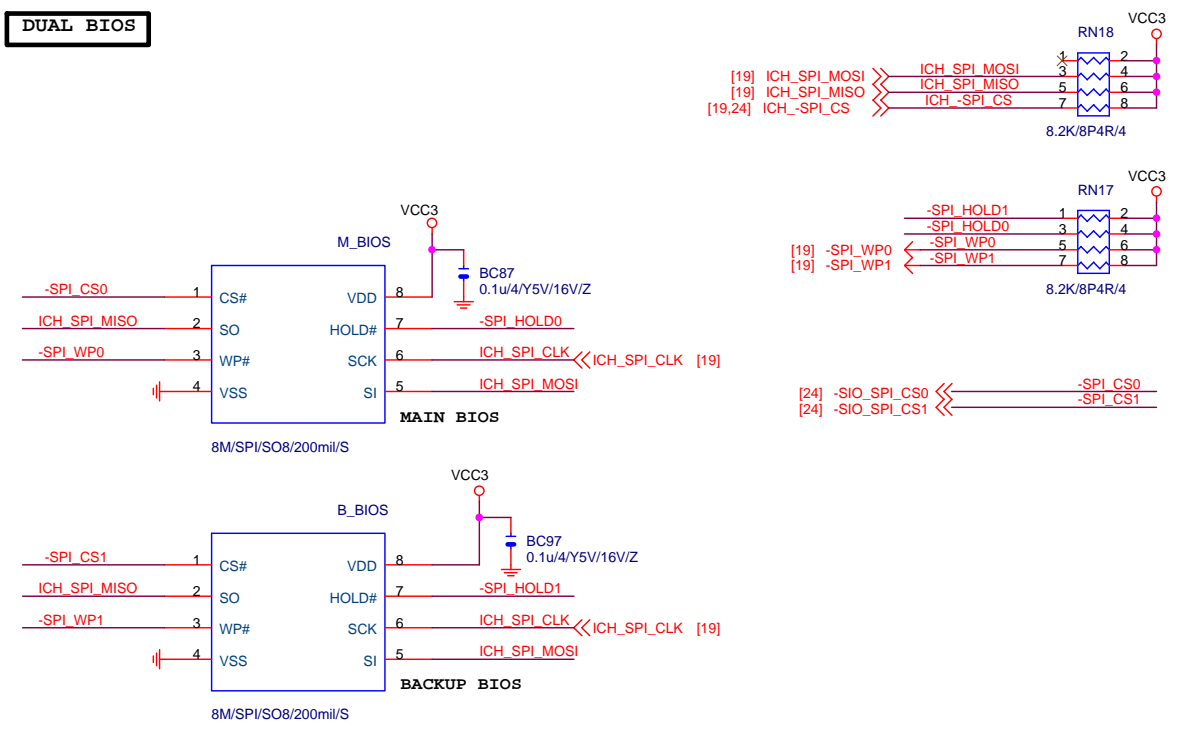


CASE OPEN

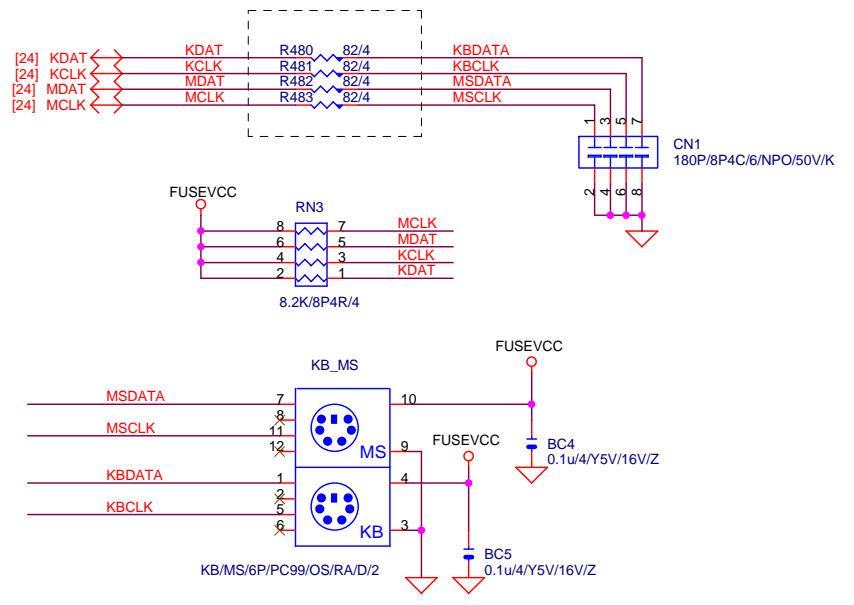


Case Open Circuits

DUAL BIOS

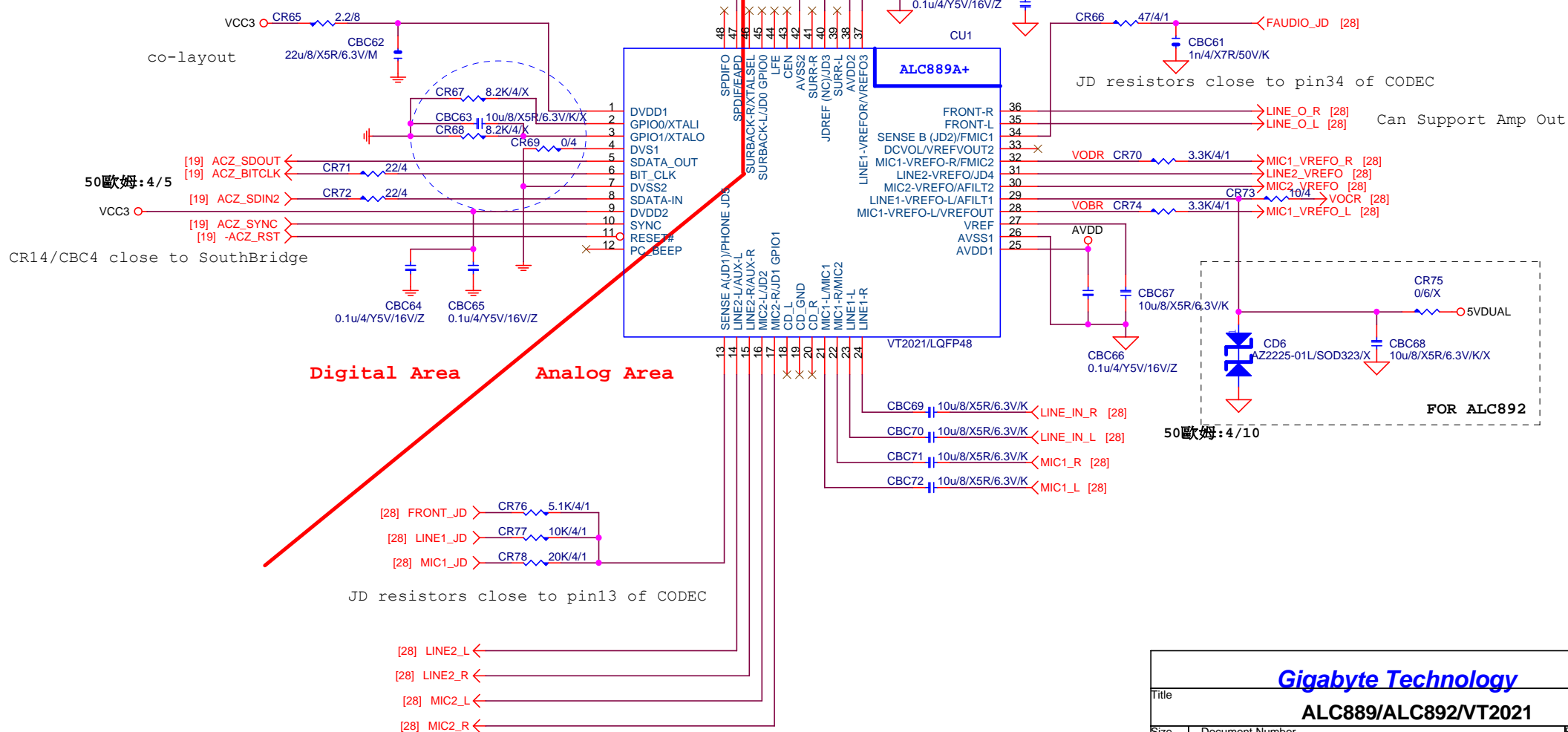


KB/MS



	ALC888B	ALC888-VA	ALC889A	ALC888B-VD	ALC892
CR59	X	O	O	O	O
CR53, 58	X	X	O	X	X
CR56	O	O	O	O	X
CR63	X	X	X	X	O
CR34	20K/1%	20K/1%	20K/0.1%	20K/1%	20K/1%

5.1K/4/1% @VT2021
 20K/4/0.1% @ALC889A
 20K/4/1% @ALC889A+/ALC888Vx



co-layout

CR14/CBC4 close to SouthBridge

Digital Area Analog Area

JD resistors close to pin13 of CODEC

Can Support Amp Out

JD resistors close to pin34 of CODEC

Can Support Amp Out

50歐姆: 4/10

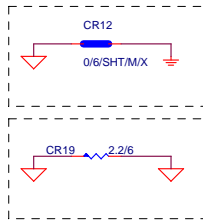
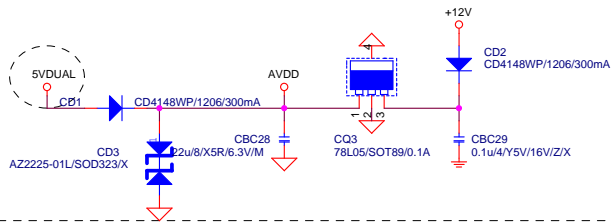
FOR ALC892

Gigabyte Technology

ALC889/ALC892/VT2021

Title	ALC889/ALC892/VT2021		Rev	1.31
Size Custom	Document Number	GA-G41MT-S2P		
Date:	Thursday, December 23, 2010	Sheet	27	of 33

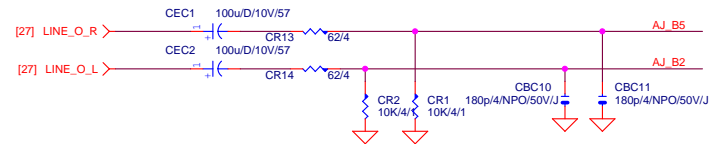
CODEC POWER/EMI PAD



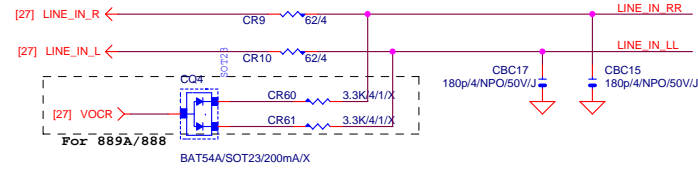
CD IN N/A

SPDIF IN N/A

LINE-OUT

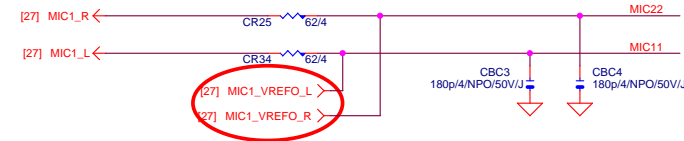


LINE-IN

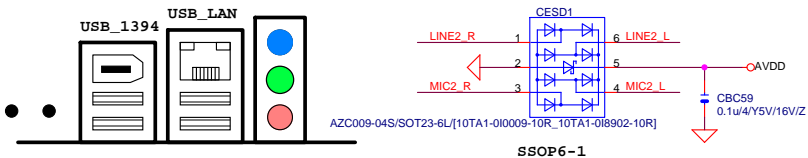


VIA 不SUPPORT

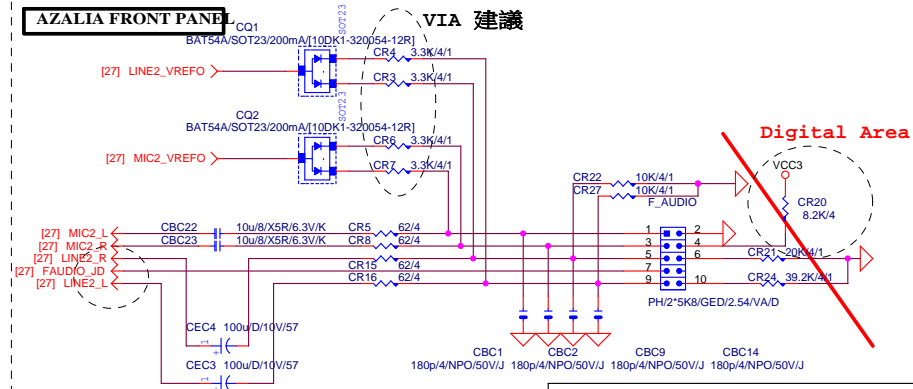
MIC-IN



AZALIA JACK

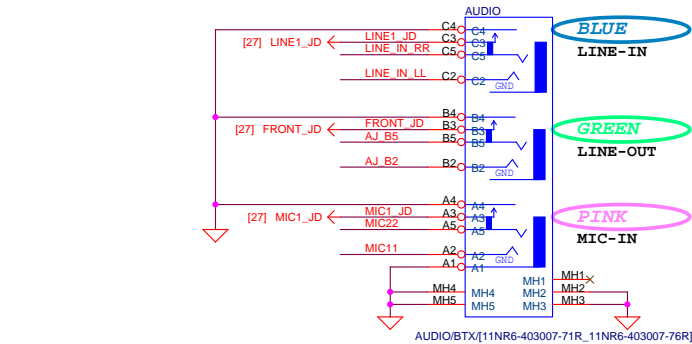


AZALIA FRONT PANE

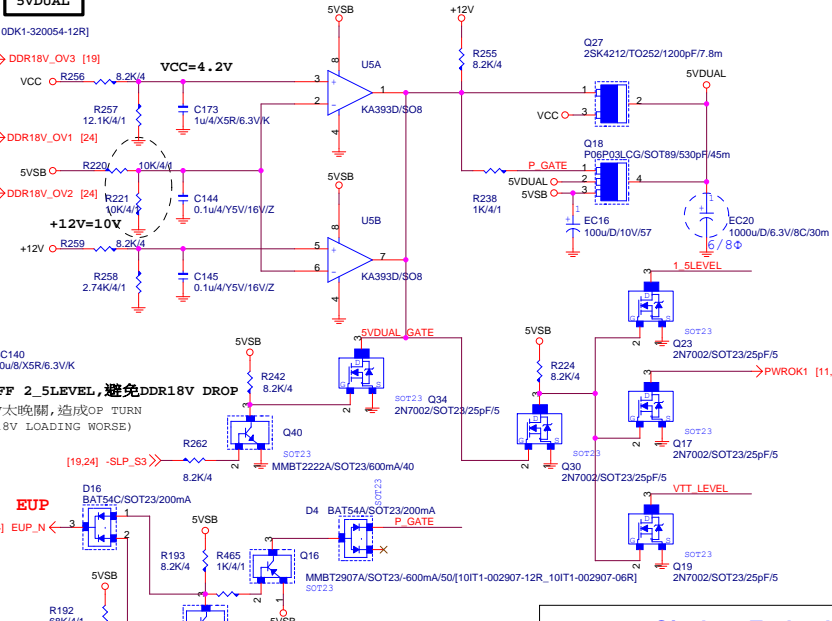
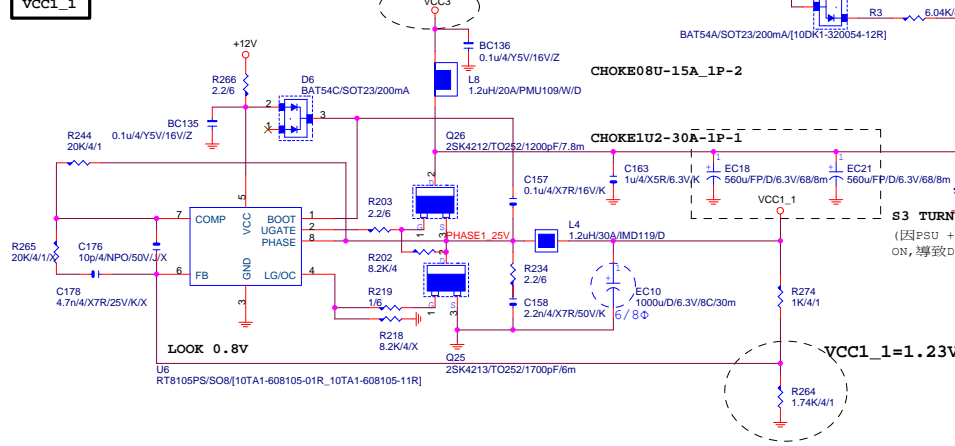
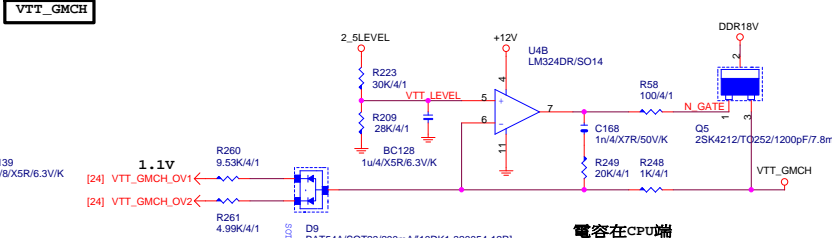
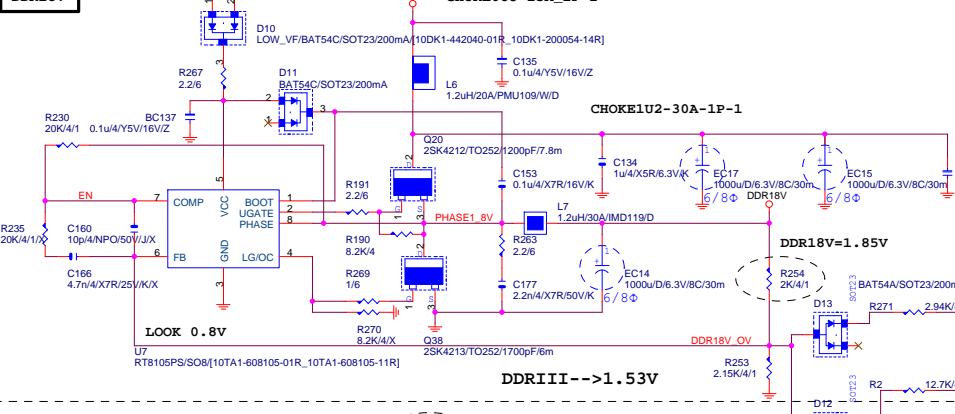
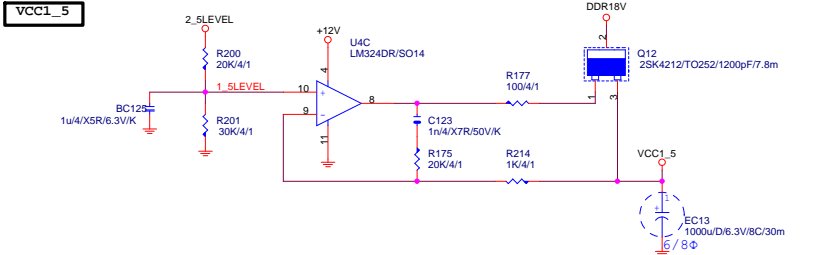
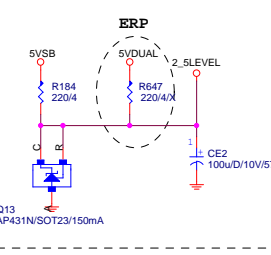
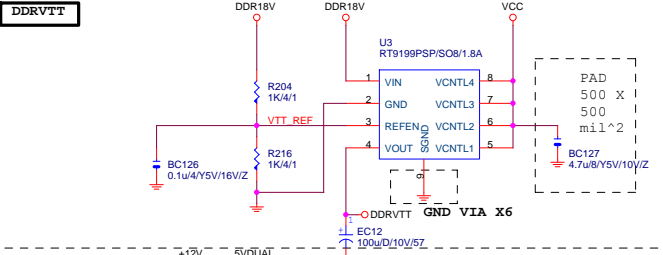
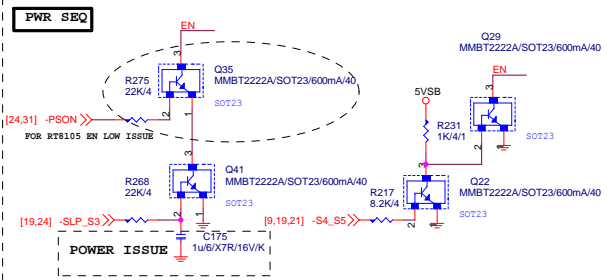
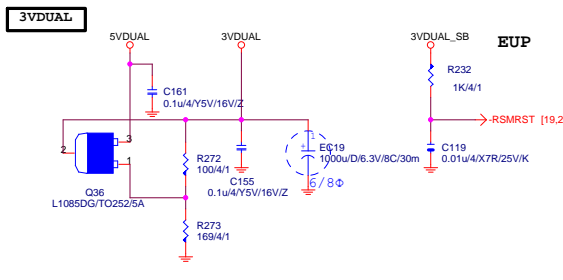
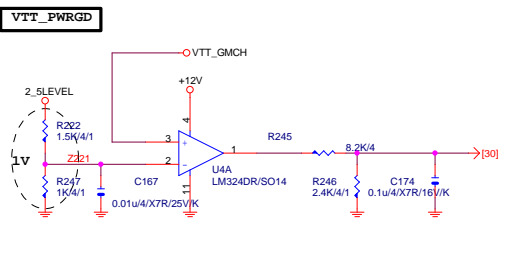


VIA 建議

Digital Area

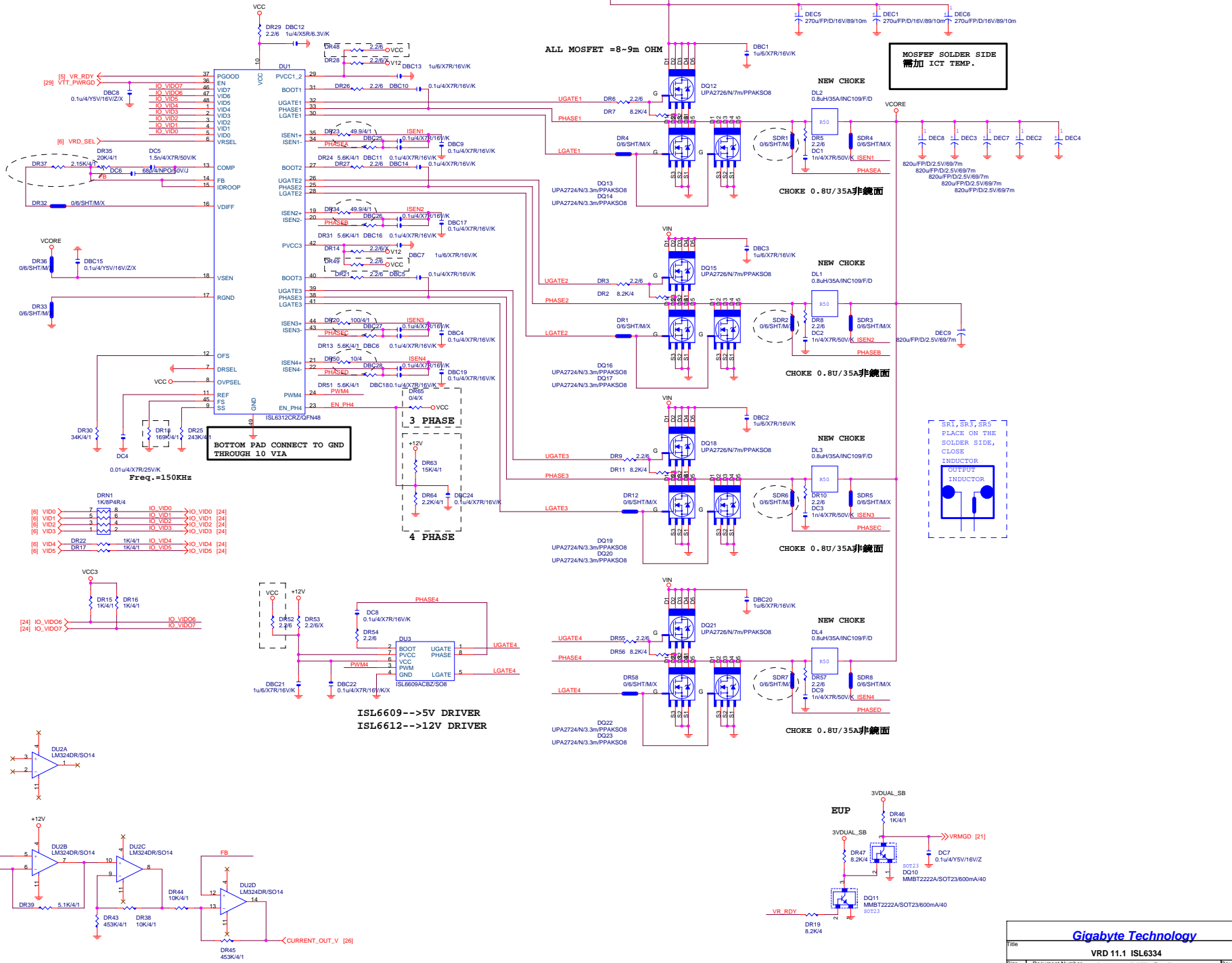


Gigabyte Technology			
AUDIO JACK			
GA-G41MT-S2P			
Title	Document Number	Rev	
Size	Custom	1.31	
Date:	Thursday, December 23, 2010	Sheet	28 of 33



FOR HEAT/OC DDR3 1.333

Gigabyte Technology			
DISCRETE POWER			
File	Document Number	Rev	
	GA-G41MT-S2P	1.31	
Size	Custom	Date:	Thursday, December 23, 2010
Sheet	29	of 33	



ALL MOSFET = 8-9m OHM

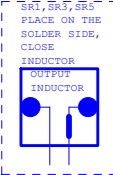
MOSFET SOLDER SIDE
需加 ICT TEMP.

NEW CHOKE
CHOKES 0.8uH/35A 非鐵面

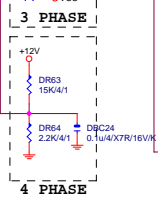
NEW CHOKE
CHOKES 0.8uH/35A 非鐵面

NEW CHOKE
CHOKES 0.8uH/35A 非鐵面

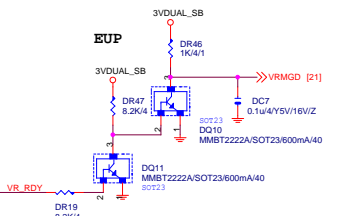
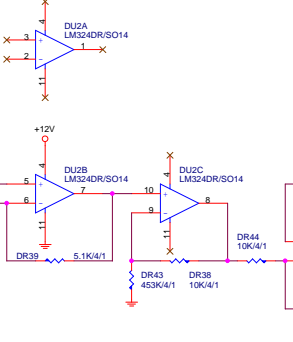
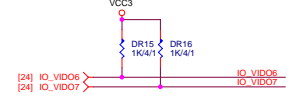
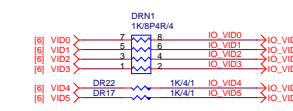
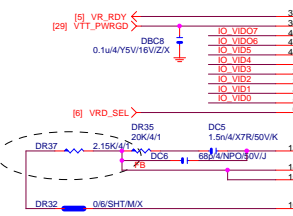
NEW CHOKE
CHOKES 0.8uH/35A 非鐵面



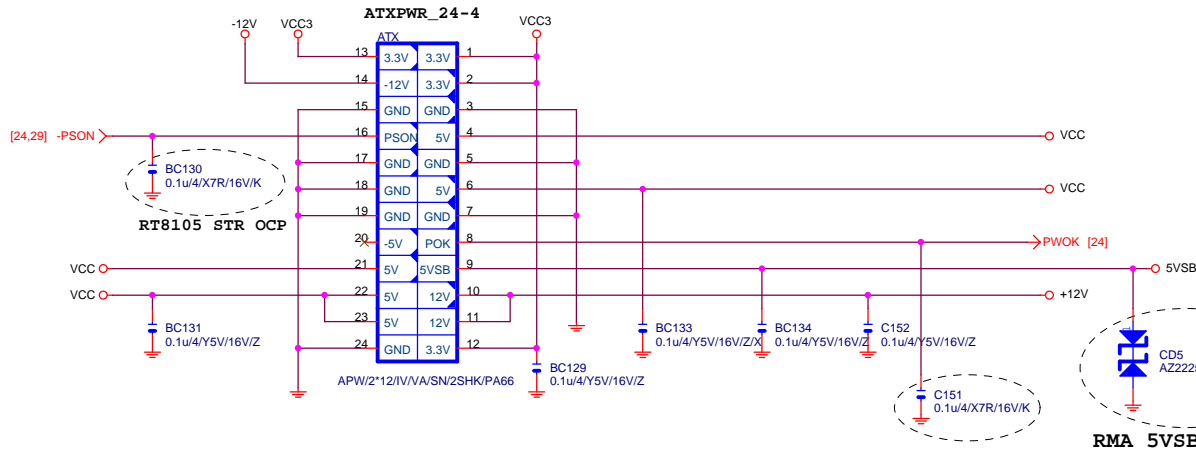
BOTTOM PAD CONNECT TO GND THROUGH 10 VIA



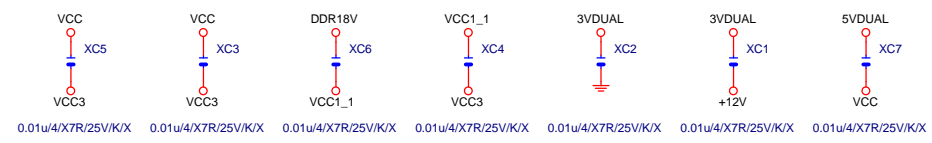
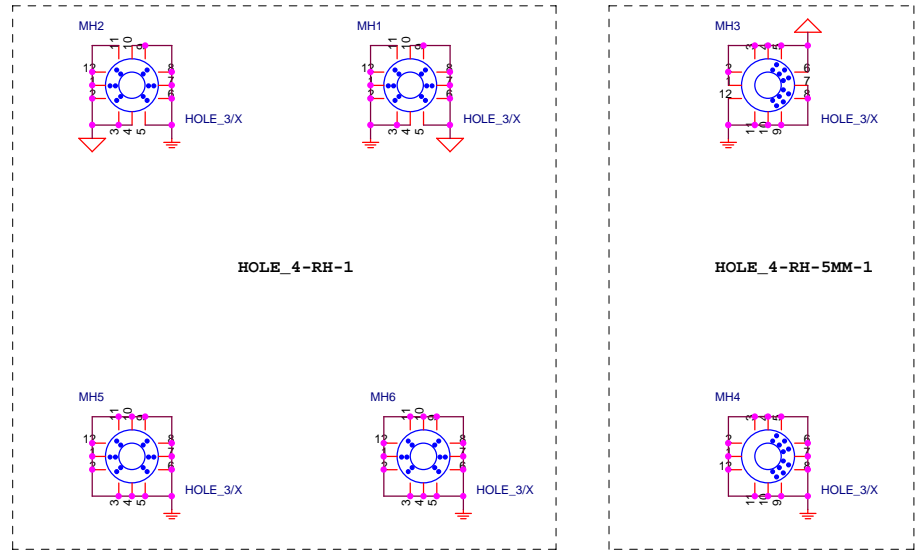
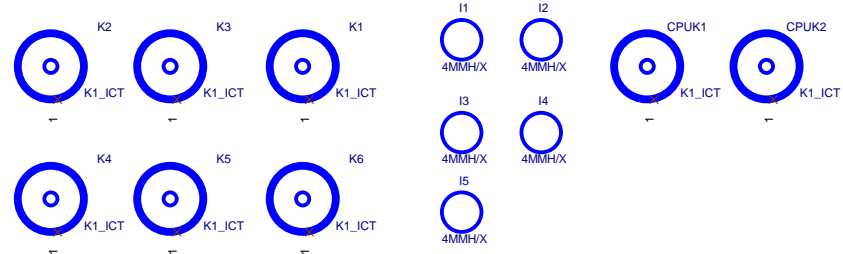
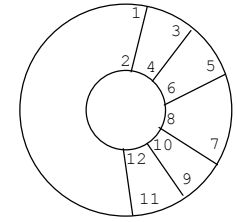
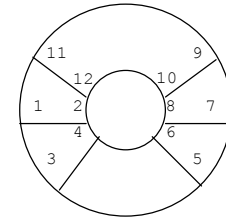
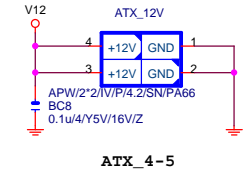
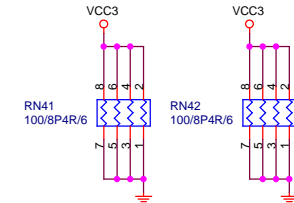
ISL6609-->5V DRIVER
ISL6612-->12V DRIVER



ATX POWER CONNECTOR

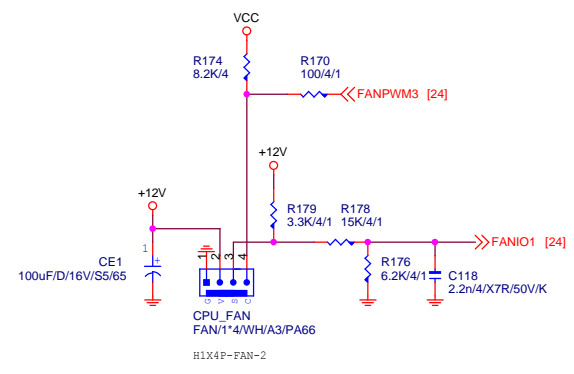


FIX PWR AcBel(ATX-400C-A2ADB)

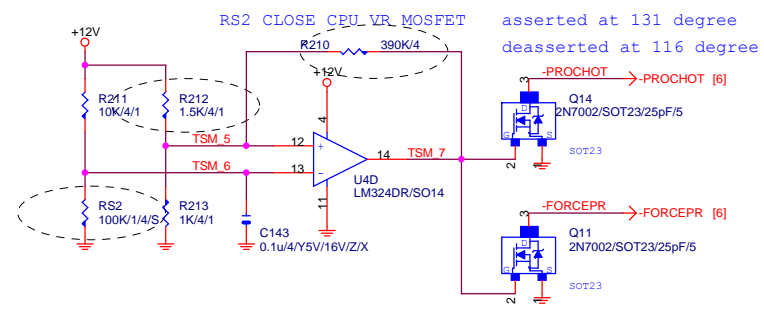


Gigabyte Technology		
ATX POWER CONNECTOR		
Size B	Document Number	Rev 1.31
GA-G41MT-S2P		
Date:	Thursday, December 23, 2010	Sheet 31 of 33

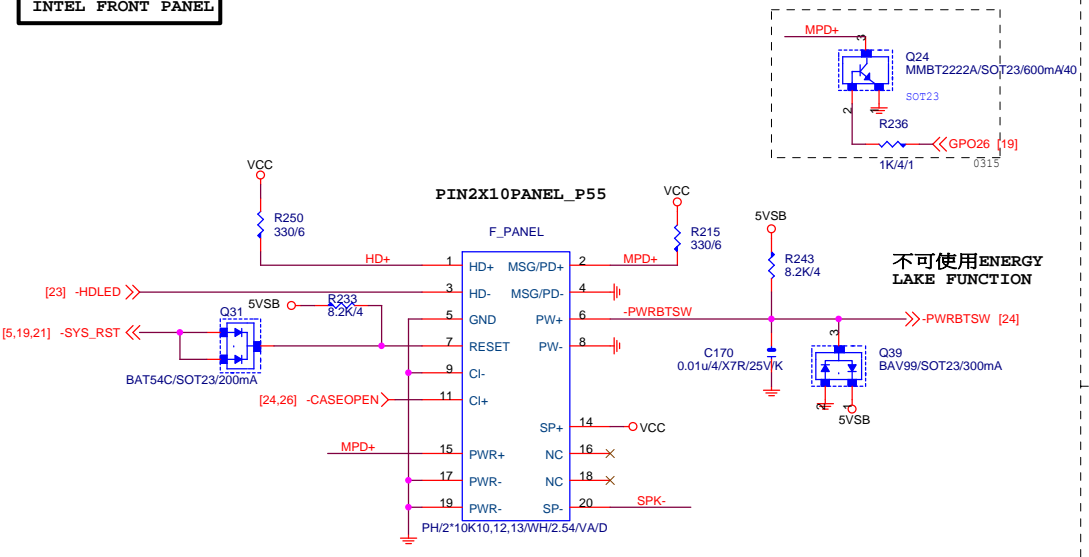
CPU SMART FAN SMART FAN



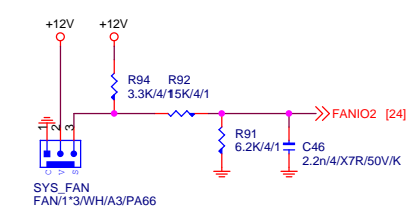
PROCESSOR HOT



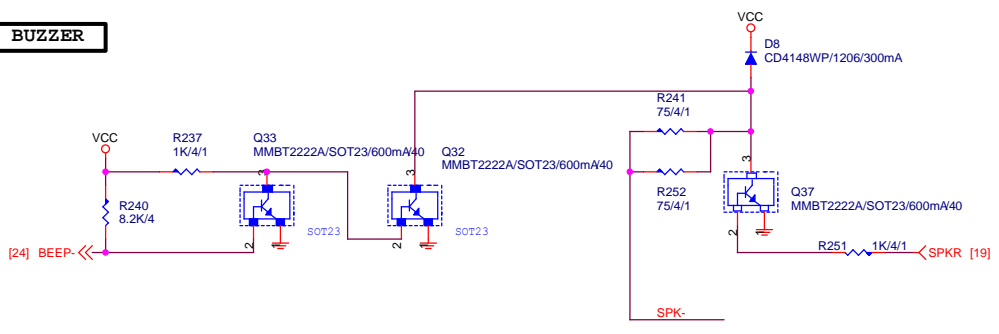
INTEL FRONT PANEL



SYS_FAN



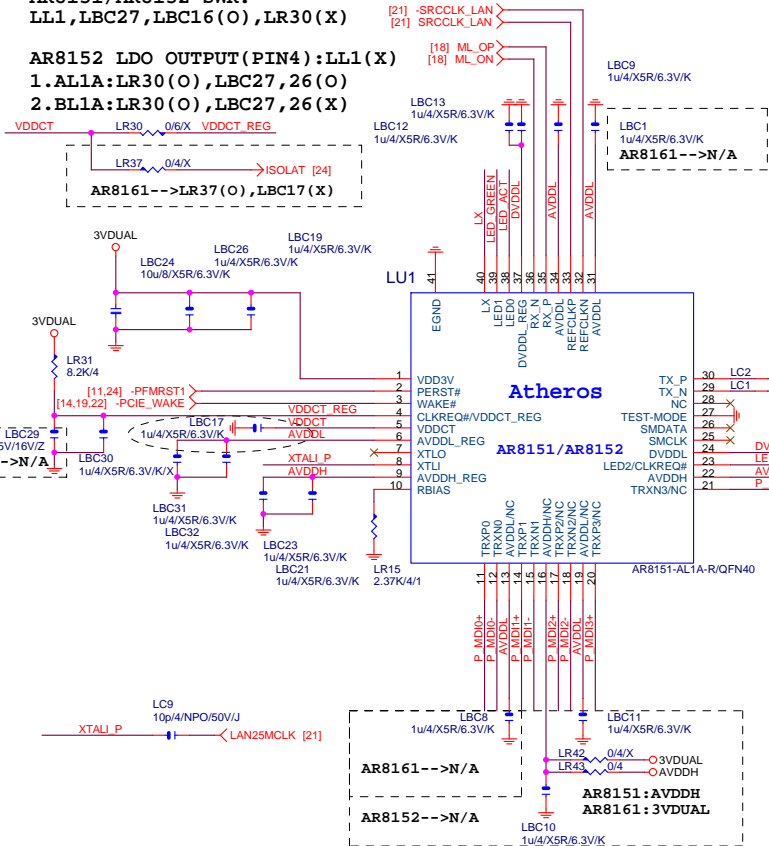
BUZZER



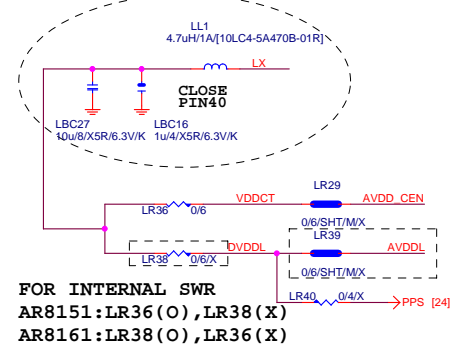
PCIE-1G LAN

AR8131/AR8132 SWR:
LL1, LBC27, LBC16(O), LR30(X)

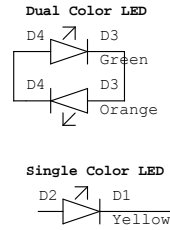
AR8152 LDO OUTPUT (PIN4): LL1(X)
1. AL1A: LR30(O), LBC27, 26(O)
2. BL1A: LR30(O), LBC27, 26(X)



CHOK4U7-500MA-1

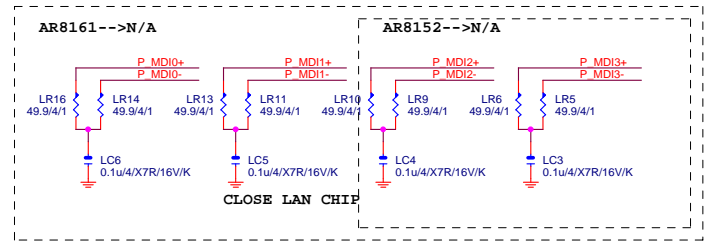
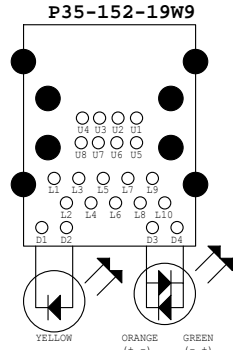


FOR INTERNAL SWR
AR8151: LR36(O), LR38(X)
AR8161: LR38(O), LR36(X)



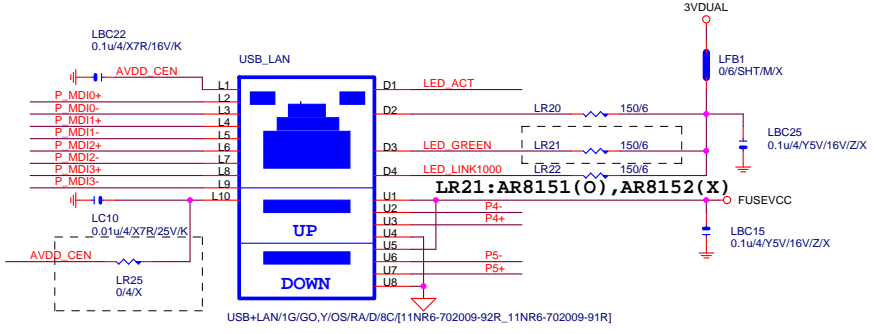
LED0 (ACT) LED1 (LINK) LED2 (LINK1G)

CLKREQ# PULL-UP FOR EFUSE:
1. AR8151: LR31(O), LR32(X)
2. AR8152: LR31(X), LR32(O)



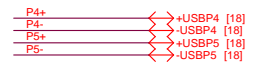
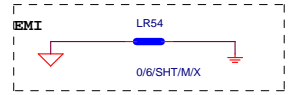
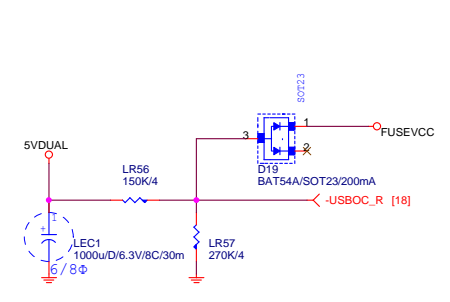
USB_LAN CONNECTOR

1G : USB+LAN/1G/GO, Y/OS/RA/D/1
100M: USB+LAN/100/GO, Y/OS/RA/D/1



LR25: AR8151(X), AR8152(O)
因100M LAN CONNECTOR 差異

USB_LAN



Gigabyte Technology			
Title	ARTHEROS AR8151/AR8161		
Size Custom	Document Number	GA-G41MT-S2P	
Date:	Thursday, December 23, 2010	Sheet	33 of 33