

SHEET

TITLE

01	COVER SHEET
02	BLOCK DIAGRAM
03	BOM & PCB MODIFY HISTORY
04	P4 LGA775 A
05	P4 LGA775 B,D
06	P4 LGA775 C
07	P4 LGA775 E,F,G,H
08	G31 HOST
09	G31 DDRII
10	G31 PCI E, DMI
11	G31 VGA
12	G31 GND
13	G31 PWR
14	PCI EXPRESS*16 SLOT
15	DDRII CHANNEL A
16	DDRII CHANNEL B
17	DDRII TERMINATION
18	ICH7 PCI, USB, DMI, LAN
19	ICH7 IDE, GPIO, SATA, CTRL
20	ICH7 VCC, GND
21	CK505 CLOCK.
22	PCI SLOT 1,2,PCIE*1
23	IDE/FLOPPY
24	ITE 8718 GB/HX
25	COM LPT
26	CI, HWM, KB/MS, DUALBIOS
27	ALC883

SHEET

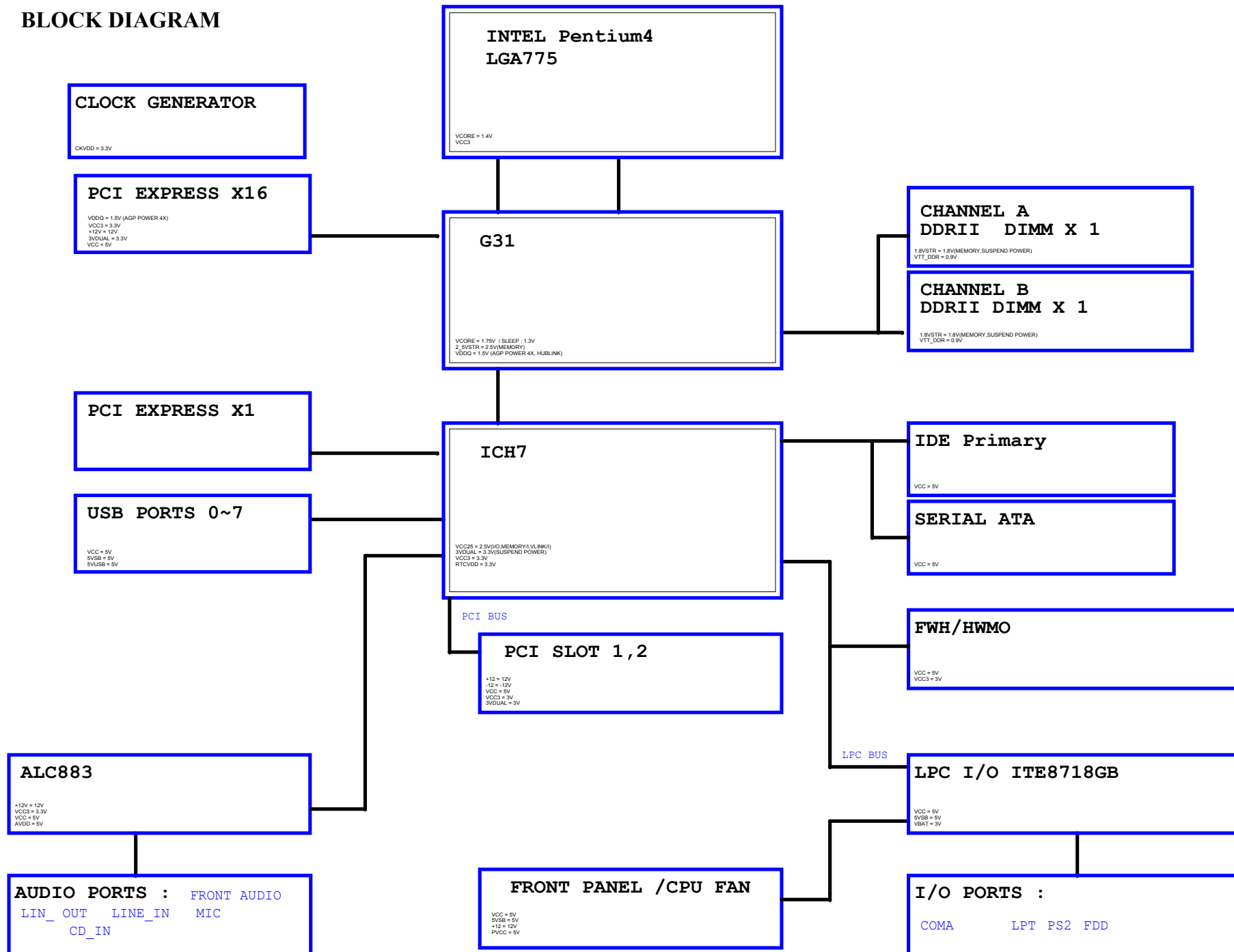
TITLE

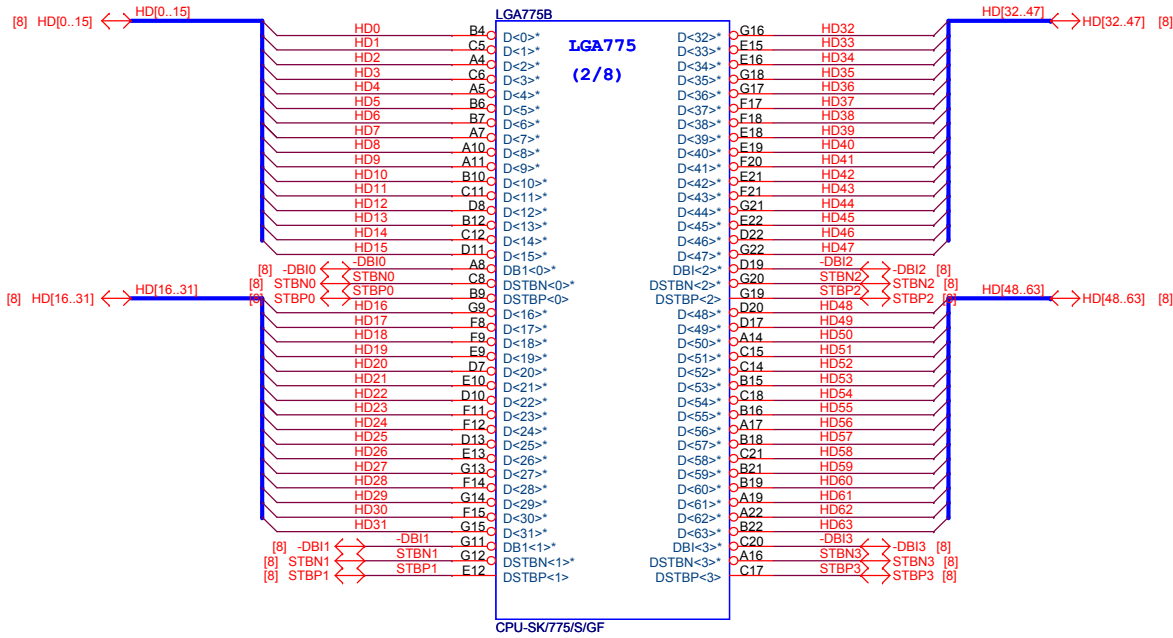
28	REAR AUDIO JACK
29	DISCRETE POWER
30	VCORE PWM ISL6312
31	ATX, OTHERS POWER
32	FRONT PANEL
33	REALTEK RTL8111C/8102E

Gigabyte Technology

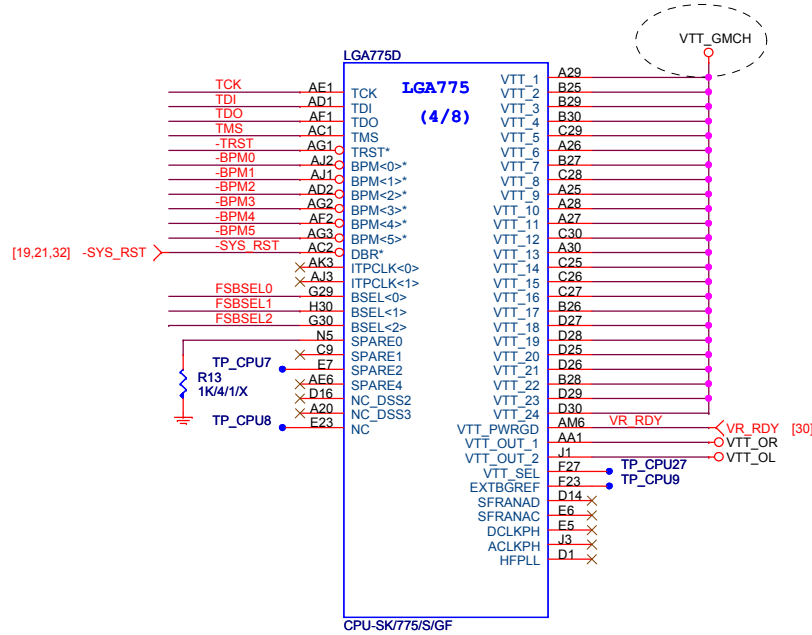
Title			
Cover Sheet			
Size	Document Number	GA-G31M-ES2L	Rev
Custom			1.11
Date:	Thursday, July 17, 2008	Sheet	1 of 33

BLOCK DIAGRAM

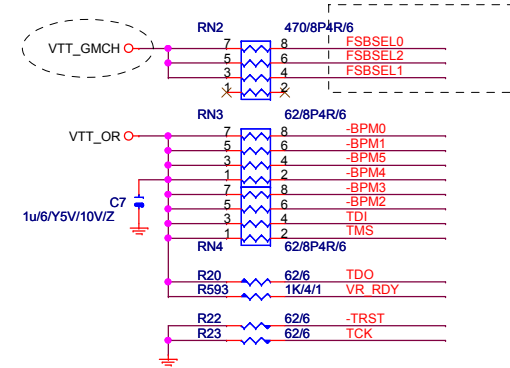




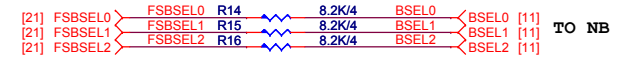
CPU-SK775/S/GF



CPU-SK775/S/GF



TO CLK GEN

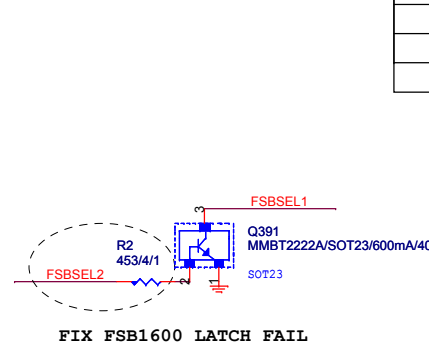


TO NB

CPU

NA	FSB	FSA	Clock
FSBSEL3	FSBSEL1	FSBSEL0	
1	0	1	100MHz
0	0	1	133MHz
0	1	1	166MHz
0	1	0	200MHz
0	0	0	266MHz

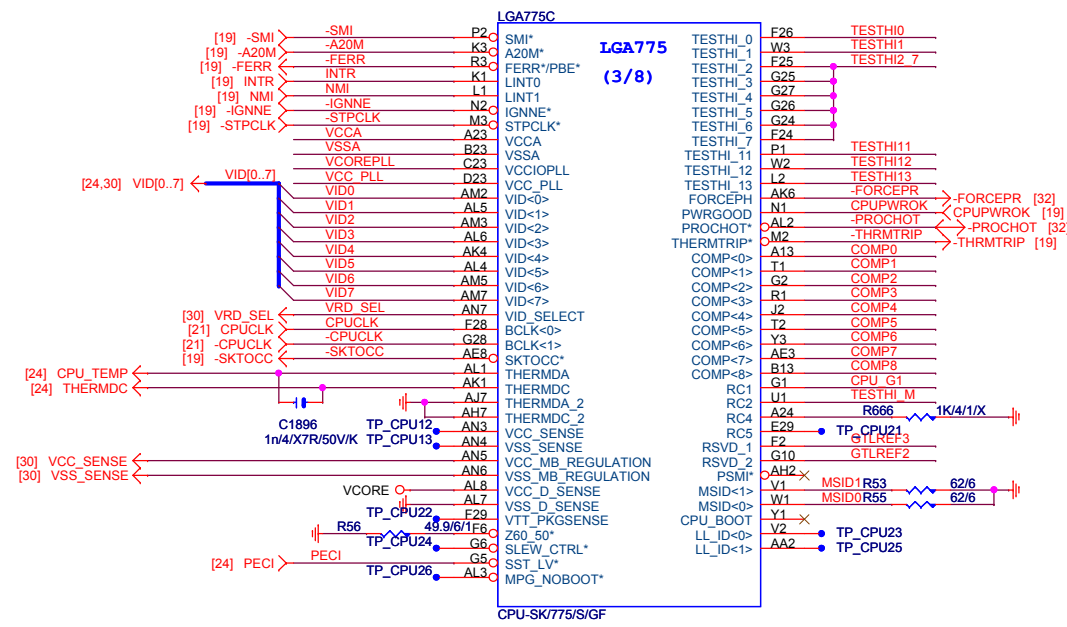
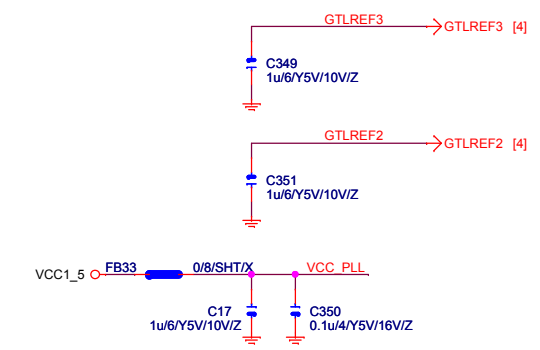
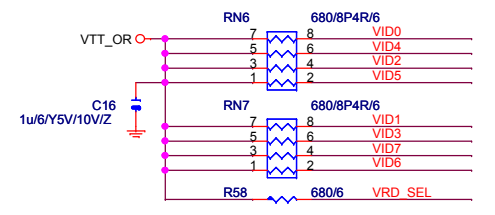
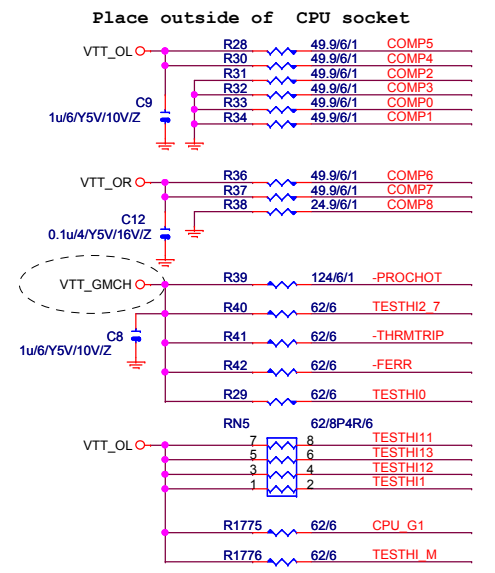
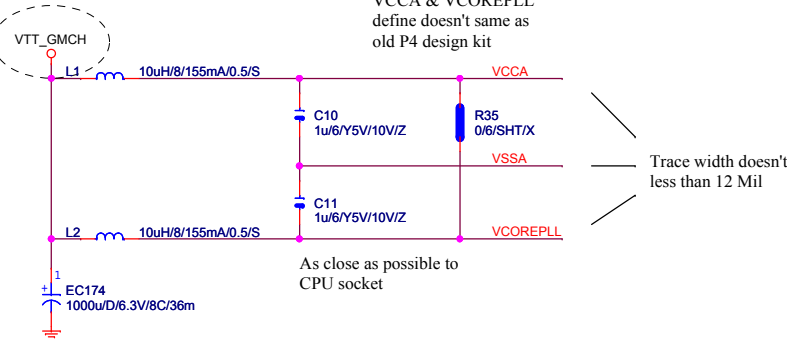
X



FIX FSB1600 LATCH FAIL

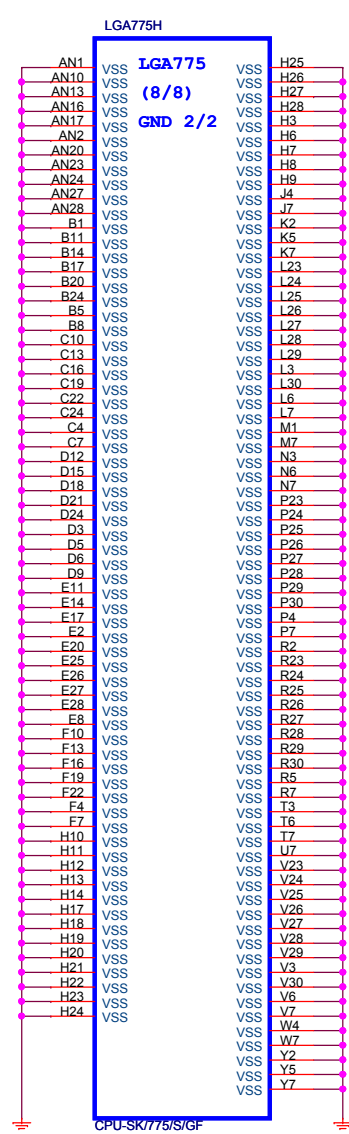
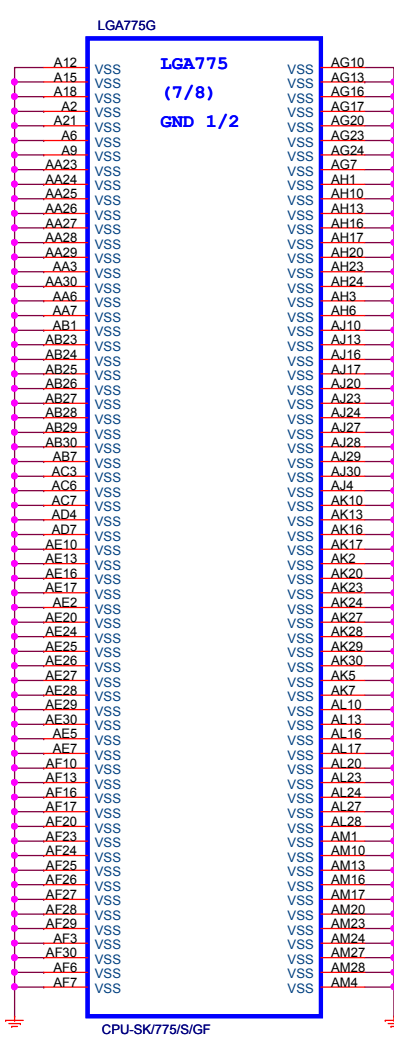
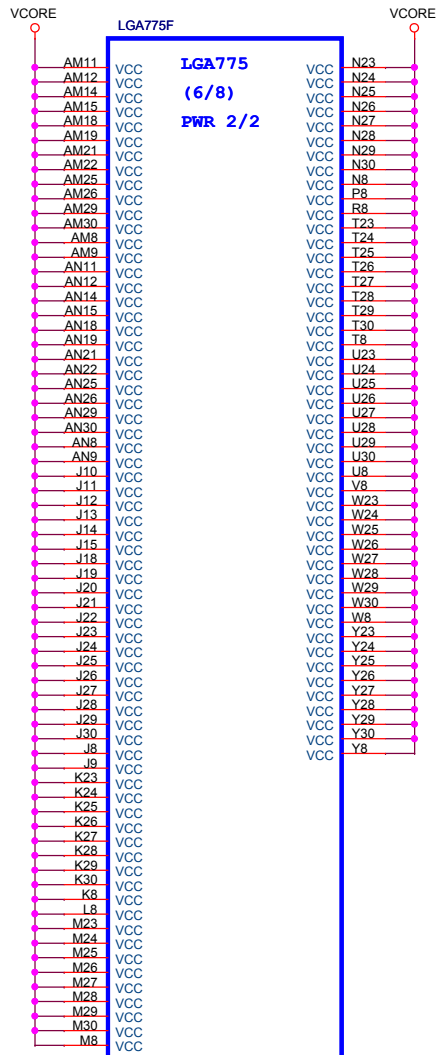
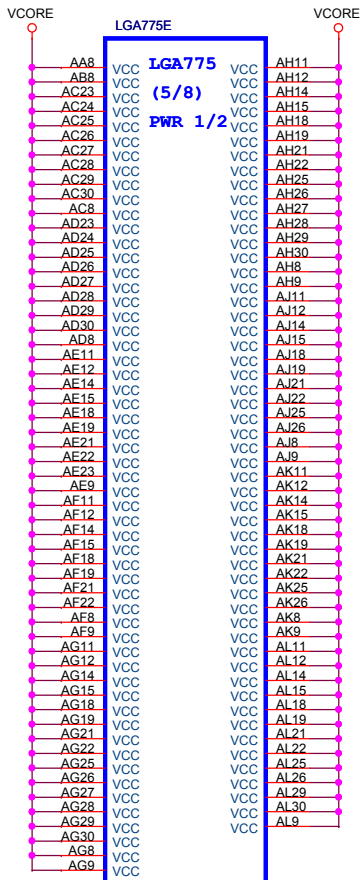
Gigabyte Technology		
Title P4_LGA775-B,D		
Size B	Document Number GA-G31M-ES2L	Rev 1.11
Date: Thursday, July 17, 2008	Sheet 5	of 33

Note:
VCCA & VCOREPLL
define doesn't same as
old P4 design kit

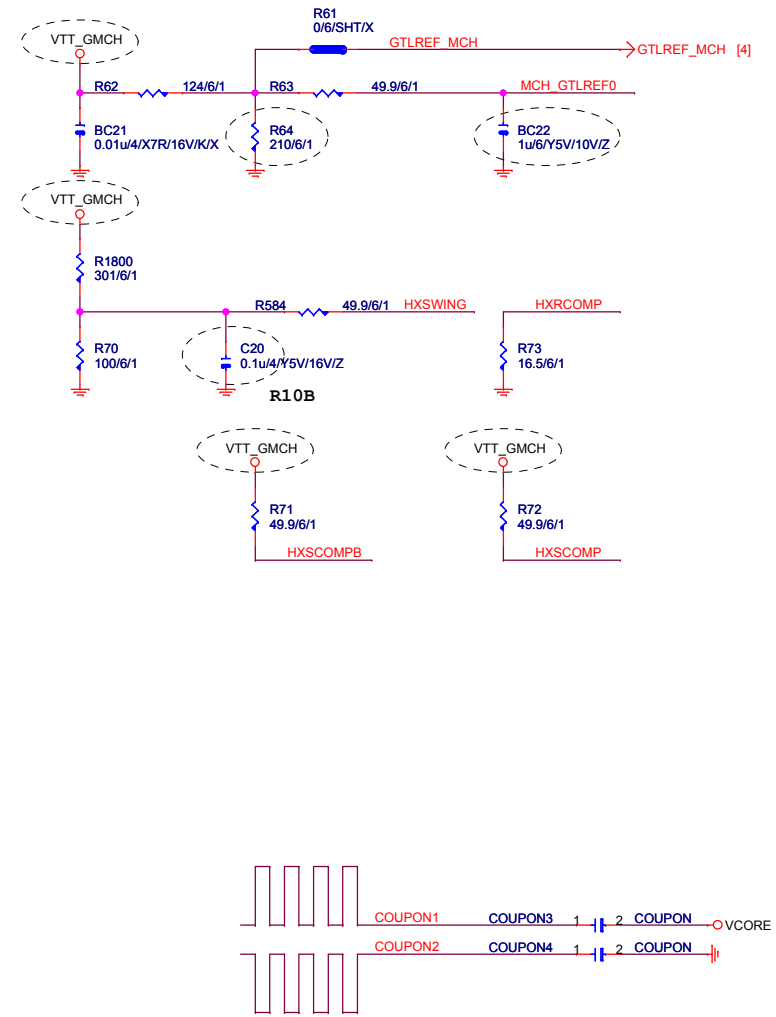
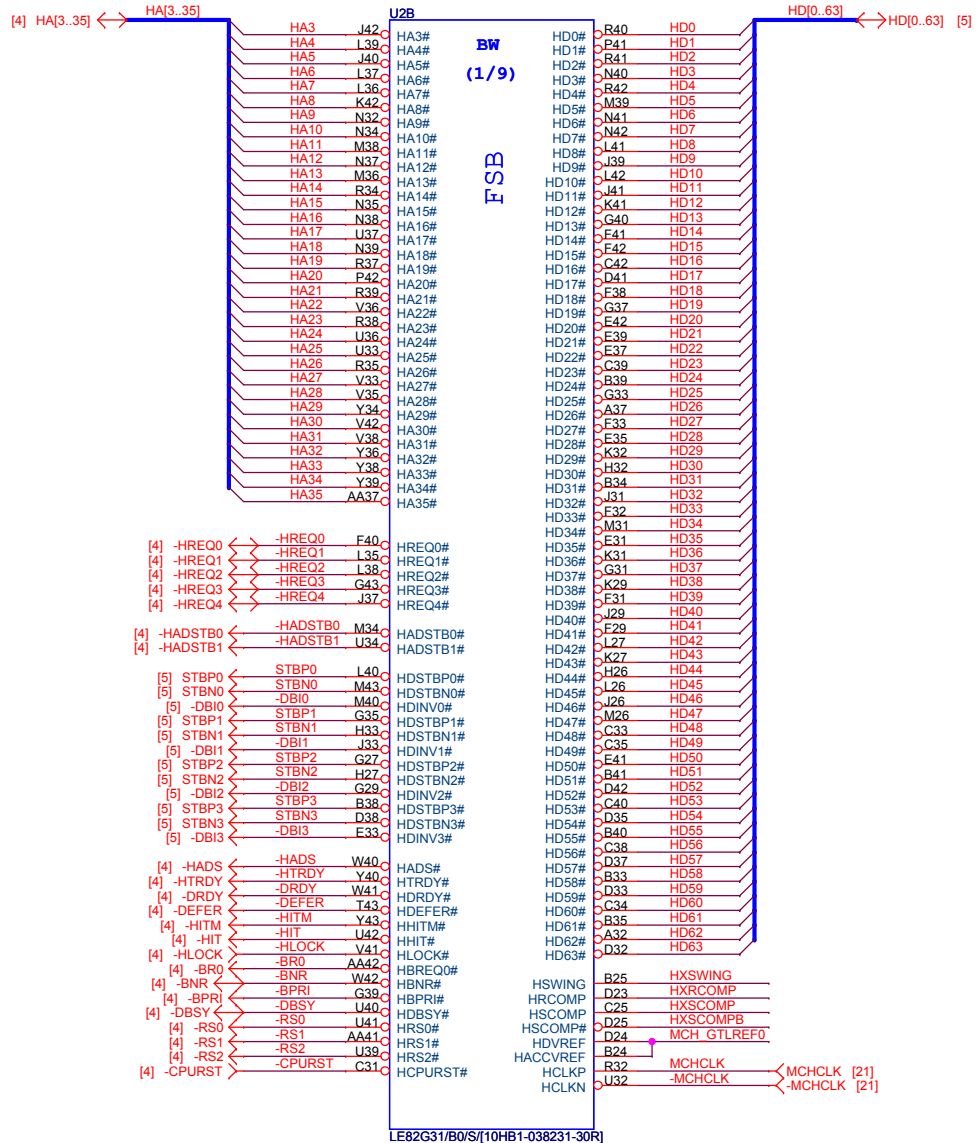


Gigabyte Technology		
P4_LGA775-C		
Size B	Document Number	Rev 1.11
GA-G31M-ES2L		
Date:	Thursday, July 17, 2008	Sheet 6 of 33

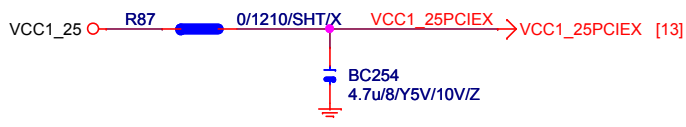
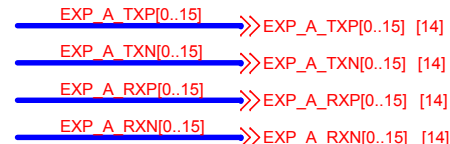
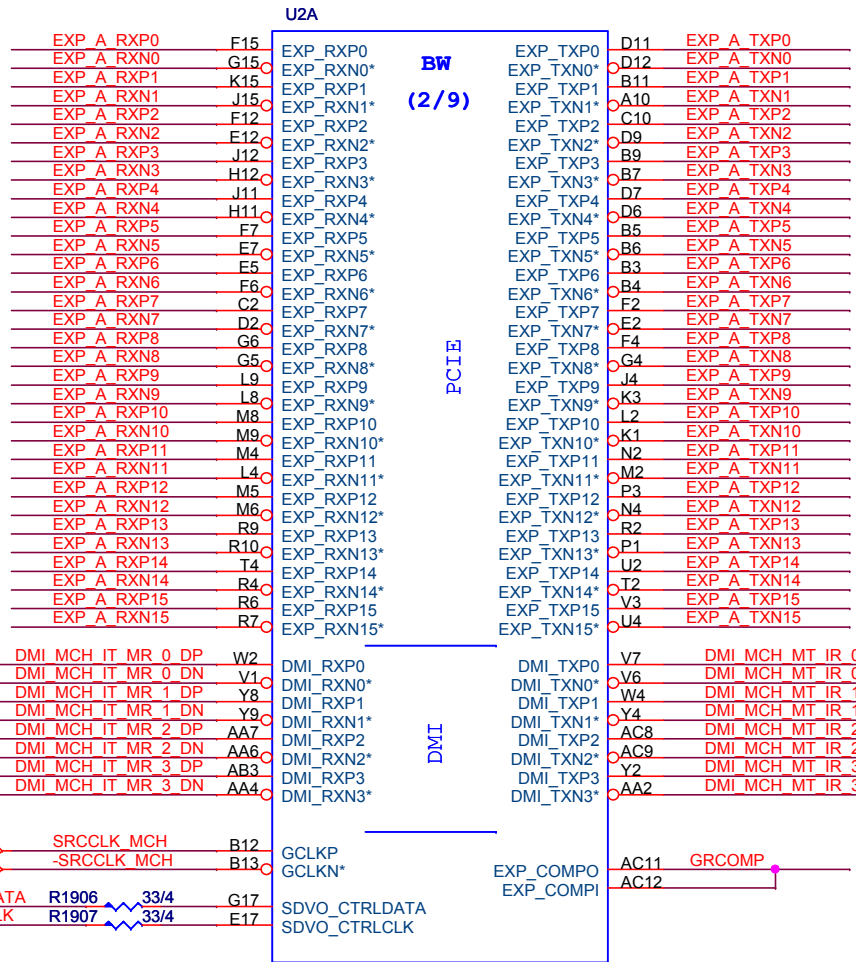
PECI: Platform Environment Control Interface



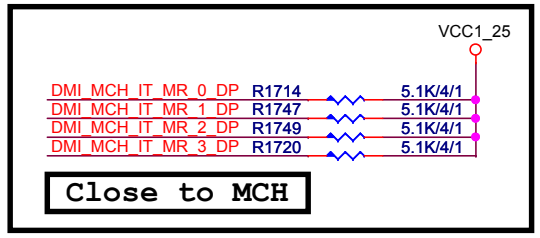
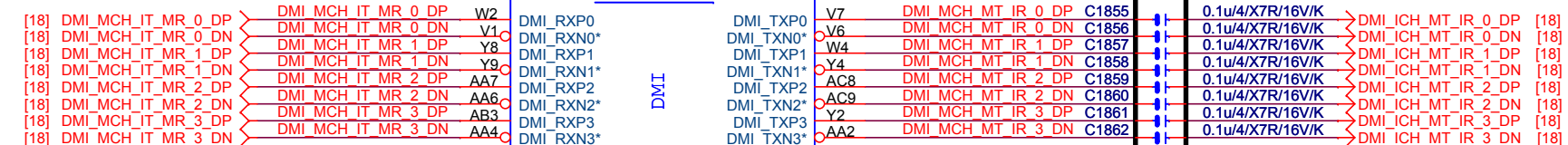
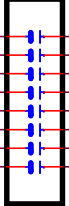
Gigabyte Technology		
Title P4_LGA775-E,F,G,H		
Size B	Document Number GA-G31M-ES2L	Rev 1.11
Date: Thursday, July 17, 2008	Sheet 7 of 33	



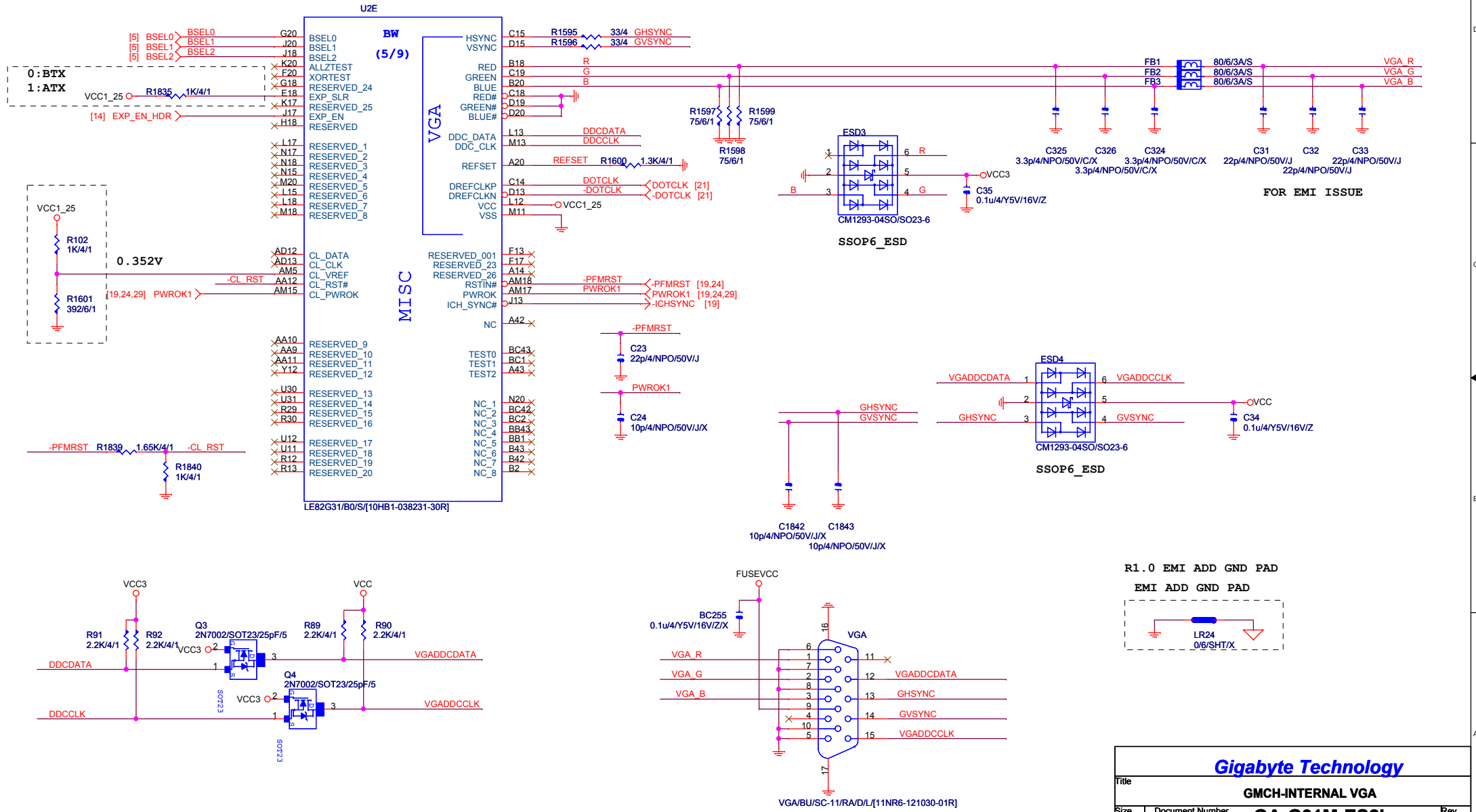
Gigabyte Technology		
Title		
GMCH-HOST		
Size	Document Number	Rev
3	GA-G31M-ES2L	1.11
Date:	Thursday, July 17, 2008	Sheet 8 of 33



Close to MCH

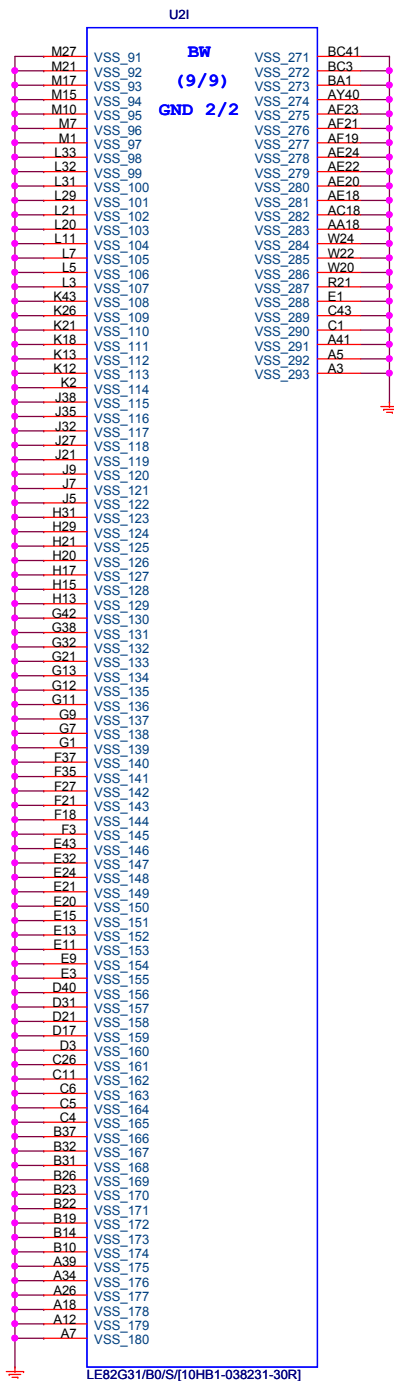
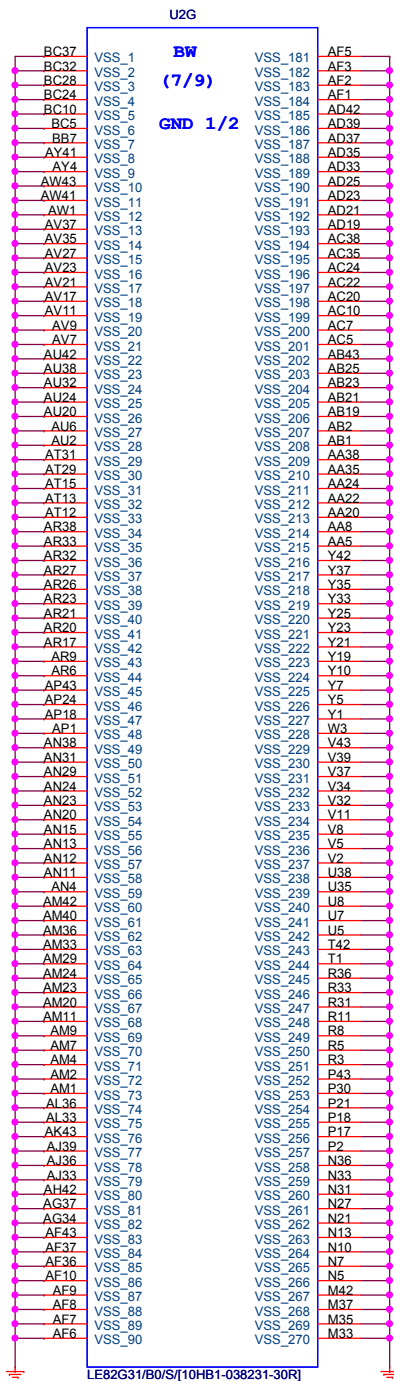


Gigabyte Technology			
Title GMCH-PCI E & DMI			
Size	Document Number	GA-G31M-ES2L	
Custom		Rev	1.11
Date:	Thursday, July 17, 2008	Sheet	10 of 33



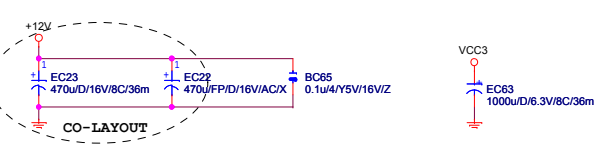
R1.0 EMI ADD GND PAD
EMI ADD GND PAD

Gigabyte Technology			
Title GMCH-INTERNAL VGA			
Size B	Document Number GA-G31M-ES2L	Rev 1.11	
Date: Thursday, July 17, 2008	Sheet 11	of 33	

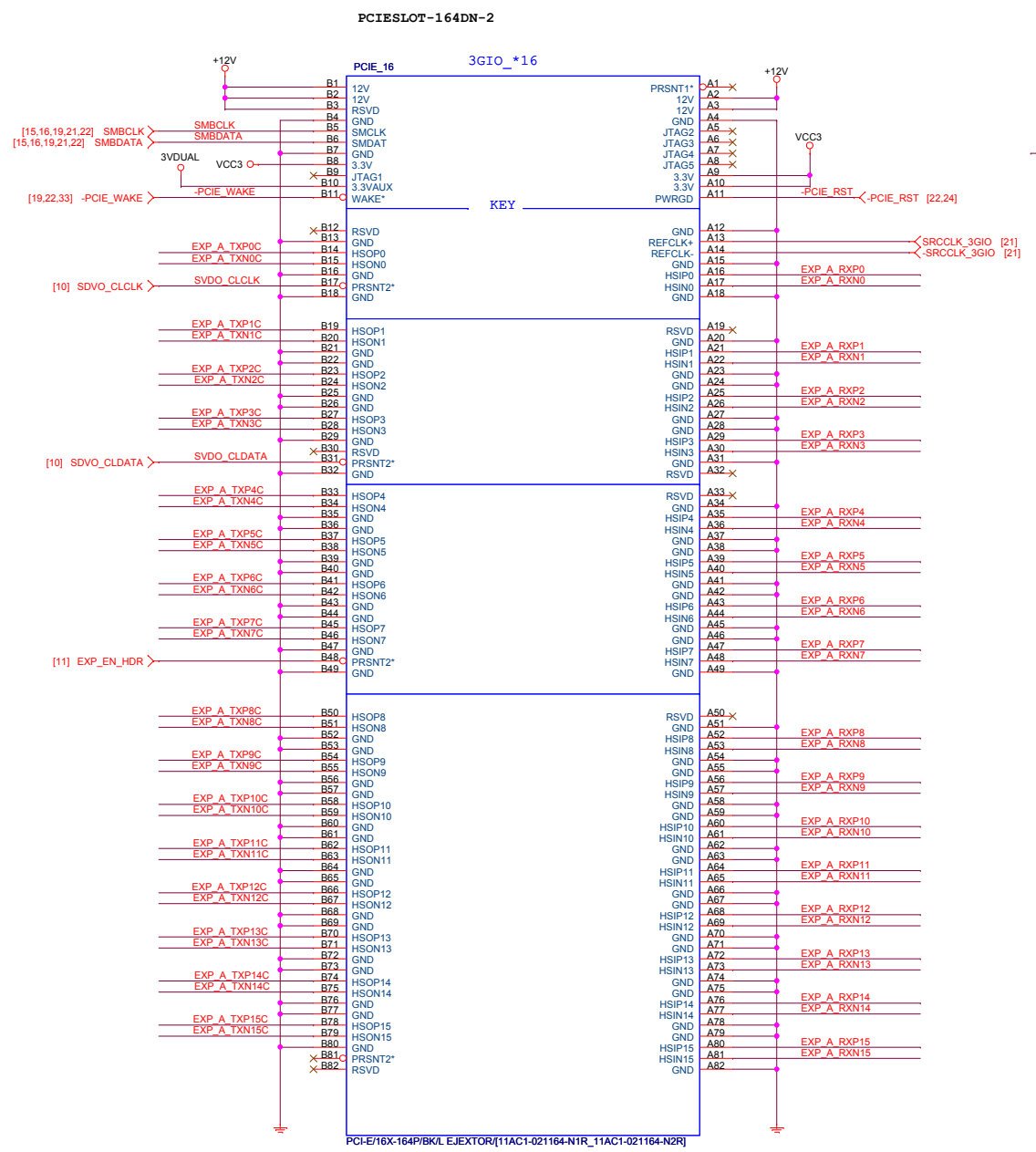


Gigabyte Technology

Title		
GMCH-GND		
Size	Document Number	Rev
Custom	GA-G31M-ES2L	1.1
Date:	Thursday, July 17, 2008	Sheet 12 of 33

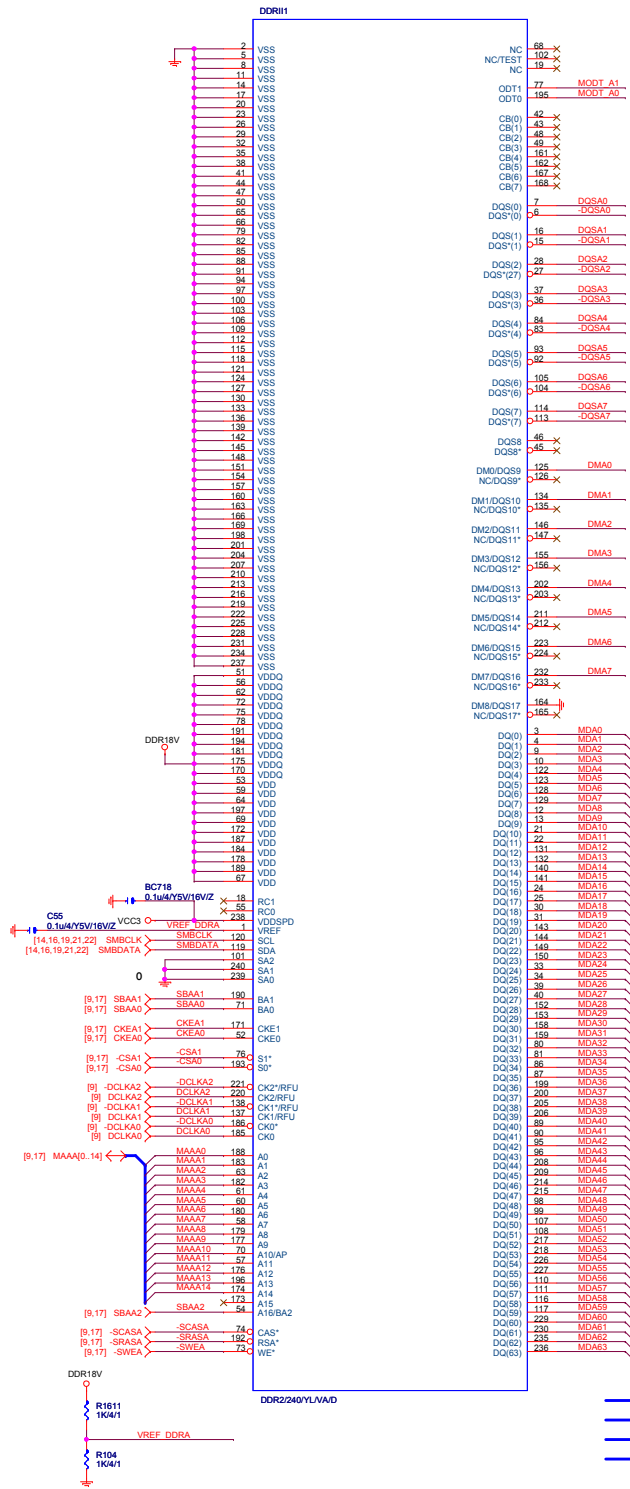


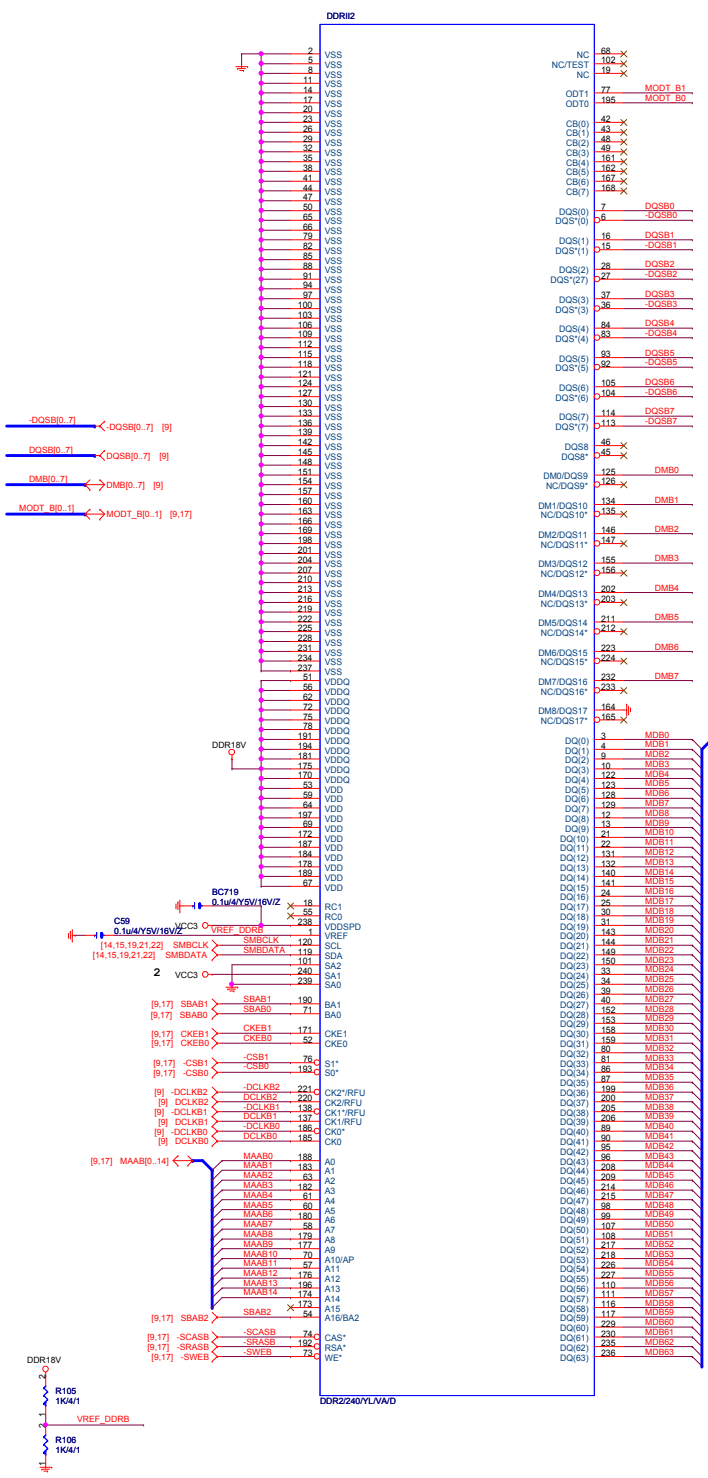
EXP_A_TXP0	C92	0.1u4/X7R/16V/K	EXP_A_TXP0C
EXP_A_TXN0	C93	0.1u4/X7R/16V/K	EXP_A_TXN0C
EXP_A_TXP1	C94	0.1u4/X7R/16V/K	EXP_A_TXP1C
EXP_A_TXN1	C95	0.1u4/X7R/16V/K	EXP_A_TXN1C
EXP_A_TXP2	C96	0.1u4/X7R/16V/K	EXP_A_TXP2C
EXP_A_TXN2	C97	0.1u4/X7R/16V/K	EXP_A_TXN2C
EXP_A_TXP3	C98	0.1u4/X7R/16V/K	EXP_A_TXP3C
EXP_A_TXN3	C99	0.1u4/X7R/16V/K	EXP_A_TXN3C
EXP_A_TXP4	C100	0.1u4/X7R/16V/K	EXP_A_TXP4C
EXP_A_TXN4	C101	0.1u4/X7R/16V/K	EXP_A_TXN4C
EXP_A_TXP5	C102	0.1u4/X7R/16V/K	EXP_A_TXP5C
EXP_A_TXN5	C103	0.1u4/X7R/16V/K	EXP_A_TXN5C
EXP_A_TXP6	C104	0.1u4/X7R/16V/K	EXP_A_TXP6C
EXP_A_TXN6	C105	0.1u4/X7R/16V/K	EXP_A_TXN6C
EXP_A_TXP7	C106	0.1u4/X7R/16V/K	EXP_A_TXP7C
EXP_A_TXN7	C107	0.1u4/X7R/16V/K	EXP_A_TXN7C
EXP_A_TXP8	C108	0.1u4/X7R/16V/K	EXP_A_TXP8C
EXP_A_TXN8	C109	0.1u4/X7R/16V/K	EXP_A_TXN8C
EXP_A_TXP9	C110	0.1u4/X7R/16V/K	EXP_A_TXP9C
EXP_A_TXN9	C111	0.1u4/X7R/16V/K	EXP_A_TXN9C
EXP_A_TXP10	C112	0.1u4/X7R/16V/K	EXP_A_TXP10C
EXP_A_TXN10	C113	0.1u4/X7R/16V/K	EXP_A_TXN10C
EXP_A_TXP11	C114	0.1u4/X7R/16V/K	EXP_A_TXP11C
EXP_A_TXN11	C115	0.1u4/X7R/16V/K	EXP_A_TXN11C
EXP_A_TXP12	C116	0.1u4/X7R/16V/K	EXP_A_TXP12C
EXP_A_TXN12	C117	0.1u4/X7R/16V/K	EXP_A_TXN12C
EXP_A_TXP13	C118	0.1u4/X7R/16V/K	EXP_A_TXP13C
EXP_A_TXN13	C119	0.1u4/X7R/16V/K	EXP_A_TXN13C
EXP_A_TXP14	C120	0.1u4/X7R/16V/K	EXP_A_TXP14C
EXP_A_TXN14	C121	0.1u4/X7R/16V/K	EXP_A_TXN14C
EXP_A_TXP15	C122	0.1u4/X7R/16V/K	EXP_A_TXP15C
EXP_A_TXN15	C123	0.1u4/X7R/16V/K	EXP_A_TXN15C



LEFT BLUE

Gigabyte Technology		
Title		
PCI EXPRESS * 16		
Size	Document Number	Rev
Custom	GA-G31M-ES2L	1.1
Date:	Thursday, July 17, 2008	Sheet 14 of 33



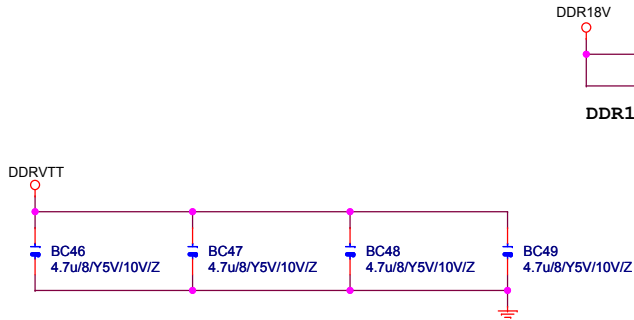


68	NC	X
102	NC/TEST	X
103	NC	X
77	MODT_B1	
105	MODT_B0	
ODT1		
ODT0		
42	CB(0)	X
43	CB(1)	X
46	CB(2)	X
49	CB(3)	X
161	CB(4)	X
162	CB(5)	X
167	CB(6)	X
168	CB(7)	X
7	DQS(0)	
5	DQS(0)	
16	DQS(1)	
15	DQS(1)	
28	DQS(2)	
27	DQS(2)	
37	DQS(3)	
36	DQS(3)	
84	DQS(4)	
83	DQS(4)	
93	DQS(5)	
92	DQS(5)	
105	DQS(6)	
104	DQS(6)	
114	DQS(7)	
113	DQS(7)	
46	DQS8	X
45	DQS8	X
126	DM0/DS9	
128	DM0/DS9	
134	DM1/DS10	
135	NC/DQS10	X
146	DM2/DS11	
147	NC/DQS11	X
155	DM3/DS12	
156	NC/DQS12	X
202	DM4/DS13	
203	NC/DQS13	X
211	DM5/DS14	
212	NC/DQS14	X
223	DM6/DS15	
224	NC/DQS15	X
232	DM7/DS16	
233	NC/DQS16	X
164	DM8/DS17	
165	NC/DQS17	X
3	MD(0)	
4	MD(1)	
5	MD(2)	
10	MD(3)	
122	MD(4)	
123	MD(5)	
128	MD(6)	
129	MD(7)	
12	MD(8)	
13	MD(9)	
21	MD(10)	
22	MD(11)	
131	MD(12)	
132	MD(13)	
140	MD(14)	
141	MD(15)	
24	MD(16)	
25	MD(17)	
30	MD(18)	
31	MD(19)	
143	MD(20)	
144	MD(21)	
149	MD(22)	
150	MD(23)	
33	MD(24)	
34	MD(25)	
39	MD(26)	
40	MD(27)	
192	MD(28)	
193	MD(29)	
168	MD(30)	
169	MD(31)	
80	MD(32)	
81	MD(33)	
86	MD(34)	
87	MD(35)	
199	MD(36)	
200	MD(37)	
205	MD(38)	
206	MD(39)	
89	MD(40)	
90	MD(41)	
95	MD(42)	
96	MD(43)	
208	MD(44)	
209	MD(45)	
214	MD(46)	
215	MD(47)	
98	MD(48)	
99	MD(49)	
107	MD(50)	
108	MD(51)	
217	MD(52)	
218	MD(53)	
226	MD(54)	
227	MD(55)	
110	MD(56)	
111	MD(57)	
116	MD(58)	
117	MD(59)	
229	MD(60)	
230	MD(61)	
235	MD(62)	
236	MD(63)	

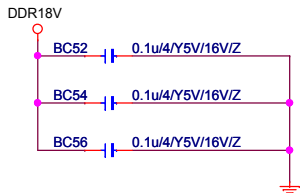


DDR TERMINATION CHANNEL A

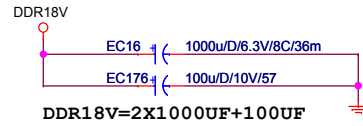
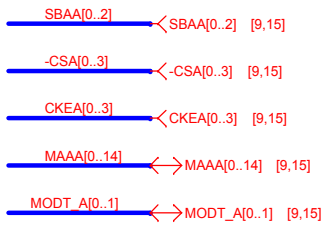
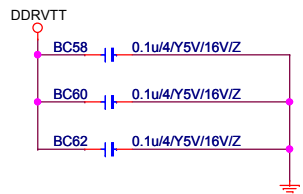
DDRVTT Decouple



DDR18V Decouple

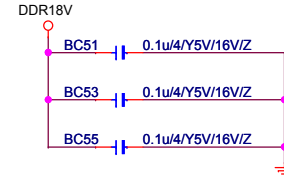


DDRVTT Decouple

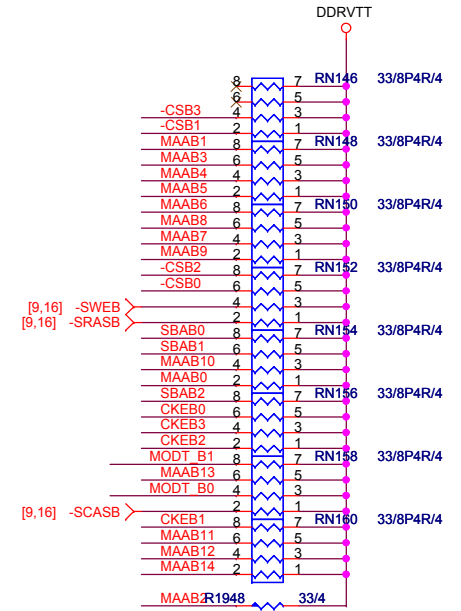
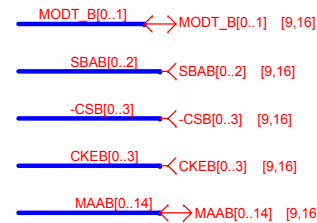
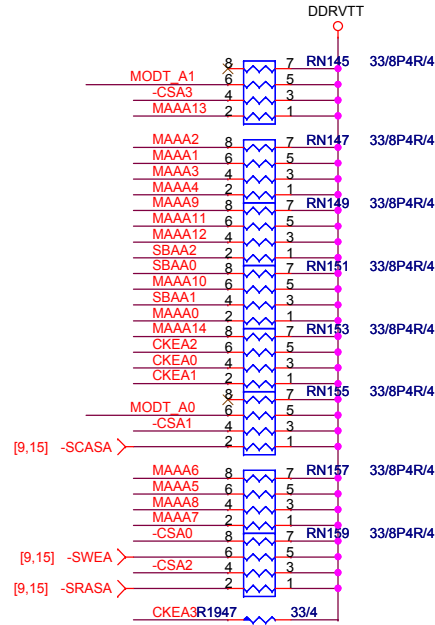
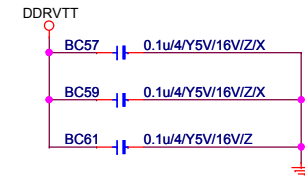


DDR TERMINATION CHANNEL B

DDR18V Decouple

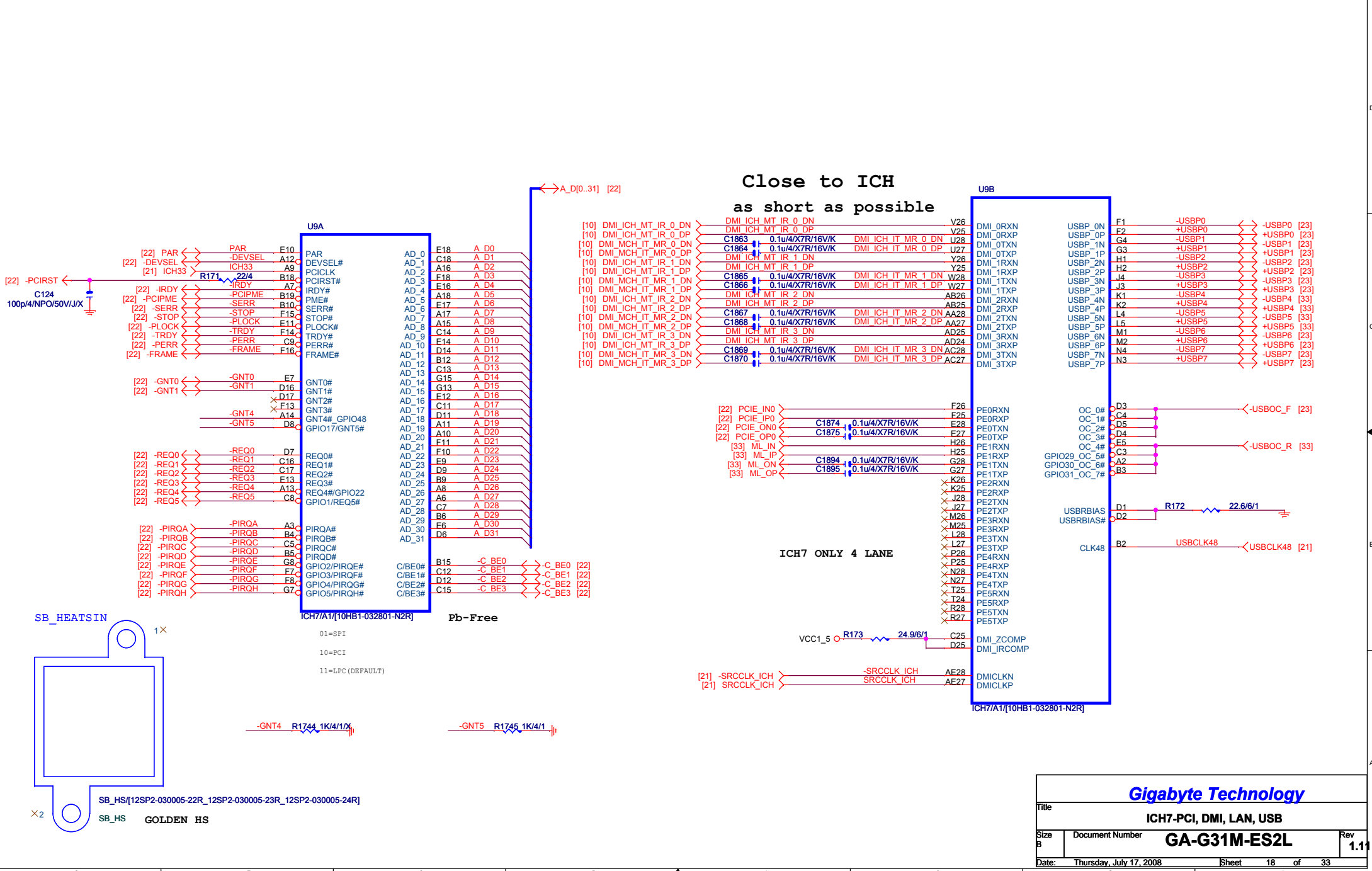


DDRVTT Decouple



Gigabyte Technology

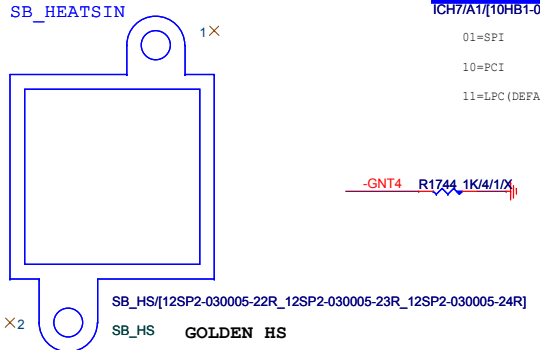
Title		
DDRII TERMINATOR		
Size Custom	Document Number	Rev
	GA-G31M-ES2L	1.11
Date:	Thursday, July 17, 2008	Sheet 17 of 33



Close to ICH
as short as possible

ICH7 ONLY 4 LANE

Gigabyte Technology		
Title ICH7-PCI, DMI, LAN, USB		
Size B	Document Number GA-G31M-ES2L	Rev 1.11
Date: Thursday, July 17, 2008		
Sheet 18		of 33



-GNT4 R174 1K4/1X
-GNT5 R175 1K4/1X

VCC1_5 R173 24.9/6/1
C25
D25

[21] -SRCLK_ICH > -SRCLK_ICH AE28
[21] SRCLK_ICH > SRCLK_ICH AE27

OC_0# D3 <-USBOC_F [23]
OC_1# C4
OC_2# D4
OC_3# E5
OC_4# C3 <-USBOC_R [33]
OC_5# A2
OC_6# B3
D1 R172 22.6/6/1
D2
B2 USBCLK48 <-USBCLK48 [21]

[10] DMI_ICH_MT_IR_0_DN > DMI_ICH_MT_IR_0_DN V26
[10] DMI_ICH_MT_IR_0_DP > DMI_ICH_MT_IR_0_DP V25
C1863 0.1u/4/X7R/16V/K > DMI_ICH_IT_MR_0_DN U28
C1864 0.1u/4/X7R/16V/K > DMI_ICH_IT_MR_0_DP U27
[10] DMI_MCH_IT_MR_0_DN > DMI_ICH_MT_IR_1_DN Y26
[10] DMI_ICH_MT_IR_1_DP > DMI_ICH_MT_IR_1_DP Y25
C1865 0.1u/4/X7R/16V/K > DMI_ICH_IT_MR_1_DN W28
C1866 0.1u/4/X7R/16V/K > DMI_ICH_IT_MR_1_DP W27
[10] DMI_MCH_IT_MR_1_DP > DMI_ICH_MT_IR_2_DN AB26
[10] DMI_ICH_MT_IR_2_DP > DMI_ICH_MT_IR_2_DP AB25
C1867 0.1u/4/X7R/16V/K > DMI_ICH_IT_MR_2_DN AA28
C1868 0.1u/4/X7R/16V/K > DMI_ICH_IT_MR_2_DP AA27
[10] DMI_MCH_IT_MR_2_DP > DMI_ICH_MT_IR_3_DN AD24
[10] DMI_ICH_MT_IR_3_DP > DMI_ICH_MT_IR_3_DP AD25
C1869 0.1u/4/X7R/16V/K > DMI_ICH_IT_MR_3_DN AC28
C1870 0.1u/4/X7R/16V/K > DMI_ICH_IT_MR_3_DP AC27

[22] PCIE_IN0 > E26
[22] PCIE_IP0 > E25
[22] PCIE_ON0 > E28
[22] PCIE_OP0 > E27
C1874 0.1u/4/X7R/16V/K
C1875 0.1u/4/X7R/16V/K
[33] ML_IN > H26
[33] ML_IP > H25
C1894 0.1u/4/X7R/16V/K
[33] ML_ON > G28
C1895 0.1u/4/X7R/16V/K
G27

PE0RXN X K26
PE0RXP X J28
PE0TXN X J27
PE0TXP X J28
PE1RXN X M26
PE1RXP X M25
PE1TXN X L28
PE1TXP X L27
PE2RXN X P26
PE2RXP X P25
PE2TXN X N28
PE2TXP X N27
PE3RXN X R28
PE3RXP X R27
PE3TXN X T25
PE3TXP X T24
PE4RXN X R28
PE4RXP X R27
PE4TXN X N27
PE4TXP X T25
PE5RXN X T24
PE5RXP X T24
PE5TXN X R28
PE5TXP X R27

USBP_0N F1 <-USBP0 <-USBP0 [23]
USBP_0P F2 <+USBP0 <+USBP0 [23]
USBP_1N G4 <-USBP1 <-USBP1 [23]
USBP_1P G3 <+USBP1 <+USBP1 [23]
USBP_2N H1 <-USBP2 <-USBP2 [23]
USBP_2P H2 <+USBP2 <+USBP2 [23]
USBP_3N J4 <-USBP3 <-USBP3 [23]
USBP_3P J3 <+USBP3 <+USBP3 [23]
USBP_4N K1 <-USBP4 <-USBP4 [33]
USBP_4P K2 <+USBP4 <+USBP4 [33]
USBP_5N L4 <-USBP5 <-USBP5 [33]
USBP_5P L5 <+USBP5 <+USBP5 [33]
USBP_6N M1 <-USBP6 <-USBP6 [23]
USBP_6P M2 <+USBP6 <+USBP6 [23]
USBP_7N N4 <-USBP7 <-USBP7 [23]
USBP_7P N3 <+USBP7 <+USBP7 [23]

[22] -PCIRST <- C124 100p4/NPO/50V/JIX

[22] PAR <- PAR E10
[22] -DEVSEL <- -DEVSEL A12
[21] ICH33 <- ICH33 A9
R171 224
[22] -IRDY <- -IRDY B18
[22] -PCIPME <- -PCIPME B19
[22] -SERR <- -SERR B10
[22] -STOP <- -STOP E15
[22] -PLOCK <- -PLOCK E11
[22] -TRDY <- -TRDY F14
[22] -PERR <- -PERR C9
[22] -FRAME <- -FRAME E16

[22] -GNT0 <- -GNT0 E7
[22] -GNT1 <- -GNT1 D16
D17
D18
-GNT4 A14
-GNT5 D8

[22] -REQ0 <- -REQ0 D7
[22] -REQ1 <- -REQ1 C16
[22] -REQ2 <- -REQ2 C17
[22] -REQ3 <- -REQ3 E13
[22] -REQ4 <- -REQ4 A13
[22] -REQ5 <- -REQ5 C8

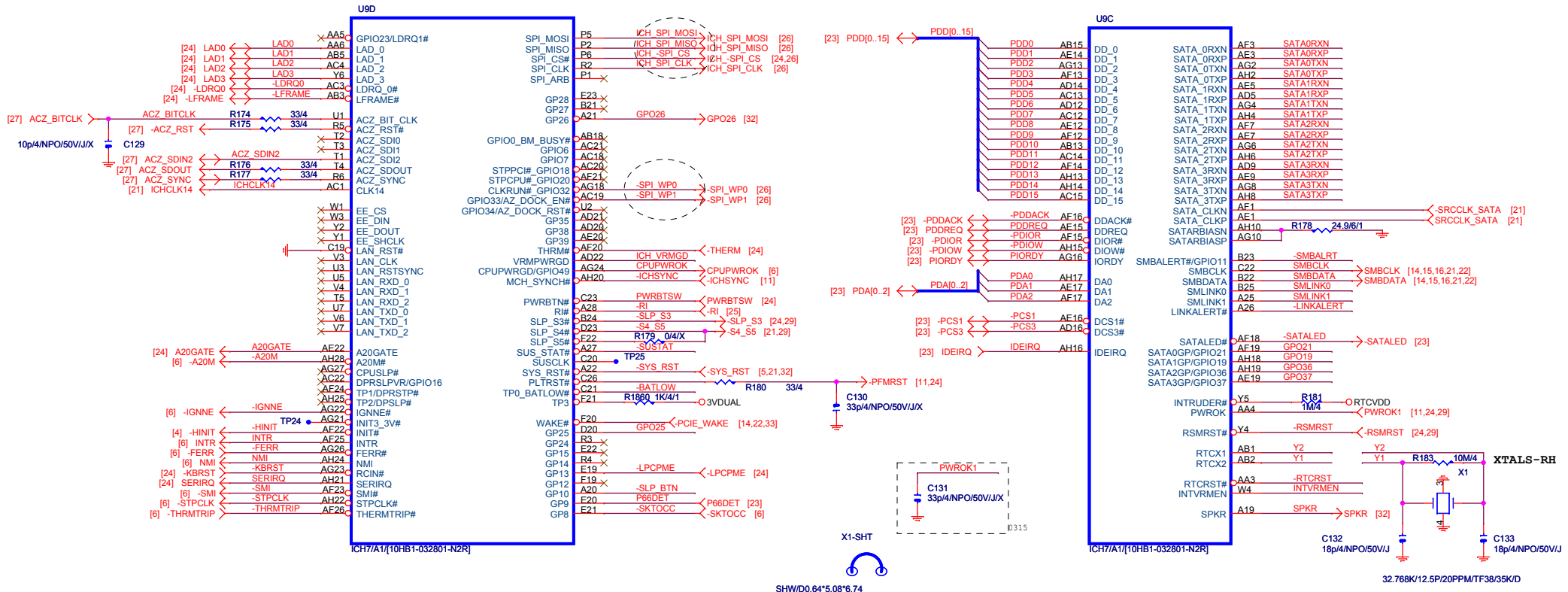
[22] -PIRQA <- -PIRQA A3
[22] -PIROB <- -PIROB B4
[22] -PIROC <- -PIROC C5
[22] -PIROD <- -PIROD B5
[22] -PIROE <- -PIROE G8
[22] -PIROF <- -PIROF F7
[22] -PIROG <- -PIROG F8
[22] -PIROH <- -PIROH G7

U9A
AD_0 E18 A D0
AD_1 C18 A D1
AD_2 A16 A D2
AD_3 F18 A D3
AD_4 E16 A D4
AD_5 A18 A D5
AD_6 A17 A D6
AD_7 A15 A D7
AD_8 C14 A D8
AD_9 E14 A D9
AD_10 D14 A D10
AD_11 D12 A D11
AD_12 B12 A D12
AD_13 C13 A D13
AD_14 G15 A D14
AD_15 G13 A D15
AD_16 E12 A D16
AD_17 C11 A D17
AD_18 D11 A D18
AD_19 A11 A D19
AD_20 A10 A D20
AD_21 F11 A D21
AD_22 E10 A D22
AD_23 E9 A D23
AD_24 D9 A D24
AD_25 B9 A D25
AD_26 A8 A D26
AD_27 A6 A D27
AD_28 C7 A D28
AD_29 B6 A D29
AD_30 E6 A D30
AD_31 D6 A D31
C/BE0# B15 -C BE0 <- C BE0 [22]
C/BE1# C12 -C BE1 <- C BE1 [22]
C/BE2# D12 -C BE2 <- C BE2 [22]
C/BE3# C15 -C BE3 <- C BE3 [22]

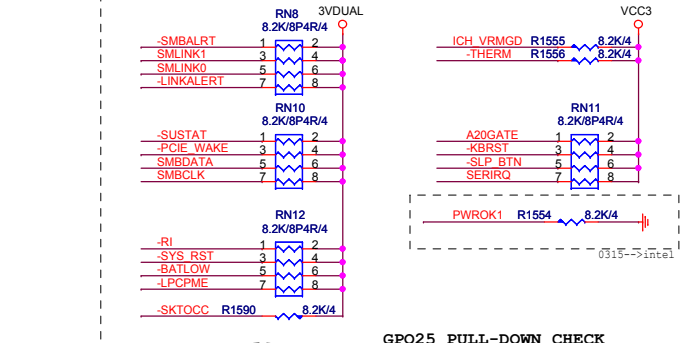
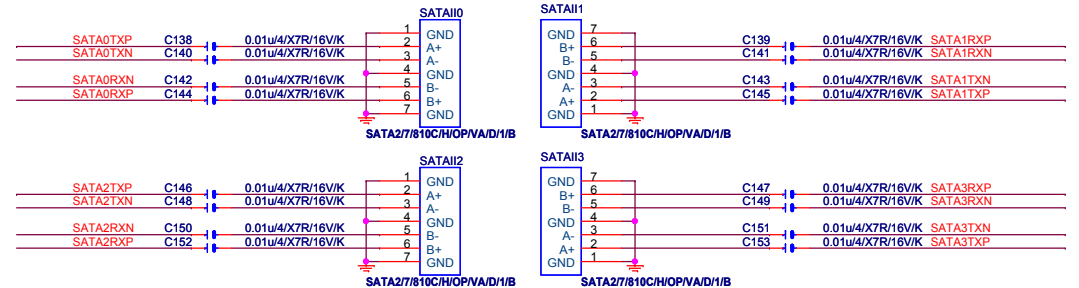
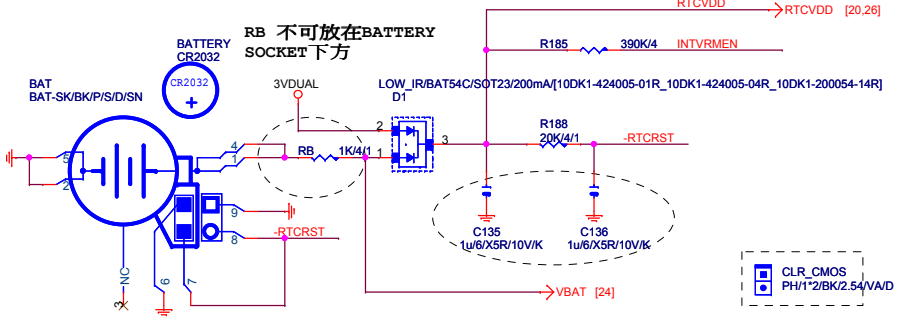
ICH7/A1/(10HB1-032801-N2R) Pb-Free

01=SPI
10=PCI
11=LPC (DEFAULT)

SB_HS[12SP2-030005-22R_12SP2-030005-23R_12SP2-030005-24R]
SB_HS GOLDEN HS



NEW TYPE : BATTERY-DUAL-4



R1.1 DES LITE DESIGN

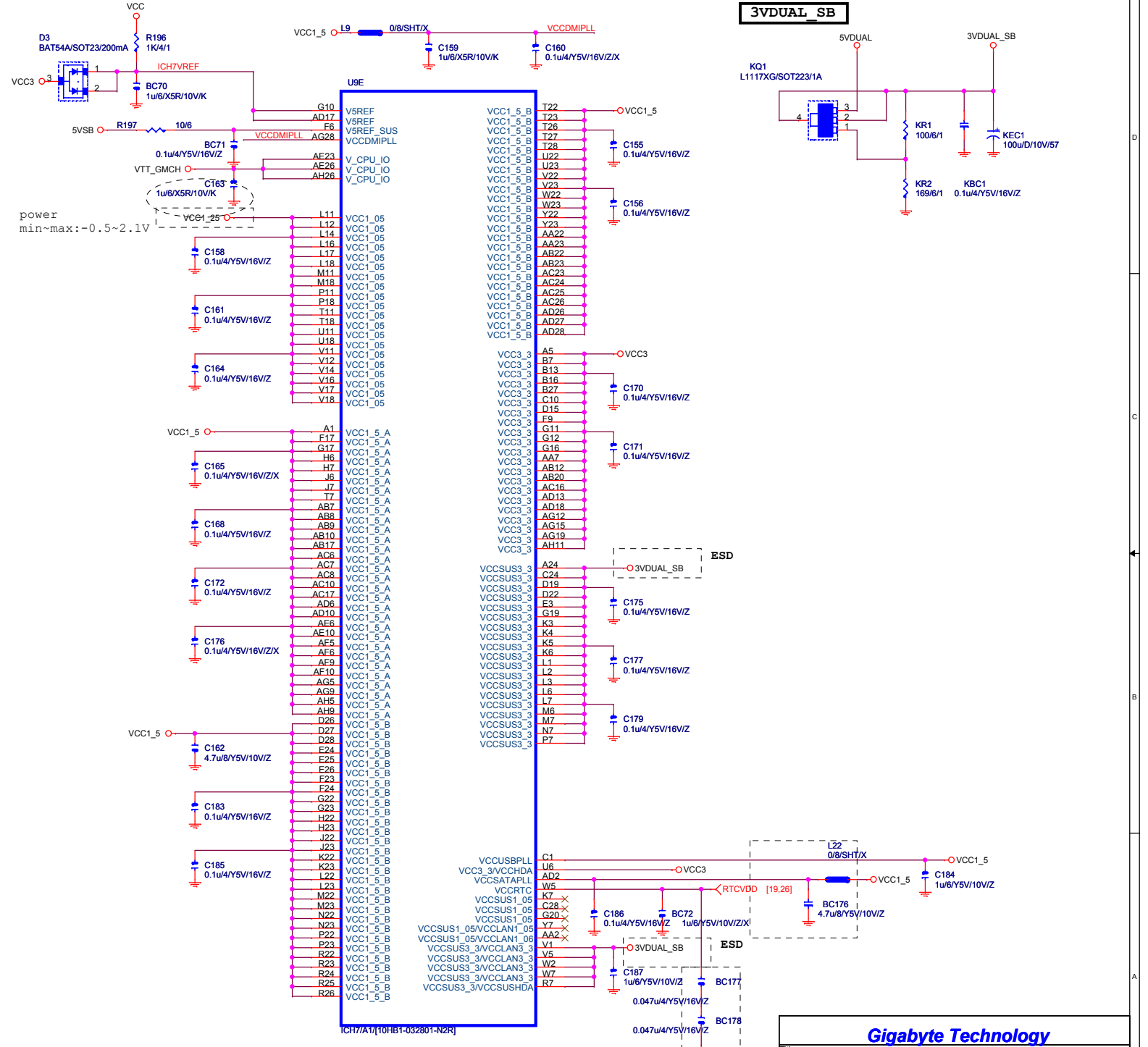
Gigabyte Technology

Title: **ICH7-IDE, SATA, GPIO, CTRL**

Size Custom: Document Number **GA-G31M-ES2L** Rev **1.11**

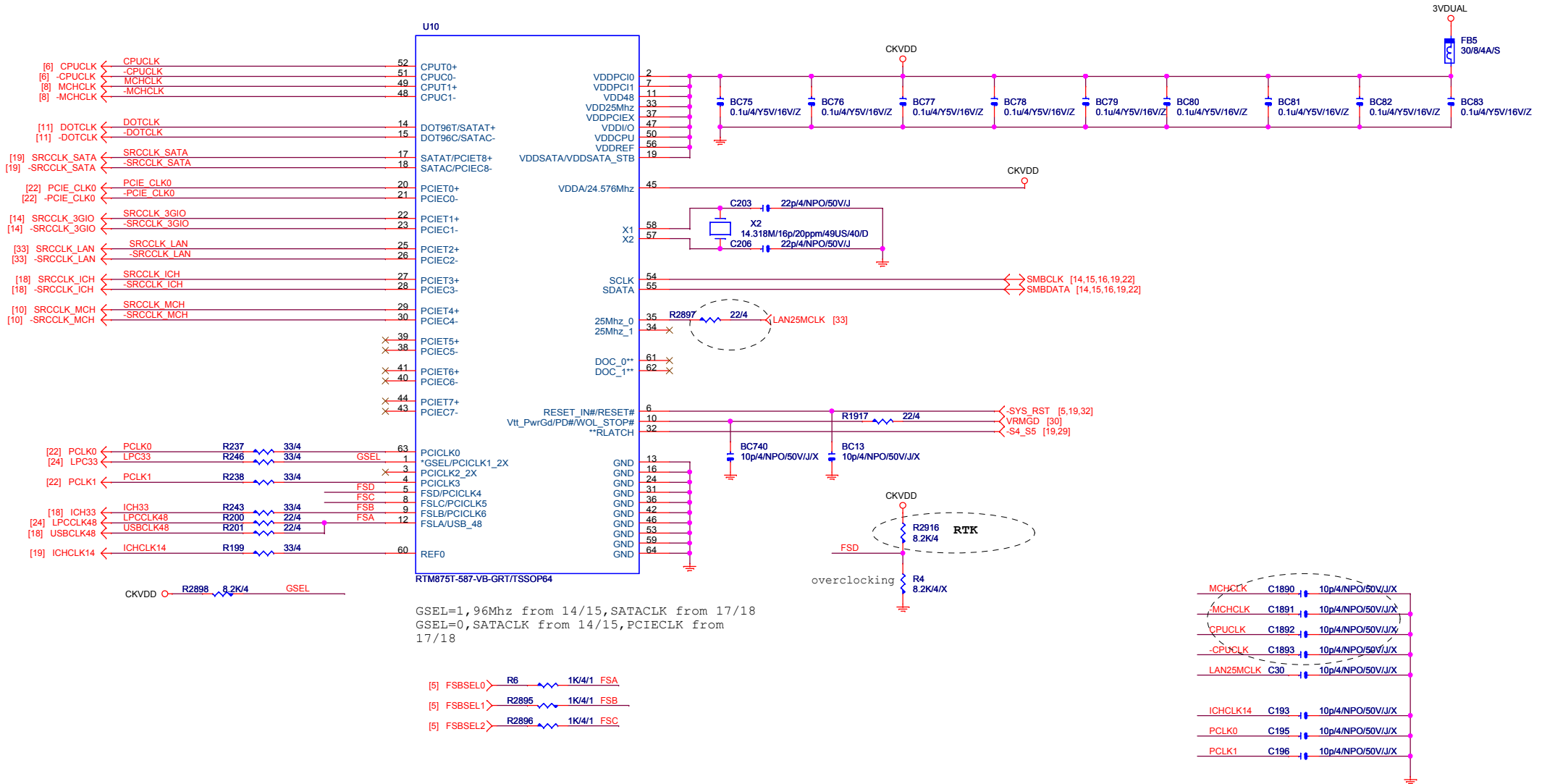
Date: Thursday, July 17, 2008 Sheet 19 of 33

U9F		
A4	VSS1	R14
A23	VSS2	R15
B1	VSS3	R16
B8	VSS4	R17
B11	VSS5	R18
B14	VSS6	T12
B17	VSS6	T13
B20	VSS7	T14
B26	VSS8	T14
B28	VSS10	T15
C2	VSS11	T16
D6	VSS12	T17
D10	VSS13	U4
D13	VSS13	U12
D18	VSS14	U13
D21	VSS15	U14
D24	VSS17	U15
E1	VSS18	U16
E2	VSS19	U17
E8	VSS19	U24
E15	VSS20	U25
F3	VSS21	U26
F4	VSS22	V2
F5	VSS24	V13
F12	VSS25	V15
F27	VSS25	V24
F28	VSS26	V27
G1	VSS27	V28
G2	VSS29	W6
G5	VSS30	W24
G6	VSS31	W25
G9	VSS32	W26
G14	VSS33	Y3
G18	VSS33	Y24
G21	VSS34	Y27
G24	VSS36	Y28
G25	VSS37	AA1
G26	VSS38	AA24
H3	VSS39	AA25
H4	VSS39	AA26
H5	VSS40	AB4
H24	VSS42	AB6
H27	VSS43	AB11
H28	VSS44	AB14
J1	VSS45	AB16
J5	VSS46	AB21
J24	VSS47	AB24
J25	VSS48	AB27
J26	VSS50	AB28
K24	VSS51	AC2
K27	VSS51	AC5
K28	VSS52	AC9
L13	VSS53	AC11
L15	VSS54	AD1
L24	VSS55	AD3
L25	VSS57	AD4
L26	VSS58	AD7
M3	VSS59	AD8
M4	VSS59	AD11
M5	VSS60	AD15
M12	VSS62	AD19
M13	VSS63	AD23
M14	VSS64	AE2
M15	VSS65	AE4
M16	VSS65	AE8
M17	VSS66	AE11
M24	VSS68	AE13
M27	VSS69	AE18
M28	VSS70	AE21
N1	VSS71	AE24
N2	VSS72	AE2
N5	VSS73	AF4
N6	VSS74	AF8
N11	VSS75	AF8
N12	VSS76	AF11
N13	VSS77	AF27
N14	VSS78	AF28
N15	VSS78	AG1
N16	VSS79	AG3
N17	VSS80	AG7
N18	VSS81	AH7
N18	VSS82	AG14
N24	VSS83	AG17
N25	VSS84	AG20
N26	VSS85	AG25
P3	VSS85	AH1
P4	VSS86	AH3
P12	VSS88	AH7
P13	VSS89	AH12
P14	VSS90	AH23
P15	VSS91	AH27
P16	VSS92	C27
P17	VSS93	E4
P24	VSS94	AG11
P27	VSS95	
P28	VSS96	
R1	VSS97	
R11	VSS98	
R12	VSS99	
R13	VSS100	

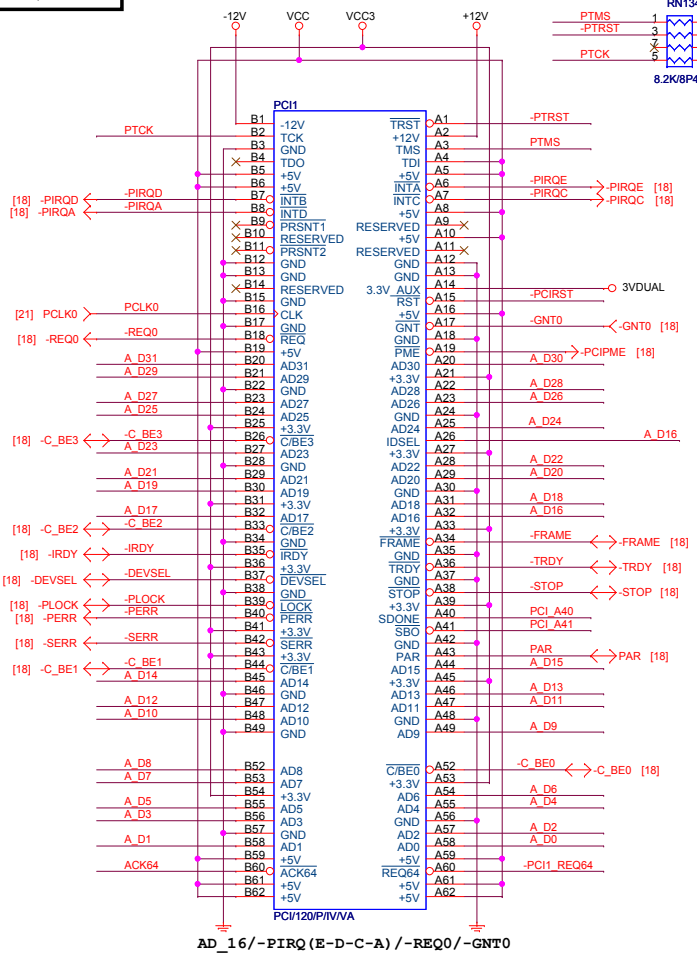


Gigabyte Technology

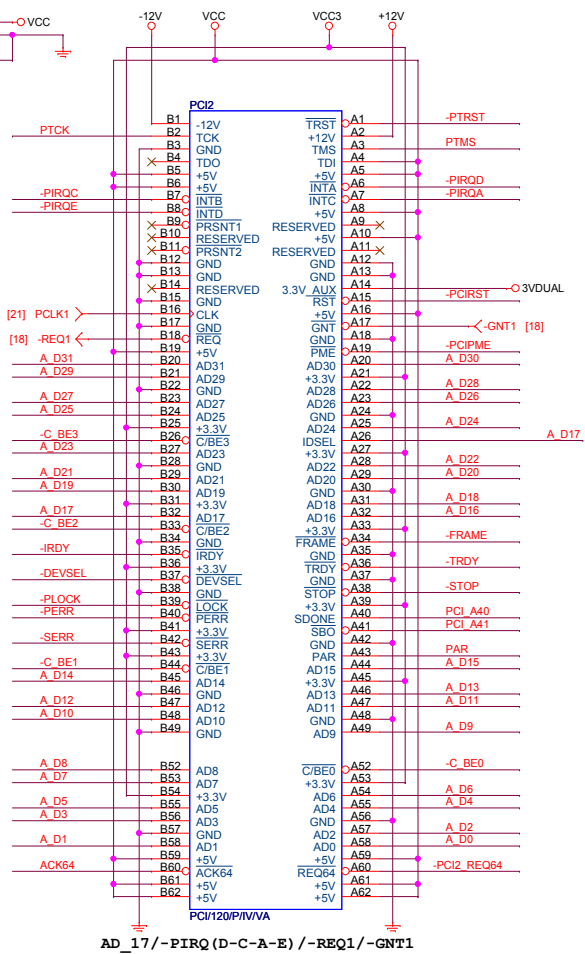
Title		ICH7-PWR & GND	
Size	Document Number	GA-G31M-ES2L	
B			Rev 1.11
Date:	Thursday, July 17, 2008	Sheet	20 of 33



PCI1, 2 SLOT

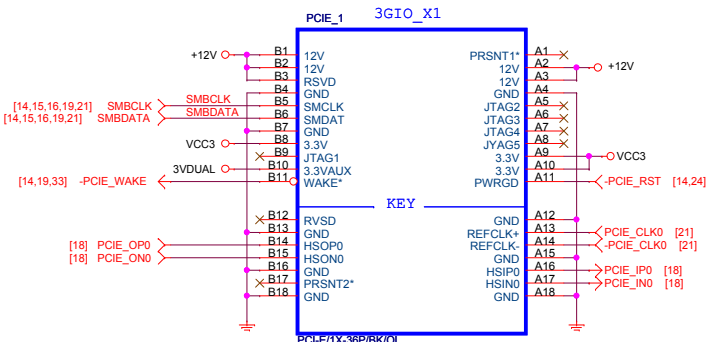


AD_16/-PIRQ (E-D-C-A) /-REQ0/-GNT0



AD_17/-PIRQ (D-C-A-E) /-REQ1/-GNT1

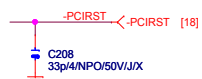
PCIEX1



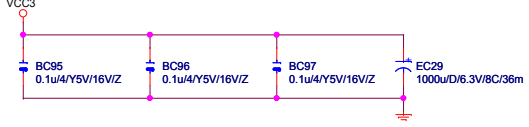
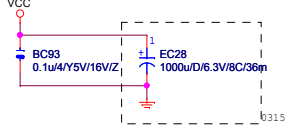
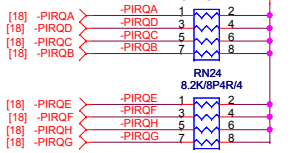
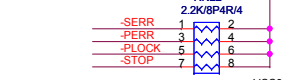
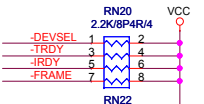
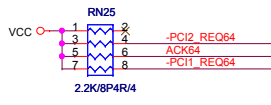
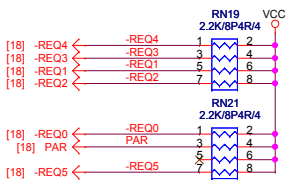
PCIEX1 3GIO_X1

PCIEX1X-36P/BK/OL

[18] A_D[0..31] ↔ A_D0..31



Place close to PC11

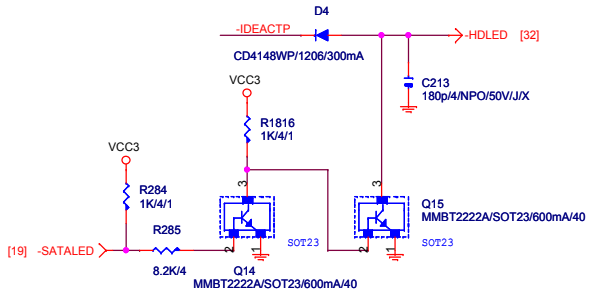


Gigabyte Technology

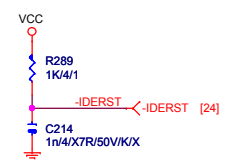
PCI SLOT 1, 2/PCIEX1
GA-G31M-ES2L

Title		Rev 1.11	
Size	Document Number	Rev 1.11	
Custom	Thursday, July 17, 2008	Sheet	22 of 33

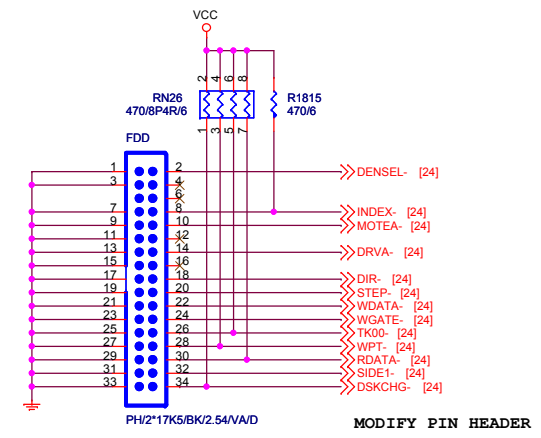
IDE/SATA LED



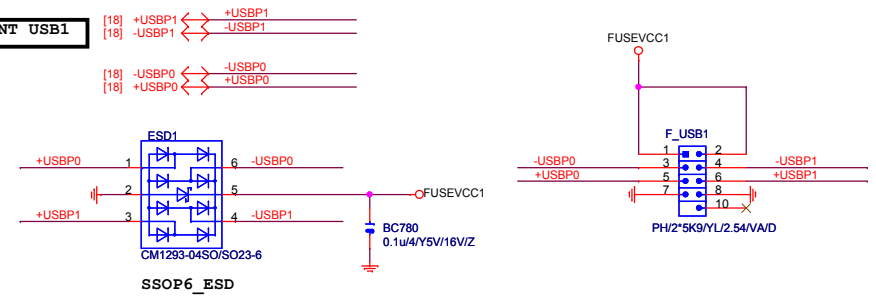
IDE RESET



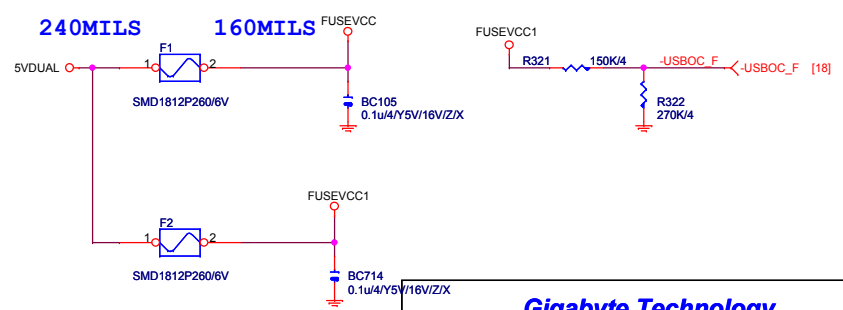
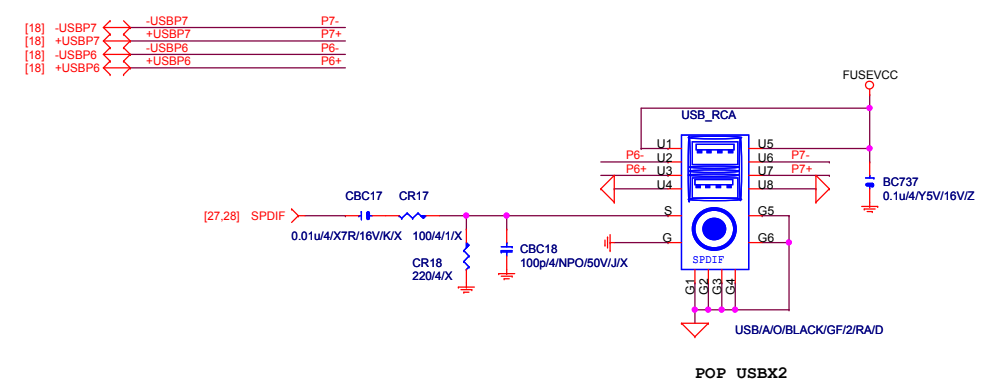
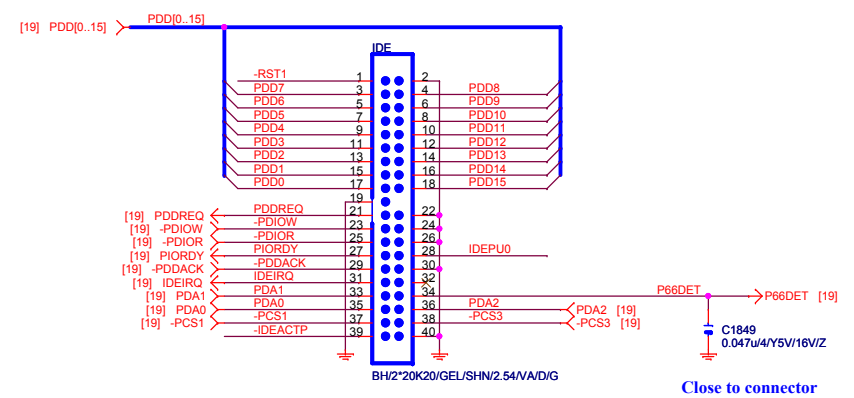
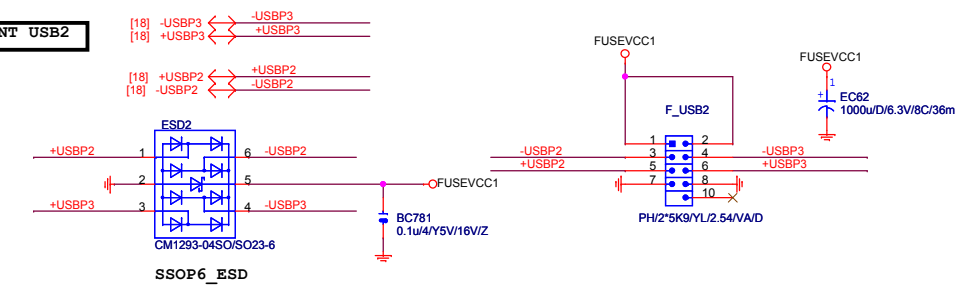
FLOPPY



FRONT USB1

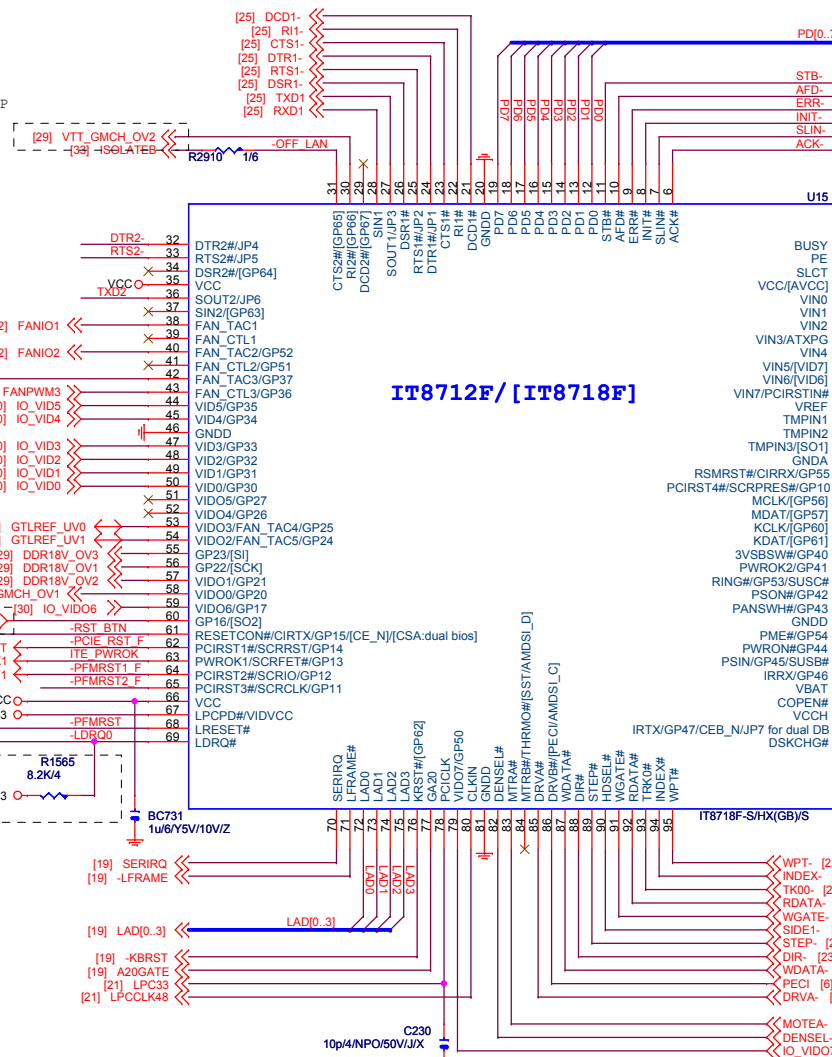
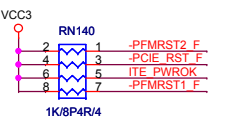
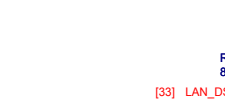
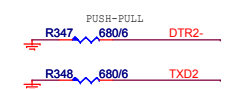
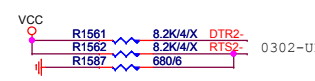


FRONT USB2



RTS2- ==LOW CPU FAN 50%
 ==HIGH 100%

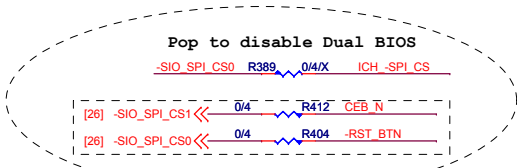
DEFAULT 50%



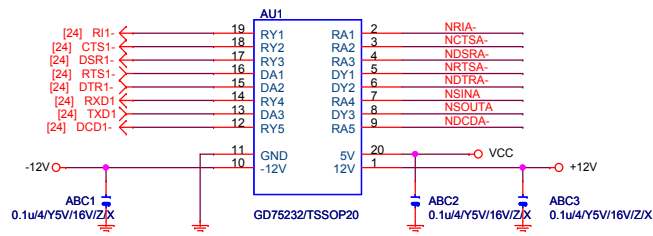
**JP7 : HIGH DUAL BIOS ENABLE
 LOW DUAL BIOS DISABLE**

Dual BIOS:
 GB logo : Pin 61 (GP15/CSA)
 GB logo : Pin 59 (GP17/CSB)
 Pin 59 Dual BIOS ,Power On Strapping:
 H ==>Dual BIOS function Enable
 L ==>Dual BIOS function Disable

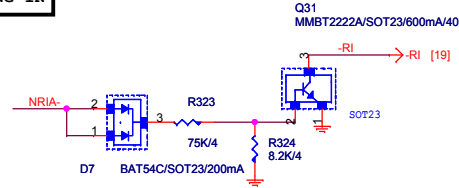
1.2V or 3.3V tolerance select.
 1.2V OUTPUT 接 VTT_GMCH
 3.3V OUTPUT 接 3.3V
 LPCPD#=#VIDVCC



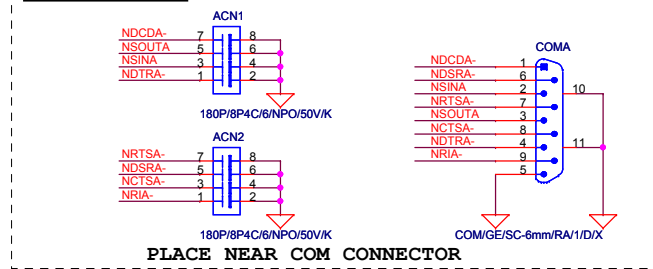
COMA



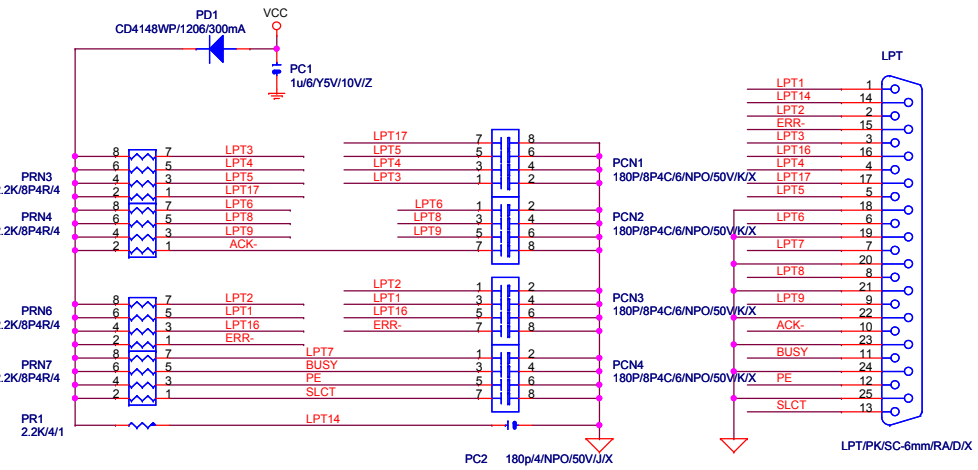
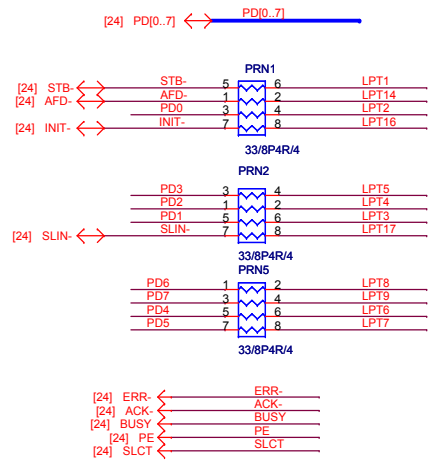
RING IN



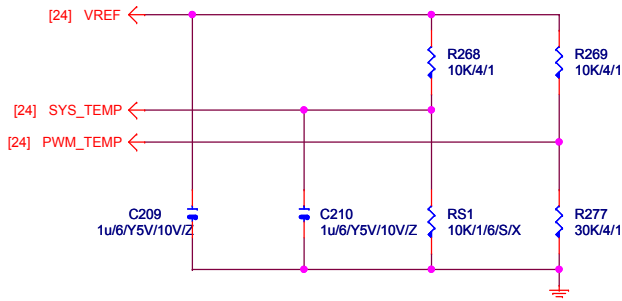
EXTERNAL COMA



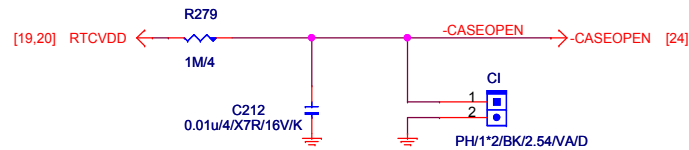
LPT PORT



TEMP H/W MONITOR

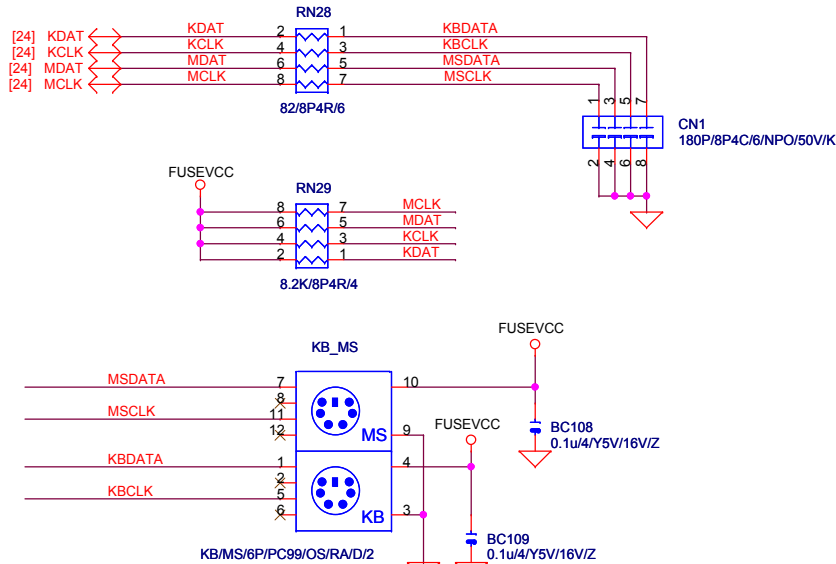


CASE OPEN

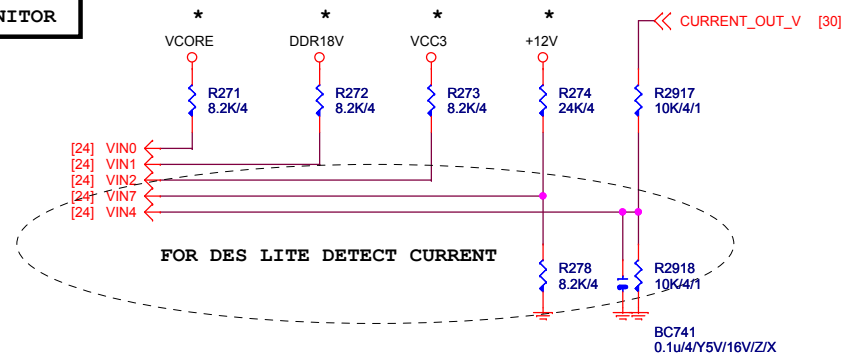


Case Open Circuits

KB/MS

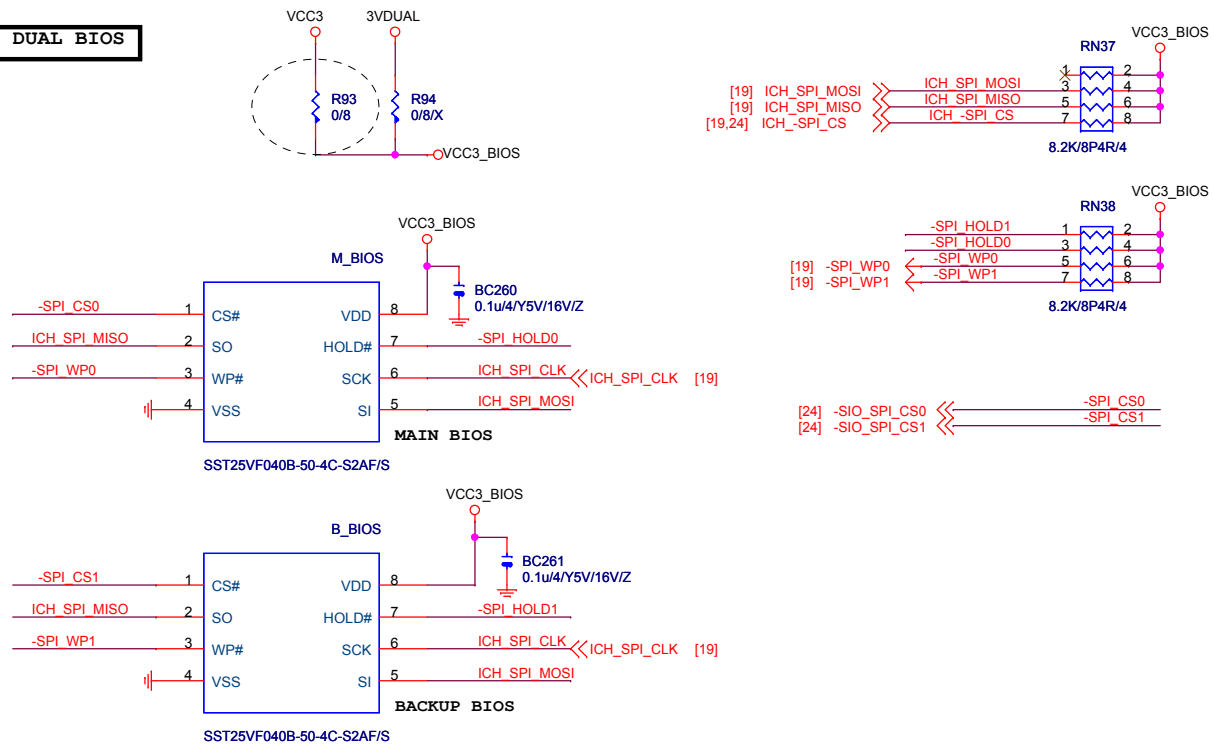


VOLTAGE-- H/W MONITOR

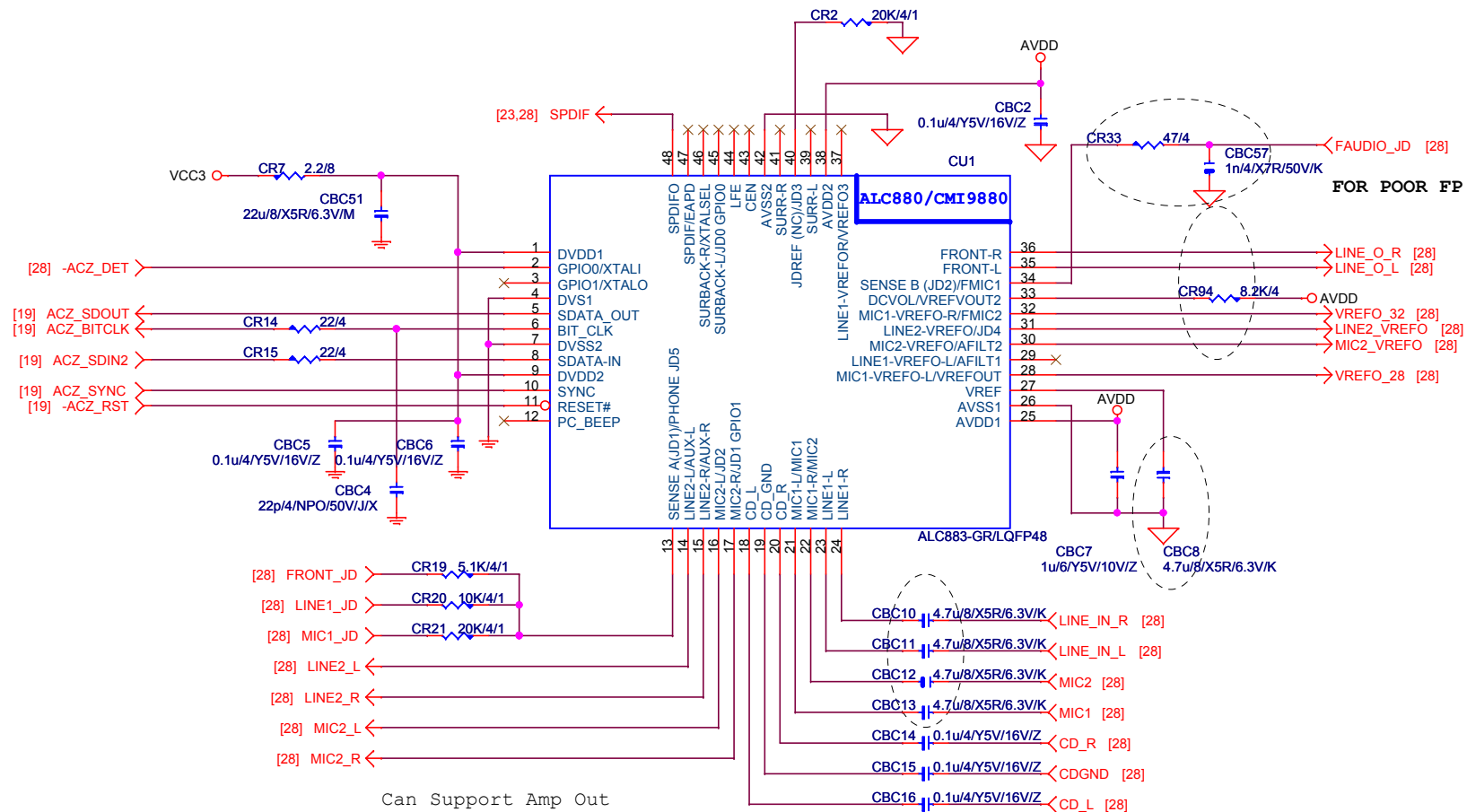


FOR DES LITE DETECT CURRENT

DUAL BIOS



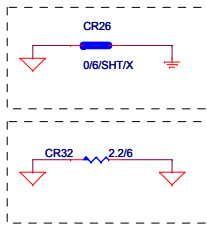
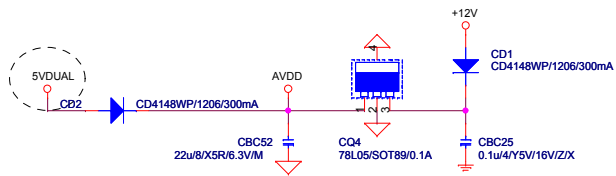
Gigabyte Technology			
HW-MONITOR/CI/KB/MS/BIOS			
Size	Document Number	GA-G31M-ES2L	
Custom			Rev 1.11
Date:	Thursday, July 17, 2008	Sheet	26 of 33



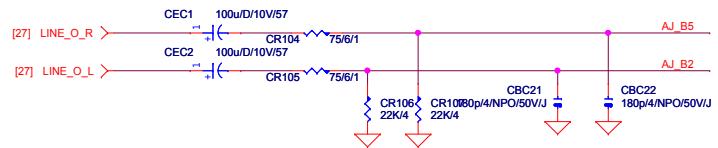
Gigabyte Technology

Title		
AZALIA ALC883		
Size Custom	Document Number	Rev
	GA-G31M-ES2L	1.1
Date:	Thursday, July 17, 2008	Sheet 27 of 33

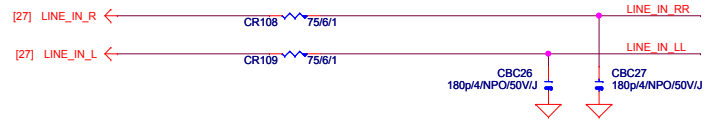
CODEC POWER/EMI PAD



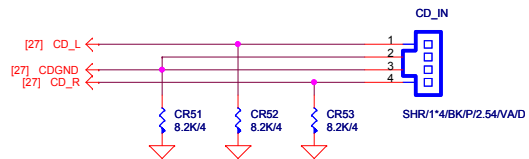
LINE-OUT



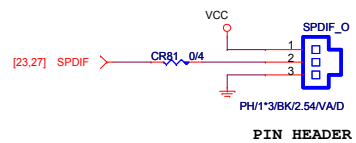
LINE-IN



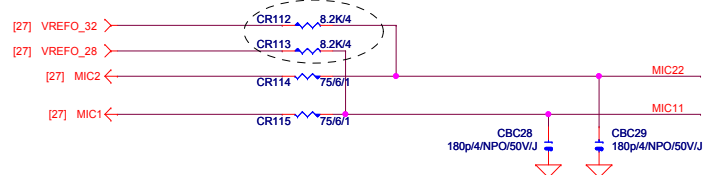
CD IN



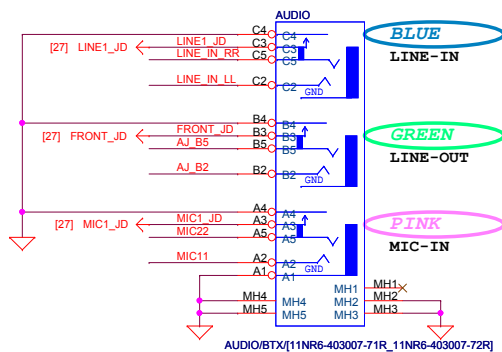
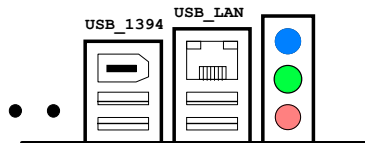
SPDIF IN



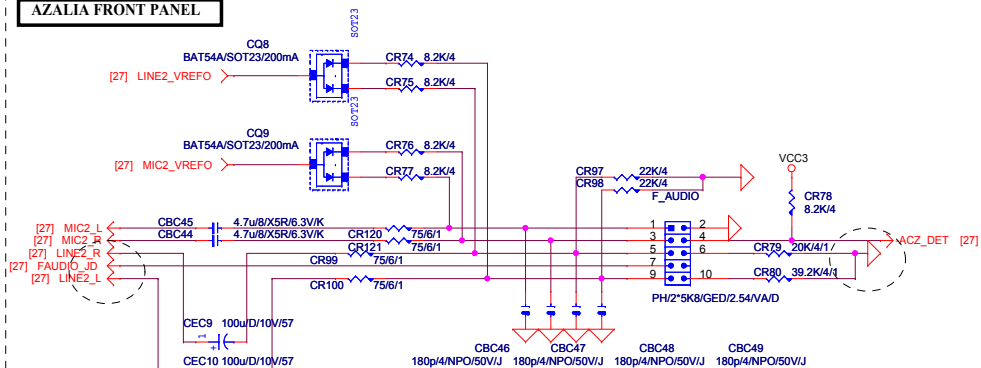
MIC-IN



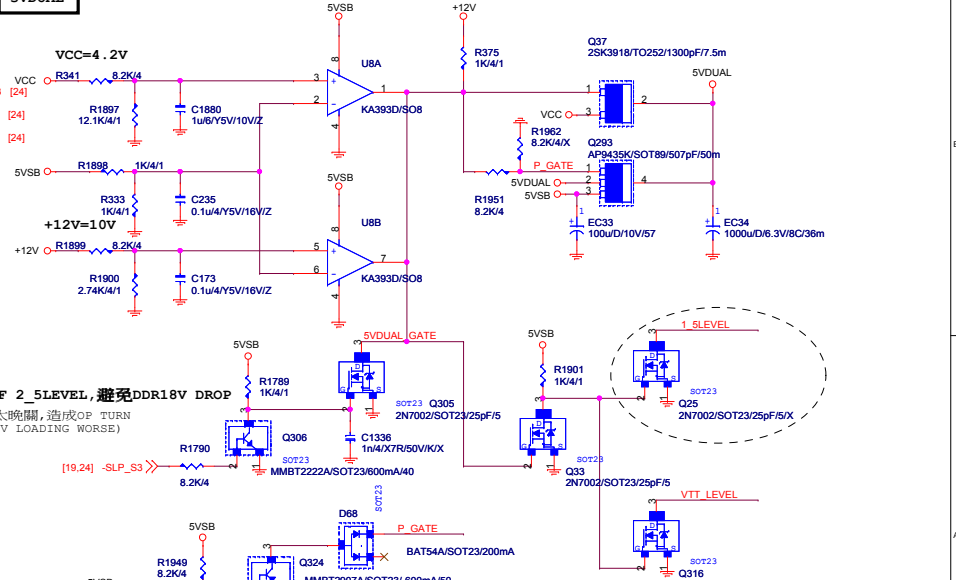
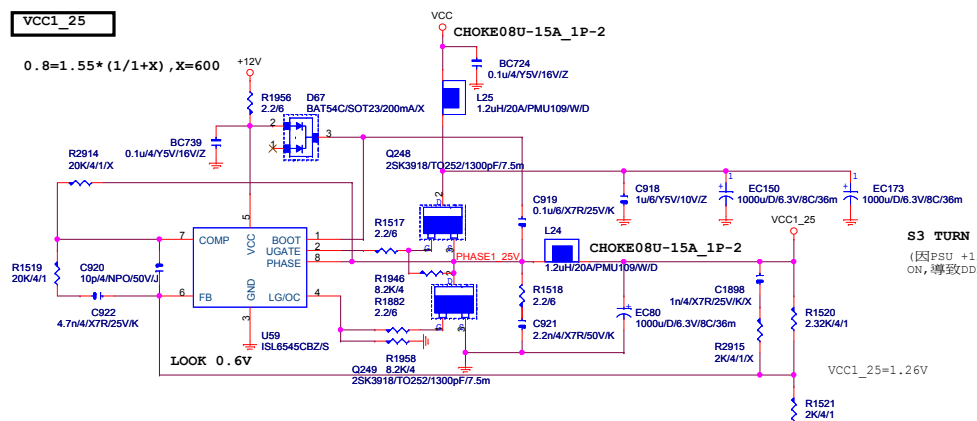
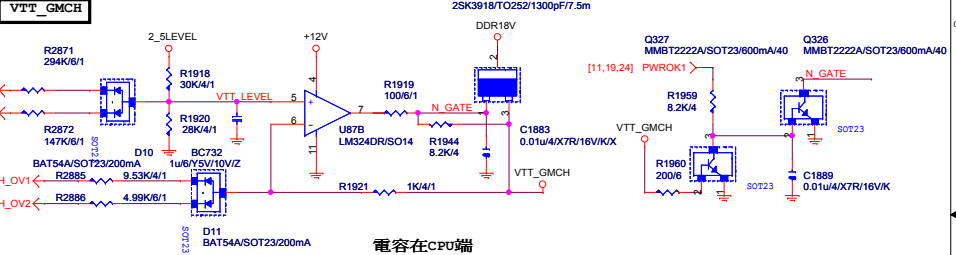
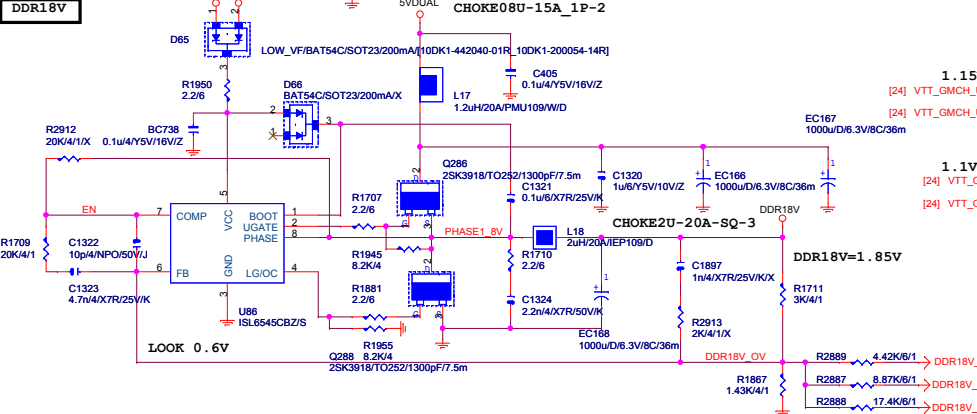
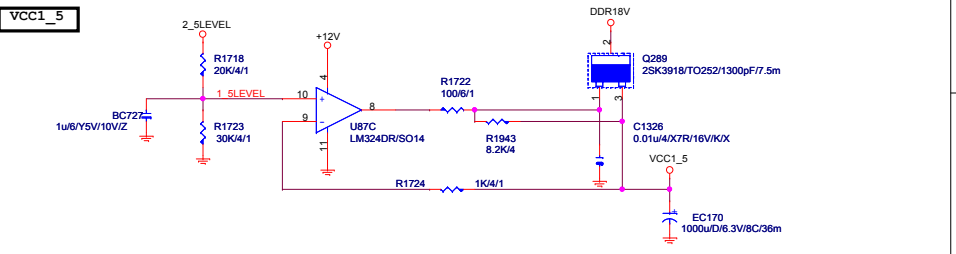
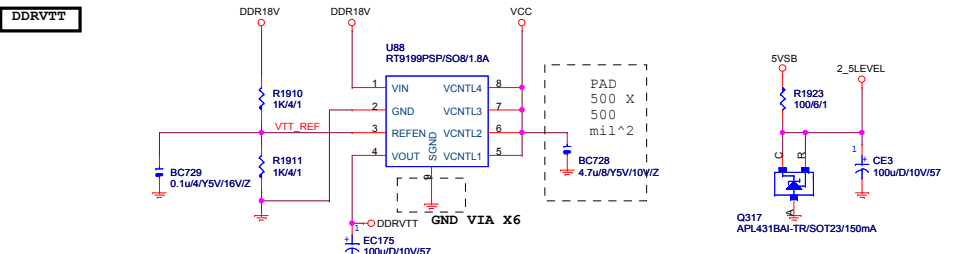
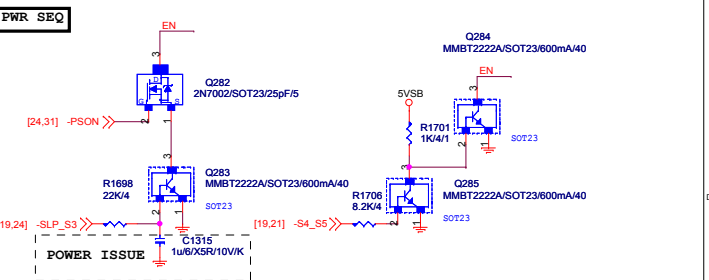
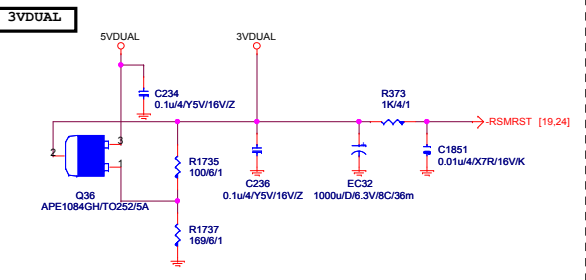
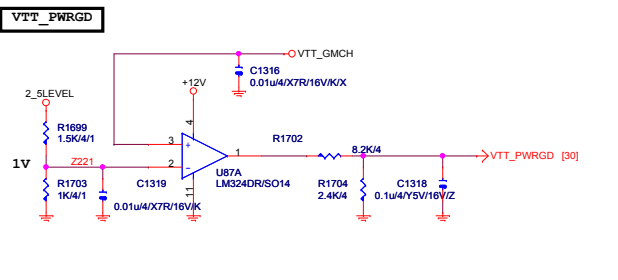
AZALIA JACK



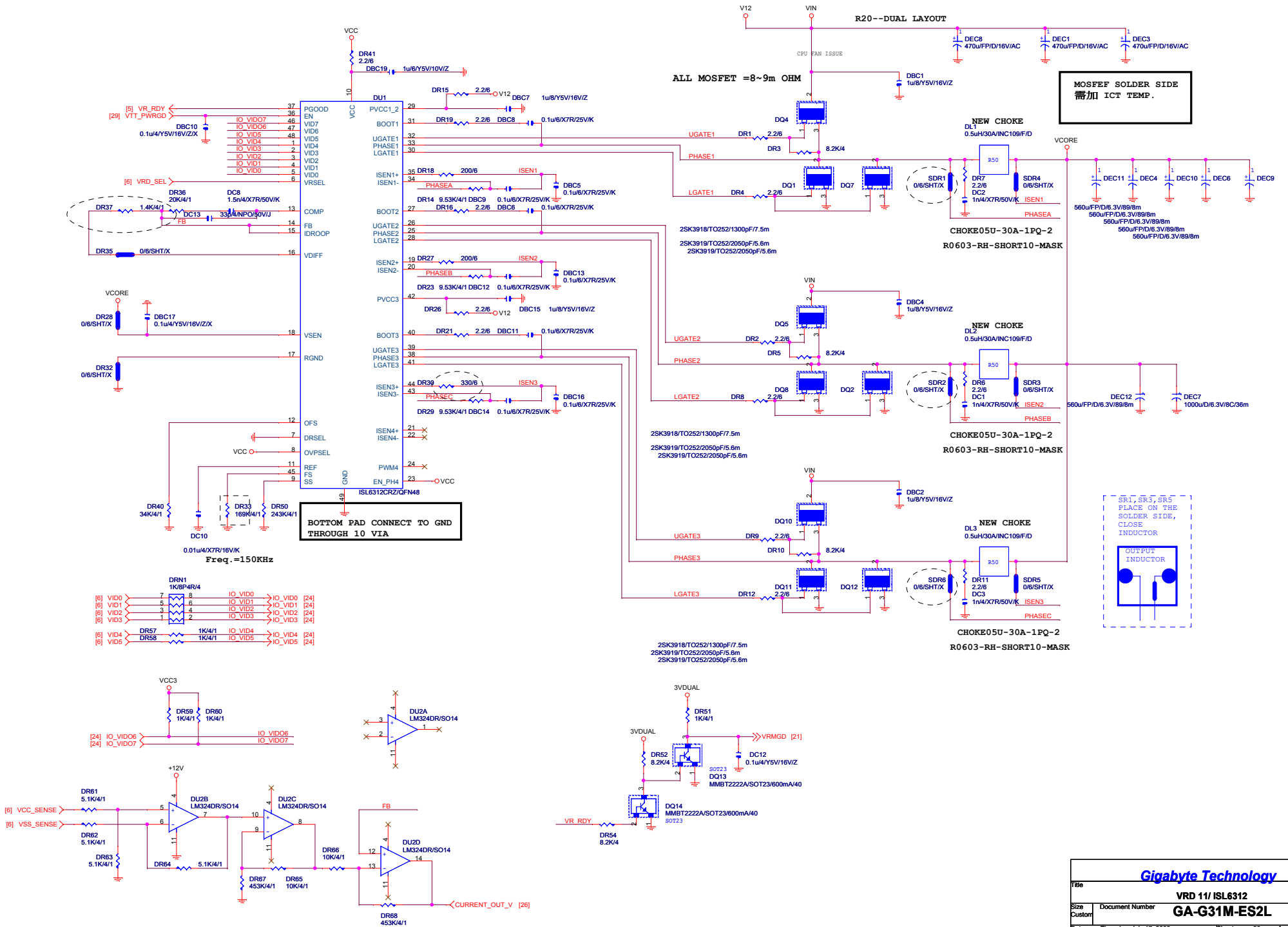
AZALIA FRONT PANEL



Gigabyte Technology		
AUDIO JACK		
Title	Document Number	Rev
	GA-G31M-ES2L	1.1
Date:	Thursday, July 17, 2008	Sheet 28 of 33



S3 TURN OFF 2_5LEVEL, 避免DDR18V DROP
 (因PSU +12V太晚關, 造成OP TURN ON, 導致DDR18V LOADING WORSE)

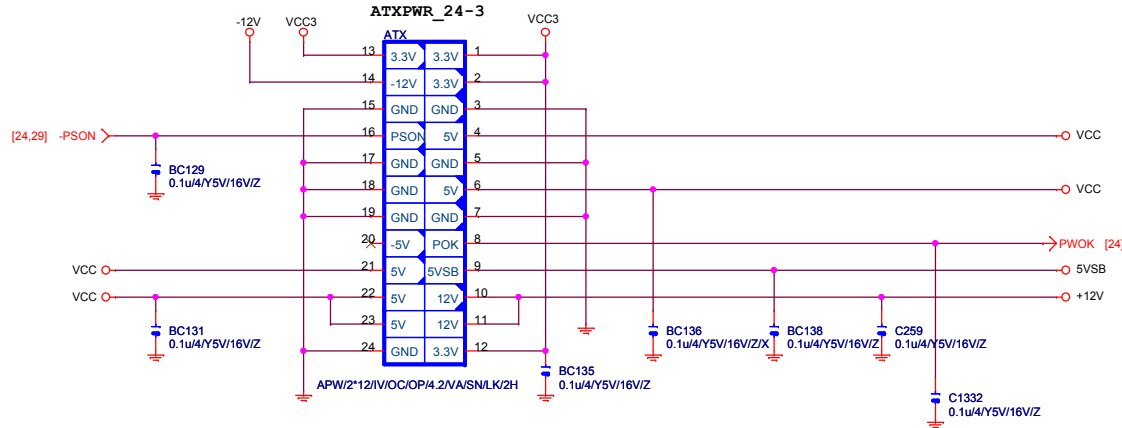


MOSFET SOLDER SIDE
需加 ICT TEMP.

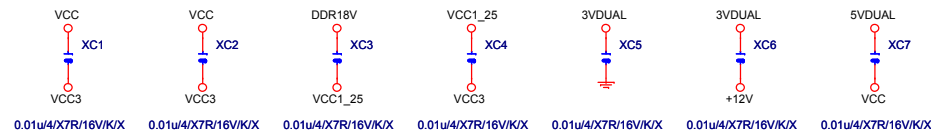
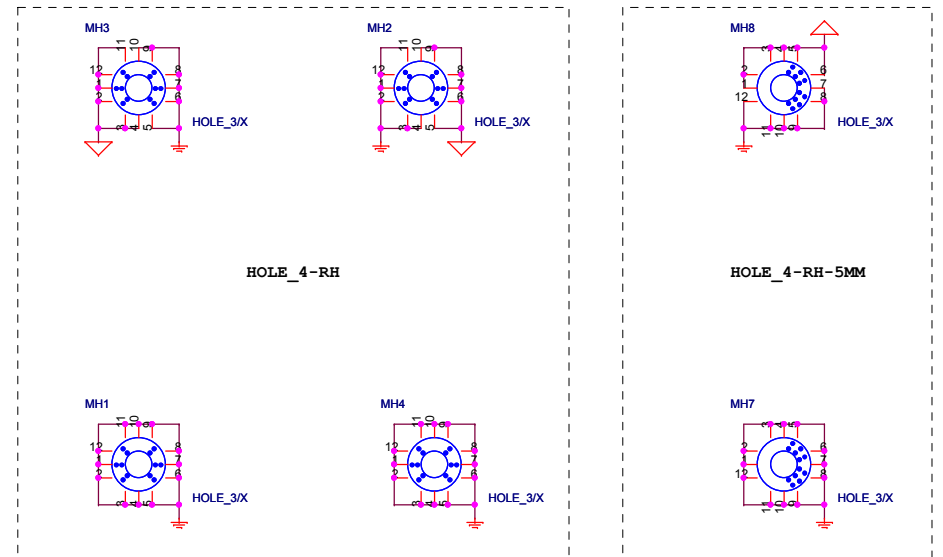
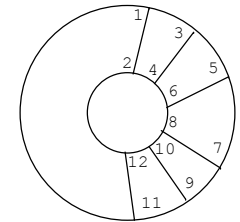
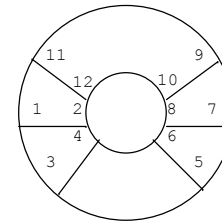
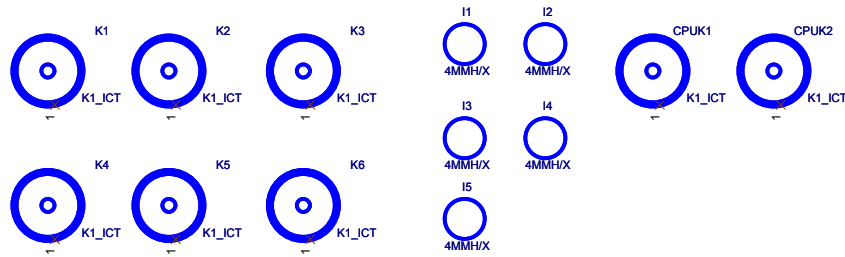
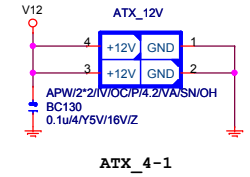
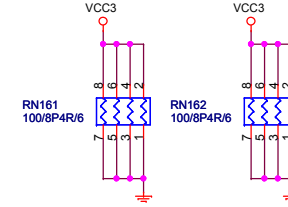
BOTTOM PAD CONNECT TO GND
THROUGH 1.0 VIA

SDR1, SDR3, SDR5
PLACE ON THE
SOLDER SIDE,
CLOSE
INDUCTOR

ATX POWER CONNECTOR



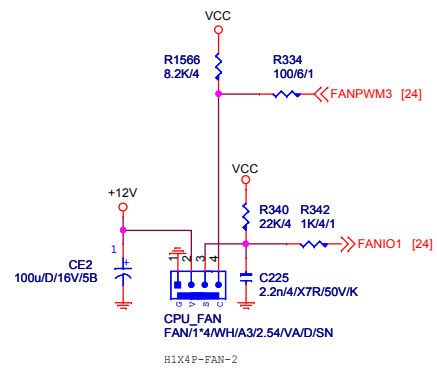
FIX PWR AcBel (ATX-400C-A2ADB)



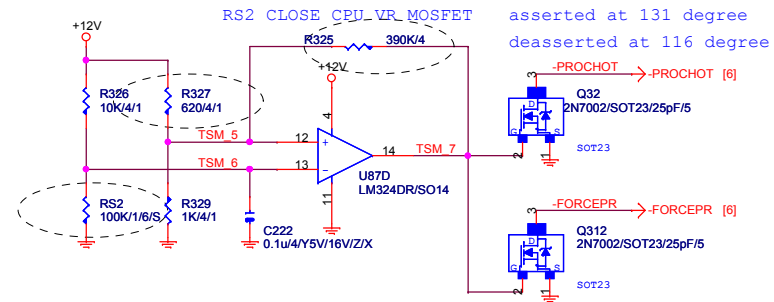
Gigabyte Technology

Title		ATX POWER CONNECTOR	
Size B	Document Number	GA-G31M-ES2L	
Date:	Thursday, July 17, 2008	Sheet	31 of 33
		Rev	1.11

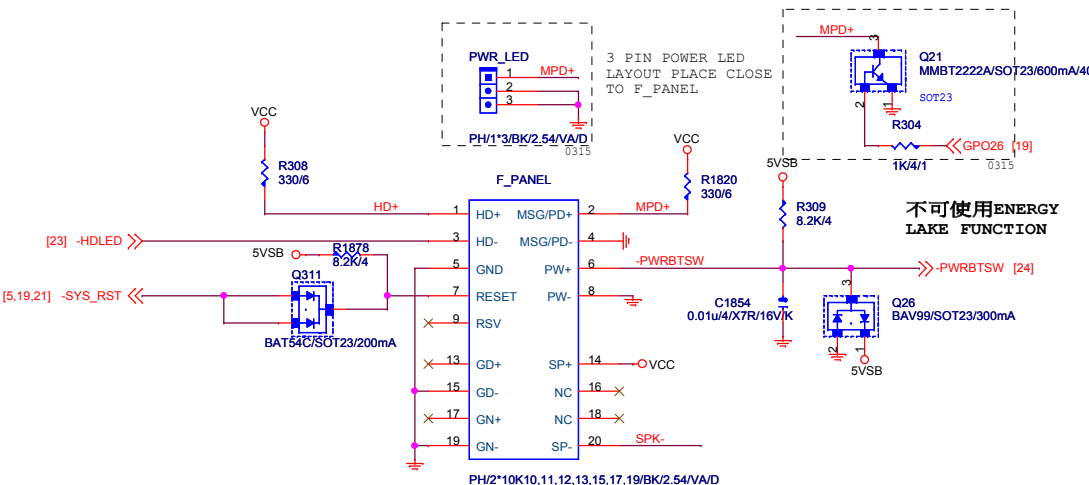
CPU SMART FAN SMART FAN



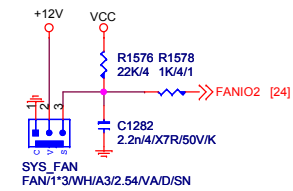
PROCESSOR HOT



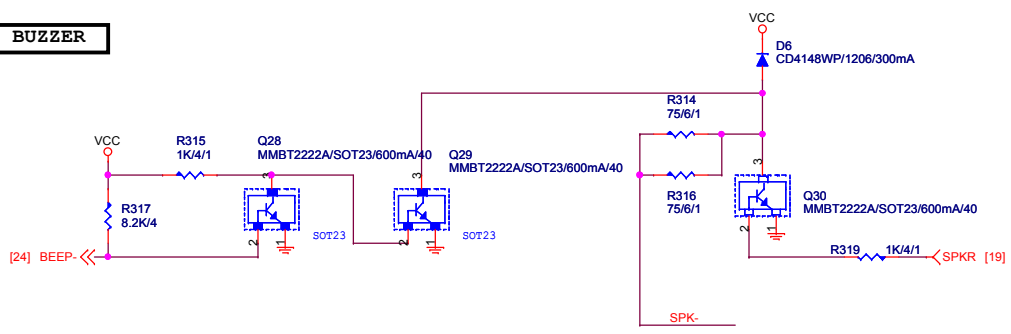
INTEL FRONT PANEL



SYS_FAN



BUZZER



Gigabyte Technology		
Title	FRONT PANEL	
Size Custom	Document Number	GA-G31M-ES2L
Date: Thursday, July 17, 2008	Sheet	32 of 33
		Rev 1.11

