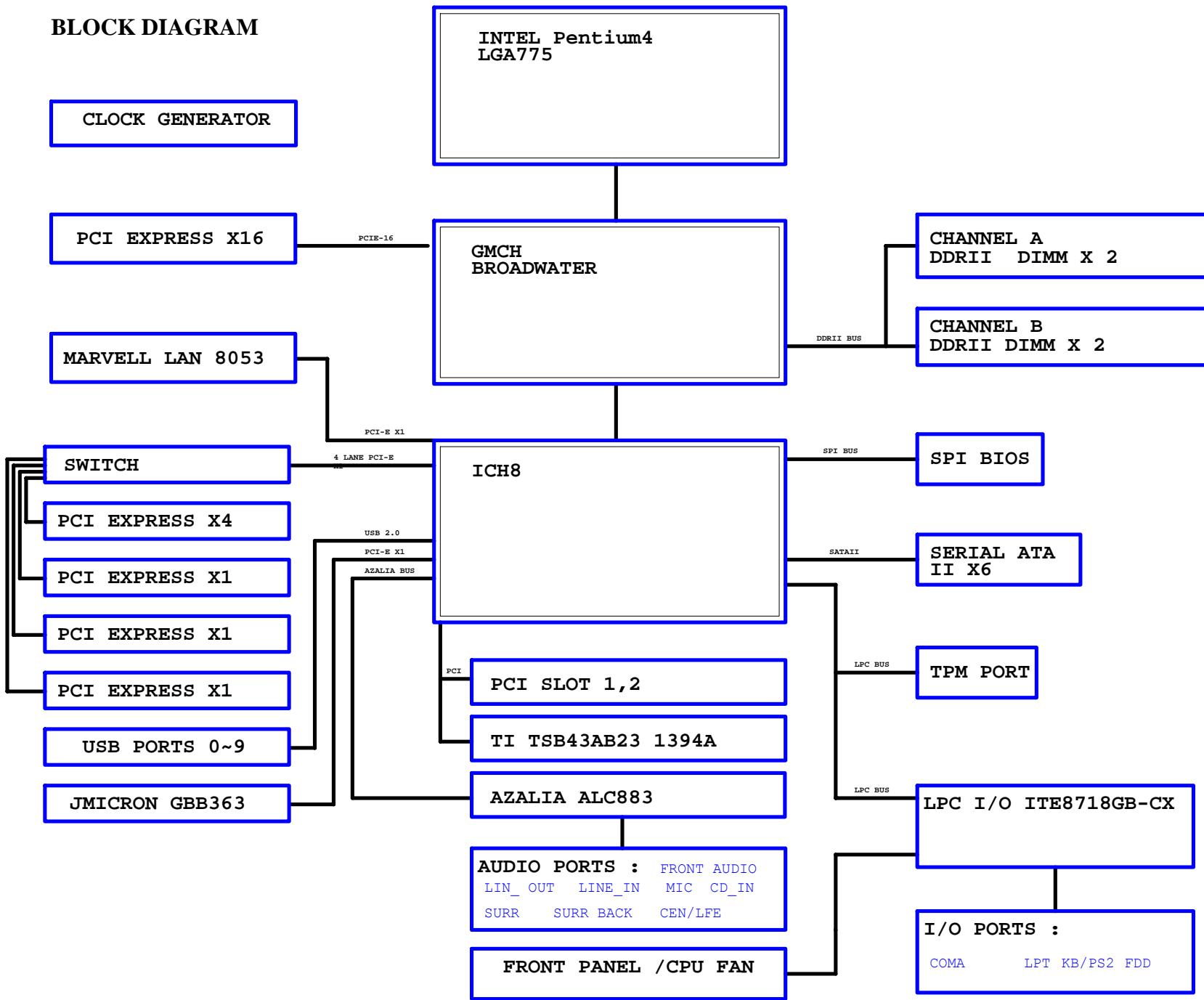


SHEET	TITLE
01	COVER SHEET
02	BOM & PCB MODIFY HISTORY
03	BLOCK DIAGRAM
04	POWER MAP
05	P4_LGA775_A
06	P4_LGA775_B
07	P4_LGA775_C
08	P4_LGA775_D
09	GMCH-BROADWATER_HOST
10	GMCH-BROADWATER_DDRII
11	GMCH-BROADWATER_PCI E, DMI
12	GMCH-BROADWATER_INT VGA
13	GMCH-BROADWATER_GND
14	GMCH-BROADWATER_PWR
15	DDRII CHANNEL A 1,2
16	DDRII CHANNEL B 1,2
17	DDRII TERMINATION
18	PCI EXPRESS*16 SLOT
19	ICH8 PCI, USB, DMI, LAN
20	ICH8 GPIO, CTRL
21	ICH8 SATA, FAN PWM
22	ICH8 VCC, GND
23	CLOCK GEN ICS9LPRS587
24	PCI EXPRESS X4 PORT1 SLOT
25	PCI SLOT 1, 2, 3
26	PCIE_1,SW
27	ITE 8718 CX

SHEET	TITLE
28	COM_LPT, -PROHOT,DYNAMIC OC
29	DUAL BIOS
30	ALC883
31	REAR AUDIO JACK
32	VCORE PWM_ISL6307-1
33	VCORE PWM_ISL6307-2
34	VCORE PWM_ISL6307-3
35	DISCRETE POWER
36	ATX, OTHERS POWER
37	MARVELL 88E8053
38	TI TSB43AB23 1394
39	FP,FUSB,FDD
40	JMB363
41	CI,HWM,KB/MS, FAN CTRL
42	
43	
44	

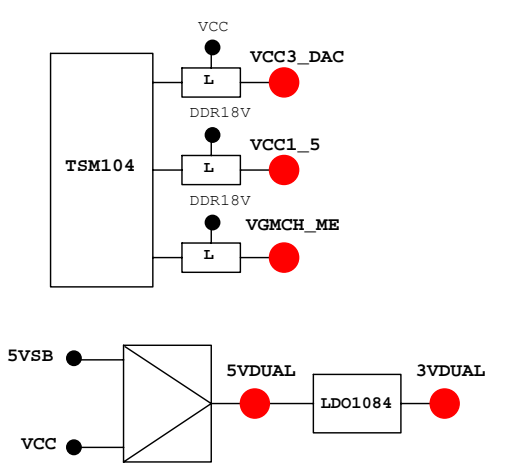
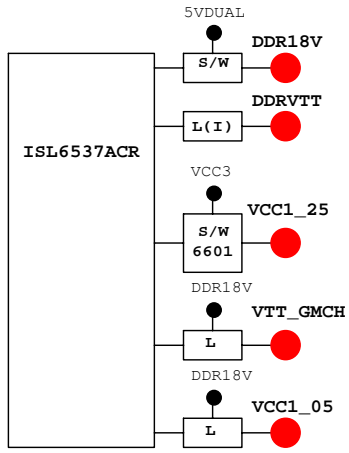
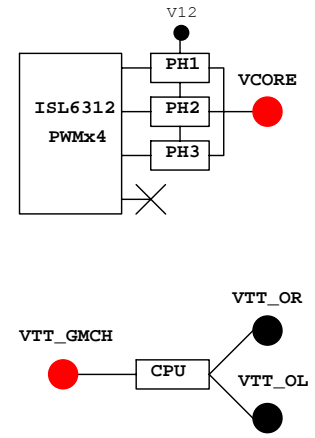
BLOCK DIAGRAM



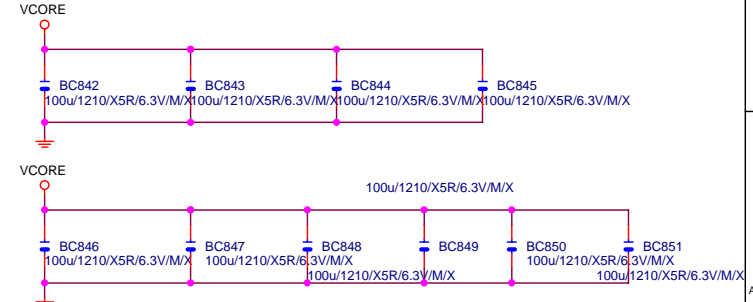
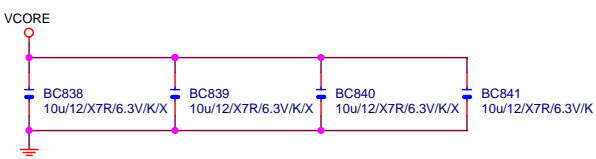
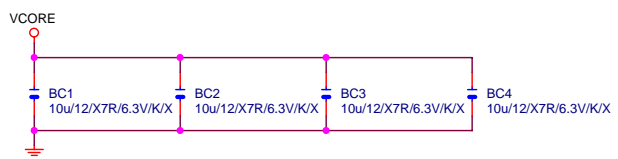
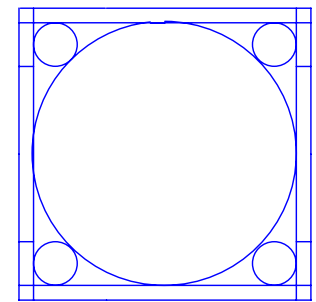
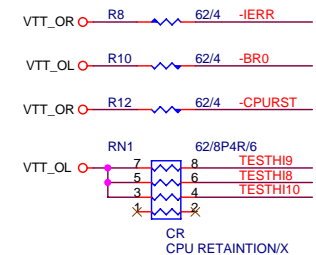
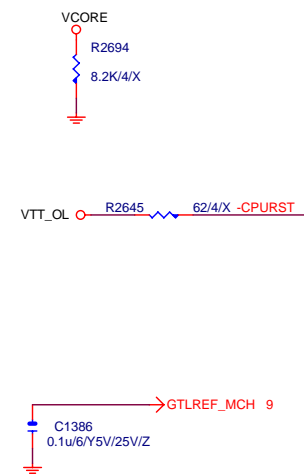
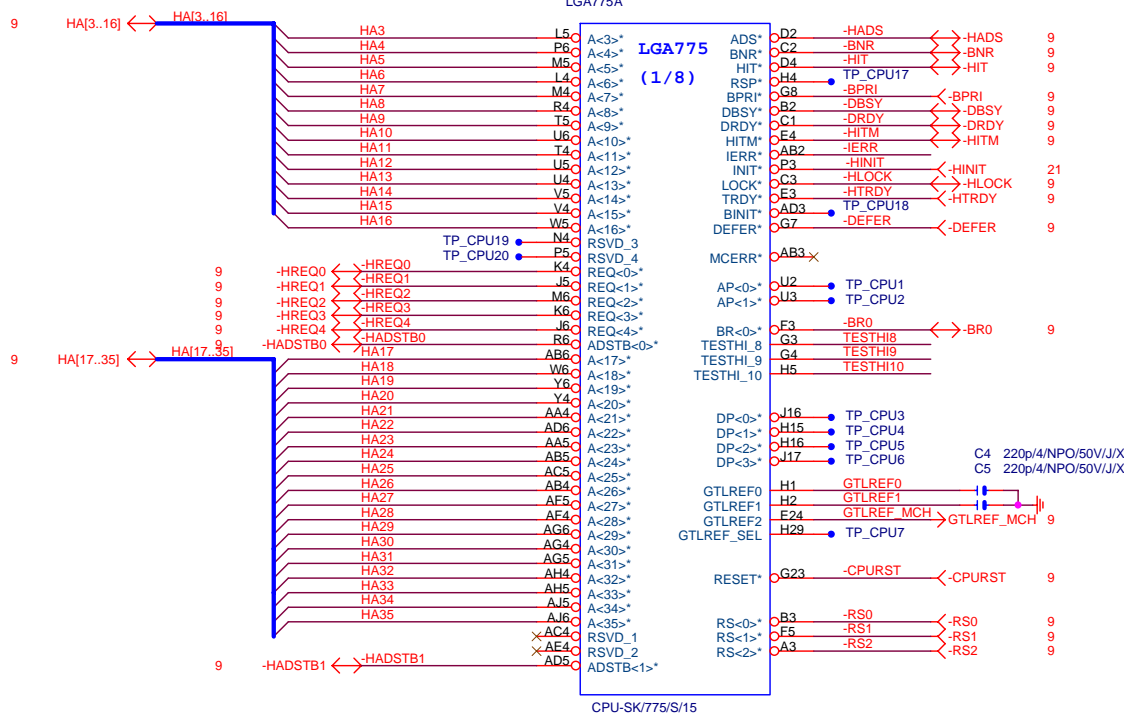
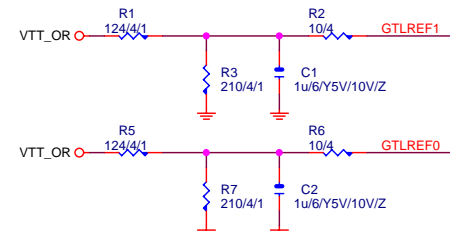
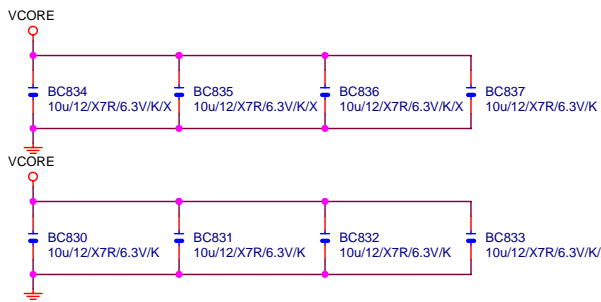
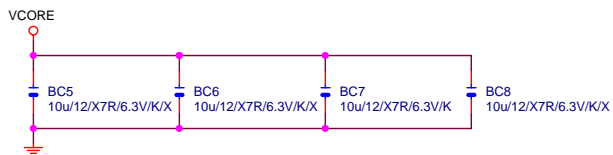
ICH8 GPIO LIST TABLE

PIN NAME	PWR WELL	AFTER/ FILTER	USAGE	NOTE
GP0	MAIN	IN	-ACZ_DET	P/U 8.2K VCC3
GP1/TACH1	MAIN	IN	ICH_FAN_TACH1	P/U 8.2K VCC3
GP2/PIRQE#	MAIN	IN	-PIRQE	P/U 8.2K VCC3
GP3/PIRQF#	MAIN	IN	-PIRQF	P/U 8.2K VCC3
GP4/PIRQG#	MAIN	IN	-PIRQG	P/U 8.2K VCC3
GP5/PIRQH#	MAIN	IN	-PIRQH	P/U 8.2K VCC3
GP6/TACH2	MAIN	IN	ICH_FAN_TACH2	P/U 8.2K VCC3
GP7/TACH3	MAIN	IN	VTT_GMCH_OV3	P/U 8.2K VCC3
GP8	STBY	IN	GPIO8(DUALBIOS_INPUT)	P/U 8.2K 3VDUAL
GP9	STBY	OUT	WOL_ONLY	P/D 100K GND
GP10	STBY	IN	CLGPIO1	P/U 8.2K 3VDUAL
GP11/SMBALERT#	STBY	OUT	-SMBALRT	P/U 8.2K 3VDUAL
GP12	STBY	IN	DDR18V_OV5	P/U 8.2K 3VDUAL
GP13	STBY	IN	-LPCPME	P/U 8.2K 3VDUAL
GP14	STBY	IN	CLGPIO2	P/U 8.2K 3VDUAL
GP15	STBY	OUT	RM	N/A
GP16	MAIN	OUT/LOW	RESET	N/A
GP17/TACH0	MAIN	IN	ICH_FAN_TACH0	P/U 8.2K VCC3
GP18	MAIN	OUT	MB_ID1	P/U 8.2K VCC3
GP19	MAIN	IN	VCC15_OV1	P/U 8.2K VCC3
GP20	MAIN	OUT	-SPI_WP0	P/U 1K 3VCL
GP21	MAIN	IN	VCC15_OV3	P/U 8.2K VCC3
GP22	MAIN	IN	VCORE_OV3	P/U 8.2K VCC3
GP23	MAIN	OUT	-LDRQ1	P/U 8.2K VCC3
GP24	STBY	OUT	TLS	P/U 8.2K 3VDUAL
GP25	STBY	IN	MB_ID2(STP_CPU-)	P/U 8.2K 3VDUAL
GP26/S4_STATE#	STBY	OUT	S4_STATE#	P/U 8.2K 3VDUAL
GP27	STBY	OUT/LOW	GPIO27(EL_STATE0)	P/U 8.2K 3VDUAL
GP28	STBY	OUT/LOW	-SPI_WP0	N/A
GP29/OC5#	STBY	IN	-USBOC_R	P/U FUSEVCC
GP30/OC6#	STBY	IN	-USBOC_R	P/U FUSEVCC
GP31/OC7#	STBY	IN	-USBOC_R	P/U FUSEVCC
GP32	MAIN	OUT	DUAL_BIOS	P/U 100K+1M VCC3
GP33	MAIN	OUT	DUAL_BIOS	P/U 8.2K VCC3
GP34	MAIN	OUT/LOW	GPIO34/SMB_RST	N/A
GP35	MAIN	OUT	VCC15_OV2	N/A
GP36	MAIN	IN	VCORE_OV4	P/U 8.2K VCC3
GP37	MAIN	IN	VCORE_OV5	P/U 8.2K VCC3
GP38	MAIN	IN	VCORE_OV2	P/U 8.2K VCC3
GP39	MAIN	IN	GPIO39	P/D 8.2K GND
GP48	MAIN	IN	VCORE_OV1	P/U 8.2K VCC3
GP49	MAIN	IN	CPUPWROK	P/U 100 VTT_OL

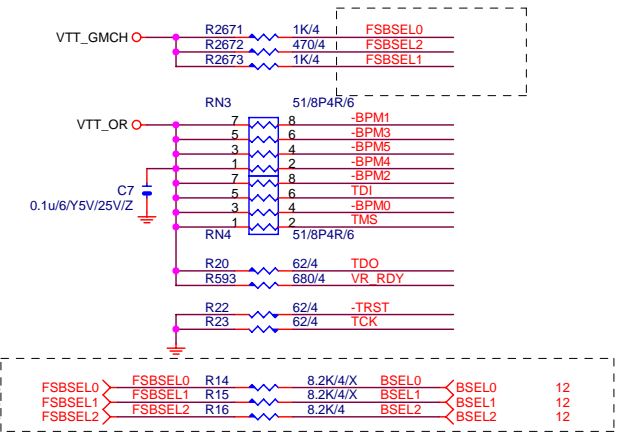
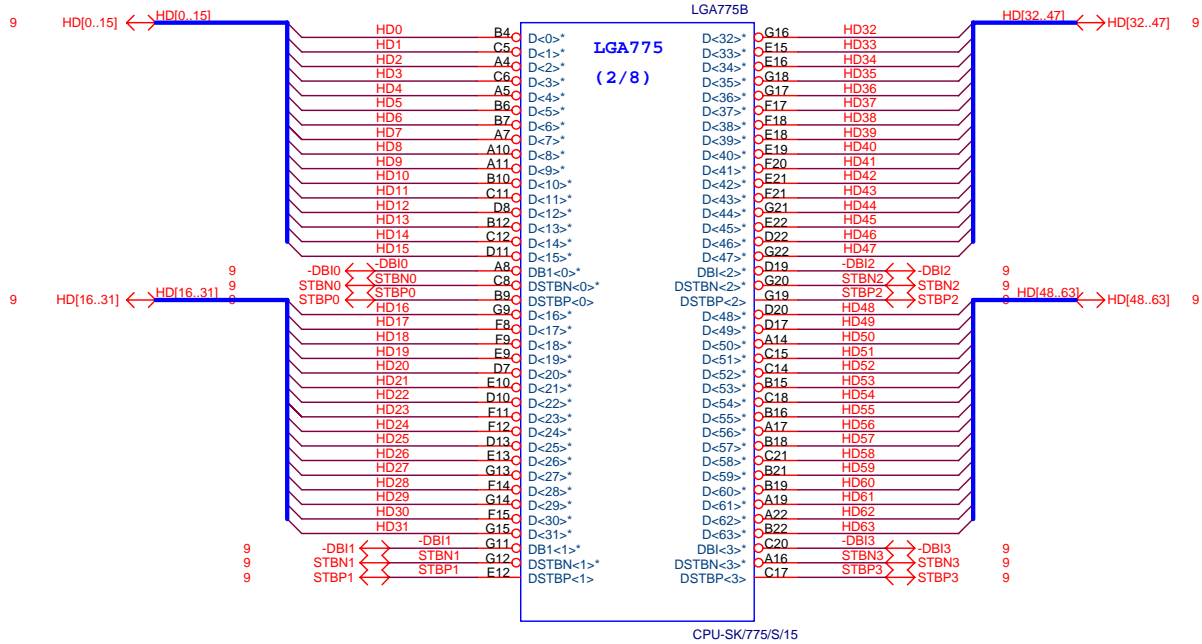
VCORE:3 PHASE PWM--ISL6312



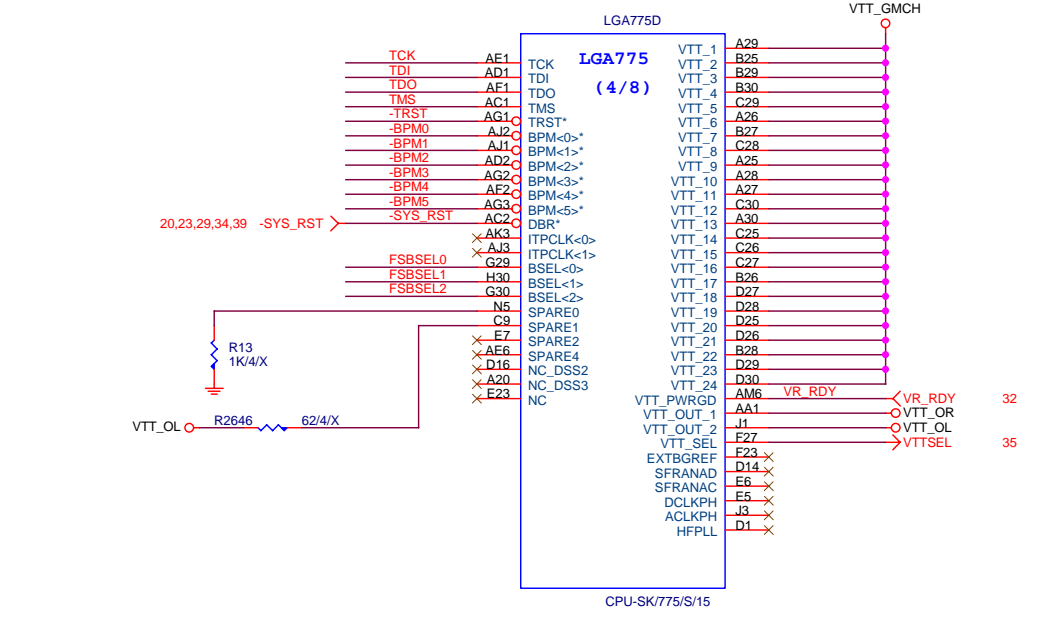
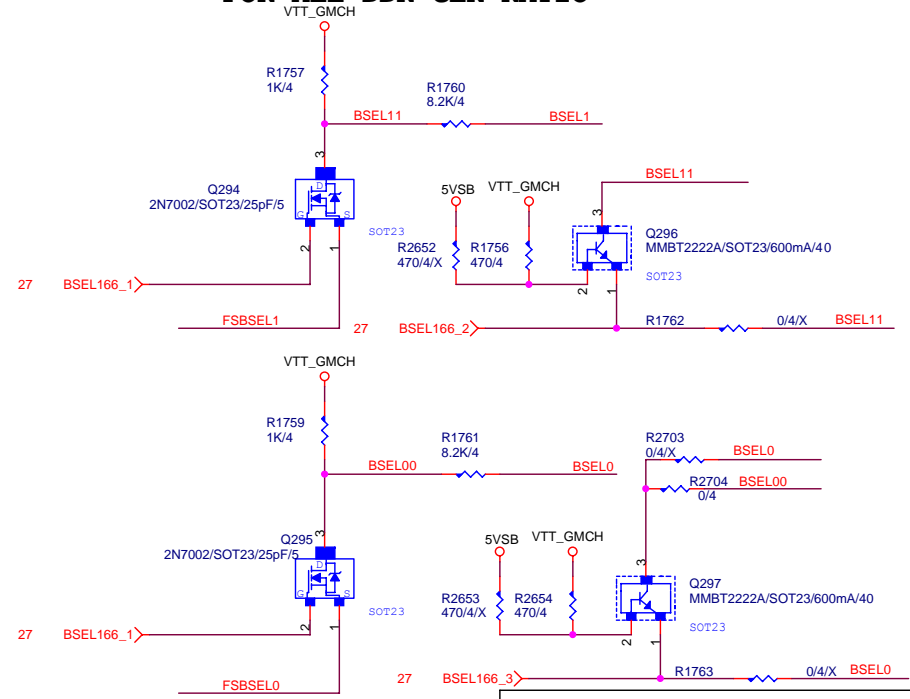
	3 pin FAN control	4 pin FAN control	FAN speed	Controller
CPU FAN	FANPWM1	FANPWM3	FANIO1	IT8718
	ICH_FAN_PWM2	ICH_FAN_PWM0	ICH_FAN_TACH0	ICH8
SYS FAN	FANPWM2	N/A	FANIO2	IT8718
	ICH_FAN_PWM1	N/A	ICH_FAN_TACH1	ICH8
PWR FAN	N/A	N/A	FANIO3	IT8718
	N/A	N/A	ICH_FAN_TACH2	ICH8



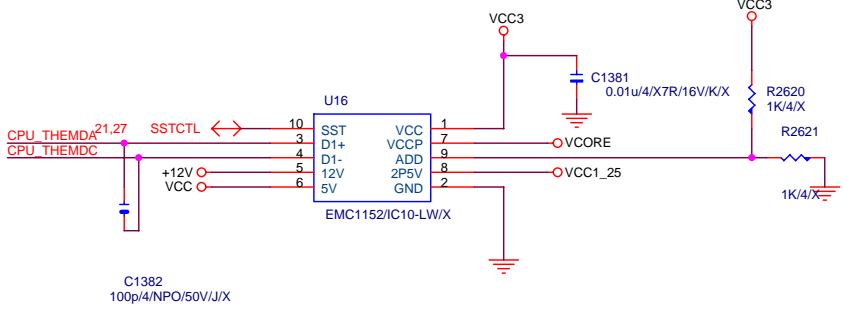
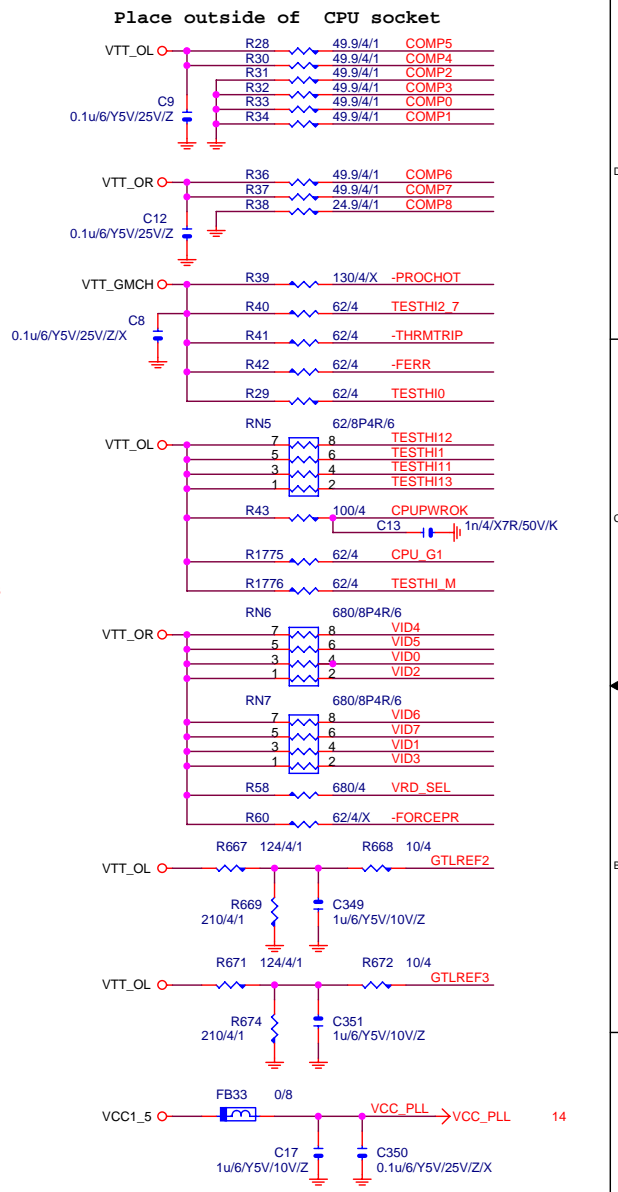
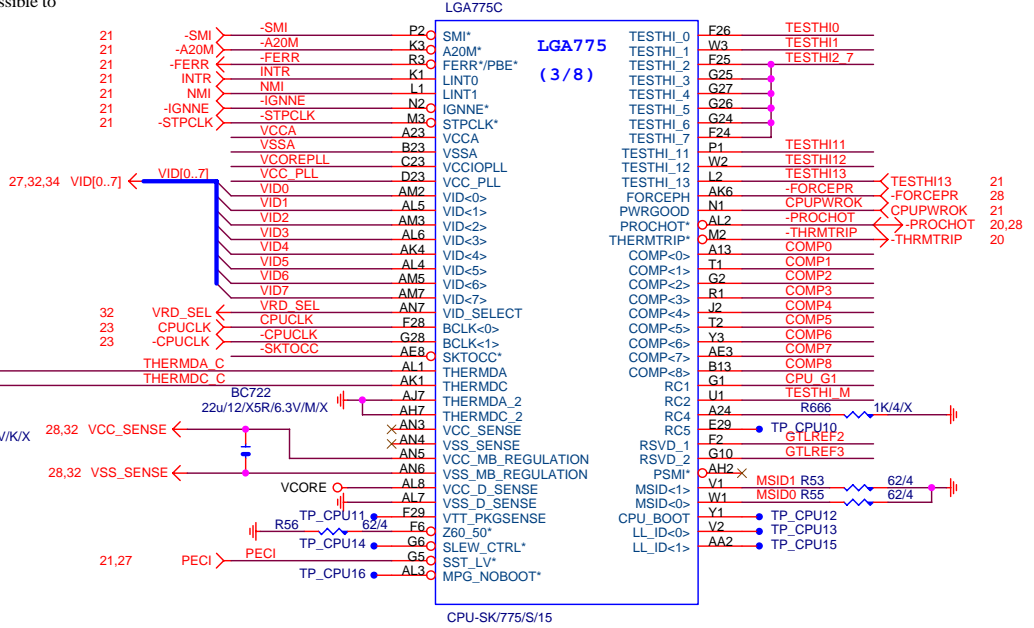
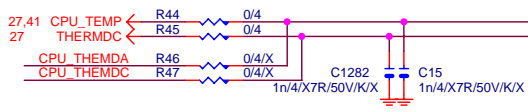
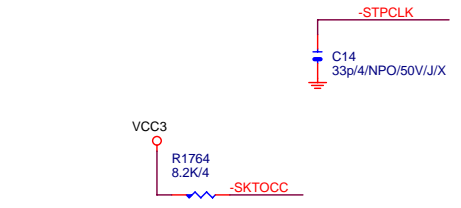
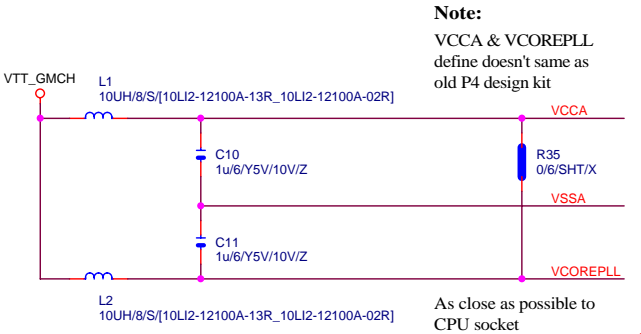
Gigabyte Technology		
Title P4_LGA775-A		
Size B	Document Number 965P-DS4	Rev 1.01G
Date: Wednesday, August 09, 2006	Sheet 5	of 41



FOR ALL DDR CLK RATIO

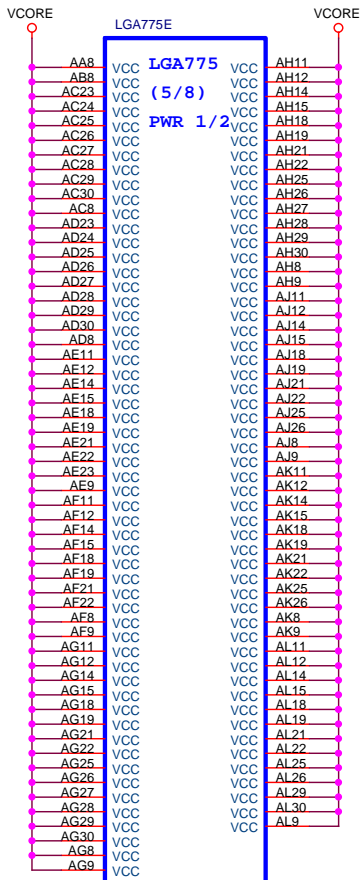


Gigabyte Technology		
Title P4_LGA775-B,D		
Size B	Document Number 965P-DS4	Rev 1.01G
Date:	Wednesday, August 09, 2006	Sheet 6 of 41

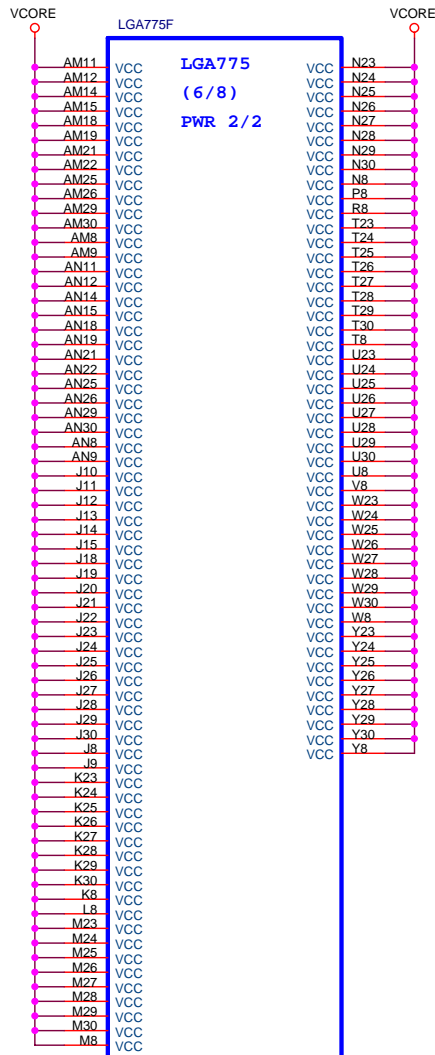


PECCI:Platform Environment Control Interface

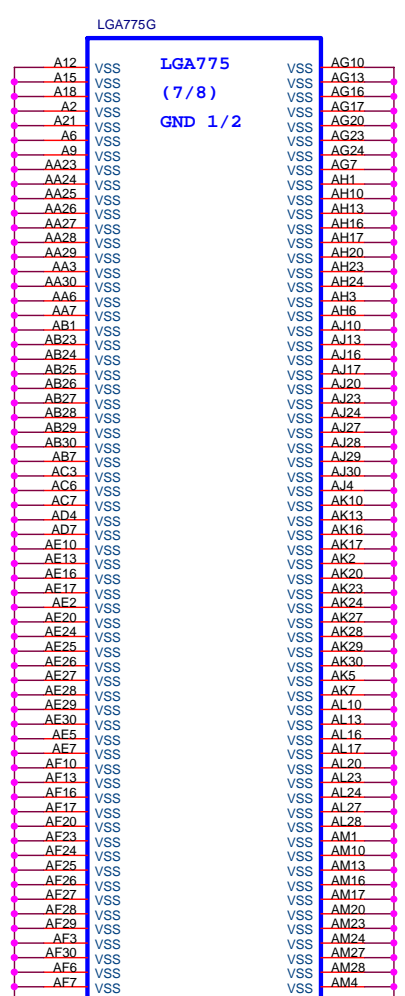
Gigabyte Technology		
P4_LGA775-C		
Size	Document Number	Rev
B	965P-DS4	1.01G
Date:	Wednesday, August 09, 2006	Sheet 7 of 41



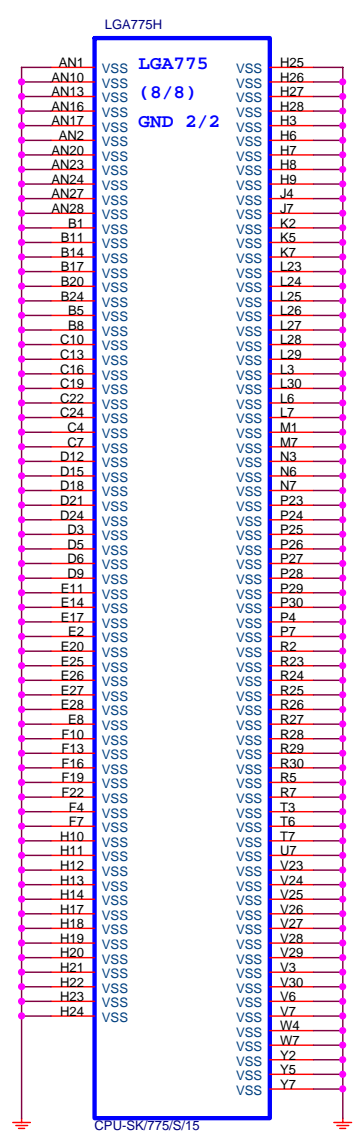
CPU-SK/775/S/15



CPU-SK/775/S/15



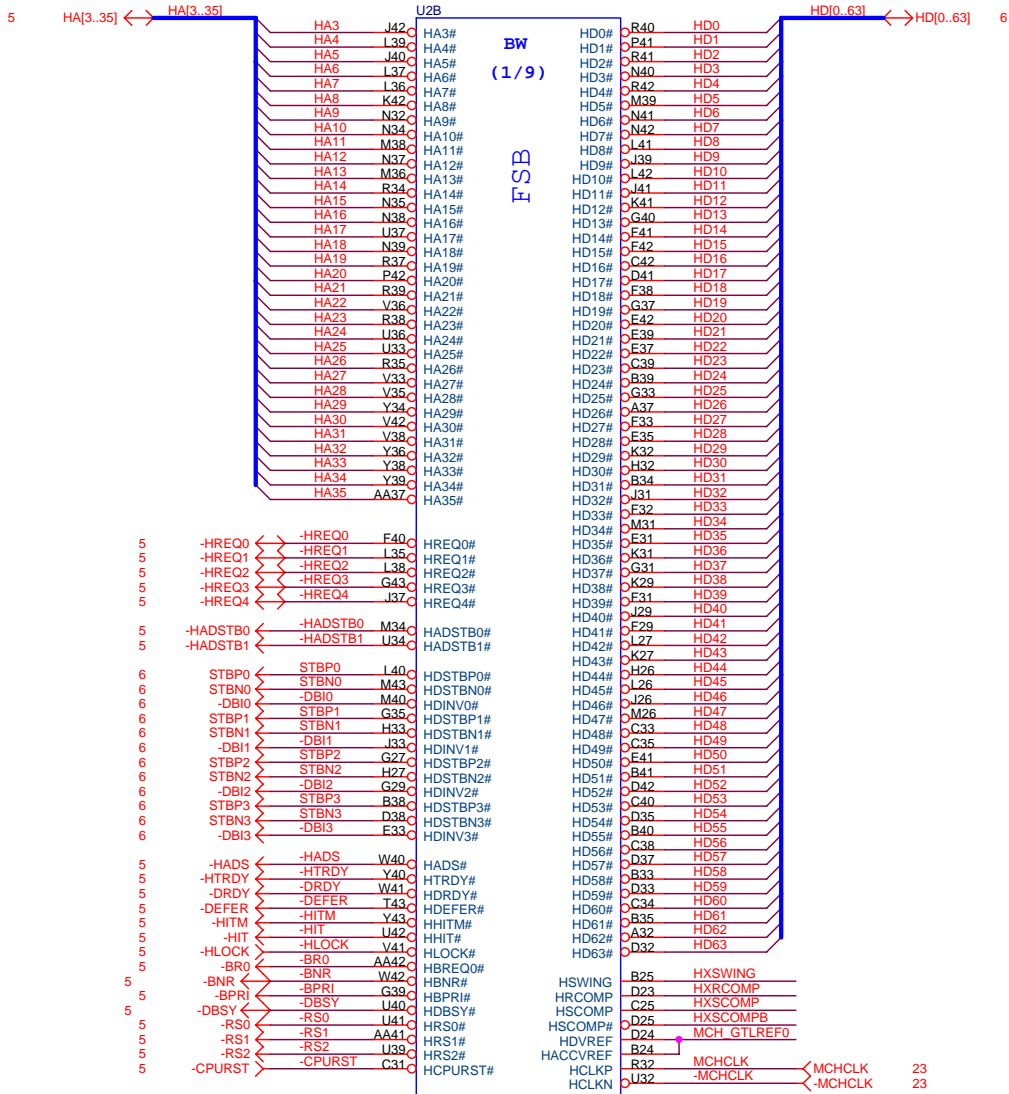
CPU-SK/775/S/15



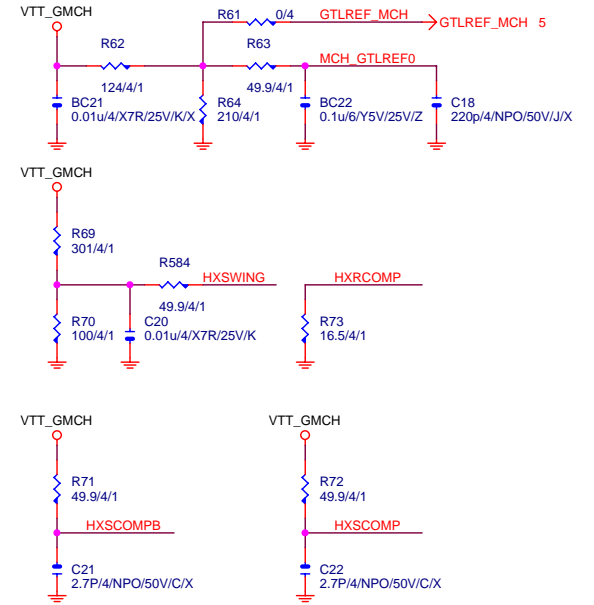
CPU-SK/775/S/15

Gigabyte Technology

Title		P4_LGA775-E,F,G,H	
Size	Document Number	965P-DS4	Rev
B			1.01G
Date:	Wednesday, August 09, 2006	Sheet	8 of 41



P965-C1/QM62[10HB1-030082-30R]
CPU INTERFACE



Gigabyte Technology			
Title GMCH-HOST			
Size B	Document Number 965P-DS4	Rev 1.01G	
Date: Wednesday, August 09, 2006	Sheet 9	of 41	

U2C

Pin list for U2C (P965-C1/QM62) including SMA, SDO, SCL, SCK, SODT, and SDOA pins with their corresponding component names.

P965-C1/QM62[10HB1-030082-30R]

DDR INTERFACE

DDR_0

RESERVED

RESERVED

RESERVED

RESERVED

RESERVED

RESERVED

RESERVED

RESERVED

RESERVED

RESERVED

RESERVED

RESERVED

RESERVED

RESERVED

RESERVED

RESERVED

U2D

Pin list for U2D (P965-C1/QM62) including SMA, SDO, SCL, SCK, SODT, and SDOA pins with their corresponding component names.

P965-C1/QM62[10HB1-030082-30R]

RESERVED

RESERVED

RESERVED

RESERVED

RESERVED

RESERVED

RESERVED

RESERVED

RESERVED

RESERVED

RESERVED

RESERVED

DDR_1

RESERVED

RESERVED

RESERVED

RESERVED

RESERVED

RESERVED

RESERVED

RESERVED

RESERVED

RESERVED

RESERVED

RESERVED

RESERVED

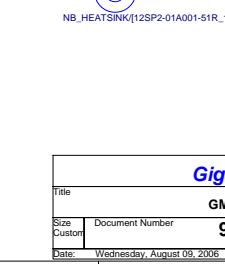
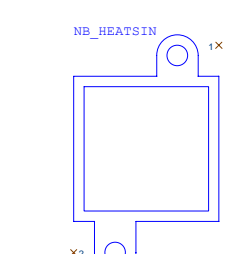
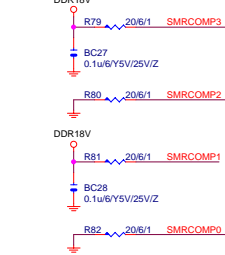
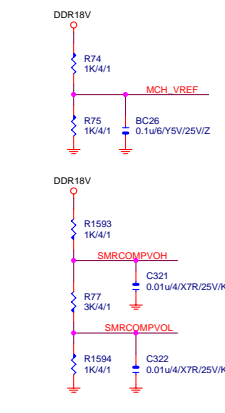
RESERVED

RESERVED

RESERVED

RESERVED

Pin list for U2D (P965-C1/QM62) including SMA, SDO, SCL, SCK, SODT, and SDOA pins with their corresponding component names.



P965-C1/QM62[10HB1-030082-30R]

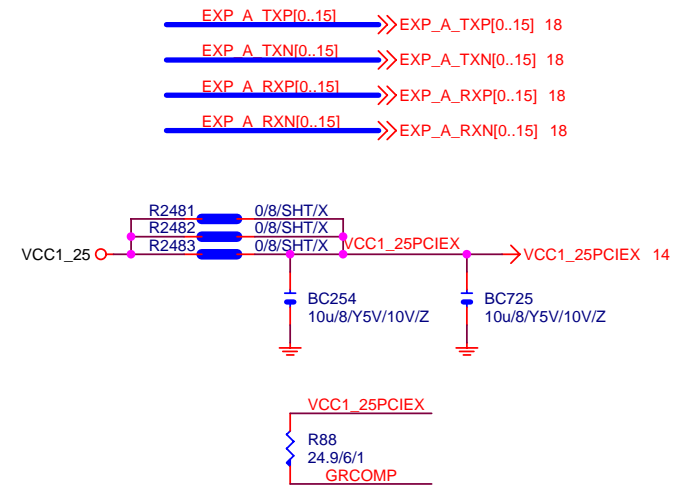
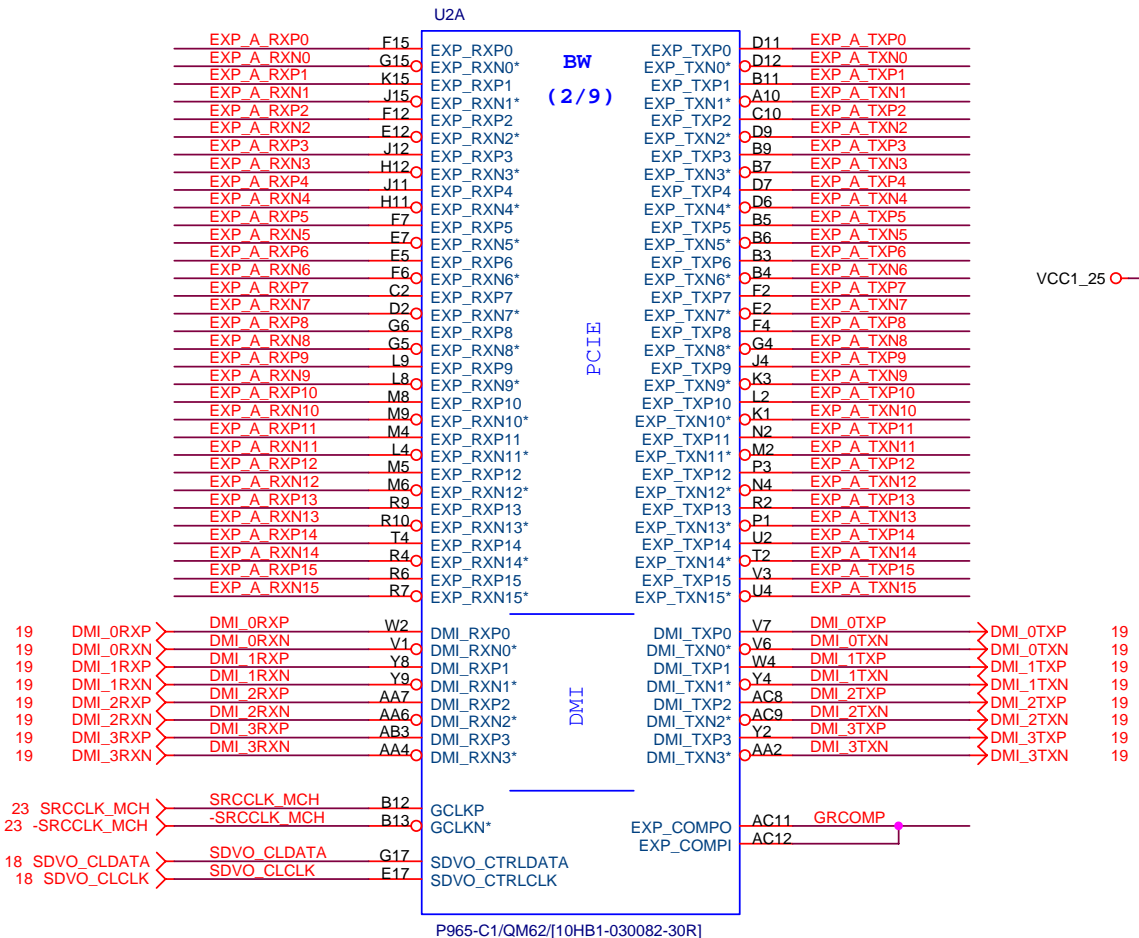
Gigabyte Technology

Table with columns: Title (GMCH-DDRI), Document Number (965P-DS4), Rev (101G), Date (Wednesday, August 09, 2006), Sheet (10 of 41).

NB HEAT SINK FA1

0.1uW/YSV/25V/ZX

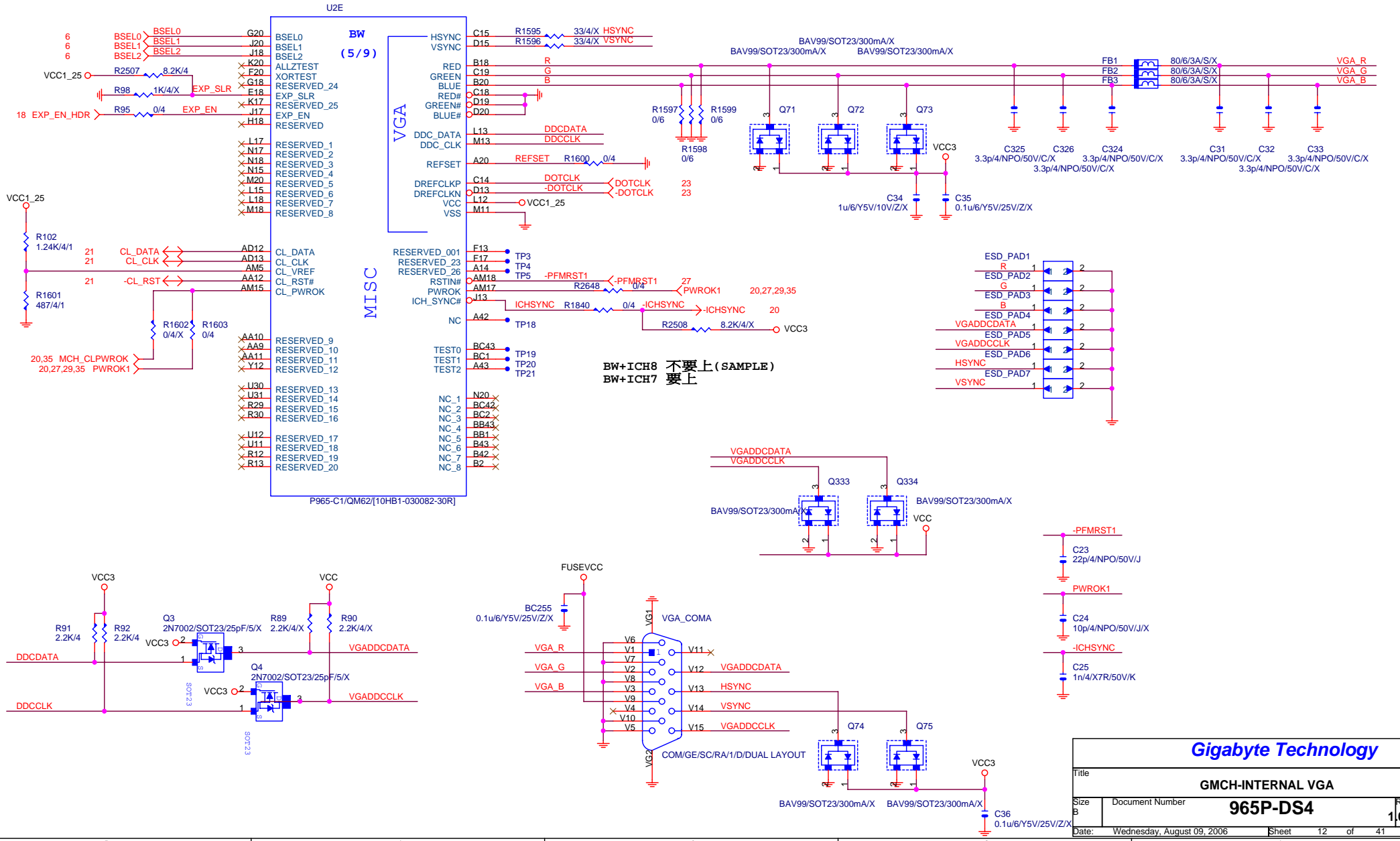
FAN1*2/WHM1/2.54V/A/D/S/N/X



Gigabyte Technology

GMCH-PCI E & DMI

Size	Document Number	965P-DS4	Rev
Custom			1,01G
Date:	Wednesday, August 09, 2006	Sheet 11 of 41	



BW+ICH8 不要上 (SAMPLE)
 BW+ICH7 要上

Gigabyte Technology		
GMCH-INTERNAL VGA		
Size B	Document Number	Rev 1.01G
	965P-DS4	
Date:	Wednesday, August 09, 2006	Sheet 12 of 41

U2G

BC37	VSS_1	BW	VSS_181	AF5
BC32	VSS_2	(7/9)	VSS_182	AF3
BC28	VSS_3		VSS_183	AF2
BC24	VSS_4		VSS_184	AF1
BC10	VSS_5		VSS_185	AD42
BC5	VSS_6	GND 1/2	VSS_186	AD39
BB7	VSS_7		VSS_187	AD37
AY41	VSS_8		VSS_188	AD35
AY4	VSS_9		VSS_189	AD33
AW43	VSS_10		VSS_190	AD25
AW41	VSS_11		VSS_191	AD23
AW1	VSS_12		VSS_192	AD21
AV37	VSS_13		VSS_193	AD19
AV35	VSS_14		VSS_194	AC38
AV27	VSS_15		VSS_195	AC35
AV23	VSS_16		VSS_196	AC24
AV21	VSS_17		VSS_197	AC22
AV17	VSS_18		VSS_198	AC20
AV11	VSS_19		VSS_199	AC10
AV9	VSS_20		VSS_200	AC7
AV7	VSS_21		VSS_201	AC5
AU42	VSS_22		VSS_202	AB43
AU38	VSS_23		VSS_203	AB25
AU32	VSS_24		VSS_204	AB23
AU24	VSS_25		VSS_205	AB21
AU20	VSS_26		VSS_206	AB19
AL6	VSS_27		VSS_207	AB2
AL2	VSS_28		VSS_208	AB1
AT31	VSS_29		VSS_209	AA38
AT29	VSS_30		VSS_210	AA35
AT15	VSS_31		VSS_211	AA24
AT13	VSS_32		VSS_212	AA22
AT12	VSS_33		VSS_213	AA20
AR38	VSS_34		VSS_214	AA8
AR33	VSS_35		VSS_215	AA5
AR32	VSS_36		VSS_216	Y42
AR27	VSS_37		VSS_217	Y37
AR26	VSS_38		VSS_218	Y35
AR23	VSS_39		VSS_219	Y33
AR21	VSS_40		VSS_220	Y25
AR20	VSS_41		VSS_221	Y23
AR17	VSS_42		VSS_222	Y21
AR9	VSS_43		VSS_223	Y19
AR6	VSS_44		VSS_224	X10
AP43	VSS_45		VSS_225	Y7
AP24	VSS_46		VSS_226	Y5
AP18	VSS_47		VSS_227	Y1
AP1	VSS_48		VSS_228	W3
AN38	VSS_49		VSS_229	V43
AN31	VSS_50		VSS_230	V39
AN29	VSS_51		VSS_231	V37
AN24	VSS_52		VSS_232	V34
AN23	VSS_53		VSS_233	V32
AN20	VSS_54		VSS_234	V11
AN15	VSS_55		VSS_235	V8
AN13	VSS_56		VSS_236	V5
AN12	VSS_57		VSS_237	V2
AN11	VSS_58		VSS_238	U38
AN4	VSS_59		VSS_239	U35
AM42	VSS_60		VSS_240	U8
AM40	VSS_61		VSS_241	U7
AM36	VSS_62		VSS_242	U5
AM33	VSS_63		VSS_243	T42
AM29	VSS_64		VSS_244	T1
AM24	VSS_65		VSS_245	R36
AM23	VSS_66		VSS_246	R33
AM20	VSS_67		VSS_247	R31
AM11	VSS_68		VSS_248	R11
AM9	VSS_69		VSS_249	R8
AM7	VSS_70		VSS_250	R3
AM4	VSS_71		VSS_251	P43
AM2	VSS_72		VSS_252	P30
AM1	VSS_73		VSS_253	P21
AL36	VSS_74		VSS_254	P18
AL33	VSS_75		VSS_255	P17
AK43	VSS_76		VSS_256	P2
AJ39	VSS_77		VSS_257	N36
AJ36	VSS_78		VSS_258	N33
AJ33	VSS_79		VSS_259	N31
AH42	VSS_80		VSS_260	N27
AG37	VSS_81		VSS_261	N21
AG34	VSS_82		VSS_262	N13
AF43	VSS_83		VSS_263	N10
AF37	VSS_84		VSS_264	N7
AF36	VSS_85		VSS_265	N5
AF10	VSS_86		VSS_266	M42
AF9	VSS_87		VSS_267	M37
AF8	VSS_88		VSS_268	M35
AF7	VSS_89		VSS_269	M33
AF6	VSS_90		VSS_270	M33

P965-C1/QM62/[10HB1-030082-30R]

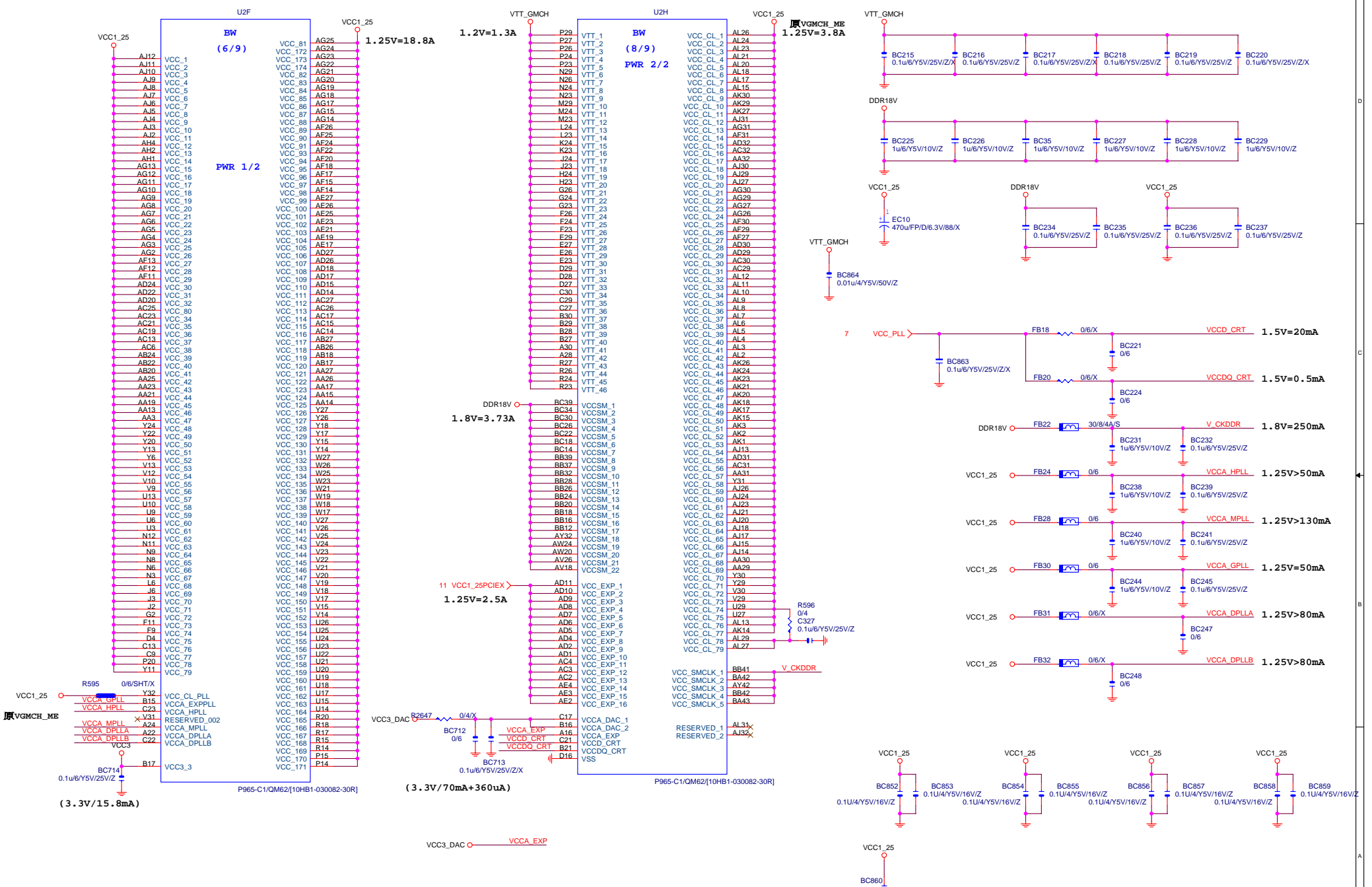
U2I

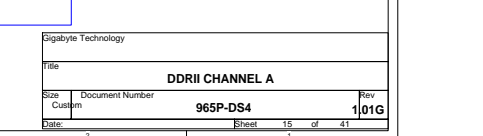
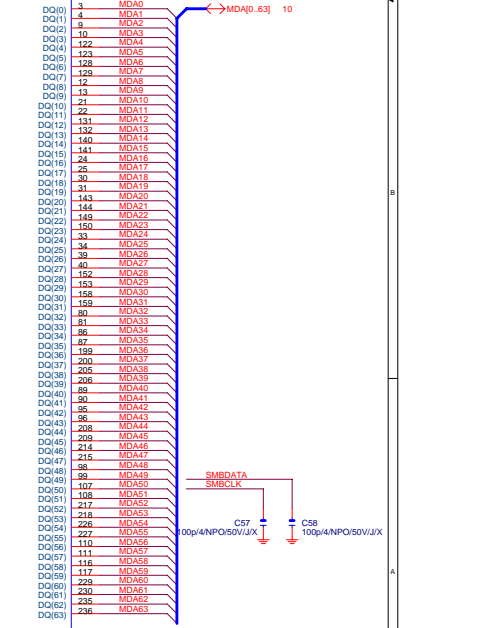
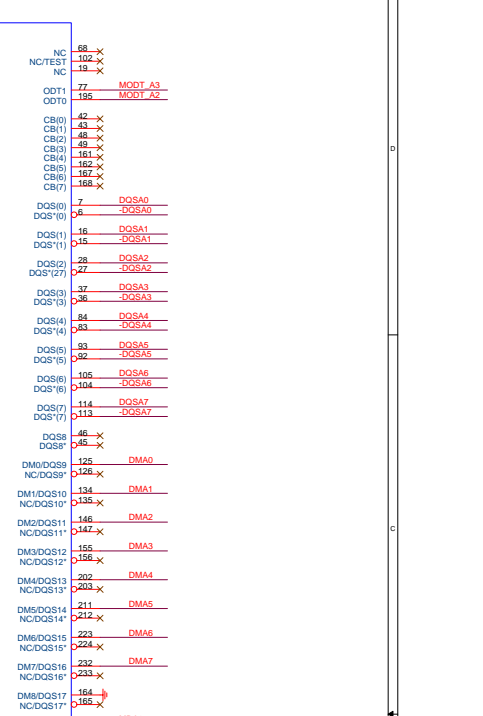
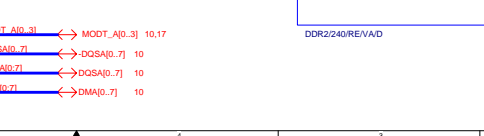
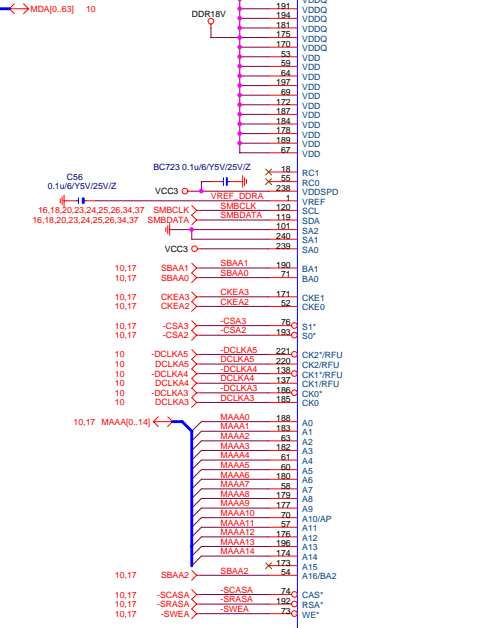
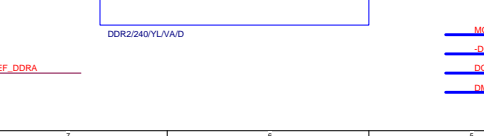
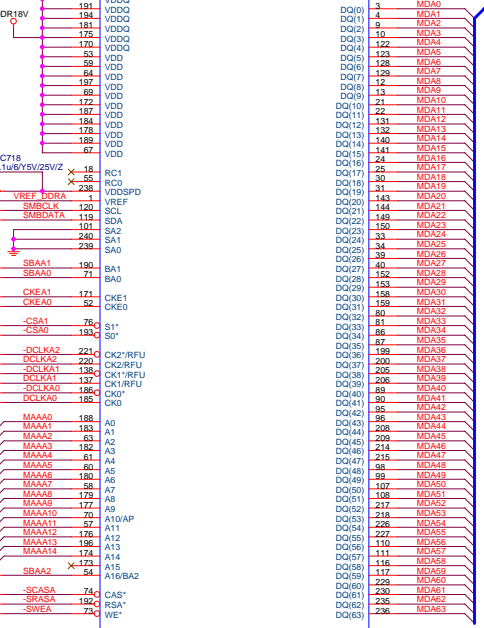
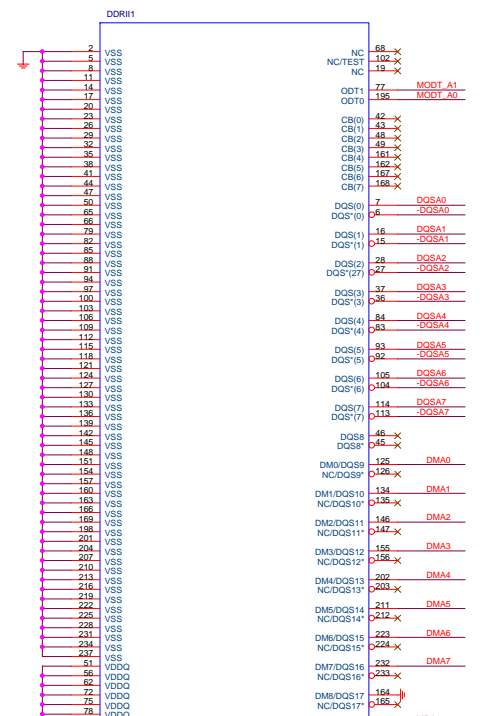
M27	VSS_91	BW	VSS_271	BC41
M21	VSS_92	(9/9)	VSS_272	BC3
M17	VSS_93		VSS_273	BA1
M15	VSS_94		VSS_274	AY40
M10	VSS_95	GND 2/2	VSS_275	AF23
M7	VSS_96		VSS_276	AF21
M1	VSS_97		VSS_277	AF19
L33	VSS_98		VSS_278	AE24
L32	VSS_99		VSS_279	AE22
L31	VSS_100		VSS_280	AE20
L29	VSS_101		VSS_281	AE18
L21	VSS_102		VSS_282	AC18
L20	VSS_103		VSS_283	AA18
L11	VSS_104		VSS_284	W24
L7	VSS_105		VSS_285	W22
L5	VSS_106		VSS_286	W20
L3	VSS_107		VSS_287	R21
K43	VSS_108		VSS_288	E1
K28	VSS_109		VSS_289	C43
K21	VSS_110		VSS_290	C1
K18	VSS_111		VSS_291	A41
K13	VSS_112		VSS_292	A5
K12	VSS_113		VSS_293	A3
K2	VSS_114			
J38	VSS_115			
J35	VSS_116			
J32	VSS_117			
J27	VSS_118			
J21	VSS_119			
J9	VSS_120			
J7	VSS_121			
J5	VSS_122			
H31	VSS_123			
H29	VSS_124			
H21	VSS_125			
H20	VSS_126			
H17	VSS_127			
H15	VSS_128			
H13	VSS_129			
G42	VSS_130			
G38	VSS_131			
G32	VSS_132			
G21	VSS_133			
G13	VSS_134			
G12	VSS_135			
G11	VSS_136			
G9	VSS_137			
G7	VSS_138			
G1	VSS_139			
F37	VSS_140			
F35	VSS_141			
F27	VSS_142			
F21	VSS_143			
F18	VSS_144			
F3	VSS_145			
E43	VSS_146			
E32	VSS_147			
E24	VSS_148			
E21	VSS_149			
E20	VSS_150			
E15	VSS_151			
E13	VSS_152			
E11	VSS_153			
E9	VSS_154			
E3	VSS_155			
D40	VSS_156			
D31	VSS_157			
D21	VSS_158			
D17	VSS_159			
D3	VSS_160			
C26	VSS_161			
C11	VSS_162			
C6	VSS_163			
C5	VSS_164			
C4	VSS_165			
B37	VSS_166			
B32	VSS_167			
B31	VSS_168			
B26	VSS_169			
B23	VSS_170			
B22	VSS_171			
B19	VSS_172			
B14	VSS_173			
B10	VSS_174			
A39	VSS_175			
A34	VSS_176			
A26	VSS_177			
A18	VSS_178			
A12	VSS_179			
A7	VSS_180			

P965-C1/QM62/[10HB1-030082-30R]

Gigabyte Technology

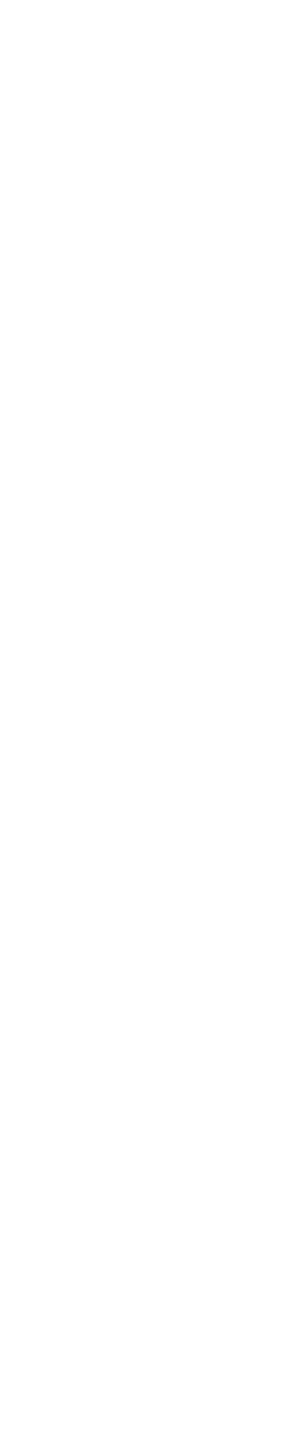
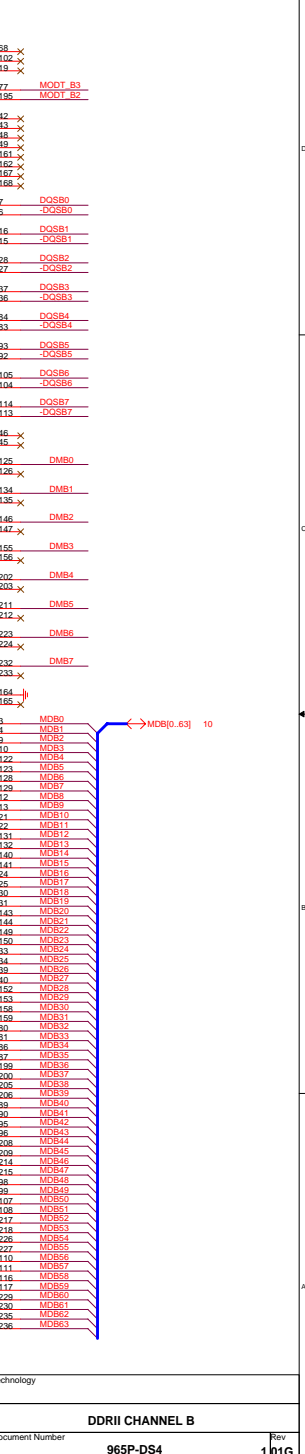
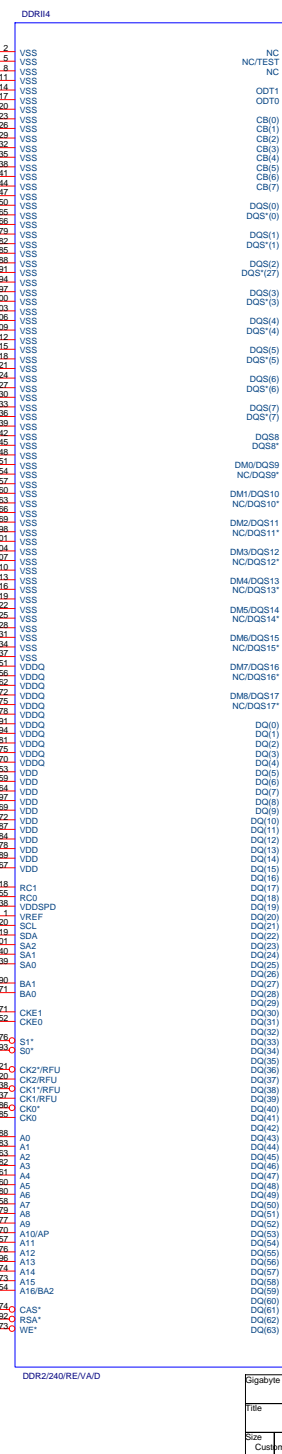
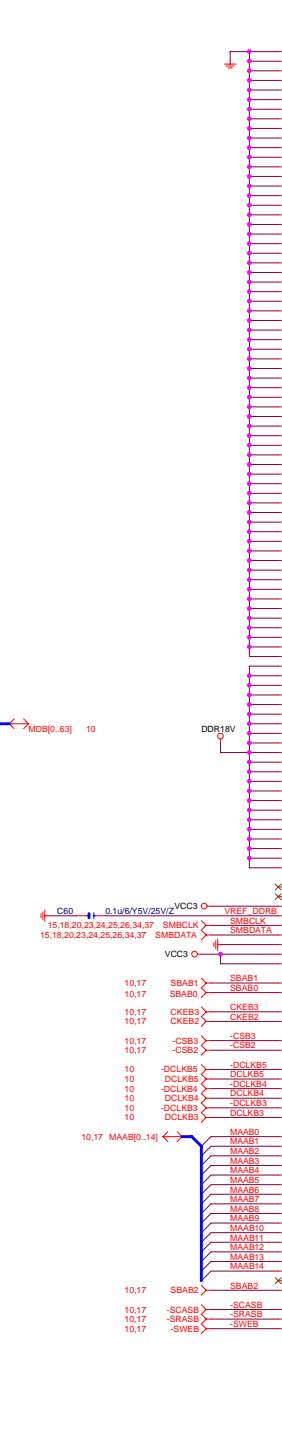
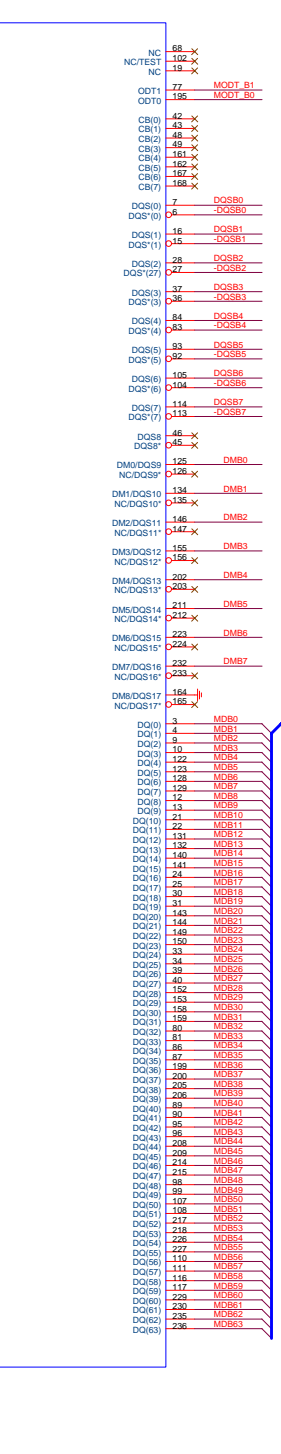
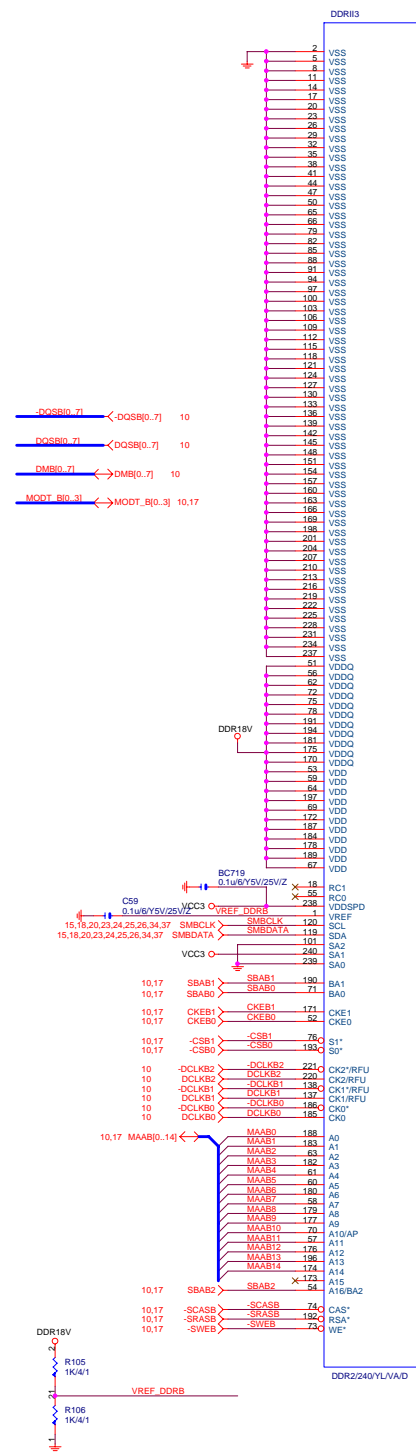
Title		GMCH-GND	
Size	Document Number	965P-DS4	
Custom			Rev 1,01G
Date:	Wednesday, August 09, 2006	Sheet	13 of 41





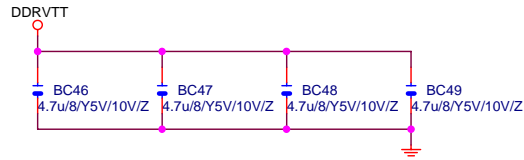
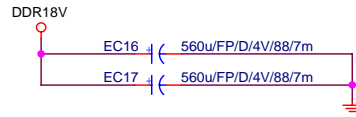
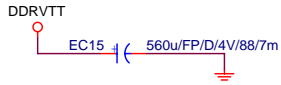
Sigabyte Technology	
Title	
Document Number	
Size Custom	
Date:	
Sheet 15 of 41	
Title	
Document Number	
Size Custom	
Date:	
Sheet 15 of 41	
Title	
Document Number	
Size Custom	
Date:	
Sheet 15 of 41	

DDRII CHANNEL A
965P-DS4



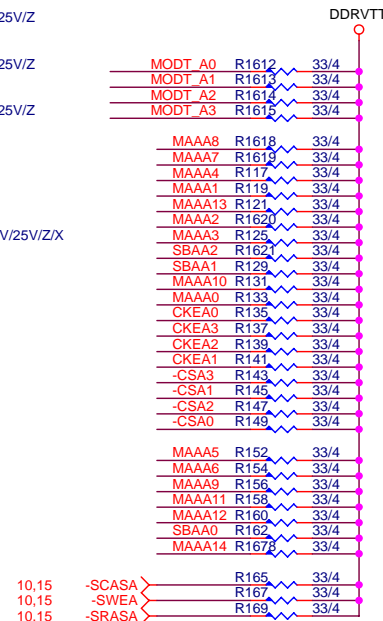
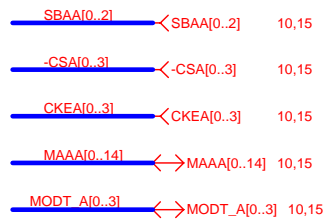
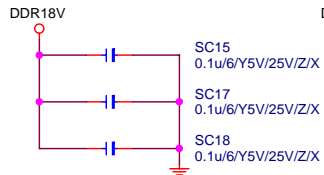
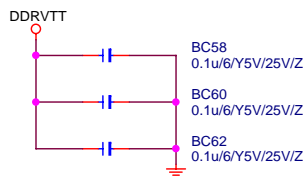
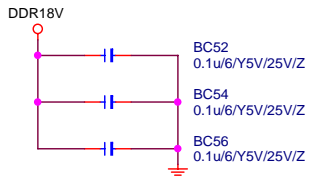
DDR TERMINATION CHANNEL A

DDRVTT Decouple



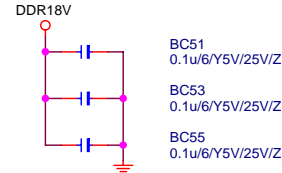
DDR18V Decouple

DDRVTT Decouple

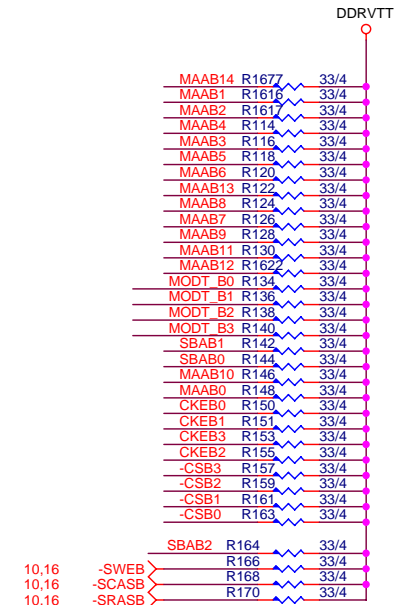
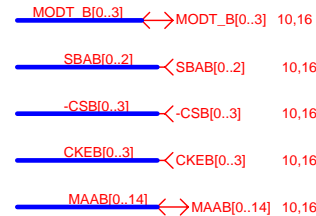
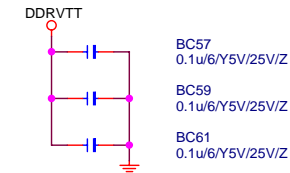


DDR TERMINATION CHANNEL B

DDR18V Decouple

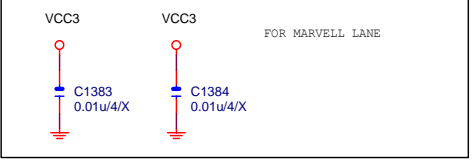
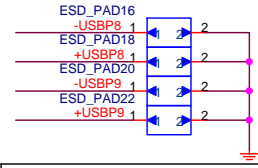
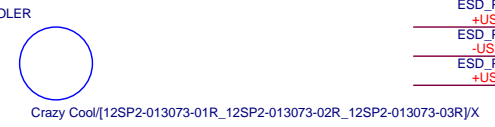
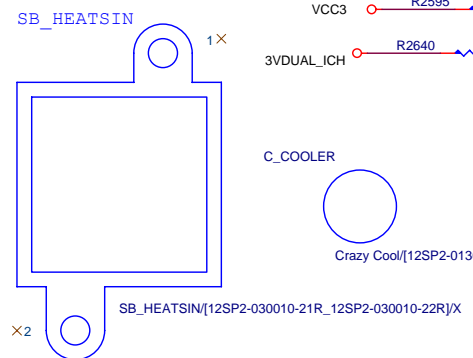
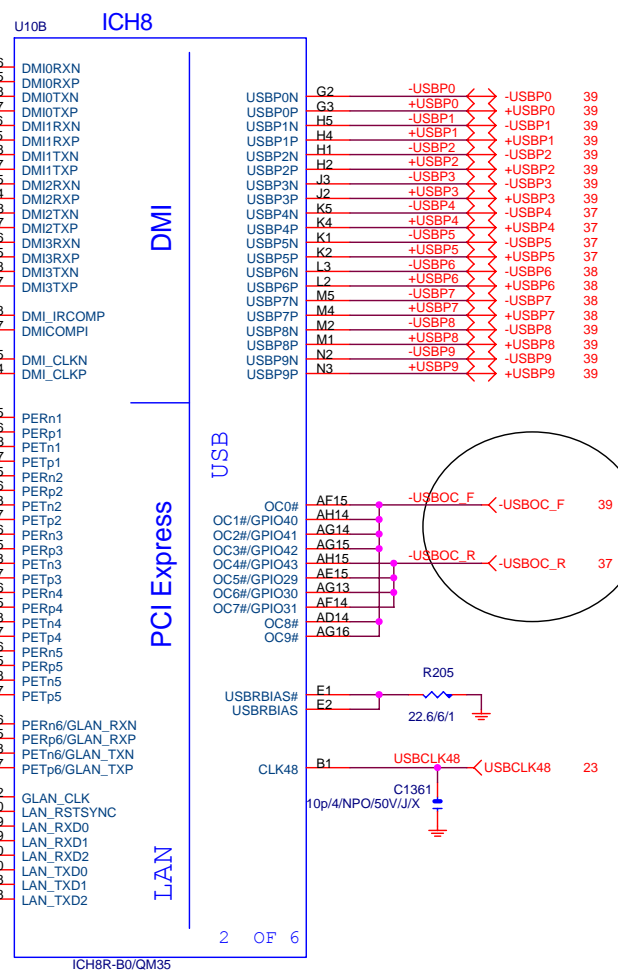
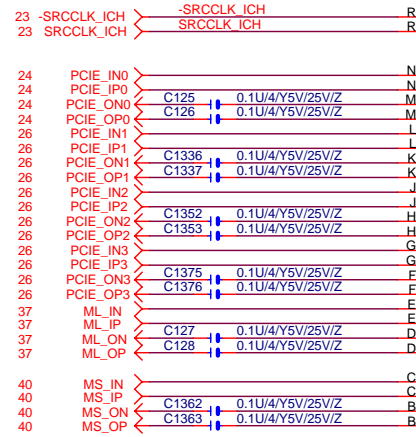
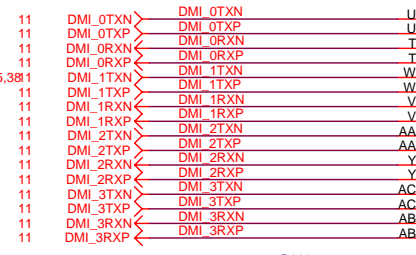
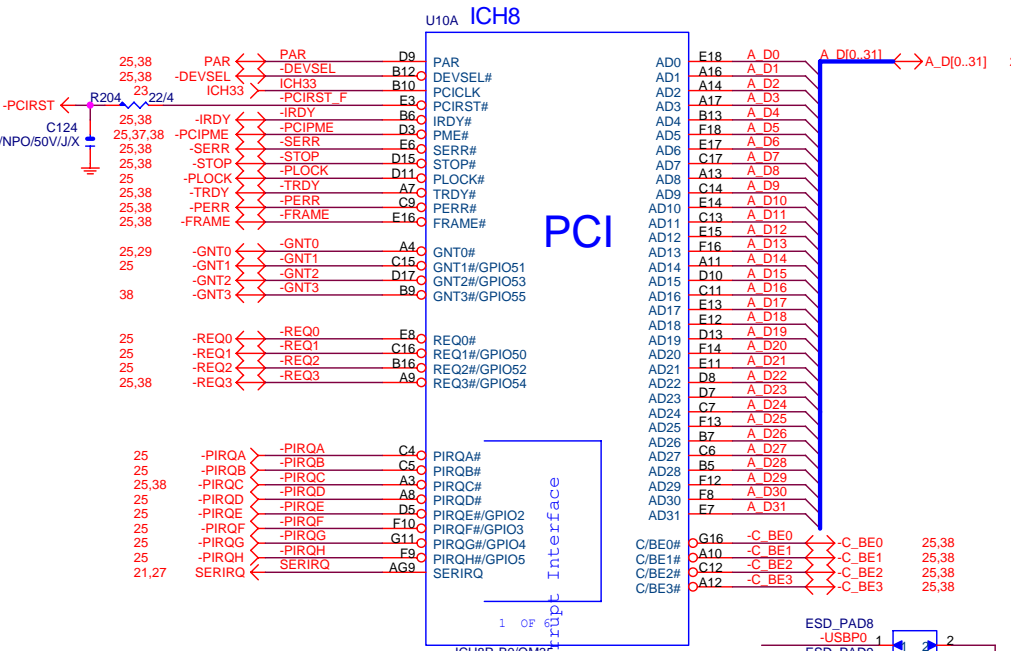
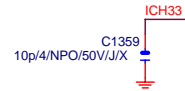


DDRVTT Decouple



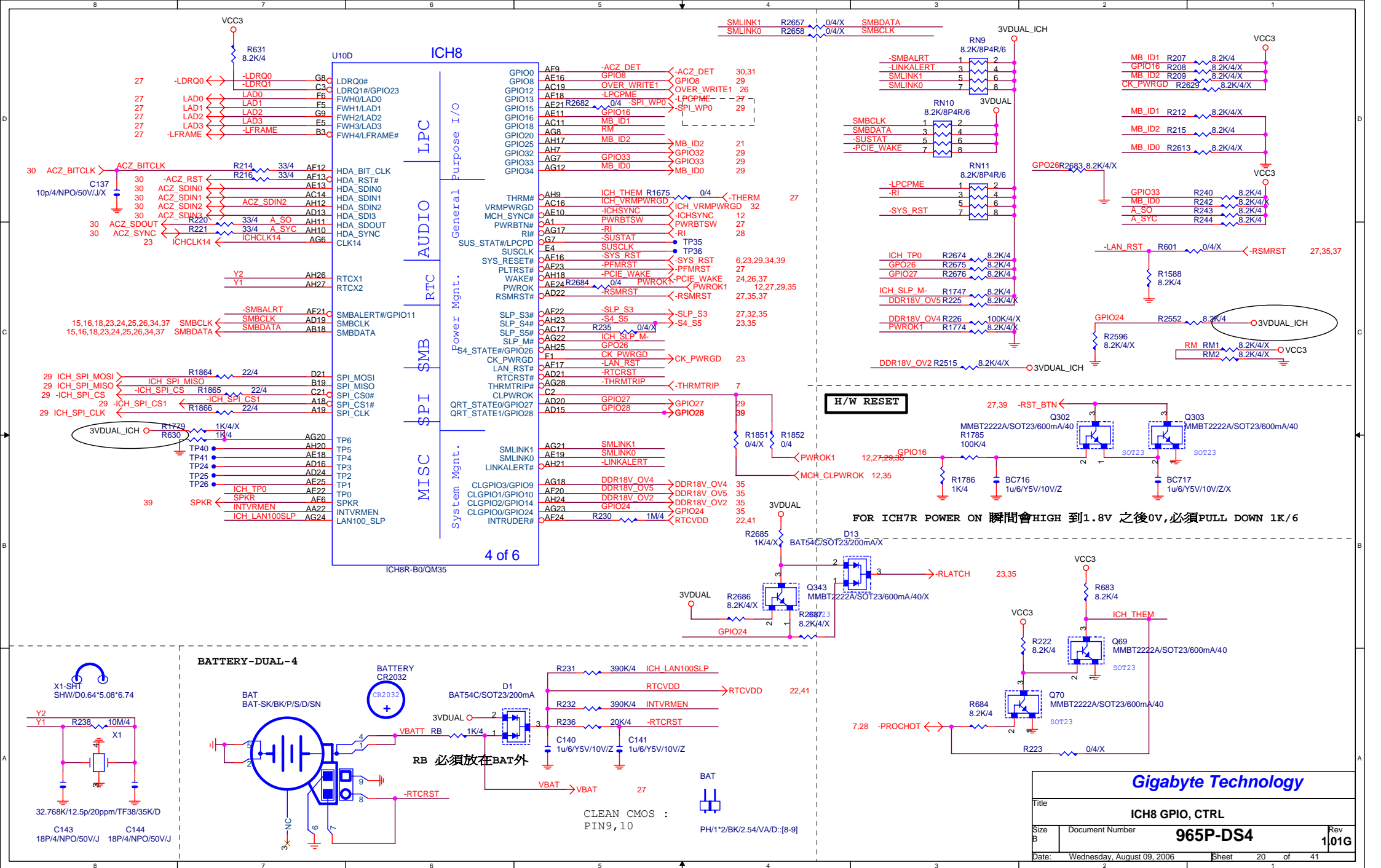
Gigabyte Technology

Title		
DDRII TERMINATOR		
Size	Document Number	Rev
Custom	965P-DS4	101G
Date:	Wednesday, August 09, 2006	Sheet 17 of 41

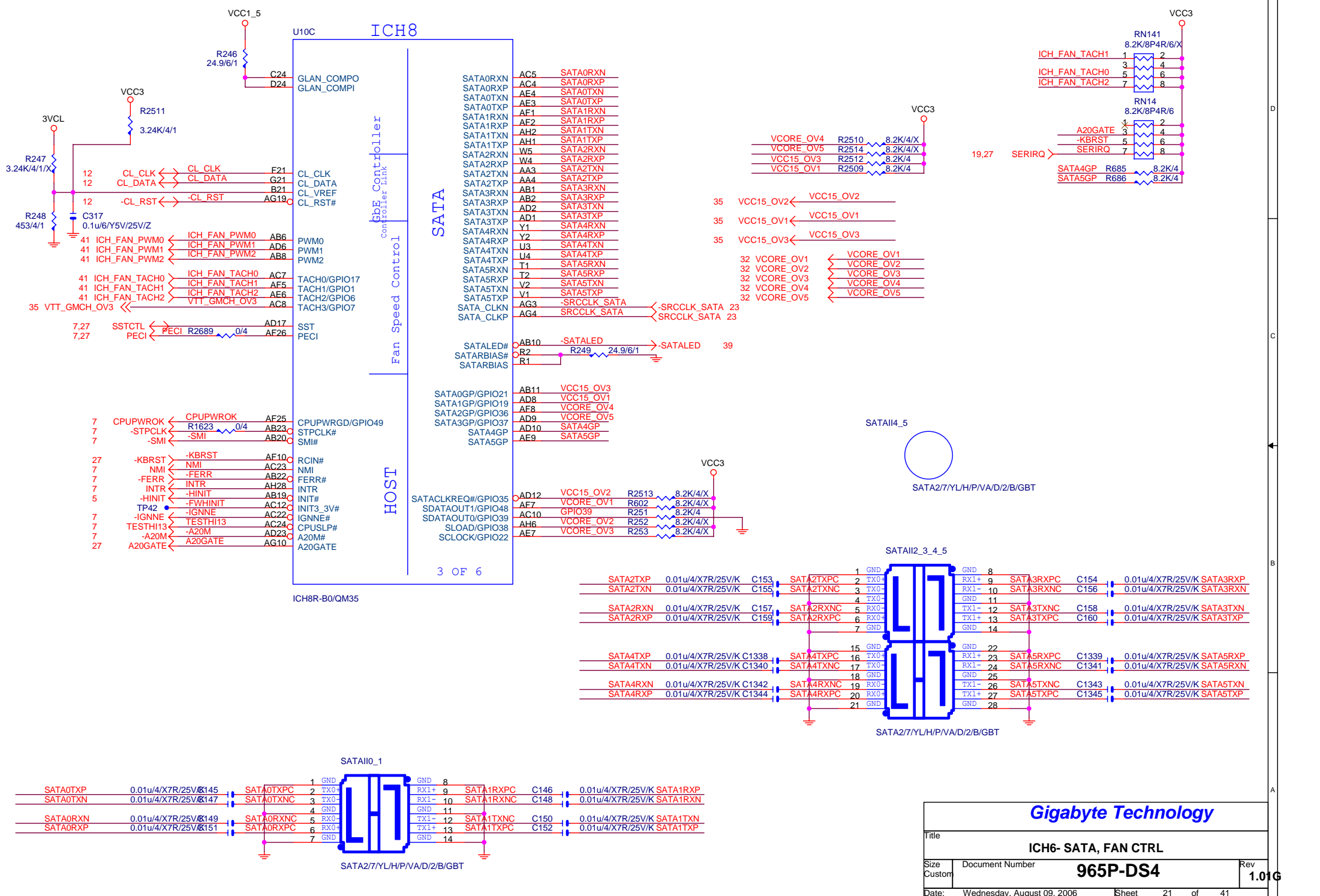


Gigabyte Technology

Title		
ICH8-PCI, DMI, LAN, USB		
Size B	Document Number	Rev
	965P-DS4	1.01G
Date:	Wednesday, August 09, 2006	Sheet 19 of 41



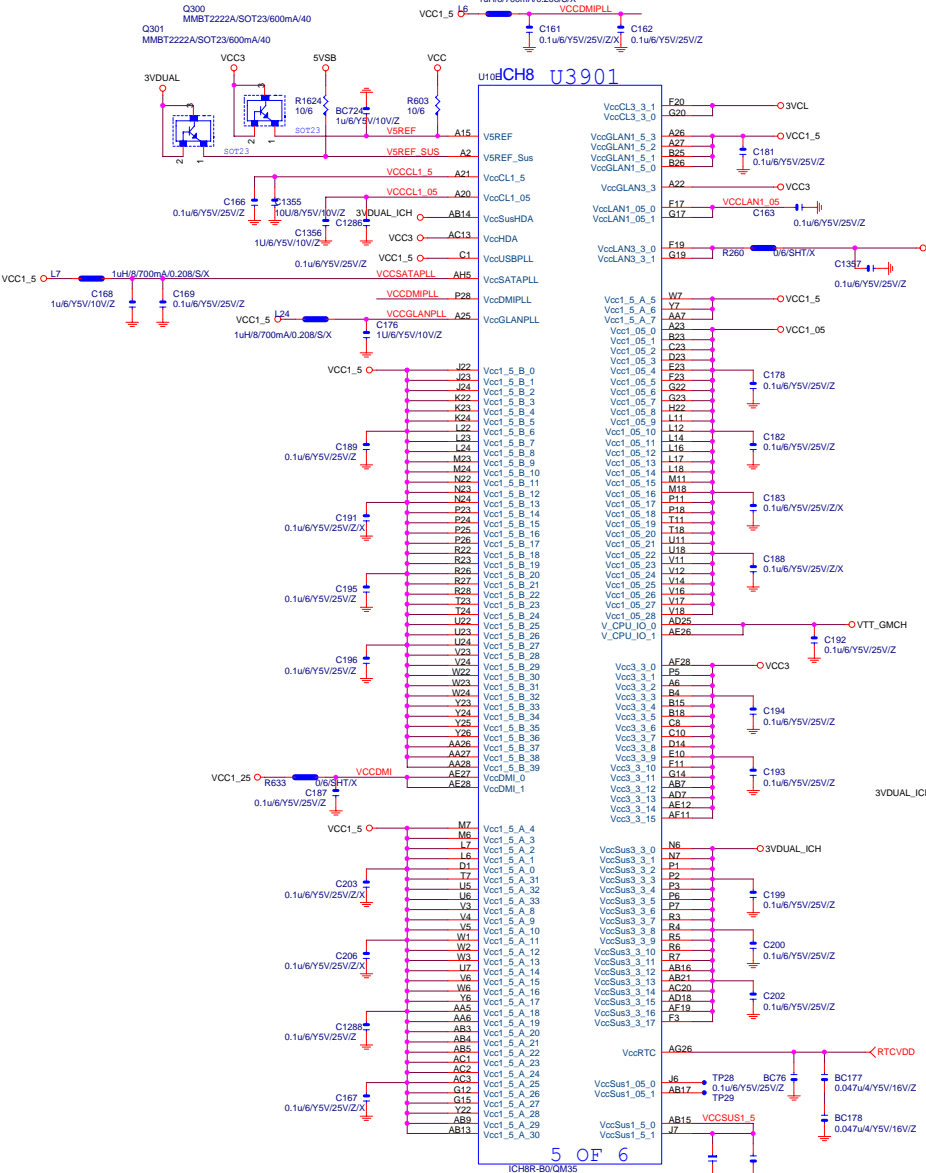
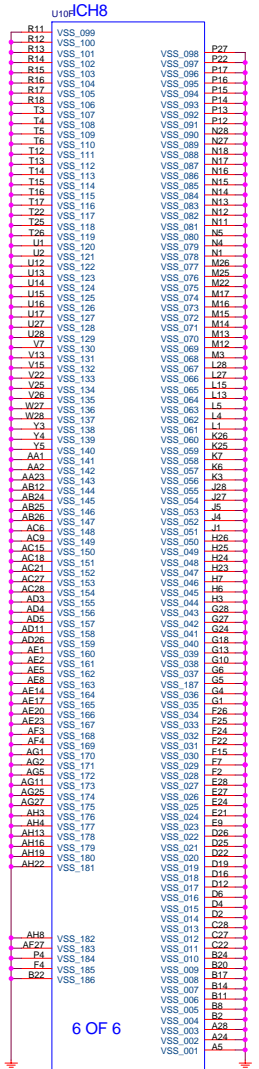
Gigabyte Technology	
Title ICH8 GPIO, CTRL	
Size B	Document Number 965P-DS4
Date Wednesday, August 09, 2006	Rev 1.01G
Sheet 20	of 41



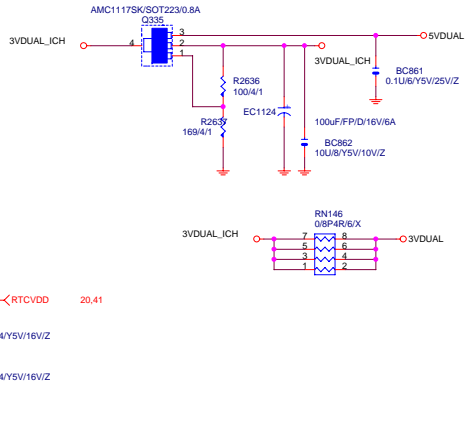
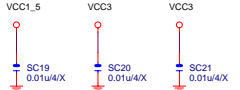
Gigabyte Technology

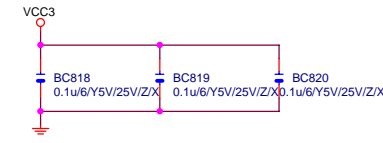
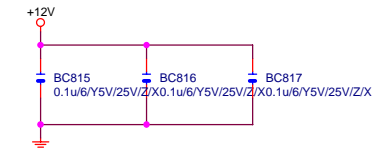
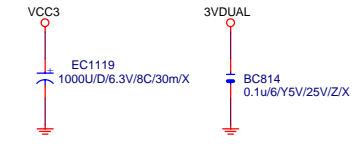
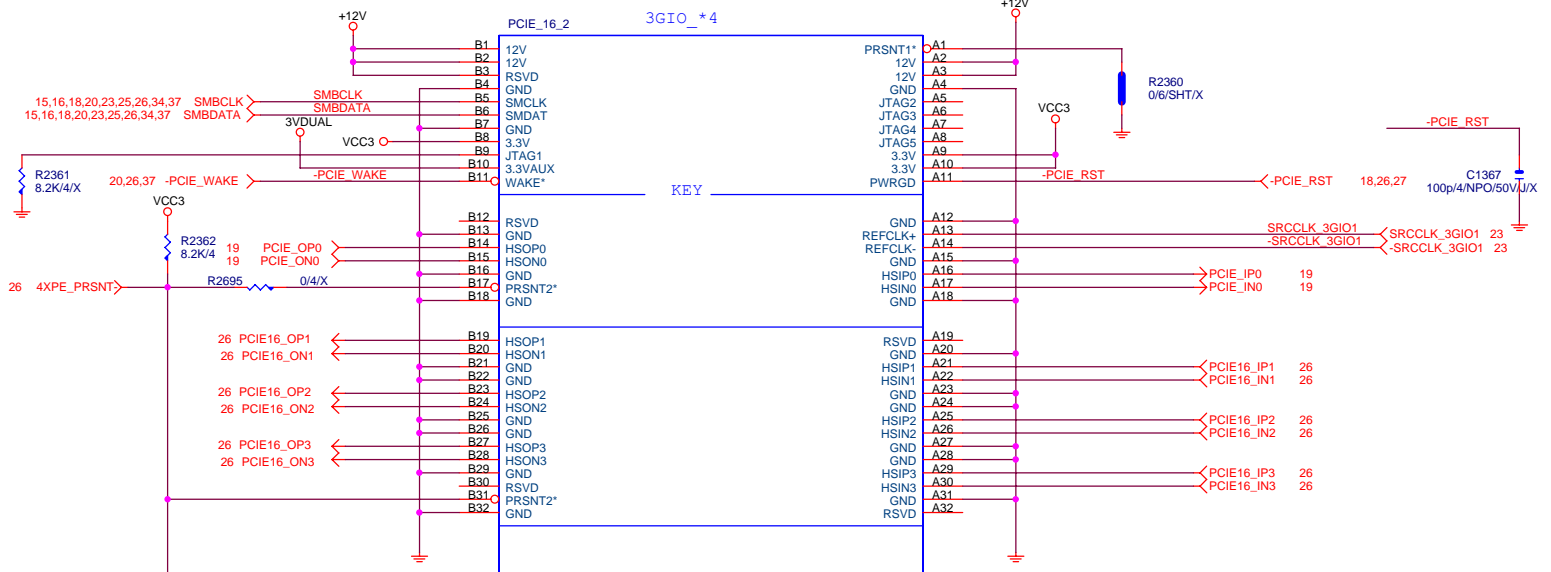
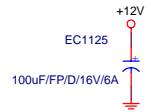
ICH6- SATA, FAN CTRL

Title	ICH6- SATA, FAN CTRL		Rev	1.01G
Size	Document Number	965P-DS4		
Custom				
Date:	Wednesday, August 09, 2006	Sheet	21	of 41



SIGNAL_NAME	NO LAN
VccCL1_05	de-CAP
VccCL3_3	Vcc3_3
VccCL1_5	de-CAP
VccGLAN1_5	Vcc1_5
VccGLAN3_3	Vcc3_3
VccGLANPLL	Vcc1_5
VccLAN1_05	N/A
VccLAN3_3	VCC3

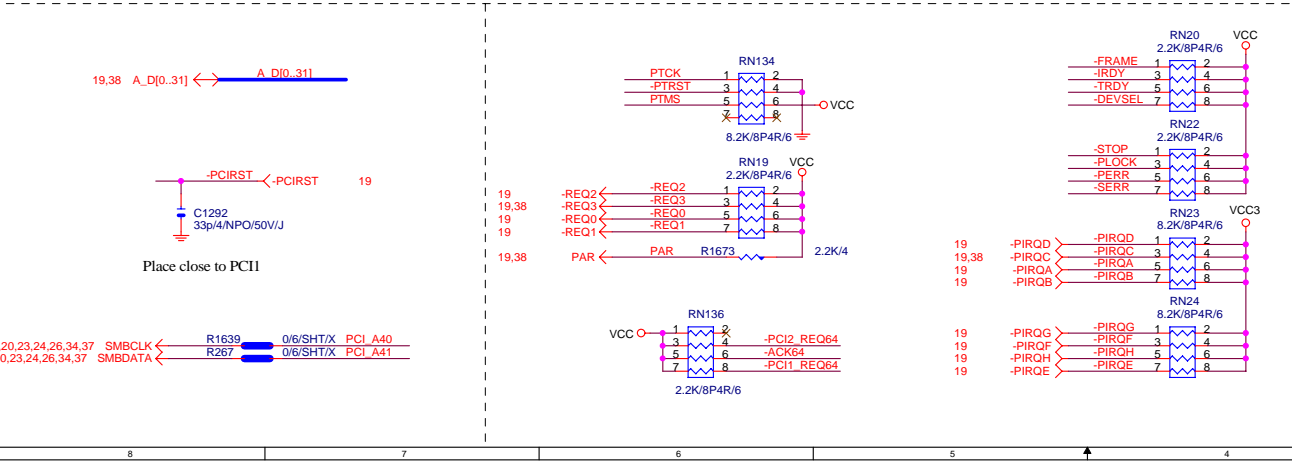
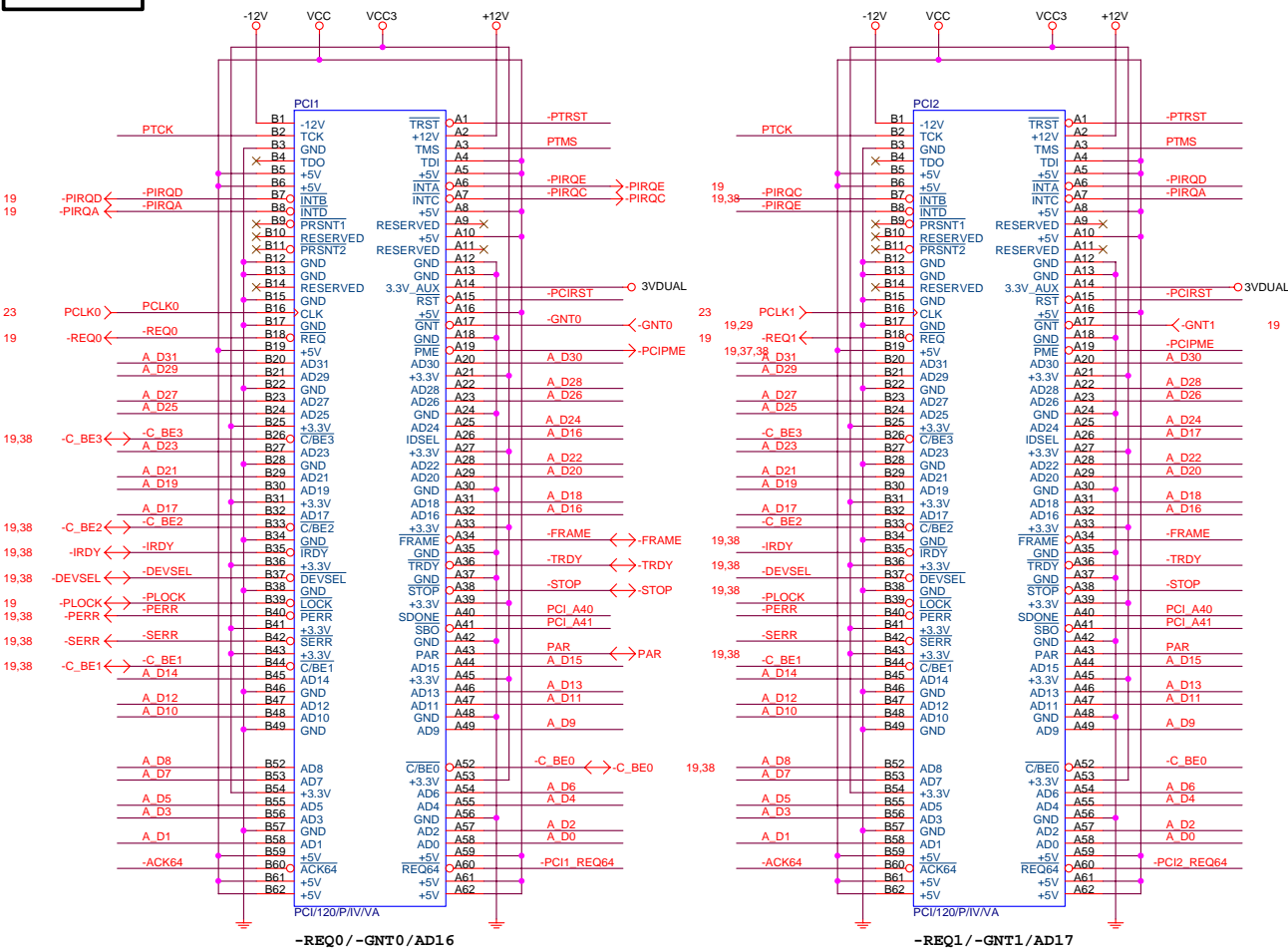




PCI-E/16X-65P/BU/RIGHT PUSH

GIGABYTE CORP.		
PCI EXPRESS X 8 PORT 1		
Title	Document Number	Rev
	965P-DS4	1.01G
Date:	Wednesday, August 09, 2006	Sheet 24 of 41

PCI1, 2 SLOT

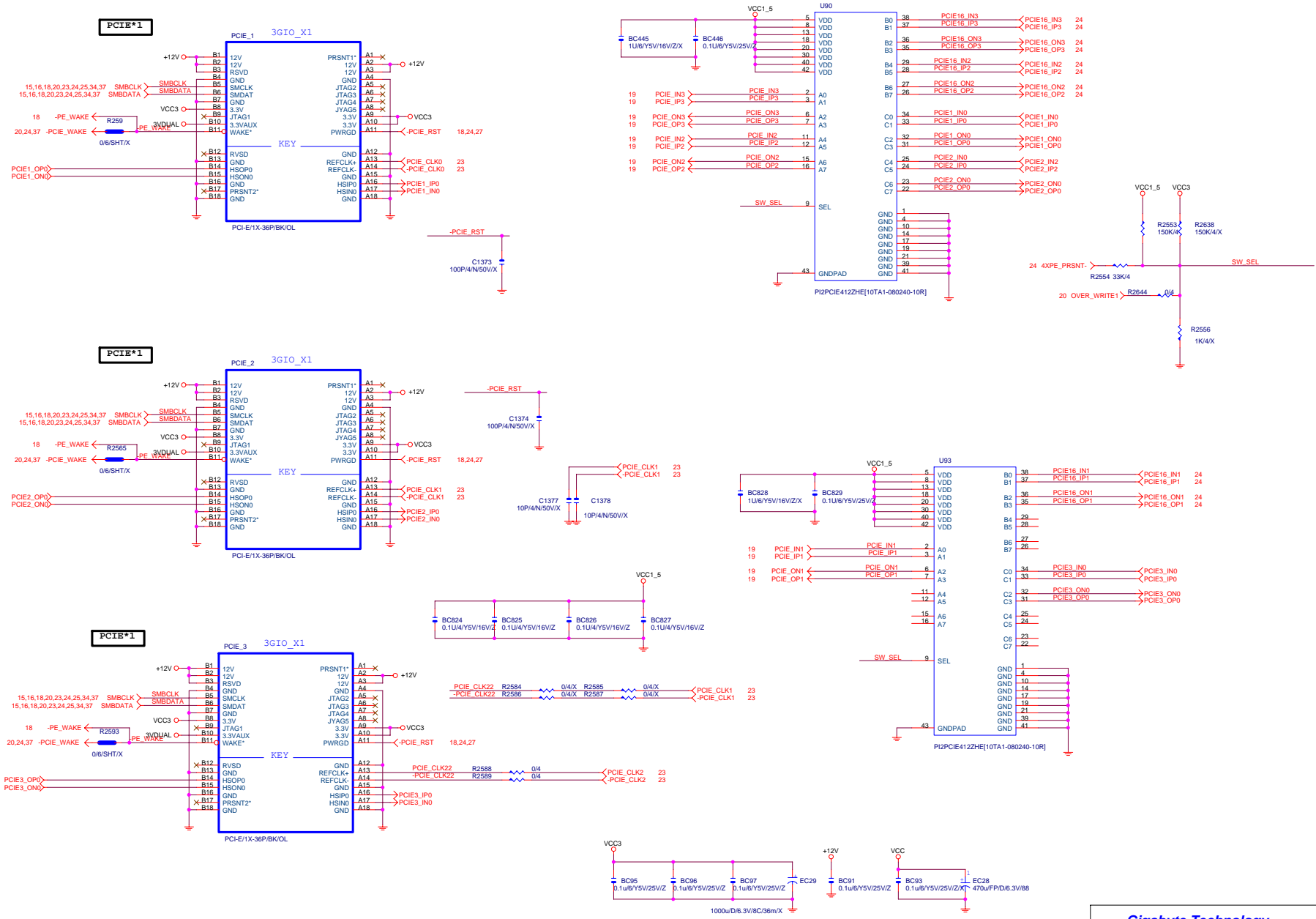


Gigabyte Technology

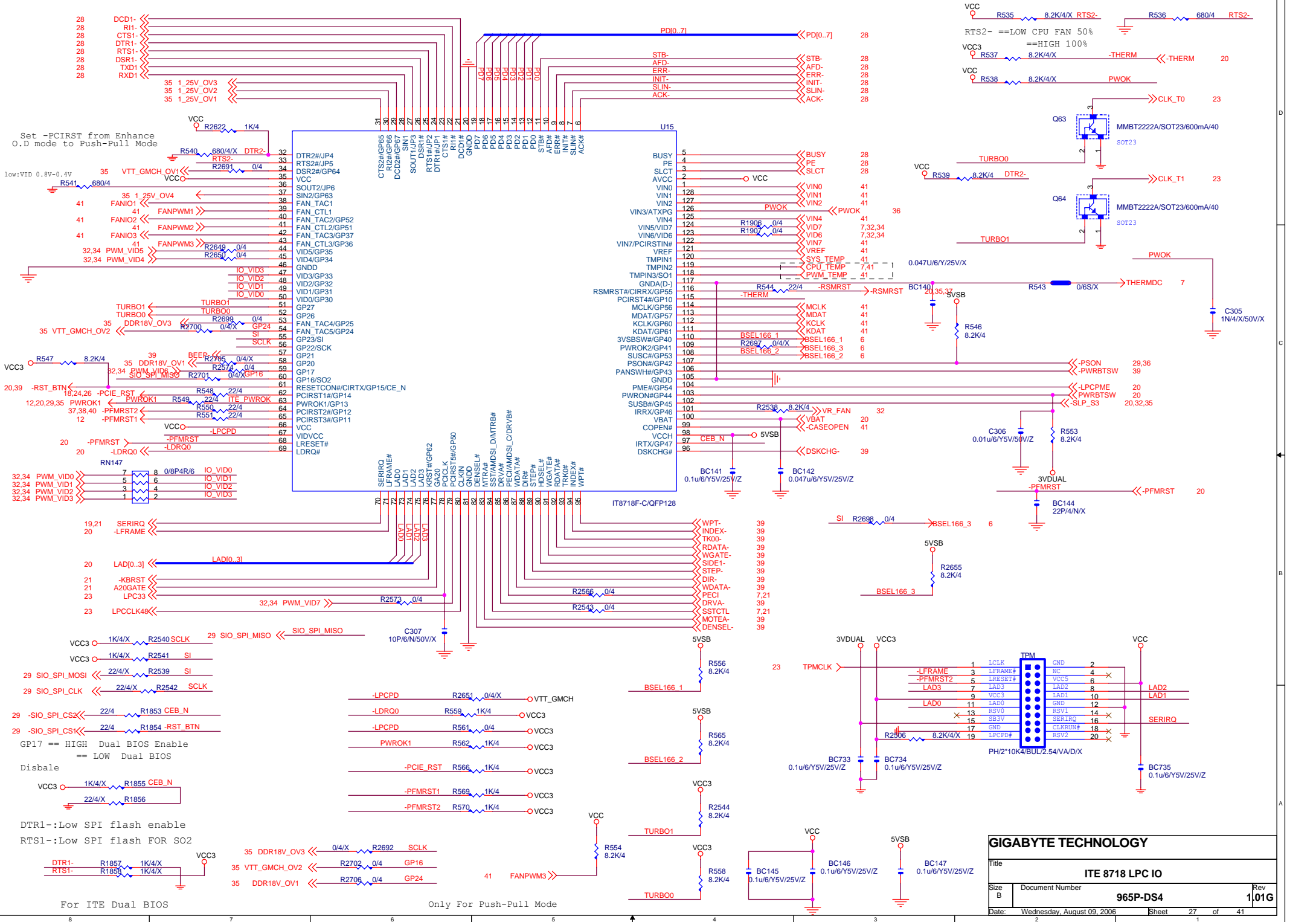
Title		PCI SLOT 1, 2, 3	
Size	Document Number	965P-DS4	
Custom		Rev	101G
Date:	Wednesday, August 09, 2006	Sheet	25 of 41

L : A-B (X4 X1)
H : A-C (X1 X4)

For Vih level consideration

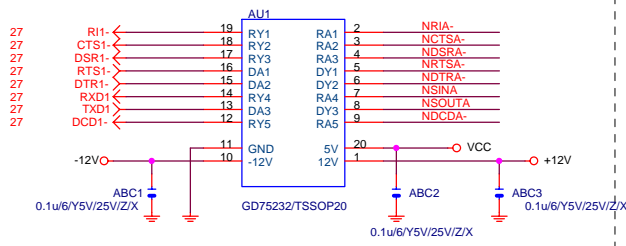


Gigabyte Technology			
File: PCIE_1,2,3			
Size	Document Number	Rev	
C	965P-DS4	101G	
Date	Wednesday, August 09, 2006	Sheet	26 of 41

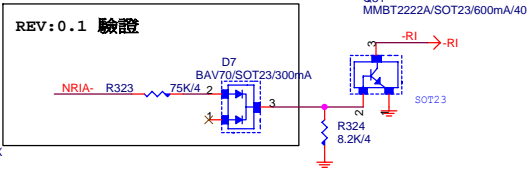


GIGABYTE TECHNOLOGY		
Title ITE 8718 LPC IO		
Size B	Document Number 965P-DS4	Rev 1.01G
Date: Wednesday, August 09, 2006	Sheet 27	of 41

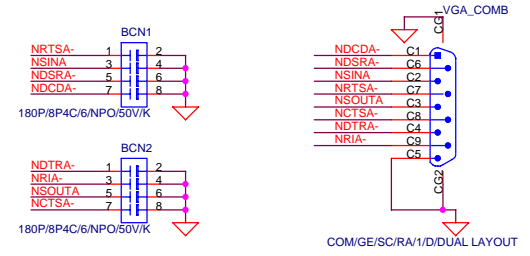
COMA



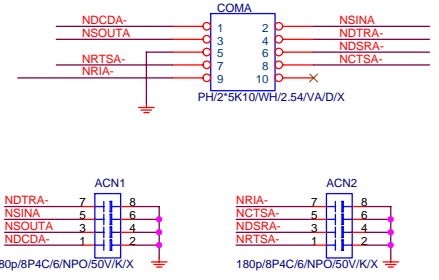
COM RI



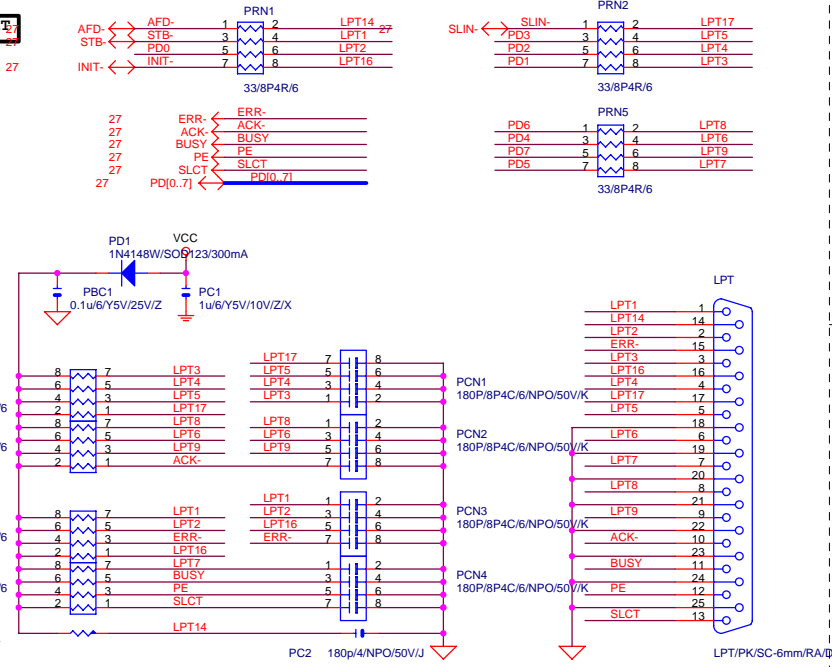
EXTERNAL COMB



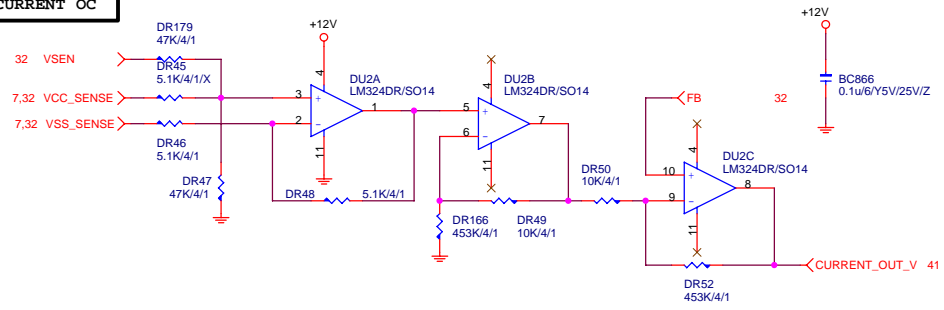
PLACE NEAR VGA_COM CONNECTOR



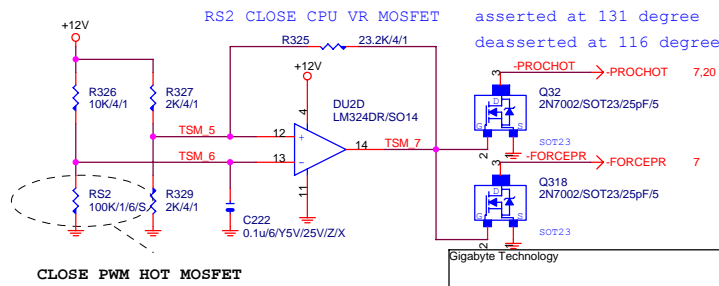
LPT PORT



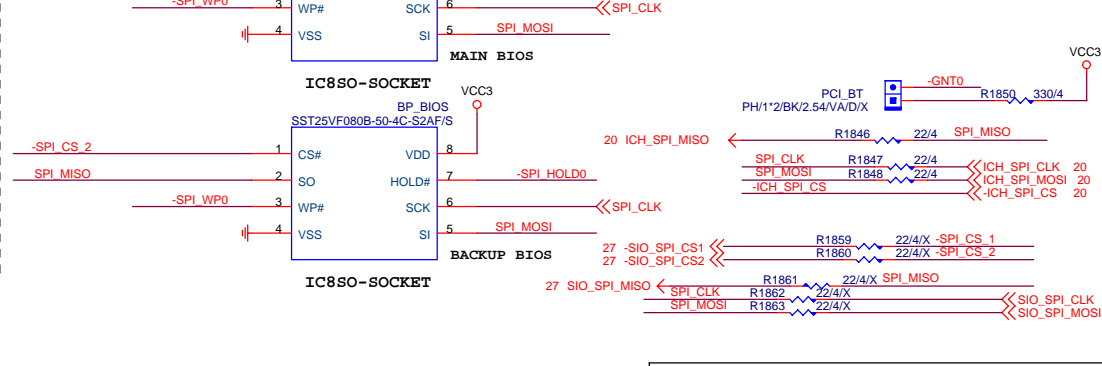
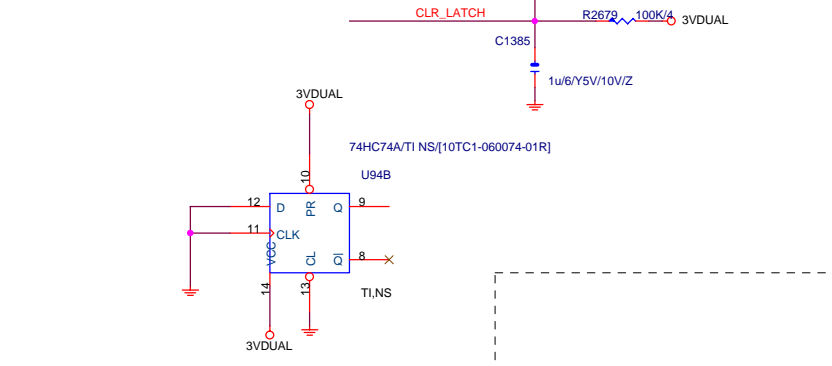
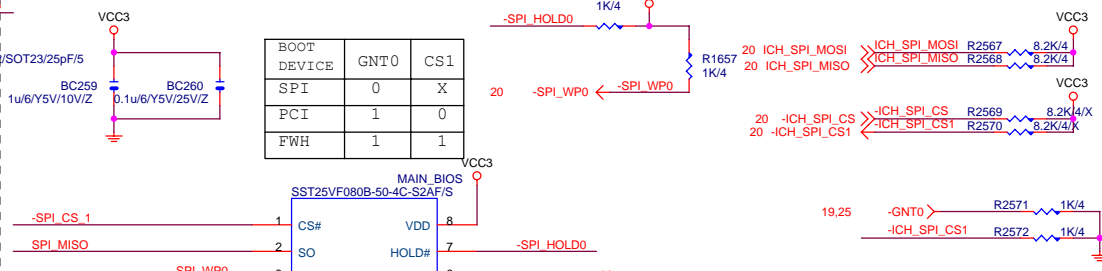
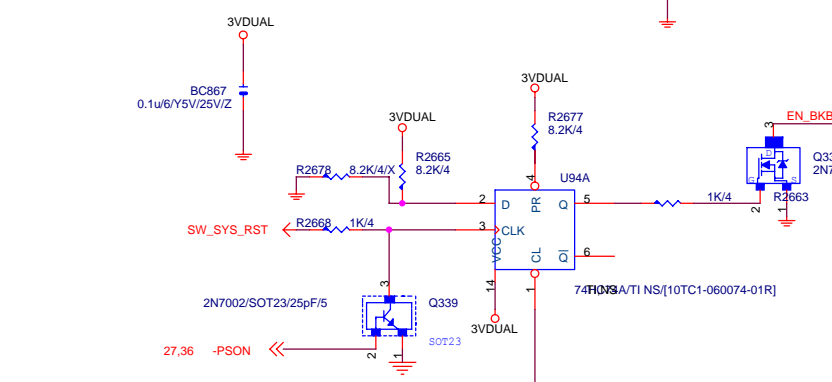
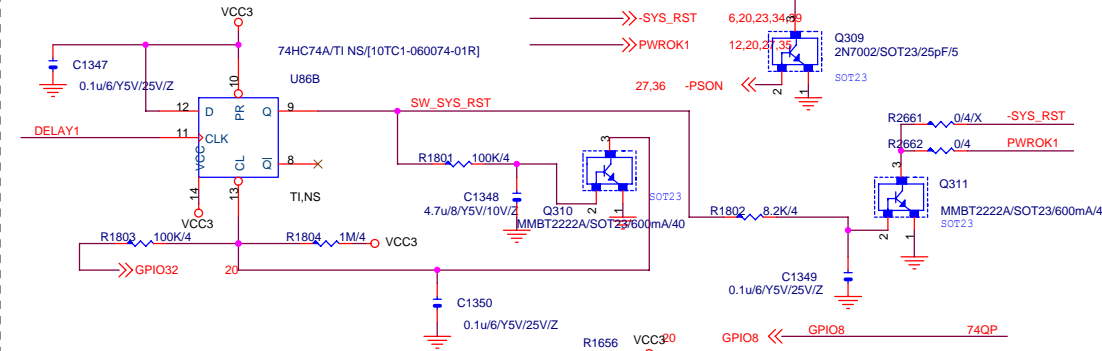
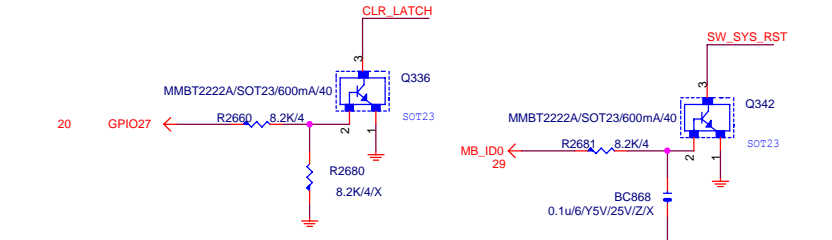
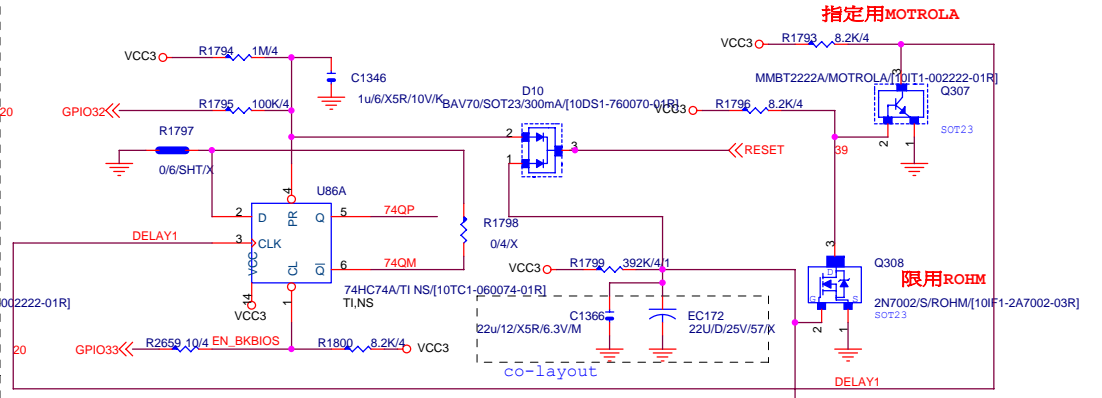
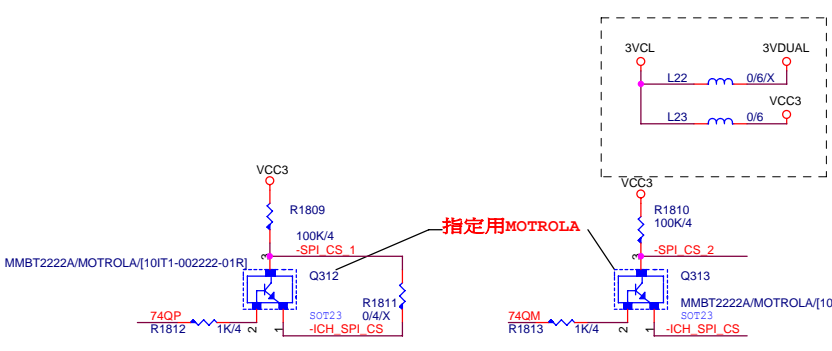
DYNAMIC CURRENT OC



-PROHOT



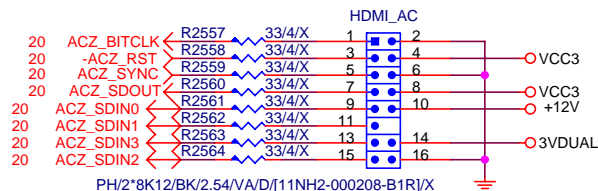
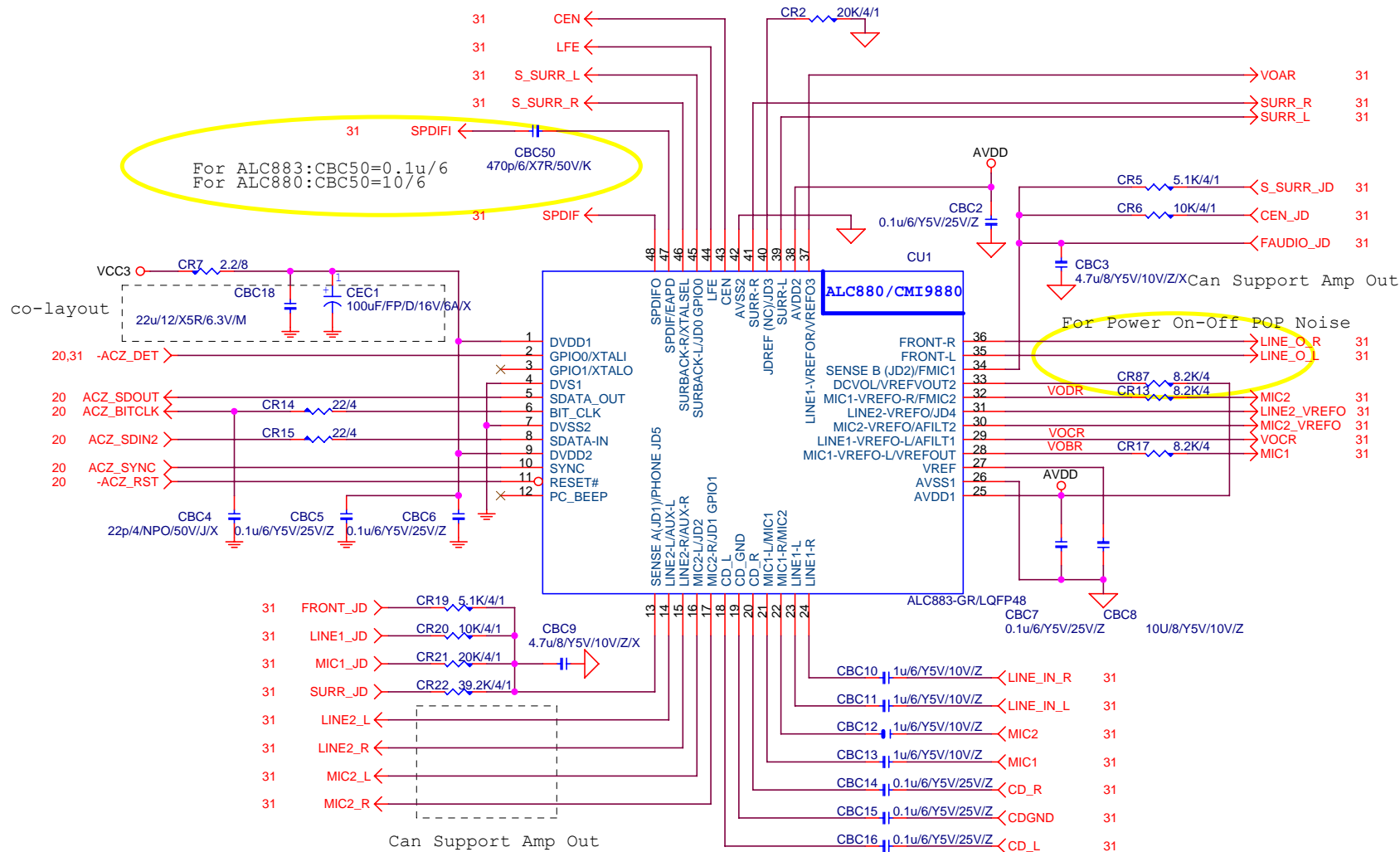
Gigabyte Technology		
Title		
COM & LPT PORT		
Size	Document Number	Rev
Custom	965P-DS4	1.01G
Date:	Wednesday, August 09, 2006	Sheet 28 of 41



BOOT DEVICE	GNT0	CS1
SPI	0	X
PCI	1	0
FWH	1	1

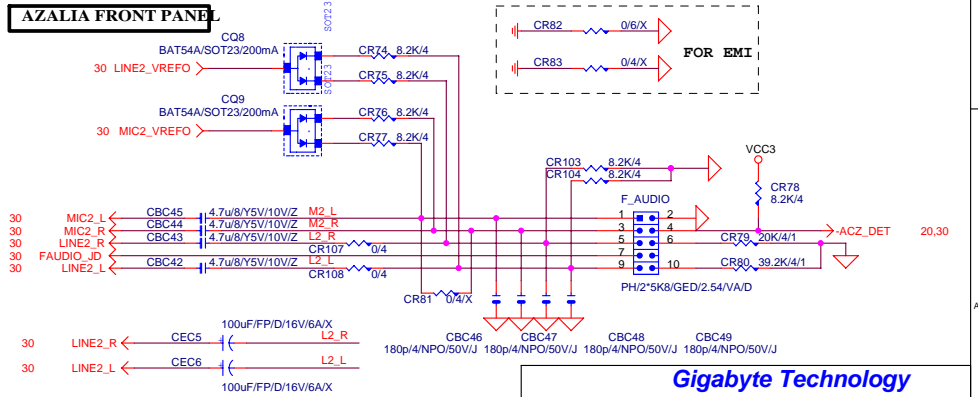
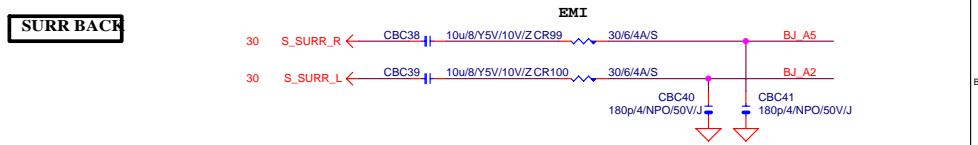
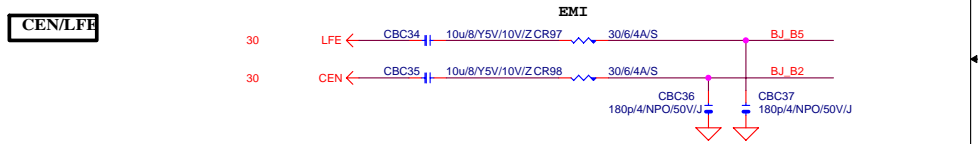
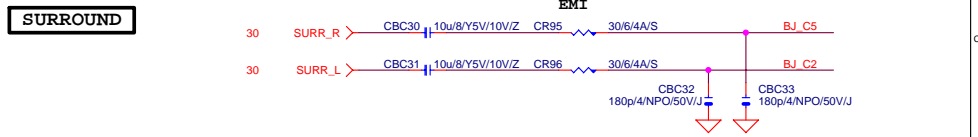
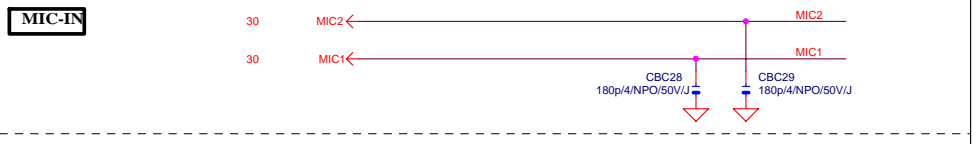
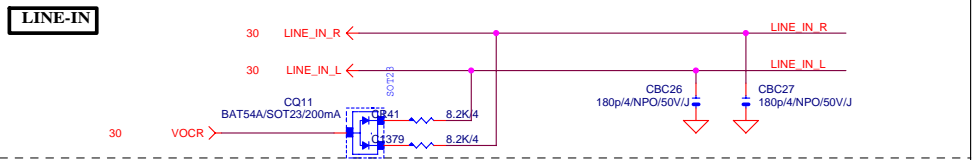
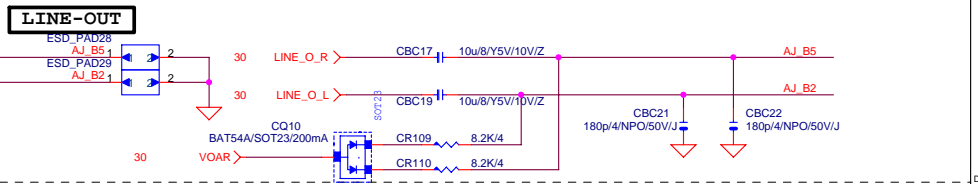
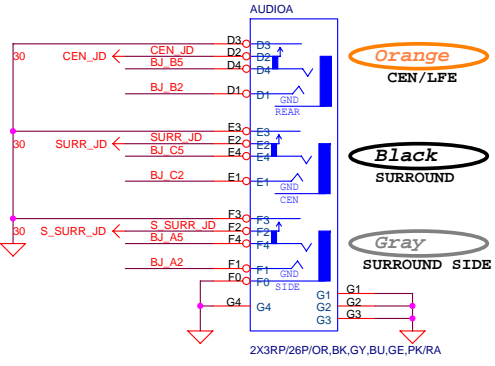
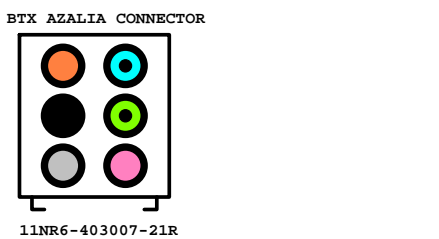
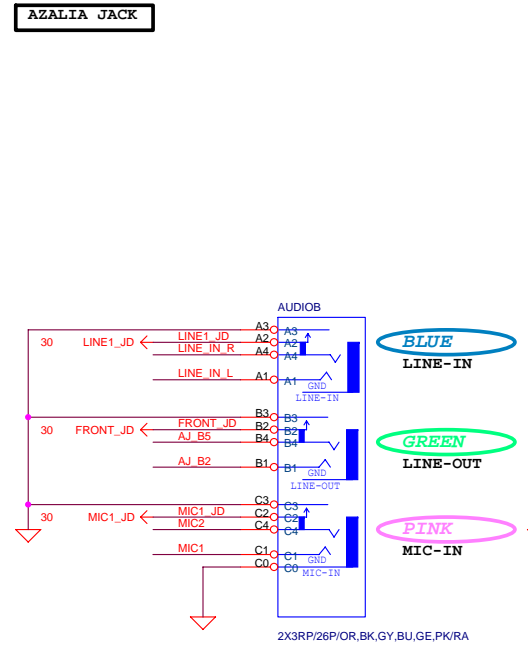
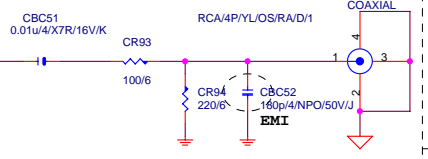
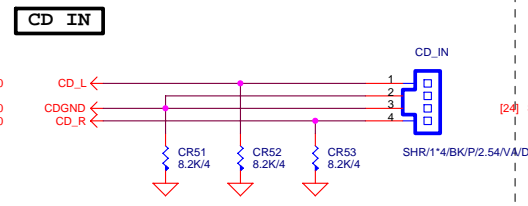
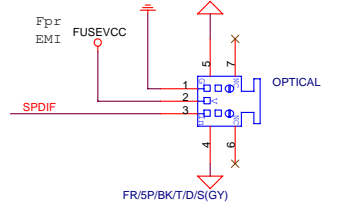
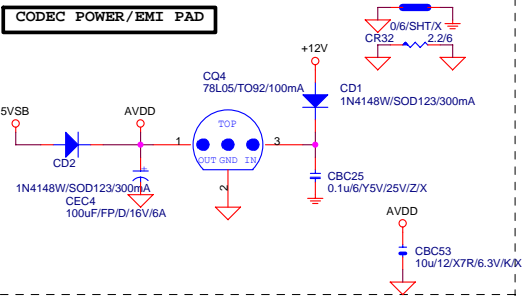
Gigabyte Technology

Title		
BIOS/HW-MONITOR/CI/KB/MS		
Size	Document Number	Rev
Custom	965P-DS4	101G
Date:	Wednesday, August 09, 2006	Sheet 29 of 41

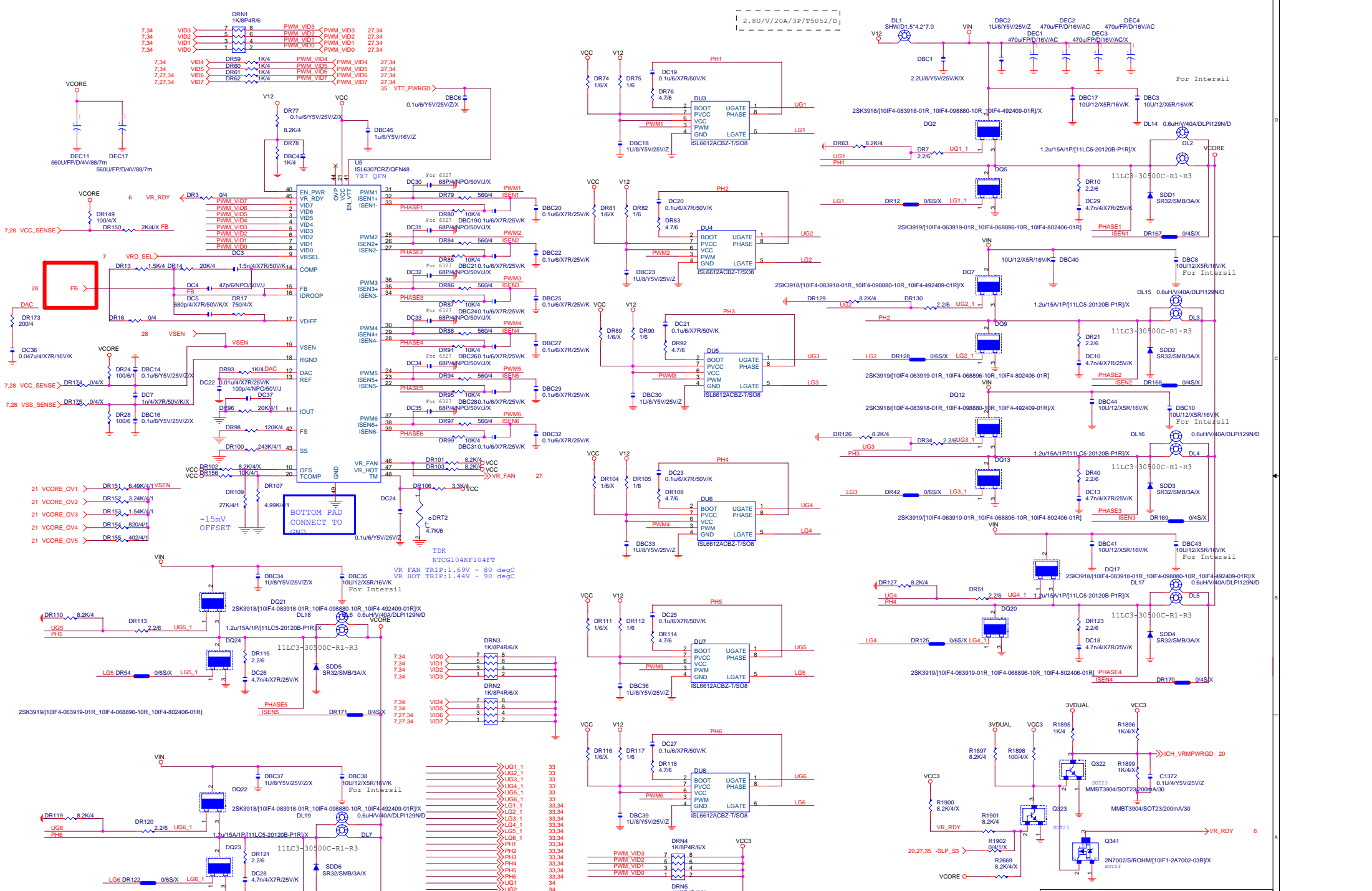


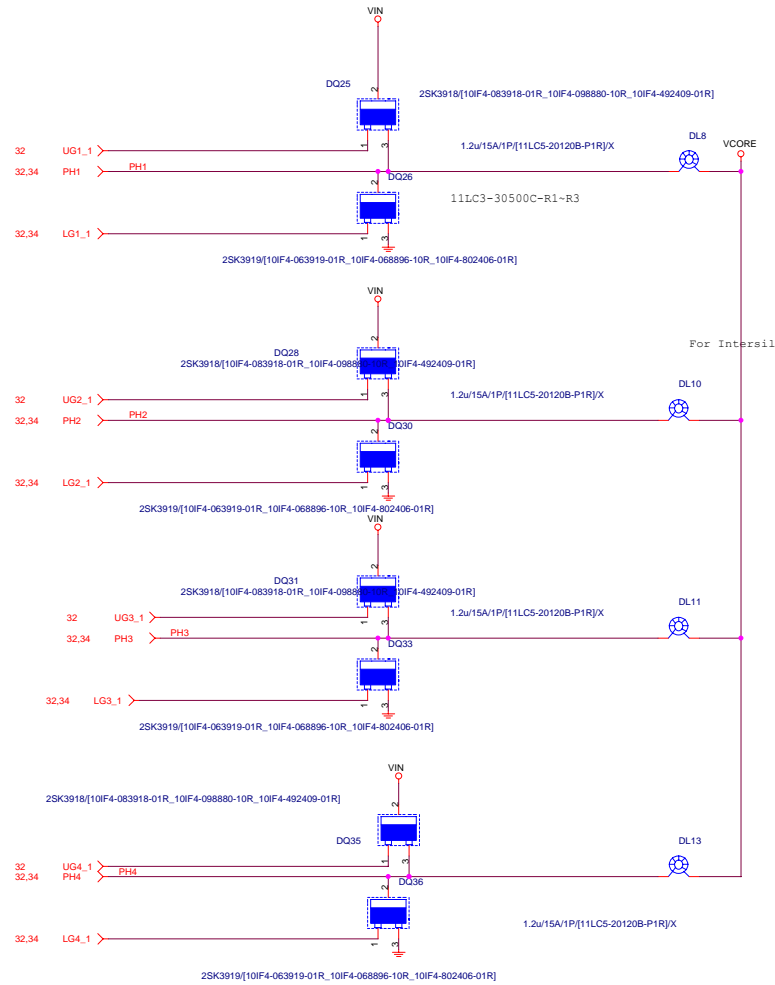
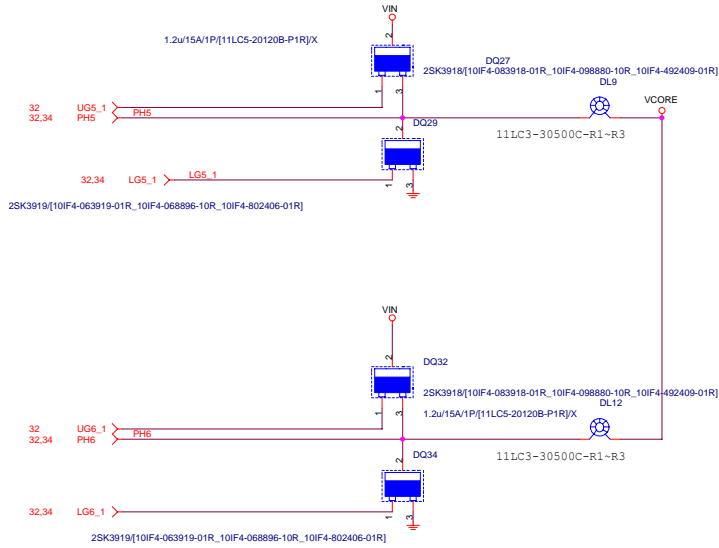
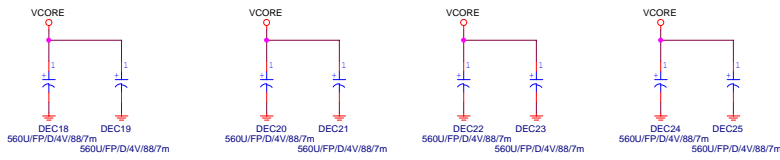
Gigabyte Technology

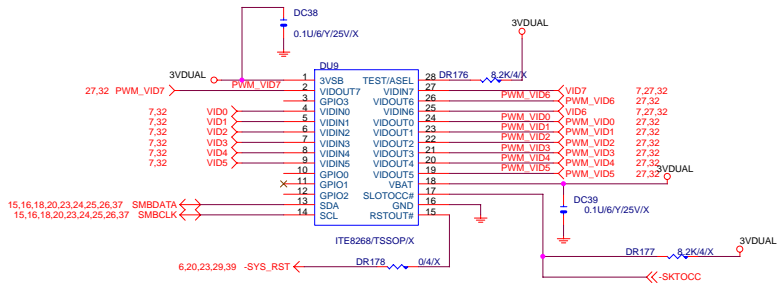
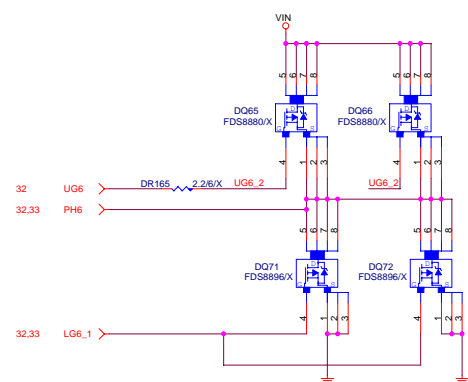
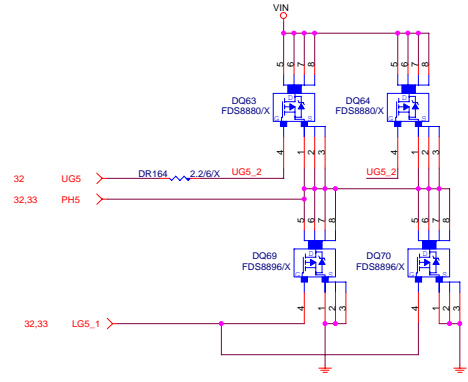
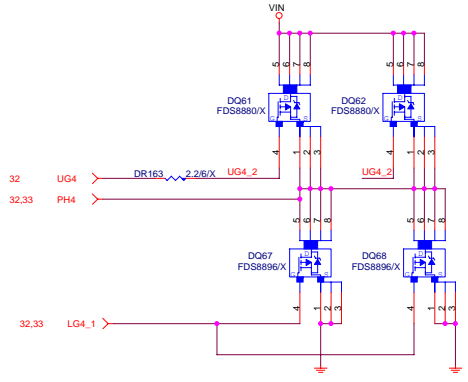
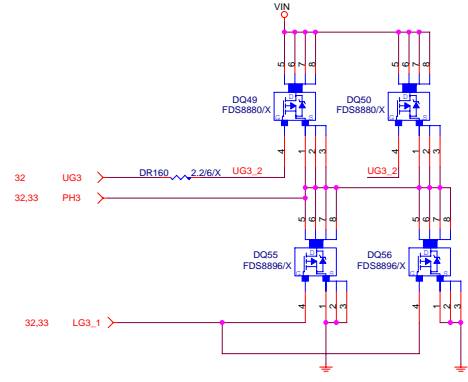
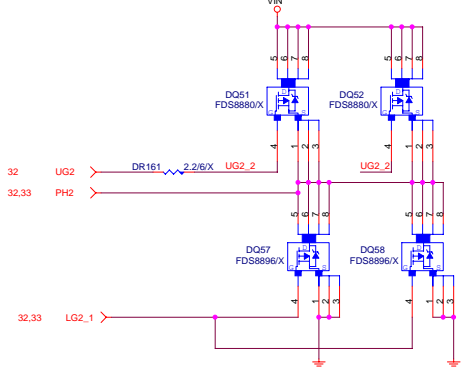
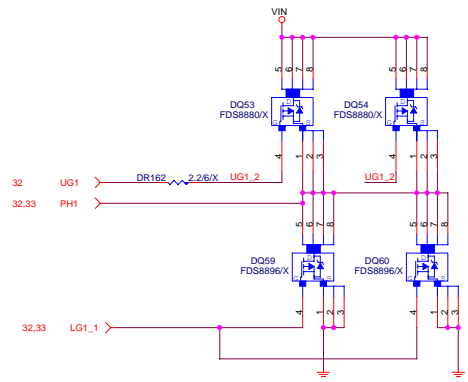
Title		
AC97 ALC658		
Size Custom	Document Number	Rev
	965P-DS4	1.01G
Date:	Wednesday, August 09, 2006	Sheet 30 of 41

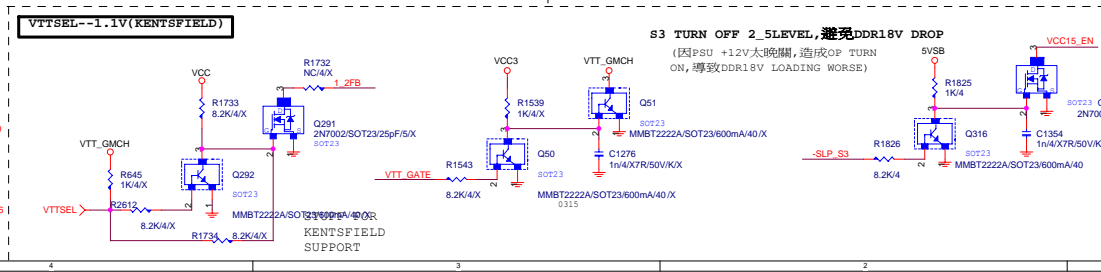
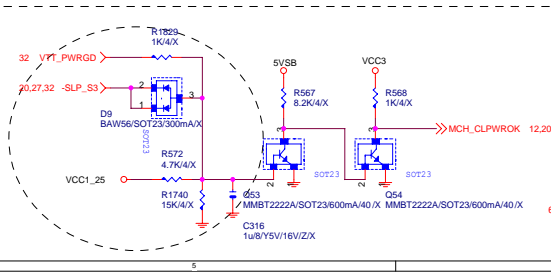
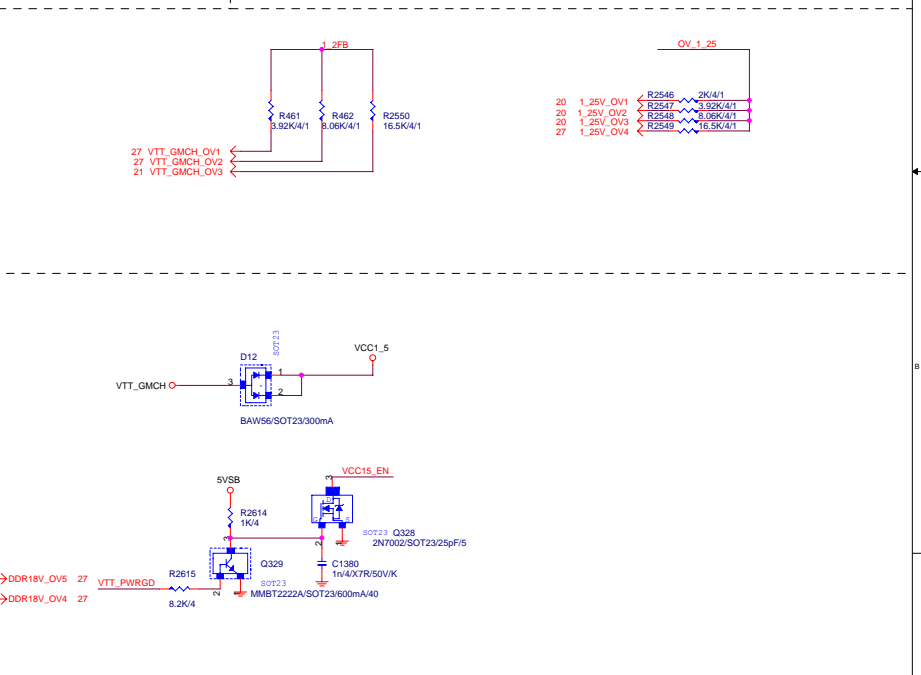
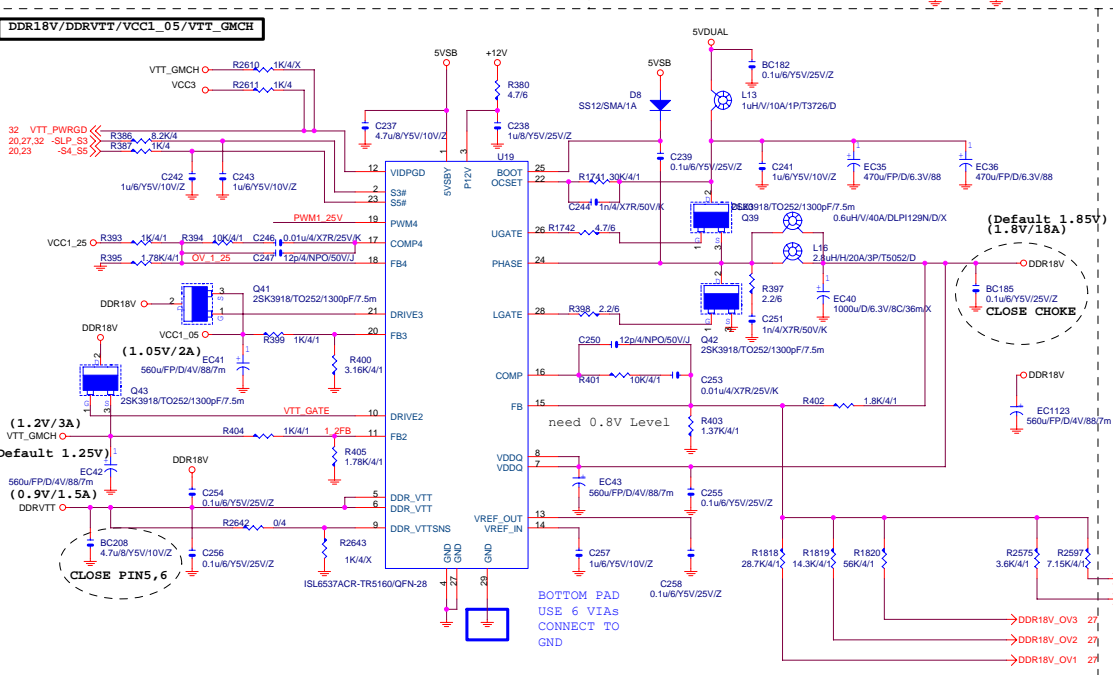
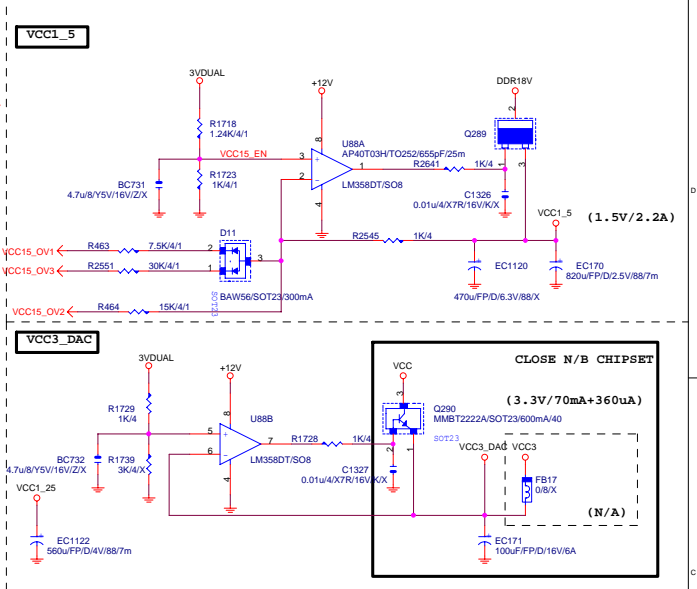
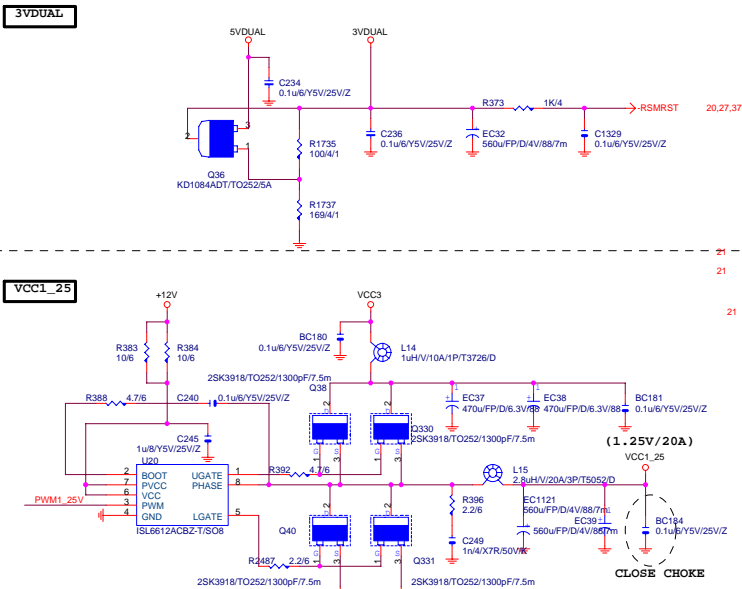
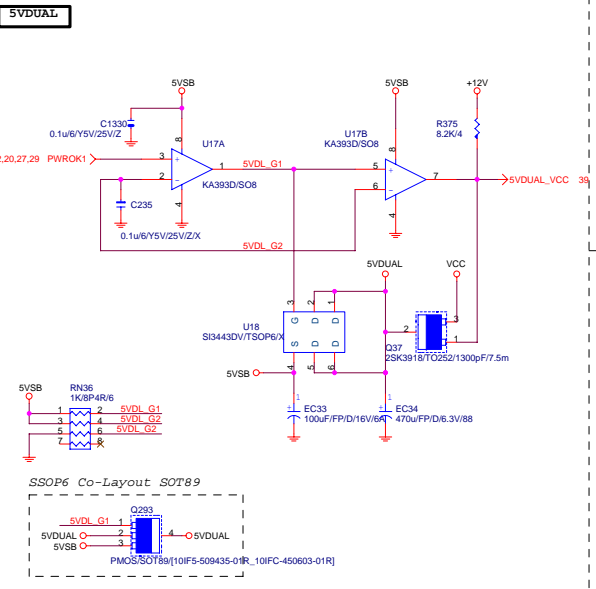


Gigabyte Technology		
AUDIO JACK		
Size Custom	Document Number	Rev
	965P-DS4	1 01G
Date:	Wednesday, August 09, 2006	Sheet 31 of 41









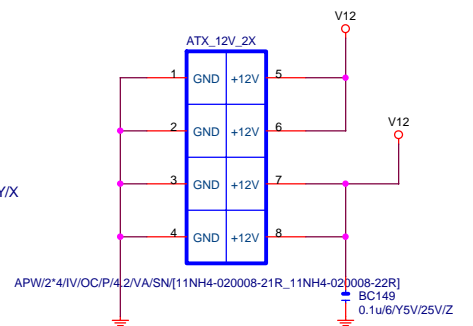
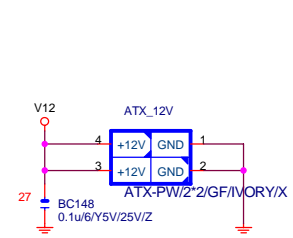
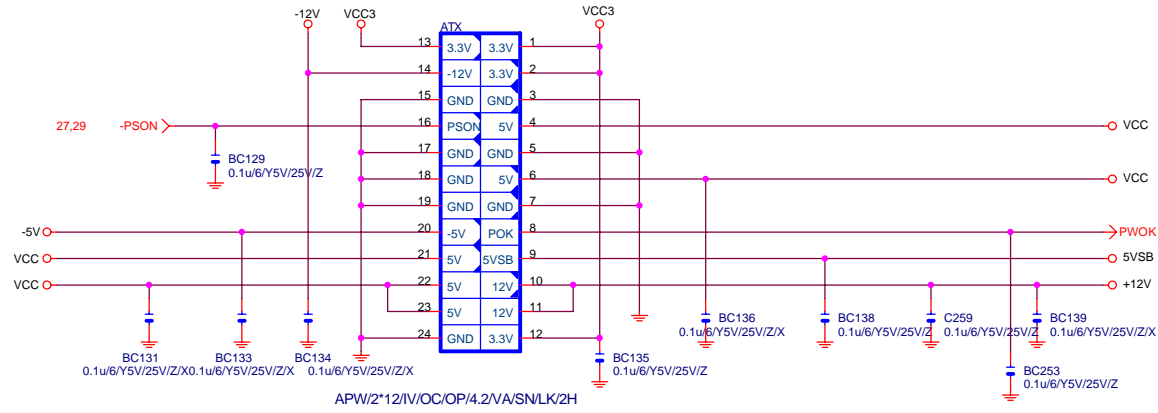
Gigabyte Technology

File: DISCRETE POWER / FAN CTRL

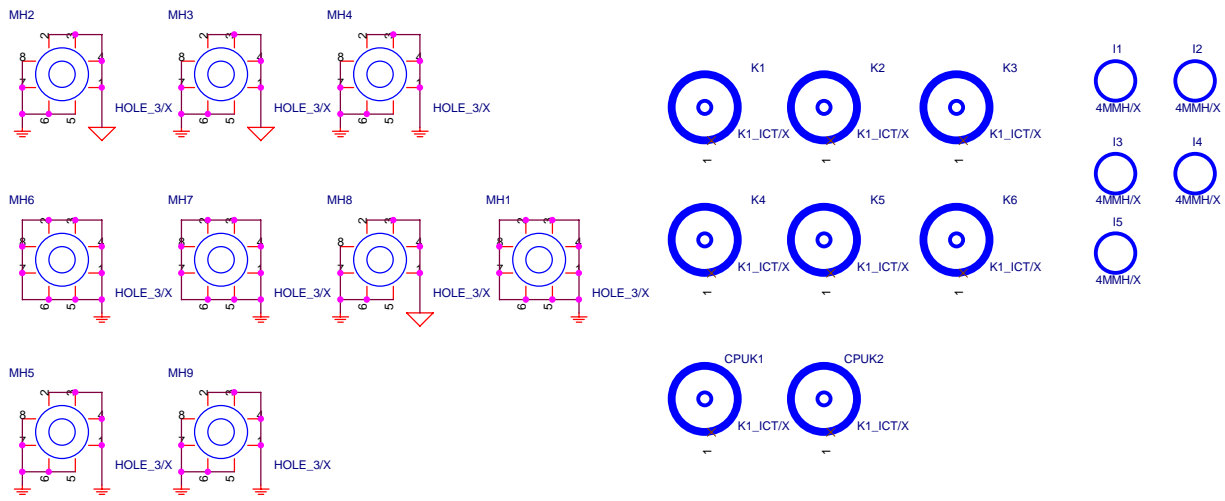
Size C Document Number: 965P-DS4

Date: Wednesday, August 06, 2008 Sheet: 35 of 41

ATX POWER CONNECTOR



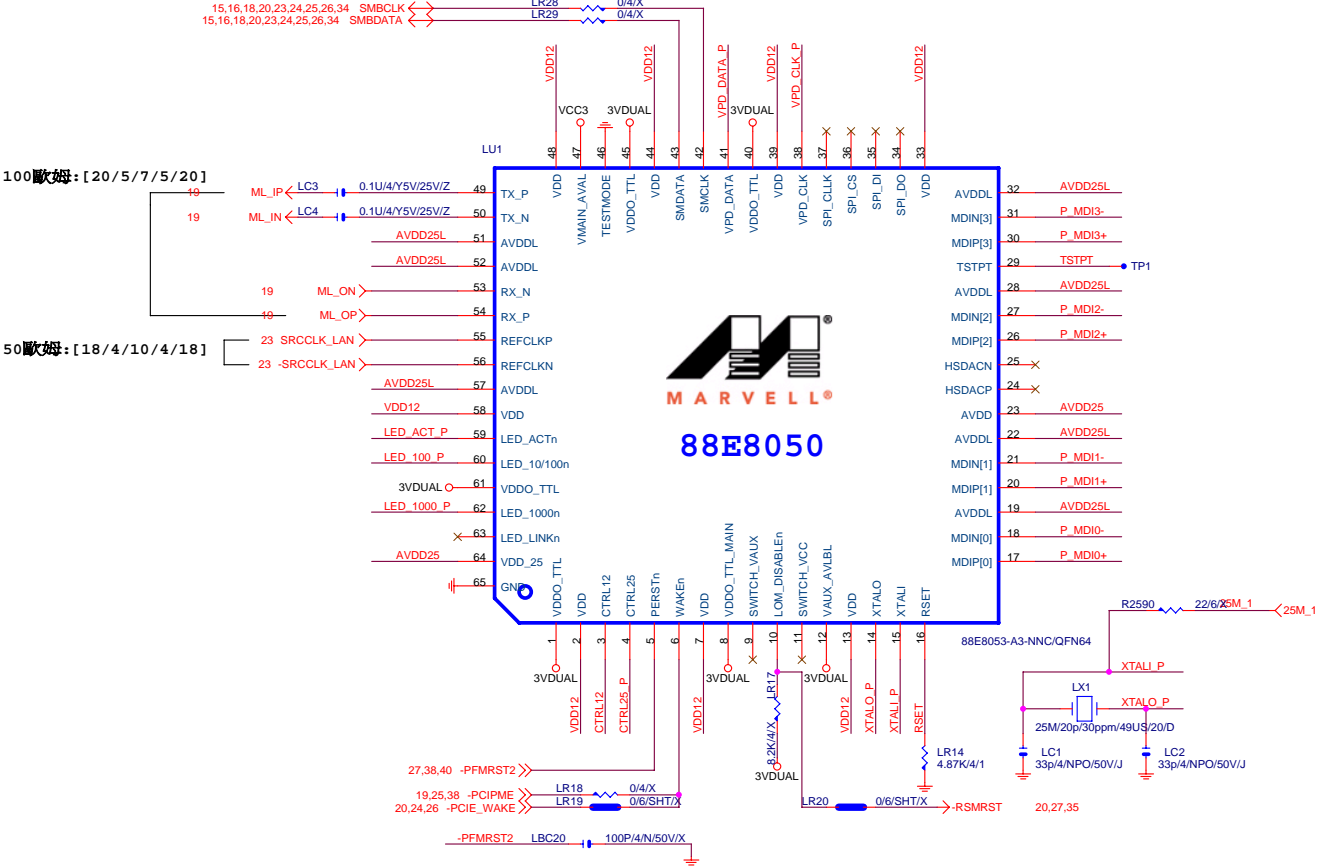
HOLE_3-2--->有鉛



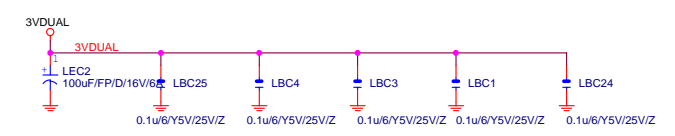
Gigabyte Technology			
Title			
ATX POWER CONNECTOR			
Size	Document Number	965P-DS4	Rev
B			101G
Date:	Wednesday, August 09, 2006	Sheet	36 of 41

PCIE-1G LAN

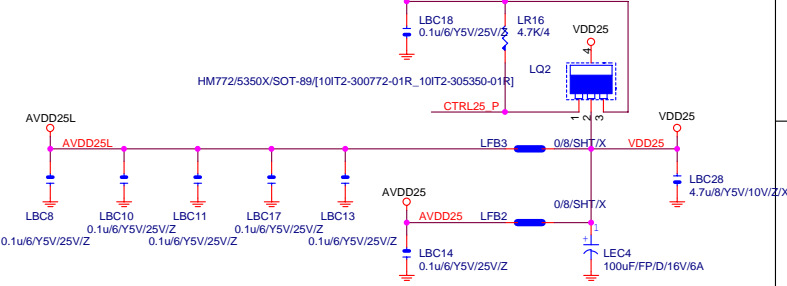
- # Layout Check 注意事項
1. LU1 PIN65 需下內層GND, 打 12 VIA
 2. 3VDUAL, VCC3, VDD15 L, AVDD25 L 至少走20mil寬, 並且電容擺設每兩pin至少放一顆Bypass Cap.
 3. X'TAL 25MHz 兩訊號線, TRACE 愈短愈好, 線寬12mil
 4. MDI正負0~3, TRACE 8:7:8, 每對之間保持 40mil



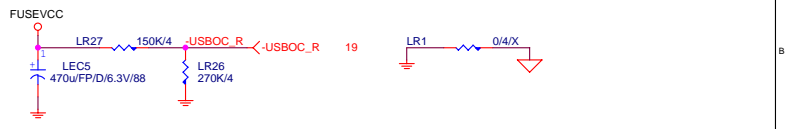
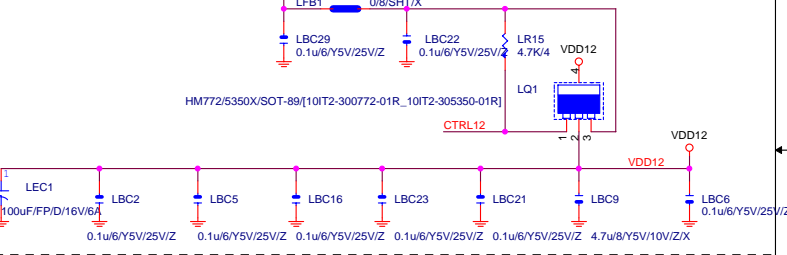
3VDUAL



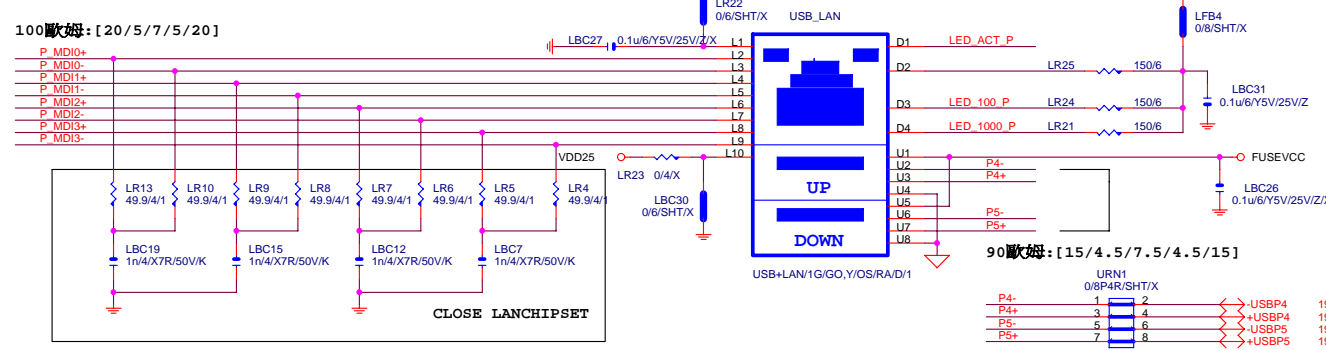
2.5V



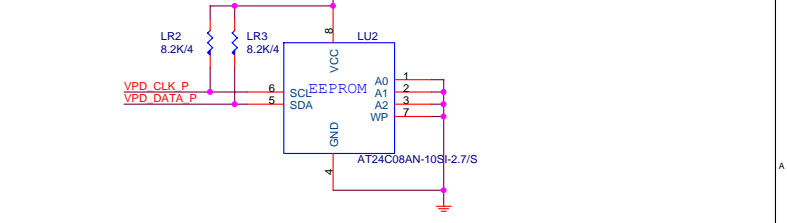
1.2V



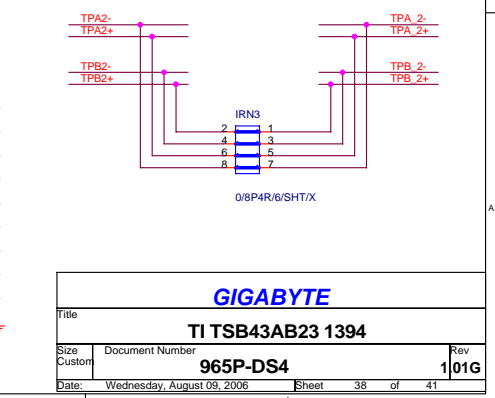
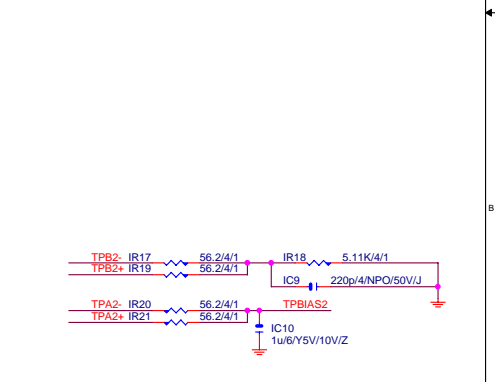
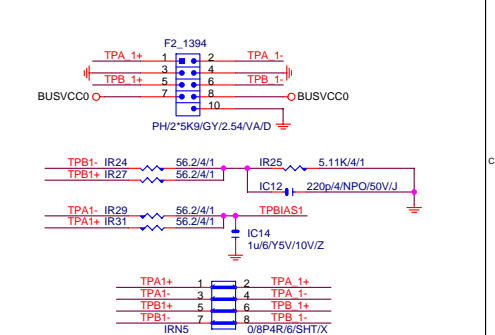
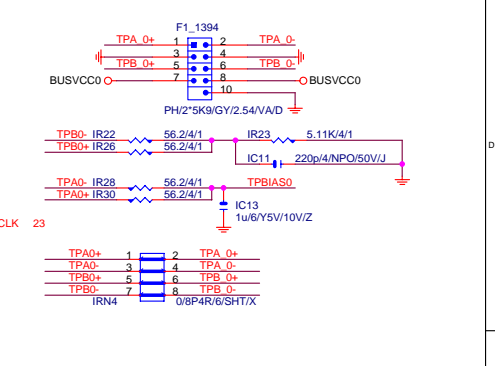
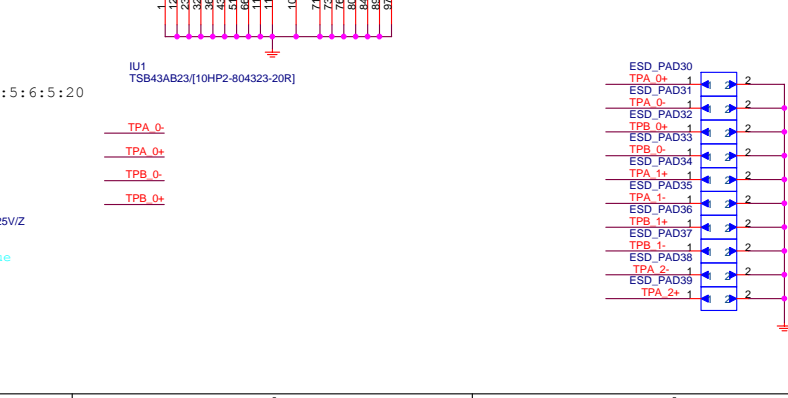
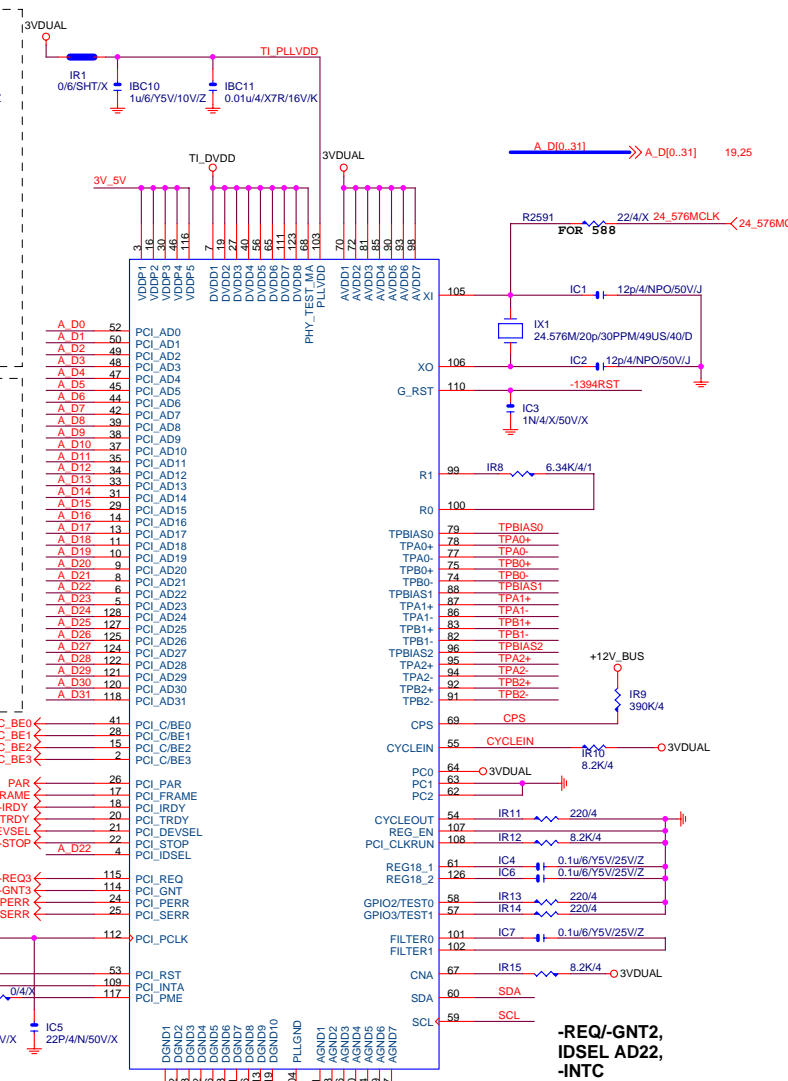
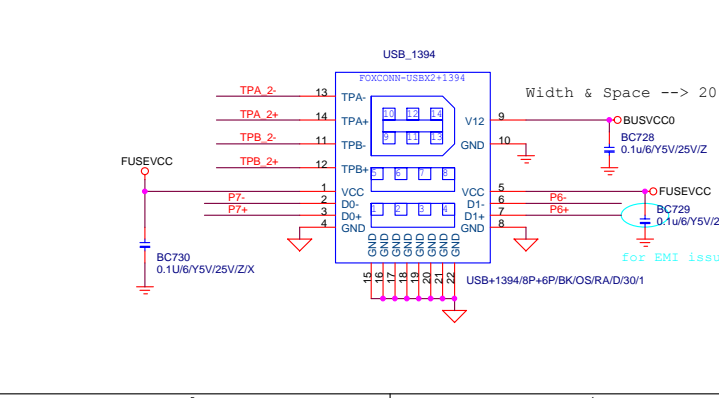
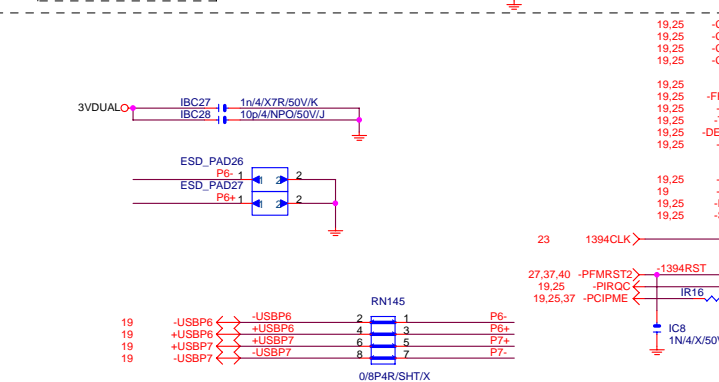
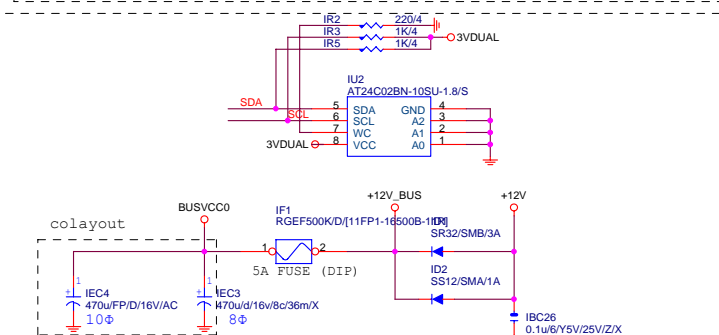
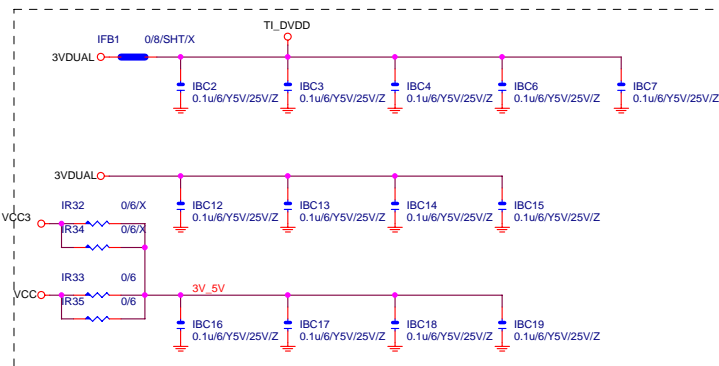
USB_LAN CONNECTOR



EEPROM

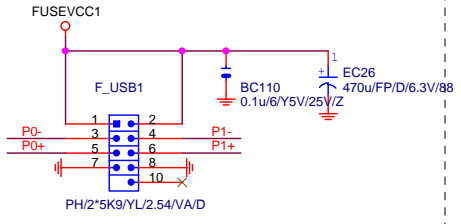
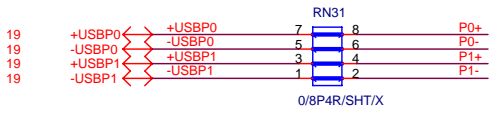


Gigabyte Technology		
Title	MARVELL 88E8001	
Size	Document Number	Rev
Custom	965P-DS4	1,01G
Date:	Wednesday, August 09, 2006	Sheet 37 of 41

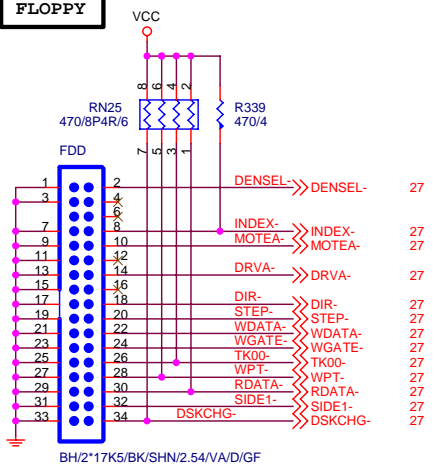


Title			
GIGABYTE			
TI TSB43AB23 1394			
Size	Document Number	Rev	
Custom	965P-DS4	101G	
Date:	Wednesday, August 09, 2006	Sheet	38 of 41

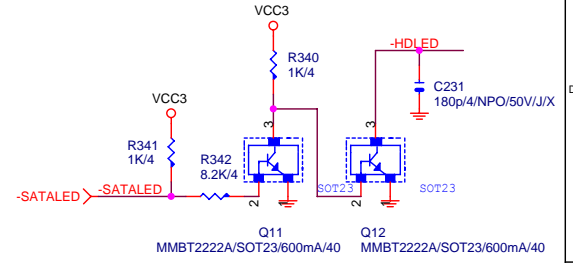
FRONT USB1



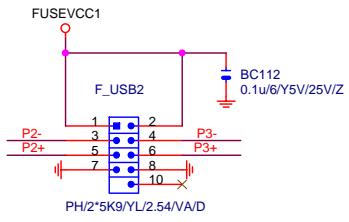
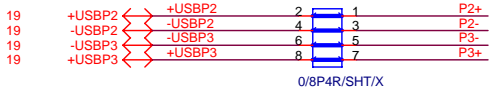
FLOPPY



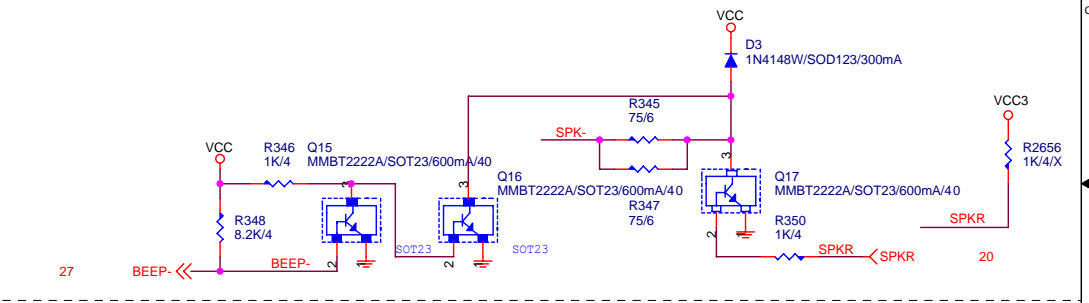
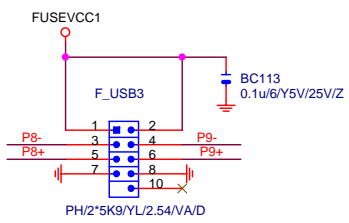
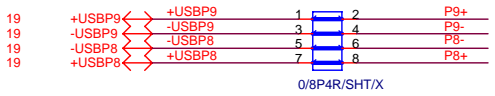
SATA LED



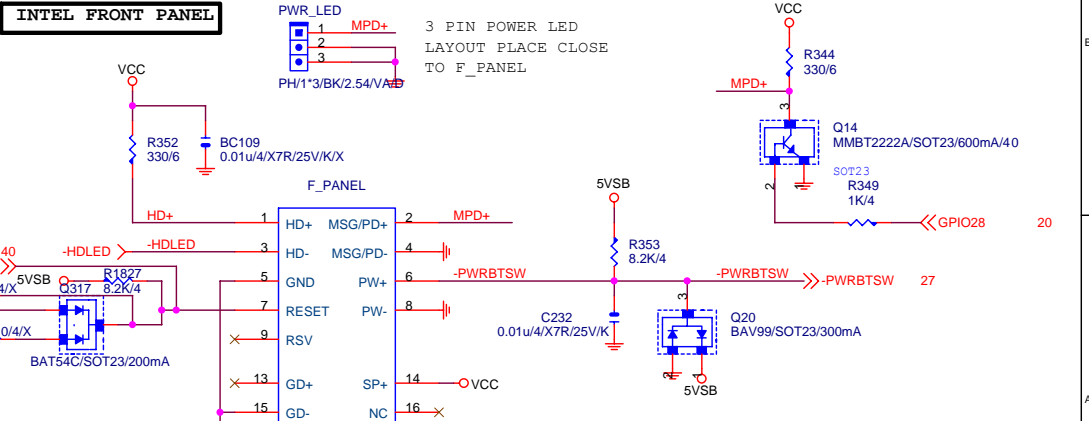
FRONT USB2



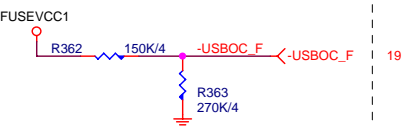
FRONT USB3



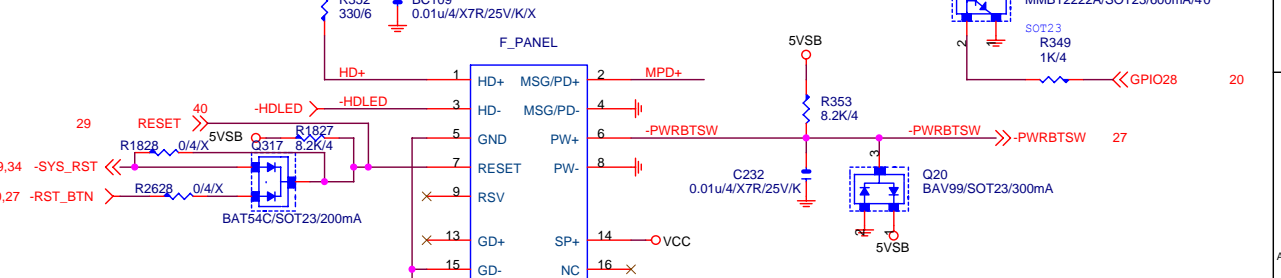
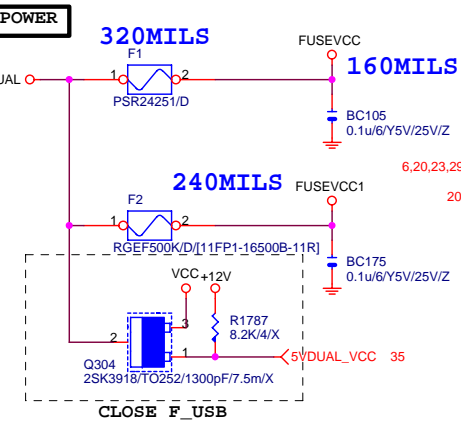
INTEL FRONT PANEL



FRONT USB OC1

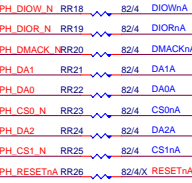
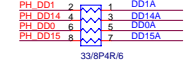
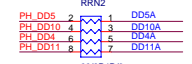
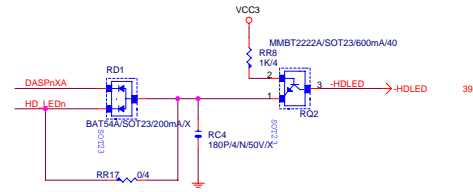
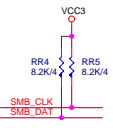
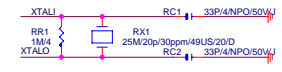
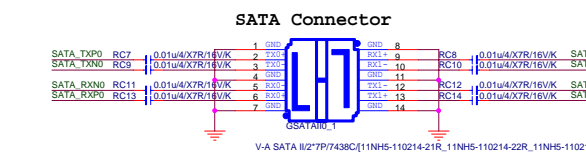
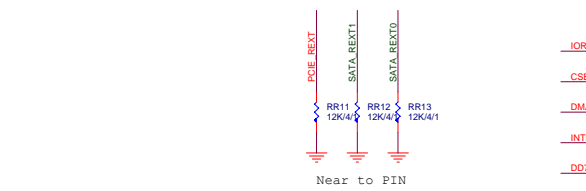
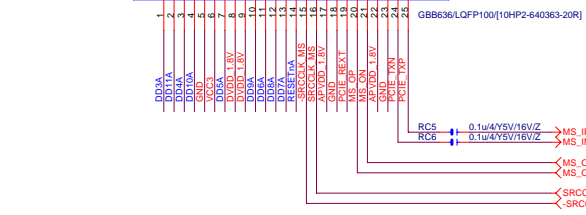
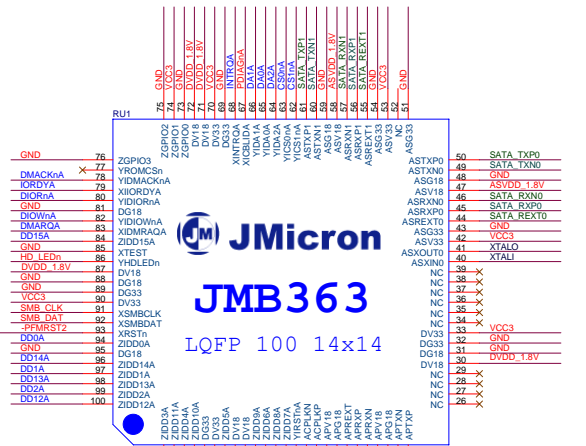
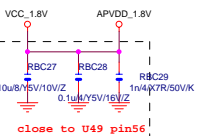
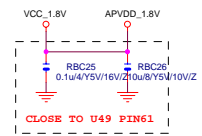
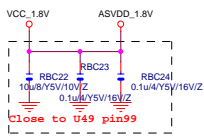
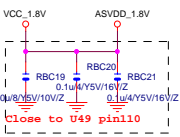
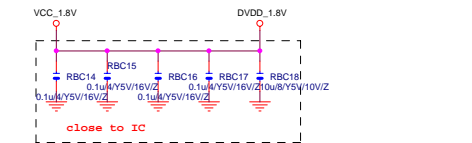
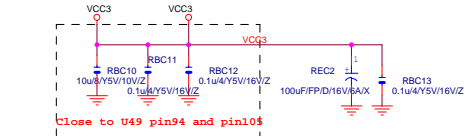
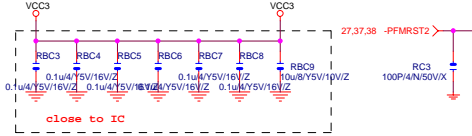
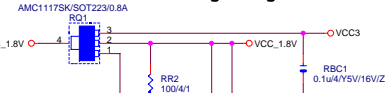


USB POWER

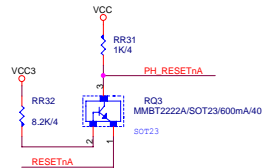
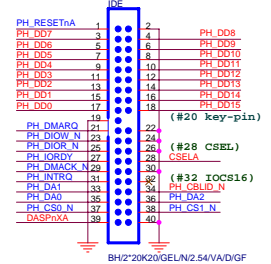


Gigabyte Technology			
FP,F_USB,USB PWR,FDD,BZ			
Size Custom	Document Number	965P-DS4	
Date:	Wednesday, August 09, 2006	Sheet	39 of 41
			Rev 1.01G

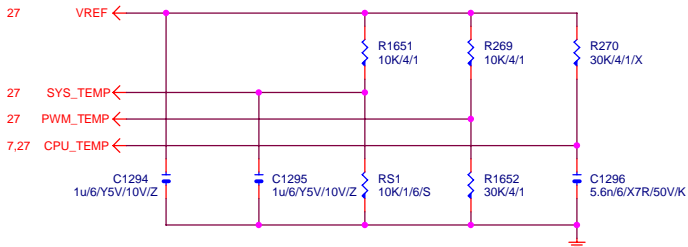
3.3V to 1.8V Voltage Regulator



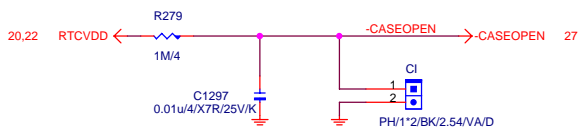
IDE Connector



TEMP H/W MONITOR

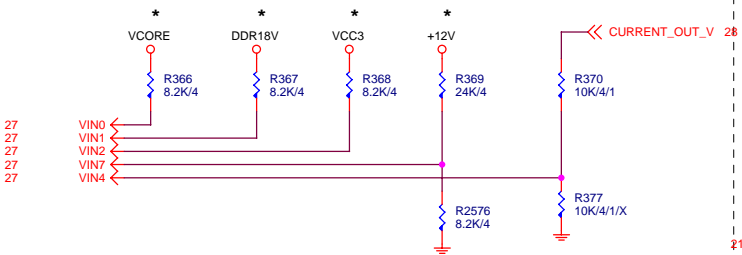


CASE OPEN

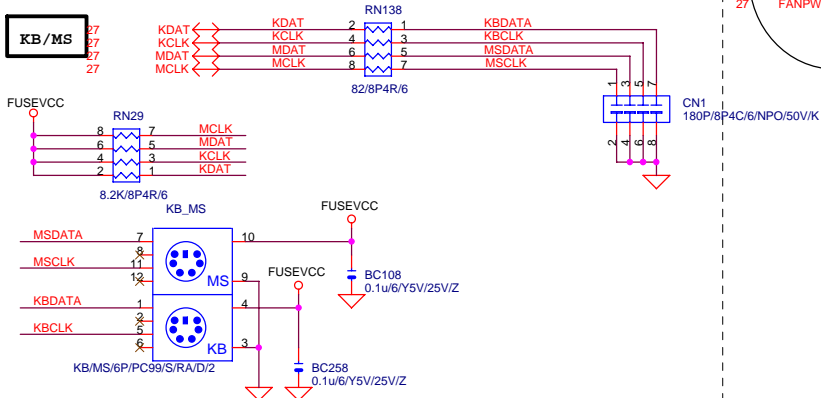


Case Open Circuits

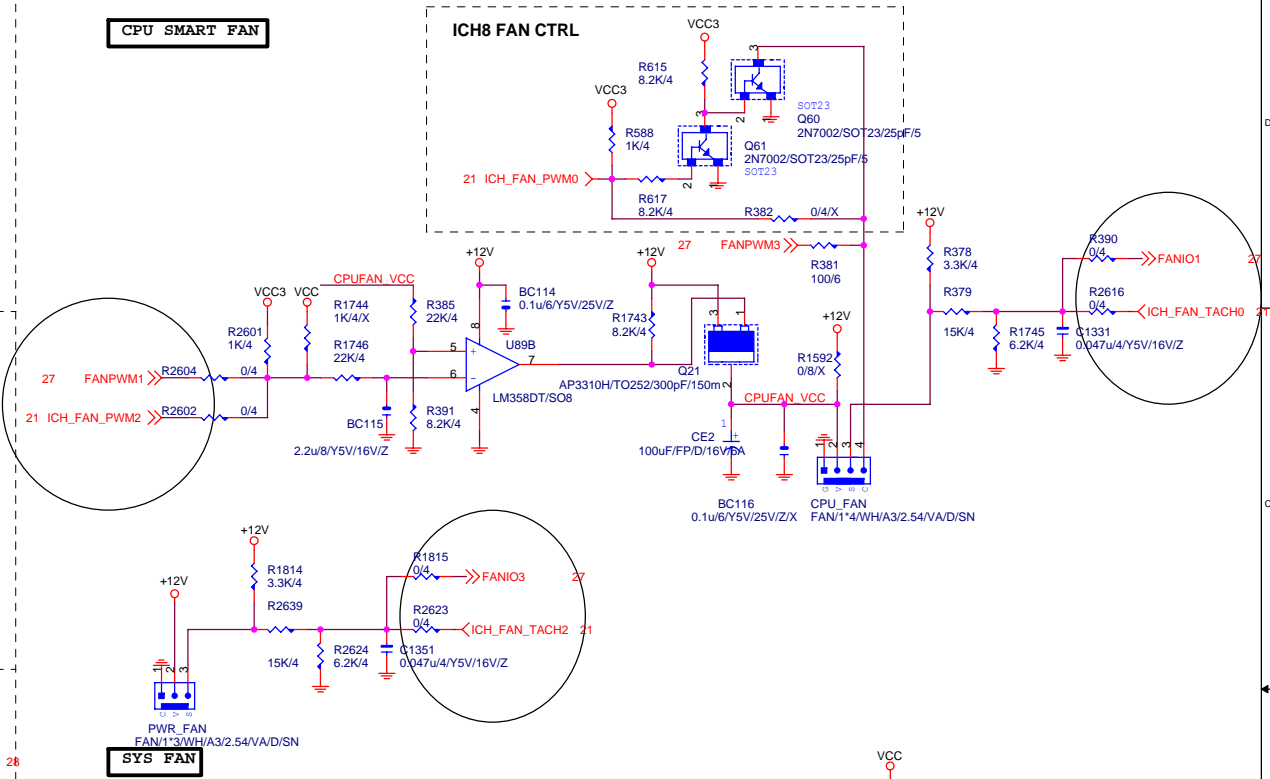
VOLTAGE-- H/W MONITOR



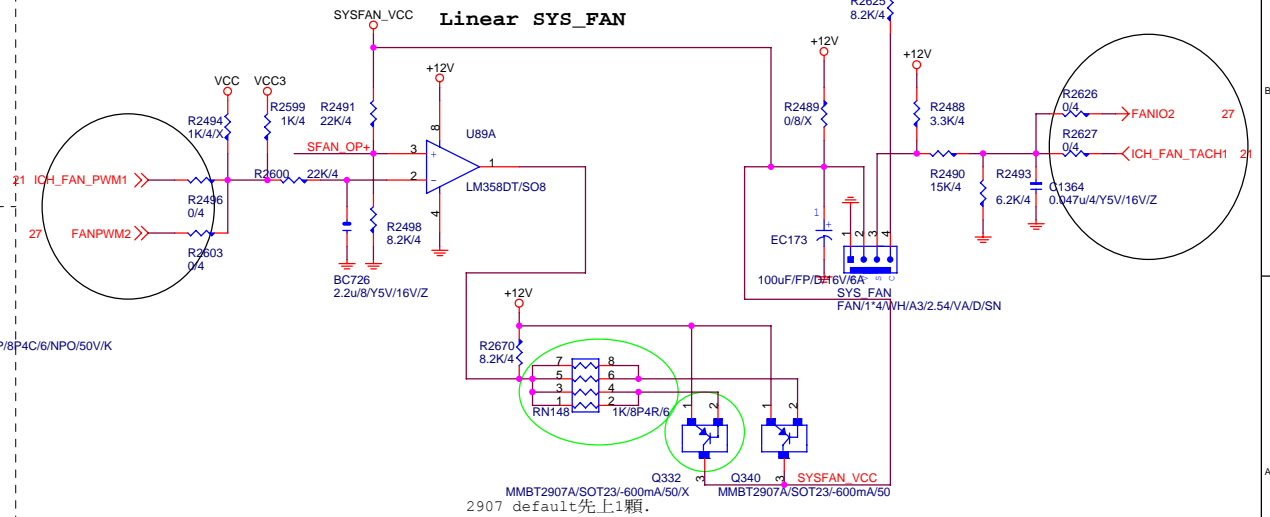
KB/MS



CPU SMART FAN



SYS FAN



Gigabyte Technology		
Title		
COM & LPT PORT		
Size	Document Number	Rev
Custom	965P-DS4	101G
Date:	Wednesday, August 09, 2006	Sheet 41 of 41