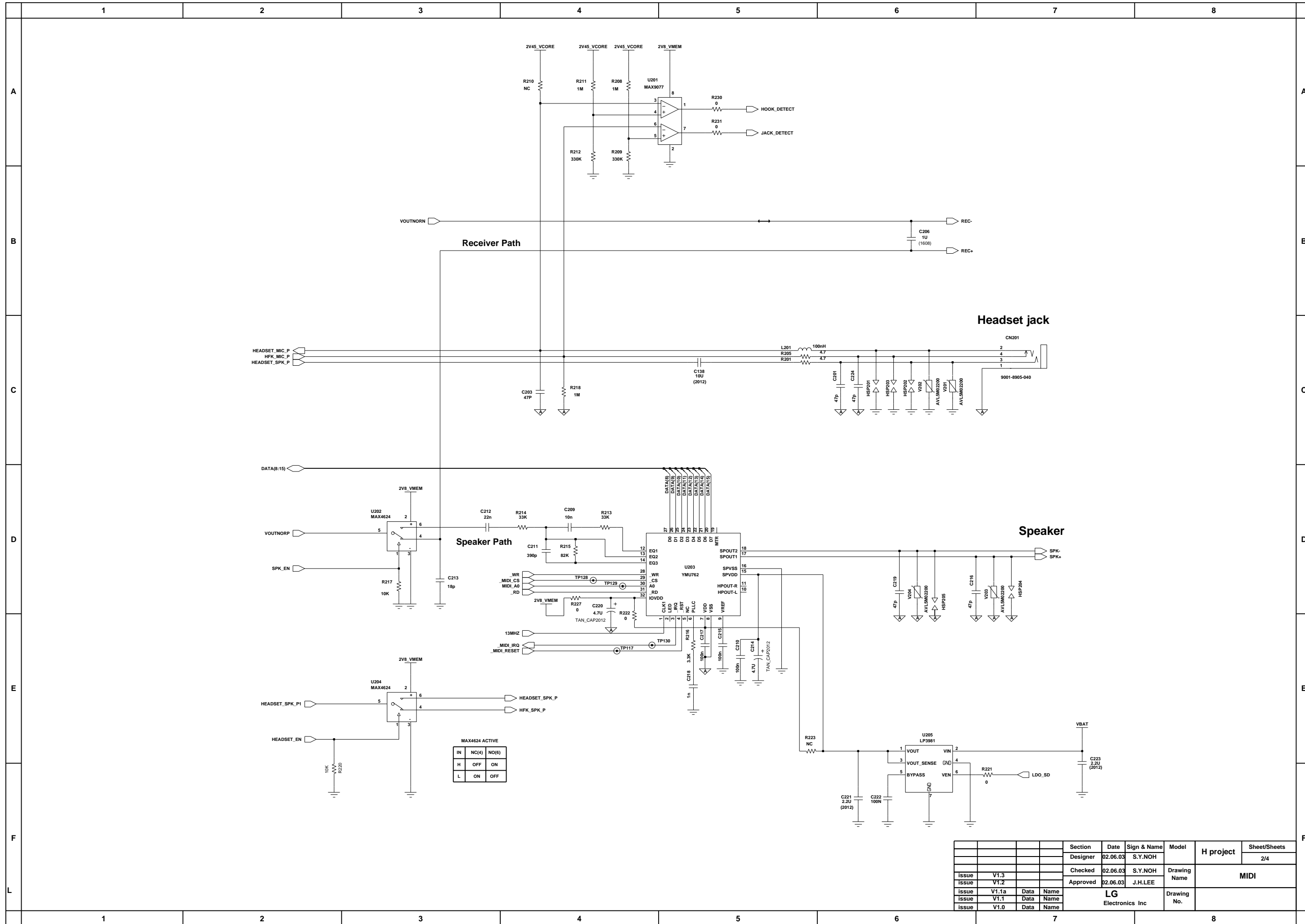


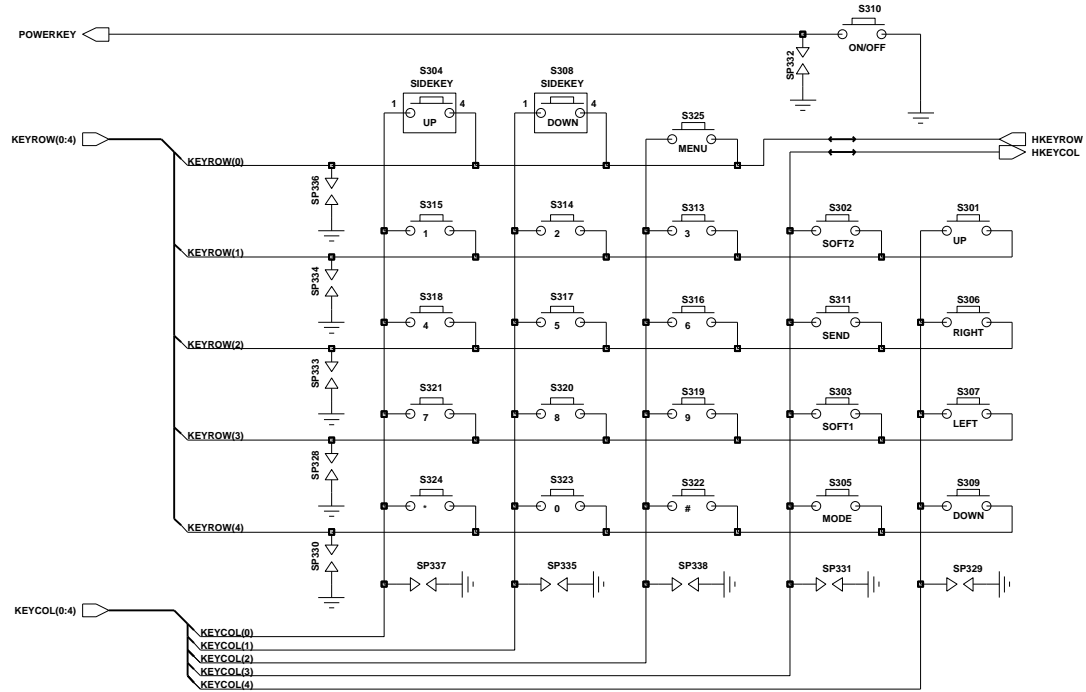
Section	Date	Sign & Name	Model	H project	Sheet/Sheets
Designer	02.06.03	S.Y.NOH		H project	1/4
Checked	02.06.03	S.Y.NOH		BASEBAND INTERFACE	
Approved	02.06.03	J.H.LEE			
issue	V1.3				
issue	V1.2	Data	Name		
issue	V1.1a	Data	Name		
issue	V1.0	Data	Name		

Section	Date	Sign & Name	Model	H project	Sheet/Sheets
Designer	02.06.03	S.Y.NOH		H project	1/4
Checked	02.06.03	S.Y.NOH		BASEBAND INTERFACE	
Approved	02.06.03	J.H.LEE			
issue	V1.3				
issue	V1.2	Data	Name		
issue	V1.1a	Data	Name		
issue	V1.0	Data	Name		

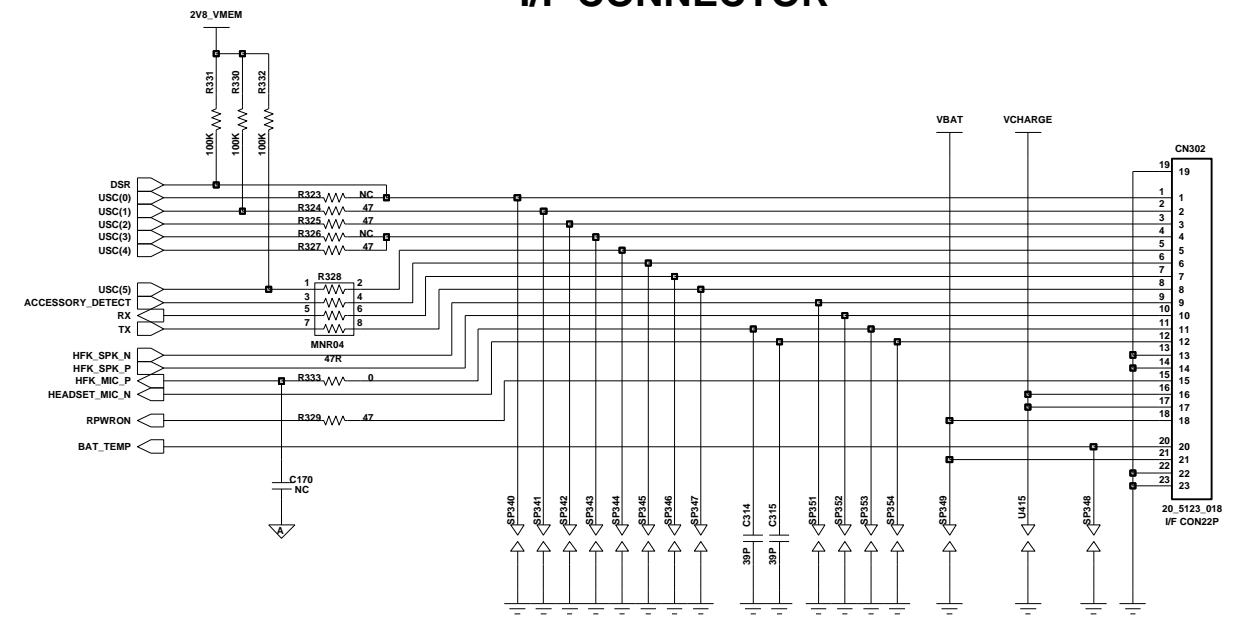


Section	Date	Sign & Name	Model	H project	Sheet/Sheets
Designer	02.06.03	S.Y.NOH		H project	2/4
Checked	02.06.03	S.Y.NOH		MIDI	
Approved	02.06.03	J.H.LEE			
issue	V1.3				
issue	V1.2				
issue	V1.1a	Data	Name	LG Electronics Inc	Drawing No.
issue	V1.1	Data	Name		
issue	V1.0	Data	Name		

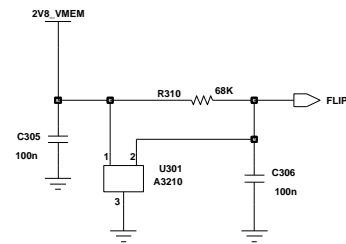
KEYPAD



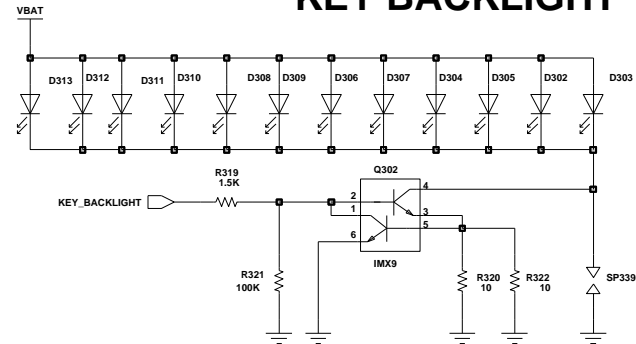
I/F CONNECTOR



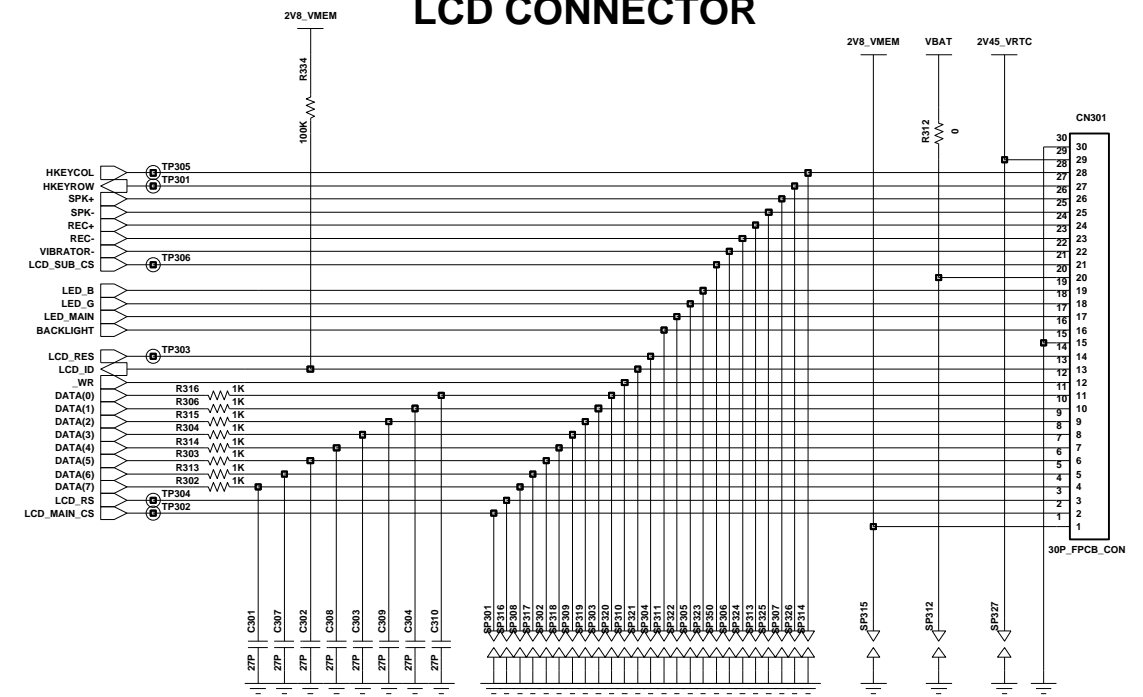
FLIP SWITCH



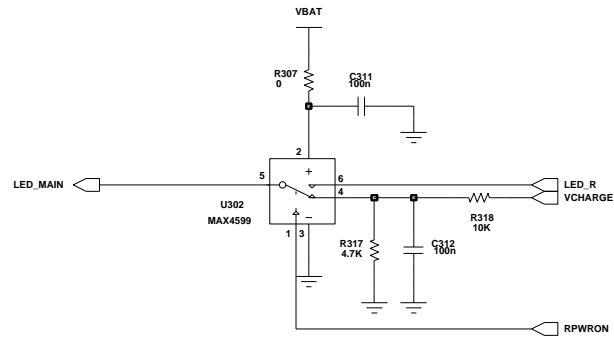
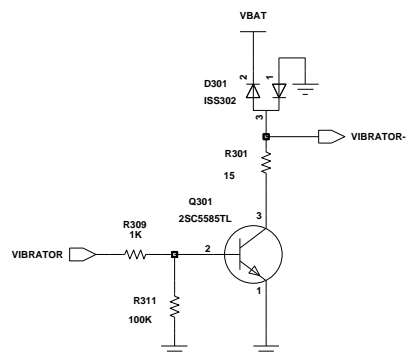
KEY BACKLIGHT



LCD CONNECTOR

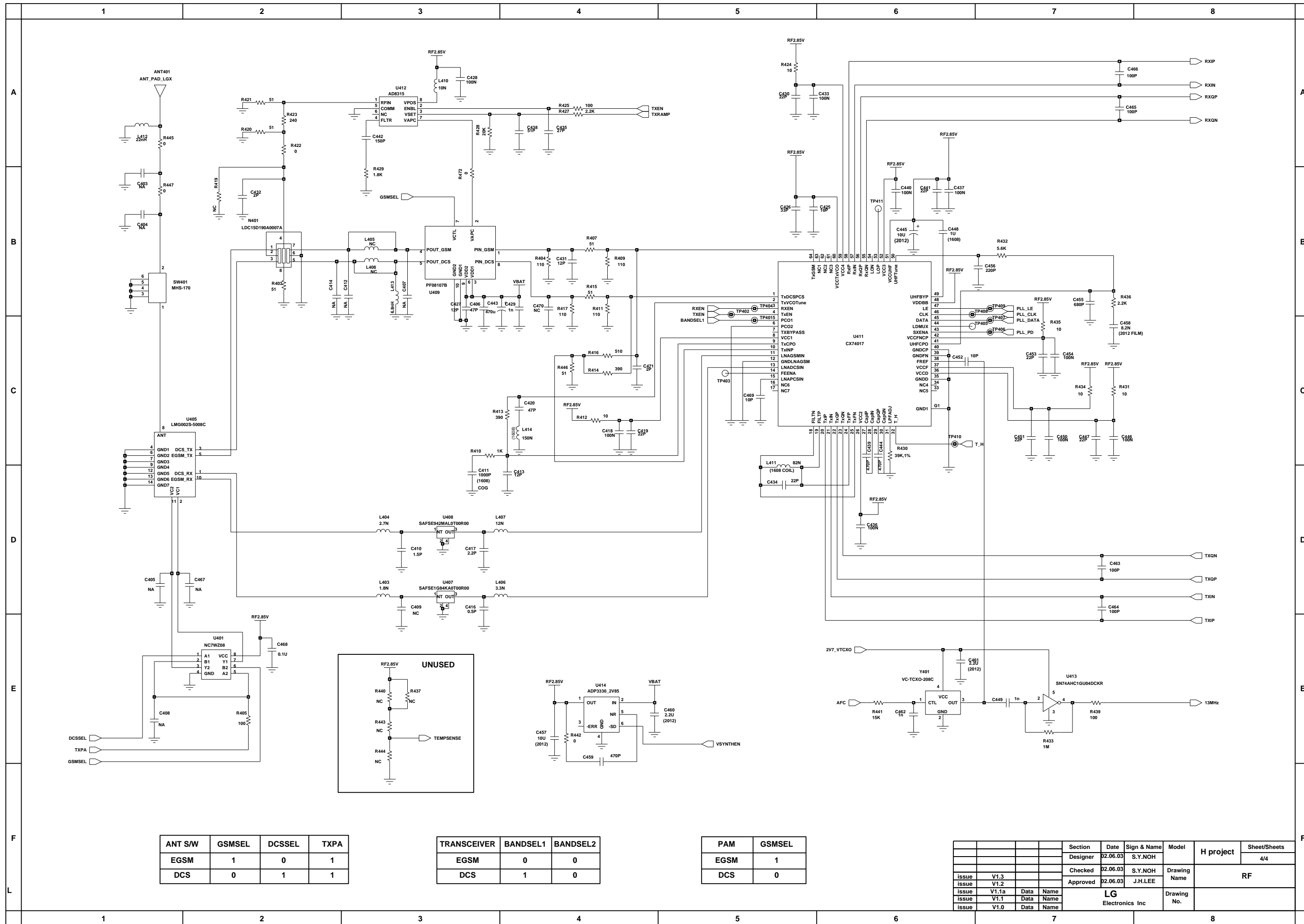


VIBRATOR



Section	Date	Sign & Name	Model	H project	Sheet/Sheets
Designer	02.06.03	S.Y.NOH		H project	3/4
Checked	02.06.03	S.Y.NOH		KEY,I/F & LCD CON	
Approved	02.06.03	J.H.LEE			
issue	V1.3	Data	Name		
issue	V1.2	Data	Name		
issue	V1.0	Data	Name		

LG Electronics Inc



ANT S/W	GSMSEL	DCSSEL	TXPA
EGSM	1	0	1
DCS	0	1	1

TRANSCEIVER	BANDESEL1	BANDESEL2
EGSM	0	0
DCS	1	0

PAM	GSMSEL
EGSM	1
DCS	0

Issue	Date	Sign & Name	Model	H project	Sheet/Sheets
issue V1.3	02.06.03	S.Y.NOH		RF	4/4
issue V1.2	02.06.03	S.Y.NOH			
issue V1.1	02.06.03	J.H.LEE			
issue V1.0		LG Electronics Inc		Drawing No.	