

SONY CONFIDENTIAL

REVISIONS			
ZONE	LTR	DESCRIPTION	DATE

IRX-5040 SCHEMATICS

MAIN SYSTEM BOARD MBX-187

FOR FOXCONN

REV. 1.300

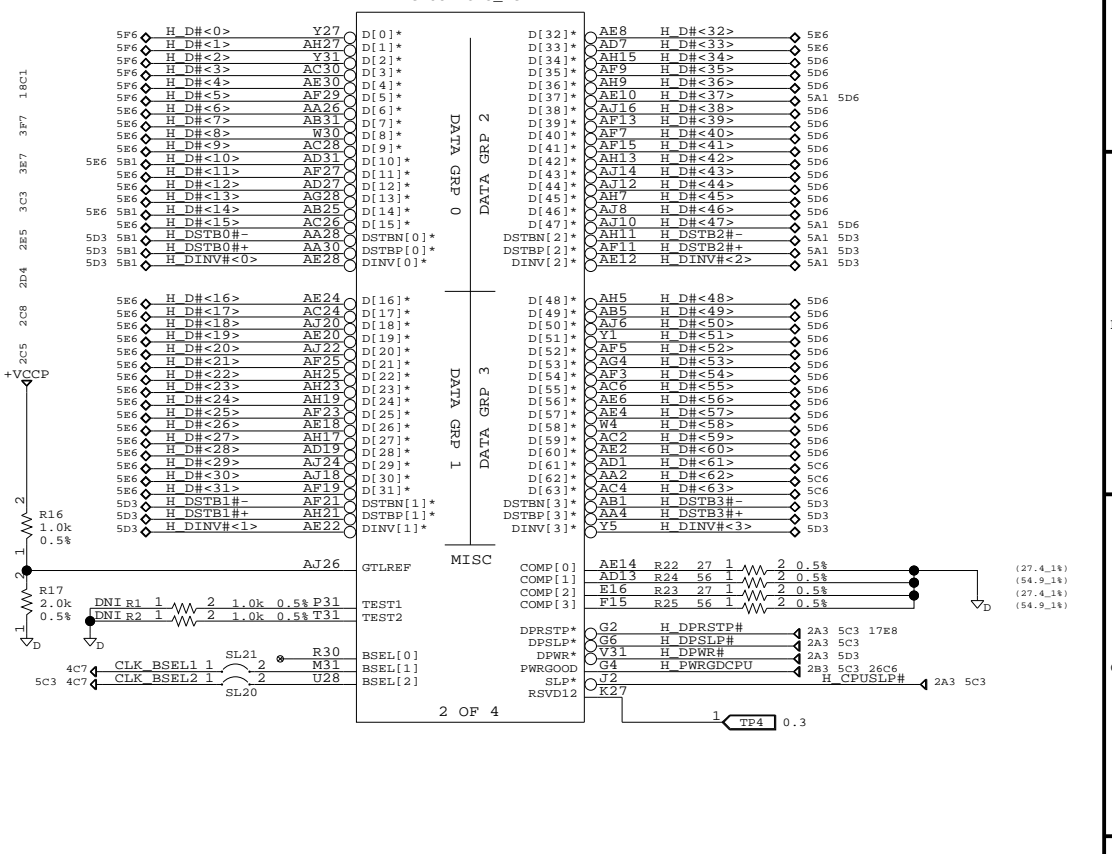
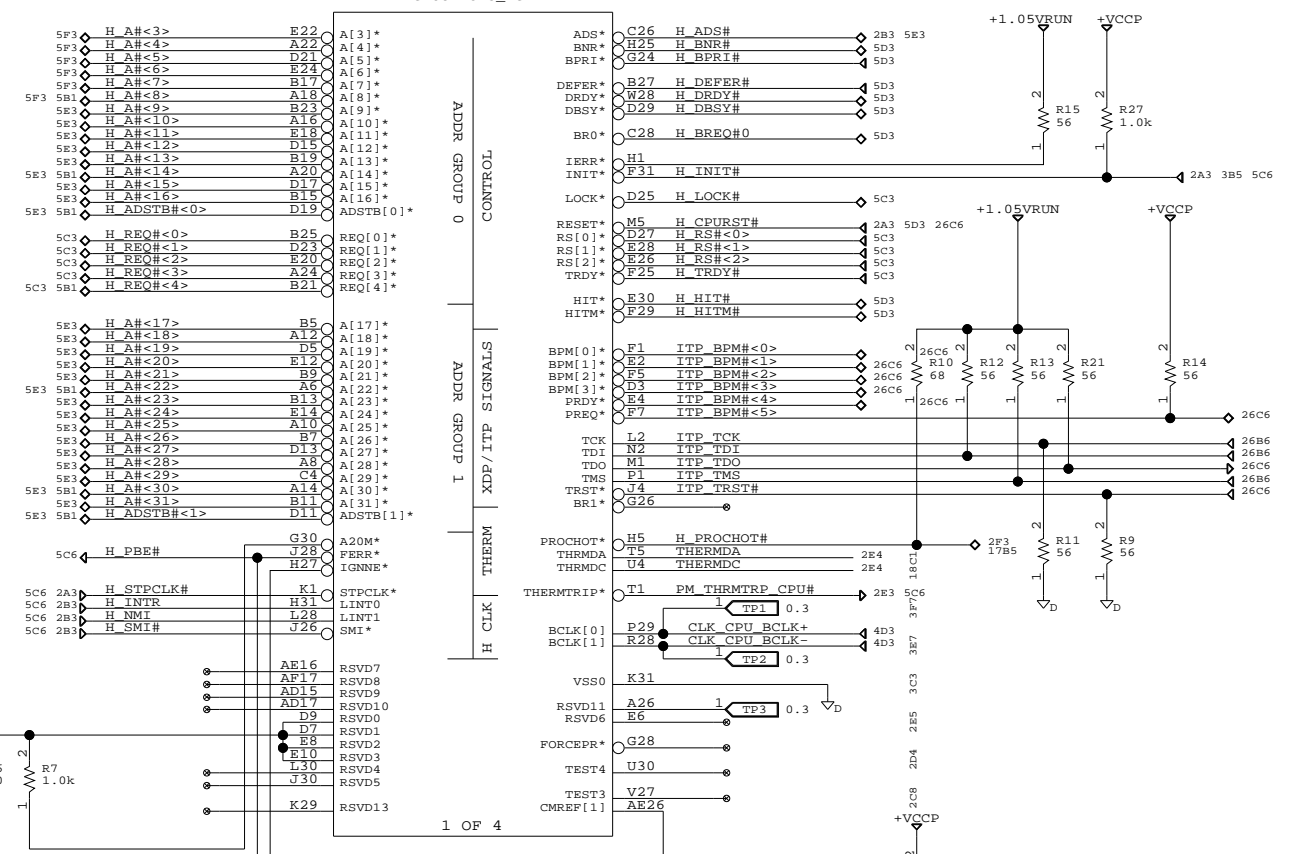
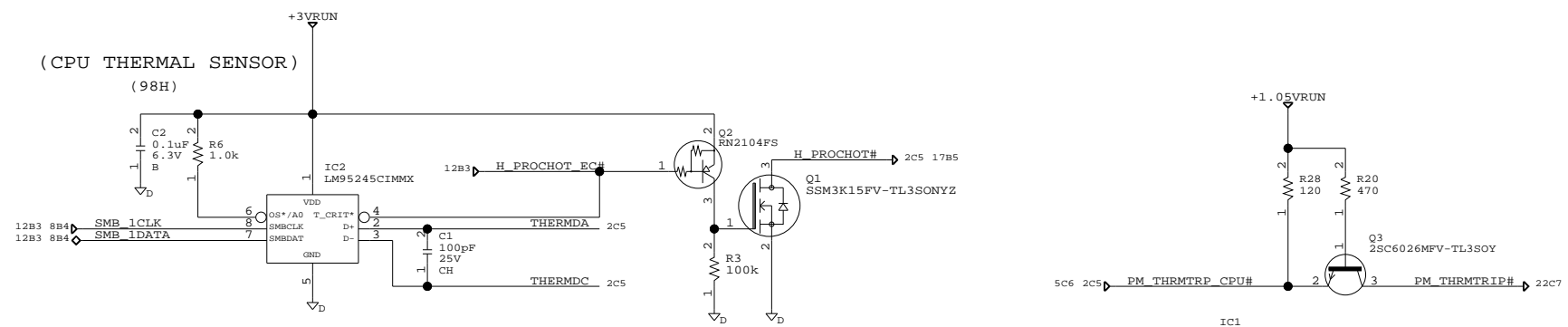
TABLE OF CONTENTS

BLOCK	PAGE	REF. NO.	DESCRIPTIONS
TITLE	1	-	INDEX (THIS PAGE)
○ 1 CPU	2 (CPU-1) 3 (CPU-2)	1 - 99 100 - 199	CPU (1/2) CPU (2/2)
○ 2 CLKGEN	4 (CLKGEN)	200 - 299	CLOCK GENERATOR
○ 3 SCH	5 (SCH-1) 6 (SCH-2) 7 (SCH-3) 8 (SCH-4) 9 (SCH-5) 10 (SCH-6)	300 - - 399 400 - - 499 500 - 599 600 - 699	SCH (1/6) SCH (2/6) SCH (3/6) SCH (4/6) SCH (5/6) SCH (6/6)
○ 4 MEMORY	11 (MEMORY)	700 - 799	DDR2 MEMORY
○ 5 LPC	12 (LPC)	800 - 899	LPC
○ 6 IF	13 (IF-1) 14 (IF-2) 15 (IF-3) 16 (IF-4)	1000 - 1099 1100 - 1199 1200 - 1299 1300 - 1399	LCD BACKLIGHT CTRL & LCD IF IDE (HDD) CNX-422 & SWX-298 IF IFX-522 IF
○ 7 POWER	17 (POWER-1) 18 (POWER-2) 19 (POWER-3) 20 (POWER-4) 21 (POWER-5) 22 (POWER-6) 23 (POWER-7) 24 (POWER-8) 25 (POWER-9)	1500 - 1599 1600 - 1699 1700 - 1799 1800 - 1899 1900 - 1999 2000 - 2099 2100 - 2199 2200 - 2299 2300 - 2399	+VCPUCORE +1.8VSUS/+2.5VVRUN/+1.05VVRUN/+1.5VVRUN +3VALW/+5VALW LOAD SW TIMING SEQUENCER UL2 CIRCUIT BATTERY CHARGER +VDC_IN UL CIRCUIT
○ 8 DEBUG	26 (DEBUG)	2900 - 2999	DEBUG/POWER-CHECK/XDP CN
○ 9 VARIANCE	27 (VARIANCE)	-	VARIANCE

SONY CORPORATION VAIO BUSINESS DIVISION	DRAWING: MBX-187 INDEX		
	LAST_MODIFIED=Sat May 9 17:03:02 2009		
THIS DOCUMENT CONTAINS INFORMATION PROPRIETARY TO SONY CORPORATION (SONY). USE OR DISCLOSURE WITHOUT THE WRITTEN PERMISSION OF AN OFFICER OF SONY IS EXPRESSLY FORBIDDEN. COPYRIGHT (C) SONY CORPORATION 2009	QTY 1	REV. 1.300	PART NO. 187843613
	SIZE C	DESIGNER	SHEET 1 OF 27

SONY CONFIDENTIAL

REVISIONS				
ZONE	LTR	DESCRIPTION	DATE	APPR.



26C6 5C3 2C1	H_PWRGDCPU	TP5	0.3
5E3 2E5	H_ADS#	TP7	0.3
5C6 2C8	H_INTR	TP7	0.3
5C6 2C8	H_NMI	TP11	0.3
5C6 2C8	H_SMI#	TP5	0.3
5C6 2C8	H_STPCLK#	TP5	0.3
5C6 2C8	H_INIT#	TP10	0.3
5C3 2C1	H_DPSLP#	TP15	0.3
17E8 5C3 2C1	H_DPRSTP#	TP13	0.3
5D3 2C1	H_DPWR#	TP4	0.3
26C6 5D3 2D5	H_CPURST#	TP4	0.3
5C3 2C1	H_CPUSLP#	TP32	0.3

(REF: 1- 99)

SONY CORPORATION
VAIO BUSINESS DIVISION

DRAWING: MBX-187
CPU (1/2)

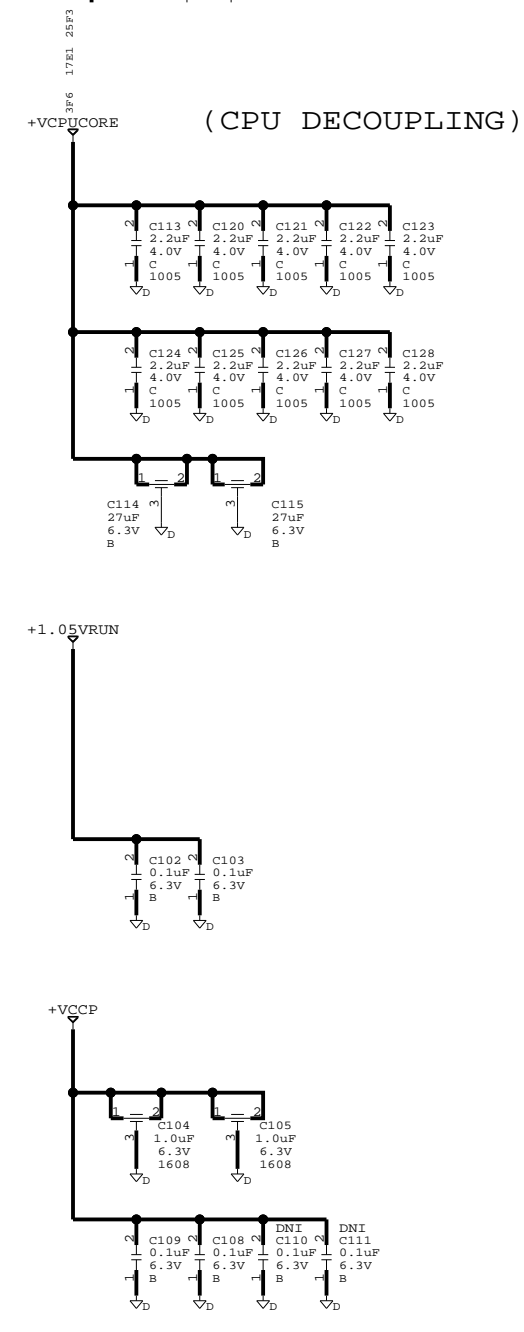
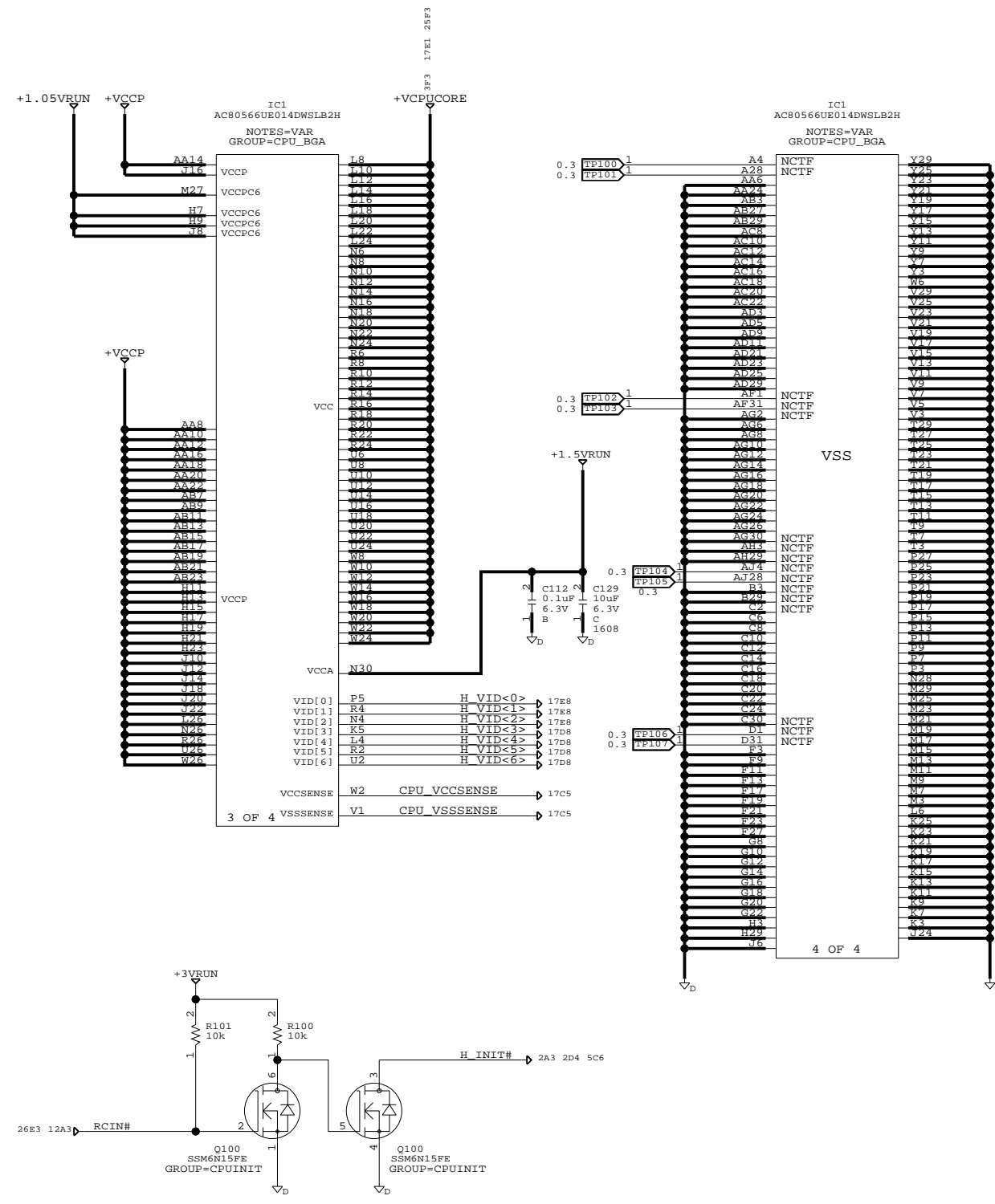
LAST_MODIFIED=Sat May 9 17:09:41 2009

QTY	1	REV.	-	PART NO.	-
SIZE	C	DESIGNER	-	(CPU-1)	SHEET 2 OF 27

THIS DOCUMENT CONTAINS INFORMATION PROPRIETARY TO SONY CORPORATION (SONY). USE OR DISCLOSURE WITHOUT THE WRITTEN PERMISSION OF AN OFFICER OF SONY IS EXPRESSLY FORBIDDEN.
COPYRIGHT (C) SONY CORPORATION 2009

SONY CONFIDENTIAL

REVISIONS				
ZONE	LTR	DESCRIPTION	DATE	APPR.



SONY CORPORATION
VAIO BUSINESS DIVISION

DRAWING: MBX-187
CPU (2/2)

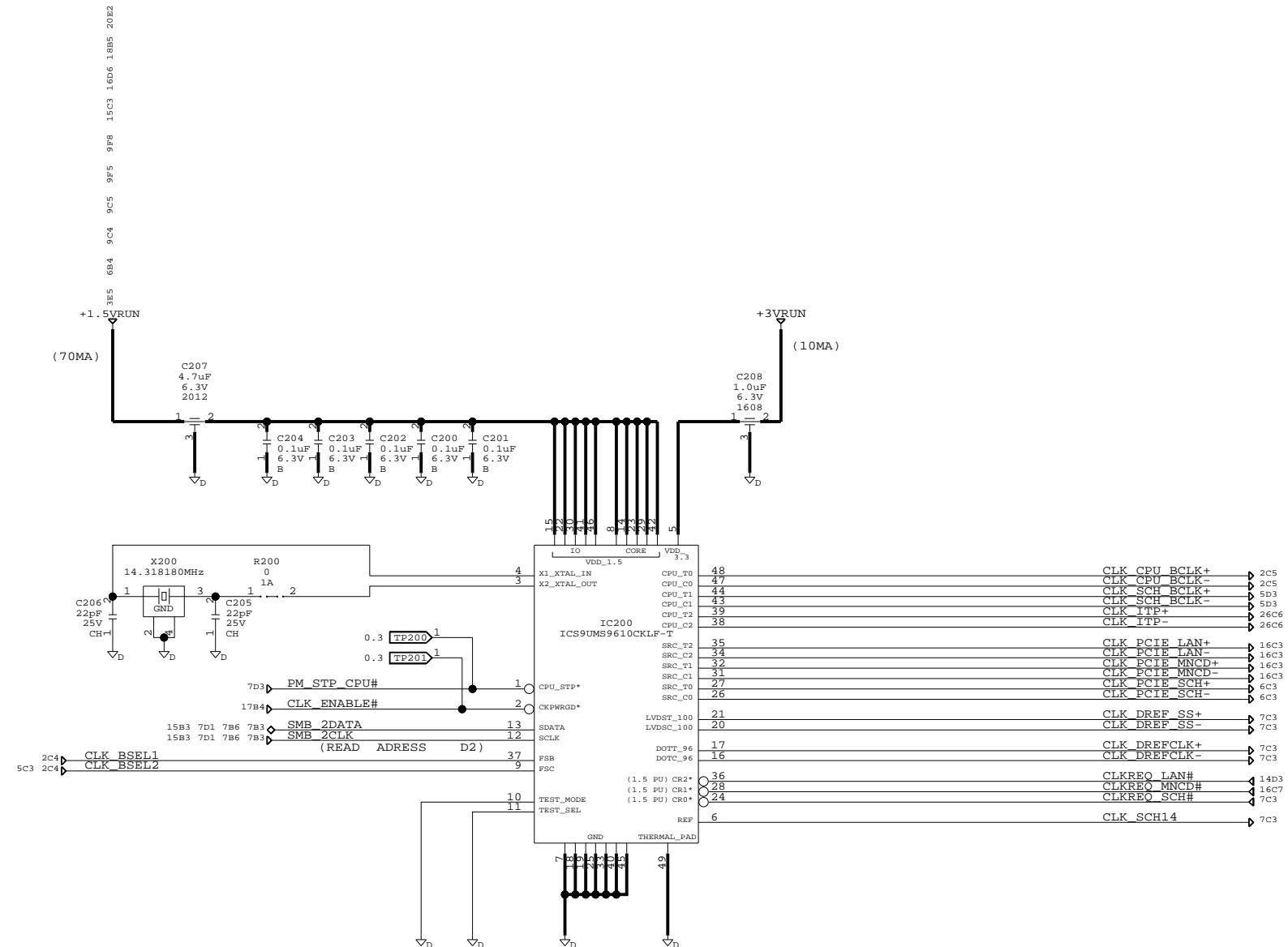
THIS DOCUMENT CONTAINS INFORMATION PROPRIETARY TO SONY CORPORATION (SONY). USE OR DISCLOSURE WITHOUT THE WRITTEN PERMISSION OF AN OFFICER OF SONY IS EXPRESSLY FORBIDDEN.
COPYRIGHT (C) SONY CORPORATION 2009

LAST_MODIFIED=Sat May 9 17:09:41 2009	REV.	PART NO.
QTY 1		
DESIGNER		(CPU-2)
		SHEET 3 OF 27

(REF: 100- 199)

SONY CONFIDENTIAL

REVISIONS				
ZONE	LTR	DESCRIPTION	DATE	APPR.



BSEL2	BSEL1	FSC	FSB	9PIN	37PIN	CPUCLK
0	0	1	0	0	0	133M
1	0	1	0	0	0	100M
0	1	1	0	0	0	166M

PORT	SIGNAME	DEVICE
CPUCLK0	CPU_BCLK+/-	CPU
CPUCLK1	SCH_BCLK+/-	SCH
CPUCLK2	ITP+/-	ITP
DOT_96MHZ	DREFCLK+/-	SCH
LCDCLK	DREF_SS+/-	SCH
SRCLK0	CLK_PCIE_SCH+/-	SCH
SRCLK1	CLK_PCIE_MNCD+/-	MINICARD
SRCLK2	CLK_PCIE_LAN+/-	LAN
REFOUT	SCH14	SCH

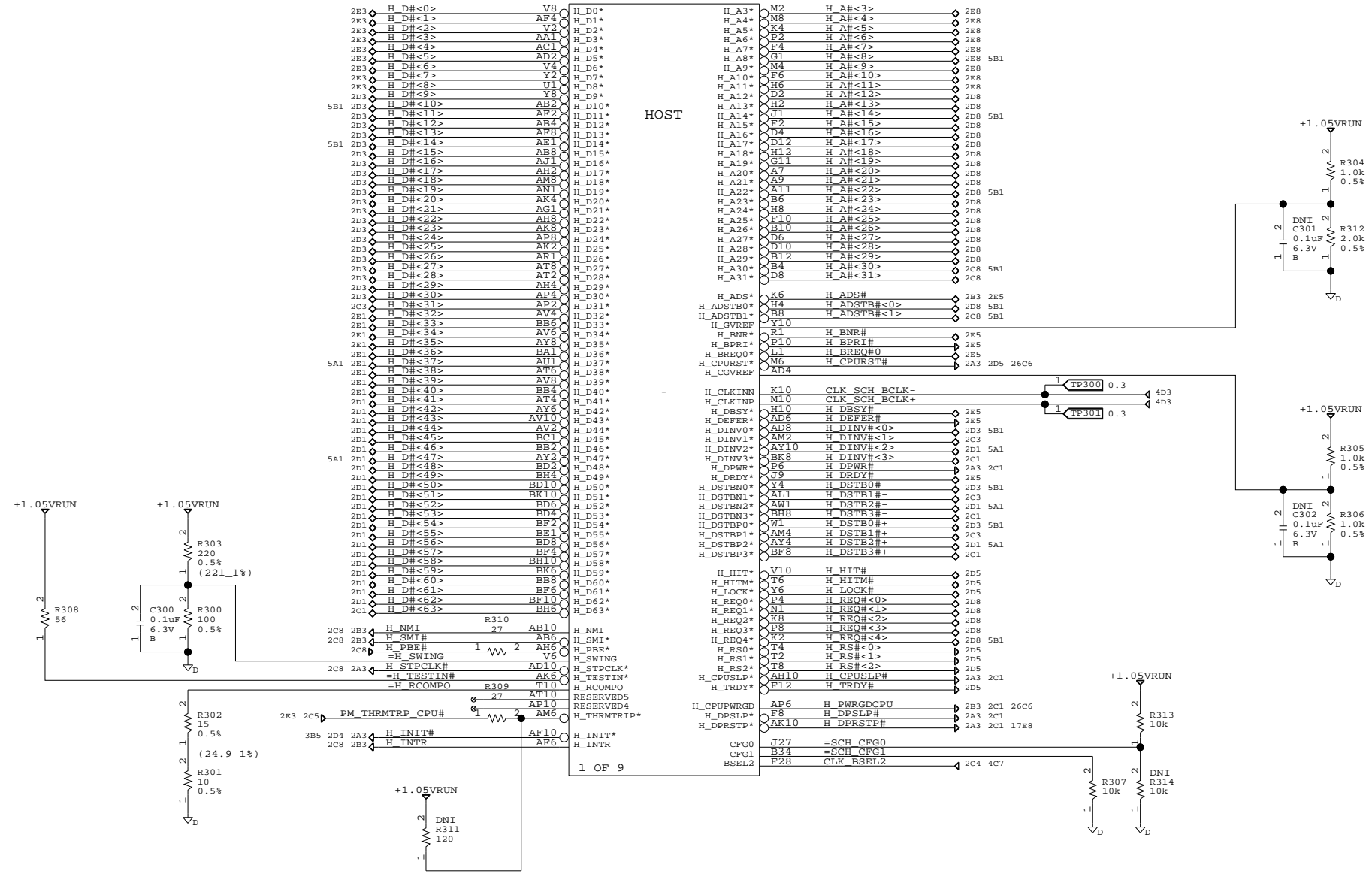
(REF: 200- 299)

SONY CORPORATION VAIO BUSINESS DIVISION		DRAWING: MBX-187 CLOCK GENERATOR LAST_MODIFIED=Sat May 9 17:09:42 2009	
THIS DOCUMENT CONTAINS INFORMATION PROPRIETARY TO SONY CORPORATION (SONY). USE OR DISCLOSURE WITHOUT THE WRITTEN PERMISSION OF AN OFFICER OF SONY IS EXPRESSLY FORBIDDEN. COPYRIGHT (C) SONY CORPORATION 2009		QTY 1	PART NO. -
SIZE C	DESIGNER -	(CLKGEN-1) SHEET 4 OF 27	

SONY CONFIDENTIAL

REVISIONS				
ZONE	LTR	DESCRIPTION	DATE	APPR.

IC300
AF82U51SWLGFQ
GROUP=SCH



5E3	2D8	H_ADSTBH<0>	1	TP304	0.3
5F3	2E8	H_A#<8>	1	TP303	0.3
5E3	2D8	H_A#<14>	1	TP307	0.3
5C3	2D8	H_REQ#<4>	1	TP305	0.3
5E3	2C8	H_ADSTBH<1>	1	TP306	0.3
5E3	2D8	H_A#<22>	1	TP307	0.3
5E3	2C8	H_A#<30>	1	TP308	0.3
5D3	2D3	H_DSTB0#-	1	TP309	0.3
5D3	2D3	H_DSTB0#+	1	TP310	0.3
5D3	2D3	H_DINV#<0>	1	TP311	0.3
5E6	2D3	H_DH<10>	1	TP312	0.3
5E6	2D3	H_DH<14>	1	TP313	0.3
5D3	2D1	H_DSTB2#-	1	TP314	0.3
5D3	2D1	H_DSTB2#+	1	TP315	0.3
5D3	2D1	H_DINV#<2>	1	TP316	0.3
5D6	2E1	H_DH<37>	1	TP317	0.3
5D6	2D1	H_DH<47>	1	TP318	0.3

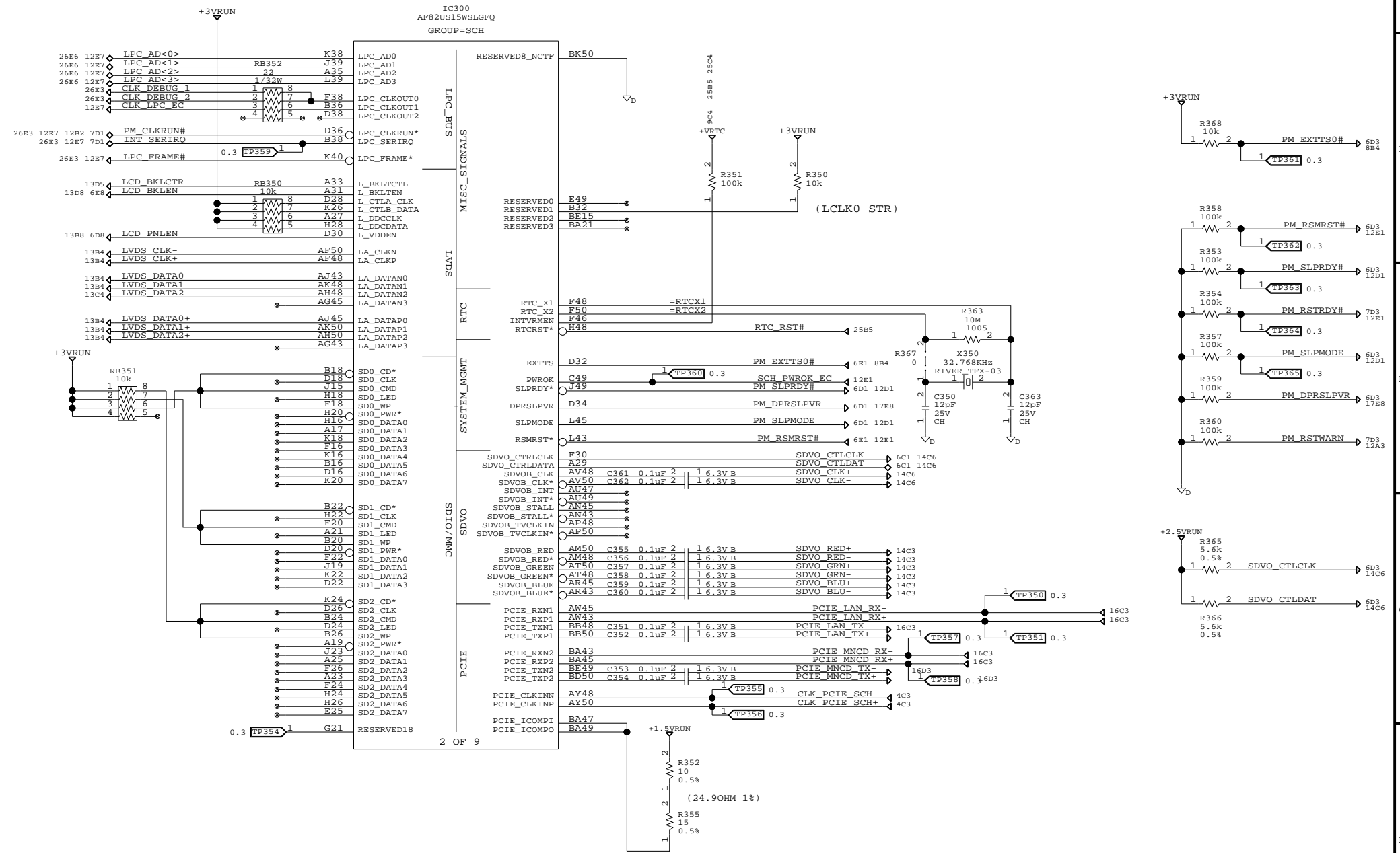
(REF: 300-)

SONY CORPORATION VAIO BUSINESS DIVISION		DRAWING: MBX-187 SCH (1/6)	
LAST_MODIFIED=Sat May 9 17:09:42 2009			
QTY	REV.	PART NO.	
1	-	-	
SIZE	DESIGNER	SHEET 5 OF 27	
C	-	(SCH-1)	

THIS DOCUMENT CONTAINS INFORMATION PROPRIETARY TO SONY CORPORATION (SONY). USE OR DISCLOSURE WITHOUT THE WRITTEN PERMISSION OF AN OFFICER OF SONY IS EXPRESSLY FORBIDDEN.
COPYRIGHT (C) SONY CORPORATION 2009

SONY CONFIDENTIAL

REVISIONS				
ZONE	LTR	DESCRIPTION	DATE	APPR.



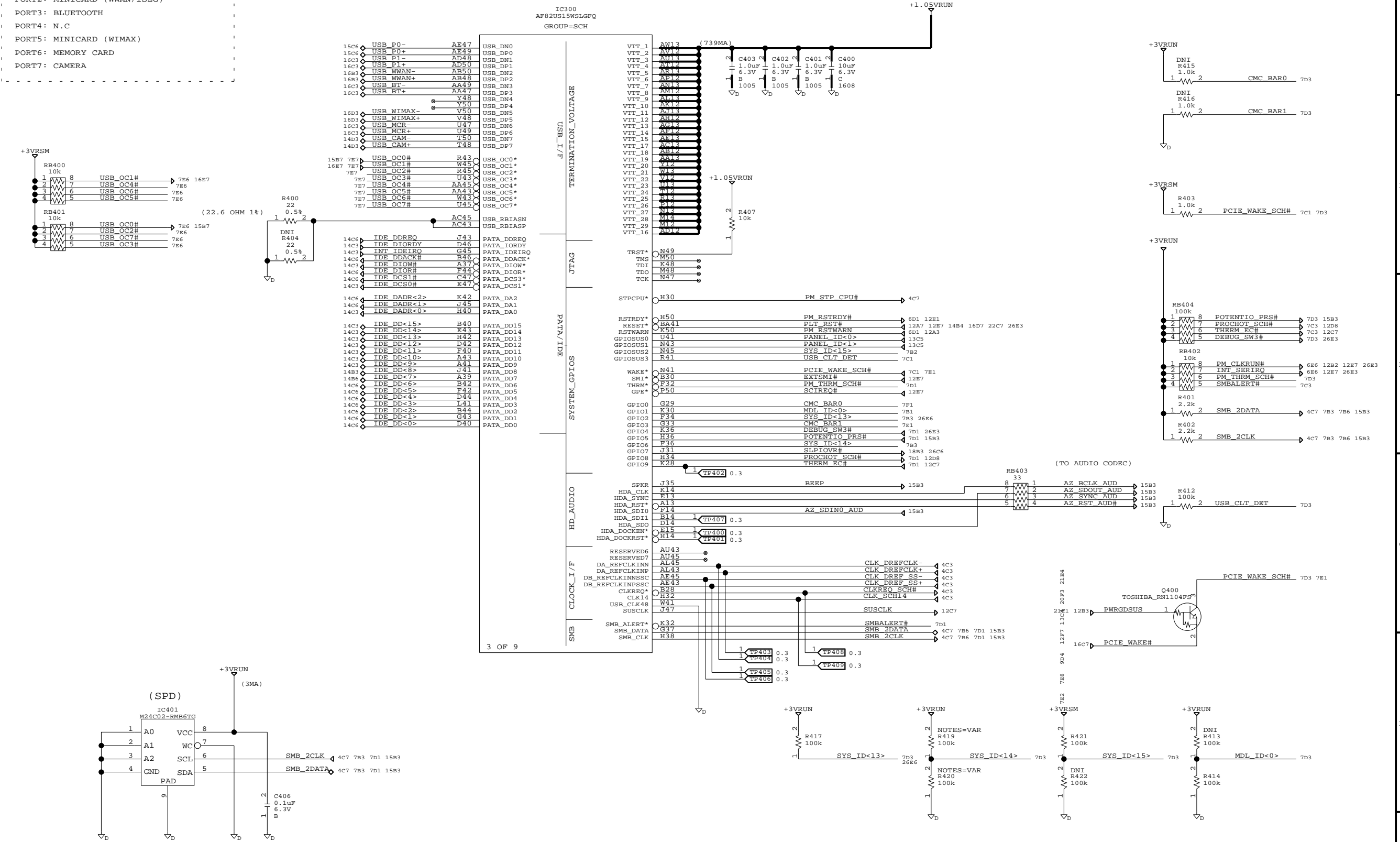
(REF: - 399)

SONY CORPORATION VAIO BUSINESS DIVISION		DRAWING: MBX-187 SCH (2/6)	
LAST_MODIFIED=Sat May 9 17:09:42 2009			
QTY	1	REV.	-
SIZE	C	DESIGNER	-
THIS DOCUMENT CONTAINS INFORMATION PROPRIETARY TO SONY CORPORATION (SONY). USE OR DISCLOSURE WITHOUT THE WRITTEN PERMISSION OF AN OFFICER OF SONY IS EXPRESSLY FORBIDDEN. COPYRIGHT (C) SONY CORPORATION 2009			PART NO. - SHEET 6 OF 27

SONY CONFIDENTIAL

REVISIONS				
ZONE	LTR	DESCRIPTION	DATE	APPR.

USB PORT ASSIGNMENT
 PORT0: MAIN UNIT CN (L)
 PORT1: MAIN UNIT CN (R)
 PORT2: MINICARD (WWAN/1SEG)
 PORT3: BLUETOOTH
 PORT4: N.C
 PORT5: MINICARD (WIMAX)
 PORT6: MEMORY CARD
 PORT7: CAMERA



(REF: 400-)

SONY CORPORATION VAIO BUSINESS DIVISION		DRAWING: MBX-187 SCH (3/6)	
LAST_MODIFIED=Sat May 9 17:09:42 2009			
QTY	1	REV.	PART NO.
DESIGNER	C	DESIGNER	(SCH-3) SHEET 7 OF 27

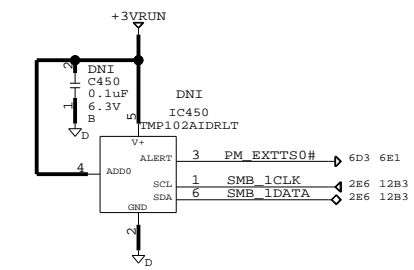
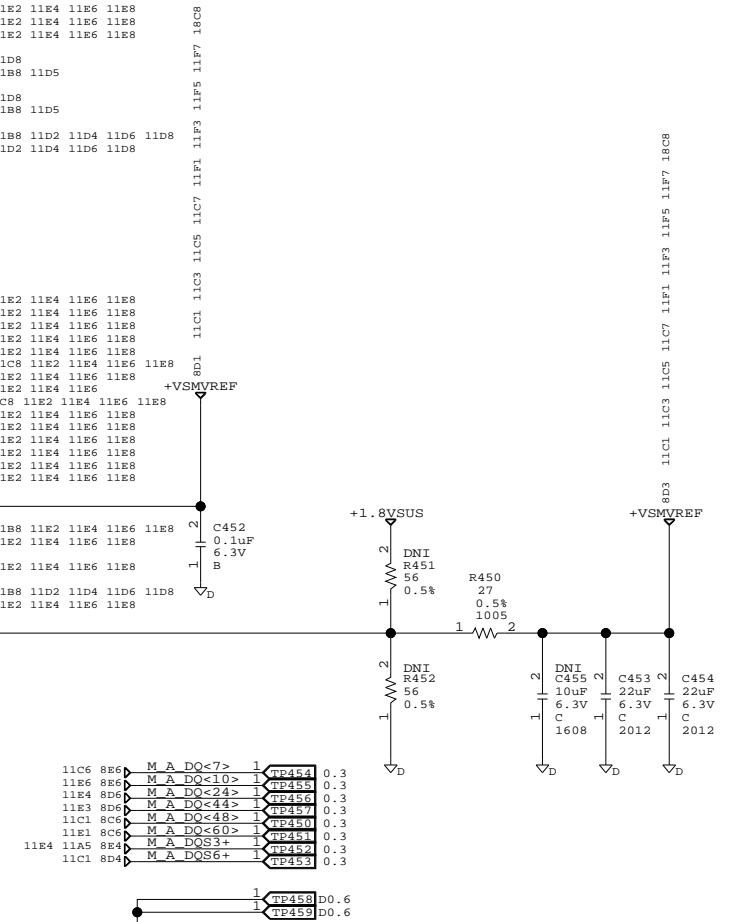
THIS DOCUMENT CONTAINS INFORMATION PROPRIETARY TO SONY CORPORATION (SONY). USE OR DISCLOSURE WITHOUT THE WRITTEN PERMISSION OF AN OFFICER OF SONY IS EXPRESSLY FORBIDDEN.
 COPYRIGHT (C) SONY CORPORATION 2009

SONY CONFIDENTIAL

REVISIONS				
ZONE	LTR	DESCRIPTION	DATE	APPR.

IC300
AF82US15WSLGFQ
GROUP=SCH

11C6	M A DO<0>	BG49	SM_DQ0	SM_BS0	BC27	M A BS<0>	11B2 11B4 11B6 11B8 11E2 11E4 11E6 11E8
11C6	M A DO<1>	BG47	SM_DQ1	SM_BS1	BE25	M A BS<1>	11B2 11B4 11B6 11B8 11E2 11E4 11E6 11E8
11C6	M A DO<2>	BE45	SM_DQ2	SM_BS2	BA35	M A BS<2>	11B2 11B4 11B6 11B8 11E2 11E4 11E6 11E8
11C6	M A DO<3>	BC43	SM_DQ3				
11C6	M A DO<4>	BE47	SM_DQ4	SM_CK0	BG45	M CLK0+	11D2 11D4 11D6 11D7 11D8
11C6	M A DO<5>	BC47	SM_DQ5	SM_CK1	BE11	M CLK1+	11A6 11B2 11B4 11B6 11B8 11D5
11C6	M A DO<6>	BC45	SM_DQ6				
11C6	M A DO<7>	BK44	SM_DQ7	SM_CK0*	BG45	M CLK0-	11D2 11D4 11D6 11D7 11D8
11E6	M A DO<8>	BK42	SM_DQ8	SM_CK1*	BG11	M CLK1-	11A6 11B2 11B4 11B6 11B8 11D5
11E6	M A DO<9>	BK41	SM_DQ9				
11E6	M A DO<10>	BK40	SM_DQ10	SM_CKE0	BE39	M CKE0	11A6 11B2 11B4 11B6 11B8 11D2 11D4 11D6 11D8
11E6	M A DO<11>	BC41	SM_DQ11	SM_CKE1	BE37	M CKE1	11B2 11B4 11B6 11B8 11D2 11D4 11D6 11D8
11E6	M A DO<12>	BG43	SM_DQ12				
11E6	M A DO<13>	BK43	SM_DQ13				
11E6	M A DO<14>	BJ39	SM_DQ14	SM_DQS0	BJ47	M A DQS0+	11C6
11E6	M A DO<15>	BG39	SM_DQ15	SM_DQS1	BJ41	M A DQS1+	11A5 11E6
11C5	M A DO<16>	BC39	SM_DQ16	SM_DQS2	BC37	M A DQS2+	11C5
11C5	M A DO<17>	BK38	SM_DQ17	SM_DQS3	BK32	M A DQS3+	8C3 11A5 11E4
11C5	M A DO<18>	BG37	SM_DQ18	SM_DQS4	BG27	M A DQS4+	11C3
11C5	M A DO<19>	BK36	SM_DQ19	SM_DQS5	BE23	M A DQS5+	11A5 11E3
11C5	M A DO<20>	BJ37	SM_DQ20	SM_DQS6	BK18	M A DQS6+	8C3 11C1
11C5	M A DO<21>	BG35	SM_DQ21	SM_DQS7	BG13	M A DQS7+	11A5 11E1
11C5	M A DO<22>	BJ35	SM_DQ22				
11C5	M A DO<23>	BC35	SM_DQ23	SM_MAO	BJ27	M A A<0>	11C2 11C4 11C6 11C8 11E2 11E4 11E6 11E8
11E4	M A DO<24>	BK34	SM_DQ24	SM_MA1	BA19	M A A<1>	11C2 11C4 11C6 11C8 11E2 11E4 11E6 11E8
11E4	M A DO<25>	BG31	SM_DQ25	SM_MA2	BA27	M A A<2>	11C2 11C4 11C6 11C8 11E2 11E4 11E6 11E8
11E4	M A DO<26>	BG33	SM_DQ26	SM_MA3	BA25	M A A<3>	11C2 11C4 11C6 11C8 11E2 11E4 11E6 11E8
11E4	M A DO<27>	BK30	SM_DQ27	SM_MA4	BE29	M A A<4>	11C2 11C4 11C6 11C8 11E2 11E4 11E6 11E8
11E4	M A DO<28>	BC33	SM_DQ28	SM_MA5	BC23	M A A<5>	11A6 11C2 11C4 11C6 11C8 11E2 11E4 11E6 11E8
11E4	M A DO<29>	BJ33	SM_DQ29	SM_MA6	BE31	M A A<6>	11C2 11C4 11C6 11C8 11E2 11E4 11E6 11E8
11E4	M A DO<30>	BJ31	SM_DQ30	SM_MA7	BA31	M A A<7>	11C2 11C4 11C6 11C8 11E2 11E4 11E6 11E8
11E4	M A DO<31>	BC31	SM_DQ31	SM_MA8	BA33	M A A<8>	11E8 11C2 11C4 11C6 11C8 11E2 11E4 11E6 11E8
11C3	M A DO<32>	BJ29	SM_DQ32	SM_MA9	BA29	M A A<9>	11C2 11C4 11C6 11C8 11E2 11E4 11E6 11E8
11C3	M A DO<33>	BK29	SM_DQ33	SM_MA10	BE17	M A A<10>	11C2 11C4 11C6 11C8 11E2 11E4 11E6 11E8
11C3	M A DO<34>	BK28	SM_DQ34	SM_MA11	BE35	M A A<11>	11C2 11C4 11C6 11C8 11E2 11E4 11E6 11E8
11C3	M A DO<35>	BC29	SM_DQ35	SM_MA12	BE33	M A A<12>	11C2 11C4 11C6 11C8 11E2 11E4 11E6 11E8
11C3	M A DO<36>	BE27	SM_DQ36	SM_MA13	BE19	M A A<13>	11C2 11C4 11C6 11C8 11E2 11E4 11E6 11E8
11C3	M A DO<37>	BK26	SM_DQ37	SM_MA14	BA37	M A A<14>	11C2 11C4 11C6 11C8 11E2 11E4 11E6 11E8
11C3	M A DO<38>	BG25	SM_DQ38				
11C3	M A DO<39>	BJ25	SM_DQ39	SM_VREF	BE43		
11E3	M A DO<40>	BC25	SM_DQ40				
11E3	M A DO<41>	BG23	SM_DQ41	SM_RAS*	BE21	M A RAS#	11A6 11B2 11B4 11B6 11B8 11E2 11E4 11E6 11E8
11E3	M A DO<42>	BK22	SM_DQ42	SM_CAS*	BA13	M A CAS#	11B2 11B4 11B6 11B8 11E2 11E4 11E6 11E8
11E3	M A DO<43>	BJ21	SM_DQ43	SM_WE*	BA17	M A WE#	11B2 11B4 11B6 11B8 11E2 11E4 11E6 11E8
11E3	M A DO<44>	BK24	SM_DQ44				
11E3	M A DO<45>	BJ23	SM_DQ45	SM_CS0*	BA23	M CS#0	11A6 11B2 11B4 11B6 11B8 11D2 11D4 11D6 11D8
11E3	M A DO<46>	BG21	SM_DQ46	SM_CS1*	BA15	M CS#1	11B2 11B4 11B6 11B8 11E2 11E4 11E6 11E8
11E3	M A DO<47>	BC21	SM_DQ47				
11C1	M A DO<48>	BK20	SM_DQ48	SM_RCMP0	BE13		
11C1	M A DO<49>	BJ19	SM_DQ49	SM_RCVENIN	BA39	=A RCVENIN#	1 SL450
11C1	M A DO<50>	BG17	SM_DQ50	SM_RCVENOUT	BE41	=A RCVENOUT#	1 2
11C1	M A DO<51>	BJ17	SM_DQ51				
11C1	M A DO<52>	BG19	SM_DQ52				
11C1	M A DO<53>	BC19	SM_DQ53				
11C1	M A DO<54>	BC17	SM_DQ54				
11C1	M A DO<55>	BK16	SM_DQ55				
11E1	M A DO<56>	BG15	SM_DQ56				
11E1	M A DO<57>	BC15	SM_DQ57				
11E1	M A DO<58>	BJ13	SM_DQ58				
11E1	M A DO<59>	BK12	SM_DQ59				
11E1	M A DO<60>	BK14	SM_DQ60				
11E1	M A DO<61>	BJ15	SM_DQ61				
11E1	M A DO<62>	BC13	SM_DQ62				
11E1	M A DO<63>	BC11	SM_DQ63				



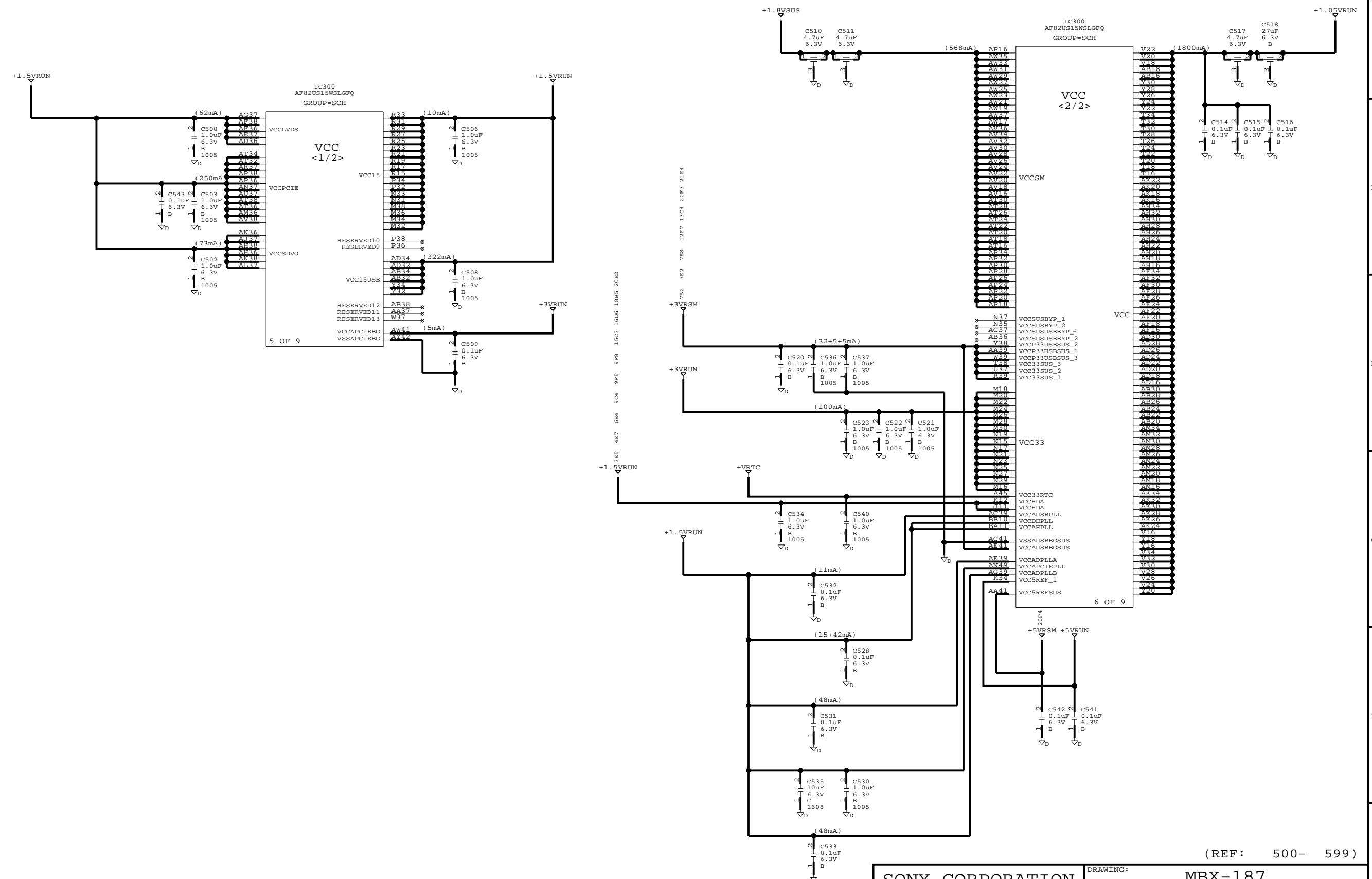
11C6 8E6	M A DO<7>	TP454	0.3
11E6 8E6	M A DO<10>	TP454	0.3
11E4 8D6	M A DO<24>	TP454	0.3
11E3 8D6	M A DO<44>	TP457	0.3
11C1 8C6	M A DO<48>	TP450	0.3
11E1 8C6	M A DO<60>	TP450	0.3
11E4 11A5 8E4	M A DQS3+	TP454	0.3
11C1 8D4	M A DQS6+	TP453	0.3

(REF: - 499)

SONY CORPORATION VAIO BUSINESS DIVISION		DRAWING: MBX-187 SCH (4/6)	
LAST_MODIFIED=Sat May 9 17:09:42 2009			
QTY	1	REV.	-
SIZE	C	DESIGNER	-
THIS DOCUMENT CONTAINS INFORMATION PROPRIETARY TO SONY CORPORATION (SONY). USE OR DISCLOSURE WITHOUT THE WRITTEN PERMISSION OF AN OFFICER OF SONY IS EXPRESSLY FORBIDDEN. COPYRIGHT (C) SONY CORPORATION 2009			(SCH-4) SHEET 8 OF 27

SONY CONFIDENTIAL

REVISIONS				
ZONE	LTR	DESCRIPTION	DATE	APPR.

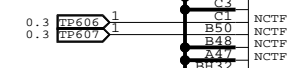
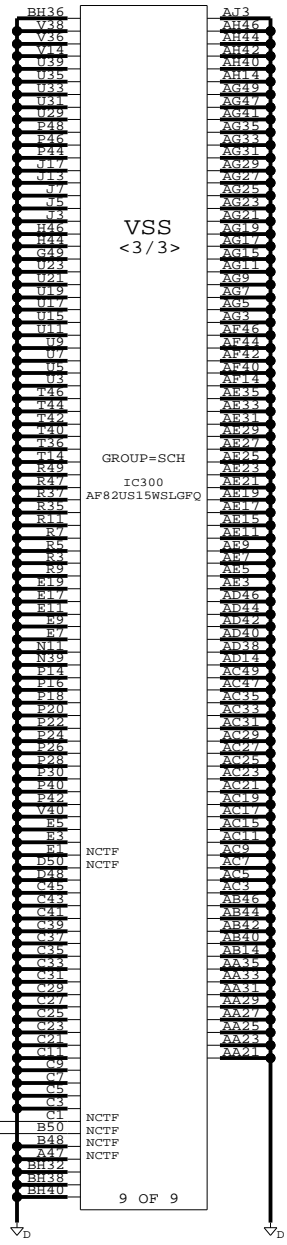
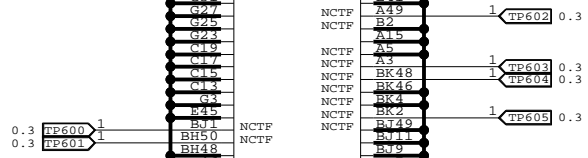
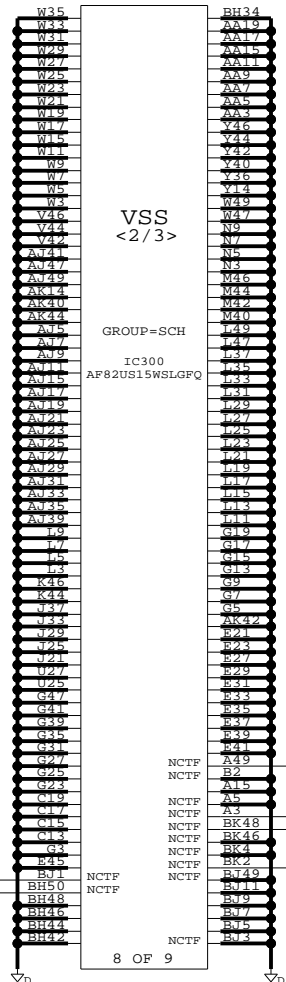
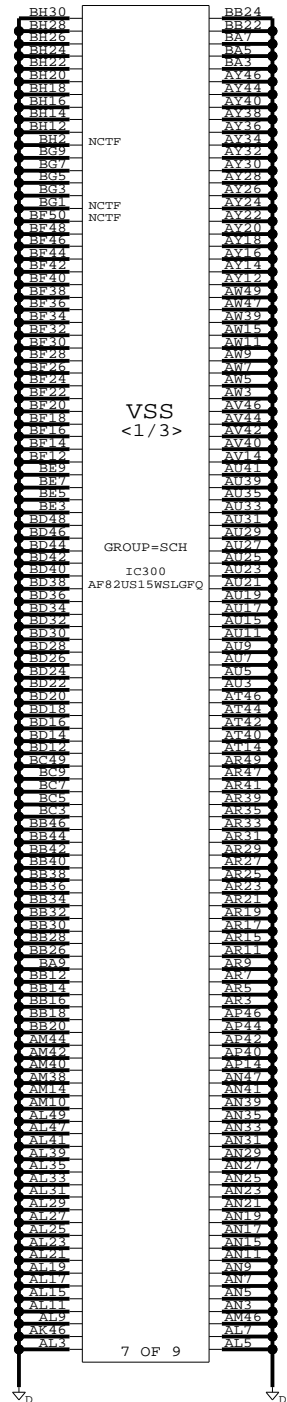


(REF: 500- 599)

SONY CORPORATION VAIO BUSINESS DIVISION		DRAWING: MBX-187	
		SCH (5/6)	
LAST_MODIFIED=Sat May 9 17:09:43 2009			
QTY	1	REV.	PART NO.
DESIGNER	C		
THIS DOCUMENT CONTAINS INFORMATION PROPRIETARY TO SONY CORPORATION (SONY). USE OR DISCLOSURE WITHOUT THE WRITTEN PERMISSION OF AN OFFICER OF SONY IS EXPRESSLY FORBIDDEN. COPYRIGHT (C) SONY CORPORATION 2009			(SCH-5) SHEET 9 OF 27

SONY CONFIDENTIAL

REVISIONS				
ZONE	LTR	DESCRIPTION	DATE	APPR.

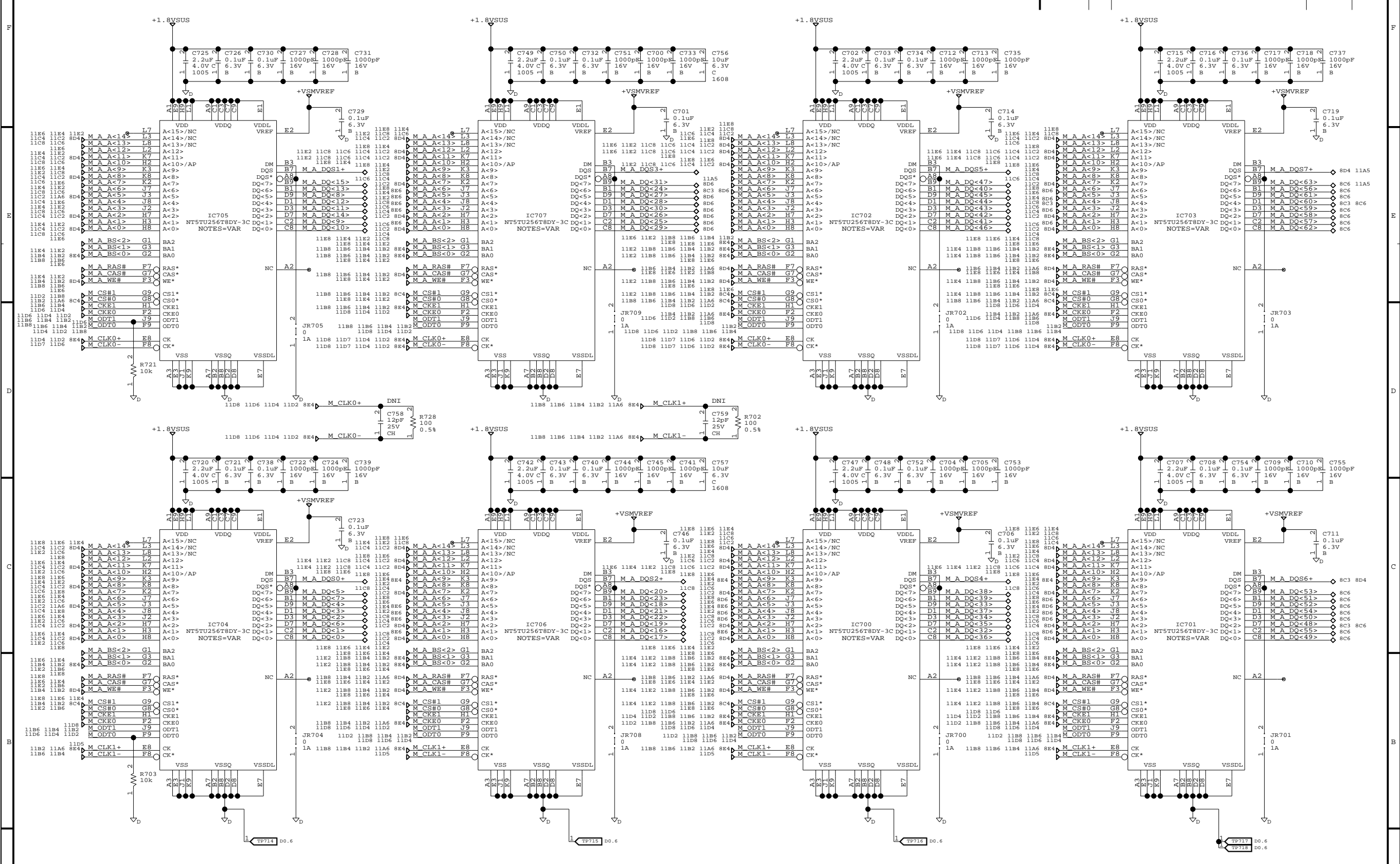


(REF: 600- 699)

SONY CORPORATION VAIO BUSINESS DIVISION	DRAWING: MBX-187 SCH (6/6)		
	LAST_MODIFIED=Sat May 9 17:09:43 2009		
THIS DOCUMENT CONTAINS INFORMATION PROPRIETARY TO SONY CORPORATION (SONY). USE OR DISCLOSURE WITHOUT THE WRITTEN PERMISSION OF AN OFFICER OF SONY IS EXPRESSLY FORBIDDEN. COPYRIGHT (C) SONY CORPORATION 2009	QTY 1	REV.	PART NO.
SIZE C	DESIGNER		(SCH-6) SHEET 10 OF 27

SONY CONFIDENTIAL

REVISIONS				
ZONE	LTR	DESCRIPTION	DATE	APPR.



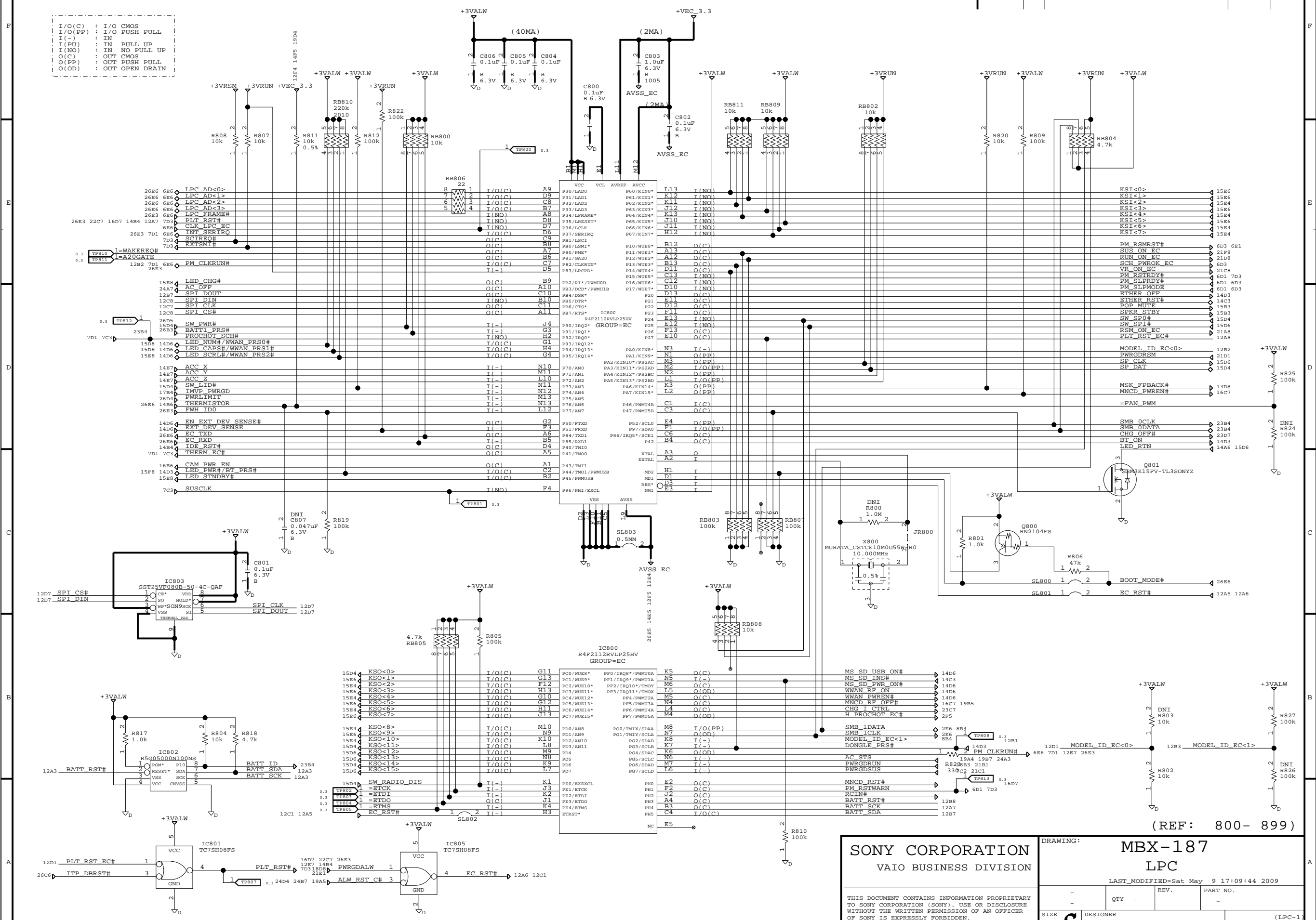
(REF: 700- 799)

SONY CORPORATION VAIO BUSINESS DIVISION		DRAWING: MBX-187 DDR2 MEMORY	
THIS DOCUMENT CONTAINS INFORMATION PROPRIETARY TO SONY CORPORATION (SONY). USE OR DISCLOSURE WITHOUT THE WRITTEN PERMISSION OF AN OFFICER OF SONY IS EXPRESSLY FORBIDDEN. COPYRIGHT (C) SONY CORPORATION 2009		LAST_MODIFIED=Sat May 9 17:09:43 2009	PART NO.
SIZE C	DESIGNER	QTY 1	REV.
SHEET 13 OF 27		(MEMORY-1)	

SONY CONFIDENTIAL

REVISIONS				
ZONE	LTR	DESCRIPTION	DATE	APPR.

- I/O(C) : I/O CMOS
- I/O(PP) : I/O PUSH PULL
- I(-) : IN
- I(PU) : IN PULL UP
- I(NO) : IN NO PULL UP
- O(C) : OUT CMOS
- O(PP) : OUT PUSH PULL
- O(OD) : OUT OPEN DRAIN



(REF: 800- 899)

SONY CORPORATION
VAIO BUSINESS DIVISION

MBX-187
LPC

LAST_MODIFIED=Sat May 9 17:09:44 2009

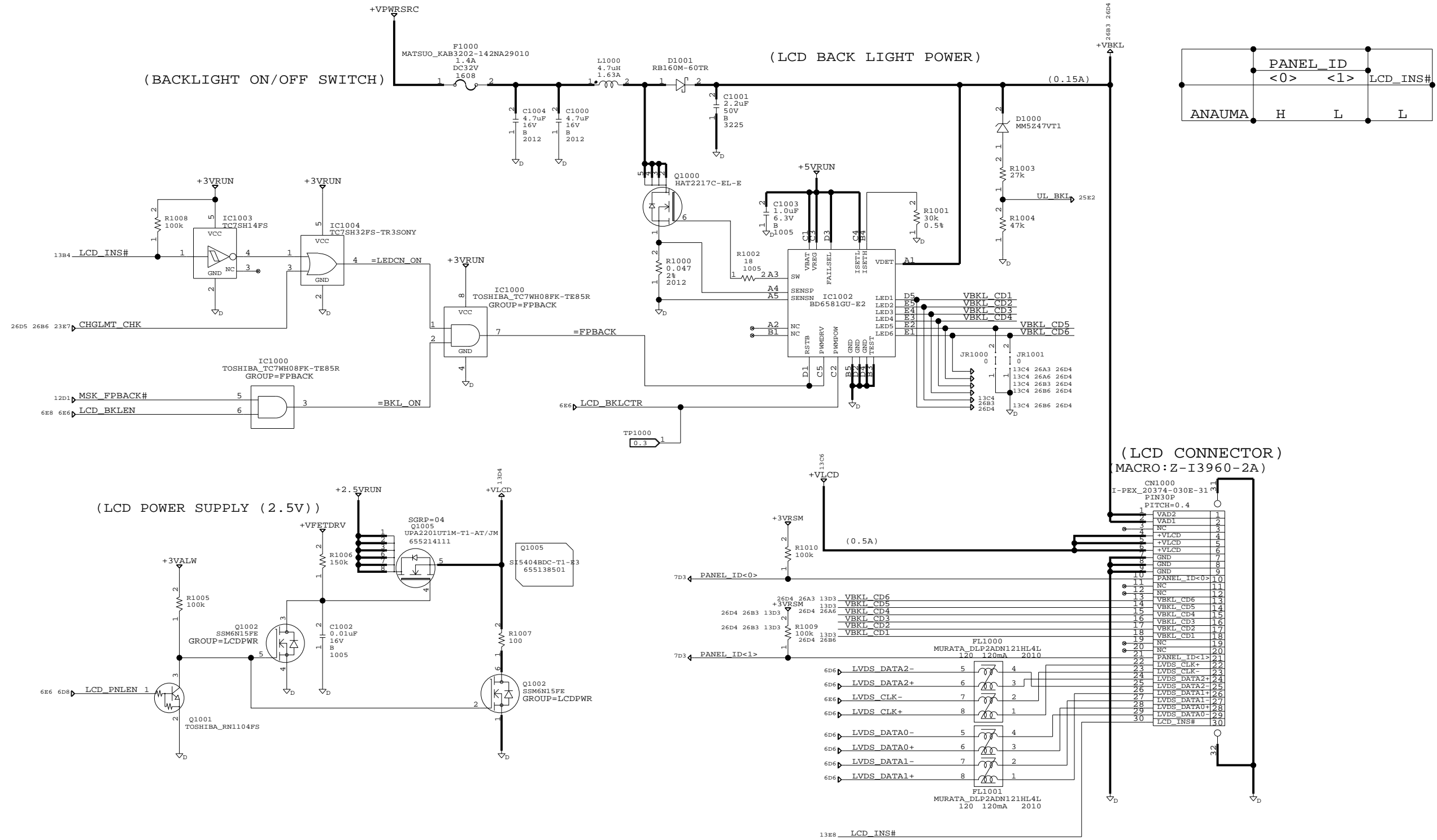
THIS DOCUMENT CONTAINS INFORMATION PROPRIETARY TO SONY CORPORATION (SONY). USE OR DISCLOSURE WITHOUT THE WRITTEN PERMISSION OF AN OFFICER OF SONY IS EXPRESSLY FORBIDDEN.
COPYRIGHT (C) SONY CORPORATION 2009

SIZE	DESIGNER	REV.	PART NO.
C	-	-	-

(LPC-1)
SHEET 12 OF 27

SONY CONFIDENTIAL

REVISIONS				
ZONE	LTR	DESCRIPTION	DATE	APPR.



PANEL_ID	<0>	<1>	LCD_INS#
ANAUMA	H	L	L

(LCD CONNECTOR)
(MACRO: Z-I3960-2A)

1	VAD2	1
2	VAD1	2
3	NC	3
4	+VLCD	4
5	+VLCD	5
6	+VLCD	6
7	GND	7
8	GND	8
9	GND	9
10	PANEL_ID<0>	10
11	NC	11
12	NC	12
13	VBKL_CD6	13
14	VBKL_CD5	14
15	VBKL_CD4	15
16	VBKL_CD3	16
17	VBKL_CD2	17
18	VBKL_CD1	18
19	NC	19
20	NC	20
21	PANEL_ID<1>	21
22	LVDS_CLK+	22
23	LVDS_CLK-	23
24	LVDS_DATA2+	24
25	LVDS_DATA2-	25
26	LVDS_DATA1+	26
27	LVDS_DATA1-	27
28	LVDS_DATA0+	28
29	LVDS_DATA0-	29
30	LCD_INS#	30

(REF: 1000- 1099)

SONY CORPORATION
VAIO BUSINESS DIVISION

DRAWING: MBX-187
LCD BACKLIGHT CTRL & LCD IF
LAST_MODIFIED=Sat May 9 17:09:44 2009

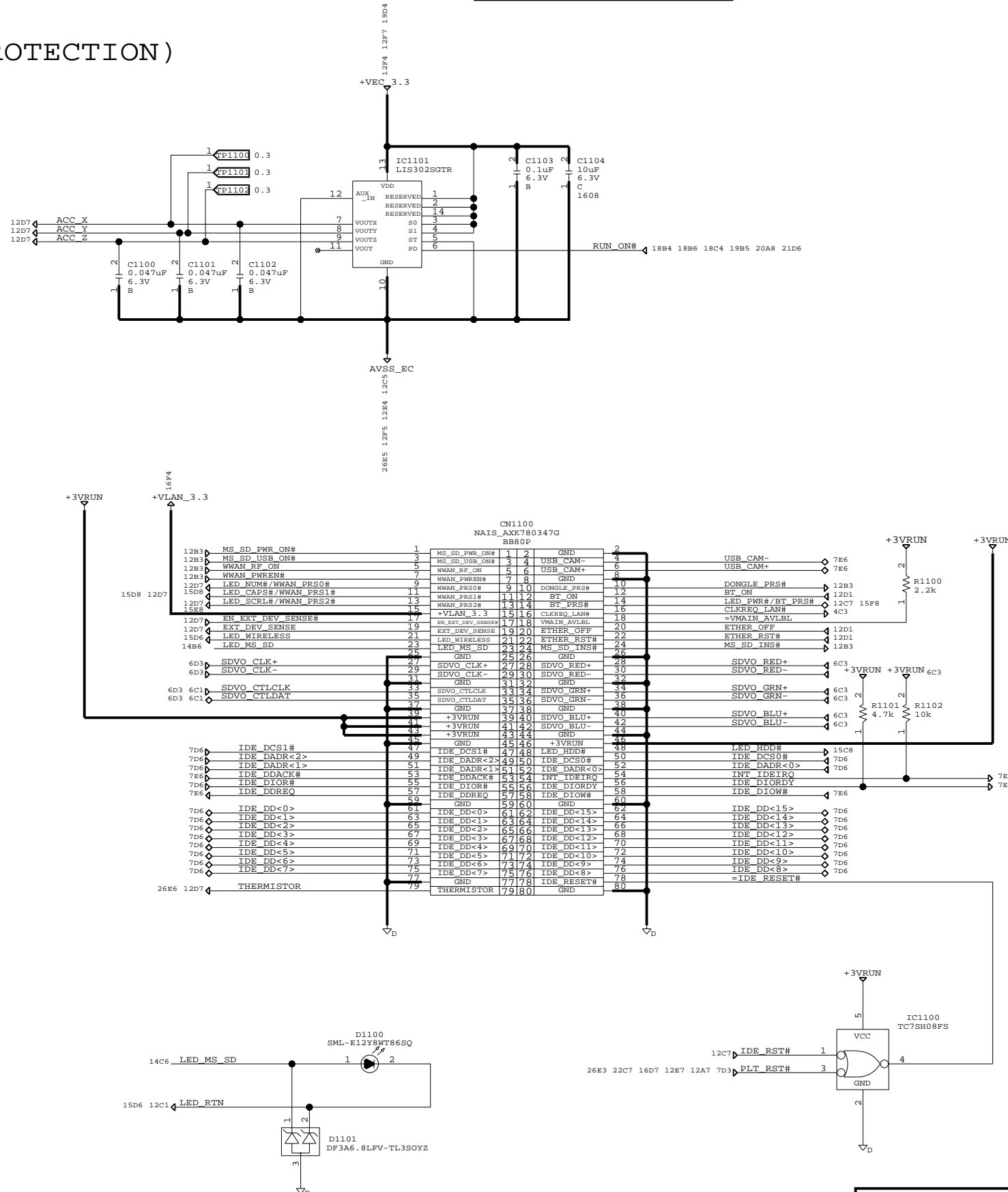
THIS DOCUMENT CONTAINS INFORMATION PROPRIETARY TO SONY CORPORATION (SONY). USE OR DISCLOSURE WITHOUT THE WRITTEN PERMISSION OF AN OFFICER OF SONY IS EXPRESSLY FORBIDDEN.
COPYRIGHT (C) SONY CORPORATION 2009

QTY	1	REV.		PART NO.	
SIZE	C	DESIGNER			(IF-1) SHEET 13 OF 27

SONY CONFIDENTIAL

REVISIONS				
ZONE	LTR	DESCRIPTION	DATE	APPR.

(HDD PROTECTION)



<+3VRUN> HDD/SSD : 0.6A
 VGA : 0.5A

 TTL : 1.1A < 1.2A (0.3 X 4P)

HDD : 3V 545MA

(REF: 1100- 1199)

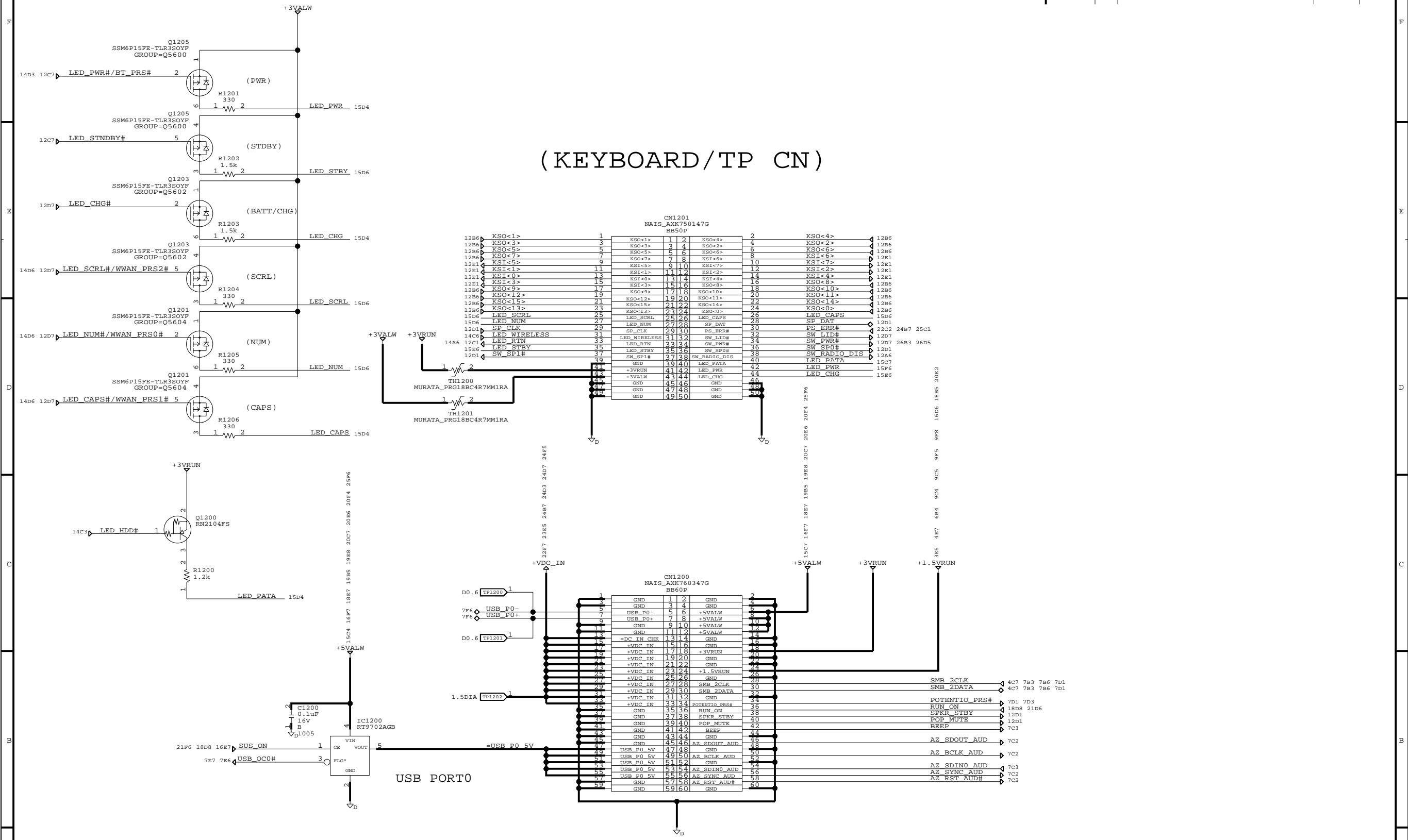
SONY CORPORATION VAIO BUSINESS DIVISION		DRAWING: MBX-187 IDE (HDD)	
LAST_MODIFIED=Sat May 9 17:09:44 2009			
	QTY 1	REV.	PART NO.
SIZE C	DESIGNER		(IF-2)
			SHEET 14 OF 27

THIS DOCUMENT CONTAINS INFORMATION PROPRIETARY TO SONY CORPORATION (SONY). USE OR DISCLOSURE WITHOUT THE WRITTEN PERMISSION OF AN OFFICER OF SONY IS EXPRESSLY FORBIDDEN.
 COPYRIGHT (C) SONY CORPORATION 2009

SONY CONFIDENTIAL

REVISIONS				
ZONE	LTR	DESCRIPTION	DATE	APPR.

(KEYBOARD/TP CN)

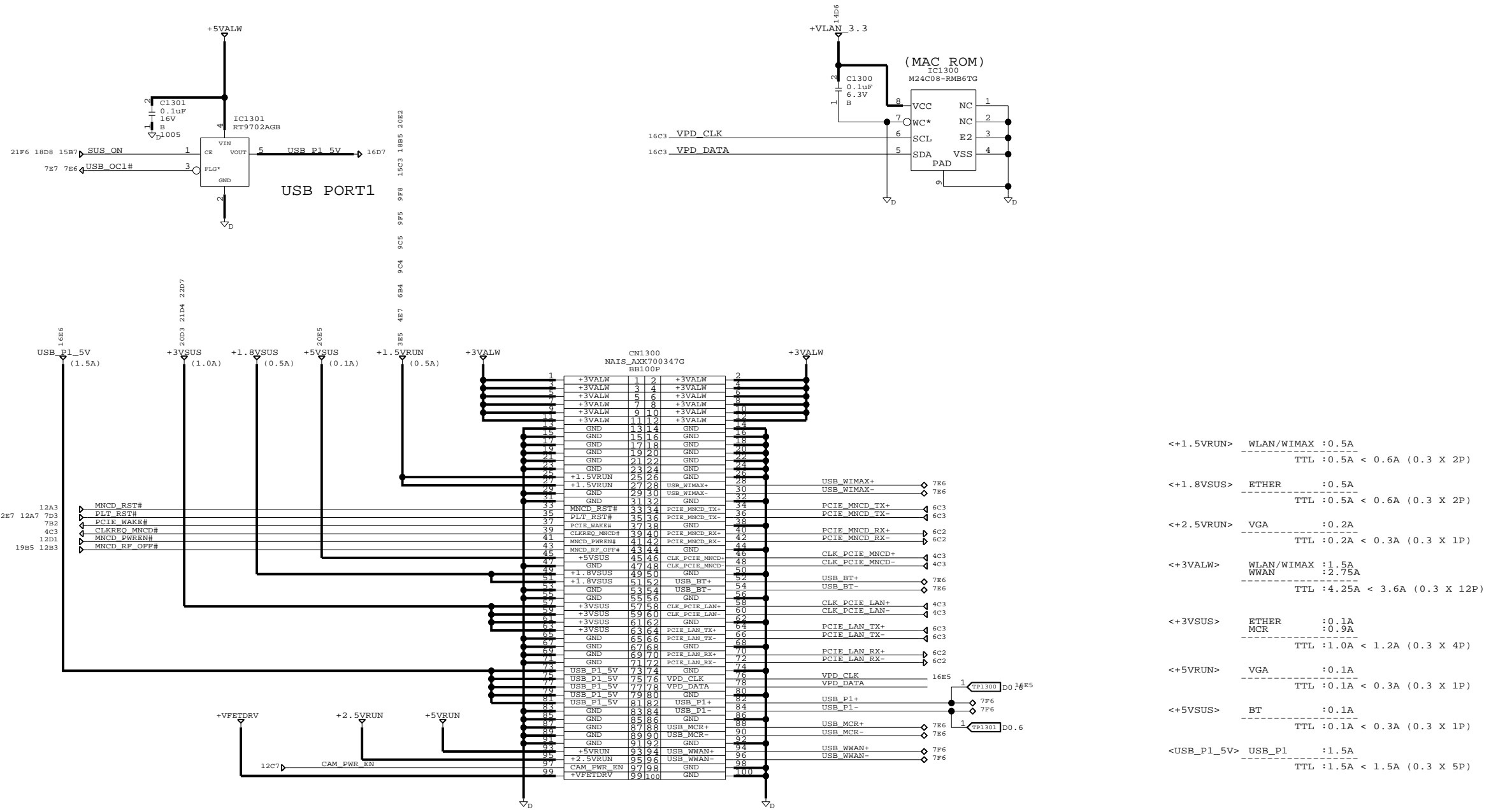


(REF: 1200- 1299)

SONY CORPORATION VAIO BUSINESS DIVISION		MBX-187 CNX-422 & SWX-298 IF	
LAST_MODIFIED=Sat May 9 17:09:44 2009			
SIZE	DESIGNER	REV.	PART NO.
C	-	-	-
THIS DOCUMENT CONTAINS INFORMATION PROPRIETARY TO SONY CORPORATION (SONY). USE OR DISCLOSURE WITHOUT THE WRITTEN PERMISSION OF AN OFFICER OF SONY IS EXPRESSLY FORBIDDEN. COPYRIGHT (C) SONY CORPORATION 2009			(IF-3) SHEET 15 OF 27

SONY CONFIDENTIAL

REVISIONS				
ZONE	LTR	DESCRIPTION	DATE	APPR.



(REF: 1300- 1399)

SONY CORPORATION
VAIO BUSINESS DIVISION

DRAWING: MBX-187
IFX-522 IF
LAST_MODIFIED=Sat May 9 17:09:45 2009

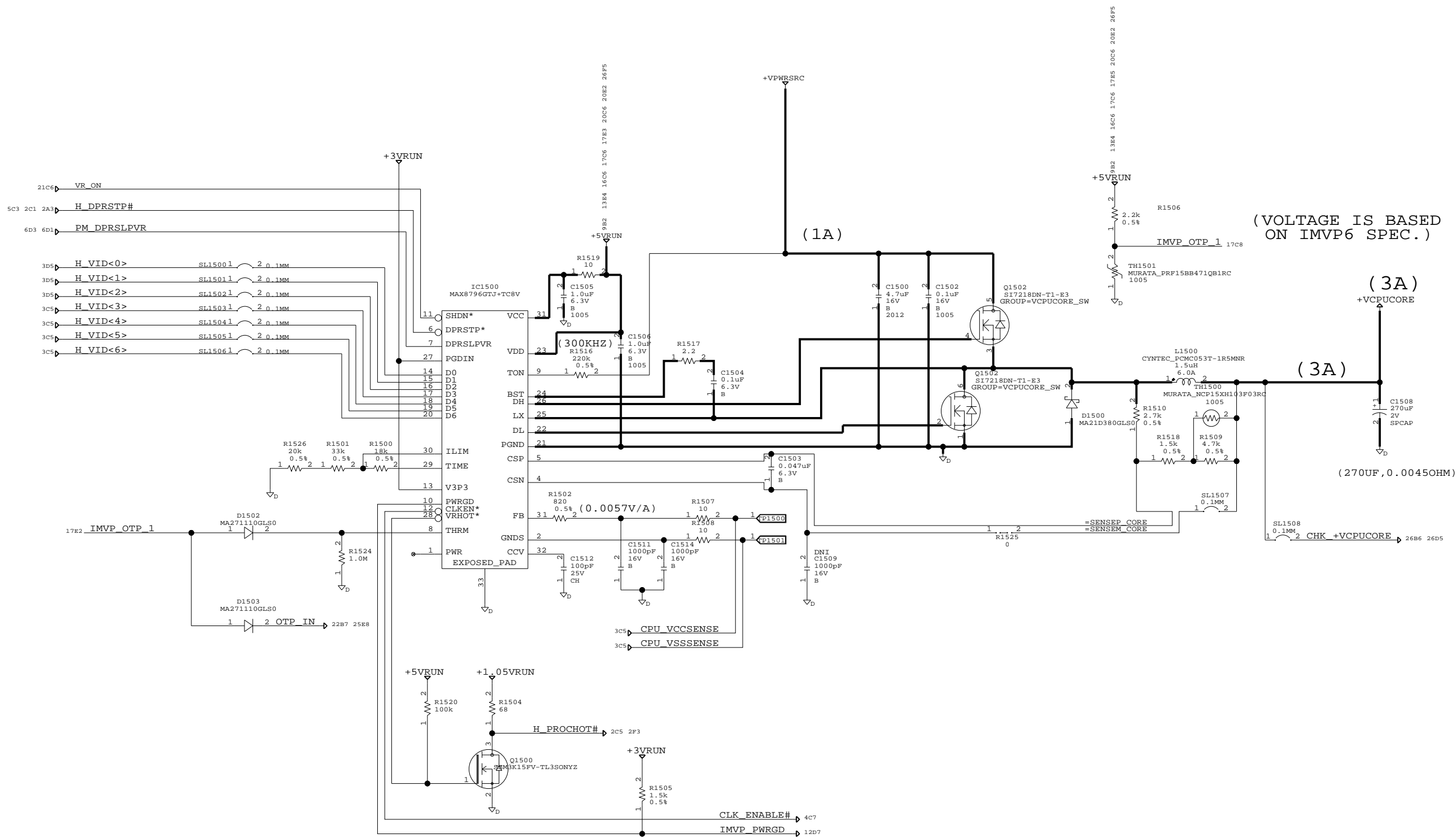
THIS DOCUMENT CONTAINS INFORMATION PROPRIETARY TO SONY CORPORATION (SONY). USE OR DISCLOSURE WITHOUT THE WRITTEN PERMISSION OF AN OFFICER OF SONY IS EXPRESSLY FORBIDDEN.
COPYRIGHT (C) SONY CORPORATION 2009

SIZE	DESIGNER	REV.	PART NO.
C	-	-	-

(IF-4)
SHEET 16 OF 27

SONY CONFIDENTIAL

REVISIONS				
ZONE	LTR	DESCRIPTION	DATE	APPR.



(VOLTAGE IS BASED ON IMVP6 SPEC.)

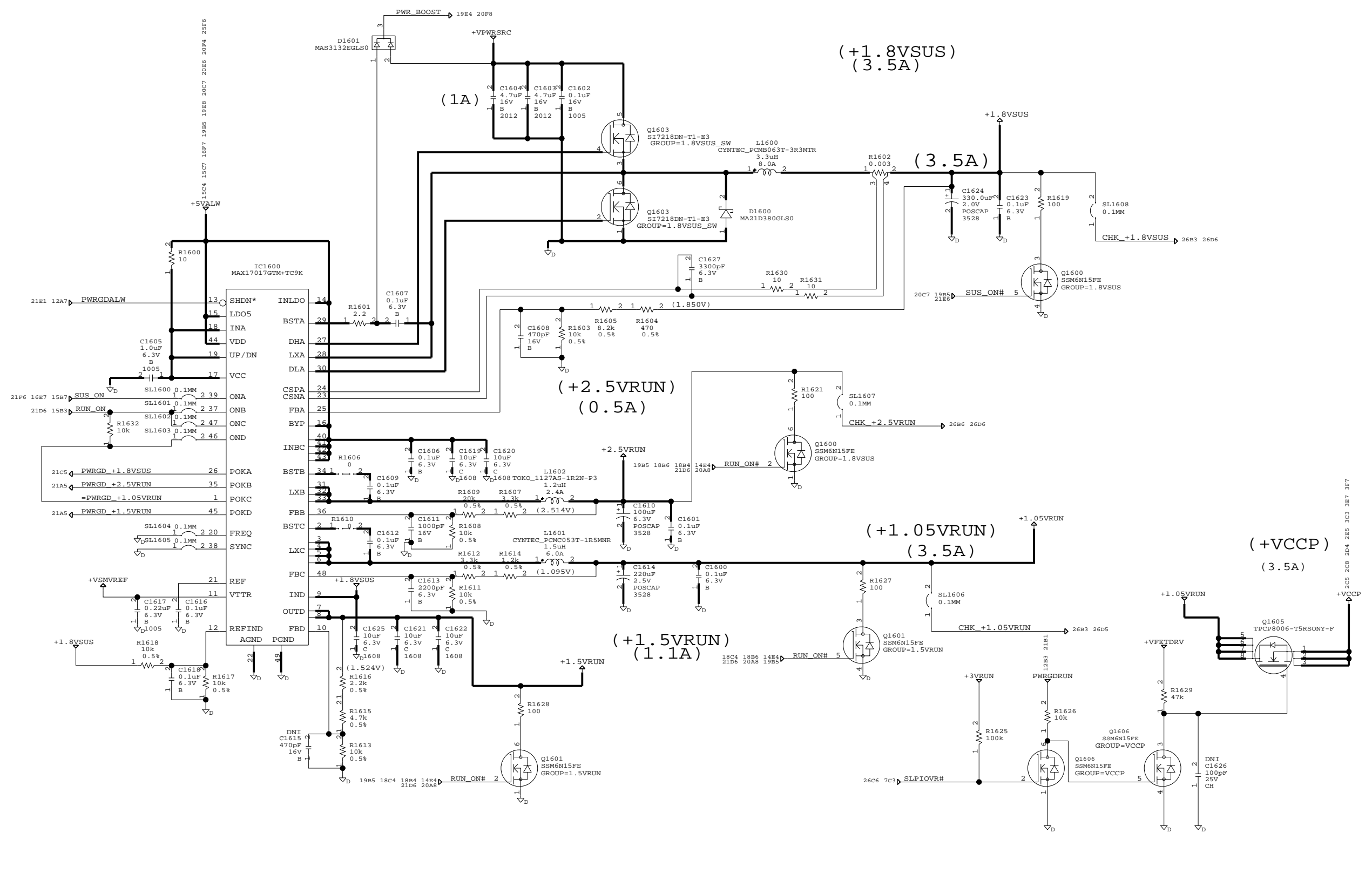
(270UF, 0.0045OHM)

(REF: 1500- 1599)

SONY CORPORATION VAIO BUSINESS DIVISION		DRAWING: MBX-187 +VCPUCORE	
LAST_MODIFIED=Sat May 9 17:09:45 2009			
QTY	REV.	PART NO.	
1			
SIZE	DESIGNER		(POWER-1) SHEET 17 OF 27
C			

SONY CONFIDENTIAL

REVISIONS				
ZONE	LTR	DESCRIPTION	DATE	APPR.

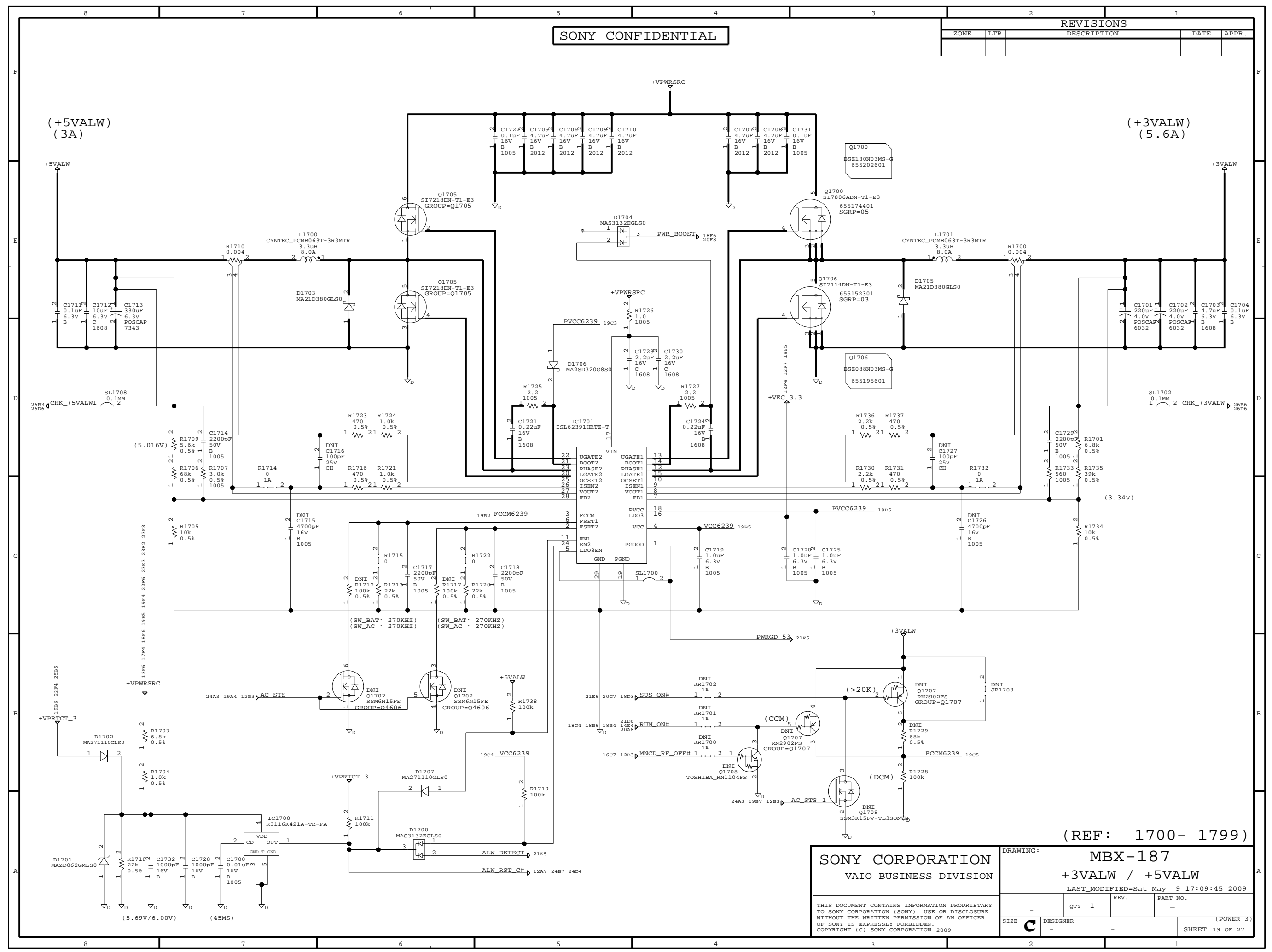


(REF: 1600- 1699)

SONY CORPORATION VAIO BUSINESS DIVISION		DRAWING: MBX-187 +1.8VSUS/+2.5VRUN/+1.05VRUN/+1.5VRUN LAST_MODIFIED=Sat May 9 17:09:45 2009	
THIS DOCUMENT CONTAINS INFORMATION PROPRIETARY TO SONY CORPORATION (SONY). USE OR DISCLOSURE WITHOUT THE WRITTEN PERMISSION OF AN OFFICER OF SONY IS EXPRESSLY FORBIDDEN. COPYRIGHT (C) SONY CORPORATION 2009		QTY 1 REV. - PART NO. - DESIGNER - SHEET 18 OF 27	(POWER-2) SHEET 18 OF 27

SONY CONFIDENTIAL

REVISIONS				
ZONE	LTR	DESCRIPTION	DATE	APPR.



(REF: 1700- 1799)

SONY CORPORATION
VAIO BUSINESS DIVISION

DRAWING: **MBX-187**
+3VALW / +5VALW
LAST_MODIFIED=Sat May 9 17:09:45 2009

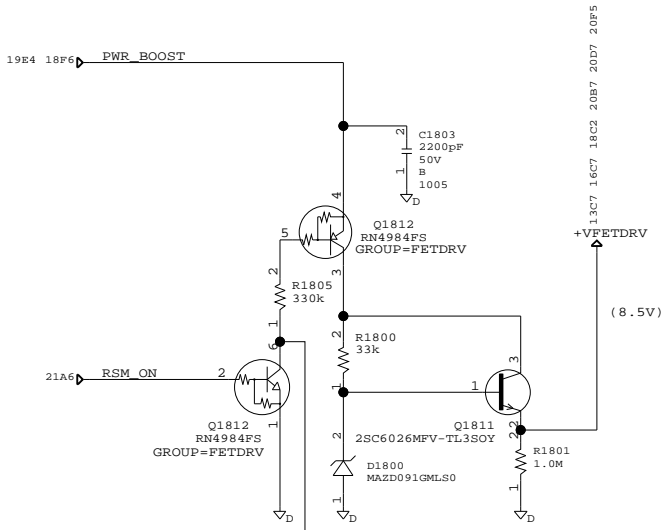
THIS DOCUMENT CONTAINS INFORMATION PROPRIETARY TO SONY CORPORATION (SONY). USE OR DISCLOSURE WITHOUT THE WRITTEN PERMISSION OF AN OFFICER OF SONY IS EXPRESSLY FORBIDDEN.
COPYRIGHT (C) SONY CORPORATION 2009

QTY	1	REV.		PART NO.	
DESIGNER					
SIZE	C				
					(POWER-3)
					SHEET 19 OF 27

SONY CONFIDENTIAL

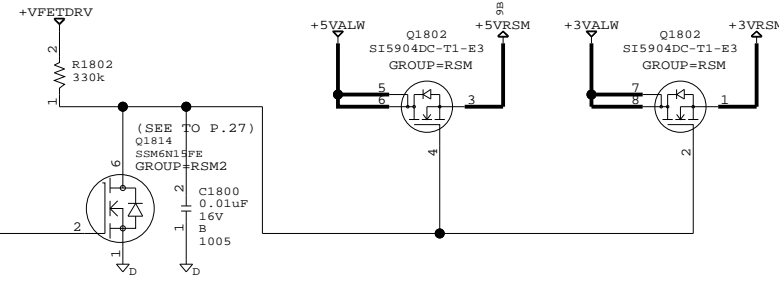
REVISIONS				
ZONE	LTR	DESCRIPTION	DATE	APPR.

(+VFETDRV)



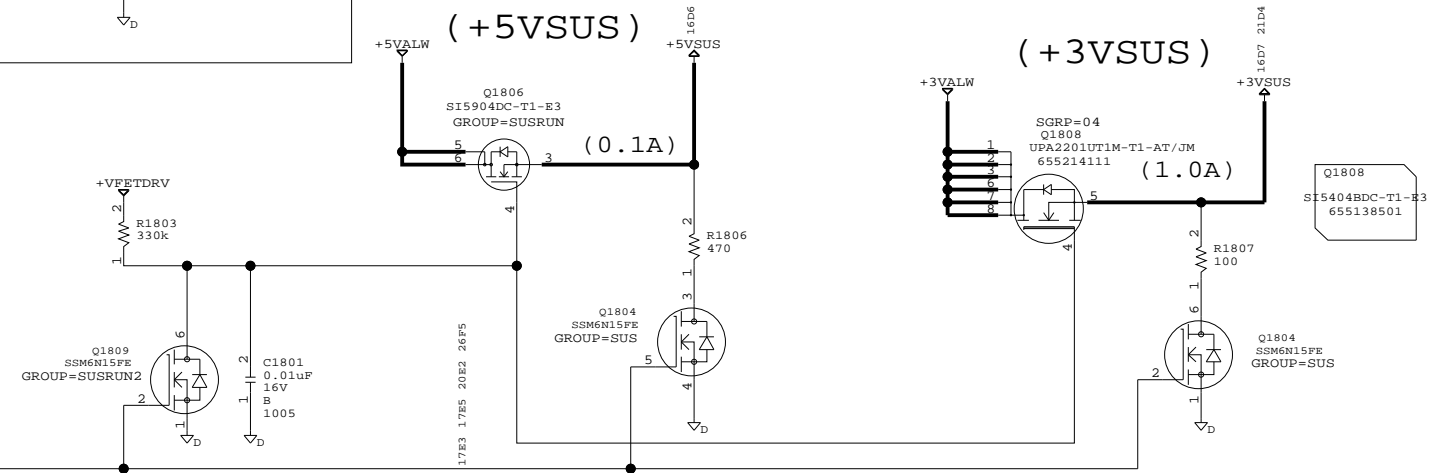
(+5VRSM)
(0.1A)

(+3VRSM)
(0.1A)



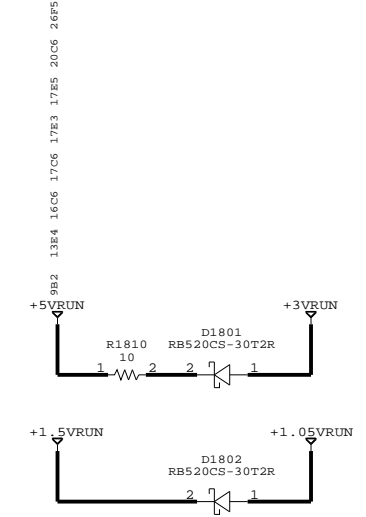
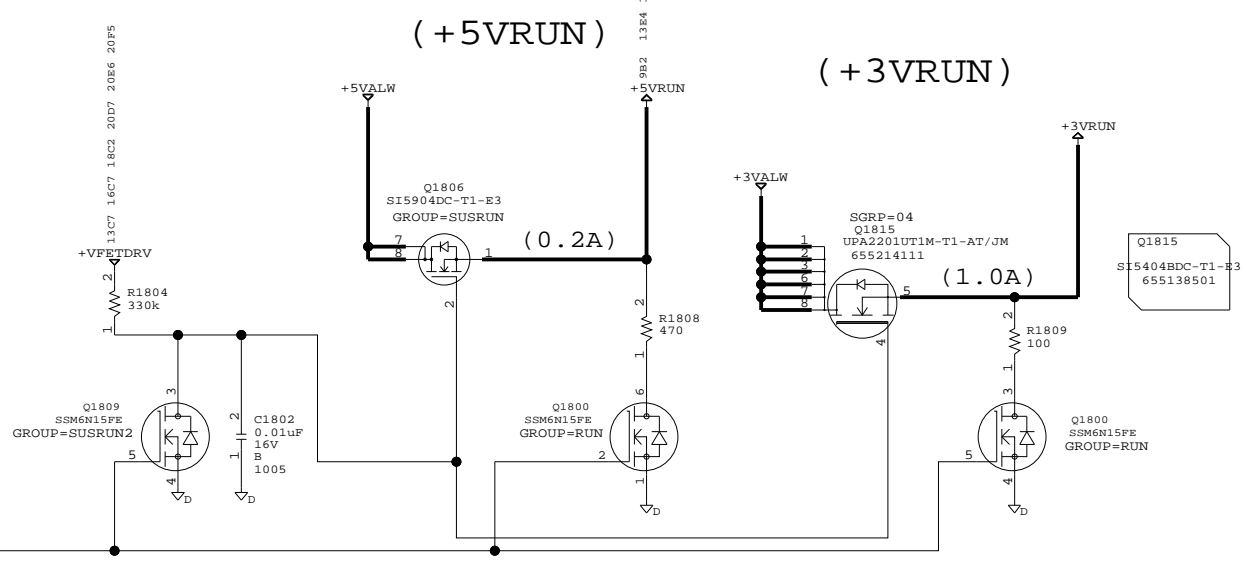
(+5VSUS)
(0.1A)

(+3VSUS)
(1.0A)



(+5VRUN)
(0.2A)

(+3VRUN)
(1.0A)



(REF: 1800- 1899)

SONY CORPORATION
VAIO BUSINESS DIVISION

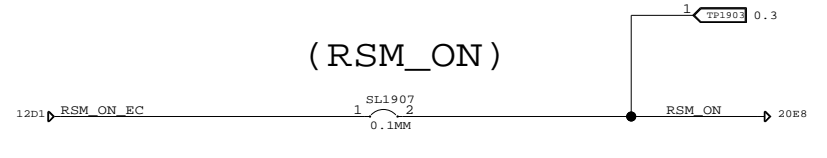
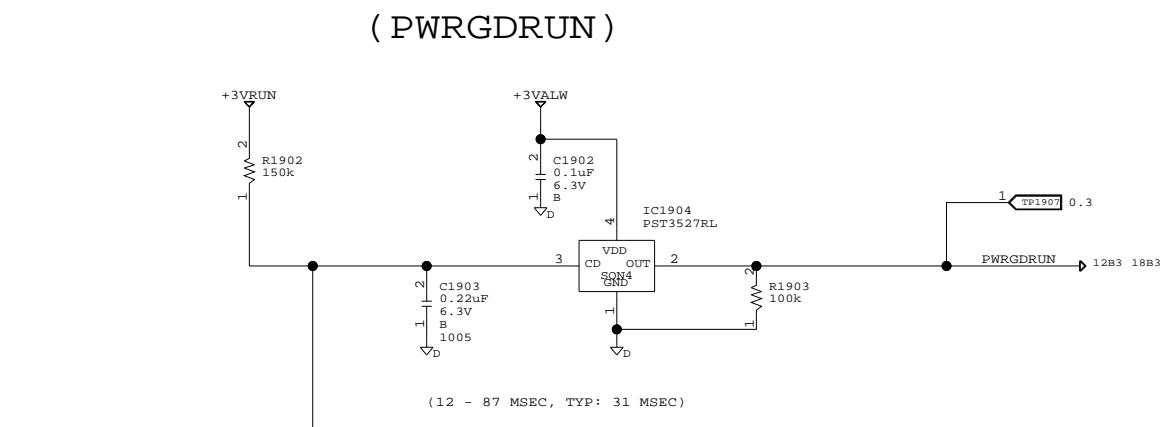
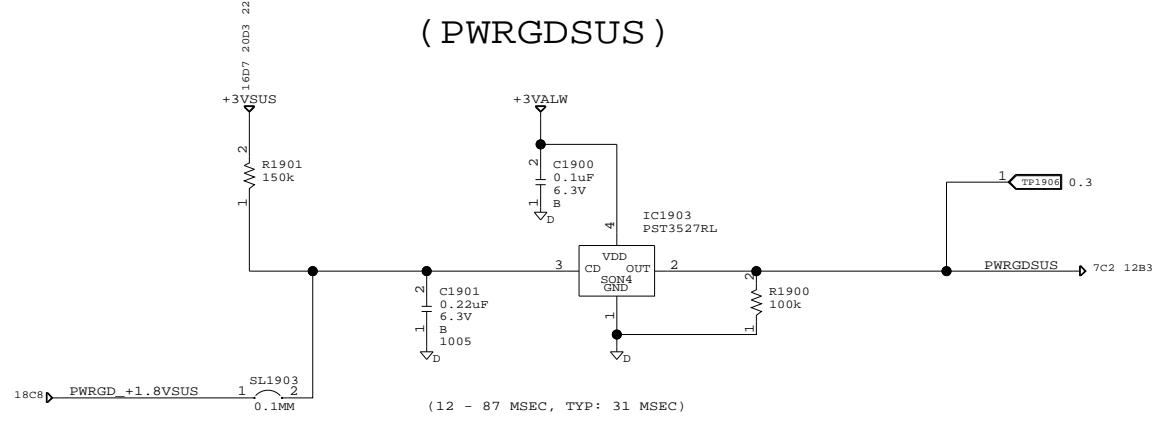
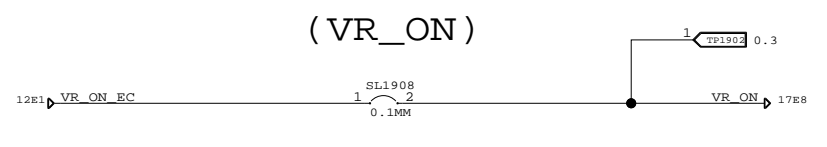
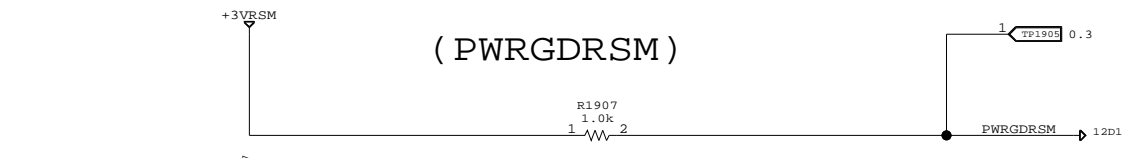
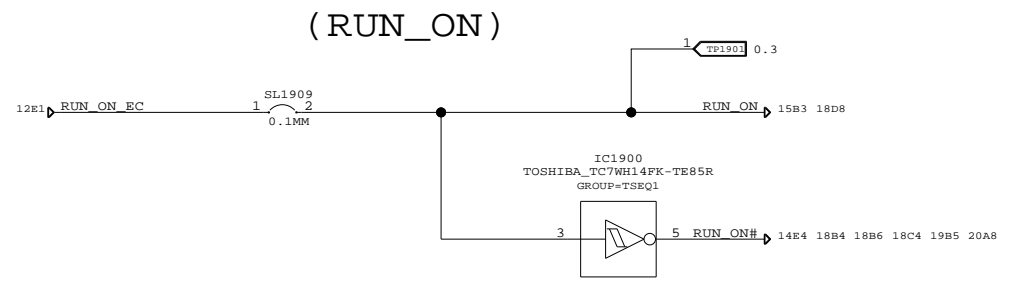
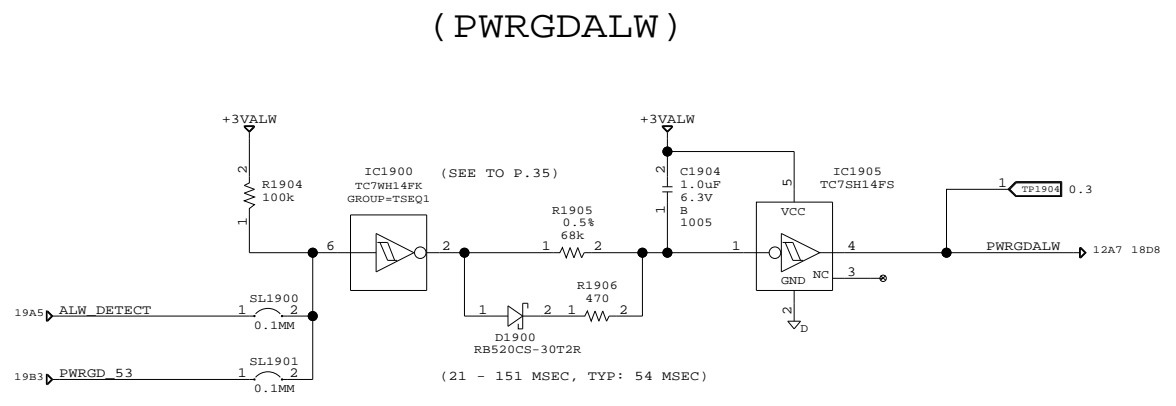
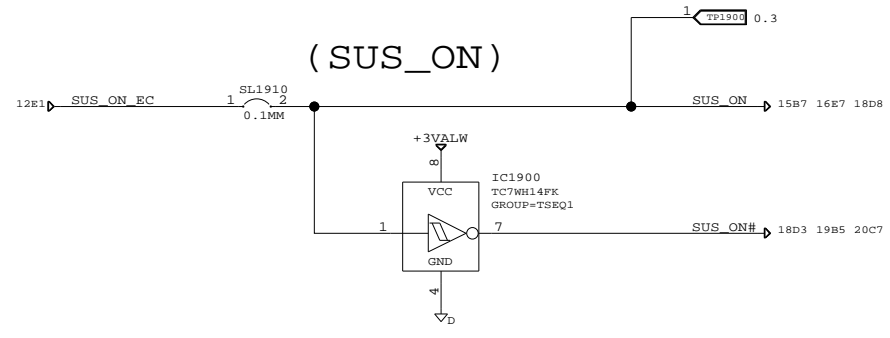
DRAWING: MBX-187
LOAD SW

THIS DOCUMENT CONTAINS INFORMATION PROPRIETARY TO SONY CORPORATION (SONY). USE OR DISCLOSURE WITHOUT THE WRITTEN PERMISSION OF AN OFFICER OF SONY IS EXPRESSLY FORBIDDEN.
COPYRIGHT (C) SONY CORPORATION 2009

LAST_MODIFIED=Sat May 9 17:09:45 2009	PART NO.
QTY 1	REV.
DESIGNER	
	(POWER-4) SHEET 20 OF 27

SONY CONFIDENTIAL

REVISIONS				
ZONE	LTR	DESCRIPTION	DATE	APPR.

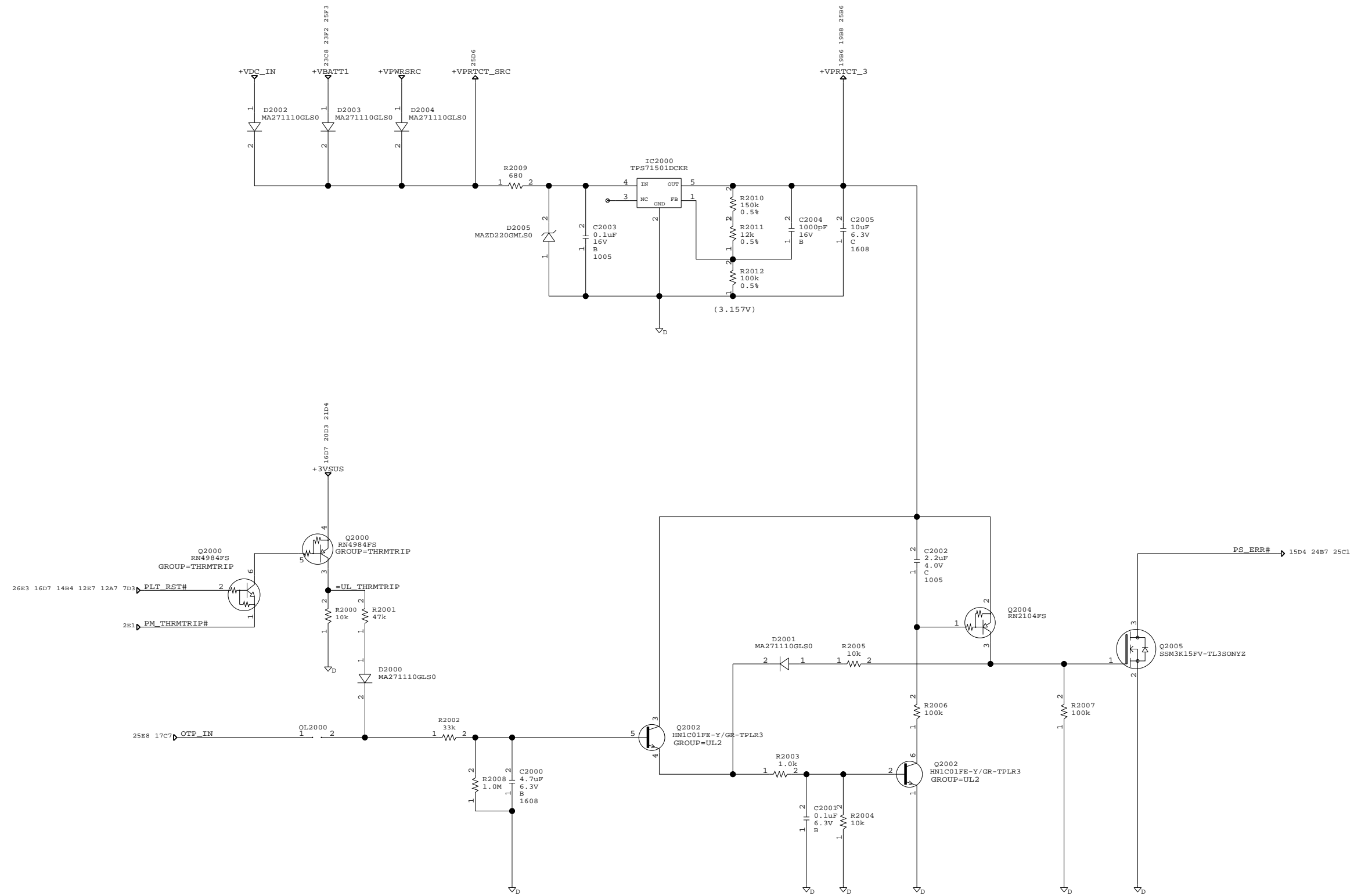


(REF: 1900- 1999)

SONY CORPORATION VAIO BUSINESS DIVISION		DRAWING: MBX-187 TIMING SEQUENCER	
LAST_MODIFIED=Sat May 9 17:09:46 2009			
QTY	1	REV.	PART NO.
DESIGNER			
THIS DOCUMENT CONTAINS INFORMATION PROPRIETARY TO SONY CORPORATION (SONY). USE OR DISCLOSURE WITHOUT THE WRITTEN PERMISSION OF AN OFFICER OF SONY IS EXPRESSLY FORBIDDEN. COPYRIGHT (C) SONY CORPORATION 2009			(POWER-5) SHEET 21 OF 27

SONY CONFIDENTIAL

REVISIONS				
ZONE	LTR	DESCRIPTION	DATE	APPR.

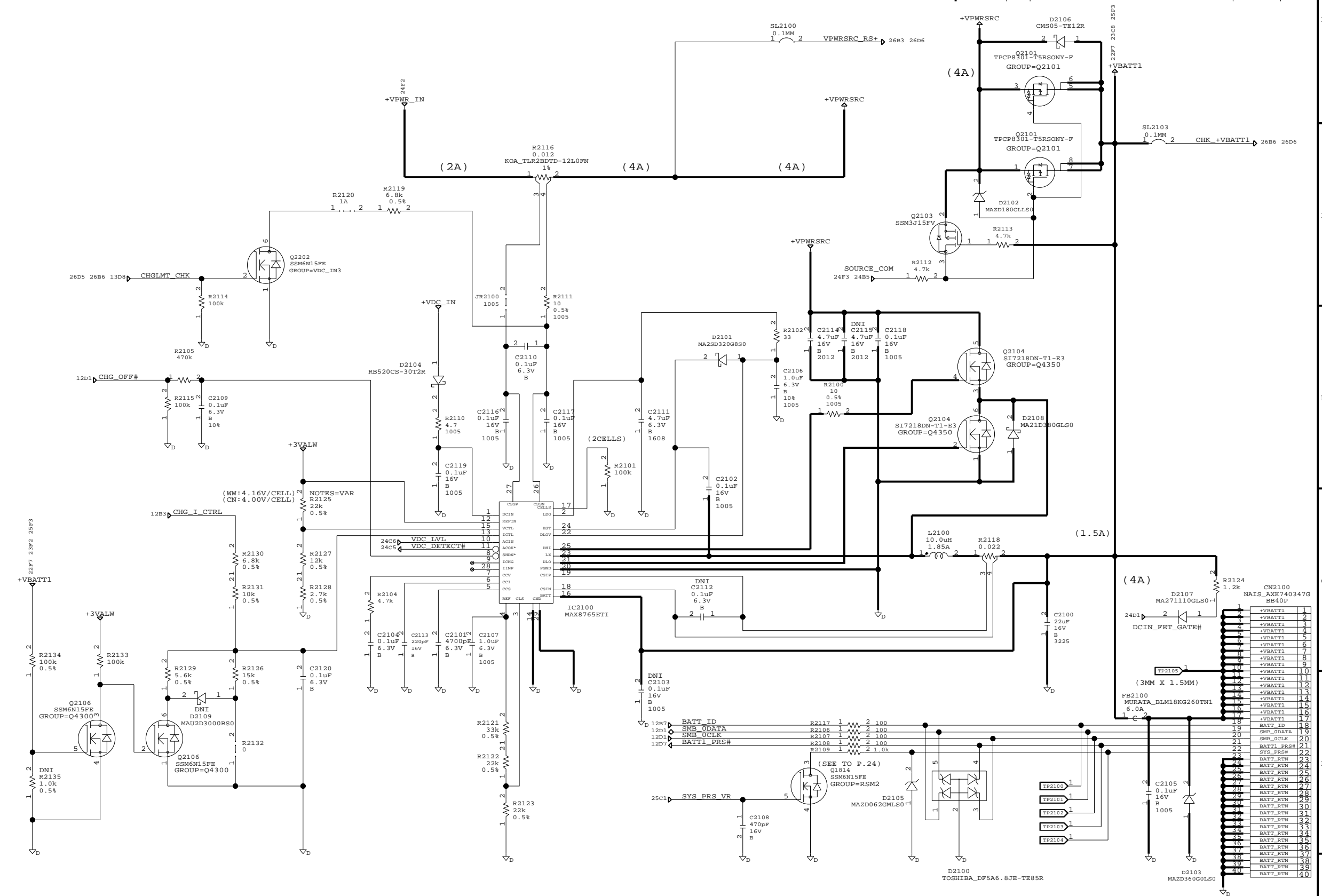


(REF: 2000- 2099)

SONY CORPORATION VAIO BUSINESS DIVISION		DRAWING: MBX-187 UL2 CIRCUIT	
THIS DOCUMENT CONTAINS INFORMATION PROPRIETARY TO SONY CORPORATION (SONY). USE OR DISCLOSURE WITHOUT THE WRITTEN PERMISSION OF AN OFFICER OF SONY IS EXPRESSLY FORBIDDEN. COPYRIGHT (C) SONY CORPORATION 2009		LAST_MODIFIED=Sat May 9 17:09:46 2009	PART NO. -
QTY 1	REV. -	DESIGNER -	SHEET 22 OF 27 (POWER-6)

SONY CONFIDENTIAL

REVISIONS				
ZONE	LTR	DESCRIPTION	DATE	APPR.



(REF: 2100- 2199)

SONY CORPORATION
VAIO BUSINESS DIVISION

DRAWING: MBX-187
BATTERY CHARGER
LAST_MODIFIED=Sat May 9 17:09:46 2009

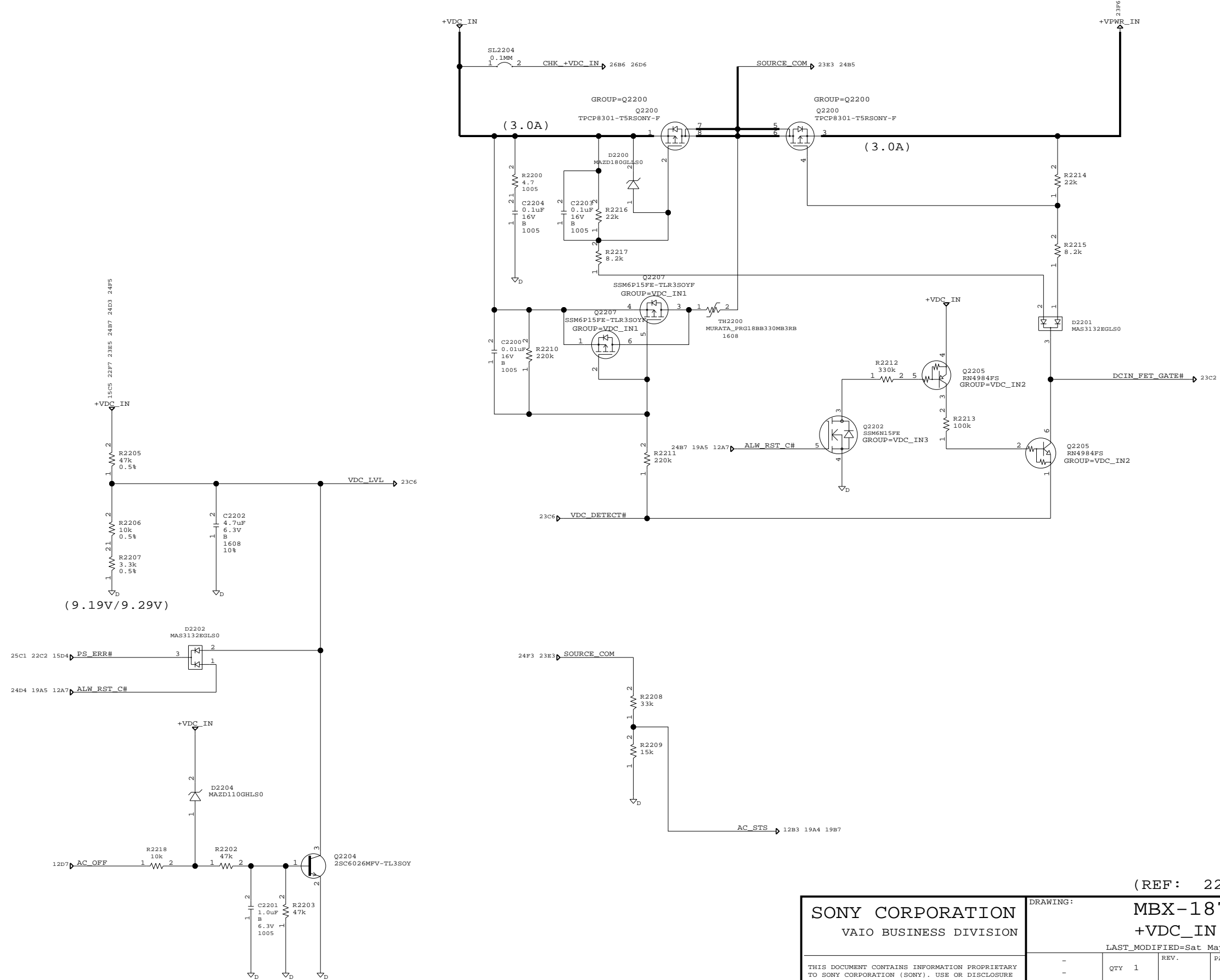
THIS DOCUMENT CONTAINS INFORMATION PROPRIETARY TO SONY CORPORATION (SONY). USE OR DISCLOSURE WITHOUT THE WRITTEN PERMISSION OF AN OFFICER OF SONY IS EXPRESSLY FORBIDDEN.
COPYRIGHT (C) SONY CORPORATION 2009

REV.	QTY	DESIGNER	REVISION	DESIGNER	REVISION	DATE	APPR.
1	1						

SIZE C SHEET 23 OF 27 (POWER-7)

SONY CONFIDENTIAL

REVISIONS				
ZONE	LTR	DESCRIPTION	DATE	APPR.



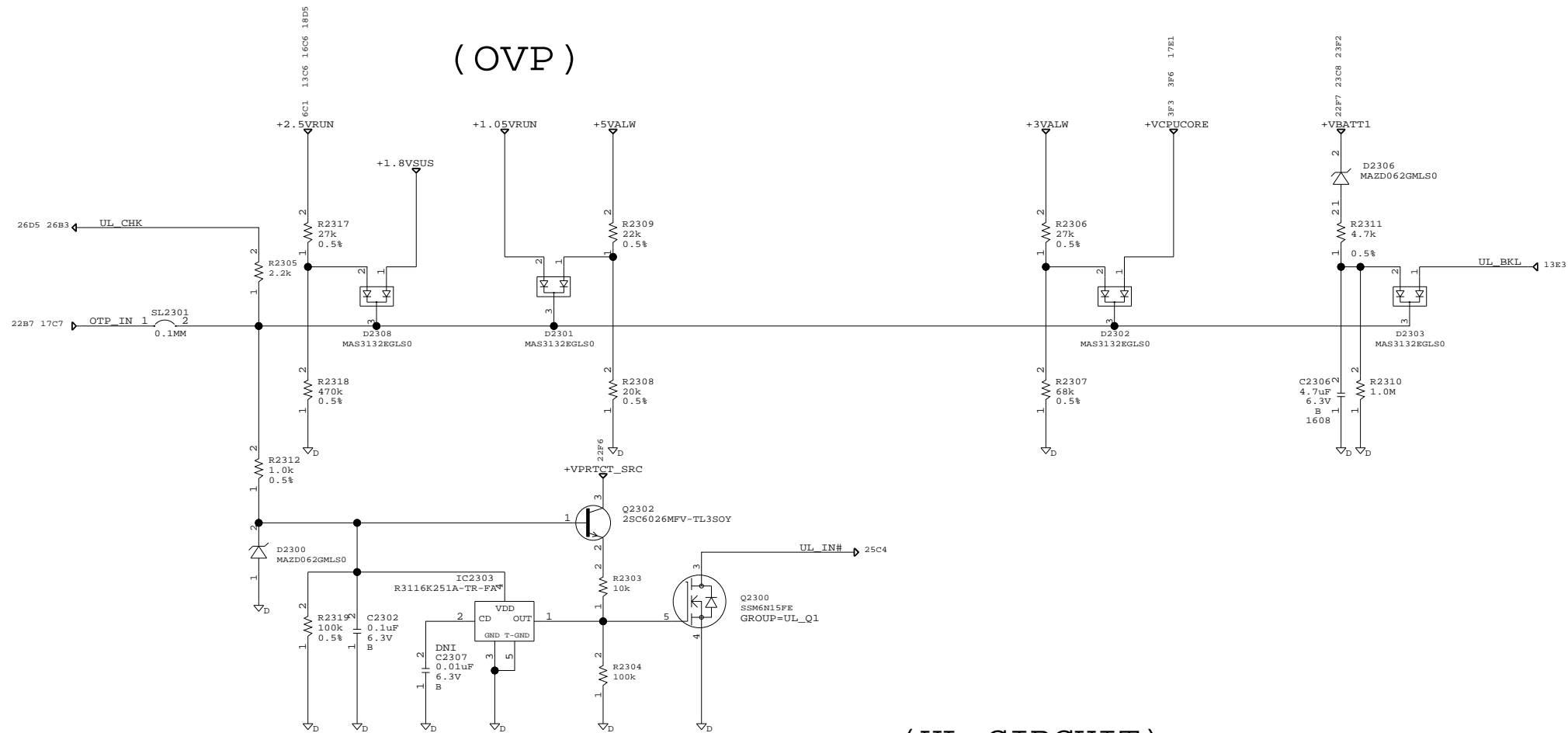
(REF: 2200- 2299)

SONY CORPORATION VAIO BUSINESS DIVISION		DRAWING: MBX-187 +VDC_IN	
LAST_MODIFIED=Sat May 9 17:09:46 2009			
QTY	1	REV.	-
DESIGNER	-	PART NO.	-
SIZE	C	DESIGNER	-
THIS DOCUMENT CONTAINS INFORMATION PROPRIETARY TO SONY CORPORATION (SONY). USE OR DISCLOSURE WITHOUT THE WRITTEN PERMISSION OF AN OFFICER OF SONY IS EXPRESSLY FORBIDDEN. COPYRIGHT (C) SONY CORPORATION 2009			(POWER-8) SHEET 24 OF 27

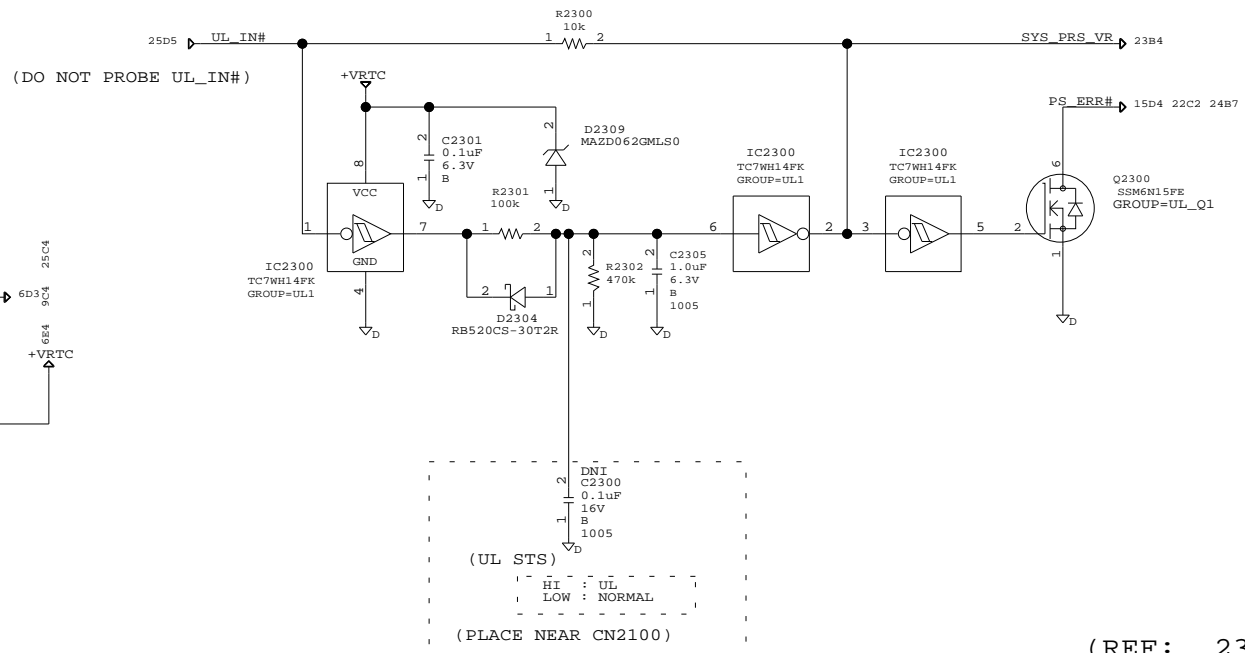
SONY CONFIDENTIAL

REVISIONS				
ZONE	LTR	DESCRIPTION	DATE	APPR.

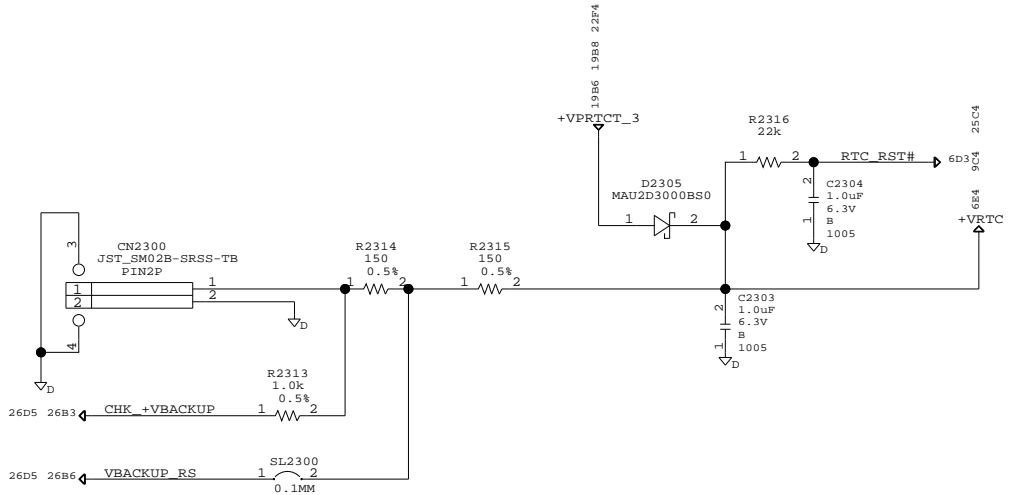
(OVP)



(UL CIRCUIT)



(BACKUP BATTERY)

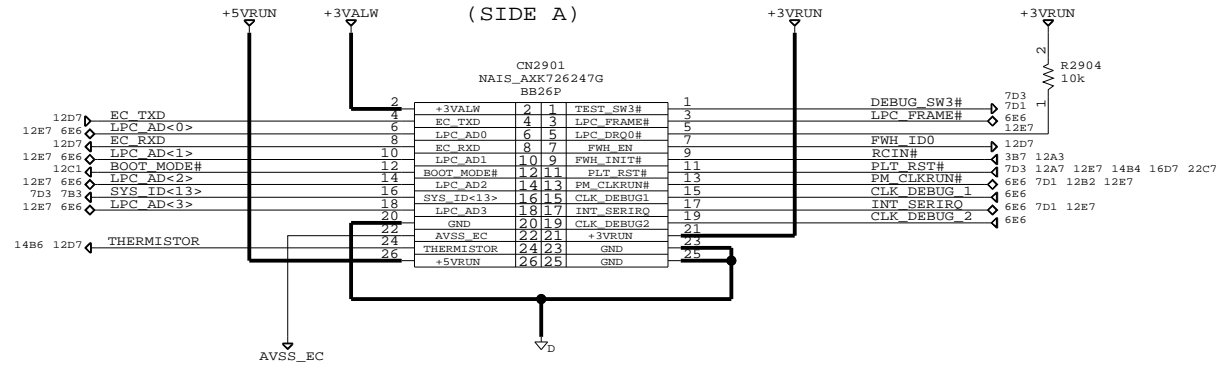


<p>SONY CORPORATION VAIO BUSINESS DIVISION</p>		<p>DRAWING: MBX-187 UL CIRCUIT</p>	
<p>LAST_MODIFIED=Sat May 9 17:09:47 2009</p>			
SIZE	DESIGNER	QTY 1	REV.
C	-	-	-
<p>THIS DOCUMENT CONTAINS INFORMATION PROPRIETARY TO SONY CORPORATION (SONY). USE OR DISCLOSURE WITHOUT THE WRITTEN PERMISSION OF AN OFFICER OF SONY IS EXPRESSLY FORBIDDEN. COPYRIGHT (C) SONY CORPORATION 2009</p>			<p>PART NO. -</p>
<p>(POWER-9) SHEET 25 OF 27</p>			<p>-</p>

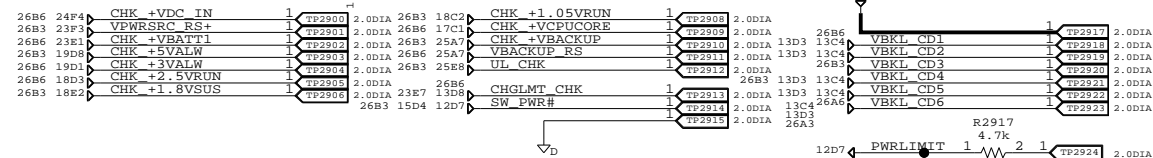
SONY CONFIDENTIAL

REVISIONS				
ZONE	LTR	DESCRIPTION	DATE	APPR.

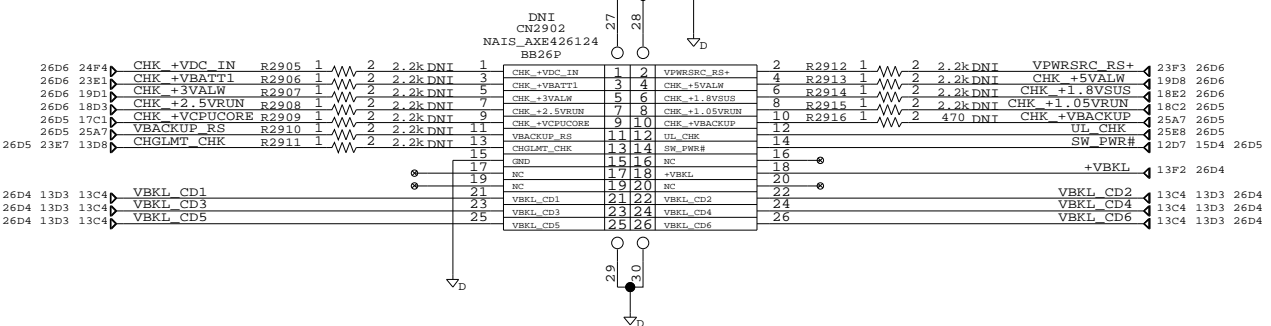
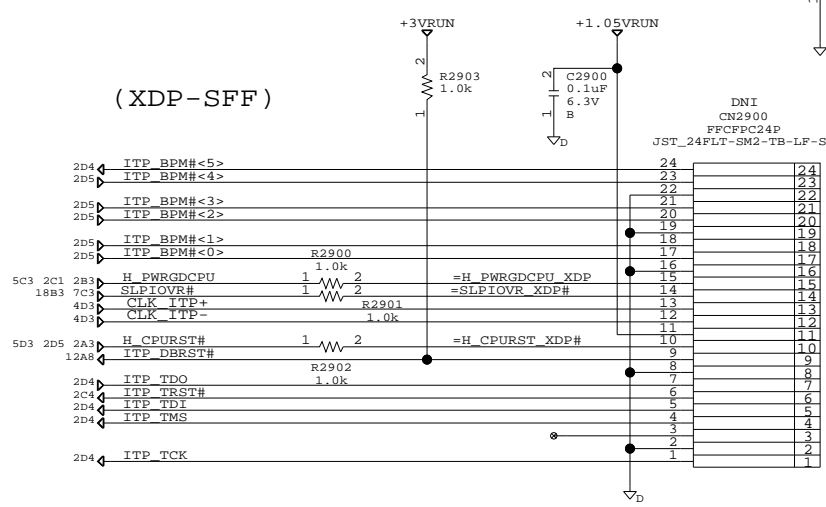
(DEBUG CONNECTOR)



(POWER CHECK)



(XDP-SFF)

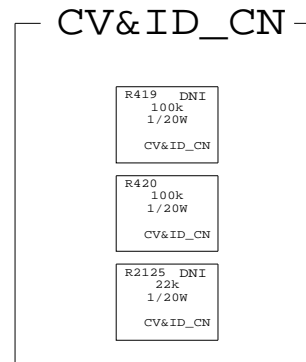
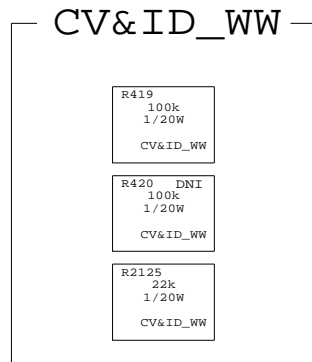
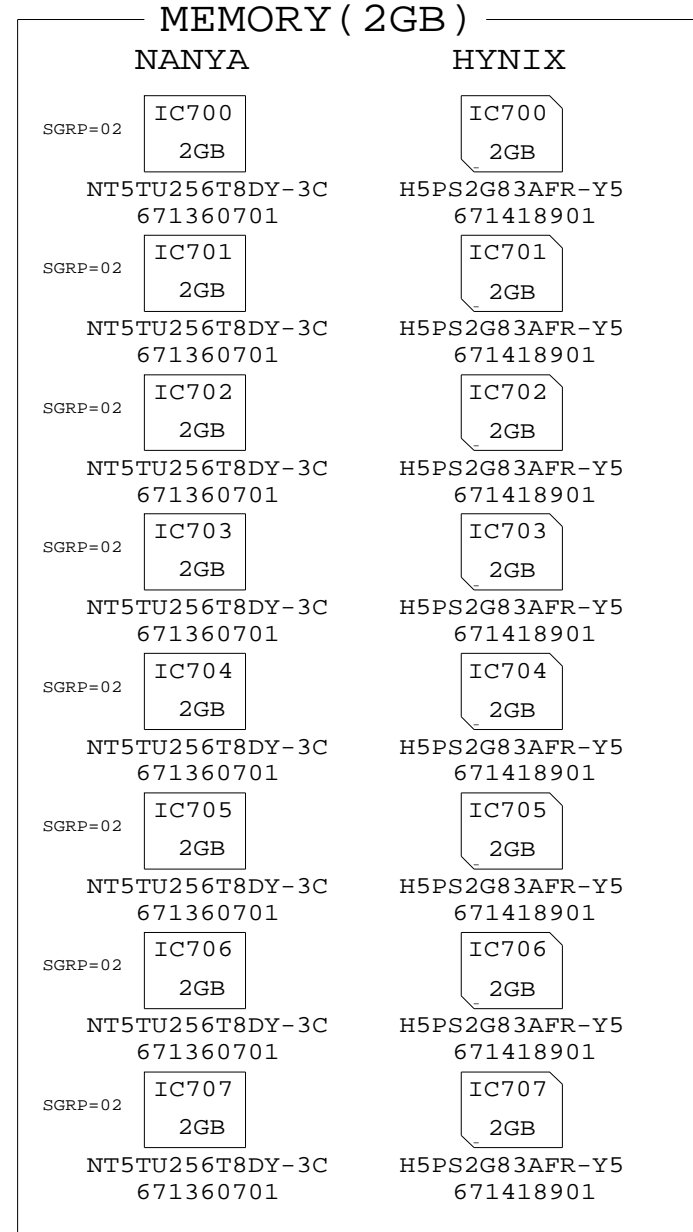
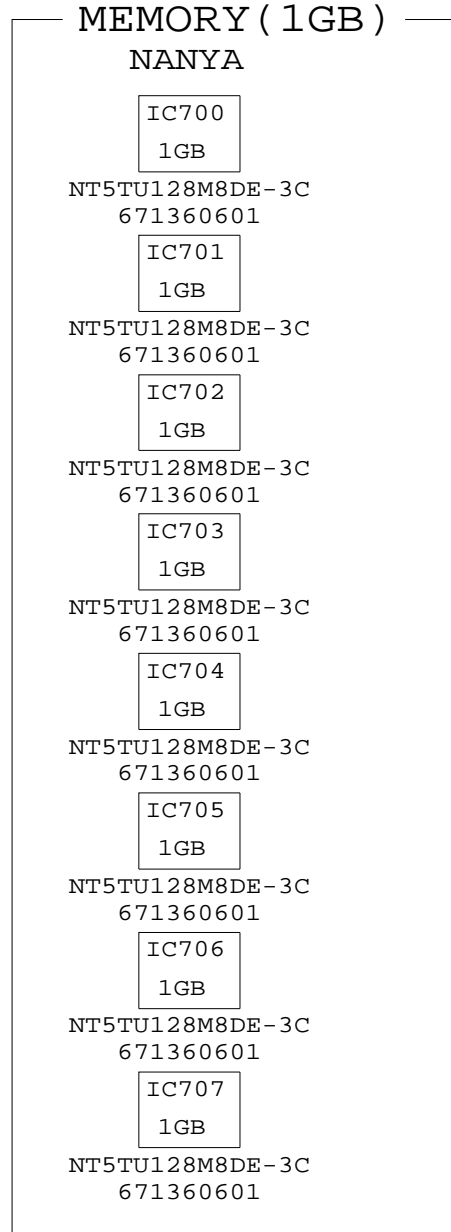
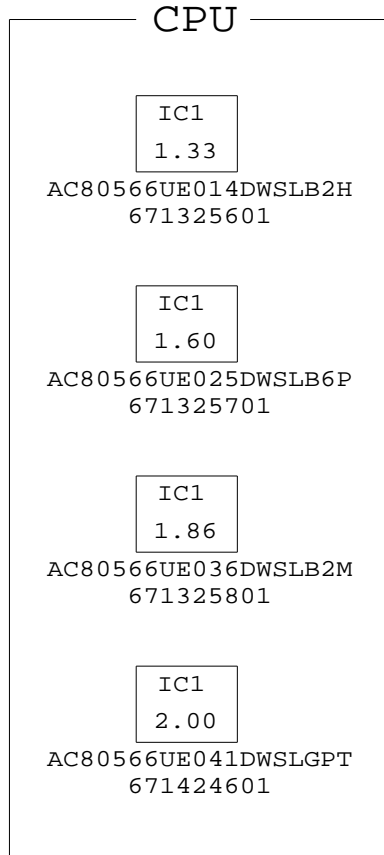


(REF: 2900- 2999)

SONY CORPORATION VAIO BUSINESS DIVISION		DRAWING: MBX-187 DEBUG/POWER-CHECK/XDP CN	
THIS DOCUMENT CONTAINS INFORMATION PROPRIETARY TO SONY CORPORATION (SONY). USE OR DISCLOSURE WITHOUT THE WRITTEN PERMISSION OF AN OFFICER OF SONY IS EXPRESSLY FORBIDDEN. COPYRIGHT (C) SONY CORPORATION 2009		LAST_MODIFIED=Sat May 9 17:09:47 2009	REV. PART NO.
SIZE C	DESIGNER	QTY 1/1	REV. PART NO.
		SHEET 26 OF 27 (DEBUG)	

SONY CONFIDENTIAL

REVISIONS			
ZONE	LTR	DESCRIPTION	DATE



SONY CORPORATION
VAIO BUSINESS DIVISION

DRAWING: MBX-187		VARIANCE	
LAST_MODIFIED=Sat May 9 17:05:11 2009			
SIZE	DESIGNER	REV.	PART NO.
C	-	1	-
			(VARIANCE)
			SHEET 27 OF 27

THIS DOCUMENT CONTAINS INFORMATION PROPRIETARY TO SONY CORPORATION (SONY). USE OR DISCLOSURE WITHOUT THE WRITTEN PERMISSION OF AN OFFICER OF SONY IS EXPRESSLY FORBIDDEN.
COPYRIGHT (C) SONY CORPORATION 2009

```

Title: Basenet Report
Design: mbx187
Date: May 9 17:09:55 2009

Base nets and synonyms for pwb_lib.MBX187(@pwb_lib.mbx187(sch_1))
Base Signal      Synonyms                               Location([Zone][dir])

+1.05VVRUN      +1.05VVRUN - @pwb_lib.MBX187             2D5 2E5 2F2 3D3 3F7 5C3
                                                       5C6 5D2 5D7 5D7 5E2 7E4
                                                       7F3 9F1 17C6 18C2 18C3
                                                       20E1 25F6 26D4

+1.5VVRUN      +1.5VVRUN - @pwb_lib.MBX187             3E5 4E7 6B4 9C4 9C5 9F5
                                                       9F8 15C3 16D6 18B5 20E2
                                                       8D2 9F4 11D2 11D4 11D6
                                                       11D8 11F2 11F4 11F6 11F8
                                                       16D6 18C6 18C8 18E3 25E6

+1.8VSUS      +1.8VSUS - @pwb_lib.MBX187             6C1 13C6 16C6 18D5 25F7
                                                       12A6 12A7 12B1 12B1 12B8
                                                       12C2 12C4 12C6 12C7 12D1
                                                       12F2 12F2 12F4 12F4 12F6
                                                       12F6 12F6 12F7 13C7 15D6
                                                       15F7 16D4 16D5 19C3 19E1
                                                       20C5 20D4 20F3 21B3 21D3
                                                       21F3 21F4 21F7 23C7 23D6
                                                       25F4 26F5

+2.5VVRUN      +2.5VVRUN - @pwb_lib.MBX187             7B2 7E2 7E8 9D4 12F7 13C4
+3VALW          +3VALW - @pwb_lib.MBX187             13C4 20F3 21E4
                                                       2F5 3C7 4E5 6D6 6E1 6E3
                                                       6F6 7B2 7B3 7B4 7B7 7E2
                                                       7F2 8B5 9D4 9D5 12F2 12F3
                                                       12F3 12F6 12F7 13E6 13E7
                                                       13E7 14B3 14C3 14C3 14D3
                                                       14D3 14D7 15C4 15D6 15D7
                                                       17B5 17E6 18B3 20C4 20E1
                                                       21B4 26D5 26F3 26F4
                                                       16D7 20D3 21D4 22D7
                                                       15C4 15C7 16F7 18E7 19B5
                                                       19E8 20C7 20E6 20F4 25F6

+3VRSUS        +3VRSUS - @pwb_lib.MBX187             9B2 20F4
+5VALW          +5VALW - @pwb_lib.MBX187             9B2 13E4 16C6 17C6 17E3
+5VRSUS        +5VRSUS - @pwb_lib.MBX187             17E5 20C6 20E2 26F5
+5VVRUN        +5VVRUN - @pwb_lib.MBX187             16D6 20E5
+5VSUS         +5VSUS - @pwb_lib.MBX187             22F7 23C8 23F2 25F3
+VBATT1        +VBATT1 - @pwb_lib.MBX187             13F2 26B3 26D4
+VBKL          +VBKL - @pwb_lib.MBX187             2C5 2C8 2D4 2D4 2E5 3C3
+VCCP          +VCCP - @pwb_lib.MBX187             3E7 3F7 18C1

+VCPUCORE     +VCPUCORE - @pwb_lib.MBX187           3F3 3F6 17E1 25F3
+VDC_IN        +VDC_IN - @pwb_lib.MBX187           15C5 22F7 23E5 24B7 24D3
                                                       24D7 24F5

+VEC_3.3      +VEC_3.3 - @pwb_lib.MBX187           12F4 12F7 14F5 19D4
+VFETDRV      +VFETDRV - @pwb_lib.MBX187           13C7 16C7 18C2 20B7 20D7
                                                       20E6 20F5

+VLAN_3.3     +VLAN_3.3 - @pwb_lib.MBX187           14D6 16F4
+VLCD          +VLCD - @pwb_lib.MBX187             13C6 13D4
+VPRCTCT_3    +VPRCTCT_3 - @pwb_lib.MBX187         19B6 19B8 22F4 25B6
+VPRCTCT_SRC  +VPRCTCT_SRC - @pwb_lib.MBX187       22F6 25D6
+VPWRSRC      +VPWRSRC - @pwb_lib.MBX187           13F6 17F4 18F6 19B8 19E5
                                                       19F4 22F6 23E3 23F2 23F3
                                                       23F6 24F2
                                                       6E4 9C4 25B5 25C4
                                                       8D1 8D3 11C1 11C3 11C5
                                                       11C7 11F1 11F3 11F5 11F7
                                                       18C8
                                                       12E8

=A20GATE      =A20GATE - @pwb_lib.MBX187           8C4
=A_RCVENIN#   =A_RCVENIN# - @pwb_lib.MBX187       13D6
=A_RCVENOUT#  =A_RCVENOUT# - @pwb_lib.MBX187      12A6
=BKL_ON       =BKL_ON - @pwb_lib.MBX187           12A6
=ETCK        =ETCK - @pwb_lib.MBX187             12A6
=ETDI        =ETDI - @pwb_lib.MBX187             12A6
=ETDO        =ETDO - @pwb_lib.MBX187             12A6
=ETMS        =ETMS - @pwb_lib.MBX187             12D2
=FAN_PWM     =FAN_PWM - @pwb_lib.MBX187          13D5
=FPBACK      =FPBACK - @pwb_lib.MBX187          26C5
=H_CPURST_XDP# =H_CPURST_XDP# - @pwb_lib.MBX187    26C5
=H_PWRGDCPU_XDP# =H_PWRGDCPU_XDP# - @pwb_lib.MBX187 5C6
=H_RCMP      =H_RCMP - @pwb_lib.MBX187           5C6
=H_SWING     =H_SWING - @pwb_lib.MBX187          5C6
=H_TESTIN#   =H_TESTIN# - @pwb_lib.MBX187        14B4
=IDE_RESET#  =IDE_RESET# - @pwb_lib.MBX187       13E6
=LEDCN_ON   =LEDCN_ON - @pwb_lib.MBX187        18C8
=PWRGD_+1.05VVRUN =PWRGD_+1.05VVRUN - @pwb_lib.MBX187 6D4
=RTCX1      =RTCX1 - @pwb_lib.MBX187            6D4
=RTCX2      =RTCX2 - @pwb_lib.MBX187            5C4
=SCH_CFG0    =SCH_CFG0 - @pwb_lib.MBX187          5C4
=SCH_CFG1    =SCH_CFG1 - @pwb_lib.MBX187          17C3
=SENSEM_CORE =SENSEM_CORE - @pwb_lib.MBX187       17C3
=SENSEP_CORE =SENSEP_CORE - @pwb_lib.MBX187       17C3
=SLPIOVR_XDP# =SLPIOVR_XDP# - @pwb_lib.MBX187     26C5
=UL_THRMTRIP =UL_THRMTRIP - @pwb_lib.MBX187      22C6
=USB_PO_5V   =USB_PO_5V - @pwb_lib.MBX187        15B6
=VMAIN_AVLBL =VMAIN_AVLBL - @pwb_lib.MBX187       14D4
=WAKEREQ#    =WAKEREQ# - @pwb_lib.MBX187        12E8
  
```

```

ACC_X          ACC_X - @pwb_lib.MBX187             12D7 14E7
ACC_Y          ACC_Y - @pwb_lib.MBX187             12D7 14E7
ACC_Z          ACC_Z - @pwb_lib.MBX187             12D7 14E7
AC_OFF        AC_OFF - @pwb_lib.MBX187             12D7 24A7
AC_STS        AC_STS - @pwb_lib.MBX187             12B3 19A4 19B7 24A3
ALW_DETECT    ALW_DETECT - @pwb_lib.MBX187           19A5 21E5
ALW_RST_C#    ALW_RST_C# - @pwb_lib.MBX187           12A7 19A5 24B7 24D4
AVSS_EC       AVSS_EC - @pwb_lib.MBX187             12C5 12E4 12F5 14E5 26E5
AZ_BCLK_AUD   AZ_BCLK_AUD - @pwb_lib.MBX187           7C2 15B3
AZ_RST_AUD#   AZ_RST_AUD# - @pwb_lib.MBX187           7C2 15B3
AZ_SDIN0_AUD  AZ_SDIN0_AUD - @pwb_lib.MBX187          7C3 15B3
AZ_SDOUT_AUD  AZ_SDOUT_AUD - @pwb_lib.MBX187          7C2 15B3
AZ_SYNC_AUD   AZ_SYNC_AUD - @pwb_lib.MBX187           7C2 15B3
BATT1_PR#     BATT1_PR# - @pwb_lib.MBX187             12D7 23B4
BATT_ID       BATT_ID - @pwb_lib.MBX187             12B7 23B4
BATT_RST#     BATT_RST# - @pwb_lib.MBX187           12A3 12B8
BATT_SCK      BATT_SCK - @pwb_lib.MBX187           12A3 12A7
BATT_SDA      BATT_SDA - @pwb_lib.MBX187           12A3 12B7
BEEP          BEEP - @pwb_lib.MBX187             7C3 15B3
BOOT_MODE#    BOOT_MODE# - @pwb_lib.MBX187           12C1 26E6
BT_ON         BT_ON - @pwb_lib.MBX187             12D1 14D3
CAM_PWR_EN    CAM_PWR_EN - @pwb_lib.MBX187           12C7 16B6
CHGLMT_CHK    CHGLMT_CHK - @pwb_lib.MBX187         13D8 23E7 26B6 26D5
CHG_I_CTRL    CHG_I_CTRL - @pwb_lib.MBX187         12B3 23C7
CHG_OFF#      CHG_OFF# - @pwb_lib.MBX187             12D1 23D7
CHK_+1.05VVRUN =CHK_+1.05VVRUN - @pwb_lib.MBX187      18C2 26B3 26D5
CHK_+1.8VSUS  =CHK_+1.8VSUS - @pwb_lib.MBX187      18E2 26B3 26D6
CHK_+2.5VVRUN =CHK_+2.5VVRUN - @pwb_lib.MBX187      18D3 26B6 26D6
CHK_+3VALW    =CHK_+3VALW - @pwb_lib.MBX187      19D1 26B6 26D6
CHK_+5VALW    =CHK_+5VALW - @pwb_lib.MBX187      19D8 26B3 26D6
CHK_+VBACKUP  =CHK_+VBACKUP - @pwb_lib.MBX187       25A7 26B3 26D5
CHK_+VBATT1   =CHK_+VBATT1 - @pwb_lib.MBX187       23E1 26B6 26D6
CHK_+VCPUCORE =CHK_+VCPUCORE - @pwb_lib.MBX187       17C1 26B6 26D5
CHK_+VDC_IN   =CHK_+VDC_IN - @pwb_lib.MBX187       24F4 26B6 26D6
CLKREQ_LAN#   CLKREQ_LAN# - @pwb_lib.MBX187           4C3 14D3
CLKREQ_MNCD#  CLKREQ_MNCD# - @pwb_lib.MBX187         4C3 16C7
CLKREQ_SCH#   CLKREQ_SCH# - @pwb_lib.MBX187         4C3 7C3
CLK_BSEL1     CLK_BSEL1 - @pwb_lib.MBX187           2C4 4C7
CLK_BSEL2     CLK_BSEL2 - @pwb_lib.MBX187           2C4 4C7 5C3
CLK_CPU_BCLK+ =CLK_CPU_BCLK+ - @pwb_lib.MBX187       2C5 4D3
CLK_CPU_BCLK- =CLK_CPU_BCLK- - @pwb_lib.MBX187       2C5 4D3
CLK_DEBUG_1   CLK_DEBUG_1 - @pwb_lib.MBX187           6E6 26E3
CLK_DEBUG_2   CLK_DEBUG_2 - @pwb_lib.MBX187           6E6 26E3
CLK_DREFCLK+  =CLK_DREFCLK+ - @pwb_lib.MBX187       4C3 7C3
CLK_DREFCLK-  =CLK_DREFCLK- - @pwb_lib.MBX187       4C3 7C3
CLK_DREF_SS+  =CLK_DREF_SS+ - @pwb_lib.MBX187         4C3 7C3
CLK_DREF_SS-  =CLK_DREF_SS- - @pwb_lib.MBX187         4C3 7C3
CLK_ENABLE#   CLK_ENABLE# - @pwb_lib.MBX187           4C7 17B4
CLK_ITP+      =CLK_ITP+ - @pwb_lib.MBX187         4D3 26C6
CLK_ITP-      =CLK_ITP- - @pwb_lib.MBX187         4D3 26C6
CLK_LPC_EC    CLK_LPC_EC - @pwb_lib.MBX187           6E6 12E7
CLK_PCIE_LAN+ =CLK_PCIE_LAN+ - @pwb_lib.MBX187       4C3 16C3
CLK_PCIE_LAN- =CLK_PCIE_LAN- - @pwb_lib.MBX187       4C3 16C3
CLK_PCIE_MNCD+ =CLK_PCIE_MNCD+ - @pwb_lib.MBX187       4C3 16C3
CLK_PCIE_MNCD- =CLK_PCIE_MNCD- - @pwb_lib.MBX187       4C3 16C3
CLK_PCIE_SCH+ =CLK_PCIE_SCH+ - @pwb_lib.MBX187       4C3 6C3
CLK_PCIE_SCH- =CLK_PCIE_SCH- - @pwb_lib.MBX187       4C3 6C3
CLK_SCH14     CLK_SCH14 - @pwb_lib.MBX187             4C3 7C3
CLK_SCH_BCLK+ =CLK_SCH_BCLK+ - @pwb_lib.MBX187       4D3 5D3
CLK_SCH_BCLK- =CLK_SCH_BCLK- - @pwb_lib.MBX187       4D3 5D3
CMC_BAR0     CMC_BAR0 - @pwb_lib.MBX187           7D3 7F1
CMC_BAR1     CMC_BAR1 - @pwb_lib.MBX187           7D3 7E1
CPU_VCCSENSE  CPU_VCCSENSE - @pwb_lib.MBX187          3C5 17C5
CPU_VSSSENSE  CPU_VSSSENSE - @pwb_lib.MBX187          3C5 17C5
DCIN_FET_GATE# =DCIN_FET_GATE# - @pwb_lib.MBX187       23C2 24D1
DEBUG_SW3#    DEBUG_SW3# - @pwb_lib.MBX187           7D1 7D3 26E3
DONGLE_PR#    DONGLE_PR# - @pwb_lib.MBX187         12B3 14D3
EC_RST#       EC_RST# - @pwb_lib.MBX187         12A5 12A6 12C1
EC_RXD        EC_RXD - @pwb_lib.MBX187             12D7 26E6
EC_TXD        EC_TXD - @pwb_lib.MBX187             12D7 26E6
EN_EXT_DEV_SENSE# =EN_EXT_DEV_SENSE# - @pwb_lib.MBX187 12D7 14D6
ETHER_OFF     ETHER_OFF - @pwb_lib.MBX187         12D1 14D3
ETHER_RST#    ETHER_RST# - @pwb_lib.MBX187         12D1 14C3
EXTSMI#       EXTSMI# - @pwb_lib.MBX187             7D3 12E7
EXT_DEV_SENSE =EXT_DEV_SENSE - @pwb_lib.MBX187         12D7 14D6
FCCM6239     FCCM6239 - @pwb_lib.MBX187           19B2 19C5
FWH_ID0       FWH_ID0 - @pwb_lib.MBX187           12D7 26E3
H_A#<3>       H_A#<3> - @pwb_lib.MBX187             2E8 5F3
H_A#<4>       H_A#<4> - @pwb_lib.MBX187             2E8 5F3
H_A#<5>       H_A#<5> - @pwb_lib.MBX187             2E8 5F3
H_A#<6>       H_A#<6> - @pwb_lib.MBX187             2E8 5F3
H_A#<7>       H_A#<7> - @pwb_lib.MBX187             2E8 5F3
H_A#<8>       H_A#<8> - @pwb_lib.MBX187             2E8 5B1 5F3
H_A#<9>       H_A#<9> - @pwb_lib.MBX187             2E8 5E3
H_A#<10>      H_A#<10> - @pwb_lib.MBX187             2E8 5E3
H_A#<11>      H_A#<11> - @pwb_lib.MBX187             2E8 5E3
H_A#<12>      H_A#<12> - @pwb_lib.MBX187             2D8 5E3
H_A#<13>      H_A#<13> - @pwb_lib.MBX187             2D8 5E3
H_A#<14>      H_A#<14> - @pwb_lib.MBX187             2D8 5B1 5E3
H_A#<15>      H_A#<15> - @pwb_lib.MBX187             2D8 5E3
H_A#<16>      H_A#<16> - @pwb_lib.MBX187             2D8 5E3
H_A#<17>      H_A#<17> - @pwb_lib.MBX187             2D8 5E3
  
```

REVISIONS				
ZONE	LTR	DESCRIPTION	DATE	APPR.

SONY CORPORATION

THIS DOCUMENT CONTAINS INFORMATION PROPRIETARY TO SONY CORPORATION (SONY). USE OR DISCLOSURE WITHOUT THE WRITTEN PERMISSION OF AN OFFICER OF SONY IS EXPRESSLY FORBIDDEN.
 COPYRIGHT (C) SONY CORPORATION 2009

-	-	QTY 1	REV.	PART NO.
SIZE C	DESIGNER	-	-	-
			28	SHEET 28 OF TOTAL DESIGN SHEETS

REVISIONS

Table with columns: ZONE, LTR, DESCRIPTION, DATE, APPR. The table is mostly empty, showing only the header and a few rows.

Main component list table with columns for component ID, description, and part numbers. It lists various components like KSO<1>, LCD_BKLCNT, LED_CHG, M_A_BS<0>, M_A_BS<1>, M_A_BS<2>, M_A_CAS#, M_A_DQ<0>, etc.

Administrative information table including: QTY 1, REV. (blank), PART NO. (blank), and SHEET 30 OF <TOTAL DESIGN SHEETS>.

SONY CORPORATION

THIS DOCUMENT CONTAINS INFORMATION PROPRIETARY TO SONY CORPORATION (SONY). USE OR DISCLOSURE WITHOUT THE WRITTEN PERMISSION OF AN OFFICER OF SONY IS EXPRESSLY FORBIDDEN. COPYRIGHT (C) SONY CORPORATION 2009

Title: Cref Part Report
 Design: mbx187
 Date: May 9 17:09:55 2009

C1	C_0603	mbx187[2E5]
C2	C_0603	mbx187[2F6]
C3	C_0603	mbx187[2B5]
C102	C_0603	mbx187[3D2]
C103	C_0603	mbx187[3D2]
C104	3TERMINAL_C_1608	mbx187[3C2]
C105	3TERMINAL_C_1608	mbx187[3C2]
C108	C_0603	mbx187[3B2]
C109	C_0603	mbx187[3B2]
C110	C_0603	mbx187[3B2]
C111	C_0603	mbx187[3B2]
C112	C_0603	mbx187[3D5]
C113	C_1005	mbx187[3E2]
C114	3TERMINAL_C_3216	mbx187[3E2]
C115	3TERMINAL_C_3216	mbx187[3E2]
C120	C_1005	mbx187[3E2]
C121	C_1005	mbx187[3E2]
C122	C_1005	mbx187[3E2]
C123	C_1005	mbx187[3E2]
C124	C_1005	mbx187[3E2]
C125	C_1005	mbx187[3E2]
C126	C_1005	mbx187[3E2]
C127	C_1005	mbx187[3E2]
C128	C_1005	mbx187[3E2]
C129	C_1608	mbx187[3D5]
C200	C_0603	mbx187[4D6]
C201	C_0603	mbx187[4D6]
C202	C_0603	mbx187[4D6]
C203	C_0603	mbx187[4D6]
C204	C_0603	mbx187[4D7]
C205	C_0603	mbx187[4D7]
C206	C_0603	mbx187[4D7]
C207	3TERMINAL_C_2012	mbx187[4D7]
C208	3TERMINAL_C_1608	mbx187[4D5]
C300	C_0603	mbx187[5C7]
C301	C_0603	mbx187[5E2]
C302	C_0603	mbx187[5D2]
C350	C_0603	mbx187[6D3]
C351	C_0603	mbx187[6C4]
C352	C_0603	mbx187[6C4]
C353	C_0603	mbx187[6C4]
C354	C_0603	mbx187[6C4]
C355	C_0603	mbx187[6C4]
C356	C_0603	mbx187[6C4]
C357	C_0603	mbx187[6C4]
C358	C_0603	mbx187[6C4]
C359	C_0603	mbx187[6C4]
C360	C_0603	mbx187[6C4]
C361	C_0603	mbx187[6D4]
C362	C_0603	mbx187[6D4]
C363	C_0603	mbx187[6D2]
C400	C_1608	mbx187[7F4]
C401	C_1005	mbx187[7F4]
C402	C_1005	mbx187[7F4]
C403	C_1005	mbx187[7F4]
C406	C_0603	mbx187[7B7]
C450	C_0603	mbx187[8B5]
C452	C_0603	mbx187[8D3]
C453	C_2012	mbx187[8C2]
C454	C_2012	mbx187[8C1]
C455	C_1608	mbx187[8C2]
C500	C_1005	mbx187[9E7]
C502	C_1005	mbx187[9E7]
C503	C_1005	mbx187[9E7]
C506	C_1005	mbx187[9E6]
C508	C_1005	mbx187[9D6]
C509	C_0603	mbx187[9D6]
C510	3TERMINAL_C_2012	mbx187[9F4]
C511	3TERMINAL_C_2012	mbx187[9F4]
C514	C_0603	mbx187[9E1]
C515	C_0603	mbx187[9E1]
C516	C_0603	mbx187[9E1]
C517	3TERMINAL_C_2012	mbx187[9F1]
C518	3TERMINAL_C_3216	mbx187[9F1]
C520	C_0603	mbx187[9D4]
C521	C_1005	mbx187[9D3]
C522	C_1005	mbx187[9D3]
C523	C_1005	mbx187[9D4]
C528	C_0603	mbx187[9B4]
C530	C_1005	mbx187[9B4]
C531	C_0603	mbx187[9B4]
C532	C_0603	mbx187[9C4]
C533	C_0603	mbx187[9A4]
C534	C_1005	mbx187[9C4]
C535	C_1608	mbx187[9B4]
C536	C_1005	mbx187[9D4]
C537	C_1005	mbx187[9D4]

C540	C_1005	mbx187[9C4]
C541	C_0603	mbx187[9B2]
C542	C_0603	mbx187[9B2]
C543	C_0603	mbx187[9E7]
C700	C_0603	mbx187[11F5]
C701	C_0603	mbx187[11E5]
C702	C_1005	mbx187[11F4]
C703	C_0603	mbx187[11F4]
C704	C_0603	mbx187[11D3]
C705	C_0603	mbx187[11D3]
C706	C_0603	mbx187[11C3]
C707	C_1005	mbx187[11D2]
C708	C_0603	mbx187[11D2]
C709	C_0603	mbx187[11D1]
C710	C_0603	mbx187[11D1]
C711	C_0603	mbx187[11C1]
C712	C_0603	mbx187[11F3]
C713	C_0603	mbx187[11F3]
C714	C_0603	mbx187[11E3]
C715	C_1005	mbx187[11F2]
C716	C_0603	mbx187[11F2]
C717	C_0603	mbx187[11F1]
C718	C_0603	mbx187[11F1]
C719	C_0603	mbx187[11E1]
C720	C_1005	mbx187[11D7]
C721	C_0603	mbx187[11D7]
C722	C_0603	mbx187[11D7]
C723	C_0603	mbx187[11C7]
C724	C_0603	mbx187[11D7]
C725	C_1005	mbx187[11F7]
C726	C_0603	mbx187[11F7]
C727	C_0603	mbx187[11F7]
C728	C_0603	mbx187[11F7]
C729	C_0603	mbx187[11E7]
C730	C_0603	mbx187[11F7]
C731	C_0603	mbx187[11F7]
C732	C_0603	mbx187[11F5]
C733	C_0603	mbx187[11F5]
C734	C_0603	mbx187[11F3]
C735	C_0603	mbx187[11F3]
C736	C_0603	mbx187[11F1]
C737	C_0603	mbx187[11F1]
C738	C_0603	mbx187[11D7]
C739	C_0603	mbx187[11D7]
C740	C_0603	mbx187[11D5]
C741	C_0603	mbx187[11D5]
C742	C_1005	mbx187[11D6]
C743	C_0603	mbx187[11D5]
C744	C_0603	mbx187[11D5]
C745	C_0603	mbx187[11D5]
C746	C_0603	mbx187[11C5]
C747	C_1005	mbx187[11D4]
C748	C_0603	mbx187[11D4]
C749	C_1005	mbx187[11F6]
C750	C_0603	mbx187[11F5]
C751	C_0603	mbx187[11F5]
C752	C_0603	mbx187[11D3]
C753	C_0603	mbx187[11D3]
C754	C_0603	mbx187[11D1]
C755	C_0603	mbx187[11D1]
C756	C_1608	mbx187[11F4]
C757	C_1608	mbx187[11D4]
C758	C_0603	mbx187[11D6]
C759	C_0603	mbx187[11D4]
C800	C_0603	mbx187[12E5]
C801	C_0603	mbx187[12C7]
C802	C_0603	mbx187[12E4]
C803	C_1005	mbx187[12F5]
C804	C_0603	mbx187[12F5]
C805	C_0603	mbx187[12F5]
C806	C_0603	mbx187[12F6]
C807	C_0603	mbx187[12C7]
C1000	C_2012	mbx187[13E5]
C1001	C_3225	mbx187[13E4]
C1002	C_1005	mbx187[13C7]
C1003	C_1005	mbx187[13E4]
C1004	C_2012	mbx187[13E6]
C1100	C_0603	mbx187[14E7]
C1101	C_0603	mbx187[14E6]
C1102	C_0603	mbx187[14E6]
C1103	C_0603	mbx187[14E5]
C1104	C_1608	mbx187[14E5]
C1200	C_1005	mbx187[15B7]
C1300	C_0603	mbx187[16E4]
C1301	C_1005	mbx187[16E7]
C1500	C_2012	mbx187[17E4]
C1502	C_1005	mbx187[17E3]
C1503	C_0603	mbx187[17D4]
C1504	C_0603	mbx187[17D5]
C1505	C_1005	mbx187[17E5]
C1506	C_1005	mbx187[17D5]
C1508	CE_7343	mbx187[17D1]

REVISIONS				
ZONE	LTR	DESCRIPTION	DATE	APPR.

SONY CORPORATION

THIS DOCUMENT CONTAINS INFORMATION PROPRIETARY TO SONY CORPORATION (SONY). USE OR DISCLOSURE WITHOUT THE WRITTEN PERMISSION OF AN OFFICER OF SONY IS EXPRESSLY FORBIDDEN.
 COPYRIGHT (C) SONY CORPORATION 2009

SIZE	DESIGNER	QTY	REV.	PART NO.
C	-	1	-	-

