

MODEL NAME : VBW01
PROJECT CODE : ANRVBW0100
PCB NO : DA8000WL000 LA-9982P M/B
DA40001FO00 LS-9101P POWER BUTTON/B
DA40001FP00 LS-9102P USB/B
DA40001FQ00 LS-9103P TP BUTTON/B

Dell / Compal Confidential

Schematic Document

Intel Shark Bay ULT
OAK Mainstream2
UMA/DIS AMD Venus Pro

2013-05-29

Rev: 3.0

X76@ : 76 level
46@ : 46 level
@ : Nopop component
CONN@ : Connector component
XDP@ : XDP function
UMA@ : Only for UMA
DIS@ : Only for Discrete
VENUS@ : VENUS Pro, VENUS XT
VENUSXT@ : VENUS XT
VENUSPRO@ : VENUS Pro
@VENUS@ : VENUS nopop component
EMI@ : EMI parts
@EMI@ : Reserve EMI parts
ESD@ : ESD parts
RF@ : RF parts

BOM config

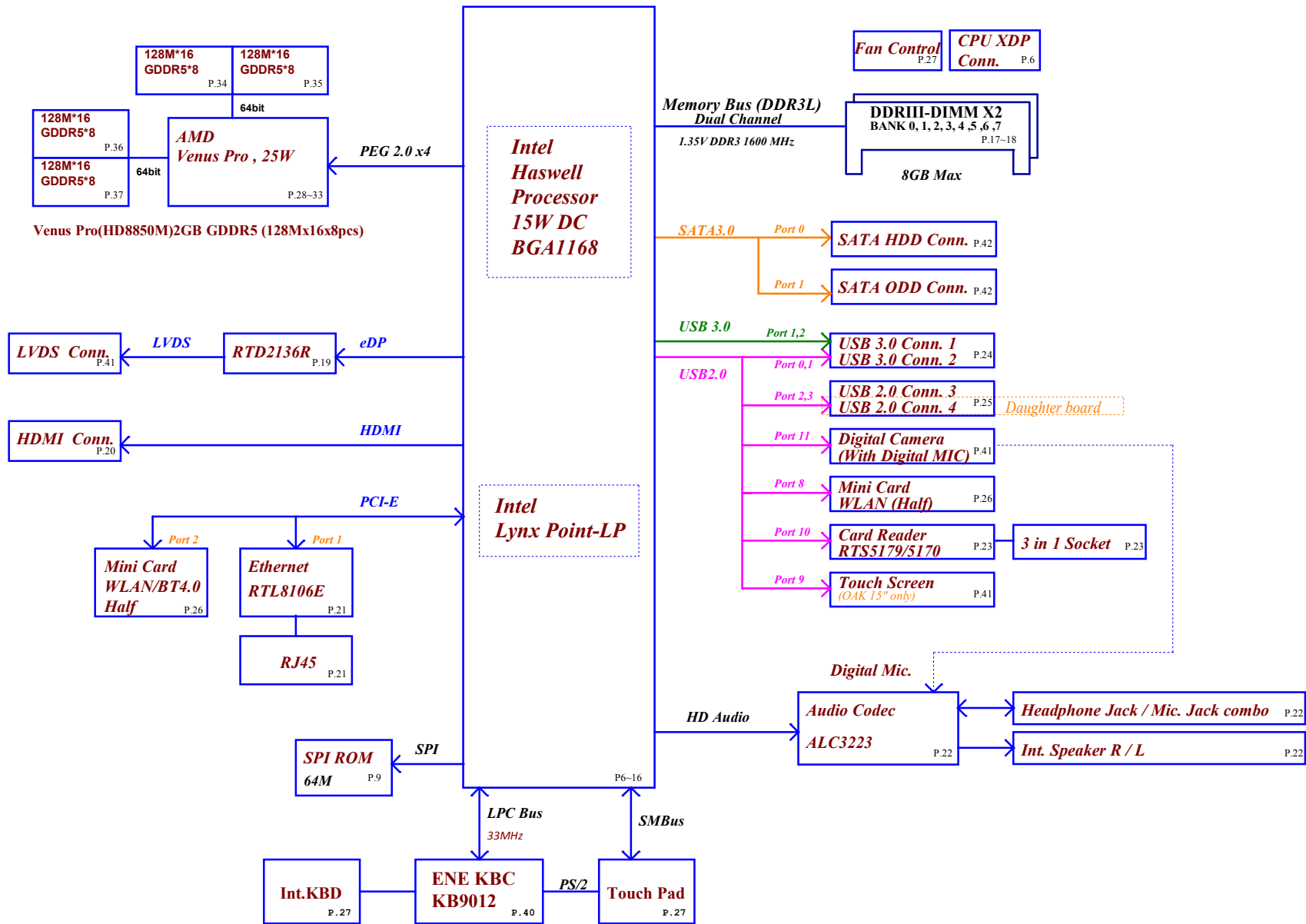
UMA : UMA@,EMI@,ESD@,RF@

DIS VENUS : VENUS@,VENUSPRO@,DIS@,EMI@,ESD@,RF



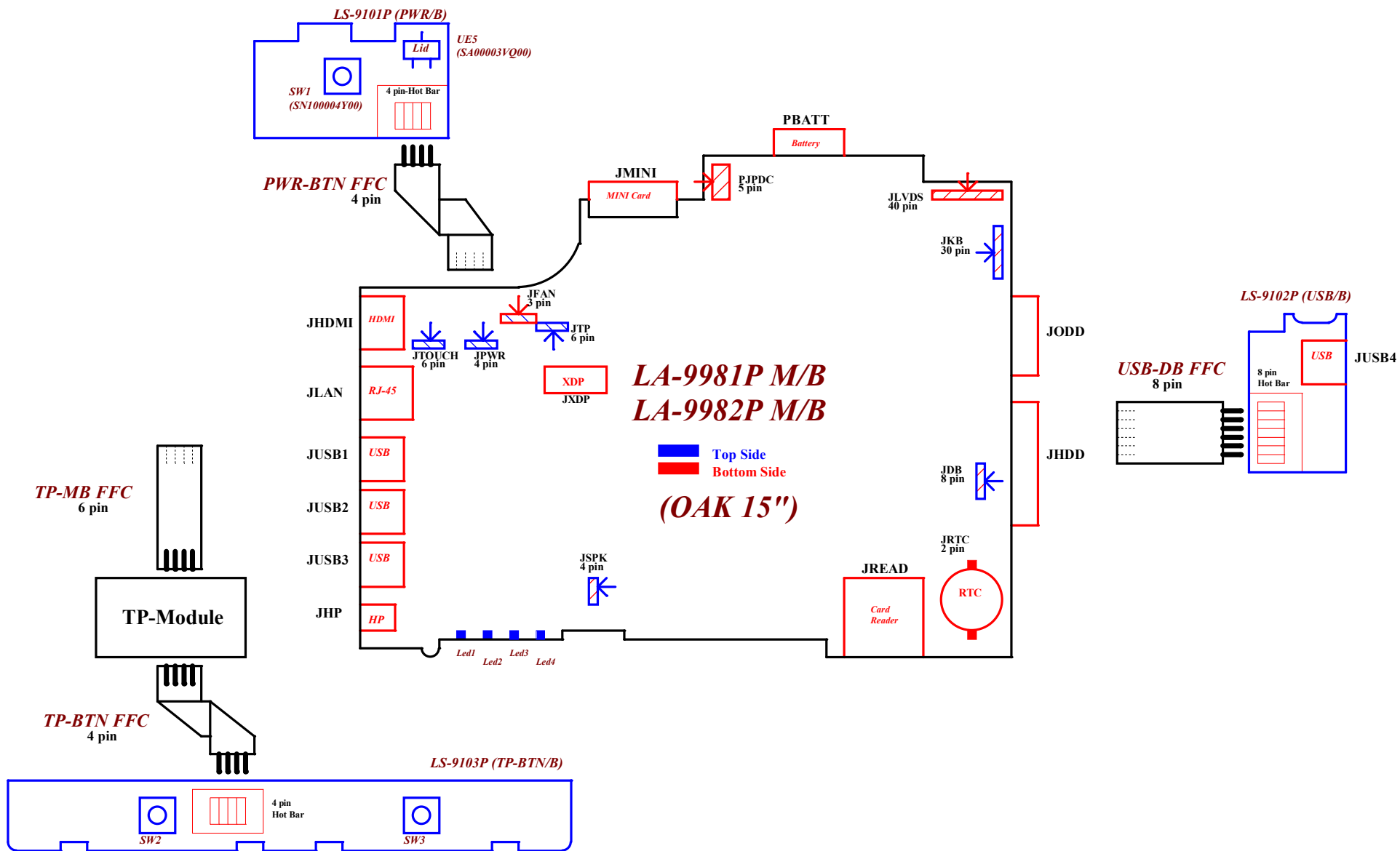
PCB VBW01 LA9982P/LS9101P/LS9102P/LS9103P
DA202G00120

Security Classification	Compal Secret Data		Title	
Issued Date	2013/05/29	Deciphered Date	2014/06/01	<i>Compal Electronics, Inc.</i>
THIS SHEET OF ENGINEERING DRAWING IS THE PROPRIETARY PROPERTY OF COMPAL ELECTRONICS, INC. AND CONTAINS CONFIDENTIAL AND TRADE SECRET INFORMATION. THIS SHEET MAY NOT BE TRANSFERRED FROM THE CUSTODY OF THE COMPETENT DIVISION OF R&D DEPARTMENT EXCEPT AS AUTHORIZED BY COMPAL ELECTRONICS, INC. NEITHER THIS SHEET NOR THE INFORMATION IT CONTAINS MAY BE USED BY OR DISCLOSED TO ANY THIRD PARTY WITHOUT PRIOR WRITTEN CONSENT OF COMPAL ELECTRONICS, INC.				Cover Page Size Document Number Custom LA-9982P Date: Wednesday, May 29, 2013 Sheet 1 of 57 Rev 3.0



Security Classification	Compal Secret Data		Compal Electronics, Inc.	
Issued Date	2013/05/29	Deciphered Date	2014/06/01	Title
THIS SHEET OF ENGINEERING DRAWING IS THE PROPRIETARY PROPERTY OF COMPAL ELECTRONICS, INC. AND CONTAINS CONFIDENTIAL AND TRADE SECRET INFORMATION. THIS SHEET MAY NOT BE TRANSFERRED FROM THE CUSTODY OF THE COMPETENT DIVISION OF R&D DEPARTMENT EXCEPT AS AUTHORIZED BY COMPAL ELECTRONICS, INC. NEITHER THIS SHEET NOR THE INFORMATION IT CONTAINS MAY BE USED BY OR DISCLOSED TO ANY THIRD PARTY WITHOUT PRIOR WRITTEN CONSENT OF COMPAL ELECTRONICS, INC.				Block diagram
Size	Document Number	Rev		
	LA-9982P	3.0		
Date:	Wednesday, May 29, 2013	Sheet	2	of 57

Compal Confidential
Project Code : VAW00 / VAW01
File Name : LA-9981P / LA-9982P



Security Classification	Compal Secret Data			Compal Electronics, Inc.		
Issued Date	2013/05/29	Deciphered Date	2014/06/01	Title DB block diagram		
THIS SHEET OF ENGINEERING DRAWING IS THE PROPRIETARY PROPERTY OF COMPAL ELECTRONICS, INC. AND CONTAINS CONFIDENTIAL AND TRADE SECRET INFORMATION. THIS SHEET MAY NOT BE TRANSFERRED FROM THE CUSTODY OF THE COMPETENT DIVISION OF R&D DEPARTMENT EXCEPT AS AUTHORIZED BY COMPAL ELECTRONICS, INC. NEITHER THIS SHEET NOR THE INFORMATION IT CONTAINS MAY BE USED BY OR DISCLOSED TO ANY THIRD PARTY WITHOUT PRIOR WRITTEN CONSENT OF COMPAL ELECTRONICS, INC.				Size	Document Number LA-9982P	Rev 3.0
				Date: Wednesday, May 29, 2013	Sheet	3 of 57

Board ID Table for AD channel

Vcc	3.3V +/- 1%				
Ra	100K +/- 1%				
Board ID	Rb	V _{AD_BID min}	V _{AD_BID typ}	V _{AD_BID max}	EC AD3
0	0	0.000V	0.000V	0.300V	0x00 - 0x0B
1	12K +/- 1%	0.347V	0.354V	0.360V	0x0C - 0x1C
2	15K +/- 1%	0.423V	0.430V	0.438V	0x1D - 0x26
3	20K +/- 1%	0.541V	0.550V	0.559V	0x27 - 0x30
4	27K +/- 1%	0.691V	0.702V	0.713V	0x31 - 0x3B
5	33K +/- 1%	0.807V	0.819V	0.831V	0x3C - 0x46
6	43K +/- 1%	0.978V	0.992V	1.006V	0x47 - 0x54
7	56K +/- 1%	1.169V	1.185V	1.200V	0x55 - 0x64
8	75K +/- 1%	1.398V	1.414V	1.430V	0x65 - 0x76
9	100K +/- 1%	1.634V	1.650V	1.667V	0x77 - 0x87
10	130K +/- 1%	1.849V	1.865V	1.881V	0x88 - 0x96
11	160K +/- 1%	2.015V	2.031V	2.046V	0x97 - 0xA3
12	200K +/- 1%	2.185V	2.200V	2.215V	0xA4 - 0xAD
13	240K +/- 1%	2.316V	2.329V	2.343V	0xAE - 0xB7
14	270K +/- 1%	2.395V	2.408V	2.421V	0xBB - 0xC0
15	330K +/- 1%	2.521V	2.533V	2.544V	0xC1 - 0xC9
16	430K +/- 1%	2.677V	2.677V	2.687V	0xCA - 0xD3
17	560K +/- 1%	2.791V	2.800V	2.808V	0xD4 - 0xDC
18	750K +/- 1%	2.905V	2.912V	2.919V	0xDD - 0xE6
19	NC	3.000V	3.300V	3.300V	0xE7 - 0xFF

SMBUS Control Table

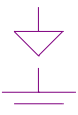
	SOURCE	BATT	Charger	RTD2136S	VGA	DDR3L	XDP	WLAN mini card	Touch pad
EC_SMB_CK1 EC_SMB_DA1	KB9012	V	V						
EC_SMB_CK2 EC_SMB_DA2	KB9012			V	V				
SMBCLK SMBDATA	ULT					V	V	V	V
SML0CLK SML0DATA	ULT								
SML1CLK SML1DATA	ULT								

Link

Board ID TABLE

ID	PCB Revision			
	UMA	Sun XT	VenusPro	VenusXT
0	SSI&A02			
1		SSI&A02		
2			SSI&A02	
3				SSI&A02
4	PT			
5		PT		
6			PT	
7				PT
8	ST			
9		ST		
10			ST	
11				ST
12	XB			
13		XB		
14			XB	
15				XB
16	A01			
17		A01		
18			A01	
19				A01

Symbol Note :



: means Digital Ground



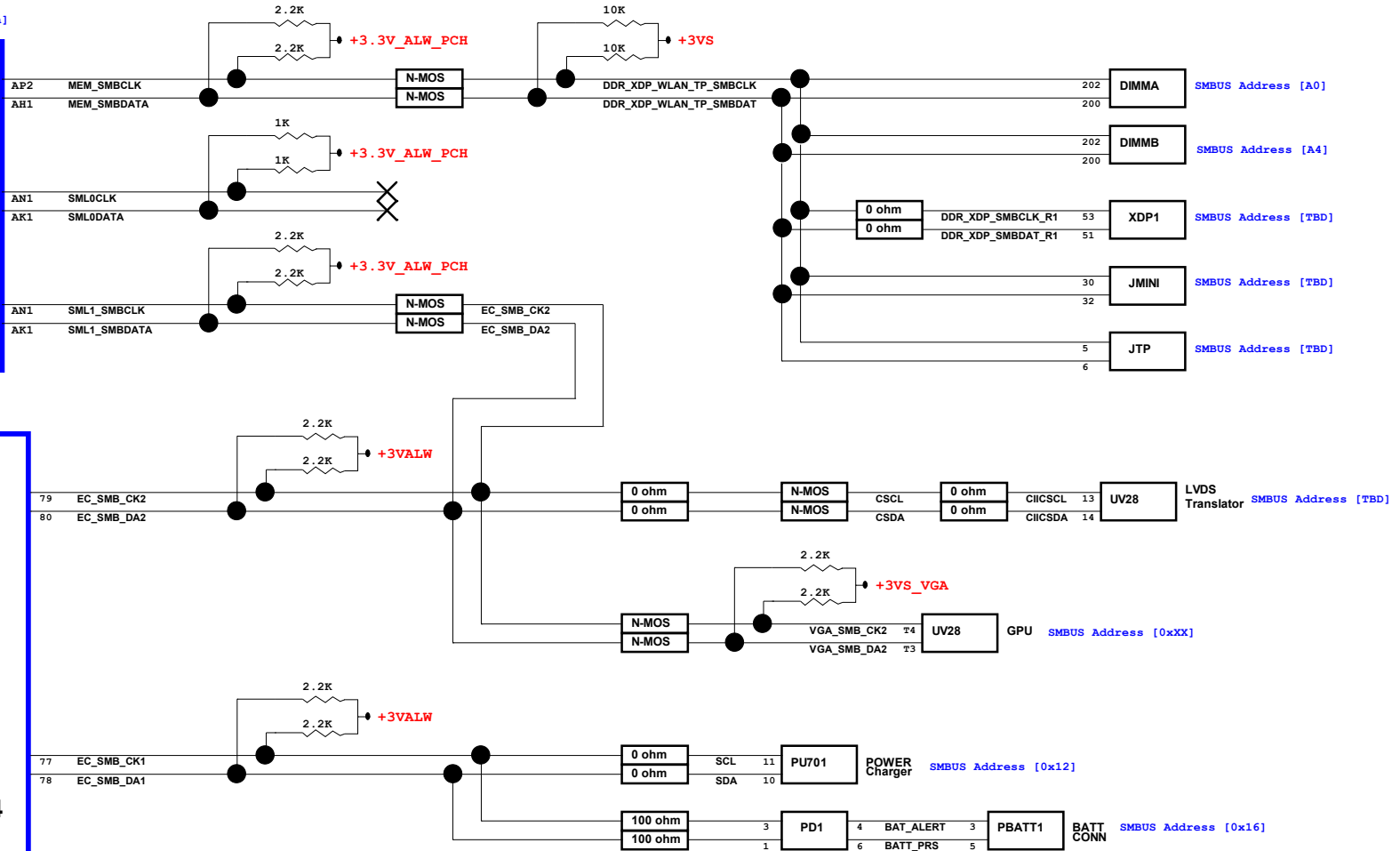
: means Analog Ground

CLOCK SIGNAL	
CLKOUT_PCIE0	
CLKOUT_PCIE1	
CLKOUT_PCIE2	10/100 LAN
CLKOUT_PCIE3	MINI Card (WLAN)
CLKOUT_PCIE4	dGPU
CLKOUT_PCIE5	

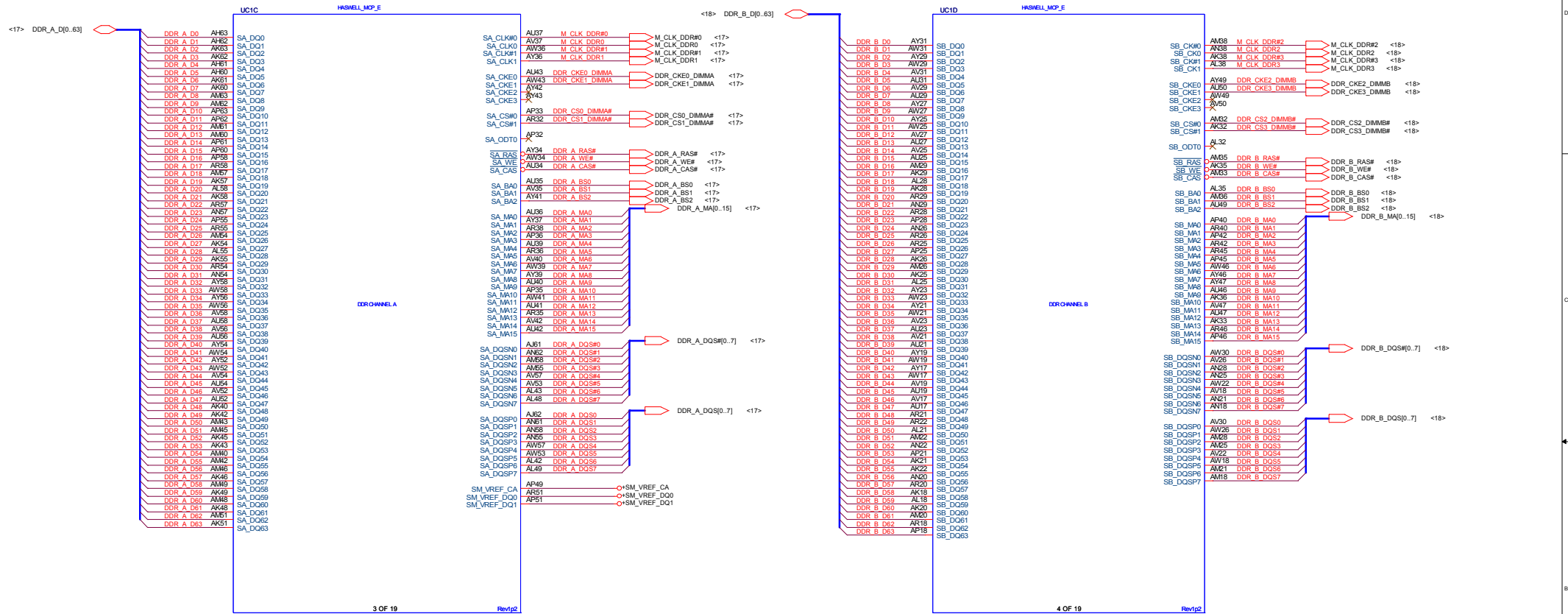
USB3.0	
Port1	USB connector 2
Port2	USB connector 1
Port3	
Port4	
USB2.0	
Port0	USB connector 2
Port1	USB connector 1
Port2	USB connector 3
Port3	USB connector 4 (DB)
Port4	MINI Card (WLAN)
Port5	Touch Screen Panel
Port6	Card Reader
Port7	Camera
PCI EXPRESS	
Lane 1	
Lane 2	
Lane 3	10/100 LAN
Lane 4	MINI Card (WLAN)
Lane 5	PEG (N14P)
Lane 6	PEG (N14P)
SATA	
SATA0	HDD
SATA1	ODD
SATA2	
SATA3	

ULT

SMBUS Address [0x9a]

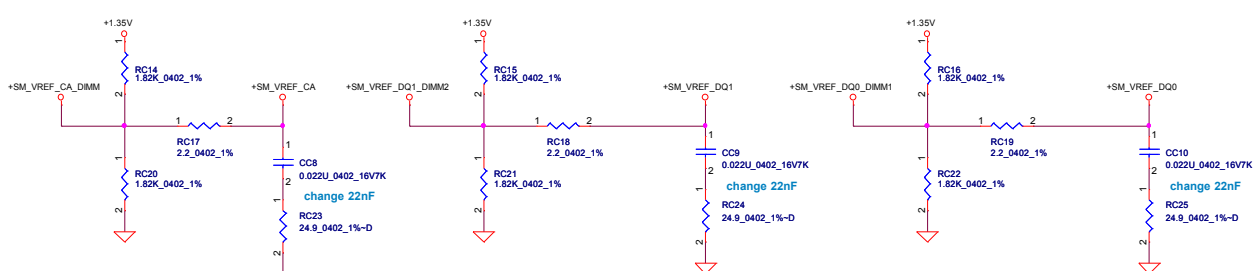


Security Classification	Compal Secret Data		Title	
Issued Date	2013/05/29	Deciphered Date	2014/06/01	Compal Electronics, Inc.
THIS SHEET OF ENGINEERING DRAWING IS THE PROPRIETARY PROPERTY OF COMPAL ELECTRONICS, INC. AND CONTAINS CONFIDENTIAL AND TRADE SECRET INFORMATION. THIS SHEET MAY NOT BE TRANSFERRED FROM THE CUSTODY OF THE COMPETENT DIVISION OF R&D DEPARTMENT EXCEPT AS AUTHORIZED BY COMPAL ELECTRONICS, INC. NEITHER THIS SHEET NOR THE INFORMATION IT CONTAINS MAY BE USED BY OR DISCLOSED TO ANY THIRD PARTY WITHOUT PRIOR WRITTEN CONSENT OF COMPAL ELECTRONICS, INC.				Document Number LA-9982P Date: Wednesday, May 29, 2013
Size	Rev	Sheet	of	Rev
	3.0	5	57	3.0



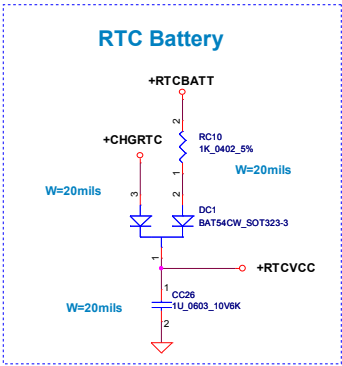
3 OF 19 Rev1p2

4 OF 19 Rev1p2

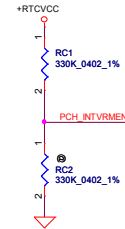


confirm by intel request PDG P141

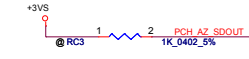
Security Classification		Compal Secret Data		Title	
Issued Date	2013/05/29	Deciphered Date	2014/06/01	MCP(3.4/19) DDR3	
THIS SHEET OF ENGINEERING DRAWING IS THE PROPRIETARY PROPERTY OF COMPAL ELECTRONICS, INC. AND CONTAINS CONFIDENTIAL AND TRADE SECRET INFORMATION. THIS SHEET MAY NOT BE TRANSFERRED FROM THE CUSTODY OF THE COMPETENT DIVISION OF R&D DEPARTMENT EXCEPT AS AUTHORIZED BY COMPAL ELECTRONICS, INC. NEITHER THIS SHEET NOR THE INFORMATION IT CONTAINS MAY BE USED BY OR DISCLOSED TO ANY THIRD PARTY WITHOUT PRIOR WRITTEN CONSENT OF COMPAL ELECTRONICS, INC.				Size	Document Number
				L94982P	Rev 3.0
				Date:	Wednesday, May 29, 2013
				Sheet	7 of 57



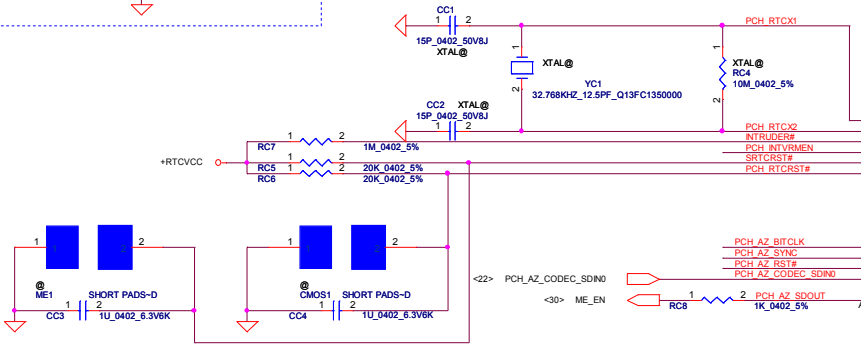
For GCLK



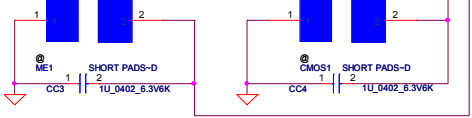
INTVRMEN - INTEGRATED SUS 1.05V VRM
ENABLE
 High - Enable Internal VRs
 Low - Enable External VRs



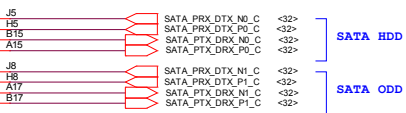
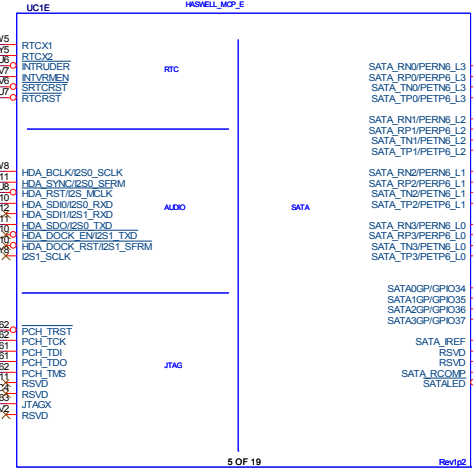
FLASH DESCRIPTOR SECURITY OVERRIDE
LOW = DISABLED (DEFAULT)
HIGH = ENABLED



CMOS place near DIMM

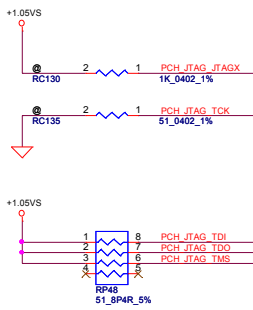


- <8> PCH_JTAG_RST#
- <8> PCH_JTAG_TCK
- <8> PCH_JTAG_TDI
- <8> PCH_JTAG_TDO
- <8> PCH_JTAG_TMS
- <8> PCH_JTAG_JTAGX



PCH Rx side need use strap pin to update PCIE +/-

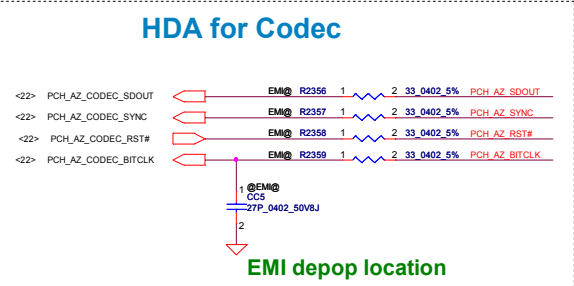
SATA Impedance Compensation
 within 500 mils
 CAD note:
 Place the resistor within 500 mils of the PCH. Avoid routing next to clock pins. reference FFRD sch 0.5



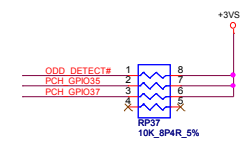
CMOS_CLR1	CMOS setting
Shunt	Clear CMOS
Open	Keep CMOS

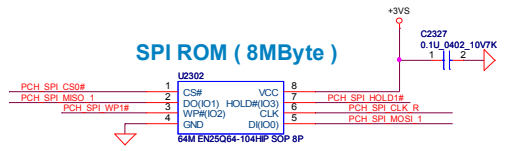
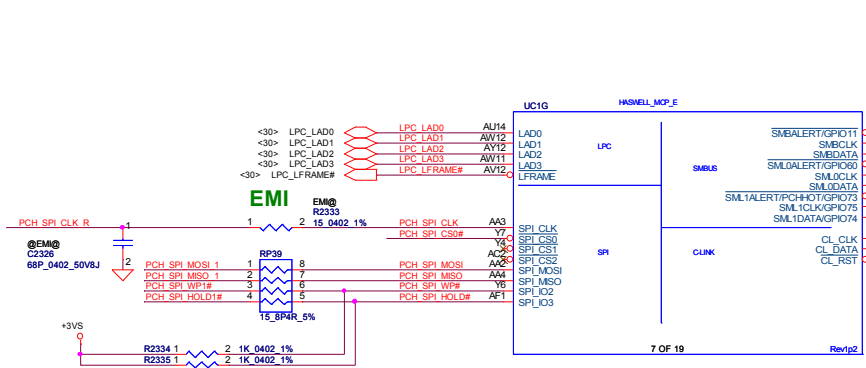
ME_CLR1	TPM setting
Shunt	Clear ME RTC Registers
Open	Keep ME RTC Registers

HDA for Codec

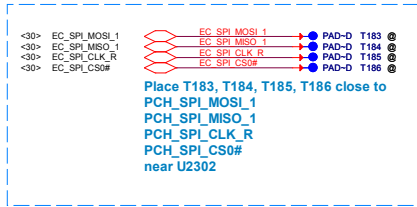


EMI depop location





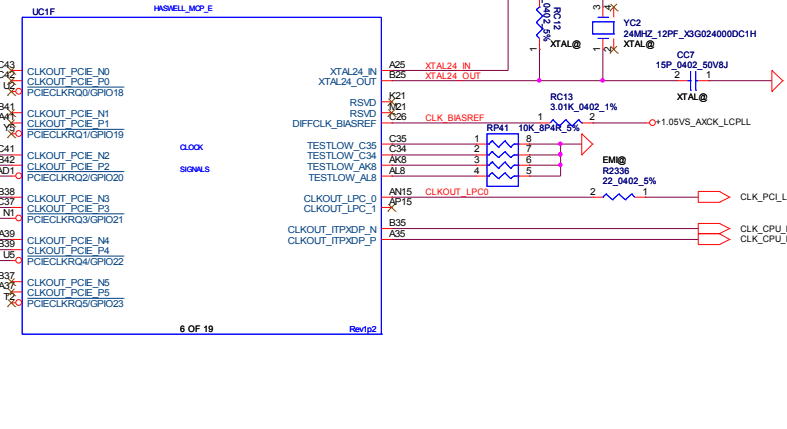
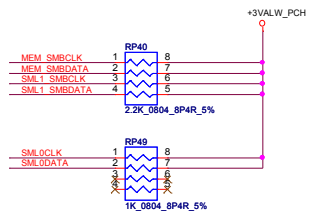
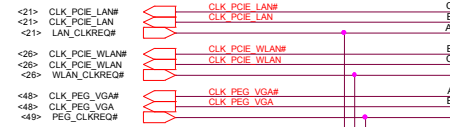
PN : SA000046400 ,64M,EN25Q64-104HIP

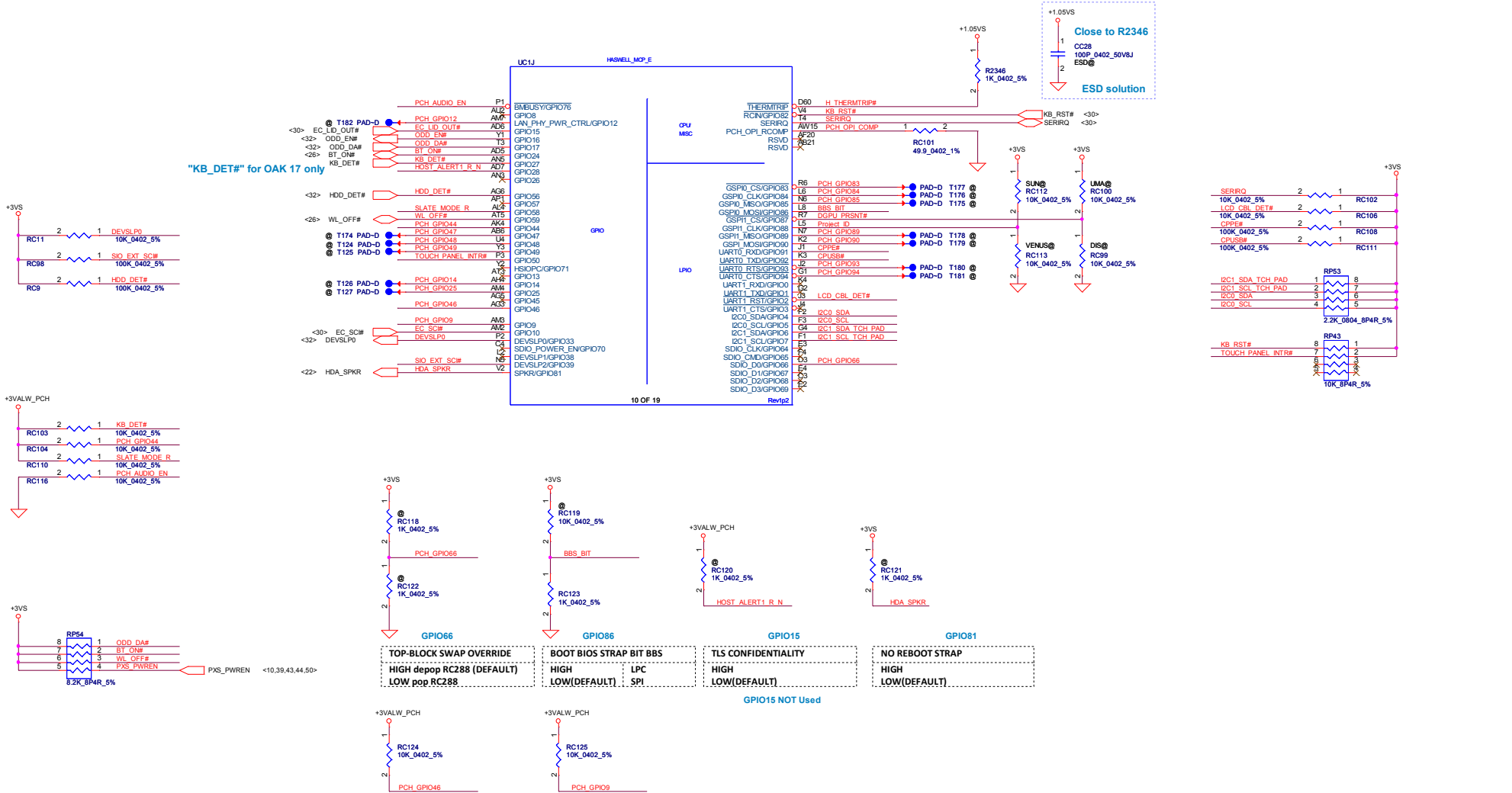


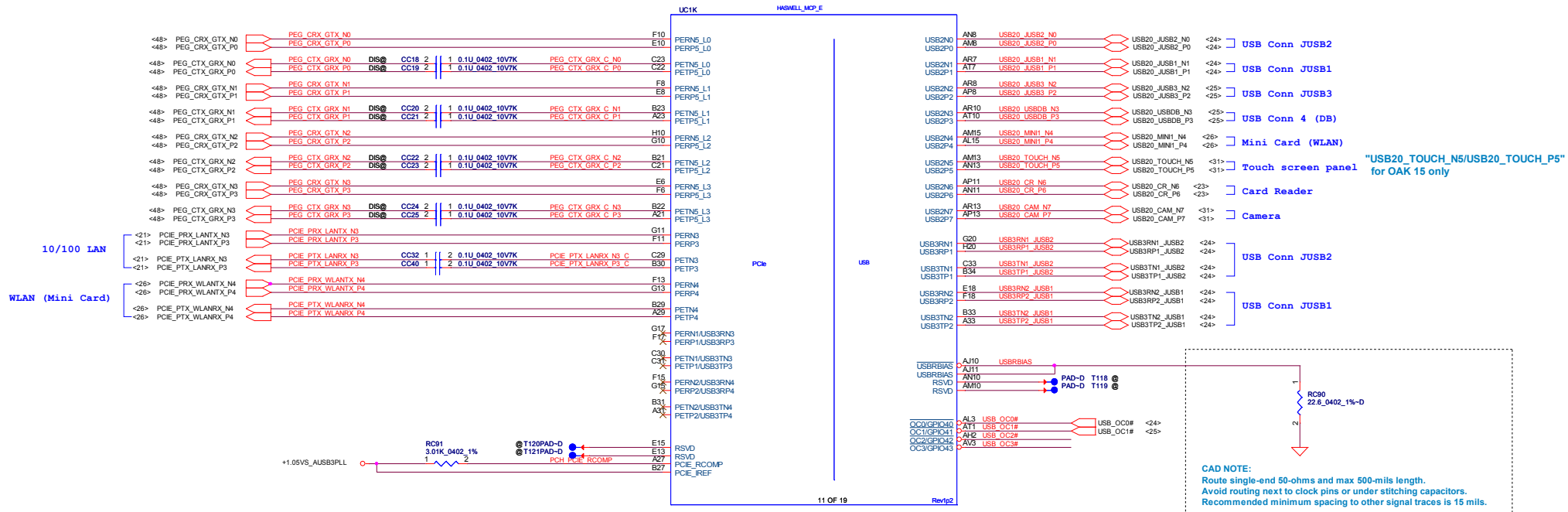
10/100 LAN ----->

WLAN (Mini Card) ---->

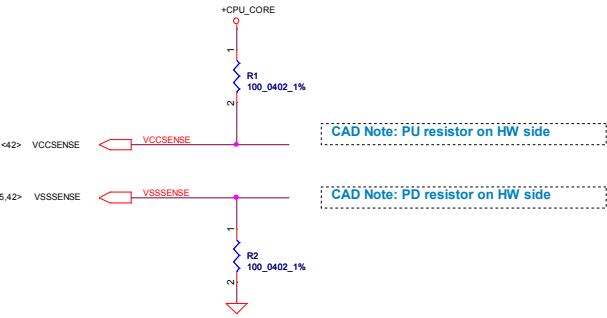
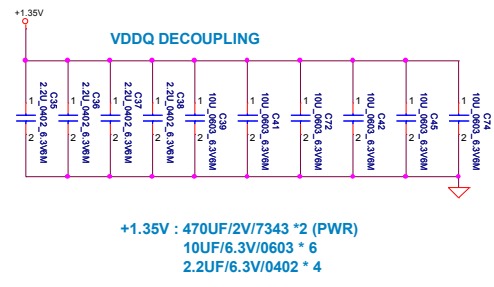
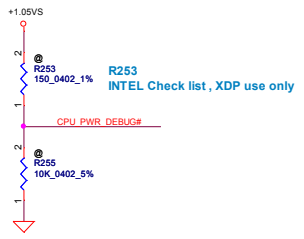
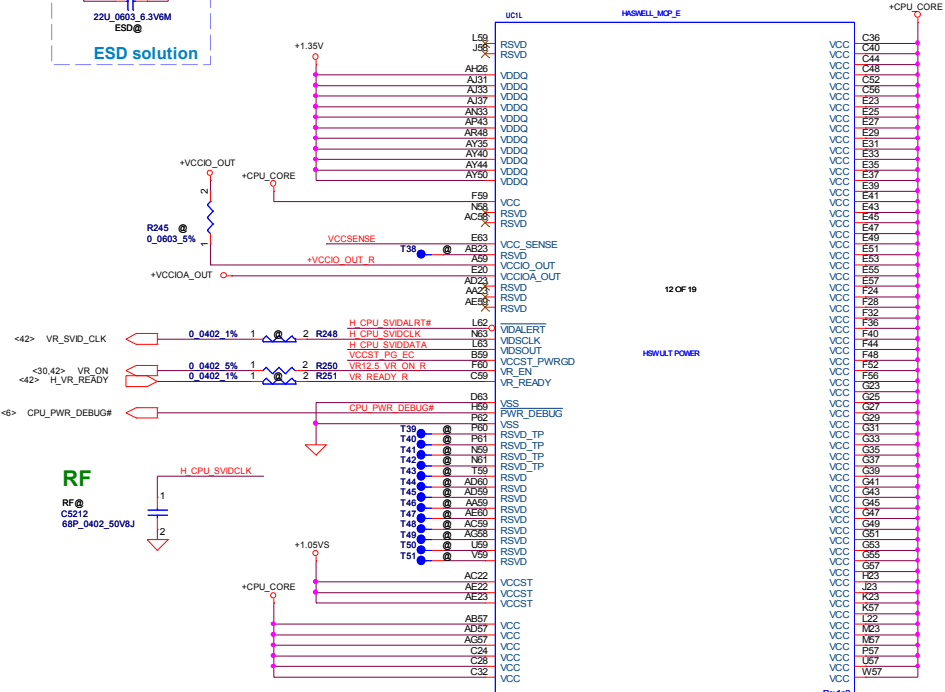
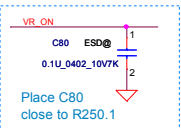
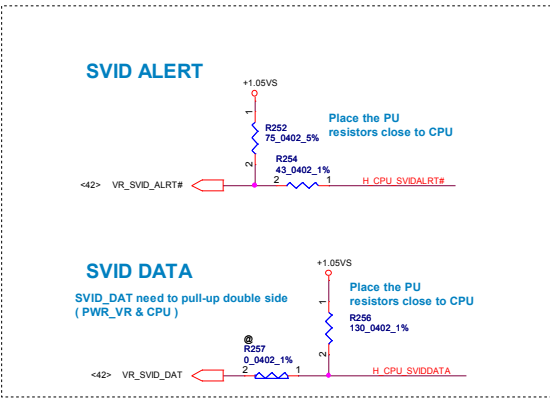
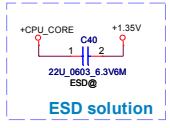
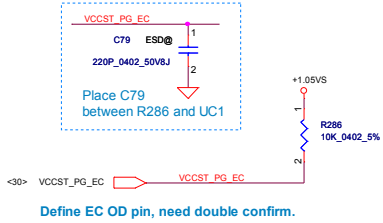
dGPU ---->



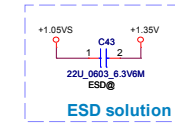
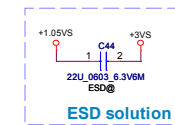
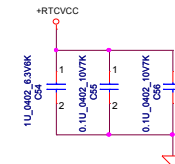
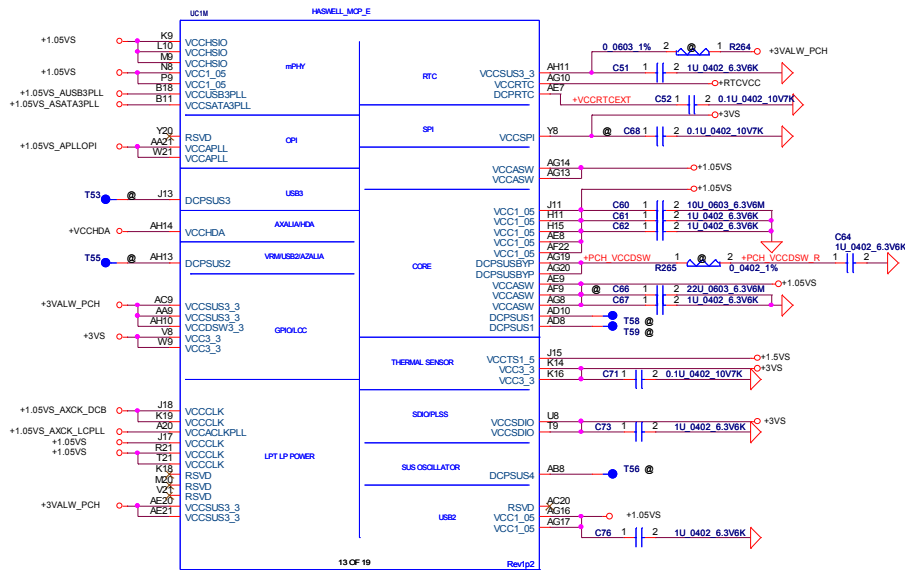
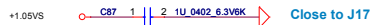
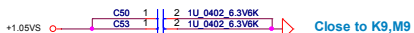
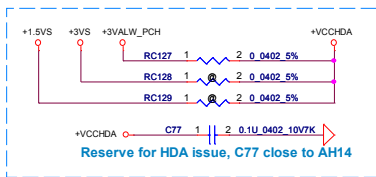
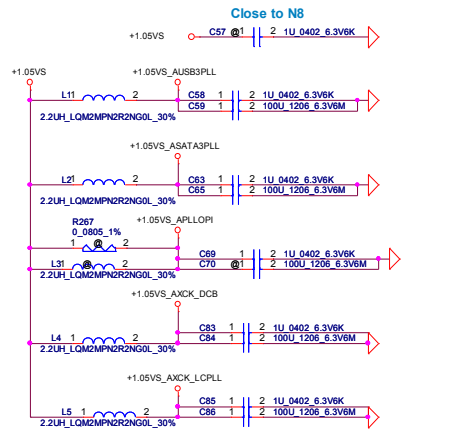




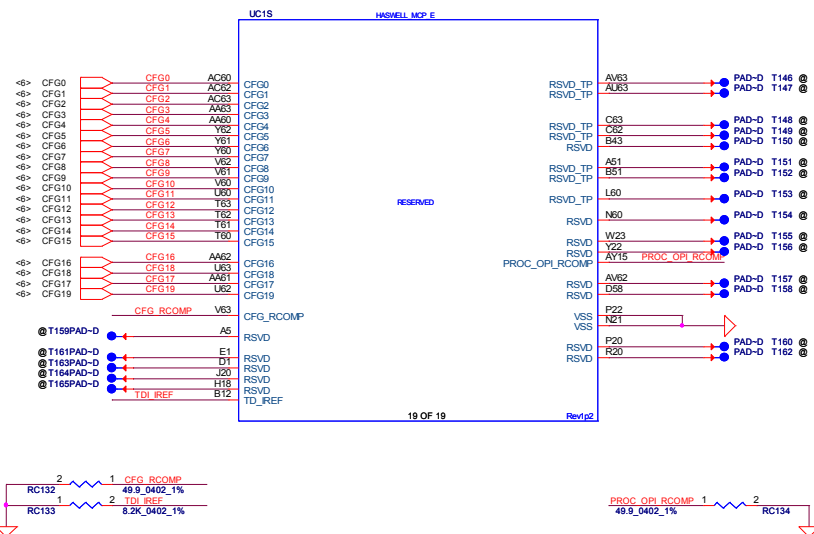
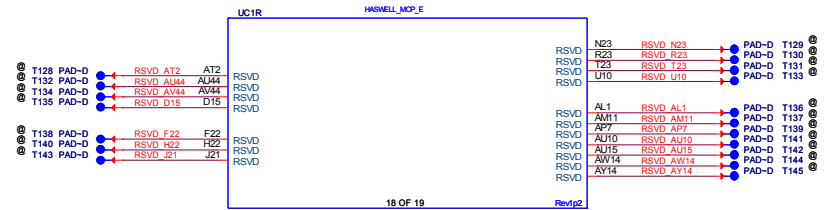
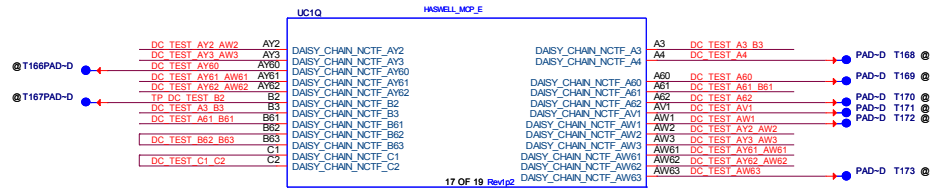
Security Classification		Compal Secret Data		Title	
Issued Date	2013/05/29	Deciphered Date	2014/06/01	MCP(11/19) PCIE_USB	
THIS SHEET OF ENGINEERING DRAWING IS THE PROPRIETARY PROPERTY OF COMPAL ELECTRONICS, INC. AND CONTAINS CONFIDENTIAL AND TRADE SECRET INFORMATION. THIS SHEET MAY NOT BE TRANSFERRED FROM THE CUSTODY OF THE COMPETENT DIVISION OF R&D DEPARTMENT EXCEPT AS AUTHORIZED BY COMPAL ELECTRONICS, INC. NEITHER THIS SHEET NOR THE INFORMATION IT CONTAINS MAY BE USED BY OR DISCLOSED TO ANY THIRD PARTY WITHOUT PRIOR WRITTEN CONSENT OF COMPAL ELECTRONICS, INC.				Size	Document Number
				LA-9982P	Rev 3.0
				Date: Wednesday, Nov 28, 2013	Sheet 12 of 57



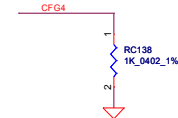
Security Classification	Compal Secret Data		Title	
Issued Date	2013/05/29	Deciphered Date	2014/06/01	Compal Electronics, Inc.
THIS SHEET OF ENGINEERING DRAWING IS THE PROPRIETARY PROPERTY OF COMPAL ELECTRONICS, INC. AND CONTAINS CONFIDENTIAL AND TRADE SECRET INFORMATION. THIS SHEET MAY NOT BE TRANSFERRED FROM THE CUSTODY OF THE COMPETENT DIVISION OF R&D DEPARTMENT EXCEPT AS AUTHORIZED BY COMPAL ELECTRONICS, INC. NEITHER THIS SHEET NOR THE INFORMATION IT CONTAINS MAY BE USED BY OR DISCLOSED TO ANY THIRD PARTY WITHOUT PRIOR WRITTEN CONSENT OF COMPAL ELECTRONICS, INC.				Size Document Number LA-9982P Date: Wednesday, Nov 28, 2013 Sheet 13 of 57
				Rev 3.0



Security Classification		Compal Secret Data		Title	
Issued Date		Deciphered Date		MCP(13/19) Power	
2013/05/29		2014/06/01		Document Number	
				LA-9982P	
				Date: Wednesday, May 29, 2013	
				Sheet 14 of 57	
THIS SHEET OF ENGINEERING DRAWING IS THE PROPRIETARY PROPERTY OF COMPAL ELECTRONICS, INC. AND CONTAINS CONFIDENTIAL AND TRADE SECRET INFORMATION. THIS SHEET MAY NOT BE TRANSFERRED FROM THE CUSTODY OF THE COMPETENT DIVISION OF R&D DEPARTMENT EXCEPT AS AUTHORIZED BY COMPAL ELECTRONICS, INC. NEITHER THIS SHEET NOR THE INFORMATION IT CONTAINS MAY BE USED BY OR DISCLOSED TO ANY THIRD PARTY WITHOUT PRIOR WRITTEN CONSENT OF COMPAL ELECTRONICS, INC.				Rev 3.0	



CFG STRAPS for CPU



Display Port Presence Strap	
CFG4	1: Disabled; No Physical Display Port attached to Embedded Display Port 0: Enabled; An external Display Port device is connected to the Embedded Display Port

H=4mm

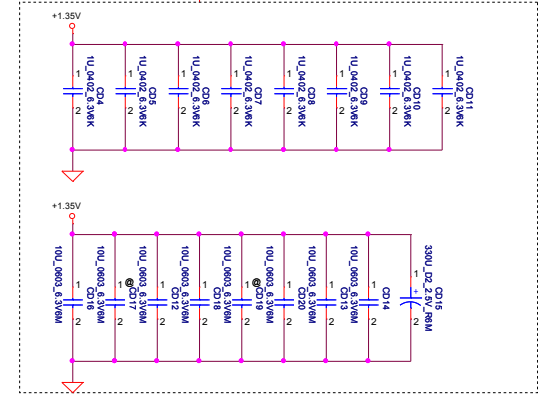
Populate RD1, De-Populate RD7 for Intel DDR3 VREFDQ multiple methods M1
Populate RD7, De-Populate RD1 for Intel DDR3 VREFDQ multiple methods M3

- <7> DDR_A_DQS#0..7
- <7> DDR_A_DQ0..63
- <7> DDR_A_DQS#0..7
- <7> DDR_MA0..15

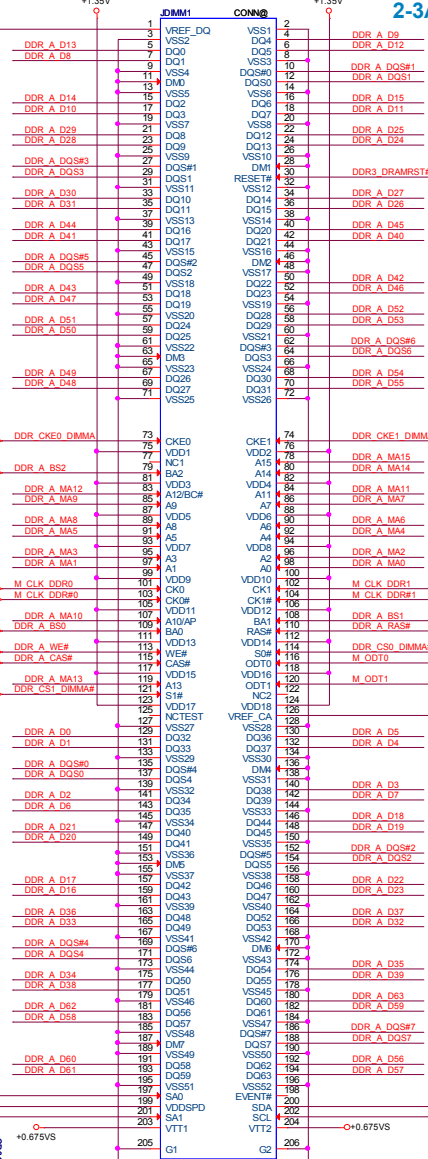
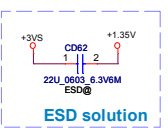
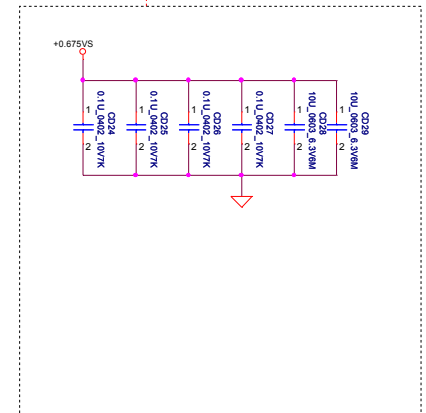
All VREF traces should have 10 mil trace width

Layout Note:
Place near JDIMM1

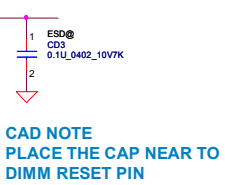
Note:
Check voltage tolerance of VREF_DQ at the DIMM socket



Layout Note:
Place near JDIMM1.203,204

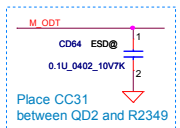
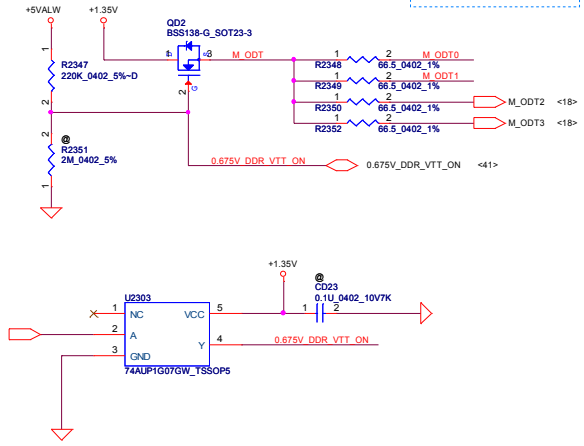


2-3A to 1 DIMMs/channel



CAD NOTE
PLACE THE CAP NEAR TO DIMM RESET PIN

DDR3L SODIMM ODT GENERATION



Place CC31 between QD2 and R2349

Security Classification		Compal Secret Data		Title	
Issued Date	2013/05/29	Deciphered Date	2014/06/01	DDR3L DIMMA	
THIS SHEET OF ENGINEERING DRAWING IS THE PROPRIETARY PROPERTY OF COMPAL ELECTRONICS, INC. AND CONTAINS CONFIDENTIAL AND TRADE SECRET INFORMATION. THIS SHEET MAY NOT BE TRANSFERRED FROM THE CUSTODY OF THE COMPETENT DIVISION OF R&D DEPARTMENT EXCEPT AS AUTHORIZED BY COMPAL ELECTRONICS, INC. NEITHER THIS SHEET NOR THE INFORMATION IT CONTAINS MAY BE USED BY OR DISCLOSED TO ANY THIRD PARTY WITHOUT PRIOR WRITTEN CONSENT OF COMPAL ELECTRONICS, INC.				Size	Document Number
				LA-9982P	Rev
				Date: Wednesday, May 29, 2013	17 of 57

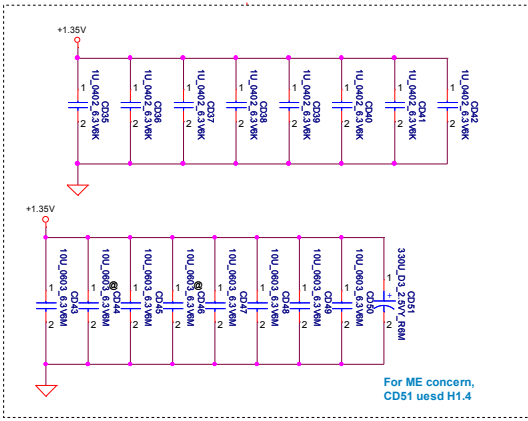
H=4mm
2-3A to 1 DIMMs/channel

Populate RD4, De-Populate RD8 for Intel DDR3
VREFDQ multiple methods M1
Populate RD8, De-Populate RD4 for Intel DDR3
VREFDQ multiple methods M3

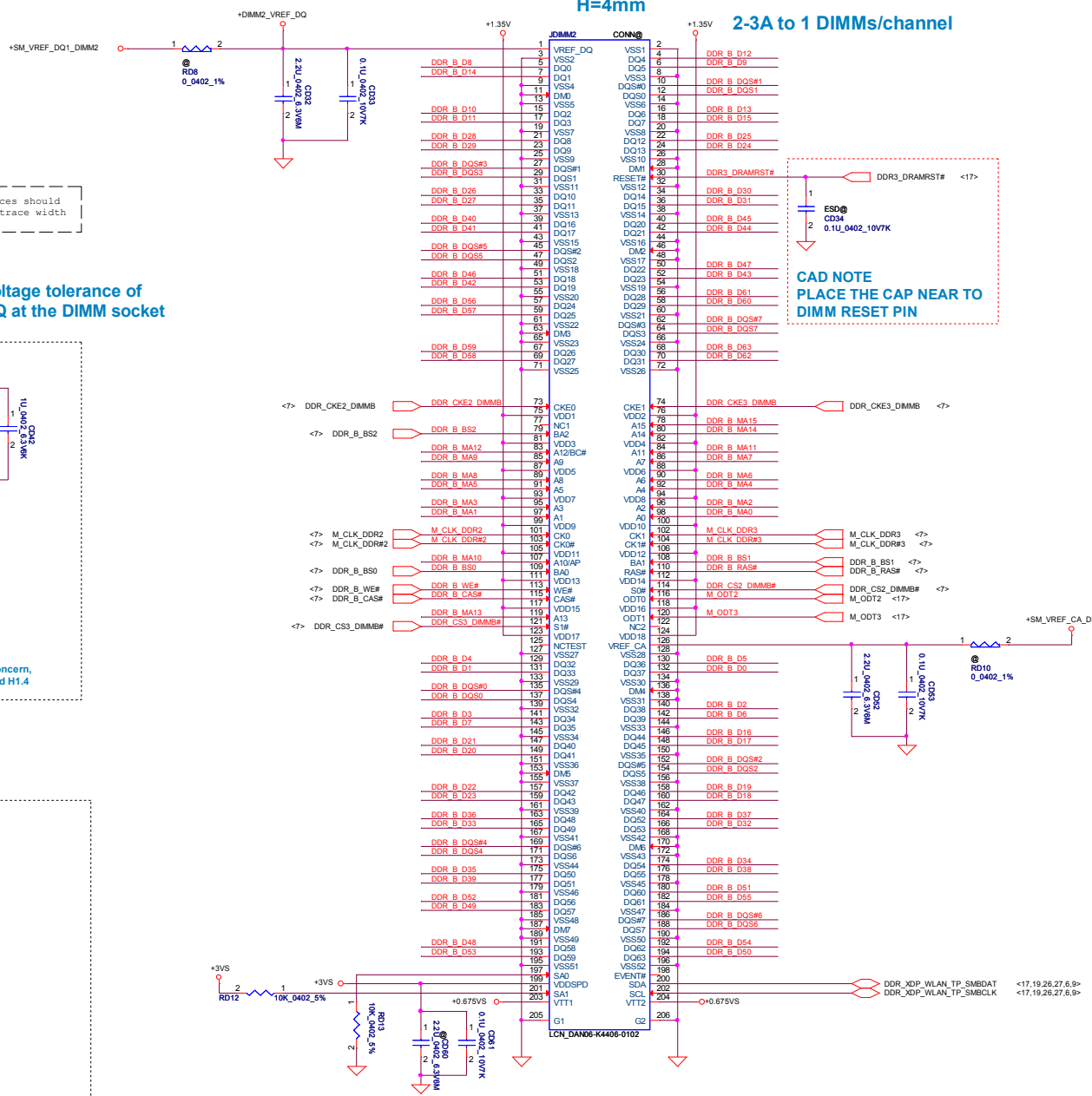
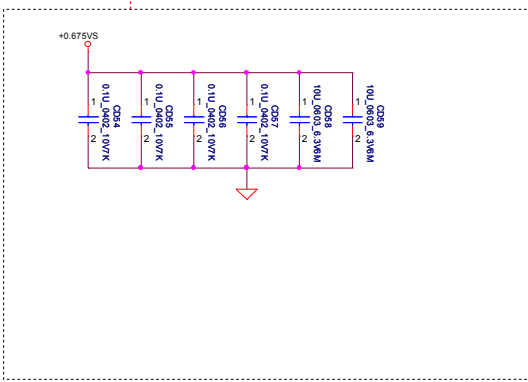


Layout Note:
Place near JDIMM2

Note:
Check voltage tolerance of VREF_DQ at the DIMM socket

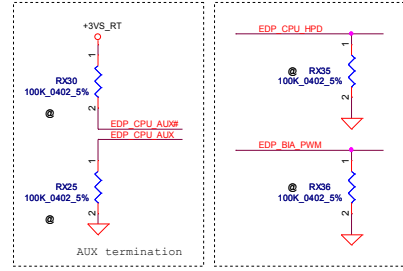
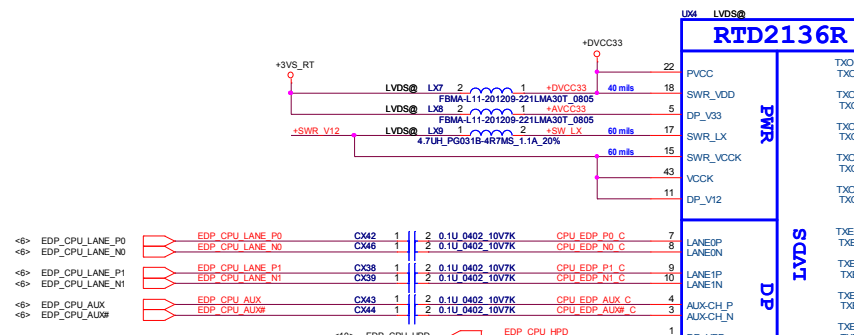
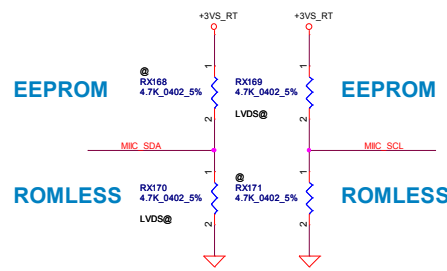
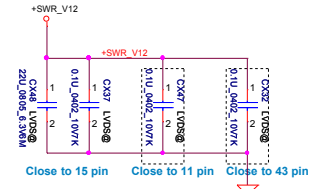
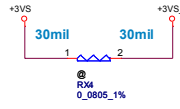
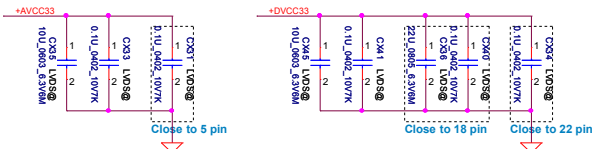


Layout Note:
Place near JDIMM2.203,204



CAD NOTE
PLACE THE CAP NEAR TO DIMM RESET PIN

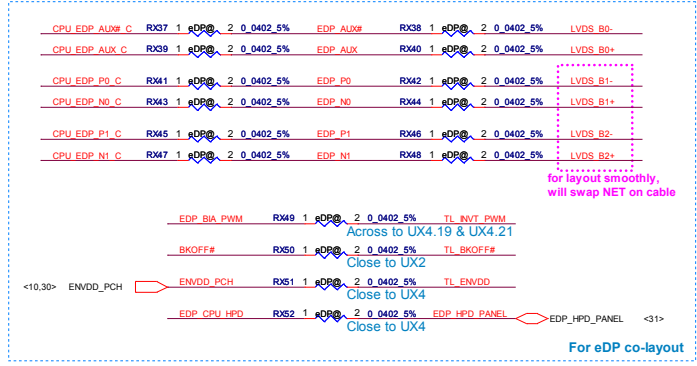
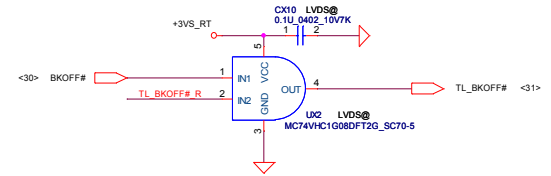
Security Classification		Compal Secret Data		Title	
Issued Date		Deciphered Date		2014/06/01	
2013/05/29				DDRIII DIMMB	
THIS SHEET OF ENGINEERING DRAWING IS THE PROPRIETARY PROPERTY OF COMPAL ELECTRONICS, INC. AND CONTAINS CONFIDENTIAL AND TRADE SECRET INFORMATION. THIS SHEET MAY NOT BE TRANSFERRED FROM THE CUSTODY OF THE COMPETENT DIVISION OF R&D DEPARTMENT EXCEPT AS AUTHORIZED BY COMPAL ELECTRONICS, INC. NEITHER THIS SHEET NOR THE INFORMATION IT CONTAINS MAY BE USED BY OR DISCLOSED TO ANY THIRD PARTY WITHOUT PRIOR WRITTEN CONSENT OF COMPAL ELECTRONICS, INC.		Size		Document Number	
		LA-9982P		Rev 3.0	
		Date: Wednesday, May 29, 2013		Sheet 18 of 57	



<17,18,26,27,6,9> DDR_XDP_WLAN_TP_SMBCLK
<17,18,26,27,6,9> DDR_XDP_WLAN_TP_SMBDAT

RTD2136S : SA00004NW10
RTD2136R : SA000067100

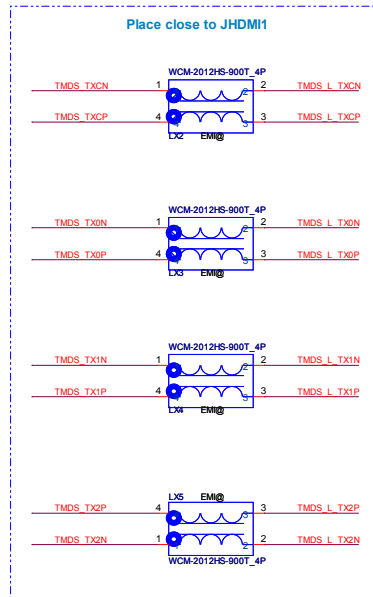
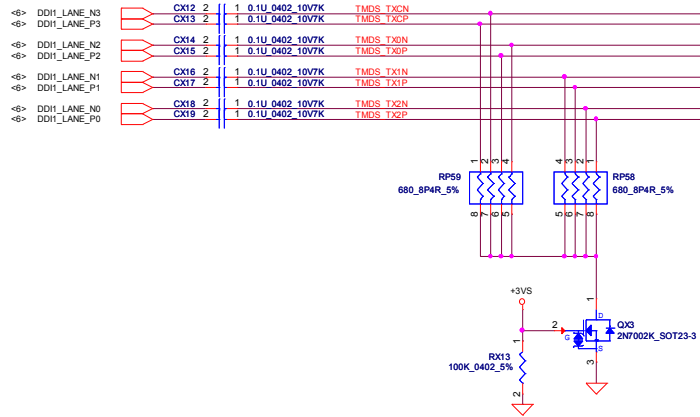
Vendor advise reserve it



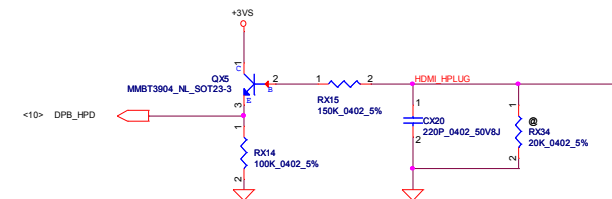
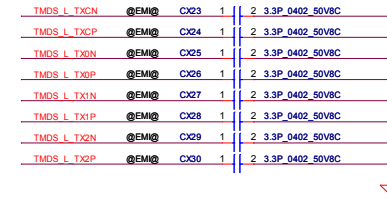
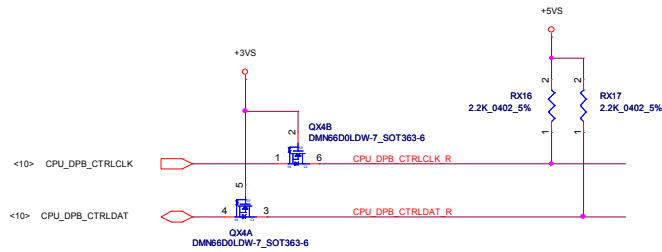
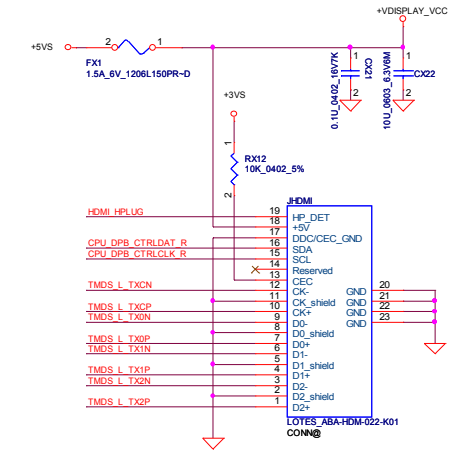
for layout smoothly, will swap NET on cable

For eDP co-layout

Security Classification		Compal Secret Data		Title	
Issued Date		Deciphered Date		8DP to LVDS converter	
2013/05/29		2014/06/01		LA9982P	
THIS SHEET OF ENGINEERING DRAWING IS THE PROPRIETARY PROPERTY OF COMPAL ELECTRONICS, INC. AND CONTAINS CONFIDENTIAL AND TRADE SECRET INFORMATION. THIS SHEET MAY NOT BE TRANSFERRED FROM THE CUSTODY OF THE COMPETENT DIVISION OF R&D DEPARTMENT EXCEPT AS AUTHORIZED BY COMPAL ELECTRONICS, INC. NEITHER THIS SHEET NOR THE INFORMATION IT CONTAINS MAY BE USED BY OR DISCLOSED TO ANY THIRD PARTY WITHOUT PRIOR WRITTEN CONSENT OF COMPAL ELECTRONICS, INC.					
Size	Document Number	Rev	3.0		
Date:	Wednesday, May 29, 2013	Sheet	19 of 57		



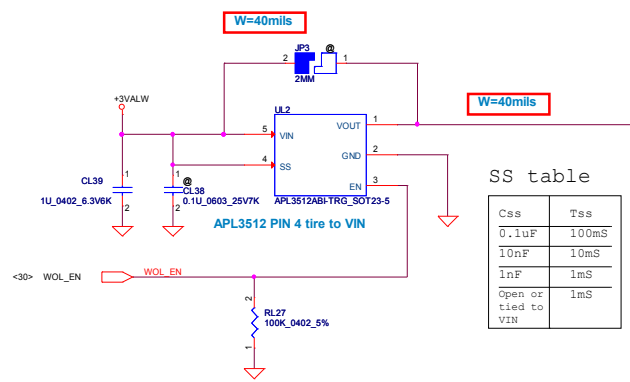
W=40mils



Security Classification	Compal Secret Data		Title		
Issued Date	2013/05/29	Deciphered Date	2014/06/01		
THIS SHEET OF ENGINEERING DRAWING IS THE PROPRIETARY PROPERTY OF COMPAL ELECTRONICS, INC. AND CONTAINS CONFIDENTIAL AND TRADE SECRET INFORMATION. THIS SHEET MAY NOT BE TRANSFERRED FROM THE CUSTODY OF THE COMPETENT DIVISION OF R&D DEPARTMENT EXCEPT AS AUTHORIZED BY COMPAL ELECTRONICS, INC. NEITHER THIS SHEET NOR THE INFORMATION IT CONTAINS MAY BE USED BY OR DISCLOSED TO ANY THIRD PARTY WITHOUT PRIOR WRITTEN CONSENT OF COMPAL ELECTRONICS, INC.				Rev	3.0
Date: Wednesday, May 29, 2013				Sheet	20 of 57

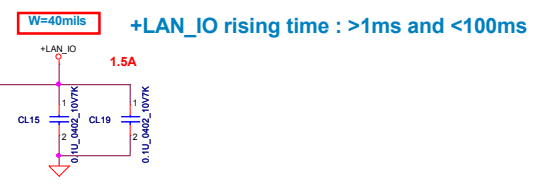
Compal Electronics, Inc.

HDMI
LA-9982P

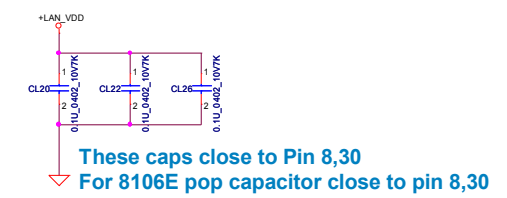


SS table

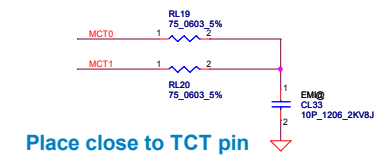
Css	Tss
0.1uF	100mS
10nF	10mS
1nF	1mS
Open or tied to VIN	1mS



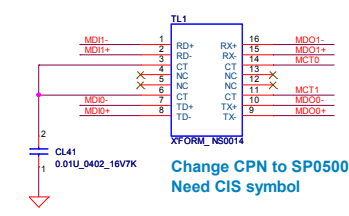
These caps close to Pin 23,32
For 8106E pop the capacitor close pin 23,32



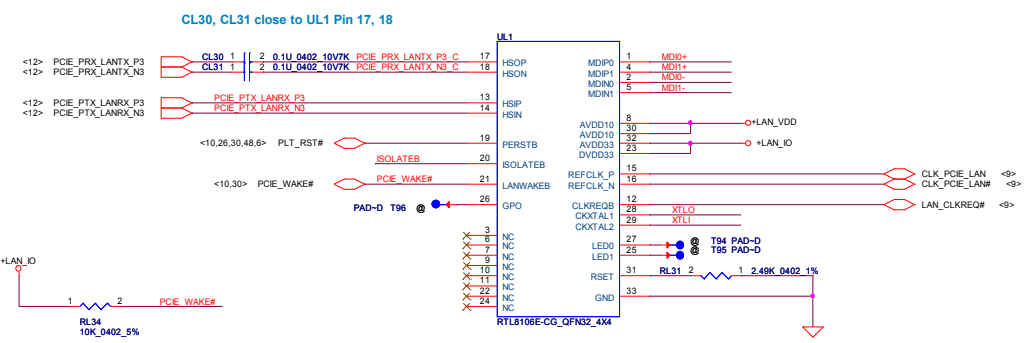
These caps close to Pin 8,30
For 8106E pop capacitor close to pin 8,30



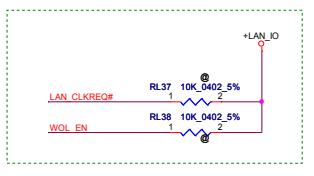
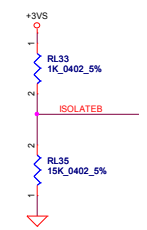
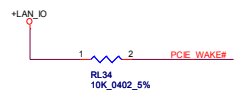
Place close to TCT pin



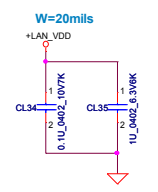
Change CPN to SP050007J00 only
Need CIS symbol



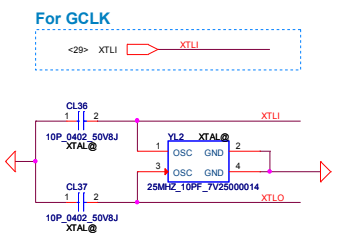
CL30, CL31 close to UL1 Pin 17, 18



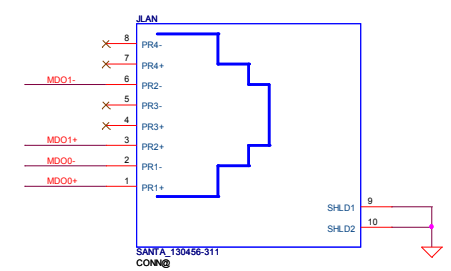
Reserve 10K pull LAN_IO



W=20mils

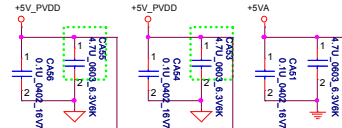


For GCLK



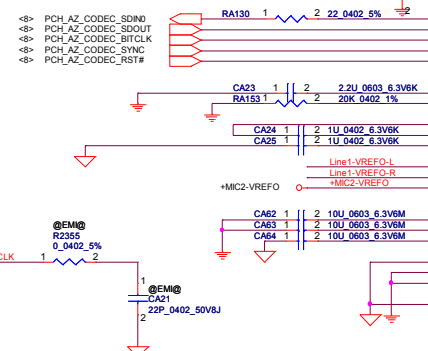
Security Classification	Compal Secret Data		Title	Compal Electronics, Inc.	
Issued Date	2013/05/29	Deciphered Date	2014/06/01	LAN RTL8106E	
THIS SHEET OF ENGINEERING DRAWING IS THE PROPRIETARY PROPERTY OF COMPAL ELECTRONICS, INC. AND CONTAINS CONFIDENTIAL AND TRADE SECRET INFORMATION. THIS SHEET MAY NOT BE TRANSFERRED FROM THE CUSTODY OF THE COMPETENT DIVISION OF R&D DEPARTMENT EXCEPT AS AUTHORIZED BY COMPAL ELECTRONICS, INC. NEITHER THIS SHEET NOR THE INFORMATION IT CONTAINS MAY BE USED BY OR DISCLOSED TO ANY THIRD PARTY WITHOUT PRIOR WRITTEN CONSENT OF COMPAL ELECTRONICS, INC.					
Size	Document Number		Rev	3.0	
Date:	Wednesday, May 29, 2013	Sheet	21	of 57	

CA71, CA51 place close to Pin 26

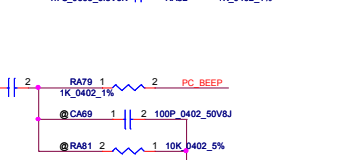
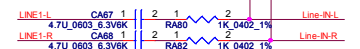
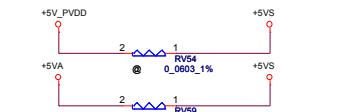
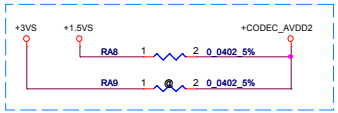


CA53, CA55 change Value from 10U_0603_6.3V6M-D to 4.7U_0603_6.3V6K

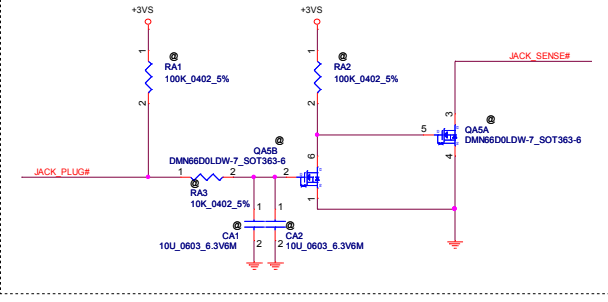
CA57, CA58 close to UA1 pin1



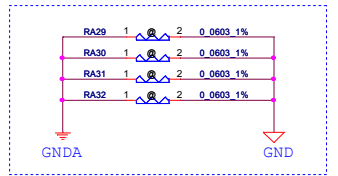
Reserve for HDA issue



JACK_PLUG Delay circuitis

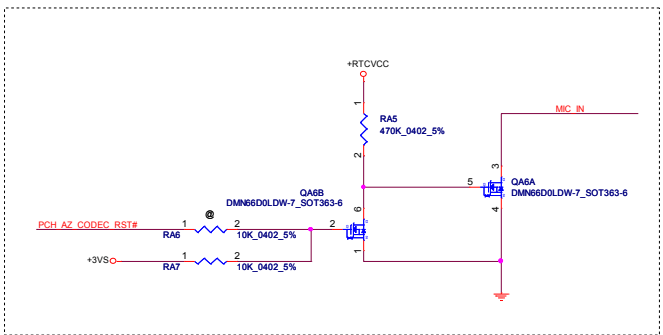
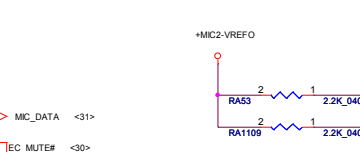


Reserve for cancel Delay circuitis

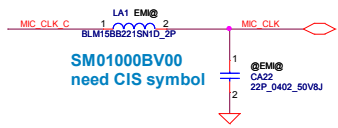


Place on the moat between GND & GNDA.

RA51, RA33 place close to UA1

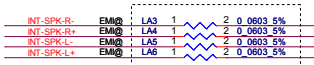


iPhone and Nokia type Combo Jack

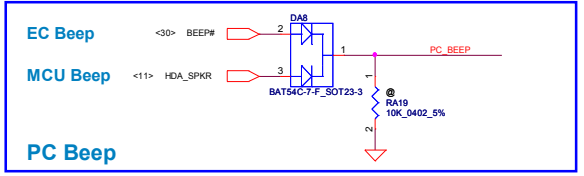


SM1000BV00 need CIS symbol

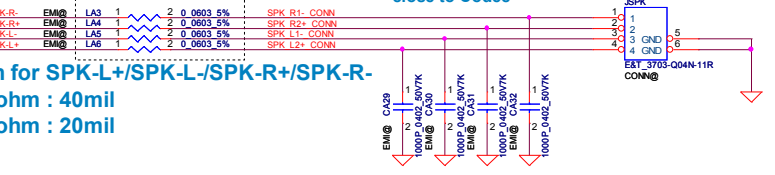
Close to UA1 Pin11,13,14,16



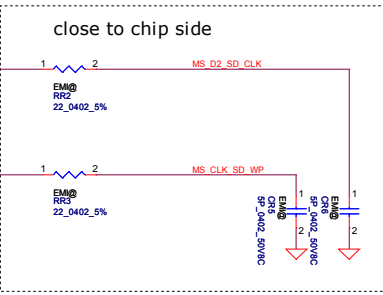
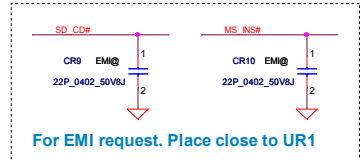
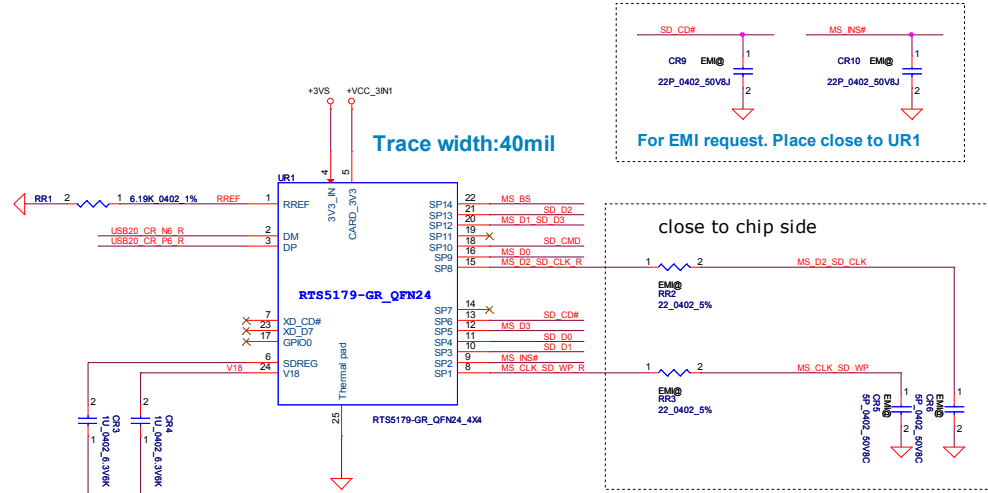
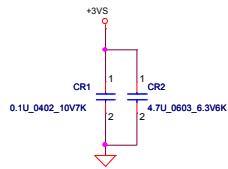
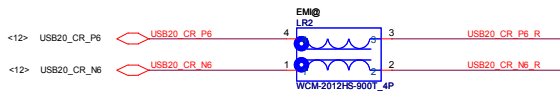
Trace width for SPK-L+/SPK-L-/SPK-R+/SPK-R- Speaker 4 ohm : 40mil Speaker 8 ohm : 20mil



close to Codec

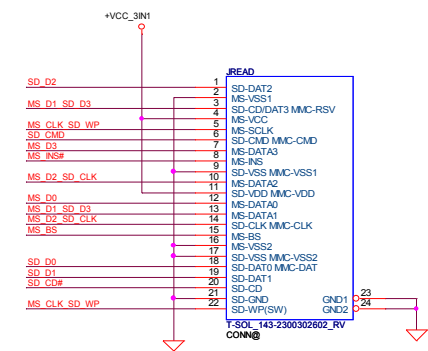
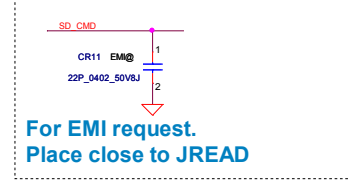
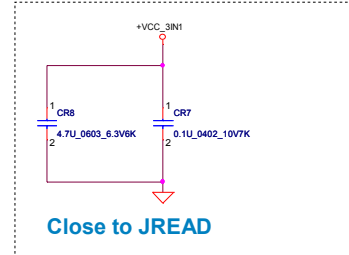


Security Classification		Compal Secret Data		Title	
Issued Date	2013/05/29	Deciphered Date	2014/06/01	Compal Electronics, Inc.	
THIS SHEET OF ENGINEERING DRAWING IS THE PROPRIETARY PROPERTY OF COMPAL ELECTRONICS, INC. AND CONTAINS CONFIDENTIAL AND TRADE SECRET INFORMATION. THIS SHEET MAY NOT BE TRANSFERRED FROM THE CUSTODY OF THE COMPETENT DIVISION OF R&D DEPARTMENT EXCEPT AS AUTHORIZED BY COMPAL ELECTRONICS, INC. NEITHER THIS SHEET NOR THE INFORMATION IT CONTAINS MAY BE USED BY OR DISCLOSED TO ANY THIRD PARTY WITHOUT PRIOR WRITTEN CONSENT OF COMPAL ELECTRONICS, INC.				Size	Document Number
				LA9982P	Rev 3.0
				Date:	Wednesday, May 29, 2013
				ISheet	22 of 57

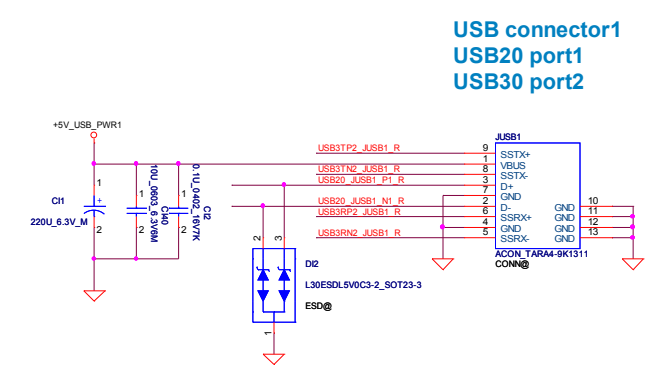
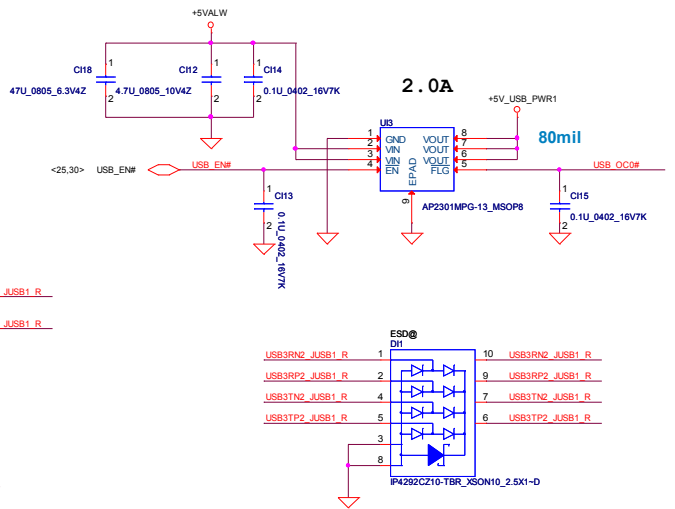
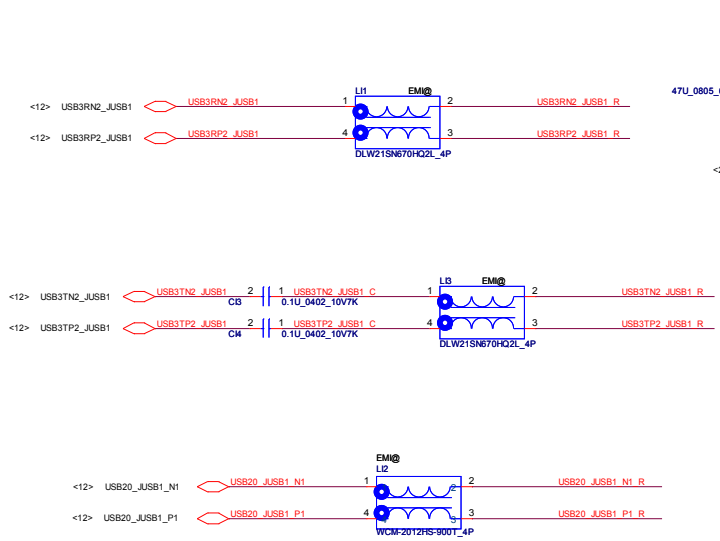


拉MS_D2_SD_CLK到Conn pin 13 SD_CLK
再打Via拉到pin 10 MS_D2

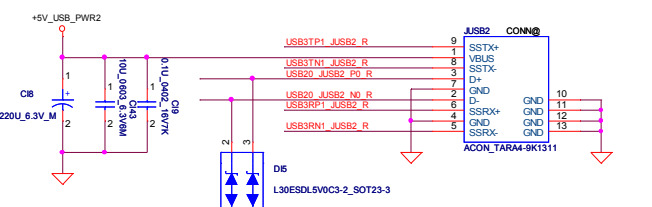
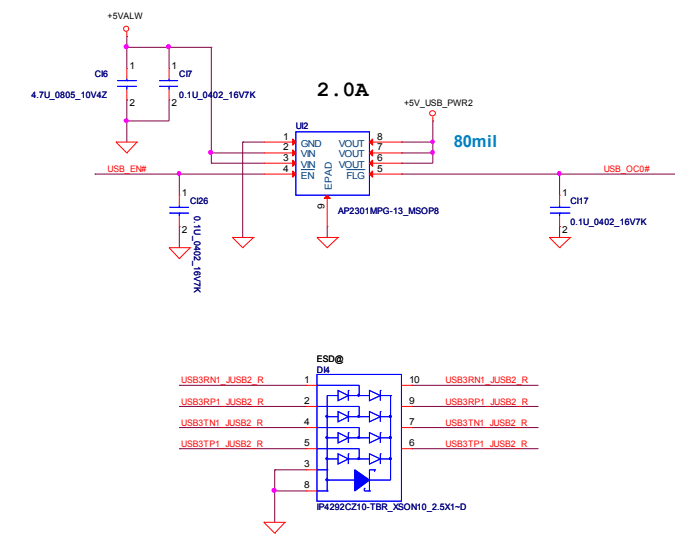
拉MS_CLK_SD_WP到Conn pin 5 MS_CLK
再打Via拉到pin 20 SD_W



Security Classification		Compal Secret Data		Title	
Issued Date	2013/05/29	Deciphered Date	2014/06/01	Card Reader RTSS179	
THIS SHEET OF ENGINEERING DRAWING IS THE PROPRIETARY PROPERTY OF COMPAL ELECTRONICS, INC. AND CONTAINS CONFIDENTIAL AND TRADE SECRET INFORMATION. THIS SHEET MAY NOT BE TRANSFERRED FROM THE CUSTODY OF THE COMPETENT DIVISION OF R&D DEPARTMENT EXCEPT AS AUTHORIZED BY COMPAL ELECTRONICS, INC. NEITHER THIS SHEET NOR THE INFORMATION IT CONTAINS MAY BE USED BY OR DISCLOSED TO ANY THIRD PARTY WITHOUT PRIOR WRITTEN CONSENT OF COMPAL ELECTRONICS, INC.				Size	Document Number
				LA-9982P	Rev 3.0
				Date: Wednesday, May 29, 2013	Sheet 23 of 57

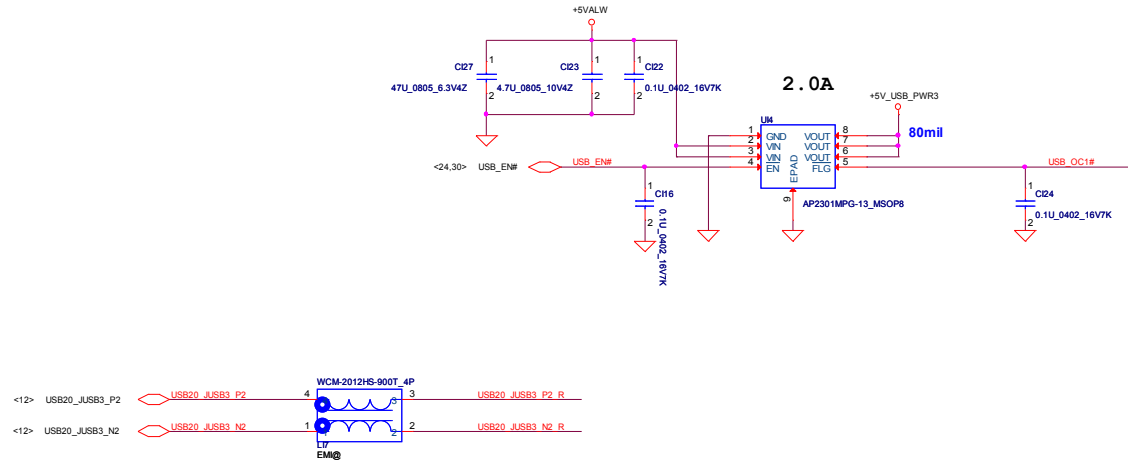


USB connector1
USB20 port1
USB30 port2

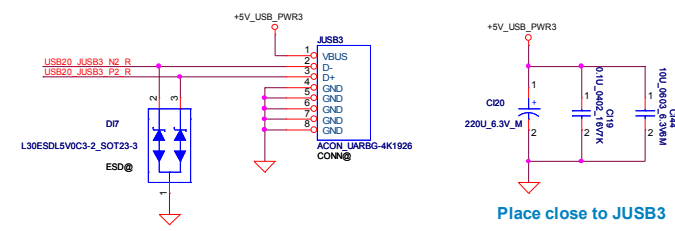


USB connector2
USB20 port0
USB30 port1

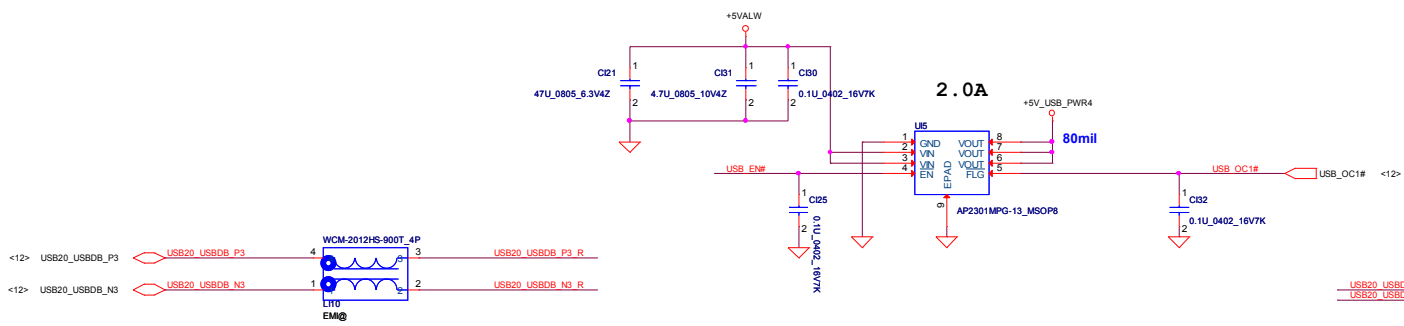
Security Classification		Compal Secret Data		Title	
Issued Date	2013/05/29	Deciphered Date	2014/06/01	USB3.0	
THIS SHEET OF ENGINEERING DRAWING IS THE PROPRIETARY PROPERTY OF COMPAL ELECTRONICS, INC. AND CONTAINS CONFIDENTIAL AND TRADE SECRET INFORMATION. THIS SHEET MAY NOT BE TRANSFERRED FROM THE CUSTODY OF THE COMPETENT DIVISION OF R&D DEPARTMENT EXCEPT AS AUTHORIZED BY COMPAL ELECTRONICS, INC. NEITHER THIS SHEET NOR THE INFORMATION IT CONTAINS MAY BE USED BY OR DISCLOSED TO ANY THIRD PARTY WITHOUT PRIOR WRITTEN CONSENT OF COMPAL ELECTRONICS, INC.				Size	Document Number
				LA-9982P	Rev 3.0
				Date: Wednesday, May 29, 2013	Sheet 24 of 57



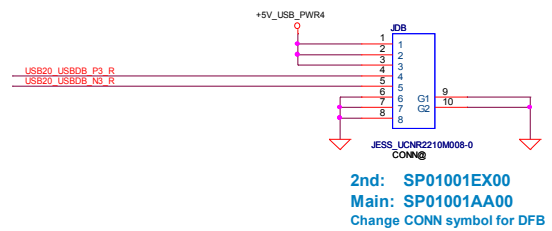
USB connector3
USB20 port2



Place close to JUSB3



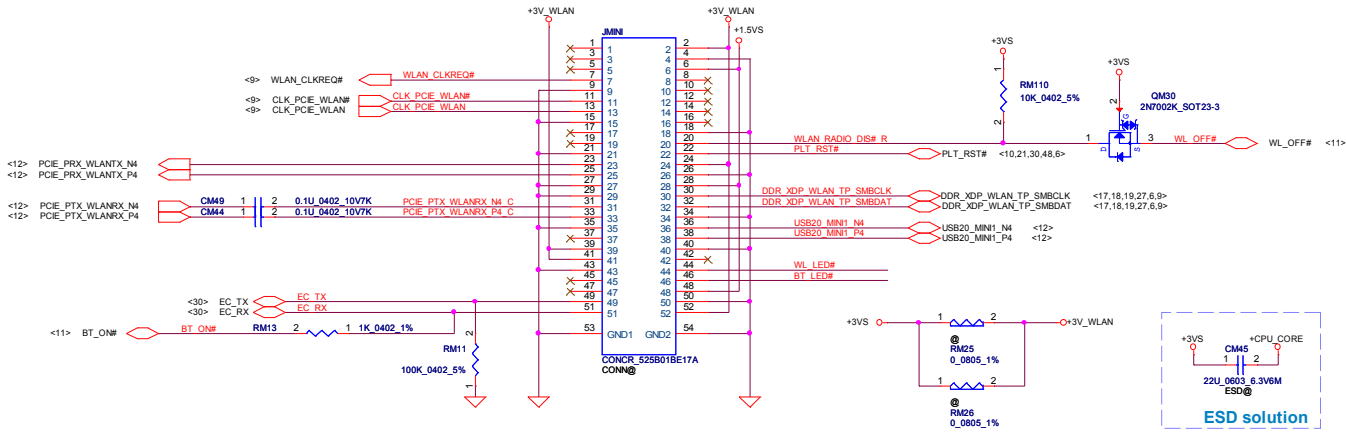
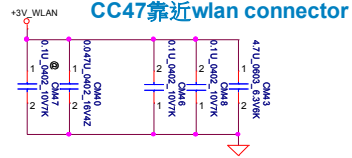
USB connector4
USB20 port3



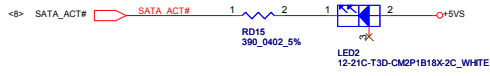
2nd: SP01001EX00
Main: SP01001AA00
Change CONN symbol for DFB

Security Classification	Compal Secret Data		Title	
Issued Date	2013/05/29	Deciphered Date	2014/06/01	MB to USB2.0 DB
THIS SHEET OF ENGINEERING DRAWING IS THE PROPRIETARY PROPERTY OF COMPAL ELECTRONICS, INC. AND CONTAINS CONFIDENTIAL AND TRADE SECRET INFORMATION. THIS SHEET MAY NOT BE TRANSFERRED FROM THE CUSTODY OF THE COMPETENT DIVISION OF R&D DEPARTMENT EXCEPT AS AUTHORIZED BY COMPAL ELECTRONICS, INC. NEITHER THIS SHEET NOR THE INFORMATION IT CONTAINS MAY BE USED BY OR DISCLOSED TO ANY THIRD PARTY WITHOUT PRIOR WRITTEN CONSENT OF COMPAL ELECTRONICS, INC.				Rev 3.0
Date:	Wednesday, May 29, 2013	Sheet	25	of 57

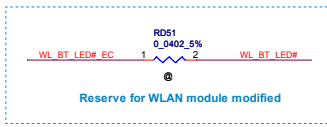
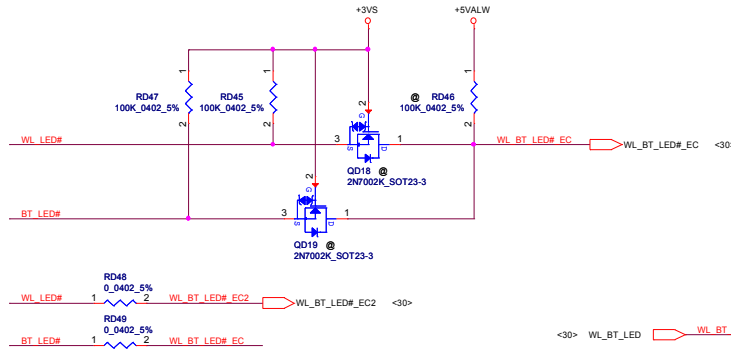
Mini WLAN/WIMAX H=6.7



HDD LED



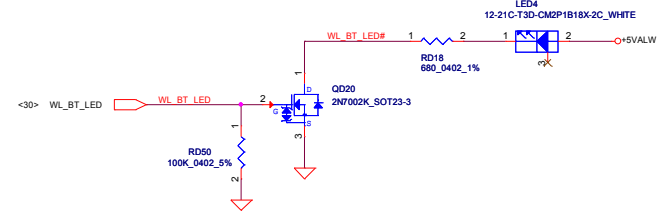
10mils, All pins



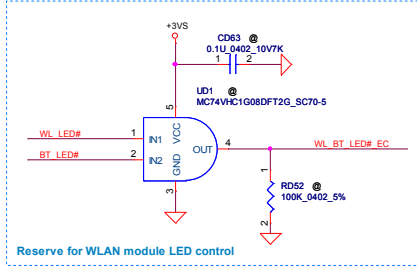
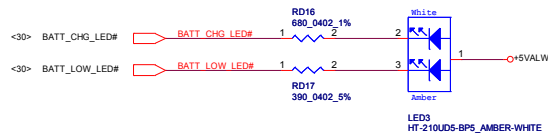
Power LED



Wireless LED

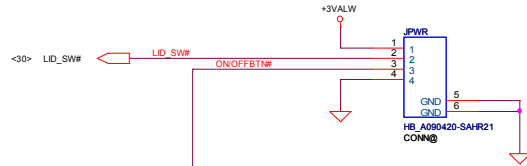


Battery LED



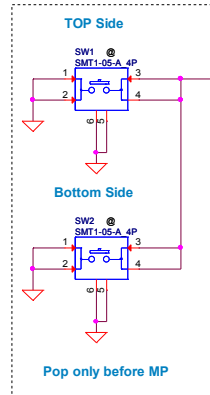
Security Classification		Compal Secret Data		Title	
Issued Date	2013/05/29	Deciphered Date	2014/06/01	Mini Card/LED	
THIS SHEET OF ENGINEERING DRAWING IS THE PROPRIETARY PROPERTY OF COMPAL ELECTRONICS, INC. AND CONTAINS CONFIDENTIAL AND TRADE SECRET INFORMATION. THIS SHEET MAY NOT BE TRANSFERRED FROM THE CUSTODY OF THE COMPETENT DIVISION OF R&D DEPARTMENT EXCEPT AS AUTHORIZED BY COMPAL ELECTRONICS, INC. NEITHER THIS SHEET NOR THE INFORMATION IT CONTAINS MAY BE USED BY OR DISCLOSED TO ANY THIRD PARTY WITHOUT PRIOR WRITTEN CONSENT OF COMPAL ELECTRONICS, INC.				Size	Document Number
				LA-9982P	Rev 3.0
				Date: Wednesday, May 29, 2013	Sheet 26 of 57

POWER/B

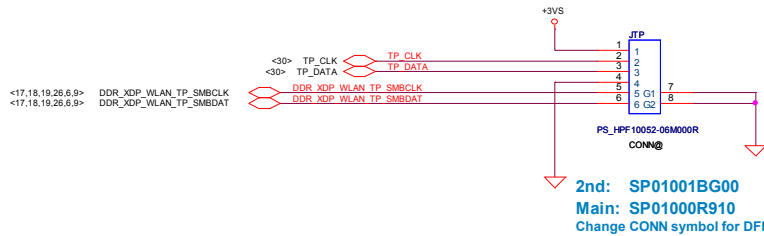


Power ON Circuit

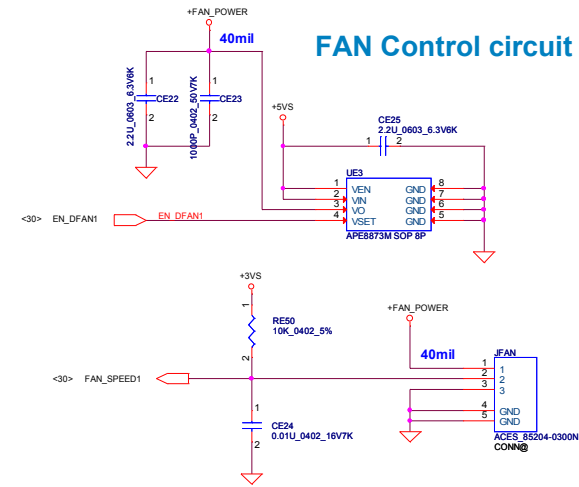
ON/OFF switch



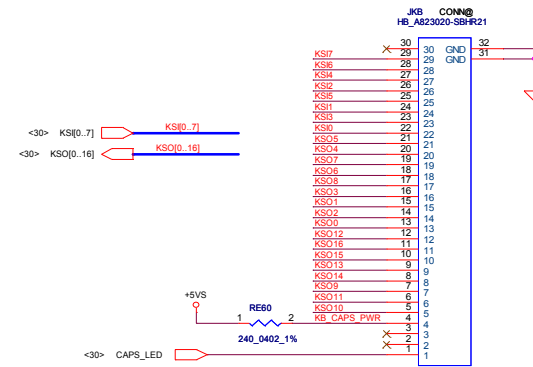
Touch pad



FAN Control circuit

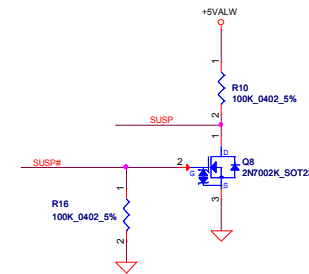
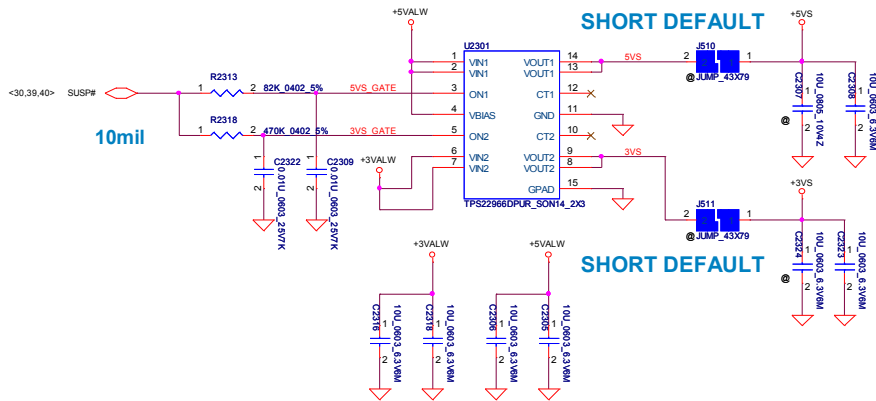


INT_KBD Connector

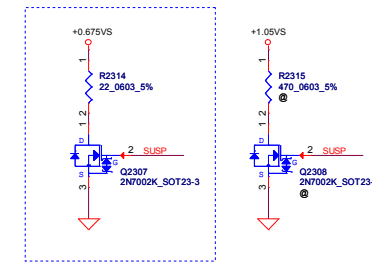
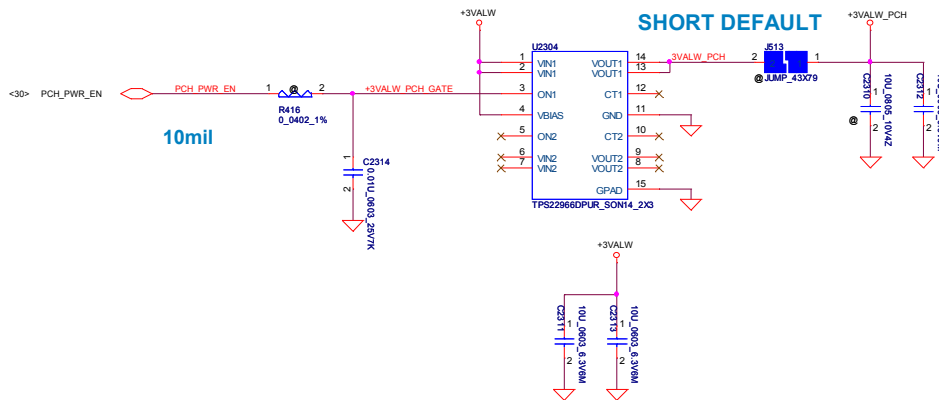


Security Classification	Compal Secret Data		Title	
Issued Date	2013/05/29	Deciphered Date	2014/06/01	Compal Electronics, Inc.
THIS SHEET OF ENGINEERING DRAWING IS THE PROPRIETARY PROPERTY OF COMPAL ELECTRONICS, INC. AND CONTAINS CONFIDENTIAL AND TRADE SECRET INFORMATION. THIS SHEET MAY NOT BE TRANSFERRED FROM THE CUSTODY OF THE COMPETENT DIVISION OF R&D DEPARTMENT EXCEPT AS AUTHORIZED BY COMPAL ELECTRONICS, INC. NEITHER THIS SHEET NOR THE INFORMATION IT CONTAINS MAY BE USED BY OR DISCLOSED TO ANY THIRD PARTY WITHOUT PRIOR WRITTEN CONSENT OF COMPAL ELECTRONICS, INC.				Rev 3.0
Date: Wednesday, May 29, 2013				Sheet 27 of 57

+5VS and +3VS switch

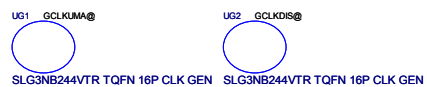
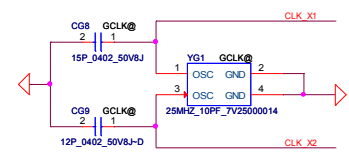
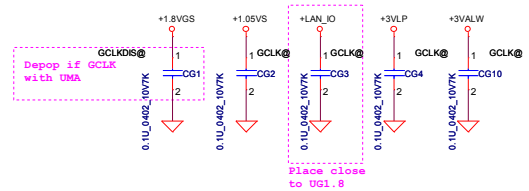


+3VALW_PCH switch

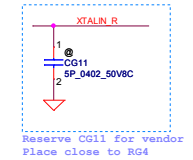
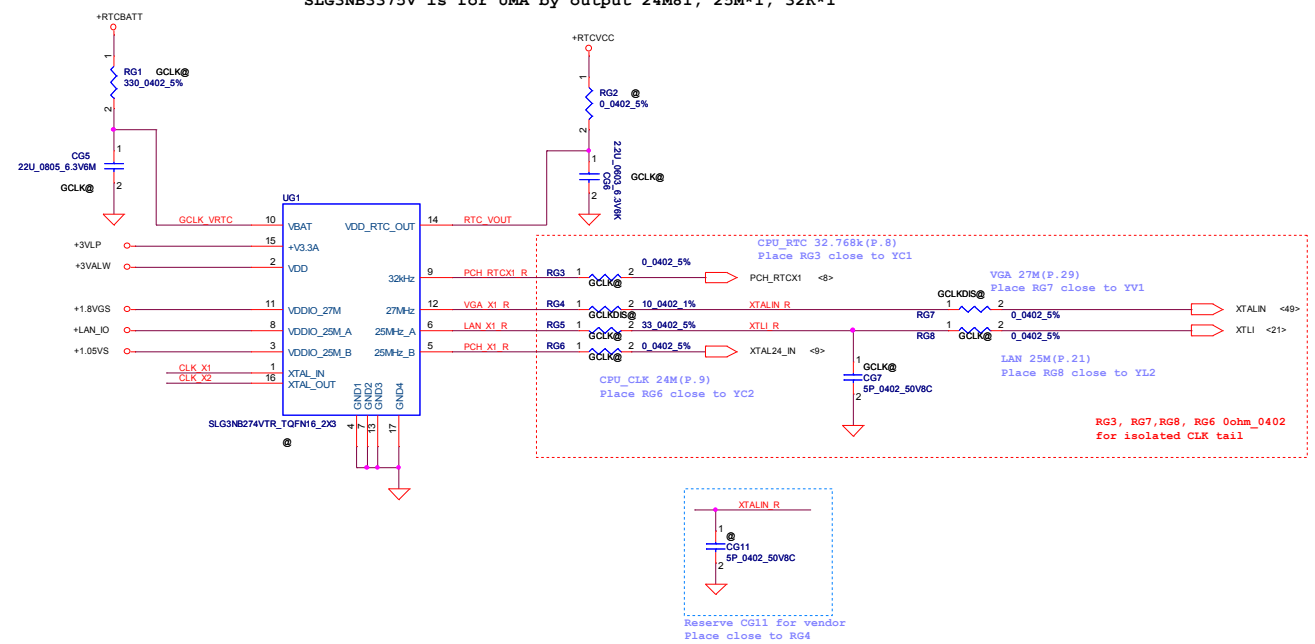


For Intel S3 Power Reduction

Security Classification	Compal Secret Data		Compal Electronics, Inc.	
Issued Date	2013/05/29	Deciphered Date	2014/06/01	Title
				DC/DC Interface
THIS SHEET OF ENGINEERING DRAWING IS THE PROPRIETARY PROPERTY OF COMPAL ELECTRONICS, INC. AND CONTAINS CONFIDENTIAL AND TRADE SECRET INFORMATION. THIS SHEET MAY NOT BE TRANSFERRED FROM THE CUSTODY OF THE COMPETENT DIVISION OF R&D DEPARTMENT EXCEPT AS AUTHORIZED BY COMPAL ELECTRONICS, INC. NEITHER THIS SHEET NOR THE INFORMATION IT CONTAINS MAY BE USED BY OR DISCLOSED TO ANY THIRD PARTY WITHOUT PRIOR WRITTEN CONSENT OF COMPAL ELECTRONICS, INC.				Size
				Document Number
				LA-9982P
				Rev
				3.0
				Date: Wednesday, May 29, 2013
				Sheet 28 of 57

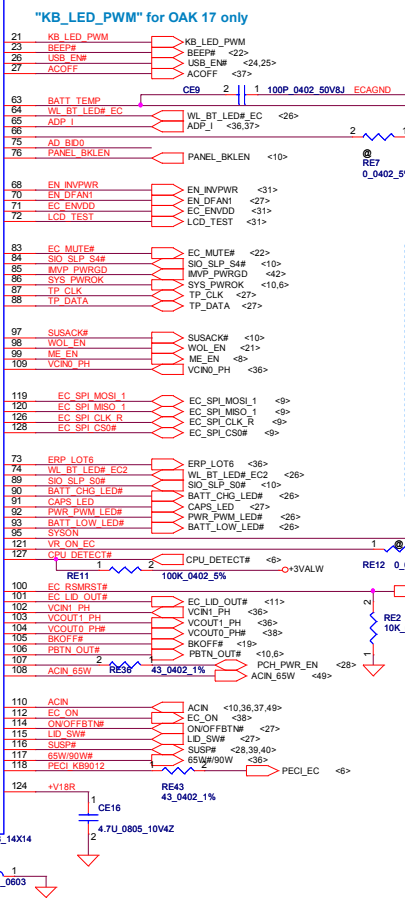
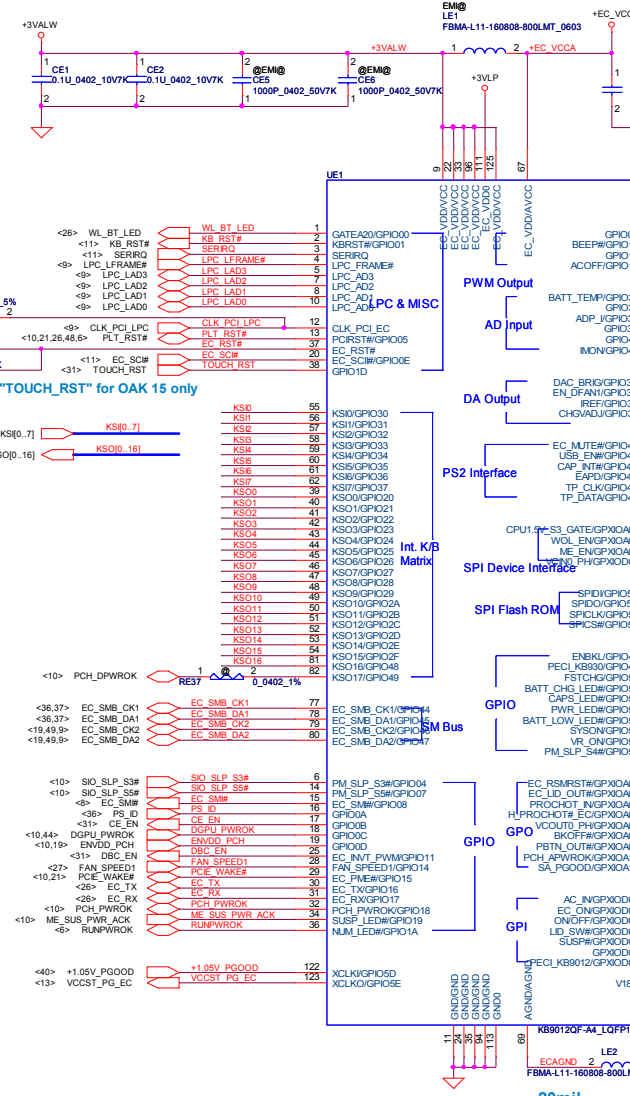
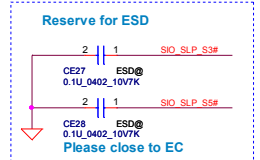
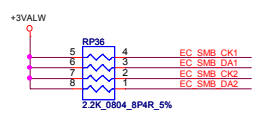
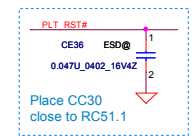
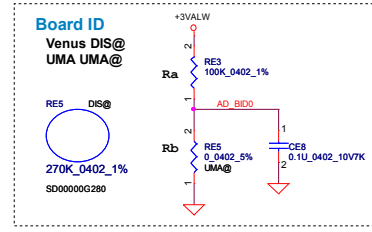


SLG3NB3374V is for DIS by output 24M*1, 25M*1, 27M*1, 32K*1
 SLG3NB3375V is for UMA by output 24M*1, 25M*1, 32K*1



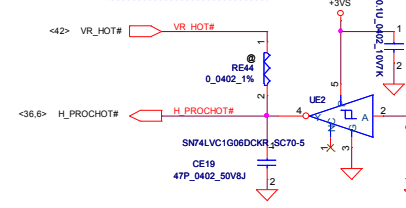
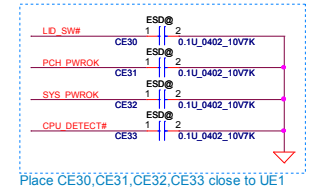
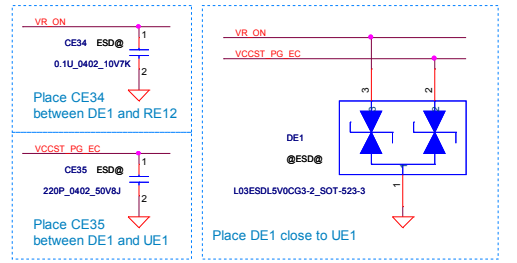
Security Classification	Compal Secret Data		Title	
Issued Date	2013/05/29	Deciphered Date	2014/06/01	Compal Electronics, Inc.
THIS SHEET OF ENGINEERING DRAWING IS THE PROPRIETARY PROPERTY OF COMPAL ELECTRONICS, INC. AND CONTAINS CONFIDENTIAL AND TRADE SECRET INFORMATION. THIS SHEET MAY NOT BE TRANSFERRED FROM THE CUSTODY OF THE COMPETENT DIVISION OF R&D DEPARTMENT EXCEPT AS AUTHORIZED BY COMPAL ELECTRONICS, INC. NEITHER THIS SHEET NOR THE INFORMATION IT CONTAINS MAY BE USED BY OR DISCLOSED TO ANY THIRD PARTY WITHOUT PRIOR WRITTEN CONSENT OF COMPAL ELECTRONICS, INC.				Size Document Number LA-9982P Date: Wednesday, May 29, 2013 Sheet 23 of 57
				Rev 3.0

- SD028000080 0_0402_5%
- SD034120280 12K_0402_1%
- SD034100300 27K_0402_1%
- SD034400280 43K_0402_1%
- SD034560280 56K_0402_1%
- SD034750280 75K_0402_1%
- SD034100380 100K_0402_1%
- SD034130380 130K_0402_1%
- SD034160380 160K_0402_1%
- SD034200380 200K_0402_1%
- SD000001B80 240K_0402_1%
- SD00000G280 270K_0402_1%
- SD034330380 330K_0402_1%
- SD028430380 430K_0402_1%



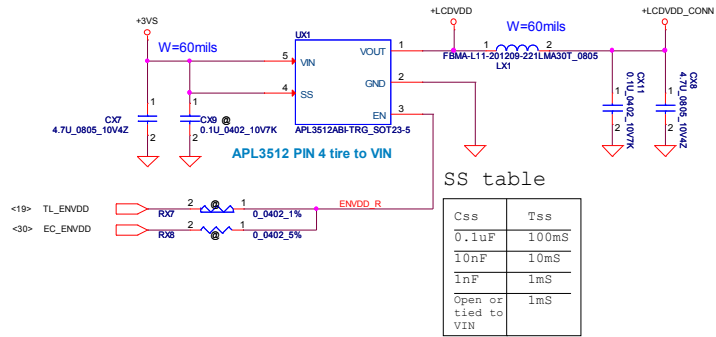
KB9012A3 change to KB9012A4 SA00004OB30

ME_FWP PCH has internal 20K PD. (suspend power rail)

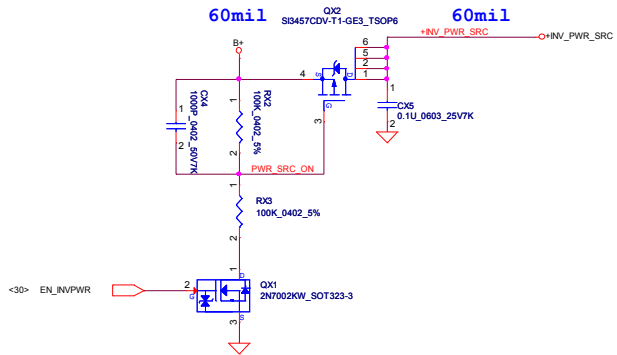


Security Classification		Compal Secret Data		Title	
Issued Date	2013/05/29	Deciphered Date	2014/06/01	Compal Electronics, Inc.	
THIS SHEET OF ENGINEERING DRAWING IS THE PROPRIETARY PROPERTY OF COMPAL ELECTRONICS, INC. AND CONTAINS CONFIDENTIAL AND TRADE SECRET INFORMATION. THIS SHEET MAY NOT BE TRANSFERRED FROM THE CUSTODY OF THE COMPETENT DIVISION OF R&D DEPARTMENT EXCEPT AS AUTHORIZED BY COMPAL ELECTRONICS, INC. NEITHER THIS SHEET NOR THE INFORMATION IT CONTAINS MAY BE USED BY OR DISCLOSED TO ANY THIRD PARTY WITHOUT PRIOR WRITTEN CONSENT OF COMPAL ELECTRONICS, INC.				Rev	3.0
				Doc#	LA-9982P
				Date:	Wednesday, May 29, 2013
				Sheet	30 of 57

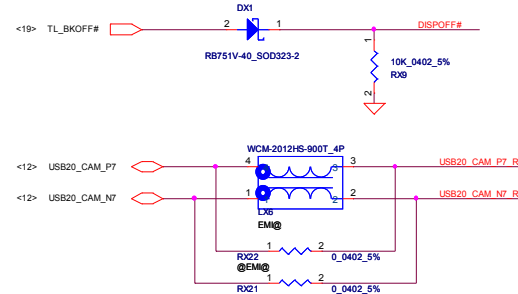
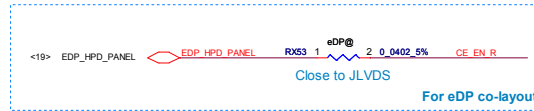
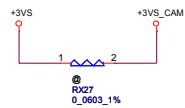
LCD PWR CTRL



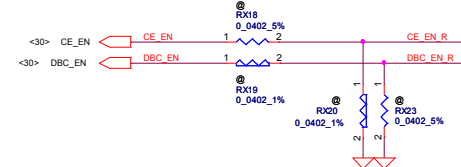
LCD backlight PWR CTRL



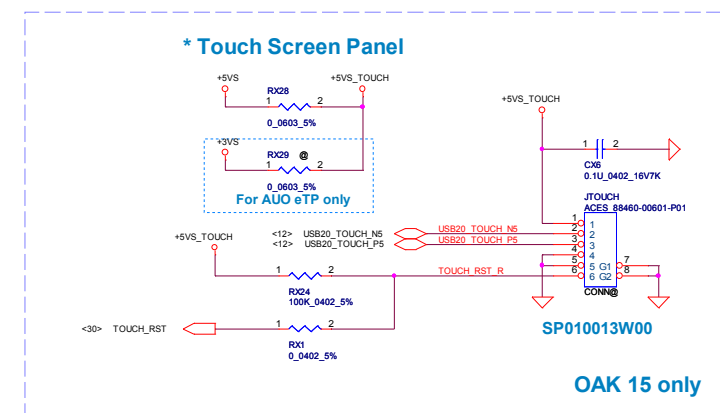
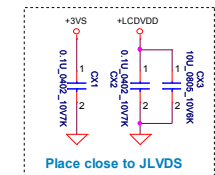
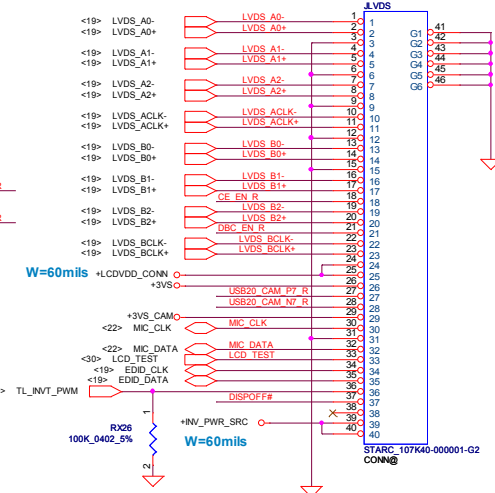
Webcam PWR CTRL



CE_EN_R only for reserve.

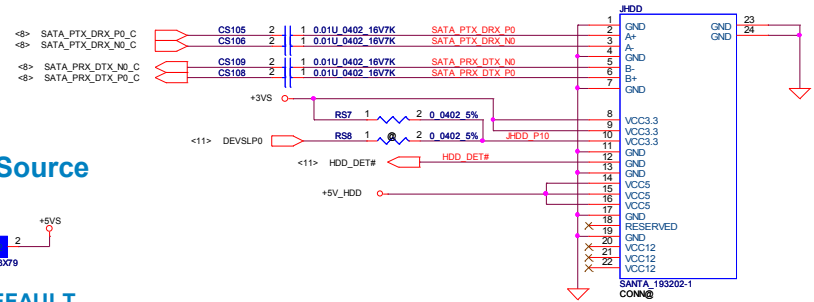


LVDS Connector

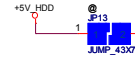


Security Classification		Compal Secret Data		Title	
Issued Date	2013/05/29	Deciphered Date	2014/06/01	Compal Electronics, Inc.	
THIS SHEET OF ENGINEERING DRAWING IS THE PROPRIETARY PROPERTY OF COMPAL ELECTRONICS, INC. AND CONTAINS CONFIDENTIAL AND TRADE SECRET INFORMATION. THIS SHEET MAY NOT BE TRANSFERRED FROM THE CUSTODY OF THE COMPETENT DIVISION OF R&D DEPARTMENT EXCEPT AS AUTHORIZED BY COMPAL ELECTRONICS, INC. NEITHER THIS SHEET NOR THE INFORMATION IT CONTAINS MAY BE USED BY OR DISCLOSED TO ANY THIRD PARTY WITHOUT PRIOR WRITTEN CONSENT OF COMPAL ELECTRONICS, INC.				Size	Document Number
				LA-9982P	Rev 3.0
				Date: Wednesday, May 29, 2013	Sheet 31 of 57

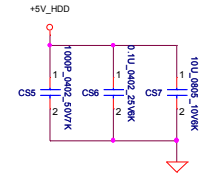
SATA HDD Connector



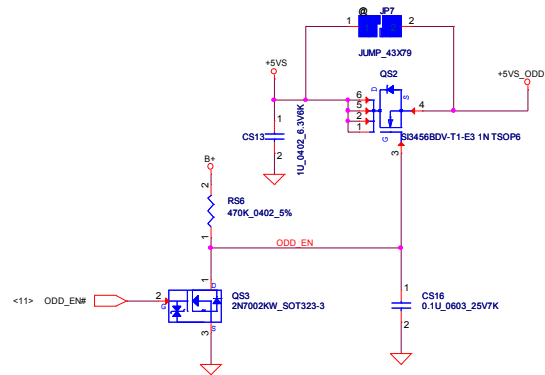
+5V_HDD Source



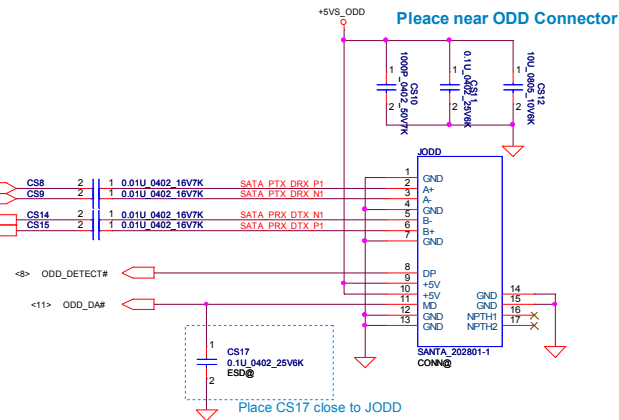
SHORT DEFAULT



ODD Power Control

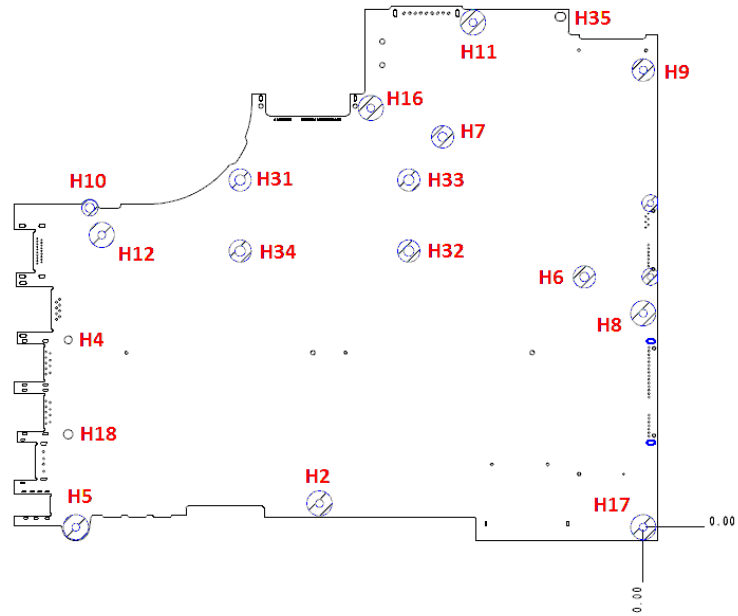
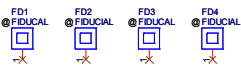
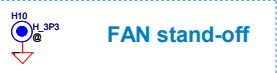
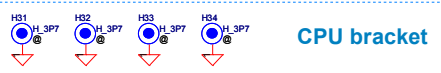
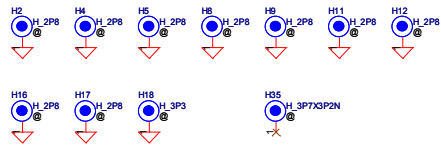


SATA ODD Connector



Security Classification	Compal Secret Data		Title	
Issued Date	2013/05/29	Deciphered Date	2014/06/01	HDD/ODD
THIS SHEET OF ENGINEERING DRAWING IS THE PROPRIETARY PROPERTY OF COMPAL ELECTRONICS, INC. AND CONTAINS CONFIDENTIAL AND TRADE SECRET INFORMATION. THIS SHEET MAY NOT BE TRANSFERRED FROM THE CUSTODY OF THE COMPETENT DIVISION OF R&D DEPARTMENT EXCEPT AS AUTHORIZED BY COMPAL ELECTRONICS, INC. NEITHER THIS SHEET NOR THE INFORMATION IT CONTAINS MAY BE USED BY OR DISCLOSED TO ANY THIRD PARTY WITHOUT PRIOR WRITTEN CONSENT OF COMPAL ELECTRONICS, INC.				Size Document Number LA-9982P Date: Wednesday, May 29, 2013
				Rev 3.0
				Sheet 32 of 57

Screw Hole

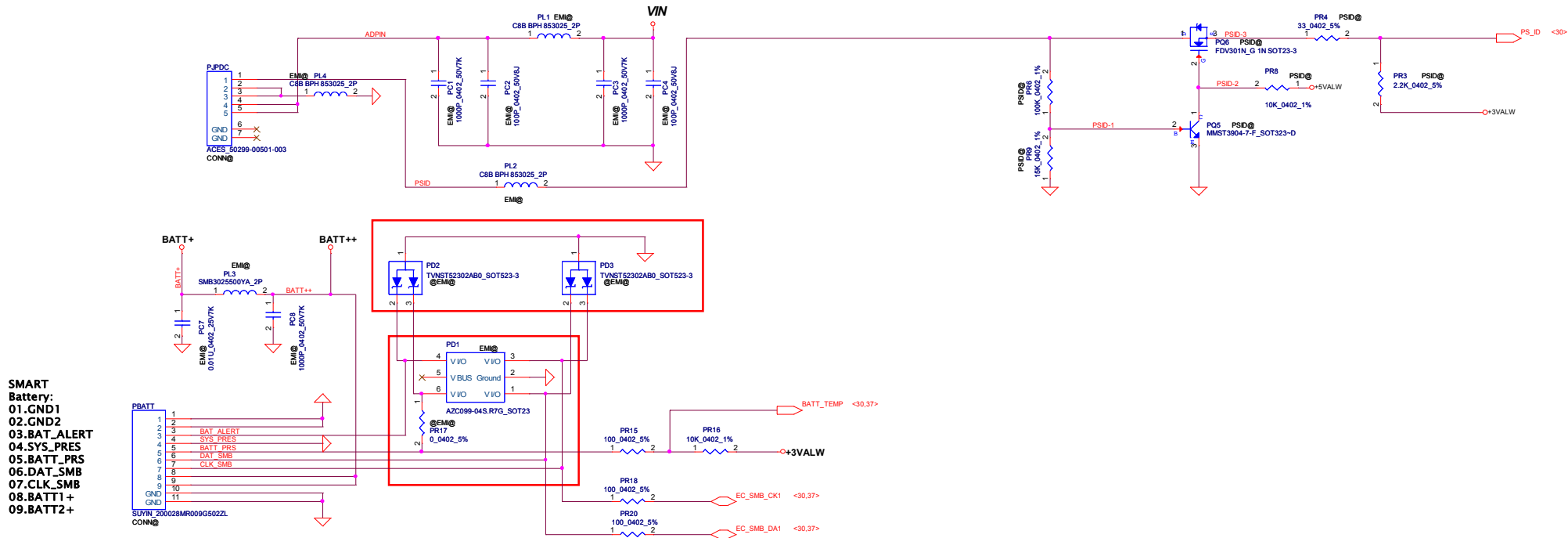


Security Classification	Compal Secret Data		Title	
Issued Date	2013/05/29	Deciphered Date	2014/06/01	Compal Electronics, Inc.
THIS SHEET OF ENGINEERING DRAWING IS THE PROPRIETARY PROPERTY OF COMPAL ELECTRONICS, INC. AND CONTAINS CONFIDENTIAL AND TRADE SECRET INFORMATION. THIS SHEET MAY NOT BE TRANSFERRED FROM THE CUSTODY OF THE COMPETENT DIVISION OF R&D DEPARTMENT EXCEPT AS AUTHORIZED BY COMPAL ELECTRONICS, INC. NEITHER THIS SHEET NOR THE INFORMATION IT CONTAINS MAY BE USED BY OR DISCLOSED TO ANY THIRD PARTY WITHOUT PRIOR WRITTEN CONSENT OF COMPAL ELECTRONICS, INC.				Title Screw Hole Size Document Number LA-9982P Date: Wednesday, May 29, 2013
				Rev 3.0 Sheet 33 of 57

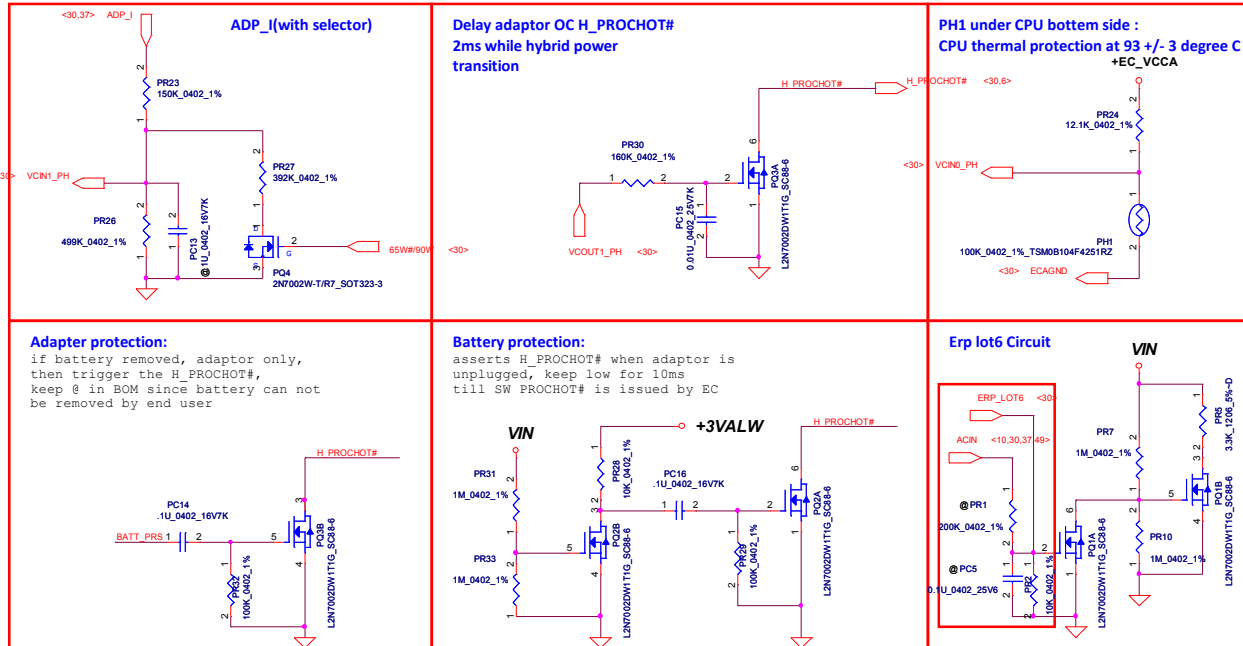
Item	Page #	Title	Date	Request Owner	Issue Description	Solution Description	Rev.
1	34	Card Reader	2012/04/27	HW	The Card reader USB signal is incorrect.	SWAP UR1 USB signal P/N	0.2
2							
3							
4							
5							
6							
7							
8							
9							
10							
11							
12							
13							
14							
15							
16							
17							
18							
19							
20							
21							
22							
23							
24							
25							
26							
27							
28							
29							
30							
31							
32							
33							
34							
35							
36							
37							
38							
39							
40							
41							

Item	Page #	Title	Date	Request Owner	Issue Description	Solution Description	Rev.
40							
41							
42							
43							
44							
45							
46							
47							
48							
49							
50							
51							
52							
53							
54							

Security Classification	Compal Secret Data		Title		Compal Electronics, Inc.	
Issued Date	2013/05/29	Deciphered Date	2014/06/01	Title		HW-PIR Page.2
THIS SHEET OF ENGINEERING DRAWING IS THE PROPRIETARY PROPERTY OF COMPAL ELECTRONICS, INC. AND CONTAINS CONFIDENTIAL AND TRADE SECRET INFORMATION. THIS SHEET MAY NOT BE TRANSFERRED FROM THE CUSTODY OF THE COMPETENT DIVISION OF R&D DEPARTMENT EXCEPT AS AUTHORIZED BY COMPAL ELECTRONICS, INC. NEITHER THIS SHEET NOR THE INFORMATION IT CONTAINS MAY BE USED BY OR DISCLOSED TO ANY THIRD PARTY WITHOUT PRIOR WRITTEN CONSENT OF COMPAL ELECTRONICS, INC.				Size	Document Number	Rev
					LA-9982P	3.0
				Date:	Wednesday, May 29, 2013	Sheet 35 of 57



Other component (37.1)

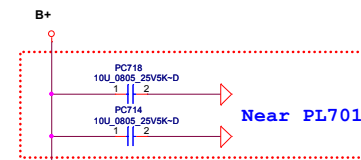
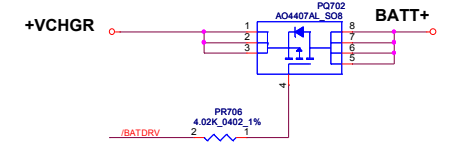
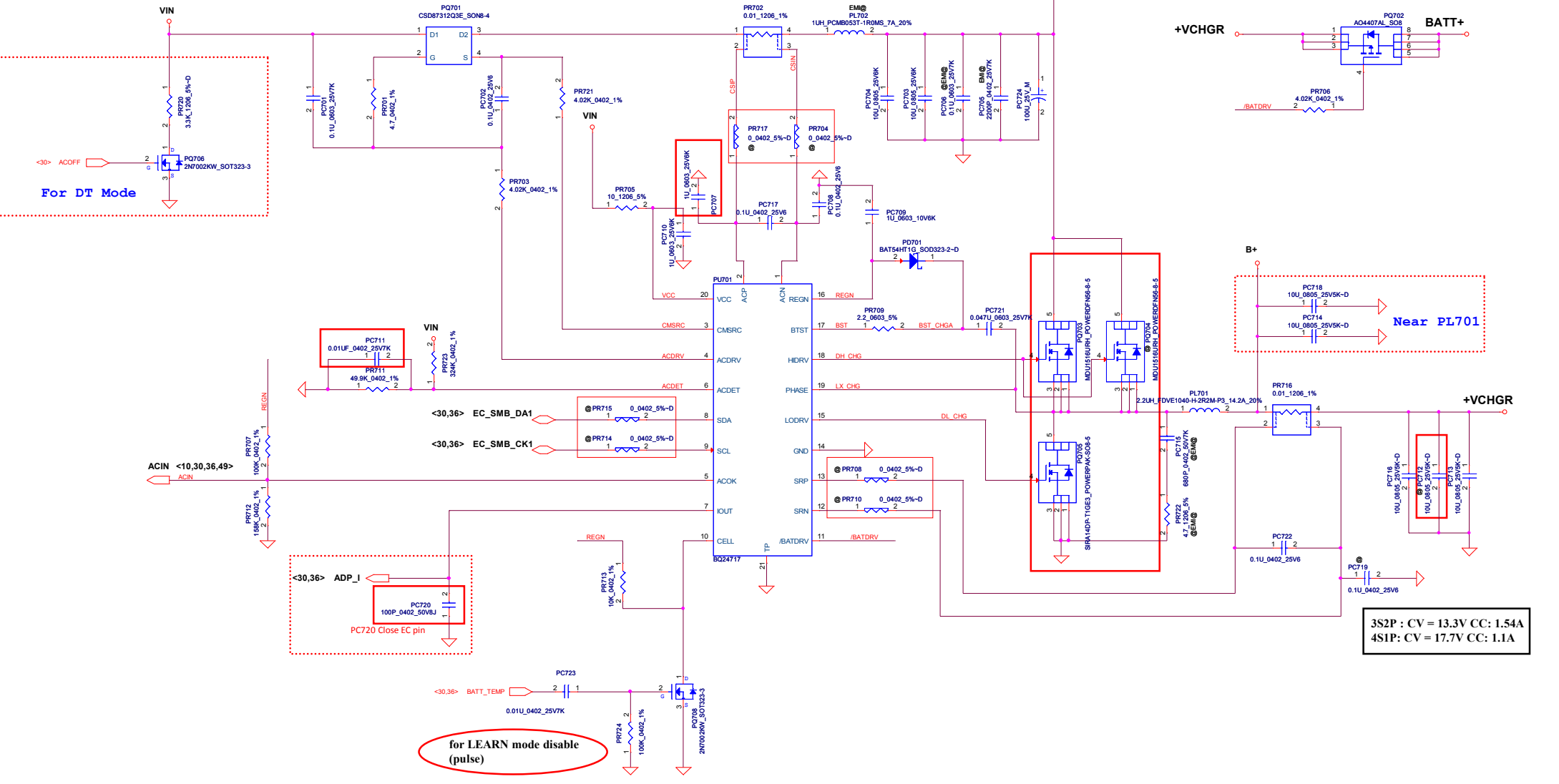


Security Classification	Compal Secret Data			Title	Compal Electronics, Inc.	
Issued Date	2013/05/29	Deciphered Date	2014/06/01	Size	Document Number: PWR_DCIN/BATT_CONN/OTP	
THIS SHEET OF ENGINEERING DRAWING IS THE PROPRIETARY PROPERTY OF COMPAL ELECTRONICS, INC. AND CONTAINS CONFIDENTIAL AND TRADE SECRET INFORMATION. THIS SHEET MAY NOT BE TRANSFERRED FROM THE CUSTODY OF THE COMPETENT DIVISION OF R&D DEPARTMENT EXCEPT AS AUTHORIZED BY COMPAL ELECTRONICS, INC. NEITHER THIS SHEET NOR THE INFORMATION IT CONTAINS MAY BE USED BY OR DISCLOSED TO ANY THIRD PARTY WITHOUT PRIOR WRITTEN CONSENT OF COMPAL ELECTRONICS, INC.				Date:	Wednesday, May 29, 2013	Rev: 3.0
				Sheet	36	of 57

Iada=0~3.33A (65W)

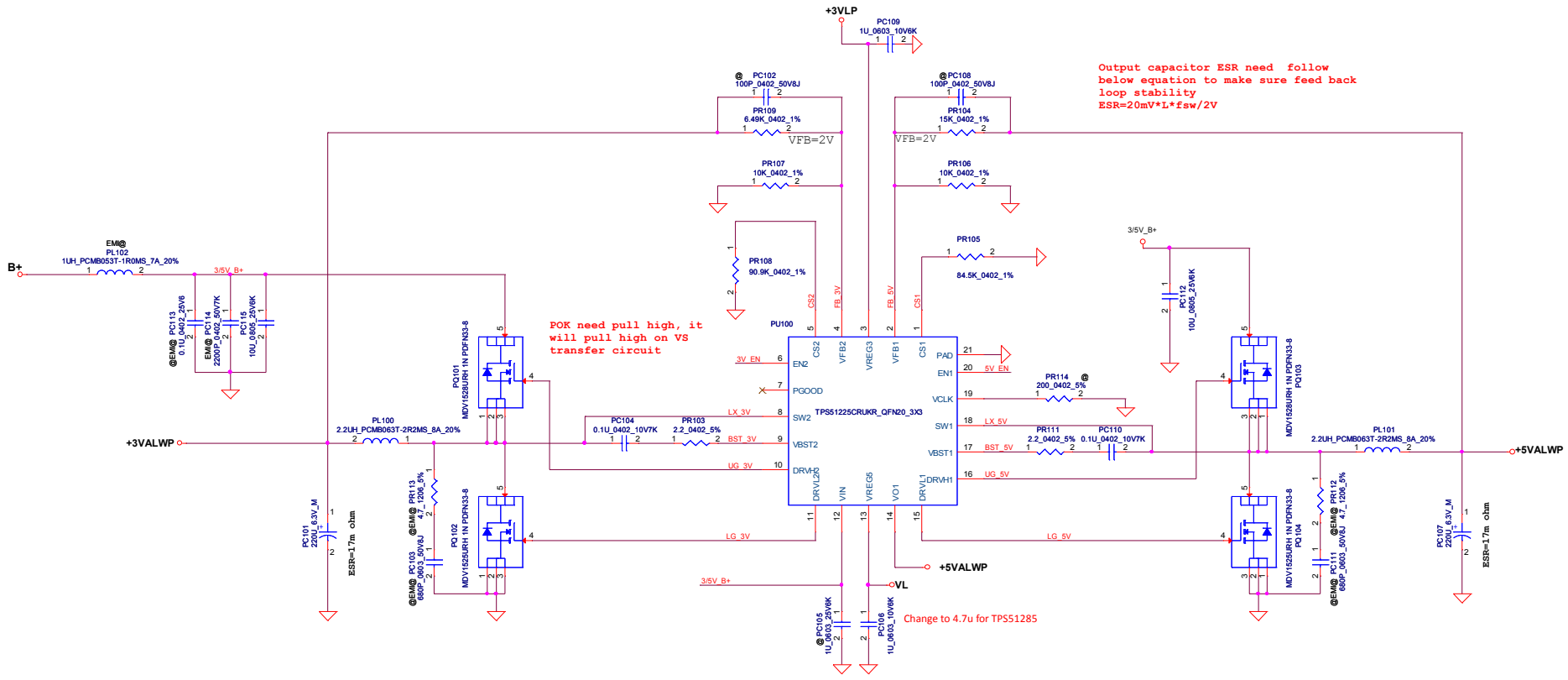
Iada=0~4.62A (90W)

$ADP_I = 40 * I_{adapter} * R_{sense}$



3S2P : CV = 13.3V CC: 1.54A
 4S1P : CV = 17.7V CC: 1.1A

Security Classification		Compal Secret Data		Title	
Issued Date	2013/05/29	Deciphered Date	2014/06/01	PWR CHARGER	
THIS SHEET OF ENGINEERING DRAWING IS THE PROPRIETARY PROPERTY OF COMPAL ELECTRONICS, INC. AND CONTAINS CONFIDENTIAL AND TRADE SECRET INFORMATION. THIS SHEET MAY NOT BE TRANSFERRED FROM THE CUSTODY OF THE COMPETENT DIVISION OF R&D DEPARTMENT EXCEPT AS AUTHORIZED BY COMPAL ELECTRONICS, INC. NEITHER THIS SHEET NOR THE INFORMATION IT CONTAINS MAY BE USED BY OR DISCLOSED TO ANY THIRD PARTY WITHOUT PRIOR WRITTEN CONSENT OF COMPAL ELECTRONICS, INC.				Doc Number	Rev
				LA-9982P	3.0
Date: Wednesday, May 29, 2013				Sheet	37 of 57



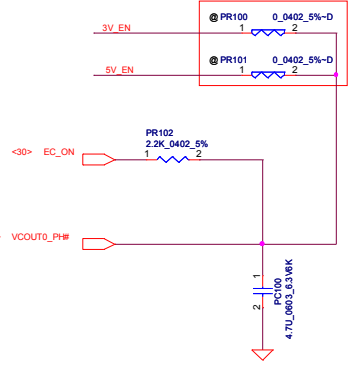
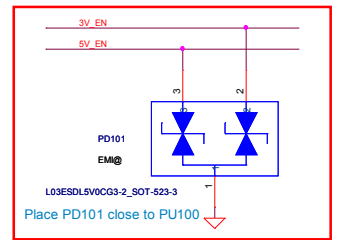
Output capacitor ESR need follow below equation to make sure feed back loop stability
 $ESR=20mV \cdot L \cdot f_{sw} / 2V$

POK need pull high, it will pull high on VS transfer circuit

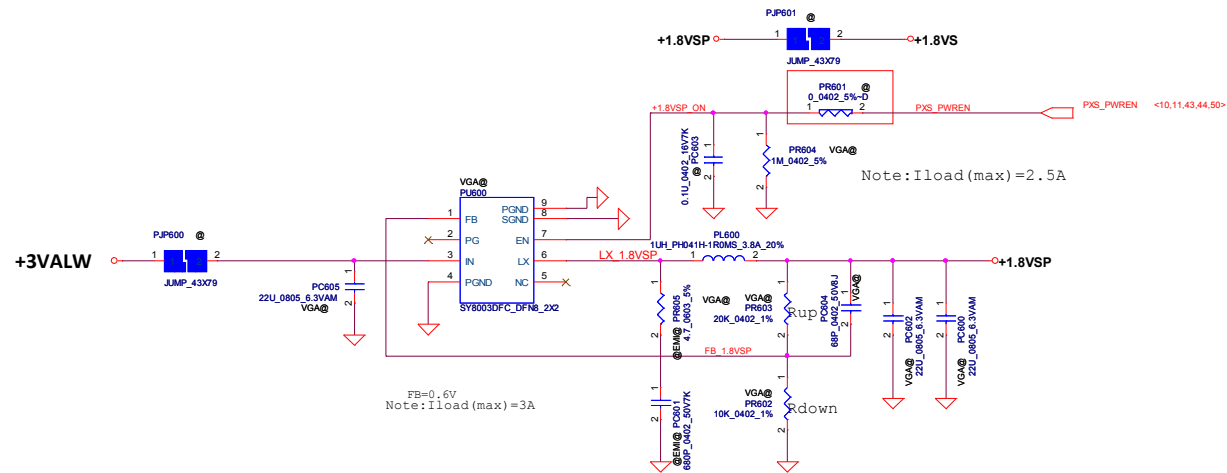
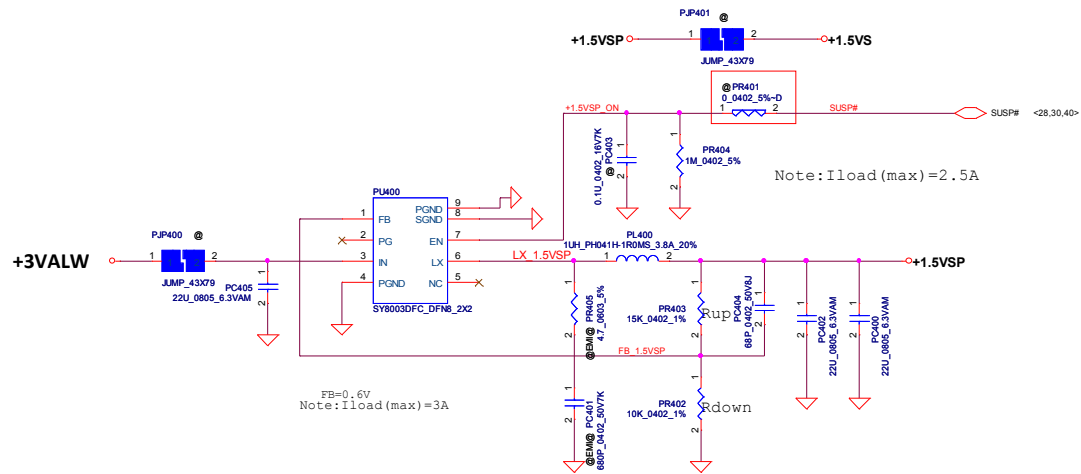
Change to 4.7u for TPS51285

3VALWP
 TDC 5.95A
 Peak Current 8.5A
 OCP current 10.2A
 TYP MAX
 H/S Rds(on) : 22mohm , 30mohm
 L/S Rds(on) : 10.8mohm , 13.6mohm

5VALWP
 TDC 5.96A
 Peak Current 8.51A
 OCP current 10.2A
 TYP MAX
 H/S Rds(on) : 22mohm , 30mohm
 L/S Rds(on) : 10.8mohm , 13.6mohm

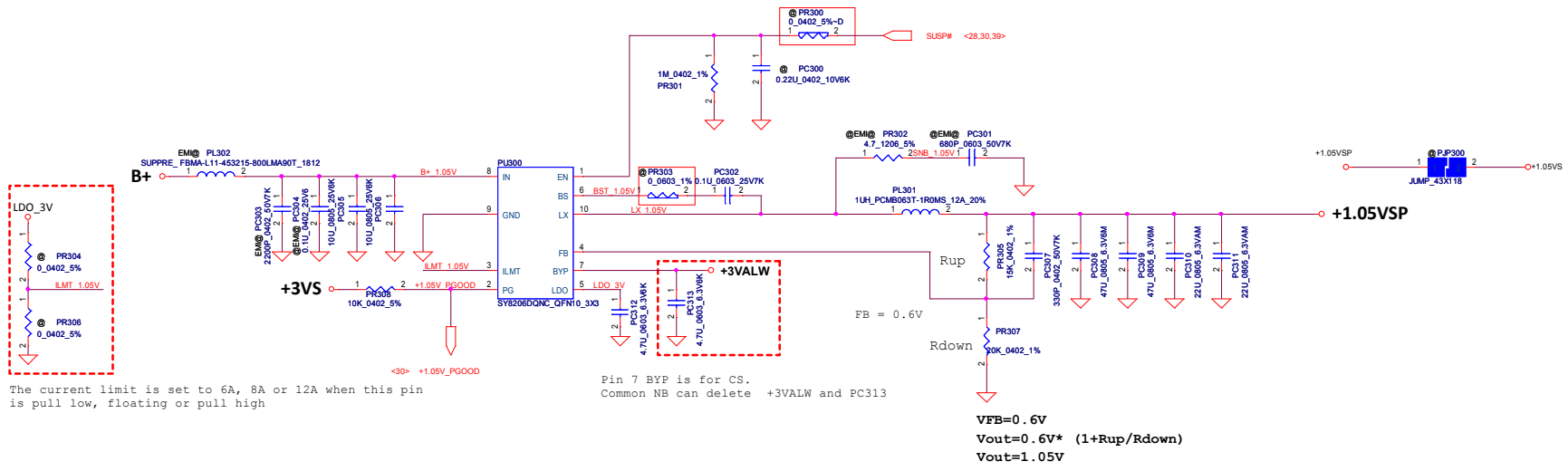


Security Classification		Compal Secret Data		Title	
Issued Date	2013/05/29	Deciphered Date	2014/06/01	PWR 3.3VALWP/5VALWP	
THIS SHEET OF ENGINEERING DRAWING IS THE PROPRIETARY PROPERTY OF COMPAL ELECTRONICS, INC. AND CONTAINS CONFIDENTIAL AND TRADE SECRET INFORMATION. THIS SHEET MAY NOT BE TRANSFERRED FROM THE CUSTODY OF THE COMPETENT DIVISION OF R&D DEPARTMENT EXCEPT AS AUTHORIZED BY COMPAL ELECTRONICS, INC. NEITHER THIS SHEET NOR THE INFORMATION IT CONTAINS MAY BE USED BY OR DISCLOSED TO ANY THIRD PARTY WITHOUT PRIOR WRITTEN CONSENT OF COMPAL ELECTRONICS, INC.				Size	Document Number
				L.A.9982P	Rev 3.0
				Date: Wednesday, May 29, 2013	ISheet 38 of 57



Security Classification	Compal Secret Data			Title Compal Electronics, Inc. PWR 1.5VSP / 1.8VSP	
Issued Date	2013/05/29	Deciphered Date	2014/06/01		
THIS SHEET OF ENGINEERING DRAWING IS THE PROPRIETARY PROPERTY OF COMPAL ELECTRONICS, INC. AND CONTAINS CONFIDENTIAL AND TRADE SECRET INFORMATION. THIS SHEET MAY NOT BE TRANSFERRED FROM THE CUSTODY OF THE COMPETENT DIVISION OF R&D DEPARTMENT EXCEPT AS AUTHORIZED BY COMPAL ELECTRONICS, INC. NEITHER THIS SHEET NOR THE INFORMATION IT CONTAINS MAY BE USED BY OR DISCLOSED TO ANY THIRD PARTY WITHOUT PRIOR WRITTEN CONSENT OF COMPAL ELECTRONICS, INC.				Date:	Wednesday, May 29, 2013
				Sheet	39 of 57
				Rev	3.0

EN pin don't floating
 If have pull down resistor at HW side, pls delete PR301

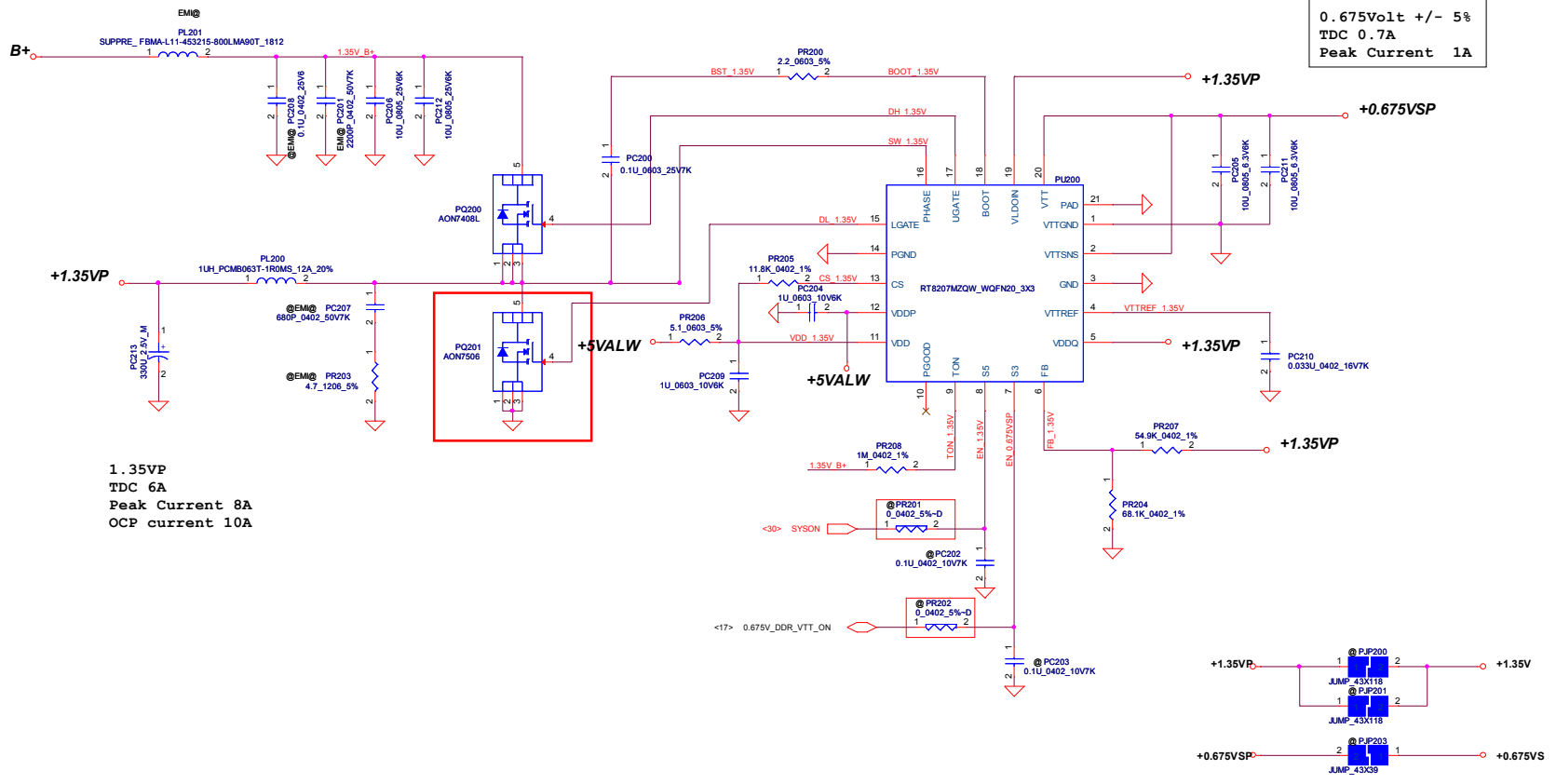


The current limit is set to 6A, 8A or 12A when this pin is pull low, floating or pull high

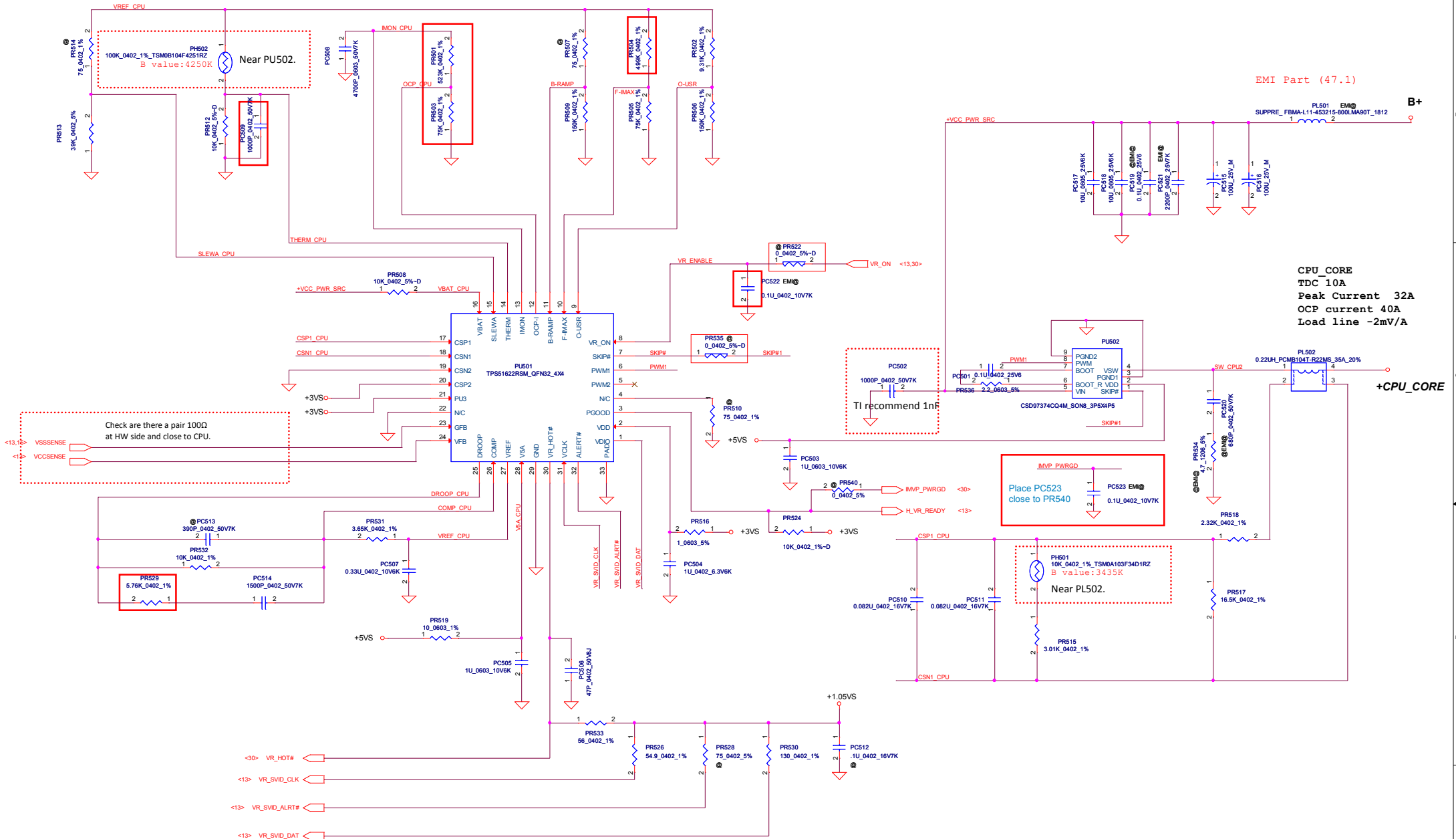
Pin 7 BYP is for CS.
 Common NB can delete +3VALW and PC313

+1.05VSP
 TDC 5A
 Peak Current 6.6A
 OCP current 8A

Security Classification	Compal Secret Data		Compal Electronics, Inc.	
Issued Date	2013/05/29	Deciphered Date	2014/06/01	Title
THIS SHEET OF ENGINEERING DRAWING IS THE PROPRIETARY PROPERTY OF COMPAL ELECTRONICS, INC. AND CONTAINS CONFIDENTIAL AND TRADE SECRET INFORMATION. THIS SHEET MAY NOT BE TRANSFERRED FROM THE CUSTODY OF THE COMPETENT DIVISION OF R&D DEPARTMENT EXCEPT AS AUTHORIZED BY COMPAL ELECTRONICS, INC. NEITHER THIS SHEET NOR THE INFORMATION IT CONTAINS MAY BE USED BY OR DISCLOSED TO ANY THIRD PARTY WITHOUT PRIOR WRITTEN CONSENT OF COMPAL ELECTRONICS, INC.				PWR +VCCIO Size Document Number Date: Wednesday, May 29, 2013 Sheet 40 of 57
				Rev 3.0

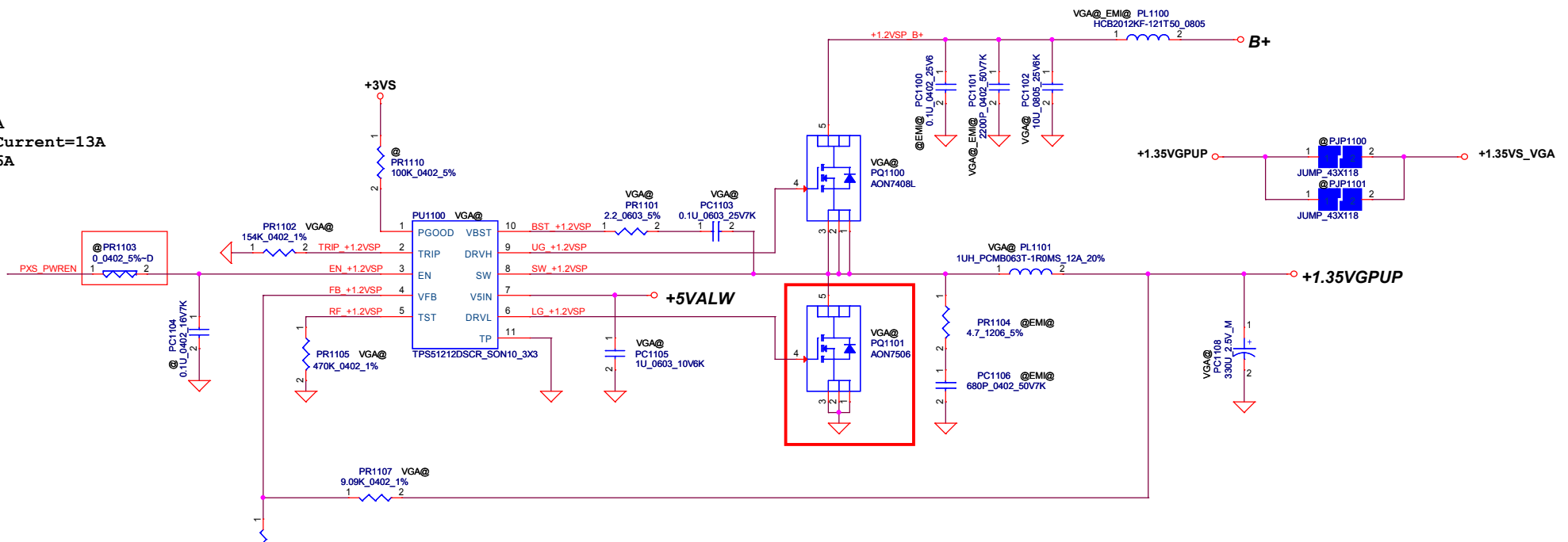


Security Classification		Compal Secret Data		Title	
Issued Date	2013/05/29	Deciphered Date	2014/06/01	PWR +1.35VP/0.675VSP	
THIS SHEET OF ENGINEERING DRAWING IS THE PROPRIETARY PROPERTY OF COMPAL ELECTRONICS, INC. AND CONTAINS CONFIDENTIAL AND TRADE SECRET INFORMATION. THIS SHEET MAY NOT BE TRANSFERRED FROM THE CUSTODY OF THE COMPETENT DIVISION OF R&D DEPARTMENT EXCEPT AS AUTHORIZED BY COMPAL ELECTRONICS, INC. NEITHER THIS SHEET NOR THE INFORMATION IT CONTAINS MAY BE USED BY OR DISCLOSED TO ANY THIRD PARTY WITHOUT PRIOR WRITTEN CONSENT OF COMPAL ELECTRONICS, INC.				Size	Document Number
				LA-9982P	Rev 3.0
				Date: Wednesday, May 29, 2013	Sheet 41 of 57

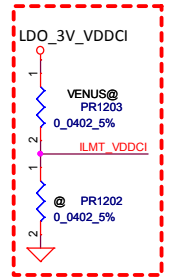


Security Classification		Compal Secret Data		Title	
Issued Date	2013/05/29	Deciphered Date	2014/06/01	PWR_VCORE	
THIS SHEET OF ENGINEERING DRAWING IS THE PROPRIETARY PROPERTY OF COMPAL ELECTRONICS, INC. AND CONTAINS CONFIDENTIAL AND TRADE SECRET INFORMATION. THIS SHEET MAY NOT BE TRANSFERRED FROM THE CUSTODY OF THE COMPETENT DIVISION OF R&D DEPARTMENT EXCEPT AS AUTHORIZED BY COMPAL ELECTRONICS, INC. NEITHER THIS SHEET NOR THE INFORMATION IT CONTAINS MAY BE USED BY OR DISCLOSED TO ANY THIRD PARTY WITHOUT PRIOR WRITTEN CONSENT OF COMPAL ELECTRONICS, INC.					
Size	Document Number	Date:		Rev	3.0
LA9982P		Wednesday, May 29, 2013		Sheet	42 of 57

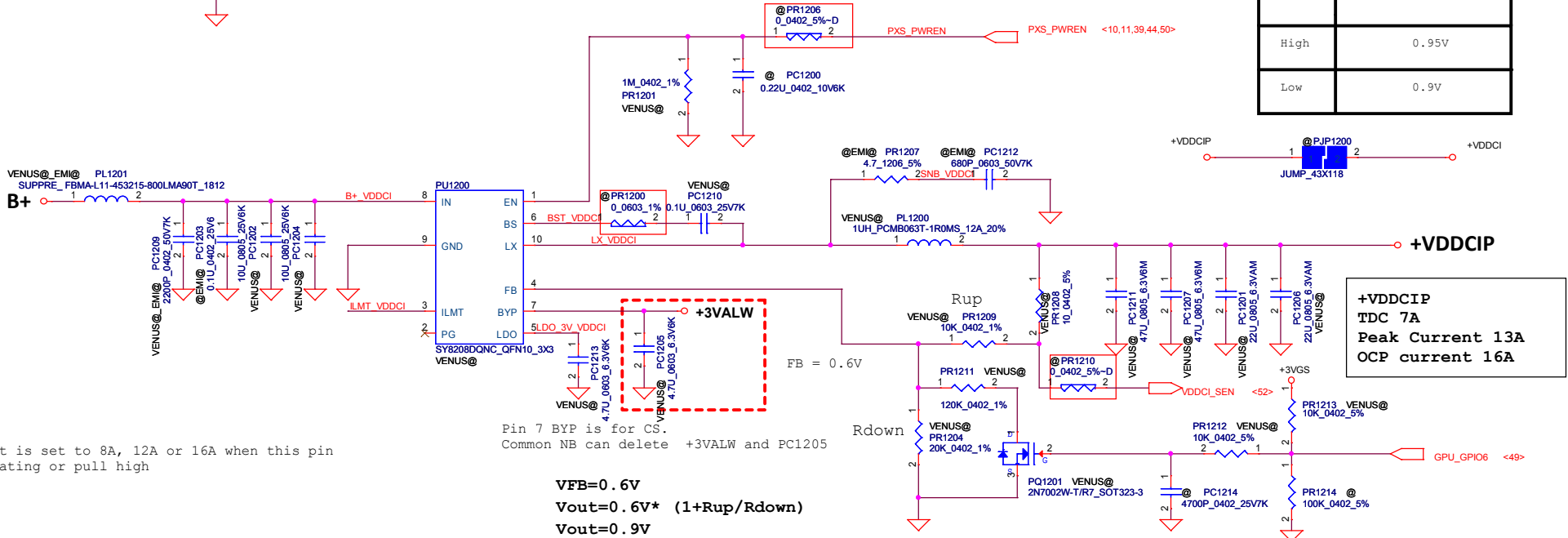
TDC=9A
Peak Current=13A
OCP=16A



	VDDCI_VID (GPIO_6)
High	0.95V
Low	0.9V



The current limit is set to 8A, 12A or 16A when this pin is pull low, floating or pull high



Pin 7 BYP is for CS.
Common NB can delete +3VALW and PC1205

VFB=0.6V
Vout=0.6V* (1+Rup/Rdown)
Vout=0.9V

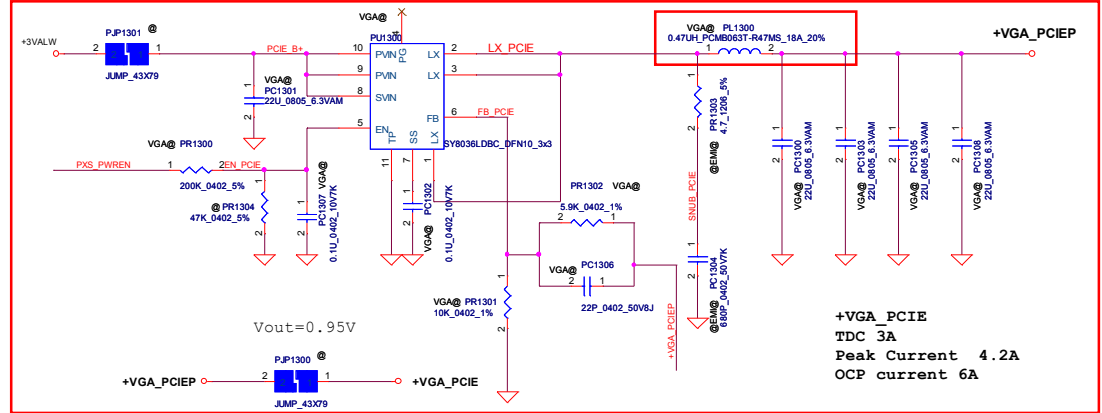
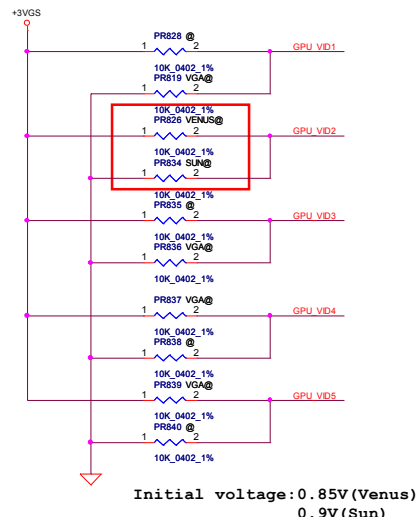
Security Classification	Compal Secret Data		Title		
Issued Date	2013/05/29	Deciphered Date	2014/06/01	PWR +1.35VGPU/VDDCIP	
THIS SHEET OF ENGINEERING DRAWING IS THE PROPRIETARY PROPERTY OF COMPAL ELECTRONICS, INC. AND CONTAINS CONFIDENTIAL AND TRADE SECRET INFORMATION. THIS SHEET MAY NOT BE TRANSFERRED FROM THE CUSTODY OF THE COMPETENT DIVISION OF R&D DEPARTMENT EXCEPT AS AUTHORIZED BY COMPAL ELECTRONICS, INC. NEITHER THIS SHEET NOR THE INFORMATION IT CONTAINS MAY BE USED BY OR DISCLOSED TO ANY THIRD PARTY WITHOUT PRIOR WRITTEN CONSENT OF COMPAL ELECTRONICS, INC.				Size	Document Number
				LA-9982P	Rev 3.0
				Date: Wednesday, May 29, 2013	Sheet 43 of 57

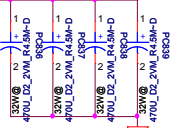
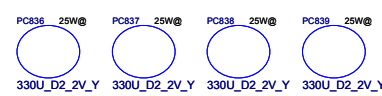
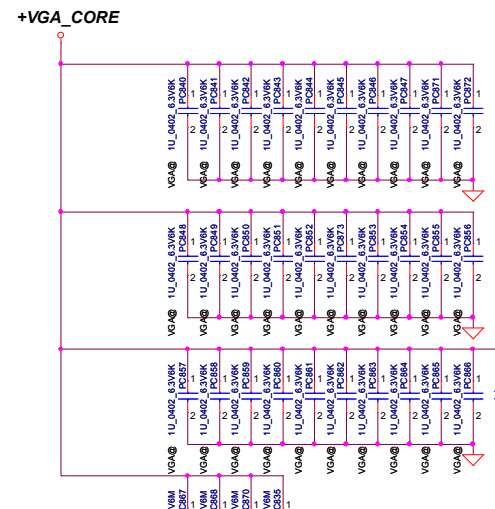
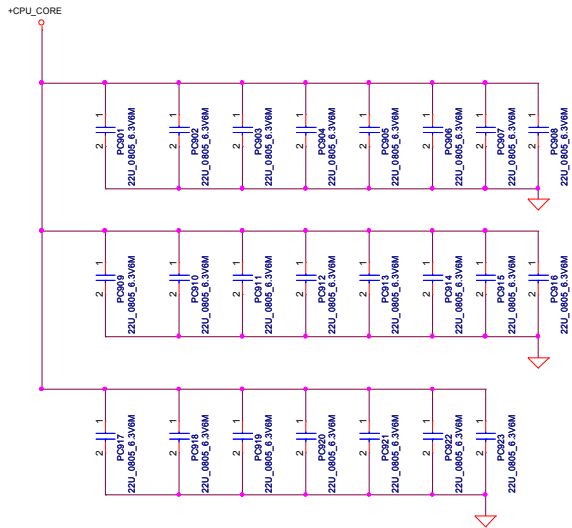
	SUN XT	VENUS PRO/XT
Load line	No need	Need
PR824	pop	un-pop

	25W	32W
PR813	909	1.4K
PR821	97.6K	143K
PR825	976	1.5K

VGA_CORE
 Frequency 300kHz
 TDC 23A (25W) / 33A (32W)
 Peak Current 30A (25W) / 47A (32W)
 OCP current 36A (25W) / 56A (32W)
 TYP MAX
 H/S Rds (on) : 12.2mohm , 15mohm
 L/S Rds (on) : 2.75mohm , 3.5mohm
 Choke DCR 1.1mohm (Typ) / 1.3mohm (Max)
 Load line : -1.5mV/A

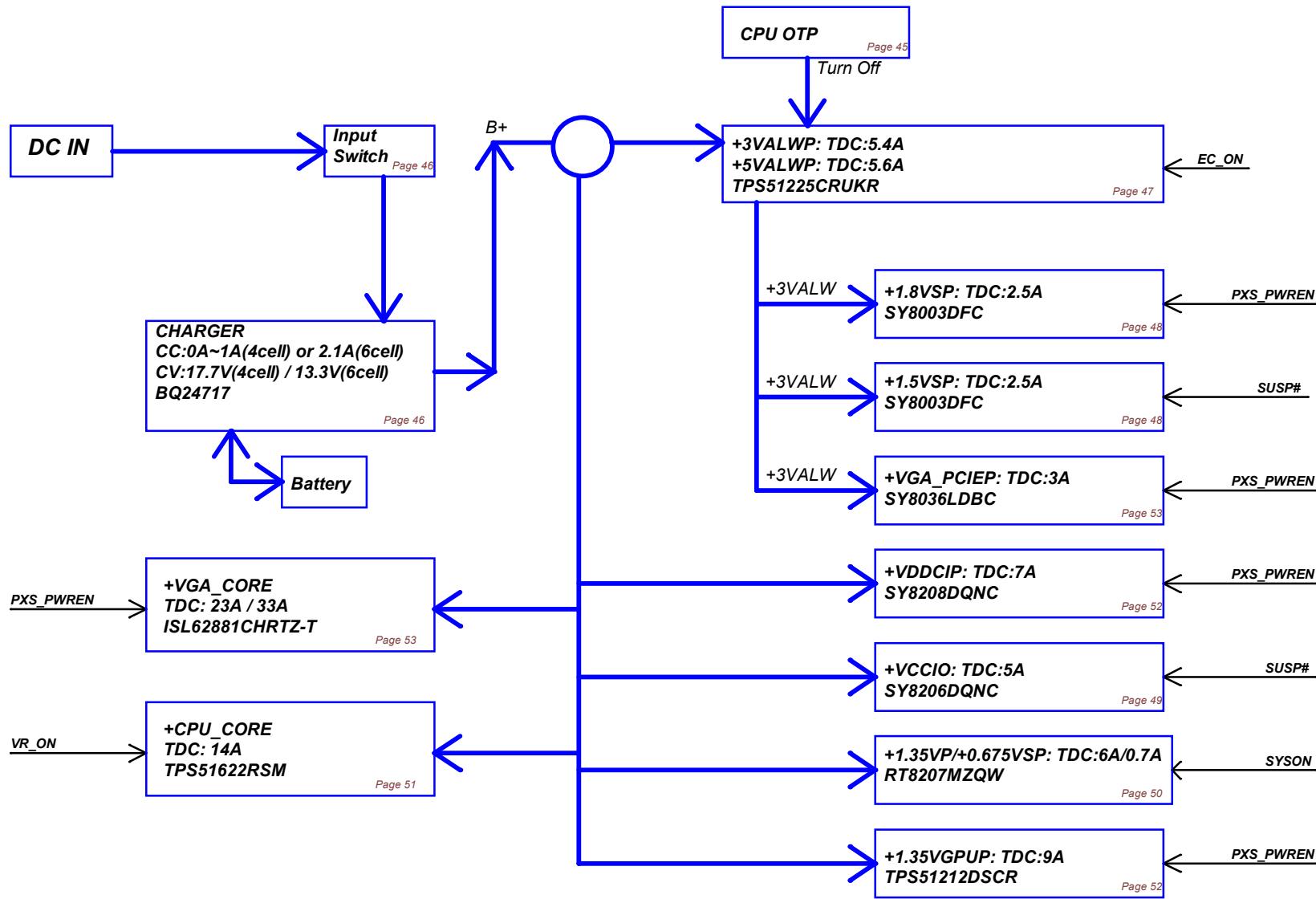
SPU_VID5 (GPIO_10)	SPU_VID4 (GPIO_14)	SPU_VID3 (GPIO_15)	SPU_VID2 (GPIO_16)	SPU_VID1 (GPIO_20)	Core Voltage Level
0	1	1	0	0	1.2V
0	1	1	0	1	1.175V
0	1	1	1	0	1.15V
0	1	1	1	1	1.125V
1	0	0	0	0	1.1V
1	0	0	0	1	1.075V
1	0	0	1	0	1.05V
1	0	0	1	1	1.025V
1	0	1	0	0	1V
1	0	1	0	1	0.975V
1	0	1	1	0	0.95V
1	0	1	1	1	0.925V
1	1	0	0	0	0.9V
1	1	0	0	1	0.875V
1	1	0	1	0	0.85V
1	1	0	1	1	0.825V
1	1	1	0	0	0.8V
1	1	1	1	1	0.775V





Security Classification	Compal Secret Data		Title	
Issued Date	2013/05/29	Deciphered Date	2014/06/01	Compal Electronics, Inc.
THIS SHEET OF ENGINEERING DRAWING IS THE PROPRIETARY PROPERTY OF COMPAL ELECTRONICS, INC. AND CONTAINS CONFIDENTIAL AND TRADE SECRET INFORMATION. THIS SHEET MAY NOT BE TRANSFERRED FROM THE CUSTODY OF THE COMPETENT DIVISION OF R&D DEPARTMENT EXCEPT AS AUTHORIZED BY COMPAL ELECTRONICS, INC. NEITHER THIS SHEET NOR THE INFORMATION IT CONTAINS MAY BE USED BY OR DISCLOSED TO ANY THIRD PARTY WITHOUT PRIOR WRITTEN CONSENT OF COMPAL ELECTRONICS, INC.				Rev LA9982P 3.0
Date:	Wednesday, May 29, 2013	Sheet	45	of 57

Power block



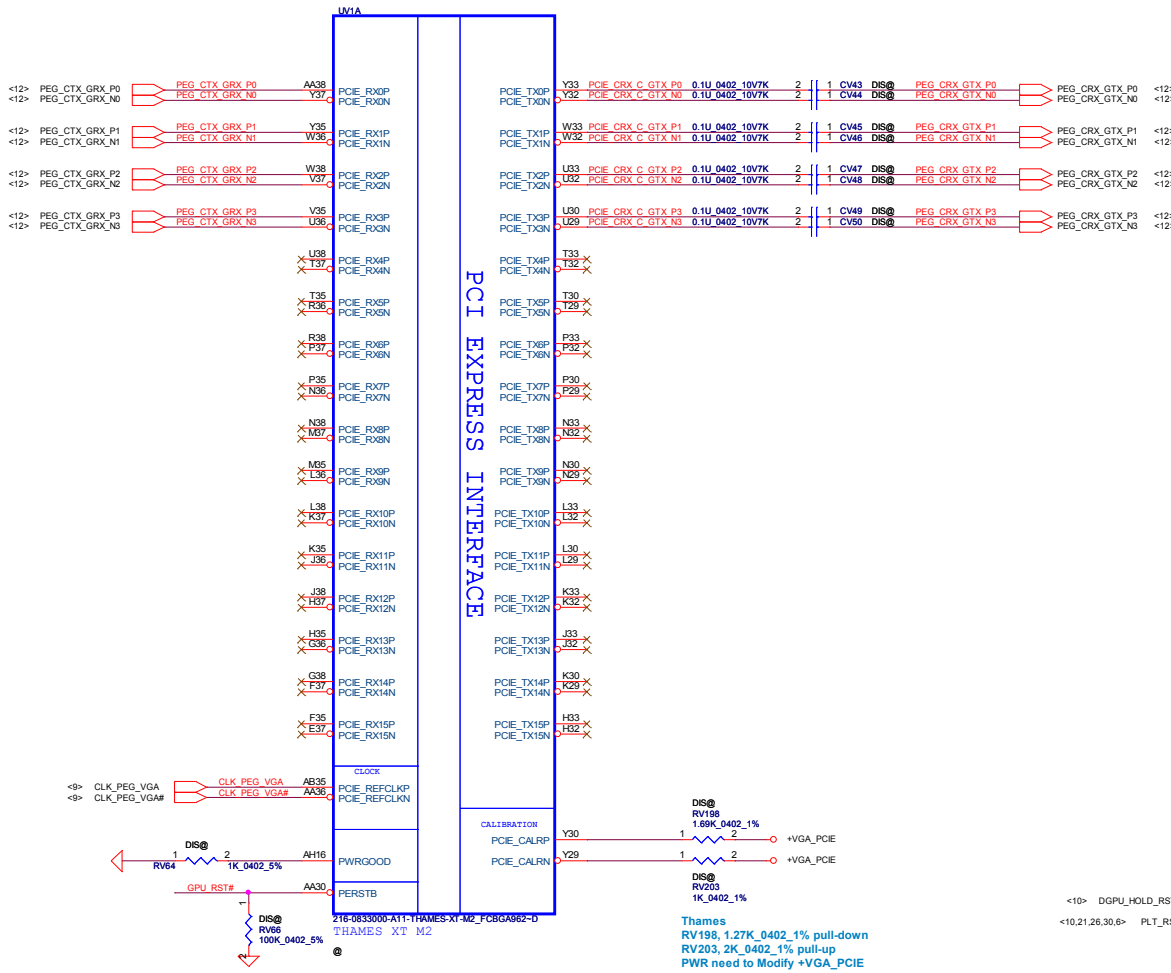
Security Classification	Compal Secret Data		Compal Electronics, Inc.	
Issued Date	2013/05/29	Deciphered Date	2014/06/01	Title
THIS SHEET OF ENGINEERING DRAWING IS THE PROPRIETARY PROPERTY OF COMPAL ELECTRONICS, INC. AND CONTAINS CONFIDENTIAL AND TRADE SECRET INFORMATION. THIS SHEET MAY NOT BE TRANSFERRED FROM THE CUSTODY OF THE COMPETENT DIVISION OF R&D DEPARTMENT EXCEPT AS AUTHORIZED BY COMPAL ELECTRONICS, INC. NEITHER THIS SHEET NOR THE INFORMATION IT CONTAINS MAY BE USED BY OR DISCLOSED TO ANY THIRD PARTY WITHOUT PRIOR WRITTEN CONSENT OF COMPAL ELECTRONICS, INC.				PWR POWER BLOCK DIAGRAM Size Document Number LA-9982P Date: Wednesday, May 29, 2013 Sheet 46 of 57 Rev 3.0

Version Change List (P. I. R. List)

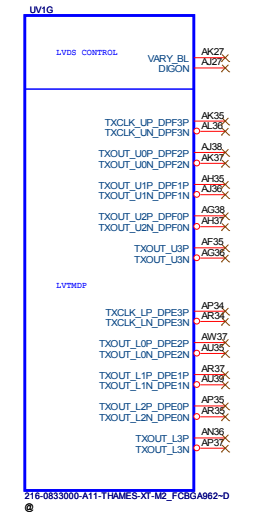
Item	Page #	Title	Date	Request Owner	Issue Description	Solution Description	Rev.
1	37	CHARGER	13/01/30	Morris	adjust design parameter from vendor recommend	delete PD702 change PC712 to unpop change PQ704 to unpop change PC707 from 0.1uF 0402 to 1uF_0603 change PC720 from 0.1uF to 100pF change PC711 from 1000pF to 0.01uF change PQ705 from SB00000SD00 to SB00000WY00	0.3
2	42	VCORE	13/01/30	Morris	adjust design parameter from vendor recommend	change PC509 from 0.1uF to 1000pF change PR529 from 3.83K to 5.76K change PR504 from 523K to 499K	0.3
3	36	DCIN/BATT CONN/OTP	13/01/30	Morris	change from ESD request	change PD1 from SC300002E00 to SC300001G00	0.3
4	38	3.3VALWP/SVALWP	13/02/01	Morris	add ESD diode from ESD request	add PD101 (SCA00002A00)	0.3
5	42	VCORE	13/02/21	Morris	adjust design parameter from fine tune result	change PR501 from 422K to 523K change PR503 from 56K to 75K	0.3
6	44	VGA_CORE/PCIE	13/02/21	Morris	unpop from EE request	unpop PR808	0.3
7	44	VGA_CORE/PCIE	13/03/05	Morris	adjust output voltage from vander request	unpop PR826 and pop PR834 (only for Sun XT)	0.4
8	37 38 39 40 41 42	CHARGER 3.3VALWP/SVALWP 1.5VSP/1.8VSP +VCCIO +1.35VP/0.675VSP VCORE	13/03/28	Morris	verify function ok, so delete 0 ohm to short	unpop PR100, PR101, PR201, PR202, PR300, PR303, PR401, PR522, PR535, PR704, PR708, PR710, PR714, PR715, PR717	1.0
9	36	DCIN/BATT CONN/OTP	13/04/09	Morris	design change for solve issue	unpop PR1 and PC5	2.0
10	41 43	+1.35VP/0.675VSP +1.35VGPU/VDDCI	13/04/09	Morris	part shortage issue	change PQ201 and PQ1101 from SB00000T600 to SB000010A00	2.0
11	39 43 44	1.5VSP/1.8VSP +1.35VGPU/VDDCI VGA_CORE/PCIE	13/04/09	Morris	verify function ok, so delete 0 ohm to short	unpop PR601, PR802, PR803, PR814, PR823, PR830, PR845, PR846, PR1103, PR1200, PR1206, PR1210	2.0
12	43	+1.35VGPU/VDDCI	13/04/09	Morris	unpop VDDCI parts from vendor recommend and EVerify ok only for Sun XT	unpop PL1200, PL1201, PU1200, PQ1201, PR1201, PR1203, PR1204, PR1208, PR1209, PR1211, PR1212, PR1213, PC1201, PC1202, PC1204, PC1205, PC1206, PC1207, PC1209, PC1210, PC1211, PC1213 (only for Sun XT)	2.0
13	44	VGA_CORE/PCIE	13/04/12	Morris	part shortage issue	change PL1300 from SH00000GQ00 to SH00000PK00	2.0
14	36	DCIN/BATT CONN/OTP	13/04/12	Morris	customer request	add PR2 10kOhm	2.0
15	42	VCORE	13/04/15	Morris	EMI request	pop PC522 and add PC523 0.1uF	2.0
16	36	DCIN/BATT CONN/OTP	13/05/22	Morris	reserve parts from ESD request	reserve PD2, PD3, PR17 and unpop PR17	3.0

Security Classification	Compal Secret Data		Compal Electronics, Inc.	
Issued Date	2013/05/29	Deciphered Date	2014/06/01	Title
THIS SHEET OF ENGINEERING DRAWING IS THE PROPRIETARY PROPERTY OF COMPAL ELECTRONICS, INC. AND CONTAINS CONFIDENTIAL AND TRADE SECRET INFORMATION. THIS SHEET MAY NOT BE TRANSFERRED FROM THE CUSTODY OF THE COMPETENT DIVISION OF R&D DEPARTMENT EXCEPT AS AUTHORIZED BY COMPAL ELECTRONICS, INC. NEITHER THIS SHEET NOR THE INFORMATION IT CONTAINS MAY BE USED BY OR DISCLOSED TO ANY THIRD PARTY WITHOUT PRIOR WRITTEN CONSENT OF COMPAL ELECTRONICS, INC.				PWR-PIR
				Size Document Number
				LA-9982P
				Rev 3.0
				Date: Wednesday, May 29, 2013 Sheet 47 of 57

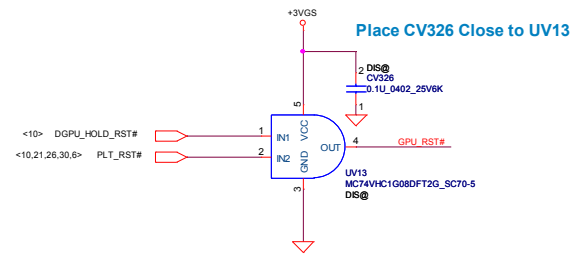
GFX PCIe LANE REVERSAL



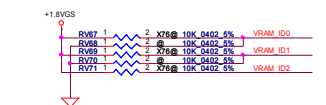
LVDS Interface



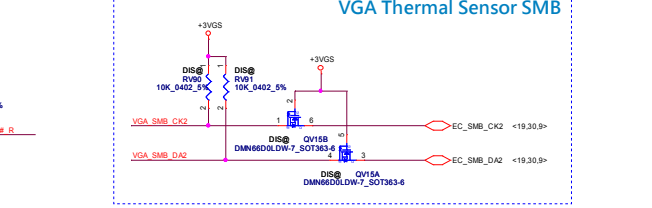
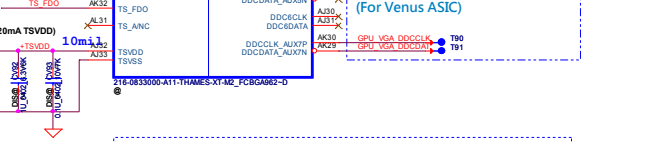
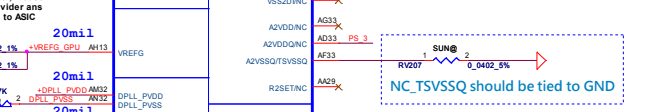
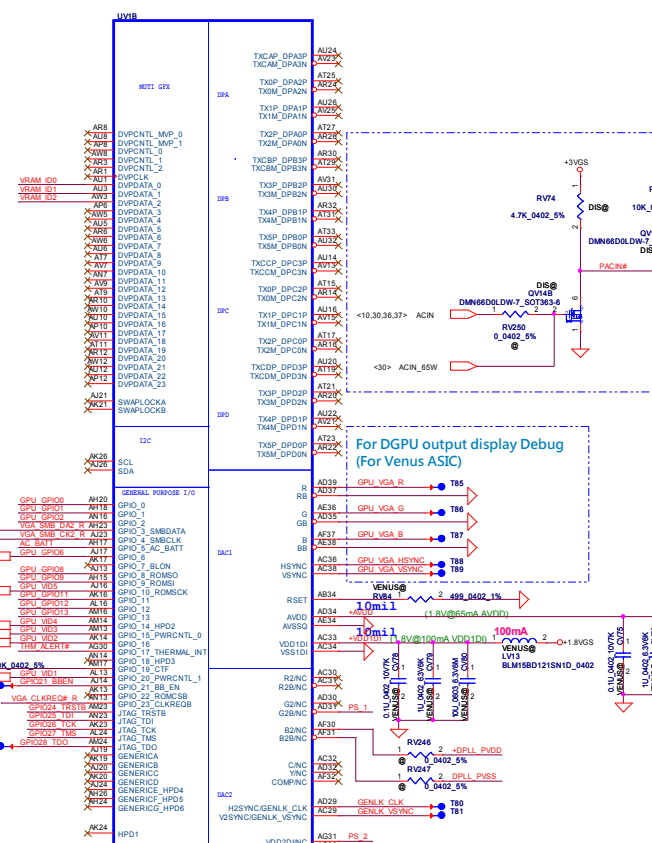
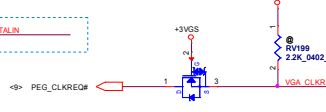
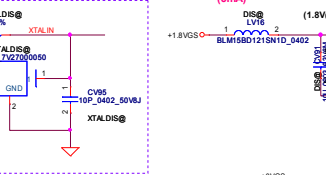
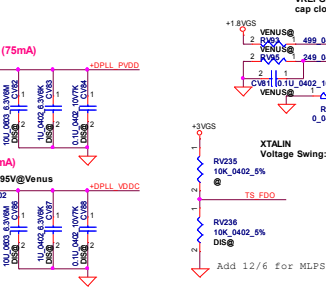
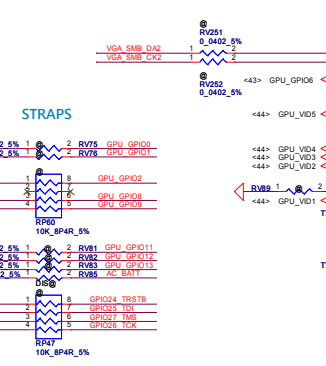
- U1 VENUSXT®
216-0846000 A1 VENUS XT M2 FCBGA 962P 0FD
SA00006KWOL
- U1 VENUSPRO®
216-0846009 A1 VENUS PRO M2 FCBGA 962P 0FD
SA00006MWOL



Security Classification	Compal Secret Data		Title	
Issued Date	2013/05/29	Deciphered Date	2014/06/01	ATI Venus Pro M2 PCIe/LVDS
THIS SHEET OF ENGINEERING DRAWING IS THE PROPRIETARY PROPERTY OF COMPAL ELECTRONICS, INC. AND CONTAINS CONFIDENTIAL AND TRADE SECRET INFORMATION. THIS SHEET MAY NOT BE TRANSFERRED FROM THE CUSTODY OF THE COMPETENT DIVISION OF R&D DEPARTMENT EXCEPT AS AUTHORIZED BY COMPAL ELECTRONICS, INC. NEITHER THIS SHEET NOR THE INFORMATION IT CONTAINS MAY BE USED BY OR DISCLOSED TO ANY THIRD PARTY WITHOUT PRIOR WRITTEN CONSENT OF COMPAL ELECTRONICS, INC.				Rev 3.0
Date:	Wednesday, May 29, 2013	Sheet	48	of 57



Vendor	VRAM_ID0	VRAM_ID1	VRAM_ID2
* 128Excl(64bits) (64kx32bits)	Hynix 2Gb SA00004G11(R1) SA00004G2L(R3)	RV67	RV69 RV71
128Excl(64bits) (64kx32bits)	Samsung 2Gb SA00005B70L(R1) SA00005B71L(R3)	RV68	RV69 RV71
128Excl(64bits) DCR3		RV67	RV70 RV71

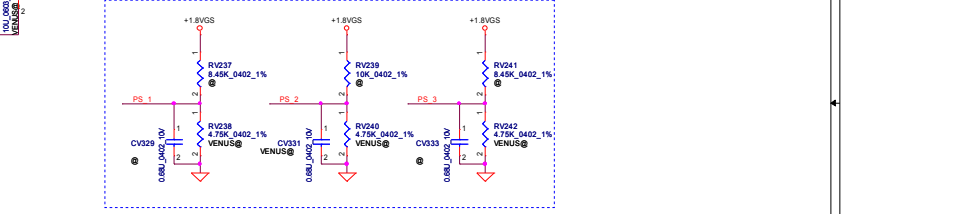
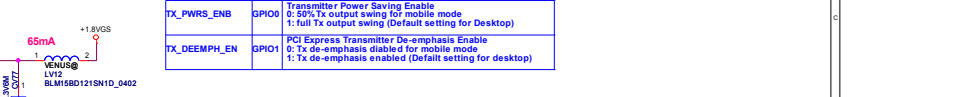


CONFIGURATION STRAPS
ALLOW FOR PULLUP PADS FOR THESE STRAPS AND IF THESE STRAPS ARE USED, THEY MUST NOT CONFLICT DURING RESET

STRAPS	PIN	DESCRIPTION OF DEFAULT SETTINGS	RECOMMENDED SETTINGS	RECOMMENDED SETTINGS
TX_PWRS_ENB	GPI00	GPIO FULL TX OUTPUT SWING 0: 50% swing 1: full swing	0: 50% swing 1: full swing	X
TX_DEEMPH_EN	GPI01	PCIe TRANSMITTER DE-EMPHASIS 0: disable 1: enable	0: disable 1: enable	X
RSVD	GPI02	Advertises PCIe speed when compliance test 0: 2.5G/S 1: 5G/S	0: 2.5G/S 1: 5G/S	0
RSVD	GPI08	RESERVED	0	0
BF_VGA_DIS	GPI09	VGA ENABLED	0	0
RSVD	GPI21	RESERVED	0	0
RSVD_ROM_EN	GPIO_22_ROMCSB	ENABLE EXTERNAL BIOS ROM 0: disable 1: enable	0: disable 1: enable	X
ROMCFG(2:0)	GPIO[13:11]	SERIAL ROM TYPE OR MEMORY APERTURE SIZE SELECT	XXX	0
WP_DEVICE_STRAP_ENA	V2NSYC	IGNORE WP DEVICE STRAPS	0	0
RSVD	H2SYNCR	0	0	0
RSVD	GENERICC	0	0	0
AUD[1]	HSYNCR	AUD[1]AUD[0] 0: 0 No audio function 1: Audio for DisplayPort and HDMI if dongle is detected	0: 0 No audio function 1: Audio for DisplayPort and HDMI if dongle is detected	11
AUD[0]	VSYNCR	1: Audio for DisplayPort only 1: 1 Audio for both DisplayPort and HDMI	1: Audio for DisplayPort only 1: 1 Audio for both DisplayPort and HDMI	0

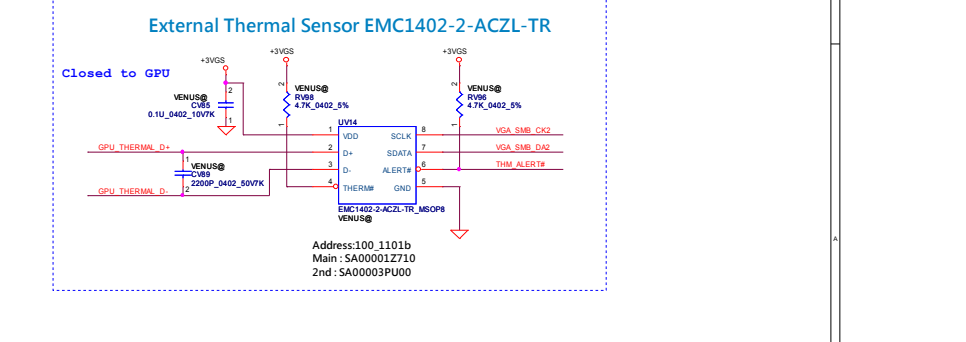
AMD RESERVED CONFIGURATION STRAPS
ALLOW FOR PULLUP PADS FOR THESE STRAPS BUT DO NOT INSTALL RESISTOR. IF THESE GPIOs ARE USED, THEY MUST KEEP "LOW" AND NOT CONFLICT DURING RESET

GPIO21	HSYNCR	GENERICC	GPIO2	GPI08
--------	--------	----------	-------	-------



SUN MLPS PS_3	RV241	RV242	Bits [3:1]
* Hynix	NC	4.7k	000
Samsung	8.45k	2k	001
Micron	4.75k	NC	111

VENUS MLPS
PS_3 used default

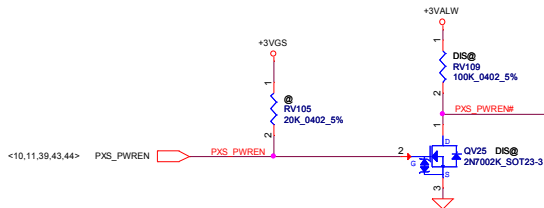


Security Classification	Compal Secret Data		Issue Date	Deciphered Date		Title	
	2013/05/29			2014/06/01		Compal Electronics, Inc.	
	This sheet of engineering drawing is the proprietary property of Compal Electronics, Inc. and contains confidential and trade secret information. This sheet may not be transferred from the custody of the competent division of R&D department except as authorized by Compal Electronics, Inc. Neither this sheet nor the information it contains may be used by or disclosed to any third party without prior written consent of Compal Electronics, Inc.						
Size	Document Number	Rev	Date	Worksheet	Sheet	90	
	LA-9982P		Wednesday, May 29, 2013	49	57		

PX_MODE=1 for Normal Operation
 PX_MODE=0 for BACO mode to shut down power rails except VDDR3,PCIE_VDDC and 1.8V rail

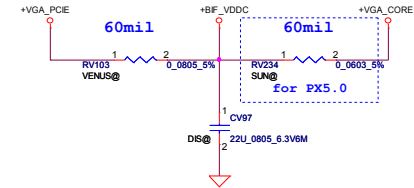
Note:

PX4.0 +VGA_CORE,VDDCI,+1.5VGS ON
 PX4.0 +3VGS, +1.0VGS,+1.8VGS OFF
 PX5.0 +3VGS,+VGA_CORE,VDDCI,+1.5VGV,+1.0VGS,+1.8VGS OFF

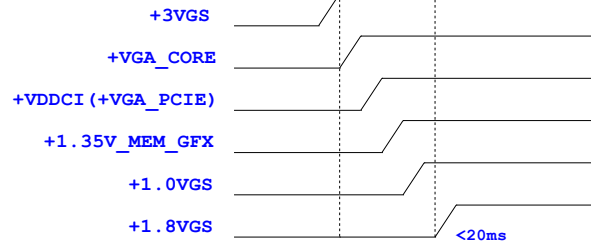


for PX4.0 and PX5.0

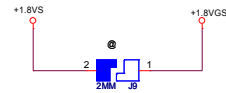
Switch circuits in BACO desings for Thames/Seymour only
 55mA@1.0V, in BACO mode



Power sequence of Sun XT, Venus Pro, Venus XT

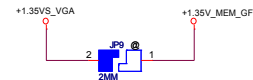


+1.8VS TO +1.8VGS



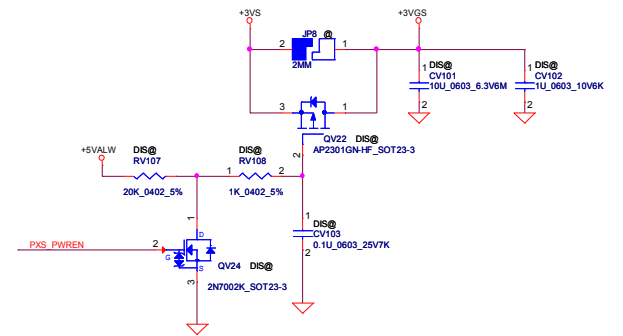
SHORT DEFAULT

+1.35VS_VGA TO +1.35V_MEM_GFX

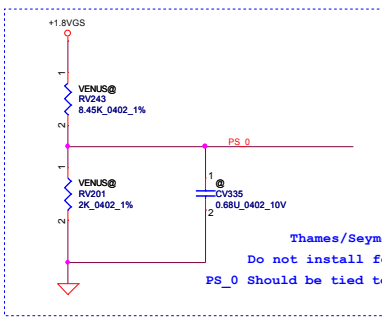
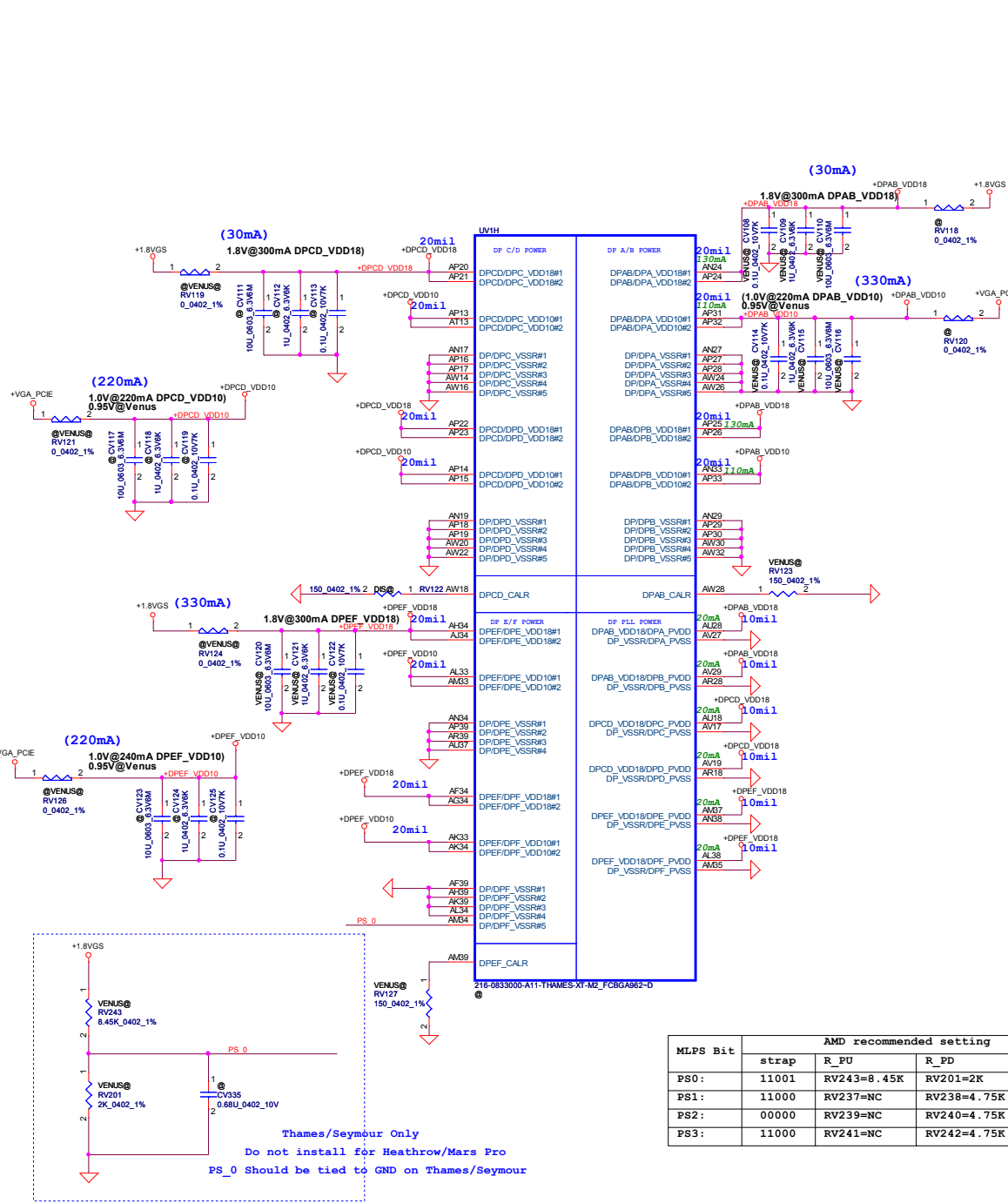


SHORT DEFAULT

+3VS TO +3VGS

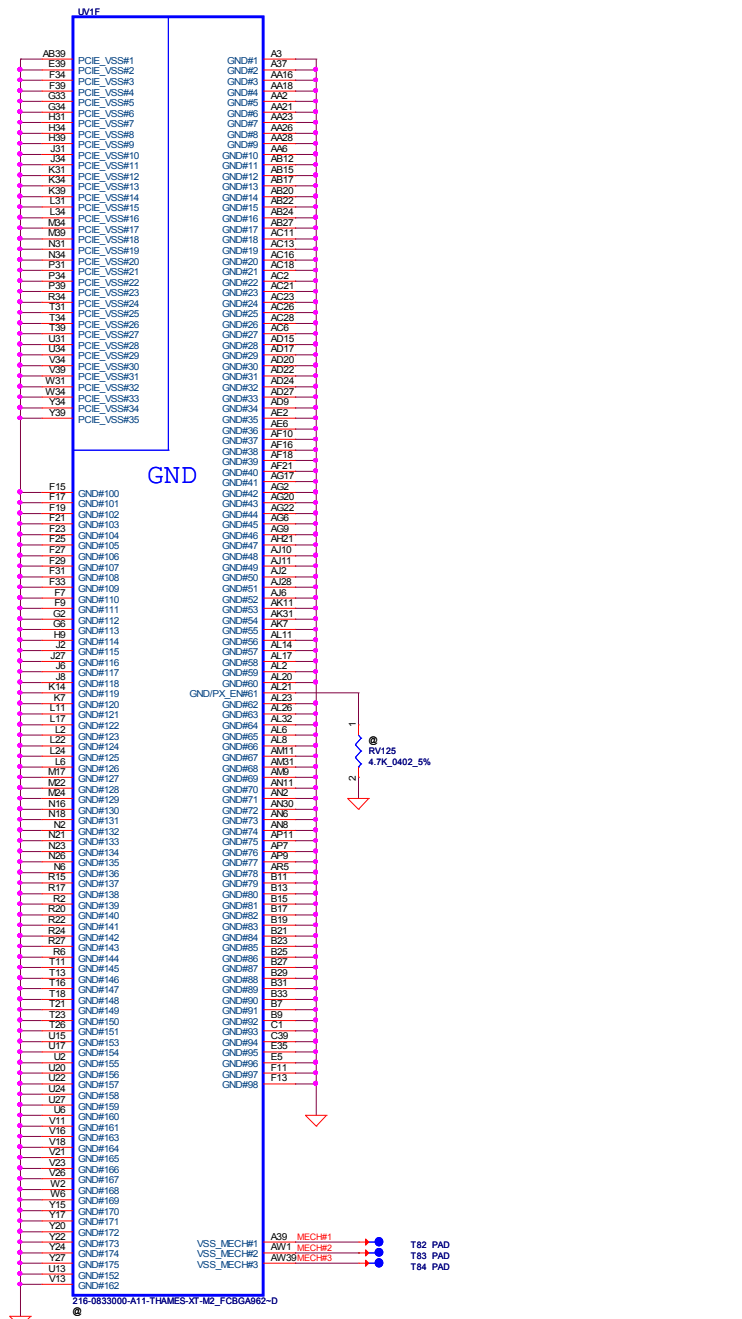


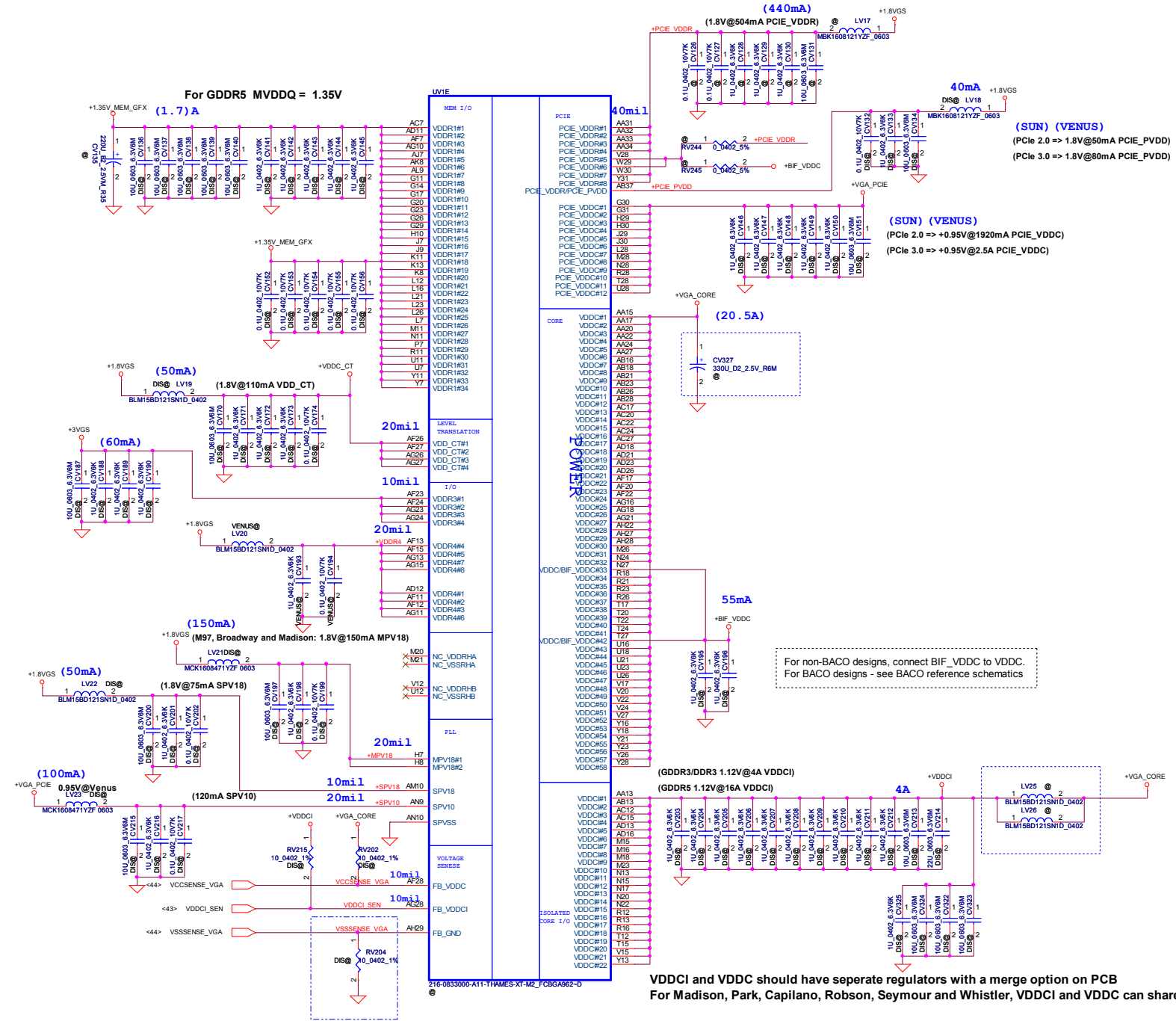
Security Classification	Compal Secret Data		Compal Electronics, Inc.	
Issued Date	2013/05/29	Deciphered Date	2014/06/01	Title
THIS SHEET OF ENGINEERING DRAWING IS THE PROPRIETARY PROPERTY OF COMPAL ELECTRONICS, INC. AND CONTAINS CONFIDENTIAL AND TRADE SECRET INFORMATION. THIS SHEET MAY NOT BE TRANSFERRED FROM THE CUSTODY OF THE COMPETENT DIVISION OF R&D DEPARTMENT EXCEPT AS AUTHORIZED BY COMPAL ELECTRONICS, INC. NEITHER THIS SHEET NOR THE INFORMATION IT CONTAINS MAY BE USED BY OR DISCLOSED TO ANY THIRD PARTY WITHOUT PRIOR WRITTEN CONSENT OF COMPAL ELECTRONICS, INC.				ATI Venus Pro_M2_BACO POWER
Size			Document Number	Rev
Date: Wednesday, May 29, 2013			LA-9982P	3.0
ISheet			50	of 57



Thames/Seymour Only
Do not install for Heathrow/Mars Pro
PS_0 Should be tied to GND on Thames/Seymour

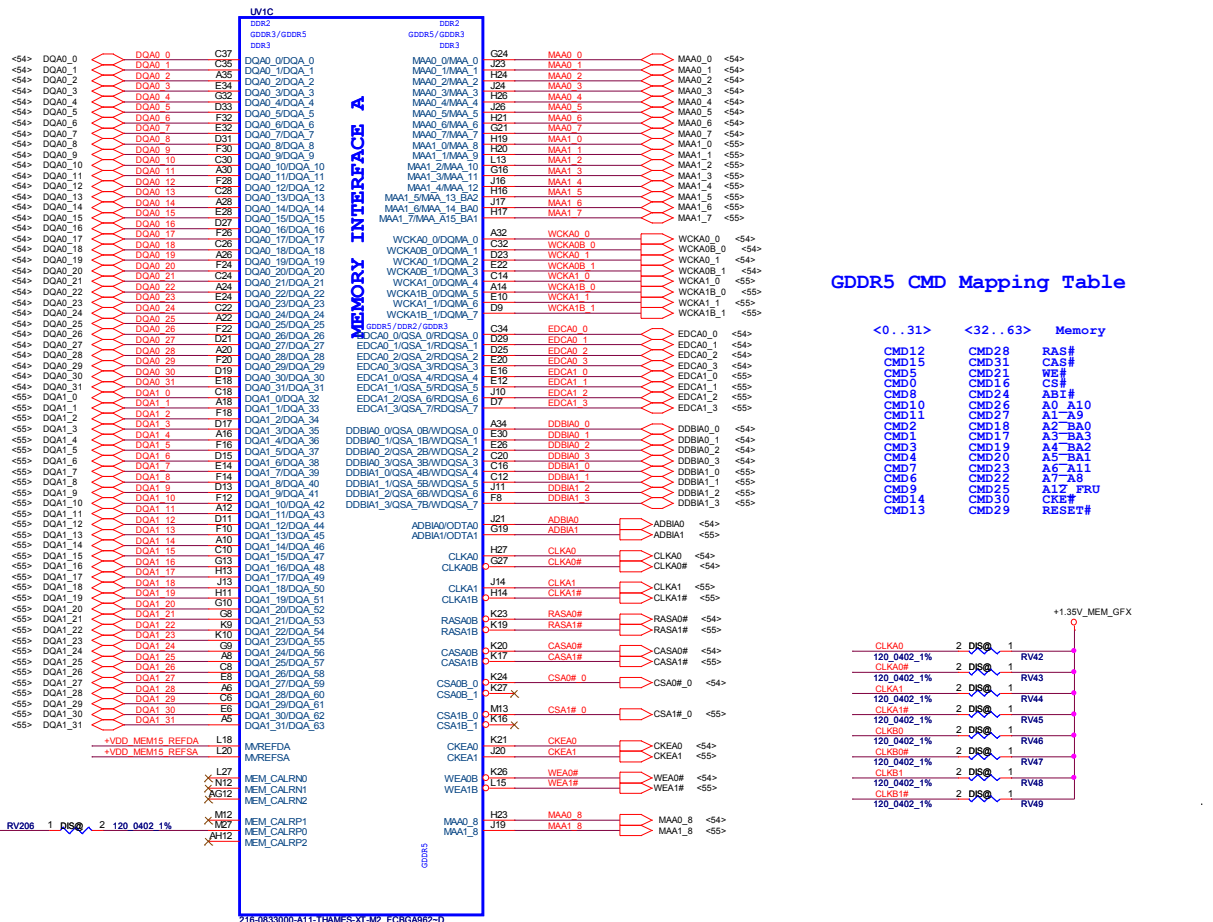
MLPS Bit	AMD recommended setting			
	strap	R_PU	R_PD	C
PS0:	11001	RV243=8.45K	RV201=2K	CV335=NC
PS1:	11000	RV237=NC	RV238=4.75K	CV329=NC
PS2:	00000	RV239=NC	RV240=4.75K	CV331=0.68u
PS3:	11000	RV241=NC	RV242=4.75K	CV333=NC





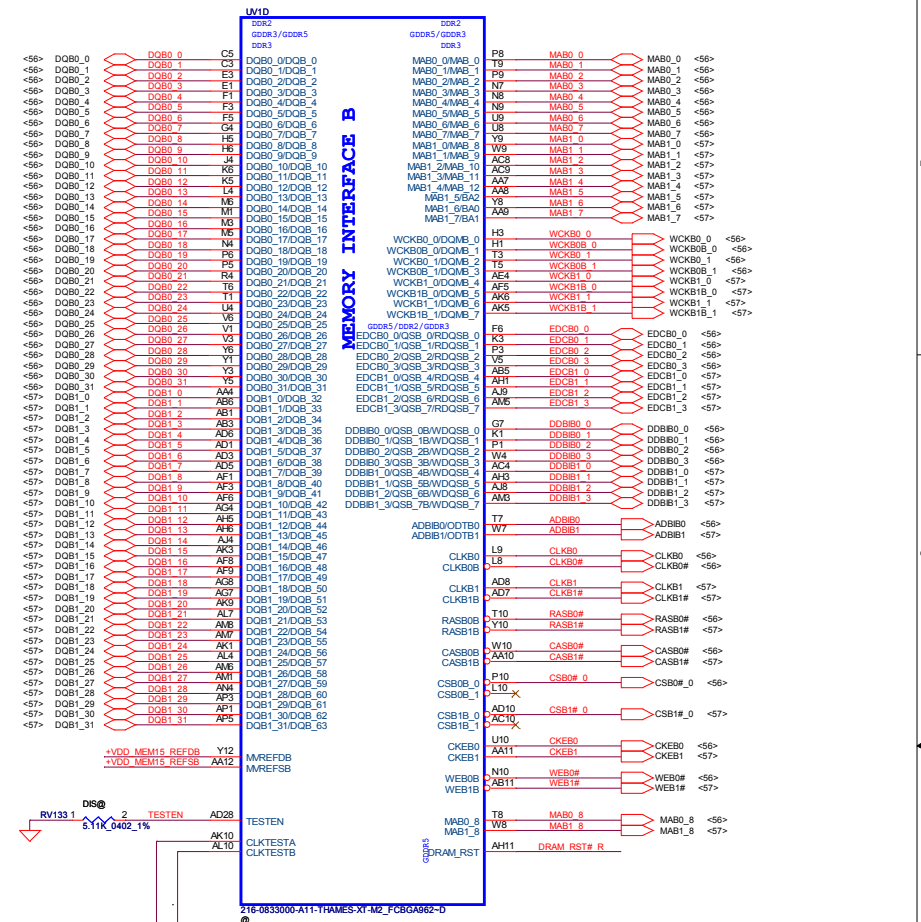
VDDCI and VDDC should have separate regulators with a merge option on PCB
 For Madison, Park, Capilano, Robson, Seymour and Whistler, VDDCI and VDDC can share one common regulator

Security Classification		Compal Secret Data		Title	
Issued Date		Deciphered Date		ATI Venus Pro M2 Power	
2013/05/29		2014/06/01		Rev 3.0	
<small>THIS SHEET OF ENGINEERING DRAWING IS THE PROPRIETARY PROPERTY OF COMPAL ELECTRONICS, INC. AND CONTAINS CONFIDENTIAL AND TRADE SECRET INFORMATION. THIS SHEET MAY NOT BE TRANSFERRED FROM THE CUSTODY OF THE COMPETENT DIVISION OF R&D DEPARTMENT EXCEPT AS AUTHORIZED BY COMPAL ELECTRONICS, INC. NEITHER THIS SHEET NOR THE INFORMATION IT CONTAINS MAY BE USED BY OR DISCLOSED TO ANY THIRD PARTY WITHOUT PRIOR WRITTEN CONSENT OF COMPAL ELECTRONICS, INC.</small>					
Date: Wednesday, May 29, 2013				Sheet 52 of 57	

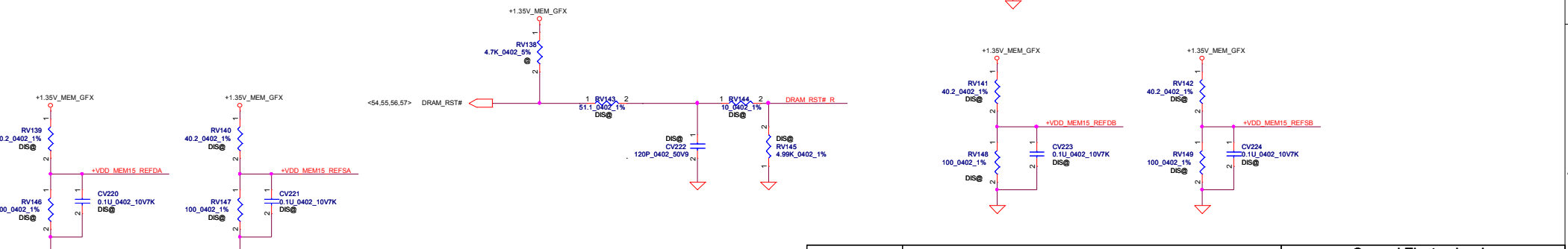
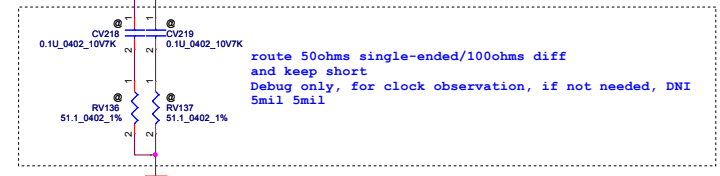


GDDR5 CMD Mapping Table

Memory	<. .31>	<32..63>
CMD12	CMD28	RAS#
CMD15	CMD31	CAS#
CMD5	CMD21	WE#
CMD0	CMD16	CS#
CMD8	CMD24	AB1#
CMD10	CMD26	A0 A10
CMD11	CMD27	A1 A9
CMD1	CMD17	A3 BA3
CMD2	CMD18	A4 BA2
CMD4	CMD20	A5 BA1
CMD7	CMD23	A6 A11
CMD9	CMD25	A7 A8
CMD14	CMD30	CKE1
CMD13	CMD29	RESET#

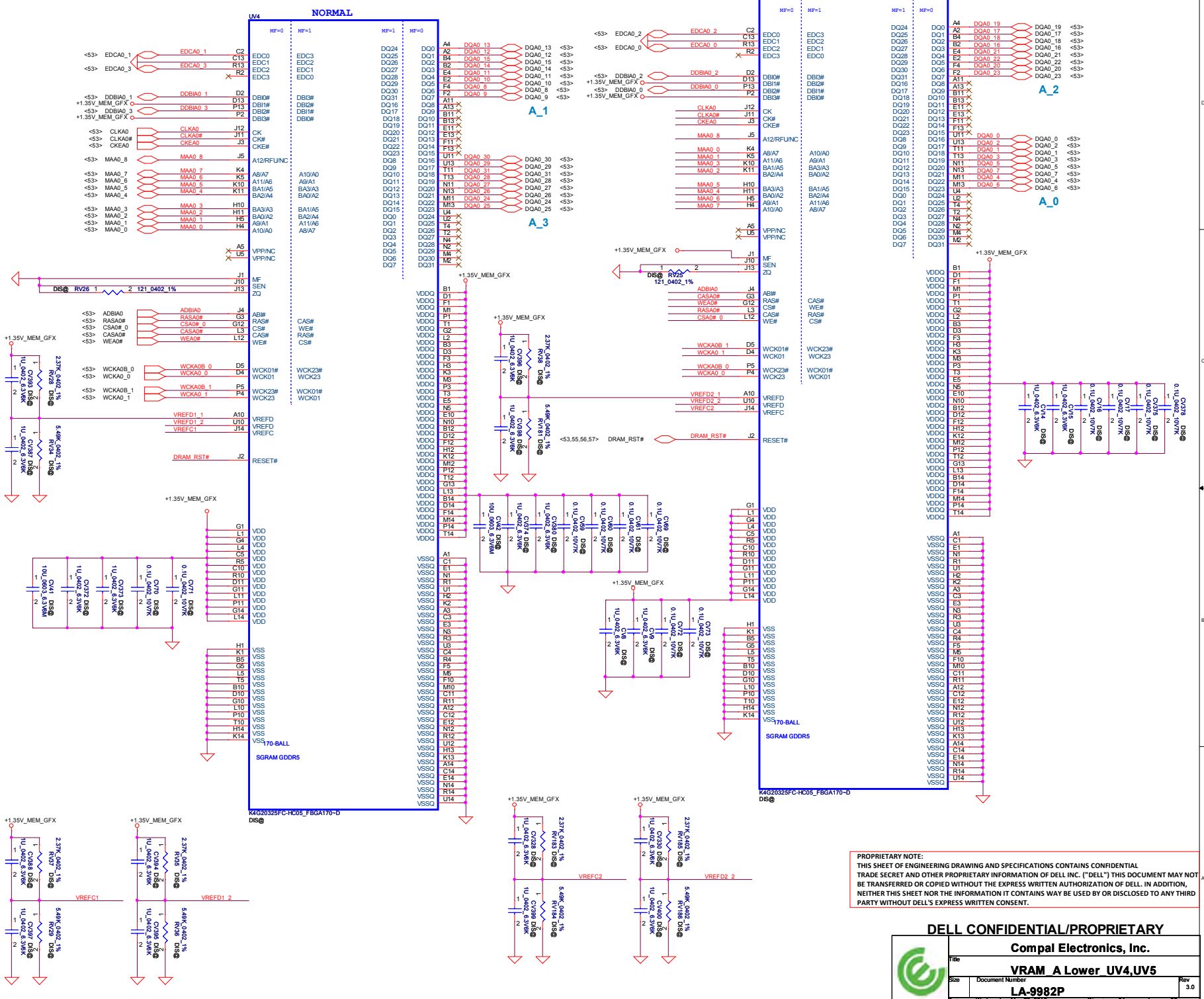


This basic topology should be used for DRAM_RST for DDR3/GDDR5. These Capacitors and Resistor values are an example only. The Series R and | Cap values will depend on the DRAM load and will have to be calculated for different Memory ,DRAM load and board to pass Reset Signal Spec. Place all these components very close to GPU (Within 25mm) and keep all component close to each other (within 5mm) except Rser2



Memory Partition A - Lower 16 bits

64X32 GDDR5



PROPRIETARY NOTE:
THIS SHEET OF ENGINEERING DRAWING AND SPECIFICATIONS CONTAINS CONFIDENTIAL
TRADE SECRET AND OTHER PROPRIETARY INFORMATION OF DELL INC. ("DELL"). THIS DOCUMENT MAY NOT
BE TRANSFERRED OR COPIED WITHOUT THE EXPRESS WRITTEN AUTHORIZATION OF DELL. IN ADDITION,
NEITHER THIS SHEET NOR THE INFORMATION IT CONTAINS MAY BE USED BY OR DISCLOSED TO ANY THIRD
PARTY WITHOUT DELL'S EXPRESS WRITTEN CONSENT.

DELL CONFIDENTIAL/PROPRIETARY

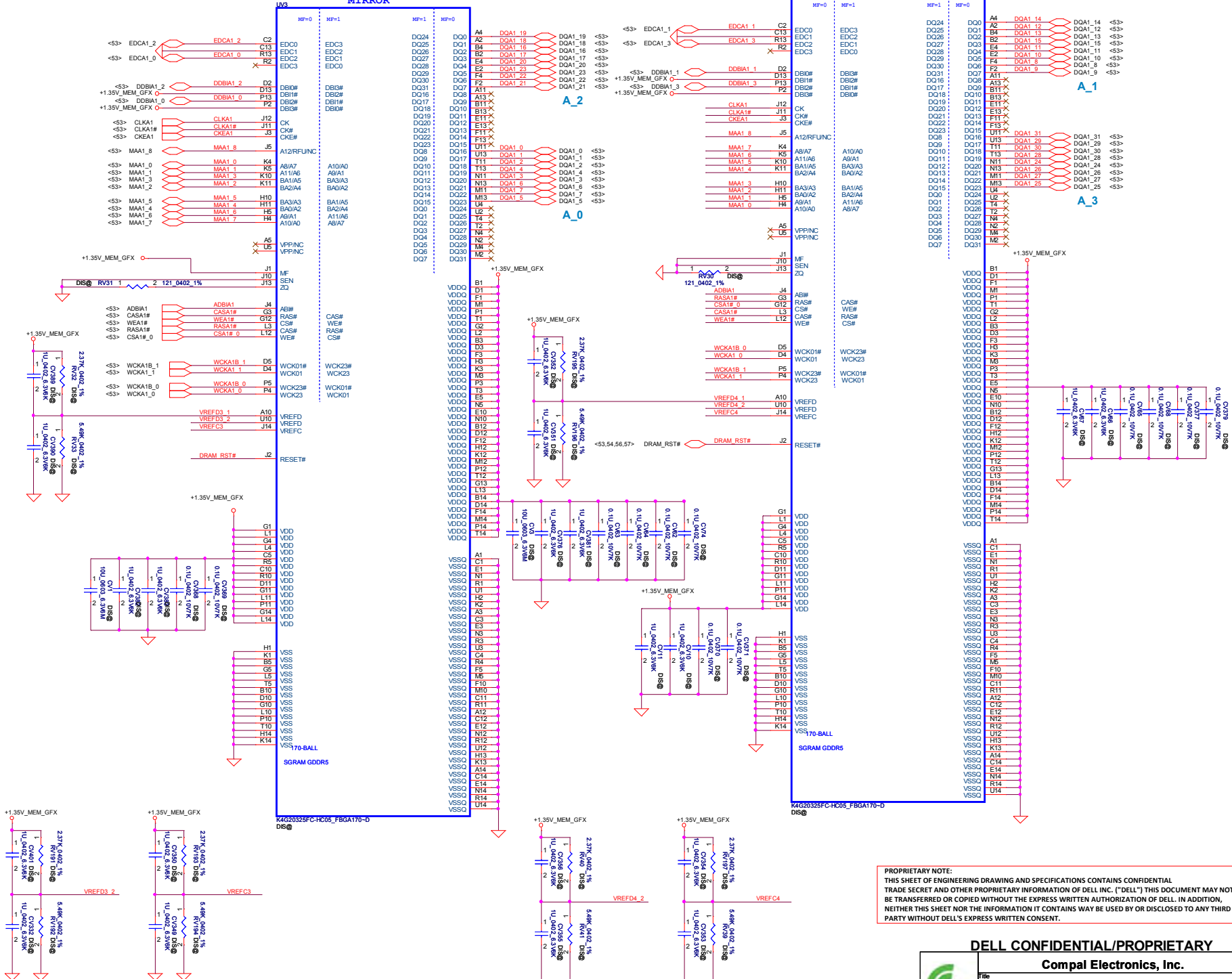
Compaq Electronics, Inc.

File	VRAM A Lower UV4,UV5		
Size	Document Number	LA-9982P	Rev 3.0
Date:	Wednesday, May 29, 2013	Sheet 54	of 57

Memory Partition A - Upper 16 bits


MIRROR

NORMAL



PROPRIETARY NOTE:
 THIS SHEET OF ENGINEERING DRAWING AND SPECIFICATIONS CONTAINS CONFIDENTIAL TRADE SECRET AND OTHER PROPRIETARY INFORMATION OF DELL INC. ("DELL"). THIS DOCUMENT MAY NOT BE TRANSFERRED OR COPIED WITHOUT THE EXPRESS WRITTEN AUTHORIZATION OF DELL. IN ADDITION, NEITHER THIS SHEET NOR THE INFORMATION IT CONTAINS MAY BE USED BY OR DISCLOSED TO ANY THIRD PARTY WITHOUT DELL'S EXPRESS WRITTEN CONSENT.

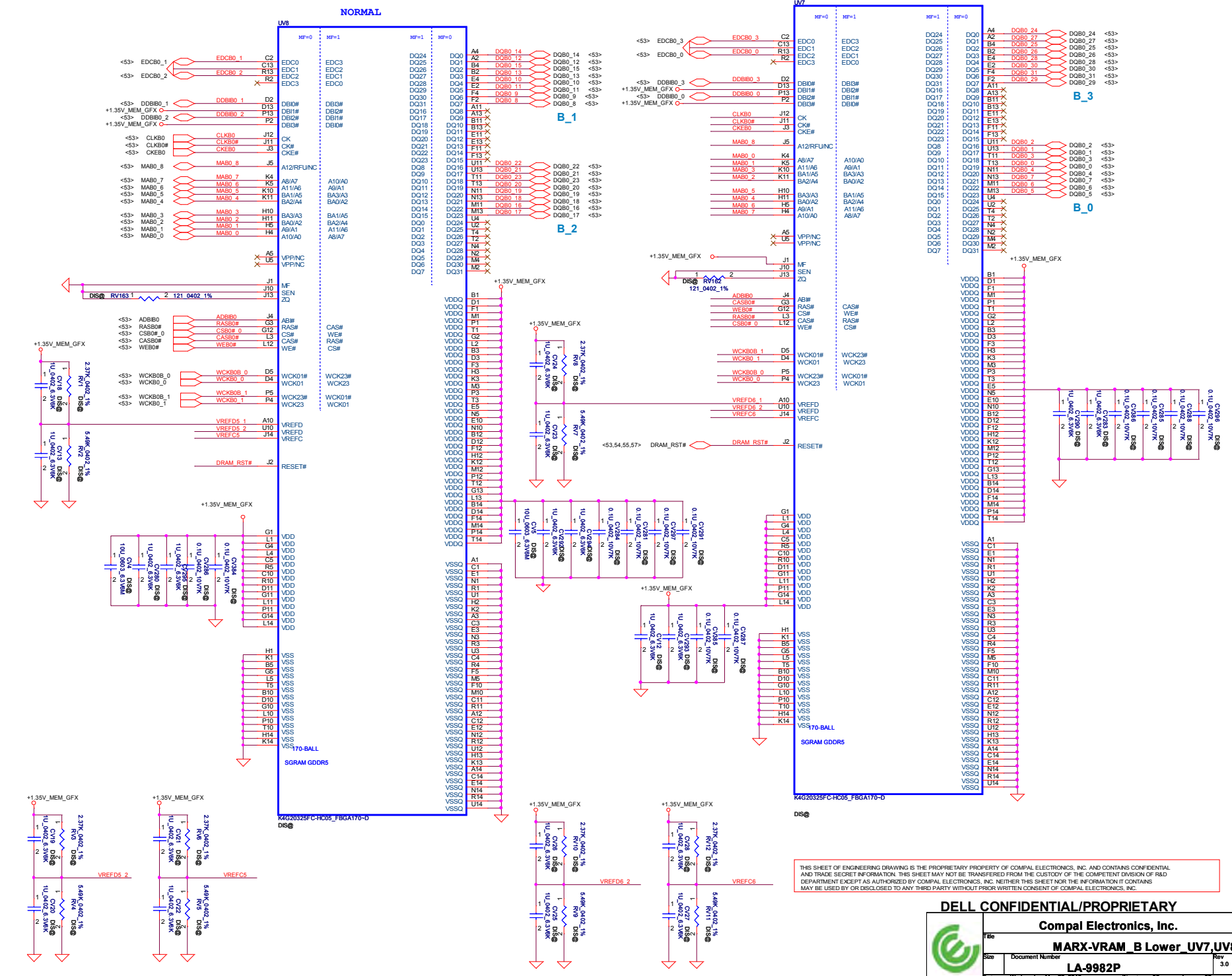
DELL CONFIDENTIAL/PROPRIETARY

		Compal Electronics, Inc.	
		File MARX-VRAM_A Upper UV3,UV6	
Size Document Number		Rev LA-9982P	
Date Wednesday, May 29, 2013		Sheet 55 of 57	

Memory Partition B - Lower 16 bits

NORMAL

MIRROR



THIS SHEET OF ENGINEERING DRAWING IS THE PROPRIETARY PROPERTY OF COMPAL ELECTRONICS, INC. AND CONTAINS CONFIDENTIAL AND TRADE SECRET INFORMATION. THIS SHEET MAY NOT BE TRANSFERRED FROM THE CUSTODY OF THE COMPETENT DIVISION OF R&D DEPARTMENT EXCEPT AS AUTHORIZED BY COMPAL ELECTRONICS, INC. NEITHER THIS SHEET NOR THE INFORMATION IT CONTAINS MAY BE USED BY OR DISCLOSED TO ANY THIRD PARTY WITHOUT PRIOR WRITTEN CONSENT OF COMPAL ELECTRONICS, INC.

DELL CONFIDENTIAL/PROPRIETARY

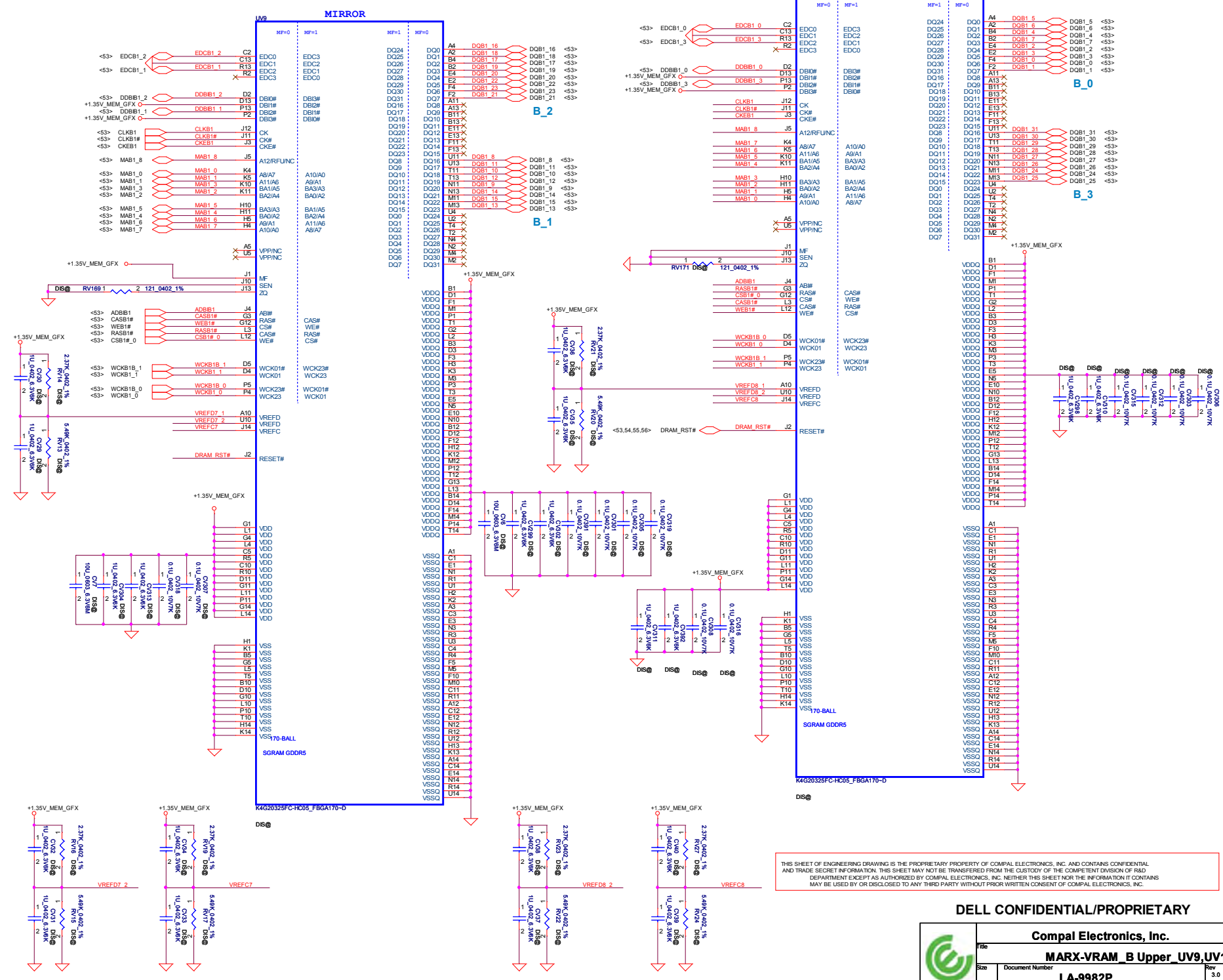
Compal Electronics, Inc.

MARX-VRAM B Lower UV7,UV8

Size: Document Number **LA-9982P** Rev 3.0

Date: Wednesday, May 29, 2013 Sheet 56 of 57

Memory Partition B - Upper 16 bits



THIS SHEET OF ENGINEERING DRAWING IS THE PROPRIETARY PROPERTY OF COMPAL ELECTRONICS, INC. AND CONTAINS CONFIDENTIAL AND TRADE SECRET INFORMATION. THIS SHEET MAY NOT BE TRANSFERRED FROM THE CUSTODY OF THE COMPETENT DIVISION OF R&D DEPARTMENT EXCEPT AS AUTHORIZED BY COMPAL ELECTRONICS, INC. NEITHER THIS SHEET NOR THE INFORMATION IT CONTAINS MAY BE USED BY OR DISCLOSED TO ANY THIRD PARTY WITHOUT PRIOR WRITTEN CONSENT OF COMPAL ELECTRONICS, INC.

DELL CONFIDENTIAL/PROPRIETARY

		Compal Electronics, Inc.	
		File MARX-VRAM_B Upper_UV9,UV10	
Size	Document Number	LA-9982P	
Date	Wednesday, May 29, 2013	Sheet	57 of 57

www.s-manuals.com