

COMPAL CONFIDENTIAL

MODEL NAME : Goliad MLK 12 UMA

PCB NO : LA-A971P

BOM P/N : 4319RJ31LXX

GPIO MAP: 3.3b

Goliad MLK 12" UMA

Broadwell U Processor

2013-12-23

REV : 0.3 (X01)

@ : Nopop Component

EMC@ : EMI, ESD and RF Component

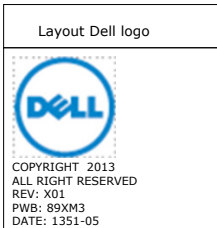
@EMC@ : EMI, ESD and RF Nopop Component

CXDP@ : XDP Component

CONN@ : Connector Component

VPRO@ : Vpro Component


NVPRO@ : Non-Vpro Component



MB PCB	
Part Number	Description
DAA0083000	PCB 14A LA-A971P REV0 MB WITH DOCKING 2

PROPRIETARY NOTE: THIS SHEET OF ENGINEERING DRAWING AND SPECIFICATIONS CONTAINS CONFIDENTIAL TRADE SECRET AND OTHER PROPRIETARY INFORMATION OF DELL INC. ("DELL") THIS DOCUMENT MAY NOT BE TRANSFERRED OR COPIED WITHOUT THE EXPRESS WRITTEN AUTHORIZATION OF DELL. IN ADDITION, NEITHER THIS SHEET NOR THE INFORMATION IT CONTAINS MAY BE USED BY OR DISCLOSED TO ANY THIRD PARTY WITHOUT DELL'S EXPRESS WRITTEN CONSENT.

DELL CONFIDENTIAL/PROPRIETARY

		Compal Electronics, Inc.	
File		Cover Sheet	
Size	Document Number	Rev	
	LA-A971P	0.1	
Date	Wednesday, March 19, 2014	Sheet	1 of 48

POWER STATES

State \ Signal	SLP S3#	SLP S4#	SLP S5#	SLP A#	ALWAYS PLANE	M PLANE	SUS PLANE	RUN PLANE	CLOCKS
S0 (Full ON) / M0	HIGH	HIGH	HIGH	HIGH	ON	ON	ON	ON	ON
S3 (Suspend to RAM) / M3	LOW	HIGH	HIGH	HIGH	ON	ON	ON	OFF	OFF
S4 (Suspend to DISK) / M3	LOW	LOW	HIGH	HIGH	ON	ON	OFF	OFF	OFF
S5 (SOFT OFF) / M3	LOW	LOW	LOW	HIGH	ON	ON	OFF	OFF	OFF
S3 (Suspend to RAM) / M-OFF	LOW	HIGH	HIGH	LOW	ON	OFF	ON	OFF	OFF
S4 (Suspend to DISK) / M-OFF	LOW	LOW	HIGH	LOW	ON	OFF	OFF	OFF	OFF
S5 (SOFT OFF) / M-OFF	LOW	LOW	LOW	LOW	ON	OFF	OFF	OFF	OFF

PCIE	USB3.0	SATA	DESTINATION
	USB3.0 1		JUSB1-->Rear left
	USB3.0 2		JUSB3-->Right
PCIE 1	USB3.0 3		MMI (CARD READER)
PCIE 2	USB3.0 4		JUSB2-->Rear Right
PCIE 3			LOM
PCIE 4			WLAN - JNGFF1
PCIE 5			WiGig - JNGFF1
PCIE 6		SATA 3	HCA & SATA Cache - JNGFF2
		SATA 2	SATA Cache - JNGFF2
		SATA 1	JMINI3
		SATA 0	JDOCK1

PM TABLE

State \ power plane	+5V_ALW +3.3V_ALW +3.3V_ALW_PCH +3.3V_RTC_LDO	+3.3V_SUS +1.35V_MEM	+5V_RUN +3.3V_RUN +0.675V_DDR_VTT +1.05V_RUN +VCC_CORE	+3.3V_M +1.05V_M	+3.3V_M +1.05V_M (M-OFF)
S0	ON	ON	ON	ON	ON
S3	ON	ON	OFF	ON	OFF
S5 S4/AC	ON	OFF	OFF	ON	OFF
S5 S4/AC doesn't exist	OFF	OFF	OFF	OFF	OFF

BDW ULT	USB PORT#	DESTINATION
	0	JUSB1 or DOCK1
	1	JUSB3
	2	WLAN + BT
	3	JUSB2 or DOCK2
	4	Touch Screen
	5	CAMERA
	6	USH
7	WWAN	

USH	0	BIO
	1	NA

PROPRIETARY NOTE: THIS SHEET OF ENGINEERING DRAWING AND SPECIFICATIONS CONTAINS CONFIDENTIAL TRADE SECRET AND OTHER PROPRIETARY INFORMATION OF DELL INC. ("DELL") THIS DOCUMENT MAY NOT BE TRANSFERRED OR COPIED WITHOUT THE EXPRESS WRITTEN AUTHORIZATION OF DELL. IN ADDITION, NEITHER THIS SHEET NOR THE INFORMATION IT CONTAINS MAY BE USED BY OR DISCLOSED TO ANY THIRD PARTY WITHOUT DELL'S EXPRESS WRITTEN CONSENT.

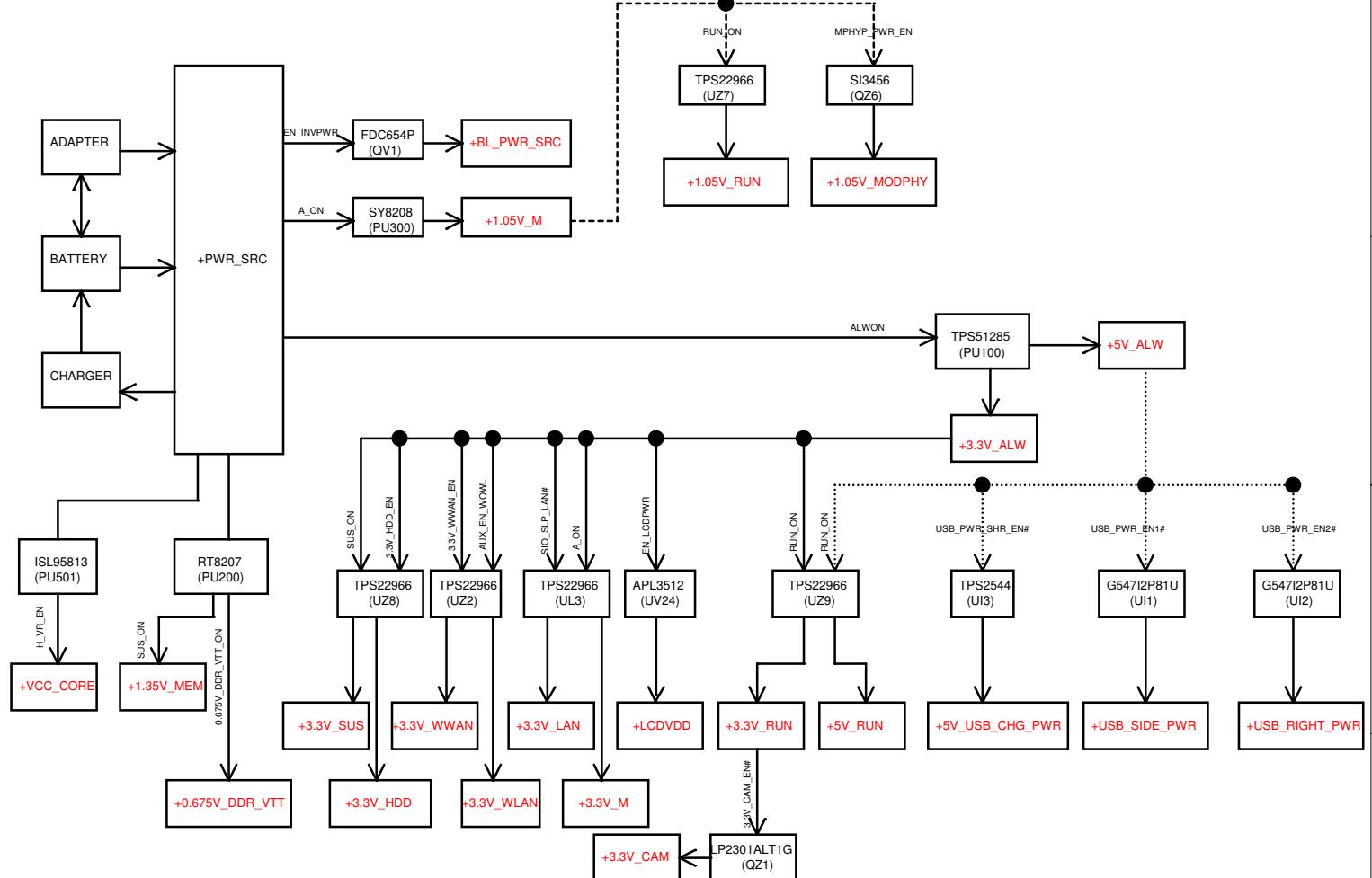
DELL CONFIDENTIAL/PROPRIETARY

Compal Electronics, Inc.

File: **Port assignment**

Size: Document Number **LA-A971P** Rev: 0.1


Date: Wednesday, March 11, 2015 Sheet: 3 of 40



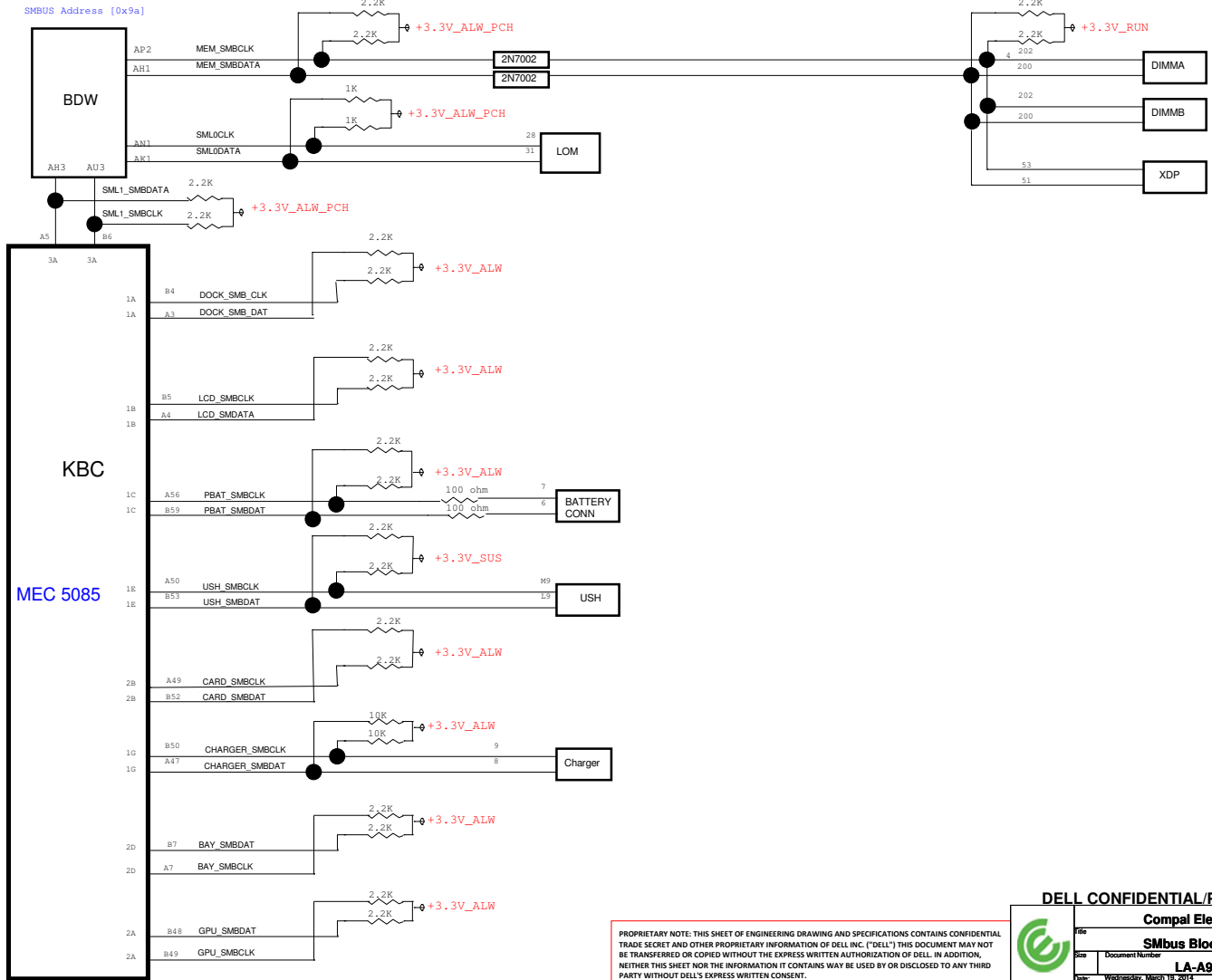
DELL CONFIDENTIAL/PROPRIETARY

Compal Electronics, Inc.

PROPRIETARY NOTE: THIS SHEET OF ENGINEERING DRAWING AND SPECIFICATIONS CONTAINS CONFIDENTIAL TRADE SECRET AND OTHER PROPRIETARY INFORMATION OF DELL INC. ("DELL"). THIS DOCUMENT MAY NOT BE TRANSFERRED OR COPIED WITHOUT THE EXPRESS WRITTEN AUTHORIZATION OF DELL. IN ADDITION, NEITHER THIS SHEET NOR THE INFORMATION IT CONTAINS MAY BE USED BY OR DISCLOSED TO ANY THIRD PARTY WITHOUT DELL'S EXPRESS WRITTEN CONSENT.

		Title Power rails
Size LA-A971P	Document Number LA-A971P	Rev 0.1
Date Wednesday, March 19, 2014	Sheet 4	of 40

SMBUS Address [0x9a]



MEC 5085

DELL CONFIDENTIAL/PROPRIETARY

Compal Electronics, Inc.

SMBus Block diagram

LA-A971P

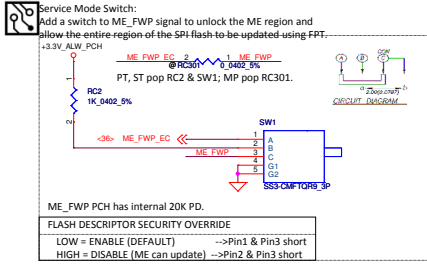
PROPRIETARY NOTE: THIS SHEET OF ENGINEERING DRAWING AND SPECIFICATIONS CONTAINS CONFIDENTIAL TRADE SECRET AND OTHER PROPRIETARY INFORMATION OF DELL INC. ("DELL") THIS DOCUMENT MAY NOT BE TRANSFERRED OR COPIED WITHOUT THE EXPRESS WRITTEN AUTHORIZATION OF DELL. IN ADDITION, NEITHER THIS SHEET NOR THE INFORMATION IT CONTAINS MAY BE USED BY OR DISCLOSED TO ANY THIRD PARTY WITHOUT DELL'S EXPRESS WRITTEN CONSENT.



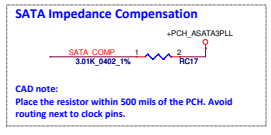
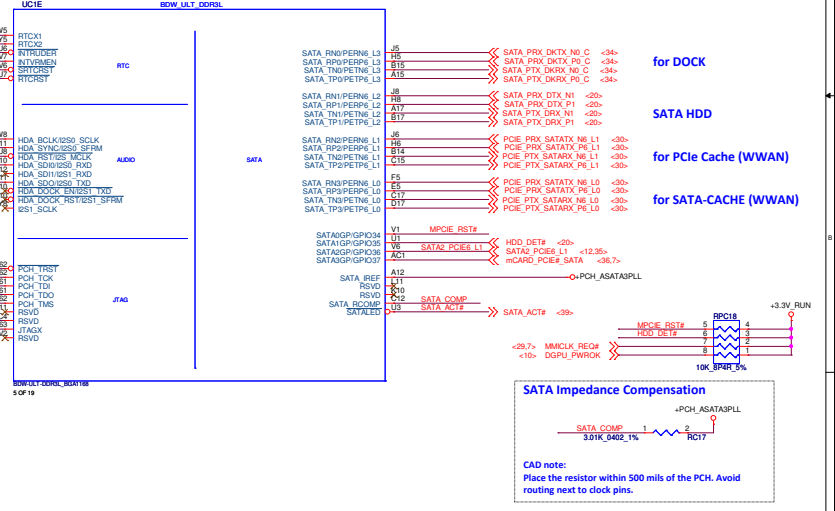
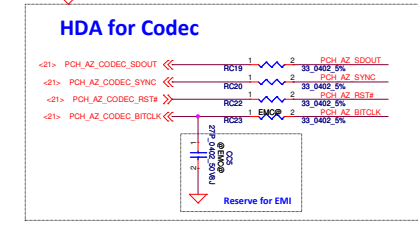
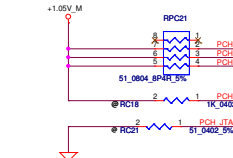
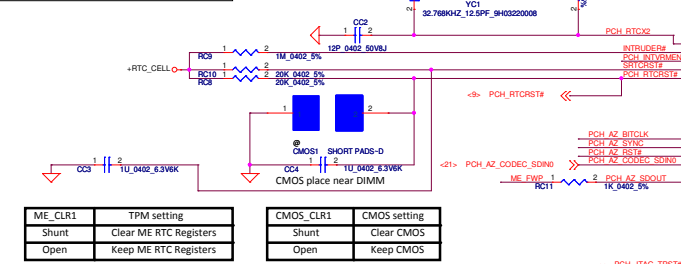
File	LA-A971P		Rev	0.1
Size	Document Number			
Date	Wednesday, March 19, 2014	Sheet	5	of 40

UMA SATA port

SATA0	SATA1	PCB	SATA2/PCIe6 L1	SATA3/PCIe6 L0	
E-Dock	mSATA	G12 UMA	M2 3042 2nd PCIe Lane for PCIe Cache	M2 3042 (HCA & SATA-Cache)	contact to WWAN
NA	mSATA	G12 Entry	NA	NA	
E-Dock	mSATA	G14 DSC	M2 3042 SATA-Cache(no HCA)	M2 3030 WIGIG	SATA2/PCIe6_L1 contact to WWAN SATA3/PCIe6 L0 contact to WLAN
E-Dock	HDD	G14 UMA	M2 3042 2nd PCIe Lane for PCIe Cache	M2 3042 (HCA & SATA-Cache)	contact to WWAN
NA	mSATA	G14D_En	NA	M2 3030 WIGIG	contact to WLAN
NA	HDD	G14U_En	NA	NA	



INTVRMEN - INTEGRATED SUS 1.05V VRM ENABLE
High - Enable Internal VRs
Low - Enable External VRs



PROPRIETARY NOTE: THIS SHEET OF ENGINEERING DRAWING AND SPECIFICATIONS CONTAINS CONFIDENTIAL TRADE SECRET AND OTHER PROPRIETARY INFORMATION OF DELL INC. ("DELL") THIS DOCUMENT MAY NOT BE TRANSFERRED OR COPIED WITHOUT THE EXPRESS WRITTEN AUTHORIZATION OF DELL. IN ADDITION, NEITHER THIS SHEET NOR THE INFORMATION IT CONTAINS MAY BE USED BY OR DISCLOSED TO ANY THIRD PARTY WITHOUT DELL'S EXPRESS WRITTEN CONSENT.

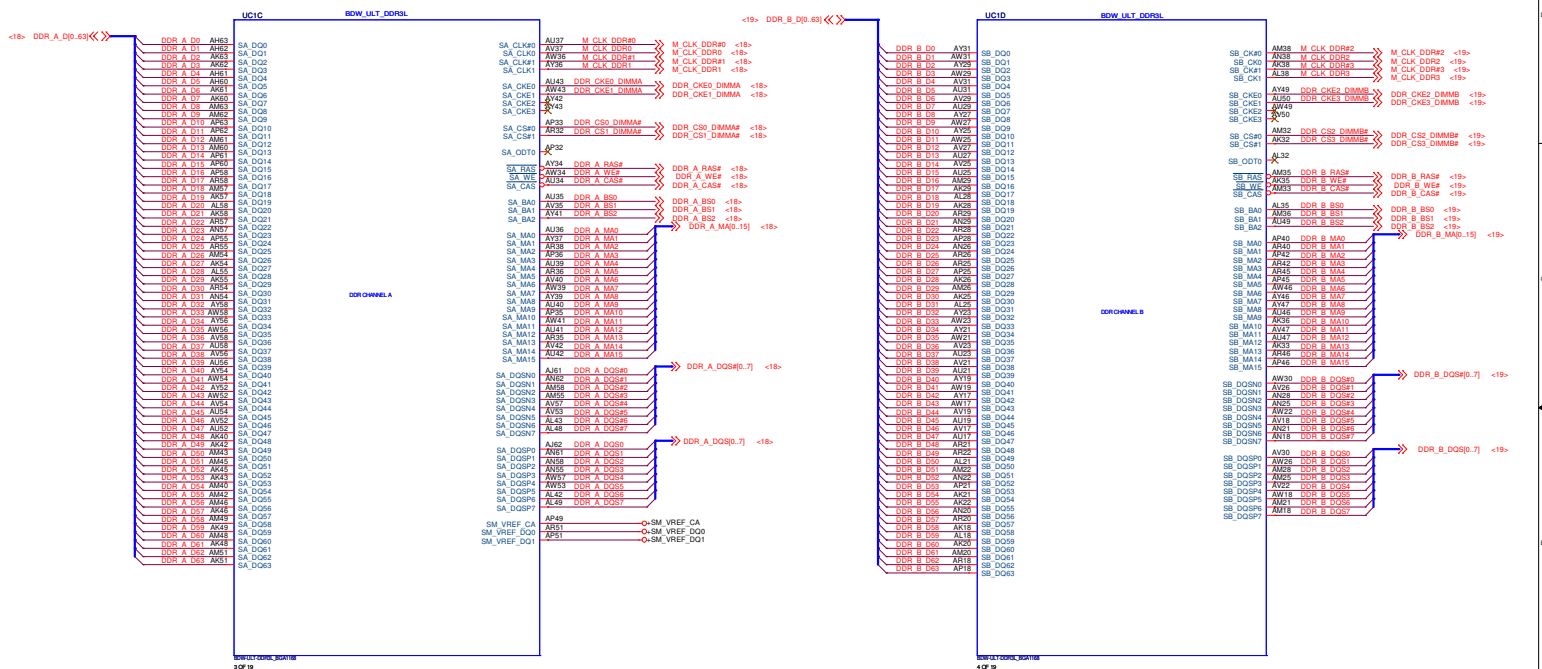
DELL CONFIDENTIAL/PROPRIETARY

Compal Electronics, Inc.

CPU (1/12)

LA-A971P

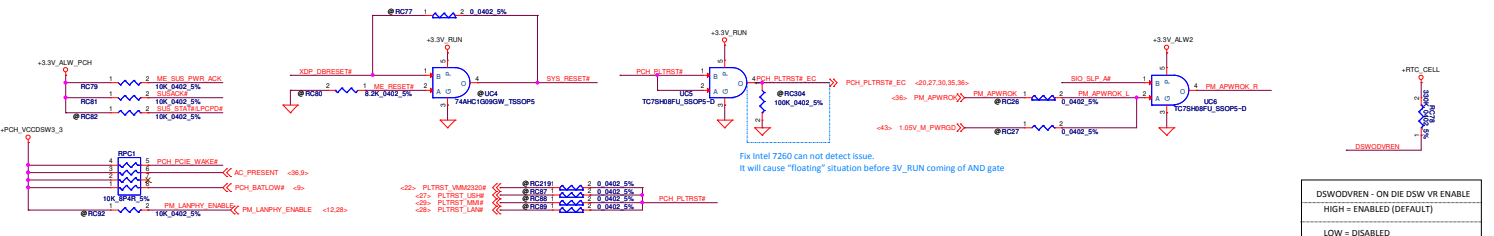
Wednesday, March 19, 2014



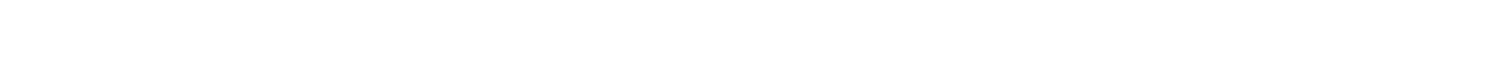
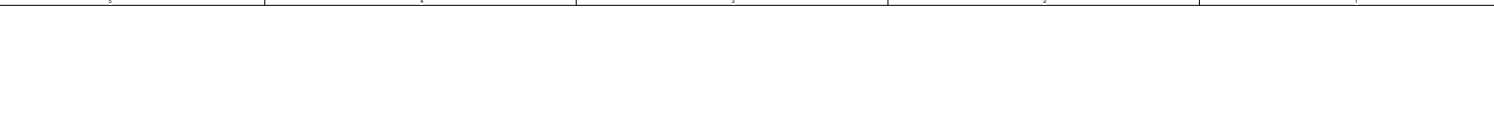
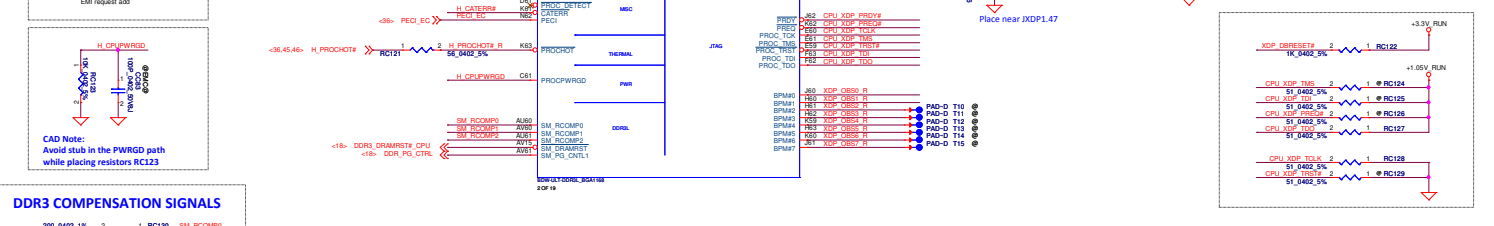
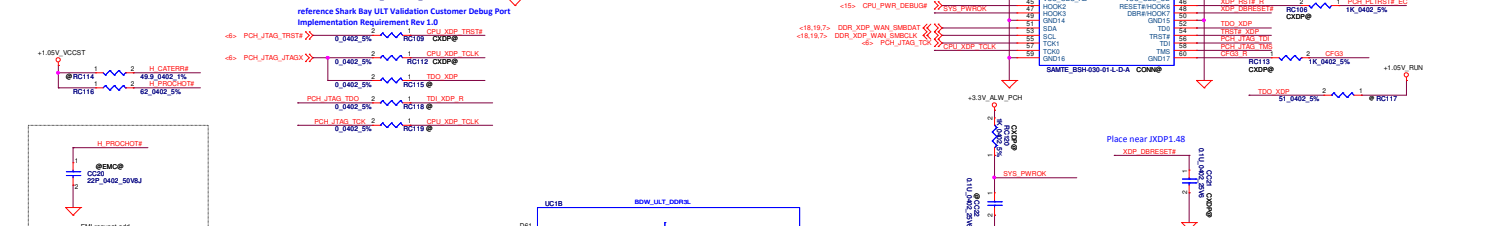
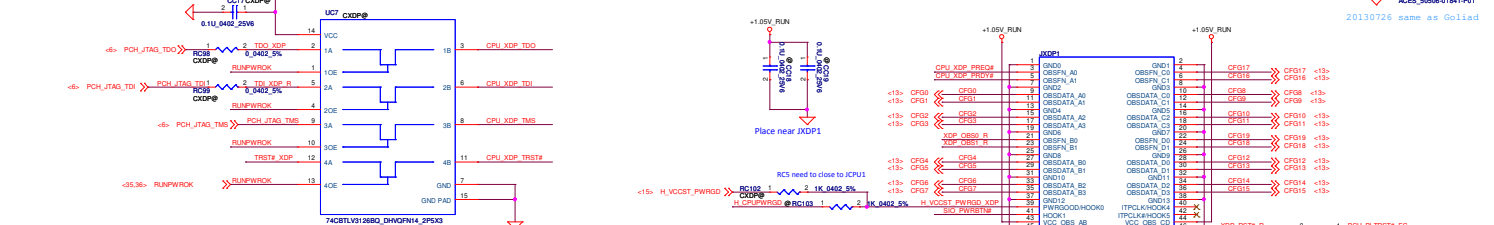
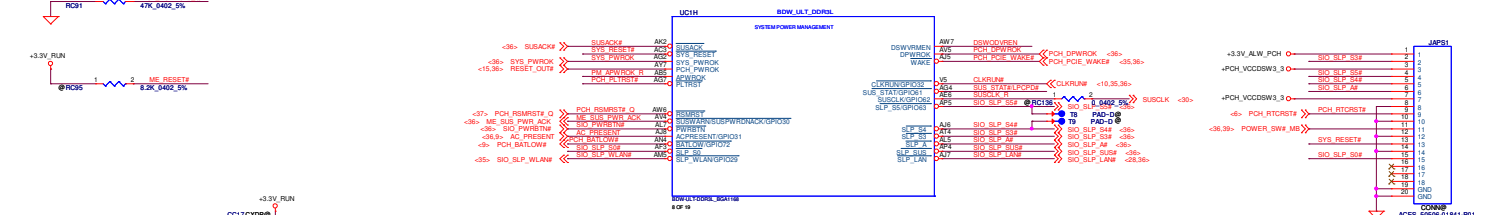
PROPRIETARY NOTE: THIS SHEET OF ENGINEERING DRAWING AND SPECIFICATIONS CONTAINS CONFIDENTIAL TRADE SECRET AND OTHER PROPRIETARY INFORMATION OF DELL INC. ("DELL"). THIS DOCUMENT MAY NOT BE TRANSFERRED OR COPIED WITHOUT THE EXPRESS WRITTEN AUTHORIZATION OF DELL. IN ADDITION, NEITHER THIS SHEET NOR THE INFORMATION IT CONTAINS MAY BE USED BY OR DISCLOSED TO ANY THIRD PARTY WITHOUT DELL'S EXPRESS WRITTEN CONSENT.

DELL CONFIDENTIAL/PROPRIETARY
Compal Electronics, Inc.

Rev	CPU (3/12)		Rev
Date	Document Number	LA-A971P	Rev 0.1
Issue	Wednesday, March 18, 2014	Sheet	8 of 48



DSW00VREN - ON DIE DSW VR ENABLE
HIGH = ENABLED (DEFAULT)
LOW = DISABLED



DDR3 COMPENSATION SIGNALS

200 0402 1% 2 1 RC138 SM_RC0MPS
100 0402 1% 2 1 RC139 SM_RC0MPS
100 0402 1% 2 1 RC138 SM_RC0MPS

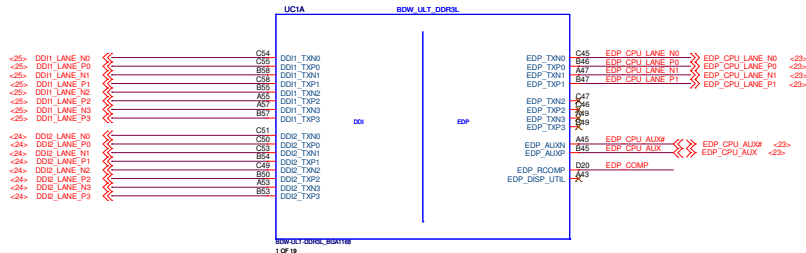
CAD Note:
Trace width=12-15 mil, Spacing=20 mils
Max trace length= 500 mil

EMI request add

CAD Note:
Avoid stub in the PWRGD path
while placing resistors RC123

DELL CONFIDENTIAL/PROPRIETARY
Compal Electronics, Inc.
CPU (4/12)
Document Number LA-A971P
Date: Wednesday, March 16, 2011 Page 9 of 40

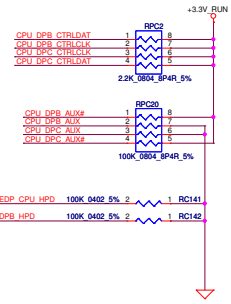
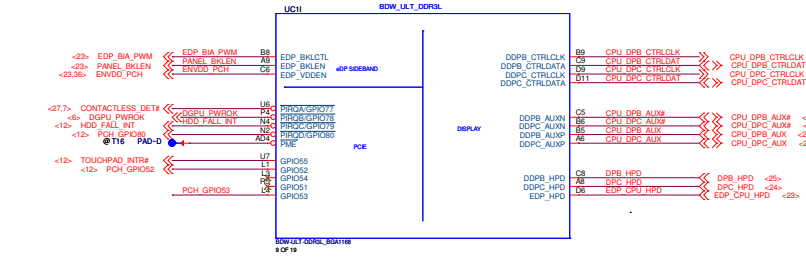
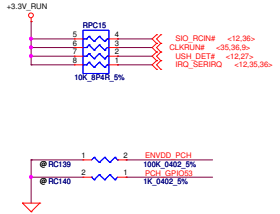
PROPRIETARY NOTE: THIS SHEET OF ENGINEERING DRAWING AND SPECIFICATIONS CONTAINS CONFIDENTIAL TRADE SECRET AND OTHER PROPRIETARY INFORMATION OF DELL INC. ("DELL"). THIS DOCUMENT MAY NOT BE TRANSFERRED OR COPIED WITHOUT THE EXPRESS WRITTEN AUTHORIZATION OF DELL. IN ADDITION, NEITHER THIS SHEET NOR THE INFORMATION IT CONTAINS MAY BE USED BY OR DISCLOSED TO ANY THIRD PARTY WITHOUT DELL'S EXPRESS WRITTEN CONSENT.



COMPENSATION PU for eDP

EDP_COMP 2 1 -VCCIOA_OUT
 24.9 0402 1% RC133

CAD Note: Trace width=20 mils, Spacing=25mil, Max length=100 mils.



PROPRIETARY NOTE: THIS SHEET OF ENGINEERING DRAWING AND SPECIFICATIONS CONTAINS CONFIDENTIAL TRADE SECRET AND OTHER PROPRIETARY INFORMATION OF DELL INC. ("DELL") THIS DOCUMENT MAY NOT BE TRANSFERRED OR COPIED WITHOUT THE EXPRESS WRITTEN AUTHORIZATION OF DELL. IN ADDITION, NEITHER THIS SHEET NOR THE INFORMATION IT CONTAINS MAY BE USED BY OR DISCLOSED TO ANY THIRD PARTY WITHOUT DELL'S EXPRESS WRITTEN CONSENT.

DELL CONFIDENTIAL/PROPRIETARY

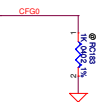
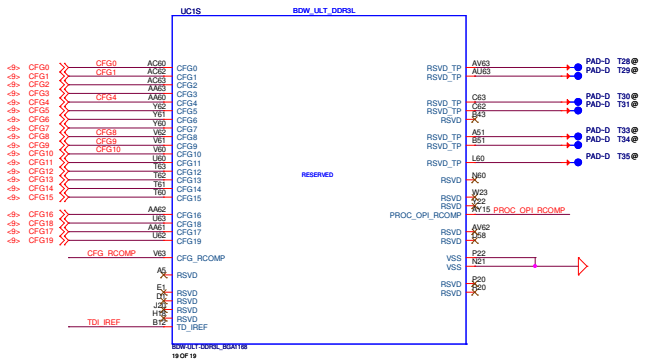
Compal Electronics, Inc.

CPU (5/12)

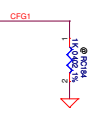
LA-A971P

Date: Wednesday, March 19, 2014 Sheet 10 of 48

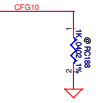
CFG STRAPS for CPU



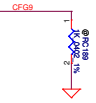
EAR-STALL/NOT STALL RESET SEQUENCE AFTER PCU PLL IS LOCKE	
CFG0	1:(Default) Normal Operation; No stall 0:Lane Reversed



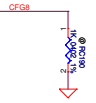
PCH/PCH LESS MODE SELECTION	
CFG1	1:(Default) Normal Operation 0:Lane Reversed



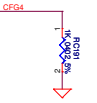
SAFE MODE BOOT	
CFG10	1: POWER FEATURES ACTIVATED DURING RESET 0: POWER FEATURES (ESPECIALLY CLOCK GATINE ARE NOT ACTIVATED



NO SVID PROTOCOL CAPABLE VR CONNECTED	
CFG9	1: VRS support SVID protocol are present 0:No VR support SVID is present The chip will not generate(OR Respond to) SVID activity



ALLOW THE USE OF NOA ON LOCKED UNITS	
CFG8	1: Enable(Default): Noa will be disable in locked units and enable in un-locked 0:Disable Noa will be available pegrardless of the locking of the unit

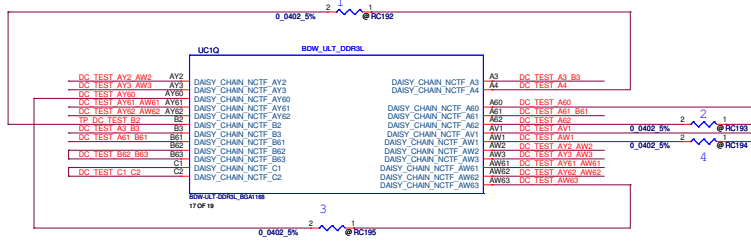


Display Port Presence Strap	
CFG4	1 : Disabled; No Physical Display Port attached to Embedded Display Port 0 : Enabled; An external Display Port device is connected to the Embedded Display Port

DELL CONFIDENTIAL/PROPRIETARY

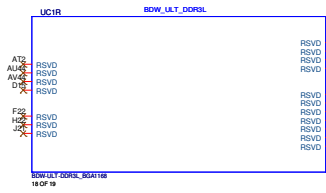
Compal Electronics, Inc.	
CPU (8/12)	
LA-A971P	Rev 0.1
Date: Wednesday, March 19, 2014	Sheet 13 of 45

PROPRIETARY NOTE: THIS SHEET OF ENGINEERING DRAWING AND SPECIFICATIONS CONTAINS CONFIDENTIAL TRADE SECRET AND OTHER PROPRIETARY INFORMATION OF DELL INC. ("DELL") THIS DOCUMENT MAY NOT BE TRANSFERRED OR COPIED WITHOUT THE EXPRESS WRITTEN AUTHORIZATION OF DELL. IN ADDITION, NEITHER THIS SHEET NOR THE INFORMATION IT CONTAINS MAY BE USED BY OR DISCLOSED TO ANY THIRD PARTY WITHOUT DELL'S EXPRESS WRITTEN CONSENT.



Package Daisy Chain:

1. B2-PKG-C1-PCB-C2-PKG-B3-PCB-A3-PKG-A4
2. A62-PKG-A61-PCB-B61-PKG-B62-PCB-B63-PKG-A60
3. AY60-PKG-AW61-PCB-AY61-PKG-AW62-PCB-AY62-PKG-AW63
4. AW1-PKG-AW3-PCB-AY3-PKG-AW2-PCB-AY2-PKG-AV1



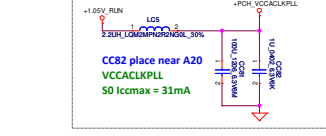
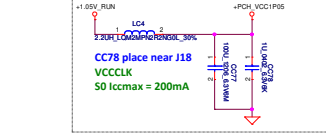
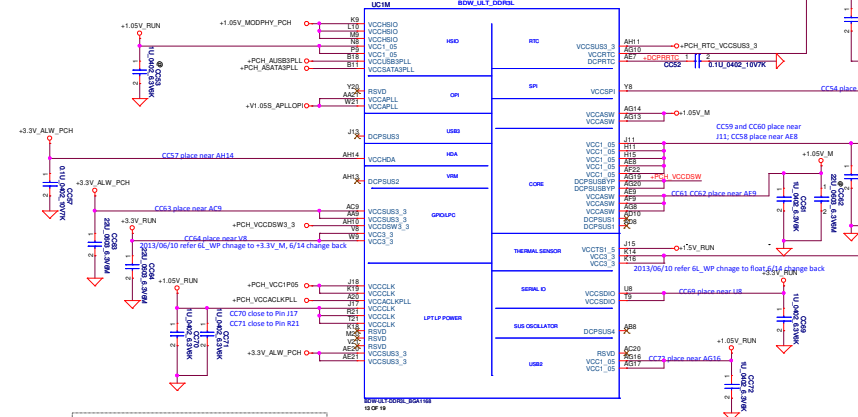
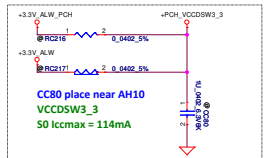
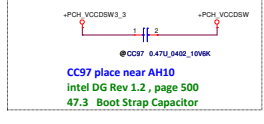
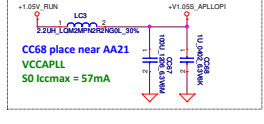
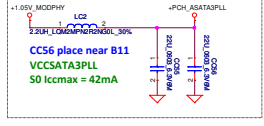
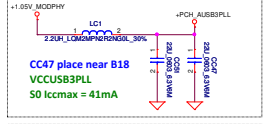
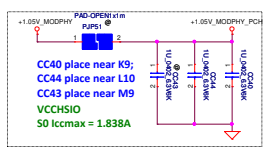
DELL CONFIDENTIAL/PROPRIETARY

Compal Electronics, Inc.

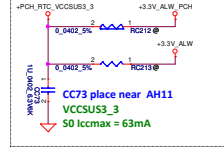
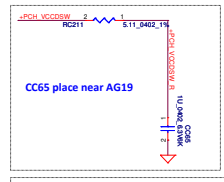


File	CPU (9/12)		Rev	0.1
Size	Document Number	LA-A971P		
Date	Wednesday, March 19, 2014	Sheet	14	of 48

PROPRIETARY NOTE: THIS SHEET OF ENGINEERING DRAWING AND SPECIFICATIONS CONTAINS CONFIDENTIAL TRADE SECRET AND OTHER PROPRIETARY INFORMATION OF DELL INC. ("DELL") THIS DOCUMENT MAY NOT BE TRANSFERRED OR COPIED WITHOUT THE EXPRESS WRITTEN AUTHORIZATION OF DELL. IN ADDITION, NEITHER THIS SHEET NOR THE INFORMATION IT CONTAINS MAY BE USED BY OR DISCLOSED TO ANY THIRD PARTY WITHOUT DELL'S EXPRESS WRITTEN CONSENT.



Voltage Rail	Voltage (V)	S0 Iccmax Current (A)	Sx Iccmax Current (A)	Deep-Sx Iccmax (A)	G3
VCC1_05 (Internal Suspend VR mode using HTVRMEN)	1.05	1.741	0	0	0
VCC1_05 (External Suspend VR mode using HTVRMEN)	1.05	1.632	0	0	0
VCCAPLL	1.05	0.057	0	0	0
VCCSATA3PLL	1.05	0.042	0	0	0
VCCUSB3PLL	1.05	0.041	0	0	0
VCCACKPLL	1.05	0.031	0	0	0
VCCCLK	1.05	0.200	0	0	0
VCCSIO	1.05	1.838	0	0	0
VCCS1_3	1.5	0.003	0	0	0
VCC1_3	3.3	0.041	0	0	0
VCCSDIO	3.3	0.017	0	0	0
VCCASW	1.05	0.658	0	0	0
VCCSP1	3.3	0.058	0	0	0
VCCBDA	3.3	0.011	<1 mA	0	0
VCCDSW3_3 (Internal Suspend VR mode using HTVRMEN)	3.3	0.063	0.024	0	0
VCCDSW3_3 (External Suspend VR mode using HTVRMEN)	3.3	0.062	0.005	0	0
DpSus1*	1.05	0.109	0.014	0	0
DpSus2*	1.05	0.025	0.001	0	0
DpSus3*	1.05	0.010	0.001	0	0
DpSus4*	1.05	0.001	0.001	0	0
VCCDSW2_3	3.3	0.114	0.004	0.002	0
VCCRTC	3.3	<1 mA	<1 mA	<1 mA	8 μ A See notes 1, 2



Reminder below power rail need isolation for layout refer attach file for more detail that from Intel review feedback.

Power Rail Isolation

Voltage Supply	Interface (power rail isolation required)	PCH Pins sharing power rail
V1.05v	Core	Z11, H11, H15, A81, AF22
	DIE	RA21, W21
	HSD	K9, L10, M1, P9, B18, B11, M9
	USB2	AG16, AG17
	CLK(A)	A20
V3.3v	CLK(A)	B21, Y21
	CLK(B)	J18, K19
	CLK(C)	J17
V3.3v	LPD	AC2, A85, AE20, AE21
	RTC	AH11
	HDA	AH14
V3.3v	GPD	W8, W9
	USD	U8, T9
	Thermal Sensor	K14, K15

PROPRIETARY NOTE: THIS SHEET OF ENGINEERING DRAWING AND SPECIFICATIONS CONTAINS CONFIDENTIAL TRADE SECRET AND OTHER PROPRIETARY INFORMATION OF DELL INC. ("DELL") THIS DOCUMENT MAY NOT BE TRANSMITTED OR COPIED WITHOUT THE EXPRESS WRITTEN AUTHORIZATION OF DELL. IN ADDITION, NEITHER THIS SHEET NOR THE INFORMATION IT CONTAINS MAY BE USED BY OR DISCLOSED TO ANY THIRD PARTY WITHOUT DELL'S EXPRESS WRITTEN CONSENT.

DELL CONFIDENTIAL/PROPRIETARY

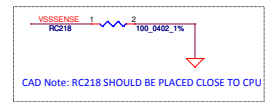
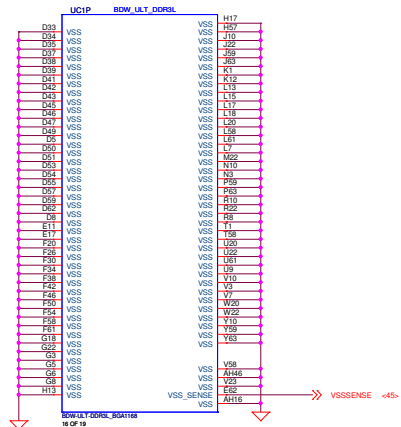
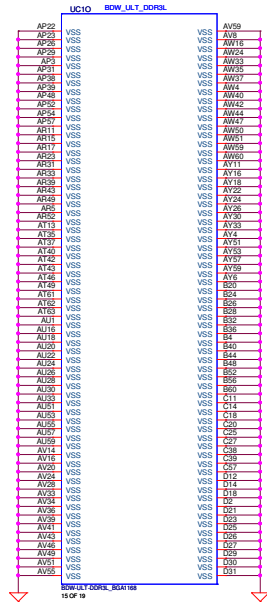
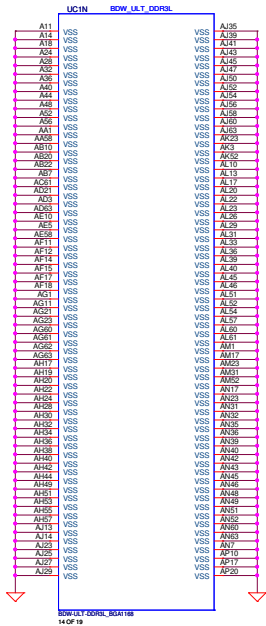
Compal Electronics, Inc.

File: **CPU (11/12)**

Rev: **LA-A971P**

Date: **Wednesday, March 19, 2014**

Sheet: **18** of **48**



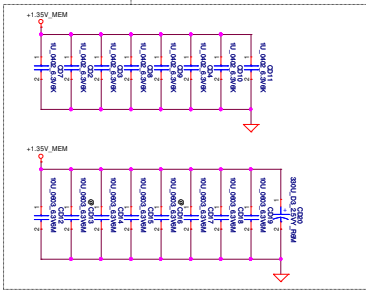
DELL CONFIDENTIAL/PROPRIETARY

Compal Electronics, Inc.	
CPU (12/12)	
Doc No	LA-A971P
Date	Wednesday, March 19, 2014
Sheet	17 of 48

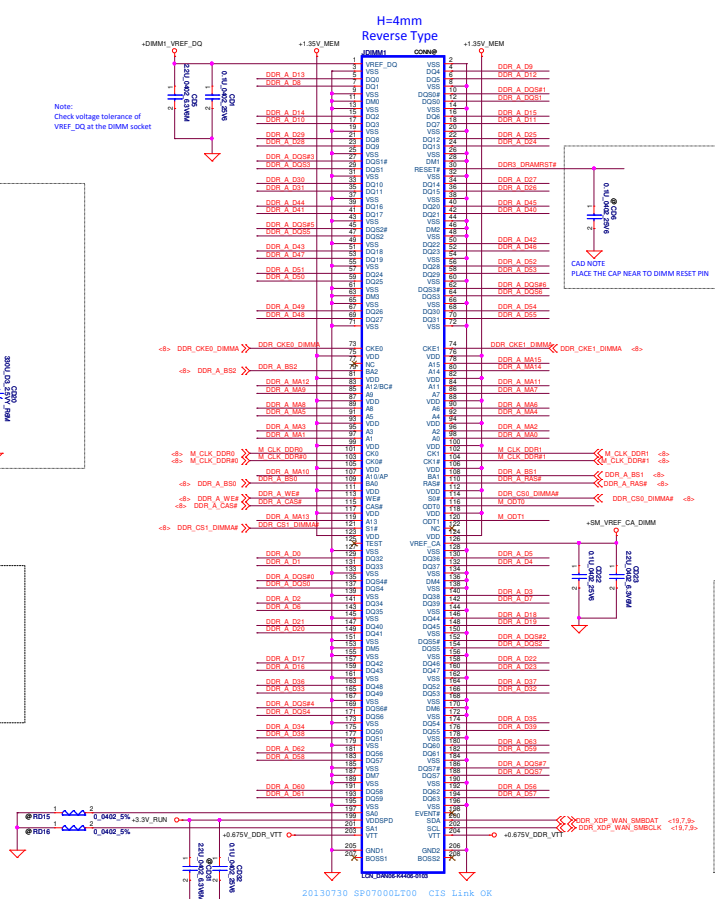
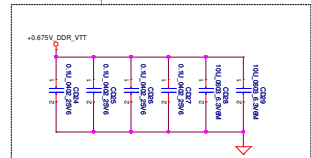
PROPRIETARY NOTE: THIS SHEET OF ENGINEERING DRAWING AND SPECIFICATIONS CONTAINS CONFIDENTIAL TRADE SECRET AND OTHER PROPRIETARY INFORMATION OF DELL INC. ("DELL"). THIS DOCUMENT MAY NOT BE TRANSFERRED OR COPIED WITHOUT THE EXPRESS WRITTEN AUTHORIZATION OF DELL. IN ADDITION, NEITHER THIS SHEET NOR THE INFORMATION IT CONTAINS MAY BE USED BY OR DISCLOSED TO ANY THIRD PARTY WITHOUT DELL'S EXPRESS WRITTEN CONSENT.

- DDR_A_DQS[0-7]
- DDR_A_DS[0-63]
- DDR_A_DQS[0-7]
- DDR_A_M[0-15]

Layout Note:
Place near JDIMM1

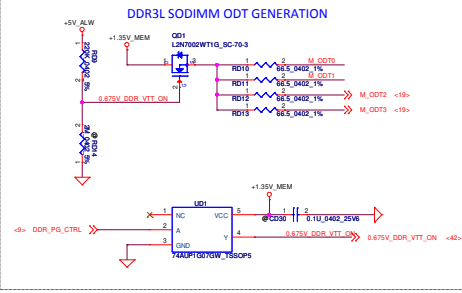
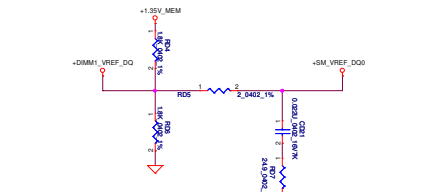


Layout Note:
Place near JDIMM1.203_204



Note:
Check voltage tolerance of VREF_DQ at the DIMM socket

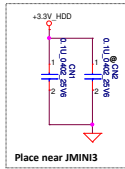
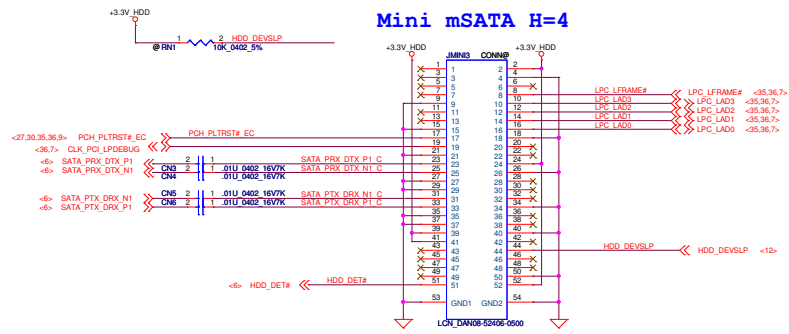
CAI NOTE
PLACE THE CAP NEAR TO DIMM RESET PIN



20130730 SP07000LTD0 CIS Link OK

DELL CONFIDENTIAL/PROPRIETARY
Compaq Electronics, Inc.
LA-A971P
Doc: W0020557, MDS 1x, 2/14

PROPRIETARY NOTE: THIS SHEET OF ENGINEERING DRAWING AND SPECIFICATIONS CONTAINS CONFIDENTIAL TRADE SECRET AND OTHER PROPRIETARY INFORMATION OF DELL INC. ("DELL") THIS DOCUMENT MAY NOT BE TRANSFERRED OR COPIED WITHOUT THE EXPRESS WRITTEN AUTHORIZATION OF DELL IN ADDITION, NEITHER THIS SHEET NOR THE INFORMATION IT CONTAINS MAY BE USED BY OR DISCLOSED TO ANY THIRD PARTY WITHOUT DELL'S EXPRESS WRITTEN CONSENT.



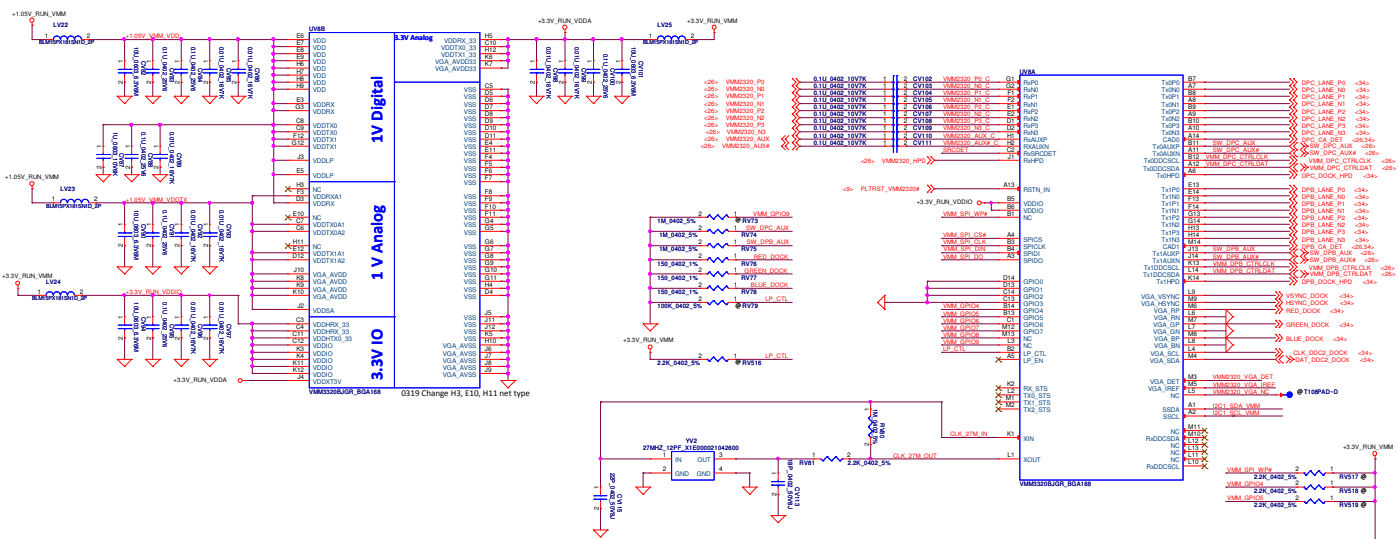
DELL CONFIDENTIAL/PROPRIETARY

Compal Electronics, Inc.

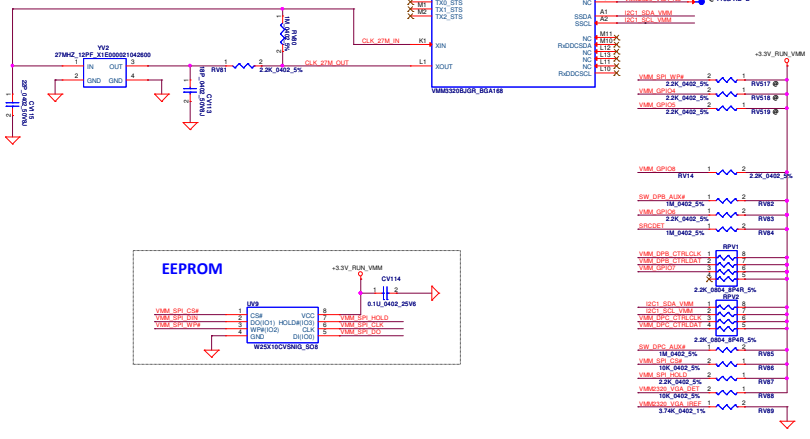
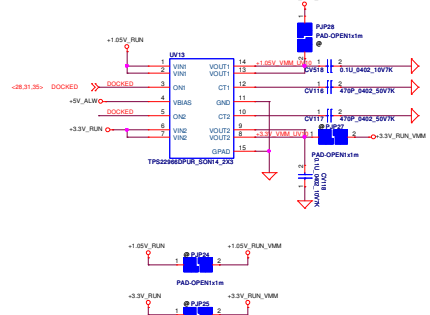


Doc	HDD CONN		Rev	0.1
Size	Document Number	LA-A971P		
Date	Wednesday, March 19, 2014	Sheet	20	of 25

PROPRIETARY NOTE: THIS SHEET OF ENGINEERING DRAWING AND SPECIFICATIONS CONTAINS CONFIDENTIAL TRADE SECRET AND OTHER PROPRIETARY INFORMATION OF DELL INC. ("DELL"). THIS DOCUMENT MAY NOT BE TRANSFERRED OR COPIED WITHOUT THE EXPRESS WRITTEN AUTHORIZATION OF DELL. IN ADDITION, NEITHER THIS SHEET NOR THE INFORMATION IT CONTAINS MAY BE USED BY OR DISCLOSED TO ANY THIRD PARTY WITHOUT DELL'S EXPRESS WRITTEN CONSENT.



Goliad MLK should use DOCKED to control TPS22966 Huston 14"/15" use jumper

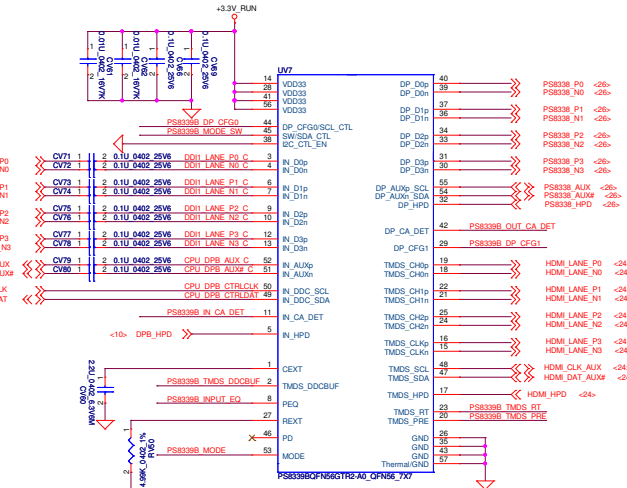
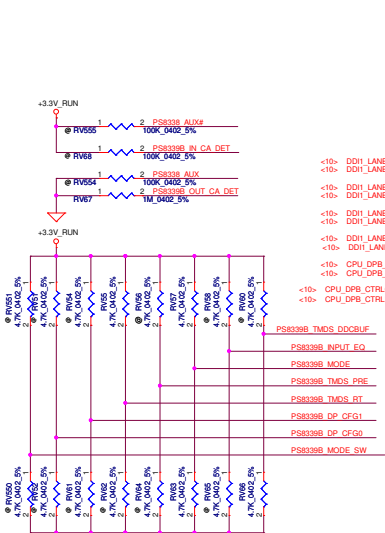


DELL CONFIDENTIAL/PROPRIETARY

PROPRIETARY NOTE: THIS SHEET OF ENGINEERING DRAWING AND SPECIFICATIONS CONTAINS CONFIDENTIAL TRADE SECRET AND OTHER PROPRIETARY INFORMATION OF DELL INC. ("DELL") THIS DOCUMENT MAY NOT BE TRANSFERRED OR COPIED WITHOUT THE EXPRESS WRITTEN AUTHORIZATION OF DELL. IN ADDITION, NEITHER THIS SHEET NOR THE INFORMATION IT CONTAINS MAY BE USED BY OR DISCLOSED TO ANY THIRD PARTY WITHOUT DELL'S EXPRESS WRITTEN CONSENT.

		Compal Electronics, Inc.	
		DP 1.2 MST HUB	
Doc	Document Number	LA-A971P	
Rev	Revision	22	0.1

PCB	DP SWITCH
G12 UMA	PS8339+PS8338
G12 Entry	PS8339
G14 DSC	PS8339+PS8338
G14 UMA	PS8339
G14D_En	PS8339+PS8338
G14U_En	PS8339



PS8339_P0	<26>
PS8339_NO	<26>
PS8339_P1	<26>
PS8339_N1	<26>
PS8339_P2	<26>
PS8339_N2	<26>
PS8339_P3	<26>
PS8339_N3	<26>
PS8339_AUX	<26>
PS8339_AUXM	<26>
PS8339_HPD	<26>
HDMI_LANE_P0	<24>
HDMI_LANE_N0	<24>
HDMI_LANE_P1	<24>
HDMI_LANE_N1	<24>
HDMI_LANE_P2	<24>
HDMI_LANE_N2	<24>
HDMI_LANE_P3	<24>
HDMI_LANE_N3	<24>
HDMI_CLK_AUX	<24>
HDMI_DAT_AUXM	<24>
HDMI_HPD	<24>

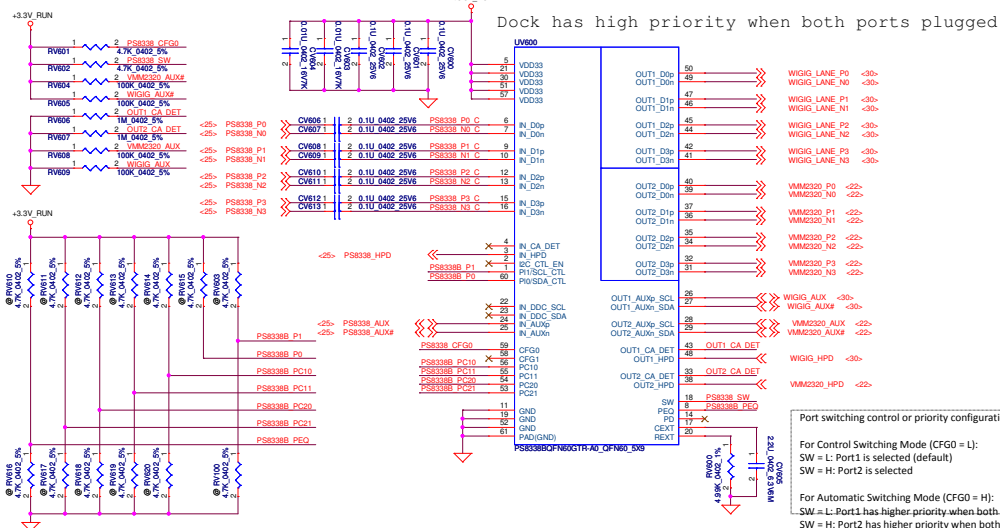
- MODE = L: Control Switching Mode, HDMI ID disable
= H: Automatic Switching Mode, HDMI ID disable
= M: Automatic Switching Mode, HDMI ID enable
- TMDS_PRE = L: no pre-emphasis
= H: 1.5dB pre-emphasis
= M: 3.0dB pre-emphasis
- TMDS_RT = L: Standard open drain driver
= H: Open drain driver with termination resistors
- TMDS_DDCBUF = L: DDC pass through
= H: DDC active buffer
= M: DDC pass through with 40 kohm pull up resistor
- PEQ = L: default, LEQ, compensate channel loss up to 12dB @ HBR2
= H: HEQ, compensate channel loss up to 15dB @ HBR2
= M: LLEQ, compensate channel loss up to 5dB @ HBR2
- DP_CFG1 = L: default, auto test disable & input offset cancellation enable
= H: auto test enable & input offset cancellation enable
= M: auto test disable & input offset cancellation disable
- DP_CFG0 = L: default, automatic EQ enable & AUX interception enable
= H: automatic EQ disable & AUX interception enable
= M: automatic EQ disable & AUX interception disable, no pre-emphasis, 800mVpp swing

DELL CONFIDENTIAL/PROPRIETARY

Compal Electronics, Inc.	
DP SW	
LA-A971P	Rev 0.1
Date: Wednesday, March 19, 2014	Sheet 25 of 48

PROPRIETARY NOTE: THIS SHEET OF ENGINEERING DRAWING AND SPECIFICATIONS CONTAINS CONFIDENTIAL TRADE SECRET AND OTHER PROPRIETARY INFORMATION OF DELL INC. ("DELL") THIS DOCUMENT MAY NOT BE TRANSFERRED OR COPIED WITHOUT THE EXPRESS WRITTEN AUTHORIZATION OF DELL. IN ADDITION, NEITHER THIS SHEET NOR THE INFORMATION IT CONTAINS MAY BE USED BY OR DISCLOSED TO ANY THIRD PARTY WITHOUT DELL'S EXPRESS WRITTEN CONSENT.

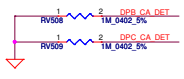
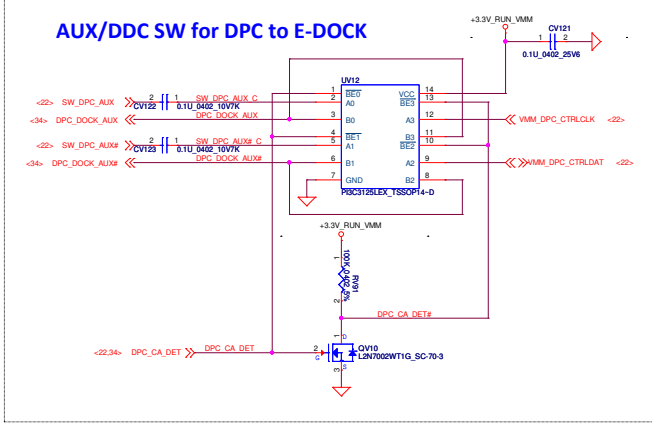
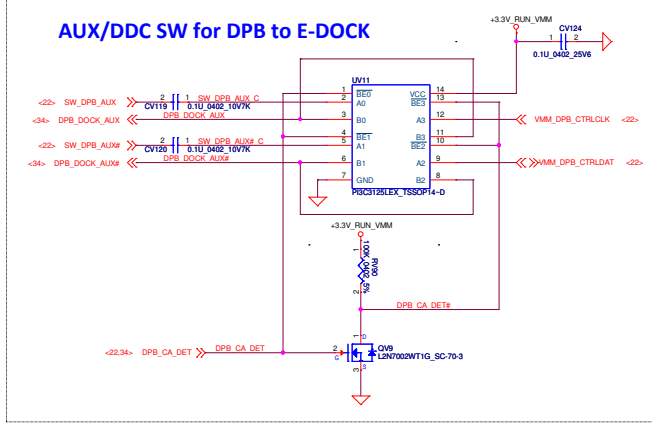
PCB	DP SWITCH
G12 UMA	PS8339+PS8338
G12 Entry	PS8339
G14 DSC	PS8339+PS8338
G14 UMA	PS8339
G14D_En	PS8339+PS8338
G14U_En	PS8339



Port switching control or priority configuration. Internal pull down ~150KΩ, 3.3V (I/O)

For Control Switching Mode (CFG0 = L):
 SW = L: Port1 is selected (default)
 SW = H: Port2 is selected

For Automatic Switching Mode (CFG0 = H):
 SW = L: Port1 has higher priority when both ports are plugged (default)
 SW = H: Port2 has higher priority when both ports are plugged



PROPRIETARY NOTE: THIS SHEET OF ENGINEERING DRAWING AND SPECIFICATIONS CONTAINS CONFIDENTIAL TRADE SECRET AND OTHER PROPRIETARY INFORMATION OF DELL INC. ("DELL") THIS DOCUMENT MAY NOT BE TRANSFERRED OR COPIED WITHOUT THE EXPRESS WRITTEN AUTHORIZATION OF DELL. IN ADDITION, NEITHER THIS SHEET NOR THE INFORMATION IT CONTAINS MAY BE USED BY OR DISCLOSED TO ANY THIRD PARTY WITHOUT DELL'S EXPRESS WRITTEN CONSENT.

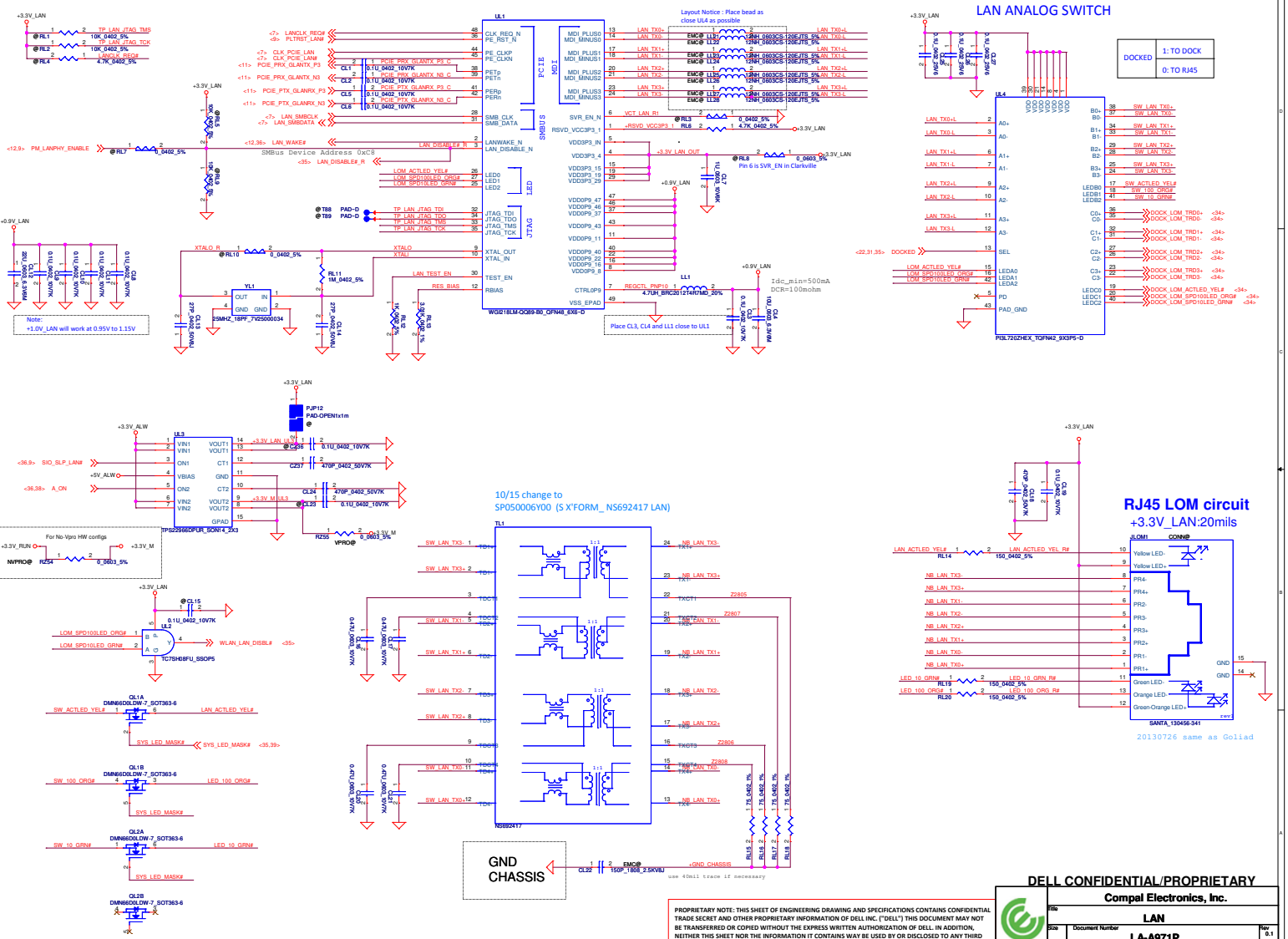
DELL CONFIDENTIAL/PROPRIETARY

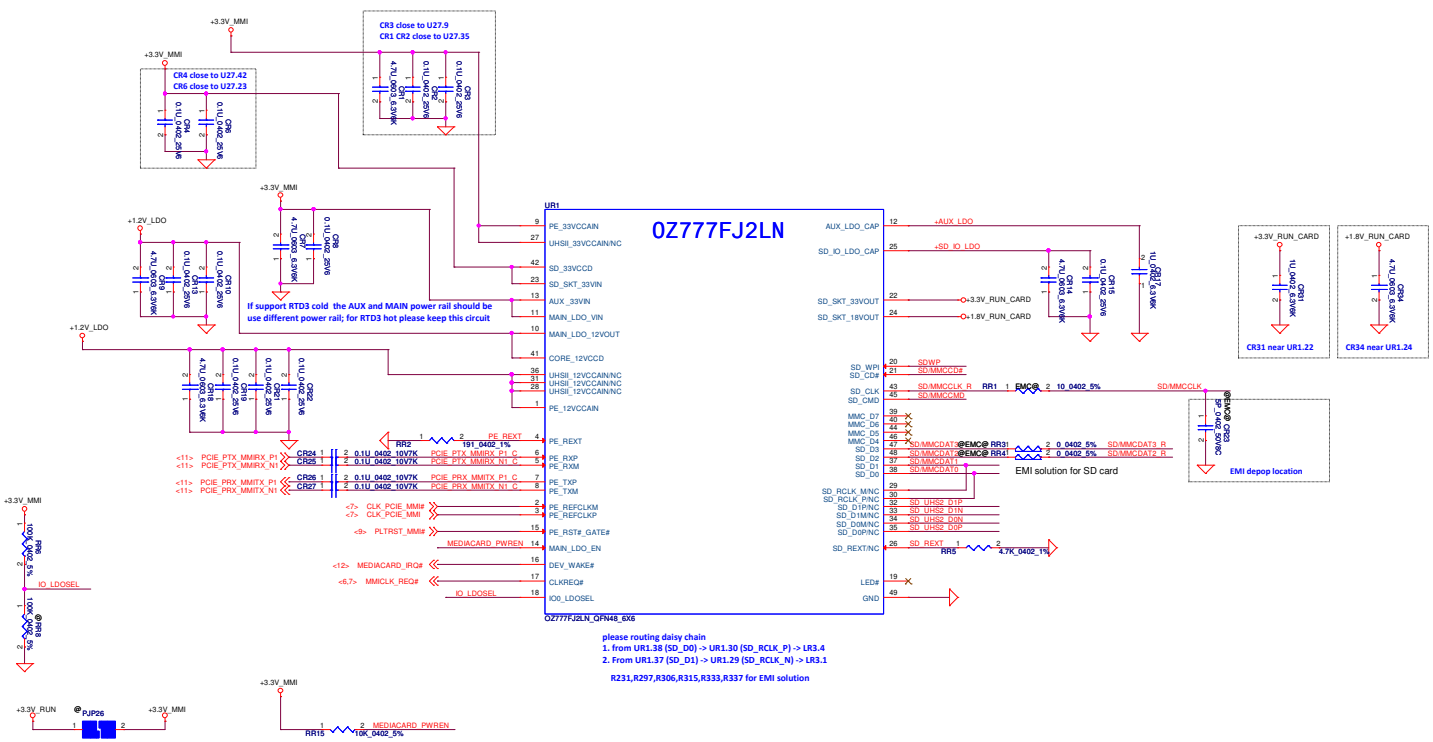
Compal Electronics, Inc.

DP SW

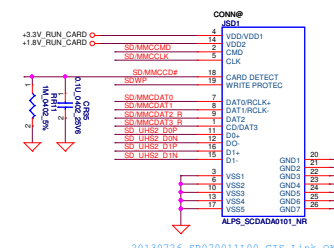
LA-A971P

File: _____
 Size: _____ Document Number: _____ Rev: 0.1
 Date: Wednesday, March 19, 2014 Sheet: 25 of 49





please routing deaisy chain
 1. from UR1.38 (SD_D0) -> UR1.30 (SD_RCLK_P) -> LR3.4
 2. From UR1.37 (SD_D1) -> UR1.29 (SD_RCLK_N) -> LR3.1
 R231, R297, R306, R315, R333, R337 for EMI solution



20130726 SP07001100 CIS Link OK

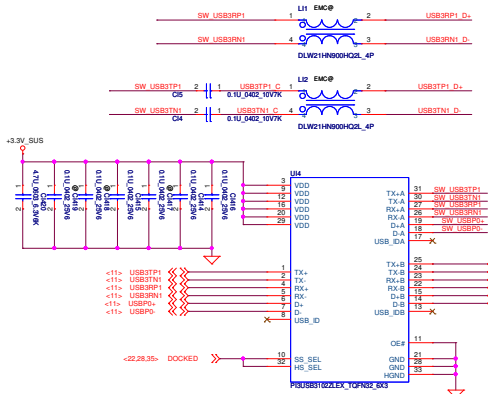
DELL CONFIDENTIAL/PROPRIETARY

Compal Electronics, Inc.

Card Reader

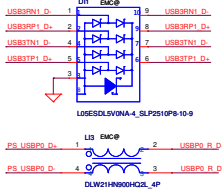
File: LA-A971P
 Size: Document Number
 Date: Wednesday, March 13, 2014
 Rev: 0.1
 Sheet: 29 of 48

PROPRIETARY NOTE: THIS SHEET OF ENGINEERING DRAWING AND SPECIFICATIONS CONTAINS CONFIDENTIAL TRADE SECRET AND OTHER PROPRIETARY INFORMATION OF DELL INC. ("DELL") THIS DOCUMENT MAY NOT BE TRANSFERRED OR COPIED WITHOUT THE EXPRESS WRITTEN AUTHORIZATION OF DELL. IN ADDITION, NEITHER THIS SHEET NOR THE INFORMATION IT CONTAINS MAY BE USED BY OR DISCLOSED TO ANY THIRD PARTY WITHOUT DELL'S EXPRESS WRITTEN CONSENT.

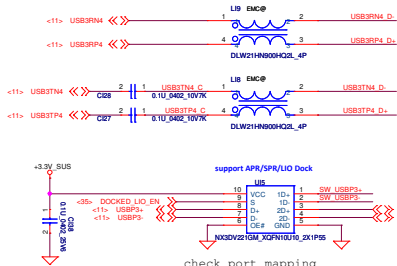
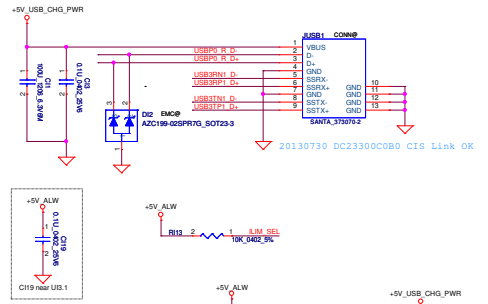


check port mapping

DOCKED	function
1	Dock
0	N/A

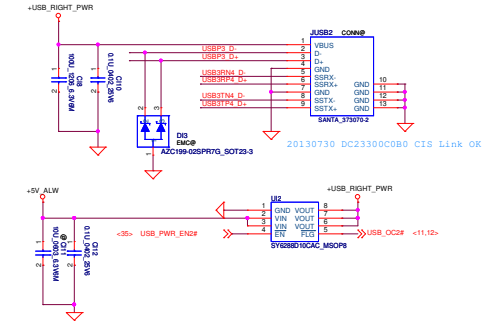
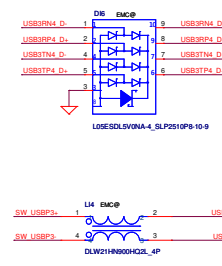


PCB	USB2 0	USB2 3
G12 UMA	USB3102	NX3DV221
G12 Entry	NA	NA
G14 DSC	USB3102	NX3DV221
G14 UMA	USB3102	NX3DV221
G14D_En	NA	NA
G14U_En	NA	NA



check port mapping

DOCKED	function
1	Dock
0	N/A

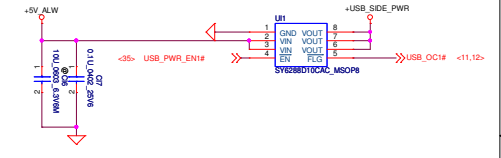
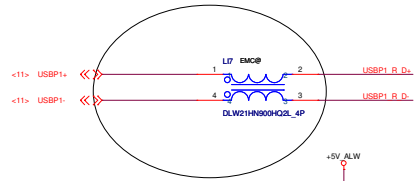
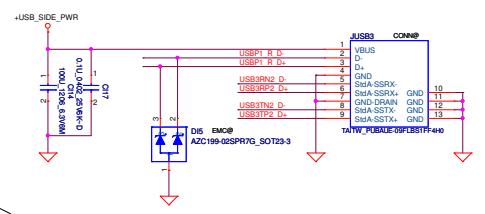
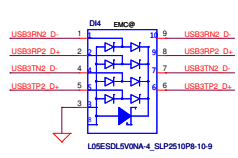
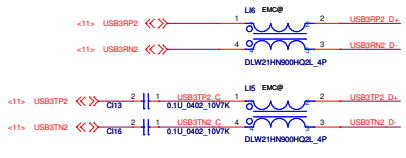


DELL CONFIDENTIAL/PROPRIETARY

Compaq Electronics, Inc.


PROPRIETARY NOTE: THIS SHEET OF ENGINEERING DRAWING AND SPECIFICATIONS CONTAINS CONFIDENTIAL TRADE SECRET AND OTHER PROPRIETARY INFORMATION OF DELL INC. ("DELL"). THIS DOCUMENT MAY NOT BE TRANSFERRED OR COPIED WITHOUT THE EXPRESS WRITTEN AUTHORIZATION OF DELL. IN ADDITION, NEITHER THIS SHEET NOR THE INFORMATION IT CONTAINS MAY BE USED BY OR DISCLOSED TO ANY THIRD PARTY WITHOUT DELL'S EXPRESS WRITTEN CONSENT.

USB3.0		Rev 01	
Size	Document Number	LA-A971P	
Rev	Microcode	March 18, 2014	Page 31 of 42




PROPRIETARY NOTE: THIS SHEET OF ENGINEERING DRAWING AND SPECIFICATIONS CONTAINS CONFIDENTIAL TRADE SECRET AND OTHER PROPRIETARY INFORMATION OF DELL INC. ("DELL") THIS DOCUMENT MAY NOT BE TRANSFERRED OR COPIED WITHOUT THE EXPRESS WRITTEN AUTHORIZATION OF DELL. IN ADDITION, NEITHER THIS SHEET NOR THE INFORMATION IT CONTAINS MAY BE USED BY OR DISCLOSED TO ANY THIRD PARTY WITHOUT DELL'S EXPRESS WRITTEN CONSENT.

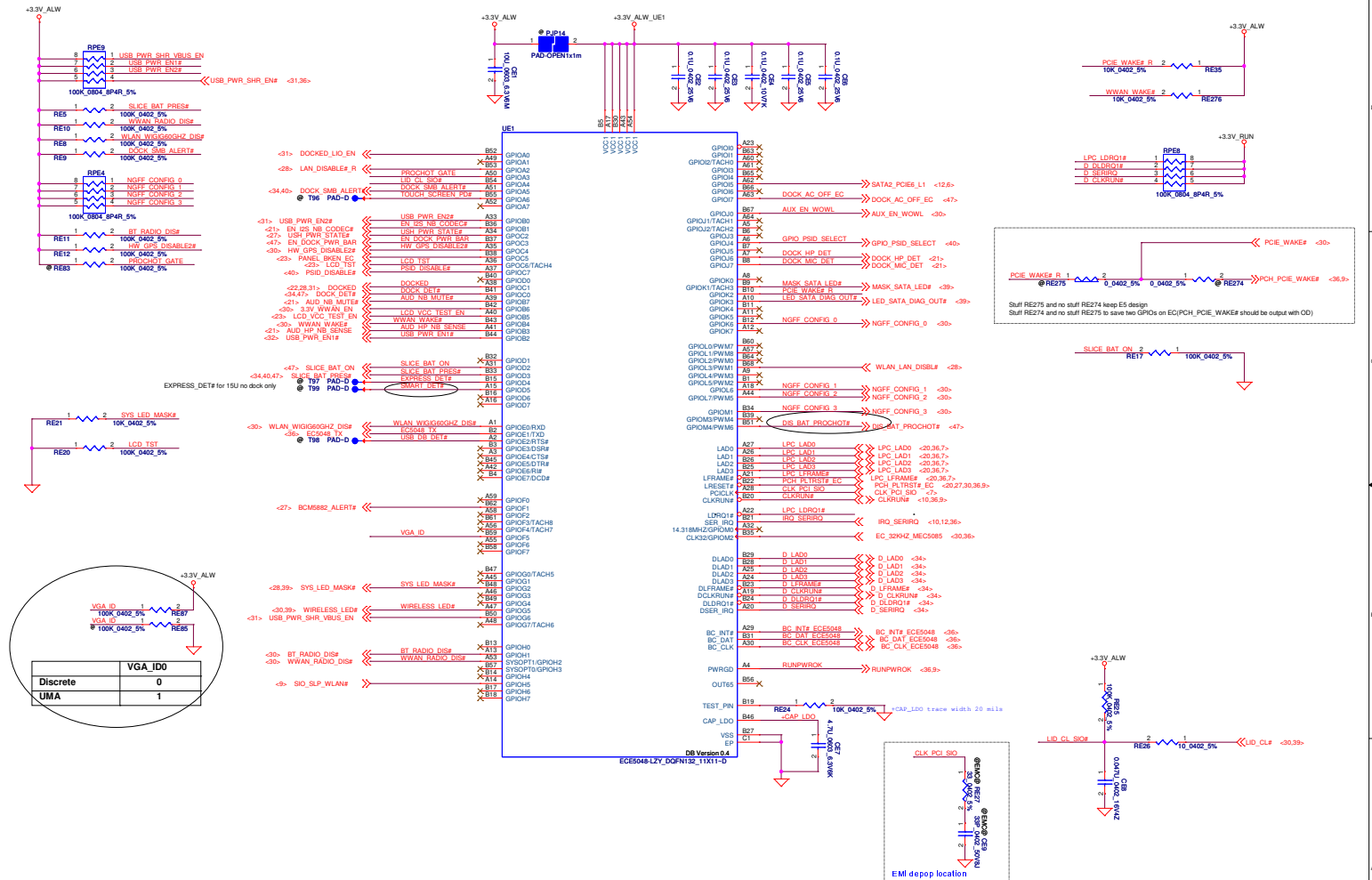
DELL CONFIDENTIAL/PROPRIETARY

		Compal Electronics, Inc.	
		USB SW	Rev 0.1
Size	Document Number	LA-A971P	Date
Date	Wednesday, March 19, 2014	Sheet 32	of 45

NFC on USH/B

PROPRIETARY NOTE: THIS SHEET OF ENGINEERING DRAWING AND SPECIFICATIONS CONTAINS CONFIDENTIAL TRADE SECRET AND OTHER PROPRIETARY INFORMATION OF DELL INC. ("DELL") THIS DOCUMENT MAY NOT BE TRANSFERRED OR COPIED WITHOUT THE EXPRESS WRITTEN AUTHORIZATION OF DELL. IN ADDITION, NEITHER THIS SHEET NOR THE INFORMATION IT CONTAINS MAY BE USED BY OR DISCLOSED TO ANY THIRD PARTY WITHOUT DELL'S EXPRESS WRITTEN CONSENT.

DELL CONFIDENTIAL/PROPRIETARY		
Compal Electronics, Inc.		
	File	
	Document Number	NFC
	Date	LA-A971P
	Wednesday, March 19, 2014	Sheet 33 of 48



	VGA_ID0
Discrete	0
LIMA	1

PROPRIETARY NOTE: THIS SHEET OF ENGINEERING DRAWING AND SPECIFICATIONS CONTAINS CONFIDENTIAL TRADE SECRET AND OTHER PROPRIETARY INFORMATION OF DELL INC. ("DELL") THIS DOCUMENT MAY NOT BE TRANSFERRED OR COPIED WITHOUT THE EXPRESS WRITTEN AUTHORIZATION OF DELL. IN ADDITION, NEITHER THIS SHEET NOR THE INFORMATION IT CONTAINS MAY BE USED BY OR DISCLOSED TO ANY THIRD PARTY WITHOUT DELL'S EXPRESS WRITTEN CONSENT.

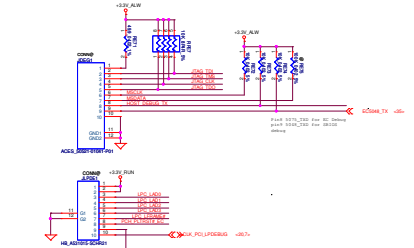
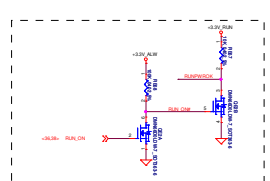
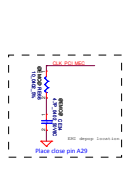
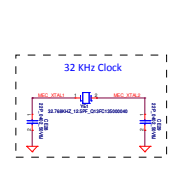
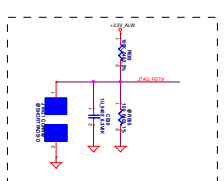
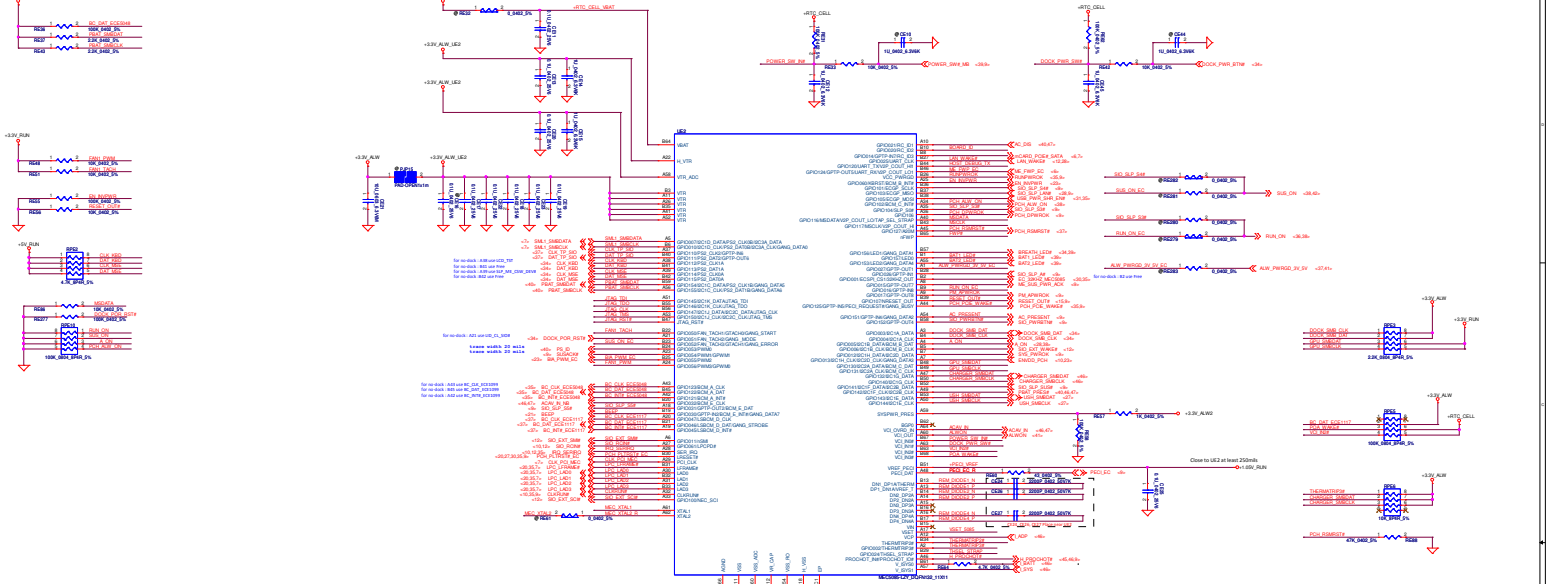
DELL CONFIDENTIAL/PROPRIETARY

Compal Electronics, Inc.

File: **ECE5048**

Size: Document Number **LA-A971P** Rev 0.1

Date: Wednesday, March 13, 2014 Sheet 35 of 48



REF ID	QES	REV
240K	H700p	X00
130K	H700p	X01
33K	H700p	X02
1K	H700p	A00

BOARD ID rise time is measured from 50% to 50%

Setting for Thermal Design

S08S Channel	Location
DP1/DN1	CPU
DP2/DN2	DIMM
DP3/DN3	VGA
DP4/DN4	V.R

Place under CPU

Place CE35 close to the QES as possible

DP2/DN2 for SODIMM on QES, place QES close to SODIMM and CE37 close to QES

DP3/DN3 for VGA on QES, place QES close to VGA/ALAN and CE46 close to QES

DP4/DN4 for Sata on QES, place QES close to Sata VR check.

Channel 1

Channel 2

Channel 3

Channel 4

Temp

Board Readback

Proprietary Note: This sheet of engineering drawing and specifications contains confidential trade secret and other proprietary information of Dell Inc. Fully this document may not be transferred or copied without the express written authorization of Dell. In addition, neither this sheet nor the information it contains may be used by or disclosed to any third party without Dell's express written consent.

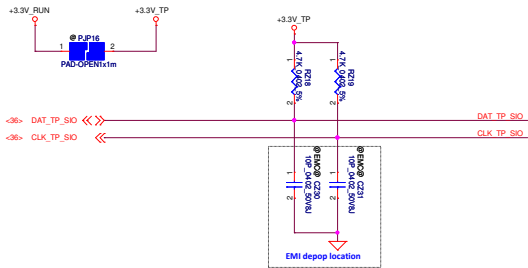
DELL CONFIDENTIAL/PROPRIETARY

Compaq Electronics, Inc.

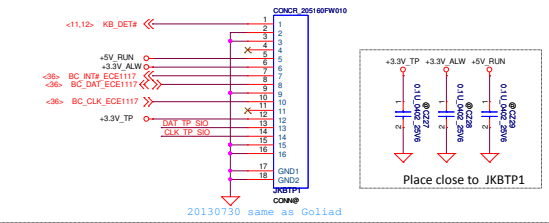
MEC2085

LA-A871P

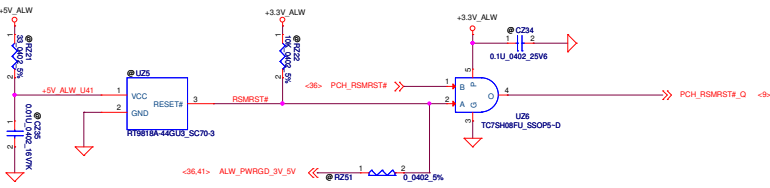
Touch Pad



Keyboard



RSMRST circuit

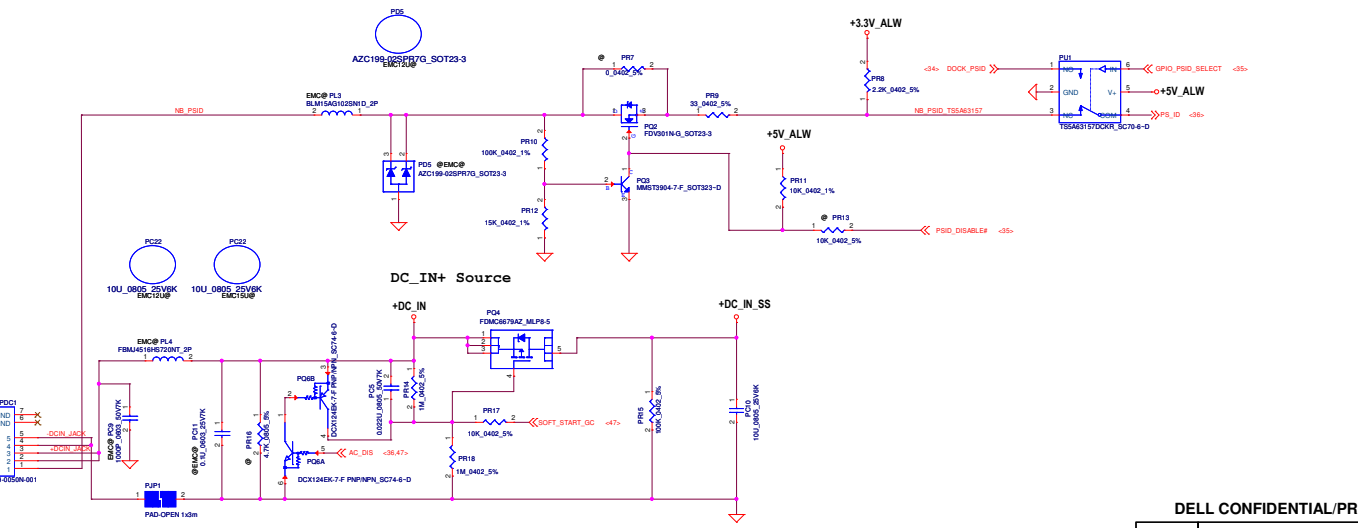
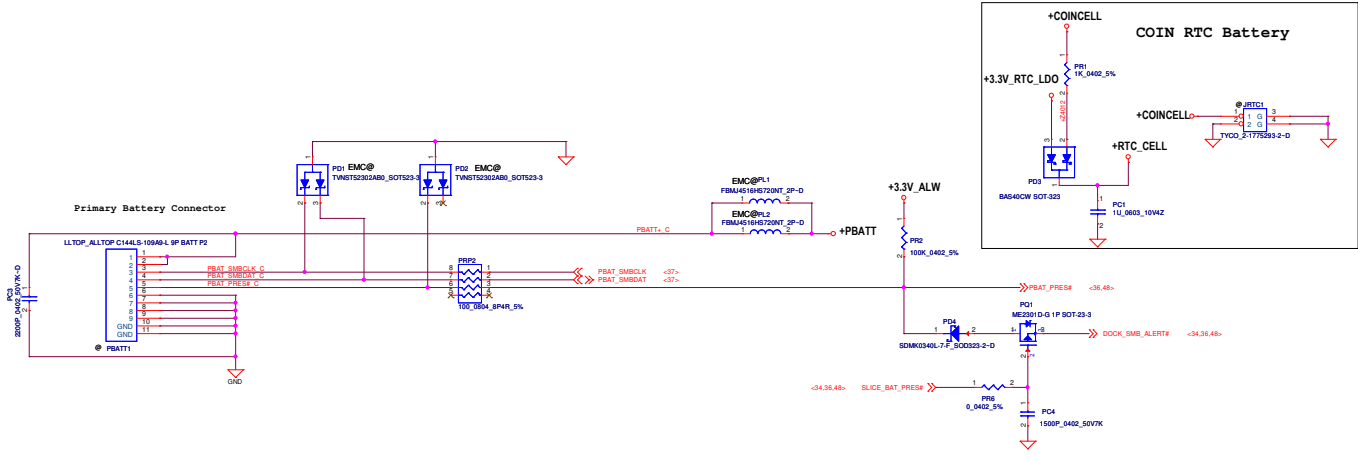


@IO FFC		@MEDIA Board FFC	
Part Number	Description	Part Number	Description
DA30505020	FFC 0VH LP-9591P MEVO H/8-10/B	NBK0001CW00	FFC 6P G P0.5 PAD0.3 50MM MB-MEDIA/B 0/H
@HDP TS Cable		@HBTTP FFC	
Part Number	Description	Part Number	Description
DC02C004900	R-COMM SET 0VH MB-LCD-LED-CAM-TS	NBK0001C200	FFC 15P G P.5 PAD.3 85MM MB-SPC MDD0 0/H
@HdP Cable		@NFC Board FFC	
Part Number	Description	Part Number	Description
DC02C004700	R-COMM SET 0VH MB-LCD-LED-CAM	NBK0001C200	FFC 15P G P.5 PAD.3 85MM MB-SPC MDD0 0/H
@SATA Cable		@USH Board FFC	
Part Number	Description	Part Number	Description
DC02C004800	R-COMM SET 0VH MB-HDD	NBK0001CY00	FFC 20P G P0.5 PAD=0.3 75MM MB-USB/B 0/H
@DC-IN Cable		@BFP FFC	
Part Number	Description	Part Number	Description
DC30100M000	CONN SET 0VH DC3AC-MB 25M1003-038110P	NBK0001D100	FFC 6P G P0.5 PAD=0.3 75MM USB/B-PP 0VH
@RTC BATT		@Spk	
Part Number	Description	Part Number	Description
DC30100M000	CONN SET 0VH DC3AC-MB 25M1003-038110P	PK230053Q01	SPK PACK 2.5X 2.0X 4 08M PD
@FAN			
Part Number	Description		
DC28A005800	FAN SET DAQ25 DC5V AB74058H-MB3 A20A		

PROPRIETARY NOTE: THIS SHEET OF ENGINEERING DRAWING AND SPECIFICATIONS CONTAINS CONFIDENTIAL TRADE SECRET AND OTHER PROPRIETARY INFORMATION OF DELL INC. ("DELL"). THIS DOCUMENT MAY NOT BE TRANSFERRED OR COPIED WITHOUT THE EXPRESS WRITTEN AUTHORIZATION OF DELL. IN ADDITION, NEITHER THIS SHEET NOR THE INFORMATION IT CONTAINS MAY BE USED BY OR DISCLOSED TO ANY THIRD PARTY WITHOUT DELL'S EXPRESS WRITTEN CONSENT.

DELL CONFIDENTIAL/PROPRIETARY

		Compal Electronics, Inc.	
		Keyboard	
Doc Number	LA-A971P	Rev	0.1
Date	Wednesday, March 19, 2014	Sheet	3/ of 48



DELL CONFIDENTIAL/PROPRIETARY

Compal Electronics, Inc.

LA-A901P

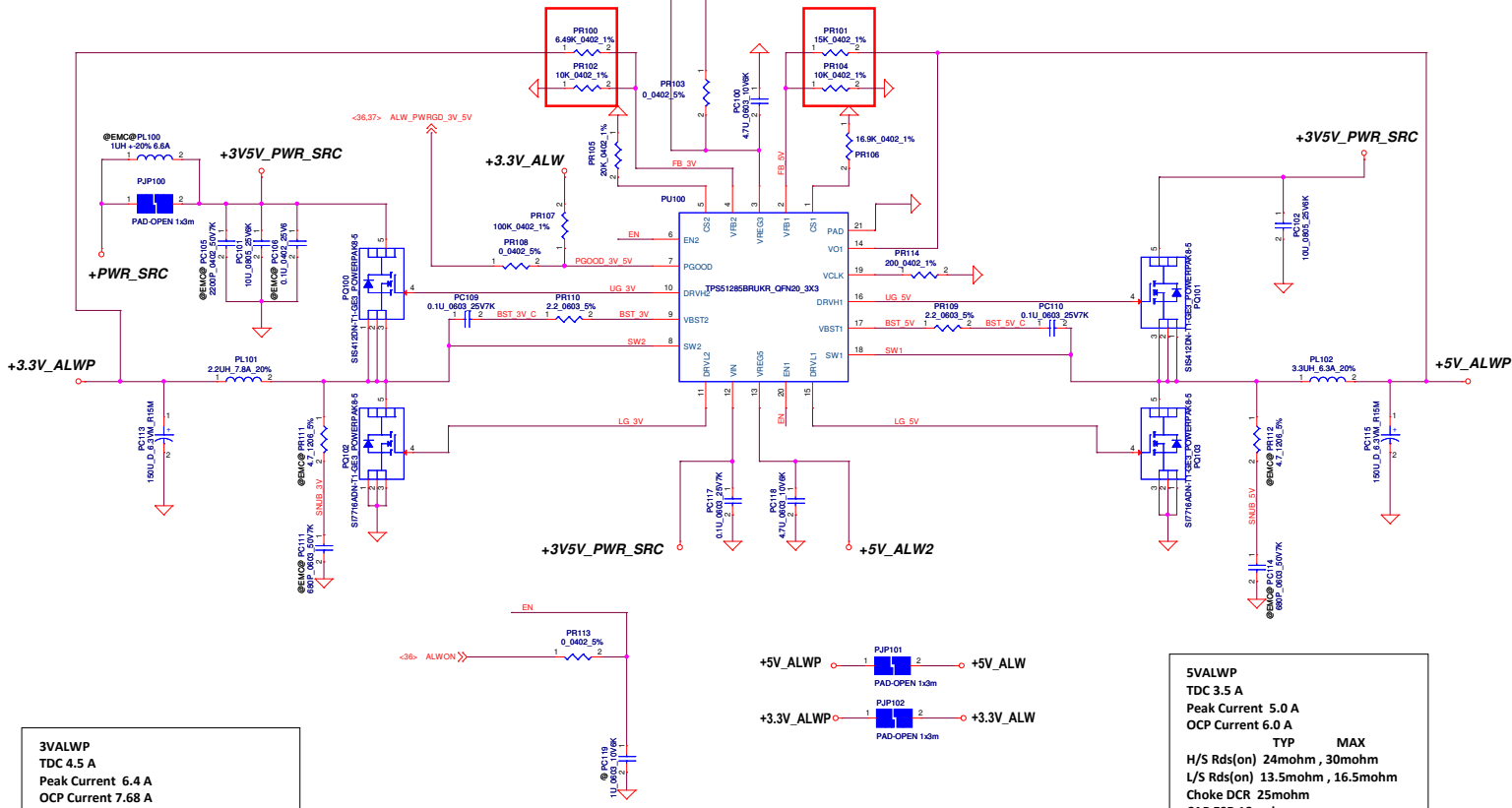
THIS SHEET OF ENGINEERING DRAWING IS THE PROPRIETARY PROPERTY OF COMPAL ELECTRONICS, INC. AND CONTAINS CONFIDENTIAL AND TRADE SECRET INFORMATION. THIS SHEET MAY NOT BE TRANSFERRED FROM THE CUSTODY OF THE COMPETENT DIVISION DEPARTMENT EXCEPT AS AUTHORIZED BY COMPAL ELECTRONICS, INC. NEITHER THIS SHEET NOR THE INFORMATION IT CONTAINS MAY BE USED BY OR DISCLOSED TO ANY THIRD PARTY WITHOUT PRIOR WRITTEN CONSENT OF COMPAL ELECTRONICS, INC.

DELL CONFIDENTIAL/PROPRIETARY	
Compal Electronics, Inc.	
+DCIN	
Doc No	LA-A901P
Rev	0.3

PC105
2200P 0402 50V7K
EMC12Uwh#D@

PC108
0.1U 0402 25V6
EMC12Uwh#D@

+3.3V_ALW2 +3.3V_RTC_LDO



3VALWP
TDC 4.5 A
Peak Current 6.4 A
OCP Current 7.68 A

TYP	MAX
H/S Rds(on)	24mohm , 30mohm
L/S Rds(on)	13.5mohm , 16.5mohm
Choke DCR	15.5mohm
CAP ESR	18mohm

5VALWP
TDC 3.5 A
Peak Current 5.0 A
OCP Current 6.0 A

TYP	MAX
H/S Rds(on)	24mohm , 30mohm
L/S Rds(on)	13.5mohm , 16.5mohm
Choke DCR	25mohm
CAP ESR	18mohm

DELL CONFIDENTIAL/PROPRIETARY

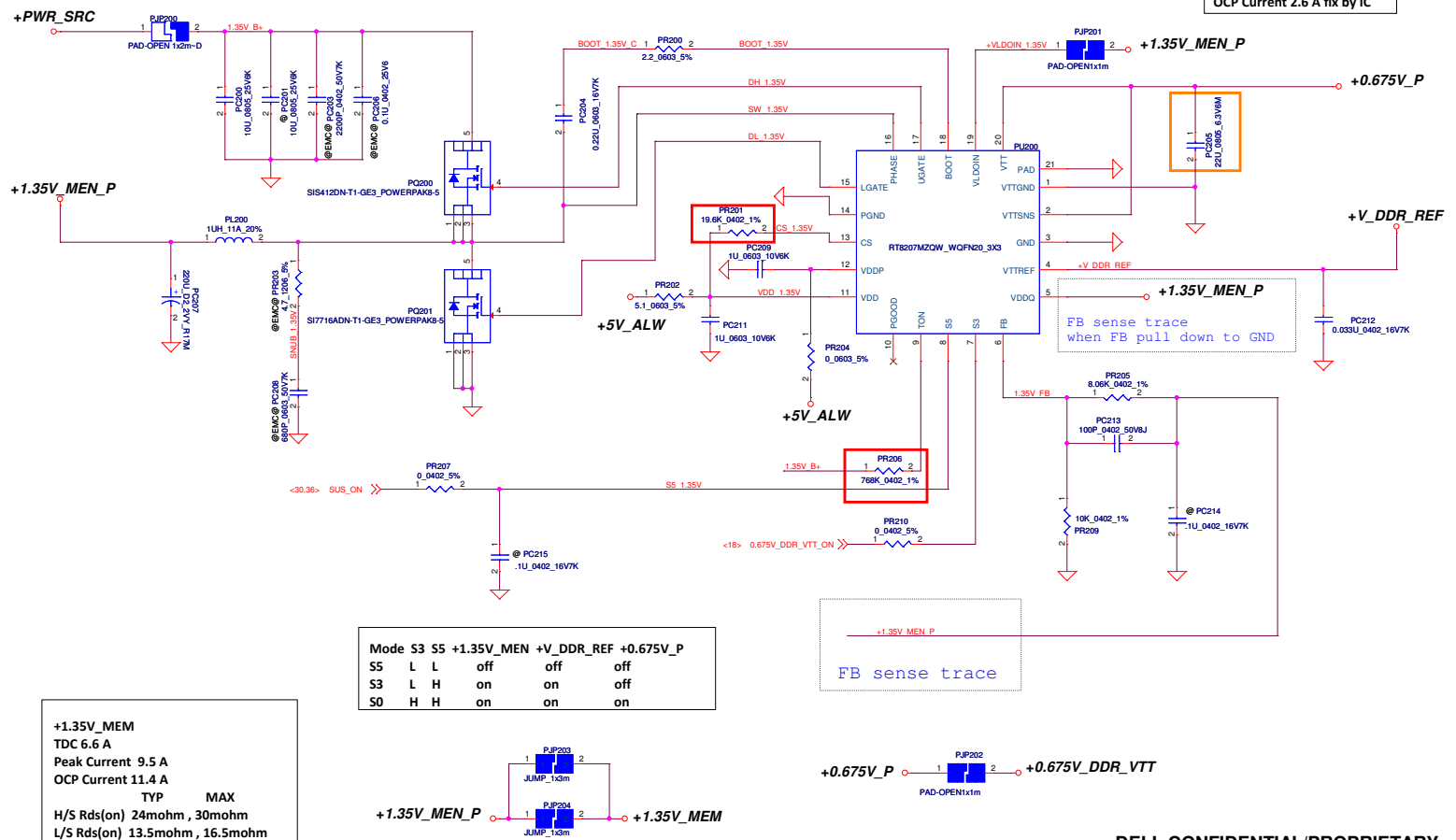
THIS SHEET OF ENGINEERING DRAWING IS THE PROPRIETARY PROPERTY OF COMPAL ELECTRONICS, INC. AND CONTAINS AND TRADE SECRET INFORMATION. THIS SHEET MAY NOT BE TRANSFERRED FROM THE CUSTODY OF THE COMPETENT DIVISION DEPARTMENT EXCEPT AS AUTHORIZED BY COMPAL ELECTRONICS, INC. NEITHER THIS SHEET NOR THE INFORMATION IT CONTAINS MAY BE USED BY OR DISCLOSED TO ANY THIRD PARTY WITHOUT PRIOR WRITTEN CONSENT OF COMPAL ELECTRONICS, INC.

Compal Electronics, Inc.		
Title	+5V_ALW/3.3V_ALW	
Size	Document Number	Rev
	LA-A901P	0.3
Date:	Wednesday, March 19, 2014	Sheet 41 of 53

DELL CONFIDENTIAL/PROPRIETARY

PC203
2200P_0402_50V7K
EMC12LWIND@

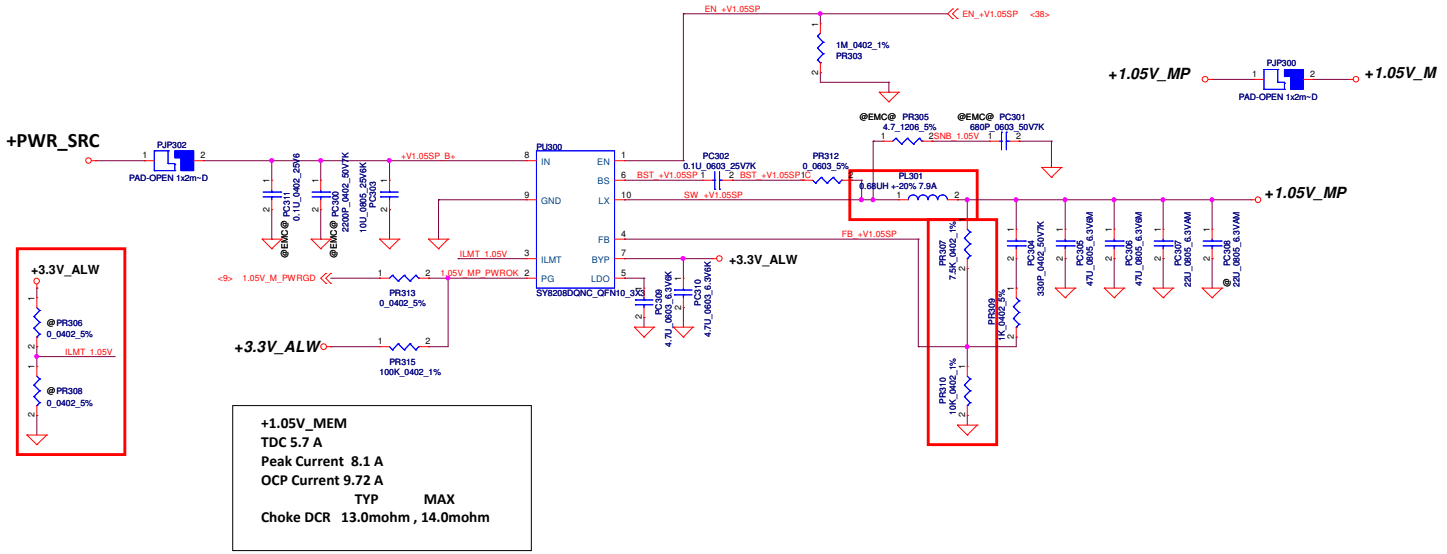
0.675Volt +/- 5%
TDC 0.7 A
Peak Current 1.0 A
OCP Current 2.6 A fix by IC



THIS SHEET OF ENGINEERING DRAWING IS THE PROPRIETARY PROPERTY OF COMPAL ELECTRONICS, INC. AND CONTAINS TRADE SECRET INFORMATION. THIS SHEET MAY NOT BE TRANSFERRED FROM THE CUSTODY OF THE COMPETENT DIVISION OR DEPARTMENT EXCEPT AS AUTHORIZED BY COMPAL ELECTRONICS, INC. NEITHER THIS SHEET NOR THE INFORMATION IT CONTAINS MAY BE USED BY OR DISCLOSED TO ANY THIRD PARTY WITHOUT PRIOR WRITTEN CONSENT OF COMPAL ELECTRONICS, INC.

DELL CONFIDENTIAL/PROPRIETARY

Compal Electronics, Inc.			
File	+1.35V_MEN+0.675V_DDR_VTT		
Size	Document Number	LA-A901P	
Date	Wednesday, March 19, 2014	Sheet	42 of 53

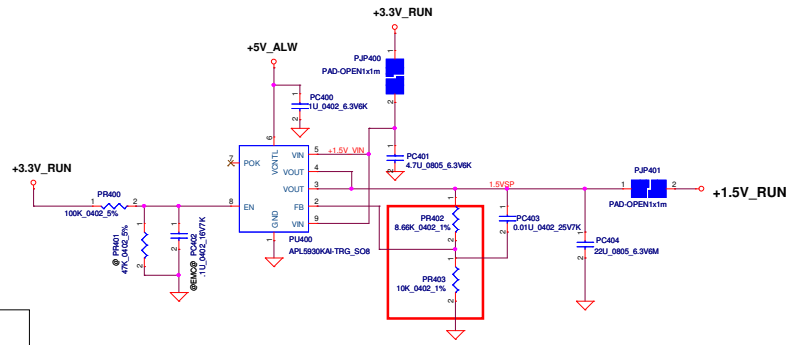


+1.05V_MEM
 TDC 5.7 A
 Peak Current 8.1 A
 OCP Current 9.72 A
 TYP MAX
 Choke DCR 13.0mohm, 14.0mohm

DELL CONFIDENTIAL/PROPRIETARY

Compal Electronics, Inc.		
File	+1.05V_M	
Size	Document Number	Rev
	LA-A901P	0.3
Date	Wednesday, March 19, 2014	Sheet 43 of 53

THIS SHEET OF ENGINEERING DRAWING IS THE PROPRIETARY PROPERTY OF COMPAL ELECTRONICS, INC. AND CONTAINS TRADE SECRET INFORMATION. THIS SHEET MAY NOT BE TRANSFERRED FROM THE CUSTODY OF THE COMPETENT DIVISION OR DEPARTMENT EXCEPT AS AUTHORIZED BY COMPAL ELECTRONICS, INC. NEITHER THIS SHEET NOR THE INFORMATION IT CONTAINS IS TO BE DISCLOSED TO ANY OTHER PARTY WITHOUT THE WRITTEN PERMISSION OF COMPAL ELECTRONICS, INC.



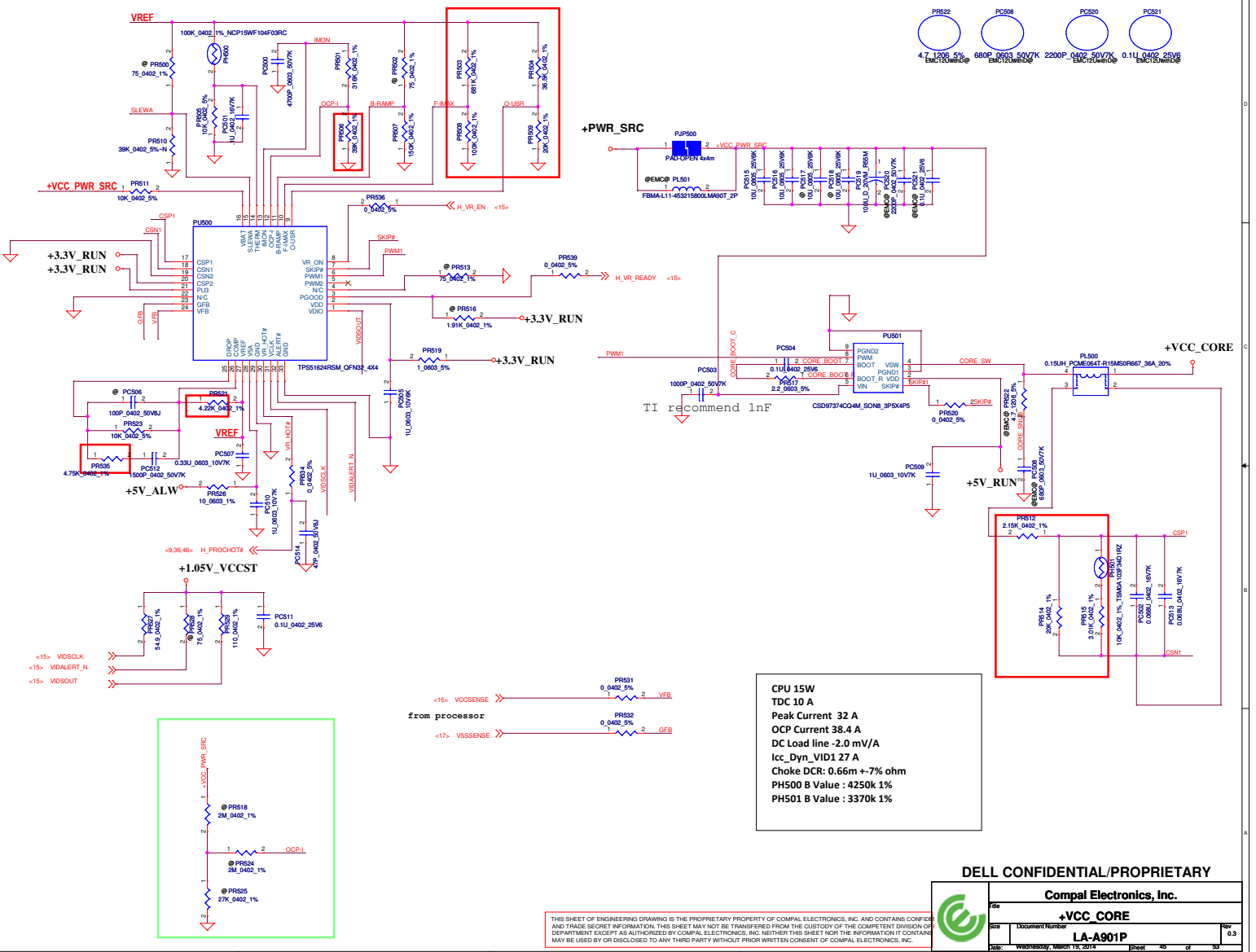
+1.5V_RUN
TDC 0.47 A
Peak Current 0.67 A

DELL CONFIDENTIAL/PROPRIETARY



Compal Electronics, Inc.		
Title	+1.5V RUN	
Size	Document Number	Rev
	LA-A901P	0.3
Date	Wednesday, March 19, 2014	Sheet 44 of 55

THIS SHEET OF ENGINEERING DRAWING IS THE PROPRIETARY PROPERTY OF COMPAL ELECTRONICS, INC. AND CONTAINS CONFIDENTIAL AND TRADE SECRET INFORMATION. THIS SHEET MAY NOT BE TRANSFERRED FROM THE CUSTODY OF THE COMPETENT DIVISION OR DEPARTMENT EXCEPT AS AUTHORIZED BY COMPAL ELECTRONICS, INC. NEITHER THIS SHEET NOR THE INFORMATION IT CONTAINS



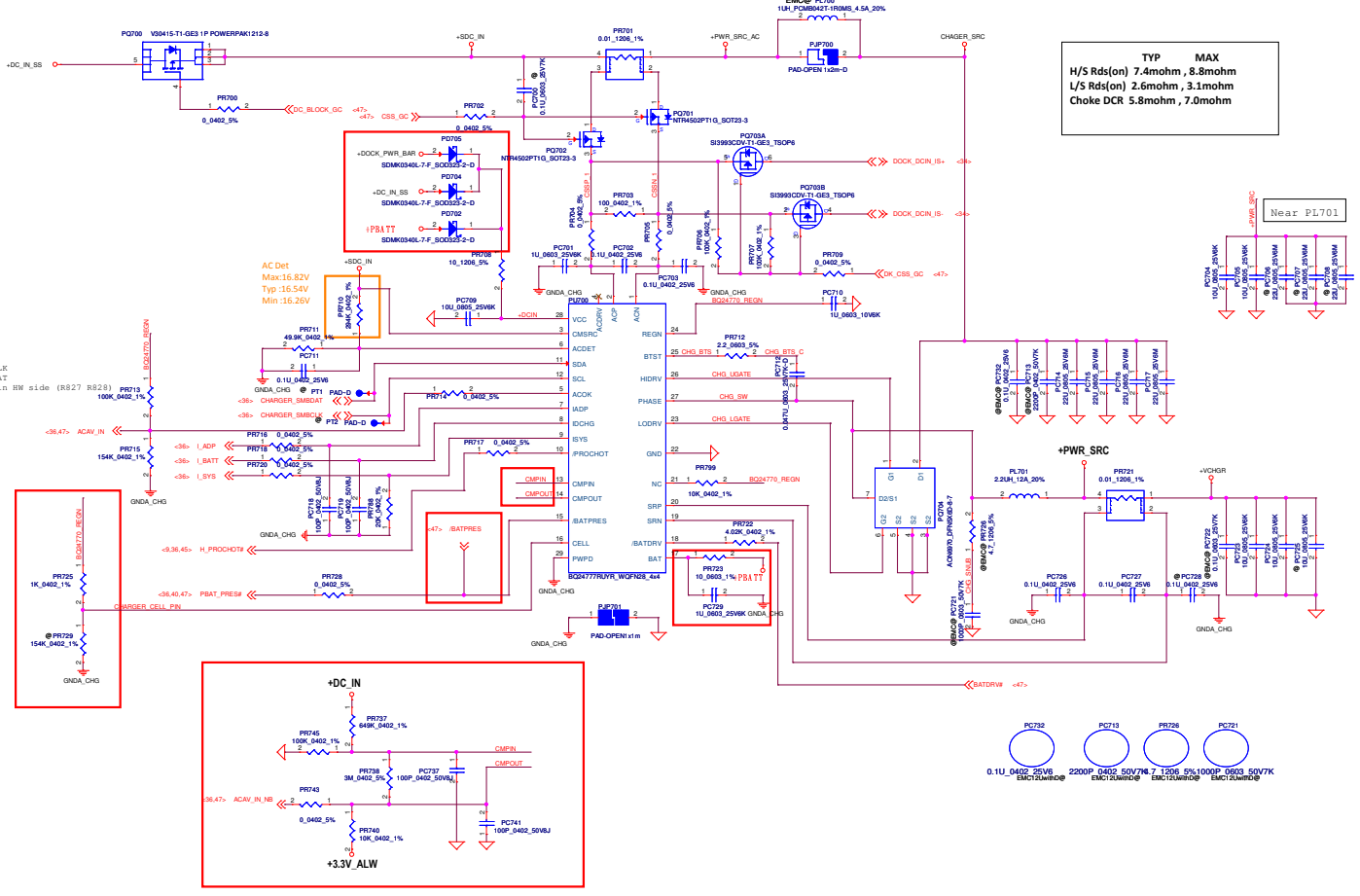
CPU 15W
TDC 10 A
Peak Current 32 A
OCP Current 38.4 A
DC Load line -2.0 mV/A
Icc_Dyn_VID1 27 A
Choke DCR: 0.66m +7% ohm
PH500 B Value : 4250k 1%
PH501 B Value : 3370k 1%

DELL CONFIDENTIAL/PROPRIETARY

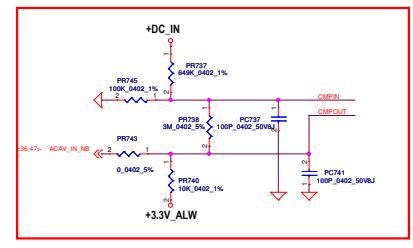
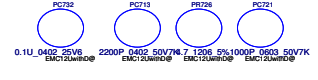
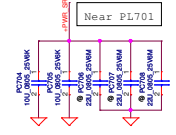
		Compal Electronics, Inc.	
		+VCC CORE	
Doc	Document Number	LA-A901P	
Rev	Version	0.3	
Date	Wednesday, March 19, 2014	Sheet	40 of 43

THIS SHEET OF ENGINEERING DRAWING IS THE PROPRIETARY PROPERTY OF COMPAL ELECTRONICS, INC. AND CONTAINS CONFIDENTIAL AND TRADE SECRET INFORMATION. THIS SHEET MAY NOT BE TRANSFERRED FROM THE CUSTODY OF THE COMPETENT DIVISION OR DEPARTMENT EXCEPT AS AUTHORIZED BY COMPAL ELECTRONICS, INC. NEITHER THIS SHEET NOR THE INFORMATION IT CONTAINS MAY BE USED BY OR DISCLOSED TO ANY THIRD PARTY WITHOUT PRIOR WRITTEN CONSENT OF COMPAL ELECTRONICS, INC.

CHARGER_SMBCLK
CHARGER_SMBDAT
pull up 10K in HW side (R827 R828)



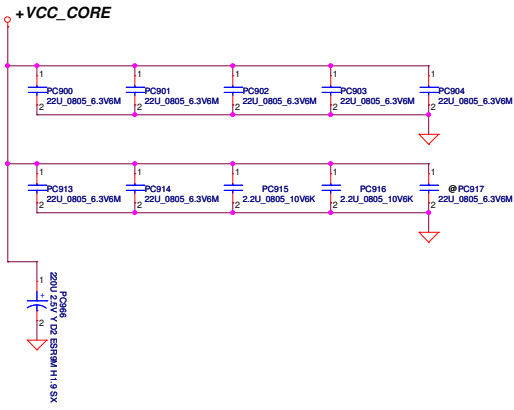
TYP MAX
H/s Rds(on) 7.4mohm, 8.8mohm
L/S Rds(on) 2.6mohm, 3.1mohm
Choke DCR 5.8mohm, 7.0mohm



DELL CONFIDENTIAL/PROPRIETARY

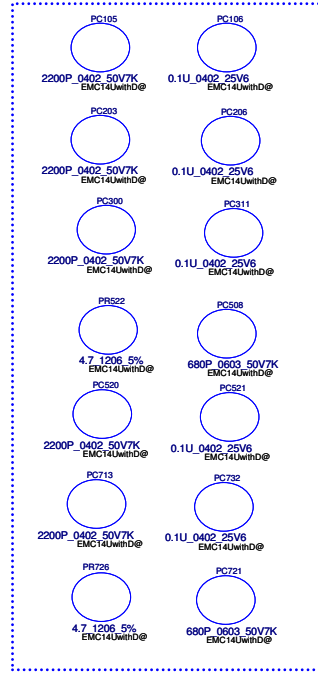
Compal Electronics, Inc.
Charger
 Document Number **LA-A901P**
 Date: Wednesday, March 13, 2014 Page 48 of 53

THIS SHEET OF ENGINEERING DRAWING IS THE PROPRIETARY PROPERTY OF COMPAL ELECTRONICS, INC. AND CONTAINS CONFIDENTIAL AND TRADE SECRET INFORMATION. THIS SHEET MAY NOT BE TRANSFERRED FROM THE CUSTODY OF THE COMPARTMENT DIVISION DEPARTMENT EXCEPT AS AUTHORIZED BY COMPAL ELECTRONICS, INC. NEITHER THIS SHEET NOR THE INFORMATION IT CONTAINS MAY BE USED BY OR DISCLOSED TO ANY THIRD PARTY WITHOUT PRIOR WRITTEN CONSENT OF COMPAL ELECTRONICS, INC.




961

Based on _RF Cheng. Hill
鄭智仁 (11257) for PT 20131107



DELL CONFIDENTIAL/PROPRIETARY

THIS SHEET OF ENGINEERING DRAWING IS THE PROPRIETARY PROPERTY OF COMPAL ELECTRONICS, INC. AND CONTAINS TRADE SECRET INFORMATION. THIS SHEET MAY NOT BE TRANSFERRED FROM THE CUSTODY OF THE COMPETENT DIVISION OR DEPARTMENT EXCEPT AS AUTHORIZED BY COMPAL ELECTRONICS, INC. NEITHER THIS SHEET NOR THE INFORMATION IT CONTAINS MAY BE USED BY OR DISCLOSED TO ANY THIRD PARTY WITHOUT PRIOR WRITTEN CONSENT OF COMPAL ELECTRONICS.

Compal Electronics, Inc.			
	PROCESSOR DECOUPLING		
	Size	Document Number	Rev
	LA-A901P	0.3	
Date	Wednesday, March 19, 2014	Sheet	46 of 53

Version Change List (P. I. R. List)

Item	Page#	Title	Date	Request Owner	Issue Description	Solution Description	Rev.
1	47	Selector	10/8	Compal	Remove slice battery support circuit	Remove PC808, PC811, PC812, PC814, PD806, PD807, PD811, PD814, PD819, PD821, PQ801, PQ807, PQ809, PQ811, PQ812, PQ818, PQ821, PQ828, PQ830, PQ831, PR802, PR804, PR808, PR813, PR815, PR816, PR817, PR821, PR823, PR825, PR834, PR836, PR837, PR839, PR849, PR852, PR861, PU805, PU807, PU808	X01
2	45	VCC_CORE	10/8	Compal	To prevent acoustic noise issue	Remove PC923, PC924, PC925, PC926, PC927, PC928, PC929, PC930, PC931, PC940, PC941, PC943, PC946, PC947, PC948 Add PC966	X01
3	42	1.35V_MEN	10/8	RICHTEK	To prevent IC damage	Add PR204	X01
4	46	Charger	10/8	Compal	Fine tune divider voltage	Change PR713, PR725 to 100k Change PR715, PR729 to 154k	X01
5	41, 43, 44	+1.05V_M +1.5V_RUN +3V/+5V	10/22	Compal	To improve the ability of anti-noise	Change PR307 to 7.5k Change PR310, PR102, PR104, PR403 to 10k Change PR100 to 6.49k Change PR101 to 15k Change PR402 to 8.66k	X01
6	46	Charger	10/25	Compal	Change /BATPRES pin control net from /BATPRES to PBAT_PRES#	Pop PR728 Depop PR816	X01
7	45	VCC_CORE	10/31	Compal	Fine tune IMON	Add PR518, PR524, PR525	X01
8	ALL	ALL	10/31	Compal	RF request	Add PC521, PC206, PC106, PC311, PC732 (0.1uF)	X01
9	ALL	ALL	10/31	Compal	RF request	Pop PR111, PC111, PR112, PC114, PR203, PC208, PR305, PC301, PR522, PC508, (4.7ohm, 680pF)	X01
10	46	Charger	10/31	Compal	To prevent VCP trigger PROCHOT#	PR703 change to 100ohm	X01

DELL CONFIDENTIAL/PROPRIETARY

Compal Electronics, Inc.	
PWR P.I.R (1/1)	
Doc Number	LA-A901P
Date	Wednesday, March 19, 2014
Sheet	49 of 53

PROPRIETARY NOTE: THIS SHEET OF ENGINEERING DRAWING AND SPECIFICATIONS CONTAINS CONFIDENTIAL TRADE SECRET AND OTHER PROPRIETARY INFORMATION OF DELL EMC. (DELL)'S THIS DOCUMENT MAY NOT BE TRANSMITTED OR COPIED WITHOUT THE EXPRESS WRITTEN AUTHORIZATION OF DELL. IN ADDITION, NEITHER THIS SHEET NOR THE INFORMATION IT CONTAINS MAY BE USED BY OR DISCLOSED TO ANY THIRD PARTY WITHOUT DELL'S EXPRESS WRITTEN CONSENT.

Version Change List (P. I. R. List)

Item	Page#	Title	Date	Request Owner	Issue Description	Solution Description	Rev.
1	6	HW	2013/10/8	COMPAL	Follow intel reference circuit.	Add CC100, RC300 on CPU pin AC4, net name is PM_TEST_RST	0.2 (X01)
2	27	HW	2013/10/8	COMPAL	Dell drop POA function.	Change JUSH1 from 26 pin to 20 pin, pin define follow E5	0.2 (X01)
3	36	HW	2013/10/8	COMPAL	Dell drop POA function.	remove POA_WAKE# off page symbol remove POA_ON/OFF#,make UE2.B62 to be NC pin	0.2 (X01)
4	22	HW	2013/10/9	COMPAL	IC version changed.	VMM2320 circuit change: 1. UV8 from VMM2320 change to VMM 2330 (SA00007G800) 2. UV8 pin J3, E5 to +1.05V_RUN 3. VMM_SPI_WP# reserved RV517, 2.2K resistor PU to +3.3V_RUN_VMM 4. VMM_GPIO4, reserved RV518, 2.2K resistor PU to +3.3V_RUN_VMM 5. VMM_GPIO5 reserved RV519, 2.2K resistor PU to +3.3V_RUN_VMM 6. UV8 pin B5, B6 change to +3.3V_RUN_VMM 7. LP_CTL reserved RV516, 2.2K resistor PU to +3.3V_RUN_VMM 8. Depop RV73	0.2 (X01)
5	24	HW	2013/10/9	COMPAL	correct HDMI schematic error.	swap HDMI LANE0 & LANE2 BUS	0.2 (X01)
6	23	HW	2013/10/9	COMPAL	Follow EMC suggestion	Change LI1,LI2,LI3,LI4,LI5,LI6,LI7,LI8,LI9,LV3,LV6,LV10,LV12,LV27 From SM070003K00 (S COM FI_CHILISIN CMMI21T-900Y-N) To SM070003Y00 (S COM FI_MURATA DLW21HN900HQ2L)	0.2 (X01)
7	9	HW	2013/10/9	COMPAL	reserved for S3 within 2s , system shutdown issue debug.	add RC26, reserved RC27.	0.2 (X01)
8	36	HW	2013/10/9	COMPAL	board ID change.	RE79 change to 130K	0.2 (X01)
9	24	HW	2013/10/9	COMPAL	SATA circuit issue	Swap mSATA P & N	0.2 (X01)
10	36	HW	2013/10/14	COMPAL	follow intel latest design guide.	pop RE56 and change from 8.2K to 10K , it's RESET_OUT# pull down resistor	0.2 (X01)
11	7	HW	2013/10/16	COMPAL	RF requirement.	add CC14, CC15 and move CC12, CC13 to behind the resistor (RC72)	0.2 (X01)
12	20,23,31,32	HW	2013/10/17	COMPAL	follow ESD recommend list.	change all ESD diode CPN change DI2, DI3, DI5, DV4 from SCA00001100(S ZEN ROW PJDL0C5C 3P C/A SOT23) to SC600001600(S DIO ROW AZC199-02S.R7G C/C SOT23 ESD) change DI1,DI6,DI4 from SC300002800(S DIO(BR) TVWDF1004AD0 DFN ESD) to SC300002C00(S DIO(BR) L05ESDL5V0NA-4 SLP2510P8 ESD) change DA1,DA2,DA3,DA6,DA7 from SCA00001L00(S ZEN ROW L30ESDL5V0C3-2 C/A SOT23 ESD) to SCA00002900(S ZEN ROW L03ESDL5V0CC3-2 C/A SOT-23 ESD)	0.2 (X01)
13	38	HW	2013/10/17	COMPAL	power doesn't split VPRO & NPRO BOM.	add RZ41, RZ42, reserve it for VPRO & NVPRO option.	0.2 (X01)
14	39	HW	2013/10/17	COMPAL	SSI design will cause LED behavior error.	QL1 Pin2,5 & QL2 Pin2 change from MASK_BASE_LEDS# to SYS_LED_MASK#	0.2 (X01)

DELL CONFIDENTIAL/PROPRIETARY

Compal Electronics, Inc.

EE P.I.R (1/3)

LA-A971P

Date: Wednesday, March 19, 2014 Sheet 01 of 70

PROPRIETARY NOTE: THIS SHEET OF ENGINEERING DRAWING AND SPECIFICATIONS CONTAINS CONFIDENTIAL TRADE SECRET AND OTHER PROPRIETARY INFORMATION OF DELL EMC. (DELL)'S THIS DOCUMENT MAY NOT BE TRANSMITTED OR COPIED WITHOUT THE EXPRESS WRITTEN AUTHORIZATION OF DELL. IN ADDITION, NEITHER THIS SHEET NOR THE INFORMATION IT CONTAINS MAY BE USED BY OR DISCLOSED TO ANY THIRD PARTY WITHOUT DELL'S EXPRESS WRITTEN CONSENT.

Version Change List (P. I. R. List)

Item	Page#	Title	Date	Request Owner	Issue Description	Solution Description	Rev.
15	20	HW	2013/10/17	COMPAL	To solve Line-on HDD dirty shut down issue.	UZ8 Pin2 change from +3.3V_ALW to 3.3V_RUN	0.2 (X01)
16	28, 36, 38	HW	2013/10/17	COMPAL	follow Dell requirement.	Add back SUS_ON, change control pin from SUS_ON to SIO_SLP_S4# 1. UZ8.3 from SIO_SLP_S4# to SUS_ON 2. UE2.B23 -- SUS_ON_EC , RPE10.2 -- SUS_ON 3. add RE282, RE281, RE280, RE279 4. UE2.B9 -- RUN_ON_EC	0.2 (X01)
17	12	HW	2013/10/24	COMPAL	add GPIO pin for DIMM quantity detection.	add DIMM_DET on UC1.U4? to replace PCH_GPIO48 , Reserve RC302 & RC303	0.2 (X01)
18	6	HW	2013/10/24	COMPAL	debug usage.	add RC301	0.2 (X01)
19	9	HW	2013/10/28	COMPAL	reserve it to prevent PCH_PLTRST# floating when power on	add RC304, 100K pull down, on PCH_PLTRST#_EC	0.2 (X01)
20	6, 7, 22, 28	HW	2013/10/23	COMPAL	follow xtal vender suggest	1 CC1 & CC2 change from 18PF to 3PF 2 CC8 & CC11 change from 18PF to 15PF 3 CL13 & CL14 change from 33PF to 27PF 4 RV81 change from 0 ohm to 2.2K & CV113 change to 18PF	0.2 (X01)
21	23	HW	2013/10/29	COMPAL	it's designed for E5 Goliad, E6 GMLK doesn't need.	remove RZ1	0.2 (X01)
22	30	HW	2013/10/29	COMPAL	To solve WWAN can not detect issue.	Add RZ50, 100k pull up for WWAN_PWR_EN	0.2 (X01)
23	12	HW	2013/10/29	COMPAL	To solve backdrive issue.	Change TPM_PIRQ# pull up (RC247) to +3.3V_RUN from +3.3V_ALW_PCH	0.2 (X01)
24	30	HW	2013/10/30	COMPAL	Dell doesn't support MODPHY.	add PJP36, depop Q26, Q210, RZ16, RZ5, CZ25, CZ38	0.2 (X01)
25	7	HW	2013/11/2	COMPAL	SMBUS Pull High	Add RN3&RN4 pull high to +3.3V_RUN for DDR_XDF_WAN_SMBDAT/SMBCLK	0.2 (X01)
26	21	HW	2013/11/2	COMPAL	EMC request.	Add RA42, RA43.	0.2 (X01)
27	21	HW	2013/11/05	COMPAL	follow vender suggestion. It's for 15KV ESD fail issue.	add CA12, CA13 change DA1, DA2, DA3, DA4 from GNDA to GND	0.2 (X01)
28	12	HW	2013/11/05	COMPAL	GPIO 14 is sus power well, it has risk to cause back drive.	move TPM_PIRQ# from PCH_GPIO14 to PCH_GPIO17, add T21 on PCH_GPIO14	0.2 (X01)
39	21	HW	2013/12/17	COMPAL	follow vender suggest to solve "Bo" noise	1.UA1 pin22 add RA45 0 ohm PU to +3.3V_RUN_AUDIO 2.UA1 pin21 add RA44 100k ohm to GND	0.3 (X01)
40	22	HW	2013/12/17	COMPAL	follow vender suggest	1.RPC8 change from 2.2k to 10k 2.UC1.F2 & RPC8.3 change name from I2C0_SDA to PCH_GPIO4 3.UC1.F3 & RPC8.4 change name from I2C0_SCL to PCH_GPIO5 4.UC1.G4 & RPC8.1 change name from I2C1_SDA_VMM to PCH_GPIO6 5.UC1.F1 & RPC8.2 change name from I2C1_SCL_VMM to PCH_GPIO7 6.RPV2.1 connect to I2C1_SDA_VMM 8.RPV2.2 connect to I2C1_SCL_VMM 9.Depop RV516, CV116, CV117	0.3 (X01)

DELL CONFIDENTIAL/PROPRIETARY

Compal Electronics, Inc.

EE P.I.R (2/3)

LA-A971P

Date: Wednesday, March 19, 2014 Sheet 81 of 70

PROPRIETARY NOTE: THIS SHEET OF ENGINEERING DRAWING AND SPECIFICATIONS CONTAINS CONFIDENTIAL TRADE SECRET AND OTHER PROPRIETARY INFORMATION OF DELL EMC. DELL'S THIS DOCUMENT MAY NOT BE TRANSMITTED OR COPIED WITHOUT THE EXPRESS WRITTEN AUTHORIZATION OF DELL. IN ADDITION, NEITHER THIS SHEET NOR THE INFORMATION IT CONTAINS MAY BE USED BY OR DISCLOSED TO ANY THIRD PARTY WITHOUT DELL'S EXPRESS WRITTEN CONSENT.

