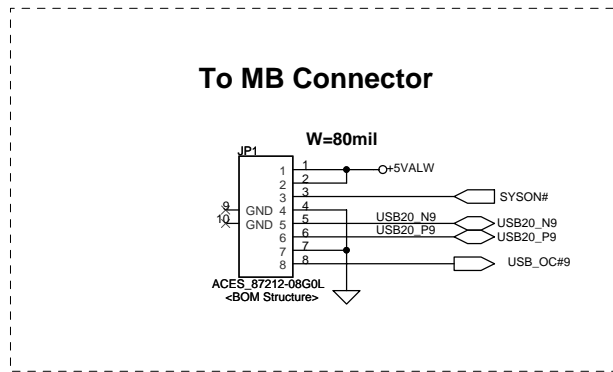
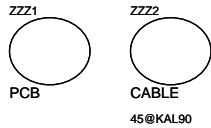


COMPAL CONFIDENTIAL

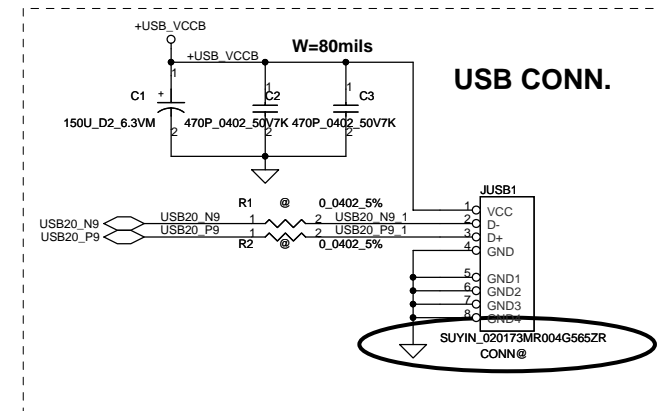
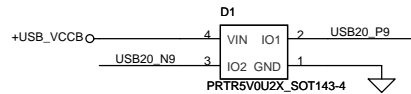
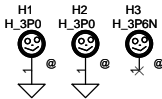
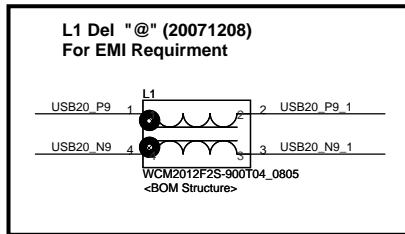
MODEL NAME: KAL90
 PCB NAME: LS-4495P USB/B
 COMPAL P/N: DA600009D00
 REVISION: 1.0
 DATE: 2008/09/08



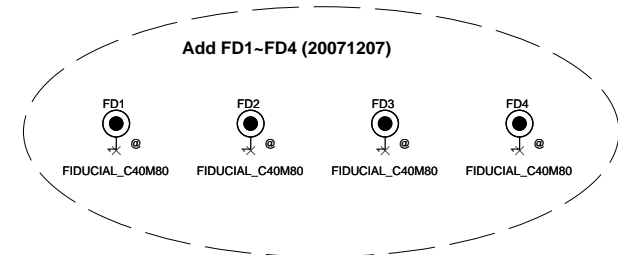
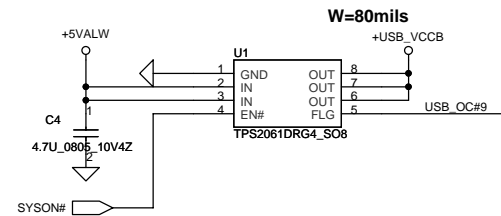
DVT Change New PCB P/N (20071204)
 New - DA40000B000 (4 layers)



Change C1_150U P/N (20071102)
 New-SGN19151310 (150U 6.3V M Y NOJ H2.0)



Del H3 Base on ME Drawing of DVT (20071208)
 PVT change H2 hole size (20080117)
 Old-4P2N
 New-4P1N



Security Classification		Compal Secret Data		Compal Electronics, Inc.	
Issued Date	2007/10/16	Deciphered Date	2008/10/16	Title	
				SCHEMATIC,S4495	
THIS SHEET OF ENGINEERING DRAWING IS THE PROPRIETARY PROPERTY OF COMPAL ELECTRONICS, INC. AND CONTAINS CONFIDENTIAL AND TRADE SECRET INFORMATION. THIS SHEET MAY NOT BE TRANSFERRED FROM THE CUSTODY OF THE COMPETENT DIVISION OF R&D DEPARTMENT EXCEPT AS AUTHORIZED BY COMPAL ELECTRONICS, INC. NEITHER THIS SHEET NOR THE INFORMATION IT CONTAINS MAY BE USED BY OR DISCLOSED TO ANY THIRD PARTY WITHOUT PRIOR WRITTEN CONSENT OF COMPAL ELECTRONICS, INC.					
Size	Document Number	Rev			
Custom	4059SM	B			
Date:	Thursday, October 30, 2008	Sheet	1	of	1