

BLOCK DIAGRAM

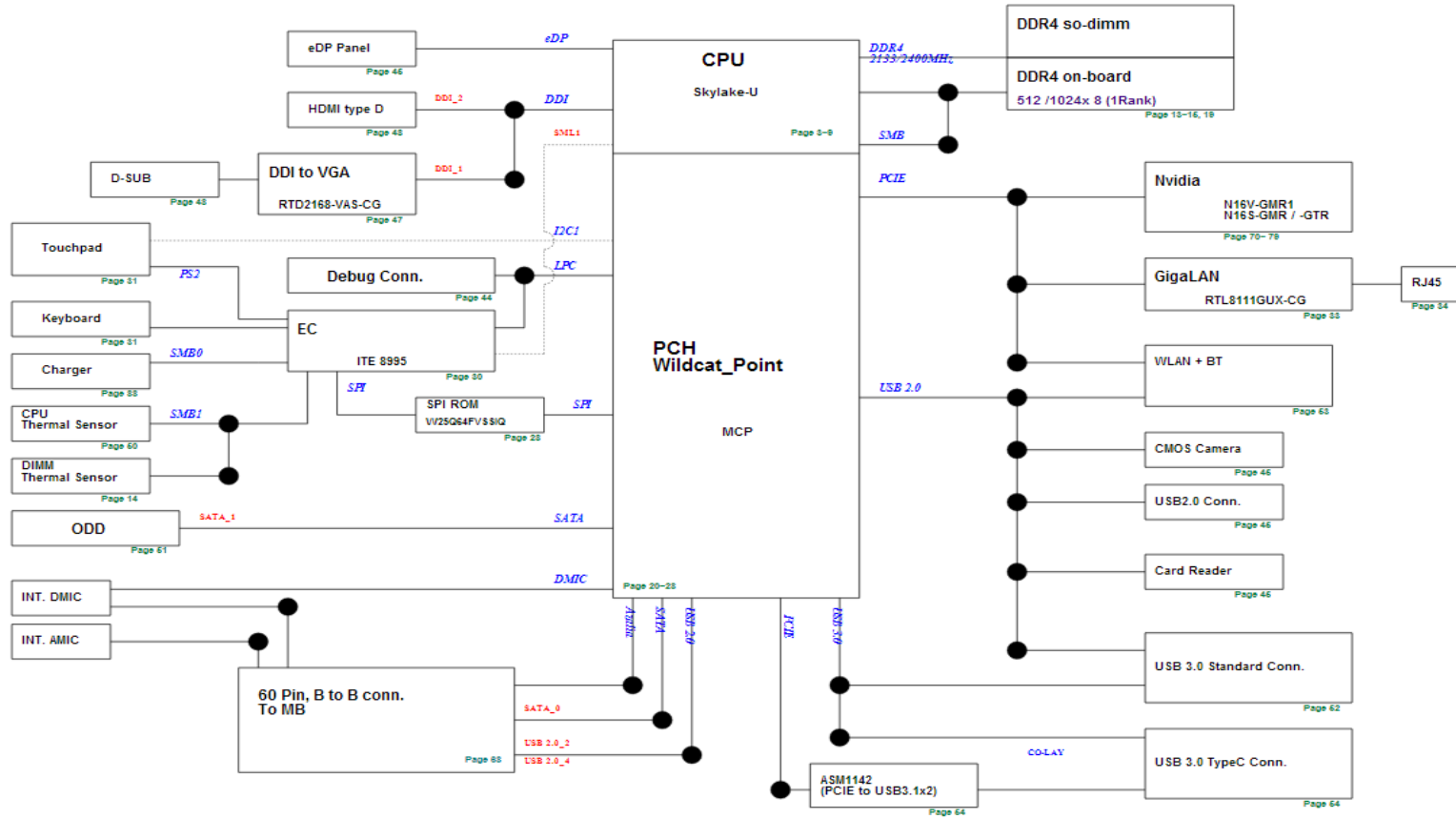
X556 SCHEMATIC Revision 1.0

(UAM:UMA)
 (UV: DGPU = Nvidia N16V-GMR1)
 (UR: DGPU = Nvidia N16S-GMR)
 (UQ: DGPU = Nvidia N16S-GTR)

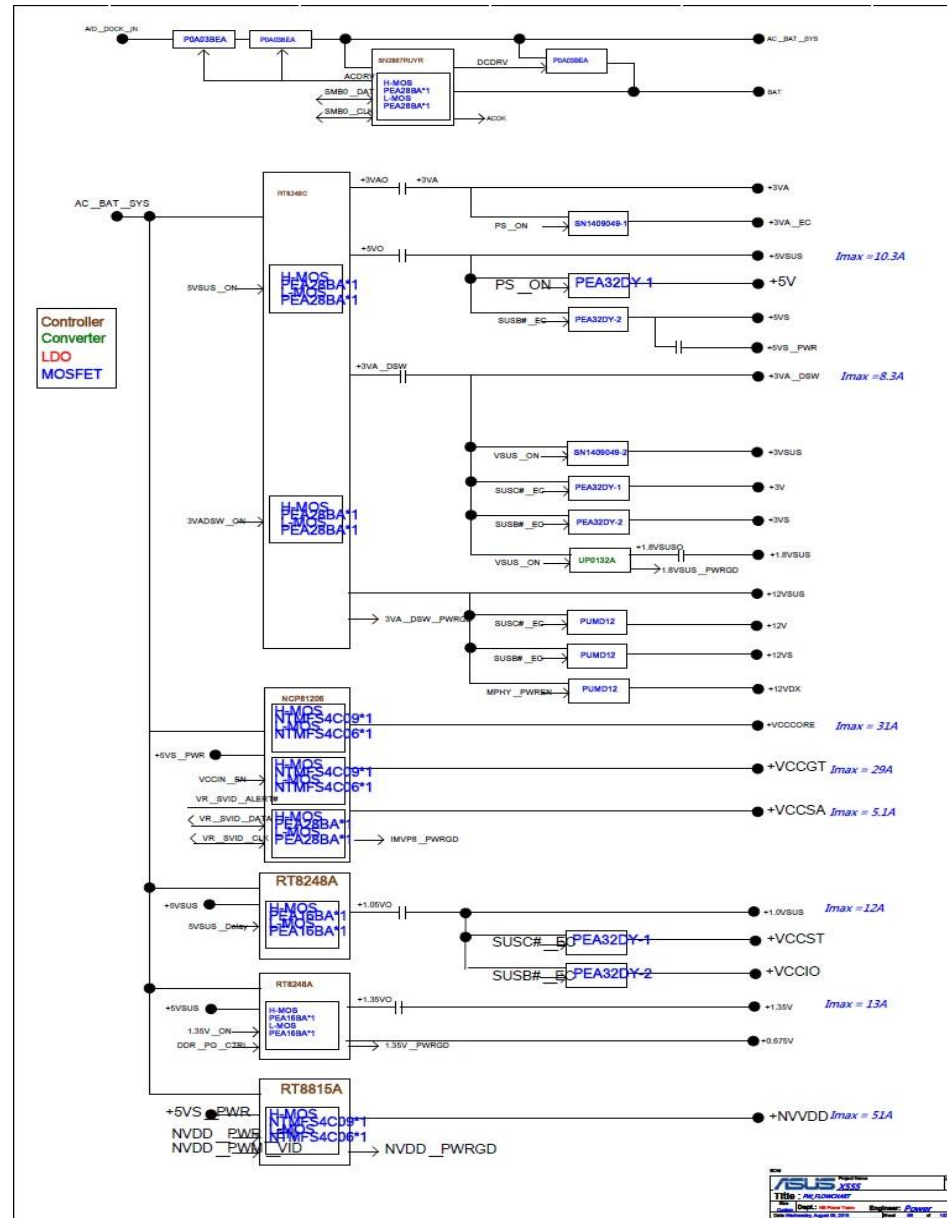
Non Connected Standby

Power

- +VCCGT
+VCCCORE
+VCCSA
Page 50 & 51
- +1.0VSUS / +1.8VSUS
Page 53
- +VCCPRIM_CORE
Page 54
- +1.35V / +0.675VS
Page 55
- +3VADSW/+5VSUS
Page 57
- Load Switch
Page 58
- Charger
Page 59
- +NVVDD
Page 61

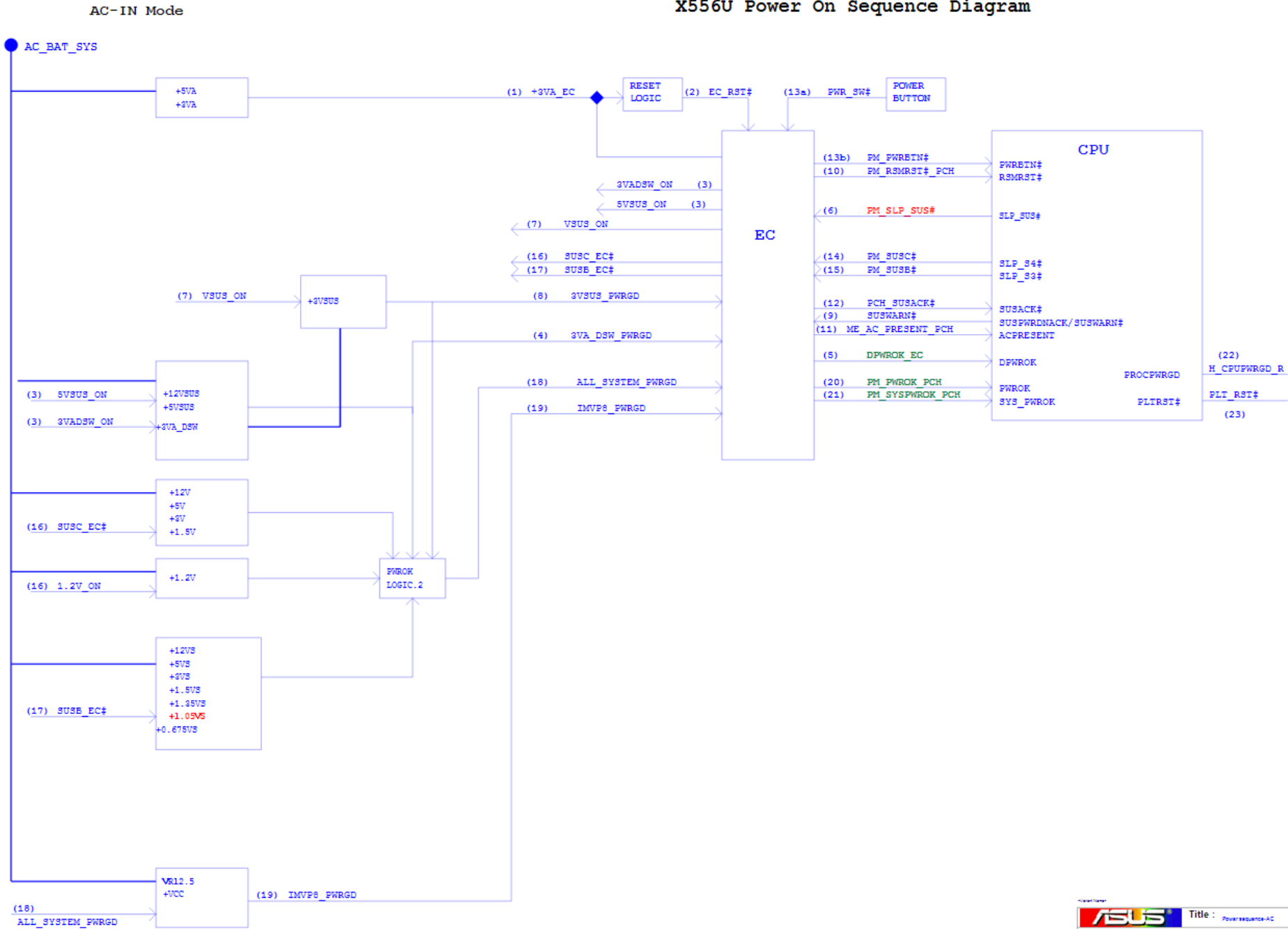


POWER FLOW



POWER ON SEQUENCE

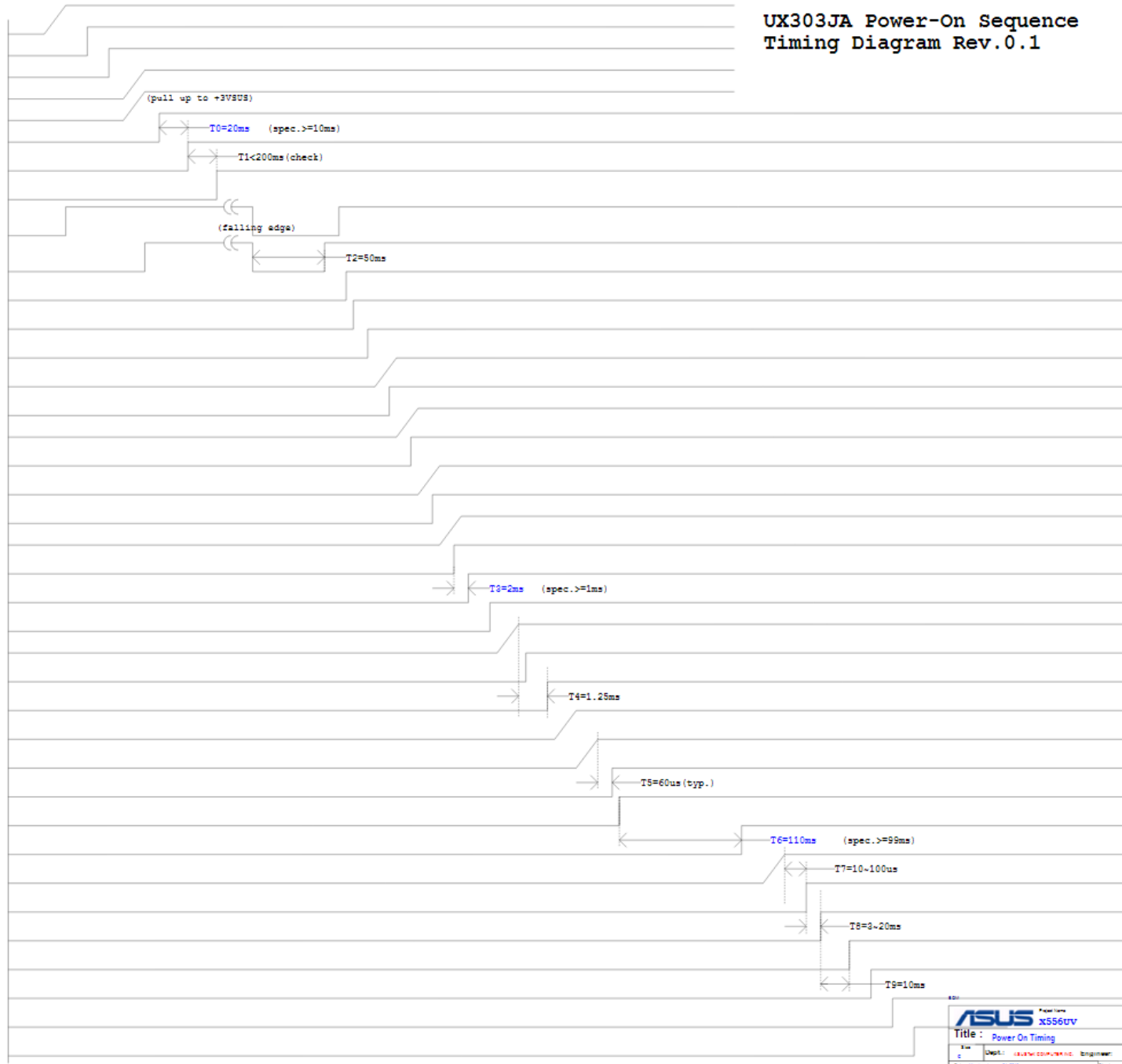
X556U Power On Sequence Diagram



AC POWER ON SEQUENCE

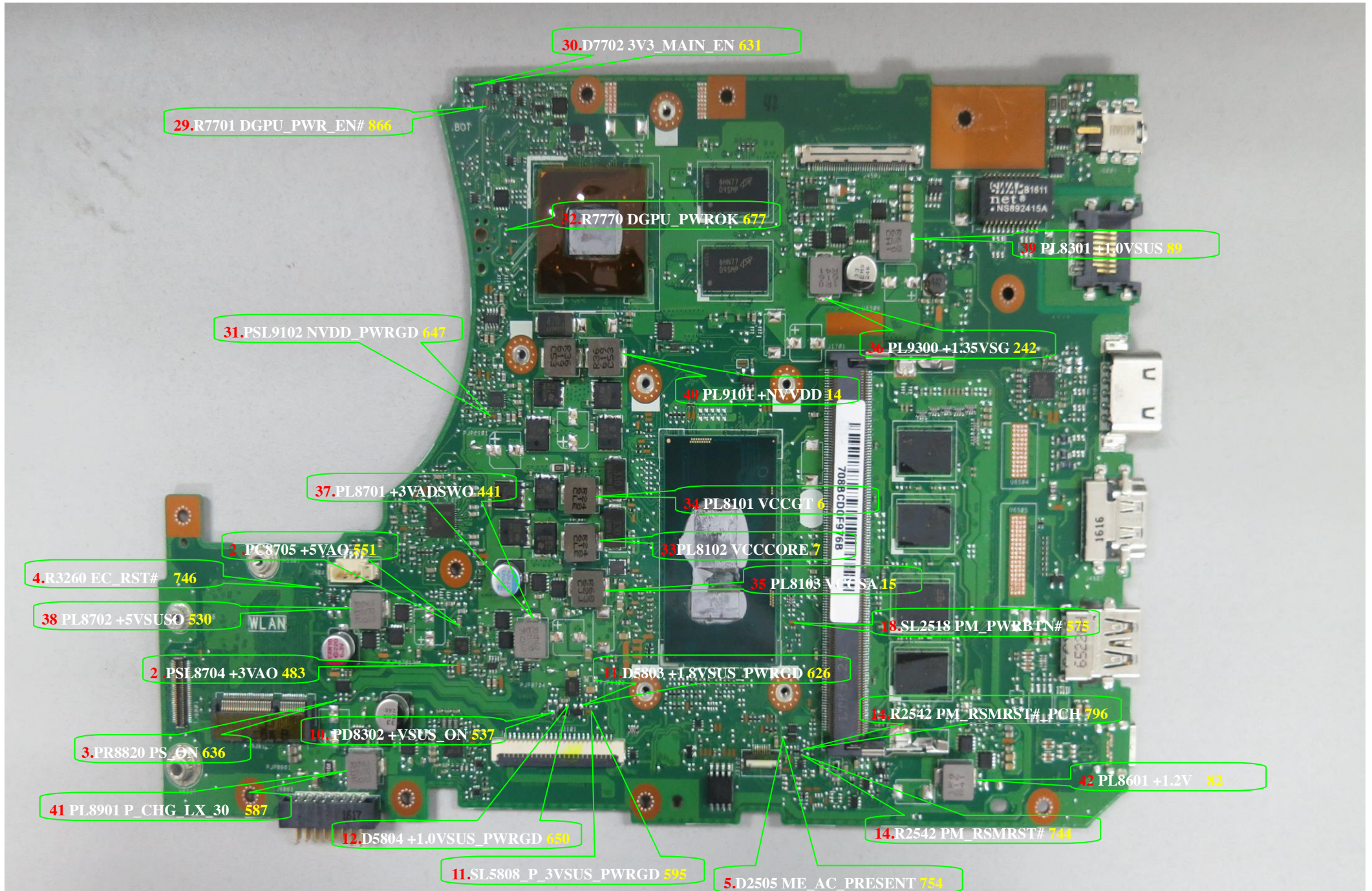
AC-IN Mode

- 1 +3VA/+5VA/+3VA_EC
(to EC) 2 EC_RST#
- (EC to power) 3 VSUS_ON
+3VSUS/+5VSUS
- (PCH to EC) 4 ME_SusPwrDnAck
- (power to EC) 5 SUS_PWRGD
(EC to PCH) 6 PM_RSTB#
- (EC to PCH) 7 AC_PRESENT
- (to EC) 8 PWR_SW#
- (EC to PCH) 9 PM_PWRBIN#
- (PCH to EC) 10 PM_SLP_A#
- (PCH to EC) 11 PM_SUSC#
- 12 PM_SUSB#/SLP_LAN#
(PCH to power)
+1.1VM_LAN
- (EC to power) ME_SLP_M_EC#
+1.1VM/+3VM
- (EC to power) 13 SUSC_EC#
+0.6V/+1.2V/+1.8V/+3V/+8V
- (EC to power) 14 SUBS_EC#
+1.05V/+1.2V/+1.8V/+3V/+5V
- (power to EC) ME_+VM_PWRGD
- (EC to PCH) ME_PWROK
- 15 SYSTEM_PWRGD
+VTT_CPU
- (CPU to power) GFX_VR_ON
- 16 +VTT_CPU_PWRGD/ 17 H_VTTPWRGD
(power to CPU)
GFX_VID
- +VGEX_CORE
- (power to EC) GFX_PWRGD
- 18 ALL_SYSTEM_PWRGD
- (EC to power) CPU_VRON
- 19 +VCCIN
CLK_PWRGD
(inversion of CLK_EN#)
- (power to EC) 20 CORE_PWRGD
- (EC to PCH) 21 PM_PWROK
- (PCH to CPU) H_DRAM_PWRGD
- (PCH to CPU) H_CPUPWRGD
- (PCH to CPU) 22 BUF_FLT_RST#



UX303JA Power-On Sequence
Timing Diagram Rev.0.1

Signal Measure Point-Bottom



Signal Measure Point-Top

