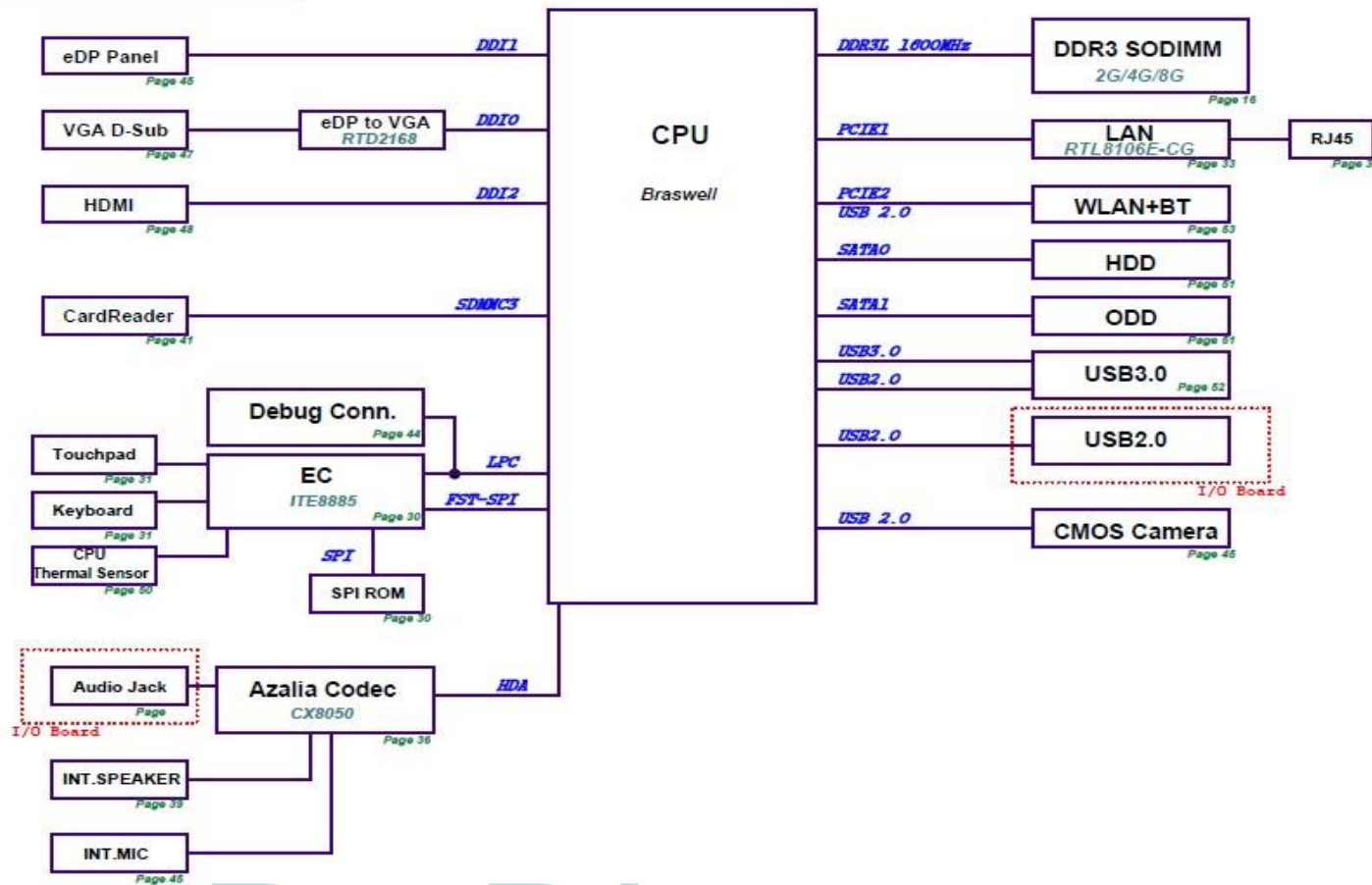


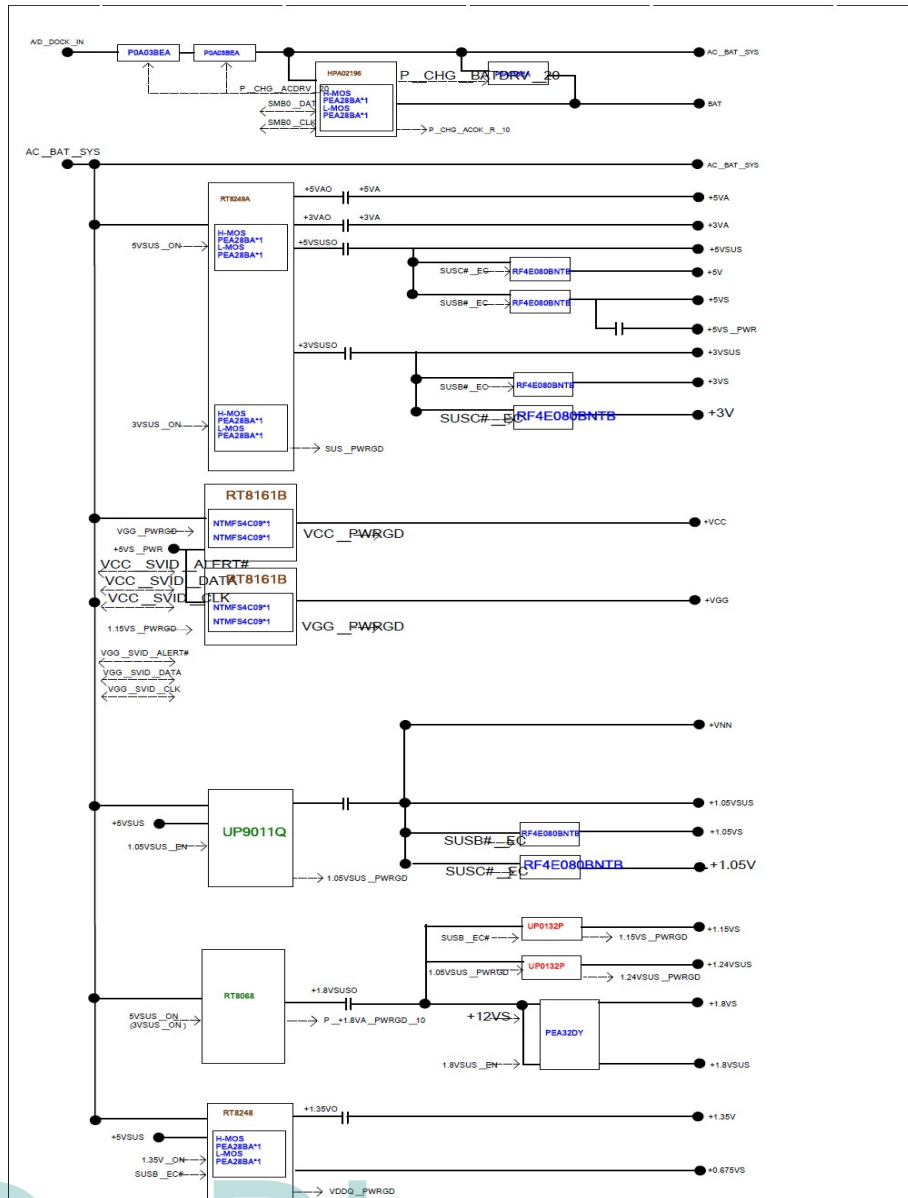
## BLOCK DIAGRAM

X453SA/X553SA SCHEMATIC R1.0

### BLOCK DIAGRAM



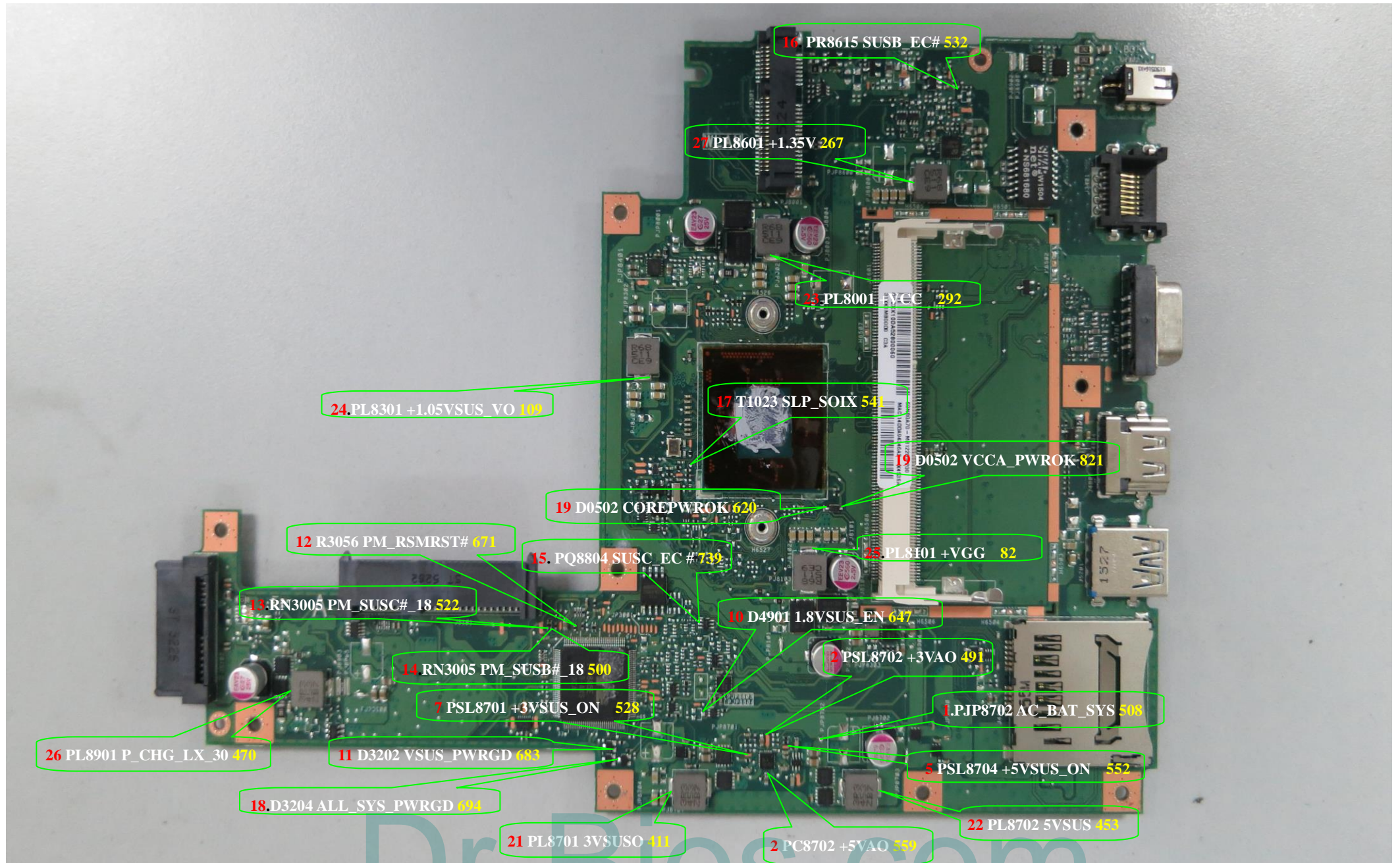
# POWER FLOW







# Signal Measure Point-Bottom





# Signal Measure Point-Top

6. SW5601 PWR\_SW# 698

8 PR8422 SUS\_PWRGD 590

9 PR8421 1.05VSUS\_PWRGD 603

17 D0501VDDQ\_PWRGD 730

20 C1009 PLT\_RST# 540

12 VT334 PM\_PWRBTN#\_18 564

15 VT283 L35V\_ON 572

3 D3201 +3VA\_EC 479

4 D3201 EC\_RST# 755

