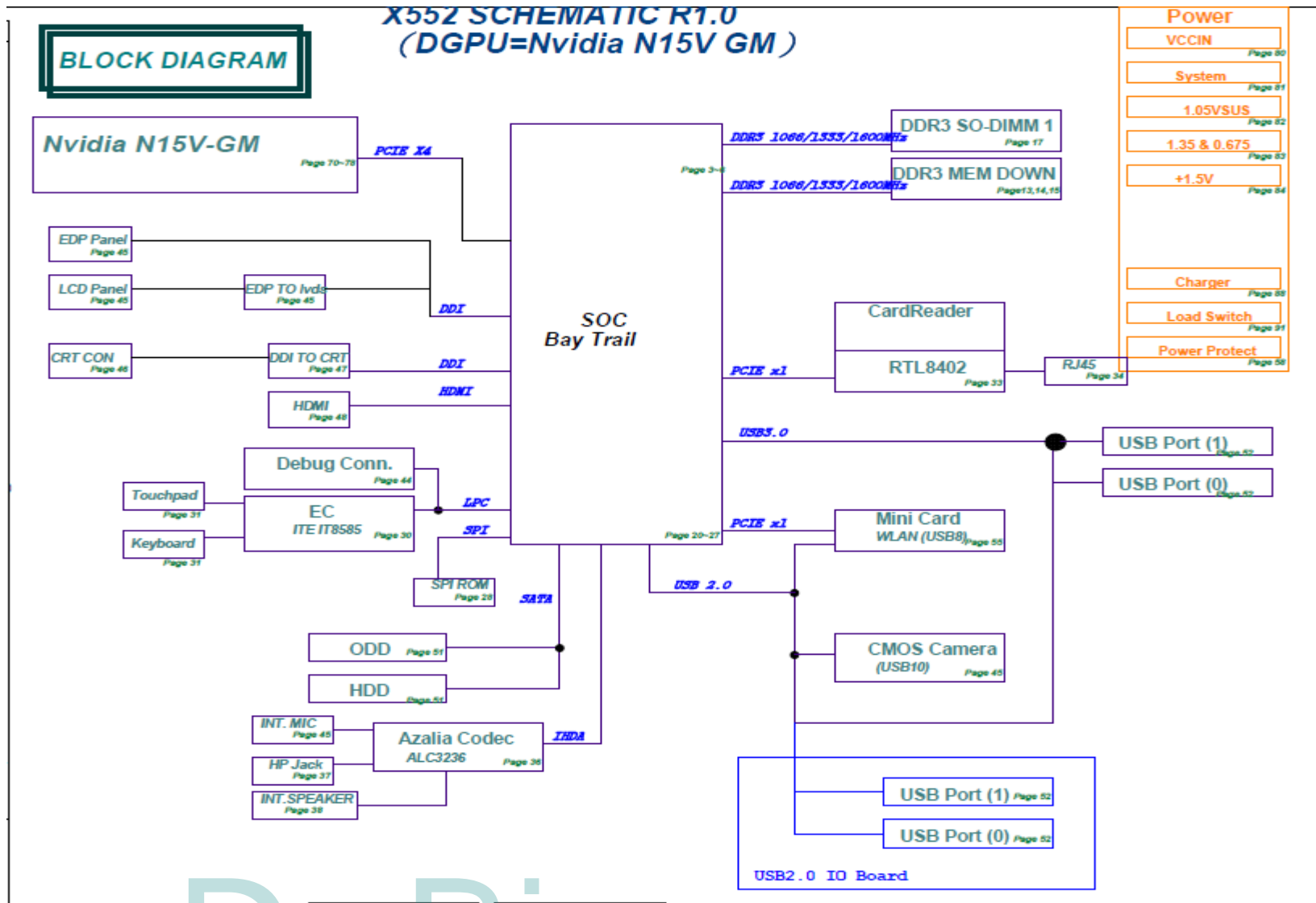
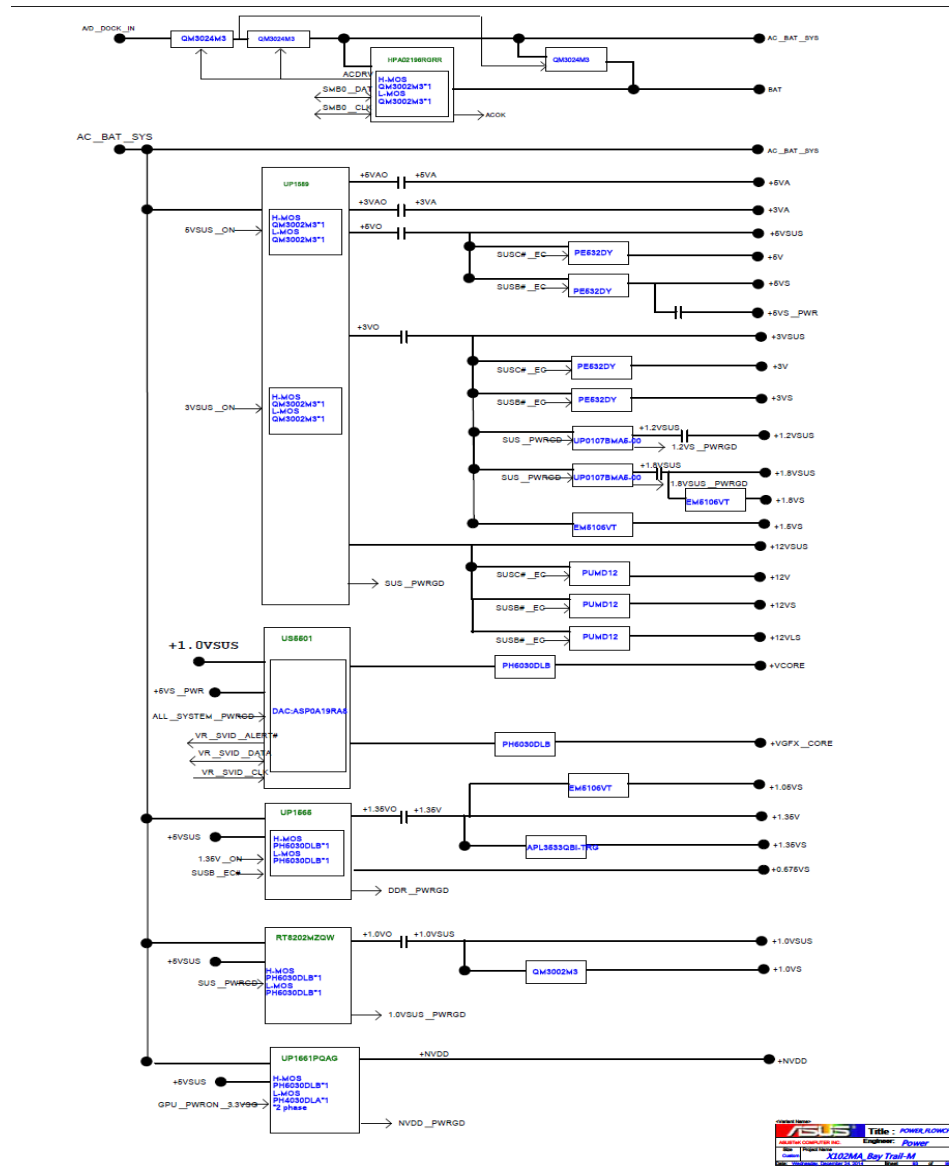


BLOCK DIAGRAM



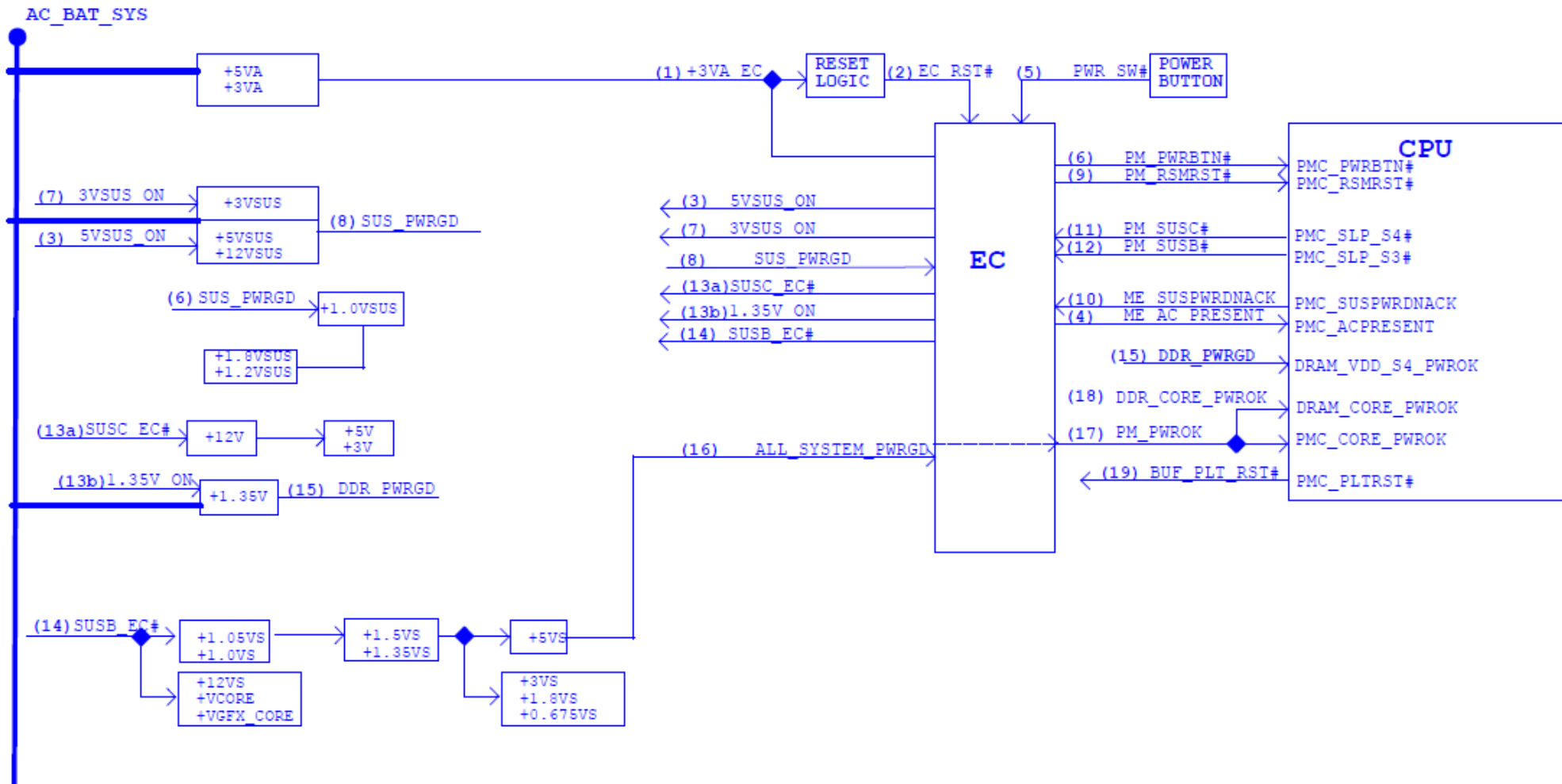
POWER FLOW



POWER ON SEQUENCE

AC-IN Mode

X751MJ Power On Sequence Diagram Rev.0.1

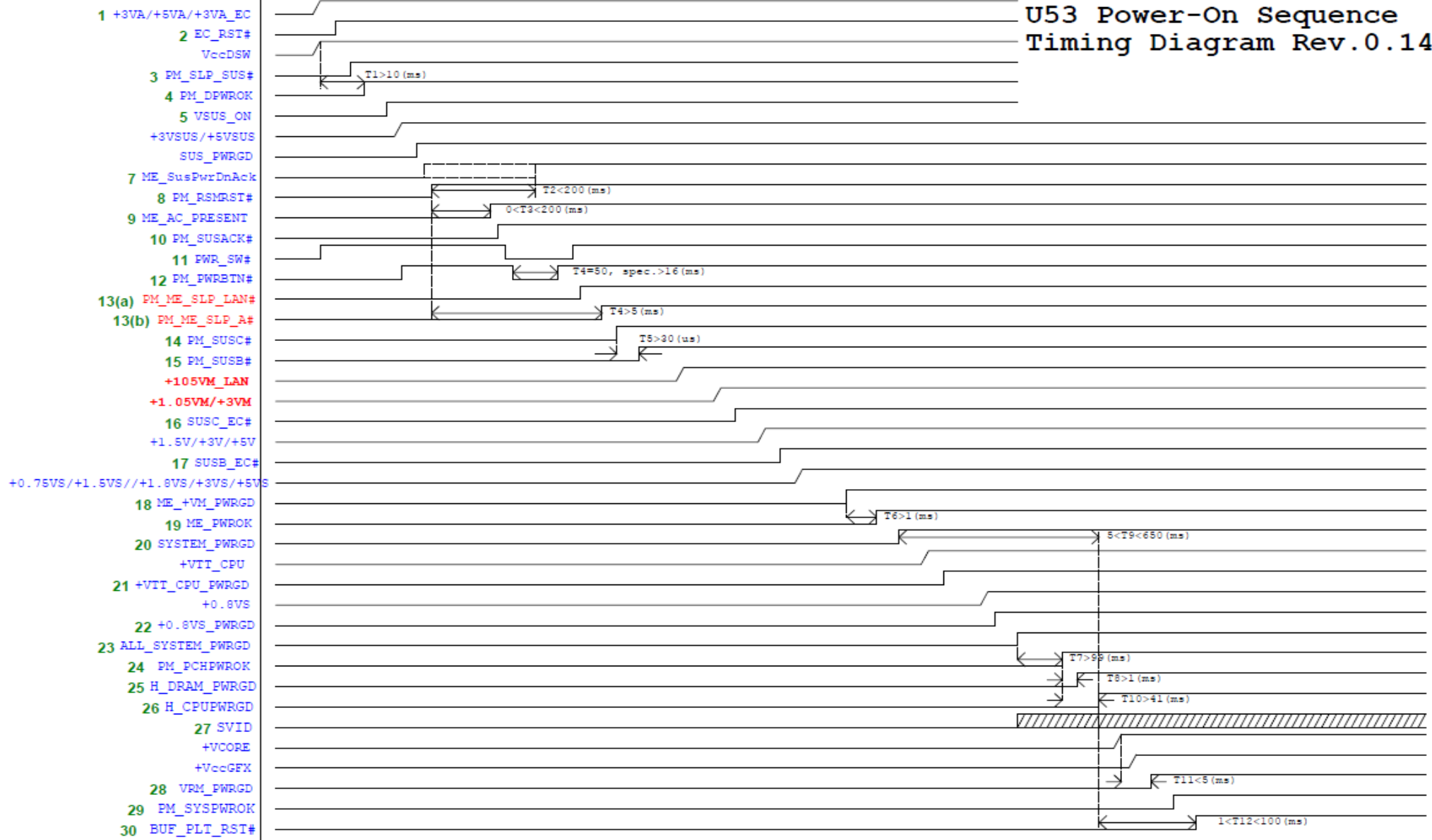


Dr-Bios.com

POWER ON SEQUENCE(AC Mode)

AC-IN Mode

U53 Power-On Sequence
Timing Diagram Rev.0.14



Dr-Bios.com

POWER ON SEQUENCE(DC Mode)

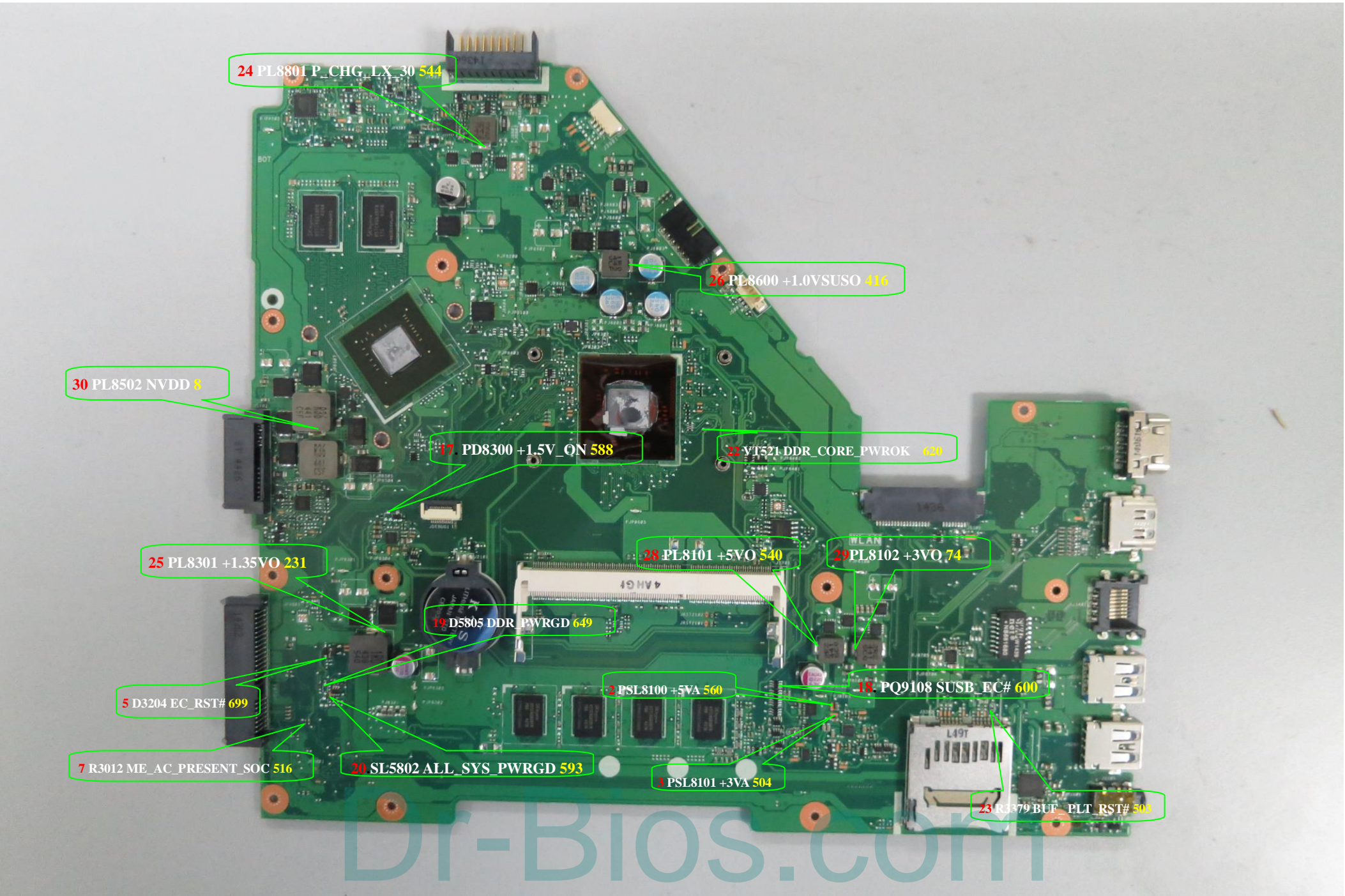
DC-IN Mode

U53 Power-On Sequence
Timing Diagram Rev.0.14



Dr-Bios.com

Signal Measure Point-Bottom



24 PL8801 P_CHG_LX_30 544

30 PL8502 NVDD 8

17 PD8300 +1.5V_ON 588

26 PL8600 +1.0VSUSO 416

25 PL8301 +1.35VO 231

28 PL8101 +5VO 540

23 VT521 DDR_CORE_PWROK 620

19 D5805 DDR_PWRGD 649

29 PL8102 +3VO 74

5 D3204 EC_RST# 699

3 PSL8100 +5VA 560

18 PQ9108 SUSB_EC# 600

7 R3012 ME_AC_PRESENT_SOC 516

20 SL5802 ALL_SYS_PWRGD 593

3 PSL8101 +3VA 504

23 R3379 BUF_PLT_RST# 803

Dr-BIOS.COM

Signal Measure Point-Top

