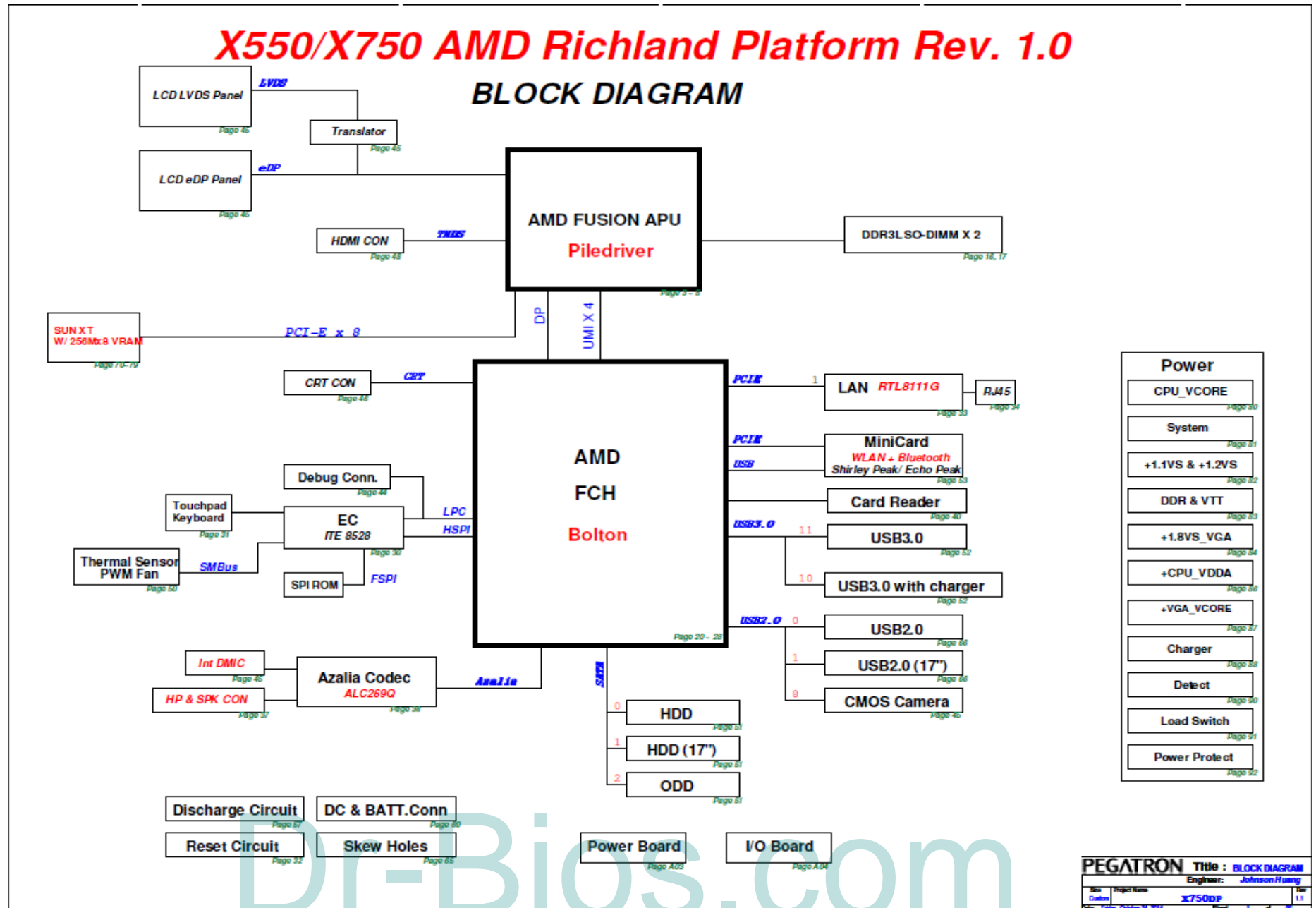


X550DP Repair Guide

BLOCK DIAGRAM

X550/X750 AMD Richland Platform Rev. 1.0

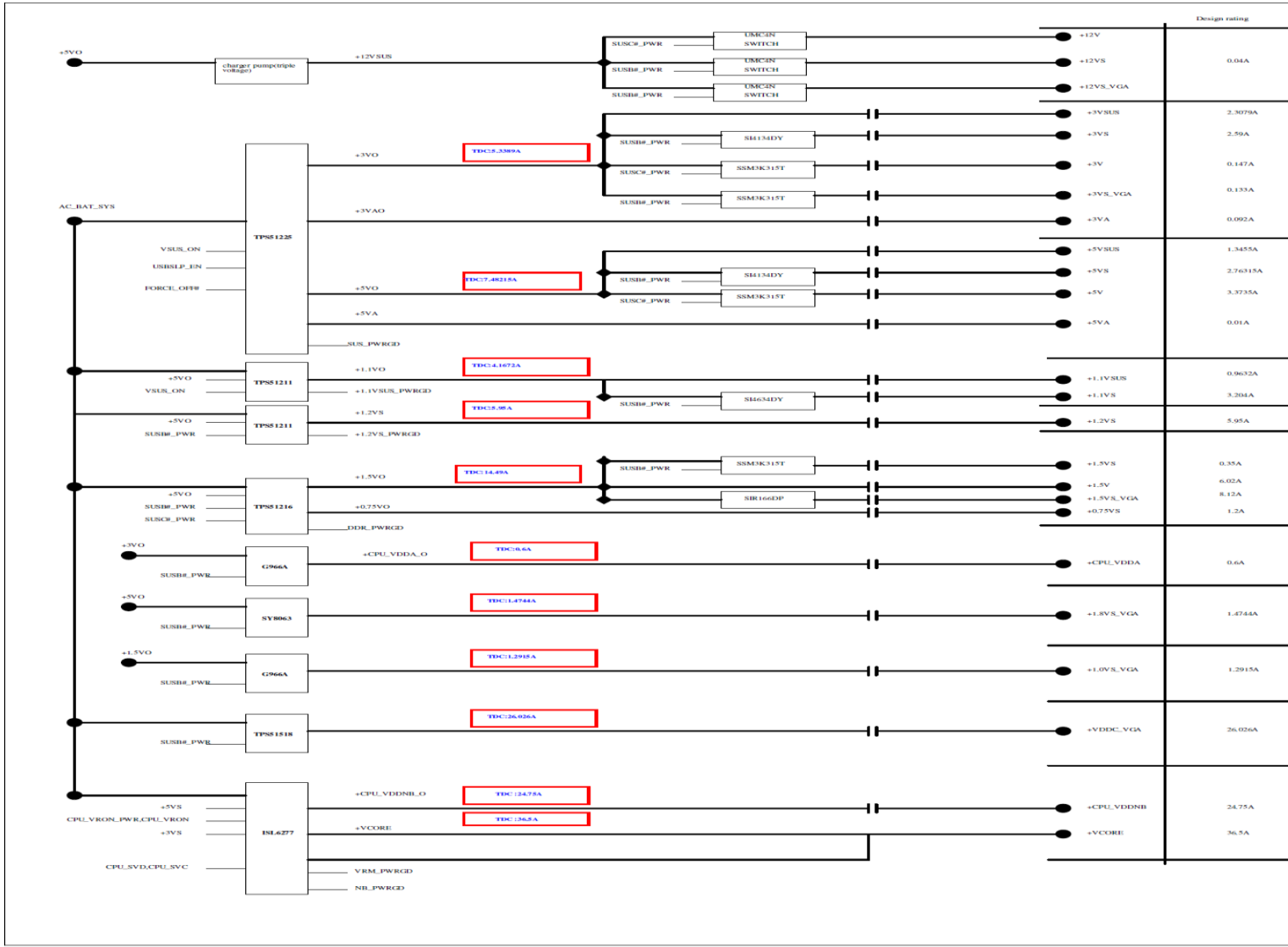
BLOCK DIAGRAM



Dr-Bios.com

| | | | |
|----------|-----------------------|-------------------------|--------|
| PEGATRON | | Title : BLOCK DIAGRAM | |
| | | Engineer: Johnson Huang | |
| Rev | Project Name | Part No | Ver |
| Custom | X750DP | | 1.1 |
| File | 1-2014-10-27-14-11-11 | Print | 1 of 1 |

POWER FLOW



POWER ON SEQUENCE

Power On Sequence Diagram G3-S0 R1.0

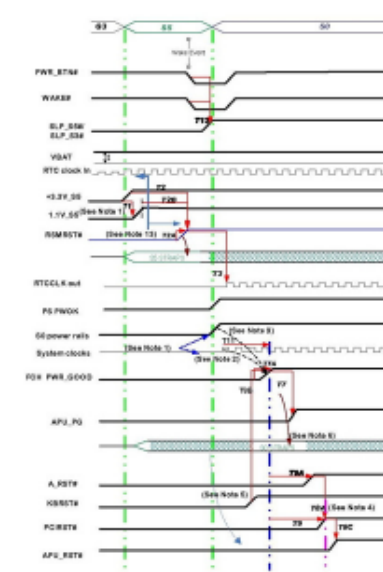
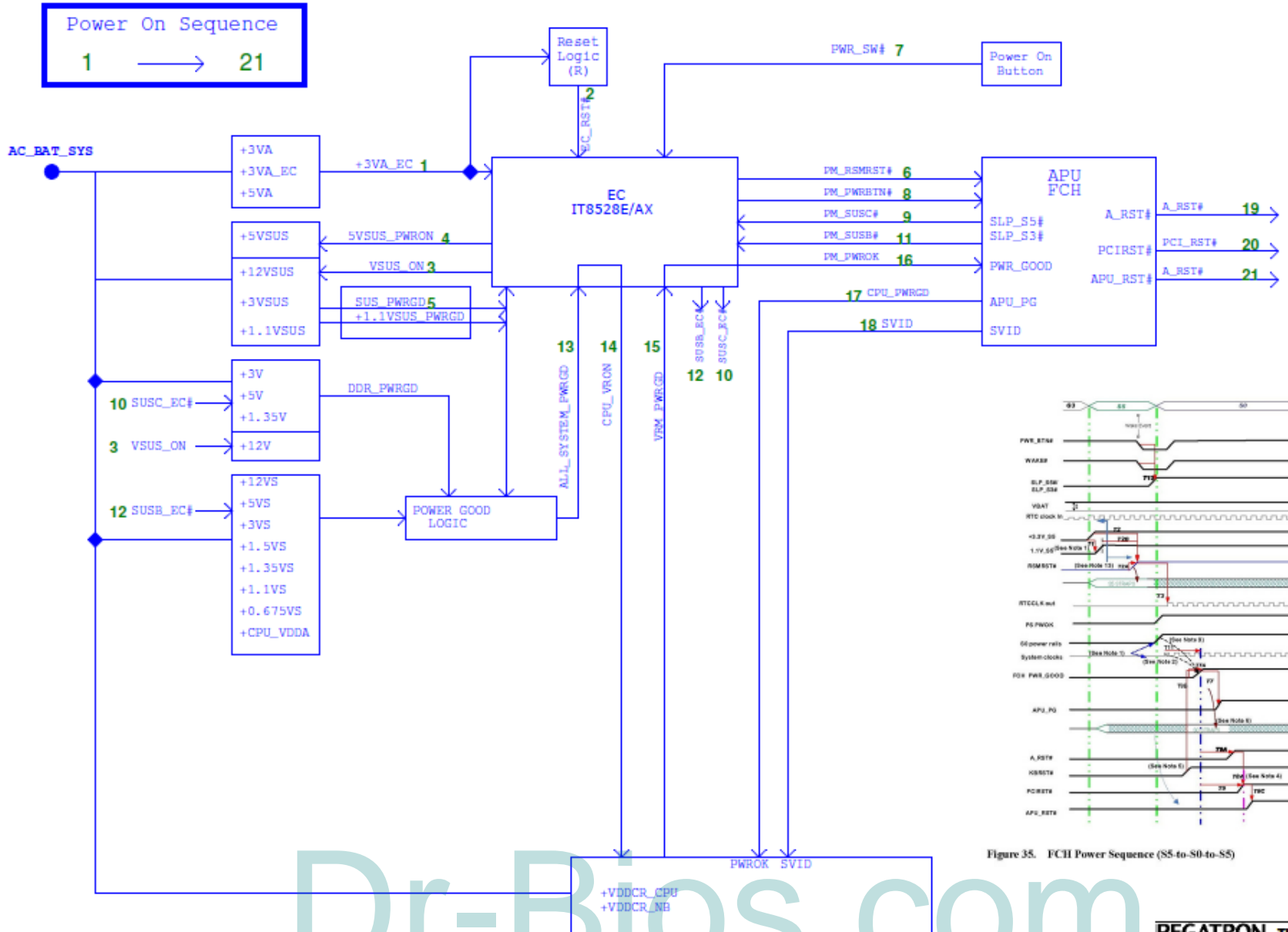
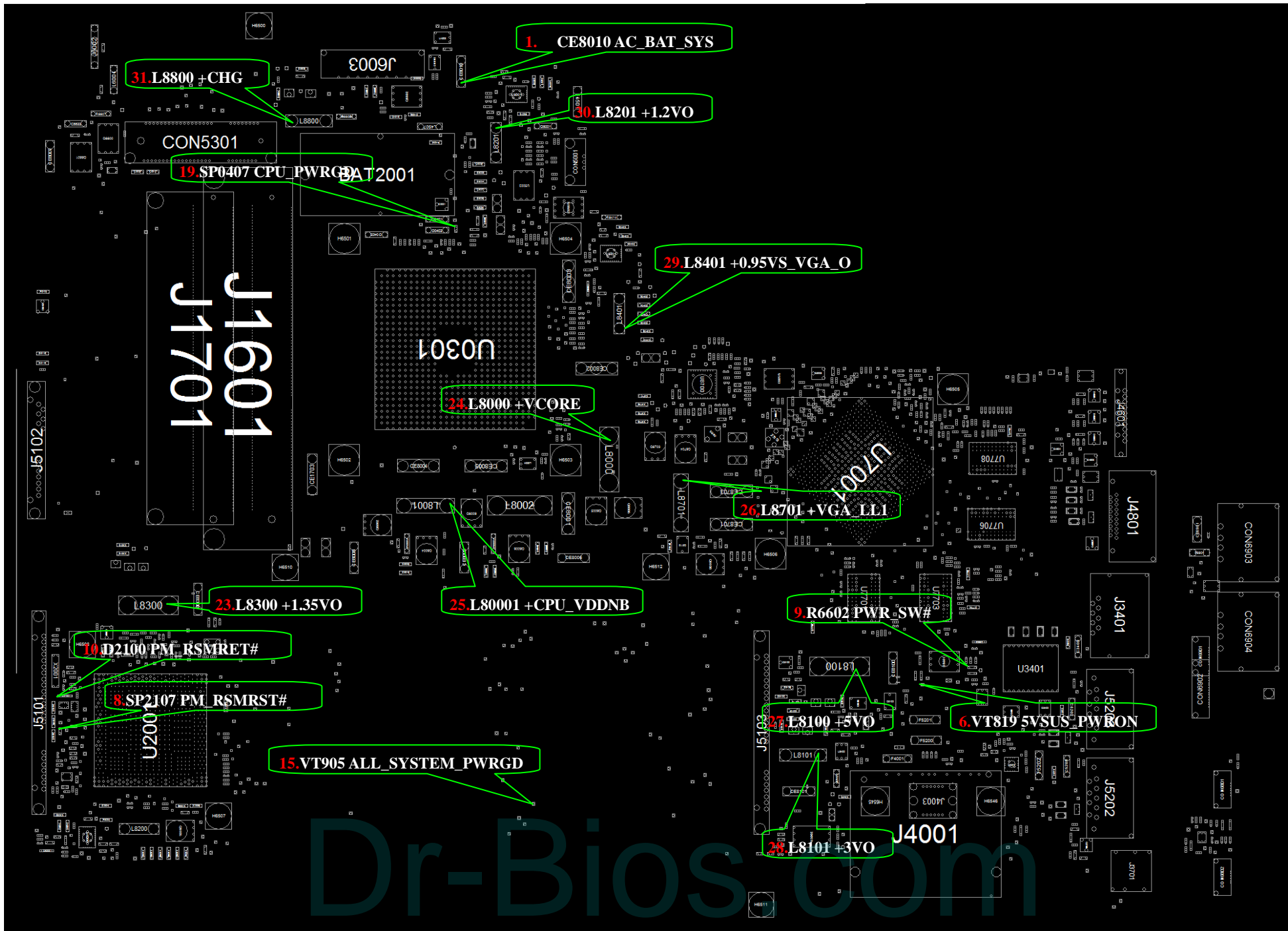


Figure 35. FCH Power Sequence (S5 to S0 to S5)

Dr-Bios.com

Signal Measure Point-Bottom



Signal Measure Point-Top

