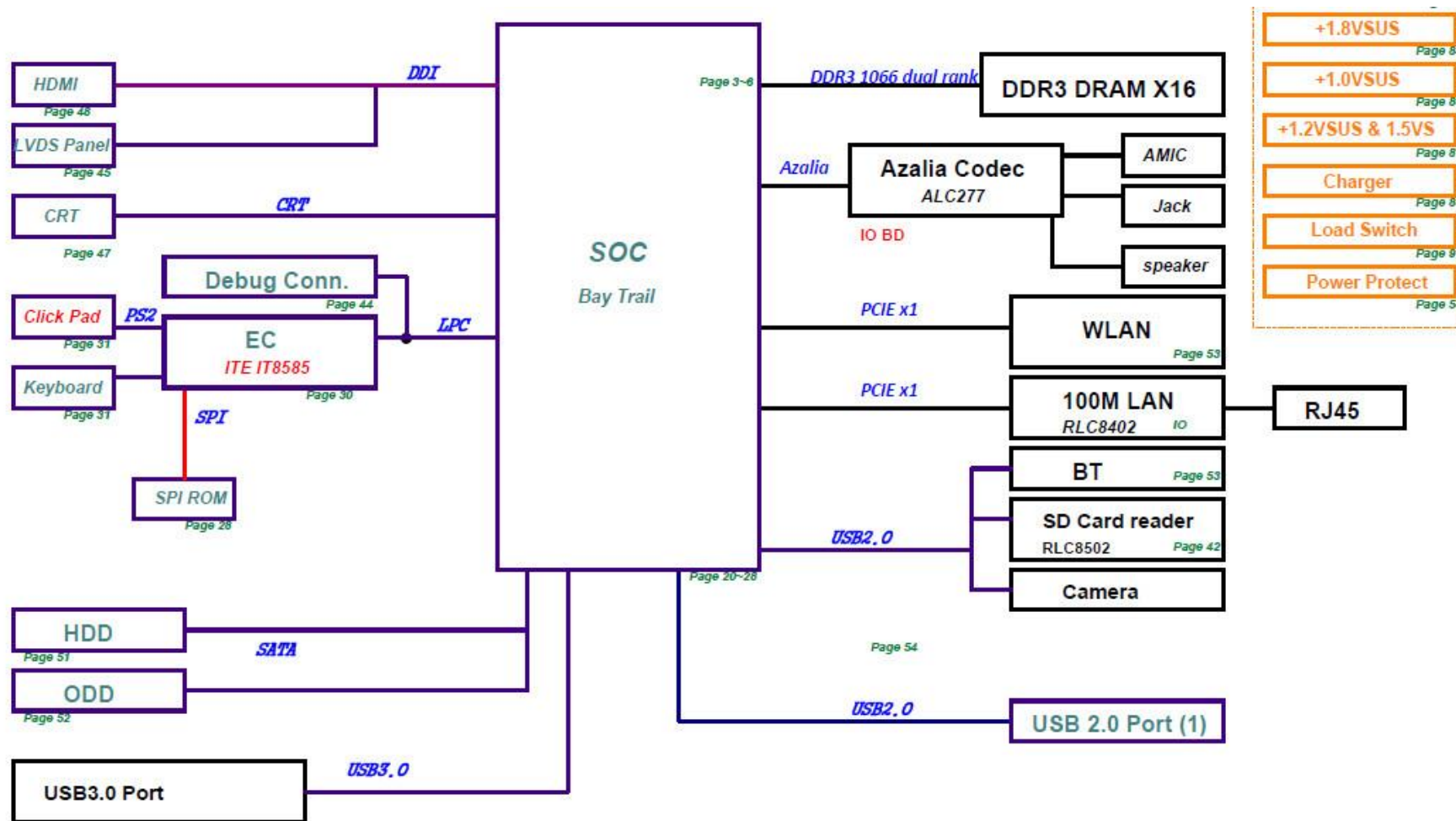
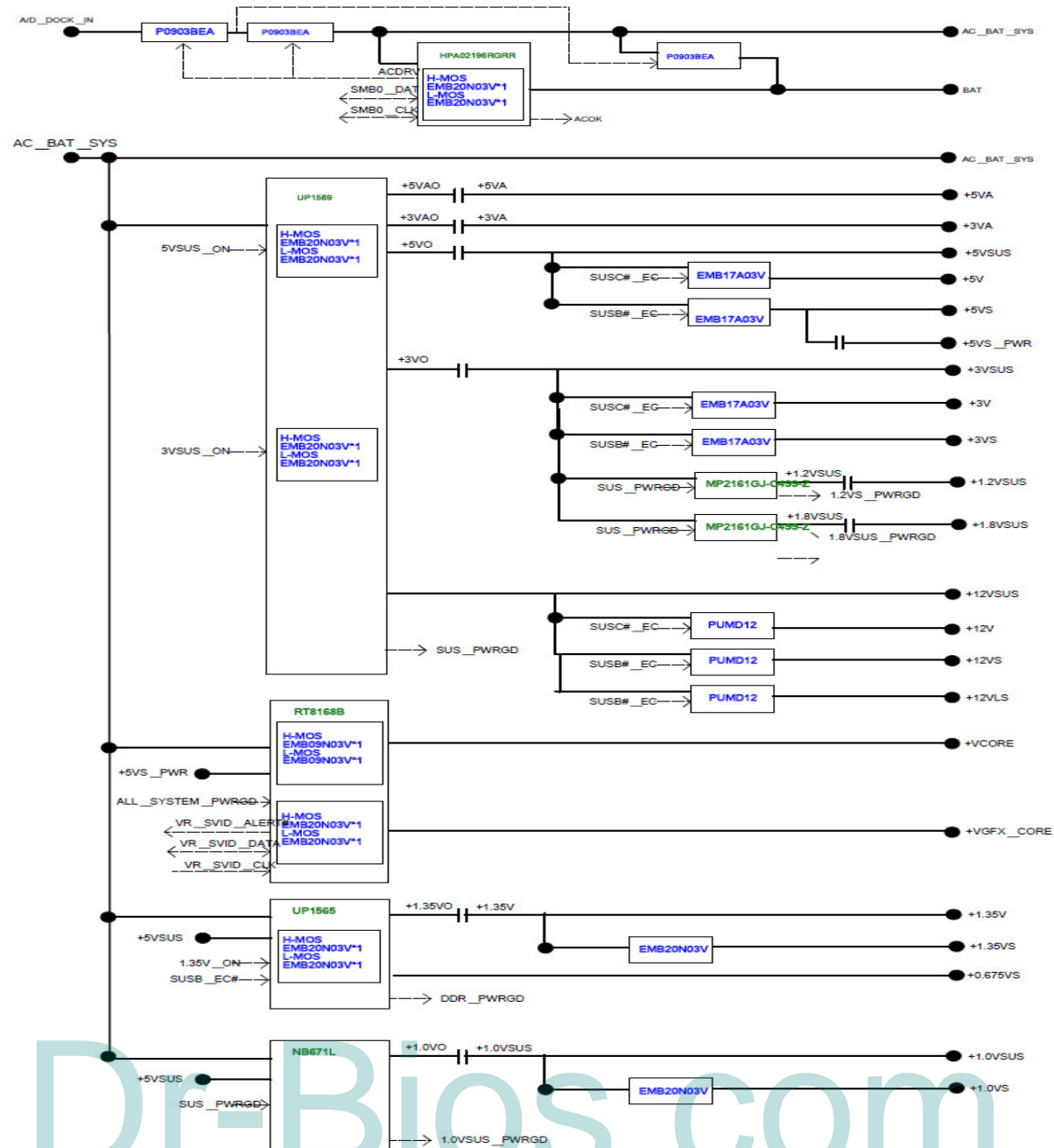


## BLOCK DIAGRAM

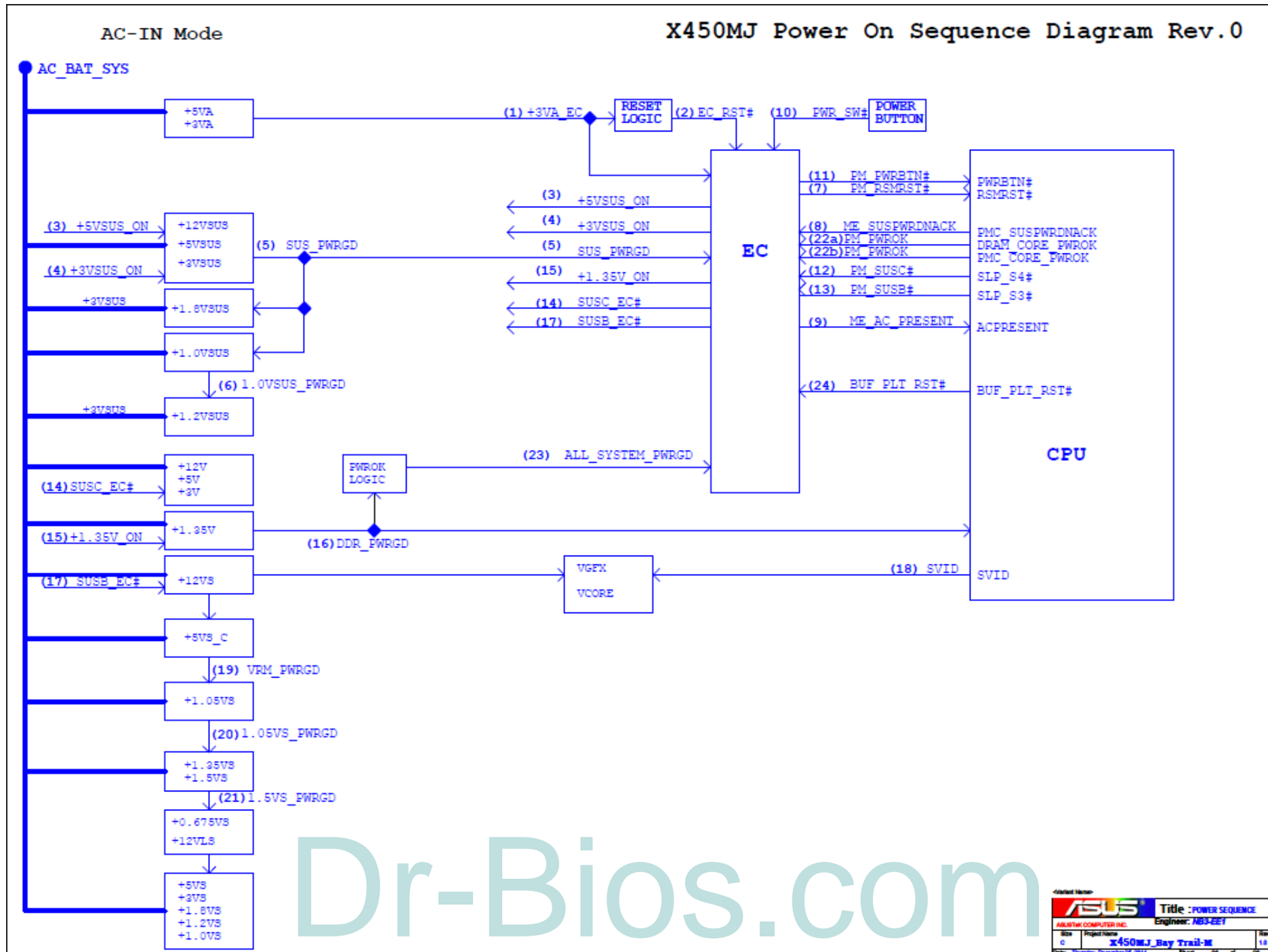


# POWER FLOW



Dr-Bios.com

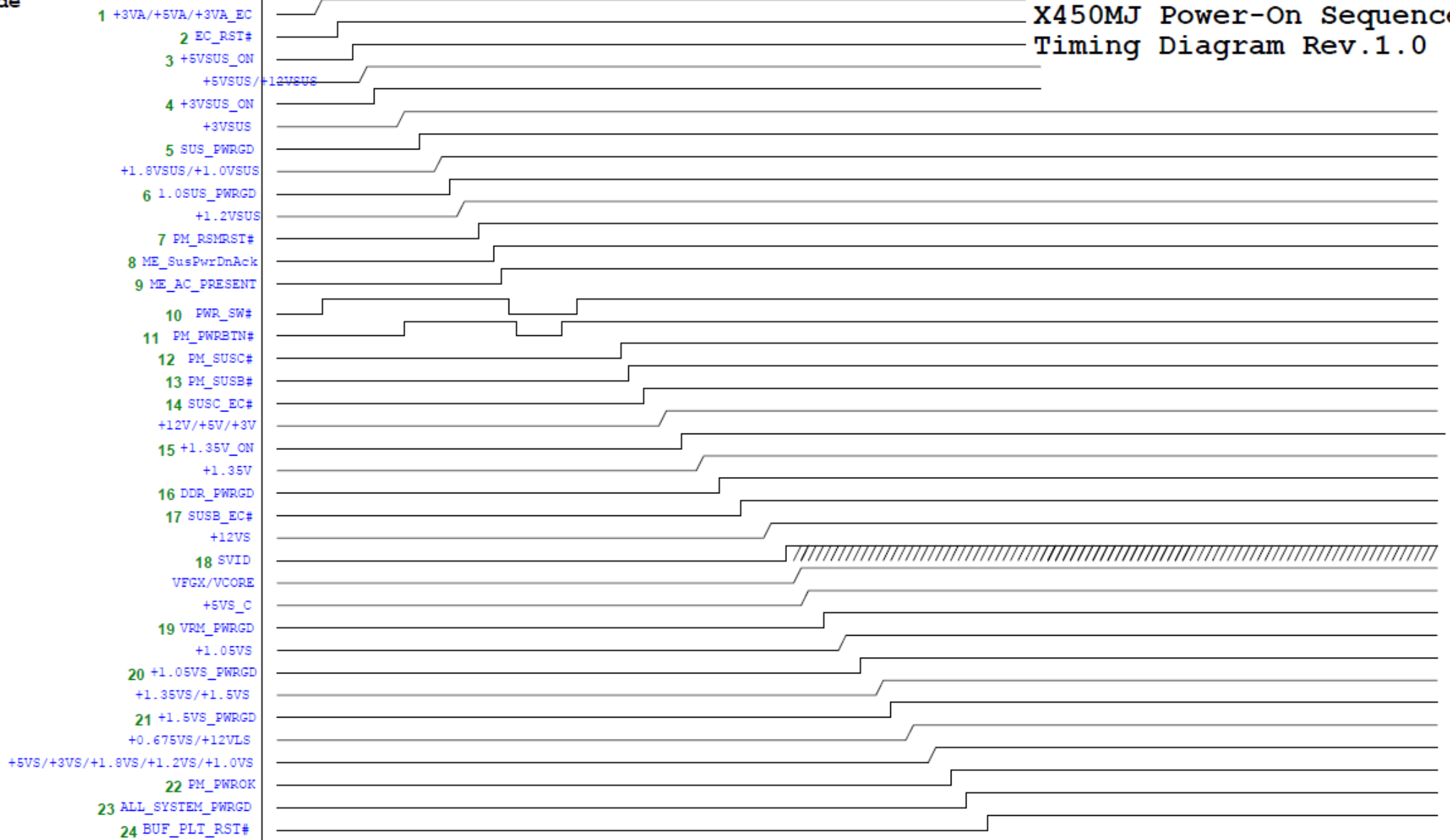
# POWER ON SEQUENCE



# AC\_IN POWER ON SEQUENCE

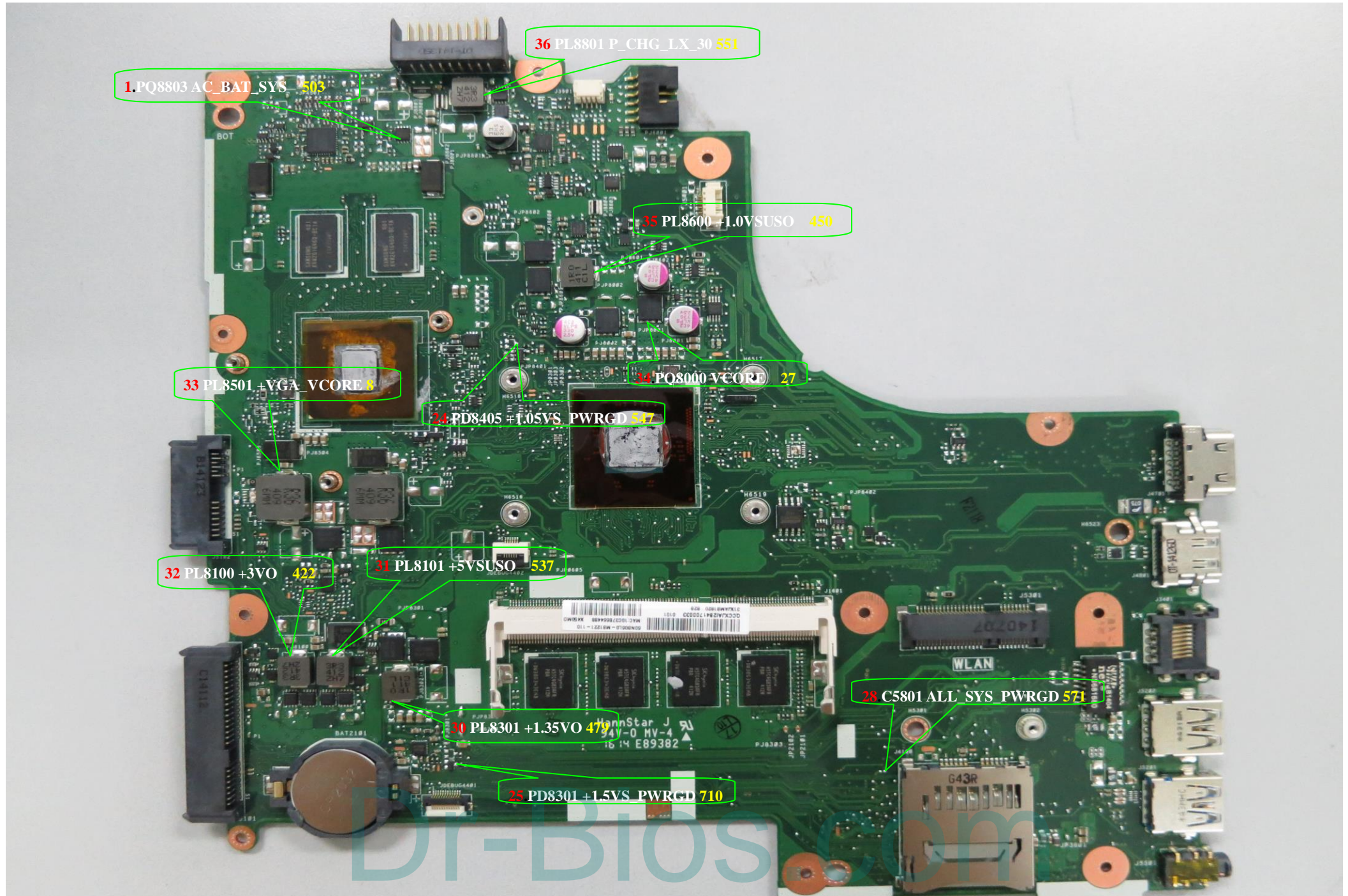
AC-IN  
Mode

X450MJ Power-On Sequence  
Timing Diagram Rev.1.0



Dr-Bios.com

# Signal Measure Point-Bottom



1. PQ8803 AC\_BAT\_SYS 503

36 PL8801 P\_CHG\_LX\_30 551

35 PL8600 +1.0VSUSO 450

33 PL8501 +VGA\_VCORE 8

34 PQ8000 VCORE 27

33 PD8405 +1.05VS\_PWRGD 537

32 PL8100 +3VO 422

31 PL8101 +5VSUSO 537

28 C5801 ALL\_SYS\_PWRGD 571

30 PL8301 +1.35VO 479

25 PD8301 +1.5VS\_PWRGD 710

DI-BIOS.com

# Signal Measure Point-Top

