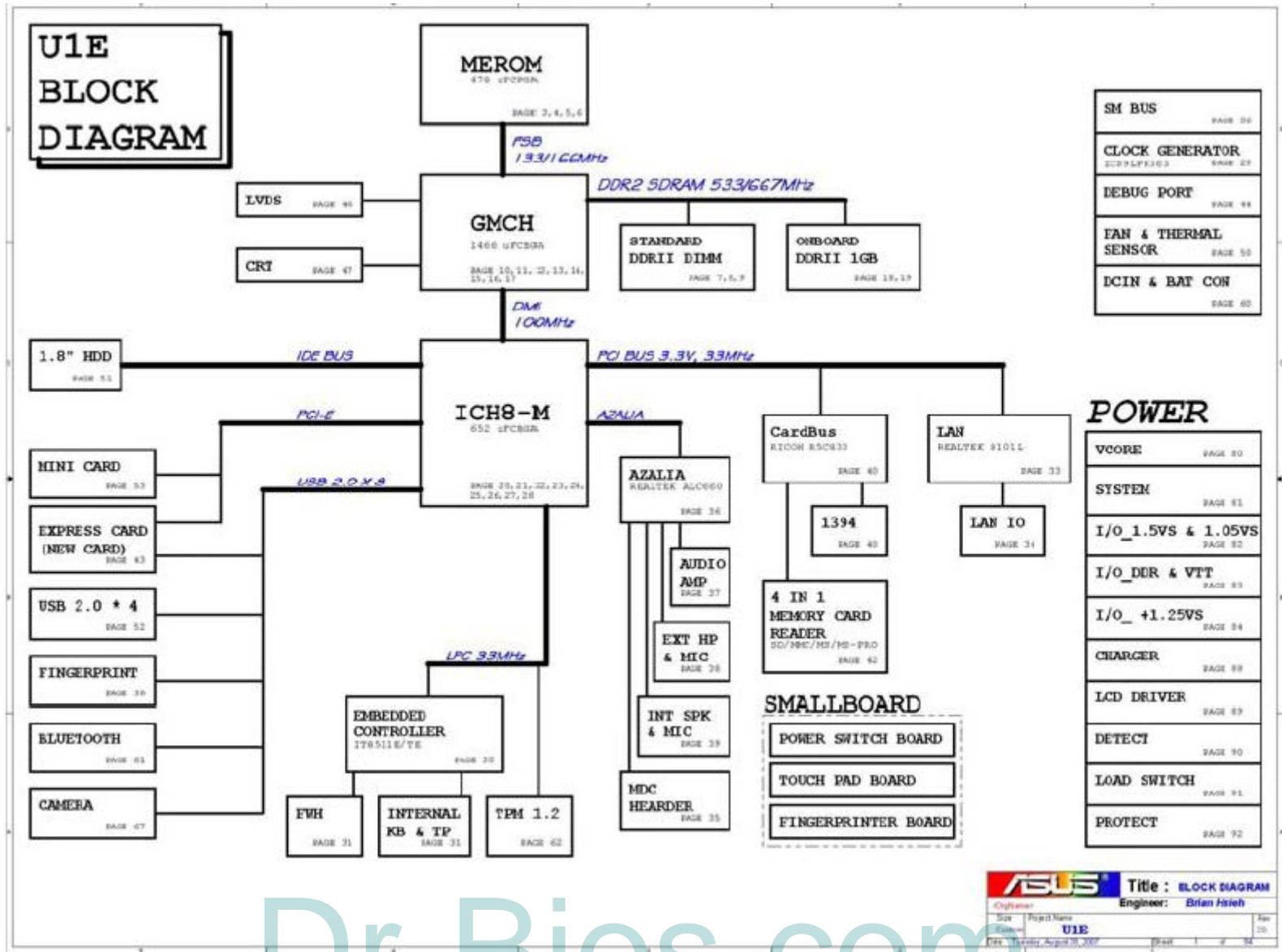


**U1E**

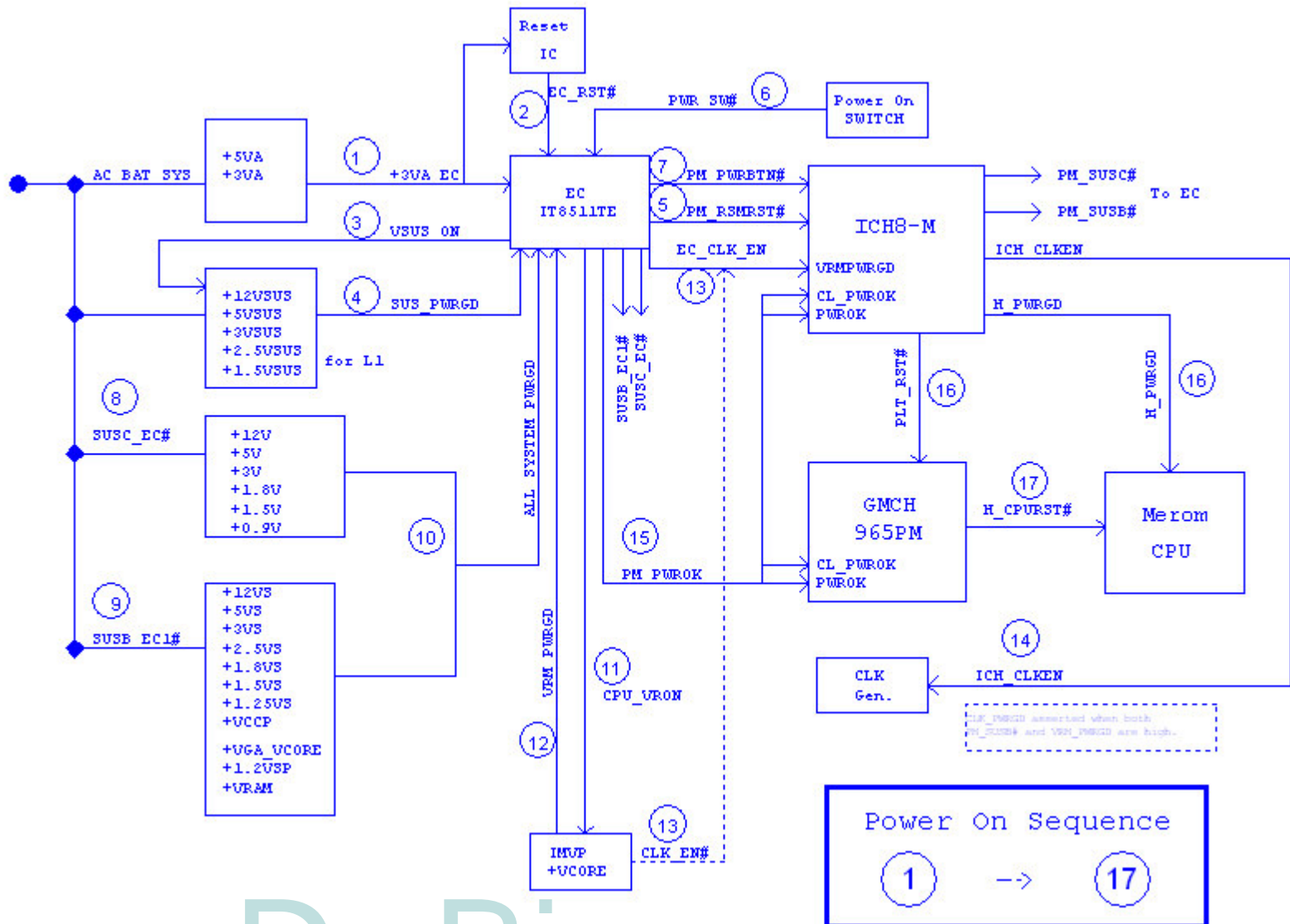
# **Troubleshooting Guide**

[Dr-Bios.com](http://Dr-Bios.com)

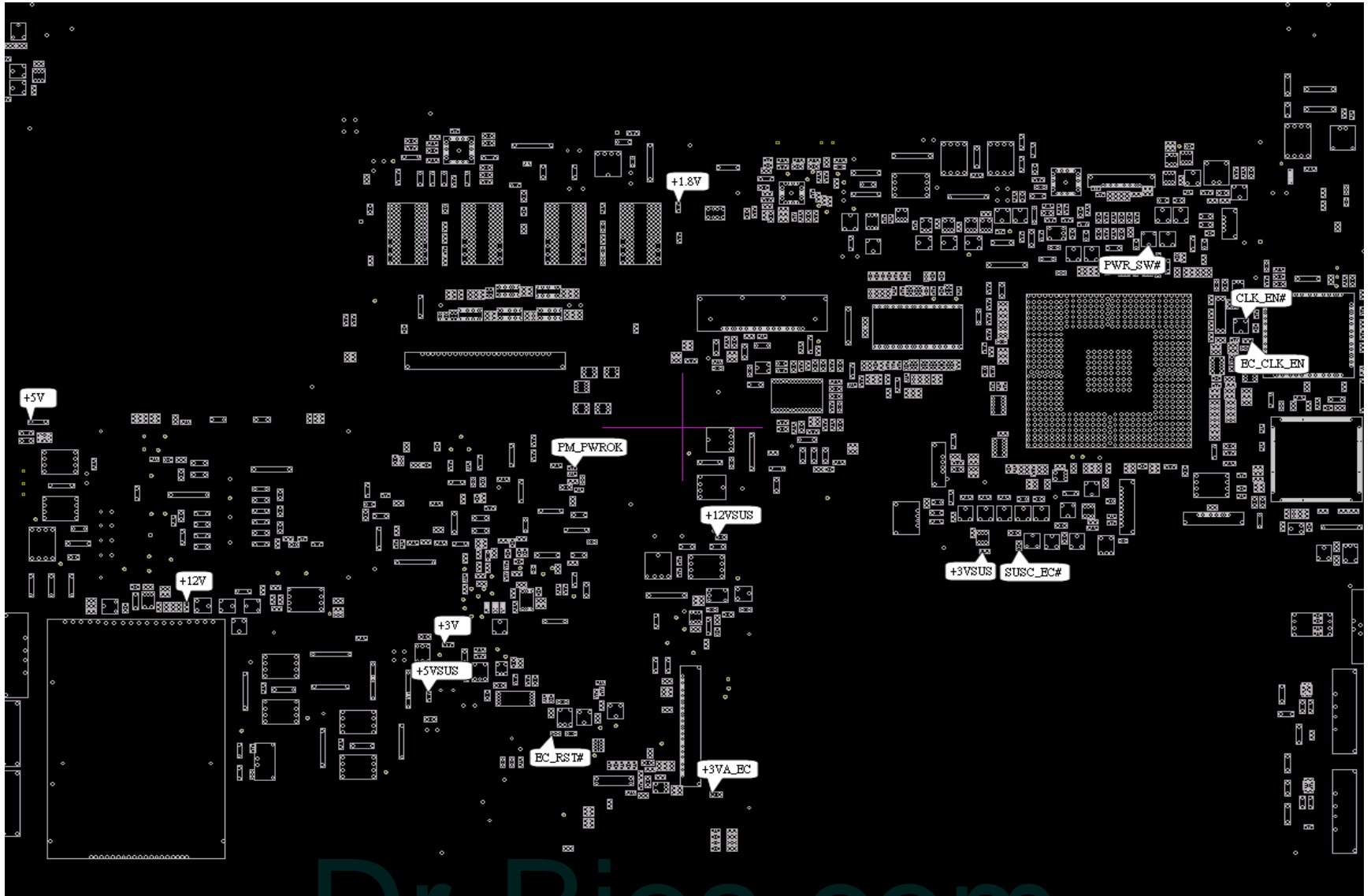
# Block Diagram



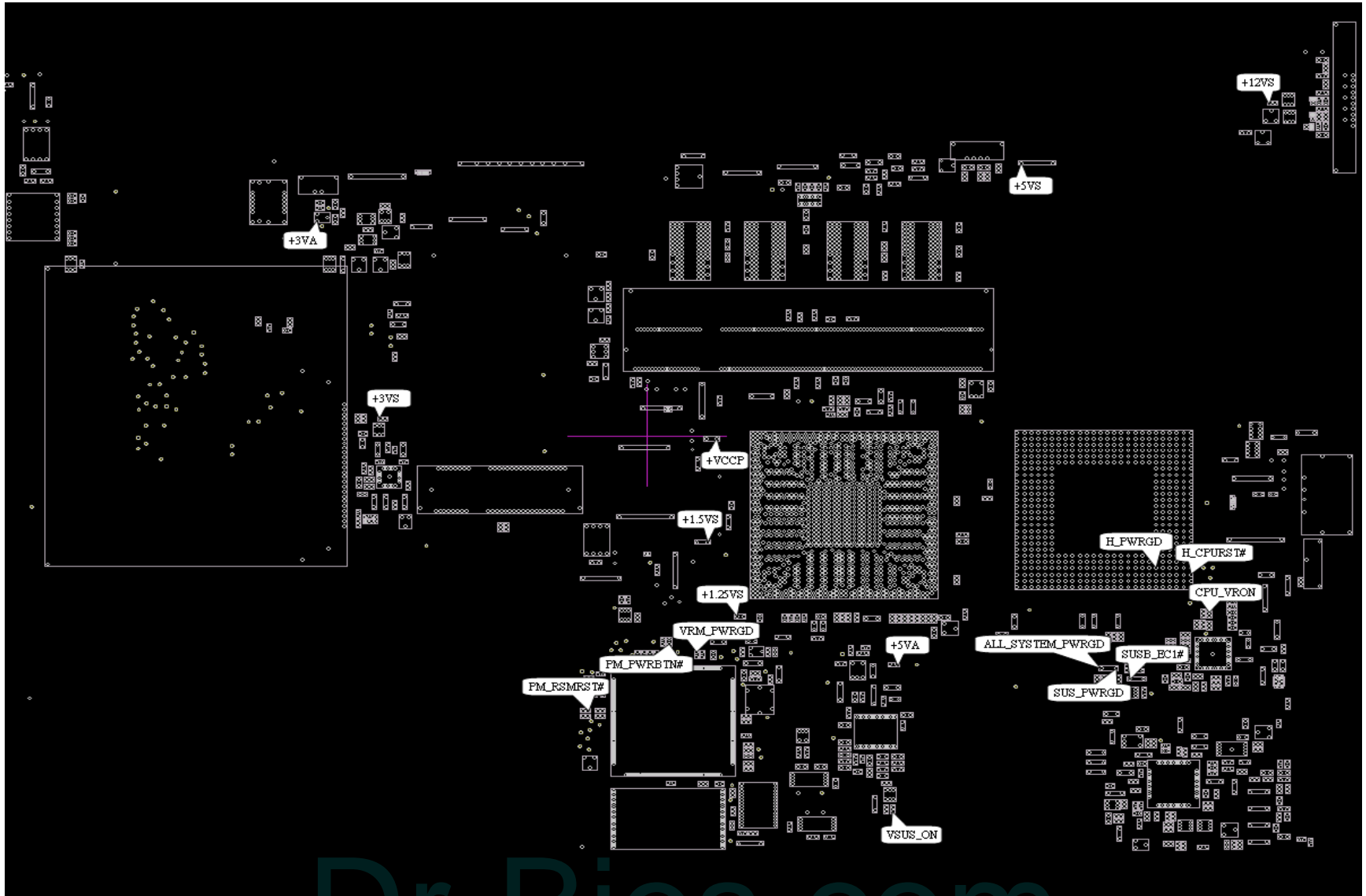
# Power On Sequence



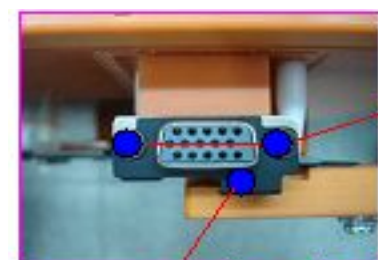
# TSICT Voltage Measure -TOP



# TSICT Voltage Measure -BOTTOM



# Visual Inspection -TOP



12~13 SCREW  
#4\*4L(K) B-NI,NY

總檢查數: 14  
請依序檢查  
check total: 14  
Please multistage check

14. U5A-1 ATP  
SUPPORT

1. S6F LAN  
MYLAR

11. U1F-1A  
VGA BRKT

2. M9 MDC  
CABLE 2P

10. U1F-1A  
CPU BRKT  
ASSY

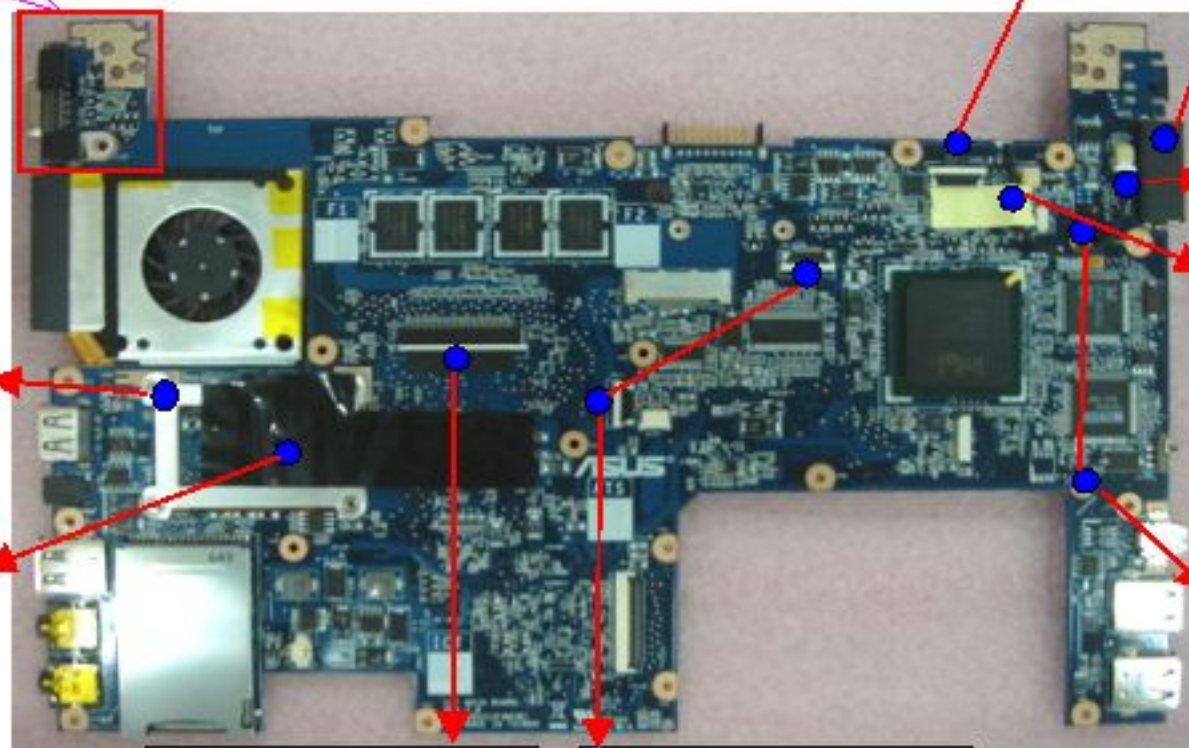
3. 3M 1350F  
膠帶

9. U1F-1A  
MB MYLAR

4~5.  
SCREW  
M2\*3L (K)  
B-NI  
NYLOK

8. U5A-1A KB  
SUPPORT MYLAR

6~7. U5A-1A TP  
SUPPORT MYLAR



[A]

# Visual Inspection -BOTTOM

