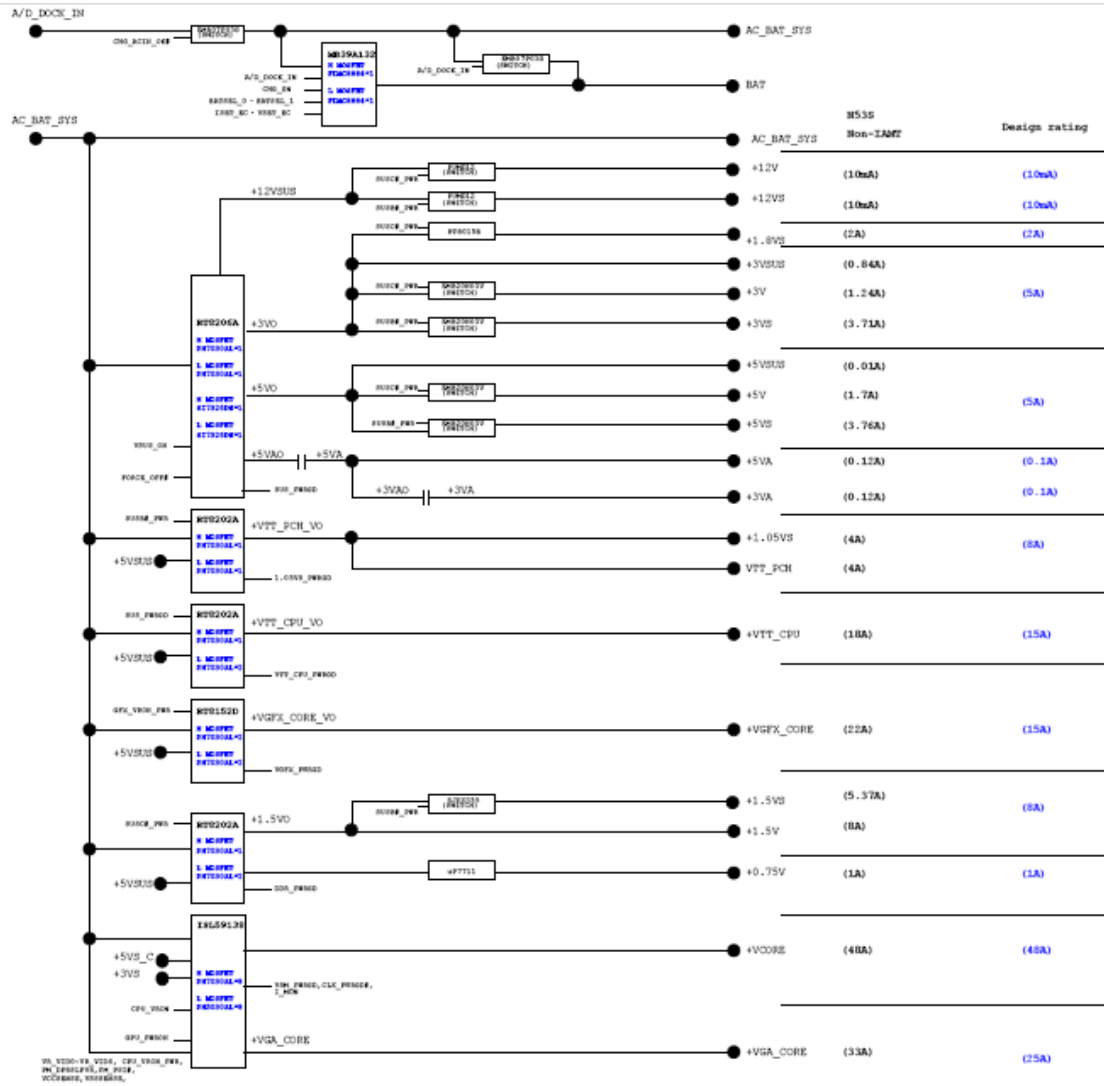


POWER FLOW

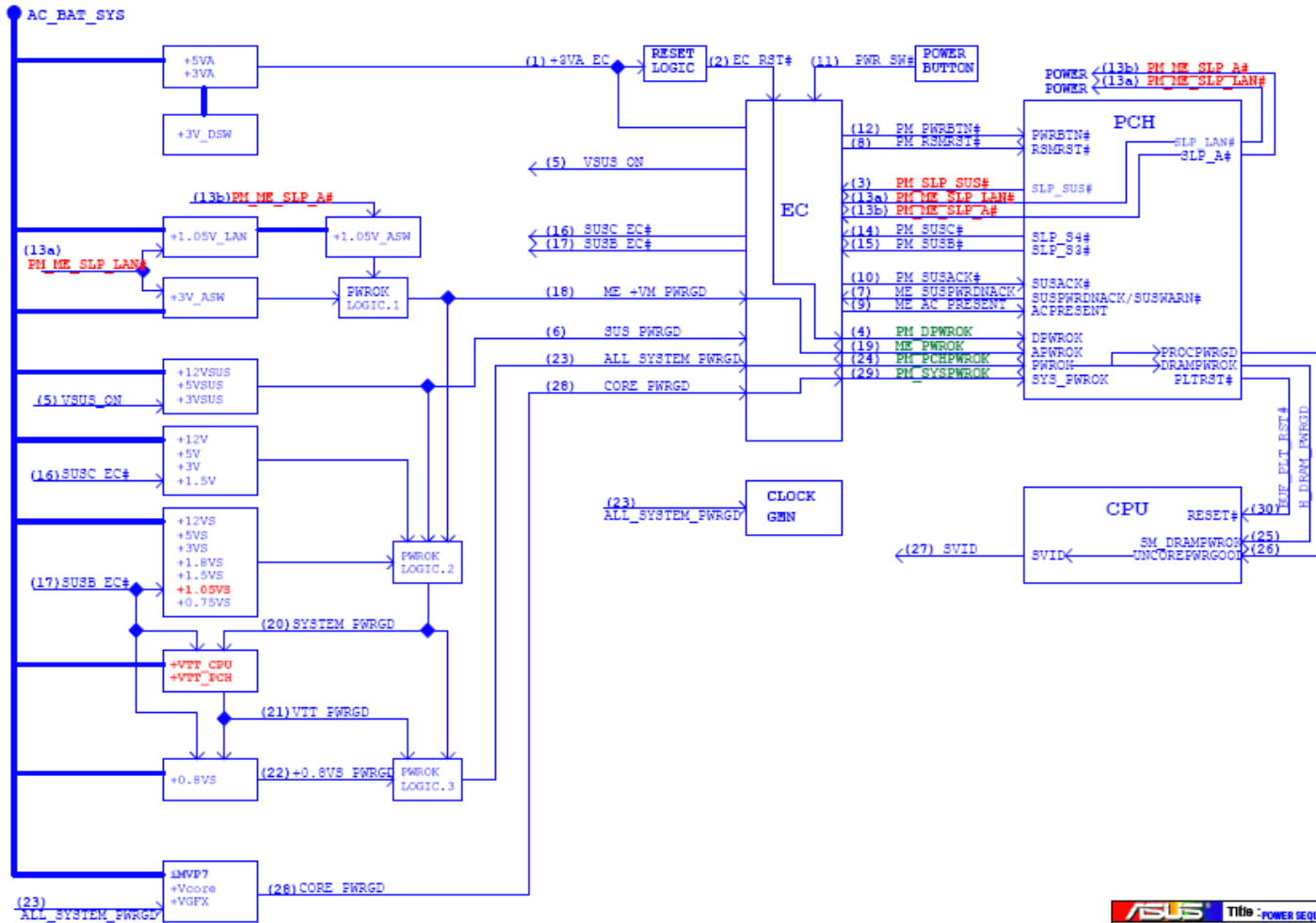


VA_VDD0-VX_VDD4, CPU_VDD0_PSR, IN_TPS2000, IN_TPS2001, IN_TPS2002, IN_TPS2003, IN_TPS2004, IN_TPS2005, IN_TPS2006, IN_TPS2007, IN_TPS2008, IN_TPS2009, IN_TPS2010, IN_TPS2011, IN_TPS2012, IN_TPS2013, IN_TPS2014, IN_TPS2015, IN_TPS2016, IN_TPS2017, IN_TPS2018, IN_TPS2019, IN_TPS2020, IN_TPS2021, IN_TPS2022, IN_TPS2023, IN_TPS2024, IN_TPS2025, IN_TPS2026, IN_TPS2027, IN_TPS2028, IN_TPS2029, IN_TPS2030, IN_TPS2031, IN_TPS2032, IN_TPS2033, IN_TPS2034, IN_TPS2035, IN_TPS2036, IN_TPS2037, IN_TPS2038, IN_TPS2039, IN_TPS2040, IN_TPS2041, IN_TPS2042, IN_TPS2043, IN_TPS2044, IN_TPS2045, IN_TPS2046, IN_TPS2047, IN_TPS2048, IN_TPS2049, IN_TPS2050

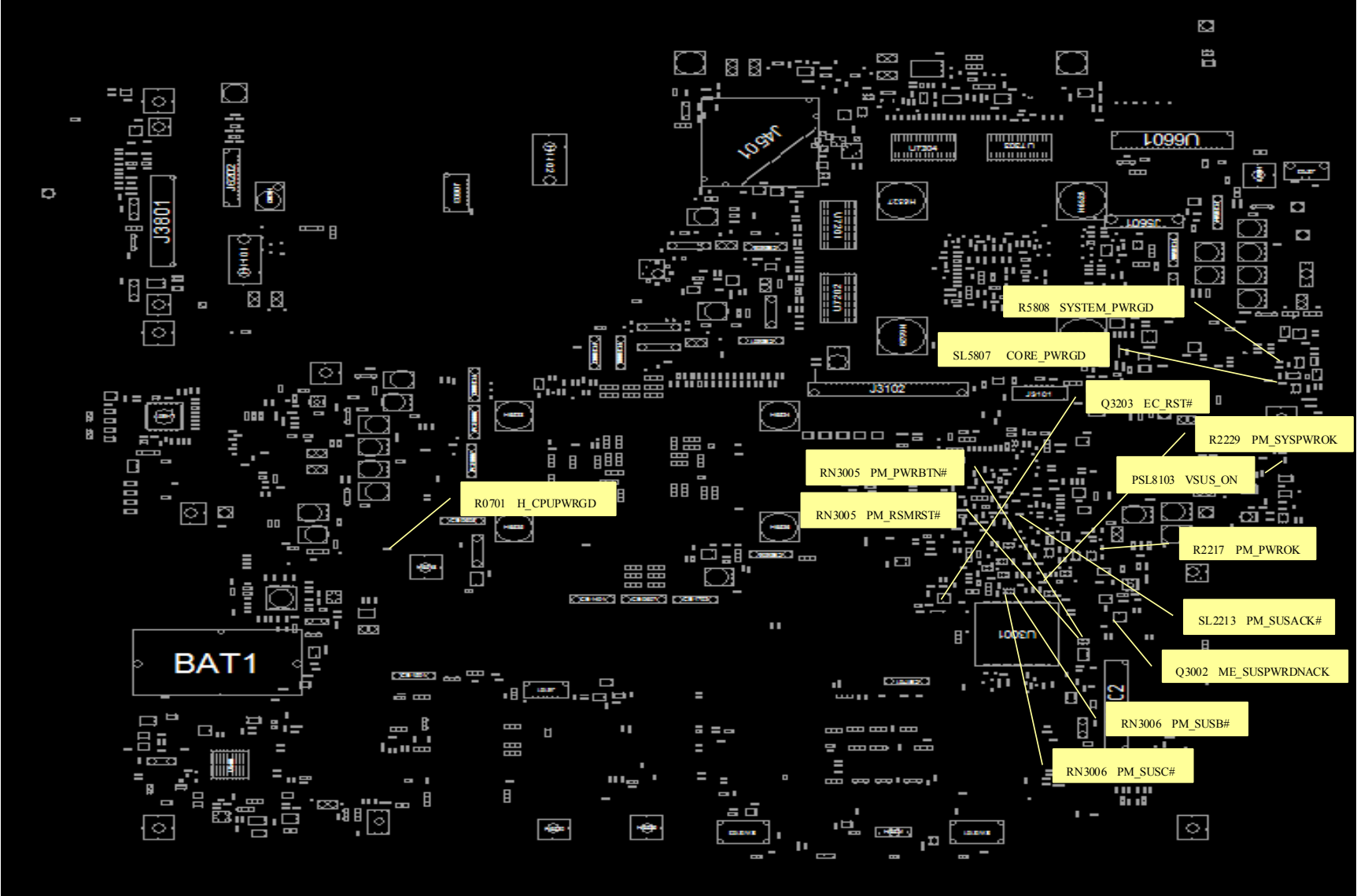
POWER ON SEQUENCE

U53 Power On Sequence Diagram Rev.0.14

AC-IN Mode



Voltage & Signal Measure Point T



Voltage & Signal Measure Point B

