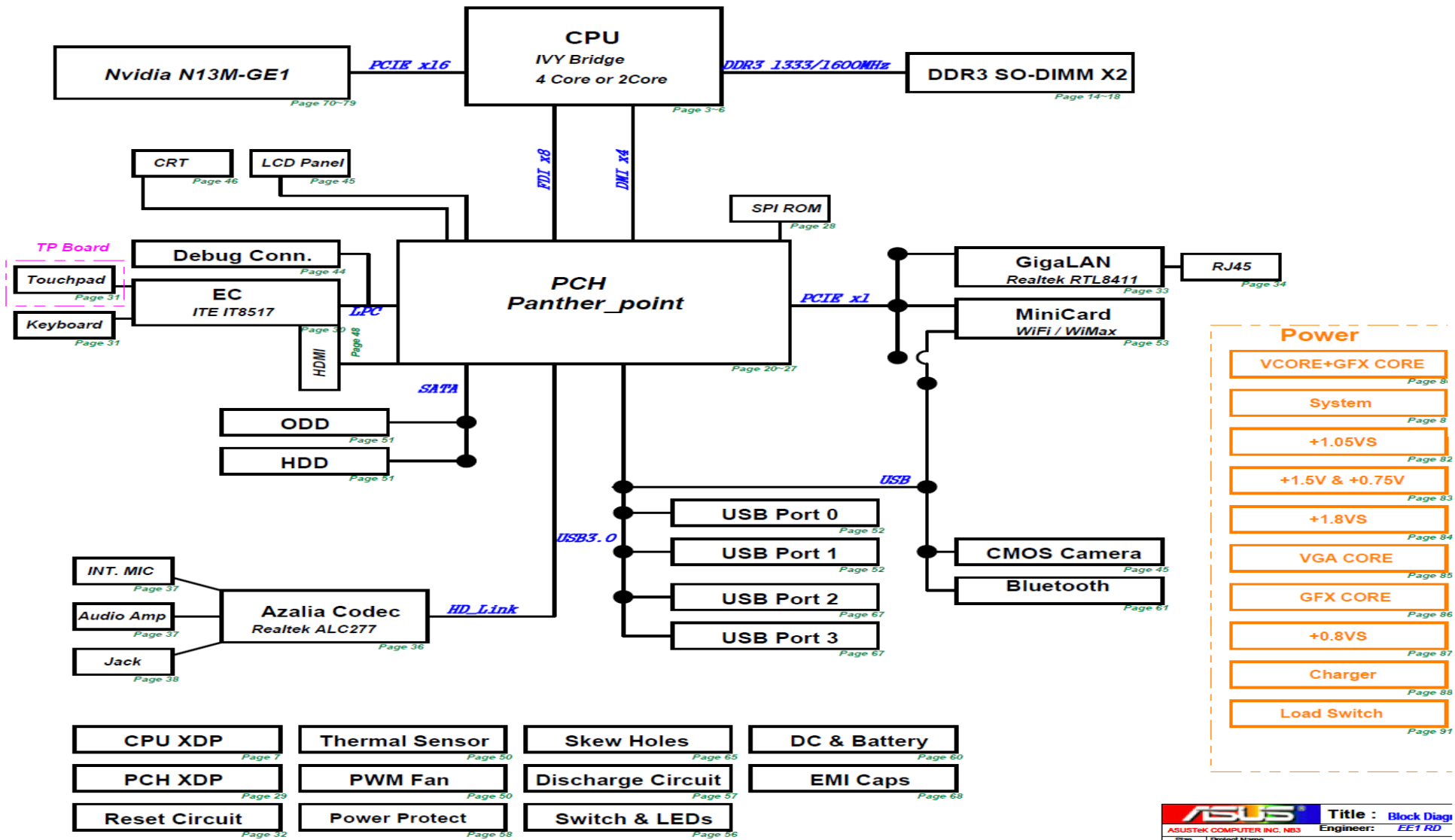
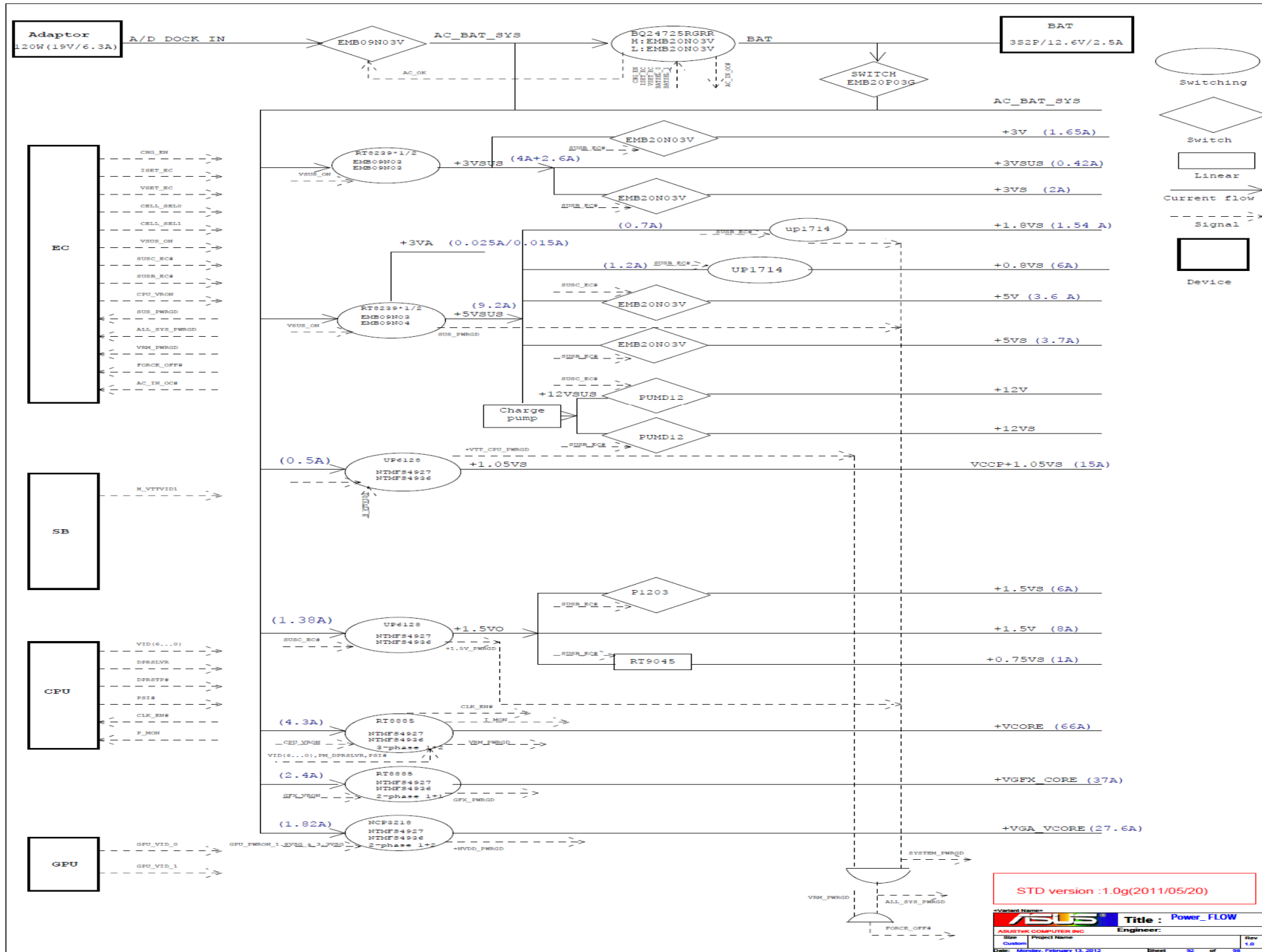


K55VD Repair Guide

K55V Block Diagram



POWER FLOW



STD version :1.0g(2011/05/20)

POWER ON SEQUENCE

U53 Power On Sequence Diagram Rev.0.14

AC-IN Mode

