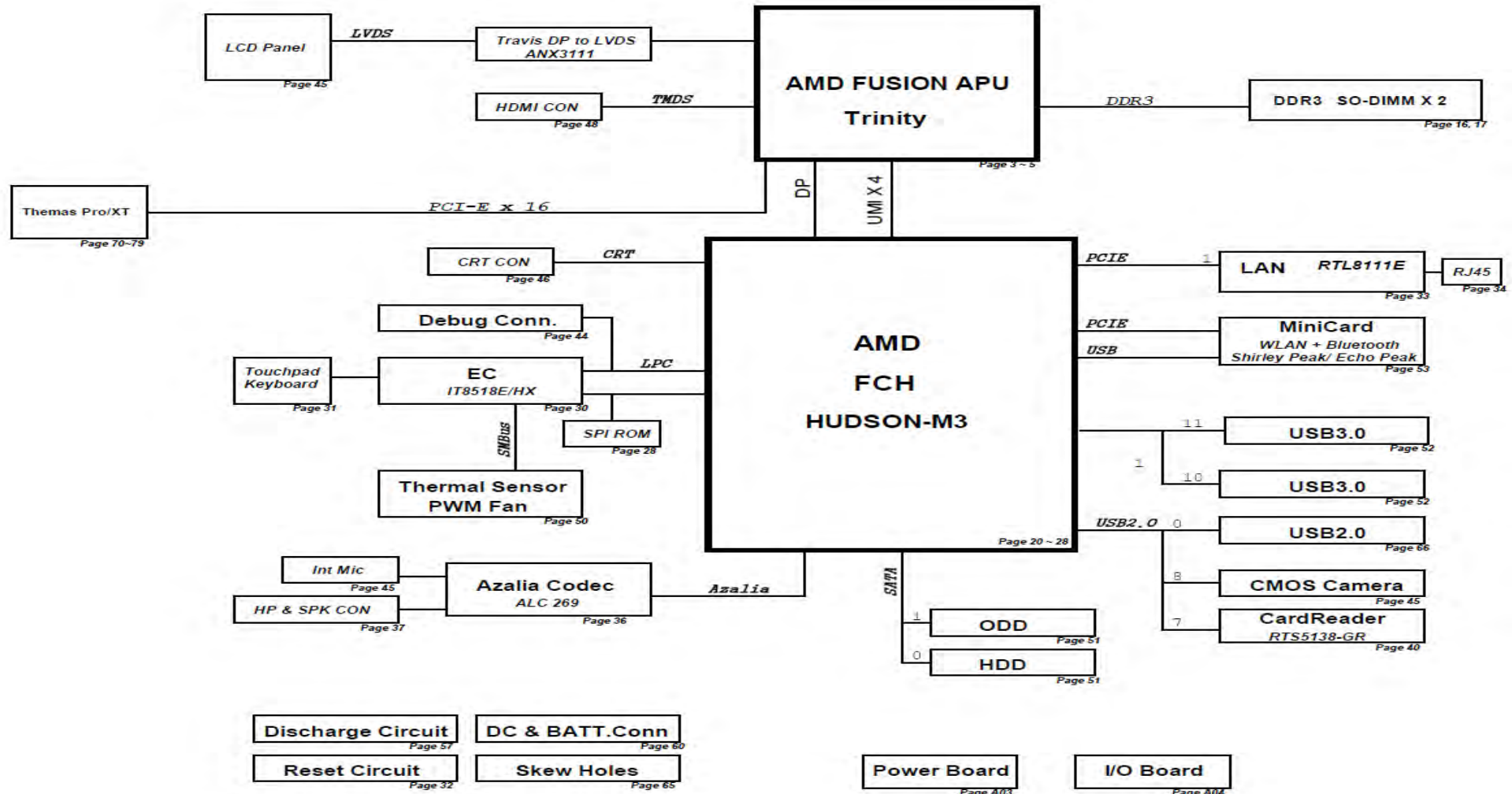


K55DE Repair Guide

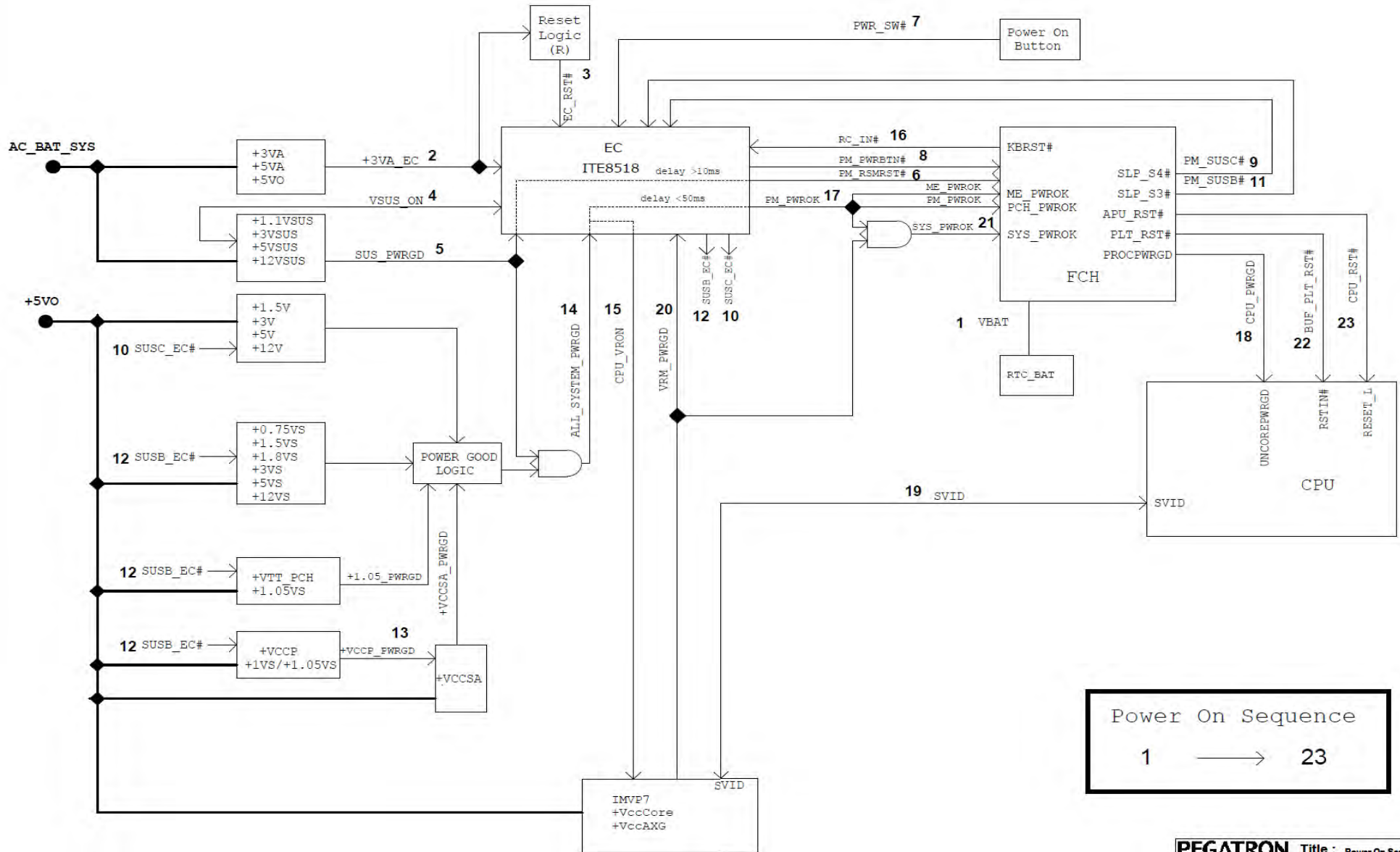
K55DE AMD Comal Platform Rev. 1.1

BLOCK DIAGRAM



POWER ON SEQUENCE

K55 power On Sequence Diagram G3-S0 R0.1



Power On Sequence
1 → 23

Voltage & Signal Measure Point TOP

