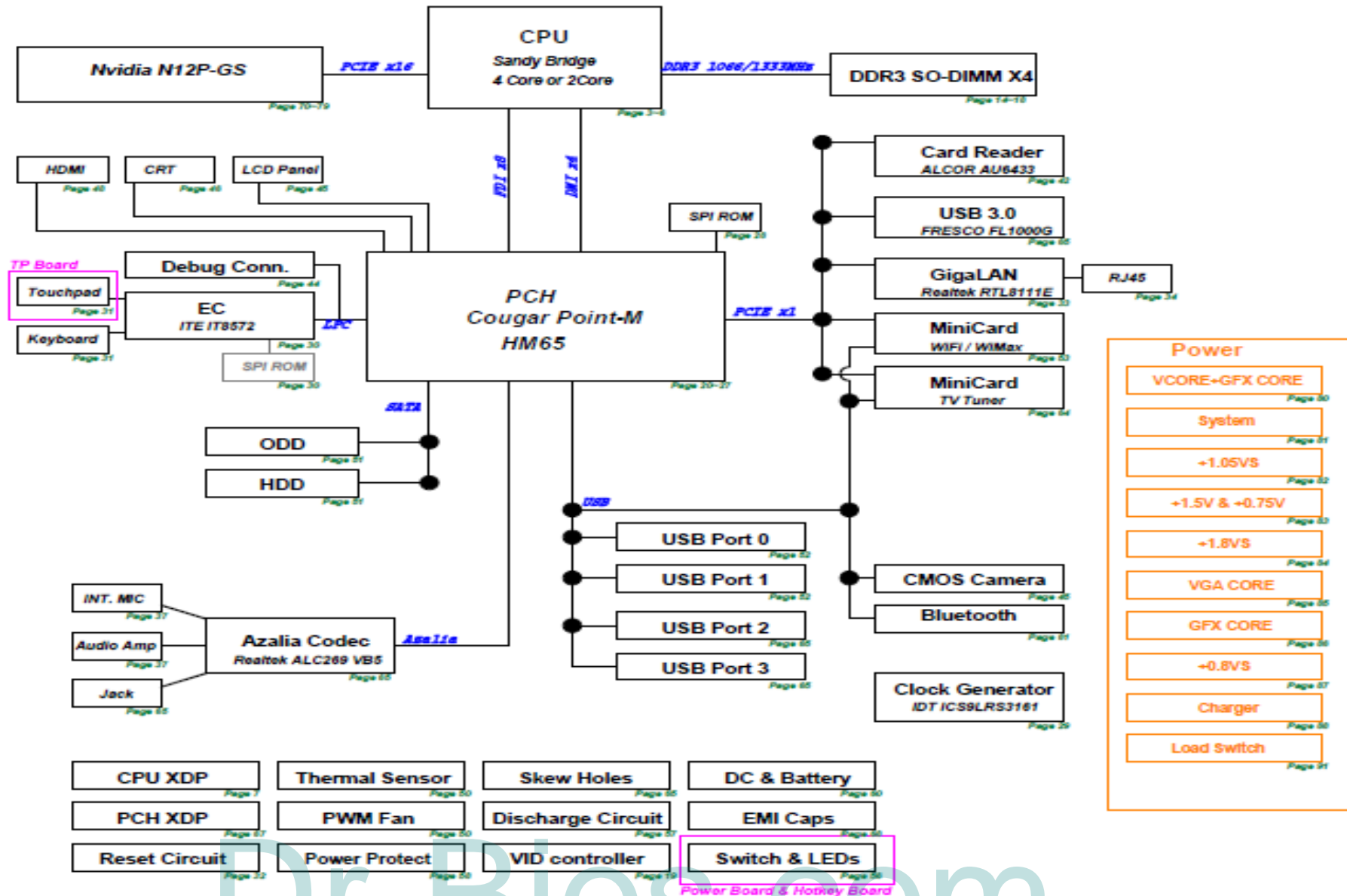
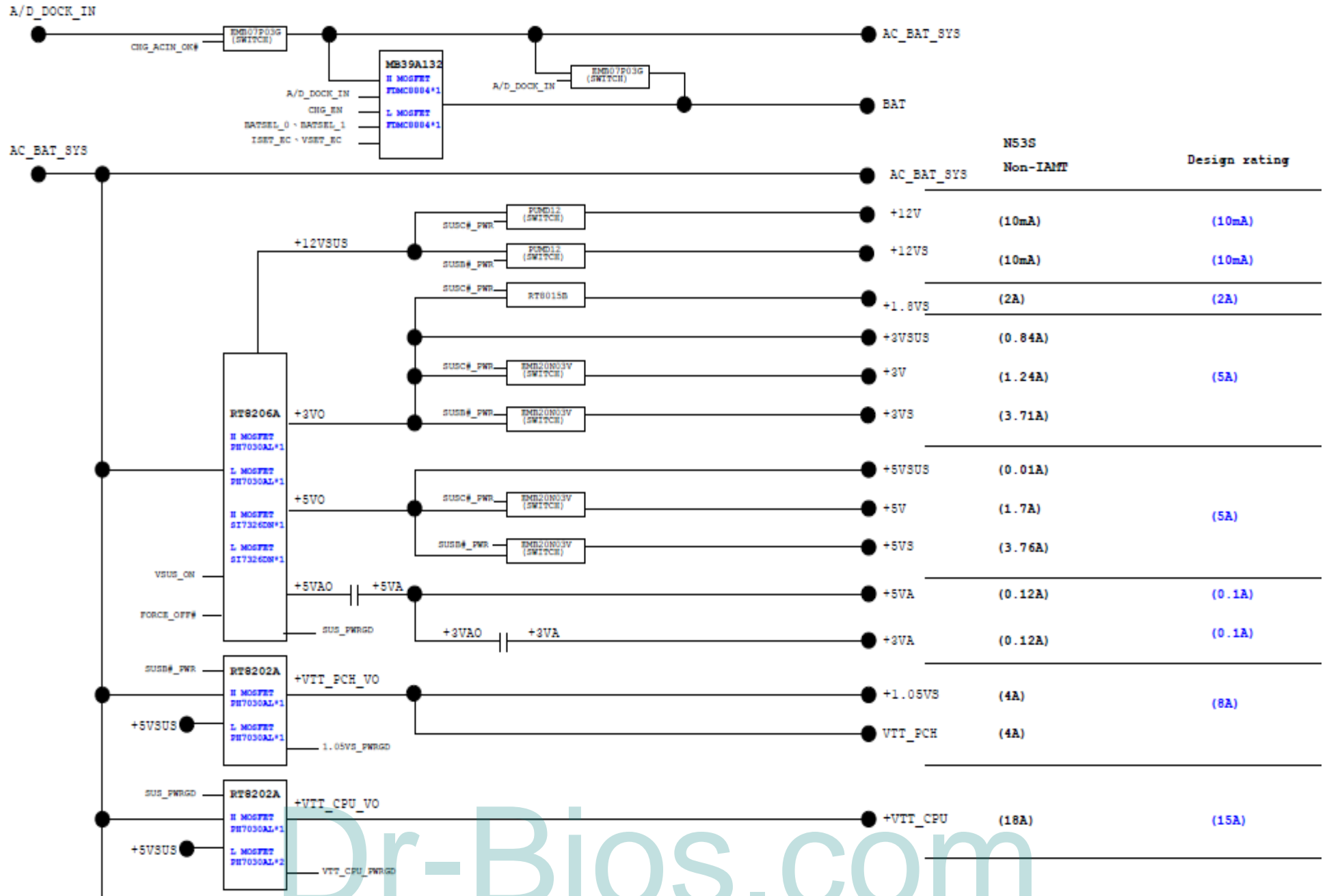
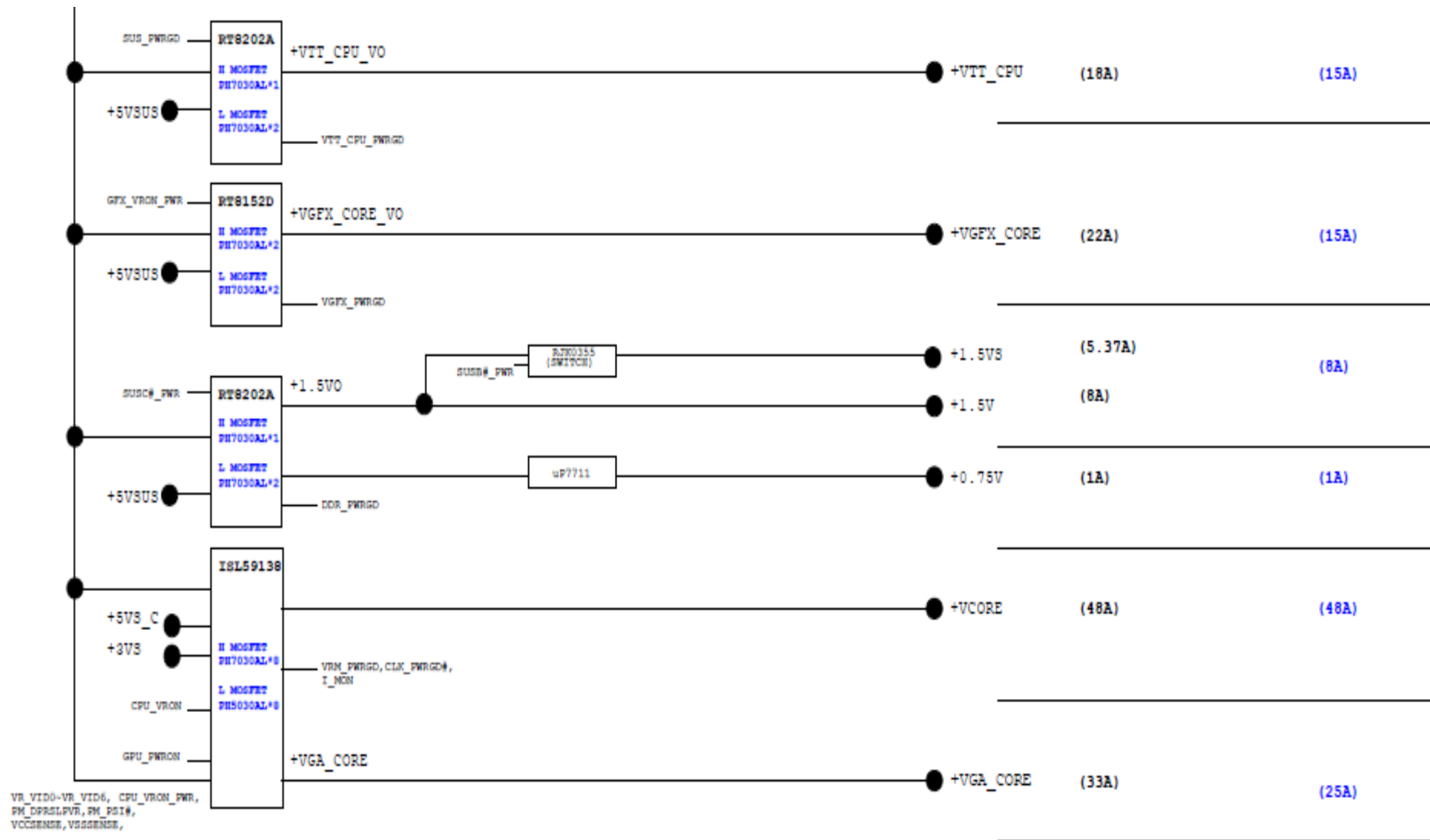


# K53SV Repair Guide



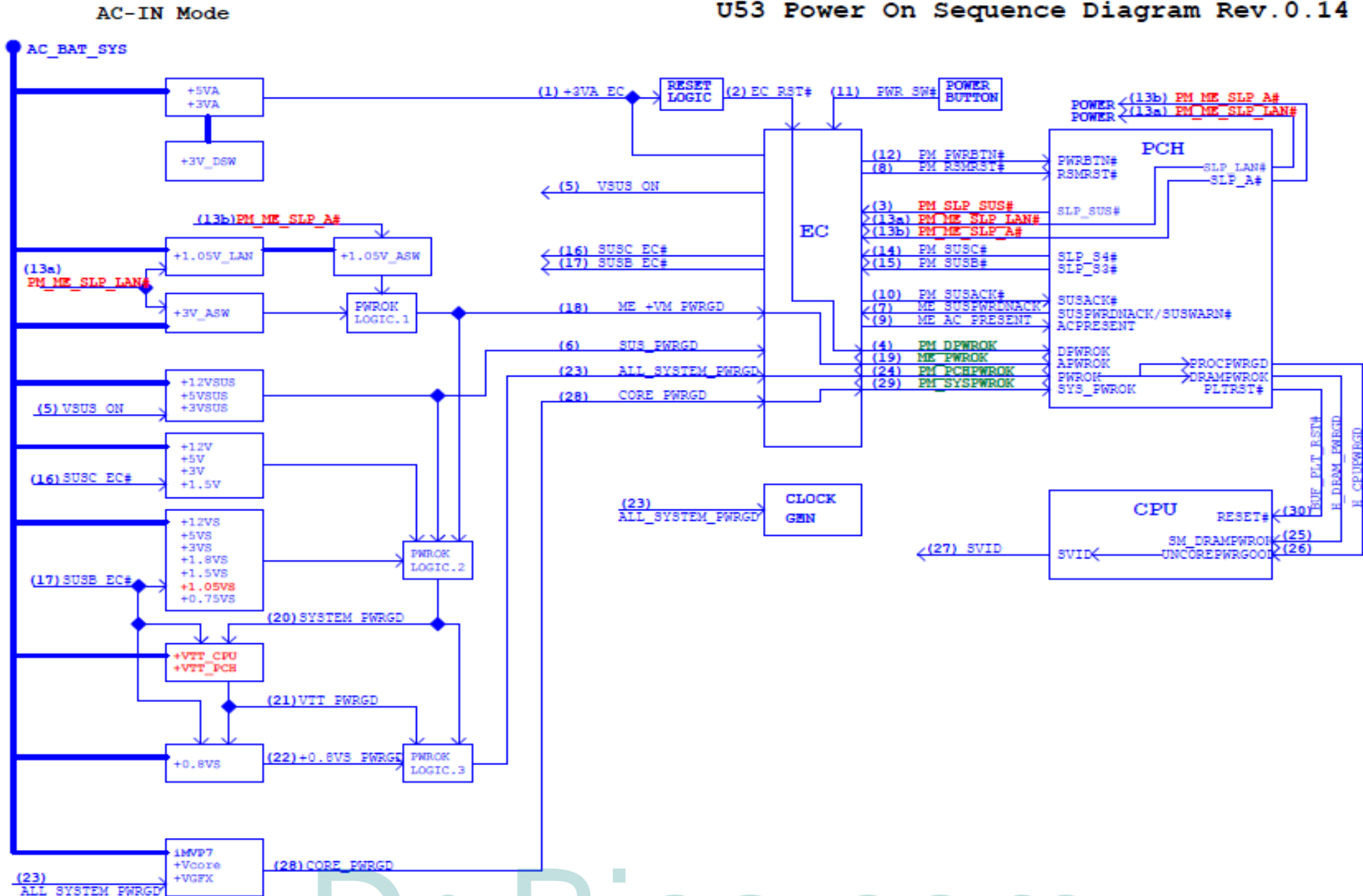
# POWER FLOW



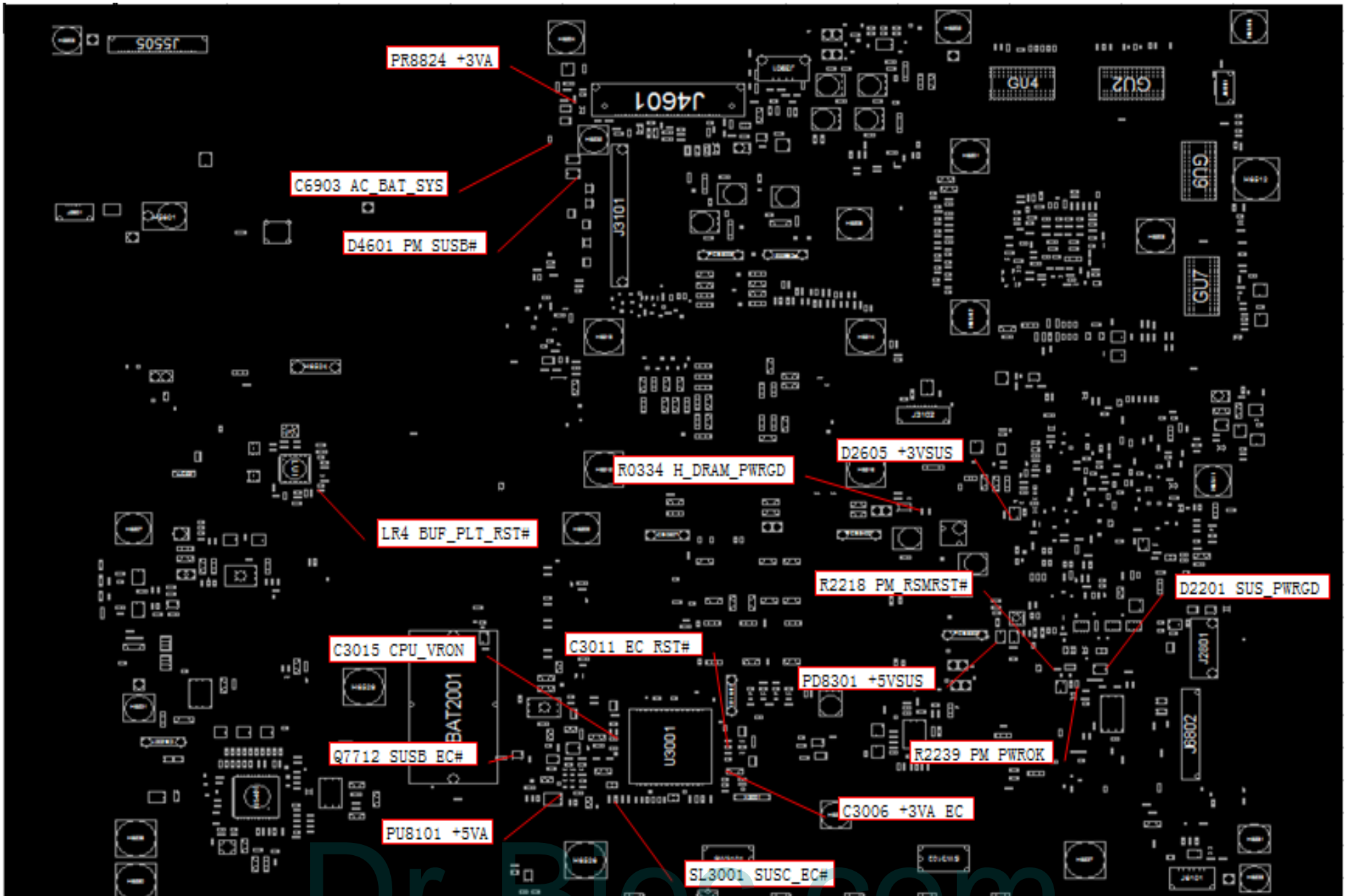


# POWER ON SEQUENCE

U53 Power On Sequence Diagram Rev.0.14



# Voltage & Signal Measure Point TOP



# Voltage & Signal Measure Point Bottom

