

G73JW Repair Guide

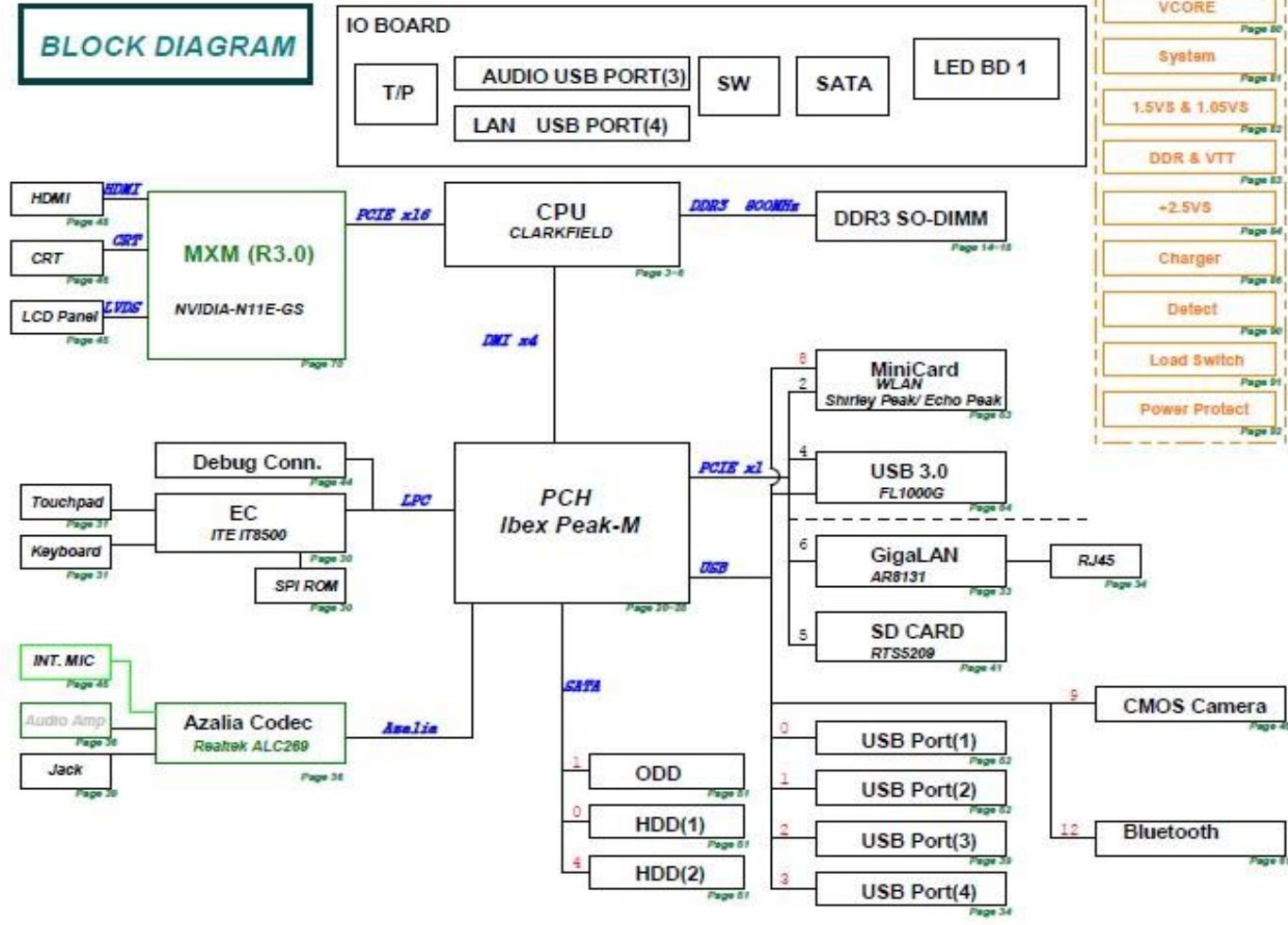
2010/08/20
Eric_zhuang
CSC-GRMA

G73Jw SCHEMATIC Revision 2.0

SYSTEM PAGE REF.

PAGE	Content
1	Block Diagram
2	System Setting
3	CPU(1) DMI, PEG, FDI, CLK, MISC
4	CPU(2) DDR3
5	CPU(3) CFG, RSVD, GND
6	CPU(4) FWR
7	CPU(5) XDP
14	DDR3 SO-DIMM 0 -A(1)
15	DDR3 SO-DIMM 0 -B(1)
16	DDR3 SO-DIMM 0 -A(0)
17	DDR3 SO-DIMM 1 -B(0)
18	DDR3 CA DQ VOLTAGE
19	VID controller
20	PCH_IBEX(1) SATA, IHDA, RTC, LPC
21	PCH_IBEX(2) PCIE, CLK, SMB, PEG
22	PCH_IBEX(3) FDI, DMI, SYS FWR
23	PCH_IBEX(4) DP, LVDS, CRT
24	PCH_IBEX(5) PCI, NVRAM, USB
25	PCH_IBEX(6) CPU, GPIO, MISC
26	PCH_IBEX(7) POWER, GND
27	PCH_IBEX(8) POWER, GND
28	PCH_SPI ROM, OTH
29	CLK ICS9LRS3197
30	EC IT8541(1/2)
31	EC IT8541(2/2)KB, TP
32	RST Reset Circuit
33	LAN AR8131
34	LAN IO BOARD
36	CODEC-ALC269
37	AUD Amp & Jack
38	AUD_MIC-IN
40	CB AD6433
44	BUG_Debug
45	CRT_LCD Panel
46	CRT_D-Sub
48	TV HDMI
49	VID CONTROLLER
50	FAN Fan & Sensor
51	XDD HDD & ODD
52	USB_USB Port *2
53	MINICARD(WLAN)
56	LED Indicator
57	DG Discharge
58	PW PROTECT
60	DC DC & BAT Conn.
61	BT Bluetooth
64	TUN TV Tuner
65	ME Conn & Skew Hole
66	WHDI
67	PCH XDP
70	VGA_MDM 30

BLOCK DIAGRAM



Power

- VCORE Page 80
- System Page 81
- 1.5VS & 1.0SVS Page 82
- DDR & VTT Page 83
- +2.5VS Page 84
- Charger Page 85
- Detect Page 86
- Load Switch Page 87
- Power Protect Page 88

80	PW_VCORE(NCP321)
81	PW_SYSTEM(RT8206A)
82	PW_I/O_VTT_CPU6+1.1VM
83	PW_I/O_DDR & VTT+ +1.8VS
84	PW_I/O_3VM & ME +VM_PWEOD
86	PW +VGFY_CORE(MAX17024)
88	PW_CHARGER(MAX17015)
90	PW_DETECT
91	PW_LOAD SWITCH
92	PW_PROTECT
93	PW_SIGNAL
94	PW_FLOWCHART

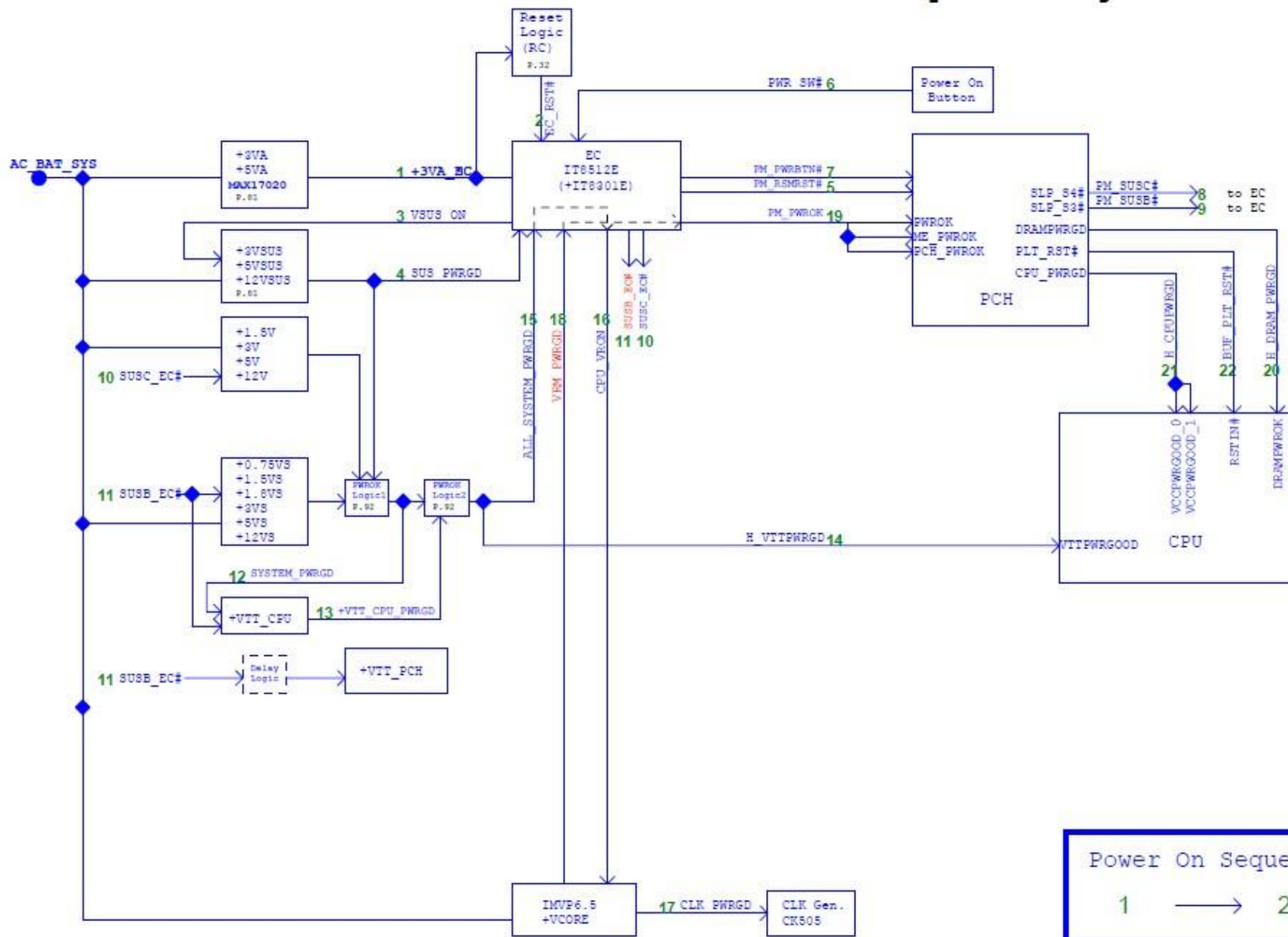
Clock Generator ICS9LRS3197AKLFT <small>Page 29</small>	VID controller <small>Page 19 Page 49</small>	Discharge Circuit <small>Page 87</small>	DC & BATT. Conn. <small>Page 60</small>
PWM Fan <small>Page 50</small>	Reset Circuit <small>Page 52</small>	Skew Holes <small>Page 60</small>	

G73JW Repair Guide

2010/08/20
Eric_zhuang
CSC-GRMA

AC-IN Mode

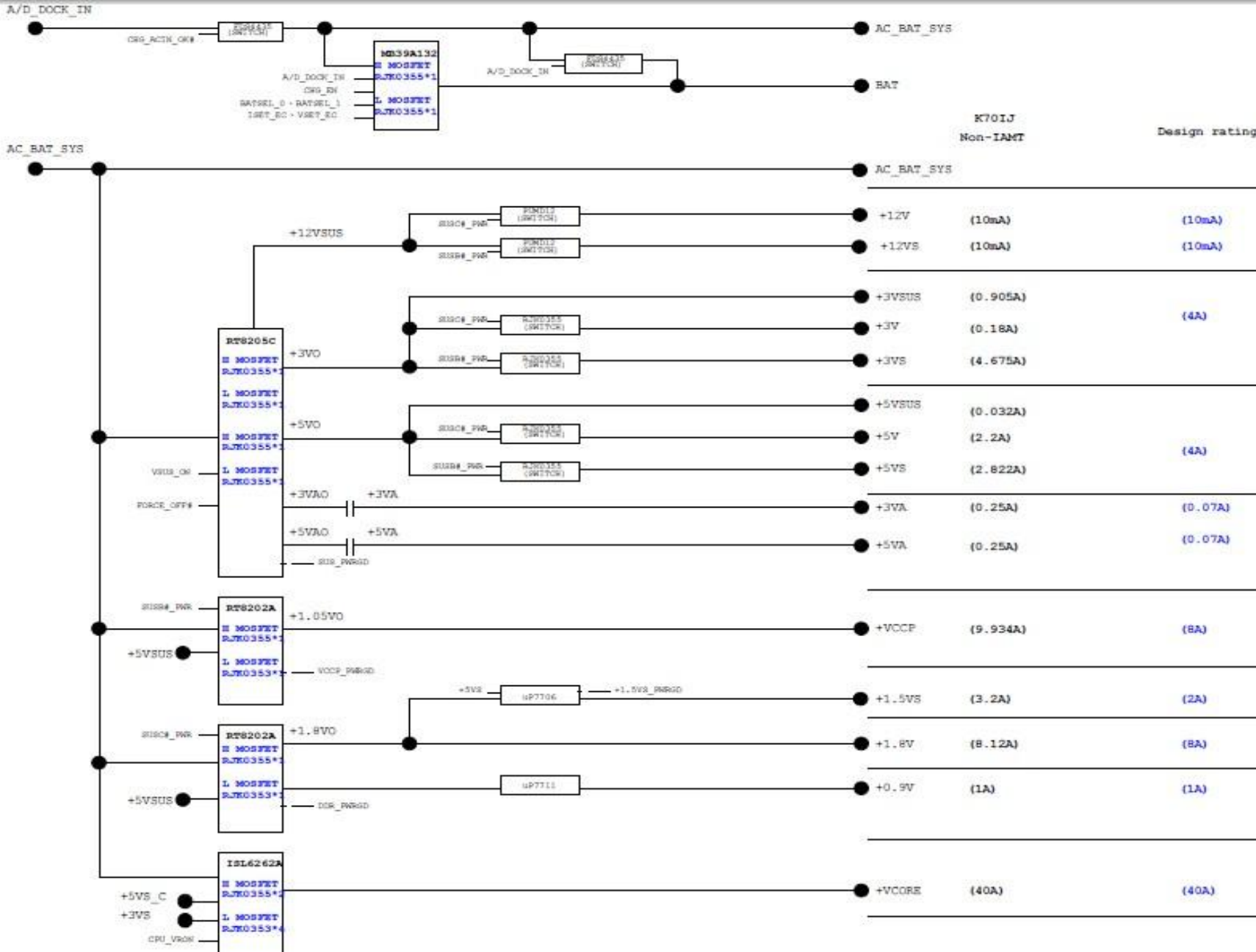
G73 Power On Sequence Diagram



Power On Sequence
1 → 22

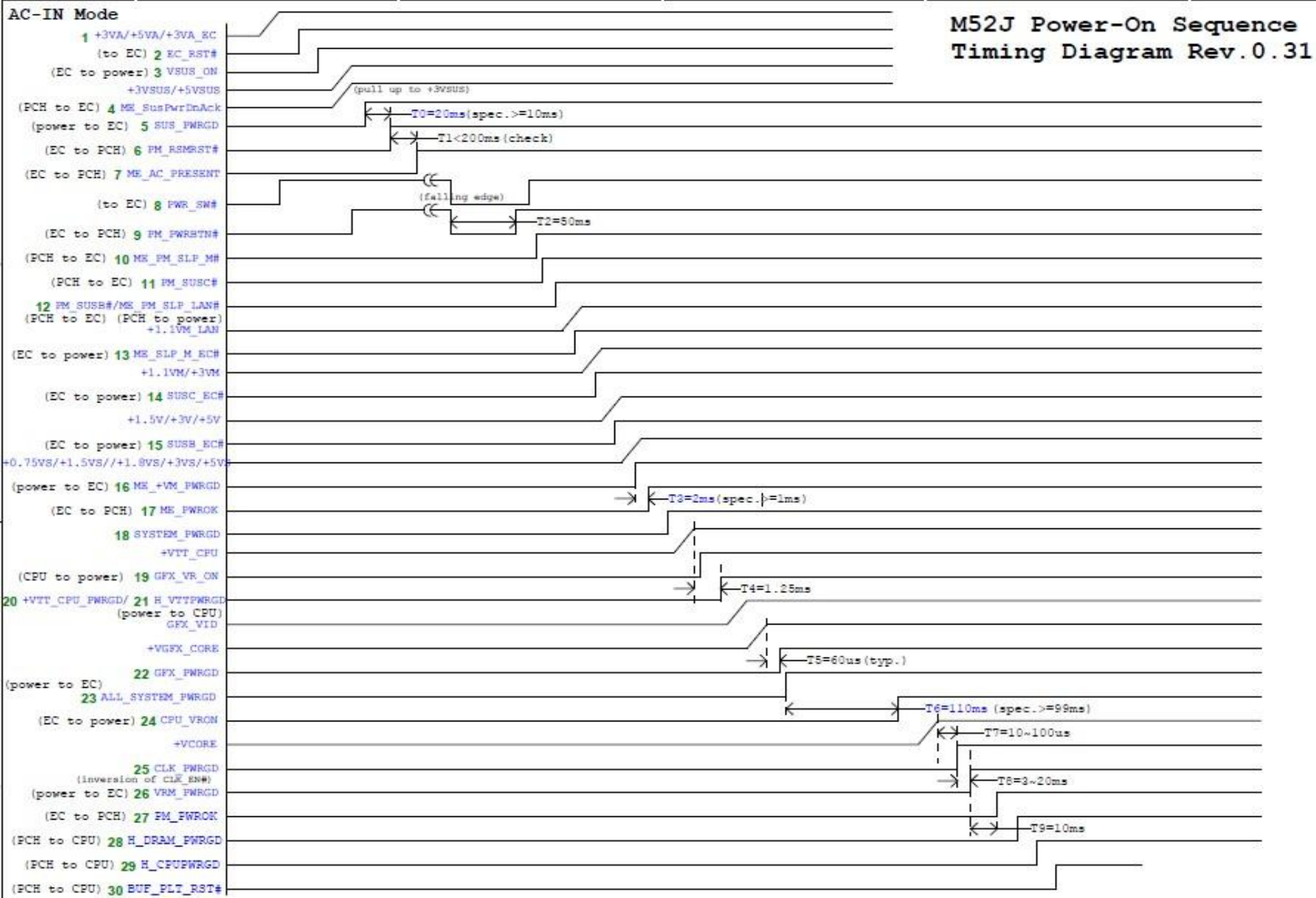
G73JW Repair Guide

2010/08/20
Eric_zhuang
CSC-GRMA



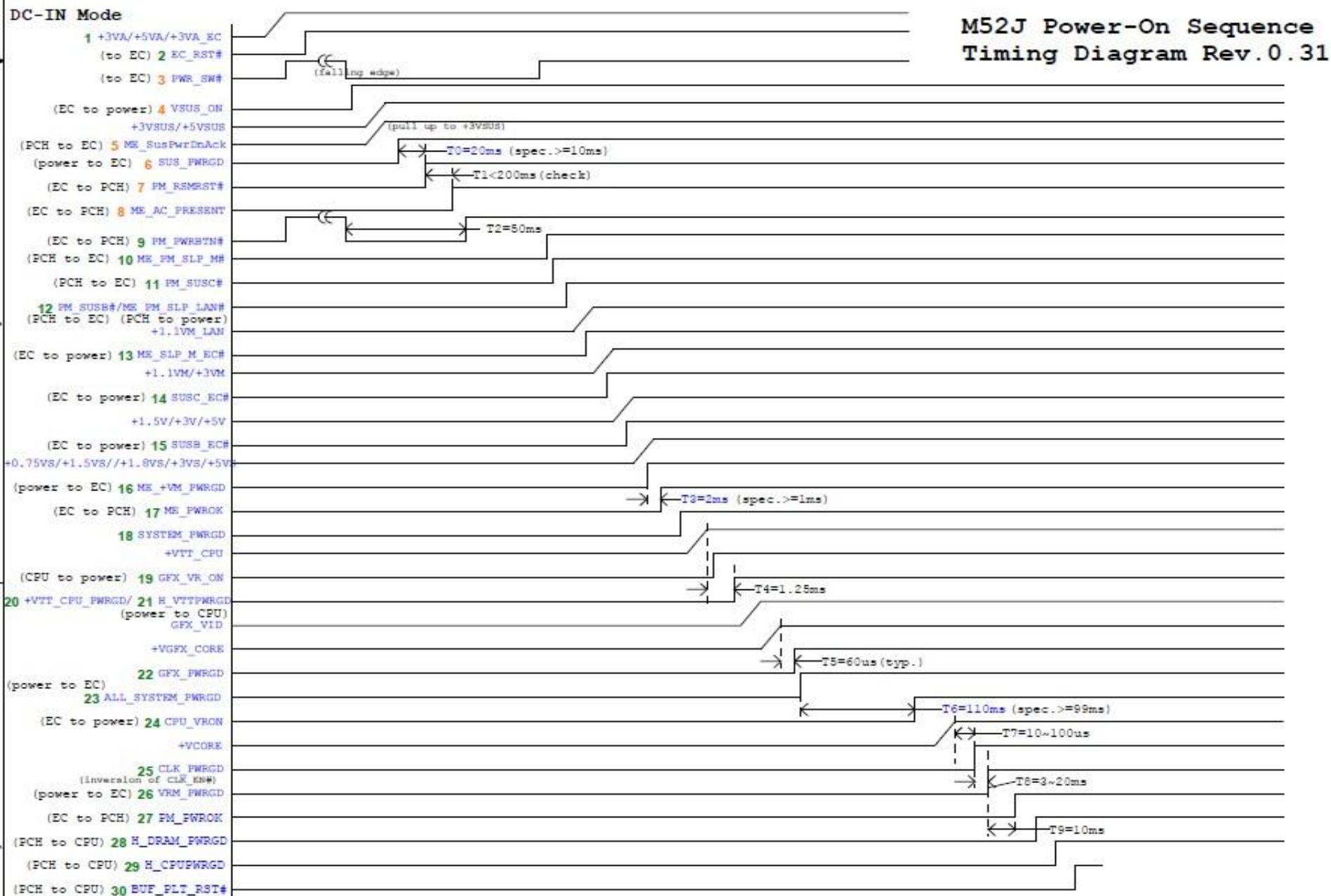
G73JW Repair Guide

2010/08/20
Eric_zhuang
CSC-GRMA



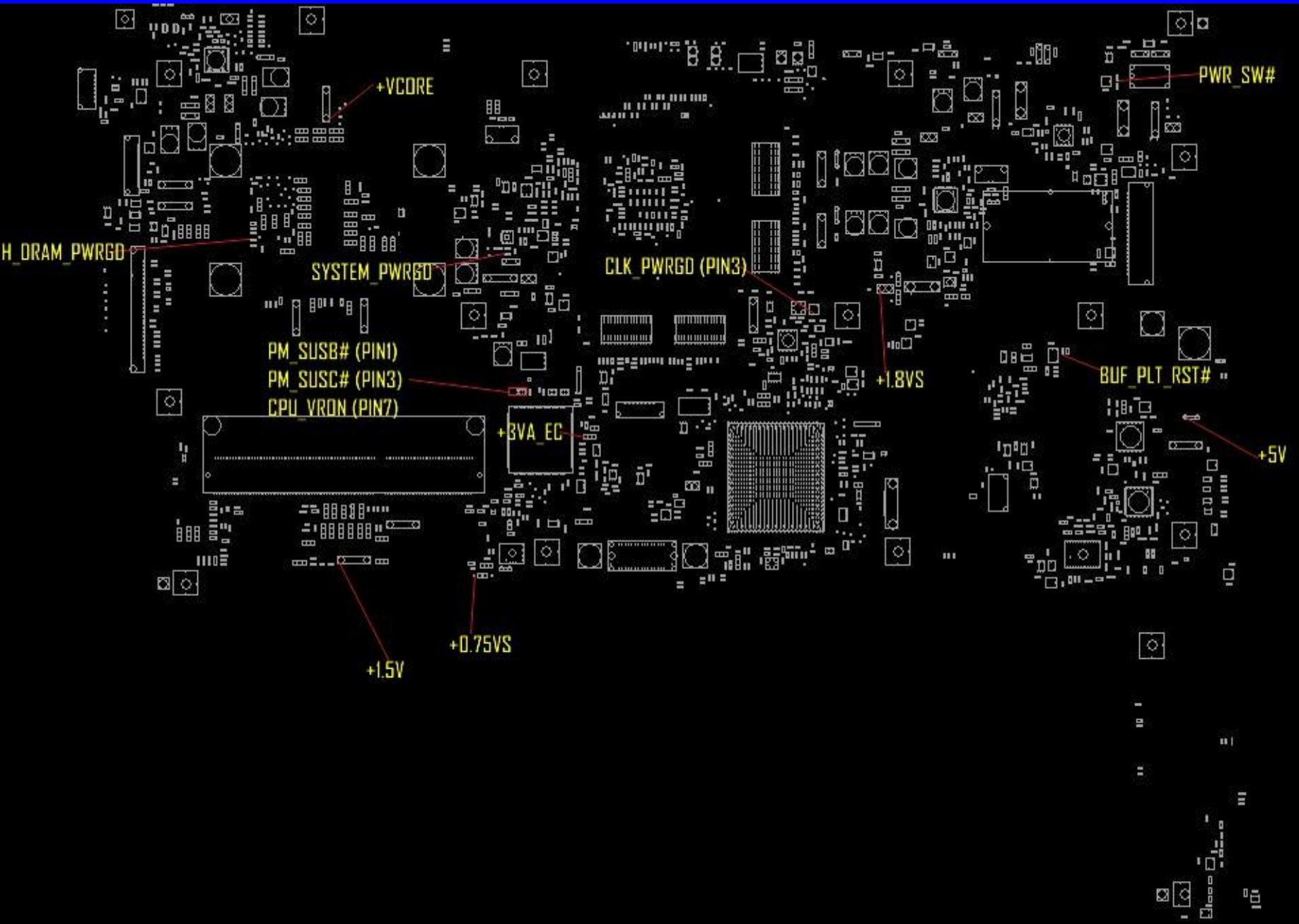
G73JW Repair Guide

2010/08/20
Eric_zhuang
CSC-GRMA



G73JW Repair Guide(Top)

2010/08/20
Eric_zhuang
CSC-GRMA



G73JW Repair Guide(Bottom)

2010/08/20
Eric_zhuang
CSC-GRMA

