

# TETON

## CS BUILD

2008.01.14

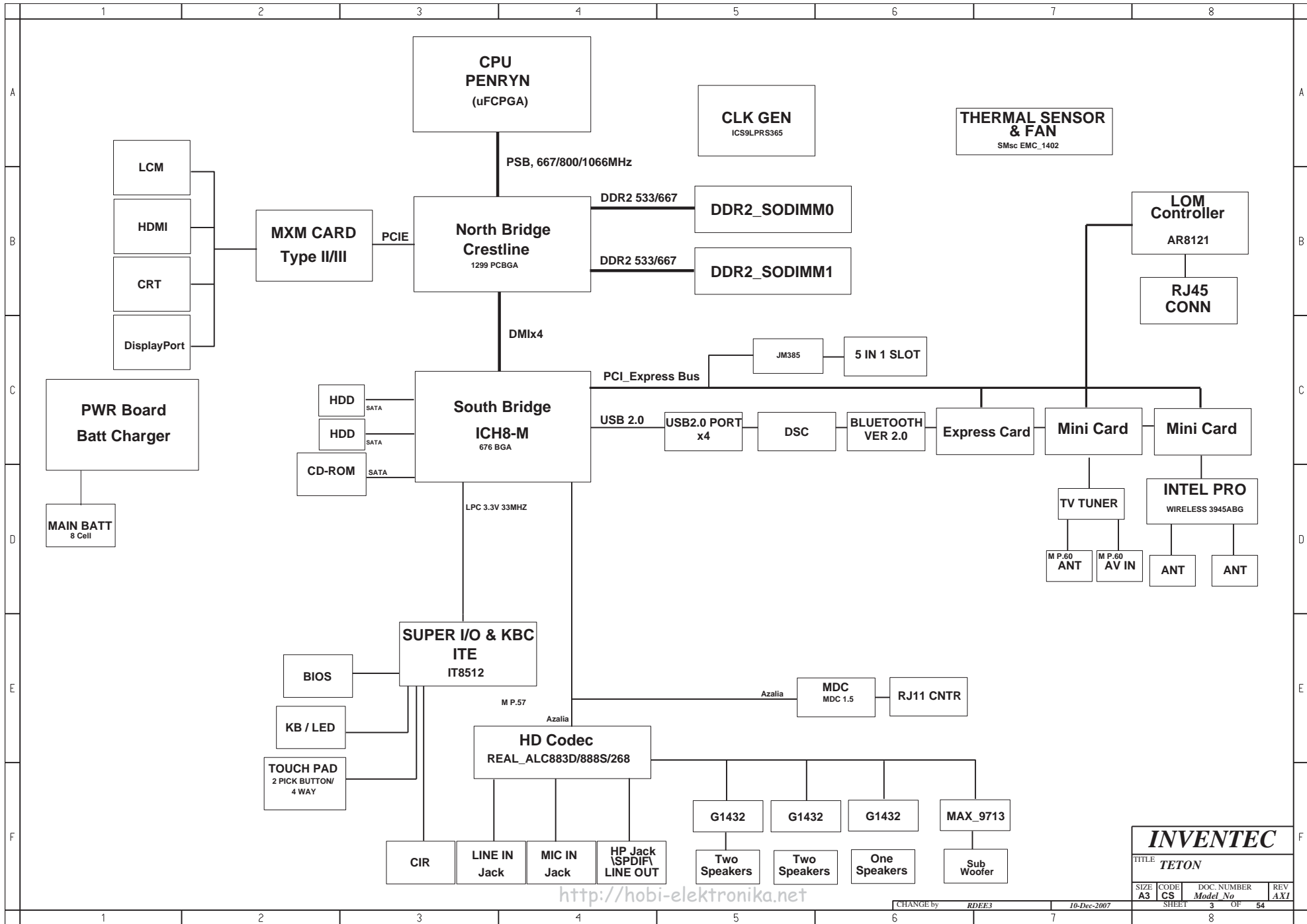
<http://hobi-elektronika.com>

|             |                |       |       |              |                 |                 |            |
|-------------|----------------|-------|-------|--------------|-----------------|-----------------|------------|
| DRAWER      | EE             | DATE  | POWER | DATE         | <b>INVENTEC</b> |                 |            |
| DESIGN      |                |       |       | TITLE        |                 |                 |            |
| CHECK       |                |       |       | <b>TETON</b> |                 |                 |            |
| RESPONSIBLE |                |       |       |              |                 |                 |            |
| SIZE =      | 3              | VER : |       | SIZE         | CODE            | DOC. NUMBER     | REV        |
| FILE NAME : | XXXX-XXXXXX-XX |       |       | <b>A3</b>    | <b>CS</b>       | <i>Model No</i> | <b>AXI</b> |
| IPN         | XXXXXXXXXXXX   |       |       | SHEET        | 1               | OF              | 54         |

|      |            |     |
|------|------------|-----|
| DATE | CHANGE NO. | REV |
| 1    |            | 2   |

**TABLE OF CONTENTS**

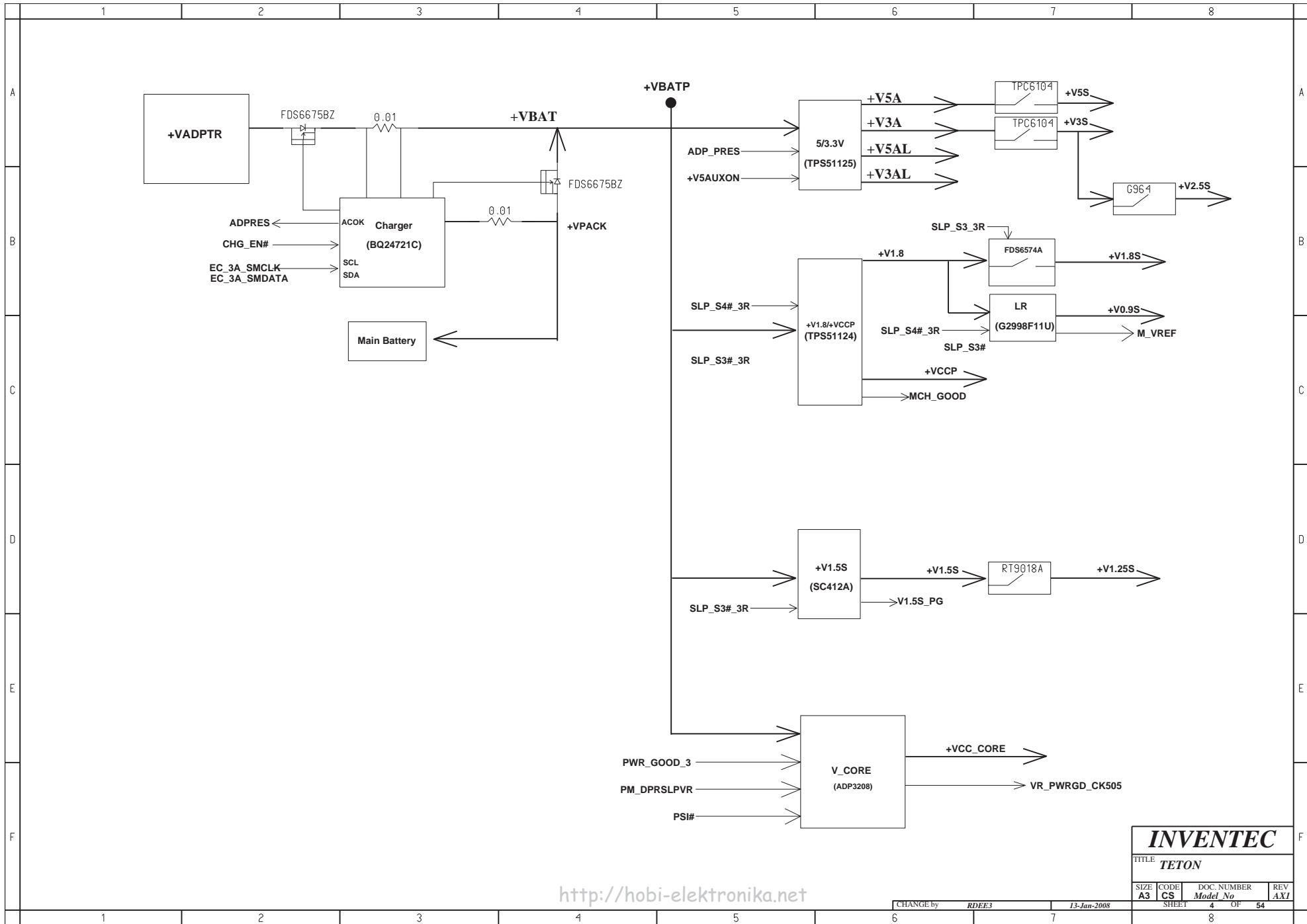
| <b>PAGE</b>                 | <b>PAGE</b>              | <b>PAGE</b>              |
|-----------------------------|--------------------------|--------------------------|
| <b>MAINBOARD</b>            |                          | <b>I/O BOARD</b>         |
| 1.COVER PAGE                | 41.SATA HDD&ODD          | 1.EXPRESS CARD CONN      |
| 2.INDEX                     | 42.USB CONN              | 2.CARD READER CONTROLLER |
| 3.BLOCK DIAGRAM             | 43.BLUE TOOTH & MDC CONN |                          |
| 4.POWER SEQUENCE BLOCK      | 44.KBC                   | <b>HOTKEY BOARD</b>      |
| 5-12.SYSTEM POWER           | 45.AUDIO CODEC           | 1.HOTKEY BOARD           |
| 13.CLOCK GENERATOR          | 46.AUDIO JACK            |                          |
| 14-17.CPU Merom             | 47.AUDIO AMP             |                          |
| 18.FAN & THERMAL CONTROLLER | 48.AUDIO AMP & SPK CONN  |                          |
| 19-25.N/B Crestline         | 49.SCREW                 |                          |
| 26.DDR2 DIMM0               | 50.MB TO OTHER B CONN    |                          |
| 27.DDR2 DIMM1               | 51.USB BOARD             |                          |
| 28.DDR DAMPING              | 52.POWER BUTTON BOARD    |                          |
| 29.MXM CONN                 | 53.TP BUTTON BOARD       |                          |
| 30.CRT CONN                 | 54.HINGE LED BOARD 1 & 2 |                          |
| 31.HDMI & DP CONN           |                          |                          |
| 32.LCD CONN                 |                          |                          |
| 33-37.S/B ICH8M             |                          |                          |
| 38.LAN CONTROLLER           |                          |                          |
| 39.RJ45 CONN                |                          |                          |
| 40.MINI CARD                |                          |                          |



<http://hobi-elektronika.net>

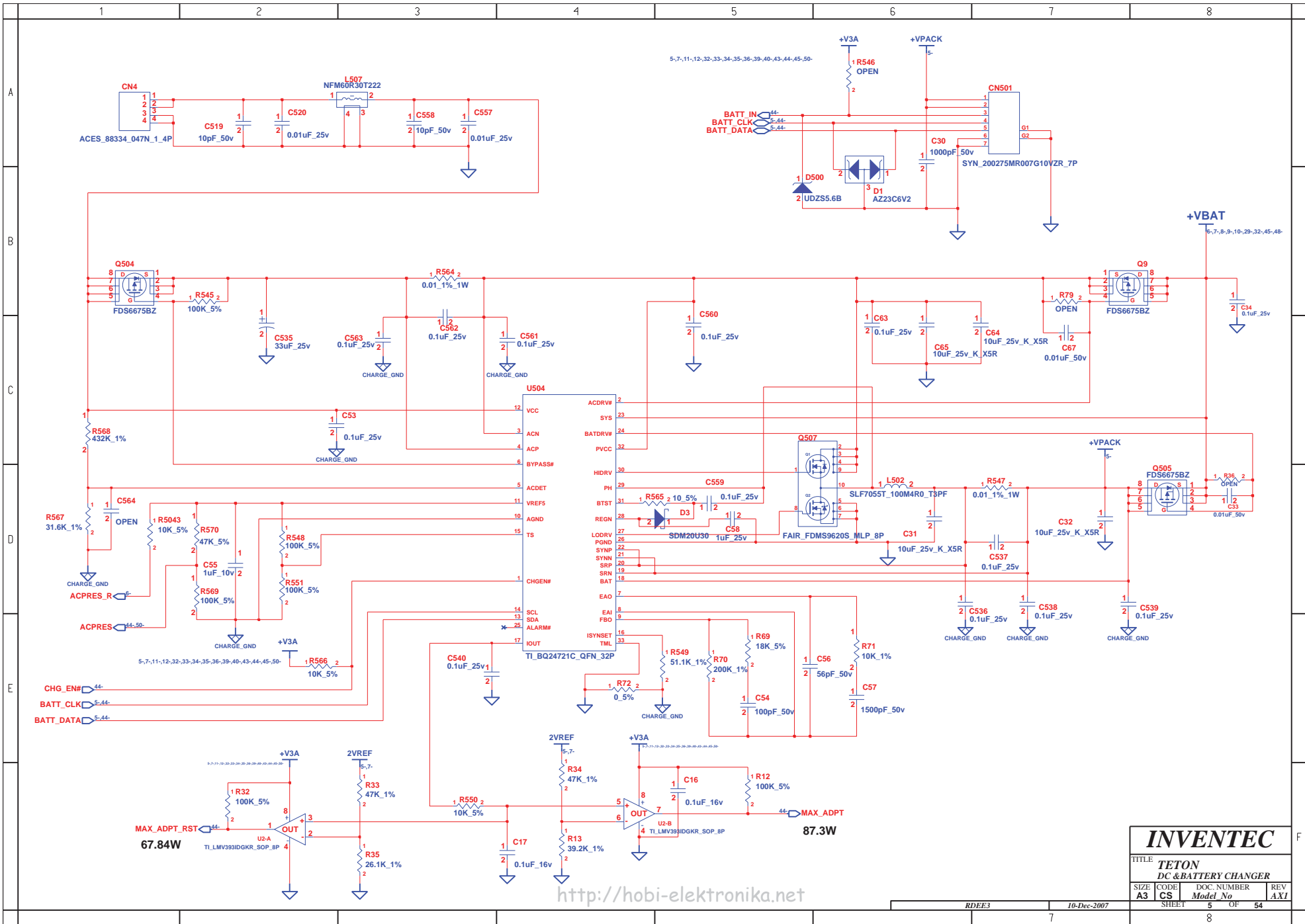
|                       |                   |                                |                   |
|-----------------------|-------------------|--------------------------------|-------------------|
| <b>INVENTEC</b>       |                   |                                |                   |
| TITLE<br><b>TETON</b> |                   |                                |                   |
| SIZE<br><b>A3</b>     | CODE<br><b>CS</b> | DOC. NUMBER<br><i>Model No</i> | REV<br><b>AX1</b> |
| SHEET                 |                   | OF                             |                   |
| 3                     |                   | 54                             |                   |

CHANGE by **RDEE3** 10-Dec-2007



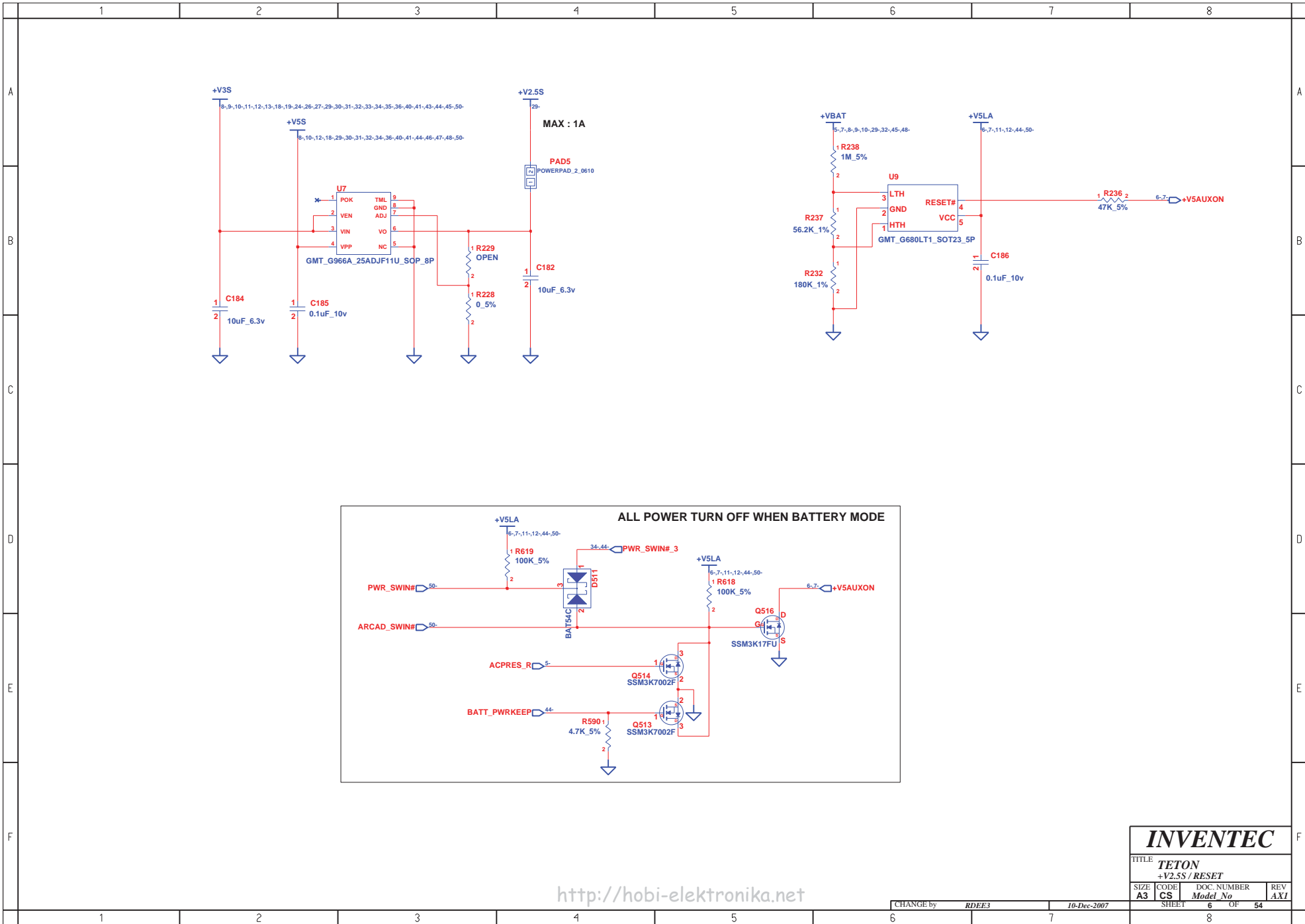
<http://hobi-elektronika.net>

|                        |                   |                                |                             |
|------------------------|-------------------|--------------------------------|-----------------------------|
| <b>INVENTEC</b>        |                   |                                |                             |
| TITLE<br><b>TETON</b>  |                   |                                |                             |
| SIZE<br><b>A3</b>      | CODE<br><b>CS</b> | DOC. NUMBER<br><i>Model No</i> | REV<br><b>AX1</b>           |
| CHANGE by <b>RDEE3</b> |                   | 13-Jan-2008                    | SHEET <b>4</b> OF <b>54</b> |



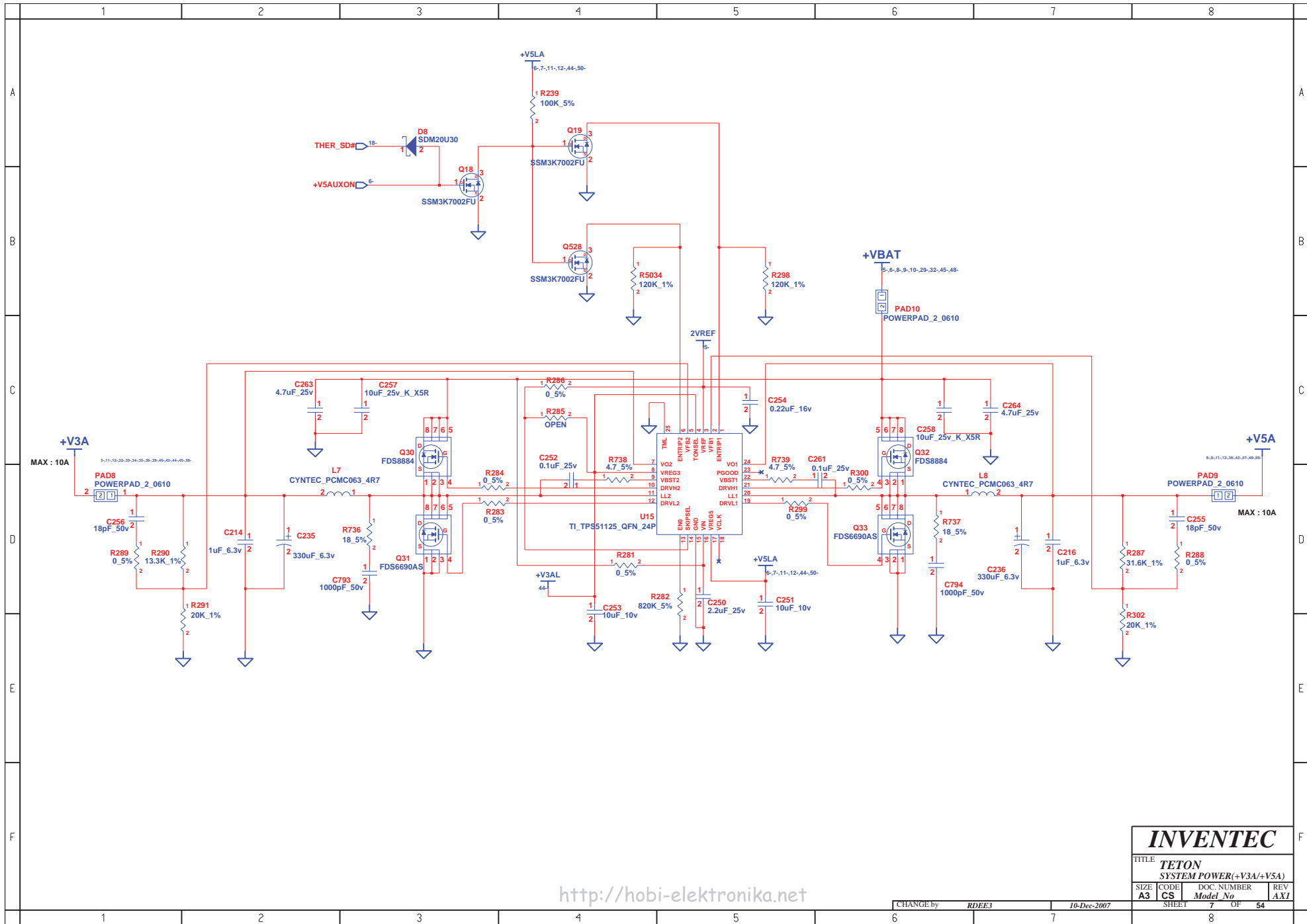
<http://hobi-elektronika.net>

|                                                    |                   |                                |                   |
|----------------------------------------------------|-------------------|--------------------------------|-------------------|
| <b>INVENTEC</b>                                    |                   |                                |                   |
| TITLE<br><b>TETON<br/>DC &amp; BATTERY CHARGER</b> |                   |                                |                   |
| SIZE<br><b>A3</b>                                  | CODE<br><b>CS</b> | DOC. NUMBER<br><i>Model No</i> | REV<br><b>AX1</b> |
| RDEE3                                              |                   | 10-Dec-2007                    | SHEET 5 OF 54     |
| 7                                                  |                   | 8                              |                   |



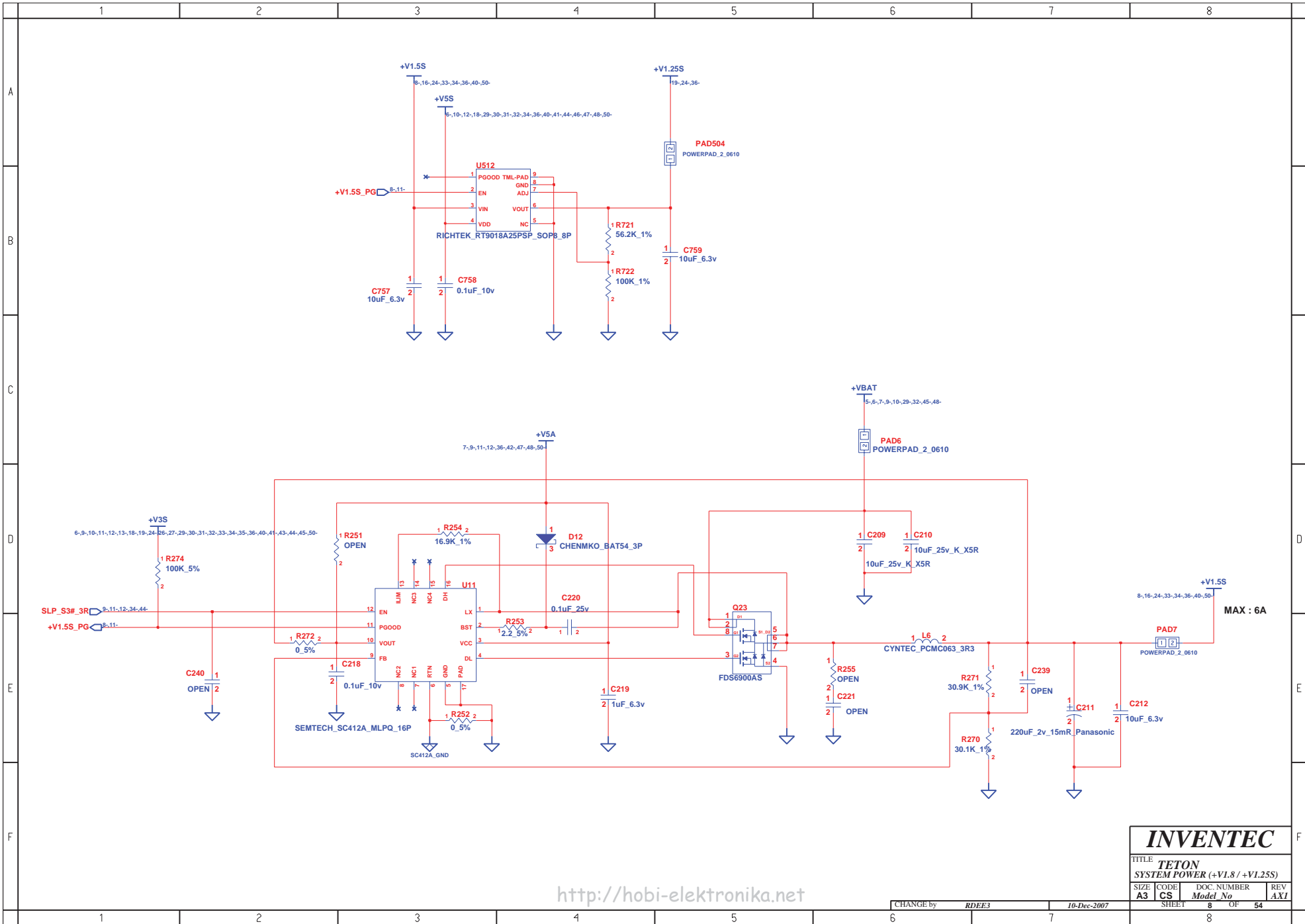
<http://hobi-elektronika.net>

|                                                |                   |                                |                   |
|------------------------------------------------|-------------------|--------------------------------|-------------------|
| <b>INVENTEC</b>                                |                   |                                |                   |
| TITLE<br><b>TETON</b><br><b>+V2.5S / RESET</b> |                   |                                |                   |
| SIZE<br><b>A3</b>                              | CODE<br><b>CS</b> | DOC. NUMBER<br><i>Model No</i> | REV<br><b>AX1</b> |
| CHANGE by <b>RDEE3</b>                         |                   | 10-Dec-2007                    |                   |
| SHEET <b>6</b>                                 |                   | OF <b>54</b>                   |                   |



<http://hobi-elektronika.net>

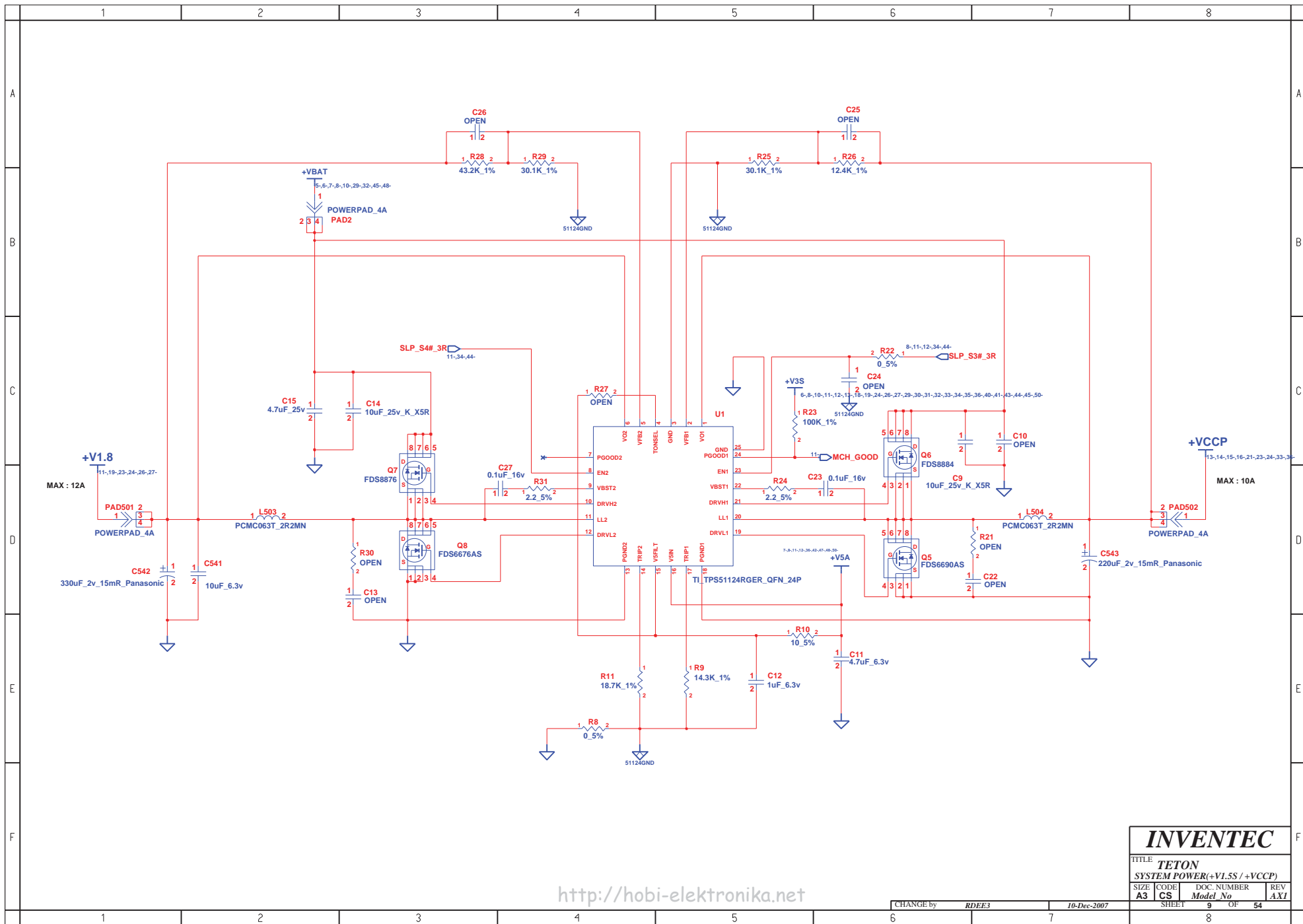
|                                                   |                   |                               |                   |
|---------------------------------------------------|-------------------|-------------------------------|-------------------|
| <b>INVENTEC</b>                                   |                   |                               |                   |
| TITLE<br><b>TETON<br/>SYSTEM POWER(+V3A/+V5A)</b> |                   |                               |                   |
| SIZE<br><b>A3</b>                                 | CODE<br><b>CS</b> | DOC NUMBER<br><i>Model No</i> | REV<br><b>AXI</b> |
| CHANGE by <b>RDEE3</b>                            |                   | 10-Dec-2007                   | SHEET 7 OF 54     |



<http://hobi-elektronika.net>

|                                |                |                             |                |
|--------------------------------|----------------|-----------------------------|----------------|
| <b>INVENTEC</b>                |                |                             |                |
| TITLE <b>TETON</b>             |                |                             |                |
| SYSTEM POWER (+V1.8 / +V1.25S) |                |                             |                |
| SIZE <b>A3</b>                 | CODE <b>CS</b> | DOC. NUMBER <b>Model No</b> | REV <b>AX1</b> |
| CHANGE by <b>RDEE3</b>         |                | 10-Dec-2007                 |                |
| SHEET 1                        |                | OF 54                       |                |



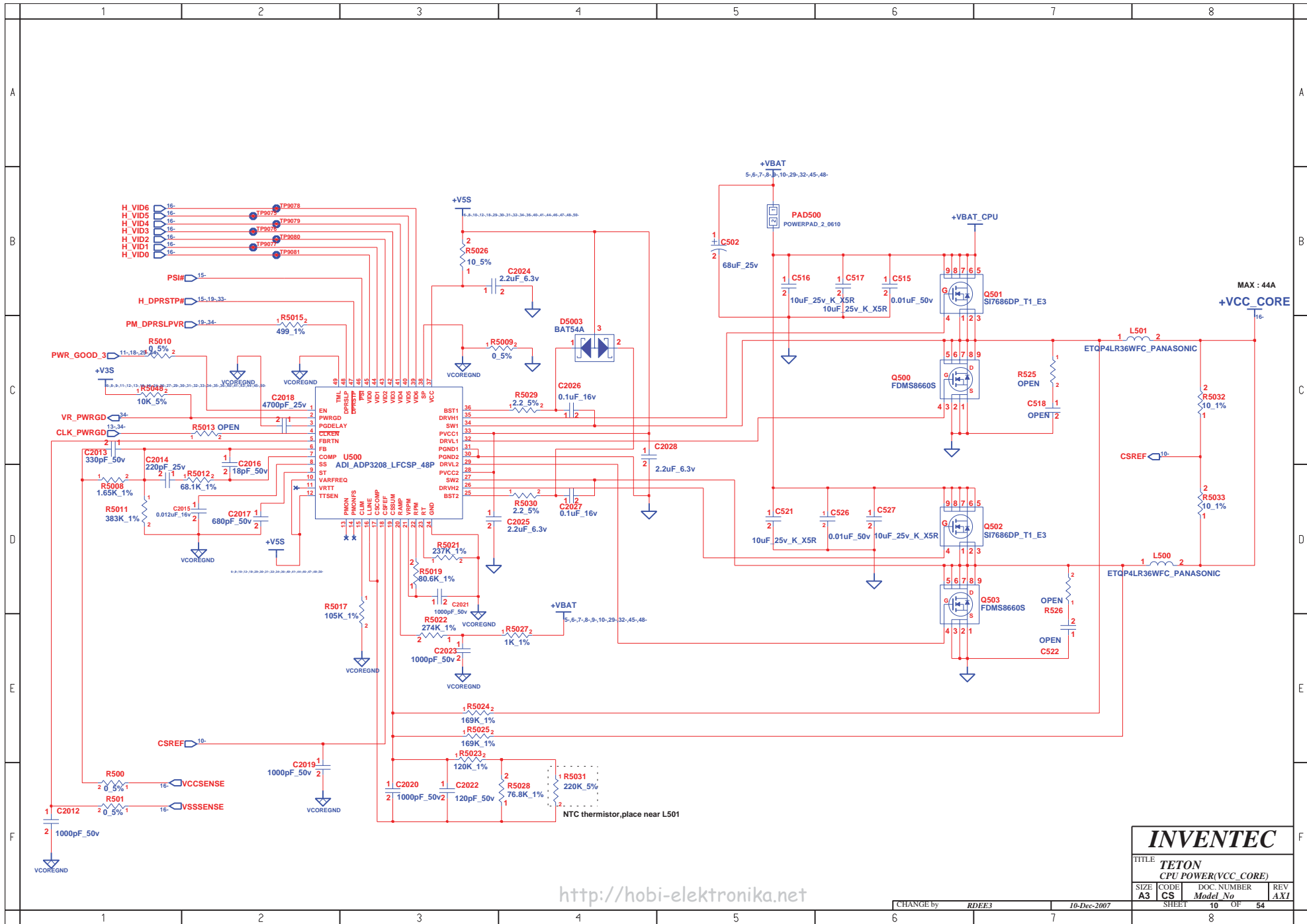


<http://hobi-elektronika.net>

# INVENTEC

|                              |      |            |     |
|------------------------------|------|------------|-----|
| TITLE                        |      |            |     |
| TETON                        |      |            |     |
| SYSTEM POWER(+V1.5S / +VCCP) |      |            |     |
| SIZE                         | CODE | DOC NUMBER | REV |
| A3                           | CS   | Model No   | AXI |

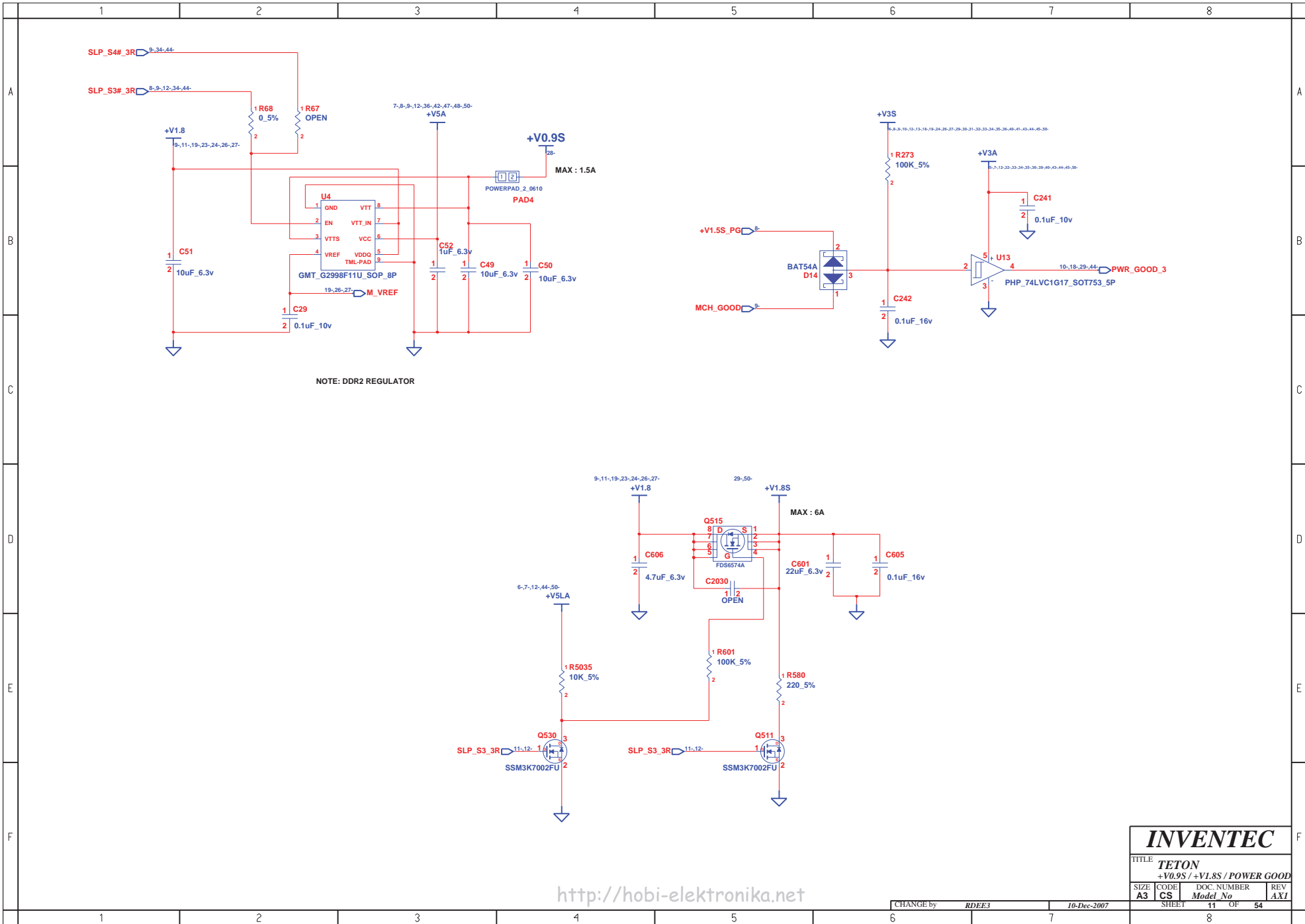
|           |       |             |       |   |    |    |
|-----------|-------|-------------|-------|---|----|----|
| CHANGE by | RDEE3 | 10-Dec-2007 | SHEET | 9 | OF | 54 |
|           |       |             |       | 8 |    |    |



<http://hobi-elektronika.net>

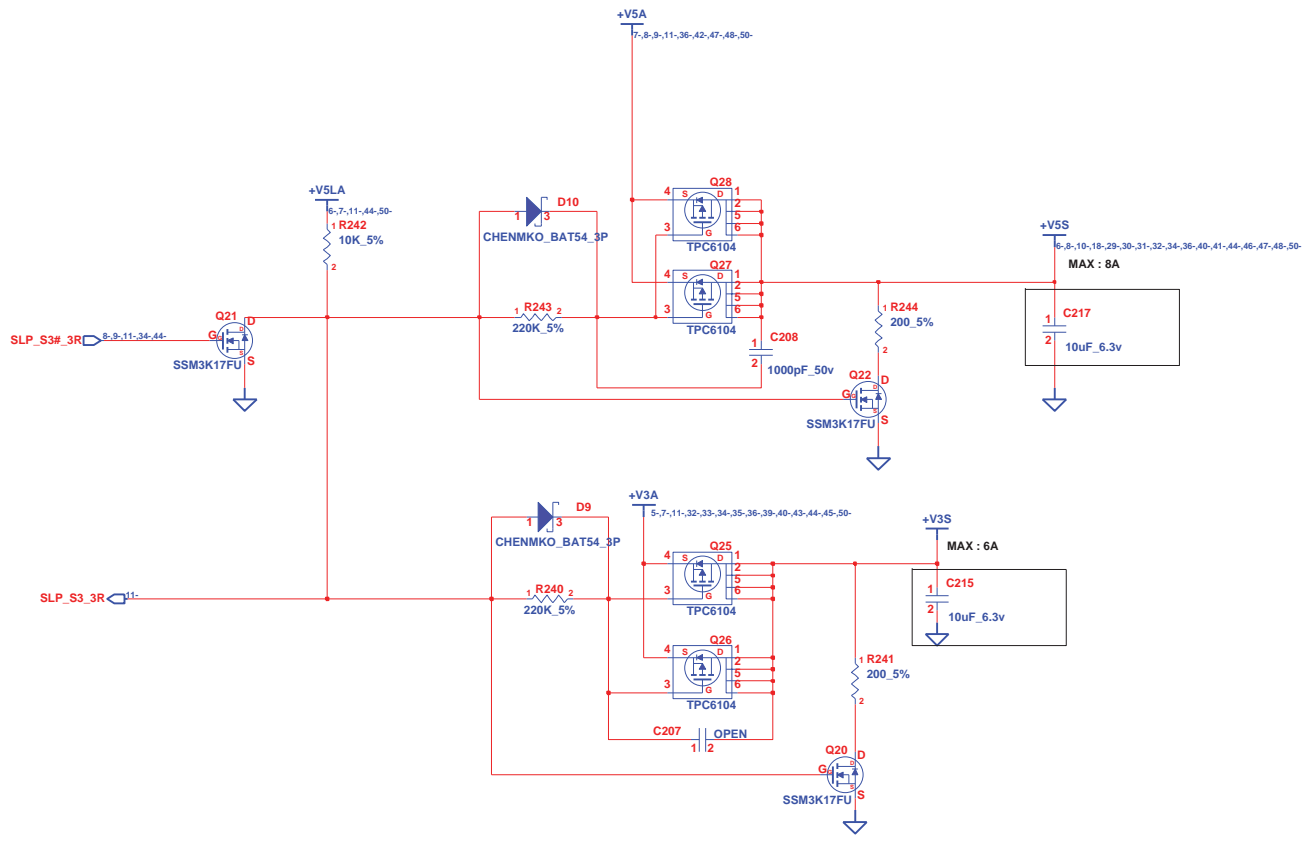
# INVENTEC

|                     |      |             |     |
|---------------------|------|-------------|-----|
| TITLE               |      |             |     |
| TETON               |      |             |     |
| CPU POWER(VCC_CORE) |      |             |     |
| SIZE                | CODE | DOC. NUMBER | REV |
| A3                  | CS   | Model No    | AX1 |
| CHANGE by           |      | SHEET       | OF  |
| RDEE3               |      | 10          | 54  |
| 10-Dec-2007         |      |             |     |



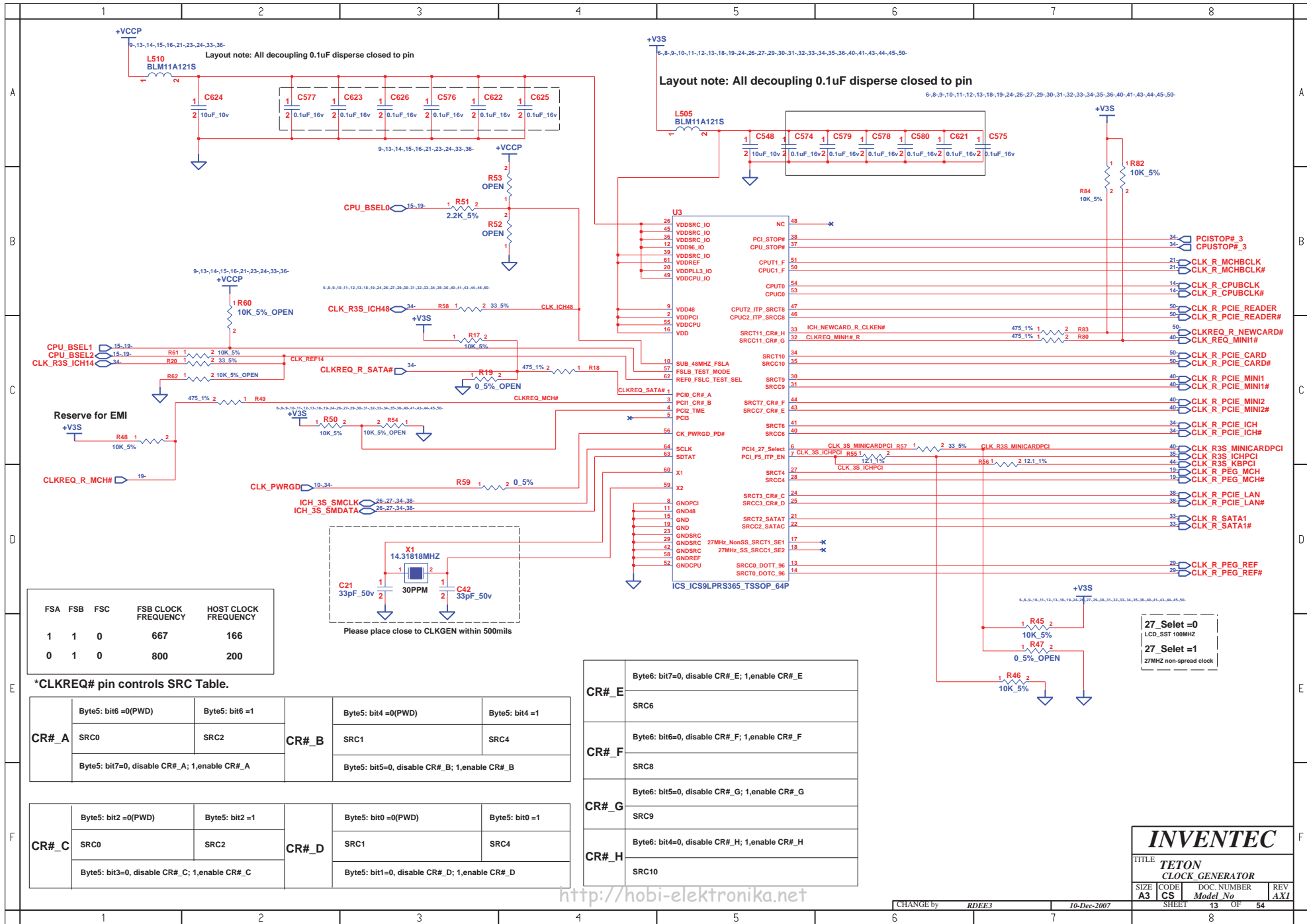
<http://hobi-elektronika.net>

|                              |                   |                                |                   |
|------------------------------|-------------------|--------------------------------|-------------------|
| <b>INVENTEC</b>              |                   |                                |                   |
| TITLE<br><b>TETON</b>        |                   |                                |                   |
| +V0.9S / +V1.8S / POWER GOOD |                   |                                |                   |
| SIZE<br><b>A3</b>            | CODE<br><b>CS</b> | DOC. NUMBER<br><i>Model No</i> | REV<br><b>AX1</b> |
| CHANGE by <b>RDEE3</b>       |                   | 10-Dec-2007                    |                   |
| SHEET <b>11</b>              |                   | OF <b>54</b>                   |                   |



<http://hobi-elektronika.net>

|                                              |                   |                                |                   |
|----------------------------------------------|-------------------|--------------------------------|-------------------|
| <b>INVENTEC</b>                              |                   |                                |                   |
| TITLE<br><b>TETON<br/>POWER(+V3S / +V5S)</b> |                   |                                |                   |
| SIZE<br><b>A3</b>                            | CODE<br><b>CS</b> | DOC. NUMBER<br><i>Model No</i> | REV<br><b>AX1</b> |
| CHANGE by<br><b>RDEE3</b>                    |                   | 10-Dec-2007                    |                   |
| SHEET<br><b>12</b>                           |                   | OF<br><b>54</b>                |                   |



| FSA | FSB | FSC | FSB CLOCK FREQUENCY | HOST CLOCK FREQUENCY |
|-----|-----|-----|---------------------|----------------------|
| 1   | 1   | 0   | 667                 | 166                  |
| 0   | 1   | 0   | 800                 | 200                  |

\*CLKREQ# pin controls SRC Table.

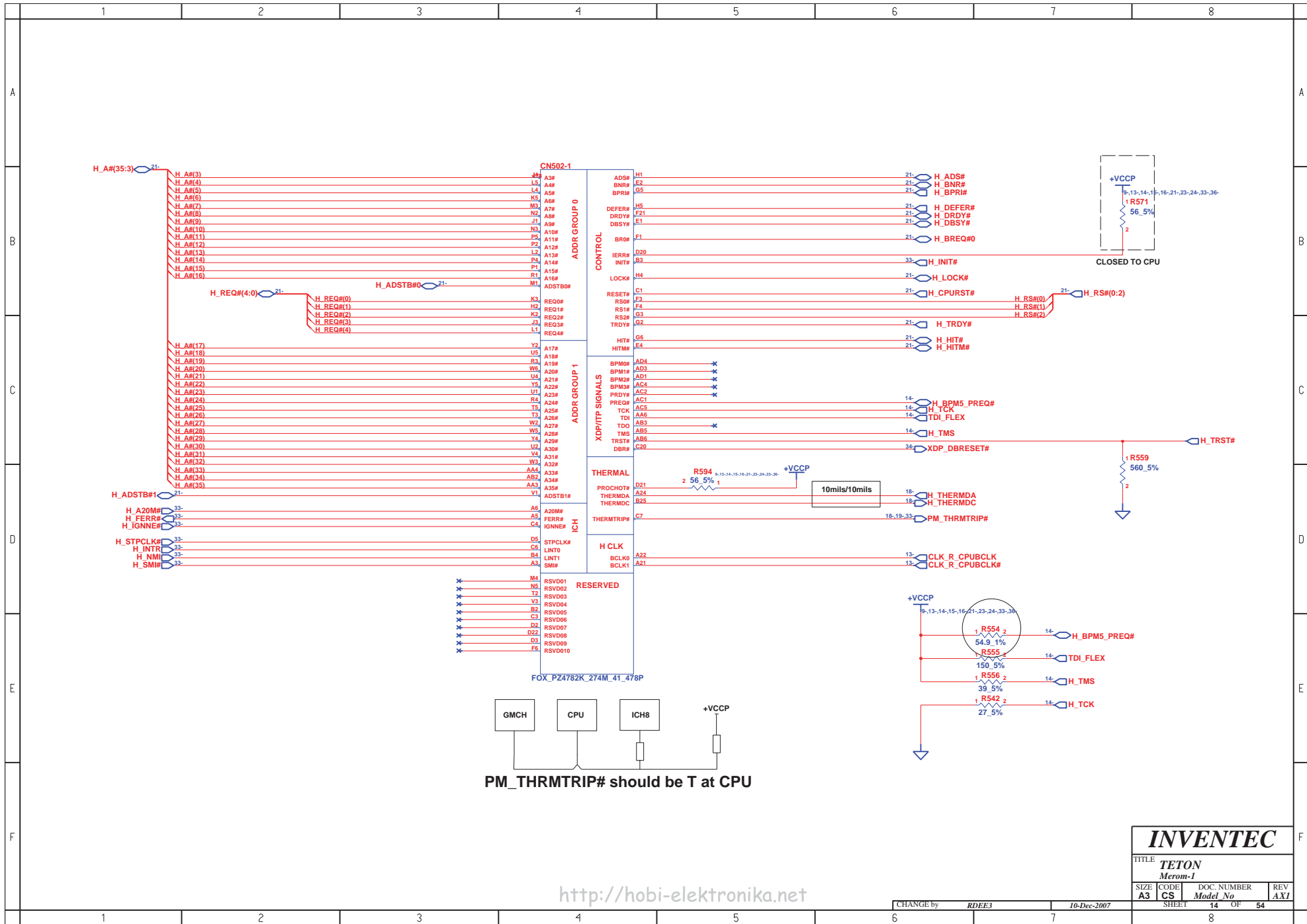
| CR#_A                                        | Byte5: bit6 =0(PWD) |                                              | Byte5: bit6 =1 |      |
|----------------------------------------------|---------------------|----------------------------------------------|----------------|------|
|                                              | SRC0                | SRC2                                         | SRC1           | SRC4 |
| Byte5: bit7=0, disable CR#_A; 1,enable CR#_A |                     | Byte5: bit5=0, disable CR#_B; 1,enable CR#_B |                |      |

| CR#_C                                        | Byte5: bit2 =0(PWD) |                                              | Byte5: bit2 =1 |      |
|----------------------------------------------|---------------------|----------------------------------------------|----------------|------|
|                                              | SRC0                | SRC2                                         | SRC1           | SRC4 |
| Byte5: bit3=0, disable CR#_C; 1,enable CR#_C |                     | Byte5: bit1=0, disable CR#_D; 1,enable CR#_D |                |      |

|       |                                              |
|-------|----------------------------------------------|
| CR#_E | Byte6: bit7=0, disable CR#_E; 1,enable CR#_E |
| CR#_F | Byte6: bit6=0, disable CR#_F; 1,enable CR#_F |
| CR#_G | Byte6: bit5=0, disable CR#_G; 1,enable CR#_G |
| CR#_H | Byte6: bit4=0, disable CR#_H; 1,enable CR#_H |

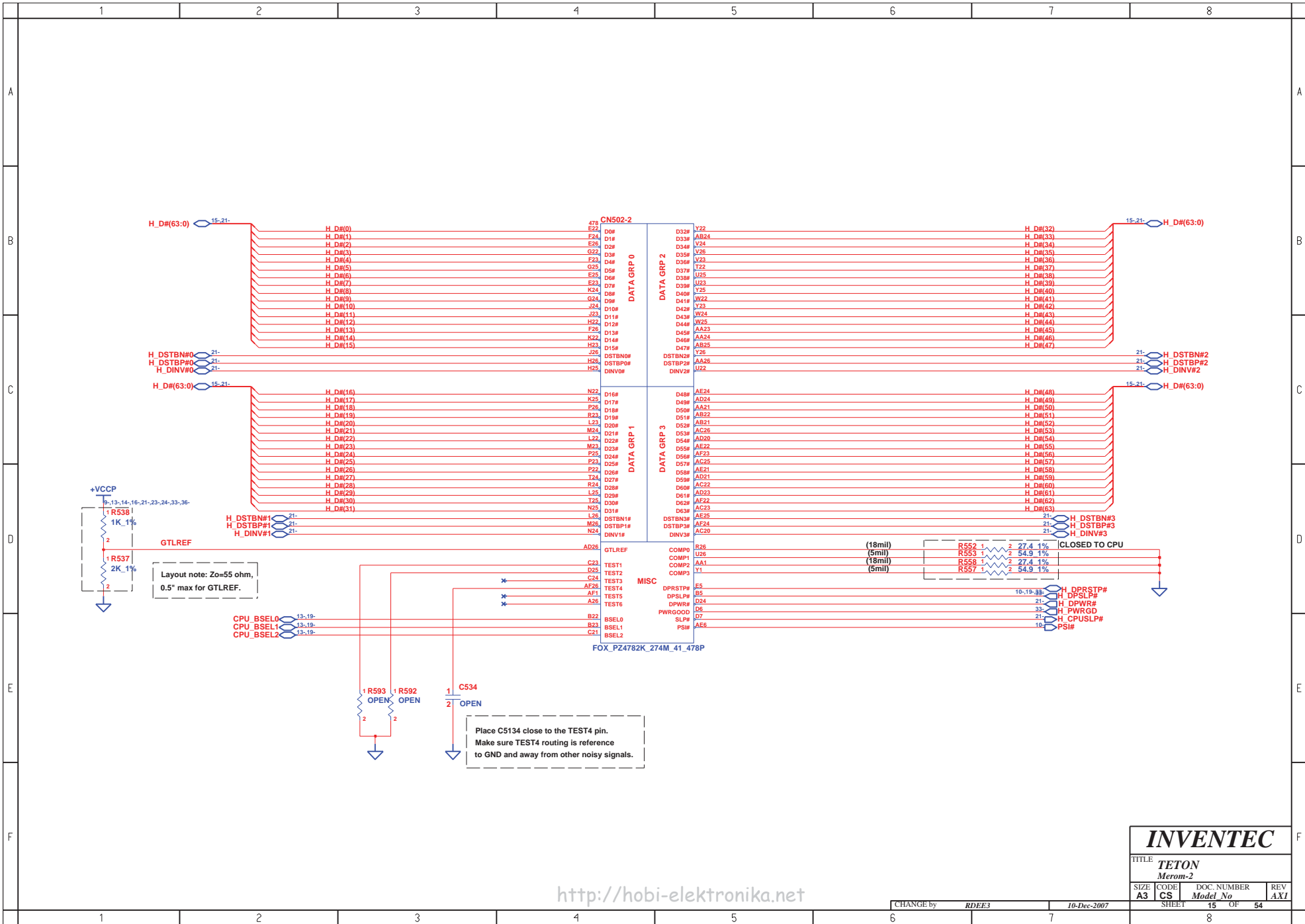
27\_Selet =0  
LCD\_SST 100MHZ

27\_Selet =1  
27MHZ non-spread clock



|                        |                |                             |                |
|------------------------|----------------|-----------------------------|----------------|
| <b>INVENTEC</b>        |                |                             |                |
| TITLE <b>TETON</b>     |                |                             |                |
| Merom-1                |                |                             |                |
| SIZE <b>A3</b>         | CODE <b>CS</b> | DOC. NUMBER <b>Model No</b> | REV <b>AXI</b> |
| CHANGE by <b>RDEE3</b> |                | 10-Dec-2007                 | SHEET 14 OF 54 |

<http://hobi-elektronika.net>



<http://hobi-elektronika.net>

|                        |           |                 |            |
|------------------------|-----------|-----------------|------------|
| <b>INVENTEC</b>        |           |                 |            |
| TITLE <b>TETON</b>     |           |                 |            |
| <b>Merom-2</b>         |           |                 |            |
| SIZE                   | CODE      | DOC. NUMBER     | REV        |
| <b>A3</b>              | <b>CS</b> | <i>Model No</i> | <b>AXI</b> |
| CHANGE by <b>RDEE3</b> |           | 10-Dec-2007     |            |
| SHEET 15               |           | OF 54           |            |





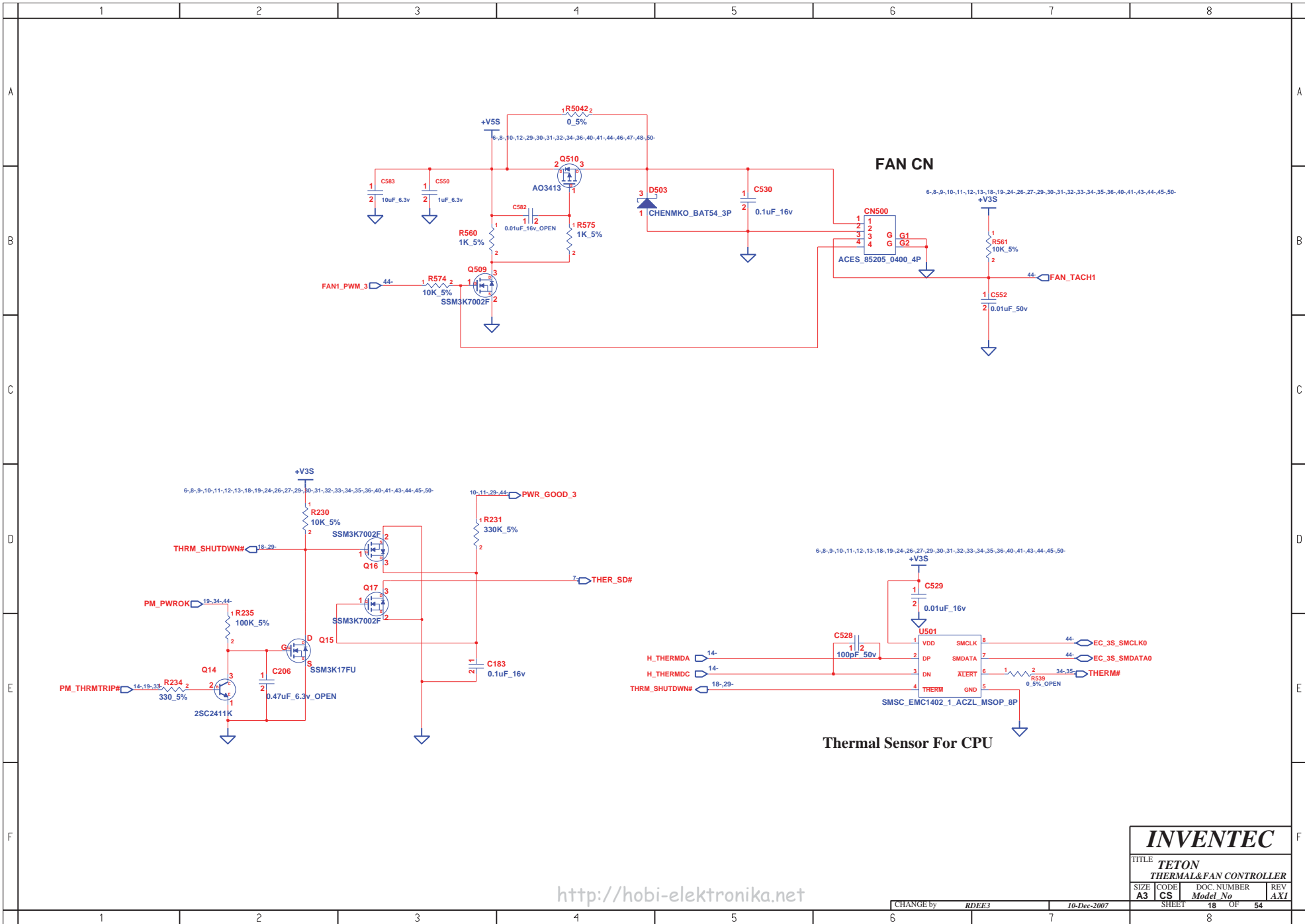
|   |                                                   |   |   |   |   |   |   |   |  |
|---|---------------------------------------------------|---|---|---|---|---|---|---|--|
|   | 1                                                 | 2 | 3 | 4 | 5 | 6 | 7 | 8 |  |
| A | <p style="text-align: center;"><b>CN502-4</b></p> |   |   |   |   |   |   |   |  |
| B |                                                   |   |   |   |   |   |   |   |  |
| C |                                                   |   |   |   |   |   |   |   |  |
| D |                                                   |   |   |   |   |   |   |   |  |
| E |                                                   |   |   |   |   |   |   |   |  |
| F |                                                   |   |   |   |   |   |   |   |  |

FOX\_PZ4782K\_274M\_41\_478P

<http://hobi-elektronika.net>

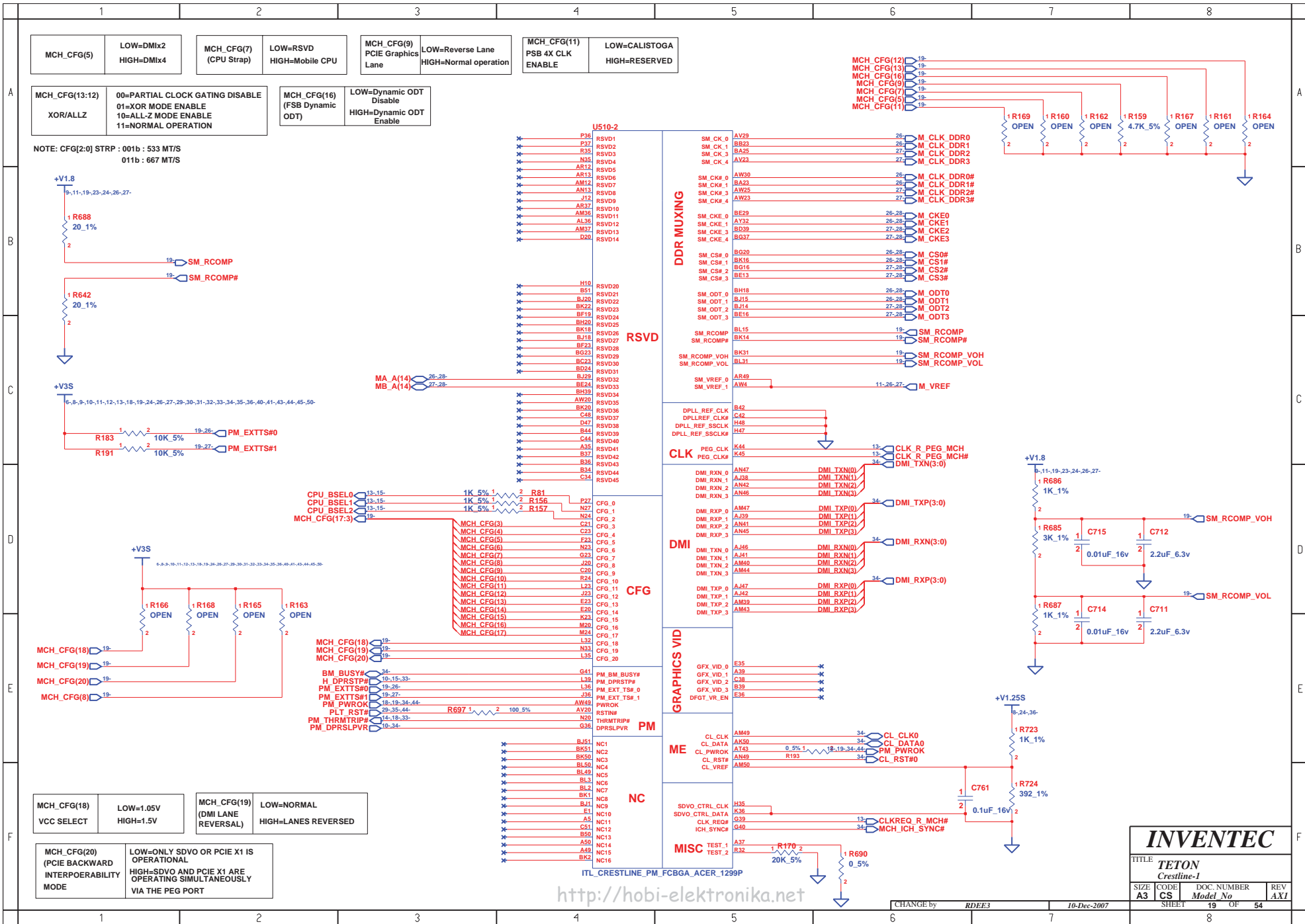
**INVENTEC**

|                        |                |                             |                              |
|------------------------|----------------|-----------------------------|------------------------------|
| TITLE <b>TETON</b>     |                |                             |                              |
| Merom-4                |                |                             |                              |
| SIZE <b>A3</b>         | CODE <b>CS</b> | DOC. NUMBER <b>Model No</b> | REV <b>AXI</b>               |
| CHANGE by <b>RDEE3</b> |                | 10-Dec-2007                 | SHEET <b>17</b> OF <b>54</b> |



<http://hobi-elektronika.net>

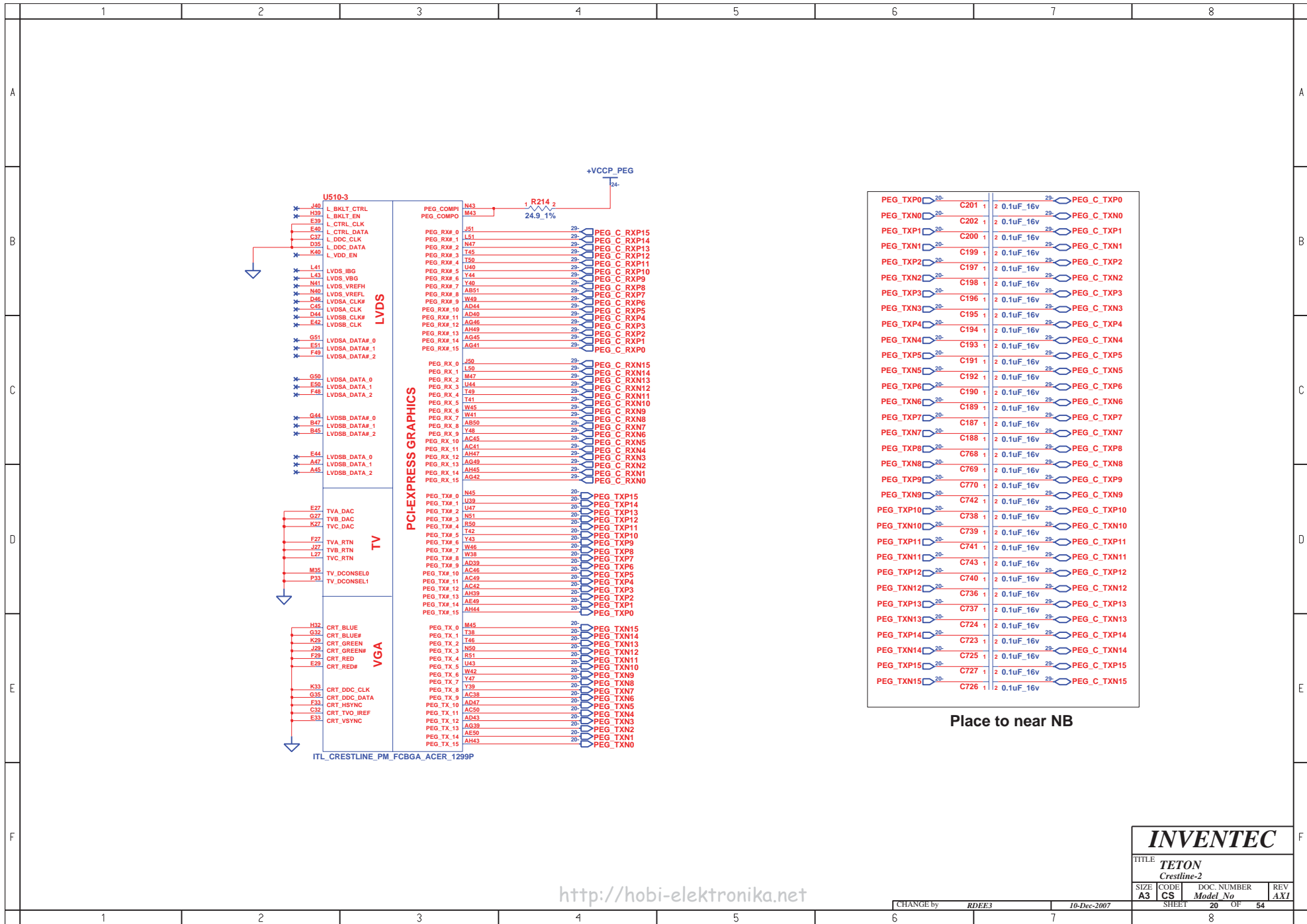
|                                   |      |             |             |
|-----------------------------------|------|-------------|-------------|
| <b>INVENTEC</b>                   |      |             |             |
| TITLE <b>TETON</b>                |      |             |             |
| <b>THERMAL&amp;FAN CONTROLLER</b> |      |             |             |
| SIZE                              | CODE | DOC. NUMBER | REV         |
| A3                                | CS   | Model No    | AXI         |
| CHANGE by                         |      | RDEE3       | 10-Dec-2007 |
| SHEET                             |      | 18          | OF 54       |



<http://hobi-elektronika.net>

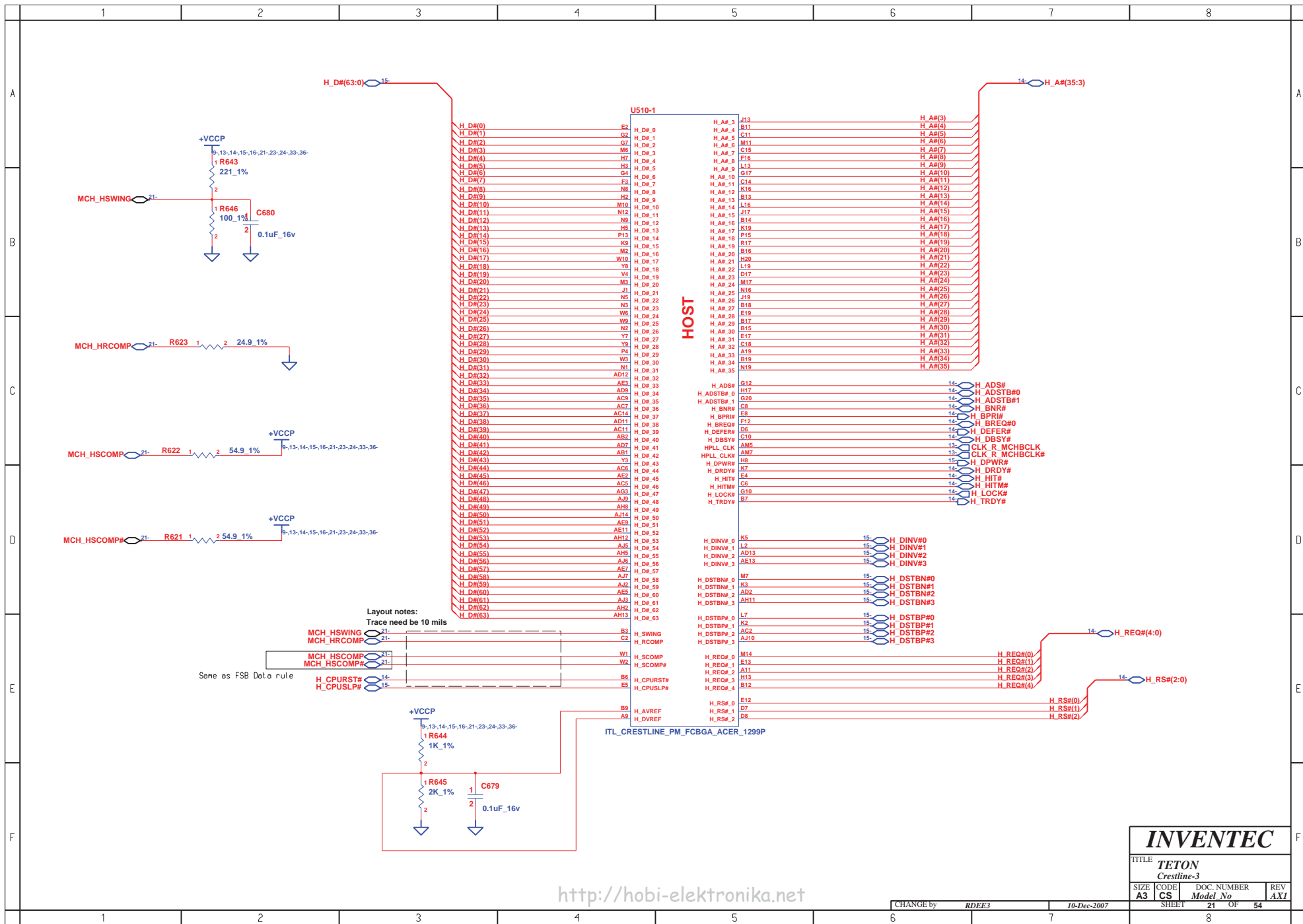
|                                   |                   |                               |                   |
|-----------------------------------|-------------------|-------------------------------|-------------------|
| <b>INVENTEC</b>                   |                   |                               |                   |
| TITLE<br><b>TETON Crestline-1</b> |                   |                               |                   |
| SIZE<br><b>A3</b>                 | CODE<br><b>CS</b> | DOC NUMBER<br><i>Model No</i> | REV<br><b>AX1</b> |
| SHEET<br><b>19</b>                |                   | OF<br><b>54</b>               |                   |

CHANGE by **RDEE3** 10-Dec-2007



<http://hobi-elektronika.net>

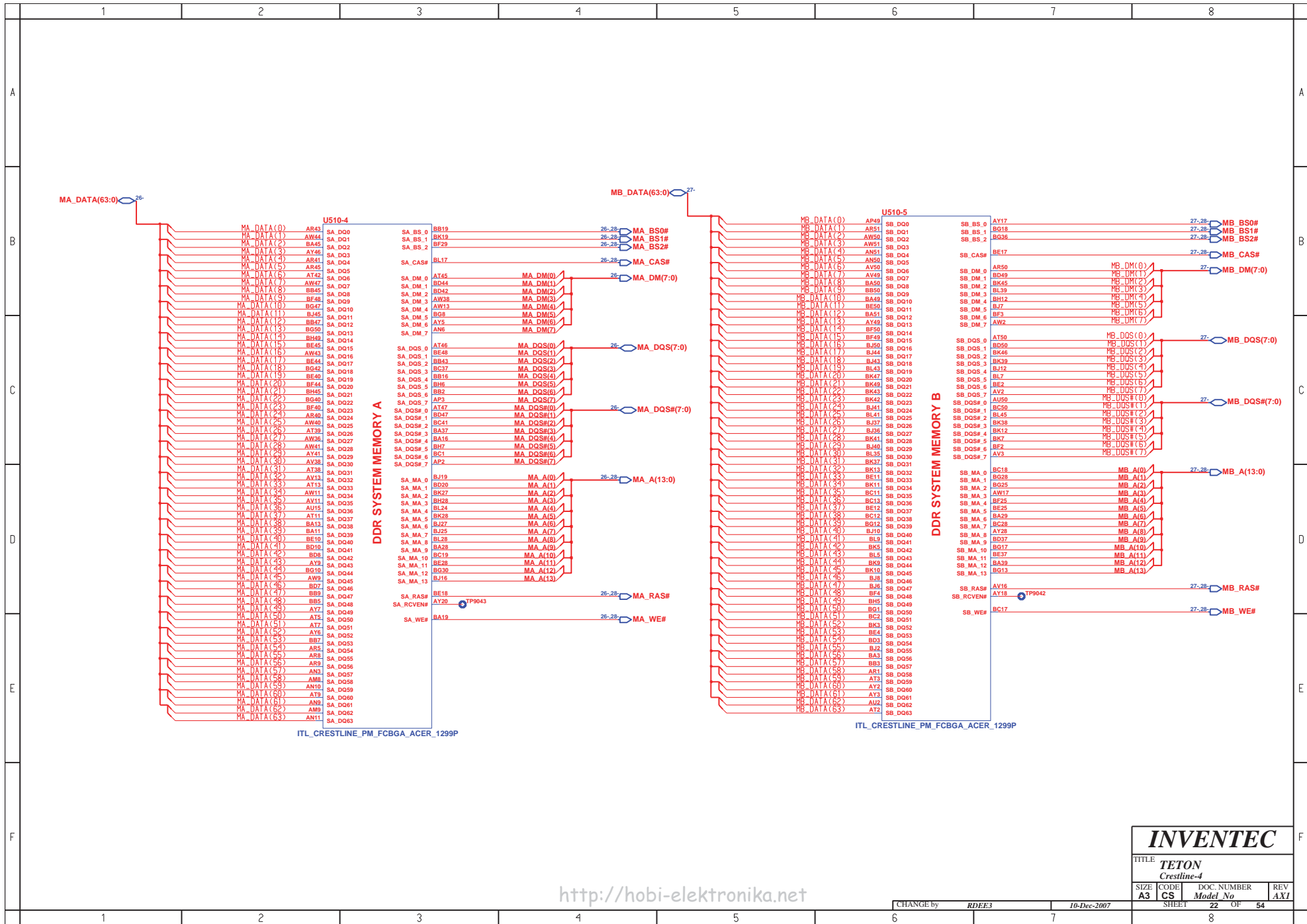
|                                             |                   |                                |                   |
|---------------------------------------------|-------------------|--------------------------------|-------------------|
| <b>INVENTEC</b>                             |                   |                                |                   |
| TITLE<br><b>TETON</b><br><i>Crestline-2</i> |                   |                                |                   |
| SIZE<br><b>A3</b>                           | CODE<br><b>CS</b> | DOC. NUMBER<br><i>Model No</i> | REV<br><b>AX1</b> |
| CHANGE by <b>RDEE3</b>                      |                   | 10-Dec-2007                    |                   |
| SHEET 20                                    |                   | OF 54                          |                   |



|                         |         |                      |         |  |
|-------------------------|---------|----------------------|---------|--|
| <b>INVENTEC</b>         |         |                      |         |  |
| TITLE TETON Crestline-3 |         |                      |         |  |
| SIZE A3                 | CODE CS | DOC. NUMBER Model No | REV AXI |  |
| SHEET 21                |         | OF 54                |         |  |

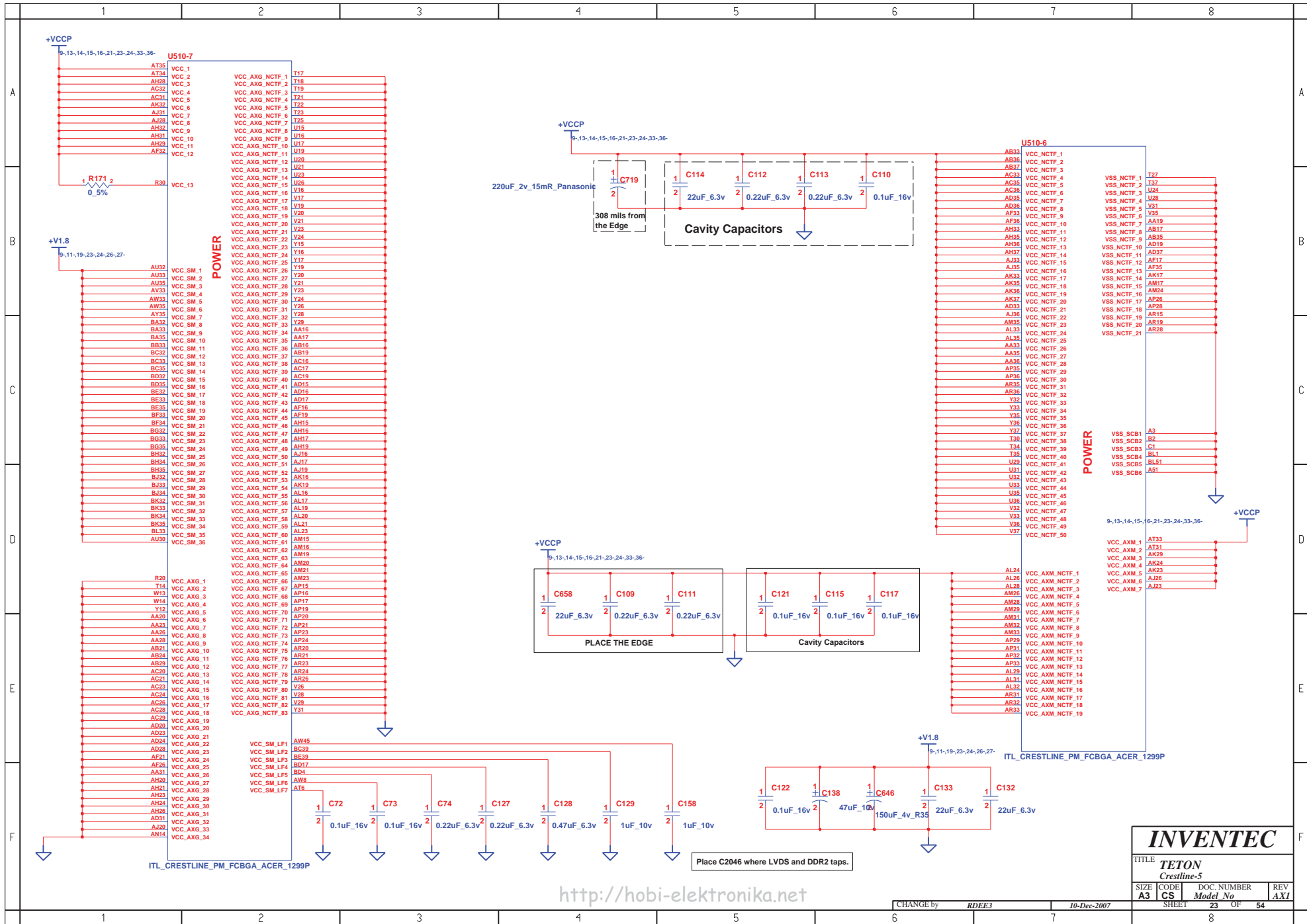
<http://hobi-elektronika.net>

CHANGE by RDEE3 10-Dec-2007



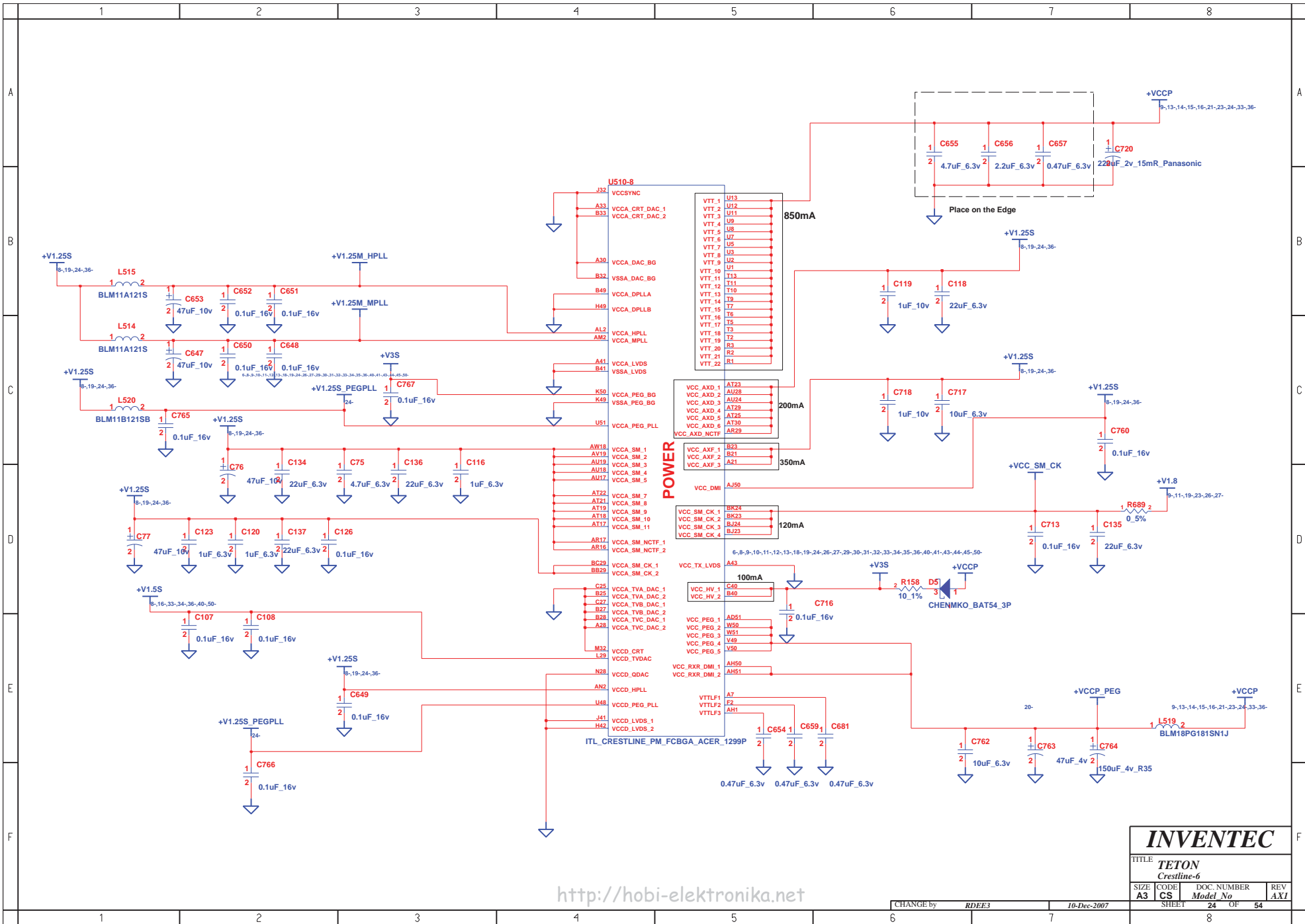
|                                |                |                             |                              |
|--------------------------------|----------------|-----------------------------|------------------------------|
| <b>INVENTEC</b>                |                |                             |                              |
| TITLE <b>TETON Crestline-4</b> |                |                             |                              |
| SIZE <b>A3</b>                 | CODE <b>CS</b> | DOC. NUMBER <b>Model No</b> | REV <b>AXI</b>               |
| CHANGE by <b>RDEE3</b>         |                | 10-Dec-2007                 | SHEET <b>22</b> OF <b>54</b> |

<http://hobi-elektronika.net>



<http://hobi-elektronika.net>

|                                       |      |             |             |  |
|---------------------------------------|------|-------------|-------------|--|
| <b>INVENTEC</b>                       |      |             |             |  |
| TITLE<br><b>TETON<br/>Crestline-5</b> |      |             |             |  |
| SIZE                                  | CODE | DOC. NUMBER | REV         |  |
| A3                                    | CS   | Model No    | AXI         |  |
| CHANGE by                             |      |             | RDEE3       |  |
| 10-Dec-2007                           |      |             | 10-Dec-2007 |  |
| SHEET                                 |      |             | 23 OF 54    |  |
| 8                                     |      |             |             |  |



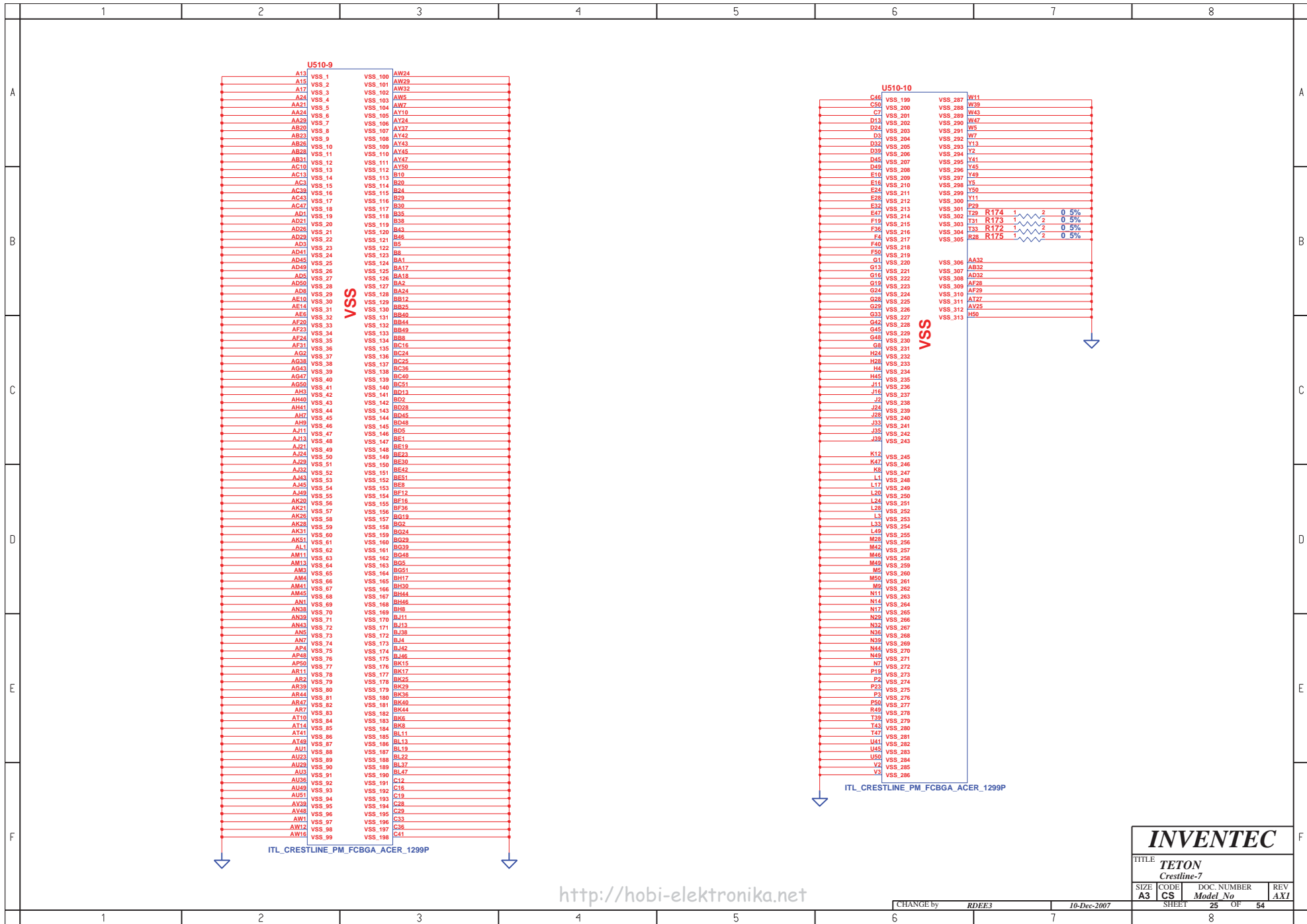
<http://hobi-elektronika.net>

# INVENTEC

|                      |      |             |       |
|----------------------|------|-------------|-------|
| TITLE                |      |             |       |
| TETON<br>Crestline-6 |      |             |       |
| SIZE                 | CODE | DOC. NUMBER | REV   |
| A3                   | CS   | Model No    | AX1   |
| SHEET                |      | 24          | OF 54 |

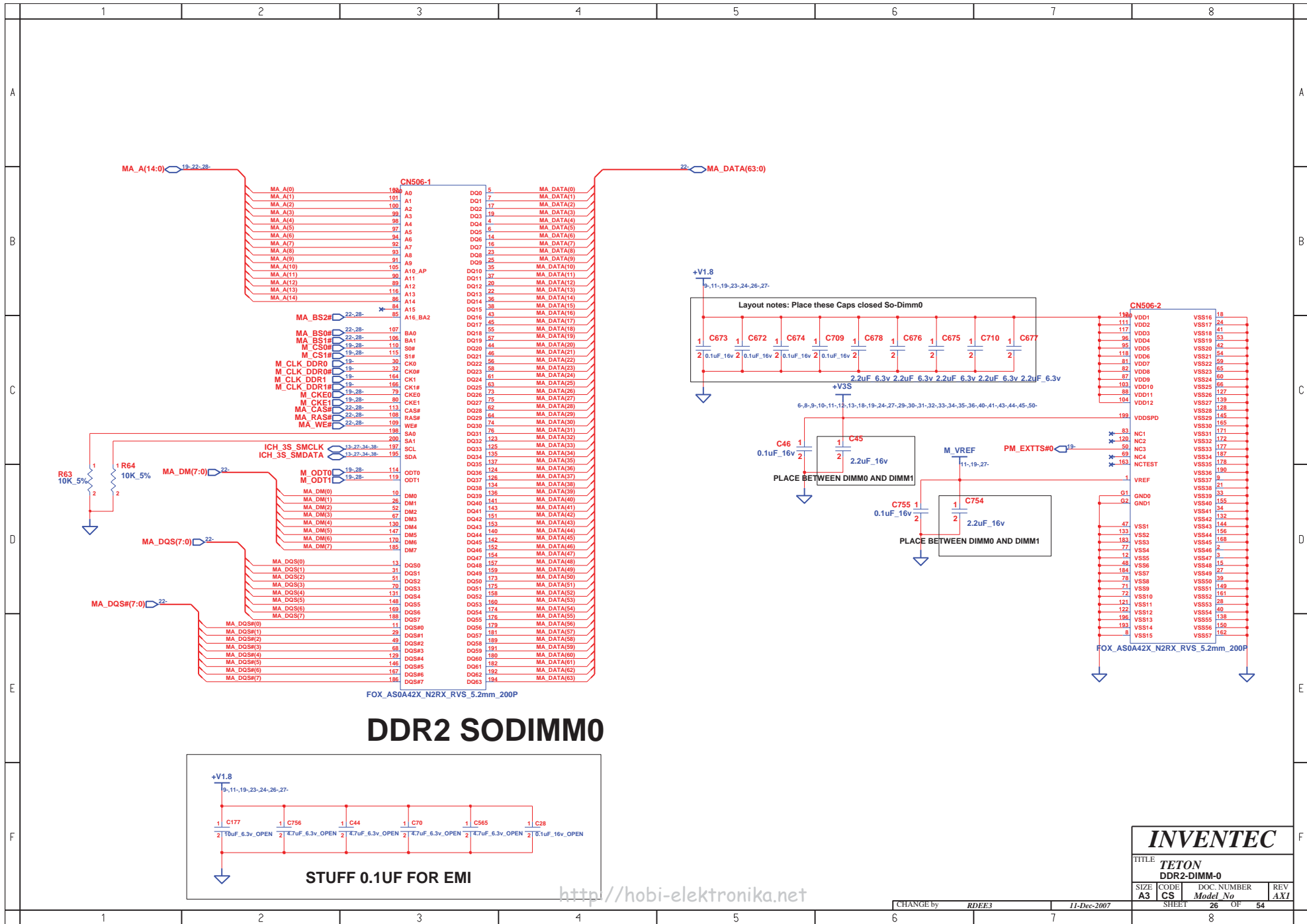
CHANGE by RDEE3 10-Dec-2007



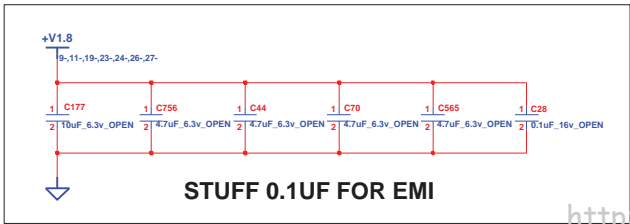


<http://hobi-elektronika.net>

|                                      |                   |                         |                   |
|--------------------------------------|-------------------|-------------------------|-------------------|
| <b>INVENTEC</b>                      |                   |                         |                   |
| TITLE<br><b>TETON</b><br>Crestline-7 |                   |                         |                   |
| SIZE<br><b>A3</b>                    | CODE<br><b>CS</b> | DOC. NUMBER<br>Model No | REV<br><b>AXI</b> |
| CHANGE by<br><b>RDEE3</b>            |                   | 10-Dec-2007             | SHEET 25 OF 54    |



# DDR2 SODIMM0

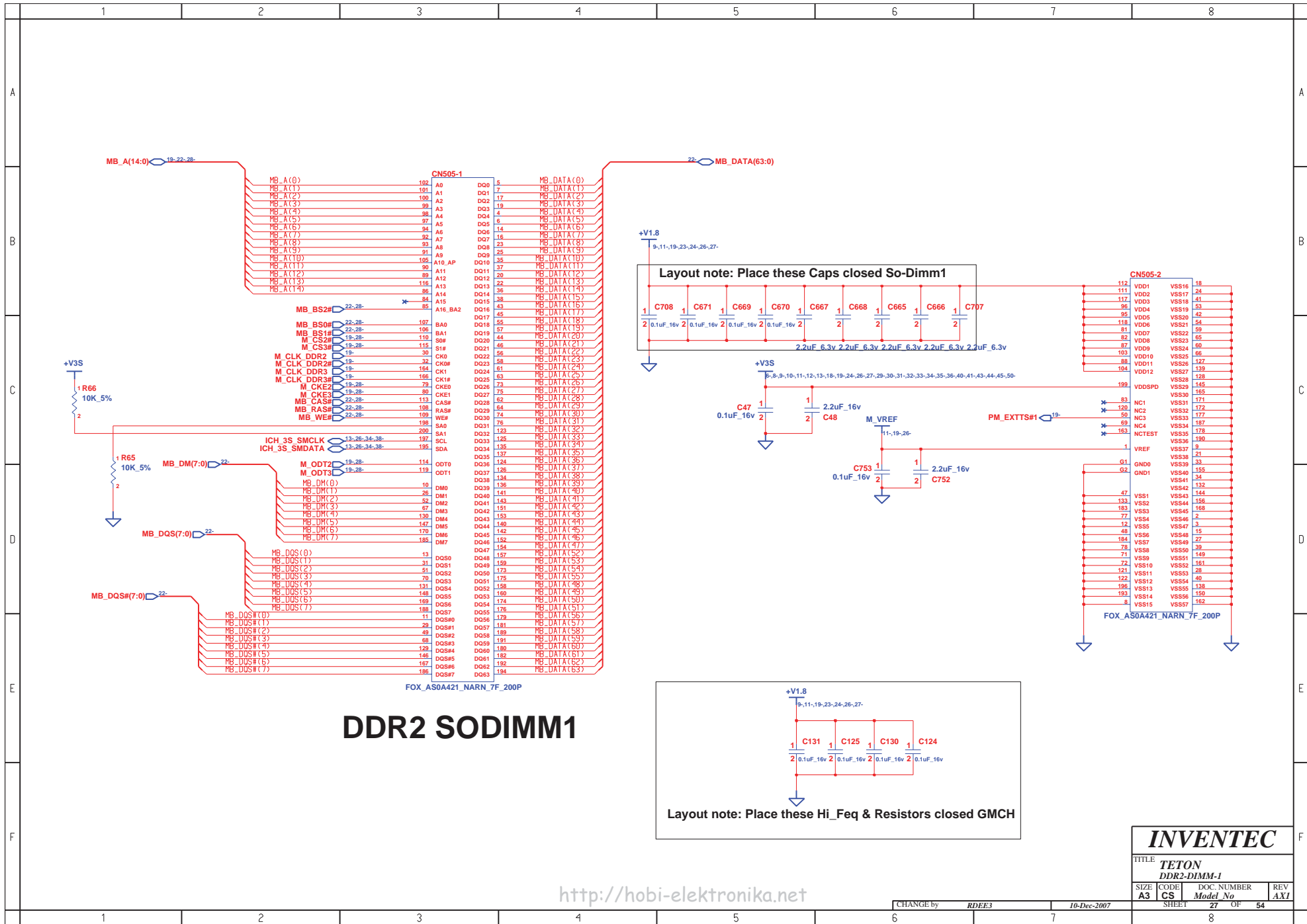


STUFF 0.1UF FOR EMI

<http://hobi-elektronika.net>

|                    |                |                             |                |
|--------------------|----------------|-----------------------------|----------------|
| <b>INVENTEC</b>    |                |                             |                |
| TITLE <b>TETON</b> |                |                             |                |
| DDR2-DIMM-0        |                |                             |                |
| SIZE <b>A3</b>     | CODE <b>CS</b> | DOC. NUMBER <b>Model No</b> | REV <b>AXI</b> |
| SHEET <b>26</b>    |                | OF <b>54</b>                |                |

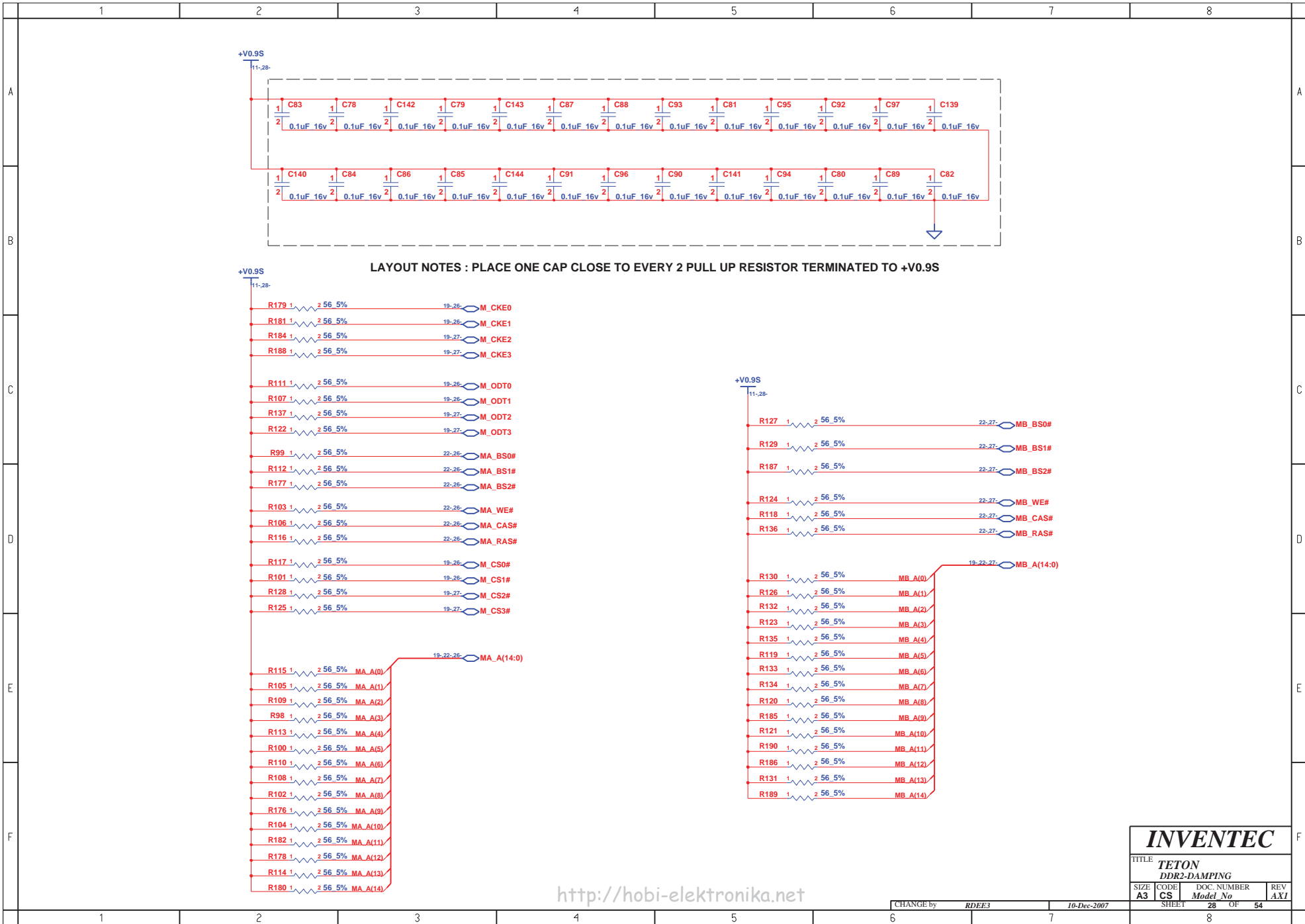
CHANGE by **RDEE3** 11-Dec-2007



# DDR2 SODIMM1

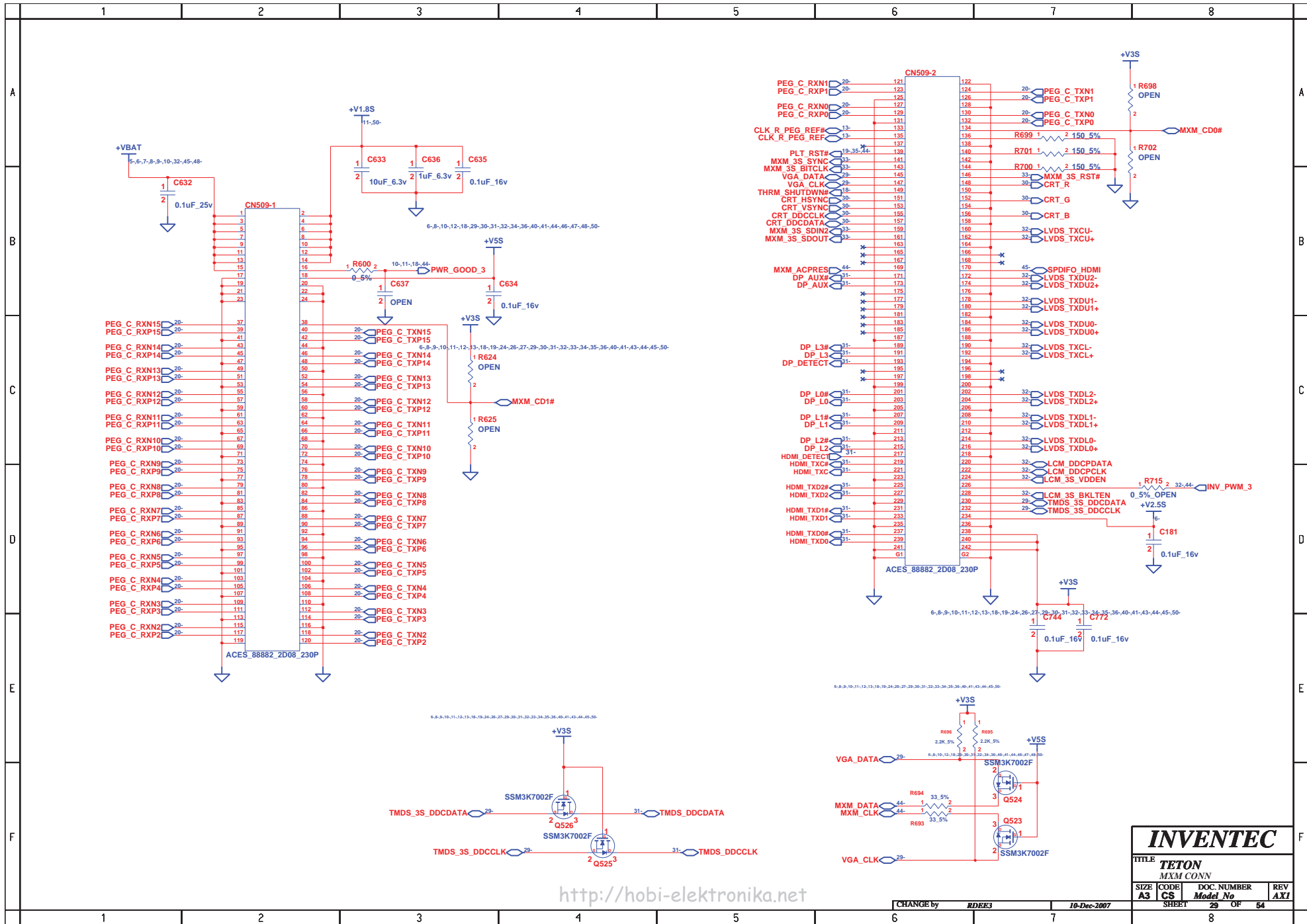
<http://hobi-elektronika.net>

|                                       |                   |                                |                   |
|---------------------------------------|-------------------|--------------------------------|-------------------|
| <b>INVENTEC</b>                       |                   |                                |                   |
| TITLE<br><b>TETON<br/>DDR2-DIMM-1</b> |                   |                                |                   |
| SIZE<br><b>A3</b>                     | CODE<br><b>CS</b> | DOC. NUMBER<br><i>Model No</i> | REV<br><b>AX1</b> |
| CHANGE by<br><b>RDEE3</b>             |                   | 10-Dec-2007                    |                   |
| SHEET<br><b>27</b>                    |                   | OF<br><b>54</b>                |                   |



|                        |                   |                                |                   |
|------------------------|-------------------|--------------------------------|-------------------|
| <b>INVENTEC</b>        |                   |                                |                   |
| TITLE <b>TETON</b>     |                   |                                |                   |
| DDR2-DAMPING           |                   |                                |                   |
| SIZE<br><b>A3</b>      | CODE<br><b>CS</b> | DOC. NUMBER<br><i>Model No</i> | REV<br><b>AXI</b> |
| CHANGE by <b>RDEE3</b> |                   | 10-Dec-2007                    |                   |
| SHEET <b>28</b>        |                   | OF <b>54</b>                   |                   |

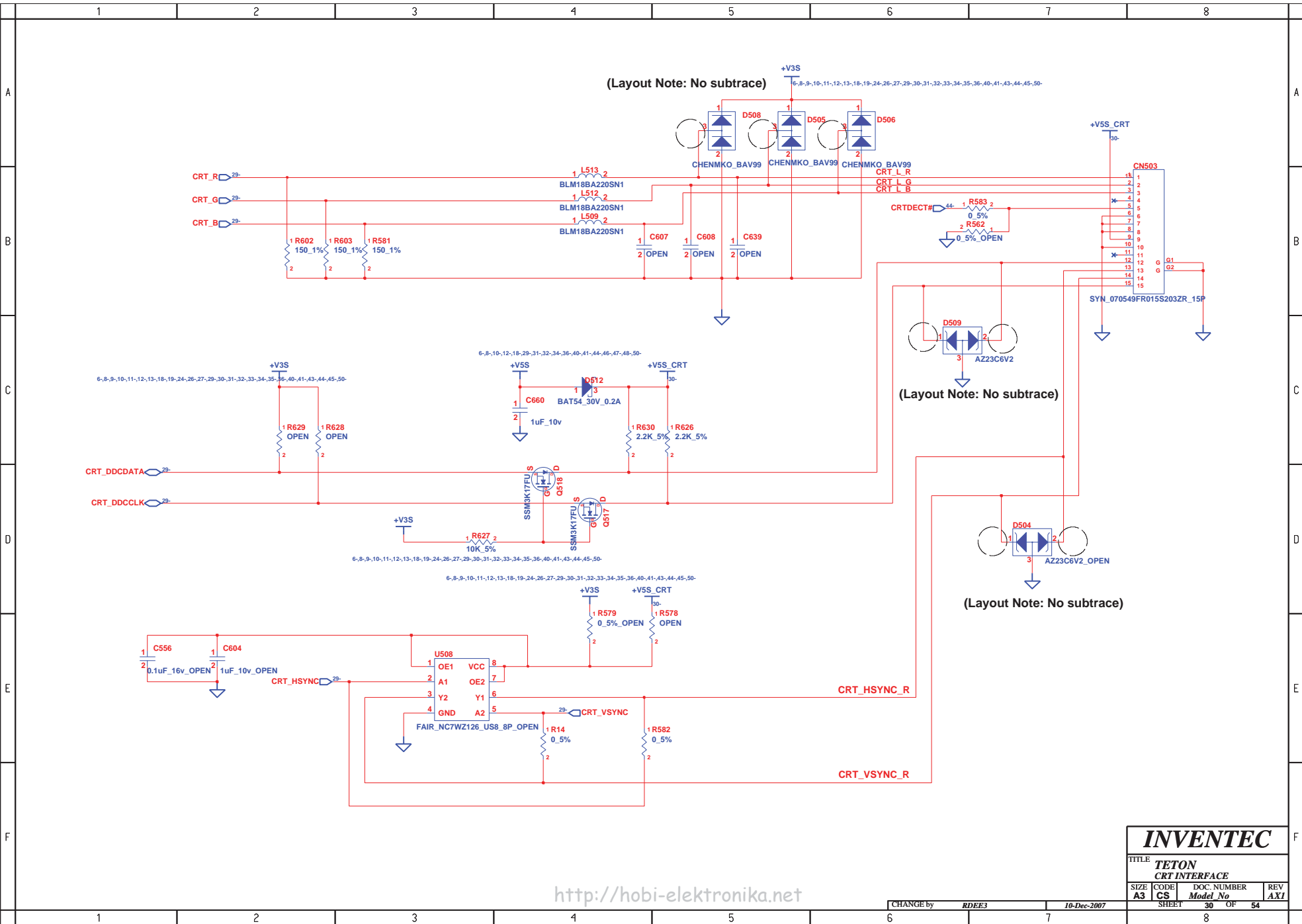
<http://hobi-elektronika.net>



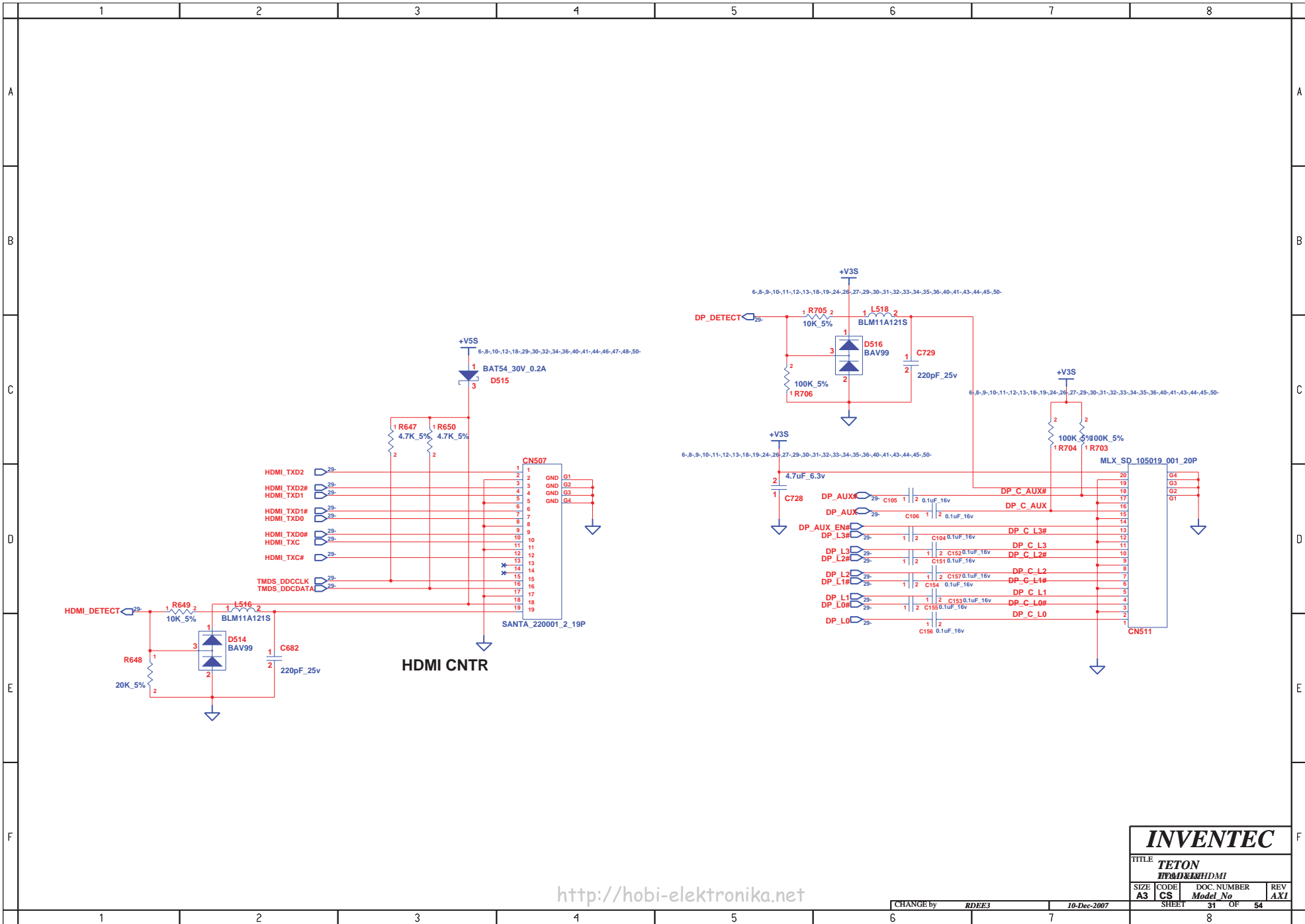
<http://hobi-elektronika.net>

CHANGE by **RDEE3** 10-Dec-2007

|                                    |                   |                                |                   |
|------------------------------------|-------------------|--------------------------------|-------------------|
| <b>INVENTEC</b>                    |                   |                                |                   |
| TITLE<br><b>TETON<br/>MXM CONN</b> |                   |                                |                   |
| SIZE<br><b>A3</b>                  | CODE<br><b>CS</b> | DOC. NUMBER<br><b>Model No</b> | REV<br><b>AX1</b> |
| SHEET                              |                   | 29 OF 54                       |                   |



<http://hobi-elektronika.net>

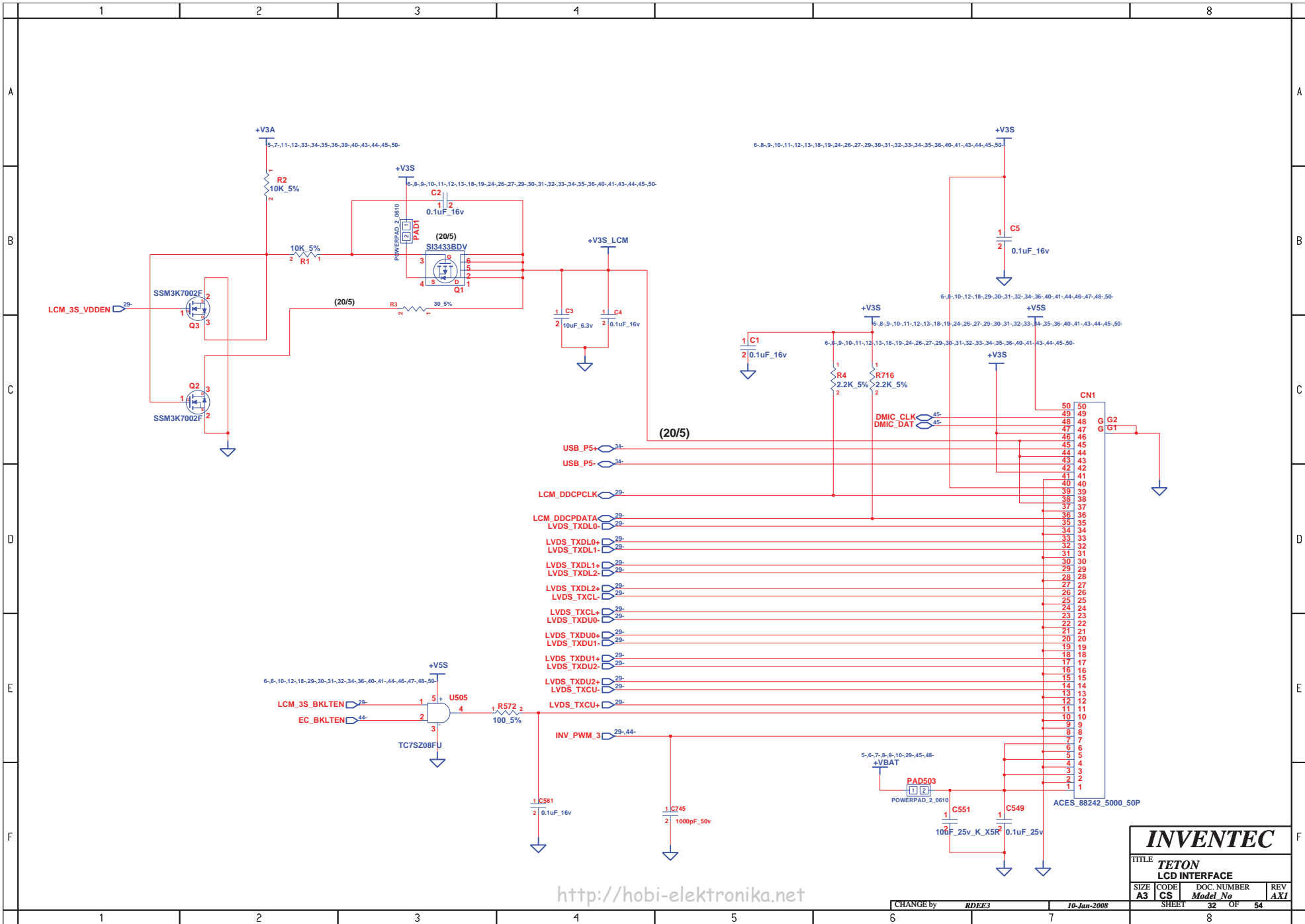


<http://hobi-elektronika.net>

**INVENTEC**

|                 |      |             |     |
|-----------------|------|-------------|-----|
| TITLE           |      |             |     |
| TETON           |      |             |     |
| HYPERDRIVE HDMI |      |             |     |
| SIZE            | CODE | DOC. NUMBER | REV |
| A3              | CS   | Model No    | AXI |
| SHEET           |      | OF          |     |
| 31              |      | 54          |     |

CHANGE by RDEE3 10-Dec-2007



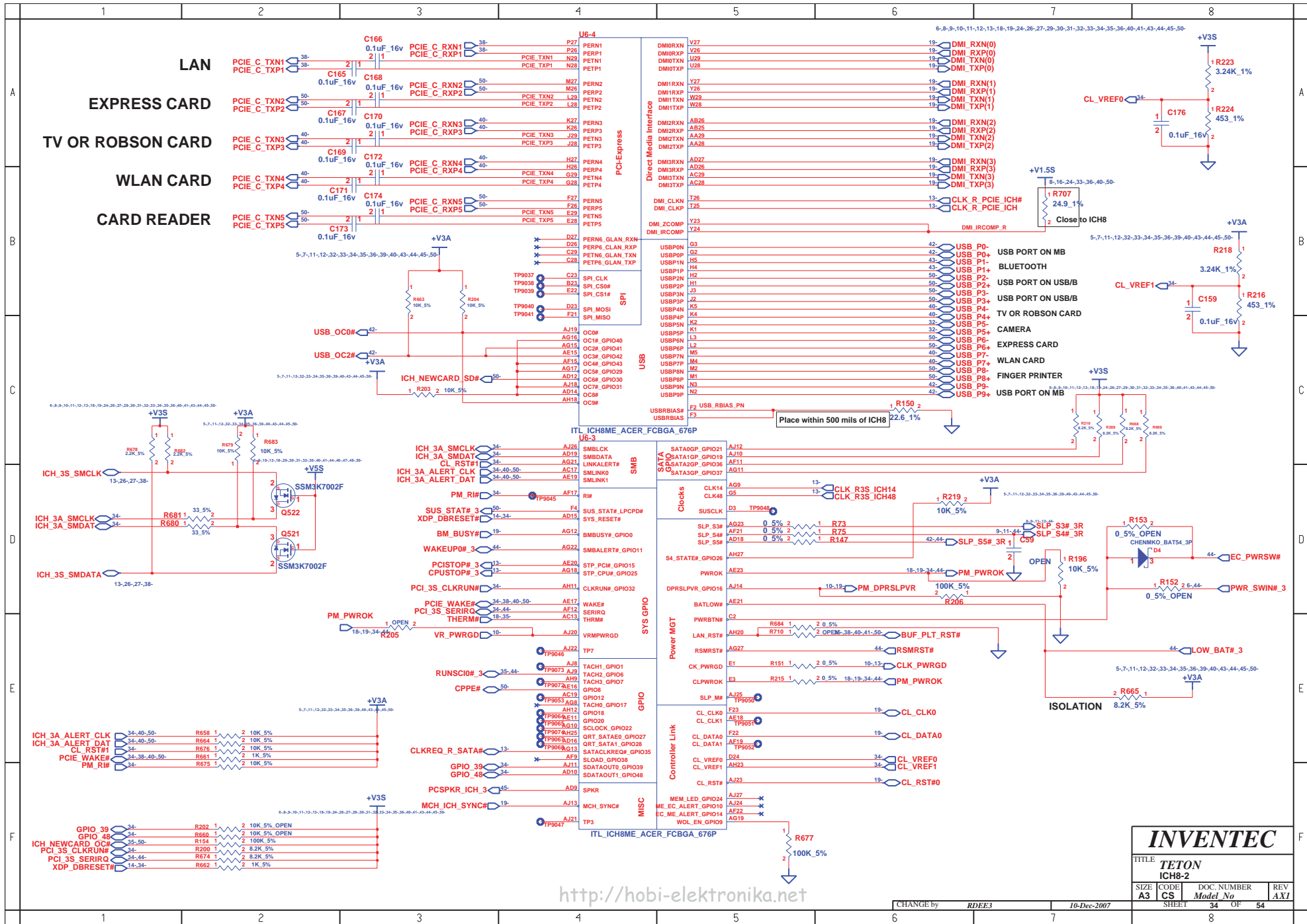
<http://hobi-elektronika.net>

|                                  |                |                             |                |
|----------------------------------|----------------|-----------------------------|----------------|
| <b>INVENTEC</b>                  |                |                             |                |
| TITLE <b>TETON LCD INTERFACE</b> |                |                             |                |
| SIZE <b>A3</b>                   | CODE <b>CS</b> | DOC. NUMBER <b>Model No</b> | REV <b>AX1</b> |
| SHEET <b>32</b>                  |                | OF <b>54</b>                |                |

CHANGE by **RDEE3** 10-Jan-2008





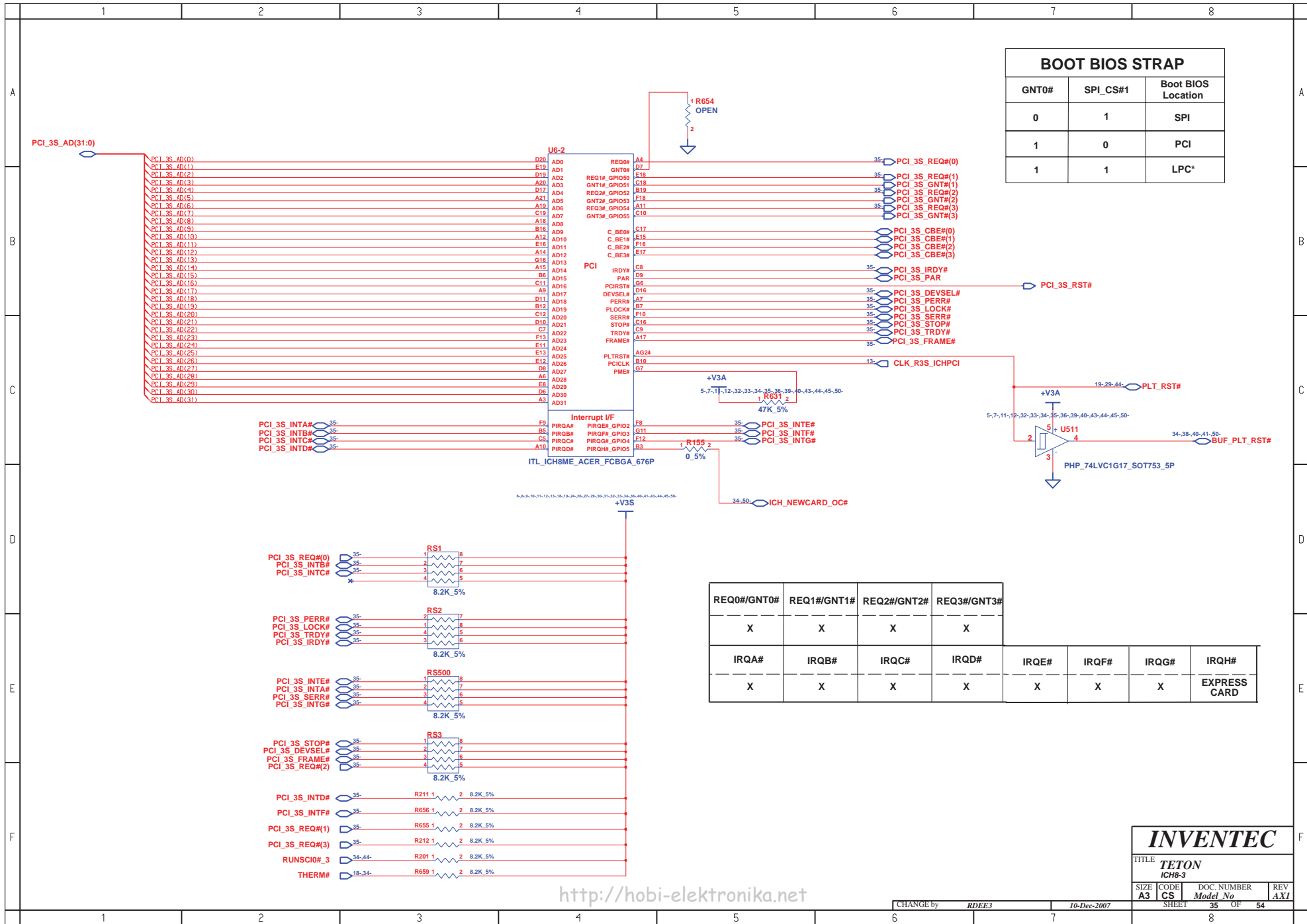


<http://hobi-elektronika.net>

**INVENTEC**

TITLE  
**TETON  
ICH8-2**

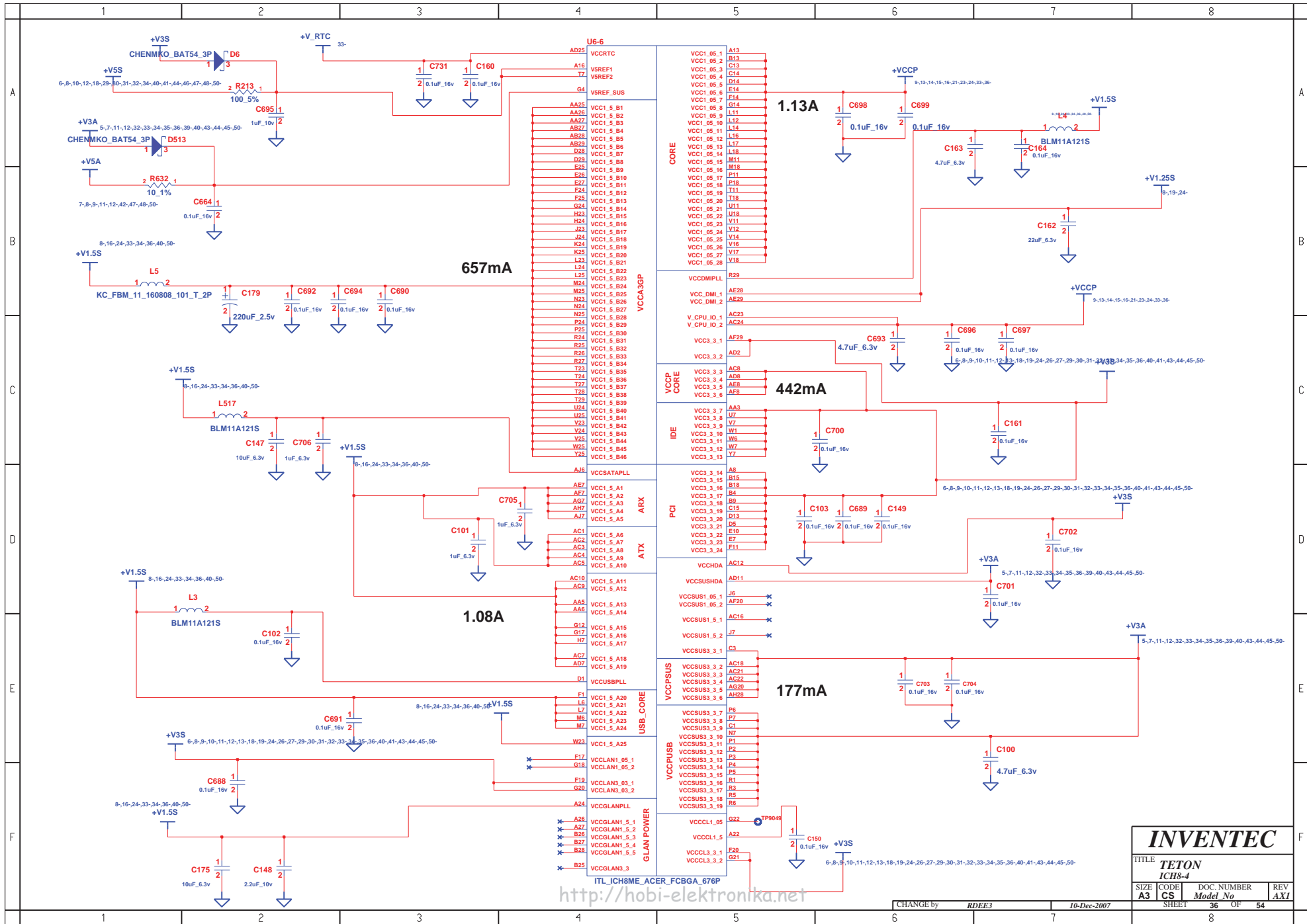
| SIZE | CODE | DOC NUMBER | REV |
|------|------|------------|-----|
| A3   | CS   | Model No   | AX1 |



| BOOT BIOS STRAP |          |                    |
|-----------------|----------|--------------------|
| GNT0#           | SPI_CS#1 | Boot BIOS Location |
| 0               | 1        | SPI                |
| 1               | 0        | PCI                |
| 1               | 1        | LPC*               |

| REQ0#/GNT0# | REQ1#/GNT1# | REQ2#/GNT2# | REQ3#/GNT3# | IRQA# | IRQB# | IRQC# | IRQD# | IRQE# | IRQF# | IRQG# | IRQH#        |
|-------------|-------------|-------------|-------------|-------|-------|-------|-------|-------|-------|-------|--------------|
| X           | X           | X           | X           | X     | X     | X     | X     | X     | X     | X     | EXPRESS CARD |

|                          |            |                         |            |
|--------------------------|------------|-------------------------|------------|
| <b>INVENTEC</b>          |            |                         |            |
| TITLE<br>TETON<br>ICH8-3 |            |                         |            |
| SIZE<br>A3               | CODE<br>CS | DOC. NUMBER<br>Model No | REV<br>AX1 |
| CHANGE by<br>RDEE3       |            | 10-Dec-2007             |            |
| SHEET<br>35              |            | OF<br>54                |            |



<http://hobi-elektronika.net>

CHANGE by: RDEE3 10-Dec-2007

|   |   |   |   |   |   |   |   |   |
|---|---|---|---|---|---|---|---|---|
|   | 1 | 2 | 3 | 4 | 5 | 6 | 7 | 8 |
| A |   |   |   |   |   |   |   |   |
| B |   |   |   |   |   |   |   |   |
| C |   |   |   |   |   |   |   |   |
| D |   |   |   |   |   |   |   |   |
| E |   |   |   |   |   |   |   |   |
| F |   |   |   |   |   |   |   |   |

**U6-5**

|      |        |              |      |
|------|--------|--------------|------|
| A23  | VSS001 | VS0099       | K7   |
| AA   | VSS002 | VSS100       | L1   |
| AA2  | VSS003 | VSS101       | L13  |
| AA7  | VSS004 | VSS100       | L15  |
| A25  | VSS005 | VSS103       | L26  |
| AB1  | VSS006 | VSS104       | L27  |
| AB24 | VSS007 | VSS106       | L4   |
| AC11 | VSS008 | VSS106       | L5   |
| AC14 | VSS009 | VSS107       | M12  |
| AC22 | VSS010 | VSS108       | M13  |
| AC26 | VSS011 | VSS109       | M14  |
| AC27 | VSS012 | VSS110       | M15  |
| AD17 | VSS013 | VSS111       | M16  |
| AD20 | VSS014 | VSS112       | M17  |
| AD28 | VSS015 | VSS113       | M23  |
| AD29 | VSS016 | VSS114       | M28  |
| AD3  | VSS017 | VSS115       | M29  |
| AD4  | VSS018 | VSS116       | M5   |
| AD6  | VSS019 | VSS116       | M1   |
| AE1  | VSS020 | VSS118       | M11  |
| AE12 | VSS021 | VSS119       | M12  |
| AE2  | VSS022 | VSS120       | M13  |
| AE22 | VSS023 | VSS121       | M14  |
| AD1  | VSS024 | VSS122       | M15  |
| AE29 | VSS025 | VSS123       | M16  |
| AE5  | VSS026 | VSS124       | M17  |
| AE6  | VSS027 | VSS125       | M18  |
| AE9  | VSS028 | VSS126       | N26  |
| AF14 | VSS029 | VSS127       | N27  |
| AF16 | VSS030 | VSS128       | N4   |
| AF18 | VSS031 | VSS129       | N5   |
| AF3  | VSS032 | VSS130       | N6   |
| AF4  | VSS033 | VSS131       | P12  |
| AG5  | VSS034 | VSS133       | P13  |
| AG6  | VSS035 | VSS133       | P14  |
| AH10 | VSS036 | VSS134       | P15  |
| AH13 | VSS037 | VSS135       | P16  |
| AH16 | VSS038 | VSS136       | P17  |
| AH19 | VSS039 | VSS137       | P23  |
| AH2  | VSS040 | VSS138       | P28  |
| AF29 | VSS041 | VSS139       | P29  |
| AH22 | VSS042 | VSS140       | R11  |
| AH24 | VSS043 | VSS141       | R12  |
| AH26 | VSS044 | VSS142       | R13  |
| AH3  | VSS045 | VSS143       | R14  |
| AH4  | VSS046 | VSS144       | R15  |
| AH8  | VSS047 | VSS145       | R16  |
| AJ9  | VSS048 | VSS146       | R17  |
| B11  | VSS049 | VSS146       | R18  |
| B14  | VSS050 | VSS146       | R28  |
| B17  | VSS051 | VSS149       | R4   |
| B2   | VSS052 | VSS150       | T12  |
| B20  | VSS053 | VSS151       | T13  |
| B22  | VSS054 | VSS152       | T14  |
| R8   | VSS055 | VSS153       | T15  |
| C24  | VSS056 | VSS154       | T16  |
| C25  | VSS057 | VSS155       | T17  |
| C27  | VSS058 | VSS156       | T2   |
| C6   | VSS059 | VSS157       | T12  |
| D12  | VSS060 | VSS158       | T13  |
| D15  | VSS061 | VSS159       | T14  |
| D18  | VSS062 | VSS160       | T15  |
| D2   | VSS063 | VSS161       | T16  |
| D4   | VSS064 | VSS162       | T17  |
| E21  | VSS065 | VSS163       | U23  |
| E24  | VSS066 | VSS164       | U26  |
| E4   | VSS067 | VSS165       | U27  |
| E9   | VSS068 | VSS166       | U3   |
| F15  | VSS069 | VSS167       | U5   |
| E23  | VSS070 | VSS168       | V13  |
| F28  | VSS071 | VSS169       | V15  |
| F29  | VSS072 | VSS170       | V26  |
| F7   | VSS073 | VSS171       | V29  |
| G1   | VSS074 | VSS172       | W2   |
| E2   | VSS075 | VSS173       | W26  |
| G10  | VSS076 | VSS174       | W27  |
| G13  | VSS077 | VSS175       | Y28  |
| G19  | VSS078 | VSS176       | Y29  |
| G23  | VSS079 | VSS177       | Y4   |
| G25  | VSS080 | VSS178       | AB4  |
| G26  | VSS081 | VSS179       | AB23 |
| G27  | VSS082 | VSS180       | AB5  |
| H25  | VSS083 | VSS181       | AB6  |
| H28  | VSS084 | VSS182       | AD5  |
| H29  | VSS085 | VSS183       | U4   |
| H3   | VSS086 | VSS184       | W24  |
| H6   | VSS087 | VSS_NCTF_01  | A1   |
| J1   | VSS088 | VSS_NCTF_02  | A2   |
| J25  | VSS089 | VSS_NCTF_03  | A28  |
| J26  | VSS090 | VSS_NCTF_04  | A29  |
| J27  | VSS091 | VSS_NCTF_05  | AH1  |
| J4   | VSS092 | VSS_NCTF_06  | AH29 |
| J5   | VSS093 | VSS_NCTF_07  | AJ1  |
| K23  | VSS094 | VSS_NCTF_08  | AJ2  |
| K28  | VSS095 | VSS_NCTF_09  | AJ28 |
| K29  | VSS096 | VSS_NCTF_010 | AJ29 |
| K3   | VSS097 | VSS_NCTF_011 | B1   |
| K6   | VSS098 | VSS_NCTF_012 | B29  |

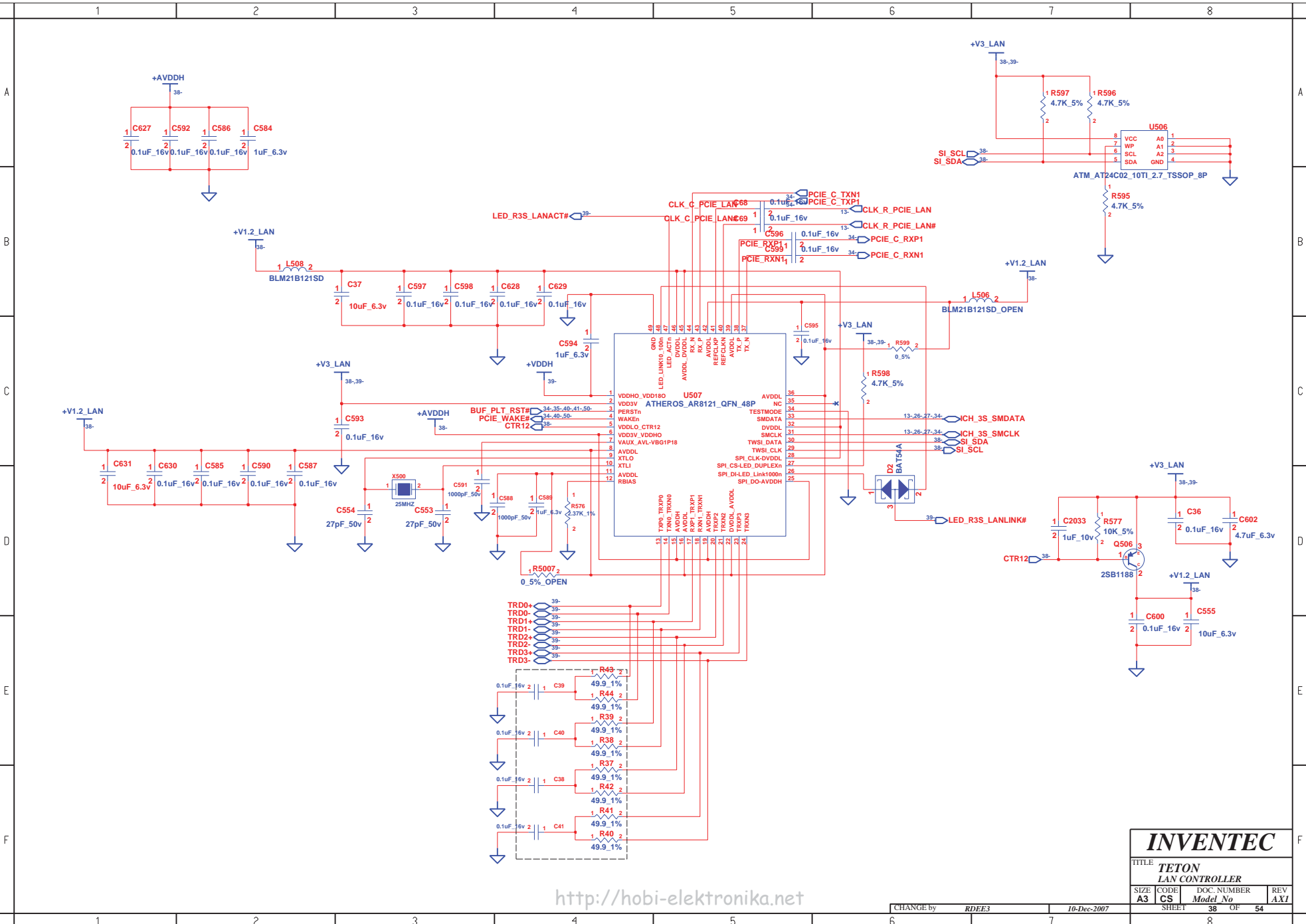
ITL\_ICH8ME\_ACER\_FCBGA\_676P

<http://hobi-elektronika.net>

|                    |           |                 |            |
|--------------------|-----------|-----------------|------------|
| <b>INVENTEC</b>    |           |                 |            |
| TITLE <b>TETON</b> |           |                 |            |
| <b>ICH8-5</b>      |           |                 |            |
| SIZE               | CODE      | DOC. NUMBER     | REV        |
| <b>A3</b>          | <b>CS</b> | <i>Model No</i> | <b>AXI</b> |
| SHEET              |           | 37 OF           | 54         |

CHANGE by **RDEE3** 10-Dec-2007

|  |   |   |   |   |   |   |   |   |
|--|---|---|---|---|---|---|---|---|
|  | 1 | 2 | 3 | 4 | 5 | 6 | 7 | 8 |
|--|---|---|---|---|---|---|---|---|

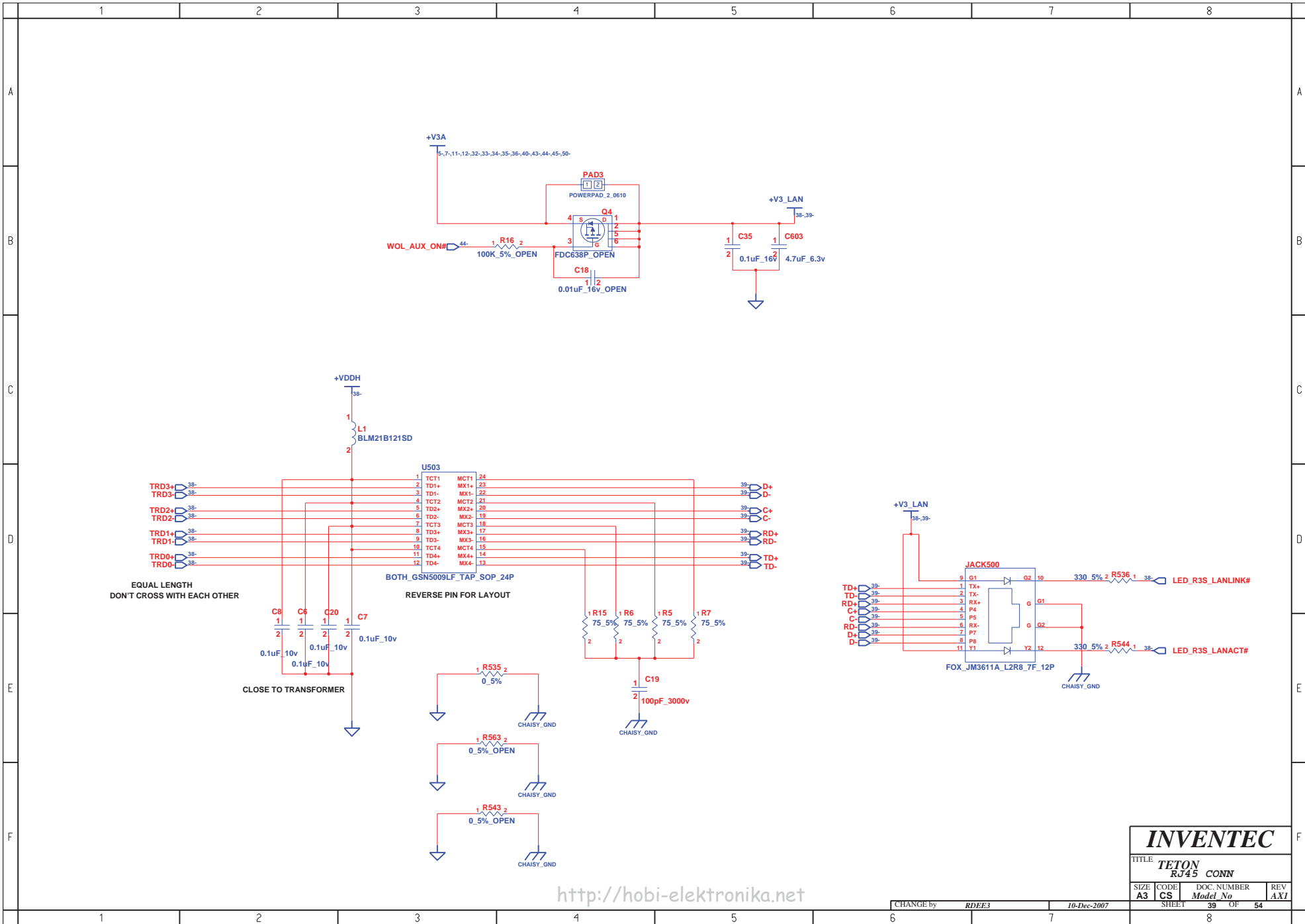


<http://hobi-elektronika.net>

# INVENTEC

|                      |      |             |       |
|----------------------|------|-------------|-------|
| TITLE                |      |             |       |
| TETON LAN CONTROLLER |      |             |       |
| SIZE                 | CODE | DOC. NUMBER | REV   |
| A3                   | CS   | Model No    | AX1   |
| SHEET                |      | 38          | OF 54 |

CHANGE by RDEE3 10-Dec-2007



<http://hobi-elektronika.net>

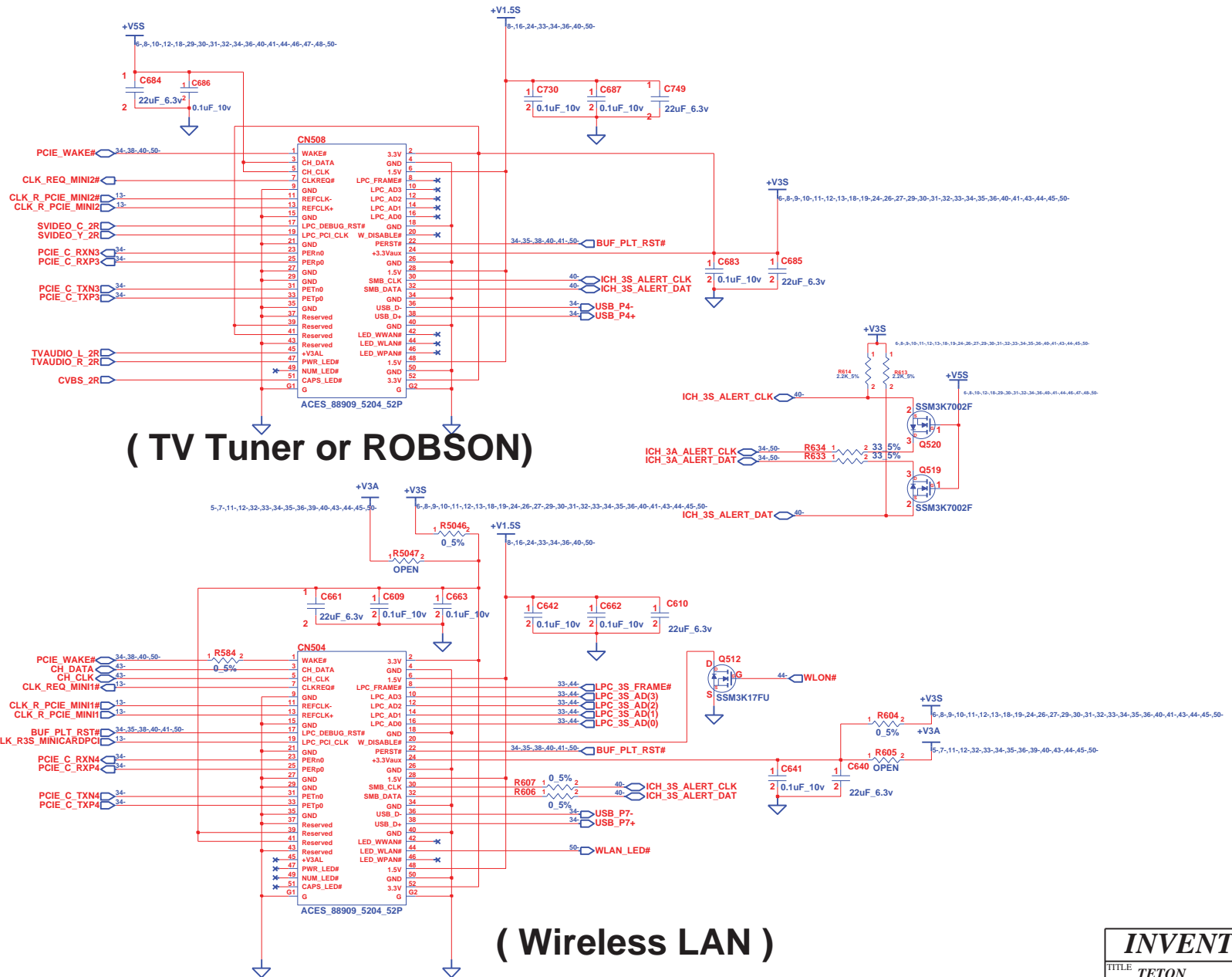
**INVENTEC**

TITLE  
**TETON**  
**RJ45 CONN**

|                   |                   |                                |                   |
|-------------------|-------------------|--------------------------------|-------------------|
| SIZE<br><b>A3</b> | CODE<br><b>CS</b> | DOC. NUMBER<br><i>Model No</i> | REV<br><b>AX1</b> |
|-------------------|-------------------|--------------------------------|-------------------|

CHANGE by **RDEE3** 10-Dec-2007

SHEET 39 OF 54



**( TV Tuner or ROBSON )**

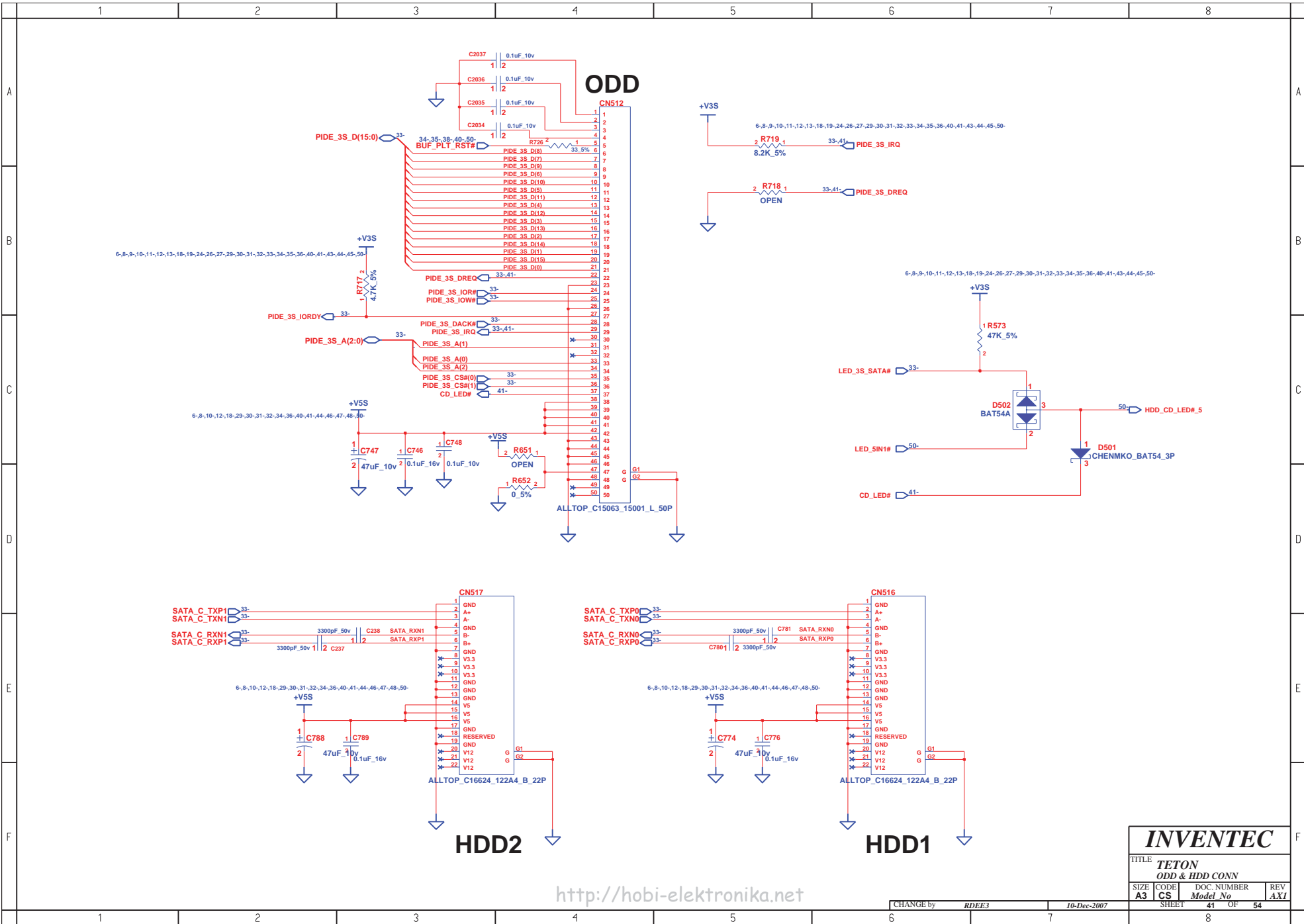
**( Wireless LAN )**

<http://hobi-elektronika.net>

**INVENTEC**

|                              |                |                             |                |
|------------------------------|----------------|-----------------------------|----------------|
| TITLE <b>TETON MINI CARD</b> |                |                             |                |
| SIZE <b>A3</b>               | CODE <b>CS</b> | DOC. NUMBER <b>Model No</b> | REV <b>AXI</b> |
| SHEET <b>40</b>              |                | OF <b>54</b>                |                |



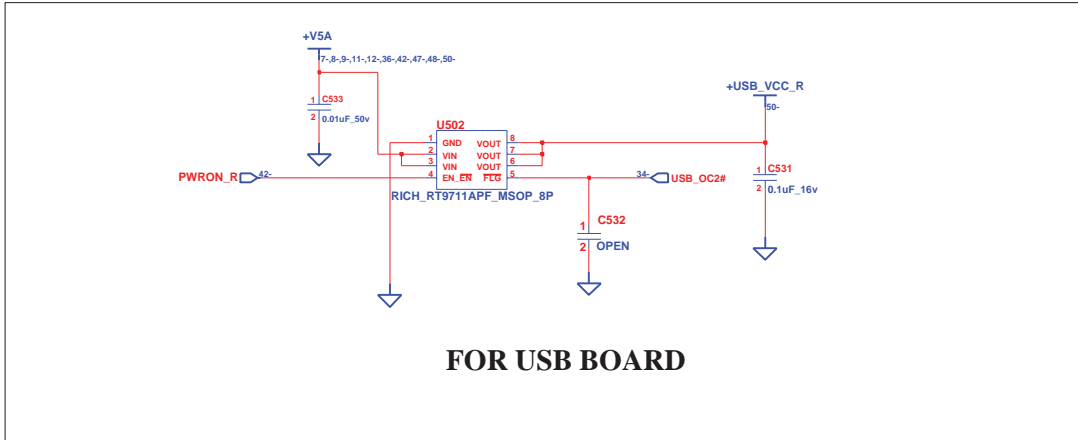


<http://hobi-elektronika.net>

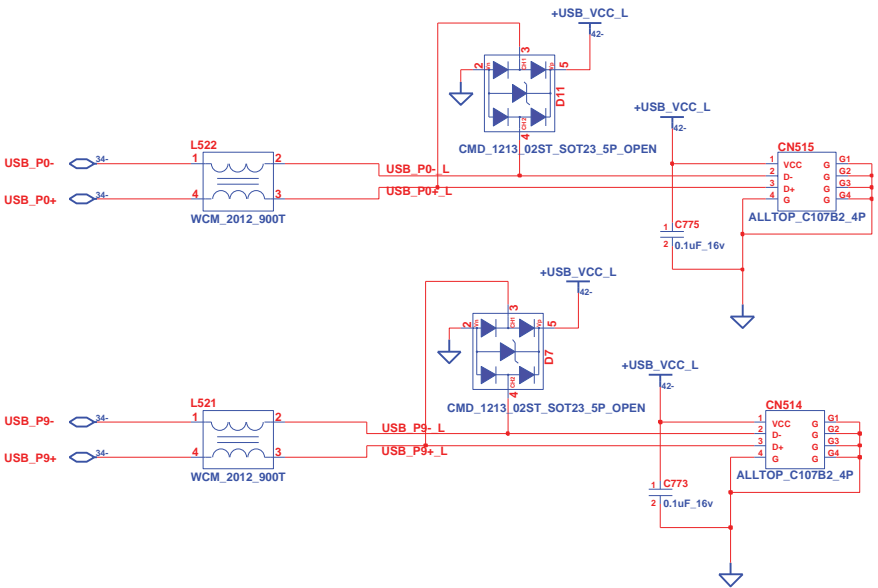
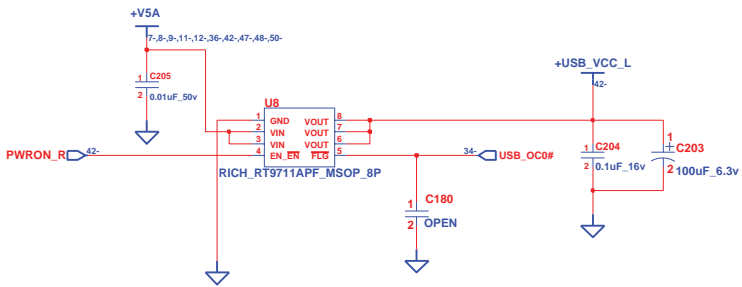
# INVENTEC

|                |      |             |     |
|----------------|------|-------------|-----|
| TITLE          |      |             |     |
| TETON          |      |             |     |
| ODD & HDD CONN |      |             |     |
| SIZE           | CODE | DOC. NUMBER | REV |
| A3             | CS   | Model No    | AX1 |

CHANGE by RDEE3 10-Dec-2007



FOR USB BOARD



SLP\_S5#\_3R 34-44- R227 1 2 0.5%  
 USB\_PWRON 44- R233 1 2 0.5% OPEN → PWRON\_R

| USB POWER STATE | S0 | S3 | S5  |
|-----------------|----|----|-----|
| AC MODE         | ON | ON | OFF |
| DC MODE         | ON | ON | OFF |

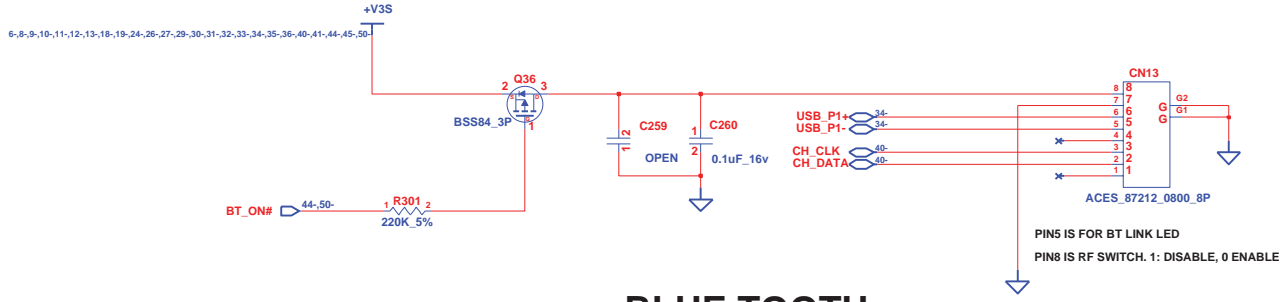
**INVENTEC**

TITLE  
**TETON**  
 USB CONN

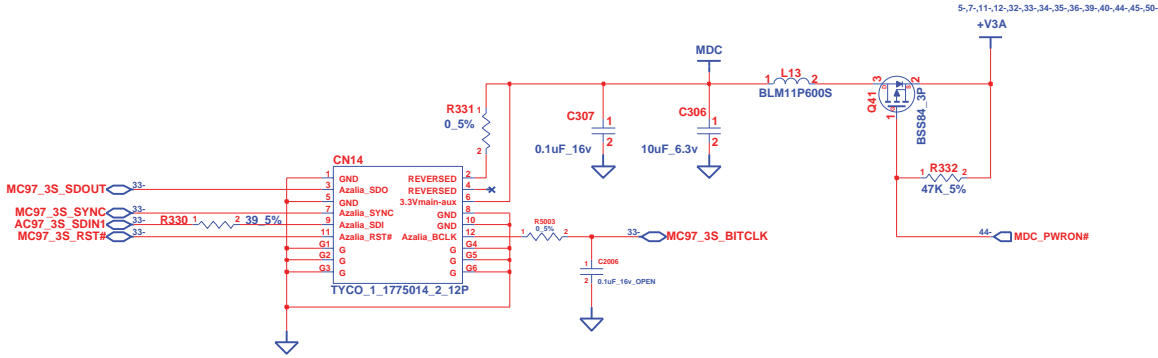
|                   |                   |                         |                   |
|-------------------|-------------------|-------------------------|-------------------|
| SIZE<br><b>A3</b> | CODE<br><b>CS</b> | DOC. NUMBER<br>Model No | REV<br><b>AXI</b> |
|-------------------|-------------------|-------------------------|-------------------|

SHEET 42 OF 54

<http://hobi-elektronika.net>



## BLUE TOOTH



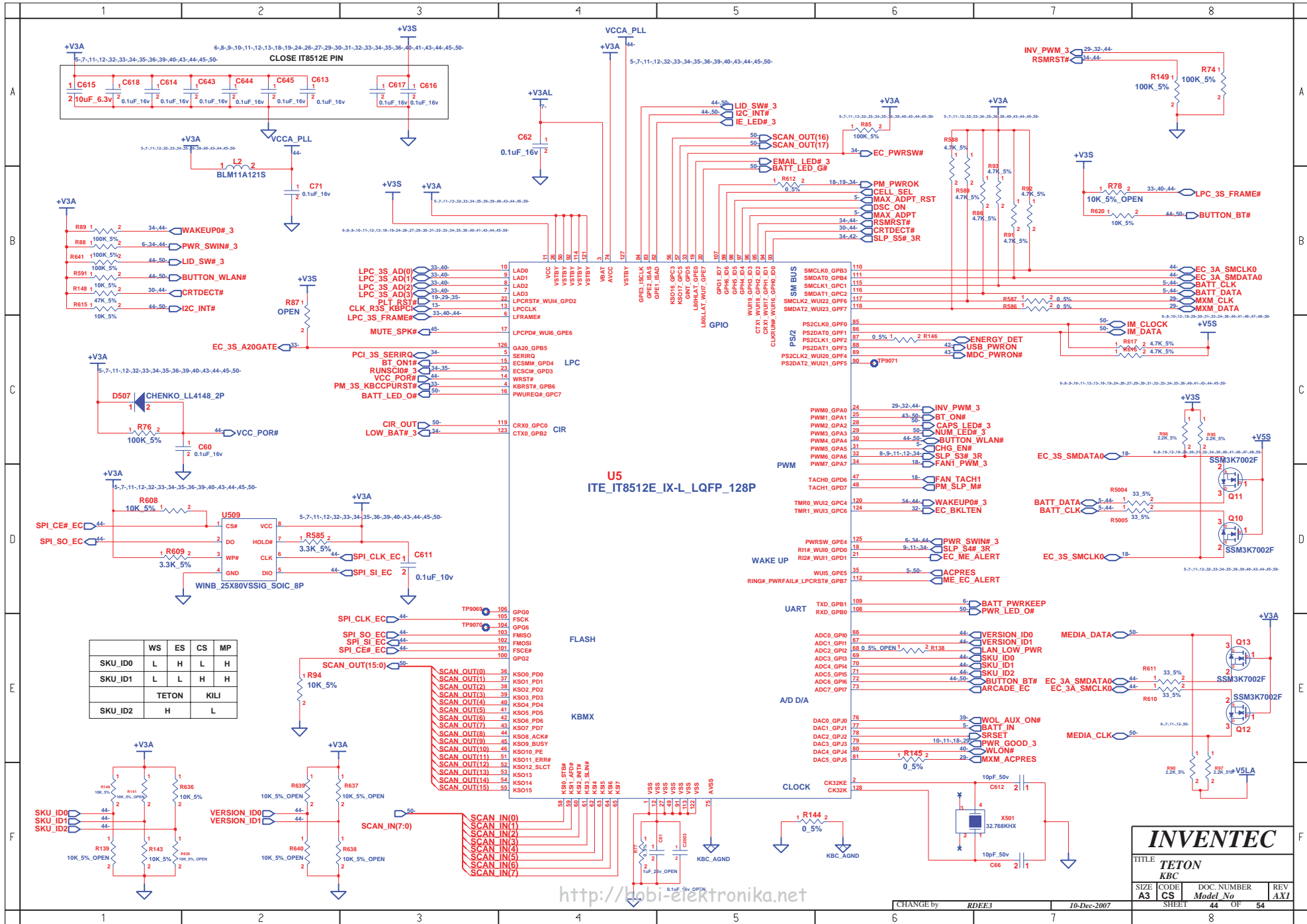
## MDC

**INVENTEC**

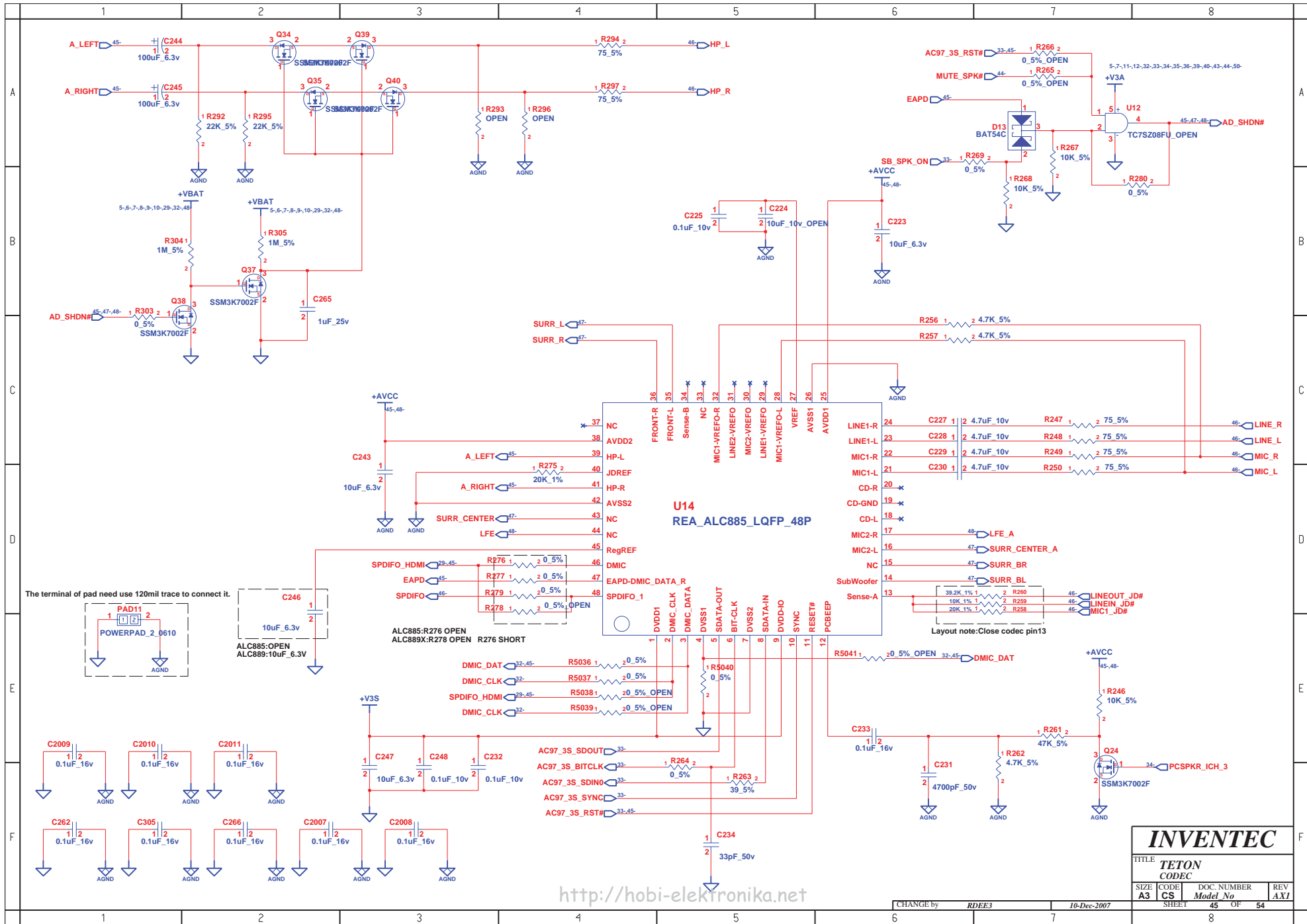
|           |      |             |       |
|-----------|------|-------------|-------|
| TITLE     |      |             |       |
| TETON     |      |             |       |
| BLUETOOTH |      |             |       |
| SIZE      | CODE | DOC. NUMBER | REV   |
| A3        | CS   | Model No    | AXI   |
| SHEET     |      | 43          | OF 54 |

<http://hobi-elektronika.net>

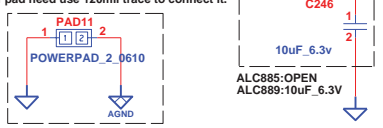
CHANGE by RDEE3 10-Dec-2007



<http://hobi-elektronika.net>

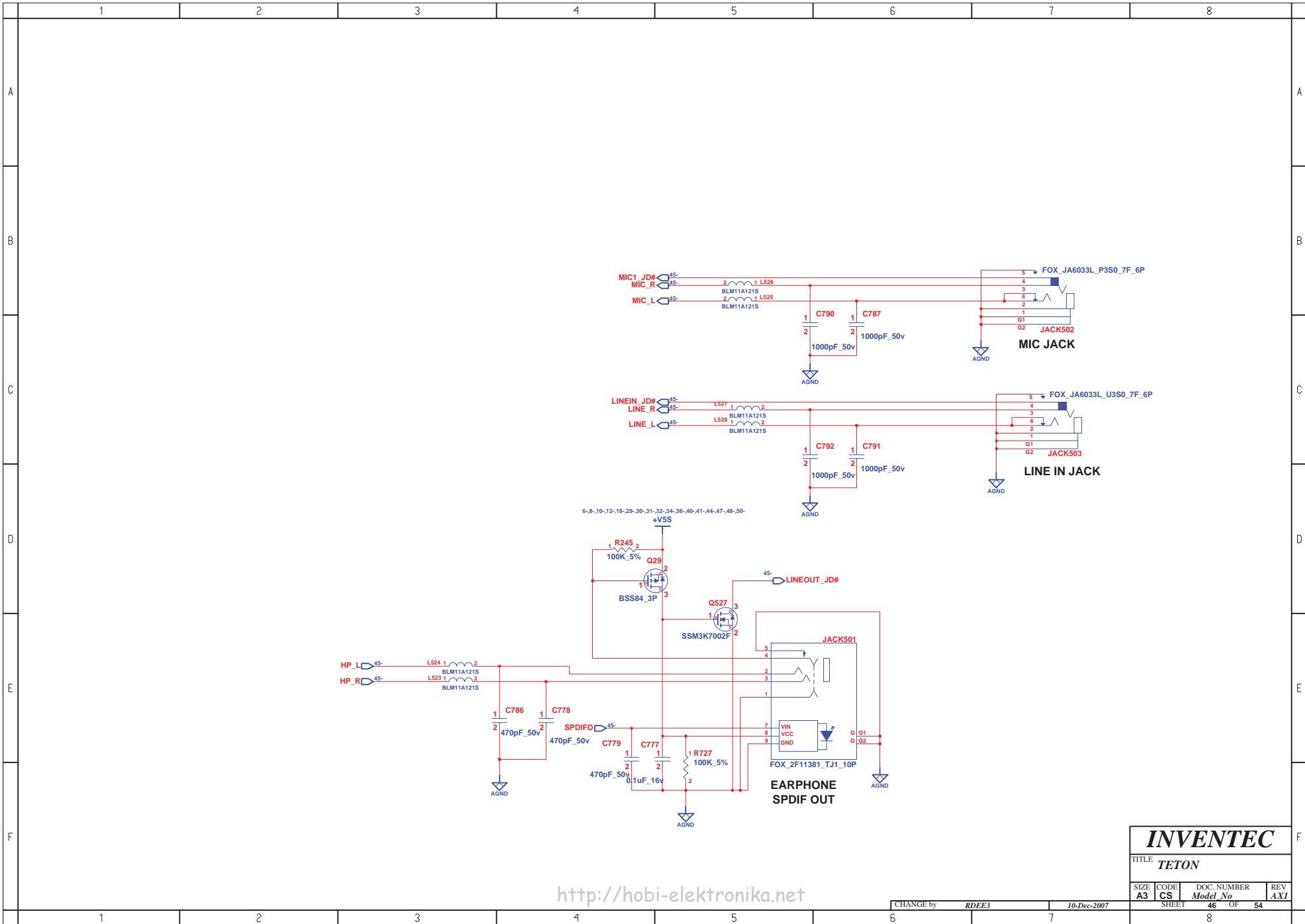


The terminal of pad need use 120mil trace to connect it.



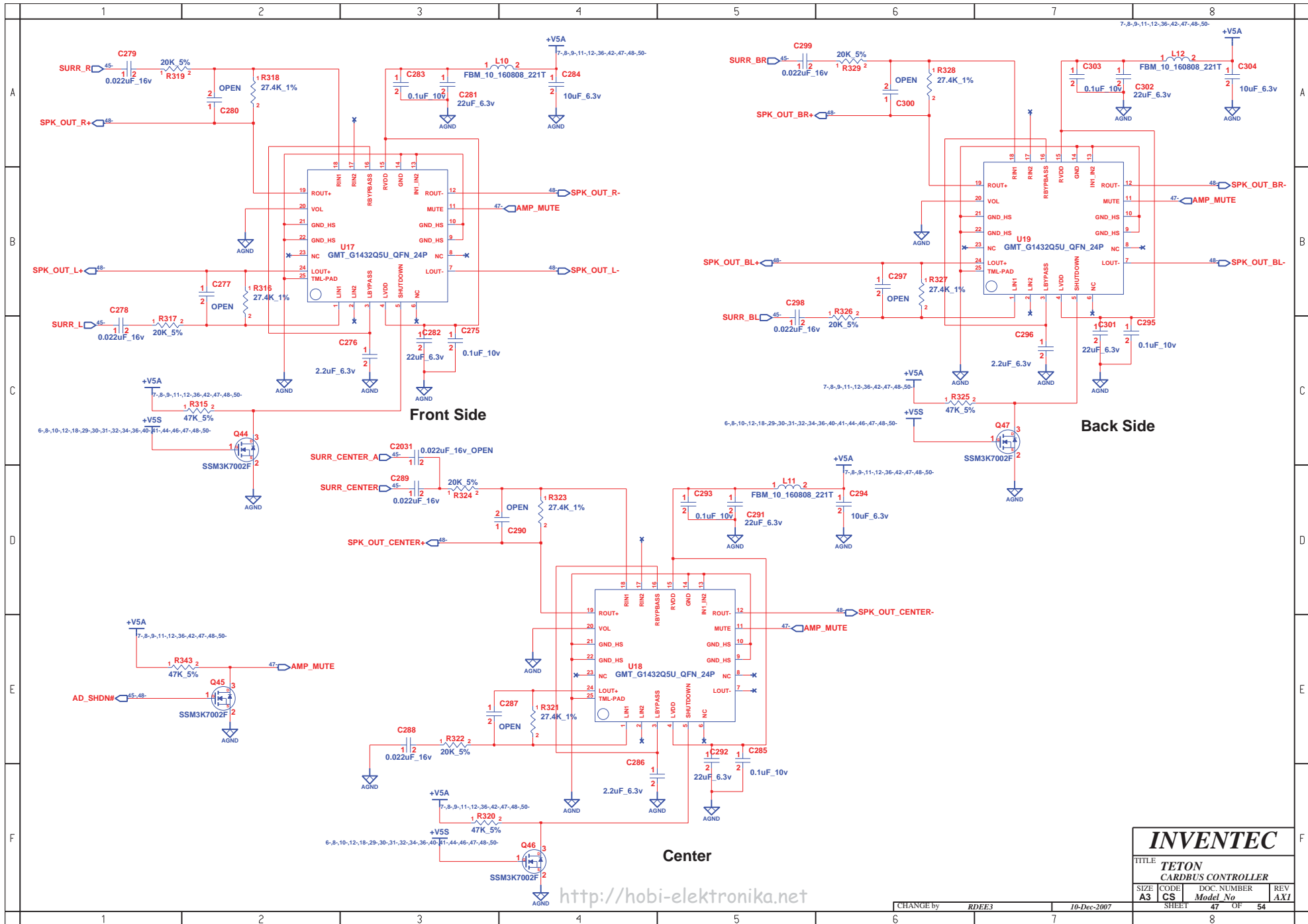
<http://hobi-elektronika.net>

|                                 |                   |                                |                   |
|---------------------------------|-------------------|--------------------------------|-------------------|
| <b>INVENTEC</b>                 |                   |                                |                   |
| TITLE<br><b>TETON<br/>CODEC</b> |                   |                                |                   |
| SIZE<br><b>A3</b>               | CODE<br><b>CS</b> | DOC. NUMBER<br><i>Model No</i> | REV<br><b>AX1</b> |
| CHANGE by <b>RDEE3</b>          |                   | 10-Dec-2007                    |                   |
| SHEET 45                        |                   | OF 54                          |                   |



<http://hobi-elektronika.net>

|                        |                   |                                |                   |
|------------------------|-------------------|--------------------------------|-------------------|
| <b>INVENTEC</b>        |                   |                                |                   |
| TITLE<br><b>TETON</b>  |                   |                                |                   |
| SIZE<br><b>A3</b>      | CODE<br><b>CS</b> | DOC. NUMBER<br><i>Model No</i> | REV<br><b>AX1</b> |
| CHANGE by <b>RDEE3</b> |                   | 10-Dec-2007                    | SHEET 46 OF 54    |

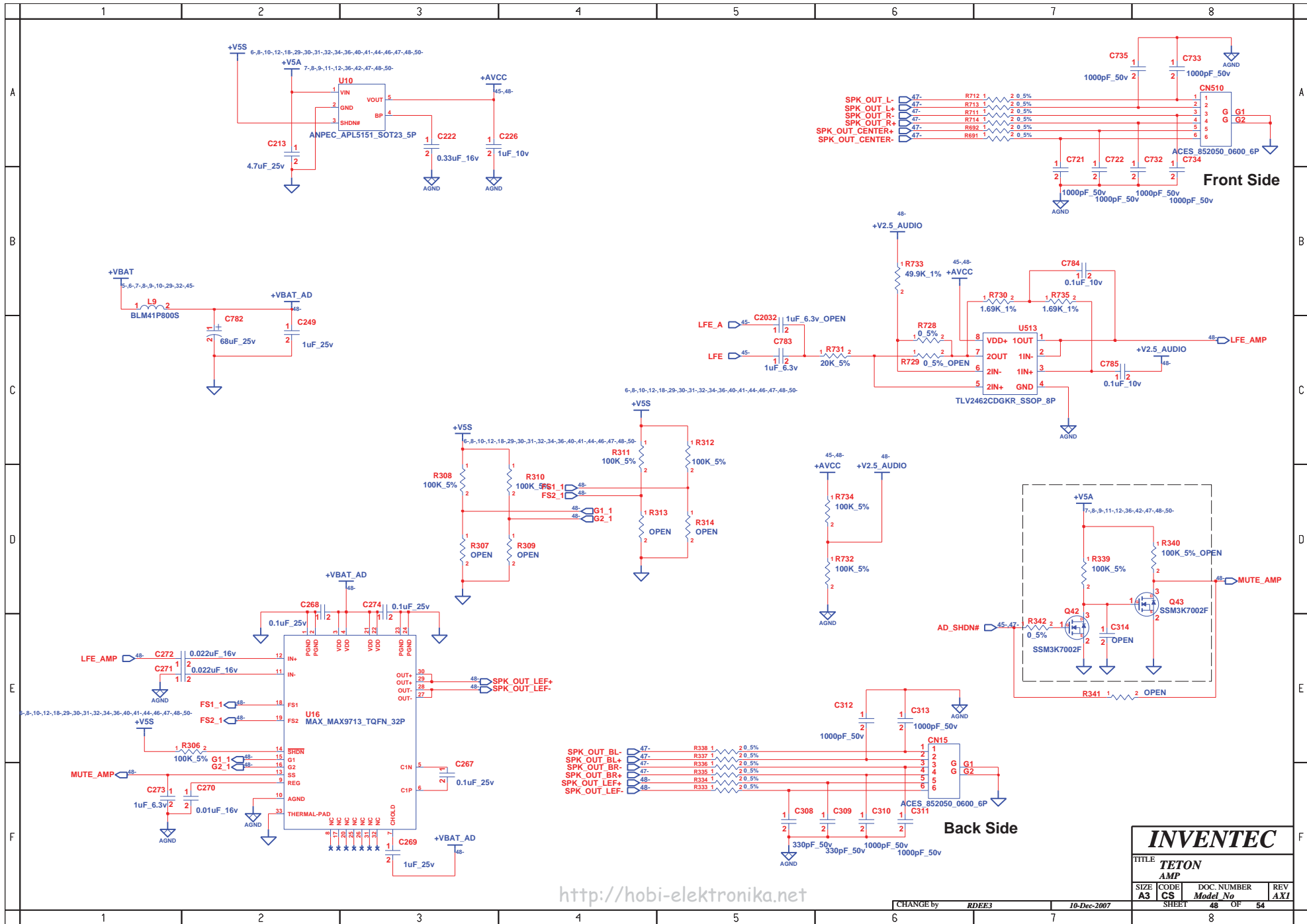


<http://hobi-elektronika.net>

**INVENTEC**

|                    |      |             |       |
|--------------------|------|-------------|-------|
| TITLE              |      |             |       |
| TETON              |      |             |       |
| CARDBUS CONTROLLER |      |             |       |
| SIZE               | CODE | DOC. NUMBER | REV   |
| A3                 | CS   | Model No    | AXI   |
| SHEET              |      | 47          | OF 54 |

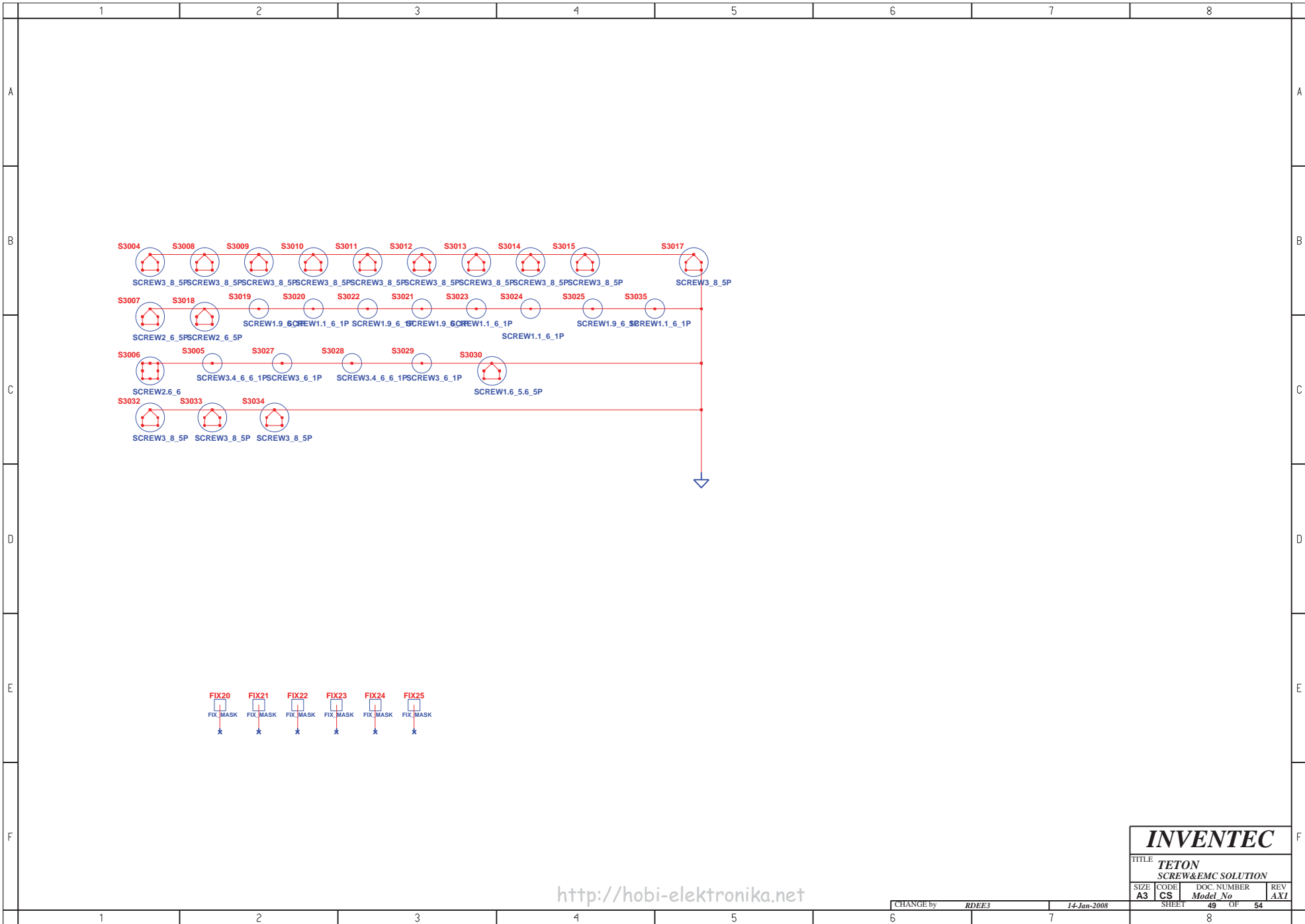
CHANGE by RDEE3 10-Dec-2007



<http://hobi-elektronika.net>

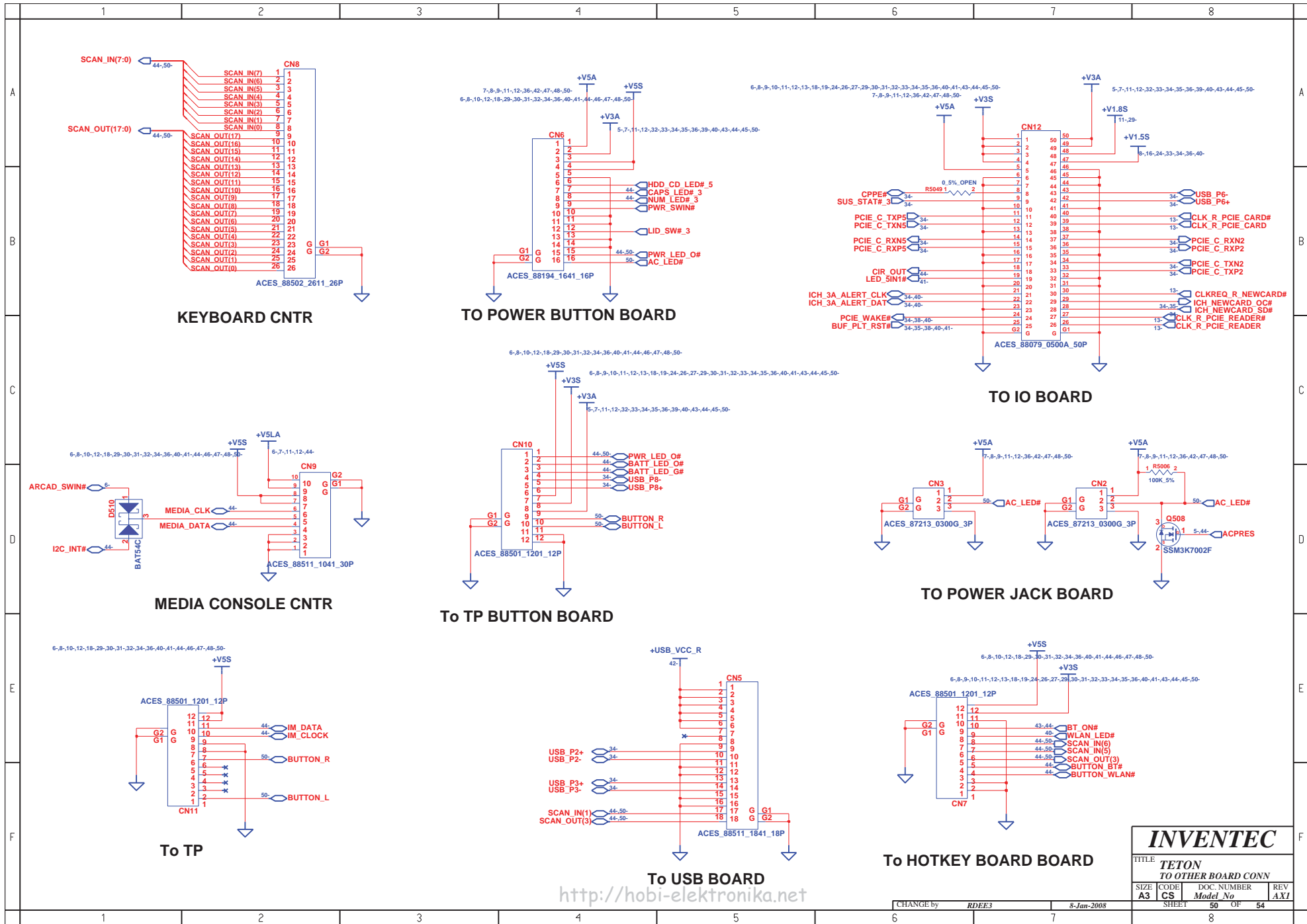
CHANGE by RDEE3 10-Dec-2007





<http://hobi-elektronika.net>

|                        |                   |                                |                   |
|------------------------|-------------------|--------------------------------|-------------------|
| <b>INVENTEC</b>        |                   |                                |                   |
| TITLE<br><b>TETON</b>  |                   |                                |                   |
| SCREW&EMC SOLUTION     |                   |                                |                   |
| SIZE<br><b>A3</b>      | CODE<br><b>CS</b> | DOC. NUMBER<br><i>Model No</i> | REV<br><b>AXI</b> |
| CHANGE by <b>RDEE3</b> |                   | 14-Jan-2008                    |                   |
| SHEET                  |                   | 49 OF 54                       |                   |
| 1                      |                   | 8                              |                   |



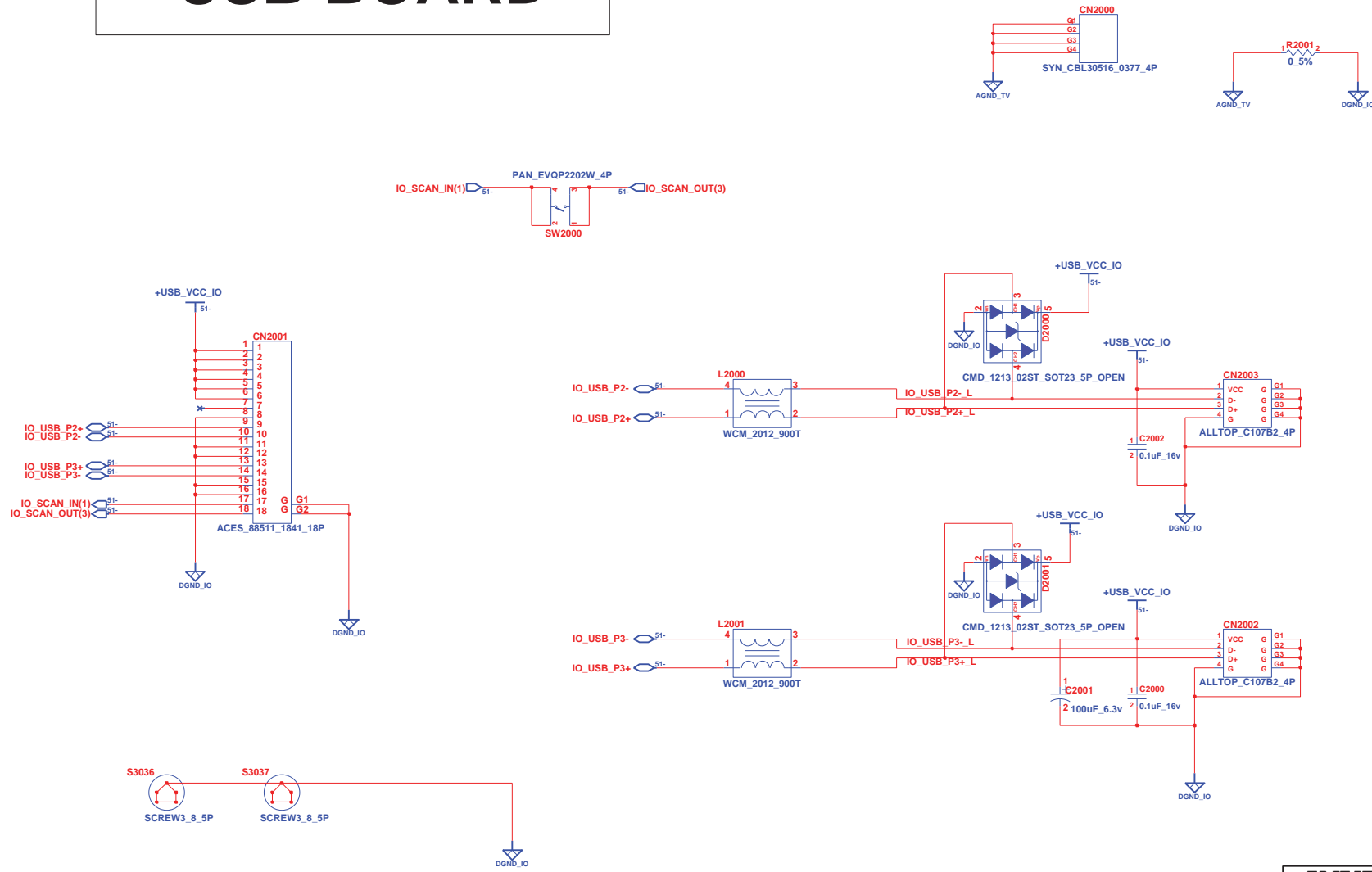
<http://hobi-elektronika.net>

|                       |            |                         |            |
|-----------------------|------------|-------------------------|------------|
| <b>INVENTEC</b>       |            |                         |            |
| TITLE<br><b>TETON</b> |            |                         |            |
| TO OTHER BOARD CONN   |            |                         |            |
| SIZE<br>A3            | CODE<br>CS | DOC. NUMBER<br>Model No | REV<br>AXI |
| SHEET<br>50           |            | OF<br>54                |            |

CHANGE by RDEE3 8-Jan-2008

# USB BOARD

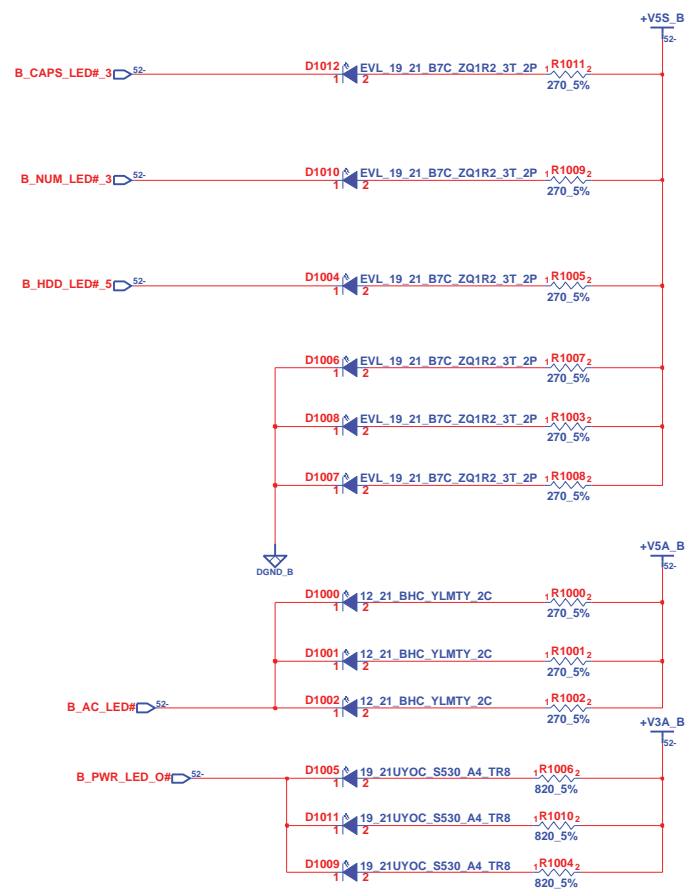
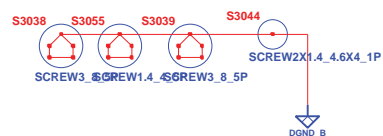
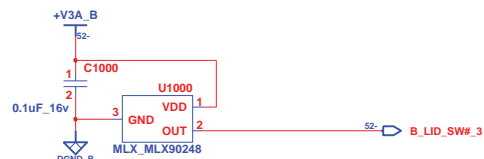
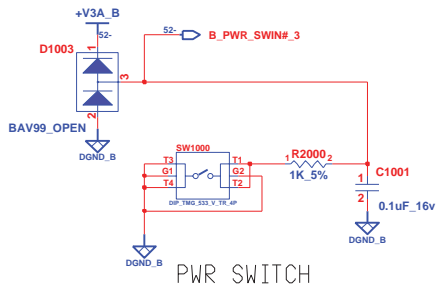
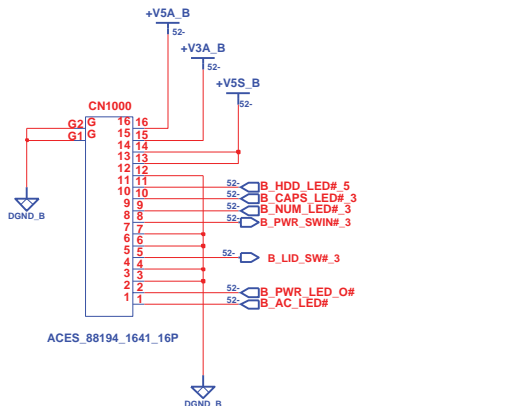
# TV ANT



<http://hobi-elektronika.net>

|                                     |                   |                                |                   |
|-------------------------------------|-------------------|--------------------------------|-------------------|
| <b>INVENTEC</b>                     |                   |                                |                   |
| TITLE<br><b>TETON<br/>USB BOARD</b> |                   |                                |                   |
| SIZE<br><b>A3</b>                   | CODE<br><b>CS</b> | DOC. NUMBER<br><i>Model No</i> | REV<br><b>AX1</b> |
| CHANGE by <b>RDEE3</b>              |                   | 10-Dec-2007                    |                   |
| SHEET <b>51</b>                     |                   | OF <b>54</b>                   |                   |

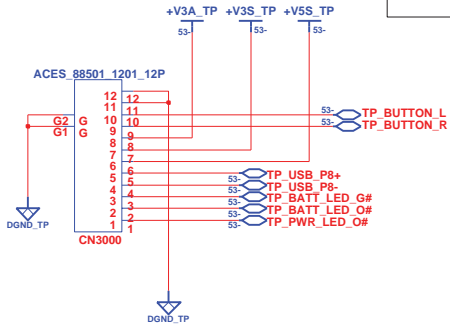
# PowerButton Board



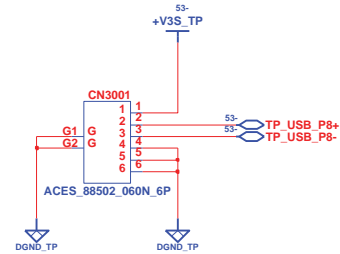
<http://hobi-elektronika.net>

|                           |                   |                                |                   |
|---------------------------|-------------------|--------------------------------|-------------------|
| <b>INVENTEC</b>           |                   |                                |                   |
| TITLE<br><b>TETON</b>     |                   |                                |                   |
| POWER BUTTON BOARD        |                   |                                |                   |
| SIZE<br><b>A3</b>         | CODE<br><b>CS</b> | DOC. NUMBER<br><i>Model No</i> | REV<br><b>AXI</b> |
| CHANGE by<br><b>RDEE3</b> |                   | 10-Dec-2007                    |                   |
| SHEET<br><b>52</b>        |                   | OF<br><b>54</b>                |                   |

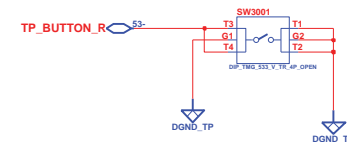
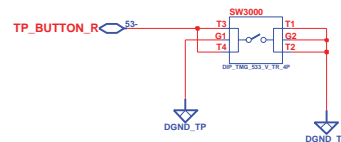
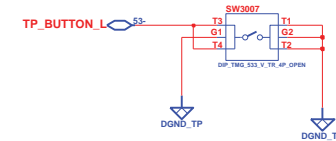
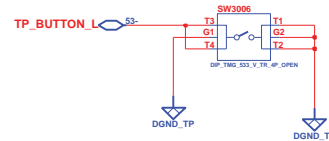
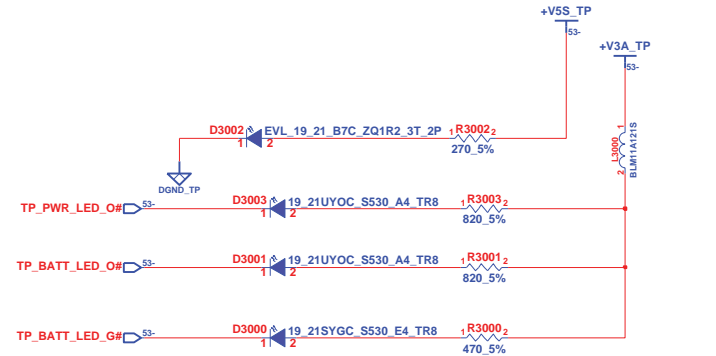
# TOUCH PAD BUTTON BOARD



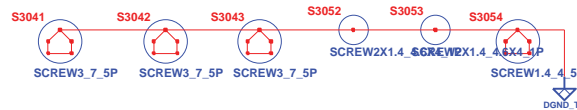
TO MB



TO FINGER PRINT



- FIX4000  
FIX\_MASK
- FIX4001  
FIX\_MASK
- FIX4002  
FIX\_MASK
- FIX4003  
FIX\_MASK
- FIX4004  
FIX\_MASK
- FIX4005  
FIX\_MASK



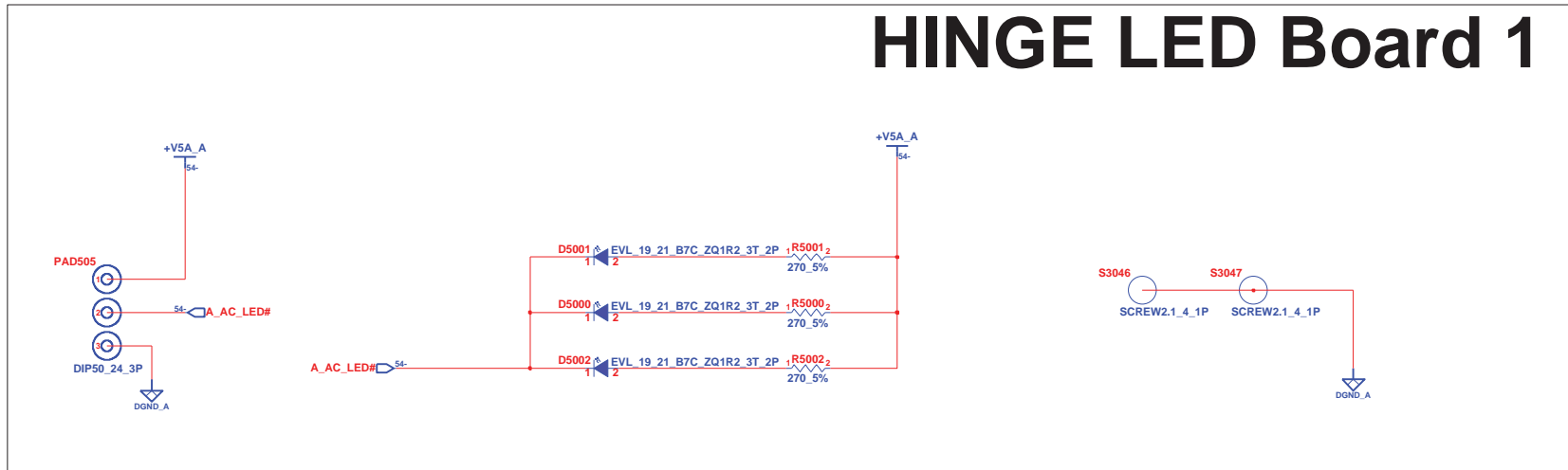
<http://hobi-elektronika.net>

**INVENTEC**

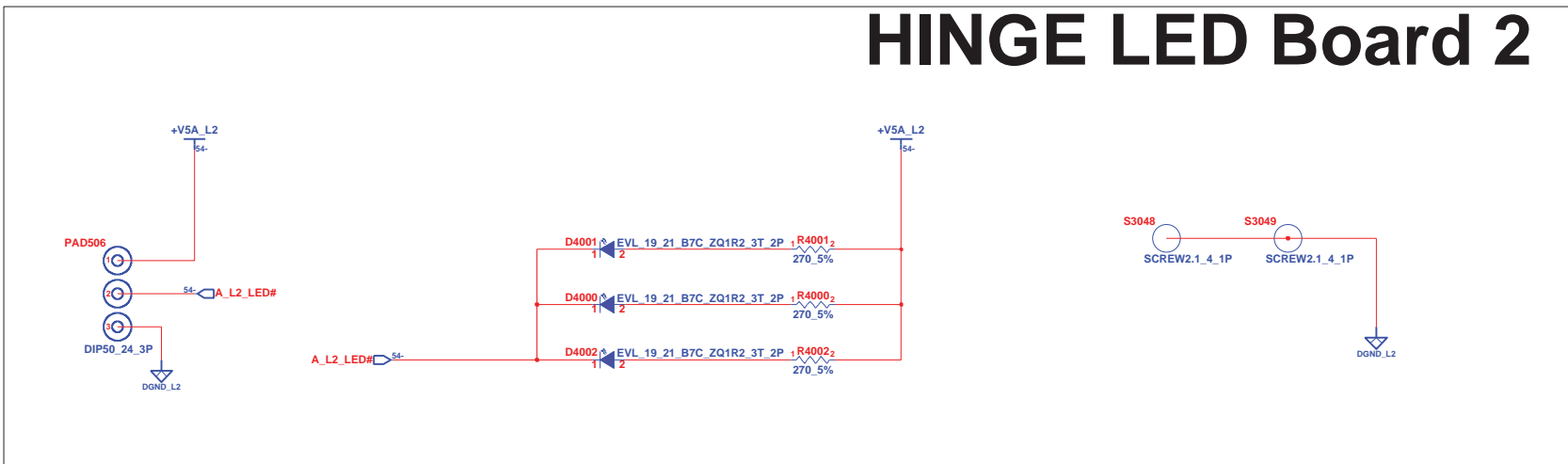
|                                           |                   |                                |                   |
|-------------------------------------------|-------------------|--------------------------------|-------------------|
| TITLE<br><b>TETON<br/>TH BUTTON BOARD</b> |                   |                                |                   |
| SIZE<br><b>A3</b>                         | CODE<br><b>CS</b> | DOC. NUMBER<br><i>Model No</i> | REV<br><b>AXI</b> |
| CHANGE by<br><b>RDEE3</b>                 |                   | 10-Dec-2007                    |                   |
| SHEET<br><b>53</b>                        |                   | OF<br><b>54</b>                |                   |

CHANGE by **RDEE3** 10-Dec-2007

# HINGE LED Board 1



# HINGE LED Board 2



<http://hobi-elektronika.net>

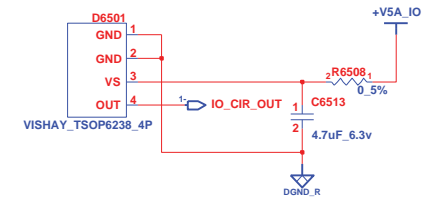
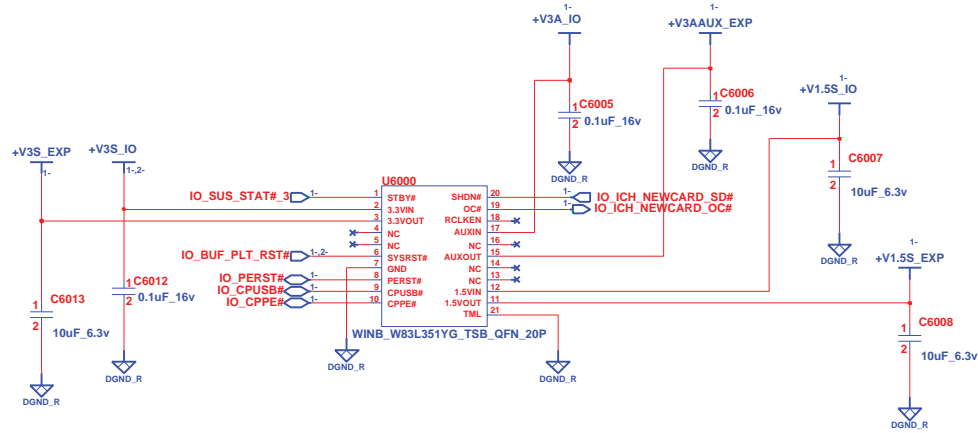
**INVENTEC**

|                 |      |             |     |
|-----------------|------|-------------|-----|
| TITLE           |      |             |     |
| TETON           |      |             |     |
| PowerJack BOARD |      |             |     |
| SIZE            | CODE | DOC. NUMBER | REV |
| A3              | CS   | Model No    | AX1 |

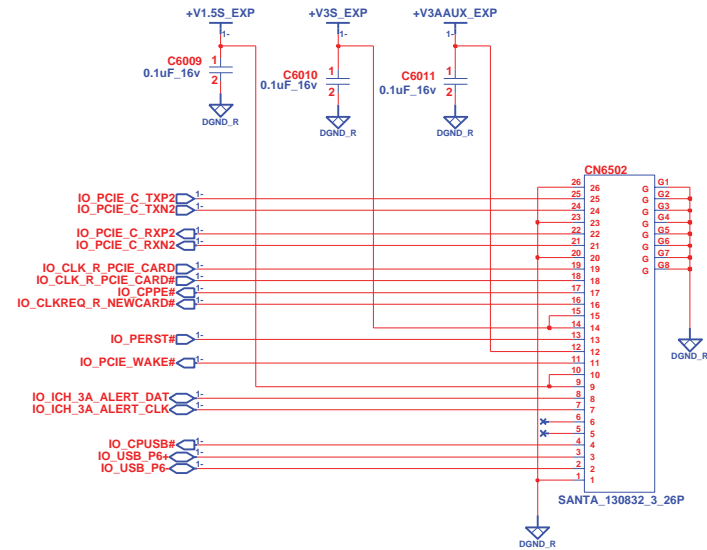
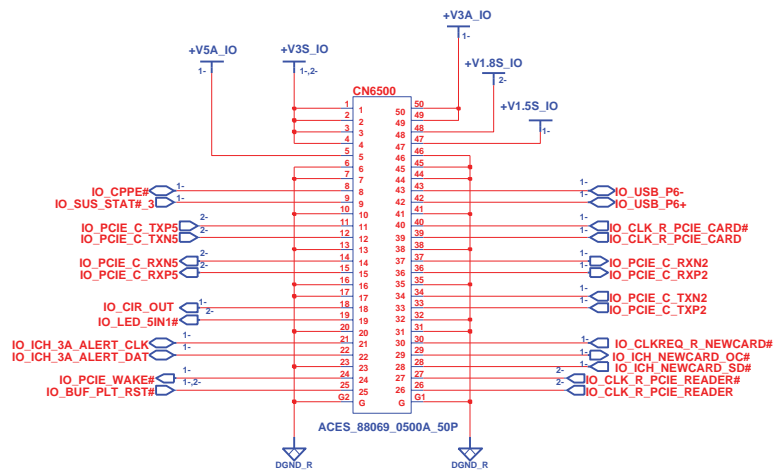
CHANGE by RDEE3 10-Dec-2007

SHEET 54 OF 54

# I/O BOARD 1/2



## CIR



## EXPRESS CARD

TO MB



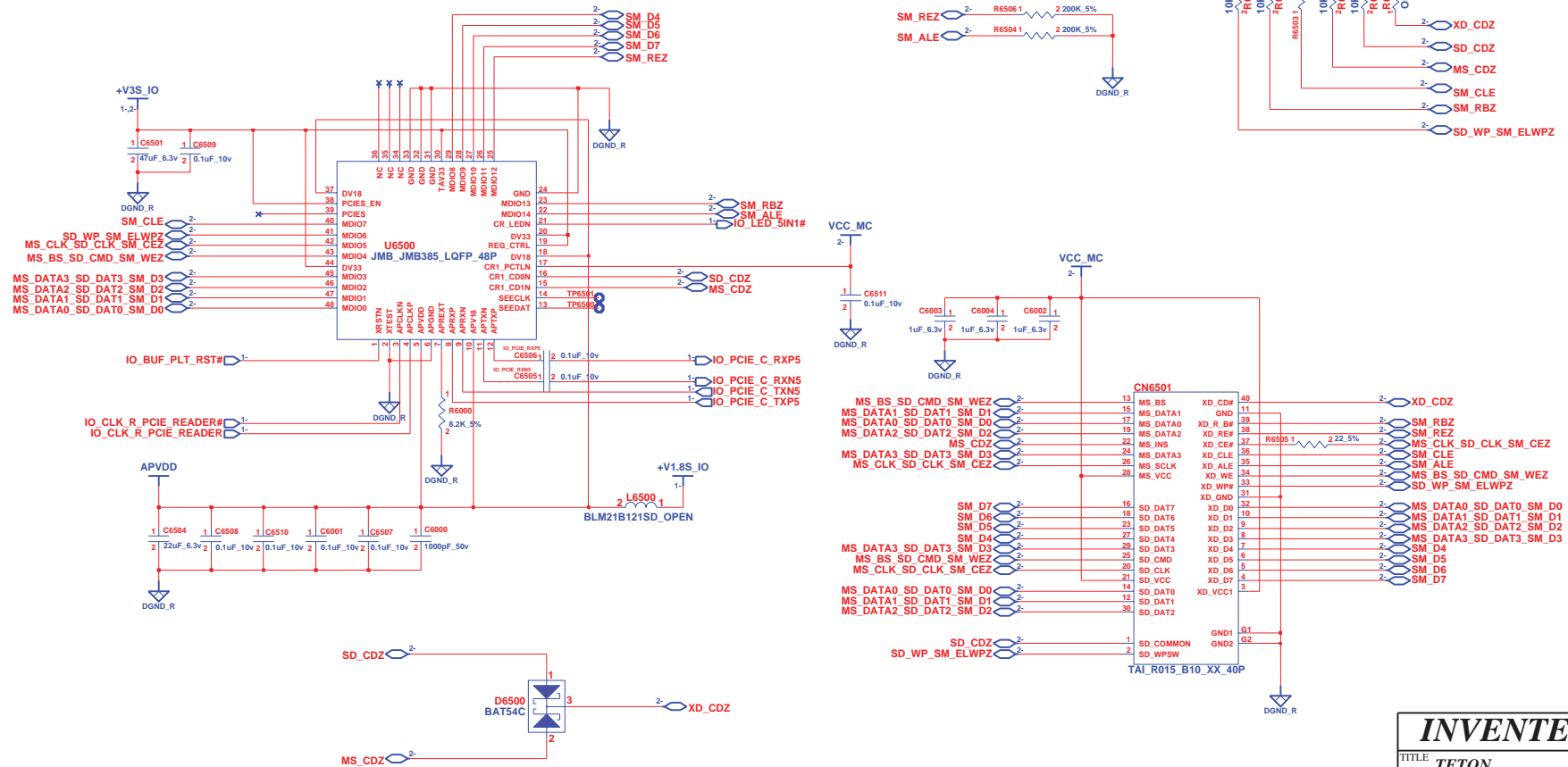
**INVENTEC**

|                          |      |             |     |
|--------------------------|------|-------------|-----|
| TITLE                    |      |             |     |
| TETON EXPRESS CARD & CIR |      |             |     |
| SIZE                     | CODE | DOC. NUMBER | REV |
| A3                       | CS   | Model No    | X01 |
| SHEET                    |      | OF          |     |
| 1                        |      | 3           |     |

<http://hobi-elektronika.net>

CHANGE by RD-EE3 7-Oct-2007

# I/O BOARD 2/2

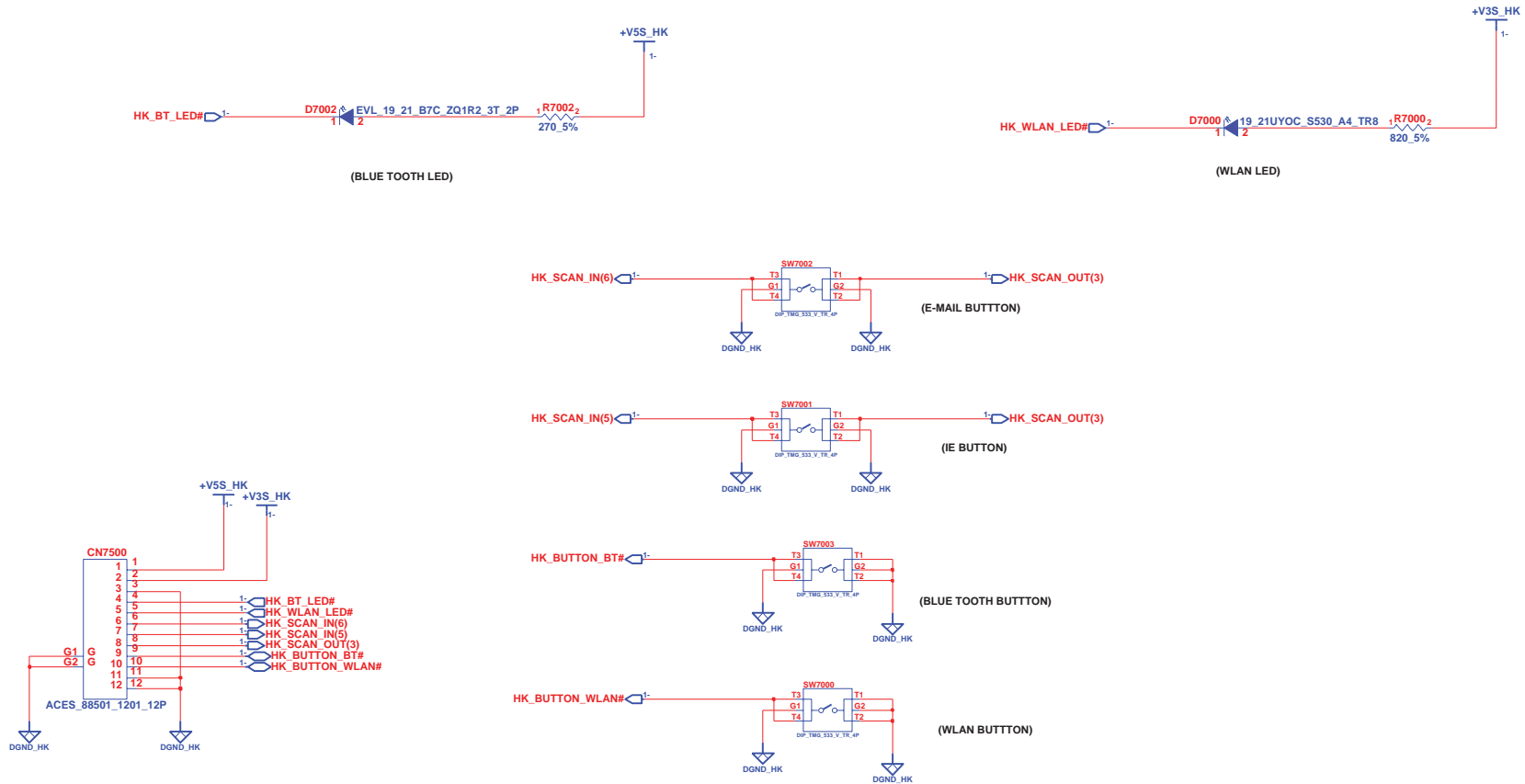


<http://hobi-elektronika.net>

|                         |                   |                                |                   |
|-------------------------|-------------------|--------------------------------|-------------------|
| <b>INVENTEC</b>         |                   |                                |                   |
| TITLE<br><b>TETON</b>   |                   |                                |                   |
| 6 IN 1 CARD CONN        |                   |                                |                   |
| SIZE<br><b>A3</b>       | CODE<br><b>CS</b> | DOC. NUMBER<br><i>Model No</i> | REV<br><b>X01</b> |
| CHANGE by <b>RD-EE3</b> |                   | 7-Oct-2007                     |                   |
| SHEET 2                 |                   | OF 3                           |                   |



# Hotkey Board



TO MB PAGE50



<http://hobi-elektronika.net>

**INVENTEC**

|              |      |             |     |
|--------------|------|-------------|-----|
| TITLE        |      |             |     |
| TETON        |      |             |     |
| HOTKEY BOARD |      |             |     |
| SIZE         | CODE | DOC. NUMBER | REV |
| A3           | CS   | Model No    | X01 |

CHANGE by RD-EE3 7-Oct-2007

SHEET 1 OF 1