

TETON2

DDRIII-Pre MV BUILD

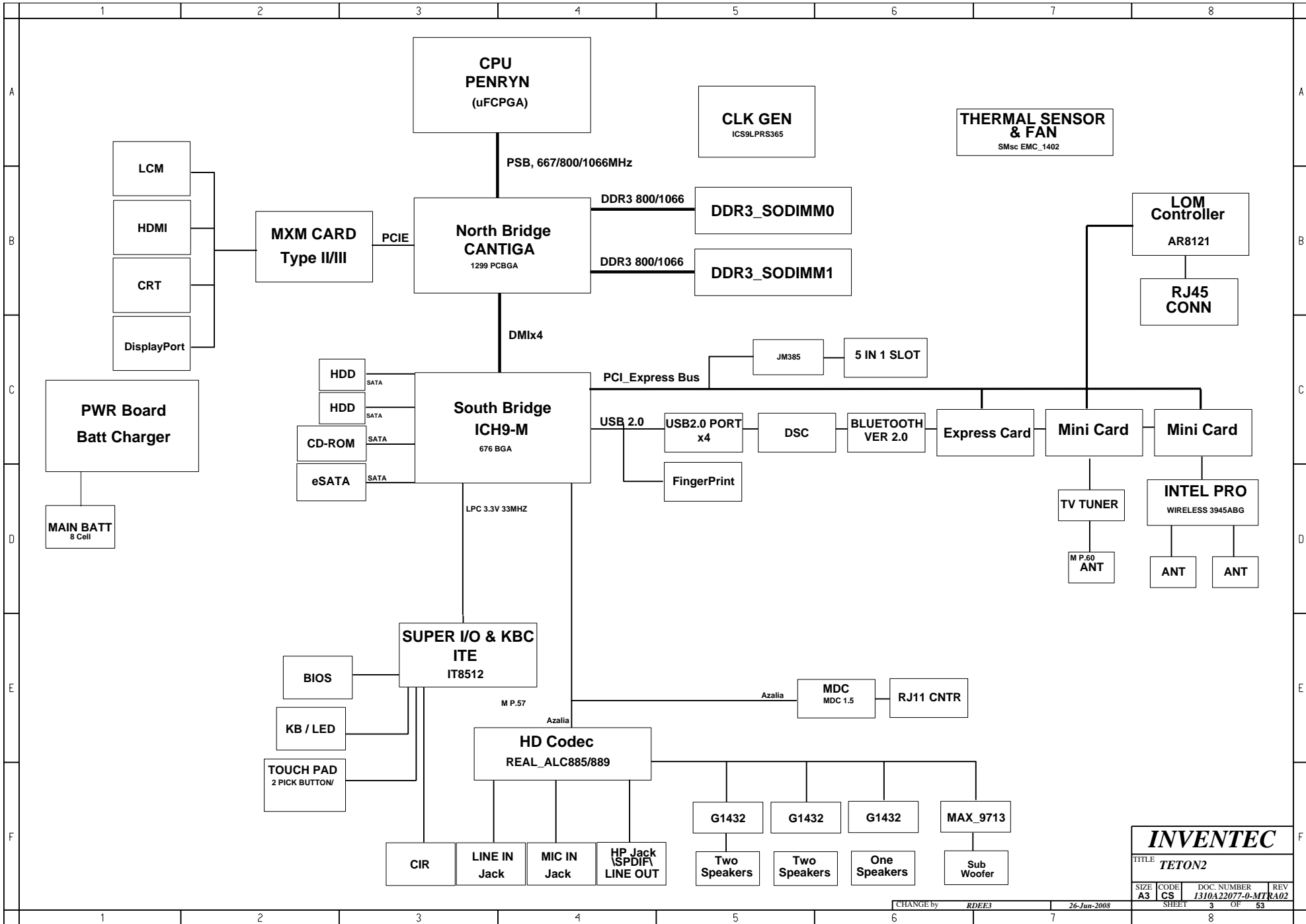
2008.06.18

	1	2	3	4	5	6	7	8																																																																																					
A									A																																																																																				
B									B																																																																																				
C									C																																																																																				
D									D																																																																																				
E									E																																																																																				
F	<table border="1" style="width: 100%; border-collapse: collapse;"> <tr><td style="width: 33%;">DATE</td><td style="width: 33%;">CHANGE NO.</td><td style="width: 33%;">REV</td></tr> <tr><td> </td><td> </td><td> </td></tr> <tr><td> </td><td> </td><td> </td></tr> <tr><td> </td><td> </td><td> </td></tr> <tr><td> </td><td> </td><td> </td></tr> <tr><td> </td><td> </td><td> </td></tr> <tr><td> </td><td> </td><td> </td></tr> <tr><td> </td><td> </td><td> </td></tr> <tr><td> </td><td> </td><td> </td></tr> <tr><td> </td><td> </td><td> </td></tr> </table>		DATE	CHANGE NO.	REV																												<table border="1" style="width: 100%; border-collapse: collapse;"> <tr><td style="width: 25%;">DRAWER</td><td style="width: 25%;">EE</td><td style="width: 25%;">DATE</td><td style="width: 25%;">POWER</td><td style="width: 25%;">DATE</td></tr> <tr><td>DESIGN</td><td> </td><td> </td><td> </td><td> </td></tr> <tr><td>CHECK</td><td> </td><td> </td><td> </td><td> </td></tr> <tr><td>RESPONSIBLE</td><td> </td><td> </td><td> </td><td> </td></tr> <tr><td>SIZE =</td><td colspan="2" style="text-align: center;">3</td><td>VER :</td><td> </td></tr> <tr><td>FILE NAME :</td><td colspan="4">XXXX-XXXXXX-XX</td></tr> <tr><td>P/N</td><td colspan="4">XXXXXXXXXXXX</td></tr> </table>			DRAWER	EE	DATE	POWER	DATE	DESIGN					CHECK					RESPONSIBLE					SIZE =	3		VER :		FILE NAME :	XXXX-XXXXXX-XX				P/N	XXXXXXXXXXXX				<table border="1" style="width: 100%; border-collapse: collapse;"> <tr><td colspan="4" style="text-align: center;">INVENTEC</td></tr> <tr><td colspan="4" style="text-align: center;">TITLE TETON2</td></tr> <tr><td style="width: 15%;">SIZE</td><td style="width: 15%;">CODE</td><td style="width: 40%;">DOC. NUMBER</td><td style="width: 30%;">REV</td></tr> <tr><td style="text-align: center;">A3</td><td style="text-align: center;">CS</td><td style="text-align: center;">1310A22077-0-MTR</td><td style="text-align: center;">A02</td></tr> <tr><td colspan="2" style="text-align: center;">SHEET</td><td style="text-align: center;">1</td><td style="text-align: center;">OF 53</td></tr> </table>		INVENTEC				TITLE TETON2				SIZE	CODE	DOC. NUMBER	REV	A3	CS	1310A22077-0-MTR	A02	SHEET		1	OF 53	F
DATE	CHANGE NO.	REV																																																																																											
DRAWER	EE	DATE	POWER	DATE																																																																																									
DESIGN																																																																																													
CHECK																																																																																													
RESPONSIBLE																																																																																													
SIZE =	3		VER :																																																																																										
FILE NAME :	XXXX-XXXXXX-XX																																																																																												
P/N	XXXXXXXXXXXX																																																																																												
INVENTEC																																																																																													
TITLE TETON2																																																																																													
SIZE	CODE	DOC. NUMBER	REV																																																																																										
A3	CS	1310A22077-0-MTR	A02																																																																																										
SHEET		1	OF 53																																																																																										
	1	2	3	4	5	6	7	8																																																																																					

TABLE OF CONTENTS

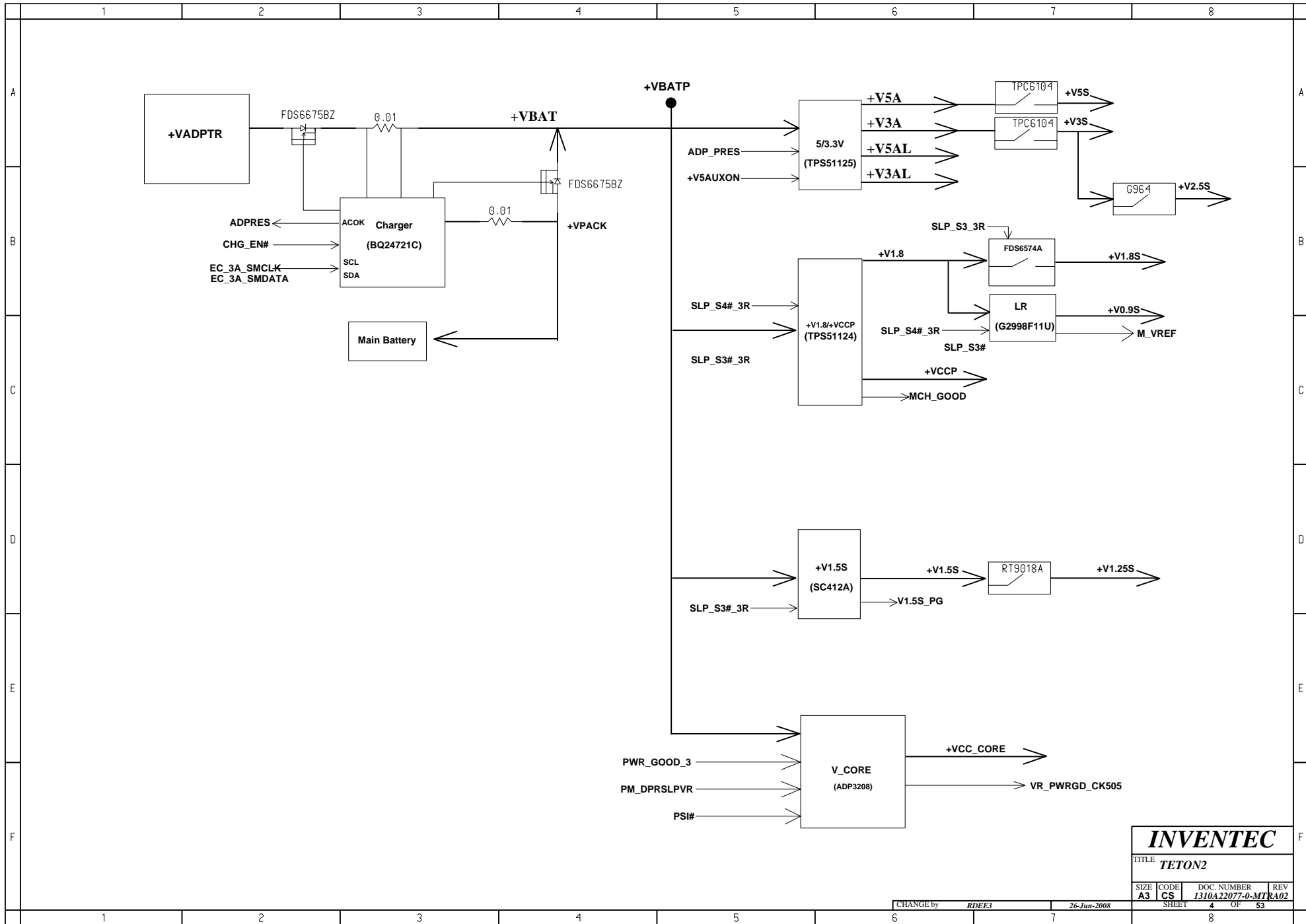
PAGE	PAGE	PAGE
MAINBOARD		I/O BOARD
1.COVER PAGE	40.SATA HDD&ODD	1.EXPRESS CARD CONN
2.INDEX	41.USB CONN & eSATA	2.CARD READER CONTROLLER
3.BLOCK DIAGRAM	42.BLUE TOOTH & MDC CONN	
4.POWER SEQUENCE BLOCK	43.KBC	HOTKEY BOARD
5-12.SYSTEM POWER	44.AUDIO CODEC	1.HOTKEY BOARD
13.CLOCK GENERATOR	45.AUDIO JACK	
14-17.CPU Merom	46.AUDIO AMP	
18.FAN & THERMAL CONTROLLER	47.AUDIO AMP & SPK CONN	
19-25.N/B Crestline	48.SCREW	
26.DDR3 DIMM0	49.MB TO OTHER B CONN	
27.DDR3 DIMM1	50.USB BOARD	
28.MXM CONN	51.POWER BUTTON BOARD	
29.CRT CONN	52.TP BUTTON BOARD	
30.HDMI & DP CONN	53.HINGE LED BOARD 1 & 2	
31.LCD CONN		
32-36.S/B ICH8M		
37.LAN CONTROLLER		
38.RJ45 CONN		
39.MINI CARD		

INVENTEC			
TITLE TETON2			
SIZE A3	CODE CS	DOC. NUMBER I310A22077-0-MTR	REV A02
CHANGE by RDEE3		26-Jun-2008	
SHEET		2 OF 53	

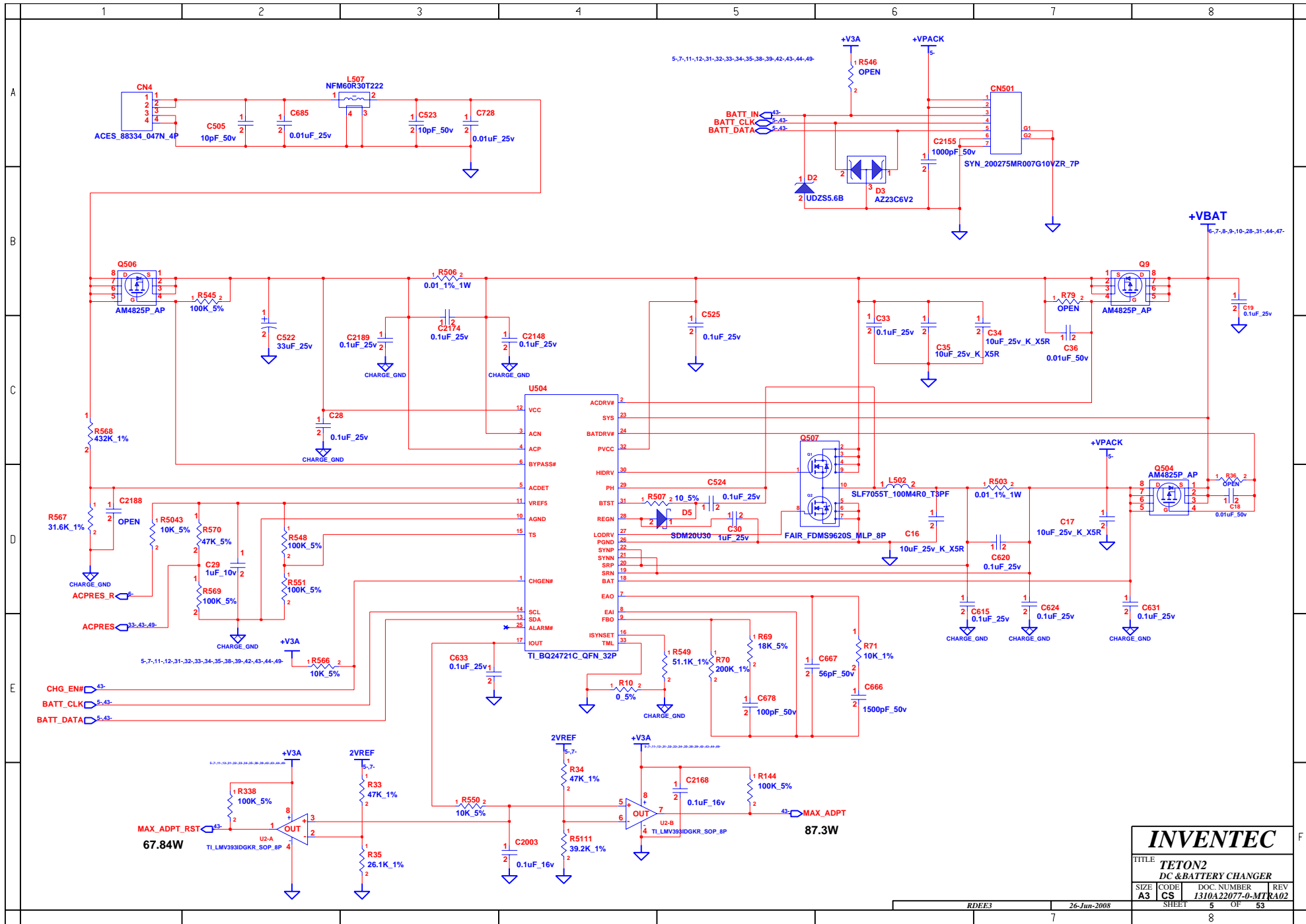


INVENTEC			
TITLE TETON2			
SIZE A3	CODE CS	DOC. NUMBER 1310A22077-0-MTR	REV RA02
SHEET 3		OF 53	

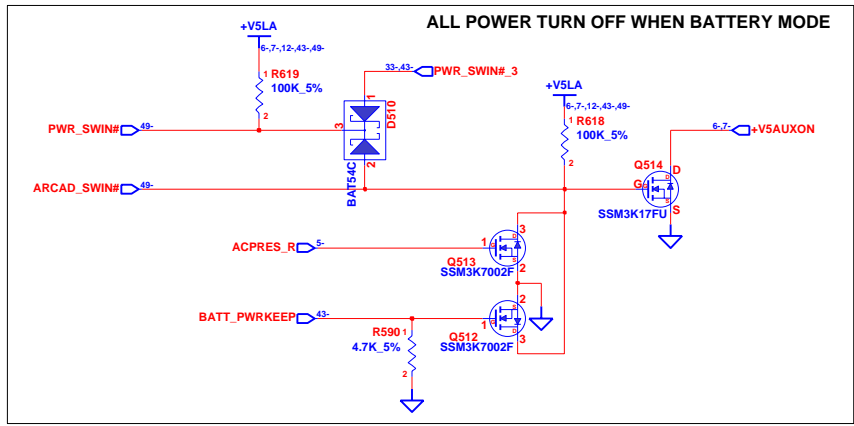
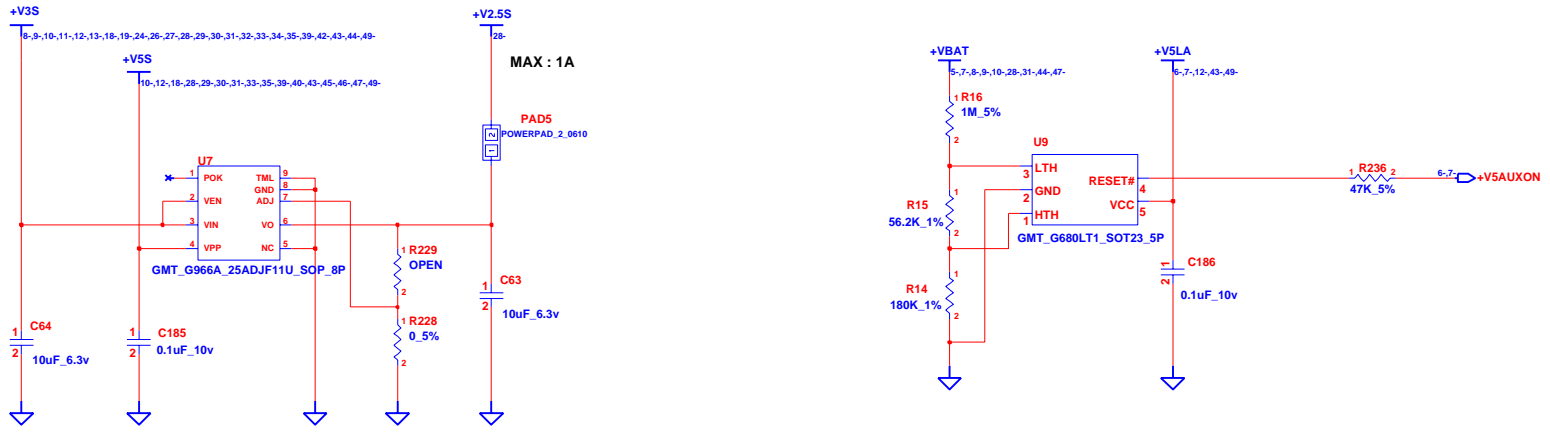
CHANGE by **RDEE3** 26-Jun-2008



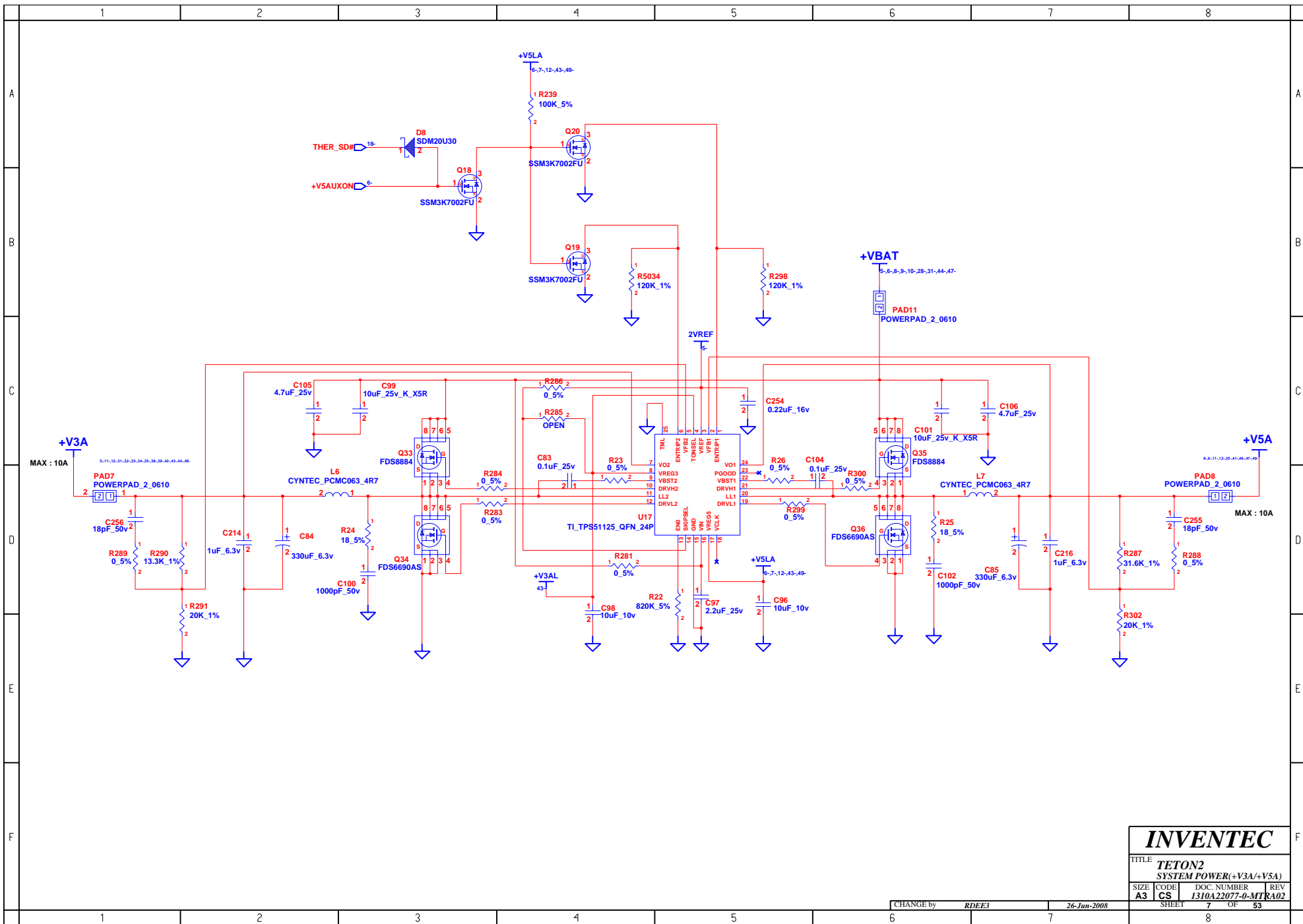
INVENTEC			
TITLE TETON2			
SIZE A3	CODE CS	DOC. NUMBER 1310A22077-0-MTR	REV RA02
CHANGE by RDEE3		26-Jun-2008	SHEET 4 OF 53



INVENTEC			
TITLE TETON2 DC & BATTERY CHANGER			
SIZE A3	CODE CS	DOC. NUMBER I310A22077-0-MTR	REV RA02
RDEE3		26-Jun-2008	
7		SHEET 5 OF 53	
7		8	



INVENTEC			
TITLE TETON2 +V2.5S / RESET			
SIZE A3	CODE CS	DOC. NUMBER 1310A22077-0-MTR	REV RA02
CHANGE by RDEE3		26-Jun-2008	
SHEET 6		OF 53	



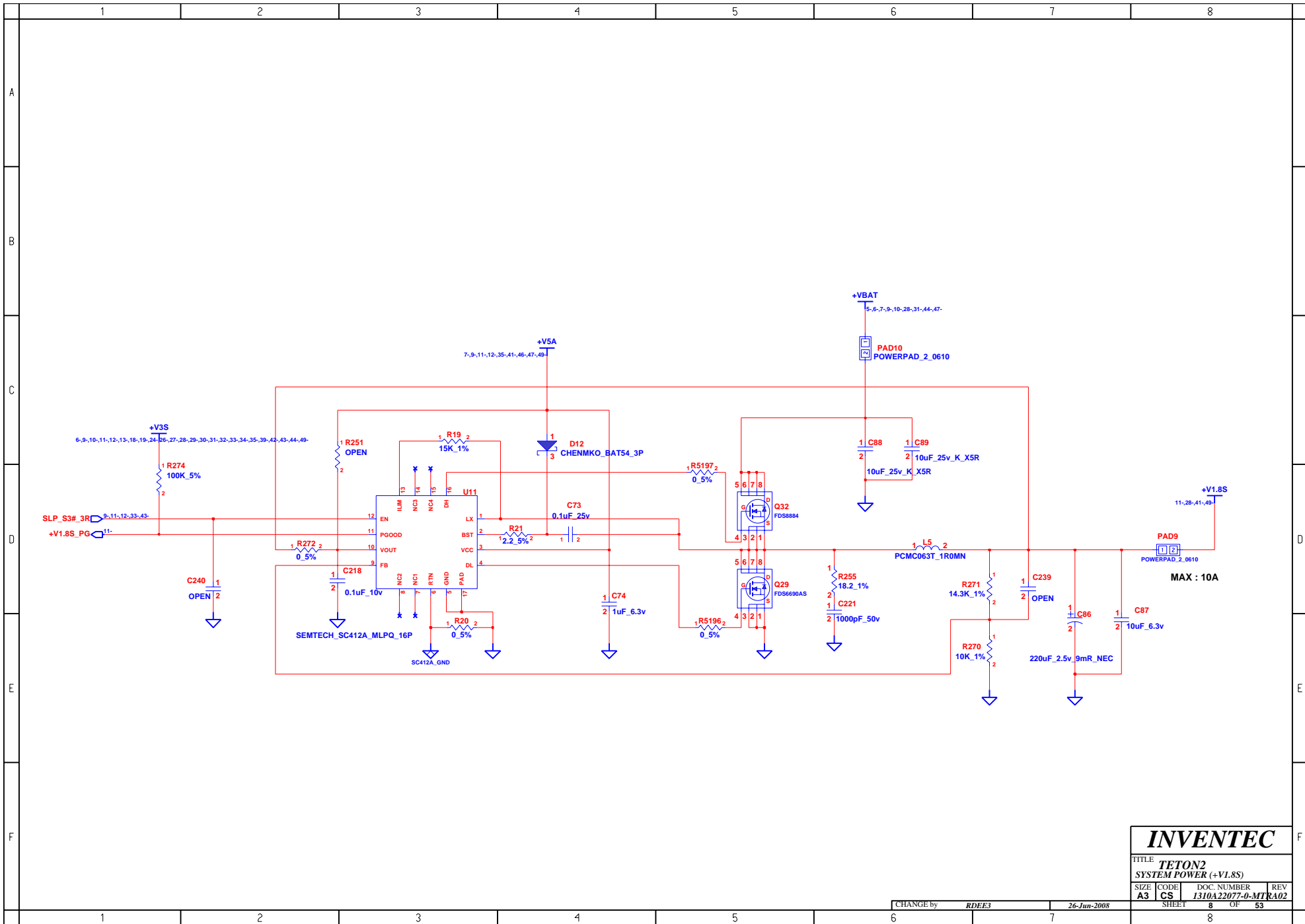
INVENTEC

TITLE
TETON2
 SYSTEM POWER(+V3A/+V5A)

SIZE A3	CODE CS	DOC NUMBER I310A22077-0-MT	REV RA02
-------------------	-------------------	--------------------------------------	--------------------

CHANGE by **RDEE3** 26-Jun-2008

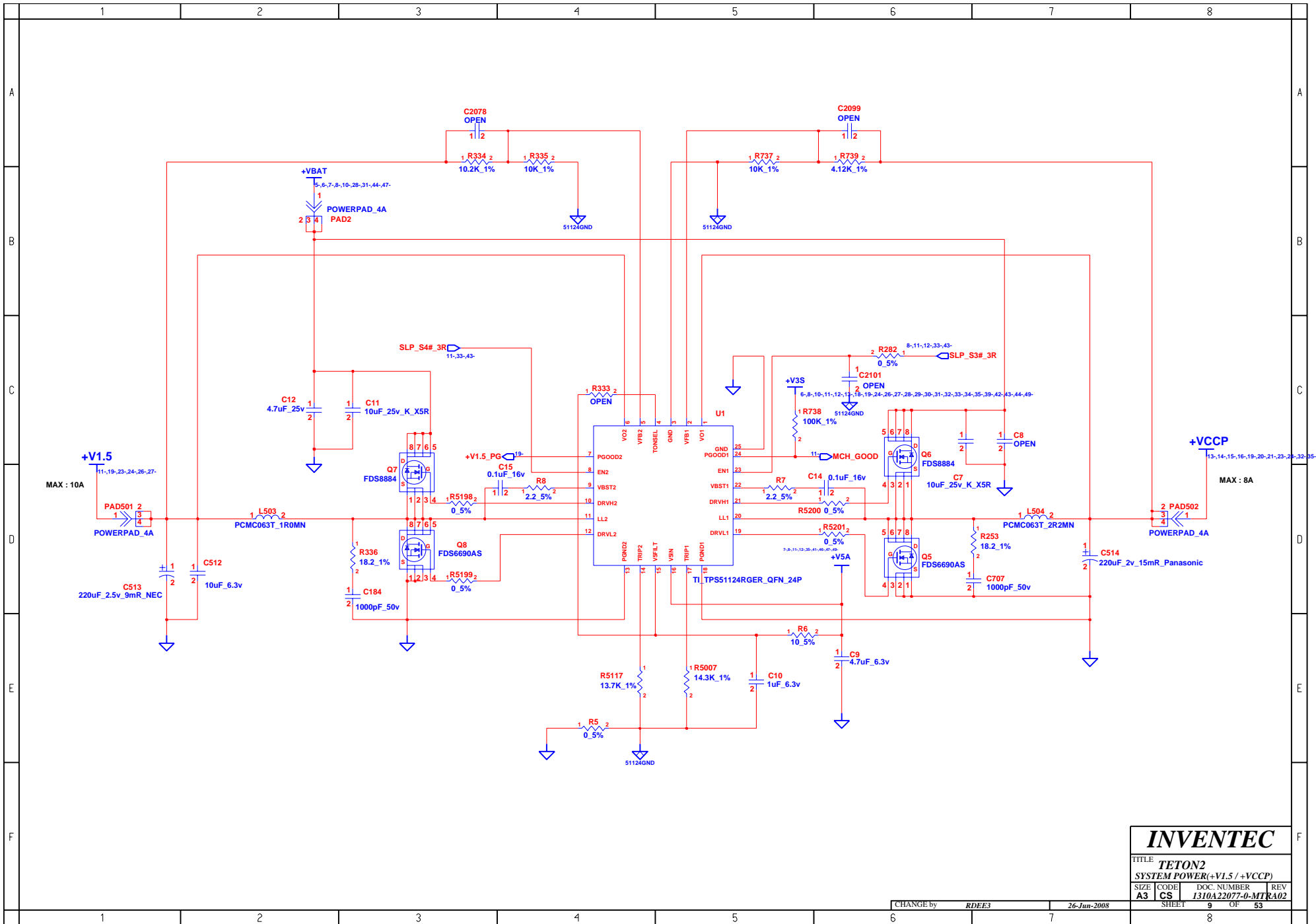
SHEET **7** OF **53**



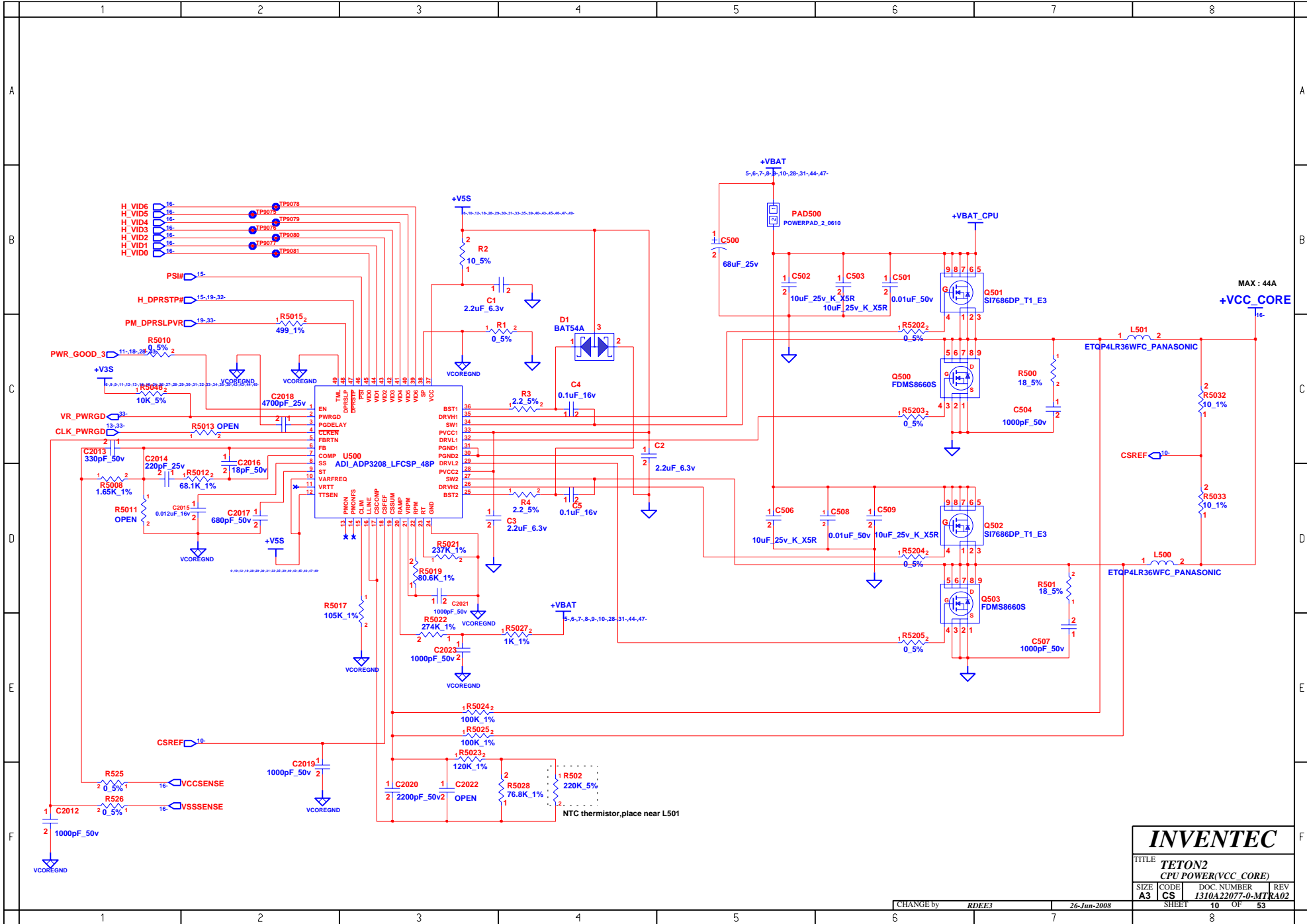
INVENTEC

TITLE			
TETON2			
SYSTEM POWER (+V1.8S)			
SIZE	CODE	DOC. NUMBER	REV
A3	CS	1310A22077-0-MT	RA02

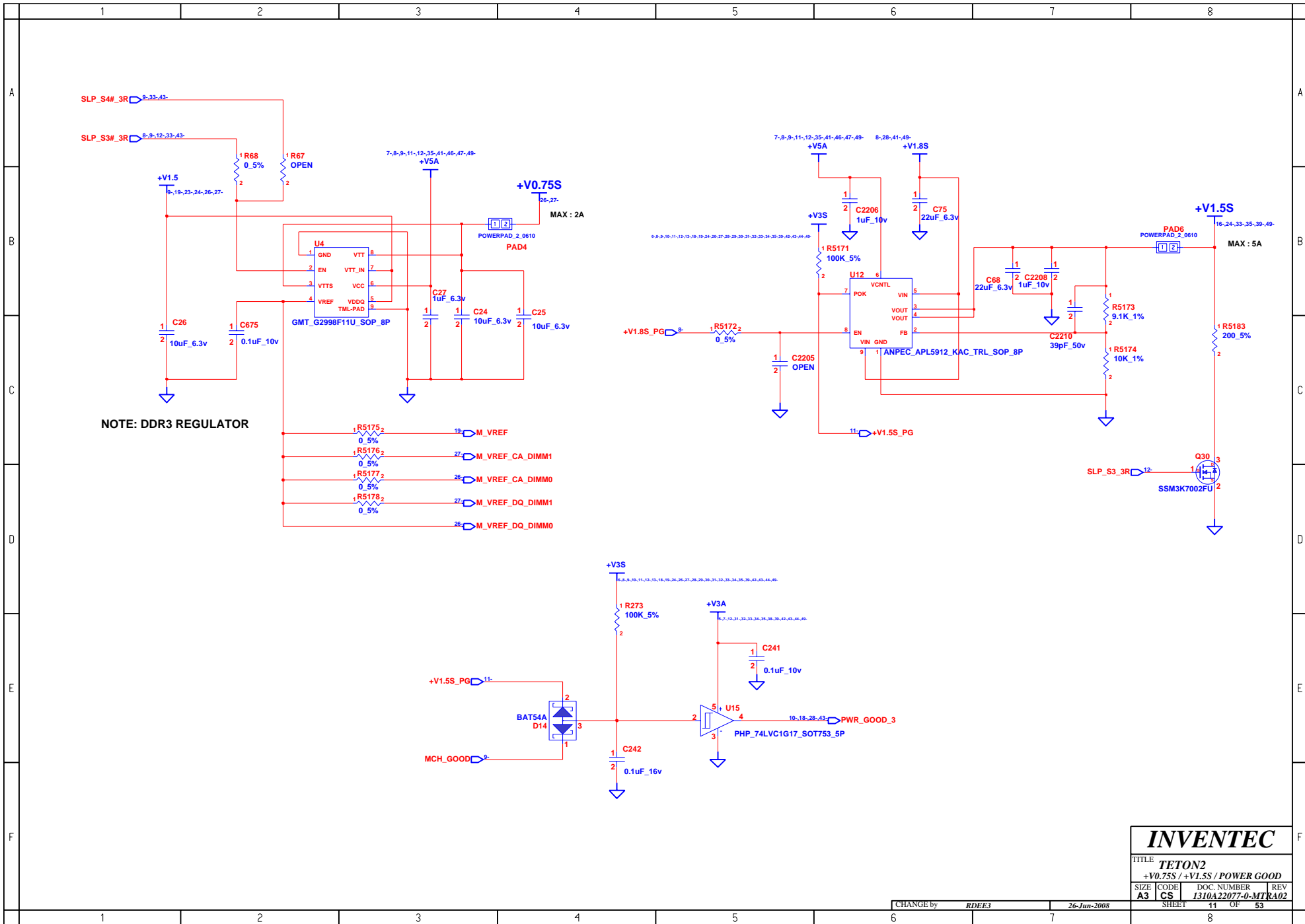
CHANGE by	RDEE3	26-Jun-2008	SHEET	8	OF	53
-----------	-------	-------------	-------	---	----	----



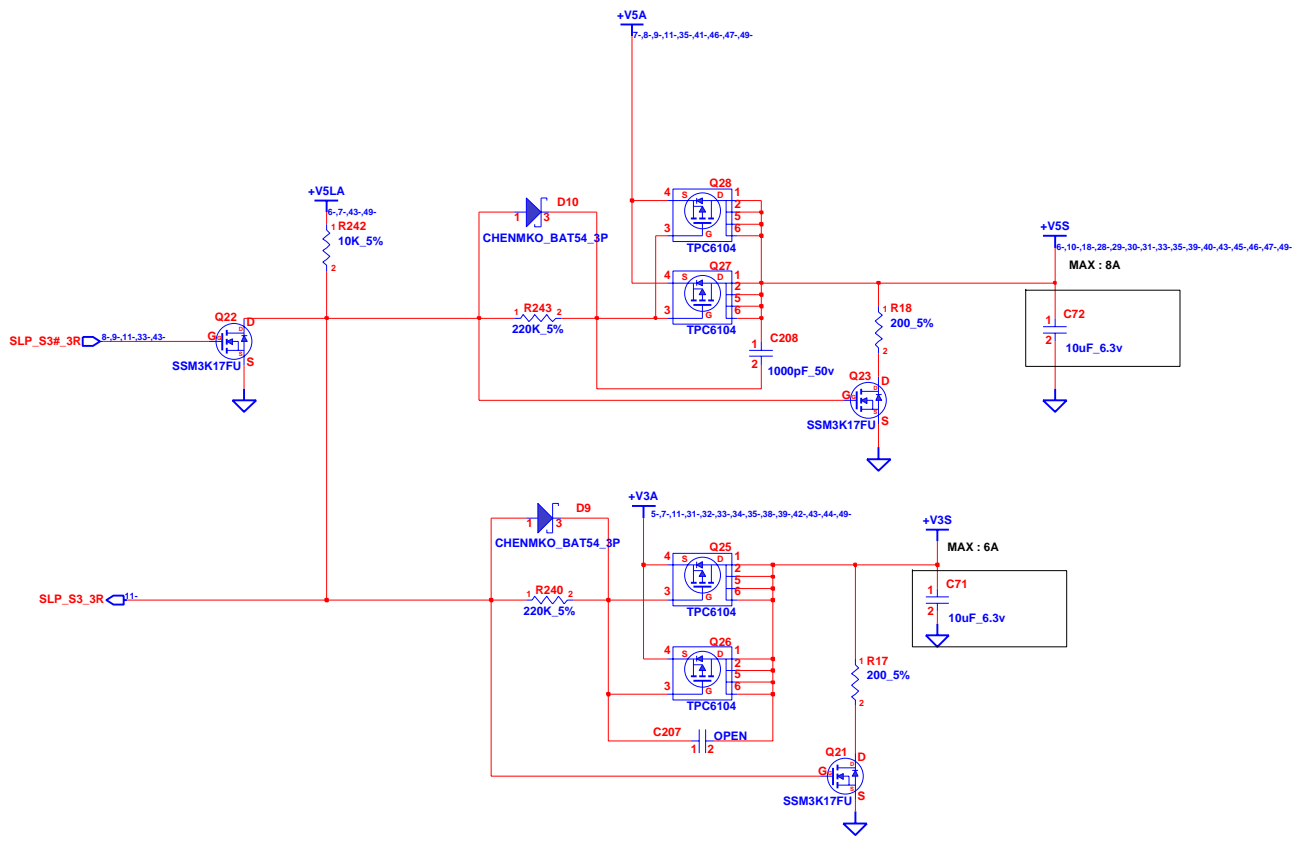
INVENTEC			
TITLE TETON2			
SYSTEM POWER(+V1.5/+VCCP)			
SIZE A3	CODE CS	DOC. NUMBER I310A22077-0-MTR	REV RA02
CHANGE by RDEE3		26-Jun-2008	
SHEET 9		OF 53	



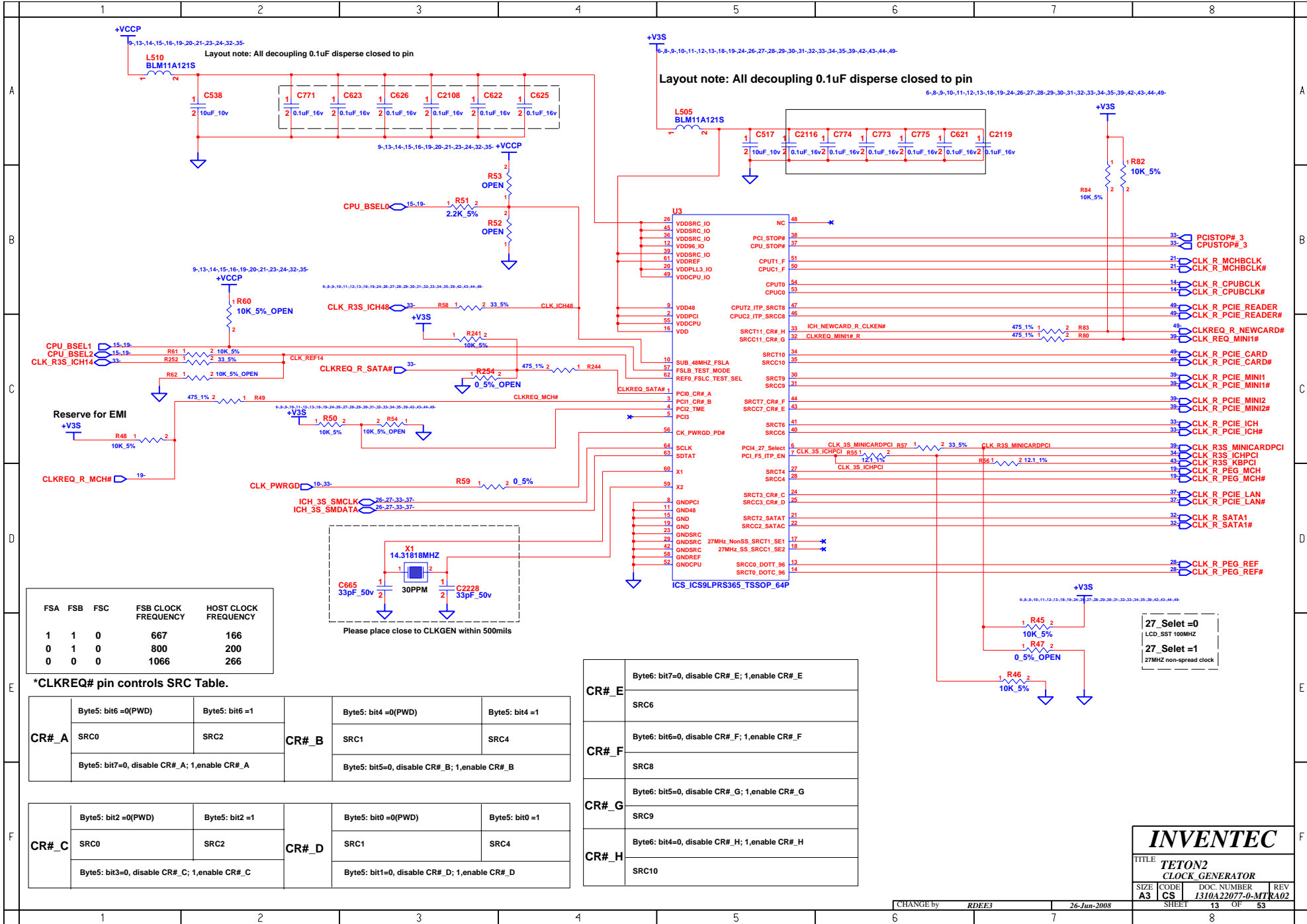
INVENTEC			
TITLE TETON2 CPU POWER(VCC_CORE)			
SIZE A3	CODE CS	DOC. NUMBER I310A22077-0-MTR	REV A02
CHANGE by RDEE3		26-Jun-2008	
SHEET 10		OF 53	



INVENTEC			
TITLE TETON2			
+V0.75S / +V1.5S / POWER GOOD			
SIZE A3	CODE CS	DOC NUMBER I310A22077-0-MT	REV KA02
CHANGE by RDEE3		26-Jun-2008	
SHEET 11		OF 53	



INVENTEC			
TITLE TETON2			
POWER(+V3S / +V5S)			
SIZE A3	CODE CS	DOC. NUMBER 1310A22077-0-MTR	REV A02
CHANGE by RDEE3		26-Jun-2008	
SHEET 12		OF 53	



FSA	FSB	FSC	FSB CLOCK FREQUENCY	HOST CLOCK FREQUENCY
1	1	0	667	166
0	1	0	800	200
0	0	0	1066	266

*CLKREQ# pin controls SRC Table.

CR#_A	Byte5: bit6 =0(PWD)		Byte5: bit6 =1		CR#_B	Byte5: bit4 =0(PWD)		Byte5: bit4 =1	
	SRC0	SRC2	SRC1	SRC4					
Byte5: bit7=0, disable CR#_A; 1,enable CR#_A			Byte5: bit5=0, disable CR#_B; 1,enable CR#_B						

CR#_C	Byte5: bit2 =0(PWD)		Byte5: bit2 =1		CR#_D	Byte5: bit0 =0(PWD)		Byte5: bit0 =1	
	SRC0	SRC2	SRC1	SRC4					
Byte5: bit3=0, disable CR#_C; 1,enable CR#_C			Byte5: bit1=0, disable CR#_D; 1,enable CR#_D						

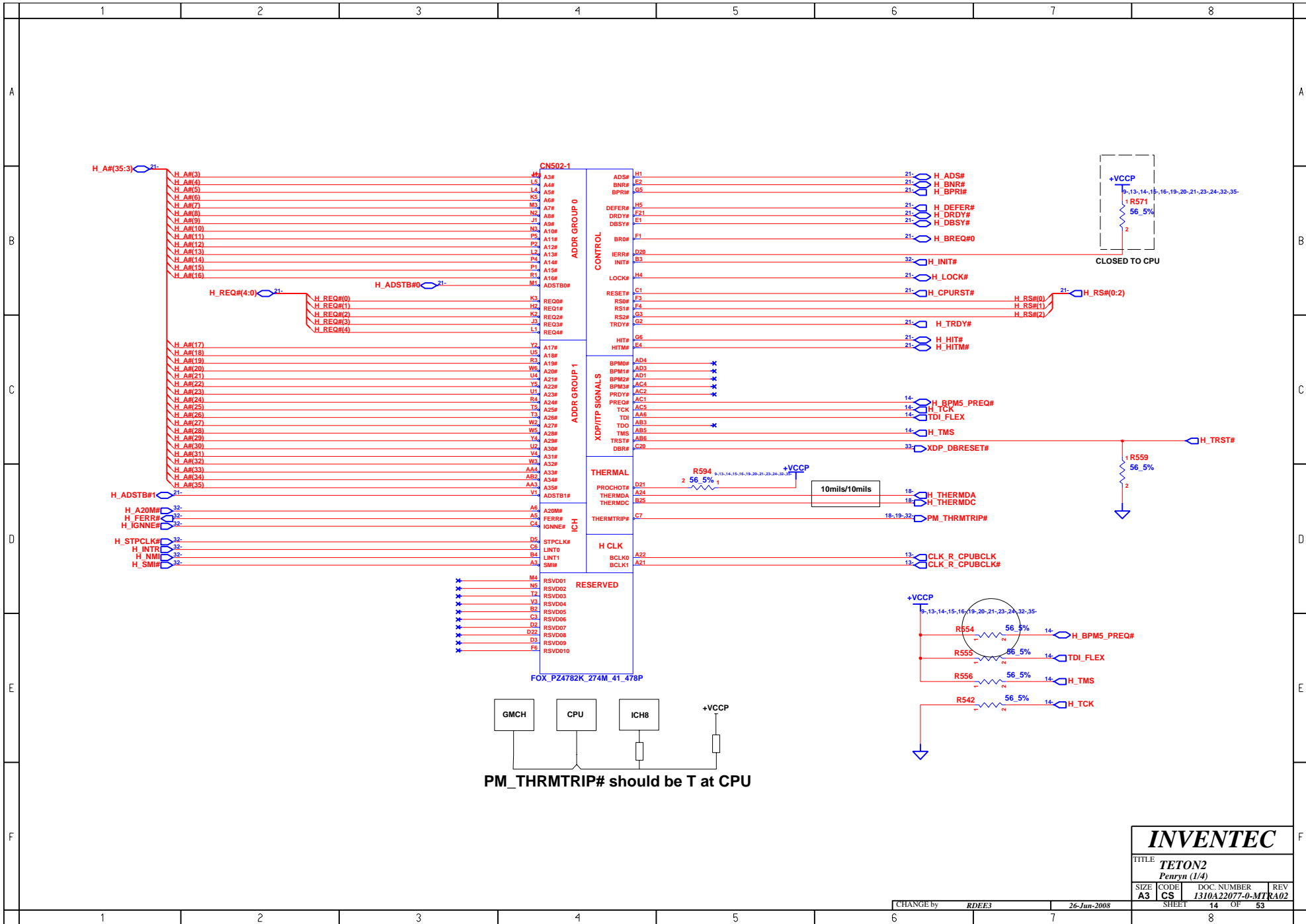
CR#_E	Byte6: bit7=0, disable CR#_E; 1,enable CR#_E
SRC6	
CR#_F	Byte6: bit6=0, disable CR#_F; 1,enable CR#_F
SRC8	
CR#_G	Byte6: bit5=0, disable CR#_G; 1,enable CR#_G
SRC9	
CR#_H	Byte6: bit4=0, disable CR#_H; 1,enable CR#_H
SRC10	

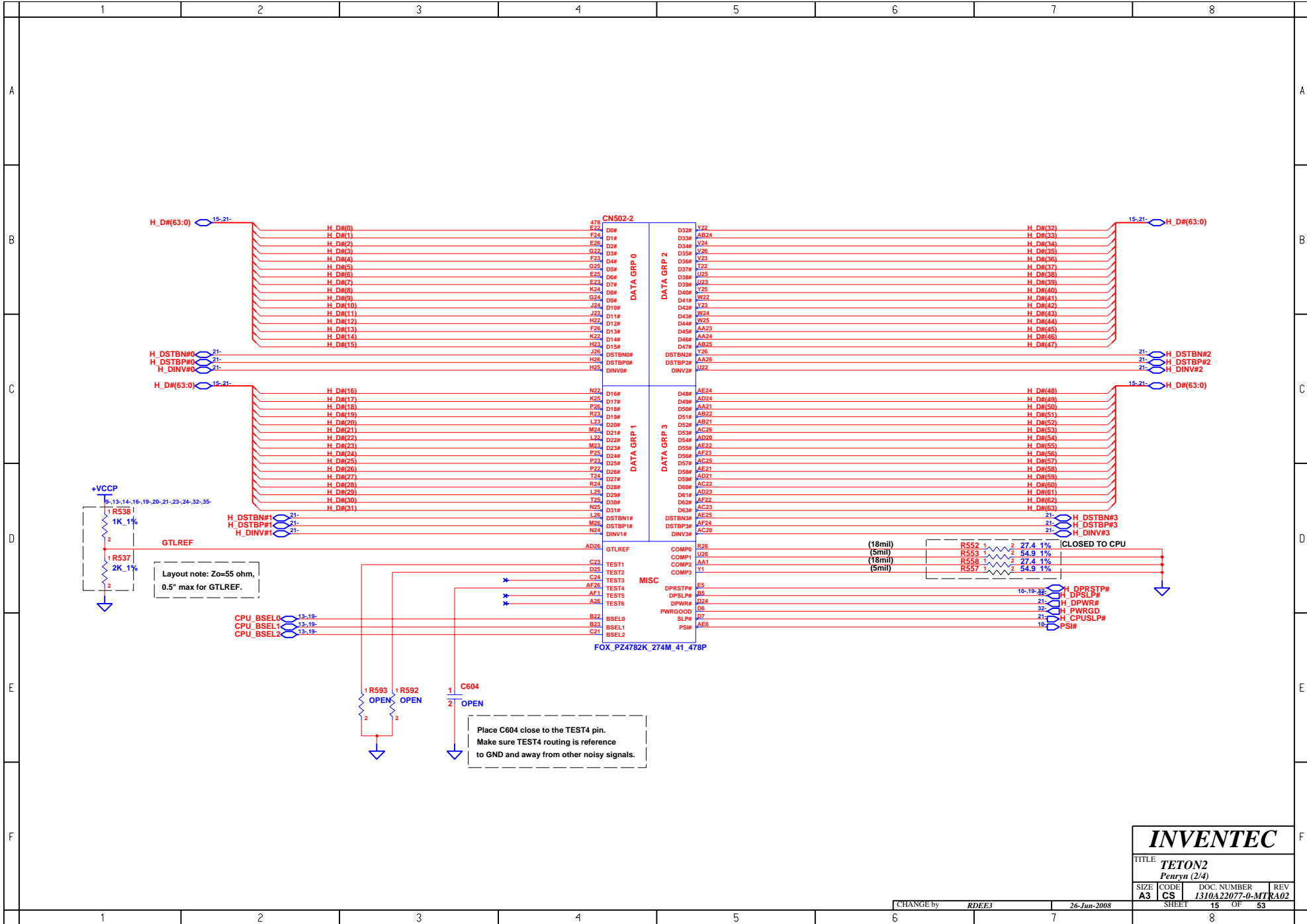
27_Selet = 0
LCD_SST 100MHZ
27_Selet = 1
27MHZ non-spread clock

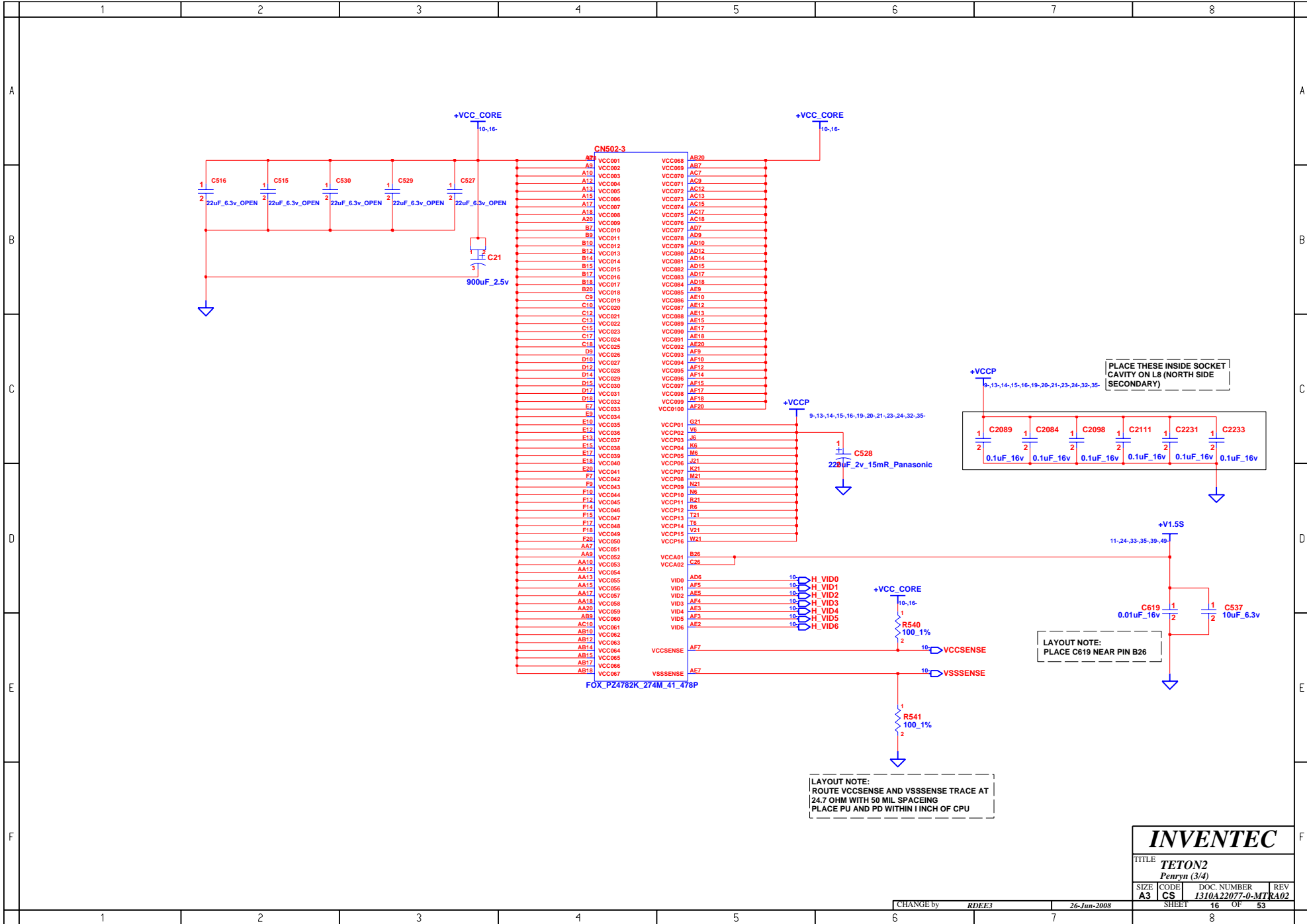
INVENTEC

TITLE TETON2
CLOCK GENERATOR

SIZE A3	CODE CS	DOC. NUMBER 1310A22077-0-MTR	REV RA02
CHANGE by RDEE3		26-Jun-2008	
SHEET 13		OF 53	



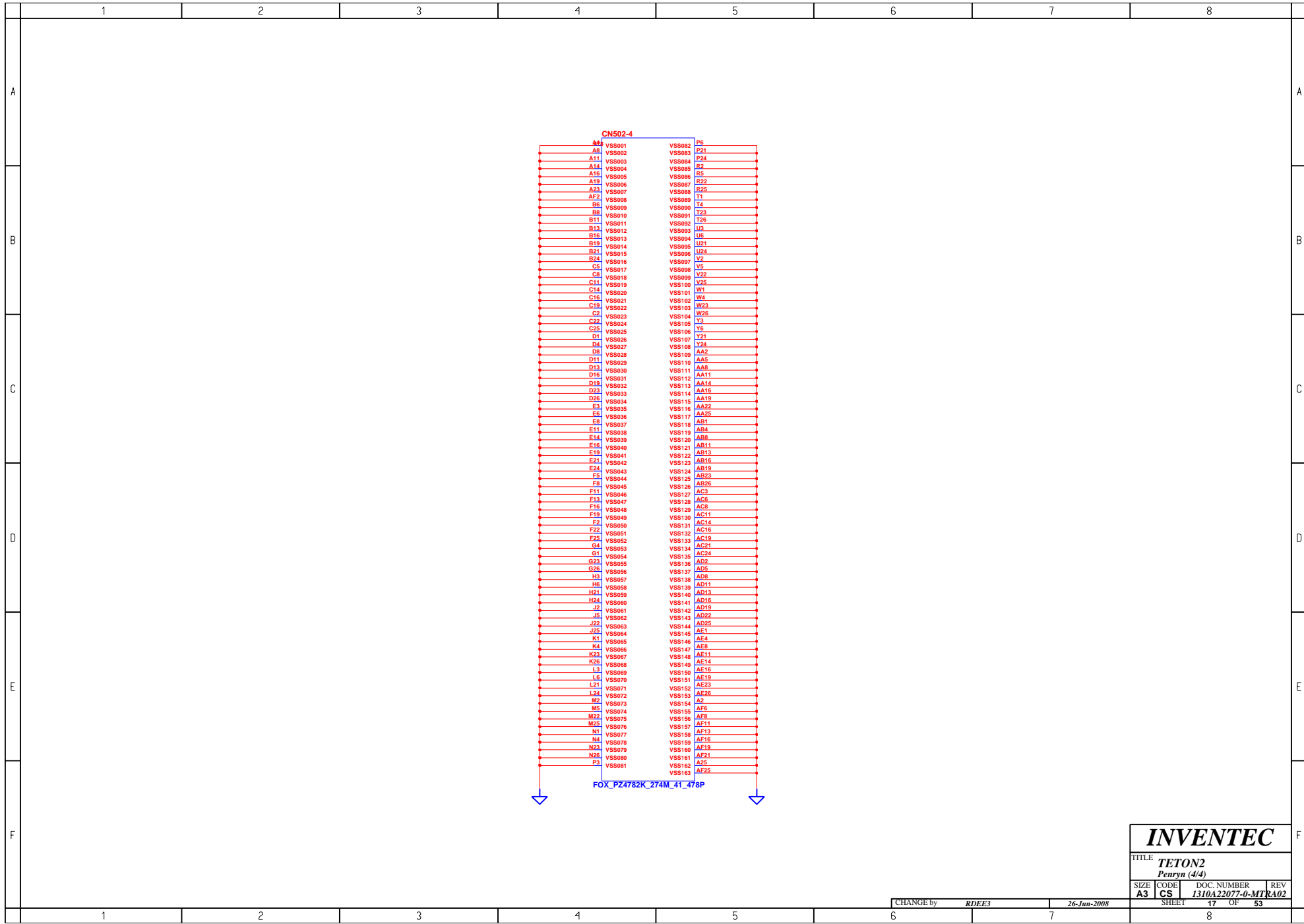




INVENTEC

TITLE			
TETON2			
Penryn (3/4)			
SIZE	CODE	DOC. NUMBER	REV
A3	CS	I310A22077-0-MTR	A02
CHANGE by		SHEET	
RDEE3		16 OF 53	

26-Jun-2008



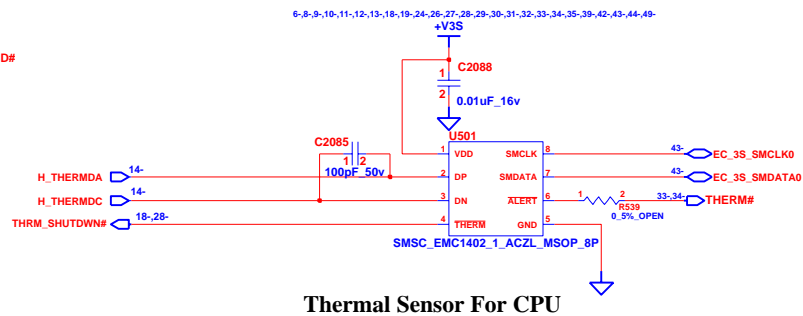
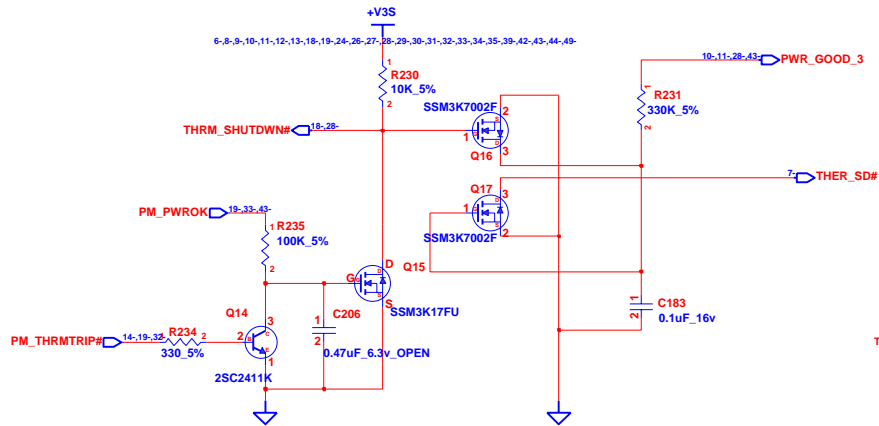
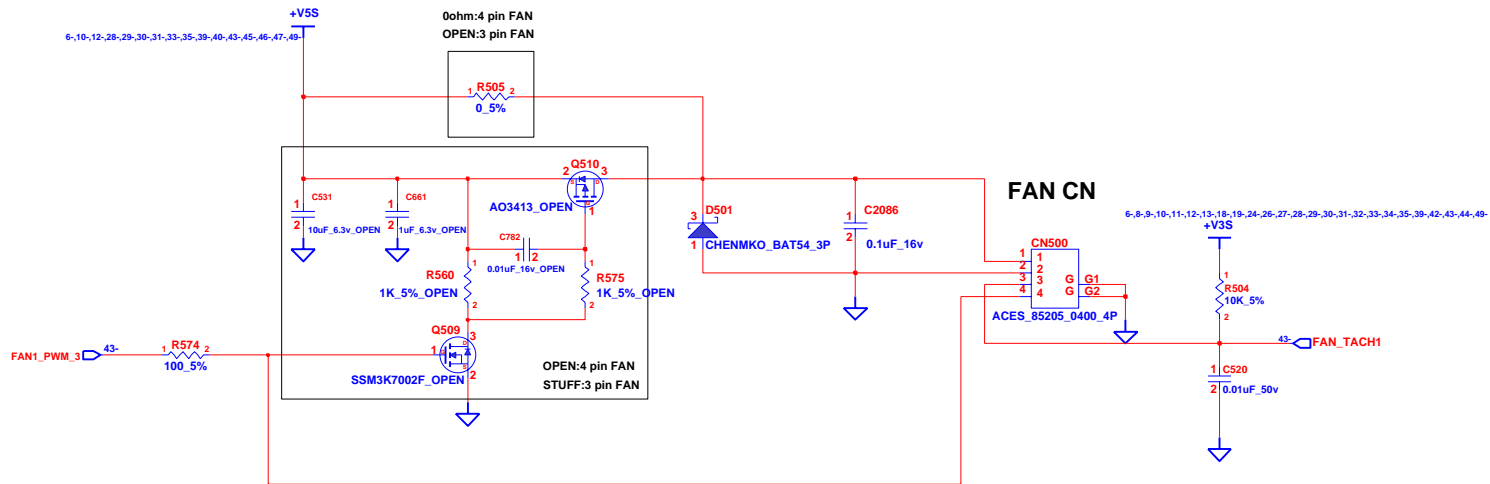
CN502-4

A7	VSS001	P6
A8	VSS002	P21
A11	VSS003	P24
A14	VSS004	B2
A16	VSS005	R5
A19	VSS006	R22
A23	VSS007	R25
AF2	VSS008	T1
B6	VSS009	T4
B8	VSS010	T23
B11	VSS011	T26
B13	VSS012	U3
B16	VSS013	U6
B19	VSS014	U21
B21	VSS015	U24
B24	VSS016	V2
C3	VSS017	V5
C5	VSS018	V22
C11	VSS019	V25
C14	VSS020	W1
C16	VSS021	W4
C19	VSS022	W23
C21	VSS023	W26
C24	VSS024	Y3
C25	VSS025	Y6
D1	VSS026	Y21
D4	VSS027	Y24
D8	VSS028	AA2
D11	VSS029	AA5
D16	VSS030	AA8
D19	VSS031	AA11
D21	VSS032	AA14
D23	VSS033	AA16
D25	VSS034	AA19
E3	VSS035	AA22
E6	VSS036	AA25
E8	VSS037	AB1
E11	VSS038	AB4
E14	VSS039	AB8
E16	VSS040	AB11
E19	VSS041	AB13
E21	VSS042	AB16
E24	VSS043	AB19
F6	VSS044	AB23
F8	VSS045	AB26
F11	VSS046	AC3
F13	VSS047	AC6
F16	VSS048	AC9
F19	VSS049	AC11
F22	VSS050	AC14
F24	VSS051	AC16
G4	VSS052	AC19
G1	VSS053	AC21
G23	VSS054	AC24
G26	VSS055	AD2
H3	VSS056	AD5
H6	VSS057	AD8
H8	VSS058	AD11
H21	VSS059	AD13
H24	VSS060	AD16
J4	VSS061	AD19
J5	VSS062	AD22
J22	VSS063	AD25
K1	VSS064	AE1
K3	VSS065	AE4
K4	VSS066	AE8
K23	VSS067	AE11
K26	VSS068	AE14
L3	VSS069	AE16
L6	VSS070	AE19
L21	VSS071	AE23
L24	VSS072	AE26
M3	VSS073	A2
M5	VSS074	AF6
M22	VSS075	AF8
M25	VSS076	AF11
N1	VSS077	AF13
N4	VSS078	AF16
N24	VSS079	AF19
N26	VSS080	AE21
P3	VSS081	A25
		AF25
		VSS163

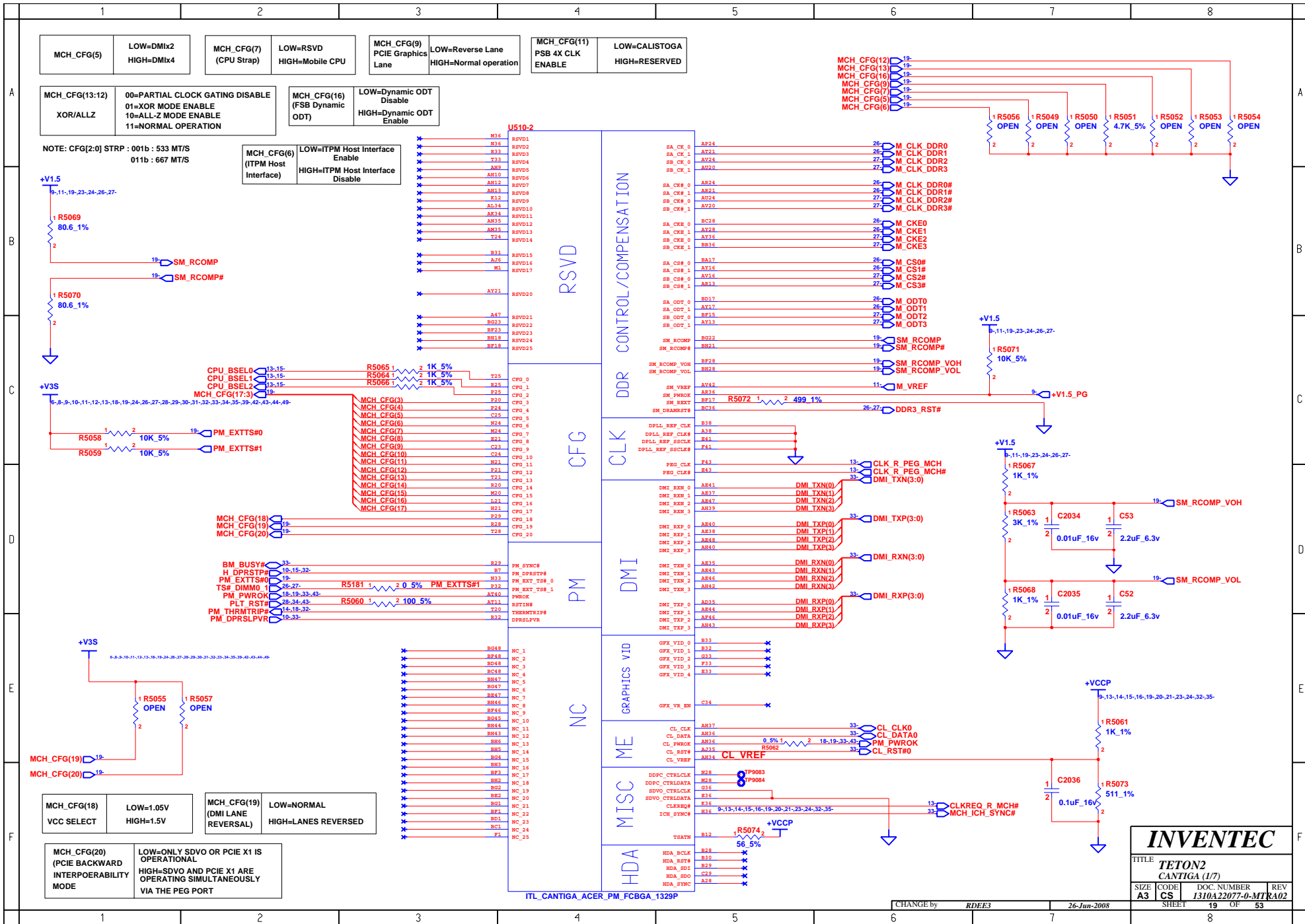
INVENTEC

TITLE **TETON2**
Penryn (4/4)

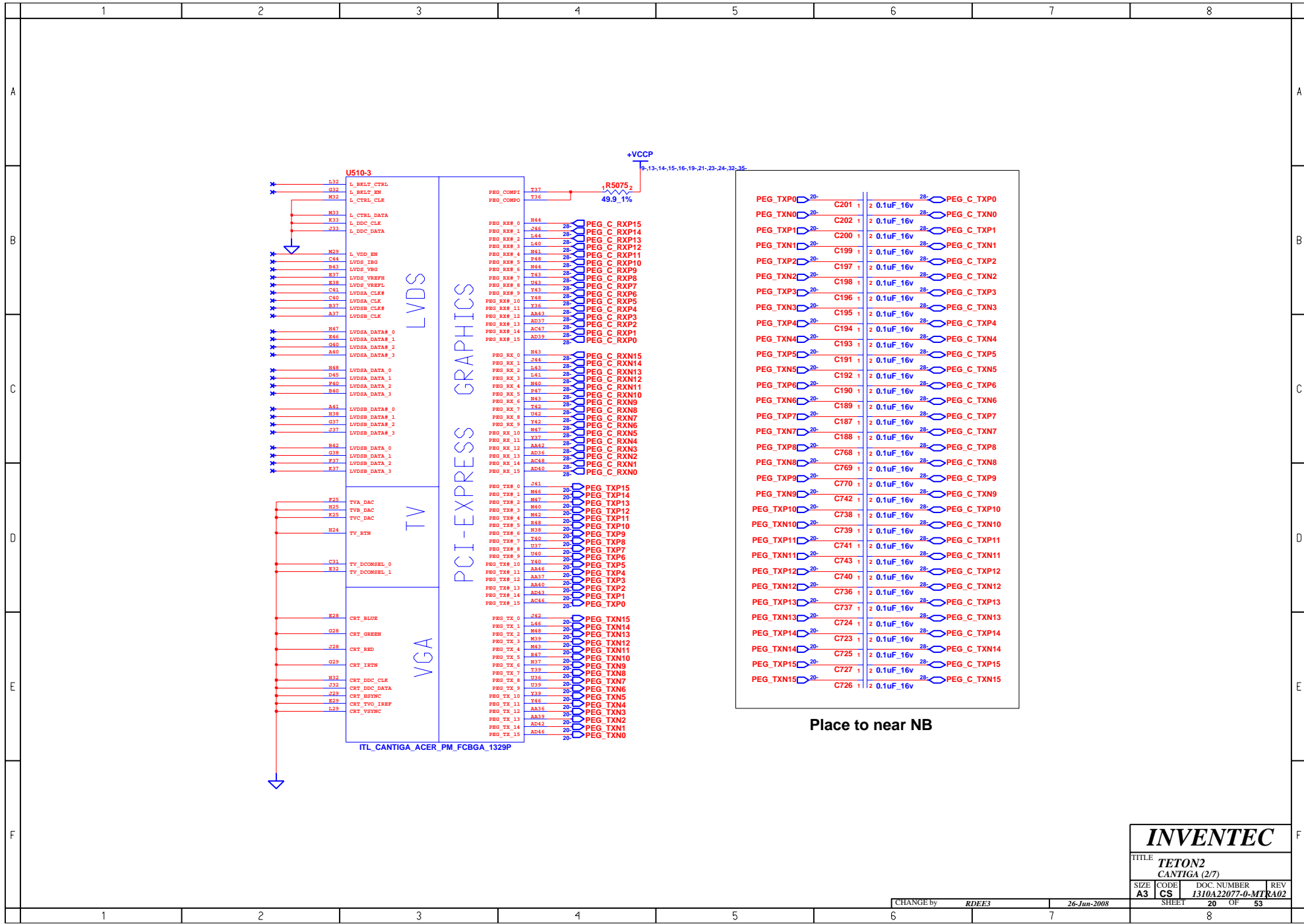
SIZE A3	CODE CS	DOC. NUMBER 1310A22077-0-MTR	REV A02
CHANGE by RDEE3		26-Jun-2008	
SHEET 17		OF 53	



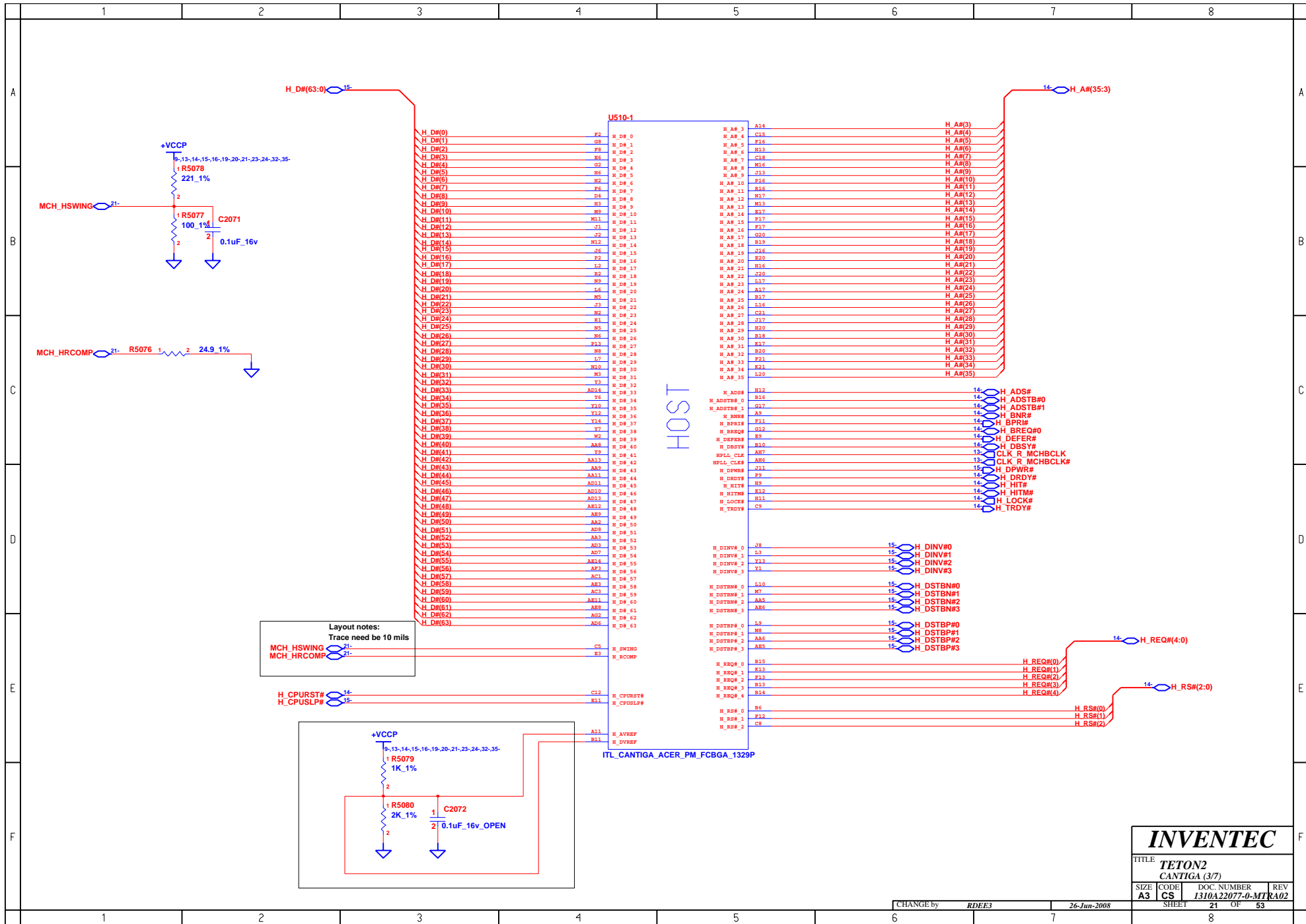
INVENTEC			
TITLE TETON2			
THERMAL&FAN CONTROLLER			
SIZE	CODE	DOC. NUMBER	REV
A3	CS	1310A22077-0-MT	RA02



INVENTEC			
TITLE TETON2 CANTIGA (I17)			
SIZE A3	CODE CS	DOC. NUMBER I310A22077-0-MTR	REV A02
SHEET 19		OF 53	



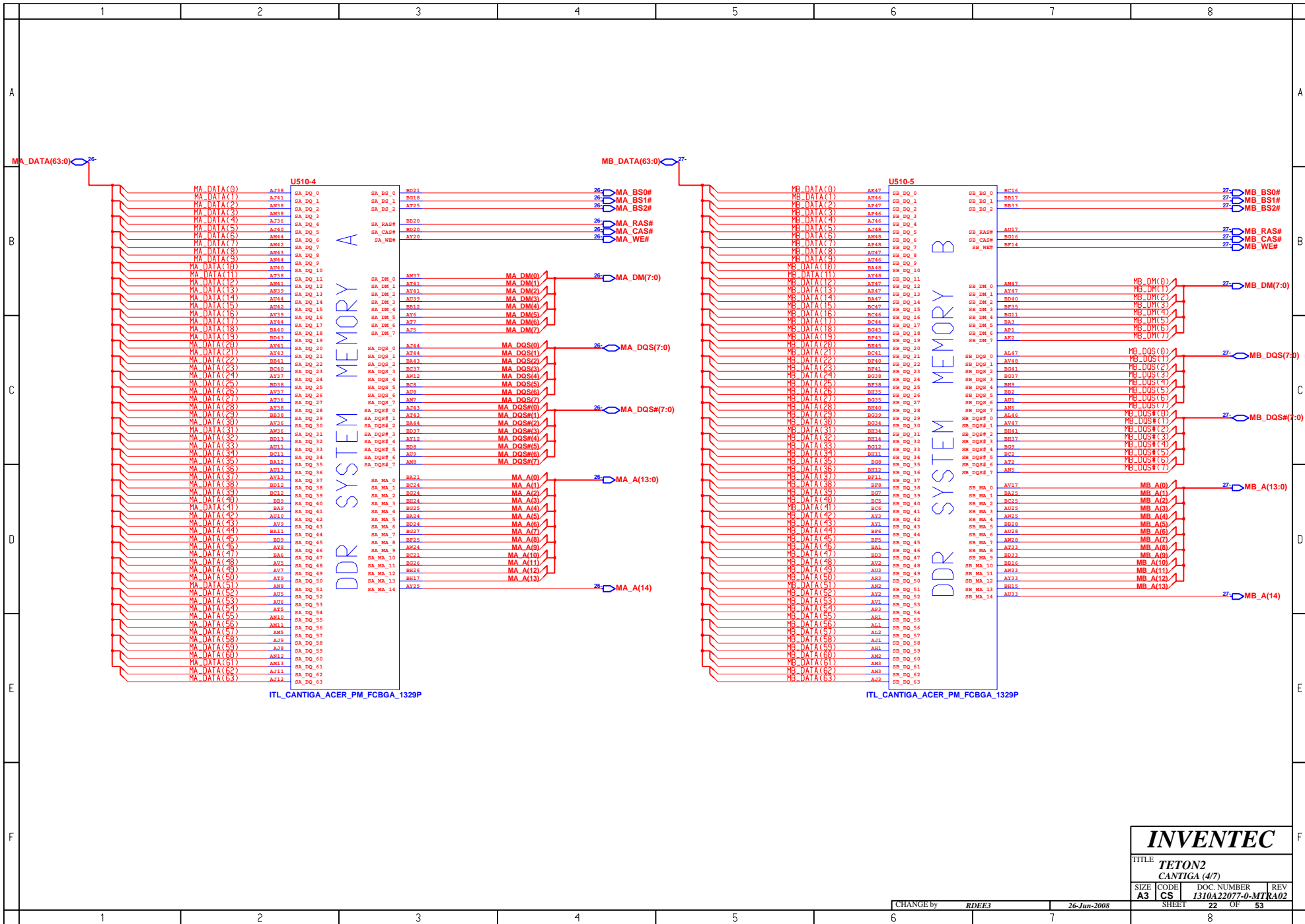
INVENTEC			
TITLE TETON2 CANTIGA (2/7)			
SIZE A3	CODE CS	DOC. NUMBER 1310A22077-0-MTR	REV A02
CHANGE by RDEE3		26-Jun-2008	
SHEET 20		OF 53	



INVENTEC

TITLE
TETON2
CANTIGA (3/7)

SIZE A3	CODE CS	DOC. NUMBER 1310A22077-0-MTR	REV A02
CHANGE by RDEE3		26-Jun-2008	
SHEET 21		OF 53	



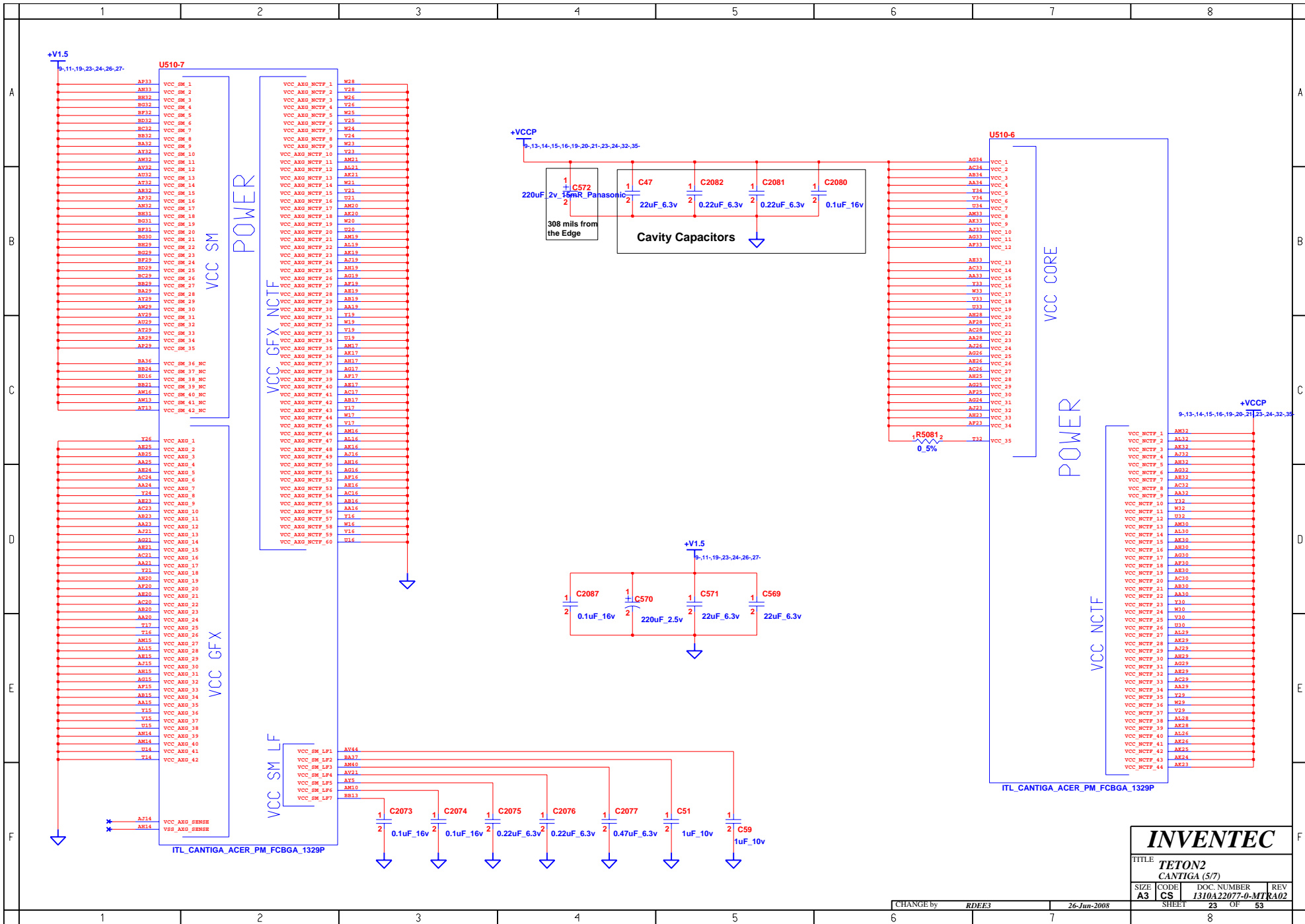
INVENTEC

TITLE
TETON2
CANTIGA (4/7)

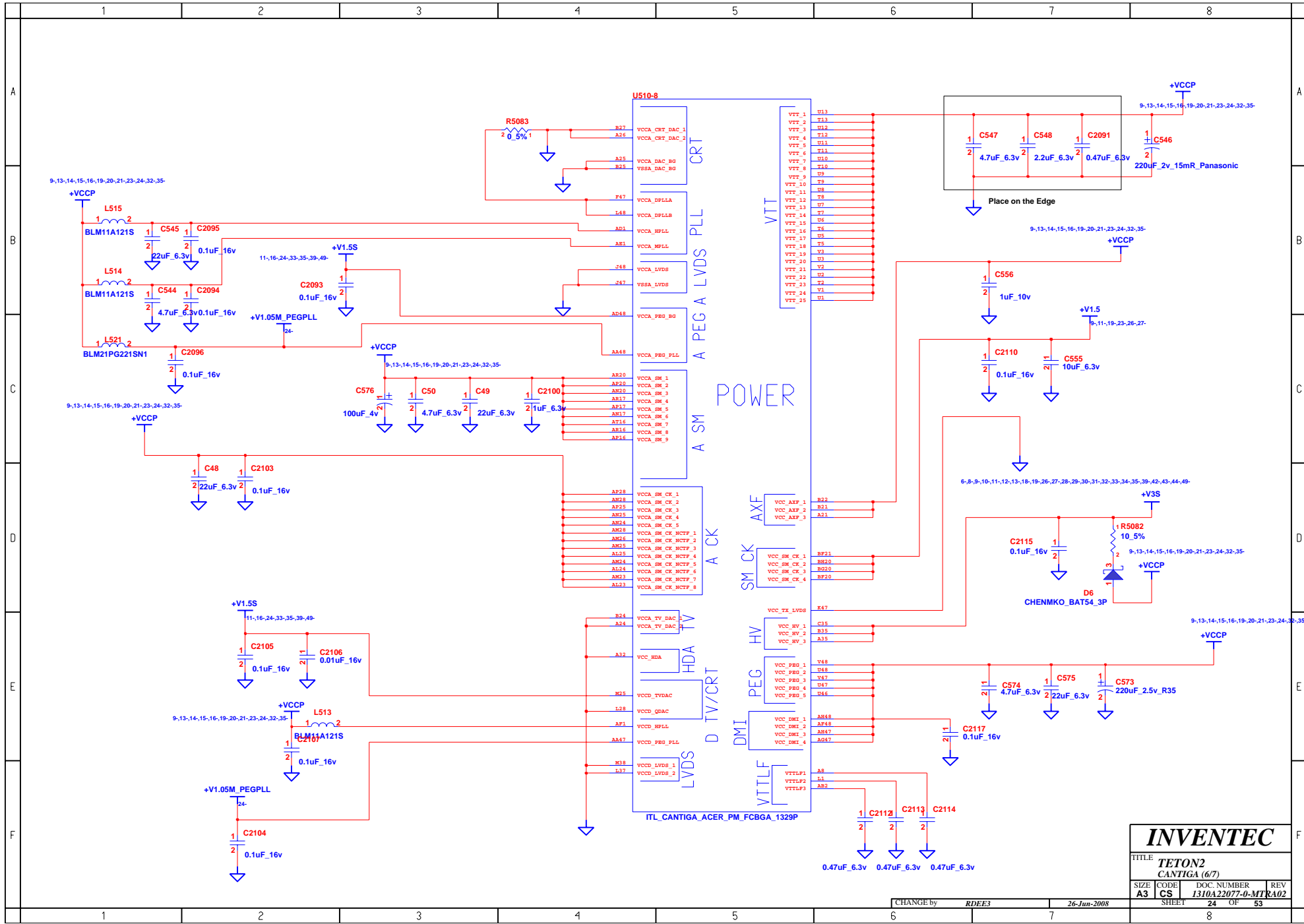
SIZE	CODE	DOC. NUMBER	REV
A3	CS	1310A22077-0-MT	RA02

SHEET 22 OF 53

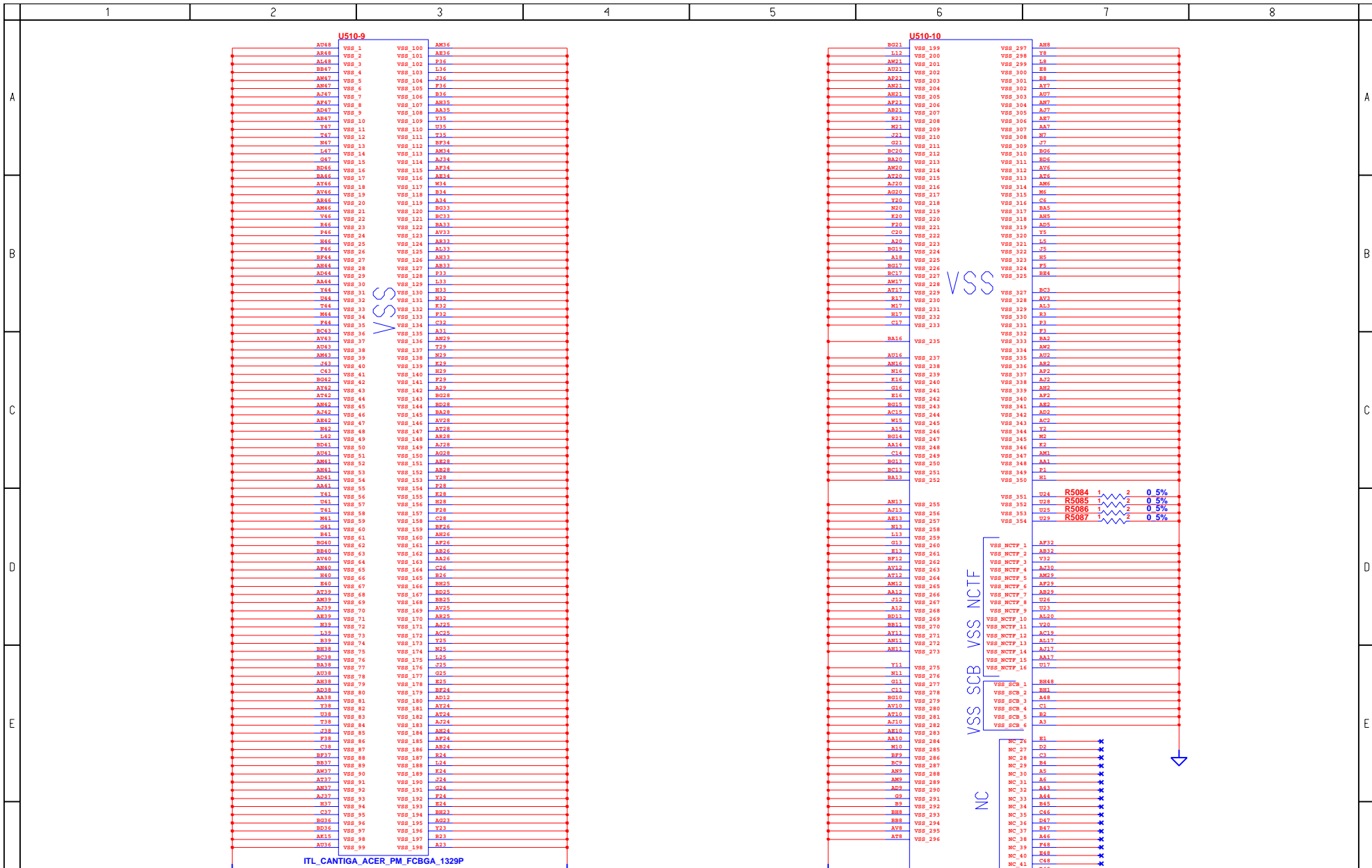
CHANGE by RDEE3 26-Jun-2008



INVENTEC			
TITLE TETON2 CANTIGA (S7)			
SIZE A3	CODE CS	DOC. NUMBER I310A22077-0-MTR	REV A02
CHANGE by RDEE3		26-Jun-2008	
SHEET 23		OF 53	



INVENTEC			
TITLE TETON2 CANTIGA (67)			
SIZE A3	CODE CS	DOC NUMBER I310A22077-0-MTR	REV A02
CHANGE by RDEE3		26-Jun-2008	
SHEET 24		OF 53	

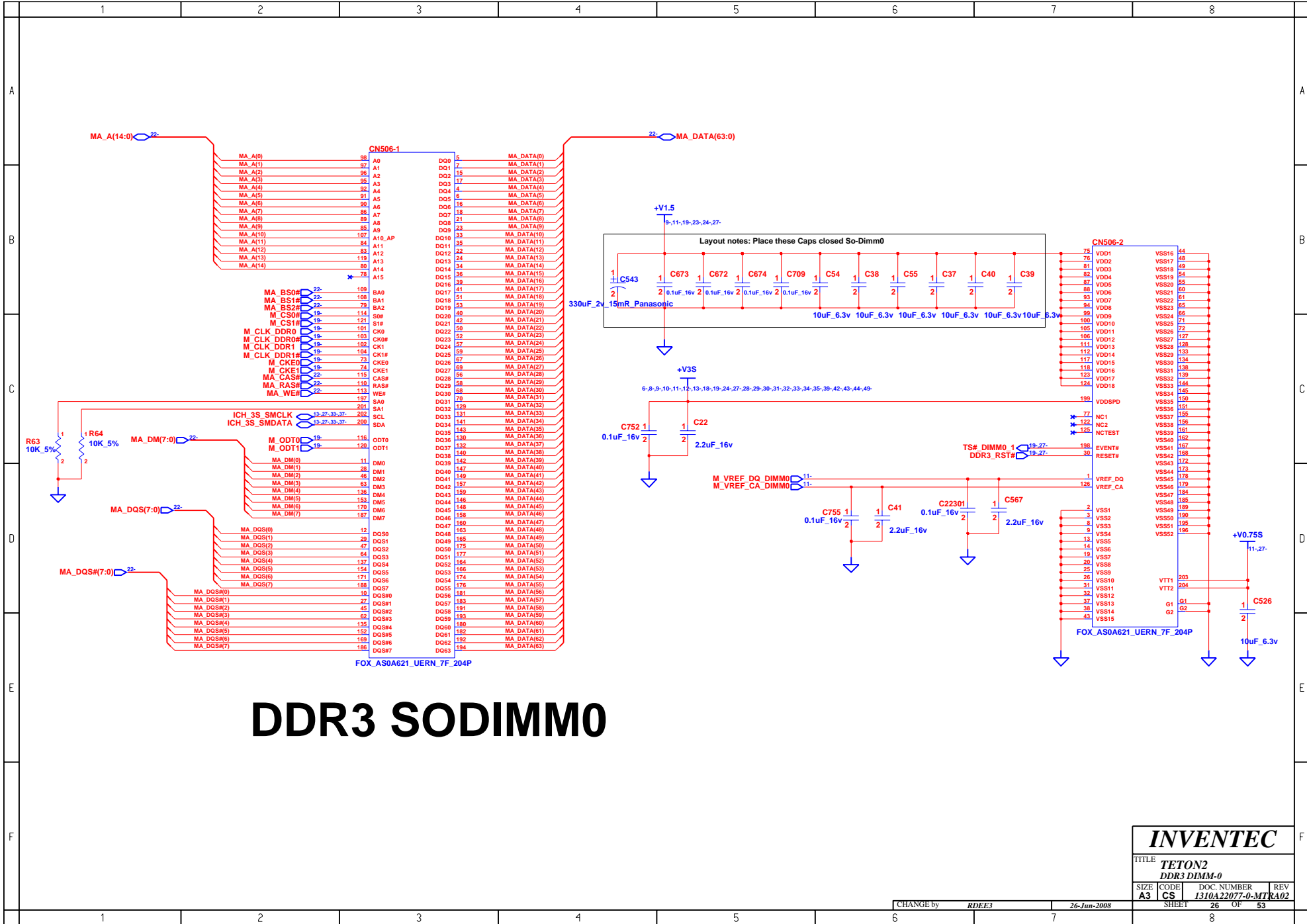


INVENTEC

TITLE
**TETON2
 CANTIGA (7/7)**

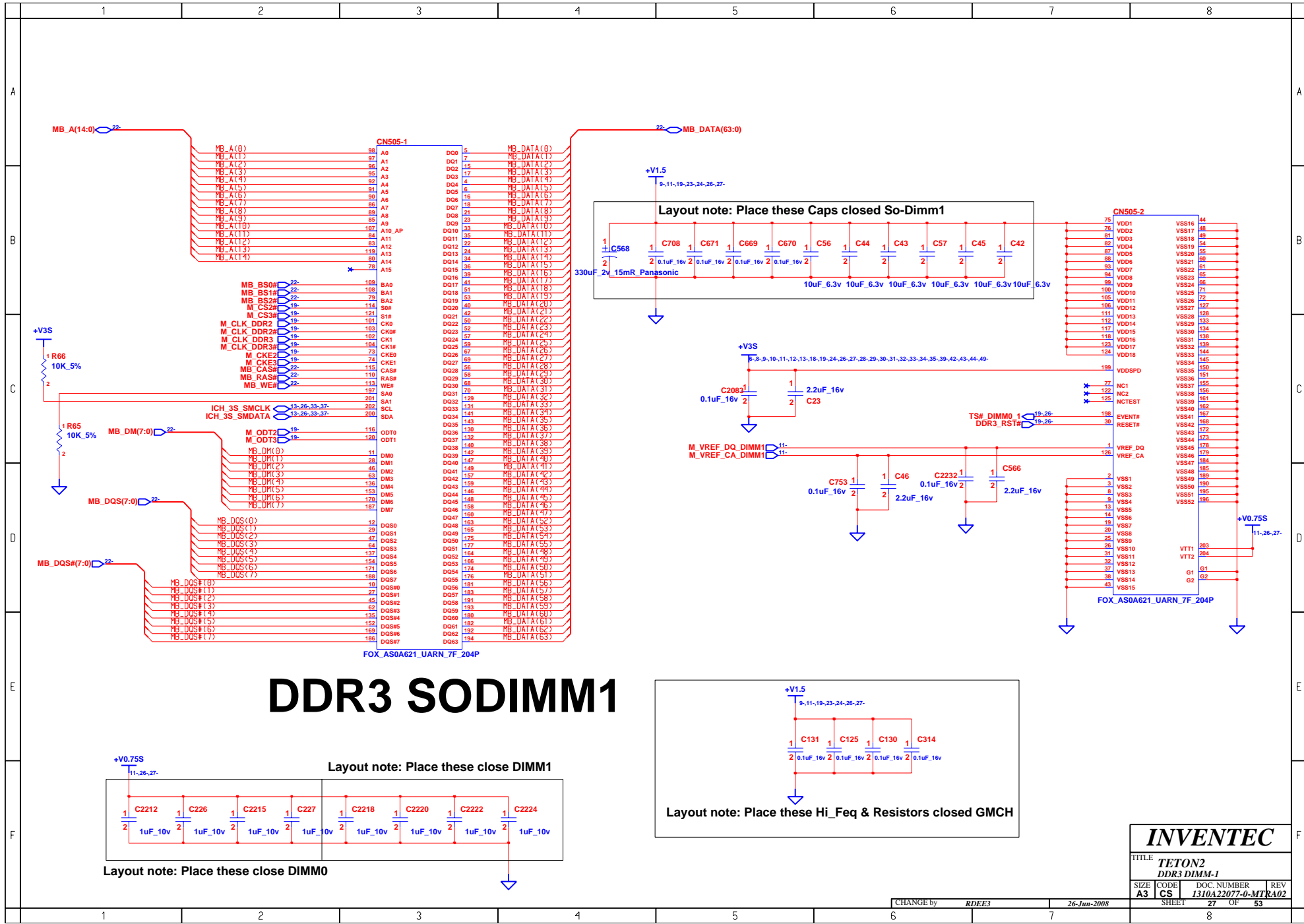
SIZE A3	CODE CS	DOC. NUMBER 1310A22077-0-MTR	REV A02
SHEET 25		OF 53	

CHANGE by **RDEE3** 26-Jun-2008

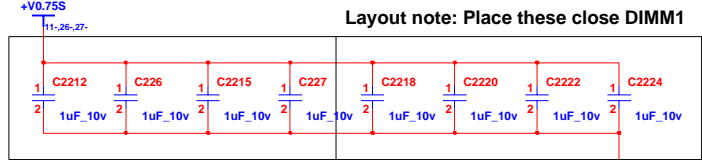


DDR3 SODIMMO

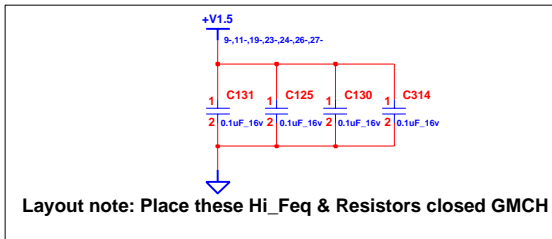
INVENTEC			
TITLE TETON2 DDR3 DIMM-0			
SIZE A3	CODE CS	DOC. NUMBER 1310A22077-0-MT	REV RA02
CHANGE by RDE3		26-Jun-2008	
SHEET 26		OF 53	



DDR3 SODIMM1



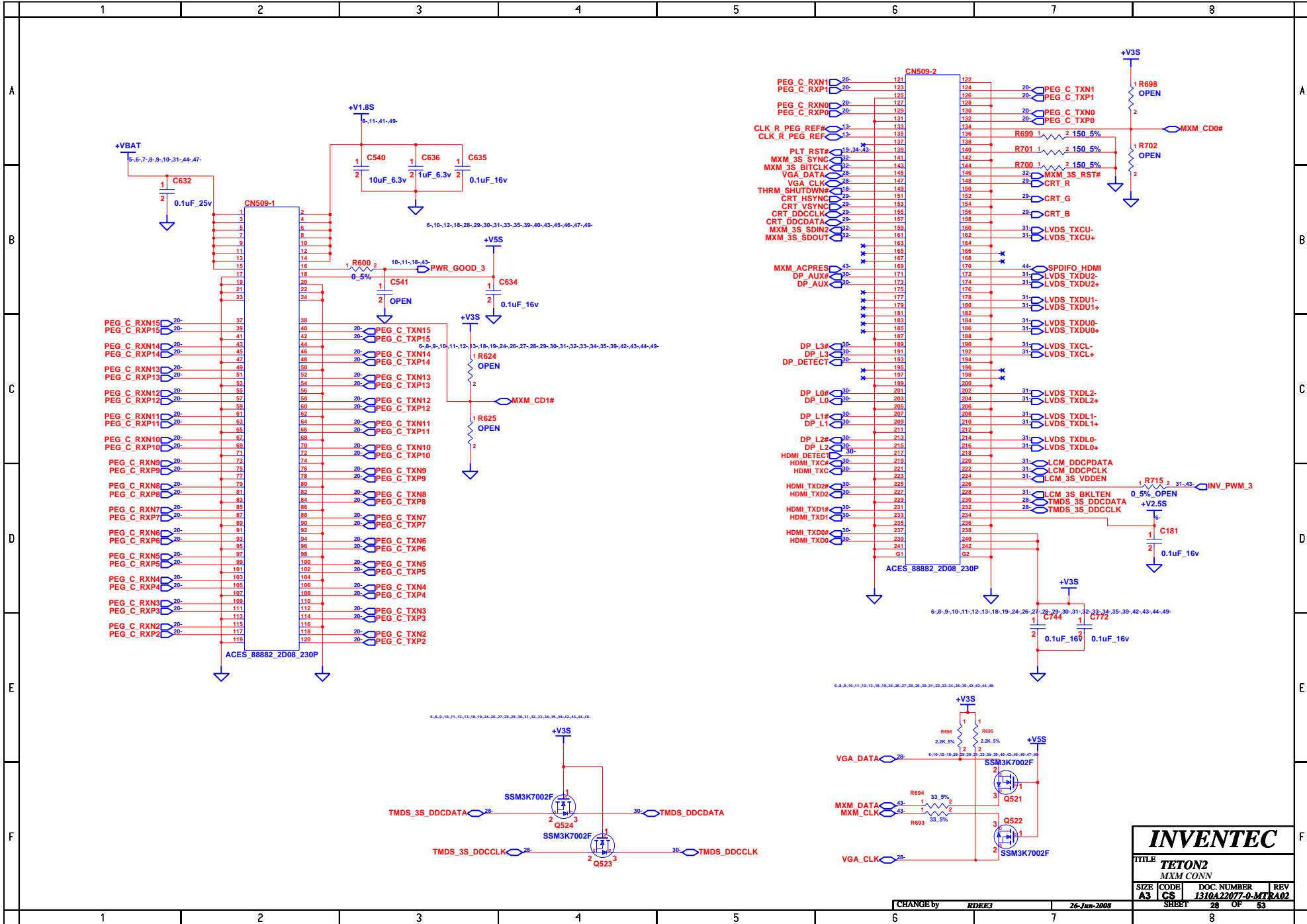
Layout note: Place these close DIMM0



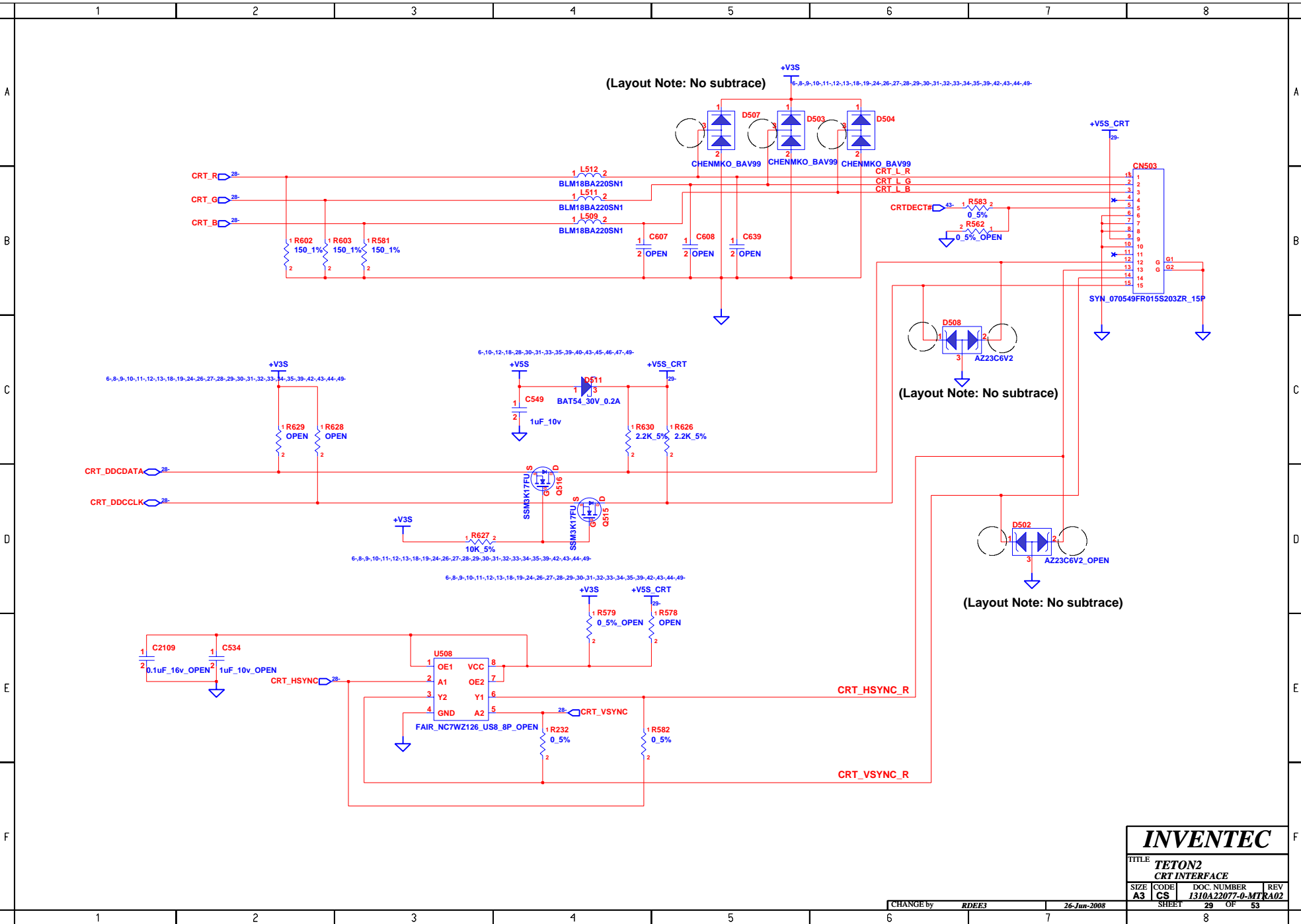
Pinout Table for DIMM Connector:

75	VDD1	VSS16	A4
76	VDD2	VSS17	A8
81	VDD3	VSS18	A9
82	VDD4	VSS19	A4
87	VDD5	VSS20	A5
88	VDD6	VSS21	A0
93	VDD7	VSS22	B1
94	VDD8	VSS23	B5
99	VDD9	VSS24	B6
100	VDD10	VSS25	B1
105	VDD11	VSS26	B2
106	VDD12	VSS27	B7
111	VDD13	VSS28	B3
112	VDD14	VSS29	B3
117	VDD15	VSS30	B4
118	VDD16	VSS31	B8
123	VDD17	VSS32	B9
124	VDD18	VSS33	B4
124	VDD18	VSS34	A5
133	VDD19	VSS35	A0
134	VDD20	VSS36	A8
139	VDD21	VSS37	A5
144	VDD22	VSS38	A9
145	VDD23	VSS39	A4
150	VDD24	VSS40	A5
151	VDD25	VSS41	A0
155	VDD26	VSS42	A8
156	VDD27	VSS43	A9
161	VDD28	VSS44	A4
162	VDD29	VSS45	A5
167	VDD30	VSS46	A0
168	VDD31	VSS47	A8
172	VDD32	VSS48	A9
173	VDD33	VSS49	A4
174	VDD34	VSS50	A5
179	VDD35	VSS51	A0
184	VDD36	VSS52	A8
185	VDD37	VSS53	A9
189	VDD38	VSS54	A4
190	VDD39	VSS55	A5
195	VDD40	VSS56	A0
196	VDD41	VSS57	A8
196	VDD41	VSS58	A9
203	VTT1	G1	G1
204	VTT2	G2	G2

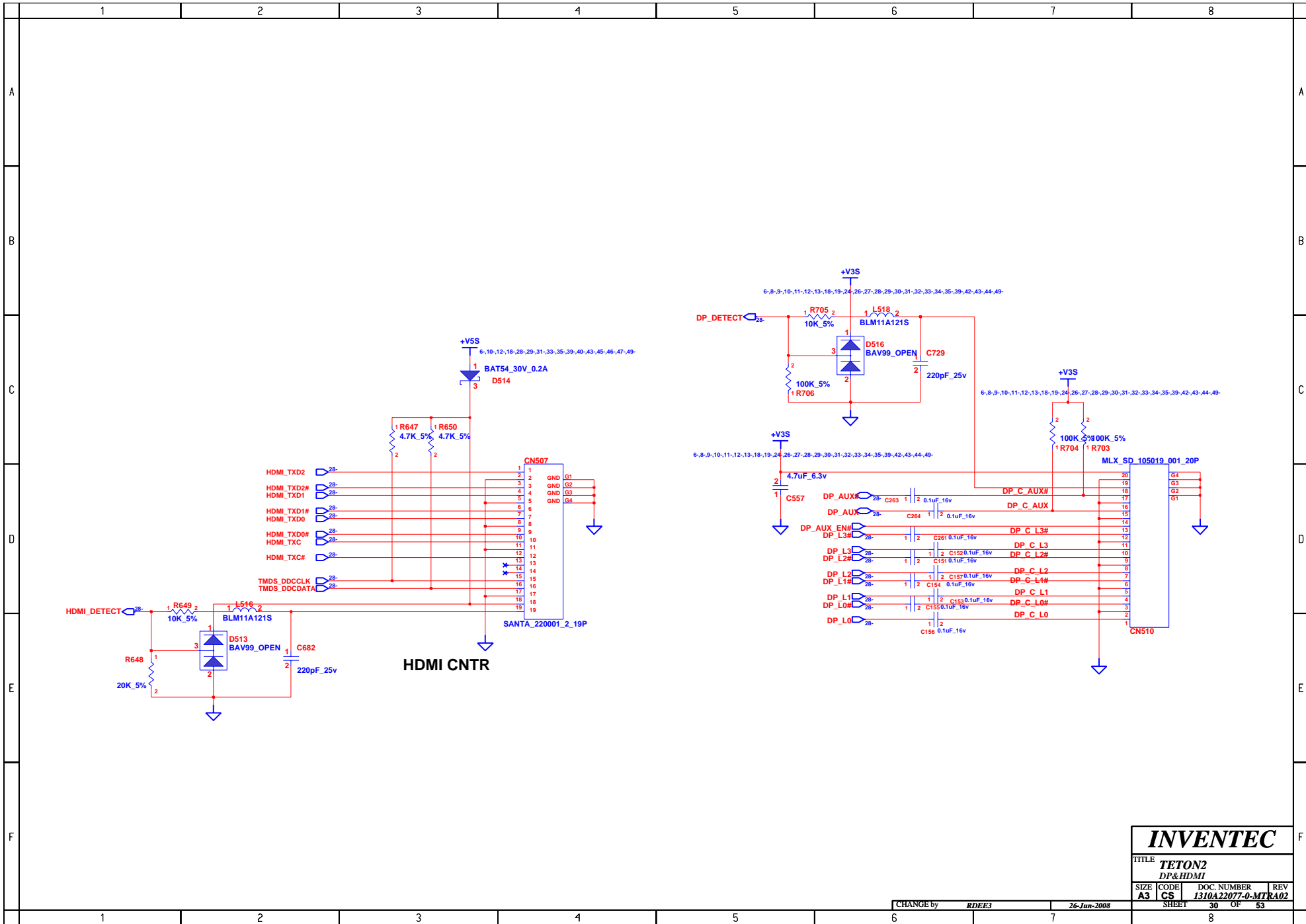
INVENTEC			
TITLE TETON2 DDR3 DIMM-1			
SIZE A3	CODE CS	DOC NUMBER 1310A22077-0-MT	REV RA02
CHANGE by RDEE3		26-Jun-2008	SHEET 27 OF 53



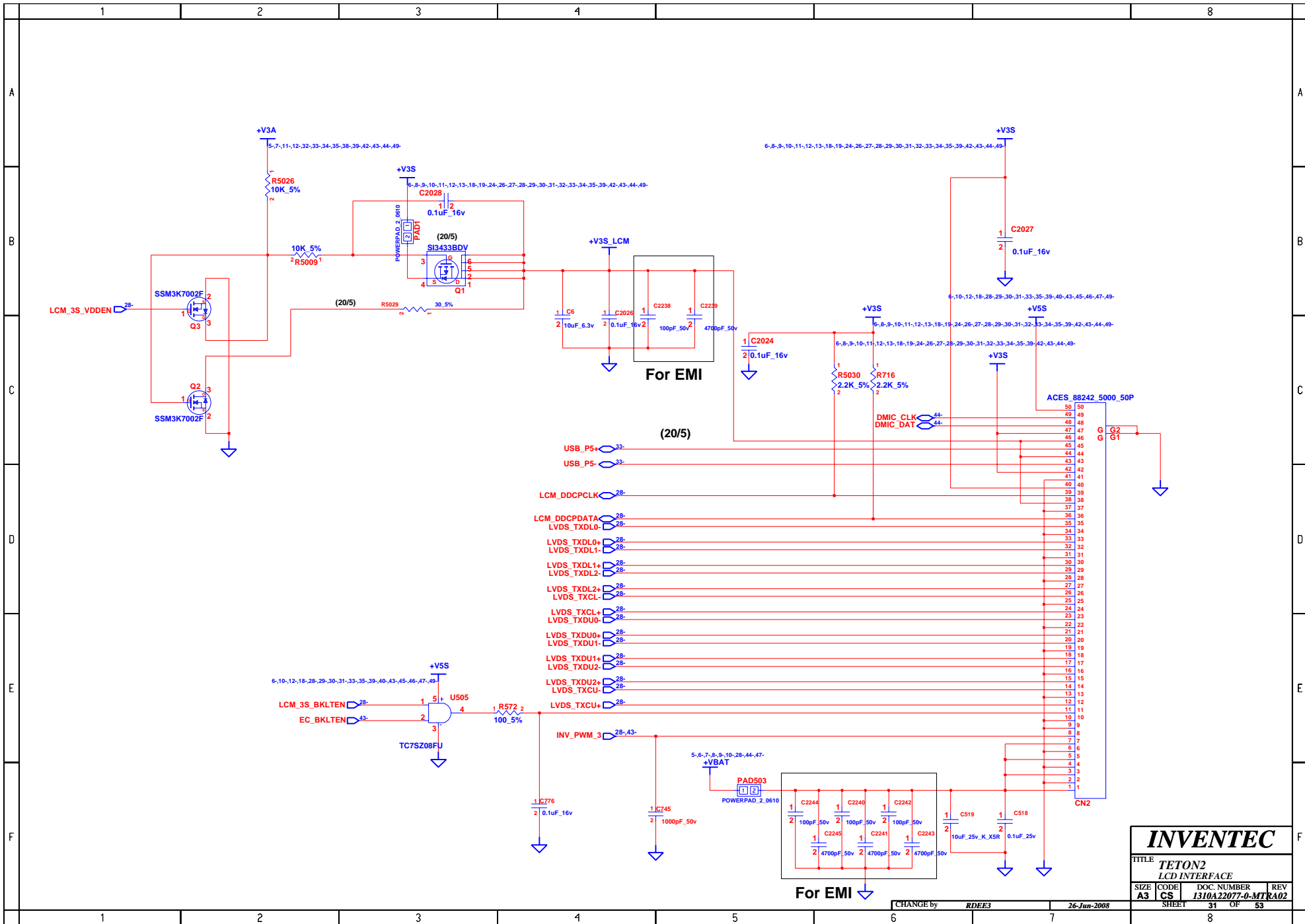
INVENTEC			
TITLE TETON2 MXM CONN			
SIZE A3	CODE CS	DOC. NUMBER I310A22077-0-MTR	REV A02
CHANGE by RDEE3		26-Jan-2008	
SHEET 28		OF 53	



INVENTEC			
TITLE TETON2 CRT INTERFACE			
SIZE A3	CODE CS	DOC NUMBER I310A22077-0-MTRAO2	REV RA02
CHANGE by RDEE3		26-Jun-2008	
SHEET 29		OF 53	

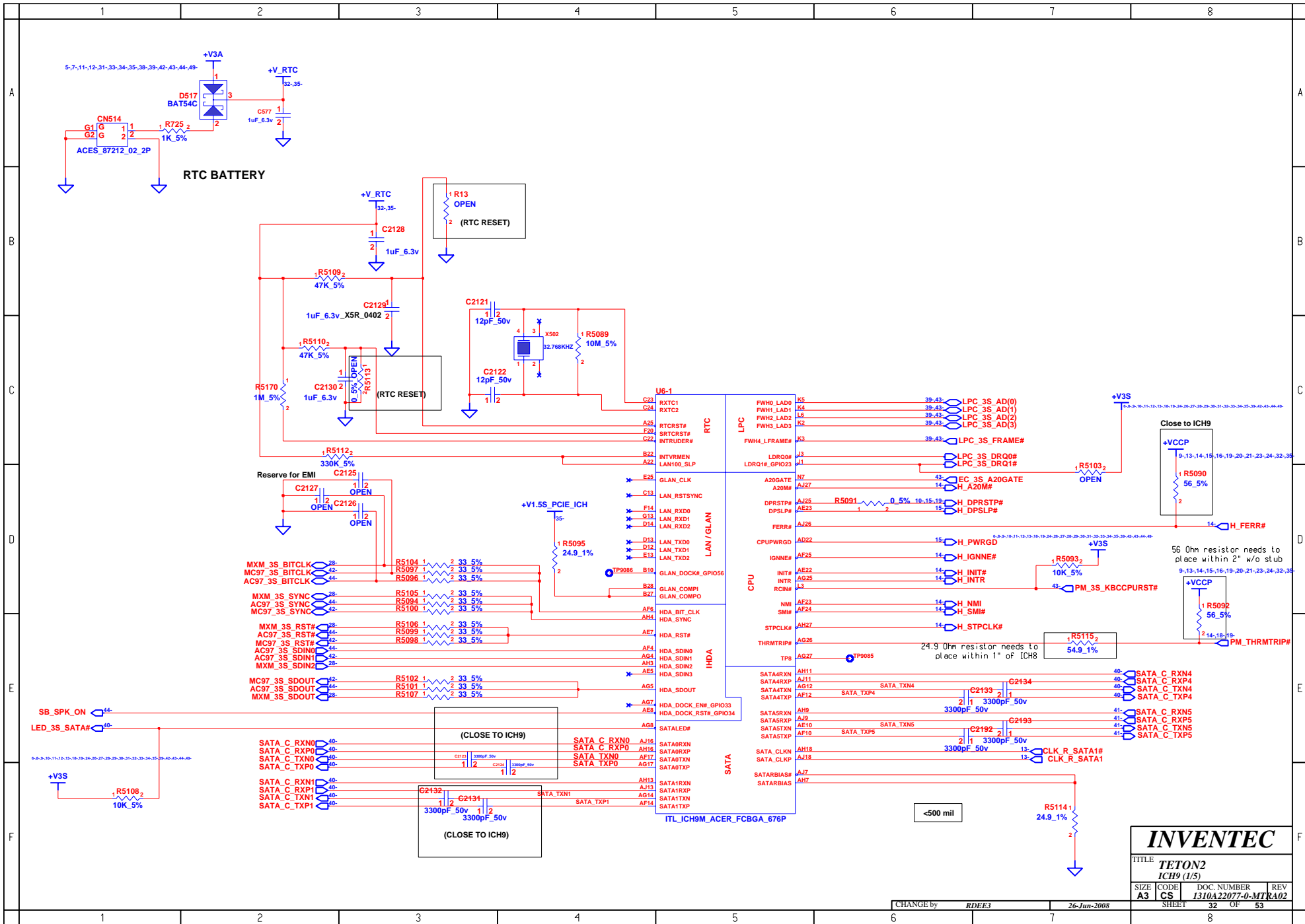


INVENTEC			
TITLE TETON2 DP&HDMI			
SIZE A3	CODE CS	DOC. NUMBER I310A22077-0-MTR	REV RA02
CHANGE by RDEE3		26-Jun-2008	
SHEET 30		OF 53	

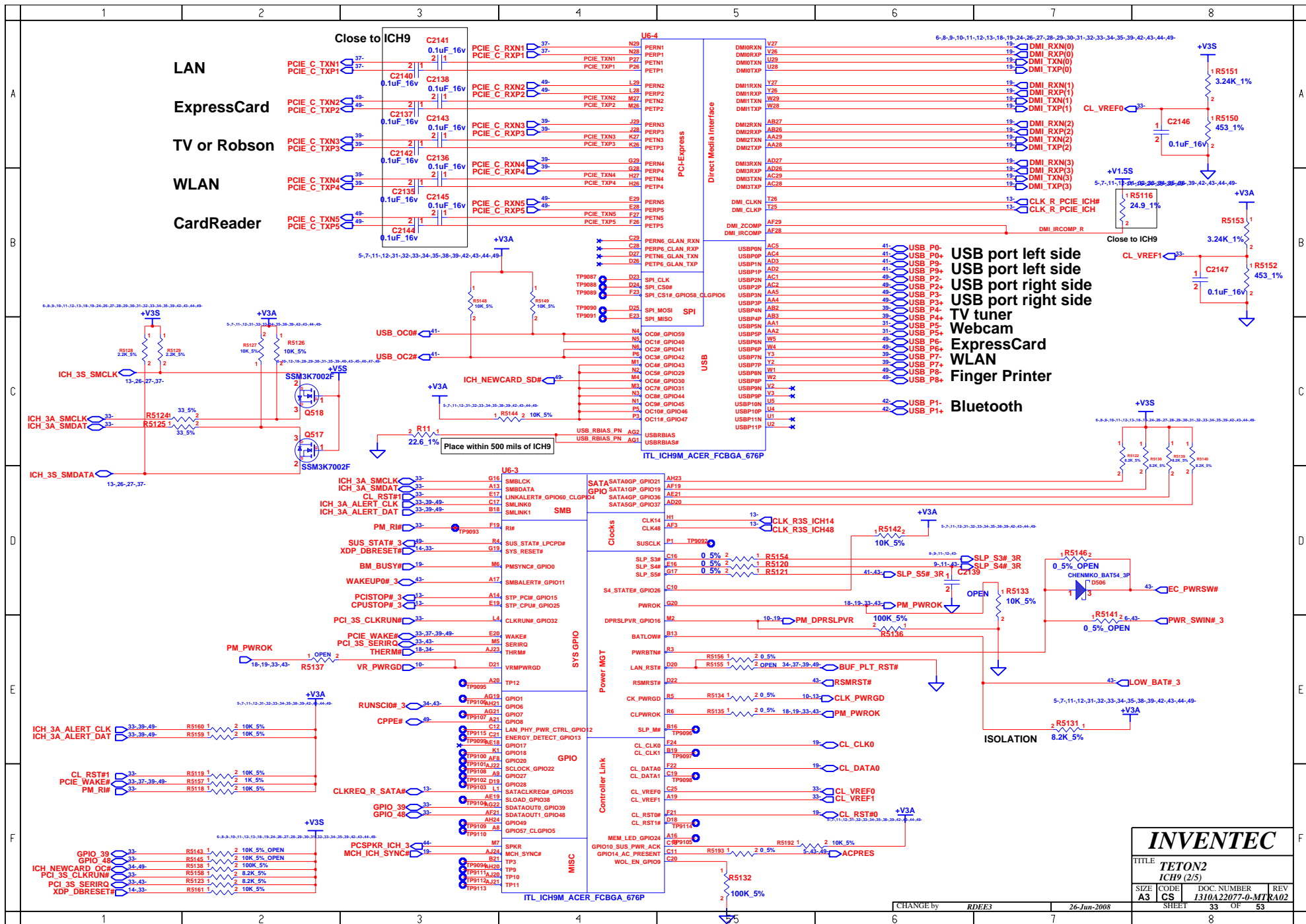


INVENTEC			
TITLE TETON2 LCD INTERFACE			
SIZE A3	CODE CS	DOC. NUMBER I310A22077-0-MTR	REV RA02
SHEET 31		OF 53	

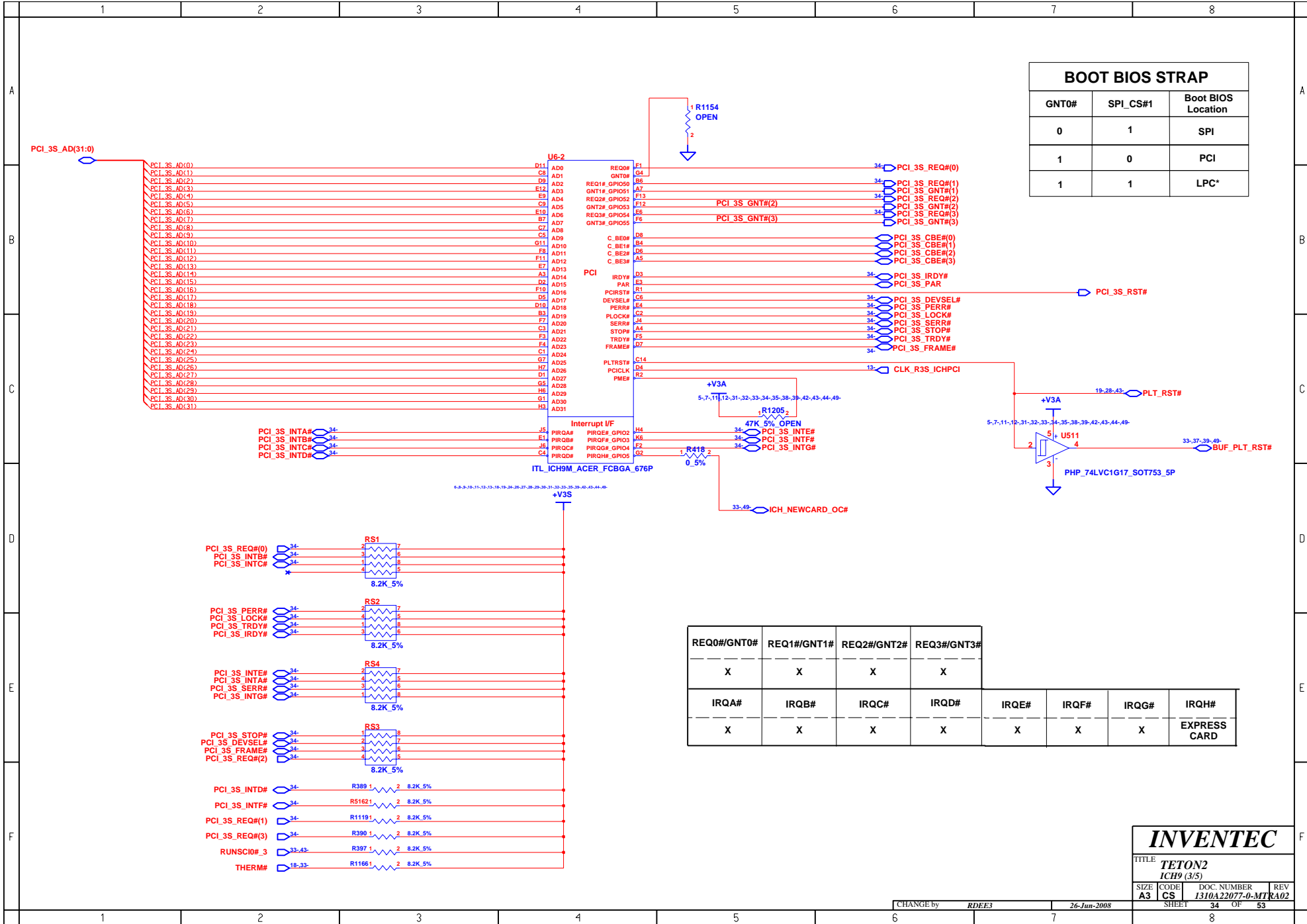
CHANGE by **RDEE3** 26-Jun-2008



INVENTEC			
TITLE TETON2 ICH9 (1/5)			
SIZE A3	CODE CS	DOC. NUMBER I310A22077-0-MTR	REV A02
CHANGE by RDE3		26-Jun-2008	
SHEET 32		OF 53	



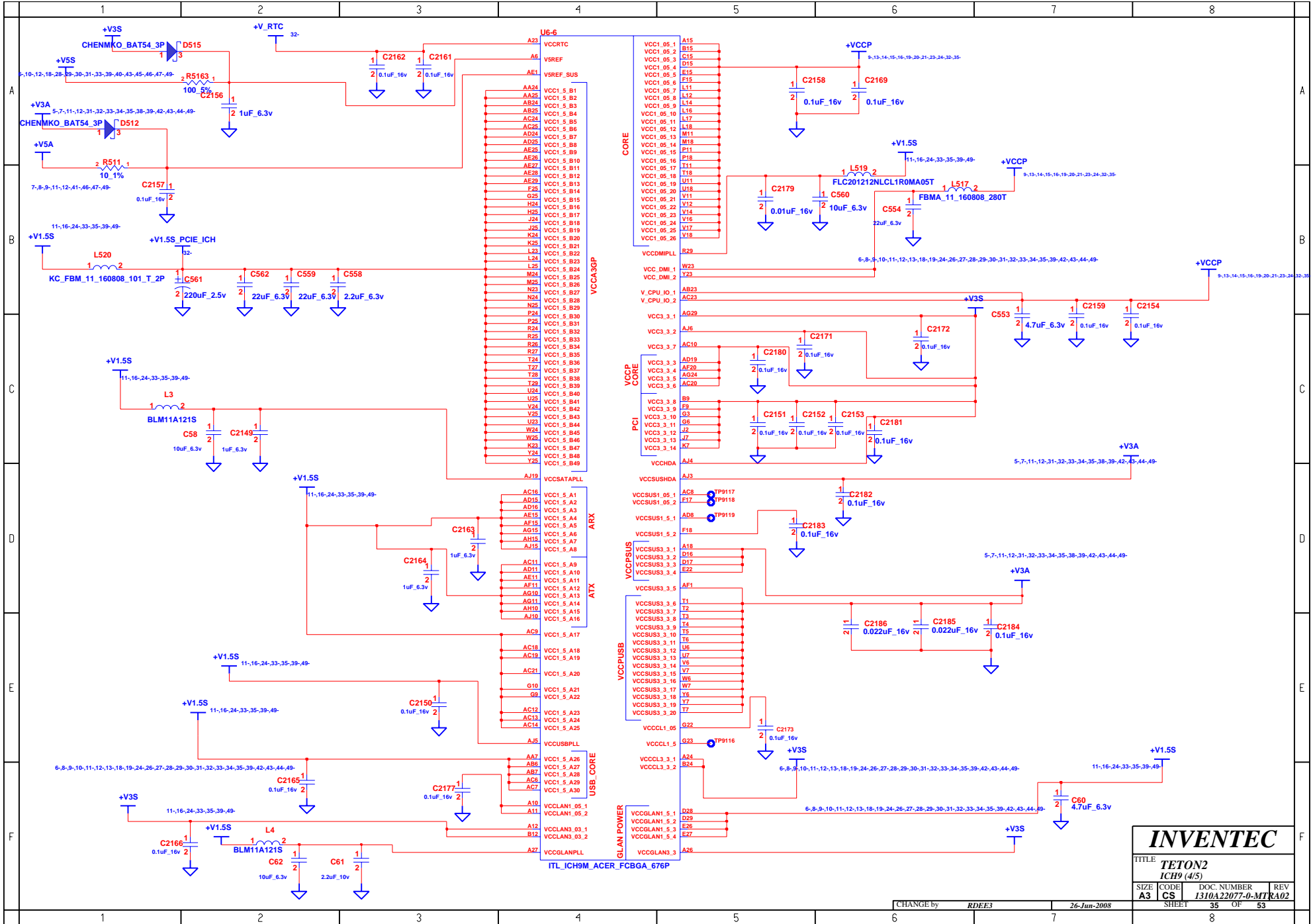
INVENTEC			
TITLE TETON2 ICH9 (2/5)			
SIZE A3	CODE CS	DOC. NUMBER 1310A22077-0-MTR	REV RA02
SHEET 33		OF 53	



BOOT BIOS STRAP		
GNT0#	SPI_CS#1	Boot BIOS Location
0	1	SPI
1	0	PCI
1	1	LPC*

REQ0#/GNT0#	REQ1#/GNT1#	REQ2#/GNT2#	REQ3#/GNT3#				
X	X	X	X				
IRQA#	IRQB#	IRQC#	IRQD#	IRQE#	IRQF#	IRQG#	IRQH#
X	X	X	X	X	X	X	EXPRESS CARD

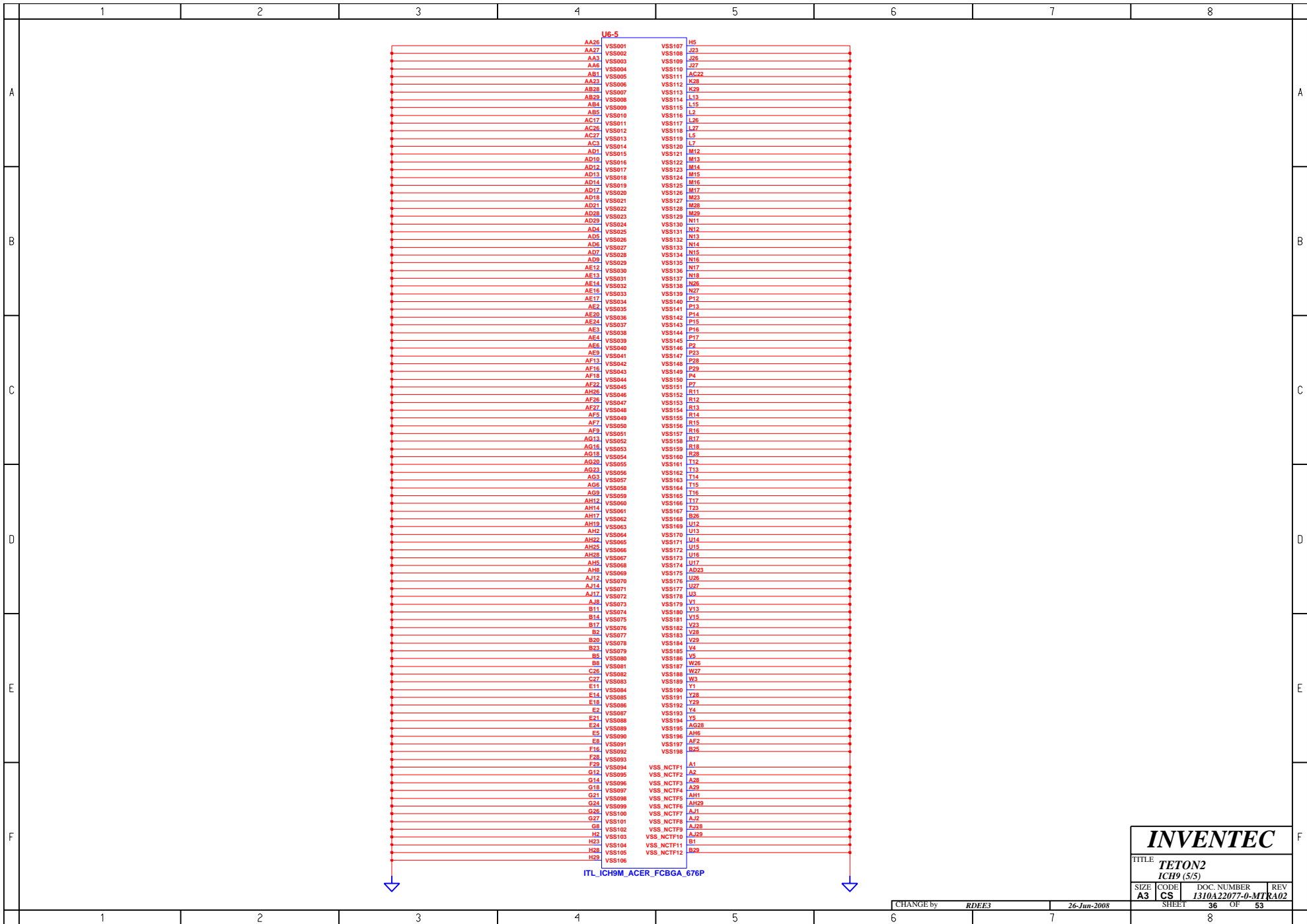
INVENTEC			
TITLE TETON2 ICH9 (3/5)			
SIZE A3	CODE CS	DOC. NUMBER I310A22077-0-MTR	REV A02
CHANGE by RDEE3		26-Jun-2008	
SHEET 34		OF 53	



INVENTEC

TITLE
**TETON2
ICH9 (4/5)**

SIZE A3	CODE CS	DOC NUMBER 1310A22077-0-MTR	REV RA02
-------------------	-------------------	---------------------------------------	--------------------

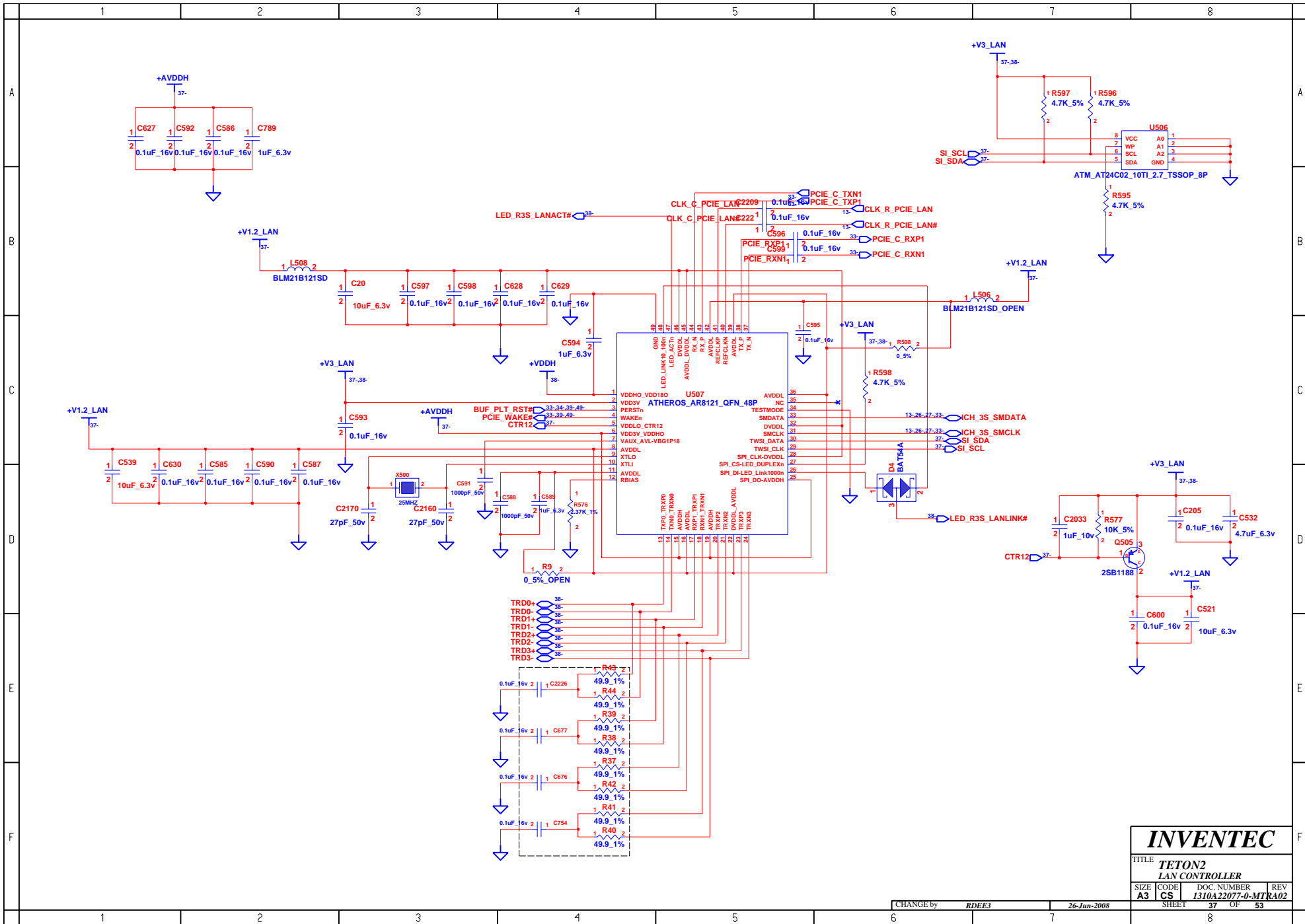


INVENTEC

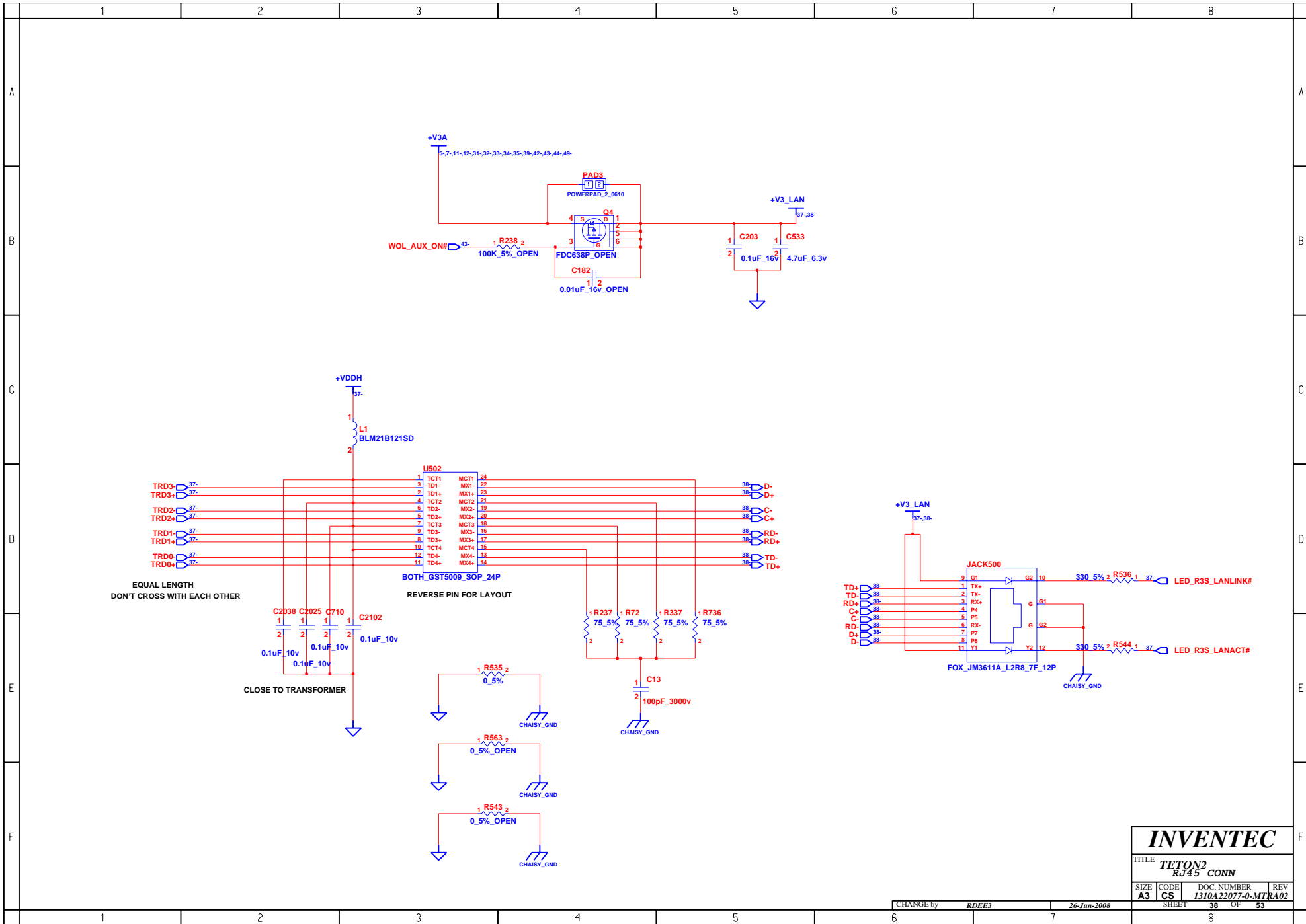
TITLE **TETON2**
ICH9 (5/5)

SIZE A3	CODE CS	DOC. NUMBER 1310A22077-0-MTR	REV A02
SHEET 36		OF 53	

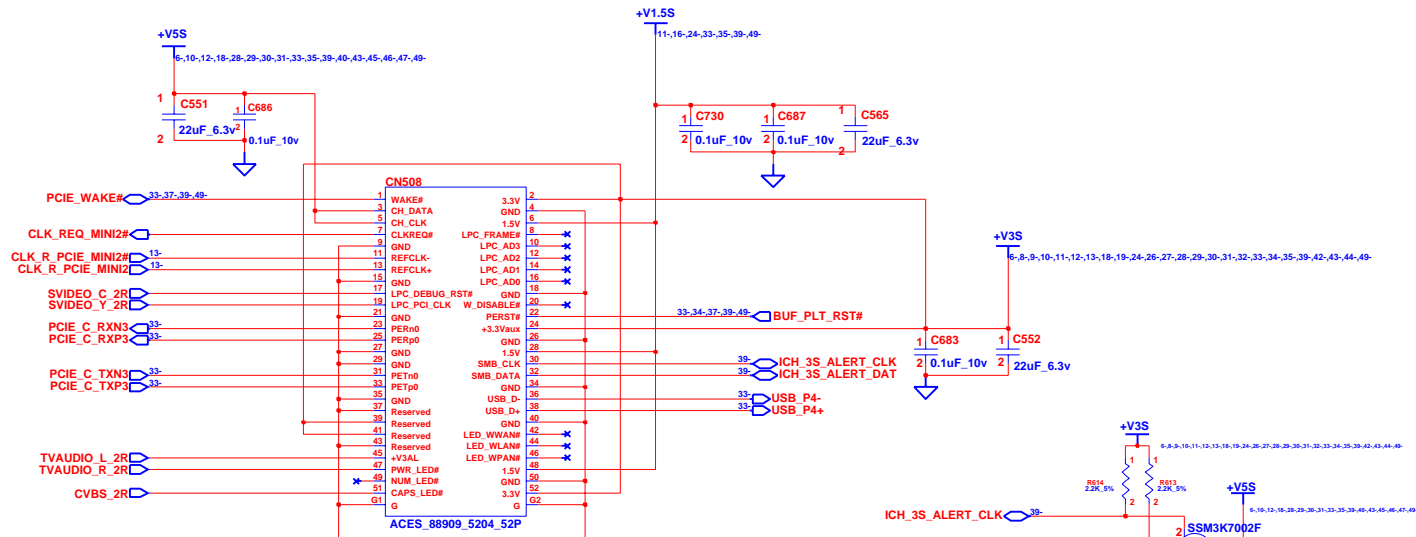
CHANGE by **RDEE3** 26-Jun-2008



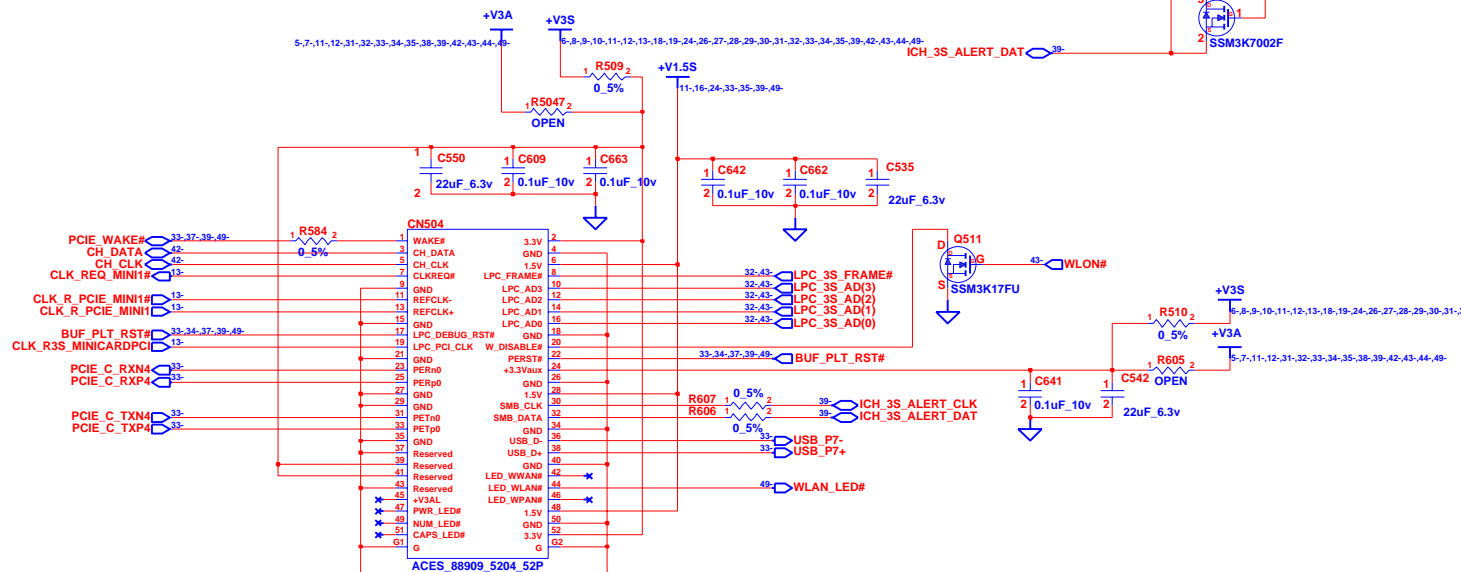
INVENTEC			
TITLE TETON2 LAN CONTROLLER			
SIZE A3	CODE CS	DOC NUMBER 1310A22077-0-MTR	REV RA02
CHANGE by RDEE3		26-Jun-2008	
SHEET 37		OF 53	



INVENTEC			
TITLE TETON2 RJ45 CONN			
SIZE A3	CODE CS	DOC. NUMBER I310A22077-0-MTR	REV A02
CHANGE by RDEE3		26-Jun-2008	
SHEET 38		OF 53	



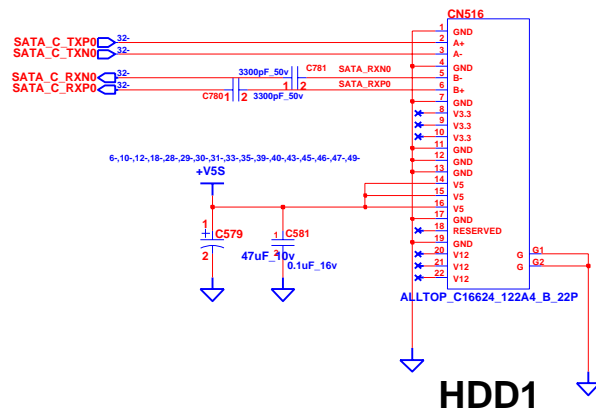
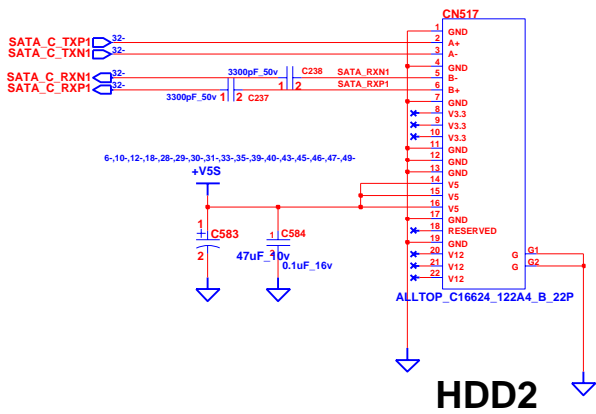
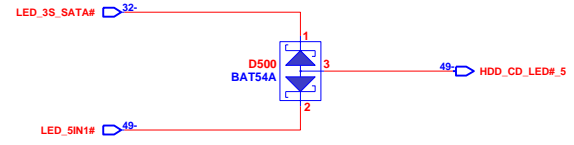
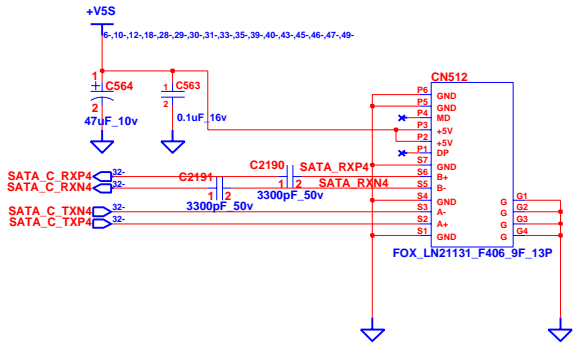
(TV Tuner or ROBSON)



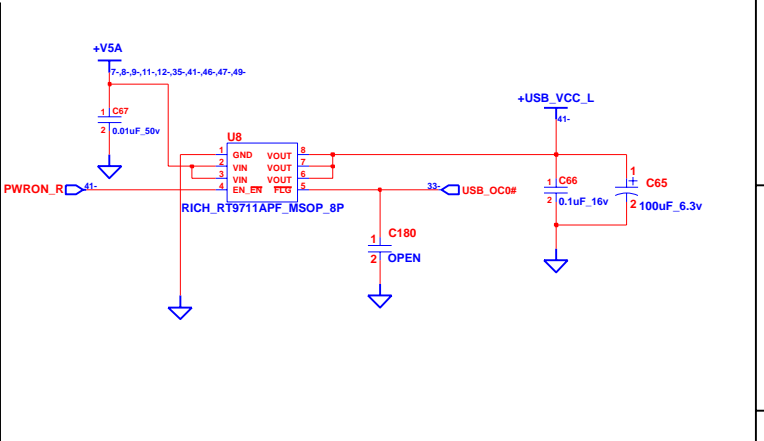
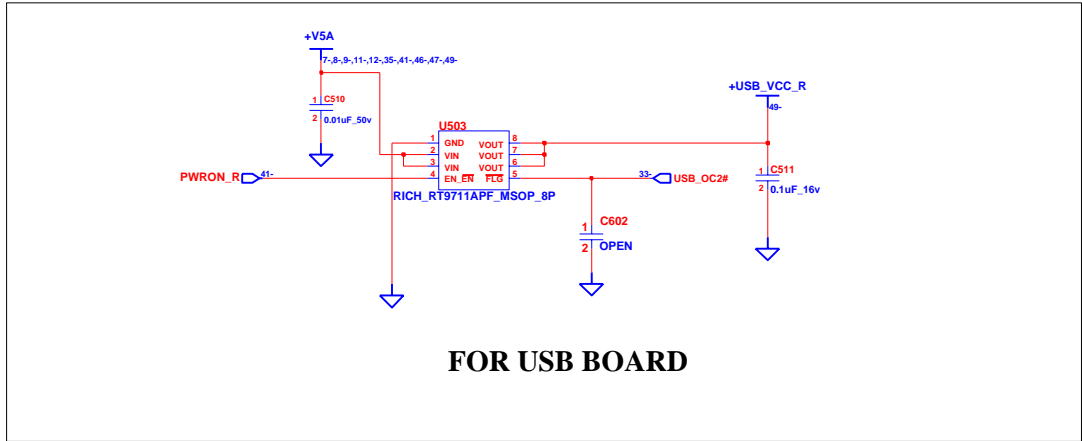
(Wireless LAN)

INVENTEC			
TITLE TETON2 MINI CARD			
SIZE A3	CODE CS	DOC. NUMBER 1310A22077-0-MTR	REV A02
CHANGE by RDEE3		26-Jun-2008	
SHEET 39		OF 53	

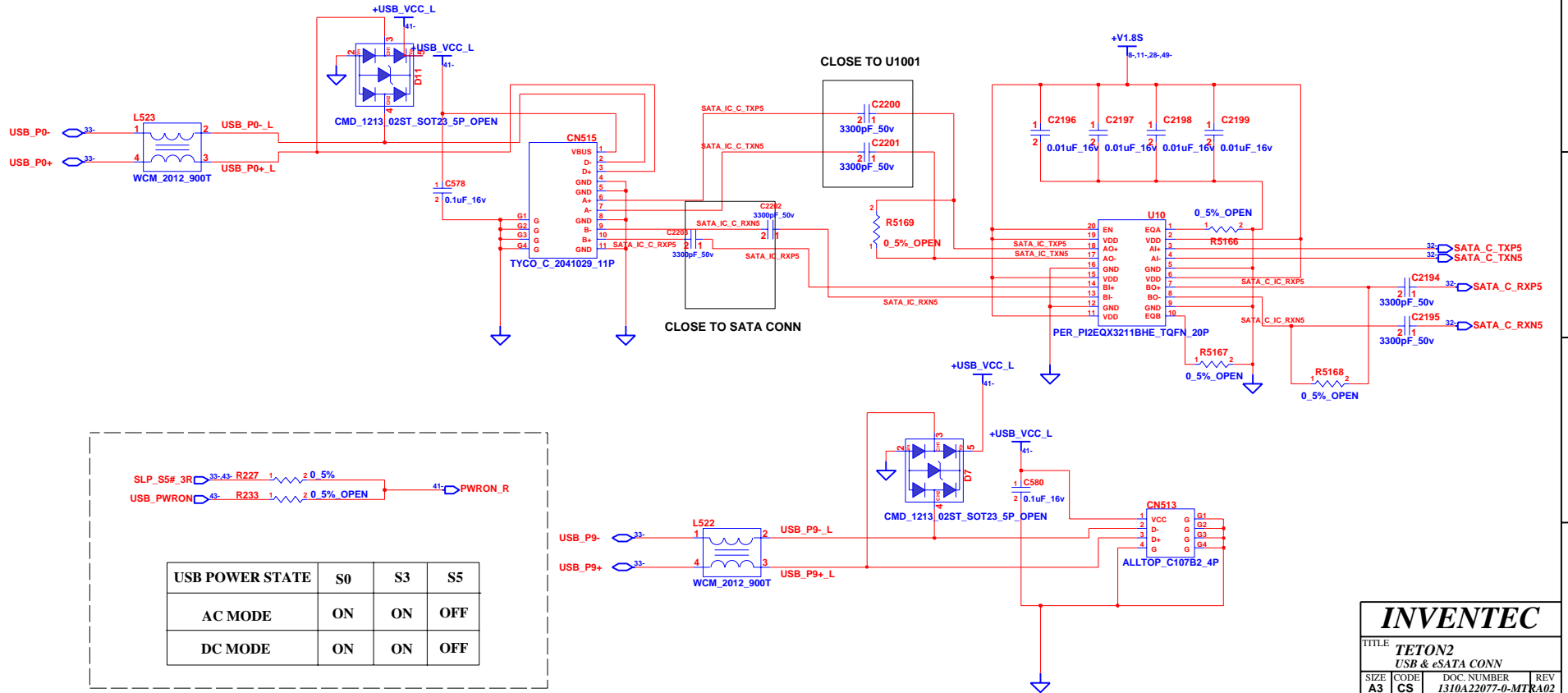
ODD



INVENTEC			
TITLE TETON2			
ODD & HDD CONN			
SIZE	CODE	DOC. NUMBER	REV
A3	CS	1310A22077-0-MT	RA02
CHANGE by		RDEE3	26-Jun-2008
SHEET		40	OF 53

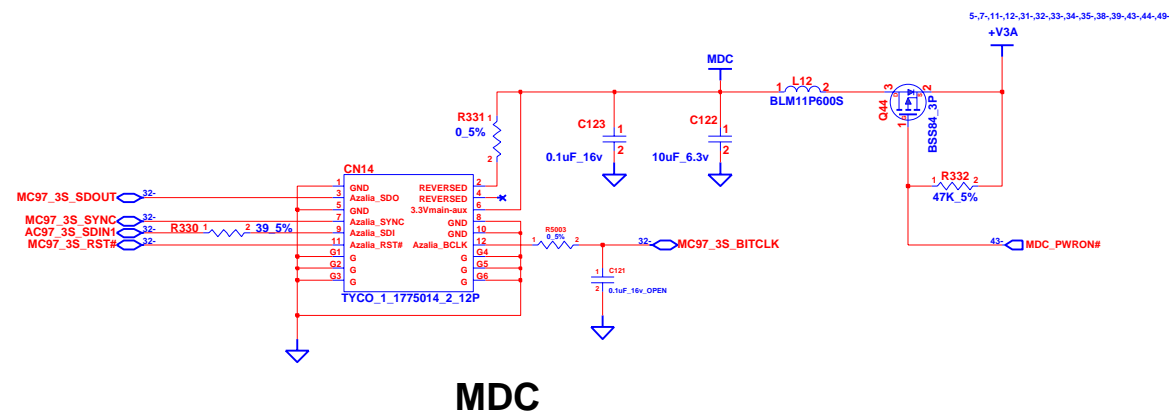
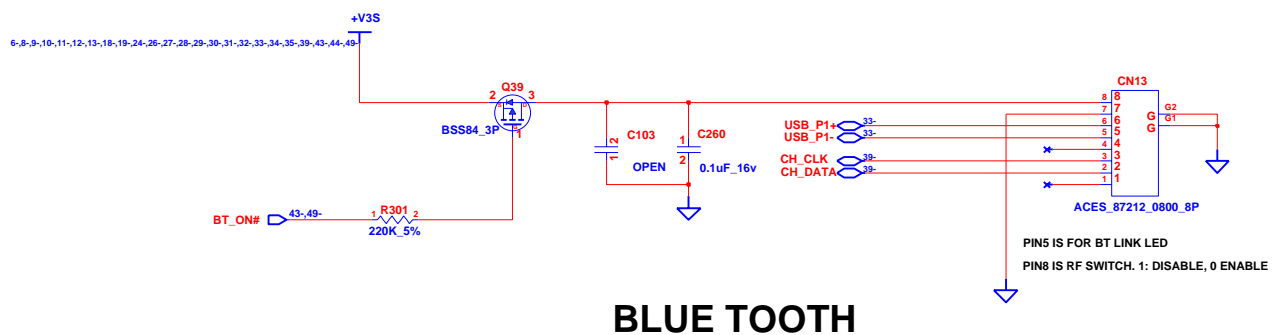


FOR USB BOARD

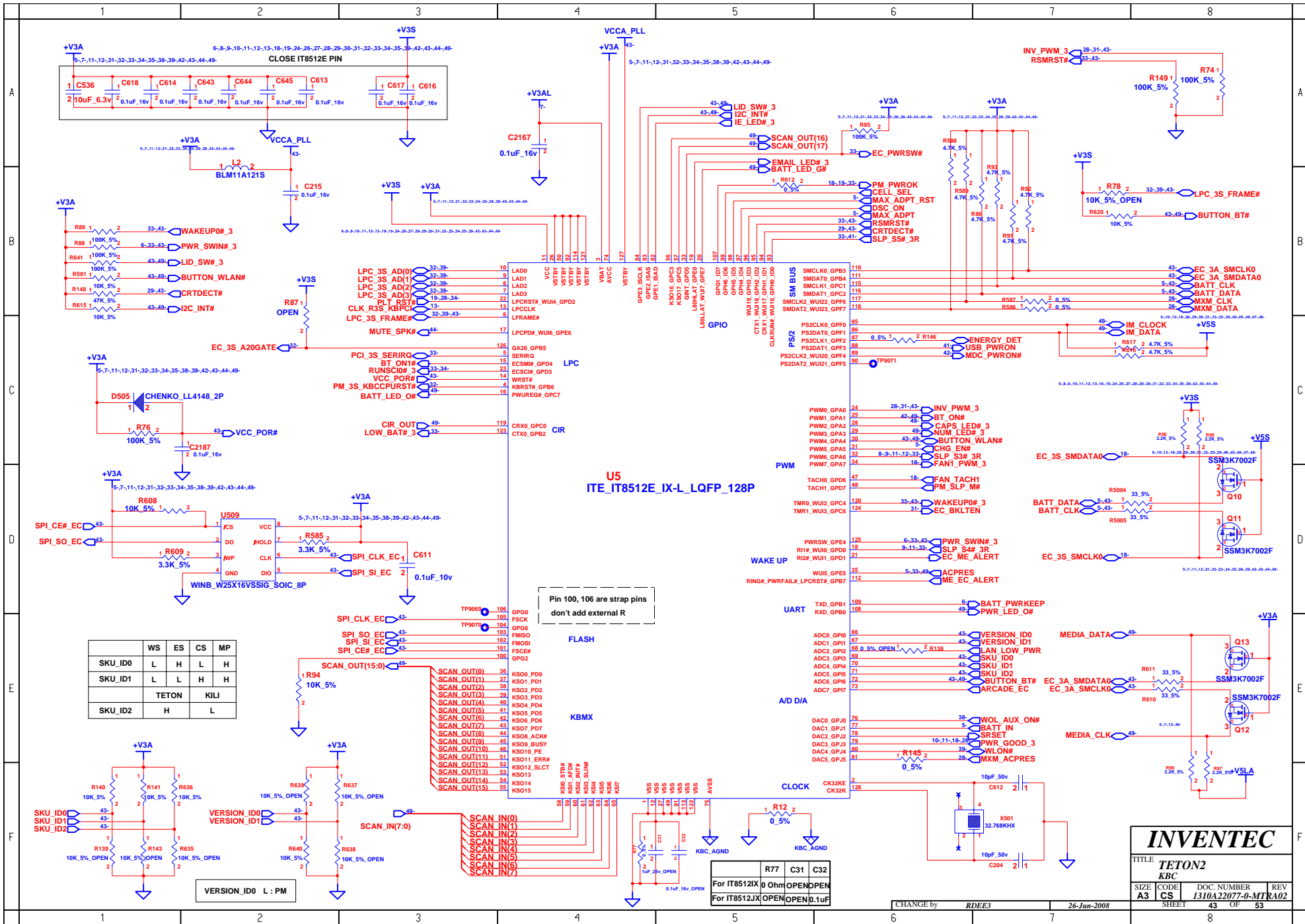


USB POWER STATE	S0	S3	S5
AC MODE	ON	ON	OFF
DC MODE	ON	ON	OFF

INVENTEC			
TITLE TETON2			
SUB TITLE USB & sATA CONN			
SIZE A3	CODE CS	DOC NUMBER 1310A22077-0-MTR	REV RA02
CHANGE by RDEE3		DATE 26-Jun-2008	
SHEET 41		OF 53	

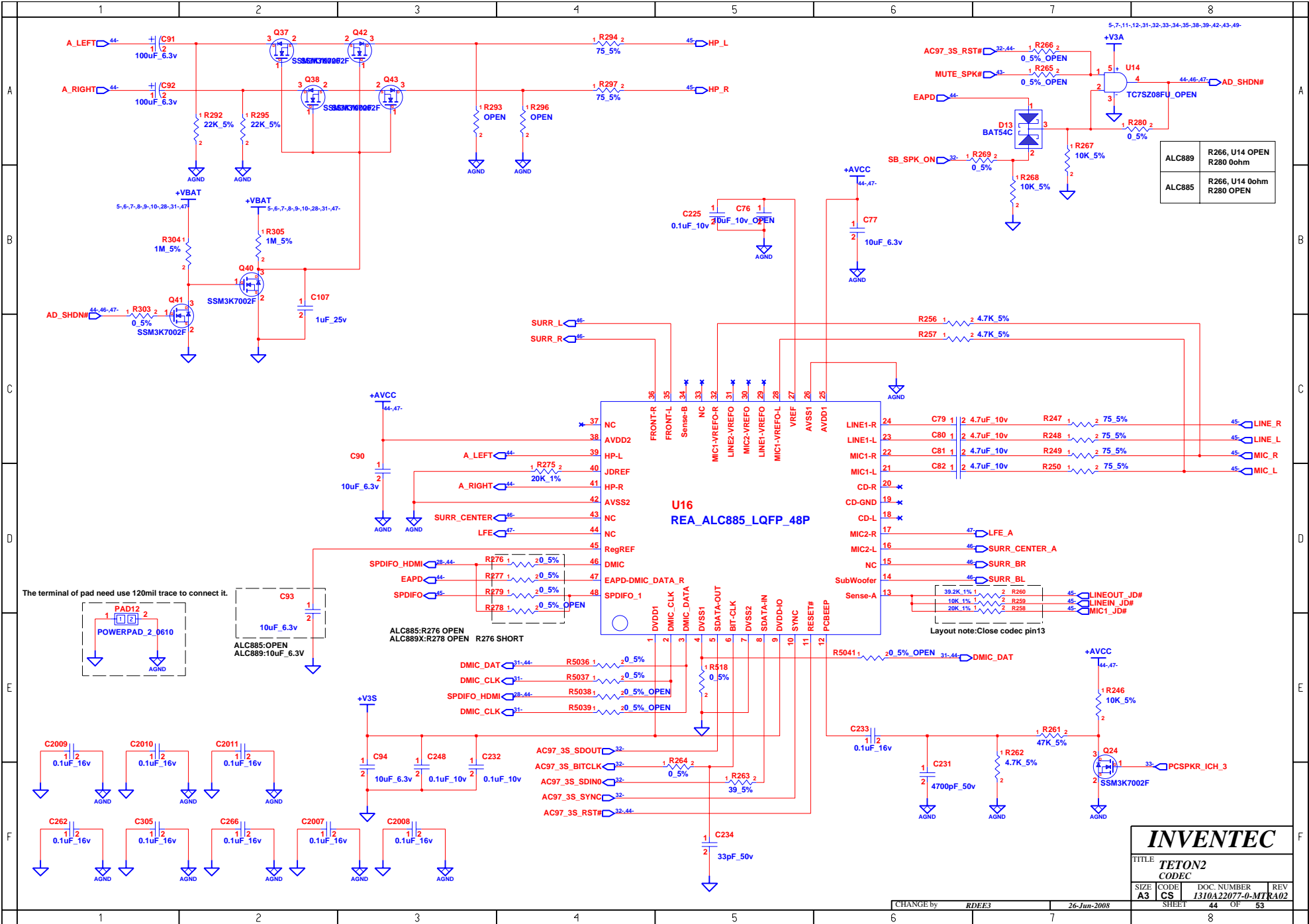


INVENTEC			
TITLE TETON2			
BLUETOOTH & MDC			
SIZE	CODE	DOC. NUMBER	REV
A3	CS	1310A22077-0-MTR	RA02
CHANGE by		RDEE3	26-Jun-2008
SHEET		42	OF 53



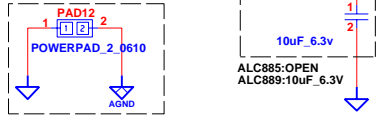
INVENTEC

TITLE TETON2			
KBC			
SIZE A3	CODE CS	DOC. NUMBER 1310A22077-0-MITRA02	REV
CHANGE by RDEE3		DATE 26-Jun-2008	REV 43 OF 53



ALC889	R266, U14 OPEN
	R280 0ohm
ALC885	R266, U14 0ohm
	R280 OPEN

The terminal of pad need use 120mil trace to connect it.

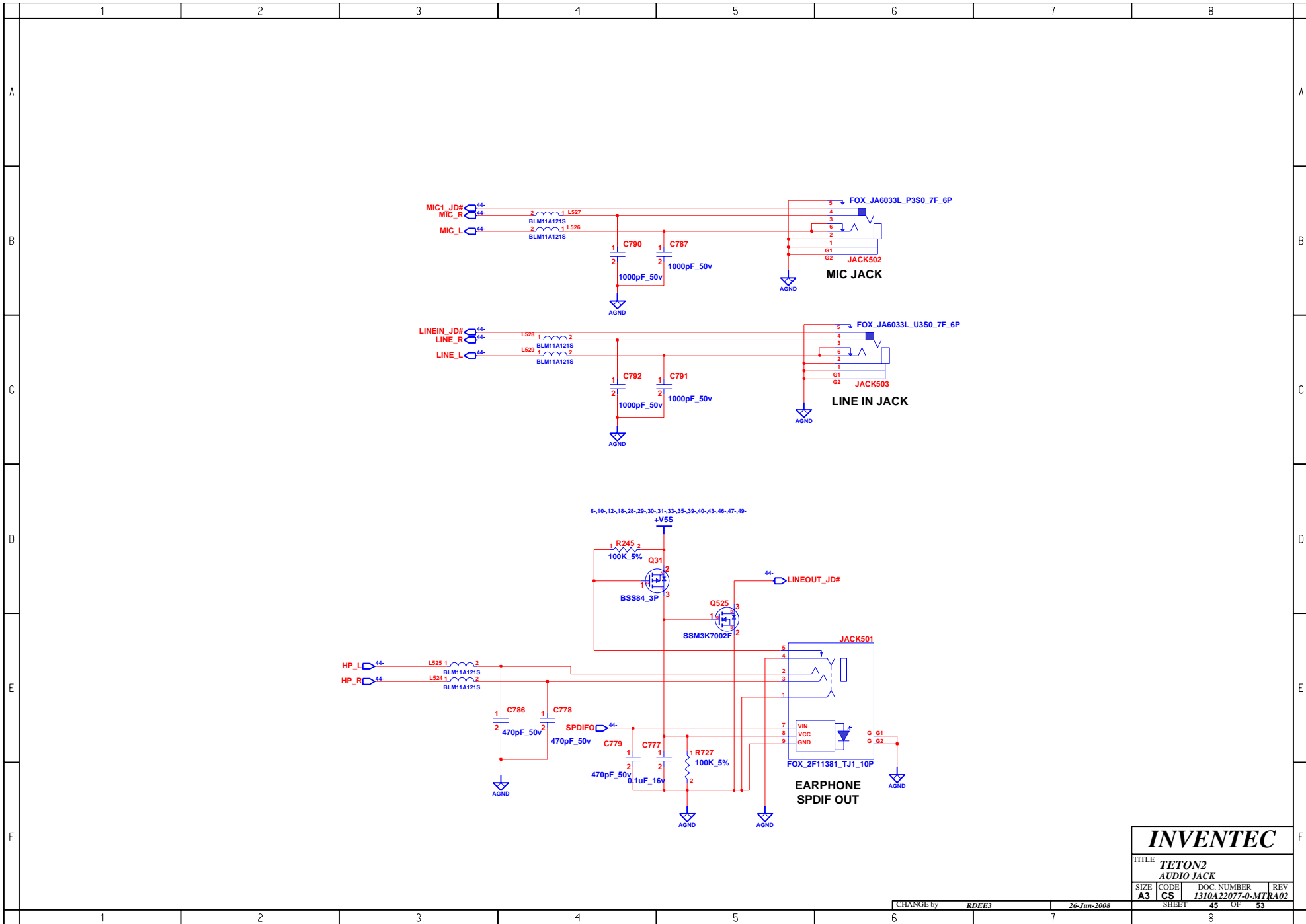


ALC885:R276 OPEN
ALC889:R278 OPEN R276 SHORT

Layout note:Close codec pin13

INVENTEC

TITLE TETON2 CODEC			
SIZE A3	CODE CS	DOC. NUMBER I310A22077-0-MIT	REV A02
CHANGE by RDEE3		26-Jun-2008	
SHEET 44		OF 53	



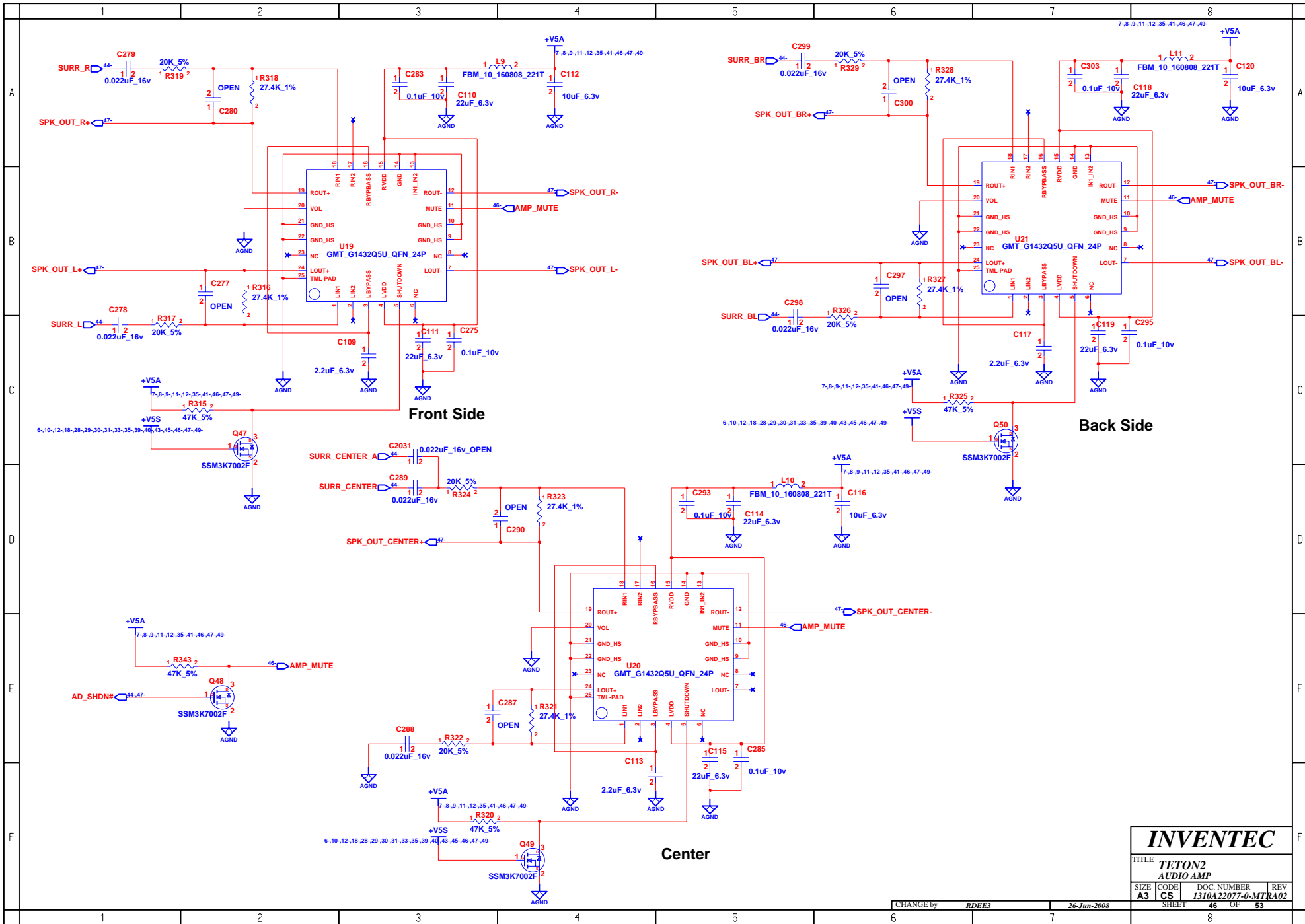
INVENTEC

TITLE
**TETON2
 AUDIO JACK**

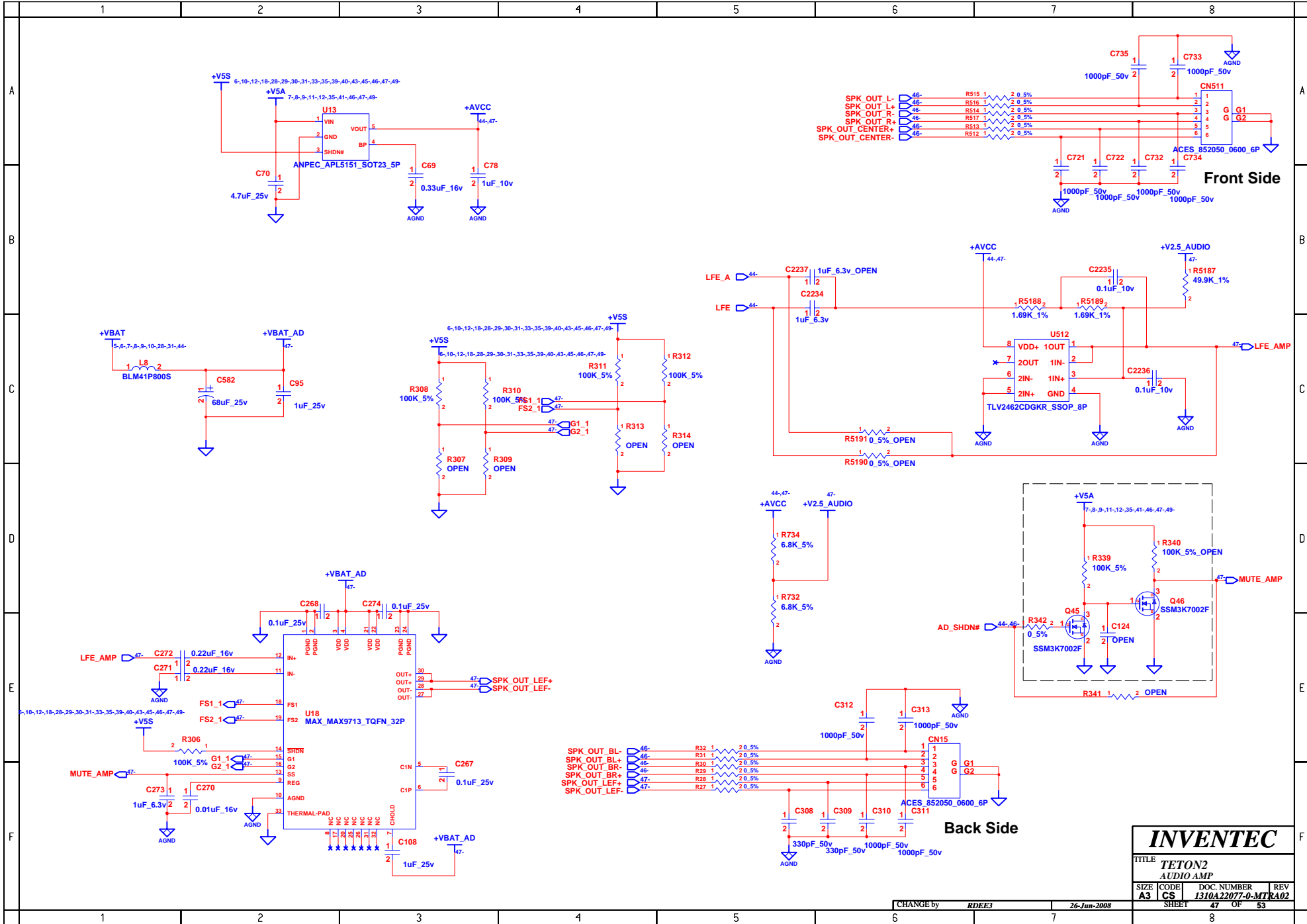
SIZE A3	CODE CS	DOC. NUMBER 1310A22077-0-MTR	REV RA02
-------------------	-------------------	--	--------------------

CHANGE by **RDEE3** 26-Jun-2008

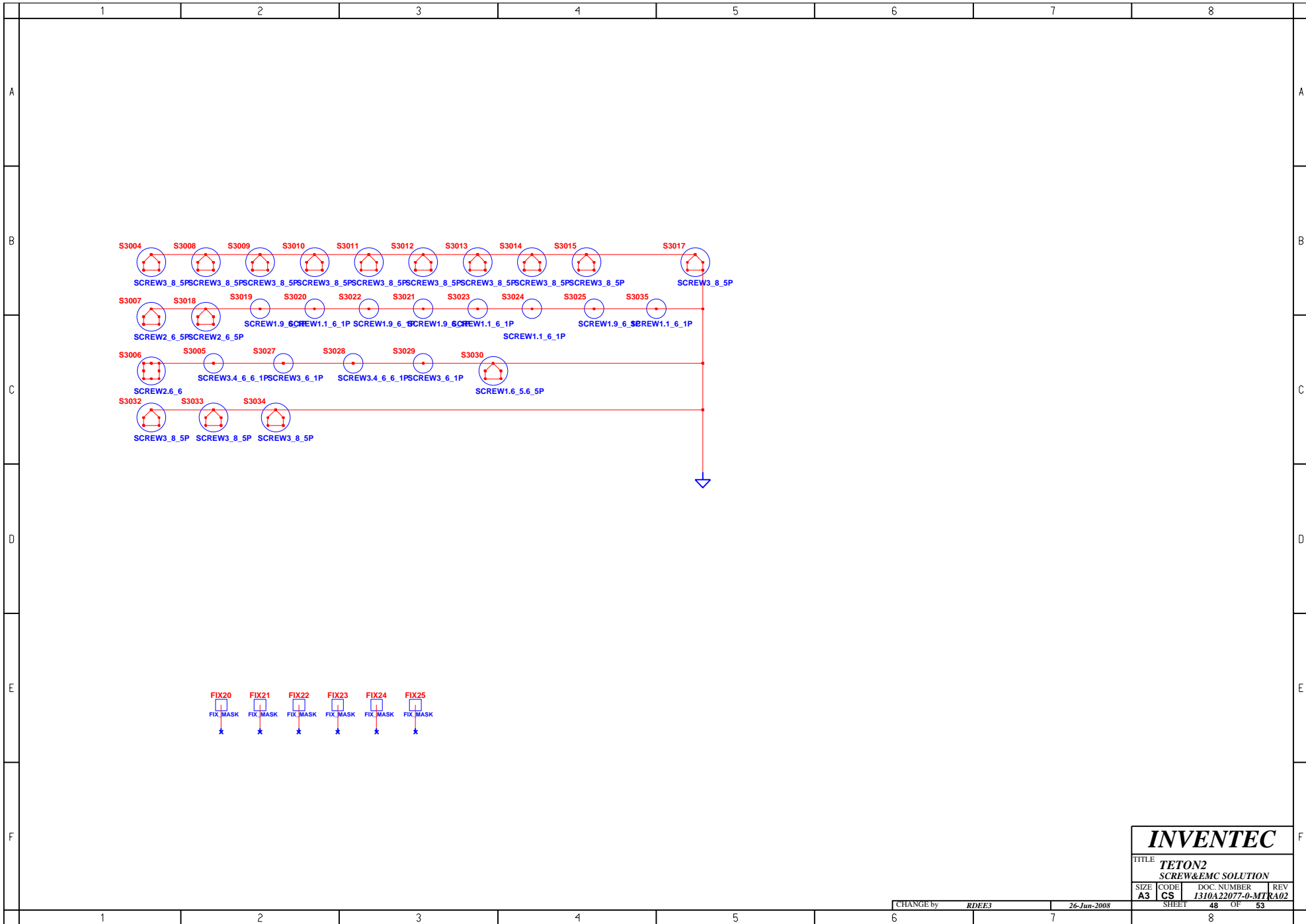
SHEET 45 OF 53



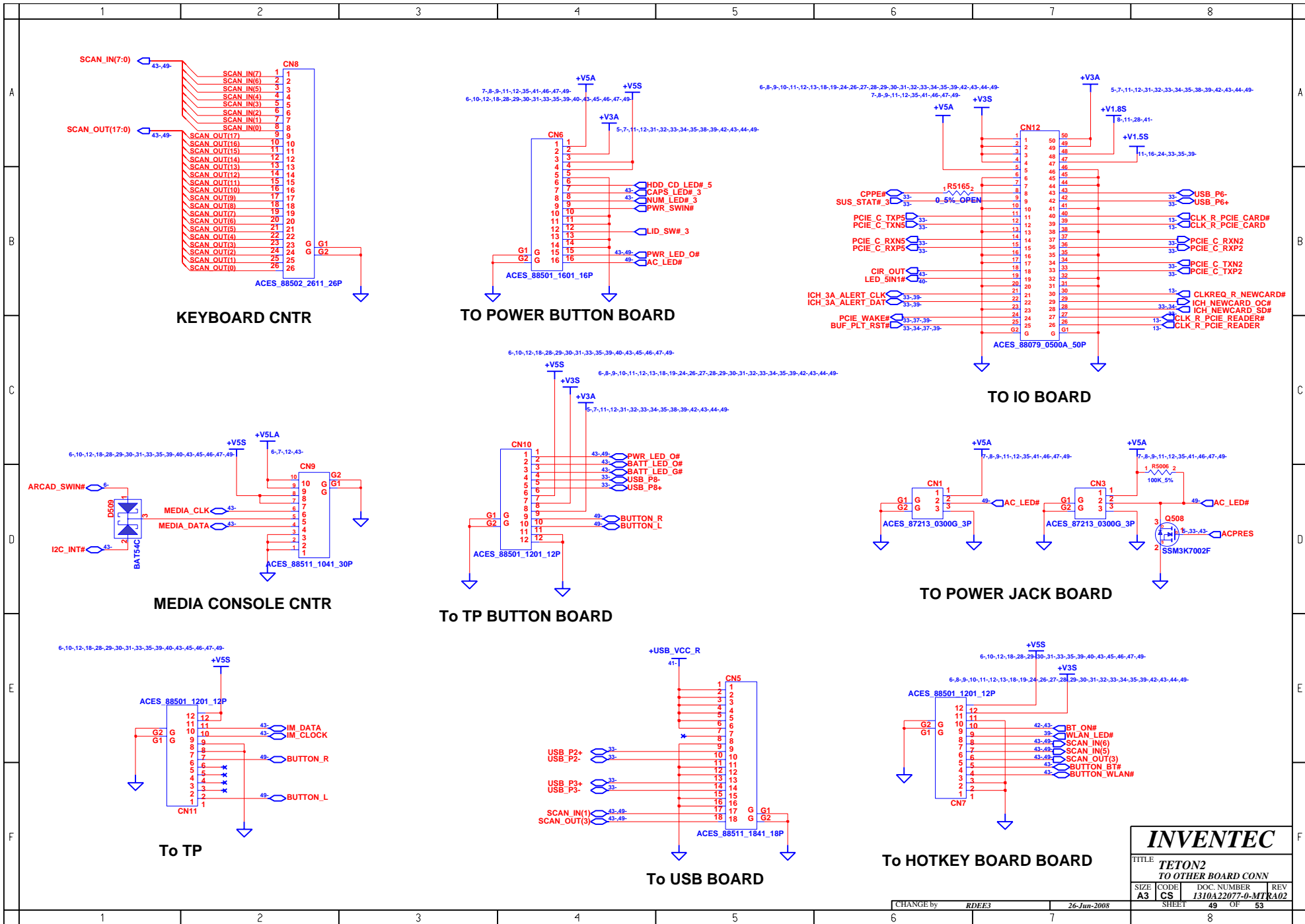
INVENTEC			
TITLE TETON2 AUDIO AMP			
SIZE A3	CODE CS	DOC. NUMBER I310A22077-0-MTR	REV RA02
CHANGE by RDEE3		26-Jun-2008	
SHEET 46		OF 53	



INVENTEC			
TITLE TETON2 AUDIO AMP			
SIZE	CODE	DOC NUMBER	REV
A3	CS	I310A22077-0-MTR	A02
CHANGE by		RDEE3	
DATE		26-Jun-2008	
SHEET		47 OF 53	



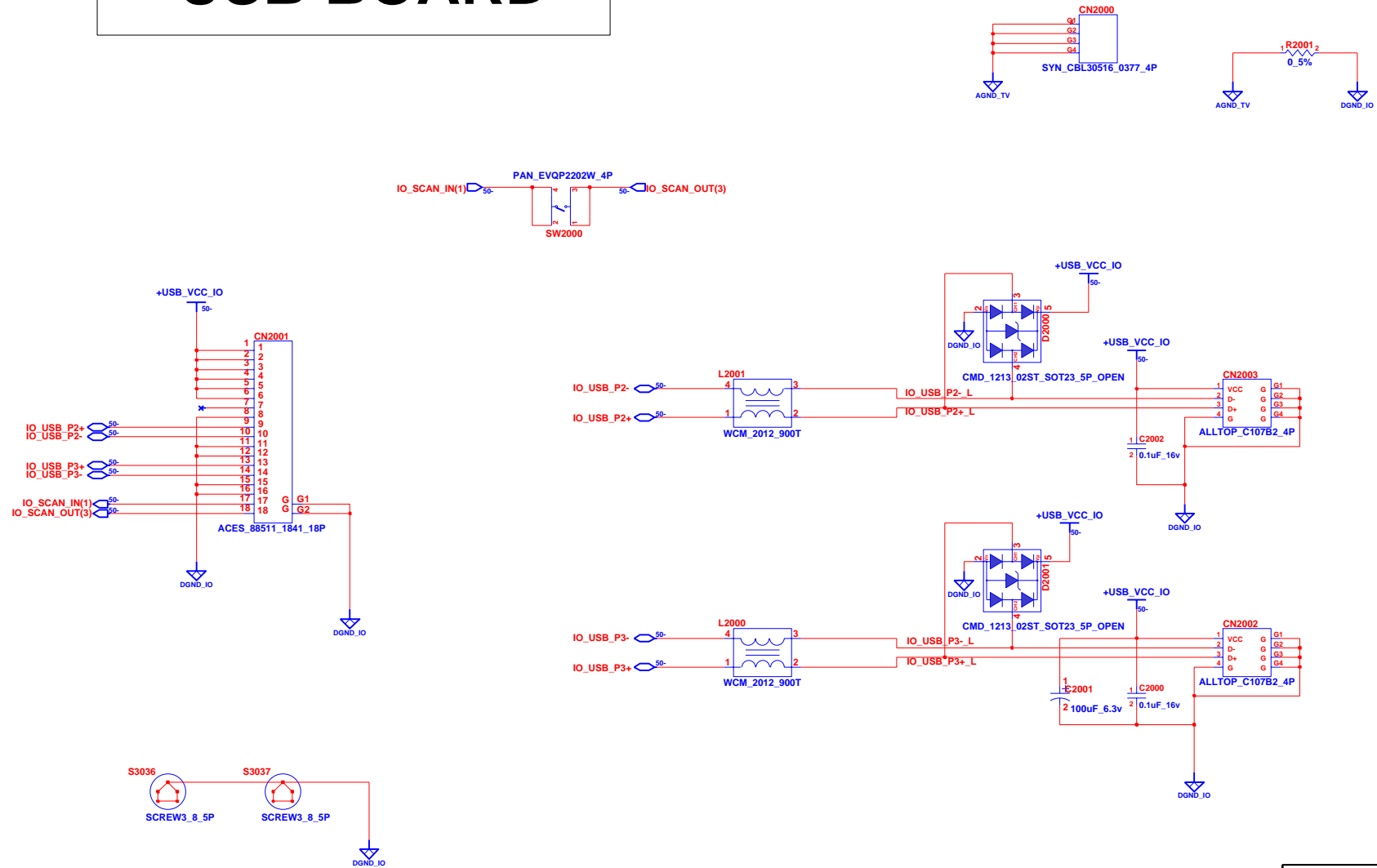
INVENTEC			
TITLE TETON2			
SCREW&EMC SOLUTION			
SIZE	CODE	DOC. NUMBER	REV
A3	CS	1310A22077-0-MT	RA02
CHANGE by		RDEE3	26-Jun-2008
SHEET		48	OF 53



INVENTEC			
TITLE TETON2 TO OTHER BOARD CONN			
SIZE A3	CODE CS	DOC NUMBER I310A22077-0-MT	REV RA02
CHANGE by RDEE3		26-Jun-2008	
SHEET 49		OF 53	

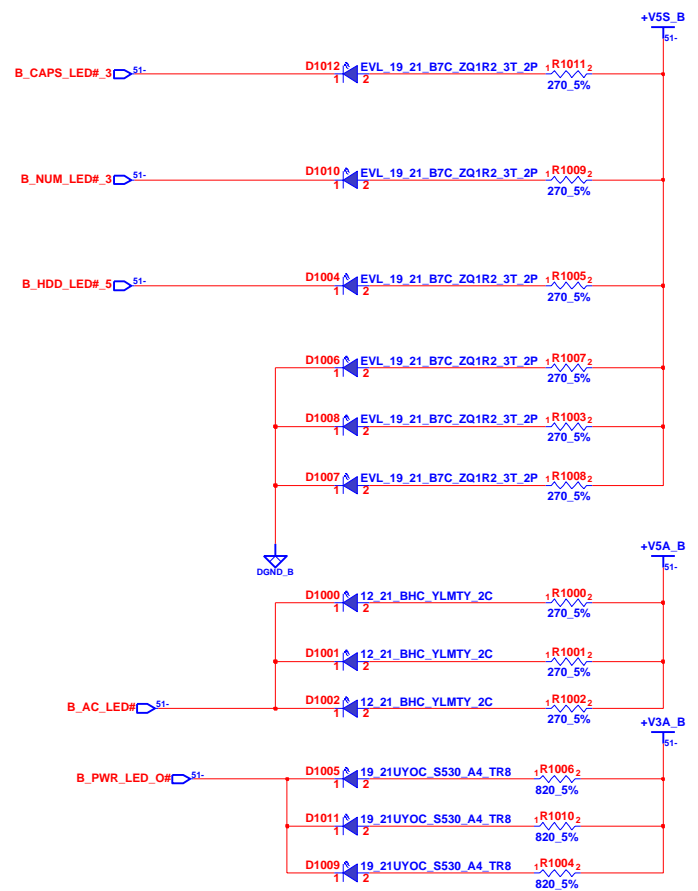
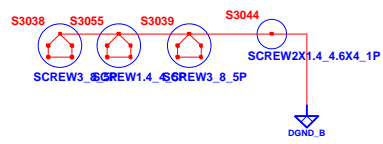
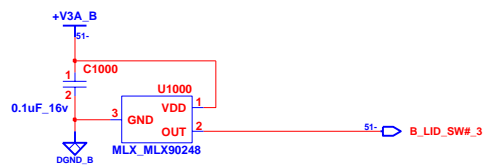
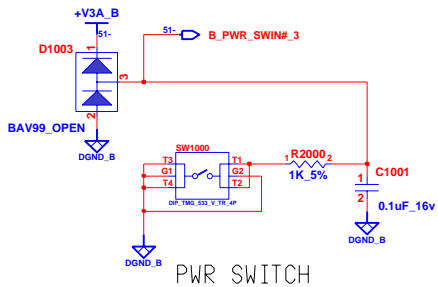
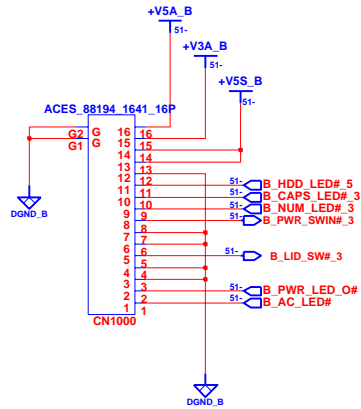
USB BOARD

TV ANT



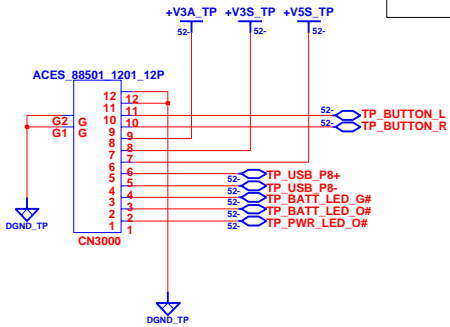
INVENTEC			
TITLE TETON2 USB BOARD			
SIZE A3	CODE CS	DOC. NUMBER I310A22077-0-MTR	REV RA02
CHANGE by RDE3		26-Jun-2008	
SHEET 50		OF 53	

PowerButton Board

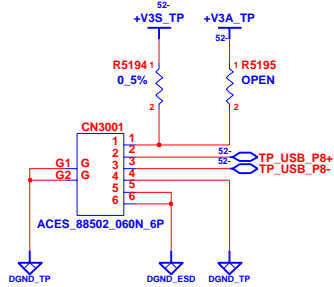


INVENTEC			
TITLE TETON2			
POWER BUTTON BOARD			
SIZE	CODE	DOC NUMBER	REV
A3	CS	1310A22077-0-MTR	RA02
CHANGE by		SHEET	
RDEE3		51 OF 53	
26-Jun-2008			

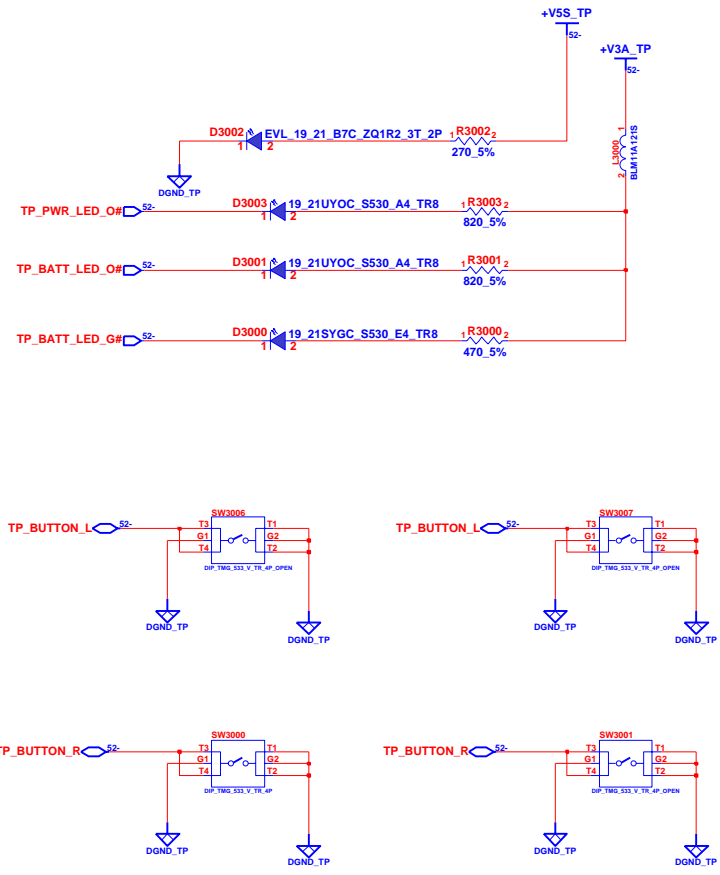
TOUCH PAD BUTTON BOARD



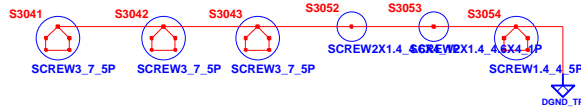
TO MB



TO FINGER PRINT



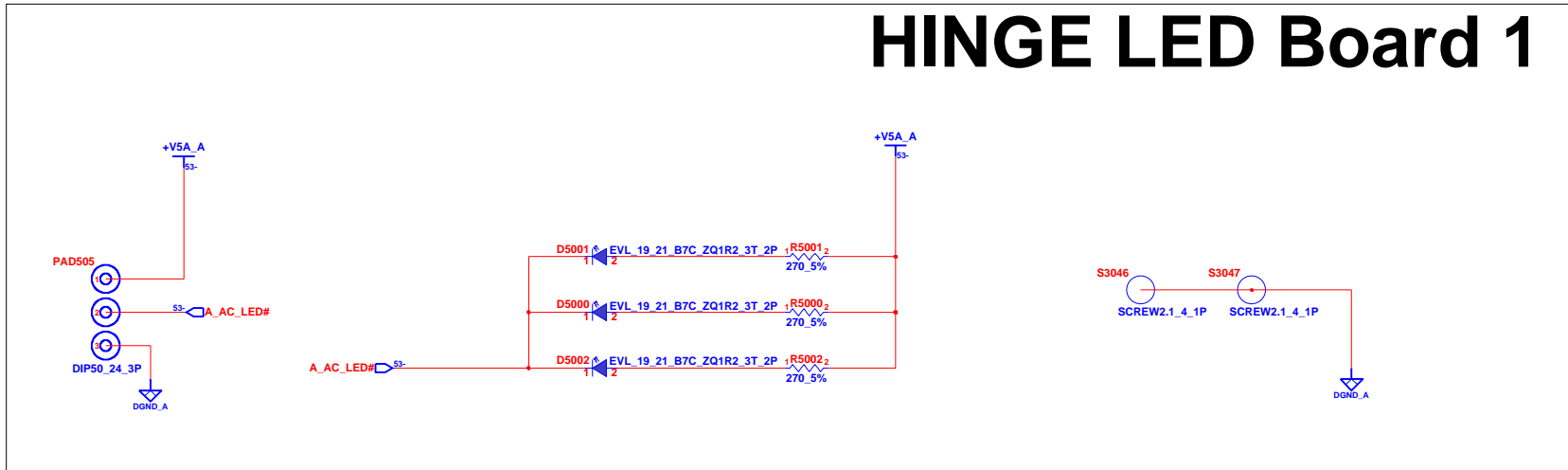
- FIX4000
FIX_MASK
- FIX4001
FIX_MASK
- FIX4002
FIX_MASK
- FIX4003
FIX_MASK
- FIX4004
FIX_MASK
- FIX4005
FIX_MASK



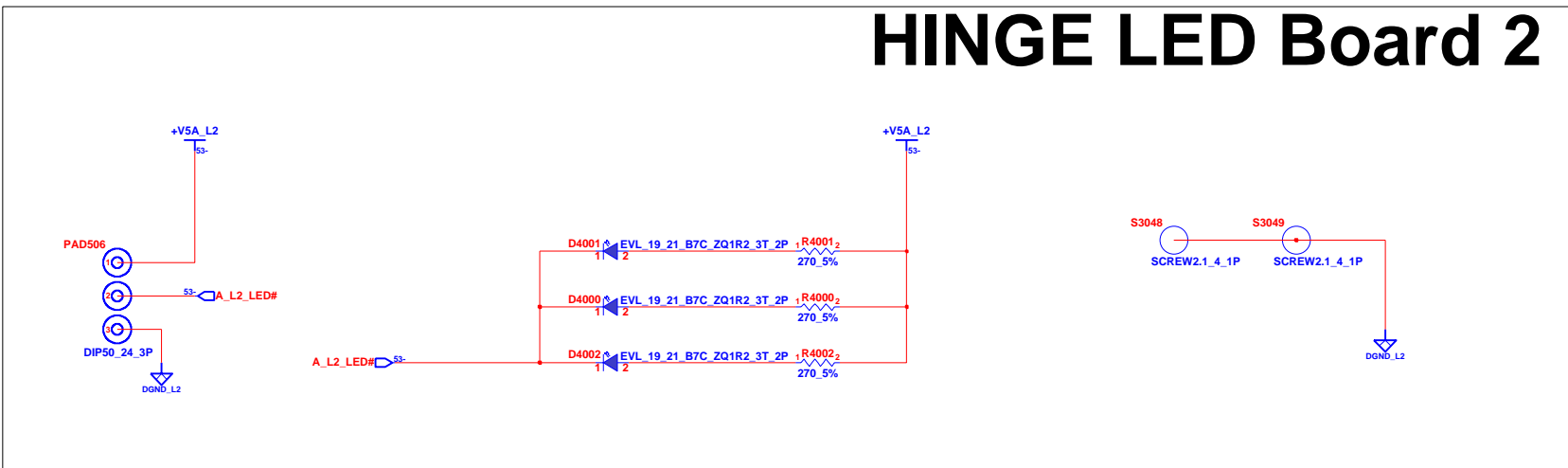
INVENTEC

TITLE TETON2 TH BUTTON BOARD			
SIZE A3	CODE CS	DOC. NUMBER I310A22077-0-MTR	REV A02
CHANGE by RDEE3		26-Jun-2008	
SHEET 52		OF 53	

HINGE LED Board 1



HINGE LED Board 2



INVENTEC

TITLE			
TETON2			
HINGE LED BOARD			
SIZE	CODE	DOC. NUMBER	REV
A3	CS	1310A22077-0-MTR	A02
CHANGE by		SHEET	
RDEE3		53 OF 53	

26-Jun-2008