

EA30_BM

Schematics Document

Dr-Bios.com

Wistron Confidential document, Anyone can not
Duplicate, Modify, Forward or any other purpose
application without get Wistron permission

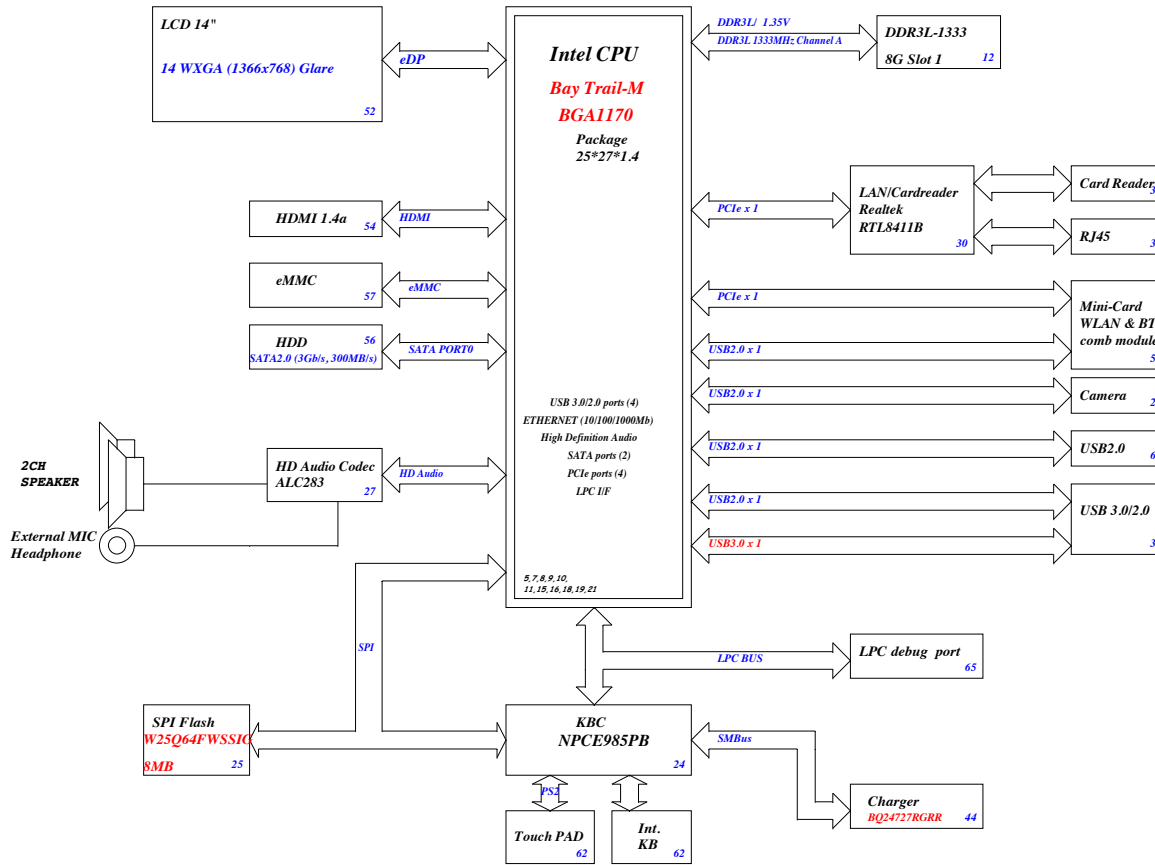
No eMMC

緯創資通 **Wistron Corporation**
21F, 88, Sec. 1, Hsin Tai Wu Rd., Hsichih,
Taipei Hsien 221, Taiwan, R.O.C.

Title		
Cover Page		
Size	Document Number	Rev
A3	EA30 BM	-1
Date:	Tuesday, July 08, 2014	Sheet 1 of 102

EA30_BM Board Block Diagram

Project code :
PCB P/N : 14221
Revision : SB



CHARGER	
BQ24727	44
INPUTS	OUTPUTS
DCBATOUT	BT+
SYSTEM DC/DC	
TPS51225 45	
INPUTS	OUTPUTS
5V_S5	
DCBATOUT	3D3V_S5
CPU DC/DC	
ISL95833 46-47	
INPUTS	OUTPUTS
DCBATOUT	VCC_CORE
SYSTEM DC/DC	
SY8208 50	
INPUTS	OUTPUTS
DCBATOUT	1D0V_S5
SYSTEM DC/DC	
SY8208DQNC 49	
INPUTS	OUTPUTS
DCBATOUT	1D35V_S3
SYSTEM LDO	
TLV70218 51	
INPUTS	OUTPUTS
3D3V_S5	1D8V_S5
SYSTEM LDO	
S-1339D15 51	
INPUTS	OUTPUTS
3D3V_S5	1D5V_S0
SYSTEM LDO	
TLV70012 51	
INPUTS	OUTPUTS
3D3V_S5	1D2V_S5
Step Down Regulator	
SYW232 51	
INPUTS	OUTPUTS
1D0V_S0_P6	1D05V_S0
GPU Core	
RT8812 82	
INPUTS	OUTPUTS
DCBATOUT	V6A_CORE
LOAD SWITCH	
TPS22966 37	
INPUTS	OUTPUTS
1D35V_S3	1D35V_S0
LOAD SWITCH	
TPS22965 37	
INPUTS	OUTPUTS
1D0V_S5	1D0V_S0
SYSTEM DC/DC	
SY8208 83	
INPUTS	OUTPUTS
DCBATOUT	1D5V_V6A_S0
LOAD SWITCH	
TPS22966 83	
INPUTS	OUTPUTS
1D05V_S0	1D5V_V6A_S1
3D3V_S0	3D3V_V6A_S0

PCB LAYER

L1:Top L4:Signal
L2:VCC L5:GND
L3:Signal L6:Bottom

Wistron Confidential document. Anyone can not Duplicate, Modify, Forward or any other purpose application without get Wistron permission

D

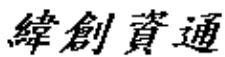
C

B

A

Dr-Bios.com

No eMMC

		Wistron Corporation 21F, 88, Sec.1, Hsin Tai Wu Rd., Hsichih, Taipei Hsien 221, Taiwan, R.O.C.
---	--	---

Title		
(Reserved)		

Size	Document Number	Rev
A4	EA30 BM	-1

5
4 3 2 1
SSID = CPU

Blanking

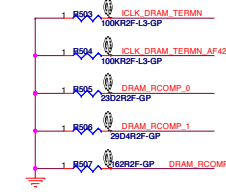
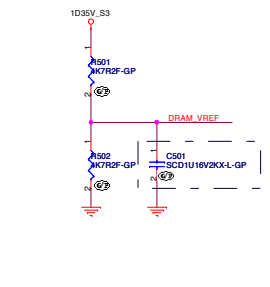
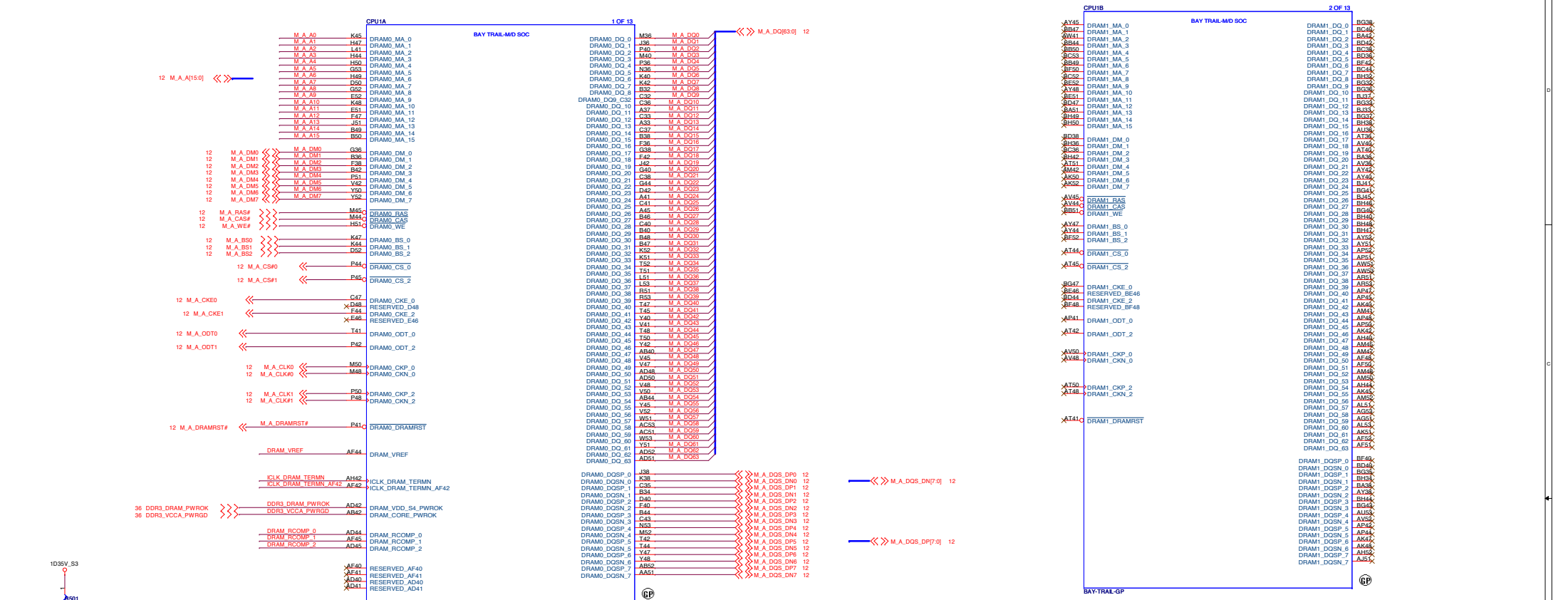
Wistron Confidential document, Anyone can not Duplicate, Modify, Forward or any other purpose application without get Wistron permission

No eMMC

緯創資通 **Wistron Corporation**
21F, 88, Sec.1, Hsin Tai Wu Rd., Hsichih, Taipei Hsien 221, Taiwan, R.O.C.

Dr-Bios.com

Title			CPU (Reserved)		
Size	Document Number			Rev	
A4	EA30 BM			-1	
Date:	Tuesday, July 08, 2014			Sheet	4 of 102



reserve the 0402 0.1u caps on reset for EMI.



SSID = CPU

Blanking

Wistron Confidential document, Anyone can not Duplicate, Modify, Forward or any other purpose application without get Wistron permission

No eMMC

緯創資通 **Wistron Corporation**
21F, 88, Sec.1, Hsin Tai Wu Rd., Hsichih,
Taipei Hsien 221, Taiwan, R.O.C.

Title

CPU (CFG)

Size
A4

Document Number

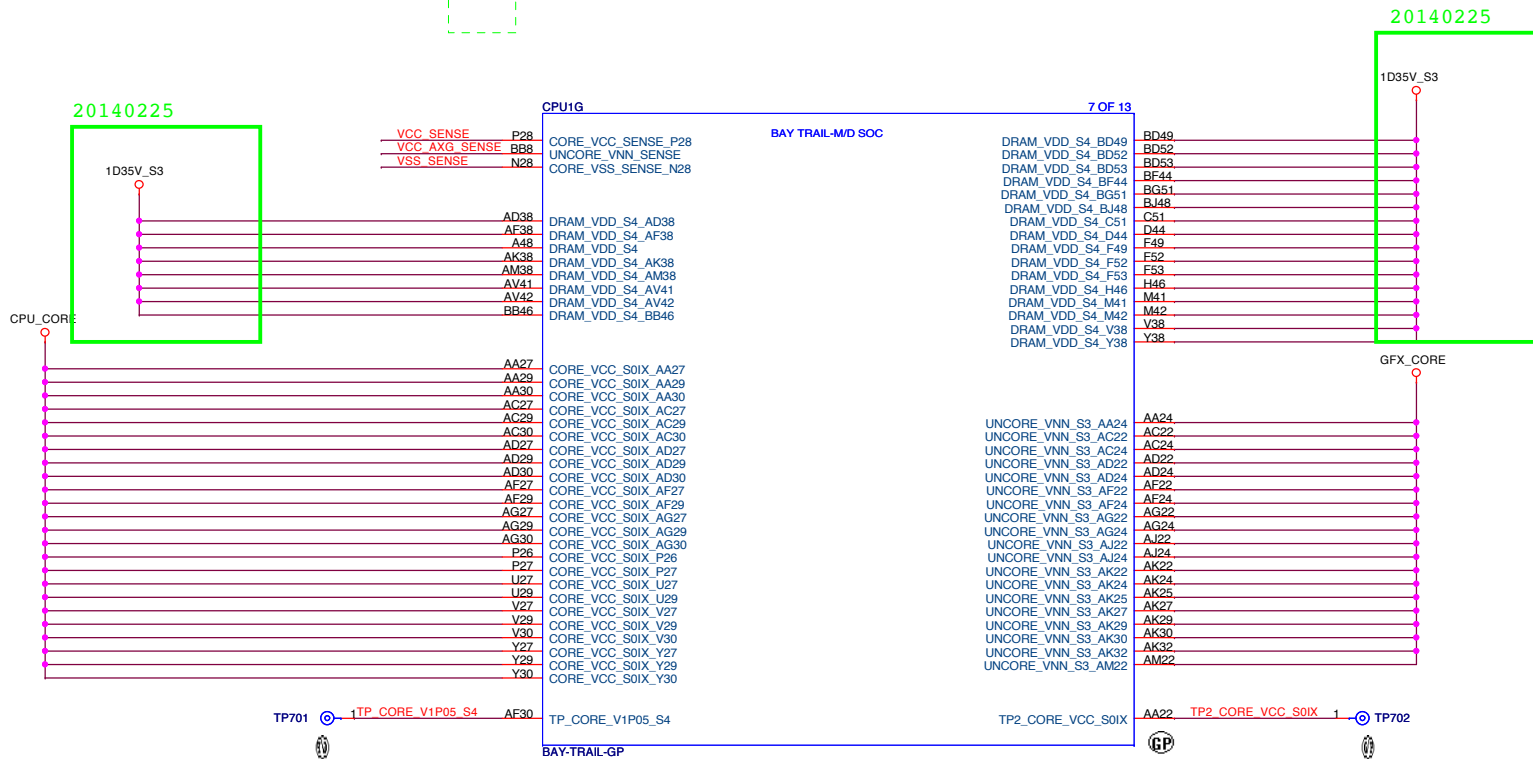
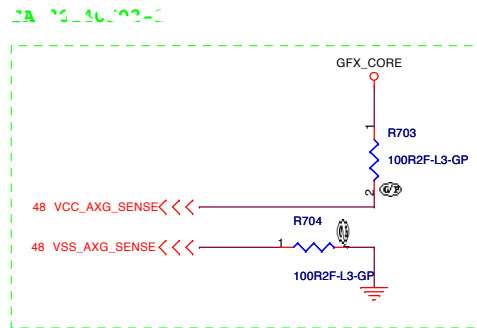
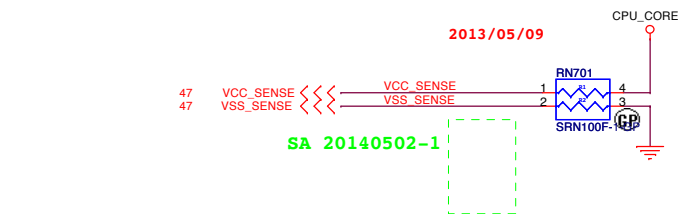
EA30 BM

Rev
-1

Date: Tuesday, July 08, 2014

Sheet 6 of 102

Dr-Bios.com

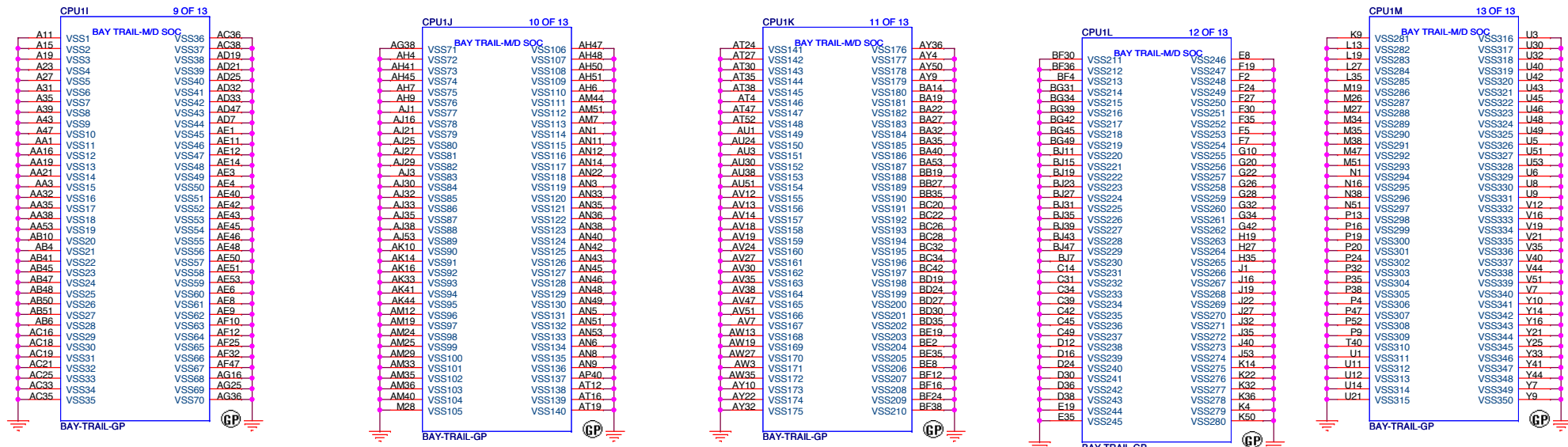


Dr-Bios.com

Wistron Confidential document, Anyone can not Duplicate, Modify, Forward or any other purpose application without get Wistron permission

No eMMC

<p>緯創資通 Wistron Corporation 21F, 88, Sec. 1, Hsin Tai Wu Rd., Hsichih, Taipei Hsien 221, Taiwan, R.O.C.</p>	
<p>Title: CPU (VCC CORE)</p>	
Size A3	Document Number: EA30 BM
Date: Tuesday, July 08, 2014	Rev: -1
Sheet 7	of 102



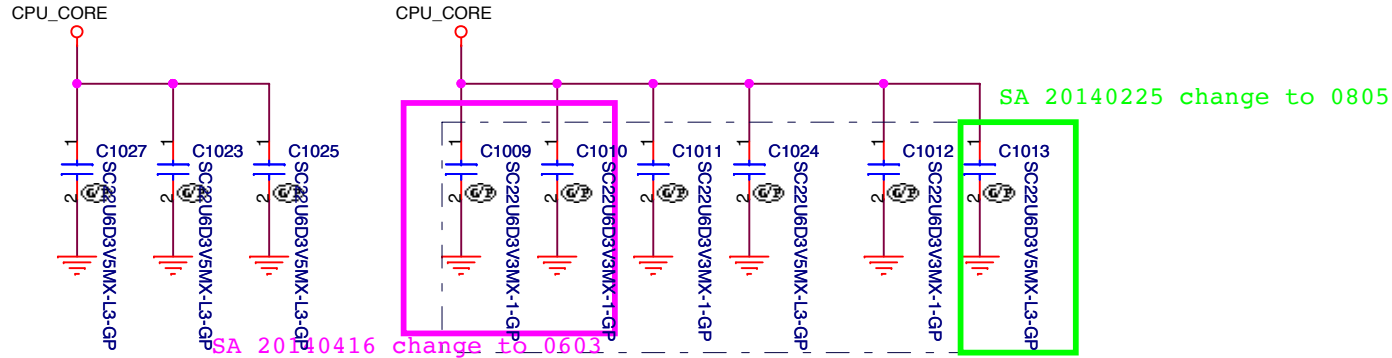
Wistron Confidential document, Anyone can not Duplicate, Modify, Forward or any other purpose application without get Wistron permission

No eMMC

緯創資通 Wistron Corporation
 21F, 88, Sec. 1, Hsin Tai Wu Rd., Hsichih, Taipei Hsien 221, Taiwan, R.O.C.

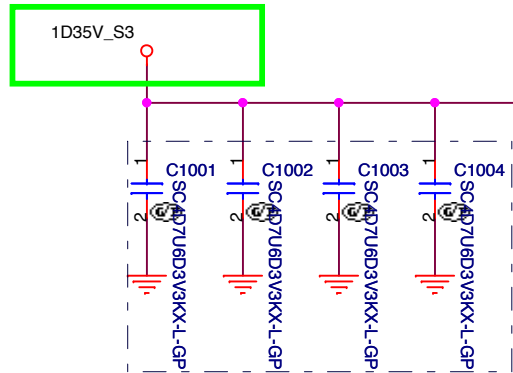
Dr-Bios.com

Title		CPU (VSS)	
Size	Document Number	Rev	
A3	EA30 BM	-1	
Date:	Tuesday, July 08, 2014	Sheet	9 of 102



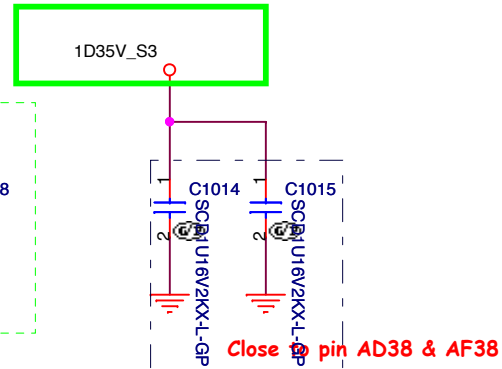
Cap Modify
(For power)

SA 20140225 P7 del close gap

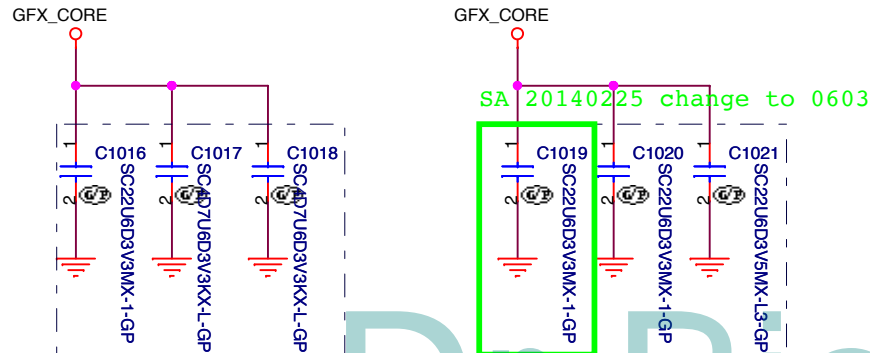


Cap Modify

SA 20140225 P7 del close gap



Cap Modify



Cap Modify
(For power)

Cap Modify
(For power)

Wistron Confidential document, Anyone can not Duplicate, Modify, Forward or any other purpose application without get Wistron permission

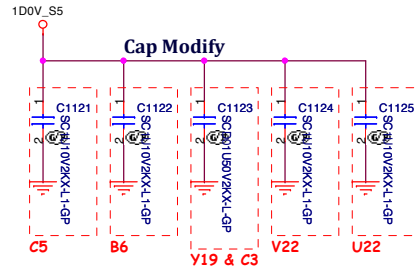
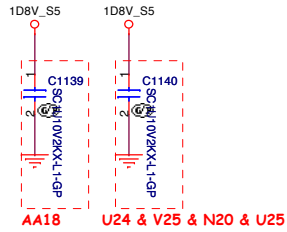
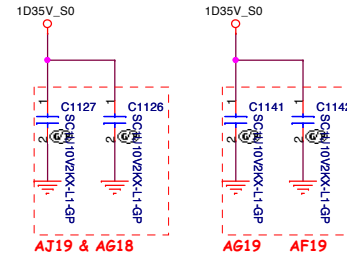
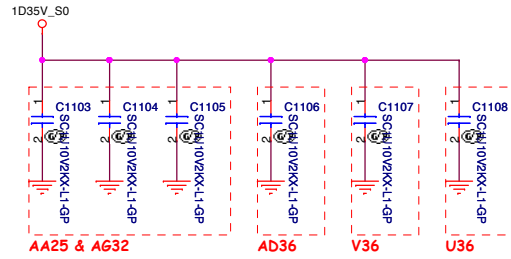
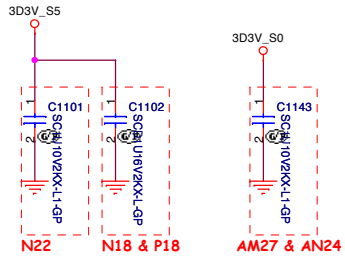
No eMMC

緯創資通 **Wistron Corporation**
21F, 88, Sec.1, Hsin Tai Wu Rd., Hsichih, Taipei Hsien 221, Taiwan, R.O.C.

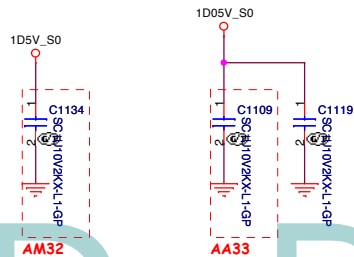
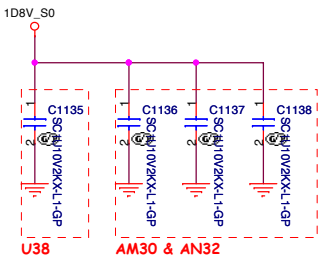
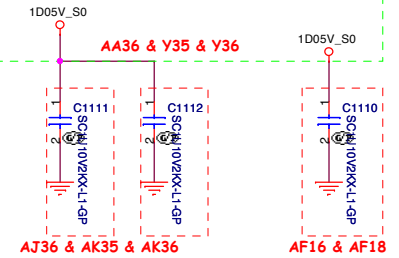
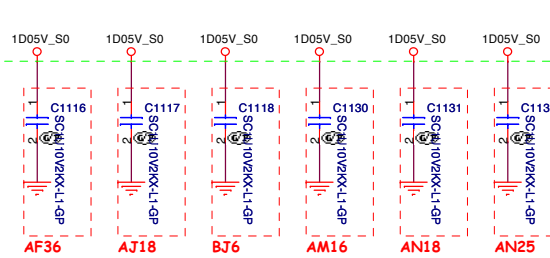
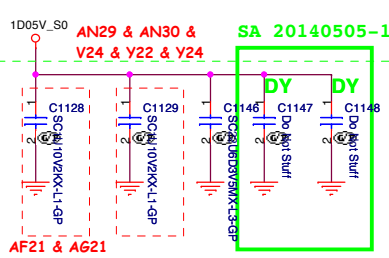
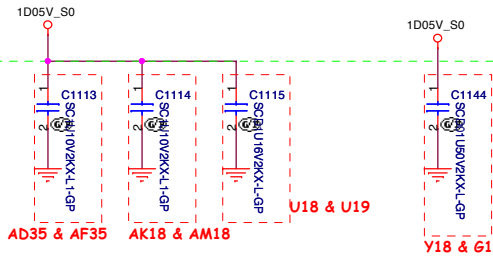
Title CPU (Power CAP1)		
Size A4	Document Number EA30 BM	Rev -1
Date: Tuesday, July 08, 2014	Sheet 10 of 102	

Dr-Bios.com

Cap Modify



SA 20140418



Dr-Bios.com

Wistron Confidential document, Anyone can not Duplicate, Modify, Forward or any other purpose application without get Wistron permission

No eMMC

緯創資通 Wistron Corporation
 21F, 88, Sec. 1, Hsin Tai Wu Rd., Hsichih, Taipei Hsien 221, Taiwan, R.O.C.

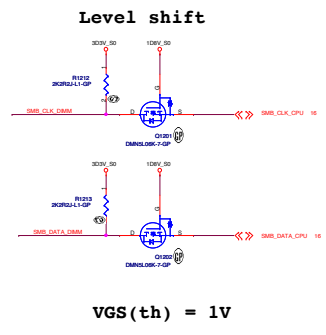
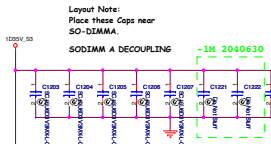
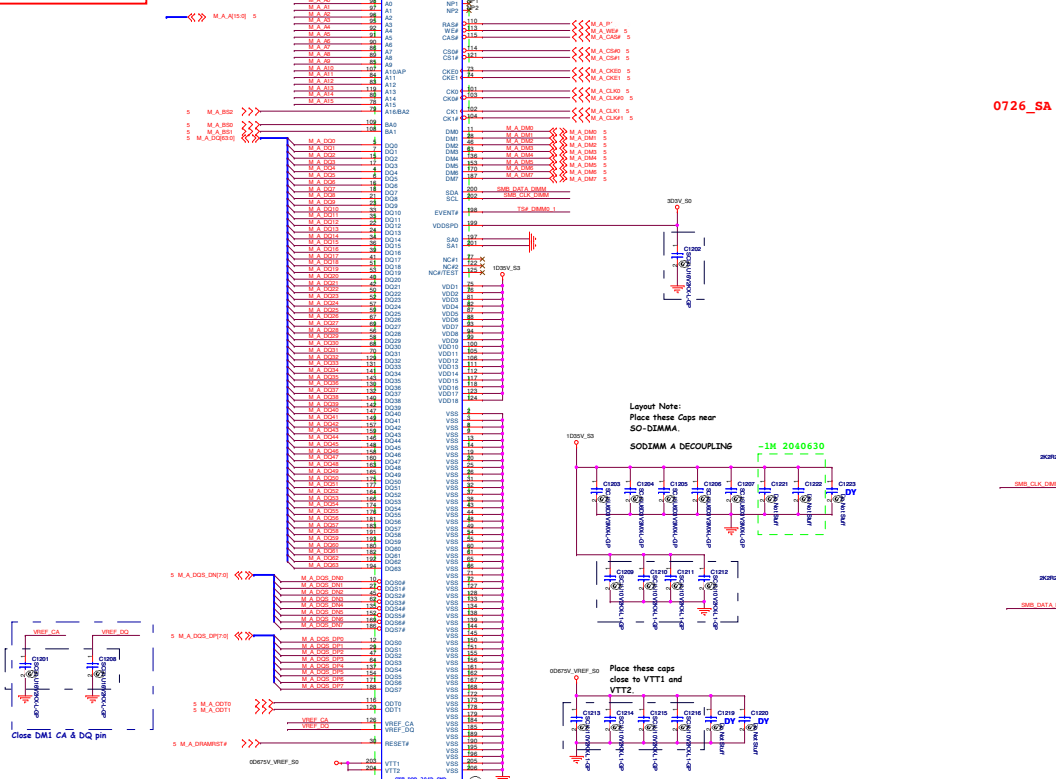
Title: CPU (Power CAP2)

Size A3 Document Number: EA30 BM Rev: -1

Date: Tuesday, July 08, 2014 Sheet 11 of 102

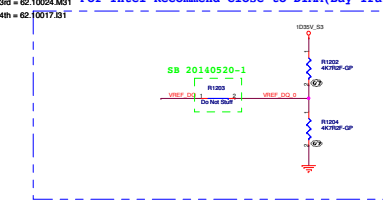
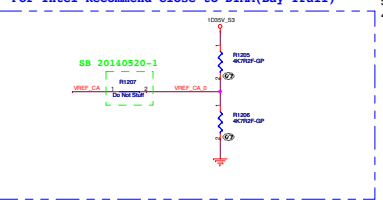
SSID = MEMORY

Note:
If SA# A0 SA #0
S# MA# Add 1 to 3
O-Dimm i# Addr Is x#0
If SA0 DIM0 = 1, SA1_DIM0 = 0
SO-DIMMA SPD Address is 0xA2
SO-DIMMA TS Address is 0x32



DIM1 change part number to 62.10024.S61(13/7/3)

- 1st = 62.10024.S21
2nd = 62.10024.C81
3rd = 62.10024.M81
4th = 62.10017.S1T



Watson Confidential document. Anyone who not duplicate, modify, forward or any other purpose application without get Watson permission.

Dr-Bios.com

SSID = MEMORY

Dr-Bios.com

Wistron Confidential document. Anyone can not
Duplicate, Modify, Forward or any other purpose
application without get Wistron permission.

No eMMC

緯創資通		Wistron Corporation	
		21F, 88, Sec.1, Hsin Tai Wu Rd., Hsinchu, Taipei Hsien 321, Taiwan, R.O.C.	
Title			
DDR3-SODIMM2			
Size A2	Document Number	Rev	
	EA30 BM		-1
Date: Tuesday, July 08, 2014		Sheet 13	of 102

Blanking

Wistron Confidential document, Anyone can not Duplicate, Modify, Forward or any other purpose application without get Wistron permission

No eMMC

緯創資通 **Wistron Corporation**
21F, 88, Sec.1, Hsin Tai Wu Rd., Hsichih,
Taipei Hsien 221, Taiwan, R.O.C.

Title **Reserved**

Size A4	Document Number EA30 BM	Rev -1
------------	-----------------------------------	------------------

Date: Tuesday, July 08, 2014 Sheet 14 of 102

Dr-Bios.com

SSID = STRAP

STRAP RESISTORS SHOULD BE PLACED OUTSIDE OF COZ AREA
SHOULD BE PLACED OUTSIDE KOZ AREA

SA 20140222

Description	BIOS Boot Selection	Security Flash Descriptors	DDI1 Detect	DDI0 Detect	DDI1 Detect	Top swap
GPIO	GPIO_S0_SC[063]	GPIO_S0_SC[065]	DDI1_DDCDATA	DDI0_DDCDATA	MDSI_DDCDATA	GPIO_S0_SC [56]
Schematic						
High	SPI	Normal Operation	RN801 PH DDI1 detected	DDI0 detected	DDI1 detected	
Low	LPC	Override	DDI1 not detected	DDI0 not detected	DDI1 not detected	

2.25 Hardware Straps

All straps are sampled on the rising edge of PMC_CORE_PWROK.

Table 27. Straps

Signal Name	Function	Default	Strap Exit	Strap Description
GPIO_S0_SC[63]	Legacy	1b	PMC_CORE_PWROK de-asserted	BIOS Boot Selection 0 = LPC 1 = SPI
GPIO_S0_SC[65]	Legacy	1b	PMC_CORE_PWROK de-asserted	Security Flash Descriptors 0 = Override 1 = Normal Operation
DDI0_DDCDATA	Display	0b	PMC_CORE_PWROK de-asserted	DDI0 Detect 0 = DDI0 not detected 1 = DDI0 detected
DDI1_DDCDATA	Display	0b	PMC_CORE_PWROK de-asserted	DDI1 Detect 0 = DDI1 not detected 1 = DDI1 detected
MDSI_DDCDATA	Display	0b	PMC_CORE_PWROK de-asserted	DDI1 Detect 0 = DDI1 not detected 1 = DDI1 detected

30.2 LPE_I2S2_DATAOUT/ GPIO_S0_SC[065]ball as Flash Descriptor Security Override

In order to update the entire flash during manufacturing process or as part of a board return flow, the flash Descriptor Security override ball BC30 (GPIO_S0_SC[065]) can be used to unlock the entire SPI flash (override descriptor setting) and to stop the Intel® TXE from accessing SPI.

For full description and implementation data, please refer to the Bay Trail M/D "Manufacturing Recommendations" document, CDI #515108, section #2.6.

27.1.1.2 Hardware Controlled

System hardware, external to the SoC, can be used to assert or de-assert the Top-Swap strapping input signal. If the signal is sampled as being asserted during power-up then Top-Swap is active.

Note: The Top-Swap strap is an active high signal and is multiplexed with the GPIO_S0_SC[56] signal.

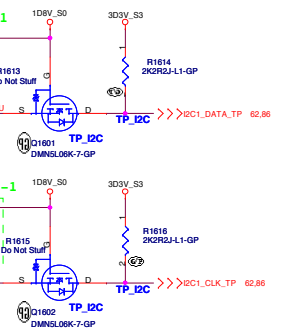
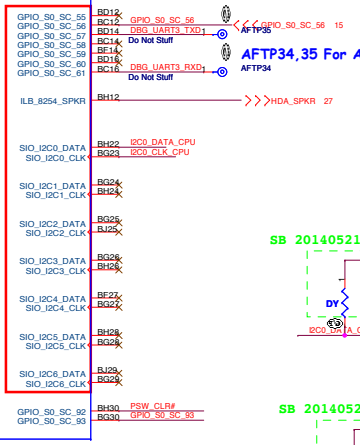
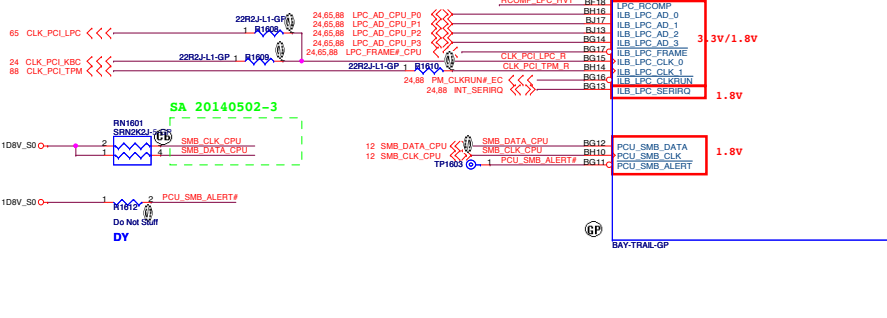
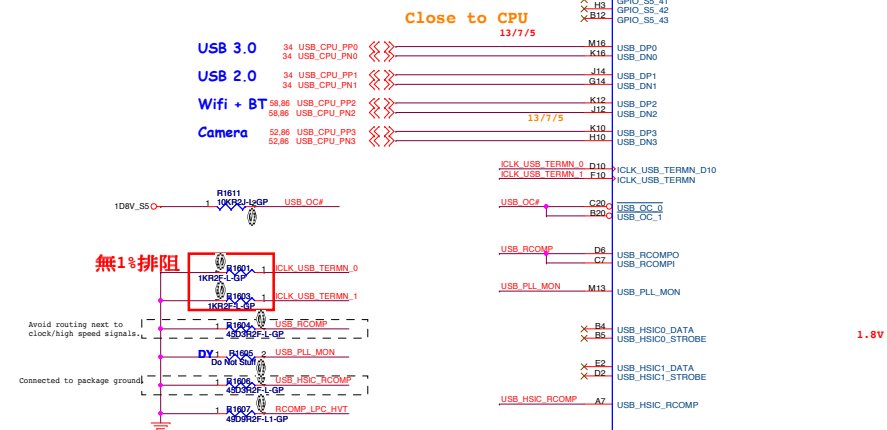
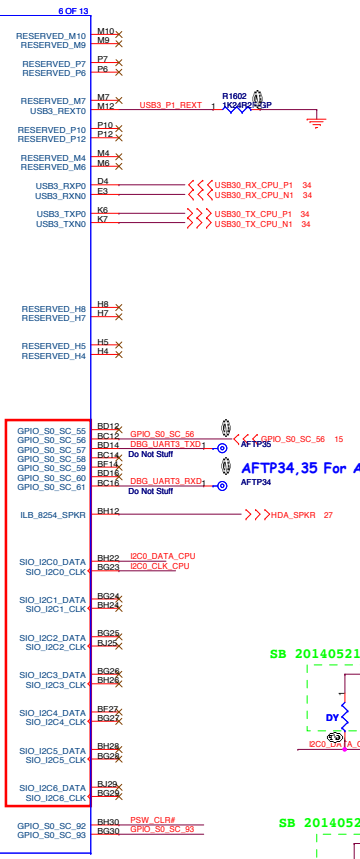
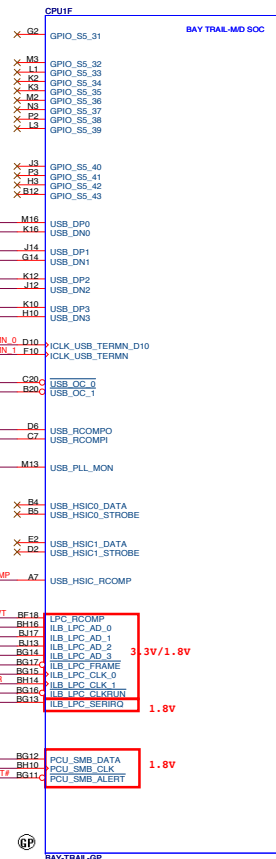
Wistron Confidential document, Anyone can not Duplicate, Modify, Forward or any other purpose application without get Wistron permission
No eMMC

		Wistron Corporation 21F, 88, Sec. 1, Hsin Tai Wu Rd., Hsichih, Taipei Hsien 221, Taiwan, R.O.C.
Title		
CPU(STRAP)		
Size A3	Document Number	Rev
	EA30 BM	-1
Date: Tuesday, July 08, 2014	Sheet 15 of 102	

Dr-Bios.com

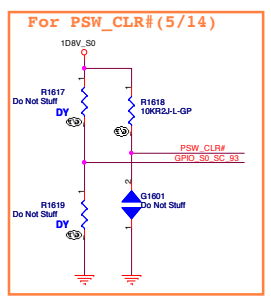
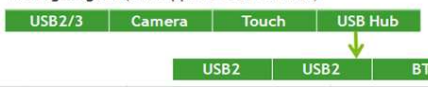
USB Table

Pair	Device
0	USB3.0 Port 0(USB2.0)
1	USB 2.0 (debug port)
2	WiFi + BT
3	Camera



USB Port Routing Guide for Bay Trail-M

WO/ Lighting Bolt(Can support 3 USB I/O Ports)



SSID = PCH

Blanking

Wistron Confidential document, Anyone can not
Duplicate, Modify, Forward or any other purpose
No eMMC application without get Wistron permission

緯創資通 **Wistron Corporation**
21F, 88, Sec.1, Hsin Tai Wu Rd., Hsichih,
Taipei Hsien 221, Taiwan, R.O.C.

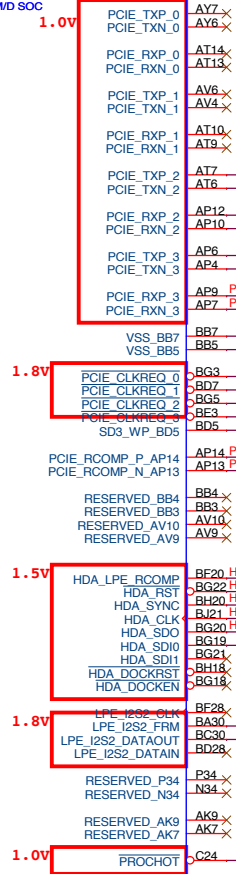
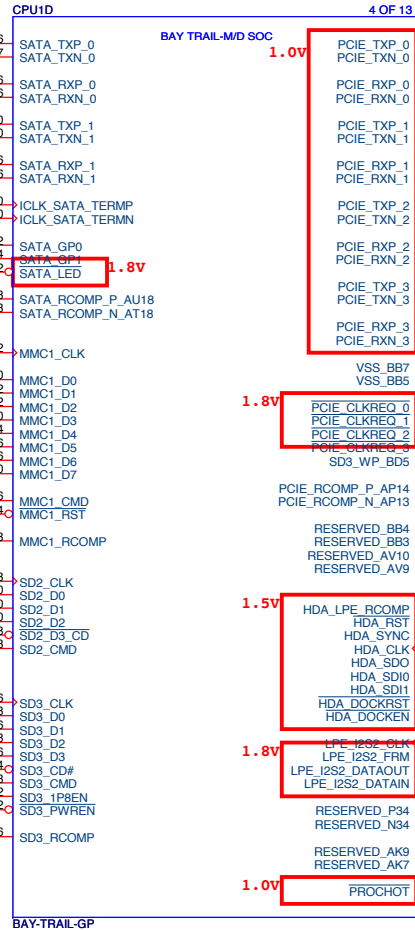
Title		
CPU (DMI/FDI/PM)		
Size	Document Number	Rev
A4	EA30 BM	-1
Date:	Tuesday, July 08, 2014	Sheet 17 of 102

Dr-Bios.com

SSID = PCH

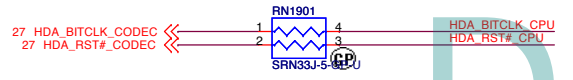
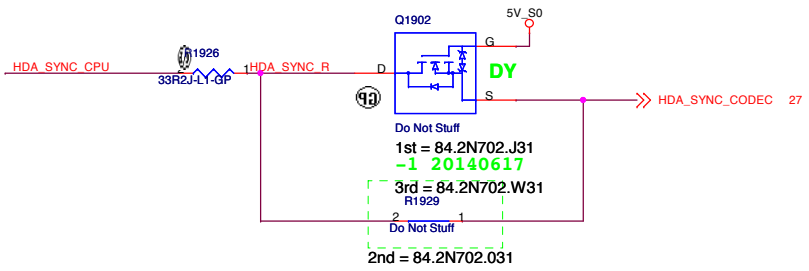
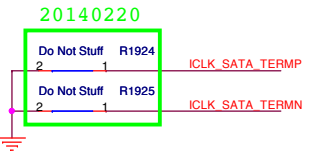
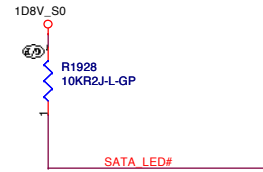
HDD

ODD



WLAN

LAN



Wistron Confidential document, Anyone can not Duplicate, Modify, Forward or any other purpose application without get Wistron permission

No eMMC

緯創資通 Wistron Corporation
 21F, 88, Sec.1, Hsin Tai Wu Rd., Hsichih, Taipei Hsien 221, Taiwan, R.O.C.

Title: **CPU (SATA/PCIE/HDA)**

Size A3 Document Number: **EA30 BM** Rev: **-1**

Date: Tuesday, July 08, 2014 Sheet 19 of 102

Dr-Bios.com

SSID = PCH

Blanking

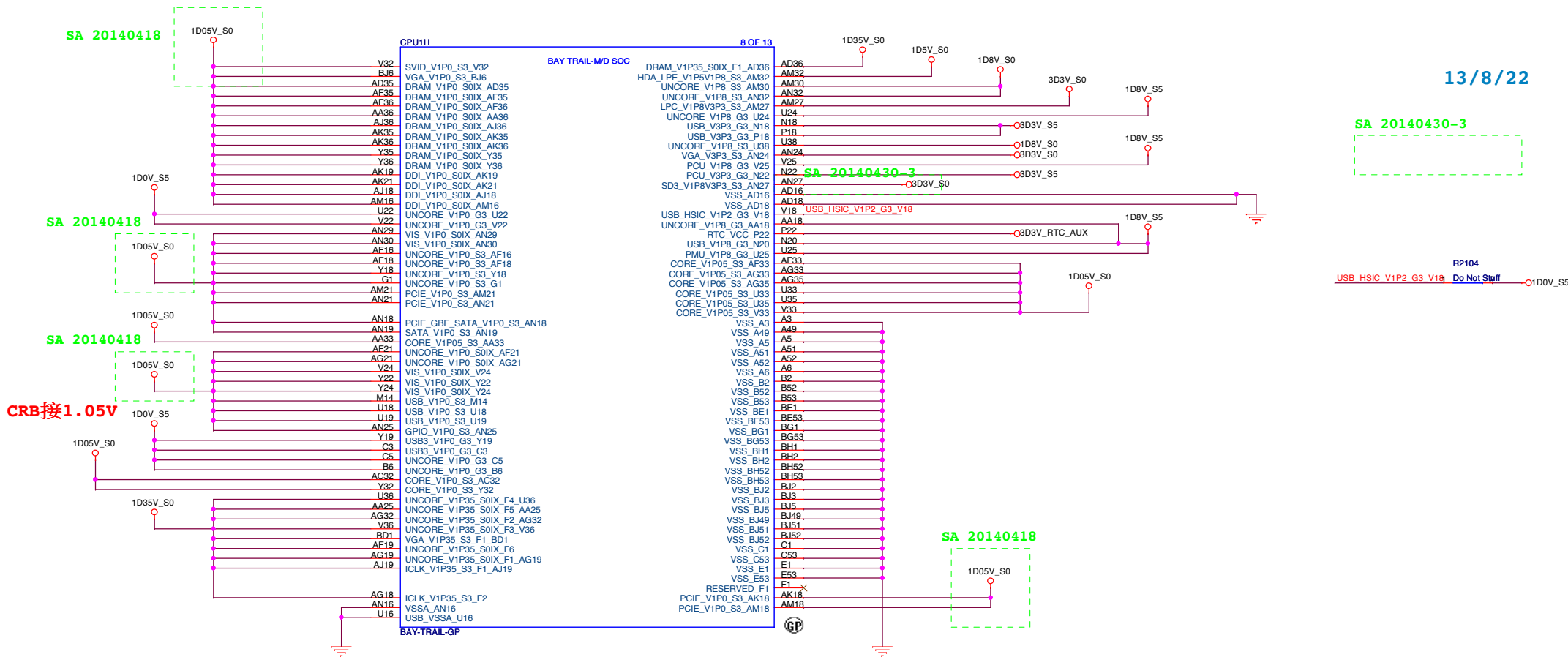
Wistron Confidential document, Anyone can not Duplicate, Modify, Forward or any other purpose application without get Wistron permission

No eMMC

緯創資通 **Wistron Corporation**
21F, 88, Sec.1, Hsin Tai Wu Rd., Hsichih, Taipei Hsien 221, Taiwan, R.O.C.

Title		
Reserved		
Size	Document Number	Rev
A4	EA30 BM	-1
Date:	Tuesday, July 08, 2014	Sheet 20 of 102

Dr-Bios.com



Wistron Confidential document, Anyone can not Duplicate, Modify, Forward or any other purpose application without get Wistron permission

No eMMC

緯創資通 Wistron Corporation	
21F, 88, Sec. 1, Hsin Tai Wu Rd., Hsichih, Taipei Hsien 221, Taiwan, R.O.C.	
Title CPU (POWER1)	
Size A3	Document Number EA30 BM
Date: Tuesday, July 08, 2014	Rev -1
Sheet 21	of 102

Dr-Bios.com

Blanking

Wistron Confidential document, Anyone can not Duplicate, Modify, Forward or any other purpose application without get Wistron permission

No eMMC

緯創資通

Wistron Corporation

21F, 88, Sec.1, Hsin Tai Wu Rd., Hsichih, Taipei Hsien 221, Taiwan, R.O.C.

Title

Reserved

Size Custom

Document Number

EA30 BM

Rev

-1

Date: Tuesday, July 08, 2014

Sheet 22 of 102

Dr-Bios.com

SSID = PCH

Blanking

Wistron Confidential document, Anyone can not Duplicate, Modify, Forward or any other purpose application without get Wistron permission

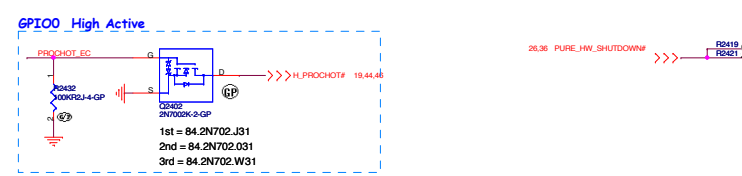
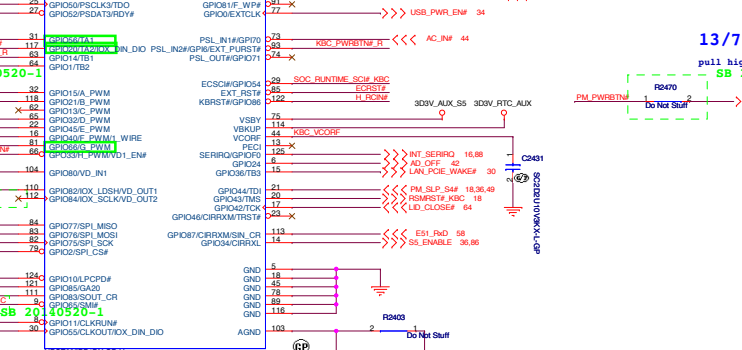
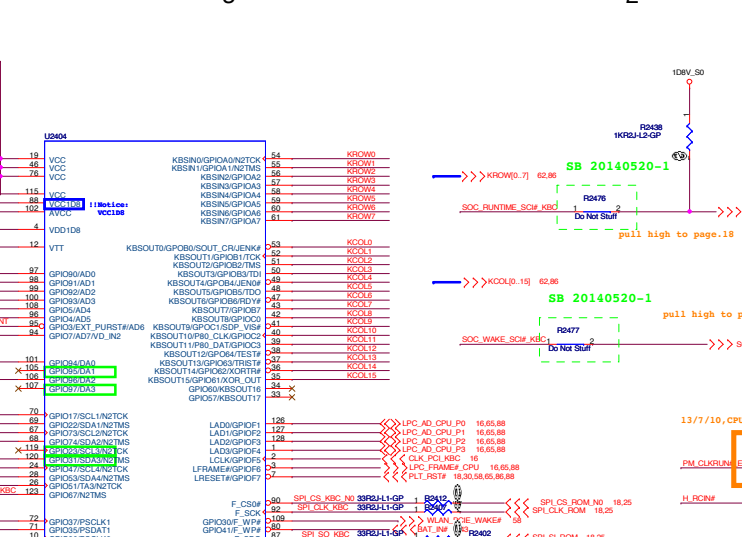
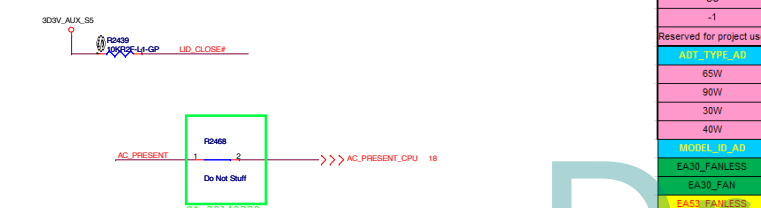
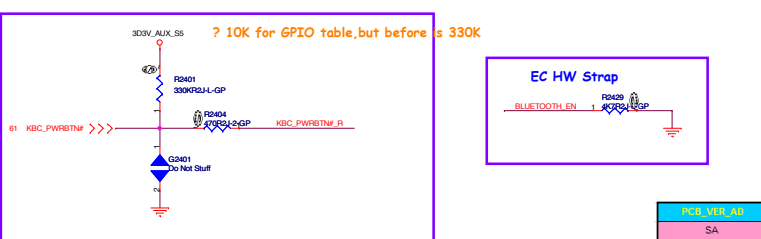
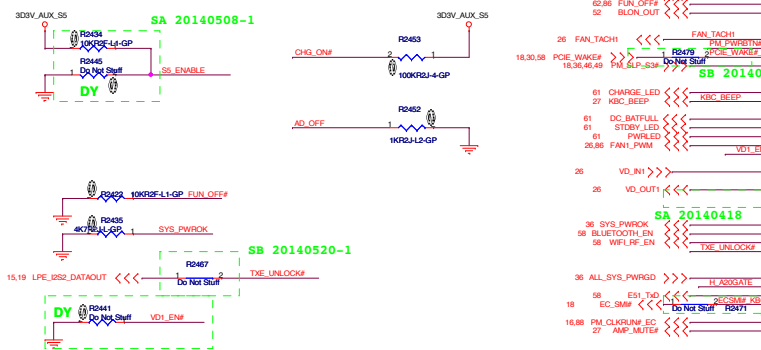
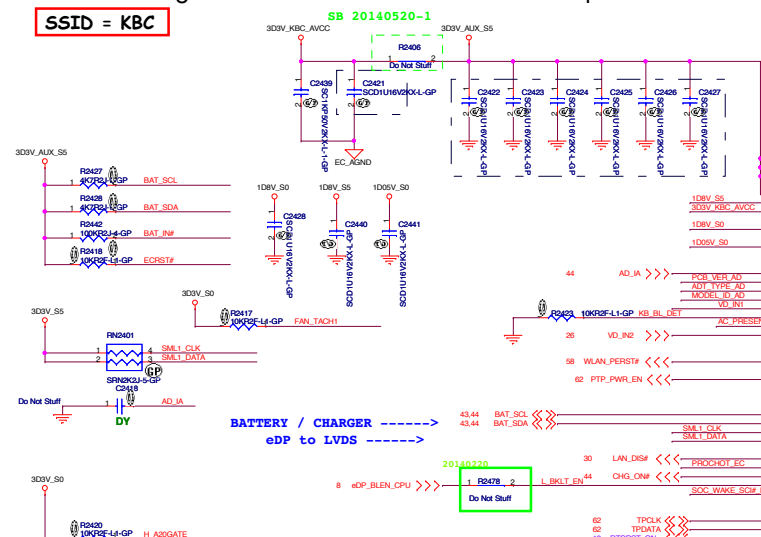
No eMMC

緯創資通 **Wistron Corporation**
21F, 88, Sec.1, Hsin Tai Wu Rd., Hsichih,
Taipei Hsien 221, Taiwan, R.O.C.

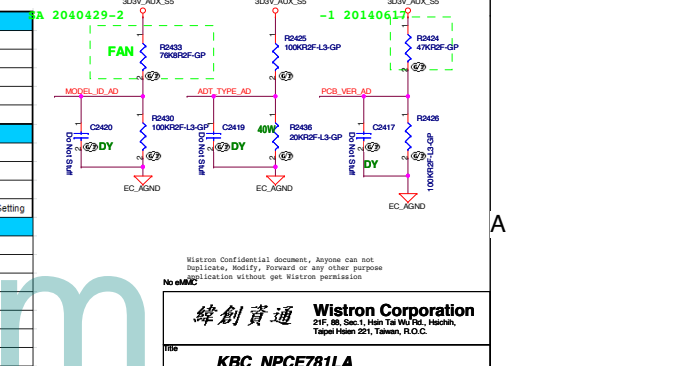
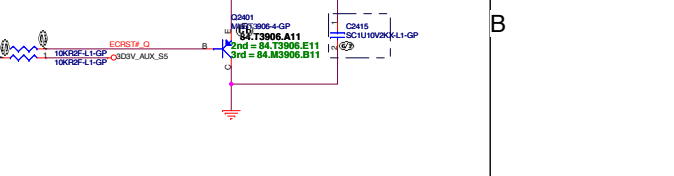
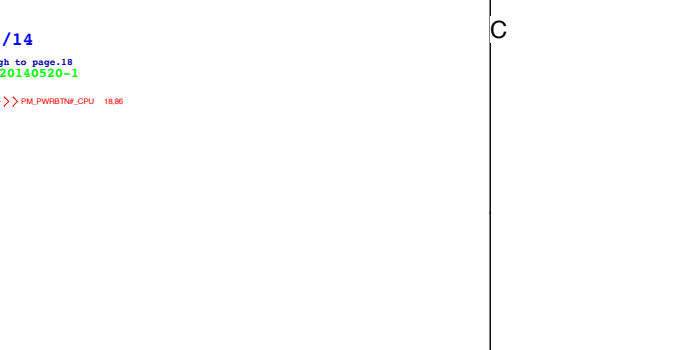
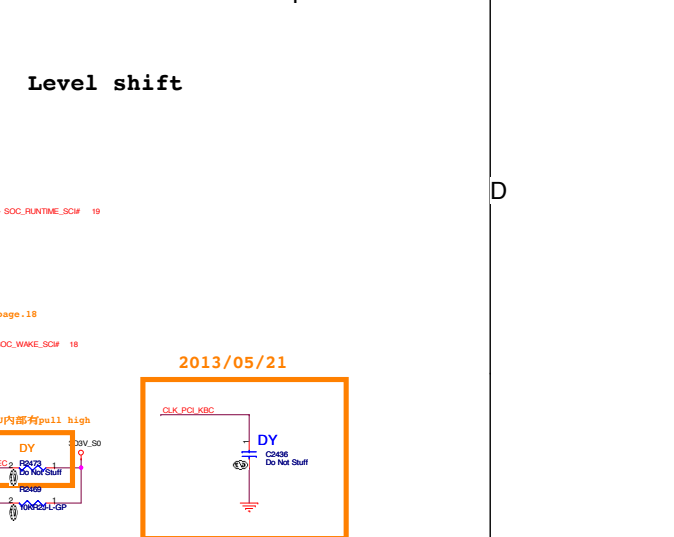
Title		
CPU (VSS)		
Size	Document Number	Rev
Custom	EA30 BM	-1
Date:	Tuesday, July 08, 2014	Sheet 23 of 102

Dr-Bios.com

SSID = KBC



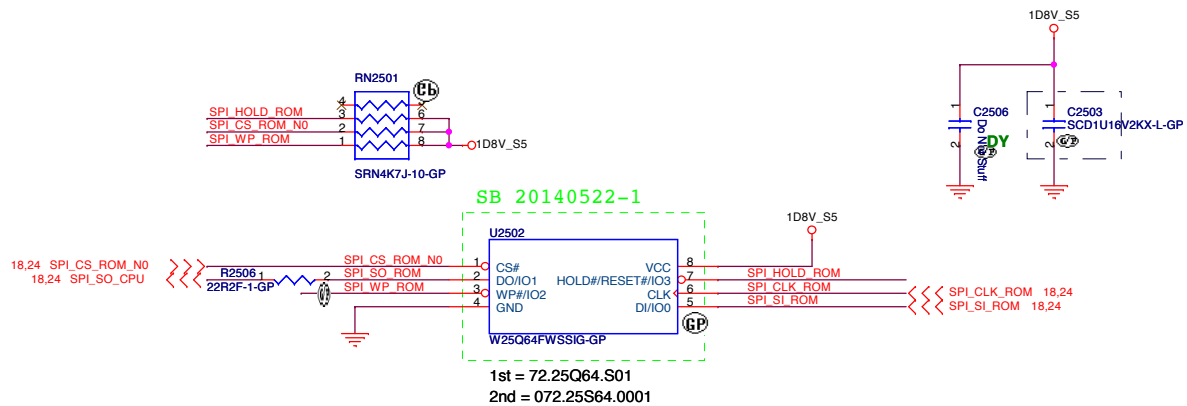
PCB_VER_AD	Pu-Low Register	Pu-High Register	Typical Voltage	Max Voltage	KBC Firmware Setting
SA	100.0 K	10.0 K	3.005 V	2.875 V	>= 2.875 V
SB	100.0 K	20.0 K	2.750 V	2.759 V	< 2.875 V
SC	100.0 K	33.0 K	2.481 V	2.4935 V	< 2.616 V
-1	100.0 K	47.0 K	2.245 V	2.2592 V	< 2.383 V
Reserved for project use	100.0 K	64.9 K	2.001 V	2.0169 V	#VALUE!
ADT_TYPE_AD	Pu-Low Register	Pu-High Register	Typical Voltage	Max Voltage	KBC Firmware Setting
65W	N/A	100.0 K	3.300 V	0.000 V	>= 3.000 V
90W	100.0 K	N/A	0.000 V	0.000 V	< 0.150 V
30W	10.0 K	100.0 K	0.300 V	0.3055 V	>= 0.150 V
40W	20.0 K	100.0 K	0.550 V	0.5592 V	>= 0.425 V
MODEL_ID_AD	Pu-Low Register	Pu-High Register	Typical Voltage	Max Voltage	KBC Firmware Setting
EA30_FANLESS	100.0 K	10.0 K	3.000 V	3.0054 V	>= 2.875 V
EA30_FAN	100.0 K	20.0 K	2.750 V	2.7591 V	< 2.875 V
EAS1_FANLESS	100.0 K	33.0 K	2.481 V	2.4935 V	< 2.616 V
EAS1_FAN	100.0 K	47.0 K	2.245 V	2.2592 V	< 2.383 V
EA30_FANLESS_EMMC	100.0 K	64.9 K	2.001 V	2.0169 V	< 2.123 V
EA30_FAN_EMMC	100.0 K	78.8 K	1.934 V	1.934 V	< 1.934 V
Reserved for project use	100.0 K	100.0 K	1.758 V	1.758 V	< 1.758 V



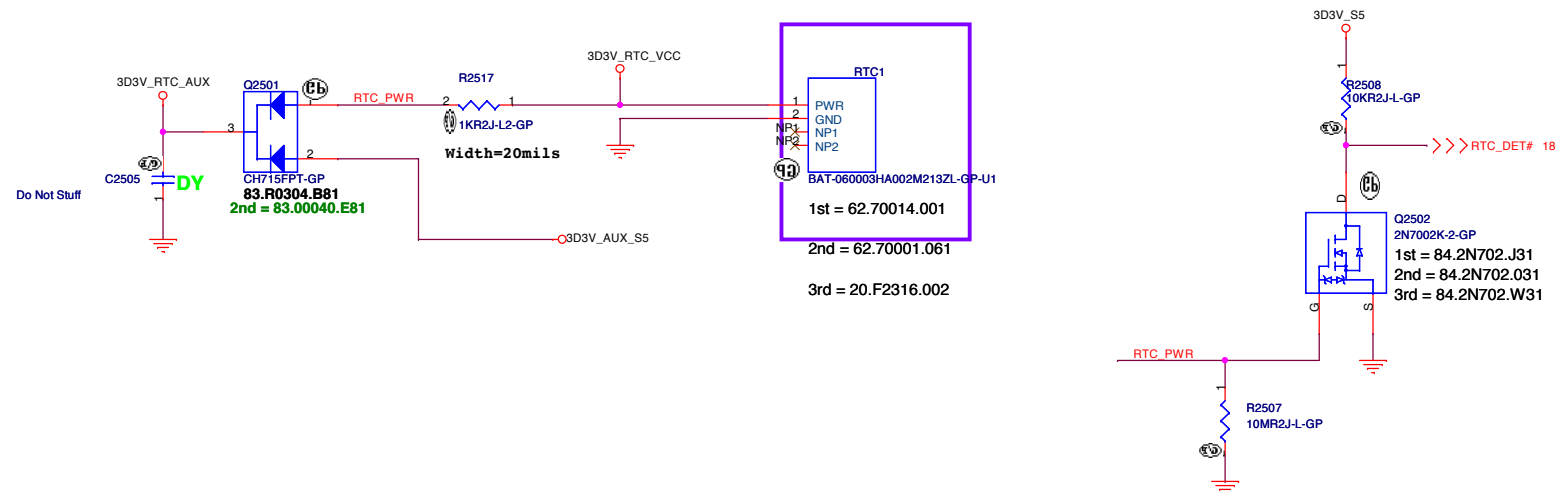
DIYBIOS.COM

SSID = Flash.ROM

SPI FLASH ROM (8M BYTE) IC: PCH



SSID = RBAT



SPI FLASH ROM (128k byte) for EC

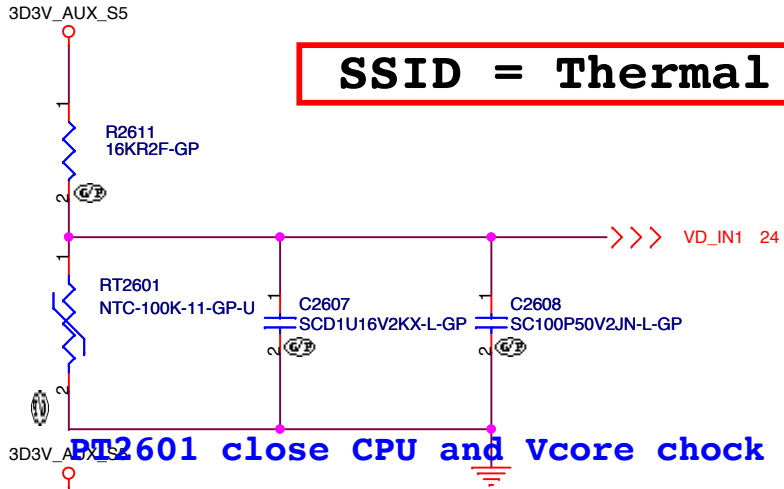
SPI ROM Equal length need to less than 500mil

Dr-Bios.com 72.25010.N01

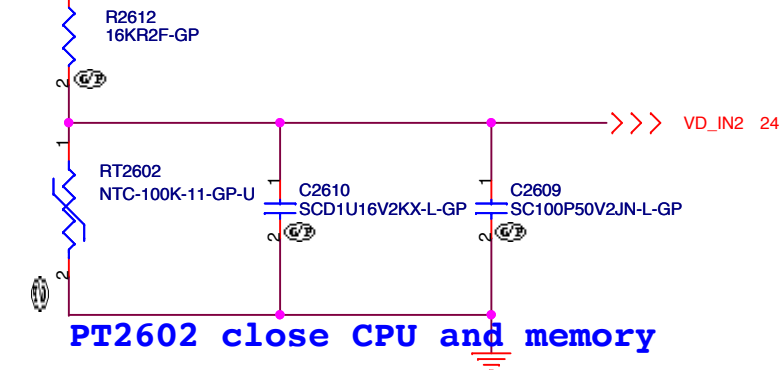
Wistron Confidential document, Anyone can not Duplicate, Modify, Forward or any other purpose application without get Wistron permission
No eMMC

<p>緯創資通 Wistron Corporation 21F, 88, Sec. 1, Hsin Tai Wu Rd., Hsichih, Taipei Hsien 221, Taiwan, R.O.C.</p>	
<p>Title: Flash(KBC+PCH)/RTC</p>	
Size A3	Document Number: EA30 BM
Date: Tuesday, July 08, 2014	Rev: -1
<p>Sheet 25 of 102</p>	

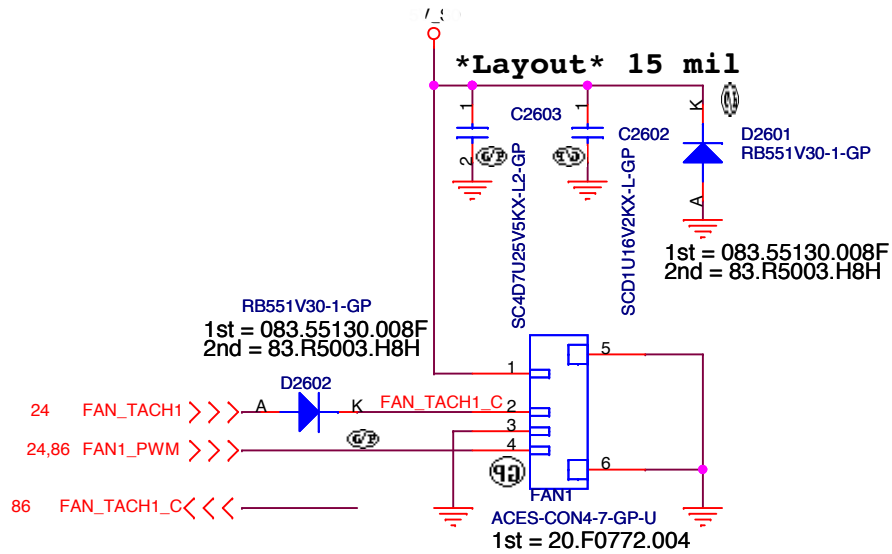
SSID = Thermal



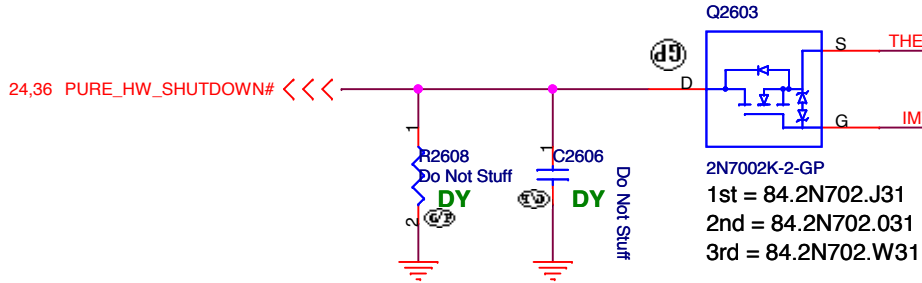
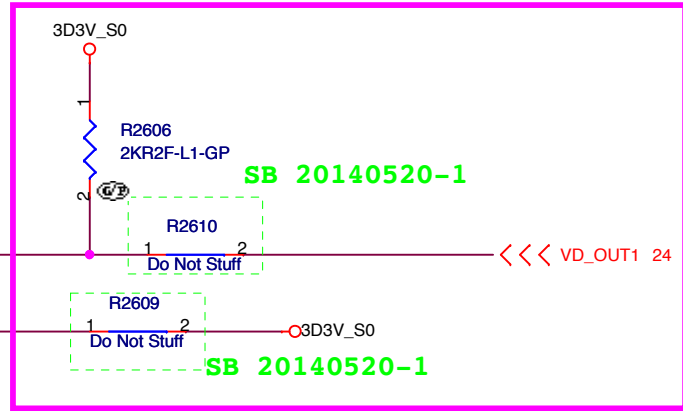
PT2601 close CPU and Vcore chock



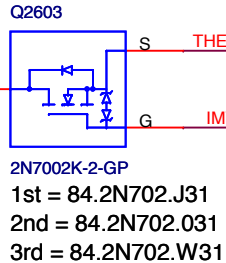
PT2602 close CPU and memory



24 FAN_TACH1 >>>
24.86 FAN1_PWM >>>
86 FAN_TACH1_C <<<



24,36 PURE_HW_SHUTDOWN# <<<



Q2603
2N7002K-2-GP
1st = 84.2N702.J31
2nd = 84.2N702.031
3rd = 84.2N702.W31

No eMMC

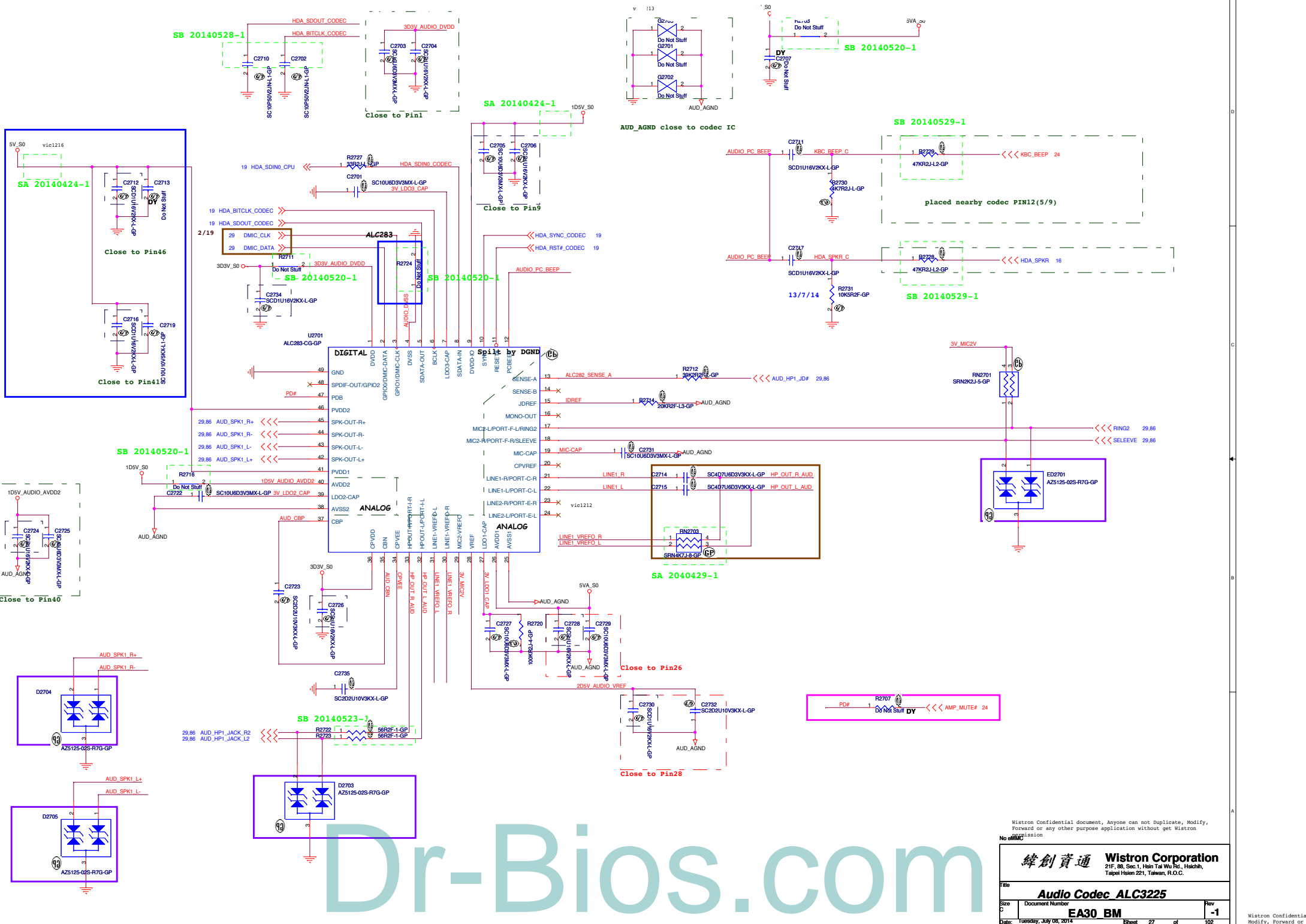
緯創資通 **Wistron Corporation**
21F, 88, Sec.1, Hsin Tai Wu Rd., Hsichih,
Taipei Hsien 221, Taiwan, R.O.C.

Title: **G788P81/Fan Controller P2793**

Size: A4 Document Number: **EA30 BM** Rev: **-1**

Date: Tuesday, July 08, 2014 Sheet 26 of 102

Dr-Bios.com



Dr-Bios.com

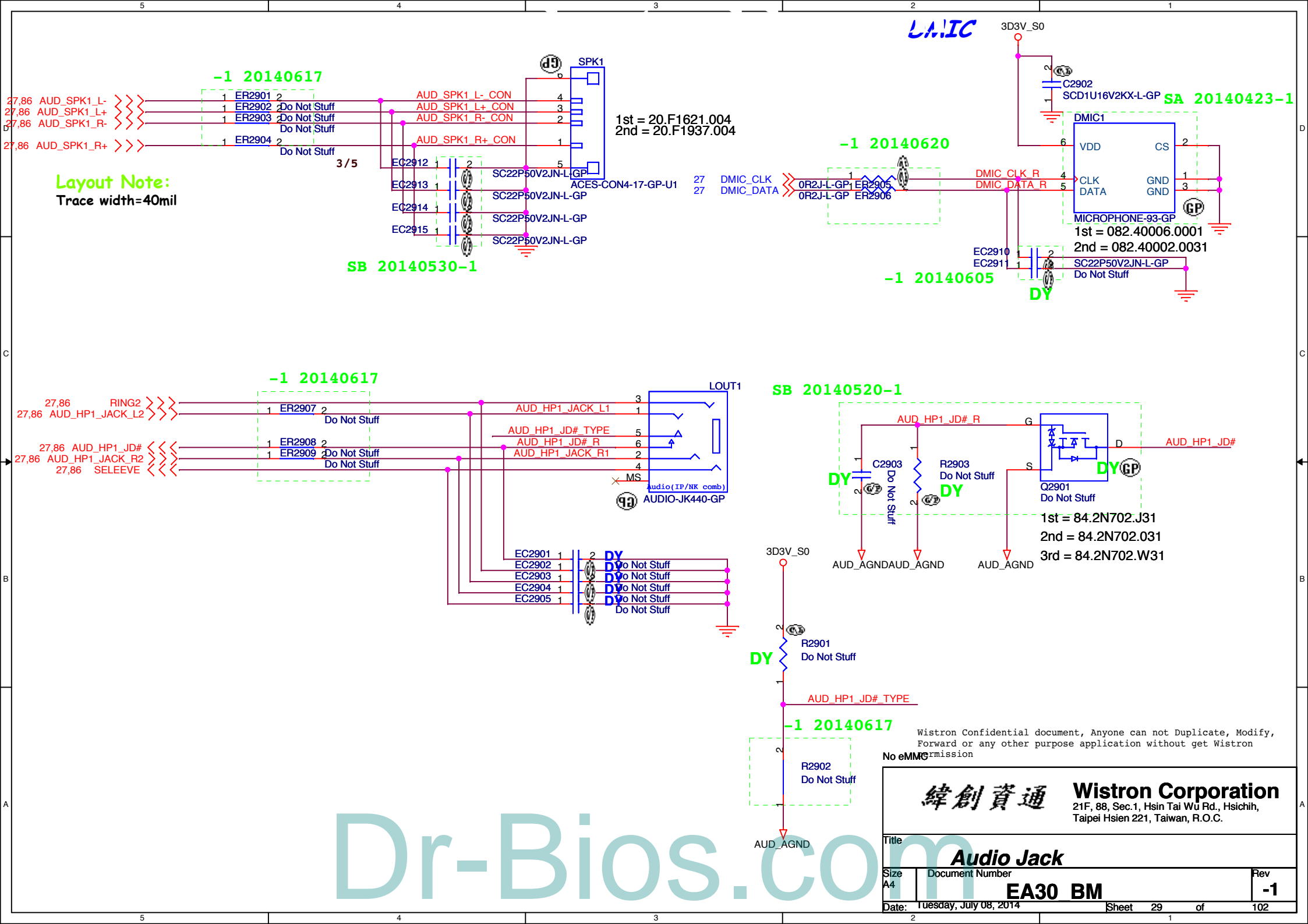
Wistron Confidential document, Anyone can not
 Duplicate, Modify, Forward or any other purpose
 No duplication without get Wistron permission

	Wistron Corporation 21F, 88, Sec.1, Hsin Tai Wu Rd., Hsichih, Taipei Hsien 221, Taiwan, R.O.C.
---	---

Title **Audio AMP 1001**

Size A4	Document Number EA30 BM	Rev -1
------------	-----------------------------------	------------------

Dr-Bios.com



Layout Note:
Trace width=40mil

-1 20140617

1st = 20.F1621.004
2nd = 20.F1937.004

LA.I.C

-1 20140620

-1 20140605

SB 20140530-1

SB 20140520-1

-1 20140617

-1 20140617

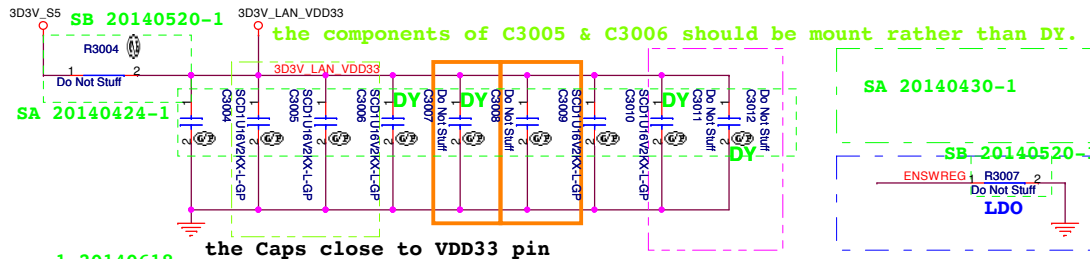
Wistron Confidential document, Anyone can not Duplicate, Modify, Forward or any other purpose application without get Wistron permission

No eMMC permission

緯創資通 **Wistron Corporation**
21F, 88, Sec.1, Hsin Tai Wu Rd., Hsichih, Taipei Hsien 221, Taiwan, R.O.C.

Title Audio Jack		
Size A4	Document Number EA30 BM	Rev -1
Date: Tuesday, July 08, 2014	Sheet 29 of 102	

Dr-Bios.com



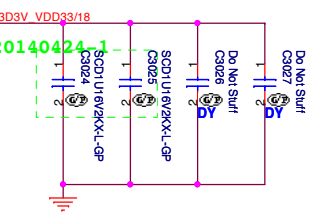
-1 20140618

the Caps close to VDD33 pin

Close to VDDREG pin

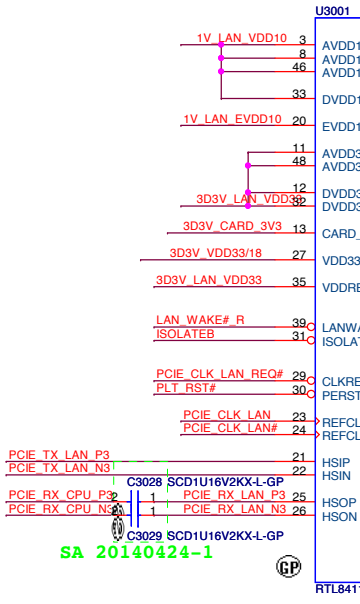
SP5	2	ER3014	1	<<>>	SD_DATA1	33,86
SP6	2	ER3022	1	<<>>	SD_DATA0	33,86
SP7	2	ER3021	1	<<>>	SD_CLK	33,86
SP8	2	ER3024	1	<<>>	SD_CMD	33,86
SP9	2	ER3023	1	<<>>	SD_DATA3	33,86
SP10	2	ER3025	1	<<>>	SD_DATA2	33,86
				<<>>	SD_WP	33
				<<>>	SD_CD#	33,86

SP1	SD_D7	XD_RDY
SP2	SD_D6	XD_RE#
SP3	SD_D5	XD_CE#
SP4	SD_D4	XD_WE#
SP5	SD_D1	MS_CLK
SP6	SD_D0	MS_D7
SP7	SD_CLK	MS_D3
SP8	SD_CMD	MS_D6
SP9	SD_D3	MS_D2
SP10	SD_D2	MS_D1
SP11	MS_BS	XD_CLE
SP12	SD_WP	XD_WP#
SP13	SD_CD#	MS_D5
SP14	MS_D4	XD_D0
SP15	MS_D0	XD_D1
SP16		XD_CD#

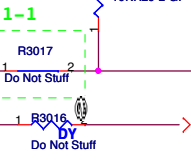
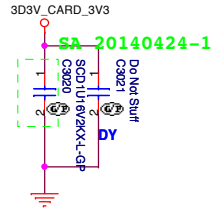


PCIE_CLK_LAN_REQ#	>>>	PCIE_CLK_LAN_REQ#	19
PCIE_CLK_LAN	<<<	PCIE_CLK_LAN	18
PCIE_CLK_LAN#	<<<	PCIE_CLK_LAN#	18
PLT_RST#	<<<	PLT_RST#	18,24,58,65,86,88

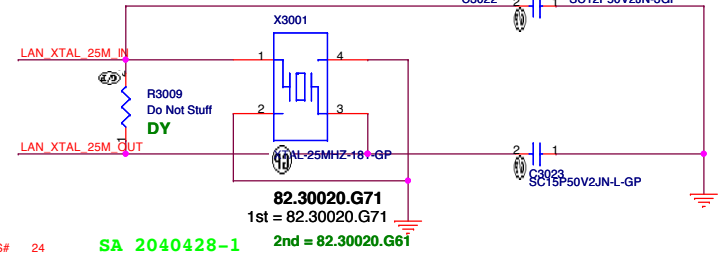
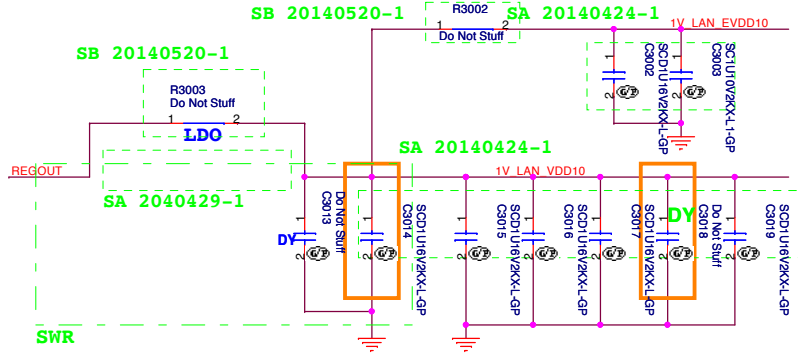
PCIE_TX_LAN_P3	>>>	PCIE_TX_LAN_P3	19
PCIE_TX_LAN_N3	>>>	PCIE_TX_LAN_N3	19
PCIE_RX_CPU_P3	>>>	PCIE_RX_CPU_P3	19
PCIE_RX_CPU_N3	>>>	PCIE_RX_CPU_N3	19



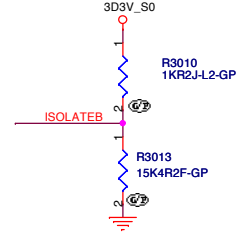
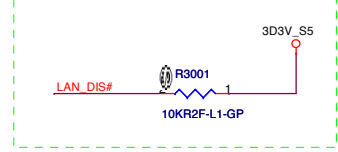
1st = 071.8411B.0003



Wistron Confidential document, Anyone can not Duplicate, Modify, Forward or any other purpose application without get Wistron permission



1st = 82.30020.G71
2nd = 82.30020.G61



No eMMC

緯創資通 Wistron Corporation
21F, 88, Sec.1, Hsin Tai Wu Rd., Hsichih, Taipei Hsien 221, Taiwan, R.O.C.

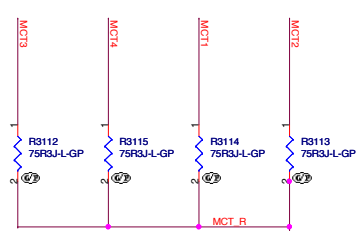
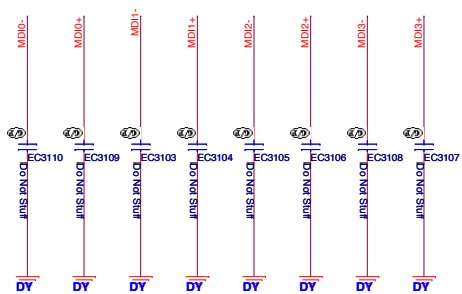
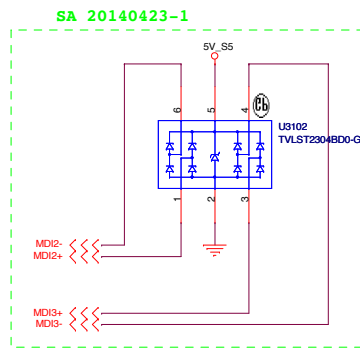
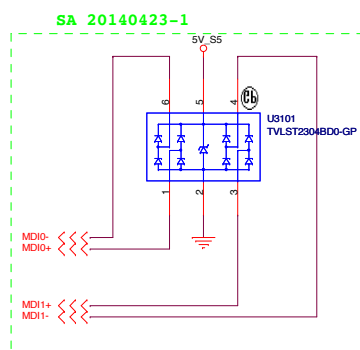
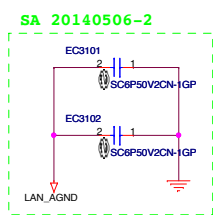
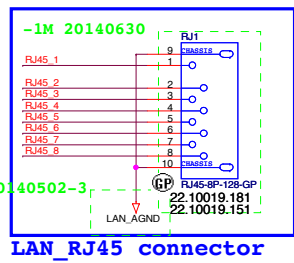
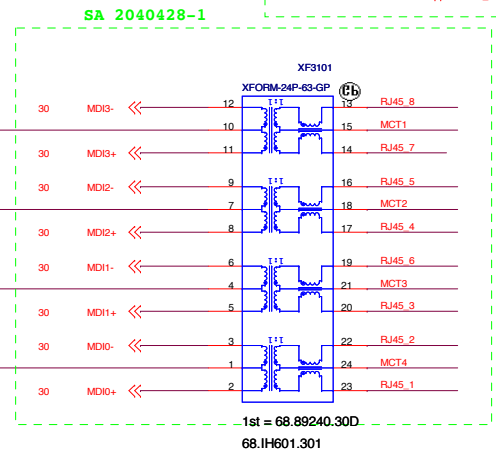
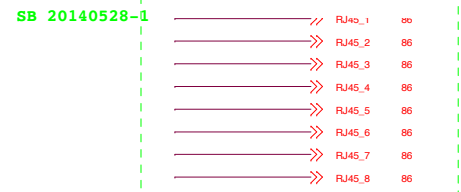
Title: **LAN(RTL8411)**

Size A3 Document Number: **EA30 BM** Rev: **-1**

Date: Tuesday, July 08, 2014 Sheet 30 of 102

Dr-Bios.com

SSID = LAN



No eMMC

緯創資通 Wistron Corporation 21F, 88, Sec.1, Hsin Tai Wu Rd., Hsichih, Taipei Hsien 221, Taiwan, R.O.C.	
(LAN+VGA) CONNECTOR	
Title	Rev
Size	-1
Custom	EA30 BM
Date: 1/20/2014	Sheet 31 of 102

Dr-Bios.com

D

D

C

C

B

B

A

A

Wistron Confidential document, Anyone can not Duplicate, Modify, Forward or any other purpose application without get Wistron permission

No eMMC

緯創資通		Wistron Corporation	
		21F, 88, Sec.1, Hsin Tai Wu Rd., Hsichih, Taipei Hsien 221, Taiwan, R.O.C.	
Title			
RTS5229(CARD READER)			
Size	Document Number		Rev
A4	EA30 BM		-1
Date:	Tuesday, July 08, 2014	Sheet 32 of	102

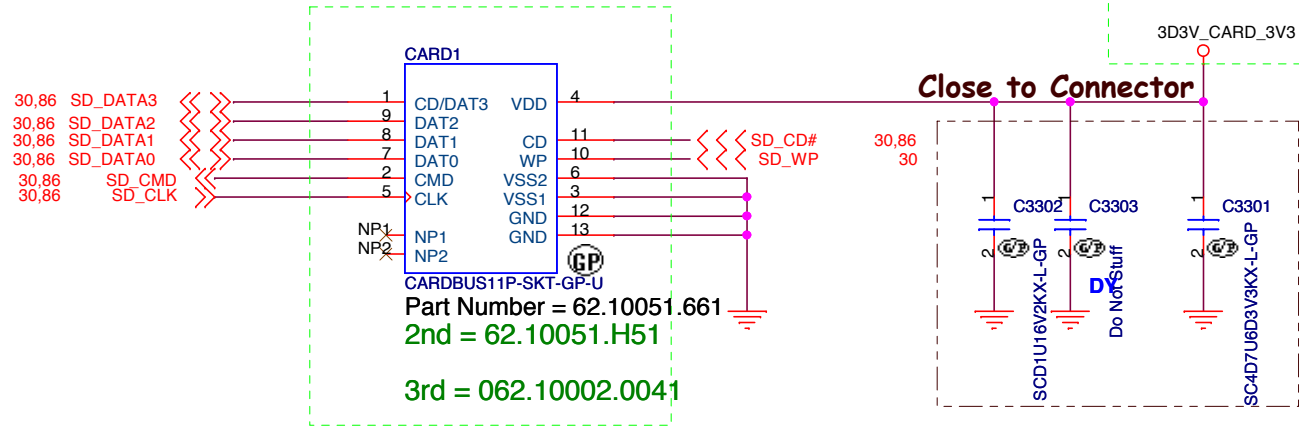
Dr-Bios.com

SSID = SDIO

SD//MS Card Reader

-1 20140605

SA 20140505-1



Wistron Confidential document, Anyone can not Duplicate, Modify, Forward or any other purpose application without get Wistron permission

No eMMC

緯創資通

Wistron Corporation
21F, 88, Sec.1, Hsin Tai Wu Rd., Hsichih,
Taipei Hsien 221, Taiwan, R.O.C.

Title

CARD Reader CONN

Size Custom

Document Number

EA30 BM

Rev

-1

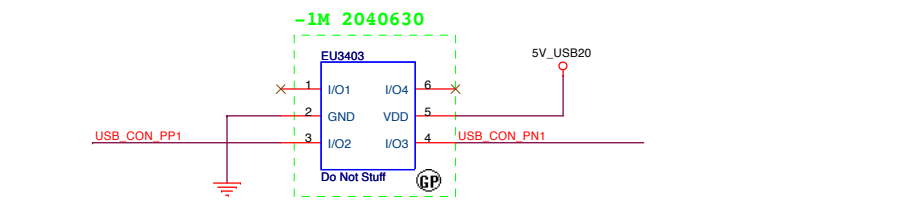
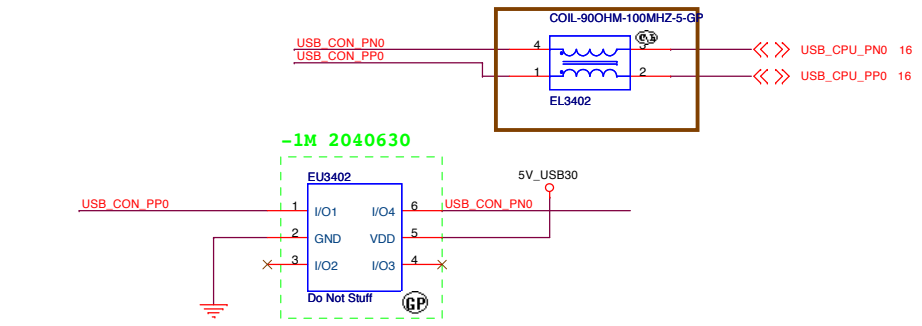
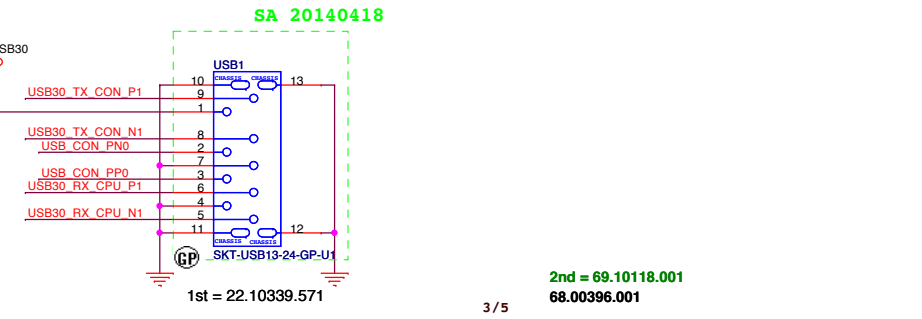
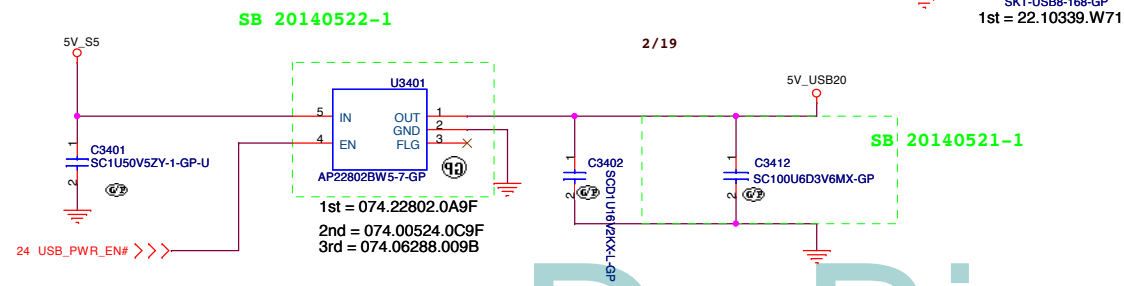
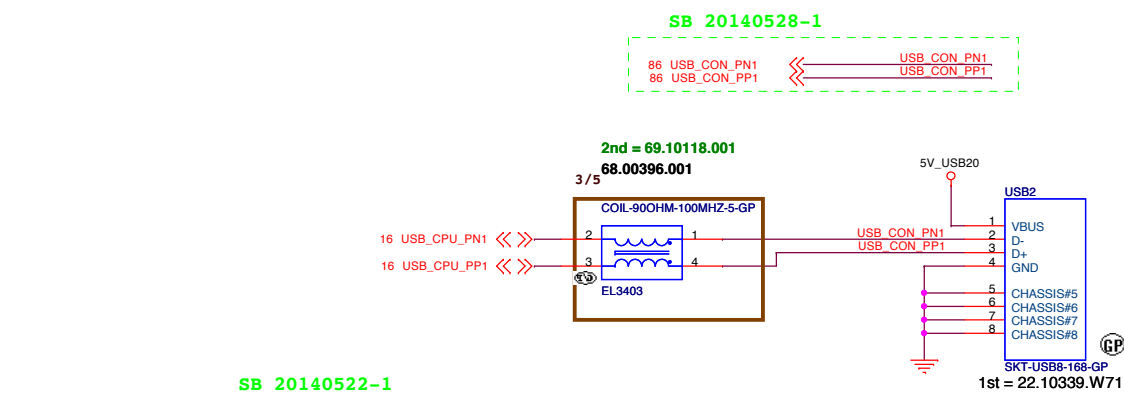
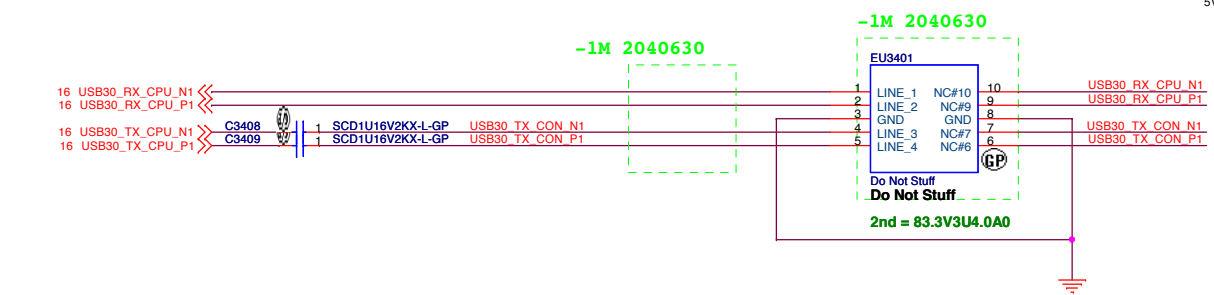
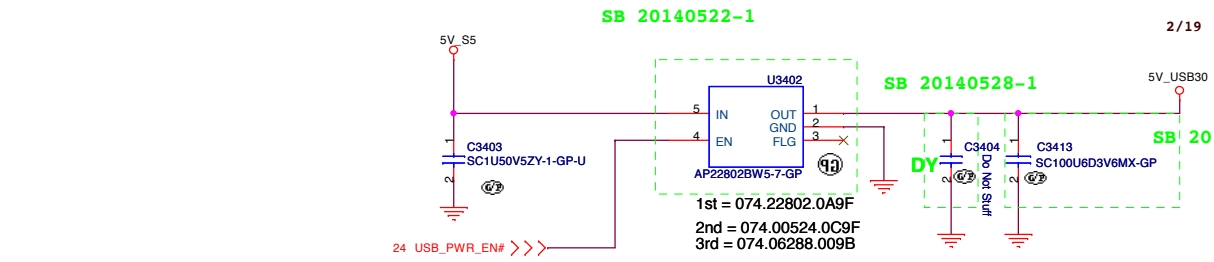
Date: Tuesday, July 08, 2014

Sheet 33 of 102

Dr-Bios.com

USB 3.0 Connector Pin definition

1	POWER
2	USB 2.0 D-
3	USB 2.0 D+
4	GND
5	StdA_SSRX- SuperSpeed RX
6	StdA_SSRX+
7	GND
8	StdA_SSTX- SuperSpeed TX
9	StdA_SSTX+



Dr-Bios.com

No eMMC

緯創資通 Wistron Corporation
21F, 88, Sec.1, Hsin Tai Wu Rd., Hsichih,
Taippei Hsien 221, Taiwan, R.O.C.

Title: **USB 2.0 / 3.0 Port**

Size A3	Document Number	Rev
	EA30 BM	-1
Date: Tuesday, July 08, 2014	Sheet 34	of 102

Dr-Bios.com

No eMMC

緯創資通		Wistron Corporation	
		21F, 88, Sec. 1, Hsin Tai Wu Rd., Hsichih, Taipei Hsien 221, Taiwan, R.O.C.	
Title			
USB CHARGER			
Size	Document Number		Rev
A3	EA30 BM		-1
Date:	Tuesday, July 08, 2014	Sheet	35 of 102

Power Sequence

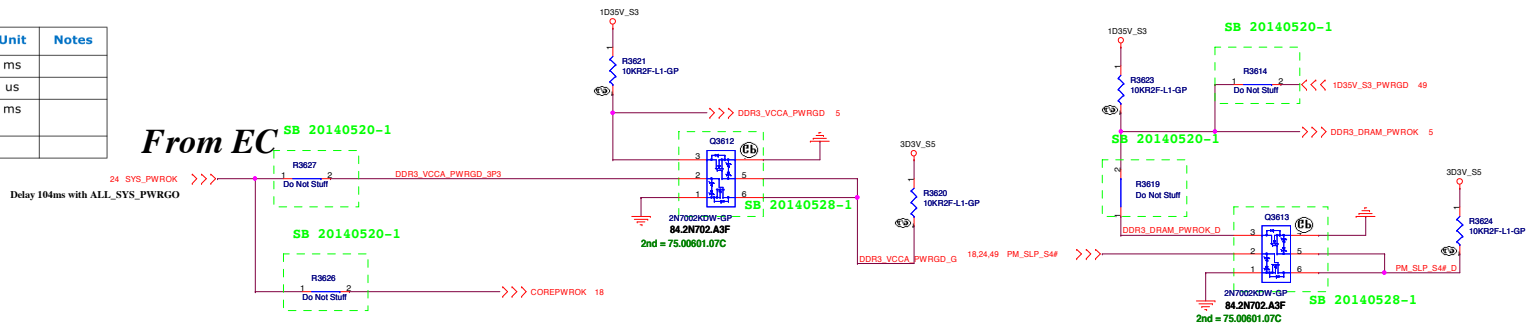
Table 55. S4/S5 to S0 (Power Up) Sequence

Parameter		Min	Max	Unit	Notes
T0	RTC_VCC to ILB_RTC_TEST# de-assertion	9		ms	
T1	V3P3A valid to PMC_RSMRST# de-assertion	10		us	
T2	Core well stable to DRAM_CORE_PWROK and PMC_CORE_PWROK assertion	100		ms	
T3					

DDR3_VCCA_PWRGD

DDR3_DRAM_PWROK

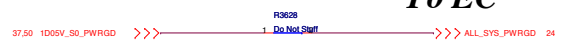
From EC SB 20140520-1



ALL_SYS_PWRGD

COREPWROK

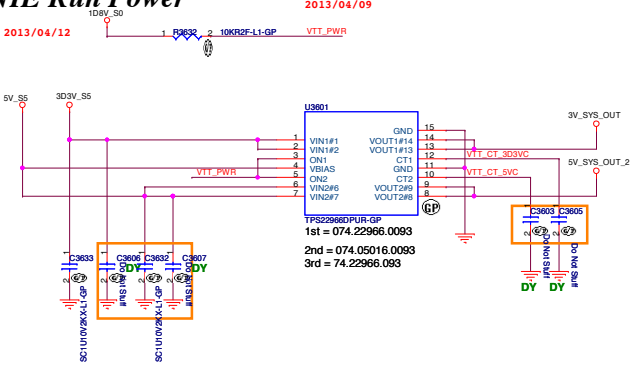
13/8/22 To EC



ANNIE Run Power

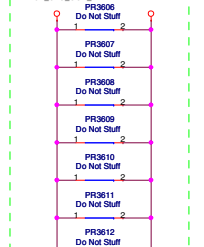
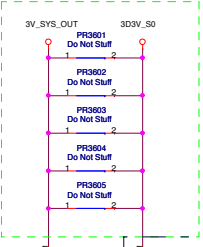
13/9/18

2013/04/09

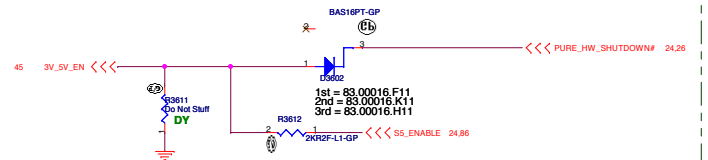
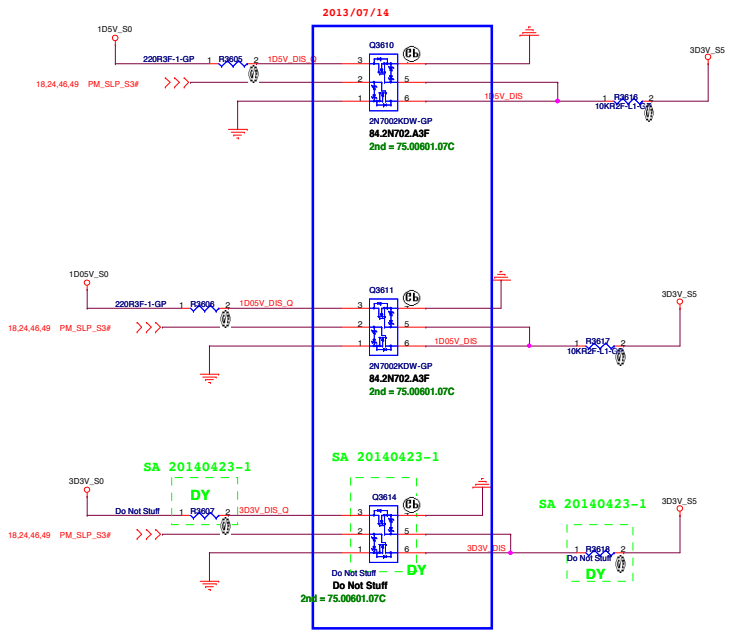


SB 20140520-1

SB 20140520-1

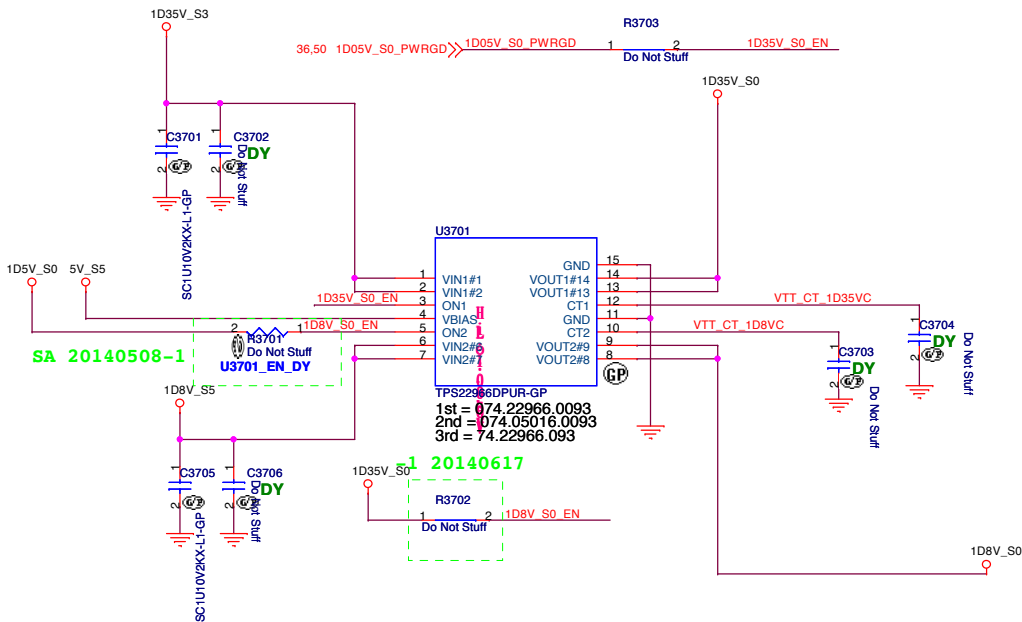


Discharge circuit



Dr-Bios.com

1D35V_S0 1D8V_S0



Wistron Confidential document, Anyone can not Duplicate, Modify, Forward or any other purpose application without get Wistron permission

No eMMC

緯創資通 Wistron Corporation
21F, 88, Sec. 1, Hsin Tai Wu Rd., Hsichih, Taipei Hsien 221, Taiwan, R.O.C.

Title ADAPTER OCP / S3 reduction		
Size A3	Document Number EA30 BM	Rev -1
Date: Tuesday, July 08, 2014	Sheet 37	of 102

Dr-Bios.com

5

4

3

2

1

D

D

C

C

B

B

A

A

Wistron Confidential document, Anyone can not Duplicate, Modify, Forward or any other purpose application without get Wistron permission

No eMMC

緯創資通

Wistron Corporation

21F, 88, Sec.1, Hsin Tai Wu Rd., Hsichih, Taipei Hsien 221, Taiwan, R.O.C.

Title			DS3
Size	Document Number	Rev	
A4	EA30 BM	-1	
Date:	Tuesday, July 08, 2014	Sheet 38 of	102

Dr-Bios.com

5

4

3

2

1

Power Sequence

Dr-Bios.com

Wistron Confidential document, Anyone can not Duplicate, Modify, Forward or any other purpose application without get Wistron permission

No eMMC

緯創資通		Wistron Corporation	
21F, 88, Sec.1, Hsin Tai Wu Rd., Hsinchu, Taipei Hsien 221, Taiwan, R.O.C.		21F, 88, Sec.1, Hsin Tai Wu Rd., Hsinchu, Taipei Hsien 221, Taiwan, R.O.C.	
Title 1D05 M			
Size Custom	Document Number EA30 BM	Rev -1	
Date: Tuesday, July 08, 2014	Sheet 39	of 102	

Wistron Confidential document, Anyone can not
 Duplicate, Modify, Forward or any other purpose
 application without get Wistron permission
 No eMMC

緯創資通

Wistron Corporation

21F, 88, Sec.1, Hsin Tai Wu Rd., Hsichih,
 Taipei Hsien 221, Taiwan, R.O.C.

Title		
Connected Standby1		
Size	Document Number	Rev
A	EA30 BM	-1
Date:	Tuesday, July 08, 2014	Sheet 40 of 102

Dr-Bios.com

Wistron Confidential document, Anyone can not
 Duplicate, Modify, Forward or any other purpose
 application without get Wistron permission
 No eMMC

緯創資通

Wistron Corporation

21F, 88, Sec.1, Hsin Tai Wu Rd., Hsichih,
 Taipei Hsien 221, Taiwan, R.O.C.

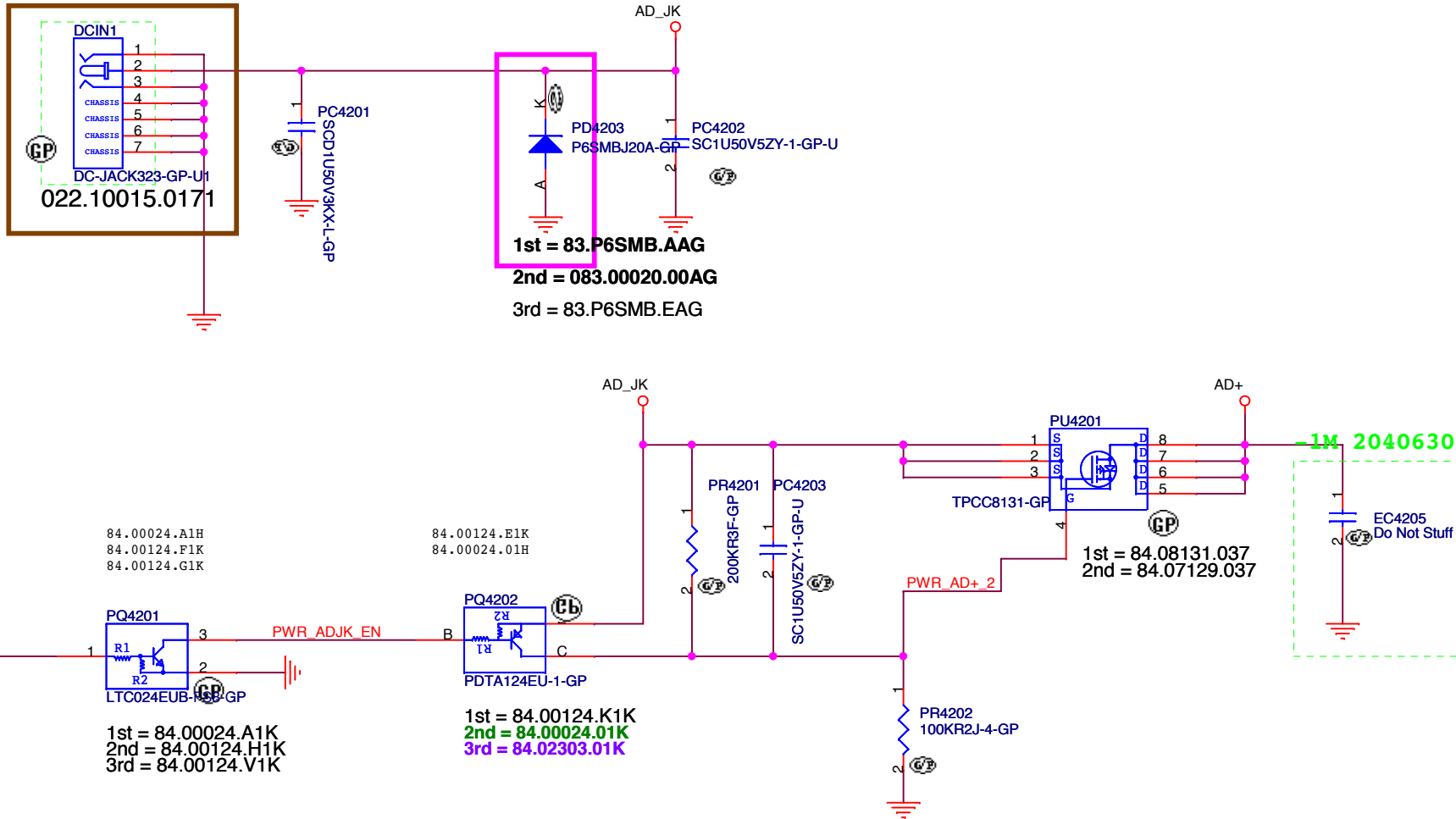
Title		
Connected Standby2		
Size	Document Number	Rev
A	EA30 BM	-1
Date:	Tuesday, July 08, 2014	Sheet 41 of 102

Dr-Bios.com

ANNIE solution

Adaptor in to generate DCBATOUT

3/4 SA 20140418

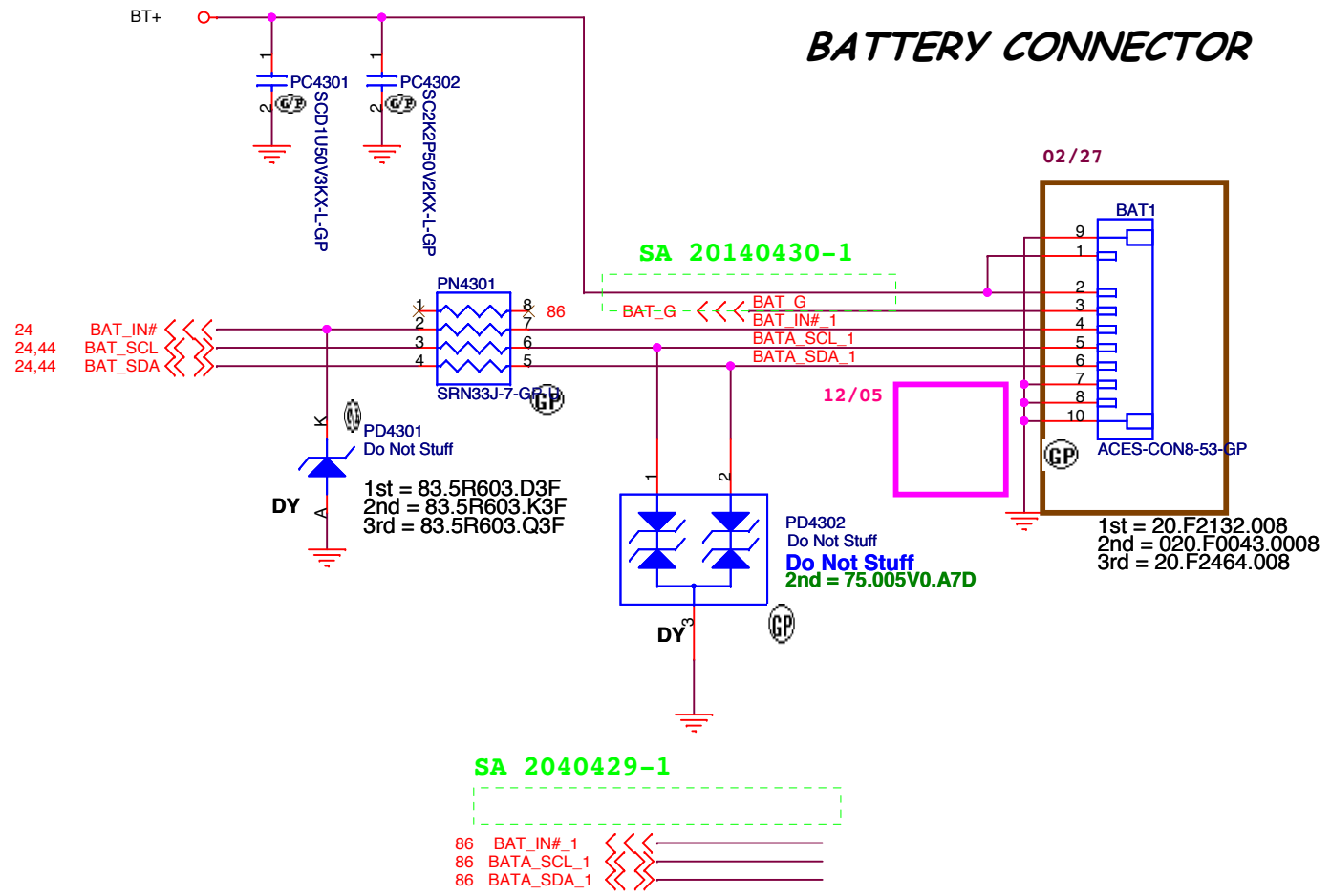
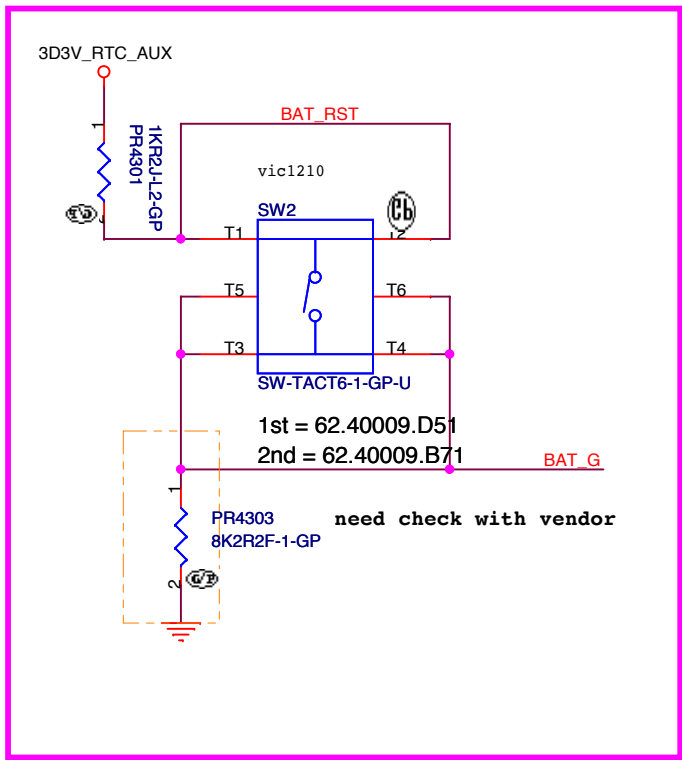


DC IN connector

Wistron Confidential document, Anyone can not Duplicate, Modify, Forward or any other purpose application without get Wistron permission

緯創資通		Wistron Corporation	
		21F, 88, Sec.1, Hsin Tai Wu Rd., Hsichih, Taipei Hsien 221, Taiwan, R.O.C.	
Title DCIN JACK			
Size A4	Document Number EA30 BM	Rev -1	
Date: Tuesday, July 08, 2014		Sheet 42	of 102

Dr-Bios.com



BATTERY CONNECTOR

Wistron Confidential document, Anyone can not Duplicate, Modify, Forward or any other purpose application without get Wistron permission

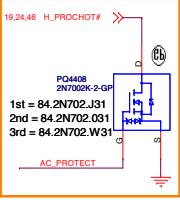
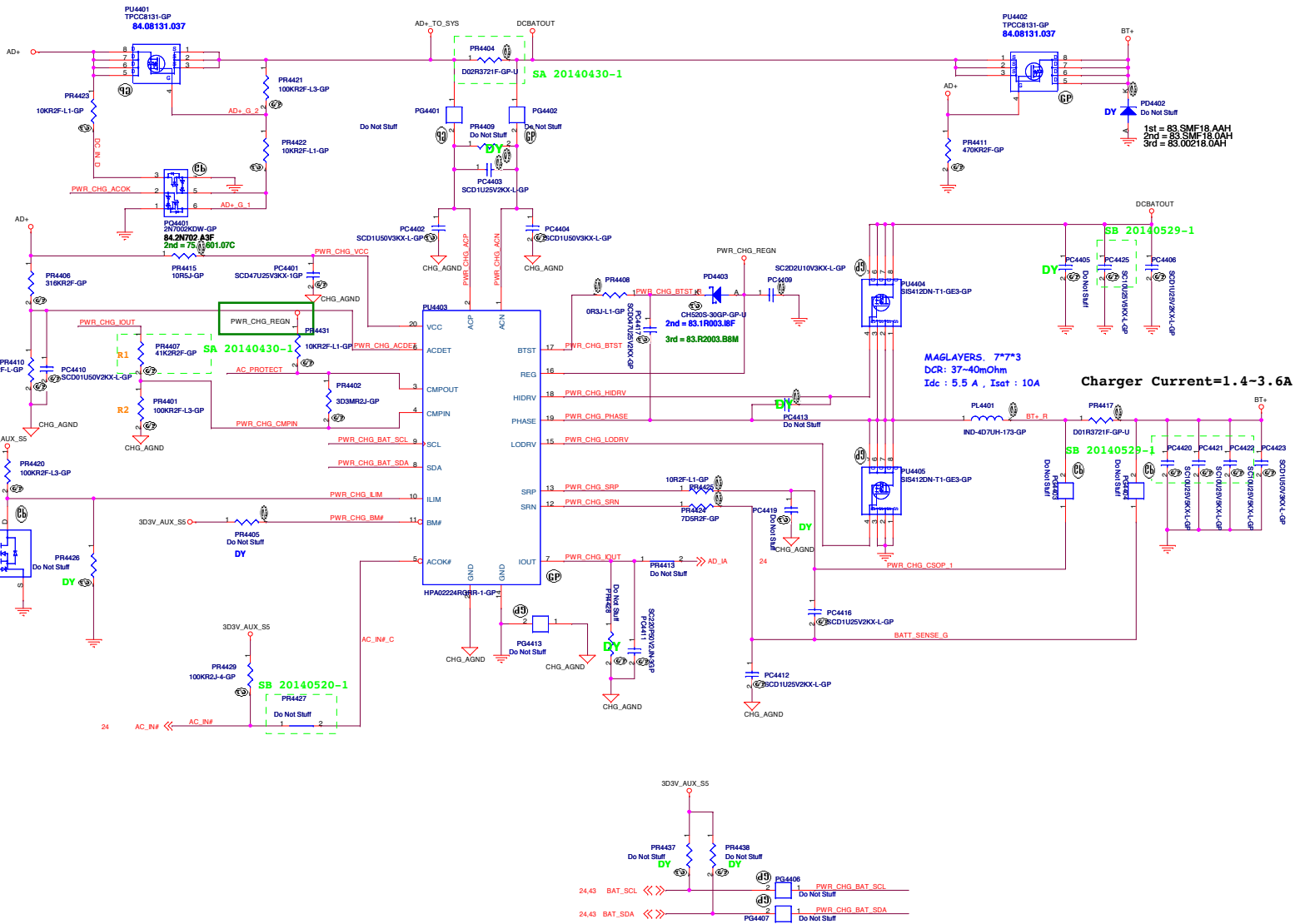
No eMMC

緯創資通		Wistron Corporation	
		21F, 88, Sec.1, Hsin Tai Wu Rd., Hsichih, Taipei Hsien 221, Taiwan, R.O.C.	
Title			
BATT CONN			
Size A4	Document Number EA30 BM	Rev -1	
Date: Tuesday, July 08, 2014			
Sheet		43	of 102

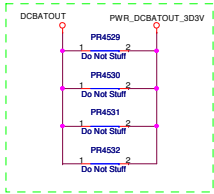
Dr-Bios.com

SSID = Charger

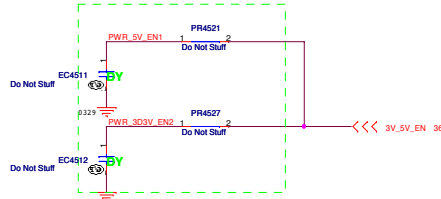
AD+ total power	R1	R2
40W	41.2K	100K



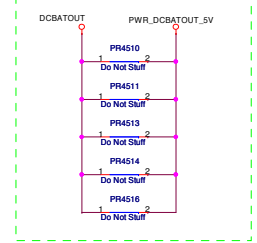
SB 20140520-1



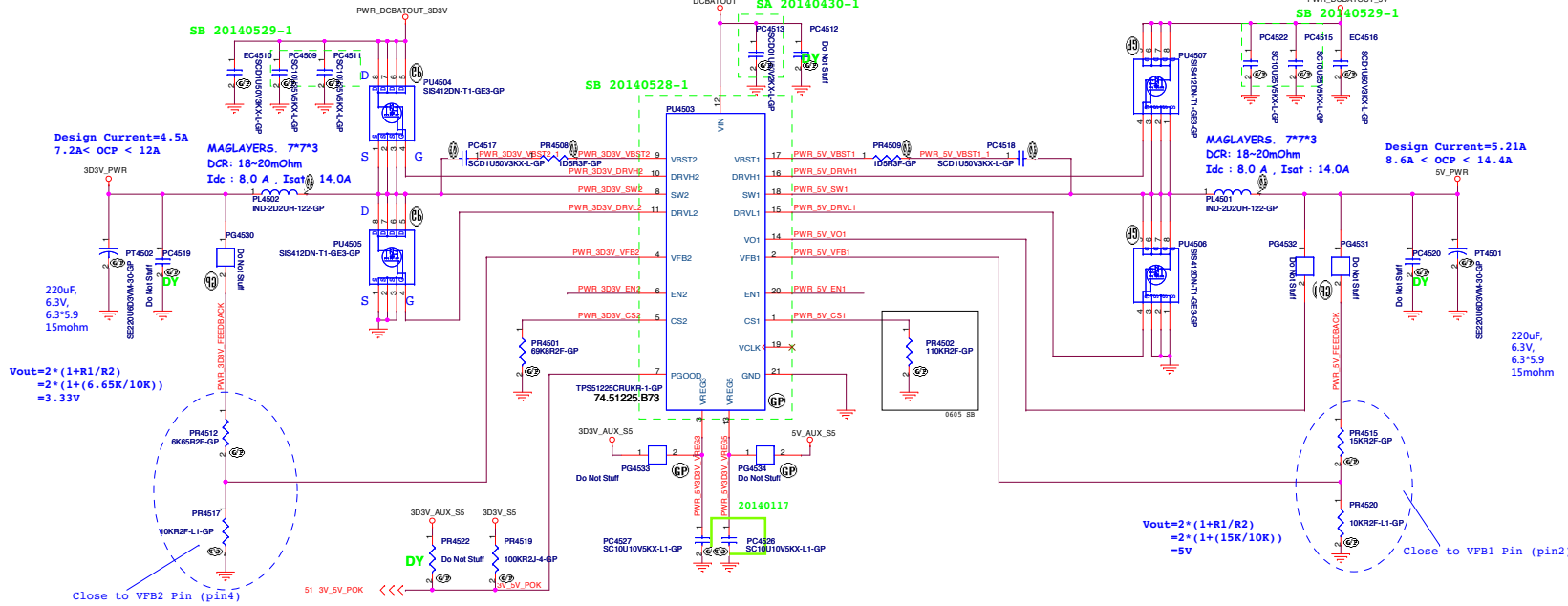
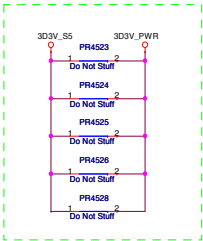
-1 20140617



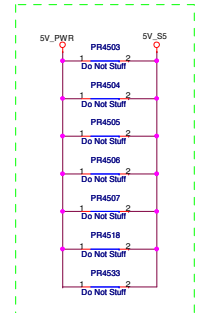
SB 20140520-1

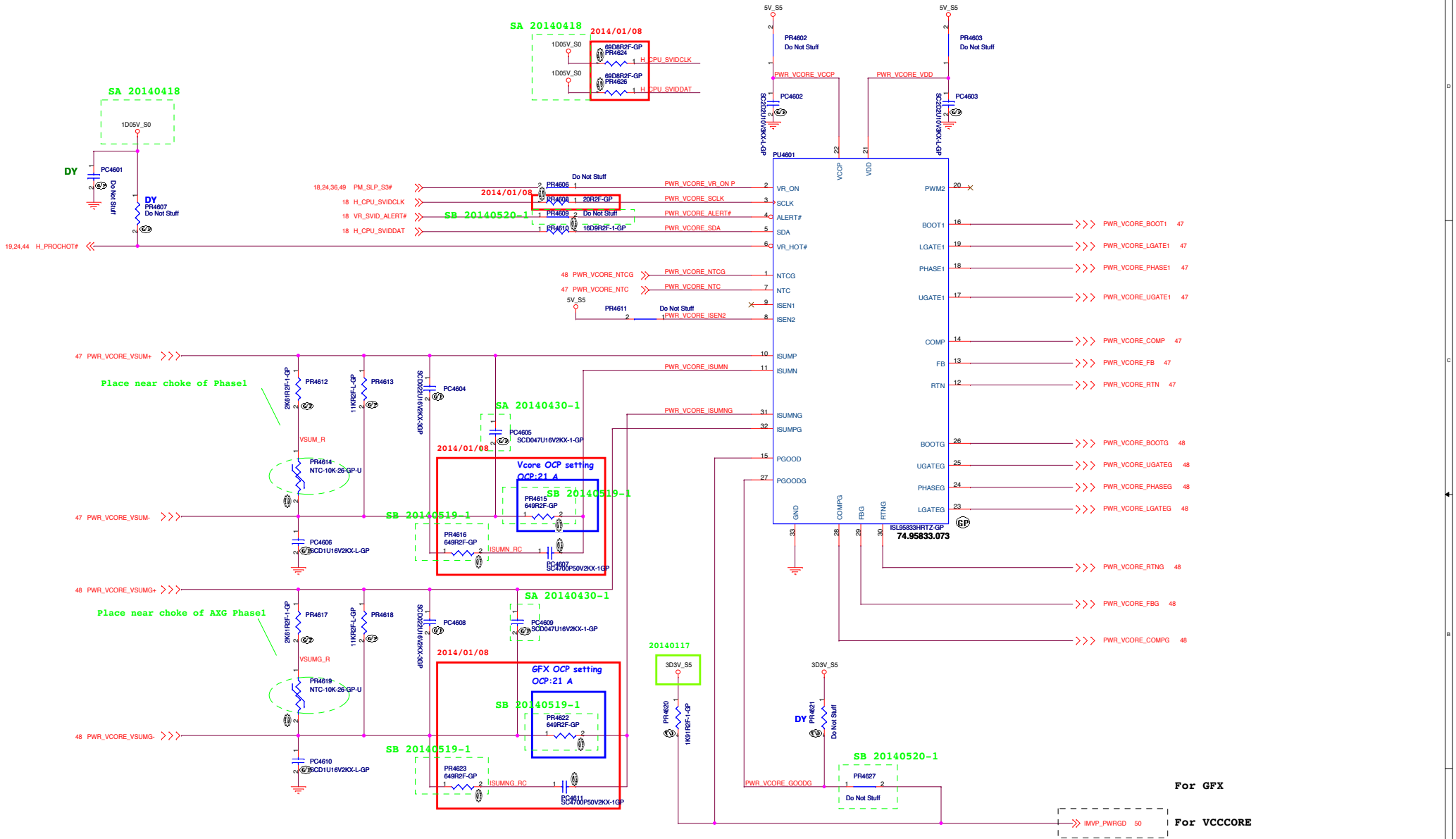


SB 20140520-1

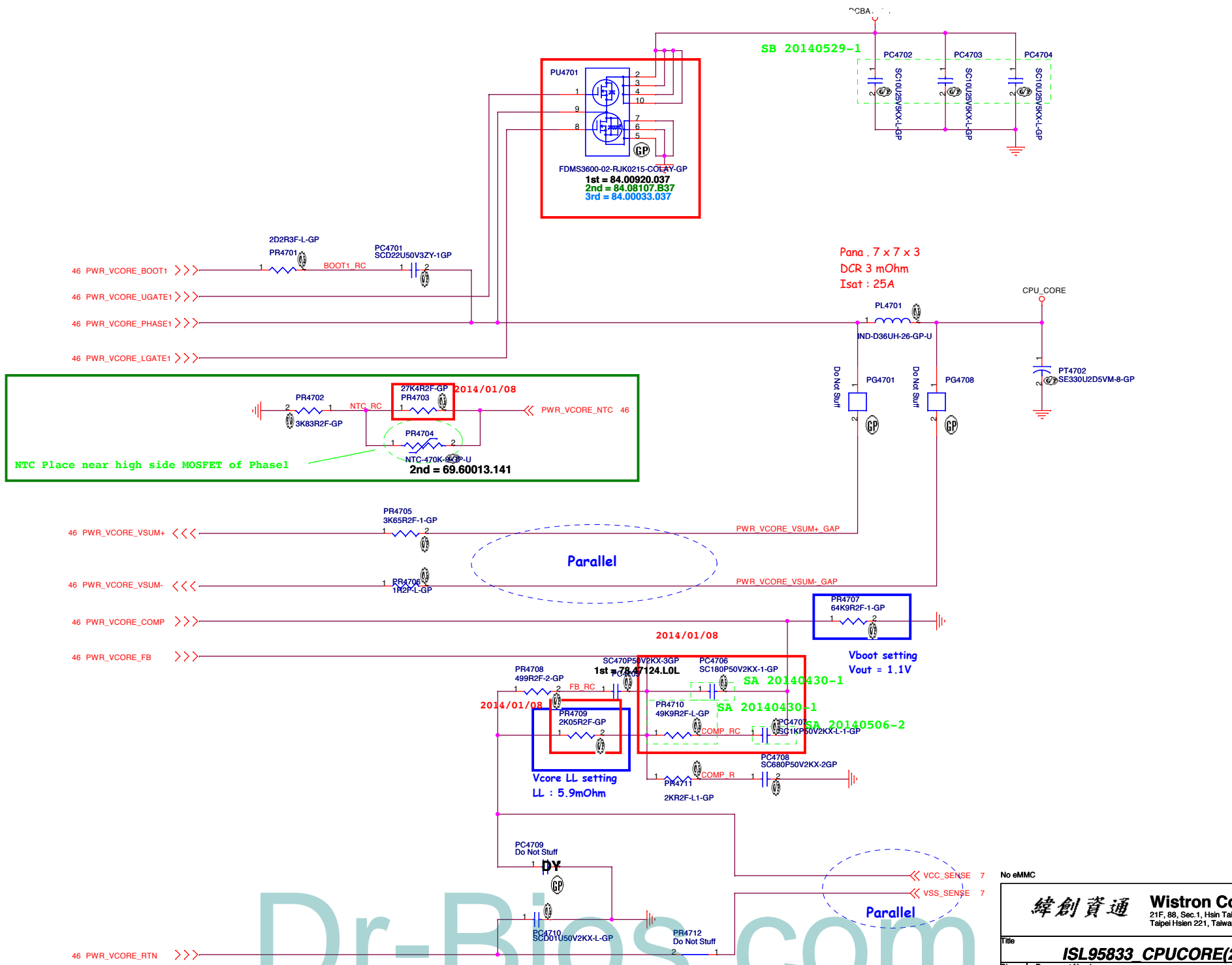


SB 20140520-1



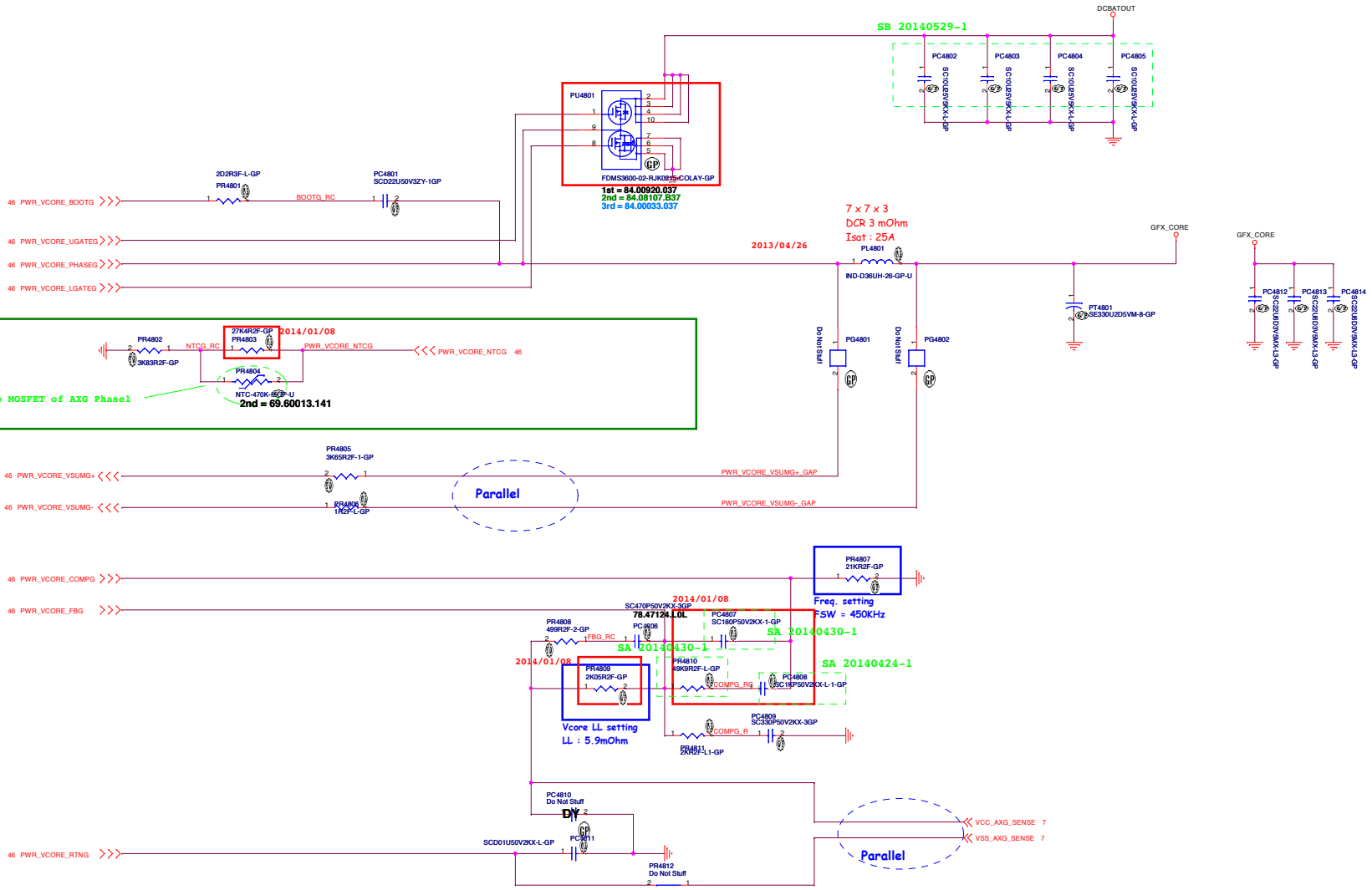


Dr-Bios.com



Dr-Bios.com

No eMMC		Title	
Wistron Corporation		ISL95833 CPUCORE(2/3)	
21F, 88, Sec. 1, Hsin Tai Wu Rd., Hsichih, Taipei Hsien 221, Taiwan, R.O.C.		Document Number	
EA51 BM		Rev -1	
Date: Tuesday, July 08, 2014	Sheet 47	of 102	



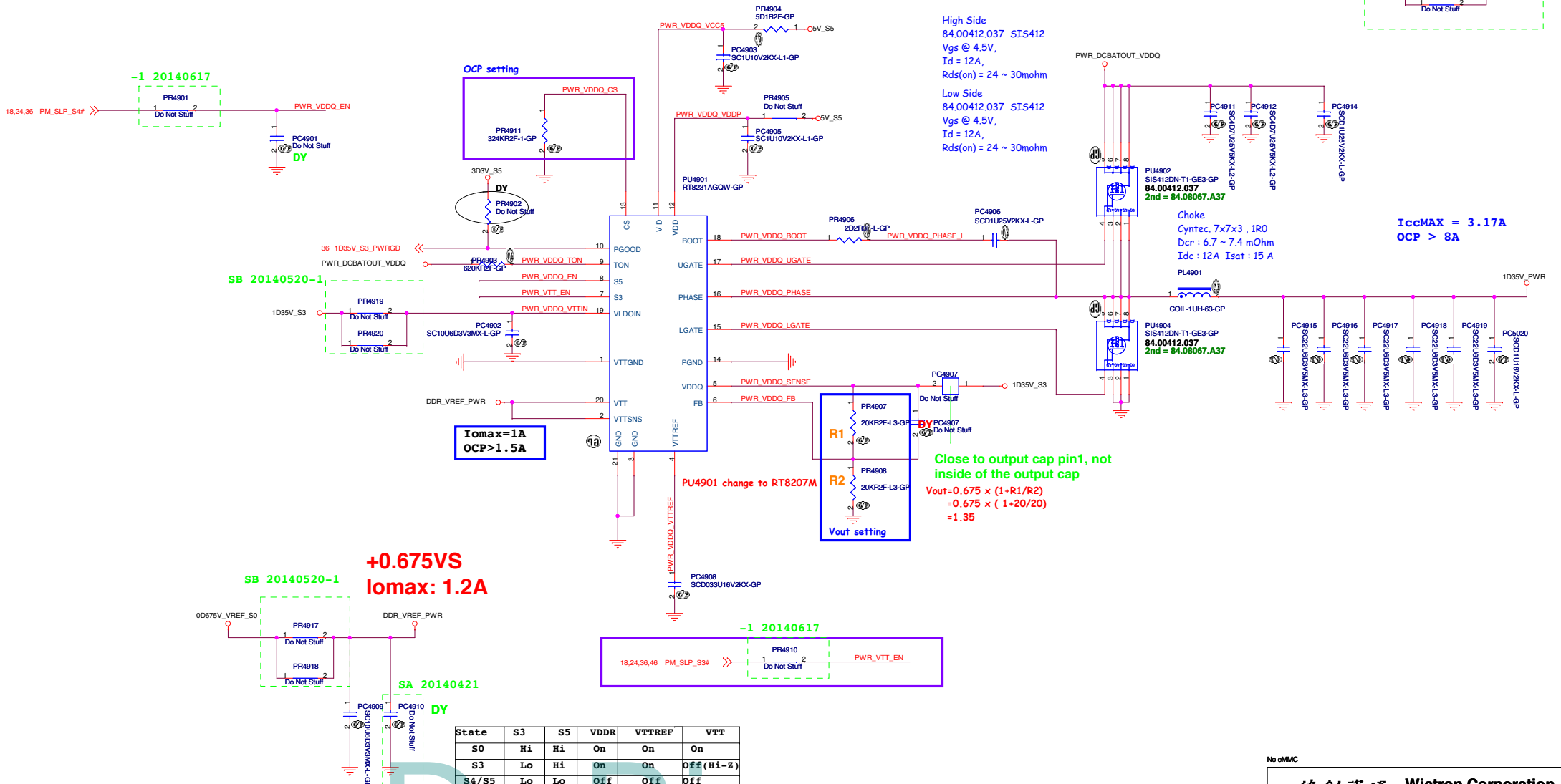
2014/01/08
 NTC place near high side MOSFET of AXG Phase1
 NTC-470K-482P-U
 2nd = 69.60013.141

Parallel

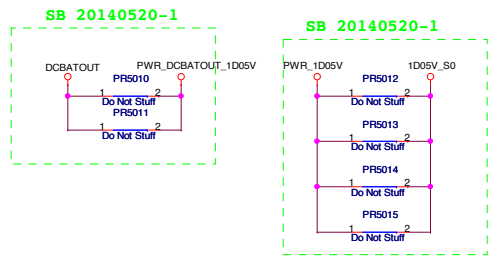
Parallel

Dr-Bios.com

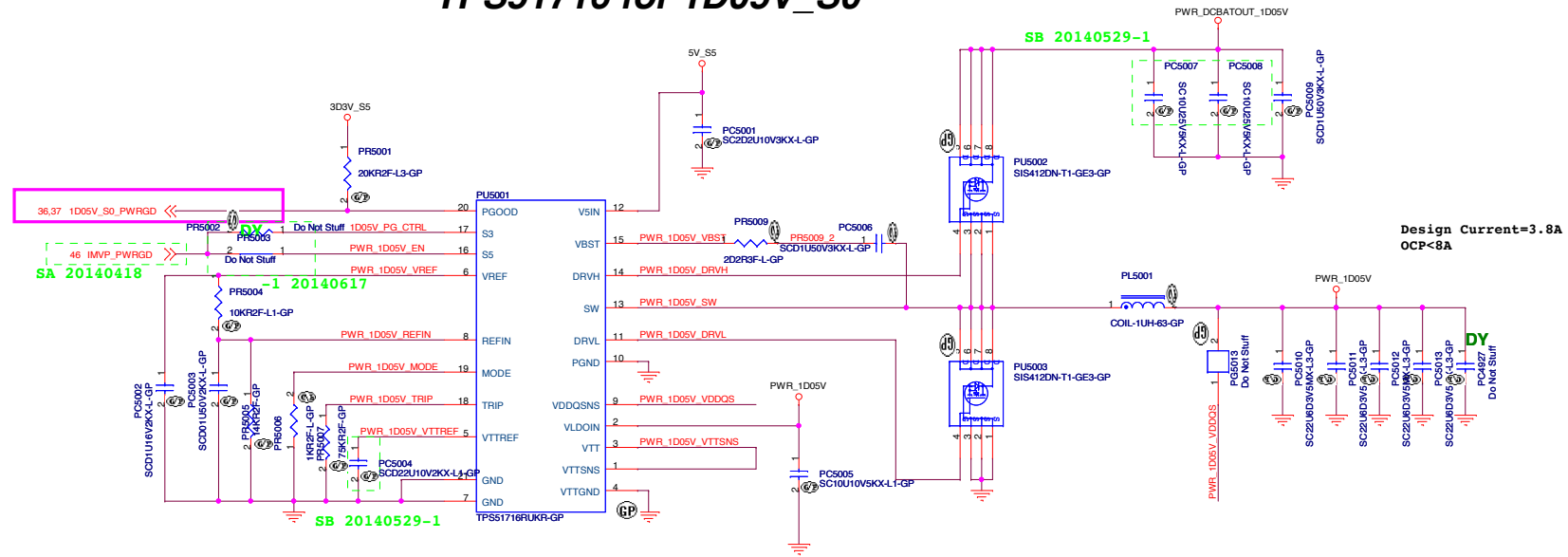
RT8231 for VDDQ



SSID = PWR.Plane.Regulator_1p05v

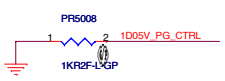


TPS51716 for 1D05V_S0



Design Current=3.8A
OCP<8A

36.37 1D05V_S0_PWRGD
48 IMVP_PWRGD
SA 20140418



State	S3	S5	VDDR	VTTREF	VTT
S0	Hi	Hi	On	On	On
S3	Lo	Hi	On	On	Off (Hi-2)
S4/S5	Lo	Lo	Off	Off	Off

MODE		
PR5006	Frequency	Discharge Mode
33k ohm	500kHz	Non-tracking Discharge
22k ohm	670kHz	Non-tracking Discharge
12k ohm	670kHz	Tracking Discharge
1k ohm	500kHz	Tracking Discharge

No eMMC

緯創資通 Wistron Corporation
21F, 88, Sec.1, Hei Tai Wu Rd., Hsichih, Taipei Hsien 221, Taiwan, R.O.C.

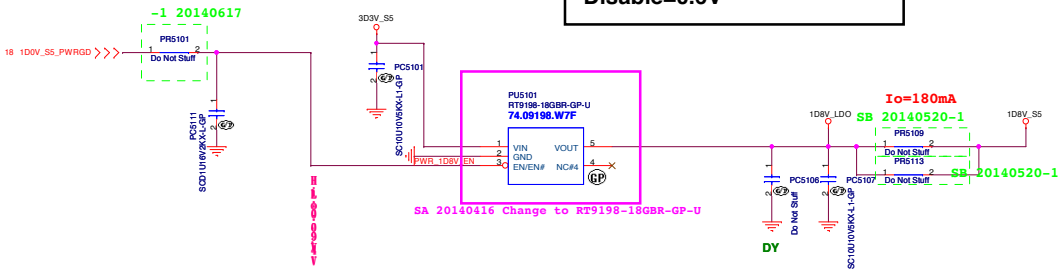
Title: DC to DC 1D05V(RT8231A)

Size: Custom Document Number: EA51 BM Rev: -1

Date: 1/26/2014, July 06, 2014 Sheet 50 of 102

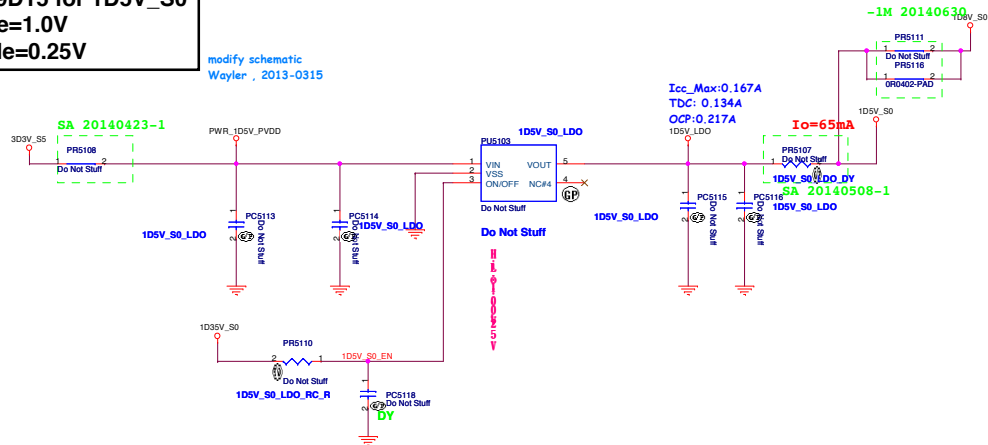
SSID = PWR.Plane.Regulator_1p8v

TLV70218DBVR for 1D8V_S5
Enable=0.9V
Disable=0.6V

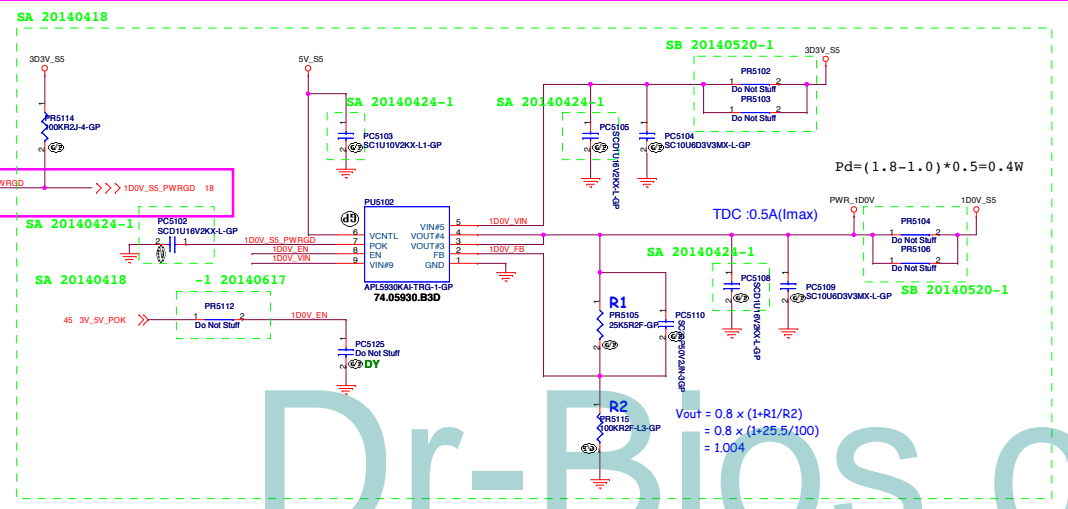


S-1339D15 for 1D5V_S0
Enable=1.0V
Disable=0.25V

modify schematic
 Wayler, 2013-0315

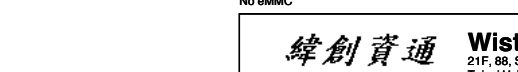
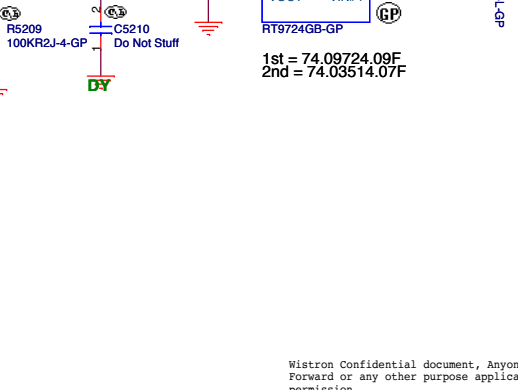
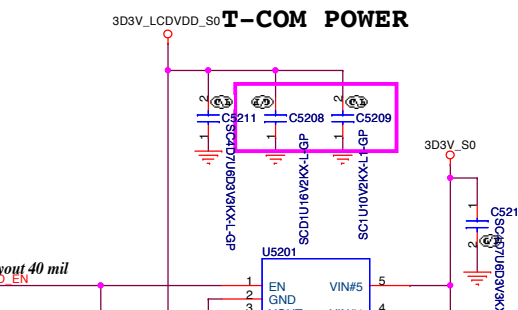
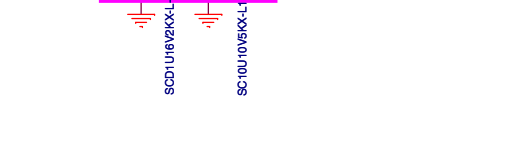
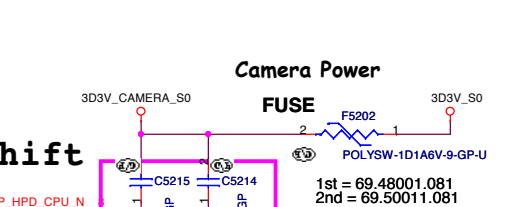
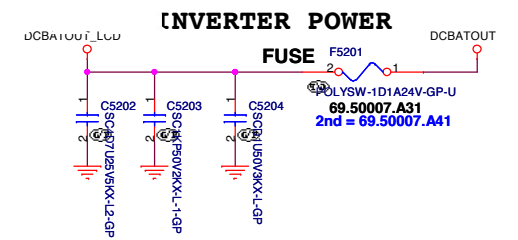
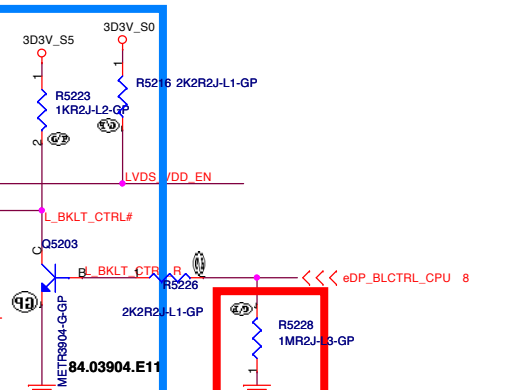
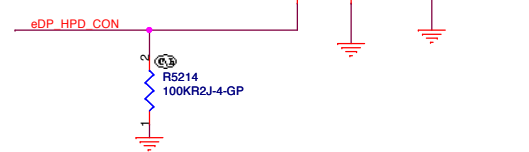
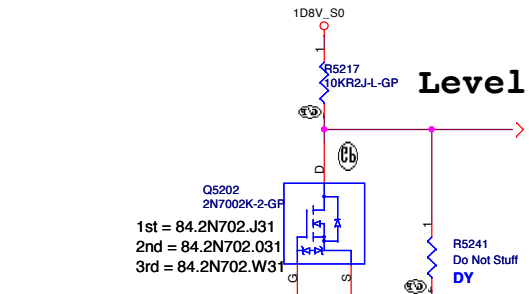
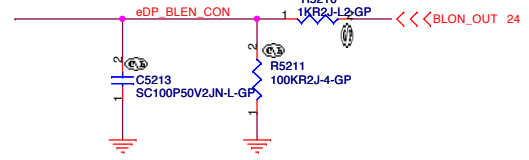
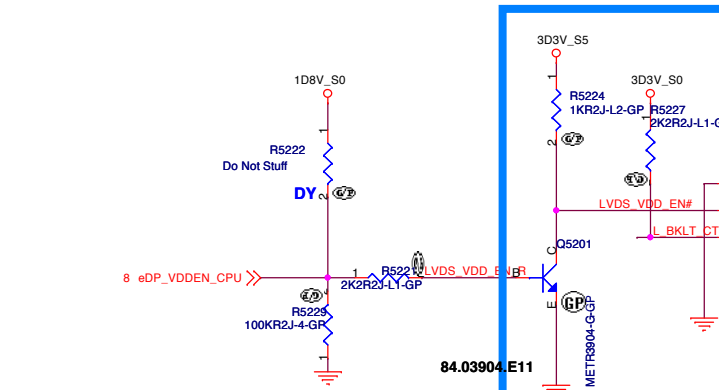
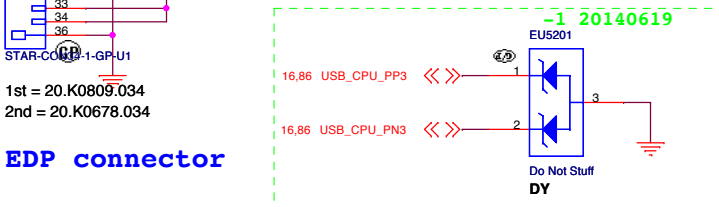
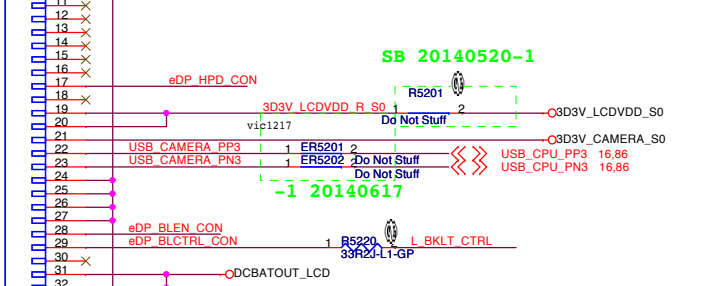
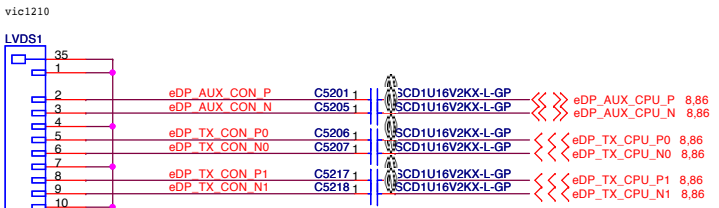


20140418 Change to LDO
APL5930 for 1D0V_S5
Enable=1.1V
Disable=0.5V



Dr-Bios.com

SSID = VIDEO



13/8/22

Dr-Bios.com

Wistron Confidential document, Anyone can not Duplicate, Modify, Forward or any other purpose application without get Wistron permission

No eMMC

緯創資通 Wistron Corporation
21F, 88, Sec.1, Hsin Tai Wu Rd., Hsichih, Taipei Hsien 221, Taiwan, R.O.C.

File: EDP Connector

Size A3	Document Number EA30 BM	Rev -1
Date: Tuesday, July 08, 2014	Sheet 52 of	102

Dr-Bios.com

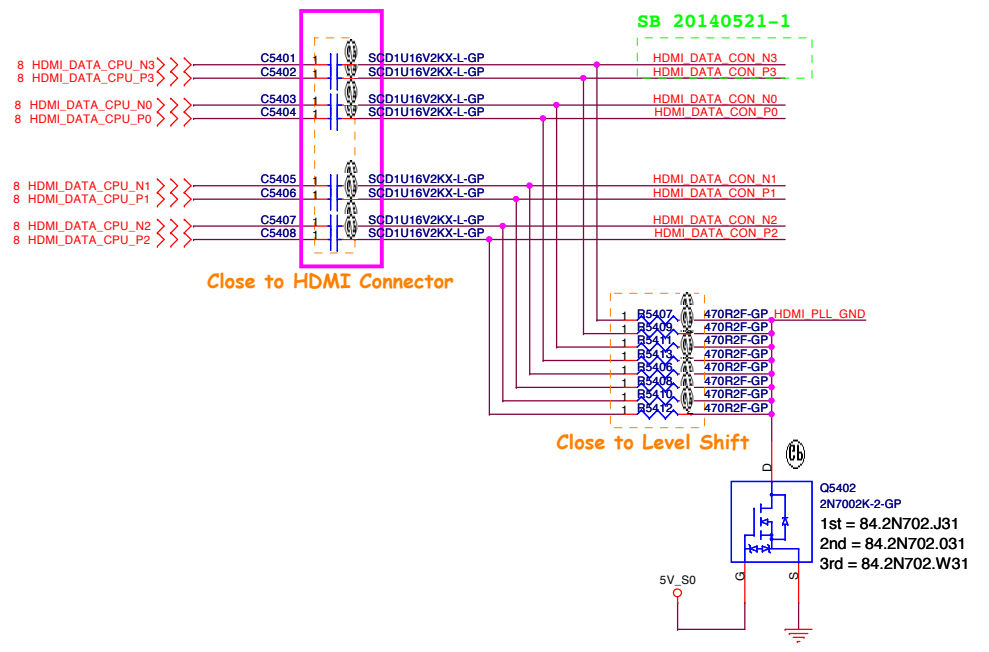
Wistron Confidential document, Anyone can not Duplicate, Modify, Forward or any other purpose application without get Wistron permission

No eMMC

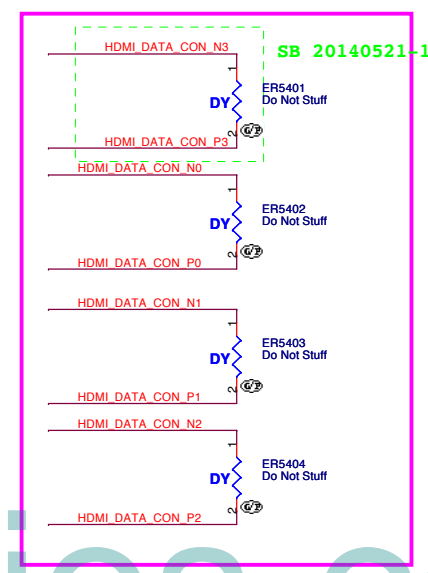
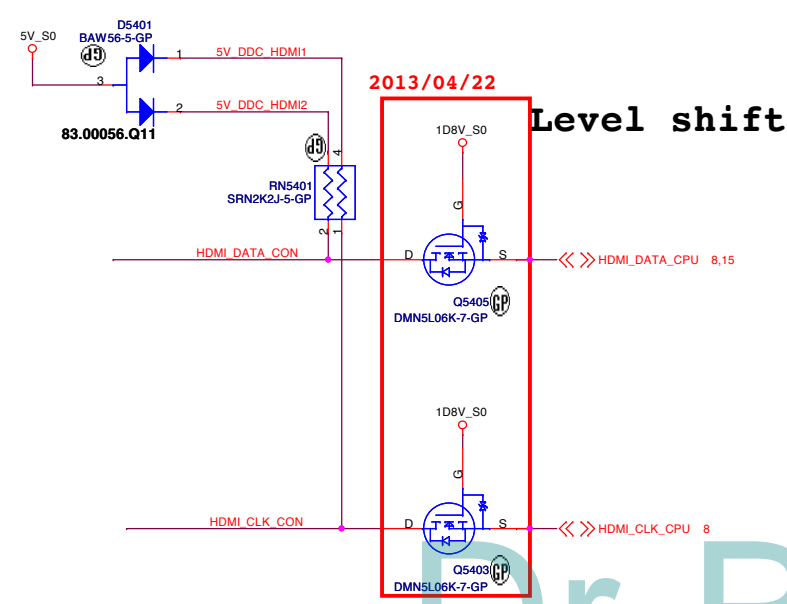
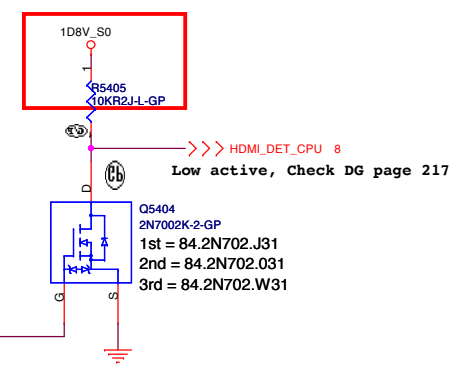
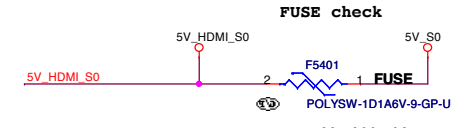
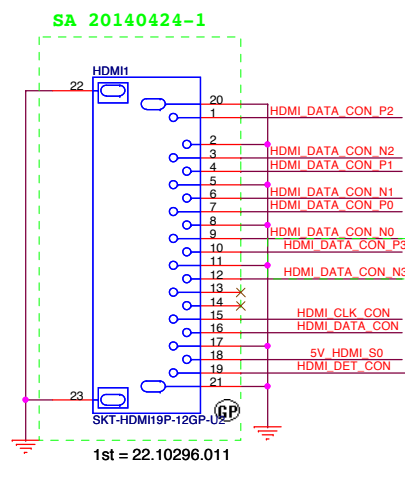
緯創資通 **Wistron Corporation**
21F, 88, Sec. 1, Hsin Tai Wu Rd., Hsichih,
Taipei Hsien 221, Taiwan, R.O.C.

Title		
CRT Board Connector		
Size A3	Document Number EA30 BM	Rev -1
Date: Tuesday, July 08, 2014	Sheet 53 of	102

SSID = VIDEO HDMI Level Shifter & CONNECTOR



HDMI CONN



Wistron Confidential document, Anyone can not Duplicate, Modify, Forward or any other purpose application without get Wistron permission

No eMMC		
緯創資通 Wistron Corporation		
21F, 88, Sec. 1, Hsin Tai Wu Rd., Hsichih, Taipei Hsien 221, Taiwan, R.O.C.		
Title	HDMI Level Shifter/Connector	
Size A3	Document Number	Rev
	EA30 BM	-1
Date: Tuesday, July 08, 2014	Sheet 54	of 102

Dr-Bios.com

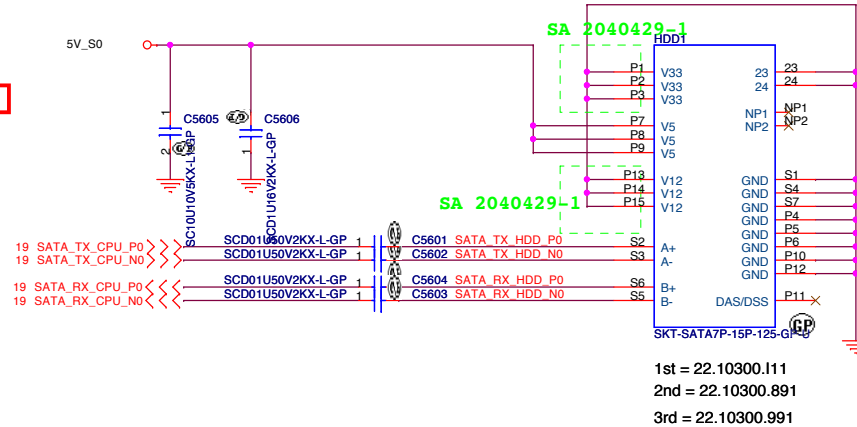
Dr-Bios.com

No eMMC

緯創資通		Wistron Corporation	
<small>21F, 88, Sec. 1, Hsin Tai Wu Rd., Hsichih, Taipei Hsien 221, Taiwan, R.O.C.</small>		<small>21F, 88, Sec. 1, Hsin Tai Wu Rd., Hsichih, Taipei Hsien 221, Taiwan, R.O.C.</small>	
Title			
Display Port			
Size	Document Number		Rev
A3	EA30 BM		-1
Date:	Tuesday, July 08, 2014		Sheet 55 of 102

SSID = SATA

SATA HDD Connector

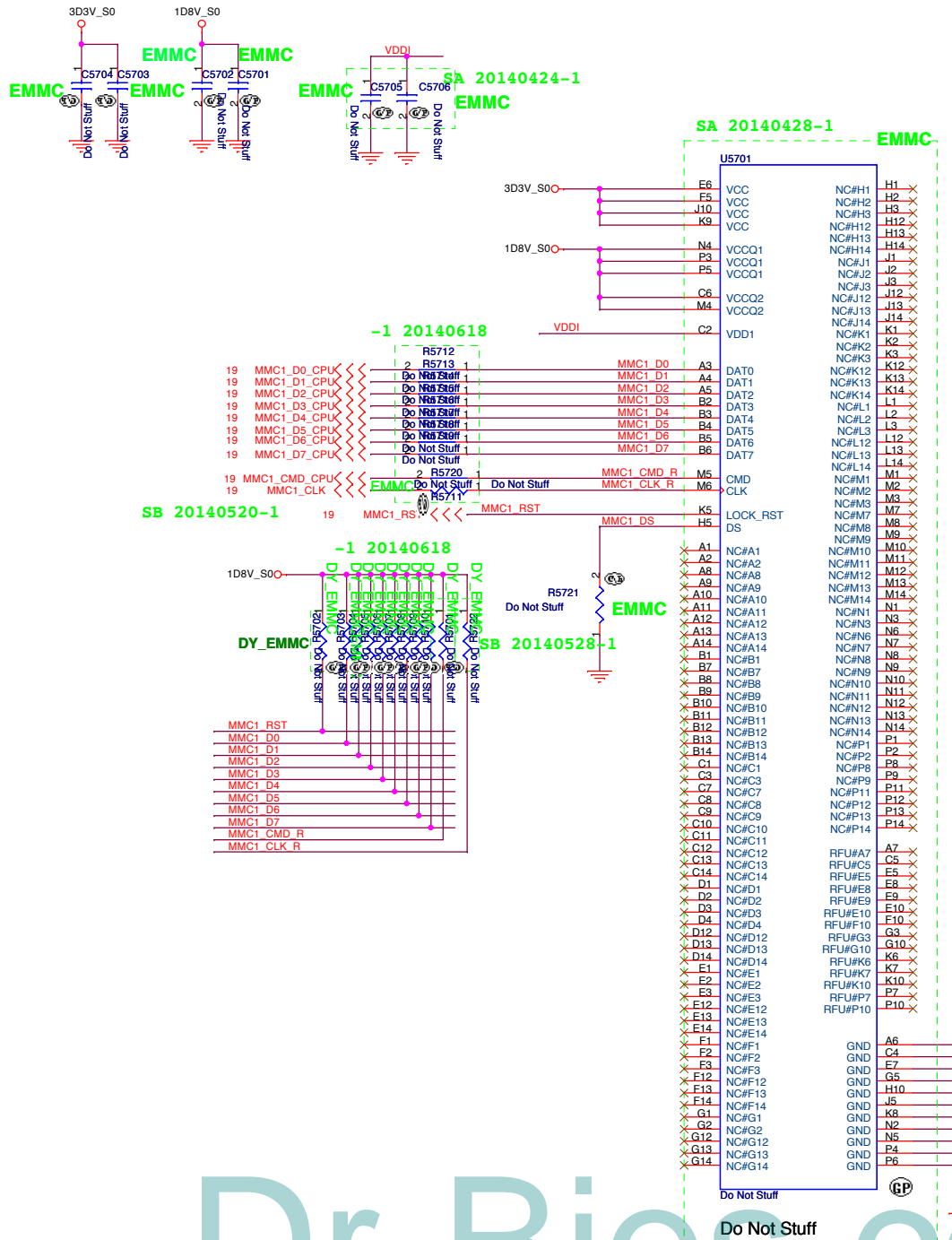


AC coupling caps near connector<100 mils

Dr-Bios.com

No eMMC

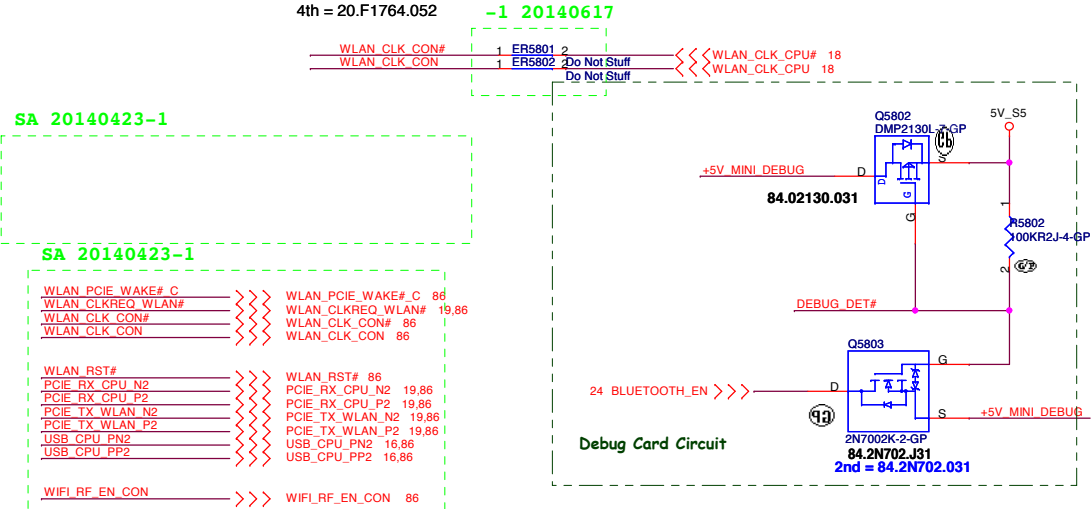
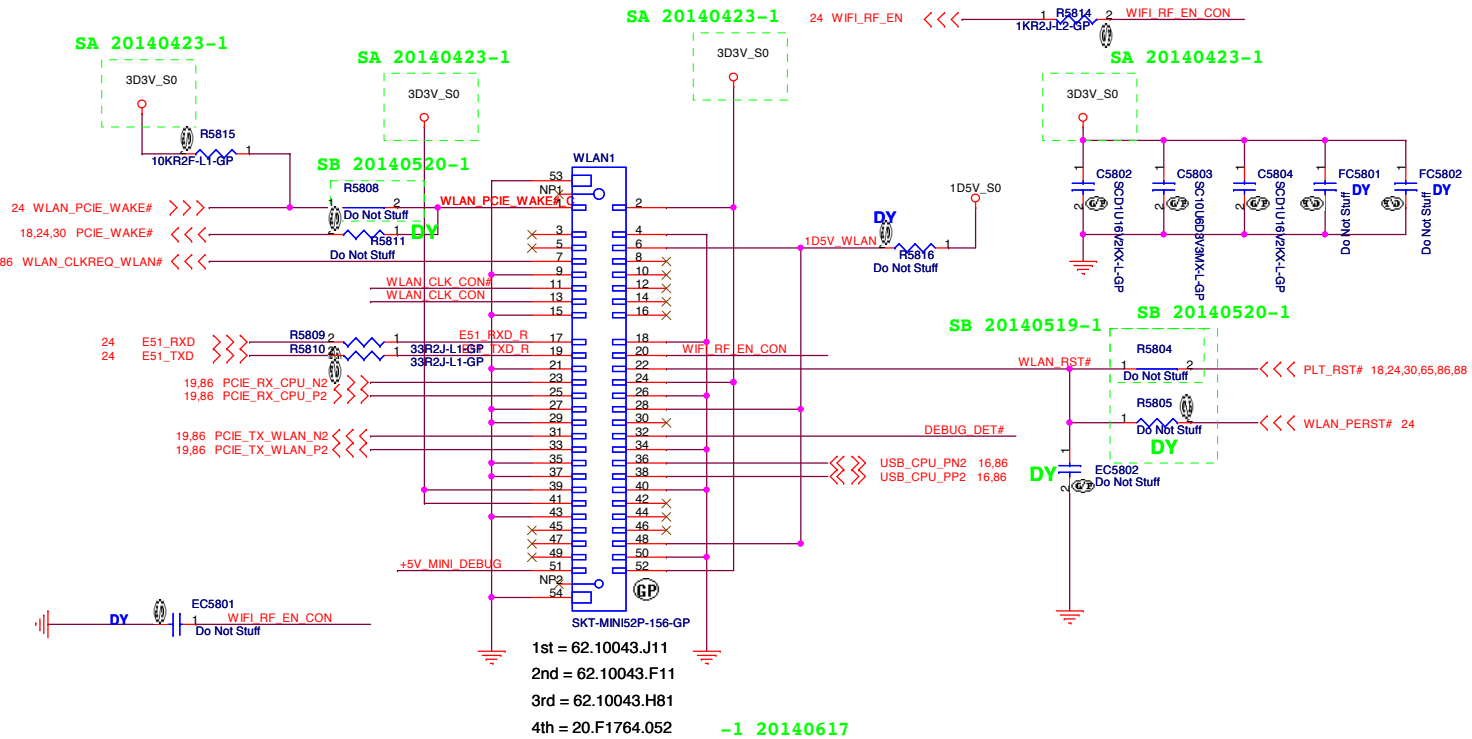
緯創資通		Wistron Corporation	
		<small>21F, 88, Sec.1, Hsin Tai Wu Rd., Hsichih, Taipei Hsien 221, Taiwan, R.O.C.</small>	
HDD / ODD / NGFF SSD			
Size A3	Document Number EA30 BM	Rev -1	
Date: Tuesday, July 08, 2014	Sheet 56	of	102



Dr-Bios.com

No eMMC	
緯創資通 Wistron Corporation	
21F, 88, Sec. 1, Hsin Tai Wu Rd., Hsichih, Taipei Hsien 221, Taiwan, R.O.C.	
Title eMMC	
Size A3	Document Number EA30 BM
Date: Tuesday, July 08, 2014	Rev -1
Sheet 57 of 102	

SSID = Wireless Mini Card Connector (002.1.1u/v/g/n)



Dr-Bios.com

No eMMC

緯創資通 Wistron Corporation
 21F, 88, Sec. 1, Hsin Tai Wu Rd., Hstchih, Taipei Hsien 221, Taiwan, R.O.C.

Title: **MINICARD(WLAN)**
 Size A3 Document Number: **EA30 BM** Rev: **-1**
 Date: Tuesday, July 08, 2014 Sheet 58 of 102

SSID = Wireless

Mini Card Connector(mSATA)

Wistron Confidential document, Anyone can not
Duplicate, Modify, Forward or any other purpose
application without get Wistron permission

No eMMC

緯創資通

Wistron Corporation

21F, 88, Sec.1, Hsin Tai Wu Rd., Hsichih,
Taipei Hsien 221, Taiwan, R.O.C.

Title

WWAN CONN

Size

A4

Document Number

EA30 BM

Rev

-1

Date: Tuesday, July 08, 2014

Sheet 59 of 102

Dr-Bios.com

SSID = mSATA

Mini Card Connector(mSATA)

Wistron Confidential document, Anyone can not Duplicate, Modify, Forward or any other purpose application without get Wistron permission

No eMMC

緯創資通

Wistron Corporation

21F, 88, Sec.1, Hsin Tai Wu Rd., Hsichih, Taipei Hsien 221, Taiwan, R.O.C.

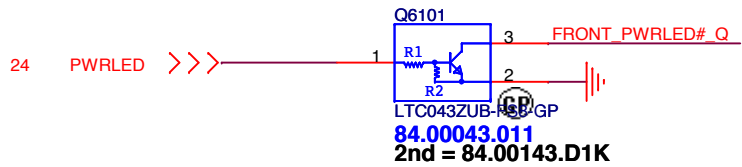
Title **mSATA Connector**

Size A4	Document Number EA30 BM	Rev -1
------------	-----------------------------------	------------------

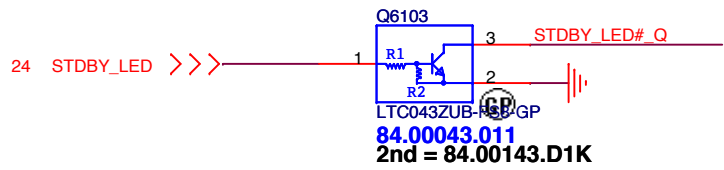
Date: Tuesday, July 08, 2014 Sheet 60 of 102

Dr-Bios.com

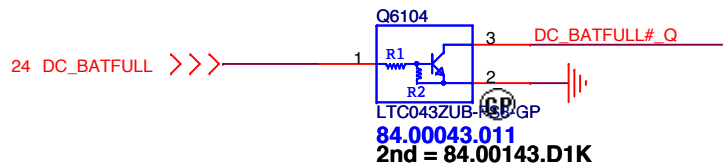
Power button_LED



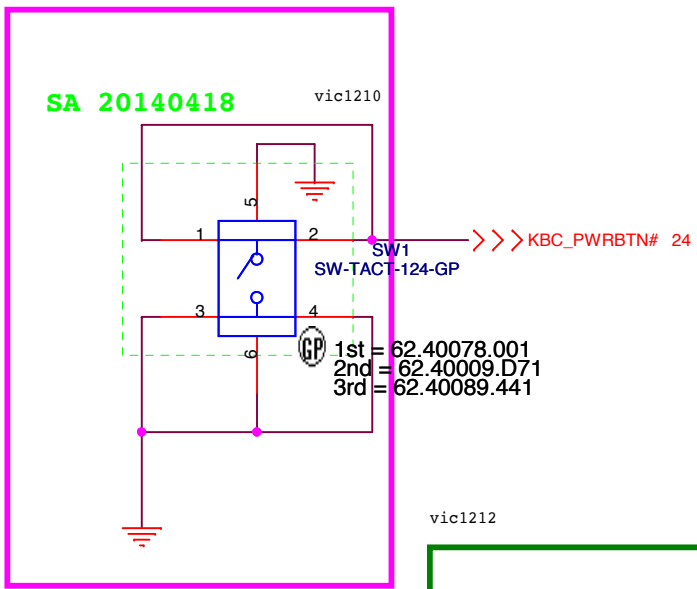
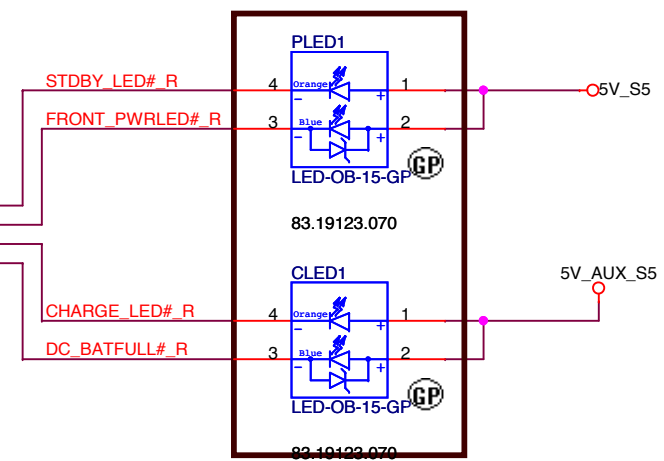
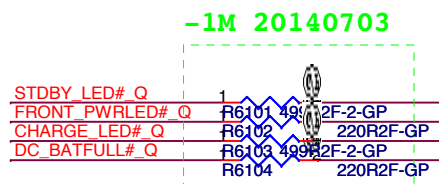
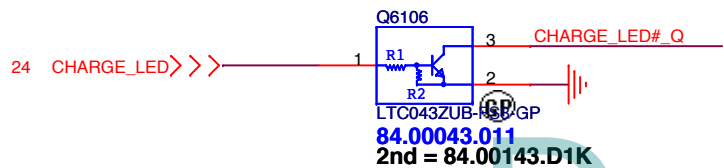
Power STDBY_LED



Battery LED2 (DC_BATFULL)



Battery LED1 (CHARGE)



No eMMC

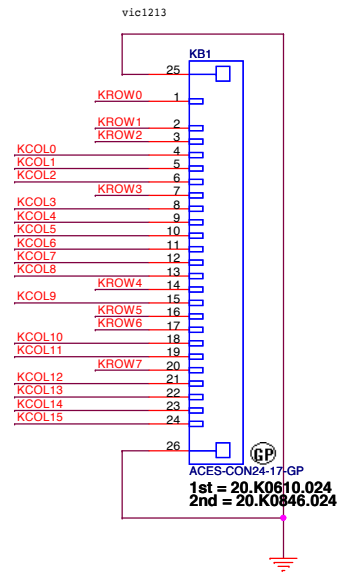
緯創資通 Wistron Corporation
21F, 88, Sec.1, Hsin Tai Wu Rd., Hsichih, Taipei Hsien 221, Taiwan, R.O.C.

Title LED Bard/Power Button		
Size A4	Document Number EA30 BM	Rev -1
Date: Tuesday, July 08, 2014	Sheet 61 of 102	

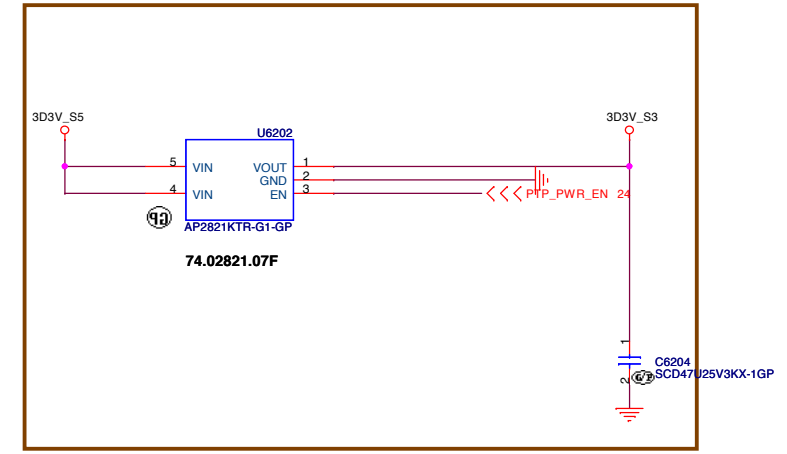
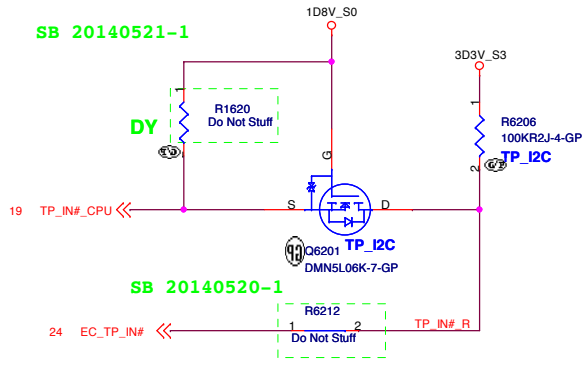
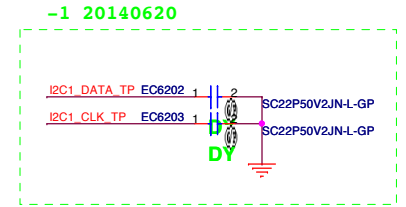
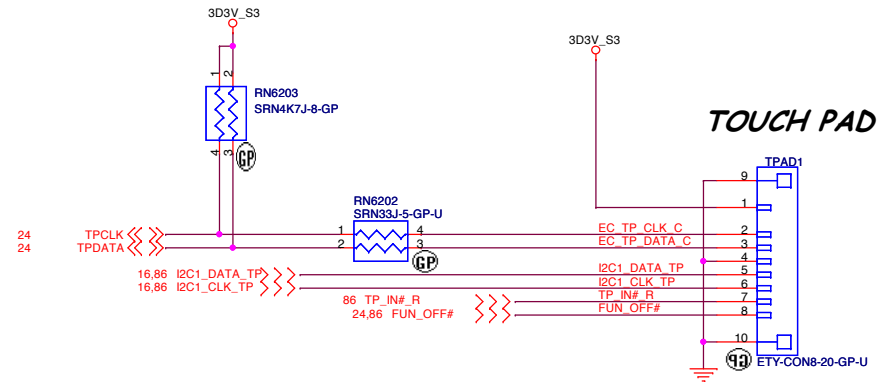
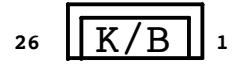
SSID = Key Board CN & TP CN

24,86 KROW[0..7] <<<<
24,86 KCOL[0..15] <<<<

86 EC_TP_..._Y_C <<<<
86 EC_TP_DATA_C <<<<
16,86 I2C1_DATA_TP <<<<
16,86 I2C1_CLK_TP <<<<



MB PIN DEFINE 26 25 24 23 22 21 20 19 18 17 16 15 14 13 12 11 10 9 8 7 6 5 4 3 2 1
KB PIN DEFINE 1 2 3 4 5 6 7 8 9 10 11 12 13 14 15 16 17 18 19 20 21 22 23 24 25 26



Wistron Confidential document, Anyone can not Duplicate, Modify, Forward or any other purpose application without get Wistron permission

No eMMC		
緯創資通 Wistron Corporation		
21F, 88, Sec. 1, Hsin Tai Wu Rd., Hsichih, Taipei Hsien 221, Taiwan, R.O.C.		
Title Key Board/Touch Pad		
Size A3	Document Number EA30 BM	Rev -1
Date: Tuesday, July 08, 2014	Sheet 62 of 102	

Dr-Bios.com

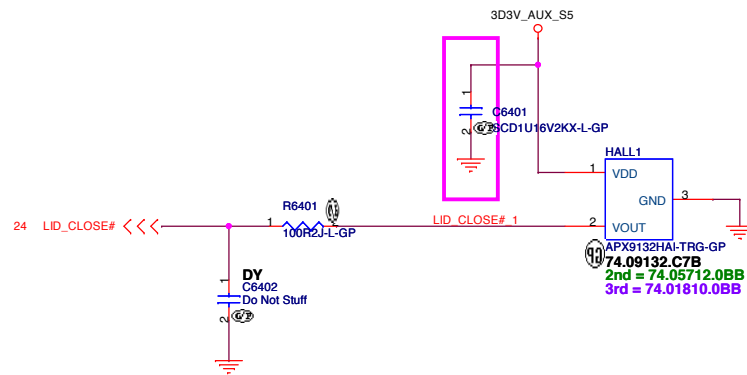
Dr-Bios.com

Wistron Confidential document, Anyone can not Duplicate, Modify, Forward or any other purpose application without get Wistron permission

No eMMC

緯創資通 **Wistron Corporation**
21F, 88, Sec. 1, Hsin Tai Wu Rd., Hsichih,
Taipei Hsien 221, Taiwan, R.O.C.

Title		
IO Board Connector		
Size	Document Number	Rev
A3	EA30 BM	-1
Date:	Tuesday, July 08, 2014	Sheet 63 of 102

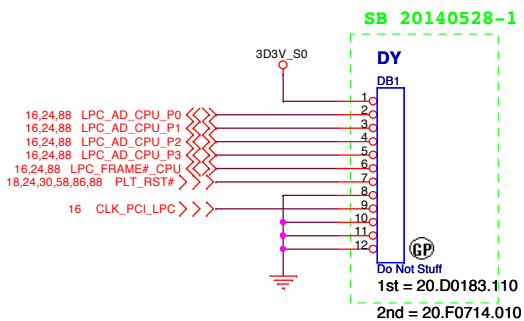


No eMMC
Wistron Confidential document, Anyone can not Duplicate, Modify, Forward or any other purpose application without get Wistron permission

緯創資通 Wistron Corporation
21F, 88, Sec. 1, Hsin Tai Wu Rd., Hsichih, Taipei Hsien 221, Taiwan, R.O.C.

Title		
Hall Sensor		
Size	Document Number	Rev
A3	EA30 BM	-1
Date:	Tuesday, July 08, 2014	Sheet 64 of 102

Dr-Bios.com



Dr-Bios.com

Wistron Confidential document, Anyone can not Duplicate, Modify, Forward or any other purpose application without get Wistron permission

No eMMC

緯創資通 Wistron Corporation
21F, 88, Sec. 1, Hsin Tai Wu Rd., Hsichih, Taipei Hsien 221, Taiwan, R.O.C.

Title		
Dubug connector		
Size	Document Number	Rev
A3	EA30 BM	-1
Date:	Tuesday, July 08, 2014	Sheet 65 of 102

(Blanking)

Dr-Bios.com

Wistron Confidential document, Anyone can not
Duplicate, Modify, Forward or any other purpose
application without get Wistron permission

No eMMC

緯創資通 **Wistron Corporation**
21F, 88, Sec.1, Hsin Tai Wu Rd., Hsichih,
Taipei Hsien 221, Taiwan, R.O.C.

Title		
SENSOR HUB		
Size	Document Number	Rev
A3	EA30 BM	-1
Date: Tuesday, July 08, 2014	Sheet 66 of	102

Free Fall Sensor

Note

- no via, trace, under the sensor (keep out area around 2mm)
- stay away from the screw hole or metal shield soldering joints
- design PCB pad based on our sensor LGA pad size (add 0.1mm)
- solder stencil opening to 90% of the PCB pad size
- mount the sensor near the center of mass of the NB as possible as you can

SDO="H"; address="3Ah"
***SDO="L"; address="38h"**

***CS="H"; mode="I2C"**
CS="L"; mode="SPI"

Wistron Confidential document, Anyone can not
Duplicate, Modify, Forward or any other purpose
application without get Wistron permission

No eMMC

緯創資通

Wistron Corporation

21F, 88, Sec.1, Hsin Tai Wu Rd., Hsichih,
Taipei Hsien 221, Taiwan, R.O.C.

Title

G Sensor

Size

Document Number

Rev

A

EA30 BM

-1

Date: Tuesday, July 08, 2014

Sheet 67 of

102

Dr-Bios.com

Wistron Confidential document, Anyone can not
 Duplicate, Modify, Forward or any other purpose
 application without get Wistron permission

No eMMC

緯創資通		Wistron Corporation	
		21F, 88, Sec.1, Hsin Tai Wu Rd., Hsichih, Taipei Hsien 221, Taiwan, R.O.C.	
Title			
Switchable GFX LCD(1/2)			
Size	Document Number		Rev
A4	EA30 BM		-1
Date:	Tuesday, July 08, 2014	Sheet 84	of 102

Dr-Bios.com

Wistron Confidential document, Anyone can not
 Duplicate, Modify, Forward or any other purpose
 application without get Wistron permission

No eMMC

緯創資通		Wistron Corporation	
		21F, 88, Sec.1, Hsin Tai Wu Rd., Hsichih, Taipei Hsien 221, Taiwan, R.O.C.	
Title			
Switchable GFX LCD(2/2)			
Size	Document Number		Rev
A4	EA30 BM		-1
Date:	Tuesday, July 08, 2014	Sheet 85 of	102

Dr-Bios.com

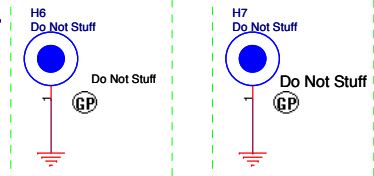
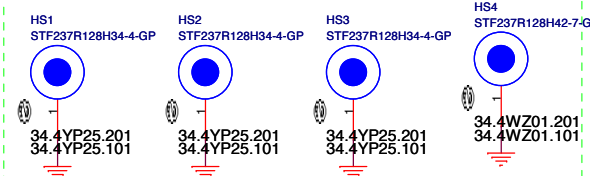
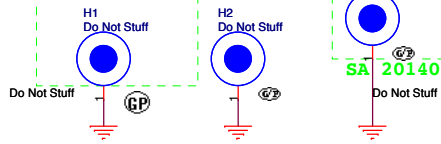
SA 20140430-1

SA 20140422-1

SA 20140506-1

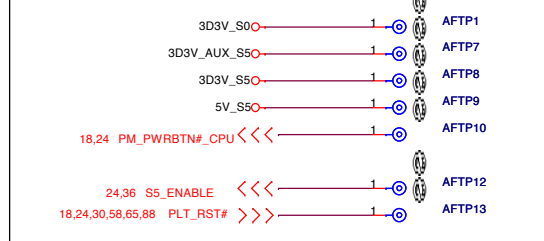
SA 20140430-1

SB 20140521-1

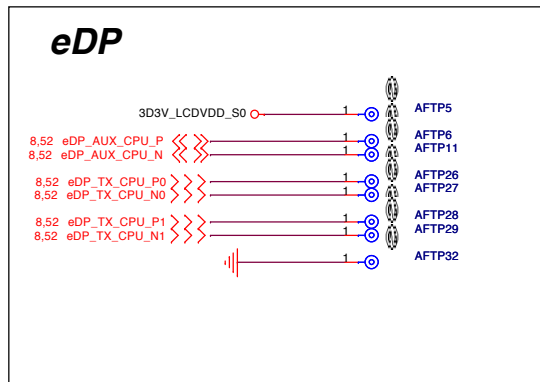


Check test point

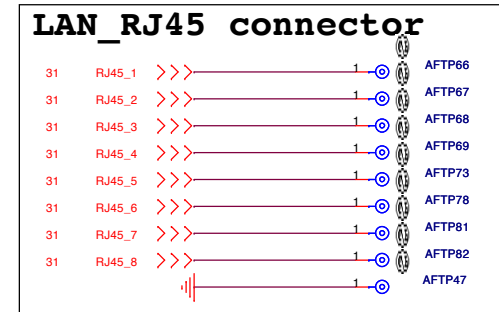
Test Point放在 Bottom side 可量測處



SB 20140528-1



SB 20140528-1



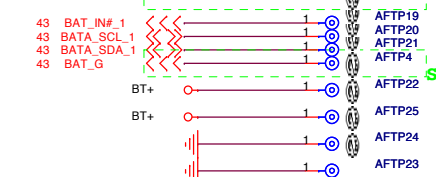
DCIN



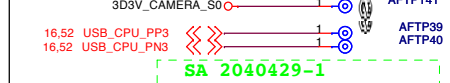
BARRETY

SA 2040429-1

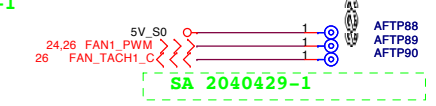
SA 2040430-1



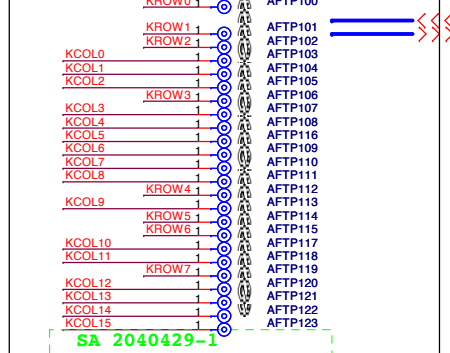
CCD



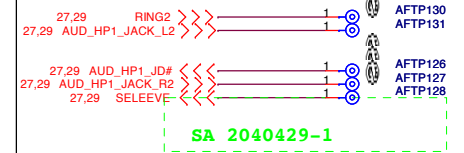
FAN



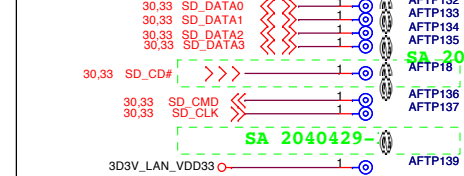
KB



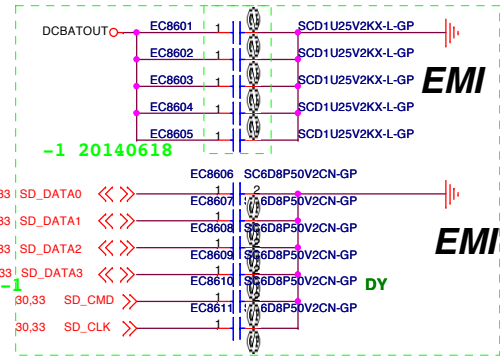
Audio Jack



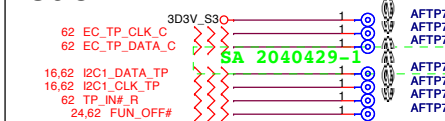
Card reader



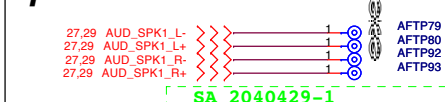
SA 20140502-3



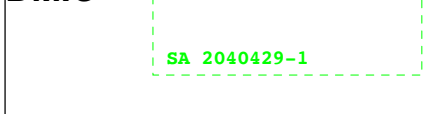
Touch PAD



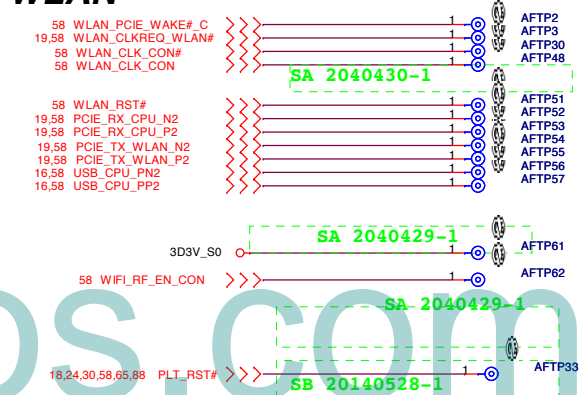
Speaker



DMIC

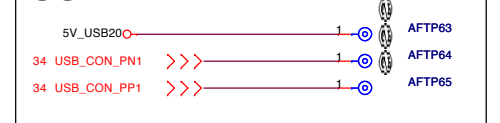


WLAN



USB2

SB 20140528-1



Dr-Bios.com

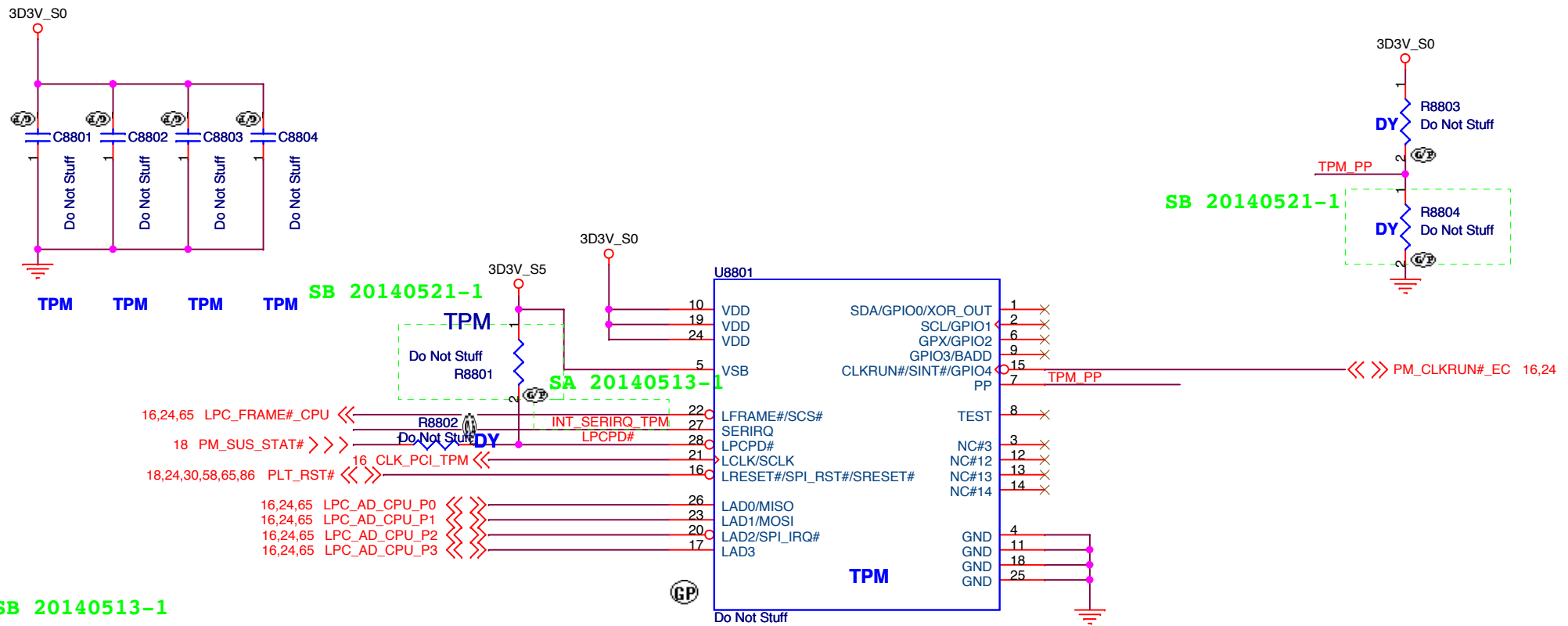
No eMMC

緯創資通 Wistron Corporation
21F, 88, Sec.1, Hsin Tai Wu Rd., Hsichih, Taipei Hsien 221, Taiwan, R.O.C.

Title: **UNUSED PARTS/EMI Capacitors**

Size A3 Document Number: **EA30 BM** Rev: **-1**

Date: Tuesday, July 08, 2014 Sheet 86 of 102

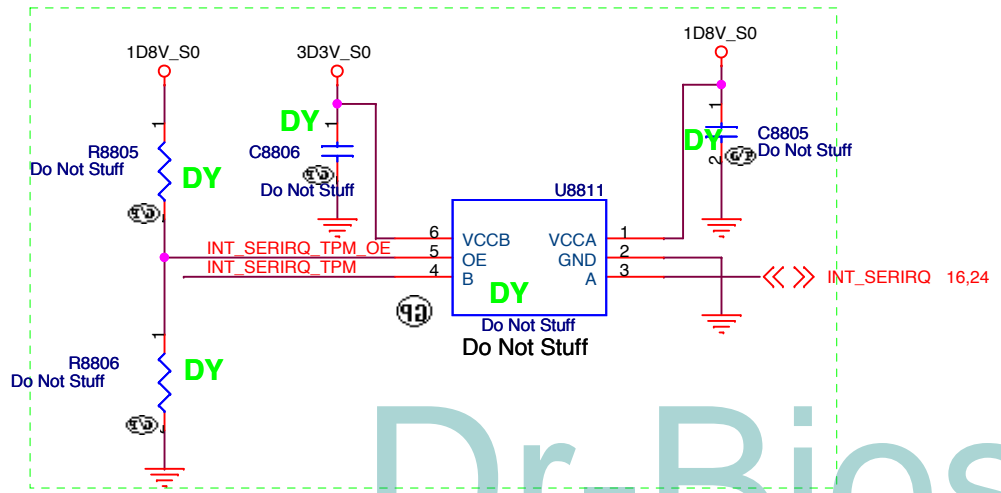


SB 20140521-1

SB 20140521-1

SA 20140513-1

SB 20140513-1



Wistron Confidential document, Anyone can not Duplicate, Modify, Forward or any other purpose without get Wistron permission

No eMMC

緯創資通 Wistron Corporation
21F, 88, Sec.1, Hsin Tai Wu Rd., Hsichih, Taipei Hsien 221, Taiwan, R.O.C.

Title		TPM	
Size	Document Number	Rev	
A4	EA30 BM	-1	
Date:	Tuesday, July 08, 2014	Sheet	88 of 102

Dr-Bios.com

Pin	XDP Signal Name	Target Signal	I/O	Device	Pin	XDP Signal Name	Target Signal	I/O	Device
1	OBSFN_A0	Open	I/O		2	OBSFN_A1	Open	I/O	
3	GND	GND	NA		4	OBSDATA_A[0]	Open	I/O	
5	OBSDATA_A[1]	Open	I/O		6	GND	GND	NA	
7	OBSDATA_A[2]	Open	I/O		8	OBSDATA_A[3]	Open	I/O	
9	GND	GND	NA		10	HOOK0 ¹	RSMRST#	I	System
11	HOOK1	BP_PWRGD_RST# ¹	O	System	12	HOOK2	Open	NA	
13	HOOK3	Open	NA		14	HOOK4 ¹	1.05V core	NA	
15	HOOK5	Open	NA		16	VCCOBS_AB	3.3V SUS	I	System
17	HOOK6	RSMRST# ¹	O	System	18	HOOK7	DBR# ¹	O	System
19	GND	GND	NA		20	TDO	JTAG_TDO	I	PCH
21	TRSTn	Open	NA		22	TDI	JTAG_TDI	O	PCH
23	TMS	JTAG_TMS	O	PCH	24	TCK1	Open	NA	
25	GND	GND	NA		26	TCK0	JTAG_TCK	O	PCH

Wistron Confidential document, Anyone can not Duplicate, Modify, Forward or any other purpose application without get Wistron permission

No eMMC

緯創資通		Wistron Corporation	
		21F, 88, Sec.1, Hsin Tai Wu Rd., Hsichih, Taipei Hsien 221, Taiwan, R.O.C.	
Title			
PCH_XDP			
Size	Document Number	Rev	
A4	EA30 BM	-1	
Date: Tuesday, July 08, 2014		Sheet 96	of 102

Blanking

Wistron Confidential document, Anyone can not Duplicate, Modify, Forward or any other purpose application without get Wistron permission

No eMMC

緯創資通 **Wistron Corporation**
21F, 88, Sec.1, Hsin Tai Wu Rd., Hsichih, Taipei Hsien 221, Taiwan, R.O.C.

Dr-Bios.com

Title		
table of content		
Size	Document Number	Rev
A4	EA30 BM	-1
Date:	Tuesday, July 08, 2014	Sheet 97 of 102

Dr-Bios.com

Wistron Confidential document, Anyone can not Duplicate, Modify, Forward or any other purpose application without get Wistron permission

No eMMC

緯創資通

Wistron Corporation
21F, 88, Sec.1, Hsin Tai Wu Rd., Hsichih, Taipei Hsien 221, Taiwan, R.O.C.

Title

Change History

Size
A4

Document Number

EA30 BM

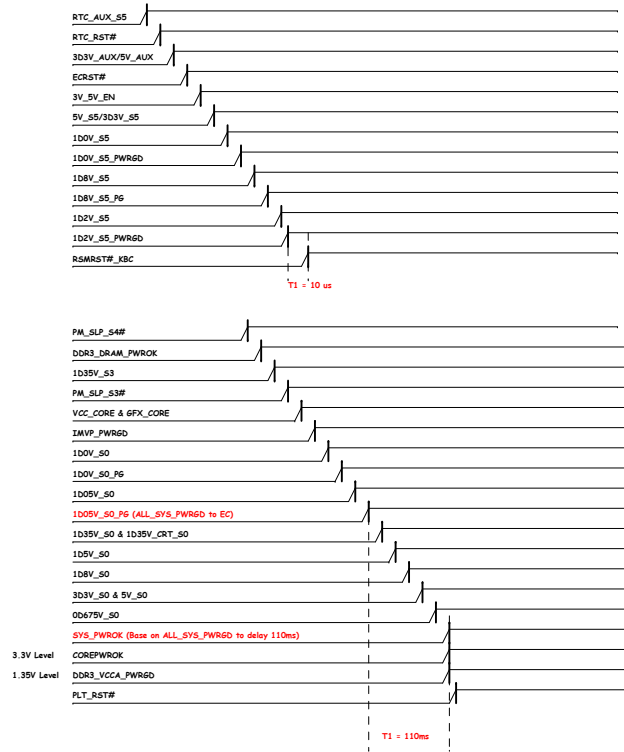
Rev
-1

Date: Tuesday, July 08, 2014

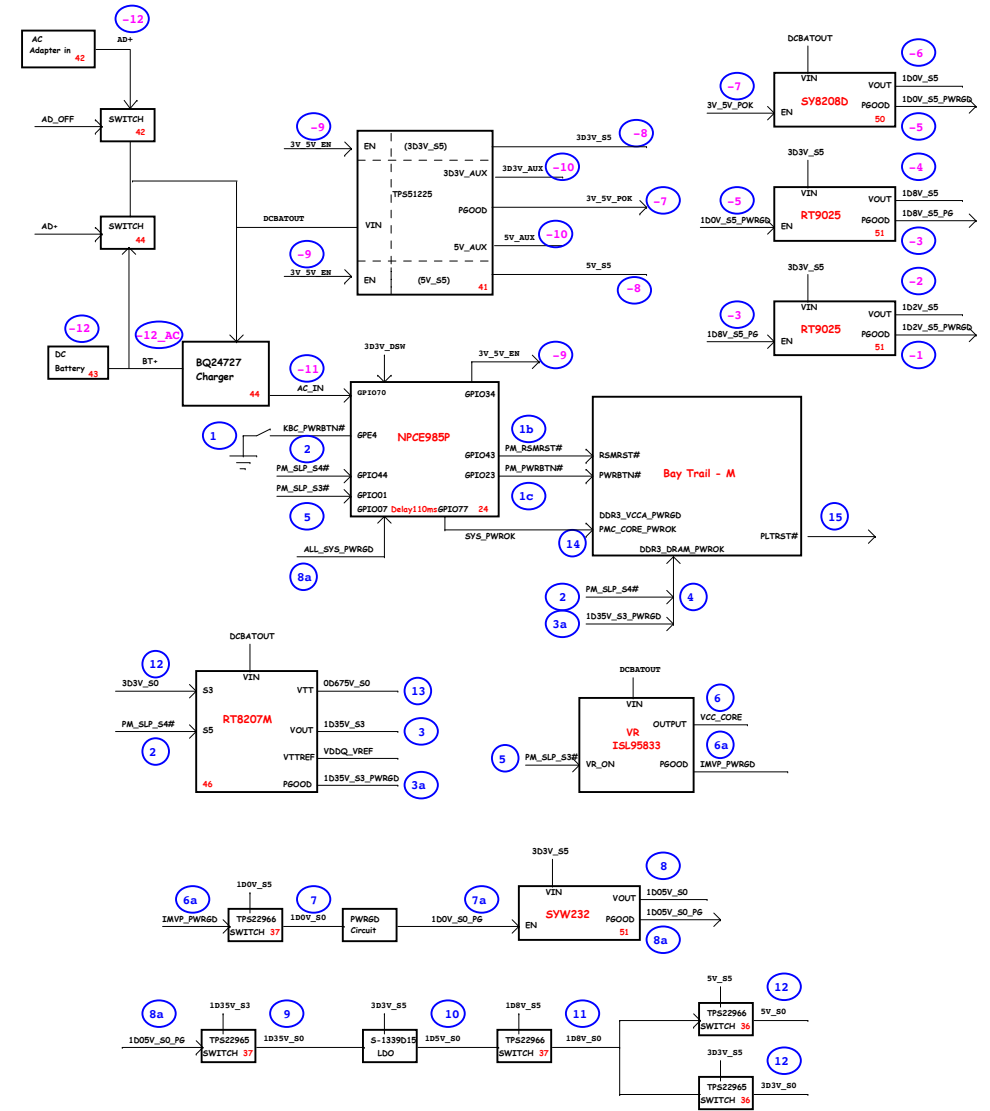
Sheet 98 of

102

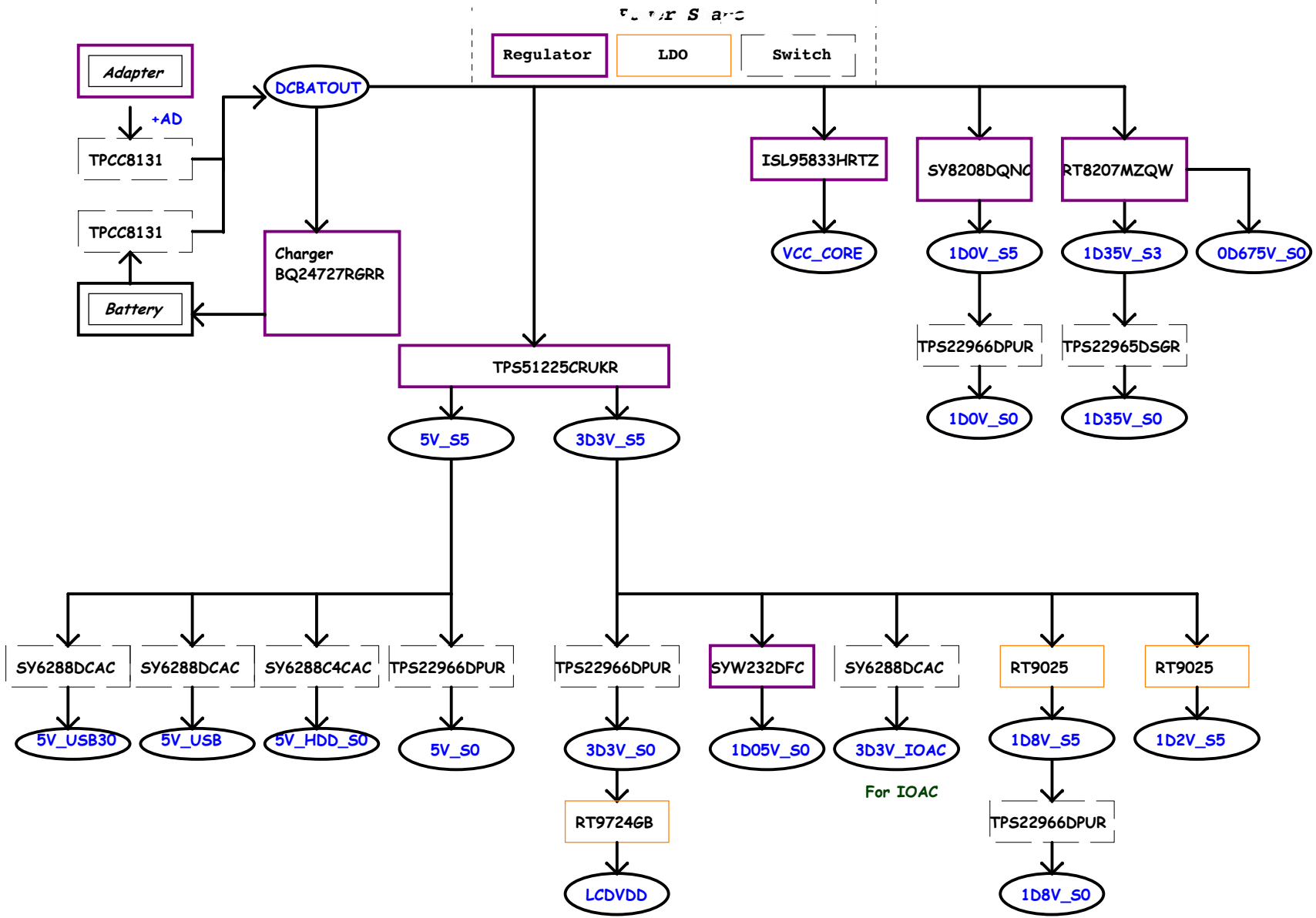
Intel-Power Up Sequence with non-S0ix



Bay Trail - M POWER UP SEQUENCE DIAGRAM

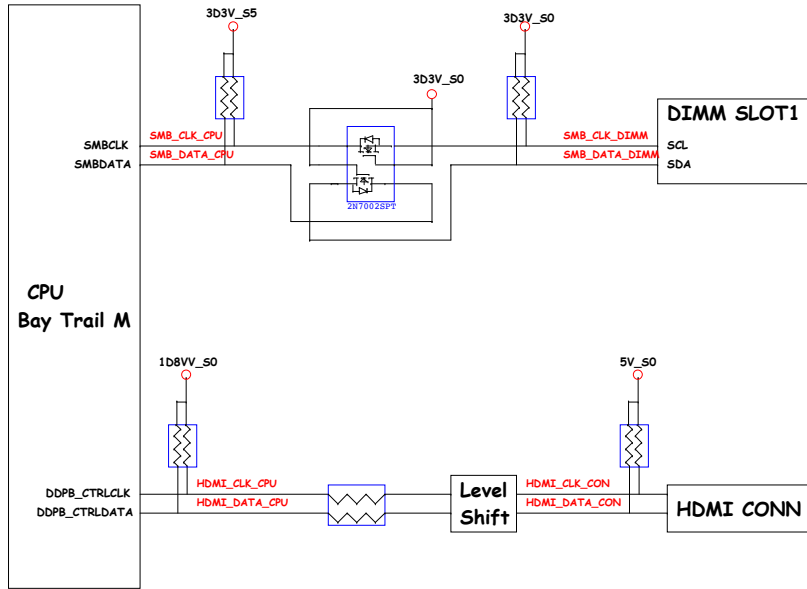


Dr-Bios.com

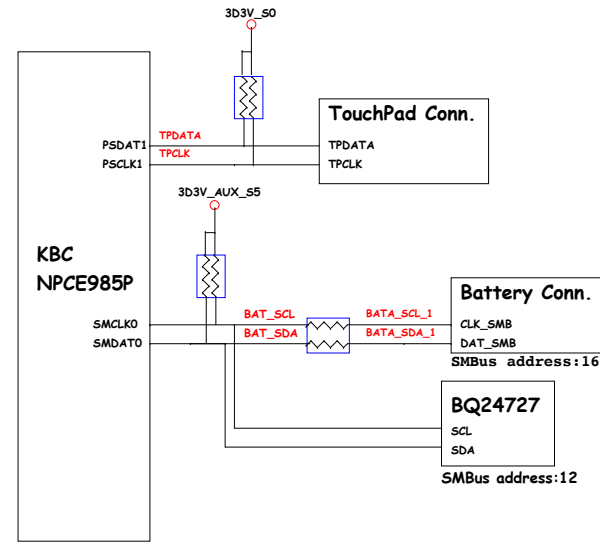


Dr-Bios.com

PCH SMBus Block Diagram



KBC SMBus Block Diagram

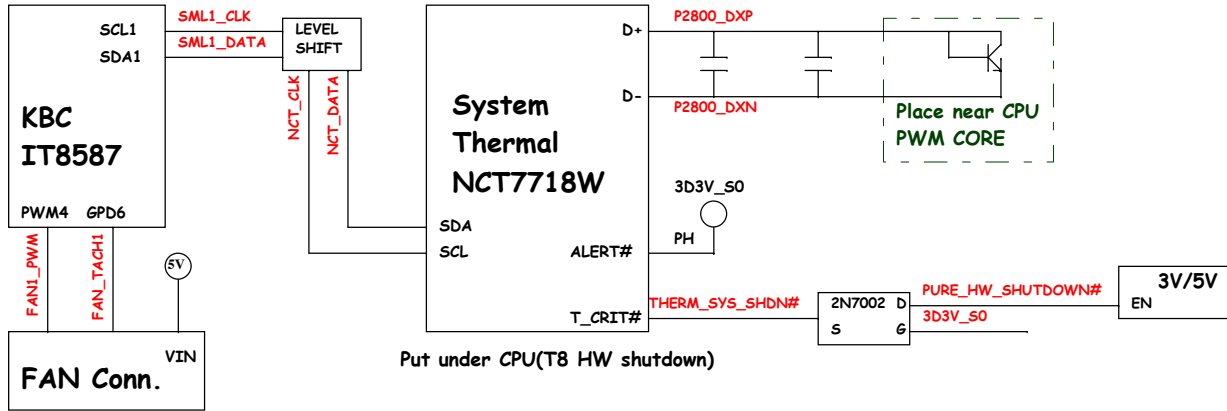


Dr-Bios.com

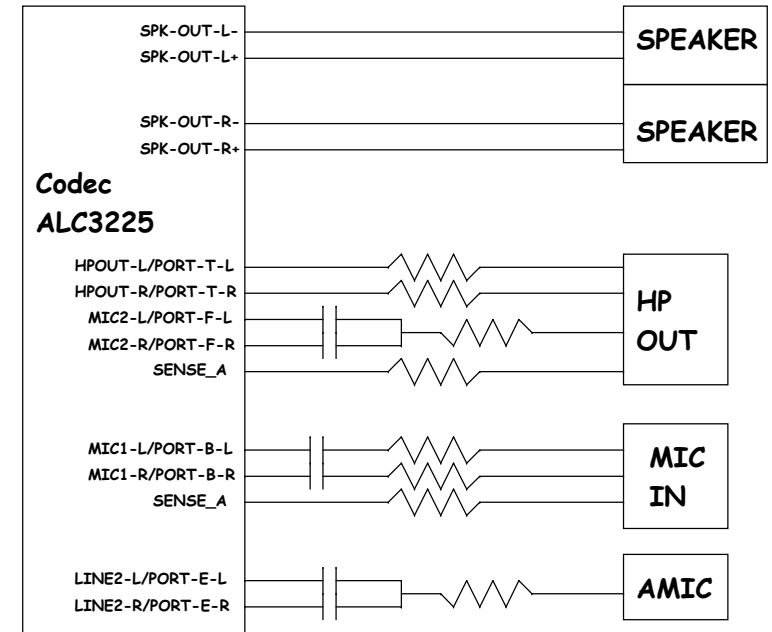
Wistron Confidential document. Anyone can not duplicate, modify, forward or any other purpose application without get Wistron permission.
No eMMC

<p>緯創資通 Wistron Corporation 21F, 8F, Sec.1, Hsin Tai Wu Rd., Hsinchu, Taipei Hsin 221, Taiwan, R.O.C.</p>	
<p>Title: SMBUS BLOCK DIAGRAM</p>	
Size: A2	Row: -1
Document Number: EA30 BM	Sheet: 101 of 102
Date: Tuesday, July 08, 2014	

Thermal Block Diagram



Audio Block Diagram



Dr-Bios.com